

COMPONENT REF. DESIGNATIONS

LAST USED	DELETED
U61	U49
Q39	
C59	C31, C32
CR18	CR1, CR2
VR4	
R177	R11
TP7	
L1	

Ⓢ FOR VARIABLE COMP VALUES AND JUMPER LOCATIONS SEE TABULATED M/L.

- ALL PNP TRANSISTORS TO BE 2N4402.
- ALL NPN TRANSISTORS TO BE 2N4400.
- ALL DIODES TO BE 1N3064.
- ALL CAPACITORS IN MICROFARADS.
- ALL RESISTORS IN OHMS, 1/4W, 5% UNLESS OTHERWISE SPECIFIED.

READ/WRITE/ERASE ELECTRONICS

PERSCI, INC.

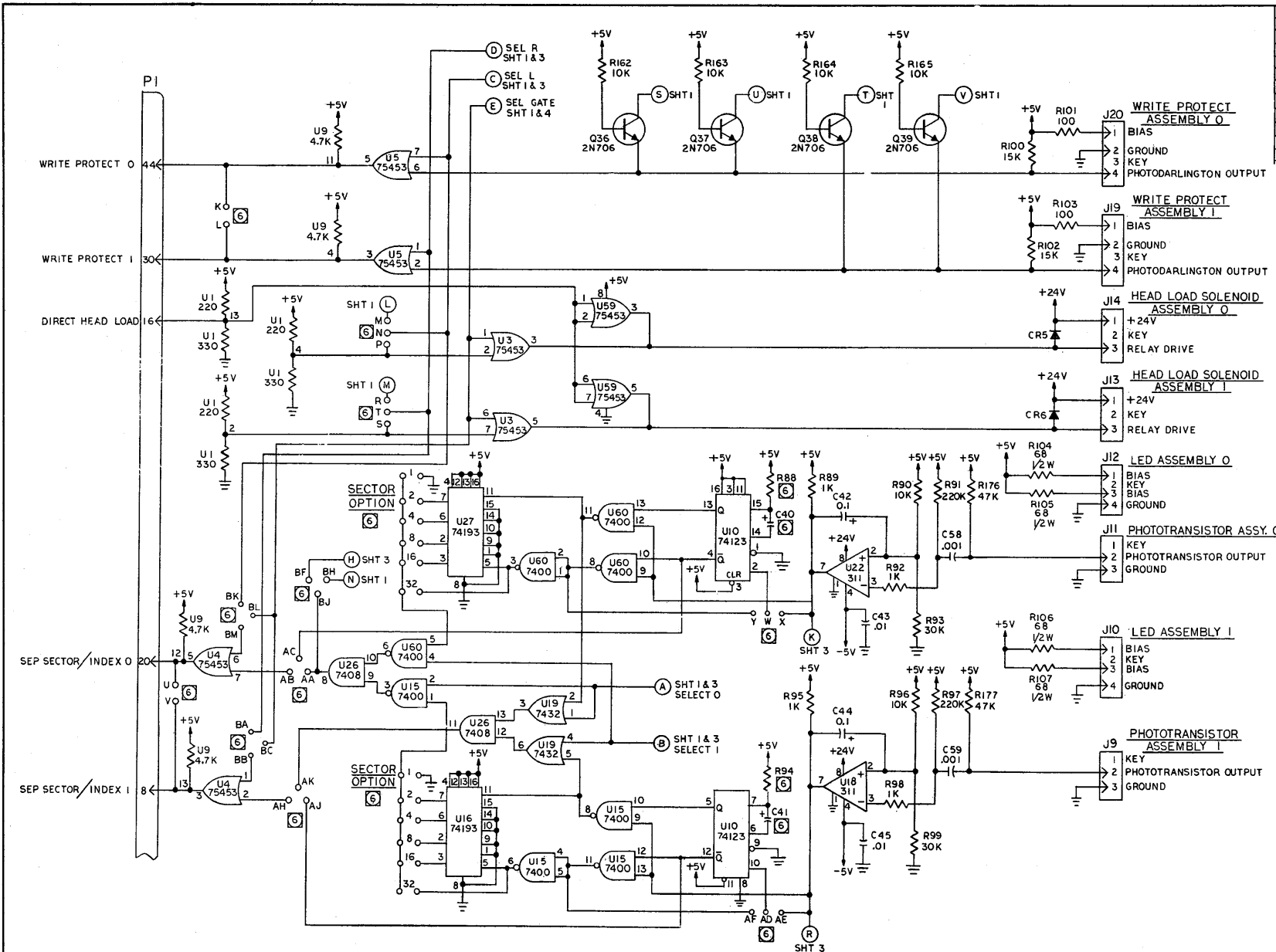
PERSCI

SCALE: _____ APPROVED BY: _____ DRAWN BY: _____
 DATE: _____ REVISED: _____

SCHEMATIC, PCB, DATA & INTERFACE

MOD 270/272/277 SHT 1 OF 4 200264/K

200264 K

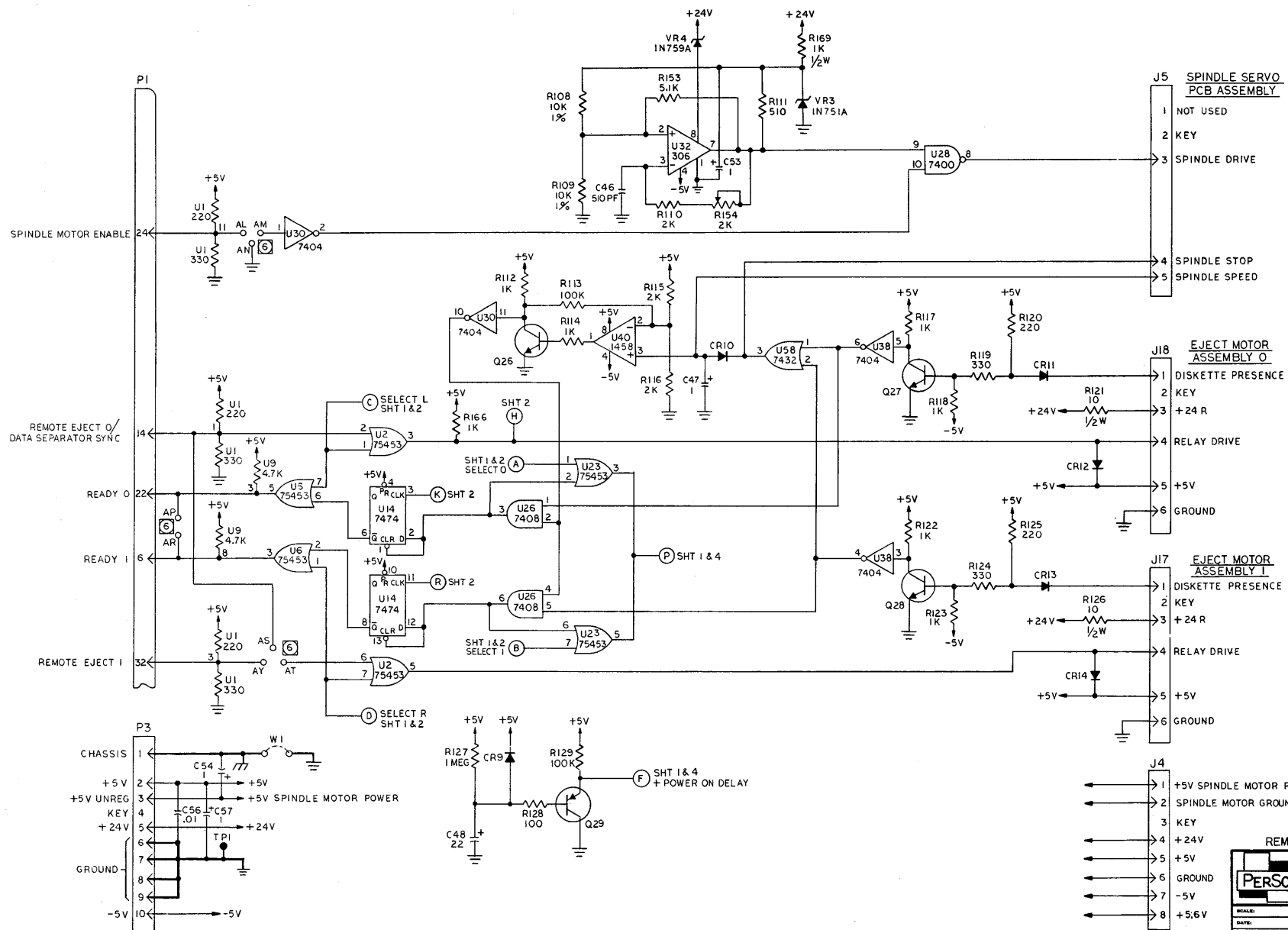


REVISION		200264	✓
REV	DESCRIPTION	CHK	DATE APPROVED
A	MFG REL		
B	ECO #12		
C	ECO #13		
D	ECO #45		
E	ECO #57		
F	ECO #59		
G	ECO #129		
H	ECO #134		
J	ECO #156		
K	ECO #188		

WRITE PROTECT, H.L.OAD, INDEX

PERSCI PERSCI, INC.

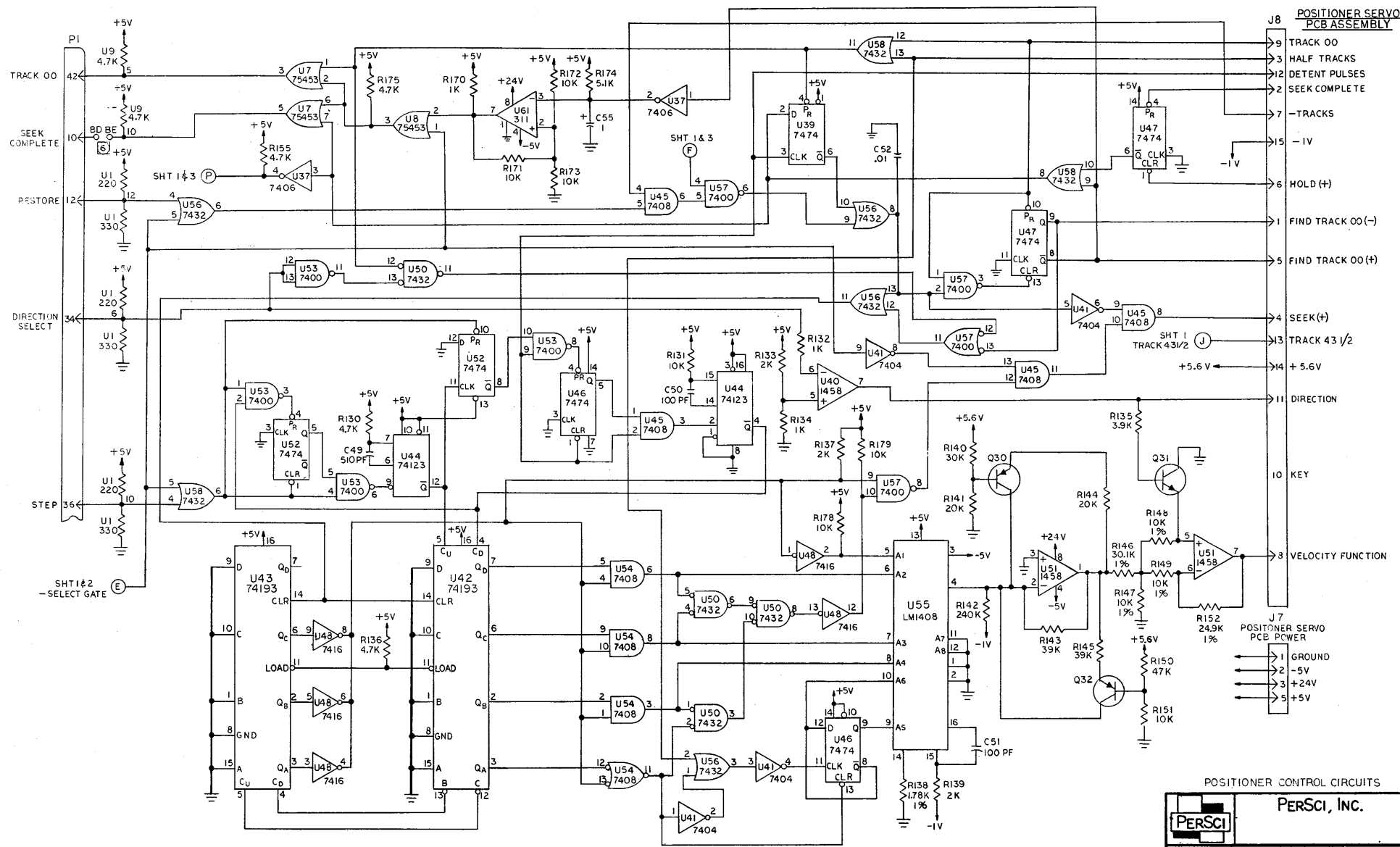
SCALE:	APPROVED BY:	DRAWN BY:
DATE:	REVISED:	
SCHEMATIC, PCB, DATA & INTERFACE		
MOD 270/272/277	SHT 2 OF 4	200264 K



REMOTE EJECT, READY, SPINDLE

PERSCI, INC.

SCALE:	APPROVED BY:	DRAWN BY:
DATE:	REVIEWED:	
SCHEMATIC, PCB, DATA & INTERFACE		
MOD 270/272/277	SHT 3 OF 4	200264K



POSITIONER CONTROL CIRCUITS

PERSCI		PERSCI, INC.	
SCALE:	APPROVED BY:	DRAWN BY:	
DATE:	REVISION:	REVISION:	
SCHEMATIC, PCB, DATA & INTERFACE			
MOD 270/272/277	SHT 4 OF 4	200264K	