


COMPONENT REF. DESIGNATIONS

LAST USED	DELETED
U61	
Q39	
C59	C31, C32
CR18	CR1, CR2
VR4	
R177	R11
TP7	
L1	

- 5. ALL PNP TRANSISTORS TO BE 2N4402
- 4. ALL NPN TRANSISTORS TO BE 2N4400
- 3. ALL DIODES TO BE 1N3054
- 2. ALL CAPACITORS IN MICROFARADS
- 1. ALL RESISTORS IN OHMS, LAW, 5% UNLESS OTHERWISE SPECIFIED.

FOR VARIABLE COMP VALUES AND JUMPER LOCATIONS SEE TABULATED ML.

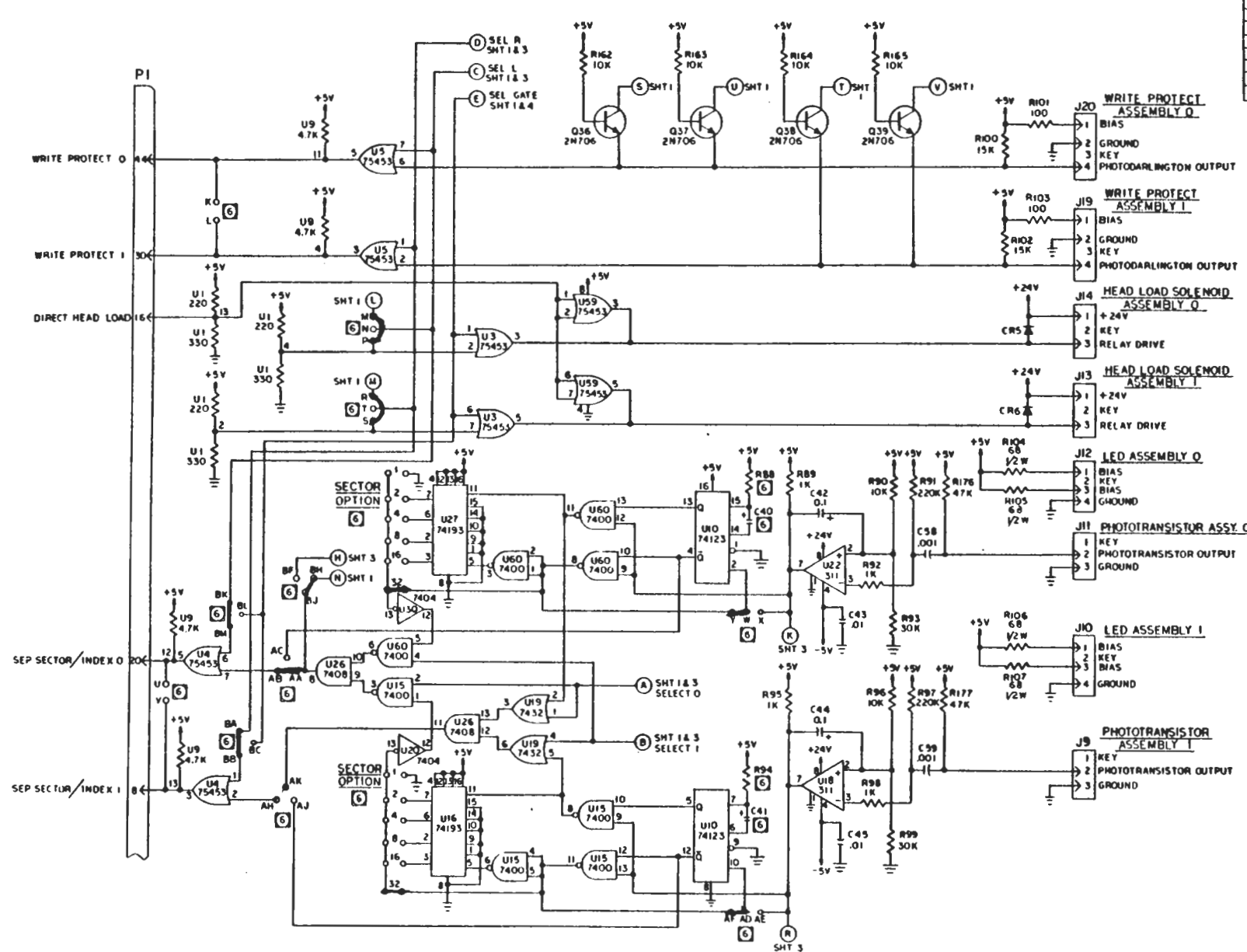
READ/WRITE/ERASE ELECTRONICS

PERSCI  **PERSCI, INC.**

SCHEMATIC, PCB, DATA & INTERFACE

MOD 270/272/277 SHT 1 OF 4 200261F

REVISION		200264 F	
REV	DESCRIPTION	CHK	DATE APPROVED
A	MFG REL		
B	ECO #12		
C	ECO #13		
D	ECO #45		
E	ECO #57		
F	ECO #59		

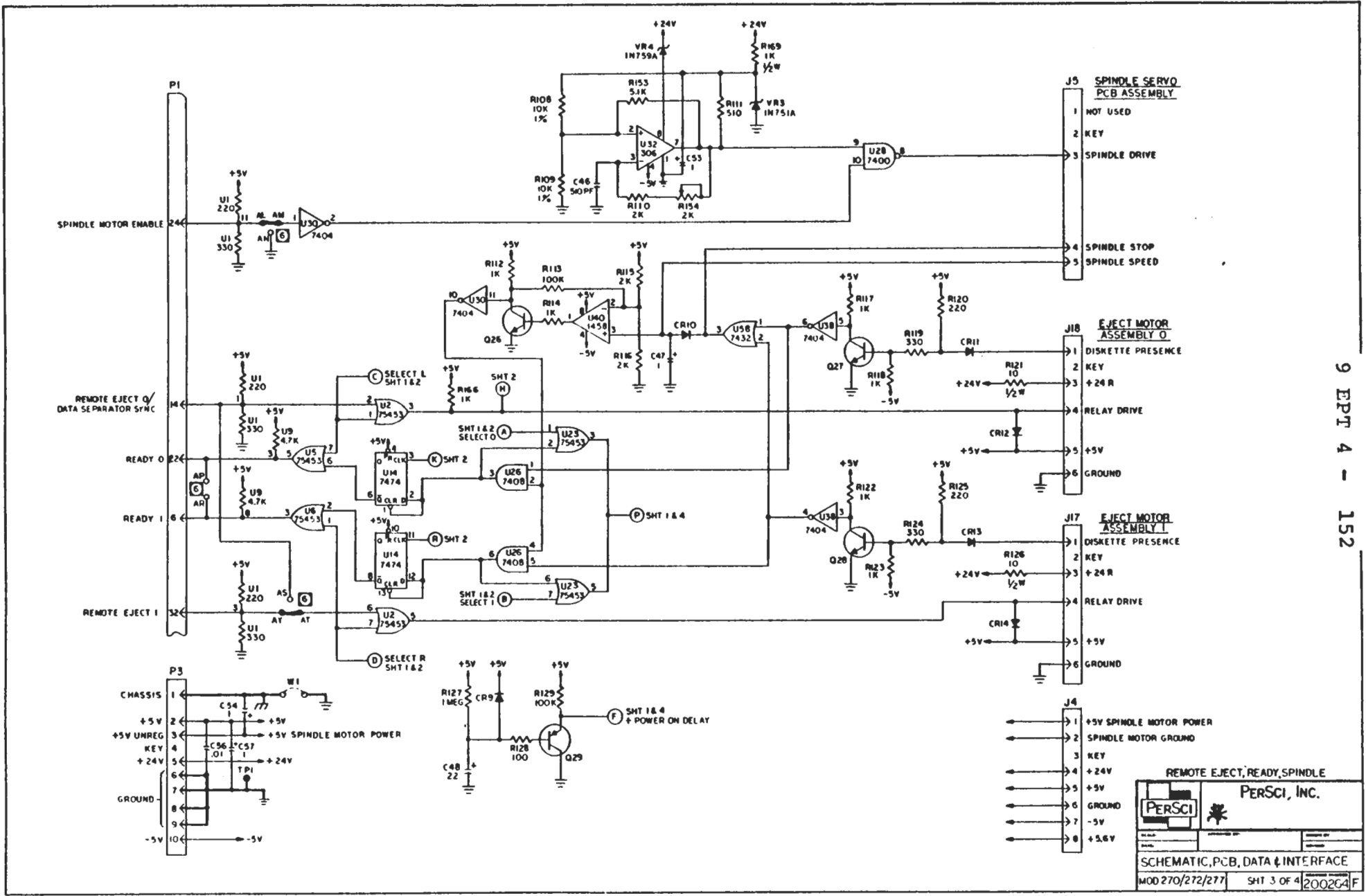


9 EPT 4 - 149

WRITE PROTECT, H. LOAD, INDEX

PERSCI		PERSCI, INC.	
SCHEMATIC, PCB, DATA & INTERFACE			
MOD 270/272/277		SHT 2 OF 4	

25
7-60



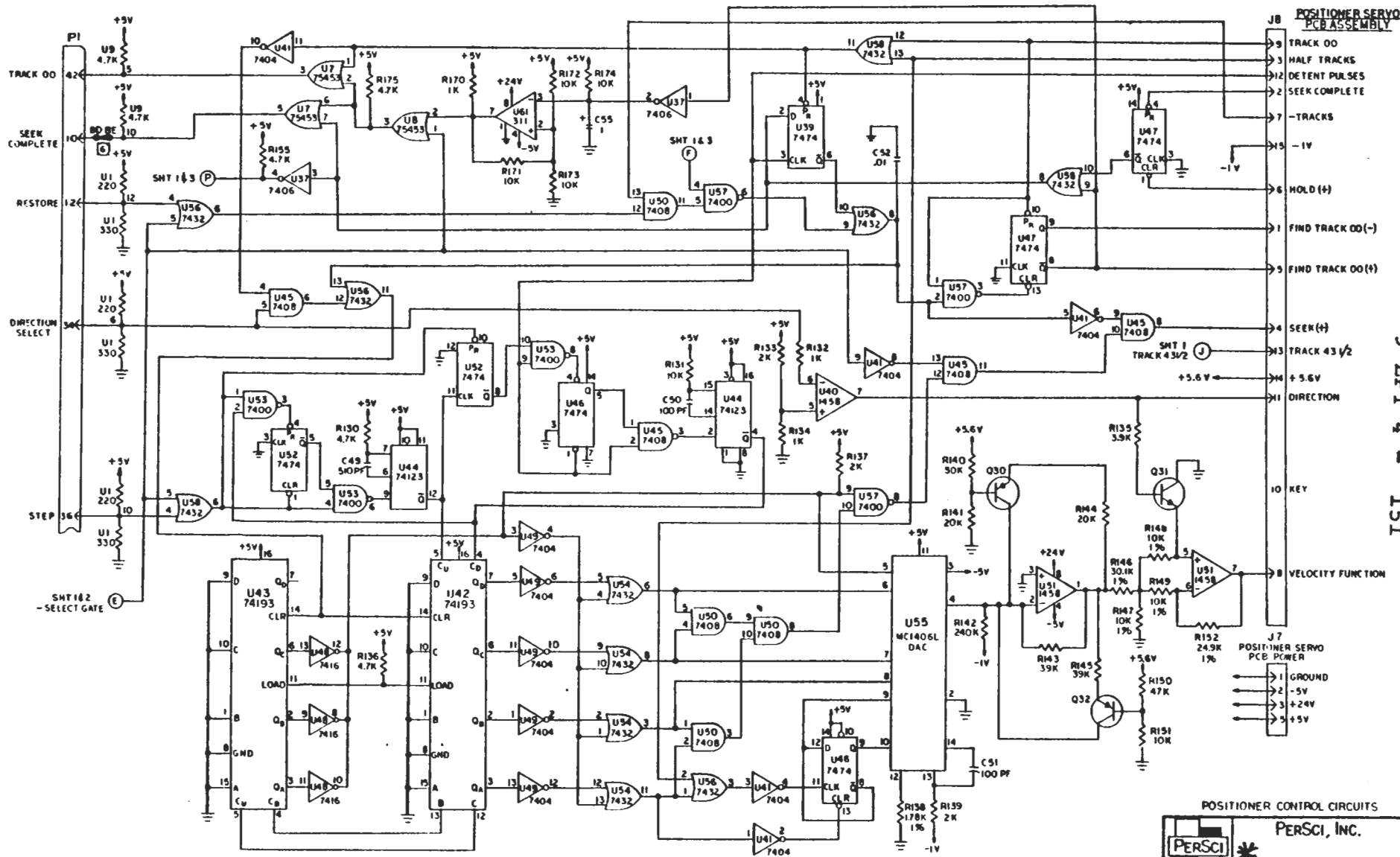
9 EPT 4 - 152

REMOTE EJECT, READY, SPINDLE

PERSCI PERSCI, INC.

SCHEMATIC, PCB, DATA & INTERFACE

MOD 270/272/277 SHT 3 OF 4 2002G4F



POSITIONER CONTROL CIRCUITS

PERSCI, INC.

PERSCI

SCHEMATIC, PCB, DATA & INTERFACE

MOD 270/272/277 SMT 4 OF 4 20026-1 F