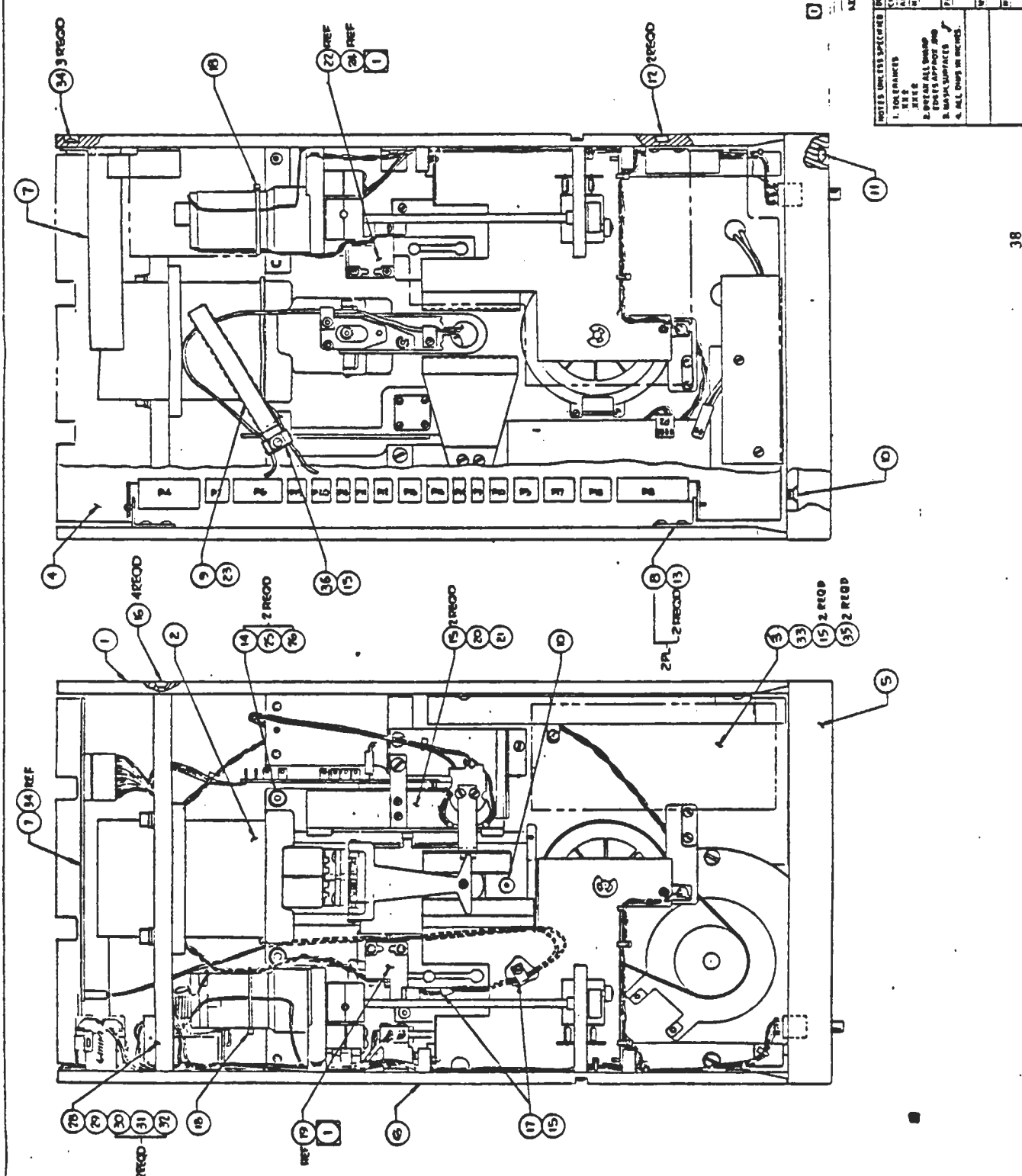


REVISIONS	
REV	DESCRIPTION
A	BAUGER ENG. 2-25-78
B	SEE ETO 99
C	SEE ETO 104



NOTES UNLESS SPECIFIED:  
 1. FOR ENHANCED  
 SEE  
 2. PERFORM ALL WIPING  
 3. PERFORM ALL WIPING  
 4. WASH SURFACES  
 5. ALL DIMS IN INCHES.

PERSCI  
 PerSci Incorporated  
 ASSY, DUAL  
 DISKETTE DRIVE  
 SCALE 1/4" = 1"  
 WORKS NO. 277  
 PART NO. 200131-K14

DATE	REV
1/1	D
200131	C

PERSCI  
 PERSCI INCORPORATED  
 1000 WILSON AVENUE  
 BOSTON, MASSACHUSETTS 02118  
 TEL: 617-252-2777  
 FAX: 617-252-2778