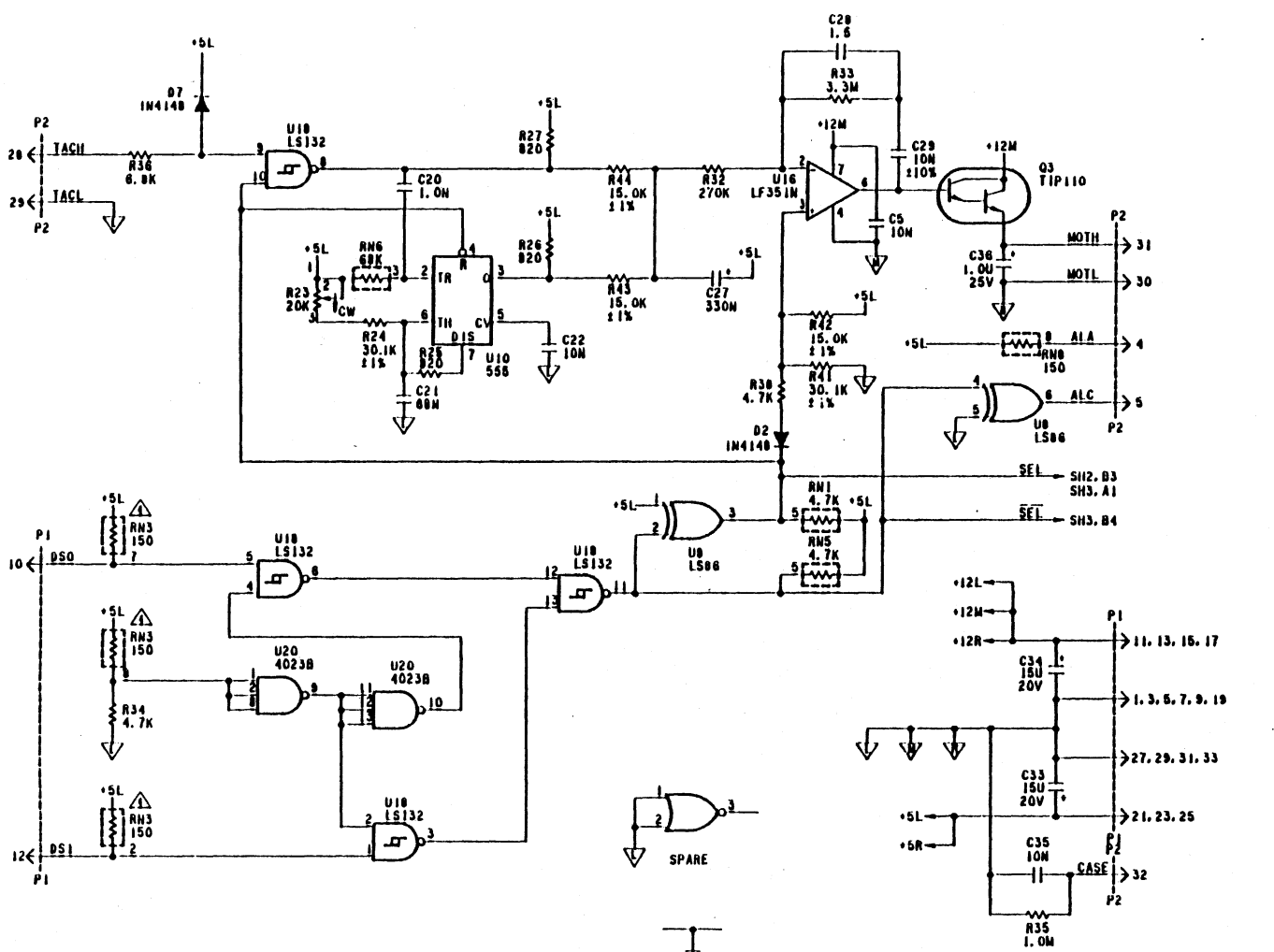


REVISIONS			
REV	DESCRIPTION	DATE	APPROVED
F	ECO NUMBER 0090	12/81	PLM



REFERENCE DESIGNATION	TYPE	CND	CND	CND	*51	*5M	*12M
U1	CA3054						
U2	4025B	1			14		
U3, 4, 10	555	7					
U5	7411						
U6	NE592						
U7	4013B	7			14		
U8	LS98	7			14		
U9	LS112	8			16		
U11	LS123	8			16		
U12	7438	7			14		
U13	4070B	7			14		
U14	4001B	7			14		
U15	LS139	8			16		
U16	LF351	7	4			7	
U17, 19	LS14	7			14		
U18	LS132	7			14		
U20	4023B	7			14		
U21, 22	7545	7	4				

COMPONENT	REF DESIG
LAST	NOT USED
C30	C13, 15, 20
D5	
D6	
P3	
Q3	
R39	R23-29, 31-
	33, 36, 38
RN0	RN2
TP0	TP2
U22	

- ⚠ RN3 IS PART OF DISK ASSY 2A2010. INSTALLED ON -00. DELETED ON -01.
- INDUCTANCE VALUES ARE IN MICROHENRIES, $\pm 10\%$.
 - CAPACITANCE VALUES ARE IN FARADS, $50V, \pm 20\%$.
 - RESISTANCE VALUES ARE IN OHMS, $1/4W, \pm 5\%$.
- NOTES: UNLESS OTHERWISE SPECIFIED

C6, 9, 10, 19, 20, 23
25, 26, 30, 31, 32

QTY	FSM	PARTS ON	NAME	DATE	SCALE

PARTS LIST		CONTRACT NO.	
2A3009	OCC1	MEGA	10/81
		PLM	12/81

OSBORNE COMPUTER CORPORATION		26500 Corporate Avenue	
SCHEMATIC DIAGRAM		Hesperia, California 94345	
DISK ELECTRONICS		415-887-8000	
SIZE	FSM NO.	DWG. NO.	1A3004-00/01
C			
SCALE	NONE	SHEET	1 OF 3

REVISION 100 2200001

D
C
B
A

D
C
B
A

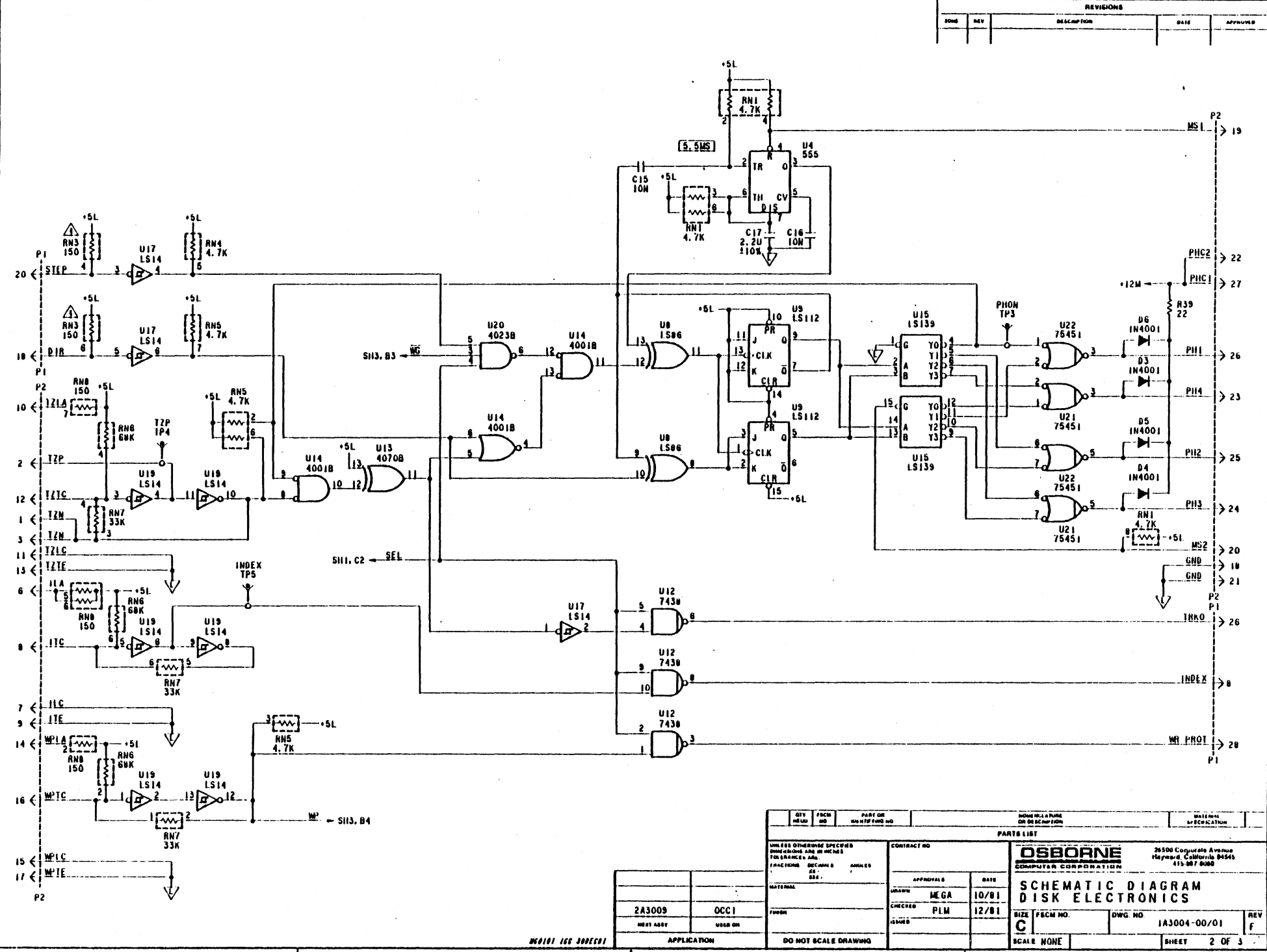
REVISIONS				
ZONE	REV	DESCRIPTION	DATE	APPROVED

D

C

B

A



D

C

B

A

DWG. NO. IA3004-00/01
 SM. 2
 REV. F

CITY		FACIL. NO.		PART OR MATER. PART NO.		HOW MANY PARTS OR DESCRIPTION		MATERIAL SPECIFICATION	

APPROVALS		DATE	

CONTRACT NO.		MATERIAL	

PARTS LIST	

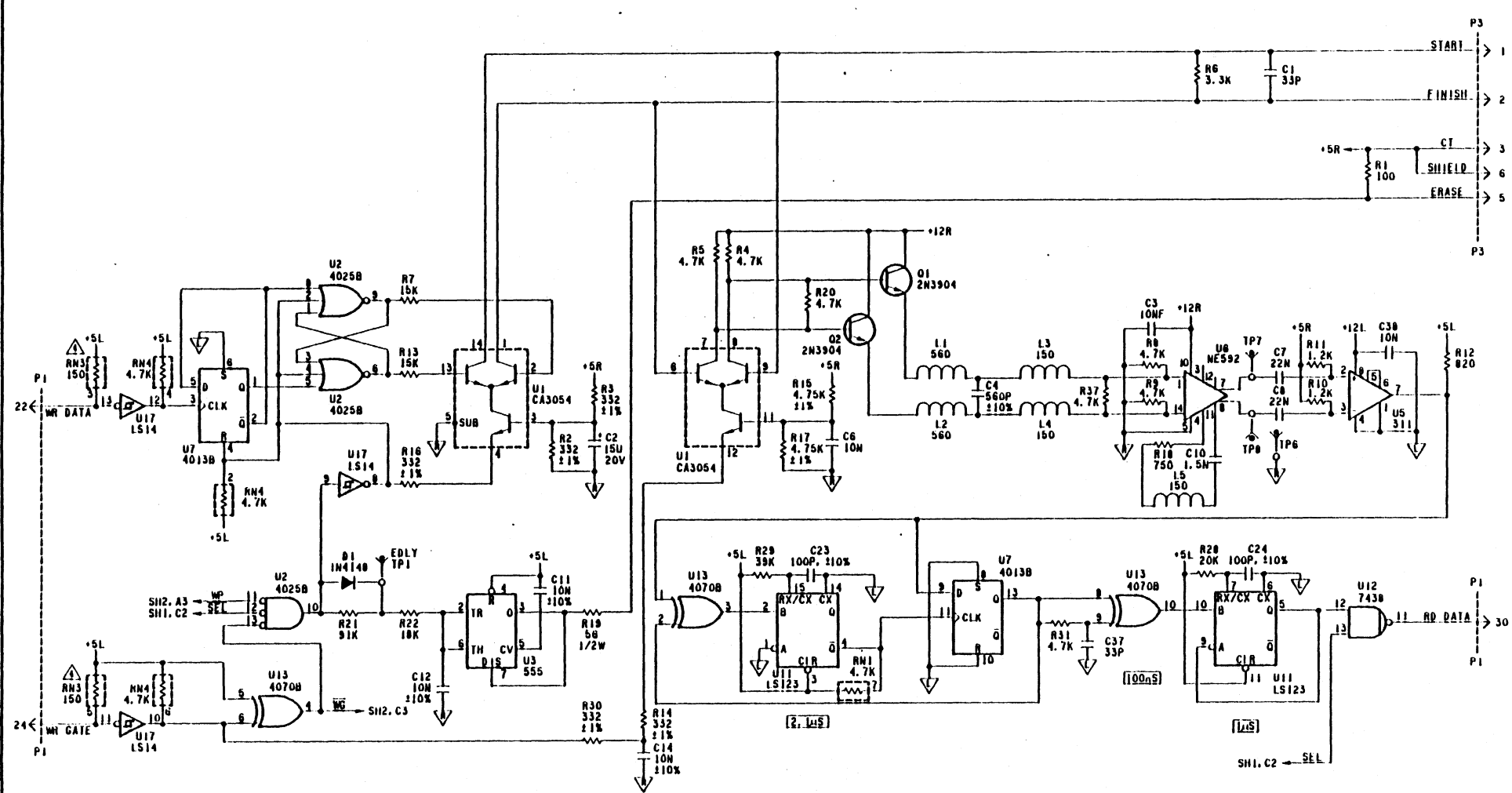
UNLESS OTHERWISE SPECIFIED DIMENSIONS ARE IN INCHES FRACTIONS DECIMALS ANGLES SEE 202	

OSBORNE COMPUTER CORPORATION		26500 Corporate Avenue Hayward, California 94545 415-887-8000	
SCHEMATIC DIAGRAM DISK ELECTRONICS			
SIZE	FACIL. NO.	DWG. NO.	REV.
C		IA3004-00/01	F
SCALE	NONE	SHEET	2 OF 3

UNLESS OTHERWISE SPECIFIED

DO NOT SCALE DRAWING

REVISIONS				
ZONE	REV	DESCRIPTION	DATE	APPROVER



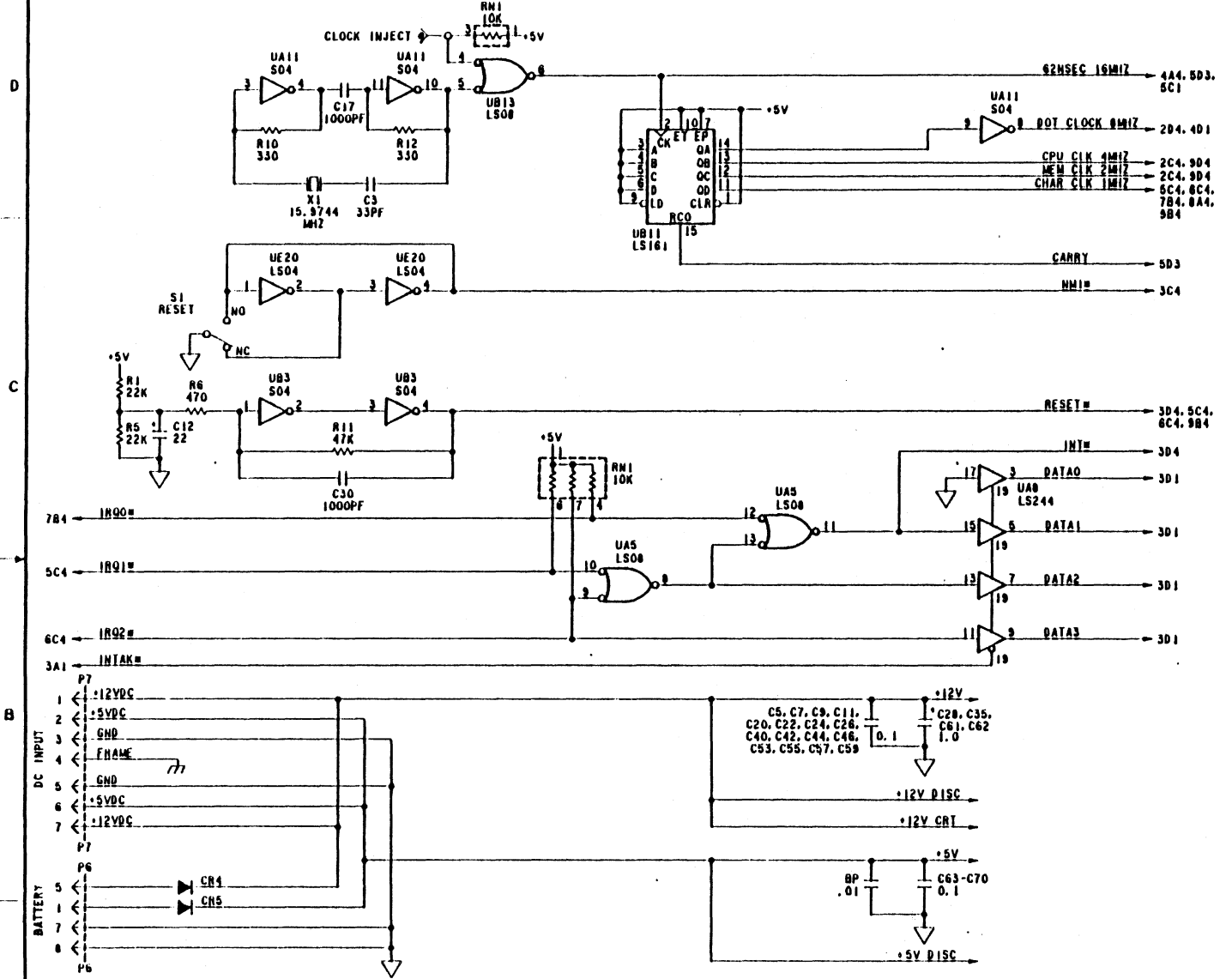
DWG. NO. 1A3004-00/01 SH.3 REV.1

QTY	FRGM	PARTS OR	NAME INCLUDE	MATERIAL
REQD	NO	IDENTIFYING NO	OR DESCRIPTION	SPECIFICATION
PARTS LIST				
UNLESS OTHERWISE SPECIFIED DIMENSIONS ARE IN INCHES FRACTIONS DECIMALS ANGLES DIP. SOLDER			CONTRACT NO.	OSBORNE COMPUTER CORPORATION 26500 Corporate Avenue Hayward, California 94545 415-887-9086
MATERIAL		APPROVALS	DATE	SCHEMATIC DIAGRAM DISK ELECTRONICS
DRAWN		MEGA	10/81	
CHECKED		PLM	12/81	
FORM		NAME		SIZE FRGM NO.
DO NOT SCALE DRAWING				DWG. NO. 1A3004-00/01
				REV F
				SCALE NONE
				SHEET 3 OF 3

2A3009	OCC1
ME 11 ARAY	USER ON
APPLICATION	

REQUIRE 100 SYMBOLS

REVISIONS				
ZONE	REV	DESCRIPTION	DATE	APPROVED
	D	REVISED & REDRAWN	10/81	
	E	REVISED	1/82	



I.C. IDENTIFICATION TABLE				
REF. DESIGNATION	TYPE NO.	QND	+5V	+12V
UA12, UD1, UE10, UE22	500	7	14	
UB12, UD2	502	7	14	
UD7, UD8, UD9	503	7	14	
UB3, UE8, UE20	504	7	14	
UA11	504	7	14	
UE13, UE14	505	7	14	
UA9, UA10, UD6, UE23	7408	7	14	
UA9, UB13, UB18, UC1	508	7	14	
UB5	511	7	14	
UA4, UE5, UE11, UC2	532	7	14	
UE7, UE8, UE9	7438	7	14	
UA6, UB4, UB6, UE21	LS74	7	14	
UB2	LS109	8	16	
UB1, UD10	LS139	8	16	
UE15, UE16, UE17, UE18	LS153	8	16	
UB17	LS155	8	16	
UB16	LS157	8	16	
UA25, UB11, UC3, UD3	LS161	8	16	
UD19, UD18, UD17, UD18	LS161	8	16	
UA19	74186	8	16	
UB14	LS179	8	16	
UA8, UA19	LS244	10	20	
UC12	5244	10	20	
UA	LS273	8	16	
UB5	LS390	8	16	
UA13, UB14	5393	7	14	
UC1	280-A	29	11	
UE3	555	1	9	
UE3	LM1458	1	1	40
UB7	1793	20	24	
UA5	2718	12	24	
UD4	LM3900	7	14	
UC7, UC15	6821	7	20	
UC4	6850	1	12	
UE12	81595	10	20	
UD11	2732	12	24	

REFERENCE DESIGNATION	
LAST	NOT USED
C05	C14-16, 18-27, 29, 31-34, 36-60, 63-70, 75-83
C05	
P9	PG. 7
Q2	
R46	R9, 45
RM14	
S1	
X2	

2. CAPACITANCE VALUES ARE IN MICROFARADS. 50V. ± 20%
 1. RESISTANCE VALUES ARE IN OHMS. 1/4W. ± 5%
 NOTES: UNLESS OTHERWISE SPECIFIED

REV	DATE	BY	CHKD	APP'D	DATE

UNLESS OTHERWISE SPECIFIED DIMENSIONS ARE IN INCHES TOLERANCES: .010

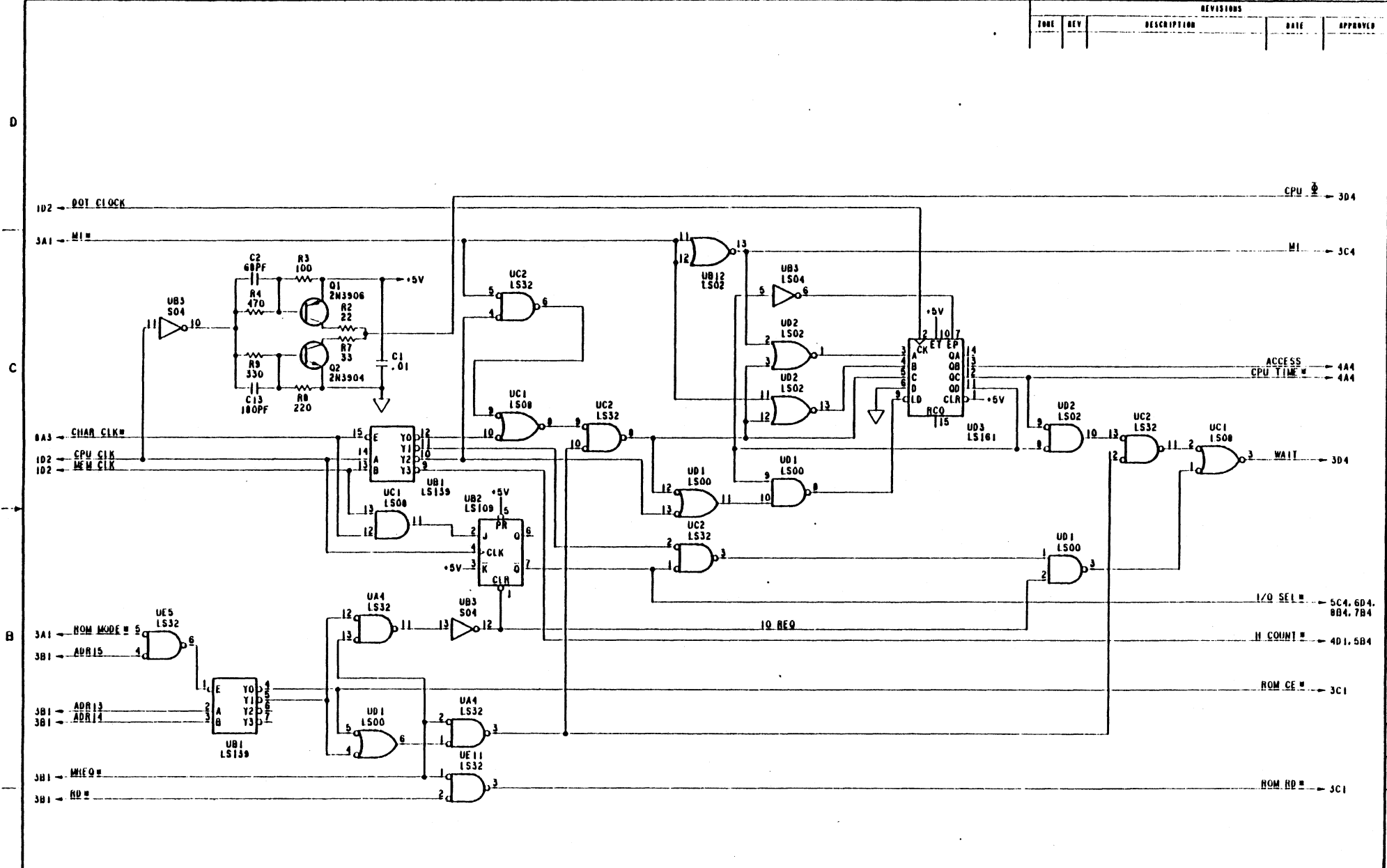
OSBORNE 28500 Corporate Avenue Hayward California 94541 415 887 8000

SCHEMATIC DIAGRAM, MAIN PC BOARD

DATE: 10/81
 SCALE: 1:1
 SHEET: 1 OF 9

1A2011-00 151 REV E

REVISIONS				
ZONE	REV	DESCRIPTION	DATE	APPROVED



<p>UNLESS OTHERWISE SPECIFIED DIMENSIONS ARE IN MILLIMETERS (IN BRACKET) AND FRACTIONS DECIMALS IN AMPLIES</p>		<p>CONTRACT NO.</p>		<p>OSBORNE COMPUTER CORPORATION 26500 Corporate Avenue Hayward, California 94545 415-887-8088</p>	
<p>MATERIAL</p>		<p>APPROVALS</p>		<p>DATE</p>	
<p>DATE</p>		<p>MEGA</p>		<p>10/91</p>	
<p>SCALE</p>		<p>SHEET</p>		<p>2 OF 9</p>	

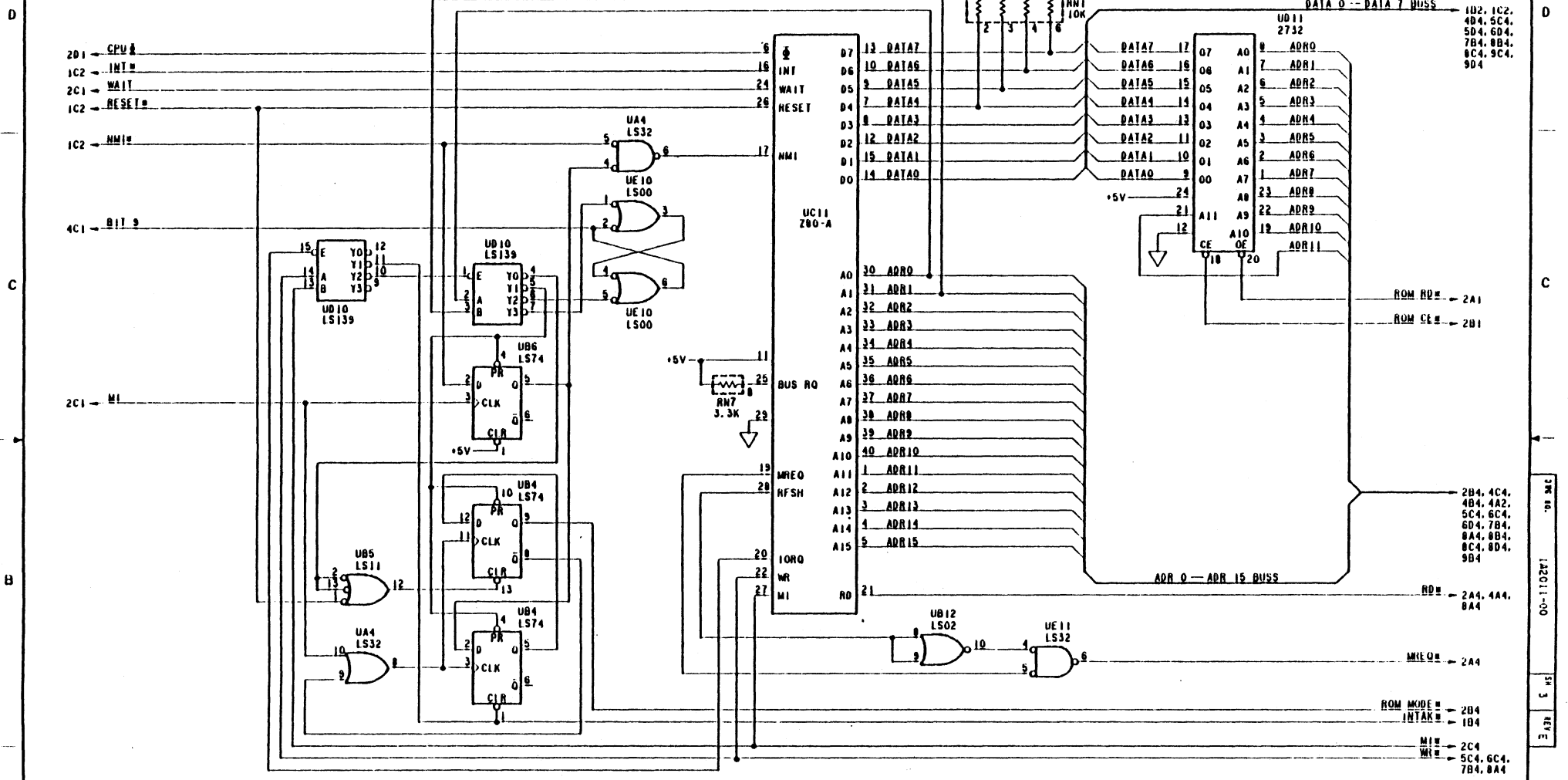
1A2011-00

SCHEMATIC DIAGRAM, MAIN PC BOARD

1A2011-00

2 OF 9

REVISIONS				
ZONE	REV	DESCRIPTION	DATE	APPROVED



1A2011-00 SH.3 REV.E

REV	FILE NO	DATE	REVISED	DATE	BY	REVISION	DATE	BY

UNLESS OTHERWISE SPECIFIED DIMENSIONS ARE IN INCHES FRACTIONS ARE IN 16ths UNLESS OTHERWISE SPECIFIED

MATERIAL: BRN BRN

FINISH: BRN BRN

DATE: 10/81

SCALE: 1:1 2:1 3:1

DO NOT SCALE DRAWING

APPROVALS: ME GA DATE 10/81

CONTRACT NO: DATE:

OSBORNE COMPUTER CORPORATION
36500 Corporate Avenue
Hayward, California 94545
415-887-8000

SCHMATIC DIAGRAM, MAIN PC BOARD

DWG NO: 1A2011-00

SHEET 3 OF 9

REVISED 10/81

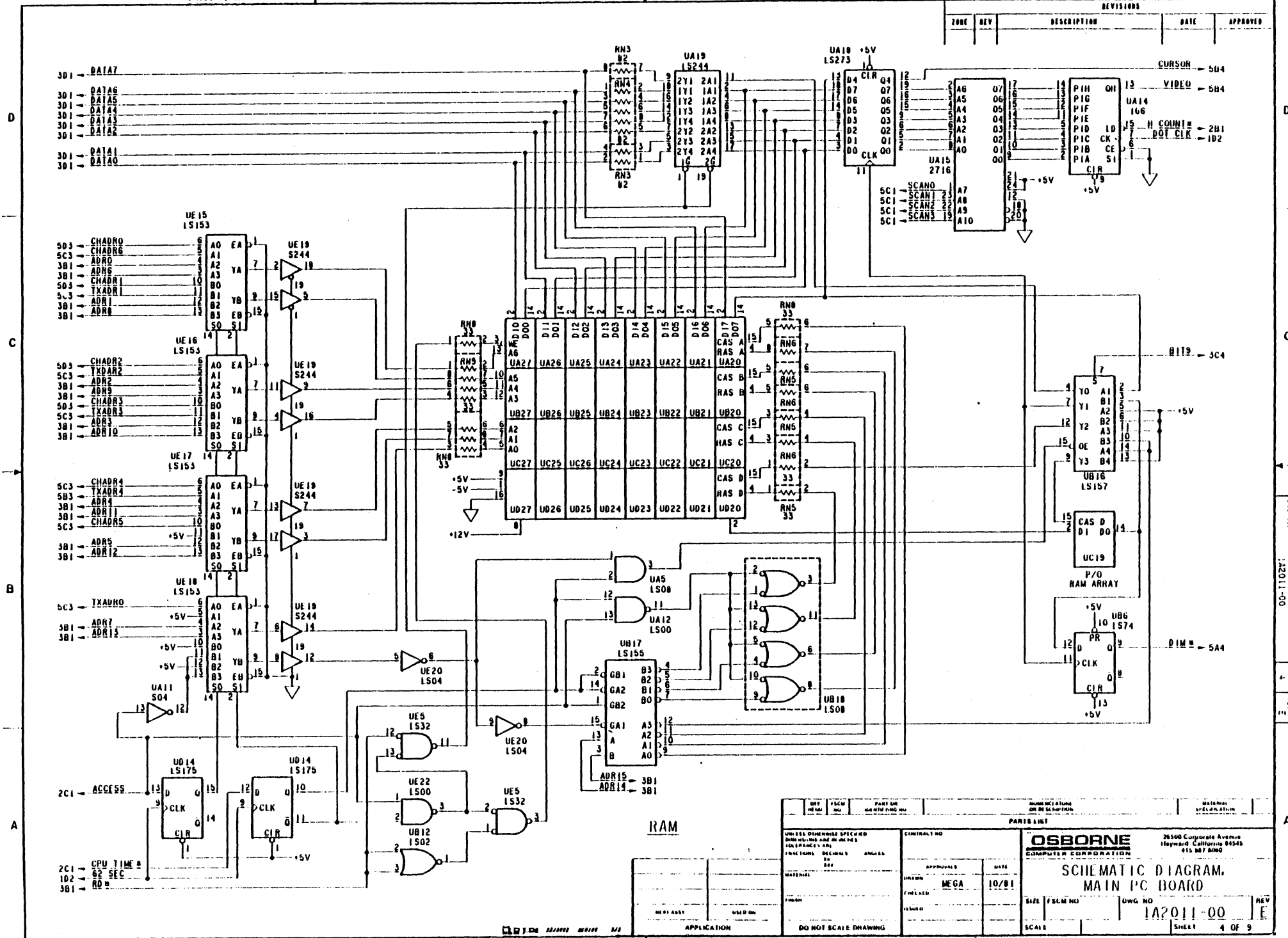
APPLICATION

DO NOT SCALE DRAWING

SCALE

SHEET 3 OF 9

REVISIONS				
ZONE	REV	DESCRIPTION	DATE	APPROVED



QTY	FORM	PART OR	MANUFACTURE	REVISION	DATE	APPROVED	DATE

UNLESS OTHERWISE SPECIFIED
DIMENSIONS ARE IN INCHES
FRACTIONS DECIMALS ANGLES
DIP

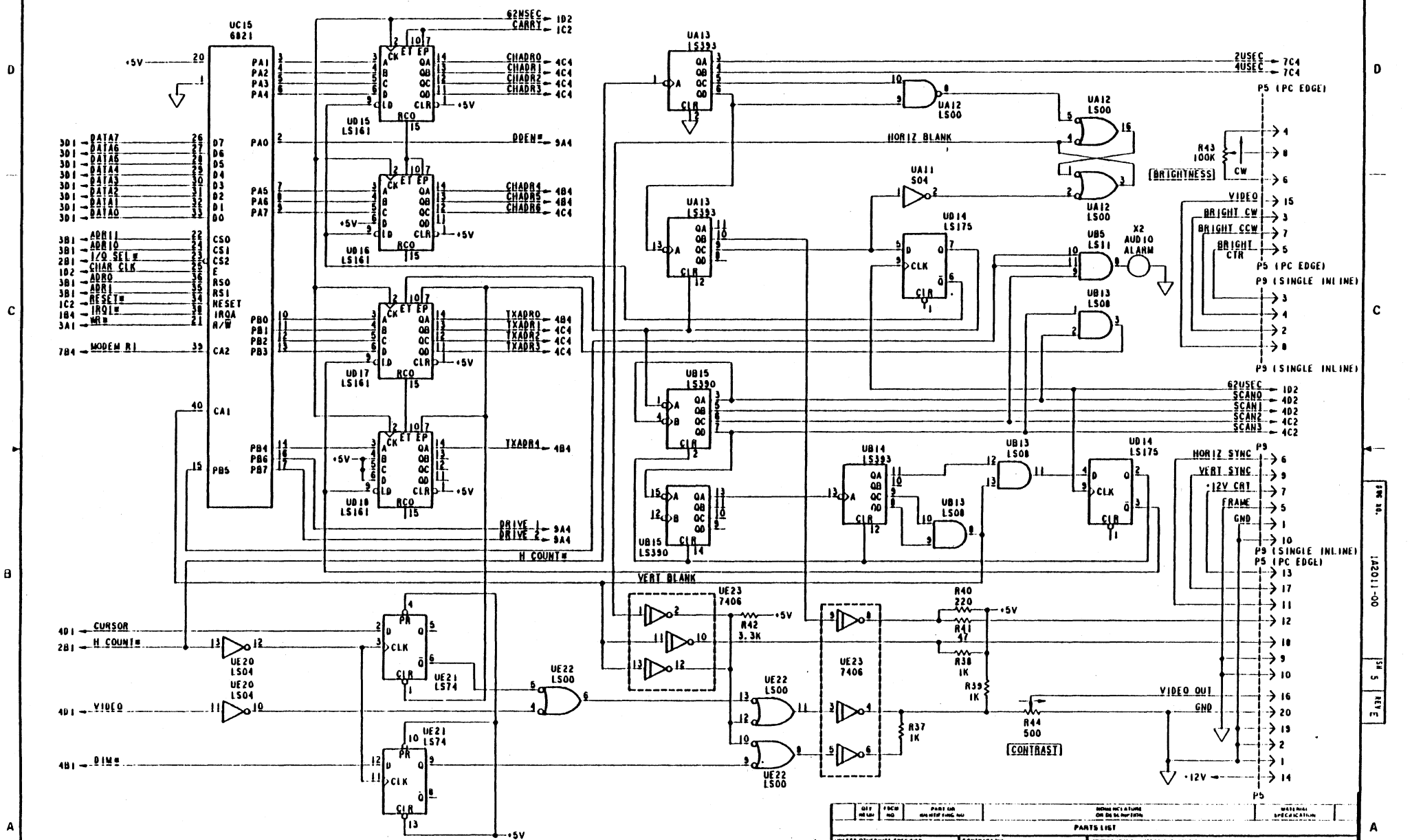
OSBORNE
COMPUTER CORPORATION
25500 Corporate Avenue
Hayward, California 94545
415 87 8000

**SCHEMATIC DIAGRAM,
MAIN PC BOARD**

APPROVAL: MEGA
DATE: 10/81

SIZE: FSCM NO: DWG NO: 1A2011-00
SCALE: SHEET: 4 OF 9

REVISIONS				
ZONE	REV	DESCRIPTION	DATE	APPROVED



D
C
B
A

D
C
B
A

VIDEO

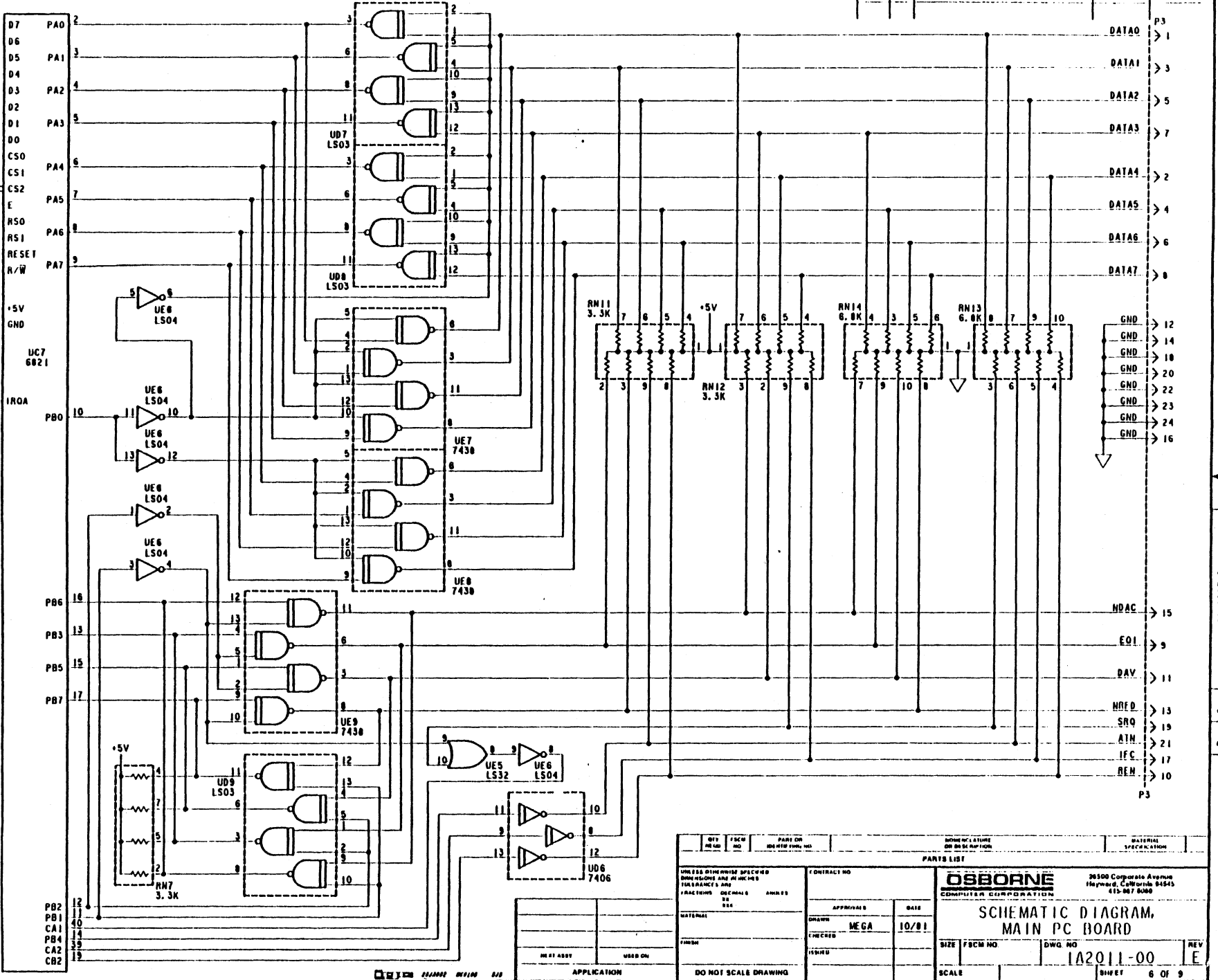
PARTS LIST		CONTRACT NO.		DATE	
QTY	FRM	PART NO.	REV	DATE	BY
OSBORNE COMPUTER CORPORATION			2650 Corporate Avenue Hayward, California 94545 415-887-8000		
SCHEMATIC DIAGRAM, MAIN PC BOARD			DWG NO. 1A2011-00		
SIZE	FRM NO.	DWG NO.	REV		
SCALE	NONE	SHEET	5 OF 9		

SH 5 REV E

1A2011-00

REVISIONS				
ZONE	REV	DESCRIPTION	DATE	APPROVED

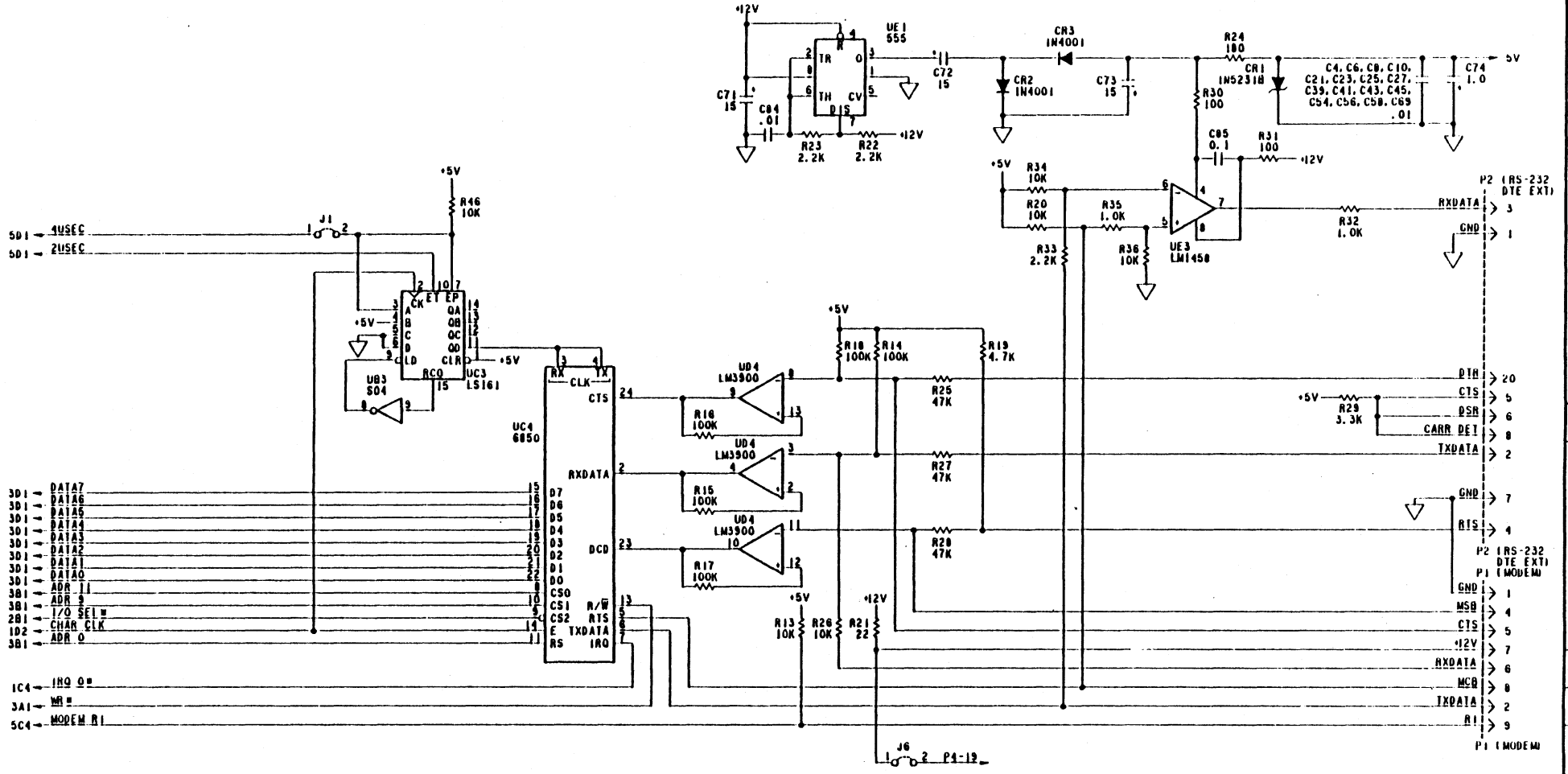
- 3D1 - DATA7 26 D7 PA0 2
- 3D1 - DATA6 27 D6 PA1 3
- 3D1 - DATA5 28 D5 PA2 4
- 3D1 - DATA4 29 D4 PA3 5
- 3D1 - DATA3 30 D3 PA4 6
- 3D1 - DATA2 31 D2 PA5 7
- 3D1 - DATA1 32 D1 PA6 8
- 3D1 - DATA0 33 D0 PA7 9
- 3B1 - ADDR1 22 CS0 PA4 6
- 3B1 - ADDR 24 CS1 PA5 7
- 2B1 - I/O SEL 23 CS2 PA6 8
- ID2 - CHAR. CLK 25 E PA7 9
- 3B1 - ADDR0 36 RS0 PA8 10
- 3B1 - ADP1 35 RS1 PA9 11
- IC2 - RESET 34 RESET PA10 12
- 3A1 - WR 21 R/W PA11 13



QTY	FORM	PART OR	WIRE/LATURE	MATERIAL
NO	NO	NO	OR NO BY PART	SPECIFICATION
PARTS LIST				
UNLESS OTHERWISE SPECIFIED DIMENSIONS AND TOLERANCES FRACTIONS DECIMALS ANGLES IN INCHES		CONTRACT NO		38500 Corporate Avenue Hayward, California 94545 415-887-8000
MATERIAL		APPROVED	DATE	OSBORNE COMPUTER CORPORATION
FINISH		MEGA	10/81	
NO. AT ASBY	USED ON	SCALE		SIZE
APPLICATION		DO NOT SCALE DRAWING		DWG NO
				1A2011-00
				REV
				SCALE
				SHEET 6 OF 9

385 10. 1A2011-00 15 5 2

REVISIONS				
NO	REV	DESCRIPTION	DATE	APPROVED



SERIAL I/O

QTY	PART NO.	PART OR IDENTIFYING NO.	QUANTITY	DATE

OSBORNE COMPUTER CORPORATION 28500 Corporate Avenue Hayward, California 94545 415-887-8080	
SCHEMATIC DIAGRAM, MAIN PC BOARD	
SIZE: <input type="checkbox"/> A <input type="checkbox"/> B <input type="checkbox"/> C SCALE: <input type="checkbox"/> 1:1 <input type="checkbox"/> 2:1 <input type="checkbox"/> 4:1	DWG NO: 1A2011-00 REV: E SHEET: 7 OF 9

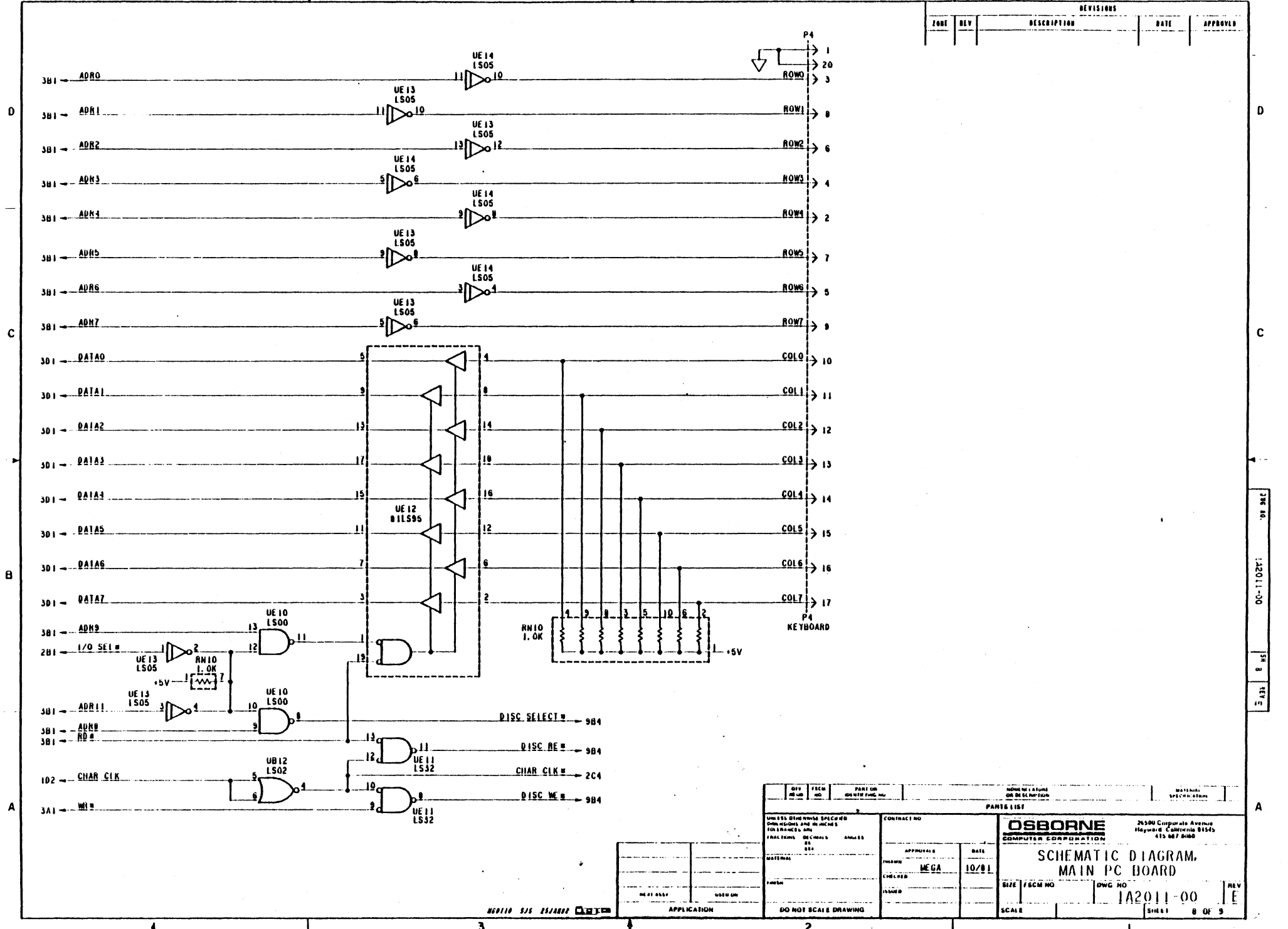
MEGATEC

APPLICATION: _____

DO NOT SCALE DRAWING

REV 5 1A2011-00 100

REVISIONS				
ZONE	REV	DESCRIPTION	DATE	APPROVED



QTY NO. USED	FEED NO.	PART NO. OR MFG. PART NO.	MATERIAL SPECIFICATION
PARTS LIST			
UNLESS OTHERWISE SPECIFIED DIMENSIONS ARE IN INCHES TOLERANCES ARE:		CONTRACT NO.	DATE
FRACTIONS	DECIMALS	ISSUED	APPROVED
BY	BY	CHECKED	MEGA
DATE	DATE	ISSUED	10/81
DRAWN		SCALE	
CHECKED		SCALE	
ISSUED		SCALE	
REVISIONS		SCALE	

OSBORNE
COMPUTER CORPORATION

24500 Corporate Avenue
Hayward, California 94545
415 867 8100

SCHEMATIC DIAGRAM,
MAIN PC BOARD

SIZE / FEED NO. DWG NO. REV
1A2011-00 E

SHEET 8 OF 9

HEWLETT PACKARD

APPLICATION

DO NOT SCALE DRAWING

D

D

C

C

B

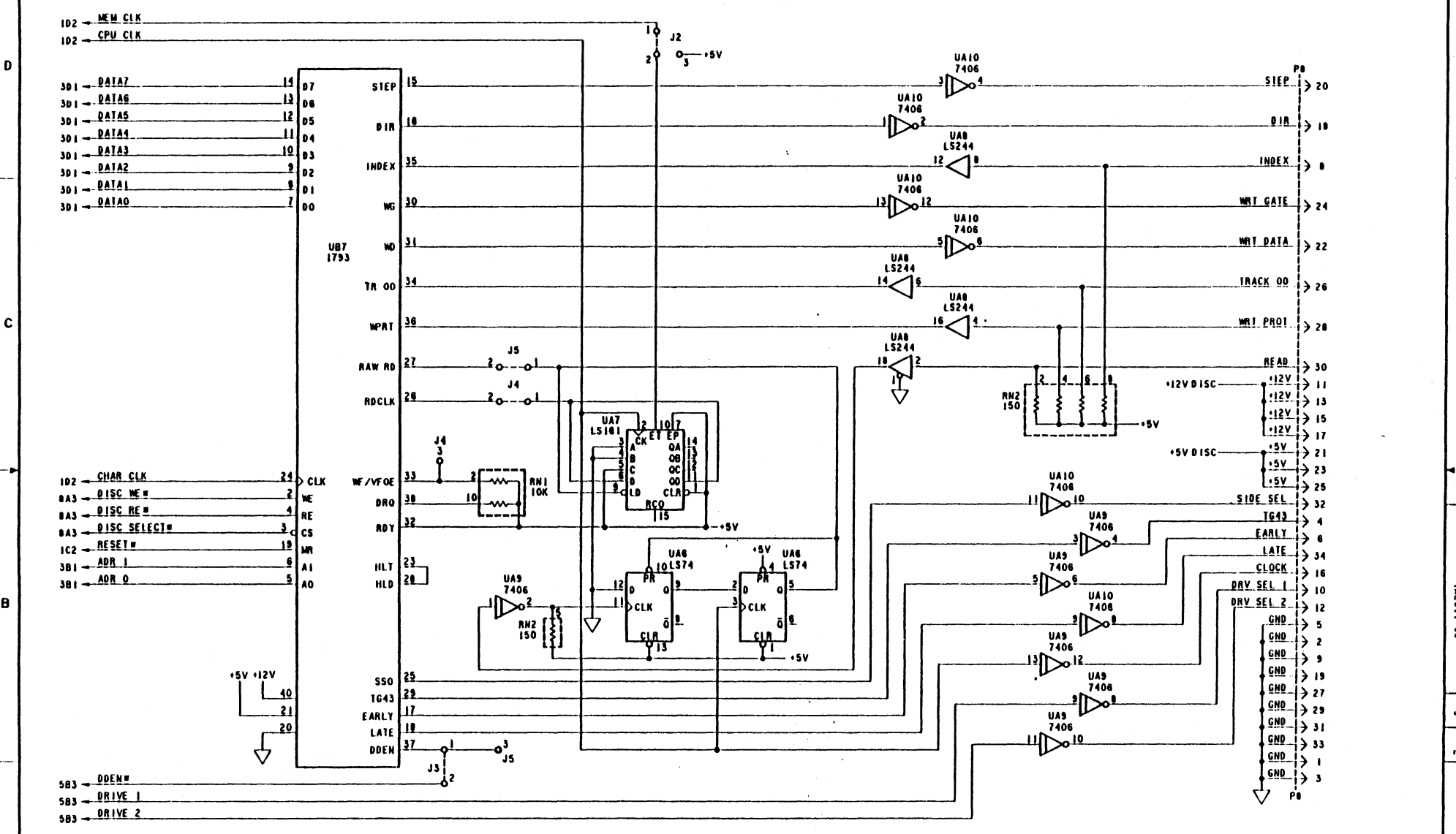
B

A

A

JAN 80 1A2011-00 SH. 8 REV. E

REVISIONS				
ZONE	REV	DESCRIPTION	DATE	APPROVED



DISC CONTROLLER

REV	FCM NO	PART OR IDENT NO	MANUFACTURE OR DESCRIPTION	MATERIAL SPECIFICATION

PARTS LIST

UNLESS OTHERWISE SPECIFIED DIMENSIONS ARE IN INCHES FOR FRACTIONS DECIMALS ARE	CONTRACT NO	OSBORNE COMPUTER CORPORATION 26500 Corporate Avenue Hayward, California 94545 415-887-8080		
MATERIAL	APPROVALS	SCHEMATIC DIAGRAM, MAIN PC BOARD		
FINISH	DATE			
NET ASSY	10/81			
USED ON	SIZE	FCM NO	DWG NO	REV
APPLICATION	DO NOT SCALE DRAWING		1A2011-00	1
		SCALE	SHEET	9 OF 9

REV. E 1A2011-00 SH 6