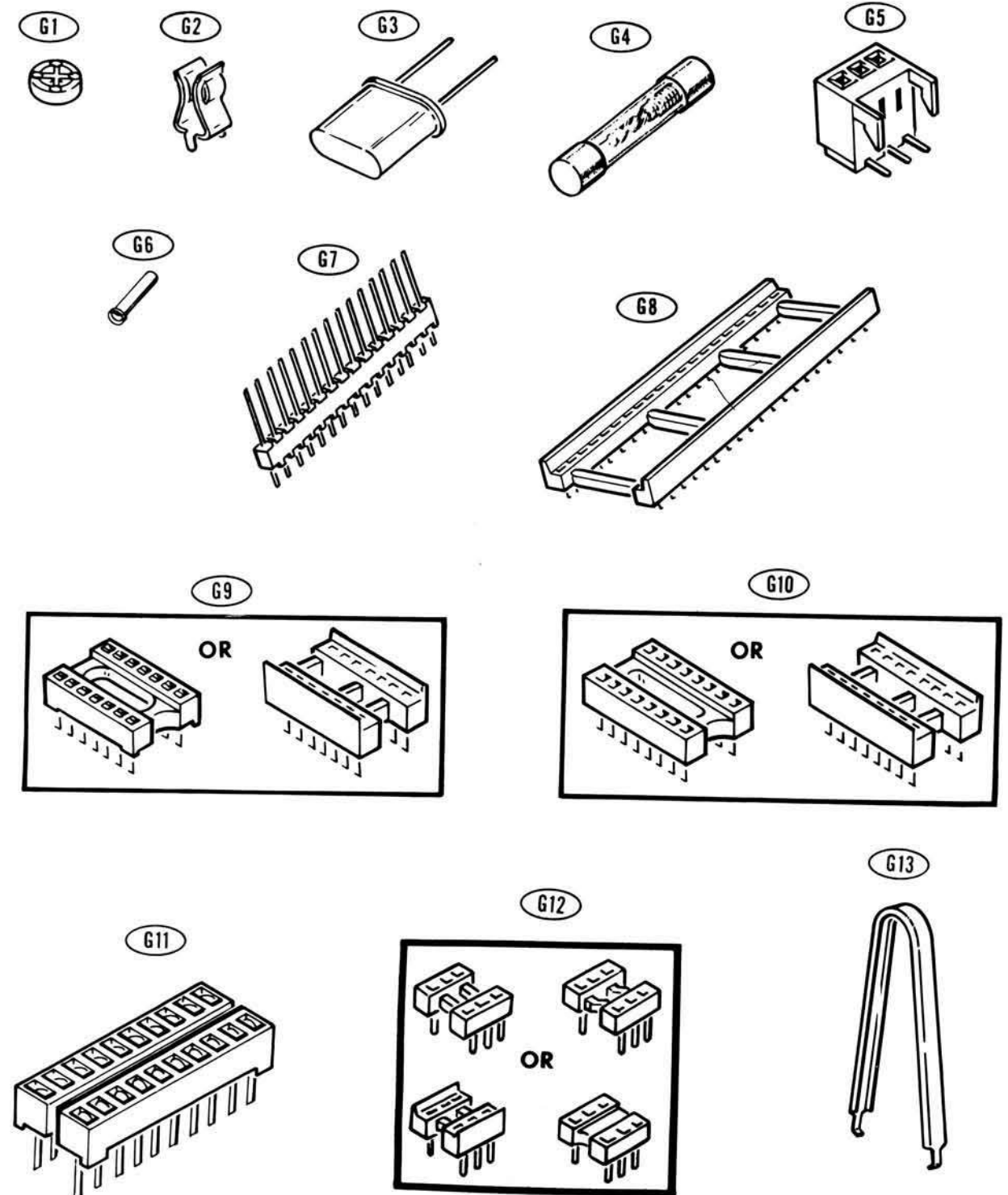
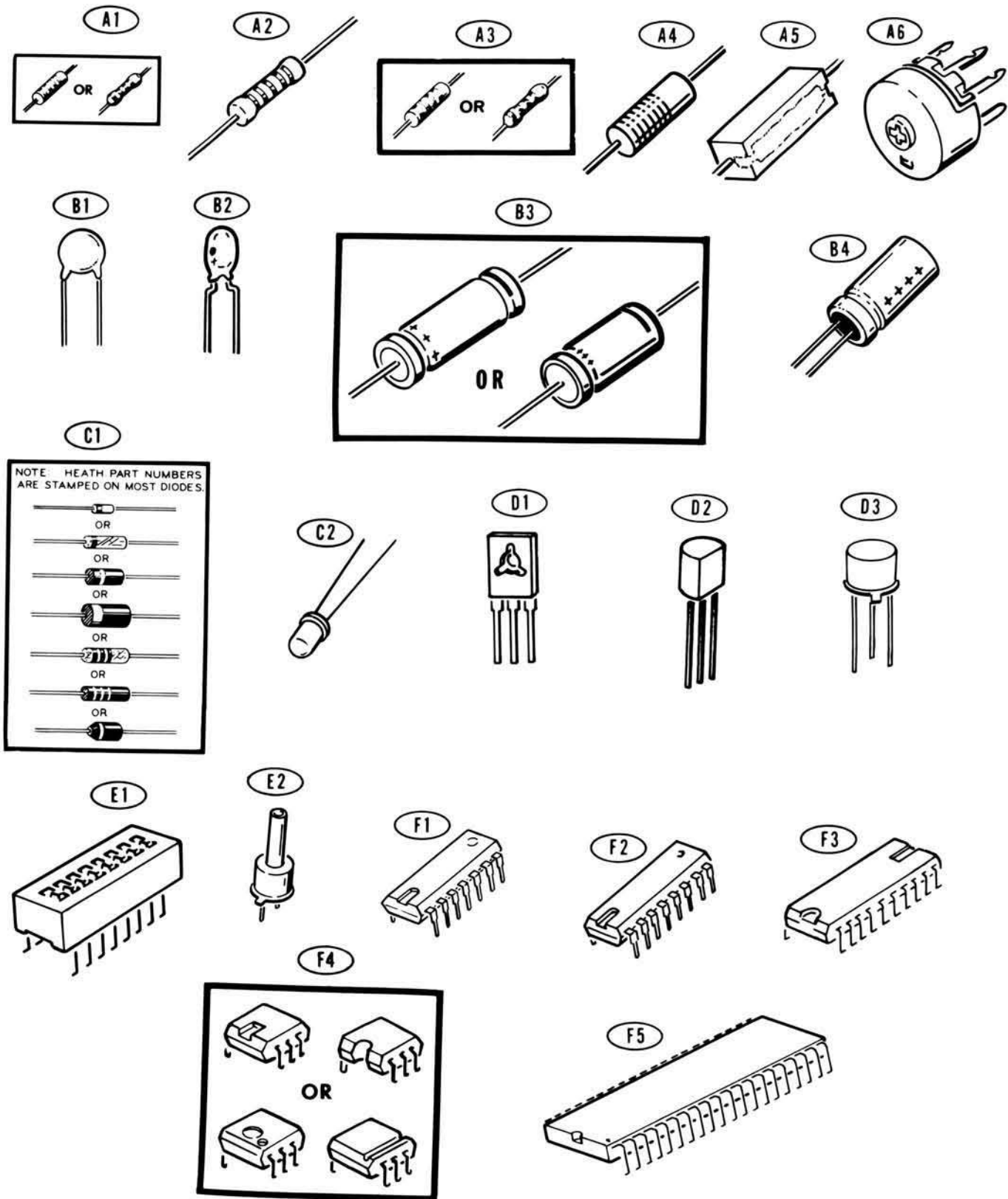


ILLUSTRATION BOOKLET

Part of 595-2172-02

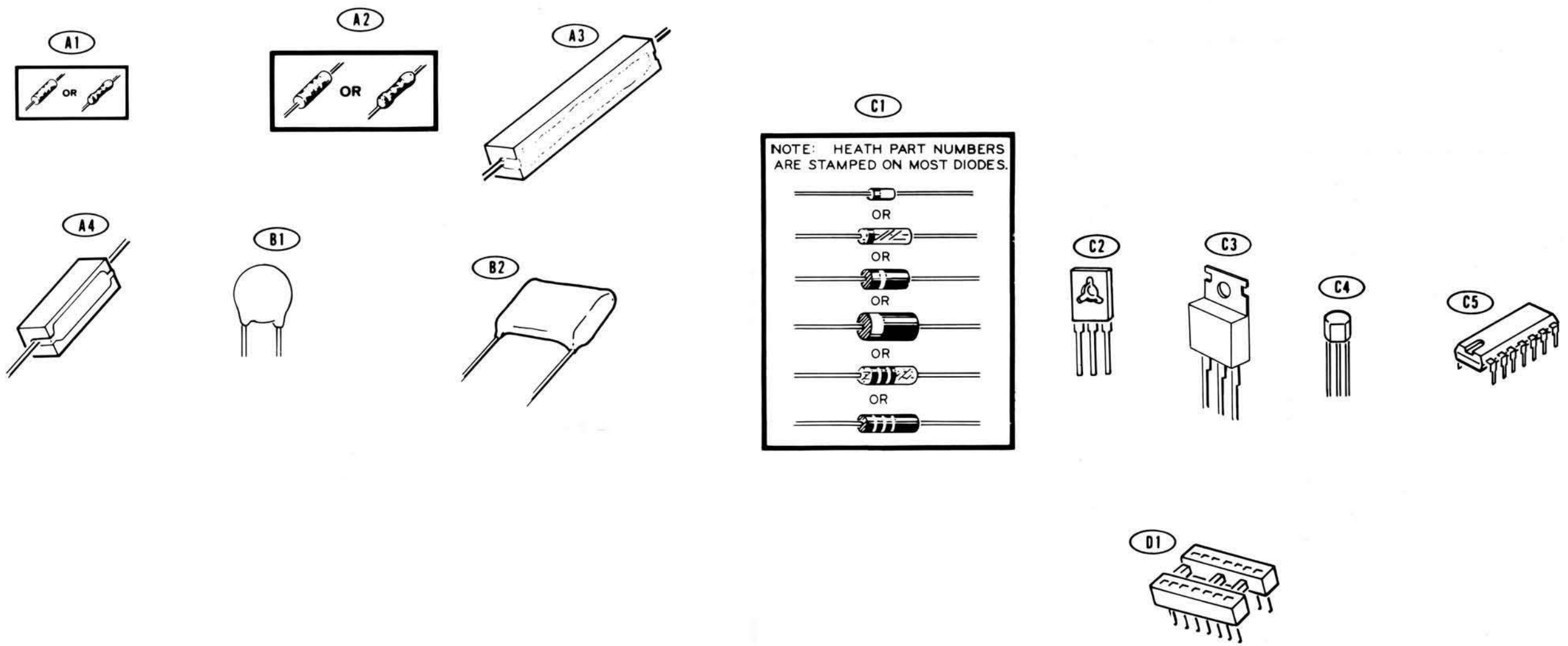
MAIN CIRCUIT BOARD PARTS PICTORIAL



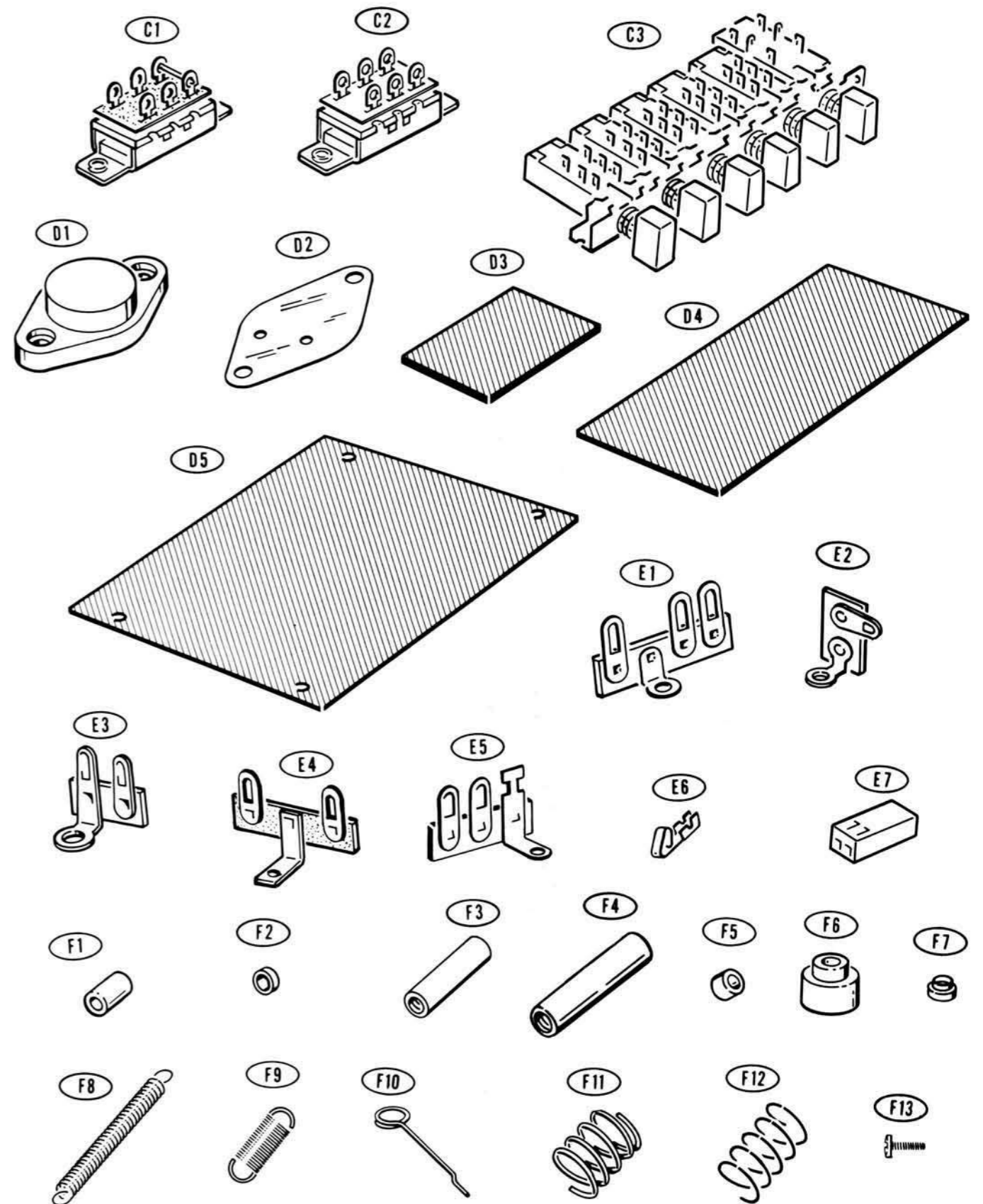
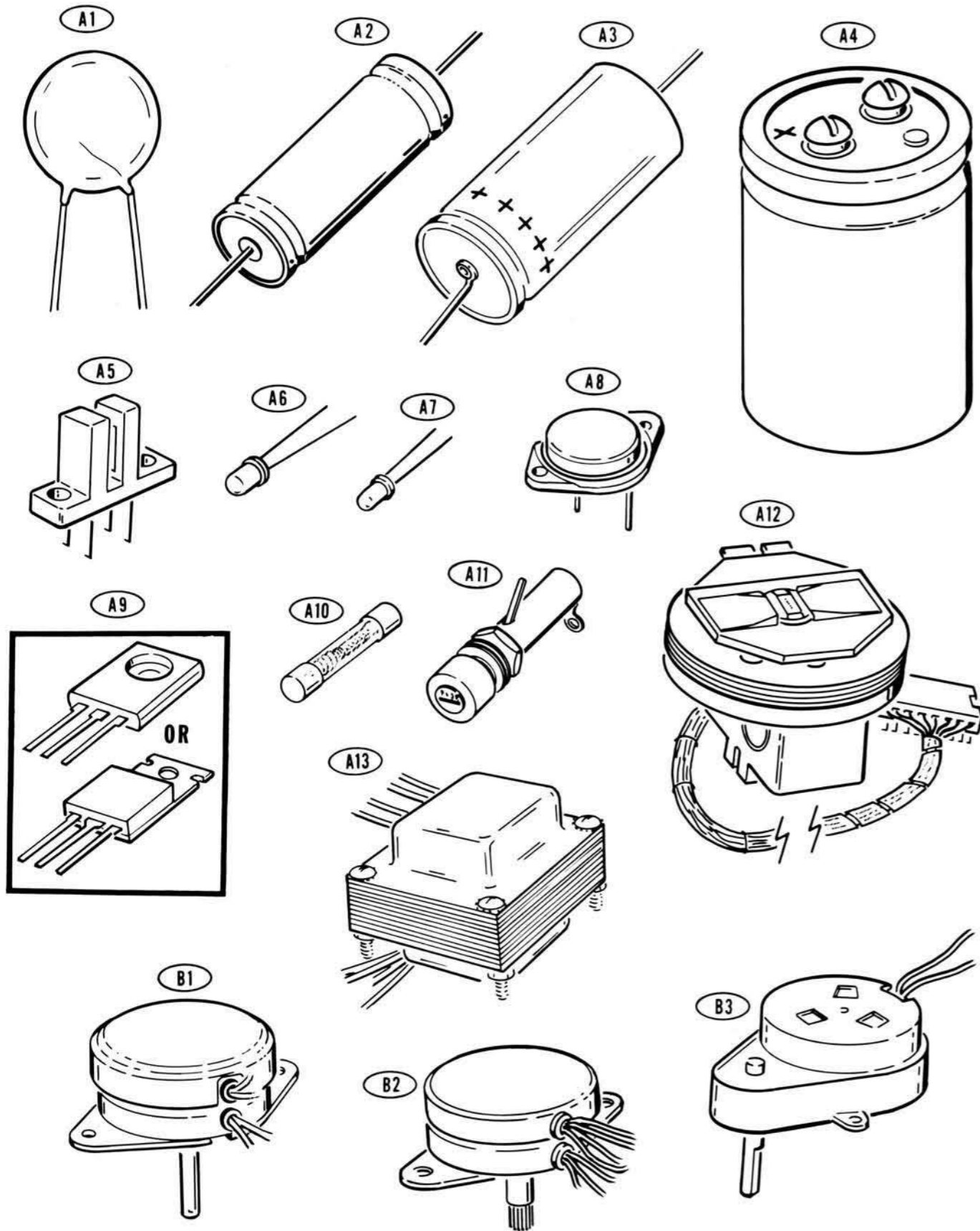
Model H14 Assembly

Copyright © 1979
Heath Company
All Rights Reserved
Printed in the United States of America

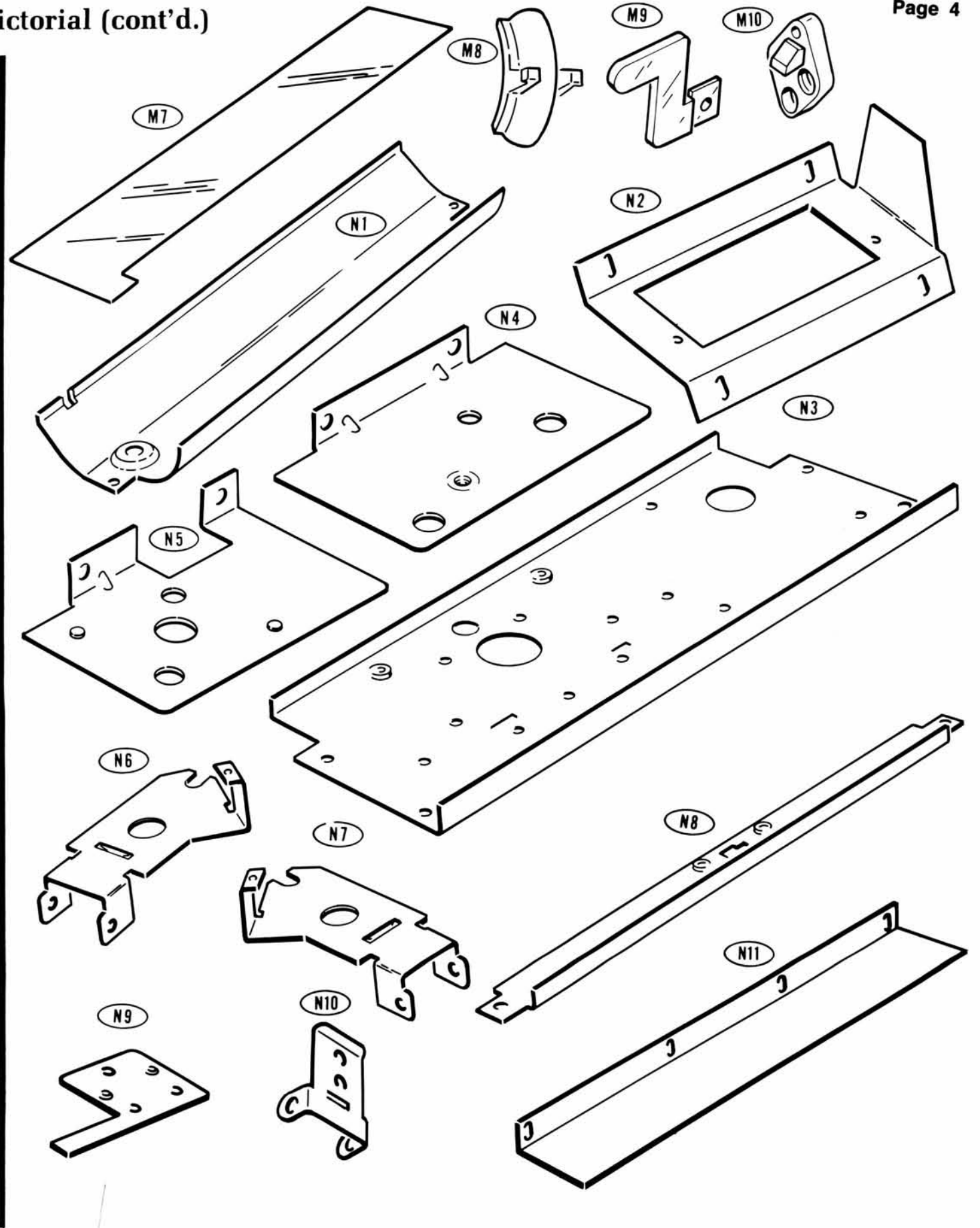
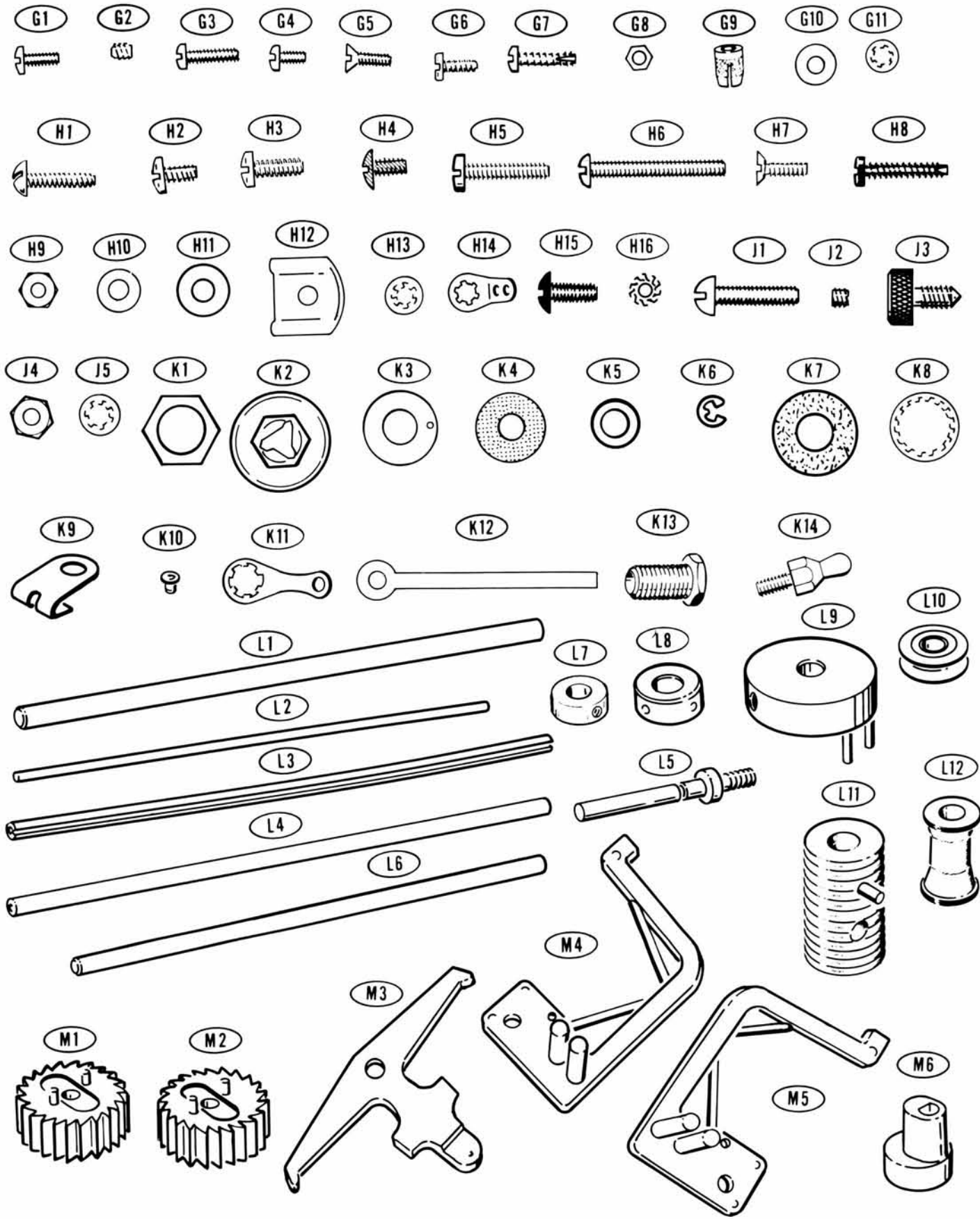
STEPPER DRIVER CIRCUIT BOARD PARTS PICTORIAL



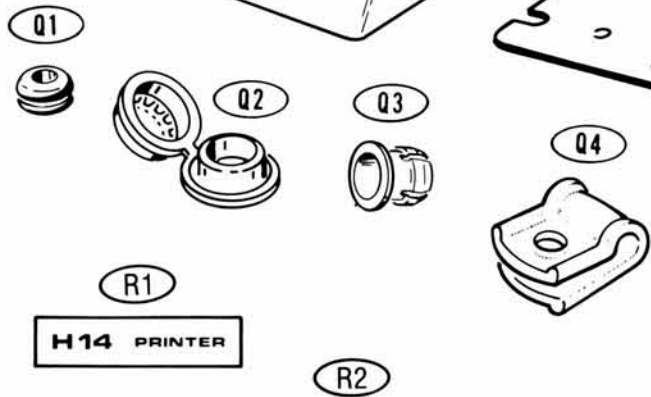
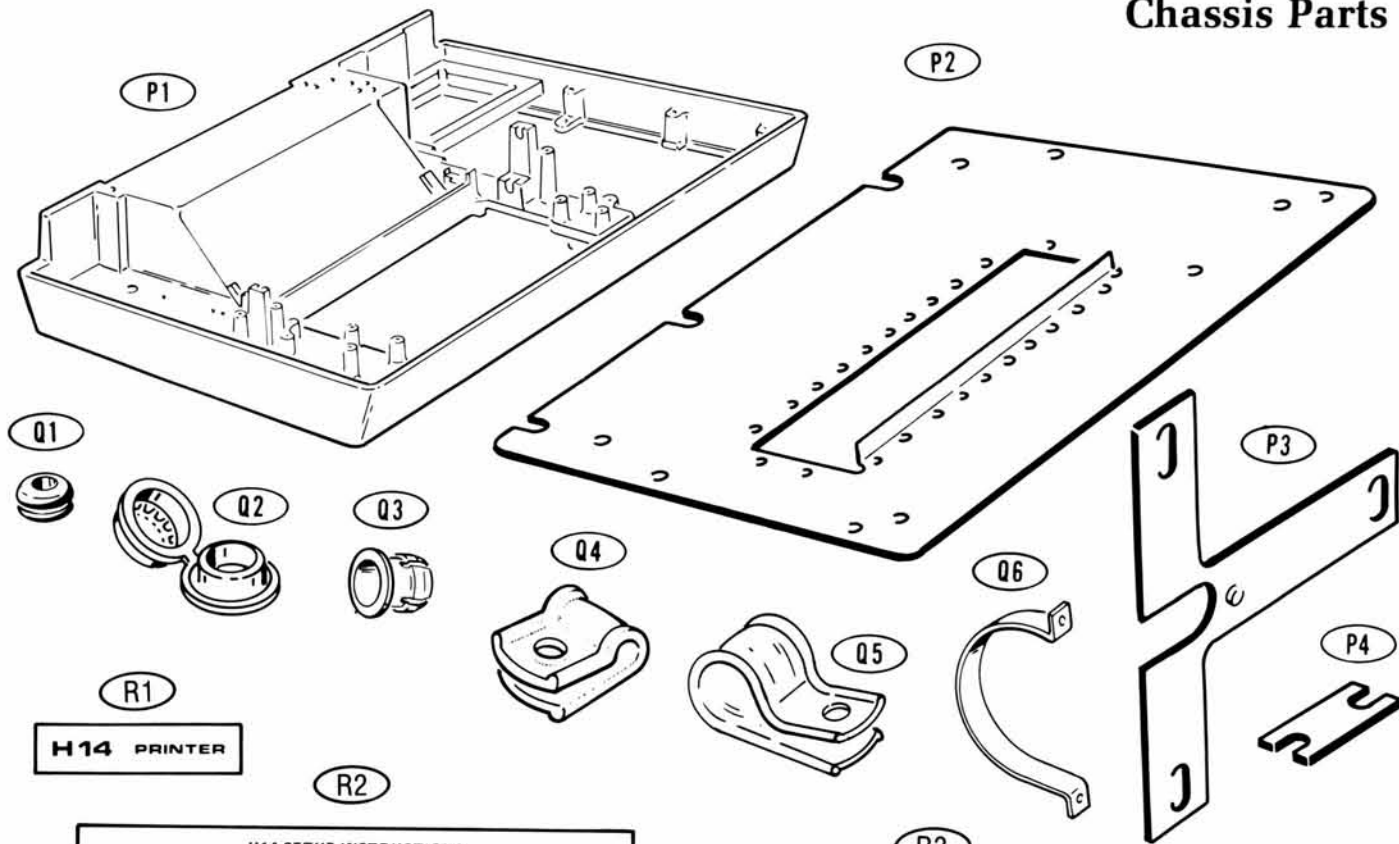
CHASSIS PARTS PICTORIAL



Chassis Parts Pictorial (cont'd.)



Chassis Parts Pictorial (cont'd.)



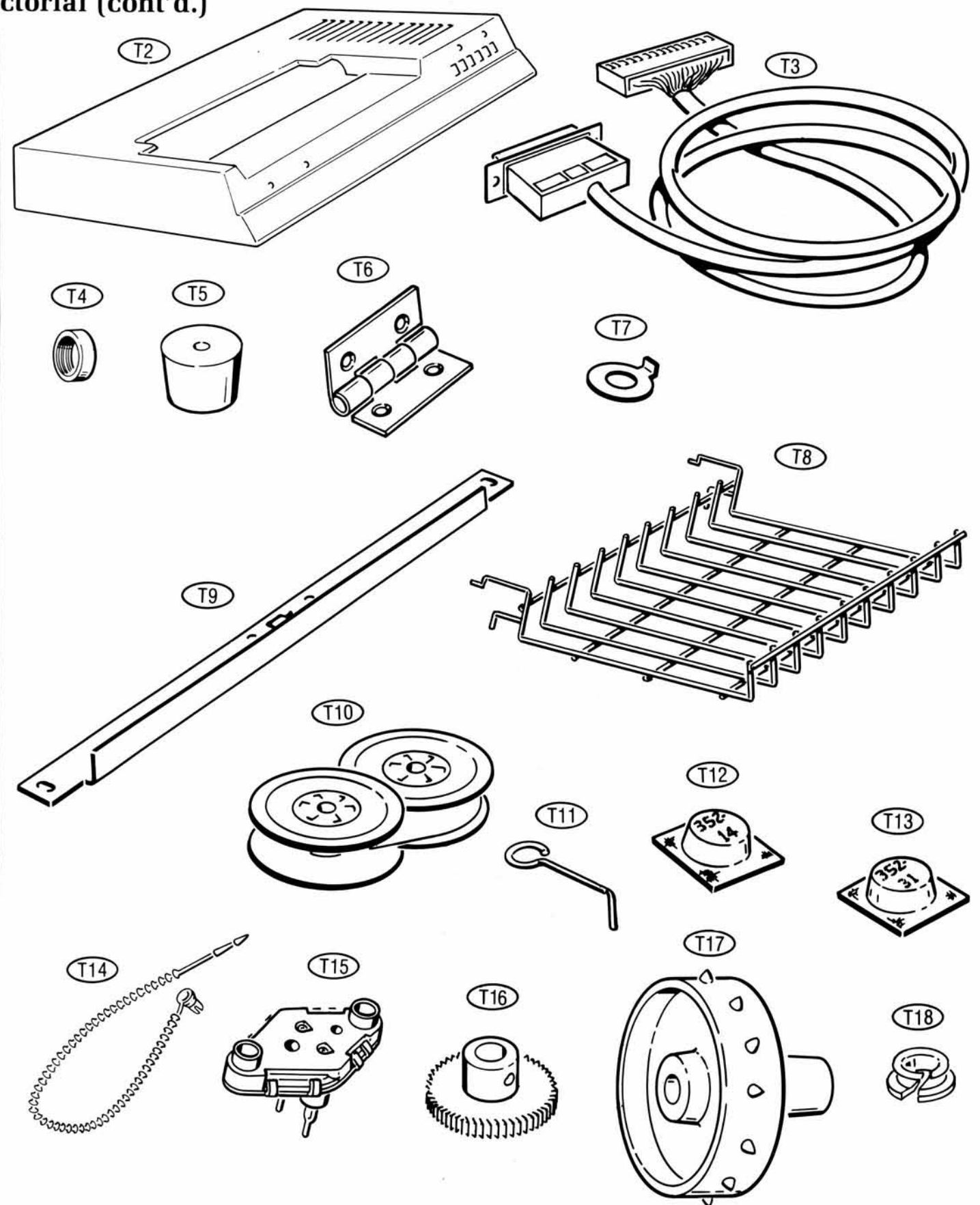
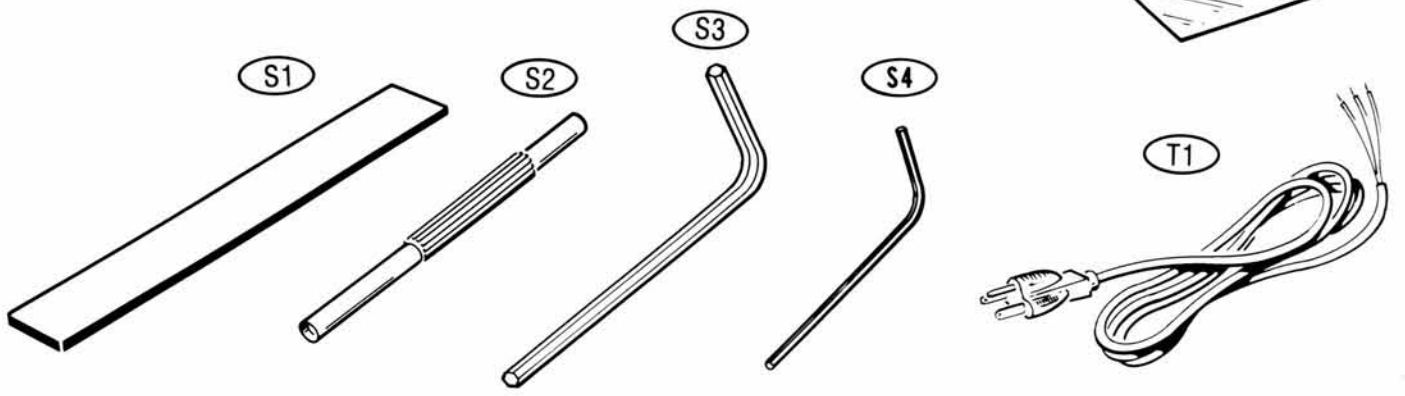
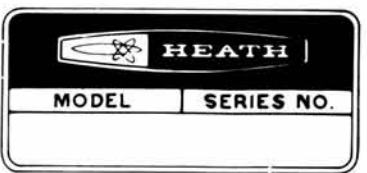
H14 PRINTER

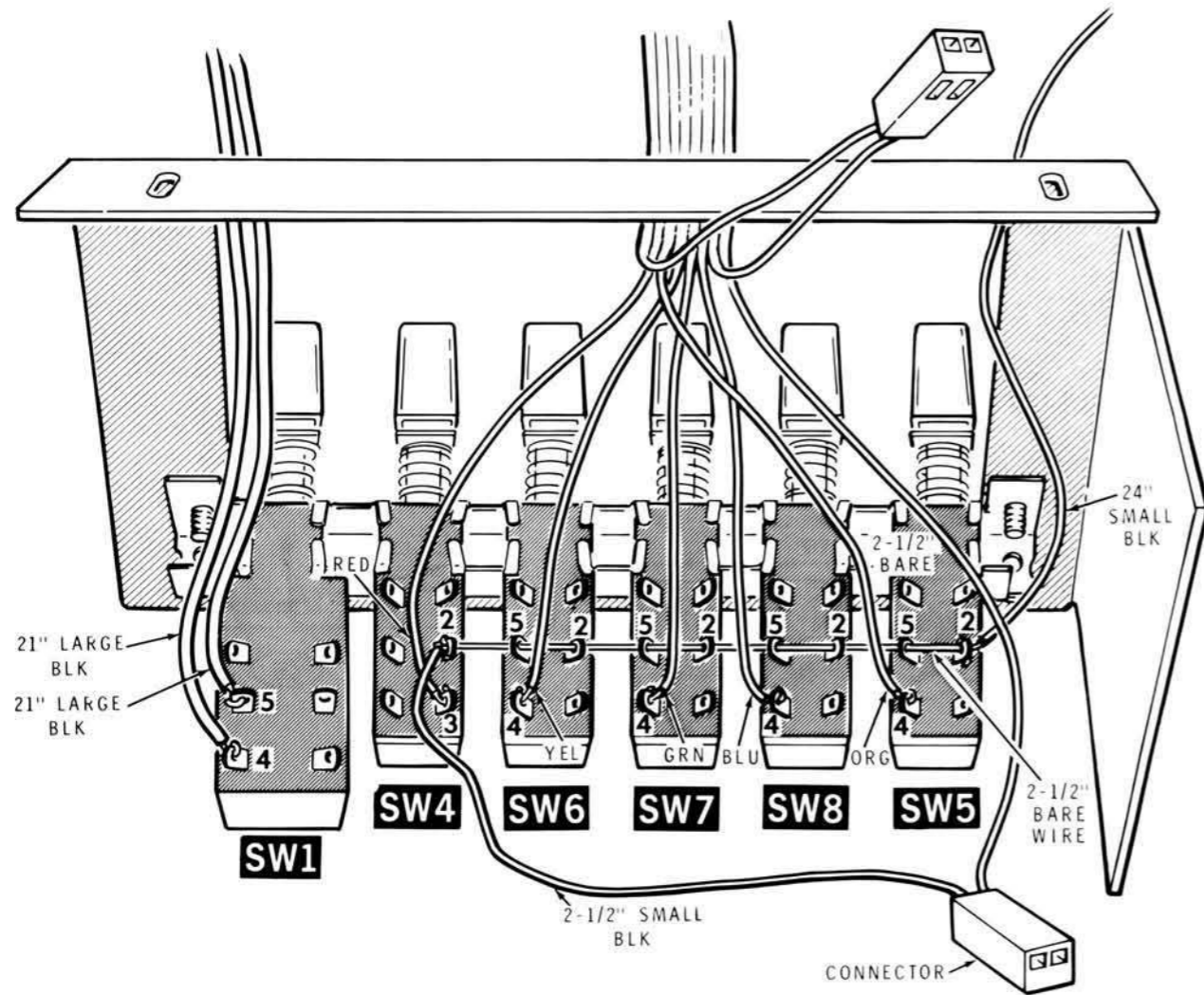
H14 SETUP INSTRUCTIONS	
I/O JUMPERS	SW 102
input RS232, J114 to J115	7 6 5 4 3 2 1 0
input 20mA, J113 to J114	↓ ↓ ↓ ↓ ↓ ↓ ↓ ↓
output RS232, J109 to J110	
output 20mA, J110 to J111	
20mA LOOP	BAUD RATES
input passive, J101 to J102	switch sections 7 6 5
input active, J102 to J104	BAUD RATE
J101 to J103	110..... 1 1 1
output passive, J105 to J106	150..... 1 1 0
output active, J105 to J107	300..... 1 0 1
J106 to J108	600..... 1 0 0
	1200..... 0 1 1
	2400..... 0 1 0
	4800..... 0 0 1
	9600..... 0 0 0
HI TEMP CAL JUMPER	POWER LINE FREQ.
operate J118 to J119	for 60Hz sw section 2=(1)
calibrate J117 to J118	for 50Hz sw section 2=(0)
SEE MANUAL FOR CALIBRATION INSTRUCTIONS	AUTO LINE FEED
	for auto sw section 3=(0)
	for norm sw section 3=(1)
	TEST
	to operate sw section 4=(1)
	to test sw section 4=(0)

390-1472

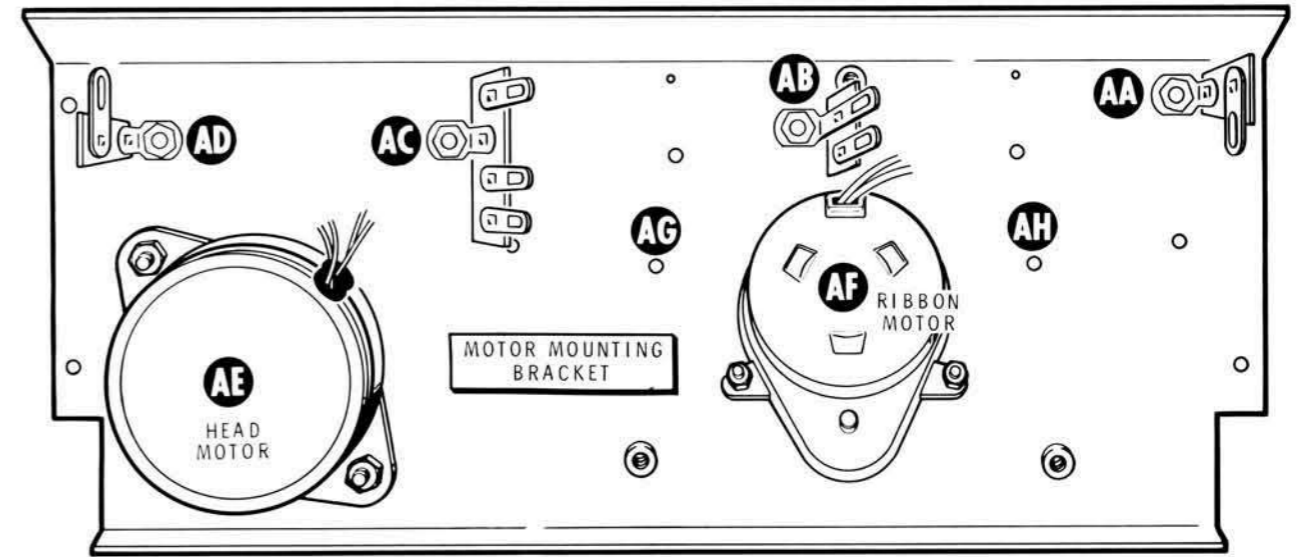
EIA-416
 120 / 240 VAC 50 / 60 Hz 100 WATTS

CAUTION: TO PREVENT ELECTRICAL SHOCK HAZARD, DISCONNECT LINE CORD BEFORE REMOVING COVERS. FOR CONTINUED PROTECTION AGAINST FIRE HAZARD, REPLACE FUSE ONLY WITH SAME TYPE AND RATING.
 120V 1 AMP SLOW BLOW 240V 1/2 AMP SLOW BLOW

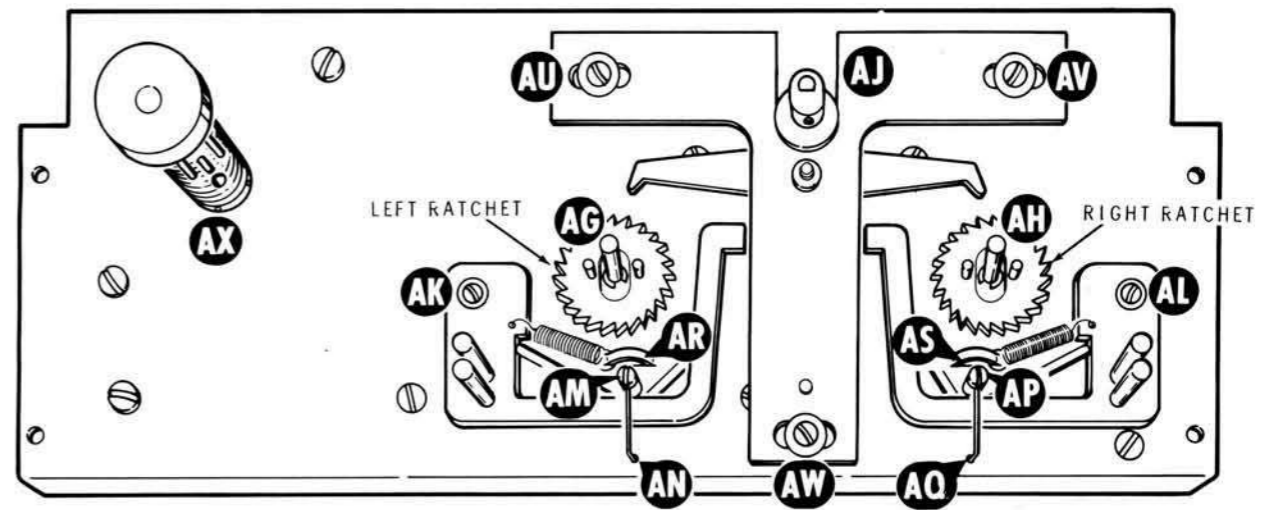




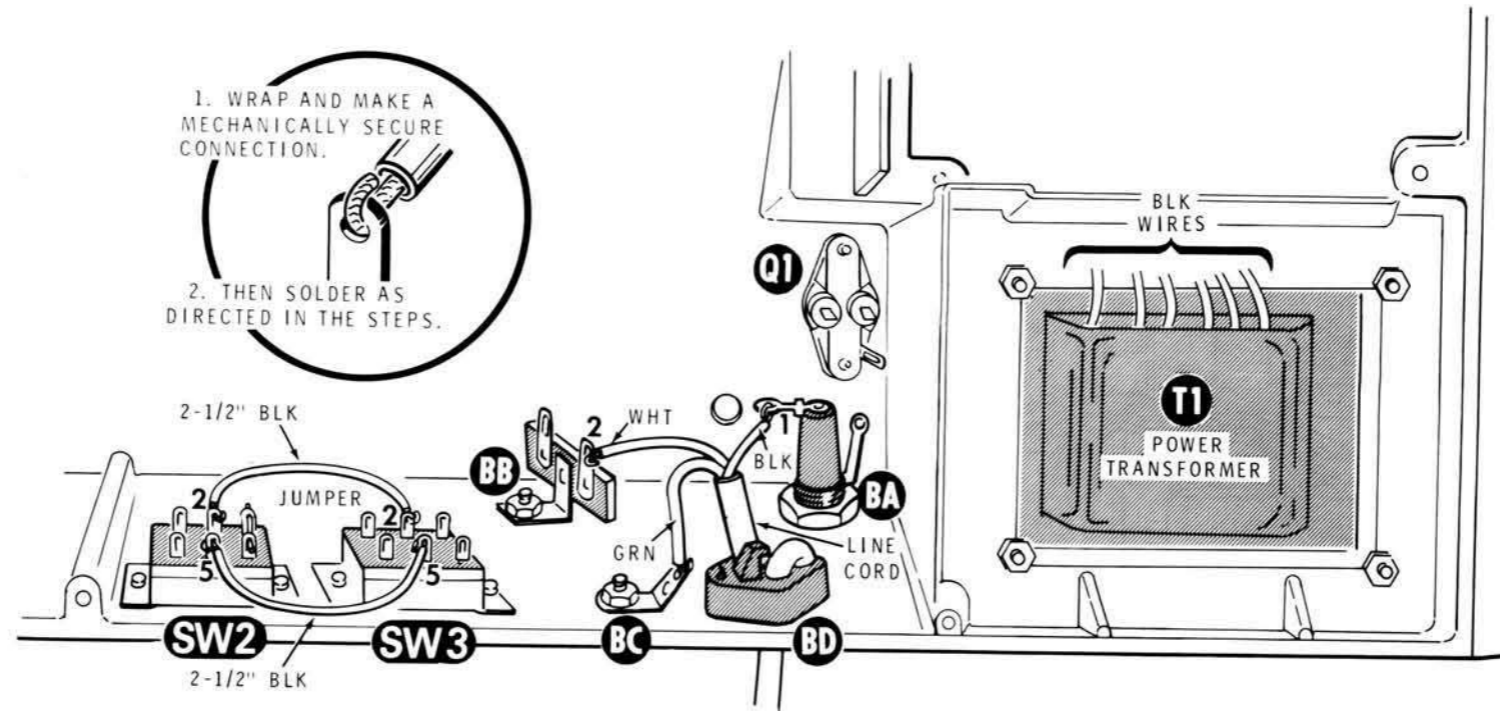
PICTORIAL 3-1



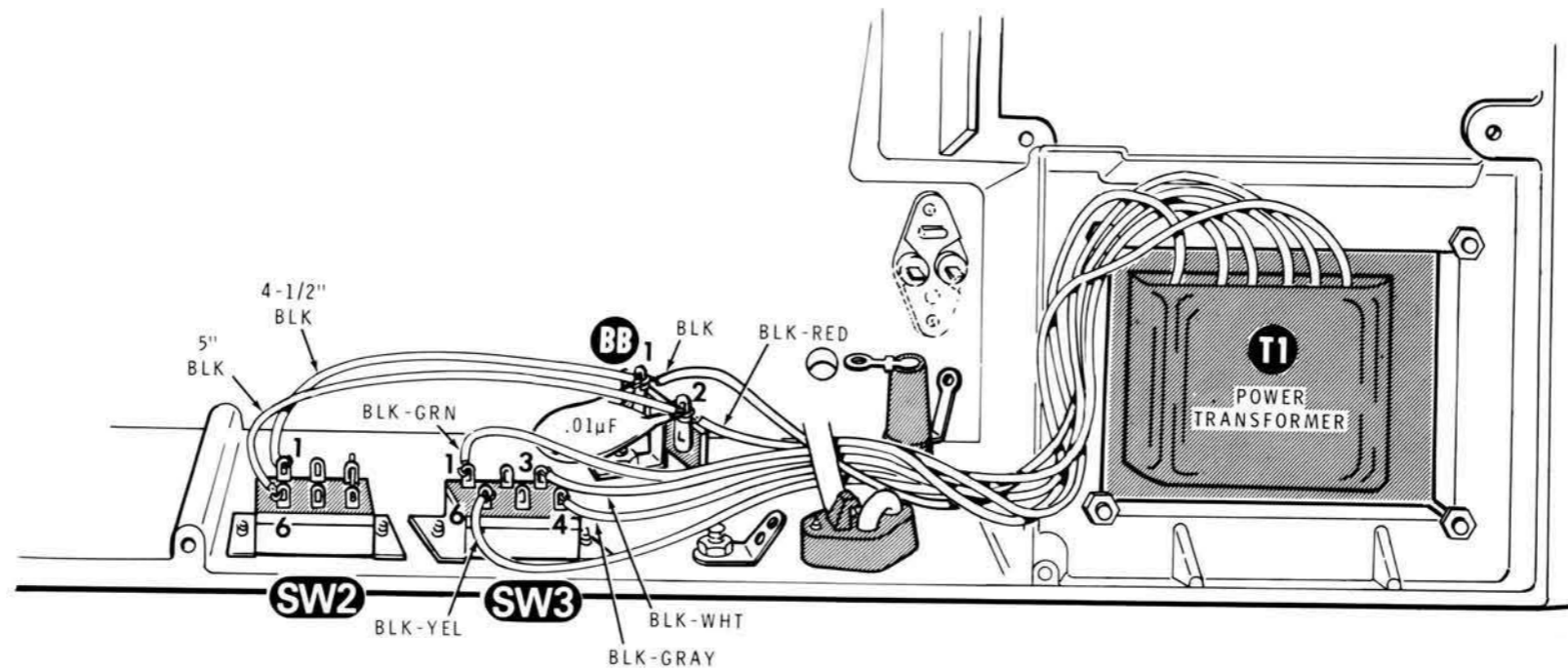
PICTORIAL 3-2



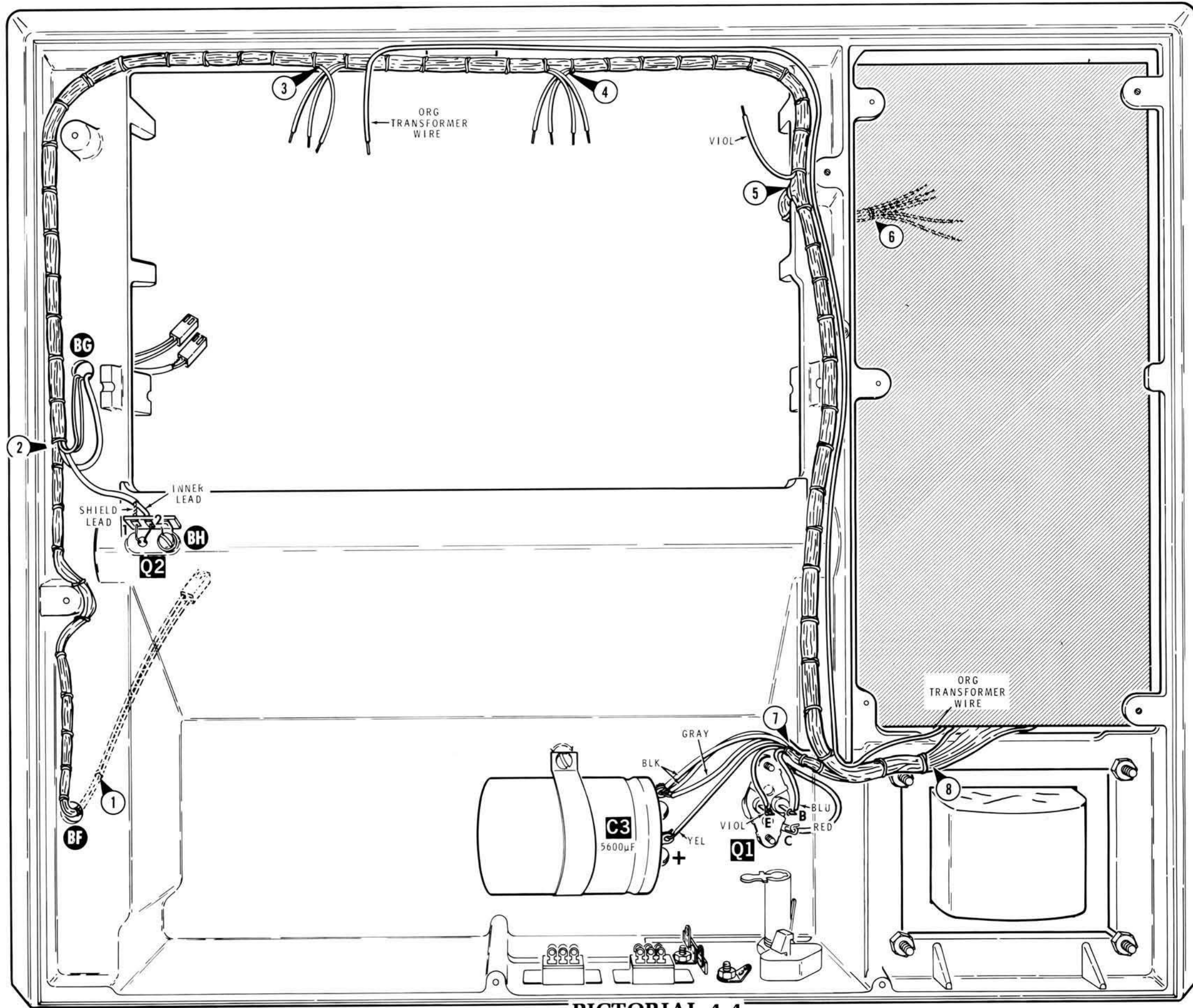
PICTORIAL 3-3



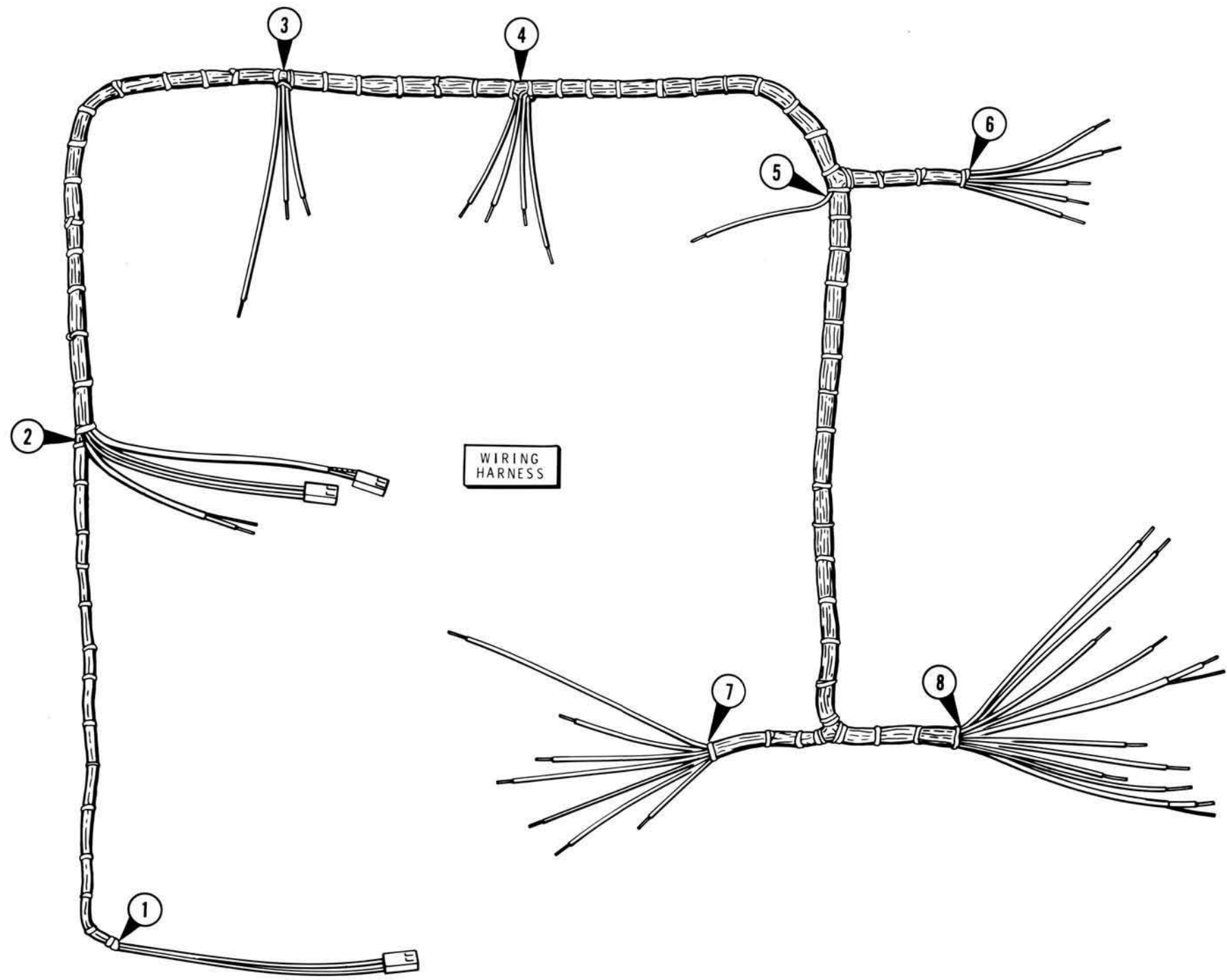
PICTORIAL 4-1



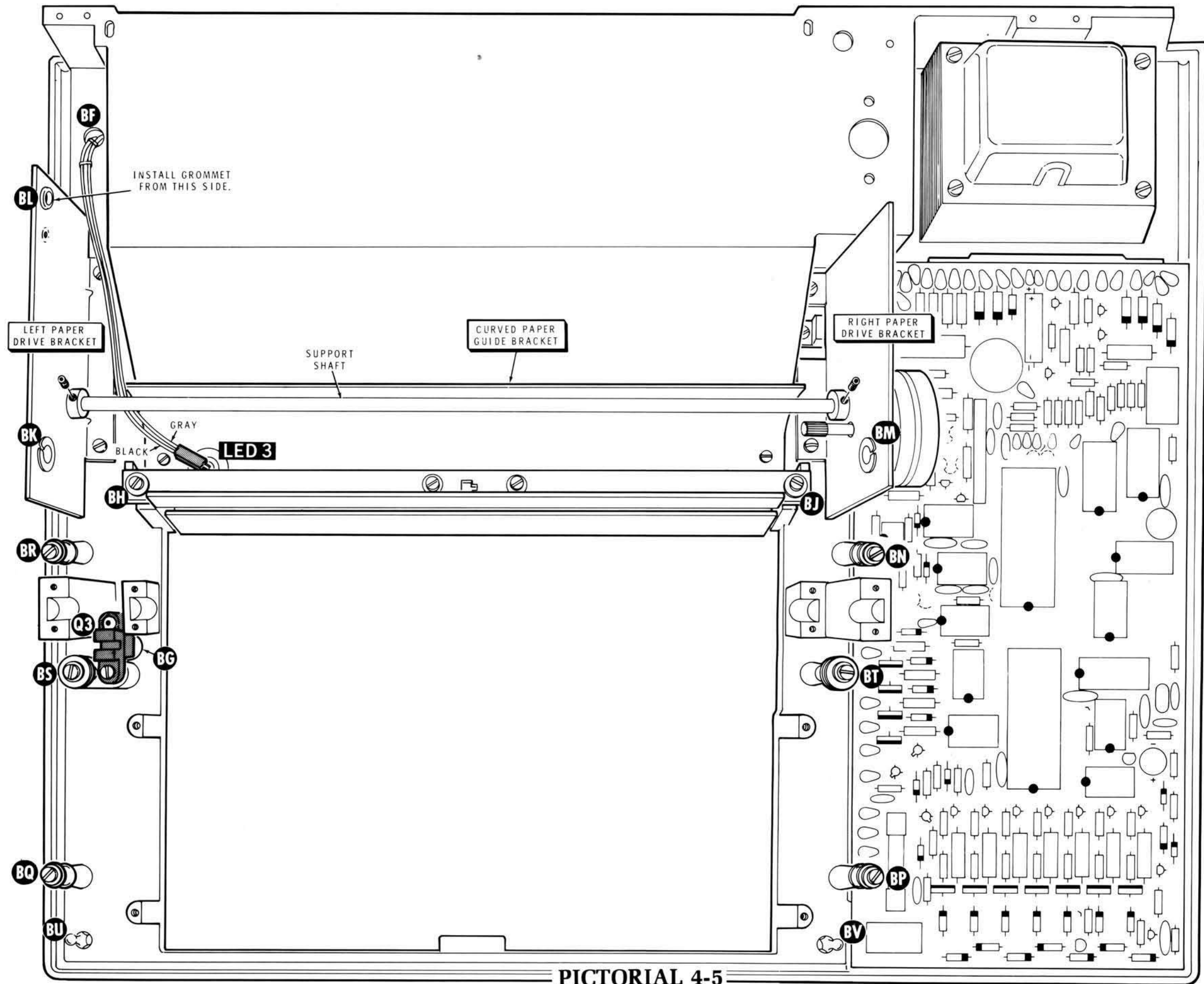
PICTORIAL 4-2



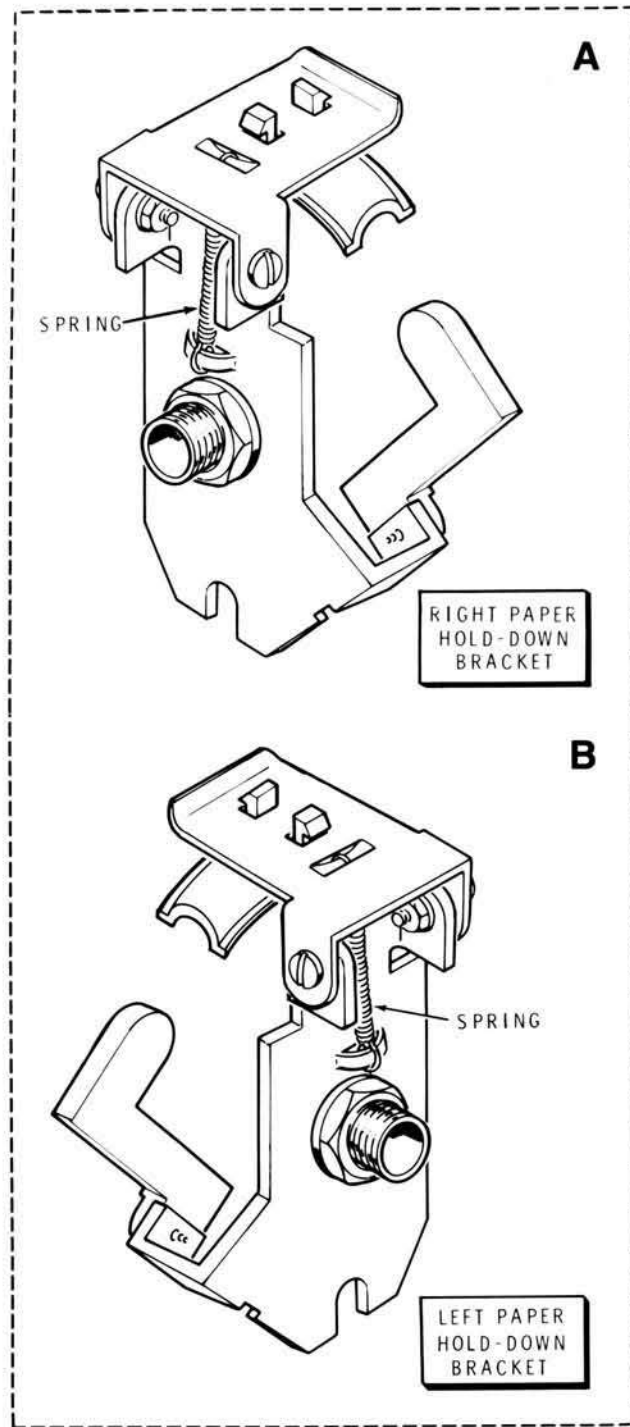
PICTORIAL 4-4



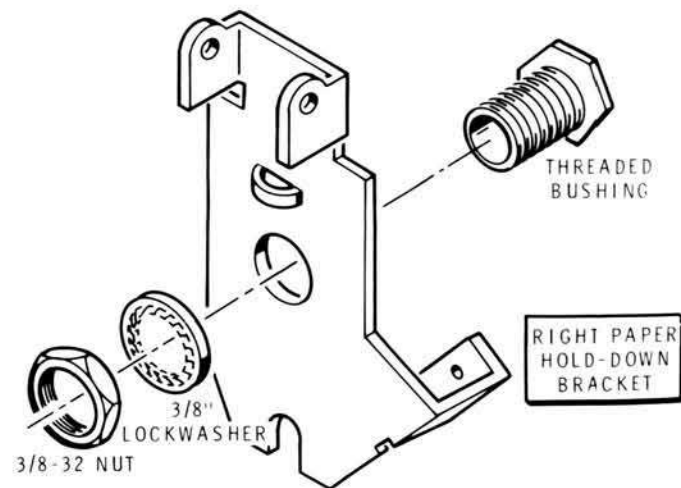
Detail 4-4A



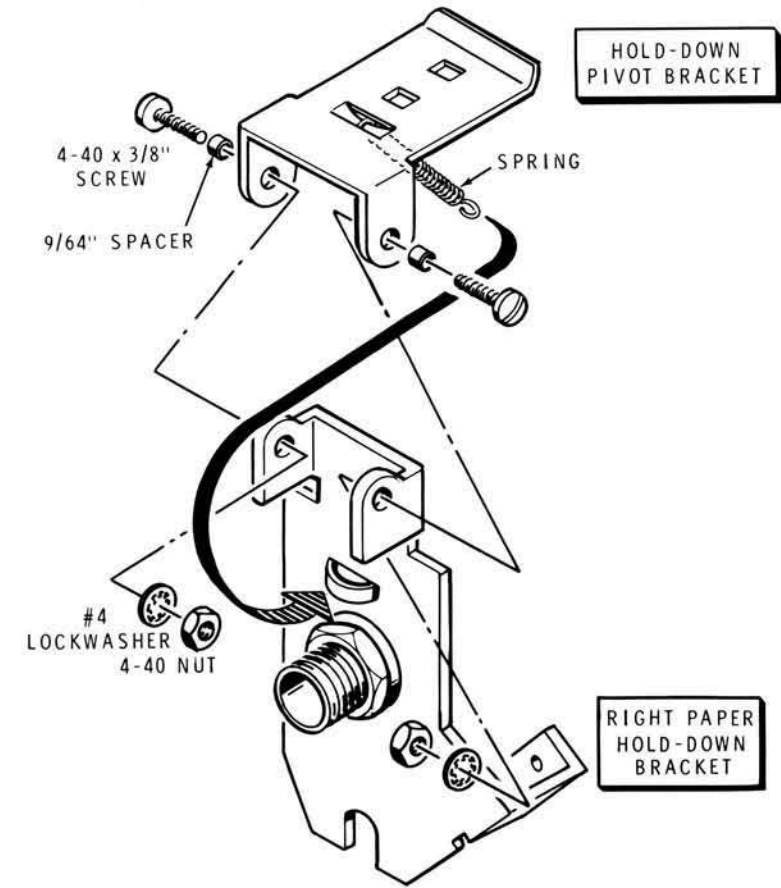
PICTORIAL 4-5



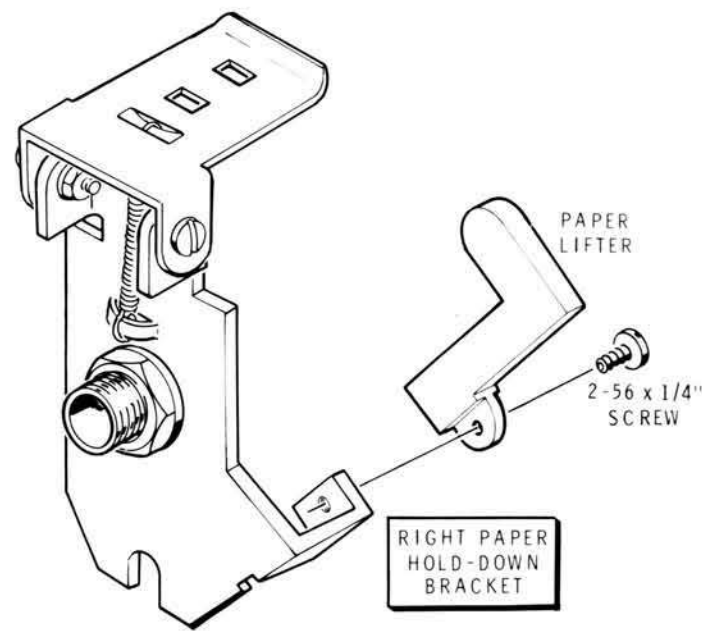
PICTORIAL 4-6



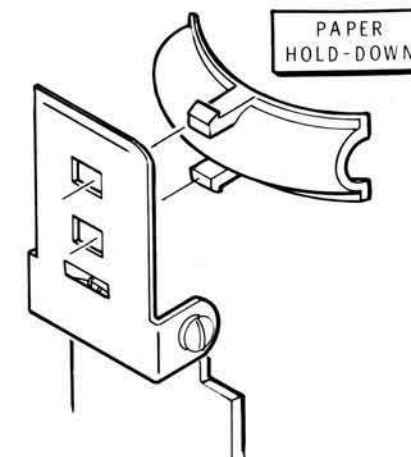
Detail 4-6A



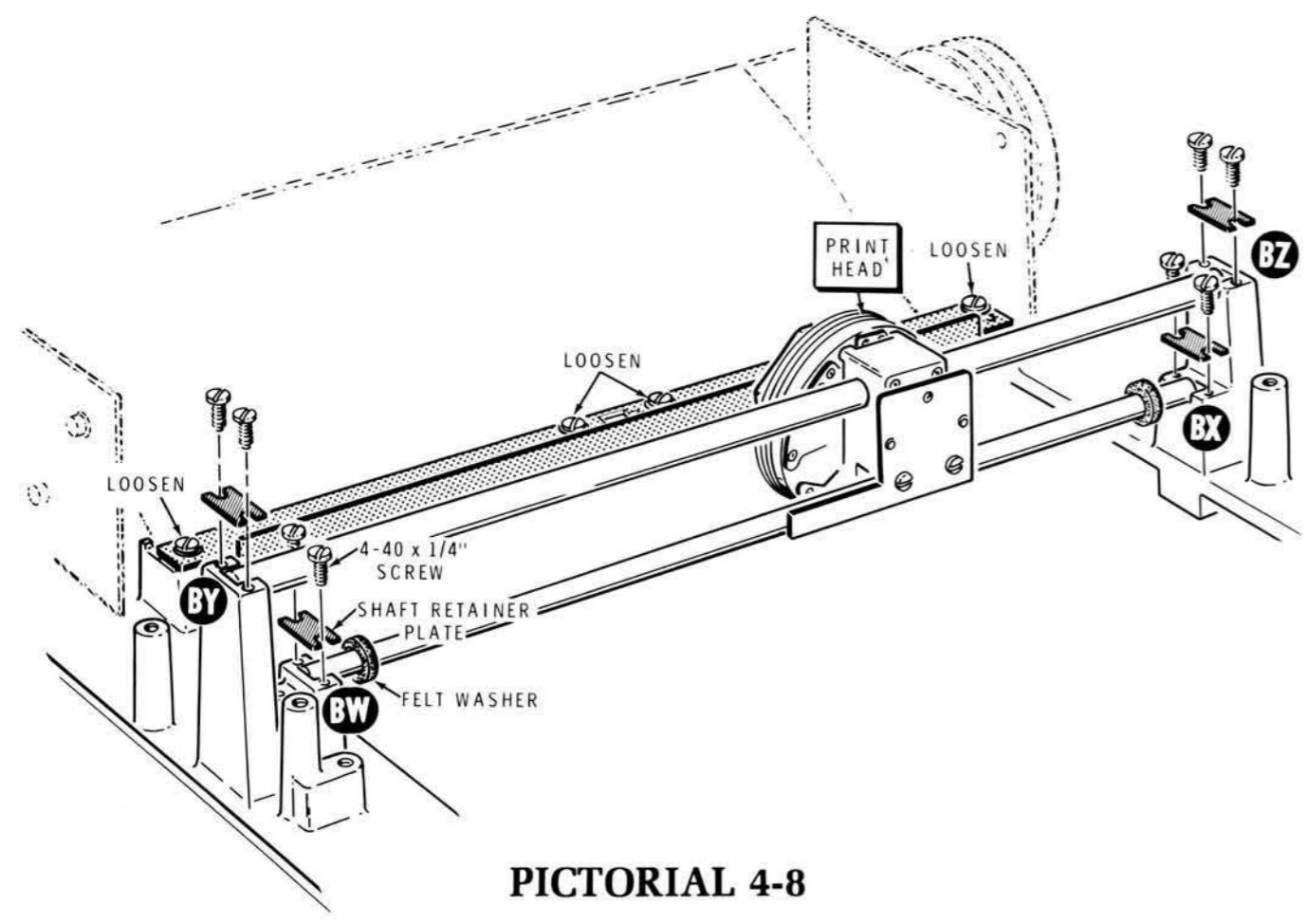
Detail 4-6B



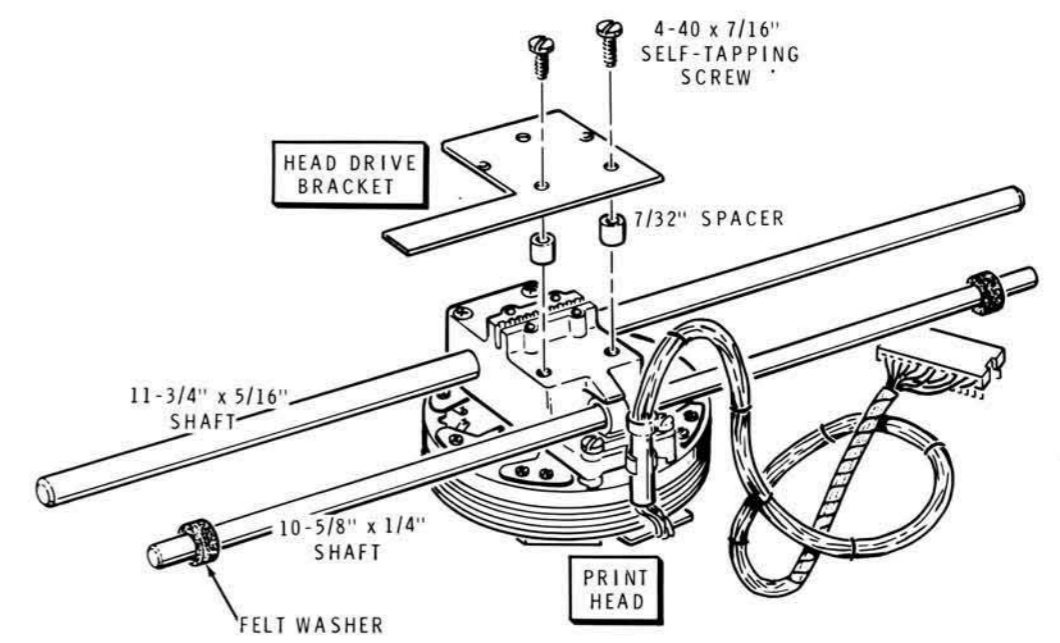
Detail 4-6C



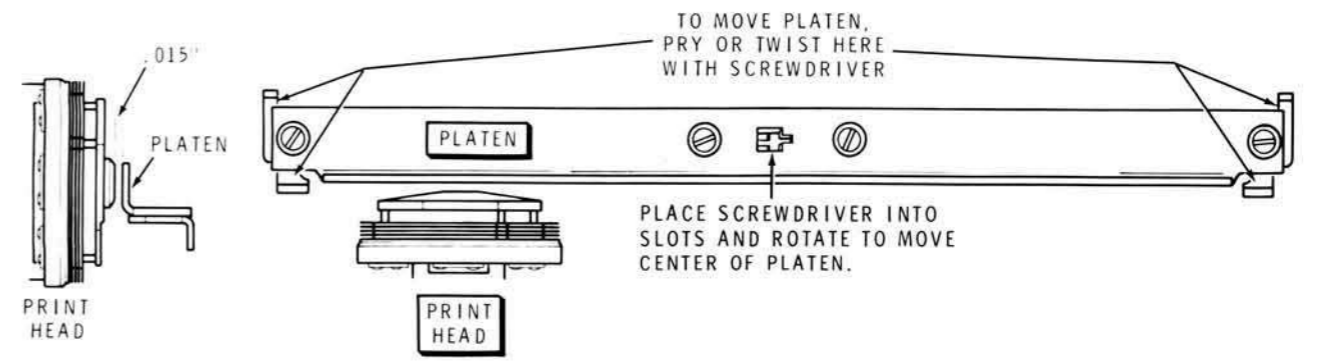
Detail 4-6D



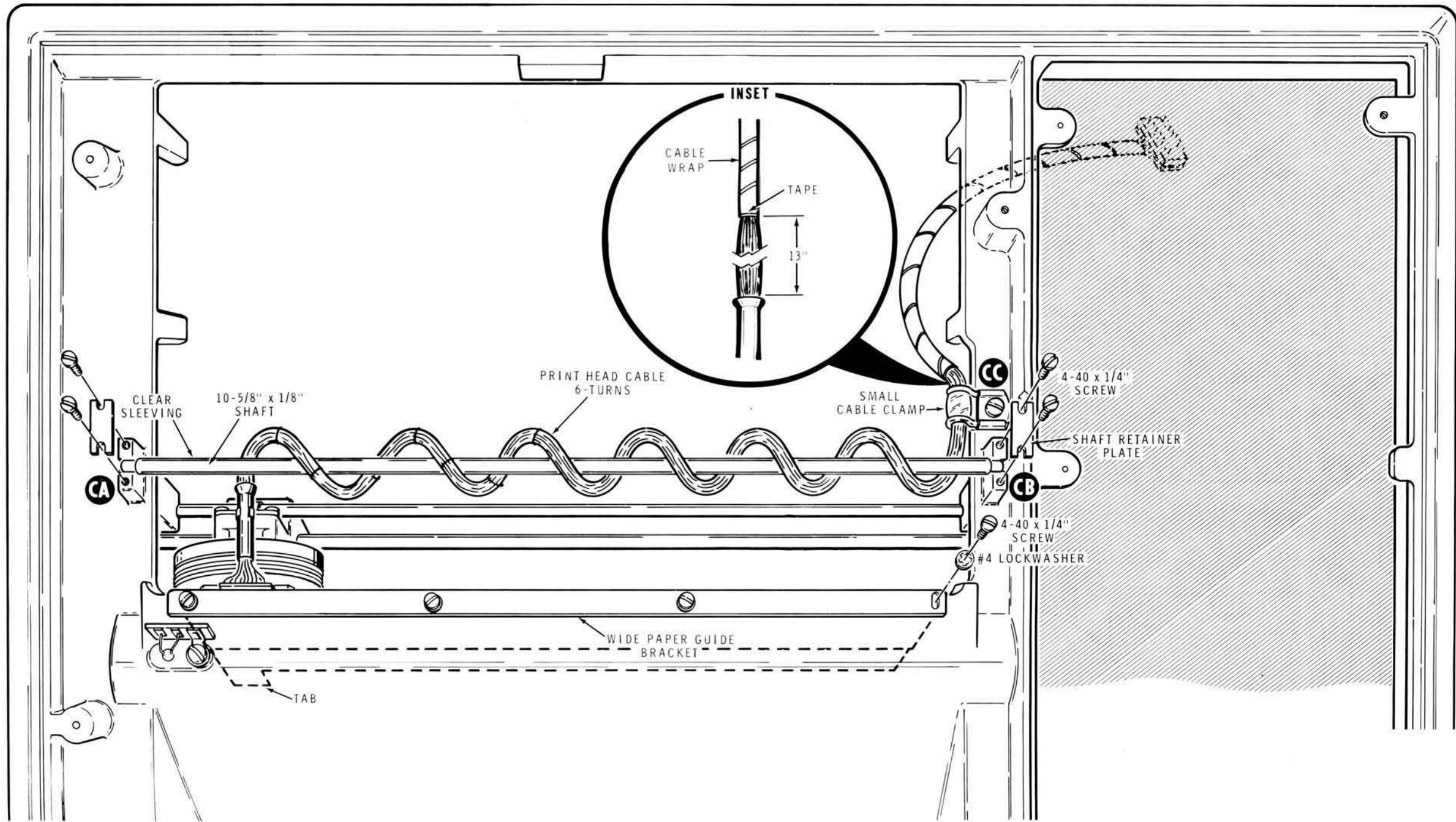
PICTORIAL 4-8



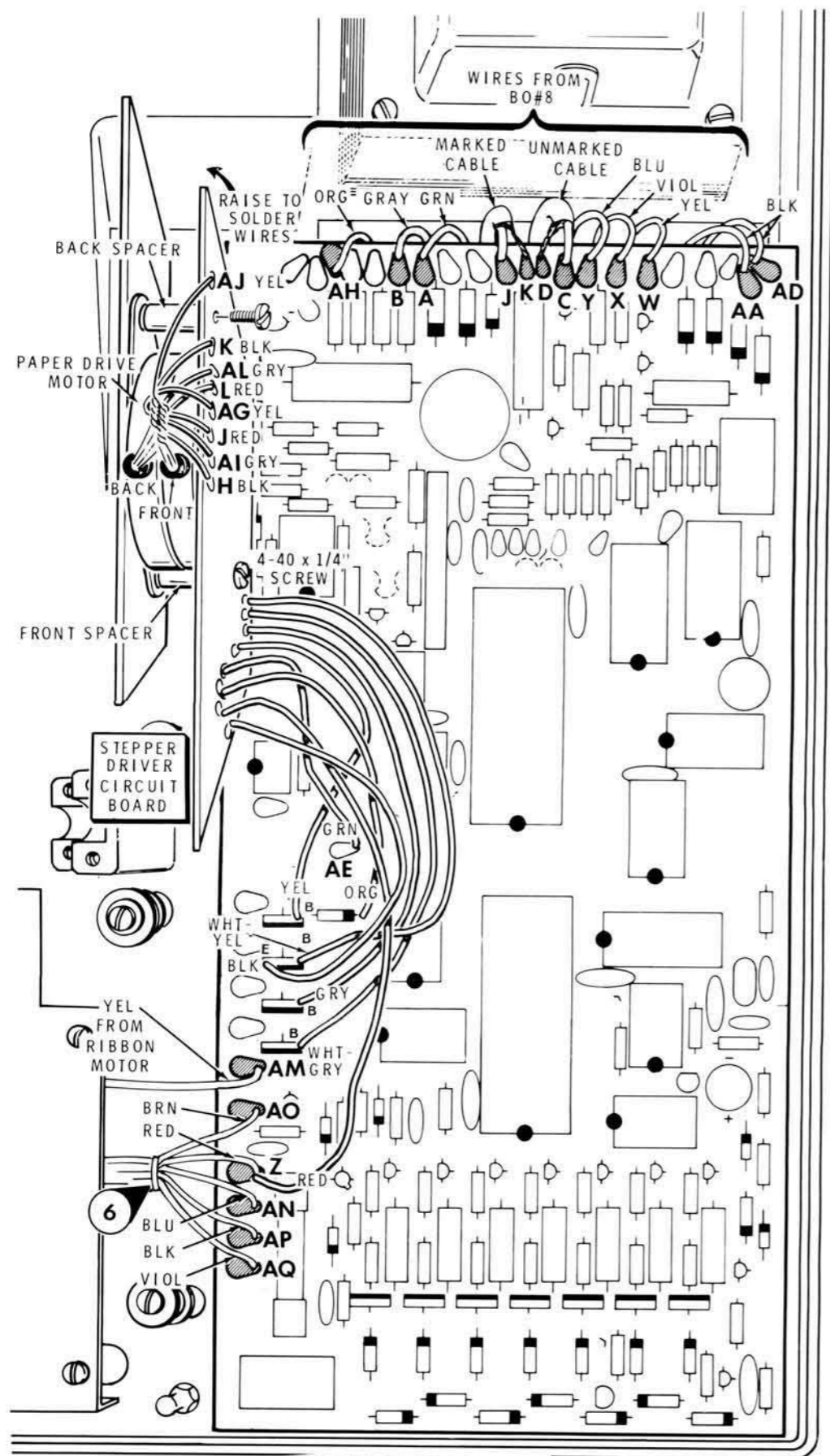
Detail 4-8A



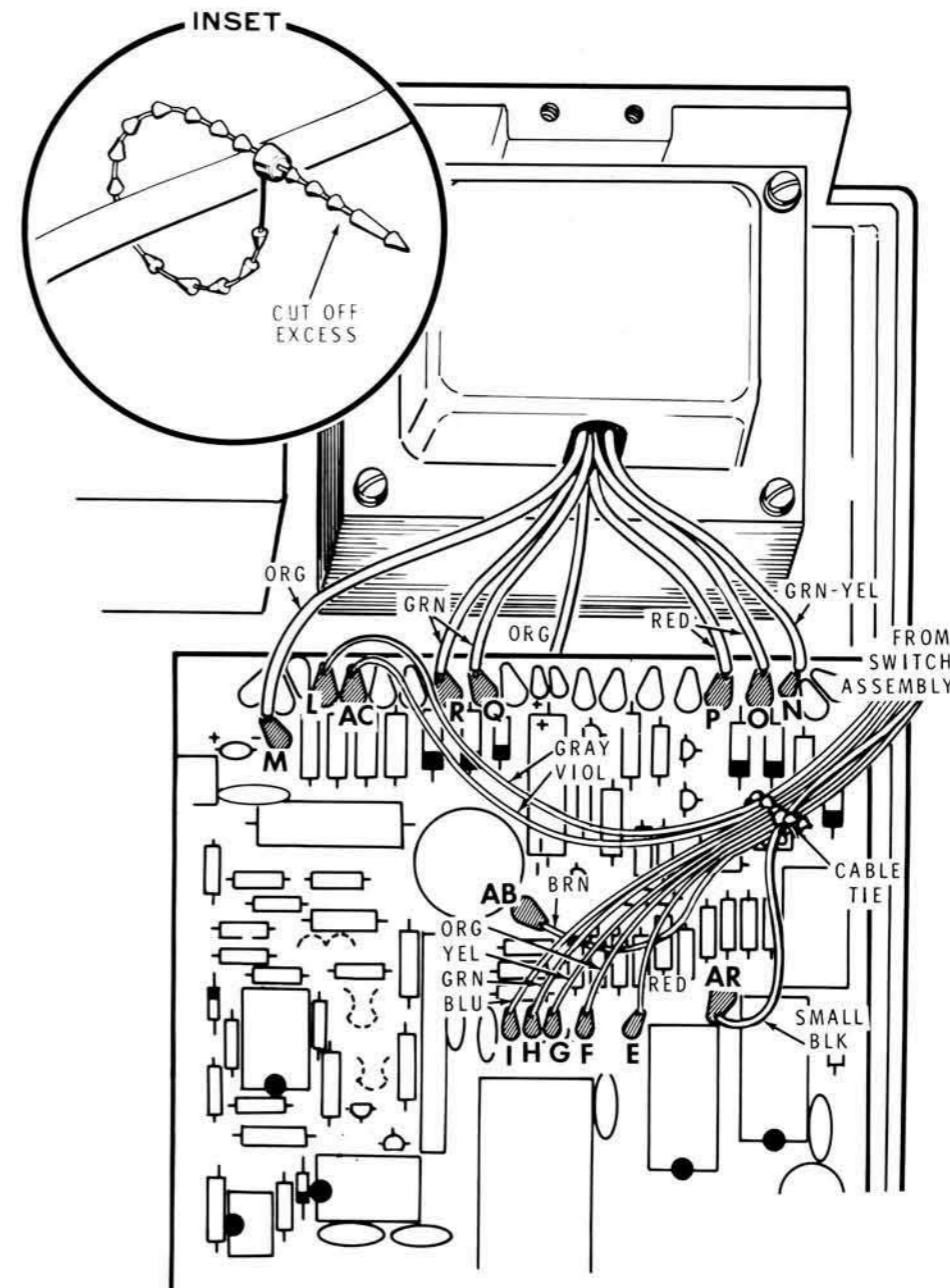
PICTORIAL 4-9



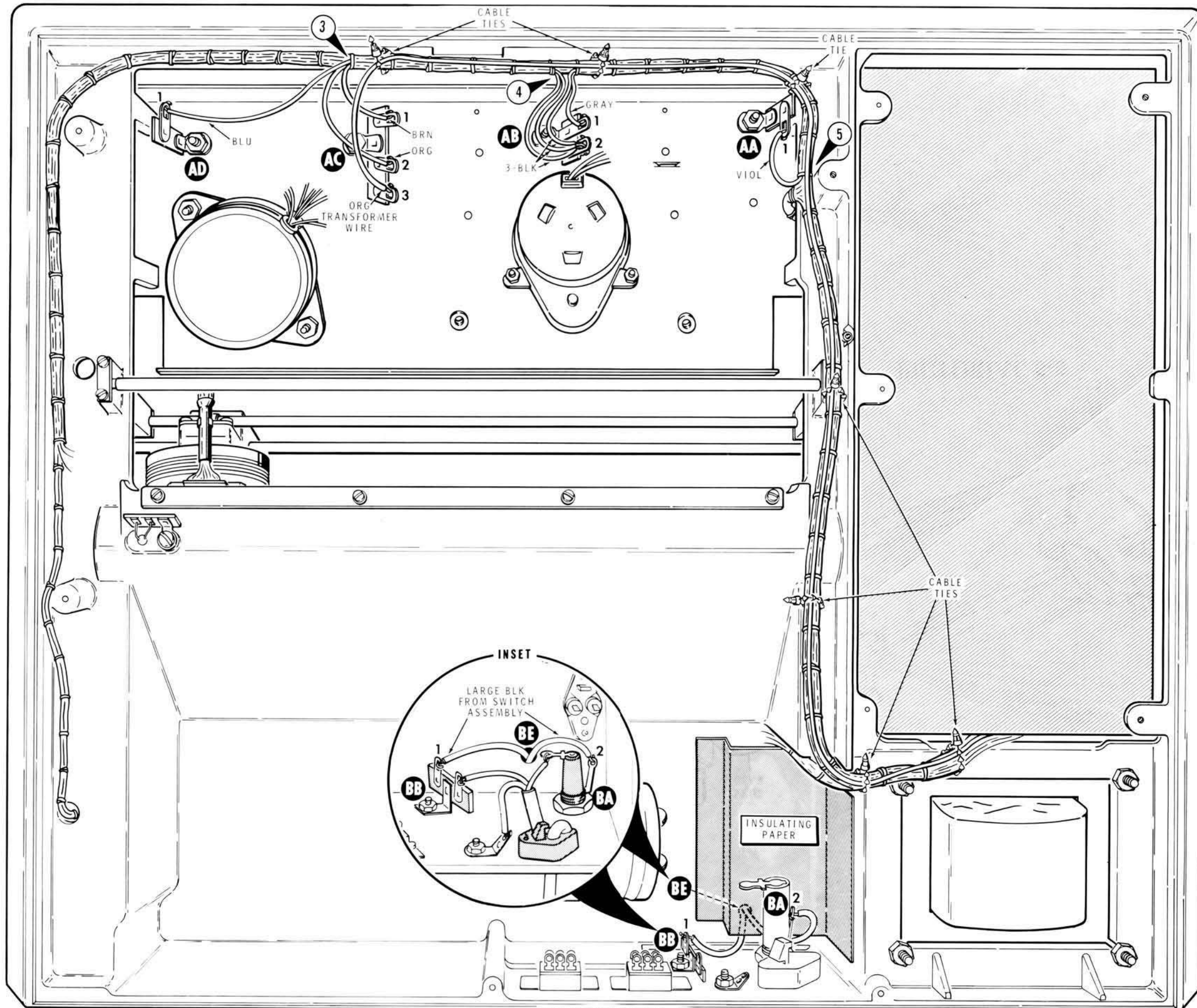
PICTORIAL 4-10



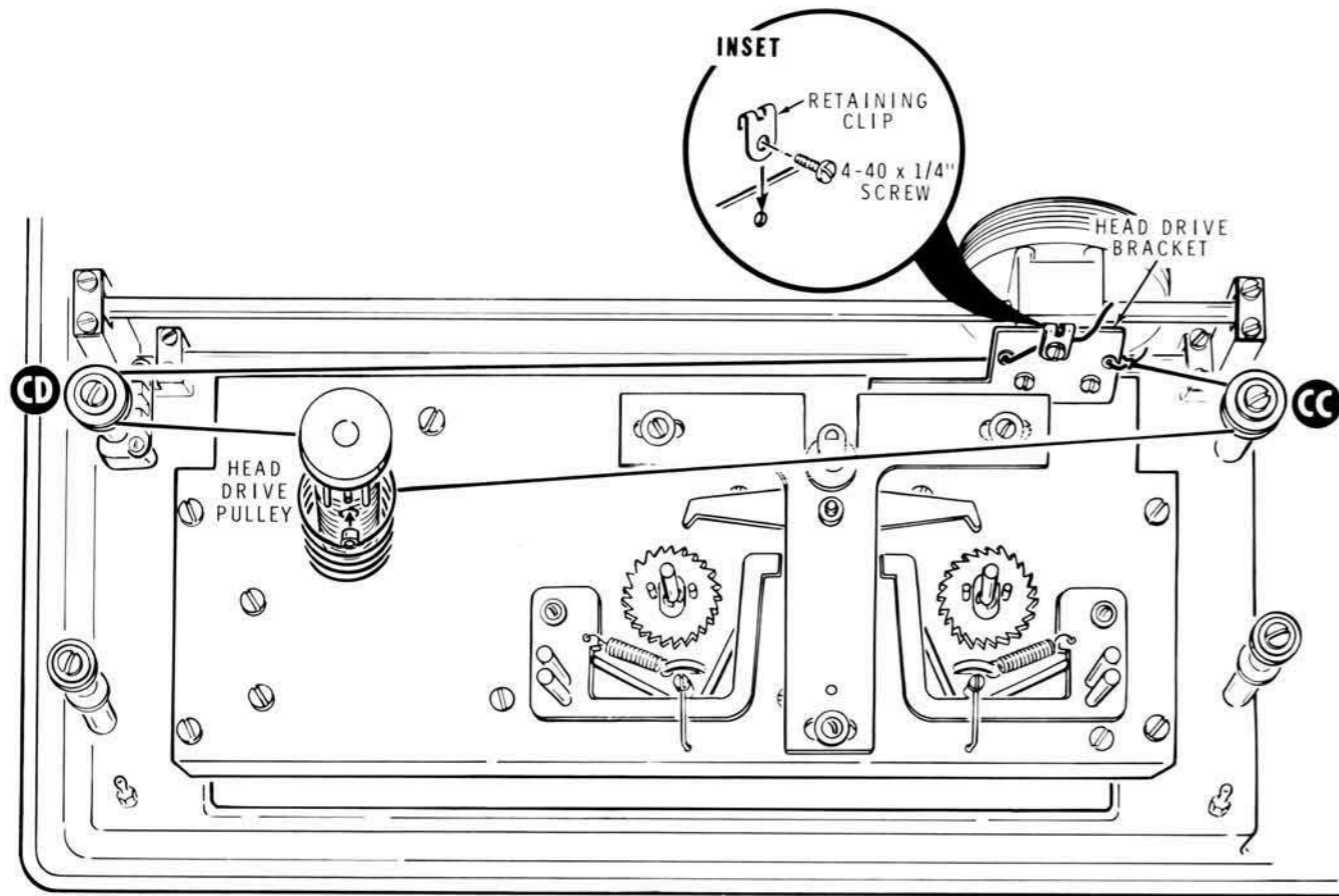
PICTORIAL 5-1



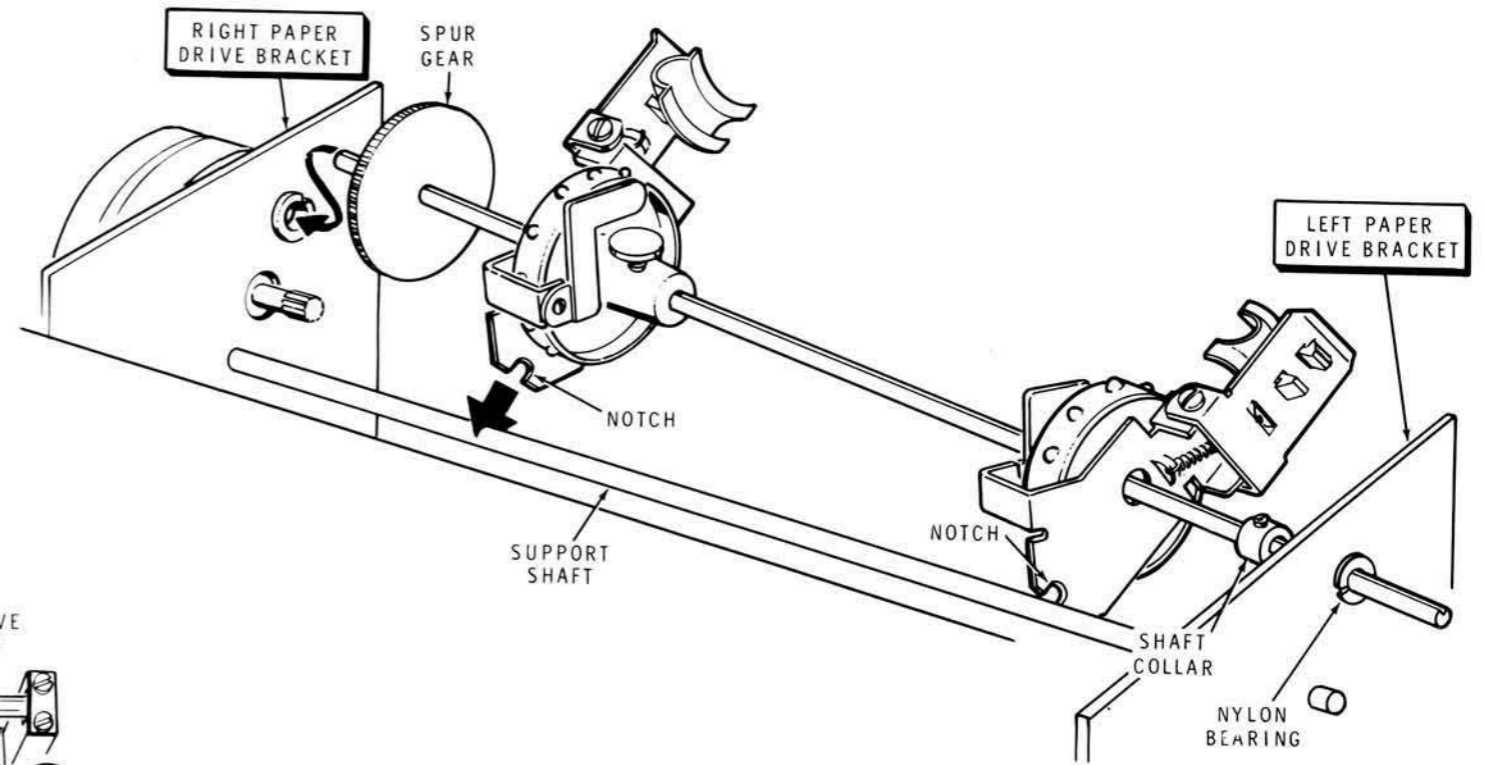
PICTORIAL 5-2



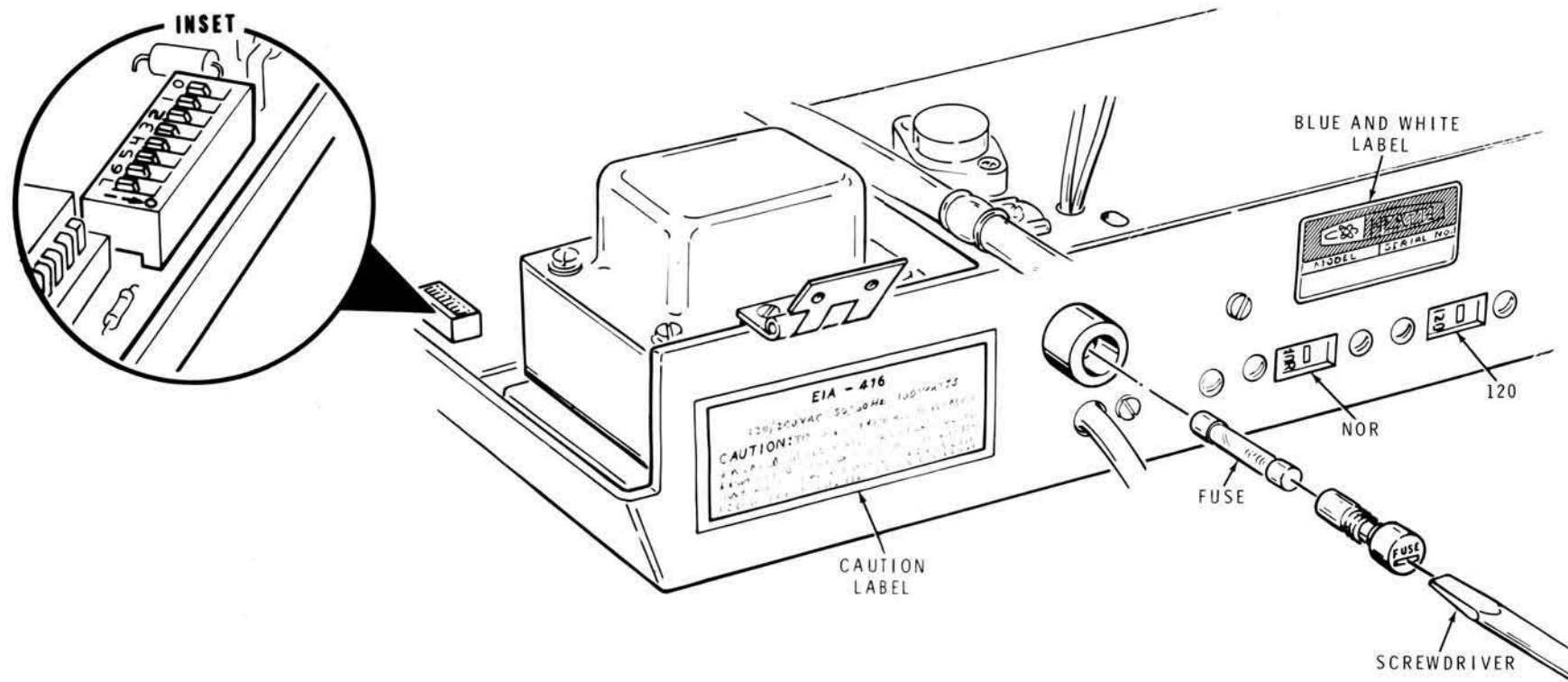
PICTORIAL 5-3



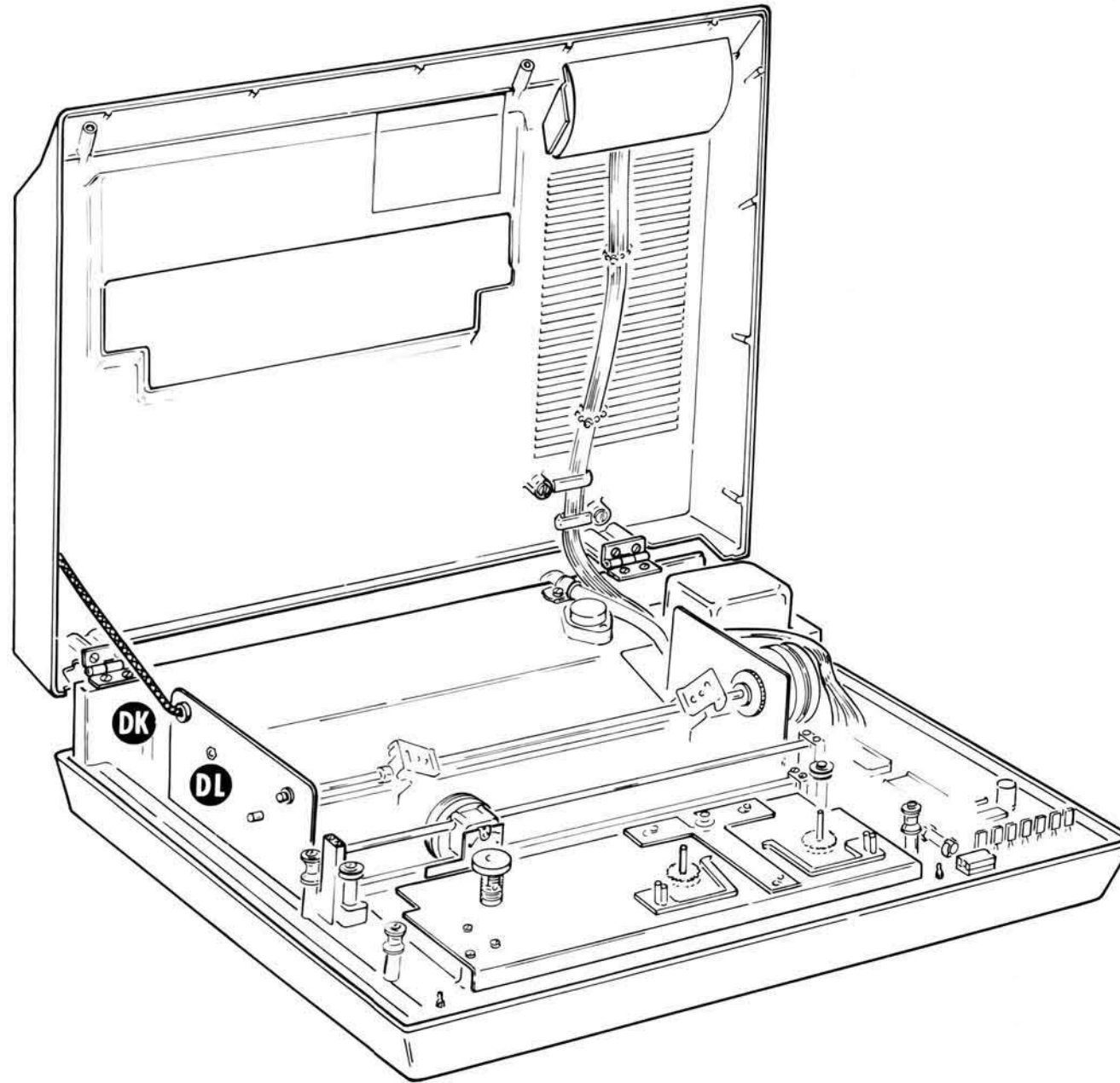
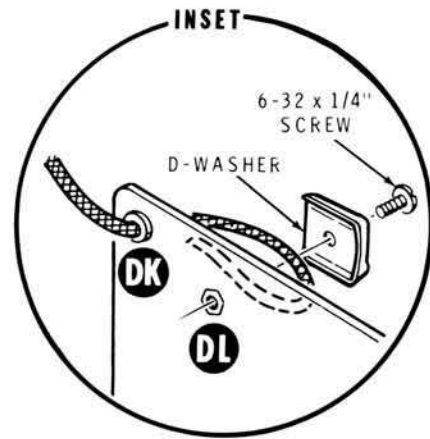
PICTORIAL 5-4



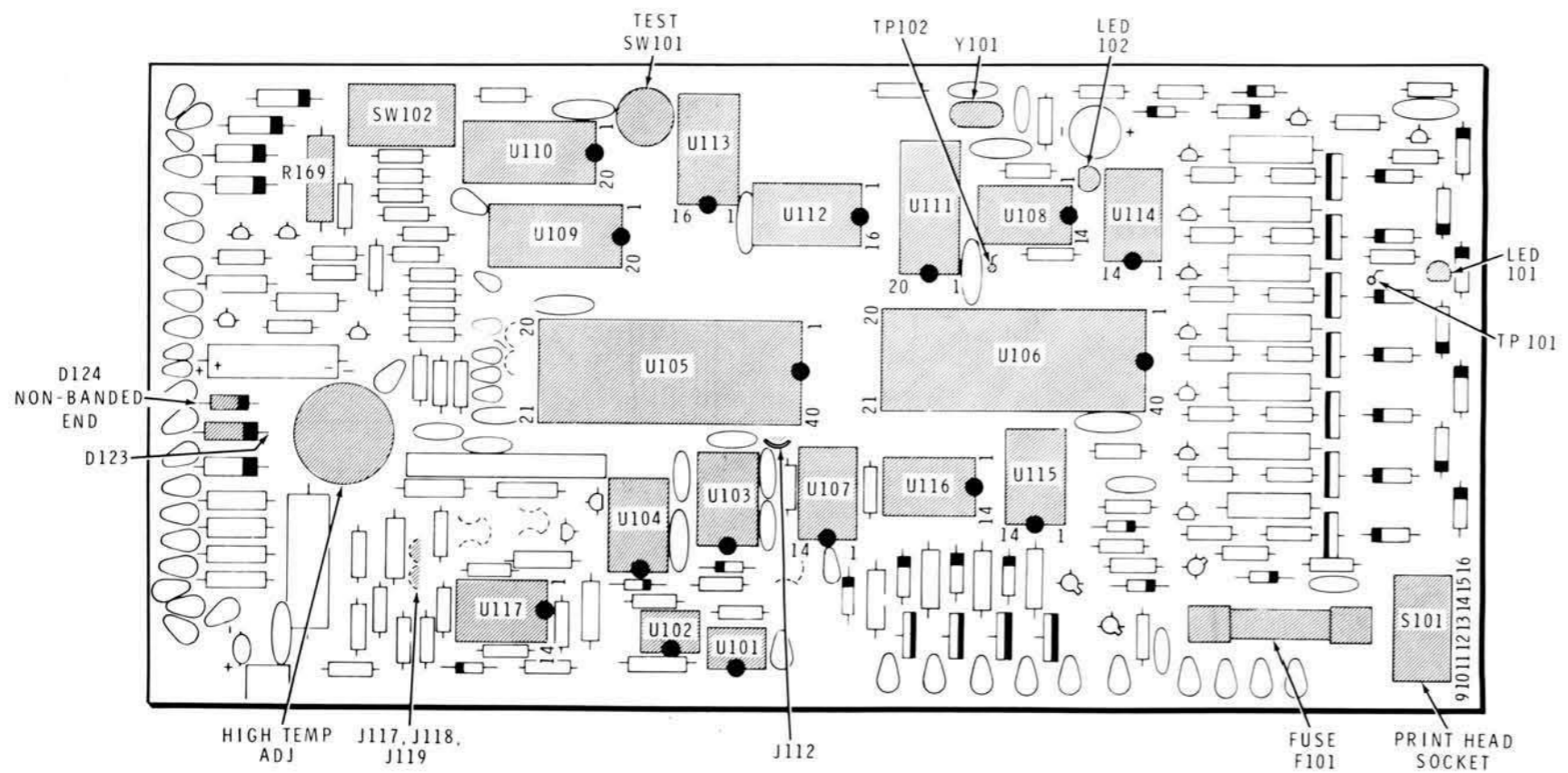
PICTORIAL 5-5



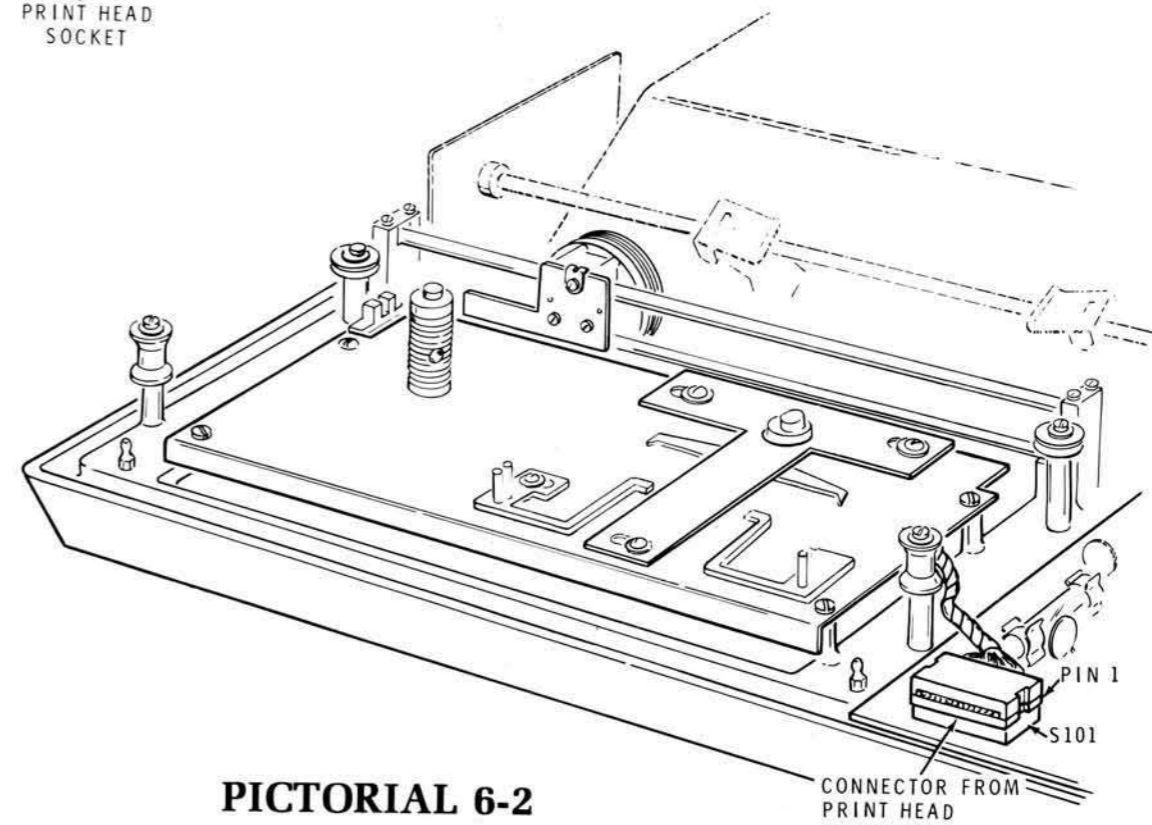
PICTORIAL 5-8



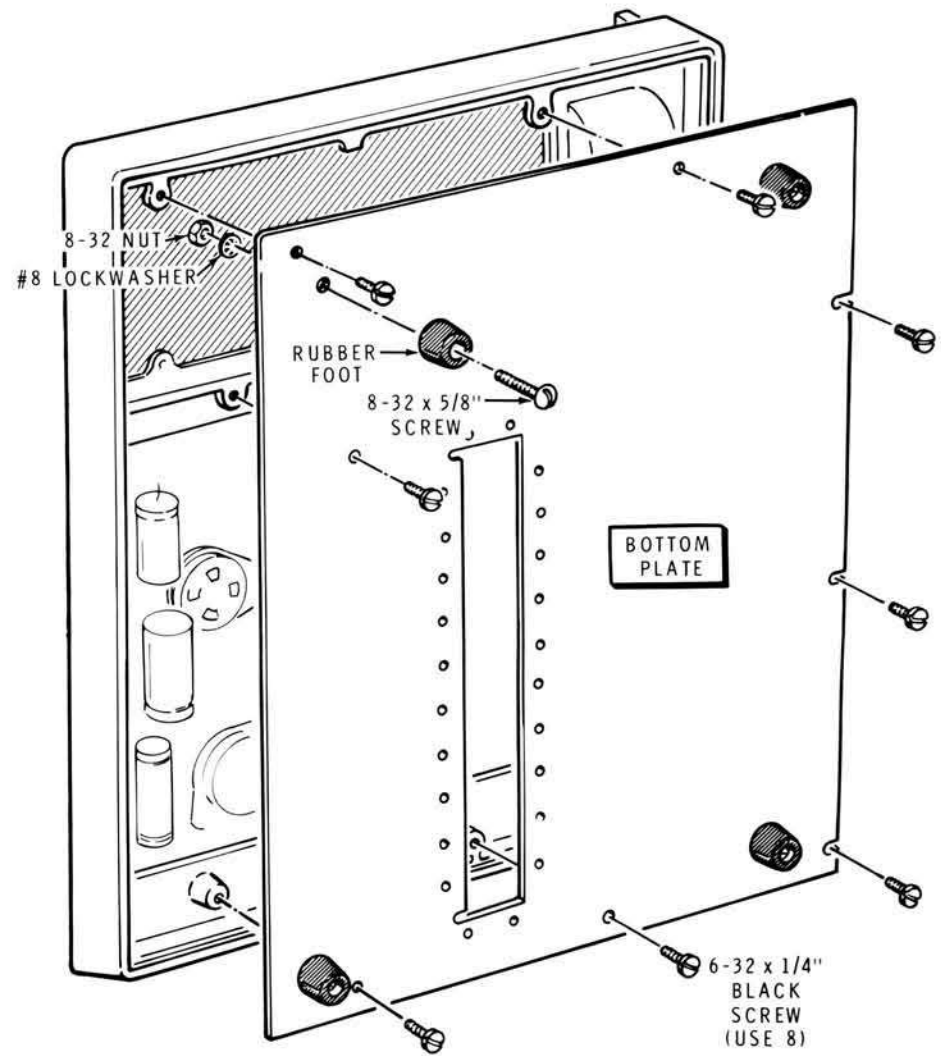
PICTORIAL 5-10



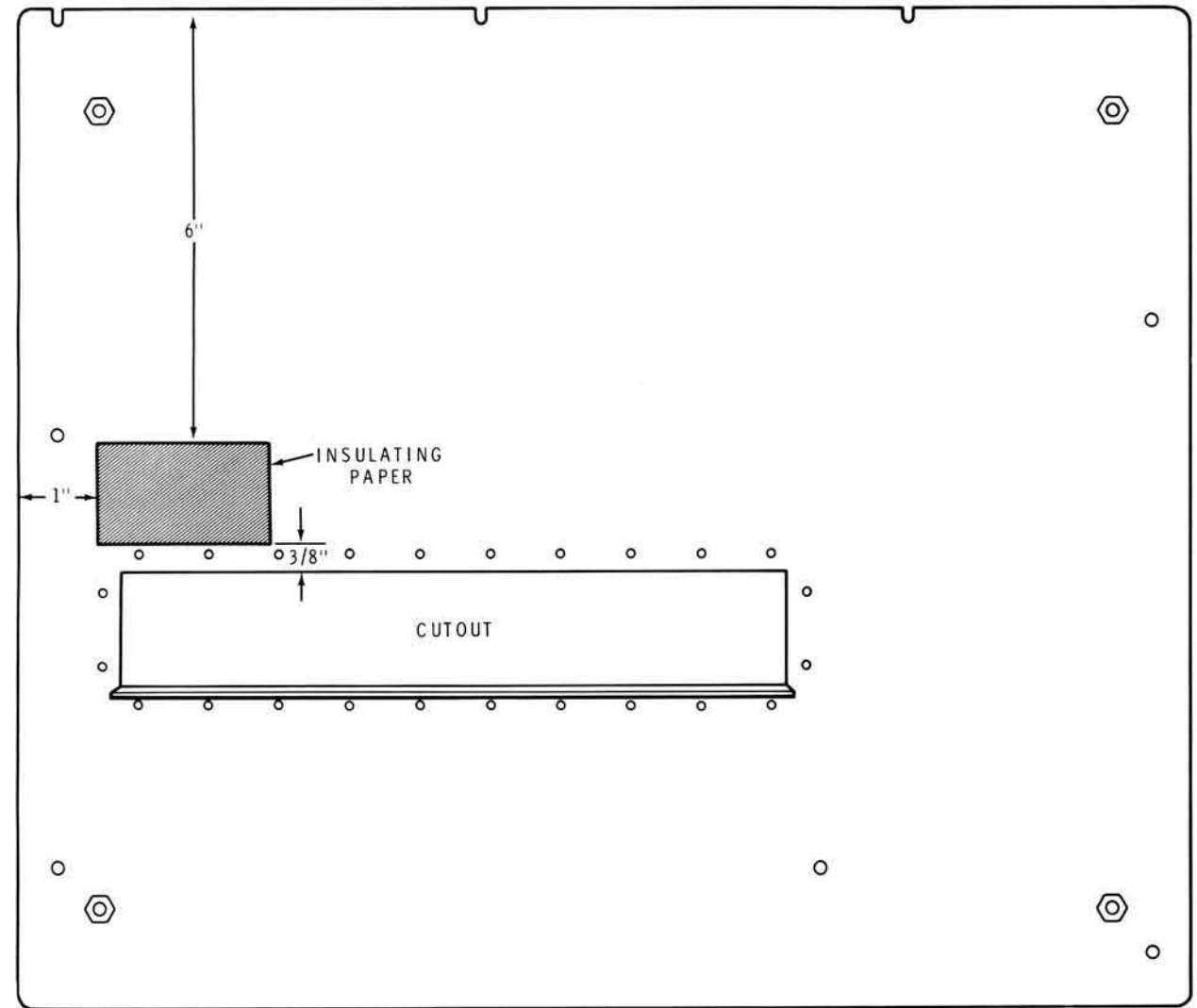
PICTORIAL 6-1



PICTORIAL 6-2



PICTORIAL 7-1



Detail 7-1A

