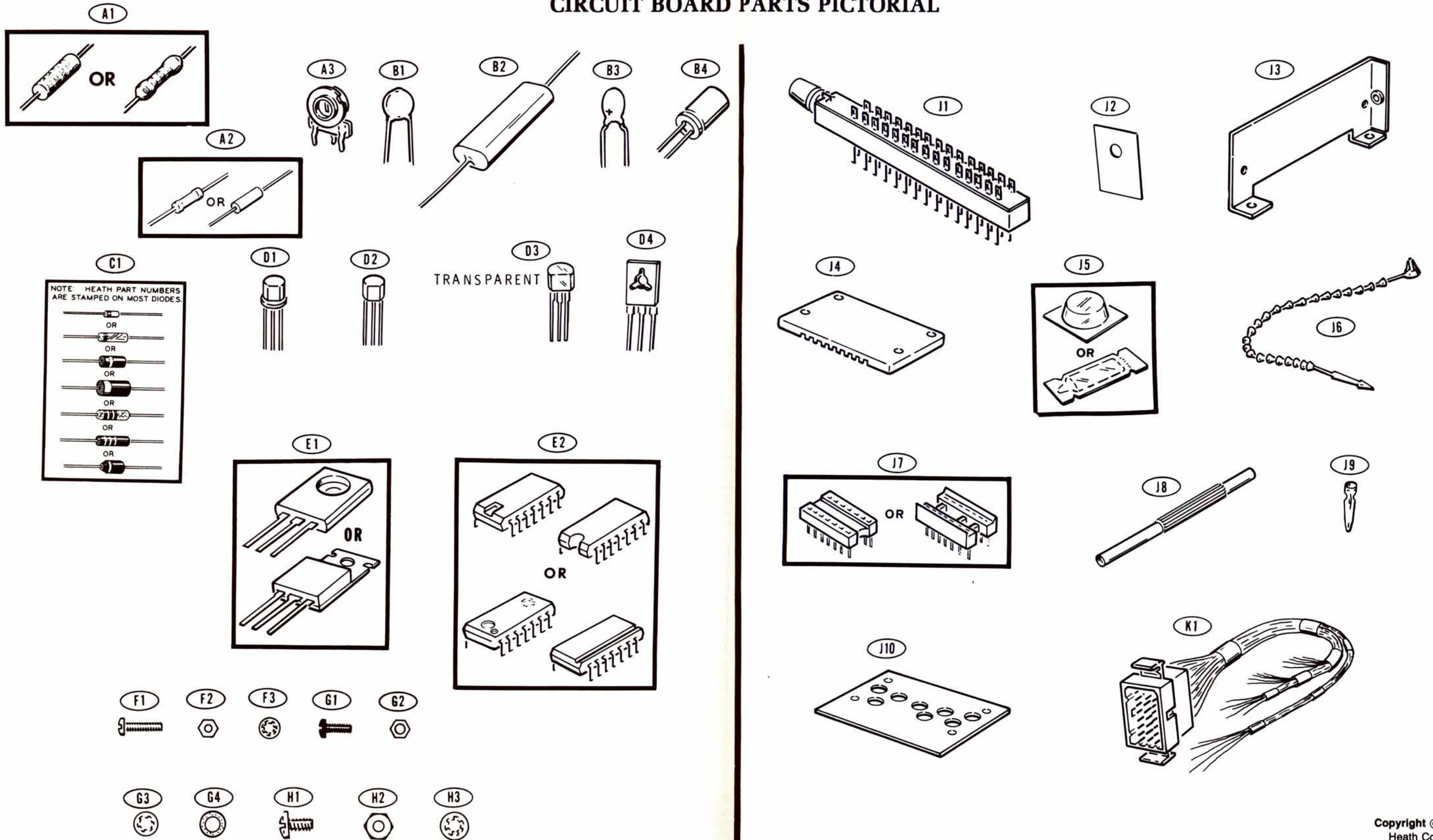
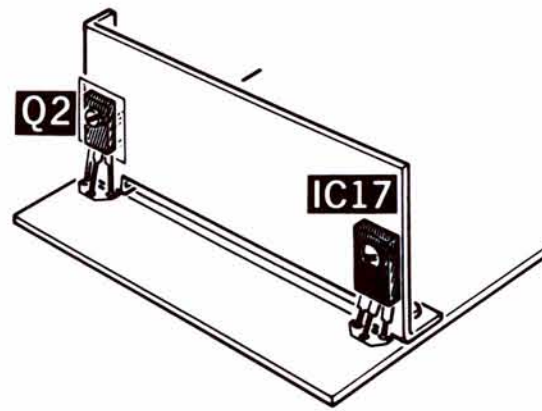


ILLUSTRATION BOOKLET

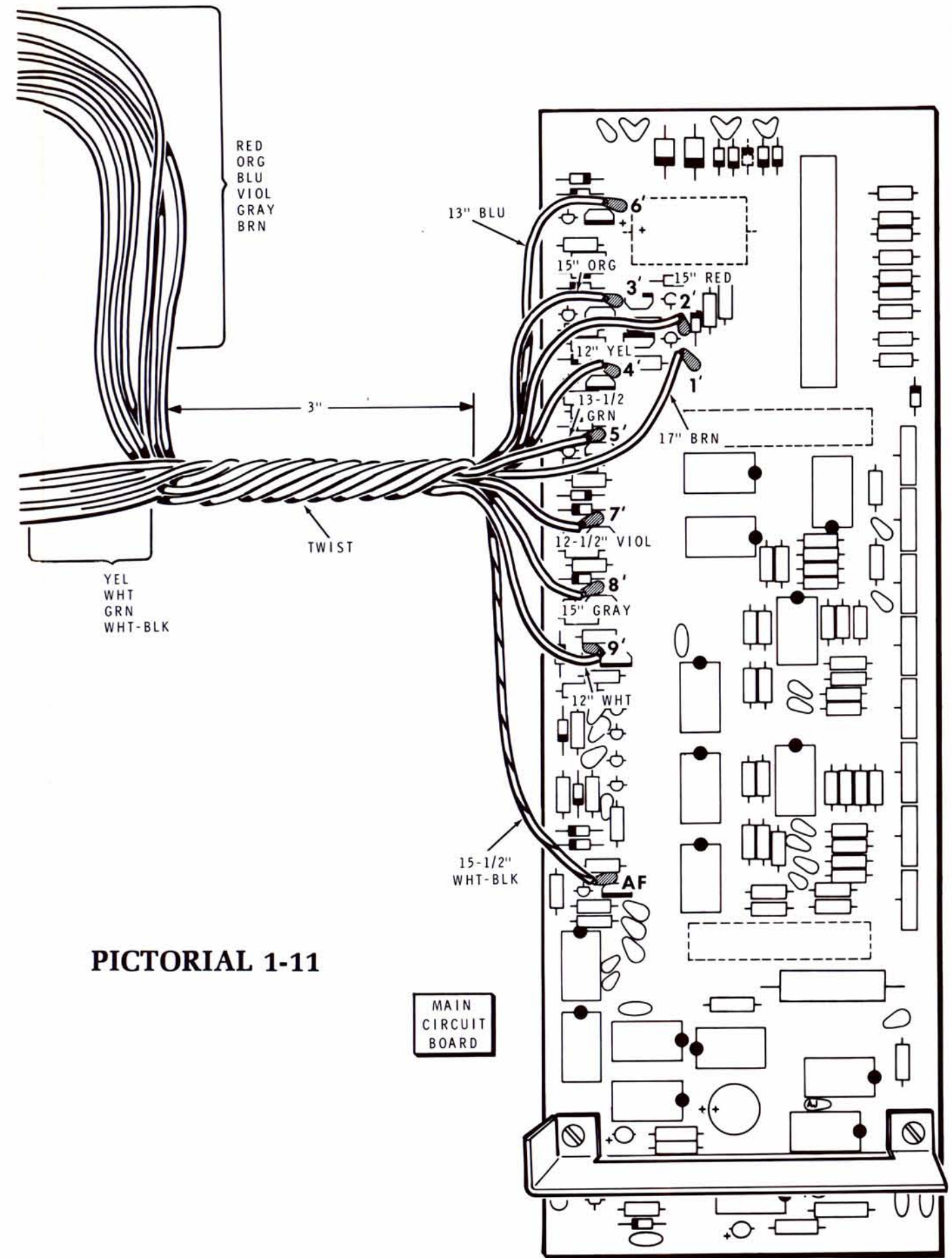
Part of 595-1970-01

CIRCUIT BOARD PARTS PICTORIAL



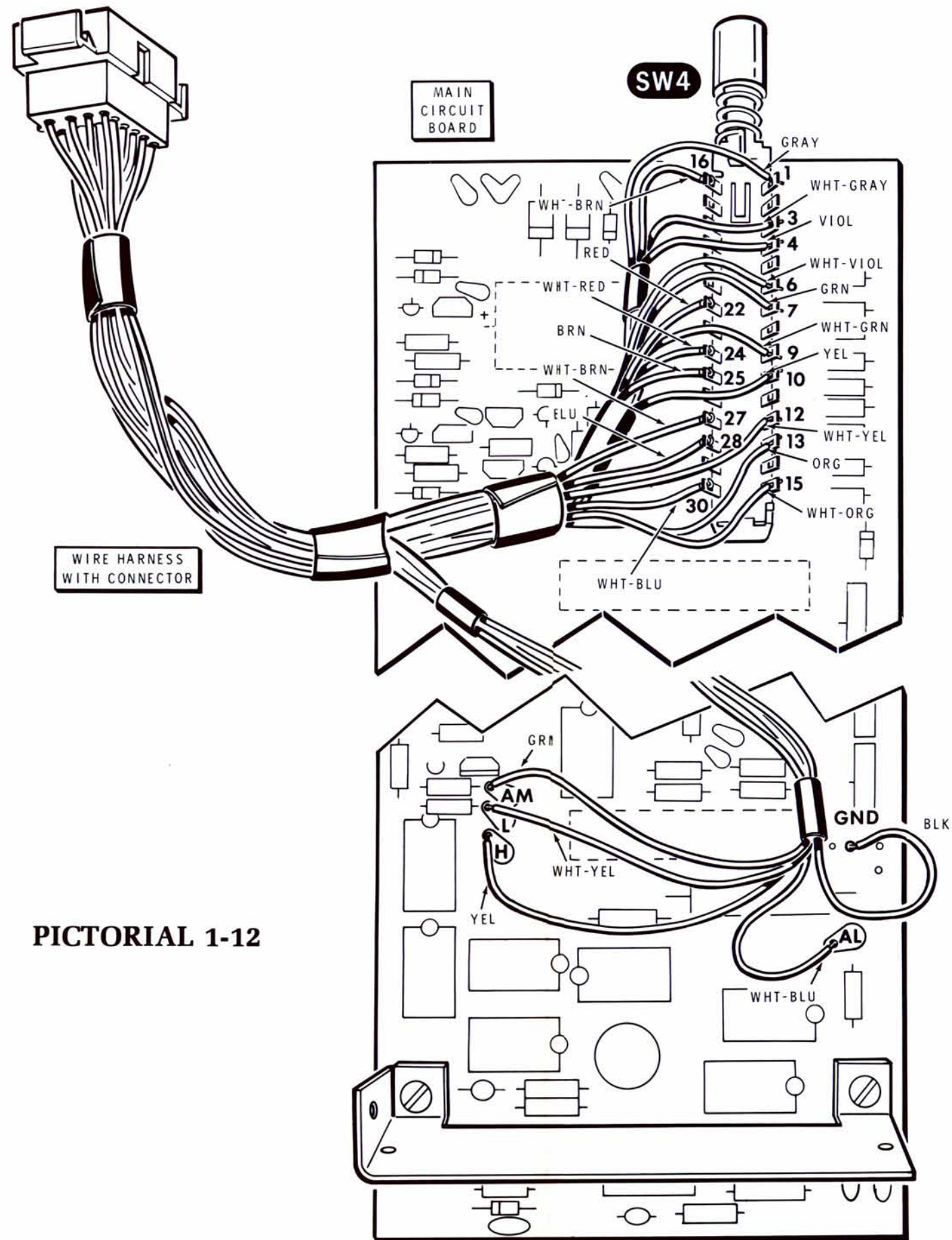


PICTORIAL 1-10



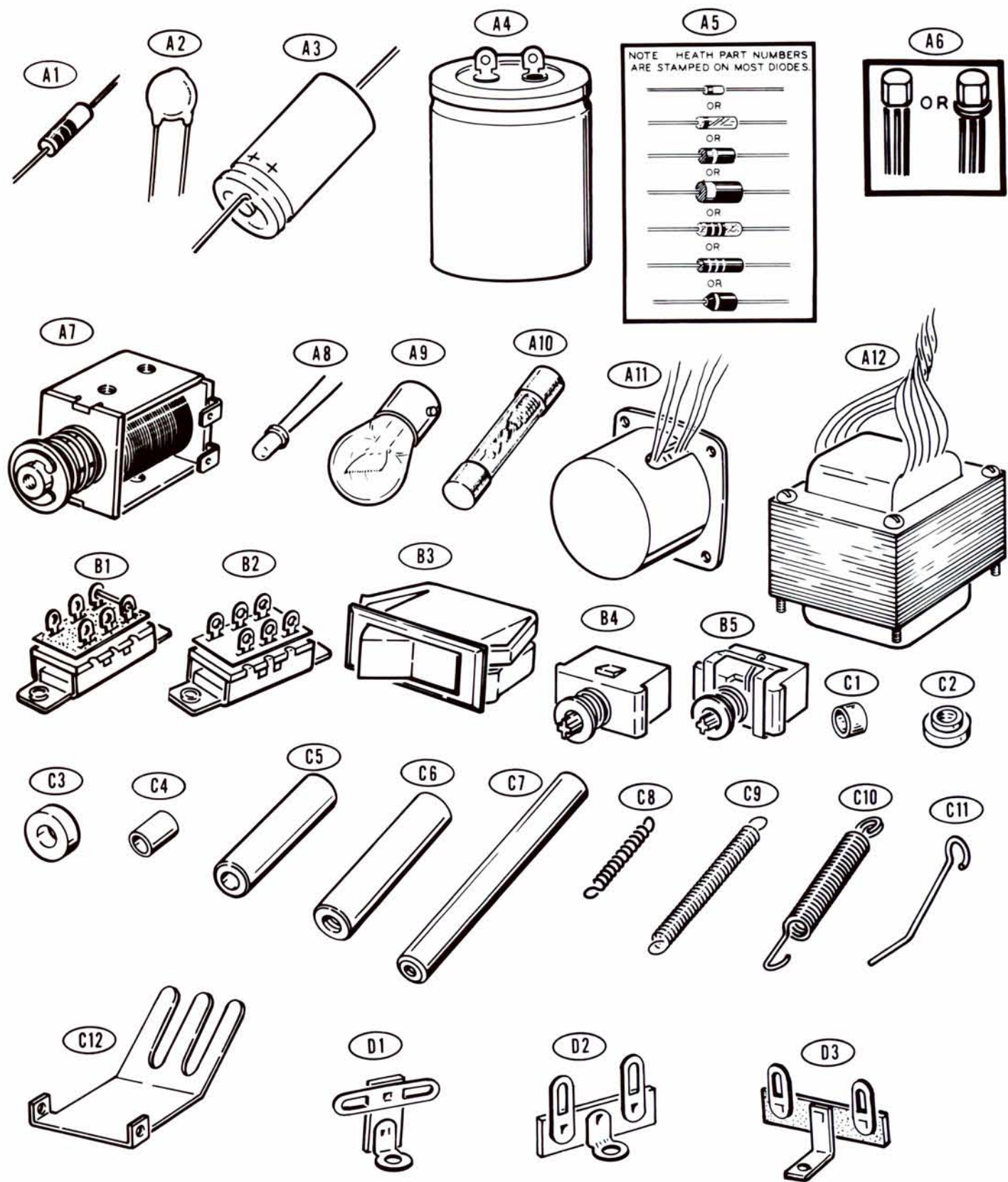
PICTORIAL 1-11

MAIN
CIRCUIT
BOARD



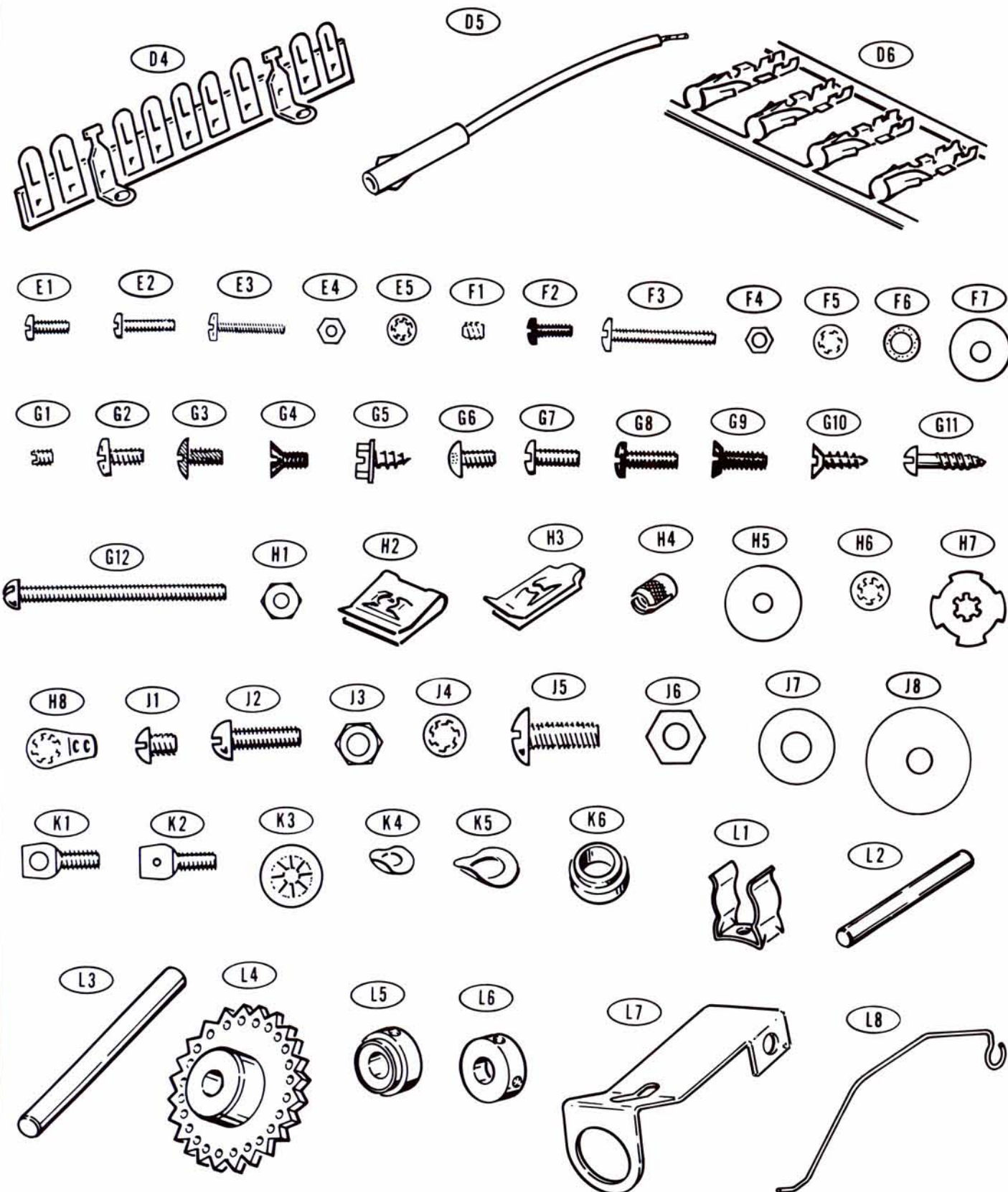
PICTORIAL 1-12

CHASSIS PARTS PICTORIAL

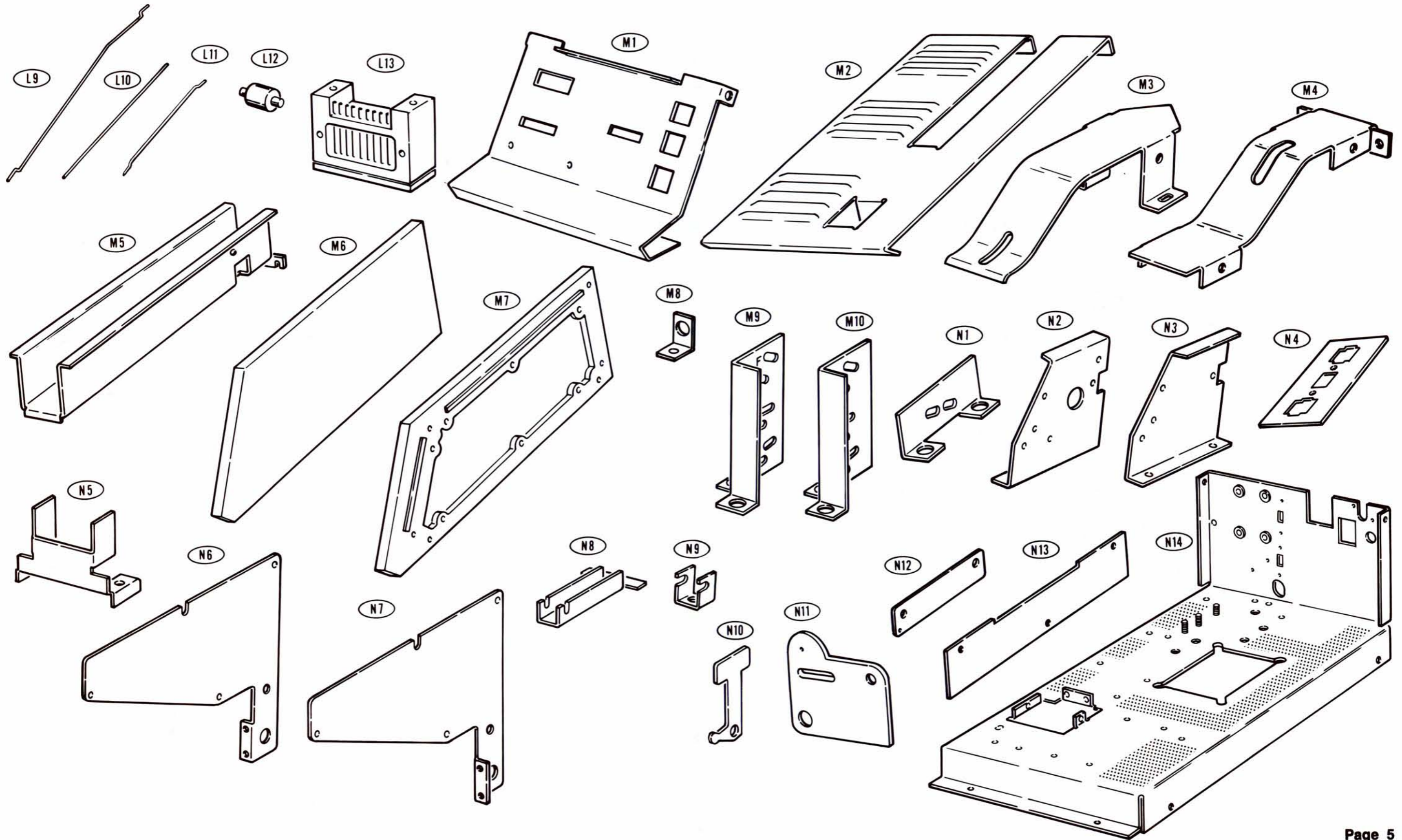


NOTE - HEATH PART NUMBERS ARE STAMPED ON MOST DIODES.

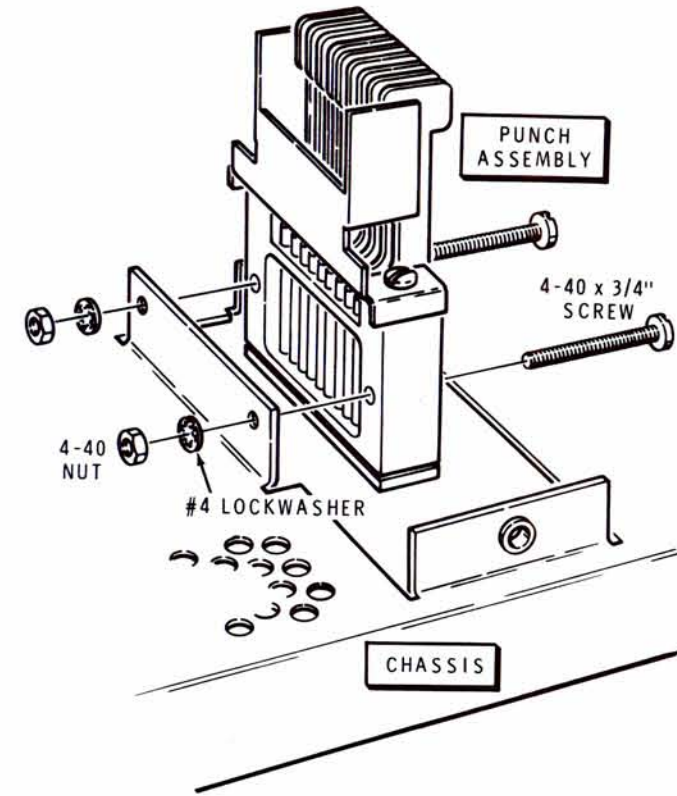
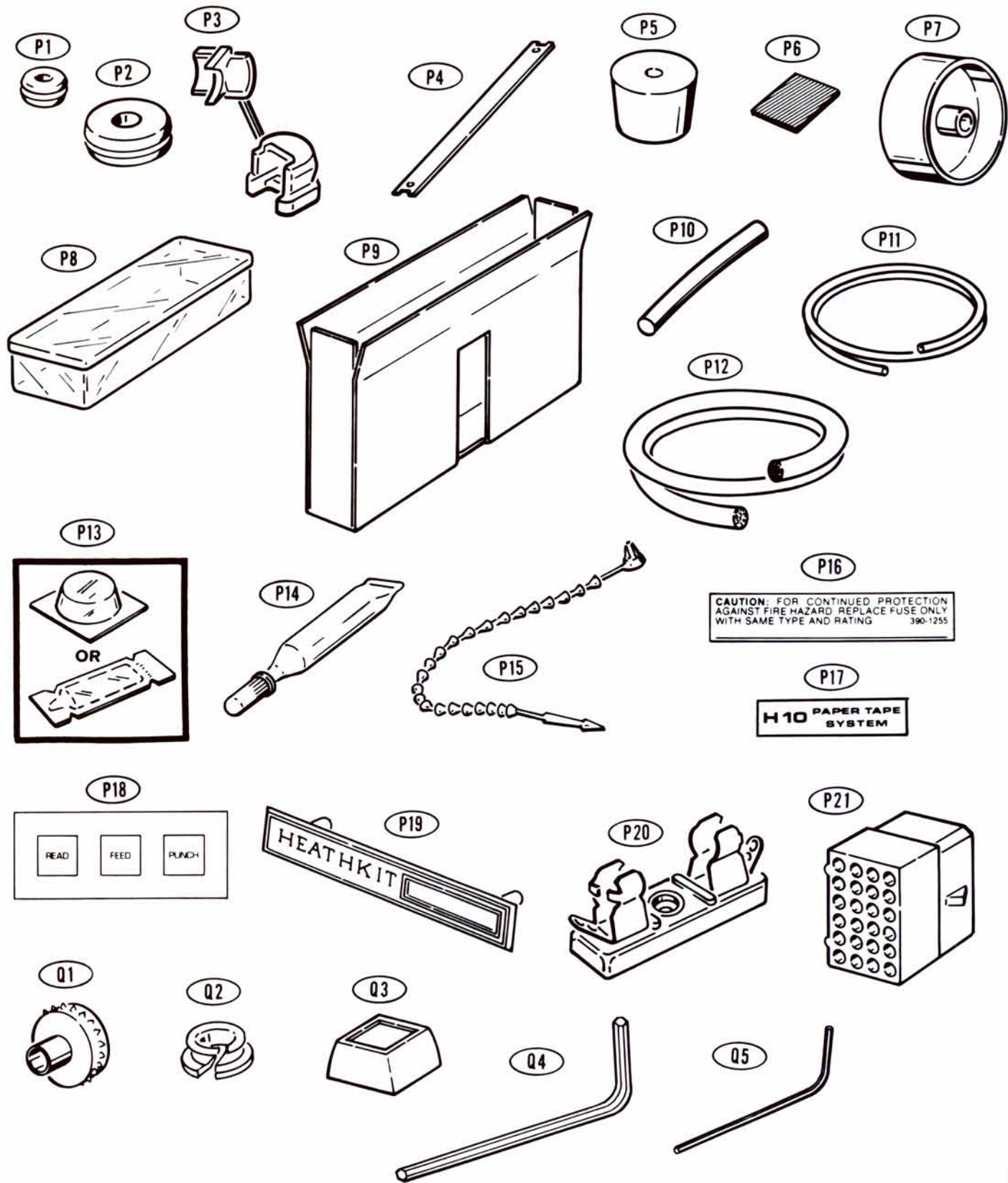
	OR
	OR
	OR
	OR
	OR
	OR
	OR
	OR
	OR
	OR



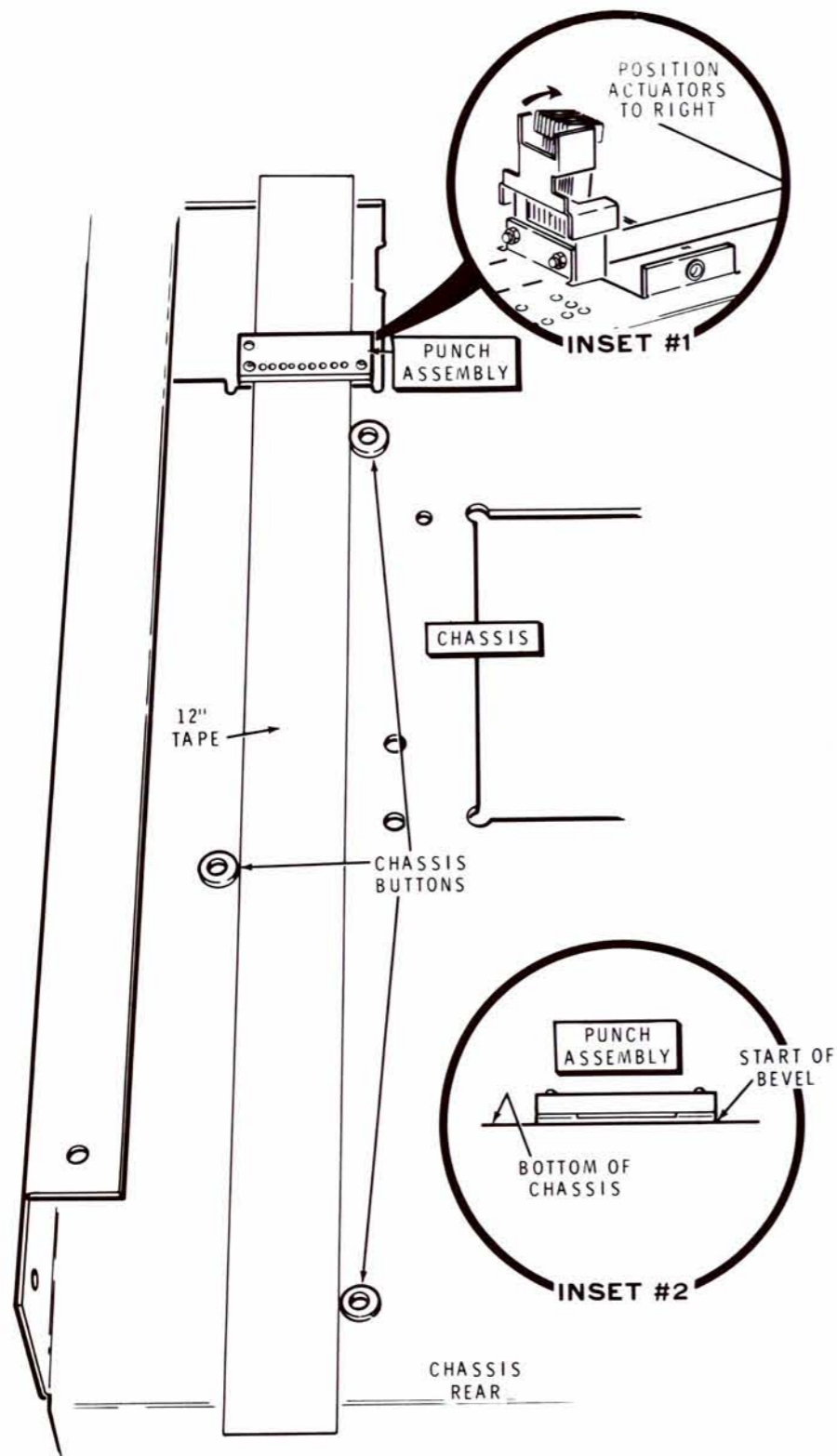
Chassis Parts Pictorial (cont'd.)



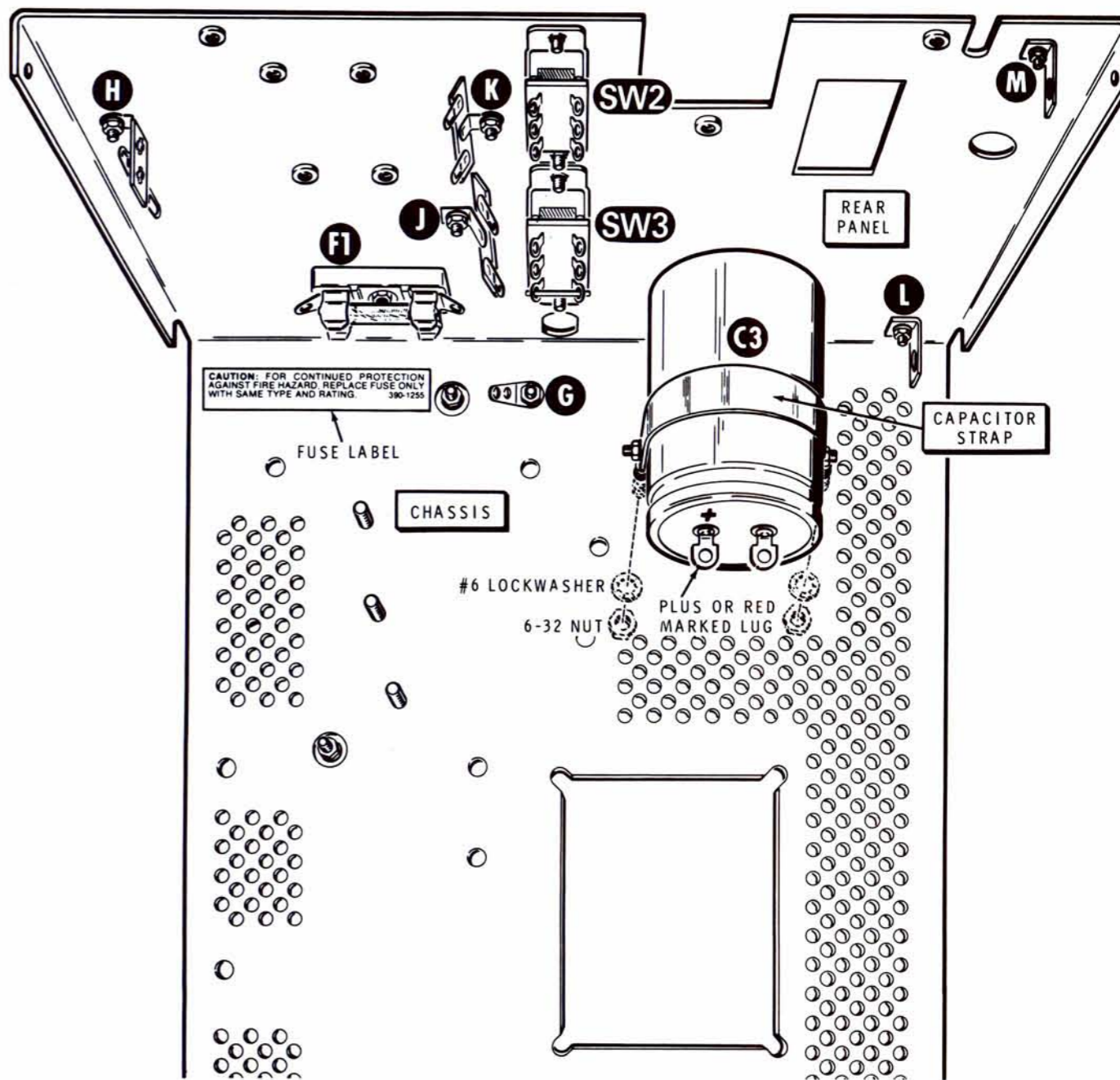
Chassis Parts Pictorial (cont'd.)



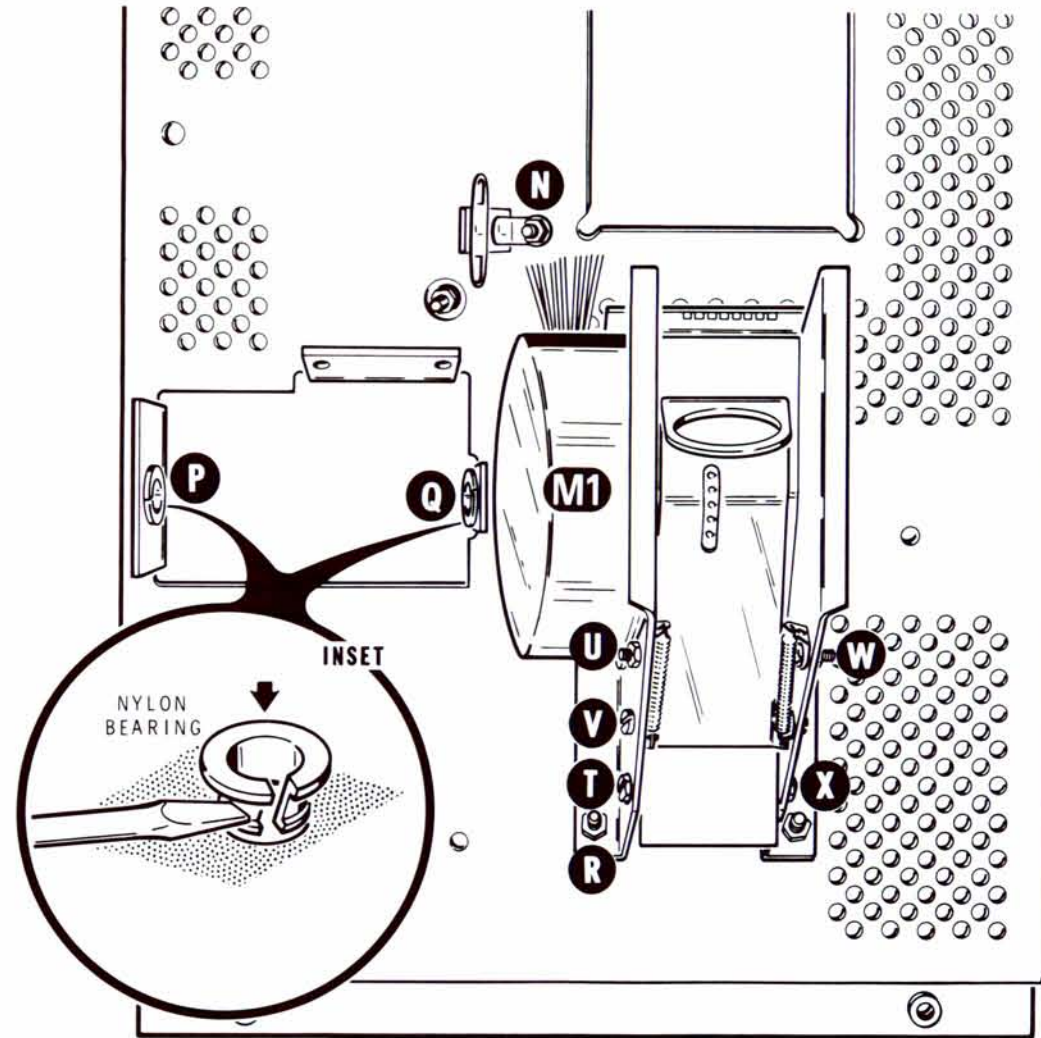
PICTORIAL 3-1



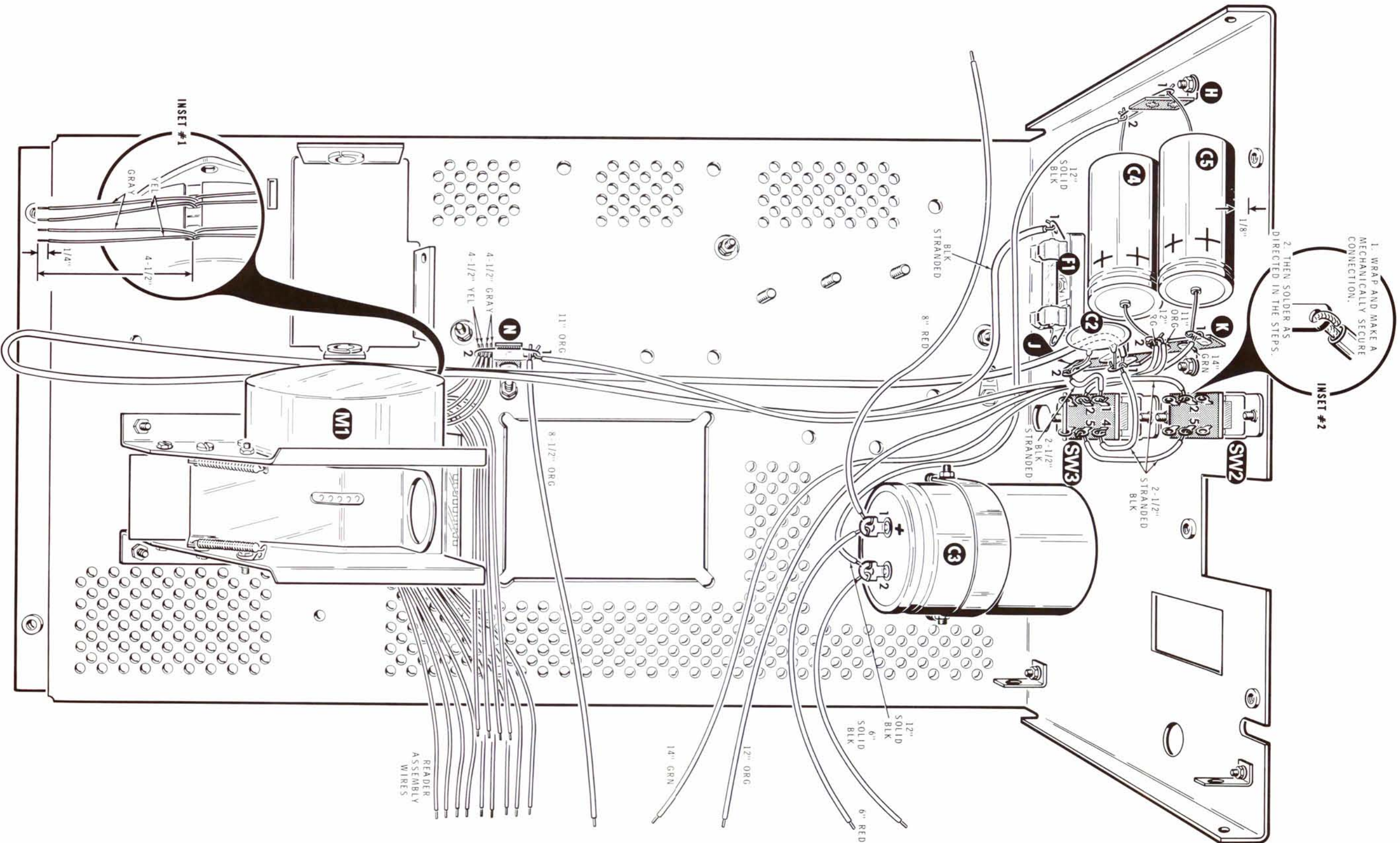
PICTORIAL 3-2



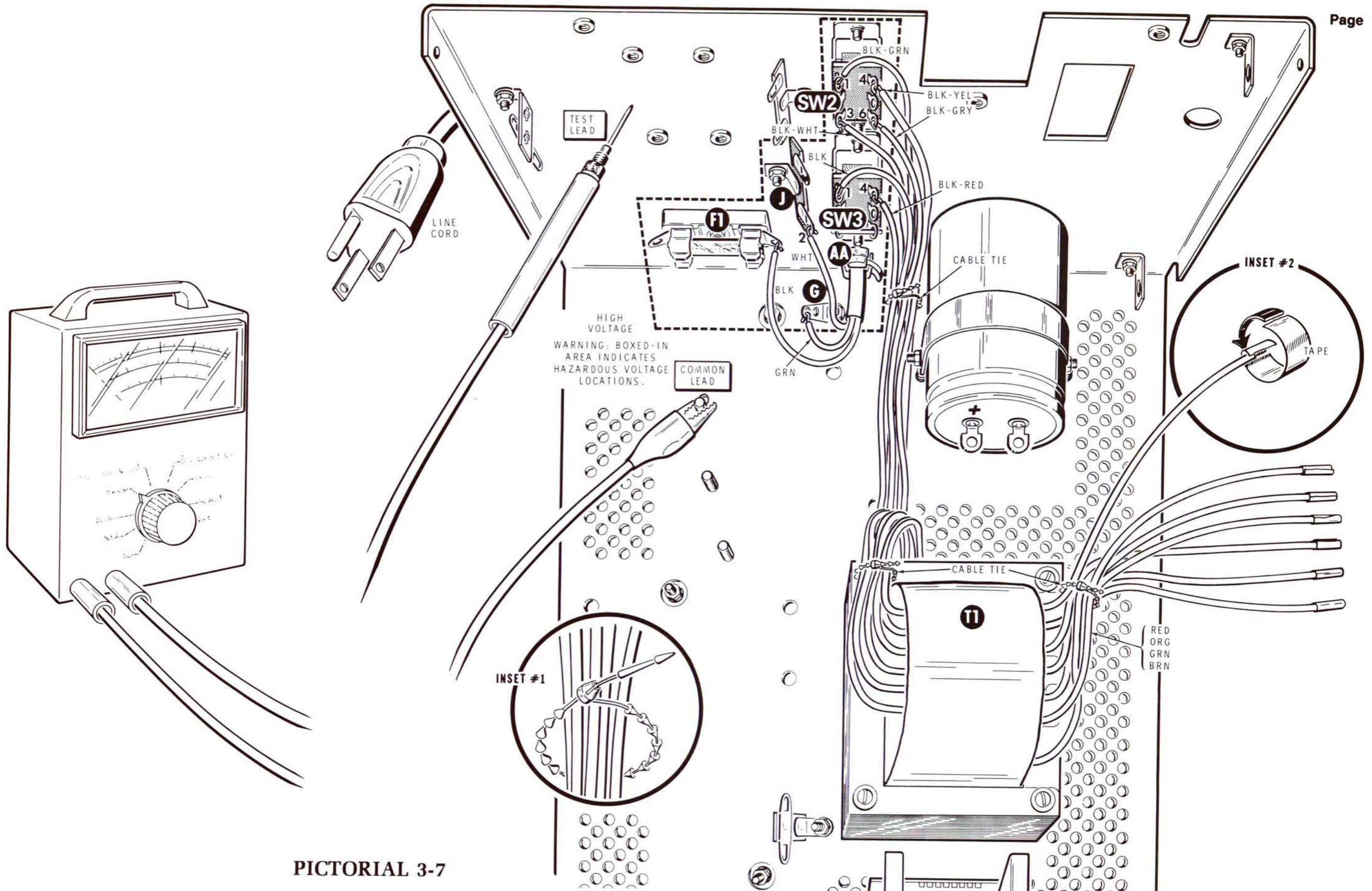
PICTORIAL 3-4



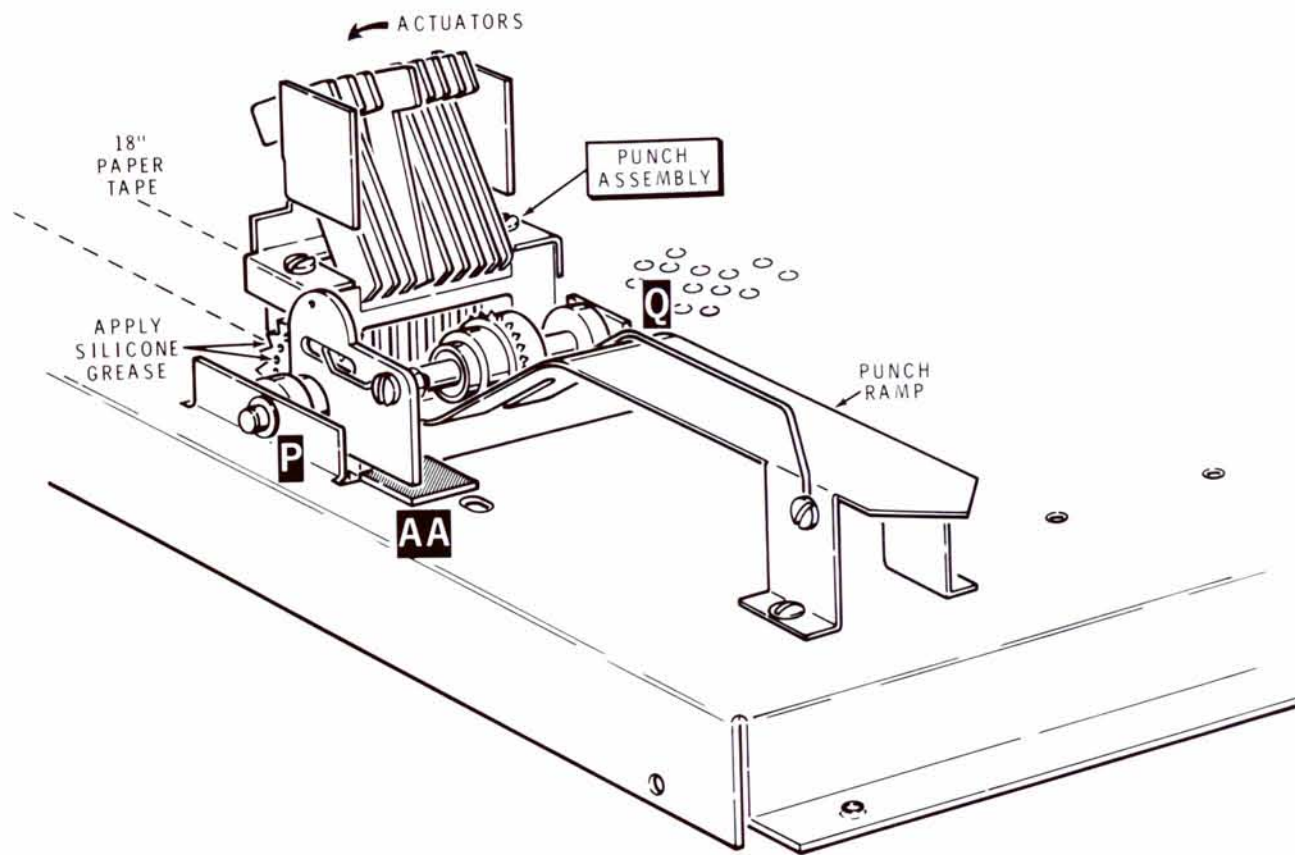
PICTORIAL 3-5



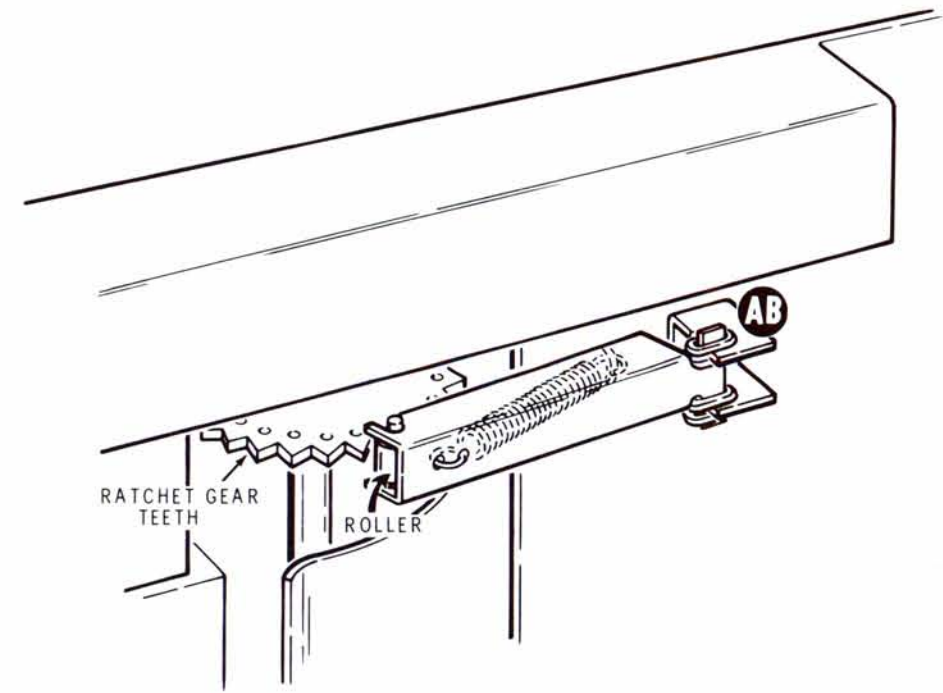
PICTORIAL 3-6



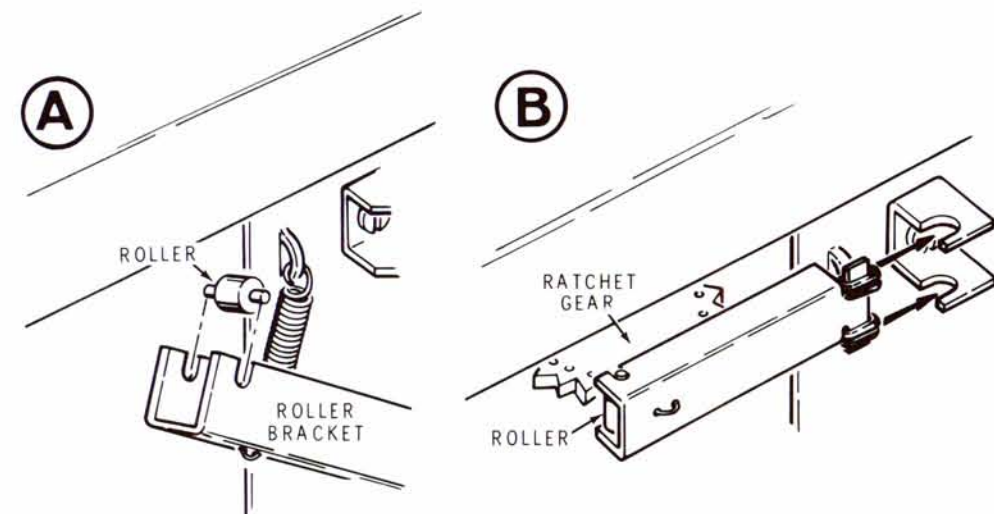
PICTORIAL 3-7



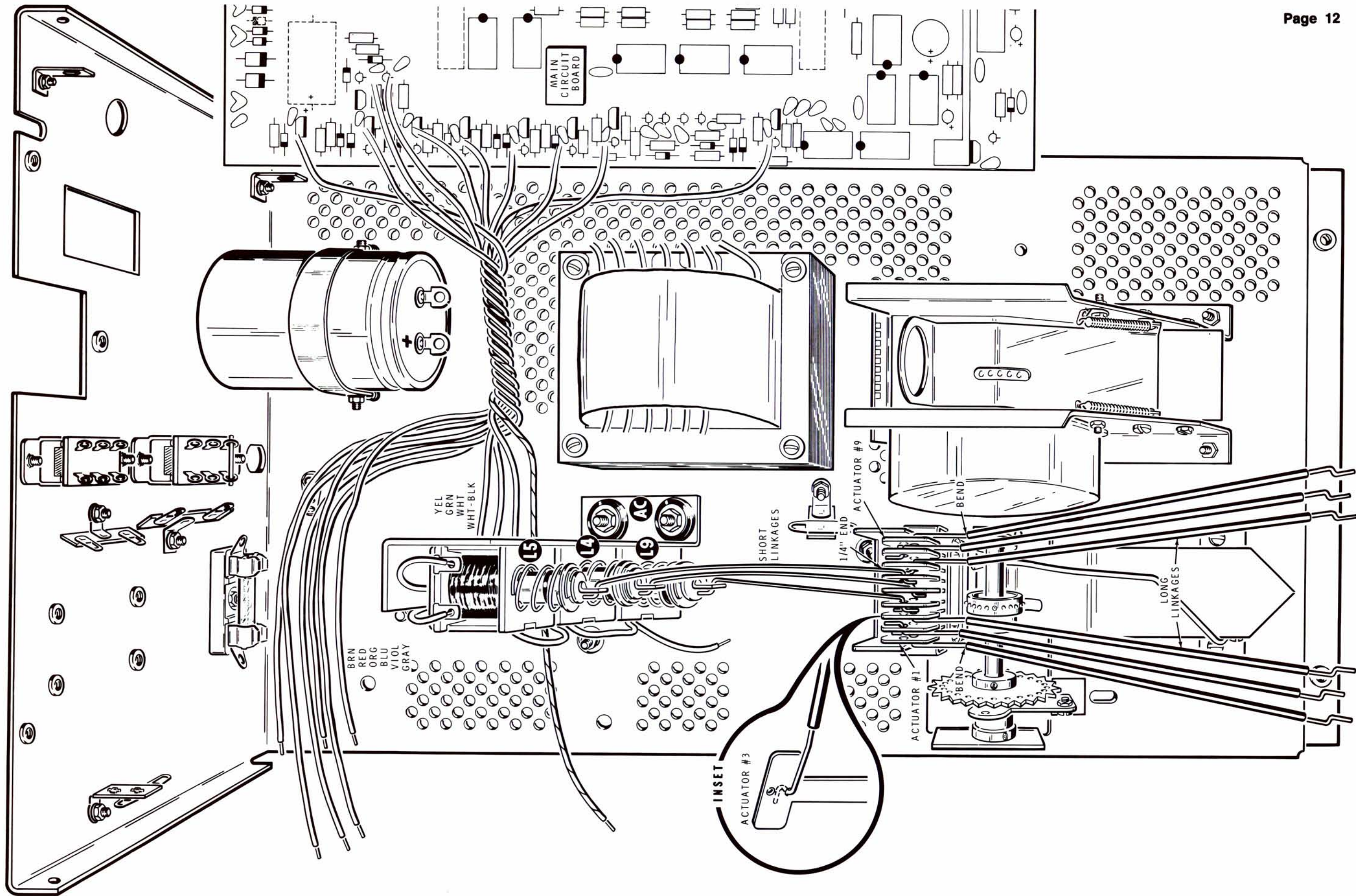
PICTORIAL 3-8



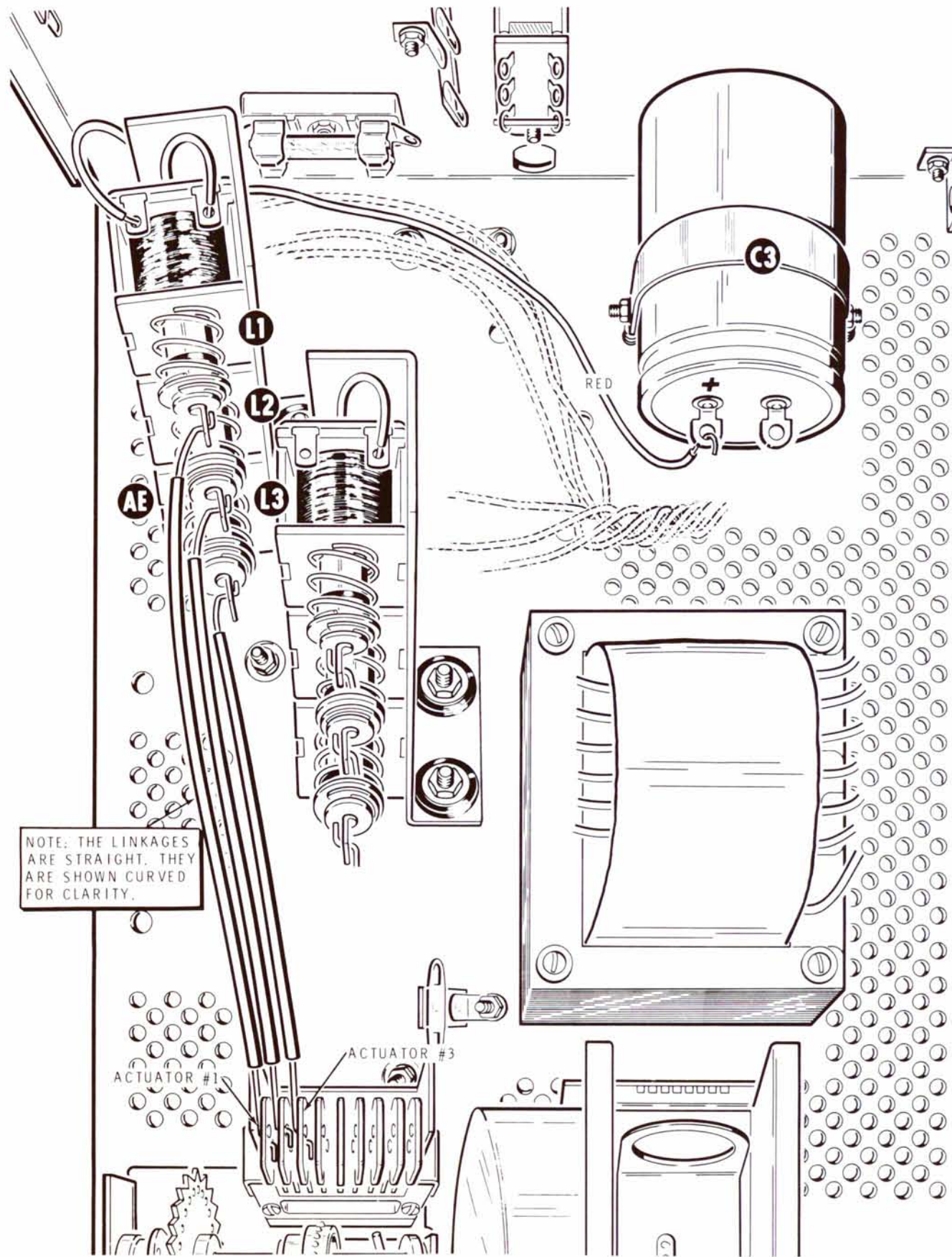
PICTORIAL 3-9



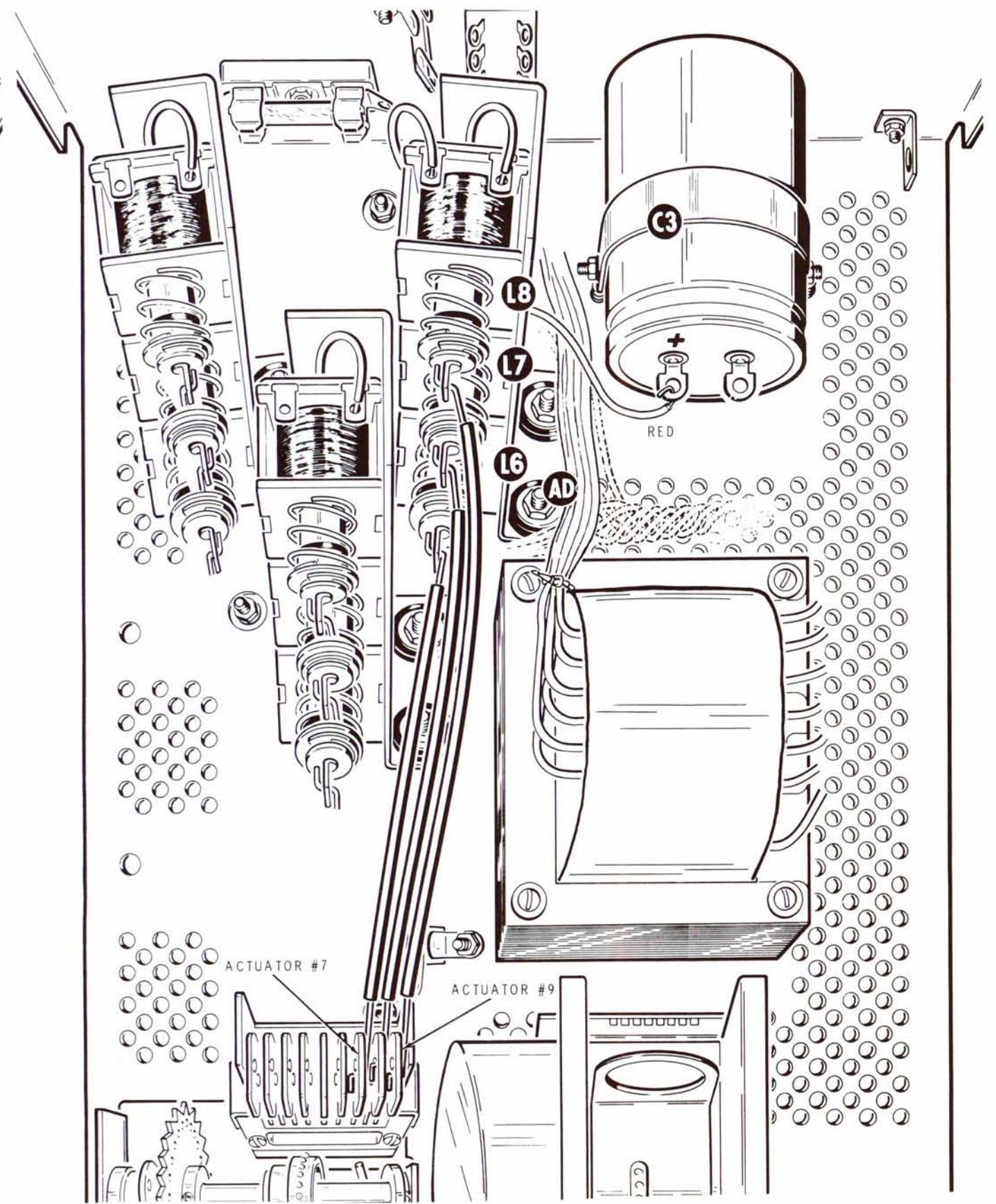
Detail 3-9D



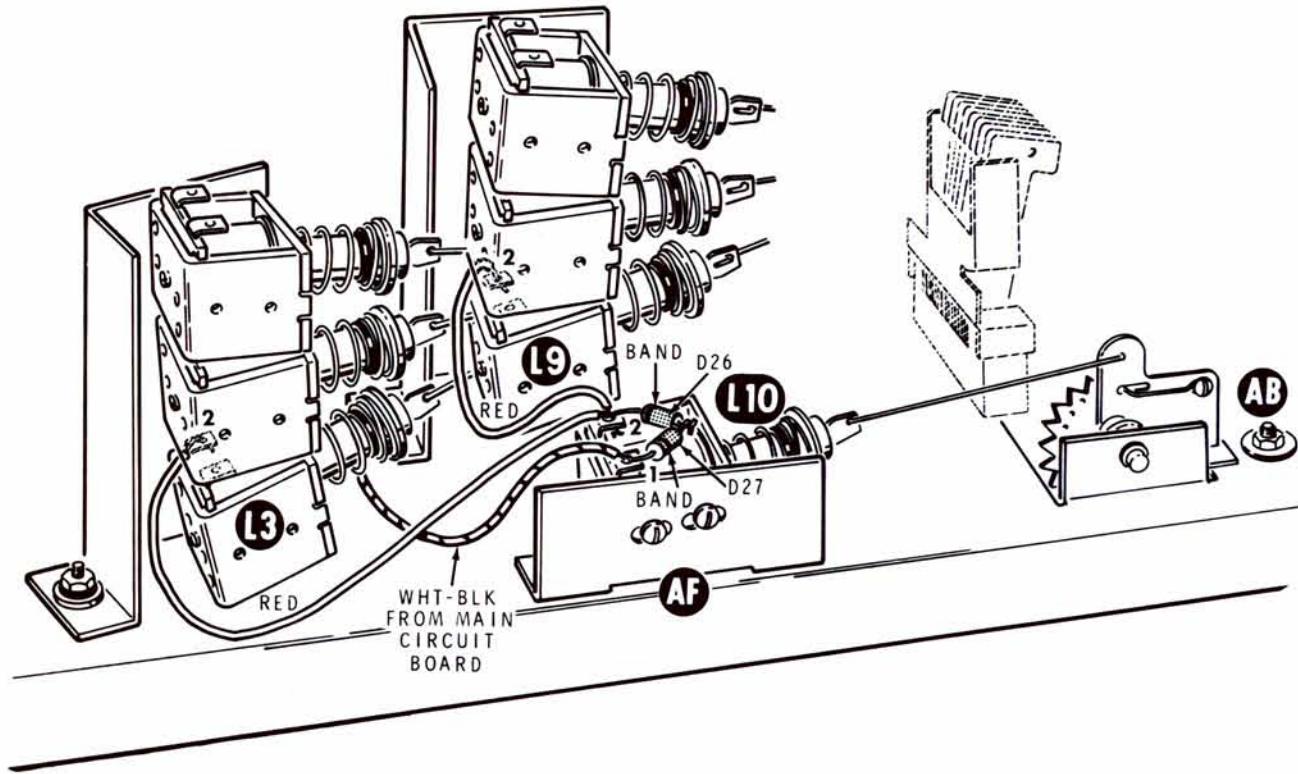
PICTORIAL 3-10



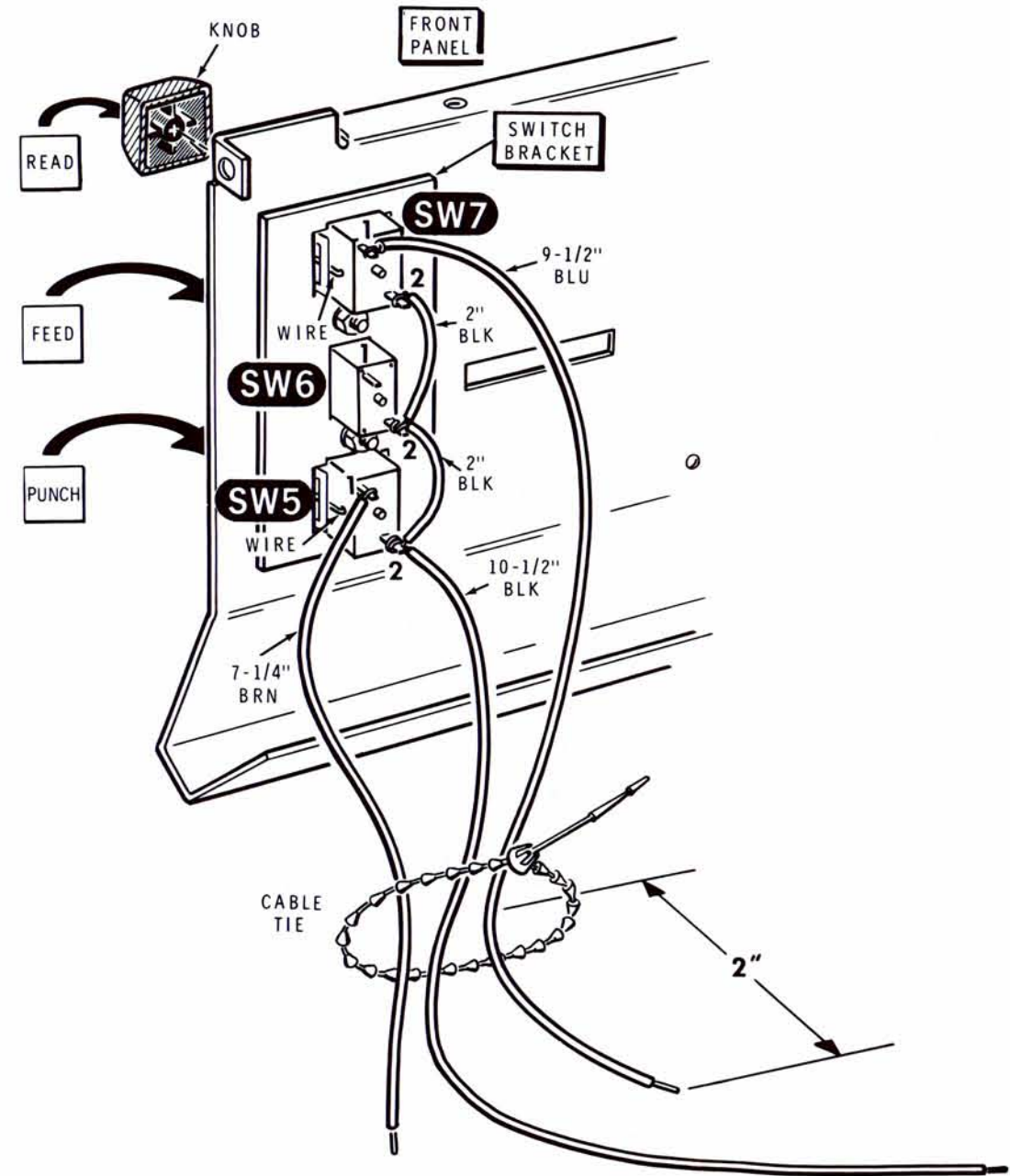
PICTORIAL 3-11



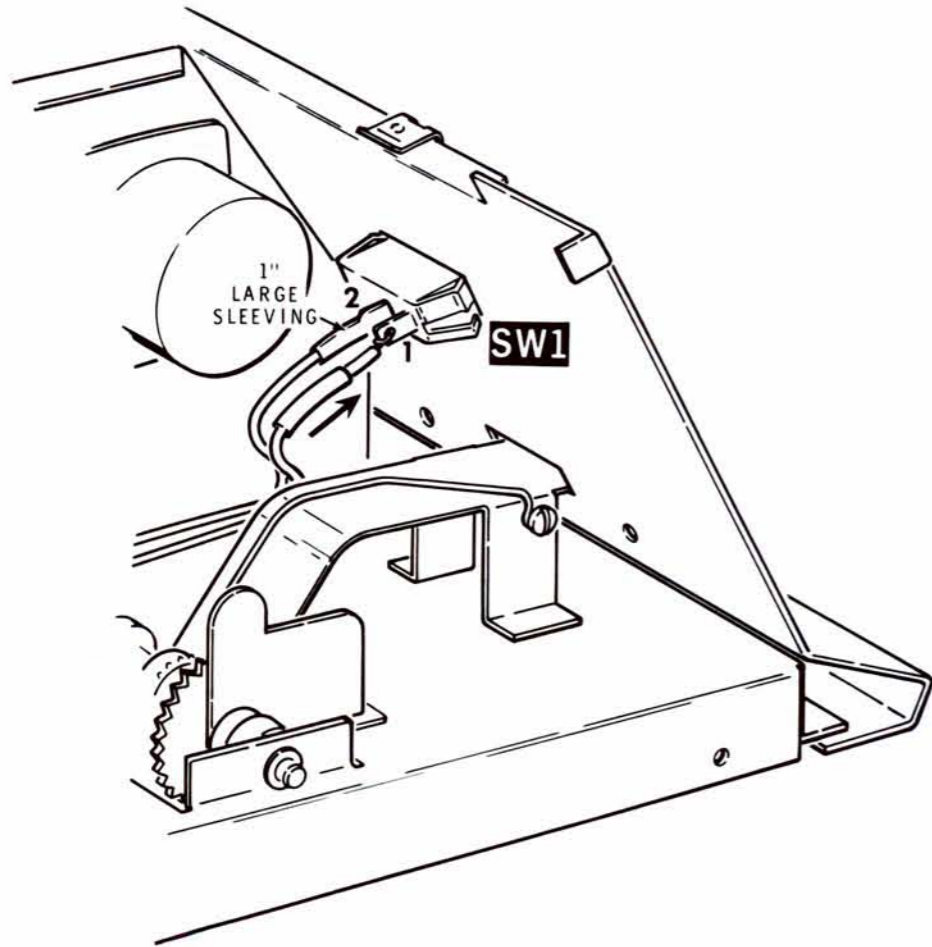
PICTORIAL 3-12



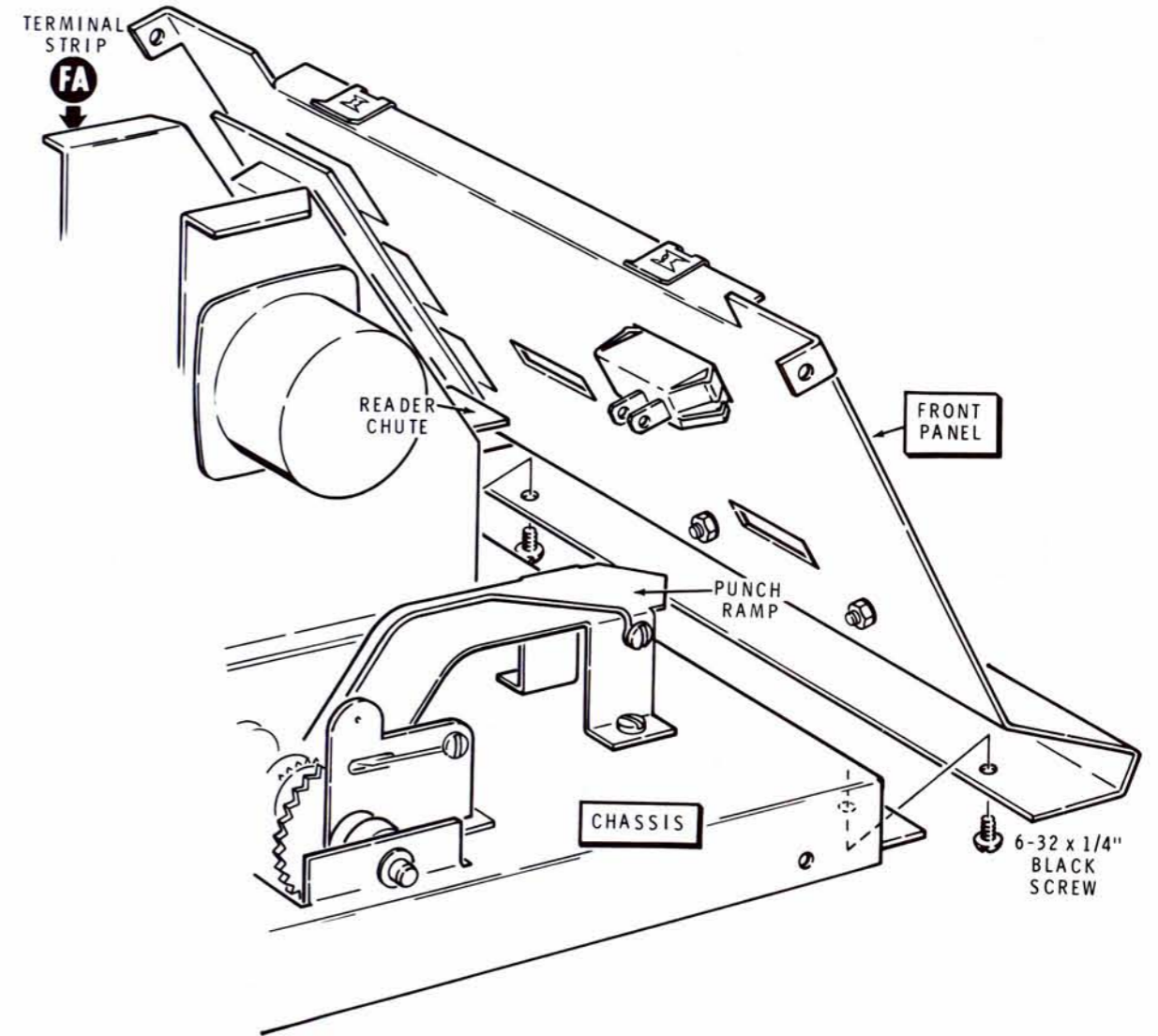
PICTORIAL 3-13



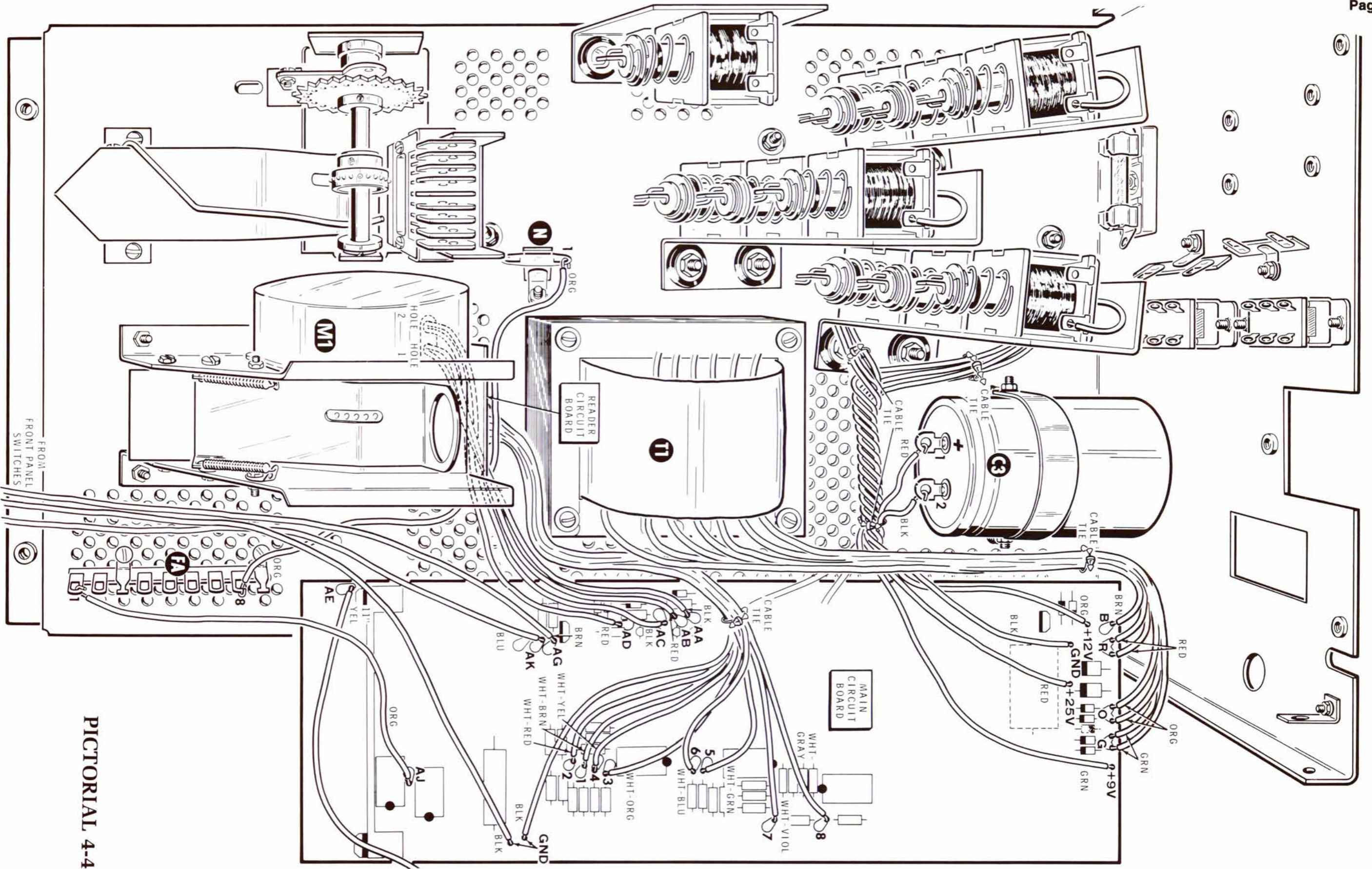
PICTORIAL 4-1



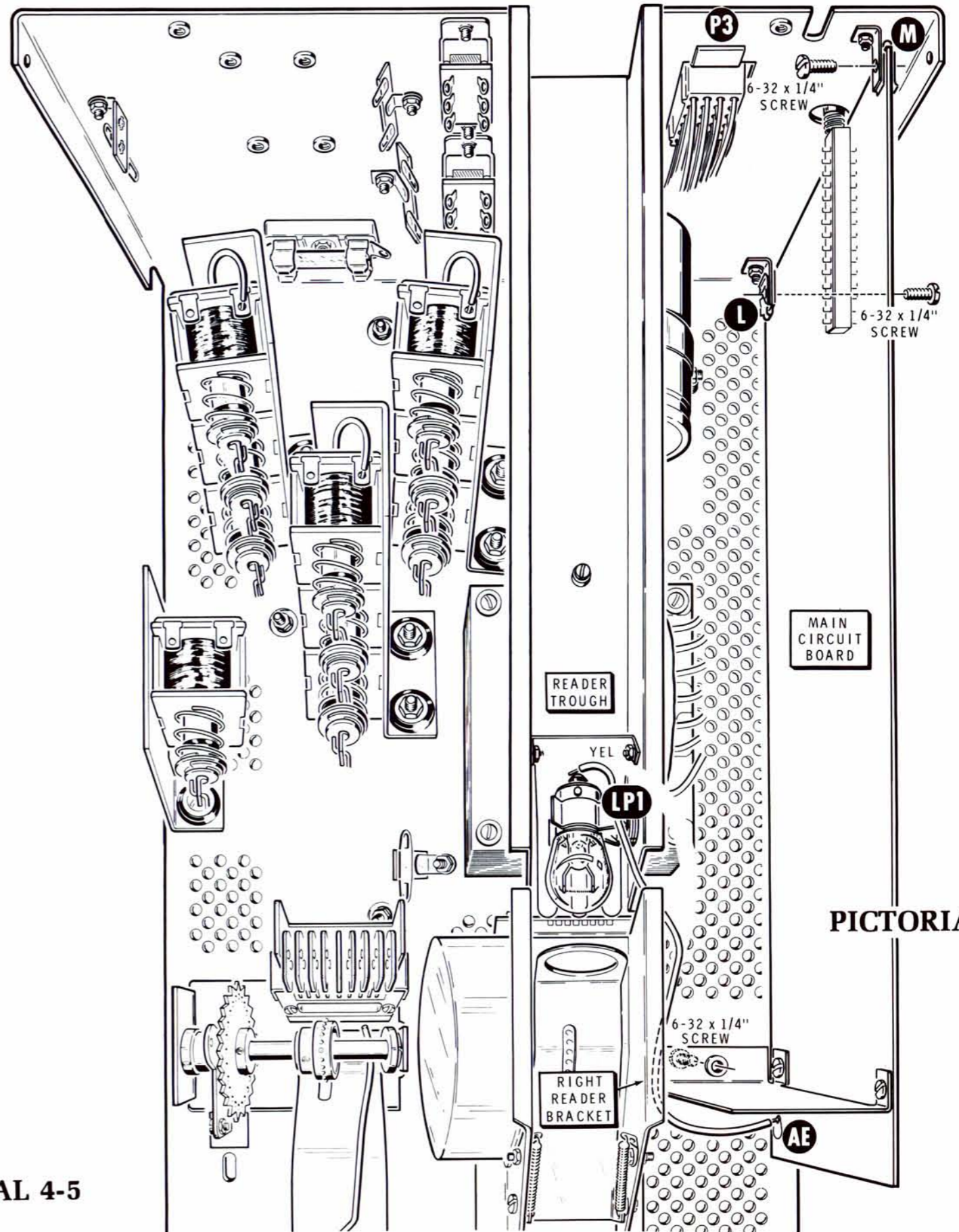
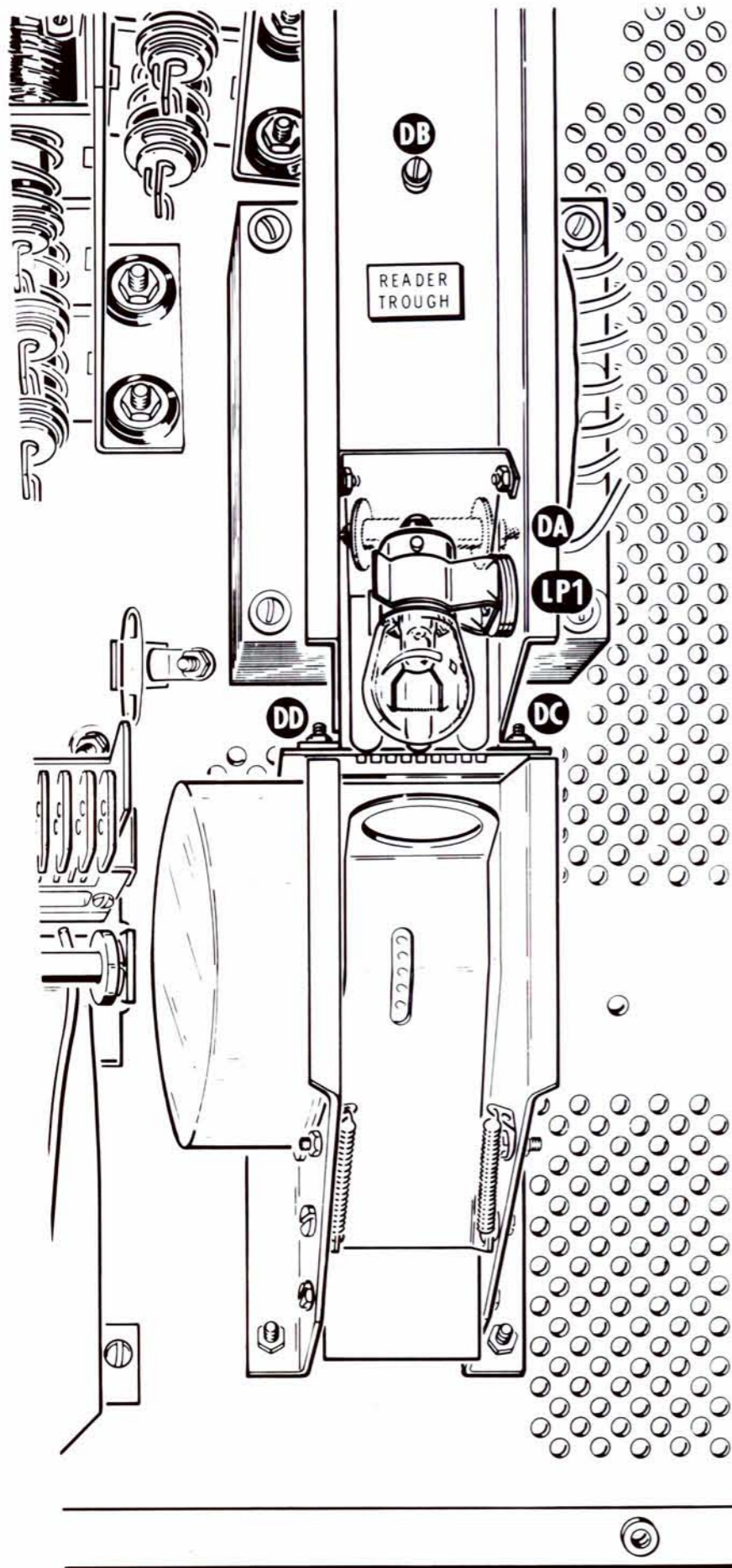
PICTORIAL 4-3

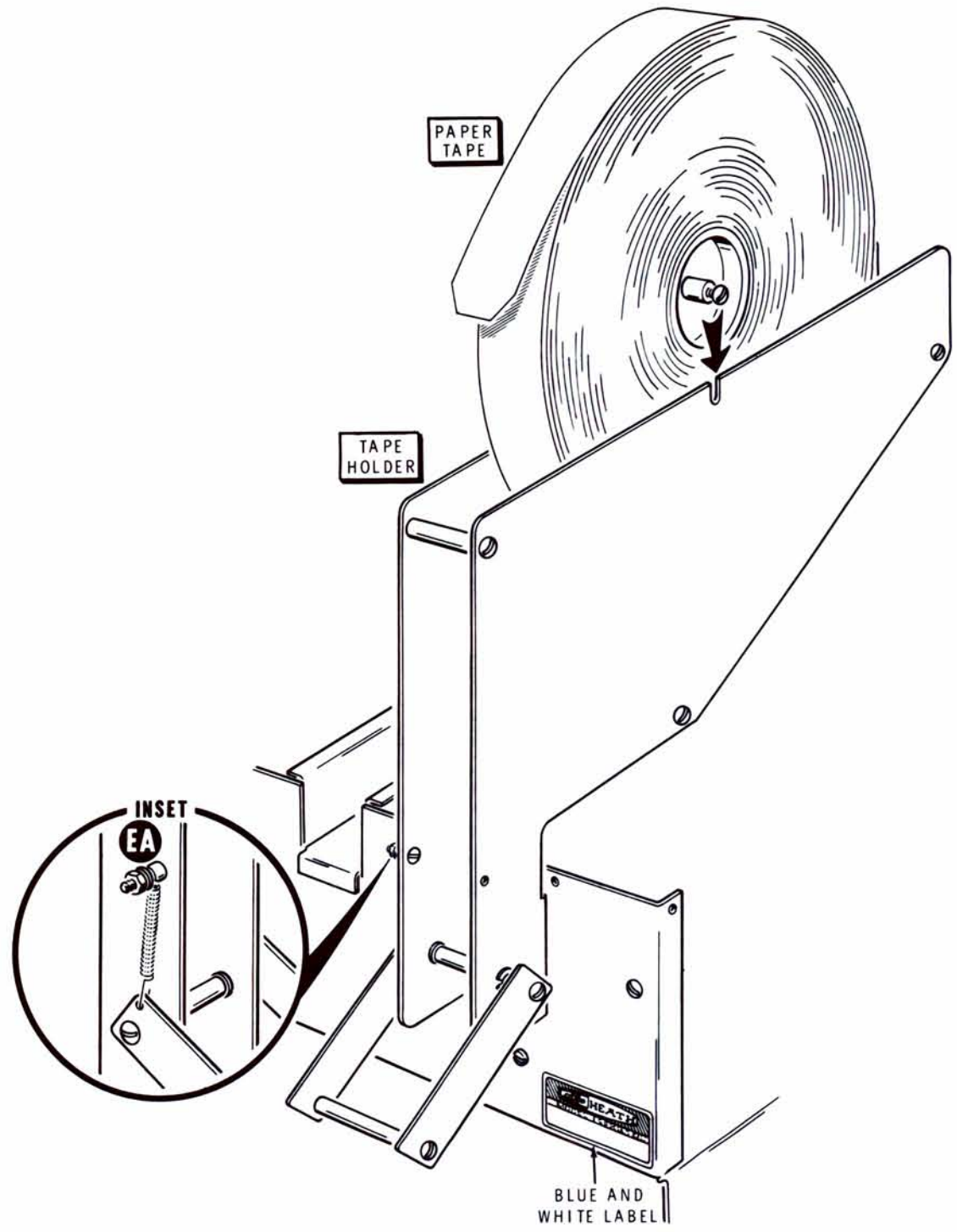


Detail 4-3B

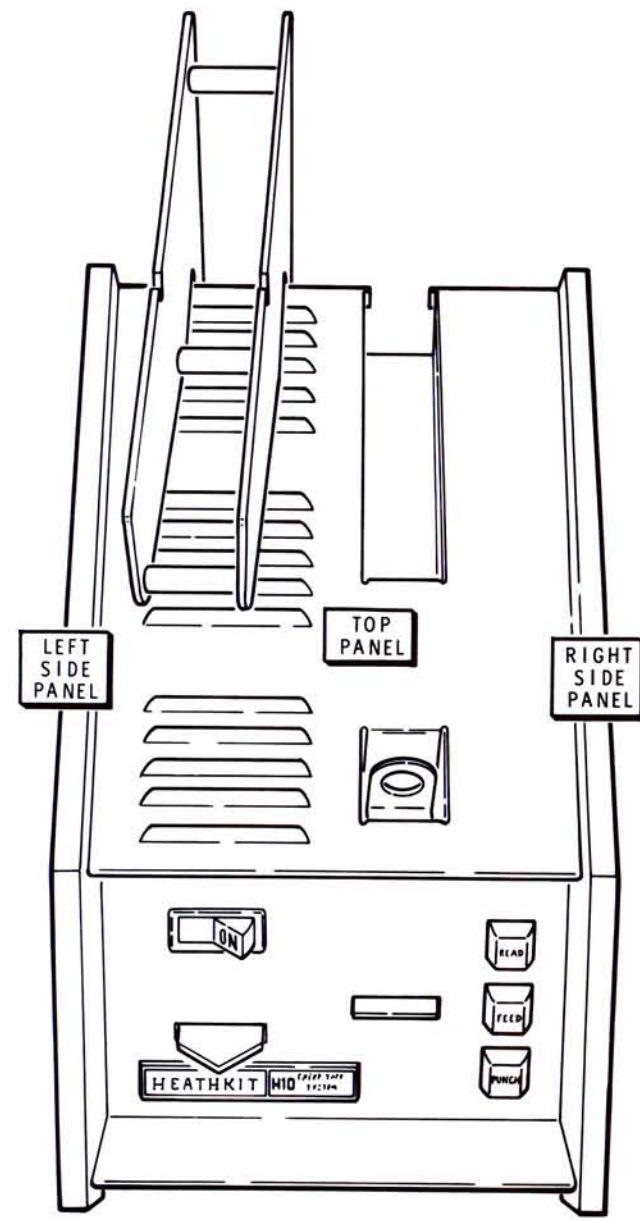


PICTORIAL 4-4

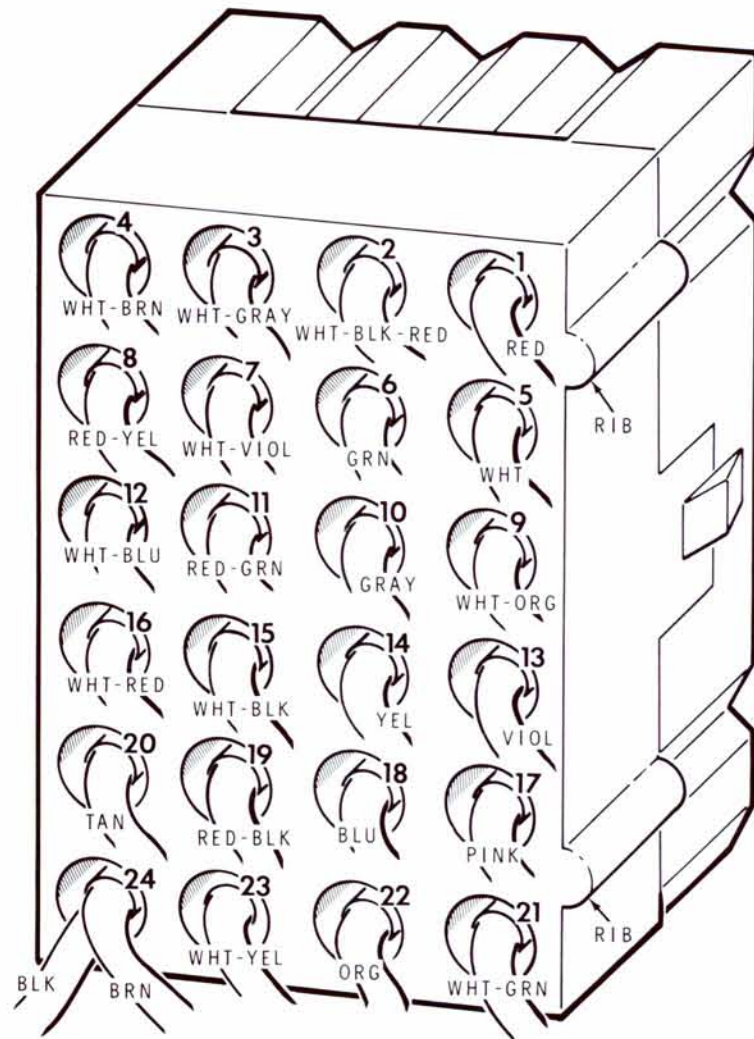




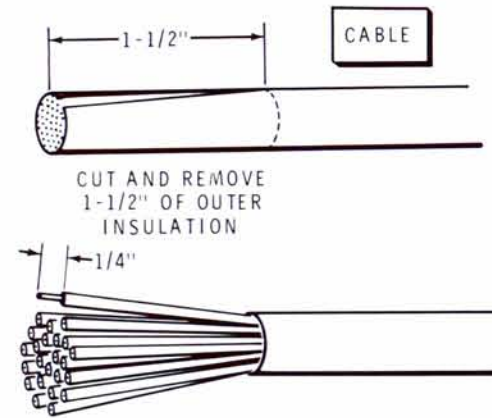
PICTORIAL 4-7



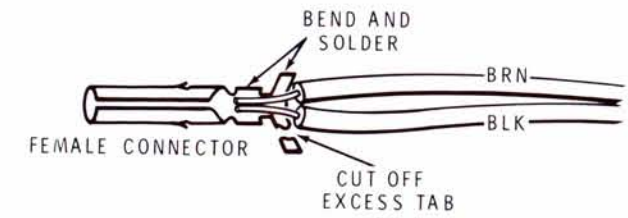
PICTORIAL 7-1



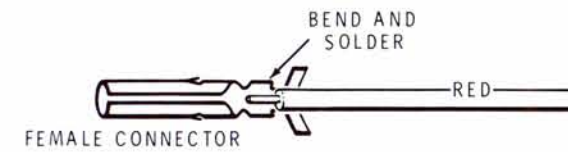
PICTORIAL 7-2



Detail 7-2A



Detail 7-2B



Detail 7-2C

