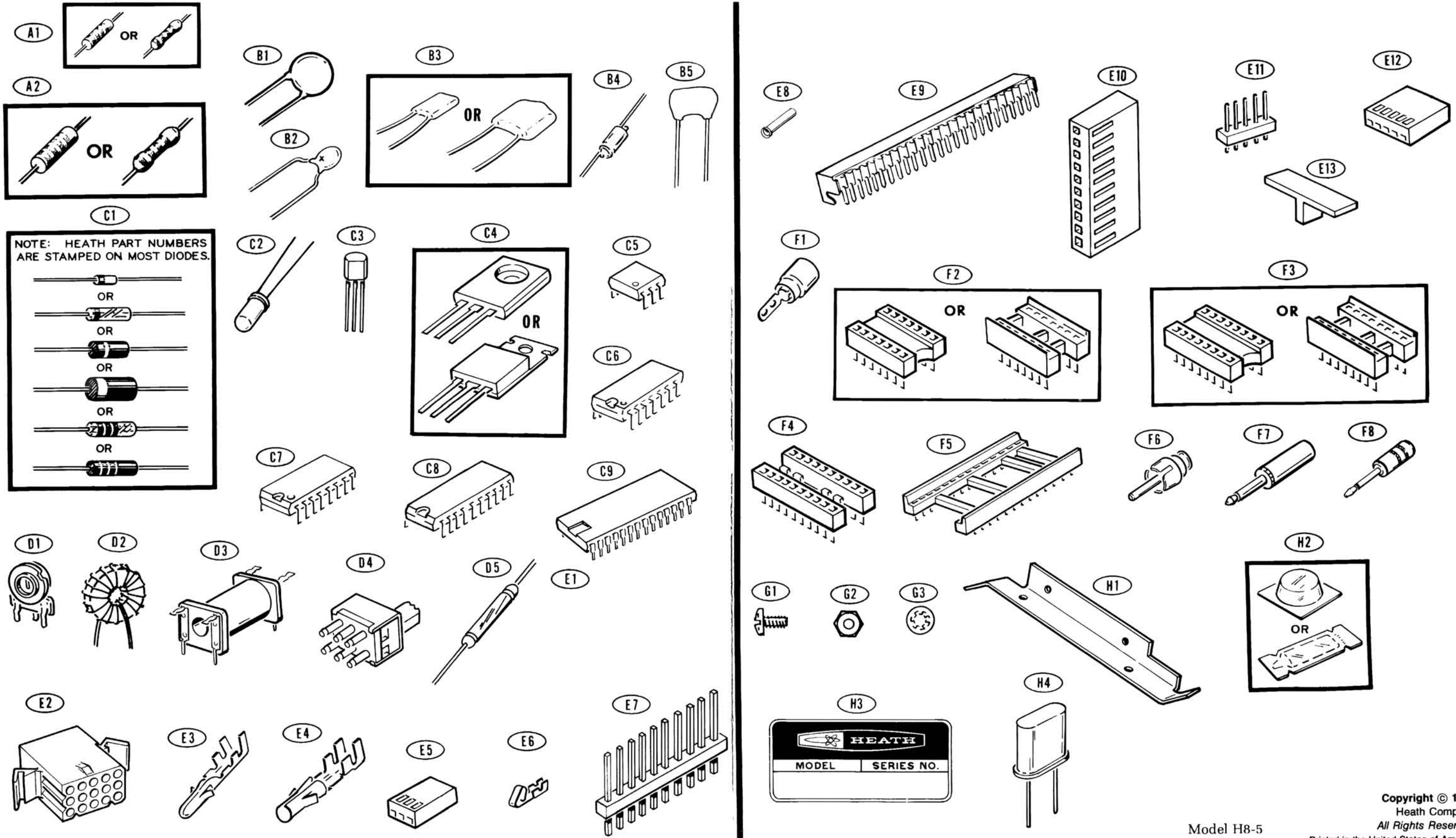


ILLUSTRATION BOOKLET

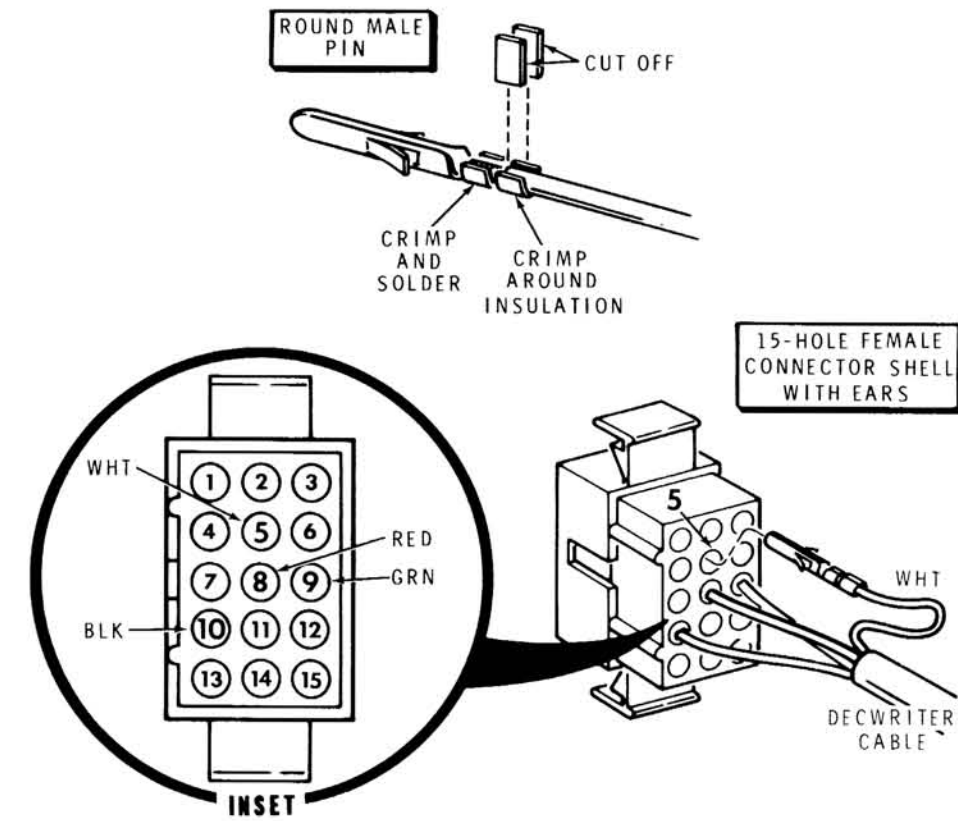
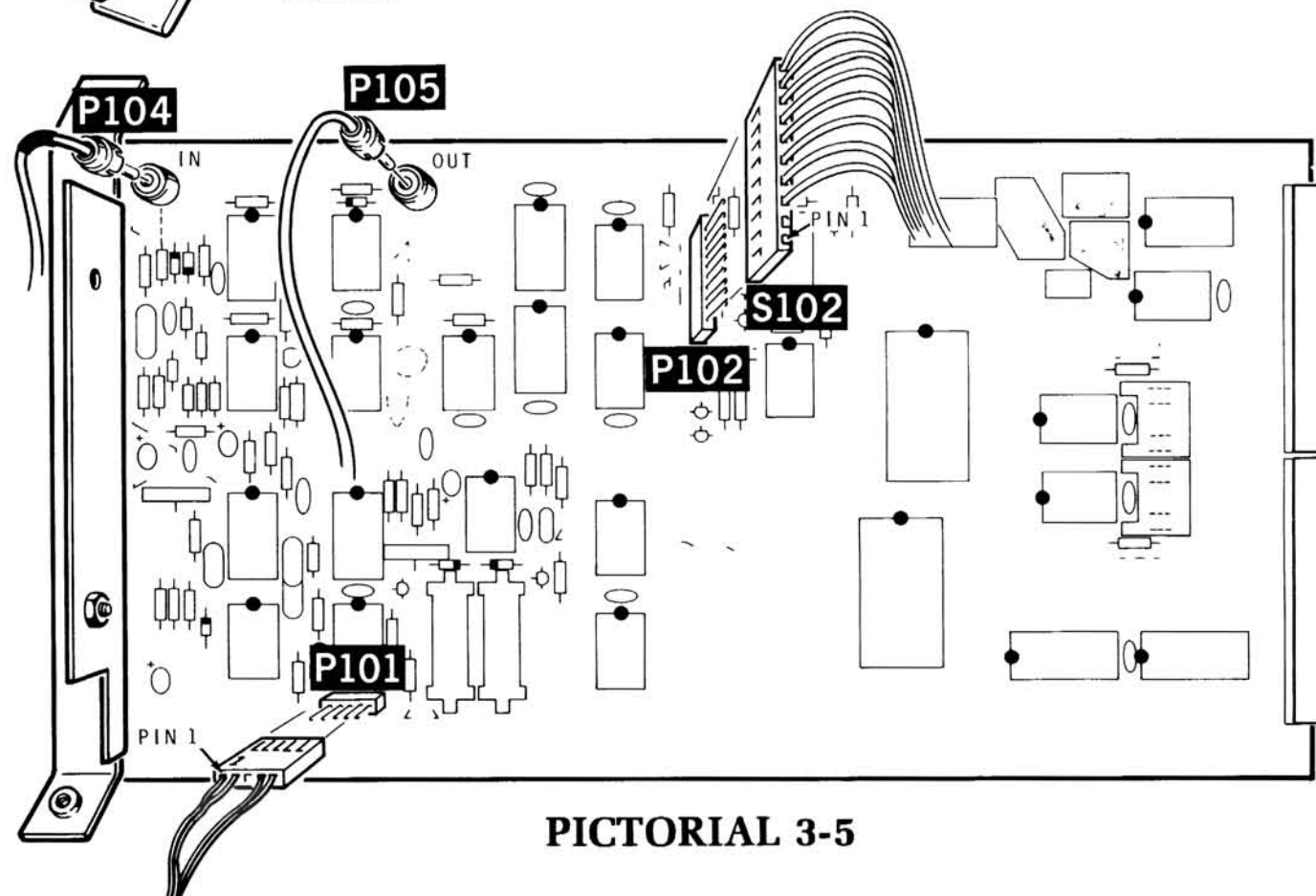
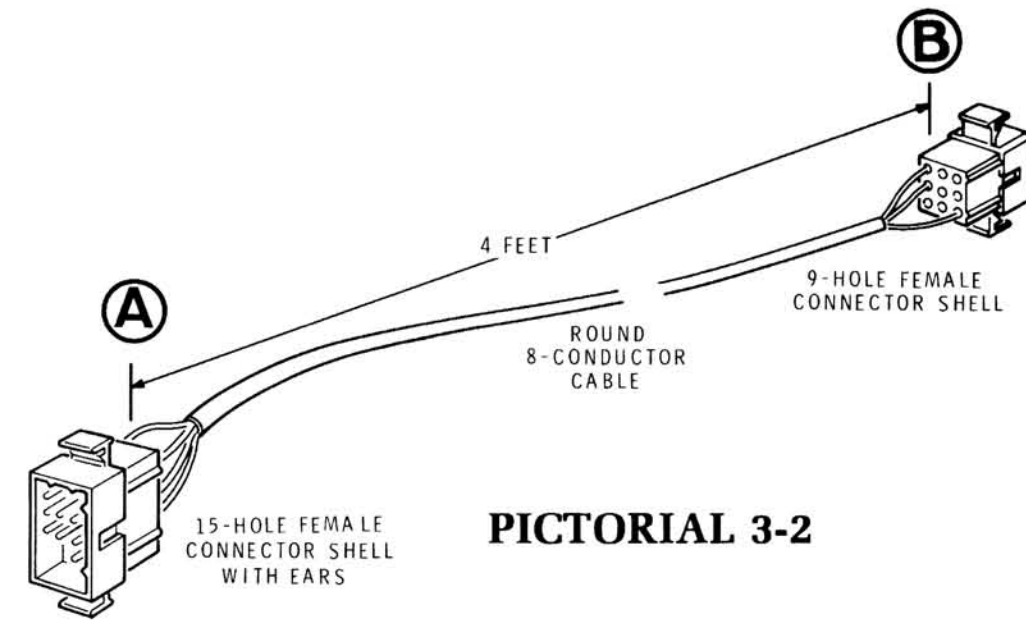
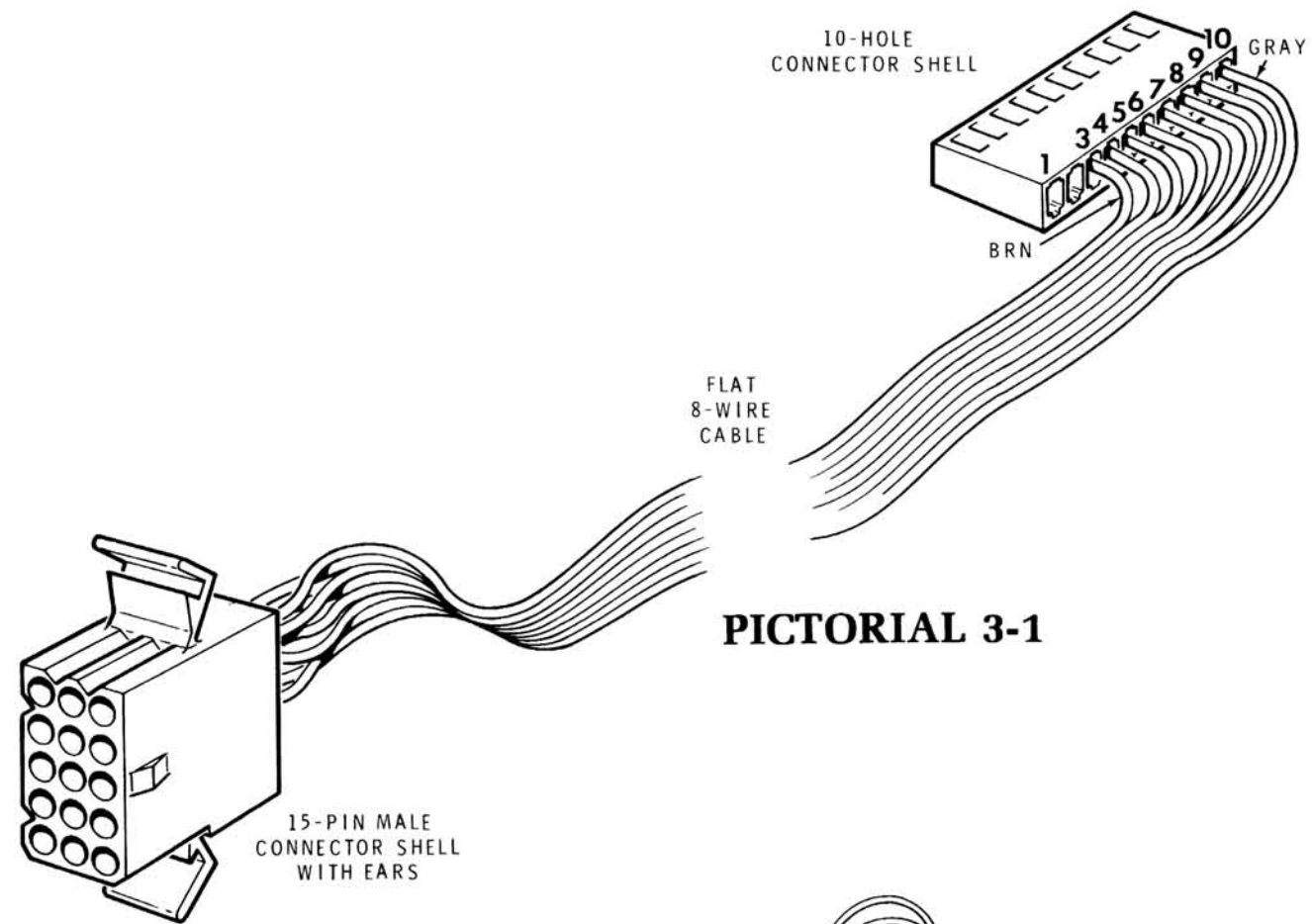
Part of 595-2032-03

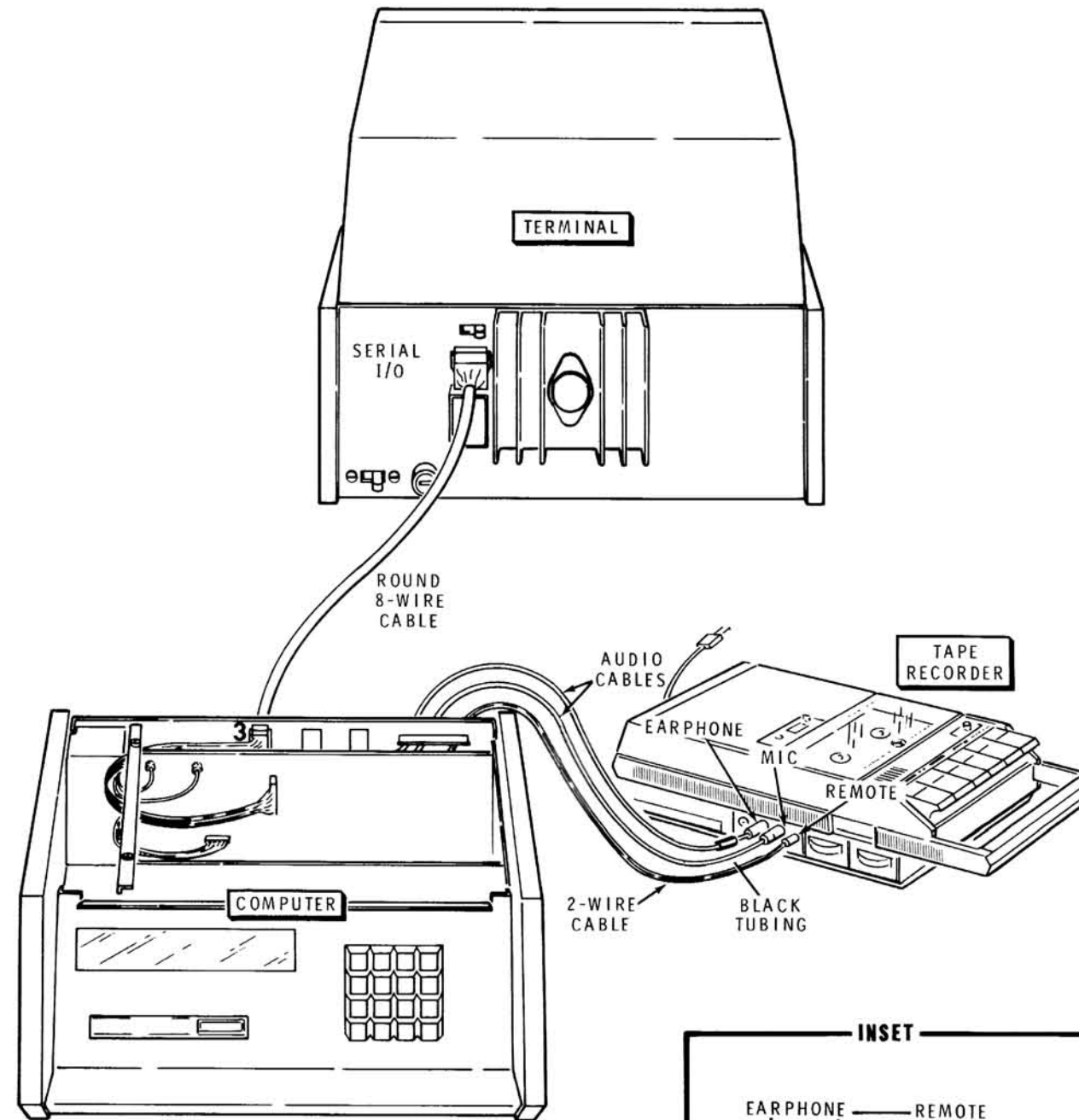
PARTS PICTORIAL



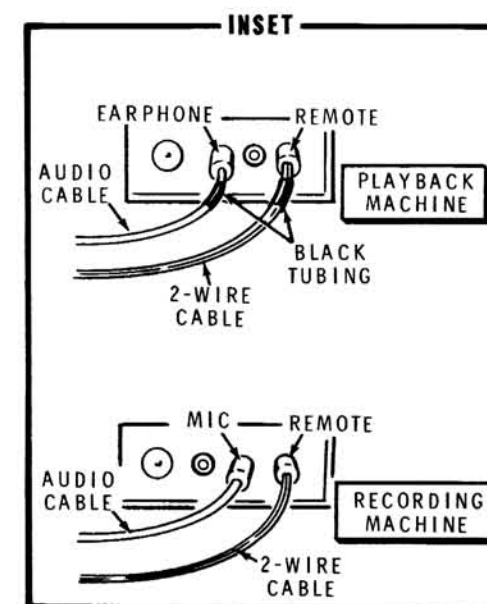
Model H8-5

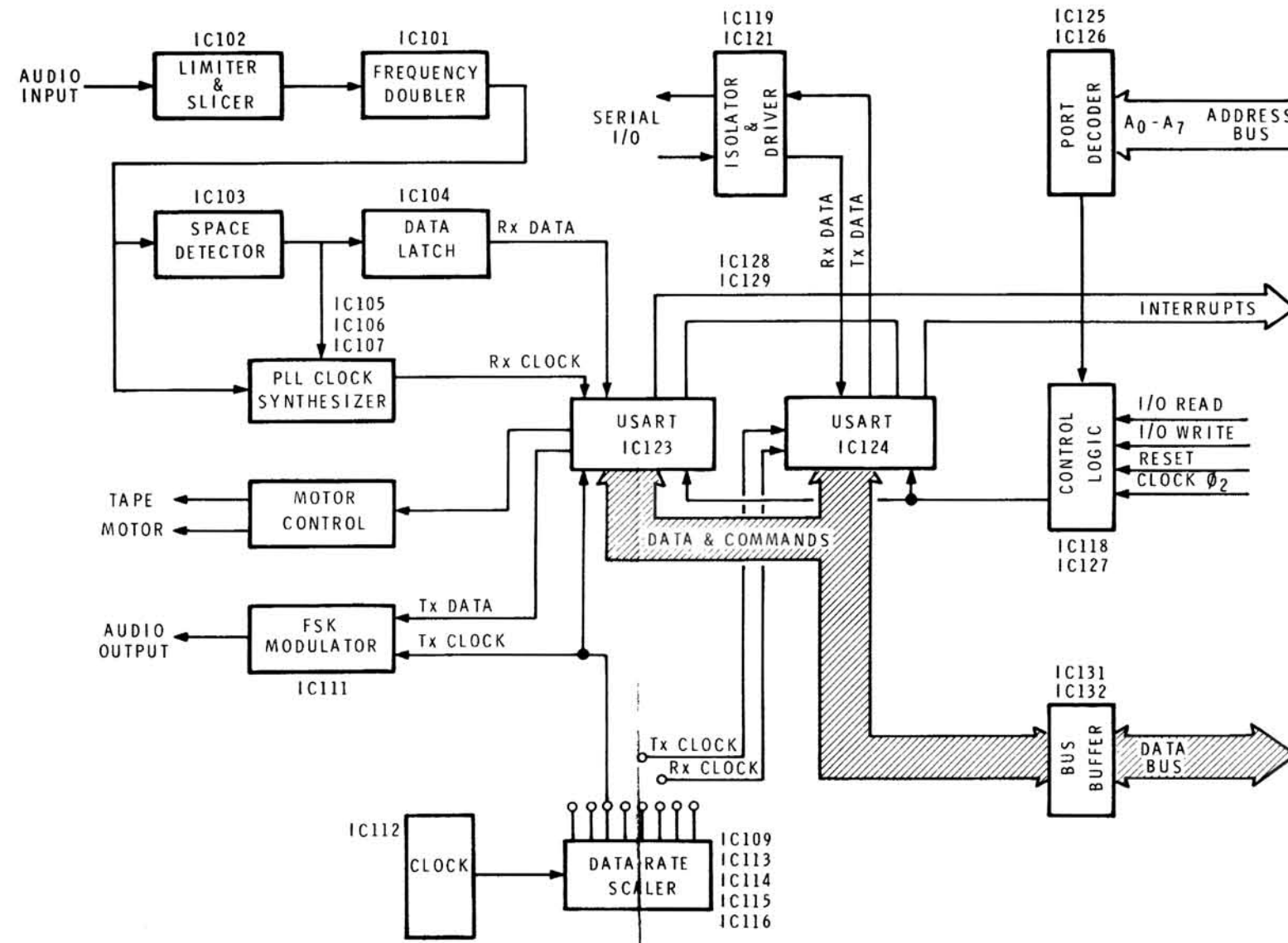
Copyright © 1977
Heath Company
All Rights Reserved
Printed in the United States of America



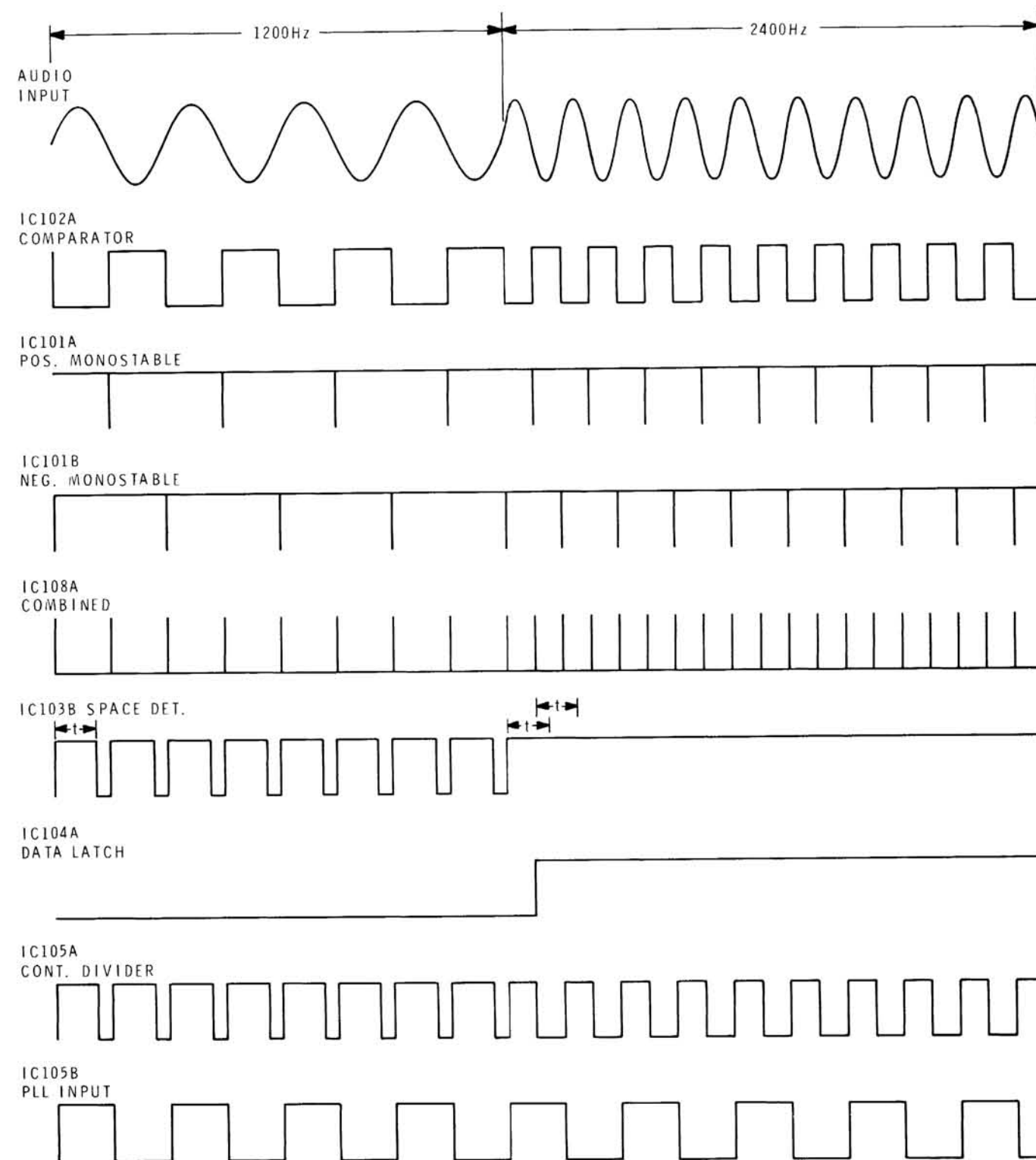


PICTORIAL 4-4





BLOCK DIAGRAM



TIMING DIAGRAM

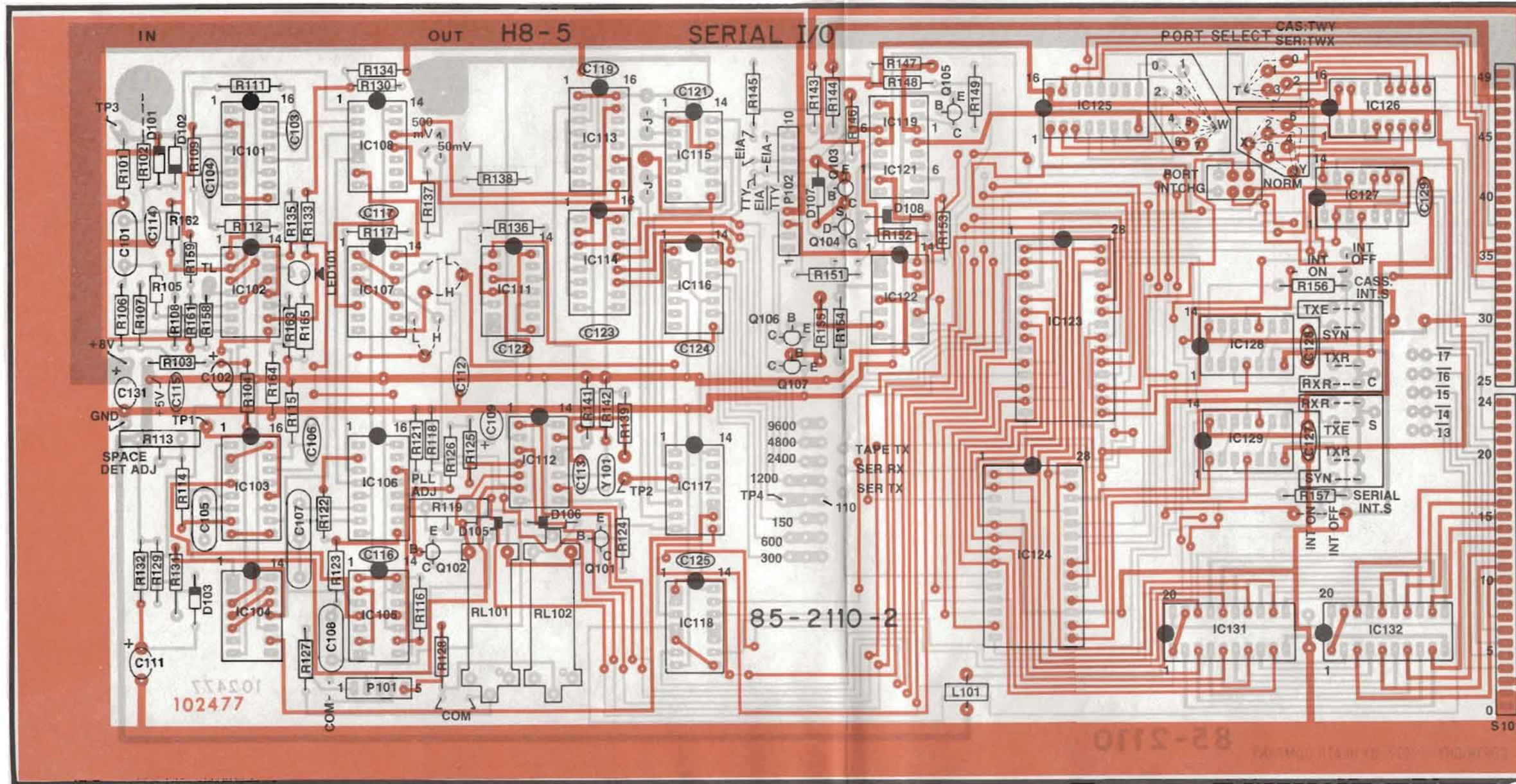
CIRCUIT BOARD X-RAY VIEW

NOTE: To find the PART NUMBER of a component for the purpose of ordering a replacement part:

- A. Find the circuit component number (R5, C3, etc.) on the X-Ray View.
- B. Locate this same number in the "Circuit Com-

ponent Number" column of the "Parts List" in the front of this Manual.

- C. Adjacent to the circuit component number, you will find the PART NUMBER and DESCRIPTION which must be supplied when you order a replacement part.



SERIAL I/O CIRCUIT BOARD X-RAY VIEW
(Viewed from component side)