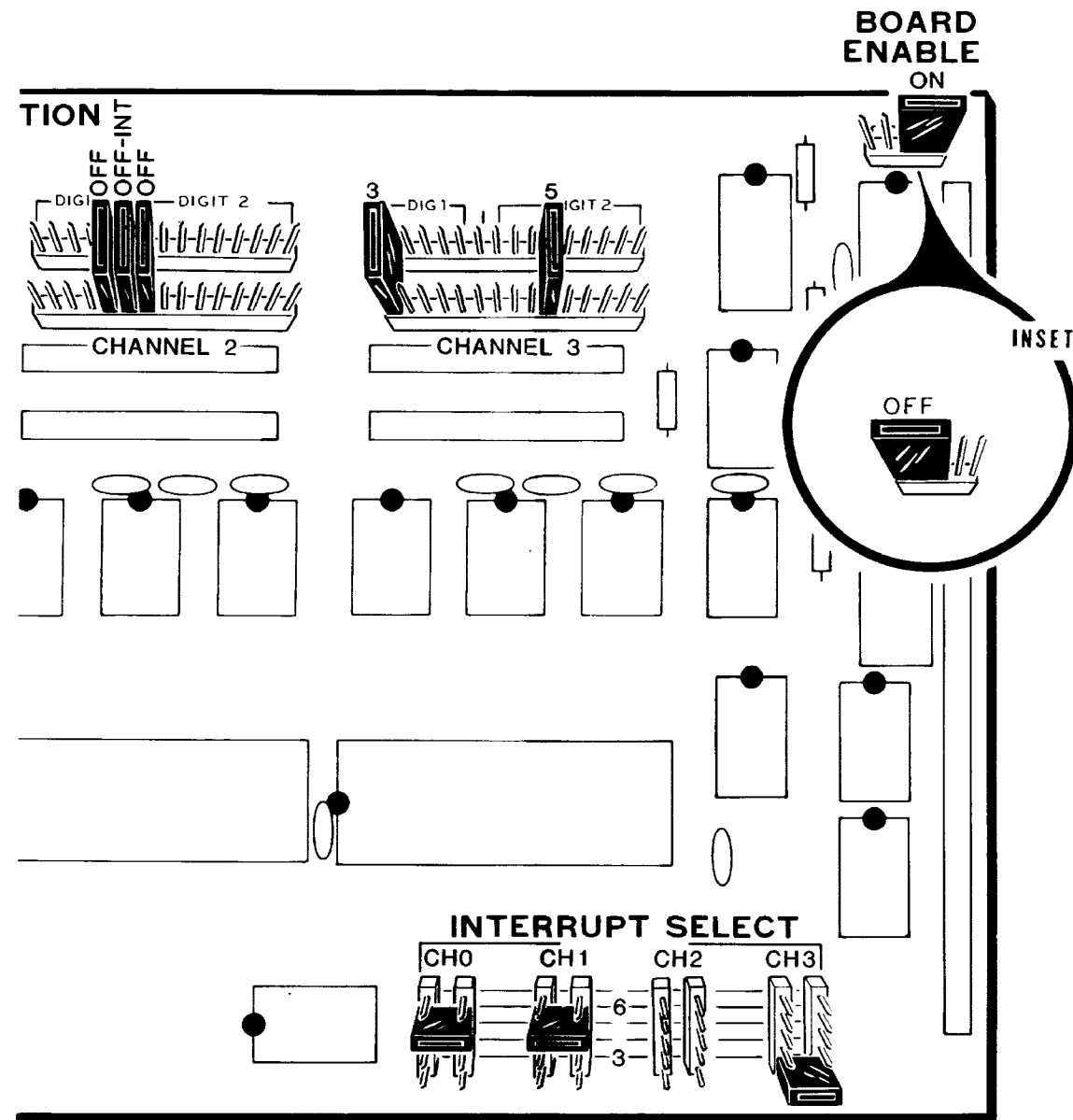
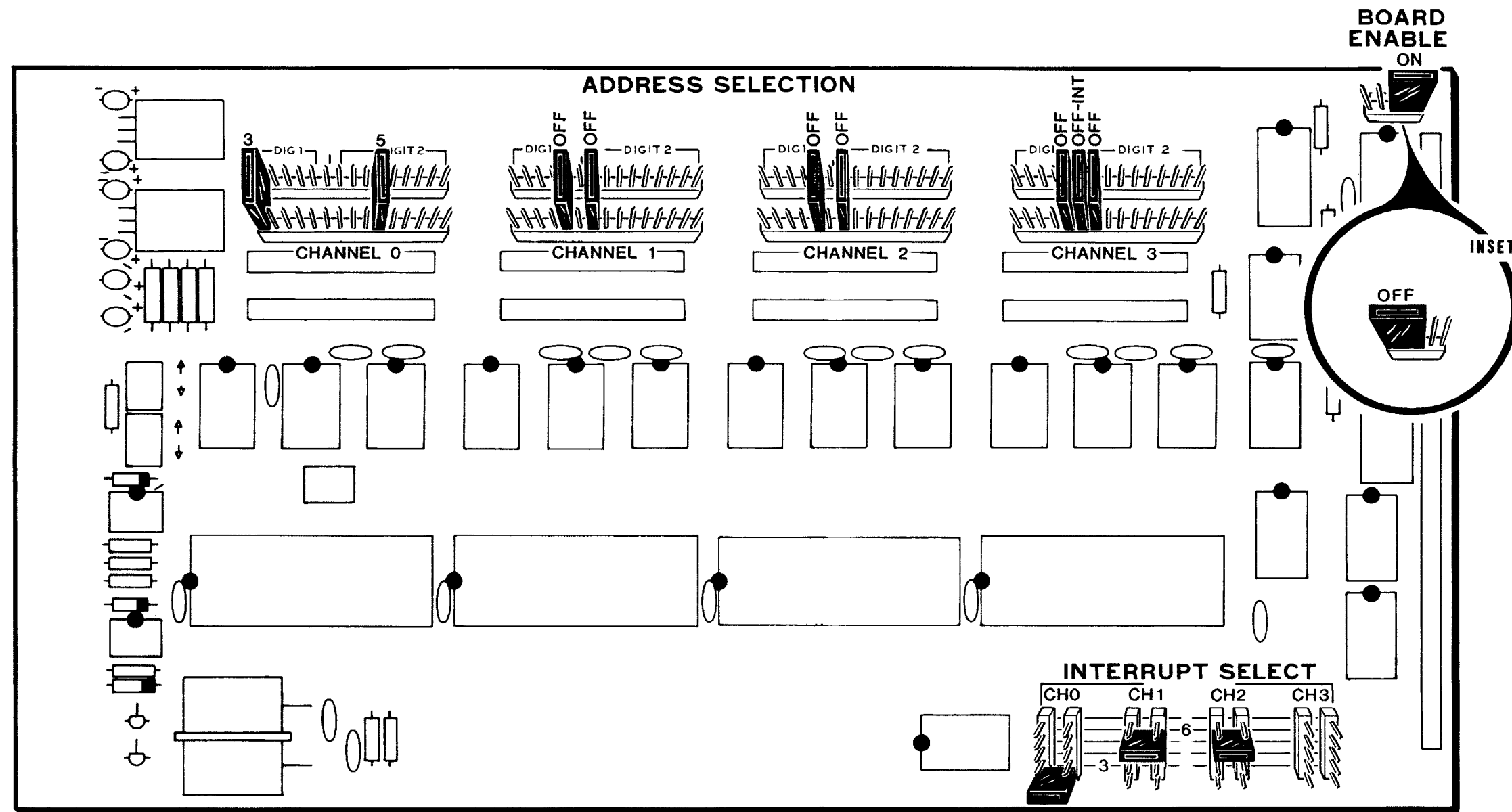


ILLUSTRATION BOOKLET

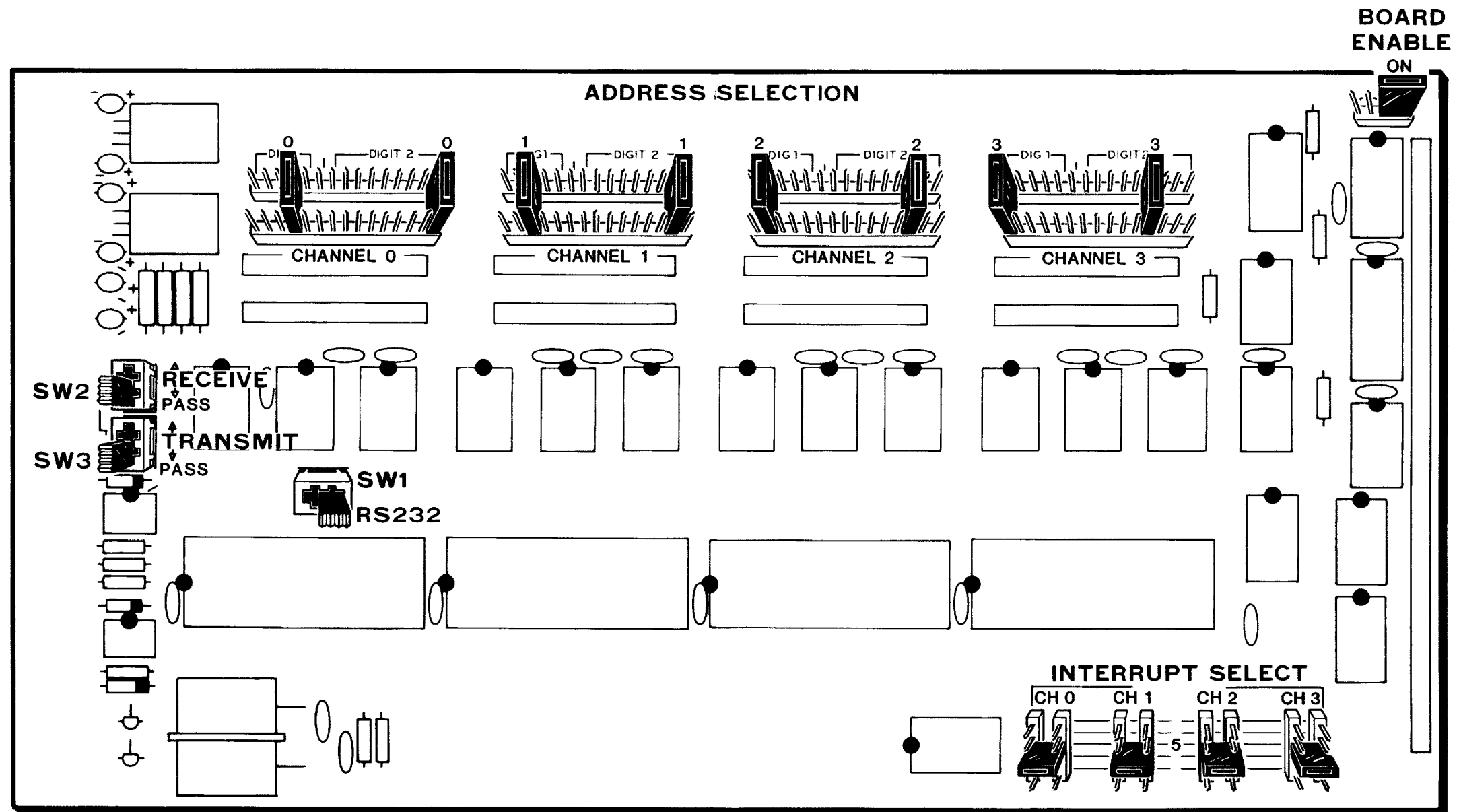
Part of 595-2248



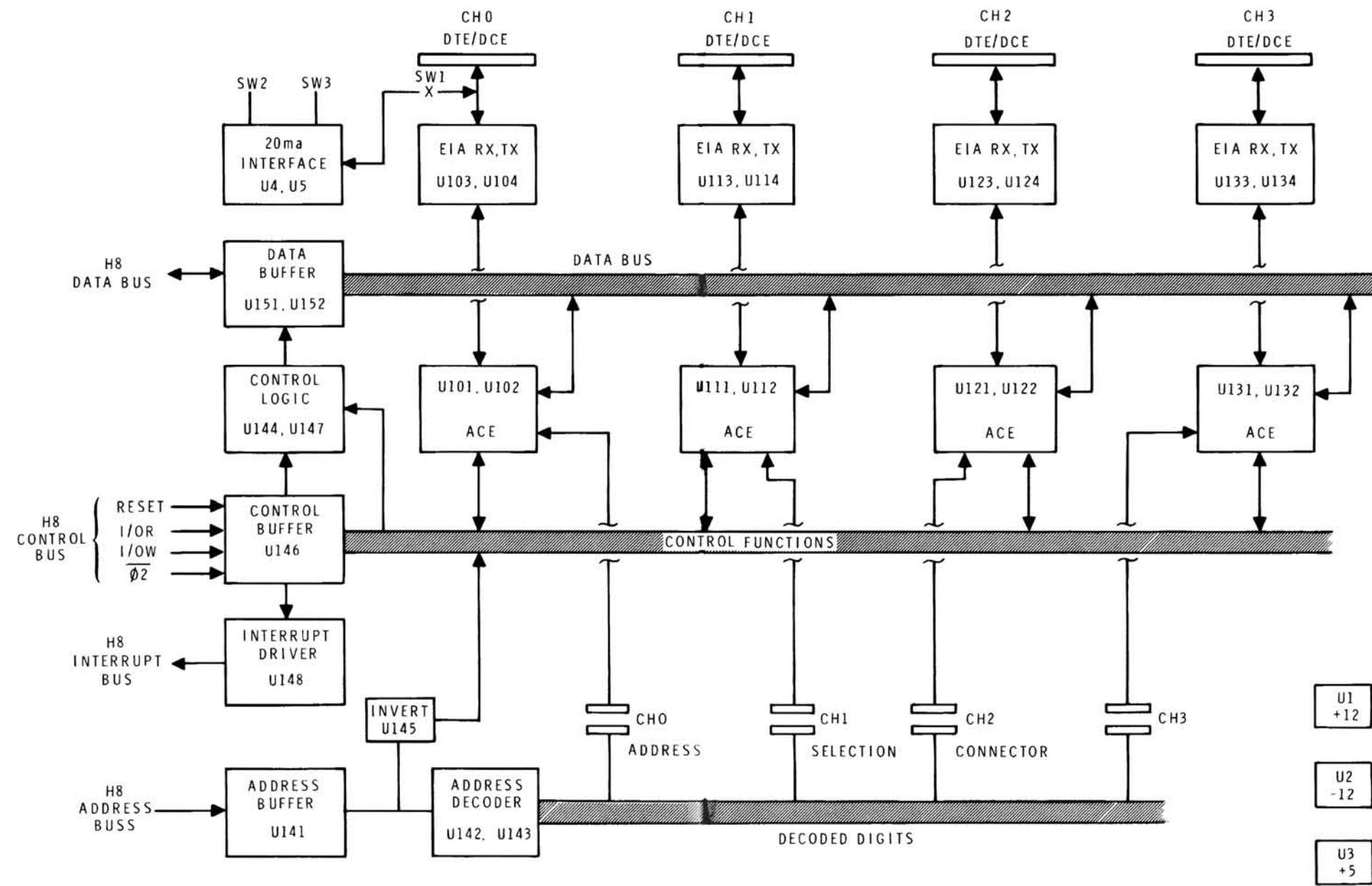
PICTORIAL 3



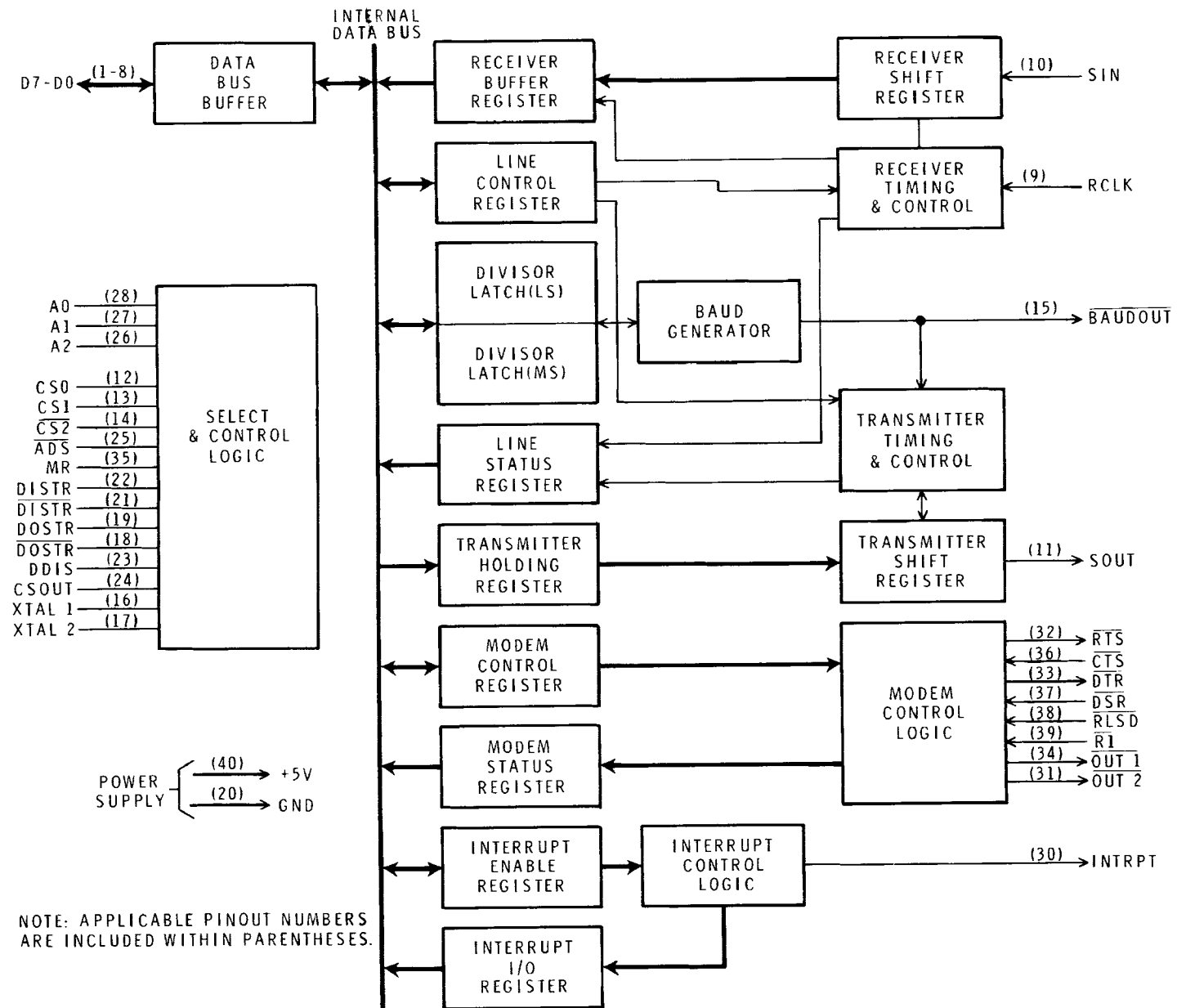
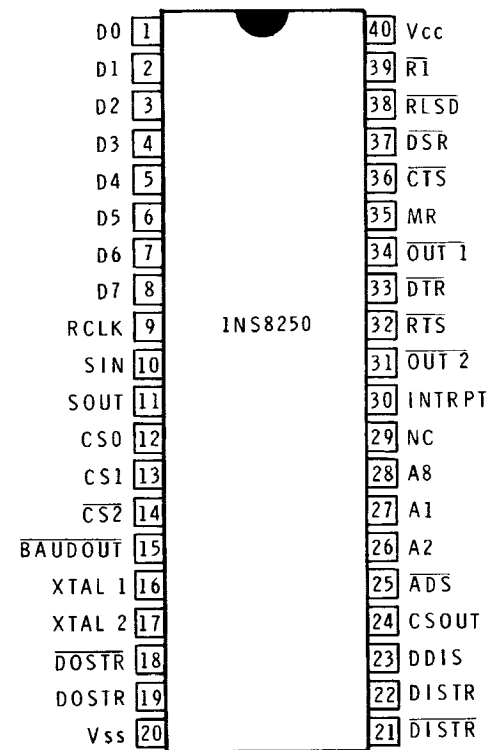
PICTORIAL 12



PICTORIAL 13

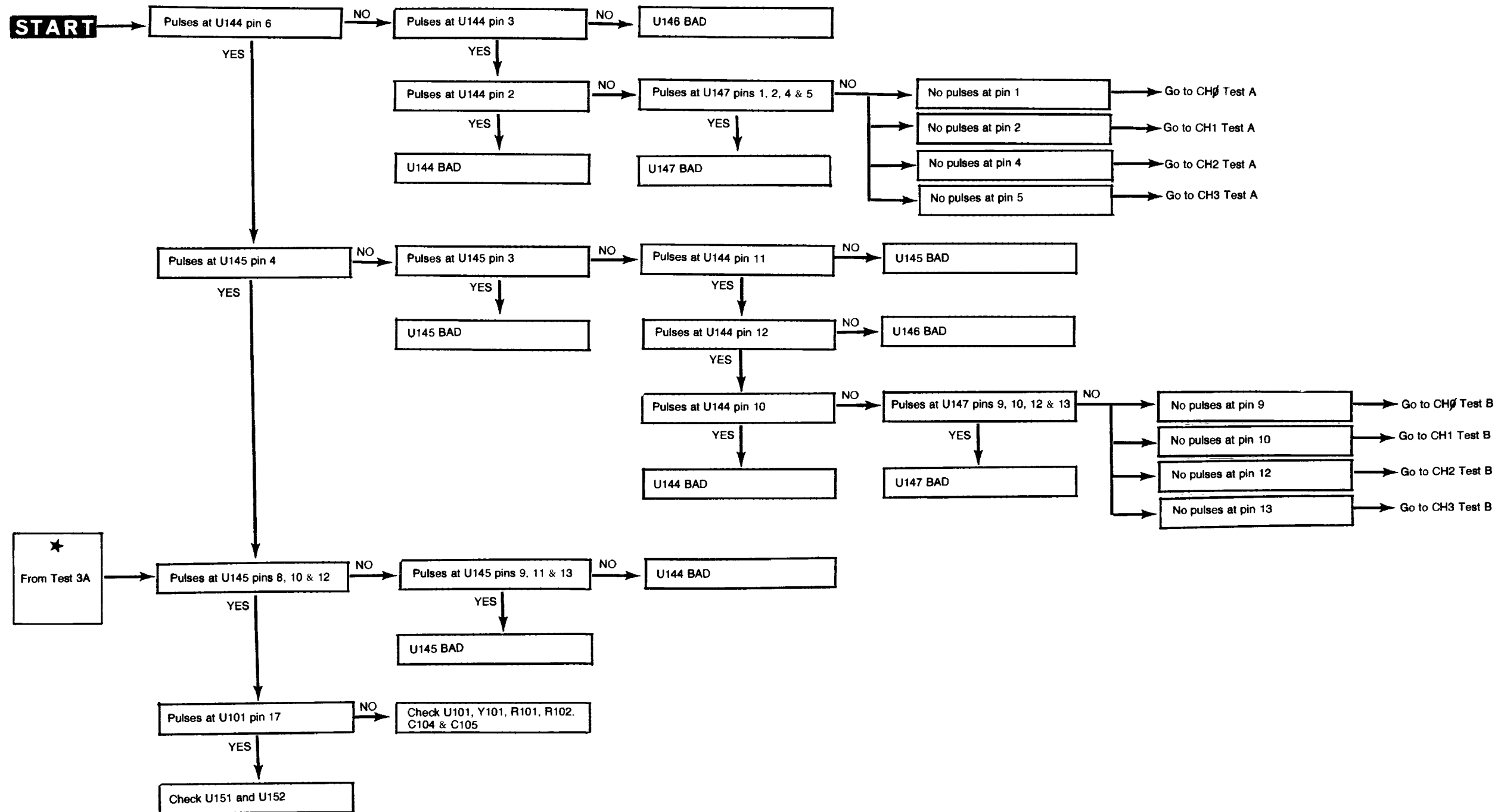


BLOCK DIAGRAM

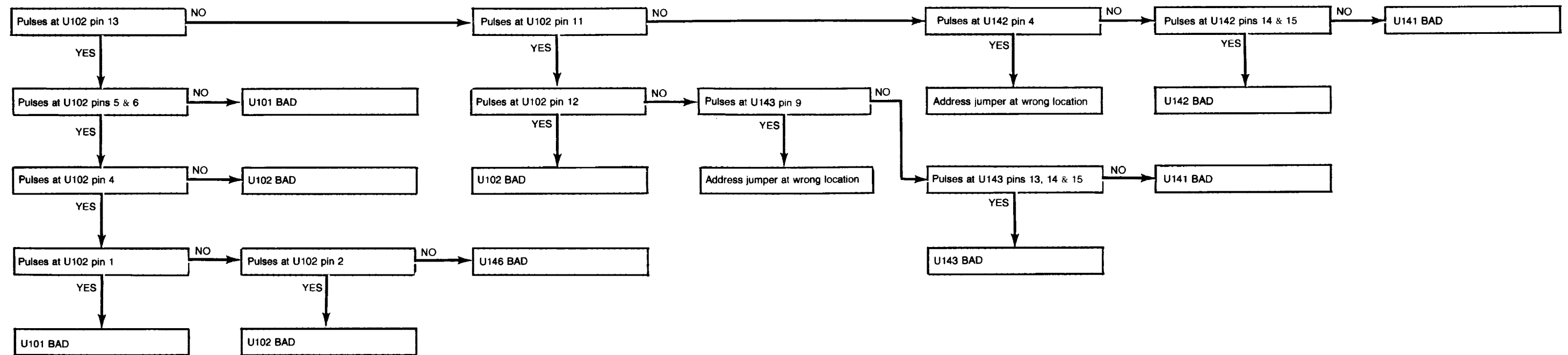


INS8250 BLOCK DIAGRAM

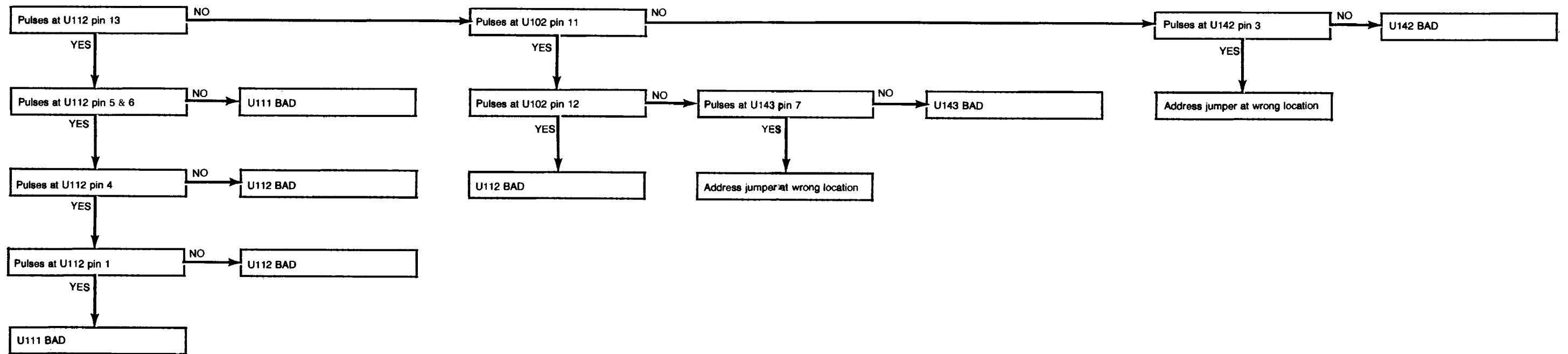
TROUBLESHOOTING CHARTS



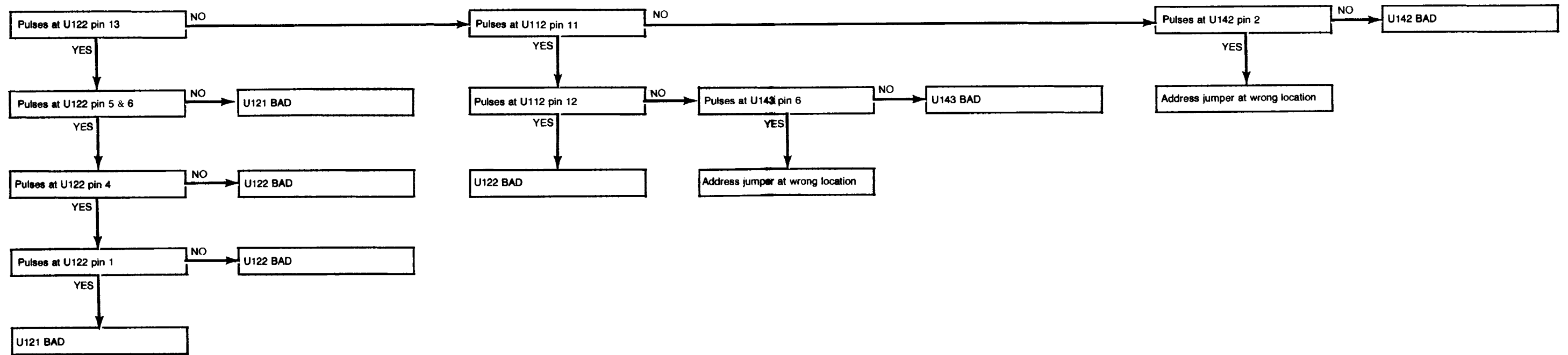
CHØ TEST A



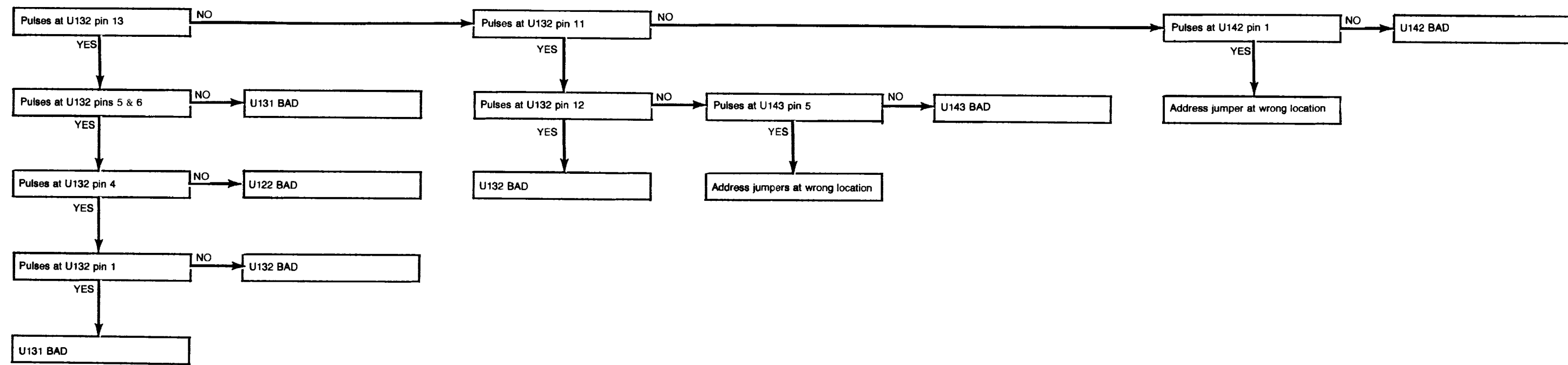
CH1 TEST A



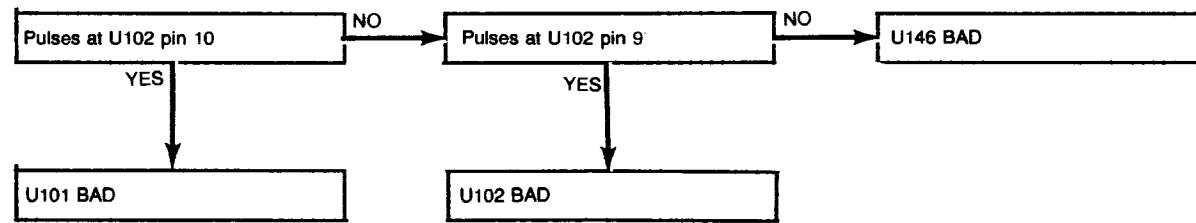
CH2 TEST A



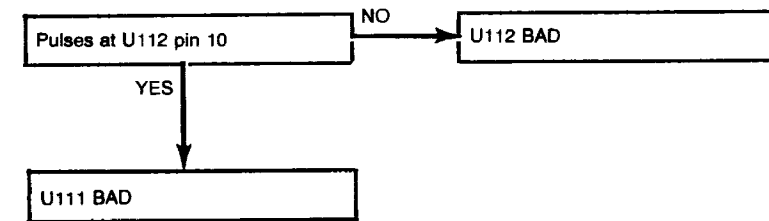
CH3 TEST A



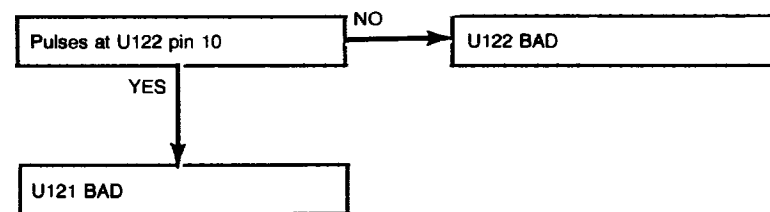
CH0 TEST B



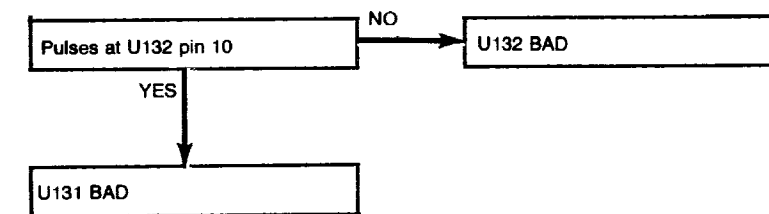
CH1 TEST B



CH2 TEST B



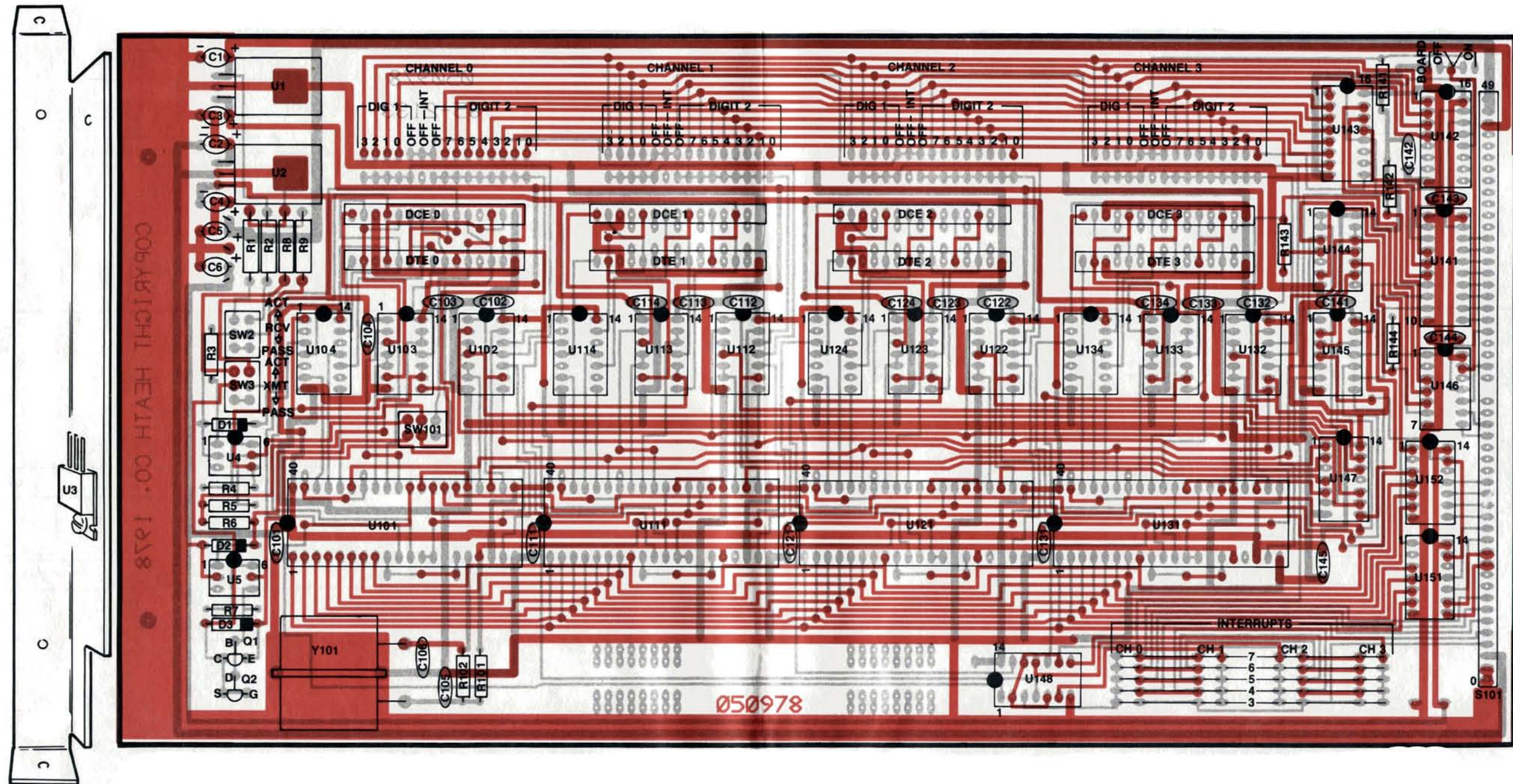
CH3 TEST B



CIRCUIT BOARD X-RAY VIEWS

NOTE: To find the PART NUMBER of a component for the purpose of ordering a replacement part:

- A. Find the circuit component number (R5, C3, etc.) on the X-Ray View
- B. Locate this same number in the "Circuit Component Number" column of the "Parts list" in the back of this Manual.
- C. Adjacent to the circuit component number, you will find the PART NUMBER and DESCRIPTION which must be supplied when you order a replacement part



X-RAY VIEW
(Viewed from component side.)