

DX11-B
engineering drawings

The material herein is for information purposes only and is subject to change without notice. Digital Equipment Corporation assumes no responsibility for any errors which may appear herein.

These drawings and specifications herein are the property of Digital Equipment Corporation and shall not be reproduced or copied or used in whole or in part as the basis for the manufacture or sale of items without written permission.
Copyright © 1975, Digital Equipment Corporation

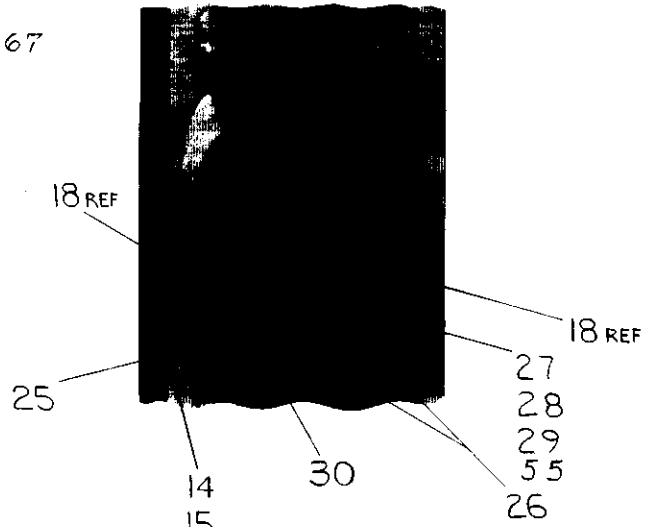
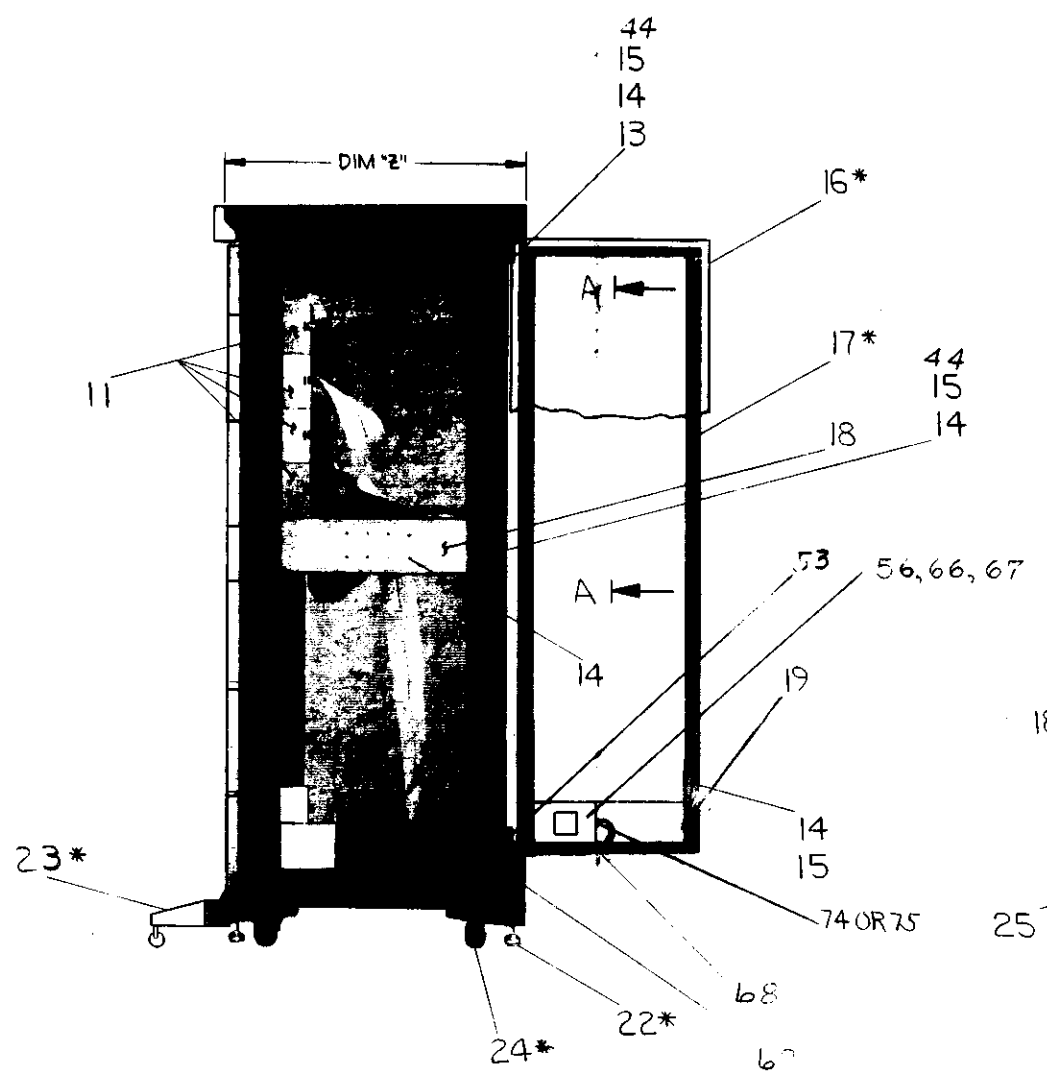
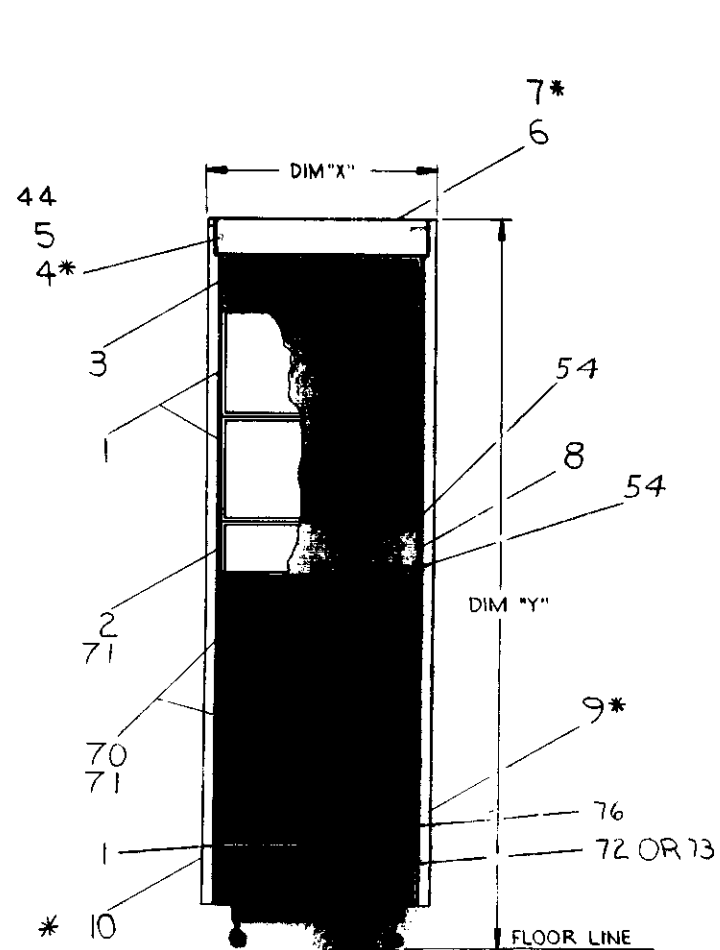
This drawing and specifications herein are the property of Digital Equipment Corporation and shall not be reproduced or copied in whole or in part as the basis for the manufacture or sale of items without written permission.

LEGEND

VARIATION	DIM "X"	DIM "Y"	DIM "Z"
DXII-BA	21.69	71.44	28.19
DXII-BB	21.69	49.65	28.19
DXII-BC	21.69	49.65	28.19
DXII-BD	21.69	49.65	28.19

NOTES:

1. * INDICATES ITEM NO. TO BE USED WITH UNIT OPTIONS DXII-BC & DXII-BD



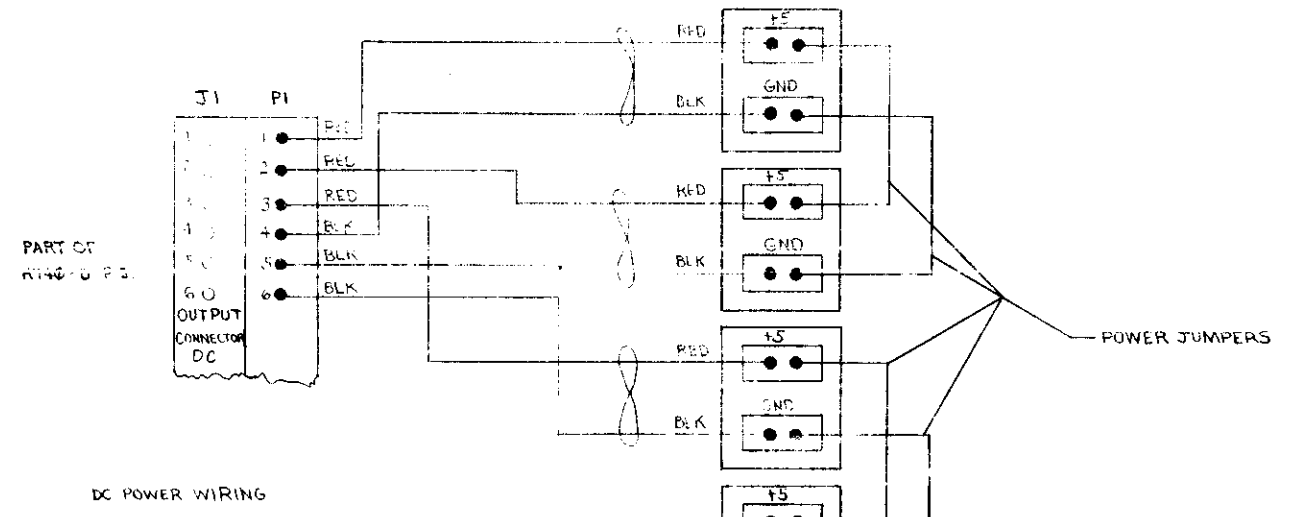
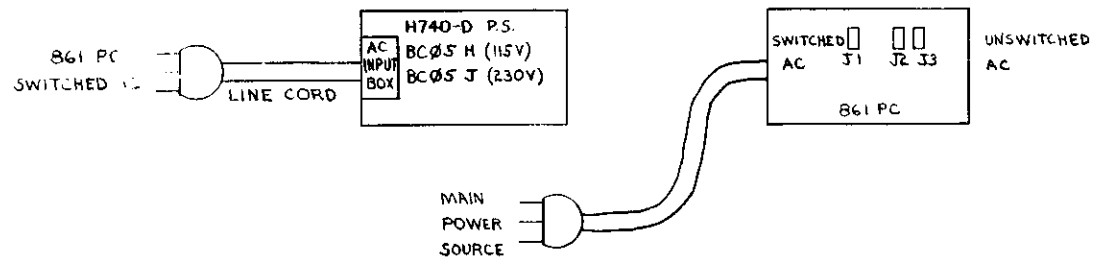
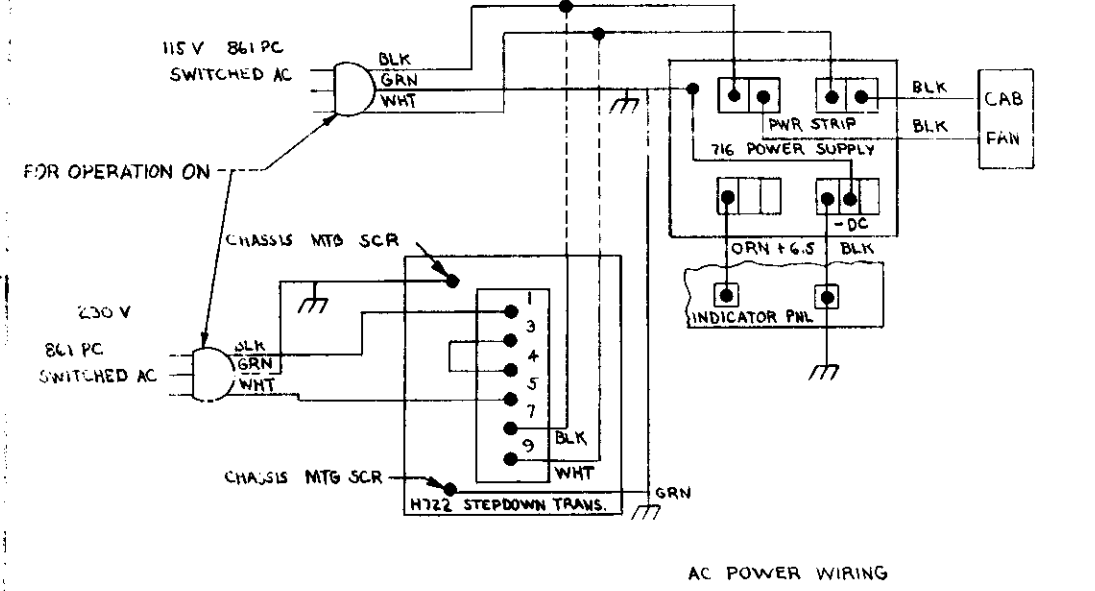
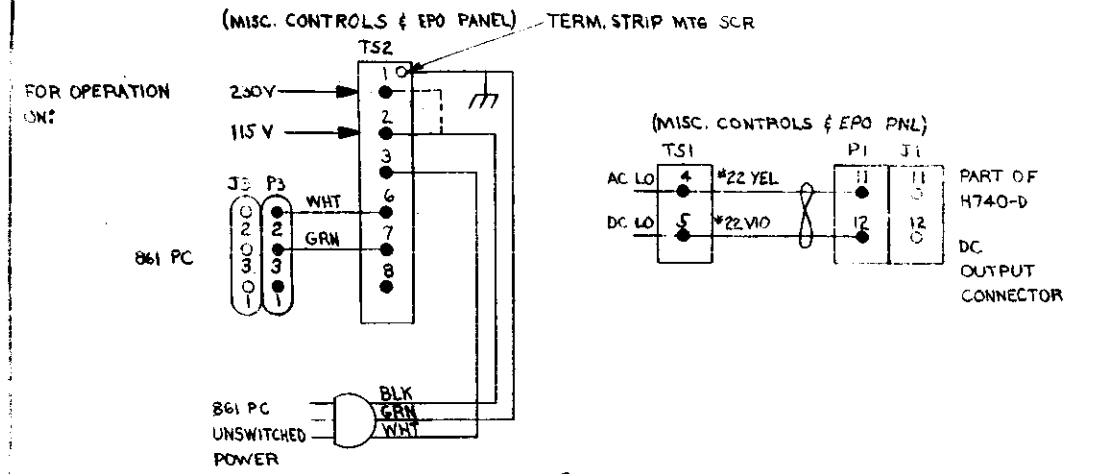
VIEW A-A

REV	CHG	NO	DATE	BY	DESCRIPTION
1			5-22-72	R. DIETER	INITIAL DESIGN
2			5-22-72	R. DIETER	REVISED TO 100-0001
3			5-22-72	R. DIETER	REVISED TO 100-0001
4			5-22-72	R. DIETER	REVISED TO 100-0001
5			5-22-72	R. DIETER	REVISED TO 100-0001
6			5-22-72	R. DIETER	REVISED TO 100-0001
7			5-22-72	R. DIETER	REVISED TO 100-0001
8			5-22-72	R. DIETER	REVISED TO 100-0001

FIRST USED ON OPTION/MODEL	QTY	DESCRIPTION	PART NO.	ITEM NO.
DXII-B				
UNLESS OTHERWISE SPECIFIED DIMENSION IN INCHES. TOLERANCES				
DECIMALS	ANGLES	PARTS LIST		
XXX - .005	± 0° 30'	DRN	DATE	5/22/72
XX - .02		CHKD	DATE	5/22/72
X - .1		ENG.	DATE	5/22/72
REMOVE BURRS AND BREAK SHARP CORNERS. SURFACE QUALITY		PROJ. ENG.	DATE	5/22/72
		PROD.	DATE	6/1/72
MATERIAL	NEXT HIGHER ASSY	TITLE		
—//—	B-DD-DXII-B	UNIT ASSY (DXII-B)		
FINISH	SCALE NONE	SIZE CODE	NUMBER	REV.
—//—	SHEET 1 OF 2	DUA	DXII-B-Ø	D

THIS DRAWING AND SPECIFICATIONS ARE THE PROPERTY OF DIGITAL EQUIPMENT CORPORATION. IT IS TO BE USED ONLY FOR THE MANUFACTURE OF THE EQUIPMENT SPECIFIED HEREIN. IT IS NOT TO BE REPRODUCED OR TRANSMITTED IN ANY FORM OR BY ANY MEANS, ELECTRONIC OR MECHANICAL, INCLUDING PHOTOCOPYING, RECORDING, OR BY ANY INFORMATION STORAGE AND RETRIEVAL SYSTEM.

NOTE:
1. UNLESS OTHERWISE SPECIFIED, ALL AC AND DC WIRING TO BE #14 AWG.

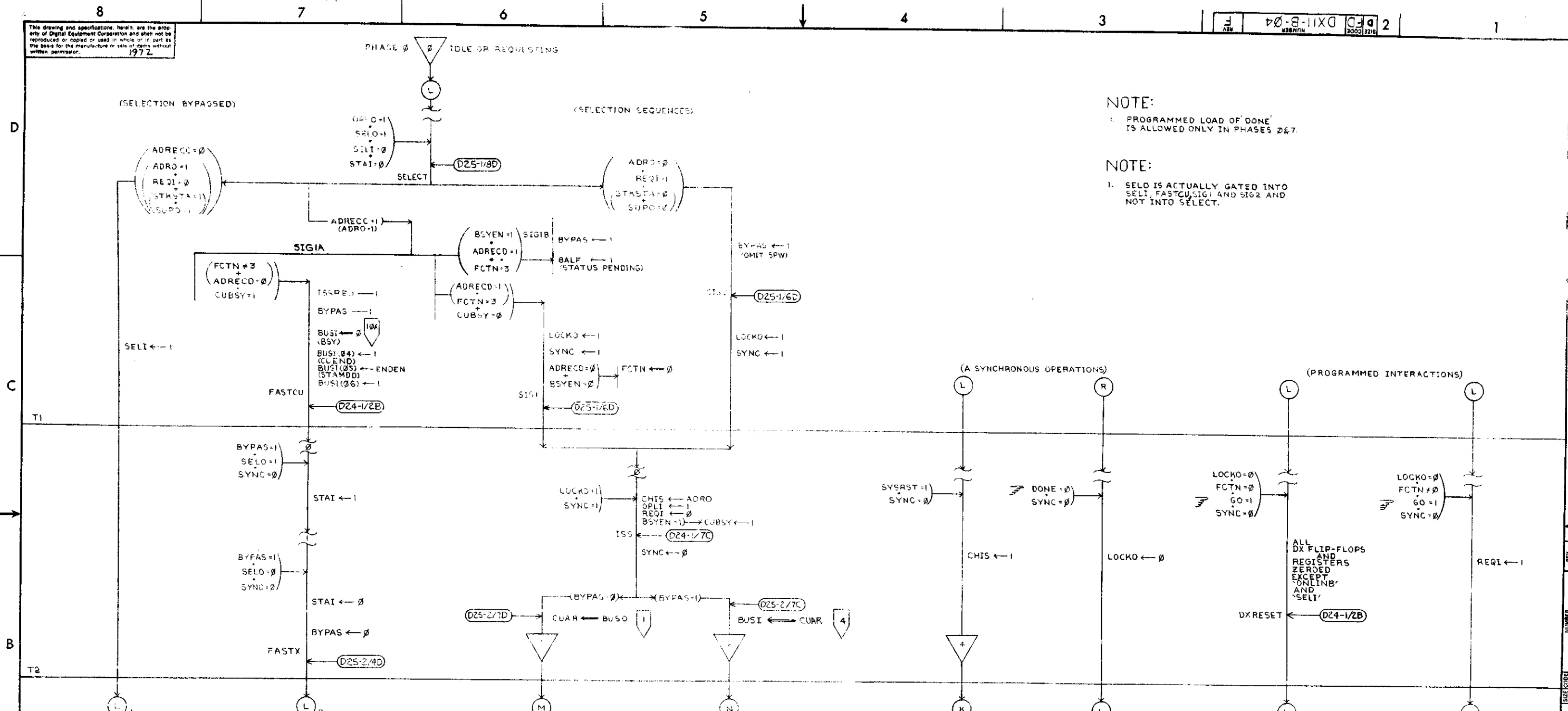


FIRST USED ON OPTION MODEL	QTY.	DESCRIPTION	PART NO.	ITEM NO.
DX11-B				
PARTS LIST				
UNLESS OTHERWISE SPECIFIED DIMENSION IN INCHES	DRN. S. ROBERTS	DATE 5-15-72	 digital EQUIPMENT CORPORATION <small>MAYFORD, MASSACHUSETTS</small>	
TOLERANCES	CHK'D. J. CAHILL	DATE 5-17-72		
DECIMALS ANGLES	ENG. R. DIETERIK	DATE 5-23-72		
XXX .005 .02 .1	PROJ. ENG. R. LIETEL	DATE 5-17-72		
REMOVE BURRS AND BREAK SHARP CORNERS SURFACE QUALITY 1	PROD. P. PAJO	DATE 5-27-72	TITLE: UNIT ASSY DX11-B	
MATERIAL	NEXT HIGHER ASSY.		SIZE CODE	NUMBER
FINISH	BLL DX11-B		D UA	DX11-B-2
	SCALE			REV. D
	SHEET 2 OF 2	DIST		

DIGITAL EQUIPMENT CORPORATION MAYNARD, MASSACHUSETTS PARTS LIST					QUANTITY / VARIATION															
MADE BY A. FRATICELLI		CHECKER <i>[Signature]</i>		SECTION																
DATE 1/5/72		DATE 3/3/72		1																
ENG <i>R. Dieta</i>		PROD <i>[Signature]</i>		ISSUED SECT.																
DATE 6-1-72		DATE 6-5-72		1																
ITEM NO.	DWG NO. / PART NO.	DESCRIPTION																		
	G890	360 POWER FAIL & SELECT BY-PASS				1														
	M105	ADDRESS SELECTOR MODULE				1														
	M111	INVERTER				6														
	M112	NOR GATE				14														
	M113	TEN 2-INPUT NAND GATES				11														
	M115	EIGHT 3-INPUT NAND GATES				4														
	M116	6 QUAD NOR GATE				6														
	M117	SIX 4-INPUT NAND GATES				5														
	M119	THREE 8-INPUT NAND GATES				3														
	M121	AND/NOR GATE				7														
	M133	INPUT NAND GATES				7														
	M135	3-INPUT NAND GATE				3														
	M137	6-4 INPUT NAND GATE				2														
	M139	3-8 INPUT NAND GATE				2														
	M155	4 TO 16 LINE DECODER				3														
	M162	PARITY CIRCUIT				2														
	M169	GATING MODULE				12														
	M205	5 "D" FLIP FLOPS				18														
	M216	SIX FLIP FLOP				8														
	M238	SYNCHRONOUS 4-BIT UP/DOWN COUNTER				6														
	M405	CRYSTAL CLOCK				1														
	M597	CABLE RECEIVER				6														
TITLE MODULE UTILIZATION				ASSY NO. D-MU-DX11-B-01		SIZE CODE A PL		NUMBER DX11-B-01				REV. J		ECO NO. DX11B-0016A						
				SHEET 1 OF 2		DIST.														

DIGITAL EQUIPMENT CORPORATION MAYNARD, MASSACHUSETTS PARTS LIST					QUANTITY / VARIATION															
MADE BY A. FRATICELLI		CHECKER <i>[Signature]</i>		SECTION																
DATE 1/5/72		DATE 3/3/72		1																
ENG <i>R. Dieta</i>		PROD <i>[Signature]</i>		ISSUED SECT.																
DATE 6-1-72		DATE 6-5-72		1																
ITEM NO.	DWG NO. / PART NO.	DESCRIPTION																		
	M606	PULSE GENERATOR				3														
	M611	HIGH SPEED POWER INVERTER				4														
	M697	CABLE DRIVER				8														
	M7821	INTERRUPT CONTROL MODULE				1														
	M783	UNIBUS TRANSMITTER MODULE				4														
	M784	UNIBUS RECEIVER MODULE				2														
	M796	UNIBUS MATER CONTROL				1														
	M798	UNIBUS DRIVER				1														
	M1103	2 INPUT AND GATES				5														
	M1713	16 LINE TO 1 LINE DATA SELECTOR				16														
	G736	JUMPER MODULE				1														
	M302	1 SHOT DELAY				1														
	M306	INTEGRATING 1 SHOT				2														
	M908YB	TERMINATOR				1														
	M930	BUSS TERMINATOR				1														
	M984	RESISTOR TERMINATOR				3														
	M984YA	RESISTOR TERM.				1														
	54008776	PRIORITY PLUG				1														
TITLE MODULE UTILIZATION				ASSY NO. D-MU-DX11-B-01		SIZE CODE A PL		NUMBER DX11-B-01				REV. J		ECO NO.						
				SHEET 2 OF 2		DIST.														

This drawing and specifications, herein, are the property of Digital Equipment Corporation and shall not be reproduced or copied or used in whole or in part as the basis for the manufacture or sale of items without written permission.
1972



NOTE:
1. PROGRAMMED LOAD OF 'DONE' IS ALLOWED ONLY IN PHASES 0&7.

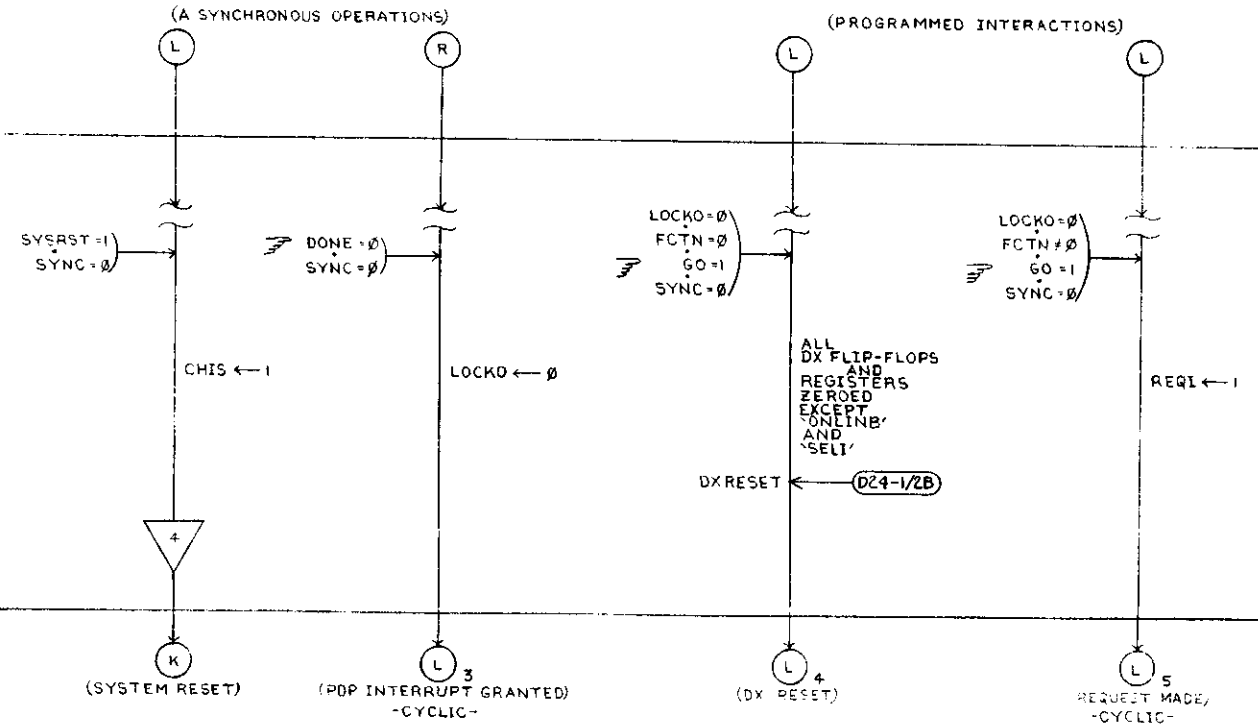
NOTE:
1. SELI IS ACTUALLY GATED INTO SELI, FASTCU, SIGI AND SIG2 AND NOT INTO SELECT.

NOTE:
1. EITHER L1 OR L2, BUT NOT BOTH, CAN OCCUR AS EITHER L3 OR ONE OF L4 OR L5.

NOTE:
1. M OR N CAN NOT OCCUR AS ANY OF L1, L2, L3, L4, L5, OCCUR.

LEGEND
 GATE NUMBER
 PROGRAM INTERVENTION
 -CYCLIC- REPEATS ITSELF

GATE SIGNAL NUMBER MNEMONIC
 1 - ARSO (CUAR GETS BUSO)
 4 - BIAI (BUS IN GETS CUAR)
 10A CLBI (CLEAR BUS IN)

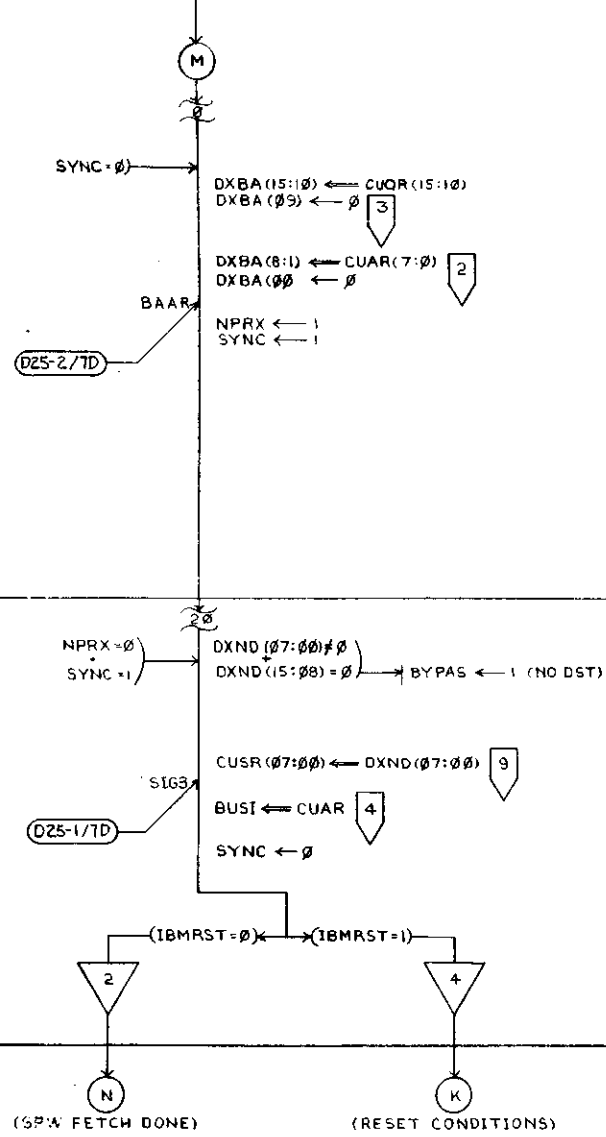


REV	CHANGE NO.

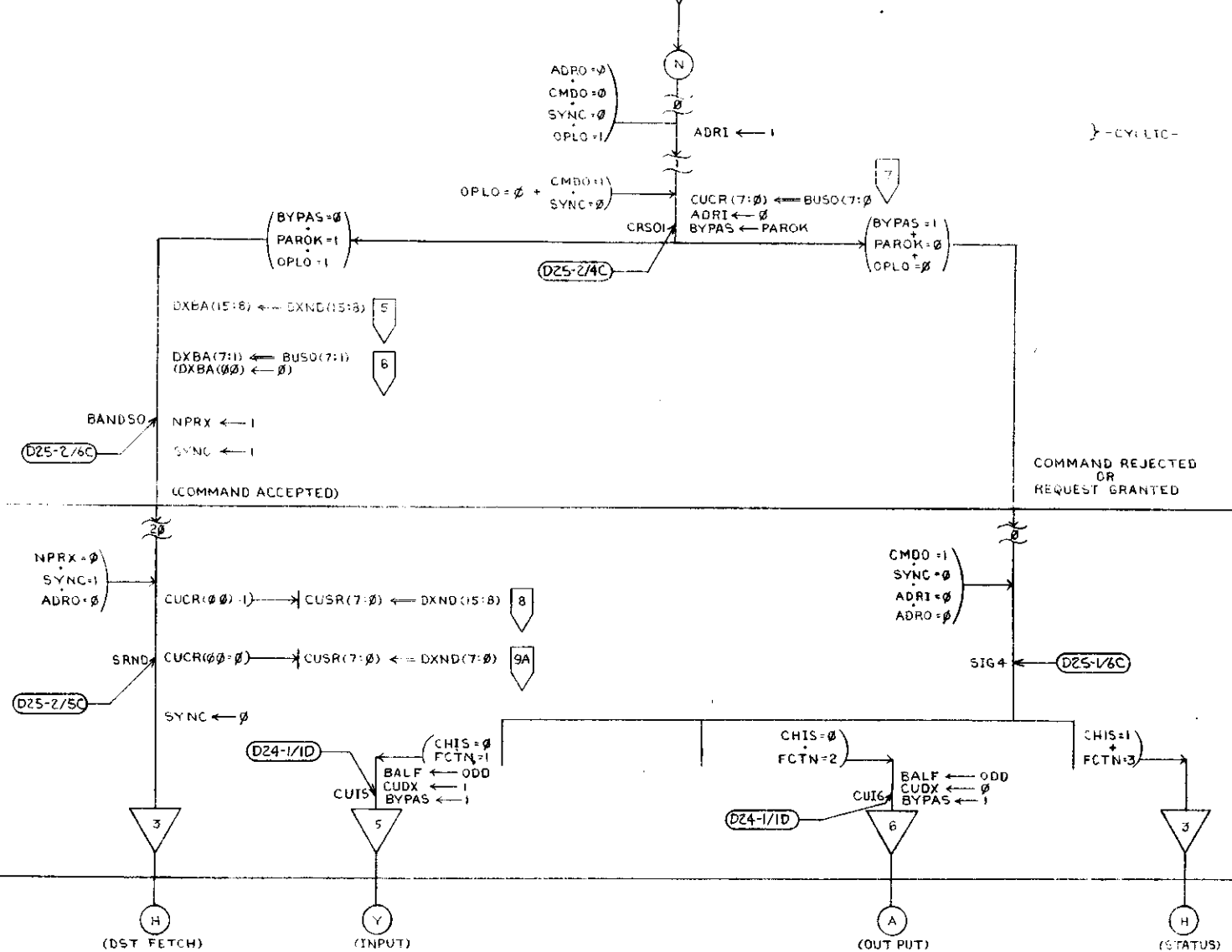
FIRST USED ON OPTION/MODEL	QTY.	DESCRIPTION	PART NO.	ITEM NO.
PDP-11				
PARTS LIST				
UNLESS OTHERWISE SPECIFIED DIMENSION IN INCHES. TOLERANCES		DRN: <i>A. J. ...</i>	DATE: 1/31/71	digital EQUIPMENT CORPORATION <small>MAYNARD, MASSACHUSETTS</small>
DECIMALS	ANGLES	CHKD: <i>...</i>	DATE: 5/1/72	
.XXX = .005	±0° 30'	ENG: <i>...</i>	DATE: 5-2-72	
.XX = .02		PROJ: <i>...</i>	DATE: 5-2-72	
REMOVE BURRS AND BREAK SHARP CORNERS SURFACE QUALITY		BRD: <i>...</i>	DATE: 6-1-72	
MATERIAL	NEXT HIGHER ASSY.	FLOW DIAGRAM (PHASE 0 IDLE OR REQUESTING)		
FINISH	SCALE NONE			
SHEET 2 OF 9	DIST.			
		SIZE CODE	NUMBER	REV.
		D F D	DXII-B-04	F

This drawing and specifications, herein, are the property of Digital Equipment Corporation and shall not be reproduced or copied or used in whole or in part as the basis for the manufacture or sale of items without written permission. 1972

PHASE 1 ADDRESS RESPONSE



PHASE 2 STATUS PREPARATION



NOTE:

1. CUIS AND CUI6 USED IN PHASE 7.

- 2-BAAR
- 3-BAOR
- 4-BIAR
- 5-BANDSO
- 6-BANDSO
- 7-CRSOI (C.F. 16)
- 8-SRNDH
- 9-SIG3
- 9A-SRNDL

FIRST USED ON OPTION/MODEL	QTY.	DESCRIPTION	PART NO.	ITEM NO.
PDP-11		PARTS LIST		
UNLESS OTHERWISE SPECIFIED DIMENSION IN INCHES. TOLERANCES		digital EQUIPMENT CORPORATION		
DECIMALS .XX ± .02		TITLE		
ANGLES ± 0° 30'		FLOW DIAGRAM		
REMOVE BURRS AND BREAK SHARP CORNERS SURFACE QUALITY		(PHASE 1 PHASE 2 ADDRESS STATUS RESPONSE) PREPARATION		
MATERIAL		NEXT HIGHER ASSY.	SIZE CODE	NUMBER
		B-DD-DX11-B	DFD	DX11-B-04
FINISH		SCALE NONE		REV. F
		SHEET 3 OF 9	DIST.	

REV.	CHANGE NO.	REVISIONS

DEC FORM NO. DRD 100-A

NUMBER DFD DX11-B-04
 SIZE CODE F

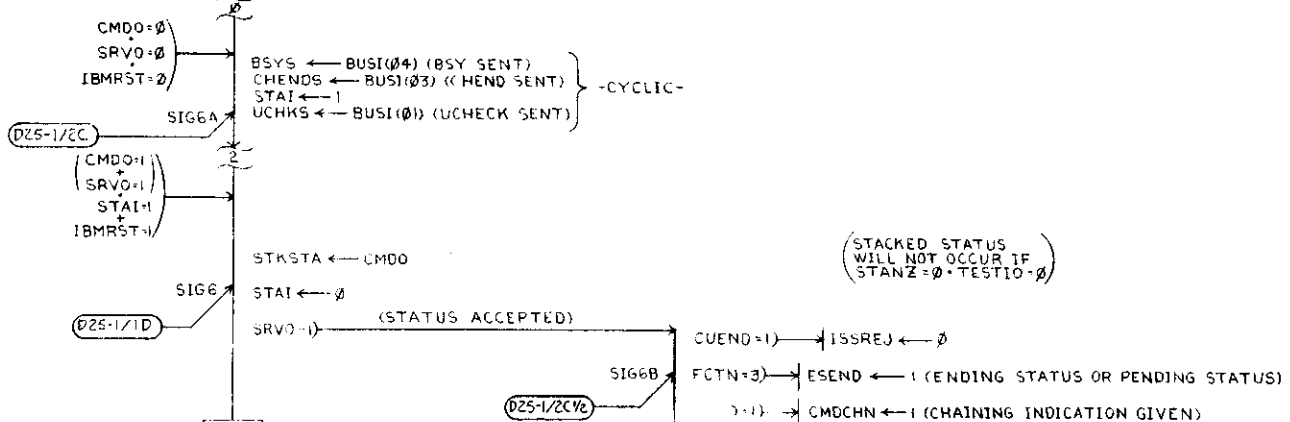
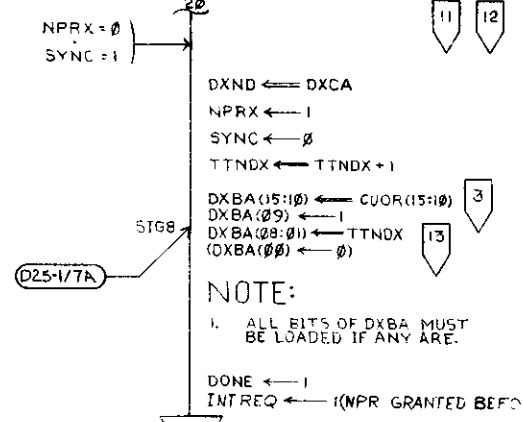
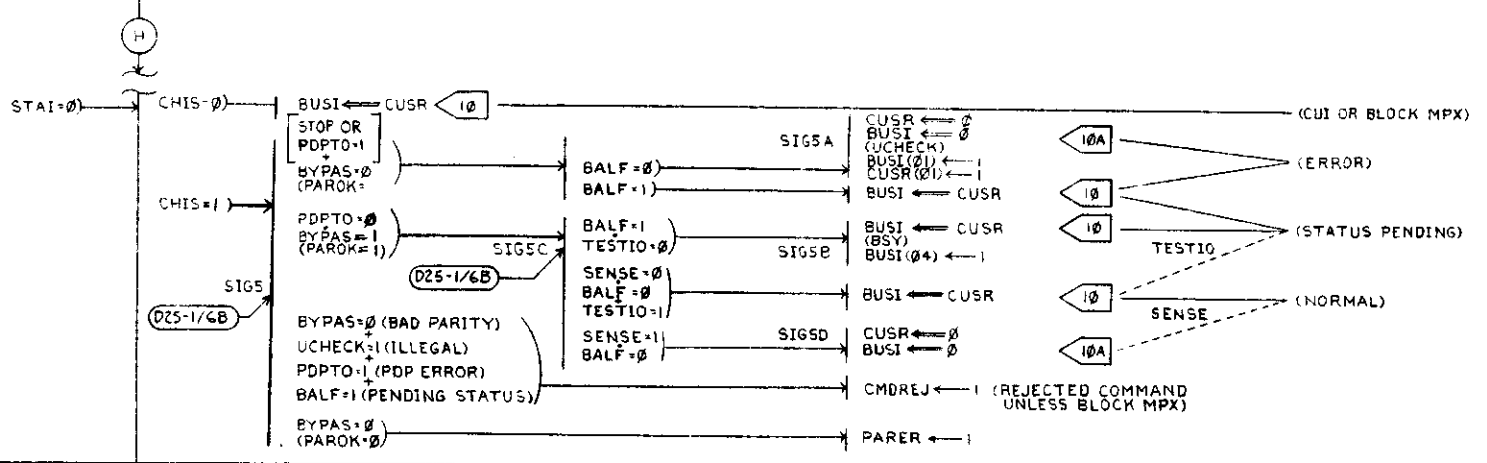
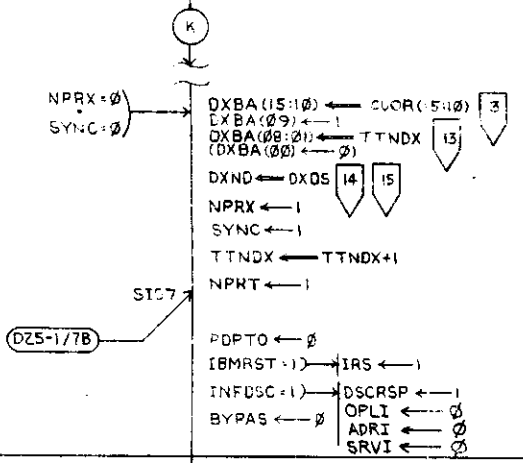
This drawing and specifications, herein, are the property of Digital Equipment Corporation and shall not be reproduced or copied or used in whole or in part as the basis for the manufacture or sale of items without written permission.
1972

PHASE 4

MARK

PHASE 3

STATUS PRESENTATION



NOTE:
1. ALL BITS OF DXBA MUST BE LOADED IF ANY ARE.
DONE ← 1
INTREQ ← 1 (NPR GRANTED BEFORE INTR)

(DATA STORED IN TUMBLE TABLE)

(STATUS BYTE PRESENTED TO IBM)

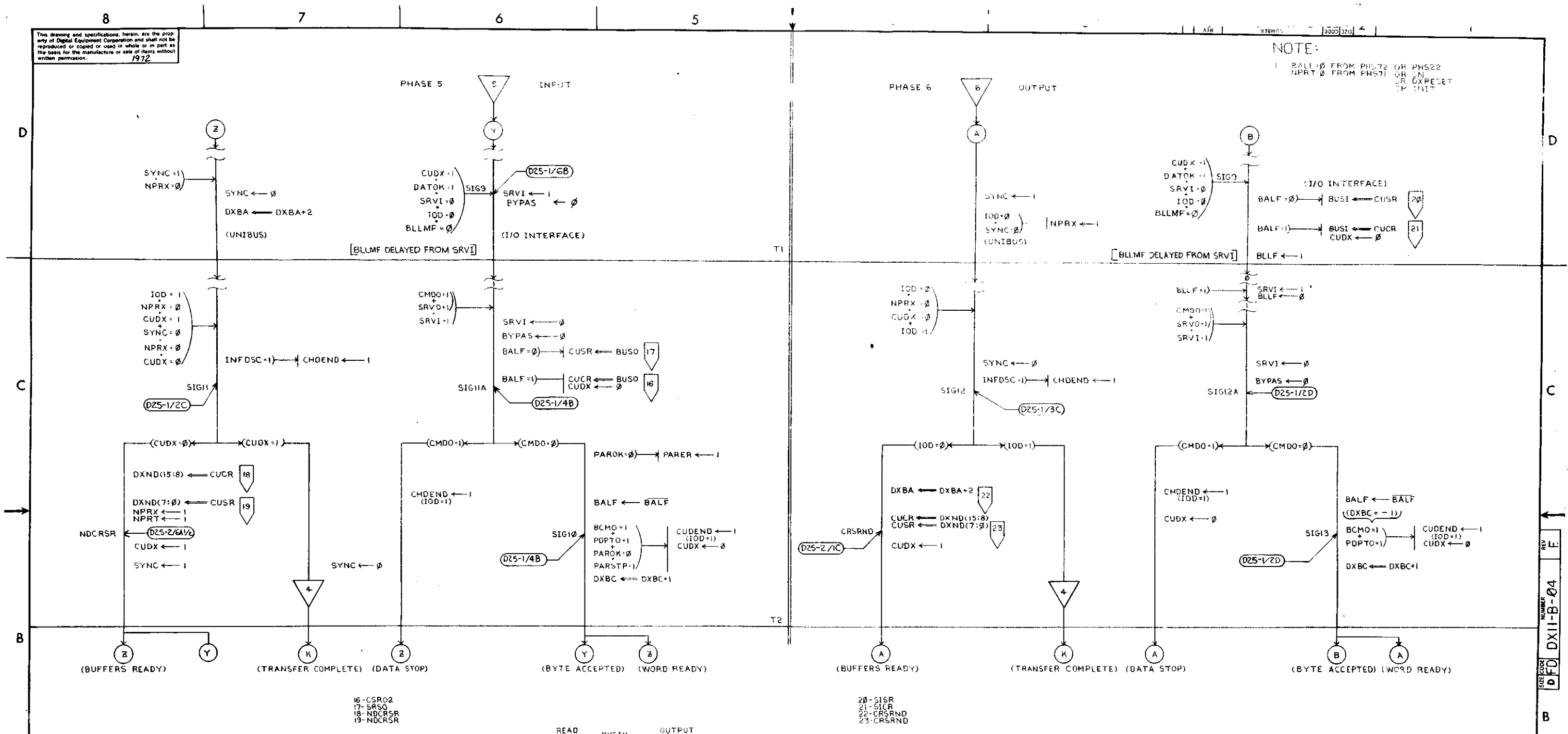
- 3-BAOR
- 7-B18R
- 11-SIG8
- 12-SIG9
- 13-BANX
- 14-SIG7
- 15-SIG7
- 10A-CLB1

REV	CHANGE NO

FIRST USED ON OPTION/MODEL	QTY.	DESCRIPTION	PART NO.	ITEM NO.
PDP-11				
PARTS LIST				
UNLESS OTHERWISE SPECIFIED DIMENSION IN INCHES TOLERANCES	DRN: <i>A. Santelli</i>	DATE: 1-1-72	 TITLE: FLOW DIAGRAM (PHASE 4 MARK) (PHASE 3 STATUS PRESENTATION)	
DECIMALS .XXX = .005 .XX = .02 .X = .1	ENG: <i>J. L. White</i>	DATE: 5-31-72		
ANGLES ±0° 30'	PROJ. ENG: <i>J. L. White</i>	DATE: 5-31-72		
REMOVE BURRS AND BREAK SHARP CORNERS SURFACE QUALITY	PROD: <i>Paul G. ...</i>	DATE: 6-8-72		
MATERIAL	NEXT HIGHER ASSY.	B-DD-DXII-B	SIZE CODE DFD	NUMBER DXII-B-04
FINISH	SCALE NONE	SHEET 4 OF 9	DIST.	REV. F

This drawing and specifications, herein, are the property of Digital Equipment Corporation and shall not be reproduced or copied or used in whole or in part as the basis for the manufacture or sale of items without written permission.
1972

NOTE:
1. BALF = 0 FROM PHS72 OR PHS22
NPRX = 0 FROM PHS71 OR PHS22
OR ON
OR OXPRESET
OR INIT



NOTE:
1. INITIALIZATION REQUIRED
PHASE 5: CUDX=1
PHASE 6: CUDX=0

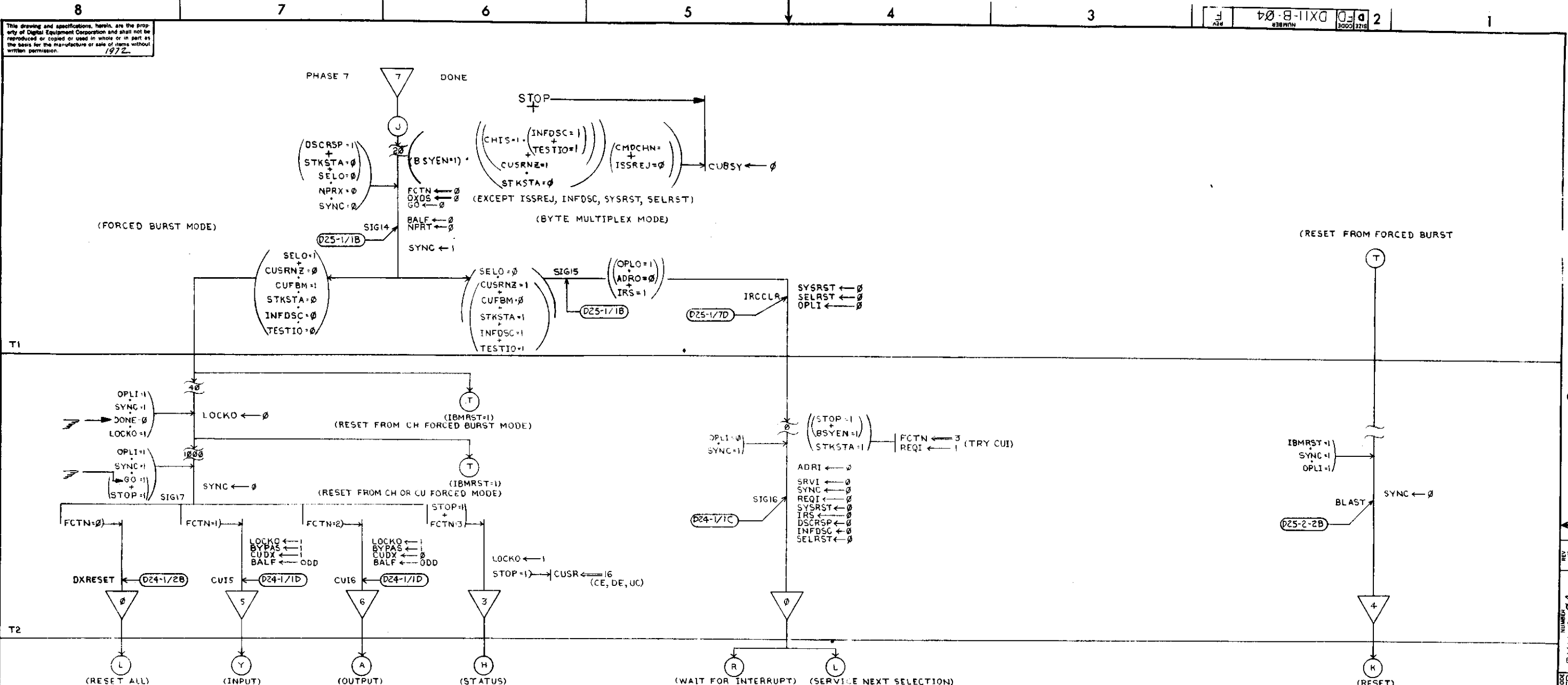
NOTE:
1. NPR WILL ALWAYS FETCH ONE WORD BEYOND END THEREFORE DO NOT GO TO END OF CORE.

NOTE:
1. SIG9 IS PHASE INDEPENDENT

REV	CHANGE NO

DEC FORM NO
DND 100-A

FIRST USED ON OPTION/MODEL	QTY.	DESCRIPTION	PART NO.	ITEM NO.
PDP-11				
PARTS LIST				
UNLESS OTHERWISE SPECIFIED DIMENSION IN INCHES TOLERANCES		DRN. DATE <i>12/13/71</i>	digital CORPORATION WAYNARD MASSACHUSETTS TITLE FLOW DIAGRAM (PHASE 5 INPUT) (PHASE 6 OUTPUT)	
DECIMALS	ANGLES	CHK'D. DATE <i>5/17/72</i>		
.XXX = .005	± 0° 30'	ENG. DATE <i>5/17/72</i>		
.XX = .02		PROL. ENG. DATE <i>5/17/72</i>		
REMOVE BURRS AND BREAK SHARP CORNERS SURFACE QUALITY		DATE <i>1-12</i>		
MATERIAL		NEXT HIGHER ASSY.	SIZE CODE	NUMBER
+		B-DD-DXII-B	D	FD DXII-B-04
FINISH		SCALE NONE		REV. F
		SHEET 5 OF 9	DIST.	



NOTE:
 1. CUIS AND CUI6 ARE ALSO CREATED IN PHASE 2.

NOTE:
 1. DXRESET IS ALSO CREATED IN PHASE 0.

NOTE:
 1. IT IS ASSUMED THAT SELO=0 IF IBMRST=1 UPON GETTING TO PHASE 7.

NOTE:
 1. SELO ← 0 BY CHIS (CHEND ONLY) (CMDCHN=0)
 STANZ=1
 CHIS=0
 TESTIO=1
 STKSTA=1
 (FLOW DIAGRAM *5, OEMI)

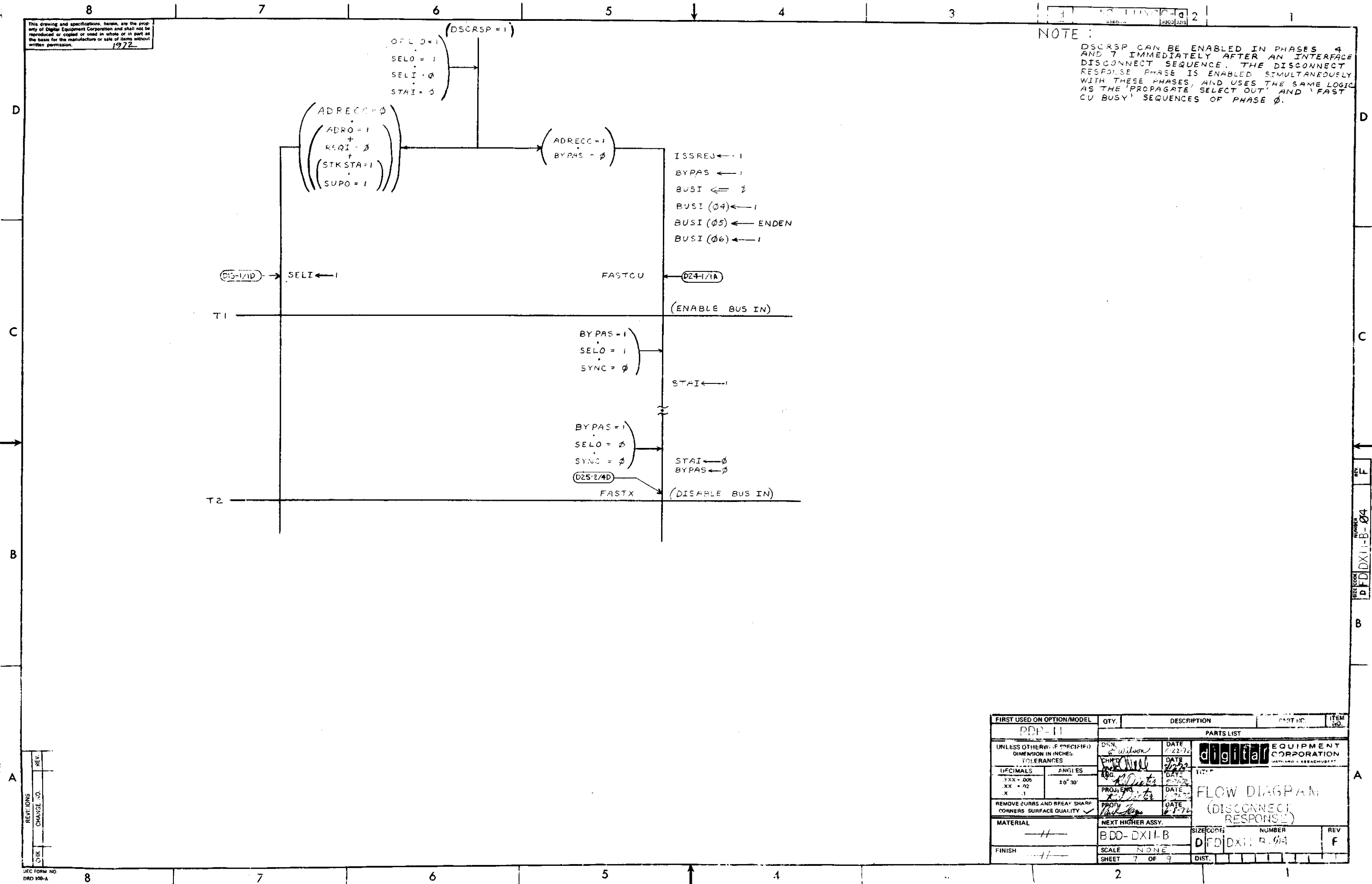
NOTE:
 1. IN BLOCK MUX MODE CHAINING OCCURS AFTER CHEND ONLY IF LAST STATUS WAS CHAINED AND ESSEN=1 WHEN DEPEND ONLY SENT AND CUSR ≠ 0, THEN DO THE COMMAND.

REV	
CHANGE NO.	
CHK	

FIRST USED ON OPTION/MODEL	QTY.	DESCRIPTION	PART NO.	ITEM NO.
PDP-11				
PARTS LIST				
UNLESS OTHERWISE SPECIFIED DIMENSION IN INCHES. TOLERANCES:	DRN	DATE		
DECIMALS	CHK	DATE		
ANGLES	ENG	DATE		
.XXX - .005 .XX - .02 .X - .1	PROJ. ENG.	DATE		
REMOVE BURRS AND BREAK SHARP CORNERS SURFACE QUALITY	PROD.	DATE	TITLE FLOW DIAGRAM (PHASE 7 DONE)	
MATERIAL	NEXT HIGHER ASSY.			
FINISH	SCALE	NONE		
	SHEET	6 OF 9		
		SIZE CODE	NUMBER	REV.
		D FD	DX11-B-04	F
		DIST.		

This drawing and specifications, herein, are the property of Digital Equipment Corporation and shall not be reproduced or copied or used in whole or in part as the basis for the manufacture or sale of items without written permission.
1972

NOTE:
DSCRSP CAN BE ENABLED IN PHASES 4 AND 7 IMMEDIATELY AFTER AN INTERFACE DISCONNECT SEQUENCE. THE DISCONNECT RESPONSE PHASE IS ENABLED SIMULTANEOUSLY WITH THESE PHASES AND USES THE SAME LOGIC AS THE 'PROPAGATE SELECT OUT' AND 'FAST CU BUSY' SEQUENCES OF PHASE 0.



FIRST USED ON OPTION/MODEL	QTY.	DESCRIPTION	PART NO.	ITEM NO.
PDP-11				
PARTS LIST				
UNLESS OTHERWISE SPECIFIED DIMENSION IN INCHES.	DN	DATE	digital EQUIPMENT CORPORATION	
TOLERANCES	CHN	DATE	MAY 1964 - 1988	
DIGITALS	ENG	DATE	NOTE	
ANGLES	PROJ	DATE	FLOW DIAGRAM	
XXX + .006	PRN	DATE	(DISCONNECT RESPONSE)	
.XX + .02		DATE		
.X + .1		DATE		
REMOVE BURRS AND BREAK SHARP CORNERS SURFACE QUALITY		DATE		
MATERIAL	NEXT HIGHER ASSY.		SIZE CODE	NUMBER
FINISH	BDD-DXII-B		D	FD
	SCALE NONE			
	SHEET 7 OF 9			

REV.	CHANGE NO.

REV. L
PART NO. BDD-DXII-B-04
SHEET 7 OF 9

REVISIONS	REV.
CHANGE NO.	

BIT NOS: 15 14 13 12 11 10 9 8 7 6 5 4 3 2 1 0

WORD MNEMONICS:

BASE ADDRESS RESET

RO-READ ONLY
CO-CLEAR ONLY
SO-SET ONLY

ALL FLIP-FLOPS ARE RESET BY DXRESET

BIT MNEMONICS OR NUMBER APPEARS ON FIRST LINE.

NOTES:

- WHEN USING THE MAINTENANCE CLOCK ONLY DXMO IS WRITABLE.
- DXBA 00 IS ALWAYS ZERO WHEN PRESENTED TO THE UNIBUS (OR READ BY PROGRAM) DATA SENT TO DXBA 00 IS SAVED IN ODD TO INITIALIZE HALF.
- CUOR IS WRITABLE ONLY WHEN OFFLINE.

DXDS-DEVICE STATUS

PARERR	NXRM	SELST	SYSTR	INFOSC	UCHKS	CHENDS	BSYS	CHIS	ESEND	CHDEND	CUDEND	ISSREJ	CMDCHN	STKSTA	MDREJ
ERRORS	IBM RESET	STATUS FLAGS			CHI END	CUI END		SPECIAL CONDITIONS							

READ ONLY

DXCA-COMMAND AND ADDRESS CUCR-COMMAND REGISTER

7	6	5	4	3	2	1	0	7	6	5	4	3	2	1	0
TEST IO IF 0-ZERO SENSE IF X-FOUR															
(SECOND DATA BYTE)															

READ ONLY

DXCS-CONTROL UNIT STATUS

PARSTP	CUBFMD	ENEN	BSYEN	ONLINA	CUBSY	DONE	INTEN	STKSTA	XBA	FCTN	GO
ENABLE STOP ON BAD PARITY DATA	CU ENABLE	ENABLE FORCED BURST	STATUS CONDITIONS	ONLINE	FAST CU BUSY REQUEST	END OF SEQUENCE	ENABLE INT.	STATUS IS STACKED	EXTENDED DATA ADDRESS BITS	0-RESET 1-INPUT 2-OUTPUT 3-STATUS	BEGIN FUNCTION

ALWAYS WRITABLE

DXOS-OFFSET AND STATUS CUOR-OFFSET OF SPW

7	6	5	4	3	2	1	0	ATTEN	STAMOD	CUEND	BSY	CHEND	DEVEND	UCHECK	EXCEP
(SEE NOTE 3)								UNUSED							

(FIRST DATA BYTE)

DXBA-BUS ADDRESS FOR NPR

15	14	13	12	11	10	9	8	7	6	5	4	3	2	1	0
CUOR(15-12)								CUAR(7-0)							
OFFSET OF DST FOR THIS DEVICE								CUCR(7-1)							
CUCR(15-10)								TTNDX(7-0)							
CUOR(15-10)								TTNDX(7-0)+2							

DATA ADDRESS

DXBC-BYTE COUNT

15	14	13	12	11	10	9	8	7	6	5	4	3	2	1	0
PDP SET TO -1 TO STOP I/O															

DXMO-MAINTENANCE OUT (DOUBLE LEVEL FLOPS) CONO-CONTROL LINES OUT

OPLO	HLDO	SELO	SUPO	ADRO	CMDO	SRVO	PARO	7	6	5	4	3	2	1	0
SELECTION CONTROL LINES			TAG LINES			PARO (ALGO GOES TO CLK WHEN CABLED)	ACTUAL BUS OUT SIGNALS OR BUSOB								

WRITABLE ONLY WHEN EITHER OFFLINE OR ONLINE AND CABLED

DXMI-MAINTENANCE IN CONI CONTROL LINES IN

OPLI	SELI	RELI	ADRI	STAI	SRVI	CLKI	PARI	7	6	5	4	3	2	1	0	
SELECTION CONTROL LINES			TAG LINES			CLKI (FROM CABLES OK TO GO ON LINE)	PARI (NOT FF PARITY OF BUS)	ACTUAL BUSI (OFFLINE) OR BUSI VIA CABLES (ONLINE)								

RO WHEN ONLINE

DXCB-CONTROL BITS

LOCKO	PH2	PH1	PH0	TSSF	FASTCU	SYNCO	CUDX	IODO	BYPAS	NPRX	NPR1	BALF	ONLINE	ADRECC	ADRECD
WRITE LOCK OUT ON DX REGS I-RO O-R/W	PHASE CONTROL FLOPS			TIME STATE	PHASE STATE SYNC FLOP	CU DATA CONTROL I-GO O-DONE	I/O DONE	NPR CONTROLS		PENDING STATUS BYTE ALTERATOR FLOP	ON LINE TO IBM	DEVICE RECOGNITION			

READ ONLY

DXND-NPR DATA

15	14	13	12	11	10	9	8	7	6	5	4	3	2	1	0
OFFSET OF DST FOR THIS DEVICE								TO ATTEN TO STAMOD TO CUEND TO BSY TO CHEND TO DEVEND TO UCHECK TO EXCEP							
ODD STATUS BYTE								DXDS							
SECOND DATA BYTE								DXCA							

READ ONLY

DXES-EXTRA SIGNALS TTNDX TUMBLE TABLE INDEX

7	6	5	4	3	2	1	0	INT REQ	ODD BUFFER ADDRESS	NPR1 ERROR	DXTO ERROR	DISABLE PROGRAM TIME-OUT	SOSIEN	MCLKEN	MCLKP
READ ONLY								30							

DXMOB-MAINTENANCE OUT BUFFERED CONOB

THESE FLOPS ARE LOADED BY WRITE ADRS 15, 14 THESE FLOPS ARE READ BY READ ADRS 27, 26 THESE FLOPS ARE READ BY READ ADRS 15, 14 IF OFFLINE THESE FLOPS ARE READ BY READ ADRS 15, 14 IF ONLINE CABLED WRITE 27, 26 DOES NOTHING															
--	--	--	--	--	--	--	--	--	--	--	--	--	--	--	--

READ ONLY

DXES1-EXTRA SIGNALS

(PROGRAMMED REGISTERS)															
------------------------	--	--	--	--	--	--	--	--	--	--	--	--	--	--	--

This drawing and specification, when used in conjunction with the appropriate equipment, shall be the basis for the manufacture or sale of parts without written permission.

WRITE PROTECTED BY 'LOCKO' EXCEPT FOR DONE INTEN

LOADED BY SERVICE ROUTINE

FOR DATA TRANSFERS ONLY

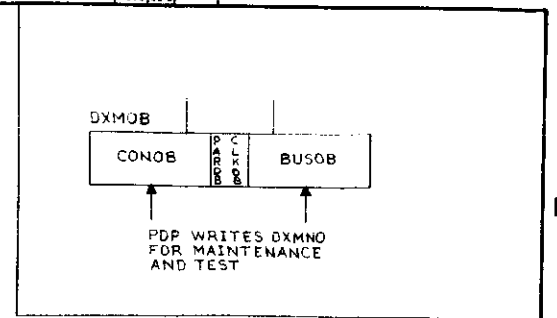
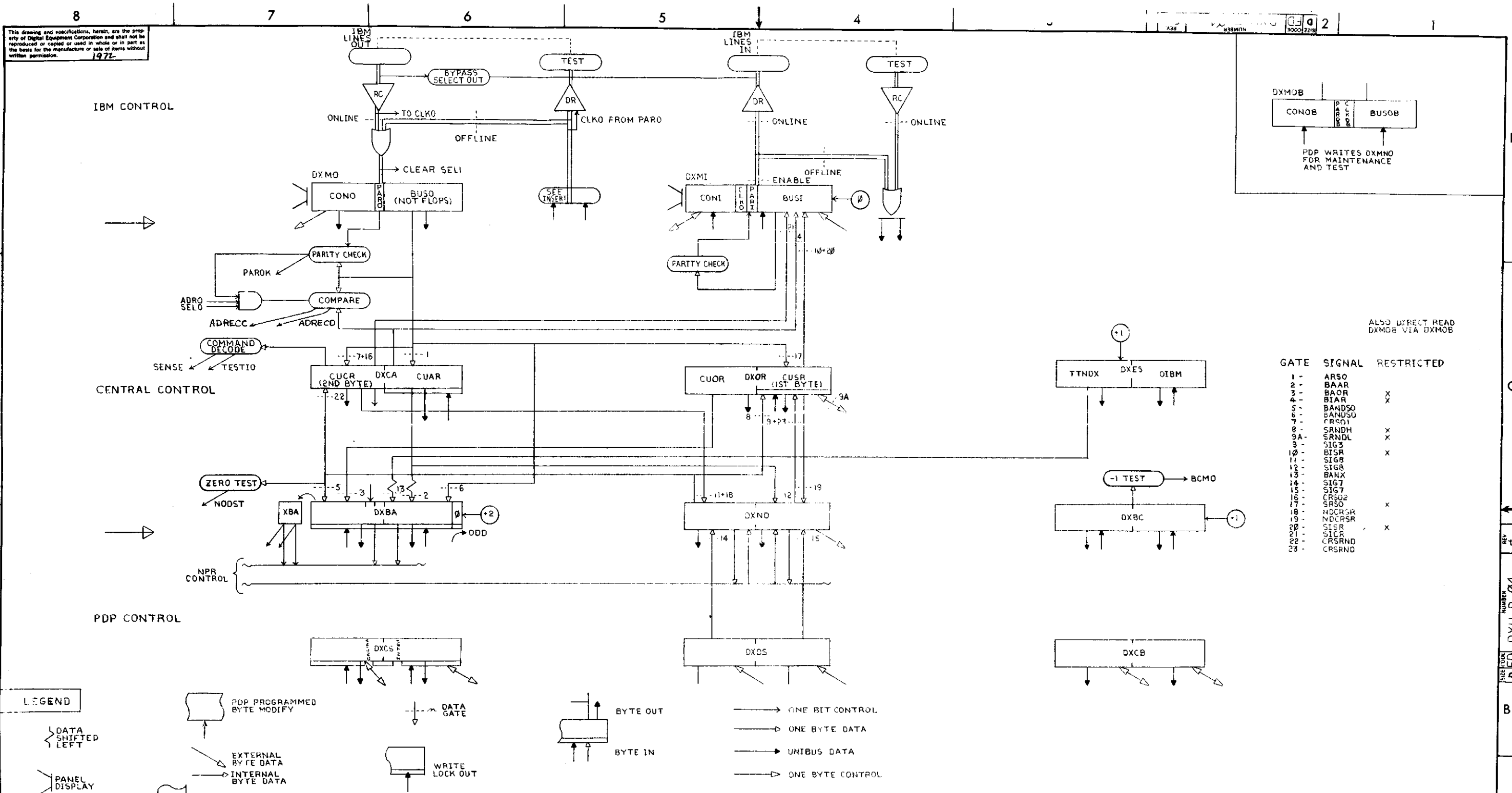
USED BY SIMULATOR PROGRAM ONLY

RESET BY INITI EXCEPT FOR SELL

USED FOR DIAGNOSTIC AND EMERGENCY ONLY

FIRST USED ON OPTION/MODEL		QTY.		DESCRIPTION		PART NO.		ITEM	
PDP-11									
UNLESS OTHERWISE SPECIFIED DIMENSIONS ARE IN INCHES TOLERANCES									
DECIMALS ANGLES									
XXX + .006 ±0.001									
XX + .02									
X + .1									
REMOVE BURRS AND BREAK SHARP CORNERS SURFACE QUALITY									
MATERIAL									
NEXT HIGHER ASSY.									
B-DD-DX11-B									
SCALE NONE									
SHEET 8 OF 9									
DST									
PARTS LIST									
EQUIPMENT CORPORATION									
FLOW DIAGRAM (PROGRAMMED REGISTERS)									
SIZE CODE									
NUMBER									
REV									
REV									

This drawing and specifications, herein, are the property of Digital Equipment Corporation and shall not be reproduced or copied or used in whole or in part as the basis for the manufacture or sale of items without written permission.
1972



ALSO DIRECT READ DXMOB VIA DXMOB

GATE	SIGNAL	RESTRICTED
1 -	ARSO	
2 -	BAAR	
3 -	BAOR	X
4 -	BIAR	X
5 -	BANDSO	
6 -	BANDSO	
7 -	CRSO1	
8 -	SRNDH	X
9A -	SRNDL	X
9 -	SIG3	
10 -	BTSR	X
11 -	SIG8	
12 -	SIG8	
13 -	BANX	
14 -	SIG7	
15 -	SIG7	
16 -	CRSO2	X
17 -	SRSO	
18 -	NDCRSR	X
19 -	NDCRSR	
20 -	SISR	X
21 -	SICR	
22 -	CRSRND	
23 -	CRSRND	

LEGEND
 DATA SHIFTED LEFT
 PANEL DISPLAY
 PDP PROGRAMMED BYTE MODIFY
 EXTERNAL BYTE DATA
 INTERNAL BYTE DATA
 PDP PROGRAMMED BYTE READ
 DATA GATE
 WRITE LOCK OUT
 BYTE OUT
 BYTE IN
 ONE BIT CONTROL
 ONE BYTE DATA
 UNIBUS DATA
 ONE BYTE CONTROL

REV	
CHG	
NO	

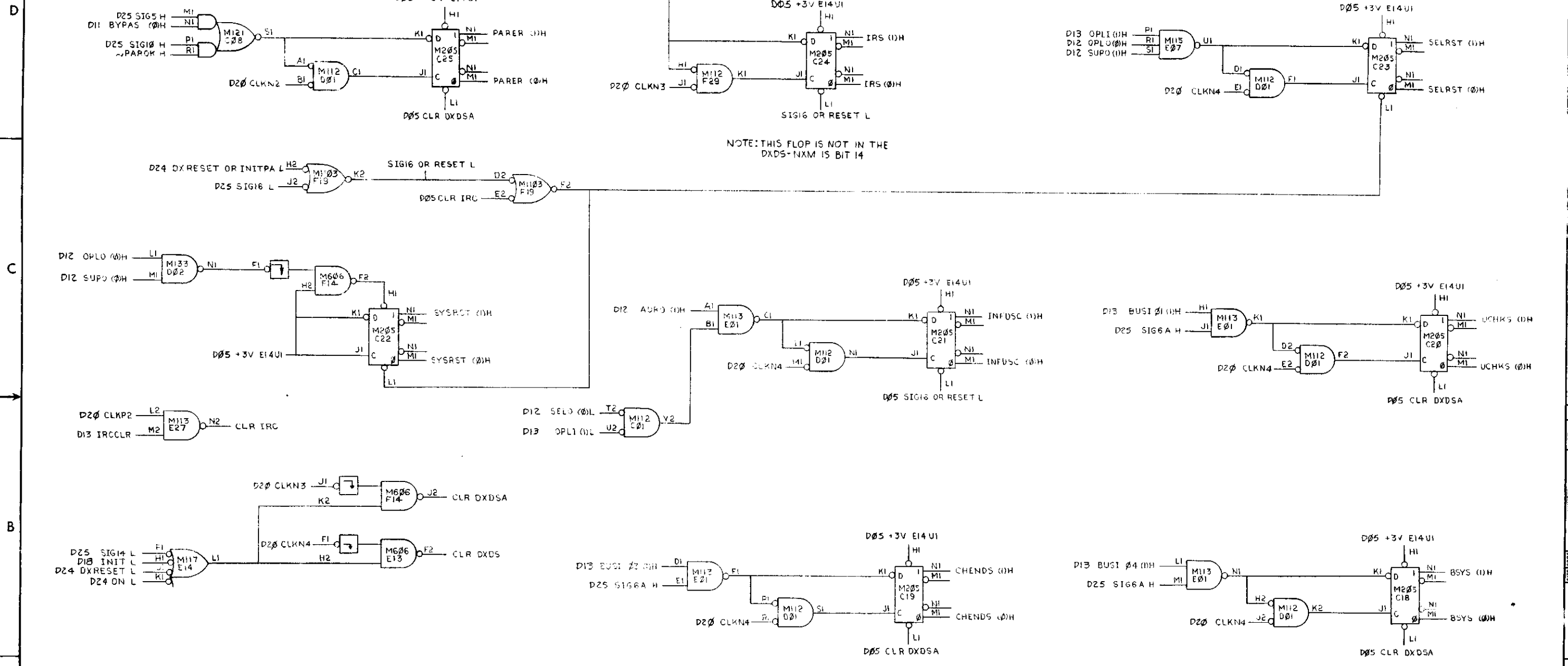
DEC FORM NO 010-100-A

FIRST USED ON OPTION/MODEL	QTY.	DESCRIPTION	PART NO.	ITEM NO.
POP-11				
PARTS LIST				
UNLESS OTHERWISE SPECIFIED DIMENSION IN INCHES. TOLERANCES		digital EQUIPMENT CORPORATION MAYNARD, MASSACHUSETTS		
DECIMALS	ANGLES	TITLE		
.XXX - .005	± 0° 30'	FLOW DIAGRAM (DATA PATHS)		
XX - .02		SIZE CODE		
X - .1		D F D		
REMOVE BURRS AND BREAK SHARP CORNERS SURFACE QUALITY		NUMBER		
		DX11-B-04		
MATERIAL		REV.		
		F		
FINISH		SCALE		
		NONE		
SHEET 3 OF 9		DIST		

REV. F
 NUMBER DX11-B-04
 SIZE D F D

This drawing and specifications, herein, are the property of Digital Equipment Corporation and shall not be reproduced or copied or used in whole or in part as the basis for the manufacture or sale of items without written permission.

8 7 6 5 4 3 2 1
 B BS DX11-B-05
 2



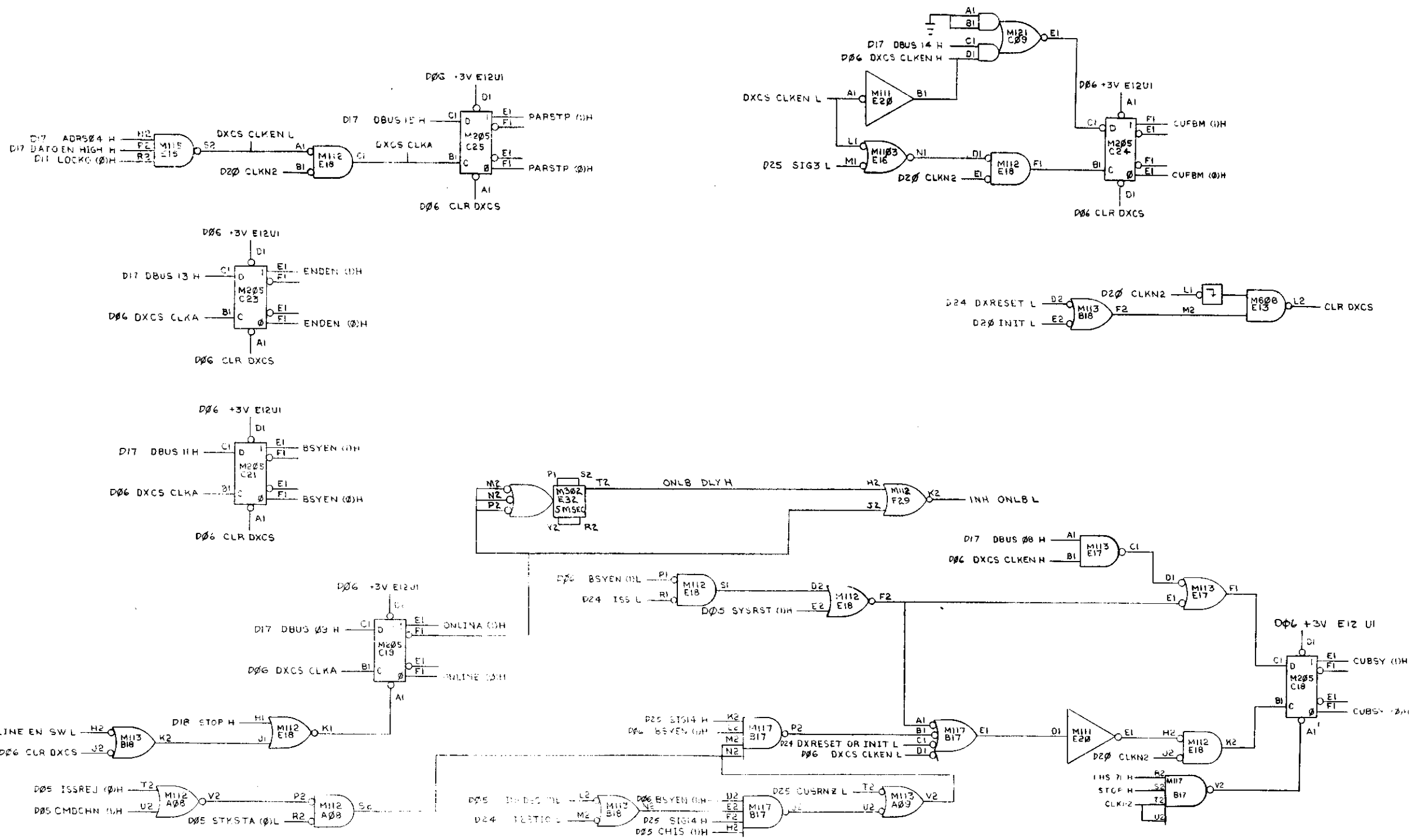
REV	CHG	NO	BY	DATE
A				

FIRST USED ON OPTION/MODEL	QTY.	DESCRIPTION	PART NO.	ITEM NO.
PDP-11				
UNLESS OTHERWISE SPECIFIED DIMENSION IN INCHES. TOLERANCES		DRN. DATE 11/2/71	digital EQUIPMENT CORPORATION MAYNARD MASSACHUSETTS	
DECIMALS	ANGLES	CHK'D. DATE 5/17/72		
XXX - 005	±0° 30'	ENG. DATE 5-3-72	TITLE DXDS DX DEVICE STATUS	
.XX - 02		PROJ. ENG. DATE 5-8-72		
.X - 01		PRD'D. DATE 6-8-72		
REMOVE BURRS AND BREAK SHARP CORNERS SURFACE QUALITY				
MATERIAL	NEXT HIGHER ASSY.			
	B-00-DX11-B	SIZE CODE	NUMBER	REV
FINISH	SCALE NONE	D BS	DX11-B-05	B
	SHEET 1 OF 2	DIST.		

REV B
 NUMBER
 D BS DX11-B-05
 SIZE CODE

This drawing and specifications, herein, are the property of Digital Equipment Corporation and shall not be reproduced or copied or used in whole or in part as the basis for the manufacture or sale of items without written permission.

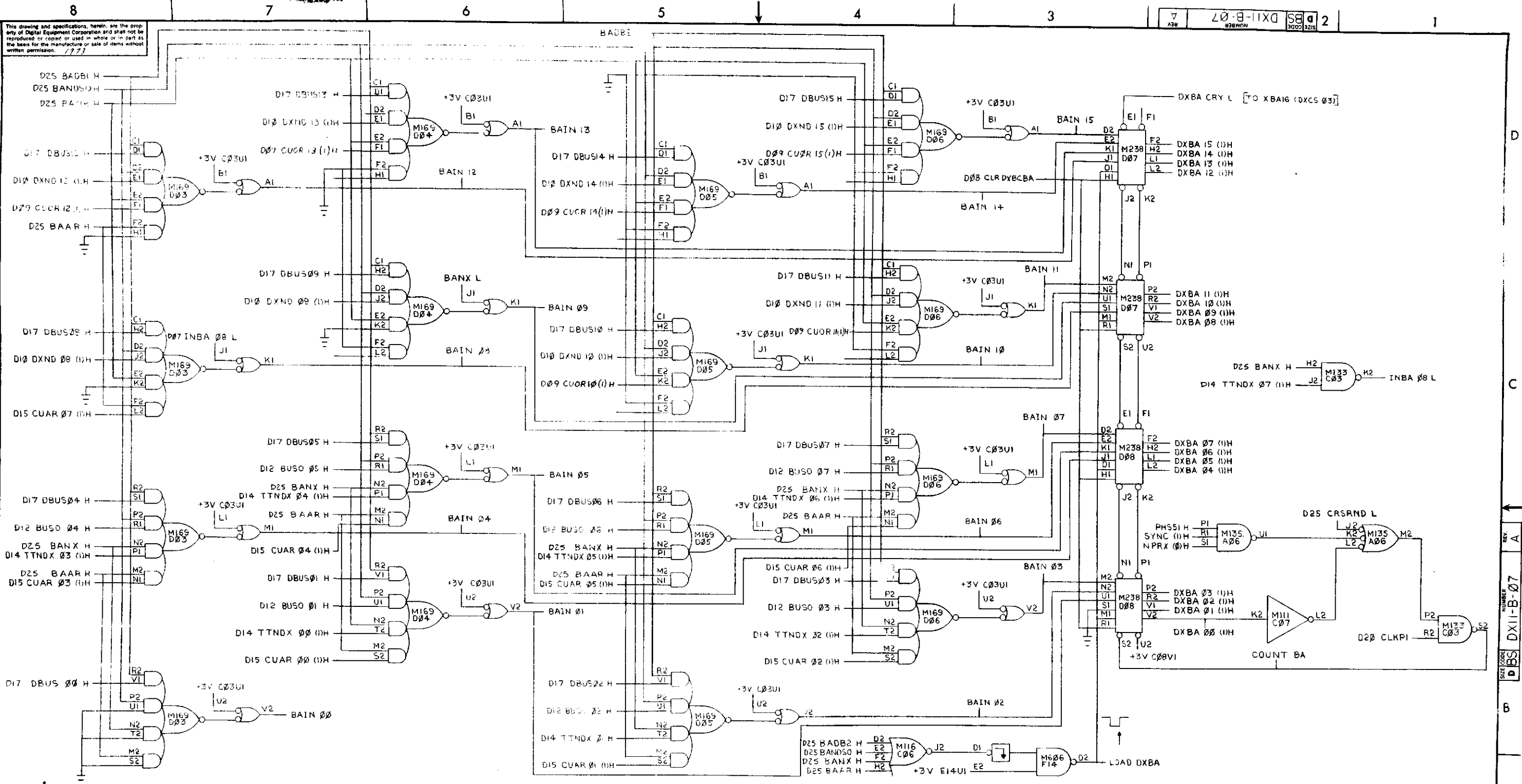
90-B-11X0 2



REV	CHANGE NO	DATE	BY	CHKD
1	DX11B-0001	7-9-74	R. DIETER	
2	DX11B-0002	7-9-74	R. DIETER	
3	DX11B-0003	7-9-74	R. DIETER	
4	DX11B-0004	7-9-74	R. DIETER	
5	DX11B-0005	7-9-74	R. DIETER	
6	DX11B-0006	7-9-74	R. DIETER	
7	DX11B-0007	7-9-74	R. DIETER	
8	DX11B-0008	7-9-74	R. DIETER	

FIRST USED ON OPTION/MODEL	QTY.	DESCRIPTION	PART NO.	ITEM NO.
PDP-11				
UNLESS OTHERWISE SPECIFIED DIMENSION IN INCHES. TOLERANCES				
DECIMALS	ANGLES	TITLE		
.XXX - .005	±0° 30'	DXCS CONTROL UNIT STATUS		
REMOVE BURRS AND BREAK SHARP CORNERS SURFACE QUALITY				
MATERIAL				
NEXT HIGHER ASSY.				
FINISH				
SCALE NONE		SIZE CODE	NUMBER	REV.
SHEET 1 OF 2		D BS	DX11-B-06	E

REV. E
NUMBER
D BS
DX11-B-06



This drawing and specifications, herein, are the property of Digital Equipment Corporation and shall not be reproduced or copied or used in whole or in part as the basis for the manufacture or sale of items without written permission. 1773

7 10-B-11X0 2 1

REV.	CHANGE NO.	BY	DATE
1	00010	A	6-7-72
2	00011	R. DIETER	6-14-72

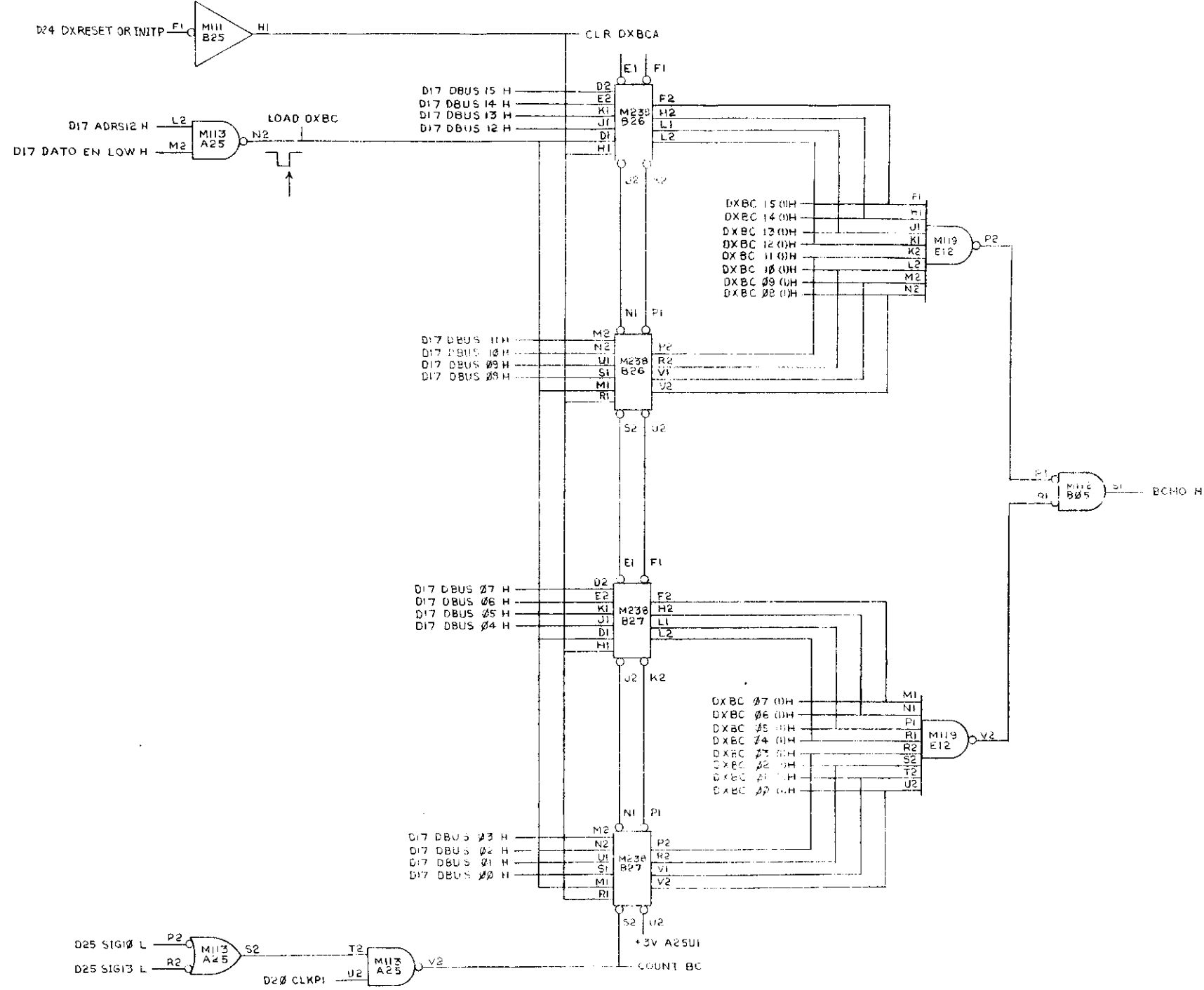
DEC FORM NO. DRD 100-A

FIRST USED ON OPTION/MODEL	QTY.	DESCRIPTION	PART NO.	ITEM NO.																				
PDP-11																								
UNLESS OTHERWISE SPECIFIED DIMENSION IN INCHES. TOLERANCES																								
DECIMALS	ANGLES	TITLE																						
.XXX - .005	±0°30'	DXBA (DX BUS ADDRESS)																						
.XX - .02		PARTS LIST																						
X - .1		<table border="1"> <tr> <td>DRN</td> <td>DATE</td> <td>DRN</td> <td>DATE</td> </tr> <tr> <td>CHK'D</td> <td>5/1/72</td> <td>CHK'D</td> <td>5/1/72</td> </tr> <tr> <td>ENG.</td> <td>5/3/72</td> <td>ENG.</td> <td>5/3/72</td> </tr> <tr> <td>PROJ. ENG.</td> <td>5/3/72</td> <td>PROJ. ENG.</td> <td>5/3/72</td> </tr> <tr> <td>PROD.</td> <td>6/3/72</td> <td>PROD.</td> <td>6/3/72</td> </tr> </table>			DRN	DATE	DRN	DATE	CHK'D	5/1/72	CHK'D	5/1/72	ENG.	5/3/72	ENG.	5/3/72	PROJ. ENG.	5/3/72	PROJ. ENG.	5/3/72	PROD.	6/3/72	PROD.	6/3/72
DRN	DATE	DRN	DATE																					
CHK'D	5/1/72	CHK'D	5/1/72																					
ENG.	5/3/72	ENG.	5/3/72																					
PROJ. ENG.	5/3/72	PROJ. ENG.	5/3/72																					
PROD.	6/3/72	PROD.	6/3/72																					
REMOVE BURRS AND BREAK SHARP CORNERS SURFACE QUALITY																								
MATERIAL NEXT HIGHER ASSY.																								
FINISH		SCALE NONE	SHEET OF	DIST.																				
MATERIAL		B-00-DX11-B		SIZE CODE D BS																				
		NUMBER DX11-B-07		REV. A																				

REV. A
NUMBER
DX11-B-07
SIZE CODE
D BS

This drawing and specifications herein are the property of Digital Equipment Corporation and shall not be reproduced or copied or used in whole or in part as the basis for the manufacture or sale of items without written permission.

NOTE:
 THE DATA BYTE OUT
 IS THE DATA BYTE IN



FIRST USED ON OPTION/MODEL	QTY	DESCRIPTION	PART NO.	ITEM NO.
PDP-11		PARTS LIST		
UNLESS OTHERWISE SPECIFIED DIMENSION IN INCHES TOLERANCES	DRN <i>W. H. ...</i>	DATE <i>11/70</i>	DIGITAL EQUIPMENT CORPORATION MAYNARD, MASSACHUSETTS	
DECIMALS .XXX = .005 .XX = .02 .X = .1	ANGLES ±0° 30'	DATE <i>5-2-72</i>	TITLE DXBC DX BYTE COUNTER	
REMOVE BURRS AND BREAK SHARP CORNERS SURFACE QUALITY ✓	PHOJ. ENG. <i>...</i>	DATE <i>5-2-72</i>	NEXT HIGHER ASSY. A-ML-DXII-B	
MATERIAL +	SCALE NONE	PROD. <i>...</i>	DATE <i>6-8-72</i>	SIZE CODE D BS
FINISH +	SHEET 1 OF 1	NUMBER DXII-B-08		REV.

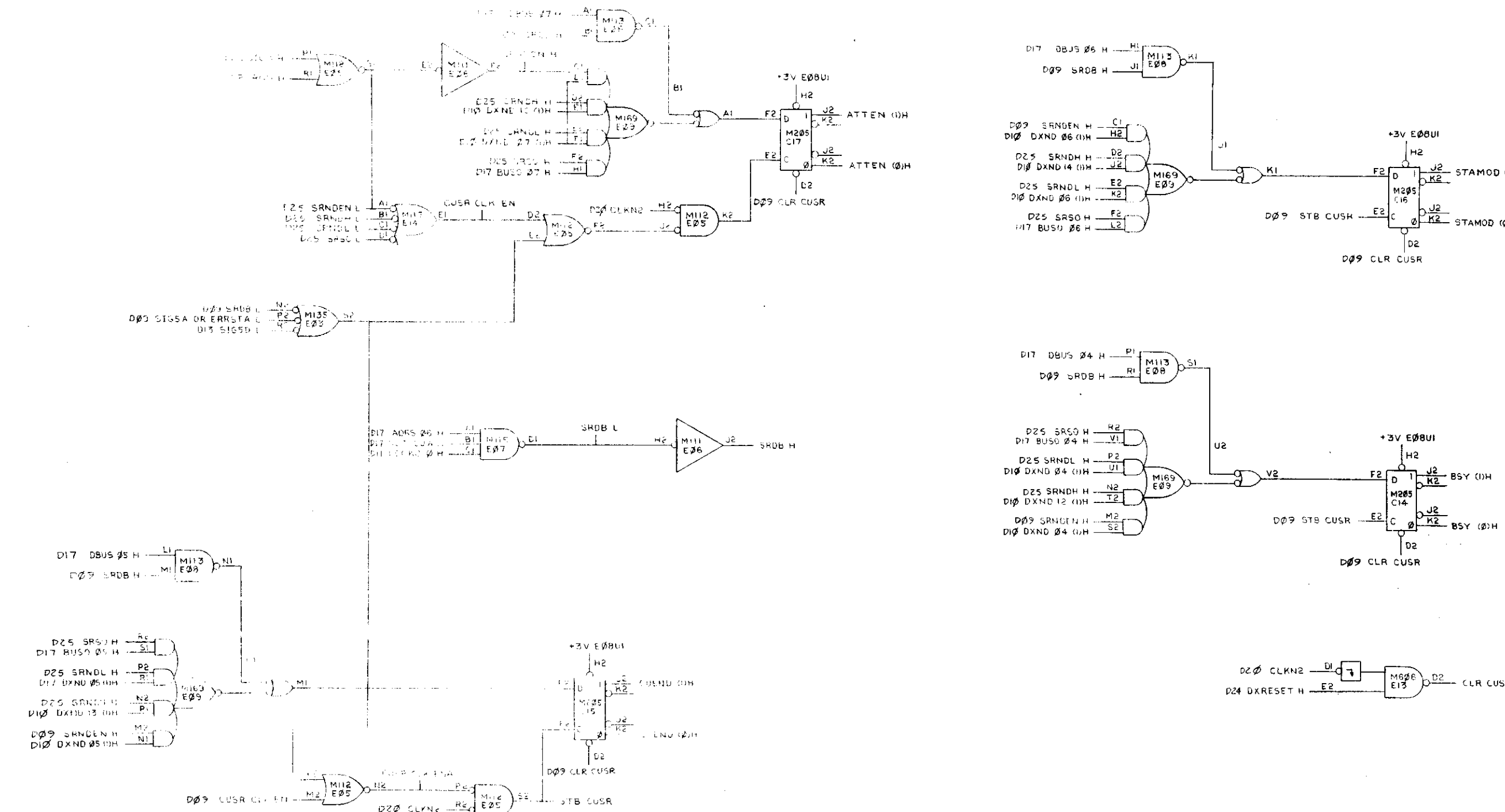
REVISIONS	REV.
CHANGE NO.	
CHK	

REV. NUMBER
 DXII-B-08

This drawing and specifications herein are the property of Digital Equipment Corporation and shall not be reproduced or copied or used in whole or in part as the basis for the manufacture of any items without written permission.

30-B-11X DBS 2

8 7 6 5 4 3 2 1



REV	
CHANGE NO.	
CHK	

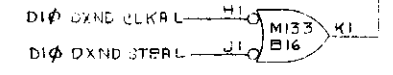
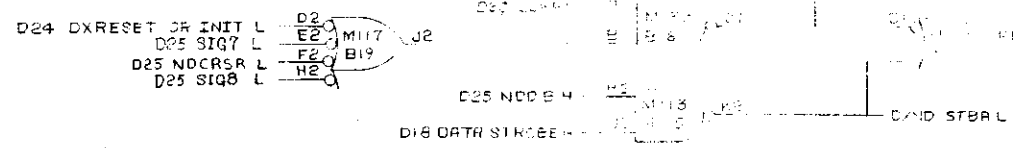
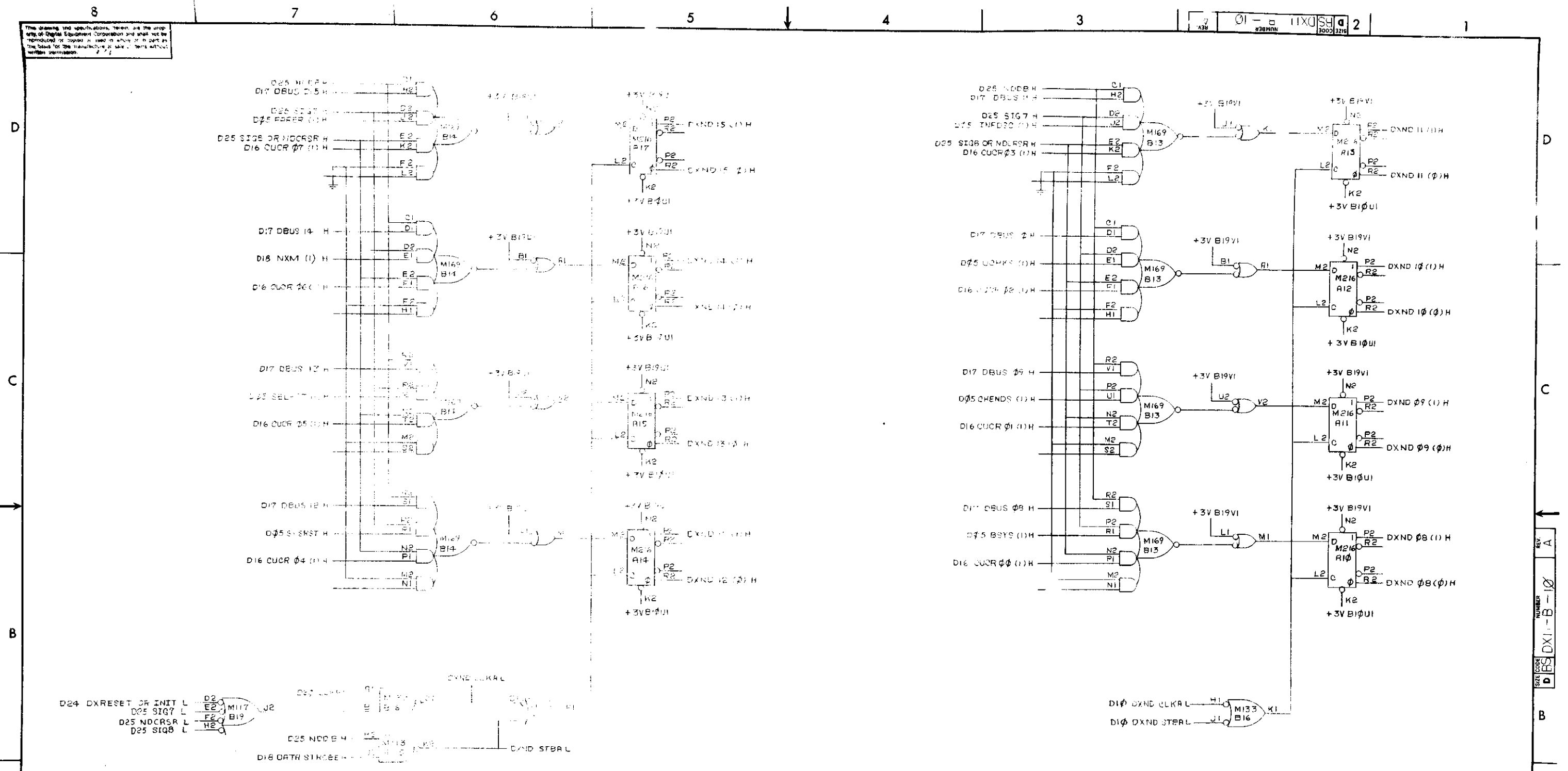
DEC FORM NO DRD 100-A

REV. NUMBER
DBS DX11-B-09

FIRST USED ON OPTION/MODEL	QTY.	DESCRIPTION	PART NO.	ITEM NO.						
PDP-11										
PARTS LIST										
UNLESS OTHERWISE SPECIFIED	DRN	DATE	 DIGITAL EQUIPMENT CORPORATION <small>MAYNARD, MASSACHUSETTS</small>							
DIMENSION IN INCHES	CHK'D	DATE								
TOLERANCES	ENG	DATE								
DECIMALS	PROJ. ENG.	DATE								
ANGLES	PRD.	DATE	TITLE CUSR							
.XXX - .005										
XX - .02										
X - .1			<table border="1"> <tr> <td>SIZE CODE</td> <td>NUMBER</td> <td>REV.</td> </tr> <tr> <td>DBS</td> <td>DX11-B-09</td> <td></td> </tr> </table>		SIZE CODE	NUMBER	REV.	DBS	DX11-B-09	
SIZE CODE	NUMBER	REV.								
DBS	DX11-B-09									
REMOVE BURRS AND BREAK SHARP CORNERS SURFACE QUALITY										
MATERIAL	NEXT HIGHER ASSY.									
FINISH	SCALE	NONE	<table border="1"> <tr> <td>SHEET</td> <td>1 OF 2</td> </tr> </table>		SHEET	1 OF 2				
SHEET	1 OF 2									
	DIST.									

This drawing and specifications, herein, are the property of Digital Equipment Corporation and shall not be reproduced or copied in whole or in part as the basis for the manufacture of similar parts without written permission.

REV. 1
 NUMBER 111XSH
 SIZE CODE 2



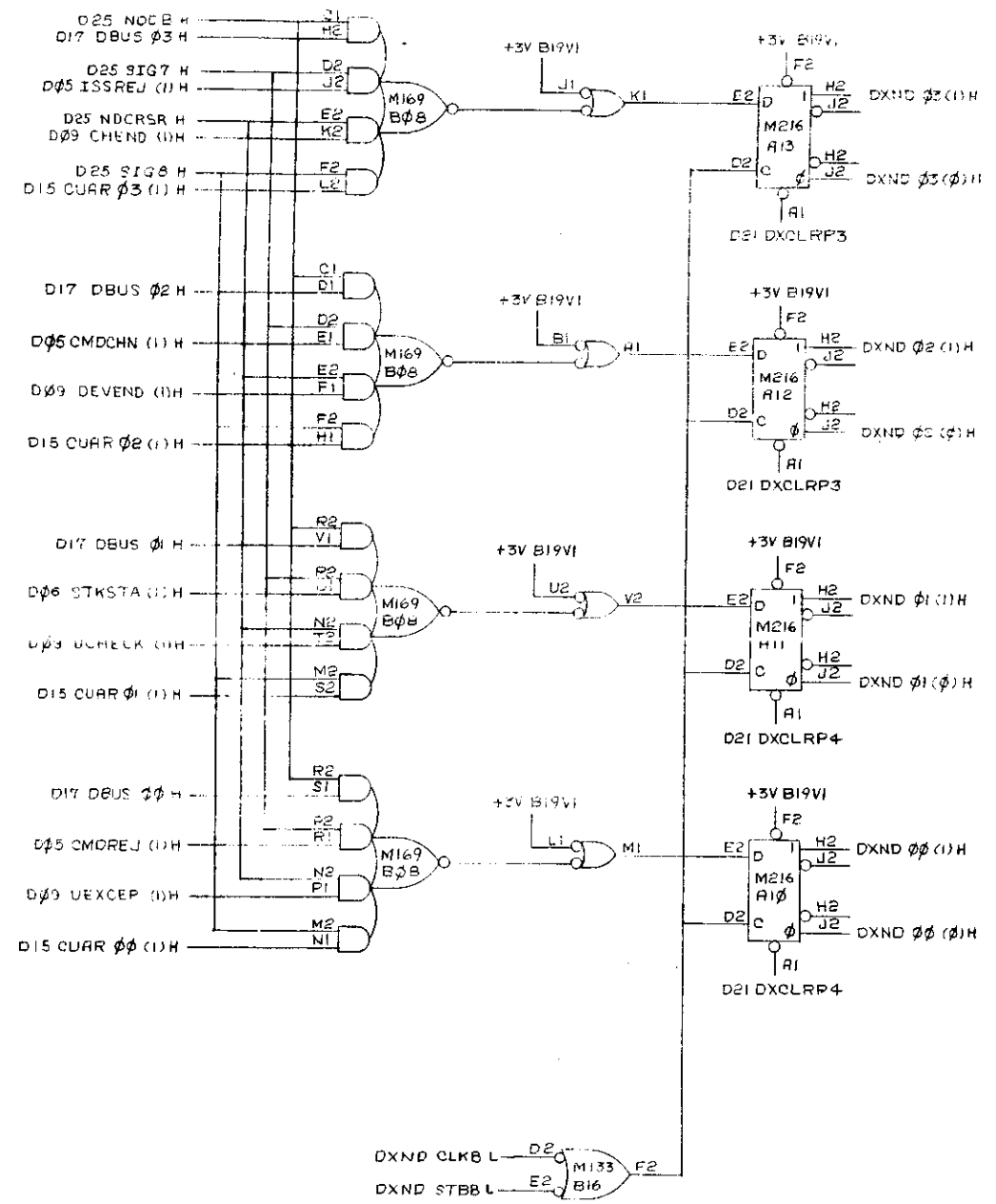
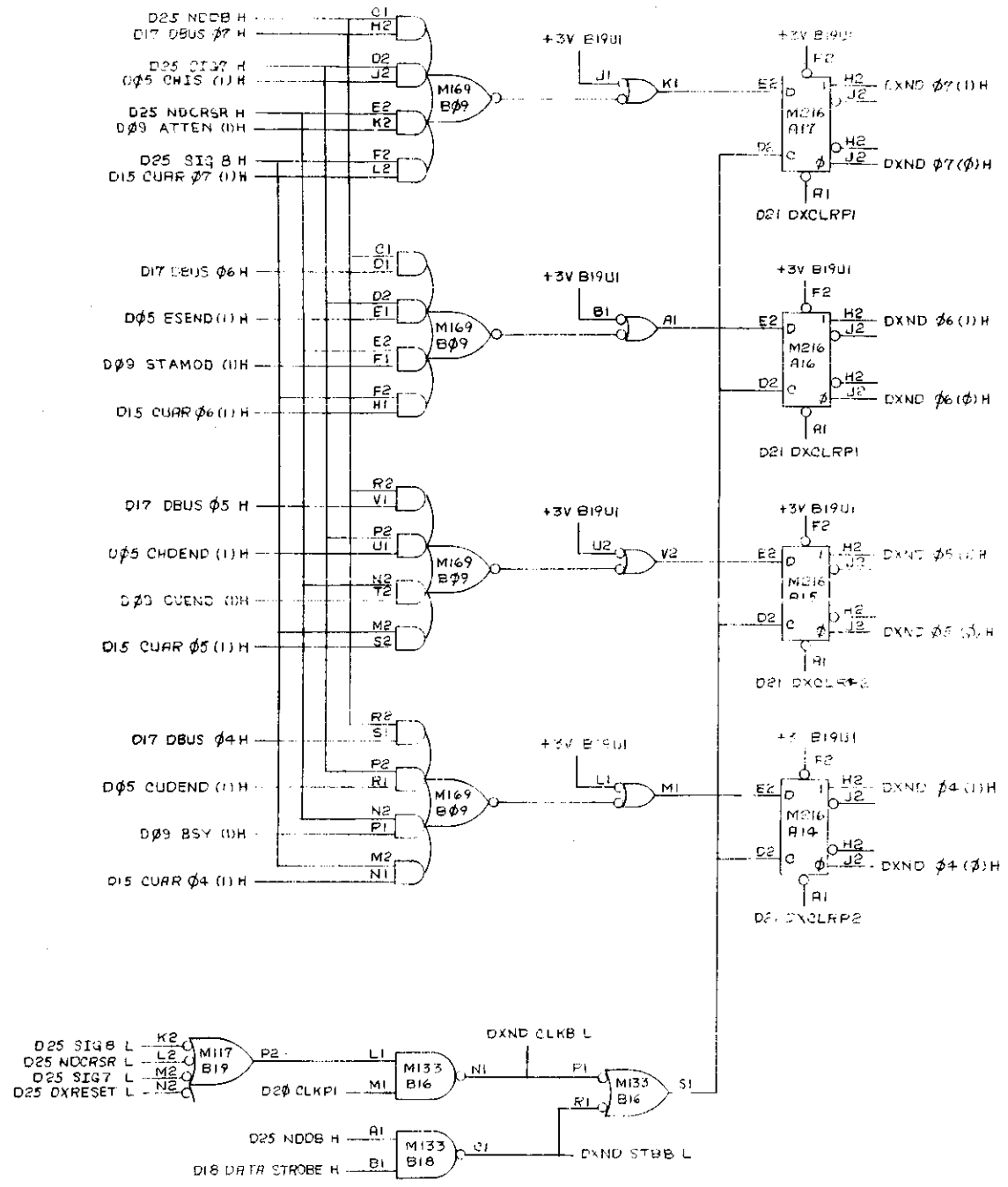
REV.	CHG. NO.	BY	DATE
A	0010	R. DIETER	11-22-71

DEC FORM NO. DRD 100-A

FIRST USED ON OPTION/MODEL	QTY.	DESCRIPTION	PART NO.	ITEM NO.
PDP 11		PARTS LIST		
UNLESS OTHERWISE SPECIFIED DIMENSION IN INCHES. TOLERANCES	DRM 11-22-71 11-22-71	DATE	digital EQUIPMENT CORPORATION MAYNARD, MASSACHUSETTS	
DECIMALS .XXX ± .006 ANGLES ± 0° 30'	ENG. DATE 11-22-71 PROJ. ENG. DATE 11-22-71 PROD. DATE 11-22-71	DATE	TITLE DXND NPR DATA REG	
MATERIAL	NEXT HIGHER ASSY.	SCALE	SIZE CODE	NUMBER
FINISH	B-CD-DX11-B	SCALE NONE	D BS	DX11-B-10
	SHEET 1 OF 2	DIST.		

REV. A
 NUMBER 111XSH
 SIZE CODE 2

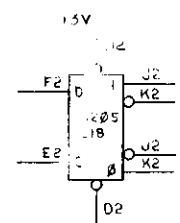
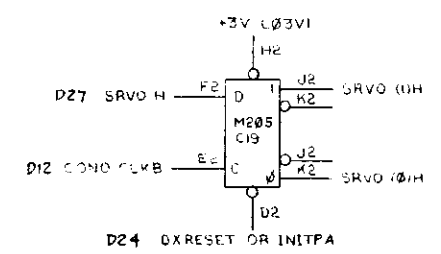
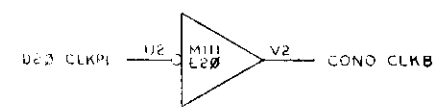
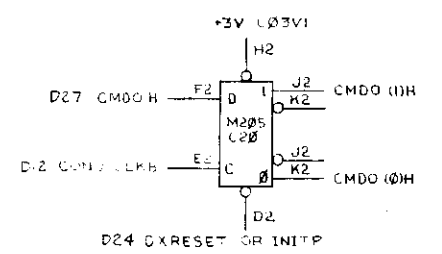
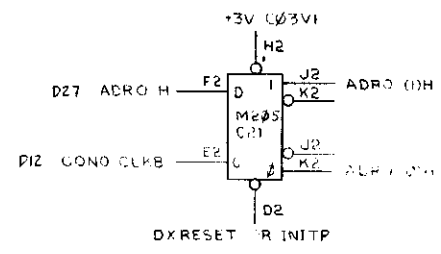
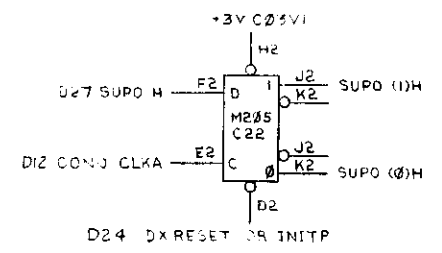
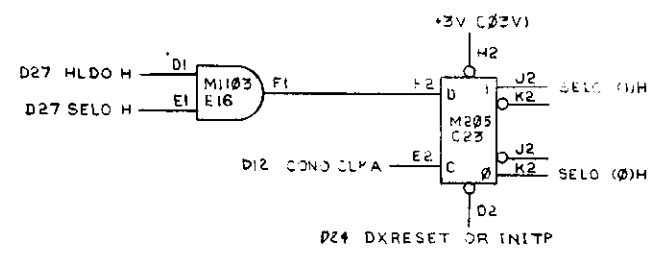
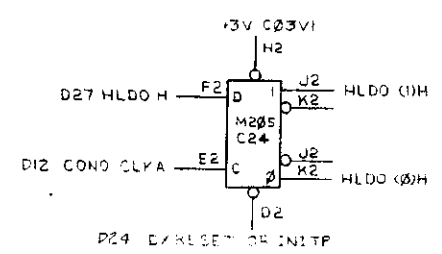
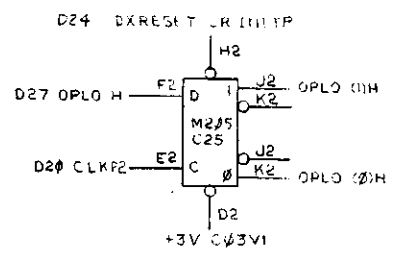
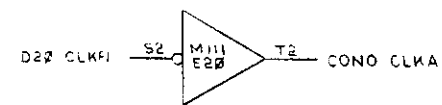
This drawing and specifications, herein, are the property of Digital Equipment Corporation and shall not be reproduced or copied or used in whole or in part as the basis for the manufacture or sale of items without written permission. 17-3



REV	
CHANGE NO.	
CHK	

FIRST USED ON OPTION/MODEL	QTY.	DESCRIPTION	PART NO.	ITEM NO.
PDP 11				
PARTS LIST				
UNLESS OTHERWISE SPECIFIED DIMENSION IN INCHES. TOLERANCES		 TITLE DXND NPR DATA REG		
DECIMALS	ANGLES			
.XXX - .005	± 0° 30'			
.XX - .02				
REMOVE BURRS AND BREAK SHARP CORNERS SURFACE QUALITY		PROJ. ENG.	DATE	
		PROD.	DATE	
MATERIAL		NEXT HIGHER ASSY.		
FINISH		SCALE	NONE	
		SHEET	2 OF 2	
		DIST.		
		SIZE CODE	NUMBER	REV.
		D E S	DX11-B-10	A

This drawing and specifications, herein, are the property of Digital Equipment Corporation and shall not be reproduced or copied or used in whole or in part as the basis for the manufacture or sale of items without written permission. 1973

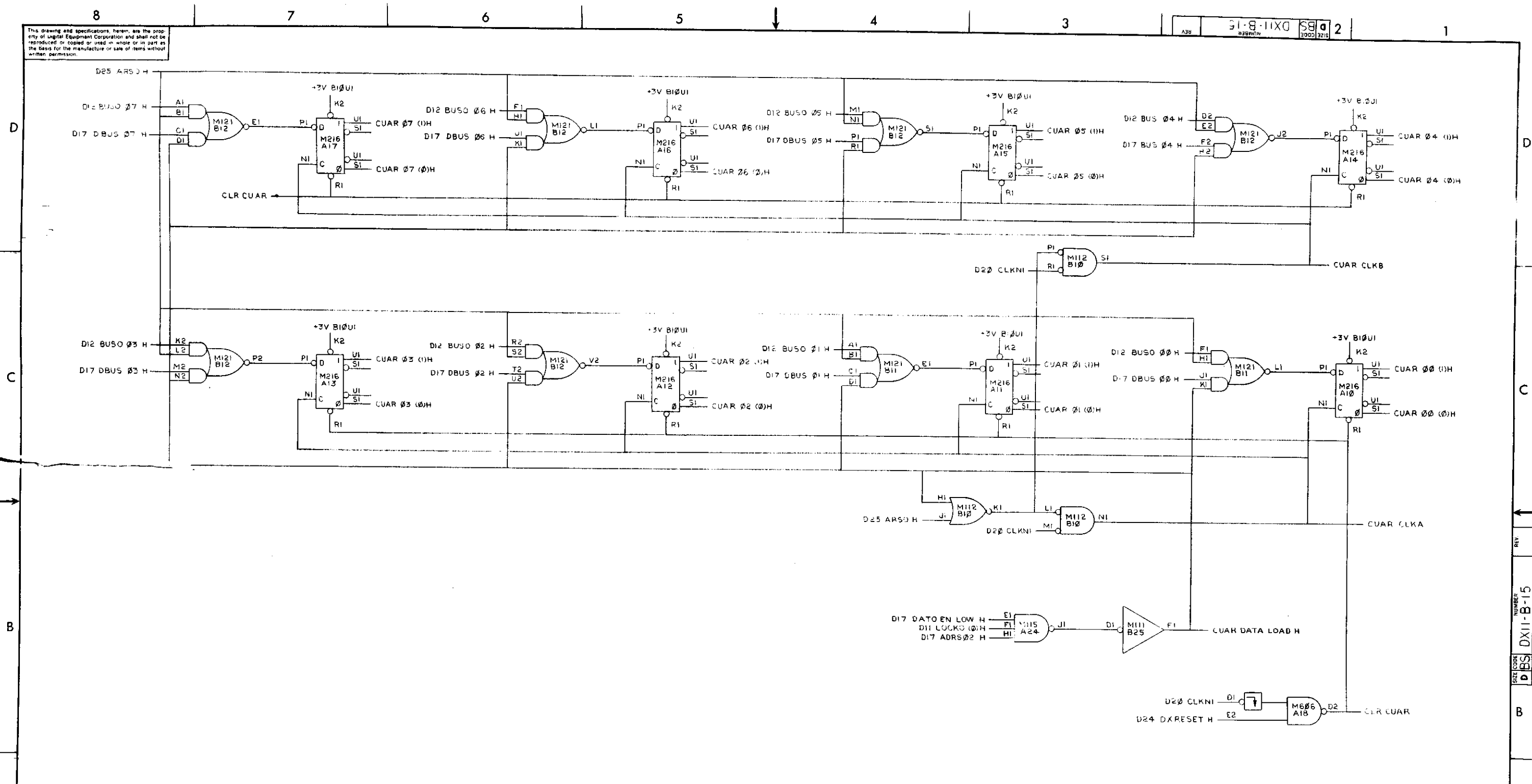


SPARE

REV	CHANGE NO	DATE	BY
A	DX11B-00010	6-14-73	R. DIETER
B	DX11B-00016	7-2-74	R. DIETER

FIRST USED ON OPTION/MODEL	QTY.	DESCRIPTION	PART NO.	ITEM NO.
PDP-11				
PARTS LIST				
UNLESS OTHERWISE SPECIFIED DIMENSION IN INCHES TOLERANCES	DRN <i>A. Fratelli</i>	DATE 4/5/74	digital EQUIPMENT CORPORATION MAYNARD, MASSACHUSETTS	
DECIMALS .005	CHK'D <i>[Signature]</i>	DATE 5-21-72		
ANGLES 10° 30'	PROJ. ENG. <i>[Signature]</i>	DATE 5-21-72		
REMOVE BURRS AND BREAK SHARP CORNERS SURFACE QUALITY	PROD. <i>[Signature]</i>	DATE 6-5-74		
TITLE DXMO/- CONO	MATERIAL +-----+	NEXT HIGHER ASSY. B-00-DX11-B	SIZE CODE D BS	NUMBER DX11-3-12
FINISH +-----+	SCALE NONE	SHEET 1 OF 1	DIST.	REV. B

This drawing and specifications herein are the property of Digital Equipment Corporation and shall not be reproduced or copied or used in whole or in part as the basis for the manufacture or sale of items without written permission.



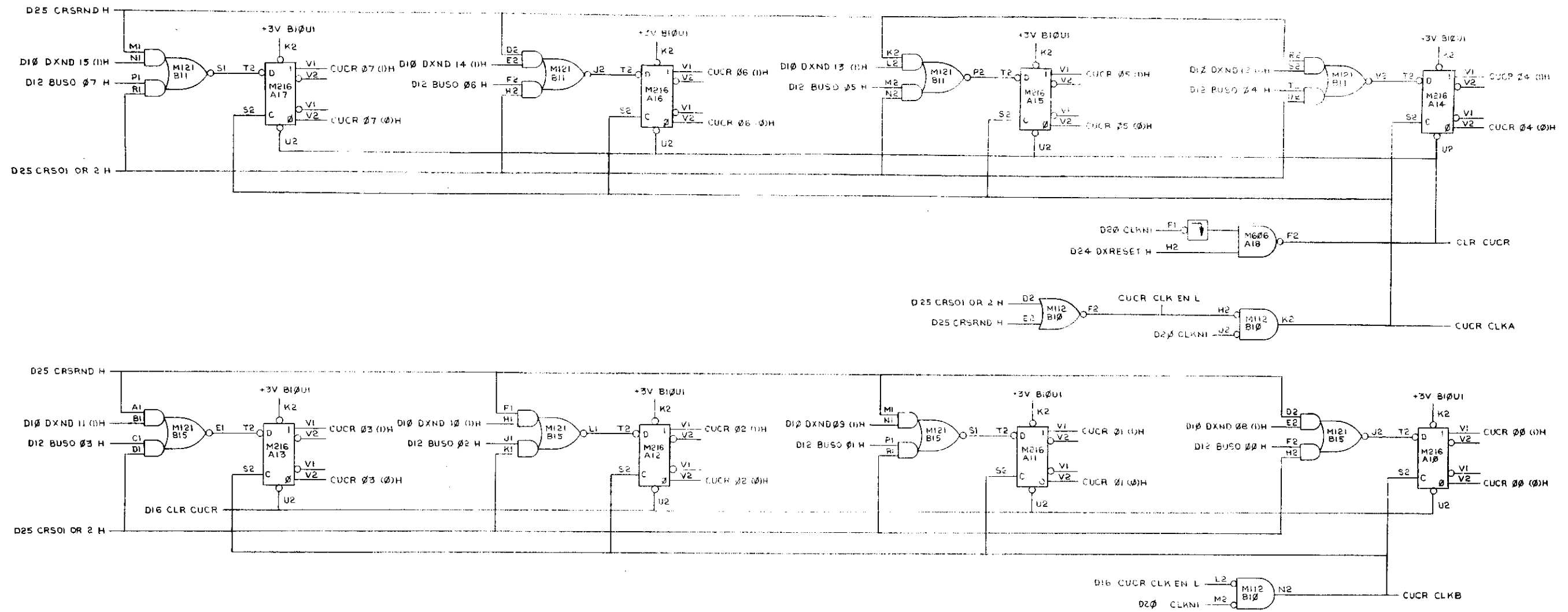
REV	
CHG	
NO	

DEC FORM NO. DRD 100-A

FIRST USED ON OPTION/MODEL	QTY.	DESCRIPTION	PART NO.	ITEM NO.
PDP-11				
PARTS LIST				
UNLESS OTHERWISE SPECIFIED DIMENSION IN INCHES TOLERANCES		DRN. <i>A. Petrucci</i>	DATE <i>11/2/71</i>	digital EQUIPMENT CORPORATION <small>MAYNARD, MASSACHUSETTS</small> CUAR CONT. UNIT ADDRESS REG.
DECIMALS	ANGLES	CHK'D. <i>[Signature]</i>	DATE <i>5/17/72</i>	
XXX = 005	± 0° 30'	ENG. <i>[Signature]</i>	DATE <i>5/22/72</i>	
XX = 02		PROJ. ENG. <i>[Signature]</i>	DATE <i>6/5/72</i>	
REMOVE BURRS AND BREAK SHARP CORNERS SURFACE QUALITY		PROD. <i>[Signature]</i>	DATE <i>6/5/72</i>	
MATERIAL	NEXT HIGHER ASSY.		SIZE CODE	NUMBER
+	A-ML-DX11-B		DBS	DX11-B-15
FINISH	SCALE	NONE		
+	SHEET	OF		

REV. 2
 SIZE CODE DBS
 NUMBER DX11-B-15

This drawing and specifications, herein, are the property of Digital Equipment Corporation and shall not be reproduced or copied or used in whole or in part as the basis for the manufacture or sale of items without written permission.



REV	NO
CHK	NO
CHG	NO
REV	NO

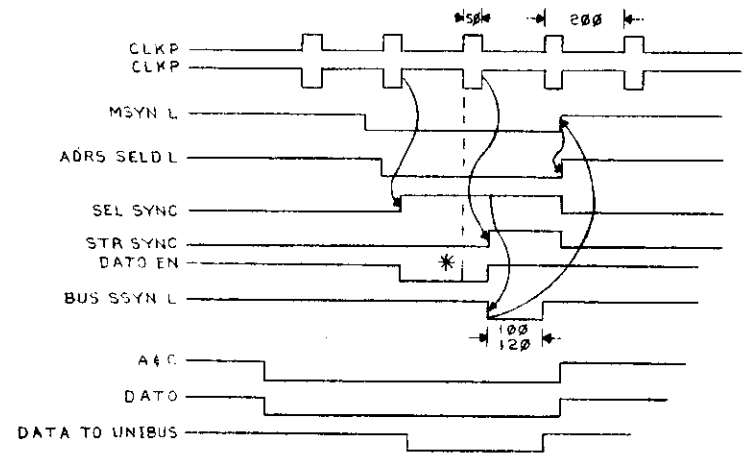
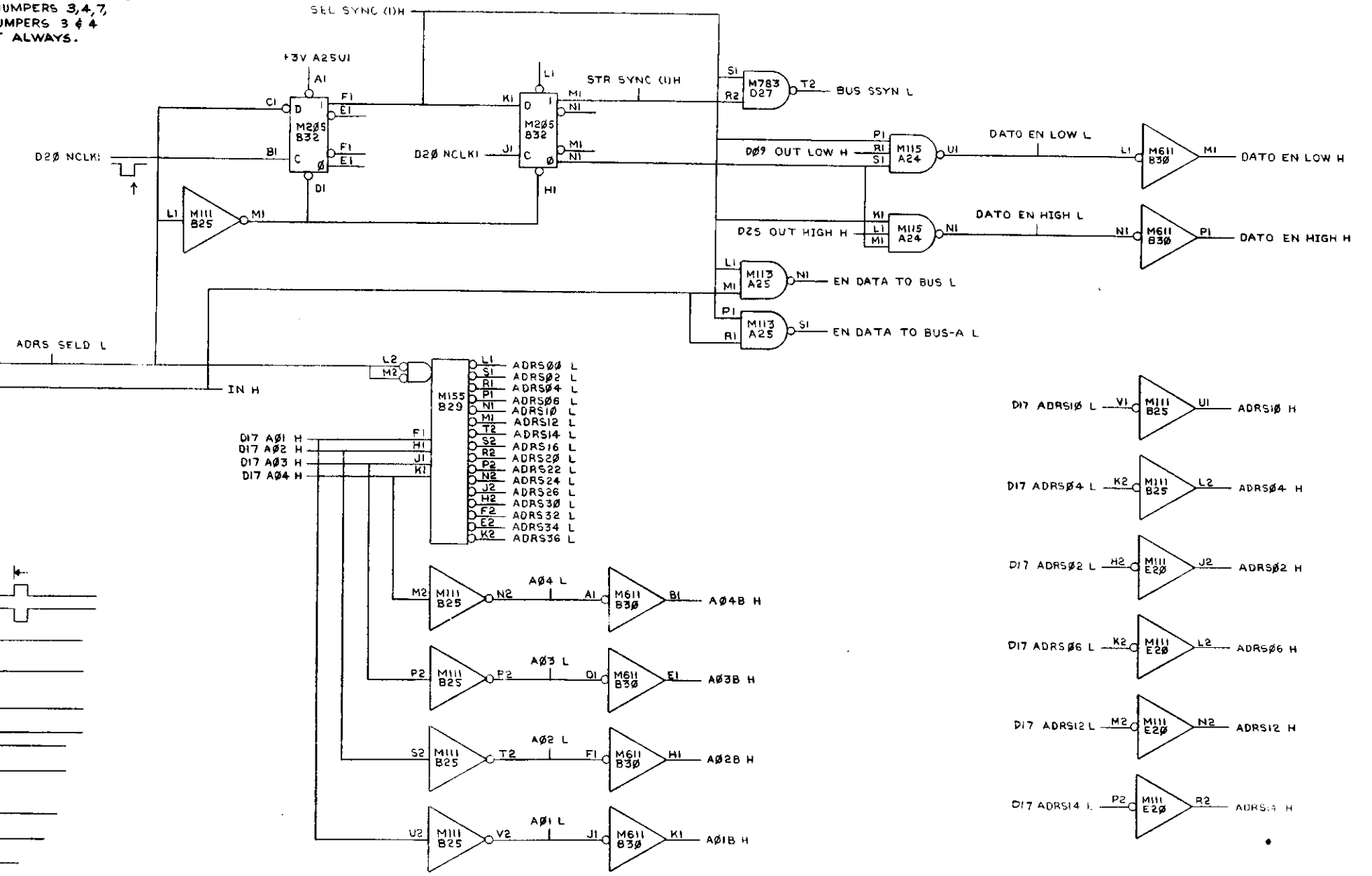
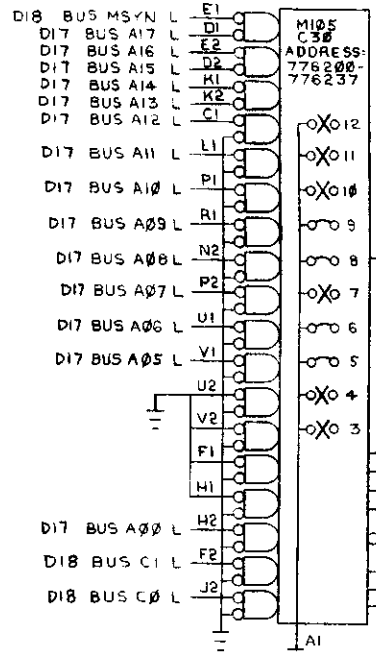
DEC FORM NO 100-A

FIRST USED ON OPTION/MODEL	QTY.	DESCRIPTION	PART NO.	ITEM NO.
PDP-11		PARTS LIST		
UNLESS OTHERWISE SPECIFIED DIMENSION IN INCHES. TOLERANCES	DRN	DATE	digital EQUIPMENT CORPORATION MAYNARD, MASSACHUSETTS	
DECIMALS	CHK	DATE	TITLE	
ANGLES	ENG	DATE	CUCR CONT. UNIT CONTROL REG.	
XXX - .005	PROJ. ENG.	DATE	SIZE CODE	NUMBER
XX - .02	PROD.	DATE	DBS	DX11-B-16
X - .1	REMOVE BURRS AND BREAK SHARP CORNERS SURFACE QUALITY	DATE	SCALE	NONE
MATERIAL	NEXT HIGHER ASSY.		SHEET	OF
FINISH	A-ML-DX11-B		DIST.	

REV NO. NUMBER
DBS DX11-B-16

This drawing and specifications, herein, are the property of Digital Equipment Corporation and shall not be reproduced or copied or used in whole or in part as the basis for the manufacture or sale of items without written permission.
1972

NOTE:
FOR ADDRESSES 176200 THRU 176237, CUT JUMPERS 3, 4, 7, 10, 11 & 12. JUMPERS 3 & 4 MUST BE CUT ALWAYS.

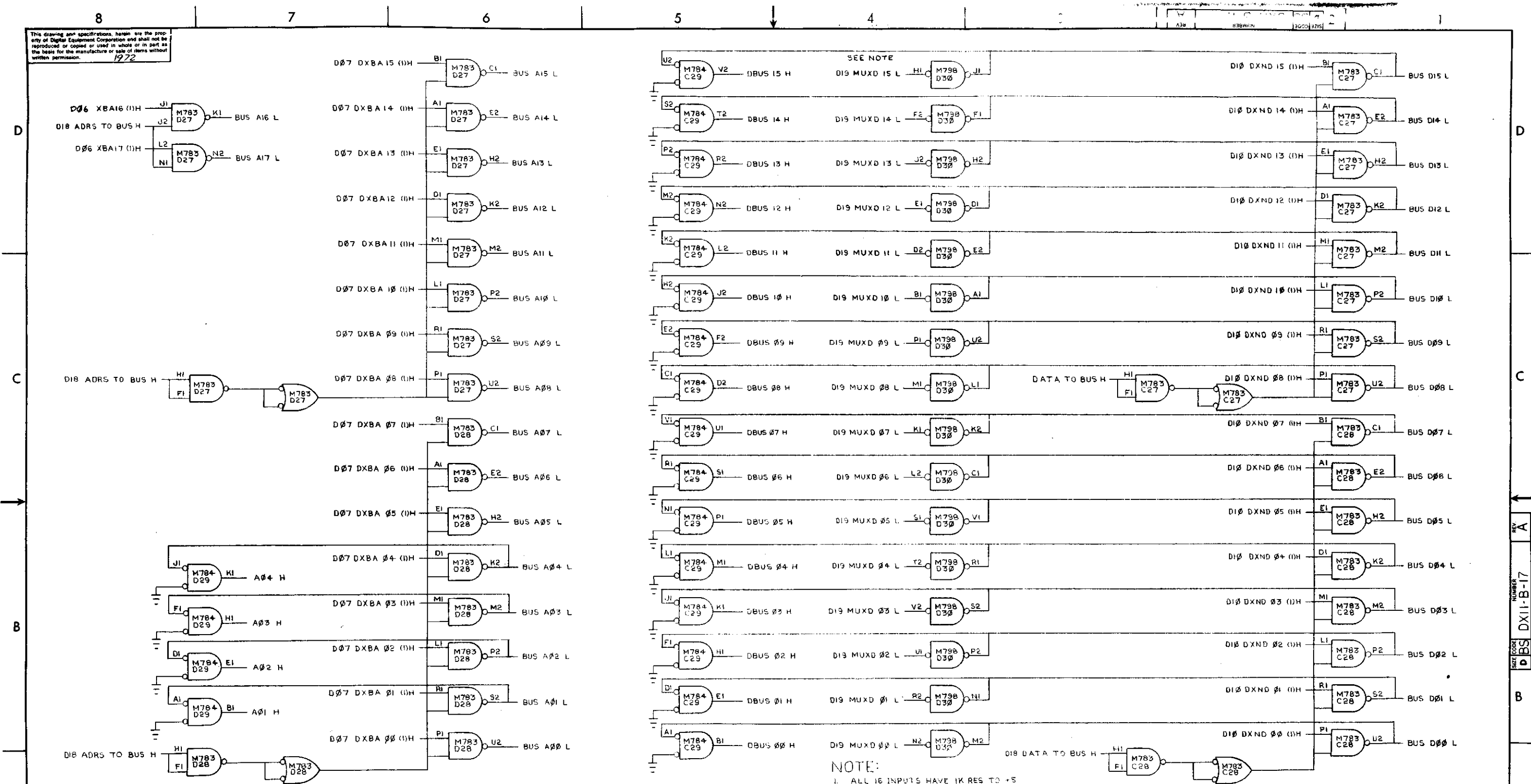


* INTERNAL CLOCK PRODUCES DATA STROBE.

REVISIONS	CHANGE NO.	REV.
CHK	DX11B-0008	A
	12/17/72	
	DIETER	
	12-14-72	

FIRST USED ON OPTION/MODEL	QTY.	DESCRIPTION	PART NO.	ITEM NO.	
PDP-11					
PARTS LIST					
UNLESS OTHERWISE SPECIFIED DIMENSION IN INCHES TOLERANCES	DRN	DATE	 digital EQUIPMENT CORPORATION <small>MAYNARD, MASSACHUSETTS</small>		
DECIMALS	CHKD	DATE			
ANGLES	ENG	DATE			
.XXX - .005 .XX - .02 .X - .1	PROJ. ENG.	DATE			
REMOVE BURRS AND BREAK SHARP CORNERS SURFACE QUALITY	PROD.	DATE	UNIBUS INTERFACE		
MATERIAL	NEXT HIGHER ASSY.				
FINISH	SCALE NONE				
		SHEET 1 OF 2	SIZE CODE	NUMBER	REV.
			D BS	DX11-B-17	A

This drawing and specifications herein are the property of Digital Equipment Corporation and shall not be reproduced or copied or used in whole or in part as the basis for the manufacture or sale of items without written permission.
1972



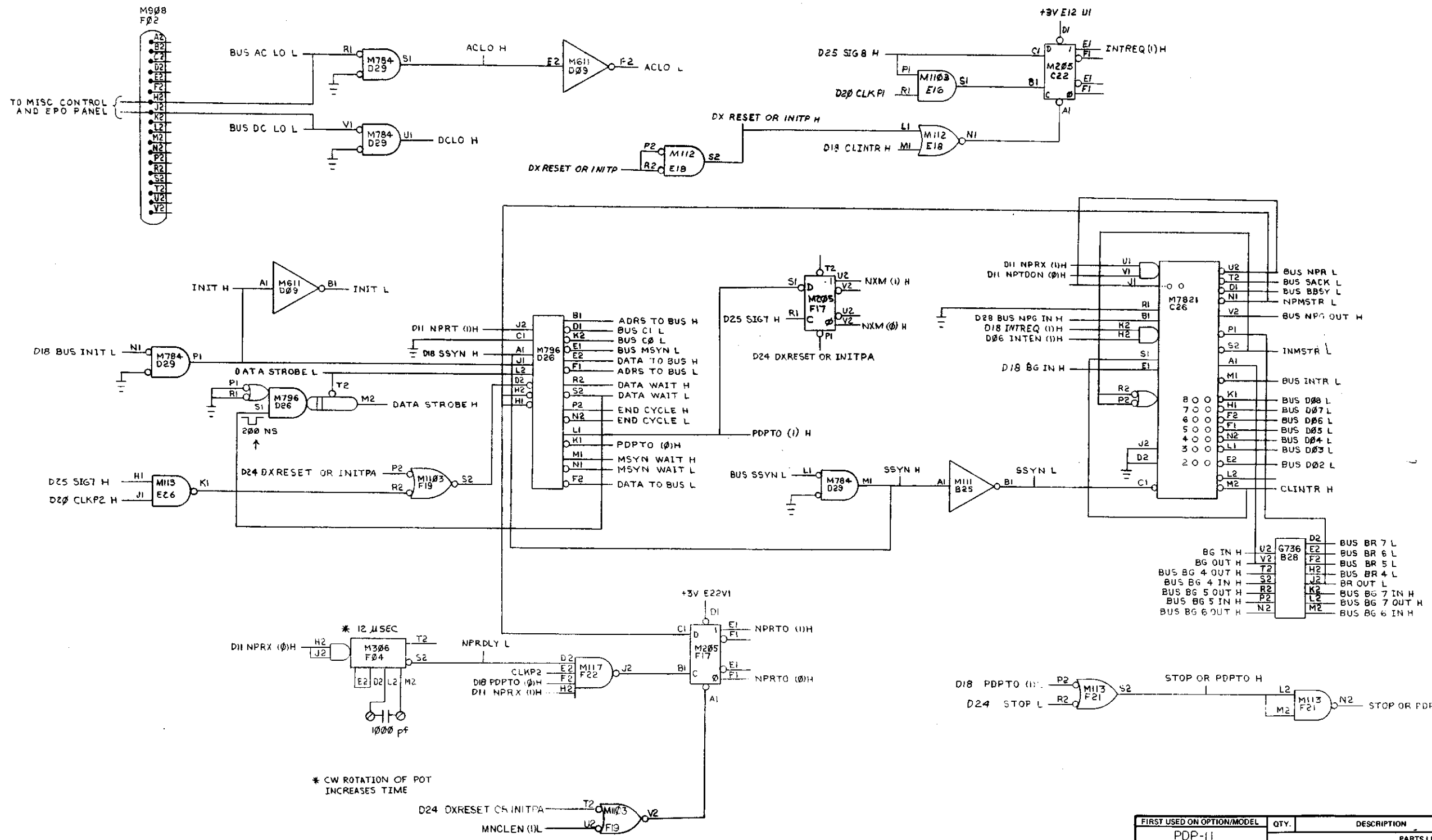
NOTE:
1. ALL 16 INPUTS HAVE 1K RES TO +5

FIRST USED ON OPTION/MODEL	QTY.	DESCRIPTION	PART NO.	ITEM NO.
PDP-11		PARTS LIST		
UNLESS OTHERWISE SPECIFIED DIMENSION IN INCHES TOLERANCES	DRN. <i>A. J. ...</i>	DATE 11/3/72	 digital EQUIPMENT CORPORATION <small>WAYTOWN, MASSACHUSETTS</small>	
DECIMALS	CHK'D <i>[Signature]</i>	DATE 5/1/73		
ANGLES	ENG. <i>[Signature]</i>	DATE 5/2/72		
XXX + .005 .XX = .02 .X = .1	PROJ. ENG. <i>[Signature]</i>	DATE 5/2/72		
REMOVE BURRS AND BREAK SHARP CORNERS SURFACE QUALITY	PROD. <i>[Signature]</i>	DATE 6/5/72	TITLE UNIBUS INTERFACE	
MATERIAL	NEXT HIGHER ASSY.		SIZE CODE	NUMBER
FINISH	A-ML-DXII-B		D BS	DXII-B-17
	SCALE NONE		DIST.	
	SHEET 2 OF 2			

REV.	
CHANGE NO.	
CHK	

SERIAL NUMBER
D BS DXII-B-17

This drawing and specifications, herein, are the property of Digital Equipment Corporation and shall not be reproduced or copied or used in whole or in part as the basis for the manufacture or sale of items without written permission. 1/77

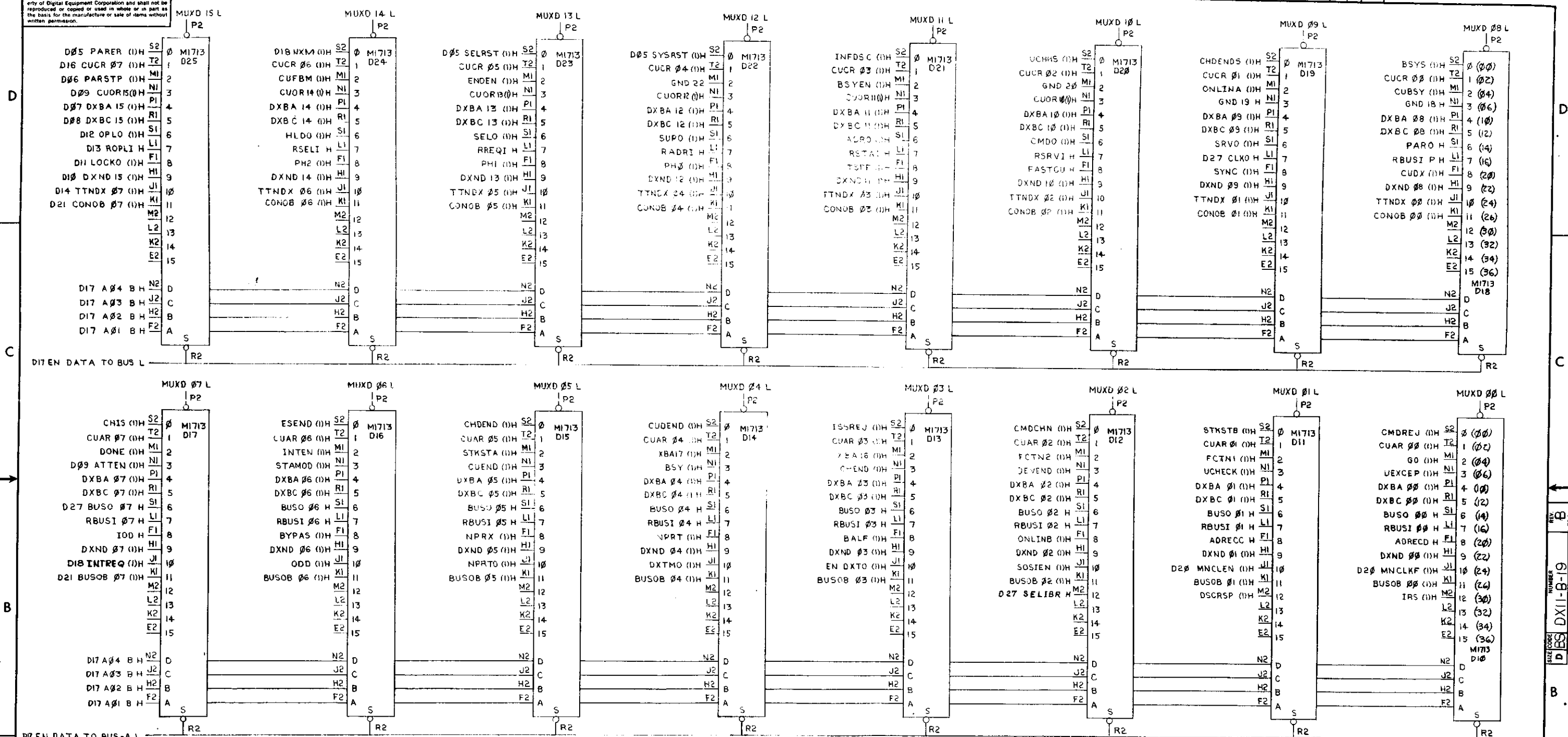


REV	CHG	NO	BY	DATE
1	1	1	DIETER	1-1-72
2	1	2	DIETER	1-1-72
3	1	3	DIETER	1-1-72
4	1	4	DIETER	1-1-72
5	1	5	DIETER	1-1-72
6	1	6	DIETER	1-1-72
7	1	7	DIETER	1-1-72
8	1	8	DIETER	1-1-72

FIRST USED ON OPTION/MODEL	QTY.	DESCRIPTION	PART NO.	ITEM NO.
PDP-11				
UNLESS OTHERWISE SPECIFIED DIMENSION IN INCHES. TOLERANCES				
DECIMALS	ANGLES	TITLE		
XXX - .005	± 0° 30'	NPR AND INT. CONTROL		
XX - .02		digital EQUIPMENT CORPORATION		
X - .1		MAYNARD MASSACHUSETTS		
REMOVE BURRS AND BREAK SHARP CORNERS SURFACE QUALITY				
MATERIAL NEXT HIGHER ASSY.				
FINISH		B-DD-DX11-B	SIZE CODE	NUMBER
		SCALE NONE	D BS	DX11-B-18
		SHEET 1 OF 1	DIST.	REV F

REV F
NUMBER
DX11-B-18
SIZE CODE
D BS

This drawing and specifications, herein, are the property of Digital Equipment Corporation and shall not be reproduced or copied or used in whole or in part as the basis for the manufacture or sale of items without written permission.

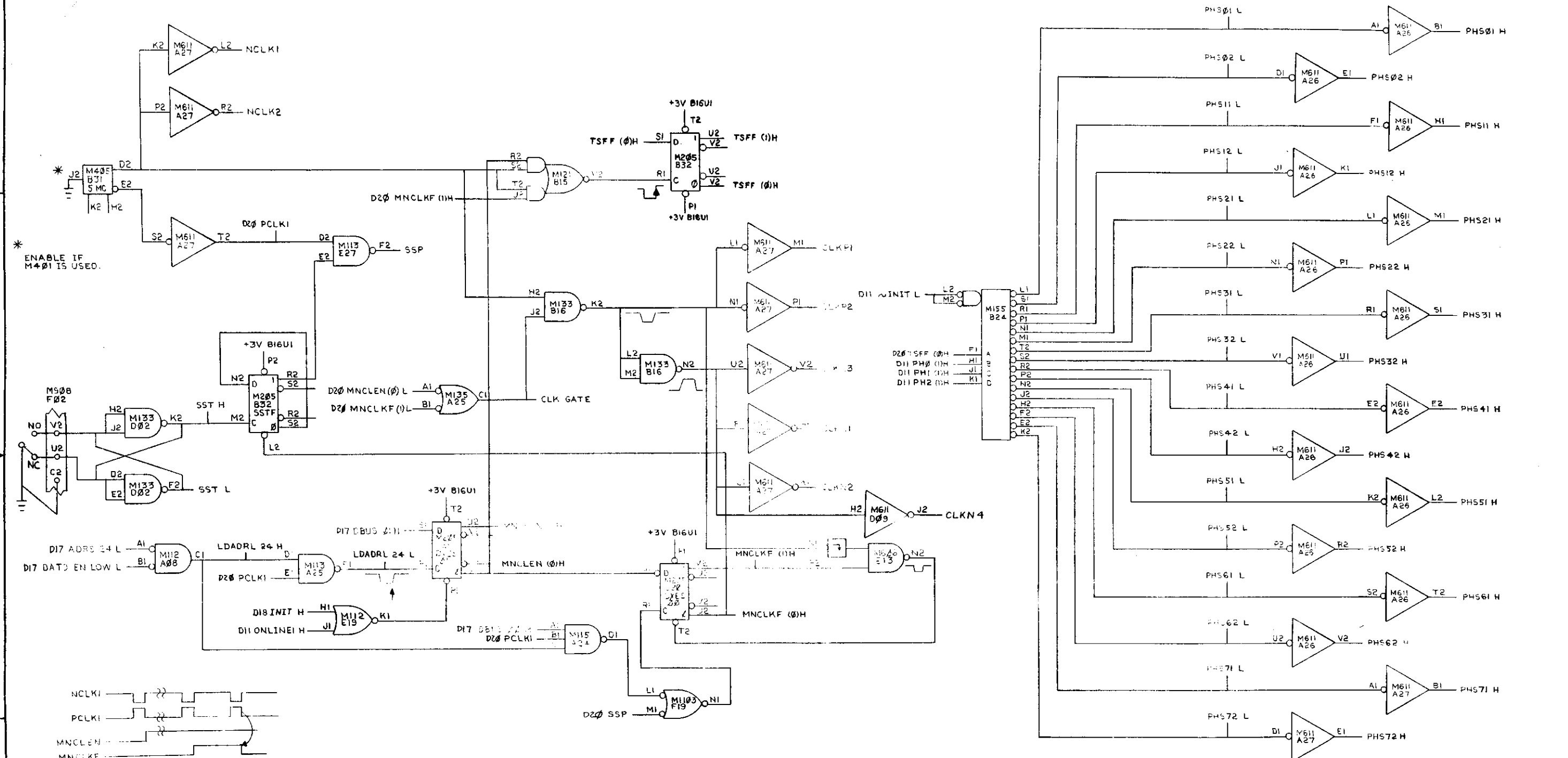


DRN DATA TO BUS-A L

REVISED	BY	DATE
CHANGED	BY	DATE
BY	DATE	
BY	DATE	

FIRST USED ON OPTION/MODEL	QTY.	DESCRIPTION	PART NO.	ITEM NO.
PDP-11				
PARTS LIST				
UNLESS OTHERWISE SPECIFIED DIMENSION IN INCHES TOLERANCES		DRN <i>J. Hutchins</i>	DATE <i>4/1/72</i>	 digital EQUIPMENT CORPORATION <small>NATHAN MASSACHUSETTS</small>
DECIMALS	ANGLES	CHKD <i>C. Jones</i>	DATE <i>5-17-72</i>	
.XXX = .005	±0° 30'	PROJ ENG <i>J. Hutchins</i>	DATE <i>5-27-72</i>	
.XX = .02		PROD <i>Paul Jones</i>	DATE <i>6-7-72</i>	
REMOVE BURRS AND BREAK SHARP CORNERS SURFACE QUALITY		TITLE DATA BUS MUX.		
MATERIAL	NEXT HIGHER ASSY.	SIZE CODE	NUMBER	REV.
	B-DD-DXII-B	D8S	DXII-B-19	.B
FINISH	SCALE NONE	SHEET	OF	
		1	OF	

This drawing and specifications, herein, are the property of Digital Equipment Corporation and shall not be reproduced or copied in whole or in part as the basis for the manufacture or sale of items without written permission.



REV	CHG	NO.	DATE	BY	CHKD.
A		00006	9-8-72	R. DIETER	
B		00004	9-11-72	R. DIETER	
C		00016	1-3-74	R. DIETER	

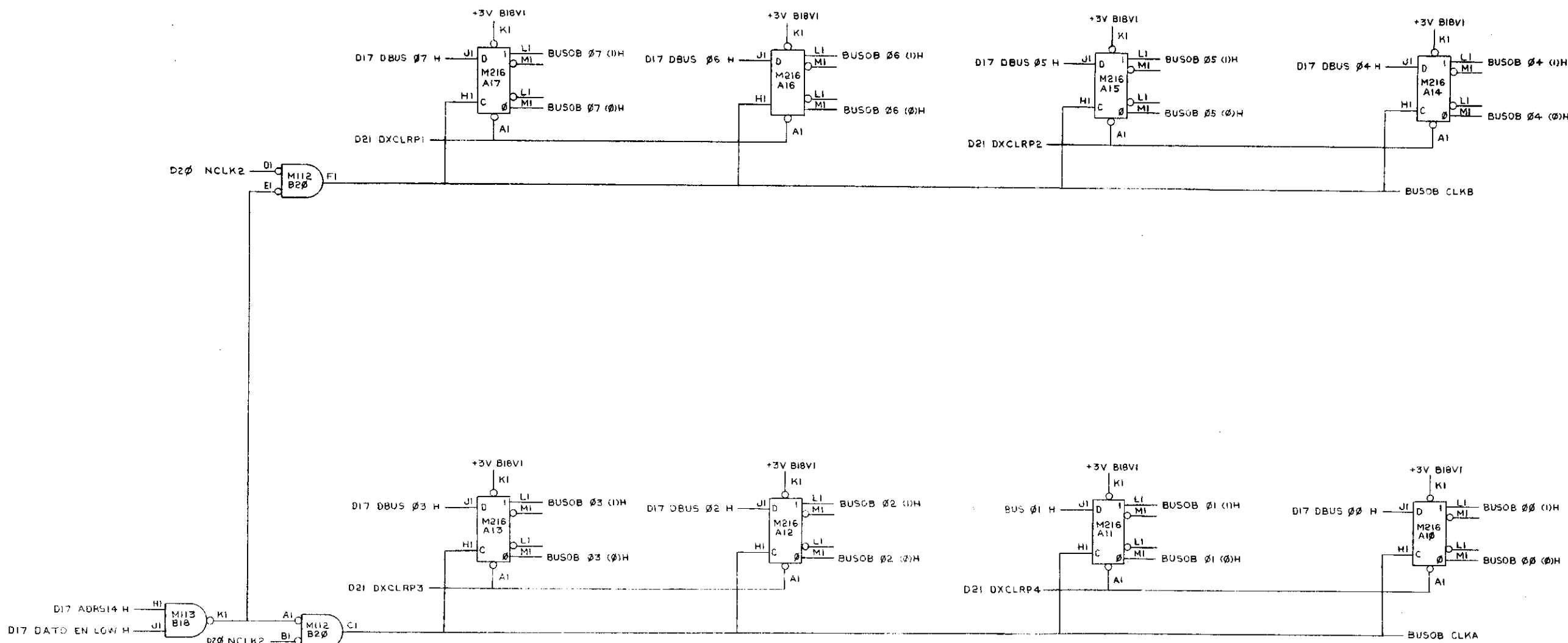
DEC FORM NO. DRD 100-A

FIRST USED ON OPTION/MODEL	QTY.	DESCRIPTION	PART NO.	ITEM NO.
PDP-11		PARTS LIST		
UNLESS OTHERWISE SPECIFIED DIMENSION IN INCHES TOLERANCES	DRN	DATE	digital EQUIPMENT CORPORATION MAYNARD MASSACHUSETTS	
DECIMALS .XXX ± .005	CHKD.	DATE	TITLE	
ANGLES ± 30'	ENG.	DATE	CLOCK, PHASE & TIME STATE GEN.	
REMOVE BURRS AND BREAK SHARP CORNERS SURFACE QUALITY	PROJ. ENG.	DATE	SIZE CODE NUMBER REV.	
MATERIAL	PRGD.	DATE	D BS DX11-B-20 C	
NEXT HIGHER ASSY.			SCALE NONE	
			SHEET 1 OF 1	

REV. C
NUMBER
D BS DX11-B-20
SIZE CODE

This drawing and specifications, herein, are the property of Digital Equipment Corporation and shall not be reproduced or copied or used in whole or in part as the basis for the manufacture or sale of items without written permission.

SIZE CODE NUMBER
D BS DX11-B-21

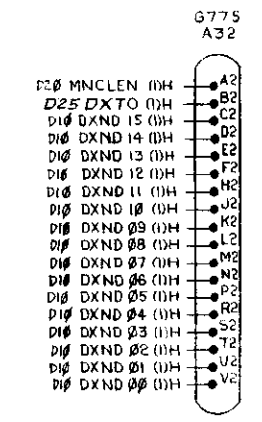
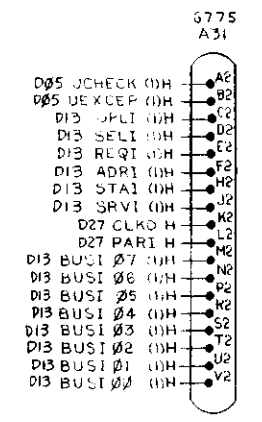
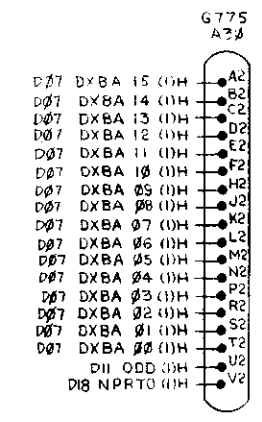
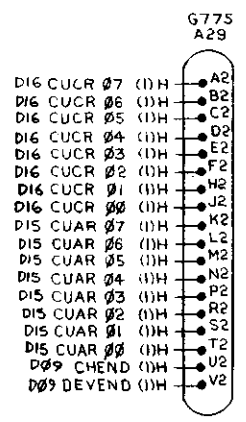
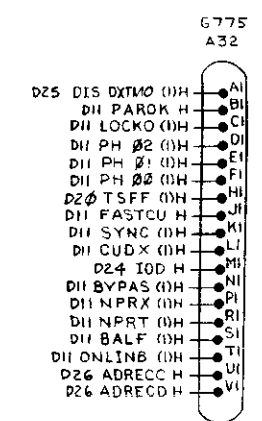
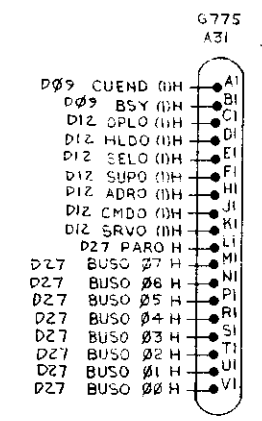
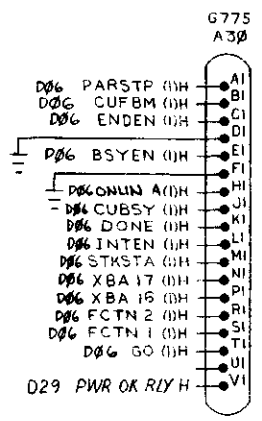
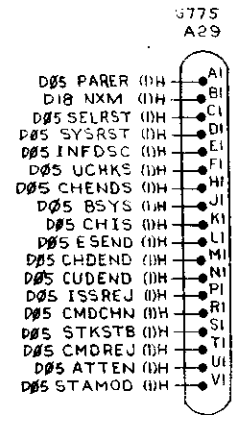


REV.	
CHANGE NO.	
CHK	

DEC FORM NO
DRD 100-A

FIRST USED ON OPTION/MODEL	QTY.	DESCRIPTION	PART NO.	ITEM NO.
PDP-11				
PARTS LIST				
UNLESS OTHERWISE SPECIFIED DIMENSION IN INCHES. TOLERANCES	DRN. <i>[Signature]</i>	DATE 12/2/71	digital EQUIPMENT CORPORATION MATTAPOWSETT, MASSACHUSETTS TITLE DXMOB CONO BUFF./ BUSO BUFF.	
DECIMALS	CHKD. <i>[Signature]</i>	DATE 5/31/72		
ANGLES	ENG. <i>[Signature]</i>	DATE 5/31/72		
XXX + .005 .XX + .02 .X + .1	PROJ. ENG. <i>[Signature]</i>	DATE 5/31/72		
REMOVE BURRS AND BREAK SHARP CORNERS. SURFACE QUALITY	PRD. <i>[Signature]</i>	DATE 5-7-72	SIZE CODE NUMBER D BS DX11-B-21	
MATERIAL	NEXT HIGHER ASSY.		SCALE	REV.
FINISH	A-ML-DX11-B		NONE	
	SHEET 2 OF 2		DIST.	

This drawing and specifications, herein, are the property of Digital Equipment Corporation and shall not be reproduced or copied or used in whole or in part as the basis for the manufacture or sale of items without written permission.
1972



REV	DATE	BY	CHK
A	12/22/72	R. DIETER	
B	12/17/72	R. DIETER	
C	12/14/72	R. DIETER	
	6-7-73	R. DIETER	
	1-12-73	R. DIETER	

FIRST USED ON OPTION/MODEL	QTY.	DESCRIPTION	PART NO.	ITEM NO.
PDP-11		PARTS LIST		
UNLESS OTHERWISE SPECIFIED DIMENSION IN INCHES. TOLERANCES	DRN. <i>[Signature]</i>	DATE 11/19	digital EQUIPMENT CORPORATION MAYNARD, MASSACHUSETTS	
DECIMALS .005	CHKD. <i>[Signature]</i>	DATE 5/3/72	INDICATOR CONN.	
ANGLES 10° 30'	ENG. <i>[Signature]</i>	DATE 5/3/72		
REMOVE BURRS AND BREAK SHARP CORNERS. SURFACE QUALITY	PROJ. ENG. <i>[Signature]</i>	DATE 5/3/72		
MATERIAL	PROD. <i>[Signature]</i>	DATE 6/9/72	TITLE	
NEXT HIGHER ASSY.			SIZE CODE	NUMBER
			DIC	DX11-B-22
FINISH	SCALE NONE			REV. C
	SHEET OF		DIST.	

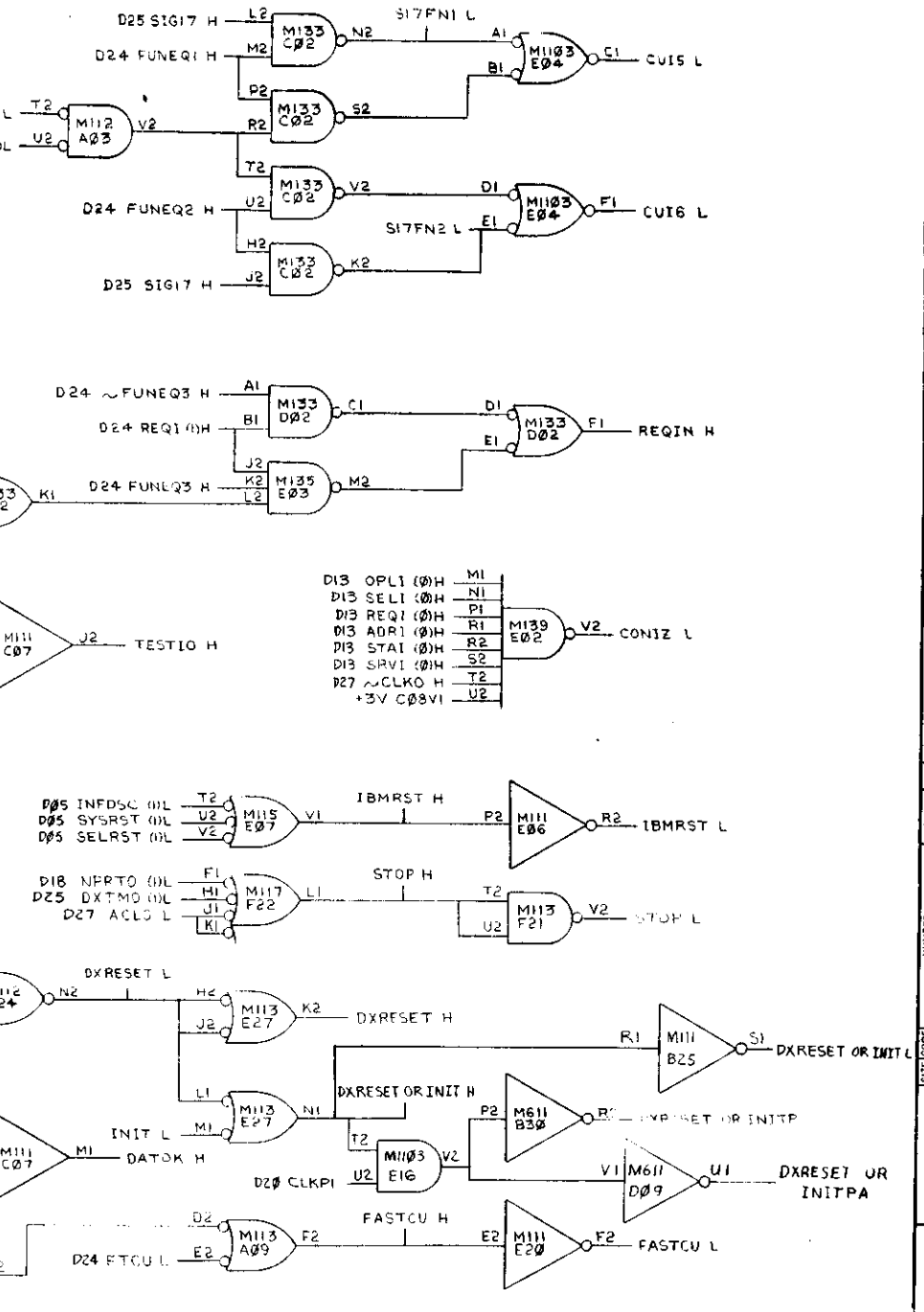
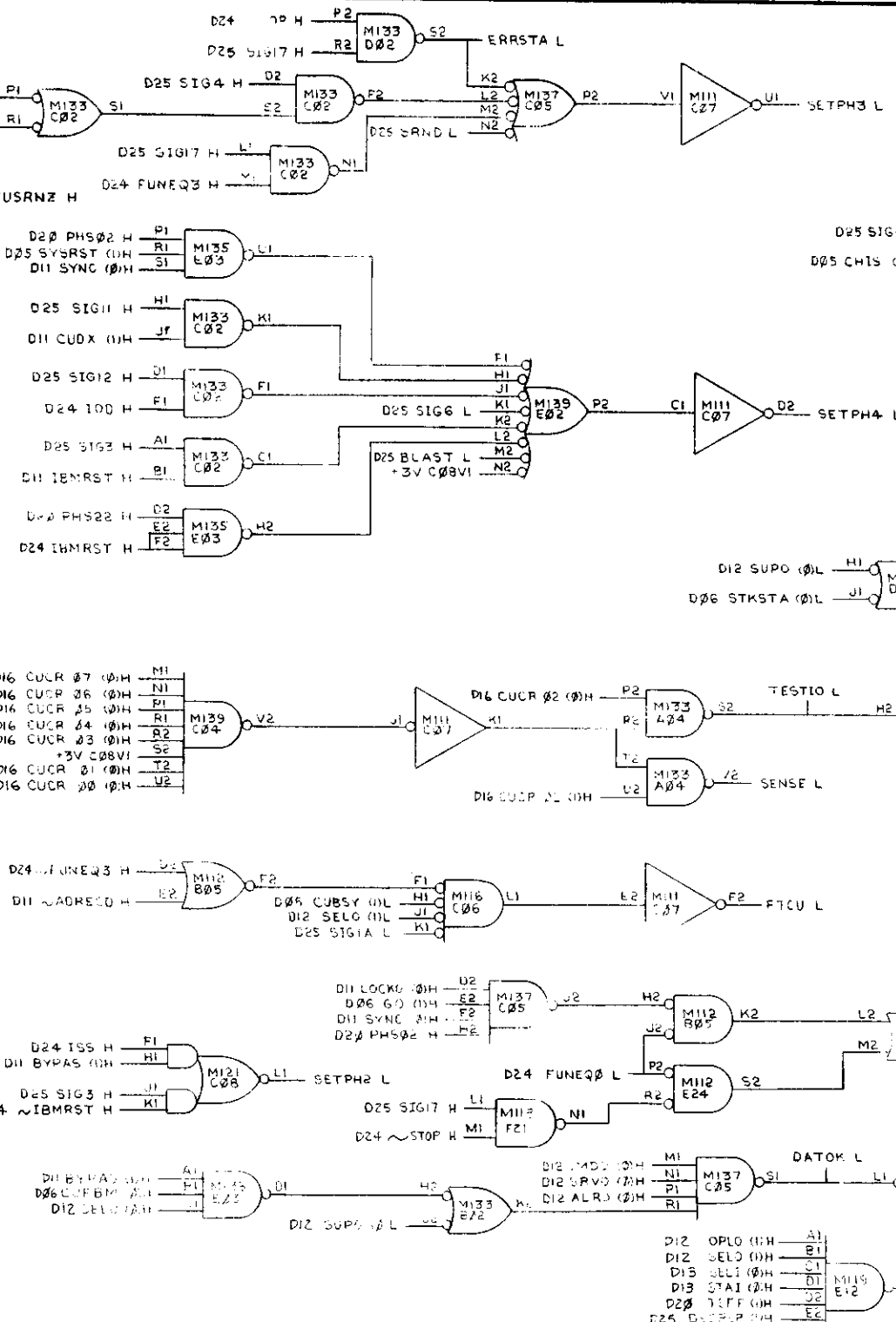
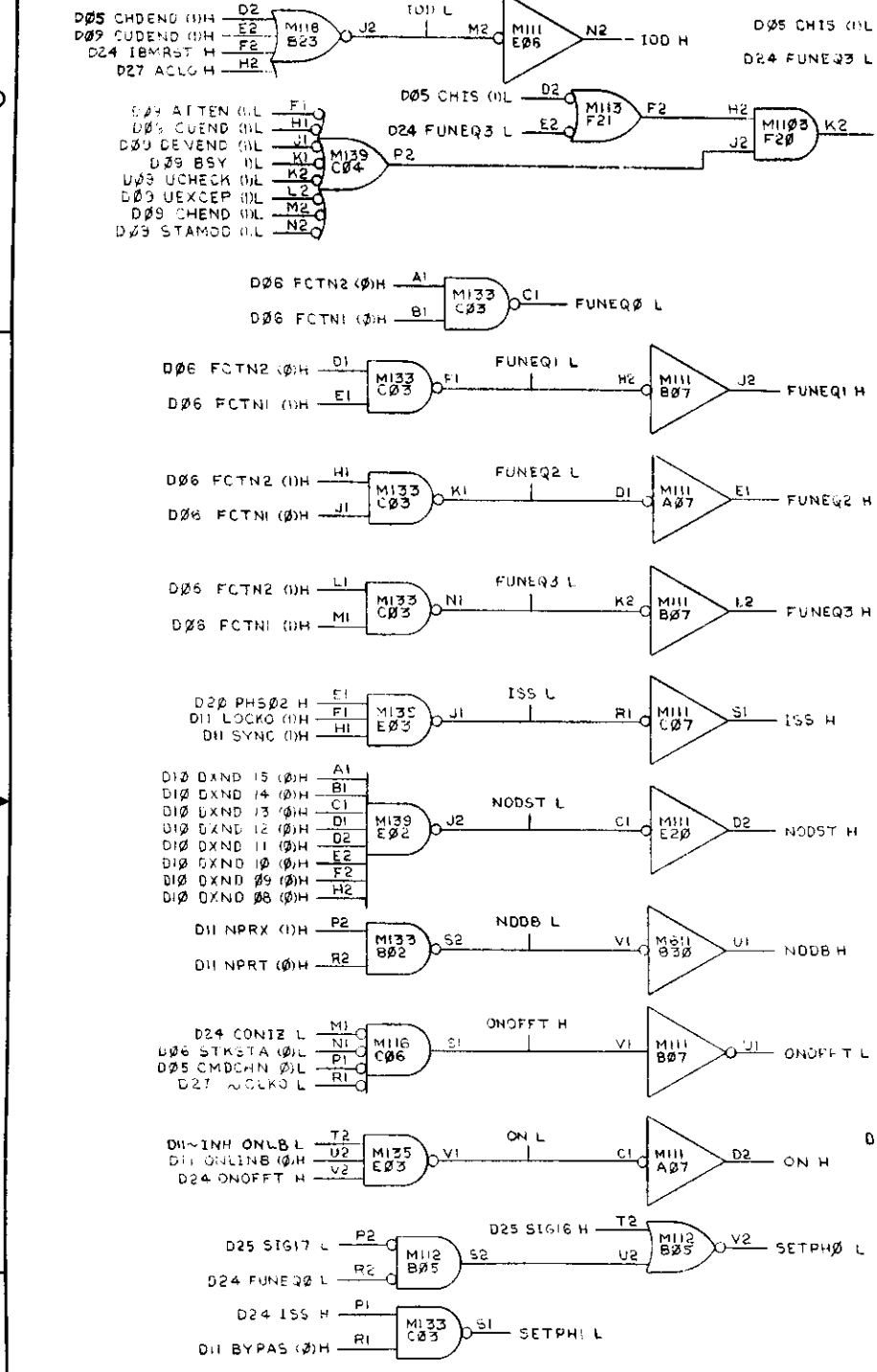
REV. C
NUMBER
DX11-B-22

This drawing and specifications, herein, are the property of Digital Equipment Corporation and shall not be reproduced or copied or used in whole or in part as the basis for the manufacture or sale of items without written permission.

8 7 6 5 4 3 2 1
 B DBS DX11-B-24
 2000 216

D
 C
 B
 A

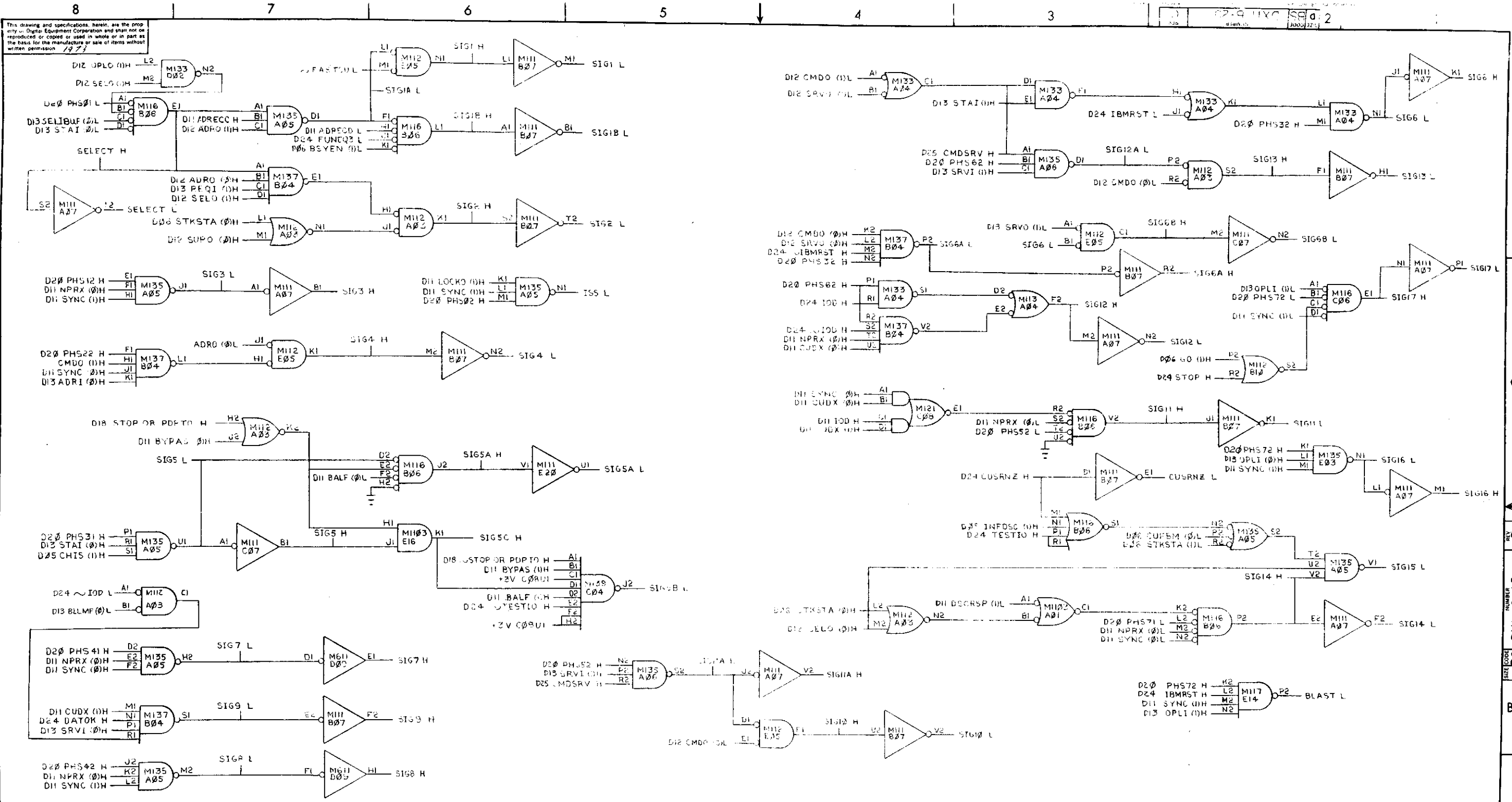
D
 C
 B
 A



REV	CHANGE NO.	REV
A	0010	A
B	0015	B
C	0020	C
D	0025	D

DEC FORM NO. DRD-100-A

FIRST USED ON OPTION/MODEL	QTY.	DESCRIPTION	PART NO.	ITEM NO.
PDP-11				
UNLESS OTHERWISE SPECIFIED: DRN. DATE: DIMENSION IN INCHES. TOLERANCES: CHK. DATE: DECIMALS: ANGLES: .XX = .02, .X = .1, ±0°30'				
REMOVE BURRS AND BREAK SHARP CORNERS SURFACE QUALITY				
MATERIAL: NEXT HIGHER ASSY.				
FINISH: SCALE: NONE				
SHEET 1 OF 1				
PARTS LIST			TITLE: GENERAL CONTROLS	
B-30-DX11-B			SIZE CODE: DBS	NUMBER: DX11-B-24
			REV: B	

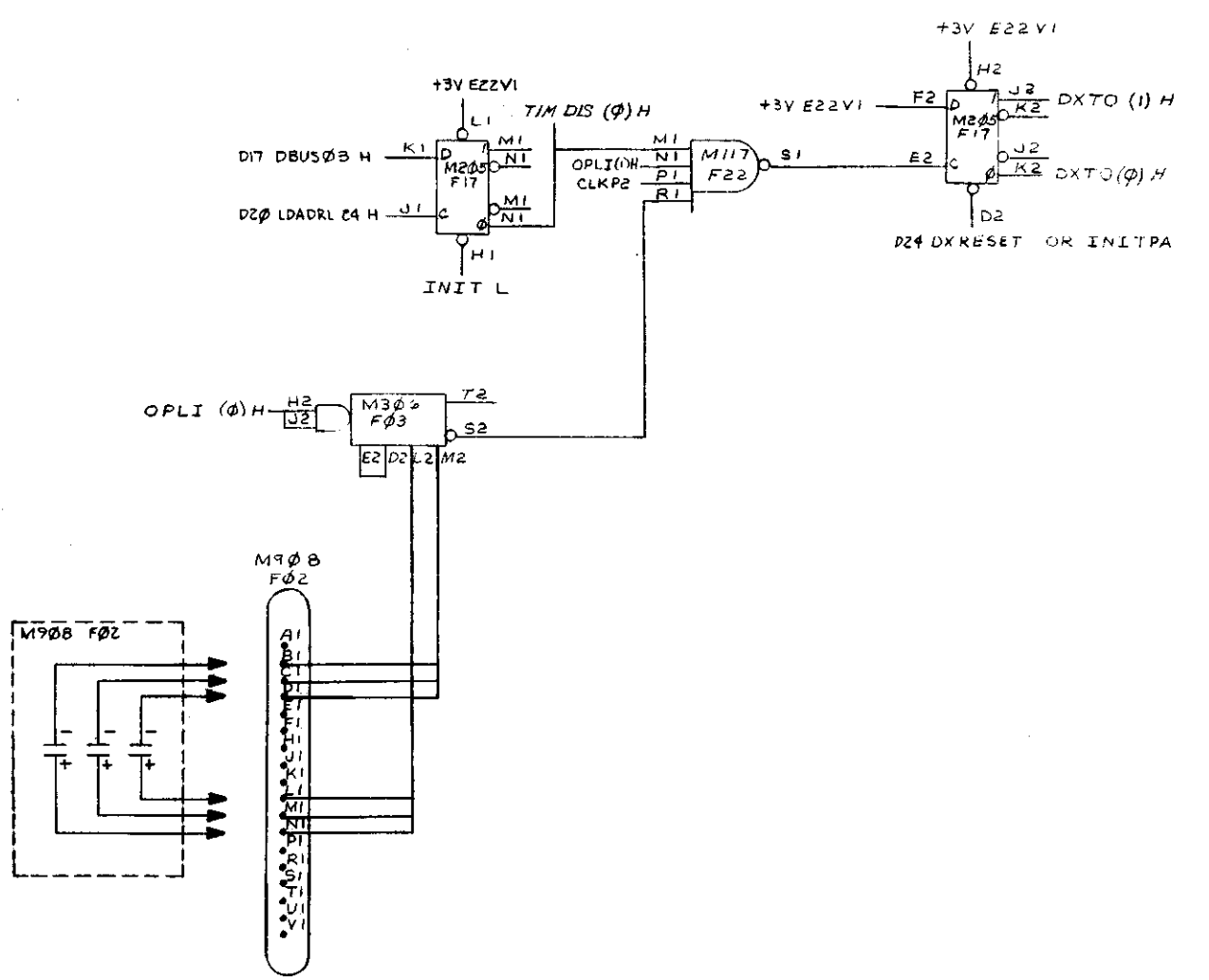


REV.	CHG.	NO.	BY	DATE
1			DIETER	11/17/71
2			R. DIETER	11/17/71
3			H. DIETER	11/17/71

FIRST USED ON OPTION/MODEL	QTY.	DESCRIPTION	PART NO.	ITEM NO.
PDP-11				
UNLESS OTHERWISE SPECIFIED DIMENSION IN INCHES TOLERANCES				
DECIMALS	ANGLES	TITLE		
XXX - .005	± 0° 30'	SIG & GATES		
REMOVE BURRS AND BREAK SHARP CORNERS SURFACE QUALITY				
MATERIAL		NEXT HIGHER ASSY.		REV. C
FINISH		SCALE NONE		
SHEET 1 OF 3		D.B.S. DX11-B-25		

REV. C
NUMBER
D.B.S. DX11-B-25

This drawing and specifications, herein, are the property of Digital Equipment Corporation and shall not be reproduced or copied or used in whole or in part as the basis for the manufacture or sale of items without written permission. 1977



NOTE:
 EXTERNAL CAPACITORS
 MOUNTED ON MODULE F02
 ALL ARE 180 UF 6V TANT.

REV	
CHANGE NO	
CHK	

DEC FORM NO
 DRD 102-B

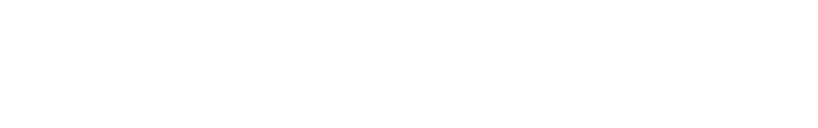
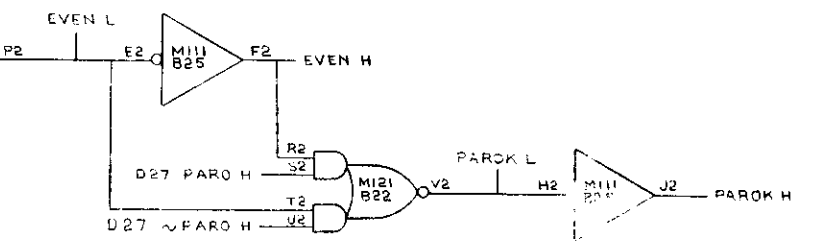
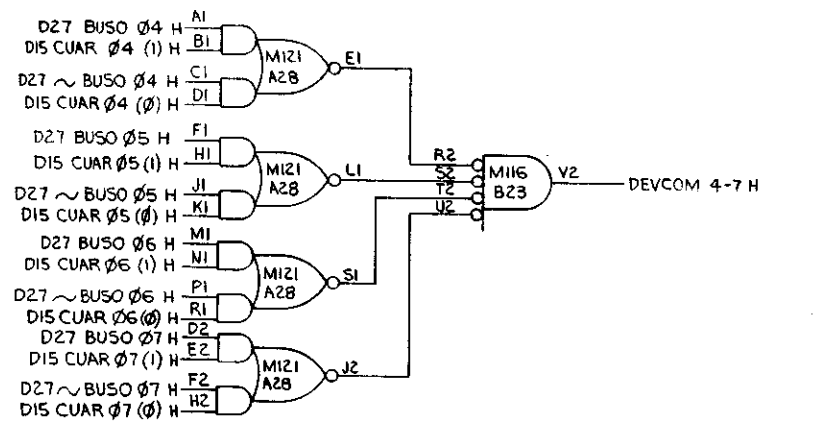
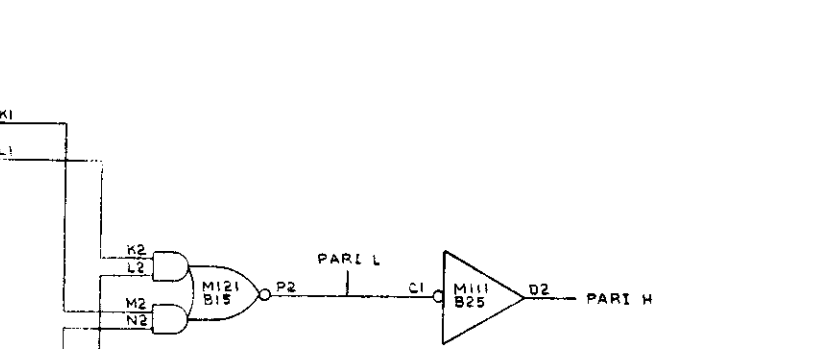
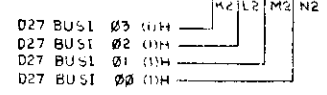
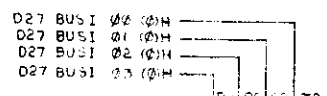
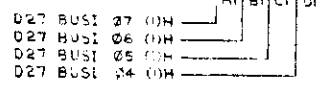
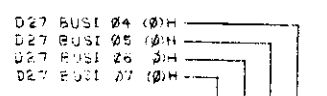
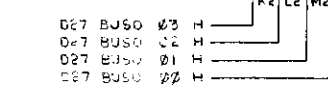
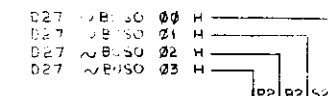
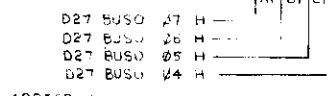
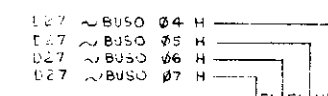
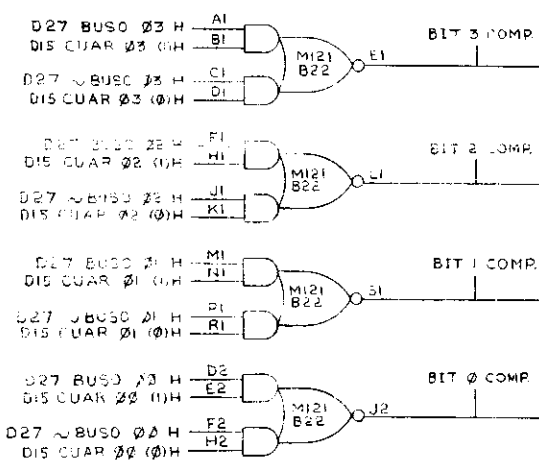
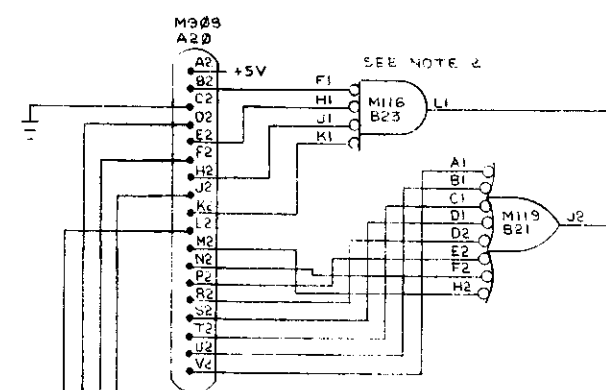
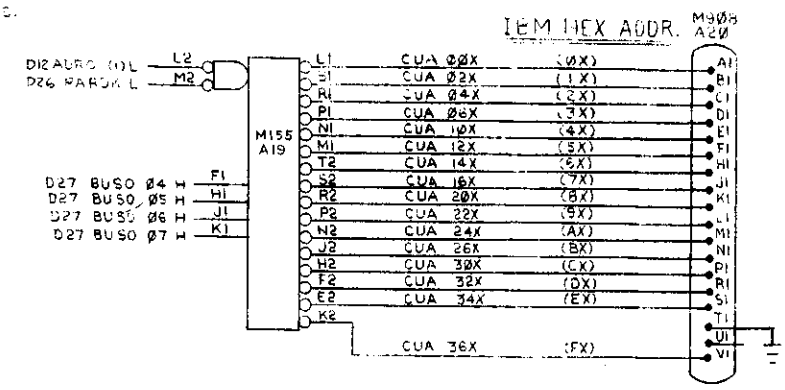
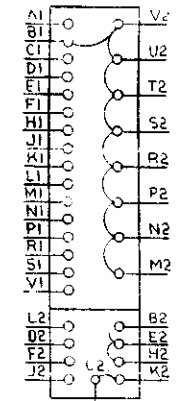
FIRST USED ON OPTION/MODEL	QTY.	DESCRIPTION	PART NO.	ITEM NO.
PDP-11		PARTS LIST		
UNLESS OTHERWISE SPECIFIED DIMENSION IN INCHES. TOLERANCES	DRN <i>W. Wilson</i>	DATE 2-22-72	 DIGITAL EQUIPMENT CORPORATION MAYNARD, MASSACHUSETTS	
DECIMALS	CHK <i>W. Wilson</i>	DATE 2-22-72		
ANGLES	ENG. <i>W. Wilson</i>	DATE 2-22-72		
.XXX - .005	PROJ. ENG. <i>W. Wilson</i>	DATE 2-22-72		
.XX - .02	PROD. <i>W. Wilson</i>	DATE 2-22-72		
.X - .1			TITLE SIG & GATES	
REMOVE BURRS AND BREAK SHARP CORNERS SURFACE QUALITY				
MATERIAL		NEXT HIGHER ASSY.	SIZE CODE	NUMBER
FINISH			B-DD-DX11-B	DBS DX11-B-25
		SCALE NONE		
		SHEET 3 OF 3	DIST	

This drawing and specifications, herein, are the property of Digital Equipment Corporation and shall not be reproduced or copied or used in whole or in part as the basis for the manufacture or sale of items without written permission.

NOTES:

- INSTALL JUMPERS AS REQUIRED FOR CPU ADDRESS SPECIFIED AT EACH INSTALLATION. JUMPER UNUSED INPUTS TO LAST USED INPUT.
- TIE UNUSED INPUTS (B2, E2, H2, K2) TO GND.

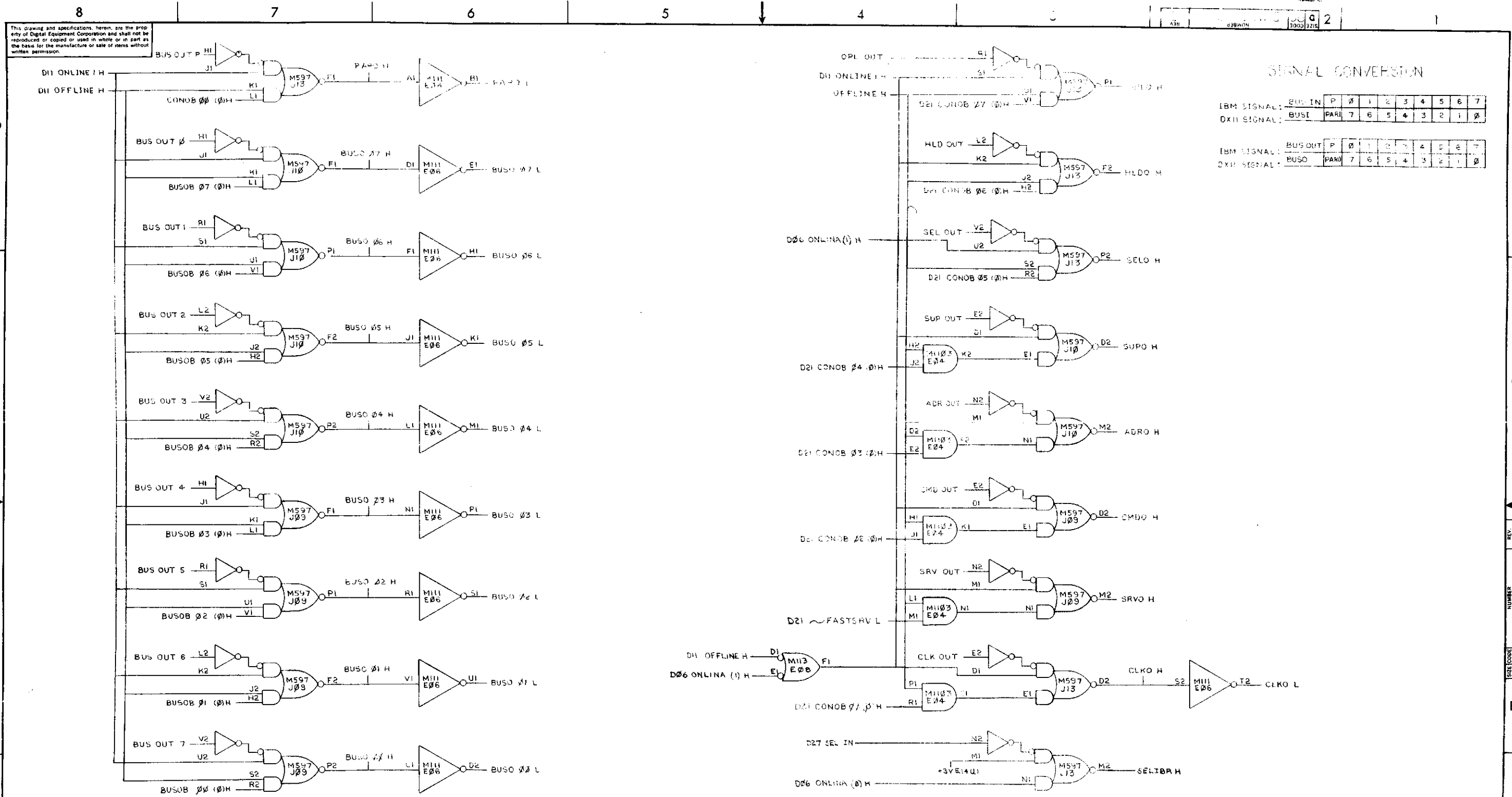
SEE NOTE 1
SAMPLE JUMPERS SHOWN FOR IBM ADDR. (1X)



REV	CHG	NO	DATE
1	DIETER	1/18/73	

FIRST USED ON OPTION/MODEL	QTY.	DESCRIPTION	PART NO.	ITEM NO.
PDP-11				
UNLESS OTHERWISE SPECIFIED DIMENSION IN INCHES. TOLERANCES				
DECIMALS	ANGLES	TITLE		
XXX + .005	± 0° 30'	PARITY & ADDR. COMPARE		
REMOVE BURRS AND BREAK SHARP CORNERS SURFACE QUALITY				
MATERIAL NEXT HIGHER ASSY.				
FINISH				
SCALE NONE		SIZE CODE	NUMBER	REV.
SHEET 1 OF 1		D/BS	DX11-B-26	A

This drawing and specifications herein are the property of Digital Equipment Corporation and shall not be reproduced or copied or used in whole or in part as the base for the manufacture or sale of items without written permission.



SIGNAL CONVERSION

IBM SIGNAL:	BUS IN	P	0	1	2	3	4	5	6	7
DX11 SIGNAL:	BUS1	PAR1	7	6	5	4	3	2	1	0

IBM SIGNAL:	BUS OUT	P	0	1	2	3	4	5	6	7
DX11 SIGNAL:	BUSO	PARO	7	6	5	4	3	2	1	0

REVISIONS

CHK	CHANGE NO.	REV.
	DX11B-3305	A
	DX11B-0005	B

DIETER
R. DIETER

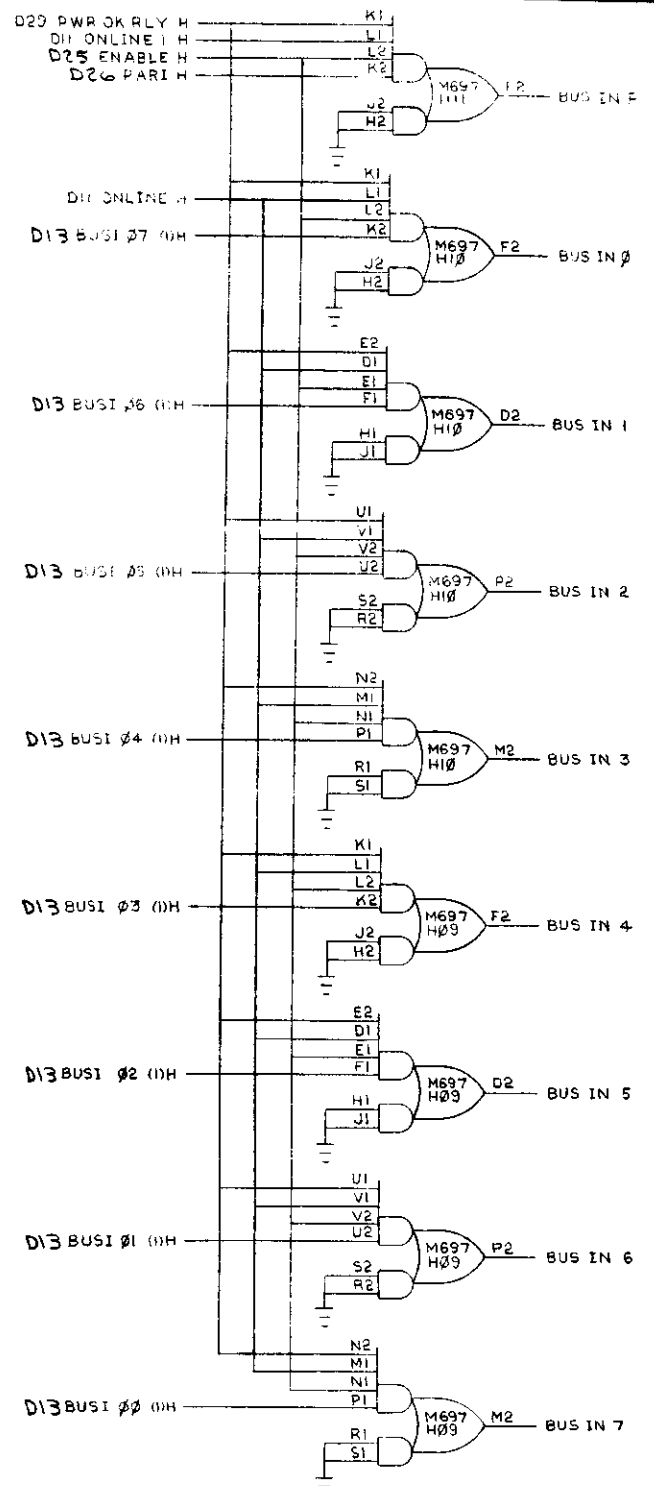
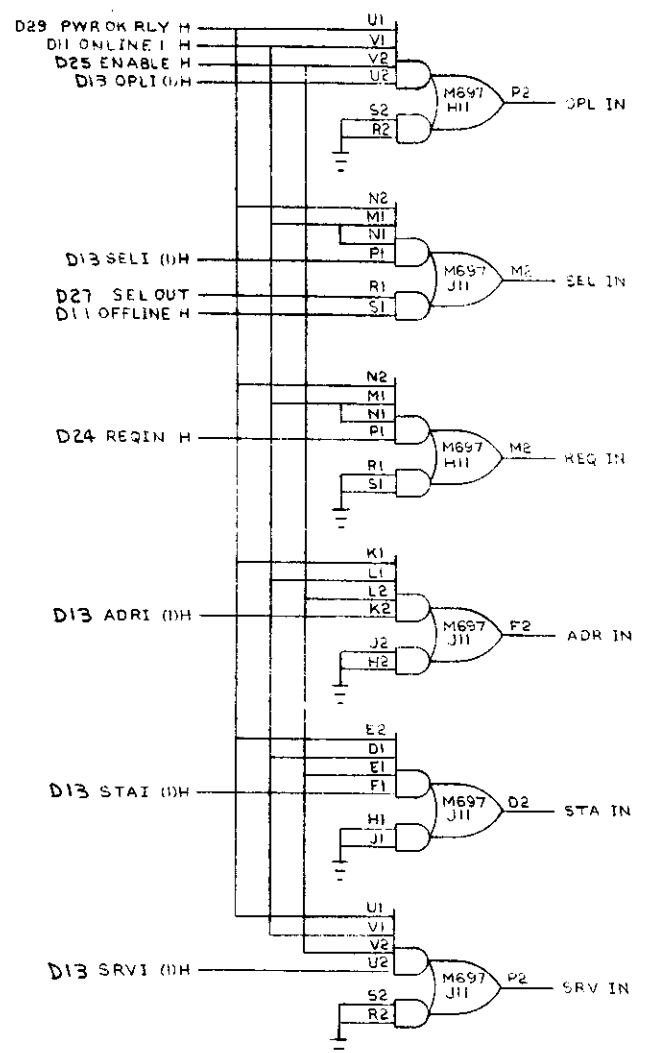
DEC FORM NO. DRD 100-A

FIRST USED ON OPTION/MODEL PDP-11	QTY.	DESCRIPTION	PART NO.	ITEM NO.
PARTS LIST				
UNLESS OTHERWISE SPECIFIED DIMENSION IN INCHES: TOLERANCES	DRN. <i>[Signature]</i>	DATE <i>[Date]</i>	digital EQUIPMENT CORPORATION MAYFIELD MASSACHUSETTS	
DECIMALS .XXX = .005 .XX = .02 .X = .1	CHKD. <i>[Signature]</i>	DATE <i>[Date]</i>	TITLE IBM INTERFACE	
ANGLES ±0° 30'	ENG. <i>[Signature]</i>	DATE <i>[Date]</i>	MATERIAL NEXT HIGHER ASSY	
REMOVE BURRS AND BREAK SHARP CORNERS SURFACE QUALITY	PROJ. ENG. <i>[Signature]</i>	DATE <i>[Date]</i>	SCALE NONE	
	PROD. <i>[Signature]</i>	DATE <i>[Date]</i>	SHEET 1 OF 3	
			SIZE CODE D BS	NUMBER DX11-B-27
				REV B

REV. B
NUMBER DX11-B-27
SIZE CODE D BS

This drawing and specifications, herein, are the property of Digital Equipment Corporation and shall not be reproduced or copied or used in whole or in part as the basis for the manufacture or sale of items without written permission.

2
 DBS DX11-B-27
 NUMBER

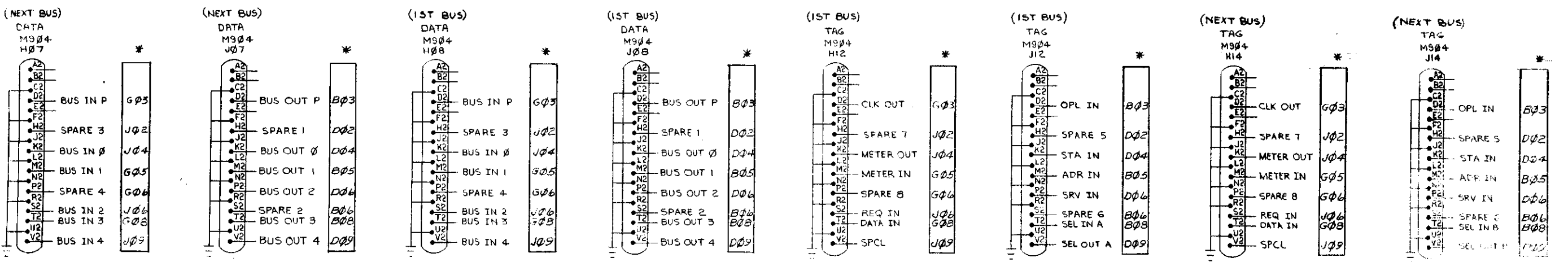
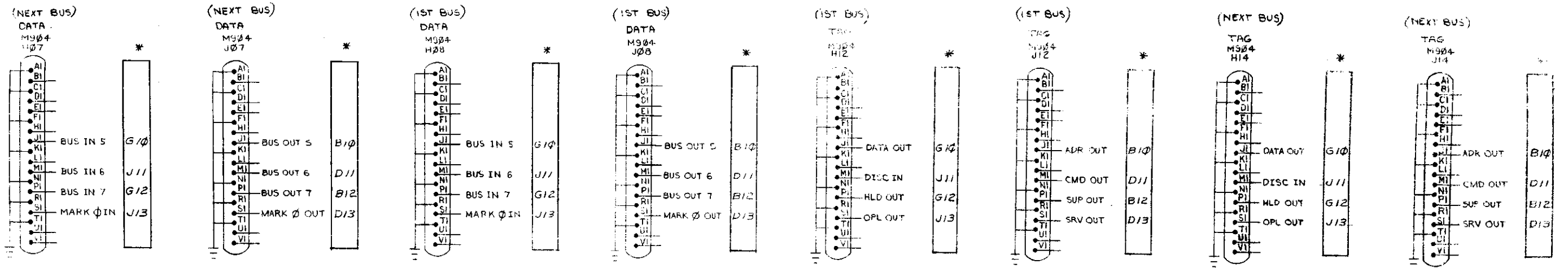


REV.	
CHANGE NO.	
CHK.	

DEC FORM NO. DRD 100-A

FIRST USED ON OPTION/MODEL	QTY.	DESCRIPTION	PART NO.	ITEM NO.		
PDP-11						
PARTS LIST						
UNLESS OTHERWISE SPECIFIED DIMENSION IN INCHES. TOLERANCES	DRN. <i>A. H. Smith</i>	DATE <i>12/2/71</i>	digital CORPORATION <small>MAYNARD, MASSACHUSETTS</small>			
DECIMALS	CHK'D. <i>[Signature]</i>	DATE <i>5/10/72</i>				
ANGLES	ENG. <i>[Signature]</i>	DATE <i>6-7-72</i>				
XXX - .005 .XX - .02 .X - .1	PROJ. ENG. <i>[Signature]</i>	DATE <i>6-7-72</i>				
REMOVE BURRS AND BREAK SHARP CORNERS SURFACE QUALITY	PROD. <i>[Signature]</i>	DATE <i>6-8-72</i>	IBM INTERFACE			
MATERIAL	NEXT HIGHER ASSY.	SIZE CODE			NUMBER	REV.
FINISH	B-DD-DX11-B	DBS			DX11-B-27	B
	SCALE NONE	SHEET 2 OF 6	DIST.			

This drawing and specifications, herein, are the property of Digital Equipment Corporation and shall not be reproduced or copied or used in whole or in part as the basis for the manufacture or sale of items without written permission.



* IBM CONN. PIN NO.

REV	
CHANGE NO.	
CHK	

FIRST USED ON OPTION/MODEL	QTY.	DESCRIPTION	PART NO.	ITEM NO.
POP-II				
PARTS LIST				
UNLESS OTHERWISE SPECIFIED DIMENSION IN INCHES.		DRN	DATE	 digital EQUIPMENT CORPORATION <small>MAINTAIN MASSACHUSETTS</small>
TOLERANCES		CHK'D	DATE	
DECIMALS	ANGLES	ING.	DATE	
.XXX = .005	±0° 30'	PROJ. ENG.	DATE	
.XX = .02		PRD.	DATE	IBM INTERFACE
.X = .1				
REMOVE BURRS AND BREAK SHARP CORNERS SURFACE QUALITY				
MATERIAL		NEXT HIGHER ASSY.		
+		B-DD-DXII-B		
FINISH		SCALE	NONE	
		SHEET	3 OF 6	
		DIST.		
		SIZE CODE	D BS	
		NUMBER	DXII-B-27	
		REV.	B	

This drawing and specifications herein are the property of Digital Equipment Corporation and shall not be reproduced or copied or used in whole or in part as the basis for the manufacture or sale of items without written permission.

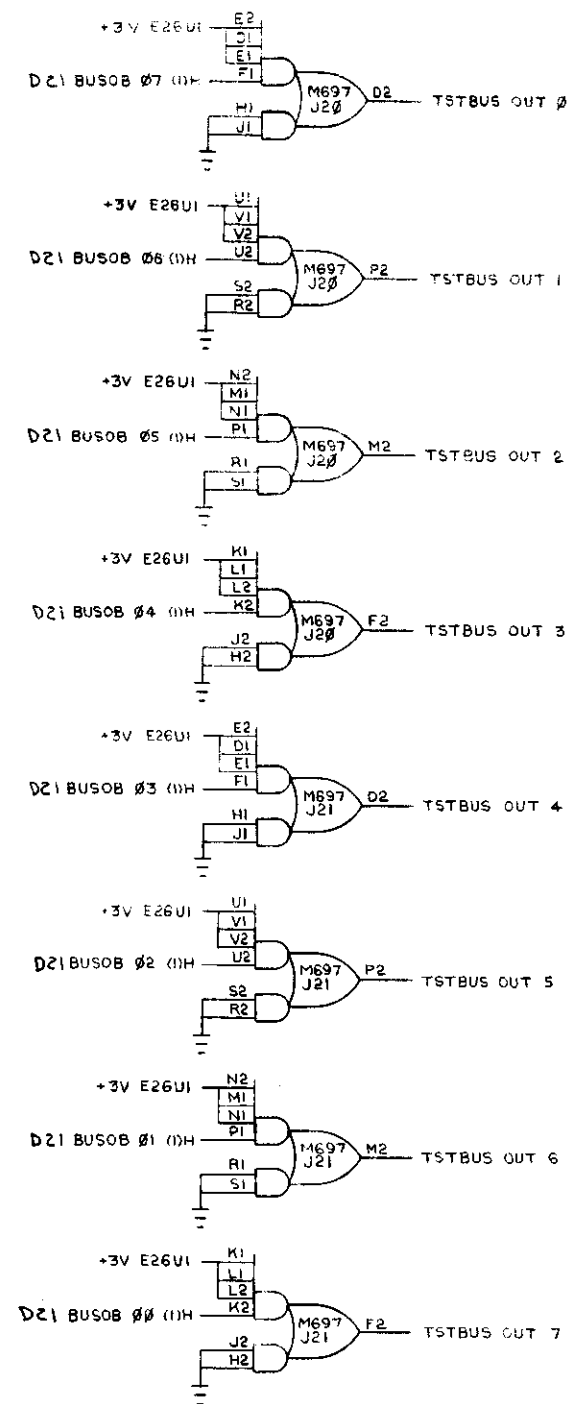
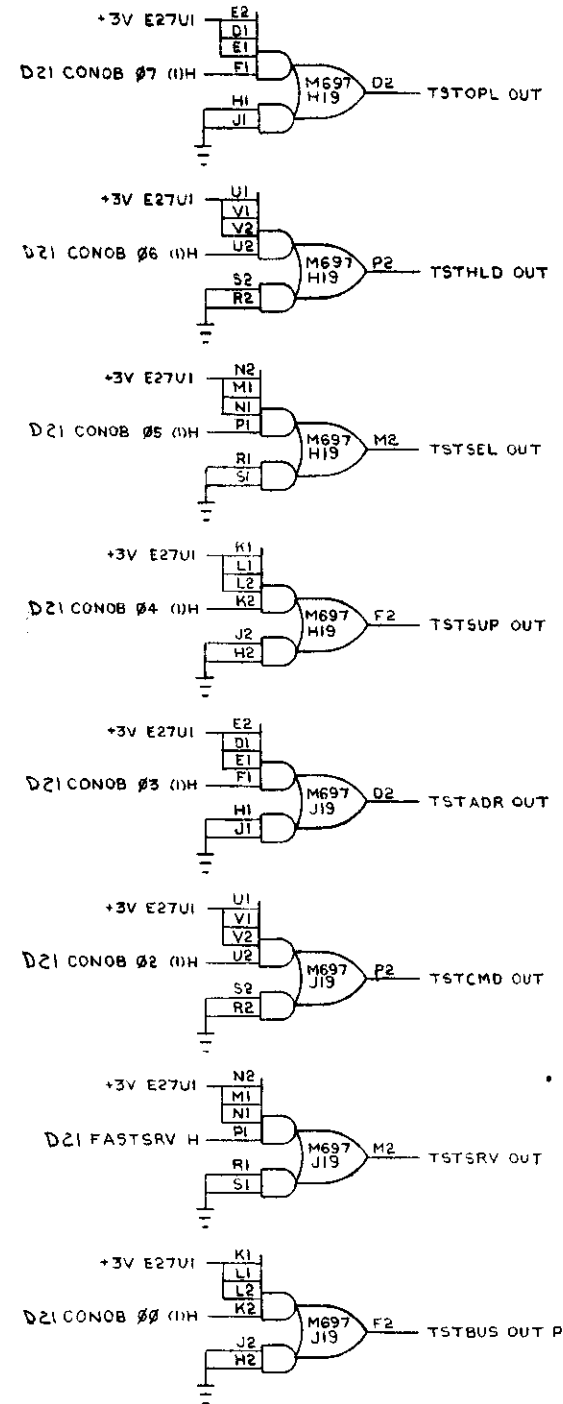
REV. B
 NUMBER 2
 D BS DX11-B-27

D

C

B

A

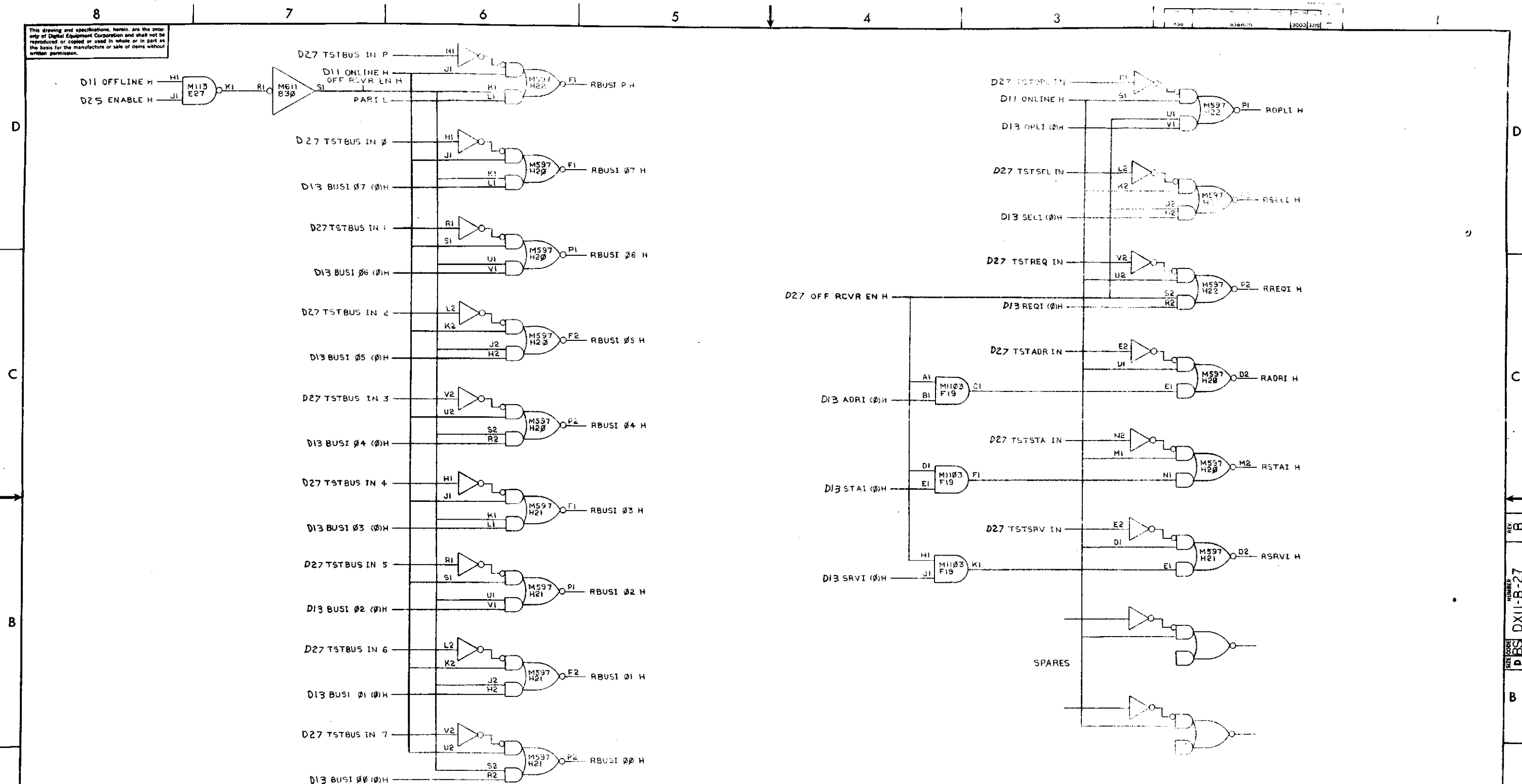


REV. B
 NUMBER 2
 D BS DX11-B-27

REV.	
CHANGE NO.	
CHK	

FIRST USED ON OPTION/MODEL PDP-11	QTY.	DESCRIPTION	PART NO.	ITEM NO.
PARTS LIST				
UNLESS OTHERWISE SPECIFIED DIMENSION IN INCHES TOLERANCES	DRN. <i>A. J. Sullivan</i>	DATE 1/14/71	digital EQUIPMENT CORPORATION MAYNARD MASSACHUSETTS	
DECIMALS	CHG'D. <i>A. J. Sullivan</i>	DATE 3/17/72	TITLE IBM INTERFACE	
ANGLES	ENG. <i>A. J. Sullivan</i>	DATE 6-1-72		
.XXX = .005	PROJ. ENG. <i>A. J. Sullivan</i>	DATE 6-1-72		
.XX = .02	PROD. <i>A. J. Sullivan</i>	DATE 6-1-72		
.X = .1				
REMOVE BURRS AND BREAK SHARP CORNERS SURFACE QUALITY				
MATERIAL	NEXT HIGHER ASSY.		SIZE CODE	NUMBER
	B-DU-DX11-B		D BS	DX11-B-27
FINISH	SCALE	NCNE		REV.
	SHEET 4 OF 6			B

This drawing and specifications, herein, are the property of Digital Equipment Corporation and shall not be reproduced or copied or used in whole or in part as the basis for the manufacture or sale of items without written permission.

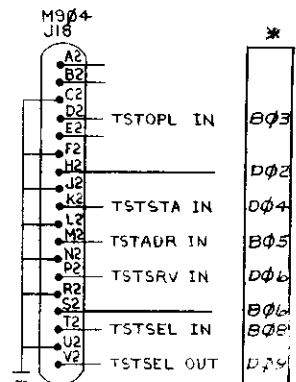
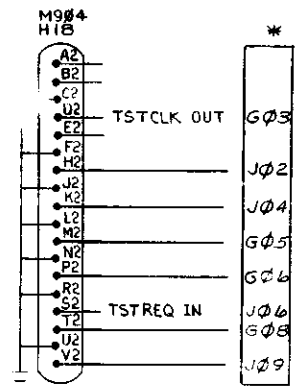
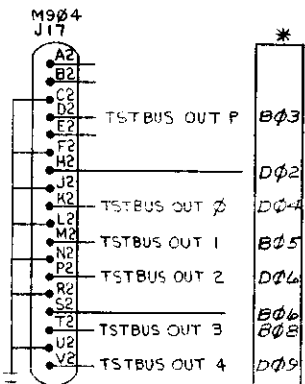
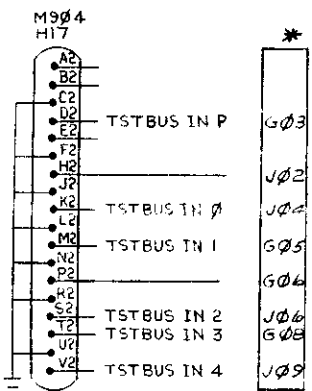
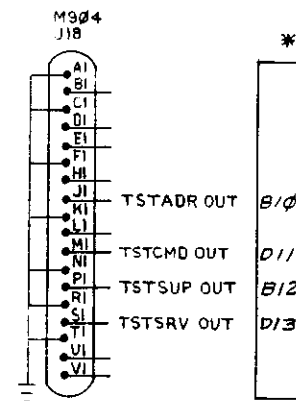
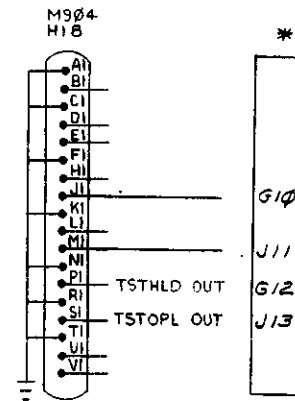
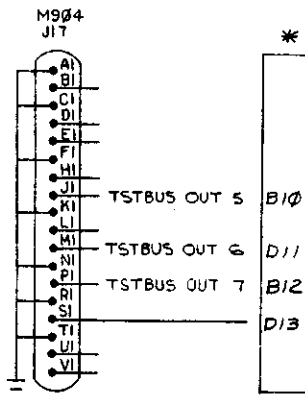
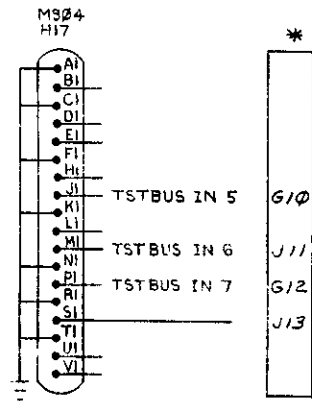


REV.	
CHANGE NO.	
CHK	

FIRST USED ON OPTION/MODEL	QTY.	DESCRIPTION	PART NO.	ITEM NO.
PDP-11		PARTS LIST		
UNLESS OTHERWISE SPECIFIED DIMENSION IN INCHES TOLERANCES	DRN <i>A. Spitznagel</i>	DATE 12/3/71	digital EQUIPMENT CORPORATION MAYNARD MASSACHUSETTS	
DECIMALS .XXX = .005 .XX = .02 .X = .1	CHK'D <i>[Signature]</i>	DATE 9/1/72	TITLE IBM INTERFACE	
ANGLES ±0° 30'	ENG <i>[Signature]</i>	DATE 6-1-72		
REMOVE BURRS AND BREAK SHARP CORNERS SURFACE QUALITY	PROJ. EWS <i>[Signature]</i>	DATE 6-1-72		
MATERIAL	PROD. <i>[Signature]</i>	DATE 6-5-72		
FINISH	NEXT HIGHER ASSY.		SCALE NONE	
	B-DD-DX11-B	SIZE CODE D BS	NUMBER DX11-B-27	REV. B
	CHEET 5 OF 6	DIST.		

REV. B
NUMBER DX11-B-27
SIZE CODE D BS

This drawing and specifications, herein, are the property of Digital Equipment Corporation and shall not be reproduced or copied or used in whole or in part as the basis for the manufacture or sale of items without written permission.



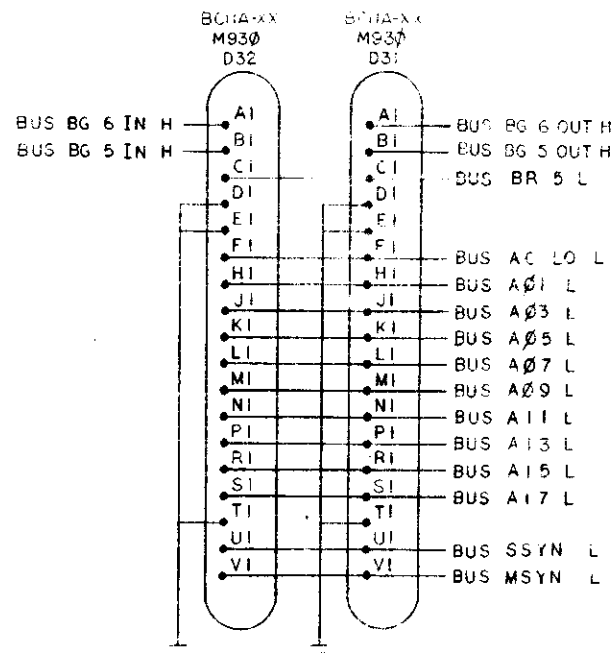
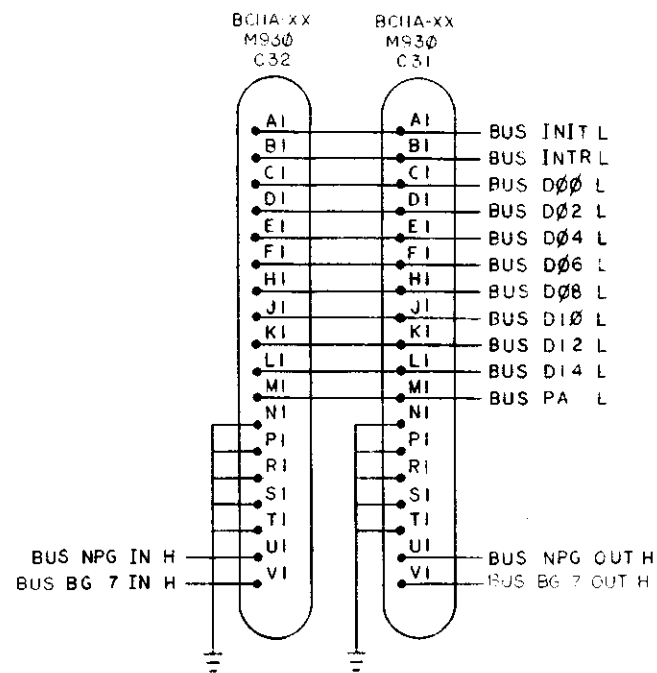
- NOTE: TO USE TEST BUS
1. MOVE H07 TO H17; J07 TO J17; H14 TO H18; J14 TO J18
 2. PUT TERMINATORS (M984) IN H07, J07, H14 PUT TERMINATOR (M984) IN J14
 3. REMOVE EITHER THE LIGHT OR DARK PLUGS FROM THEIR MOUNT AND INSERT THEM INTO THEIR CORRESPONDING MATE
 4. FOR NORMAL ON-LINE OPERATION, REVERSE THE ABOVE PROCEDURE AND STORE THE TERMINATORS IN SLOTS J29-J32

* IBM CONN. PIN NO.

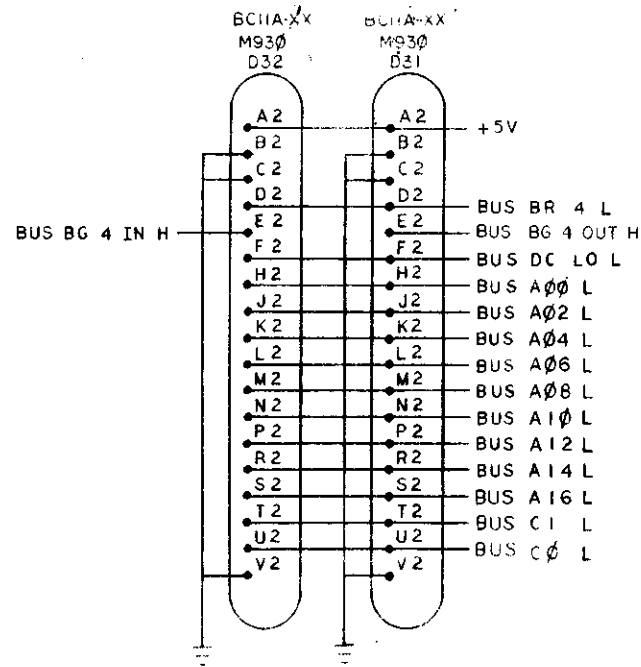
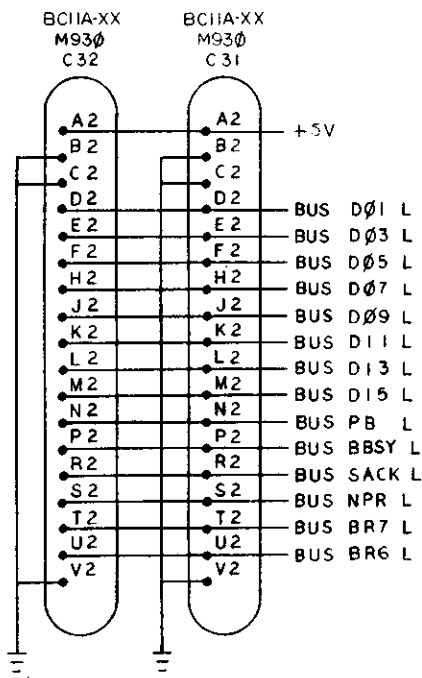
REVISIONS	REV
CHANGE NO.	
CHK	

FIRST USED ON OPTION/MODEL	QTY.	DESCRIPTION	PART NO.	ITEM NO.
PDP-11				
PARTS LIST				
UNLESS OTHERWISE SPECIFIED DIMENSION IN INCHES. TOLERANCES	DRN	DATE	 IBM INTERFACE	
DECIMALS	CHKD.	DATE		
ANGLES	ENG.	DATE		
.XXX = .005 .XX = .02 .X = .1	PROJ. ENG.	DATE		
REMOVE BURRS AND BREAK SHARP CORNERS SURFACE QUALITY	PROD.	DATE		
MATERIAL	NEXT HIGHER ASSY.		SIZE CODE	NUMBER
FINISH	SCALE NONE		D5S	DX11-B-27
	SHEET 6 OF 6		DIST.	

This drawing and specifications herein, are the property of Digital Equipment Corporation and shall not be reproduced or copied or used in whole or in part as the basis for the manufacture or sale of items without written permission.



NOTES:
THE UNIBUS CONNECTOR IS A DOUBLE HEIGHT MODEL.



REVISIONS	REV
CHK	CHANGE NO

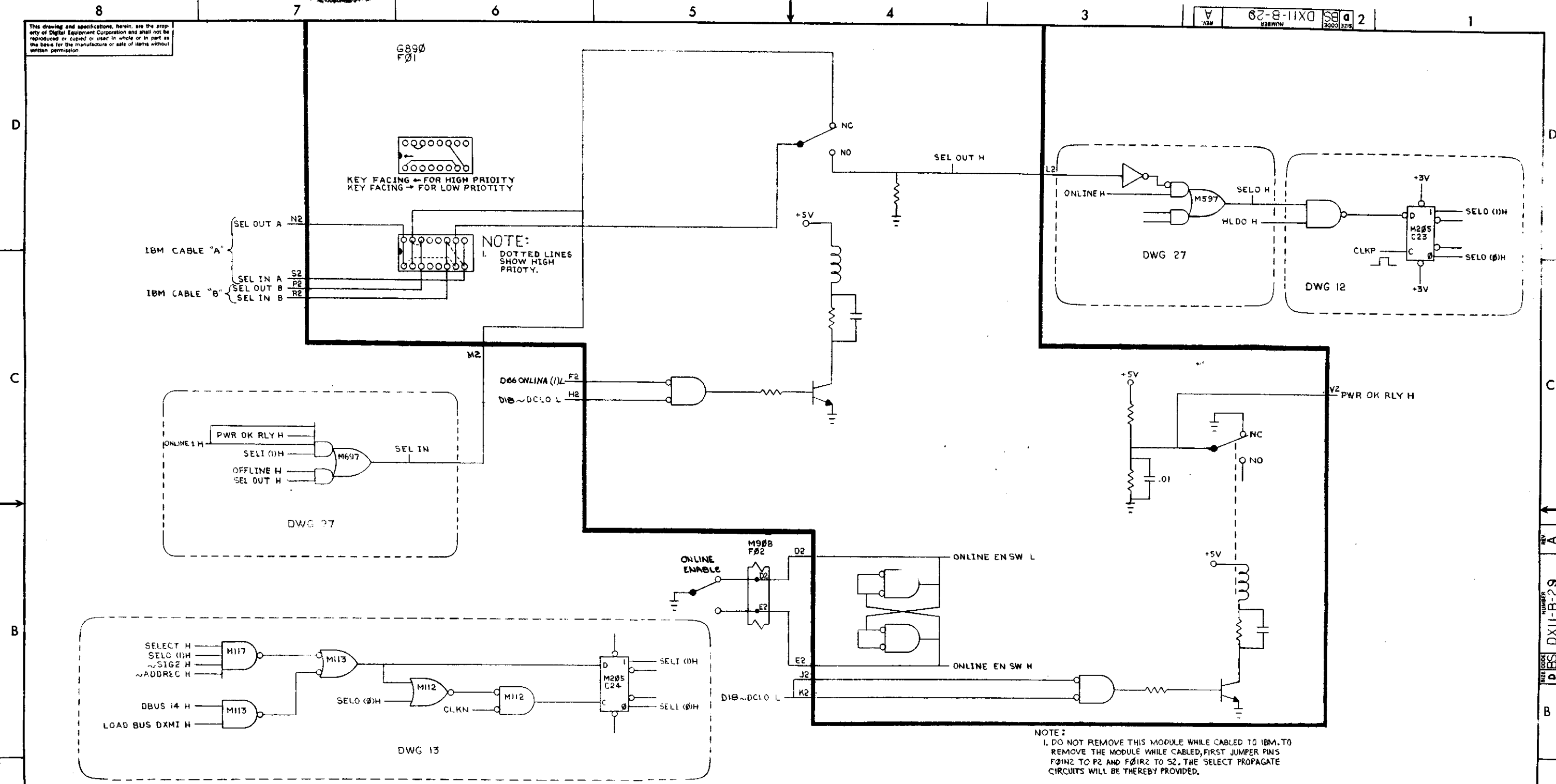
FORM NO

FIRST USED ON OPTION/MODEL PDP-11	QTY.	DESCRIPTION	PART NO	ITEM NO
PARTS LIST				
UNLESS OTHERWISE SPECIFIED	DRN	DATE	digital EQUIPMENT CORPORATION MAYNARD, MASSACHUSETTS	
UNLESS OTHERWISE SPECIFIED	CHK'D	DATE	TITLE UNIBUS CONNECTORS	
DIMENSION IN INCHES	ENG	DATE	SIZE CODE NUMBER	
DECIMALS FRACTIONS ANGLES	PROJ. ENG.	DATE	D I C D X 1 1 - B - 2 8	
± .005 ± 1/64 ± 0°30'	PROD.	DATE	SCALE NONE	
FINAL SURFACE QUALITY			SHEET OF	
REMOVE BURRS AND BREAK SHARP CORNERS			DIST.	
MATERIAL	NEXT HIGHER ASSY	A-ML-DX11-B		
FINISH				

SIZE CODE NUMBER
D I C D X 1 1 - B - 2 8

This drawing and specifications, herein, are the property of Digital Equipment Corporation and shall not be reproduced or copied or used in whole or in part as the basis for the manufacture or sale of items without written permission.

62-B-11X0 2
 3003 3215



REVISIONS	CHANGE NO.	REV.
CHK	DXIIB-00015	A
DESIGNED BY	R. DIETER	4-1-74

DEC FORM NO. DRD 100-A

FIRST USED ON OPTION/MODEL	QTY.	DESCRIPTION	PART NO.	ITEM NO.
PDP-11		PARTS LIST		
UNLESS OTHERWISE SPECIFIED DIMENSION IN INCHES. TOLERANCES		DRN. DATE 10/15/71	digital EQUIPMENT CORPORATION MAYNARD MASSACHUSETTS	
DECIMALS	ANGLES	CHKD. DATE 8/1/72	TITLE	
.XXX - .005	± 0° 30'	ENG. DATE 6-7-72	SELECT BYPASS & POWER FAIL	
.XX - .02		PROJ. ENG. DATE 6-7-72	MATERIAL	
.X - .1		PROD. DATE 6-7-72	NEXT HIGHER ASSY.	
REMOVE BURRS AND BREAK SHARP CORNERS SURFACE QUALITY			B-DD-DXII-B	
			SCALE NONE	SIZE CODE NUMBER
			SHEET OF	D BS DXII-B-29
				REV. A

This drawing and specifications, herein, are the property of Digital Equipment Corporation and shall not be reproduced or copied or used in whole or in part as the basis for the manufacture or sale of items without written permission. 1973

REV. NO.		CHANGE NO.	REV.
1	A	DXII-B-00001	A
A. T. Dune 5-11-72			
DIETER			
2	B	DXII-B-00003	B
A. T. Dune 5-22-72			
DIETER			
3	C	DXIIB-00006	C
M. Gaurin 9-8-72			
R. DIETER			
4	D	DXII B-00009	D
S. Roberts 1/18/73			
DIETER			
5	E	DXIIB-00010	E
R. Dieter 2-6-73			
6	F	DXIIB-00012	F
E. Allain 10-5-73			
DIETER			
7	G	DXIIB-00014	G
R. Dieter 10-9-73			
8	H	DXIIB-00014	H
R. Nowles 1-29-74			
R. DIETER			
9	J	DXIIB-00015	J
R. Dieter 2-7-74			
10	K	DXIIB-00016	K
S. Markowitz 4-2-74			
R. DIETER			
11	L	DXIIB-00016	L
R. Dieter 4-11-74			
12	M	DXIIB-00016	M
E. Nowles 7-3-74			
R. DIETER			
R. Dieter 7/18/74			

FIRST USED ON OPTION MODEL		QTY.	DESCRIPTION	PART NO.	ITEM NO.
DXII-B					

DRN.	SR.	DATE	digital EQUIPMENT CORPORATION MAYNARD, MASSACHUSETTS	
A. FRATICELLI		1/5/72	TITLE WIRE LIST (IBM INTERFACE SYSTEM)	
CHK'D		6-10-72		
ENG.		7-7-72		
PROJ. ENG.		7-7-72		
PROD.		4-11-72		
NEXT HIGHER ASSEMBLY				
D-AD-1003719-0-0				
SIZE	CODE	NUMBER	REV.	
K	WL	DXII-B-30	K	
SCALE NONE		DIST.		
SHEET 1 OF 1				

B

B

A

DX118.K
RUN NAME

HND288.V22(22) 11/06/73
A/P PIN ORDER DAY -
NAME PIN ORDER

Q DRAW HV PG Y X Z REMARKS

11-JUL-74

0123

PAGE 1
RUN
NUMBER

A/P	PIN	ORDER	DAY -	Q	DRAW	HV	PG	Y	X	Z	REMARKS	11-JUL-74	0123	PAGE 1
NAME	PIN	ORDER	ORDER									LENGTH	EXCEPTIONS	RUN
														NUMBER
+3V	A25U1	A23D1	1-01 *		D14					2				
+3V	A25U1	A23M1	1-02 *		D14					1				1
+3V	A25U1	A23U2	1-03 *		D14					2				1
+3V	A25U1	A25U1	1-04 *		D08					1				1
+3V	A25U1	B27U2	1-05 *		D08					1				1
+3V	A25U1	B32A1	1-06 *		D17					2				1
+3V	A25U1		1											1
												20-6/8		1
+3V	B10U1	A17K2	1-01 *		D15					2				2
+3V	B10U1	A16K2	1-02 *		D15					1				2
+3V	B10U1	A15K2	1-03 *		D15					2				2
+3V	B10U1	A14K2	1-04 *		D15					1				2
+3V	B10U1	A13K2	1-05 *		D15					2				2
+3V	B10U1	A12K2	1-06 *		D15					1				2
+3V	B10U1	A11K2	1-07 *		D15					2				2
+3V	B10U1	A10K2	1-08 *		D15					1				2
+3V	B10U1	B10U1	1-09 *		D15					1				2
+3V	B10U1		1											2
												25-4/8		2
+3V	B16U1	B16U1	1-01 *		D20					2				3
+3V	B16U1	C20P1	1-02 *		D20					1				3
+3V	B16U1	C21T2	1-03 *		D20					2				3
+3V	B16U1	B32T2	1-04 *		D20					1				3
+3V	B16U1	B32P2	1-05 *		D20					2				3
+3V	B16U1	B32P1	1-06 *		D20					1				3
+3V	B16U1		1											3
												23-0/8		3
+3V	B18U1	A10D1	1-01 *		D21					1				4
+3V	B18U1	A11D1	1-02 *		D21					2				4
+3V	B18U1	A12D1	1-03 *		D21					1				4
+3V	B18U1	A13D1	1-04 *		D21					2				4
+3V	B18U1	A14D1	1-05 *		D21					1				4
+3V	B18U1	A15D1	1-06 *		D21					2				4
+3V	B18U1	A16D1	1-07 *		D21					1				4
+3V	B18U1	B18U1	1-08 *		D21					1				4
+3V	B18U1		1											4
												23-4/8		4
+3V	B18V1	A10K1	1-01 *		D21					2				5
+3V	B18V1	A11K1	1-02 *		D21					1				5
+3V	B18V1	A12K1	1-03 *		D21					2				5
+3V	B18V1	A13K1	1-04 *		D21					1				5
+3V	B18V1	A14K1	1-05 *		D21					2				5
+3V	B18V1	A15K1	1-06 *		D21					1				5
+3V	B18V1	A16K1	1-07 *		D21					2				5
+3V	B18V1	A17K1	1-08 *		D21					1				5
+3V	B18V1	B18V1	1-09 *		D21					1				5
+3V	B18V1		1											5
												25-6/8		5

TV20

DX11B,K
RUN NAME

HND208,V22(22) 11/06/73
A/P PIN ORDER BAY -
NAME PIN ORDER

11-JUL-74 0123 PAGE 8
LENGTH EXCEPTIONS RUN
NUMBER

A/P	PIN	ORDER	BAY -	Q	DRAW	RV	PG	Y	X	Z	REMARKS	11-JUL-74	0123	PAGE 8
NAME	PIN	ORDER	ORDER									LENGTH	EXCEPTIONS	RUN
														NUMBER
A01	H	B25U2	1-01 *		D17									23
A01	H	B29P1	1-02 *		D17					2				23
A01	H	D29B1	1-03 *		D17					1				23
			1									11-6/8		23
A01	L	B25V2	1-01 *	S	D17					1				24
A01	L	B30J1	1-02 *		D17								SOURCE	24
			1									5-2/8	TERM HERE?	24
A01B	H	B30K1	1-01 *		D17					1				25
A01B	H	D25F2	1-02 *		D19									25
			1									8-2/8		25
A01C1		A01C1	1-01 *	S	D25					1				26
A01C1		B06K2	1-02 *		D25								SOURCE	26
			1									7-0/8	TERM HERE?	26
A02	H	B25S2	1-01 *		D17					2				27
A02	H	B29H1	1-02 *		D17					1				27
A02	H	D29E1	1-03 *		D17									27
			1									11-6/8		27
A02	L	B25T2	1-01 *		D17					1				28
A02	L	B30F1	1-02 *		D17									28
			1									5-2/8		28
A02B	H	B30H1	1-01 *		D17					1				29
A02B	H	D25H2	1-02 *		D19									29
			1									8-4/8		29
A02J1		A02J1	1-01 *	S	D25					1				30
A02J1		D02P1	1-02 *		D25								SOURCE	30
			1									11-0/8	TERM HERE?	30
A02N1		A02N1	1-01 *	S	D05					1				31
A02N1		C13J1	1-02 *		D05								SOURCE	31
			1									9-6/8	TERM HERE?	31
A03	H	B25P2	1-01 *		D17					2				32
A03	H	B29J1	1-02 *		D17					1				32
A03	H	D29H1	1-03 *		D17									32
			1									12-0/8		32
A03	L	B25R2	1-01 *		D17					1				33
A03	L	B30D1	1-02 *		D17									33
			1									5-2/8		33

DIGITAL EQUIPMENT CORPORATION

DX11B,K
RUN NAME

HND208,V22(22) 11/06/73
A/P PIN ORDER BAY -
NAME PIN ORDER

11-JUL-74 0123 PAGE 9
LENGTH EXCEPTIONS RUN
NUMBER

A/P	PIN	ORDER	BAY -	Q	DRAW	RV	PG	Y	X	Z	REMARKS	11-JUL-74	0123	PAGE 9
NAME	PIN	ORDER	ORDER									LENGTH	EXCEPTIONS	RUN
														NUMBER
A03B	H	B30E1	1-01 *		D17									34
A03B	H	D25J2	1-02 *		D19					1				34
			1									9-0/8		34
A03C1		A03C1	1-01 *	S	D25					1				35
A03C1		B04R1	1-02 *		D25								SOURCE	35
			1									6-6/8	TERM HERE?	35
A03K2		A03K2	1-01 *	S	D25					2				36
A03K2		B06E2	1-02 *		D25					1			SOURCE	36
A03K2		E16H1	1-03 *		D25								TERM HERE?	36
			1									17-4/8		36
A03N1		A03J1	1-01 *		D25					1				37
A03N1		A03N1	1-02 *		D25									37
			1									2-6/8		37
A03N2		A01B1	1-01 *		D25					1				38
A03N2		A03N2	1-02 *	S	D25								TERM HERE?	38
			1									4-2/8	SOURCE	38
A03V2		A03V2	1-01 *		D24					2				39
A03V2		C02R2	1-02 *		D24					1				39
A03V2		C02T2	1-03 *		D24									39
			1									9-6/8		39
A04	H	B25M2	1-01 *		D17					2				40
A04	H	B29K1	1-02 *		D17					1				40
A04	H	D29K1	1-03 *		D17									40
			1									11-6/8		40
A04	L	B25N2	1-01 *		D17					1				41
A04	L	B30A1	1-02 *		D17									41
			1									5-0/8		41
A04B	H	B30B1	1-01 *		D17					1				42
A04B	H	D25N2	1-02 *		D19									42
			1									9-6/8		42
A04F1		A04F1	1-01 *		D25					1				43
A04F1		A04H1	1-02 *		D25									43
			1									2-4/8		43
A04K1		A04K1	1-01 *		D25					1				44
A04K1		A04L1	1-02 *		D25									44
			1									2-4/8		44

DIGITAL EQUIPMENT CORPORATION

7022

DX118,K
RUN NAME

HND288,V22(22) 11/06/73
A/P PIN ORDER BAY - Q DRAW RV PG Y X Z
NAME PIN ORDER

11-JUL-74 0123 PAGE 10
LENGTH EXCEPTIONS RUN
NUMBER

A04S1
A04S1
A04S1

A04D2
A04S1

1=01 *
1=02 *
1

D25
D25

1

REMARKS

4=0/8

45
45
45

A05S2
A05S2
A05S2

A05S2
A05T2

1=01 *
1=02 *
1

D25
D25

1

REMARKS

2=4/8

46
46
46

A06J1
A06J1
A06J1

A06J1
C05H1

1=01 *
1=02 *
1

D25
D25

1

REMARKS

7=6/8

47
47
47

A06M2
A06M2
A06M2

A06M2
C03P2

1=01 *
1=02 *
1

D07
D07

1

REMARKS

8=4/8

48
48
48

A06N1
A06N1
A06N1

A06N1
C05F1

1=01 *
1=02 *
1

D25
D25

1

REMARKS

7=0/8

49
49
49

A06U1
A06U1
A06U1

A06K2
A06U1

1=01 *
1=02 *
1

D07
D07

1

REMARKS

3=4/8

TERM HERE?
SOURCE

50
50
50

A06V1
A06V1
A06V1
A06V1

A06V1
C13S1
B23M1

1=01 *
1=02 *
1=03 *
1

D11
D11
D11

2
1

REMARKS

17=2/8

51
51
51
51

A07S1
A07S1
A07S1

A07S1
A07V1

1=01 * S
1=02 *
1

D21
D21

1

REMARKS

2=6/8

SOURCE
TERM HERE?

52
52
52

A07U1
A07U1
A07U1

A07U1
A17D1

1=01 * S
1=02 *
1

D21
D21

1

REMARKS

8=2/8

SOURCE
TERM HERE?

53
53
53

A08F2
A08F2
A08F2

A08F2
C19M2

1=01 * S
1=02 *
1

D13
D13

1

REMARKS

10=4/8

SOURCE
TERM HERE?

54
54
54

A08K1
A08K1
A08K1

A08K1
A08M1

1=01 * S
1=02 *
1

D13
D13

1

REMARKS

2=4/8

SOURCE
TERM HERE?

55
55
55

digital EQUIPMENT CORPORATION

DX118,K
RUN NAME

HND288,V22(22) 11/06/73
A/P PIN ORDER BAY - Q DRAW RV PG Y X Z
NAME PIN ORDER

11-JUL-74 0123 PAGE 11
LENGTH EXCEPTIONS RUN
NUMBER

A08K2
A08K2
A08K2

A06F2
A08K2

1=01 *
1=02 *
1

D25
D25

1

REMARKS

3=4/8

TERM HERE?
SOURCE

56
56
56

A08L1
A08L1
A08L1

A08D2
A08N1

1=01 *
1=02 *
1

D13
D13

1

REMARKS

3=4/8

TERM HERE?
SOURCE

57
57
57

A08P2
A08P2
A08P2

A07P2
A08N2

1=01 *
1=02 *
1

D25
D25

1

REMARKS

3=0/8

TERM HERE?
SOURCE

58
58
58

A08S1
A08S1
A08S1
A08S1

A08S1
A08L1
C19N2

1=01 * S
1=02 *
1=03 *
1

D13
D13
D13

2
1

REMARKS

13=4/8

SOURCE
TERM HERE?

59
59
59
59

A08S2
A08S2
A08S2

A08S2
B17N2

1=01 *
1=02 *
1

DXX
DXX

1

REMARKS

8=0/8

60
60
60

A08V2
A08V2
A08V2

A08P2
A08V2

1=01 *
1=02 *
1

DXX
DXX

1

REMARKS

3=0/8

61
61
61

A09C1
A09C1
A09C1

A09C1
C11R1

1=01 * S
1=02 *
1

D11
D11

1

REMARKS

9=4/8

SOURCE
TERM HERE?

62
62
62

A09F1
A09F1
A09F1

A09B1
A09F1

1=01 *
1=02 *
1

D11
D11

1

REMARKS

2=8/8

TERM HERE?
SOURCE

63
63
63

A09K1
A09K1
A09K1

A09K1
E25R2

1=01 * S
1=02 *
1

D13
D13

1

REMARKS

17=0/8

SOURCE
TERM HERE?

64
64
64

A09S1
A09S1
A09S1

A09L1
A09S1

1=01 *
1=02 *
1

D25
D25

1

REMARKS

3=0/8

TERM HERE?
SOURCE

65
65
65

A09V2
A09V2
A09V2

A09V2
B17M2

1=01 * S
1=02 *
1

D06
D06

1

REMARKS

7=0/8

SOURCE
TERM HERE?

66
66
66

digital EQUIPMENT CORPORATION

DX118.K
RUN NAME

HND288.V22(22) 11/06/73
A/P PIN ORDER BAY *
NAME PIN ORDER

Q DRAW RV PG Y X Z REMARKS

11-JUL-74
LENGTH

0123
EXCEPTIONS

PAGE 12
RUN
NUMBER

A20B2
A20B2
A20B2

A20B2
B23F1

1-01 *
1-02 *
1

D26
D26

1

6-2/8

67
67
67

A20E2
A20E2
A20E2

A20E2
B23H1

1-01 *
1-02 *
1

D26
D26

1

6-0/8

68
68
68

A20H2
A20H2
A20H2

A20H2
B23J1

1-01 *
1-02 *
1

D26
D26

1

5-6/8

69
69
69

A20K2
A20K2
A20K2

A20K2
B23K1

1-01 *
1-02 *
1

D26
D26

1

5-6/8

70
70
70

A20M2
A20M2
A20M2

A20M2
B21H2

1-01 *
1-02 *
1

D26
D26

1

4-6/8

71
71
71

A20N2
A20N2
A20N2

A20N2
B21F2

1-01 *
1-02 *
1

D26
D26

1

4-4/8

72
72
72

A20P2
A20P2
A20P2

A20P2
B21E2

1-01 *
1-02 *
1

D26
D26

1

4-2/8

73
73
73

A20R2
A20R2
A20R2

A20R2
B21D2

1-01 *
1-02 *
1

D26
D26

1

4-0/8

74
74
74

A20S2
A20S2
A20S2

A20S2
B21D1

1-01 *
1-02 *
1

D26
D26

1

4-0/8

75
75
75

A20T2
A20T2
A20T2

A20T2
B21C1

1-01 *
1-02 *
1

D26
D26

1

3-4/8

76
76
76

A20U2
A20U2
A20U2

A20U2
B21B1

1-01 *
1-02 *
1

D26
D26

1

3-4/8

77
77
77

A20V2
A20V2
A20V2

A20V2
B21A1

1-01 *
1-02 *
1

D26
D26

1

3-0/8

78
78
78

DX118.K
RUN NAME

HND288.V22(22) 11/06/73
A/P PIN ORDER BAY *
NAME PIN ORDER

Q DRAW RV PG Y X Z REMARKS

11-JUL-74
LENGTH

0123
EXCEPTIONS

PAGE 13
RUN
NUMBER

A21K1
A21K1
A21K1

A21K1
B22M2

1-01 *
1-02 *
1

D26
D26

1

5-6/8

79
79
79

A21L1
A21L1
A21L1

A21L1
B22K2

1-01 *
1-02 *
1

D26
D26

1

5-2/8

80
80
80

A21U2
A21U2
A21U2

A21U2
B22V2

1-01 *
1-02 *
1

D26
D26

1

4-6/8

81
81
81

A21V2
A21V2
A21V2

A21V2
B22L2

1-01 *
1-02 *
1

D26
D26

1

4-2/8

82
82
82

A22K1
A22K1
A22K1

A22K1
B15M2

1-01 *
1-02 *
1

D26
D26

1

6-6/8

83
83
83

A22L1
A22L1
A22L1

A22L1
B15K2

1-01 *
1-02 *
1

D26
D26

1

6-6/8

84
84
84

A22U2
A22U2
A22U2

A22U2
B15N2

1-01 *
1-02 *
1

D26
D26

1

6-6/8

85
85
85

A22V2
A22V2
A22V2

A22V2
B15L2

1-01 *
1-02 *
1

D26
D26

1

6-4/8

86
86
86

A23N1
A23N1
A23N1

A23J2
A23N1

1-01 *
1-02 *
1

D14
D14

1

3-0/8

87
87
87

A23P1
A23P1
A23P1

A23K2
A23P1

1-01 *
1-02 *
1

D14
D14

1

3-0/8

88
88
88

A24D1
A24D1
A24D1

A24D1
F19L1

1-01 *
1-02 *
1

D20
D20

1

17-4/8

89
89
89

A24J1
A24J1
A24J1

A24J1
B25D1

1-01 *
1-02 *
1

D15
D15

1

4-6/8

90
90
90

DIGITAL EQUIPMENT CORPORATION

DIGITAL EQUIPMENT CORPORATION

TJUL

DX118,K RUN NAME	HND288,V22(22) A/P PIN ORDER BAY = NAME PIN ORDER	11/06/73	Q	DRAW	RV	PG	Y	X	Z	REMARKS	11-JUL-74 LENGTH	0123 EXCEPTIONS	PAGE 20 RUN NUMBER
B04E1	A03H1	1-01 *		D25					1				145
B04E1	B04E1	1-02 *		D25									145
B04E1		1									5-0/8		145
B04L1	B04L1	1-01 *		D25					1				146
B04L1	E05H1	1-02 *		D25							10-0/8		146
B04L1		1											146
B04V2	A04E2	1-01 *		D25					1				147
B04V2	B04V2	1-02 *		D25									147
B04V2		1									6-6/8		147
B05F2	B05F2	1-01 *		D24					1				148
B05F2	C06F1	1-02 *		D24									148
B05F2		1									5-0/8		148
B05K2	B05K2	1-01 *		D24					1				149
B05K2	E24L2	1-02 *		D24									149
B05K2		1									15-2/8		149
B05S2	B05S2	1-01 *		D24					1				150
B05S2	B05U2	1-02 *		D24									150
B05S2		1									2-4/8		150
B06S1	A05N2	1-01 *		DXX					1				151
B06S1	B06S1	1-02 *	S	DXX								TERM HERE? SOURCE	151
B06S1		1									5-4/8		151
B08A1	A12E2	1-01 *		D10					1				152
B08A1	B08A1	1-02 *		D10									152
B08A1		1									5-4/8		152
B08K1	A13E2	1-01 *		D10					1				153
B08K1	B08K1	1-02 *		D10									153
B08K1		1									6-6/8		153
B08M1	A10E2	1-01 *		D10					1				154
B08M1	B08M1	1-02 *		D10									154
B08M1		1									6-4/8		154
B08V2	A11E2	1-01 *		D10					1				155
B08V2	B08V2	1-02 *		D10									155
B08V2		1									7-2/8		155
B09A1	A16E2	1-01 *		D10					1				156
B09A1	B09A1	1-02 *		D10									156
B09A1		1									7-0/8		156

DX118,K RUN NAME	HND288,V22(22) A/P PIN ORDER BAY = NAME PIN ORDER	11/06/73	Q	DRAW	RV	PG	Y	X	Z	REMARKS	11-JUL-74 LENGTH	0123 EXCEPTIONS	PAGE 21 RUN NUMBER
B09K1	A17E2	1-01 *		D10					1				157
B09K1	B09K1	1-02 *		D10									157
B09K1		1									6-0/8		157
B09M1	A14E2	1-01 *		D10					1				158
B09M1	B09M1	1-02 *		D10									158
B09M1		1									7-0/8		158
B09V2	A15E2	1-01 *		D10					1				159
B09V2	B09V2	1-02 *		D10									159
B09V2		1									8-0/8		159
B10K1	B10K1	1-01 *		D15					1				160
B10K1	B10L1	1-02 *		D15									160
B10K1	B10P1	1-03 *		D15					2				160
B10K1		1											160
B10S2	B10S2	1-01 *	S	DXX					1				161
B10S2	C06C1	1-02 *		DXX								SOURCE TERM HERE?	161
B10S2		1									5-0/8		161
B11E1	A11P1	1-01 *		D15					1				162
B11E1	B11E1	1-02 *		D15									162
B11E1		1									4-0/8		162
B11J2	A16T2	1-01 *		D16					1				163
B11J2	B11J2	1-02 *		D16									163
B11J2		1									5-4/8		163
B11L1	A10P1	1-01 *		D15					1				164
B11L1	B11L1	1-02 *		D15									164
B11L1		1									5-0/8		164
B11P2	A15T2	1-01 *		D16					1				165
B11P2	B11P2	1-02 *		D16									165
B11P2		1									5-6/8		165
B11S1	A17T2	1-01 *		D16					1				166
B11S1	B11S1	1-02 *		D16									166
B11S1		1									6-6/8		166
B11V2	A14T2	1-01 *		D16					1				167
B11V2	B11V2	1-02 *		D16									167
B11V2		1									6-0/8		167

7040

DX118,K
RUN NAME

HND288,V22(22) 11/06/73
A/P PIN ORDER BAY * Q DRAW RV PG Y X Z

11-JUL-74 0123 PAGE 28
LENGTH EXCEPTIONS RUN
NUMBER

A/P	PIN	ORDER	BAY *	Q	DRAW	RV	PG	Y	X	Z	REMARKS	11-JUL-74	0123	PAGE 28
NAME	PIN	DRDR	DRDR									LENGTH	EXCEPTIONS	RUN
														NUMBER
B31D2	B1552		1=01 *		D20					1				231
B31D2	B15T2		1=02 *		D20					2				231
B31D2	B16H2		1=03 *		D20					1				231
B31D2	A27P2		1=04 *		D20					2				231
B31D2	A27K2		1=05 *		D20					1				231
B31D2	B31D2		1=06 *		D20					1				231
B31D2			1									23-2/8		231
B31E2	A2782		1=01 *		D20					1				232
B31E2	B31E2		1=02 *	S	D20								TERM HERE?	232
B31E2			1									5-0/8	SOURCE	232
B32N1	A24M1		1=01 *		D17					2				233
B32N1	A2481		1=02 *		D17					1				233
B32N1	B32N1		1=03 *		D17					1				233
B32N1			1									10-2/8		233
BAAR	A07H1	H	1=01 *	S	D25					1				234
BAAR	C06H2	H	1=02 *		D07					2			SOURCE	234
BAAR	D06H2	H	1=03 *		D07					1				234
BAAR	D05M2	H	1=04 *		D07					2				234
BAAR	D04M2	H	1=05 *		D07					1				234
BAAR	D03M2	H	1=06 *		D07					2				234
BAAR	D03F2	H	1=07 *		D07					2			TERM HERE?	234
BAAR			1									24-4/8		234
BAAR	B03F1	L	1=01 *	S	D25					1				235
BAAR	B03H1	L	1=02 *		D25					2			SOURCE	235
BAAR	A07F1	L	1=03 *		D25					1				235
BAAR	E22J1	L	1=04 *		D11					2				235
BAAR	E25P1	L	1=05 *		D11					2			TERM HERE?	235
BAAR			1									29-0/8		235
BADB	A02D1	L	1=01 *	S	D25					2				236
BADB	C07N1	L	1=02 *		D25					1			SOURCE	236
BADB	C07P2	L	1=03 *		D25					2				236
BADB	C10R1	L	1=04 *		D11					2			TERM HERE?	236
BADB			1									16-0/8		236
BADB1	C07P1	H	1=01 *	S	D25					1				237
BADB1	D04C1	H	1=02 *		D07					2			SOURCE	237
BADB1	D03C1	H	1=03 *		D07					1				237
BADB1	D03R2	H	1=04 *		D07					1				237
BADB1	D04R2	H	1=05 *		D07					2			TERM HERE?	237
BADB1			1									14-0/8		237

DX118,K
RUN NAME

HND288,V22(22) 11/06/73
A/P PIN ORDER BAY * Q DRAW RV PG Y X Z

11-JUL-74 0123 PAGE 29
LENGTH EXCEPTIONS RUN
NUMBER

A/P	PIN	ORDER	BAY *	Q	DRAW	RV	PG	Y	X	Z	REMARKS	11-JUL-74	0123	PAGE 29
NAME	PIN	DRDR	DRDR									LENGTH	EXCEPTIONS	RUN
														NUMBER
BADB2	C07R2	H	1=01 *	S	D25					2				238
BADB2	C06D2	H	1=02 *		D07					1			SOURCE	238
BADB2	D06C1	H	1=03 *		D07					2				238
BADB2	D05C1	H	1=04 *		D07					1				238
BADB2	D05R2	H	1=05 *		D07					2				238
BADB2	D06R2	H	1=06 *		D07					2			TERM HERE?	238
BADB2			1									18-4/8		238
BAIN 00	C1081	H	1=01 *		D11					1				239
BAIN 00	D03V2	H	1=02 *	S	D07								TERM HERE?	239
BAIN 00			1									6-6/8	SOURCE	239
BAIN 01	D04V2	H	1=01 *	S	D07					1				240
BAIN 01	D08U1	H	1=02 *		D07								TERM HERE?	240
BAIN 01			1									4-0/8		240
BAIN 02	D05V2	H	1=01 *	S	D07					1				241
BAIN 02	D08N2	H	1=02 *		D07								SOURCE	241
BAIN 02			1									4-2/8	TERM HERE?	241
BAIN 03	D06V2	H	1=01 *	S	D07					1				242
BAIN 03	D08M2	H	1=02 *		D07								SOURCE	242
BAIN 03			1									3-4/8	TERM HERE?	242
BAIN 04	D03H1	H	1=01 *	S	D07					1				243
BAIN 04	D08J1	H	1=02 *		D07								TERM HERE?	243
BAIN 04			1									5-2/8		243
BAIN 05	D04M1	H	1=01 *	S	D07					1				244
BAIN 05	D08K1	H	1=02 *		D07								SOURCE	244
BAIN 05			1									4-4/8	TERM HERE?	244
BAIN 06	D05M1	H	1=01 *	S	D07					1				245
BAIN 06	D08E2	H	1=02 *		D07								SOURCE	245
BAIN 06			1									4-4/8	TERM HERE?	245
BAIN 07	D06M1	H	1=01 *	S	D07					1				246
BAIN 07	D08D2	H	1=02 *		D07								SOURCE	246
BAIN 07			1									4-0/8	TERM HERE?	246
BAIN 08	D03K1	H	1=01 *	S	D07					1				247
BAIN 08	D07S1	H	1=02 *		D07								SOURCE	247
BAIN 08			1									4-6/8	TERM HERE?	247
BAIN 09	D04K1	H	1=01 *	S	D07					1				248
BAIN 09	D07U1	H	1=02 *		D07								SOURCE	248
BAIN 09			1									4-2/8	TERM HERE?	248

DX11B,K
RUN NAME

HND288,V22(22) 11/06/73
A/P PIN ORDER BAY -
NAME PIN ORDER

Q DRAW RV PG Y X Z REMARKS

11-JUL-74 0123 PAGE 32
LENGTH EXCEPTIONS RUN
NUMBER

BG IN	H	B28U2	1=01 *	D18																
BG IN	H	C26E1	1=02 *	D18																263
BG IN			1																	263
													4=0/8							263
BG OUT	H	B28V2	1=01 *	D18																264
BG OUT	H	C26A1	1=02 *	D18																264
BG OUT			1																	264
													4=0/8							264
BIAR	H	B0381	1=01 *	S D25																265
BIAR	H	E29R2	1=02 *	D13															SOURCE	265
BIAR	H	F30F2	1=03 *	D13																265
BIAR	H	F31F2	1=04 *	D13																265
BIAR	H	F31R2	1=05 *	D13																265
BIAR	H	F30R2	1=06 *	D13																265
BIAR			1																	265
													32=0/8						TERM HERE?	265
BISR	H	A08M2	1=01 *	D25																266
BISR	H	C05L1	1=02 *	S D25															TERM HERE?	266
BISR			1																SOURCE	266
													8=2/8							266
BIT 0 COMP		A20J2	1=01 *	D26																267
BIT 0 COMP		B23D1	1=02 *	D26																267
BIT 0 COMP		B22J2	1=03 *	D26																267
BIT 0 COMP			1																	267
													8=2/8							267
BIT 1 COMP		A20F2	1=01 *	D26																268
BIT 1 COMP		B23C1	1=02 *	D26																268
BIT 1 COMP		B22S1	1=03 *	D26																268
BIT 1 COMP			1																	268
													9=2/8							268
BIT 2 COMP		A20D2	1=01 *	D26																269
BIT 2 COMP		B23B1	1=02 *	D26																269
BIT 2 COMP		B22L1	1=03 *	D26																269
BIT 2 COMP			1																	269
													9=0/8							269
BIT 3 COMP		A20L2	1=01 *	D26																270
BIT 3 COMP		B23A1	1=02 *	D26																270
BIT 3 COMP		B22E1	1=03 *	D26																270
BIT 3 COMP			1																	270
													7=4/8							270
BLAST	L	E02M2	1=01 *	D24																271
BLAST	L	E25K1	1=02 *	D11															TERM HERE?	271
BLAST	L	E14P2	1=03 *	S D25																271
BLAST			1																	271
													21=4/8						SOURCE	271

DX11R,K
RUN NAME

HND288,V22(22) 11/06/73
A/P PIN ORDER BAY -
NAME PIN ORDER

Q DRAW RV PG Y X Z REMARKS

11-JUL-74 0123 PAGE 33
LENGTH EXCEPTIONS RUN
NUMBER

BLLF(0)	H	A08J1	1=01 *	D13																	
BLLF(0)	H	C1982	1=02 *	S D13																272	
BLLF(0)			1																	272	
													10=6/8							272	
BLLF(1)	H	C08M2	1=01 *	D13																273	
BLLF(1)	H	C19R2	1=02 *	S D13																273	
BLLF(1)			1																	273	
													8=2/8							273	
BLLM	H	C18M2	1=01 *																	274	
BLLM	H	E32F2	1=02 *	D13																274	
BLLM			1																	274	
													11=2/8							274	
BLLMF (1)	H	C18R2	1=01 *																	275	
BLLMF (1)	H	A03B1	1=02 *																	275	
BLLMF (1)			1																	275	
													13=0/8							275	
BR OUT	L	B28J2	1=01 *	D18																276	
BR OUT	L	C26P1	1=02 *	D18																276	
BR OUT			1																	276	
													6=0/8							276	
BSY(0)	H	C04K1	1=01 *	D24																277	
BSY(0)	H	C14K2	1=02 *	S D09																277	
BSY(0)			1																	277	
													7=4/8							277	
BSY(1)	H	C14J2	1=01 *	S D09																278	
BSY(1)	H	B09P1	1=02 *	D10																278	
BSY(1)	H	D14N1	1=03 *	D19																278	
BSY(1)	H	A3181	1=04 *	D22																278	
BSY(1)	H	F30S2	1=05 *	D13																278	
BSY(1)			1																	278	
													47=2/8							278	
BSYEN(0)	H	B06K1	1=01 *	D06																279	
BSYEN(0)	H	E18P1	1=02 *	D06																279	
BSYEN(0)	H	C21F1	1=03 *	S D06																279	
BSYEN(0)			1																	279	
													22=2/8							279	
BSYEN(1)	H	C21E1	1=01 *	S D06																280	
BSYEN(1)	H	A30E1	1=02 *	D22																280	
BSYEN(1)	H	B17D2	1=03 *	DXX																280	
BSYEN(1)	H	B17L2	1=04 *	DXX																280	
BSYEN(1)	H	C09H2	1=05 *	DXX																280	
BSYEN(1)	H	D21M1	1=06 *	D19																280	
BSYEN(1)	H	F21J1	1=07 *	DXX																280	
BSYEN(1)			1																	280	
													46=2/8						TERM HERE?	280	

7070

DX118.K
RUN NAME

HND288,V22(22) 11/06/73
A/P PIN ORDER BAY -
NAME PIN ORDER

Q DRAW RV PG Y X Z REMARKS

11-JUL-74
LENGTH

0123
EXCEPTIONS

PAGE 36
RUN
NUMBER

BUS A13
BUS A13
BUS A13
BUS A13
BUS A13

L C36K2 1=01 * D17
L D31P1 1=02 * D28
L D32P1 1=03 * D28
L D27H2 1=04 * D17
1

1
2
1

13=4/8

296
296
296
296

BUS A14
BUS A14
BUS A14
BUS A14
BUS A14

L C30K1 1=01 * D17
L D27E2 1=02 * D17
L D31R2 1=03 * D28
L D32R2 1=04 * D28
1

2
1
2

13=0/8

297
297
297
297

BUS A15
BUS A15
BUS A15
BUS A15
BUS A15

L C30D2 1=01 * D17
L D27C1 1=02 * D17
L D31R1 1=03 * D28
L D32R1 1=04 * D28
1

2
1
2

13=4/8

298
298
298
298

BUS A16
BUS A16
BUS A16
BUS A16
BUS A16

L C30E2 1=01 * D17
L D31S2 1=02 * D28
L D32S2 1=03 * D28
L D27K1 1=04 * D17
1

1
2
1

14=6/8

299
299
299
299

BUS A17
BUS A17
BUS A17
BUS A17
BUS A17

L C3001 1=01 * D17
L D31S1 1=02 * D28
L D32S1 1=03 * D28
L D27N2 1=04 * D17
1

1
2
1

14=2/8

300
300
300
300

BUS AC LO
BUS AC LO
BUS AC LO
BUS AC LO
BUS AC LO

L D32F1 1=01 * D28
L D31F1 1=02 * D28
L D29R1 1=03 * D18
L F02H2 1=04 * DXX
1

1
2
1

24=0/8

301
301
301
301

BUS BBSY
BUS BBSY
BUS BBSY
BUS BBSY

L C26D1 1=01 * S D18
L C31P2 1=02 * D28
L C32P2 1=03 * D28
1

1
2

8=2/8

SOURCE
TERM HERE?

302
302
302

BUS BG 4 IN
BUS BG 4 IN
BUS BG 4 IN

H B28S2 1=01 * D18
H D32E2 1=02 * D28
1

1

7=2/8

303
303
303

DX118.K
RUN NAME

HND288,V22(22) 11/06/73
A/P PIN ORDER BAY -
NAME PIN ORDER

Q DRAW RV PG Y X Z REMARKS

11-JUL-74
LENGTH

0123
EXCEPTIONS

PAGE 37
RUN
NUMBER

BUS BG 4 OUT
BUS BG 4 OUT
BUS BG 4 OUT

H B28T2 1=01 * D18
H D31E2 1=02 * D28
1

1

6=6/8

304
304
304

BUS BG 5 IN
BUS BG 5 IN
BUS BG 5 IN

H B28P2 1=01 * D18
H D32B1 1=02 * D28
1

1

7=0/8

305
305
305

BUS BG 5 OUT
BUS BG 5 OUT
BUS BG 5 OUT

H B28R2 1=01 * D18
H D31B1 1=02 * D28
1

1

6=6/8

306
306
306

BUS BG 6 IN
BUS BG 6 IN
BUS BG 6 IN

H B28M2 1=01 * D18
H D32A1 1=02 * D28
1

1

7=0/8

307
307
307

BUS BG 6 OUT
BUS BG 6 OUT
BUS BG 6 OUT

H B28N2 1=01 * D18
H D31A1 1=02 * D28
1

1

6=6/8

308
308
308

BUS BG 7 IN
BUS BG 7 IN
BUS BG 7 IN

H B28K2 1=01 * D18
H C32V1 1=02 * D28
1

1

6=6/8

309
309
309

BUS BG 7 OUT
BUS BG 7 OUT
BUS BG 7 OUT

H B28L2 1=01 * D18
H C31V1 1=02 * D28
1

1

6=4/8

310
310
310

BUS BR 4
BUS BR 4
BUS BR 4
BUS BR 4

L B28H2 1=01 * D18
L D31O2 1=02 * D28
L D32D2 1=03 * D28
1

1
2

10=6/8

311
311
311
311

BUS BR 5
BUS BR 5
BUS BR 5
BUS BR 5

L B28F2 1=01 * D18
L D31C1 1=02 * D28
L D32C1 1=03 * D28
1

1
2

10=4/8

312
312
312
312

BUS BR 6
BUS BR 6
BUS BR 6
BUS BR 6

L B28E2 1=01 * D18
L C31U2 1=02 * D28
L C32U2 1=03 * D28
1

1
2

9=6/8

313
313
313
313

BUS BR 7
BUS BR 7
BUS BR 7
BUS BR 7

L B28D2 1=01 * D18
L C31T2 1=02 * D28
L C32T2 1=03 * D28
1

1
2

7=0/8

314
314
314
314

digital EQUIPMENT CORPORATION

digital EQUIPMENT CORPORATION

TUL

DX118,K
RUN NAME

HND288,V22(22) 11/06/73
A/P PIN ORDER BAY =
NAME PIN ORDER

Q DRAW RV PG Y X Z

REMARKS

11-JUL-74
LENGTH

0123
EXCEPTIONS

PAGE 40
RUN
NUMBER

BUS D10
BUS D10
BUS D10
BUS D10
BUS D10
BUS D10

L C32J1
L C31J1
L C29M2
L C27P2
L D30A1

1-01 *
1-02 *
1-03 *
1-04 *
1-05 *
1

D28
D28
D17
D17
D17

2
1
2
1

14-0/8

327
327
327
327
327

BUS D11
BUS D11
BUS D11
BUS D11
BUS D11
BUS D11

L C32K2
L C31K2
L C29K2
L C27M2
L D30E2

1-01 *
1-02 *
1-03 *
1-04 *
1-05 *
1

D28
D28
D17
D17
D17

2
1
2
1

14-4/8

328
328
328
328
328

BUS D12
BUS D12
BUS D12
BUS D12
BUS D12

L C27K2
L C29M2
L C31K1
L C32K1
L D30D1

1-01 *
1-02 *
1-03 *
1-04 *
1-05 *
1

D17
D17
D28
D28
D17

2
1
2
1

14-2/8

329
329
329
329
329

BUS D13
BUS D13
BUS D13
BUS D13
BUS D13

L C27H2
L C29P2
L C31L2
L C32L2
L D30H2

1-01 *
1-02 *
1-03 *
1-04 *
1-05 *
1

D17
D17
D28
D28
D17

2
1
2
1

15-4/8

330
330
330
330
330

BUS D14
BUS D14
BUS D14
BUS D14
BUS D14

L C27E2
L C29S2
L C31L1
L C32L1
L D30F1

1-01 *
1-02 *
1-03 *
1-04 *
1-05 *
1

D17
D17
D28
D28
D17

2
1
2
1

15-2/8

331
331
331
331
331

BUS D15
BUS D15
BUS D15
BUS D15
BUS D15

L C27C1
L C32M2
L C31M2
L C29U2
L D30J1

1-01 *
1-02 *
1-03 *
1-04 *
1-05 *
1

D17
D28
D28
D17
D17

1
2
1
2

16-2/8

332
332
332
332
332

BUS DC LO
BUS DC LO
BUS DC LO
BUS DC LO

L D32P2
L D31F2
L D29V1
L F02J2

1-01 *
1-02 *
1-03 *
1-04 *
1

D28
D28
D18
DXX

1
2
1

24-4/8

333
333
333
333

DX118,K
RUN NAME

HND288,V22(22) 11/06/73
A/P PIN ORDER BAY =
NAME PIN ORDER

Q DRAW RV PG Y X Z

REMARKS

11-JUL-74
LENGTH

0123
EXCEPTIONS

PAGE 41
RUN
NUMBER

BUS IN 0
BUS IN 0
BUS IN 0
BUS IN 0

H07K2
H08K2
H10P2

1-01 *
1-02 *
1-03 *
1

DXX
DXX
DXX

2
1

6-4/8

334
334
334
334

BUS IN 1
BUS IN 1
BUS IN 1
BUS IN 1

H07M2
H08M2
H10D2

1-01 *
1-02 *
1-03 *
1

DXX
DXX
DXX

2
1

6-4/8

335
335
335
335

BUS IN 2
BUS IN 2
BUS IN 2
BUS IN 2

H07S2
H08S2
H10P2

1-01 *
1-02 *
1-03 *
1

DXX
DXX
DXX

2
1

6-2/8

336
336
336
336

BUS IN 3
BUS IN 3
BUS IN 3
BUS IN 3

H07T2
H08T2
H10M2

1-01 *
1-02 *
1-03 *
1

DXX
DXX
DXX

2
1

6-2/8

337
337
337
337

BUS IN 4
BUS IN 4
BUS IN 4
BUS IN 4

H07V2
H08V2
H09F2

1-01 *
1-02 *
1-03 *
1

DXX
DXX
DXX

2
1

6-6/8

338
338
338
338

BUS IN 5
BUS IN 5
BUS IN 5
BUS IN 5

H07J1
H08J1
H09D2

1-01 *
1-02 *
1-03 *
1

DXX
DXX
DXX

2
1

6-0/8

339
339
339
339

BUS IN 6
BUS IN 6
BUS IN 6
BUS IN 6

H07M1
H08M1
H09P2

1-01 *
1-02 *
1-03 *
1

DXX
DXX
DXX

2
1

6-0/8

340
340
340
340

BUS IN 7
BUS IN 7
BUS IN 7
BUS IN 7

H07P1
H08P1
H09M2

1-01 *
1-02 *
1-03 *
1

DXX
DXX
DXX

2
1

6-0/8

341
341
341
341

BUS IN P
BUS IN P
BUS IN P
BUS IN P

H07D2
H08D2
H11F2

1-01 *
1-02 *
1-03 *
1

DXX
DXX
DXX

2
1

6-6/8

342
342
342
342

digital EQUIPMENT CORPORATION

digital EQUIPMENT CORPORATION

DX11B.K
RUN NAME

HND288,V22(22) 11/06/73
A/P PIN ORDER BAY -
NAME PIN ORDER

Q DRAW RV PG Y X Z REMARKS

11-JUL-74 0123 PAGE 42
LENGTH EXCEPTIONS RUN
NUMBER

BUS INIT
BUS INIT
BUS INIT
BUS INIT

L C32A1 1-01 *
L C31A1 1-02 *
L D29M1 1-03 *
1

D28
D28
D18

9-4/8 343
343
343

BUS INTR
BUS INTR
BUS INTR
BUS INTR

L C26M1 1-01 *
L C31B1 1-02 *
L C32B1 1-03 *
1

S D18
D28
D28

1 344
2 344
TERM HERE? 344
8-2/8 344

BUS MSYN
BUS MSYN
BUS MSYN
BUS MSYN

L D26E1 1-01 *
L C30E1 1-02 *
L D31V1 1-03 *
L D32V1 1-04 *
1

S D18
D17
D28
D28

2 345
1 345
2 345
TERM HERE? 345
15-6/8 345

BUS NPG IN
BUS NPG IN
BUS NPG IN

H C26B1 1-01 *
H C32U1 1-02 *
1

D18
D28

1 346
346
6-0/8 346

BUS NPG OUT
BUS NPG OUT
BUS NPG OUT

H C26V2 1-01 *
H C31U1 1-02 *
1

S D18
D28

1 347
SOURCE 347
TERM HERE? 347
4-4/8 347

BUS NPR
BUS NPR
BUS NPR
BUS NPR

L C26U2 1-01 *
L C26J1 1-02 *
L C31B2 1-03 *
L C32S2 1-04 *
1

S D18
D18
D28
D28

2 348
1 348
2 348
TERM HERE? 348
11-4/8 348

BUS OUT 0
BUS OUT 0
BUS OUT 0
BUS OUT 0

J07K2 1-01 *
J08K2 1-02 *
J10H1 1-03 *
1

D27
D27
D27

2 349
1 349
6-0/8 349

BUS OUT 1
BUS OUT 1
BUS OUT 1
BUS OUT 1

J07M2 1-01 *
J08M2 1-02 *
J10R1 1-03 *
1

D27
D27
D27

2 350
1 350
6-2/8 350

BUS OUT 2
BUS OUT 2
BUS OUT 2
BUS OUT 2

J07P2 1-01 *
J08P2 1-02 *
J10L2 1-03 *
1

D27
D27
D27

2 351
1 351
6-4/8 351

DX11B.K
RUN NAME

HND288,V22(22) 11/06/73
A/P PIN ORDER BAY -
NAME PIN ORDER

Q DRAW RV PG Y X Z REMARKS

11-JUL-74 0123 PAGE 43
LENGTH EXCEPTIONS RUN
NUMBER

BUS OUT 3
BUS OUT 3
BUS OUT 3
BUS OUT 3

J07T2 1-01 *
J08T2 1-02 *
J10V2 1-03 *
1

D27
D27
D27

2 352
1 352
6-2/8 352

BUS OUT 4
BUS OUT 4
BUS OUT 4
BUS OUT 4

J07V2 1-01 *
J08V2 1-02 *
J09H1 1-03 *
1

D27
D27
D27

2 353
1 353
6-4/8 353

BUS OUT 5
BUS OUT 5
BUS OUT 5
BUS OUT 5

J07J1 1-01 *
J08J1 1-02 *
J09R1 1-03 *
1

D27
D27
D27

2 354
1 354
6-0/8 354

BUS OUT 6
BUS OUT 6
BUS OUT 6
BUS OUT 6

J07M1 1-01 *
J08M1 1-02 *
J09L2 1-03 *
1

D27
D27
D27

2 355
1 355
6-0/8 355

BUS OUT 7
BUS OUT 7
BUS OUT 7
BUS OUT 7

J07P1 1-01 *
J08P1 1-02 *
J09V2 1-03 *
1

DXX
DXX
DXX

2 356
1 356
6-2/8 356

BUS OUT P
BUS OUT P
BUS OUT P
BUS OUT P

J07D2 1-01 *
J08D2 1-02 *
J13H1 1-03 *
1

DXX
DXX
DXX

2 357
1 357
7-4/8 357

BUS PA
BUS PA
BUS PA

L C31M1 1-01 *
L C32M1 1-02 *
1

D28
D28

1 358
358
2-6/8 358

BUS PB
BUS PB
BUS PB

L C31N2 1-01 *
L C32N2 1-02 *
1

D28
D28

1 359
359
2-6/8 359

BUS SACK
BUS SACK
BUS SACK
BUS SACK

L C26I2 1-01 *
L C31R2 1-02 *
L C32R2 1-03 *
1

S D18
D28
D28

1 360
2 360
SOURCE 360
TERM HERE? 360
7-6/8 360

DX118,K
RUN NAME

HND288,V22(22) 11/06/73
A/P PIN ORDER BAY =
NAME PIN ORDER

11-JUL-74 0123 PAGE 48
LENGTH EXCEPTIONS RUN
NUMBER

A/P	PIN NAME	ORDER PIN	BAY ORDER	Q	DRAW	RV	PG	Y	X	Z	REMARKS	11-JUL-74 LENGTH	0123 EXCEPTIONS	PAGE 48 RUN NUMBER
L	A28C1		1-01 *							2				387
L	A21J1		1-02 *			D26				1			TERM HERE?	387
L	E06M1		1-03 *	S		D27				1			SOURCE	387
			1									22-4/8		387
H	A31P1	A28F1	1-01 *			D22				2				388
H	A28F1		1-02 *							1				388
H	A21C1		1-03 *			D26				2				388
H	A19H1		1-04 *			D26				1				388
H	B12M1		1-05 *			D15				2				388
H	B11M2		1-06 *			D16				1				388
H	D15S1		1-07 *			D19				2				388
H	D04R1		1-08 *			D07				1				388
H	E06J1		1-09 *			D27				2				388
H	E09S1		1-10 *			D09				1				388
H	J10P2		1-11 *			DXX				1				388
			1									58-0/8		388
L	A28J1		1-01 *							2			TERM HERE?	389
L	A21M1		1-02 *			D26				1			SOURCE	389
L	E06K1		1-03 *	S		D27				1			SOURCE	389
			1									22-2/8		389
H	A31N1	A28M1	1-01 *			D22				2				390
H	A28M1		1-02 *							1				390
H	A21B1		1-03 *			D26				2				390
H	A19J1		1-04 *			D26				1				390
H	B12F1		1-05 *			D15				2				390
H	B11F2		1-06 *			D16				1				390
H	D16S1		1-07 *			D19				2				390
H	D05R1		1-08 *			D07				1				390
H	E06F1		1-09 *			D27				2				390
H	E09L2		1-10 *			D09				1				390
H	J10P1		1-11 *			DXX				1				390
			1									60-0/8		390
L	A28P1		1-01 *							2			TERM HERE?	391
L	A21F1		1-02 *			D26				1			SOURCE	391
L	E06H1		1-03 *	S		D27				1			SOURCE	391
			1									22-2/8		391

DX118,K
RUN NAME

HND288,V22(22) 11/06/73
A/P PIN ORDER BAY =
NAME PIN ORDER

11-JUL-74 0123 PAGE 49
LENGTH EXCEPTIONS RUN
NUMBER

A/P	PIN NAME	ORDER PIN	BAY ORDER	Q	DRAW	RV	PG	Y	X	Z	REMARKS	11-JUL-74 LENGTH	0123 EXCEPTIONS	PAGE 49 RUN NUMBER
H	A28D2		1-01 *							2				392
H	A31M1		1-02 *			D22				1				392
H	A21A1		1-03 *			D26				2				392
H	A19K1		1-04 *			D26				1				392
H	B12A1		1-05 *			D15				2				392
H	B11P1		1-06 *			D16				1				392
H	D17S1		1-07 *			D19				2				392
H	D06R1		1-08 *			D07				1				392
H	E06D1		1-09 *			D27				2				392
H	E09H1		1-10 *			D09				1				392
H	J10P1		1-11 *			DXX				1				392
			1									60-6/8		392
L	A28F2		1-01 *							2			TERM HERE?	393
L	A21E1		1-02 *			D26				1			SOURCE	393
L	E06E1		1-03 *	S		D27				1			SOURCE	393
			1									22-2/8		393
H	A10M1		1-01 *	S		D21				1			TERM HERE?	394
H	J09R2		1-02 *			DXX				1			SOURCE	394
			1									21-2/8		394
H	A10L1		1-01 *			D21				2				395
H	D10K1		1-02 *			D19				1				395
H	J21K2		1-03 *			DXX				1				395
			1									25-4/8		395
H	A11M1		1-01 *	S		D21				1			SOURCE	396
H	J09H2		1-02 *			DXX				1			TERM HERE?	396
			1									20-6/8		396
H	A11L1		1-01 *			D21				2				397
H	D11K1		1-02 *			D19				1				397
H	J21P1		1-03 *			DXX				1				397
			1									25-6/8		397
H	A12M1		1-01 *	S		D21				1			SOURCE	398
H	J09V1		1-02 *			DXX				1			TERM HERE?	398
			1									22-2/8		398
H	A12L1		1-01 *	S		D21				2			SOURCE	399
H	D12K1		1-02 *			D19				1				399
H	J21U2		1-03 *			DXX				1			TERM HERE?	399
			1									26-0/8		399

DX11B.K
RUN NAME

HND288,V22(22) 11/06/73

11-JUL-74 0123 PAGE 54
LENGTH EXCEPTIONS RUN
NUMBER

A/P	PIN NAME	ORDER PIN	BAY - ORDER	Q	DRAW	RV	PG	Y	X	Z	REMARKS	11-JUL-74 LENGTH	0123 EXCEPTIONS	PAGE 54 RUN NUMBER
	C06L1		1=01 *	S	D24					1				439
	C06L1		1=02 *		D24								SOURCE	439
	C06L1		1									3=2/8	TERM HERE?	439
	C06P2		1=01 *		D11					1				440
	C06P2		1=02 *		D11									440
	C06P2		1									12=2/8		440
	C06V2		1=01 *		D11					1				441
	C06V2		1=02 *		D11									441
	C06V2		1									12=0/8		441
	C07K1		1=01 *		D24					1				442
	C07K1		1=02 *		D24					2			TERM HERE?	442
	C07K1		1=03 *	S	D24								SOURCE	442
	C07K1		1									9=6/8		442
	C07L2		1=01 *		D07					1				443
	C07L2		1=02 *		D07									443
	C07L2		1									7=6/8		443
	C08E1		1=01 *		D25					1				444
	C08E1		1=02 *		D25									444
	C08E1		1									4=0/8		444
	C08J2		1=01 *		D13					1				445
	C08J2		1=02 *											445
	C08J2		1									13=4/8		445
	C08P2		1=01 *	S	D25					1			SOURCE	446
	C08P2		1=02 *		D25								TERM HERE?	446
	C08P2		1									5=0/8		446
	C08S1		1=01 *		D05					1				447
	C08S1		1=02 *		D05					2				447
	C08S1		1=03 *		D05									447
	C08S1		1									17=4/8		447
	C08V2		1=01 *		D05					1			TERM HERE?	448
	C08V2		1=02 *	S	D05								SOURCE	448
	C08V2		1									10=2/8		448
	C09E1		1=01 *		D06					1				449
	C09E1		1=02 *		D06									449
	C09E1		1									10=0/8		449

DX11B.K
RUN NAME

HND288,V22(22) 11/06/73

11-JUL-74 0123 PAGE 55
LENGTH EXCEPTIONS RUN
NUMBER

A/P	PIN NAME	ORDER PIN	BAY - ORDER	Q	DRAW	RV	PG	Y	X	Z	REMARKS	11-JUL-74 LENGTH	0123 EXCEPTIONS	PAGE 55 RUN NUMBER
	C09L1		1=01 *		D06					2				450
	C09L1		1=02 *		D06					1				450
	C09L1		1=03 *		D06									450
	C09L1		1									9=6/8		450
	C09P2		1=01 *	S	D06					1			SOURCE	451
	C09P2		1=02 *		D06								TERM HERE?	451
	C09P2		1									4=6/8		451
	C09S1		1=01 *		D06					1				452
	C09S1		1=02 *		D06									452
	C09S1		1									4=2/8		452
	C09V2		1=01 *	S	D06					1			SOURCE	453
	C09V2		1=02 *		D06								TERM HERE?	453
	C09V2		1									5=2/8		453
	C19U2		1=01 *		D11					1				454
	C19U2		1=02 *		D11									454
	C19U2		1									8=4/8		454
	C19V2		1=01 *		D11					1				455
	C19V2		1=02 *		D11									455
	C19V2		1									8=4/8		455
	CHDEND(1)	H	A29M1		D22					2				456
	CHDEND(1)	H	B23D2		D24					1			TERM HERE?	456
	CHDEND(1)	H	B09U1		D10					2				456
	CHDEND(1)	H	D15S2		D19					1				456
	CHDEND(1)	H	C15N1		D05									456
	CHDEND(1)		1									30=4/8	SOURCE	456
	CHEND(0)	H	C04M2		DXX					1				457
	CHEND(0)	H	C13K2		DXX									457
	CHEND(0)		1									7=0/8		457
	CHEND(1)	H	C13J2		D09					2			SOURCE	458
	CHEND(1)	H	B08K2		D10					1				458
	CHEND(1)	H	D13N1		D19					2				458
	CHEND(1)	H	A29U2		D22					1				458
	CHEND(1)	H	F31D1		D13									458
	CHEND(1)		1									42=6/8	TERM HERE?	458

DX118,K
RUN NAME

HND288,V22(22) 11/06/73
A/P PIN ORDER BAY - Q DRAW RV PG Y X Z
NAME PIN ORDER

11-JUL-74 0123 PAGE 64
LENGTH EXCEPTIONS RUN
NUMBER

CONOB 02(1)
CONOB 02(1)
CONOB 02(1)
CONOB 02(1)

H A12E1
H D20K1
H J19U2

1-01 * S
1-02 *
1-03 *
1

D21
D19
D27

1
2

REMARKS

SOURCE
TERM HERE?

499
499
499

CONOB 03(0)
CONOB 03(0)
CONOB 03(0)

H A13F1
H E04E2

1-01 * S
1-02 *
1

D21
D27

1

SOURCE
TERM HERE?

500
500
500

CONOB 03(1)
CONOB 03(1)
CONOB 03(1)
CONOB 03(1)

H A13E1
H D21K1
H J19F1

1-01 * S
1-02 *
1-03 *
1

D21
D19
D27

1
2

SOURCE
TERM HERE?

501
501
501
501

CONOB 04(0)
CONOB 04(0)
CONOB 04(0)

H A14F1
H E04J2

1-01 * S
1-02 *
1

D21
D27

1

SOURCE
TERM HERE?

502
502
502

CONOB 04(1)
CONOB 04(1)
CONOB 04(1)
CONOB 04(1)

H A14E1
H D22K1
H H19K2

1-01 * S
1-02 *
1-03 *
1

D21
D19
DXX

1
2

SOURCE
TERM HERE?

503
503
503
503

CONOB 05(0)
CONOB 05(0)
CONOB 05(0)

H A15F1
H J13R2

1-01 * S
1-02 *
1

D21
DXX

1

SOURCE
TERM HERE?

504
504
504

CONOB 05(1)
CONOB 05(1)
CONOB 05(1)
CONOB 05(1)

H A15E1
H D23K1
H H19P1

1-01 * S
1-02 *
1-03 *
1

D21
D19
DXX

1
2

SOURCE
TERM HERE?

505
505
505
505

CONOB 06(0)
CONOB 06(0)
CONOB 06(0)

H A16F1
H J13H2

1-01 * S
1-02 *
1

D21
DXX

1

SOURCE
TERM HERE?

506
506
506

CONOB 06(1)
CONOB 06(1)
CONOB 06(1)
CONOB 06(1)

H A16E1
H D24K1
H H19U2

1-01 * S
1-02 *
1-03 *
1

D21
D19
D27

1
2

SOURCE
TERM HERE?

507
507
507
507

CONOB 07(0)
CONOB 07(0)
CONOB 07(0)

H A17F1
H J13V1

1-01 * S
1-02 *
1

D21
DXX

1

SOURCE
TERM HERE?

508
508
508

DX118,K
RUN NAME

HND288,V22(22) 11/06/73
A/P PIN ORDER BAY - Q DRAW RV PG Y X Z
NAME PIN ORDER

11-JUL-74 0123 PAGE 65
LENGTH EXCEPTIONS RUN
NUMBER

CONOB 07(1)
CONOB 07(1)
CONOB 07(1)
CONOB 07(1)

H A17E1
H D25K1
H H19P1

1-01 * S
1-02 *
1-03 *
1

D21
D19
DXX

1
2

REMARKS

SOURCE
TERM HERE?

509
509
509
509

CONOB CLKA
CONOB CLKA
CONOB CLKA
CONOB CLKA
CONOB CLKA
CONOB CLKA

A13B1
A12B1
A11B1
A10B1
B10C1

1-01 *
1-02 *
1-03 *
1-04 *
1-05 * S
1

D21
D21
D21
D21
D21

2
1
2
1

TERM HERE?

510
510
510
510
510

CONOB CLKB
CONOB CLKB
CONOB CLKB
CONOB CLKB
CONOB CLKB

A14B1
A15B1
A16B1
A17B1
B10F1

1-01 *
1-02 *
1-03 *
1-04 *
1-05 * S
1

D21
D21
D21
D21
D21

2
1
2
1

TERM HERE?

511
511
511
511
511

COUNT 8A
COUNT 8A
COUNT 8A

L C0382
L D0882

1-01 * S
1-02 *
1

D07
D07

1

SOURCE
TERM HERE?

512
512
512

COUNT BC
COUNT BC
COUNT BC

L A25V2
L B2782

1-01 *
1-02 *
1

D08
D08

1

TERM HERE?

513
513
513

COUNT TTNDX
COUNT TTNDX
COUNT TTNDX

A2382
A25K1

1-01 *
1-02 *
1

D14
D14

1

TERM HERE?

514
514
514

CRS0
CRS0
CRS0

H B03K2
H B03M2

1-01 * S
1-02 *
1

D25
D25

1

SOURCE
TERM HERE?

515
515
515

CRS01
CRS01
CRS01
CRS01
CRS01

H C07H1
H C05A1
H E21H1
H E28T2

1-01 * S
1-02 *
1-03 *
1-04 *
1

D25
D25
D11
D13

2
1
2

SOURCE
TERM HERE?

516
516
516
516

CRS01
CRS01
CRS01
CRS01
CRS01

L B03K2
L C07F1
L A04L2
L E24A1

1-01 * S
1-02 *
1-03 *
1-04 *
1

D25
D25
D25
D11

1
2
1

SOURCE
TERM HERE?

517
517
517
517

28-4/8

Dx11B.K
RUN NAME

HND288,V22(22) 11/06/73												11-JUL-74	0123	PAGE 66
A/P	PIN	ORDER	BAY -	Q	DRAW	RV	PG	Y	X	Z	REMARKS	LENGTH	EXCEPTIONS	RUN
NAME	PIN	ORDER	ORDER											NUMBER
CRS01 OR 2	H	A04N2	1-01 *	8	D25					2				
CRS01 OR 2	H	B10D2	1-02 *		D16					1			SOURCE	518
CRS01 OR 2	H	B11N2	1-03 *		D16					2				518
CRS01 OR 2	H	B11N2	1-04 *		D16					1				518
CRS01 OR 2	H	B11R1	1-05 *		D16					2				518
CRS01 OR 2	H	B11U2	1-06 *		D16					1				518
CRS01 OR 2	H	B15R1	1-07 *		D16					2				518
CRS01 OR 2	H	B15K1	1-08 *		D16					1				518
CRS01 OR 2	H	B15H2	1-09 *		D16					2				518
CRS01 OR 2	H	B15D1	1-10 *		D16					1			TERM HERE?	518
			1									30-4/8		518
CRS02	L	B02F1	1-01 *	8	D25					2				
CRS02	L	A04M2	1-02 *		D25					1			SOURCE	519
CRS02	L	E15P2	1-03 *		D11								TERM HERE?	519
			1									19-4/8		519
CRSRND	H	B02V2	1-01 *	8	D25					2				
CRSRND	H	B11R2	1-02 *		D16					1			SOURCE	520
CRSRND	H	B11M1	1-03 *		D16					2				520
CRSRND	H	B11K2	1-04 *		D16					1				520
CRSRND	H	B15M1	1-05 *		D16					2				520
CRSRND	H	B15F1	1-06 *		D16					1				520
CRSRND	H	B15D2	1-07 *		D16					2				520
CRSRND	H	B15A1	1-08 *		D16					1				520
CRSRND	H	B11O2	1-09 *		D16					2				520
CRSRND	H	B10E2	1-10 *		D16					1				520
CRSRND	H	E05R1	1-11 *		D09								TERM HERE?	520
			1									45-2/8		520
CRSRND	L	B02F2	1-01 *	8	D25					1				
CRSRND	L	A06J2	1-02 *		D07					2			SOURCE	521
CRSRND	L	B02T2	1-03 *		D25					1				521
CRSRND	L	B02U2	1-04 *		D25					2				521
CRSRND	L	E15R1	1-05 *		D11								TERM HERE?	521
			1									27-6/8		521
CUA 00X		A19L1	1-01 *		D26					1				
CUA 00X		A20A1	1-02 *		D26									522
CUA 00X			1											522
CUA 02X		A19S1	1-01 *		D26					1				
CUA 02X		A20B1	1-02 *		D26									523
CUA 02X			1											523
												6-2/8		523

Dx11B.K
RUN NAME

HND288,V22(22) 11/06/73												11-JUL-74	0123	PAGE 67
A/P	PIN	ORDER	BAY -	Q	DRAW	RV	PG	Y	X	Z	REMARKS	LENGTH	EXCEPTIONS	RUN
NAME	PIN	ORDER	ORDER											NUMBER
CUA 04X		A19R1	1-01 *		D26					1				
CUA 04X		A20C1	1-02 *		D26									524
CUA 04X			1											524
CUA 06X		A19P1	1-01 *		D26					1				
CUA 06X		A20D1	1-02 *		D26									525
CUA 06X			1											525
CUA 10X		A19M1	1-01 *		D26					1				
CUA 10X		A20E1	1-02 *		D26									526
CUA 10X			1											526
CUA 12X		A19M1	1-01 *		D26					1				
CUA 12X		A20F1	1-02 *		D26									527
CUA 12X			1											527
CUA 14X		A19T2	1-01 *		D26					1				
CUA 14X		A20H1	1-02 *		D26									528
CUA 14X			1											528
CUA 16X		A19S2	1-01 *		D26					1				
CUA 16X		A20J1	1-02 *		D26									529
CUA 16X			1											529
CUA 20X		A19R2	1-01 *		D26					1				
CUA 20X		A20K1	1-02 *		D26									530
CUA 20X			1											530
CUA 22X		A19P2	1-01 *		D26					1				
CUA 22X		A20L1	1-02 *		D26									531
CUA 22X			1											531
CUA 24X		A19N2	1-01 *		D26					1				
CUA 24X		A20M1	1-02 *		D26									532
CUA 24X			1											532
CUA 26X		A19J2	1-01 *		D26					1				
CUA 26X		A20N1	1-02 *		D26									533
CUA 26X			1											533
CUA 30X		A19H2	1-01 *		D26					1				
CUA 30X		A20P1	1-02 *		D26									534
CUA 30X			1											534
CUA 32X		A19F2	1-01 *		D26					1				
CUA 32X		A20Q1	1-02 *		D26									535
CUA 32X			1											535
												3-4/8		535

DX11B,K
RUN NAME

HND288,V22(22) 11/06/73
A/P PIN ORDER BAY -
NAME PIN ORDER

Q DRAW RV PG Y X Z REMARKS

11-JUL-74
LENGTH

0123
EXCEPTIONS

PAGE 68
RUN
NUMBER

CUA 34X
CUA 34X
CUA 34X

A19E2 1=01 *
A2081 1=02 *
1

D26
D26
1

3=6/8

536
536
536

CUA 36X
CUA 36X
CUA 36X

A19K2 1=01 *
A20V1 1=02 *
1

D26
D26
1

3=6/8

537
537
537

CUAR 00(0)
CUAR 00(0)
CUAR 00(0)

H A10S1 1=01 *
H B22H2 1=02 *
1

D15
D26
1

9=2/8

538
538
538

CUAR 00(1)
CUAR 00(1)
CUAR 00(1)
CUAR 00(1)
CUAR 00(1)
CUAR 00(1)
CUAR 00(1)
CUAR 00(1)
CUAR 00(1)

H D04S2 1=01 *
H D10T2 1=02 *
H B08N1 1=03 *
H A10U1 1=04 *
H B22E2 1=05 *
H A29T2 1=06 *
H F31V1 1=07 *
1

D07
D19
D10
D15
D26
D22
D13
1

51=0/8

539
539
539
539
539
539
539
539
539

CUAR 01(0)
CUAR 01(0)
CUAR 01(0)

H A11S1 1=01 *
H B22H1 1=02 *
1

D15
D26
1

9=0/8

540
540
540

CUAR 01(1)
CUAR 01(1)
CUAR 01(1)
CUAR 01(1)
CUAR 01(1)
CUAR 01(1)
CUAR 01(1)
CUAR 01(1)
CUAR 01(1)

H D11T2 1=01 *
H D05S2 1=02 *
H B08S2 1=03 *
H A11U1 1=04 *
H B22M1 1=05 *
H A29S2 1=06 *
H F31L2 1=07 *
1

D19
D07
D10
D15
D26
D22
D13
1

50=6/8

541
541
541
541
541
541
541
541
541

CUAR 02(0)
CUAR 02(0)
CUAR 02(0)

H A12S1 1=01 *
H B22K1 1=02 *
1

D15
D26
1

8=2/8

542
542
542

CUAR 02(1)
CUAR 02(1)
CUAR 02(1)
CUAR 02(1)
CUAR 02(1)
CUAR 02(1)
CUAR 02(1)
CUAR 02(1)
CUAR 02(1)

H D12T2 1=01 *
H D06S2 1=02 *
H B08H1 1=03 *
H A12U1 1=04 *
H B22H1 1=05 *
H A29R2 1=06 *
H F31S1 1=07 *
1

D19
D07
D10
D15
D26
D22
D13
1

50=4/8

543
543
543
543
543
543
543
543
543

DX11B,K
RUN NAME

HND288,V22(22) 11/06/73
A/P PIN ORDER BAY -
NAME PIN ORDER

Q DRAW RV PG Y X Z REMARKS

11-JUL-74
LENGTH

0123
EXCEPTIONS

PAGE 69
RUN
NUMBER

CUAR 03(0)
CUAR 03(0)
CUAR 03(0)

H A13S1 1=01 *
H B22D1 1=02 *
1

D15
D26
1

7=4/8

544
544
544

CUAR 03(1)
CUAR 03(1)
CUAR 03(1)
CUAR 03(1)
CUAR 03(1)
CUAR 03(1)
CUAR 03(1)
CUAR 03(1)
CUAR 03(1)

H A29P2 1=01 *
H B22B1 1=02 *
H A13U1 1=03 *
H B08L2 1=04 *
H D03N1 1=05 *
H D13T2 1=06 *
H F31H1 1=07 *
1

D22
D26
D15
D10
D07
D19
D13
1

46=4/8

545
545
545
545
545
545
545
545
545

CUAR 04(0)
CUAR 04(0)
CUAR 04(0)

H A28D1 1=01 *
H A14S1 1=02 *
1

D15
D26
1

10=0/8

546
546
546

CUAR 04(1)
CUAR 04(1)
CUAR 04(1)
CUAR 04(1)
CUAR 04(1)
CUAR 04(1)
CUAR 04(1)
CUAR 04(1)
CUAR 04(1)

H A28H1 1=01 *
H A29M2 1=02 *
H A14U1 1=03 *
H B09N1 1=04 *
H D04N1 1=05 *
H D14T2 1=06 *
H F30V1 1=07 *
1

D22
D15
D10
D07
D19
D13
1

49=2/8

547
547
547
547
547
547
547
547
547

CUAR 05(0)
CUAR 05(0)
CUAR 05(0)

H A15S1 1=01 *
H A28K1 1=02 *
1

D15
D26
1

9=2/8

548
548
548

CUAR 05(1)
CUAR 05(1)
CUAR 05(1)
CUAR 05(1)
CUAR 05(1)
CUAR 05(1)
CUAR 05(1)
CUAR 05(1)
CUAR 05(1)

H A28N1 1=01 *
H A29M2 1=02 *
H A15U1 1=03 *
H B09S2 1=04 *
H D05N1 1=05 *
H D15T2 1=06 *
H F30L2 1=07 *
1

D22
D15
D10
D07
D19
D13
1

47=2/8

549
549
549
549
549
549
549
549
549

CUAR 06(0)
CUAR 06(0)
CUAR 06(0)

H A16S1 1=01 *
H A28H1 1=02 *
1

D15
D26
1

8=4/8

550
550
550

DX11B,K
RUN NAME

HND288,V22(22) 11/06/73
A/P PIN ORDER BAY -
NAME PIN ORDER

11-JUL-74 0123 PAGE 72
LENGTH EXCEPTIONS RUN
NUMBER

A/P	PIN NAME	ORDER PIN	BAY - ORDER	Q	DRAW RV PG Y	X	Z	REMARKS	11-JUL-74 LENGTH	0123 EXCEPTIONS	PAGE 72 RUN NUMBER
H	A13V2		1=01 *		D16		1				565
H	C04R2		1=02 *		D24		1				565
			1						9=0/8		565
H	A29E2		1=01 *		D22		1				566
H	A13V1		1=02 *		D16		2				566
H	B13K2		1=03 *		D10		1				566
H	D21T2		1=04 *		D19		2				566
H	F31F1		1=05 *		D13		1				566
			1						34=2/8		566
H	A14V2		1=01 *	S	D16		1			SOURCE	567
H	C04R1		1=02 *		D24		1			TERM HERE?	567
			1						9=4/8		567
H	A29D2		1=01 *		D22		1				568
H	A14V1		1=02 *		D16		2				568
H	B14P1		1=03 *		D10		1				568
H	D22T2		1=04 *		D19		2				568
H	F30U1		1=05 *		D13		1				568
			1						34=2/8		568
H	A15V2		1=01 *	S	D16		1			SOURCE	569
H	C04P1		1=02 *		D24		1			TERM HERE?	569
			1						10=2/8		569
H	A29C2		1=01 *		D22		1				570
H	A15V1		1=02 *		D16		2				570
H	B14T2		1=03 *		D10		1				570
H	D23T2		1=04 *		D19		2				570
H	F30K2		1=05 *		D13		1				570
			1						33=0/8		570
H	A16V2		1=01 *	S	D16		1			SOURCE	571
H	C04N1		1=02 *		D24		1			TERM HERE?	571
			1						10=4/8		571
H	A29B2		1=01 *		D22		1				572
H	A16V1		1=02 *		D16		2				572
H	A14F1		1=03 *		D10		1				572
H	D24T2		1=04 *		D19		2				572
H	F30R1		1=05 *		D13		1				572
			1						33=4/8		572
H	A17V2		1=01 *	S	D16		1			SOURCE	573
H	C04M1		1=02 *		D24		1			TERM HERE?	573
			1						11=0/8		573

DX11B,K
RUN NAME

HND288,V22(22) 11/06/73
A/P PIN ORDER BAY -
NAME PIN ORDER

11-JUL-74 0123 PAGE 73
LENGTH EXCEPTIONS RUN
NUMBER

A/P	PIN NAME	ORDER PIN	BAY - ORDER	Q	DRAW RV PG Y	X	Z	REMARKS	11-JUL-74 LENGTH	0123 EXCEPTIONS	PAGE 73 RUN NUMBER
H	A29A2		1=01 *		D22		1				574
H	A17V1		1=02 *		D16		2				574
H	B14K2		1=03 *		D10		1				574
H	D25T2		1=04 *		D19		2				574
H	F30F1		1=05 *		D13		1				574
			1						32=0/8		574
L	B10F2		1=01 *		D16		1				575
L	B10H2		1=02 *		D16		2				575
L	B10L2		1=03 *		D16		1				575
			1						5=2/8		575
	A17S2		1=01 *		D16		2				576
	A16S2		1=02 *		D16		1				576
	A15S2		1=03 *		D16		2				576
	A14S2		1=04 *		D16		1				576
	B10K2		1=05 *		D16		1				576
			1						13=4/8		576
	A13S2		1=01 *		D16		2				577
	A12S2		1=02 *		D16		1				577
	A11S2		1=03 *		D16		2				577
	A10S2		1=04 *		D16		1				577
	B10N2		1=05 *		D16		1				577
			1						13=0/8		577
H	E20S1		1=01 *	S	D05		1			SOURCE	578
H	E23E2		1=02 *		D11		1			TERM HERE?	578
			1						4=6/8		578
L	D01V2		1=01 *	S	D05		2			SOURCE	579
L	C01P1		1=02 *		D05		1				579
L	C14K1		1=03 *		D05		2				579
L	E20R1		1=04 *		D05		1			TERM HERE?	579
			1						24=4/8		579
H	A29N1		1=01 *		D22		2			TERM HERE?	580
H	B23E2		1=02 *		D24		1				580
H	B09R1		1=03 *		D10		2				580
H	D14S2		1=04 *		D19		1				580
H	C14N1		1=05 *	S	D05		1			SOURCE	580
			1						30=2/8		580

FJUU

DX11B,K
RUN NAME

HND288,V22(22) 11/06/73
A/P PIN ORDER BAY - Q DRAW HV PG Y X Z

11-JUL-74 0123 PAGE 76
LENGTH EXCEPTIONS RUN
NUMBER

CUSR CLK ENA
CUSR CLK ENA
CUSR CLK ENA

E05N2 1=01 * S D09
E05P2 1=02 * D09
E05T2 1=03 * D09
1

1
2

SOURCE 596
TERM HERE? 596
596

5=2/8

CUSRNZ
CUSRNZ
CUSRNZ

H B07D1 1=01 * DXX
H F20K2 1=02 * DXX
1

1

597

597

597

16=2/8

CUSRNZ
CUSRNZ
CUSRNZ
CUSRNZ

L A09T2 1=01 * DXX
L B07E1 1=02 * DXX
L B06M1 1=03 * DXX
1

1

2

598

598

598

598

7=4/8

D01C1
D01C1
D01C1

C25J1 1=01 * D05
D01C1 1=02 * D05
1

1

599

599

599

15=4/8

D01F1
D01F1
D01F1

C23J1 1=01 * D05
D01F1 1=02 * D05
1

1

600

600

600

14=4/8

D01F2
D01F2
D01F2

C20J1 1=01 * D05
D01F2 1=02 * D05
1

1

601

601

601

12=6/8

D01K2
D01K2
D01K2

C18J1 1=01 * D05
D01K2 1=02 * D05
1

1

602

602

602

12=0/8

D01N1
D01N1
D01N1

C21J1 1=01 * D05
D01N1 1=02 * D05
1

1

603

603

603

13=6/8

D01N2
D01N2
D01N2

C17J1 1=01 * D05
D01N2 1=02 * D05
1

1

604

604

604

11=4/8

D01S1
D01S1
D01S1

C19J1 1=01 * D05
D01S1 1=02 * D05
1

1

605

605

605

13=0/8

D01S2
D01S2
D01S2

D01S2 1=01 * D05
D01T2 1=02 * D05
1

1

606

606

606

2=4/8

DX11B,K
RUN NAME

HND288,V22(22) 11/06/73
A/P PIN ORDER BAY - Q DRAW RV PG Y X Z

11-JUL-74 0123 PAGE 77
LENGTH EXCEPTIONS RUN
NUMBER

D02C1
D02C1
D02C1

D02C1 1=01 * D24
D02D1 1=02 * D24
1

1

607

607

607

2=4/8

D02K1
D02K1
D02K1

D02K1 1=01 * D24
E03L2 1=02 * D24
1

1

608

608

608

5=2/8

D02N1
D02N1
D02N1

D02N1 1=01 * D05
F14F1 1=02 * D05
1

1

609

609

609

10=2/8

D02N2
D02N2
D02N2

B06B1 1=01 * D25
D02N2 1=02 * S D25
1

1

TERM HERE?
SOURCE

610

610

610

9=4/8

D02S1
D02S1
D02S1

C08K2 1=01 * D25
D02S1 1=02 * S D25
1

1

TERM HERE?
SOURCE

611

611

611

7=2/8

D07N1
D07N1
D07N1

D07J2 1=01 * D07
D07N1 1=02 * D07
1

1

612

612

612

3=0/8

D07P1
D07P1
D07P1

D07K2 1=01 * D07
D07P1 1=02 * D07
1

1

613

613

613

3=0/8

D08E1
D08E1
D08E1

D07S2 1=01 * D07
D08E1 1=02 * S D07
1

1

TERM HERE?
SOURCE

614

614

614

3=6/8

D08F1
D08F1
D08F1

D07U2 1=01 * D07
D08F1 1=02 * S D07
1

1

TERM HERE?
SOURCE

615

615

615

4=0/8

D08N1
D08N1
D08N1

D08J2 1=01 * D07
D08N1 1=02 * D07
1

1

616

616

616

3=0/8

D08P1
D08P1
D08P1

D08K2 1=01 * D07
D08P1 1=02 * D07
1

1

617

617

617

3=0/8

DATA IN
DATA IN
DATA IN

H12T2 1=01 * DXX
H14T2 1=02 * DXX
1

1

618

618

618

3=2/8

DX11B,K
RUN NAME

HND288,V22(22) 11/06/73
A/P PIN ORDER BAY -
NAME PIN ORDER

Q DRAW RV PG Y X Z REMARKS

11-JUL-74
LENGTH

0123
EXCEPTIONS

PAGE 80
RUN
NUMBER

DBUS 03
DBUS 03
DBUS 03
DBUS 03
DBUS 03
DBUS 03
DBUS 03
DBUS 03
DBUS 03
DBUS 03

H C29K1 1-01 *
H B27M2 1-02 *
H B12M2 1-03 *
H A13J1 1-04 *
H B08H2 1-05 *
H C09N2 1-06 *
H D06V1 1-07 *
H E08H2 1-08 *
H F17K1 1-09 *
1

D17
D08
D15
D21
D10
D06
D07
D09
DXX

2
1
2
1
2
1
2
1

50-4/8

633
633
633
633
633
633
633
633
633
633

DBUS 04
DBUS 04
DBUS 04
DBUS 04
DBUS 04
DBUS 04
DBUS 04
DBUS 04
DBUS 04

H C29M1 1-01 *
H B27J1 1-02 *
H A14J1 1-03 *
H B12F2 1-04 *
H B09S1 1-05 *
H C09U2 1-06 *
H D03S1 1-07 *
H E08P1 1-08 *
1

D17
D08
D21
D15
D10
D06
D07
D09

2
1
2
1
2
1
2

43-2/8

634
634
634
634
634
634
634
634
634

DBUS 05
DBUS 05
DBUS 05
DBUS 05
DBUS 05
DBUS 05
DBUS 05
DBUS 05
DBUS 05

H C29P1 1-01 *
H B27K1 1-02 *
H A15J1 1-03 *
H B12P1 1-04 *
H B09V1 1-05 *
H C09F1 1-06 *
H E08L1 1-07 *
H D04S1 1-08 *
1

D17
D08
D21
D15
D10
D06
D07

2
1
2
1
2
1
2

42-4/8

635
635
635
635
635
635
635
635
635

DBUS 06
DBUS 06
DBUS 06
DBUS 06
DBUS 06
DBUS 06
DBUS 06
DBUS 06
DBUS 06

H C29S1 1-01 *
H B27E2 1-02 *
H A16J1 1-03 *
H C16C1 1-04 *
H B12J1 1-05 *
H B09D1 1-06 *
H E08H1 1-07 *
H D05S1 1-08 *
1

D17
D08
D21
D06
D15
D10
D07

2
1
2
1
2
1
2

46-6/8

636
636
636
636
636
636
636
636
636

DX11B,K
RUN NAME

HND288,V22(22) 11/06/73
A/P PIN ORDER BAY -
NAME PIN ORDER

Q DRAW RV PG Y X Z REMARKS

11-JUL-74
LENGTH

0123
EXCEPTIONS

PAGE 81
RUN
NUMBER

DBUS 07
DBUS 07
DBUS 07
DBUS 07
DBUS 07
DBUS 07
DBUS 07
DBUS 07
DBUS 07

H C29U1 1-01 *
H B27D2 1-02 *
H A17J1 1-03 *
H B12C1 1-04 *
H B09H2 1-05 *
H D06S1 1-06 *
H E08A1 1-07 *
H E17H1 1-08 *
1

D17
D08
D21
D15
D10
D07
D09
D06

1
2
1
2
1
2
1

45-2/8

637
637
637
637
637
637
637
637
637

DBUS 08
DBUS 08
DBUS 08
DBUS 08
DBUS 08
DBUS 08

H A10C1 1-01 *
H B13S1 1-02 *
H D03H2 1-03 *
H E17A1 1-04 *
H B26S1 1-05 *
H C29U2 1-06 *
1

D21
D10
D07
D06
D08
D17

2
1
2
1
2

41-0/8

638
638
638
638
638
638

DBUS 09
DBUS 09
DBUS 09
DBUS 09
DBUS 09
DBUS 09

H C29F2 1-01 *
H B26U1 1-02 *
H C19C1 1-03 *
H A11C1 1-04 *
H B13V1 1-05 *
H D04H2 1-06 *
1

D17
D08
D06
D21
D10
D07

1
2
1
2
1

36-0/8

639
639
639
639
639
639

DBUS 10
DBUS 10
DBUS 10
DBUS 10
DBUS 10
DBUS 10
DBUS 10

H A12C1 1-01 *
H B13D1 1-02 *
H B26N2 1-03 *
H C29J2 1-04 *
H E27A1 1-05 *
H E11N2 1-06 *
H D05H2 1-07 *
1

D21
D10
D08
D17
D13
DXX
D07

2
1
2
1
2
1

44-4/8

640
640
640
640
640
640
640

DBUS 11
DBUS 11
DBUS 11
DBUS 11
DBUS 11
DBUS 11
DBUS 11
DBUS 11

H A13C1 1-01 *
H B13H2 1-02 *
H C21C1 1-03 *
H B26M2 1-04 *
H C29L2 1-05 *
H E26U2 1-06 *
H E11M2 1-07 *
H D06H2 1-08 *
1

D21
D10
D06
D08
D17
D13
DXX
D07

2
1
2
1
2
1
2

50-0/8

641
641
641
641
641
641
641
641

TJJD

DX11B,K
RUN NAME

HND288.V22(22) 11/06/73
A/P PIN ORDER BAY -
NAME PIN ORDER

11-JUL-74 0123 PAGE 84
LENGTH EXCEPTIONS RUN
NUMBER

A/P	PIN	ORDER	BAY -	Q	DRAW	RV	PG	Y	X	Z	REMARKS	11-JUL-74	0123	PAGE 84
NAME	PIN	PIN	ORDER									LENGTH	EXCEPTIONS	RUN
														NUMBER
DSCRSP(1)	H	A09P1	1-01 *		D25					2				
DSCRSP(1)	H	B19S2	1-02 *		D13					1			TERM HERE?	656
DSCRSP(1)	H	E28D1	1-03 *		D13					2				656
DSCRSP(1)	H	E12E2	1-04 *		D24					1				656
DSCRSP(1)	H	D11M2	1-05 *		D19					2				656
DSCRSP(1)	H	C11U2	1-06 *	S	D11					1			SOURCE	656
DSCRSP(1)			1									38-0/8		656
DXBA 00(1)	H	A30T2	1-01 *		D22					2			TERM HERE?	657
DXBA 00(1)	H	D28P1	1-02 *		D17					1				657
DXBA 00(1)	H	D10P1	1-03 *		D19					2				657
DXBA 00(1)	H	C07K2	1-04 *		D07					1				657
DXBA 00(1)	H	D08V2	1-05 *	S	D22					1			SOURCE	657
DXBA 00(1)			1									34-4/8		657
DXBA 01(1)	H	A30S2	1-01 *		D22					2			TERM HERE?	658
DXBA 01(1)	H	D28R1	1-02 *		D17					1				658
DXBA 01(1)	H	D11P1	1-03 *		D19					2				658
DXBA 01(1)	H	D08V1	1-04 *	S	D22					1			SOURCE	658
DXBA 01(1)			1									25-6/8		658
DXBA 02(1)	H	A30R2	1-01 *		D22					2			TERM HERE?	659
DXBA 02(1)	H	D28L1	1-02 *		D17					1				659
DXBA 02(1)	H	D12P1	1-03 *		D19					2				659
DXBA 02(1)	H	D08R2	1-04 *	S	D22					1			SOURCE	659
DXBA 02(1)			1									25-2/8		659
DXBA 03(1)	H	A30P2	1-01 *		D22					2			TERM HERE?	660
DXBA 03(1)	H	D28M1	1-02 *		D17					1				660
DXBA 03(1)	H	D13P1	1-03 *		D19					2				660
DXBA 03(1)	H	D08P2	1-04 *	S	D22					1			SOURCE	660
DXBA 03(1)			1									25-2/8		660
DXBA 04(1)	H	A30N2	1-01 *		D22					2			TERM HERE?	661
DXBA 04(1)	H	D28D1	1-02 *		D17					1				661
DXBA 04(1)	H	D14P1	1-03 *		D19					2				661
DXBA 04(1)	H	D08L2	1-04 *	S	D22					1			SOURCE	661
DXBA 04(1)			1									25-2/8		661
DXBA 05(1)	H	A30M2	1-01 *		D22					2			TERM HERE?	662
DXBA 05(1)	H	D28E1	1-02 *		D17					1				662
DXBA 05(1)	H	D15P1	1-03 *		D19					2				662
DXBA 05(1)	H	D08L1	1-04 *	S	D22					1			SOURCE	662
DXBA 05(1)			1									25-4/8		662

DX11B,K
RUN NAME

HND288.V22(22) 11/06/73
A/P PIN ORDER BAY -
NAME PIN ORDER

11-JUL-74 0123 PAGE 85
LENGTH EXCEPTIONS RUN
NUMBER

A/P	PIN	ORDER	BAY -	Q	DRAW	RV	PG	Y	X	Z	REMARKS	11-JUL-74	0123	PAGE 85
NAME	PIN	PIN	ORDER									LENGTH	EXCEPTIONS	RUN
														NUMBER
DXBA 06(1)	H	A30L2	1-01 *		D22					2				
DXBA 06(1)	H	D28A1	1-02 *		D17					1			TERM HERE?	663
DXBA 06(1)	H	D16P1	1-03 *		D19					2				663
DXBA 06(1)	H	D08M2	1-04 *	S	D22					1			SOURCE	663
DXBA 06(1)			1									25-2/8		663
DXBA 07(1)	H	A30K2	1-01 *		D22					2			TERM HERE?	664
DXBA 07(1)	H	D28B1	1-02 *		D17					1				664
DXBA 07(1)	H	D17P1	1-03 *		D19					2				664
DXBA 07(1)	H	D08F2	1-04 *	S	D22					1			SOURCE	664
DXBA 07(1)			1									25-2/8		664
DXBA 08(1)	H	A30J2	1-01 *		D22					1			TERM HERE?	665
DXBA 08(1)	H	D27P1	1-02 *		D17					2				665
DXBA 08(1)	H	D18P1	1-03 *		D19					1				665
DXBA 08(1)	H	D07V2	1-04 *	S	D22					1			SOURCE	665
DXBA 08(1)			1									26-2/8		665
DXBA 09(1)	H	A30H2	1-01 *		D22					1			TERM HERE?	666
DXBA 09(1)	H	D27R1	1-02 *		D17					2				666
DXBA 09(1)	H	D19P1	1-03 *		D19					1				666
DXBA 09(1)	H	D07V1	1-04 *	S	D22					1			SOURCE	666
DXBA 09(1)			1									27-0/8		666
DXBA 10(1)	H	A30F2	1-01 *		D22					1			TERM HERE?	667
DXBA 10(1)	H	D27L1	1-02 *		D17					2				667
DXBA 10(1)	H	D20P1	1-03 *		D19					1				667
DXBA 10(1)	H	D07R2	1-04 *	S	D22					1			SOURCE	667
DXBA 10(1)			1									26-2/8		667
DXBA 11(1)	H	A30E2	1-01 *		D22					1			TERM HERE?	668
DXBA 11(1)	H	D27M1	1-02 *		D17					2				668
DXBA 11(1)	H	D21P1	1-03 *		D19					1				668
DXBA 11(1)	H	D07P2	1-04 *	S	D22					1			SOURCE	668
DXBA 11(1)			1									26-2/8		668
DXBA 12(1)	H	A30D2	1-01 *		D22					1			TERM HERE?	669
DXBA 12(1)	H	D27D1	1-02 *		D17					2				669
DXBA 12(1)	H	D22P1	1-03 *		D19					1				669
DXBA 12(1)	H	D07L2	1-04 *	S	D22					1			SOURCE	669
DXBA 12(1)			1									26-2/8		669
DXBA 13(1)	H	A30C2	1-01 *		D22					1			TERM HERE?	670
DXBA 13(1)	H	D27E1	1-02 *		D17					2				670
DXBA 13(1)	H	D23P1	1-03 *		D19					1				670
DXBA 13(1)	H	D07L1	1-04 *	S	D22					1			SOURCE	670
DXBA 13(1)			1									26-4/8		670

DX11B,K
RUN NAME

HND288,V22(22) 11/06/73
A/P PIN ORDER BAY - Q DRAW RV PG Y X Z

11-JUL-74 0123 PAGE 88
LENGTH EXCEPTIONS RUN NUMBER

DXBC 15(1)
DXBC 15(1)
DXBC 15(1)
DXBC 15(1)

H B26F2 1-01 * D08
H D25R1 1-02 * D19
H E12F1 1-03 * D08
1

2
1

16-4/8

689
689
689
689

DXCLRP1
DXCLRP1
DXCLRP1
DXCLRP1
DXCLRP1

A07R1 1-01 * D21
A16A1 1-02 * D21
A17A1 1-03 * D21
A18J2 1-04 * D21
1

1
2
1

13-6/8

690
690
690
690
690

DXCLRP2
DXCLRP2
DXCLRP2
DXCLRP2

A14A1 1-01 * D21
A15A1 1-02 * D21
A18L2 1-03 * D21
1

2
1

7-4/8

691
691
691
691

DXCLRP3
DXCLRP3
DXCLRP3
DXCLRP3

A12A1 1-01 * D21
A13A1 1-02 * D21
A18N2 1-03 * D21
1

2
1

8-4/8

692
692
692
692

DXCLRP4
DXCLRP4
DXCLRP4
DXCLRP4

A10A1 1-01 * D21
A11A1 1-02 * D21
A18R2 1-03 * D21
1

2
1

9-6/8

693
693
693
693

DXCS CLKA
DXCS CLKA
DXCS CLKA
DXCS CLKA
DXCS CLKA
DXCS CLKA

C25B1 1-01 * D06
C23M1 1-02 * D06
C21B1 1-03 * D06
C19B1 1-04 * D06
E18C1 1-05 * S D06
1

2
1
2
1

TERM HERE?

17-6/8

SOURCE

694
694
694
694
694
694

DXCS CLKEN
DXCS CLKEN
DXCS CLKEN
DXCS CLKEN

H C09D1 1-01 * D06
H E17B1 1-02 * D06
H E20B1 1-03 * S D06
1

1
2

TERM HERE?

12-6/8

SOURCE

695
695
695
695

DXCS CLKEN
DXCS CLKEN
DXCS CLKEN
DXCS CLKEN
DXCS CLKEN
DXCS CLKEN

L B17D1 1-01 * D06
L E20A1 1-02 * D06
L E18A1 1-03 * D06
L E16L1 1-04 * D06
L E15S2 1-05 * S D06
1

1
2
1
2

TERM HERE?

20-4/8

SOURCE

696
696
696
696
696
696

DX11B,K
RUN NAME

HND288,V22(22) 11/06/73
A/P PIN ORDER BAY - Q DRAW RV PG Y X Z

11-JUL-74 0123 PAGE 89
LENGTH EXCEPTIONS RUN NUMBER

DXCS CLKENA
DXCS CLKENA
DXCS CLKENA
DXCS CLKENA
DXCS CLKENA
DXCS CLKENA
DXCS CLKENA
DXCS CLKENA

H C09H1 1-01 * D06
H C09M1 E08D2 1-02 * D06
H E08D2 1-03 *
H E17D2 1-04 * D06
H E17L2 1-05 * D06
H F21B1 1-06 * DXX
H E20M1 1-07 * S D06
1

2
1
2
1
2
1

TERM HERE?

28-4/8

SOURCE

697
697
697
697
697
697
697

DXCS CLKENA
DXCS CLKENA
DXCS CLKENA
DXCS CLKENA

L B17R1 1-01 * 1 D06
L E20L1 1-02 * D06
L F22B1 1-03 * DXX
L E15V1 1-04 * S D06
1

1
2
1

TERM HERE?

21-0/8

SOURCE

698
698
698
698

DXND 00(0)
DXND 00(0)
DXND 00(0)

H A10J2 1-01 * S D10
H B21U2 1-02 * D11
1

1

SOURCE

9-2/8

TERM HERE?

699
699
699

DXND 00(1)
DXND 00(1)
DXND 00(1)
DXND 00(1)
DXND 00(1)
DXND 00(1)
DXND 00(1)

H C28P1 1-01 * D17
H A32V2 1-02 * D22
H A10H2 1-03 * D10
H D10H1 1-04 * D19
H E10U1 1-05 * D09
H E10S2 1-06 * D09
1

1
2
1
2
1

41-2/8

700
700
700
700
700
700
700

DXND 01(0)
DXND 01(0)
DXND 01(0)

H A11J2 1-01 * S D10
H B21T2 1-02 * D11
1

1

SOURCE

9-0/8

TERM HERE?

701
701
701

DXND 01(1)
DXND 01(1)
DXND 01(1)
DXND 01(1)
DXND 01(1)
DXND 01(1)
DXND 01(1)

H C28R1 1-01 * D17
H A32U2 1-02 * D22
H A11H2 1-03 * D10
H D11H1 1-04 * D19
H E10N1 1-05 * D09
H E10R1 1-06 * D09
1

1
2
1
2
1

40-4/8

702
702
702
702
702
702
702

DXND 02(0)
DXND 02(0)
DXND 02(0)

H A12J2 1-01 * S D10
H B21S2 1-02 * D11
1

1

SOURCE

8-2/8

TERM HERE?

703
703
703

DX11B,K
RUN NAME

HND288.V22(22) 11/06/73
A/P PIN ORDER BAY =
NAME PIN ORDER

Q DRAW RV PG Y X Z REMARKS

11-JUL-74 0123 PAGE 92
LENGTH EXCEPTIONS RUN
NUMBER

DXND 10(0)
DXND 10(0)
DXND 10(0)

H A12R2
H E02E2

1-01 *
1-02 *
1

S D10
D24

1

SOURCE
TERM HERE?

719
719

13-6/8

DXND 10(1)
DXND 10(1)
DXND 10(1)
DXND 10(1)
DXND 10(1)
DXND 10(1)
DXND 10(1)
DXND 10(1)

H A12P2
H B15H1
H D05J2
H E10J2
H D20H1
H C27L1
H A32J2

1-01 *
1-02 *
1-03 *
1-04 *
1-05 *
1-06 *
1-07 *
1

D10
D16
D07
D09
D19
D17
D22

2
1
2
1
2
1

44-6/8

SOURCE
TERM HERE?

720
720
720
720
720
720
720
720

DXND 11(0)
DXND 11(0)
DXND 11(0)

H A13R2
H E02D2

1-01 *
1-02 *
1

S D10
D24

1

SOURCE
TERM HERE?

721
721
721

14-0/8

DXND 11(1)
DXND 11(1)
DXND 11(1)
DXND 11(1)
DXND 11(1)
DXND 11(1)
DXND 11(1)
DXND 11(1)
DXND 11(1)

H B15B1
H A13P2
H A32H2
H C27M1
H D21H1
H D06J2
H E10E1

1-01 *
1-02 *
1-03 *
1-04 *
1-05 *
1-06 *
1-07 *
1

D16
D10
D22
D17
D19
D07
D09

1
2
1
2
1
1
2

46-4/8

SOURCE
TERM HERE?

722
722
722
722
722
722
722
722
722

DXND 12(0)
DXND 12(0)
DXND 12(0)

H A14R2
H E02D1

1-01 *
1-02 *
1

S D10
D24

1

SOURCE
TERM HERE?

723
723
723

14-2/8

DXND 12(1)
DXND 12(1)
DXND 12(1)
DXND 12(1)
DXND 12(1)
DXND 12(1)
DXND 12(1)
DXND 12(1)
DXND 12(1)

H A14P2
H B11S2
H D03E1
H E09T2
H D22H1
H C27D1
H A32F2

1-01 *
1-02 *
1-03 *
1-04 *
1-05 *
1-06 *
1-07 *
1

D10
D16
D07
D09
D19
D17
D22

2
1
2
1
2
1
1

47-0/8

SOURCE
TERM HERE?

724
724
724
724
724
724
724
724
724

DXND 13(0)
DXND 13(0)
DXND 13(0)

H A15R2
H E02C1

1-01 *
1-02 *
1

S D10
D24

1

SOURCE
TERM HERE?

725
725
725

14-2/8

DX11B,K
RUN NAME

HND288.V22(22) 11/06/73
A/P PIN ORDER BAY =
NAME PIN ORDER

Q DRAW RV PG Y X Z REMARKS

11-JUL-74 0123 PAGE 93
LENGTH EXCEPTIONS RUN
NUMBER

DXND 13(1)
DXND 13(1)
DXND 13(1)
DXND 13(1)
DXND 13(1)
DXND 13(1)
DXND 13(1)
DXND 13(1)

H D23H1
H C27E1
H A32E2
H A15P2
H B11L2
H D04E1
H E09P1

1-01 *
1-02 *
1-03 *
1-04 *
1-05 *
1-06 *
1-07 *
1

D19
D17
D22
D10
D16
D07
D09

1
2
1
2
1
2

47-2/8

SOURCE
TERM HERE?

726
726
726
726
726
726
726
726

DXND 14(0)
DXND 14(0)
DXND 14(0)

H A16R2
H E02B1

1-01 *
1-02 *
1

S D10
D24

1

SOURCE
TERM HERE?

727
727
727

14-4/8

DXND 14(1)
DXND 14(1)
DXND 14(1)
DXND 14(1)
DXND 14(1)
DXND 14(1)
DXND 14(1)
DXND 14(1)

H D24H1
H C27A1
H A32D2
H A16P2
H B11E2
H D05E1
H E09J2

1-01 *
1-02 *
1-03 *
1-04 *
1-05 *
1-06 *
1-07 *
1

D19
D17
D22
D10
D16
D07
D09

1
2
1
2
1
2

46-6/8

SOURCE
TERM HERE?

728
728
728
728
728
728
728
728

DXND 15(0)
DXND 15(0)
DXND 15(0)

H A17R2
H E02A1

1-01 *
1-02 *
1

S D10
D24

1

SOURCE
TERM HERE?

729
729
729

14-4/8

DXND 15(1)
DXND 15(1)
DXND 15(1)
DXND 15(1)
DXND 15(1)
DXND 15(1)
DXND 15(1)
DXND 15(1)

H D25H1
H C27B1
H A32C2
H A17P2
H B11N1
H D06E1
H E09E1

1-01 *
1-02 *
1-03 *
1-04 *
1-05 *
1-06 *
1-07 *
1

D19
D17
D22
D10
D16
D07
D09

1
2
1
2
1
2

45-0/8

DXND CLK A
DXND CLK A
DXND CLK A
DXND CLK A

L B16C1
L B16D1
L B16H1

1-01 *
1-02 *
1-03 *
1

D10
D10
D10

1
2

5-2/8

DXND CLK B
DXND CLK B
DXND CLK B
DXND CLK B

L B16D2
L B16N1
L B16P1

1-01 *
1-02 *
1-03 *
1

D10
D10
D10

2
1

6-0/8

731
731
731
731
732
732
732
732

7000

DX11R,K RUN NAME	A/P	HND288,V22(22) 11/06/73 PIN NAME	ORDER PIN	BAY - ORDER	Q	DRAW RV PG Y	X	Z	REMARKS	11-JUL-74 LENGTH	0123 EXCEPTIONS	PAGE 94 RUN NUMBER
DXND STB A	L	A25K2		1=01 *		D10		2				733
DXND STB A	L	B16E1		1=02 *		D10		1				733
DXND STB A	L	B16J1		1=03 *		D10		1				733
DXND STB A				1						10=6/8		733
DXND STB B	L	B16R1		1=01 *		D10		1			TERM HERE?	734
DXND STB B	L	B16E2		1=02 *		D10		2				734
DXND STB B	L	B18C1		1=03 *	S	D10		1			SOURCE	734
DXND STB B				1						6=6/6		734
DXRESET	H	A18E2		1=01 *		D15		1				735
DXRESET	H	A18H2		1=02 *		D16		2				735
DXRESET	H	E13E2	E27K2	1=03 *		D09		1				735
DXRESET	H	E27K2		1=04 *		D24		2				735
DXRESET	H	E29U2		1=05 *		D13		1				735
DXRESET				1						29=4/6		735
DXRESET	L	B19N2		1=01 *		D10		1			TERM HERE?	736
DXRESET	L	B18D2		1=02 *		D06		2				736
DXRESET	L	E07H1		1=03 *		D13		1				736
DXRESET	L	E07P2		1=04 *		D11		2				736
DXRESET	L	E14J1	E27H2	1=05 *		D05		1				736
DXRESET	L	E27H2	E27J2	1=06 *		D24		2				736
DXRESET	L	E27J2		1=07 *		D24		1				736
DXRESET	L	E27L1		1=08 *		D24		2				736
DXRESET	L	E24N2		1=09 *	S	D24		1			SOURCE	736
DXRESET				1						43=6/8		736
DXRESET OR INIT	H	B25R1		1=01 *				2			TERM HERE?	737
DXRESET OR INIT	H	CONT2		1=02 *		D05		1				737
DXRESET OR INIT	H	A1882		1=03 *		D21		2				737
DXRESET OR INIT	H	A18P2		1=04 *		D21		1				737
DXRESET OR INIT	H	A18M2		1=05 *		D21		2				737
DXRESET OR INIT	H	A18K2		1=06 *		D21		1				737
DXRESET OR INIT	H	E27N1		1=07 *	S	D24		2			SOURCE	737
DXRESET OR INIT	H	E16T2		1=08 *				1			TERM HERE?	737
DXRESET OR INIT				1						51=6/8		737
DXRESET OR INIT	L	B25S1	B19D2	1=01 *		D24		1				738
DXRESET OR INIT	L	H19D2	B17C1	1=02 *		D10		2				738
DXRESET OR INIT	L	H17C1		1=03 *		D06		1				738
DXRESET OR INIT				1						9=2/8		738
DXRESET OR INIT P	H	E18S2		1=01 *	1			1				739
DXRESET OR INIT P	H	E18L1		1=02 *				1				739
DXRESET OR INIT P				1						3=0/6		739

DX11R,K RUN NAME	A/P	HND288,V22(22) 11/06/73 PIN NAME	ORDER PIN	BAY - ORDER	Q	DRAW RV PG Y	X	Z	REMARKS	11-JUL-74 LENGTH	0123 EXCEPTIONS	PAGE 95 RUN NUMBER
DXRESET OR INIT P	L	B25P1		1=01 *				1				740
DXRESET OR INIT P	L	B30R2		1=02 *				2				740
DXRESET OR INIT P	L	C25H2		1=03 *				1				740
DXRESET OR INIT P	L	C24D2		1=04 *				2				740
DXRESET OR INIT P	L	C23D2		1=05 *				1				740
DXRESET OR INIT P	L	C22D2		1=06 *				2				740
DXRESET OR INIT P	L	C21D2		1=07 *				1				740
DXRESET OR INIT P	L	C20D2	E18P2	1=08 *				2				740
DXRESET OR INIT P	L	E18P2	E18R2	1=09 *				1				740
DXRESET OR INIT P	L	E18R2		1=10 *				1				740
DXRESET OR INIT P				1						37=0/8		740
DXRESET OR INIT PA	L	C19L2		1=01 *	2	D13		2			TERM HERE?	741
DXRESET OR INIT PA	L	C19D2		1=02 *		D12		1				741
DXRESET OR INIT PA	L	B01T2	F19T2	1=03 *		D14		2				741
DXRESET OR INIT PA	L	F19T2		1=04 *				1				741
DXRESET OR INIT PA	L	F17D2		1=05 *		D25		2				741
DXRESET OR INIT PA	L	F19H2		1=06 *		D05		1				741
DXRESET OR INIT PA	L	F19P2		1=07 *		D18		2				741
DXRESET OR INIT PA	L	F17P1		1=08 *		D18		1				741
DXRESET OR INIT PA	L	C10P1	D09U1	1=09 *		D11		2				741
DXRESET OR INIT PA	L	D09U1		1=10 *	S	D24		1			SOURCE	741
DXRESET OR INIT PA				1						63=0/8		741
DXIMO(0)	H	F17K2		1=01 *		D25		1				742
DXIMO(0)	H	F22H1		1=02 *		D24		1				742
DXIMO(0)				1						4=6/8		742
DXIMO(1)	H	A32B2		1=01 *		D22		1				743
DXIMO(1)	H	D14J1		1=02 *		D19		2				743
DXIMO(1)	H	F17J2		1=03 *		D25		1				743
DXIMO(1)				1						23=4/8		743
E01C1		C21K1		1=01 *		D05		1				744
E01C1		D01L1		1=02 *		D05		2				744
E01C1		E01C1		1=03 *		D05		1				744
E01C1				1						17=4/8		744
E01F1		C19K1		1=01 *		D05		1				745
E01F1		D01P1		1=02 *		D05		2				745
E01F1		E01F1		1=03 *		D05		1				745
E01F1				1						16=6/8		745
E01F2		C17K1		1=01 *		D05		1				746
E01F2		E01F2		1=02 *		D05		1				746
E01F2				1						12=0/8		746

DX11B.K
RUN NAME

HND288,V22(22) 11/06/73
A/P PIN ORDER BAY - Q DRAW RV PG Y X Z

11-JUL-74 0123 PAGE 98
LENGTH EXCEPTIONS RUN
NUMBER

A/P	PIN NAME	ORDER PIN	BAY - ORDER	Q	DRAW	RV	PG	Y	X	Z	REMARKS	11-JUL-74 LENGTH	0123 EXCEPTIONS	PAGE 98 RUN NUMBER
E06V2	D01L2		1-01 *		D05					1				769
E06V2	E06V2		1-02 *	8	D05								TERM HERE?	769
E06V2			1									7-0/8	SOURCE	769
E07H2	E01E2		1-01 *		D05					2				770
E07H2	E07H2		1-02 *		D05					1				770
E07H2	E14R1		1-03 *		D05							11-4/8		770
E07H2			1											770
E07J1	E07J1		1-01 *	S	D09					1			SOURCE	771
E07J1	E13S2		1-02 *		D13								TERM HERE?	771
E07J1			1									5-6/8		771
E07M2	E04T2		1-01 *		D05					1				772
E07M2	E07M2		1-02 *		D05									772
E07M2			1									4-0/8		772
E07N1	E07N1		1-01 *		DXX					1				773
E07N1	E11M1		1-02 *		DXX					2				773
E07N1	E11D1		1-03 *		DXX							7-4/8		773
E07N1			1											773
E07S2	E07S2		1-01 *		D11					1				774
E07S2	E13K2		1-02 *		D11									774
E07S2			1									5-6/8		774
E07U1	C23K1		1-01 *		D05					1				775
E07U1	E07U1		1-02 *		D05					2				775
E07U1	D01D1		1-03 *		D05									775
E07U1			1									20-6/8		775
E08C1	E08C1		1-01 *		D09					1				776
E08C1	E09B1		1-02 *		D09									776
E08C1			1									3-0/8		776
E08F1	E08F1		1-01 *	1						1				777
E08F1	J13D1		1-02 *											777
E08F1			1									11-2/8		777
E08F2	E08F2		1-01 *							1				778
E08F2	C10B1		1-02 *											778
E08F2			1									6-4/8		778
E08K1	E08K1		1-01 *		D09					1				779
E08K1	E09J1		1-02 *		D09									779
E08K1			1									3-0/8		779

DX11B.K
RUN NAME

HND288,V22(22) 11/06/73
A/P PIN ORDER BAY - Q DRAW RV PG Y X Z

11-JUL-74 0123 PAGE 99
LENGTH EXCEPTIONS RUN
NUMBER

A/P	PIN NAME	ORDER PIN	BAY - ORDER	Q	DRAW	RV	PG	Y	X	Z	REMARKS	11-JUL-74 LENGTH	0123 EXCEPTIONS	PAGE 99 RUN NUMBER
E08K2	E08K2		1-01 *		D09					1				780
E08K2	F20J1		1-02 *		DXX									780
E08K2			1									9-2/8		780
E08N1	E08N1		1-01 *		D09					1				781
E08N1	E09L1		1-02 *		D09									781
E08N1			1									3-0/8		781
E08N2	E08N2		1-01 *		D09					1				782
E08N2	F20R1		1-02 *		DXX									782
E08N2			1									9-2/8		782
E08S1	E08S1		1-01 *		D09					1				783
E08S1	E09U2		1-02 *		D09									783
E08S1			1									3-2/8		783
E08S2	E08S2		1-01 *	S	DXX					1				784
E08S2	F20M1		1-02 *		DXX								SOURCE	784
E08S2			1									9-0/8	TERM HERE?	784
E08V2	E08V2		1-01 *		D09					1				785
E08V2	E10U2		1-02 *		D09									785
E08V2			1									3-2/8		785
E09A1	C17F2		1-01 *		D09					1				786
E09A1	E09A1		1-02 *		D09									786
E09A1			1									8-6/8		786
E09K1	C16F2		1-01 *		D09					1				787
E09K1	E09K1		1-02 *		D09									787
E09K1			1									9-4/8		787
E09M1	C15F2		1-01 *		D09					1				788
E09M1	E09M1		1-02 *		D09									788
E09M1			1									9-6/8		788
E09V2	C14F2		1-01 *		D09					1				789
E09V2	E09V2		1-02 *		D09									789
E09V2			1									10-2/8		789
E10A1	C13F2		1-01 *		D09					1				790
E10A1	E10A1		1-02 *		D09									790
E10A1			1									7-6/8		790
E10K1	C12F2		1-01 *		D09					1				791
E10K1	E10K1		1-02 *		D09									791
E10K1			1									8-4/8		791

FU 12

DX118,K RUN NAME		HND288,V22(22) 11/06/73				Q	DRAW	RV	PG	Y	X	Z	REMARKS	11-JUL-74 LENGTH	0123 EXCEPTIONS	PAGE 100 RUN NUMBER
A/P	PIN NAME	ORDER PIN	BAY - ORDER													
E10M1	C11F2		1=01 *				D09				1				792	
E10M1	E10M1		1=02 *				D09								792	
E10M1			1										8-4/8		792	
E10V2	C10F2		1=01 *				D09				1				793	
E10V2	E10V2		1=02 *				D09								793	
E10V2			1										9=0/8		793	
E11J2	E11J2		1=01 *	S			DXX				1				794	
E11J2	E11N1		1=02 *				DXX							SOURCE	794	
E11J2			1										3=0/8	TERM HERE?	794	
E11K2	E11K2		1=01 *	S			DXX				1				795	
E11K2	E11P1		1=02 *				DXX							SOURCE	795	
E11K2			1										3=0/8	TERM HERE?	795	
E12J2	A09D2		1=01 *				D24				1				796	
E12J2	E12J2		1=02 *	S			D24							TERM HERE?	796	
E12J2			1										14=0/8	SOURCE	796	
E12P2	B05P1		1=01 *				D08				1				797	
E12P2	E12P2		1=02 *	S			D08							TERM HERE?	797	
E12P2			1										11=6/8	SOURCE	797	
E12V2	B05R1		1=01 *				D08				1				798	
E12V2	E12V2		1=02 *	S			D08							TERM HERE?	798	
E12V2			1										12=2/8	SOURCE	798	
E13N2	C20T2		1=01 *				D20				1				799	
E13N2	E13V2		1=02 *				D20								799	
E13N2			1										8-4/8		799	
E14J2	B01H1		1=01 *				D05				1				800	
E14J2	E14J2		1=02 *				D05								800	
E14J2			1										13=0/8		800	
E14L1	E13H2		1=01 *				D05				1				801	
E14L1	E14L1		1=02 *				D05				2				801	
E14L1	F14K2		1=03 *				D05								801	
E14L1			1										8-0/8		801	
E14S1	E06U2		1=01 *				D05				1				802	
E14S1	E14S1		1=02 *	S			D05							TERM HERE?	802	
E14S1			1										6=2/8	SOURCE	802	

DX118,K RUN NAME		HND288,V22(22) 11/06/73				Q	DRAW	RV	PG	Y	X	Z	REMARKS	11-JUL-74 LENGTH	0123 EXCEPTIONS	PAGE 101 RUN NUMBER
A/P	PIN NAME	ORDER PIN	BAY - ORDER													
E14V2	A24R2		1=01 *				D13				1				803	
E14V2	E14V2		1=02 *				D13								803	
E14V2			1										15=4/8		803	
E15D1	C25S1		1=01 *				D11				1				804	
E15D1	E23A1		1=02 *				D11				2				804	
E15D1	E15D1		1=03 *				D11								804	
E15D1			1										12=6/8		804	
E15H2	E15H2		1=01 *				D11				1				805	
E15H2	E23F2		1=02 *				D11								805	
E15H2			1										6=4/8		805	
E15J1	E15J1		1=01 *				D11				1				806	
E15J1	E25B1		1=02 *				D11								806	
E15J1			1										7=6/8		806	
E15M2	E15M2		1=01 *				D11				1				807	
E15M2	E25N1		1=02 *				D11								807	
E15M2			1										7=2/8		807	
E15N1	E15H1		1=01 *				D11				1				808	
E15N1	E15N1		1=02 *				D11								808	
E15N1			1										3=0/8		808	
E15U1	C18S1		1=01 *				D11				1				809	
E15U1	E23D2		1=02 *				D11				2				809	
E15U1	E15U1		1=03 *				D11								809	
E15U1			1										15=0/8		809	
E16C1	C22R1		1=01 *				D11				1				810	
E16C1	C23R1		1=02 *				D11				2				810	
E16C1	C24R1		1=03 *				D11				1				810	
E16C1	E16C1		1=04 *				D11								810	
E16C1			1										13=4/8		810	
E16F1	C23F2		1=01 *				D12				1				811	
E16F1	E16F1		1=02 *				D12								811	
E16F1			1										9=2/8		811	
E16F2	E16J2		1=01 *				D06				2				812	
E16F2	E17J1		1=02 *				D06				1				812	
E16F2	E16F2		1=03 *				D06				2				812	
E16F2	E20F1		1=04 *				D06								812	
E16F2			1										9=2/8		812	

FUJ

DX118,K
RUN NAME

HND288.V22(22) 11/06/73
A/P PIN ORDER BAY -
NAME PIN ORDER

Q DRAW HV PG Y X Z REMARKS

11-JUL-74 0123 PAGE 104
LENGTH EXCEPTIONS RUN
NUMBER

E19C1
E19C1
E19C1

C16B1 1=01 *
E19C1 1=02 *
1

D06
D06

1

8=2/8

0123

PAGE 104
RUN
NUMBER

835
835
835

E19F1
E19F1
E19F1

C15B1 1=01 *
E19F1 1=02 *
1

D06
D06

1

9=0/8

836
836
836

E19K1
E19K1
E19K1

C21P1 1=01 *
E19K1 1=02 *
1

S D20
D20

1

7=4/8

TERM HERE?
SOURCE

837
837
837

E19K2
E19K2
E19K2

E19K2 1=01 *
E19L2 1=02 *
1

D13
D13

1

2=4/8

838
838
838

E19N1
E19N1
E19N1
E19N1

C09E2 1=01 *
C09F2 1=02 *
E19N1 1=03 *
1

DXX
DXX
DXX

1

2

12=6/8

839
839
839
839

E19N2
E19N2
E19N2

C12M2 1=01 *
E19N2 1=02 *
1

D13
D13

1

9=2/8

840
840
840

E19S2
E19S2
E19S2

E19S2 1=01 *
E19T2 1=02 *
1

D13
D13

1

2=4/8

841
841
841

E19V2
E19V2
E19V2

C10M2 1=01 *
E19V2 1=02 *
1

D13
D13

1

10=4/8

842
842
842

E20E1
E20E1
E20E1

E18H2 1=01 *
E20E1 1=02 *
1

D06
D06

1

3=2/8

843
843
843

E20K1
E20K1
E20K1

E17P1 1=01 *
E20K1 1=02 *
1

D06
D06

1

4=0/8

844
844
844

E20P1
E20P1
E20P1

E19D1 1=01 *
E20P1 1=02 *
1

D06
D06

1

3=6/8

845
845
845

DX118,K
RUN NAME

HND288.V22(22) 11/06/73
A/P PIN ORDER BAY -
NAME PIN ORDER

Q DRAW RV PG Y X Z REMARKS

11-JUL-74 0123 PAGE 105
LENGTH EXCEPTIONS RUN
NUMBER

E21C1
E21C1
E21C1
E21C1

E21C1 1=01 *
F21L1 1=02 *
E25M1 1=03 *
1

D11
D11
D11

2

1

7=4/8

846
846
846
846

E21F1
E21F1
E21F1

E21F1 1=01 *
E22M1 1=02 *
1

D11
D11

1

3=2/8

847
847
847

E21F2
E21F2
E21F2
E21F2

B23N1 1=01 *
E21F2 1=02 *
E21R2 1=03 *
1

D11
D11
D11

1

2

13=0/8

848
848
848
848

E21K1
E21K1
E21K1

E21K1 1=01 *
E22S2 1=02 *
1

D11
D11

1

3=4/8

849
849
849

E21K2
E21K2
E21K2

A06T2 1=01 *
E21K2 1=02 *
1

D11
D11

1

15=0/8

850
850
850

E21N1
E21N1
E21N1
E21N1

B20L2 1=01 *
C14S1 1=02 *
E21N1 1=03 *
1

D11
D11
D11

2

1

15=6/8

851
851
851
851

E21N2
E21N2
E21N2

E21N2 1=01 *
E21T2 1=02 *
1

D11
D11

1

2=6/8

852
852
852

E21S1
E21S1
E21S1
E21S1

E21J2 1=01 *
E21L2 1=02 *
E21S1 1=03 *
1

D11
D11
D11

1

2

5=6/8

853
853
853
853

E21S2
E21S2
E21S2

A06V2 1=01 *
E21S2 1=02 *
1

D11
D11

1

15=4/8

854
854
854

E21V2
E21V2
E21V2

B23P1 1=01 *
E21V2 1=02 *
1

D11
D11

1

11=0/8

855
855
855

E22J2
E22J2
E22J2

E16A1 1=01 *
E22J2 1=02 *
1

D11
D11

1

6=0/8

856
856
856

digital EQUIPMENT CORPORATION

digital EQUIPMENT CORPORATION

DX118,K
RUN NAME

HND288,V22(22) 11/06/73											11-JUL-74	0123	PAGE 108	
A/P	PIN	ORDER	BAY -	Q	DRAW	RV	PG	Y	X	Z	REMARKS	LENGTH	EXCEPTIONS	RUN NUMBER
	NAME	PIN	ORDER											
E25V2	E25V2		1-01 *		D13					1				879
E25V2	E26J2		1-02 *		D13									879
E25V2			1									3-6/8		879
E26C1	E26C1		1-01 *		D13					1				880
E26C1	E26E1		1-02 *		D13									880
E26C1			1									2-4/8		880
E26F1	C25N2		1-01 *		D13					1				881
E26F1	E26F1		1-02 *		D13					2				881
E26F1	E28A1		1-03 *		D13									881
E26F1			1									10-4/8		881
E26F2	E26F2		1-01 *		D13					1				882
E26F2	E26H2		1-02 *		D13									882
E26F2			1									2-4/8		882
E26K1	E26K1		1-01 *		D10					1				883
E26K1	F19R2		1-02 *		D10									883
E26K1			1									7-0/8		883
E26K2	C24N2		1-01 *		D13					1				884
E26K2	E26K2		1-02 *		D13					2				884
E26K2	E30H1		1-03 *		D13									884
E26K2			1									11-6/8		884
E26N1	A24J2		1-01 *		D13					1				885
E26N1	E26N1		1-02 *		D13									885
E26N1			1									13-6/8		885
E26N2	E26N2		1-01 *		D13					1				886
E26N2	E26P2		1-02 *		D13									886
E26N2			1									2-4/8		886
E26S1	E26S1		1-01 *	1						1				887
E26S1	C24P2		1-02 *											887
E26S1			1									8-2/8		887
E26S2	C22N2		1-01 *		D13					1				888
E26S2	E26S2		1-02 *		D13					2				888
E26S2	E28P2		1-03 *		D13									888
E26S2			1									12-2/8		888
E26V2	A24P2		1-01 *		D13					1				889
E26V2	E26V2		1-02 *		D13									889
E26V2			1									14-0/8		889

DX118,K
RUN NAME

HND288,V22(22) 11/06/73											11-JUL-74	0123	PAGE 109	
A/P	PIN	ORDER	BAY -	Q	DRAW	RV	PG	Y	X	Z	REMARKS	LENGTH	EXCEPTIONS	RUN NUMBER
	NAME	PIN	ORDER											
E27C1	E27C1		1-01 *		D13					1				890
E27C1	E27D1		1-02 *		D13									890
E27C1			1									2-4/8		890
E27F1	C20N2		1-01 *		D13					1				891
E27F1	E29F1		1-02 *		D13					2				891
E27F1	E27F1		1-03 *		D13									891
E27F1			1									12-0/8		891
E27K1	H30R1		1-01 *		D27					1				892
E27K1	E27K1		1-02 *		D27									892
E27K1			1									10-2/8		892
E27S2	C24K1		1-01 *		D05					1				893
E27S2	E27S2		1-02 *		D05					2				893
E27S2	F29H1		1-03 *		D05									893
E27S2			1									13-4/8		893
E27V2	E22U2		1-01 *		D11					1				894
E27V2	E27V2		1-02 *	8	D11								TERM HERE? SOURCE	894
E27V2			1									5-0/8		894
E28E1	E28E1		1-01 *		D13					1				895
E28E1	E30A1		1-02 *		D13									895
E28E1			1									3-4/8		895
E28J2	E28J2		1-01 *		D13					1				896
E28J2	E30D1		1-02 *		D13									896
E28J2			1									3-2/8		896
E28V2	E28V2		1-01 *		D13					1				897
E28V2	E30P1		1-02 *		D13									897
E28V2			1									3-2/8		897
E29E1	E29E1		1-01 *		D13					1				898
E29E1	E30D2		1-02 *		D13									898
E29E1			1									3-2/8		898
E29L1	E29L1		1-01 *		D13					1				899
E29L1	E30P2		1-02 *		D13									899
E29L1			1									3-2/8		899
E29P2	E27P1		1-01 *		D13					1				900
E29P2	E29P2		1-02 *	8	D13								TERM HERE? SOURCE	900
E29P2			1									3-4/8		900

TU20

DX11B,K
RUN NAME

A/P	PIN NAME	ORDER PIN	DAY ORDER	Q	DRAW	RV	PG	Y	X	Z	REMARKS
L	B22P2		1-01 *								
L	B22T2		1-02 *							1	
L	B25E2		1-03 *							2	
			1								
											7-0/8
F03D2	F03D2		1-01 *	S	DXX					1	
F03D2	F03E2		1-02 *		DXX						SOURCE
F03D2			1								TERM HERE?
											939
											939
											939
											938
F03L2	F02N1		1-01 *		DXX					2	
F03L2	F02M1		1-02 *		DXX					1	TERM HERE?
F03L2	F02L1		1-03 *		DXX					2	
F03L2	F03L2		1-04 *	S	DXX						
F03L2			1								
											8-0/8
F03M2	F02B1		1-01 *		DXX					2	
F03M2	F02C1		1-02 *		DXX					1	TERM HERE?
F03M2	F02D1		1-03 *		DXX					2	
F03M2	F03M2		1-04 *	S	DXX						
F03M2			1								
											8-4/8
F03S2	F03S2		1-01 *	S	DXX					1	
F03S2	F22R1		1-02 *		DXX						SOURCE
F03S2			1								TERM HERE?
											942
											942
											942
F04E2	F04D2		1-01 *		DXX					1	
F04E2	F04E2		1-02 *	S	DXX						TERM HERE?
F04E2			1								SOURCE
											943
											943
											943
F14F2	C22H1		1-01 *		D05					1	
F14F2	F14F2		1-02 *	S	D05						TERM HERE?
F14F2			1								SOURCE
											944
											944
											944
F19C1	F19C1		1-01 *	S	DXX					1	
F19C1	H20E1		1-02 *		DXX						SOURCE
F19C1			1								TERM HERE?
											945
											945
											945
F19F1	F19F1		1-01 *	S	DXX					1	
F19F1	H20N1		1-02 *		DXX						SOURCE
F19F1			1								TERM HERE?
											946
											946
											946
F19F2	C23L1		1-01 *		D05					2	
F19F2	C22L1		1-02 *		D05					1	TERM HERE?
F19F2	F19F2		1-03 *	S	D05						SOURCE
F19F2			1								947
											947
											947
											947
											947

11-JUL-74	0123	PAGE 114
LENGTH	EXCEPTIONS	RUN NUMBER
		938
		938
		938
		938
		939
		939
		939
		940
		940
		940
		940
		940
		941
		941
		941
		941
		941
		941
		942
		942
		942
		943
		943
		943
		944
		944
		944
		945
		945
		945
		946
		946
		946
		947
		947
		947
		947

DX11B,K
RUN NAME

A/P	PIN NAME	ORDER PIN	DAY ORDER	Q	DRA*	RV	PG	Y	X	Z	REMARKS
F19K1	F19K1		1-01 *	S	DXX					1	
F19K1	H21E1		1-02 *		DXX						SOURCE
F19K1			1								TERM HERE?
											948
											948
											948
F19N1	C20R1		1-01 *		D20					1	
F19N1	F19N1		1-02 *	S	D20						TERM HERE?
F19N1			1								SOURCE
											949
											949
											949
F19N2	E19C1		1-01 *		D11					1	
F19N2	F19N2		1-02 *	S	D11						TERM HERE?
F19N2			1								SOURCE
											950
											950
											950
F19S1	E25L2		1-01 *		D13					1	
F19S1	F19S1		1-02 *	S	D13						TERM HERE?
F19S1			1								SOURCE
											951
											951
											951
F19S2	D26D2		1-01 *		D18					1	
F19S2	F19S2		1-02 *	S	D18						TERM HERE?
F19S2			1								SOURCE
											952
											952
											952
F19V2	F19V2	F17A1	1-01 *							1	
F19V2	F17A1		1-02 *								TERM HERE?
F19V2			1								SOURCE
											953
											953
											953
F20C1	C12C1		1-01 *		DXX					1	
F20C1	F20C1		1-02 *	S	DXX						TERM HERE?
F20C1			1								SOURCE
											954
											954
											954
F20K1	E10B1		1-01 *		DXX					1	
F20K1	F20K1		1-02 *	S	DXX						TERM HERE?
F20K1			1								SOURCE
											955
											955
											955
F20N1	E10J1		1-01 *		D09					1	
F20N1	F20N1		1-02 *	S	D09						TERM HERE?
F20N1			1								SOURCE
											956
											956
											956
F20N2	F19M2		1-01 *		DXX					1	
F20N2	F20N2		1-02 *	S	DXX						TERM HERE?
F20N2			1								SOURCE
											957
											957
											957
F20S1	E10L1		1-01 *		DXX					1	
F20S1	F20S1		1-02 *	S	DXX						TERM HERE?
F20S1			1								SOURCE
											958
											958
											958
F21C1	F20R1		1-01 *		DXX					1	
F21C1	F21C1		1-02 *	S	DXX						TERM HERE?
F21C1			1								SOURCE
											959
											959
											959

11-JUL-74	0123	PAGE 115
LENGTH	EXCEPTIONS	RUN NUMBER
		948
		948
		948
		949
		949
		949
		950
		950
		950
		951
		951
		951
</		

TUZO

DX11B,K
RUN NAME

HND288,V22(22) 11/06/73

A/P	PIN NAME	ORDER PIN	BAY - ORDER	Q	DRAW	RV	PG	Y	X	Z	REMARKS
	F21F1		1-01 *	S	D06					2	
	F21F1		1-02 *		D06					1	
	F21F1		1-03 *		D06						
	F21F1		1								
	F21F2		1-01 *		D24					1	
	F21F2		1-02 *	S	D24						
	F21F2		1								
	F21K1		1-01 *		DXX					1	
	F21K1		1-02 *	S	DXX						
	F21K1		1								
	F21N1		1-01 *		D24					1	
	F21N1		1-02 *	S	D24						
	F21N1		1								
	F21S1		1-01 *		D21					1	
	F21S1		1-02 *	S	D21						
	F21S1		1								
	F22E1		1-01 *		DXX					1	
	F22E1		1-02 *	S	DXX						
	F22E1		1								
	F22J2		1-01 *	S	DXX					1	
	F22J2	F17B1	1-02 *								
	F22J2		1								
	F22S1		1-01 *		DXX					1	
	F22S1		1-02 *	S	DXX						
	F22S1		1								
	F29C1		1-01 *	S	DXX					1	
	F29C1		1-02 *		DXX						
	F29C1		1								
	F29F2		1-01 *		D13					1	
	F29F2		1-02 *	S	D13						
	F29F2		1								
	F29K1		1-01 *		D05					1	
	F29K1		1-02 *	S	D05						
	F29K1		1								

11-JUL-74	0123	PAGE 116
LENGTH	EXCEPTIONS	RUN NUMBER
5-4/8	SOURCE	960
	TERM HERE?	960
		960
		960
3-0/8	TERM HERE?	961
	SOURCE	961
		961
2-6/8	TERM HERE?	962
	SOURCE	962
		962
5-4/8	TERM HERE?	963
	SOURCE	963
		963
2-6/8	TERM HERE?	964
	SOURCE	964
		964
3-2/8	TERM HERE?	965
	SOURCE	965
		965
5-4/8	SOURCE	966
	TERM HERE?	966
		966
5-2/8	TERM HERE?	967
	SOURCE	967
		967
2-4/8	SOURCE	968
	TERM HERE?	968
		968
3-2/8	TERM HERE?	969
	SOURCE	969
		969
11-4/8	TERM HERE?	970
	SOURCE	970
		970

DX11R,K
RUN NAME

HND288,V22(22) 11/06/73

A/P	PIN NAME	ORDER PIN	BAY - ORDER	Q	DRAW	RV	PG	Y	X	Z	REMARKS
	F30A1		1-01 *		D13					1	
	F30A1		1-02 *		D13					2	
	F30A1		1-03 *		D13						
	F30A1		1								
	F30K1		1-01 *		D13					1	
	F30K1		1-02 *		D13					2	
	F30K1		1-03 *		D13						
	F30K1		1								
	F30M1		1-01 *		D13					1	
	F30M1		1-02 *		D13					2	
	F30M1		1-03 *		D13						
	F30M1		1								
	F30V2		1-01 *		D13					1	
	F30V2		1-02 *		D13					2	
	F30V2		1-03 *		D13						
	F30V2		1								
	F31A1		1-01 *		D13					1	
	F31A1		1-02 *		D13					2	
	F31A1		1-03 *		D13						
	F31A1		1								
	F31K1		1-01 *		D13					1	
	F31K1		1-02 *		D13					2	
	F31K1		1-03 *		D13						
	F31K1		1								
	F31M1		1-01 *		D13					2	
	F31M1		1-02 *		D13					1	
	F31M1		1-03 *		D13						
	F31M1		1								
	F31V2		1-01 *		D13					2	
	F31V2		1-02 *		D13					1	
	F31V2		1-03 *		D13						
	F31V2		1								

11-JUL-74	0123	PAGE 117
LENGTH	EXCEPTIONS	RUN NUMBER
15-0/8		971
		971
		971
		971
19-0/8		972
		972
		972
		972
18-4/8		973
		973
		973
		973
21-4/8		974
		974
		974
		974
18-0/8		975
		975
		975
		975
19-0/8		976
		976
		976
		976
18-0/8		977
		977
		977
		977
19-4/8		978
		978
		978
		978

digital EQUIPMENT CORPORATION

DX11B.K
RUN NAME

HND288.V22(22) 11/06/73
A/P PIN ORDER BAY - Q DRAW RV PG Y X Z REMARKS
NAME PIN ORDER

11-JUL-74 0123 PAGE 118
LENGTH EXCEPTIONS RUN
NUMBER

FASTCU
FASTCU
FASTCU
FASTCU
FASTCU
FASTCU
FASTCU
FASTCU
FASTCU
FASTCU

H A09F2 1-01 * S D24 2
H B01L1 1-02 * D05 1
H F05M1 1-03 * D25 2
H E20E2 1-04 * D24 1
H D20F1 1-05 * D19 2
H F30D2 1-06 * D13 1
H F30W2 1-07 * D13 2
H E29T2 1-08 * D13 1
H A32J1 1-09 * D22 1

66-4/8 TERM HERE? 979

FASTCU
FASTCU
FASTCU

L E20F2 1-01 * D24 1
L E22N1 1-02 * D11 1

3-4/8 980

FASTSRV
FASTSRV
FASTSRV

H F21K2 1-01 * S D21 1
H J19P1 1-02 * D27 1

8-6/8 SOURCE TERM HERE? 981

FASTSRV
FASTSRV
FASTSRV
FASTSRV
FASTSRV

L E04M1 1-01 * D24 2
L F21H2 1-02 * D21 1
L F21J2 1-03 * D21 2
L F20V2 1-04 * D21 1

18-2/8 982

FASTX
FASTX
FASTX

H B07D2 1-01 * S D25 1
H E29C1 1-02 * D13 1

16-2/8 SOURCE TERM HERE? 983

FASTX
FASTX
FASTX
FASTX

L B07C1 1-01 * D25 2
L C05V2 1-02 * D25 1
L E2502 1-03 * D11 1

20-6/8 984

FCIN CLK
FCIN CLK
FCIN CLK
FCIN CLK

H C1181 1-01 * D06 2
H C1281 1-02 * D06 1
H F20F1 1-03 * DXX 1

15-2/8 985

FCIN1(0)
FCIN1(0)
FCIN1(0)
FCIN1(0)

H C03B1 1-01 * D24 2
H C03J1 1-02 * D24 1
H C11E1 1-03 * S D06 1

9-4/8 TERM HERE? SOURCE 986

DX11B.K
RUN NAME

HND288.V22(22) 11/06/73
A/P PIN ORDER BAY - Q DRAW RV PG Y X Z REMARKS
NAME PIN ORDER

11-JUL-74 0123 PAGE 119
LENGTH EXCEPTIONS RUN
NUMBER

FCIN1(1)
FCIN1(1)
FCIN1(1)
FCIN1(1)
FCIN1(1)
FCIN1(1)

H A30S1 1-01 * D22 1
H D11M1 1-02 * D19 2
H C03E1 1-03 * D24 1
H C03M1 1-04 * D24 2
H C11F1 1-05 * S D06 1

32-4/8 SOURCE 987

FCIN2(0)
FCIN2(0)
FCIN2(0)
FCIN2(0)

H C03A1 1-01 * D24 1
H C03D1 1-02 * D24 2
H C12E1 1-03 * S D06 1

9-4/8 TERM HERE? SOURCE 988

FCIN2(1)
FCIN2(1)
FCIN2(1)
FCIN2(1)
FCIN2(1)
FCIN2(1)

H A30R1 1-01 * D22 1
H D12M1 1-02 * D19 2
H C03L1 1-03 * D24 1
H C03H1 1-04 * D24 2
H C12F1 1-05 * S D06 1

32-4/8 SOURCE 989

FICU
FICU
FICU

L A09E2 1-01 * D24 1
L C07F2 1-02 * S D24 1

8-0/8 TERM HERE? SOURCE 990

FUNEQ0
FUNEQ0
FUNEQ0
FUNEQ0
FUNEQ0
FUNEQ0
FUNEQ0

L C03C1 1-01 * S D24 2
L B01R1 1-02 * D11 1
L B05R2 1-03 * D24 2
L B05J2 1-04 * D24 1
L E24P2 1-05 * D24 2
L F19P1 1-06 * D13 1

32-6/8 TERM HERE? 991

FUNEQ1
FUNEQ1
FUNEQ1
FUNEQ1

H B07J2 1-01 * S D24 2
H C02M2 1-02 * D24 1
H C02P2 1-03 * D24 1

8-6/8 SOURCE TERM HERE? 992

FUNEQ1
FUNEQ1
FUNEQ1

L B07H2 1-01 * D24 1
L C03P1 1-02 * S D24 1

5-6/8 TERM HERE? SOURCE 993

FUNEQ2
FUNEQ2
FUNEQ2
FUNEQ2

H A07E1 1-01 * S D24 1
H C02N2 1-02 * D24 2
H C02U2 1-03 * D24 1

12-2/8 TERM HERE? 994

Digit Equipment Corporation

TOUCH									
GND 12	J12R2	1-35 *	DXX	1					
GND 12	J12T1	1-36 *	DXX	2					1000
GND 12	J12U2	1-37 *	DXX	1					1000
GND 12	J12R1	1-38 *	DXX	2					1000
GND 12	J12N1	1-39 *	DXX	1					1000
GND 12	J12K1	1-40 *	DXX	1					1000
GND 12		1							1000
							115-4/8		1000
GND 13	B13C2	1-01 *	D10	1					1001
GND 13	B13F2	1-02 *	D10	2					1001
GND 13	B13M2	1-03 *	D10	1					1001
GND 13	B13T1	1-04 *	D10	2					1001
GND 13	C13K1	1-05 *	D05	1					1001
GND 13	D13C2	1-06 *	D19	1					1001
GND 13	D13T1	1-07 *	U27	2					1001
GND 13		1							1001
							21-2/8		1001
GND 14	B14C2	1-01 *	D10	1					1002
GND 14	B14F2	1-02 *	D10	2					1002
GND 14	B14M2	1-03 *	D10	1					1002
GND 14	B14T1	1-04 *	D10	2					1002
GND 14	D14C2	1-05 *	D19	1					1002
GND 14	D14T1	1-06 *	D19	2					1002
GND 14	H14A1	1-07 *	DXX	1					1002
GND 14	H14C2	1-08 *	DXX	2					1002
GND 14	H14C1	1-09 *	DXX	1					1002
GND 14	H14F1	1-10 *	DXX	2					1002
GND 14	H14K1	1-11 *	DXX	1					1002
GND 14	H14F2	1-12 *	DXX	2					1002
GND 14	H14J2	1-13 *	DXX	1					1002
GND 14	H14L2	1-14 *	DXX	2					1002
GND 14	H14N1	1-15 *	DXX	1					1002
GND 14	H14R1	1-16 *	DXX	2					1002
GND 14	H14N2	1-17 *	DXX	1					1002
GND 14	H14R2	1-18 *	DXX	2					1002
GND 14	H14T1	1-19 *	DXX	1					1002
GND 14	H14U2	1-20 *	DXX	2					1002
GND 14	J14A1	1-21 *	DXX	1					1002
GND 14	J14C2	1-22 *	DXX	2					1002
GND 14	J14C1	1-23 *	DXX	1					1002
GND 14	J14F1	1-24 *	DXX	1					1002
GND 14	J14F2	1-25 *	DXX	2					1002
GND 14	J14J2	1-26 *	DXX	1					1002
GND 14	J14L2	1-27 *	DXX	2					1002
GND 14	J14N2	1-28 *	DXX	1					1002
GND 14	J14R2	1-29 *	DXX	2					1002
GND 14	J14T1	1-30 *	DXX	1					1002
GND 14	J14U2	1-31 *	DXX	2					1002
GND 14	J14R1	1-32 *	DXX	1					1002
GND 14	J14N1	1-33 *	DXX	2					1002
GND 14	J14K1	1-34 *	DXX	1					1002
GND 14		1							1002
							98-4/8		1002

Dx11R,K RUN NAME	HND288.V22(22) 11/06/73	A/P	PIN NAME	ORDER PIN	DAY - ORDER	Q	DRA	HV	PG	Y	X	Z	REMARKS	11-JUL-74 LENGTH	0123 EXCEPTIONS	PAGE 123 RUN NUMBER
GND 16	A16C2			1-01 *	D05							1				
GND 16	A16T1			1-02 *	D05							2				1003
GND 16	B16C2			1-03 *	D05							1				1003
GND 16	B16T1			1-04 *	D05							2				1003
GND 16	C16C2			1-05 *	D05							1				1003
GND 16	C16T1			1-06 *	D05							2				1003
GND 16	D16C2			1-07 *	D05							1				1003
GND 16	D16T1			1-08 *	D19							2				1003
GND 16	E16C2			1-09 *	D05							1				1003
GND 16	E16T1			1-10 *	D05							2				1003
GND 16	F16C2			1-11 *	D05							1				1003
GND 16	F16T1			1-12 *	D05							2				1003
GND 16	H16C2			1-13 *	D05							1				1003
GND 16	H16T1			1-14 *	D05							2				1003
GND 16	J16C2			1-15 *	D05							1				1003
GND 16	J16T1			1-16 *	D05							1				1003
GND 16				1												1003
														55-6/8		1003
GND 17	D17T1			1-01 *	D19							2				1004
GND 17	H17A1			1-02 *	D27							1				1004
GND 17	H17C2			1-03 *	D27							2				1004
GND 17	H17C1			1-04 *	D27							1				1004
GND 17	H17F1			1-05 *	D27							2				1004
GND 17	H17K1			1-06 *	D27							1				1004
GND 17	H17F2			1-07 *	D27							2				1004
GND 17	H17J2			1-08 *	D27							1				1004
GND 17	H17L2			1-09 *	D27							2				1004
GND 17	H17N1			1-10 *	D27							1				1004
GND 17	H17R1			1-11 *	D27							2				1004
GND 17	H17N2			1-12 *	D27							1				1004
GND 17	H17R2			1-13 *	D27							2				1004
GND 17	H17T1			1-14 *	D27							1				1004
GND 17	H17U2			1-15 *	D27							2				1004
GND 17	J17A1			1-16 *	D27							1				1004
GND 17	J17C2			1-17 *	D27							2				1004
GND 17	J17C1			1-18 *	D27							1				1004
GND 17	J17F1			1-19 *	D27							2				1004
GND 17	J17F2			1-20 *	D27							1				1004
GND 17	J17J2			1-21 *	D27							2				1004
GND 17	J17L2			1-22 *	D27							1				1004
GND 17	J17N2			1-23 *	D27							2				1004
GND 17	J17R2			1-24 *	D27							1				1004
GND 17	J17T1			1-25 *	D27							2				1004
GND 17	J17U2			1-26 *	D27							1				1004
GND 17	J17R1			1-27 *	D27							2				1004
GND 17	J17N1			1-28 *	D27							1				1004
GND 17	J17K1			1-29 *	D27							1				1004
GND 17				1												1004
														79-6/8		1004

DX118.K
RUN NAME

HND288.V22(22) 11/06/73
A/P PIN ORDER BAY -
NAME PIN ORDER

Q DRAW RV PG Y X Z REMARKS

11-JUL-74 0123 PAGE 132
LENGTH EXCEPTIONS RUN
NUMBER

A/P	PIN	ORDER	BAY -	Q	DRAW	RV	PG	Y	X	Z	REMARKS	11-JUL-74	0123	PAGE 132
NAME	PIN	ORDER	ORDER									LENGTH	EXCEPTIONS	RUN
														NUMBER
GND R		A08C2	1-01 *		D05					2				
GND R		A08T1	1-02 *		D05					1				1023
GND H		B08C2	1-03 *		D05					2				1023
GND H		B08T1	1-04 *		D05					1				1023
GND H		C08C2	1-05 *		D05					2				1023
GND H		C08T1	1-06 *		D05					1				1023
GND R		D08C2	1-07 *		D07					2				1023
GND R		D08S1	1-08 *		D07					1				1023
GND R		D08T1	1-09 *		D05					2				1023
GND R		E08C2	1-10 *		D05					1				1023
GND H		E08T1	1-11 *		D05					2				1023
GND H		F08C2	1-12 *		D05					1				1023
GND H		F08T1	1-13 *		D05					2				1023
GND R		H08A1	1-14 *		DXX					1				1023
GND R		H08C2	1-15 *		DXX					2				1023
GND R		H08C1	1-16 *		DXX					1				1023
GND R		H08F1	1-17 *		DXX					2				1023
GND R		H08K1	1-18 *		DXX					1				1023
GND R		H08F2	1-19 *		DXX					2				1023
GND R		H08J2	1-20 *		DXX					1				1023
GND R		H08L2	1-21 *		DXX					2				1023
GND R		H08N1	1-22 *		DXX					1				1023
GND R		H08R1	1-23 *		DXX					2				1023
GND R		H08V2	1-24 *		DXX					1				1023
GND R		H08R2	1-25 *		DXX					2				1023
GND R		H08T1	1-26 *		DXX					1				1023
GND R		H08U2	1-27 *		DXX					2				1023
GND R		J08A1	1-28 *		DXX					1				1023
GND R		J08C2	1-29 *		DXX					2				1023
GND R		J08C1	1-30 *		DXX					1				1023
GND R		J08F1	1-31 *		DXX					2				1023
GND R		J08F2	1-32 *		DXX					1				1023
GND R		J08J2	1-33 *		DXX					2				1023
GND R		J08L2	1-34 *		DXX					1				1023
GND R		J08N2	1-35 *		DXX					2				1023
GND R		J08R2	1-36 *		DXX					1				1023
GND R		J08T1	1-37 *		DXX					2				1023
GND R		J08U2	1-38 *		DXX					1				1023
GND R		J08R1	1-39 *		DXX					2				1023
GND R		J08N1	1-40 *		DXX					1				1023
GND R		J08K1	1-41 *		DXX					1				1023
			1									118=0/8		1023

DX118.K
RUN NAME

HND288.V22(22) 11/06/73
A/P PIN ORDER BAY -
NAME PIN ORDER

Q DRAW RV PG Y X Z REMARKS

11-JUL-74 0123 PAGE 133
LENGTH EXCEPTIONS RUN
NUMBER

A/P	PIN	ORDER	BAY -	Q	DRAW	RV	PG	Y	X	Z	REMARKS	11-JUL-74	0123	PAGE 133
NAME	PIN	ORDER	ORDER									LENGTH	EXCEPTIONS	RUN
														NUMBER
GND 9		C09A1	1-01 *		D06					1				
GND 9		C09B1	1-02 *		D06					2				1024
GND 9		F09T1	1-03 *		D27					1				1024
GND 9		H09C2	1-04 *		D27					2				1024
GND 9		H09H1	1-05 *		D27					1				1024
GND 9		H09J1	1-06 *		D27					2				1024
GND 9		H09H2	1-07 *		D27					1				1024
GND 9		H09J2	1-08 *		D27					2				1024
GND 9		H09H2	1-09 *		D27					1				1024
GND 9		H09S2	1-10 *		D27					2				1024
GND 9		H09T1	1-11 *		D27					1				1024
GND 9		H09S1	1-12 *		D27					2				1024
GND 9		H09R1	1-13 *		D27					1				1024
			1									41=2/8		1024
G3(1)		A30T1	1-01 *		D22					1				
G3(1)	H	E25M2	1-02 *		D13					2			TERM HERE?	1025
G3(1)	H	D10M1	1-03 *		D19					1				1025
G3(1)	H	B10P2	1-04 *		DXX					2				1025
G3(1)	H	C05E2	1-05 *		D24					1				1025
G3(1)	H	C10E1	1-06 *	S	D06					1			SOURCE	1025
			1									42=0/8		1025
HLD OUT		H12P1	1-01 *		DXX					2				
HLD OUT		H14P1	1-02 *		DXX					1				1026
HLD OUT		J13L2	1-03 *		DXX					1				1026
			1									8=0/8		1026
HLD0		C24F2	1-01 *		D12					2				
HLD0	H	E16D1	1-02 *		D12					1				1027
HLD0	H	J13F2	1-03 *		DXX					1				1027
			1									20=4/8		1027
HLD0(1)		A3101	1-01 *		D22					1				
HLD0(1)	H	D24S1	1-02 *		D19					2			TERM HERE?	1028
HLD0(1)	H	C24J2	1-03 *	S	D12					1			SOURCE	1028
			1									19=4/8		1028
IBMRST	H	B23F2	1-01 *		D24					1				
IBMRST	H	E27P2	1-02 *		D05					2			TERM HERE?	1029
IBMRST	H	E14L2	1-03 *		D25					1				1029
IBMRST	H	C02B1	1-04 *		D24					2				1029
IBMRST	H	E03E2	1-05 *		DXX					1				1029
IBMRST	H	E03F2	1-06 *		DXX					2				1029
IBMRST	H	E06P2	1-07 *		D24					1				1029
IBMRST	H	E07V1	1-08 *	S	D24					1			SOURCE	1029
			1									50=0/8		1029

FU9U

DX11B,K
RUN NAME

HND288.V22(22) 11/06/73

A/P	PIN NAME	ORDER PIN	BAY - ORDER	Q	DRA*	RV	PG	Y	X	Z	REMARKS
H	E2881		1-01 *	S	D13					2	
H	E2742		1-02 *		D05					1	
H	F29F1		1-03 *	S	D13					1	
			1								
H	A09A1		1-01 *		D11					1	
H	C24M1		1-02 *	S	D05					1	
			1								
H	C24N1		1-01 *	S	D05					2	
H	F2981		1-02 *		D13					1	
H	D1042		1-03 *		DXX					1	
			1								
H	C07S1		1-01 *	S	D24					1	
H	C08F1		1-02 *		D24					2	
H	B03A1		1-03 *		D25					1	
H	B03L1		1-04 *		D25					2	
H	C03P1		1-05 *		D24					1	
H	E01J2		1-06 *		D05					2	
H	E01R1		1-07 *		D05					1	
H	E23H1		1-08 *		D11					2	
H	E2HF2		1-09 *		D13					1	
			1								
L	E03J1		1-01 *	S	D24					1	
L	A05N1		1-02 *		D25					2	
L	C07R1		1-03 *		D24					1	
L	F18R1		1-04 *		D06					2	
L	E26D1		1-05 *		D13					1	
			1								
H	A08T2		1-01 *		DXX					1	
H	C13M1		1-02 *	S	D05					1	
			1								
H	A29P1		1-01 *		D22					2	
H	B08J2		1-02 *		D10					1	
H	D13S2		1-03 *		D19					2	
H	C13M1		1-04 *	S	D05					1	
			1								

11-JUL-74	0123	PAGE 136
LENGTH	EXCEPTIONS	RUN NUMBER
	TERM HERE?	1044
	SOURCE	1044
8-4/8		1044
	TERM HERE?	1045
	SOURCE	1045
12-4/8		1045
	SOURCE	1046
	TERM HERE?	1046
23-6/8		1046
	SOURCE	1047
		1047
		1047
		1047
		1047
		1047
		1047
		1047
	TERM HERE?	1047
48-2/8		1047
	SOURCE	1048
		1048
		1048
		1048
	TERM HERE?	1048
38-0/8		1048
	TERM HERE?	1049
	SOURCE	1049
8-0/8		1049
	TERM HERE?	1050
		1050
		1050
	SOURCE	1050
28-6/8		1050

DX11B,K
RUN NAME

HND288.V22(22) 11/06/73

A/P	PIN NAME	ORDER PIN	BAY - ORDER	Q	DRA*	RV	PG	Y	X	Z	REMARKS
H	A08C1		1-01 *	S	D20					1	
H	A24C1		1-02 *		D20					2	
H	A25D1		1-03 *		D20					1	
H	F17J1		1-04 *		D14					2	
H	F17M2		1-05 *		D20					1	
			1								
L	A25F1		1-01 *	S	D20					1	
L	C21R1		1-02 *		D20					1	
			1								
H	E28P2		1-01 *	S	D13					2	
H	E28U2		1-02 *		D13					1	
H	E26Y2		1-03 *		D13					2	
H	E26M1		1-04 *		D13					1	
H	E26N2		1-05 *		D13					2	
H	E26H1		1-06 *		D13					1	
H	E26E2		1-07 *		D13					2	
H	E27B1		1-08 *		D13					1	
H	E28C1		1-09 *		D13					2	
H	E28E2		1-10 *		D13					1	
H	E29H1		1-11 *		D13					2	
H	E29B1		1-12 *		D13					1	
			1								
	D07D1		1-01 *		D07					2	
	D08D1		1-02 *		D07					1	
	D08M1		1-03 *		D07					2	
	D07M1		1-04 *		D07					1	
	F14D2		1-05 *		D07					1	
			1								
L	A25N2		1-01 *		D08					1	
L	B26D1		1-02 *		D08					2	
L	B27D1		1-03 *		D08					1	
L	B27M1		1-04 *		D08					2	
L	B26M1		1-05 *		D08					1	
			1								

11-JUL-74	0123	PAGE 137
LENGTH	EXCEPTIONS	RUN NUMBER
	SOURCE	1051
		1051
		1051
		1051
	TERM HERE?	1051
33-6/8		1051
	SOURCE	1052
	TERM HERE?	1052
9-4/8		1052
	SOURCE	1053
		1053
		1053
		1053
		1053
		1053
		1053
		1053
		1053
		1053
		1053
		1053
	TERM HERE?	1053
32-2/8		1053
		1054
		1054
		1054
		1054
		1054
		1054
17-0/8		1054
		1055
		1055
		1055
		1055
		1055
		1055
13-0/8		1055

IBM EQUIPMENT CORPORATION

IBM EQUIPMENT CORPORATION

DX11B,K
RUN NAME

HND288.V22(22) 11/06/73
A/P PIN ORDER BAY # Q DRAW RV PG Y X Z REMARKS
NAME PIN ORDER

11-JUL-74 0123 PAGE 138
LENGTH EXCEPTIONS RUN
NUMBER

LOCKO(0)	H	C25V2	1-01 *	S	D11				2				
LOCKO(0)	H	A24F1	1-02 *		D15				1			SOURCE	1056
LOCKO(0)	H	A02C1	1-03 *		D25				2				1056
LOCKO(0)	H	C05D2	1-04 *		D24				1				1056
LOCKO(0)	H	E07C1	1-05 *		D09				2				1056
LOCKO(0)	H	E15R2	1-06 *		D06				1				1056
LOCKO(0)	H	E15V2	1-07 *		D06				1				1056
LOCKO(0)	H	F19R1	1-08 *		D13				2				1056
LOCKO(0)			1									TERM HERE?	1056
LOCKO(1)	H	C25U2	1-01 *	S	D11				2		54=6/8		1056
LOCKO(1)	H	D25F1	1-02 *		D19				1			SOURCE	1057
LOCKO(1)	H	A32C1	1-03 *		D22				2				1057
LOCKO(1)	H	A05K1	1-04 *		D25				1				1057
LOCKO(1)	H	E03F1	1-05 *		D24				1			TERM HERE?	1057
LOCKO(1)			1								45=0/8		1057
MARK IN 1		H07S1	1-01 *		DXX				1				1058
MARK IN 1		H08S1	1-02 *		DXX				1				1058
MARK IN 1			1								2=6/8		1058
MARK OUT 0		J07S1	1-01 *		DXX				1				1059
MARK OUT 0		J08S1	1-02 *		DXX				1				1059
MARK OUT 0			1								4=6/8		1059
METER IN		H12M2	1-01 *		DXX				1				1060
METER IN		H14M2	1-02 *		DXX				1				1060
METER IN			1								3=2/8		1060
METER OUT		H12K2	1-01 *		DXX				1				1061
METER OUT		H14K2	1-02 *		DXX				1				1061
METER OUT			1								3=2/8		1061
MNCLN(0)	H	F19U2	1-01 *						1			TERM HERE?	1062
MNCLN(0)	H	C21V2	1-02 *	S	D20				2			SOURCE	1062
MNCLN(0)	H	B15R2	1-03 *		D20				1				1062
MNCLN(0)	H	C20S1	1-04 *		D20				1			TERM HERE?	1062
MNCLN(0)			1								23=2/8		1062
MNCLN(1)	H	A32A2	1-01 *		D22				2			TERM HERE?	1063
MNCLN(1)	H	A25A1	1-02 *		D20				1				1063
MNCLN(1)	H	D11J1	1-03 *		D19				2				1063
MNCLN(1)	H	C21U2	1-04 *	S	D20				1			SOURCE	1063
MNCLN(1)			1								28=2/8		1063

DX11B,K
RUN NAME

HND288.V22(22) 11/06/73
A/P PIN ORDER BAY # Q DRAW RV PG Y X Z REMARKS
NAME PIN ORDER

11-JUL-74 0123 PAGE 139
LENGTH EXCEPTIONS RUN
NUMBER

MNCLKF(0)	H	A25B1	1-01 *		D20				2			TERM HERE?	1064
MNCLKF(0)	H	B32L2	1-02 *		D20				1				1064
MNCLKF(0)	H	C20U2	1-03 *	S	D20				1			SOURCE	1064
MNCLKF(0)			1								17=6/8		1064
MNCLKF(1)	H	C20V2	1-01 *	S	D20				2			SOURCE	1065
MNCLKF(1)	H	B15U2	1-02 *		D20				1				1065
MNCLKF(1)	H	D10J1	1-03 *		D19				2				1065
MNCLKF(1)	H	E13P2	1-04 *		D20				1			TERM HERE?	1065
MNCLKF(1)			1								19=6/8		1065
MUXD 00	L	D10P2	1-01 *		D19				1				1066
MUXD 00	L	D30N2	1-02 *		D17				1				1066
MUXD 00			1								12=4/8		1066
MUXD 01	L	D11P2	1-01 *		D19				1				1067
MUXD 01	L	D30R2	1-02 *		D17				1				1067
MUXD 01			1								12=0/8		1067
MUXD 02	L	D12P2	1-01 *		D19				1				1068
MUXD 02	L	D30U1	1-02 *		D17				1				1068
MUXD 02			1								11=2/8		1068
MUXD 03	L	D13P2	1-01 *		D19				1				1069
MUXD 03	L	D30V2	1-02 *		D17				1				1069
MUXD 03			1								11=2/8		1069
MUXD 04	L	D14P2	1-01 *		D19				1				1070
MUXD 04	L	D30T2	1-02 *		D17				1				1070
MUXD 04			1								10=6/8		1070
MUXD 05	L	D15P2	1-01 *		D19				1				1071
MUXD 05	L	D30S1	1-02 *		D17				1				1071
MUXD 05			1								9=6/8		1071
MUXD 06	L	D16P2	1-01 *		D19				1				1072
MUXD 06	L	D30L2	1-02 *		D17				1				1072
MUXD 06			1								9=6/8		1072
MUXD 07	L	D17P2	1-01 *		D19				1				1073
MUXD 07	L	D30K1	1-02 *		D17				1				1073
MUXD 07			1								8=6/8		1073
MUXD 08	L	D18P2	1-01 *		D19				1				1074
MUXD 08	L	D30M1	1-02 *		D17				1				1074
MUXD 08			1								8=2/8		1074

DX118.K
RUN NAME

HND288.V22(22) 11/06/73										11-JUL-74	0123	PAGE 142		
A/P	PIN	ORDER	BAY *	Q	DRA*	HV	PG	Y	X	Z	REMARKS	LENGTH	EXCEPTIONS	RUN NUMBER
NPRT(1)	H	A32R1	1-01 *											
NPRT(1)	H	D26J2	1-02 *							1			TERM HERE?	1093
NPRT(1)	H	D14F1	1-03 *							2				1093
NPRT(1)	H	C14U2	1-04 *	S						1			SOURCE	1093
NPRT(1)			1									23=2/8		1093
NPRT(0)	H	F17F1	1-01 *	S										
NPRT(0)	H	F22F1	1-02 *							1			SOURCE	1094
NPRT(0)			1									4=6/8	TERM HERE?	1094
NPRT(1)	H	A30V2	1-01 *											
NPRT(1)	H	E23N2	1-02 *							1			TERM HERE?	1095
NPRT(1)	H	F17E1	1-03 *							2				1095
NPRT(1)	H	D15J1	1-04 *	S						1			SOURCE	1095
NPRT(1)			1									27=4/8		1095
NPRX(0)	H	A06E2	1-01 *											
NPRX(0)	H	A05E2	1-02 *							2			TERM HERE?	1096
NPRX(0)	H	A05F1	1-03 *							1				1096
NPRX(0)	H	A05K2	1-04 *							2				1096
NPRX(0)	H	A06S1	1-05 *							1				1096
NPRX(0)	H	B01P2	1-06 *							2				1096
NPRX(0)	H	B04T2	1-07 *							1				1096
NPRX(0)	H	F04J2	1-08 *							2				1096
NPRX(0)	H	F04H2	1-09 *							1				1096
NPRX(0)	H	E15F1	1-10 *							2				1096
NPRX(0)	H	C15V2	1-11 *	S						1			SOURCE	1096
NPRX(0)			1									50=6/8		1096
NPRX(1)	H	A32P1	1-01 *											
NPRX(1)	H	C26U1	1-02 *							1			TERM HERE?	1097
NPRX(1)	H	F22H2	1-03 *							2				1097
NPRX(1)	H	D15F1	1-04 *							1				1097
NPRX(1)	H	B06S2	1-05 *							2				1097
NPRX(1)	H	B02P2	1-06 *							1				1097
NPRX(1)	H	B06M2	1-07 *							2				1097
NPRX(1)	H	C15U2	1-08 *	S						1			SOURCE	1097
NPRX(1)			1									54=0/8		1097
NPIDON(0)	H	C17V2	1-01 *	S										
NPIDON(0)	H	C26V1	1-02 *							1			SOURCE	1098
NPIDON(0)			1									6=4/8	TERM HERE?	1098
NPIDON(1)	H	C17U2	1-01 *	S									SOURCE	1099
NPIDON(1)	H	E23L2	1-02 *							1			TERM HERE?	1099
NPIDON(1)			1									8=0/8		1099

DX118.K
RUN NAME

HND288.V22(22) 11/06/73										11-JUL-74	0123	PAGE 143		
A/P	PIN	ORDER	BAY *	Q	DRAW	RV	PG	Y	X	Z	REMARKS	LENGTH	EXCEPTIONS	RUN NUMBER
NXM(1)	H	F17U2	1-01 *											
NXM(1)	H	A29B1	1-02 *							1				1100
NXM(1)	H	D24S2	1-03 *							2				1100
NXM(1)	H	B14E1	1-04 *							1				1100
NXM(1)			1									44=0/8		1100
ODD(1)	H	A30U2	1-01 *											
ODD(1)	H	D16J1	1-02 *							1			TERM HERE?	1101
ODD(1)	H	E21P2	1-03 *							2				1101
ODD(1)	H	C10U2	1-04 *	S						1			SOURCE	1101
ODD(1)			1									28=4/8		1101
OFFLINE	H	B30J2	1-01 *											
OFFLINE	H	E27H1	1-02 *							2				1102
OFFLINE	H	E07M1	1-03 *							1				1102
OFFLINE	H	E04D2	1-04 *							2				1102
OFFLINE	H	E04H2	1-05 *							1				1102
OFFLINE	H	E04H1	1-06 *							2				1102
OFFLINE	H	E04L1	1-07 *							1				1102
OFFLINE	H	E04P1	1-08 *							2				1102
OFFLINE	H	E08D1	1-09 *							1				1102
OFFLINE	H	J13K1	1-10 *							2				1102
OFFLINE	H	J13J2	1-11 *							1				1102
OFFLINE	H	J13S2	1-12 *							2				1102
OFFLINE	H	J13U1	1-13 *							1				1102
OFFLINE	H	J11S1	1-14 *							2				1102
OFFLINE	H	J10B2	1-15 *							1				1102
OFFLINE	H	J10U1	1-16 *							2				1102
OFFLINE	H	J09S2	1-17 *							1				1102
OFFLINE	H	J09U1	1-18 *							2				1102
OFFLINE	H	J09K1	1-19 *							1				1102
OFFLINE	H	J09J2	1-20 *							2				1102
OFFLINE	H	J10K1	1-21 *							1				1102
OFFLINE	H	J10J2	1-22 *							2				1102
OFFLINE			1									89=0/8		1102

DX11R,K RUN NAME	A/P	HND288,V22(22) PIN NAME	11/06/73 ORDER PIN	HAY - ORDER	Q	DRAM	RV	PG	Y	X	Z	REMARKS	11-JUL-74 LENGTH	0823 EXCEPTIONS	PAGE 156 RUN NUMBER
RSRVI	H	D20L1		1-01 *											1191
RSRVI	H	H21D2		1-02 *											1191
RSRVI				1									9-6/8		1191
RSTAI	H	D21L1		1-01 *											1192
RSTAI	H	H20M2		1-02 *											1192
RSTAI				1									10-4/8		1192
S17FN1	L	C02N2		1-01 *	S										1193
S17FN1	L	E04A1		1-02 *										SOURCE TERM HERE?	1193
S17FN1				1									6-4/8		1193
S17FN2	L	C02K2		1-01 *	S										1194
S17FN2	L	E04E1		1-02 *										SOURCE TERM HERE?	1194
S17FN2				1									7-4/8		1194
SEL IN		F01M2		1-01 *											1195
SEL IN		J11M2	J11N2	1-02 *											1195
SEL IN		J13N2		1-03 *											1195
SEL IN				1									13-2/8		1195
SEL IN A		F01S2		1-01 *											1196
SEL IN A		J12T2		1-02 *											1196
SEL IN A				1									10-2/8		1196
SEL IN B		F01R2		1-01 *											1197
SEL IN B		J14T2		1-02 *											1197
SEL IN B				1									11-2/8		1197
SEL OUT		F01L2		1-01 *											1198
SEL OUT		J13V2		1-02 *											1198
SEL OUT		J11R1		1-03 *											1198
SEL OUT				1									14-6/8		1198
SEL OUT A		F01V2		1-01 *											1199
SEL OUT A		J12V2		1-02 *											1199
SEL OUT A				1									10-6/8		1199
SEL OUT B		F01P2		1-01 *											1200
SEL OUT B		J14V2		1-02 *											1200
SEL OUT B				1									11-4/8		1200

DX11R,K RUN NAME	A/P	HND288,V22(22) PIN NAME	11/06/73 ORDER PIN	HAY - ORDER	Q	DRAM	RV	PG	Y	X	Z	REMARKS	11-JUL-74 LENGTH	0823 EXCEPTIONS	PAGE 157 RUN NUMBER
SEL SYNC(1)	H	A24K1		1-01 *											1201
SEL SYNC(1)	H	A24P1		1-02 *											1201
SEL SYNC(1)	H	A25P1		1-03 *											1201
SEL SYNC(1)	H	A25L1		1-04 *											1201
SEL SYNC(1)	H	H32K1		1-05 *											1201
SEL SYNC(1)	H	B32F1		1-06 *											1201
SEL SYNC(1)	H	D27S1		1-07 *											1201
SEL SYNC(1)				1									27-4/8		1201
SELECT	H	A05A1		1-01 *											1202
SELECT	H	A07S2		1-02 *											1202
SELECT	H	B06E1		1-03 *											1202
SELECT	H	B04A1		1-04 *											1202
SELECT				1									12-4/8		1202
SELECT	L	A07T2		1-01 *	S										1203
SELECT	L	A09H1		1-02 *										SOURCE TERM HERE?	1203
SELECT				1									3-6/8		1203
SEL1(0)	H	C24S2	B18U2	1-01 *	2										1204
SEL1(0)	H	H18U2	B18T2	1-02 *											1204
SEL1(0)	H	H18T2		1-03 *											1204
SEL1(0)	H	B19T2		1-04 *											1204
SEL1(0)	H	H22H2		1-05 *											1204
SEL1(0)	H	E12C1		1-06 *											1204
SEL1(0)	H	E02N1		1-07 *											1204
SEL1(0)				1									44-2/8		1204
SEL1(1)	H	C24R2		1-01 *	1										1205
SEL1(1)	H	J11P1		1-02 *											1205
SEL1(1)				1									18-2/8		1205
SEL1AR	H	D12M2		1-01 *	2										1206
SEL1AR	H	E26R1		1-02 *											1206
SEL1AR	H	E03M2		1-03 *											1206
SEL1AR				1									23-2/8		1206
SEL1ARUF(1)	H	A31D2		1-01 *	1										1207
SEL1ARUF(1)	H	B18V2		1-02 *											1207
SEL1ARUF(1)	H	B06C1		1-03 *											1207
SEL1ARUF(1)				1									20-2/8		1207
SELO	H	E18L1		1-01 *	2										1208
SELO	H	E18E1		1-02 *											1208
SELO	H	D13P2		1-03 *											1208
SELO				1									19-6/8		1208

DX11A,K
RUN NAME

HND288.V22(22) 11/06/73
A/P PIN ORDER DAY - Q DRA RV PG Y X Z REMARKS

11-JUL-74 0123 PAGE 154
LENGTH EXCEPTIONS RUN NUMBER

A/P	PIN	ORDER	DAY -	Q	DRA	RV	PG	Y	X	Z	REMARKS	11-JUL-74	0123	PAGE 154
	NAME	PIN	ORDER									LENGTH	EXCEPTIONS	RUN NUMBER
SELO(0)	H	A03M2		1-01 *		D25				1				
SELO(0)	H	A05U2		1-02 *		D25				2			TERM HERE?	1209
SELO(0)	H	C06J1		1-03 *		D24				1				1209
SELO(0)	H	C05T2		1-04 *		D25				2				1209
SELO(0)	H	E03C1		1-05 *		D24				1				1209
SELO(0)	H	E30J1		1-06 *		D13				2				1209
SELO(0)	H	C23K2		1-07 *	S	D12				1			SOURCE	1209
				1								45-6/8		1209
SELO(1)	H	A31E1		1-01 *		D22				1				
SELO(1)	H	A04D1		1-02 *		D25				2			TERM HERE?	1210
SELO(1)	H	C01T2		1-03 *		D05				1				1210
SELO(1)	H	D02M2		1-04 *		D25				2				1210
SELO(1)	H	E12H1		1-05 *		D24				1				1210
SELO(1)	H	E14T2		1-06 *		D13				2				1210
SELO(1)	H	E25H2		1-07 *		D13				1				1210
SELO(1)	H	D23S1		1-08 *		D19				2				1210
SELO(1)	H	C23J2		1-09 *	S	D12				1			SOURCE	1210
				1								60-6/8		1210
SELRST(0)	H	A02M1		1-01 *		D05				1				
SELRST(0)	H	E07V2		1-02 *		D24				2			TERM HERE?	1211
SELRST(0)	H	C23M1		1-03 *	S	D05				1			SOURCE	1211
				1								27-4/8		1211
SELRST(1)	H	A29C1		1-01 *		D22				1				
SELRST(1)	H	B14U1		1-02 *		D10				2			TERM HERE?	1212
SELRST(1)	H	D23S2		1-03 *		D19				1				1212
SELRST(1)	H	C23V1		1-04 *	S	D05				1			SOURCE	1212
				1								26-4/8		1212
SENSE	L	A04V2		1-01 *	S	D24				2			SOURCE	1213
SENSE	L	C03M2		1-02 *		D25				1				1213
SENSE	L	E29E2		1-03 *		D13				1			TERM HERE?	1213
				1								24-2/8		1213
SETPH0	L	B05V2		1-01 *	S	D24				1			SOURCE	1214
SETPH0	L	E22A1		1-02 *		D11				1			TERM HERE?	1214
				1								12-6/8		1214
SETPH1	L	C03S1		1-01 *	S	D24				1			SOURCE	1215
SETPH1	L	B19D1		1-02 *		D11				2				1215
SETPH1	L	E22B1		1-03 *		D11				1			TERM HERE?	1215
				1								22-4/8		1215

DX11A,K
RUN NAME

HND288.V22(22) 11/06/73
A/P PIN ORDER DAY - Q DRA RV PG Y X Z REMARKS

11-JUL-74 0123 PAGE 159
LENGTH EXCEPTIONS RUN NUMBER

A/P	PIN	ORDER	DAY -	Q	DRA	RV	PG	Y	X	Z	REMARKS	11-JUL-74	0123	PAGE 159
	NAME	PIN	ORDER									LENGTH	EXCEPTIONS	RUN NUMBER
SETPH2	L	C08L1		1-01 *	S	D24				2				
SETPH2	L	B19F1		1-02 *		D11				1			SOURCE	1216
SETPH2	L	E22C1		1-03 *		D11				1			TERM HERE?	1216
				1								19-2/8		1216
SETPH3	L	C07U1		1-01 *	S	D24				1				
SETPH3	L	B19C1		1-02 *		D11				2			SOURCE	1217
SETPH3	L	B19M1		1-03 *		D11				1				1217
SETPH3	L	E22D1		1-04 *		D11				1			TERM HERE?	1217
				1								23-4/8		1217
SETPH4	L	C07D2		1-01 *	S	D24				2			SOURCE	1218
SETPH4	L	B19M1		1-02 *		D11				1				1218
SETPH4	L	E22D2		1-03 *		D11				1			TERM HERE?	1218
				1								18-6/8		1218
SICR	H	B05M1		1-01 *	S	D25				2			SOURCE	1219
SICR	H	B07M1		1-02 *		D25				1				1219
SICR	H	F30P2		1-03 *		D13				2				1219
SICR	H	F31P2		1-04 *		D13				1				1219
SICR	H	F31E2		1-05 *		D13				2				1219
SICR	H	F30E2		1-06 *		D13				1				1219
SICR	H	E29S2		1-07 *		D13				1			TERM HERE?	1219
				1								34-4/8		1219
SICR	L	B07P1		1-01 *	S	D25				1			SOURCE	1220
SICR	L	E15D2		1-02 *		D11				1			TERM HERE?	1220
				1								10-6/8		1220
SIG1	H	E05M1		1-01 *	S	D25				2			SOURCE	1221
SIG1	H	B07L1		1-02 *		D25				1				1221
SIG1	H	F21D1		1-03 *		DXX				1			TERM HERE?	1221
				1								25-6/8		1221
SIG1	L	B07M1		1-01 *	S	D25				1			SOURCE	1222
SIG1	L	E15A1		1-02 *		D11				2				1222
SIG1	L	E22F1		1-03 *		D11				1			TERM HERE?	1222
				1								16-6/8		1222
SIG10	H	B07U2		1-01 *		D25				2			TERM HERE?	1223
SIG10	H	C08P1		1-02 *		D05				1				1223
SIG10	H	E05F1		1-03 *	S	D25				1			SOURCE	1223
				1								11-6/8		1223

Dx11h,K
RUN NAME

HND288.V22(22) 11/06/73

11-JUL-74 0123 PAGE 100
LENGTH EXCEPTIONS RUN
NUMBER

A/P	PIN NAME	ORDER PIN	RAY - ORDER	J	DRA*	RV	PG	Y	X	Z	REMARKS	11-JUL-74 LENGTH	0123 EXCEPTIONS	PAGE 100 RUN NUMBER
L	A25P2		1-01 *			D08				2				
L	E21P1		1-02 *			D11				1			TERM HERE?	1224
L	D01R2		1-03 *			D05				2				1224
L	B07V2		1-04 *	S		D25							SOURCE	1224
			1									35-0/8		1224
H	B06V2		1-01 *	S		D25				2			SOURCE	1225
H	C02H1		1-02 *			D24				1				1225
H	R01H2		1-03 *			D11				2				1225
H	B01E2		1-04 *			D11				1				1225
H	B02H1		1-05 *			D25				2				1225
H	B07J1		1-06 *			D25				1				1225
H	E21A1		1-07 *			D11				1			TERM HERE?	1225
			1									32-4/8		1225
L	B07K1		1-01 *	S		D25							SOURCE	1226
L	E01T2		1-02 *			D05				1			TERM HERE?	1226
			1									12-0/8		1226
H	A07V2		1-01 *	S		D25				1			SOURCE	1227
H	B02D1		1-02 *			D25				2				1227
H	H02L1		1-03 *			D25							TERM HERE?	1227
			1									8-4/8		1227
L	A06S2		1-01 *	S		D25				2			SOURCE	1228
L	A07U2		1-02 *			D25				1				1228
L	E05D1		1-03 *			D25				2				1228
L	E25E2		1-04 *			D11							TERM HERE?	1228
			1									27-2/8		1228
H	A04F2		1-01 *			D25				2				1229
H	A07M2		1-02 *			D25				1				1229
H	B02D2		1-03 *			D25				2				1229
H	C02D1		1-04 *			D24								1229
			1									14-4/8		1229
L	A07N2		1-01 *	S		D25							SOURCE	1230
L	E25C1		1-02 *			D11				2			TERM HERE?	1230
L	E01U2		1-03 *			D05								1230
			1									30-0/8		1230
L	A06D1		1-01 *	S		D25				2			SOURCE	1231
L	A03P2		1-02 *			D25				1				1231
L	E25F2		1-03 *			D11							TERM HERE?	1231
			1									21-0/8		1231

Dx11h,K
RUN NAME

HND288.V22(22) 11/06/73

11-JUL-74 0123 PAGE 101
LENGTH EXCEPTIONS RUN
NUMBER

A/P	PIN NAME	ORDER PIN	RAY - ORDER	J	DRA*	RV	PG	Y	X	Z	REMARKS	11-JUL-74 LENGTH	0123 EXCEPTIONS	PAGE 101 RUN NUMBER
H	A03S2		1-01 *			D25				1				1232
H	B07F1		1-02 *			D25								1232
			1									5-0/8		1232
L	A25P2		1-01 *			D08				2			TERM HERE?	1233
L	E21R1		1-02 *			D11				1				1233
L	C01E1		1-03 *			D05				2				1233
L	B07H1		1-04 *	S		D25							SOURCE	1233
			1									35-2/8		1233
H	B06P2		1-01 *	S		D25				2			SOURCE	1234
H	A05V2		1-02 *			D25				1				1234
H	A07E2		1-03 *			D25				2				1234
H	B17F2		1-04 *			D06				1				1234
H	B17K2		1-05 *			D08				2				1234
H	B20M2		1-06 *			D11				1				1234
H	E17T2		1-07 *			D05							TERM HERE?	1234
			1									35-6/8		1234
L	A07F2		1-01 *	S		D25				1			SOURCE	1235
L	E14F1		1-02 *			D05				2				1235
L	E22M2		1-03 *			D11				1				1235
L	E21U2		1-04 *			D11							TERM HERE?	1235
			1									24-2/8		1235
L	A05V1		1-01 *	S		D25				1			SOURCE	1236
L	E25F1		1-02 *			D11				2				1236
L	F29E1		1-03 *			D13							TERM HERE?	1236
			1									21-6/8		1236
H	A07M1		1-01 *	S		D25				2			SOURCE	1237
H	B05T2		1-02 *			D24				1				1237
H	E28H2		1-03 *			DXX							TERM HERE?	1237
			1									22-4/8		1237
L	A09H2		1-01 *			D13				2			TERM HERE?	1238
L	A07L1		1-02 *			D25				1				1238
L	E25H1		1-03 *			D11				2				1238
L	F22A1		1-04 *			DXX				1				1238
L	F19J2		1-05 *			D05				2				1238
L	E19L1		1-06 *			DXX								1238
L	E03N1		1-07 *	S		D25				1			SOURCE	1238
			1									44-2/8		1238

DX118,K
RUN NAME

HND288,V22(22) 11/06/73
A/P PIN ORDER BAY - Q DRAW HV PG Y X Z

11-JUL-74 0123 PAGE 162
LENGTH EACHPILOTS RUN NUMBER

SIG	OR	NAME	ORDER	BAY	Q	DRAW	HV	PG	Y	X	Z	REMARKS	LENGTH	EACHPILOTS	RUN NUMBER
SIG16	OR	A09K2	1-01 *	S		013					1				1239
SIG16	OR	E29K1	1-02 *			013					2			SOURCE	1239
SIG16	OR	E28S2	1-03 *			013								TERM HERE?	1239
SIG16	OR		1										20-2/8		1239
SIG16	OR	C24L1	1-01 *			005					2			TERM HERE?	1240
SIG16	OR	C21L1	1-02 *			005					1				1240
SIG16	OR	F19D2	1-03 *			005					2				1240
SIG16	OR	F19K2	1-04 *	S		005								SOURCE	1240
SIG16	OR		1										16-6/8		1240
SIG17		C06E1	1-01 *	S		025					1				1241
SIG17		A07N1	1-02 *			025					2			SOURCE	1241
SIG17		B01P1	1-03 *			011					1				1241
SIG17		C02L1	1-04 *			024					2				1241
SIG17		C02J2	1-05 *			024					1				1241
SIG17		C02U2	1-06 *			024					2				1241
SIG17		D02R2	1-07 *			0XX					1				1241
SIG17		F21L1	1-08 *			024								TERM HERE?	1241
SIG17			1										42-6/8		1241
SIG17		A07P1	1-01 *	S		025					2				1242
SIG17		H05P2	1-02 *			024					1			SOURCE	1242
SIG17		E14N1	1-03 *			005					2				1242
SIG17		E25D1	1-04 *			011								TERM HERE?	1242
SIG17			1										25-4/8		1242
SIG1A		A05D1	1-01 *			025					1				1243
SIG1A		B06F1	1-02 *			025					2				1243
SIG1A		C06K1	1-03 *			024					1				1243
SIG1A		E05L1	1-04 *			025									1243
SIG1A			1										18-6/8		1243
SIG1B		B06L1	1-01 *	S		025					1				1244
SIG1B		R07A1	1-02 *			025								SOURCE	1244
SIG1B			1										3-6/8		1244
SIG1B		B07B1	1-01 *	S		025					2				1245
SIG1B		A06U2	1-02 *			011					1			SOURCE	1245
SIG1B		F22P1	1-03 *			011								TERM HERE?	1245
SIG1B			1										19-0/8		1245
SIG2		A03K1	1-01 *	S		025					1				1246
SIG2		B07S2	1-02 *			011								SOURCE	1246
SIG2			1										6-6/8		1246

DX118,K
RUN NAME

HND288,V22(22) 11/06/73
A/P PIN ORDER BAY - Q DRAW HV PG Y X Z

11-JUL-74 0123 PAGE 163
LENGTH EACHPILOTS RUN NUMBER

SIG	OR	NAME	ORDER	BAY	Q	DRAW	HV	PG	Y	X	Z	REMARKS	LENGTH	EACHPILOTS	RUN NUMBER
SIG2		R07T2	1-01 *	S		025					1				1247
SIG2		E15M1	1-02 *			011					2			SOURCE	1247
SIG2		E22N1	1-03 *			011					1				1247
SIG2		E22R1	1-04 *			011					2				1247
SIG2		E25S2	1-05 *			013								TERM HERE?	1247
SIG2			1										23-2/8		1247
SIG3		A07B1	1-01 *	S		025					2				1248
SIG3		C08J1	1-02 *			024					1			SOURCE	1248
SIG3		C02A1	1-03 *			024					2				1248
SIG3		E05P1	1-04 *			009					1				1248
SIG3		E21O1	1-05 *			011					2				1248
SIG3		E27T2	1-06 *			011								TERM HERE?	1248
SIG3			1										41-2/8		1248
SIG3		A05J1	1-01 *	S		025					1				1249
SIG3		A07A1	1-02 *			025					2			SOURCE	1249
SIG3		R03R1	1-03 *			025					1				1249
SIG3		E16M1	1-04 *			006								TERM HERE?	1249
SIG3			1										23-4/8		1249
SIG4		B07M2	1-01 *			025					2				1250
SIG4		C02D2	1-02 *			024					1			TERM HERE?	1250
SIG4		E05K1	1-03 *	S		025								SOURCE	1250
SIG4			1										14-2/8		1250
SIG4		A03T2	1-01 *			024					1				1251
SIG4		R07N2	1-02 *	S		025								TERM HERE?	1251
SIG4			1										5-4/8		1251
SIG5		C07B1	1-01 *	S		025					2				1252
SIG5		A06E1	1-02 *			025					1			SOURCE	1252
SIG5		B01J1	1-03 *			005					2				1252
SIG5		C08M1	1-04 *			005					1				1252
SIG5		E16J1	1-05 *			025								TERM HERE?	1252
SIG5			1										30-0/8		1252
SIG5		A05U1	1-01 *			025					2				1253
SIG5		B06O2	1-02 *			025					1				1253
SIG5		C07A1	1-03 *			025									1253
SIG5			1										8-2/8		1253
SIG5A		B06J2	1-01 *	S		025					1				1254
SIG5A		E20V1	1-02 *			025					2			SOURCE	1254
SIG5A		E29L2	1-03 *			013								TERM HERE?	1254
SIG5A			1										21-6/8		1254

DIGITAL EQUIPMENT CORPORATION

DIGITAL EQUIPMENT CORPORATION

DX11A,K
RUN NAME

HND288.V22(23) 11/06/73

11-JUL-74 PAGE 170
LENGTH EXCEPTIONS RUN NUMBER

A/P	PIN	ORDER	DAY = ORDER	Q	DRAB	HV	PG	Y	X	Z	REMARKS	11-JUL-74 LENGTH	EXCEPTIONS	PAGE 170 RUN NUMBER
SRVI(0)	H	H0001	1-01 *			D23				2				
SRVI(0)	H	E0202	1-02 *			D24				1			TERM HERE?	1299
SRVI(0)	H	F1001	1-03 *			D27				2				1299
SRVI(0)	H	E2001	1-04 *			D11				1				1299
SRVI(0)		E3002	1-05 *			DXX				2				1299
SRVI(0)		E3002	1-06 *			DXX				1				1299
SRVI(0)		E3002	1-07 *			DXX				2				1299
SRVI(0)		E2001	1-08 *			D13				2				1299
SRVI(0)		C2002	1-09 *	S		D13				1			SOURCE	1299
			1									53=2/8		1299
SRVI(1)		C2002	1-01 *	S		D13				2			SOURCE	1300
SRVI(1)		E3102	1-02 *			D22				1				1300
SRVI(1)		A0601	1-03 *			D25				2				1300
SRVI(1)		A0602	1-04 *			D25				1				1300
SRVI(1)		E0702	1-05 *			D05				2				1300
SRVI(1)		F2101	1-06 *			DXX				1				1300
SRVI(1)		J1102	1-07 *			D27							TERM HERE?	1300
			1									63=0/8		1300
SRVD		C1902	1-01 *			D12								1301
SRVD		J0902	1-02 *			DXX				1				1301
			1									18=2/8		1301
SRVD(0)	H	A0481	1-01 *			D25				2			TERM HERE?	1302
SRVD(0)	H	B0402	1-02 *			D25				1				1302
SRVD(0)	H	E05A1	1-03 *			D25				2				1302
SRVD(0)	H	C0501	1-04 *			D24				1				1302
SRVD(0)	H	C1902	1-05 *	S		D12							SOURCE	1302
			1									51=2/8		1302
SRVD(1)		E3101	1-01 *			D22				2			TERM HERE?	1303
SRVD(1)		E3002	1-02 *			D13				1				1303
SRVD(1)		D1901	1-03 *			D19				2				1303
SRVD(1)		C1902	1-04 *	S		D12							SOURCE	1303
			1									28=4/8		1303
SSP		E2702	1-01 *			D20								1304
SSP		F1901	1-02 *			D20				1				1304
			1									8=2/8		1304
SSI	H	E3202	1-01 *			D20				2			TERM HERE?	1305
SSI	H	D0202	1-02 *			D20				1				1305
SSI	H	D0202	1-03 *			D20				2				1305
SSI	H	D0202	1-04 *			D20				1				1305
SSI	H	F0202	1-05 *	S		D20							SOURCE	1305
			1									32=0/8		1305

DX11A,K
RUN NAME

HND288.V22(22) 11/06/73

11-JUL-74 PAGE 171
LENGTH EXCEPTIONS RUN NUMBER

A/P	PIN	ORDER	DAY = ORDER	Q	DRAB	HV	PG	Y	X	Z	REMARKS	11-JUL-74 LENGTH	EXCEPTIONS	PAGE 171 RUN NUMBER
SSI	L	D0202	1-01 *			D20				2			TERM HERE?	1306
SSI	L	D0202	1-02 *			D20				1				1306
SSI	L	D0202	1-03 *			D20				2				1306
SSI	L	F0202	1-04 *	S		D20							SOURCE	1306
			1									13=0/8		1306
SSIF(0)	H	E3202	1-01 *			D20				1			TERM HERE?	1307
SSIF(0)	H	E3202	1-02 *	S		D20							SOURCE	1307
			1									2=6/8		1307
SSIF(1)	H	E3202	1-01 *	S		D20				1			SOURCE	1308
SSIF(1)	H	E2702	1-02 *			DXX							TERM HERE?	1308
			1									10=0/8		1308
SSYN	H	E25A1	1-01 *			D18				1			TERM HERE?	1309
SSYN	H	D26A1	1-02 *			D18				2				1309
SSYN	H	D2901	1-03 *	S		D18							SOURCE	1309
			1									13=2/8		1309
SSYN	L	E2501	1-01 *	S		D18				1			SOURCE	1310
SSYN	L	C2601	1-02 *			D18							TERM HERE?	1310
			1									5=2/8		1310
STA IN		J1102	1-01 *			DXX				2				1311
STA IN		J1202	1-02 *			DXX				1				1311
STA IN		J1402	1-03 *			DXX								1311
			1									6=4/8		1311
STAI EN	H	A0901	1-01 *	S		D25				2			SOURCE	1312
STAI EN	H	C0502	1-02 *			D25				1				1312
STAI EN	H	E1402	1-03 *			D13							TERM HERE?	1312
			1									18=0/8		1312
STAI(0)	H	A0601	1-01 *			D25				2			TERM HERE?	1313
STAI(0)	H	A0501	1-02 *			D25				1				1313
STAI(0)	H	E0202	1-03 *			D24				2				1313
STAI(0)	H	E1201	1-04 *			D24				1				1313
STAI(0)	H	F1901	1-05 *			D27				2				1313
STAI(0)	H	B1902	1-06 *			D13				1				1313
STAI(0)	H	C2102	1-07 *	S		D13							SOURCE	1313
			1									47=6/8		1313

DX11R,K
RUN NAME

HND288,V22(22) 11/06/73

11-JUL-74 PAGE 172
LENGTH EXCEPTIONS RUN
NUMBER

A/P	PIN NAME	ORDER PIN	BAY - ORDER	Q	DRA*	RV	PG	Y	X	Z	REMARKS	11-JUL-74 LENGTH	0123 EXCEPTIONS	PAGE 172 RUN NUMBER
H	C21R2		1-01 *	S	D13					2				
H	A31H2		1-02 *		D22					1			SOURCE	1314
H	A04E1		1-03 *		D25					2				1314
H	B06D1		1-04 *		D25					1				1314
H	J11F1		1-05 *		DXX					1			TERM HERE?	1314
			1									51-0/8		1314
H	C04N2		1-01 *		DXX					1				1315
H	C16K2		1-02 *		DXX					1				1315
			1									8-4/8		1315
H	C16J2		1-01 *	S	D09					2				1316
H	D16N1		1-02 *		D19					1			SOURCE	1316
H	B09F1		1-03 *		D10					2				1316
H	A29V1		1-04 *		D22					2				1316
H	F30N1		1-05 *		D13					1			TERM HERE?	1316
			1									43-4/8		1316
	C14E2		1-01 *		D09					1				1317
	C15E2		1-02 *		D09					2			TERM HERE?	1317
	C16E2		1-03 *		D09					1				1317
	E05S2		1-04 *	S	D09					1			SOURCE	1317
			1									10-0/8		1317
	C13E2		1-01 *		D09					2			TERM HERE?	1318
	C12E2		1-02 *		D09					1				1318
	C11E2		1-03 *		D09					2				1318
	C10E2		1-04 *		D09					1				1318
	E05V2		1-05 *	S	D09					1			SOURCE	1318
			1									18-4/8		1318
H	C15E1		1-01 *	S	D06					1				1319
H	A05R2		1-02 *		D25					2			SOURCE	1319
H	A03L2		1-03 *		D25					1				1319
H	A03L1		1-04 *		D25					1				1319
H	E19M1		1-05 *		DXX					2			TERM HERE?	1319
			1									31-0/8		1319
H	A30M1		1-01 *	2	D22					2			TERM HERE?	1320
H	A08R2	H08U1	1-02 *		LXA					1				1320
H	B08U1		1-03 *							2				1320
H	C11J1		1-04 *		D05					1				1320
H	C06N1		1-05 *		D24					2				1320
H	D02J1		1-06 *		D24					2				1320
H	D15M1		1-07 *		D19					1				1320
H	C15F1		1-08 *	S	D06					2			SOURCE	1320
			1									48-0/8		1320

DX11R,K
RUN NAME

HND288,V22(22) 11/06/73

11-JUL-74 PAGE 173
LENGTH EXCEPTIONS RUN
NUMBER

A/P	PIN NAME	ORDER PIN	BAY - ORDER	Q	DRA*	RV	PG	Y	X	Z	REMARKS	11-JUL-74 LENGTH	0123 EXCEPTIONS	PAGE 173 RUN NUMBER
H	A29S1		1-01 *		DXX					1				1321
H	D11S2		1-02 *		D19					2			TERM HERE?	1321
H	C11M1		1-03 *	S	D05					1			SOURCE	1321
			1									20-2/8		1321
H	B17S2		1-01 *	2						2			TERM HERE?	1322
H	B10R2		1-02 *		DXX					1				1322
H	C09D2		1-03 *		D06					2				1322
H	D02P2		1-04 *		DXX					1				1322
H	E18H1		1-05 *		D06					2				1322
H	F21U2		1-06 *		D24					1				1322
H	F21T2		1-07 *		D24					2				1322
H	F22L1		1-08 *	S	D24					1			SOURCE	1322
			1									40-0/8		1322
L	F21M1		1-01 *		D24					1				1323
L	F21R2		1-02 *		D18					2				1323
L	F21V2		1-03 *		D24					1				1323
			1									5-0/8		1323
H	C01B1		1-01 *		DXX					1				1324
H	A03H2		1-02 *		D25					2				1324
H	E23M2		1-03 *		D11					1				1324
H	F21L2		1-04 *		DXX					2				1324
H	F21M2		1-05 *		DXX					1				1324
H	F21S2		1-06 *		DXX					1				1324
			1									35-4/8		1324
L	B03P2		1-01 *		D25					2				1325
L	C04A1		1-02 *		D25					1				1325
L	E14H2		1-03 *		D05					2				1325
L	F21N2		1-04 *		DXX					1				1325
			1									21-4/8		1325
H	B32M1		1-01 *		D17					1				1326
H	D27R2		1-02 *		D17					1				1326
			1									9-0/8		1326
	J10E2		1-01 *		DXX					1				1327
	J12P1		1-02 *		DXX					2				1327
	J14P1		1-03 *		DXX					1				1327
			1									7-0/8		1327
H	C22F2		1-01 *		D12					1				1328
H	J10D2		1-02 *		DXX					1				1328
			1									17-0/8		1328

DX118.K
RUN NAME

HND288.V22(22) 11/06/73
A/P PIN ORDER RAY =
NAME PIN ORDER

	A/P	PIN	ORDER	RAY =	Q	DRAW	RV	PG	Y	X	Z	REMARKS	11-JUL-74	0123	PAGE 178
		NAME	PIN	ORDER									LENGTH	EXCEPTIONS	RUN NUMBER
TSIHLD OUT		H18P1		1-01 *		D27					1				1360
TSIHLD OUT		H19P2		1-02 *		D27									1360
TSIHLD OUT				1									3-0/8		1360
TSTOPL IN		H22R1		1-01 *		D27					1				1361
TSTOPL IN		J18D2		1-02 *		D27									1361
TSTOPL IN				1									4-6/8		1361
TSTOPL OUT		H18S1		1-01 *		D27					1				1362
TSTOPL OUT		H19D2		1-02 *		D27									1362
TSTOPL OUT				1									4-0/8		1362
TSTREQ IN		H18S2		1-01 *		D27					1				1363
TSTREQ IN		H22V2		1-02 *		D27									1363
TSTREQ IN				1									4-6/8		1363
TSTSEL IN		H22L2		1-01 *		D27					1				1364
TSTSEL IN		J18T2		1-02 *		D27									1364
TSTSEL IN				1									6-6/8		1364
TSTSEL OUT		H19M2		1-01 *		D27					1				1365
TSTSEL OUT		J18V2		1-02 *		D27									1365
TSTSEL OUT				1									6-2/8		1365
TSTSRV IN		H21E2		1-01 *		D27					1				1366
TSTSRV IN		J18P2		1-02 *		D27									1366
TSTSRV IN				1									6-6/8		1366
TSTSRV OUT		J18S1		1-01 *		D27					1				1367
TSTSRV OUT		J19M2		1-02 *		D27									1367
TSTSRV OUT				1									3-2/8		1367
TSTSTA IN		H20N2		1-01 *		D27					1				1368
TSTSTA IN		J18K2		1-02 *		D27									1368
TSTSTA IN				1									5-2/8		1368
TSTSUP OUT		H19F2		1-01 *		D27					1				1369
TSTSUP OUT		J18P1		1-02 *		D27									1369
TSTSUP OUT				1									6-2/8		1369
TTNDX 00(1)	H	A23V2		1-01 *		D14					1				1370
TTNDX 00(1)	H	D19J1		1-02 *		D19					2				1370
TTNDX 00(1)	H	D04T2		1-03 *		D07									1370
TTNDX 00(1)				1									19-6/8		1370

DX118.K
RUN NAME

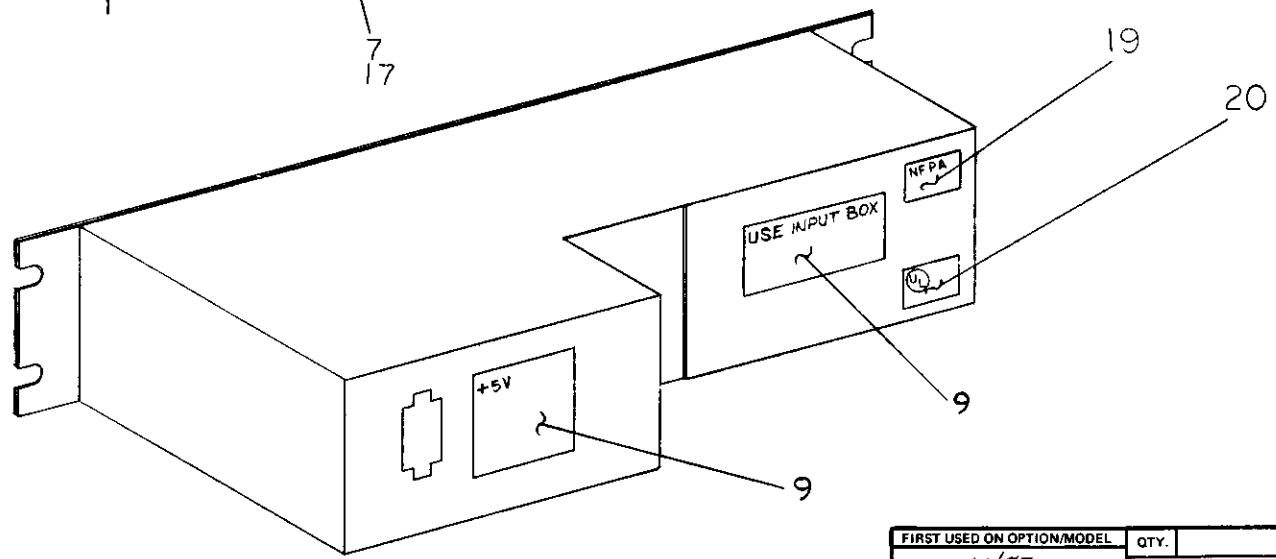
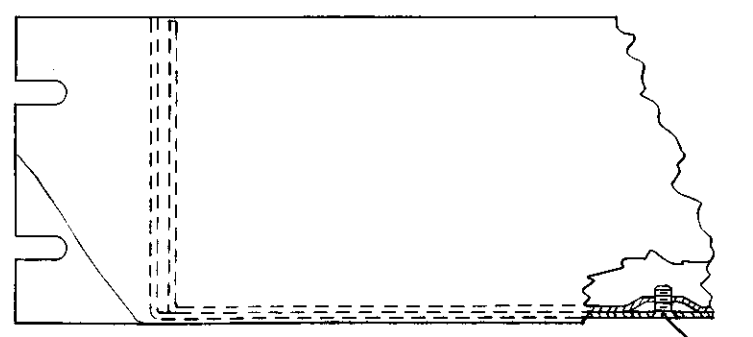
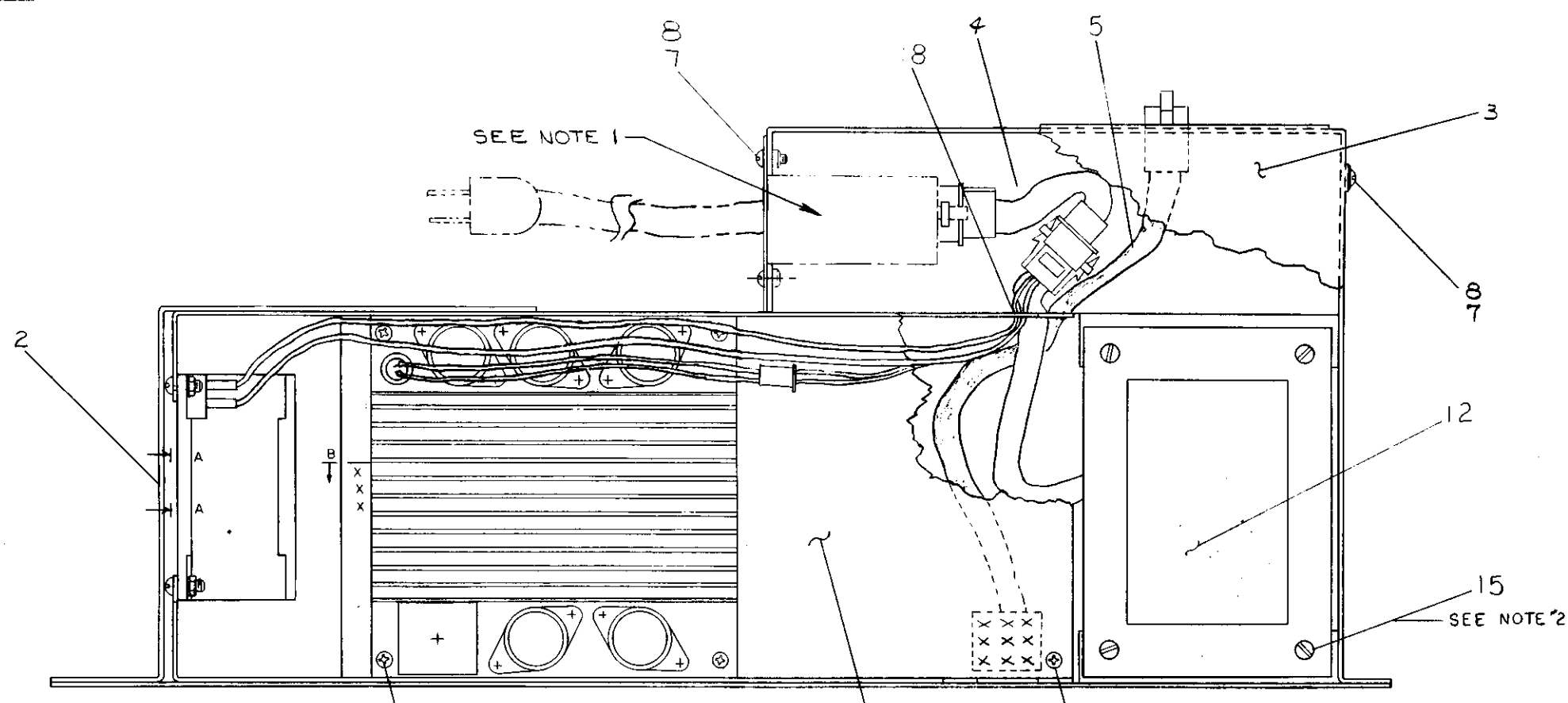
HND288.V22(22) 11/06/73
A/P PIN ORDER RAY =
NAME PIN ORDER

	A/P	PIN	ORDER	RAY =	Q	DRAW	RV	PG	Y	X	Z	REMARKS	11-JUL-74	0123	PAGE 179
		NAME	PIN	ORDER									LENGTH	EXCEPTIONS	RUN NUMBER
TTNDX 01(1)	H	A23V1		1-01 *	S	D14					1				1371
TTNDX 01(1)	H	D19J1		1-02 *		D19					2				1371
TTNDX 01(1)	H	D05T2		1-03 *		D07									1371
TTNDX 01(1)				1									19-4/8	SOURCE TERM HERE?	1371
TTNDX 02(1)	H	A23K2		1-01 *		D14					1				1372
TTNDX 02(1)	H	D20J1		1-02 *		D19					2				1372
TTNDX 02(1)	H	D06T2		1-03 *		D07									1372
TTNDX 02(1)				1									19-6/8		1372
TTNDX 03(1)	H	A23P2		1-01 *		D14					2				1373
TTNDX 03(1)	H	D21J1		1-02 *		D19					1				1373
TTNDX 03(1)	H	D03P1		1-03 *		D07									1373
TTNDX 03(1)				1									22-0/8		1373
TTNDX 04(1)	H	A23L2		1-01 *		D14					2				1374
TTNDX 04(1)	H	D22J1		1-02 *		D19					1				1374
TTNDX 04(1)	H	D04P1		1-03 *		D07									1374
TTNDX 04(1)				1									22-2/8		1374
TTNDX 05(1)	H	A23L1		1-01 *		D14					2				1375
TTNDX 05(1)	H	D23J1		1-02 *		D19					1				1375
TTNDX 05(1)	H	D05P1		1-03 *		D07									1375
TTNDX 05(1)				1									21-6/8		1375
TTNDX 06(1)	H	A23M2		1-01 *		D14					2				1376
TTNDX 06(1)	H	D24J1		1-02 *		D19					1				1376
TTNDX 06(1)	H	D06P1		1-03 *		D07									1376
TTNDX 06(1)				1									22-4/8		1376
TTNDX 07(1)	H	A23F2		1-01 *		D14					2				1377
TTNDX 07(1)	H	D25J1		1-02 *		D19					1				1377
TTNDX 07(1)	H	C03J2		1-03 *		D07									1377
TTNDX 07(1)				1									25-2/8		1377
TTNDX CLR	H	A23H1		1-01 *		D14					2				1378
TTNDX CLR	H	A23R1		1-02 *		D14					1				1378
TTNDX CLR	H	B01V2		1-03 *	S	D14									1378
TTNDX CLR				1									17-6/8	SOURCE TERM HERE?	1378
UCHECK(0)	H	C11K2		1-01 *	S	D09					2				1379
UCHECK(0)	H	C04K2		1-02 *		D24					1				1379
UCHECK(0)	H	E14F2		1-03 *		D05									1379
UCHECK(0)				1									15-2/8	TERM HERE?	1379

DIGITAL EQUIPMENT CORPORATION MAYNARD, MASSACHUSETTS				QUANTITY / VARIATION																	
PARTS LIST																					
MADE BY T. QUILLIN		CHECKED <i>[Signature]</i>		SECTION																	
DATE 2-14-72		DATE 2-29-72		1																	
ENG David De Moranville		PROD R. J. [Signature]		ISSUED SECT.																	
DATE 2-29-72		DATE 2-29-72		1																	
ITEM NO.	DWG NO. / PART NO.	DESCRIPTION																			
1	E-IA-5409728-0-0	REGULATOR BOARD		1																	
2	E-IA-5309975-0-0	CHASSIS H740 D		1																	
3	D-MD-5309976-0-0	COVER H740 D		1																	
4	D-IA-7008810-0-0	HARNES A.C.		1																	
5	D-IA-7008811-0-0	HARNES D.C.		1																	
6	9006037-2	SCR PHL FLT HD #8-32X 3/8 LG		4																	
7	9006020-1	SCR. PHL. PAN HD. #6-32X 1/4 LG		7																	
8	9006633	INT TOOTH L'WASH #6		5																	
9	A-DC-5309998-0-0	DECAL (H740-D)		1																	
10	E-IA-5309816-0-0	CHASSIS		1																	
11	1210719	FAN, BOXER PEWEE		1																	
12	D-IA-7008726-0-0	TRANSFORMER MMC 4150-1		1																	
13	9006022-1	SCR, PHL PAN HD #6-32x3/8 LG		4																	
14	9006023-1	SCR, PHL PAN HD #6-32x 7/16 LG		4																	
15	9006563	NUT KEPS #8-32		4																	
16	9006560	NUT KEPS #6-32		4																	
17	9007649	WASHER EXT TOOTH #6		6																	
18	9007035	GROMMET CATEPILLAR		A/R																	
19	A-DC-5309413-0-0	NFPA TYPE II		1																	
20	A-DC-5309414-0-0	U.L. LOGO		1																	
21	A-PI-3700117-0-0	PACKAGING INSTRUCTIONS		1																	
TITLE		ASSY NO.		SIZE	CODE	NUMBER				REV	ECO NO.										
POWER SUPPLY (H740D)				A	PL	H740-D-0				D	H740D-00010										
		SHEET 1 OF 1		DIS																	

This drawing and specifications, herein, are the property of Digital Equipment Corporation and shall not be reproduced or copied in whole or in part as the basis for the manufacture or sale of items without written permission.

- NOTES:
1. USE BC05-H FOR 115V OPERATION
USE BC05-J FOR 230V OPERATION
 2. TRANSFORMER TO BE SECURED TO CHASSIS WITH (4) #32 KEPS-NUTS.
 3. CONNECT 3 PIN MATE-N-LOCK CONN. (FEMALE) ON TRANSFORMER (ITEM #12) TO 3 PIN MATE-N-LOCK CONN. (MALE) ON REGULATOR BOARD (ITEM #1) (SECTION B-B).



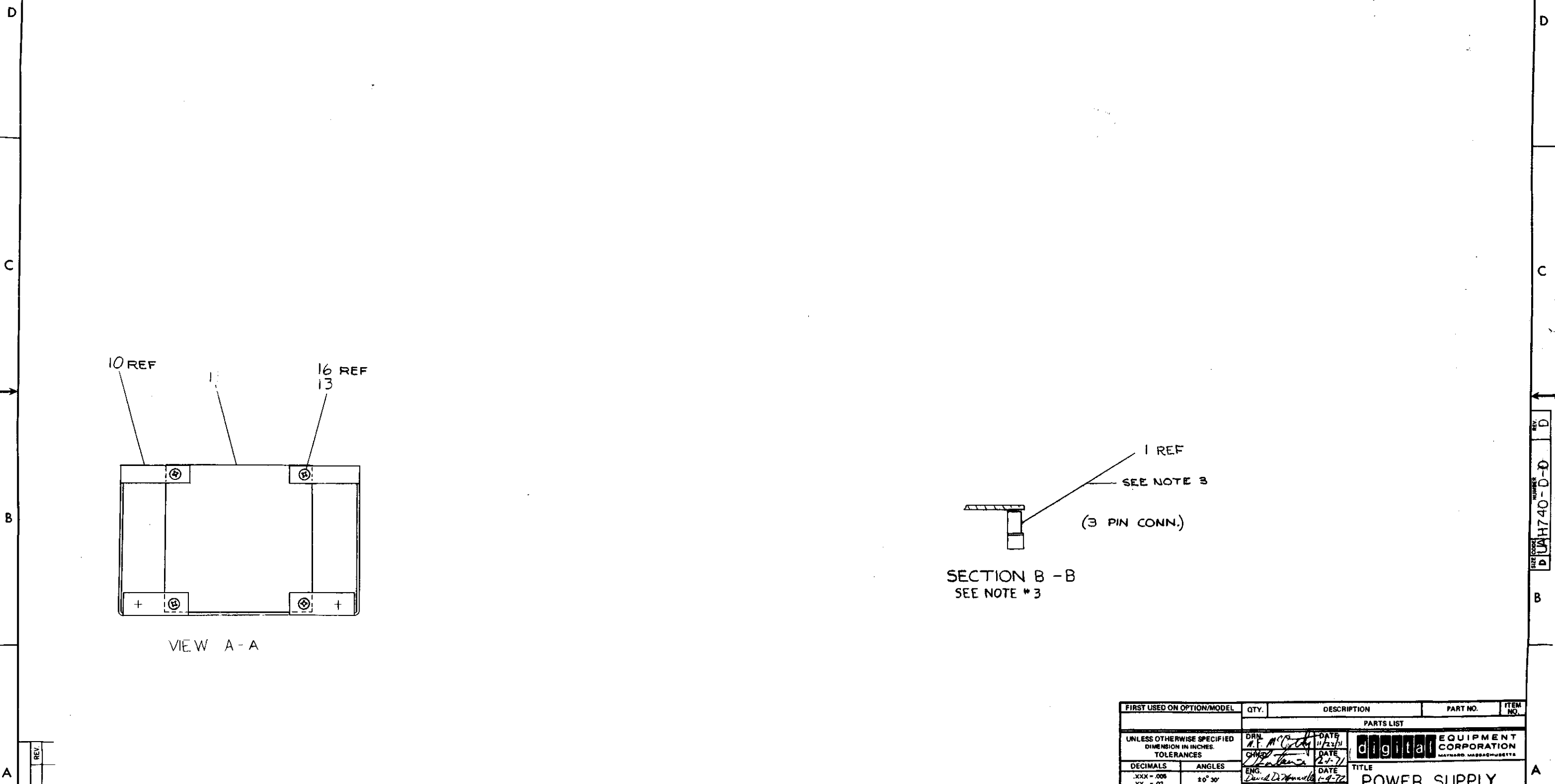
REV.	CHANGE NO.	REV.
A	H7400-00004	A
B	H7400-00005	B
C	H7400-00008	C
D	H7400-00010	D

FIRST USED ON OPTION/MODEL	QTY.	DESCRIPTION	PART NO.	ITEM NO.
11/07				
PARTS LIST				
UNLESS OTHERWISE SPECIFIED DIMENSION IN INCHES. TOLERANCES		DRN	DATE	
DECIMALS	ANGLES	DATE	DATE	
.XXX - .005	±0° 30'	DATE	DATE	
.XX - .02		DATE	DATE	
.X - .1		DATE	DATE	
REMOVE BURRS AND BREAK SHARP CORNERS SURFACE QUALITY		PROJ. ENG.	DATE	TITLE
		PROD.	DATE	POWER SUPPLY (H740-D)
MATERIAL		NEXT HIGHER ASSY.		
		DUA-11/07-0-0	SIZE CODE	NUMBER
FINISH		SCALE	DUA	H740-D-0
		SHEET 1 OF 2	DIST.	REV. D

REV. D
DUA H740-D-0

This drawing and specifications herein are the property of Digital Equipment Corporation and shall not be reproduced or copied or used in whole or in part as the basis for the manufacture or sale of items without written permission.

8 7 6 5 4 3 2 1



1 REF
SEE NOTE 3
(3 PIN CONN.)
SECTION B - B
SEE NOTE # 3

10 REF
16 REF
13
VIEW A - A

REVISIONS	REV
CHANGE NO.	
LHK	

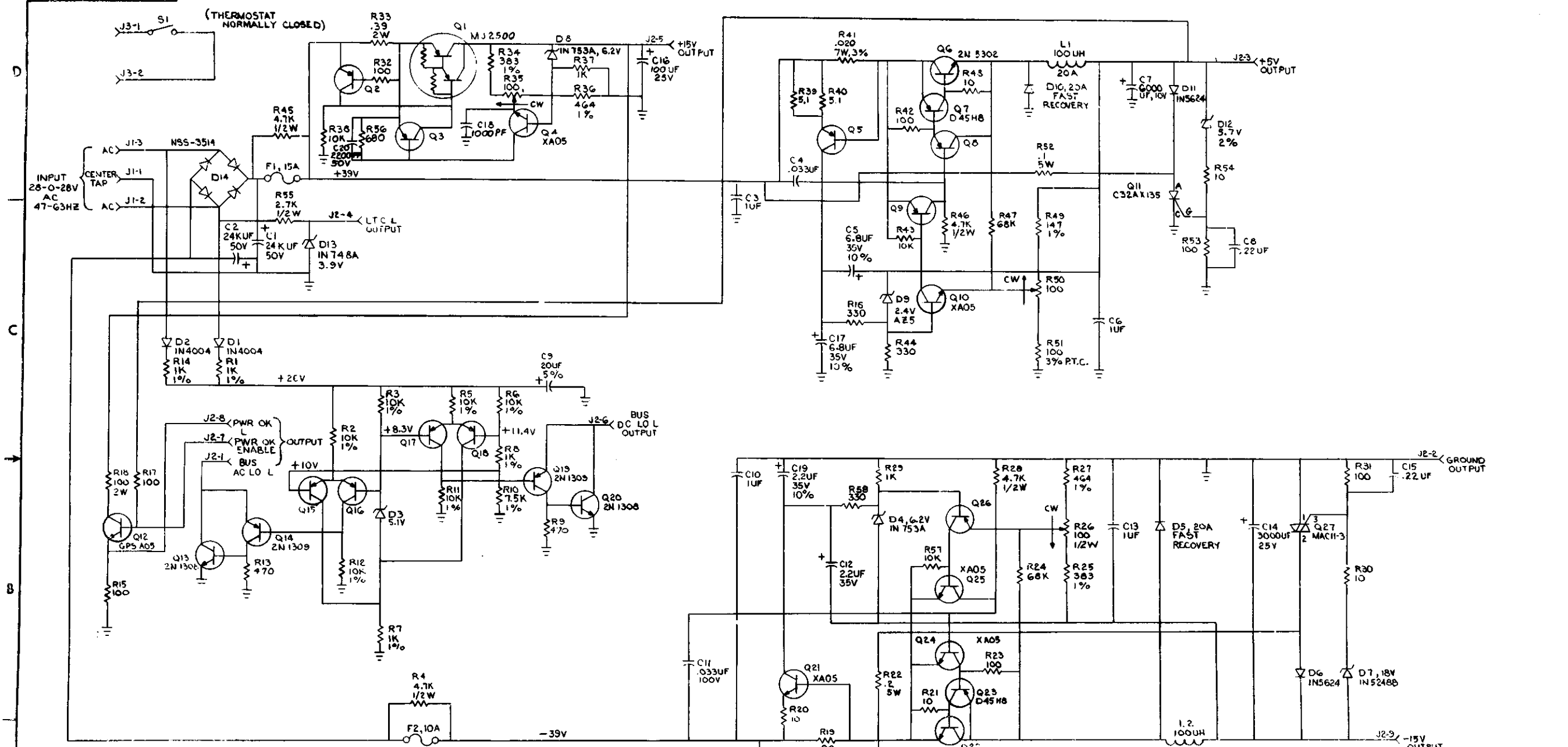
FIRST USED ON OPTION/MODEL	QTY.	DESCRIPTION	PART NO.	ITEM NO.
PARTS LIST				
UNLESS OTHERWISE SPECIFIED DIMENSION IN INCHES TOLERANCES	DRILL DATE 11/22/71	DATE 11/22/71	digital EQUIPMENT CORPORATION MAYNARD, MASSACHUSETTS	
DECIMALS .XXX = .006 .XX = .02 .X = .1	CHAMF DATE 2-1-72	DATE 2-1-72		
ANGLES 20° 30'	ENG. David D. Hannula DATE 1-4-72	DATE 1-4-72	TITLE POWER SUPPLY (H740-D)	
REMOVE BURRS AND BREAK SHARP CORNERS SURFACE QUALITY	PROJ. ENG. DATE 1-27-72	DATE 1-27-72		
MATERIAL	PROD. DATE 1/2/72	DATE 1/2/72	SIZE CODE NUMBER REV. DUA H740-D-0 D	
FINISH	NEXT HIGHER ASSY.	DATE		
	SCALE	SHEET 2 OF 2		

DEC FORM NO DRD 100-A 8 7 6 5 4 3 2 1

REV. D
NUMBER DUA H740-D-0
SIZE CODE D

The drawing is a specification, herein, are the property of Digital Equipment Corporation and shall not be reproduced or copied or used in whole or in part as a basis for the manufacture or sale of items without written permission.

5409728-0-1



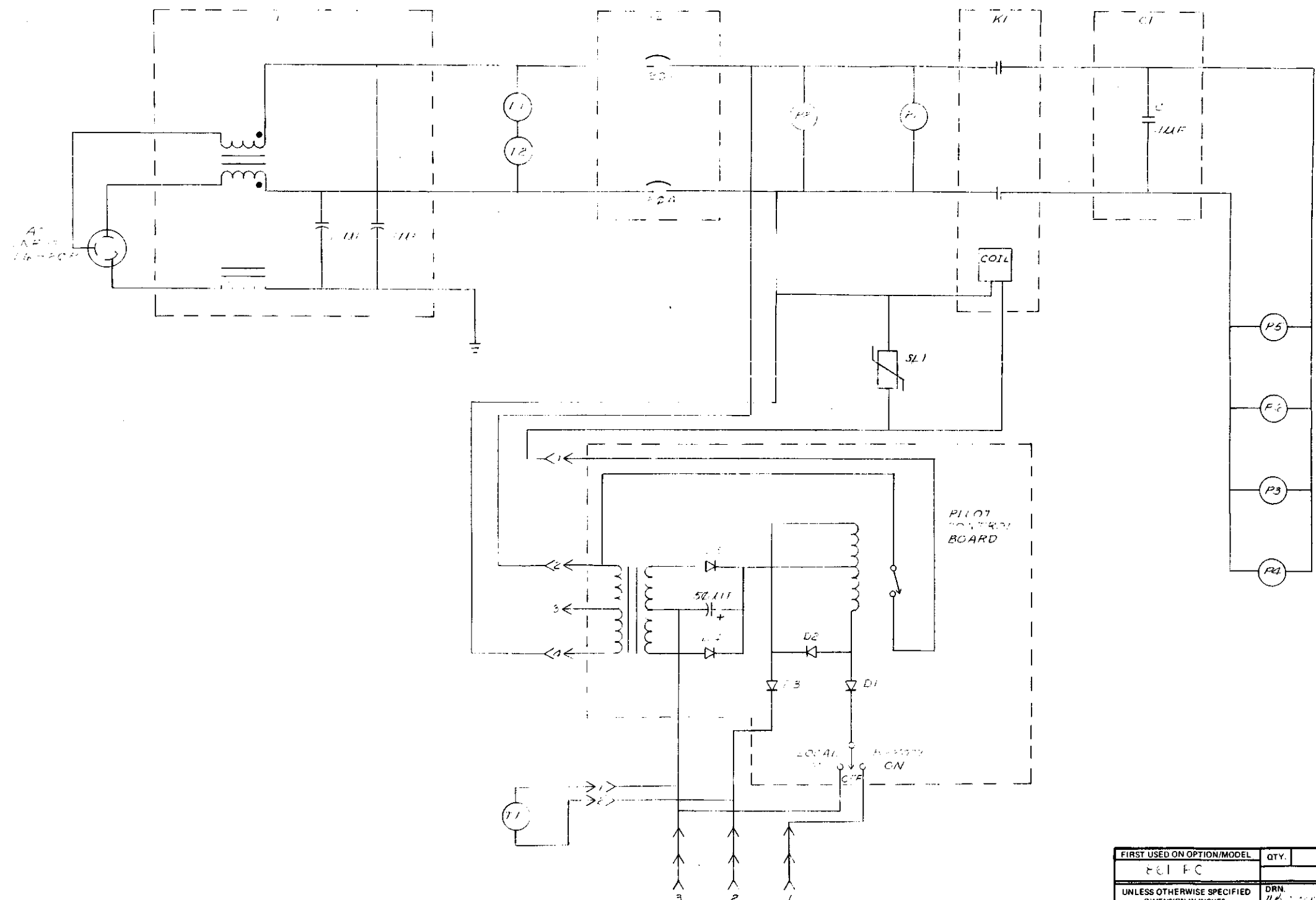
UNLESS OTHERWISE INDICATED:
 1% RESISTORS ARE 1/8W
 VOLTAGES ARE TAKEN AT NO LOAD WITH 115 VAC LINE
 VOLTAGES ARE ±10% TAKEN BY A ±10% METER
 TRANSISTORS - XA05

REV	DATE	BY	CHK	DESCRIPTION
1	12-20-71	R. WOLFF	R. WOLFF	REVISED
2	1-21-72	R. WOLFF	R. WOLFF	REVISED
3	1-21-72	R. WOLFF	R. WOLFF	REVISED
4	1-21-72	R. WOLFF	R. WOLFF	REVISED
5	1-21-72	R. WOLFF	R. WOLFF	REVISED
6	1-21-72	R. WOLFF	R. WOLFF	REVISED
7	1-21-72	R. WOLFF	R. WOLFF	REVISED
8	1-21-72	R. WOLFF	R. WOLFF	REVISED

QTY	REF DESIGNATION	DESCRIPTION	PART NO	ITEM NO.
PARTS LIST				
ETCH BOARD REV E				
DRN. DATE 12-20-71		EQUIPMENT CORPORATION		
CHKD. DATE 1-21-72		MAYNARD MASSACHUSETTS		
PRD. DATE 1-21-72		TITLE REGULATOR BOARD FOR H740		
NEXT HIGHER ASSY		SIZE CODE DCS		
SCALE		NUMBER 5409728-0-1		
SHEET		REV U		

DEC NO.	EIA NO.	DEC NO.	EIA NO.

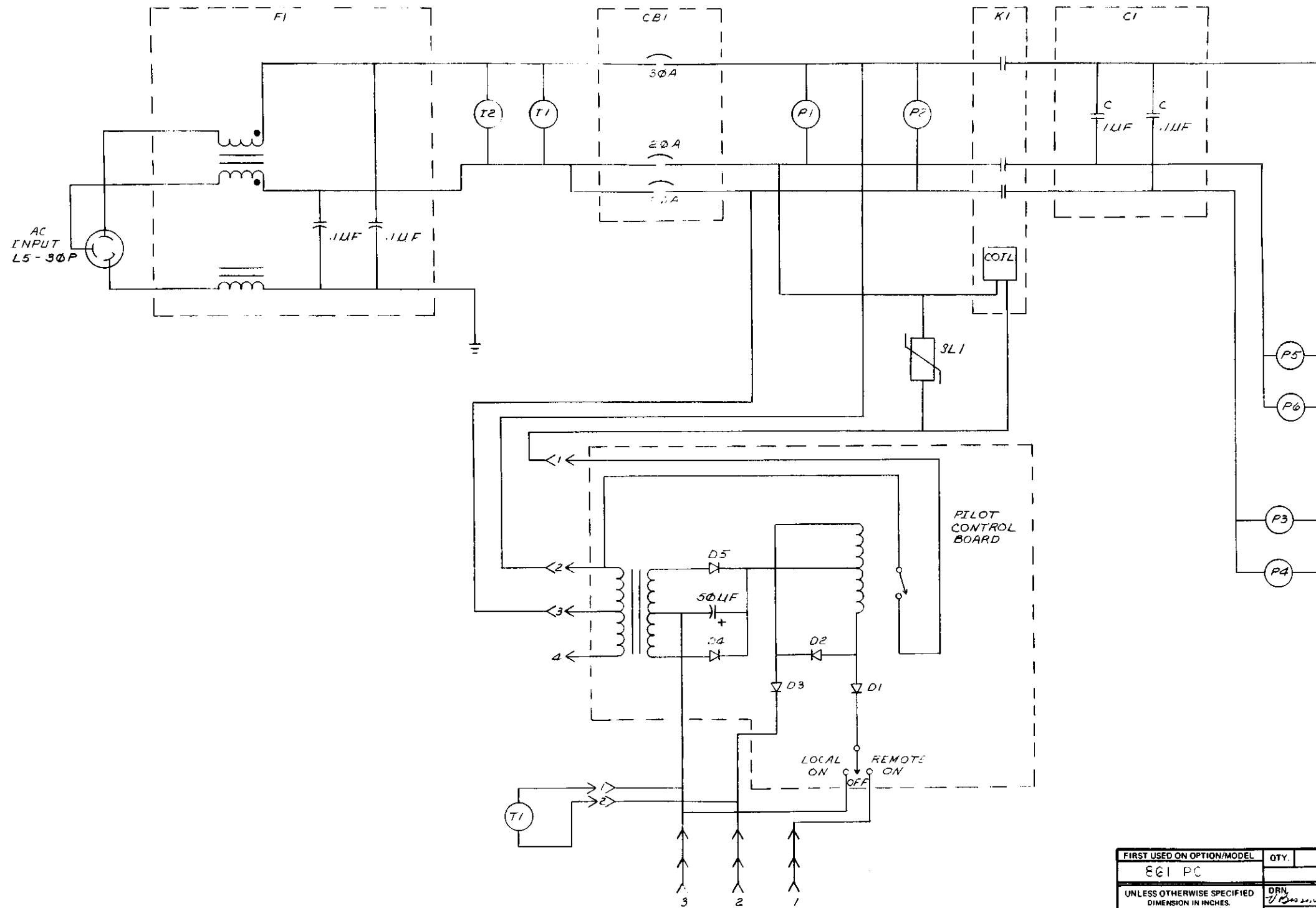
This drawing and specifications herein are the property of Digital Equipment Corporation and shall not be reproduced or copied or used in whole or in part as the basis for the manufacture or sale of items without written permission.



BRUNING 40-107 15668	
CHK	REV
83	A
CHANGE NO. 861-00006	
LOVA	
12/15/72	

FIRST USED ON OPTION/MODEL FCI FC	QTY.	DESCRIPTION	PART NO.	ITEM NO.
PARTS LIST				
UNLESS OTHERWISE SPECIFIED DIMENSION IN INCHES TOLERANCES	DRN. CHK'D ENG. PROJ. ENG. PRD'D	DATE DATE DATE DATE DATE	digital EQUIPMENT CORPORATION MAYNARD, MASSACHUSETTS	
DECIMALS .005 XX .02 .X .1	ANGLES 30° 30'	DATE 9-1-72 DATE 11-6-72 DATE 10-6-72 DATE 10/16/72	TITLE CIRCUIT SCHEMATIC (FCI-B-1)	
MATERIAL	NEXT HIGHER ASSY.	SIZE CODE	NUMBER	REV.
FINISH	SCALE	DIST.	861-B-1	A

This drawing and specifications, herein, are the property of Digital Equipment Corporation and shall not be reproduced or copied or used in whole or in part as the basis for the manufacture or sale of items without written permission.



REV.	CHANGE NO.	DESCRIPTION
A	0006	REVISED TO 12-10-72
		LOVA

BRUNING 40-107, 15988
DPC 100-4

FIRST USED ON OPTION/MODEL	QTY.	DESCRIPTION	PART NO.	ITEM NO.
861 PC				
UNLESS OTHERWISE SPECIFIED DIMENSION IN INCHES. TOLERANCES				
DECIMALS	ANGLES			
.XXX + .005	± 0° 30'			
.XX + .02				
.X + .1				
REMOVE BURRS AND BREAK SHARP CORNERS SURFACE QUALITY				
MATERIAL	NEXT HIGHER ASSY.			
FINISH	SCALE			
SHEET		OF		DIST.

digital EQUIPMENT CORPORATION
MAYNARD MASSACHUSETTS

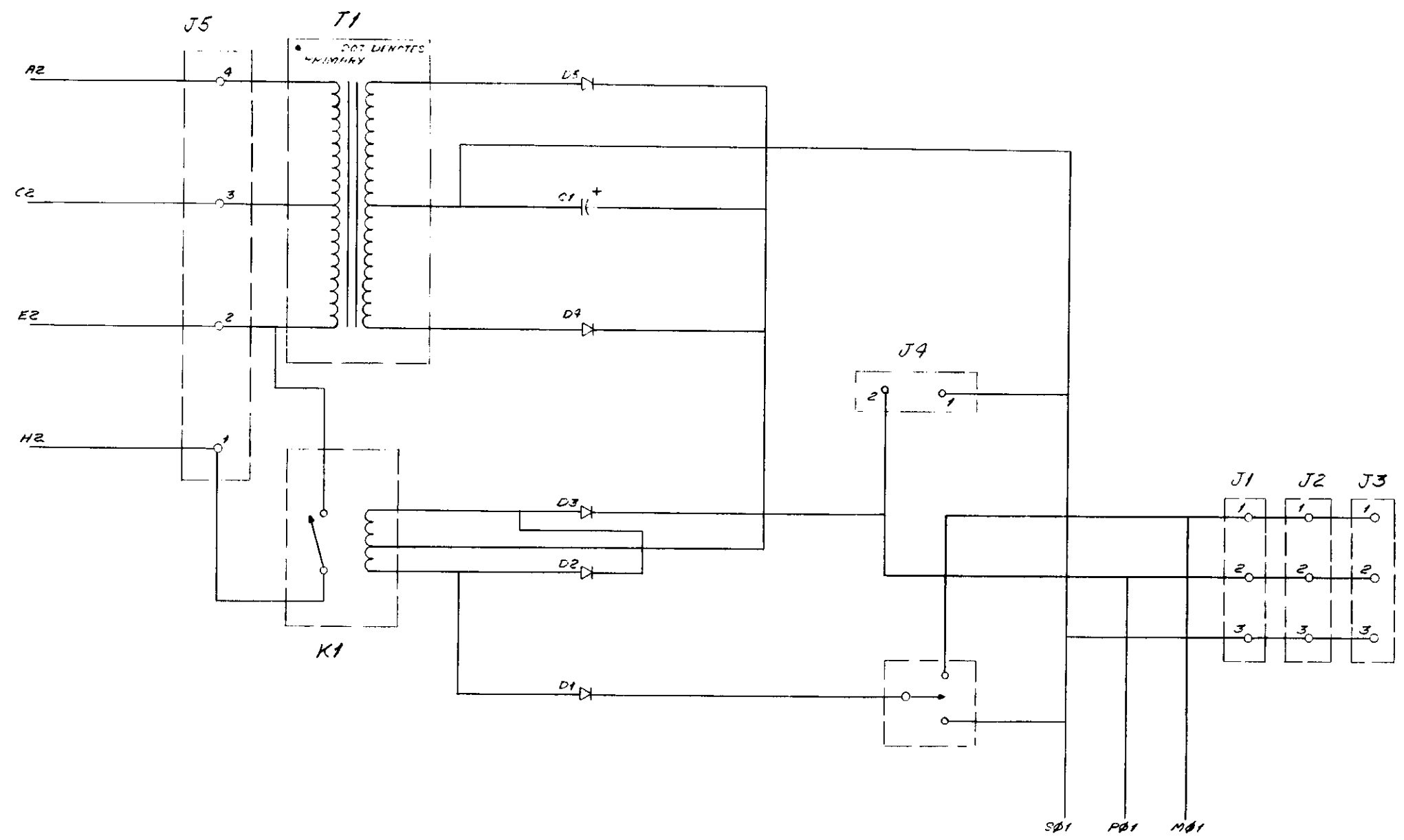
TITLE
CIRCUIT SCHEMATIC 861-PC

DATE 9-12-72
DATE 10-6-72
DATE 10-6-72
DATE 10-6-72

SIZE CODE NUMBER REV.
D S 861-C-1 A

The drawing and specifications herein are the property of Digital Equipment Corporation and shall not be reproduced or copied or used in whole or in part as the basis for the manufacture or sale of items without written permission.

8 1-0-010206-0-1 2



REV	
CHANGED BY	
DATE	

FIRST USED ON OPTION/MODEL	QTY.	DESCRIPTION	PART NO.	ITEM NO.
861 PC.				
PARTS LIST				
UNLESS OTHERWISE SPECIFIED DIMENSION IN INCHES TOLERANCES	DRN <i>Delimit</i>	DATE 8-25-72	digital EQUIPMENT CORPORATION MAYNARD MASSACHUSETTS	
DECIMALS .005	CHK'D <i>J. Delimit</i>	DATE 7-17-72	TITLE	
ANGLES ± 0° 30'	ENG. <i>J. Delimit</i>	DATE 9-19-72	PILOT CONTROL	
REMOVE BURRS AND BREAK SHARP CORNERS SURFACE QUALITY	PROJ. ENG. <i>J. Delimit</i>	DATE 9-19-72		
MATERIAL	PRGD. <i>J. Delimit</i>	DATE 9-19-72		
FINISH	NEXT HIGHER ASSY.		SIZE CODE	NUMBER
			D CS	5410206-0-1
	SCALE NONE		REV.	B
	SHEET 2 OF 2			

DIGITAL EQUIPMENT CORPORATION
MAYNARD, MASSACHUSETTS
PARTS LIST

QUANTITY / VARIATION

MADE BY SID ROBERTS	CHECKED J. CAHILL	SECTION
DATE 4/10/72	DATE 5/23/72	1
ENG <i>[Signature]</i>	PROD <i>[Signature]</i>	ISSUED SECT.
DATE 5/1/72	DATE 6-8-72	1

ITEM NO.	DWG NO. / PART NO.	DESCRIPTION	QUANTITY / VARIATION										
			DX11-BA(115V)	DX11-BB(230V)	DX11-BC(115V)	DX11-BD(230V)	DX11-BE(115V)	DX11-BF(230V)	DX11-BG(115V)	DX11-BH(230V)			
1	E-UA-H950-Q-0	COVER PANEL 10 1/2 (H950-Q)	3	3	3	3	3	3	3				
2	D-UA-H950-PB-0	COVER PANEL 5 1/4 (H950-P)	1	1	1	1	1	1	1				
3	D-AD-7006331-27	INDICATOR PANEL ASSY	1	1	1	1	1	1	1				
4	D-AD-7008942-1	PNL, LOGO (H957)	-	-	1	1	-	-	1	1			
5	D-IA-7407936-1	PNL, LOGO (H950)	1	1	-	-	1	1	-	-			
6	C-PL-7006501-1-0	BASIC CABINET ASSY (19")	1	1	-	-	1	1	-	-			
7	E-UA-H957-A-0	19 INCH FRAME ASSY (H957-A)	-	-	1	1	-	-	1	1			
8	E-UA-7008792-0-0	EPO PANEL ASSY	1	1	1	1	1	1	1	1			
9	D-UA-H957-FA	END PANEL (H957)	-	-	1	1	-	-	1	1			
10	D-UA-H957-FB	END PANEL (H957)	-	-	1	1	-	-	1	1			
11	D-AD-7008962-0-0	LOGIC ASSY	1	1	1	1	1	1	1	1			
12	D-UA-H957-H-0	FAN ASSY (H957)	-	-	1	1	-	-	1	1			
13	D-UA-716-0-0	716 POWER SUPPLY	1	1	1	1	1	1	1	1			
14	9006070-1	SCR, PHL PAN HD #10-32 x 5/16 LG.	24	24	24	24	24	24	24	24			
15	9006586	NUT, TINNEMAN #10-32	24	24	24	24	24	24	24	24			
16	D-UA-H957-B-0	H957-B FULL LENGTH DOOR	-	-	1	1	-	-	1	1			
17	D-UA-H957-D-0	H957-D MTG PANEL DOOR	-	-	1	1	-	-	1	1			
18	D-MD-7408232-0-0	BRACKET, SIDE	2	2	2	2	2	2	2	2			
19	D-UA-H740-D	H740-D POWER SUPPLY	1	1	1	1	1	1	1	1			
20	D-UA-H720-F-0	H720-F POWER SUPPLY	1	1	1	1	1	1	1	1			
21	D-IA-7408392-0-0	CHASSIS POWER SUPPLY	1	1	1	1	1	1	1	1			
22	A-PL-H952-F-0	H952-F LEVELER SET (PL)	-	-	1	1	-	-	1	1			

TITLE	UNIT ASSY DX11-B	ASSY NO.	D-UA-DX11-B-0	SIZE	CODE	NUMBER	DX11-B-0	REV.	ECO NO.
		SHEET	1 OF 4	DIST.	A PL			D	DX11B-00017

DIGITAL EQUIPMENT CORPORATION
MAYNARD, MASSACHUSETTS
PARTS LIST

QUANTITY / VARIATION

MADE BY SID ROBERTS	CHECKED J. CAHILL	SECTION
DATE 4/10/72	DATE 5/23/72	1
ENG <i>[Signature]</i>	PROD <i>[Signature]</i>	ISSUED SECT.
DATE 5/1/72	DATE 6-8-72	1

ITEM NO.	DWG NO. / PART NO.	DESCRIPTION	QUANTITY / VARIATION										
			DX11-BA(115V)	DX11-BB(230V)	DX11-BC(115V)	DX11-BD(230V)	DX11-BE(115V)	DX11-BF(230V)	DX11-BG(115V)	DX11-BH(230V)			
23	A-PL-H952-B-0	H952-B STABILIZER FT.	-	-	1	1	-	-	1	1			
24	A-PL-H952-E-0	H952-E CASTER SET (PL)	-	-	1	1	-	-	1	1			
25	D-IA-7008919-0-0	IBM 360 CABLE ASSY	2	2	2	2	2	2	2	2			
26	D-IA-7008920-0-0	IBM 360 CABLE ASSY	2	2	2	2	2	2	2	2			
27	B-MD-7407530-0-0	PLATE, HOLDING	4	4	4	4	4	4	4	4			
28	9006024-3	SCR, PHL HD TRUSS 6-32 X 1/2 LG.	16	16	16	16	16	16	16	16			
29	9008185	NUT #6 -32 KEP.	12	12	12	12	12	12	12	12			
30	D-IA-7409592-0-0	PNL, PLUG	1	1	1	1	1	1	1	1			
31	9107440-29	WIRE #14 TWP RED/WHT	A/RA	RA/RA	RA/RA	RA/RA	RA/RA	RA/RA	RA/RA	RA/RA			
32	9107440-09	WIRE #14 TWP BLK/WHT	A/RA	RA/RA	RA/RA	RA/RA	RA/RA	RA/RA	RA/RA	RA/RA			
33	9107440-02	WIRE #14 TWP BLK/RED	A/RA	RA/RA	RA/RA	RA/RA	RA/RA	RA/RA	RA/RA	RA/RA			
34	9107370-00	WIRE #14 KYNAR BLK	A/RA	RA/RA	RA/RA	RA/RA	RA/RA	RA/RA	RA/RA	RA/RA			
35	9167370-22	WIRE #14 KYNAR RED	A/RA	RA/RA	RA/RA	RA/RA	RA/RA	RA/RA	RA/RA	RA/RA			
36	9107370-33	WIRE #14 KYNAR ORN	A/RA	RA/RA	RA/RA	RA/RA	RA/RA	RA/RA	RA/RA	RA/RA			
37	9107370-55	WIRE #14 KYNAR GRN.	A/RA	RA/RA	RA/RA	RA/RA	RA/RA	RA/RA	RA/RA	RA/RA			
38	9107370-99	WIRE #14 KYNAR WHT	A/RA	RA/RA	RA/RA	RA/RA	RA/RA	RA/RA	RA/RA	RA/RA			
39	9107350-44	WIRE #22 KYNAR YEL	A/RA	RA/RA	RA/RA	RA/RA	RA/RA	RA/RA	RA/RA	RA/RA			
40	9107350-77	WIRE #22 KYNAR VIO	A/RA	RA/RA	RA/RA	RA/RA	RA/RA	RA/RA	RA/RA	RA/RA			
41	D-MU-DX11-B-01	MODULE UTILIZATION	REF	REF	REF	REF	REF	REF	REF	REF			
42	9009003	JUMPER JONES 541-J	4	4	4	4	4	4	4	4			
43	A-AL-DX11-B-31	ACCESSORY LIST	REF	REF	REF	REF	REF	REF	REF	REF			

TITLE	UNIT ASSY DX11-B	ASSY NO.	D-UA-DX11-B-0	SIZE	CODE	NUMBER	DX11-B-0	REV.	ECO NO.
		SHEET	2 OF 4	DIST.	A PL			D	

DIGITAL EQUIPMENT CORPORATION MAYNARD, MASSACHUSETTS				QUANTITY / VARIATION									
PARTS LIST				DX11-BA(115V)	DX11-BB(230V)	DX11-BC(115V)	DX11-BD(230V)	DX11-BE(115V)	DX11-BF(230V)	DX11-BG(115V)	DX11-BH(230V)		
MADE BY SID ROBERTS		CHECKED J. CAHILL		SECTION									
DATE 4/10/72		DATE 5/23/72		1									
ENG R. DIETER		PROD PAUL FRAZER		ISSUED SECT.									
DATE 5/31/72		DATE 6/8/72		1									
ITEM NO.	DWG NO. / PART NO.	DESCRIPTION		DX11-BA(115V)	DX11-BB(230V)	DX11-BC(115V)	DX11-BD(230V)	DX11-BE(115V)	DX11-BF(230V)	DX11-BG(115V)	DX11-BH(230V)		
44	9007651	WASHER EXT TOOTH #10		24	24	24	24	24	24	24	24		
45	9007880	TIE WRAP 5 1/4 X 1/8W		A/RA	RA/RA	RA/RA	RA/RA	RA/RA	RA/RA	RA/RA	RA/RA		
46	9007033	TIE WRAP 6 1/2 X 3/16W		A/RA	RA/RA	RA/RA	RA/RA	RA/RA	RA/RA	RA/RA	RA/RA		
47	9008442	CABLE CLAMP		8	8	8	8	8	8	8	8		
48	9107240	TUBING SPIRAL WRAP 1/2 DIA		A/RA	RA/RA	RA/RA	RA/RA	RA/RA	RA/RA	RA/RA	RA/RA		
49	9007927	SOLDERLESS CONN #6 (BLU)		20	20	20	20	20	20	20	20		
50	9007919	SOLDERLESS CONN (BLU)		30	30	30	30	30	30	30	30		
51	9007929	SOLDERLESS CONN #6 (RED)		8	8	8	8	8	8	8	8		
52	9007917	SOLDERLESS CONN (RED)		4	4	4	4	4	4	4	4		
53	9007772-3	CLAMP DAKOTA 3/8		2	2	2	2	2	2	2	2		
54	9007621	GROMMET-CATER PILLAR		A/RA	RA/RA	RA/RA	RA/RA	RA/RA	RA/RA	RA/RA	RA/RA		
55	9006634	WASH INT TOOTH #6		12	12	12	12	12	12	12	12		
56	9006073-1	SCR PHL HD PAN #10-32 3/8 LG		2	2	2	2	2	2	2	2		
57	9006070-1	SCR PHL HD PAN #8-32 X 3/8 LG		2	2	2	2	2	2	2	2		
58	9006071-1	SCR PHL HD TRUSS #6-32 X 7/8		8	8	8	8	8	8	8	8		
59	9006029-3	SCR PHL HD TRUSS #6-32 X 1 1/4		4	4	4	4	4	4	4	4		
60	9006251	SPACER #6-32 X 1/2 LG		4	4	4	4	4	4	4	4		
61	9007036	GROMMET-CATER PILLAR		A/RA	RA/RA	RA/RA	RA/RA	RA/RA	RA/RA	RA/RA	RA/RA		
62	9006917	TERMINAL STRIP #12-541 CINCH JONES		1	1	1	1	1	1	1	1		
63	B-MD-100156-12	PROTECTION COVER (541 TERMS/STRIP)		1	1	1	1	1	1	1	1		
64	1209403	FAN BOXER		1	1	1	1	1	1	1	1		
65	C-MD-7404881-0-0	FAN SCREEN		2	2	2	2	2	2	2	2		
TITLE UNIT ASSY DX11-B				ASSY NO. D-UA-DX11-B-Ø		SIZE CODE A PL		NUMBER DX11-B-Ø				REV. D	ECO NO.
				SHEET 3 OF 4		DIST.							


DEC FORM DEC 16 (325) 1031-N870
DRA 110

DIGITAL EQUIPMENT CORPORATION MAYNARD, MASSACHUSETTS				QUANTITY / VARIATION									
PARTS LIST				DX11-BA(115V)	DX11-BB(230V)	DX11-BC(115V)	DX11-BD(230V)	DX11-BE(115V)	DX11-BF(230V)	DX11-BG(115V)	DX11-BH(230V)		
MADE BY Sid Roberts		CHECKED J. Cahill		SECTION									
DATE 4/10/72		DATE 5/23/72		1									
ENG R. Dieter		PROD P. FRAZER		ISSUED SECT.									
DATE 5/31/72		DATE 6/8/72		1									
ITEM NO.	DWG NO. / PART NO.	DESCRIPTION		DX11-BA(115V)	DX11-BB(230V)	DX11-BC(115V)	DX11-BD(230V)	DX11-BE(115V)	DX11-BF(230V)	DX11-BG(115V)	DX11-BH(230V)		
66	1209351-15	PIN HOUSING, MALE MATE-N-LOCK		1	1	1	1	1	1	1	1		
67	1209372	PIN, (MALE) MATE-N-LOCK		8	8	8	8	8	8	8	8		
68	9006990	GND STRAP 5"		1	1	1	1	1	1	1	1		
69	1205724	GND STRAP 11"		1	1	1	1	1	1	1	1		
70	E-UA-H950-QB-0	COVER PANEL 10-1/2		2	2		2	2					
71	C-PS-1211386-0-0	THICK LATCH MOLD		12	10	4	2	12	10	4	2		
72	E-UA-861-0-0	861-C POWER CONTROL		1	-	1	-	1	-	1	-		
73	E-UA-861-0-0	861-B POWER CONTROL		-	1	-	1	-	1	-	1		
74	BC05 H	115V AC INPUT BOX LINE CORD		1	-	1	-	1	-	1	-		
75	BC05 J	230V AC INPUT BOX LINE CORD		-	1	-	1	-	1	-	1		
76	D-UA-H722-Ø-Ø	H722 STEP DOWN TRANS.		-	1	-	1	-	1	-	1		
77	90-08853	230 VOLT PLUG		-	2	-	2	-	2	-	2		
78	9107673-6	6' LINE CORD		1	1	1	1	1	1	1	1		
79	9107673-9	9' LINE CORD		1	1	1	1	1	1	1	1		
80	7008288-8	PWR CONTROL CABLE		1	1	1	1	1	1	1	1		
81	9007867	CABLE TIE MOUNT		A/RA	RA/RA	RA/RA	RA/RA	RA/RA	RA/RA	RA/RA	RA/RA		
TITLE UNIT ASSY DX11-B				ASSY NO. D-UA-DX11-B-Ø		SIZE CODE A PL		NUMBER DX11-B-Ø				REV. D	ECO NO.
				SHEET 4 OF 4		DIST.							

DEC FORM DEC 16 (325) 1031-N870
DRA 110

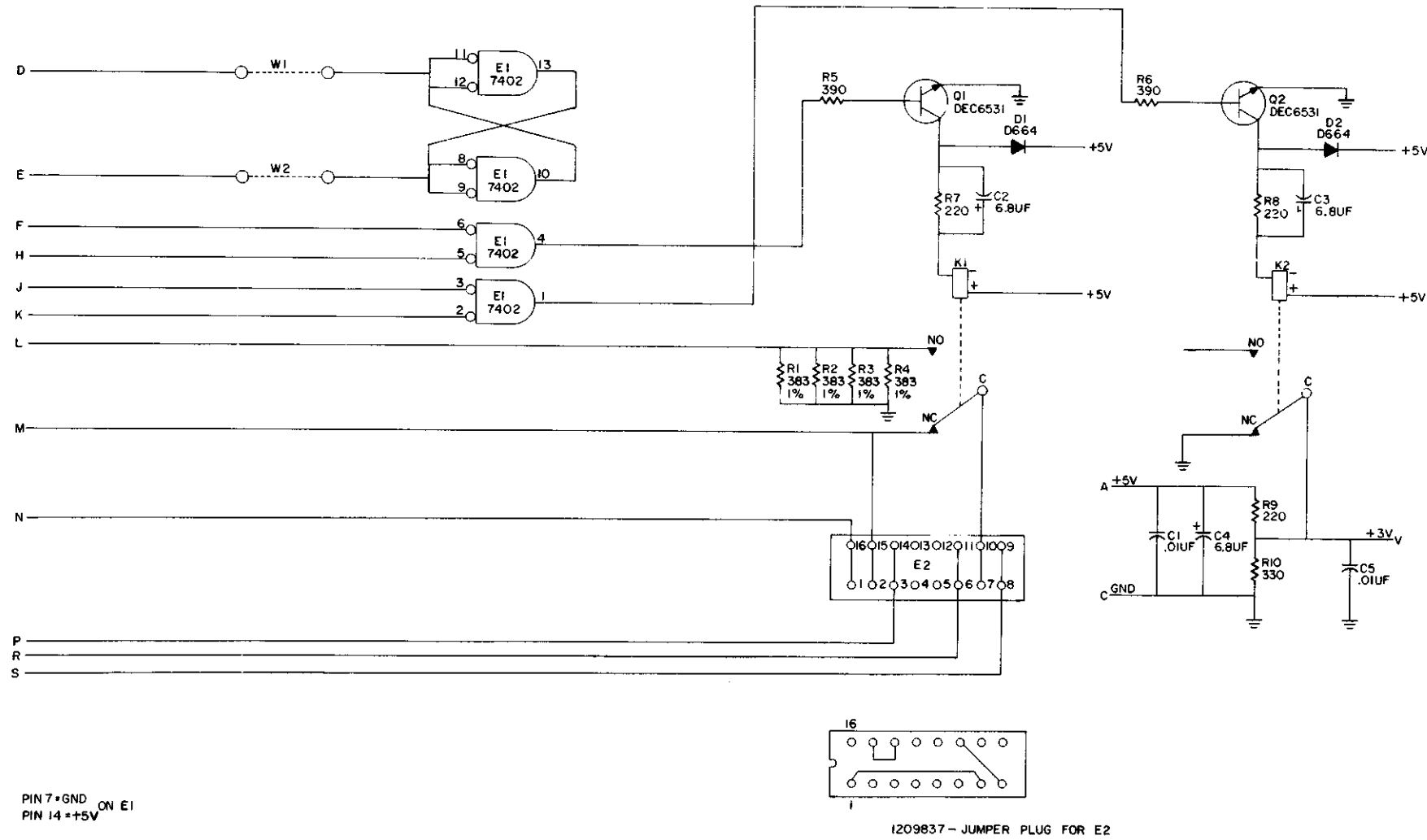
This drawing and specifications, herein, are the property of Digital Equipment Corporation and shall not be reproduced or copied or used in whole or in part as the basis for the manufacture or sale of items without written permission.

REV. NUMBER SIZE CODE

FIRST USED ON OPTION MODEL	QTY.	DESCRIPTION	PART NO.	ITEM NO.
DXII-B				
PARTS LIST				
DRN <i>S. Roberts</i>	DATE <i>5-24-72</i>	 <p>digital EQUIPMENT CORPORATION MAYNARD, MASSACHUSETTS</p> <p>TITLE FUNCTIONAL SPECIFICATIONS (DXII-B)</p>		
CHKD. <i>[Signature]</i>	DATE <i>5-24-72</i>			
ENG. <i>[Signature]</i>	DATE <i>5-31-72</i>			
PROJ. ENG. <i>[Signature]</i>	DATE <i>5-31-72</i>			
PROD. <i>[Signature]</i>	DATE <i>6-8-72</i>			
NEXT HIGHER ASSEMBLY				
B-DD-DXII-B		SIZE CODE KFS	NUMBER DXII-B-31	REV.
SCALE - <i>1/1</i>				
SHEET 1 OF 1		DIST.		

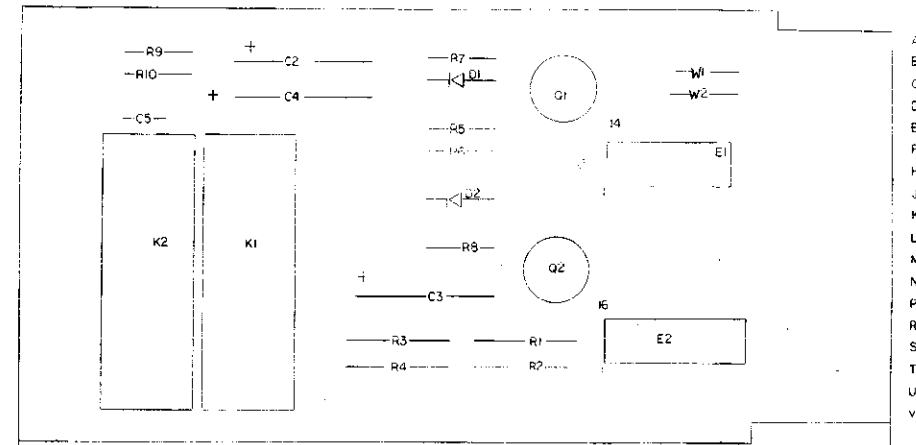
REVISIONS	REV.
	CHANGE NO.
CHK	

THIS SCHEMATIC IS FURNISHED ONLY FOR TEST AND MAINTENANCE PURPOSES. THE CIRCUITS ARE PROPRIETARY IN NATURE AND SHOULD BE TREATED ACCORDINGLY. COPYRIGHT 1972 BY DIGITAL EQUIPMENT CORPORATION.



PIN 7=GND ON E1
PIN 14=+5V

1209837 - JUMPER PLUG FOR E2



A/R	QTY.	REP. DESIGNATION	DESCRIPTION	DEC PART NO.	NO.
			#24 or #26 AWG (FOR PLUG)		20
			TAPE TRANSPARENT VINYL	9006269	19
1			HANDLE, FLIP CHIP - GREEN	9008337-01	18
2			EYELET #G34-7	9006732	17
1		E1	I.C. DEC 7402	1909004	16
2		Q1, Q2	TRANSISTOR DEC 6531	1509338	15
4		R1, R2, R3, R4	RESISTOR 383 1/8W 1%	1305125	14
2		R5, R6	RESISTOR 390 1/4W 5%	1300308	13
1		R10	RESISTOR 330 1/4W 5%	1300295	12
3		R9, R7, R8	RESISTOR 220 1/4W 5%	1300271	11
1		E2	16 PIN I.C. SOCKET	1209838	10
1			PLUG 16 PRONG	1209837	9
2		K1, K2	RELAY HG P.C. MOUNT FORM D CONTACTS	1210874	8
2		D1, D2	DIODE D664	1100114	7
2		C1, C5	CAP. .01UF 100V 20% DISC	1001610	6
3		C2, C3, C4	CAP. 6.8UF 35V 20% S.TANT	1000067	5
1			ETCHED CIRCUIT BOARD	5009933	4
			MODULE S.O HISTORY	B-MH-0890-0-6	3
			ASSY/DRILLING HOLE LAYOUT	D-AH-0890-0-5	2
			X-Y COORDINATE HOLE LOCATION	K-CO-0890-0-4	1
			DESCRIPTION	DEC PART NO.	NO.

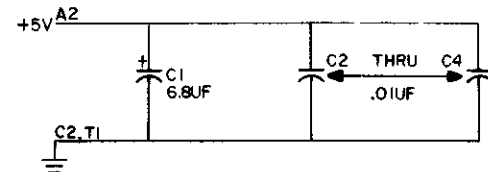
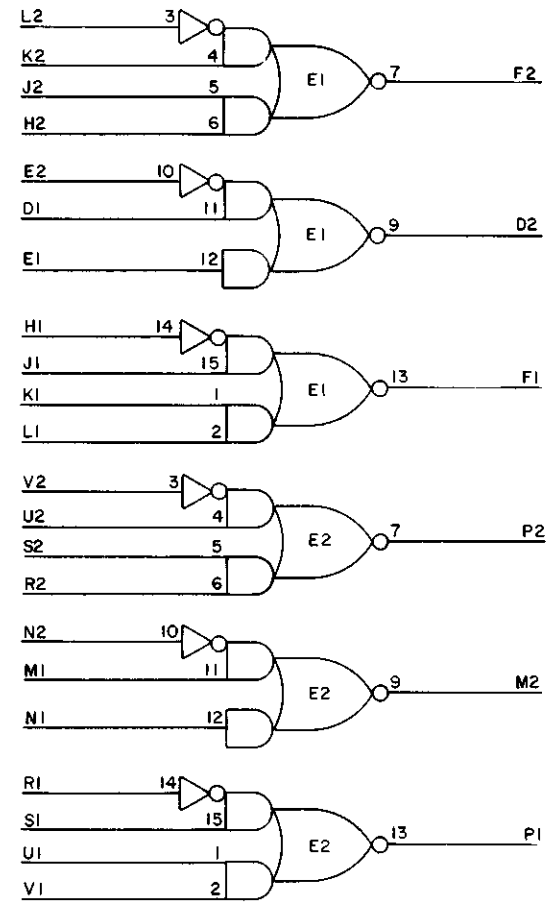
REV.	DATE	BY	CHKD
1	1-27-72	W. J. W.	
2	1-27-72	W. J. W.	
3	1-27-72	W. J. W.	

DATE	BY	CHKD	DATE	BY	CHKD
1-27-72	W. J. W.		1-27-72	W. J. W.	
1-27-72	W. J. W.		1-27-72	W. J. W.	

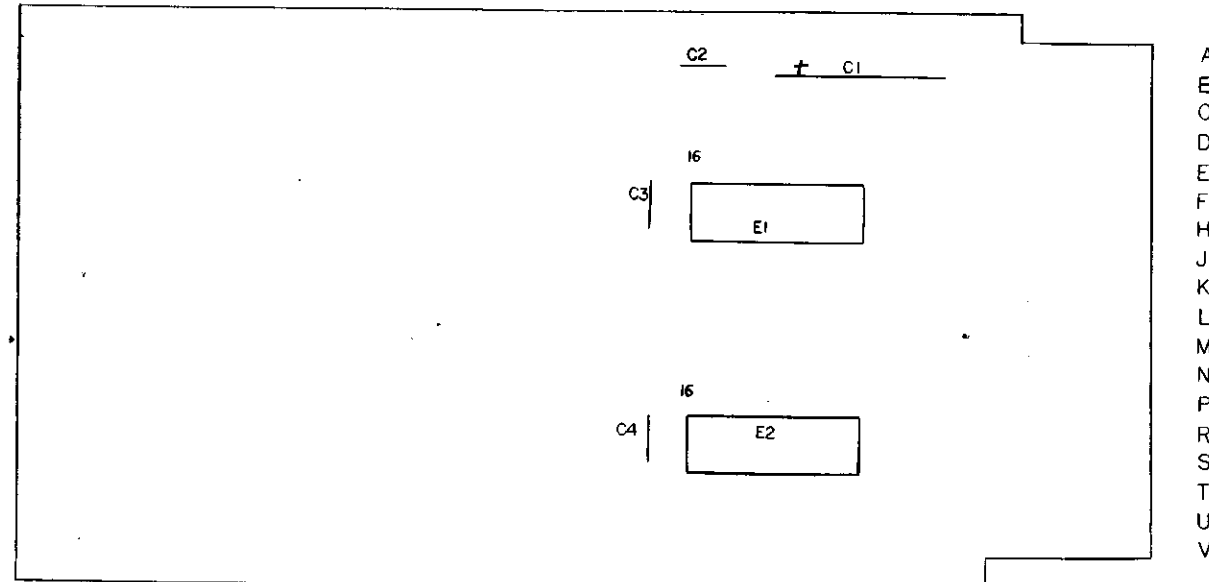
DATE	BY	CHKD	DATE	BY	CHKD
1-27-72	W. J. W.		1-27-72	W. J. W.	
1-27-72	W. J. W.		1-27-72	W. J. W.	

digital EQUIPMENT CORPORATION
 TITLE: 360 POWER FAIL AND SELECT BY-PASS
 SIZE: D CS
 NUMBER: 6890-0-1
 REV: B

THIS SCHEMATIC IS FURNISHED ONLY FOR TEST AND MAINTENANCE PURPOSES. THE CIRCUITS ARE PROPRIETARY IN NATURE AND SHOULD BE TREATED ACCORDINGLY. COPYRIGHT 1971 BY DIGITAL EQUIPMENT CORPORATION



PIN 16 = +5V
PIN 8 = GND



QTY.	REF. DESIGNATION	DESCRIPTION	DEC PART NO.	ITEM NO.
	P1	FEED THRU EYELET	9006731	10
		EYELET	9006732	9
	1	HANDLE, FLIP CHIP - MAGENTA	9008337-06	8
	2	E1, E2	1.C. 8T14 SIG.	7
	3	C2 - C4	CAP. .01UF 100V 20% DISC	6
	1	C1	CAP. 6.8UF 35V 20% S.TANT	5
	1	ETCHED CIRCUIT BOARD	5008912	4
		MODULE ECO HISTORY	B-MH-M597-0-6	3
		ASSY/DRILLING HOLE LAYOUT	D-AH-M597-0-5	2
		Y-Y COORDINATE HOLE LOCATION	K-DO-M597-0-4	1

REVISIONS
CHK CHG NO. REV.

DRN: B.A. Hail DATE: 7/15/72
CHK'D: NANCY MOORE DATE: 7/16/72
ENG. DATE: 7/16/72
PROD. DATE:

TRANSISTOR & DIODE CONVERSION CHART

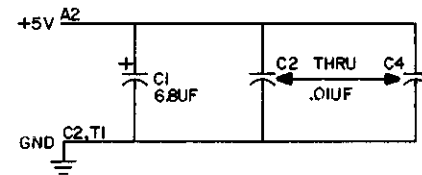
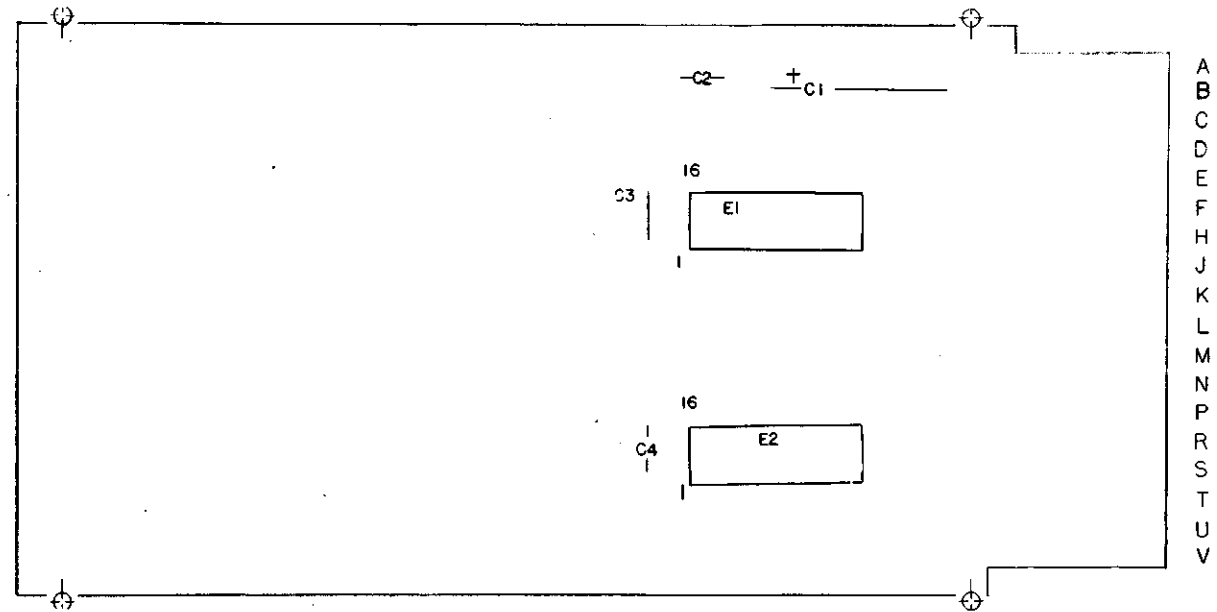
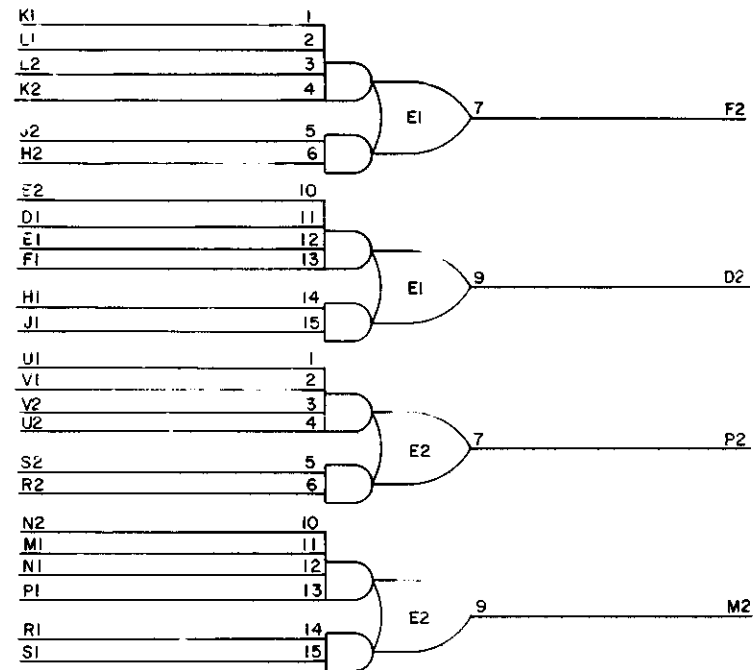
DEC	EIA	DEC	EIA

digital
EQUIPMENT CORPORATION
MAYNARD, MASSACHUSETTS

TITLE: 360 CABLE RECEIVER
SIZE: C CODE: CS NUMBER: M597-0-1 REV.:

REV. NUMBER M597-0-1
SIZE CODE C CS

THIS SCHEMATIC IS FURNISHED ONLY FOR TEST AND MAINTENANCE PURPOSES. THE CIRCUITS ARE PROPRIETARY IN NATURE AND SHOULD BE TREATED ACCORDINGLY. COPYRIGHT 1971 BY DIGITAL EQUIPMENT CORPORATION

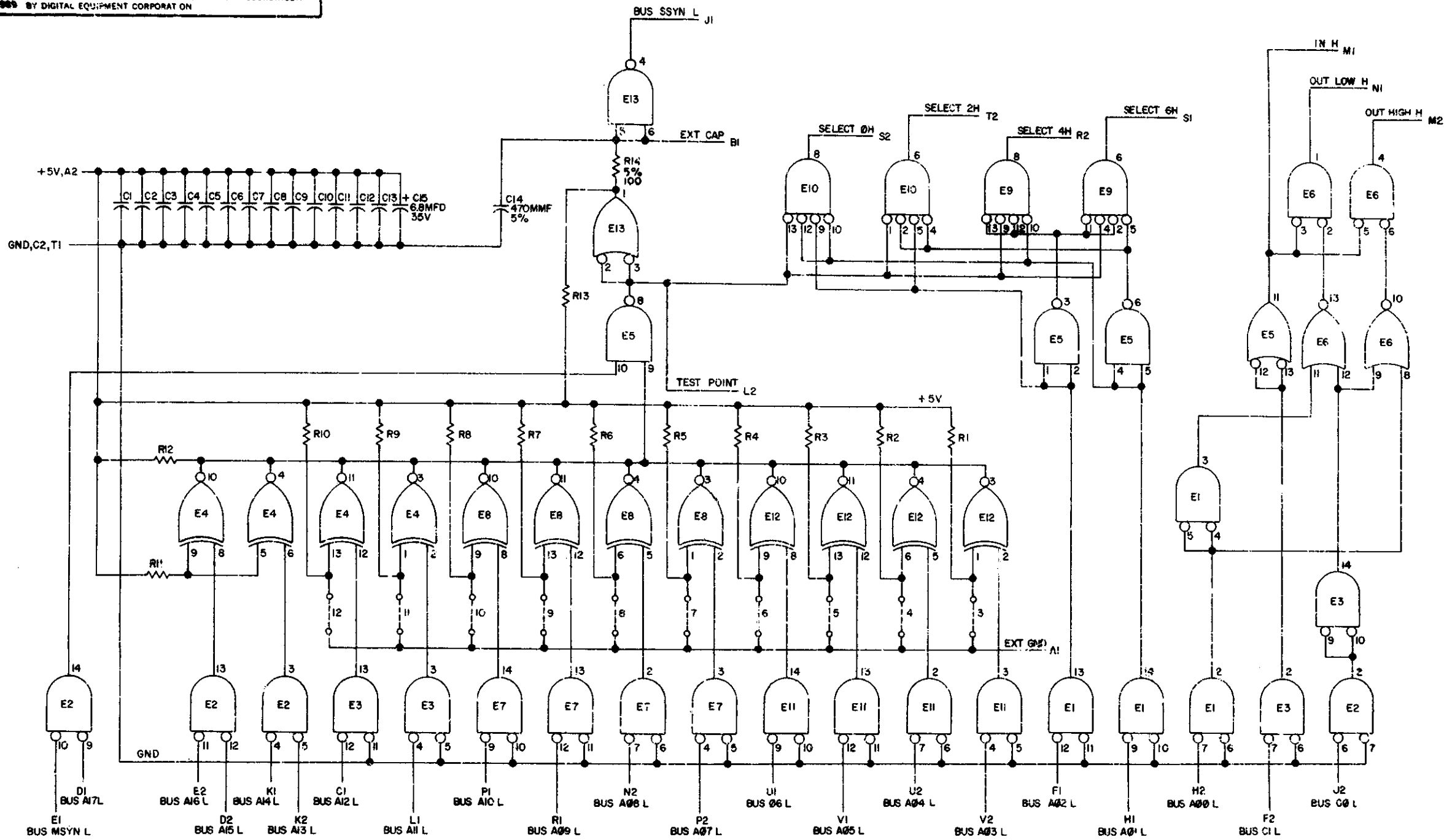


PIN 8 = GND ON E1, E2
 PIN 16 = +5V ON E1, E2

QTY	REF. DESIGNATION	DESCRIPTION	PART NO.	ITEM NO.
	21	FEED THRU EYELET	9006731	10
	1	HANDLE FLIP CHIP-MAGENTA	9008337-C6	9
	2	EYELET #GSL-7	9006732	8
	2	E1, E2	IC 8T13	7
	3	C2, C3, C4	CAP .01UF 100V 20% DISC	6
	1	C1	CAP 6.8 UF 35V 20% STANT	5
	1	ETCHED CIRCUIT BOARD	5C08912	4
		MODULE BCO HISTORY	B-MH-M697-0-6	3
		ASSY/DRILLING HOLE LAYOUT	D-AH M697-0-5	2
		X-Y COORDINATE HOLE LOCATION	K-CO-M697-0-4	1

REVISIONS CHK CHG NO. REV.	DRN. <i>A. H. Nails</i> DATE 7/19/71 CHK'D <i>MANCY MOORE</i> DATE 7-23-71 ENG. <i>K...</i> DATE 7-1-71 PROD. DATE	TRANSISTOR & DIODE CONVERSION CHART DEC EIA DEC EIA	TITLE digital 360 CABLE DRIVER EQUIPMENT CORPORATION MAYNARD, MASSACHUSETTS	SIZE CODE NUMBER REV. C CS M697-0-1
	PRINTED CIRCUIT REV. <i>D</i>			ITEM NO.
	DEC FORM NO. DRC 102			
	MTC			
	REV. NUMBER M697-0-1			

THIS SCHEMATIC IS FURNISHED ONLY FOR TEST AND MAINTENANCE PURPOSES. THE CIRCUITS ARE PROPRIETARY IN NATURE AND SHOULD BE TREATED ACCORDINGLY. COPYRIGHT 1968 BY DIGITAL EQUIPMENT CORPORATION



UNLESS OTHERWISE INDICATED:
 O---O INDICATES JUMPERS
 RESISTORS ARE 1K, 1/4W, 5%
 CAPACITORS ARE .01MFD, 50V, 20%
 E1, E2, E3, E7, E11 ARE DEC380
 E4, E5, E12 ARE DEC8242
 E9, E10 ARE DEC8815
 E5 IS DEC7400
 E6 IS DEC7402
 E13 IS DEC8881
 PIN 1 ON E1, E2, E3, E7, E11 = GND
 PIN 8 ON E1, E2, E3, E7, E11 = +5V
 PIN 7 ON E4, E5, E6, E8, E9, E10, E12, E13 = GND
 PIN 14 ON E4, E5, E6, E8, E9, E10, E12, E13 = +5V

REV.	4
DATE	1-1-70
BY	...
CHKD	...
DATE	3-20-70
BY	...
CHKD	...
DATE	...
BY	...

TRANSISTOR & DIODE CONVERSION CHART			
DEC	EIA	DEC	EIA

TITLE		ADDRESS SELECTOR MI05	
SIZE	CODE	NUMBER	REV.
C	CS	MI05-0-1	B
EQUIPMENT CORPORATION		PRINTED CIRCUIT REV.	
MAYNARD, MASSACHUSETTS		C	

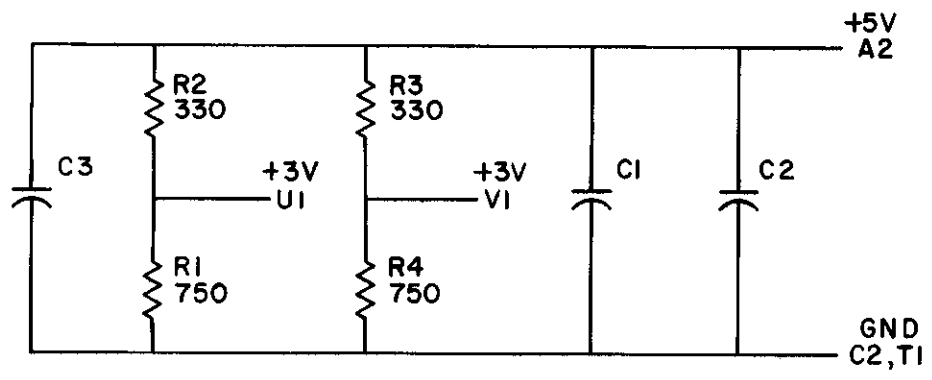
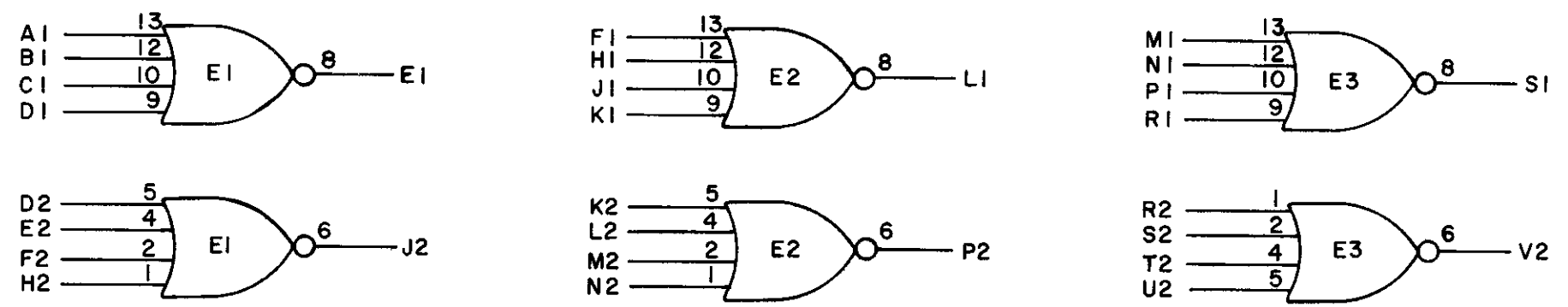
DEC FORM NO. DMC 102

MS 449-PC

DIST. 325 434 435 5 5 INK

REV. B
 NUMBER MI05-0-1
 SIZE CODE C CS

THIS SCHEMATIC IS FURNISHED ONLY FOR TEST AND MAINTENANCE PURPOSES. THE CIRCUITS ARE PROPRIETARY IN NATURE AND SHOULD BE TREATED ACCORDINGLY. COPYRIGHT 1970 BY DIGITAL EQUIPMENT CORPORATION



UNLESS OTHERWISE INDICATED:
 RESISTORS ARE 1/4W, 5%
 CAPACITORS ARE .01 UF, 100V, 20%
 IC'S ARE DEC8815
 PIN 7 = GND
 PIN 14 = +5V ON EACH IC

REVISIONS	CHK	CHG NO.	REV.
		00001	A
b.j. harte 9-20-72			
D. BAKER			
H. Baker 10-2-72			

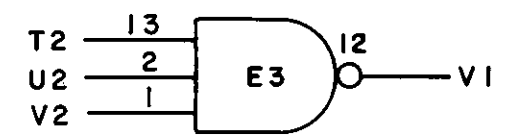
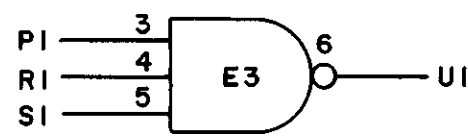
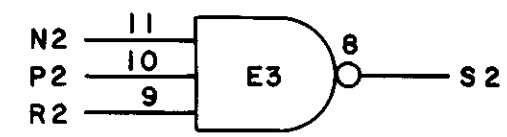
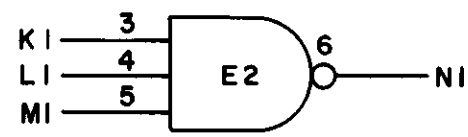
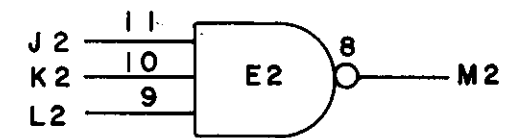
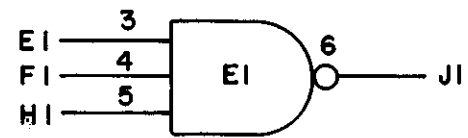
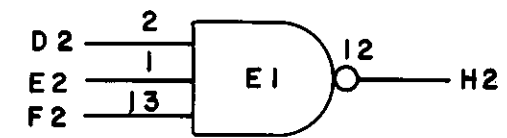
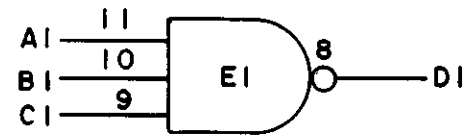
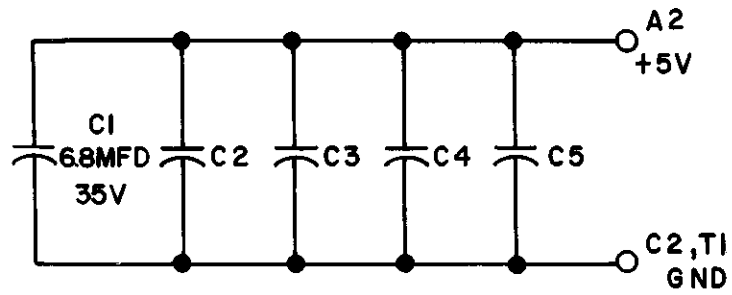
DRN.	S Cooper	DATE	12-7-70
CHK'D	<i>[Signature]</i>	DATE	12-7-70
ENG	<i>[Signature]</i>	DATE	3-1-71
PROD.		DATE	

TRANSISTOR & DIODE CONVERSION CHART			
DEC	EIA	DEC	EIA

digital
 EQUIPMENT CORPORATION
 MAYNARD, MASSACHUSETTS

TITLE			
6-QUAD NORGATE MI16			
SIZE	CODE	NUMBER	REV.
B	CS	MI16-0-1	A
PRINTED CIRCUIT REV.			A

THIS SCHEMATIC IS FURNISHED ONLY FOR TEST AND MAINTENANCE PURPOSES. THE CIRCUITS ARE PROPRIETARY IN NATURE AND SHOULD BE TREATED ACCORDINGLY. COPYRIGHT 1969 BY DIGITAL EQUIPMENT CORPORATION



UNLESS OTHERWISE INDICATED:
 IC'S ARE DEC74H10
 PIN 7 ON EACH IC = GND
 PIN 14 ON EACH IC = +5V
 CAPACITORS ARE .01 MFD 50V

REVISIONS	CHK	CHG NO.	REV.
		00001	B

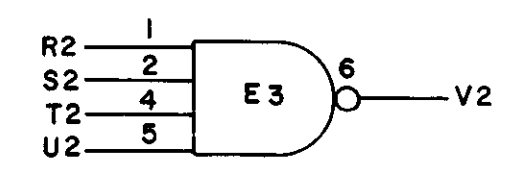
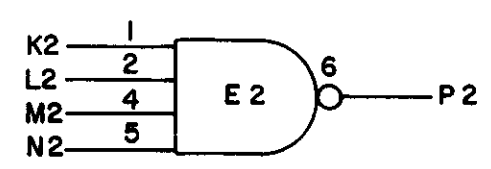
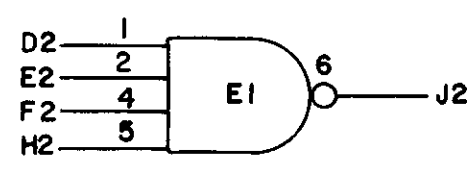
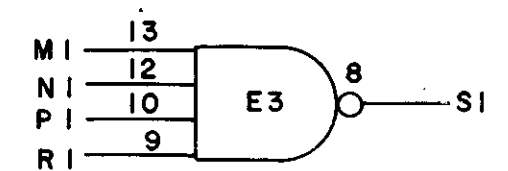
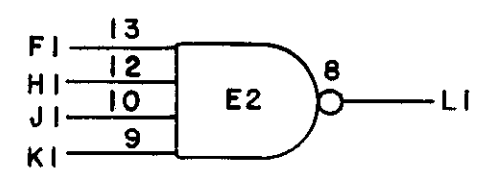
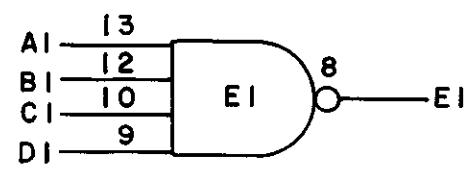
DRN.	DATE
<i>[Signature]</i>	3-3-69
CHK'D	DATE
<i>[Signature]</i>	3-3-69
ENG.	DATE
<i>[Signature]</i>	9-7-69
PROD.	DATE

TRANSISTOR & DIODE CONVERSION CHART			
DEC	EIA	DEC	EIA

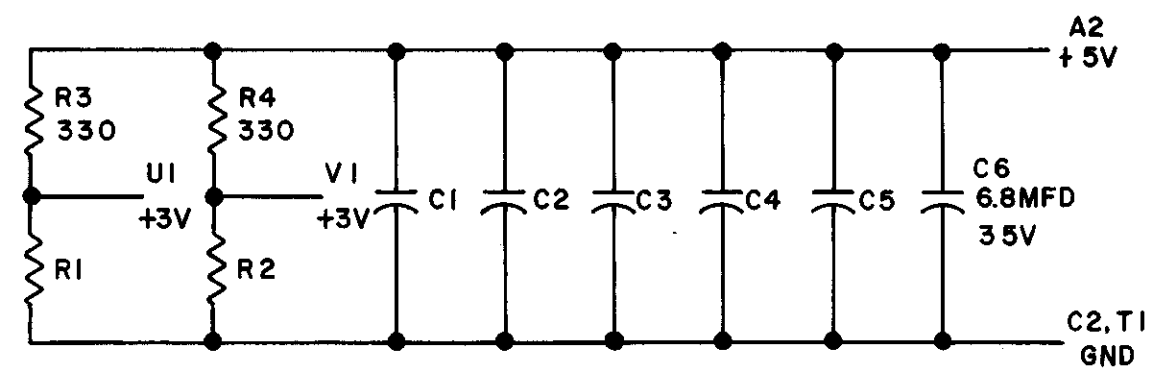


TITLE 3 INPUT NAND GATE			
M135			
SIZE	CODE	NUMBER	REV.
B	CS	M135-0-1	B
PRINTED CIRCUIT REV.			A

THIS SCHEMATIC IS FURNISHED ONLY FOR TEST AND MAINTENANCE PURPOSES. THE CIRCUITS ARE PROPRIETARY IN NATURE AND SHOULD BE TREATED ACCORDINGLY. COPYRIGHT 1969 BY DIGITAL EQUIPMENT CORPORATION



UNLESS OTHERWISE INDICATED:
 IC'S ARE DEC 74 H20N
 PIN 7 ON EACH IC = GND
 PIN 14 ON EACH IC = +5V
 CAPACITORS ARE .01 MFD
 RESISTORS ARE 750; 1/4W 5%



REV. NO.	CHG. NO.	REV.

DRN. <i>A. F. King</i>	DATE 3-3-69
CHK'D <i>R. Sullivan</i>	DATE 5/19/69
EN'G. <i>D. J. O'Connell</i>	DATE 1/10/69
PROD.	DATE

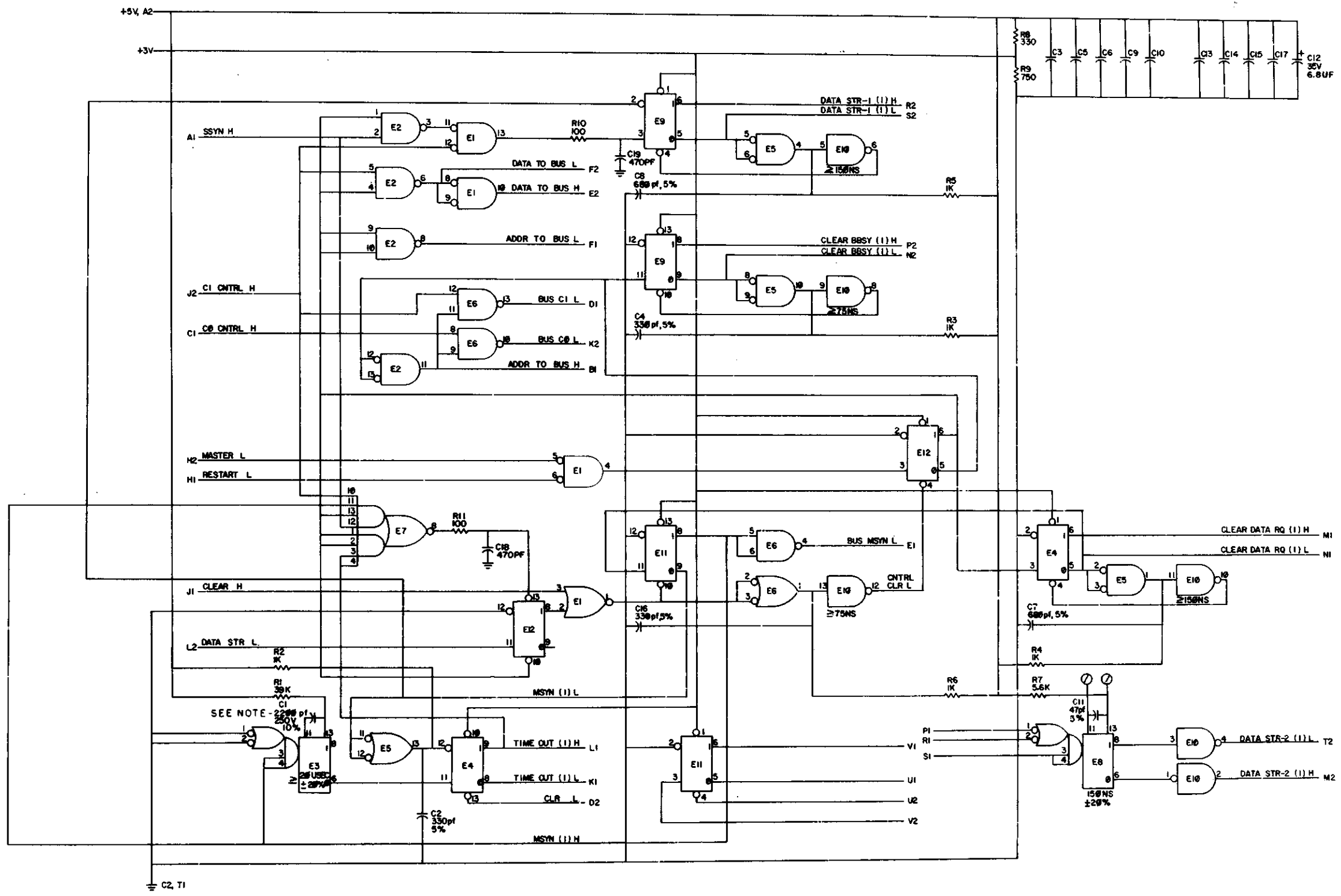
TRANSISTOR & DIODE CONVERSION CHART			
DEC	EIA	DEC	EIA

digital
 EQUIPMENT CORPORATION
 MAYNARD, MASSACHUSETTS

TITLE 6-4 INPUT NAND GATE M137			
SIZE B	CODE CS	NUMBER M137-0-1	REV.
PRINTED CIRCUIT REV.			A

THIS SCHEMATIC IS FURNISHED ONLY FOR TEST AND MAINTENANCE PURPOSES. THE CIRCUITS ARE PROPRIETARY IN NATURE AND SHOULD BE TREATED ACCORDINGLY. COPYRIGHT 1970 BY DIGITAL EQUIPMENT CORPORATION

1-0-962/M S3 D
 11/15



NOTE: C1 IS CHANGED TO 5000PF $\pm 20\%$ (1001765) FOR A DELAY OF 37 μ S MINIMUM WHEN USED WITH A DL10.

UNLESS OTHERWISE INDICATED:
 RESISTORS ARE 1/4W, 5%
 CAPACITORS ARE .01 μ F, 100V, 20%
 E1 IS DEC7402
 E2 IS DEC7400
 E3, E8 ARE DEC9601
 E4, E9, E11, E12 ARE DEC7474
 E5 IS DEC7401
 E6 IS DEC9801
 E7 IS DEC7405
 E10 IS DE7404
 ⊕ = SPLIT LUGS

REV	DATE	BY	CHKD	APP'D
1	11/15/70	J. P. ...		

TRANSISTOR & DIODE CONVERSION CHART			
DEC	EIA	DEC	EIA

TITLE		UNIBUS MASTER CONTROL M796	
REV	DATE	REV	DATE
D	CS	M796-0-1	D
EQUIPMENT CORPORATION		PRINTED CIRCUIT REV. C	

M796-0-1

4 Piv.

The drawing and specifications herein are the property of Digital Equipment Corporation and shall not be reproduced or copied or used in whole or in part as the basis for the manufacture or sale of items without written permission.

* SEE ALLOWABLE SUBSTITUTION LIST AND NOTE 6

PARTS REFERENCE

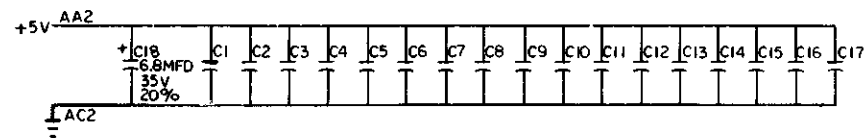
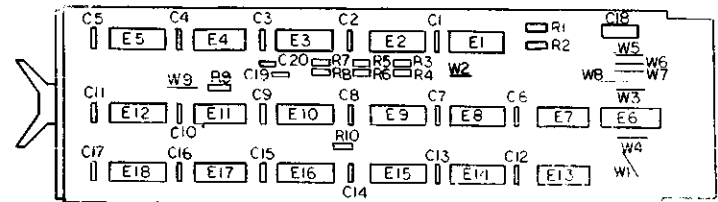
ITEM NO	DRAWING REFERENCE	DESCRIPTION	PART NUMBER	QUANTITY
1	E12, E18	I.C. DEC 7474	1905547	2
2	E3, E7, E17	I.C. DEC 7400	1905575	2
3	E6, E13, E14	I.C. DEC 7402	1909004	2
4	E1, E11	I.C. DEC 8640	1911469	2
5	E5	I.C. DEC 74H74	1909667	1
6	E2, E8, E9, E15, E16	I.C. DEC 8991	1909705	5
7	E3	I.C. DEC 7404	1909331	1
8	E10	I.C. DEC 7408	1910155	1
9	C19, C20	CAP. 330PF 50V 5% DM	1000023	2
10	C18	CAP. 6.8MFD 35V 20% TANT	1000067	1
11	C1 THRU C17	CAP. 0.1MFD 50V 20% DISC	1001610	17
12	R7, R8	RES. 47K 1/4W 5%	1300202	2
13	R1, R2	RES. 390K 1/4W 5%	1300309	2
14	R4, R10	RES. 180K 1/4W 5%	1301322	2
15	R3, R5, R6, R9	RES. 1K 1/4W 5%	1300365	4

NOTES:

- VECTOR BIT JUMPERS MUST BE CUT FOR A "ZERO" AND MUST BE INSERTED FOR A "ONE".
- NPR JUMPER (W9) MUST BE CUT FOR SOME PDP-11 PROCESSORS; IF THE RIGHT HALF REQUEST CIRCUIT IS USED FOR NPR'S; OR IF PIN J1 IS NOT WIRED ON THE M7821 SLOT.
- DETAILS ON COMPONENTS ARE NOTED IN THE PARTS REFERENCE; PLACEMENT IS NOTED IN THE COMPONENT PLACEMENT DIAGRAM.
- GND AND +5V ARE USUALLY PIN 7 AND PIN 14, RESPECTIVELY EXCEPTIONS ARE:

I.C. TYPE	GND	+5V
DEC 8640	PIN 1	PIN 8
- UNLESS OTHERWISE NOTED RESISTANCE IS IN OHMS, CAPACITANCE IS IN PICO FARADS. CAPACITORS WITHOUT ANY NOTED VALUES ARE .01MFD.
- DEC 8640'S WERE PHASED IN AS 380 REPLACEMENTS. ANY 380 FAILURES SHOULD BE REPLACED BY 8640'S.

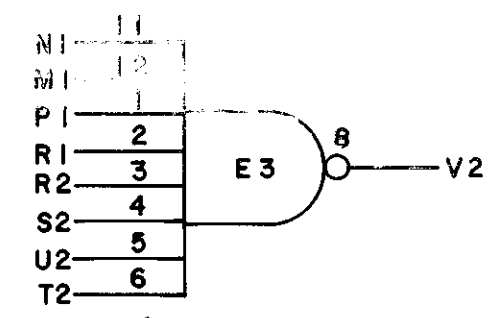
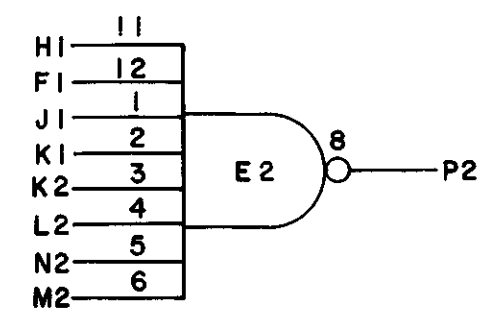
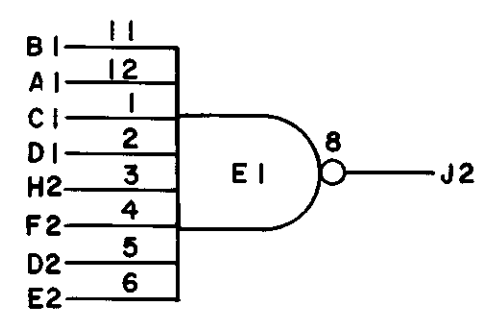
COMPONENT PLACEMENT



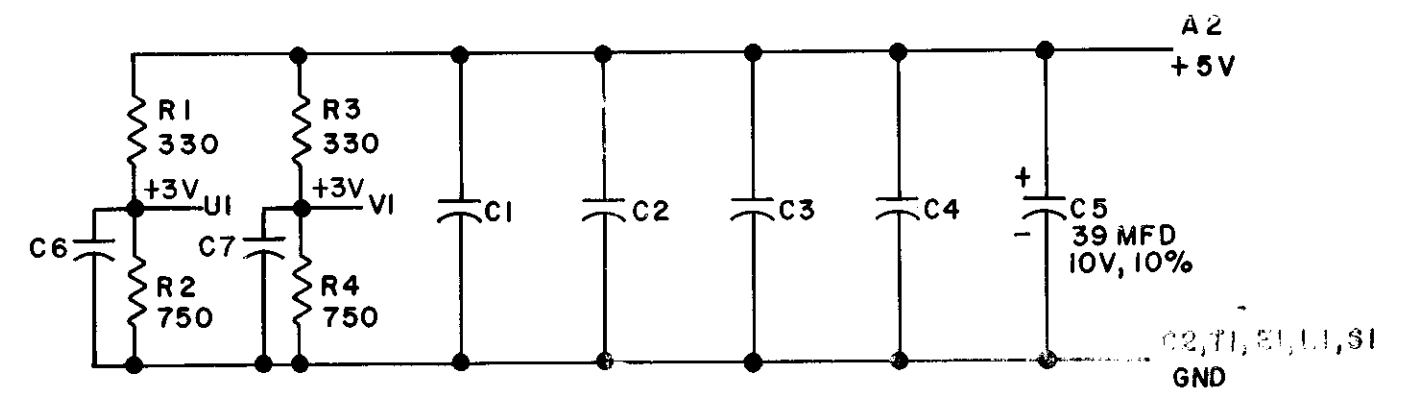
REV	CHANGE NO.	DATE	BY	DESCRIPTION
1	1	4/13/72	S. ROYMAN	
2	2	7-24-77	S. ROYMAN	
3	3	7-24-77	R. BASSON	
4	4	7-24-77	P. P. [unclear]	
5	5	11/25/74	L. CONDON	

FIRST USED ON QTY/MOD 11/20	QTY.	DESCRIPTION	PART NO.	ITEM NO.
PARTS LIST				
UNLESS OTHERWISE SPECIFIED	DRN. <i>[Signature]</i>	DATE <i>7/27/74</i>	 EQUIPMENT CORPORATION MAYNARD MASSACHUSETTS	
UNLESS OTHERWISE SPECIFIED	CHK'D. <i>[Signature]</i>	DATE <i>7-29-74</i>		
DIMENSIONS IN INCHES	ENG. <i>[Signature]</i>	DATE <i>7-29-74</i>	TITLE INTERRUPT CONTROL M7821	
DECIMALS FRACTIONS ANGLES	PROJ. ENG. <i>[Signature]</i>	DATE <i>7-27-74</i>		
MATERIAL	PROD. <i>[Signature]</i>	DATE	NUMBER DCS M7821-0-1	
FINISH	PERT NUMBER ASSY	DATE	REV D	
SCALE		SHEET 1 OF 2		

THIS SCHEMATIC IS FURNISHED ONLY FOR TEST AND MAINTENANCE PURPOSES. THE CIRCUITS ARE PROPRIETARY IN NATURE AND SHOULD BE TREATED ACCORDINGLY. COPYRIGHT 1969 BY DIGITAL EQUIPMENT CORPORATION



UNLESS OTHERWISE INDICATED:
 IC'S ARE DEC1074H30
 PIN 7 ON EACH IC = GND
 PIN 14 ON EACH IC = +5V
 CAPACITORS ARE .01 MFD, 100V, 20%
 RESISTORS ARE 1/4W, 5%



REVISIONS	CHK	CHG NO	REV
		00001	B
		00002	C
		00003	D

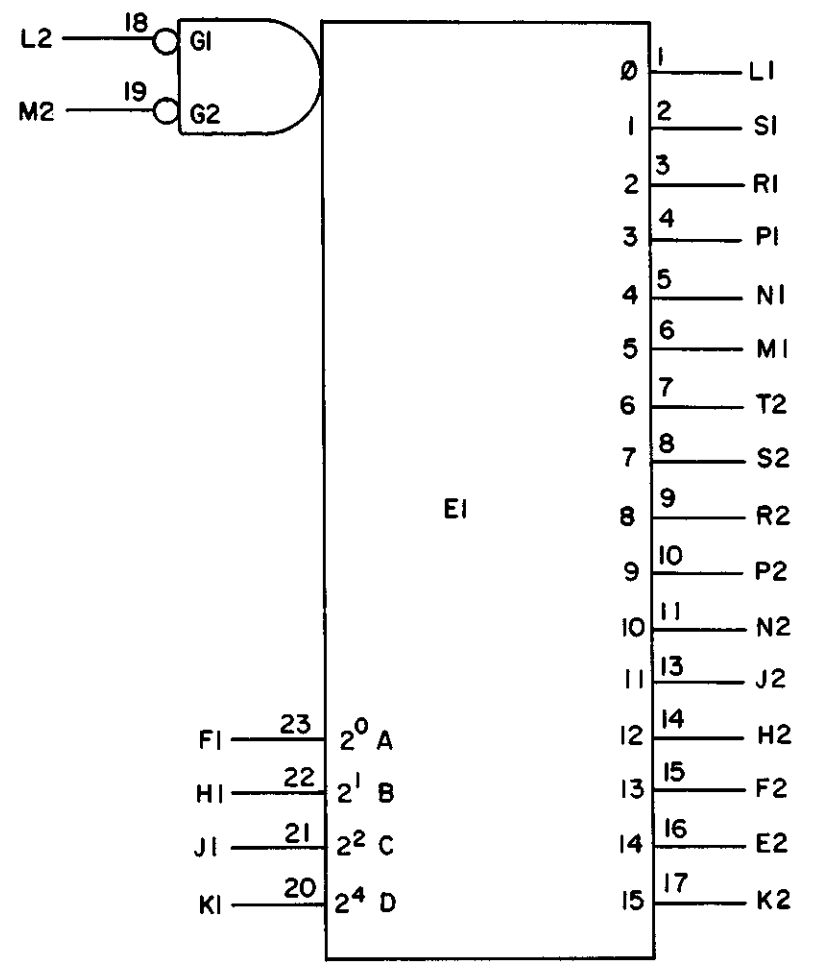
DRN. <i>R. Young</i>	DATE 3-4-69
CHK'D <i>R. Young</i>	DATE 3-6-69
ENG <i>DEO</i>	DATE 4-7-69
PROD.	DATE

TRANSISTOR & DIODE CONVERSION CHART			
DEC	EIA	DEC	EIA

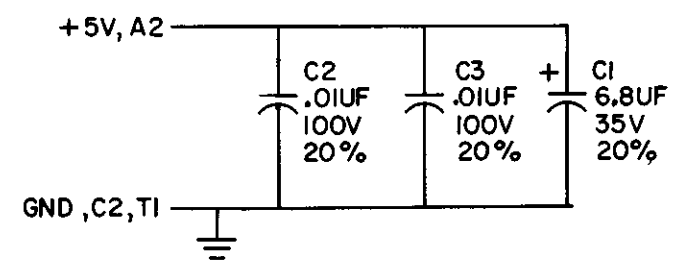
digital
 EQUIPMENT CORPORATION
 MAYNARD, MASSACHUSETTS

TITLE 3-8 INPUT NAND GATE MI39			
SIZE B	CODE CS	NUMBER MI39-0-1	REV. D.
PRINTED CIRCUIT REV.			B

THIS SCHEMATIC IS FURNISHED ONLY FOR TEST AND MAINTENANCE PURPOSES. THE CIRCUITS ARE PROPRIETARY IN NATURE AND SHOULD BE TREATED ACCORDINGLY. COPYRIGHT 1970 BY DIGITAL EQUIPMENT CORPORATION

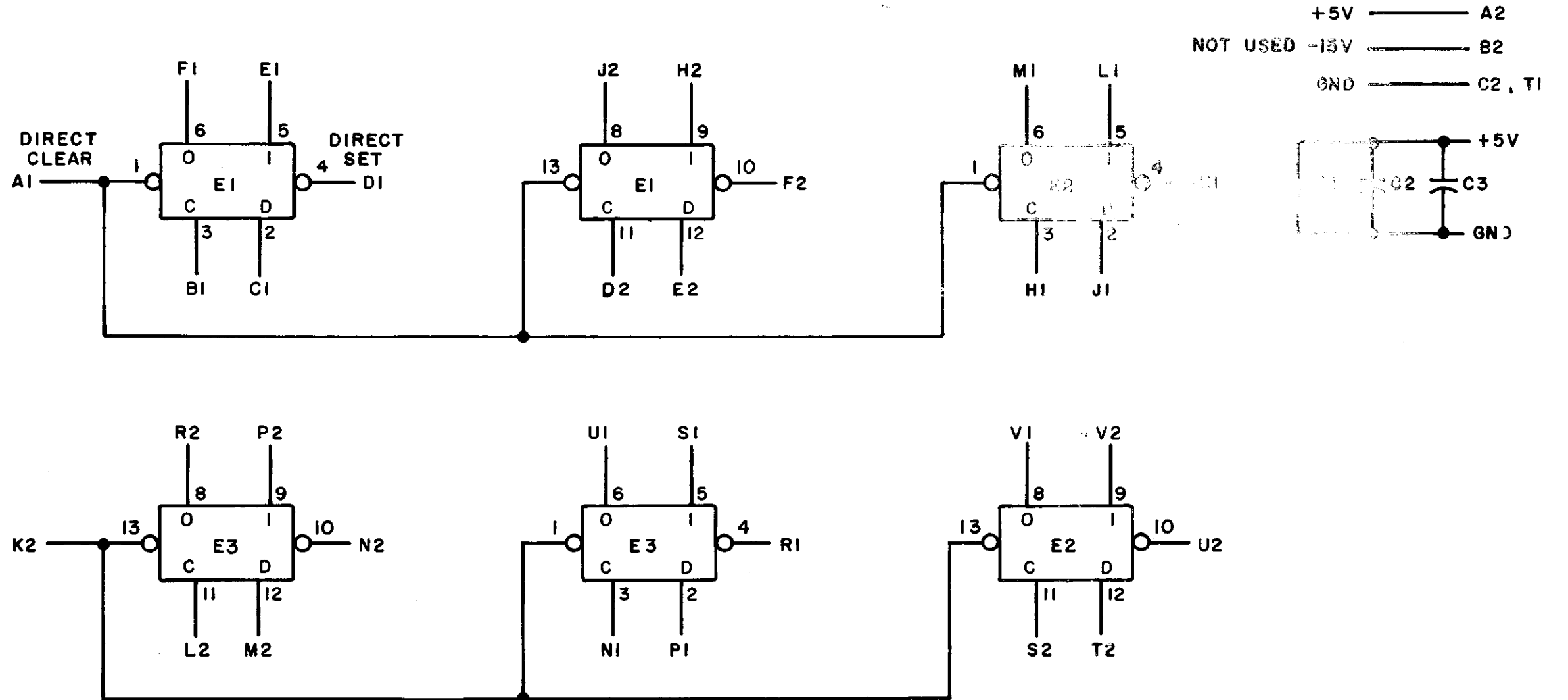


UNLESS OTHERWISE INDICATED:
 E1 IS DEC74154
 PIN 12 = GND
 PIN 24 = +5V



REVISIONS CHK CHG NO. REV.	DRN. <i>NANCY MOORE</i> DATE <i>8/21/70</i>	TRANSISTOR & DIODE CONVERSION CHART				 EQUIPMENT CORPORATION MAYNARD, MASSACHUSETTS	TITLE 4-LINE-TO 16 LINE DECODER M155			
	CHK'D <i>R. Walden</i> DATE <i>10/2/70</i>	DEC	EIA	DEC	EIA		SIZE B	CODE CS	NUMBER M155-0-1	REV.
	ENG. <i>S. Sailer</i> DATE <i>12/15/70</i>									
	PROD. DATE									
PRINTED CIRCUIT REV. A						DIG 724,434,435 3 5 PINK				

THIS SCHEMATIC IS FURNISHED ONLY FOR TEST AND MAINTENANCE PURPOSES. THE CIRCUITS ARE PROPRIETARY IN NATURE AND SHOULD BE TREATED ACCORDINGLY. COPYRIGHT 1967 BY DIGITAL EQUIPMENT CORPORATION



NOTES:
PIN 7 ON EACH IC = GND
PIN 14 ON EACH IC = +5V

E1 THRU E3	INTEGRATED CKT. DEC7474N	1905547
C1 THRU C3	CAP. .01MFD 100V 20% DISC	1001610
	PARTS LIST	A-PL-M216-0-0
REFERENCE DESIGNATION	DESCRIPTION	PART NO.

PARTS LIST

REVISIONS	CHK	CHG NO.	REV.
		6806	A
		00001	B

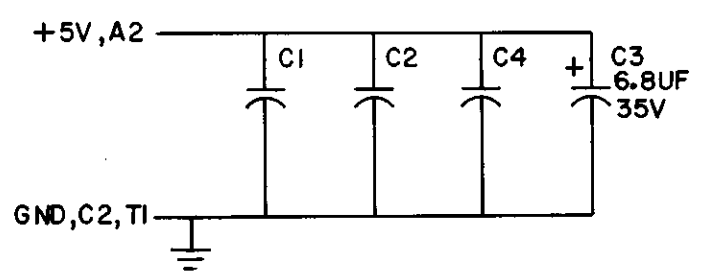
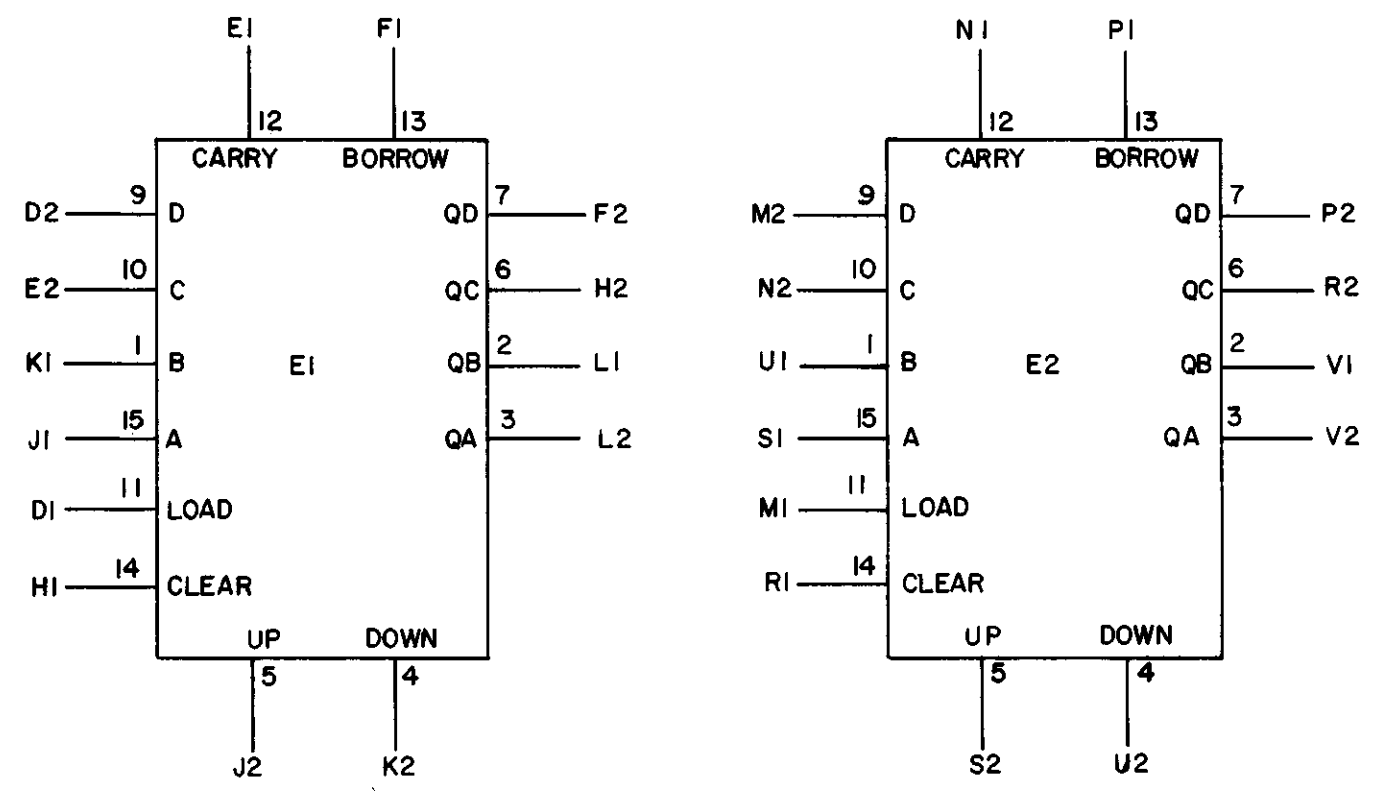
DRN.	DATE
<i>M. Waller</i>	4-15-67
CHK'D	DATE
<i>[Signature]</i>	4/26/67
ENG	DATE
<i>[Signature]</i>	4/21/67
PROD.	DATE

TRANSISTOR & DIODE CONVERSION CHART			
DEC	EIA	DEC	EIA

digital
EQUIPMENT CORPORATION
MAYNARD, MASSACHUSETTS

TITLE			
SIX FLIP-FLOPS M216			
SIZE	CODE	NUMBER	REV.
B	CS	M216-0-1	B
PRINTED CIRCUIT REV.			
C			

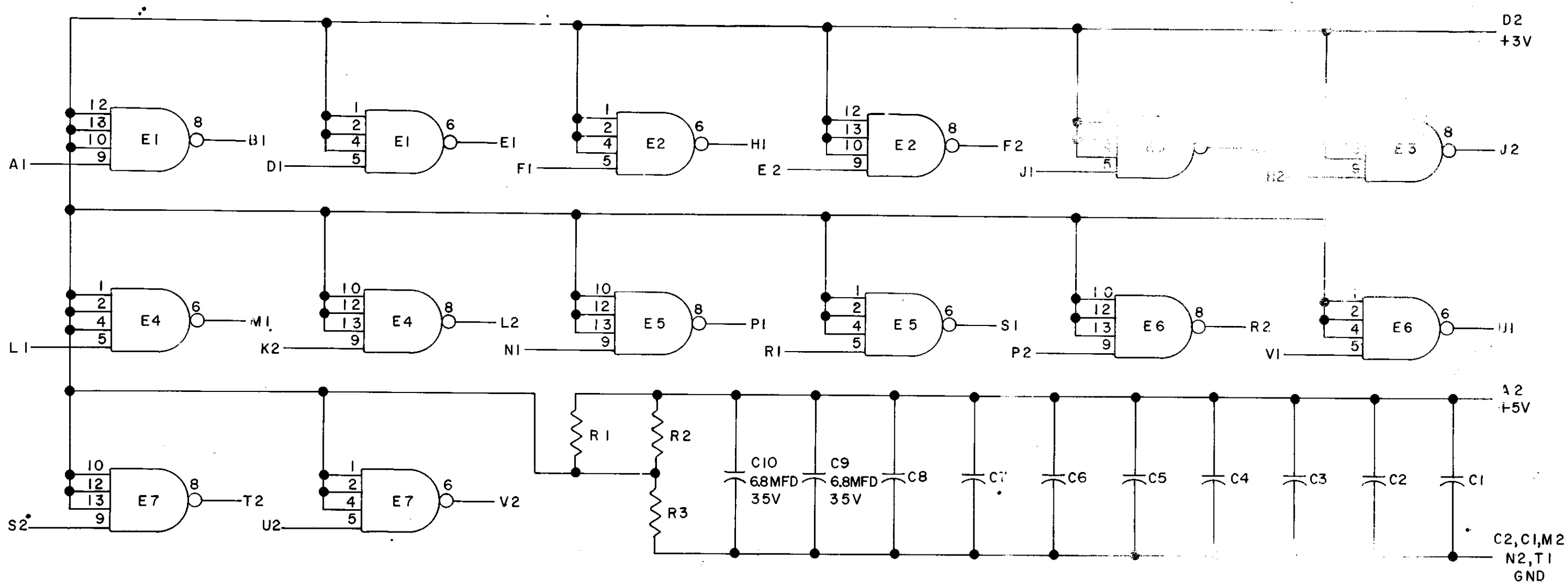
THIS SCHEMATIC IS FURNISHED ONLY FOR TEST AND MAINTENANCE PURPOSES. THE CIRCUITS ARE PROPRIETARY IN NATURE AND SHOULD BE TREATED ACCORDINGLY. COPYRIGHT 1970 BY DIGITAL EQUIPMENT CORPORATION



UNLESS OTHERWISE INDICATED:
 E1, E2 ARE DEC74193
 PIN 8 = GND ON E1, E2
 PIN 16 = +5V
 CAPACITORS ARE .01uF, 100V, 20%

REVISIONS CHK CHG NO. REV. 00001 C	DRN.	DATE	TRANSISTOR & DIODE CONVERSION CHART				digital EQUIPMENT CORPORATION MAYNARD, MASSACHUSETTS	TITLE 2-SYNCHRONOUS 4 BIT UP/DOWN CONVERTERS M238			
	WANCY MOORE	8/21/70	DEC	EIA	DEC	EIA		SIZE	CODE	NUMBER	REV.
	CHK'D	DATE						B	CS	M238-0-1	C
	ENG.	DATE						PRINTED CIRCUIT REV. D			
	PROD.	DATE									

THIS SCHEMATIC IS FURNISHED ONLY FOR TEST AND MAINTENANCE PURPOSES. THE CIRCUITS ARE PROPRIETARY IN NATURE AND SHOULD BE TREATED ACCORDINGLY. COPYRIGHT 1969 BY DIGITAL EQUIPMENT CORPORATION



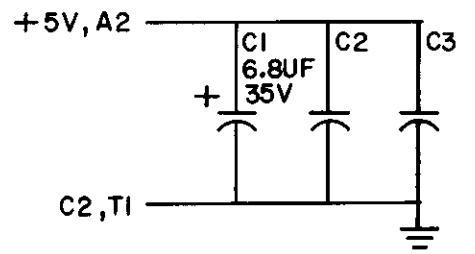
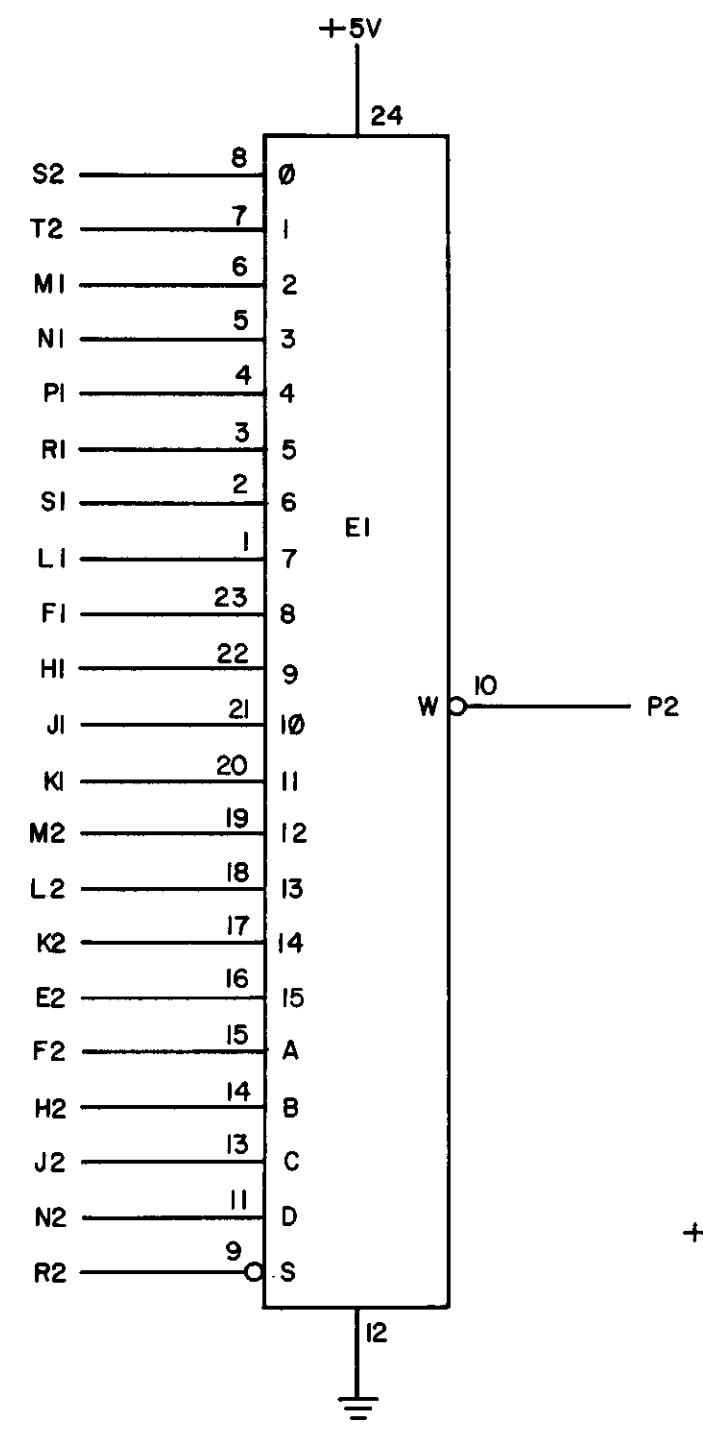
UNLESS OTHERWISE INDICATED
 PIN 7 ON EACH IC = GND
 PIN 14 ON EACH IC = +5V
 IC'S ARE DEC74H40
 CAPACITORS ARE .01MFD 100V
 RESISTORS ARE 220 1/4W 10%

REVISIONS CHK CHG NO. REV. B 00001	DRN. <i>Butler</i>	DATE 5-7-69	TRANSISTOR & DIODE CONVERSION CHART				digital EQUIPMENT CORPORATION MAYNARD, MASSACHUSETTS	HIGH SPEED POWER INVERTER M611			
	CHK'D <i>A. Ganga</i>	DATE 5-8-69	DEC	EIA	DEC	EIA		SIZE B	CODE CS	NUMBER M611-0-1	REV. B
	ENG. <i>R. G. ...</i>	DATE 6-16-69						PRINTED CIRCUIT REV. A			
	PROD.	DATE									



Pink Disk

THIS SCHEMATIC IS FURNISHED ONLY FOR TEST AND MAINTENANCE PURPOSES. THE CIRCUITS ARE PROPRIETARY IN NATURE AND SHOULD BE TREATED ACCORDINGLY. COPYRIGHT 1970 BY DIGITAL EQUIPMENT CORPORATION



UNLESS OTHERWISE INDICATED:
CAPACITORS ARE .01UF, 100V, 20%
IC IS A DEC74150

REVISIONS	CHK	CHG NO.	REV.

DRN.	<i>B. Wyatt</i>	DATE	<i>10-28-70</i>
CHK'D	<i>M. Kalle</i>	DATE	<i>11-2-70</i>
ENG.	<i>Tom Holmes</i>	DATE	<i>11/23/70</i>
PROD.		DATE	

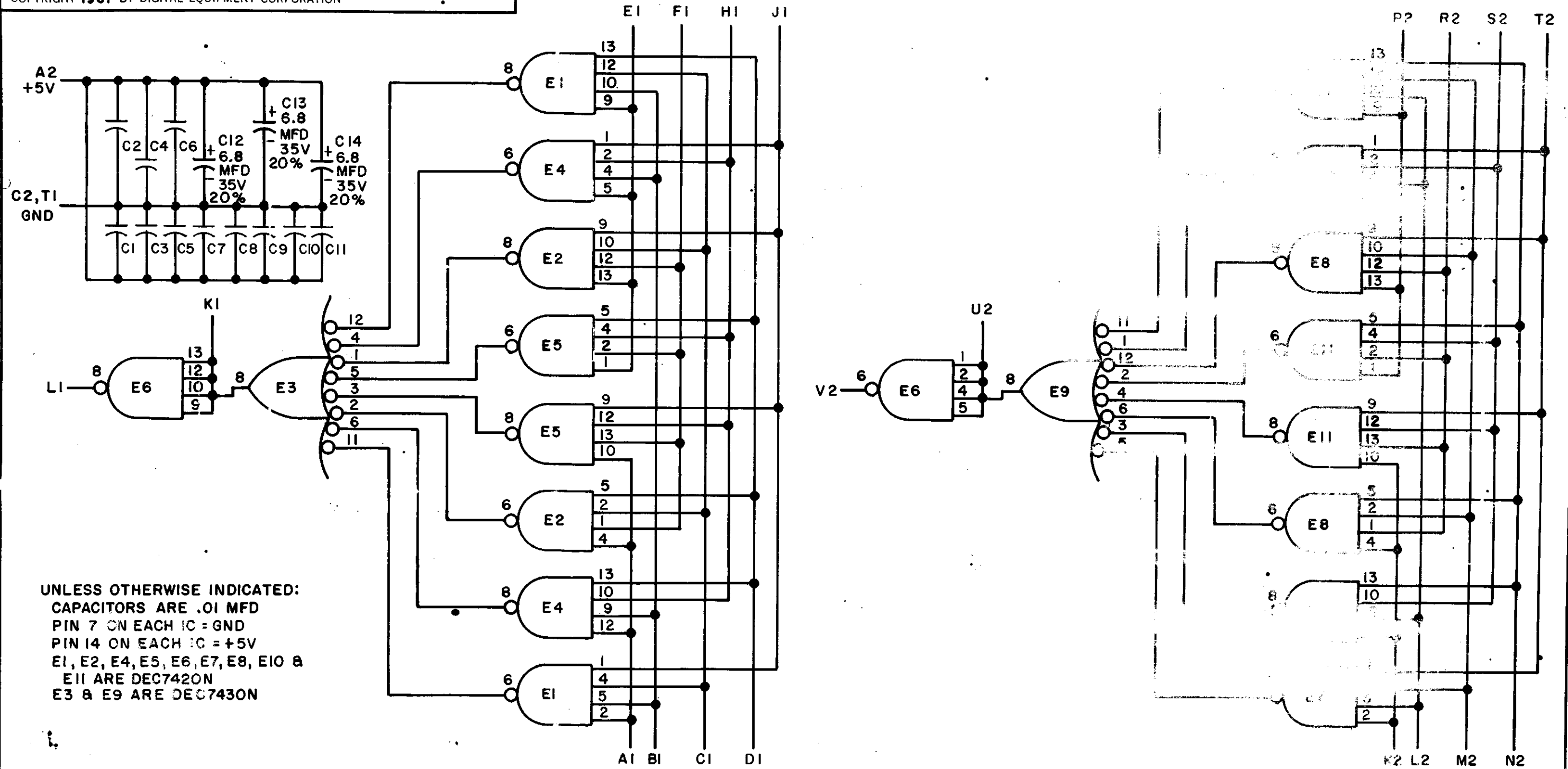
TRANSISTOR & DIODE CONVERSION CHART			
DEC	EIA	DEC	EIA

digital
EQUIPMENT CORPORATION
MAYNARD, MASSACHUSETTS

TITLE			
16 LINE TO 1 LINE DATA SELECTOR M1713			
SIZE	CODE	NUMBER	REV.
B	CS	M1713-0-1	
PRINTED CIRCUIT REV.			A

DISC - 44344363 5 1-K

THIS SCHEMATIC IS FURNISHED ONLY FOR TEST AND MAINTENANCE PURPOSES. THE CIRCUITS ARE PROPRIETARY IN NATURE AND SHOULD BE TREATED ACCORDINGLY. COPYRIGHT 1967 BY DIGITAL EQUIPMENT CORPORATION

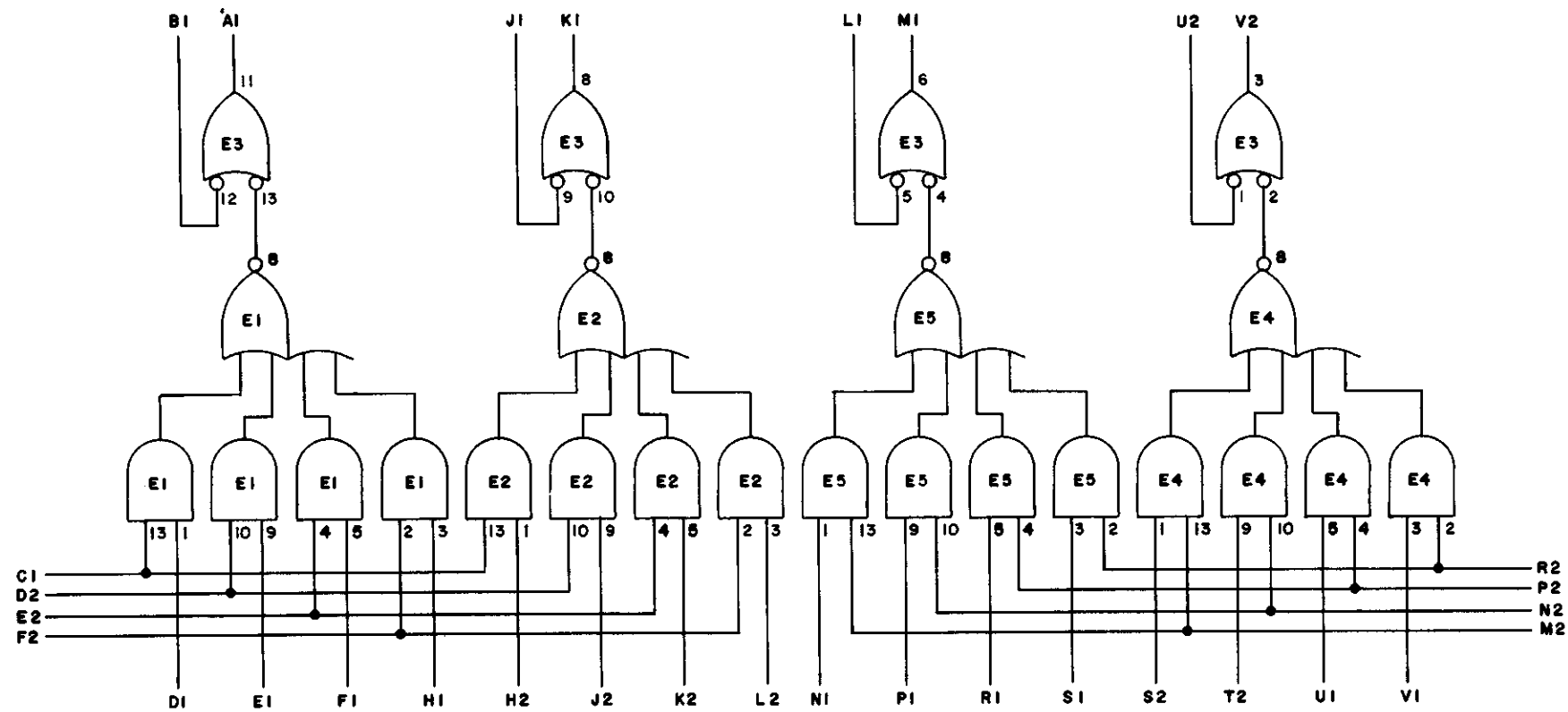


UNLESS OTHERWISE INDICATED:
 CAPACITORS ARE .01 MFD
 PIN 7 ON EACH IC = GND
 PIN 14 ON EACH IC = +5V
 E1, E2, E4, E5, E6, E7, E8, E10 &
 E11 ARE DEC7420N
 E3 & E9 ARE DEC7430N

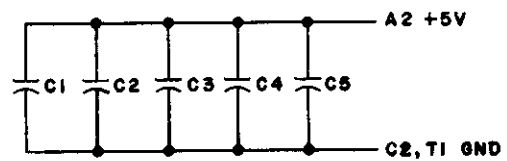
PARTS LIST IS A-PL-MI62-0-0

REVISIONS CHG NO. REV. 00001 A	DRN.	DATE	TRANSISTOR & DIODE CONVERSION CHART				digital EQUIPMENT CORPORATION MAYNARD, MASSACHUSETTS	PARITY CIRCUIT MI62			
	CHK'D	DATE	DEC	EIA	DEC	EIA		SIZE	CODE	NUMBER	REV.
	ENG.	DATE						B	00	MI62-0-1	A
	PROD.	DATE						PRINTED CIRCUIT REV. B			

THIS SCHEMATIC IS FURNISHED ONLY FOR TEST AND MAINTENANCE PURPOSES. THE CIRCUITS ARE PROPRIETARY IN NATURE AND SHOULD BE TREATED ACCORDINGLY. COPYRIGHT 1967 BY DIGITAL EQUIPMENT CORPORATION



NOTES:
PIN 7 ON EACH IC = GND
PIN 14 ON EACH IC = +5V



E3	INTEGRATED CKT. DEC7400N	1905575
E1, E2, E4, E5	INTEGRATED CKT. DEC7453N	1905582
C1 THRU C5	CAP. .01MFD 100V 20% DISC	1001610
	PARTS LIST	A-PL-M169-0-0
REFERENCE DESIGNATION	DESCRIPTION	PART NO.

REVISIONS	CHK	CHG NO	REV
		00001	C

DRN <i>M. Waller</i>	DATE 11-9-67
CHK'D	DATE
ENG. <i>R. J. 2...</i>	DATE 11-9-67
PROD.	DATE

TRANSISTOR & DIODE CONVERSION CHART			
DEC	EIA	DEC	EIA

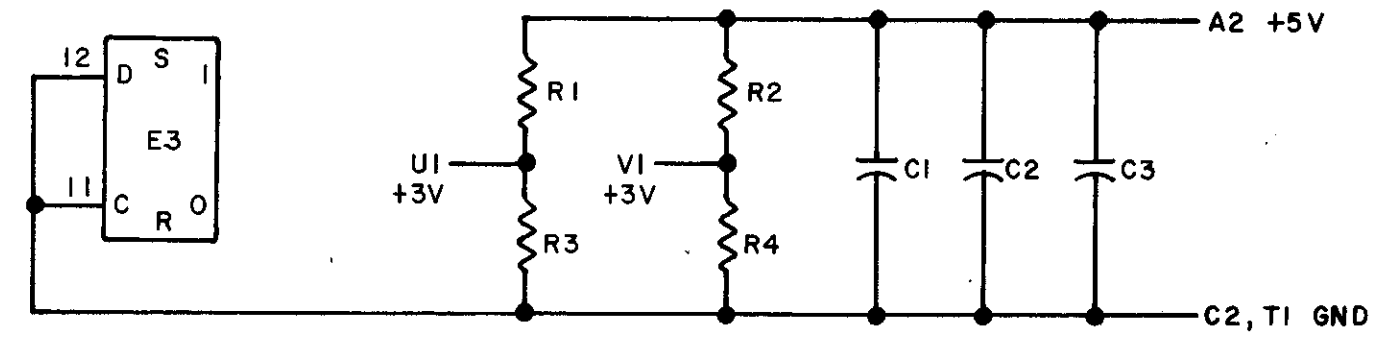
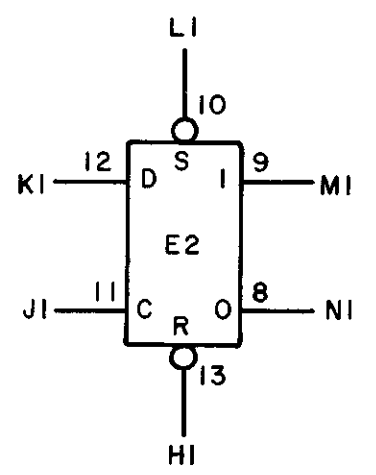
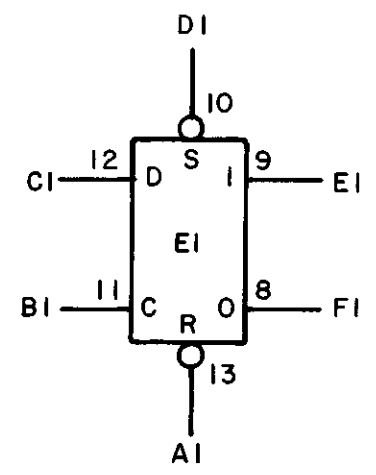
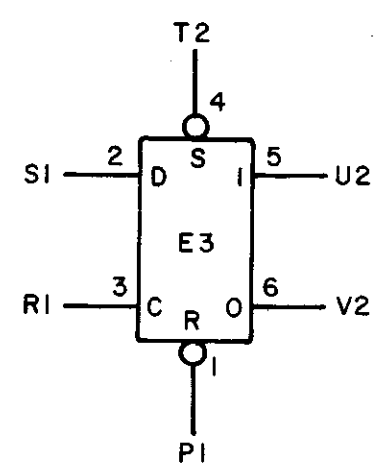
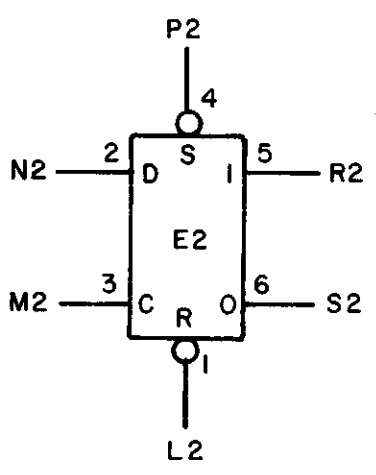
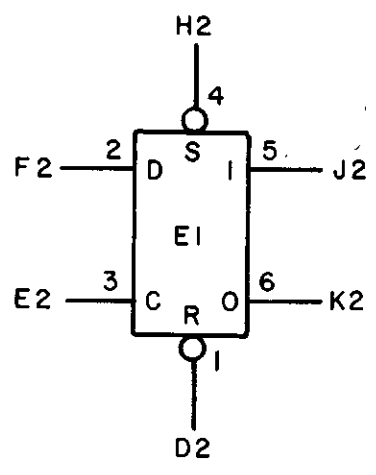
digital		EQUIPMENT CORPORATION		MAYNARD, MASSACHUSETTS	
TITLE GATING MODULE M169					
SIZE	CODE	NUMBER	REV.		
C	CS	M169-0-1	C		
PRINTED CIRCUIT REV. B					

DEC FORM NO. 100

DIST. 324 434 935 *PINK*

REV. C
NUMBER M169-0-1
SIZE CODE C CS

THIS SCHEMATIC IS FURNISHED ONLY FOR TEST AND MAINTENANCE PURPOSES. THE CIRCUITS ARE PROPRIETARY IN NATURE AND SHOULD BE TREATED ACCORDINGLY. COPYRIGHT 1969 BY DIGITAL EQUIPMENT CORPORATION



NOTES:
PIN 7 ON EACH IC = GND
PIN 14 ON EACH IC = +5V

E1, E2, E3	INTEGRATED CKT. DEC7474N	1905547
R3, R4	RES. 750 1/4W 5% CC	1301401
R1, R2	RES. 330 1/4W 5% CC	1300295
C1, C2, C3	CAP. .01MFD 100V 20% DISC	1001610
PARTS LIST		A-PL-M205-O-0
REFERENCE DESIGNATION	DESCRIPTION	PART NO.

REVISIONS	CHK	CHG NO.	REV.	B
		00001	B	

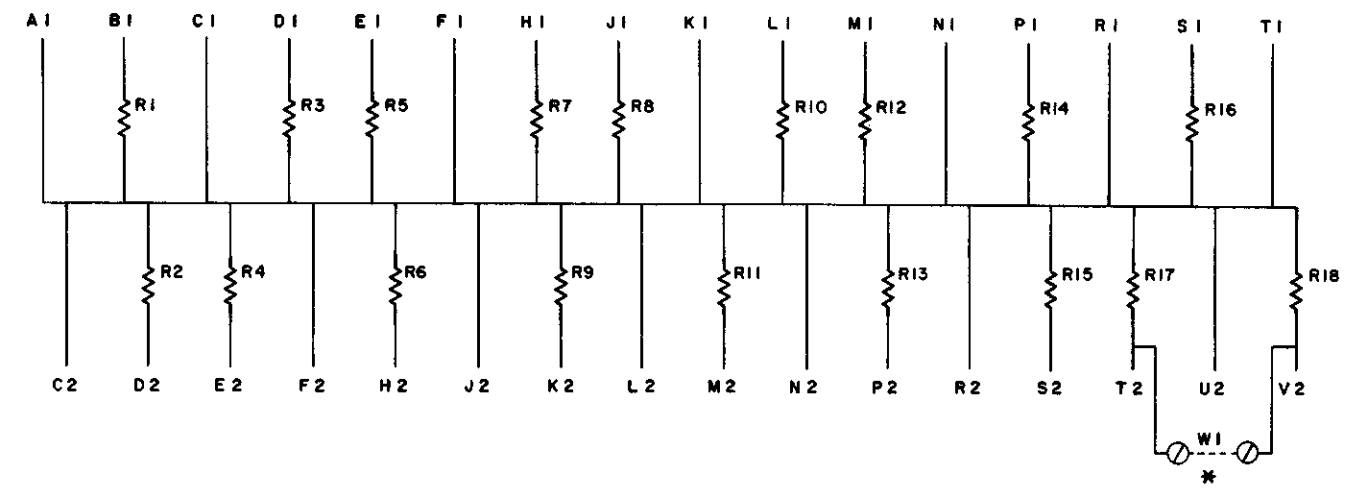
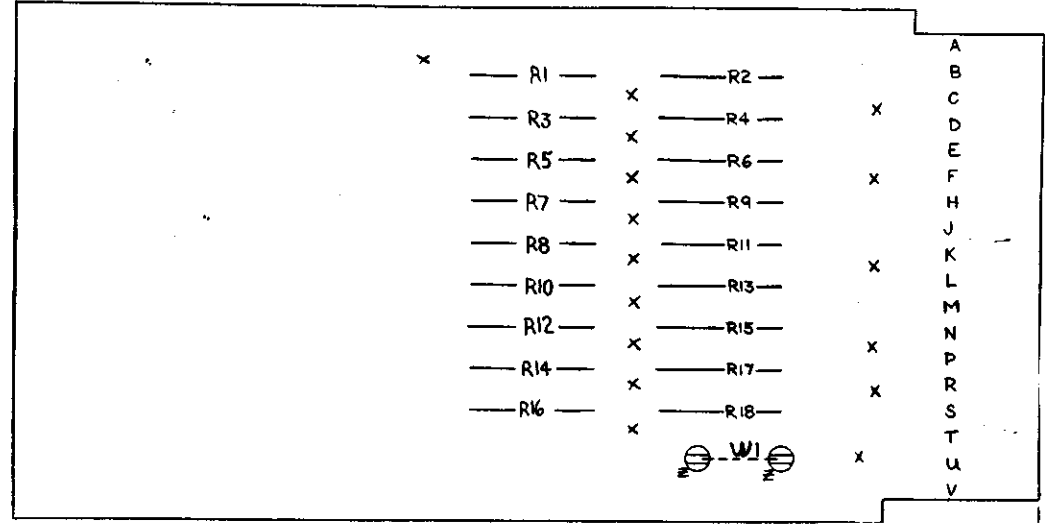
DRN. <i>M. Waller</i>	DATE 2-17-69
CHK'D <i>R. Schreiner</i>	DATE 3/15/69
ENGR. <i>F.C. Ammann</i>	DATE 4/17/69
PROD.	DATE

TRANSISTOR & DIODE CONVERSION CHART			
DEC	EIA	DEC	EIA

digital
EQUIPMENT CORPORATION
MAYNARD, MASSACHUSETTS

TITLE 5 "D" FLIP FLOPS M205			
SIZE B	CODE CS	NUMBER M205-0-1	REV. B
PRINTED CIRCUIT REV.			A

THIS SCHEMATIC IS FURNISHED ONLY FOR TEST AND MAINTENANCE PURPOSES. THE CIRCUITS ARE PROPRIETARY IN NATURE AND SHOULD BE TREATED ACCORDINGLY. COPYRIGHT 1972 BY DIGITAL EQUIPMENT CORPORATION



UNLESS OTHERWISE INDICATED:
RESISTORS ARE 51Ω

* FOR YA VERSION DELETE R17 AND INSERT JUMPER ON SPLIT LUGS

QTY.	QTY.	REF. DESIGNATION	DESCRIPTION	DEC PART NO.	TYPE NO.
16	16		EYELET	9006731	9
1	1		HANDLE, FLIP CHIP - MAGENTA	9008337-06	8
2			SPLIT LUG	900673	7
2	2		EYELET, HANDLE	9006732	6
17	18	R1 thru R18	RES. 51 $\frac{1}{2}$ W 5%	1302378	5
1	1		ETCHED CIRCUIT BOARD	5009951	4
			MODULE ECO HISTORY	B-MH-M984-0-6	3
			ASSY/DRILLING HOLE LAYOUT	D-AH-M984-0-5	2
			X-Y COORDINATE HOLE LOCATION	K-CO-M984-L-4	1
			PARTS LIST		

REVISIONS
CHK/CHG NO./REV.

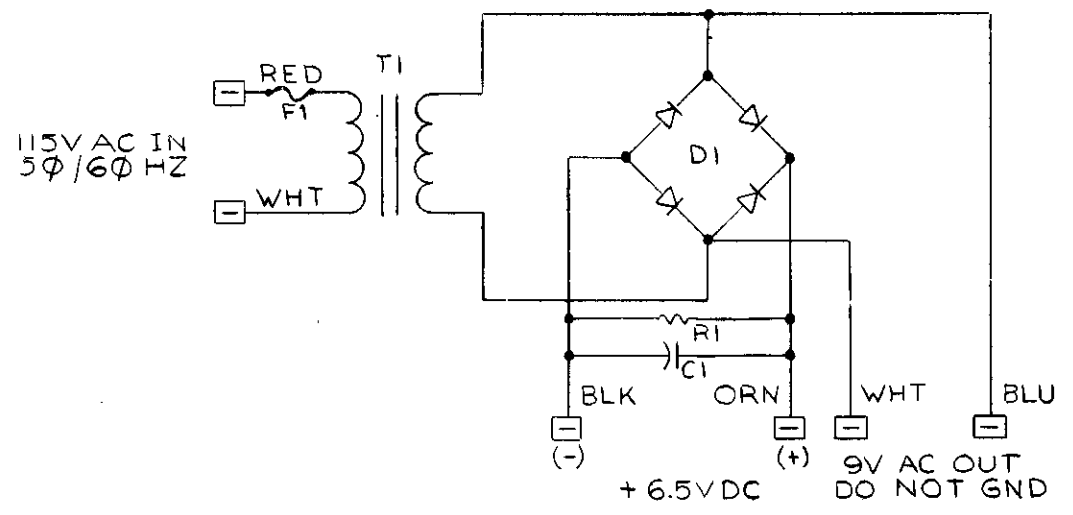
DATE 2/13/72
 DATE 4/9/72
 DATE 2/10/72

TRANSISTOR & DIODE CONVERSION CHART
 DEC EIA DEC EIA

digital RESISTOR TERMINATOR
 EQUIPMENT CORPORATION
 MAYNARD, MASSACHUSETTS
 SIZE CODE C CS NUMBER M984-0-1 REV. A

REV. 1
 NUMBER M984-0-1
 SIZE CODE C CS

THIS SCHEMATIC IS FURNISHED ONLY FOR TEST AND MAINTENANCE PURPOSES. THE CIRCUITS ARE PROPRIETARY IN NATURE AND SHOULD BE TREATED ACCORDINGLY. COPYRIGHT BY DIGITAL EQUIPMENT CORPORATION



F1	1/2 AMP S.B. FUSE	9007209
R1	5ohm 25W RES	1300165
C1	18000MFD 10V DC CAP	1009437
	PARTS LIST	D-UA-716-0-0
T1	XMFR*F64-U TRIAD	1609588
D1	DIODE PACK DM-2	1105397
REF DESIGNATION	DESCRIPTION	PART NO.

PARTS LIST

REV.	REV.
716-00001 A	
716-00001 B	
716-00001 C	

ORN. RAIMONDI	DATE 5-18-69
CHK'D HEALY	DATE 5-25-69
ENG. VONADA	DATE 7-21-69
PRD. ANTONUCCIO	DATE 7-25-69

TRANSISTOR & DIODE CONVERSION CHART			
DEC	EIA	DEC	EIA

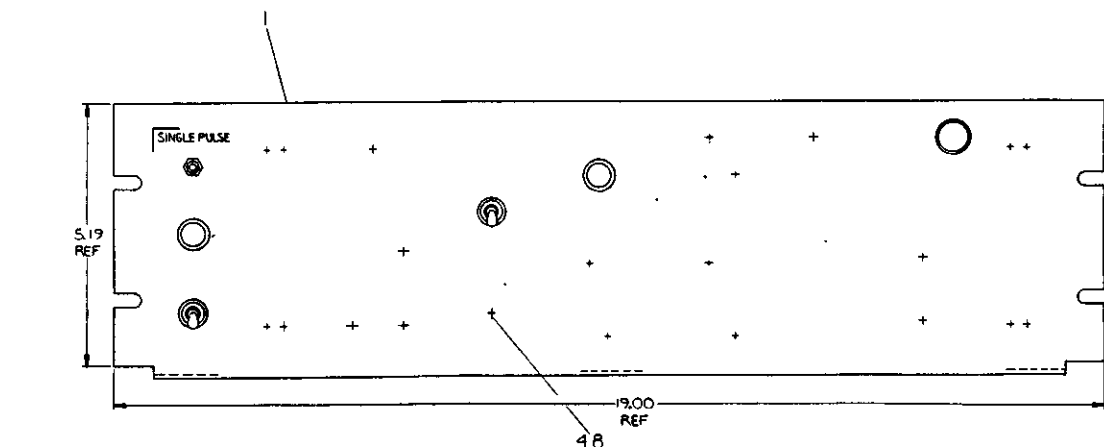
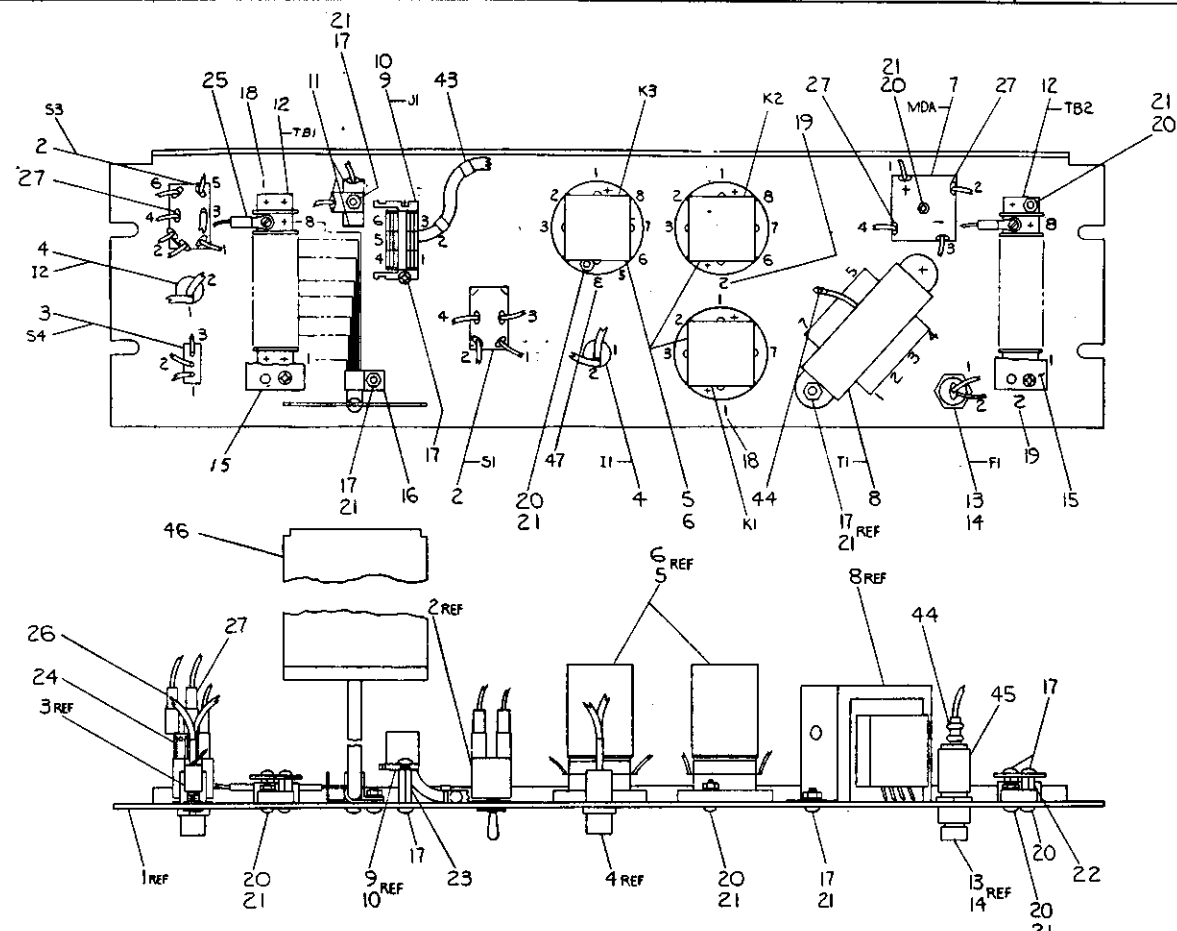
digital
EQUIPMENT CORPORATION
MAYNARD, MASSACHUSETTS

TITLE		CIRCUIT SCHEMATIC	
		716	
SIZE	CODE	NUMBER	REV.
C	CS	716-0-1	C
PRINTED CIRCUIT REV.			

SIZE CODE C CS
NUMBER 716-0-1
REV. C

ink

WIRE TABLE						
ITEM NO.	AWG	COLOR	CONNECTION FROM	WITH	CONNECTION TO	WITH
8		RED	T1-1	SELF	TB2-2	25
		WHT/BLK	T1-4			
		WHT/RED	T1-3		F1-2	SOLD
		BLK	T1-2		TB2-1	25
		GRN	T1-5		MDA-2	27
8		GRN	T1-7	SELF	MDA-4	27
42	18	WHT/RED	TB2-3	25	F1-1	SOLD
35	22	VIO	TB2-7	25	K3-8	
36		GRY	TB2-8	25	K3-6	
29		BRN	MDA-1	26	K2-8	
28		BLK	MDA-3	26	K2-7	SOLD
34		BLU	K1-1	SOLD	J1-6	10
30		RED	K1-2		J1-2	10
34		BLU	K1-3		K2-2	SOLD
28		BLK	K1-7		K2-7	SOLD
33		GRN	K2-1		J1-5	10
34		BLU	K2-2		K3-2	SOLD
33		GRN	K2-2		K2-3	SOLD
28		BLK	K2-7		K3-7	SOLD
29		BRN	K2-8		J1-1	10
29		BRN	K2-8		S3-6	26
32		YEL	K3-1		S1-3	26
32		YEL	K3-1		J1-4	10
34		BLU	K3-2		S1-4	26
31		ORN	K3-3		S1-1	26
31		ORN	K3-3		J1-3	10
28	22	BLK	K3-7	SOLD	GND	26
4		RED	I1-1	SELF	K2-6	SOLD
		BLK	I1-2	SELF	K3-7	
37	22	WHT/RED	TB1-2	25	S4-3	
38		WHT/ORN	TB1-3		S4-2	
39		WHT/BLU	TB1-6		S3-3	26
40		WHT/VIO	TB1-7		S3-5	
41		WHT/GRY	TB1-8	25	S3-1	
28	22	BLK	S3-2	26	GND	26
4		RED	I2-1	SELF	S3-4	27
		BLK	I2-2	SELF	S3-2	27
29	22	BRN	S1-2	26	MDA-1	26
33	22	GRN	TB2-6	25	K3-5	SOLD



QTY	DESCRIPTION	PART NO	ITEM NO	
1	PUSH PENNY	9007060	48	
1	DECAL (NUMBER)	87X-1508743-0-0	41	
1	CABLE, EPO PANEL	87A-1006834-0-0	44	
A/R	TUBING, SHRINK, BLK	910725	45	
A/R	TUBING, SHRINK, RED	9107251	44	
A/R	WRAP, TIE	9007031	43	
A/R	WIRE, #18 AWG STD TRACER, WHT/RED	910740-92	42	
A/R	WIRE, #22 AWG STD TRACER, WHT/GRY	9107400-98	41	
A/R	WIRE, #22 AWG STD TRACER, WHT/VIO	9107400-77	40	
A/R	WIRE, #22 AWG STD TRACER, WHT/BLU	9107400-94	39	
A/R	WIRE, #22 AWG STD TRACER, WHT/ORN	9107400-93	38	
A/R	WIRE, #22 AWG STD TRACER, WHT/RED	9107400-92	31	
A/R	WIRE, #22 AWG #1 STD	VIO	9107350-17	35
A/R	WIRE, #22 AWG #1 STD	GRY	9107350-36	34
A/R	WIRE, #22 AWG #1 STD	BLU	9107350-68	34
A/R	WIRE, #22 AWG #1 STD	GRN	9107350-55	33
A/R	WIRE, #22 AWG #1 STD	YEL	9107350-44	32
A/R	WIRE, #22 AWG #1 STD	ORN	9107350-33	31
A/R	WIRE, #22 AWG #1 STD	RED	9107350-22	30
A/R	WIRE, #22 AWG #1 STD	BRN	9107350-11	29
A/R	WIRE, #22 AWG #1 STD	BLK	9107350-00	28
4	TERMINAL, SOLDERLESS	9007919	27	
14	TERMINAL, SOLDERLESS	9007917	26	
4	TERMINAL, SOLDERLESS	9007929	25	
1	CONNECTOR, ANGLE	9007199	24	
2	SPACER, HEX WG-32X.62	9006857	23	
4	SPACER, HEX WG-32X.50	9006851	22	
17	NUT, KEP WG-32	9006885	21	
17	SCREW, WG-32X.56 PHL PAN HD	9007798-1	20	
2	DECAL (NUMBER)	87X-1508743-0-0	19	
2	DECAL (NUMBER)	87X-1508743-0-4	18	
12	SCREW, W6-32X.51 PHL PAN HD	9006217-1	17	
1	CLAMP, CABLE (NYLON)	9007081	16	
2	COVER, TORM STRIP	7408452-8	15	
1	RUSE, 1/4 AMP	9008889	14	
1	HOLDER, RISE	9007242	13	
2	STRIP, TERMINAL	9008908	12	
3	TAB, GROUND	9007596	11	
6	PN, FASTIN-FASTON	1210944-4	10	
1	CONNECTOR, FASTIN-FASTON	1210944-1	9	
1	TRANSFORMER, POWER	4609115	8	
1	RECTIFIER, BRIDGE	1110148	7	
3	SOCKET, OCTAL	1201220	6	
3	RELAY, 12V	1205431	5	
2	LIGHT, PILOT	1205299	4	
1	SWITCH, PUSHBUTTON	1203457	3	
2	SWITCH, TOGGLE	1204816	2	
1	PANEL, MISC CONTROLS & EPO	87MD-29578-0-0	1	

FIRST USED ON OPTION/MODEL: DX11-B

UNLESS OTHERWISE SPECIFIED DIMENSIONS IN INCHES TOLERANCES: DECIMALS .010 ANGLES 1/2°

REVISIONS: 1. REV. DATE: 10/24/74

REWORK: REMOVE BURRS AND FILE ALL SHARP CORNERS. SURFACE QUALITY: ✓

FINISH: //

DATE: 10/24/74

SCALE: 1" = 1"

SHEET: 1 OF 1

DESIGNER: J. J. ...

ENGINEER: J. J. ...

DATE: 10/24/74

BY: J. J. ...

DATE: 10/24/74

APPROVED: J. J. ...

DATE: 10/24/74

REVISIONS:

NO. DESCRIPTION DATE

1. REV. DATE: 10/24/74

2. REV. DATE: 10/24/74

3. REV. DATE: 10/24/74

4. REV. DATE: 10/24/74

5. REV. DATE: 10/24/74

6. REV. DATE: 10/24/74

7. REV. DATE: 10/24/74

8. REV. DATE: 10/24/74

9. REV. DATE: 10/24/74

10. REV. DATE: 10/24/74

11. REV. DATE: 10/24/74

12. REV. DATE: 10/24/74

13. REV. DATE: 10/24/74

14. REV. DATE: 10/24/74

15. REV. DATE: 10/24/74

16. REV. DATE: 10/24/74

17. REV. DATE: 10/24/74

18. REV. DATE: 10/24/74

19. REV. DATE: 10/24/74

20. REV. DATE: 10/24/74

21. REV. DATE: 10/24/74

22. REV. DATE: 10/24/74

23. REV. DATE: 10/24/74

24. REV. DATE: 10/24/74

25. REV. DATE: 10/24/74

26. REV. DATE: 10/24/74

27. REV. DATE: 10/24/74

28. REV. DATE: 10/24/74

29. REV. DATE: 10/24/74

30. REV. DATE: 10/24/74

31. REV. DATE: 10/24/74

32. REV. DATE: 10/24/74

33. REV. DATE: 10/24/74

34. REV. DATE: 10/24/74

35. REV. DATE: 10/24/74

36. REV. DATE: 10/24/74

37. REV. DATE: 10/24/74

38. REV. DATE: 10/24/74

39. REV. DATE: 10/24/74

40. REV. DATE: 10/24/74

41. REV. DATE: 10/24/74

42. REV. DATE: 10/24/74

43. REV. DATE: 10/24/74

44. REV. DATE: 10/24/74

45. REV. DATE: 10/24/74

46. REV. DATE: 10/24/74

47. REV. DATE: 10/24/74

48. REV. DATE: 10/24/74

49. REV. DATE: 10/24/74

50. REV. DATE: 10/24/74

51. REV. DATE: 10/24/74

52. REV. DATE: 10/24/74

53. REV. DATE: 10/24/74

54. REV. DATE: 10/24/74

55. REV. DATE: 10/24/74

56. REV. DATE: 10/24/74

57. REV. DATE: 10/24/74

58. REV. DATE: 10/24/74

59. REV. DATE: 10/24/74

60. REV. DATE: 10/24/74

61. REV. DATE: 10/24/74

62. REV. DATE: 10/24/74

63. REV. DATE: 10/24/74

64. REV. DATE: 10/24/74

65. REV. DATE: 10/24/74

66. REV. DATE: 10/24/74

67. REV. DATE: 10/24/74

68. REV. DATE: 10/24/74

69. REV. DATE: 10/24/74

70. REV. DATE: 10/24/74

71. REV. DATE: 10/24/74

72. REV. DATE: 10/24/74

73. REV. DATE: 10/24/74

74. REV. DATE: 10/24/74

75. REV. DATE: 10/24/74

76. REV. DATE: 10/24/74

77. REV. DATE: 10/24/74

78. REV. DATE: 10/24/74

79. REV. DATE: 10/24/74

80. REV. DATE: 10/24/74

81. REV. DATE: 10/24/74

82. REV. DATE: 10/24/74

83. REV. DATE: 10/24/74

84. REV. DATE: 10/24/74

85. REV. DATE: 10/24/74

86. REV. DATE: 10/24/74

87. REV. DATE: 10/24/74

88. REV. DATE: 10/24/74

89. REV. DATE: 10/24/74

90. REV. DATE: 10/24/74

91. REV. DATE: 10/24/74

92. REV. DATE: 10/24/74

93. REV. DATE: 10/24/74

94. REV. DATE: 10/24/74

95. REV. DATE: 10/24/74

96. REV. DATE: 10/24/74

97. REV. DATE: 10/24/74

98. REV. DATE: 10/24/74

99. REV. DATE: 10/24/74

100. REV. DATE: 10/24/74

101. REV. DATE: 10/24/74

102. REV. DATE: 10/24/74

103. REV. DATE: 10/24/74

104. REV. DATE: 10/24/74

105. REV. DATE: 10/24/74

106. REV. DATE: 10/24/74

107. REV. DATE: 10/24/74

108. REV. DATE: 10/24/74

109. REV. DATE: 10/24/74

110. REV. DATE: 10/24/74

111. REV. DATE: 10/24/74

112. REV. DATE: 10/24/74

113. REV. DATE: 10/24/74

114. REV. DATE: 10/24/74

115. REV. DATE: 10/24/74

116. REV. DATE: 10/24/74

117. REV. DATE: 10/24/74

118. REV. DATE: 10/24/74

119. REV. DATE: 10/24/74

120. REV. DATE: 10/24/74

121. REV. DATE: 10/24/74

122. REV. DATE: 10/24/74

123. REV. DATE: 10/24/74

124. REV. DATE: 10/24/74

125. REV. DATE: 10/24/74

126. REV. DATE: 10/24/74

127. REV. DATE: 10/24/74

128. REV. DATE: 10/24/74

129. REV. DATE: 10/24/74

130. REV. DATE: 10/24/74

131. REV. DATE: 10/24/74

132. REV. DATE: 10/24/74

133. REV. DATE: 10/24/74

134. REV. DATE: 10/24/74

135. REV. DATE: 10/24/74

136. REV. DATE: 10/24/74

137. REV. DATE: 10/24/74

138. REV. DATE: 10/24/74

139. REV. DATE: 10/24/74

140. REV. DATE: 10/24/74

141. REV. DATE: 10/24/74

142. REV. DATE: 10/24/74

143. REV. DATE: 10/24/74

144. REV. DATE: 10/24/74

145. REV. DATE: 10/24/74

146. REV. DATE: 10/24/74

147. REV. DATE: 10/24/74

148. REV. DATE: 10/24/74

149. REV. DATE: 10/24/74

150. REV. DATE: 10/24/74

151. REV. DATE: 10/24/74

152. REV. DATE: 10/24/74

153. REV. DATE: 10/24/74

154. REV. DATE: 10/24/74

155. REV. DATE: 10/24/74

156. REV. DATE: 10/24/74

157. REV. DATE: 10/24/74

158. REV. DATE: 10/24/74

159. REV. DATE: 10/24/74

160. REV. DATE: 10/24/74

161. REV. DATE: 10/24/74

162. REV. DATE: 10/24/74

163. REV. DATE: 10/24/74

164. REV. DATE: 10/24/74

165. REV. DATE: 10/24/74

166. REV. DATE: 10/24/74

167. REV. DATE: 10/24/74

168. REV. DATE: 10/24/74

169. REV. DATE: 10/24/74

170. REV. DATE: 10/24/74

171. REV. DATE: 10/24/74

172. REV. DATE: 10/24/74

173. REV. DATE: 10/24/74

174. REV. DATE: 10/24/74

175. REV. DATE: 10/24/74

176. REV. DATE: 10/24/74

177. REV. DATE: 10/24/74

178. REV. DATE: 10/24/74

179. REV. DATE: 10/24/74

180. REV. DATE: 10/24/74

181. REV. DATE: 10/24/74

182. REV. DATE: 10/24/74

183. REV. DATE: 10/24/74

184. REV. DATE: 10/24/74

185. REV. DATE: 10/24/74

186. REV. DATE: 10/24/74

187. REV. DATE: 10/24/74

188. REV. DATE: 10/24/74

189. REV. DATE: 10/24/74

190. REV. DATE: 10/24/74

191. REV. DATE: 10/24/74

192. REV. DATE: 10/24/74

193. REV. DATE: 10/24/74

194. REV. DATE: 10/24/74

195. REV. DATE: 10/24/74

196. REV. DATE: 10/24/74

197. REV. DATE: 10/24/74

198. REV. DATE: 10/24/74

199. REV. DATE: 10/24/74

200. REV. DATE: 10/24/74

201. REV. DATE: 10/24/74

202. REV. DATE: 10/24/74

203. REV. DATE: 10/24/74

204. REV. DATE: 10/24/74

205. REV. DATE: 10/24/74

206. REV. DATE: 10/24/74

207. REV. DATE: 10/24/74

208. REV. DATE: 10/24/74

209. REV. DATE: 10/24/74

210. REV. DATE: 10/24/74

211. REV. DATE: 10/24/74

212. REV. DATE: 10/24/74

213. REV. DATE: 10/24/74

214. REV. DATE: 10/24/74

215. REV. DATE: 10/24/74

216. REV. DATE: 10/24/74

217. REV. DATE: 10/24/74

218. REV. DATE: 10/24/74

219. REV. DATE: 10/24/74

220. REV. DATE: 10/24/74

221. REV. DATE: 10/24/74

222. REV. DATE: 10/24/74

223. REV. DATE: 10/24/74

224. REV. DATE: 10/24/74

225. REV. DATE: 10/24/74

226. REV. DATE: 10/24/74

227. REV. DATE: 10/24/74

228. REV. DATE: 10/24/74

229. REV. DATE: 10/24/74

230. REV. DATE: 10/24/74

231. REV. DATE: 10/24/74

232. REV. DATE: 10/24/74

233. REV. DATE: 10/24/74

234. REV. DATE: 10/24/74

235. REV. DATE: 10/24/74

236. REV. DATE: 10/24/74

237. REV. DATE: 10/24/74

238. REV. DATE: 10/24/74

239. REV. DATE: 10/24/74

240. REV. DATE: 10/24/74

241. REV. DATE: 10/24/74

242. REV. DATE: 10/24/74

243. REV. DATE: 10/24/74

244. REV. DATE: 10/24/74

245. REV. DATE: 10/24/74

246. REV. DATE: 10/24/74

247. REV. DATE: 10/24/74

248. REV. DATE: 10/24/74

249. REV. DATE: 10/24/74

250. REV. DATE: 10/24/74

251. REV. DATE: 10/24/74

252. REV. DATE: 10/24/74

253. REV. DATE: 10/24/74

254. REV. DATE: 10/24/74

255. REV. DATE: 10/24/74

256. REV. DATE: 10/24/74

257. REV. DATE: 10/24/74

258. REV. DATE: 10/24/74

259. REV. DATE: 10/24/74

260. REV. DATE: 10/24/74

261. REV. DATE: 10/24/74

262. REV. DATE: 10/24/74

263. REV. DATE: 10/24/74

264. REV. DATE: 10/24/74

265. REV. DATE: 10/24/74

266. REV. DATE: 10/24/74

267. REV. DATE: 10/24/74

268. REV. DATE: 10/24/74

269. REV. DATE: 10/24/74

270. REV. DATE: 10/24/74

271. REV. DATE: 10/24/74

272. REV. DATE: 10/24/74

273. REV. DATE: 10/24/74

274. REV. DATE: 10/24/74

275. REV. DATE: 10/24/74

276. REV. DATE: 10/24/74

277. REV. DATE: 10/24/74

278. REV. DATE: 10/24/74

279. REV. DATE: 10/24/74

280. REV. DATE: 10/24/74

281. REV. DATE: 10/24/74

282. REV. DATE: 10/24/74

283. REV. DATE: 10/24/74

284. REV. DATE: 10/24/74

285. REV. DATE: 10/24/74

286. REV. DATE: 10/24/74

287. REV. DATE: 10/24/74

288. REV. DATE: 10/24/74

289. REV. DATE: 10/24/74

290. REV. DATE: 10/24/74

291. REV. DATE: 10/24/74

292. REV. DATE: 10/24/74

293. REV. DATE: 10/24/74

294. REV. DATE: 10/24/74

295. REV. DATE: 10/24/74

296. REV. DATE: 10/24/74

297. REV. DATE: 10/24/74

298. REV. DATE: 10/24/74

299. REV. DATE: 10/24/74

300. REV. DATE: 10/24/74

301. REV. DATE: 10/24/74

302. REV. DATE: 10/24/74

303. REV. DATE: 10/24/74

304. REV. DATE: 10/24/74

305. REV. DATE: 10/24/74

306. REV. DATE: 10/24/74

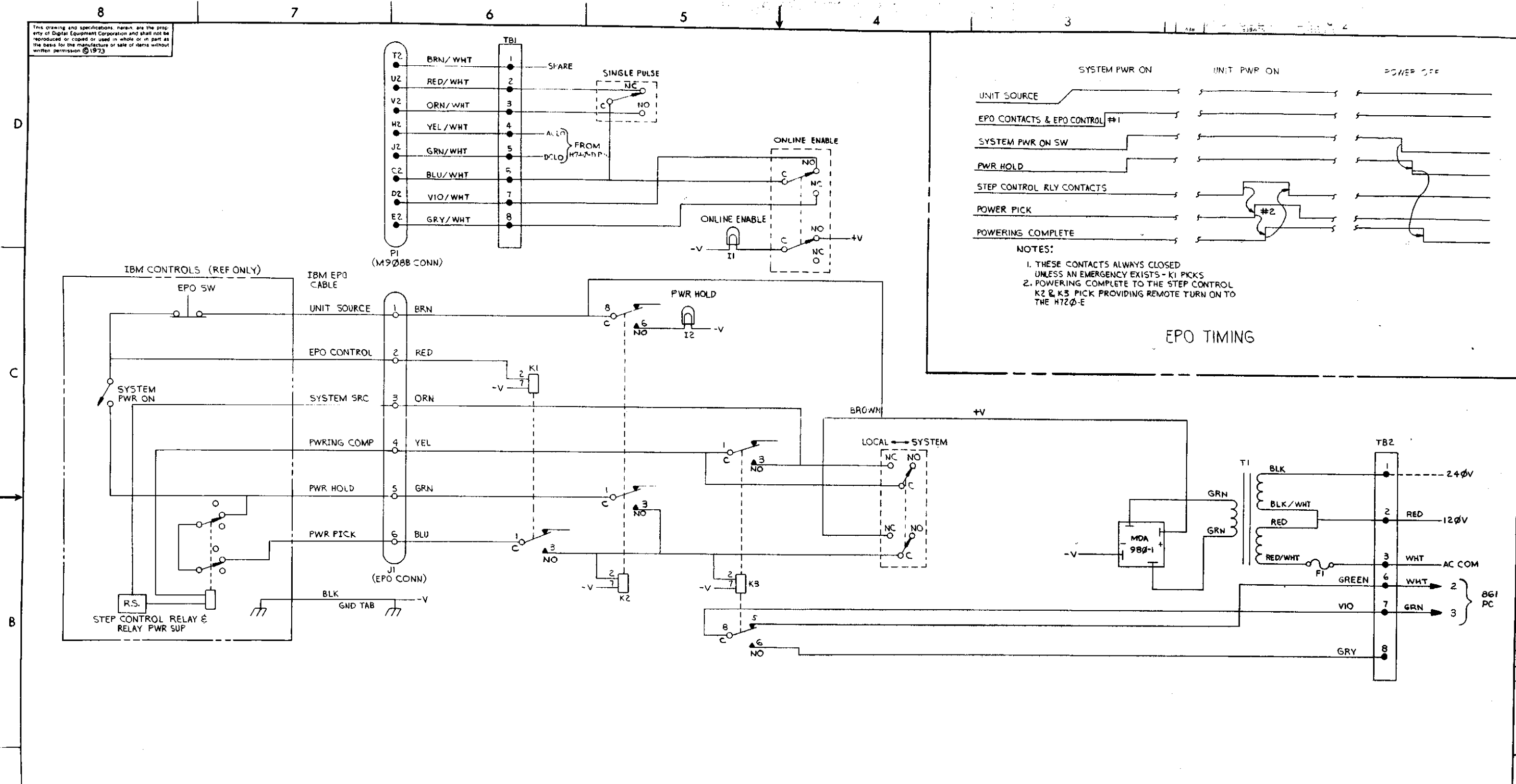
307. REV. DATE: 10/24/74

308. REV. DATE: 10/24/74

309. REV. DATE: 10/24/74

310. REV. DATE: 10/24

This drawing and specifications herein are the property of Digital Equipment Corporation and shall not be reproduced or copied or used in whole or in part as the basis for the manufacture or sale of items without written permission © 1973



NOTES:
 1. THESE CONTACTS ALWAYS CLOSED UNLESS AN EMERGENCY EXISTS - K1 PICKS
 2. POWERING COMPLETE TO THE STEP CONTROL K2 & K3 PICK PROVIDING REMOTE TURN ON TO THE H720-E

REVISIONS

NO.	DATE	BY	DESCRIPTION
1	10-2-70	R. DIETER	INITIAL DESIGN
2	10-2-70	R. DIETER	REVISED TO 10-2-70

DRWING NO. 40522 15840
 CHECKED BY: BX11B-7
 DESIGNED BY: R. DIETER

FIRST USED ON OPTION/MODEL	QTY.	DESCRIPTION	PART NO.	ITEM NO.
DX11-B				
PARTS LIST				
UNLESS OTHERWISE SPECIFIED DIMENSION IN INCHES. TOLERANCES		DRN. S. Roberts	DATE 3/17/72	digital EQUIPMENT CORPORATION MAYNARD MASSACHUSETTS
DECIMALS	ANGLES	CHK'D. J. Hill	DATE 5/17/72	
.XXX ± .005	± 0° 30'	ENG. J. Hill	DATE 5-23-72	
.XX ± .02		PROJ. ENG. J. Hill	DATE 5-23-72	
REMOVE BURRS AND BREAK SHARP CORNERS SURFACE QUALITY		PROD. Phil Lane	DATE 6/1/72	
MATERIAL		NEXT HIGHER ASSY.		
FINISH		SCALE NONE		
		SHEET 1 OF 1		
		DIST.		
		SIZE CODE		
		NUMBER		
		REV.		
		DCS 7008792-0-1		B
		TITLE		
		MISC CONTROLS & EPO		

REV. B
 NUMBER
 DCS 7008792-0-1
 SIZE CODE

This drawing and specifications are the property of Digital Equipment Corporation and shall not be reproduced or copied in whole or in part without the written permission of Digital Equipment Corporation.

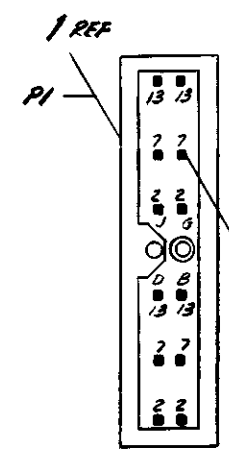
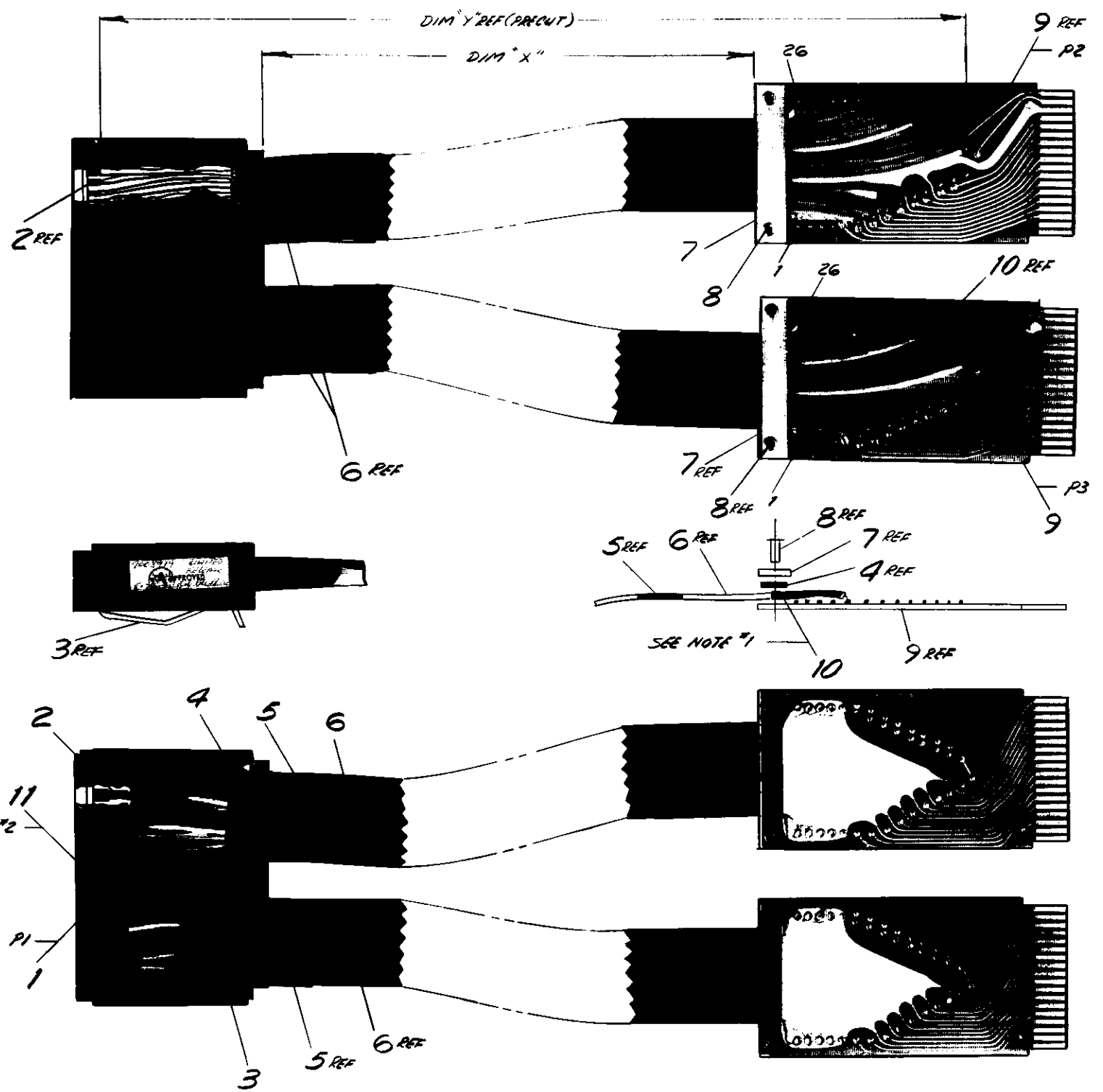
NOTES:

1. ALL COLORED WIRES TO BE COVERED WITH ITEM #10 (CLEAR TUBING) PRIOR TO SOLDERING TO ITEM # 9, P2 & P3 ONLY.
2. ALL GROUND WIRES ON P1 TO BE COVERED WITH ITEM #11 (CLEAR TUBING) PRIOR TO CRIMPING TO ITEM # 2 P1 ONLY.
3. FOR PRODUCTION TESTING SEE DRAWING B-SP-7008777-0-3

LEGEND		
NUMBER	VARIATION	
	DIM "X"	DIM "Y" REF
7008919-02	2'-0"	2'-6"

QTY.	DESCRIPTION	PART NO	ITEM NO
9/R	TUBING CLEAR TEFION #18	9107278-11	11
9/R	TUBING CLEAR TEFION #14	9107302-11	10
2	CARD CONNECTOR	M9898	9
4	EYELLET 65-A-3 SIMPSON	9006796	8
2	CLAMP CABLE #940	1202704	7
9/R	CABLE, COAX	1700001-00	6
9/R	RASTIC ELECTRAE SCOTCH #33		5
9/R	TAPE #4032 3M CO.	9007834	4
1	JACK SCREW & COVER KIT	1211092	3
48	PIN BISEXUAL	1211093	2
1	CONN HOUSING (BLACK)	1211091-1	1

FIRST USED ON OPTION/MODEL DX11-B		PARTS LIST	
UNLESS OTHERWISE SPECIFIED DIMENSION IN INCHES TOLERANCES	DATE 2-21-72	digital EQUIPMENT CORPORATION MAYFORD MASSACHUSETTS	
DECIMALS: .005 ANGLES: ±0°30'	ENG. DATE 2-22-72	TITLE IBM 360 CABLE ASSY	
REMOVE BURRS AND BREAK SHARP CORNERS SURFACE QUALITY ✓	PROJ. ENG. DATE 2-6-72	MATERIAL NEXT HIGHER ASSY.	
FINISH	PROD. DATE 4-1-72	SIZE CODE D-49-DX11-B-D	
	SHEET 1 OF 2	NUMBER DIA 7008919-0-0	
		REV	



REVISIONS	NO.	REV.
CHANGE NO.		
CHK		

DIA 7008919-0-0

THE DRAWING AND SPECIFICATIONS HEREON ARE THE PROPERTY OF Digital Equipment Corporation and shall not be reproduced or copied in any way without the prior written permission of Digital Equipment Corporation.

SIZE CODE DIA7008919-0-0

WIRE TABLE

ITEM NO	DESCRIPTION	COLOR	FROM		TO		WITH
			CONNECTION	WITH	CONNECTION	WITH	
3	COAX	GND	P1-B2	2,11	P2-26		SOLDER
		RED	P1-B3	2	P2-22		
		BLU	P1-D2	2	P2-20		
		GND	P1-D3	2,11	P2-26		
		GRN	P1-D4	2,11	P2-19		
		GND	P1-D5	2,11	P2-25		
		GND	P1-B4	2,11	P2-25		
		WHT	P1-B5	2	P2-18		
		RED	P1-D6	2	P2-17		
		GND	P1-D7	2,11	P2-24		
		GRN	P1-B6	2,11	P2-16		
		GND	P1-B7	2,11	P2-24		
		BLU	P1-B8	2	P2-15		
3	COAX	GRN	P1-B9	2,11	P2-23		SOLDER
		GND	P1-D8	2,11	P2-23		
		WHT	P1-D9	2	P2-14		
		BLK	P1-B10	2	P2-9		
		GND	P1-B11	2,11	P2-4		
		GND	P1-D10	2,11	P2-3		
		RED	P1-D11	2	P2-7		
		BLU	P1-B12	2	P2-6		
		GND	P1-B13	2,11	P2-2		
		GND	P1-D12	2,11	P2-1		
		GRN	P1-D13	2,11	P2-5		
		GND	P1-G2	2,11	P3-26		
		RED	P1-G3	2	P3-22		
3	COAX	BLU	P1-J2	2	P3-20		SOLDER
		GND	P1-J3	2,11	P3-26		
		GRN	P1-J4	2,11	P3-19		
		GND	P1-J5	2,11	P2-25		
		GND	P1-G4	2,11	P3-25		
		WHT	P1-G5	2	P3-18		
		RED	P1-G6	2	P3-17		
		GND	P1-G7	2,11	P3-24		
		GRN	P1-J6	2,11	P3-16		
		GND	P1-J7	2,11	P3-24		
		BLU	P1-G8	2	P3-15		
		GND	P1-G9	2,11	P3-23		
		GND	P1-J8	2,11	P3-23		
WHT	P1-J9	2	P3-14				
BLK	P1-G10	2	P3-9				
GND	P1-G11	2,11	P3-4				
GND	P1-J10	2,11	P3-3				
RED	P1-J11	2	P3-7				
BLU	P1-G12	2	P3-6				
GND	P1-G13	2,11	P3-2				
GND	P1-J12	2,11	P3-1				
GRN	P1-J13	2,11	P3-5				

REV	
CHANGE NO.	
CHK	

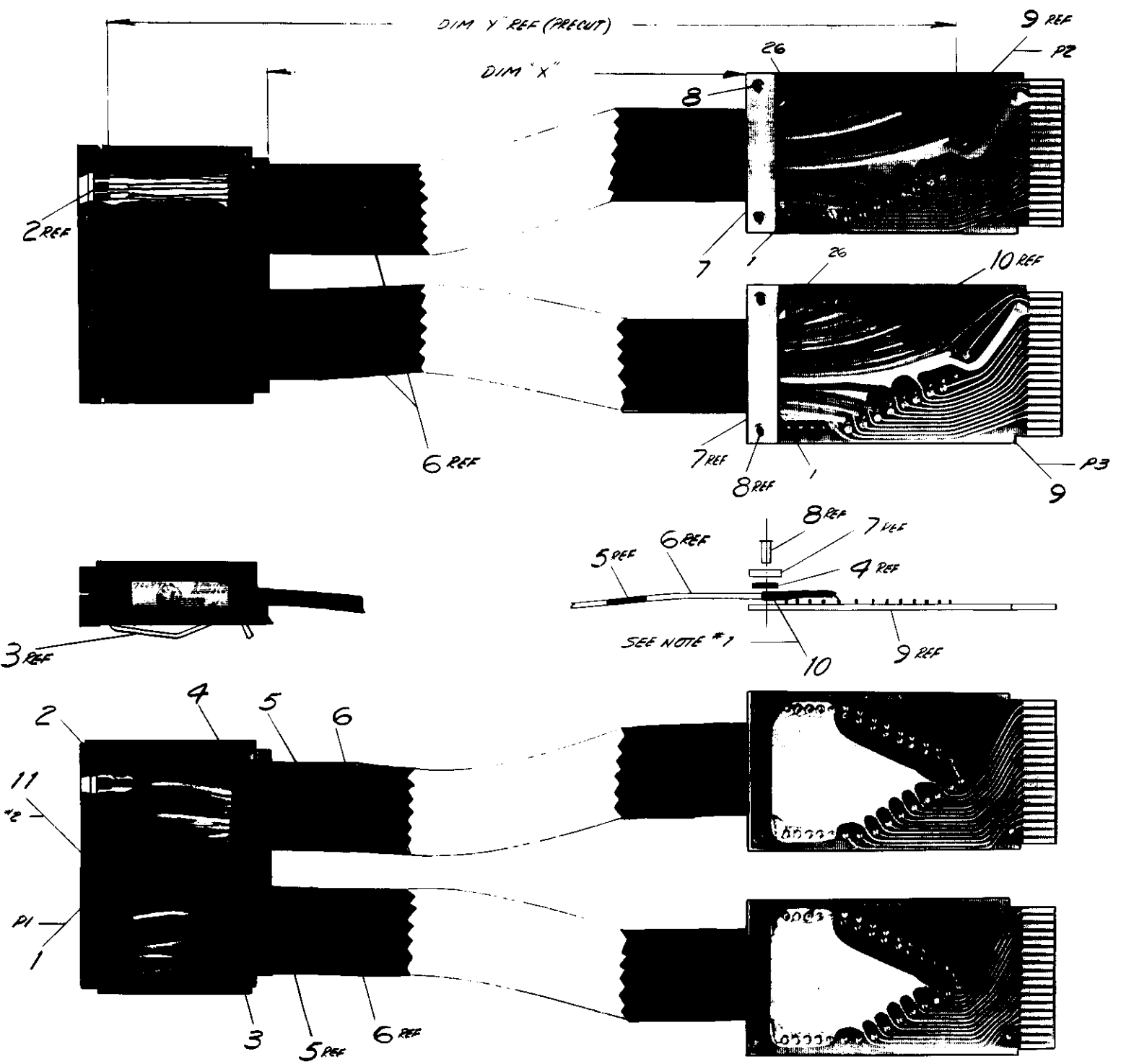
FIRST USED ON OPTION/MODEL
DX11-B

DO NOT SCALE DRAWING
UNLESS OTHERWISE SPECIFIED
DIMENSION IN INCHES
TOLERANCES
DECIMALS FRACTIONS ANGLES
±.005 ± 1/64 ± 0°30'
FINAL SURFACE QUALITY
REMOVE BURRS AND BREAK SHARP CORNERS

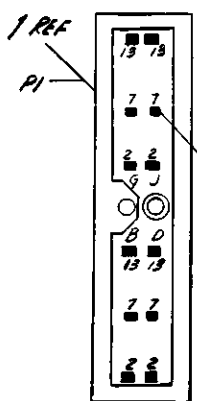
QTY.	DESCRIPTION	PART NO.	ITEM NO.
PARTS LIST			
digital EQUIPMENT CORPORATION MAYNARD, MASSACHUSETTS			
TITLE IBM 360 CABLE ASSY			
NEXT HIGHER ASSY D-4A-DX11-B-0			
SCALE SHEET 2 OF 2			
SIZE CODE NUMBER REV DIA7008919-0-0			

NOTES:

1. ALL COLORED WIRES TO BE COVERED WITH ITEM #10 (CLEAR TUBING), PRIOR TO SOLDERING TO ITEM #9, P2 & P3 ONLY.
2. ALL GROUND WIRES ON P1, TO BE COVERED WITH ITEM #11 (CLEAR TUBING) PRIOR TO CRIMPING TO ITEM #2 P1 ONLY.
3. FOR PRODUCTION TESTING SEE DRAWING 8-SP-700877-0-3



LEGEND		
NUMBER	VARIATION	
	DIM "X"	DIM "Y" REF
7008920-02	2'-0"	2'-6"



QTY.	DESCRIPTION	PART NO.	ITEM NO.
4/R	TUBING CLEAR TEFLON #18	9107278-11	11
4/R	TUBING CLEAR TEFLON #19	9107302-11	10
2	CARD CONNECTOR	19994B	9
4	EYELET 6S-9-9 STIMARSON	9006796	8
2	CLAMP CABLE #990	1202704	7
4/R	CABLE, COAX	1700001-00	6
4/R	PLASTIC ELE TAPES SCOTCH #33		5
4/R	TAPES #4032 3M CO.	9007839	4
1	JACK SCREW & COVER KIT	1211092	3
48	PIN BISHOPAL	1211093	2
1	CONN HOUSING (BROWN)	1211091-2	1

FIRST USED ON OPTION-MODEL		DATE		PARTS LIST	
DX11-B		9-1-72		digital EQUIPMENT CORPORATION	
UNLESS OTHERWISE SPECIFIED DIMENSION IN INCHES TOLERANCES		DATE		TITLE	
DECIMALS	ANGLES	9/72		IBM 360 CABLE ASSY	
xxx .005	+0'30	DATE		SIZE CODE	
xx .02		DATE		NUMBER	
x .1		DATE		REV	
REMOVE BURRS AND BREAK SHARP CORNERS SURFACE QUALITY		DATE		D IA 7008920-0-0	
MATERIAL		NEXT HIGHER ASSY		SCALE NONE	
FINISH		D-VA-DX11-B-0		SHEET 1 OF 2	

REV.	CHANGE NO.

D IA 7008920-0-0

The dimensions and tolerances shown on this drawing are based on the manufacturing capabilities of Digital Equipment Corporation and shall not be construed as a guarantee of performance or quality. The user shall be responsible for the manufacture of cable systems without further consultation.

WIRE TABLE

WIRE NO.	DESCRIPTION	AWG	COLOR	FROM		TO	
				CONNECTION	WITH	CONNECTION	WITH
3	COAX		GND	P1-B2	2, 11	P2-26	SOLDER
			RED	P1-B3	2	P2-22	
			BLU	P1-D2	2	P2-20	
			GND	P1-D3	2, 11	P2-26	
			GRN	P1-D4	2, 11	P2-19	
			GND	P1-D5	2, 11	P2-25	
			GND	P1-B4	2, 11	P2-23	
			WHT	P1-B5	2	P2-18	
			RED	P1-D6	2	P2-17	
			GND	P1-D7	2, 11	P2-24	
			GRN	P1-B6	2, 11	P2-16	
			GND	P1-B7	2, 11	P2-24	
			BLU	P1-B8	2	P2-15	
			GND	P1-B9	2, 11	P2-23	
			GND	P1-D8	2, 11	P2-23	
			WHT	P1-D9	2	P2-14	
			BLK	P1-B10	2	P2-9	
			GND	P1-B11	2, 11	P2-4	
			GND	P1-D10	2, 11	P2-3	
			RED	P1-D11	2	P2-7	
			BLU	P1-B12	2	P2-6	
			GND	P1-B13	2, 11	P2-2	
			GND	P1-D12	2, 11	P2-1	
			GRN	P1-D13	2, 11	P2-5	
			GND	P1-52	2, 11	P3-26	
			RED	P1-53	2	P3-22	
			BLU	P1-J2	2	P3-20	
			GND	P1-J3	2, 11	P3-26	
			GRN	P1-J4	2, 11	P3-19	
			GND	P1-J5	2, 11	P2-25	
			GND	P1-54	2, 11	P3-25	
			WHT	P1-55	2	P3-18	
			RED	P1-56	2	P3-17	
GND	P1-57	2, 11	P3-24				
GRN	P1-J6	2, 11	P3-16				
GND	P1-J7	2, 11	P3-24				
BLU	P1-58	2	P3-15				
GND	P1-59	2, 11	P3-23				
GND	P1-J8	2, 11	P3-23				
WHT	P1-J9	2	P3-14				
BLK	P1-510	2	P3-9				
GND	P1-511	2, 11	P3-4				
GND	P1-510	2, 11	P3-3				
RED	P1-511	2	P3-7				
BLU	P1-512	2	P3-6				
GND	P1-513	2, 11	P3-2				
GND	P1-512	2, 11	P3-1				
3	COAX		GRN	P1-513	2, 11	P3-5	SOLDER

REVISIONS	NO.	REV.
CHANGE NO.		
CHK		

FIRST USED ON OPTION/MODEL
DX11-B

DO NOT SCALE DRAWING
UNLESS OTHERWISE SPECIFIED
DIMENSION IN INCHES
TOLERANCES
DECIMALS FRACTIONS ANGLES
± .008 ± 1/64 ± 0°30'
FINAL SURFACE QUALITY
REMOVE BURRS AND BREAK SHARP CORNERS

QTY.	DESCRIPTION	PART NO.	ITEM NO.
PARTS LIST			
DATE 8-29-72		DATE 7-6-72	
DATE 7-6-72		DATE 7-7-72	
DATE 7-7-72		DATE 7-7-72	
TITLE IBM 360 CABLE ASSY			
NEXT HIGHER ASSY D-0A-DX11-B-0		SIZE CODE DIA	NUMBER 7008920-0-0
SCALE NONE		REV.	
SHEET 1 OF 1		DIST.	

REV. 1
ITEM NO. 7008920-0-0