

digital

DXII-B
Engineering Drawings
Digital Equipment Corporation

The material herein is for information purposes only and is subject to change without notice. Digital Equipment Corporation assumes no responsibility for any errors which may appear herein.

These drawings and specifications herein are the property of Digital Equipment Corporation and shall not be reproduced or copied or used in whole or in part as the basis for the manufacture or sale of items without written permission.
Copyright © 1975, Digital Equipment Corporation

CUSTOMER PRINT SET INDEX

THIS IS PRINT SET

Print Set Type **SEQUENCE**
 Drawing Directory
 DX11-B Unit Assy.
 Module Utilization
 Module Utilization
 Flow Diag. (Phase Ind. Seq.)
 DXDS DX Device Status
 DXCS Control Unit Status
 DXBA DX Bus Address
 DXBC DX BYTE Counter
 CUSR
 DXND NPR Data Reg.
 DXCB DX Control Bits
 DXMO/=CONO
 DXMI Control In/Bus In
 TTNDX Tumble Table Index
 CUAR Cont. Unit Address Reg.
 CUCR Cont. Unit Control Reg.
 Unibus Interface
 NPR and Int. Control
 Data Bus MUX
 Clock. Phase & Time State Gen.
 DMOB-CONO BUFF/BUSO BUFF.
 Indicator Conn.
 General Controls
 Sig & Gates
 Parity & Addr Compare
 IBM Interface
 Unibus Connectors
 Select Bypass & Power FATL
 Wire List
 Wire Testor Revision Status
 Power Supply
 Power Supply CS
 Power Control
 Power Control CS
 Power Control CS
 Regulator Board CS
 Parts List
 Engineering Spec.
 Accessory List
 (By-Pass) 360 Power Select
 360 Cable Receiver
 360 Cable Driver

SEQUENCE
 B-DD-DX11-B
 (Sht. 1 only)
 D-UA-DX11-B-0
 D-MU-DX11-B-01
 A-PL-DX11-B-01
 D-FD-DX11-B-04
 D-BS-DX11-B-05
 D-BS-DX11-B-06
 D-BS-DX11-B-07
 D-BS-DX11-B-08
 D-BS-DX11-B-09
 D-BS-DX11-B-10
 D-BS-DX11-B-11
 D-BS-DX11-B-12
 D-BS-DX11-B-13
 D-BS-DX11-B-14
 D-BS-DX11-B-15
 D-BS-DX11-B-16
 D-BS-DX11-B-17
 D-BS-DX11-B-18
 D-BS-DX11-B-19
 D-BS-DX11-B-20
 D-BS-DX11-B-21
 D-IC-DX11-B-22
 D-BS-DX11-B-24
 D-BS-DX11-B-25
 D-BS-DX11-B-26
 D-BS-DX11-B-27
 D-IC-DX11-B-28
 D-BS-DX11-B-29
 K-WL-DX11-B-30
 A-WT-7008719-0
 D-UA-H740-0
 D-CS-5409728-0
 E-UA-861-0-0
 D-CS-861-B-1
 D-CS-861-C-1
 D-CS-5410206-0-1
 A-PL-DX11-B-0
 K-FS-DX11-B-31
 A-AL-DX11-B-35
 D-CS-G890-01
 C-CS-M597-0-1
 C-CS-M697-0-1

SEQUENCE
 Unibus Addr Selector
 6 QUAD NOR Gate
 3-Input NAND Gate
 6-4 Input NAND Gate
 Unibus NPR Control
 Unibus Interrupt Control
 3-8 Input NAND Gate
 4 Line to 16 Line Decoder
 Six Flips Flops
 Synchronous 4-Bit Up/Down Counter
 High Speed Power Inverter Selector
 Parity Circuit
 Gating Module
 5 "D" Flip Flops
 Resistor Terminator
 Circuit Schemati 716
 EPO PN L ASSY
 Misc Controls & EPO Schematic
 IBM 360 Cable ASSY
 IBM 360 Cable Assy
 CRYSTAL CLOCK

SEQUENCE
 B-CS-M105-01
 B-CS-M116-0-1
 B-CS-M135-0-1
 B-CS-M137-0-1
 B-CS-M796-0-1
 B-CS-M7821-0-1
 B-CS-M139-0-1
 B-CS-M155-0-1
 B-CS-M216-0-1
 B-CS-M238-0-1
 B-CS-M611-0-1
 B-CS-M1713-0-1
 B-CS-M162-0-1
 C-CS-M169-0-1
 B-CS-M205-0-1
 C-CS-M984-0-1
 C-CS-716-0-1
 E-AD-7008792-0-0
 D-CS-7008792-0-1
 D-IA-7008919-0-0
 D-IA-7008920-0-0
 B-CS-M405-0-1

PRINT SET TYPE 2
 NONE
 Mfg Print Set
 (No Order Required, See Mfg. Set Requirement.)

UNIT VARIATIONS		PRINT SET	
VAR	TITLE	1	2
DX11-BA	DX11-B H950 CAB 115V 60 HZ	x	
DX11-BB	DX11-B H950 CAB 230V 50 HZ	x	
DX11-BC	DX11-B H957 CAB 115V 60 HZ	x	
DX11-BD	DX11-B H957 CAB 230V 50 HZ	x	
DX11-BE	DX11-B H950 CAB 115V 60 HZ		x
DX11-BF	DX11-B H950 CAB 230V 50 HZ		x
DX11-BG	DX11-B H957 CAB 115V 60 HZ		x
DX11-BH	DX11-B H957 CAB 230V 50 HZ		x

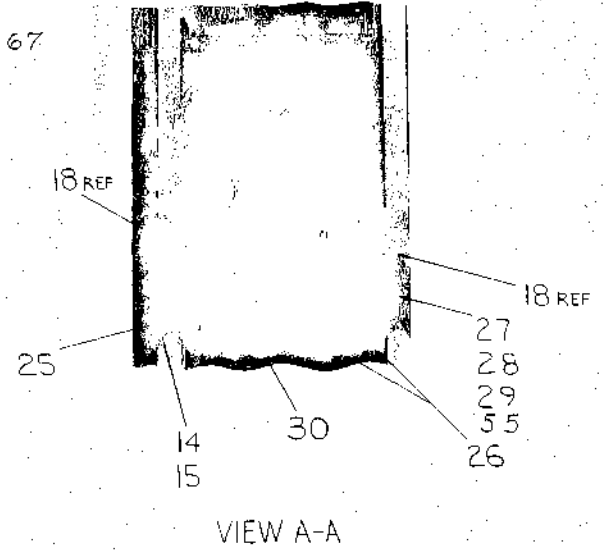
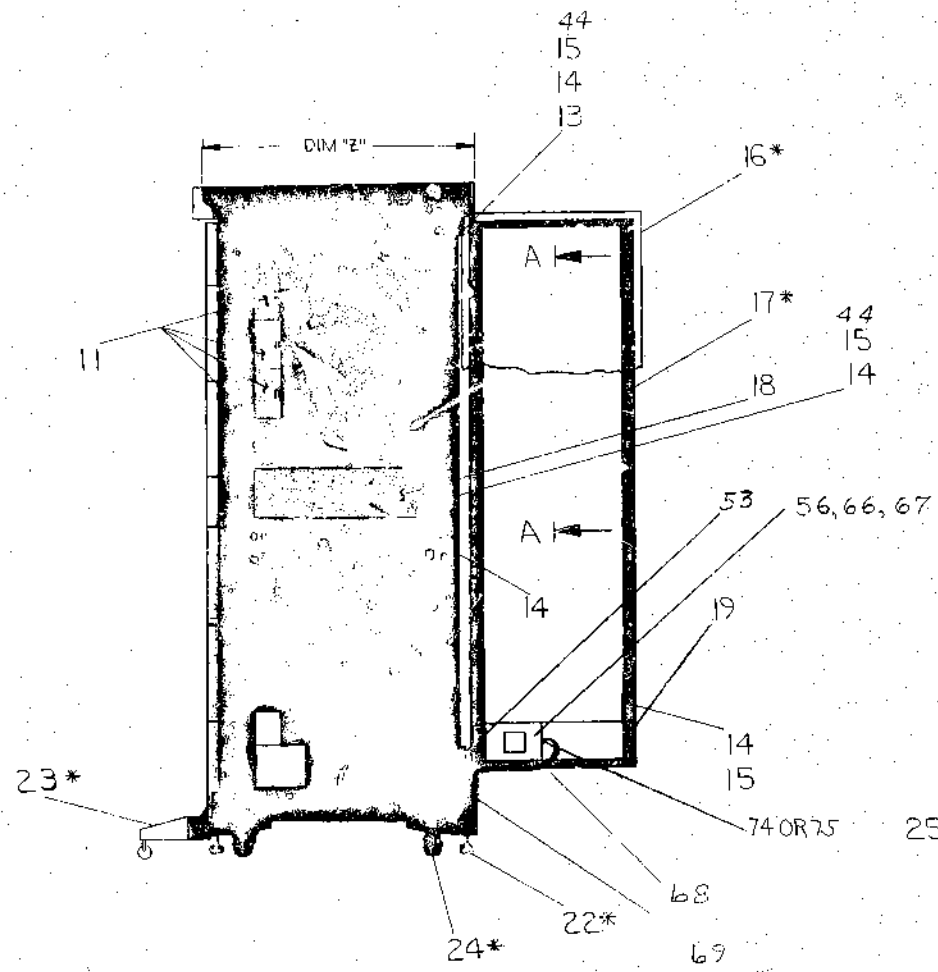
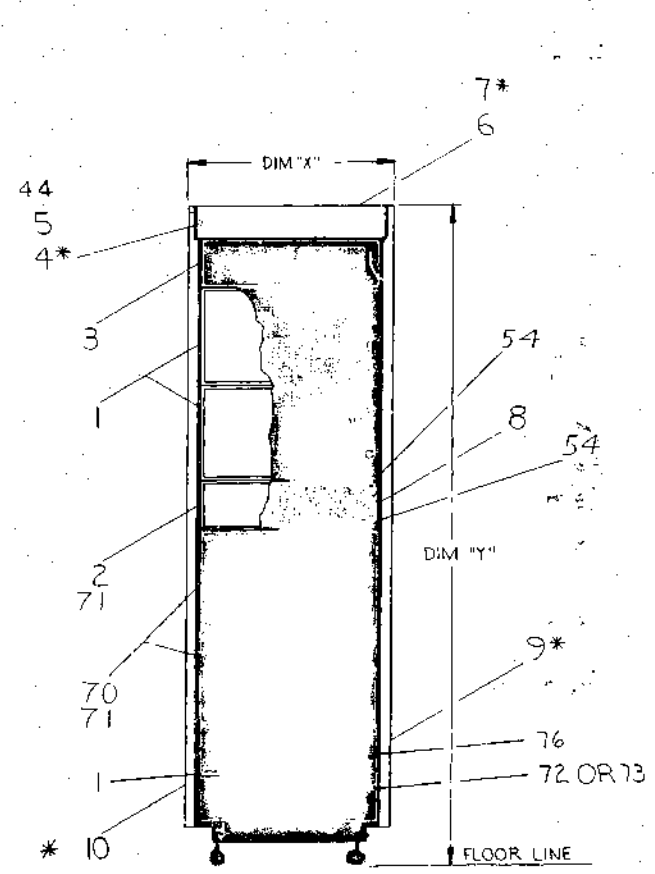
REVISIONS	REV	CHG. NO.	N	P	R	S	T	U	V	W	Y	Z	AA
	DATE	9-74	DX11B-17	DX11B-18	DX11B-19	DX11B-20	DX11B-21	DX11B-22	DX11B-23	DX11B-24	DX11B-25	DX11B-26	DX11B-27

USED ON OPTION/MODEL		DRN.	DATE	TITLE
PDP 11		Sid Roberts	6/7/72	
		CHK'D. J. Cahill	6/8/72	
		PROJ ENG. R. Dieter	6/13/72	
		PROD. P. Tazio	6/13/72	
		FIELD SERV. I. Jarvi	6/13/72	
SHEET 1 OF 8				SIZE CODE B DD
				NUMBER DX11-B
				PEV AA
				DIST

This drawing and specifications remain the property of Digital Equipment Corporation and shall not be reproduced or copied in whole or in part, in any form, for the purpose of sale of parts without written permission.

LEGEND			
VARIATION	DIM "X"	DIM "Y"	DIM "Z"
DXII-BA	21.69	71.44	28.19
DXII-BB			
DXII-BC	21.69	49.65	28.19
DXII-BD			

NOTES:
1. * INDICATES ITEM NO. TO BE USED WITH UNIT OPTIONS DXII-BC & DXII-BD

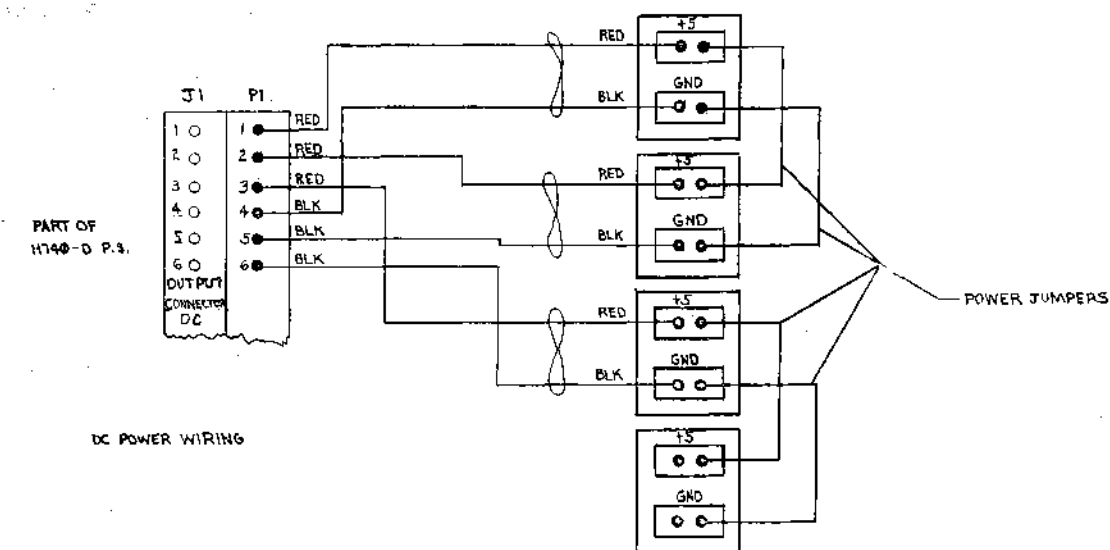
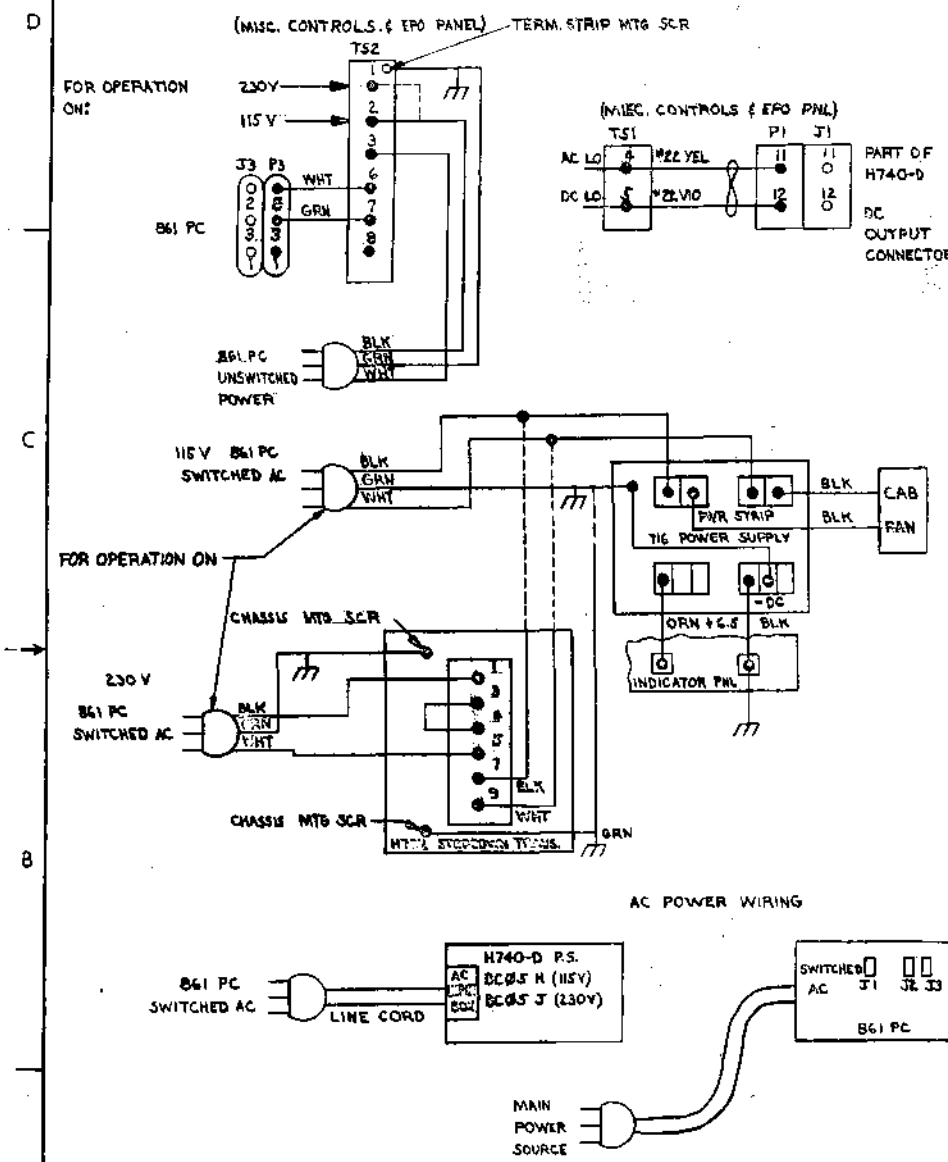


REV	DESCRIPTION	DATE
1	CHANGE NO. 1	3/1/72
2	CHANGE NO. 2	3/1/72
3	CHANGE NO. 3	3/1/72
4	CHANGE NO. 4	3/1/72
5	CHANGE NO. 5	3/1/72
6	CHANGE NO. 6	3/1/72
7	CHANGE NO. 7	3/1/72
8	CHANGE NO. 8	3/1/72

UNIT OPTION MODEL	QTY	DESCRIPTION	PART NO.	ITEM NO.
DXII-B				
PARTS LIST				
UNLESS OTHERWISE SPECIFIED DIMENSIONS IN INCHES TOLERANCES		DATE 3/1/72	digital EQUIPMENT CORPORATION	
DECIMALS	ANGLES	DATE	TITLE	
±.0005	±0°30'	DATE	UNIT ASSY (DXII-B)	
MATERIAL		DATE	SIZE CODE	NUMBER
NEXT HIGHER ASSY.		DATE	B-DD-DXII-B	DUA DXII-B-Ø
FINISH		SCALE NONE	SHEET 1 OF 2	REV. D

THIS DRAWING AND SPECIFICATIONS HEREIN ARE THE PROPERTY OF DIGITAL EQUIPMENT CORPORATION AND SHALL NOT BE REPRODUCED OR COPIED OR USED IN WHOLE OR IN PART AS THE BASIS FOR THE MANUFACTURE OR SALE OF ITEMS WITHOUT WRITTEN PERMISSION. COPYRIGHT © 1973, DIGITAL EQUIPMENT CORPORATION

NOTE:
1. UNLESS OTHERWISE SPECIFIED, ALL AC AND DC WIRING TO BE #14 AWG.



REV	NO	DATE
1	1	5-16-72
2	1	5-17-72
3	1	5-31-72
4	1	5-31-72
5	1	6-8-72

FIRST USED ON OPTION/MODEL	QTY.	DESCRIPTION	PART NO.	ITEM NO.
DX11-B				
PARTS LIST				
UNLESS OTHERWISE SPECIFIED DIMENSION IN INCHES	DRN. S. ROBERTS	DATE 5-16-72		
TOLERANCES	CHK'D. J. CAHILL	DATE 5-17-72		
DECIMALS ANGLES	ENG. R. DIETER	DATE 5-31-72		
.XXX - .005 10' 30'	PROJ. ENG. R. DIETER	DATE 5-31-72		
.X - .02 .1	PROD. P. FAZIO	DATE 6-8-72		
REMOVE BURRS AND BREAK SHARP CORNERS SURFACE QUALITY V	TITLE			
MATERIAL	NEXT HIGHER ASSY.			
FINISH	B-DD-DX11-B	SIZE CODE	NUMBER	REV.
	D LIA	DX11-B-0		D
	SCALE	SHEET	DIST.	
	2 OF 2			

REV. D
D LIA DX11-B-0

8		7		6		5		4		3		2		1									
<small>This drawing and specifications herein are the property of Digital Equipment Corporation and shall not be reproduced or copied or used in whole or in part as the basis for the manufacture or sale of items without written permission.</small>																							
	1	2	3	4	5	6	7	8	9	10	11	12	13	14	15	16	17	18	19	20	21	22	
	M597		M597		M597		M597		M597		M597		M597		M597		M597		M597		M597		
	M597		M597		M597		M597		M597		M597		M597		M597		M597		M597		M597		
D									BUS IN 5	BUS IN 1								TSTOPL OUT	RBUS1 D7	RBUS1 D5	RBUS1 D3	RBUS1 D1	
H									BUS IN 4	BUS IN 0	BUS IN P								TSTSUP OUT			RSRVI	RBUS1 P
									BUS IN 7	BUS IN 3	REQ IN								TSTSEL OUT	RBUS1	RSTAL	RBUS1	ROPL1
									BUS IN 6	BUS IN 2	OPL IN								TSTHLD OUT	RBUS1 D6	RBUS1 D4	RBUS1 D2	RBUS1 D0
	I 16M INTERFACE		I 16M INTERFACE		I 16M INTERFACE		I 16M INTERFACE		I 16M INTERFACE		I 16M INTERFACE		I 16M INTERFACE		I 16M INTERFACE		I 16M INTERFACE		I 16M INTERFACE		I 16M INTERFACE		
									BUS0 D3	CMOD D7	SUPU D5	STA IN	PARG	CLKD					TSTADR OUT	TSTBUS OUT 0	TSTBUS OUT 4	TSTBUS OUT 3	
C									BUS0 D1	BUS0 D7	BUS0 D5	ADR IN		HLDD					TSTBUS OUT	TSTSRV OUT	TSTBUS OUT 7	TSTBUS OUT 6	
J									SRV0	BUS0 D6	ADRO	SEL IN	OPLD						TSTBUS OUT	TSTBUS OUT 2	TSTBUS OUT 5	TSTBUS OUT 1	
									BUS0 D2	BUS0 D0	BUS0 D4	SRV IN	SELD						TSTCMD OUT				
	23	24	25	26	27	28	29	30	31	32	33	34	35	36	37	38	39	40	41	42	43	44	
	M584		M584		M584		M584		M584		M584		M584		M584		M584		M584		M584		
	M584		M584		M584		M584		M584		M584		M584		M584		M584		M584		M584		
H																							
B																							
	M584		M584		M584		M584		M584		M584		M584		M584		M584		M584		M584		
	M584		M584		M584		M584		M584		M584		M584		M584		M584		M584		M584		
C																							

REV.	
CHANGE NO.	
CHK	
REL'SIONS	

FIRST USED ON OPTION/MODEL PDP-11	DO NOT SCALE DRAWING UNLESS OTHERWISE SPECIFIED DIMENSION IN INCHES TOLERANCES DECIMALS FRACTIONS ANGLES ± .005 ± .004 ± .030 FINAL SURFACE QUALITY REMOVE BURRS AND BREAK SHARP CORNERS	DATE 2-23-73 DATE 2-23-73 DATE 2-23-73 DATE 2-23-73	digital EQUIPMENT CORPORATION TITLE MODULE UTILIZATION
MATERIAL +	FINISH +	PROJECT ENGINEER DATE 2-23-73 PROJECT MANAGER DATE 2-23-73 NEXT HIGHER ASSY BDD-DX11-B	SCALE N/A SHEET 4 OF 4
		SIZE CODE DMU	NUMBER DX11-B-01 REV. N

DMU DX11-B-01

DIGITAL EQUIPMENT CORPORATION MAYNARD, MASSACHUSETTS PARTS LIST				QUANTITY / VARIATION																
MADE BY A. FRATICELLI		CHECKED	SECTION																	
DATE 1/5/72		DATE <i>[Signature]</i> 3/3/72	1																	
ENG <i>[Signature]</i>		PROD <i>[Signature]</i>	ISSUED SECT.																	
DATE 6-1-72		DATE 6-1-72	1																	
ITEM NO.	DWG NO. / PART NO.	DESCRIPTION																		
	GB90	360 POWER FAIL & SELECT BY-PASS		1																
	M105	ADDRESS SELECTOR MODULE		1																
	M111	INVERTER		6																
	M112	NOR GATE		14																
	M113	TEN 2-INPUT NAND GATES		11																
	M115	EIGHT 3-INPUT NAND GATES		4																
	M116	6 QUAD NOR GATE		6																
	M117	SIX 4-INPUT NAND GATES		5																
	M119	THREE 8-INPUT NAND GATES		3																
	M121	AND/NOR GATE		7																
	M133	INPUT NAND GATES		7																
	M135	3-INPUT NAND GATE		3																
	M137	6-4 INPUT NAND GATE		2																
	M139	3-8 INPUT NAND GATE		2																
	M155	4 TO 16 LINE DECODER		3																
	M162	PARITY CIRCUIT		2																
	M169	GATING MODULE		12																
	M205	5 "D" FLIP FLOPS		18																
	M216	SIX FLIP FLOP		8																
	M238	SYNCHRONOUS 4-BIT UP/DOWN COUNTER		6																
	M405	CRYSTAL CLOCK		1																
	M597	CABLE RECEIVER		6																
TITLE MODULE UTILIZATION			ASSY NO. D-MU-DX11-B-01	SIZE A	CODE PL	NUMBER DX11-B-01			REV. M	ECO NO. DX11B-00023										
			SHEET 1 OF 2	DIST.																

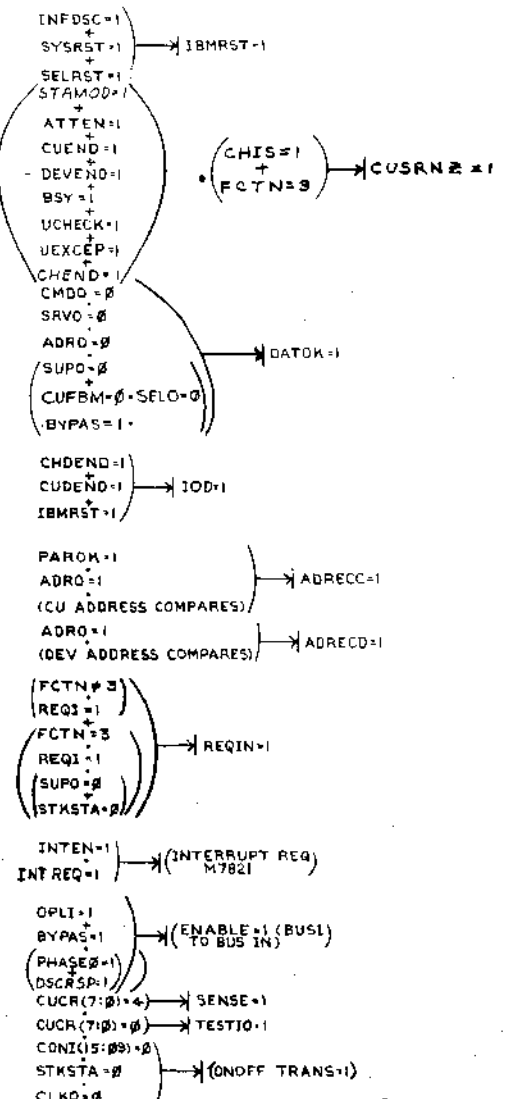
DEC FORM DEC 16-(325)-1031-N870
DRA 110

DIGITAL EQUIPMENT CORPORATION MAYNARD, MASSACHUSETTS PARTS LIST				QUANTITY / VARIATION																
MADE BY A. FRATICELLI		CHECKED	SECTION																	
DATE 1/5/72		DATE <i>[Signature]</i> 3/3/72	1																	
ENG <i>[Signature]</i>		PROD <i>[Signature]</i>	ISSUED SECT.																	
DATE 6-1-72		DATE 6-1-72	1																	
ITEM NO.	DWG NO. / PART NO.	DESCRIPTION																		
	M606	PULSE GENERATOR		3																
	M611	HIGH SPEED POWER INVERTER		4																
	M697	CABLE DRIVER		8																
	M7821	INTERRUPT CONTROL MODULE		1																
	M783	UNIBUS TRANSMITTER MODULE		4																
	M784	UNIBUS RECEIVER MODULE		2																
	M796	UNIBUS MATER CONTROL		1																
	M798	UNIBUS DRIVER		1																
	M1113	2 INPUT AND GATES		5																
	M1713	16 LINE TO 1 LINE DATA SELECTOR		16																
	G736	JUMPER MODULE		1																
	M302	1 SHOT DELAY		1																
	M306	INTEGRATING 1 SHOT		2																
	M908YB	TERMINATOR		1																
	M930	BUSS TERMINATOR		1																
	M984	RESISTOR TERMINATOR		3																
	M984YA	RESISTOR TERM.		1																
	54008776	PRIORITY PLUG		1																
TITLE MODULE UTILIZATION			ASSY NO. D-MU-DX11-B-01	SIZE A	CODE PL	NUMBER DX11-B-01			REV. M	ECO NO.										
			SHEET 2 OF 2	DIST.																

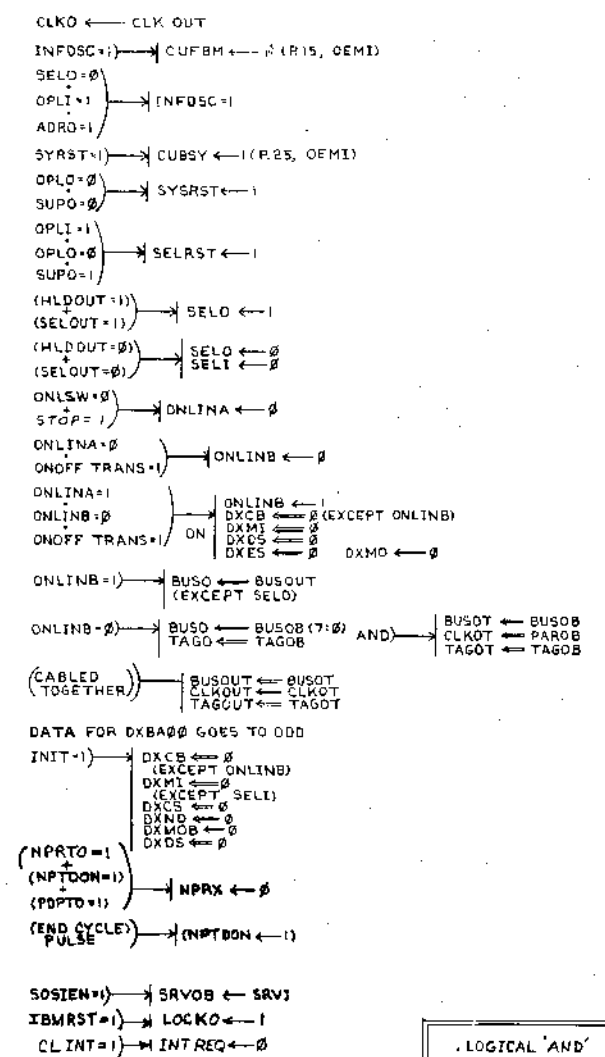
DEC FORM DEC 16-(325)-1031-N870
DRA 110

This drawing and specifications herein are the property of Digital Equipment Corporation and shall not be reproduced or copied or used in whole or in part as the basis for the manufacture or sale of items without written permission.
1972

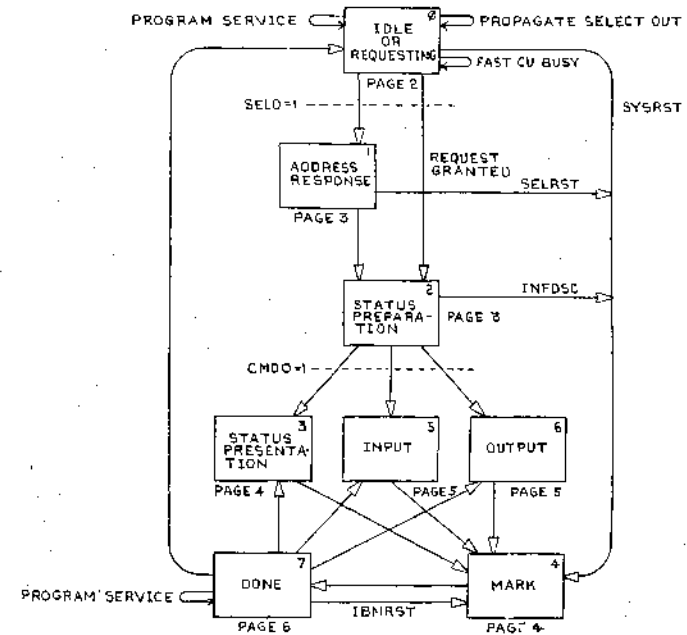
SPECIAL SIGNALS



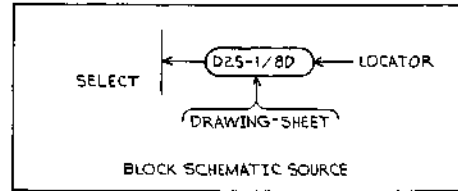
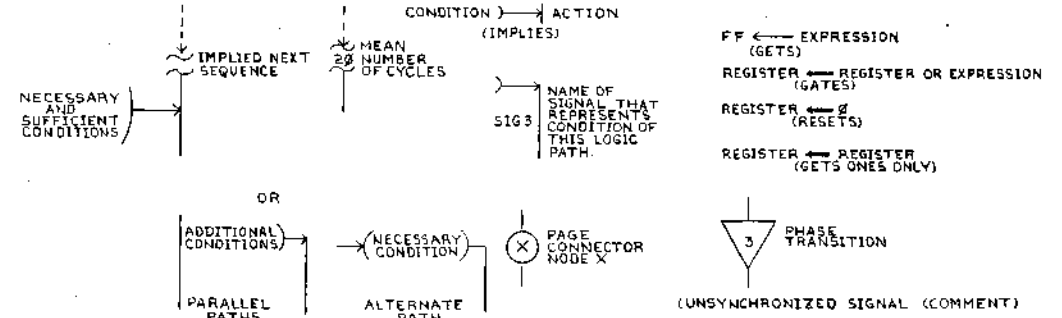
SYNCHRONIZATION OPERATION



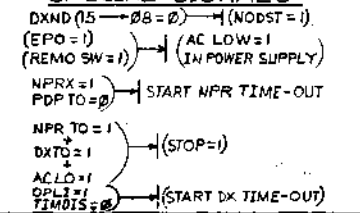
MAJOR PHASE DIAGRAM AND INDEX



FLOW DIAGRAM LEGEND

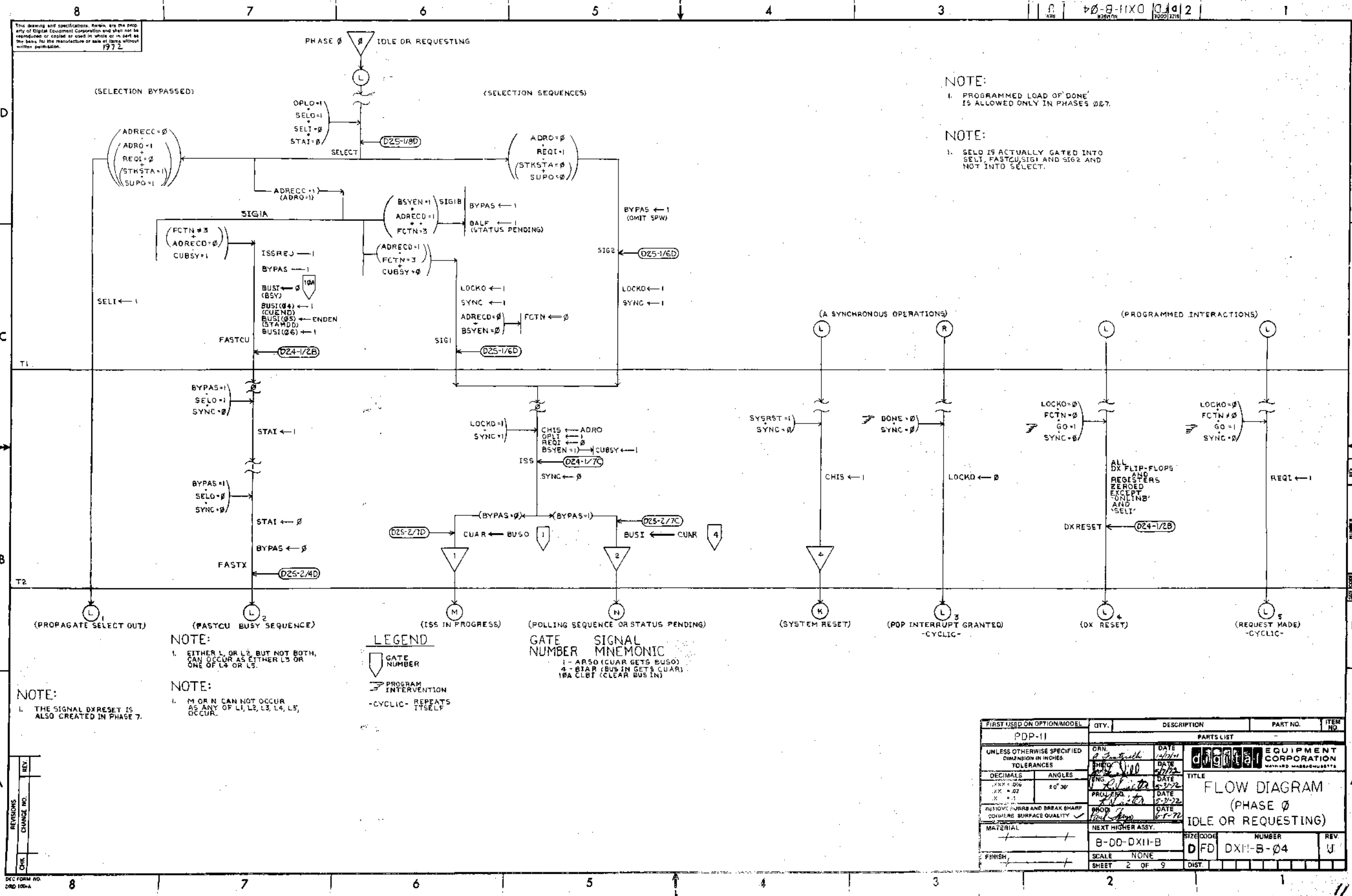


SPECIAL SIGNALS



REVISIONS	CHANGE NO.	REV.	BY	DATE
	1	A	R. DIETER	8-22-72
	2	B	R. DIETER	9-8-72
	3	C	R. DIETER	1-17-73
	4	D	R. DIETER	12-11-73
	5	E	R. DIETER	10-4-73
	6	F	R. DIETER	10-2-73
	7	G	R. DIETER	11-11-73
	8	H	R. DIETER	11-11-73
	9	I	R. DIETER	11-11-73
	10	J	R. DIETER	11-11-73
	11	K	R. DIETER	11-11-73
	12	L	R. DIETER	11-11-73

FIRST USED ON OPTION/MODEL	QTY.	DESCRIPTION	PART NO.	ITEM NO.
PDP-11				
UNLESS OTHERWISE SPECIFIED DIMENSION IN INCHES. TOLERANCES				
DECIMALS	ANGLES	DATE		
.XXX ± .008	± 0° 30'	DATE	TITLE	
.XX ± .02		DATE	FLOW DIAGRAM	
.X ± .1		DATE	(PHASE INDEPENDENT SEQUENCE)	
REMOVE BURRS AND BREAK SHARP CORNERS SURFACE QUALITY				
MATERIAL				
NEXT HIGHER ASSY.				
FINISH				
SCALE NONE				
SHEET 1 OF 9				
SIZE CODE			NUMBER	REV
DIFD			DXII-B-04	0
DIST.				



This drawing and specifications herein are the property of Digital Equipment Corporation and shall not be reproduced or copied in whole or in part as the basis for the manufacture or sale of items without written permission.
1972

NOTE:
1. PROGRAMMED LOAD OF 'DONE' IS ALLOWED ONLY IN PHASES 0&7.

NOTE:
1. SELD IS ACTUALLY GATED INTO SELT, FASTCU, SIG1 AND SIG2 AND NOT INTO SELECT.

NOTE:
1. EITHER L1 OR L2, BUT NOT BOTH, CAN OCCUR AS EITHER L3 OR ONE OF L4 OR L5.

NOTE:
1. M OR N CAN NOT OCCUR AS ANY OF L1, L2, L3, L4, L5, OR L6.

LEGEND

GATE NUMBER

PROGRAM INTERVENTION

-CYCLIC- REPEATS ITSELF

GATE SIGNAL NUMBER MNEMONIC

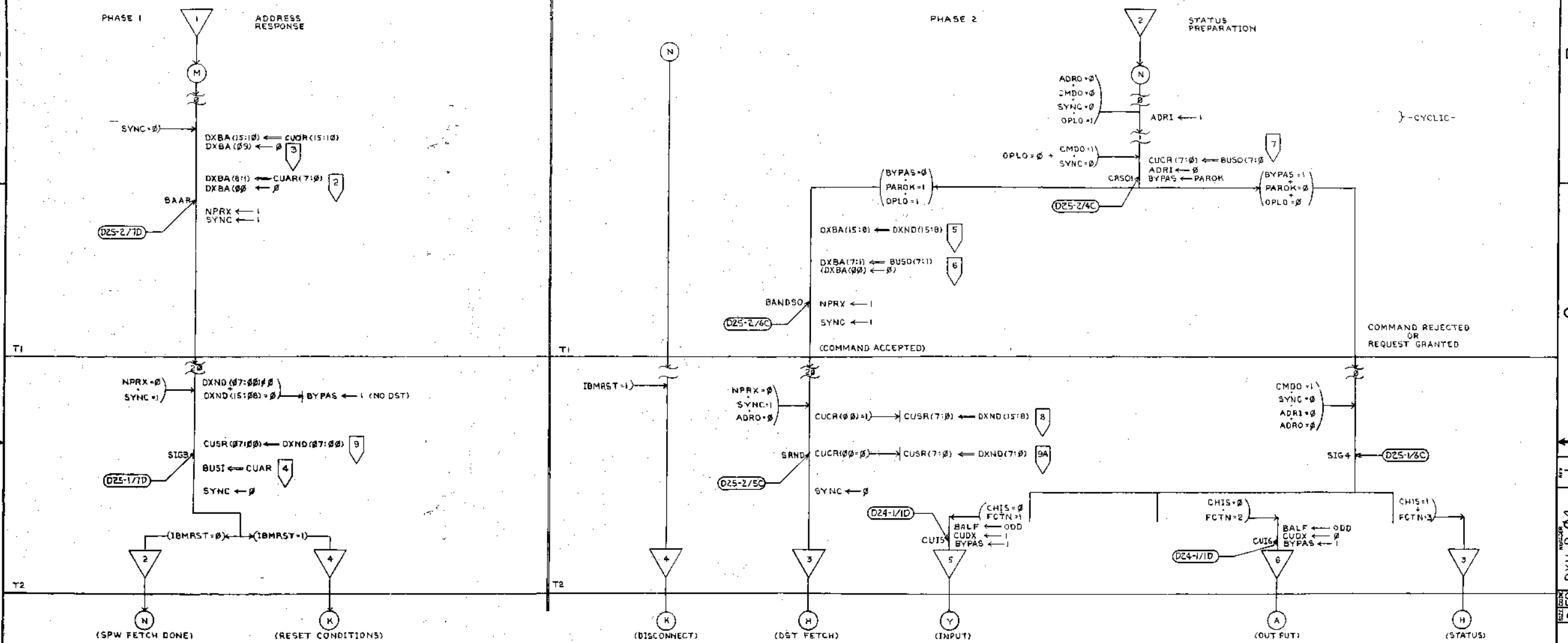
1 - ARSO (CUAR GETS BUSO)

4 - BIAR (BUS IN GETS CUAR)

10A CLBT (CLEAR BUS IN)

FIRST USED ON OPTION/MODEL	QTY.	DESCRIPTION	PART NO.	ITEM NO.
PDP-11				
PARTS LIST				
UNLESS OTHERWISE SPECIFIED DIMENSION IN INCHES TOLERANCES	ORN	DATE	DIGITAL EQUIPMENT CORPORATION	
DECIMALS	DEC	DATE	MILFORD MASSACHUSETTS	
ANGLES	ANG	DATE	TITLE	
FRACTIONS	FRA	DATE	FLOW DIAGRAM	
RELIEF SURFACES AND BREAK SHARP	REL	DATE	(PHASE 0	
CONVEX SURFACE QUALITY	CONV	DATE	IDLE OR REQUESTING)	
MATERIAL	NEXT HIGHER ASSY.		SIZE CODE	NUMBER
	B-00-DX11-B		DFD	DX11-B-04
FINISH	SCALE NONE		DIST.	REV. U
	SHEET 2 OF 9			

This drawing and specifications, herein, are the property of Digital Equipment Corporation and shall not be reproduced or copied or used in whole or in part as the basis for the manufacture or sale of items without written permission.
1972



NOTE:

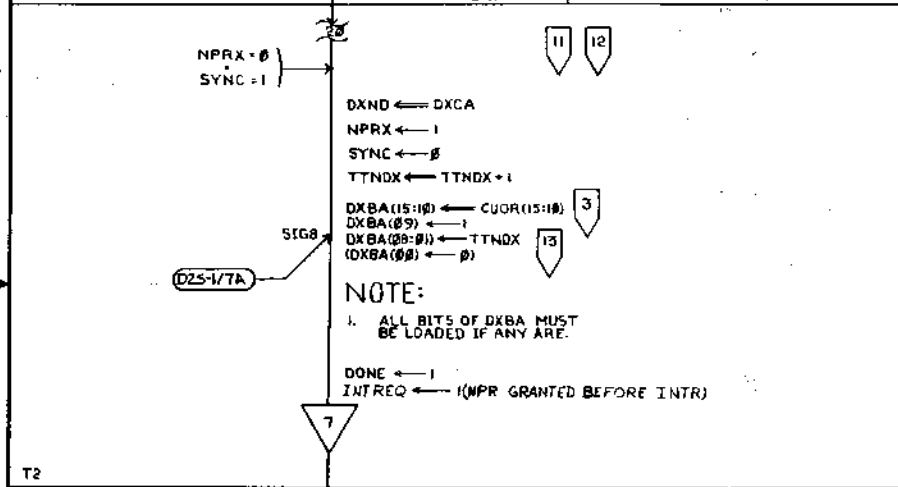
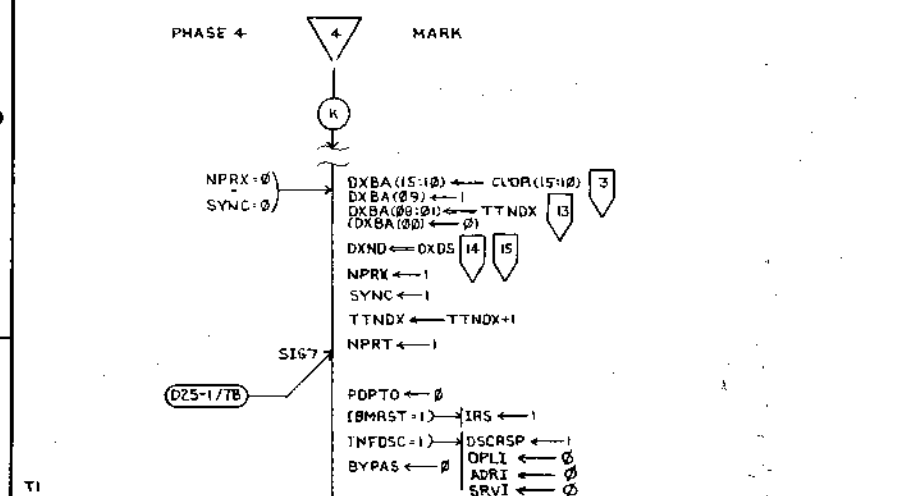
1. CUIS AND CUT6 USED IN PHASE 7.

- 3- BAAR
- 4- BAOR
- 5- BIAR
- 6- BANDSO
- 7- CRSD1 (C.F. 16)
- 8- CRNDH
- 9- SIG3
- 9A- SANDL

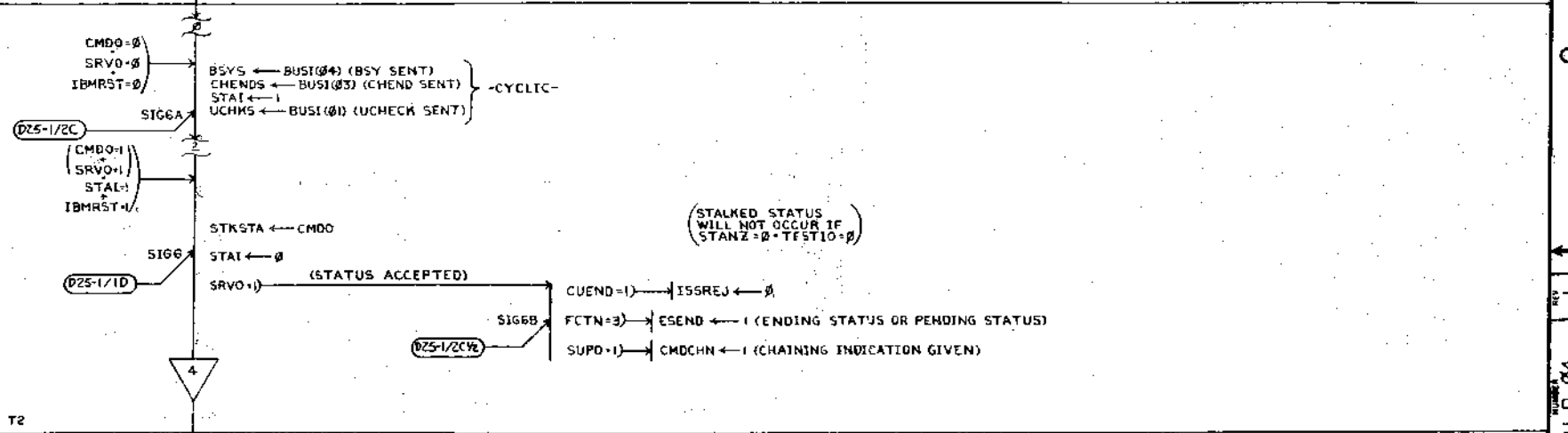
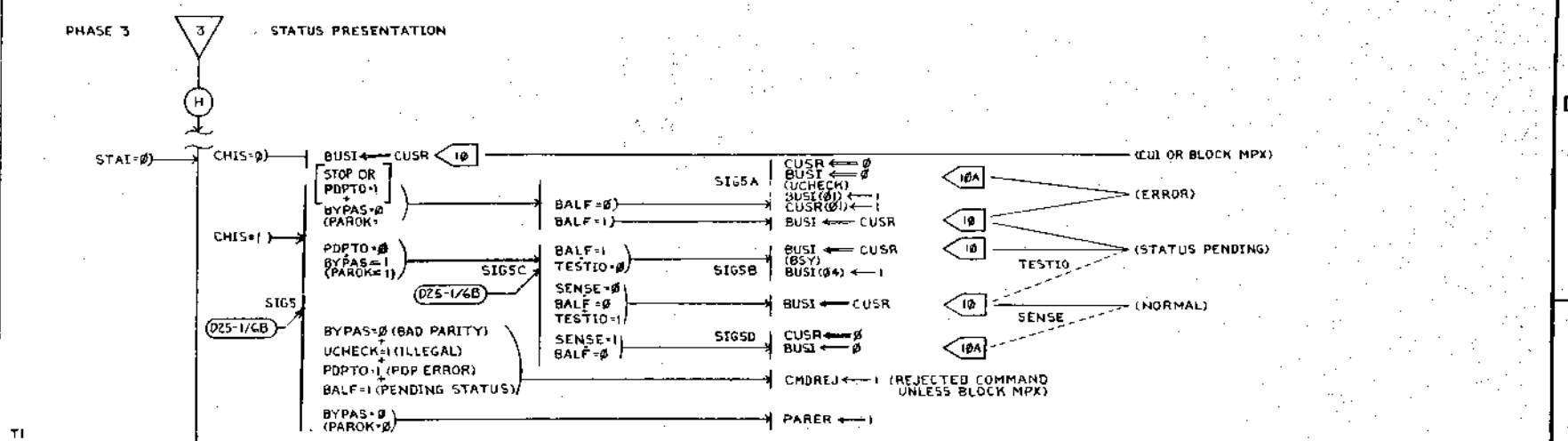
REV	
CHANGE NO.	
CHK	

FIRST USED ON OPTION/MODEL	QTY.	DESCRIPTION	PART NO.	ITEM NO.
PDP-11		PARTS LIST		
UNLESS OTHERWISE SPECIFIED DIMENSION IN INCHES TOLERANCES				
DECIMALS	ANGLES	TITLE		
.XXX + .009	± 0° 30'	FLOW DIAGRAM		
XX + .02		(PHASE 1 PHASE 2		
X + .1		ADDRESS STATUS		
REMOVE BURRS AND BREAK SHARP CORNERS SURFACE QUALITY				
MATERIAL	NEXT HIGHER ASSY.	SIZE CODE	NUMBER	REV.
+	B-DD-DXII-B	D1D	DXII-B-04	J
FINISH	SCALE NONE	SHEET 3 OF 9	DIST	

This drawing and specifications, herein, are the property of Digital Equipment Corporation and shall not be reproduced or copied or used in whole or in part as the basis for the manufacture or sale of items without written permission. 1972



(DATA STORED IN TUMBLE TABLE)



(STATUS BYTE PRESENTED TO IBM)

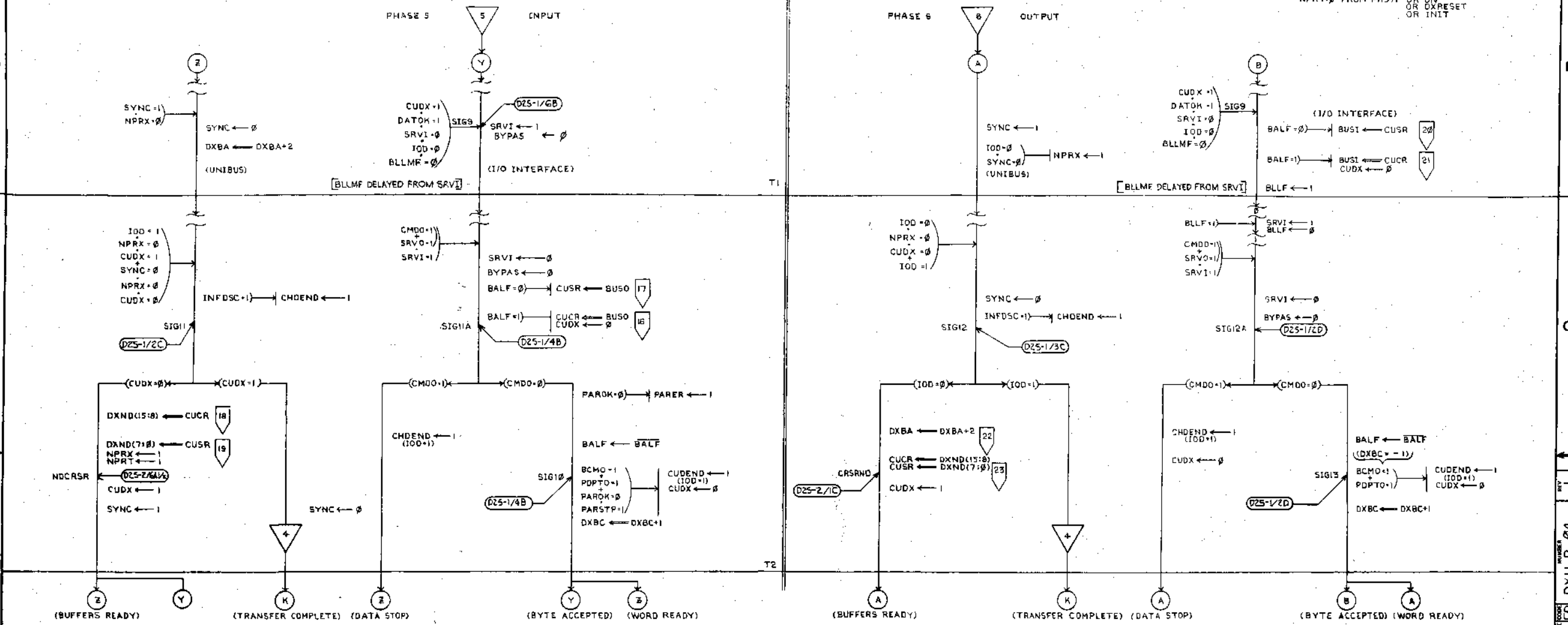
- 3 - BAOR
- 10 - BISR
- 11 - SIG8
- 12 - SIG8
- 13 - BANX
- 14 - SIG7
- 15 - SIG7
- 10A - CLB1

REV	CHANGE NO	REVISIONS

FIRST USED ON OPTION/MODEL PDP-11	QTY.	DESCRIPTION	PART NO.	ITEM NO.
PARTS LIST				
UNLESS OTHERWISE SPECIFIED DIMENSION IN INCHES TOLERANCES	DRN DATE 1/14/72	DATE 5/17/72	DIGITAL EQUIPMENT CORPORATION NATICK, MASSACHUSETTS	
RECORDS	ANGLES	DATE 5-17-72	TITLE FLOW DIAGRAM	
PROJ. NO.	DATE 5-17-72	DATE 6-1-72	(PHASE 4 MARK) (PHASE 3 STATUS PRESENTATION)	
PROJ. NAME	DATE 6-1-72	DATE 6-1-72	NEXT HIGHER ASSY.	
MATERIAL			B-DD-DXII-B	SIZE CODE D/FD
			NUMBER DXII-B-04	REV. J
			SCALE NONE	SHEET 4 OF 9
			DIST.	

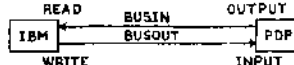
This drawing and specifications, herein, are the property of Digital Equipment Corporation and shall not be reproduced or copied or used in whole or in part as the basis for the manufacture or sale of items without written permission.
1972

NOTE:
1. BALF=0 FROM PH572 OR PH522
NPRX=0 FROM PH571 OR PH521
OR ON OR DX RESET
OR INIT



16-C5R02
17-SR50
18-NDCRSR
19-NDCRSR

20-SISR
21-SIGR
22-CRSRND
23-CRSRND



NOTE:
1. INITIALIZATION REQUIRED
PHASE 5: CUDX=1
PHASE 6: CUDX=0

NOTE:
1. NPR WILL ALWAYS FETCH ONE WORD BEYOND END THEREFORE DO NOT GO TO END OF CORE.

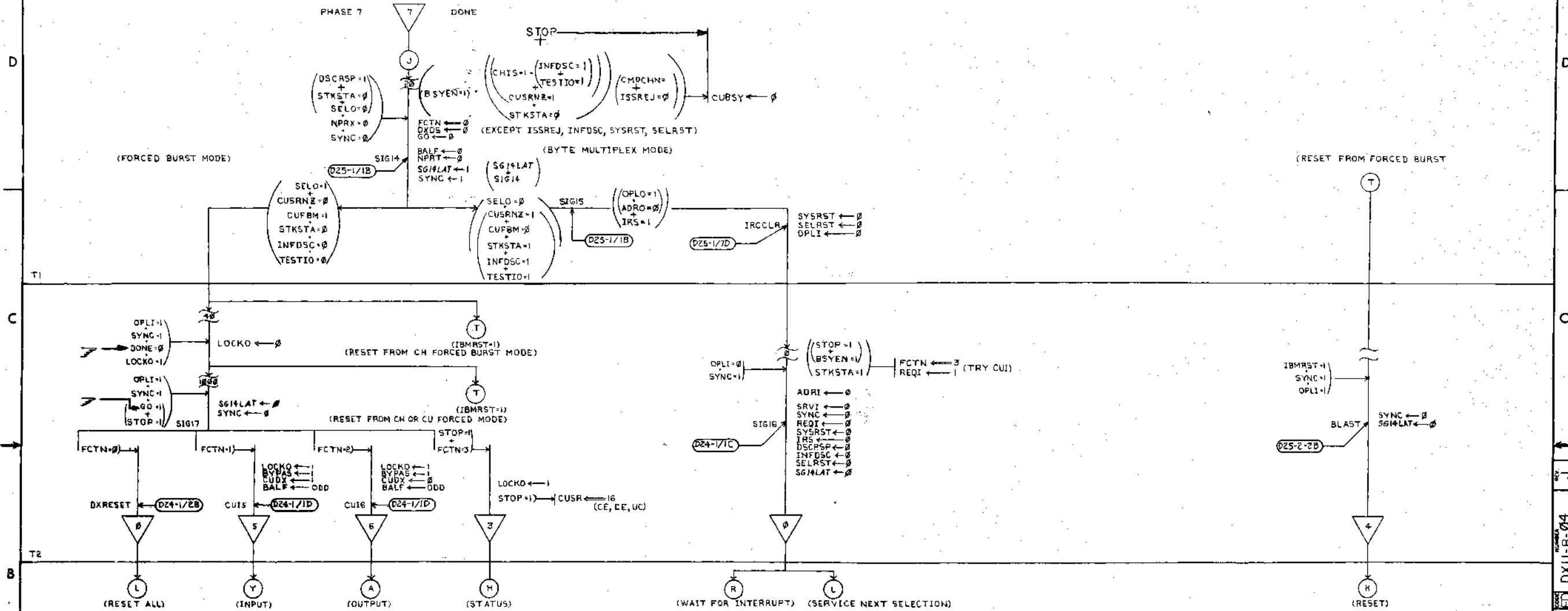
NOTE:
1. SIGS IS PHASE INDEPENDENT

FIRST USED ON OPTION/MODEL	QTY.	DESCRIPTION	PART NO.	ITEM NO.
PDP-11		PARTS LIST		
UNLESS OTHERWISE SPECIFIED DIMENSION IN INCHES. TOLERANCES	DRAWN: <i>[Signature]</i> DATE: 12/2/71	DATE: 12/2/71	DIGITAL EQUIPMENT CORPORATION MAYNARD, MASSACHUSETTS	
DECIMALS	ANGLES	CHKD: <i>[Signature]</i> DATE: 6/17/72	TITLE	
.XXS = .006	.XX = .02	ENG: <i>[Signature]</i> DATE: 4/23/72	FLOW DIAGRAM	
REMOVE BURRS AND BREAK SHARP CORNERS SURFACE QUALITY	X = .1	PROL ENG: <i>[Signature]</i> DATE: 5-11-72	(PHASE 5 INPUT) (PHASE 6 OUTPUT)	
MATERIAL	NEXT HIGHER ASSY.	DATE: 6-7-72	SIZE CODE	NUMBER
FINISH	B-DD-DX11-B		D1FD	DX11-B-24
	SCALE NONE		SHEET 5 OF 9	DIST.

REV	CHG	NO

REV J
PART NO. DX11-B-04
D1FD

This drawing and specifications, herein, are the property of Digital Equipment Corporation and shall not be reproduced or copied in whole or in part as the basis for the manufacture or sale of items without written permission. 1972



NOTE:
1. CUIS AND CUIS ARE ALSO CREATED IN PHASE 2.

NOTE:
1. DXRESET IS ALSO CREATED IN PHASE 0.

NOTE:
1. IT IS ASSUMED THAT SELO=0 IF (IBMRST=1) UPON GETTING TO PHASE 7.

NOTE:
1. SELO ← 0 BY CHIS (CHEND ONLY) (CMDCHN=0 STANZ=1 CHIS=0 TESTIO=1 STKSTA=1) (FLOW DIAGRAM #5, OEMI)

NOTE:
1. IN BLOCK MULT MODE CHAINING OCCURS AFTER CHEND ONLY. IF LAST STATUS WAS CHAINED AND ESSEN=1 WHEN DEVEN=0 ONLY SENT AND CUCR=0, THEN DO THE COMMAND.

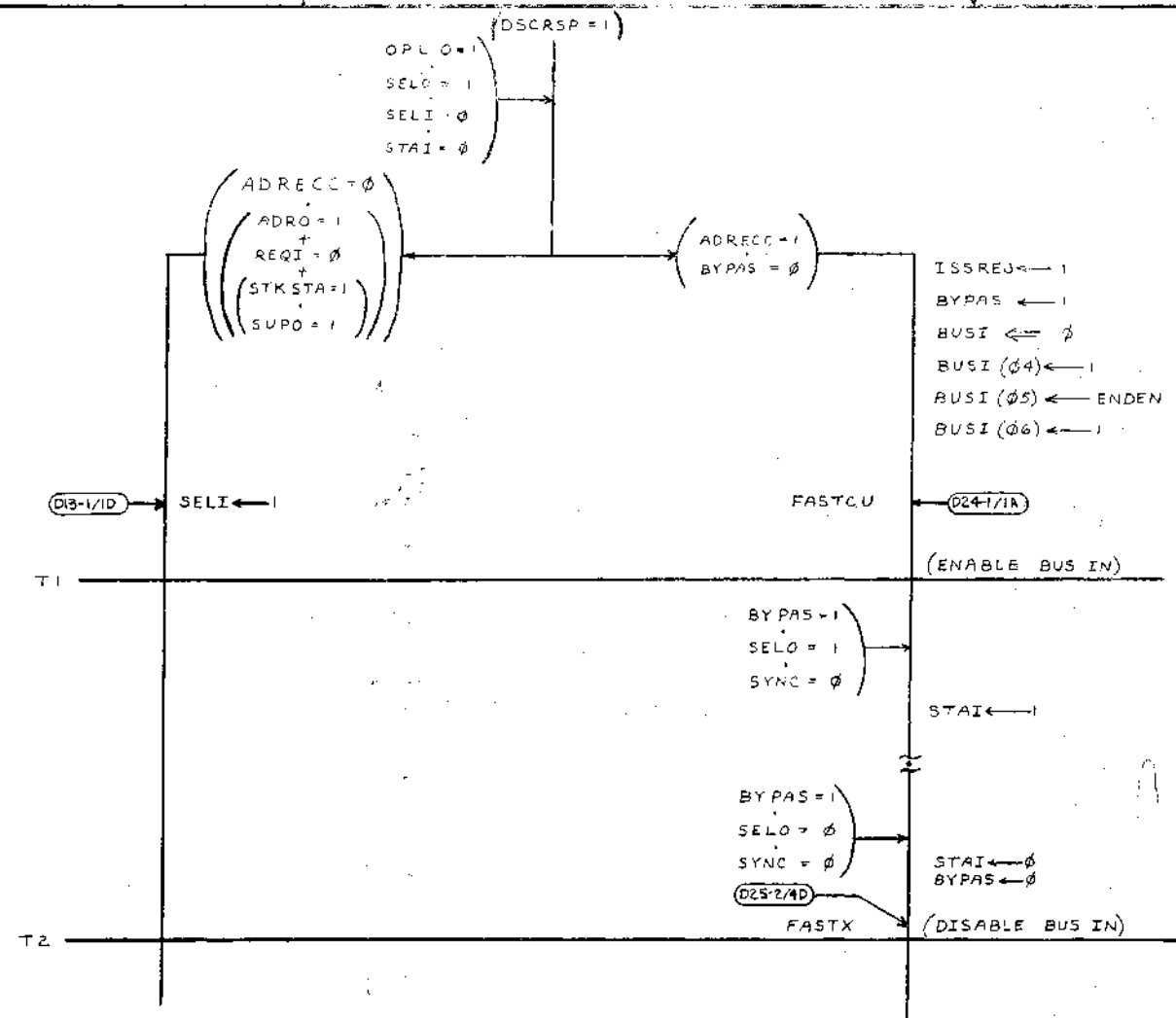
REV.	
CHG.	
REV.	
CHG.	
REV.	
CHG.	

FIRST USED ON OPTION/MODEL	QTY.	DESCRIPTION	PART NO.	ITEM NO.
PARTS LIST				
UNLESS OTHERWISE SPECIFIED DIMENSION IN INCHES.		DATE	Digital EQUIPMENT CORPORATION <small>METHEN, MASSACHUSETTS</small>	
TOLERANCES		DATE		
DECIMALS	ANGLES	DATE	TITLE FLOW DIAGRAM (PHASE 7 DONE)	
1/16"	30'	DATE		
REMOVE BURRS AND BREAK SHARP CORNERS TO RAISE QUALITY		DATE	NEXT HIGHER ASSY. B-DD-DXII-B	
MATERIAL		DATE		
SCALE NONE		DATE	SIZE CODE DIFD	
SHEET 6 OF 9		DATE	NUMBER DXII-B-04	
		DATE	REV. J	

This drawing and specifications herein are the property of Digital Equipment Corporation and shall not be reproduced or copied or used in whole or in part as the basis for the manufacture or sale of items without written permission.
1972

FDXII-B-04 2

NOTE:
DSCRSP CAN BE ENABLED IN PHASES 4 AND 7 IMMEDIATELY AFTER AN INTERFACE DISCONNECT SEQUENCE. THE DISCONNECT RESPONSE PHASE IS ENABLED SIMULTANEOUSLY WITH THESE PHASES, AND USES THE SAME LOGIC AS THE 'PROPAGATE SELECT OUT' AND 'FAST CV BUSY' SEQUENCES OF PHASE 5.



FIRST USED ON OPTION/MODEL	QTY.	DESCRIPTION	PART NO.	ITEM NO.
PDP-11				
PARTS LIST				
UNLESS OTHERWISE SPECIFIED DIMENSION IN INCHES TOLERANCES	DRN W. Lora	DATE 2-22-72	DIGITAL EQUIPMENT CORPORATION MAYNARD MASSCHUSETTS	
DECIMALS	CHNO W. Lora	DATE 4/7/72		
ANGLES	NG W. Lora	DATE 5-11-72	TITLE FLOW DIAGRAM (DISCONNECT RESPONSE)	
.XXX + .006 .XX + .02 .X - .1	PROJ ENR W. Lora	DATE 5-24-72		
REMOVE BURRS AND BREAK SHARP CORNERS SURFACE QUALITY	PROJ W. Lora	DATE 6-7-72		
MATERIAL	NEXT HIGHER ASSY.	SIZE CODE	NUMBER	REV
FINISH	BDD-DXII-B	D	FDXII-B-04	U
	SCALE NONE	SHEET 7 OF 9	DIST.	

REV.	CHANGE NO.	REVISIONS

DWG NO. 16

This drawing and specifications, when taken in conjunction with the relevant sections of the IBM System/360 Reference Manual, constitute the entire contract for the purchase of this equipment. No other specifications, drawings, or manuals shall be used without the express written consent of International Business Machines Corporation.

INTO TUMBLE TABLE

WRITE PROTECTED BY 'LOCKO' EXCEPT FOR DONE INTEN

LOADED BY SERVICE ROUTINE

FOR DATA TRANSFERS ONLY

USED BY SIMULATOR PROGRAM ONLY

USED FOR DIAGNOSTIC AND EMERGENCY ONLY

RESET BY UNIT-4 EXCEPT FOR SELT

USED FOR DIAGNOSTIC AND EMERGENCY ONLY

BIT NOS: 15 14 13 12 11 10 9 8 7 6 5 4 3 2 1 0

WORD MNEMONICS:

BASE ADDRESS RESET

DXDS-DEVICE STATUS

PARERR	EXRM	SELRS	SRST	INFO	FSOC	UCHRS	CHENDS	BSYS	CHIS	ESEND	CHEND	CUCEND	ISSRE	CMDC	HNST	STKST	CMORE
ERRORS			IBM RESET			STATUS FLAGS			CHI END	CUI END			SPECIAL CONDITIONS				

READ ONLY

RD-READ ONLY
CO-CLEAR ONLY
SO-SET ONLY

ALL FLIP-FLOPS ARE RESET BY DXRESET

BIT MNEMONICS OR NUMBER APPEARS ON FIRST LINE.

DXCA-COMMAND AND ADDRESS

CUAR-COMMAND REGISTER								CUAR-ADDRESS REGISTER							
7	6	5	4	3	2	1	0	7	6	5	4	3	2	1	0
TEST IO IF 0-ZERO SENSE IF X-FOUR															
(SECOND DATA BYTE)															

READ ONLY

DXCS-CONTROL UNIT STATUS

PARSTP	CUF	BM	ENDEN	BSYEN	ONLINE	CUBSY	DONE	INTEN	STKSTA	XBA	FCTN	GO
ENABLE STOP OR PARITY DATA	CU ENABLE	STATUS	ENABLE BURST MODE	ENABLE SET CUSBY	SPARE	ON LINE REQUEST	FAST CU BUSY	END OF SE-QUENCE	ENABLE INT. STACK ED	STATUS IS DATA ADDRESS BITS	0-RESET 1-INPUT 2-OUTPUT 3-STATUS	BEGIN FUNCTION
ALWAYS WRITABLE						ALWAYS WRITABLE						SO

NOTES:

1. WHEN USING THE MAINTENANCE CLOCK ONLY DXMO IS WRITABLE.
2. DXBA 00 IS ALWAYS ZERO WHEN PRESENTED TO THE UNIBUS (OR READ BY PROGRAM) DATA SENT TO DXBA 00 IS SAVED IN ODD TO INITIALIZE BAUF
3. CUOR IS WRITABLE ONLY WHEN OFFLINE

DXOS-OFFSET AND STATUS

CUOR-OFFSET OF SPW								CURS-STATUS REGISTER							
7	6	5	4	3	2	1	0	ATTEN	STAMOD	CUEND	BSY	CHEND	DEVEND	CHECK	UEXCEP
(SEE NOTE 3)								UNUSED							
								(FIRST DATA BYTE)							

DXBA-BUS ADDRESS FOR NPR

15	14	13	12	11	10	9	8	7	6	5	4	3	2	1	0
CUOR(5-10)								CUAR(7-0)							
OFFSET OF DST FOR THIS DEVICE															
CUOR(5-10)								TTNDX(7-0)							
CUOR(15-10)								TTNDX(7-0)+2							
DATA ADDRESS															

(SEE NOTE 2)

DXBC-BYTE COUNT

15	14	13	12	11	10	9	8	7	6	5	4	3	2	1	0
PDP SET TO -1 TO STOP I/O															

DXMO-MAINTENANCE OUT (DOUBLE LEVEL FLOPS)

CONO-CONTROL LINES OUT								BUSO-IBM BUS OUT							
OPLD	HLOO	SELO	SUPD	ADRO	CMDO	SRVO	PARC (ALSO GOES TO CLKD WHEN CABLED)	7	6	5	4	3	2	1	0
SELECTION CONTROL LINES				TAG LINES				ACTUAL BUS OUT SIGNALS OR BUSOB 0 1 2 3 4 5 6 7							

WRITABLE ONLY WHEN EITHER OFFLINE OR ONLINE AND CABLED

DXMI-MAINTENANCE IN

CONI CONTROL LINES IN								BUSI-IBM BUS IN							
OPLI	SELI	RELI	ADRI	STAI	SRVI	CLKO	PARI (FROM CABLES OR FROM PARITY GOON OF LINE BUSI)	7	6	5	4	3	2	1	0
SELECTION CONTROL LINES				TAG LINES				ACTUAL BUSI (OFFLINE) OR BUSI VIA CABLES (ONLINE)							

RD WHEN ONLINE

DXCB-CONTROL BITS

LOCKO	PH2	PH1	PH0	TSSF	PASTCU (NOT FF)	SYNC	CUDX	IOD (NOT FF)	BYPAS	NPRX	NPRT	BALF	ONLINE	ADRECC (NOT FF)	ADRECF
WRITE LOCK OUT ON DR REGS 1-RO 0-R/W	PHASE CONTROL FLOPS			TIME STATE	PHASE STATE SYNC FLOP	CU DATA CONT. ROL 1-GO 0-DONE	I/O DONE	NPR CONTROLS	PENDING STATUS BYTE ALTER NATOR FLOP	ON LINE TO IBM	DEVICE RECOGNITION				

READ ONLY

DXND-NPR DATA

15	14	13	12	11	10	9	8	7	6	5	4	3	2	1	0	
1	SPW → OFFSET OF DST FOR THIS DEVICE								TO	TO	TO	TO	TO	TO	TO	TO
2	DST →								ATTEN	STAMOD	CUEND	BSY	CHEND	DEVEND	CHECK	UEXCEP
3	TT →								DXDS							
4	TT →								DXCA							
5	I/O →								SECOND DATA BYTE							

READ ONLY

DXES-EXTRA SIGNALS

TTNDX TUMBLE TABLE INDEX								MISC-MISCELLANEOUS							
7	6	5	4	3	2	1	0	INT REQ	ODD BUFFER ADDRESS	NPRX ERROR	DXTD ERROR	TINDIS	SOSIEN	MGLKEM	MCLMP
READ ONLY								READ ONLY							

DXMOB-MAINTENANCE OUT BUFFERED

CONOB								BUSOB							
THESE FLOPS ARE LOADED BY WRITE ADRS 15, 14 THESE FLOPS ARE READ BY READ ADRS 27, 26 THESE FLOPS ARE READ BY READ ADRS 15, 14 IF OFFLINE THESE FLOPS ARE READ BY READ ADRS 15, 14 IF ONLINE CABLED WRITE 27, 26 DOES NOTHING															

READ ONLY

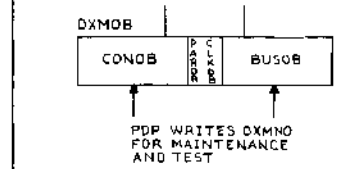
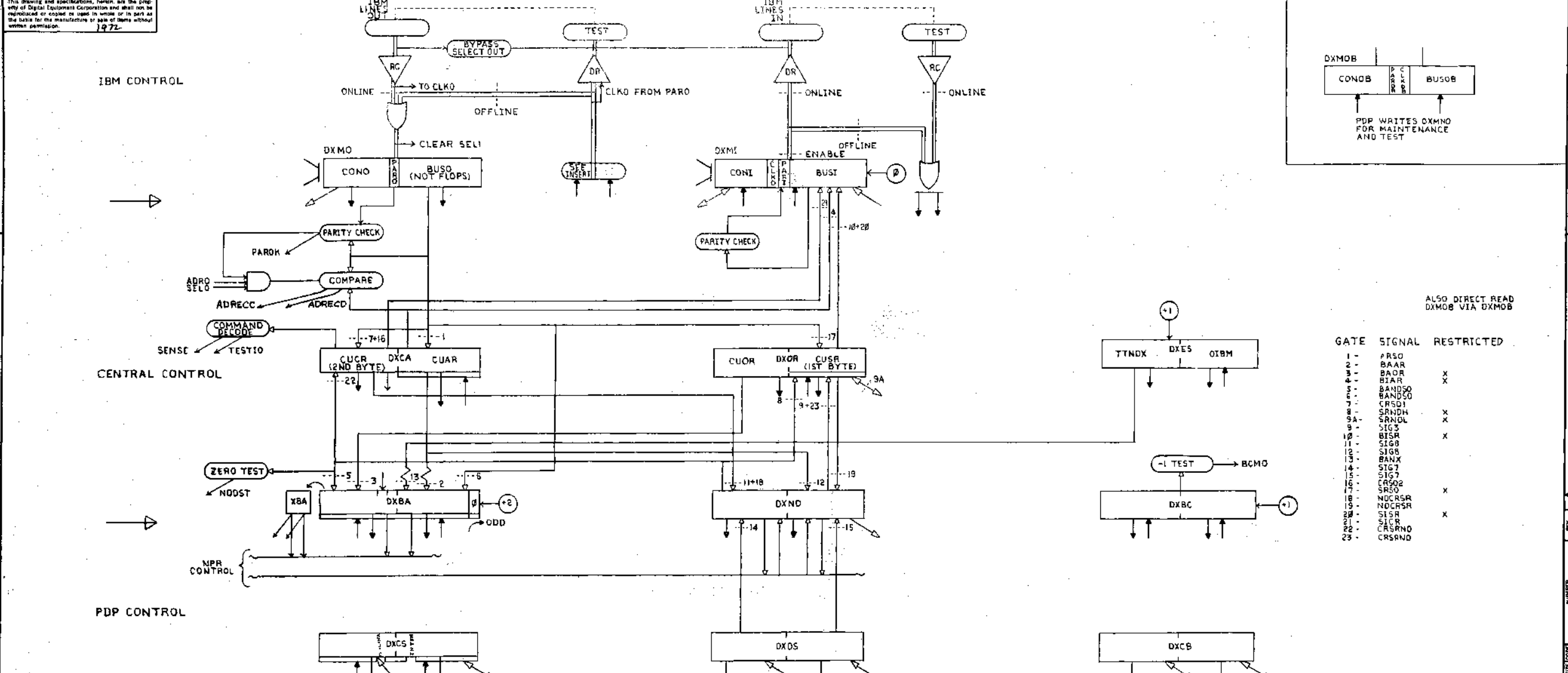
DXES1-EXTRA SIGNALS

SELT	DIS-IBM	TRRS	IBM
BR	CONN	RESE	RESP
STORED			

31, 30

REV.	DATE	BY	DESCRIPTION
1	5/12/72	J	FLOW DIAGRAM (PROGRAMMED REGISTERS)
2	5/12/72	J	REVISIONS
3	5/12/72	J	CHANGED TO NEXT HIGHER ASSY.
4	5/12/72	J	REMOVED BUSHING AND BREAK SWAMP
5	5/12/72	J	REMOVED BUSHING AND BREAK SWAMP
6	5/12/72	J	REMOVED BUSHING AND BREAK SWAMP
7	5/12/72	J	REMOVED BUSHING AND BREAK SWAMP
8	5/12/72	J	REMOVED BUSHING AND BREAK SWAMP
9	5/12/72	J	REMOVED BUSHING AND BREAK SWAMP
10	5/12/72	J	REMOVED BUSHING AND BREAK SWAMP
11	5/12/72	J	REMOVED BUSHING AND BREAK SWAMP
12	5/12/72	J	REMOVED BUSHING AND BREAK SWAMP
13	5/12/72	J	REMOVED BUSHING AND BREAK SWAMP
14	5/12/72	J	REMOVED BUSHING AND BREAK SWAMP
15	5/12/72	J	REMOVED BUSHING AND BREAK SWAMP
16	5/12/72	J	REMOVED BUSHING AND BREAK SWAMP
17	5/12/72	J	REMOVED BUSHING AND BREAK SWAMP

This drawing and specifications, herein, are the property of Digital Equipment Corporation and shall not be reproduced or copied in whole or in part as the basis for the manufacture or sale of items without written permission. 1972



ALSO DIRECT READ DXMOB VIA DXMOB

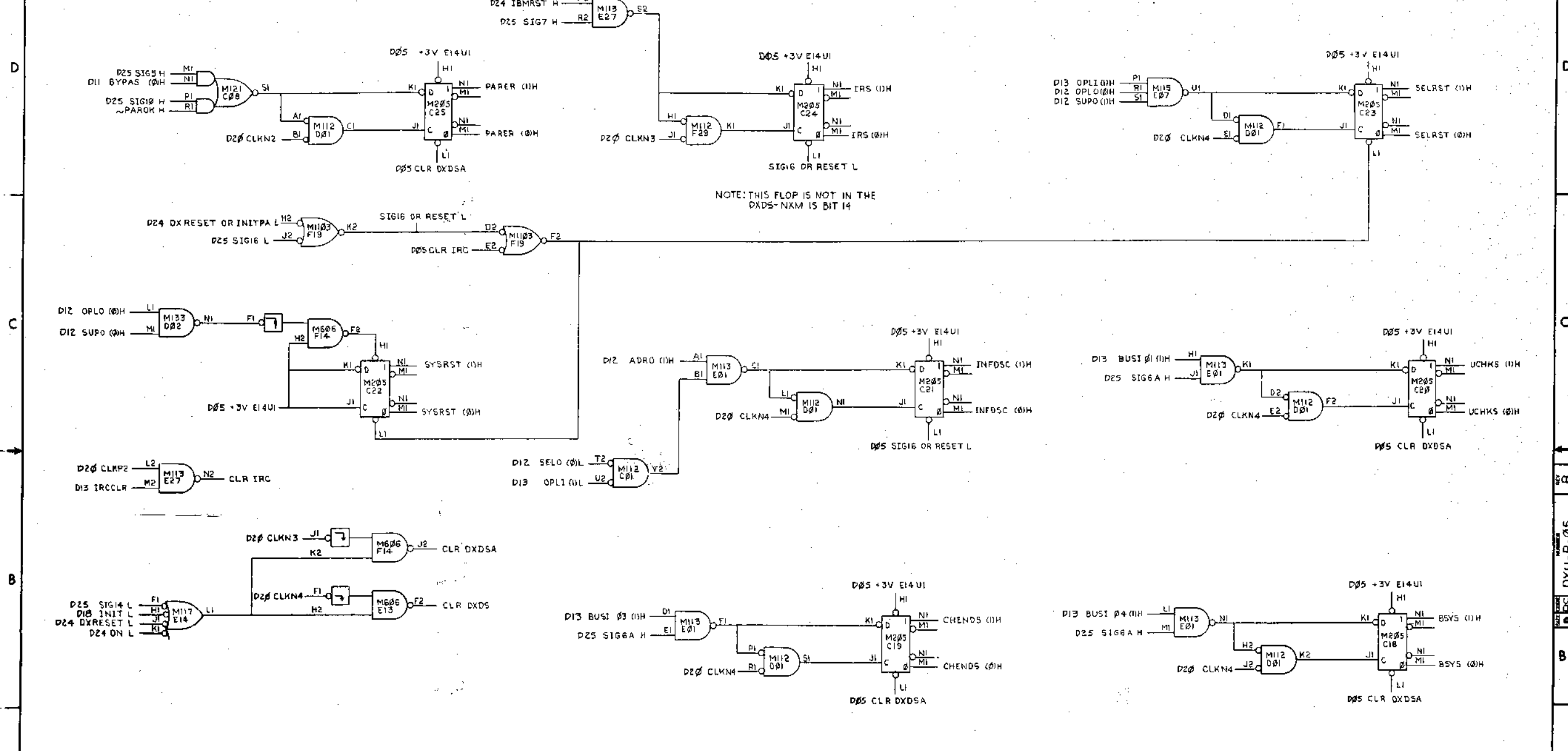
GATE	SIGNAL	RESTRICTED
1-	FRSO	
2-	BAAR	
3-	BAOR	X
4-	BIAR	
5-	BANDSO	
6-	BANDSO	
7-	CRSDI	
8-	SRNDH	X
9A-	SRNDL	X
9-	SIG5	
10-	BISR	X
11-	SIG8	
12-	SIG8	
13-	BANK	
14-	SIG7	
15-	SIG7	
16-	CRS02	
17-	SRD0	X
18-	NDCRSR	
19-	NDCRSR	
20-	SISR	X
21-	SICR	
22-	CRSRND	
23-	CRSRND	

LEGEND

- DATA SHIFTED LEFT
- PANEL DISPLAY
- PDP PROGRAMMED BYTE MODIFY
- EXTERNAL BYTE DATA
- INTERNAL BYTE DATA
- PDP PROGRAMMED BYTE READ
- DATA GATE
- WRITE LOCK OUT
- BYTE OUT
- BYTE IN
- ONE BIT CONTROL
- ONE BYTE DATA
- UNIBUS DATA
- ONE BYTE CONTROL

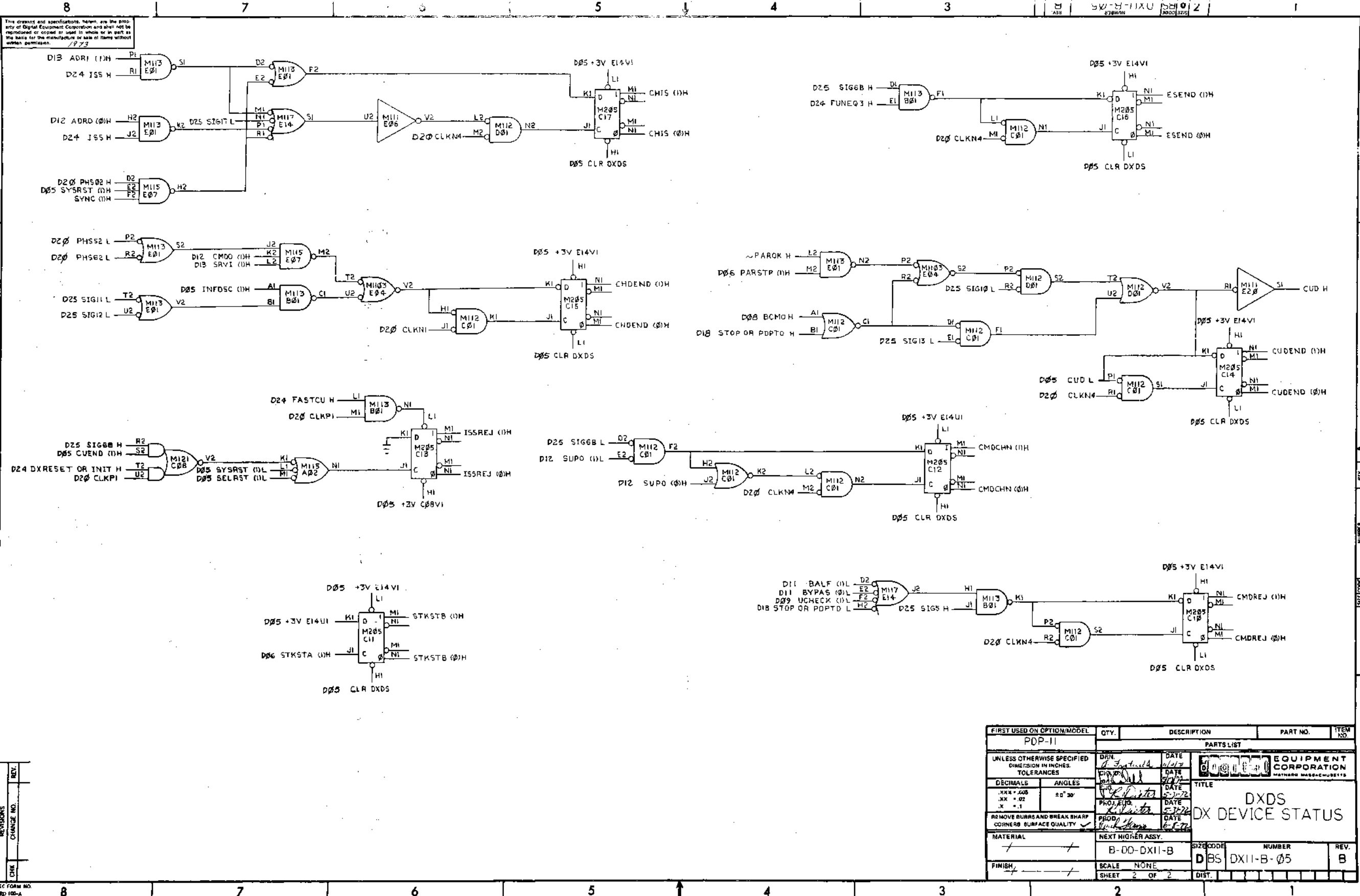
FIRST USED ON OPTION/MODEL	QTY.	DESCRIPTION	PART NO.	ITEM NO.
PDP-11		PARTS LIST		
UNLESS OTHERWISE SPECIFIED DIMENSION IN INCHES TOLERANCES	DRN 2/24/74	DATE 2/24/74	DIGITAL EQUIPMENT CORPORATION MAYNARD, MASSACHUSETTS	
DECIMALS	ANGLES	PROJ. 2/24/74	DATE 2/24/74	TITLE FLOW DIAGRAM (DATA PATHS)
.XXX - 0.06	± 0° 30'	PROJ. 2/24/74	DATE 2/24/74	
.XX - 0.02		PROJ. 2/24/74	DATE 2/24/74	
.X - 0.01		PROJ. 2/24/74	DATE 2/24/74	
REMOVE BURRS AND BREAK SHARP CORNERS SURFACE QUALITY	PROJ. 2/24/74	DATE 2/24/74		
MATERIAL	NEXT HIGHER ASSY.	SIZE CODE	NUMBER	REV.
	B-DD-DXII-B	D	DXII-B-04	3
FINISH	SCALE NONE	SHEET	9 OF 9	DIST.

This drawing and specifications herein, are the property of Digital Equipment Corporation and shall not be reproduced or used in whole or in part as the basis for the manufacture or sale of items without written permission.



REV.	DATE	BY	CHKD
1	6-1-71	R. DIETER	
2	6-1-71	R. DIETER	
3	6-1-71	R. DIETER	
4	6-1-71	R. DIETER	
5	6-1-71	R. DIETER	
6	6-1-71	R. DIETER	
7	6-1-71	R. DIETER	
8	6-1-71	R. DIETER	

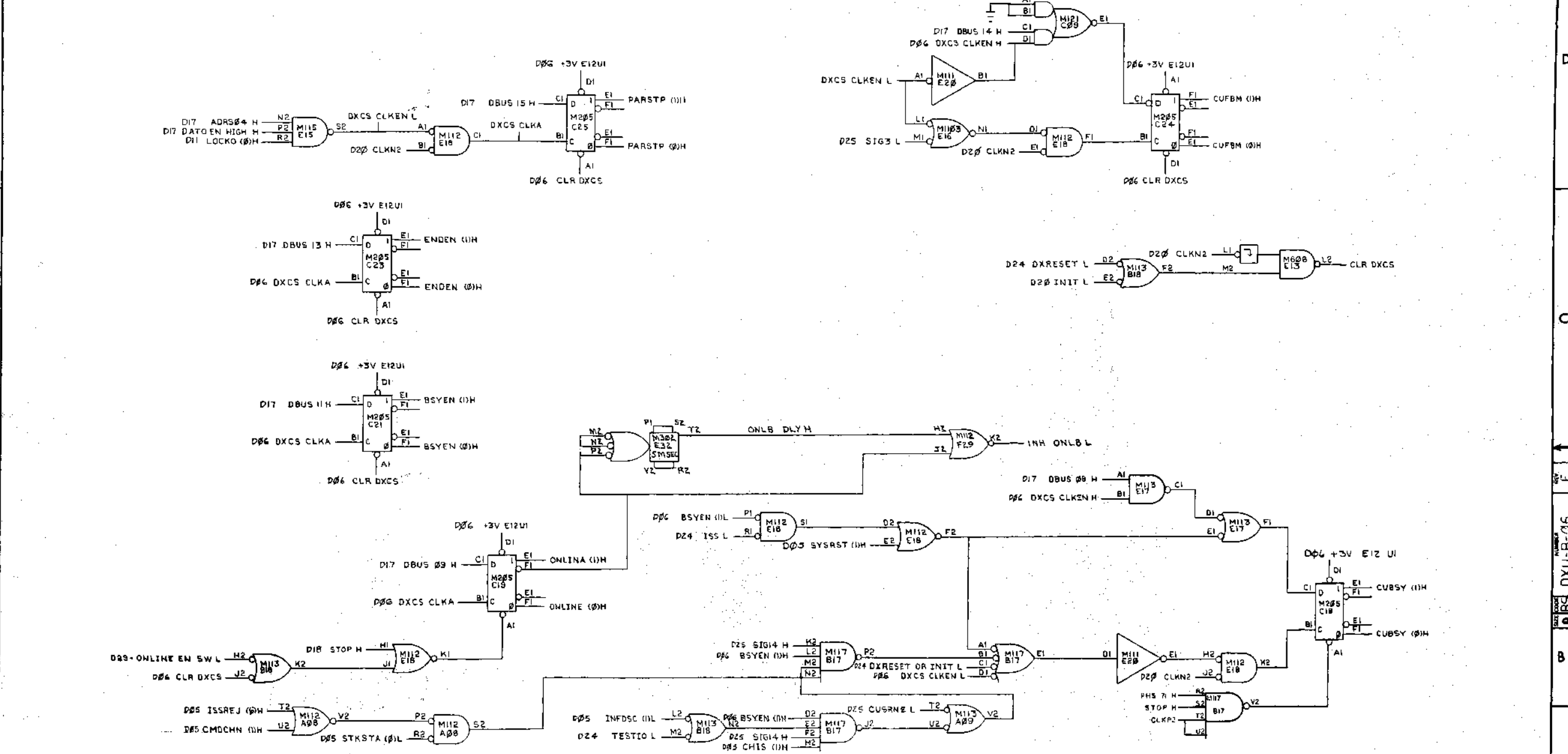
FIRST USED ON OPTION/MODEL	QTY.	DESCRIPTION	PART NO.	ITEM NO.
PDP-11				
PARTS LIST				
UNLESS OTHERWISE SPECIFIED DIMENSION IN INCHES. TOLERANCES		DIGITAL EQUIPMENT CORPORATION		
DECIMALS	ANGLES	TITLE		
.XXX - .003	± 0° 30'	DXDS		
.XX - .002		DX DEVICE STATUS		
.X - .001		REV. B		
REMOVE POINT AND BREAK SHARP CORNERS TO IMPROVE QUALITY		DATE 6-8-71		
MATERIAL	NEXT HIGHER ASSY.	SIZE CODE	NUMBER	REV.
	B-00-DX11-B	D	BS	B
FINISH	SCALE NONE	SHEET	1 OF 2	DIST.



REV.
CHANGE NO.
DATE

FIRST USED ON OPTION/MODEL	QTY.	DESCRIPTION	PART NO.	ITEM NO.
PDP-11		PARTS LIST		
UNLESS OTHERWISE SPECIFIED DIMENSION IN INCHES.		DATE	EQUIPMENT CORPORATION WATFORD MASS 01971	
TOLERANCES		DATE	TITLE	
DECIMALS	ANGLES	DATE	DXDS DX DEVICE STATUS	
.XXX + .000 .XX + .02 .X + .1	± 30'	DATE	MATERIAL	
REMOVE BURRS AND BREAK SHARP CORNERS	SURFACE QUALITY	DATE	NEXT HIGHER ASSY.	
		DATE	B-DD-DXII-B	
FINISH		SCALE	NUMBER	
		NONE	D BS DXII-B-05	
		SHEET 2 OF 2	REV. B	
		DIST.		

This drawing and specifications herein are the property of Digital Equipment Corporation and shall not be reproduced or copied in whole or in part as the basis for the manufacture or sale of items without written permission.

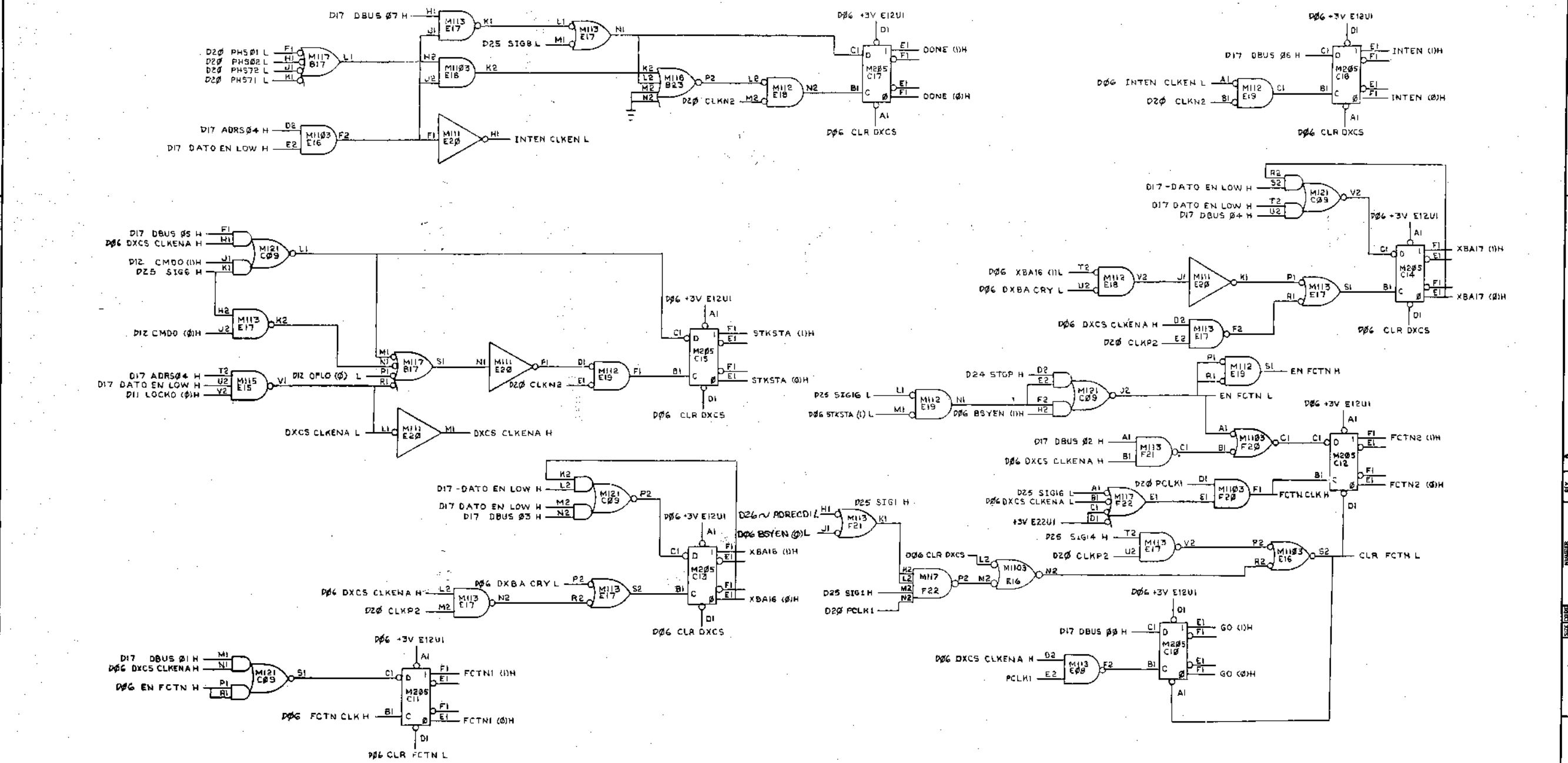


REVISIONS

CHK	CHANGE NO.	REV.
	00005	A
	00006	B
	00007	C
	00008	D
	00009	E
	00010	F
	00011	G
	00012	H
	00013	I
	00014	J
	00015	K
	00016	L
	00017	M
	00018	N
	00019	O
	00020	P
	00021	Q
	00022	R
	00023	S
	00024	T
	00025	U
	00026	V
	00027	W
	00028	X
	00029	Y
	00030	Z

FIRST USED ON OPTION/MODEL	QTY.	DESCRIPTION	PART NO.	ITEM NO.
PDP-11				
PARTS LIST				
UNLESS OTHERWISE SPECIFIED		DATE	EQUIPMENT CORPORATION	
DIMENSION IN INCHES		DATE	MAYNARD MASSACHUSETTS	
TOLERANCES		DATE		
DECIMALS	ANGLES	DATE	TITLE	
.XX + .02	± 0' 30"	DATE	DXCS CONTROL UNIT STATUS	
.XK + .00		DATE		
.X + .1		DATE		
REQUIRE SHARP POINT BREAK ENHANCER		DATE		
CORRECT QUALITY		DATE		
MATERIAL		NEXT HIGHER ASSY.		
		B-DD-DX11-B	NUMBER	REV.
FINISH		SCALE NONE	DBS DX11-B-06	E
		SHEET 1 OF 2	DIST.	

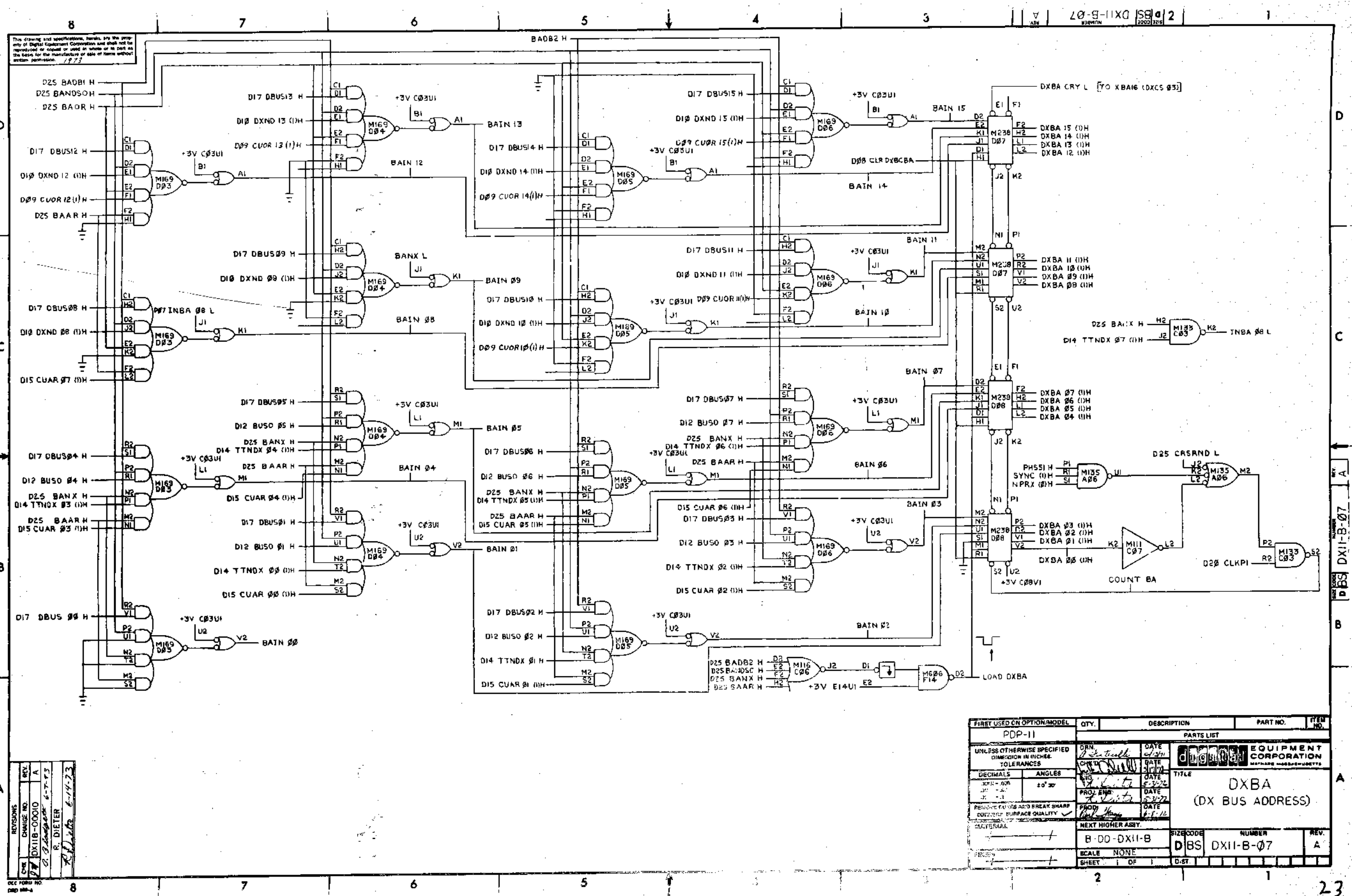
This drawing and specifications, herein, are the property of Digital Equipment Corporation and shall not be reproduced or copied or used in whole or in part as the basis for the manufacture or sale of items without written permission.



REV.	
CHANGE NO.	
CHK	

FIRST USED ON OPTION/MODEL	QTY.	DESCRIPTION	PART NO.	ITEM NO.
PDP-11		PARTS LIST		
UNLESS OTHERWISE SPECIFIED DIMENSION IN INCHES TOLERANCES	DRN <i>[Signature]</i>	DATE 11/72	EQUIPMENT CORPORATION MAYNARD, MASSACHUSETTS	
DECIMALS .XXX - .000 ANGLES 30°	CHKD <i>[Signature]</i>	DATE 5/17/72	TITLE DXCS CONTROL UNIT STATUS	
REMOVE FURRS AND BREAK SHARP CORNERS SURFACE QUALITY	PROJ ENGR <i>[Signature]</i>	DATE 5-21-72	MATERIAL NEXT HIGHER ASSY.	
FINISH	PROD <i>[Signature]</i>	DATE 6-2-72	SIZE CODE B-DD-DX11-B	NUMBER D BS DX11-B-06
			SCALE NONE	REV. F
			SHEET 2 OF 2	DIST.

22



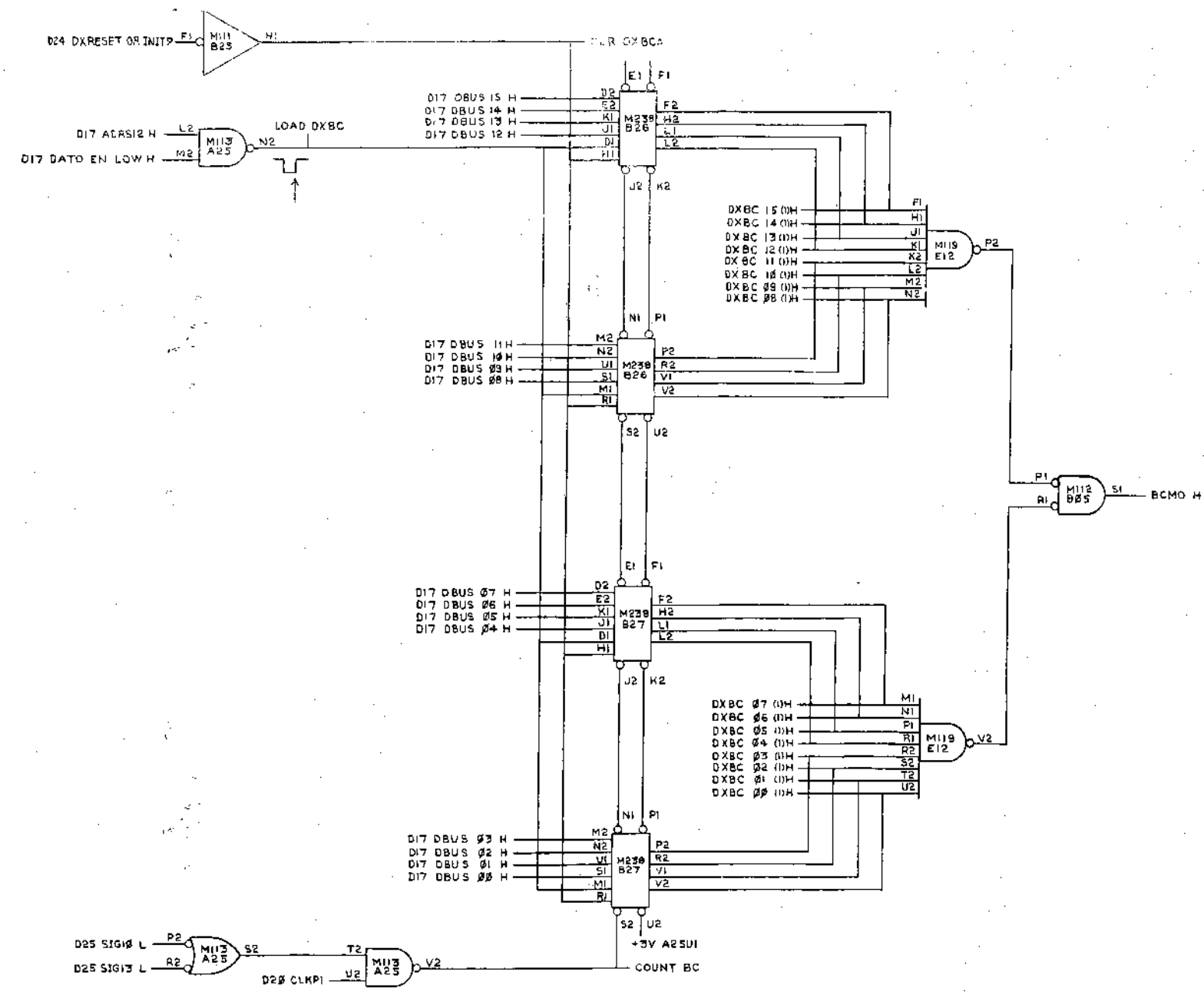
This drawing and specifications, herein, are the property of Digital Equipment Corporation and shall not be reproduced or used in whole or in part as the basis for the manufacture or sale of items without written permission.

REV. A	DATE 6-7-73
REV. B	DATE 6-14-73
REV. C	DATE
REV. D	DATE
REV. E	DATE
REV. F	DATE
REV. G	DATE
REV. H	DATE
REV. I	DATE
REV. J	DATE
REV. K	DATE
REV. L	DATE
REV. M	DATE
REV. N	DATE
REV. O	DATE
REV. P	DATE
REV. Q	DATE
REV. R	DATE
REV. S	DATE
REV. T	DATE
REV. U	DATE
REV. V	DATE
REV. W	DATE
REV. X	DATE
REV. Y	DATE
REV. Z	DATE

FIRST USED ON OPTION MODEL	QTY.	DESCRIPTION	PART NO.	ITEM NO.
PDP-11				
UNLESS OTHERWISE SPECIFIED DIMENSION IN INCHES TOLERANCES				
DECIMALS	ANGLES	TITLE		
±0.004	±0°30'	DXBA (DX BUS ADDRESS)		
RESOLVE EDGES AND BREAK SHARP CORNERS SURFACE QUALITY	NEXT HIGHER ASSY.			
B-00-DX11-B		SIZE CODE	NUMBER	REV.
SCALE NONE		DBS	DX11-B-07	A
SHEET 1 OF 1		D-ST		

This drawing and specifications, herein, are the property of Digital Equipment Corporation and shall not be reproduced or copied or used in whole or in part as the basis for the manufacture or sale of items without written permission.

NOTE:
 1. SIG13 TAKE DATA BYTE OUT
 SIG10 TAKE DATA BYTE IN



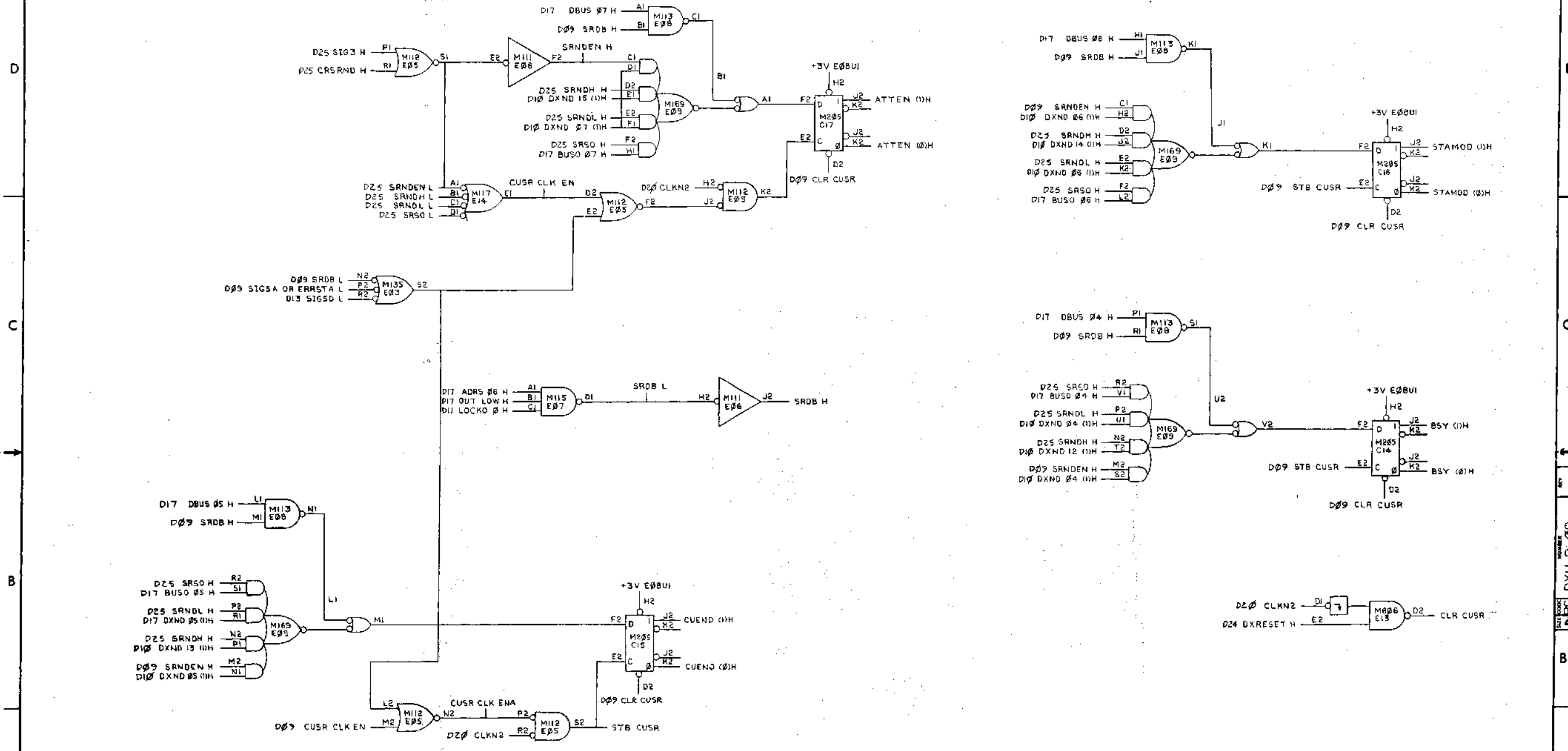
FIRST USED ON OPTION/MODEL	QTY.	DESCRIPTION	PART NO.	ITEM NO.
PDP-11				
PARTS LIST				
UNLESS OTHERWISE SPECIFIED DIMENSION IN INCHES TOLERANCES	DRN <i>[Signature]</i>	DATE 11/27/72	 DIGITAL EQUIPMENT CORPORATION <small>NATURAL MASSACHUSETTS</small>	
DECIMALS	CHEK'D <i>[Signature]</i>	DATE 8/27/72		
ANGLES	PROJ. ENG. <i>[Signature]</i>	DATE 5/27/72		
XX - .006 XX - .02 X - .1	PROD. <i>[Signature]</i>	DATE 4-5-72		
REMOVE BURRS AND BREAK SHARP CORNERS SURFACE QUALITY			TITLE DXBC DX BYTE COUNTER	
MATERIAL	NEXT HIGHER ASSY.		SIZE CODE	NUMBER
FINISH	A-ML-DXII-B		DBS	DXII-B-08
	SCALE	NONE		REV.
	SHEET	OF	DIST.	

REV.	
CHANGE NO.	
REVISIONS	

DEC FORM NO. 080 10-64

24

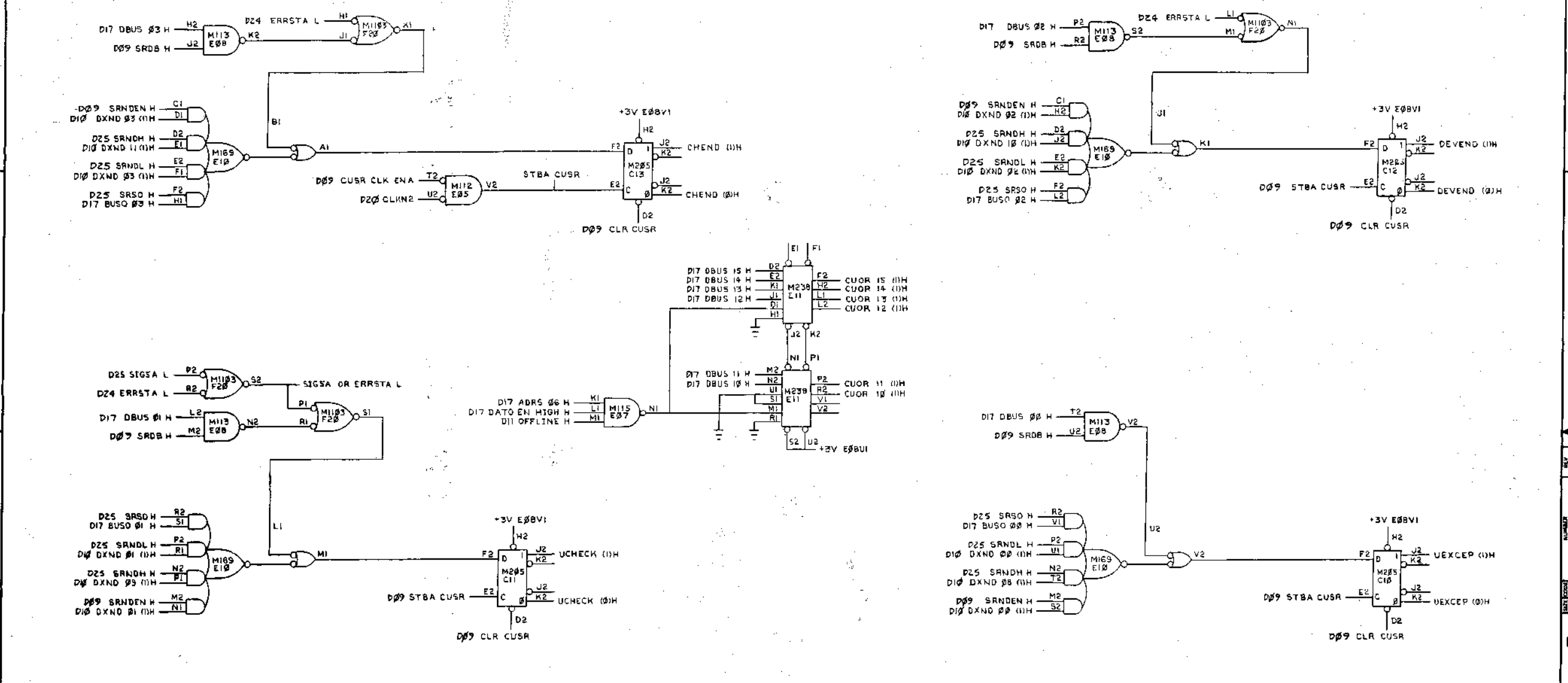
This drawing and specifications, herein, are the property of Digital Equipment Corporation and shall not be reproduced or copied in whole or in part as the basis for the manufacture or sale of items without written permission.



REV.	CHANGE NO.

FIRST USED ON OPTION/MODEL	QTY.	DESCRIPTION	PART NO.	ITEM NO.
PDP-11				
PARTS LIST				
UNLESS OTHERWISE SPECIFIED DIMENSION IN INCHES TOLERANCES		DRN. DATE	DIGITAL EQUIPMENT CORPORATION	
		CHKD. DATE		
DECIMALS	ANGLES	DATE	TITLE	
XXX + 008	± 0° 30'	DATE		
XXX + 02		PROJ. ENG. DATE	CUSR	
X + 1		DATE		
REMOVE BURRS AND BREAK SHARP CORNERS. USE QUALITY		PROD. DATE	A-ML-DXII-B	
		DATE		
MATERIAL	NEXT HIGHER ASSY.		SIZE CODE	NUMBER
			D8S	DXII-B-09
FINISH	SCALE	NONE		
	SHEET	1 OF 2	DIST.	

This drawing and specifications, herein, are the property of Digital Equipment Corporation and shall not be reproduced or copied in whole or in part as the basis for the manufacture or sale of parts without written permission.



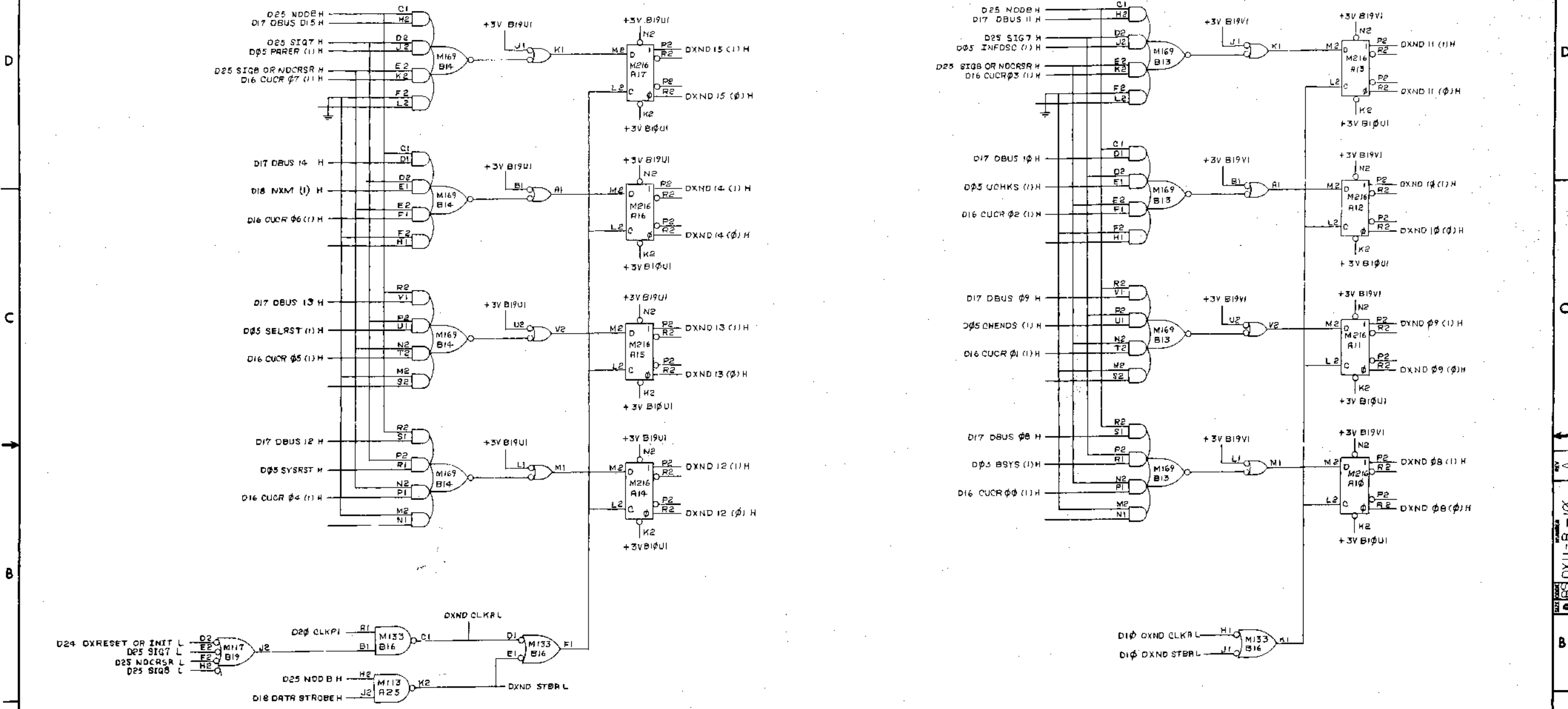
REV	DATE	DESCRIPTION

FIRST USED ON OPTION/MODEL	QTY	DESCRIPTION	PART NO.	ITEM NO.
PDP-11				
PARTS LIST				
UNLESS OTHERWISE SPECIFIED DIMENSION IN INCHES. TOLERANCES	DRN DATE 1/27/72	DATE 3/19/72	DIGITAL EQUIPMENT CORPORATION MAYNARD, MASSACHUSETTS	
DECIMALS ANGLES	CHKD DATE 3/19/72	DATE 5-27-72	TITLE CUSR	
.XX - .008 .X - .02 . - .1	PROL ENG DATE 5-27-72	DATE 6-8-72		
REMOVE BURRS AND BREAK SHARP CORNERS. SURFACE QUALITY	PROD DATE 6-8-72			
MATERIAL	NEXT HIGHER ASSY.	SIZE CODE	NUMBER	REV.
	A-ML-DXII-B	D BS	DXII-B-09	
FINISH	SCALE NONE	SHEET 2 OF 2	DIST.	

26

REV 2
D BS DXII-B-09

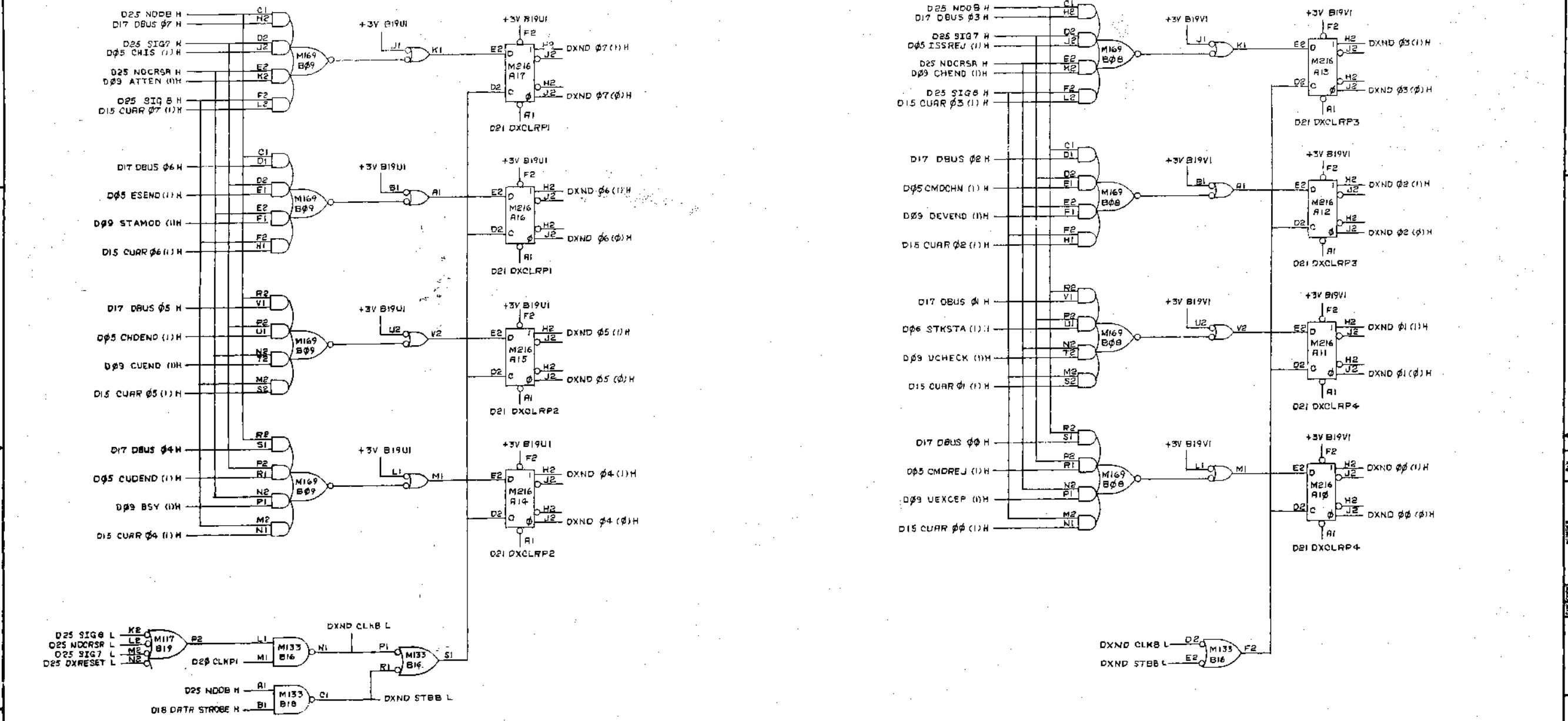
This drawing and specifications herein are the property of Digital Equipment Corporation and shall not be reproduced or copied or used in whole or in part as the basis for the manufacture of any product without written permission.



REV.	DATE	BY	CHKD	DESCRIPTION
1	11-23-72	R. DIETER		INITIAL DESIGN
2	12-14-72	R. DIETER		REVISED FOR MANUFACTURE

FIRST USED ON OPTION/MODEL	QTY.	DESCRIPTION	PART NO.	ITEM NO.
POP II				
PARTS LIST				
UNLESS OTHERWISE SPECIFIED DIMENSIONS IN INCHES TOLERANCES		DATE 11-23-72	DIGITAL EQUIPMENT CORPORATION	
DECIMALS	ANGLES	DATE 12-14-72	TITLE	
XXX + .005	30° 30'	DATE 5-7-73	DXND	
XX + .01		DATE 9-22-73	NPR DATA REG	
PROJ. ENGR.		DATE 8-7-73		
DESIGNER		DATE		
CHECKER		DATE		
MATERIAL		NEXT HIGHER ASSY.	SIZE CODE	NUMBER
		B-DD-DX11-B	D18	DX11-B-10
SCALE NONE		SHEET 1 OF 2	DIST.	REV. A

This drawing and specifications herein are the property of Digital Equipment Corporation and shall not be reproduced or copied in whole or in part as the basis for the manufacture or sale of items without written permission.



FIRST USED ON OPTION/MODEL	QTY.	DESCRIPTION	PART NO.	ITEM NO.
PDP 11				
UNLESS OTHERWISE SPECIFIED DIMENSION IN INCHES		PARTS LIST		
TOLERANCES				
DECIMALS	ANGLES	TITLE		
.XX ± .006	± 30°	DXND		
.XX ± .02		NPR DATA REG		
REMOVE BURRS AND BREAK SHARP CORNERS SURFACE QUALITY		MATERIAL		
		NEXT HIGHER ASSY.		
		B-DD-DX11-B	SIZE CODE	NUMBER
FINISH		SCALE NONE	D BS DX11-B-10	REV. A
		SHEET 2 OF 2	DIST.	

REV. NO. CHANGE NO. DATE

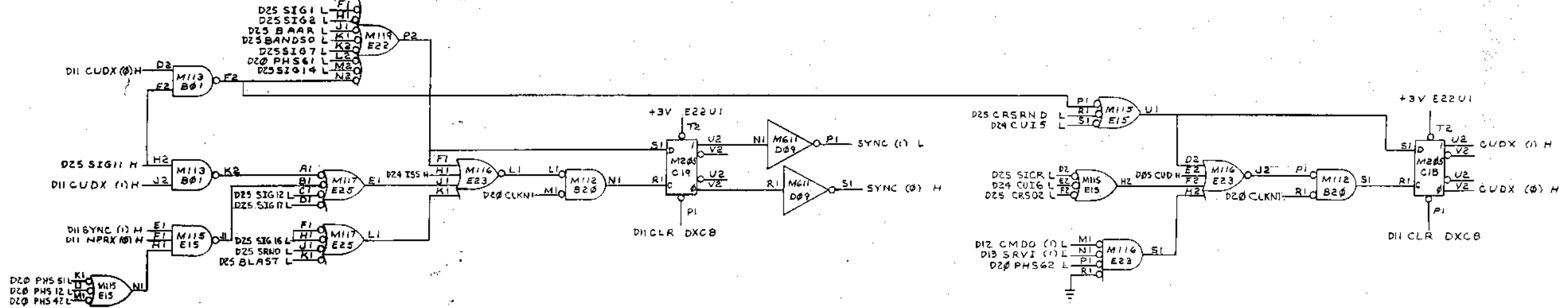
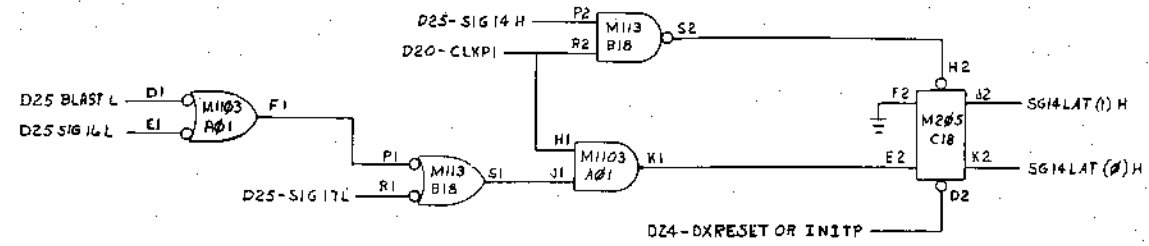
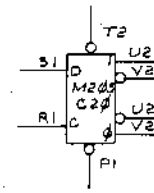
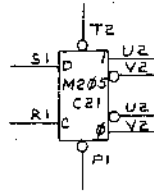
DEC FORM NO. 001 10-64

B-00-DX11-B-10

This drawing and specifications, herein, are the property of Digital Equipment Corporation and shall not be reproduced or copied or used in whole or in part as the basis for the manufacture of any item without written permission.
1972

(NOTE: MNCLKN ON D20)

(NOTE: MNCLKF ON D20)



FIRST USED ON OPTION/MODEL	QTY.	DESCRIPTION	PART NO.	ITEM NO.
PDP-11				
PARTS LIST				
UNLESS OTHERWISE SPECIFIED DIMENSION IN INCHES TOLERANCES	DRN 2/20/72	DATE	DIGITAL EQUIPMENT CORPORATION	
DECIMALS	ANGLES	DATE	TITLE	
.XXX ± .008	± 0° 30'	5-22-72	DXCB	
.XX ± .02		5-22-72	DX CONTROL BITS	
.X ± .1		5-22-72		
REMOVE BURRS AND BREAK SHARP CORNERS SURFACE QUALITY	PROJ. ENGR.	DATE		
	PROD.	DATE		
MATERIAL	NEXT HIGHER ASSY.		SIZE CODE	NUMBER
	B-DD-DX11-B		D	BSDX11-B-11
FINISH	SCALE NONE		REV.	J
	SHEET 2 OF 4		DRG.	

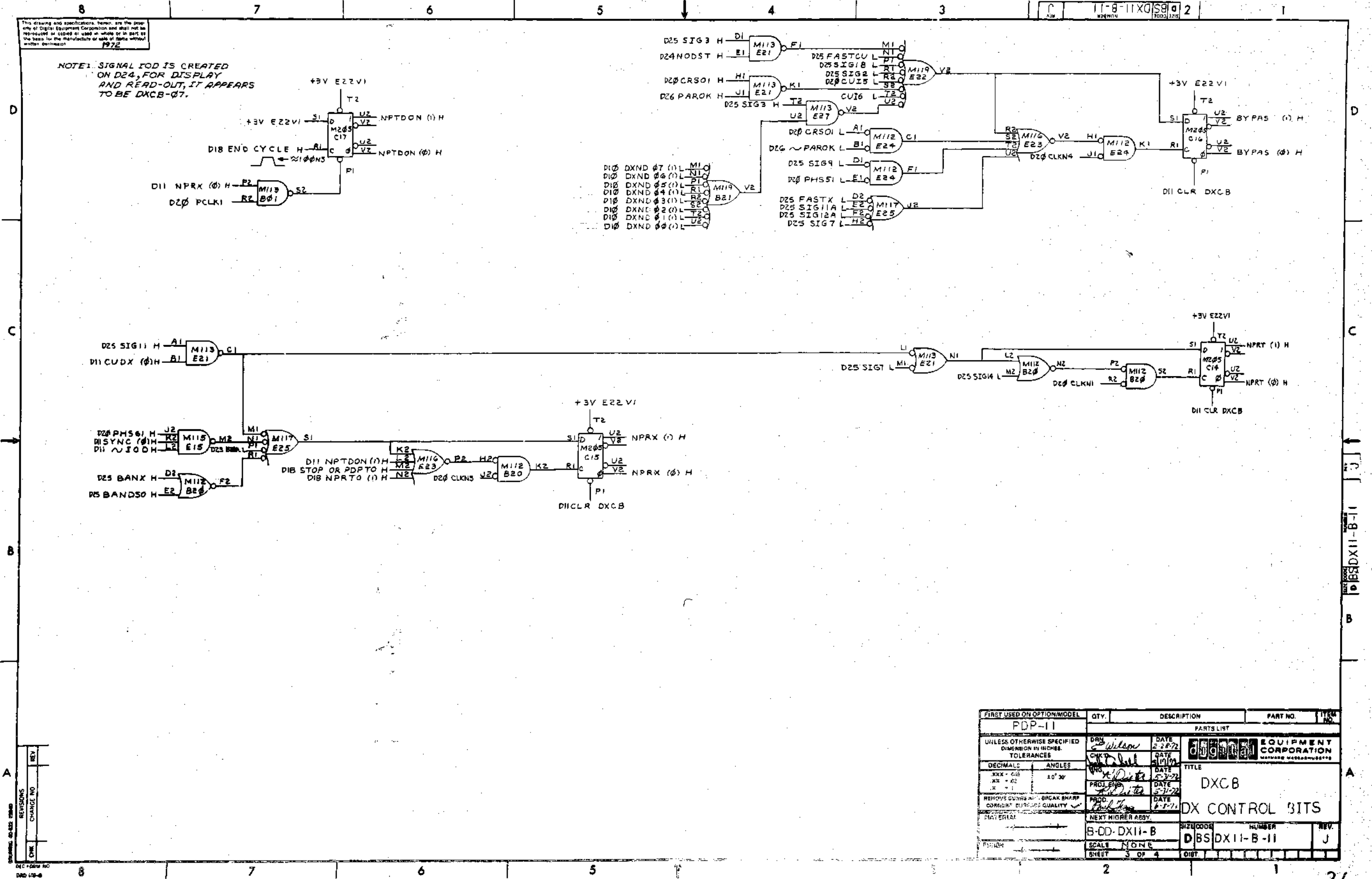
REV.	CHANGE NO.	REVISIONS

30

This drawing and specifications herein are the property of Digital Equipment Corporation and shall not be reproduced or copied in whole or in part as the basis for the manufacture or sale of items without written permission.

1972

NOTE: SIGNAL IQD IS CREATED ON D24, FOR DISPLAY AND READ-OUT, IT APPEARS TO BE DXCB-07.



REV	NO.
1	1

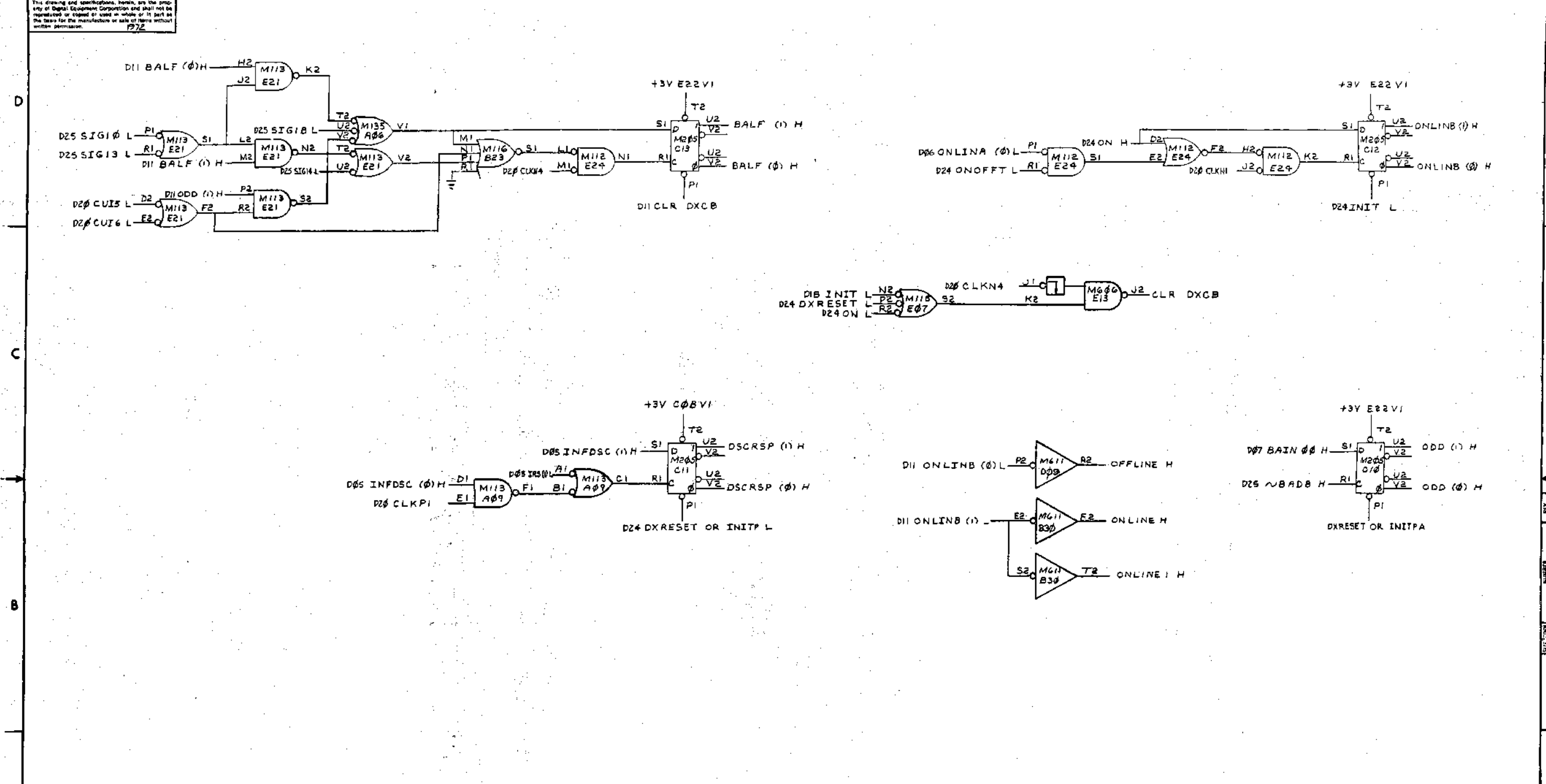
DEC 1972
D50 US-6

FIRST USED ON OPTION/MODEL PDP-11	QTY.	DESCRIPTION	PART NO.
PARTS LIST			
UNLESS OTHERWISE SPECIFIED DIMENSION IN INCHES.	DRN <i>Wilson</i>	DATE 2-28-72	DIGITAL EQUIPMENT CORPORATION MAYNARD MASSACHUSETTS
TOLERANCES	CHK'D <i>Wilson</i>	DATE 5-11-72	
DECIMALS	ANGLES	DATE 5-11-72	
XXX - 0.05	10° 30'	DATE 5-11-72	TITLE DXCB DX CONTROL BITS
REMOVES BURRS AND BREAK SHARP	CORRECTS DIMENSIONS QUALITY	DATE 6-5-72	
NEXT HIGHER ASSY.	B-00-DX11-B		SIZE CODE
SCALE NONE	DBS	NUMBER	REV.
SHEET 3 OF 4	OIRT		J

1-8-11XB81

This drawing and specifications, herein, are the property of Digital Equipment Corporation and shall not be reproduced or copied in whole or in part for the use of any other person without written permission.

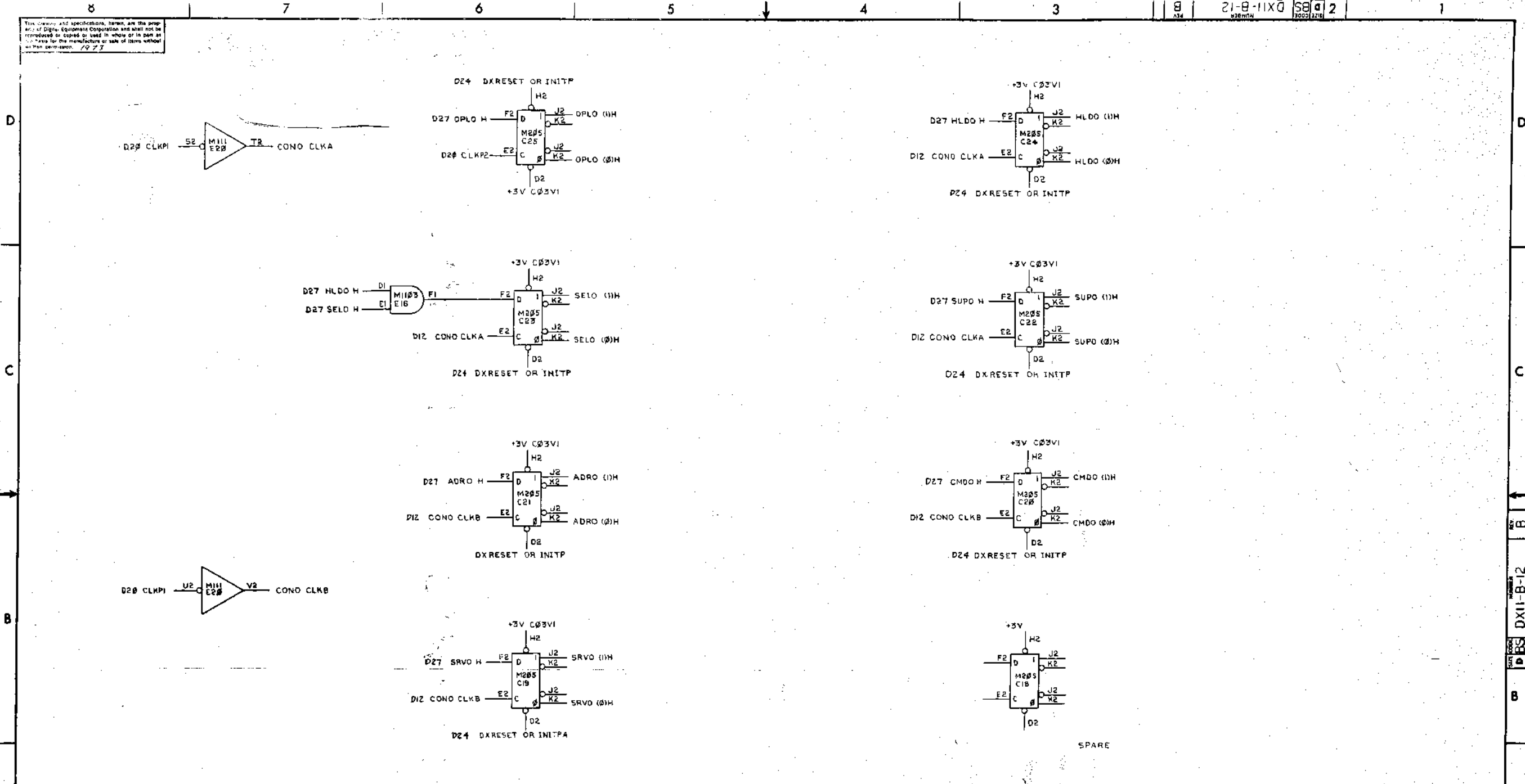
11-8-11X012



REV	DATE	BY	CHK
1			
2			
3			
4			
5			
6			
7			
8			

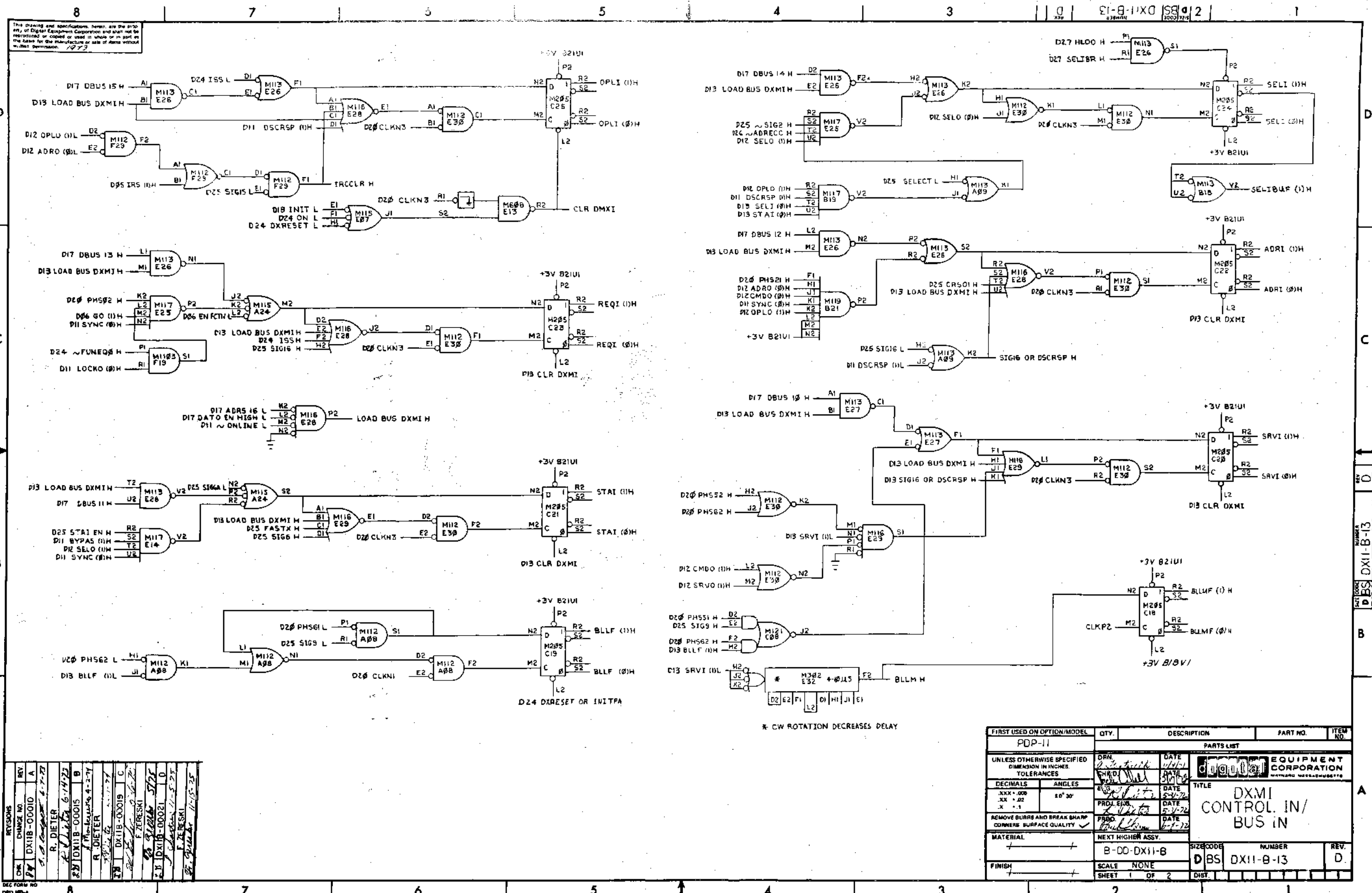
FIRST USED ON OPTION/MODEL	QTY.	DESCRIPTION	PART NO.	REV.
PDP-11				
PARTS LIST				
UNLESS OTHERWISE SPECIFIED DIMENSION IN INCHES. TOLERANCES				
DECIMALS	ANGLES	DATE		
.XXX - .030	± 0° 30'	DATE	TITLE	
.XX - .02		DATE	DXCB	
.X - .1		DATE	DX CONTROL BITS	
REMOVE BURRS AND BREAK SHARP CORNERS SURFACE QUALITY		DATE		
MATERIAL	NEXT HIGHER ASSY.	DATE		
	B-DD-DX11-B	DATE		
FINISH	SCALE NONE	DATE		
	SHEET 4 OF 4	DATE		
			SIZE CODE	NUMBER
			DBS	DX11-B-11
			DIST.	

This drawing and specifications herein are the property of Digital Equipment Corporation and shall not be reproduced or copied or used in whole or in part as a basis for the manufacture or sale of items without written permission.



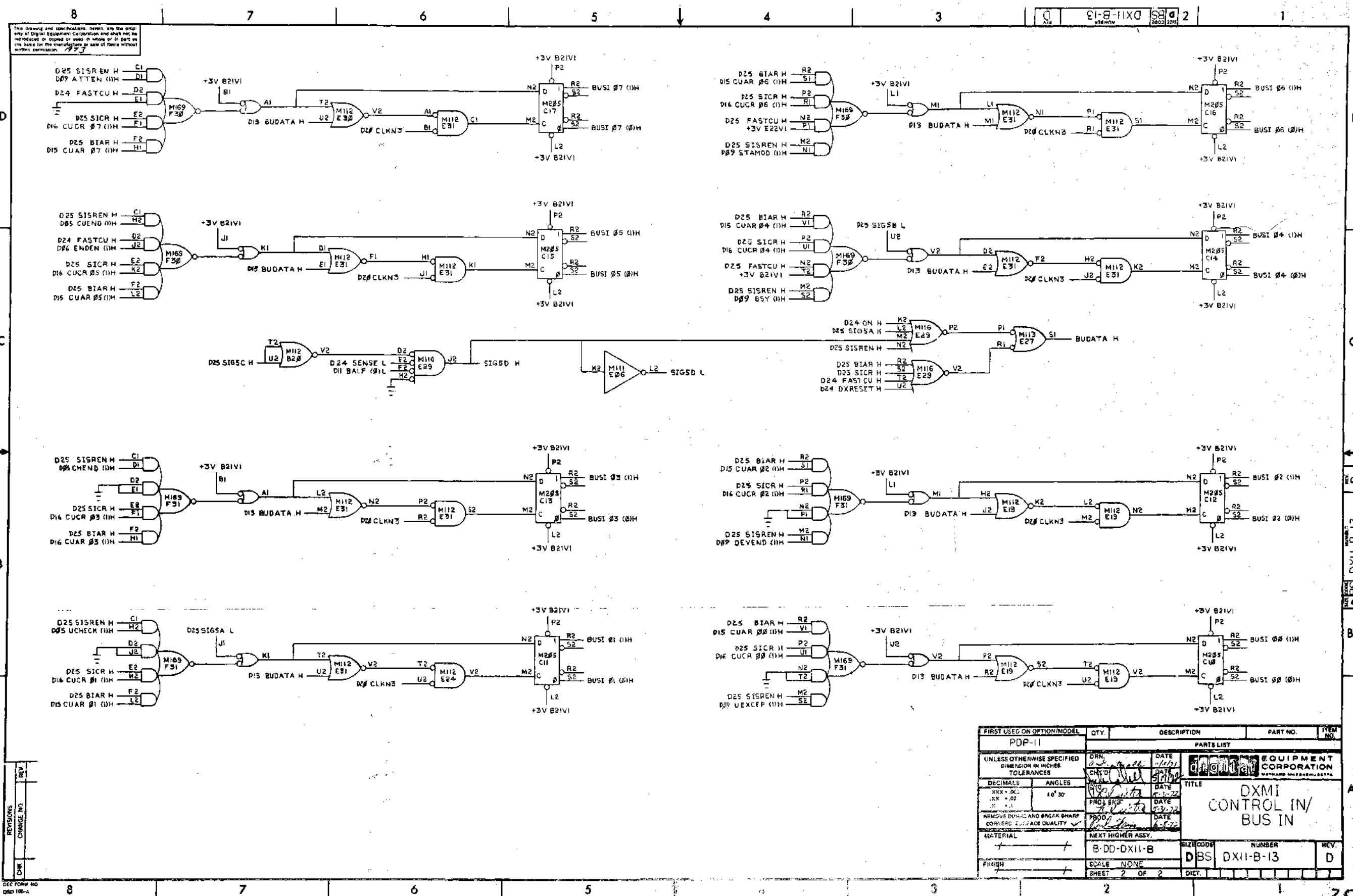
REV.	CHG. NO.	DATE	BY
A	0010	6-27-72	R. DIETER
B	0011	6-27-72	R. DIETER
C	0012	7-3-72	R. DIETER
D	0013	7-3-72	R. DIETER
E	0014	7-3-72	R. DIETER

FIRST USED ON OPTION/MODEL	QTY.	DESCRIPTION	PART NO.	ITEM NO.
POP-11				
PARTS LIST				
UNLESS OTHERWISE SPECIFIED DIMENSION IN INCHES TOLERANCES		DRN	DATE	digital EQUIPMENT CORPORATION MAYFIELD MASSACHUSETTS
		CHK'D	DATE	
DECIMALS	ANGLES	ENG	DATE	TITLE DXMO/- CONO
.XX - .015	±0° 30'	PROL'NG	DATE	
MACHINE CUTTING AND BREAK SHARP		PROD	DATE	NEXT HIGHER ASSY. B-DD-DX11-B
CHANGING SURFACE QUALITY				
MATERIAL		NEXT HIGHER ASSY.		SIZE CODE DBS
FINISH		SCALE NONE		NUMBER DX11-B-12
SHEET		OF		REV. B



REV	DATE	BY	CHK'D	APP'D
A	4-17-72	R. DIETER		
B	6-14-72	F. ZERESKI		
C	4-27-74	R. DIETER		
D	11-5-75	F. ZERESKI		

FIRST USED ON OPTION/MODEL	QTY.	DESCRIPTION	PART NO.	ITEM NO.
PDP-11		PARTS LIST		
UNLESS OTHERWISE SPECIFIED DIMENSION IN INCHES TOLERANCES				
DECIMALS		ANGLES		
.XXX ± .005		± 0° 30'		
.XX ± .02				
.X ± .1				
REMOVE BURRS AND BREAK SHARP CORNERS SURFACE QUALITY				
MATERIAL		NEXT HIGHER ASSY.		
FINISH		SCALE NONE		
		SHEET 1 OF 2		
		SIZE CODE		REV.
		B-DD-DX11-B		D.
		D BS DX11-B-13		



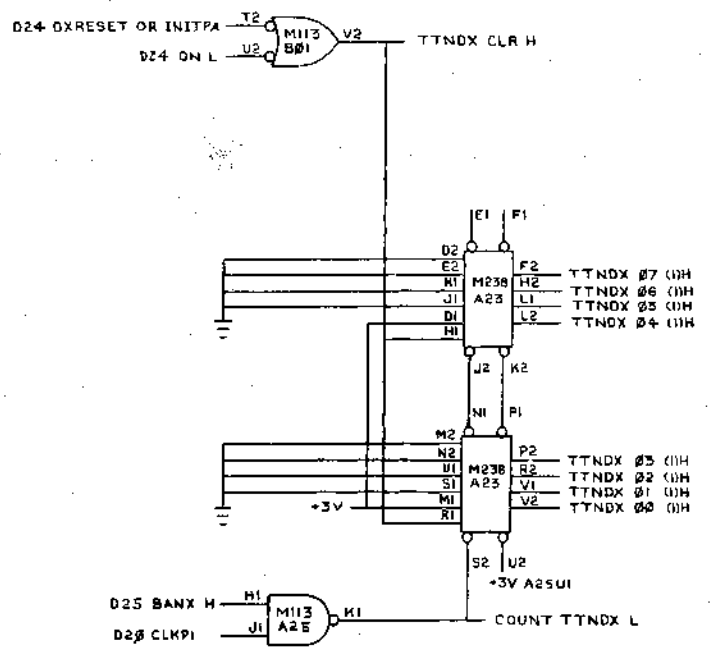
This drawing and specifications herein are the property of Digital Equipment Corporation and shall not be reproduced or copied in whole or in part on the basis of the information or sale of them without written permission.

FIRST USED ON OPTION/MODEL	QTY.	DESCRIPTION	PART NO.	ITEM NO.
PDP-11				
UNLESS OTHERWISE SPECIFIED DIMENSION IN INCHES TOLERANCES				
DECIMALS	ANGLES	DATE	DIGITAL EQUIPMENT CORPORATION	
XXX + .02	16° 30'	DATE	PARTS LIST	
XXX + .02		DATE	TITLE	
PROJ. ENG.		DATE	DXMI CONTROL IN/ BUS IN	
PROG. ENG.		DATE		
REMOVE BURRS AND BREAK SHARP CORNERS TO SURFACE QUALITY		DATE		
MATERIAL	NEXT HIGHER ASSY.	SIZE CODE	NUMBER	REV.
	B-DD-DX11-B	D BS	DX11-B-13	D
FINISH	SCALE NONE	SHEET	2 OF 2	
		DIET.		

REV.	CHANGE NO.	DESCRIPTION

REV. D
BS DX11-B-13

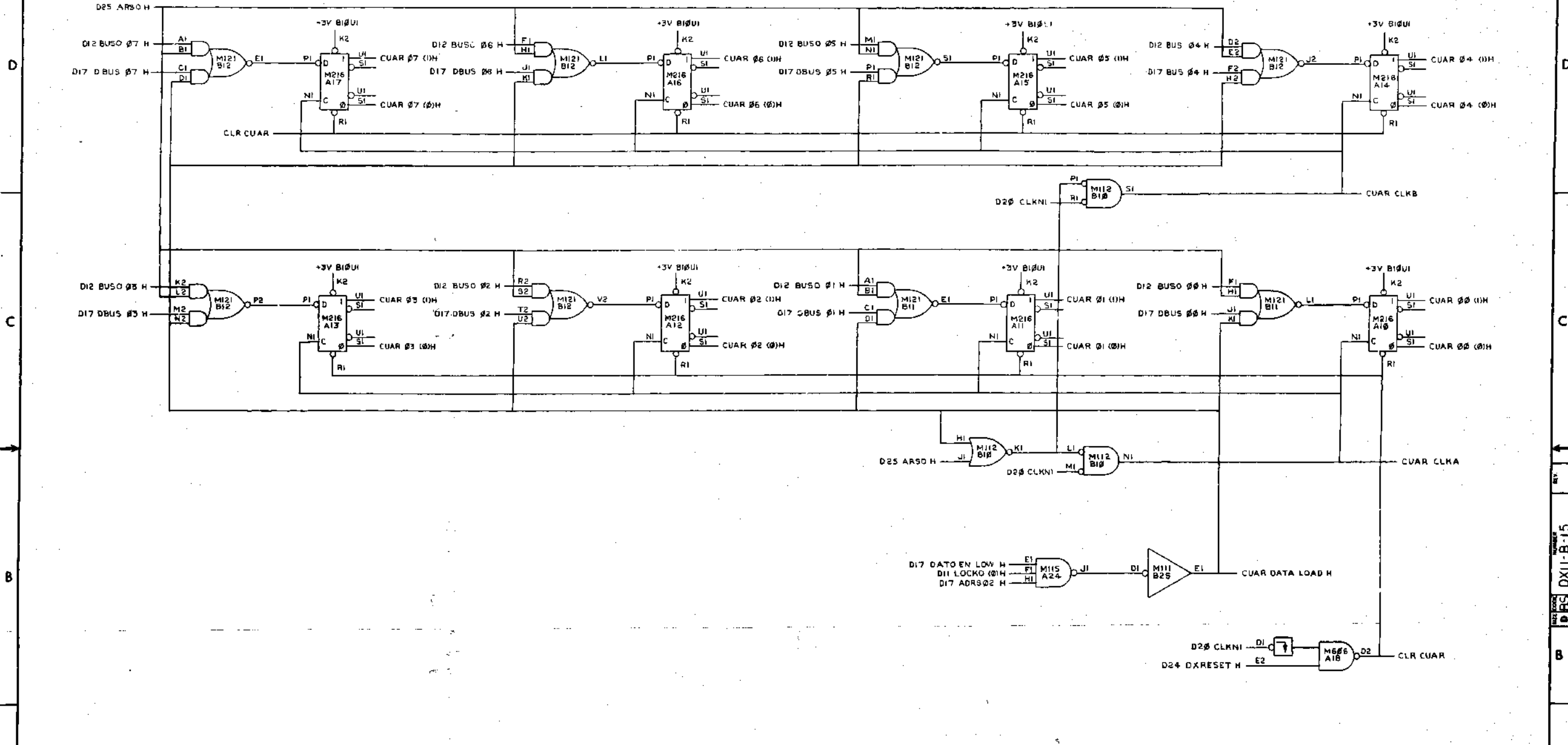
This drawing and specifications, herein, are the property of Digital Equipment Corporation and shall not be reproduced or copied or used in whole or in part as the basis for the manufacture or sale of items without written permission.



REV	CHANGE NO.	BY	DATE
A	1	DXIHB-COQIO	6-7-77
B	2	R. DIETER	6-14-77

FIRST USED ON OPTION/MODEL	QTY.	DESCRIPTION	PART NO.	ITEM NO.
PDP-11				
UNLESS OTHERWISE SPECIFIED DIMENSION IN INCHES TOLERANCES				
DECIMALS	ANGLES	DATE	PARTS LIST	
.XX - .008	±0° 30'	DATE	TITLE	
.X - .01		DATE	TTNDX TUMBLE TABLE INDEX	
REMOVE BURRS AND BREAK SHARP CORNERS SURFACE QUALITY				
MATERIAL NEXT HIGHER ASSY.				
FINISH				
SCALE NONE			SIZE CODE	NUMBER
SHEET OF			DBS	DXII-B-14
			DIST	REV. A

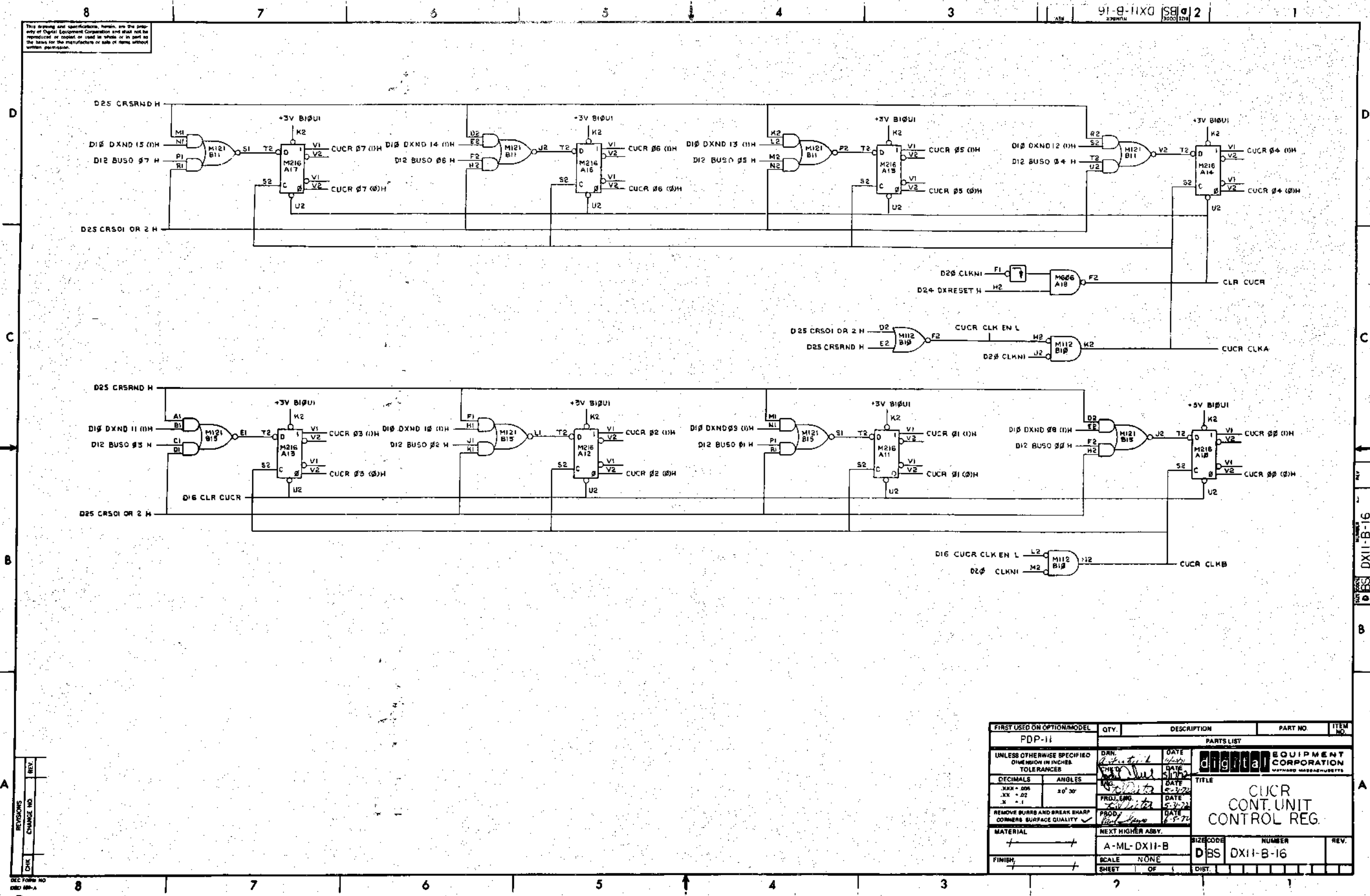
This drawing and specifications, herein, are the property of Digital Equipment Corporation and shall not be reproduced or copied or used in whole or in part as the basis for the manufacture or sale of items without written permission.



REV.	CHG.	NO.	DATE

FIRST USED ON OPTION/MODEL	QTY.	DESCRIPTION	PART NO.	ITEM NO.
PCP-11				
PARTS LIST				
UNLESS OTHERWISE SPECIFIED DIMENSIONS IN INCHES TOLERANCES	DRN DATE 10/2/72	DATE 10/2/72	 DIGITAL EQUIPMENT CORPORATION MILBURN, MASSACHUSETTS	
DECIMALS ANGLES	CHK'D DATE 5/2/72	DATE 5/2/72		
PROJ. ENGR.	DATE 5/2/72	DATE 5/2/72	TITLE CUAR CONT. UNIT ADDRESS REG.	
REMOVE JUMPS AND BREAK SHARP CORNERS TO IMPROVE QUALITY	PROD. DATE 6/5/72	DATE 6/5/72		
MATERIAL	NEXT HIGHER ASSY.		SIZE CODE	NUMBER
			A-ML-DX11-B	
	SCALE	NONE	DBS	DX11-B-15
	SHEET	1	OF	1

This drawing and specifications herein are the property of Digital Equipment Corporation and shall not be reproduced or copied, in whole or in part, for the manufacture or sale of items without written permission.

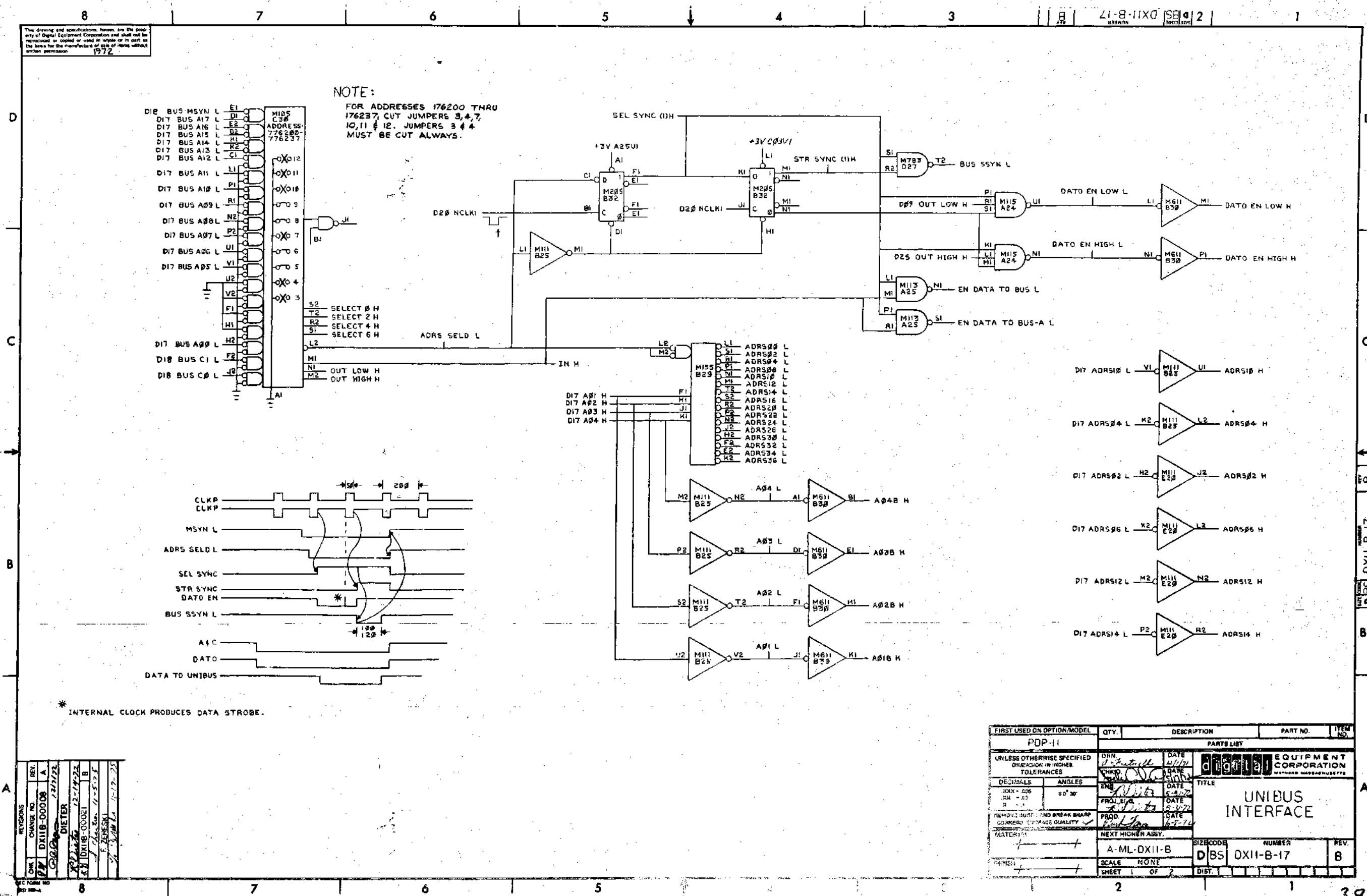


REV	NO	DATE

FIRST USED ON OPTION/MODEL PDP-11	QTY.	DESCRIPTION	PART NO.	ITEM NO.
PARTS LIST				
UNLESS OTHERWISE SPECIFIED DIMENSION IN INCHES TOLERANCES				
DECIMALS	ANGLES	DATE	DIGITAL EQUIPMENT CORPORATION WAYLAND MASSACHUSETTS	
.XX - .005	±0° 30'	DATE	TITLE	
.X - .1		DATE	CUCR CONT. UNIT CONTROL REG.	
REMOVE BURRS AND BREAK SHARP CORNERS SURFACE QUALITY				
MATERIAL				
NEXT HIGHER ASSY.				
FINISH		SCALE	SIZE CODE	NUMBER
		NONE	DBS	DX11-B-16
		SHEET	OF	DIST.

38

This drawing and specifications, herein, are the property of Digital Equipment Corporation and shall not be reproduced or copied in whole or in part as the basis for the manufacture of any items without written permission.
1972

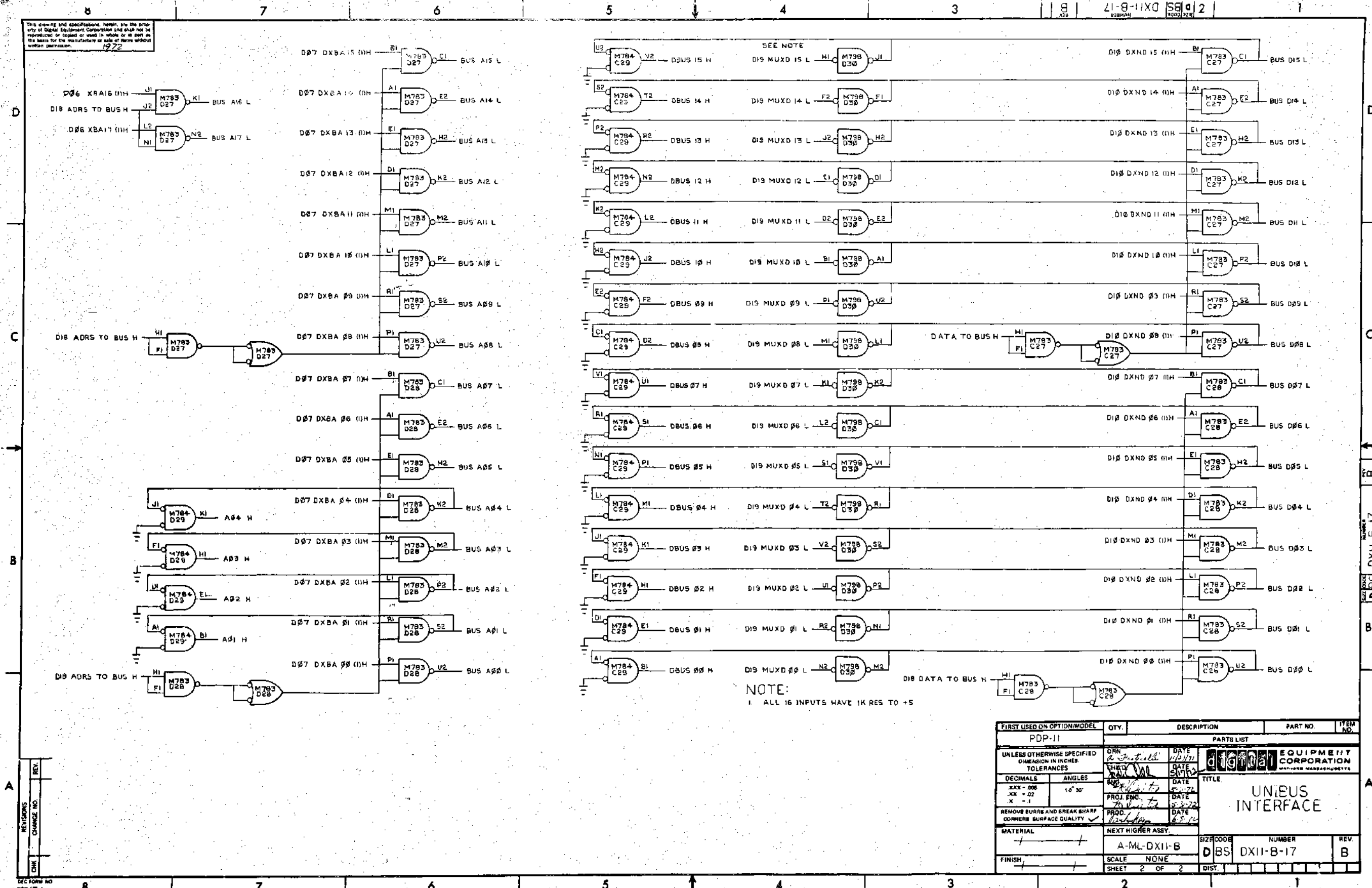


REV.	DATE	BY	CHKD.
1	1/21/72	DIETER	
2	2/22/72		
3	11-5-75		
4	1-17-75		

REVISIONS
 CHANGE NO. 1
 DXII-B-0008
 DIETER
 1/21/72
 2/22/72
 11-5-75
 1-17-75

FIRST USED ON OPTION/MODEL	QTY.	DESCRIPTION	PART NO.	ITEM NO.
PDP-11		PARTS LIST		
UNLESS OTHERWISE SPECIFIED ORIENTATION IN HOLES TOLERANCES	DRM DATE 11/17/72	 DIGITAL EQUIPMENT CORPORATION WATERSIDE MANUFACTURING CENTER	UNIBUS INTERFACE	
DECIMALS	CHKD. DATE 11/17/72			
ANGLES	ENR DATE 11/17/72			
PROJ. ENG. DATE 11/17/72				
REWORKS MUST BE SHARP CORNERS STORAGE QUALITY	PROD. DATE 11/17/72	NEXT HIGHER ASSY.		
PATTERN		A-ML-DXII-B	SIZECODE	NUMBER
SCALE	NONE	DBS	DXII-B-17	REV. B
SHEET 1 OF 2		DIST.		

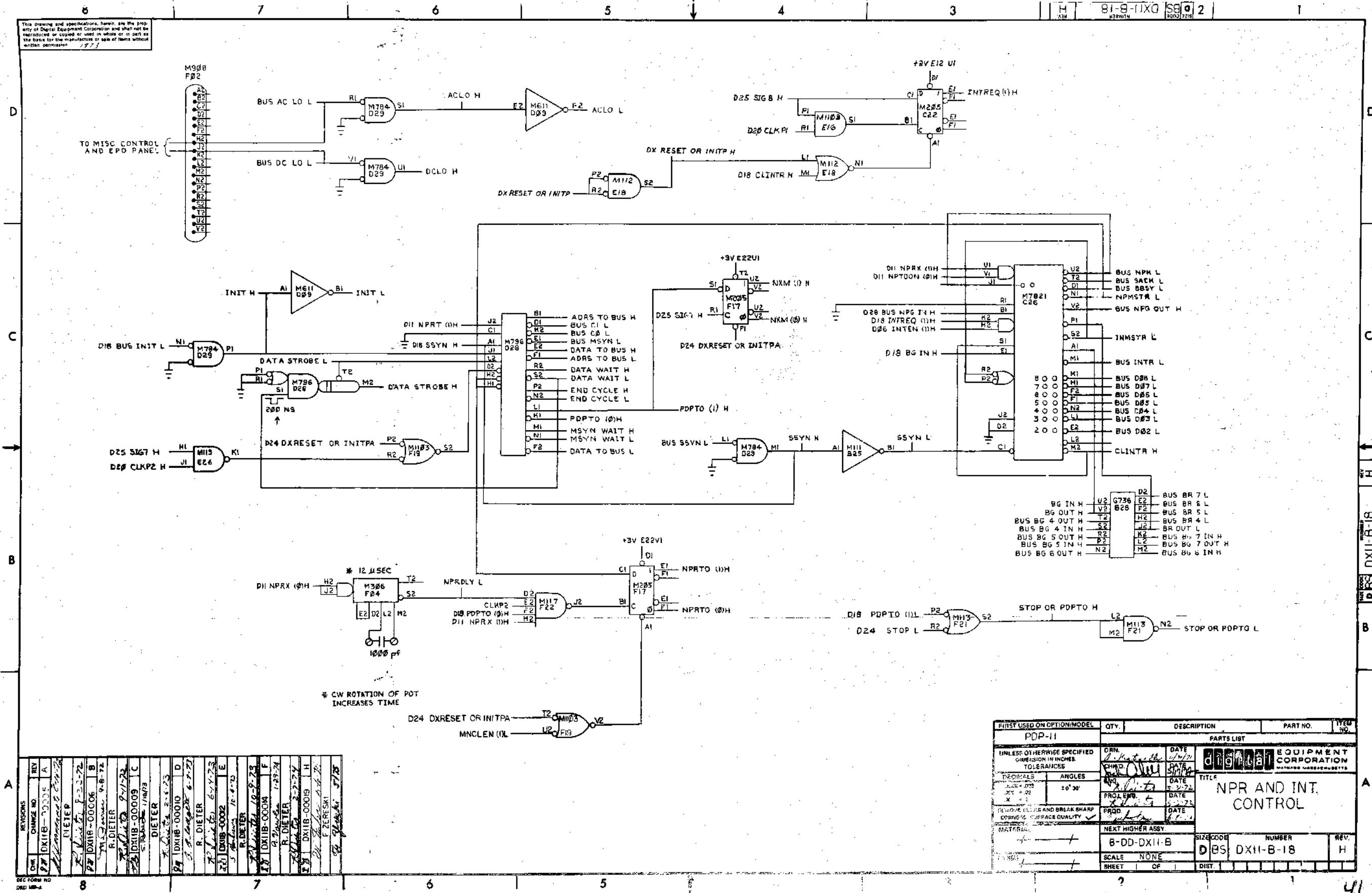
This drawing and specifications, herein, are the property of Digital Equipment Corporation and shall not be reproduced or copied or used in whole or in part as the basis for the manufacture or sale of items without written permission.
1972



NOTE:
1. ALL 16 INPUTS HAVE 1K RES TO +5

FIRST USED ON OPTION/MODEL	QTY.	DESCRIPTION	PART NO.	ITEM NO.
PDP-11		PARTS LIST		
UNLESS OTHERWISE SPECIFIED DIMENSION IN INCHES		DRN <i>de J. Field</i>	DATE <i>10/10/72</i>	DIGITAL EQUIPMENT CORPORATION MAYFIELD HILLS, CALIF. 94506
TOLERANCES		CHKD <i>[Signature]</i>	DATE <i>5/17/72</i>	
DECIMALS	ANGLES	DATE <i>5-2-72</i>	TITLE UNIBUS INTERFACE	
.XXX - .008	10° 30'	PROJ. ENG. <i>[Signature]</i>	DATE <i>5-2-72</i>	
.XX - .02		PROJ. MGR. <i>[Signature]</i>	DATE <i>6-3-72</i>	
.X - .1		PROJ. DES. <i>[Signature]</i>	DATE <i>6-3-72</i>	
REMOVE BURRS AND BREAK SHARP CORNERS SURFACE QUALITY		NEXT HIGHER ASSY.		
MATERIAL		A-M-L-DX11-B	SIZE CODE D B S	NUMBER DX11-B-17
FINISH		SCALE NONE		REV. B
SHEET 2 OF 2		DIST.		

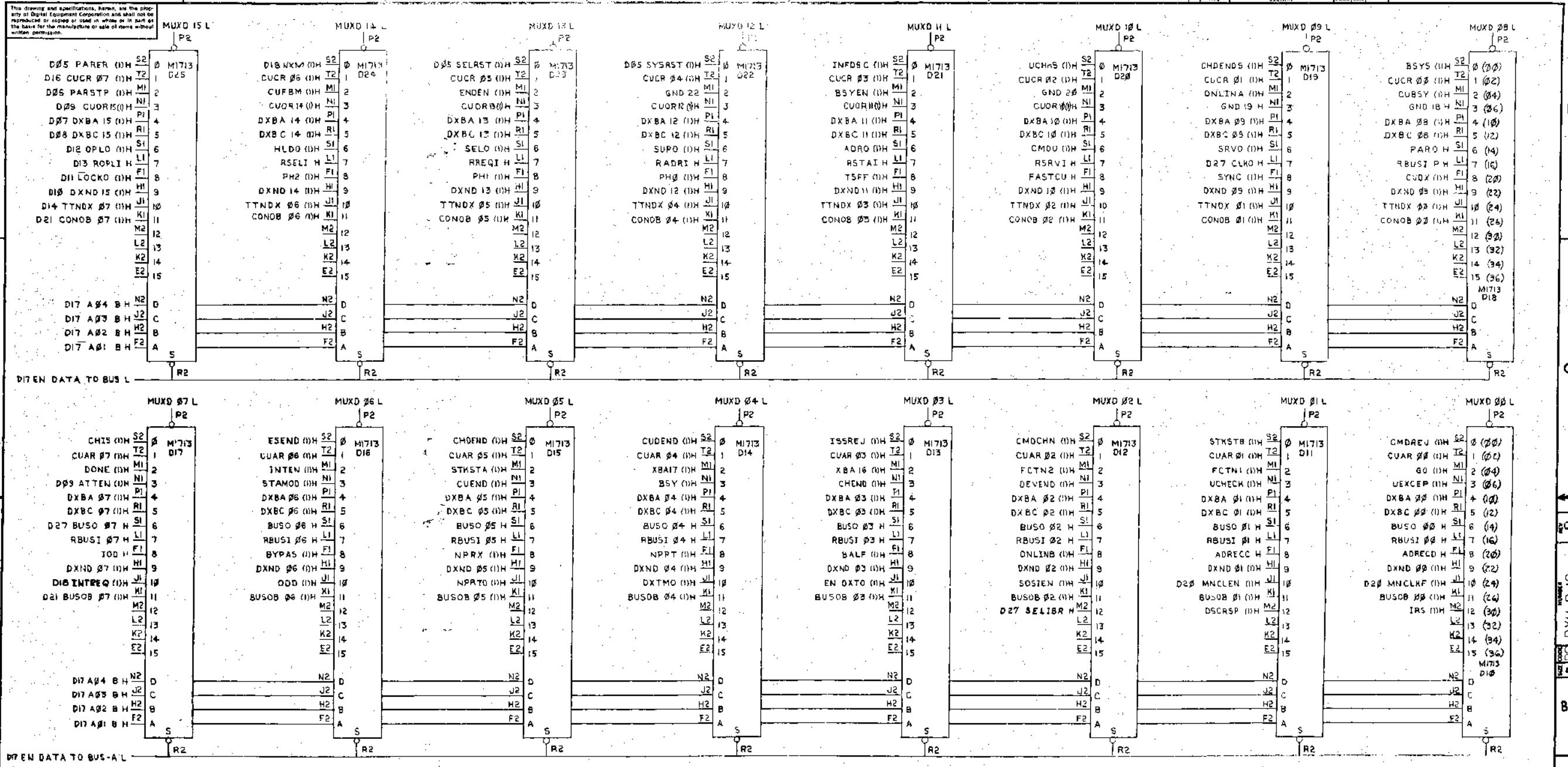
This drawing and specifications herein are the property of Digital Equipment Corporation and shall not be reproduced or copied in whole or in part as the basis for the manufacture or sale of items without written permission.



REV	CHANGE NO.	DATE	BY	CHKD	APP'D
A	0005				
B	0006				
C	0009				
D	0010				
E	0002				
F	0004				
G	0006				
H	0009				

FIRST USED ON OPTION/MODEL	QTY.	DESCRIPTION	PART NO.	ITEM NO.
PDP-11				
PARTS LIST				
UNLESS OTHERWISE SPECIFIED DIMENSION IN INCHES TOLERANCES				
DECIMALS	ANGLES	TITLE		
±.005	±30'	NPR AND INT. CONTROL		
REMOVE EDGES AND BREAK SHARP CORNERS. SURFACE QUALITY				
MATERIAL				
NEXT HIGHER ASSY.				
6-DD-DX11-B		SIZE CODE	NUMBER	REV.
SCALE NONE		DBS	DX11-B-18	H
SHEET OF		DIST.		

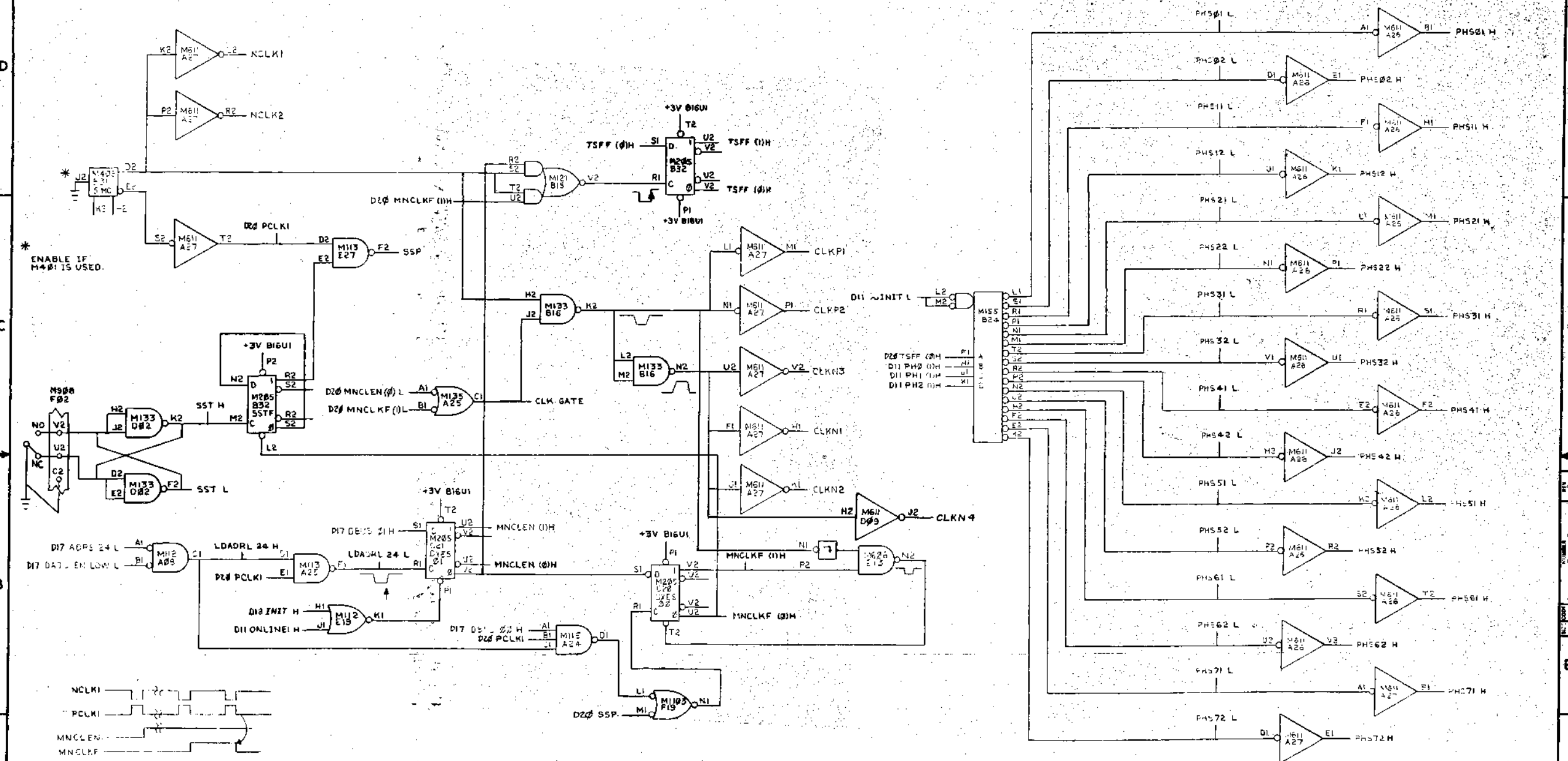
DX11-B-18



REV	CHANGE NO	DATE	BY
1	DX11B-0006	9-8-72	R. DIETER
2	DX11B-0005	9-11-72	R. DIETER
3	DX11B-0005	1-2-77	R. DIETER

FIRST USED ON OPTION/MODEL	QTY.	DESCRIPTION	PART NO.	ITEM NO.
PDP-11				
PARTS LIST				
UNLESS OTHERWISE SPECIFIED DIMENSION IN INCHES TOLERANCES		DATE	digital EQUIPMENT CORPORATION	
DECIMALS	ANGLES	DATE	MILWAUKEE WISCONSIN	
.XXX = .006	± 0° 30'	DATE	TITLE	
.XX = .02		DATE	DATA BUS MUX.	
.X = .1		DATE		
REMOVE BURRS AND BREAK SHARP CORNERS SURFACE QUALITY		DATE		
MATERIAL	NEXT HIGHER ASSY.	DATE		
	B-00-DX11-B	DATE		
FINISH	SCALE NONE	DATE		
	SHEET OF 1	DATE		

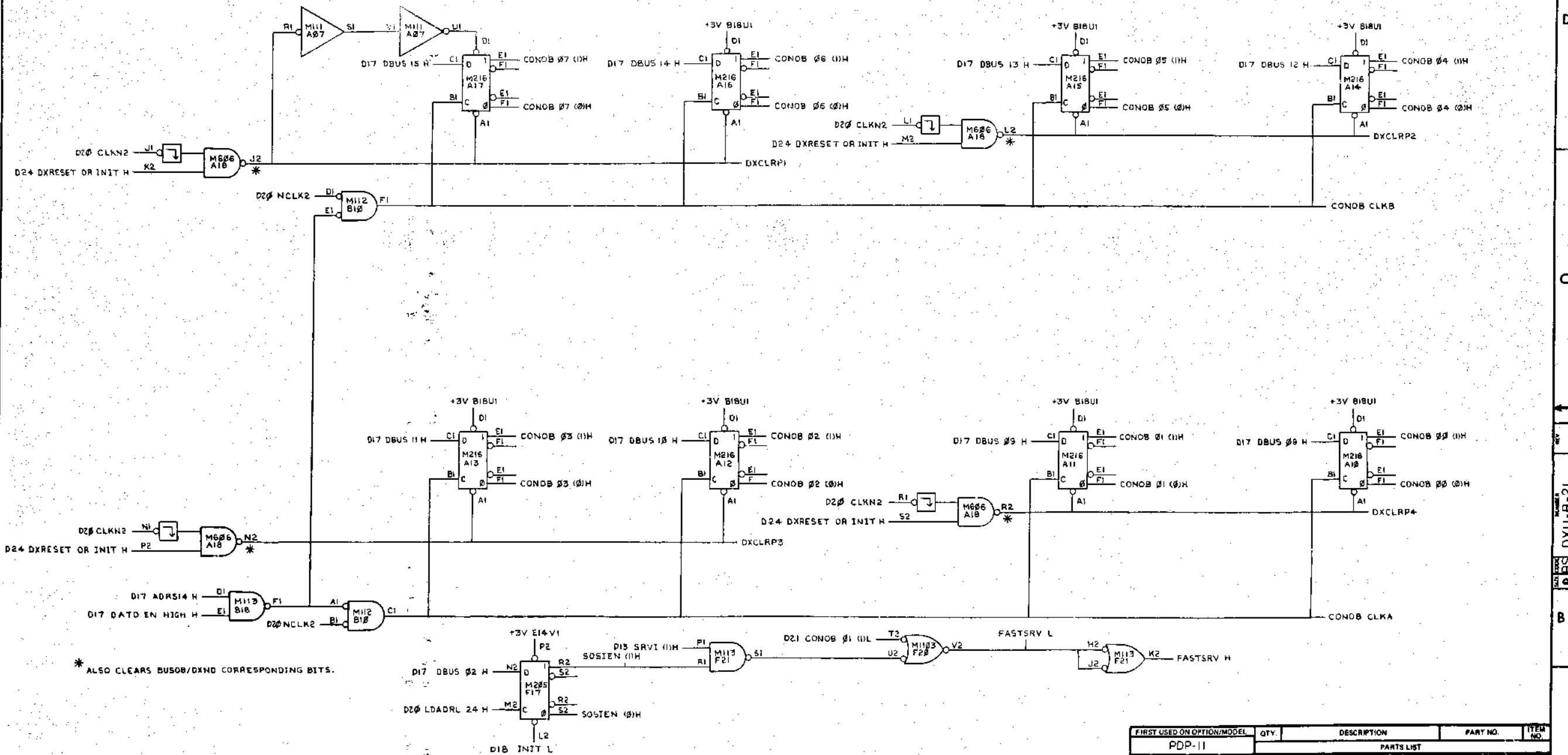
The drawing and specifications herein are the property of Digital Equipment Corporation and shall not be reproduced, copied or used in whole or in part as the basis for the manufacture or sale of items without written permission.



REV	DATE	BY	CHKD
1	8-11-72	R. DIETER	
2	8-29-72	R. DIETER	
3	7-3-74	R. DIETER	
4	7-3-74	R. DIETER	

FIRST USED ON OPTION/MODEL	QTY.	DESCRIPTION	PART NO.	ITEM NO.
74155	1	74155	M155	
74154	1	74154	M154	
74151	1	74151	M151	
74152	1	74152	M152	
74153	1	74153	M153	
74154	1	74154	M154	
74155	1	74155	M155	
74156	1	74156	M156	
74157	1	74157	M157	
74158	1	74158	M158	
74159	1	74159	M159	
74160	1	74160	M160	
74161	1	74161	M161	
74162	1	74162	M162	
74163	1	74163	M163	
74164	1	74164	M164	
74165	1	74165	M165	
74166	1	74166	M166	
74167	1	74167	M167	
74168	1	74168	M168	
74169	1	74169	M169	
74170	1	74170	M170	
74171	1	74171	M171	
74172	1	74172	M172	
74173	1	74173	M173	
74174	1	74174	M174	
74175	1	74175	M175	
74176	1	74176	M176	
74177	1	74177	M177	
74178	1	74178	M178	
74179	1	74179	M179	
74180	1	74180	M180	
74181	1	74181	M181	
74182	1	74182	M182	
74183	1	74183	M183	
74184	1	74184	M184	
74185	1	74185	M185	
74186	1	74186	M186	
74187	1	74187	M187	
74188	1	74188	M188	
74189	1	74189	M189	
74190	1	74190	M190	
74191	1	74191	M191	
74192	1	74192	M192	
74193	1	74193	M193	
74194	1	74194	M194	
74195	1	74195	M195	
74196	1	74196	M196	
74197	1	74197	M197	
74198	1	74198	M198	
74199	1	74199	M199	
74200	1	74200	M200	

This drawing and specifications herein are the property of Digital Equipment Corporation and shall not be reproduced or copied or used in whole or in part as the basis for the manufacture or sale of items without written permission.



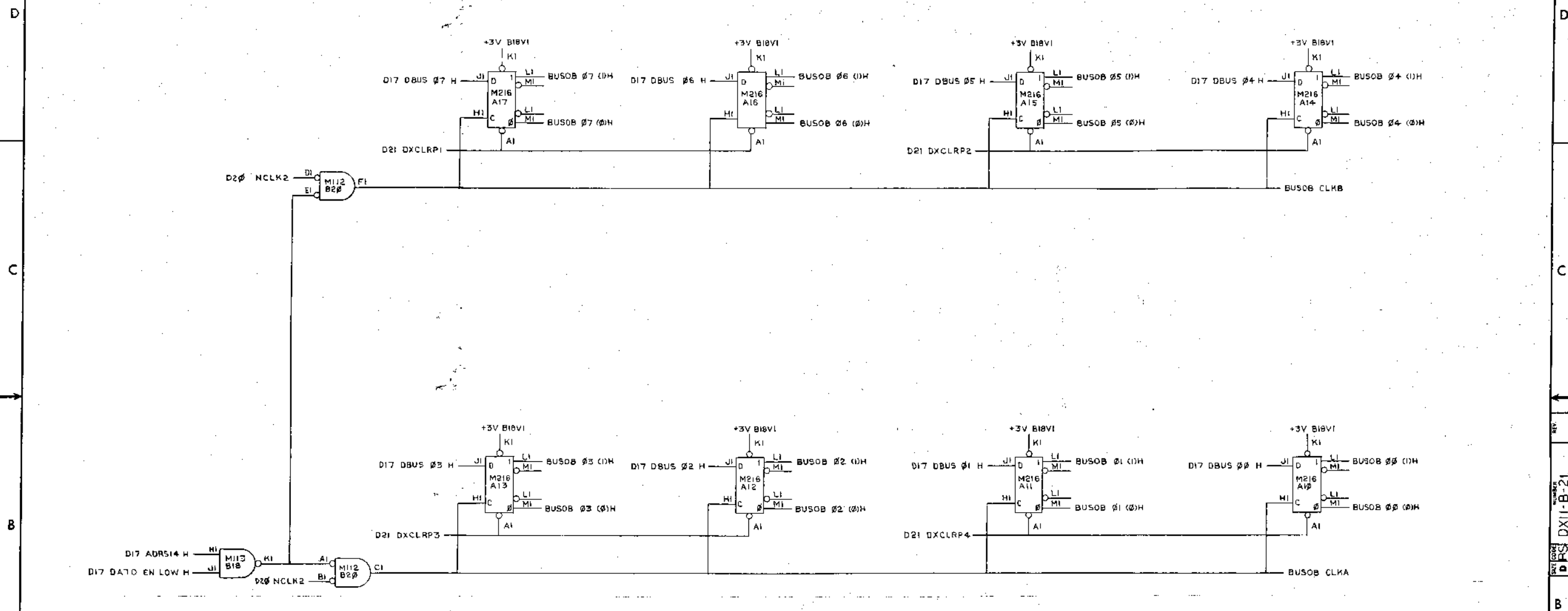
* ALSO CLEARS BUS08/DXND CORRESPONDING BITS.

FIRST USED ON OPTION/MODEL	QTY	DESCRIPTION	PART NO.	ITEM NO.
PDP-11				
PARTS LIST				
UNLESS OTHERWISE SPECIFIED DIMENSION IN INCHES TOLERANCES	DRN DATE CHK'D DATE LWG DATE PROJ. ENG. DATE PDCY DATE	DATE DATE DATE DATE DATE DATE	 DIGITAL EQUIPMENT CORPORATION MAYNARD, MASSACHUSETTS	
DECIMALS .XXX - .008 .XX - .03 .X - .1 REMOVE ALPHAS AND BREAK SHARP CORNERS SURFACE QUALITY				
MATERIAL	NEXT HIGHER ASSY.	SIZE CODE	NUMBER	REV.
FINISH	A-ML-DX11-B	SCALE NONE	D BS DX11-B-21	
	SHEET 1 OF 2	DIST.		

REV	DESCRIPTION
1	
2	
3	
4	
5	
6	
7	
8	

44

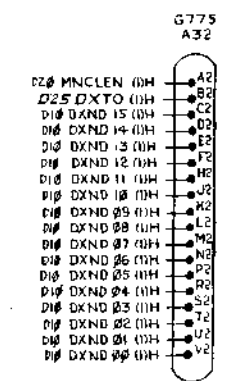
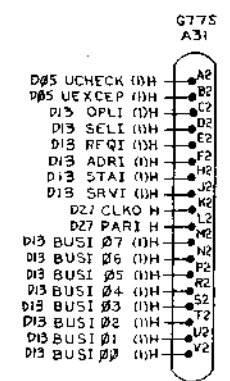
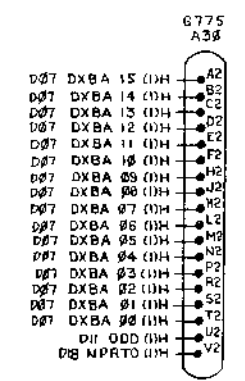
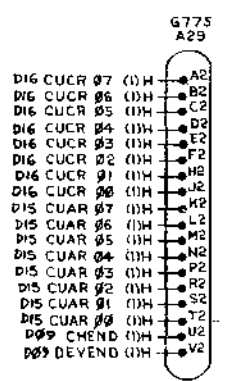
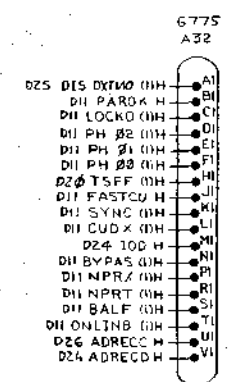
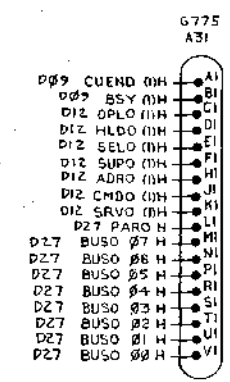
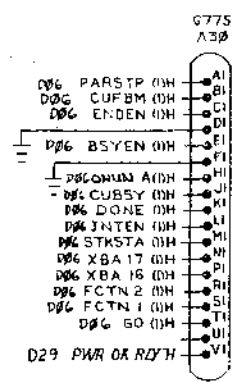
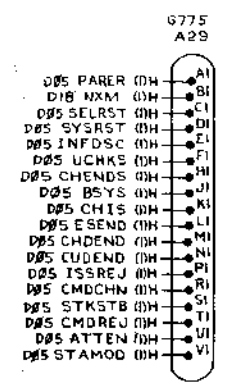
This drawing and specifications, herein, are the property of Digital Equipment Corporation and shall not be reproduced or copied or used in whole or in part as the basis for the manufacture or sale of items without written permission.



REV.	NO.
CHG.	NO.
DEC FORM NO.	8
ORU NO.-A	

FIRST USED ON OPTION/MODEL	QTY.	DESCRIPTION	PART NO.	ITEM NO.
PDP-11				
PARTS LIST				
UNLESS OTHERWISE SPECIFIED DIMENSION IN INCHES.	DATE	DIGITAL EQUIPMENT CORPORATION MAYNARD, MASSACHUSETTS		
TOLERANCES	DATE	TITLE		
DECIMALS	ANGLES	DXMOB CONO BUFF./ BUSO BUFF.		
.XX - .005	± 0° 30'	DATE	D BS DX11-B-21	
.XX - .02		DATE	REV.	
.X - .1		DATE		
REMOVE BURRS AND BREAK SHARP CORNERS TO FINISH QUALITY.	PROD.	DATE		
MATERIAL	NEXT HIGHER ASSY.	DATE		
	A-ML-DX11-B	DATE		
FINISH	SCALE NONE	DATE		
	SHEET 2 OF 2	DATE		

This drawing and specifications, herein, are the property of Digital Equipment Corporation and shall not be reproduced or copied in whole or in part as the basis for the manufacture or sale of items without written permission.
1972



REV	DATE	BY	CHK
A	1-23-72	DIETER	
B	1-23-72	DIETER	
C	1-23-72	DIETER	
D	1-23-72	DIETER	
E	1-23-72	DIETER	
F	1-23-72	DIETER	
G	1-23-72	DIETER	
H	1-23-72	DIETER	
I	1-23-72	DIETER	
J	1-23-72	DIETER	
K	1-23-72	DIETER	
L	1-23-72	DIETER	
M	1-23-72	DIETER	
N	1-23-72	DIETER	
O	1-23-72	DIETER	
P	1-23-72	DIETER	
Q	1-23-72	DIETER	
R	1-23-72	DIETER	
S	1-23-72	DIETER	
T	1-23-72	DIETER	
U	1-23-72	DIETER	
V	1-23-72	DIETER	

FIRST USED ON OPTION/MODEL	QTY.	DESCRIPTION	PART NO.	ITEM NO.
PDP-11				
PARTS LIST				
UNLESS OTHERWISE SPECIFIED DIMENSION IN INCHES. TOLERANCES	DRN DATE	DATE	DIGITAL EQUIPMENT CORPORATION MAYNARD MASSACHUSETTS	
DECIMALS ANGLES	CHKD DATE	DATE		
.XXX - .000 .XX - .02 X - .1	PROL ENG DATE	DATE	INDICATOR CONN.	
REMOVE BURRS AND BREAK SHARP CORNERS. SURFACE QUALITY	PRDD DATE	DATE		
MATERIAL	NEXT HIGHER ASSY.	SIZE CODE	NUMBER	REV.
FINISH	B-00-DX11-B	DIC	DX11-B-22	C
	SCALE NONE	SHEET	OF	

This drawing and specifications herein are the property of Digital Equipment Corporation and shall not be reproduced or copied or used in whole or in part as the basis for the manufacture of any items without written permission.

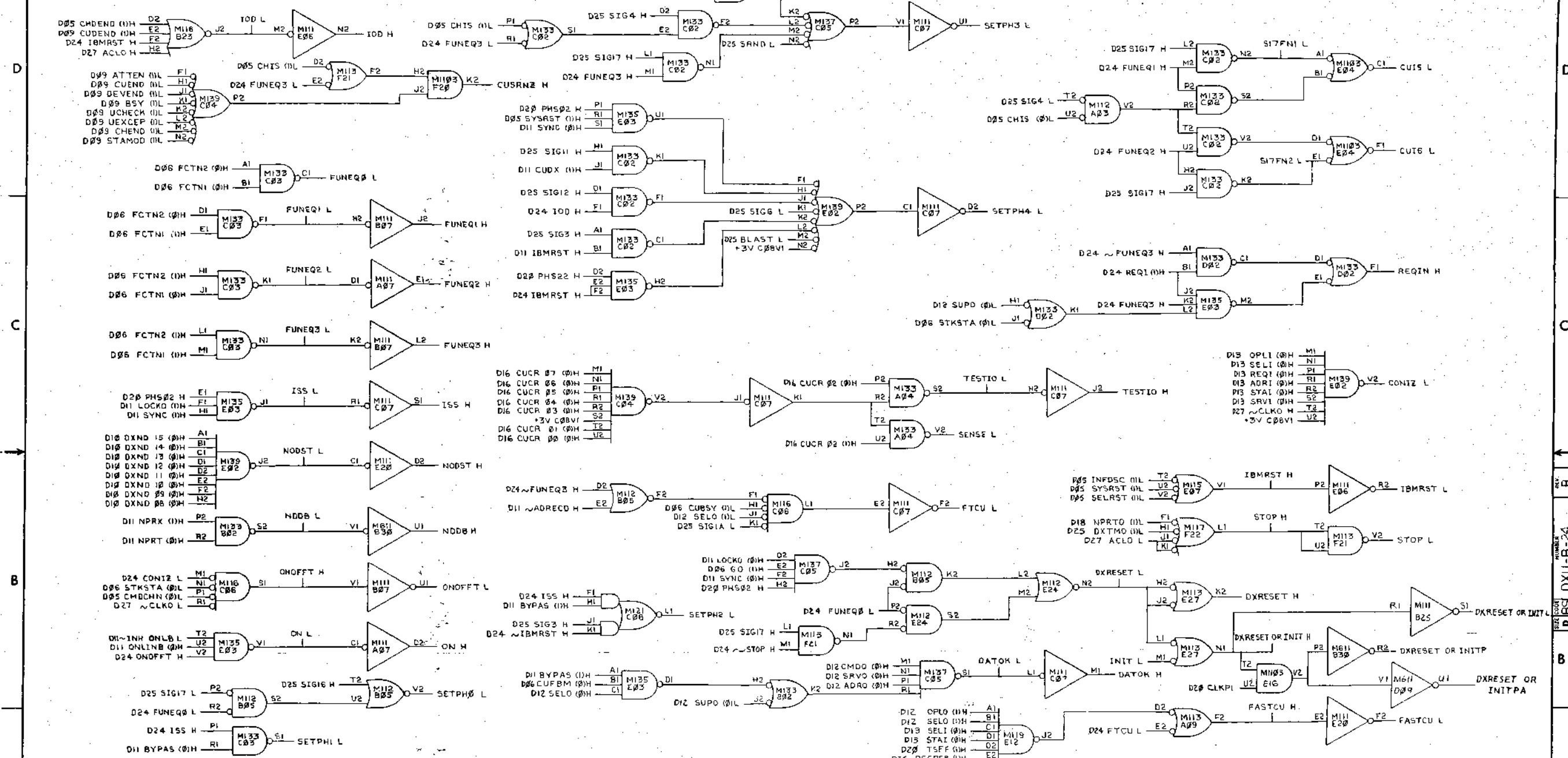
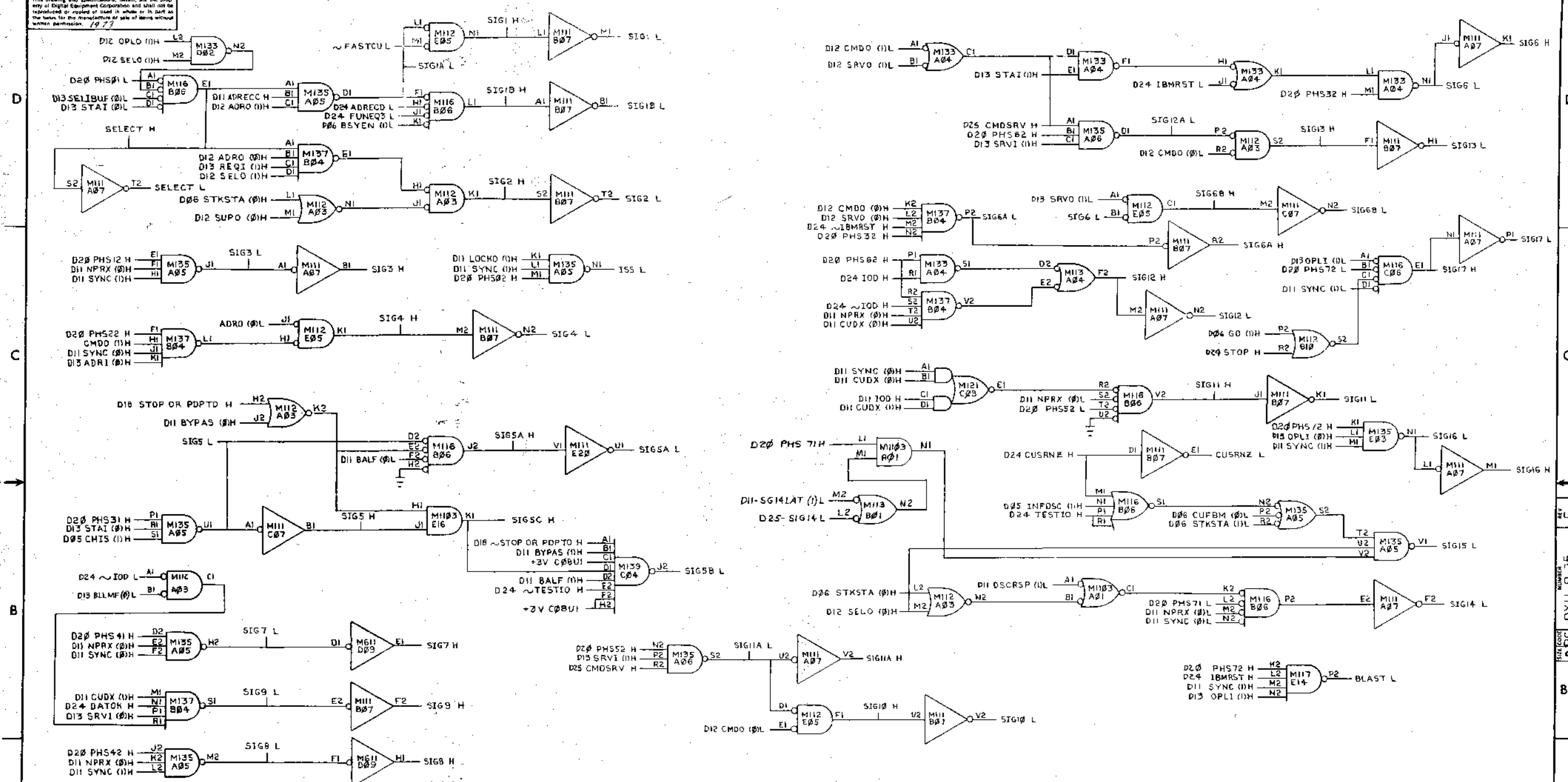


Table with columns for REVISIONS, CHANGE NO., DATE, and names of individuals involved in the design process.

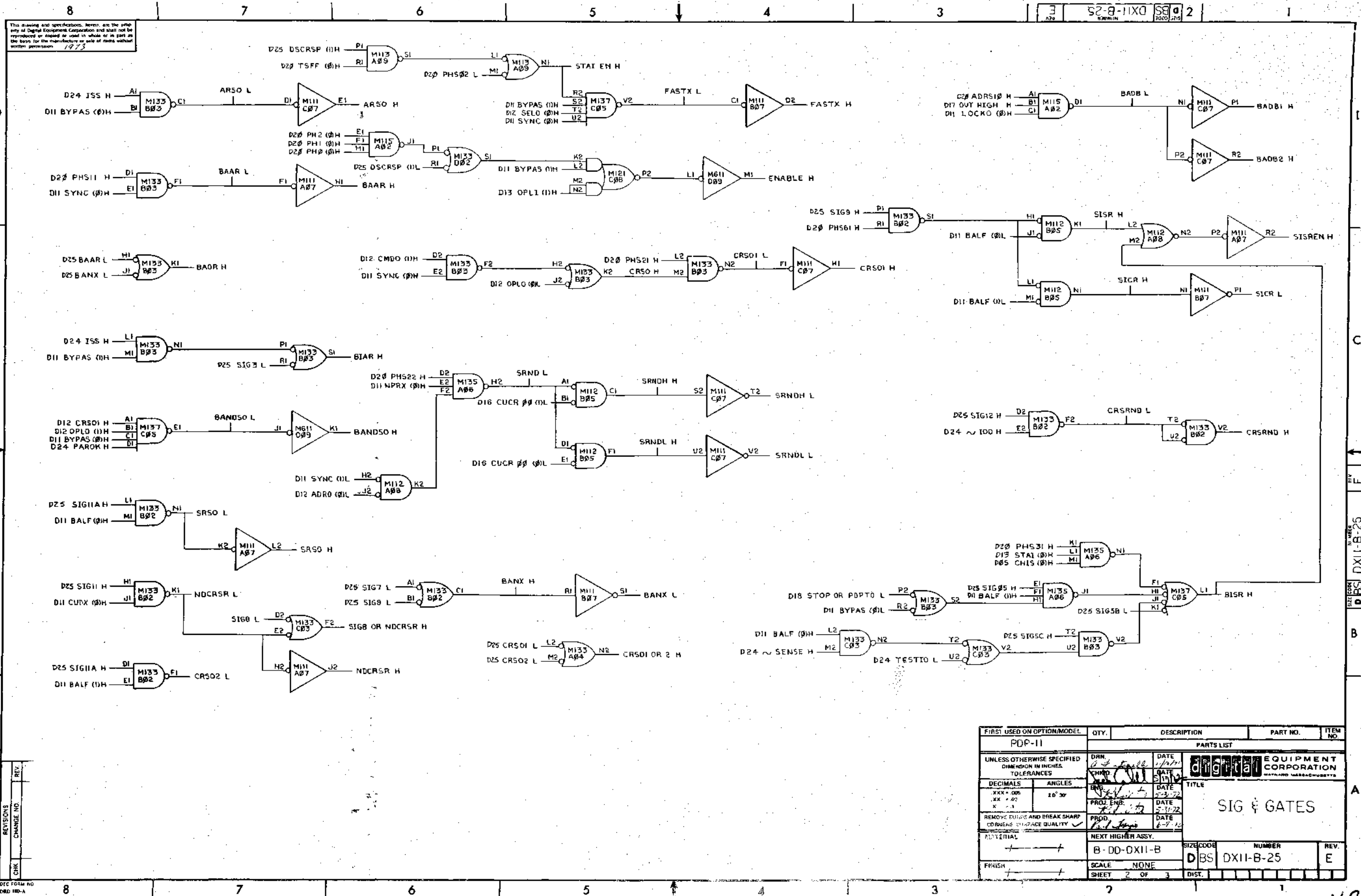
Technical specification table for PDP-11, including columns for QTY., DESCRIPTION, PART NO., ITEM NO., and a detailed parts list section for Digital Equipment Corporation. The title is 'GENERAL CONTROLS'.

This drawing and specifications, herein, are the property of Digital Equipment Corporation and shall not be reproduced or copied in whole or in part as the basis for the manufacture of any items without written permission.



REV	CHANGE NO.	DATE	BY	CHKD
1	1	1-14-73	R. DIETER	F. ZERESKI
2	1	1-14-73	R. DIETER	F. ZERESKI
3	1	1-14-73	R. DIETER	F. ZERESKI
4	1	1-14-73	R. DIETER	F. ZERESKI
5	1	1-14-73	R. DIETER	F. ZERESKI
6	1	1-14-73	R. DIETER	F. ZERESKI
7	1	1-14-73	R. DIETER	F. ZERESKI
8	1	1-14-73	R. DIETER	F. ZERESKI

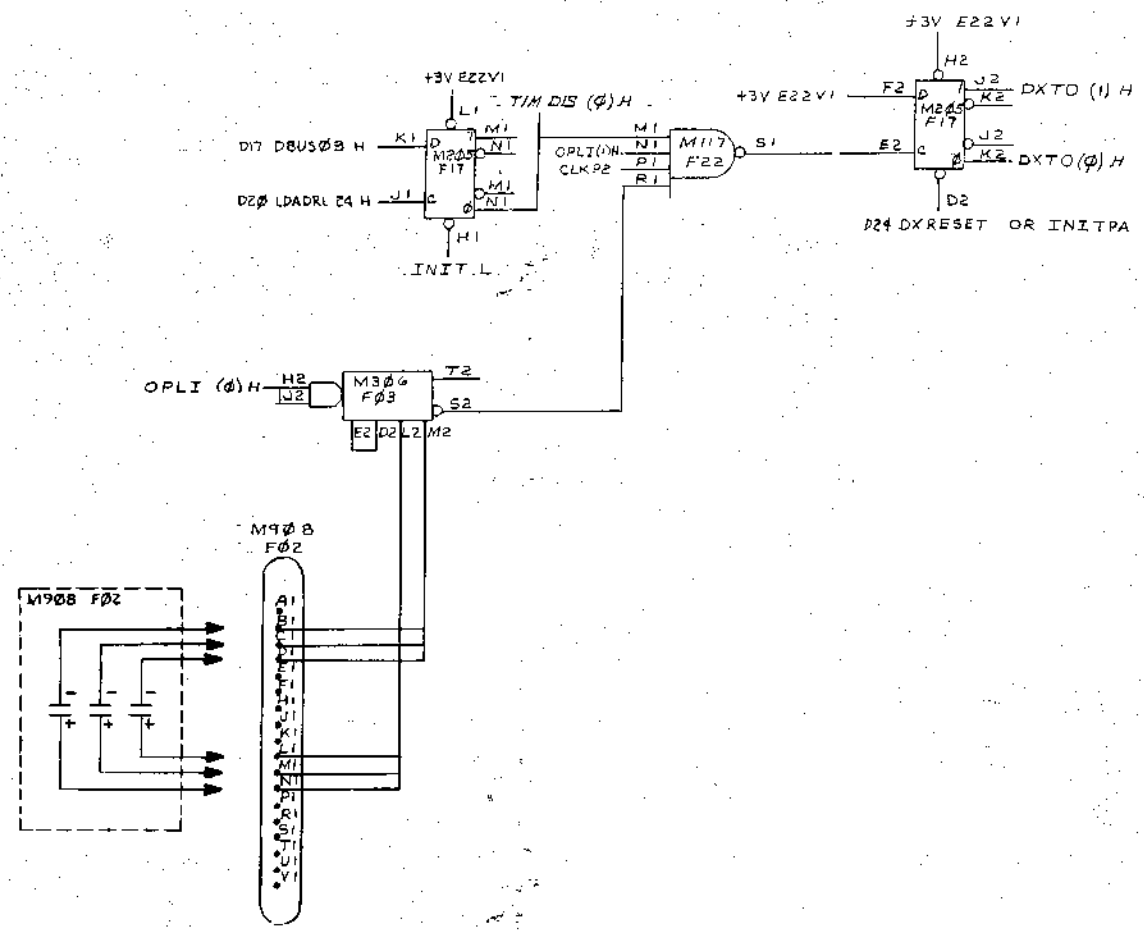
FIRST USED ON OPTION/MODEL	QTY.	DESCRIPTION	PART NO.	ITEM NO.
PDP-11				
UNLESS OTHERWISE SPECIFIED DIMENSION IN INCHES. TOLERANCES				
DECIMALS	ANGLES	DATE		
.XXX - .006	10' 30"	DATE	DIGITAL EQUIPMENT CORPORATION	
.XX - .02		DATE	MILITARY MANUFACTURING	
.X - .1		DATE	TITLE	
REMOVE BURRS AND BREAK SHARP CORNERS SURFACE QUALITY		DATE	SIG & GATES	
MATERIAL	NEXT HIGHER ASSY.	DATE	B-DD-DX11-B	
FINISH	SCALE NONE	DATE	SIZE CODE NUMBER	
	SHEET 1 OF 3	DATE	DBS DX11-B-25	
		DATE	REV. E	



This drawing and specifications, herein, are the property of Digital Equipment Corporation and shall not be reproduced or copied in whole or in part as the basis for the manufacture or sale of parts without written permission. 1973

FIRST USED ON OPTION/MODEL	QTY.	DESCRIPTION	PART NO.	ITEM NO.
PDP-11				
UNLESS OTHERWISE SPECIFIED				
DIMENSION IN INCHES		DATE	PARTS LIST	
TOLERANCES		DATE	DIGITAL EQUIPMENT CORPORATION	
DECIMALS	ANGLES	DATE	TITLE	
.XXX + .005	10' 30'	DATE	SIG & GATES	
XX + .02		DATE		
X + .1		DATE		
REMOVE BURRS AND BREAK SHARP EDGES TO FINISH QUALITY				
MATERIAL		DATE		
NEXT HIGHER ASSY.		DATE		
FINISH		DATE		
SCALE NONE		DATE		
SHEET 2 OF 3		DATE		
DIST.		DATE		
B-DD-DXII-B		DATE		
SIZE CODE		DATE		
NUMBER		DATE		
REV.		DATE		
DBS DXII-B-25		DATE		
E		DATE		

This drawing and specifications, herein, are the property of Digital Equipment Corporation and shall not be reproduced or copied in whole or in part or the base for the manufacture or sale of items without written permission. 1873



NOTE:
EXTERNAL CAPACITORS
MOUNTED ON MODULE F02.
ALL ARE 180 UF 6V TANT.

REV	NO

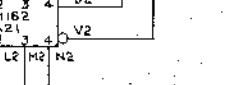
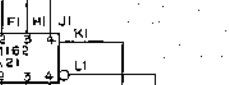
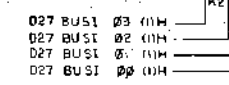
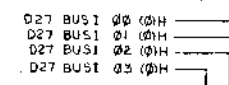
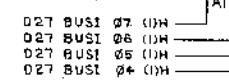
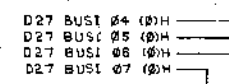
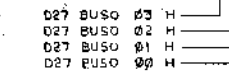
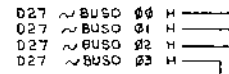
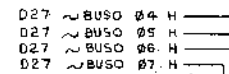
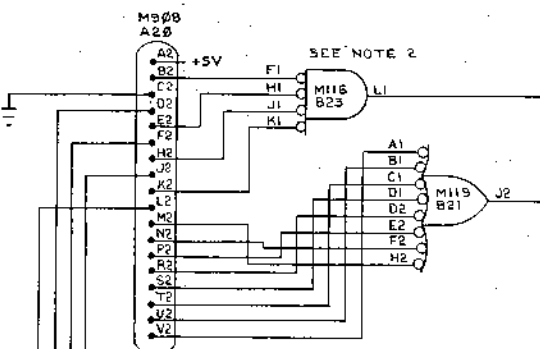
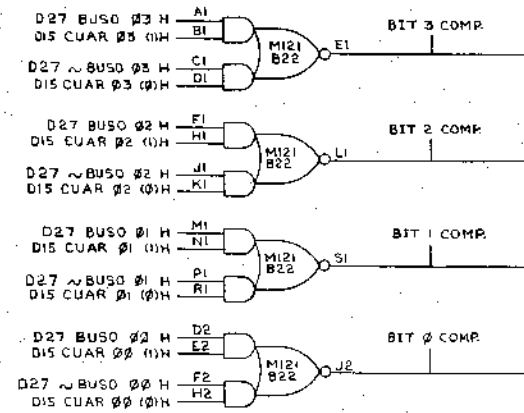
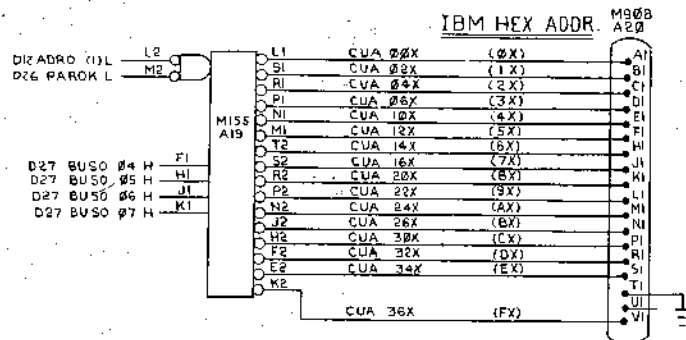
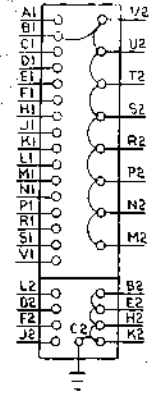
FIRST USED ON OPTION/MODEL PDP-11	QTY.	DESCRIPTION	PART NO.	ITEM NO.
PARTS LIST				
UNLESS OTHERWISE SPECIFIED DIMENSION IN INCHES TOLERANCES	DRN <i>E. Wilson</i>	DATE 2-22-72	digital EQUIPMENT CORPORATION MAYNARD MASSACHUSETTS	
DECIMALS			TITLE	
			SIG & GATES	
MATERIAL	NEXT HIGHER ASSY.		SIZE CODE	NUMBER
FINISH	B-DD-DX11-B		DBS	DX11-B-25
	SCALE	NONE	DIST.	
	SHEET	3 OF 3		

This drawing and specifications herein are the property of Digital Equipment Corporation and shall not be reproduced or copied in whole or in part as the basis for the manufacture or sale of items without written permission.

NOTES:

- INSTALL JUMPERS AS REQUIRED FOR CU ADDRESS SPECIFIED AT EACH INSTALLATION. JUMPER UNUSED INPUTS TO LAST USED INPUT.
- TIE UNUSED INPUTS (B2, E2, H2, K2) TO GND.

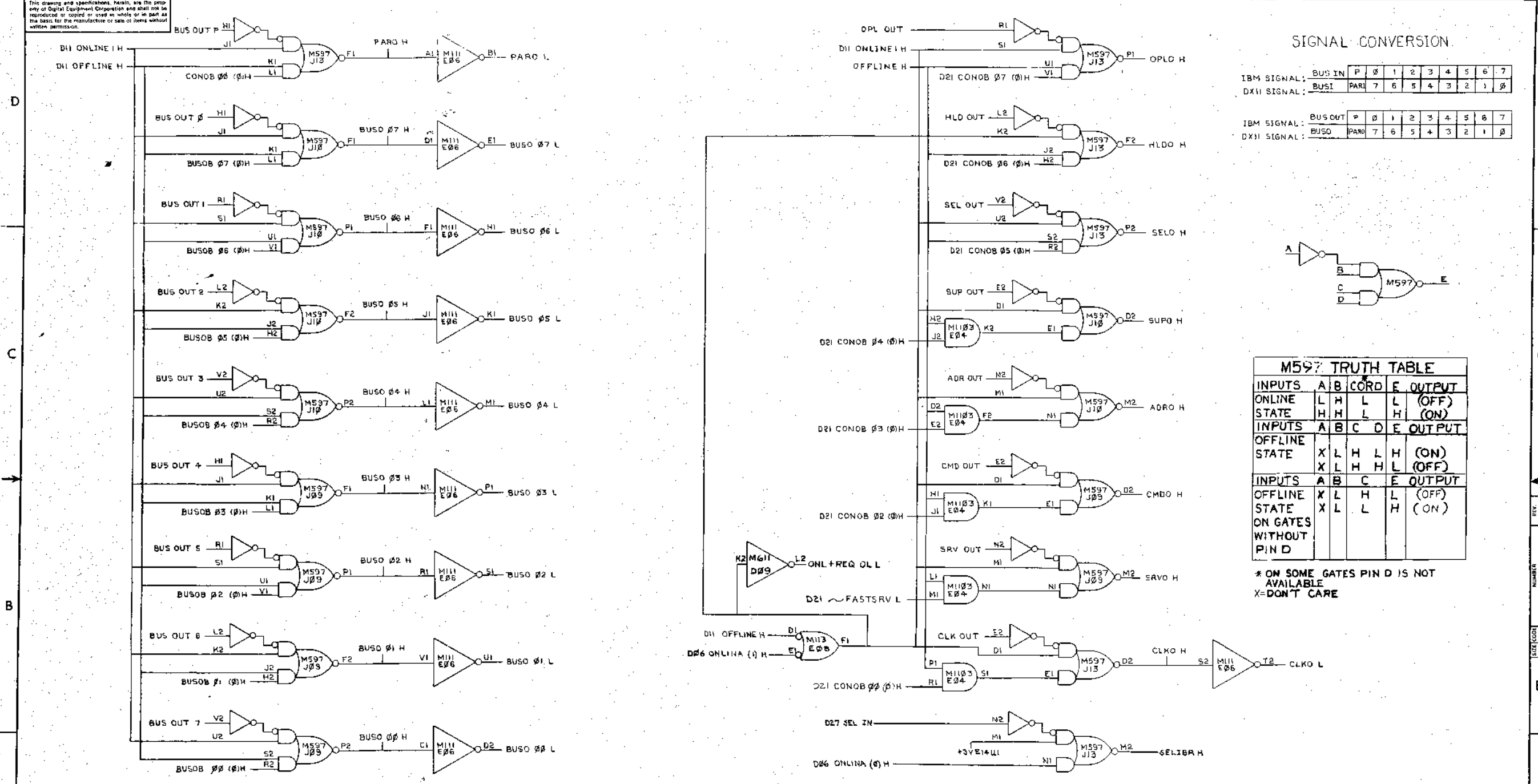
SEE NOTE 1
SAMPLE JUMPERS SHOWN FOR IBM ADDR. (1X)



REVISIONS	CHK	CHANGE NO.	REV.
		DXII-B-00009-A	A
		7/18/73	
		DIETER	
		3-6-73	

FIRST USED UN/OPTION/MODEL	QTY.	DESCRIPTION	PART NO.	ITEM NO.
PDP-11		PARTS LIST		
UNLESS OTHERWISE SPECIFIED DIMENSION IN INCHES. TOLERANCES	DRN	DATE	digital EQUIPMENT CORPORATION MAYNARD, MASSACHUSETTS	
DECIMALS	ANGLES	DATE	TITLE	
±0.005	±0°30'	5-1-73	PARITY & ADDR. COMPARE	
NEAR CORNERS AND BREAK SHARP CORNERS: SURFACE QUALITY	PROD. ENG.	DATE	REV.	
MATERIAL	PROD. JAPAN	5-1-73	A	
NEXT HIGHER ASSY.			PART NO. NUMBER	
			B-DD-DXII-B	
FINISH	SCALE NONE		SHEET OF 1	
			DIST.	

This drawing and specifications herein are the property of Digital Equipment Corporation and shall not be reproduced or copied or used in whole or in part as the basis for the manufacture or sale of items without written permission.



SIGNAL CONVERSION

IBM SIGNAL:	BUS IN	P	0	1	2	3	4	5	6	7
DX11 SIGNAL:	BUSI	PARI	7	6	5	4	3	2	1	0

IBM SIGNAL:	BUS OUT	P	0	1	2	3	4	5	6	7
DX11 SIGNAL:	BUSO	PARO	7	6	5	4	3	2	1	0

M597 TRUTH TABLE

INPUTS		A	B	CORD	E	OUTPUT
ONLINE	STATE	L	H	L	L	(OFF)
		H	H	L	H	(ON)

INPUTS		A	B	C	D	E	OUTPUT
OFFLINE	STATE	X	L	H	L	H	(ON)
		X	L	H	H	L	(OFF)

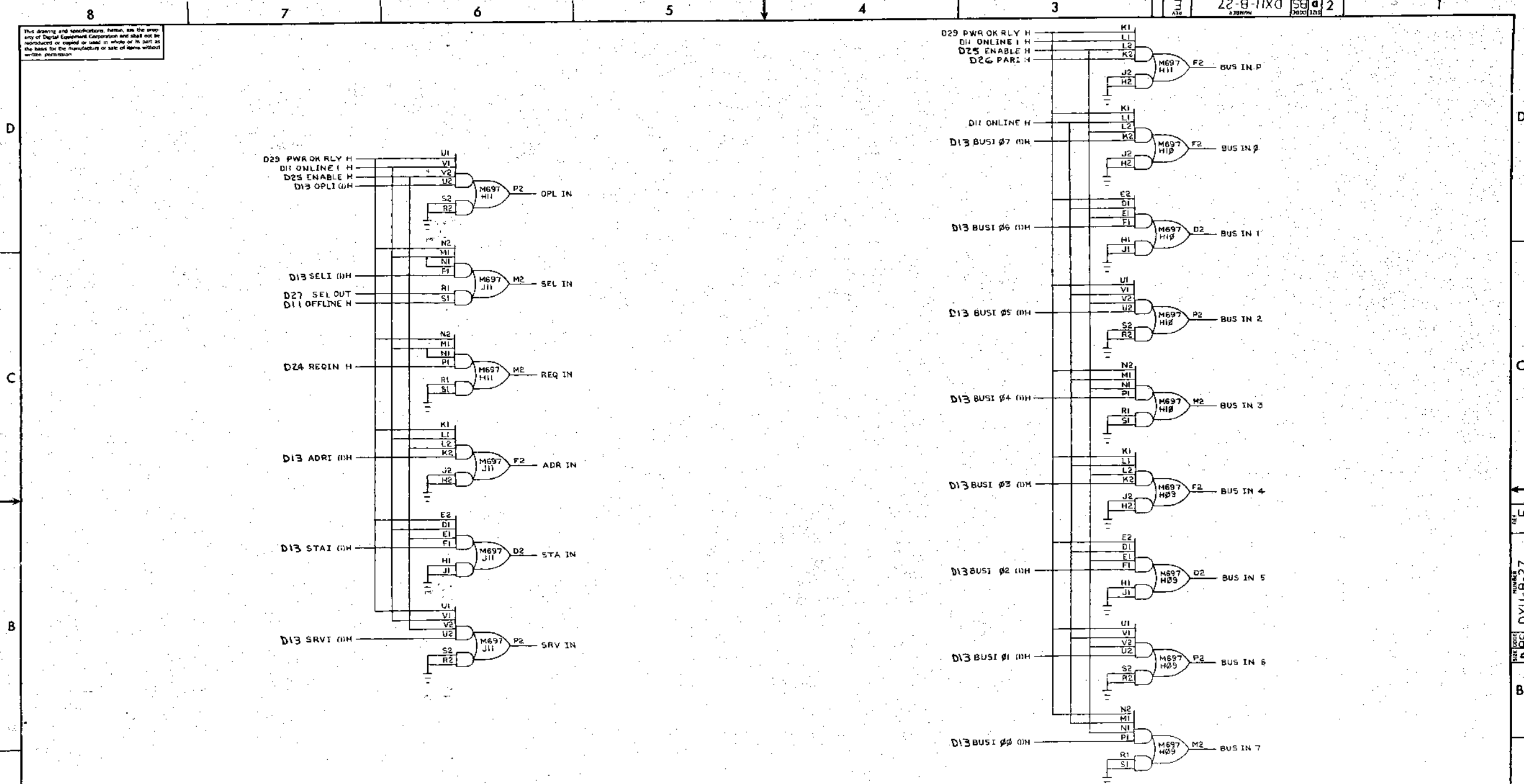
INPUTS		A	B	C	E	OUTPUT
OFFLINE	STATE	X	L	H	L	(OFF)
		X	L	L	H	(ON)

* ON SOME GATES PIN D IS NOT AVAILABLE
 X=DONT CARE

REV.	CHANGE NO.	DATE	BY	CHKD.
1	DX11B-00005	12-22-72	F. ZERESKI	F. ZERESKI
2	DX11B-00015	1-11-73	F. ZERESKI	F. ZERESKI
3	DX11B-00024	5-25-73	F. ZERESKI	F. ZERESKI
4	DX11B-00026	10-1-73	F. ZERESKI	F. ZERESKI

FIRST USED ON OPTION/MODEL	QTY.	DESCRIPTION	PART NO.	ITEM NO.
PDP-11		PARTS LIST		
UNLESS OTHERWISE SPECIFIED DIMENSION IN INCHES TOLERANCES	DRN. DATE	DIGITAL EQUIPMENT CORPORATION		
DECIMALS ANGLES	CHKD. DATE	MAYNARD MANUFACTURING		
XXX - .005	PROJ. ENG. DATE	TITLE		
.XX - .02	PROD. DATE	IBM INTERFACE		
.X - .1	REMOVE BURRS AND BREAK SHARP CORNERS SURFACE QUALITY	MATERIAL		
		NEXT HIGHER ASSY.		
		B-00-DX11-B		
FINISH	SCALE NONE	SIZE CODE	NUMBER	REV.
		DBS	DX11-B-27	E
	SHEET OF 5	DIST.		

This drawing and specifications herein are the property of Digital Equipment Corporation and shall not be reproduced or copied in whole or in part as the basis for the manufacture or sale of items without written permission.

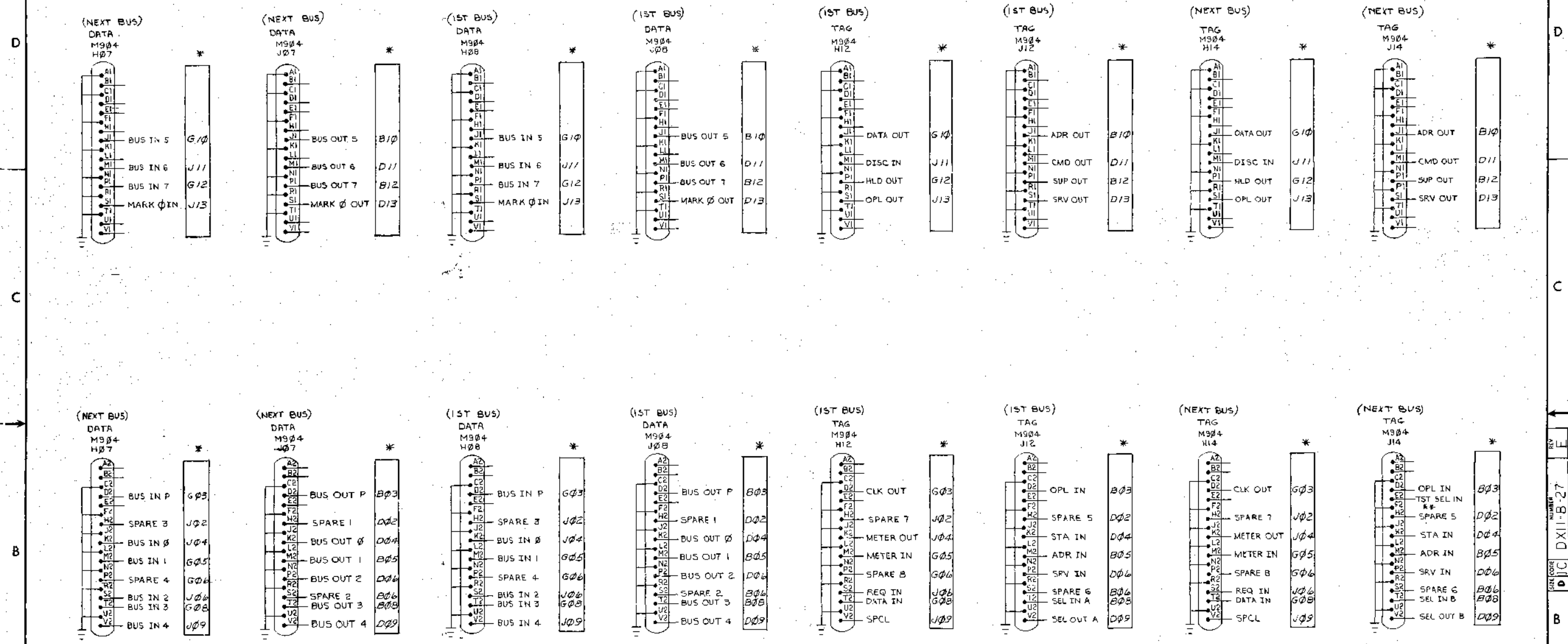


REV	
CHANGE NO.	
CHG	

FIRST USED ON OPTION/MODEL POP-11	QTY.	DESCRIPTION	PART NO.	ITEM NO.
PARTS LIST				
UNLESS OTHERWISE SPECIFIED DIMENSION IN INCHES TOLERANCES		DATE 6-1-72	digital EQUIPMENT CORPORATION MAYNARD MASSACHUSETTS	
DECIMALS	ANGLES	DATE 6-1-72	TITLE IBM INTERFACE	
.XX - .006	± 0° 30'	DATE 6-1-72		
REMOVE BURRS AND BREAK SHARP CORNER SURFACE QUALITY		DATE 6-1-72		
MATERIAL		NEXT HIGHER ASSY.		
FINISH		B-DD-DXII-B	SIZE CODE D BS	NUMBER DXII-B-27
		SCALE NONE	REV. E	
		SHEET 2 OF 6	DIST.	

DLC FORM NO
D67-100-A

This drawing and specifications, herein, are the property of Digital Equipment Corporation and shall not be reproduced or copied or used in whole or in part as the basis for the manufacture or sale of items without written permission.

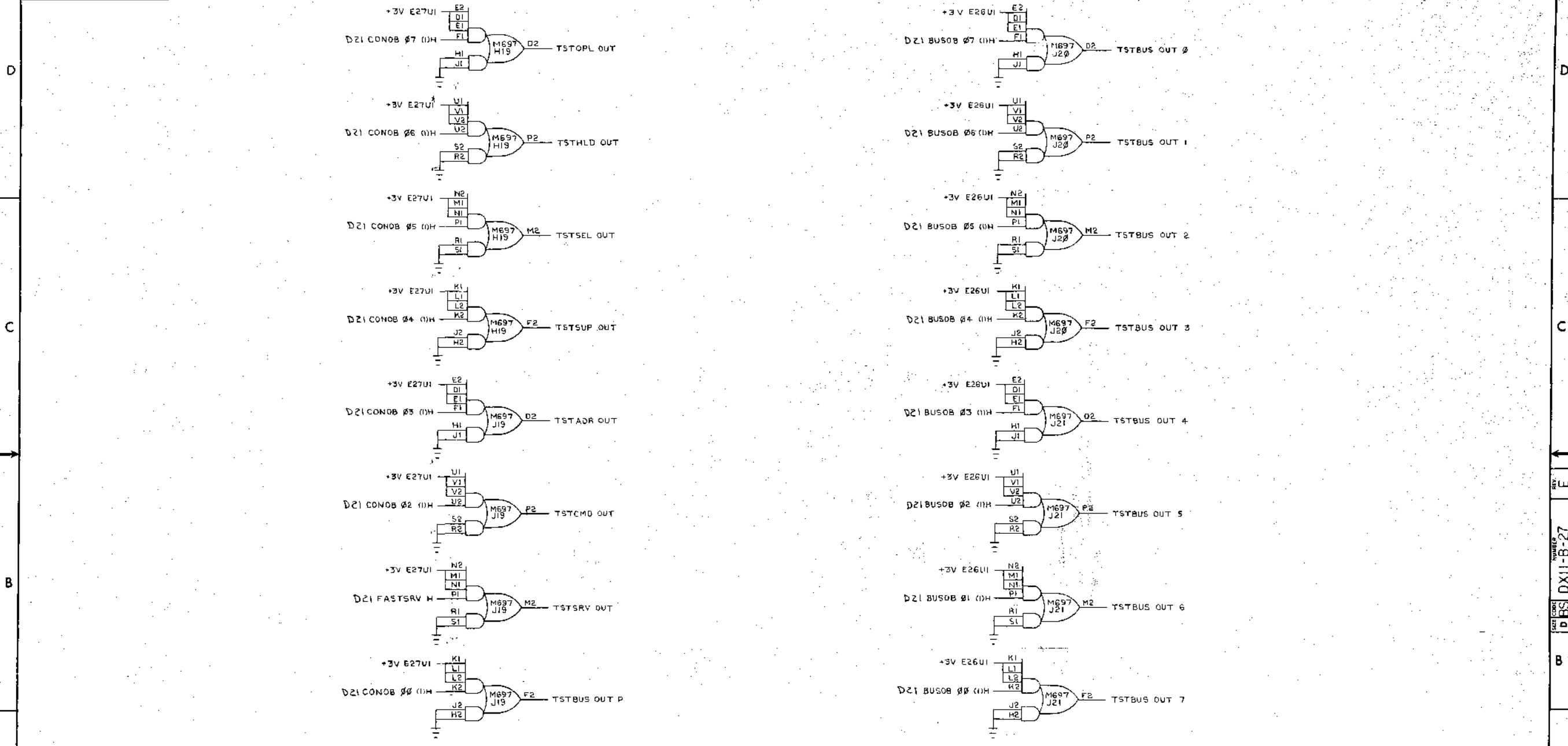


NOTE:
 1) * IBM CONN. PIN NO.
 2) ** USED IN MAINT. MODE ONLY AND NOT ON IBM CHANNEL.

REV	
CHANGE NO.	
CHK	

FIRST USED ON OPTION/MODEL PDP-11	QTY.	DESCRIPTION	PART NO.	ITEM NO.
PARTS LIST				
UNLESS OTHERWISE SPECIFIED DIMENSION IN INCHES TOLERANCES				
DECIMALS XXX - .006 XX - .01 X - .1	ANGLES ± 30'	DATE 6-1-72	TITLE IBM INTERFACE	
REMOVE BURRS AND BREAK SHARP CORNERS SURFACE QUALITY		DATE 6-1-72	DATE 1-1-72	
MATERIAL	NEXT HIGHER ASSY.	SCALE	SIZE CODE	NUMBER
FINISH	B-DD-DX11-B	NONE	D BS	DX11-B-27
	SHEET 3 OF 6	DIST.		

This drawing and specifications, herein, are the property of Digital Equipment Corporation and shall not be reproduced or copied or used in whole or in part as the basis for the manufacture or sale of items without written permission.

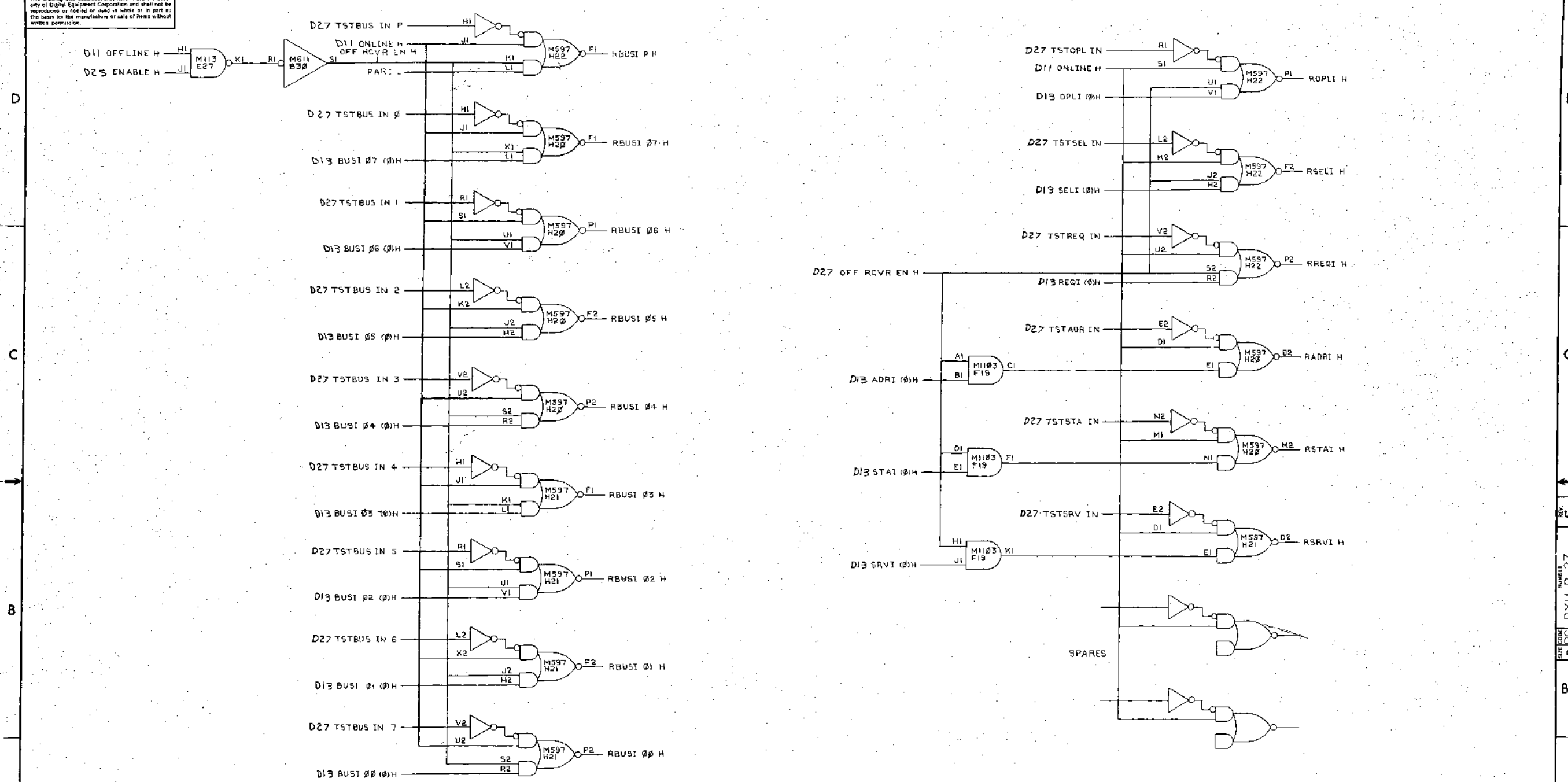


REVISIONS	REV.
CHANGE NO.	
CHK	

DEC FORM NO. DRD 100-A

FIRST USED ON OPTION/MODEL	QTY.	DESCRIPTION	PART NO.	ITEM NO.
PDP-11				
PARTS LIST				
UNLESS OTHERWISE SPECIFIED DIMENSION IN INCHES.		DRN. DATE	digital EQUIPMENT CORPORATION MAYNARD, MASSACHUSETTS	
TOLERANCES		CHK'D DATE	TITLE IBM INTERFACE	
DECIMALS	ANGLES	ENG. DATE		
.005	±0°30'	PROJ. ENGR. DATE		
.02		PROD. DATE		
REMOVE BURRS AND BREAK SHARP EDGES. SURFACE QUALITY		PROC. DATE		
MATERIAL		NEXT HIGHER ASSY.		
		B-00-DX11-B	SIZE CODE	NUMBER
		SCALE NONE	DBS	DX11-B-27
		SHEET 4 OF 6	DIST.	

This drawing and specifications, herein, are the property of Digital Equipment Corporation and shall not be reproduced or copied in whole or in part as the basis for the manufacture or sale of items without written permission.



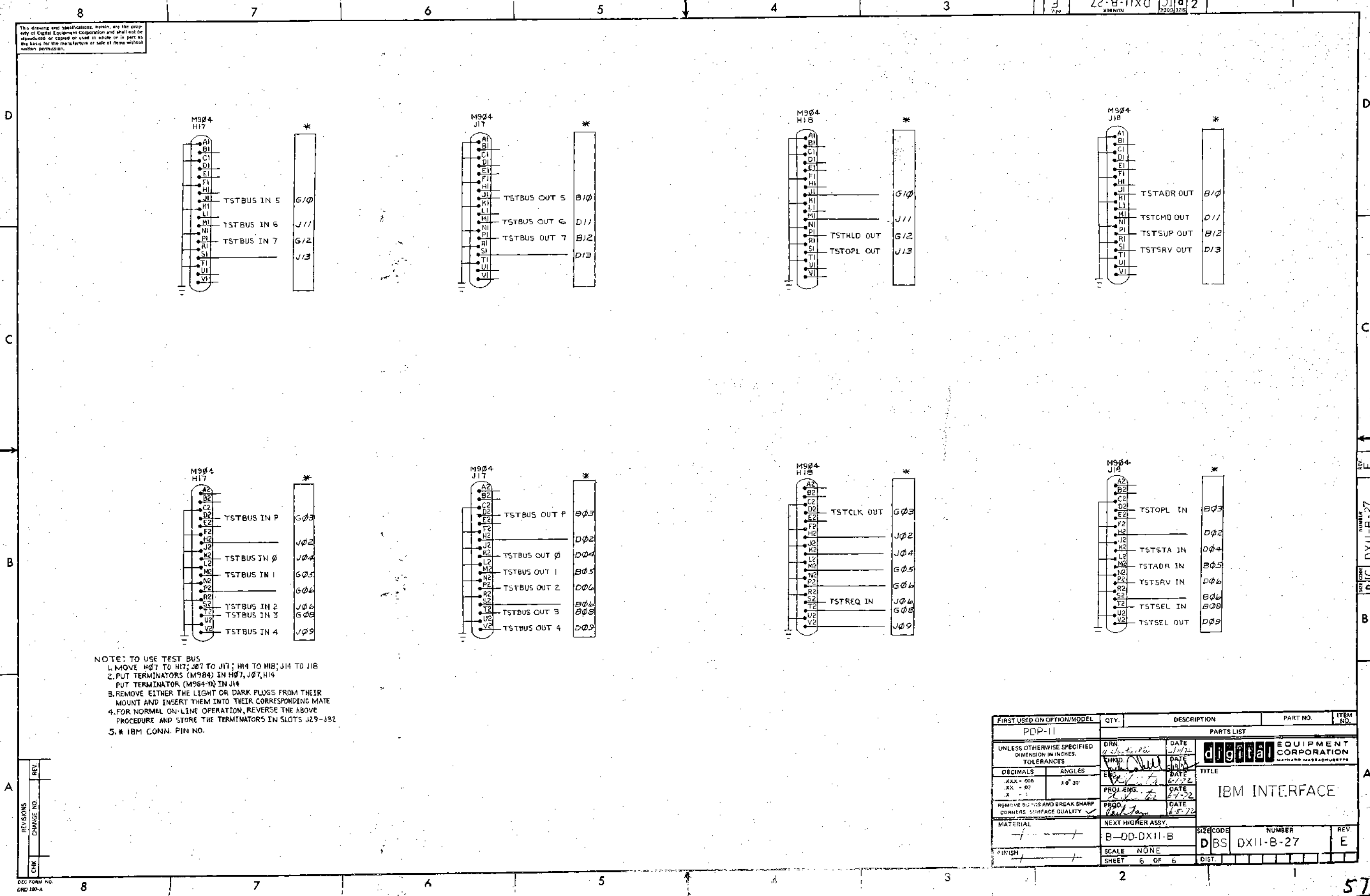
REV	
CHG	
CHK	

56

FIRST USED ON OPTION/MODEL PDP-11	QTY.	DESCRIPTION	PART NO.	ITEM NO.
PARTS LIST				
UNLESS OTHERWISE SPECIFIED DIMENSION IN INCHES. TOLERANCES		DATE 10/3/71	DIGITAL CORPORATION MAYNARD MASS 01901	
DECIMALS	ANGLES	DATE 6-1-72	TITLE IBM INTERFACE	
.XXX - .006	± 0° 30'	DATE 8-1-72	SIZE CODE B-DD-DXII-B	
REMOVE BURRS AND BREAK SHARP CORNERS SURFACE QUALITY		DATE 6-1-72	NUMBER DBS DXII-B-27	
MATERIAL	NEXT HIGHER ASSY.	REV. E		
FINISH	SCALE NONE	DIST.		
SHEET 5 OF 6				

REV. E DBS DXII-B-27

This drawing and specifications herein are the property of Digital Equipment Corporation and shall not be reproduced or copied or used in whole or in part as the basis for the manufacture or sale of items without written permission.

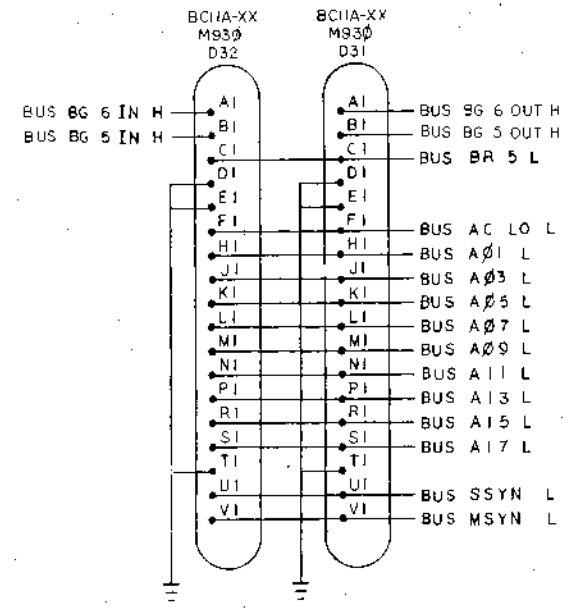
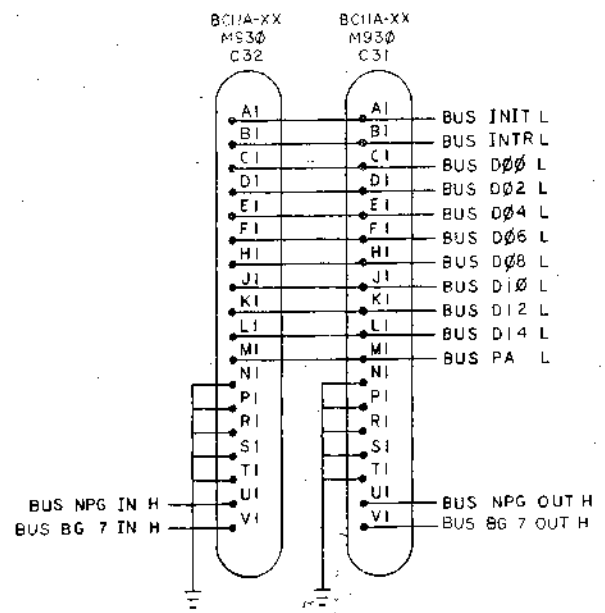


NOTE: TO USE TEST BUS
 1. MOVE H07 TO H17; J07 TO J17; H14 TO H18; J14 TO J18
 2. PUT TERMINATORS (M984) IN H07, J07, H14
 PUT TERMINATOR (M984-Y) IN J14
 3. REMOVE EITHER THE LIGHT OR DARK PLUGS FROM THEIR MOUNT AND INSERT THEM INTO THEIR CORRESPONDING MATE
 4. FOR NORMAL ON-LINE OPERATION, REVERSE THE ABOVE PROCEDURE AND STORE THE TERMINATORS IN SLOTS J29-J32
 5. * IBM CONN. PIN NO.

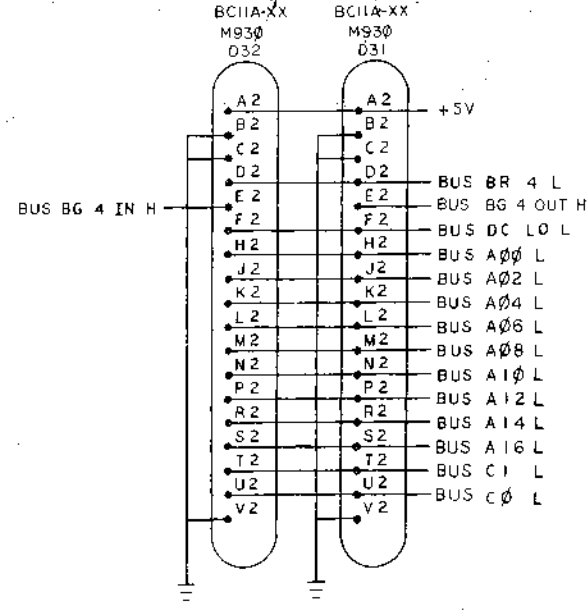
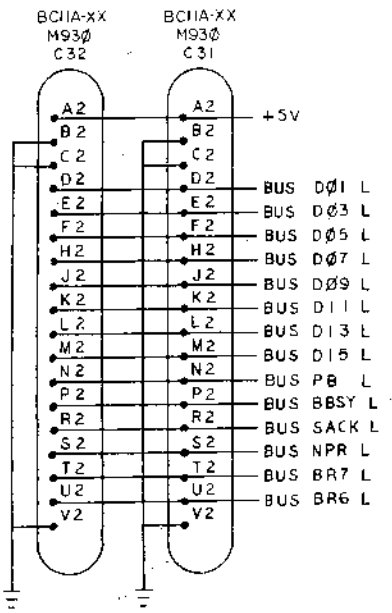
REV.	CHG.	NO.

FIRST USED ON OPTION/MODEL	QTY.	DESCRIPTION	PART NO.	ITEM NO.
PDP-11		PARTS LIST		
UNLESS OTHERWISE SPECIFIED DIMENSION IN INCHES. TOLERANCES	DRN	DATE	digital EQUIPMENT CORPORATION	
DECIMALS				
ANGLES				
.XXX - .006				
.XX - .02				
X - .1				
REMOVE BURRS AND BREAK SHARP CORNERS. SURFACE QUALITY	PROJ. ENGS.	DATE	TITLE	
			IBM INTERFACE	
MATERIAL	NEXT HIGHER ASSY.		SIZE CODE	NUMBER
			B-00-DX11-B	
FINISH	SCALE	NONE	DBS	DX11-B-27
	SHEET	6 OF 6	DIST.	

This drawing and specifications, herein, are the property of Digital Equipment Corporation and shall not be reproduced or copied or used in whole or in part as the basis for the manufacture or sale of items without written permission.



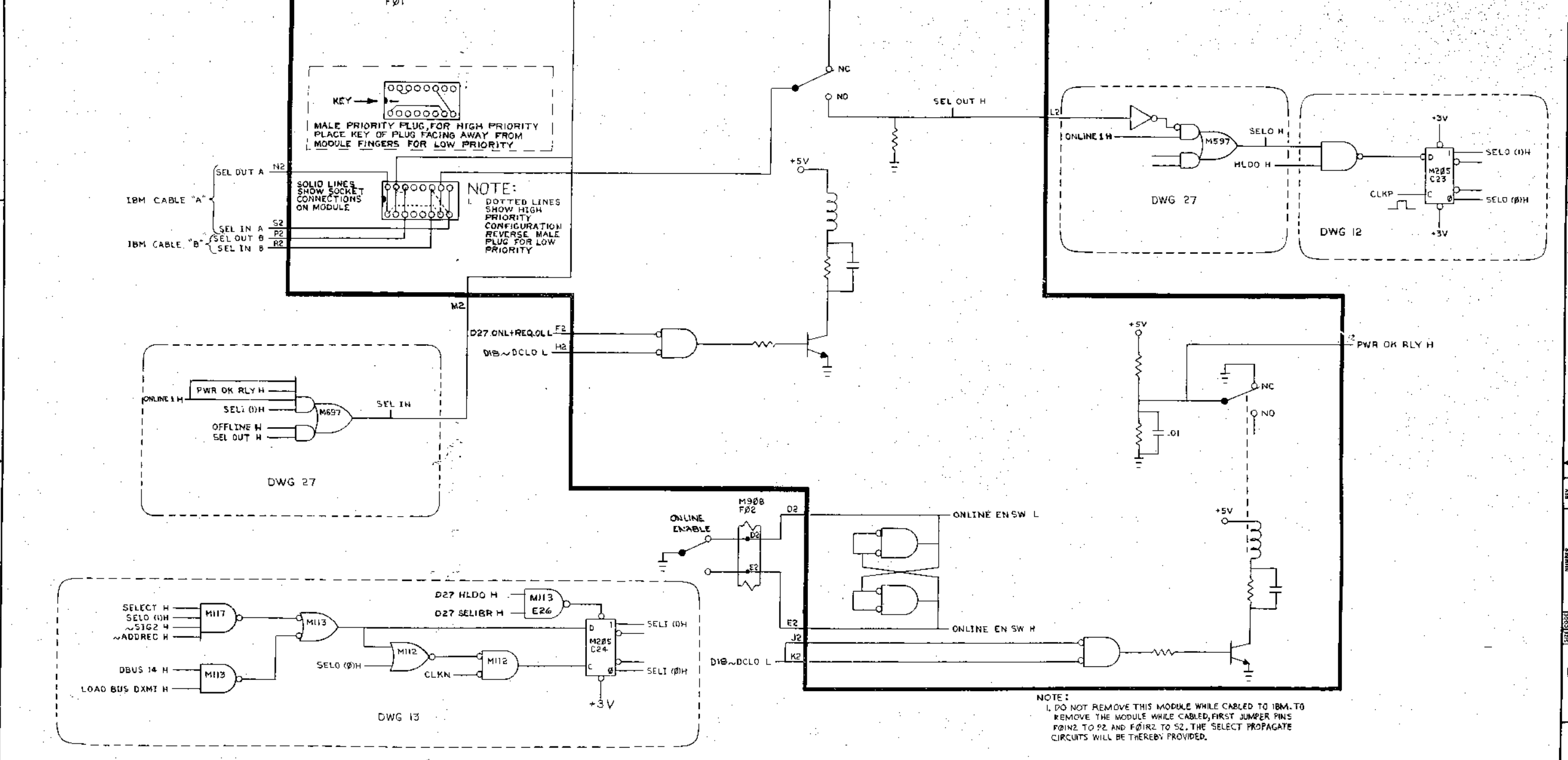
NOTES:
THE UNIBUS CONNECTOR IS A DOUBLE HEIGHT MODULE.



REVISIONS
CHANGE NO.
CHK

FIRST USED ON (PT/LO) MODEL	QTY	DESCRIPTION	PART NO.	ITEM NO.
PDP-11				
UNLESS OTHERWISE SPECIFIED				
DIMENSION IN INCHES		PARTS LIST		
DECIMALS	FRACTIONS	DIGITAL EQUIPMENT CORPORATION MAYNARD, MASSACHUSETTS		
TITLE: UNIBUS CONNECTORS				
NEXT HIGHER ASSY: A-ML-DX11-B				
SCALE: NONE				
SHEET OF 1				
SIZE CODE: D IC DX11-B-28				

This drawing and specifications, herein, are the property of Digital Equipment Corporation and shall not be reproduced or copied or used in whole or in part as the basis for the manufacture or sale of items without written permission.



REV	CHANGE NO.	BY	DATE
1	1	A. DIETER	11-11-74
2	2	F. ZERESKI	11-11-74
3	3	F. ZERESKI	11-11-74
4	4	F. ZERESKI	11-11-74

DEC FORM NO. 082 100-A

FIRST USED ON (PTION/MODEL)	QTY.	DESCRIPTION	PART NO.	ITEM NO.
PDP-11				
UNLESS OTHERWISE SPECIFIED DIMENSION IN INCHES. TOLERANCES				
DECIMALS	ANGLES	PARTS LIST		
.XX - .005	± 0° 30'	digital EQUIPMENT CORPORATION		
.XX - .02		MADE IN MASSACHUSETTS		
.X - .1		TITLE		
REMOVE EDGES AND BREAK SHARP CORNERS. SURFACE QUALITY		SELECT BYPASS & POWER FAIL		
MATERIAL	NEXT HIGHER ASSY.	SIZE CODE	NUMBER	REV.
FINISH	B-DD-DXII-B	DBS	DXII-B-29	B
	SCALE NONE	SHEET	OF	DIST.
		2		

REV B DBS DXII-B-29

This drawing and specifications, herein, are the property of Digital Equipment Corporation and shall not be reproduced or copied or used in whole or in part as the basis for the manufacture or sale of items without written permission. 1973

SIZE CODE K WL 2
 NUMBER DX11-B-30
 REV. A3

REV. A		REV. B	
CHK	CHANGE NO.	CHK	CHANGE NO.
29	DX11-B-0001	29	DX11-B-00019
	A. Dieter 5-11-72		F. Zereski 5/17/75
	DIETER		F. ZERESKI
30	DX11-B-0003	30	DX11-B-00020
	A. Dieter 5-12-72		A.O. Hastings 28 SEP 77
	DIETER		DX11-B-00027 U
31	DX11-B-0006	31	DX11-B-00021
	M. Gavini 5-25-72		F. Zereski 6-2-75
	R. Dieter 9-8-72		DX11-B-00023 P
	R. Dieter		F. Zereski 11-5-75
32	DX11-B-0009	32	DX11-B-00023
	R. Dieter 9-11-72		F. Zereski 2 JULY 76
	DIETER		F. Zereski 2 AUG 76
33	DX11-B-0010	33	DX11-B-00024
	R. Dieter 2-6-73		F. Zereski 15 NOV 76
	DIETER		F. ZERESKI
34	DX11-B-0012	34	DX11-B-00025
	R. Dieter 6-14-73		F. Zereski 24 FEB 77
	DIETER		F. ZERESKI
35	DX11-B-0014	35	DX11-B-00026
	R. Dieter 10-9-73		R. Zereski 1954 1-77
	DIETER		F. ZERESKI
36	DX11-B-0015	36	DX11-B-00027
	R. Dieter 2-7-74		V. Bastiani 22 MAR 77
	DIETER		V. Bastiani
37	DX11-B-0016	37	DX11-B-00028
	R. Dieter 7-3-74		
	DIETER		
38	DX11-B-0017	38	DX11-B-00029
	R. Dieter 7-11-74		
	DIETER		
39	DX11-B-0018	39	DX11-B-00030
	R. Dieter 7-11-74		
	DIETER		
40	DX11-B-0019	40	DX11-B-00031
	R. Dieter 7-11-74		
	DIETER		
41	DX11-B-0020	41	DX11-B-00032
	R. Dieter 7-11-74		
	DIETER		

QTY.	DESCRIPTION	PART NO.	ITEM NO.
	DX11-B		
PARTS LIST			
DRN. A. FRATICELLI		DATE 1/5/72	
CHK'D. [Signature]		DATE 6-10-72	
ENG. [Signature]		DATE 7-7-72	
PROJ. ENG. [Signature]		DATE 7-7-72	
PROB. [Signature]		DATE 11-11-72	
NEXT HIGHER ASSEMBLY			
D-AD-7008719-0-0			
SCALE	NONE		
SHEET		OF	
SIZE CODE K WL		NUMBER DX11-B-30	REV. U
DIST. _____			

DIGITAL EQUIPMENT CORPORATION
 MAYNARD, MASSACHUSETTS

TITLE
WIRE LIST
 (IBM INTERFACE SYSTEM)

DEC FORM NO.
 DRB 109

DX11B.U
RUN NAME

WRAPD .V35(102)-1 03-JUN-77
A/P PIN ORDER RAY - Q DRAW RV RG Y X Z
NAME PIN ORDER OPT

15-NOV-77

15:48 PAGE 1
NC LENGTH EXCEPTIONS
FLAG

RUN
NUMBER

+3V A25U1	A23D1	1-01 *	D14								N	1-3/8	1
+3V A25U1	A23M1	1-02 *	D14								N	1-3/8	1
+3V A25U1	A23U2	1-03 *	D14								N	1-2/8	1
+3V A25U1	A25U1	1-04 *	D08								N	4-3/8	1
+3V A25U1	P27U2	1-05 *	D08								N	3-4/8	1
+3V A25U1	B32A1	1-06 *	D17										1
+3V A25U1		1										11-7/8	1
+3V B10U1	A17K2	1-01 *	D15								N	1	2
+3V B10U1	A16K2	1-02 *	D15								N	1	2
+3V B10U1	A15K2	1-03 *	D15								N	1	2
+3V B10U1	A14K2	1-04 *	D15								N	1	2
+3V B10U1	A13K2	1-05 *	D15								N	1	2
+3V B10U1	A12K2	1-06 *	D15								N	1	2
+3V B10U1	A11K2	1-07 *	D15								N	1	2
+3V B10U1	A10K2	1-08 *	D15								N	4-3/8	2
+3V B10U1	B10U1	1-09 *	D15										2
+3V B10U1		1										11-3/8	2
+3V B16U1	B16U1	1-01 *	D20								N	3-2/8	3
+3V B16U1	C20P1	1-02 *	D20								N	1-5/8	3
+3V B16U1	C21T2	1-03 *	D20								N	0-3/8	3
+3V B16U1	B32T2	1-04 *	D20								N	0-5/8	3
+3V B16U1	B32P2	1-05 *	D20								N	0-4/8	3
+3V B16U1	B32P1	1-06 *	D20										3
+3V B16U1		1										14-3/8	3
+3V B10U1	A10D1	1-01 *	D21								N	1	4
+3V B10U1	A11D1	1-02 *	D21								N	1	4
+3V B10U1	A12D1	1-03 *	D21								N	1	4
+3V B10U1	A13D1	1-04 *	D21								N	1	4
+3V B10U1	A14D1	1-05 *	D21								N	1	4
+3V B10U1	A15D1	1-06 *	D21								N	1	4
+3V B10U1	A16D1	1-07 *	D21								N	5-5/8	4
+3V B10U1	B10U1	1-08 *	D21										4
+3V B10U1		1										11-5/8	4
+3V B10V1	A10K1	1-01 *	D21								N	1	5
+3V B10V1	A11K1	1-02 *	D21								N	1	5
+3V B10V1	A12K1	1-03 *	D21								N	1	5
+3V B10V1	A13K1	1-04 *	D21								N	1	5
+3V B10V1	A14K1	1-05 *	D21								N	1	5
+3V B10V1	A15K1	1-06 *	D21								N	1	5
+3V B10V1	A16K1	1-07 *	D21								N	1	5
+3V B10V1	A17K1	1-08 *	D21								N	4-7/8	5
+3V B10V1	B10V1	1-09 *	D21								N	2-1/8	5
+3V B10V1	C18L2	1-10 *											5
+3V B10V1	C18L2	1-10 *											5
+3V B10V1		1										14-0/8	5

D13

DX118-U RUN NAME	WRAPD .V35(102)-1 A/P PIN ORDER NAME	03-JUN-77 BAY - Q ORDER	DRAM OPT	PV OPT	RG OPT	Y OPT	X OPT	Z OPT	REMARKS	15-NOV-77	15148 PAGE 4 NC LENGTH EXCEPTIONS FLAG	RUN NUMBER
+3V C08U1	C08C1	1-01 *									N 0-5/8	12
+3V C08U1	C08F2	1-02 *									N 0-1/8	12
+3V C08U1	C08H2	1-03 *									N 2-7/8	12
+3V C08U1	C08U1	1-04 *									N 3-5/8	12
+3V C08V1	C13H1	1-01 *									N 2	13
+3V C08V1	C11T2	1-02 *									N 4-1/8	13
+3V C08V1	C08G2	1-03 *									N 2-5/8	13
+3V C08V1	C08V1	1-04 *									N 3-1/8	13
+3V C08V1	D08U2	1-05 *									N 4-5/8	13
+3V C08V1	E02U2	1-06 *									N 1-1/8	13
+3V C08V1	E02V2	1-07 *									N 17-6/8	13
+3V E08U1	C17H2	1-01 *									N 1	14
+3V E08U1	C16H2	1-02 *									N 1	14
+3V E08U1	C15H2	1-03 *									N 1	14
+3V E08U1	C14H2	1-04 *									N 0-1/8	14
+3V E08U1	E11H2	1-05 *									N 0-4/8	14
+3V E08U1	E11U2	1-06 *									N 2-2/8	14
+3V E08U1	E08U1	1-07 *									N 13-7/8	14
+3V E08V1	C13H2	1-01 *									N 1	15
+3V E08V1	C12H2	1-02 *									N 1	15
+3V E08V1	C11H2	1-03 *									N 1	15
+3V E08V1	C10H2	1-04 *									N 0-1/8	15
+3V E08V1	E08V1	1-05 *									N 11-1/8	15
+3V E12U1	C21D1	1-01 *	2								N 2-4/8	16
+3V E12U1	C25D1	1-02 *	1								N 1-2/8	16
+3V E12U1	C24A1	1-03 *									N 0-5/8	16
+3V E12U1	C23D1	1-04 *									N 1	16
+3V E12U1	C22D1	1-05 *									N 2	16
+3V E12U1	C19D1	1-06 *									N 1	16
+3V E12U1	C18D1	1-07 *									N 1	16
+3V E12U1	C17D1	1-08 *									N 1	16
+3V E12U1	C16D1	1-09 *									N 1-2/8	16
+3V E12U1	C15A1	1-10 *									N 1	16
+3V E12U1	C14A1	1-11 *									N 1	16
+3V E12U1	C13A1	1-12 *									N 1	16
+3V E12U1	C12A1	1-13 *									N 1	16
+3V E12U1	C11A1	1-14 *									N 0-5/8	16
+3V E12U1	C10D1	1-15 *									N 0-1/8	16
+3V E12U1	E12U1	1-16 *									N 24-3/8	16

DX118-U RUN NAME	WRAPD .V35(102)-1 A/P PIN ORDER NAME	03-JUN-77 BAY - Q ORDER	DRAM OPT	PV OPT	RG OPT	Y OPT	X OPT	Z OPT	REMARKS	15-NOV-77	15149 PAGE 5 NC LENGTH EXCEPTIONS FLAG	RUN NUMBER
+3V E14U1	C25H1	1-01 *									N 1	17
+3V E14U1	C24H1	1-02 *									N 1	17
+3V E14U1	C23H1	1-03 *									N 0-5/8	17
+3V E14U1	C22H1	1-04 *									N 0-1/8	17
+3V E14U1	C21H1	1-05 *									N 1	17
+3V E14U1	C20H1	1-06 *									N 1	17
+3V E14U1	C19H1	1-07 *									N 1	17
+3V E14U1	C18H1	1-08 *									N 0-7/8	17
+3V E14U1	E14U1	1-10 *									N 1-7/8	17
+3V E14U1	F14E2	1-11 *									N 0-4/8	17
+3V E14U1	F14H2	1-12 *									N 6-7/8	17
+3V E14U1	J13M1	1-13 *									N 24-7/8	17
+3V E14V1	C10H1	1-01 *									N 1	18
+3V E14V1	C11K1	1-02 *									N 0-1/8	18
+3V E14V1	C11L1	1-03 *									N 1	18
+3V E14V1	C12L1	1-04 *									N 1-5/8	18
+3V E14V1	C15H1	1-05 *									N 1	18
+3V E14V1	C16H1	1-06 *									N 1-2/8	18
+3V E14V1	C17L1	1-07 *									N 0-1/8	18
+3V E14V1	E14V1	1-09 *									N 3-4/8	18
+3V E14V1	F17P2	1-10 *									N 10-5/8	18
+3V E22U1	C25T2	1-01 *									N 1	19
+3V E22U1	C24T2	1-02 *									N 1	19
+3V E22U1	C23T2	1-03 *									N 1	19
+3V E22U1	C22T2	1-04 *									N 2	19
+3V E22U1	C19T2	1-05 *									N 1	19
+3V E22U1	C18T2	1-06 *									N 7-3/8	19
+3V E22U1	E22U1	1-07 *									N 1-4/8	19
+3V E22U1	F22C1	1-08 *									N 0-1/8	19
+3V E22U1	F22D1	1-09 *									N 3-7/8	19
+3V E22U1	F17T2	1-10 *									N 10-7/8	19
+3V E22V1	C10T2	1-01 *									N 1-4/8	20
+3V E22V1	C12T2	1-02 *									N 1	20
+3V E22V1	C13T2	1-03 *									N 1	20
+3V E22V1	C14T2	1-04 *									N 1	20
+3V E22V1	C15T2	1-05 *									N 1	20
+3V E22V1	C16T2	1-06 *									N 0-1/8	20
+3V E22V1	C17T2	1-07 *									N 0-5/8	20
+3V E22V1	F17D1	1-08 *									N 7-1/8	20
+3V E22V1	F17E2	1-09 *									N 0-4/8	20
+3V E22V1	F17H2	1-10 *									N 0-1/8	20
+3V E22V1	F17L1	1-11 *									N 0-5/8	20
+3V E22V1	F22V1	1-12 *									N 6-2/8	20
+3V E22V1	F30P1	1-13 *									N 6-3/8	20
+3V E22V1	F30P1	1-14 *									N 20-2/8	20

64

DX118.U RUN NAME	WRAPD .V35(102)-1 A/P PIN ORDER	03-JUN-77 BAY - Q DRAW OPT	15-NOV-77 RV RG Y X Z	REMARKS	NC LENGTH EXCEPTIONS FLAG	15148 PAGE 6	RUN NUMBER
+3V E26U1	E26U1	1-01 *	D27		N 9-1/8		21
+3V E26U1	J21E2	1-02 *	D27		N 0-1/8		21
+3V E26U1	J21D1	1-03 *	D27		N 0-1/8		21
+3V E26U1	J21E1	1-04 *	D27		N 0-4/8		21
+3V E26U1	J20E2	1-05 *	D27		N 0-1/8		21
+3V E26U1	J20D1	1-06 *	D27		N 0-1/8		21
+3V E26U1	J20E1	1-07 *	D27		N 1		21
+3V E26U1	J20K1	1-08 *	D27		N 0-1/8		21
+3V E26U1	J20L1	1-09 *	D27		N 0-4/8		21
+3V E26U1	J20M2	1-10 *	D27		N 0-1/8		21
+3V E26U1	J21M1	1-11 *	D27		N 0-1/8		21
+3V E26U1	J21M1	1-12 *	D27		N 0-1/8		21
+3V E26U1	J21M2	1-13 *	D27		N 0-4/8		21
+3V E26U1	J21L2	1-14 *	D27		N 0-4/8		21
+3V E26U1	J21L1	1-15 *	D27		N 0-4/8		21
+3V E26U1	J21K1	1-16 *	D27		N 0-1/8		21
+3V E26U1	J20C2	1-17 *	D27		N 0-1/8		21
+3V E26U1	J20N1	1-18 *	D27		N 0-4/8		21
+3V E26U1	J20U1	1-19 *	D27		N 1-1/8		21
+3V E26U1	J20V1	1-20 *	D27		N 0-1/8		21
+3V E26U1	J20W2	1-21 *	D27		N 0-4/8		21
+3V E26U1	J21D1	1-22 *	D27		N 0-4/8		21
+3V E26U1	J21V1	1-23 *	D27		N 0-1/8		21
+3V E26U1	J21V2	1-24 *	D27		N 0-4/8		21
+3V E26U1	J20N1	1-25 *	D27		N 1-6/8		21
+3V E27U1	E27U1	1-01 *	D27		18-4/8		22
+3V E27U1	H19E2	1-02 *	D27		N 5-5/8		22
+3V E27U1	H19D1	1-03 *	D27		N 0-1/8		22
+3V E27U1	H18E1	1-04 *	D27		N 0-1/8		22
+3V E27U1	H19K1	1-05 *	D27		N 1		22
+3V E27U1	H19L1	1-06 *	D27		N 0-1/8		22
+3V E27U1	H19M1	1-07 *	D27		N 0-1/8		22
+3V E27U1	H19L2	1-08 *	D27		N 0-4/8		22
+3V E27U1	H19W2	1-09 *	D27		N 0-4/8		22
+3V E27U1	H19Z	1-10 *	D27		N 0-4/8		22
+3V E27U1	H19Z	1-11 *	D27		N 0-4/8		22
+3V E27U1	H19V1	1-12 *	D27		N 0-1/8		22
+3V E27U1	H19U1	1-13 *	D27		N 0-1/8		22
+3V E27U1	J19E1	1-14 *	D27		N 1-6/8		22
+3V E27U1	J19D1	1-15 *	D27		N 0-1/8		22
+3V E27U1	J19E2	1-16 *	D27		N 0-1/8		22
+3V E27U1	J19K1	1-17 *	D27		N 1		22
+3V E27U1	J19L1	1-18 *	D27		N 0-1/8		22
+3V E27U1	J19M1	1-19 *	D27		N 0-1/8		22
+3V E27U1	J19N1	1-20 *	D27		N 0-4/8		22
+3V E27U1	J19L2	1-21 *	D27		N 0-4/8		22
+3V E27U1	J19W2	1-22 *	D27		N 0-4/8		22
+3V E27U1	J19V2	1-23 *	D27		N 1-2/8		22
+3V E27U1	J19V1	1-24 *	D27		N 0-4/8		22
+3V E27U1	J19U1	1-25 *	D27		N 0-1/8		22
+3V E27U1					18-4/8		22

DX118.U RUN NAME	WRAPD .V35(102)-1 A/P PIN ORDER	03-JUN-77 BAY - Q DRAW OPT	15-NOV-77 RV RG Y X Z	REMARKS	NC LENGTH EXCEPTIONS FLAG	15148 PAGE 7	RUN NUMBER
A01	B25U2	1-01 *	D17		N 3-1/8		23
A01	B29F1	1-02 *	D17		N 5-2/8		23
A01	D29B1	1-03 *	D17		N		23
A01					8-3/8		23
A01	B25V2	1-01 *	D17		N 3-7/8		24
A01	B30J1	1-02 *	D17		N		24
A01B	B30K1	1-01 *	D17		N 7-3/8		25
A01B	D25F2	1-02 *	D19		N		25
A01C1	A01C1	1-01 *	D25		N 5-5/8		26
A01C1	B06K2	1-02 *	D25		N		26
A01F1	A01F1	1-01 *			N 12-3/8		27
A01F1	B18P1	1-02 *			N		27
A01F1					12-3/8		27
A01K1	A01K1	1-01 *			N 13-7/8		28
A01K1	C18E2	1-02 *			N		28
A01K1					13-7/8		28
A01N1	A01N1	1-01 *			N 3-3/8		29
A01N1	A05V2	1-02 *			N		29
A01N1					3-3/8		29
A02	B25E2	1-01 *	D17		N 3-1/8		30
A02	B29H1	1-02 *	D17		N 5-4/8		30
A02	D29E1	1-03 *	D17		N		30
A02					8-5/8		30
A02	B25F2	1-01 *	D17		N 3-7/8		31
A02	B30F1	1-02 *	D17		N		31
A02					3-7/8		31
A02B	B30H1	1-01 *	D17		N 7-7/8		32
A02B	D25H2	1-02 *	D19		N		32
A02B					7-7/8		32
A02J1	A02J1	1-01 *	D25		N 9-1/8		33
A02J1	C02D1	1-02 *	D25		N		33
A02J1					9-1/8		33
A02N1	A02N1	1-01 *	D05		N 8-4/8		34
A02N1	C13J1	1-02 *	D05		N		34
A02N1					8-4/8		34
A03	B25F2	1-01 *	D17		N 2-7/8		35
A03	B29J1	1-02 *	D17		N 5-5/8		35
A03	D29H1	1-03 *	D17		N		35
A03					8-4/8		35

DX118,U RUN NAME	WRAPD .V35(102)-1 A/P PIN ORDER PIN	03-JUN-77 BAY - Q ORDER	DRAW RV RG Y X Z OPT	REMARKS	15-NOV-77	15:48 NC LENGTH FLAG	PAGE 8 EXCEPTIONS	RUN NUMBER
A03	L B25R2	1-01 *	D17			N 3-7/8		36
A03	L B30D1	1-02 *	D17					36
A03	L	1				3-7/8		36
A03B	H B30E1	1-01 *	D17			N 0-1/8		37
A03B	H D25J2	1-02 *	D19					37
A03B	H	1				0-1/8		37
A03C1	A03C1	1-01 *	D25	S		N 5-1/8		38
A03C1	B04R1	1-02 *	D25					38
A03C1		1				5-1/8		38
A03K2	A03K2	1-01 *	D25	S		N 3-7/8		39
A03K2	E06E2	1-02 *	D25			N 13-1/8		39
A03K2	E16H1	1-03 *	D25					39
A03K2		1				17-0/8		39
A03N1	A03J1	1-01 *	D25			N 1		40
A03N1	A03N1	1-02 *	D25					40
A03N1		1				1-0/8		40
A03N2	A03B1	1-01 *	D25			N 2-2/8		41
A03N2	A03N2	1-02 *	D25	S				41
A03N2		1				2-2/8		41
A03V2	A03V2	1-01 *	D24			N 5-5/8		42
A03V2	C02R2	1-02 *	D24			N 0-4/8		42
A03V2	C02T2	1-03 *	D24					42
A03V2		1				6-1/8		42
A04	H B25M2	1-01 *	D17			N 2-3/8		43
A04	H E29K1	1-02 *	D17			N 5-6/8		43
A04	H D29K1	1-03 *	D17					43
A04	H	1				0-1/8		43
A04	L B25N2	1-01 *	D17			N 3-6/8		44
A04	L B30A1	1-02 *	D17					44
A04	L	1				3-6/8		44
A04B	H B30B1	1-01 *	D17			N 9-1/8		45
A04B	H D25N2	1-02 *	D19					45
A04B	H	1				9-1/8		45
A04F1	A04F1	1-01 *	D25			N 0-1/8		46
A04F1	A04H1	1-02 *	D25					46
A04F1		1				0-1/8		46
A04K1	A04K1	1-01 *	D25			N 0-1/8		47
A04K1	A04L1	1-02 *	D25					47
A04K1		1				0-1/8		47
A04S1	A04P2	1-01 *	D25			N 2-1/8		48
A04S1	A04S1	1-02 *	D25					48
A04S1		1				2-1/8		48

DX118,U RUN NAME	WRAPD .V35(102)-1 A/P PIN ORDER PIN	03-JUN-77 BAY - Q ORDER	DRAW RV RG Y X Z OPT	REMARKS	15-NOV-77	15:48 NC LENGTH FLAG	PAGE 9 EXCEPTIONS	RUN NUMBER
A05S2	A05S2	1-01 *	D25			N 0-1/8		49
A05S2	A05T2	1-02 *	D25					49
A05S2		1				0-1/8		49
A06J1	A06J1	1-01 *	D25			N 6-1/8		50
A06J1	C05H1	1-02 *	D25					50
A06J1		1				6-1/8		50
A06M2	A06M2	1-01 *	D07			N 7-3/8		51
A06M2	C03P2	1-02 *	D07					51
A06M2		1				7-3/8		51
A06N1	A06N1	1-01 *	D25			N 5-3/8		52
A06N1	C05F1	1-02 *	D25					52
A06N1		1				5-3/8		52
A06U1	A06K2	1-01 *	D07			N 1-5/8		53
A06U1	A06U1	1-02 *	D07	S				53
A06U1		1				1-5/8		53
A06V1	A06V1	1-01 *	D11			N 0-3/8		54
A06V1	C13B1	1-02 *	D11			N 0-3/8		54
A06V1	B23M1	1-03 *	D11					54
A06V1		1				16-6/8		54
A07S1	A07S1	1-01 *	D21	S		N 0-5/8		55
A07S1	A07V1	1-02 *	D21					55
A07S1		1				0-5/8		55
A07U1	A07U1	1-01 *	D21	S		N 7-1/8		56
A07U1	A17O1	1-02 *	D21					56
A07U1		1				7-1/8		56
A08F2	A08F2	1-01 *	D13	S		N 0-6/8		57
A08F2	C19M2	1-02 *	D13					57
A08F2		1				0-6/8		57
A08K1	A08K1	1-01 *	D13	S		N 0-4/8		58
A08K1	A08M1	1-02 *	D13					58
A08K1		1				0-4/8		58
A08K2	A06F2	1-01 *	D25			N 1-5/8		59
A08K2	A08K2	1-02 *	D25	S				59
A08K2		1				1-5/8		59
A08N1	A08D2	1-01 *	D13			N 1-5/8		60
A08N1	A08N1	1-02 *	D13	S				60
A08N1		1				1-5/8		60
A08N2	A07P2	1-01 *	D25			N 1-1/8		61
A08N2	A08N2	1-02 *	D25	S				61
A08N2		1				1-1/8		61

59

OXLIB.U RUN NAME	HRAPD .V35(102)=1 A/P PIN ORDER NAME	03-JUN-77 BAY - Q ORDER	DRAW RV RG Y X Z OPT	REMARKS	15-NOV-77	15148 NC LENGTH EXCEPTIONS FLAG	PAGE 12	RUN NUMBER
A23N1	A23J2	1-01 *	D14	1		N 1		98
A23N1	A23M1	1-02 *	D14					98
A23N1								98
A23P1	A23K2	1-01 *	D14	1		N 1		91
A23P1	A23P1	1-02 *	D14					91
A23P1								91
A24D1	A24D1	1-01 *	D28	1		N 16-7/8		92
A24D1	F19L1	1-02 *	D28					92
A24D1								92
A24J1	A24J1	1-01 *	D15	1		N 3-1/8		93
A24J1	B25D1	1-02 *	D15					93
A24J1								93
A24M2	A24M2	1-01 *	D13	2		N 6-1/8		94
A24M2	C23M2	1-02 *	D13	1		N 7-1/8		94
A24M2	E20D2	1-03 *	D13					94
A24M2								94
A24S2	A24S2	1-01 *	D13	1		N 6-5/8		95
A24S2	C21N2	1-02 *	D13	2		N 5-7/8		95
A24S2	E29A1	1-03 *	D13					95
A24S2								95
A25S2	A25S2	1-01 *	D08	1		N 8-1/8		96
A25S2	A25T2	1-02 *	D08					96
A25S2								96
A28E1	A28E1	1-01 *		1		N 6-3/8		97
A28E1	B23R2	1-02 *						97
A28E1								97
A28J2	A28J2	1-01 *		1		N 6-6/8		98
A28J2	B23D2	1-02 *						98
A28J2								98
A28U1	A28U1	1-01 *		1		N 5-6/8		99
A28U1	B23S2	1-02 *						99
A28U1								99
A28S1	A28S1	1-01 *		1		N 4-6/8		100
A28S1	B23T2	1-02 *						100
A28S1								100
ACLO	D09E2	1-01 *	D18	1		N 11-7/8		101
ACLO	B23H2	1-02 *	D24	2		N 9-3/8		101
ACLO	D29S1	1-03 *	D18					101
ACLO								101
ACLO	D09F2	1-01 * 6	D18	2		N 9-1/8		102
ACLO	F22N1	1-02 *	DXX	1		N 8-1/8		102
ACLO	F22J1	1-03 *	DXX					102
ACLO								102

OXLIB.U RUN NAME	HRAPD .V35(102)=1 A/P PIN ORDER NAME	03-JUN-77 BAY - Q ORDER	DRAW RV RG Y X Z OPT	REMARKS	15-NOV-77	15148 NC LENGTH EXCEPTIONS FLAG	PAGE 13	RUN NUMBER
ADR OUT	J10N2	1-01 *	D27	2		N 1-3/8		103
ADR OUT	J12J1	1-02 *	D27	1		N 1-4/8		103
ADR OUT	J14J1	1-03 *	D27					103
ADR OUT								103
ADRECC	A05B1	1-01 *	D25	1		N 11-7/8		104
ADRECC	D11F1	1-02 *	D19	2		N 13-1/8		104
ADRECC	A24D2	1-03 *		1		N 5-5/8		104
ADRECC	A24U1	1-04 *	D22	2		N 6-1/8		104
ADRECC	B25P1	1-05 * 5	D26					104
ADRECC								104
ADRECC	S18N1	1-01 * 5	D26	2		N 4		105
ADRECC	B25N1	1-02 *	D26	1		N 8-7/8		105
ADRECC	E25T2	1-03 *	D13					105
ADRECC								105
ADRECC	B25K1	1-01 * 5	D26	2		N 5-3/8		106
ADRECC	A24V1	1-02 *	D24	1		N 14-4/8		106
ADRECC	E12F2	1-03 *	D24	2		N 4-1/8		106
ADRECC	D10F1	1-04 *	DXX	1		N 8		106
ADRECC	F21H1	1-05 *	DXX					106
ADRECC								106
ADRECC	B05E2	1-01 *	D24	1		N 8-4/8		107
ADRECC	B06N1	1-02 *	D25	2		N 10-1/8		107
ADRECC	B25J1	1-03 *	D26	1		N 3-5/8		107
ADRECC	A24H2	1-04 *						107
ADRECC								107
ADRI(0)	B04K1	1-01 *	D25	2		N 9-5/8		108
ADRI(0)	E03N1	1-02 *	D24	1		N 10-1/8		108
ADRI(0)	F19B1	1-03 *	D27	2		N 8-3/8		108
ADRI(0)	C22S2	1-04 * 5	D13					108
ADRI(0)								108
ADRI(1)	A31F2	1-01 * 1	D22	1		N 10-4/8		109
ADRI(1)	C22R2	1-02 * H	D13	2		N 18-5/8		109
ADRI(1)	J11K2	1-03 *	DXX					109
ADRI(1)								109
ADRI(1)	J11F2	1-01 * 1	D17	1		N 1-2/8		110
ADRI(1)	J12M2	1-02 *	D27	2		N 1-4/8		110
ADRI(1)	J14M2	1-03 *	D27					110
ADRI(1)								110
ADRO	C21F2	1-01 * H	D12	1		N 2-6/8		111
ADRO	J10W2	1-02 *						111
ADRO								111

DX118.U
RUN NAME

WRAPD .V35(102)-1 03-JUN-77

15-NOV-77

15148 PAGE 14
NC LENGTH EXCEPTIONS
FLAG

RUN
NUMBER

A/P	PIN	ORDER	BAY -	C	DRAW	RV	RG	Y	X	Z	REMARKS	NC LENGTH	EXCEPTIONS	RUN NUMBER
	NAME	PIN	ORDER		OPT							FLAG		
H	C21K2		1-01 *	S	D12					1				112
H	B21H1		1-02 *		D13					2		N	3-3/8	112
H	A19L2		1-03 *		D26					1		N	3-3/8	112
H	B04B1		1-04 *		D25					2		N	9-7/8	112
H	C05P1		1-05 *		D24					1		N	4-5/8	112
H	E01H2		1-06 *		D05							N	6-5/8	112
H			1										27-7/8	112
H	C21J2		1-01 *	S	D12					2		N	4-3/8	113
H	D2151		1-02 *		D19					1		N	6-3/8	113
H	F29E2		1-03 *		DXX					2		N	14-1/8	113
H	A31H1		1-04 *		D22					1		N	11-5/8	113
H	A00J2		1-05 *		D25					2		N	2-7/8	113
H	A05C1		1-06 *		D25					1		N	11-5/8	113
H	E05J1		1-07 *		D25					2		N	3-1/8	113
H	E01P1		1-08 *		D05					1		N	2	113
H	E01A1		1-09 *		D05								56-1/8	113
H			1											113
L	B32C1		1-01 *		D17					2		N	1-7/8	114
L	B29L2		1-02 *		D17					1		N	0-1/8	114
L	B29M2		1-03 *		D17					2		N	2-5/8	114
L	B25L1		1-04 *		D17					1		N	4-2/8	114
L	C30L2		1-05 *		D17									114
L			1										0-7/8	114
H	D26B1		1-01 *	S	D18					2		N	1-2/8	115
H	D27H1		1-02 *		D17					1		N	0-1/8	115
H	D27F1		1-03 *		D17					2		N	0-4/8	115
H	D27J2		1-04 *		D17					1		N	0-1/8	115
H	D28H1		1-05 *		D17					2		N	0-1/8	115
H	D28F1		1-06 *		D17					1		N	1-3/8	115
H	D27N1		1-07 *		D17									115
H			1										3-4/8	115
H	A24H1		1-01 *		D15					1		N	12-5/8	116
H	E20J2		1-02 *	S	D17									116
H			1										12-5/8	116
L	B2951		1-01 *	S	D17					1		N	11-3/8	117
L	E20H2		1-02 *		D17									117
L			1										11-3/8	117
H	E25L2		1-01 *	S	D17					1		N	11-7/8	118
H	E16D2		1-02 *		D06					2		N	1-7/8	118
H	E15N2		1-03 *		D06					1		N	1	118
H	E15Y2		1-04 *		D06									118
H			1										14-5/8	118
L	B25K2		1-01 *		D17					1		N	2-7/8	119
L	B29R1		1-02 *	S	D17									119
L			1										2-7/8	119

DX118.U
RUN NAME

WRAPD .V35(102)-1 03-JUN-77

15-NOV-77

15148 PAGE 15
NC LENGTH EXCEPTIONS
FLAG

RUN
NUMBER

A/P	PIN	ORDER	BAY -	C	DRAW	RV	RG	Y	X	Z	REMARKS	NC LENGTH	EXCEPTIONS	RUN NUMBER
	NAME	PIN	ORDER		OPT							FLAG		
H	E07A1		1-01 *		D09					2		N	1-4/8	120
H	E07K1		1-02 *		DXX					1		N	7-3/8	120
H	E20L2		1-03 *	S	D17									120
H			1										0-7/8	120
L	B29P1		1-01 *		D17					1		N	11-7/8	121
L	E20K2		1-02 *	S	D17									121
L			1										11-7/8	121
H	A02A1		1-01 *		D25					1		N	16-5/8	122
H	B25U1		1-02 *	S	D17									122
H			1										16-5/8	122
L	B25V1		1-01 *		D17					1		N	3-1/8	123
L	B29N1		1-02 *	S	D17									123
L			1										3-1/8	123
H	A25L2		1-01 *		D08					1		N	13-5/8	124
H	E20N2		1-02 *	S	D17									124
H			1										13-5/8	124
L	B29M1		1-01 *	S	D17					1		N	12-3/8	125
L	E20M2		1-02 *		D17									125
L			1										12-3/8	125
H	B18D1		1-01 *		D21					1		N	0-5/8	126
H	B18H1		1-02 *		D21					2		N	10-3/8	126
H	E20R2		1-03 *	S	D17									126
H			1										11-0/8	126
L	B29T2		1-01 *	S	D17					1		N	12-3/8	127
L	E20P2		1-02 *		D17									127
L			1										12-3/8	127
L	B2952		1-01 *		D17					1		N	7-7/8	128
L	E28K2		1-02 *		D13									128
L			1										7-7/8	128
L	A08A1		1-01 *		D20					1		N	15-3/8	129
L	B29N2		1-02 *	S	D17									129
L			1										15-3/8	129
H	B1282		1-01 *		D15					2		N	0-5/8	130
H	B12N1		1-02 *		D15					1		N	0-4/8	130
H	B12L2		1-03 *		D15					2		N	0-5/8	130
H	B12H1		1-04 *		D15					1		N	0-4/8	130
H	B12E2		1-05 *		D15					2		N	0-5/8	130
H	B12M1		1-06 *		D15					1		N	1	130
H	B11B1		1-07 *		D15					2		N	1-1/8	130
H	B11H1		1-08 *		D15					1		N	0-5/8	130
H	B10J1		1-09 *		D15					2		N	3-4/8	130
H	C07E1		1-10 *	S	D25									130
H			1										9-1/8	130

DX11B.U RUN NAME	A/P	WRAPD .V35(102)-1 PIN NAME	ORDER PIN	BAY - Q ORDER	DRAW OPT	RV RG Y	X	Z	REMARKS	15-NOV-77	15:40 NC LENGTH FLAG	PAGE 16 EXCEPTIONS	RUN NUMBER
AR80	L	B03C1		1-01 * 8	D25			1			N	4-1/8	131
AR80	L	C07D1		1-02 *	D25								131
AR80	L			1								4-1/8	131
ATTEN(0)	H	C04F1		1-01 *	D24			1			N	7-3/8	132
ATTEN(0)	H	C17K2		1-02 * 8	D09								132
ATTEN(0)	H			1								7-3/8	132
ATTEN(1)	H	C17J2		1-01 * 8	D09			2			N	3-7/8	133
ATTEN(1)	H	D17M1		1-02 *	D19			1			N	9-5/8	133
ATTEN(1)	H	B09K2		1-03 *	D10			2			N	11-7/8	133
ATTEN(1)	H	A29U1		1-04 *	D22			1			N	12-5/8	133
ATTEN(1)	H	F30D1		1-05 *	D13							30-0/8	133
ATTEN(1)	H			1									133
B01C1		B01C1		1-01 *	D05			1			N	11-5/8	134
B01C1		E04U2		1-02 *	D05								134
B01C1				1								11-5/8	134
B01F1		B01F1		1-01 *	D05			2			N	3-4/8	135
B01F1		C01L1		1-02 *	D05			1			N	7-7/8	135
B01F1		C16K1		1-03 *	D05								135
B01F1				1								11-3/8	135
B01F2		B01F2		1-01 * 8	D11			1			N	14-1/8	136
B01F2		E15P1		1-02 *	D11			2			N	4-3/8	136
B01F2		E22N2		1-03 *	D11								136
B01F2				1								10-4/8	136
B01K1		B01K1		1-01 *	D05			2			N	3-5/8	137
B01K1		C01P2		1-02 *	D05			1			N	5-1/8	137
B01K1		C10K1		1-03 *	D05								137
B01K1				1								8-6/8	137
B01K2		B01K2		1-01 *	D11			1			N	10-7/8	138
B01K2		E25A1		1-02 *	D11								138
B01K2				1								10-7/8	138
B01N1		B01N1		1-01 *	D05			1			N	6-5/8	139
B01N1		C13L1		1-02 *	D05								139
B01N1				1								6-5/8	139
B01N2		B01N2	A01M1	1-01 *				1			N	3-5/8	140
B01N2		A01M1		1-02 *									140
B01N2				1								3-5/8	140
B01S1		B01S1		1-01 *	D11			1			N	14-3/8	141
B01S1		F19L2		1-02 *	D11								141
B01S1				1								14-3/8	141
B01S2		B01S2		1-01 *	D11			1			N	10-3/8	142
B01S2		C17P1		1-02 *	D11								142
B01S2				1								10-3/8	142

DX11B.U RUN NAME	A/P	WRAPD .V35(102)-1 PIN NAME	ORDER PIN	BAY - Q ORDER	DRAW OPT	RV RG Y	X	Z	REMARKS	15-NOV-77	15:40 NC LENGTH FLAG	PAGE 17 EXCEPTIONS	RUN NUMBER
B02K2		B02K2		1-01 * 8	D24			1			N	4-7/8	143
B02K2		C05R1		1-02 *	D24								143
B02K2				1								4-7/8	143
B02S1		B02S1		1-01 *	D25			2			N	2-5/8	144
B02S1		B05L1		1-02 *	D25			1			N	0-5/8	144
B02S1		B05H1		1-03 *	D25								144
B02S1				1								3-2/8	144
B03F2		B03F2		1-01 *	D25			1			N	0-1/8	145
B03F2		B03H2		1-02 *	D25								145
B03F2				1								0-1/8	145
B03N1		B03N1		1-01 *	D25			1			N	0-1/8	146
B03N1		B03P1		1-02 *	D25								146
B03N1				1								0-1/8	146
B03S2		A06H1		1-01 *	D25			1			N	5-3/8	147
B03S2		B03S2		1-02 *	D25								147
B03S2				1								5-3/8	147
B03V2		B03V2		1-01 *	D25			1			N	2-2/8	148
B03V2		C05J1		1-02 *	D25								148
B03V2				1								2-2/8	148
B04E1		A03H1		1-01 *	D25			1			N	3-3/8	149
B04E1		B04E1		1-02 *	D25								149
B04E1				1								3-3/8	149
B04L1		B04L1		1-01 *	D25			1			N	0-1/8	150
B04L1		E05H1		1-02 *	D25								150
B04L1				1								8-1/8	150
B04V2		A04E2		1-01 *	D25			1			N	4-7/8	151
B04V2		B04V2		1-02 *	D25								151
B04V2				1								4-7/8	151
B05F2		B05F2		1-01 *	D24			1			N	3-1/8	152
B05F2		C06F1		1-02 *	D24								152
B05F2				1								3-1/8	152
B05K2		B05K2		1-01 *	D24			1			N	15-3/8	153
B05K2		E24L2		1-02 *	D24								153
B05K2				1								15-3/8	153
B05S2		B05S2		1-01 *	D24			1			N	0-4/8	154
B05S2		B05U2		1-02 *	D24								154
B05S2				1								0-4/8	154
B06S1		A05N2		1-01 *	DXX			1			N	3-5/8	155
B06S1		B06S1		1-02 * 8	DXX								155
B06S1				1								3-5/8	155
B08A1		A12E2		1-01 *	D10			1			N	3-5/8	156
B08A1		B08A1		1-02 *	D10								156
B08A1				1								3-5/8	156

69

DX118,U RUN NAME	WRAPD .V35(102)-1 A/P PIN NAME	03-JUN-77 ORDER PIN	BAY - ORDER	Q	DRAW OPT	RV RG Y X Z	REMARKS	15-NOV-77	15:48 NC LENGTH FLAG	PAGE 20 EXCEPTIONS	RUN NUMBER
B14M1	A14M2		1-01 *		D10				N 3-3/8		184
B14M1	B14M1		1-02 *		D10						184
B14M1			1						3-3/8		184
B14V2	A15M2		1-01 *		D10				N 4-3/8		185
B14V2	B14V2		1-02 *		D10						185
B14V2			1						4-3/8		185
B15E1	A13T2		1-01 *		D10				N 2-3/8		186
B15E1	B15E1		1-02 *		D10						186
B15E1			1						2-3/8		186
B15J2	A10T2		1-01 *		D10				N 4-2/8		187
B15J2	B15J2		1-02 *		D10						187
B15J2			1						4-2/8		187
B15L1	A12T2		1-01 *		D10				N 3-4/8		188
B15L1	B15L1		1-02 *		D10						188
B15L1			1						3-4/8		188
B1581	A11T2		1-01 *		D10				N 4-5/8		189
B1581	B1581		1-02 *		D10						189
B1581			1						4-5/8		189
B15V2	B15V2	032R1	1-01 *	1					N 9-1/8		190
B15V2	B32R1		1-02 *								190
B15V2			1						9-1/8		190
B16F1	A14L2		1-01 *		D10				N 1		191
B16F1	A15L2		1-02 *		D10				N 1		191
B16F1	A16L2		1-03 *		D10				N 1		191
B16F1	A17L2		1-04 *		D10				N 3-3/8		191
B16F1	B16F1		1-05 *		D10						191
B16F1			1						6-3/8		191
B16F2	A13D2		1-01 *		D10				N 1		192
B16F2	A12D2		1-02 *		D10				N 1		192
B16F2	A11D2		1-03 *		D10				N 1		192
B16F2	A10D2		1-04 *		D10				N 4-6/8		192
B16F2	B16F2		1-05 *		D10						192
B16F2			1						7-6/8		192
B16K1	A10L2		1-01 *		D10				N 1		193
B16K1	A11L2		1-02 *		D10				N 1		193
B16K1	A12L2		1-03 *		D10				N 1		193
B16K1	A13L2		1-04 *		D10				N 4-1/8		193
B16K1	B16K1		1-05 *		D10						193
B16K1			1						7-1/8		193
B16K2	A77L1		1-01 *		D20				N 0-4/8		194
B16K2	A27N1		1-02 *		D20				N 8-1/8		194
B16K2	B16K2		1-03 *		D20				N 0-1/8		194
B16K2	B16L2		1-04 *		D20				N 0-1/8		194
B16K2	B16M2		1-05 *		D20				N 9-7/8		194
B16K2	E13N1		1-06 *		D20						194
B16K2			1						10-6/8		194

DX118,U RUN NAME	WRAPD .V35(102)-1 A/P PIN NAME	03-JUN-77 ORDER PIN	BAY - ORDER	Q	DRAW OPT	RV RG Y X Z	REMARKS	15-NOV-77	15:48 NC LENGTH FLAG	PAGE 21 EXCEPTIONS	RUN NUMBER
B15W2	A27F1		1-01 *		D20				N 0-4/8		195
B15W2	A27J1		1-02 *		D20				N 1-5/8		195
B16N2	A27U2		1-03 *		D20				N 7-7/8		195
B16N2	B16N2	D09H2	1-04 *		D20				N 7-4/8		195
B16N2	D09H2		1-05 *								195
B16N2			1						17-4/8		195
B16S1	A17D2		1-01 *		D10				N 1		196
B16S1	A16D2		1-02 *		D10				N 1		196
B16S1	A15D2		1-03 *		D10				N 1		196
B16S1	A14D2		1-04 *		D10				N 5-1/8		196
B16S1	B16S1		1-05 *		D10						196
B16S1			1						0-1/8		196
B17E1	B17E1		1-01 *		D06				N 9-5/8		197
B17E1	E20D1		1-02 *		D06						197
B17E1			1						9-5/8		197
B17J2	A09U2		1-01 *		D06				N 6-1/8		198
B17J2	B17J2		1-02 *	5	D06						198
B17J2			1						6-1/8		198
B17L1	B17L1		1-01 *		D06				N 0-1/8		199
B17L1	E16H2		1-02 *		D06						199
B17L1			1						0-1/8		199
B17P2	B17P1		1-01 *		D06				N 1-7/8		200
B17P2	B17P2		1-02 *	5	D06						200
B17P2			1						1-7/8		200
B17S1	B17S1		1-01 *		D06				N 9-3/8		201
B17S1	E20N1		1-02 *		D06						201
B17S1			1						9-3/8		201
B17V2	C10A1		1-01 *	1	D06				N 0-5/8		202
B17V2	B17V2		1-02 *	3	D06						202
B17V2			1						0-5/8		202
B18F1	B10A1		1-01 *		D21				N 1		203
B18F1	B10E1		1-02 *		D21				N 4-5/8		203
B18F1	B10F1		1-03 *		D21						203
B18F1			1						5-5/8		203
B18F2	B18F2		1-01 *		D06				N 11-3/8		204
B18F2	E13M2		1-02 *		D06						204
B18F2			1						11-3/8		204
B18K1	B18K1		1-01 *		D21				N 1-7/8		205
B18K1	B20E1		1-02 *		D21				N 1		205
B18K1	B20A1		1-03 *		D21						205
B18K1			1						2-7/8		205
B18K2	B18K2		1-01 *		D06				N 0-1/8		206
B18K2	E10J1		1-02 *		D06						206
B18K2			1						0-1/8		206

LC 71

74

DX11B.U RUN NAME	WRAPD .V35(102)-1 A/P PIN ORDER NAME	03-JUN-77 GAY - O DRAW ORDER	15-NOV-77 RV RC Y X Z OPT	REMARKS	15148 NC LENGTH EXCEPTIONS FLAG	PAGE 26	RUN NUMBER
BAIN 10	H D05K1	1-01 * 5	D07	1	N	2-1/8	255
BAIN 10	H D07N2	1-02 * 5	D07	1	N	2-1/8	255
BAIN 11	H D05K1	1-01 * 5	D07	1	N	1-3/8	256
BAIN 11	H D07M2	1-02 * 5	D07	1	N	1-3/8	256
BAIN 12	H D03A1	1-01 * 5	D07	1	N	3-3/8	257
BAIN 12	H D07J1	1-02 * 5	D07	1	N	3-3/8	257
BAIN 13	H D04A1	1-01 * 5	D07	1	N	2-5/8	258
BAIN 13	H D07K1	1-02 * 5	D07	1	N	2-5/8	258
BAIN 14	H D05A1	1-01 * 6	D07	1	N	2-1/8	259
BAIN 14	H D07E2	1-02 * 6	D07	1	N	2-1/8	259
BAIN 15	H D06A1	1-01 * 5	D07	1	N	1-5/8	260
BAIN 15	H D07D2	1-02 * 5	D07	1	N	1-5/8	260
BALF(0)	H B02M1	1-01 * 5	D25	1	N	2	261
BALF(0)	H B05M1	1-02 * 5	D25	2	N	3-3/8	261
BALF(0)	H E14D2	1-03 * 5	D25	1	N	0-6/8	261
BALF(0)	H E14D2	1-04 * 5	D05	2	N	4-1/8	261
BALF(0)	H E21H2	1-05 * 5	D11	1	N	6	261
BALF(0)	H C13V2	1-06 * 5	D11	1	N	24-2/8	261
BALF(1)	H A12A1	1-01 * 5	D22	1	N	10-7/8	262
BALF(1)	H E23F2	1-02 * 5	D13	2	N	5-1/8	262
BALF(1)	H E21M2	1-03 * 5	D11	1	N	0-6/8	262
BALF(1)	H D13F1	1-04 * 5	D19	2	N	8-2/8	262
BALF(1)	H B07E1	1-05 * 5	D25	2	N	4-1/8	262
BALF(1)	H A06F1	1-06 * 5	D25	2	N	3-3/8	262
BALF(1)	H B05F2	1-07 * 5	D25	2	N	1-3/8	262
BALF(1)	H B05J1	1-08 * 5	D25	2	N	2-5/8	262
BALF(1)	H C04D2	1-09 * 5	D25	2	N	6-3/8	262
BALF(1)	H C13U2	1-10 * 5	D11	1	N	48-7/8	262
BANDSO	H B20E2	1-01 * 5	D11	1	N	9-7/8	263
BANDSO	H C06E2	1-02 * 5	D07	2	N	3-1/8	263
BANDSO	H D05D2	1-03 * 5	D07	1	N	1	263
BANDSO	H D05D2	1-04 * 5	D07	2	N	1	263
BANDSO	H D03D2	1-05 * 5	D07	1	N	1	263
BANDSO	H D03D2	1-06 * 5	D07	2	N	1-5/8	263
BANDSO	H D03P2	1-07 * 5	D07	1	N	1	263
BANDSO	H D04P2	1-08 * 5	D07	2	N	1	263
BANDSO	H D05P2	1-09 * 5	D07	1	N	1	263
BANDSO	H D06P2	1-10 * 5	D07	2	N	2-1/8	263
BANDSO	H D09K1	1-11 * 5	D25	2	N	22-6/8	263

DX11B.U RUN NAME	WRAPD .V35(102)-1 A/P PIN ORDER NAME	03-JUN-77 GAY - O DRAW ORDER	15-NOV-77 RV RC Y X Z OPT	REMARKS	15148 NC LENGTH EXCEPTIONS FLAG	PAGE 27	RUN NUMBER
BANDSO	L C05E1	1-01 * 5	D25	2	N	5-3/8	264
BANDSO	L D09J1	1-02 * 5	D25	1	N	9-3/8	264
BANDSO	L E22K1	1-03 * 5	D11	1	N	14-6/8	264
BANX	H A25H1	1-01 * 5	D14	2	N	3-6/8	265
BANX	H B20D2	1-02 * 5	D11	1	N	8-3/8	265
BANX	H B07R1	1-03 * 5	D25	2	N	2-1/8	265
BANX	H C06F2	1-04 * 5	D07	1	N	4	265
BANX	H D06N2	1-05 * 5	D07	2	N	1	265
BANX	H D05N2	1-06 * 5	D07	1	N	1	265
BANX	H D04N2	1-07 * 5	D07	2	N	1	265
BANX	H D03N2	1-08 * 5	D07	2	N	3-7/8	265
BANX	H C03R2	1-09 * 5	D07	2	N	4-1/8	265
BANX	H B02C1	1-10 * 5	D25	2	N	29-2/8	265
BANX	L B07S1	1-01 * 5	D25	2	N	3-1/8	266
BANX	L B03J1	1-02 * 5	D25	1	N	6-1/8	266
BANX	L D04J1	1-03 * 5	D07	1	N	9-2/8	266
BAOR	H B03K1	1-01 * 5	D25	1	N	5-3/8	267
BAOR	H D03E2	1-02 * 5	D07	2	N	1	267
BAOR	H D04E2	1-03 * 5	D07	1	N	1	267
BAOR	H D05E2	1-04 * 5	D07	2	N	1	267
BAOR	H D06E2	1-05 * 5	D07	2	N	8-3/8	267
BCMO	H B05S1	1-01 * 5	D08	1	N	3-1/8	268
BCMO	H C01A1	1-02 * 5	D05	1	N	3-1/8	268
BC IN	H B20U2	1-01 * 5	D15	1	N	2-1/8	269
BC IN	H C05E1	1-02 * 5	D16	1	N	2-1/8	269
BC OUT	H B28V2	1-01 * 5	D18	1	N	2-1/8	270
BC OUT	H C05A1	1-02 * 5	D18	1	N	2-1/8	270
BIAR	H B03L1	1-01 * 5	D25	1	N	21-3/8	271
BIAR	H E29R2	1-02 * 5	D13	2	N	2-5/8	271
BIAR	H F30F2	1-03 * 5	D13	1	N	1	271
BIAR	H F31F2	1-04 * 5	D13	2	N	1-4/8	271
BIAR	H F31R2	1-05 * 5	D13	1	N	1	271
BIAR	H F30R2	1-06 * 5	D13	1	N	27-4/8	271
BI8R	H A08M2	1-01 * 5	D25	1	N	7-1/8	272
BI8R	H C05L1	1-02 * 5	D25	1	N	7-1/8	272

DX118.U RUN NAME	WRAPD *V35(102)*1 A/P PIN ORDER PIN	03-JUN-77 BAY - G DRAW RY RG Y X Z	15-NOV-77 REMARKS	15148 NC LENGTH EXCEPTIONS FLAG	PAGE 36 RUN NUMBER
BUS INTR	L C26M1	1-01 * S D18	1	N 4-1/8	350
BUS INTR	L C31B1	1-02 * D28	2	N 1	350
BUS INTR	L C32B1	1-03 * D28		5-1/8	350
BUS MSYN	L D26E1	1-01 * S D18	2	N 4-5/8	351
BUS MSYN	L C30E1	1-02 * D17	1	N 5-3/8	351
BUS MSYN	L D31V1	1-03 * D28	2	N 1	351
BUS MSYN	L D32V1	1-04 * D28		11-0/8	351
BUS NPC IN	H C26B1	1-01 * D18	1	N 5	352
BUS NPC IN	H C32U1	1-02 * D28		5-0/8	352
BUS NPC OUT	H C26V2	1-01 * S D18	1	N 2-5/8	353
BUS NPC OUT	H C31U1	1-02 * D28		2-5/8	353
BUS NPR	L C26U2	1-01 * S D18	2	N 1-5/8	354
BUS NPR	L C26J1	1-02 * D18	1	N 3-7/8	354
BUS NPR	L C31B2	1-03 * D28	2	N 1	354
BUS NPR	L C32B2	1-04 * D28		6-4/8	354
BUS OUT 0	J07K2	1-01 * D27	2	N 1	355
BUS OUT 0	J08K2	1-02 * D27	1	N 1-3/8	355
BUS OUT 0	J10H1	1-03 * D27		2-3/8	355
BUS OUT 1	J07M2	1-01 * D27	2	N 1	356
BUS OUT 1	J08M2	1-02 * D27	1	N 1-5/8	356
BUS OUT 1	J10R1	1-03 * D27		2-5/8	356
BUS OUT 2	J07P2	1-01 * D27	2	N 1	357
BUS OUT 2	J08P2	1-02 * D27	1	N 1-7/8	357
BUS OUT 2	J10L2	1-03 * D27		2-7/8	357
BUS OUT 3	J07T2	1-01 * D27	2	N 1	358
BUS OUT 3	J08T2	1-02 * D27	1	N 1-5/8	358
BUS OUT 3	J10V2	1-03 * D27		2-5/8	358
BUS OUT 4	J07V2	1-01 * D27	2	N 1	359
BUS OUT 4	J08V2	1-02 * D27	1	N 1-7/8	359
BUS OUT 4	J09H1	1-03 * D27		2-7/8	359
BUS OUT 5	J07J1	1-01 * D27	2	N 1	360
BUS OUT 5	J08J1	1-02 * D27	1	N 1-3/8	360
BUS OUT 5	J09R1	1-03 * D27		2-3/8	360

DX118.U RUN NAME	WRAPD *V35(102)*1 A/P PIN ORDER PIN	03-JUN-77 BAY - G DRAW RY RG Y X Z	15-NOV-77 REMARKS	15148 NC LENGTH EXCEPTIONS FLAG	PAGE 37 RUN NUMBER
BUS OUT 6	J07M1	1-01 * D27	2	N 1	361
BUS OUT 6	J08M1	1-02 * D27	1	N 1-3/8	361
BUS OUT 6	J09L2	1-03 * D27		2-3/8	361
BUS OUT 7	J07P1	1-01 * DXX	2	N 1	362
BUS OUT 7	J08P1	1-02 * DXX	1	N 1-5/8	362
BUS OUT 7	J09V2	1-03 * DXX		2-5/8	362
BUS OUT P	J07D2	1-01 * DXX	2	N 1	363
BUS OUT P	J08D2	1-02 * DXX	1	N 2-7/8	363
BUS OUT P	J13H1	1-03 * DXX		3-7/8	363
BUS PA	L C31M1	1-01 * D28	1	N 1	364
BUS PA	L C32M1	1-02 * D28		1-0/8	364
BUS PB	L C31N2	1-01 * D28	1	N 1	365
BUS PB	L C32N2	1-02 * D28		1-0/8	365
BUS SACK	L C26T2	1-01 * S D18	1	N 3-1/8	366
BUS SACK	L C31R2	1-02 * D28	2	N 1	366
BUS SACK	L C32R2	1-03 * D28		4-1/8	366
BUS SSYN	L D27T2	1-01 * D17	2	N 1-4/8	367
BUS SSYN	L D29L1	1-02 * D18	1	N 1-6/8	367
BUS SSYN	L D31U1	1-03 * D28	2	N 1	367
BUS SSYN	L D32U1	1-04 * D28		4-2/8	367
BUSI 00(0)	H C10E2	1-01 * S D13	2	N 9-5/8	368
BUSI 00(0)	H A22T2	1-02 * D26	1	N 16-3/8	368
BUSI 00(0)	H A21R2	1-03 * DXX		26-0/8	368
BUSI 00(1)	H C10R2	1-01 * S D13	1	N 9	369
BUSI 00(1)	H A22N2	1-02 * D26	2	N 5-5/8	369
BUSI 00(1)	H A31V2	1-03 * D22	1	N 25-1/8	369
BUSI 00(1)	H A09P1	1-04 * DXX		39-6/8	369
BUSI 01(0)	H C11E2	1-01 * S D13	2	N 8-1/8	370
BUSI 01(0)	H A22E2	1-02 * D26	1	N 15-5/8	370
BUSI 01(0)	H A21H2	1-03 * DXX		23-6/8	370
BUSI 01(1)	H A31U2	1-01 * S D13	2	N 5-5/8	371
BUSI 01(1)	H A22M2	1-02 * D26	1	N 13-7/8	371
BUSI 01(1)	H E01H1	1-03 * D05	2	N 11-1/8	371
BUSI 01(1)	H A09U2	1-04 * DXX	1	N 12-3/8	371
BUSI 01(1)	H C11R2	1-05 * S D13		45-0/8	371

80

DX118.U RUN NAME	WRAPD .V35(102)-1 A/P PIN ORDER NAME	RAY - Q ORDER	03-JUN-77 DRAW	RV RG Y OPT	X Z	REMARKS	15-NOV-77	19148 NC LENGTH FLAG	PAGE 38 EXCEPTIONS	RUN NUMBER
BUSI 02(0)	H C1302	1-01 * S	D13		2			N 7-7/8		372
BUSI 02(0)	H A2202	1-02 * S	D26		1			N 17-3/8		372
BUSI 02(0)	H H21V1	1-03 * S	DXX							372
BUSI 02(1)	H C1302	1-01 * S	D13		1			25-2/8		373
BUSI 02(1)	H A2202	1-02 * S	D26		2			N 8-7/8		373
BUSI 02(1)	H A3172	1-03 * S	D22		1			N 5-5/8		373
BUSI 02(1)	H H09F1	1-04 * S	DXX					N 23-6/8		373
BUSI 03(0)	H C1302	1-01 * S	D13		2			38-2/8		373
BUSI 03(0)	H A2202	1-02 * S	D26		1			N 8-6/8		374
BUSI 03(0)	H H21U1	1-03 * S	DXX					N 16-3/8		374
BUSI 03(0)	H C1302	1-01 * S	D13		2			25-1/8		374
BUSI 03(1)	H A2202	1-02 * S	D26		2			N 5-5/8		375
BUSI 03(1)	H E01D1	1-03 * S	D05		2			N 15-6/8		375
BUSI 03(1)	H H09K2	1-04 * S	DXX		1			N 10		375
BUSI 03(1)	H C1302	1-05 * S	D13		1			N 12-3/8		375
BUSI 04(0)	H C1452	1-01 * S	D13		2			43-6/8		375
BUSI 04(0)	H A22U1	1-02 * S	D26		1			N 10-3/8		376
BUSI 04(0)	H H20R2	1-03 * S	DXX					N 17-5/8		376
BUSI 04(0)	H A31R2	1-01 * S	D22		2			28-0/8		376
BUSI 04(1)	H A22D1	1-02 * S	D26		1			N 6-3/8		377
BUSI 04(1)	H E01L1	1-03 * S	D05		2			N 16-5/8		377
BUSI 04(1)	H H10P1	1-04 * S	DXX		1			N 9-1/8		377
BUSI 04(1)	H C14R2	1-05 * S	D13		1			N 13-1/8		377
BUSI 04(1)	H C1552	1-01 * S	D13		2			45-2/8		377
BUSI 05(0)	H A22H1	1-02 * S	D26		1			N 9-7/8		378
BUSI 05(0)	H H20H2	1-03 * S	DXX					N 16-1/8		378
BUSI 05(0)	H C15R2	1-01 * S	D13		1			26-6/8		378
BUSI 05(1)	H A31P2	1-02 * S	D22		2			N 13-5/8		379
BUSI 05(1)	H A22C1	1-03 * S	D26		1			N 6-3/8		379
BUSI 05(1)	H H10U2	1-04 * S	DXX					N 23-5/8		379
BUSI 06(0)	H C16S2	1-01 * S	D13		2			43-5/8		379
BUSI 06(0)	H A22F1	1-02 * S	D26		1			N 9-3/3		380
BUSI 06(0)	H H20V1	1-03 * S	DXX					N 18-5/8		380
BUSI 06(0)	H C16R2	1-01 * S	D13		1			28-2/8		380

DX118.U RUN NAME	WRAPD .V35(102)-1 A/P PIN ORDER NAME	RAY - Q ORDER	03-JUN-77 DRAW	RV RG Y OPT	X Z	REMARKS	15-NOV-77	19148 NC LENGTH FLAG	PAGE 39 EXCEPTIONS	RUN NUMBER
BUSI 06(1)	H C16R2	1-01 * S	D13		1			N 12-5/8		381
BUSI 06(1)	H A31N2	1-02 * S	D22		2			N 6-3/8		381
BUSI 06(1)	H A22B1	1-03 * S	D26		1			N 22-5/8		381
BUSI 06(1)	H H10F1	1-04 * S	DXX					41-5/8		381
BUSI 07(0)	H C17R2	1-01 * S	D13		2			41-5/8		381
BUSI 07(0)	H A22E1	1-02 * S	D26		1			N 9-1/8		382
BUSI 07(0)	H H20L1	1-03 * S	DXX					N 17-5/8		382
BUSI 07(1)	H C17R2	1-01 * S	D13		1			26-6/8		382
BUSI 07(1)	H A31M2	1-02 * S	D22		2			N 18-7/8		383
BUSI 07(1)	H A22A1	1-03 * S	D26		1			N 6-3/8		383
BUSI 07(1)	H H10K2	1-04 * S	DXX					N 22-7/8		383
BUSI 07(1)	H A31V1	1-01 * S	D22		1			48-1/8		383
BUSI 07(1)	H A21M2	1-02 * S	D26		2			N 5-7/8		384
BUSI 07(1)	H B22D2	1-03 * S	D26		1			N 2-5/8		384
BUSI 07(1)	H B15F2	1-04 * S	D16		2			N 4-1/8		384
BUSI 07(1)	H B11F1	1-05 * S	D15		1			N 2-6/8		384
BUSI 07(1)	H E06C1	1-06 * S	D19		2			N 7-3/8		384
BUSI 07(1)	H E06C1	1-07 * S	D27		1			N 3-3/8		384
BUSI 07(1)	H E10V1	1-08 * S	D09		2			N 3-3/8		384
BUSI 07(1)	H J09P2	1-09 * S	DXX		1			N 8-1/8		384
BUSI 07(1)	H A21T2	1-01 * S	D26		2			37-5/8		384
BUSI 07(1)	H B22P2	1-02 * S	D26		1			N 2-3/8		385
BUSI 07(1)	H E06D2	1-03 * S	D27					N 11-6/8		385
BUSI 07(1)	H A31U1	1-01 * S	D22		1			14-1/8		385
BUSI 07(1)	H A21M2	1-02 * S	D26		2			N 5-7/8		386
BUSI 07(1)	H B22M1	1-03 * S	D26		1			N 3-3/8		386
BUSI 07(1)	H B15P1	1-04 * S	D16		2			N 4-1/8		386
BUSI 07(1)	H B11A1	1-05 * S	D15		1			N 3-2/8		386
BUSI 07(1)	H D11B1	1-06 * S	D19		2			N 7-4/8		386
BUSI 07(1)	H D04U1	1-07 * S	D07		1			N 4-1/8		386
BUSI 07(1)	H E06V1	1-08 * S	D27		2			N 4-1/8		386
BUSI 07(1)	H E10B1	1-09 * S	D09		1			N 2-5/8		386
BUSI 07(1)	H J09P2	1-10 * S	DXX					N 7-3/8		386
BUSI 07(1)	H A21R2	1-01 * S	D26		2			42-3/8		386
BUSI 07(1)	H B22P1	1-02 * S	D26		1			N 3-1/8		387
BUSI 07(1)	H E06U1	1-03 * S	D27					N 12		387
BUSI 07(1)	H A21R2	1-01 * S	D26		1			15-1/8		387

DX11B,U RUN NAME	WRAPD ,V35(102)-1 ORDER PIN	BAY - ORDER PIN	Q DRAW	OPT	RV	RG	Y	X	Z	REMARKS	15-NOV-77	15148 NC LENGTH FLAG	PAGE 40 EXCEPTIONS	RUN NUMBER
BUS0 02	H A3171	1-01 *		D22					1			N 5-7/8		388
BUS0 02	H A2112	1-02 *		D26					2			N 2-7/8		388
BUS0 02	H B2271	1-03 *		D26					1			N 4-1/8		388
BUS0 02	H B1501	1-04 *		D16					2			N 2-2/8		388
BUS0 02	H B1282	1-05 *		D15					1			N 6-1/8		388
BUS0 02	H D1281	1-06 *		D19					2			N 4-1/8		388
BUS0 02	H D0501	1-07 *		D07					1			N 3-1/8		388
BUS0 02	H E0601	1-08 *		D27					2			N 3-1/8		388
BUS0 02	H E1012	1-09 *		D09					1			N 9-5/8		388
BUS0 02	H J0971	1-10 *		DXK					1			41-2/8		388
BUS0 02	L A2182	1-01 *		D26					2			N 2-5/8		389
BUS0 02	L B2231	1-02 *		D26					1			N 12-5/8		389
BUS0 02	L E0661	1-03 *	8	D27					1			15-2/8		389
BUS0 03	H A3161	1-01 *		D22					1			N 5-7/8		390
BUS0 03	H A2182	1-02 *		D26					2			N 2-3/8		390
BUS0 03	H B22A1	1-03 *		D26					1			N 4-1/8		390
BUS0 03	H B15C1	1-04 *		D16					2			N 2-2/8		390
BUS0 03	H B12K2	1-05 *		D15					1			N 6-5/8		390
BUS0 03	H D1381	1-06 *		D19					2			N 2-5/8		390
BUS0 03	H E10H1	1-07 *		D09					1			N 3-4/8		390
BUS0 03	H D06U1	1-08 *		D07					2			N 2-3/8		390
BUS0 03	H E06N1	1-09 *		D27					1			N 9-1/8		390
BUS0 03	H J0971	1-10 *		DXK					1			30-7/8		390
BUS0 03	L A2182	1-01 *		D26					2			N 2-1/8		391
BUS0 03	L B22C1	1-02 *		D26					1			N 13-6/8		391
BUS0 03	L E06P1	1-03 *	8	D27					1			15-7/8		391
BUS0 04	H A20A1	1-01 *		D22					2			N 2-6/8		392
BUS0 04	H A3181	1-02 *		D26					1			N 6-5/8		392
BUS0 04	H A21D1	1-03 *		D26					2			N 1-9/8		392
BUS0 04	H A19F1	1-04 *		D26					1			N 5-2/8		392
BUS0 04	H B12D2	1-05 *		D15					2			N 2-3/8		392
BUS0 04	H B11T2	1-06 *		D16					1			N 6-5/8		392
BUS0 04	H D1481	1-07 *		D19					2			N 5-7/8		392
BUS0 04	H D03H1	1-08 *		D07					1			N 3-2/8		392
BUS0 04	H E06L1	1-09 *		D27					2			N 2-5/8		392
BUS0 04	H E09V1	1-10 *		D09					1			N 8-3/8		392
BUS0 04	H J10P2	1-11 *		DXK					1			45-3/8		392
BUS0 04	L A26C1	1-01 *		D26					2			N 4-3/8		393
BUS0 04	L A21J1	1-02 *		D26					1			N 10-5/8		393
BUS0 04	L E06M1	1-03 *	8	D27					1			23-0/8		393

DX11B,U RUN NAME	WRAPD ,V35(102)-1 ORDER PIN	BAY - ORDER PIN	Q DRAW	OPT	RV	RG	Y	X	Z	REMARKS	15-NOV-77	15148 NC LENGTH FLAG	PAGE 41 EXCEPTIONS	RUN NUMBER
BUS0 05	H A31P1	1-01 *		D22					2			N 2-3/8		394
BUS0 05	H A26F1	1-02 *		D26					1			N 4-3/8		394
BUS0 05	H A21C1	1-03 *		D26					2			N 1-7/8		394
BUS0 05	H A19H1	1-04 *		D26					1			N 5-2/8		394
BUS0 05	H B12M1	1-05 *		D15					2			N 7-4/8		394
BUS0 05	H B11M2	1-06 *		D16					1			N 5-7/8		394
BUS0 05	H D1581	1-07 *		D19					2			N 7-7/8		394
BUS0 05	H D06R1	1-08 *		D07					1			N 3-1/8		394
BUS0 05	H E06J1	1-09 *		D27					2			N 2-3/8		394
BUS0 05	H E09S1	1-10 *		D09					1			N 8-1/8		394
BUS0 05	H J10P2	1-11 *		DXK					1			41-6/8		394
BUS0 05	L A26J1	1-01 *		D22					2			N 4-1/8		395
BUS0 05	L A21H1	1-02 *		D26					1			N 10-3/8		395
BUS0 05	L E06K1	1-03 *	8	D27					1			22-4/8		395
BUS0 06	H A31N1	1-01 *		D22					2			N 2-1/8		396
BUS0 06	H A28M1	1-02 *		D26					1			N 4-7/8		396
BUS0 06	H A2181	1-03 *		D26					2			N 1-6/8		396
BUS0 06	H A19J1	1-04 *		D26					1			N 5-7/8		396
BUS0 06	H B12P1	1-05 *		D15					2			N 6-4/8		396
BUS0 06	H B11P2	1-06 *		D16					1			N 8-7/8		396
BUS0 06	H D09K1	1-07 *		D19					2			N 5-7/8		396
BUS0 06	H D08R1	1-08 *		D07					1			N 2-3/8		396
BUS0 06	H E06T1	1-09 *		D27					2			N 2-5/8		396
BUS0 06	H E09L2	1-10 *		D09					1			N 8-7/8		396
BUS0 06	H J10P1	1-11 *		DXK					1			43-6/8		396
BUS0 06	L A26P1	1-01 *		D26					2			N 4-5/8		397
BUS0 06	L A21P1	1-02 *		D26					1			N 18		397
BUS0 06	L E06N1	1-03 *	8	D27					1			22-5/8		397
BUS0 07	H A26D2	1-01 *		D22					2			N 1-7/8		398
BUS0 07	H A31M1	1-02 *		D26					1			N 6-5/8		398
BUS0 07	H A21A1	1-03 *		D26					2			N 1-7/8		398
BUS0 07	H A19K1	1-04 *		D26					1			N 5-5/8		398
BUS0 07	H B12A1	1-05 *		D15					2			N 2-3/8		398
BUS0 07	H B11P1	1-06 *		D16					1			N 8-7/8		398
BUS0 07	H D17S1	1-07 *		D19					2			N 5-7/8		398
BUS0 07	H D06R1	1-08 *		D07					1			N 1-6/8		398
BUS0 07	H E06D1	1-09 *		D27					2			N 2-1/8		398
BUS0 07	H E09H1	1-10 *		D09					1			N 8-7/8		398
BUS0 07	H J10P1	1-11 *		DXK					1			45-7/8		398
BUS0 07	L A26P2	1-01 *		D26					2			N 4-3/8		399
BUS0 07	L A21E1	1-02 *		D26					1			N 17-6/8		399
BUS0 07	L E06E1	1-03 *	8	D27					1			22-1/8		399

DX11B,U RUN NAME	A/P PIN	ORDER PIN	Q DRAW	RV RG	Y X	Z	REMARKS	15-NOV-77	15148 NC LENGTH FLAG	PAGE 44 EXCEPTIONS	RUN NUMBER
C01C1	1-01 *	005				1			N 0-1/8		420
C01C1	1-02 *	005				2			N 5-5/8		420
C01C1	1-03 *	005							0-6/8		420
C01C1	1										
C01F1	1-01 *	005				1			N 4-5/8		421
C01F1	1-02 *	005							4-5/8		421
C01F1	1										
C01F2	1-01 *	005				1			N 0-1/8		422
C01F2	1-02 *	005				2			N 5-7/8		422
C01F2	1-03 *	005							6-0/8		422
C01F2	1										
C01K1	1-01 *	005				1			N 7-5/8		423
C01K1	1-02 *	005							7-5/8		423
C01K1	1										
C01K2	1-01 *	005				1			N 0-1/8		424
C01K2	1-02 *	005							0-1/8		424
C01K2	1										
C01N1	1-01 *	005				1			N 0-3/8		425
C01N1	1-02 *	005							0-3/8		425
C01N1	1										
C01N2	1-01 *	005				1			N 6-1/8		426
C01N2	1-02 *	005							6-1/8		426
C01N2	1										
C01S1	1-01 *	005				1			N 7-7/8		427
C01S1	1-02 *	005							7-7/8		427
C01S1	1										
C01S2	1-01 *	005				1			N 5-5/8		428
C01S2	1-02 *	005							5-5/8		428
C01S2	1										
C01V2	1-01 *	005				1			N 3-7/8		429
C01V2	1-02 *	005							3-7/8		429
C01V2	1										
C02C1	1-01 *	D24				1			N 6-5/8		430
C02C1	1-02 *	D24							6-5/8		430
C02C1	1										
C02F1	1-01 *	D24				1			N 6		431
C02F1	1-02 *	D24							6-6/8		431
C02F1	1										
C02F2	1-01 *	D24				1			N 2-3/8		432
C02F2	1-02 *	D24							2-3/8		432
C02F2	1										

DX11B,U RUN NAME	A/P PIN	ORDER PIN	Q DRAW	RV RG	Y X	Z	REMARKS	15-NOV-77	15148 NC LENGTH FLAG	PAGE 45 EXCEPTIONS	RUN NUMBER
C02K1	1-01 *	D24				1			N 5-6/8		433
C02K1	1-02 *	D24							5-6/8		433
C02K1	1										
C02N1	1-01 *	D24				1			N 2-1/8		434
C02N1	1-02 *	D24							2-1/8		434
C02N1	1										
C02S1	1-01 *	D24				1			N 1-7/8		435
C02S1	1-02 *	D24							1-7/8		435
C02S1	1										
C02S2	1-01 *	D24				1			N 4-7/8		436
C02S2	1-02 *	D24							4-7/8		436
C02S2	1										
C02V2	1-01 *	D24				1			N 4-5/8		437
C02V2	1-02 *	D24							4-5/8		437
C02V2	1										
C03N2	1-01 *	DXX				1			N 1		438
C03N2	1-02 *	DXX							1-0/8		438
C03N2	1										
C03V2	1-01 *	D25				1			N 3-1/8		439
C03V2	1-02 *	D25							3-1/8		439
C03V2	1										
C04P2	1-01 *	DXX				1			N 12-2/8		440
C04P2	1-02 *	DXX							12-2/8		440
C04P2	1										
C04V2	1-01 *	D24				1			N 2-2/8		441
C04V2	1-02 *	D24							2-2/8		441
C04V2	1										
C05J2	1-01 *	D24				1			N 3-1/8		442
C05J2	1-02 *	D24							3-1/8		442
C05J2	1										
C05P2	1-01 *	D24				1			N 1-5/8		443
C05P2	1-02 *	D24							1-5/8		443
C05P2	1										
C06J2	1-01 *	D07				1			N 11-5/8		444
C06J2	1-02 *	D07							11-5/8		444
C06J2	1										
C06L1	1-01 *	D24				1			N 1-3/8		445
C06L1	1-02 *	D24							1-3/8		445
C06L1	1										
C06P2	1-01 *	D11				1			N 12-5/8		446
C06P2	1-02 *	D11							12-5/8		446
C06P2	1										

83

h8

DX118.U RUN NAME	WRAPD .V35(102)-1 A/P PIN NAME	ORDER PIN	03-JUN-77 BAY - Q ORDER	Q DRAW OPT	RV RG Y X Z	REMARKS	15-Nov-77	15148 NC LENGTH FLAG	PAGE 46 EXCEPTIONS	RUN NUMBER
C06V2	C06V2		1-01 *	D11				N 12-1/8		447
C06V2	E23D1		1-02 *	D11						447
C06V2			1					12-1/8		447
C07K1	A04R2		1-01 *	D24				N 8-4/8		448
C07K1	A04T2		1-02 *	D24				N 9-7/8		448
C07K1	C07K1		1-03 * S	D24						448
C07K1			1					6-3/8		448
C07L2	A06L2		1-01 *	D07				N 6-1/8		449
C07L2	C07L2		1-02 *	D07						449
C07L2			1					6-1/8		449
C08E1	B06R2		1-01 *	D25				N 2-3/8		450
C08E1	C08E1		1-02 *	D25						450
C08E1			1					2-3/8		450
C08J2	C08J2	E27E1	1-01 *	D13				N 14-3/8		451
C08J2	E27E1		1-02 *							451
C08J2			1					14-3/8		451
C08P2	C08P2		1-01 *	D25				N 3-1/8		452
C08P2	D09L1		1-02 *	D25						452
C08P2			1					3-1/8		452
C08S1	C25K1		1-01 *	D05				N 9-5/8		453
C08S1	C08S1		1-02 *	D05				N 4-7/8		453
C08S1	D01A1		1-03 *	D05						453
C08S1			1					14-4/8		453
C08V2	A02K1		1-01 *	D05				N 10-1/8		454
C08V2	C08V2		1-02 *	D05						454
C08V2			1					10-1/8		454
C09E1	C09E1		1-01 *	D06				N 8-1/8		455
C09E1	C24C1		1-02 *	D06						455
C09E1			1					8-1/8		455
C09L1	B17M1		1-01 *	D06				N 2-5/8		456
C09L1	C15C1		1-02 *	D06				N 4-1/8		456
C09L1	C09L1		1-03 *	D06						456
C09L1			1					6-6/8		456
C09P2	C09P2		1-01 *	D06				N 2-7/8		457
C09P2	C13C1		1-02 *	D06						457
C09P2			1					2-7/8		457
C09S1	C09S1		1-01 *	D06				N 2-5/8		458
C09S1	C11C1		1-02 *	D06						458
C09S1			1					2-5/8		458
C09V2	C09V2		1-01 *	D06				N 3-3/8		459
C09V2	C14C1		1-02 *	D06						459
C09V2			1					3-3/8		459

DX118.U RUN NAME	WRAPD .V35(102)-1 A/P PIN NAME	ORDER PIN	03-JUN-77 BAY - Q ORDER	Q DRAW OPT	RV RG Y X Z	REMARKS	15-Nov-77	15148 NC LENGTH FLAG	PAGE 47 EXCEPTIONS	RUN NUMBER
C19U2	C19U2		1-01 *	D11				N 7-5/8		460
C19U2	D09N1		1-02 *	D11						460
C19U2			1					7-5/8		460
C19V2	C19V2		1-01 *	D11				N 7-7/8		461
C19V2	D09R1		1-02 *	D11						461
C19V2			1					7-7/8		461
CHDEND(1)	A29M1		1-01 *	D22				N 4-3/8		462
CHDEND(1)	B23D2		1-02 *	D24				N 9-3/8		462
CHDEND(1)	B09U1		1-03 *	D10				N 8-5/8		462
CHDEND(1)	D15S2		1-04 *	D19				N 3-5/8		462
CHDEND(1)	C15N1		1-05 *	D05						462
CHDEND(1)			1					26-0/8		462
CHEND(0)	C04M2		1-01 *	DXX				N 5-1/8		463
CHEND(0)	C13K2		1-02 *	DXX						463
CHEND(0)			1					5-1/8		463
CHEND(1)	C13J2		1-01 *	D09				N 4		464
CHEND(1)	B08K2		1-02 *	D10				N 8-3/8		464
CHEND(1)	D13N1		1-03 *	D19				N 12-2/8		464
CHEND(1)	A29U2		1-04 *	D22				N 12-7/8		464
CHEND(1)	F31D1		1-05 *	D13						464
CHEND(1)			1					37-4/8		464
CHENDS(1)	A29M1		1-01 *	D22				N 12-3/8		465
CHENDS(1)	B13U1		1-02 *	D10				N 8-5/8		465
CHENDS(1)	D19S2		1-03 *	D19				N 3-5/8		465
CHENDS(1)	C19N1		1-04 *	D05						465
CHENDS(1)			1					24-5/8		465
CHIS(0)	C17N1		1-01 *	D05				N 6-2/8		466
CHIS(0)	A06M1		1-02 *	D25				N 7-7/8		466
CHIS(0)	C02P1		1-03 *	D24				N 16-7/8		466
CHIS(0)	F21D2		1-04 *	DXX						466
CHIS(0)			1					33-0/8		466
CHIS(1)	A29K1		1-01 *	D22				N 8-5/8		467
CHIS(1)	B17H2		1-02 *	D06				N 4-3/8		467
CHIS(1)	B09J2		1-03 *	D10				N 3-7/8		467
CHIS(1)	A05S1		1-04 *	D25				N 1-3/8		467
CHIS(1)	A03U2		1-05 *	D24				N 11-5/8		467
CHIS(1)	D17S2		1-06 *	D19				N 3-7/8		467
CHIS(1)	C17M1		1-07 *	D05						467
CHIS(1)			1					33-6/8		467
CLINTR	C26M2		1-01 *	D18				N 1		468
CLINTR	C26S1	E10M1	1-02 *	D18				N 7-3/8		468
CLINTR	E10M1		1-03 *	D18						468
CLINTR			1					8-3/8		468
CLK GATE	A25C1		1-01 *	D20				N 6-4/8		469
CLK GATE	B16J2		1-02 *	D20						469
CLK GATE			1					6-4/8		469

DX110.U
RUN NAME

WRAPD ,V35(102)-1 03-JUN-77
A/P PIN ORDER BAY - Q DRAW RY RG Y X Z

15-Nov-77

15:48 PAGE 48
NC LENGTH EXCEPTIONS
FLAG

RUN
NUMBER

NAME	PIN	ORDER	BAY	Q	DRAW	RY	RG	Y	X	Z	REMARKS	FLAG	NC LENGTH	EXCEPTIONS	RUN NUMBER
CLK OUT	H14D2		1-01 *		DXX					2		N	1-4/8		470
CLK OUT	H12D2		1-02 *		DXX					1		N	3-5/8		470
CLK OUT	J13E2		1-03 *		DXX										470
CLK OUT			1										5-1/8		470
CLKN1	A27H1		1-01 *	8	D20					2		N	5-1/8		471
CLKN1	A18D1		1-02 *		U15					1		N	0-4/8		471
CLKN1	A18F1		1-03 *		O16					2		N	5-1/8		471
CLKN1	B20R1		1-04 *		D11					1		N	0-4/8		471
CLKN1	B20R2		1-05 *		D11					2		N	0-5/8		471
CLKN1	B20M1		1-06 *		D11					1		N	0-5/8		471
CLKN1	B20J1		1-07 *		D11					2		N	5-2/8		471
CLKN1	B18J2		1-08 *		D16					1		N	0-5/8		471
CLKN1	B18M2		1-09 *		D16					2		N	0-5/8		471
CLKN1	B18R1		1-10 *		D15					1		N	0-5/8		471
CLKN1	B18M1		1-11 *		D15					2		N	4-5/8		471
CLKN1	A88E2		1-12 *		D13					1		N	9-5/8		471
CLKN1	C01J1		1-13 *		D05										471
CLKN1			1										33-7/8		471
CLKN2	A27K1		1-01 *	8	D20					2		N	4-7/8		472
CLKN2	A18J1		1-02 *		D21					1		N	0-4/8		472
CLKN2	A18L1		1-03 *		D21					2		N	0-4/8		472
CLKN2	A18N1		1-04 *		D21					1		N	0-4/8		472
CLKN2	A18R1		1-05 *		D21					2		N	9-7/8		472
CLKN2	E19E1		1-06 *		D06					1		N	0-5/8		472
CLKN2	E19E2		1-07 *		D06					2		N	0-5/8		472
CLKN2	E18E1		1-08 *		D06					1		N	0-5/8		472
CLKN2	E18E2		1-09 *		D06					2		N	0-5/8		472
CLKN2	E18J2		1-10 *		D06					1		N	0-5/8		472
CLKN2	E18M2		1-11 *		D06					2		N	3-1/8		472
CLKN2	E13L1		1-12 *		D06					1		N	1-2/8		472
CLKN2	E13D1		1-13 *		D09					2		N	5-3/8		472
CLKN2	E05R2		1-14 *		D09					1		N	0-5/8		472
CLKN2	E05U2		1-15 *		D09					2		N	1-6/8		472
CLKN2	E05H2		1-16 *		D09					1		N	5-3/8		472
CLKN2	D01B1		1-17 *		D05										472
CLKN2			1										36-7/8		472

DX110.U
RUN NAME

WRAPD ,V35(102)-1 03-JUN-77
A/P PIN ORDER BAY - Q DRAW RY RG Y X Z

15-Nov-77

15:48 PAGE 49
NC LENGTH EXCEPTIONS
FLAG

RUN
NUMBER

NAME	PIN	ORDER	BAY	Q	DRAW	RY	RG	Y	X	Z	REMARKS	FLAG	NC LENGTH	EXCEPTIONS	RUN NUMBER
CLKN3	A27V2		1-01 *	8	D20					2		N	5-3/8		473
CLKN3	B20J2		1-02 *		D11					1		N	11-5/8		473
CLKN3	E31B1		1-03 *		D13					2		N	1		473
CLKN3	E30B1		1-04 *		D13					1		N	0-5/8		473
CLKN3	E30E1		1-05 *		D13					2		N	0-4/8		473
CLKN3	E30E2		1-06 *		D13					1		N	0-5/8		473
CLKN3	E31J1		1-07 *		D13					2		N	0-4/8		473
CLKN3	E31J2		1-08 *		D13					1		N	1-2/8		473
CLKN3	E31R2		1-09 *		D13					2		N	0-4/8		473
CLKN3	E31R1		1-10 *		D13					1		N	0-4/8		473
CLKN3	E30R2		1-11 *		D13					2		N	0-5/8		473
CLKN3	E30M1		1-12 *		D13					1		N	0-5/8		473
CLKN3	E30R1		1-13 *		D13					2		N	2-7/8		473
CLKN3	F29J1		1-14 *		D05					1		N	4-1/8		473
CLKN3	E24U2		1-15 *		D13					2		N	3		473
CLKN3	E19U2		1-16 *		D13					1		N	1-2/8		473
CLKN3	E19M2		1-17 *		D13					2		N	4		473
CLKN3	F14J1		1-18 *		D05					1		N	2-7/8		473
CLKN3	E13R1		1-19 *		D13										473
CLKN3			1										41-7/8		473
CLKN4	D09J2		1-01 *	2						2		N	6-7/8		474
CLKN4	C01M2		1-02 *		D05					1		N	0-4/8		474
CLKN4	C01M1		1-03 *		D05					2		N	0-5/8		474
CLKN4	C01R2		1-04 *		D05					1		N	0-4/8		474
CLKN4	C01R1		1-05 *		D05					2		N	2-1/8		474
CLKN4	D01E2		1-06 *		D05					1		N	0-4/8		474
CLKN4	D01E1		1-07 *		D05					2		N	0-5/8		474
CLKN4	D01J2		1-08 *		D05					1		N	0-5/8		474
CLKN4	D01M2		1-09 *		D05					2		N	0-4/8		474
CLKN4	D01M1		1-10 *		D05					1		N	0-5/8		474
CLKN4	D01R1		1-11 *		D05					2		N	7-7/8		474
CLKN4	E13F1		1-12 *		D05					1		N	0-4/8		474
CLKN4	E13J1		1-13 *		D11					2		N	6		474
CLKN4	E24J1		1-14 *		D11					1		N	0-4/8		474
CLKN4	E24J2		1-15 *		D11					2		N	0-5/8		474
CLKN4	E24M1		1-16 *		D11										474
CLKN4			1										29-0/8		474
CLKO	H A31K2		1-01 *		D22					1		N	13-4/8		475
CLKO	H D19L1		1-02 *		D19					2		N	9-1/8		475
CLKO	H C06R1		1-03 *		D24					1		N	5-7/8		475
CLKO	H E06E2		1-04 *		D27					2		N	10-5/8		475
CLKO	H J13D2		1-05 *		DXX										475
CLKO			1										39-1/8		475
CLKO	L E02T2		1-01 *		D24					1		N	2-4/8		476
CLKO	L E06T2		1-02 *	8	D27										476
CLKO			1										2-4/8		476

85

86

DX118-U RUN NAME	WRAPD *V35(102)-1 A/P PIN ORDER PIN	03-JUN-77 BAY - Q ORDER	15-NOV-77 DRAWN RY MG Y X Z OPT	REMARKS	15148 PAGE 50 NC LENGTH EXCEPTIONS FLAG	RUN NUMBER
CLRP1	A27M1	1-01 *	D20	2	N 1-5/8	477
CLRP1	A27M1	1-02 *	D14	1	N 1-5/8	477
CLRP1	A27M1	1-03 *	D08	2	N 3-6/8	477
CLRP1	B16R2	1-04 *		1	N 2-5/8	477
CLRP1	B16A1	1-05 *	D10	2	N 1-6/8	477
CLRP1	B16A1	1-06 *	D10	1	N 5-3/8	477
CLRP1	A09E1	1-07 *	D11	2	N 4-5/8	477
CLRP1	A09E1	1-08 *		1	N 3-6/8	477
CLRP1	B01M1	1-09 *	D05	2	N 4-5/8	477
CLRP1	C03R2	1-10 *	D07	1	N 3-1/8	477
CLRP1	C03R2	1-11 *	D05	2	N 6	477
CLRP1	E16R1	1-12 *	D11	1	N 2	477
CLRP1	E16R1	1-13 *	D10	2	N 0-5/8	477
CLRP1	E16U2	1-14 *	D24	1	N 2-5/8	477
CLRP1	E20E2	1-15 *		2	N 0-4/8	477
CLRP1	E20U2	1-16 *		2	N 0-4/8	477
CLRP2	A27P1	1-01 *	D20	2	N 46-5/8	477
CLRP2	B17T2	1-02 *	D06	1	N 0	478
CLRP2	B17U2	1-03 *	D06	2	N 0-1/8	478
CLRP2	E27L2	1-04 *	D06	1	N 2-9/8	478
CLRP2	F22E2	1-05 *	D05	2	N 7-6/8	478
CLRP2	F22E2	1-06 *	D18	2	N 4-1/8	478
CLRP2	F22P1	1-07 *	D25	1	N 1-5/8	478
CLRP2	E17U2	1-08 *	D06	2	N 3-5/8	478
CLRP2	E17M2	1-09 *	D06	1	N 1-2/8	478
CLRP2	E17E2	1-10 *	D06	2	N 3-1/8	478
CLRP2	E26J1	1-11 *	D19	1	N 0-1/8	478
CLRP2	C25E2	1-12 *		2	N 0-3/8	478
CLRP2	C25E2	1-12 *		2	N 41-7/8	478
CLR CUAR	A10R1	1-01 *	D15	2	N 1	479
CLR CUAR	A10R1	1-02 *	D15	1	N 1	479
CLR CUAR	A13R1	1-03 *	D15	2	N 1	479
CLR CUAR	A13R1	1-04 *	D15	1	N 1	479
CLR CUAR	A15R1	1-05 *	D15	2	N 1	479
CLR CUAR	A15R1	1-06 *	D15	1	N 1	479
CLR CUAR	A17R1	1-07 *	D15	2	N 1	479
CLR CUAR	A17R1	1-08 *	D15	1	N 2-2/8	479
CLR CUAR	A18D2	1-09 *	D15	2	N 1	479
CLR CUAR	A18D2	1-09 *	D15	1	N 9-2/8	479
CLR CUCR	A10U2	1-01 *	D16	2	N 1	480
CLR CUCR	A11U2	1-02 *	D16	1	N 1	480
CLR CUCR	A12U2	1-03 *	D16	2	N 1	480
CLR CUCR	A13U2	1-04 *	D16	1	N 1	480
CLR CUCR	A14U2	1-05 *	D16	2	N 1	480
CLR CUCR	A15U2	1-06 *	D16	1	N 1	480
CLR CUCR	A16U2	1-07 *	D16	2	N 1	480
CLR CUCR	A17U2	1-08 *	D16	1	N 1	480
CLR CUCR	A18P2	1-09 *	D16	2	N 2-3/8	480
CLR CUCR	A18P2	1-09 *	D16	1	N 9-3/8	480

DX118-U RUN NAME	WRAPD *V35(102)-1 A/P PIN ORDER PIN	03-JUN-77 BAY - Q ORDER	15-NOV-77 DRAWN RY MG Y X Z OPT	REMARKS	15148 PAGE 51 NC LENGTH EXCEPTIONS FLAG	RUN NUMBER
CLR CUCR	C17D2	1-01 *	D09	2	N 1	481
CLR CUCR	C16D2	1-02 *	D09	1	N 1	481
CLR CUCR	C15D2	1-03 *	D09	2	N 1	481
CLR CUCR	C14D2	1-04 *	D09	1	N 1	481
CLR CUCR	C13D2	1-05 *	D09	2	N 1	481
CLR CUCR	C12D2	1-06 *	D09	1	N 1	481
CLR CUCR	C11D2	1-07 *	D09	2	N 1	481
CLR CUCR	C10D2	1-08 *	D09	1	N 7-1/8	481
CLR CUCR	E13D2	1-09 *	D09	2	N 1	481
CLR CUCR	E13D2	1-09 *	D09	1	N 14-1/8	481
CLR DXBC BA	B25H1	1-01 *	D08	1	N 1	482
CLR DXBC BA	B26H1	1-02 *	D08	2	N 1	482
CLR DXBC BA	B27H1	1-03 *	D08	1	N 1-3/8	482
CLR DXBC BA	B27R1	1-04 *	D08	2	N 1	482
CLR DXBC BA	B26R1	1-05 *	D08	1	N 14-3/8	482
CLR DXBC BA	D07H1	1-06 *	D07	2	N 1-3/8	482
CLR DXBC BA	D07R1	1-07 *	D07	1	N 1-3/8	482
CLR DXBC BA	D08H1	1-08 *	D07	2	N 1-3/8	482
CLR DXBC BA	D08R1	1-09 *	D07	1	N 1-3/8	482
CLR DXBC BA	D08R1	1-09 *	D07	2	N 23-1/8	482
CLR DXCB	C25P1	1-01 *	D11	2	N 1	483
CLR DXCB	C24P1	1-02 *	D11	1	N 1	483
CLR DXCB	C23P1	1-03 *	D11	2	N 1	483
CLR DXCB	C22P1	1-04 *	D11	1	N 1	483
CLR DXCB	C19P1	1-05 *	D11	2	N 2	483
CLR DXCB	C18P1	1-06 *	D11	1	N 1-4/8	483
CLR DXCB	C16P1	1-07 *	D11	2	N 1	483
CLR DXCB	C15P1	1-08 *	D11	1	N 1	483
CLR DXCB	C14P1	1-09 *	D11	2	N 1	483
CLR DXCB	E13J2	1-10 *	D11	1	N 5-3/8	483
CLR DXCB	E13J2	1-11 *	D11	2	N 1	483
CLR DXCB	E13J2	1-11 *	D11	1	N 15-7/8	483
CLR DXCA	C25A1	1-01 *	D06	2	N 0-5/8	484
CLR DXCB	C24A1	1-02 *	D06	1	N 1-2/8	484
CLR DXCB	C23A1	1-03 *	D06	2	N 1-4/8	484
CLR DXCB	B16J2	1-04 *	D06	1	N 2-6/8	484
CLR DXCB	C14D1	1-05 *	D06	2	N 3-4/8	484
CLR DXCB	C14D1	1-06 *	D06	1	N 1	484
CLR DXCB	C13D1	1-07 *	D06	2	N 1-4/8	484
CLR DXCB	C15D1	1-08 *	D06	1	N 0-5/8	484
CLR DXCB	C16A1	1-09 *	D06	2	N 1	484
CLR DXCB	C17A1	1-10 *	D06	1	N 1	484
CLR DXCB	E16J2	1-11 *	D06	2	N 0-7/8	484
CLR DXCB	E13J2	1-12 *	D06	1	N 2	484
CLR DXCB	E13J2	1-12 *	D06	2	N 22-5/8	484

DX118.U RUN NAME	WRAPD .V35(102)-1	03-JUN-77	15-NOV-77	15:40	PAGE 52	RUN NUMBER						
A/P	PIN NAME	ORDER PIN	BAY - ORDER	Q	DRAW OPT	RV RG Y	X	Z	REMARKS	NC FLAG	LENGTH	EXCEPTIONS
CLR DXDS		C18L1	1-01 *		D05			2				
CLR DXDS		C11M1	1-02 *		D05			1		N	0-5/8	485
CLR DXDS		C12M1	1-03 *		D05			2		N	1	485
CLR DXDS		C17M1	1-04 *		D05			1		N	3	485
CLR DXDS		C16L1	1-05 *		D05			2		N	0-5/8	485
CLR DXDS		C15L1	1-06 *		D05			1		N	1	485
CLR DXDS		C14L1	1-07 *		D05			2		N	1	485
CLR DXDS		E13F2	1-08 *	S	D05					N	5-3/8	485
CLR DXDS			1								12-5/8	485
CLR DXDSA		C25L1	1-01 *		D05			2		N	3	486
CLR DXDSA		C20L1	1-02 *		D05			1		N	1	486
CLR DXDSA		C19L1	1-03 *		D05			2		N	1	486
CLR DXDSA		C18L1	1-04 *		D05			1		N	9-7/8	486
CLR DXDSA		F14J2	1-05 *		D05							486
CLR DXDSA			1								14-7/8	486
CLR DXMI		C20L2	1-01 *		D13			1		N	1	487
CLR DXMI		C21L2	1-02 *		D13			2		N	1	487
CLR DXMI		C22L2	1-03 *		D13			1		N	1	487
CLR DXMI		C23L2	1-04 *		D13			2		N	1-4/8	487
CLR DXMI		C25L2	1-05 *		D13			1		N	8-7/8	487
CLR DXMI		E13R2	1-06 *	S	D13							487
CLR DXMI			1								13-3/8	487
CLR FCTN	L	C10A1	1-01 *		D06			1		N	1-2/8	488
CLR FCTN	L	C11D1	1-02 *		D06			2		N	1	488
CLR FCTN	L	C12D1	1-03 *		D06			1		N	9-1/8	488
CLR FCTN	L	E16S2	1-04 *	S	D06							488
CLR FCTN	L		1								11-3/8	488
CLR IRC		E27N2	1-01 *	S	D05			1		N	6-3/8	489
CLR IRC		F19E2	1-02 *		D05							489
CLR IRC			1								6-3/8	489
CMD OUT		J09E2	1-01 *		DXX			1		N	2-2/8	490
CMD OUT		J12M1	1-02 *		DXX			2		N	1-4/8	490
CMD OUT		J14M1	1-03 *		DXX							490
CMD OUT			1								3-6/8	490
CMDCHN(1)	H	A29R1	1-01 *		D22			1		N	11-1/8	491
CMDCHN(1)	H	A08U2	1-02 *		DXX			2		N	1-7/8	491
CMDCHN(1)	H	B08E1	1-03 *		D10			1		N	4-7/8	491
CMDCHN(1)	H	C06P1	1-04 *		D24			2		N	4-7/8	491
CMDCHN(1)	H	D12S2	1-05 *		D19			1		N	3-7/8	491
CMDCHN(1)	H	C12M1	1-06 *	S	D05							491
CMDCHN(1)	H		1								26-5/8	491
CMD0	H	C20F2	1-01 *	H	D12			1			18-7/8	492
CMD0	H	J09D2	1-02 *		DXX							492
CMD0	H		1								18-7/8	492

DX118.U RUN NAME	WRAPD .V35(102)-1	03-JUN-77	15-NOV-77	15:40	PAGE 53	RUN NUMBER						
A/P	PIN NAME	ORDER PIN	BAY - ORDER	Q	DRAW OPT	RV RG Y	X	Z	REMARKS	NC FLAG	LENGTH	EXCEPTIONS
CMD0(0)	N	A04A1	1-01 *		D25			1		N	4-3/8	493
CMD0(0)	N	B04K2	1-02 *		D25			2		N	3-3/8	493
CMD0(0)	H	C05M1	1-03 *		D24			1		N	10-4/8	493
CMD0(0)	H	E17J2	1-04 *		D06			2		N	3-3/8	493
CMD0(0)	H	E23M1	1-05 *		D11			1		N	9-3/8	493
CMD0(0)	H	B21J1	1-06 *		D13			2		N	3-3/8	493
CMD0(0)	H	C20K2	1-07 *	S	D12							493
CMD0(0)	H		1								34-3/8	493
CMD0(1)	H	A03R2	1-01 *		D25			2		N	2	494
CMD0(1)	H	B03D2	1-02 *		D25			1		N	0-5/8	494
CMD0(1)	H	B04M1	1-03 *		D25			2		N	4-1/8	494
CMD0(1)	H	C09J1	1-04 *		D06			1		N	6-5/8	494
CMD0(1)	H	E07K2	1-05 *		D05			2		N	2-1/8	494
CMD0(1)	H	E05E1	1-06 *		D13			1		N	9-1/8	494
CMD0(1)	H	D20S1	1-07 *		D19			2		N	7-5/8	494
CMD0(1)	H	E30L2	1-08 *		D13			1		N	11-3/8	494
CMD0(1)	H	A31J1	1-09 *		D22			2		N	7-7/8	494
CMD0(1)	H	C20J2	1-10 *	S	D12							494
CMD0(1)	H		1								51-4/8	494
CMDREJ(1)	H	A29T1	1-01 *		D22			1		N	13-3/8	495
CMDREJ(1)	H	B08R1	1-02 *		D10			2		N	6-7/8	495
CMDREJ(1)	H	D10S2	1-03 *		D19			1		N	3-5/8	495
CMDREJ(1)	H	C10N1	1-04 *	S	D05							495
CMDREJ(1)	H		1								23-7/8	495
CMDSRV	H	A04C1	1-01 *	S	D25			1		N	0-1/8	496
CMDSRV	H	A04D1	1-02 *		D25			2		N	1-5/8	496
CMDSRV	H	A06A1	1-03 *		D25			1		N	2-3/8	496
CMDSRV	H	A06R2	1-04 *		D25							496
CMDSRV	H		1								4-1/8	496
CONIZ	L	C06M1	1-01 *		D24			1		N	8-1/8	497
CONIZ	L	E02V2	1-02 *	S	D24							497
CONIZ	L		1								8-1/8	497
CONO CLKA		C24E2	1-01 *		D12			1		N	1	498
CONO CLKA		C23E2	1-02 *		D12			2		N	1	498
CONO CLKA		C22E2	1-03 *		D12			1		N	7-7/8	498
CONO CLKA		E20T2	1-04 *	S	D12							498
CONO CLKA			1								9-7/8	498
CONO CLKB		C19E2	1-01 *		D12			1		N	1	499
CONO CLKB		C20E2	1-02 *		D12			2		N	1	499
CONO CLKB		C21E2	1-03 *		D12			1		N	7-5/8	499
CONO CLKB		E20V2	1-04 *	S	D12							499
CONO CLKB			1								9-5/8	499
CONOB 00(0)	H	A10F1	1-01 *	S	D21			1		N	14-7/8	500
CONOB 00(0)	H	E04R1	1-02 *		D27			2		N	12-3/8	500
CONOB 00(0)	H	J13L1	1-03 *		D27							500
CONOB 00(0)	H		1								27-2/8	500

87

90

DX110.U		WRAPD .V35(102)*1		03-JUN-77		15-NOV-77		15148		PAGE 58				
RUN NAME	A/P	PIN	ORDER	PIN	ORDER	RV	RG	Y	X	Z	REMARKS	NC LENGTH	EXCEPTIONS	RUN
		NAME		NAME		OPT						FLAG		NUMBER
CUAR 06(1)	H	00482	1-01 *	D07								N	3-5/8	545
CUAR 06(1)	H	D10T2	1-02 *	D19								N	7-3/8	545
CUAR 06(1)	H	006N1	1-03 *	D10								N	3-3/8	545
CUAR 06(1)	H	A16V1	1-04 *	D15								N	7-7/8	545
CUAR 06(1)	H	022E2	1-05 *	D26								N	5-3/8	545
CUAR 06(1)	H	A29T2	1-06 *	D22								N	14-5/8	545
CUAR 06(1)	H	F31V1	1-07 *	D13								42-2/8		545
CUAR 06(1)	H	A1181	1-01 *	D15								N	8-5/8	546
CUAR 06(1)	H	022R1	1-02 *	D26								N	8-5/8	546
CUAR 06(1)	H	D11T2	1-01 *	D19								N	3-5/8	547
CUAR 06(1)	H	005E2	1-02 *	D07								N	7-1/8	547
CUAR 06(1)	H	008E2	1-03 *	D10								N	4-1/8	547
CUAR 06(1)	H	A11U1	1-04 *	D15								N	8-1/8	547
CUAR 06(1)	H	022M1	1-05 *	D26								N	6-3/8	547
CUAR 06(1)	H	A29E2	1-06 *	D22								N	14-1/8	547
CUAR 06(1)	H	F31U2	1-07 *	D13								42-4/8		547
CUAR 02(0)	H	A12B1	1-01 *	D15								N	7-3/8	548
CUAR 02(0)	H	022K1	1-02 *	D26								N	7-3/8	548
CUAR 02(1)	H	D12T2	1-01 *	D19								N	3-5/8	549
CUAR 02(1)	H	006E2	1-02 *	D07								N	7-3/8	549
CUAR 02(1)	H	008H1	1-03 *	D10								N	3-2/8	549
CUAR 02(1)	H	A12U1	1-04 *	D15								N	6-7/8	549
CUAR 02(1)	H	022H1	1-05 *	D26								N	6-1/8	549
CUAR 02(1)	H	A29R2	1-06 *	D22								N	14-3/8	549
CUAR 02(1)	H	F31H1	1-07 *	D13								41-5/8		549
CUAR 03(0)	H	A13E1	1-01 *	D15								N	6-3/8	550
CUAR 03(0)	H	022D1	1-02 *	D26								N	6-3/8	550
CUAR 03(1)	H	A29P2	1-01 *	D22								N	3-3/8	551
CUAR 03(1)	H	022B1	1-02 *	D26								N	3-7/8	551
CUAR 03(1)	H	A13U1	1-03 *	D15								N	3-3/8	551
CUAR 03(1)	H	006L2	1-04 *	D10								N	8-9/8	551
CUAR 03(1)	H	008N1	1-05 *	D07								N	6-1/8	551
CUAR 03(1)	H	D13T2	1-06 *	D19								N	13-1/8	551
CUAR 03(1)	H	F31H1	1-07 *	D13								42-4/8		551
CUAR 04(0)	H	A28D1	1-01 *	D15								N	8-7/8	552
CUAR 04(0)	H	A14E1	1-02 *	D26								N	8-7/8	552

DX110.U		WRAPD .V35(102)*1		03-JUN-77		15-NOV-77		15148		PAGE 59				
RUN NAME	A/P	PIN	ORDER	PIN	ORDER	RV	RG	Y	X	Z	REMARKS	NC LENGTH	EXCEPTIONS	RUN
		NAME		NAME		OPT						FLAG		NUMBER
CUAR 04(1)	H	A26B1	1-01 *	D22								N	2-2/8	553
CUAR 04(1)	H	A29N2	1-02 *	D15								N	8-7/8	553
CUAR 04(1)	H	A14U1	1-03 *	D10								N	3-6/8	553
CUAR 04(1)	H	009N1	1-04 *	D07								N	8-1/8	553
CUAR 04(1)	H	D04M1	1-05 *	D07								N	6-1/8	553
CUAR 04(1)	H	D14T2	1-06 *	D19								N	13-1/8	553
CUAR 04(1)	H	F30V1	1-07 *	D13								42-2/8		553
CUAR 05(0)	H	A15B1	1-01 *	D15								N	7-5/8	554
CUAR 05(0)	H	A28K1	1-02 *	D26								N	7-5/8	554
CUAR 05(1)	H	A28H1	1-01 *	D22								N	1-3/8	555
CUAR 05(1)	H	A29M2	1-02 *	D15								N	8-3/8	555
CUAR 05(1)	H	A15U1	1-03 *	D10								N	4-2/8	555
CUAR 05(1)	H	009E2	1-04 *	D07								N	7-3/8	555
CUAR 05(1)	H	D05N1	1-05 *	D07								N	6-1/8	555
CUAR 05(1)	H	D15T2	1-06 *	D19								N	12-3/8	555
CUAR 05(1)	H	F30L2	1-07 *	D13								39-7/8		555
CUAR 06(0)	H	A16E1	1-01 *	D15								N	6-5/8	556
CUAR 06(0)	H	A28R1	1-02 *	D26								N	6-5/8	556
CUAR 06(1)	H	A28N1	1-01 *	D22								N	1-3/8	557
CUAR 06(1)	H	A29L2	1-02 *	D15								N	8-1/8	557
CUAR 06(1)	H	A16U1	1-03 *	D10								N	5-3/8	557
CUAR 06(1)	H	009H1	1-04 *	D07								N	7-5/8	557
CUAR 06(1)	H	D06N1	1-05 *	D07								N	6-1/8	557
CUAR 06(1)	H	D16T2	1-06 *	D19								N	10-7/8	557
CUAR 06(1)	H	F30E1	1-07 *	D13								39-4/8		557
CUAR 07(0)	H	A17E1	1-01 *	D15								N	7-1/8	558
CUAR 07(0)	H	A28H2	1-02 *	D26								N	7-1/8	558
CUAR 07(1)	H	A28E2	1-01 *	D22								N	1-1/8	559
CUAR 07(1)	H	A29K2	1-02 *	D15								N	7-5/8	559
CUAR 07(1)	H	A17U1	1-03 *	D10								N	5-7/8	559
CUAR 07(1)	H	009L2	1-04 *	D07								N	8-5/8	559
CUAR 07(1)	H	D03L2	1-05 *	D07								N	8-1/8	559
CUAR 07(1)	H	D17T2	1-06 *	D19								N	10-5/8	559
CUAR 07(1)	H	F30H1	1-07 *	D13								42-0/8		559
CUAR CLKA		A13N1	1-01 *	D15								N	1	560
CUAR CLKA		A12N1	1-02 *	D15								N	1	560
CUAR CLKA		A11N1	1-03 *	D15								N	1	560
CUAR CLKA		A10N1	1-04 *	D15								N	3-2/8	560
CUAR CLKA		B10N1	1-05 *	D15								6-2/8		560

DX118-U RUN NAME	HRAPD .V35(102)-1 A/P PIN ORDER P/N	03-JUN-77 RAY - Q ORDER	15-NOV-77	REMARKS	NC LENGTH EXCEPTIONS FLAG	PAGE 60	RUN NUMBER
CUAR CLKB	A17N1	1-01 *	D19	2	N 1		561
CUAR CLKB	A16N1	1-02 *	D19	1	N 1		561
CUAR CLKB	A15N1	1-03 *	D19	2	N 1		561
CUAR CLKB	A14N1	1-04 *	D19	1	N 5-3/8		561
CUAR CLKB	B1001	1-05 *	D19	1	N 6-3/8		561
CUAR DATA LOAD	B1101	1-01 *	D19	2	N 1-2/8		562
CUAR DATA LOAD	B10H1	1-02 *	D19	1	N 1		562
CUAR DATA LOAD	B11K1	1-03 *	D19	2	N 1-6/8		562
CUAR DATA LOAD	B12U2	1-04 *	D19	1	N 6-5/8		562
CUAR DATA LOAD	B12N1	1-05 *	D19	2	N 6-4/8		562
CUAR DATA LOAD	B12N2	1-06 *	D19	1	N 6-5/8		562
CUAR DATA LOAD	B12K1	1-07 *	D19	2	N 6-4/8		562
CUAR DATA LOAD	B12H2	1-08 *	D19	1	N 6-5/8		562
CUAR DATA LOAD	B12D1	1-09 *	D19	2	N 6-7/8		562
CUAR DATA LOAD	B25E1	1-10 *	D19	1	N 13-6/8		562
CUBBY(0)	C06K1	1-01 *	D24	1	N 6-5/8		563
CUBBY(0)	C10P1	1-02 *	D06	1	N 6-5/8		563
CUBBY(1)	A30J1	1-01 *	D22	1	N 14-1/8		564
CUBBY(1)	D10M1	1-02 *	D19	2	N 4		564
CUBBY(1)	C10E1	1-03 *	D06	1	N 18-1/8		564
CUCR 00(0)	A10V2	1-01 *	D16	2	N 3-7/8		565
CUCR 00(0)	B0501	1-02 *	D25	1	N 5-1/8		565
CUCR 00(0)	C04U2	1-03 *	D24	1	N 9-0/8		565
CUCR 00(1)	A29J2	1-01 *	D22	1	N 11-3/8		566
CUCR 00(1)	A10V1	1-02 *	D16	2	N 4-1/8		566
CUCR 00(1)	B05E1	1-03 *	D25	1	N 5-3/8		566
CUCR 00(1)	B13P1	1-04 *	D10	2	N 8-7/8		566
CUCR 00(1)	D18T2	1-05 *	D19	1	N 9-3/8		566
CUCR 00(1)	F31U1	1-06 *	D13	1	N 39-1/8		566
CUCR 01(0)	A11V2	1-01 *	D16	1	N 8-4/8		567
CUCR 01(0)	C04T2	1-02 *	D24	1	N 8-4/8		567
CUCR 01(1)	A29H2	1-01 *	D22	1	N 10-7/8		568
CUCR 01(1)	A11V1	1-02 *	D16	2	N 4-1/8		568
CUCR 01(1)	B11T2	1-03 *	D10	1	N 8-5/8		568
CUCR 01(1)	D18T2	1-04 *	D19	2	N 9-6/8		568
CUCR 01(1)	F31K2	1-05 *	D13	2	N 33-3/8		568
CUCR 02(0)	A04P2	1-01 *	D24	1	N 5-1/8		569
CUCR 02(0)	A12V2	1-02 *	D16	1	N 5-1/8		569

DX118-U RUN NAME	HRAPD .V35(102)-1 A/P PIN ORDER P/N	03-JUN-77	15-NOV-77	REMARKS	NC LENGTH EXCEPTIONS FLAG	PAGE 61	RUN NUMBER
CUCR 02(1)	A29F2	1-01 *	D22	2	N 11-3/8		570
CUCR 02(1)	B13F1	1-02 *	D10	1	N 2-1/8		570
CUCR 02(1)	A12V1	1-03 *	D16	2	N 6-3/8		570
CUCR 02(1)	A04U2	1-04 *	D24	1	N 11-7/8		570
CUCR 02(1)	D20T2	1-05 *	D19	2	N 7-6/8		570
CUCR 02(1)	F31R1	1-06 *	D13	1	N 37-4/8		570
CUCR 03(0)	A13V2	1-01 *	D16	1	N 7		571
CUCR 03(0)	C04R2	1-02 *	D24	1	N 7-0/8		571
CUCR 03(1)	A29E2	1-01 *	D22	1	N 10-1/8		572
CUCR 03(1)	A13V1	1-02 *	D16	2	N 2-1/8		572
CUCR 03(1)	B13K2	1-03 *	D10	1	N 10-5/8		572
CUCR 03(1)	D21T2	1-04 *	D19	2	N 7-3/8		572
CUCR 03(1)	F31F1	1-05 *	D13	1	N 30-2/8		572
CUCR 04(0)	A14V2	1-01 *	D16	1	N 7-7/8		573
CUCR 04(0)	C04P1	1-02 *	D24	1	N 7-7/8		573
CUCR 04(1)	A29D2	1-01 *	D22	1	N 9-7/8		574
CUCR 04(1)	A14V1	1-02 *	D16	2	N 2-5/8		574
CUCR 04(1)	B14P1	1-03 *	D10	1	N 9-1/8		574
CUCR 04(1)	D23T2	1-04 *	D19	2	N 9-2/8		574
CUCR 04(1)	F30U1	1-05 *	D13	1	N 30-7/8		574
CUCR 05(0)	A15V2	1-01 *	D16	1	N 9-4/8		575
CUCR 05(0)	C04P1	1-02 *	D24	1	N 9-4/8		575
CUCR 05(1)	A29C2	1-01 *	D22	1	N 9-3/8		576
CUCR 05(1)	A15V1	1-02 *	D16	2	N 3-1/8		576
CUCR 05(1)	B14T2	1-03 *	D10	1	N 8-1/8		576
CUCR 05(1)	D23T2	1-04 *	D19	2	N 7-1/8		576
CUCR 05(1)	F30K2	1-05 *	D13	1	N 27-6/8		576
CUCR 06(0)	A16V2	1-01 *	D16	1	N 10-4/8		577
CUCR 06(0)	C04N1	1-02 *	D24	1	N 10-4/8		577
CUCR 06(1)	A29B2	1-01 *	D22	1	N 9-1/8		578
CUCR 06(1)	A16V1	1-02 *	D16	2	N 2-1/8		578
CUCR 06(1)	B14P1	1-03 *	D10	1	N 10-3/8		578
CUCR 06(1)	D24T2	1-04 *	D19	2	N 8-1/8		578
CUCR 06(1)	F30R1	1-05 *	D13	1	N 29-6/8		578
CUCR 07(0)	A17V2	1-01 *	D16	1	N 11-5/8		579
CUCR 07(0)	C04M1	1-02 *	D24	1	N 11-5/8		579

DISEG ID RUN NAME	WRAPD .V35(102)-1 03-JUN-77				19-NOV-77	PAGE 72		RUN NUMBER
	A/P	PIN	ORDER	PIN		NC LENGTH FLAG	EXCEPTIONS	
D2BA 09(1)	H	A30M2	1-01 *	D22	2	N	0-7/8	600
D2BA 09(1)	H	D28S1	1-02 *	D17	1	N	7-7/8	603
D2BA 09(1)	H	D18P1	1-03 *	D19	2	N	4-1/8	608
D2BA 09(1)	H	D08L1	1-04 *	D22	1	N	20-7/8	608
D2BA 09(1)	H	A30L2	1-01 *	D22	2	N	0-8/8	609
D2BA 09(1)	H	D28A1	1-02 *	D17	1	N	7-7/8	609
D2BA 09(1)	H	D18P1	1-03 *	D19	2	N	4-7/8	609
D2BA 09(1)	H	D08M2	1-04 *	D22	1	N	21-3/8	609
D2BA 07(1)	H	A30M2	1-01 *	D22	2	N	0-8/8	610
D2BA 07(1)	H	D28B1	1-02 *	D17	1	N	7-3/8	610
D2BA 07(1)	H	D1791	1-03 *	D19	2	N	0-3/8	610
D2BA 07(1)	H	D08P2	1-04 *	D22	1	N	21-3/8	610
D2BA 09(1)	H	A30J2	1-01 *	D22	1	N	10-7/8	611
D2BA 09(1)	H	D2791	1-02 *	D17	2	N	0	611
D2BA 09(1)	H	D18P1	1-03 *	D19	1	N	0-1/8	611
D2BA 09(1)	H	D07V2	1-04 *	D22	1	N	0-1/8	611
D2BA 09(1)	H	A30H2	1-01 *	D22	1	N	10-7/8	612
D2BA 09(1)	H	D2791	1-02 *	D17	2	N	4-8/8	612
D2BA 09(1)	H	D18P1	1-03 *	D19	1	N	0-7/8	612
D2BA 09(1)	H	D07V1	1-04 *	D22	1	N	23-0/8	612
D2BA 10(1)	H	A30F2	1-01 *	D22	1	N	10-8/8	613
D2BA 10(1)	H	D27U1	1-02 *	D17	2	N	4-3/8	613
D2BA 10(1)	H	D28P1	1-03 *	D19	1	N	0-8/8	613
D2BA 10(1)	H	D07R2	1-04 *	D22	1	N	23-0/8	613
D2BA 11(1)	H	A30E2	1-01 *	D22	1	N	10-7/8	614
D2BA 11(1)	H	D27H1	1-02 *	D17	2	N	3-8/8	614
D2BA 11(1)	H	D28P1	1-03 *	D19	1	N	7-2/8	614
D2BA 11(1)	H	D07P2	1-04 *	D22	1	N	21-6/8	614
D2BA 12(1)	H	A30D2	1-01 *	D22	1	N	10-1/8	615
D2BA 12(1)	H	D27D1	1-02 *	D17	2	N	4-1/8	615
D2BA 12(1)	H	D28P1	1-03 *	D19	1	N	7-7/8	615
D2BA 12(1)	H	D07L2	1-04 *	D22	1	N	23-1/8	615
D2BA 13(1)	H	A30C2	1-01 *	D22	1	N	10-3/8	616
D2BA 13(1)	H	D27E1	1-02 *	D17	2	N	3-3/8	616
D2BA 13(1)	H	D28P1	1-03 *	D19	1	N	0-8/8	616
D2BA 13(1)	H	D07S1	1-04 *	D22	1	N	23-3/8	616

DISEG ID RUN NAME	WRAPD .V35(102)-1 03-JUN-77				19-NOV-77	PAGE 73		RUN NUMBER
	A/P	PIN	ORDER	PIN		NC LENGTH FLAG	EXCEPTIONS	
D2BA 10(1)	H	A30E2	1-01 *	D22	1	N	10-1/8	617
D2BA 10(1)	H	D27A1	1-02 *	D17	2	N	2-8/8	617
D2BA 10(1)	H	D28P1	1-03 *	D19	1	N	0-3/8	617
D2BA 10(1)	H	D07H2	1-04 *	D22	1	N	22-1/8	617
D2BA 10(1)	H	A30A2	1-01 *	D22	1	N	10-1/8	618
D2BA 10(1)	H	D2791	1-02 *	D17	2	N	2-2/8	618
D2BA 10(1)	H	D28P1	1-03 *	D19	1	N	0-7/8	618
D2BA 10(1)	H	D07F2	1-04 *	D22	1	N	22-2/8	618
D2BA 09(1)	L	D07E1	1-01 *	D06	1	N	0-1/8	619
D2BA 09(1)	L	E1792	1-02 *	D06	2	N	1-1/8	619
D2BA 09(1)	L	E18U2	1-03 *	D06	1	N	10-2/8	619
D2BA 09(1)	H	D27V2	1-01 *	D08	1	N	11-2/8	620
D2BA 09(1)	H	E18U2	1-02 *	D08	2	N	4-3/8	620
D2BA 09(1)	H	D18W1	1-03 *	D19	1	N	10-8/8	620
D2BA 09(1)	H	D27V1	1-01 *	D08	1	N	11	621
D2BA 09(1)	H	E17T2	1-02 *	D08	2	N	3-7/8	621
D2BA 09(1)	H	D11A1	1-03 *	D19	1	N	14-7/8	621
D2BA 09(1)	H	D27E2	1-01 *	D08	1	N	11-4/8	622
D2BA 09(1)	H	E18E2	1-02 *	D08	2	N	3-1/8	622
D2BA 09(1)	H	D12N1	1-03 *	D19	1	N	14-5/8	622
D2BA 09(1)	H	D27E2	1-01 *	D08	1	N	11-8/8	623
D2BA 09(1)	H	E18E2	1-02 *	D08	2	N	3-1/8	623
D2BA 09(1)	H	D13R1	1-03 *	D19	1	N	14-6/8	623
D2BA 06(1)	H	D27L2	1-01 *	D08	1	N	10-4/8	624
D2BA 06(1)	H	D18R1	1-02 *	D19	2	N	3-7/8	624
D2BA 06(1)	H	E12P1	1-03 *	D08	1	N	14-3/8	624
D2BA 09(1)	H	D27L1	1-01 *	D08	1	N	0-7/8	625
D2BA 09(1)	H	D18R1	1-02 *	D19	2	N	4-1/8	625
D2BA 09(1)	H	E12P1	1-03 *	D08	1	N	13-0/8	625
D2BA 06(1)	H	D27H2	1-01 *	D08	1	N	0-1/8	626
D2BA 06(1)	H	D18R1	1-02 *	D19	2	N	9-1/8	626
D2BA 06(1)	H	E12N1	1-03 *	D08	1	N	3-4/8	626
D2BA 07(1)	H	D27E2	1-01 *	D08	1	N	0-0/8	627
D2BA 07(1)	H	D17A1	1-02 *	D19	2	N	4-1/8	627
D2BA 07(1)	H	E12N1	1-03 *	D08	1	N	13-7/8	627

98

DX11B-U RUN NAME	WRAPD .V35(182)-1 A/P PIN ORDER PIN	03-JUN-77 BAY - Q ORDER	DRAW RY RG Y X Z OPT	REMARKS	15-NOV-77 NC LENGTH EXCEPTIONS FLAG	PAGE 74 RUN NUMBER
DXBC 08(1)	H B26V2	1-01 *	D08	1	N 7-1/8	688
DXBC 08(1)	H D19R1	1-02 *	D19	2	N 4-3/8	688
DXBC 08(1)	H E12H2	1-03 *	D08		11-4/8	688
DXBC 09(1)	H B26V1	1-01 *	D08	1	N 7-7/8	689
DXBC 09(1)	H D19R1	1-02 *	D19	2	N 5-7/8	689
DXBC 09(1)	H E12H2	1-03 *	D08		13-6/8	689
DXBC 10(1)	H B26R2	1-01 *	D08	1	N 8-7/8	690
DXBC 10(1)	H D29R1	1-02 *	D19	2	N 6-1/8	690
DXBC 10(1)	H E12H2	1-03 *	D08		15-0/8	690
DXBC 11(1)	H B26P2	1-01 *	D08	1	N 8-3/8	691
DXBC 11(1)	H D21R1	1-02 *	D19	2	N 6-5/8	691
DXBC 11(1)	H E12H2	1-03 *	D08		15-0/8	691
DXBC 12(1)	H B26L2	1-01 *	D08	1	N 8-3/8	692
DXBC 12(1)	H D22R1	1-02 *	D19	2	N 7-3/8	692
DXBC 12(1)	H E12R1	1-03 *	D08		15-6/8	692
DXBC 13(1)	H B26L1	1-01 *	D08	2	N 7-5/8	693
DXBC 13(1)	H D21R1	1-02 *	D19	1	N 7-5/8	693
DXBC 13(1)	H E12U1	1-03 *	D08		15-2/8	693
DXBC 14(1)	H B26H2	1-01 *	D09	2	N 7-5/8	694
DXBC 14(1)	H D28R1	1-02 *	D19	1	N 8-1/8	694
DXBC 14(1)	H E12H1	1-03 *	D08		15-6/8	694
DXBC 15(1)	H B26F2	1-01 *	D08	2	N 7-3/8	695
DXBC 15(1)	H D25R1	1-02 *	D19	1	N 8-3/8	695
DXBC 15(1)	H E12F1	1-03 *	D08		15-6/8	695
DXCLRP1	A07R1	1-01 *	D21	1	N 6-3/8	696
DXCLRP1	A16A1	1-02 *	D21	2	N 1	696
DXCLRP1	A17A1	1-03 *	D21	1	N 1	696
DXCLRP1	A18J2	1-04 *	D21		9-1/8	696
DXCLRP2	A14A1	1-01 *	D21	2	N 1	697
DXCLRP2	A15A1	1-02 *	D21	1	N 3-3/8	697
DXCLRP2	A18L2	1-03 *	D21		4-3/8	697
DXCLRP3	A12A1	1-01 *	D21	2	N 1	698
DXCLRP3	A13A1	1-02 *	D21	1	N 4-5/8	698
DXCLRP3	A18N2	1-03 *	D21		5-5/8	698

DX11B-U RUN NAME	WRAPD .V35(182)-1 A/P PIN ORDER PIN	03-JUN-77 BAY - Q ORDER	DRAW RY RG Y X Z OPT	REMARKS	15-NOV-77 NC LENGTH EXCEPTIONS FLAG	PAGE 75 RUN NUMBER
DXCLRP4	A10A1	1-01 *	D21	2	N 1	699
DXCLRP4	A11A1	1-02 *	D21	1	N 5-7/8	699
DXCLRP4	A18R2	1-03 *	D21		6-7/8	699
DXCS CLKA	C25B1	1-01 *	D06	2	N 1-4/8	700
DXCS CLKA	C28B1	1-02 *	D06	1	N 1-4/8	700
DXCS CLKA	C21B1	1-03 *	D06	2	N 1-4/8	700
DXCS CLKA	C19B1	1-04 *	D06	1	N 6-3/8	700
DXCS CLKA	E10C1	1-05 *	D06		10-7/8	700
DXCS CLKEN	C09D1	1-01 *	D06	1	N 8	701
DXCS CLKEN	E17B1	1-02 *	D06	2	N 2	701
DXCS CLKEN	E20B1	1-03 *	D06		10-9/8	701
DXCS CLKEN	B17D1	1-01 *	D06	1	N 9-1/8	702
DXCS CLKEN	E20A1	1-02 *	D06	2	N 1-4/8	702
DXCS CLKEN	E19A1	1-03 *	D06	1	N 1-7/8	702
DXCS CLKEN	E16L1	1-04 *	D06	2	N 1-3/8	702
DXCS CLKEN	E15S2	1-05 *	D06		13-6/8	702
DXCS CLKENA	C09H1	1-01 *	D06	2	N 1-1/8	703
DXCS CLKENA	C03N1	1-02 *	D06	1	N 4-7/8	703
DXCS CLKENA	E06D2	1-03 *	D06	2	N 5	703
DXCS CLKENA	E17D2	1-04 *	D06	1	N 1-3/8	703
DXCS CLKENA	E17L2	1-05 *	D06	2	N 2-7/8	703
DXCS CLKENA	F21B1	1-06 *	DX	1	N 2-5/8	703
DXCS CLKENA	E20V1	1-07 *	D06		17-6/8	703
DXCS CLKENA	B17R1	1-01 *	D06	1	N 9-1/8	704
DXCS CLKENA	E20L1	1-02 *	D06	2	N 3-1/8	704
DXCS CLKENA	F22B1	1-03 *	DX	1	N 4-5/8	704
DXCS CLKENA	E15V1	1-04 *	D06		16-7/8	704
DXND 00(0)	A10J2	1-01 *	D10	1	N 9	705
DXND 00(0)	B21U2	1-02 *	D11		9-0/8	705
DXND 00(0)	C28P1	1-01 *	D17	1	N 7-3/8	706
DXND 00(1)	A32V2	1-02 *	D22	2	N 12-7/8	706
DXND 00(1)	A15H2	1-03 *	D16	1	N 8-5/8	706
DXND 00(1)	D16H1	1-04 *	D19	2	N 4-3/8	706
DXND 00(1)	E18U1	1-05 *	D09	1	N 8-4/8	706
DXND 00(1)	E10S2	1-06 *	D09		33-5/8	706
DXND 01(0)	A11J2	1-01 *	D10	1	N 8-2/8	707
DXND 01(0)	B21T2	1-02 *	D11		8-2/8	707

DX11B.U RUN NAME	A/P	WRAPD .V35(102)-1 PIN NAME	ORDER PIN	03-JUN-77 BAY - ORDER	Q	DRAW OPT	RV RG Y	X	Z	REMARKS	15-NOV-77	15148 NC LENGTH FLAG	PAGE 78 EXCEPTIONS	RUN NUMBER
DXND 10(1)	H	A12P2		1-01 *		D10			2			N 3-4/8		726
DXND 10(1)	H	B16H1		1-02 *		D16			1			N 6-2/8		726
DXND 10(1)	H	D05J2		1-03 *		D07			2			N 4		726
DXND 10(1)	H	E10J2		1-04 *		D09			1			N 7-5/8		726
DXND 10(1)	H	D20H1		1-05 *		D19			2			N 6-3/8		726
DXND 10(1)	H	C27L1		1-06 *		D17			1			N 8-5/8		726
DXND 10(1)	H	A32J2		1-07 *		D22								726
DXND 10(1)	H			1								38-3/8		726
DXND 11(0)	H	A13R2		1-01 *	S	D10			1			N 15-1/8		727
DXND 11(0)	H	E02D2		1-02 *		D24								727
DXND 11(0)	H			1								15-1/8		727
DXND 11(1)	H	B15B1		1-01 *		D16			1			N 2-3/8		728
DXND 11(1)	H	A13P2		1-02 *		D10			2			N 10-5/8		728
DXND 11(1)	H	A32H2		1-03 *		D22			1			N 9-7/8		728
DXND 11(1)	H	C27M1		1-04 *		D17			2			N 5		728
DXND 11(1)	H	D21H1		1-05 *		D19			1			N 7-5/8		728
DXND 11(1)	H	D06J2		1-06 *		D07			2			N 3-4/8		728
DXND 11(1)	H	E10E1		1-07 *		D09								728
DXND 11(1)	H			1								38-0/8		728
DXND 12(0)	H	A14R2		1-01 *	S	D10			1			N 15-7/8		729
DXND 12(0)	H	E02D1		1-02 *		D24								729
DXND 12(0)	H			1								15-7/8		729
DXND 12(1)	H	A14P2		1-01 *		D10			2			N 4-7/8		730
DXND 12(1)	H	B11B2		1-02 *		D16			1			N 6-3/8		730
DXND 12(1)	H	D03E1		1-03 *		D07			2			N 6		730
DXND 12(1)	H	E09T2		1-04 *		D09			1			N 10-1/8		730
DXND 12(1)	H	D22H1		1-05 *		D19			2			N 4-7/8		730
DXND 12(1)	H	C27D1		1-06 *		D17			1			N 8-1/8		730
DXND 12(1)	H	A32F2		1-07 *		D22								730
DXND 12(1)	H			1								40-3/8		730
DXND 13(0)	H	A15R2		1-01 *	S	D10			1			N 15-1/8		731
DXND 13(0)	H	E02C1		1-02 *		D24								731
DXND 13(0)	H			1								15-1/8		731
DXND 13(1)	H	D23H1		1-01 *		D19			1			N 5-2/8		732
DXND 13(1)	H	C27E1		1-02 *		D17			2			N 8-3/8		732
DXND 13(1)	H	A32E2		1-03 *		D22			1			N 9-7/8		732
DXND 13(1)	H	A15P2		1-04 *		D10			2			N 3-7/8		732
DXND 13(1)	H	B11L2		1-05 *		D16			1			N 7-3/8		732
DXND 13(1)	H	D04E1		1-06 *		D07			2			N 5-7/8		732
DXND 13(1)	H	E09P1		1-07 *		D09								732
DXND 13(1)	H			1								40-4/8		732
DXND 14(0)	H	A16R2		1-01 *	S	D10			1			N 14-4/8		733
DXND 14(0)	H	E02B1		1-02 *		D24								733
DXND 14(0)	H			1								14-6/8		733

DX11B.U RUN NAME	A/P	WRAPD .V35(102)-1 PIN NAME	ORDER PIN	03-JUN-77 BAY - ORDER	Q	DRAW OPT	RV RG Y	X	Z	REMARKS	15-NOV-77	15148 NC LENGTH FLAG	PAGE 79 EXCEPTIONS	RUN NUMBER
DXND 14(1)	H	D24H1		1-01 *		D19			1			N 5-3/8		734
DXND 14(1)	H	C27A1		1-02 *		D17			2			N 8-1/8		734
DXND 14(1)	H	A32D2		1-03 *		D22			1			N 9-5/8		734
DXND 14(1)	H	A16P2		1-04 *		D10			2			N 4-2/8		734
DXND 14(1)	H	B11E2		1-05 *		D16			1			N 8-7/8		734
DXND 14(1)	H	D05E1		1-06 *		D07			2			N 4-4/8		734
DXND 14(1)	H	E09J2		1-07 *		D09								734
DXND 14(1)	H			1								40-6/8		734
DXND 15(0)	H	A17R2		1-01 *	S	D10			1			N 13-4/8		735
DXND 15(0)	H	E02A1		1-02 *		D24								735
DXND 15(0)	H			1								13-4/8		735
DXND 15(1)	H	D25H1		1-01 *		D19			1			N 4-7/8		736
DXND 15(1)	H	C27B1		1-02 *		D17			2			N 8-1/8		736
DXND 15(1)	H	A32C2		1-03 *		D22			1			N 9-1/8		736
DXND 15(1)	H	A17P2		1-04 *		D10			2			N 4-7/8		736
DXND 15(1)	H	B11M1		1-05 *		D16			1			N 7-3/8		736
DXND 15(1)	H	D06E1		1-06 *		D07			2			N 4-3/8		736
DXND 15(1)	H	E09E1		1-07 *		D09								736
DXND 15(1)	H			1								38-6/8		736
DXND CLK A	L	B16C1		1-01 *		D10			1			N 0-1/8		737
DXND CLK A	L	B16D1		1-02 *		D10			2			N 0-5/8		737
DXND CLK A	L	B16H1		1-03 *		D10								737
DXND CLK A	L			1								0-6/8		737
DXND CLK B	L	B16D2		1-01 *		D10			2			N 1-5/8		738
DXND CLK B	L	B16N1		1-02 *		D10			1			N 0-1/8		738
DXND CLK B	L	B16P1		1-03 *		D10								738
DXND CLK B	L			1								1-6/8		738
DXND STB A	L	A25K2		1-01 *		D10			2			N 7-3/8		739
DXND STB A	L	B16E1		1-02 *		D10			1			N 0-5/8		739
DXND STB A	L	B16J1		1-03 *		D10								739
DXND STB A	L			1								0-0/8		739
DXND STB B	L	B16R1		1-01 *		D10			1			N 1-5/8		740
DXND STB B	L	B16E2		1-02 *		D10			2			N 1-3/8		740
DXND STB B	L	B16C1		1-03 *	S	D10								740
DXND STB B	L			1								3-0/8		740
DXRESET	H	A18E2		1-01 *		D15			1			N 0-4/8		741
DXRESET	H	A18H2		1-02 *		D16			2			N 13-1/8		741
DXRESET	H	E13E2	E27K2	1-03 *		D09			1			N 7-7/8		741
DXRESET	H	E27K2		1-04 *		D24			2			N 1-7/8		741
DXRESET	H	E29U2		1-05 *		D13								741
DXRESET	H			1								23-3/8		741

100

DX11B.U RUN NAME	WRAPD .V35(102)-1 A/P PIN NAME	ORDER PIN	03-JUN-77 DAY - Q ORDER	DRAW OPT	RV RG Y	X Z	REMARKS	15-Nov-77	15148 NC LENGTH FLAG	PAGE 90 EXCEPTIONS	RUN NUMBER
E22P2	C1981		1-01 *	D11		1			N 6-5/8		864
E22P2	E22P1		1-02 *	D11		2			N 1-5/8		864
E22P2	E22P2		1-03 *	D11							864
E22P2			1						0-2/8		864
E22V2	C1681		1-01 *	D11		1			N 0-4/8		865
E22V2	E22P2		1-02 *	D11		2			N 1-1/8		865
E22V2	E22V2		1-03 *	D11							865
E22V2			1						9-5/8		865
E23E1	B20H1		1-01 *	D11		1			N 9-3/8		866
E23E1	E23E1		1-02 *	D11							866
E23E1			1						9-3/8		866
E23J2	B20P1		1-01 *	D11		1			N 9-3/8		867
E23J2	E23J2		1-02 *	D11							867
E23J2			1						9-3/8		867
E23L1	B20L1		1-01 *	D11		1			N 9-5/8		868
E23L1	E23L1		1-02 *	D11							868
E23L1			1						9-5/8		868
E23P2	B20H2		1-01 *	D11		1			N 10-3/8		869
E23P2	E23P2		1-02 *	D11							869
E23P2			1						10-3/8		869
E2381	E23H2		1-01 *	D11		1			N 1-5/8		870
E2381	E2381		1-02 *	D11							870
E2381			1						1-5/8		870
E23V2	E23V2		1-01 *	D11		1			N 1-7/8		871
E23V2	E24H1		1-02 *	D11							871
E23V2			1						1-7/8		871
E24C1	E2382		1-01 *	D11		1			N 2-1/8		872
E24C1	E24C1		1-02 *	D11							872
E24C1			1						2-1/8		872
E24F1	E23T2		1-01 *	D11		1			N 1-7/8		873
E24F1	E24F1		1-02 *	D11							873
E24F1			1						1-7/8		873
E24F2	E24F2		1-01 *	D11		1			N 0-1/8		874
E24F2	E24H2		1-02 *	D11							874
E24F2			1						0-1/8		874
E24K1	C16R1		1-01 *	D11		1			N 7-2/8		875
E24K1	E24K1		1-02 *	D11							875
E24K1			1						7-2/8		875
E24K2	C12R1		1-01 *	D11		1			N 10-1/8		876
E24K2	E24K2		1-02 *	D11							876
E24K2			1						10-1/8		876

DX11B.U RUN NAME	WRAPD .V35(102)-1 A/P PIN NAME	ORDER PIN	03-JUN-77 DAY - Q ORDER	DRAW OPT	RV RG Y	X Z	REMARKS	15-Nov-77	15148 NC LENGTH FLAG	PAGE 91 EXCEPTIONS	RUN NUMBER
E24N1	C13R1		1-01 *	D11		1			N 0-2/8		877
E24N1	E24N1		1-02 *	D11							877
E24N1			1						0-2/8		877
E2481	E24E2		1-01 *	D11		1			N 1-7/8		878
E2481	E2481		1-02 *	D11							878
E2481			1						1-7/8		878
E2482	E24M2		1-01 *	D24		1			N 1		879
E2482	E2482		1-02 *	D24							879
E2482			1						1-0/8		879
E24V2	C11M2		1-01 *	D13		1			N 9-7/8		880
E24V2	E24V2		1-02 *	D13							880
E24V2			1						9-7/8		880
E25E1	E23J1		1-01 *	D11		1			N 1-5/8		881
E25E1	E25E1		1-02 *	D11							881
E25E1			1						1-5/8		881
E25J2	E23U2		1-01 *	D11		1			N 2		882
E25J2	E25J2		1-02 *	D11							882
E25J2			1						2-0/8		882
E25L1	E23K1		1-01 *	D11		1			N 1-5/8		883
E25L1	E25L1		1-02 *	D11							883
E25L1			1						1-5/8		883
E25P2	A24K2		1-01 *	D13		1			N 11-7/8		884
E25P2	E25P2		1-02 *	D13							884
E25P2			1						11-7/8		884
E2581	C15S1		1-01 *	D11		1			N 6-6/8		885
E2581	E23K2		1-02 *	D11		2			N 1-4/8		885
E2581	E2581		1-03 *	D11							885
E2581			1						0-2/8		885
E25V2	E25V2		1-01 *	D13		1			N 2-1/8		886
E25V2	E26J2		1-02 *	D13							886
E25V2			1						2-1/8		886
E26C1	E26C1		1-01 *	D13		1			N 0-4/8		887
E26C1	E26E1		1-02 *	D13							887
E26C1			1						0-4/8		887
E26F1	C25N2		1-01 *	D13		1			N 5-1/8		888
E26F1	E26F1		1-02 *	D13		2			N 1-5/8		888
E26F1	E28A1		1-03 *	D13							888
E26F1			1						6-6/8		888
E26F2	E26F2		1-01 *	D13		1			N 0-1/8		889
E26F2	E26H2		1-02 *	D13							889
E26F2			1						0-1/8		889

DX110.U RUN NAME	WRAPD .V35(102)-1 A/P PIN NAME	ORDER PIN	03-JUN-77 BAY - Q ORDER	DRAM RV RG Y OPT	X Z	REMARKS	15-NOV-77	15148 NC LENGTH FLAG	PAGE 96 EXCEPTIONS	RUN NUMBER
ENDEN(1)	H	A30C1	1-01 *	D22				N 14-5/8		941
ENDEN(1)	H	F30J2	1-02 *	D13				N 7-7/8		941
ENDEN(1)	H	D73M1	1-03 *	D19				N 4		941
ENDEN(1)	H	C23E1	1-04 *	D06						941
ENDEN(1)	H		1					26-4/8		941
ERRSTA	L	D0282	1-01 *	DXX				N 5-3/8		942
ERRSTA	L	C08K2	1-02 *	DXX				N 11-3/8		942
ERRSTA	L	F20M1	1-03 *	DXX				N 0-5/8		942
ERRSTA	L	F20L1	1-04 *	DXX				N 0-1/8		942
ERRSTA	L	F20M2	1-05 *	DXX				N 0-5/8		942
ERRSTA	L	F20R2	1-06 *	DXX						942
ERRSTA	L		1					10-1/8		942
ESEND(1)	H	A29L1	1-01 *	D22				N 12-5/8		943
ESEND(1)	H	B09E1	1-02 *	D10				N 10-5/8		943
ESEND(1)	H	D1682	1-03 *	D19				N 3-5/8		943
ESEND(1)	H	C16N1	1-04 *	D09						943
ESEND(1)	H		1					26-7/8		943
EVEN	H	B22R2	1-01 *	D26				N 2-5/8		944
EVEN	H	B25F2	1-02 *	D26						944
EVEN	H		1					2-5/8		944
EVEN	L	B22P2	1-01 *	D26				N 0-5/8		944
EVEN	L	B22T2	1-02 *	D26				N 2-3/8		944
EVEN	L	B25E2	1-03 *	D26						944
EVEN	L		1					3-0/8		944
F03D2		F03D2	1-01 *	DXX				N 0-1/8		945
F03D2		F03E2	1-02 *	DXX						945
F03D2			1					0-1/8		945
F03L2		F02N1	1-01 *	DXX				N 0-1/8		945
F03L2		F02M1	1-02 *	DXX				N 0-1/8		945
F03L2		F02L1	1-03 *	DXX				N 1-2/8		945
F03L2		F03L2	1-04 *	DXX						945
F03L2			1					1-4/8		945
F03M2		F02B1	1-01 *	DXX				N 0-1/8		945
F03M2		F02C1	1-02 *	DXX				N 0-1/8		945
F03M2		F02D1	1-03 *	DXX				N 1-5/8		945
F03M2		F03M2	1-04 *	DXX						945
F03M2			1					1-7/8		945
F03S2		F03S2	1-01 *	DXX				N 9-7/8		945
F03S2		F22R1	1-02 *	DXX						945
F03S2			1					9-7/8		945
F04E2		F04D2	1-01 *	DXX				N 0-1/8		945
F04E2		F04E2	1-02 *	DXX						945
F04E2			1					0-1/8		945

DX110.U RUN NAME	WRAPD .V35(102)-1 A/P PIN NAME	ORDER PIN	03-JUN-77 BAY - Q ORDER	DRAM RV RG Y OPT	X Z	REMARKS	15-NOV-77	15148 NC LENGTH FLAG	PAGE 97 EXCEPTIONS	RUN NUMBER
F14F2		C22H1	1-01 *	D05				N 11-7/8		951
F14F2		F14F2	1-02 *	D05						951
F14F2			1					11-7/8		951
F19C1		F19C1	1-01 *	DXX				N 3-5/8		952
F19C1		H20E1	1-02 *	DXX						952
F19C1			1					3-5/8		952
F19F1		F19F1	1-01 *	DXX				N 4-1/8		953
F19F1		H20N1	1-02 *	DXX						953
F19F1			1					4-1/8		953
F19F2		C22L1	1-01 *	D05				N 1		953
F19F2		C22L1	1-02 *	D05				N 9-1/8		953
F19F2		F19F2	1-03 *	D05						953
F19F2			1					10-1/8		953
F19K1		F19K1	1-01 *	DXX				N 3-3/8		953
F19K1		H21E1	1-02 *	DXX						953
F19K1			1					3-3/8		953
F19N1		C20R1	1-01 *	D20				N 0-5/8		953
F19N1		F19N1	1-02 *	D20						953
F19N1			1					0-5/8		953
F19N2		E15C1	1-01 *	D11				N 6-5/8		953
F19N2		F19N2	1-02 *	D11						953
F19N2			1					6-5/8		953
F19S1		E26L2	1-01 *	D13				N 5-2/8		953
F19S1		F19S1	1-02 *	D13						953
F19S1			1					5-2/8		953
F19S2		D26D2	1-01 *	D10				N 10-5/8		953
F19S2		F19S2	1-02 *	D10						953
F19S2			1					10-5/8		953
F19V2		F19V2	1-01 *					N 3-6/8		953
F19V2		F17A1	1-02 *							953
F19V2			1					3-6/8		953
F20C1		C12C1	1-01 *	DXX				N 12-3/8		953
F20C1		F20C1	1-02 *	DXX						953
F20C1			1					12-3/8		953
F20K1		E10B1	1-01 *	DXX				N 0-1/8		953
F20K1		F20K1	1-02 *	DXX						953
F20K1			1					0-1/8		953
F20N1		E10J1	1-01 *	D09				N 0-5/8		953
F20N1		F20N1	1-02 *	D09						953
F20N1			1					0-5/8		953
F20N2		F19M2	1-01 *	DXX				N 1-1/8		954
F20N2		F20N2	1-02 *	DXX						954
F20N2			1					1-1/8		954

101

112

DX118.U RUN NAME	WRAPD .V95(102)=1 A/P PIN ORDER NAME	RAY - Q ORDER PIN	03-JUN-77	15-NOV-77	15146 PAGE 102	NC LENGTH EXCEPTIONS FLAG	RUN NUMBER
GND 11	E11H1	1-01 *	DXX		N 1-3/8	1006	
GND 11	E11R1	1-02 *	DXX		N 0-1/8	1006	
GND 11	E11B1	1-03 *	DXX		N 0-4/8	1006	
GND 11	E11U1	1-04 *	DXX		N 4-1/8	1006	
GND 11	H11C2	1-05 *	D27		N 1	1006	
GND 11	H11M2	1-06 *	D27		N 0-1/8	1006	
GND 11	H11J2	1-07 *	D27		N 1-2/8	1006	
GND 11	H11R2	1-08 *	D27		N 0-1/8	1006	
GND 11	H11S2	1-09 *	D27		N 0-1/8	1006	
GND 11	H11I1	1-10 *	D27		N 0-1/8	1006	
GND 11	H11T1	1-11 *	D27		N 0-1/8	1006	
GND 11	J11C2	1-12 *	DXX		N 1-5/8	1006	
GND 11	J11H1	1-13 *	DXX		N 1	1006	
GND 11	J11J1	1-14 *	DXX		N 0-1/8	1006	
GND 11	J11K2	1-15 *	DXX		N 0-1/8	1006	
GND 11	J11J2	1-16 *	DXX		N 0-1/8	1006	
GND 11	J11R2	1-17 *	DXX		N 1-2/8	1006	
GND 11	J11S2	1-18 *	DXX		N 0-1/8	1006	
GND 11	J11T1	1-19 *	DXX		N 0-1/8	1006	
GND 11	J11T1	1-20 *	DXX		N 0-1/8	1006	
GND 12	A12C2	1-01 *	D05		13-4/8	1006	
GND 12	A12T1	1-02 *	D05		N 2-1/8	1007	
GND 12	B12C2	1-03 *	D05		N 1-5/8	1007	
GND 12	B12T1	1-04 *	D05		N 2-1/8	1007	
GND 12	C12C2	1-05 *	D05		N 1-3/8	1007	
GND 12	C12T1	1-06 *	D05		N 2-1/8	1007	
GND 12	D12C2	1-07 *	D27		N 1-5/8	1007	
GND 12	D12T1	1-08 *	D27		N 2-1/8	1007	
GND 12	E12C2	1-09 *	D05		N 1-3/8	1007	
GND 12	E12T1	1-10 *	D05		N 2-1/8	1007	
GND 12	F12C2	1-11 *	DXX		N 1-5/8	1007	
GND 12	F12T1	1-12 *	DXX		N 2-1/8	1007	
GND 12	H12A1	1-13 *	DXX		N 1-1/8	1007	
GND 12	H12C2	1-14 *	DXX		N 0-0/8	1007	
GND 12	H12C1	1-15 *	DXX		N 0-0/8	1007	
GND 12	H12F1	1-16 *	DXX		N 0-4/8	1007	
GND 12	H12F2	1-17 *	DXX		N 0-5/8	1007	
GND 12	H12J2	1-18 *	DXX		N 0-5/8	1007	
GND 12	H12L2	1-19 *	DXX		N 0-4/8	1007	
GND 12	H12L2	1-20 *	DXX		N 0-4/8	1007	
GND 12	H12M1	1-21 *	DXX		N 0-4/8	1007	
GND 12	H12N1	1-22 *	DXX		N 0-4/8	1007	
GND 12	H12R2	1-23 *	DXX		N 0-4/8	1007	
GND 12	H12R2	1-24 *	DXX		N 0-4/8	1007	
GND 12	H12T1	1-25 *	DXX		N 0-4/8	1007	
GND 12	H12U2	1-26 *	DXX		N 1-3/8	1007	
GND 12	J12A1	1-27 *	DXX		N 0-4/8	1007	
GND 12	J12C2	1-28 *	DXX		N 0-4/8	1007	
GND 12	J12C1	1-29 *	DXX		N 0-5/8	1007	
GND 12	J12F1	1-30 *	DXX		N 0-4/8	1007	
GND 12	J12F2	1-31 *	DXX		N 0-4/8	1007	
GND 12	J12J2	1-32 *	DXX		N 0-4/8	1007	
GND 12	J12L2	1-33 *	DXX		N 0-4/8	1007	
GND 12	J12N2	1-34 *	DXX		N 0-4/8	1007	

DX118.U RUN NAME	WRAPD .V95(102)=1 A/P PIN ORDER NAME	RAY - Q ORDER PIN	03-JUN-77	15-NOV-77	15148 PAGE 103	NC LENGTH EXCEPTIONS FLAG	RUN NUMBER
GND 13	J12P2	1-35 *	DXX		N 0-4/8	1007	
GND 13	J12T1	1-36 *	DXX		N 0-1/8	1007	
GND 13	J12U2	1-37 *	DXX		N 0-5/8	1007	
GND 13	J12R1	1-38 *	DXX		N 0-4/8	1007	
GND 13	J12M1	1-39 *	DXX		N 0-5/8	1007	
GND 13	J12K1	1-40 *	DXX		N 0-4/8	1007	
GND 13	B13C2	1-01 *	D10		35-7/8	1007	
GND 13	B13F2	1-02 *	D10		N 0-5/8	1008	
GND 13	B13M2	1-03 *	D10		N 1-1/8	1008	
GND 13	C13K1	1-04 *	D10		N 1-1/8	1008	
GND 13	D13C2	1-05 *	D05		N 2-1/8	1008	
GND 13	D13T1	1-06 *	D19		N 2-5/8	1008	
GND 13	B14C2	1-07 *	DXX		N 2-1/8	1008	
GND 14	B14F2	1-08 *	DXX		N 0-4/8	1008	
GND 14	B14M2	1-09 *	DXX		N 0-4/8	1008	
GND 14	B14T1	1-10 *	DXX		N 0-4/8	1008	
GND 14	B14U2	1-11 *	DXX		N 0-4/8	1008	
GND 14	B14L2	1-12 *	DXX		N 0-4/8	1008	
GND 14	B14R1	1-13 *	DXX		N 0-4/8	1008	
GND 14	B14R1	1-14 *	DXX		N 0-4/8	1008	
GND 14	B14R2	1-15 *	DXX		N 0-4/8	1008	
GND 14	B14R2	1-16 *	DXX		N 0-4/8	1008	
GND 14	B14T1	1-17 *	DXX		N 0-4/8	1008	
GND 14	B14T1	1-18 *	DXX		N 0-4/8	1008	
GND 14	B14U2	1-19 *	DXX		N 0-4/8	1008	
GND 14	B14A1	1-20 *	DXX		N 0-1/8	1008	
GND 14	B14C1	1-21 *	DXX		N 1-3/8	1008	
GND 14	B14C1	1-22 *	DXX		N 0-4/8	1008	
GND 14	B14F1	1-23 *	DXX		N 0-4/8	1008	
GND 14	B14F2	1-24 *	DXX		N 0-5/8	1008	
GND 14	B14J2	1-25 *	DXX		N 0-4/8	1008	
GND 14	B14L2	1-26 *	DXX		N 0-4/8	1008	
GND 14	B14L2	1-27 *	DXX		N 0-4/8	1008	
GND 14	B14R2	1-28 *	DXX		N 0-4/8	1008	
GND 14	B14T1	1-29 *	DXX		N 0-4/8	1008	
GND 14	B14T1	1-30 *	DXX		N 0-4/8	1008	
GND 14	B14U2	1-31 *	DXX		N 0-1/8	1008	
GND 14	B14R1	1-32 *	DXX		N 0-5/8	1008	
GND 14	B14R1	1-33 *	DXX		N 0-4/8	1008	
GND 14	B14R1	1-34 *	DXX		N 0-5/8	1008	
GND 14	B14R1	1-34 *	DXX		29-7/8	1008	

DX118.U
RUN NAME

WRAPD .V35(102)-1 03-JUN-77

15-Nov-77

PAGE 104

A/P	PIN	ORDER	BAY	Q	DRAW	RV	RG	Y	X	Z	REMARKS	15148 NC LENGTH FLAG	EXCEPTIONS	RUN NUMBER
GND 16	A16C2	1-01 *	D05							1		N 2-1/8		1010
GND 16	A16T1	1-02 *	D05							2		N 1-5/8		1010
GND 16	B16C2	1-03 *	D05							1		N 2-1/8		1010
GND 16	B16T1	1-04 *	D05							2		N 1-3/8		1010
GND 16	C16C2	1-05 *	D05							1		N 2-1/8		1010
GND 16	C16T1	1-06 *	D05							2		N 1-5/8		1010
GND 16	D16C2	1-07 *	D05							1		N 2-1/8		1010
GND 16	D16T1	1-08 *	D19							2		N 1-3/8		1010
GND 16	E16C2	1-09 *	D05							1		N 2-1/8		1010
GND 16	E16T1	1-10 *	D05							2		N 1-5/8		1010
GND 16	F16C2	1-11 *	D05							1		N 2-1/8		1010
GND 16	F16T1	1-12 *	D05							2		N 1-3/8		1010
GND 16	H16C2	1-13 *	D05							1		N 2-1/8		1010
GND 16	H16T1	1-14 *	D05							2		N 1-5/8		1010
GND 16	J16C2	1-15 *	D05							1		N 2-1/8		1010
GND 16	J16T1	1-16 *	D05							1				1010
		1										27-5/8		1010
GND 17	D17T1	1-01 *	D19							2		N 6-3/8		1011
GND 17	H17A1	1-02 *	D27							1		N 0-4/8		1011
GND 17	H17C2	1-03 *	D27							2		N 0-4/8		1011
GND 17	H17C1	1-04 *	D27							1		N 0-5/8		1011
GND 17	H17F1	1-05 *	D27							2		N 0-5/8		1011
GND 17	H17F1	1-06 *	D27							1		N 0-5/8		1011
GND 17	H17F2	1-07 *	D27							2		N 0-4/8		1011
GND 17	H17J2	1-08 *	D27							1		N 0-4/8		1011
GND 17	H17L2	1-09 *	D27							2		N 0-4/8		1011
GND 17	H17N1	1-10 *	D27							1		N 0-4/8		1011
GND 17	H17R1	1-11 *	D27							2		N 0-4/8		1011
GND 17	H17N2	1-12 *	D27							1		N 0-4/8		1011
GND 17	H17R2	1-13 *	D27							2		N 0-4/8		1011
GND 17	H17T1	1-14 *	D27							1		N 0-1/8		1011
GND 17	H17U2	1-15 *	D27							2		N 1-3/8		1011
GND 17	J17A1	1-16 *	D27							1		N 0-4/8		1011
GND 17	J17C2	1-17 *	D27							2		N 0-4/8		1011
GND 17	J17C1	1-18 *	D27							1		N 0-5/8		1011
GND 17	J17F1	1-19 *	D27							2		N 0-4/8		1011
GND 17	J17F2	1-20 *	D27							1		N 0-4/8		1011
GND 17	J17J2	1-21 *	D27							2		N 0-4/8		1011
GND 17	J17L2	1-22 *	D27							1		N 0-4/8		1011
GND 17	J17N2	1-23 *	D27							2		N 0-4/8		1011
GND 17	J17R2	1-24 *	D27							1		N 0-4/8		1011
GND 17	J17T1	1-25 *	D27							2		N 0-1/8		1011
GND 17	J17U2	1-26 *	D27							1		N 0-5/8		1011
GND 17	J17R1	1-27 *	D27							2		N 0-4/8		1011
GND 17	J17N1	1-28 *	D27							1		N 0-5/8		1011
GND 17	J17X1	1-29 *	D27							1				1011
		1										20-6/8		1011

DX118.U
RUN NAME

WRAPD .V35(102)-1 03-JUN-77

15-Nov-77

PAGE 105

A/P	PIN	ORDER	BAY	Q	DRAW	RV	RG	Y	X	Z	REMARKS	15148 NC LENGTH FLAG	EXCEPTIONS	RUN NUMBER
GND 18	C18F2	1-01 *	2							2		N 4-1/8		1012
GND 18	D18N1	1-02 *			D19					1		N 1		1012
GND 18	D18T1	1-03 *			D19					2		N 6-3/8		1012
GND 18	H18A1	1-04 *			D27					1		N 0-4/8		1012
GND 18	H18C2	1-05 *			D27					2		N 0-4/8		1012
GND 18	H18C1	1-06 *			D27					1		N 0-5/8		1012
GND 18	H18F1	1-07 *			D27					2		N 0-5/8		1012
GND 18	H18K1	1-08 *			D27					1		N 0-5/8		1012
GND 18	H18F2	1-09 *			D27					2		N 0-4/8		1012
GND 18	H18J2	1-10 *			D27					1		N 0-4/8		1012
GND 18	H18L2	1-11 *			D27					2		N 0-4/8		1012
GND 18	H18N1	1-12 *			D27					1		N 0-4/8		1012
GND 18	H18R1	1-13 *			D27					2		N 0-4/8		1012
GND 18	H18N2	1-14 *			D27					1		N 0-4/8		1012
GND 18	H18R2	1-15 *			D27					2		N 0-4/8		1012
GND 18	H18T1	1-16 *			D27					1		N 0-1/8		1012
GND 18	H18U2	1-17 *			D27					2		N 1-3/8		1012
GND 18	J18A1	1-18 *			D27					1		N 0-4/8		1012
GND 18	J18C2	1-19 *			D27					2		N 0-4/8		1012
GND 18	J18C1	1-20 *			D27					1		N 0-5/8		1012
GND 18	J18F1	1-21 *			D27					2		N 0-4/8		1012
GND 18	J18F2	1-22 *			D27					1		N 0-4/8		1012
GND 18	J18J2	1-23 *			D27					2		N 0-4/8		1012
GND 18	J18L2	1-24 *			D27					1		N 0-4/8		1012
GND 18	J18N2	1-25 *			D27					2		N 0-4/8		1012
GND 18	J18R2	1-26 *			D27					1		N 0-4/8		1012
GND 18	J18T1	1-27 *			D27					2		N 0-1/8		1012
GND 18	J18U2	1-28 *			D27					1		N 0-5/8		1012
GND 18	J18R1	1-29 *			D27					2		N 0-4/8		1012
GND 18	J18N1	1-30 *			D27					1		N 0-5/8		1012
GND 18	J18K1	1-31 *			D27					1				1012
		1										25-7/8		1012

113

Table with columns: RUN NAME, A/P PIN NAME, WRAPD .V35(102)-1, A/P PIN ORDER PIN, ORDER BAY O, DRAW RV RC Y X Z, REMARKS, 15-NOV-77, NC LENGTH EXCEPTIONS FLAG, PAGE 106, RUN NUMBER.

Table with columns: RUN NAME, A/P PIN NAME, WRAPD .V35(102)-1, A/P PIN ORDER PIN, ORDER BAY O, DRAW RV RC Y X Z, REMARKS, 15-NOV-77, NC LENGTH EXCEPTIONS FLAG, PAGE 107, RUN NUMBER.

DX118-U RUN NAME	WRAPD .V35(102)-1 A/P PIN ORDER NAME PIN	03-JUN-77 RAY - Q ORDER	DRAM RV RC Y X Z	OPT	REMARKS	15-NOV-77	15148 PAGE 108 NC LENGTH EXCEPTIONS FLAG	RUN NUMBER
GND 24	A24C2	1-01 *	D05				N 2-1/8	1018
GND 24	A24T1	1-02 *	D05				N 1-5/8	1018
GND 24	B24C2	1-03 *	D05				N 2-1/8	1018
GND 24	B24T1	1-04 *	D05				N 1-3/8	1018
GND 24	C24C2	1-05 *	D05				N 2-1/8	1018
GND 24	C24T1	1-06 *	D05				N 1-5/8	1018
GND 24	D24C2	1-07 *	D27				N 2-1/8	1019
GND 24	D24T1	1-08 *	D05				N 1-3/8	1019
GND 24	E24C2	1-09 *	D27				N 2-1/8	1019
GND 24	E24T1	1-10 *	D05				N 1-5/8	1018
GND 24	F24C2	1-11 *	D05				N 2-1/8	1018
GND 24	F24T1	1-12 *	D05				N 1-3/8	1018
GND 24	H24C2	1-13 *	D05				N 2-1/8	1018
GND 24	H24T1	1-14 *	D05				N 1-5/8	1018
GND 24	J24C2	1-15 *	D05				N 2-1/8	1018
GND 24	J24T1	1-16 *	D05				N 1-5/8	1018
GND 26	C26D2	1-01 *	D18				27-5/8	1018
GND 26	C26C2	1-02 *	D18				N 0-1/8	1019
GND 26	C26J2	1-03 *	D18				N 1-1/8	1019
GND 26	C26R1	1-04 *	D18				N 1-3/8	1019
GND 26	C26T1	1-05 *	D18				N 0-4/8	1019
GND 26	D26C2	1-06 *	D18				N 1-5/8	1019
GND 26	D26C1	1-07 *	D18				N 0-4/8	1019
GND 26	D26P1	1-08 *	D18				N 1-0/8	1019
GND 26	D26R1	1-09 *	D18				N 0-1/8	1019
GND 26	D26T1	1-10 *	D18				N 0-4/8	1019
GND 26	F26C2	1-11 *	D27				N 4-1/8	1019
GND 28	A28C2	1-01 *	D05				11-6/8	1020
GND 28	A28T1	1-02 *	D05				N 2-1/8	1020
GND 28	B28C2	1-03 *	D05				N 1-5/8	1020
GND 28	B28T1	1-04 *	D05				N 2-1/8	1020
GND 28	C28C2	1-05 *	D05				N 1-3/8	1020
GND 28	C28T1	1-06 *	D05				N 2-1/8	1020
GND 28	D28C2	1-07 *	D05				N 1-5/8	1020
GND 28	D28T1	1-08 *	D05				N 2-1/8	1020
GND 28	E28C2	1-09 *	D13				N 1-3/8	1020
GND 28	E28N2	1-10 *	D13				N 1-5/8	1020
GND 28	F28T1	1-11 *	D13				N 1	1020
GND 28	F28C2	1-12 *	D13				N 1-5/8	1020
GND 28	F28T1	1-13 *	D13				N 2-1/8	1020
GND 28	H28C2	1-14 *	D13				N 1-3/8	1020
GND 28	H28T1	1-15 *	D13				N 2-1/8	1020
GND 28	J28C2	1-16 *	D13				N 1-5/8	1020
GND 28	J28T1	1-17 *	D13				N 2-1/8	1020
GND 29	E29C2	1-01 *	D13				20-1/8	1021
GND 29	E29H2	1-02 *	D13				N 1	1021
GND 29	E29R1	1-03 *	D13				N 1-3/8	1021
GND 29	E29T1	1-04 *	D13				N 0-4/8	1021
GND 30							2-7/8	1021

DX118-U RUN NAME	WRAPD .V35(102)-1 A/P PIN ORDER NAME PIN	03-JUN-77 RAY - Q ORDER	DRAM RV RC Y X Z	OPT	REMARKS	15-NOV-77	15148 PAGE 109 NC LENGTH EXCEPTIONS FLAG	RUN NUMBER
GND 3	D03C2	1-01 *	D07				N 1	1022
GND 3	D03H1	1-02 *	D07				N 0-4/8	1022
GND 3	D03K2	1-03 *	D07				N 1-3/8	1022
GND 3	D03T2	1-04 *	D07				N 0-1/8	1022
GND 3	D03R2	1-05 *	D07				N 0-1/8	1022
GND 3	D03T1	1-06 *	D07				N 0-1/8	1022
GND 3	D03U1	1-07 *	D07				N 0-1/8	1022
GND 30	B30T1	1-01 *	D17				3-2/8	1023
GND 30	C30A1	1-02 *	D17				N 1-1/8	1023
GND 30	C30C2	1-03 *	D17				N 0-4/8	1023
GND 30	C30F1	1-04 *	D17				N 0-5/8	1023
GND 30	C30H1	1-05 *	D17				N 0-1/8	1023
GND 30	C30T1	1-06 *	D17				N 1-5/8	1023
GND 30	C30U2	1-07 *	D17				N 0-1/8	1023
GND 30	C30V2	1-08 *	D17				N 0-1/8	1023
GND 30	F30C2	1-09 *	D13				N 6-5/8	1023
GND 30	F30E1	1-10 *	D13				N 0-4/8	1023
GND 31	B31J2	1-01 *	D20				11-3/8	1024
GND 31	C31B2	1-02 *	D20				N 2-2/8	1024
GND 31	C31C2	1-03 *	D20				N 0-1/8	1024
GND 31	C31N1	1-04 *	D20				N 1-5/8	1024
GND 31	C31P1	1-05 *	D20				N 0-1/8	1024
GND 31	C31R1	1-06 *	D20				N 0-1/8	1024
GND 31	C31S1	1-07 *	D20				N 0-1/8	1024
GND 31	C31T1	1-08 *	D20				N 0-1/8	1024
GND 31	C31V2	1-09 *	D20				N 0-4/8	1024
GND 31	D31B2	1-10 *	D20				N 1-2/8	1024
GND 31	D31C2	1-11 *	D20				N 0-1/8	1024
GND 31	D31D1	1-12 *	D20				N 0-1/8	1024
GND 31	D31E1	1-13 *	D20				N 0-1/8	1024
GND 31	D31T1	1-14 *	D20				N 1-7/8	1024
GND 31	D31V2	1-15 *	D20				N 0-4/8	1024
GND 31	F31C2	1-16 *	D13				N 4	1024
GND 31	F31E1	1-17 *	D13				N 0-1/8	1024
GND 31	F31J2	1-18 *	D13				N 0-4/8	1024
GND 31	F31W2	1-19 *	D13				N 0-5/8	1024
GND 31	F31R1	1-20 *	D13				N 1	1024
GND 31	F31T2	1-21 *	D13				N 0-5/8	1024
GND 31	F31T1	1-22 *	D13				N 0-5/8	1024
GND 31		1-23 *	D13				N 0-4/8	1024
GND 31							17-0/8	1024

116

DX119,U RUN NAME	WRAPD .V35(102)-1 A/P PIN ORDER NAME	WRAPD .V35(102)-1 ORDER PIN	03-JUN-77 BAY - Q	DRAM OPT	RV RG Y X Z	REMARKS	15-NOV-77	15148 NC LENGTH FLAG	PAGE 110 EXCEPTIONS	RUN NUMBER
GND 32	A36D1	1-01 *		D22	1			N 0-4/8		1025
GND 32	A36F1	1-02 *		D22	2			N 3-7/8		1025
GND 32	B32C2	1-03 *		D05	1			N 2-1/8		1025
GND 32	B32T1	1-04 *		D05	2			N 1-3/8		1025
GND 32	C32B2	1-05 *		D20	1			N 0-1/8		1025
GND 32	C32C2	1-06 *		D05	2			N 1-5/8		1025
GND 32	C32N1	1-07 *		D20	1			N 0-1/8		1025
GND 32	C32P1	1-08 *		D20	2			N 0-1/8		1025
GND 32	C32R1	1-09 *		D20	1			N 0-1/8		1025
GND 32	C32S1	1-10 *		D20	2			N 0-1/8		1025
GND 32	C32T1	1-11 *		D05	1			N 0-4/8		1025
GND 32	C32V2	1-12 *		D20	2			N 1-2/8		1025
GND 32	D32B2	1-13 *		D20	1			N 0-1/8		1025
GND 32	D32C2	1-14 *		D20	2			N 0-1/8		1025
GND 32	D32D1	1-15 *		D20	1			N 0-1/8		1025
GND 32	D32E1	1-16 *		D20	2			N 0-1/8		1025
GND 32	D32T1	1-17 *		D20	1			N 1-7/8		1025
GND 32	D32V2	1-18 *		D20	2			N 0-4/8		1025
GND 32	E32C2	1-19 *		D05	1			N 1-1/8		1025
GND 32	E32T1	1-20 *		D05	2			N 2-1/8		1025
GND 32	F32C2	1-21 *		D05	1			N 1-5/8		1025
GND 32	F32T1	1-22 *		D05	2			N 2-1/8		1025
GND 32	H32C2	1-23 *		D05	1			N 1-3/8		1025
GND 32	H32T1	1-24 *		D05	2			N 1-5/8		1025
GND 32	J32C2	1-25 *		D05	1			N 2-1/8		1025
GND 32	J32T1	1-26 *		D05	2			N 2-1/8		1025
GND 4	A04C2	1-01 *		D05	2			20-7/8		1025
GND 4	A04T1	1-02 *		D05	1			N 2-1/8		1025
GND 4	B04C2	1-03 *		D05	2			N 1-5/8		1025
GND 4	B04T1	1-04 *		D05	1			N 2-1/8		1025
GND 4	C04C2	1-05 *		D05	2			N 1-3/8		1025
GND 4	C04T1	1-06 *		D05	1			N 2-1/8		1025
GND 4	D04C2	1-07 *		D07	2			N 1-5/8		1025
GND 4	D04F2	1-08 *		D07	1			N 0-5/8		1025
GND 4	D04K2	1-09 *		D07	2			N 0-5/8		1025
GND 4	D04T1	1-10 *		D05	1			N 1-3/8		1025
GND 4	E04C2	1-11 *		D27	2			N 1-3/8		1025
GND 4	F04T1	1-12 *		D27	1			N 2-1/8		1025
GND 4	F04C2	1-13 *		D05	2			N 1-3/8		1025
GND 4	F04T1	1-14 *		D05	1			N 2-1/8		1025
GND 4	H04C2	1-15 *		D05	2			N 1-3/8		1025
GND 4	H04T1	1-16 *		D05	1			N 2-1/8		1025
GND 4	J04C2	1-17 *		D05	2			N 1-5/8		1025
GND 4	J04T1	1-18 *		D05	1			N 2-1/8		1025
GND 5	D05C2	1-01 *		D07	1			20-1/0		1025
GND 5	D05F2	1-02 *		D07	2			N 0-8/8		1025
GND 5	F05C2	1-03 *		D27	1			N 3-3/8		1025
GND 5								6-0/8		1025

DX119,U RUN NAME	WRAPD .V35(102)-1 A/P PIN ORDER NAME	WRAPD .V35(102)-1 ORDER PIN	03-JUN-77 BAY - Q	DRAM OPT	RV RG Y X Z	REMARKS	15-NOV-77	15148 NC LENGTH FLAG	PAGE 111 EXCEPTIONS	RUN NUMBER
GND 6	B06C2	1-01 *		D25	1			N 1		1029
GND 6	B06H2	1-02 *		D25	2			N 1-5/8		1029
GND 6	B06T1	1-03 *		D25	1			N 0-1/8		1029
GND 6	C06D2	1-04 *		D25	2			N 2-3/8		1029
GND 6	C06N2	1-05 *		D11	1			N 1		1029
GND 6	C06T1	1-06 *		D11	2			N 1-5/8		1029
GND 6	D06C2	1-07 *		D27	1			N 0-5/8		1029
GND 6	D06F2	1-08 *		D07	2			N 0-5/8		1029
GND 7	H07A1	1-01 *		DXX	1			8-3/8		1029
GND 7	H07C2	1-02 *		DXX	2			N 0-4/8		1029
GND 7	H07C1	1-03 *		DXX	1			N 0-4/8		1029
GND 7	H07F1	1-04 *		DXX	2			N 0-5/8		1029
GND 7	H07F2	1-05 *		DXX	1			N 0-5/8		1029
GND 7	H07J2	1-06 *		DXX	2			N 0-4/8		1029
GND 7	H07U2	1-07 *		DXX	1			N 0-4/8		1029
GND 7	H07N1	1-08 *		DXX	2			N 0-4/8		1029
GND 7	H07R1	1-09 *		DXX	1			N 0-4/8		1029
GND 7	H07R2	1-10 *		DXX	2			N 0-4/8		1029
GND 7	H07T1	1-11 *		DXX	1			N 0-4/8		1029
GND 7	H07T2	1-12 *		DXX	2			N 0-4/8		1029
GND 7	H07U2	1-13 *		DXX	1			N 0-4/8		1029
GND 7	J07A1	1-14 *		DXX	2			N 0-1/8		1029
GND 7	J07C2	1-15 *		DXX	1			N 1-3/8		1029
GND 7	J07C1	1-16 *		DXX	2			N 0-4/8		1029
GND 7	J07F1	1-17 *		DXX	1			N 0-4/8		1029
GND 7	J07F2	1-18 *		DXX	2			N 0-5/8		1029
GND 7	J07J2	1-19 *		DXX	1			N 0-4/8		1029
GND 7	J07L2	1-20 *		DXX	2			N 0-4/8		1029
GND 7	J07N2	1-21 *		DXX	1			N 0-4/8		1029
GND 7	J07R2	1-22 *		DXX	2			N 0-4/8		1029
GND 7	J07T1	1-23 *		DXX	1			N 0-4/8		1029
GND 7	J07U2	1-24 *		DXX	2			N 0-1/8		1029
GND 7	J07R1	1-25 *		DXX	1			N 0-5/8		1029
GND 7	J07N1	1-26 *		DXX	2			N 0-4/8		1029
GND 7	J07K1	1-27 *		DXX	1			N 0-5/8		1029
GND 7		1-28 *		DXX	2			14-3/8		1029

DX118,U RUN NAME	WRAPD ,V35(102)-1	03-JUN-77	15-NOV-77	15148	PAGE 112	RUN				
A/P	PIN	ORDER	BAY - Q	DRAW	RV RG Y	X Z	REMARKS	NC LENGTH	EXCEPTIONS	RUN
	NAME	PIN	ORDER	OPT				FLAG		NUMBER
GND 8	A08C2		1-01 *	D05				N 2-1/8		1030
GND 8	A08T1		1-02 *	D05				N 1-5/8		1030
GND 8	B08C2		1-03 *	D05				N 2-1/8		1030
GND 8	B08T1		1-04 *	D05				N 1-3/8		1030
GND 8	C08C2		1-05 *	D05				N 2-1/8		1030
GND 8	C08T1		1-06 *	D05				N 1-5/8		1030
GND 8	D08C2		1-07 *	D07				N 2-1/8		1030
GND 8	D08T1		1-08 *	D07				N 0-1/8		1030
GND 8	E08C2		1-09 *	D05				N 1-3/8		1030
GND 8	E08T1		1-10 *	D05				N 2-1/8		1030
GND 8	F08C2		1-11 *	D05				N 1-5/8		1030
GND 8	F08T1		1-12 *	D05				N 2-1/8		1030
GND 8	F08T1		1-13 *	D05				N 1-1/8		1030
GND 8	H08A1		1-14 *	DXX				N 0-4/8		1030
GND 8	H08C2		1-15 *	DXX				N 0-4/8		1030
GND 8	H08C1		1-16 *	DXX				N 0-5/8		1030
GND 8	H08F1		1-17 *	DXX				N 0-5/8		1030
GND 8	H08F1		1-18 *	DXX				N 0-5/8		1030
GND 8	H08F2		1-19 *	DXX				N 0-4/8		1030
GND 8	H08J2		1-20 *	DXX				N 0-4/8		1030
GND 8	H08L2		1-21 *	DXX				N 0-4/8		1030
GND 8	H08N1		1-22 *	DXX				N 0-4/8		1030
GND 8	H08R1		1-23 *	DXX				N 0-4/8		1030
GND 8	H08R2		1-24 *	DXX				N 0-4/8		1030
GND 8	H08R2		1-25 *	DXX				N 0-4/8		1030
GND 8	H08T1		1-26 *	DXX				N 0-1/8		1030
GND 8	H08U2		1-27 *	DXX				N 1-3/8		1030
GND 8	J08A1		1-28 *	DXX				N 0-4/8		1030
GND 8	J08C2		1-29 *	DXX				N 0-4/8		1030
GND 8	J08C1		1-30 *	DXX				N 0-5/8		1030
GND 8	J08F1		1-31 *	DXX				N 0-4/8		1030
GND 8	J08F2		1-32 *	DXX				N 0-4/8		1030
GND 8	J08J2		1-33 *	DXX				N 0-4/8		1030
GND 8	J08L2		1-34 *	DXX				N 0-4/8		1030
GND 8	J08N2		1-35 *	DXX				N 0-4/8		1030
GND 8	J08R2		1-36 *	DXX				N 0-4/8		1030
GND 8	J08T1		1-37 *	DXX				N 0-1/8		1030
GND 8	J08U2		1-38 *	DXX				N 0-5/8		1030
GND 8	J08R1		1-39 *	DXX				N 0-4/8		1030
GND 8	J08N1		1-40 *	DXX				N 0-5/8		1030
GND 8	J08X1		1-41 *	DXX						1030
GND 8										1030
								36-0/8		1030

DX118,U RUN NAME	WRAPD ,V35(102)-1	03-JUN-77	15-NOV-77	15148	PAGE 113	RUN				
A/P	PIN	ORDER	BAY - Q	DRAW	RV RG Y	X Z	REMARKS	NC LENGTH	EXCEPTIONS	RUN
	NAME	PIN	ORDER	OPT				FLAG		NUMBER
GND 9	C09A1		1-01 *	D06				N 0-1/8		1031
GND 9	C09B1		1-02 *	D06				N 10-2/8		1031
GND 9	F09T1		1-03 *	D27				N 1-3/8		1031
GND 9	H09C2		1-04 *	D27				N 1		1031
GND 9	H09H1		1-05 *	D27				N 0-1/8		1031
GND 9	H09J1		1-06 *	D27				N 0-1/8		1031
GND 9	H09H2		1-07 *	D27				N 0-1/8		1031
GND 9	H09J2		1-08 *	D27				N 1-2/8		1031
GND 9	H09R2		1-09 *	D27				N 0-1/8		1031
GND 9	H09S2		1-10 *	D27				N 0-1/8		1031
GND 9	H09T1		1-11 *	D27				N 0-1/8		1031
GND 9	H09S1		1-12 *	D27				N 0-1/8		1031
GND 9	H09R1		1-13 *	D27						1031
GND 9								14-7/8		1031
GO(1)	A10T1		1-01 *	D22				N 12-5/8		1032
GO(1)	E25M2		1-02 *	D13				N 10-5/8		1032
GO(1)	D10M1		1-03 *	D19				N 5-5/8		1032
GO(1)	R10P2		1-04 *	DXX				N 4-3/8		1032
GO(1)	C05E2		1-05 *	D24				N 2-6/8		1032
GO(1)	C10E1		1-06 *	S D06						1032
GO(1)								36-0/8		1032
HLD OUT	H12P1		1-01 *	DXX				N 1-4/8		1033
HLD OUT	H14P1		1-02 *	DXX				N 2-7/8		1033
HLD OUT	J13L2		1-03 *	DXX						1033
HLD OUT								4-3/8		1033
HLD0	C24F2	E26P1	1-01 *	H D12				7-1/8		1034
HLD0	E26P1		1-02 *					N 6-3/8		1034
HLD0	E16D1		1-03 *	D12				N 9-7/8		1034
HLD0	J13F2		1-04 *	DXX						1034
HLD0								23-3/8		1034
HLD0(1)	A3101		1-01 *	D22				N 13-3/8		1035
HLD0(1)	D24S1		1-02 *	D19				N 4-3/8		1035
HLD0(1)	C24J2		1-03 *	S D12						1035
HLD0(1)								17-6/8		1035
IBMRST	B23F2		1-01 *	D24				N 10-7/8		1036
IBMRST	E27P2		1-02 *	D05				N 7-1/8		1036
IBMRST	E14L2		1-03 *	D25				N 9-2/8		1036
IBMRST	C02B1		1-04 *	D24				N 6-5/8		1036
IBMRST	E03E2		1-05 *	DXX				N 0-1/8		1036
IBMRST	E03F2		1-06 *	DXX				N 2-3/8		1036
IBMRST	E06P2		1-07 *	D24				N 1-2/8		1036
IBMRST	E07V1		1-08 *	S D24						1036
IBMRST								37-5/8		1036
IBMRST	A04J1		1-01 *	DXX				N 3-5/8		1037
IBMRST	B04M2		1-02 *	DXX				N 3-5/8		1037
IBMRST	C08K1		1-03 *	D24				N 13-2/8		1037
IBMRST	F20L2		1-04 *	DXX				N 9-5/8		1037
IBMRST	E06R2		1-05 *	S D24						1037
IBMRST								30-1/8		1037

DI110.U RUN NAME	WRAPD .V35(1023)-1 A/P PIN ORDER PIN	03-JUN-77 BAY - Q DRAW OPT	RV RG Y X Z	REMARKS	15-NOV-77 NC LENGTH EXCEPTIONS FLAG	15148 PAGE 116	RUN NUMBER
185	L E03J1	1-01 * 5	D24	1	N 11-3/8		1855
186	L A05N1	1-02 * D25		1	N 6-7/8		1855
187	L C07R1	1-03 * D24		1	N 8-1/8		1855
188	L E18R1	1-04 * D06		2	N 8-5/8		1855
189	L E26D1	1-05 * D13		1	32-0/8		1855
190	H A00T2	1-01 * DXX		1	N 7-3/8		1856
191	H C13N1	1-02 * D05		1	7-3/8		1856
192	H A29P1	1-01 * D22		2	N 12-5/8		1857
193	H B08J2	1-02 * D10		1	N 8-7/8		1857
194	H D13S2	1-03 * D19		2	N 3-7/8		1857
195	H C13M1	1-04 * D09		1	25-3/8		1857
196	H A08C1	1-01 * D20		1	N 0-4/8		1858
197	H A24C1	1-02 * D20		2	N 1-1/8		1858
198	H A25O1	1-03 * D20		1	N 10-1/8		1858
199	H F17J1	1-04 * D14		2	N 0-5/8		1858
200	H F17M2	1-05 * D20		1	20-3/8		1858
201	L A25F1	1-01 * D20		1	N 0-5/8		1859
202	L C21R1	1-02 * D20		1	0-5/8		1859
203	H E20P2	1-01 * D13		2	N 1-1/8		1860
204	H E20T2	1-02 * D13		1	N 1-3/8		1860
205	H E26T2	1-03 * D13		2	N 1-2/8		1860
206	H E26M1	1-04 * D13		1	N 0-4/8		1860
207	H E26M2	1-05 * D13		2	N 1-5/8		1860
208	H E26B1	1-06 * D13		1	N 0-5/8		1860
209	H E26E2	1-07 * D13		2	N 0-5/8		1860
210	H E27B1	1-08 * D13		1	N 0-5/8		1860
211	H E28C1	1-09 * D13		2	N 0-4/8		1860
212	H E28E2	1-10 * D13		1	N 0-4/8		1860
213	H E29H1	1-11 * D13		2	N 1-1/8		1860
214	H E29B1	1-12 * D13		1	9-6/8		1860
215	H D07D1	1-01 * D07		2	N 1-1/8		1861
216	H D08D1	1-02 * D07		1	N 1-3/8		1861
217	H D08M1	1-03 * D07		2	N 1-1/8		1861
218	H D07M1	1-04 * D07		1	N 6-5/8		1861
219	H F14D2	1-05 * D07		1	10-0/8		1861
220	L A25H2	1-01 * D08		1	N 2-3/8		1862
221	L B26D1	1-02 * D08		2	N 1-1/8		1862
222	L B27D1	1-03 * D08		1	N 1-3/8		1862
223	L B27H1	1-04 * D08		2	N 1-1/8		1862
224	L B26M1	1-05 * D08		1	9-6/8		1862

DI110.U RUN NAME	WRAPD .V35(1023)-1 A/P PIN ORDER PIN	03-JUN-77 BAY - Q DRAW OPT	RV RG Y X Z	REMARKS	15-NOV-77 NC LENGTH EXCEPTIONS FLAG	15148 PAGE 117	RUN NUMBER
1863	H C25V2	1-01 * D11		2	N 7-7/8		1863
1864	H A24F1	1-02 * D15		1	N 11-7/8		1863
1865	H A02C1	1-03 * D25		2	N 7-5/8		1863
1866	H C05D2	1-04 * D24		1	N 6-1/8		1863
1867	H E07C1	1-05 * D09		2	N 6-1/8		1863
1868	H E15R2	1-06 * D06		1	N 1-1/8		1863
1869	H E15V2	1-07 * D06		2	N 3-5/8		1863
1870	H F19R1	1-08 * D13		1	44-2/8		1863
1871	H C25U2	1-01 * D11		2	N 1-7/8		1864
1872	H D25F1	1-02 * D19		1	N 12-1/8		1864
1873	H A32C1	1-03 * D22		2	N 14-5/8		1864
1874	H A03K1	1-04 * D25		1	N 11-3/8		1864
1875	H E03F1	1-05 * D24		1	40-0/8		1864
1876	H H07S1	1-01 * DXX		1	N 1		1865
1877	H H08S1	1-02 * DXX		1	1-0/8		1865
1878	H J07S1	1-01 * DXX		1	N 1		1866
1879	H J08S1	1-02 * DXX		1	1-0/8		1866
1880	H H12R2	1-01 * DXX		1	N 1-4/8		1867
1881	H H14R2	1-02 * DXX		1	1-4/8		1867
1882	H H12K2	1-01 * DXX		1	N 1-4/8		1868
1883	H H14K2	1-02 * DXX		1	1-4/8		1868
1884	H F19U2	1-01 * D20		1	N 9-3/8		1869
1885	H C21V2	1-02 * D20		2	N 4-6/8		1869
1886	H B15R2	1-03 * D20		1	N 4-1/8		1869
1887	H C20S1	1-04 * D20		1	18-2/8		1869
1888	H A32A2	1-01 * D22		2	N 4-2/8		1870
1889	H A25A1	1-02 * D20		1	N 14-4/8		1870
1890	H D11J1	1-03 * D19		2	N 7-1/8		1870
1891	H C21O2	1-04 * D20		1	25-7/8		1870
1892	H A25R1	1-01 * D20		2	N 5-6/8		1871
1893	H B32U2	1-02 * D20		1	N 9-7/8		1871
1894	H C20U2	1-03 * D20		1	15-5/8		1871
1895	H C20V2	1-01 * D20		2	N 4-1/8		1872
1896	H B15U2	1-02 * D20		1	N 7-1/8		1872
1897	H D10J1	1-03 * D19		2	N 5-1/8		1872
1898	H E13P2	1-04 * D20		1	16-3/8		1872

DX118.U RUN NAME	WRAPD .V35(102)-1 A/P PIN ORDER NAME PIN	03-JUN-77 BAY - Q ORDER	DRAW OPT	RV RG Y X Z	REMARKS	15-NOV-77	15148 NC LENGTH FLAG	PAGE 124 EXCEPTIONS	RUN NUMBER
ONLINE1	H B30T2	1-01 *	DXX				N 10-4/3		1121
ONLINE1	H E10J1	1-02 *	DXX				N 9-2/8		1121
ONLINE1	H H11L1	1-03 *	DXX				N 0-1/8		1121
ONLINE1	H H11M1	1-04 *	DXX				N 0-1/8		1121
ONLINE1	H H11N1	1-05 *	DXX				N 1-2/8		1121
ONLINE1	H H11V1	1-06 *	DXX				N 1-7/8		1121
ONLINE1	H J00D1	1-07 *	DXX				N 1		1121
ONLINE1	H J10D1	1-08 *	DXX				N 1		1121
ONLINE1	H J11D1	1-09 *	DXX				N 1-2/8		1121
ONLINE1	H J11L1	1-10 *	DXX				N 0-1/8		1121
ONLINE1	H J11M1	1-11 *	DXX				N 0-1/8		1121
ONLINE1	H J11N1	1-12 *	DXX				N 0-1/8		1121
ONLINE1	H J10K2	1-13 *	DXX				N 0-1/8		1121
ONLINE1	H J10J1	1-14 *	DXX				N 0-1/8		1121
ONLINE1	H J10M1	1-15 *	DXX				N 0-3/8		1121
ONLINE1	H J00R2	1-16 *	DXX				N 0-4/8		1121
ONLINE1	H J00J1	1-17 *	DXX				N 1/8		1121
ONLINE1	H J00M1	1-18 *	DXX				N 5/8		1121
ONLINE1	H J00D1	1-19 *	DXX				N 0-4/8		1121
ONLINE1	H J09U2	1-20 *	DXX				N 0-4/8		1121
ONLINE1	H J10B1	1-21 *	DXX				N 0-4/8		1121
ONLINE1	H J10U2	1-22 *	DXX				N 0-4/8		1121
ONLINE1	H J11V1	1-23 *	DXX				N 0-5/8		1121
ONLINE1	H J13D1	J13U2 1-24 *	DXX				N 1-5/8		1121
ONLINE1	H J13U2	1-25 *	DXX				N 0-4/8		1121
ONLINE1	H J13J1	1-26 *	DXX				N 1-5/8		1121
ONLINE1	H	1					36-1/8		1121
ONOFFT	H C06S1	1-01 *	S D24				N 3-1/8		1122
ONOFFT	H B07V1	1-02 *	D24				N 9-7/8		1122
ONOFFT	H E03V2	1-03 *	D24						1122
ONOFFT	H	1					13-0/8		1122
ONOFFT	L B07U1	1-01 *	S D24				N 13-3/8		1123
ONOFFT	L E24R1	1-02 *	D11						1123
ONOFFT	L	1					13-3/8		1123
OPL IN	H H11P2	1-01 *	DXX				N 2-5/8		1124
OPL IN	H J12D2	1-02 *	DXX				N 1-4/8		1124
OPL IN	H J14D2	1-03 *	DXX						1124
OPL IN	H	1					4-1/8		1124
OPL OUT	H H12S1	1-01 *	DXX				N 1-4/8		1125
OPL OUT	H H14S1	1-02 *	DXX				N 3-3/8		1125
OPL OUT	H J13R1	1-03 *	DXX						1125
OPL OUT	H	1					4-7/8		1125

DX118.U RUN NAME	WRAPD .V35(102)-1 A/P PIN ORDER NAME PIN	03-JUN-77 BAY - Q ORDER	DRAW OPT	RV RG Y X Z	REMARKS	15-NOV-77	15148 NC LENGTH FLAG	PAGE 125 EXCEPTIONS	RUN NUMBER
OPLI(0)	H C25S2	1-01 *	S D13				N 10		1126
OPLI(0)	H C06S2	1-02 *	D11				N 2-3/8		1126
OPLI(0)	H C06A1	1-03 *	D25				N 3-6/8		1126
OPLI(0)	H C01U2	1-04 *	D05				N 5-1/8		1126
OPLI(0)	H E02M1	1-05 *	D24				N 1-1/8		1126
OPLI(0)	H E03L1	1-06 *	D25				N 2-7/8		1126
OPLI(0)	H F03H2	1-07 *	DXX				N 0-1/8		1126
OPLI(0)	H F03J2	1-08 *	DXX				N 13-3/8		1126
OPLI(0)	H H22V1	1-09 *	DXX						1126
OPLI(0)	H	1					38-4/8		1126
OPLI(0)	H C25R2	1-01 *	S D13				N 9-7/8		1127
OPLI(0)	H 31C2	1-02 *	D22				N 10-1/8		1127
OPLI(0)	H 08M2	1-03 *	D25				N 0-1/8		1127
OPLI(0)	H C08M2	1-04 *	D25				N 6-5/8		1127
OPLI(0)	H E07P1	1-05 *	D05				N 4-3/8		1127
OPLI(0)	H E14N2	1-06 *	D25				N 6-2/8		1127
OPLI(0)	H F22N1	1-07 *	DXX				N 0-7/8		1127
OPLI(0)	H H11U2	1-08 *	DXX						1127
OPLI(0)	H	1					54-2/8		1127
OPLI(0)	H C25P2	1-01 *	H D12				N 20-7/8		1128
OPLI(0)	H J13P1	1-02 *	DXX						1128
OPLI(0)	H	1					20-7/8		1128
OPLI(0)	H C25K2	1-01 *	S D12				N 9-7/8		1129
OPLI(0)	H F25D2	1-02 *	D13				N 13-1/8		1129
OPLI(0)	H E07R1	1-03 *	D12				N 4-6/8		1129
OPLI(0)	H D02L1	1-04 *	EE5						1129
OPLI(0)	H	1					27-6/8		1129
OPLI(0)	H A31C1	1-01 *	D22				N 7-7/8		1130
OPLI(0)	H B21K2	1-02 *	D13				N 1-5/8		1130
OPLI(0)	H B10R2	1-03 *	D13				N 1-7/8		1130
OPLI(0)	H B17P1	1-04 *	D06				N 7-5/8		1130
OPLI(0)	H 002J2	1-05 *	D25				N 2-7/8		1130
OPLI(0)	H C05D1	1-06 *	D25				N 5-3/8		1130
OPLI(0)	H D02L2	1-07 *	D25				N 6-3/8		1130
OPLI(0)	H E12A1	1-08 *	D24				N 7-5/8		1130
OPLI(0)	H C25G1	1-09 *	D19				N 4-3/8		1130
OPLI(0)	H C25J2	1-10 *	S D12						1130
OPLI(0)	H	1					45-5/8		1130
OUT HIGH	H A02B1	1-01 *	D25				N 12-3/8		1131
OUT HIGH	H A24L1	1-02 *	D17				N 8-7/8		1131
OUT HIGH	H C30M2	1-03 *	D17						1131
OUT HIGH	H	1					21-2/8		1131
OUT LOW	H C30N1	1-01 *	D17				N 8-3/8		1132
OUT LOW	H A24R1	1-02 *	D17				N 13-2/8		1132
OUT LOW	H E07D1	1-03 *	D09						1132
OUT LOW	H	1					21-5/8		1132

123

DX118, U RUN NAME	WRAPD .V35(102)-1 03-JUN-77			REMARKS	15-NOV-77	15148		RUN NUMBER
	A/P	PIN	ORDER			NC LENGTH	PAGE 128	
	NAME	PIN	ORDER	OPT	FLAG	EXCEPTIONS		
PH802	L	B2481	1-01 * S	D20	N	5-5/8	1152	
PH802	L	A2601	1-02 * S	D20	N	8	1152	
PH802	L	B1741	1-03 * S	D05	N	6-5/8	1152	
PH802	L	A0941	1-04 * S	DAX	N	6-5/8	1152	
PH802	L	C0842	1-05 * S	D11	N	26-7/8	1152	
PH811	H	A2641	1-01 * S	D20	N	14-1/8	1153	
PH811	H	B0301	1-02 * S	D25	N	14-1/8	1153	
PH811	L	A2641	1-01 * S	D20	N	5-1/8	1154	
PH811	L	B2481	1-02 * S	D20	N	5-1/8	1154	
PH812	H	A0901	1-01 * S	D25	N	11-3/8	1155	
PH812	H	A2641	1-02 * S	D20	N	11-3/8	1155	
PH812	L	B2481	1-01 * S	D20	N	4-7/8	1156	
PH812	L	A2641	1-02 * S	D20	N	16-5/8	1156	
PH812	L	E1511	1-03 * S	D11	N	21-4/8	1156	
PH821	H	A2641	1-01 * S	D20	N	3-6/8	1157	
PH821	H	B2141	1-02 * S	D13	N	9-5/8	1157	
PH821	H	B0302	1-03 * S	D25	N	13-3/8	1157	
PH821	L	A2641	1-01 * S	D20	N	4-3/8	1158	
PH821	L	B2481	1-02 * S	D20	N	4-3/8	1158	
PH822	H	A2641	1-01 * S	D20	N	11-1/8	1159	
PH822	H	A0902	1-02 * S	D25	N	4-5/8	1159	
PH822	H	B0441	1-03 * S	D25	N	8-1/8	1159	
PH822	H	E0302	1-04 * S	D24	N	23-7/8	1159	
PH822	L	A2641	1-01 * S	D20	N	4-1/8	1160	
PH822	L	B2481	1-02 * S	D20	N	4-1/8	1160	
PH831	H	A0941	1-01 * S	D25	N	1-1/8	1161	
PH831	H	A0941	1-02 * S	D25	N	11-1/8	1161	
PH831	H	A2641	1-03 * S	D20	N	12-2/8	1161	
PH831	L	A2641	1-01 * S	D20	N	4-1/8	1162	
PH831	L	B2481	1-02 * S	D20	N	4-1/8	1162	
PH832	H	A2601	1-01 * S	D20	N	12-1/8	1163	
PH832	H	A0441	1-02 * S	D25	N	3-5/8	1163	
PH832	H	E0442	1-03 * S	D25	N	15-6/8	1163	

DX118, U RUN NAME	WRAPD .V35(102)-1 03-JUN-77			REMARKS	15-NOV-77	15148		RUN NUMBER
	A/P	PIN	ORDER			NC LENGTH	PAGE 129	
	NAME	PIN	ORDER	OPT	FLAG	EXCEPTIONS		
PH832	L	A2641	1-01 * S	D20	N	3-5/8	1164	
PH832	L	B2481	1-02 * S	D20	N	3-5/8	1164	
PH841	H	A0902	1-01 * S	D25	N	11-1/8	1165	
PH841	H	A2641	1-02 * S	D20	N	11-1/8	1165	
PH841	L	A2641	1-01 * S	D20	N	5-1/8	1166	
PH841	L	B2481	1-02 * S	D20	N	5-1/8	1166	
PH842	H	A0941	1-01 * S	D25	N	11	1167	
PH842	H	A2641	1-02 * S	D20	N	11-0/8	1167	
PH842	L	B2481	1-01 * S	D20	N	4-7/8	1168	
PH842	L	A2641	1-02 * S	D20	N	17-1/8	1168	
PH842	L	E1541	1-03 * S	D11	N	22-0/8	1168	
PH851	H	A2641	1-01 * S	D20	N	11-1/8	1169	
PH851	H	A0941	1-02 * S	D07	N	5-7/8	1169	
PH851	H	C0902	1-03 * S	D13	N	17-0/8	1169	
PH851	L	B2481	1-01 * S	D20	N	4-3/8	1170	
PH851	L	A2641	1-02 * S	D20	N	11 / 8	1170	
PH851	L	C0841	1-03 * S	D11	N	5 / 8	1170	
PH851	L	E1541	1-04 * S	D11	N	21-3/8	1170	
PH852	H	A2641	1-01 * S	D20	N	10-5/8	1171	
PH852	H	A0941	1-02 * S	DAX	N	18-6/8	1171	
PH852	H	E0842	1-03 * S	D13	N	29-3/8	1171	
PH852	L	B2481	1-01 * S	D20	N	3-1/8	1172	
PH852	L	A2641	1-02 * S	D20	N	13-3/8	1172	
PH852	L	E0842	1-03 * S	D25	N	10-3/8	1172	
PH852	L	E0142	1-04 * S	D05	N	27-1/8	1172	
PH861	H	A2641	1-01 * S	D20	N	15-1/8	1173	
PH861	H	B2481	1-02 * S	D25	N	10-2/8	1173	
PH861	H	E1542	1-03 * S	D11	N	23-3/8	1173	
PH861	L	B2481	1-01 * S	D20	N	3-1/8	1174	
PH861	L	A2641	1-02 * S	D20	N	9-7/8	1174	
PH861	L	A0941	1-03 * S	D13	N	17	1174	
PH861	L	E2242	1-04 * S	D11	N	30-0/8	1174	

DX116.0	WRAPD .V35(102)-1	03-JUN-77	15-NOV-77	PAGE 132	NC LENGTH EXCEPTIONS	RUN NUMBER
RUN NAME	A/P PIN NAME	ORDER PIN	RAY - Q DRAW OPT	PV RG Y X Z	REMARKS	
REGI(1)	H C23R2	1-01 * 8	D13	2		1194
REGI(1)	H A31E2	1-02 *	D22	1		1194
REGI(1)	H B04C1	1-03 *	D25	2		1194
REGI(1)	H C02B1	1-04 *	D24	1		1194
REGI(1)	H E03J2	1-05 *	D24	1		1194
REGI(1)	H					1194
REGIN	H D02F1	1-01 * H		1		1195
REGIN	H H11P1	1-02 *		1		1195
REGIN	H					1195
ROPLI	H D25L1	1-01 *	D19	1		1196
ROPLI	H H22P1	1-02 *	DXX	1		1196
ROPLI	H					1196
RREGI	H D23L1	1-01 *	D19	1		1197
RREGI	H H22P2	1-02 *	DXX	1		1197
RREGI	H					1197
RSELI	H D24L1	1-01 *	D19	1		1198
RSELI	H H22F2	1-02 *	DXX	1		1198
RSELI	H					1198
RSRVI	H D20L1	1-01 *	D19	1		1199
RSRVI	H H21D2	1-02 *	DXX	1		1199
RSRVI	H					1199
RSTAI	H D21L1	1-01 *	D19	1		1200
RSTAI	H H20W2	1-02 *	DXX	1		1200
RSTAI	H					1200
S17FN1	L C02N2	1-01 * 8	D24	1		1201
S17FN1	L E04A1	1-02 *	D24	1		1201
S17FN1	L					1201
S17FN2	L C02F2	1-01 * 8	D24	1		1202
S17FN2	L E04E1	1-02 *	D24	1		1202
S17FN2	L					1202
SEL IN	F01W2	1-01 *	DXX	1		1203
SEL IN	J11W2	1-02 *	DXX	2		1203
SEL IN	J13W2	1-03 *		1		1203
SEL IN	F01S2	1-01 *	DXX	1		1204
SEL IN	J12T2	1-02 *	DXX	1		1204
SEL IN	F01R2	1-01 *	D29	1		1205
SEL IN	J14T2	1-02 *	DXX	1		1205
SEL IN	F01L2	1-01 *	DXX	1		1206
SEL OUT	J13V2	1-02 *	DXX	2		1206
SEL OUT	J11P1	1-03 *	D27	1		1206
SEL OUT						1206

DX116.0	WRAPD .V35(102)-1	03-JUN-77	15-NOV-77	PAGE 133	NC LENGTH EXCEPTIONS	RUN NUMBER
RUN NAME	A/P PIN NAME	ORDER PIN	RAY - Q DRAW OPT	PV RG Y X Z	REMARKS	
SEL OUT A	F01R2	1-01 *	D29	1		1207
SEL OUT A	J12V2	1-02 *	DXX	1		1207
SEL OUT A						1207
SEL OUT B	F01P2	1-01 *	D29	1		1208
SEL OUT B	J14V2	1-02 *	DXX	1		1208
SEL OUT B						1208
SEL SYNC(1)	H A24K1	1-01 *	D17	1		1209
SEL SYNC(1)	H A24P1	1-02 *	D17	2		1209
SEL SYNC(1)	H A25P1	1-03 *	D17	1		1209
SEL SYNC(1)	H A25L1	1-04 *	D17	2		1209
SEL SYNC(1)	H B32K1	1-05 *	D17	1		1209
SEL SYNC(1)	H B32F1	1-06 *	D17	2		1209
SEL SYNC(1)	H D27S1	1-07 *	D17	1		1209
SEL SYNC(1)	H					1209
SELECT	H A05A1	1-01 *	D25	2		1210
SELECT	H A07S2	1-02 *	D25	1		1210
SELECT	H B06E1	1-03 *	D25	2		1210
SELECT	H B04A1	1-04 *	D25	1		1210
SELECT	H					1210
SELECT	L A07T2	1-01 * S	D25	1		1211
SELECT	L A09H1	1-02 *	D13	1		1211
SELECT	L					1211
SELI(0)	H C24S2	1-01 * 2	D13	2		1212
SELI(0)	H B18U2	1-02 *		1		1212
SELI(0)	H B18T2	1-03 *		2		1212
SELI(0)	H B19T2	1-04 *	D13	1		1212
SELI(0)	H H22H2	1-05 *	DXX	2		1212
SELI(0)	H E12C1	1-06 *	D24	1		1212
SELI(0)	H E02N1	1-07 *	D24	1		1212
SELI(0)	H					1212
SELI(1)	H C24R2	1-01 * H	D13	1		1213
SELI(1)	H J11P1	1-02 *		1		1213
SELI(1)	H					1213
SELIBR	H D12M2	1-01 * 2		2		1214
SELIBR	H E26R1	1-02 *		1		1214
SELIBR	H J13W2	1-03 *		1		1214
SELIBR	H					1214
SELIBUF(1)	H A31D2	1-01 * 1		1		1215
SELIBUF(1)	H B18V2	1-02 *		2		1215
SELIBUF(1)	H B06C1	1-03 *		1		1215
SELIBUF(1)	H					1215
SELO	H E16E1	1-01 * H	D12	1		1216
SELO	H J13P2	1-02 *	DXX	1		1216
SELO	H					1216

DX11B.U	WRAPD ,V35(102)-1	03-JUN-77	15-NOV-77	15:48	PAGE 136	RUN	
RUN NAME	A/P PIN ORDER PIN	BAY - Q DRAW OPT	RV RG Y	X Z	REMARKS	NC LENGTH EXCEPTIONS	NUMBER
	NAME	ORDER				FLAG	
SIG11A	H A07V2	1-01 * S	D25			N 4-1/8	1236
SIG11A	H B02D1	1-02 * S	D25			N 1-2/8	1236
SIG11A	H B02L1	1-03 * S	D25				1236
SIG11A	H	1				5-3/8	1236
SIG11A	L A0882	1-01 * S	D25			N 1	1237
SIG11A	L A07U2	1-02 * S	D25			N 10-3/8	1237
SIG11A	L E05D1	1-03 * S	D25			N 10-5/8	1237
SIG11A	L E25E2	1-04 * S	D11				1237
SIG11A	L	1				22-0/8	1237
SIG12	H A04F2	1-01 * S	D25			N 2-3/8	1238
SIG12	H A07M2	1-02 * S	D25			N 3-7/8	1238
SIG12	H B02D2	1-03 * S	D25			N 3-1/8	1238
SIG12	H C02D1	1-04 * S	D24				1238
SIG12	H	1				9-3/8	1238
SIG12	L A07N2	1-01 * S	D25			N 14	1239
SIG12	L E25C1	1-02 * S	D11			N 13-7/8	1239
SIG12	L E01U2	1-03 * S	D05				1239
SIG12	L	1				27-7/8	1239
SIG12A	L A06D1	1-01 * S	D25			N 2-2/8	1240
SIG12A	L A03P2	1-02 * S	D25			N 17-2/8	1240
SIG12A	L E25F2	1-03 * S	D11				1240
SIG12A	L	1				19-4/8	1240
SIG13	H A0382	1-01 * S	D25			N 3	1241
SIG13	H B07F1	1-02 * S	D25				1241
SIG13	H	1				3-0/8	1241
SIG13	L A25R2	1-01 * S	D08			N 13-1/8	1242
SIG13	L E21R1	1-02 * S	D11			N 16-7/8	1242
SIG13	L C01E1	1-03 * S	D05			N 5	1242
SIG13	L B07H1	1-04 * S	D25				1242
SIG13	L	1				35-0/8	1242
SIG14	H B06P2	1-01 * S	D25			N 4-5/8	1243
SIG14	H A07E2	1-02 * S	D25			N 9-4/8	1243
SIG14	H B18P2	1-03 * S	D25			N 1-5/8	1243
SIG14	H B17F2	1-04 * S	D06			N 0-5/8	1243
SIG14	H B17K2	1-05 * S	D06			N 2-1/8	1243
SIG14	H B20M2	1-06 * S	D11			N 10-1/8	1243
SIG14	H E17T2	1-07 * S	D06				1243
SIG14	H	1				28-5/8	1243
SIG14	L B01L2	1-01 * S	D25			N 4-7/8	1244
SIG14	L A07F2	1-02 * S	D25			N 14-1/8	1244
SIG14	L E14F1	1-03 * S	D05			N 8-1/8	1244
SIG14	L E22M2	1-04 * S	D11			N 1-3/8	1244
SIG14	L E21U2	1-05 * S	D11				1244
SIG14	L	1				25-4/8	1244
SIG15	L A05V1	1-01 * S	D25			N 17-1/8	1245
SIG15	L F29E1	1-02 * S	D13				1245
SIG15	L	1				17-1/8	1245

DX11B.U	WRAPD ,V35(102)-1	03-JUN-77	15-NOV-77	15:48	PAGE 137	RUN	
RUN NAME	A/P PIN ORDER PIN	BAY - Q DRAW OPT	RV RG Y	X Z	REMARKS	NC LENGTH EXCEPTIONS	NUMBER
	NAME	ORDER				FLAG	
SIG16	H A07M1	1-01 * S	D25			N 4-3/8	1246
SIG16	H B05T2	1-02 * S	D24			N 18-3/8	1246
SIG16	H E28M2	1-03 * S	DXX				1246
SIG16	H	1				22-6/8	1246
SIG16	L A01E1	A07L1 1-01 * S	D25			N 4-1/8	1247
SIG16	L A07L1	A09H2 1-02 * S	D11			N 1-7/8	1247
SIG16	L A09H2	E25F1 1-03 * S	D25			N 17-1/8	1247
SIG16	L E25F1	E25M1 1-04 * S	D25			N 0-1/8	1247
SIG16	L E25M1	1-05 * S	D25			N 3-2/8	1247
SIG16	L F22A1	1-06 * S	DXX			N 1-7/8	1247
SIG16	L F19J2	1-07 * S	D05			N 3-1/8	1247
SIG16	L E19L1	1-08 * S	DXX			N 8-5/8	1247
SIG16	L E03N1	1-09 * S	D25				1247
SIG16	L	1				40-1/8	1247
SIG16 OR DSCRSP	H A09K2	1-01 * S	D13			N 15-4/8	1248
SIG16 OR DSCRSP	H E29K1	1-02 * S	D13			N 1-3/8	1248
SIG16 OR DSCRSP	H E28E2	1-03 * S	D13				1248
SIG16 OR DSCRSP	H	1				16-7/8	1248
SIG16 OR RESET	L C24L1	1-01 * S	D05			N 2	1249
SIG16 OR RESET	L C21L1	1-02 * S	D05			N 8-3/8	1249
SIG16 OR RESET	L F19D2	1-03 * S	D05			N 1-1/8	1249
SIG16 OR RESET	L F19K2	1-04 * S	D05				1249
SIG16 OR RESET	L	1				11-4/8	1249
SIG17	H C06E1	1-01 * S	D25			N 5-3/8	1250
SIG17	H A07N1	1-02 * S	D25			N 4-6/8	1250
SIG17	H B01P1	1-03 * S	D11			N 3-1/8	1250
SIG17	H C02L1	1-04 * S	D24			N 0-4/8	1250
SIG17	H C02J2	1-05 * S	D24			N 0-4/8	1250
SIG17	H C02L2	1-06 * S	D24			N 3-6/8	1250
SIG17	H D02P2	1-07 * S	DXX			N 14-3/8	1250
SIG17	H F21L1	1-08 * S	D24				1250
SIG17	H	1				32-3/8	1250
SIG17	L A07P1	1-01 * S	D25			N 3-7/8	1251
SIG17	L B05P2	B18R1 1-02 * S	D24			N 6-7/8	1251
SIG17	L B10R1	1-03 * S	D24			N 9-7/8	1251
SIG17	L E14N1	1-04 * S	D05			N 6-7/8	1251
SIG17	L E25D1	1-05 * S	D11				1251
SIG17	L	1				27-4/8	1251
SIG1A	L A05D1	1-01 * S	D25			N 3-7/8	1252
SIG1A	L B06F1	1-02 * S	D25			N 3-3/8	1252
SIG1A	L C06K1	1-03 * S	D24			N 6-1/8	1252
SIG1A	L E05L1	1-04 * S	D25				1252
SIG1A	L	1				13-3/8	1252
SIG1B	H B06L1	1-01 * S	D25			N 1-7/8	1253
SIG1B	H B07A1	1-07 * S	D25				1253
SIG1B	H	1				1-7/8	1253

129

132

DX118.U RUN NAME	WRAPD ,V35(102)-1 A/P PIN ORDER	03-JUN-77 BAY - Q DRAW	RV RG Y X Z	REMARKS	15-Nov-77	15148 NC LENGTH FLAG	PAGE 142 EXCEPTIONS	RUN NUMBER
SPARE 6	J1282	1-01 *	D27			N 1-4/8		1291
SPARE 6	J1452	1-02 *	D27			N 1-4/8		1291
SPARE 6		1				1-4/8		1291
SPARE 7	H12H2	1-01 *	D27			N 1-4/8		1292
SPARE 7	H14H2	1-02 *	D27			N 1-4/8		1292
SPARE 7		1				1-4/8		1292
SPARE 8	H12P2	1-01 *	D27			N 1-4/8		1293
SPARE 8	H14P2	1-02 *	D27			N 1-4/8		1293
SPARE 8		1				1-4/8		1293
SPCL	H12V2	1-01 *	DXX			N 1-4/8		1294
SPCL	H14V2	1-02 *	DXX			N 1-4/8		1294
SPCL		1				1-4/8		1294
SRDB	H E06J2	1-01 * S	D09			N 1-2/8		1295
SRDB	H E08M1	1-02 *	D09			N 0-5/8		1295
SRDB	H E08R2	1-03 *	D09			N 0-5/8		1295
SRDB	H E00U2	1-04 *	D09			N 0-5/8		1295
SRDB	H E00P1	1-05 *	D09			N 0-5/8		1295
SRDB	H E08M2	1-06 *	D09			N 0-5/8		1295
SRDB	H E06J2	1-07 *	D09			N 0-5/8		1295
SRDB	H E08J1	1-08 *	D09			N 1-2/8		1295
SRDB	H E08B1	1-09 *	D09			N 1-2/8		1295
SRDB	H	1				6-1/8		1295
SRDB	L E03N2	1-01 *	DXX			N 2-3/8		1296
SRDB	L E06H2	1-02 *	D09			N 0-5/8		1296
SRDB	L E07D1	1-03 * S	D09			N 0-5/8		1296
SRDB	L	1				3-0/8		1296
SRND	L A06H2	1-01 * S	D25			N 3-1/8		1297
SRND	L B05A1	1-02 *	D25			N 0-5/8		1297
SRND	L B05D1	1-03 *	D25			N 4-1/8		1297
SRND	L C05N2	1-04 *	D24			N 14-7/8		1297
SRND	L E25J1	1-05 *	D11			N 12-7/8		1297
SRND	L	1				22-6/8		1297
SRNDEN	H E06F2	1-01 * S	D09			N 1-7/8		1298
SRNDEN	H E09C1	1-02 *	D09			N 1		1298
SRNDEN	H E10C1	1-03 *	D09			N 1-5/8		1298
SRNDEN	H E10H2	1-04 *	D09			N 1		1298
SRNDEN	H E09M2	1-05 *	D09			N 1		1298
SRNDEN	H	1				5-4/8		1298
SRNDEN	L E05S1	1-01 * S	D09			N 2-2/8		1299
SRNDEN	L E06E2	1-02 *	D09			N 4-5/8		1299
SRNDEN	L E14A1	1-03 *	D09			N 4-5/8		1299
SRNDEN	L	1				6-7/8		1299

DX118.U RUN NAME	WRAPD ,V35(102)-1 A/P PIN ORDER	03-JUN-77 BAY - Q DRAW	RV RG Y X Z	REMARKS	15-Nov-77	15148 NC LENGTH FLAG	PAGE 143 EXCEPTIONS	RUN NUMBER
SRNDH	H B05C1	1-01 * S	D25			N 5-5/8		1300
SRNDH	H C0752	1-02 *	D09			N 5-3/8		1300
SRNDH	H E09D2	1-03 *	D09			N 1		1300
SRNDH	H E10D2	1-04 *	D09			N 1-4/8		1300
SRNDH	H E10N2	1-05 *	D09			N 1		1300
SRNDH	H E09N2	1-06 *	D09			N 1		1300
SRNDH	H	1				14-4/8		1300
SRNDH	L C07T2	1-01 * S	D25			N 5-2/8		1301
SRNDH	L E14B1	1-02 *	D09			N 5-2/8		1301
SRNDH	L	1				5-2/8		1301
SRNDL	H B05F1	1-01 * S	D25			N 5-3/8		1302
SRNDL	H C07U2	1-02 *	D25			N 5-1/8		1302
SRNDL	H E09E2	1-03 *	D09			N 1		1302
SRNDL	H E10E2	1-04 *	D09			N 1-4/8		1302
SRNDL	H E10P2	1-05 *	D09			N 1		1302
SRNDL	H E09P2	1-06 *	D09			N 1		1302
SRNDL	H	1				14-0/8		1302
SRNDL	L C07V2	1-01 * S	D25			N 5-1/8		1303
SRNDL	L E14C1	1-02 *	D09			N 5-1/8		1303
SRNDL	L	1				5-1/8		1303
SRSO	H A07L2	1-01 * S	D25			N 11-3/8		1304
SRSO	H E09F2	1-02 *	D09			N 1		1304
SRSO	H E10F2	1-03 *	D09			N 1-4/8		1304
SRSO	H E10R2	1-04 *	D09			N 1		1304
SRSO	H E09R2	1-05 *	D09			N 1		1304
SRSO	H	1				14-7/8		1304
SRSO	L B02N1	1-01 * S	D25			N 4-7/8		1305
SRSO	L A07K2	1-02 *	D25			N 13-5/8		1305
SRSO	L E14D1	1-03 *	D09			N 13-5/8		1305
SRSO	L	1				10-4/8		1305
SRV IN	J11P2	1-01 *	DXX			N 1		1306
SRV IN	J12P2	1-02 *	DXX			N 1-4/8		1306
SRV IN	J14P2	1-03 *	DXX			N 1-4/8		1306
SRV IN		1				2-4/8		1306
SRV OUT	J09N2	1-01 *	DXX			N 1-7/8		1307
SRV OUT	J12S1	1-02 *	DXX			N 1-4/8		1307
SRV OUT	J14S1	1-03 *	DXX			N 1-4/8		1307
SRV OUT		1				3-3/8		1307
SRVI(0)	H D04P1	1-01 *	D25			N 0-1/8		1308
SRVI(0)	H E02S2	1-02 *	D24			N 10-5/8		1308
SRVI(0)	H F19J1	1-03 *	D27			N 3-4/8		1308
SRVI(0)	H E20N1	1-04 *	D11			N 5-3/8		1308
SRVI(0)	H E20K2	1-05 *	DXX			N 0-1/8		1308
SRVI(0)	H E22J2	1-06 *	DXX			N 0-1/8		1308
SRVI(0)	H E22H2	1-07 *	DXX			N 2-5/8		1308
SRVI(0)	H E29R1	1-08 *	D13			N 7-3/8		1308
SRVI(0)	H E29R1	1-09 *	S D13			N 7-3/8		1308
SRVI(0)	H C20S2	1				30-7/8		1308

DX118.U RUN NAME	WRAPD .V35(102)-1 A/P PIN ORDER NAME	03-JUN-77 RAY - O DRAW OPT	RV RG Y X Z	REMARKS	15-NOV-77	15148 PAGE 144 NC LENGTH EXCEPTIONS FLAG	RUN NUMBER
SRVI(1)	A31J2 A06C1	1-01 * 2				N 13-7/8	1309
SRVI(1)	A06C1 A06P2	1-02 *				N 1-7/8	1309
SRVI(1)	A06P2 E07L2	1-03 *				N 11-1/8	1309
SRVI(1)	E07L2 C20R2	1-04 * H				N 10-7/8	1309
SRVI(1)	C20R2 F21P1	1-05 * H				N 8-3/8	1309
SRVI(1)	F21P1 J11U2	1-06 *				N 9-1/8	1309
SRVI(1)	J11U2	1-07 *				N 9-1/8	1309
SRVI(1)		1				53-2/8	1309
SRVO	C19F2 J09M2	1-01 * H				19-3/8	1310
SRVO	J09M2	1-02 *				19-3/8	1310
SRVO		1					1310
SRVO(0)	A04B1	1-01 *				N 4-3/8	1311
SRVO(0)	B04L2	1-02 *				N 7-1/8	1311
SRVO(0)	E05A1	1-03 *				N 4-3/8	1311
SRVO(0)	C05N1	1-04 *				N 7-7/8	1311
SRVO(0)	C19K2	1-05 * S				23-6/8	1311
SRVO(0)		1					1311
SRVO(1)	A31K1	1-01 *				N 11-3/8	1312
SRVO(1)	E30M2	1-02 *				N 8-1/8	1312
SRVO(1)	D19S1	1-03 *				N 4-3/8	1312
SRVO(1)	C19J2	1-04 * S				23-7/8	1312
SRVO(1)		1					1312
SSP	E27F2	1-01 *				N 7-1/8	1313
SSP	F19M1	1-02 *				7-1/8	1313
SSP		1					1313
SS1	B32M2	1-01 *				N 19-5/8	1314
SS1	D02D2	1-02 *				N 0-1/8	1314
SS1	D02E2	1-03 *				N 1	1314
SS1	D02K2	1-04 *				N 6-6/8	1314
SS1	F02U2	1-05 * S				27-4/8	1314
SS1		1					1314
SS1	D02F2	1-01 *				N 0-1/8	1315
SS1	D02H2	1-02 *				N 0-1/8	1315
SS1	D02J2	1-03 *				N 7	1315
SS1	F02V2	1-04 * S				7-2/8	1315
SS1		1					1315
SS1F(0)	B32N2	1-01 *				N 0-5/8	1316
SS1F(0)	B32S2	1-02 * S				0-5/8	1316
SS1F(0)		1					1316
SS1F(1)	B32R2	1-01 * S				N 9-5/8	1317
SS1F(1)	E27E2	1-02 *				9-5/8	1317
SS1F(1)		1					1317
SSYN	B25A1	1-01 *				N 6-1/8	1318
SSYN	D26A1	1-02 *				N 2-4/8	1318
SSYN	D29M1	1-03 * S				8-5/8	1318
SSYN		1					1318

DX118.U RUN NAME	WRAPD .V35(102)-1 A/P PIN ORDER NAME	03-JUN-77 RAY - O DRAW OPT	RV RG Y X Z	REMARKS	15-NOV-77	15148 PAGE 145 NC LENGTH EXCEPTIONS FLAG	RUN NUMBER
SSYM	B25B1	1-01 * S				N 3-3/8	1319
SSYM	C26C1	1-02 *				3-3/8	1319
SSYM		1					1319
STA IN	J11D2	1-01 *				N 1-2/8	1320
STA IN	J12K2	1-02 *				N 1-4/8	1320
STA IN	J14K2	1-03 *				2-6/8	1320
STA IN		1					1320
STAI SN	A09N1	1-01 * S				N 7-5/8	1321
STAI SN	C05R2	1-02 *				N 8-1/8	1321
STAI SN	E14R2	1-03 *				15-6/8	1321
STAI SN		1					1321
STAI(0)	A06L1	1-01 *				N 1-1/8	1322
STAI(0)	A05P1	1-02 *				N 12-1/8	1322
STAI(0)	E07R2	1-03 *				N 6-3/8	1322
STAI(0)	E12D1	1-04 *				N 5-2/8	1322
STAI(0)	F19E1	1-05 *				N 9-5/8	1322
STAI(0)	B19U2	1-06 *				N 3-5/8	1322
STAI(0)	C21S2	1-07 * S				39-1/8	1322
STAI(0)		1					1322
STAI(1)	A31N2	1-01 *				N 14-3/8	1323
STAI(1)	A04E1	1-02 *				N 4-1/8	1323
STAI(1)	B06D1	1-03 *				N 11-7/8	1323
STAI(1)	C21R2	1-04 * H				17-7/8	1323
STAI(1)	J11F1	1-05 *				48-2/8	1323
STAI(1)		1					1323
STAMOD(0)	C04N2	1-01 *				N 6-5/8	1324
STAMOD(0)	C16K2	1-02 *				6-5/8	1324
STAMOD(0)		1					1324
STAMOD(1)	C16J2	1-01 * S				N 3-7/8	1325
STAMOD(1)	D16M1	1-02 *				N 9-7/8	1325
STAMOD(1)	B09F1	1-03 *				N 11-5/8	1325
STAMOD(1)	A29V1	1-04 *				N 13-3/8	1325
STAMOD(1)	F30N1	1-05 *				38-6/8	1325
STAMOD(1)		1					1325
STB CUSR	C14E2	1-01 *				N 1	1326
STB CUSR	C15E2	1-02 *				N 1	1326
STB CUSR	C16E2	1-03 *				N 10-1/8	1326
STB CUSR	E05S2	1-04 * S				12-1/8	1326
STB CUSR		1					1326
STBA CUSR	C13E2	1-01 *				N 1	1327
STBA CUSR	C12E2	1-02 *				N 1	1327
STBA CUSR	C11E2	1-03 *				N 1	1327
STBA CUSR	C10E2	1-04 *				N 9-5/8	1327
STBA CUSR	E05V2	1-05 * S				12-5/8	1327
STBA CUSR		1					1327

136

DX118,U RUN NAME	WRAPD ,V35(102)-1 A/P PIN ORDER NAME PIN	03-JUN-77 BAY - Q ORDER	DRAW RV RG Y OPT	X Z	REMARKS	15-Nov-77	15148 NC LENGTH FLAG	PAGE 150 EXCEPTIONS	RUN NUMBER
TSTBUS OUT 3	J17T2	1-01 *	D27				N 2-4/8		1362
TSTBUS OUT 3	J20F2	1-02 *	D27						1362
TSTBUS OUT 3		1					2-4/8		1362
TSTBUS OUT 4	J17V2	1-01 *	D27				N 3-1/8		1363
TSTBUS OUT 4	J21D2	1-02 *	D27						1363
TSTBUS OUT 4		1					3-1/8		1363
TSTBUS OUT 5	J17J1	1-01 *	D27				N 3-1/8		1364
TSTBUS OUT 5	J21P2	1-02 *	D27						1364
TSTBUS OUT 5		1					3-1/8		1364
TSTBUS OUT 6	J17M1	1-01 *	D27				N 2-6/8		1365
TSTBUS OUT 6	J21M2	1-02 *	D27						1365
TSTBUS OUT 6		1					2-6/8		1365
TSTBUS OUT 7	J17P1	1-01 *	D27				N 3-5/8		1366
TSTBUS OUT 7	J21F2	1-02 *	D27						1366
TSTBUS OUT 7		1					3-5/8		1366
TSTBUS OUT P	H18D2	1-01 *	D27				N 3-5/8		1367
TSTBUS OUT P	J17D2	1-02 *	D27				N 1-5/8		1367
TSTBUS OUT P	J19F2	1-03 *	D27						1367
TSTBUS OUT P		1					3-2/8		1367
TSTCMD OUT	J18M1	1-01 *	D27				N 1-3/8		1368
TSTCMD OUT	J19P2	1-02 *	D27						1368
TSTCMD OUT		1					1-3/8		1368
TSTHLD OUT	H18P1	1-01 *	D27				N 1-2/8		1369
TSTHLD OUT	H19P2	1-02 *	D27						1369
TSTHLD OUT		1					1-2/8		1369
TSTOPL IN	H22R1	1-01 *	D27				N 3-6/8		1370
TSTOPL IN	J18D2	1-02 *	D27						1370
TSTOPL IN		1					2-6/8		1370
TSTOPL OUT	H18S1	1-01 *	D27				N 2-3/8		1371
TSTOPL OUT	H19D2	1-02 *	D27						1371
TSTOPL OUT		1					2-3/8		1371
TSTREQ IN	H18S2	1-01 *	D27				N 2-7/8		1372
TSTREQ IN	H22V2	1-02 *	D27						1372
TSTREQ IN		1					2-7/8		1372
TSTSEL IN	H22L2	1-01 *	D27				N 5-7/8		1373
TSTSEL IN	J18T2	1-02 *	D27				N 3-6/8		1373
TSTSEL IN	J14E2	1-03 *	D27						1373
TSTSEL IN		1					9-5/8		1373
TSTSEL OUT	H19M2	1-01 *	D27				N 4-3/8		1374
TSTSEL OUT	J18V2	1-02 *	D27						1374
TSTSEL OUT		1					4-3/8		1374

DX118,U RUN NAME	WRAPD ,V35(102)-1 A/P PIN ORDER NAME PIN	03-JUN-77 BAY - Q ORDER	DRAW RV RG Y OPT	X Z	REMARKS	15-Nov-77	15148 NC LENGTH FLAG	PAGE 151 EXCEPTIONS	RUN NUMBER
TSTSRV IN	H21E2	1-01 *	D27				N 5-5/8		1375
TSTSRV IN	J18P2	1-02 *	D27						1375
TSTSRV IN		1					5-5/8		1375
TSTSRV OUT	J18S1	1-01 *	D27				N 1-3/8		1376
TSTSRV OUT	J19M2	1-02 *	D27						1376
TSTSRV OUT		1					1-3/8		1376
TSTSTA IN	H20N2	1-01 *	D27				N 3-7/8		1377
TSTSTA IN	J18K2	1-02 *	D27						1377
TSTSTA IN		1					3-7/8		1377
TSTSUP OUT	H19P2	1-01 *	D27				N 4-7/8		1378
TSTSUP OUT	J18P1	1-02 *	D27						1378
TSTSUP OUT		1					4-7/8		1378
TTNDX 00(1)	H A23V2	1-01 *	D14				N 9-7/8		1379
TTNDX 00(1)	H D18J1	1-02 *	D19				N 8-1/8		1379
TTNDX 00(1)	H D04T2	1-03 *	D07						1379
TTNDX 00(1)		1					10-0/8		1379
TTNDX 01(1)	H A23V1	1-01 *	D14				N 9-1/8		1380
TTNDX 01(1)	H D19J1	1-02 *	D19				N 8-1/8		1380
TTNDX 01(1)	H D05T2	1-03 *	D07						1380
TTNDX 01(1)		1					17-2/8		1380
TTNDX 02(1)	H A23R2	1-01 *	D14				N 9-3/8		1381
TTNDX 02(1)	H D20J1	1-02 *	D19				N 8-1/8		1381
TTNDX 02(1)	H D06T2	1-03 *	D07						1381
TTNDX 02(1)		1					17-4/8		1381
TTNDX 03(1)	H A23P2	1-01 *	D14				N 8-7/8		1382
TTNDX 03(1)	H D21J1	1-02 *	D19				N 10-1/8		1382
TTNDX 03(1)	H D03P1	1-03 *	D07						1382
TTNDX 03(1)		1					19-0/8		1382
TTNDX 04(1)	H A23L2	1-01 *	D14				N 8-7/8		1383
TTNDX 04(1)	H D22J1	1-02 *	D19				N 10-1/8		1383
TTNDX 04(1)	H D04P1	1-03 *	D07						1383
TTNDX 04(1)		1					19-0/8		1383
TTNDX 05(1)	H A23L1	1-01 *	D14				N 8-2/8		1384
TTNDX 05(1)	H D23J1	1-02 *	D19				N 10-1/8		1384
TTNDX 05(1)	H D05P1	1-03 *	D07						1384
TTNDX 05(1)		1					10-3/8		1384
TTNDX 06(1)	H A23H2	1-01 *	D14				N 8-7/8		1385
TTNDX 06(1)	H D24J1	1-02 *	D19				N 10-1/8		1385
TTNDX 06(1)	H D06P1	1-03 *	D07						1385
TTNDX 06(1)		1					19-0/8		1385
TTNDX 07(1)	H A23P2	1-01 *	D14				N 9-3/8		1386
TTNDX 07(1)	H D25J1	1-02 *	D19				N 13-7/8		1386
TTNDX 07(1)	H C03J2	1-03 *	D07						1386
TTNDX 07(1)		1					23-2/8		1386

DX11B,U
RUN NAME

WRAPD .V35(102)-1 03-JUN-77

15-NOV-77

15:48 PAGE 152
NC LENGTH EXCEPTIONS
FLAG

RUN
NUMBER

TTNDX CLR
TTNDX CLR
TTNDX CLR
TTNDX CLR

A/P PIN ORDER BAY - Q DRAW RV RG Y X Z
NAME PIN ORDER OPT

REMARKS

N 1-3/8
N 14-3/8
15-6/8

1387
1387
1387
1387

UCHECK(0)
UCHECK(0)
UCHECK(0)
UCHECK(0)

H C11K2 1-01 * S D09 2
H C04K2 1-02 * D24 1
H E14F2 1-03 * D05
H 1

N 4
N 7-5/8
11-5/8

1388
1388
1388
1388

UCHECK(1)
UCHECK(1)
UCHECK(1)
UCHECK(1)
UCHECK(1)
UCHECK(1)

H C11J2 1-01 * S D09 2
H B08T2 1-02 * D10 1
H D11N1 1-03 * D19 2
H A31A2 1-04 * D22 1
H F31H2 1-05 * D13
H 1

N 2-5/8
N 6-3/8
N 15
N 14-4/8

1389
1389
1389
1389
1389

UCHKS(1)
UCHKS(1)
UCHKS(1)
UCHKS(1)
UCHKS(1)

H A29F1 1-01 * D22 2
H B13E1 1-02 * D10 1
H D20S2 1-03 * D19 2
H C20N1 1-04 * S D05
H 1

N 11-1/8
N 10-5/8
N 3-5/8

1390
1390
1390
1390

UEXCEP(0)
UEXCEP(0)
UEXCEP(0)

H C04T2 1-01 * D24 1
H C10K2 1-02 * S D09
H 1

N 3-3/8
3-3/8

1391
1391
1391

UEXCEP(1)
UEXCEP(1)
UEXCEP(1)
UEXCEP(1)
UEXCEP(1)
UEXCEP(1)

H C10J2 1-01 * S D09 2
H B08P1 1-02 * D10 1
H D10M1 1-03 * D19 2
H A31B2 1-04 * D22 1
H F31S2 1-05 * D13
H 1

N 3-1/8
N 6-5/8
N 16-5/8
N 15-3/8

1392
1392
1392
1392
1392

XBA16(0)
XBA16(0)
XBA16(0)
XBA16(0)

H C13F1 1-01 * S D06 2
H C09K2 1-02 * D06 1
H E18T2 1-03 * D06
H 1

N 2-5/8
N 10-1/8
12-6/8

1393
1393
1393
1393

XBA16(1)
XBA16(1)
XBA16(1)
XBA16(1)
XBA16(1)

H A30P1 1-01 * D22 2
H D27J1 1-02 * D17 1
H D13M1 1-03 * D19 2
H C13F1 1-04 * S D06
H 1

N 9-1/8
N 7-7/8
N 3-7/8

1394
1394
1394
1394

XBA17(0)
XBA17(0)
XBA17(0)

H C09R2 1-01 * D06 1
H C14E1 1-02 * S D06
H 1

N 3-5/8
3-5/8

1395
1395
1395

XBA17(1)
XBA17(1)
XBA17(1)
XBA17(1)
XBA17(1)

H A30N1 1-01 * D22 2
H D27L2 1-02 * D17 1
H D14M1 1-03 * D19 2
H C14F1 1-04 * S D06
H 1

N 9-3/8
N 7-3/8
N 3-7/8

1396
1396
1396
1396


20-5/8

1396

This drawing and specifications, herein, are the property of Digital Equipment Corporation and shall not be reproduced or copied or used in whole or in part as the basis for the manufacture or sale of items without written permission. 1974

DRAWING NUMBER	AUTOMATIC WIRE TESTER (AWT) REVISION STATUS													REV.				
	INIT REL	TIO	K	L	M	N	P	R	S	T	U	V						
K-WL-DXII-B-3φ	J	K	L	M	N	N	P	R	S	T	U							
D-AD-7008719-φ-φ	-	A	A	B	B	C	D	D	D	E	E							

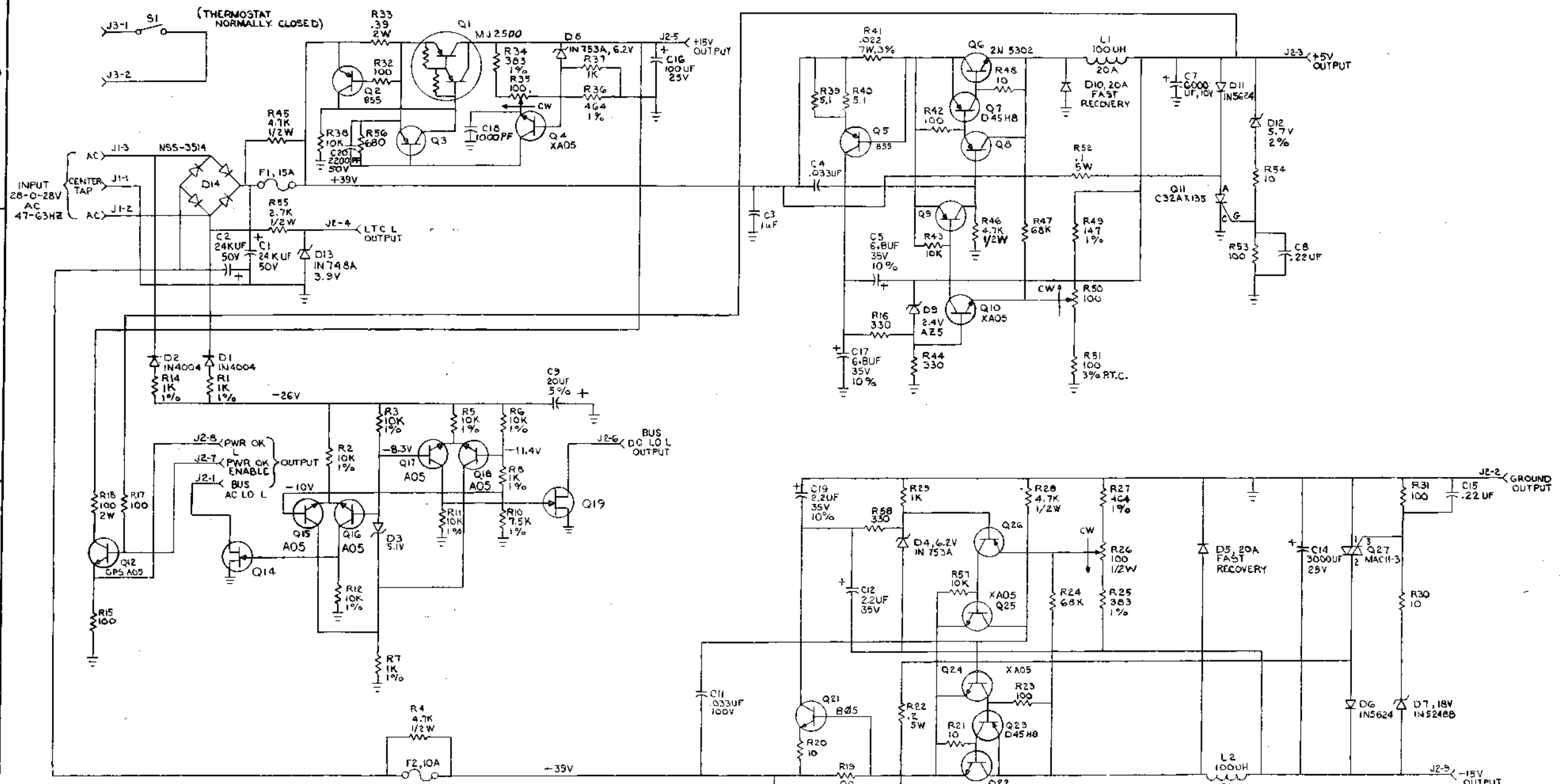
REV. K	L	M	N	P	R	S	T	U	V
DXIIB-00016 ORIGINATED	DXIIB-00019	DXIIB-00020	DXIIB-00021	DXIIB-00022	DXIIB-00023	DXIIB-00024	DXIIB-00025	DXIIB-00026	DXIIB-00027

DRN	<i>R. V. ...</i>	DATE	7-3-74	 EQUIPMENT CORPORATION MAYNARD, MASSACHUSETTS
CHK'D	<i>R. Gilbert</i>	DATE	7-15-74	
ENG	<i>G. ...</i>	DATE	7-18-74	
PROJ. ENG.	<i>G. ...</i>	DATE	7-19-74	
PROJ.	<i>G. ...</i>	DATE	7/18/74	TITLE
FIRST USED ON				DXII-B
B-DD-DXII-B				AWT REVISION STATUS
SCALE	---	SIZE CODE	AWT	NUMBER
SHEET	1	OF	1	REV. V
DIST.				

SIZE CODE NUMBER
A WT 7008719-0

138 DRA 123
DEC 16 (25) 1097-N174

This drawing and specifications, herein, are the property of Digital Equipment Corporation and shall not be reproduced or copied in whole or in part as they stand for the manufacture or sale of items without the written permission of Digital Equipment Corporation.



UNLESS OTHERWISE INDICATED:
 1% RESISTORS ARE 1/8W
 VOLTAGES ARE TAKEN AT NO LOAD WITH 115 VAC LINE
 VOLTAGES ARE ±10% TAKEN BY A ±10KV_M METER
 TRANSISTORS = XASS

DRN. <i>W. J. ...</i>	DATE 12-20-71
CHKD. <i>MAURICE MOORE</i>	DATE 1-21-72
ENG. <i>R. ...</i>	DATE 12-28-71
PROJ. ENG. <i>R. ...</i>	DATE 12-28-71
PROD. <i>R. V. ...</i>	DATE 11/29/71
NEXT HIGHER ASSY	

QTY	REF DESIGNATION	DESCRIPTION	PART NO.	ITEM NO.
PARTS LIST				
	ETCH BOARD REV	E		
REGULATOR BOARD FOR H740				
SEMICONDUCTOR CONVERSION CHART			SCALE	DIST.
DEC. NO.	EIA NO.	DEC. NO.	EIA NO.	REV.

DIGITAL EQUIPMENT CORPORATION

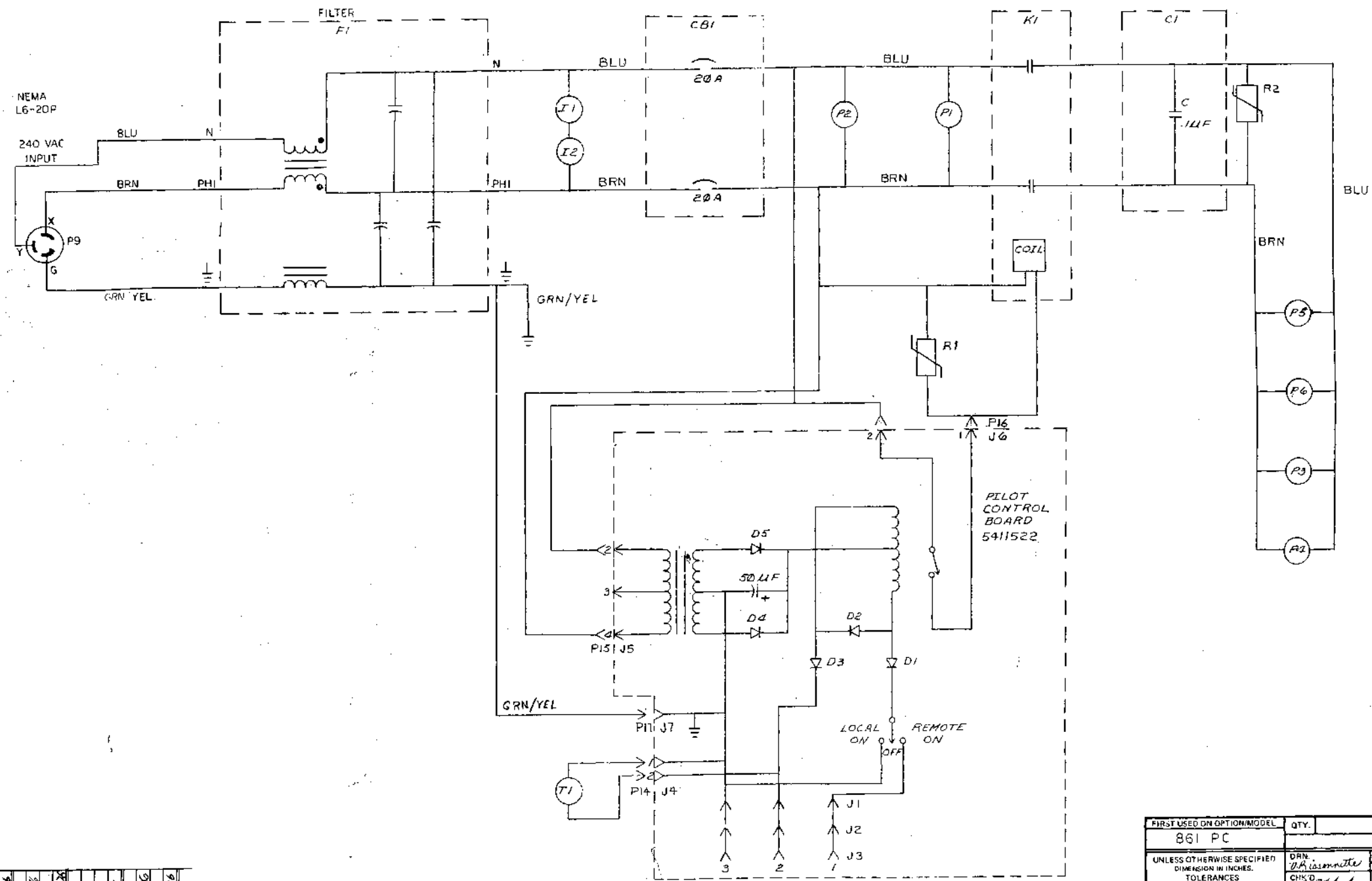
REGULATOR BOARD FOR H740

SIZE CODE: DICS NUMBER: 5409728-0-1 REV. AA

SHEET 1 OF 1

This drawing and specifications, herein, are the property of Digital Equipment Corporation and shall not be reproduced or copied or used in whole or in part as the basis for the manufacture or sale of items without written permission.

NOTE :
R1, R2 ARE MOV VARISTOR
SPIKE SUPPRESSORS.



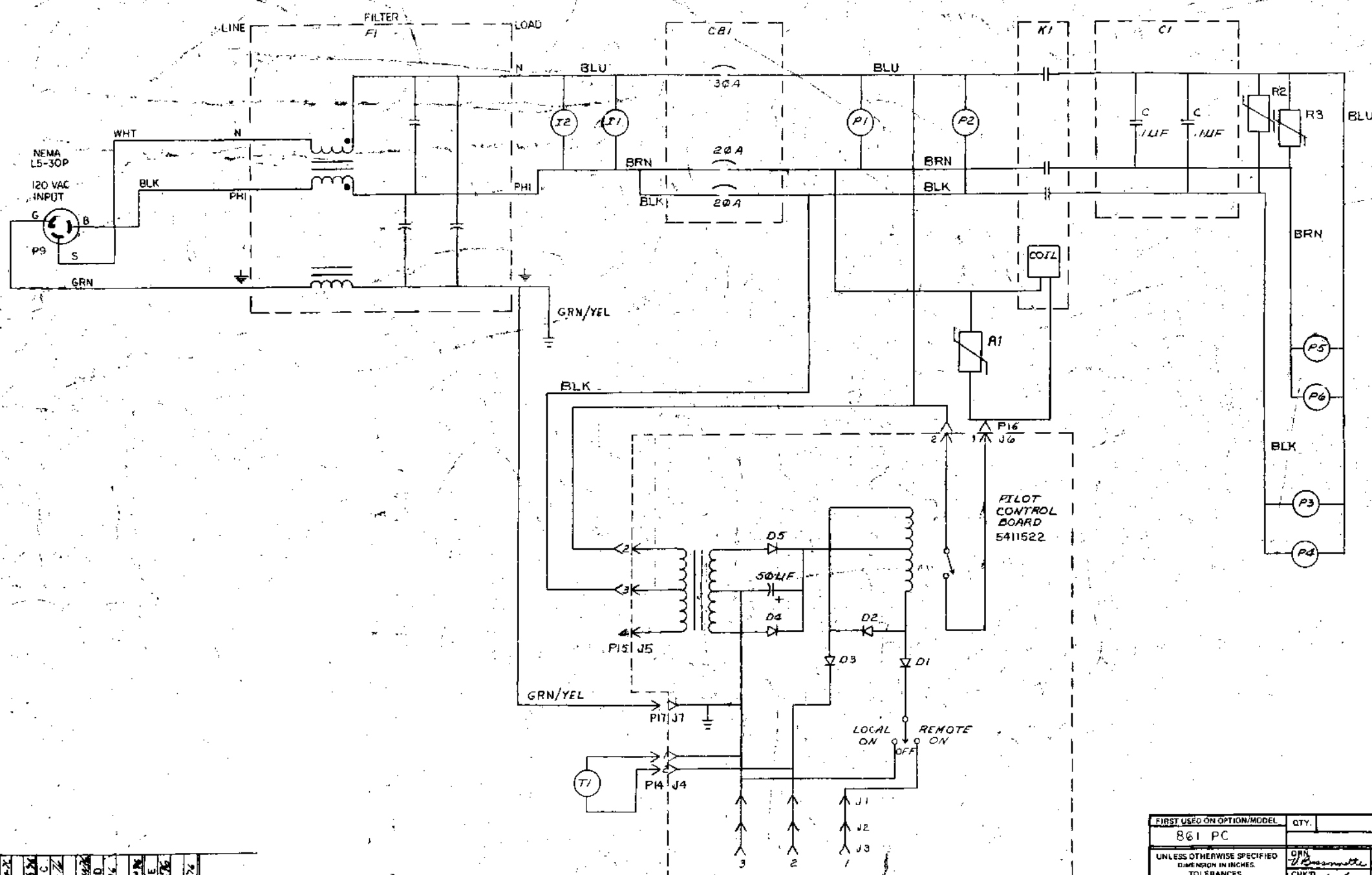
REV	CHANGE NO.	DATE	BY	CHK'D
A	1861-00008	12-11-72	LOVA	
B	1861-00009	12-11-72	R. KENNEDY	
C	1861-00010	12-11-72	R. KENNEDY	
D	1861-00011	12-11-72	R. KENNEDY	
E	1861-00012	12-11-72	S. CARTER	
F	1861-00013	12-11-72	S. CARTER	
G	1861-00014	12-11-72	S. CARTER	
H	1861-00015	12-11-72	S. CARTER	
I	1861-00016	12-11-72	S. CARTER	
J	1861-00017	12-11-72	S. CARTER	
K	1861-00018	12-11-72	S. CARTER	
L	1861-00019	12-11-72	S. CARTER	
M	1861-00020	12-11-72	S. CARTER	
N	1861-00021	12-11-72	S. CARTER	
O	1861-00022	12-11-72	S. CARTER	
P	1861-00023	12-11-72	S. CARTER	
Q	1861-00024	12-11-72	S. CARTER	
R	1861-00025	12-11-72	S. CARTER	
S	1861-00026	12-11-72	S. CARTER	
T	1861-00027	12-11-72	S. CARTER	
U	1861-00028	12-11-72	S. CARTER	
V	1861-00029	12-11-72	S. CARTER	
W	1861-00030	12-11-72	S. CARTER	
X	1861-00031	12-11-72	S. CARTER	
Y	1861-00032	12-11-72	S. CARTER	
Z	1861-00033	12-11-72	S. CARTER	

FIRST USED ON OPTION/MODEL	QTY.	DESCRIPTION	PART NO.	ITEM NO.
861 PC				
PARTS LIST				
UNLESS OTHERWISE SPECIFIED DIMENSION IN INCHES. TOLERANCES		DRN. DATE 11-11-72	EQUIPMENT CORPORATION	
DECIMALS	ANGLES	CHK'D. DATE 11-16-72	PART NO. 861-B-1	
.XXX - .005	±0° 30'	ENG. DATE 10-1-72	TITLE	
.XX - .02		PROJ. ENG. DATE 10-1-72	CIRCUIT SCHEMATIC	
.X - .3		DESIGNER DATE 10-1-72	(861-3PC)	
REMOVE BURRS AND BREAK SHARP CORNERS SURFACE QUALITY		PIB'D. DATE 10-1-72	NUMBER	
MATERIAL	NEXT HIGHER ASSY.	REV. DATE 10-1-72	D/CS 861-B-1	
FINISH	B-DD-861-0	SCALE	REV. 1	
		SHEET	OF 1	

142

This drawing and specifications herein, are the property of Digital Equipment Corporation and shall not be reproduced or used in whole or in part as the basis for the manufacture or sale of items without written permission.

NOTE:
R1, R2, R3 ARE MOV VARISTOR SPIKE SUPPRESSORS.

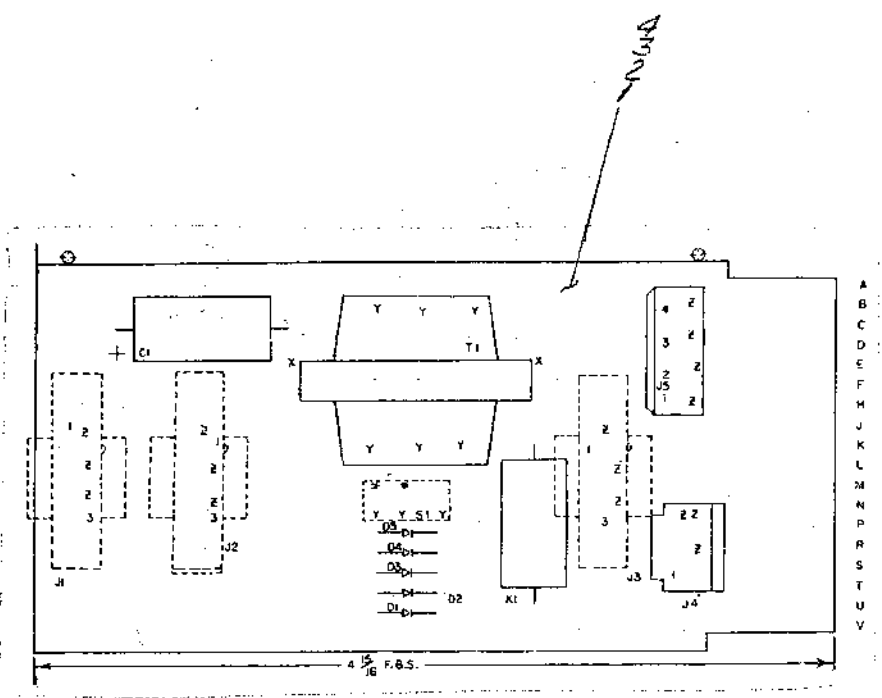


REV.	CHANGE NO.	DESCRIPTION	DATE
A	189-00006	REVISED TO ADD...	12-17-72
B	861-00009	REVISED TO ADD...	12-17-72
C	861-00010	REVISED TO ADD...	12-17-72
D	861-00011	REVISED TO ADD...	12-17-72
E	861-00012	REVISED TO ADD...	12-17-72
F	861-00013	REVISED TO ADD...	12-17-72
G	861-00014	REVISED TO ADD...	12-17-72
H	861-00015	REVISED TO ADD...	12-17-72
I	861-00016	REVISED TO ADD...	12-17-72
J	861-00017	REVISED TO ADD...	12-17-72
K	861-00018	REVISED TO ADD...	12-17-72
L	861-00019	REVISED TO ADD...	12-17-72
M	861-00020	REVISED TO ADD...	12-17-72
N	861-00021	REVISED TO ADD...	12-17-72
O	861-00022	REVISED TO ADD...	12-17-72
P	861-00023	REVISED TO ADD...	12-17-72
Q	861-00024	REVISED TO ADD...	12-17-72
R	861-00025	REVISED TO ADD...	12-17-72
S	861-00026	REVISED TO ADD...	12-17-72
T	861-00027	REVISED TO ADD...	12-17-72
U	861-00028	REVISED TO ADD...	12-17-72
V	861-00029	REVISED TO ADD...	12-17-72
W	861-00030	REVISED TO ADD...	12-17-72
X	861-00031	REVISED TO ADD...	12-17-72
Y	861-00032	REVISED TO ADD...	12-17-72
Z	861-00033	REVISED TO ADD...	12-17-72

FIRST USED ON OPTION/MODEL	QTY.	DESCRIPTION	PART NO.	ITEM NO.
861 PC				
PARTS LIST				
UNLESS OTHERWISE SPECIFIED DIMENSION IN INCHES	DRN	DATE	digital EQUIPMENT CORPORATION	
TOLERANCES	CHK'D	DATE	MILFORD, MASSACHUSETTS	
DECIMALS	ENG	DATE	TITLE	
ANGLES	FRM ENG	DATE	CIRCUIT SCHEMATIC	
XXX - .006	FRM ENG	DATE	861-C P.C.	
XX - .02	CHK'D	DATE	SIZE CODE NUMBER	
X - .1	FRM ENG	DATE	DCS 861-C-1	
REMOVE BURRS AND BREAK SHARP CORNERS. SURFACE QUALITY	FRM ENG	DATE	REV.	
	FRM ENG	DATE	E	
MATERIAL	NEXT HIGHER ASSY.		SCALE	SHEET
	B-DD-861-Q		OF	
FINISH	DIST.			

The drawing and specifications herein are the property of Digital Equipment Corporation and shall not be reproduced or copied or used in whole or in part in any manner without the express written permission of Digital Equipment Corporation.

NOTES:



IC TYPE	GND	+5V

GND AND 5V ARE USUALLY PIN 7 AND 14 RESPECTIVELY. EXCEPTIONS ARE STATED ABOVE.

IC PIN LOCATIONS

QTY	REF DESIGNATION	DESCRIPTION	PART NO.	ITEM NO.
		PACKAGING INSTRUCTION	A-P1-3700143-0-13	13
1	S1	SWITCH, 3-POS.	12-11120	14
1	K1	RELAY, REED	12-11179	15
1	T1	PC TRANSFORMER	16-11178	12
4	FOR USE ON J5	PIN, PC MALE MATE-N-LOCK	1210823	11
1	J4	SOCKET, 2 PIN MATE-N-LOCK	1210821-02	10
11	FOR USE ON J1-J4	PIN, PC FEMALE MATE-N-LOCK	1209456	9
1	J5	PLUG, 4 PIN MATE-N-LOCK	1209351-04	8
3	J1, J2, J3	SOCKET, 3 PIN MATE-N-LOCK	1209350-03	7
5	D1-D5	DIODE, 1N 4004	1105796	6
1	C1	CAP, 50UF, 50V 6%, AL EL	1000020	5
REF		MODULE ECD HISTORY	PMH-5910206-0-6	4
REF		ASSY DRILLING HOLE LAYOUT	DAW-5910206-0-5	3
REF		X-Y COORDINATE HOLE LOCA.	KCO-5910206-0-2	2
1		ETC CRT BOARD	5010205	1

FIRST USED ON OPTION MODEL: 861 PC.

ETCH BOARD REV: B

DRN	DATE	CHK'D	DATE	ENG	DATE	PROJ. ENG.	DATE	PROD.	DATE
A. J. Loya	8-25-72								
	9-17-72								
	9-29-72								
	1-19-73								
	6-22-73								

SEMI-CONDUCTOR CONVERSION CHART

DEC NO.	EIA NO.	DEC NO.	EIA NO.

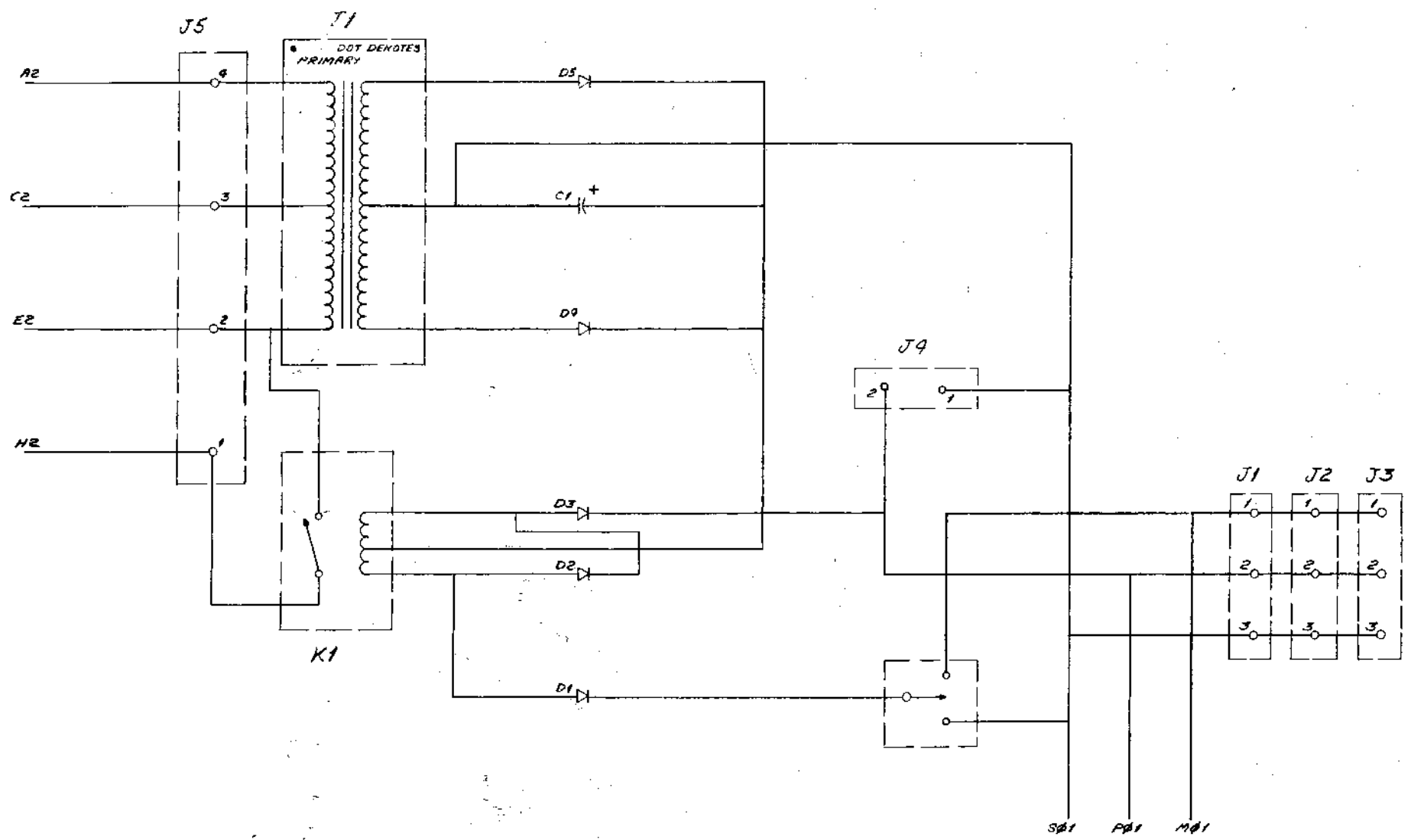
SCALE: 2/1
SHEET: 2 OF 2

DIGITAL EQUIPMENT CORPORATION
MAYNARD, MASSACHUSETTS

TITLE: PILOT CONTROL

SIZE CODE: D
NUMBER: 5410206-0-1
REV: B

This drawing and specifications, herein, are the property of Digital Equipment Corporation and shall not be reproduced or used in whole or in part as the basis for the manufacture or sale of items without written permission.



REV	
CHANGE NO.	
CHK	

FIRST USED ON OPTION/MODEL	QTY.	DESCRIPTION	PART NO.	ITEM NO.
861 PC.				
PARTS LIST				
UNLESS OTHERWISE SPECIFIED DIMENSION IN INCHES TOLERANCES	DRN <i>Rollins</i>	DATE 8-25-72	DIGITAL EQUIPMENT CORPORATION	
DECIMALS	CHK'D <i>J. J. [unclear]</i>	DATE 7-17-72	TITLE	
ANGLES	ENG. <i>J. J. [unclear]</i>	DATE 9-17-72	PILOT CONTROL	
XXX - 006	PROJ. ENG. <i>J. J. [unclear]</i>	DATE 9-19-72		
XX - 02	PROD. <i>[unclear]</i>	DATE 9-20-72		
X -				
REMO: BURRS AND BREAK SHARP EDGES: SURFACE QUALITY				
MATERIAL	NEXT HIGHER ASSY.	SIZE CODE	NUMBER	REV.
			DCS 541020--0-1	
FINISH	SCALE NONE	SHEET	DIST.	
		2 OF 2		

This drawing and specifications, herein, are the property of Digital Equipment Corporation and shall not be reproduced or copied or used in whole or in part as the basis for the manufacture or sale of items without written permission.


REV. NUMBER SIZE CODE
 2 KFS DXII-B-31

B

B

A

A

FIRST USED ON OPTION MODEL	QTY.	DESCRIPTION	PART NO.	ITEM NO.
DXII-B				
PARTS LIST				
DRN <i>S Roberts</i>	DATE <i>5/24/72</i>	 DIGITAL EQUIPMENT CORPORATION <small>MAYNARD, MASSACHUSETTS</small>		
CHK'D <i>[Signature]</i>	DATE <i>5-24-72</i>			
ENG. <i>[Signature]</i>	DATE <i>5-31-72</i>			
PROJ. ENG. <i>[Signature]</i>	DATE <i>5-31-72</i>			
PROD. <i>[Signature]</i>	DATE <i>6-8-72</i>			
NEXT HIGHER ASSEMBLY		FUNCTIONAL SPECIFICATIONS (DXII-B)		
B-DD-DXII-B				
SCALE <i>H</i>				
SHEET OF 1		SIZE CODE KFS	NUMBER DXII-B-31	REV.
SHEET OF 1		DIST.		

DEC FORM NO. DRB 109

4

3

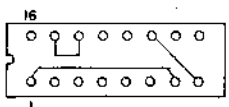
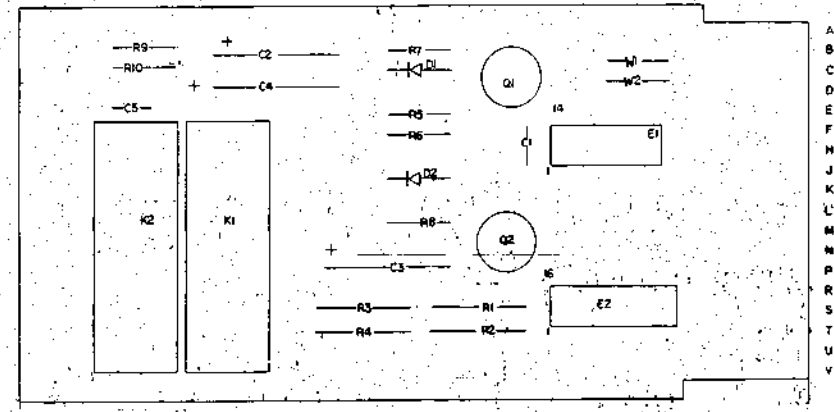
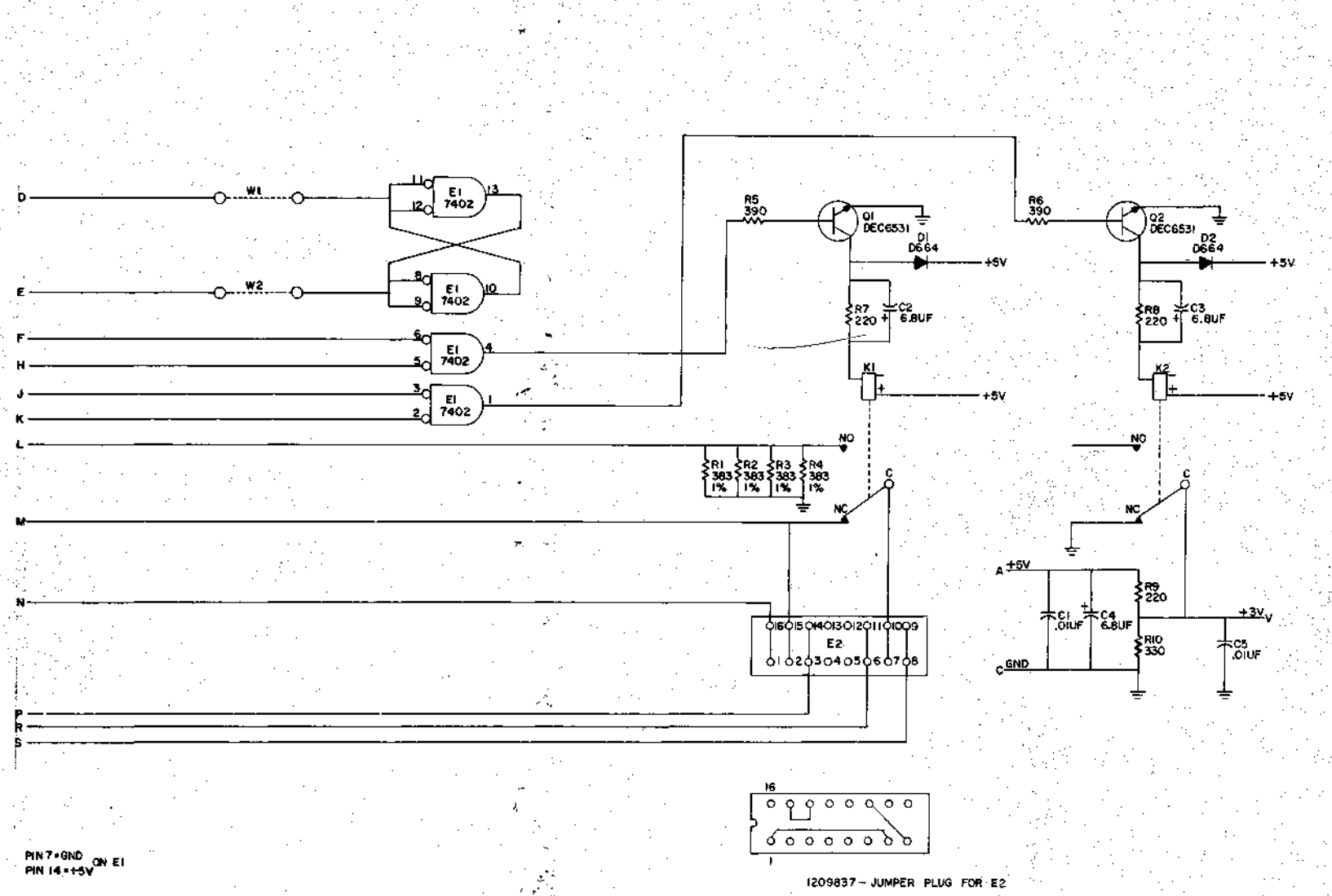
1

147

DIGITAL EQUIPMENT CORPORATION MAYNARD, MASSACHUSETTS			LEGEND		QUANTITY / VARIATION											
ACCESSORY LIST			D	DOCUMENT	DX11-BA, BB, BC, BD	DX11-BE, BF, BG, BH					KIT CHECK	BY	DATE	INSTALLATION CHECK	BY	DATE
MADE BY R. Dieter	CHECKED <i>[Signature]</i>	SECTION	DN	DOCUMENT CHANGE NOTICE												
DATE 5-31-72	DATE 5-31-72	ISSUED SECT.	PA	PAPER TAPE ASCII												
ENG R. Dieter	PROD <i>[Signature]</i>	ISSUED SECT.	PB	PAPER TAPE BINARY												
DATE 5-31-72	DATE		PM	PAPER TAPE READ-IN-MODE												
ITEM NO.	DWG NO. / PART NO.	DESCRIPTION														
1	B-DD-DX11B-0	DX11-B Print Set														
2	LIBKIT-11-DX11-B-A-K	Software Kit														
3	70-08288-8	Power Control Cable 8 ft.														
4	BC11-A-XX	Unibus Cable														
5	DEC-11-HDXBA-A-D	DX11-B Maintenance Manual														
NOTE: XX -----		Length depends on system configuration, unless otherwise specified will be 10 ft.														
TITLE			ASSY. NO.		SIZE CODE		NUMBER			REV.		ECO NO.				
ACCESSORY LIST DX11-B			DX11-B		A AL		DX11-B- 35			A		LX11B-00-35				
SHEET 1 OF 1					DIST.											

148

THIS SCHEMATIC IS FURNISHED ONLY FOR TEST AND MAINTENANCE PURPOSES. THE CIRCUITS ARE PROPRIETARY IN NATURE AND SHOULD BE TREATED ACCORDINGLY. COPYRIGHT 1972 BY DIGITAL EQUIPMENT CORPORATION.



1209837 - JUMPER PLUG FOR E2

PIN 7 = GND ON E1
 PIN 14 = +5V

A/R	DESCRIPTION	QTY	REF. DESIGNATION
	#24 or #25 AWG (FOR PLUG)	20	
	TAPE TRANSPARENT VINYL	18	
1	HANDLE, FLIP CHIP - GREEN	18	
2	RYKLET #034-7	17	
1	I.C. DEC 7402	16	
2	TRANSISTOR DEC 6531	15	
4	RESISTOR 303 1/8W 1%	14	
2	RESISTOR 390 1/4W 5%	13	
1	RESISTOR 330 1/4W 5%	12	
3	RESISTOR 220 1/4W 5%	11	
1	16 PIN I.C. SOCKET	10	
1	E2	9	
1	PLUG 16 PRONG	9	
2	RELAY RG F.C. MOUNT FORM D CONTACTS	8	
2	DIODE D664	7	
2	CAP. .01UF 100V 20% DISC	6	
3	CAP. 6.8UF 35V 20% 3.7ANT	5	
1	ETCHED CIRCUIT BOARD	4	
	MODULE: BOO HISTORY	3	
	ASSY/DRILLING HOLE LAYOUT	2	
	X-Y COORDINATE HOLE LOCATION	1	
	DESCRIPTION	DEC PART NO.	

REVISIONS
 1. REVISED BY
 2. REVISED BY
 3. REVISED BY

DATE
 11/11/68
 BY
 J. J. J.

DEC	EM
DEC 68	EM 11

360 POWER FAIL AND SELECT BY-PASS

EQUIPMENT CORPORATION

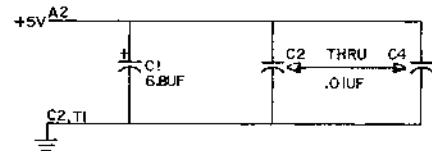
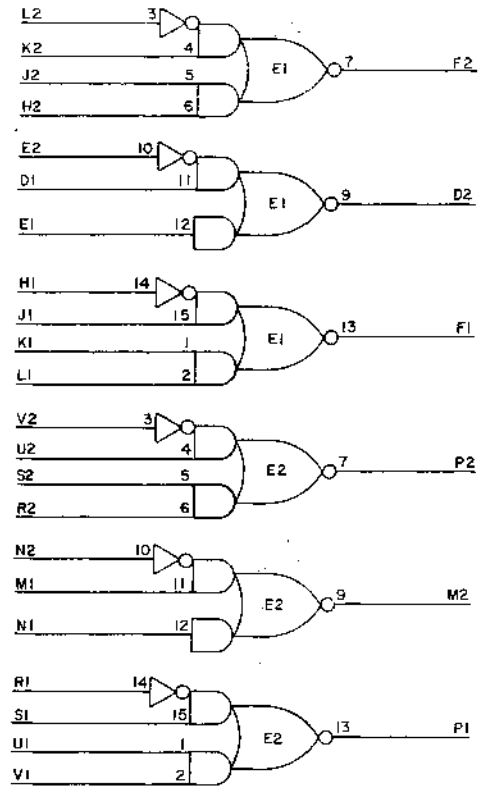
DATE: 11/11/68

BY: J. J. J.

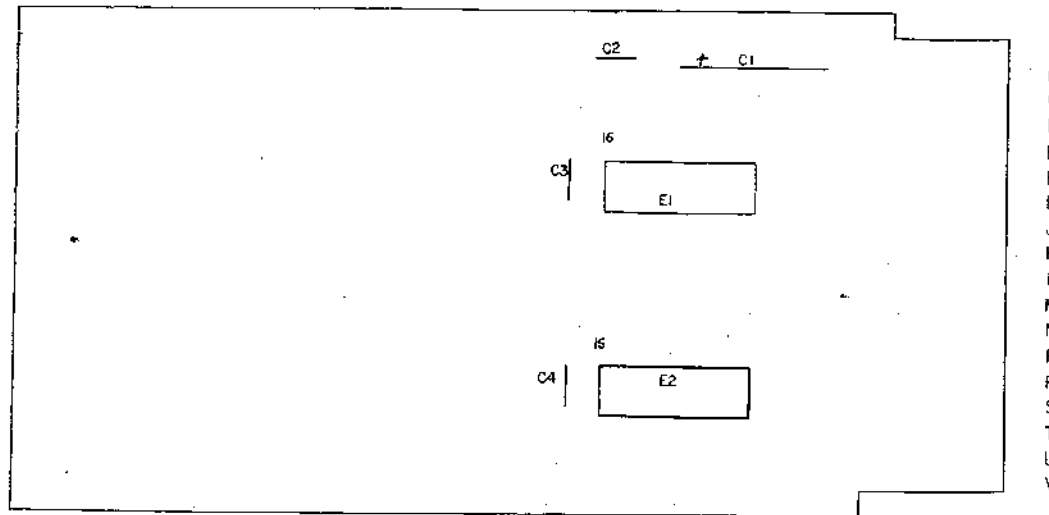
PRINTED CIRCUIT REV. 1

MS1575

THIS SCHEMATIC IS FURNISHED ONLY FOR TEST AND MAINTENANCE PURPOSES. THE CIRCUITS ARE PROPRIETARY IN NATURE AND SHOULD BE TREATED ACCORDINGLY. COPYRIGHT 1971 BY DIGITAL EQUIPMENT CORPORATION



PIN 16 = +5V
PIN 8 = GND



A
B
C
D
E
F
H
J
K
L
M
N
P
R
S
T
U
V

2		EYELET	9006732	9
1		HANDLE, FLIP CHIP - MAGENTA	9073337-06	8
2	E1, E2	I.C. 8Pin SIG.	1910528	7
3	C2 - C4	CAP. .01UF 100V 20% DISC	1001610	6
1	C1	CAP. 6.8UF 35V 20% S.TANT	1000067	5
1		ETCHED CIRCUIT BOARD	5008912	4
		MODULE ECO HISTORY	B-PH-M597-0-6	3
		ASSY/DRILLING HOLE LAYOUT	D-AH-M597-0-5	2
		X-Y COORDINATE HOLE LOCATION	K-CO-M597-0-4	1
QTY.	REF. DESIGNATION	DESCRIPTION	DEC PART NO.	REV.

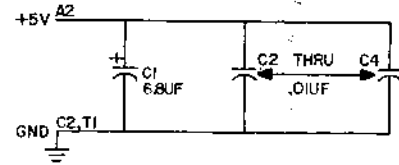
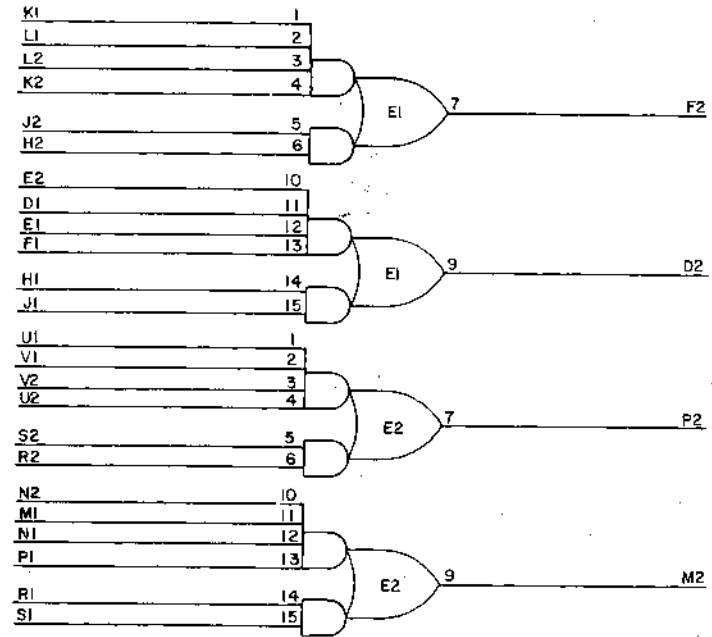
TRANSISTOR & DIODE CONVERSION CHART				TITLE			
DEC	EIA	DEC	EIA	360 CABLE RECEIVER			
				EQUIPMENT CORPORATION			
MAYNARD, MASSACHUSETTS				SIZE	CODE	NUMBER	REV.
				C	CS	M597-0-1	4
				PRINTED CIRCUIT REV. D			

REVISIONS	CHKD	ENG	NO.	REV.
				A

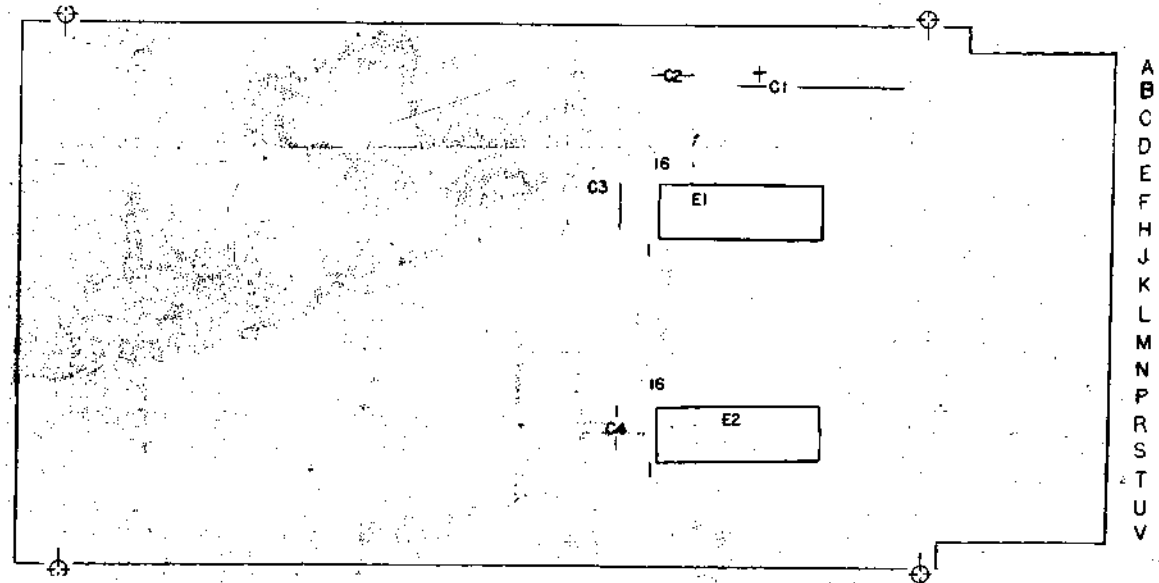
DRN.	DATE
B. J. Nails	7/15/71
CHKD	DATE
Richard Moo	7/15/71
EST.	DATE
K. D. Costa	8/13/71
APPD.	DATE

REV. A
NUMBER M597-0-1
SIZE CODE C CS

THIS SCHEMATIC IS FURNISHED ONLY FOR TEST AND MAINTENANCE PURPOSES. THE CIRCUITS ARE PROPRIETARY IN NATURE AND SHOULD BE TREATED ACCORDINGLY. COPYRIGHT 1971 BY DIGITAL EQUIPMENT CORPORATION



PIN 8=GND ON E1,E2
PIN 16=+5VON E1,E2



QTY	P.C.B. DESIGNATION	DESCRIPTION	PART NO.	ITEM #
1		HANDLE FLIP CHIP-MAGENTA	9006337-06	9
2		EYELET #034-7	9006732	8
2	E1, E2	IC 8T13	19-10529	7
3	C2, C3, C4	CAP .01UF 100V 20% DISC	10-01610	6
1	C1	CAP 6.8 UF 35V 20% STANT	10-00067	5
1		ETCHED CIRCUIT BOARD	5008912	4
		MODULE ECO HISTORY	B-MH-M697-0-6	3
		ASSY/DRILLING HOLE LAYOUT	D-AH-M697-0-5	2
		K-Y COORDINATE HOLE LOCATION	K-CO-M697-0-4	1

REV.	CHG. NO.	REV.
1	0001	A

DATE	BY
11/17/71	...

DEC	JAN	FEB	MAR	APR	MAY	JUN	JUL	AUG	SEP	OCT	NOV



TITLE		360 CABLE DRIVER	
SIZE	CODE	NUMBER	REV.
C	CS	M697-0-1	A
PRINTED CIRCUIT REV:		D	

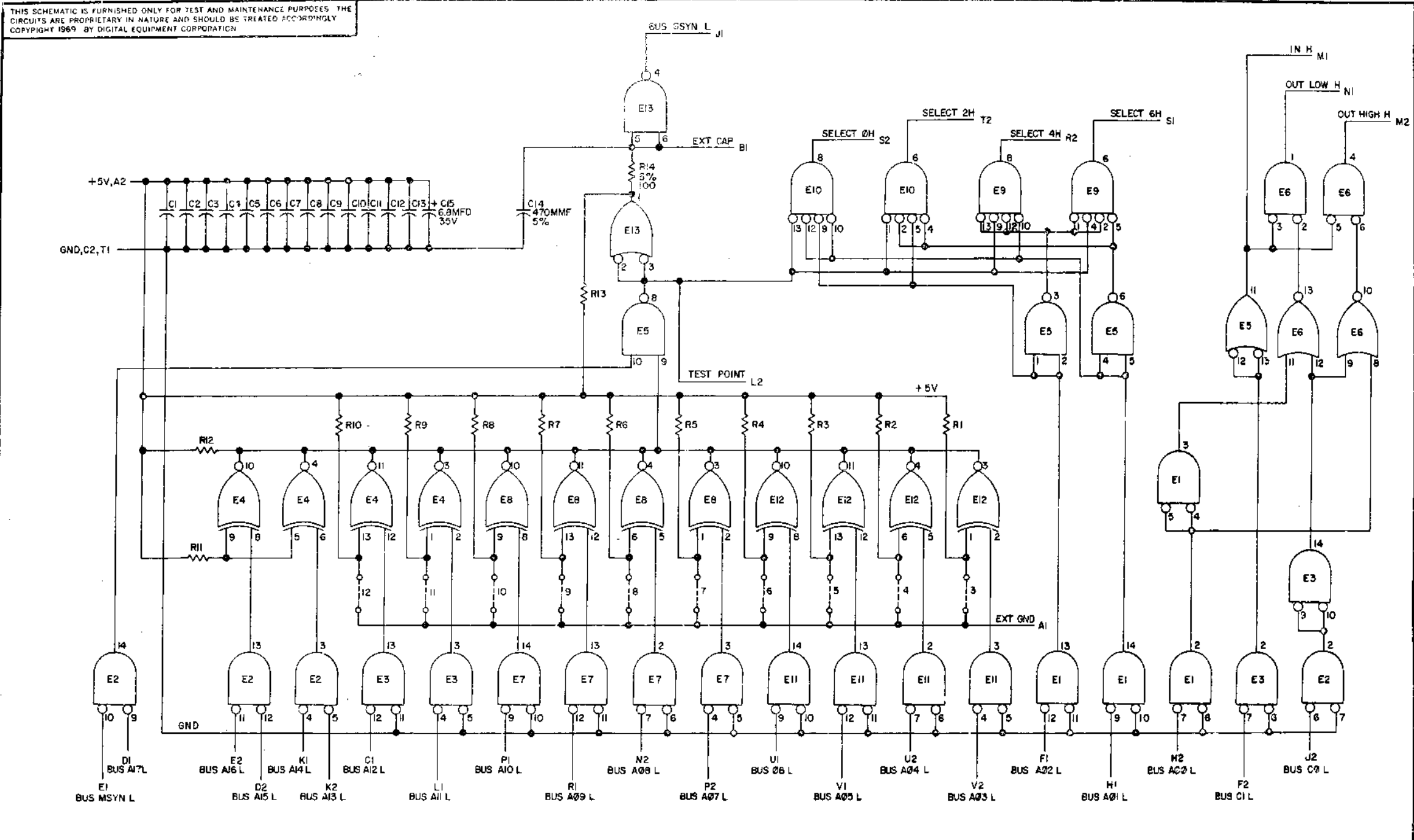
DEC FORM NO. DRC 102

MS1426

REV. A
NUMBER M697-0-1
SIZE CODE C CS

151

THIS SCHEMATIC IS FURNISHED ONLY FOR TEST AND MAINTENANCE PURPOSES. THE CIRCUITS ARE PROPRIETARY IN NATURE AND SHOULD BE TREATED ACCORDINGLY. COPYRIGHT 1969 BY DIGITAL EQUIPMENT CORPORATION.



UNLESS OTHERWISE INDICATED:
 ○---○ INDICATES JUMPERS
 RESISTORS ARE 1K, 1/4W, 5%
 CAPACITORS ARE 0.1MFD, 100V, 20%
 E1, E2, E3, E7, E11 ARE DEC8640
 E4, E8, E10 ARE DEC8242
 E9, E10 ARE DEC8815
 E5 IS DEC7400
 E6 IS DEC7402
 E13 IS DEC6001
 PIN 1 ON E1, E2, E3, E7, E11 = GND
 PIN 8 ON E1, E2, E3, E7, E11 = +5V
 PIN 7 ON E4, E5, E6, E8, E9, E10, E12, E13 = GND
 PIN 14 ON E4, E5, E6, E8, E9, E10, E12, E13 = +5V

REV	DATE	BY	CHK'D
1	11-26-69	A. P. Kelly	
2	1-9-70		
3	3-2-70		
4			

TRANSISTOR & DIODE CONVERSION CHART			
DEC	EIA	DEC	EIA

EQUIPMENT CORPORATION
 MAYNARD, MASSACHUSETTS

ADDRESS SELECTOR M105

SIZE: C CODE: CS NUMBER: M105-0-1 REV: C

PRINTED CIRCUIT REV: C

152

11C 444-PL

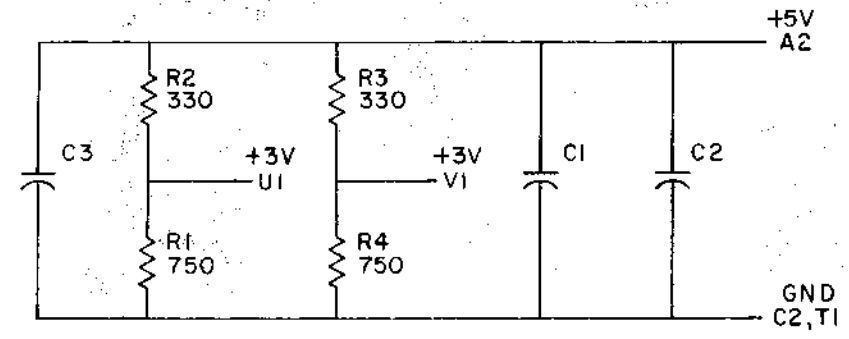
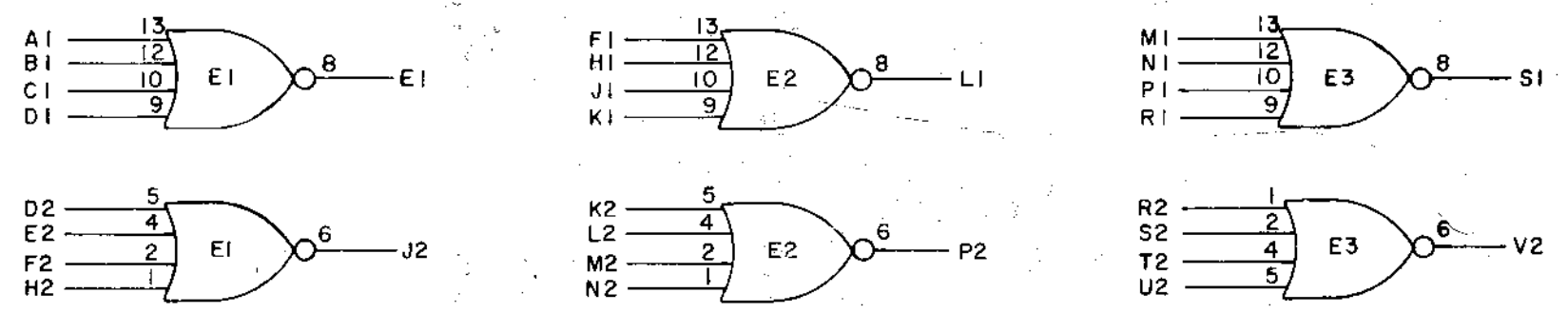
01000001

5

Pink

REV. C
 NUMBER M105-0-1
 C CS

THIS SCHEMATIC IS FURNISHED ONLY FOR TEST AND MAINTENANCE PURPOSES. THE CIRCUITS ARE PROPRIETARY IN NATURE AND SHOULD BE TREATED ACCORDINGLY. COPYRIGHT 1970 BY DIGITAL EQUIPMENT CORPORATION



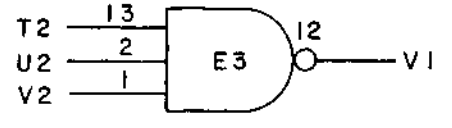
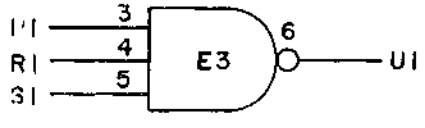
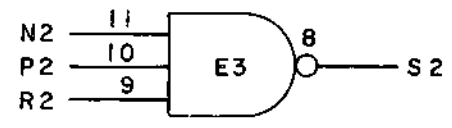
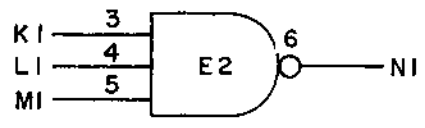
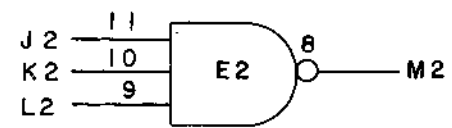
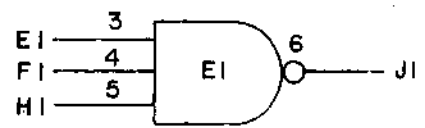
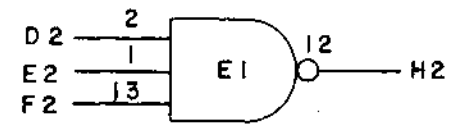
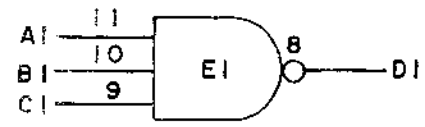
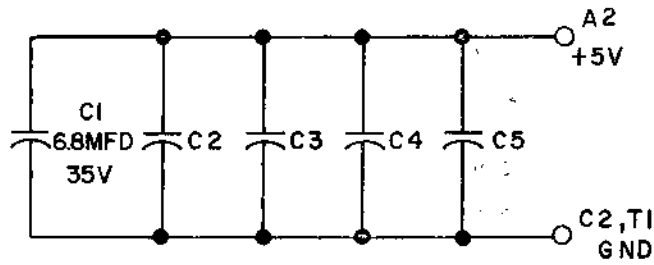
UNLESS OTHERWISE INDICATED:
 RESISTORS ARE 1/4W, 5%
 CAPACITORS ARE .01UF, 100V, 20%
 IC'S ARE DEC8815
 PIN 7 = GND
 PIN 14 = +5V ON EACH IC

REVISIONS CHK NO. REV. 00001 A b.j. Hoyle 9-20-72 D. BAKER 12/27/70	DRN. S. Cooper 12-7-70 CHK'D. D. Smith 12-7-70 ENGR. J. Daley 3-1-71 PROD. DATE	TRANSISTOR & DIODE CONVERSION CHART <table border="1" style="width: 100%; border-collapse: collapse;"> <tr> <td>DEC</td> <td>EIA</td> <td>DEC</td> <td>EIA</td> </tr> <tr> <td> </td> <td> </td> <td> </td> <td> </td> </tr> <tr> <td> </td> <td> </td> <td> </td> <td> </td> </tr> <tr> <td> </td> <td> </td> <td> </td> <td> </td> </tr> </table>	DEC	EIA	DEC	EIA														TITLE 6-QUAD NORGATE M116 SIZE CODE NUMBER REV. B CS M116-0-1 A PRINTED CIRCUIT REV. A
DEC	EIA	DEC	EIA																	



REV	B	CS	B	SIZE	B
NUMBER	M135-0-1				

THIS SCHEMATIC IS FURNISHED ONLY FOR TEST AND MAINTENANCE PURPOSES. THE CIRCUITS ARE PROPRIETARY IN NATURE AND SHOULD BE TREATED ACCORDINGLY. COPYRIGHT 1969 BY DIGITAL EQUIPMENT CORPORATION



UNLESS OTHERWISE INDICATED:
 IC'S ARE DEC74H10
 PIN 7 ON EACH IC = GND
 PIN 14 ON EACH IC = +5V
 CAPACITORS ARE .01 MFD 50V

REVISIONS CHG NO. REV. 00001 B	DRN. <i>Adkins</i> DATE 5-3-69	TRANSISTOR & DIODE CONVERSION CHART		EQUIPMENT CORPORATION MAYNARD, MASSACHUSETTS	TITLE 3 INPUT NAND GATE M135			SIZE B CODE CS NUMBER M135-0-1 REV. B
	CHK. <i>F. M. ...</i> DATE 3-3-69	DEC	EIA		DEC	EIA	PRINTED CIRCUIT REV. A	
	ENG. <i>DEO</i> DATE 9-7-69							
	PROD. DATE							

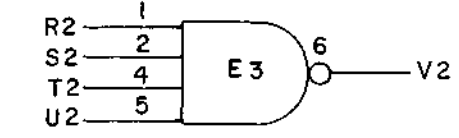
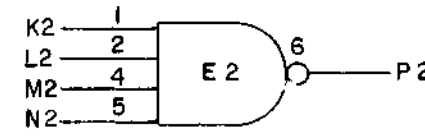
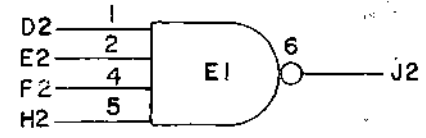
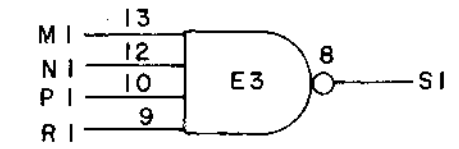
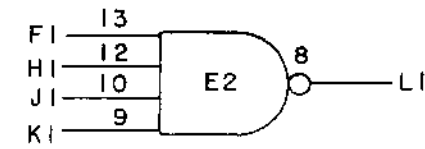
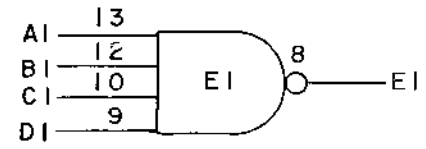
DEC FORM NO. DRB 102

154

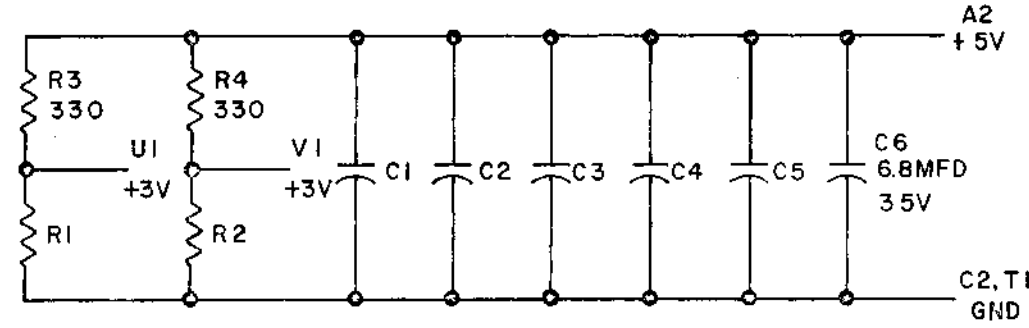


DIST. 324.400.13 3 P100

THIS SCHEMATIC IS FURNISHED ONLY FOR TEST AND MAINTENANCE PURPOSES. THE CIRCUITS ARE PROPRIETARY IN NATURE AND SHOULD BE TREATED ACCORDINGLY. COPYRIGHT 1969 BY DIGITAL EQUIPMENT CORPORATION



UNLESS OTHERWISE INDICATED:
 IC'S ARE DEC 74 H20N
 PIN 7 ON EACH IC = GND
 PIN 14 ON EACH IC = +5V
 CAPACITORS ARE .01 MFD
 RESISTORS ARE 750; 1/4W 5%



REV.	CHG NO.

DRN. <i>Adkins</i>	DATE 3-2-69
CHK'D <i>Liberman</i>	DATE 5/19/69
ENG. <i>D.P. Amos</i>	DATE 9/10/69
PROD.	DATE

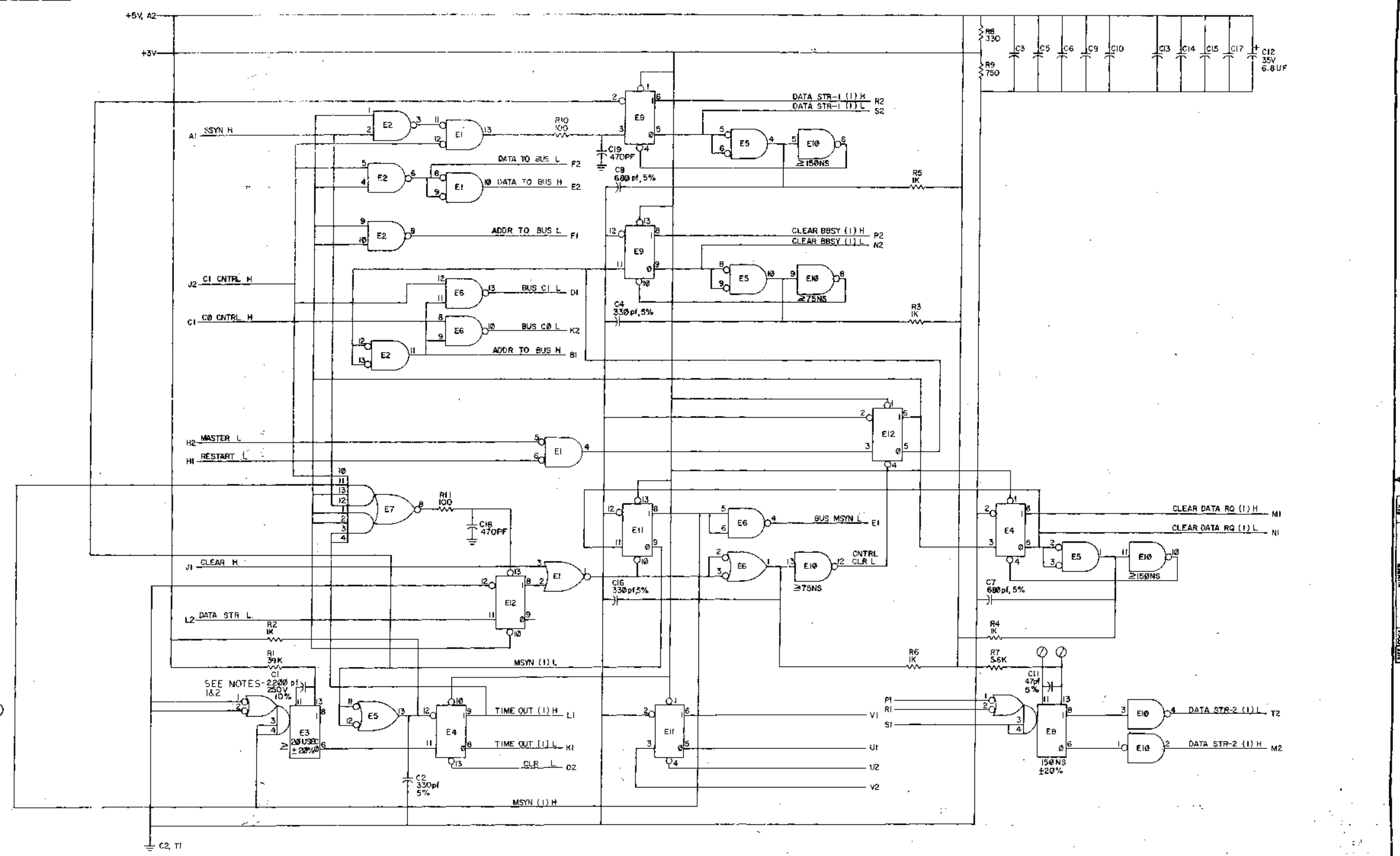
TRANSISTOR & DIODE CONVERSION CHART			
DEC	EIA	DEC	EIA



TITLE 6-4 INPUT NAND GATE M137			
SIZE B	CODE CS	NUMBER M137-0-1	REV.
PRINTED CIRCUIT REV.			A

THIS SCHEMATIC IS FURNISHED ONLY FOR TEST AND MAINTENANCE PURPOSES. THE CIRCUITS ARE PROPRIETARY IN NATURE AND SHOULD BE TREATED ACCORDINGLY. COPYRIGHT 1970 BY DIGITAL EQUIPMENT CORPORATION.

7 1-0-602W 55 D 1000(10)



NOTE: 1. C1 IS CHANGED TO 5000 PF $\pm 20\%$ (1001765) FOR A DELAY OF 370US MINIMUM WHEN USED WITH A DL 10.
 2. FOR M796-YA CHANGE C1 TO 6.8 μ F 35V (P/N H000067)

UNLESS OTHERWISE INDICATED:
 RESISTORS ARE 1/4W, 5%
 CAPACITORS ARE .01uF, 100V, 20%
 E1 IS DEC7402
 E2 IS DEC7400
 E3, E8 ARE DEC9601
 E4, E9, E11, E12 ARE DEC7474
 E5 IS DEC7401
 E6 IS DEC8801
 E7 IS DEC74H55
 E10 IS DE7404
 ⊕ = SPLIT LUGS

REV	DATE	BY	CHKD	APP'D
1	12/17/70

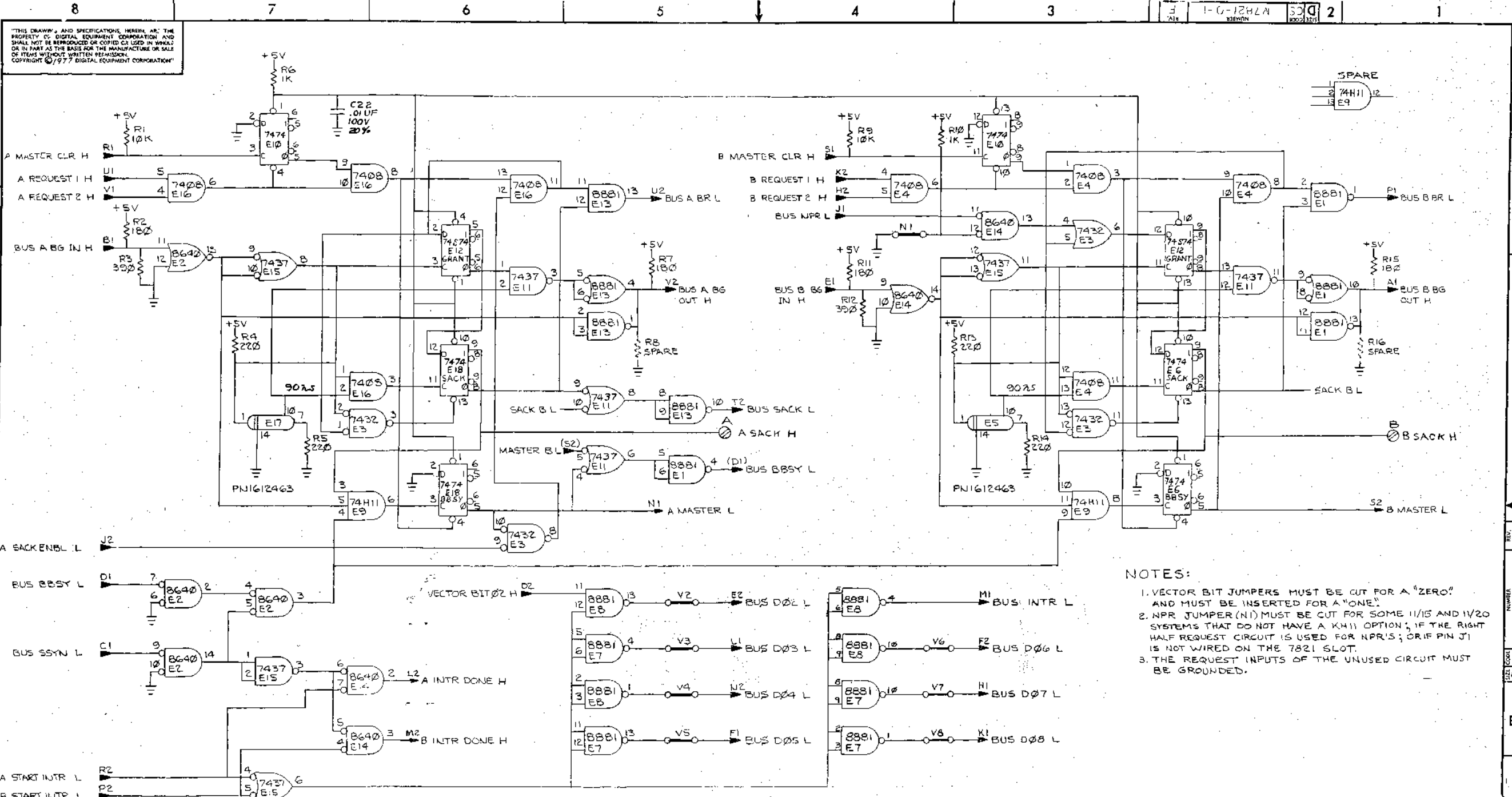
TRANSISTOR & DIODE CONVERSION CHART			
DATE	BY	DATE	BY

UNIBUS MASTER CONTROL M796

DIGITAL EQUIPMENT CORPORATION

SIZE D CODE CS M796-0-1 REV E

PRINTED CIRCUIT REV. C



"THIS DRAWING AND SPECIFICATIONS, HEREIN ARE THE PROPERTY OF DIGITAL EQUIPMENT CORPORATION AND SHALL NOT BE REPRODUCED OR COPIED OR USED IN WHOLE OR IN PART AS THE BASIS FOR THE MANUFACTURE OR SALE OF ITEMS WITHOUT WRITTEN PERMISSION. COPYRIGHT © 1977 DIGITAL EQUIPMENT CORPORATION"

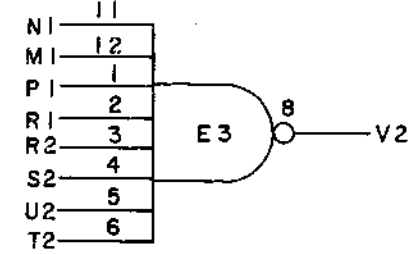
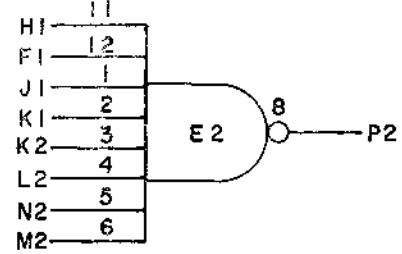
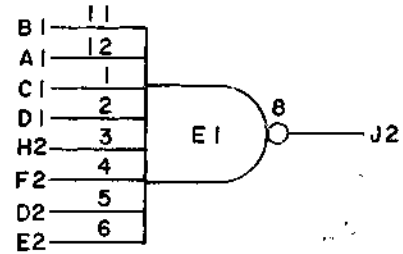
- NOTES:
1. VECTOR BIT JUMPERS MUST BE CUT FOR A "ZERO" AND MUST BE INSERTED FOR A "ONE".
 2. NPR JUMPER (N1) MUST BE CUT FOR SOME 11/15 AND 11/20 SYSTEMS THAT DO NOT HAVE A KM11 OPTION; IF THE RIGHT HALF REQUEST CIRCUIT IS USED FOR NPR'S; OR IF PIN J1 IS NOT WIRED ON THE 7821 SLOT.
 3. THE REQUEST INPUTS OF THE UNUSED CIRCUIT MUST BE GROUNDDED.

DEC DELAY LINE	14	-
DEC 8640	1	8
IC TYPE	GRD	+5V
GRD AND 5V ARE USUALLY PIN 7 AND 14 RESPECTIVELY EXCEPTIONS ARE STATED ABOVE		
IC PIN LOCATIONS		

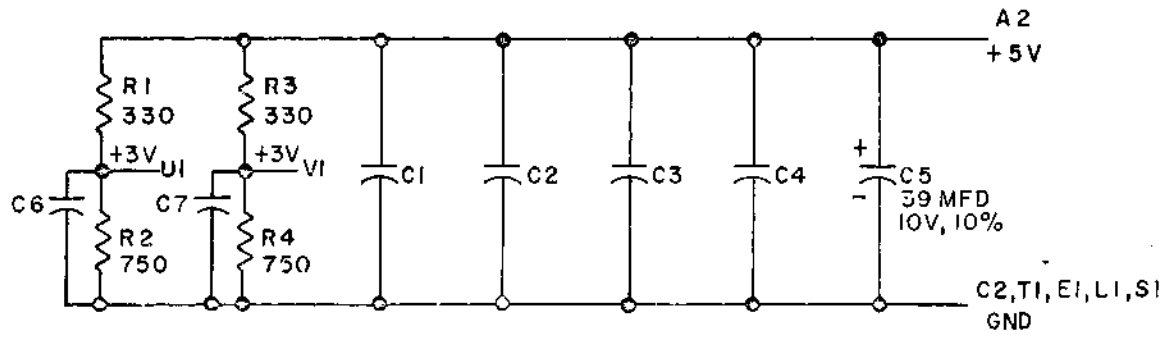
A2 +5V	C1 .01UF 100V 20%	THRU	C18 .01UF 100V 20%	C19 .68UF 35V 10%	C20 .68UF 35V 10%	C21 .68UF 35V 10%
C2, T1						

QTY	REF. DESIGNATION	DESCRIPTION	PART NO.	ITEM NO.
		PARTS LIST		
		ETCH BOARD REV. D		
		DRN. DATE 11/20/77	DATE 11/20/77	
		CHKD. DATE 11/21/77	DATE 11/21/77	
		ENG. DATE 11/21/77	DATE 11/21/77	
		PROJ. DATE 11/21/77	DATE 11/21/77	
		PROD. DATE	DATE	
		NEXT HIGHER ASSY		
		SCALE	SIZE CODE	NUMBER
		SHEET 1 OF 1	DOS	M7821-0-1
			DIST.	REV. F

THIS SCHEMATIC IS FURNISHED ONLY FOR TEST AND MAINTENANCE PURPOSES. THE CIRCUITS ARE PROPRIETARY IN NATURE AND SHOULD BE TREATED ACCORDINGLY. COPYRIGHT 1969 BY DIGITAL EQUIPMENT CORPORATION



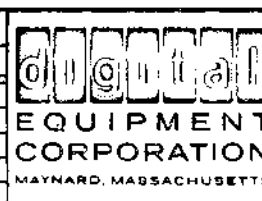
UNLESS OTHERWISE INDICATED:
 IC'S ARE DEC1074H30
 PIN 7 ON EACH IC = GND
 PIN 14 ON EACH IC = +5V
 CAPACITORS ARE .01 MFD, 100V, 20%
 RESISTORS ARE 1/4W, 5%



REV. NO.	CHK	CHG NO.	REV.
1	PP	00001	B
2		00002	C
3		00003	D

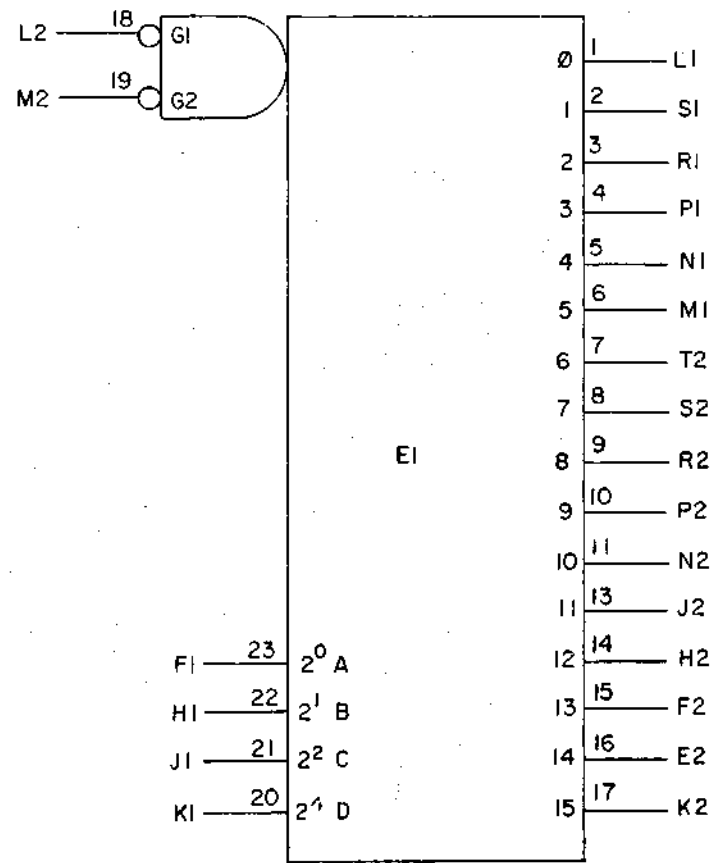
DRN <i>Spottiswoode</i>	DATE 3-9-69
CHK'D <i>A. Young</i>	DATE 3-6-69
ENG <i>W.S.O. Connor</i>	DATE 4-7-69
PROD.	DATE

RESISTOR & DIODE CONVERSION CHART			
DEC	EIA	DEC	EIA

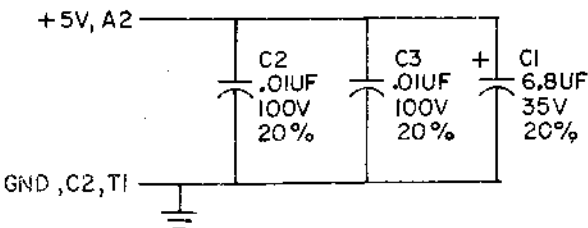


TITLE 3-8 INPUT NAND GATE M139			
SIZE B	CODE CS	NUMBER M139-0-1	REV. D
PRINTED CIRCUIT REV. B			

THIS SCHEMATIC IS FURNISHED ONLY FOR TEST AND MAINTENANCE PURPOSES. THE CIRCUITS ARE PROPRIETARY IN NATURE AND SHOULD BE TREATED ACCORDINGLY. COPYRIGHT 1970 BY DIGITAL EQUIPMENT CORPORATION



UNLESS OTHERWISE INDICATED:
 E1 IS DEC74154
 PIN 12 = GND
 PIN 24 = +5V



REVISIONS	CHK	CHG NO.	REV
	ELC	00001	A

P. DIMAURO
 P. De Mauro

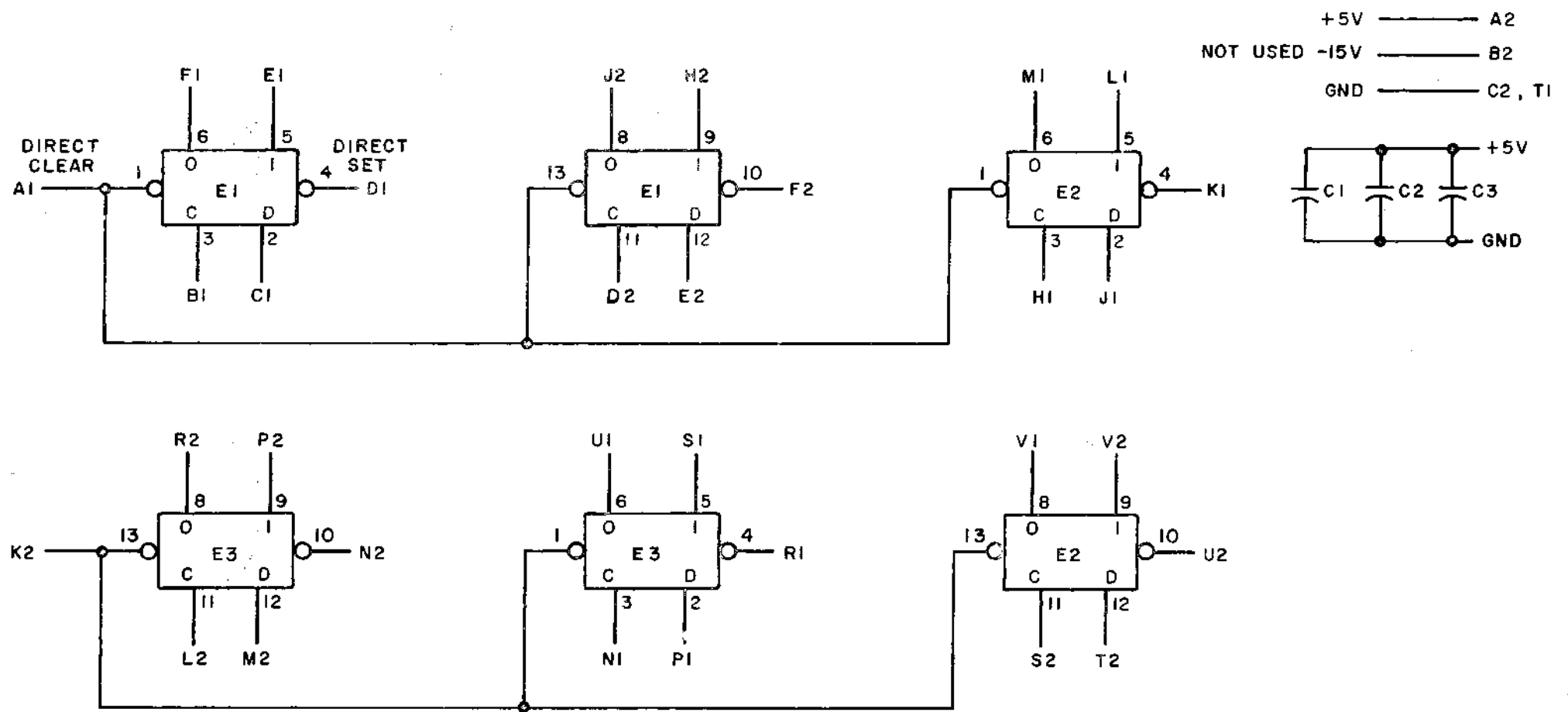
DRN.	DATE
NANCY HOORE	8/21/70
CHK'D	DATE
<i>[Signature]</i>	10/2/70
ENG.	DATE
S. Seals	12/15/70
PROD.	DATE

TRANSISTOR & DIODE CONVERSION CHART			
DEC	EIA	DEC	EIA



TITLE 4-LINE-TO 16 LINE DECODER MI55			
SIZE B	CODE CS	NUMBER MI55-0-1	REV. A
PRINTED CIRCUIT REV. A			

THIS SCHEMATIC IS FURNISHED ONLY FOR TEST AND MAINTENANCE PURPOSES. THE CIRCUITS ARE PROPRIETARY IN NATURE AND SHOULD BE TREATED ACCORDINGLY. COPYRIGHT 1967 BY DIGITAL EQUIPMENT CORPORATION

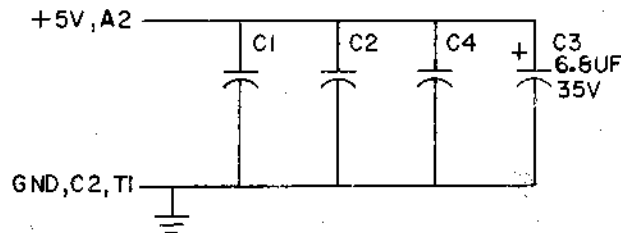
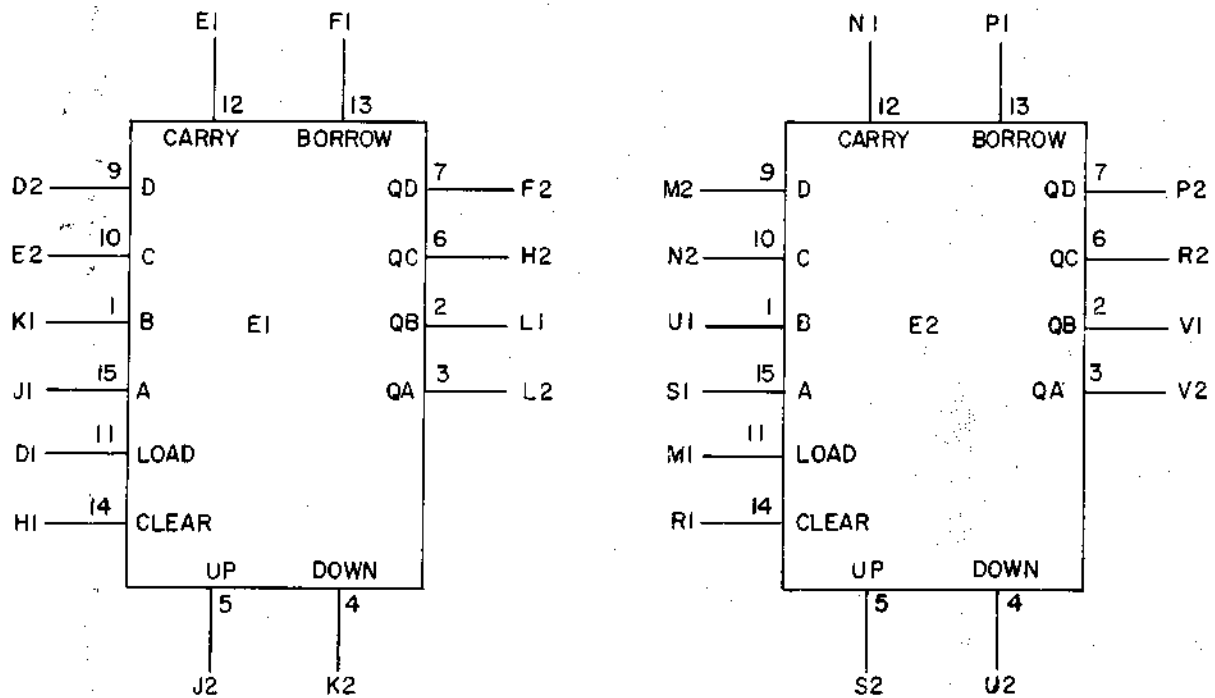


NOTES:
 PIN 7 ON EACH IC = GND
 PIN 14 ON EACH IC = +5V

E1 THRU E3	INTEGRATED CKT. DEC7474N	1905547
C1 THRU C3	CAP. .01 MFD 100V 20% DISC	1001610
	PARTS LIST	A-PL-M216-0-0
REFERENCE DESIGNATION	DESCRIPTION	PART NO.
PARTS LIST		

REVISIONS CHG NO. REV. A 6806 MM 00001 B	DRN. <i>M. Haller</i> DATE 4-15-67 CHK'D <i>[Signature]</i> DATE 4-26-67 PROD. <i>[Signature]</i> DATE 4-27-67	TRANSISTOR & DIODE CONVERSION CHART <table border="1" style="width: 100%; height: 40px;"> <tr> <th>DEC</th> <th>EIA</th> <th>DEC</th> <th>EIA</th> </tr> <tr> <td> </td> <td> </td> <td> </td> <td> </td> </tr> </table>	DEC	EIA	DEC	EIA						TITLE SIX FLIP-FLOPS M216 SIZE B CODE CS NUMBER M216-0-1 REV. B PRINTED CIRCUIT REV. C
DEC	EIA	DEC	EIA									

THIS SCHEMATIC IS FURNISHED ONLY FOR TEST AND MAINTENANCE PURPOSES. THE CIRCUITS ARE PROPRIETARY IN NATURE AND SHOULD BE TREATED ACCORDINGLY. COPYRIGHT 1970 BY DIGITAL EQUIPMENT CORPORATION



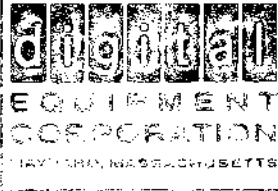
UNLESS OTHERWISE INDICATED:
 E1, E2 ARE DEC74193
 PIN 8 = GND ON E1, E2
 PIN 16 = +5V
 CAPACITORS ARE .01uF, 100V, 20%

REVISIONS	CHK	CHG NO.	REV.
	WLS	00001	C
	WLS	00002	D

PDIMAURO
 P. J. Moore

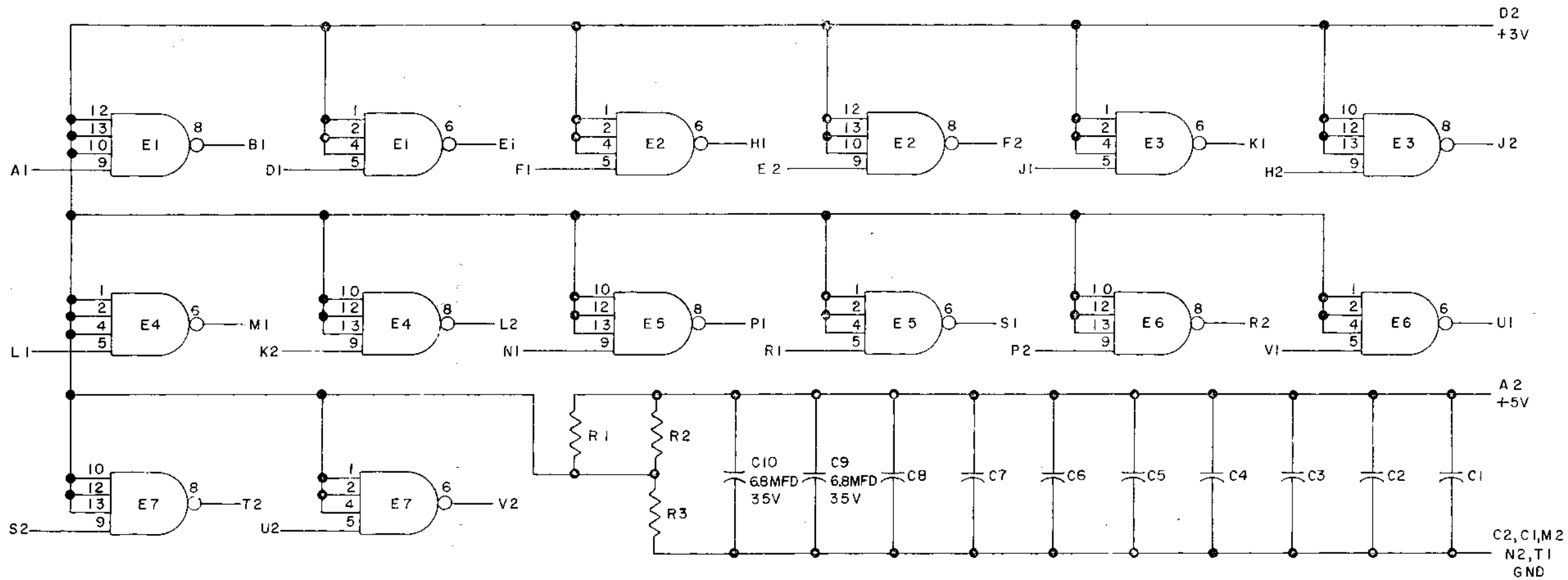
DRN. NANCY MOORE	DATE 8/21/70
CHK'D O. Sawyer	DATE 10/15/70
ENG. S. Seider	DATE 10/23/70
PROD.	DATE

TRANSISTOR & DIODE CONVERSION CHART			
DEC	EIA	DEC	EIA



TITLE 2-SYNCHRONOUS 4 BIT UP/DOWN CONVERTERS M238			
SIZE B	CODE CS	NUMBER M238-0-1	REV D
PRINTED CIRCUIT REV.			D

THIS SCHEMATIC IS FURNISHED ONLY FOR TEST AND MAINTENANCE PURPOSES. THE CIRCUITS ARE PROPRIETARY IN NATURE AND SHOULD BE TREATED ACCORDINGLY. COPYRIGHT 1969 BY DIGITAL EQUIPMENT CORPORATION.



UNLESS OTHERWISE INDICATED
 PIN 7 ON EACH IC = GND
 PIN 14 ON EACH IC = +5V
 IC'S ARE DEC74H40
 CAPACITORS ARE .01MFD 100V
 RESISTORS ARE 220 1/4W 10%

REV. NO.	CHG. NO.	REV.
00001		B

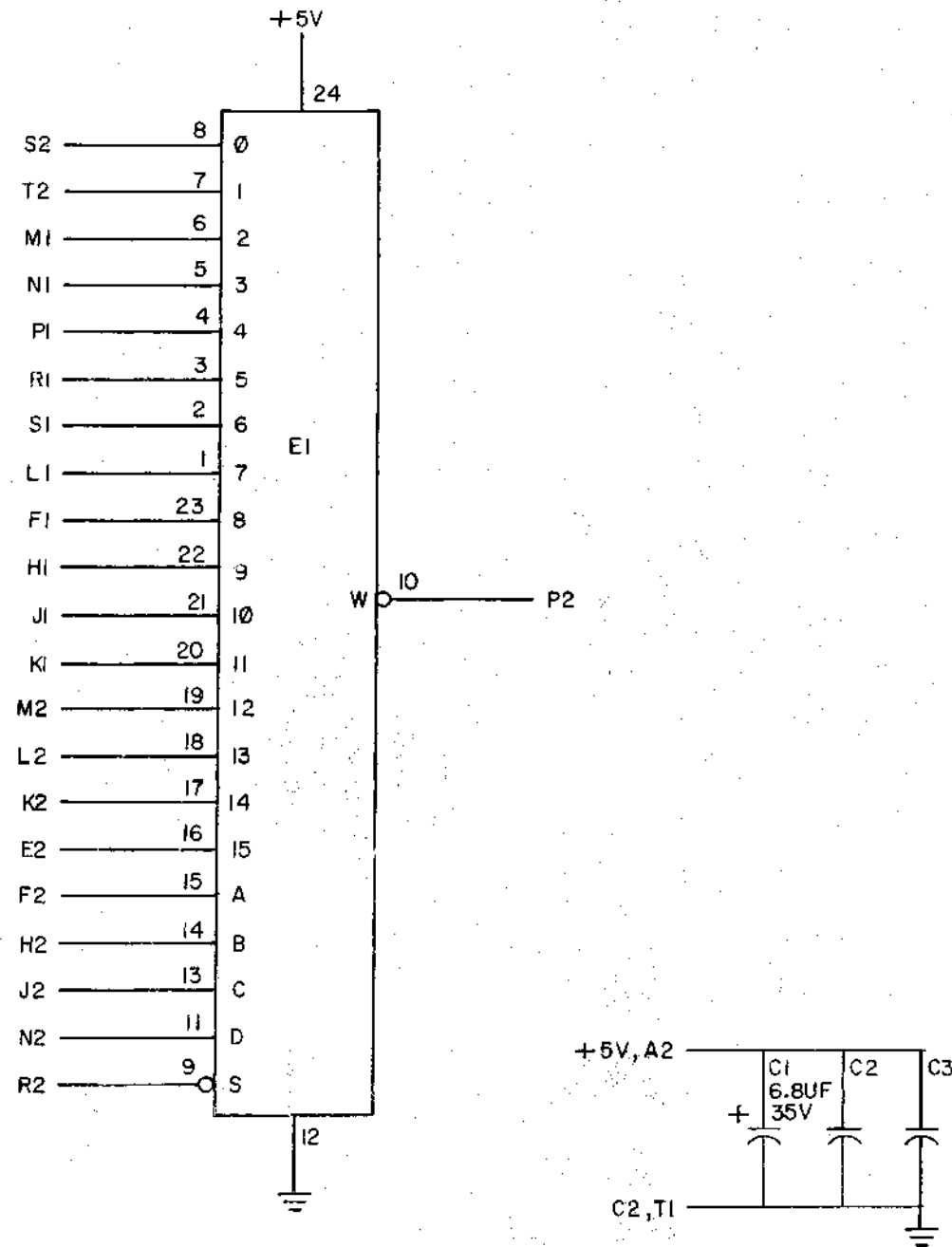
DRN. <i>Buller</i>	DATE 5-7-69
CHK'D <i>P. Ganga</i>	DATE 5-8-69
ENG. <i>R. Shum</i>	DATE 5-16-69
PROD.	DATE

TRANSISTOR & DIODE CONVERSION CHART			
DEC	EIA	DEC	EIA



TITLE HIGH SPEED POWER INVERTER M611			
SIZE B	CODE CS	NUMBER M611-0-1	REV. B
PRINTED CIRCUIT REV. A			

THIS SCHEMATIC IS FURNISHED ONLY FOR TEST AND MAINTENANCE PURPOSES. THE CIRCUITS ARE PROPRIETARY IN NATURE AND SHOULD BE TREATED ACCORDINGLY. COPYRIGHT 1970 BY DIGITAL EQUIPMENT CORPORATION

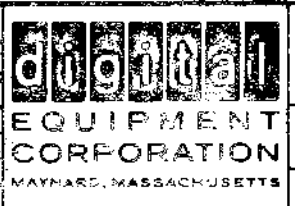


UNLESS OTHERWISE INDICATED:
CAPACITORS ARE .01UF, 100V, 20%
IC IS A DEC74150

REVISIONS	CHK	CHG NO.	REV
		00001	A
		00002	B
		00003	C
		00004	D

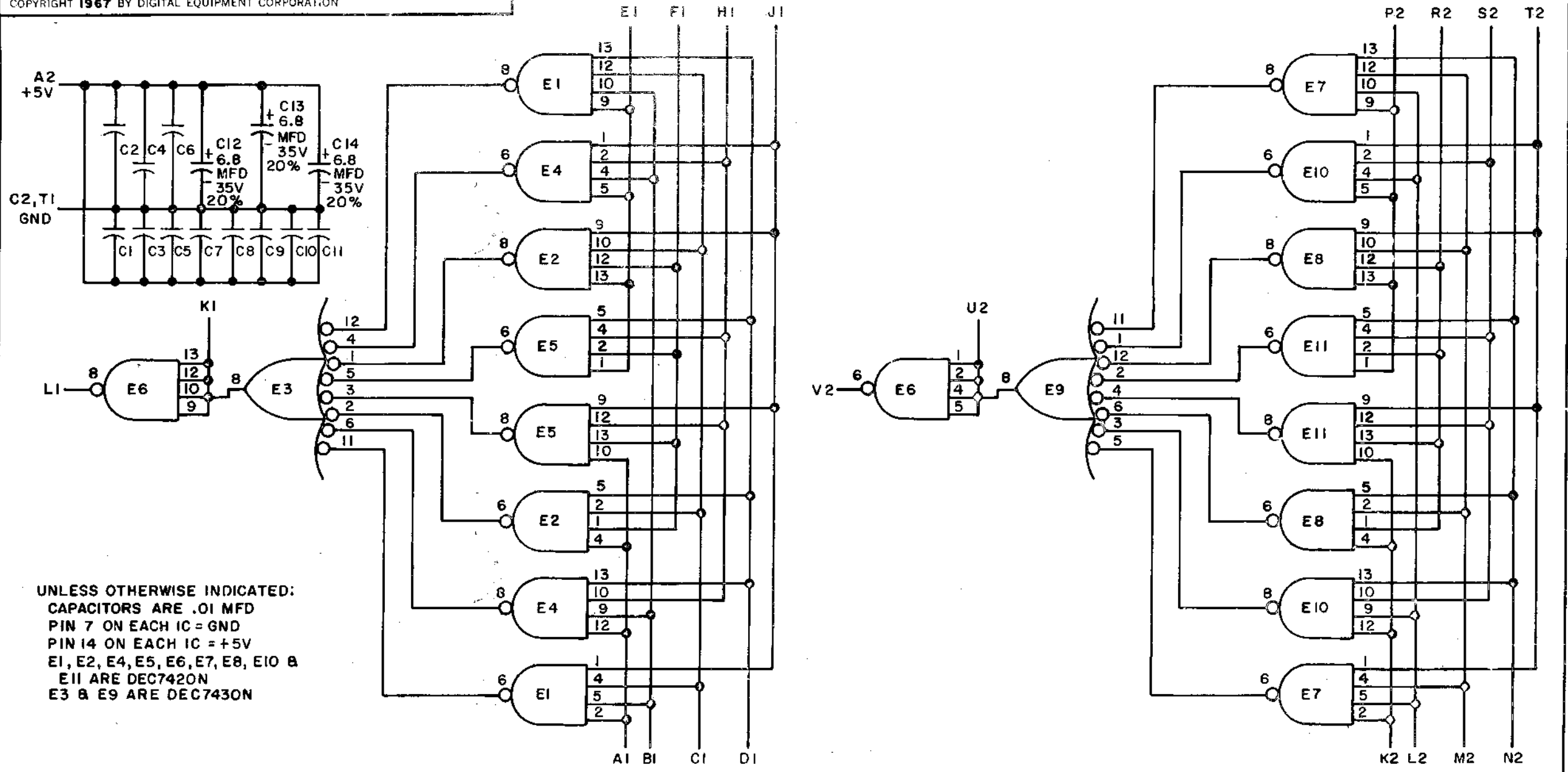
DRN.	B. Wyatt	DATE	10-28-70
CHK'D	in Waller	DATE	11-2-70
ENG.	Tom Holmes	DATE	11/23/70
PROD.		DATE	

TRANSISTOR & DIODE CONVERSION CHART			
DEC	EIA	DEC	EIA



TITLE			
16 LINE TO 1 LINE DATA SELECTOR MI73			
SIZE	CODE	NUMBER	REV.
B	CS	M173-0-1	A
PRINTED CIRCUIT REV.			A

THIS SCHEMATIC IS FURNISHED ONLY FOR TEST AND MAINTENANCE PURPOSES. THE CIRCUITS ARE PROPRIETARY IN NATURE AND SHOULD BE TREATED ACCORDINGLY. COPYRIGHT 1967 BY DIGITAL EQUIPMENT CORPORATION



UNLESS OTHERWISE INDICATED:
 CAPACITORS ARE .01 MFD
 PIN 7 ON EACH IC = GND
 PIN 14 ON EACH IC = +5V
 E1, E2, E4, E5, E6, E7, E8, E10 &
 E11 ARE DEC7420N
 E3 & E9 ARE DEC7430N

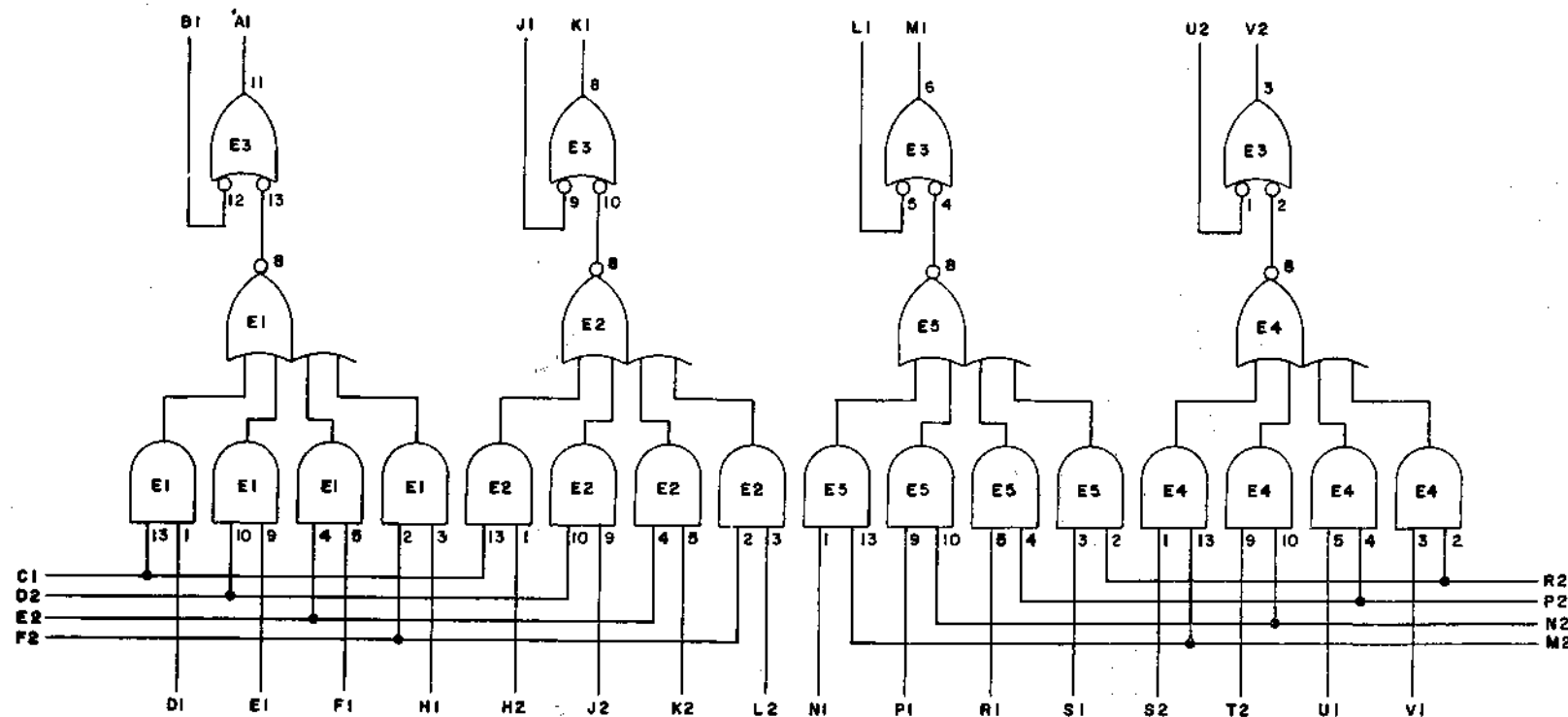
PARTS LIST IS A-PL-M162-0-0

REVISIONS	CHK	NO.	REV.		DRN. <i>M. Waller</i>	DATE 4-18-67	TRANSISTOR & DIODE CONVERSION CHART				 EQUIPMENT CORPORATION MAYNARD, MASSACHUSETTS	TITLE PARITY CIRCUIT M162	
	MM	00001	A				DEC	EIA	DEC	EIA		SIZE	CODE
					CHK'D	DATE				B	CS	M162-0-1	A
					ENG	DATE				PRINTED CIRCUIT REV.			B
					PROD.	DATE							

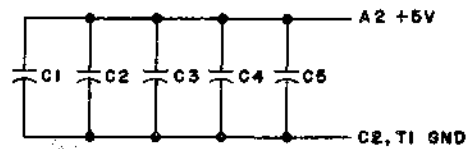
DEC FORM NO. DRB 102
 164

DIST. 324 434 700 5 PINK

THIS SCHEMATIC IS FURNISHED ONLY FOR TEST AND MAINTENANCE PURPOSES. THE CIRCUITS ARE PROPRIETARY IN NATURE AND SHOULD BE TREATED ACCORDINGLY. COPYRIGHT 1967 BY DIGITAL EQUIPMENT CORPORATION



NOTES:
PIN 7 ON EACH IC = GND
PIN 14 ON EACH IC = +5V



E3	INTEGRATED CKT. DEC7400N	1905575
E1, E2, E4, E5	INTEGRATED CKT. DEC7453N	1905582
C1 THRU C5	CAP. .01MFD 100V 20% DISC	1001610
	PARTS LIST	A-PL-M169-0-0
REFERENCE DESIGNATION	DESCRIPTION	PART NO.

PARTS LIST

REVISIONS	CHK	CHG	NO.	REV.
			00001	C

DEC FORM NO. DRC 102

TRANSISTOR & DIODE CONVERSION CHART

DEC	EIA	CD	EIA

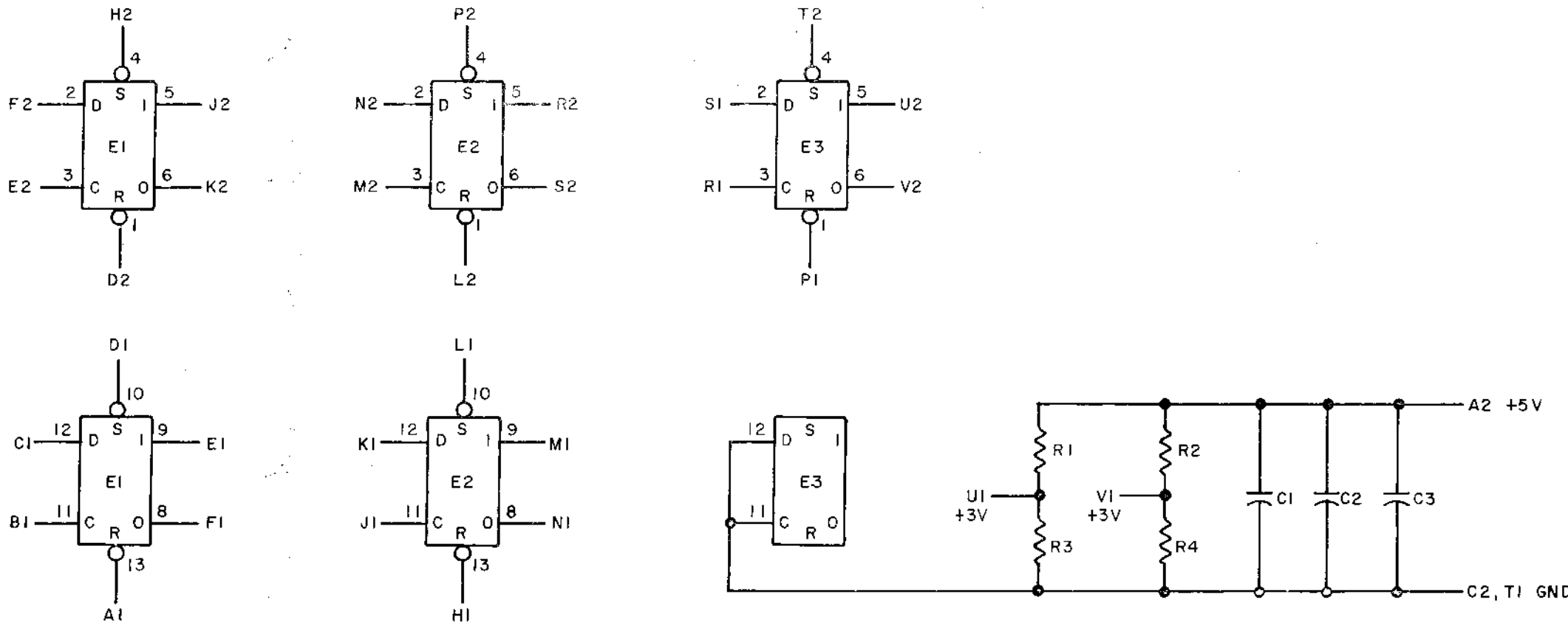


TITLE			
GATING MODULE M169			
SIZE	CODE	NUMBER	REV.
C	CS	M169-0-1	C
PRINTED CIRCUIT REV.			

DIST: 1324 1434 1483 151 165 PINK

REV. C
NUMBER M169-0-1
SIZE CODE C CS

THIS SCHEMATIC IS FURNISHED ONLY FOR TEST AND MAINTENANCE PURPOSES. THE CIRCUITS ARE PROPRIETARY IN NATURE AND SHOULD BE TREATED ACCORDINGLY. COPYRIGHT 1969 BY DIGITAL EQUIPMENT CORPORATION



NOTES:
PIN 7 ON EACH IC = GND
PIN 14 ON EACH IC = +5V

E1, E2, E3	INTEGRATED CKT. DEC7474N	1905547
R3, R4	RES. 750 1/4W 5% CC	1301401
R1, R2	RES. 330 1/4W 5% CC	1300295
C1, C2, C3	CAP. .01MFD 100V 20% DISC	1001610
PARTS LIST		A-PL-M205-0-0
REFERENCE DESIGNATION	DESCRIPTION	PART NO.

REVISIONS	CHK	CHG NO	REV
		00001	B

DRN	DATE
<i>M. Keller</i>	2-17-69
CHK'D	DATE
<i>R. Schreiner</i>	3/12/69
ENG	DATE
<i>F. Chavira</i>	4/7/69
PROD.	DATE

TRANSISTOR & DIODE CONVERSION CHART			
DEC	EIA	DEC	EIA

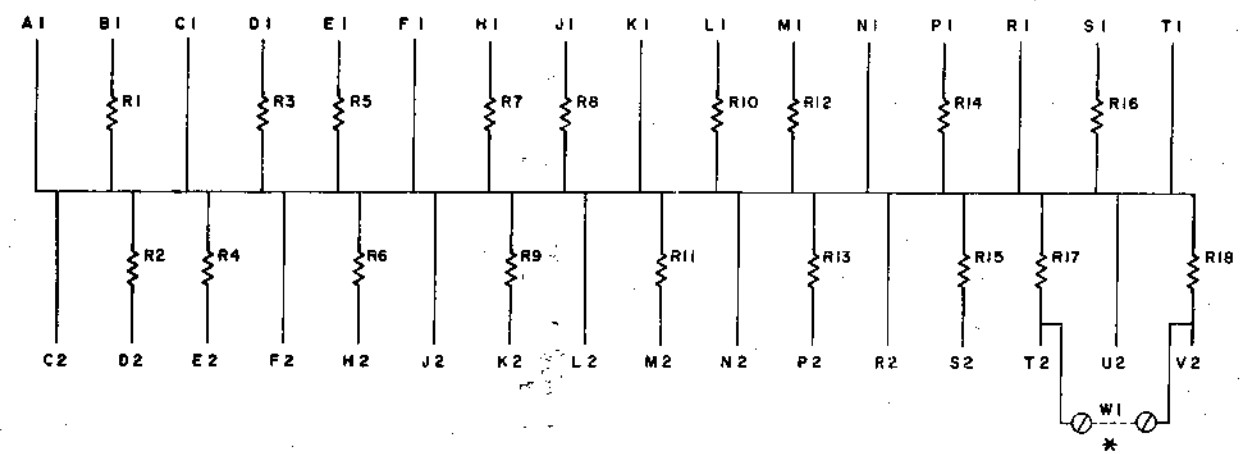
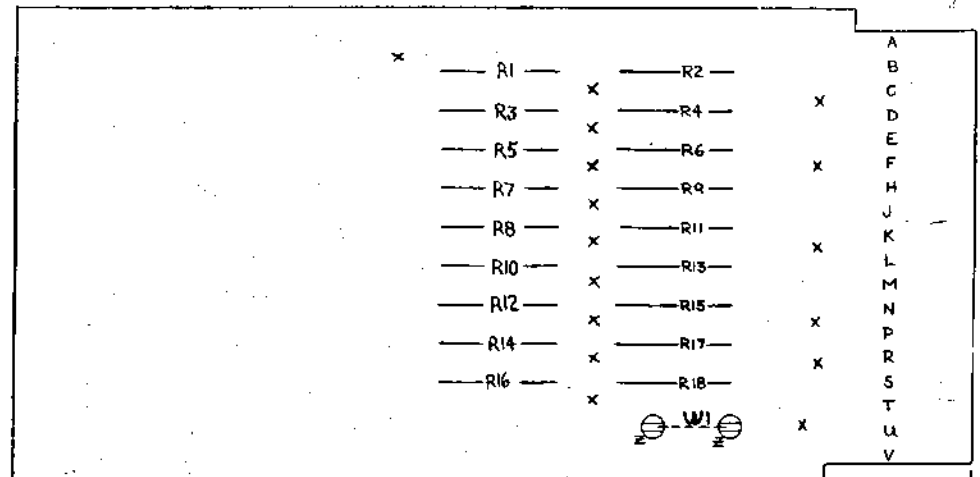
digital
EQUIPMENT CORPORATION
MAYNARD, MASSACHUSETTS

TITLE: 5 "D" FLIP FLOPS M205

SIZE: B
CODE: CS
NUMBER: M205-0-1
REV: B

PRINTED CIRCUIT REV. A

THIS SCHEMATIC IS FURNISHED ONLY FOR TEST AND MAINTENANCE PURPOSES. THE CIRCUITS ARE PROPRIETARY IN NATURE AND SHOULD BE TREATED ACCORDINGLY. COPYRIGHT 1972 BY DIGITAL EQUIPMENT CORPORATION



UNLESS OTHERWISE INDICATED:
RESISTORS ARE 51Ω

* FOR YA VERSION DELETE
R17 AND INSERT JUMPER
ON SPLIT LUGS

16	16		EYELET	9006731	9
1	1		HANDLE, FLIP CHIP - MAGENTA	9008337-06	8
2	2		SPLIT LUG	900673	7
2	2		EYELET, HANDLE	9006732	6
17	18	R1 thru R18	RES. 51 Ω 5%	1302378	5
1	1		ETCHED CIRCUIT BOARD	5009951	4
			MODULE ECO HISTORY	B-MH-M984-0-6	3
			ASSY/DRILLING HOLE LAYOUT	D-AH-M984-0-5	2
			X-Y COORDINATE HOLE LOCATION	K-CO-M984-0-4	1
QTY.	STP.	REF. DESIGNATION	DESCRIPTION	DEC PART NO.	REV.
YA	INDEX		PARTS LIST		

REVISIONS
CHK CHG NO. REV.

TRANSISTOR & DIODE CONVERSION CHART			
DEC	SI	D-D	SEA

EQUIPMENT CORPORATION
MILFORD, MASSACHUSETTS

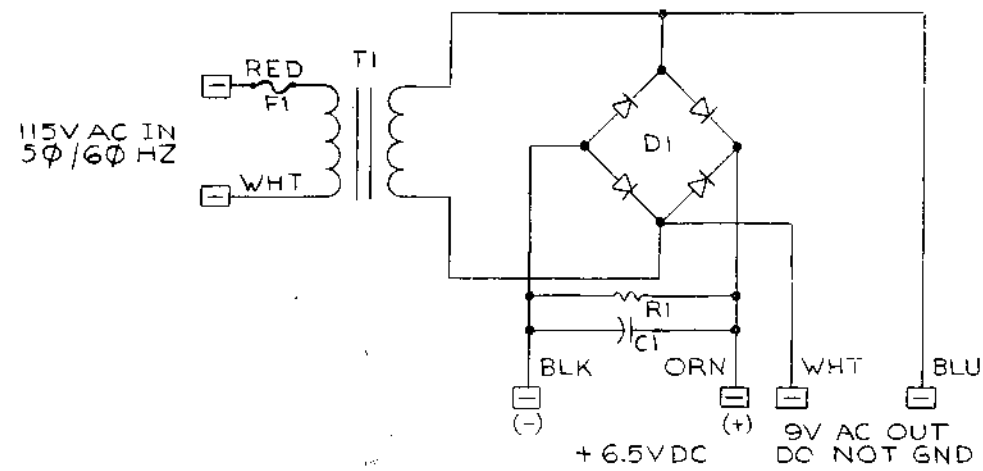
RESISTOR TERMINATOR

SIZE CODE: C CS NUMBER: M984-0-1 REV. A

PRINTED CIRCUIT REV. A

REV. NUMBER M984-0-1

THIS SCHEMATIC IS FURNISHED ONLY FOR TEST AND MAINTENANCE PURPOSES. THE CIRCUITS ARE PROPRIETARY IN NATURE AND SHOULD BE TREATED ACCORDINGLY. COPYRIGHT BY DIGITAL EQUIPMENT CORPORATION



F1	1/2 AMP S.B. FUSE	9007209
R1	5ohm 25W RES	1300165
C1	18000MFD 10V DC CAP	1009437
	PARTS LIST	D-UA-716-0-0
T1	XMFR *F64-U TRIAD	1609588
D1	DIODE PACK DM-2	1105397
REF DESIGNATION	DESCRIPTION	PART NO.

PARTS LIST

REV.	DATE	BY	CHK'D
A	5-25-69	HEALY	
B	7-21-69	VONADA	
C	7-25-69	ANTONUCCI	

TRANSISTOR & DIODE CONVERSION CHART	DATE	BY	CHK'D
DEC	5-25-69	HEALY	
EIA	7-21-69	VONADA	
DEC	7-25-69	ANTONUCCI	
EIA			

 EQUIPMENT CORPORATION MAYNARD, MASSACHUSETTS	TITLE CIRCUIT SCHEMATIC 716
---	-----------------------------------

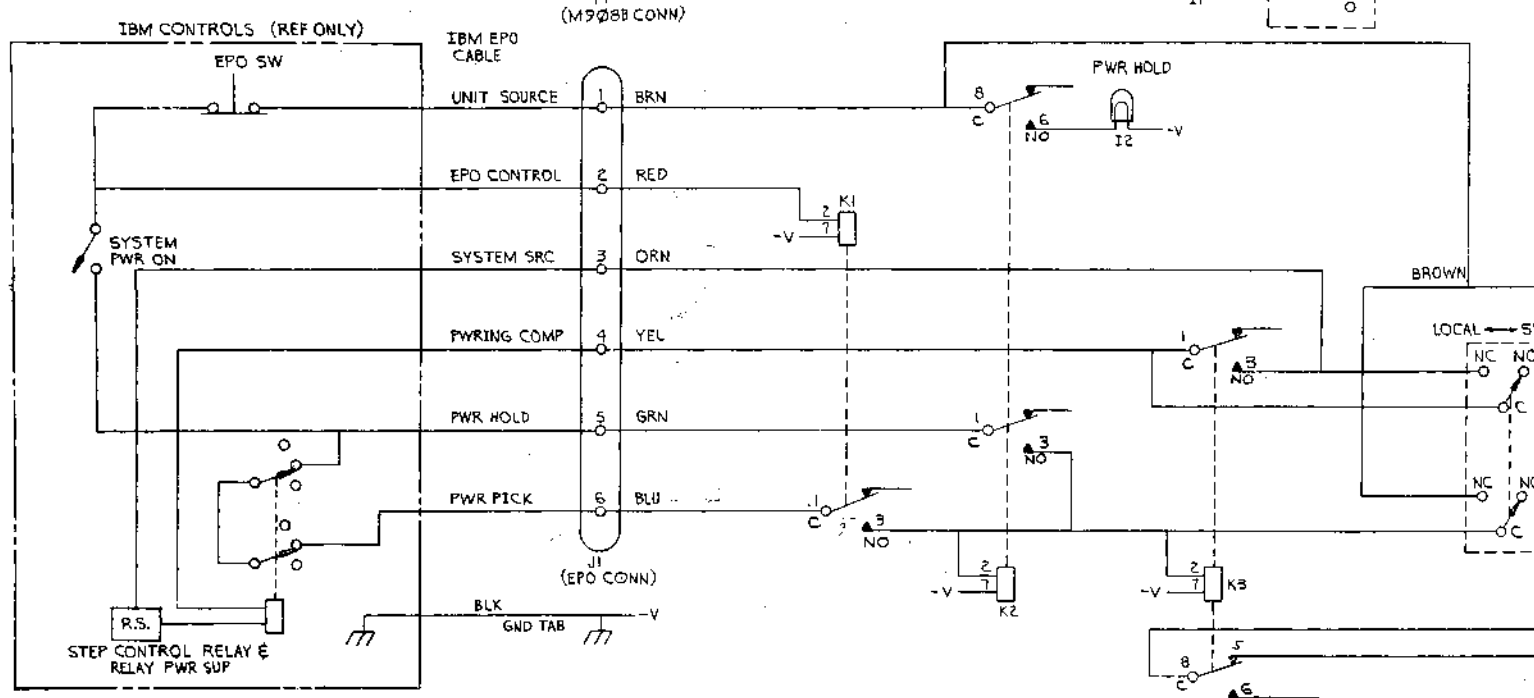
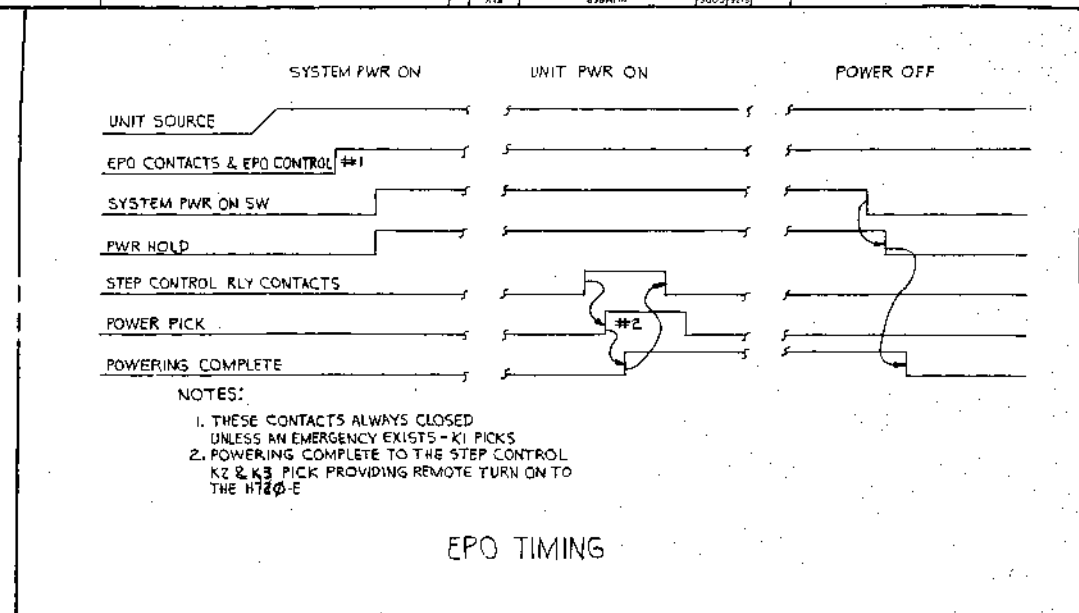
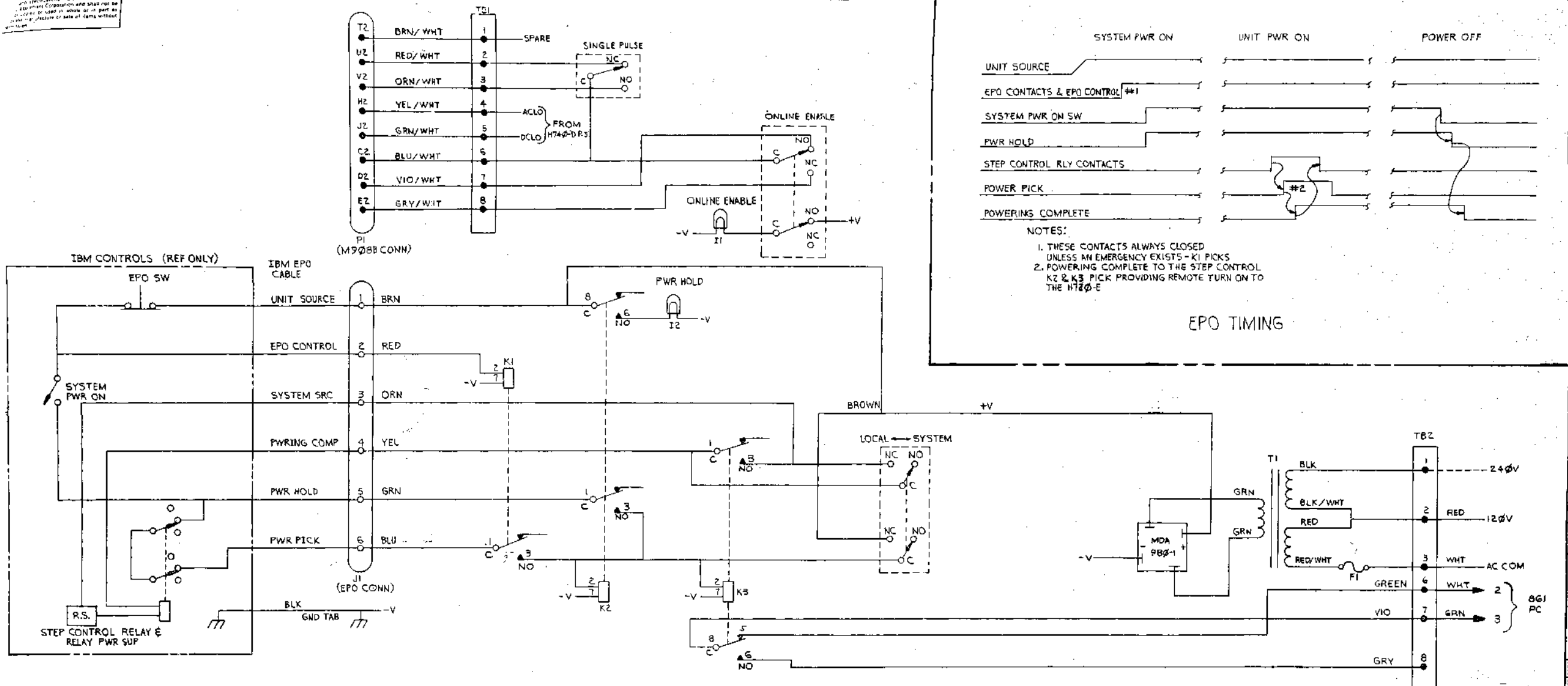
SIZE	CODE	NUMBER	REV.
C	CS	716-0-1	C
PRINTED CIRCUIT REV.			

SIZE CODE NUMBER REV.
C CS 716-0-1 C

Pink

IBM, EPO, and other marks are the property of International Business Machines Corporation and shall not be used in whole or in part by any other person without the written permission of International Business Machines Corporation.

D
C
B
A



REVISIONS

REV	NO	DATE	BY	CHK
1	A	3/10/73	R. DIETER	J. DIETER
2	B	9-10-73	R. DIETER	J. DIETER
3	C	10-2-74	R. DIETER	J. DIETER

CHANGE NO. BX11B-230013

DRN: R. DIETER

CHK: J. DIETER

DATE: 3/10/73

DATE: 9-10-73

DATE: 10-2-74

FIRST USED ON OPTION/MODEL	QTY.	DESCRIPTION	PART NO.	ITEM NO.
DX11-B				
UNLESS OTHERWISE SPECIFIED DIMENSION IN INCHES. TOLERANCES				
DECIMALS	ANGLES	TITLE		
.XXX ± .005	± 30°	MISC CONTROLS & EPO		
.XX ± .02		PARTS LIST		
± .1		MATERIAL		
REMOVE BURRS AND BREAK SHARP CORNERS SURFACE QUALITY		NEXT HIGHER ASSY.		
FINISH		SCALE NONE		
SHEET 1 OF 1		DIST.		

DRN: S. Dieter DATE: 3/10/73

CHK: J. Dieter DATE: 3/10/73

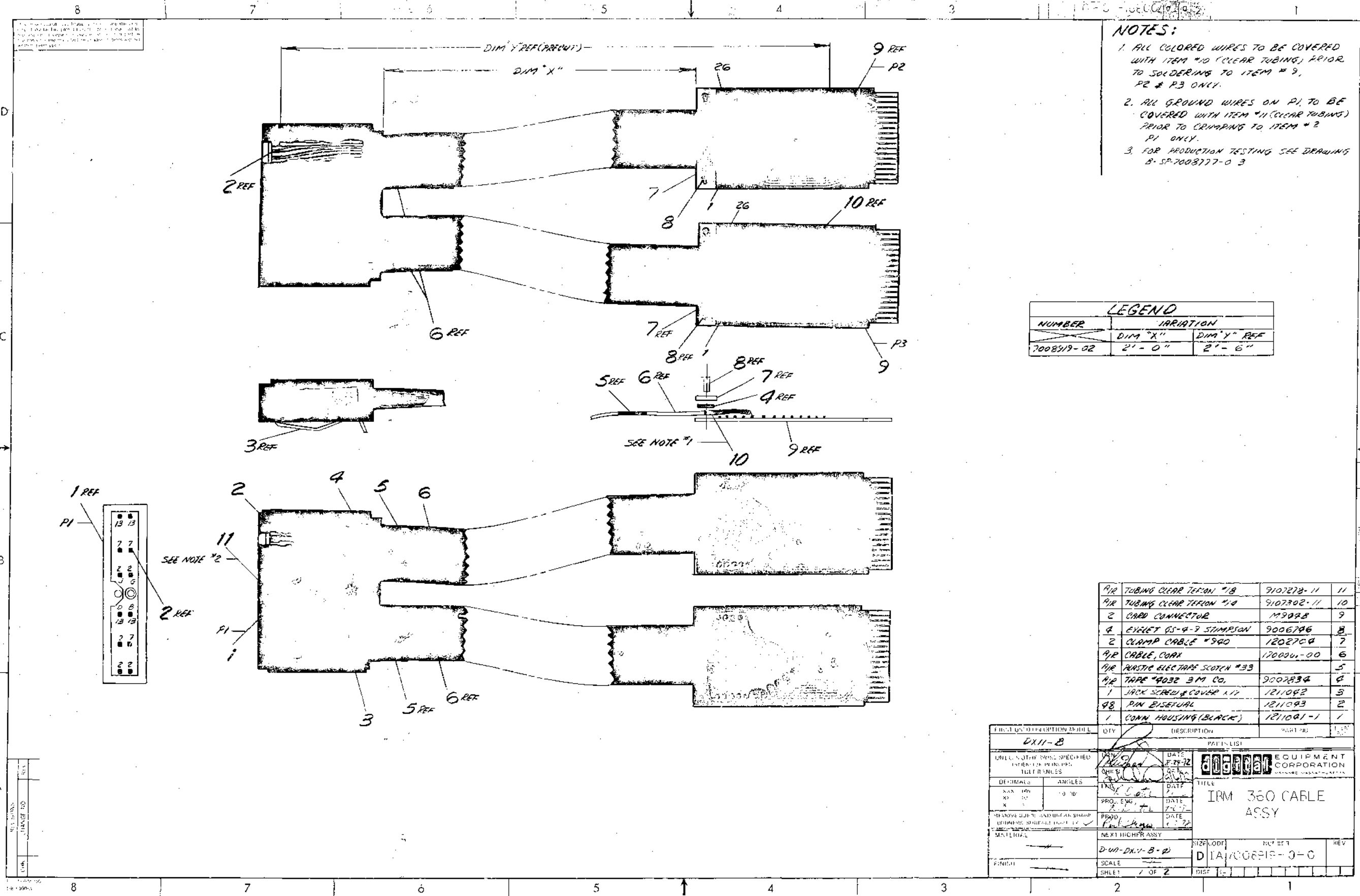
PROJ. ENG: R. Dieter DATE: 3/10/73

PROD: Paul Jones DATE: 6/1/73

Digital EQUIPMENT CORPORATION

SIZE CODE: DCS NUMBER: 7008792-0-1 REV. B

IBM, EPO, and other marks are the property of International Business Machines Corporation and shall not be used in whole or in part by any other person without the written permission of International Business Machines Corporation.



- NOTES:**
1. ALL COLORED WIRES TO BE COVERED WITH ITEM #10 (CLEAR TUBING) PRIOR TO SOLDERING TO ITEM #9, P2 & P3 ONLY.
 2. ALL GROUND WIRES ON P1 TO BE COVERED WITH ITEM #11 (CLEAR TUBING) PRIOR TO CRIMPING TO ITEM #2 P1 ONLY.
 3. FOR PRODUCTION TESTING SEE DRAWING B-SP-7008777-0-3

LEGEND

NUMBER	VARIATION	
	DIM "X"	DIM "Y" REF
7008777-02	2'-0"	2'-6"

P/R	DESCRIPTION	QTY	DATE	REV
9/R	TUBING CLEAR TEFON #18	9107278-11	11	
9/R	TUBING CLEAR TEFON #10	9107302-11	10	
2	CARD CONNECTOR	M9098	9	
4	EYELET GS-4-9 STIMPSON	9006796	8	
2	CLAMP CABLE #940	1202704	7	
9/R	CABLE, COAX	1700001-00	6	
1/R	PLASTIC ELECT TAPES SCOTCH #33		5	
4/R	TAPE #4032 3M CO.	9002834	4	
1	JACK SCREW & COVER 117	1211082	3	
98	PIN BISEXUAL	1211093	2	
1	CONN HOUSING (BLACK)	1211091-1	1	

PROJECT DESCRIPTION: EX11-B		DATE: 7-29-72		PART IN LIST	
DRAWN BY: [Signature]		CHECKED BY: [Signature]		EQUIPMENT CORPORATION	
TITLE: IRM 360 CABLE ASSY		SCALE: DIA/7008777-0-0		REV: 1	
MATERIAL: ---		NEXT HIGHER ASSY: ---		SIZE: ---	
FINISH: ---		SHEET: 1 OF 2		DIST: ---	

This drawing and specifications herein are the property of Digital Equipment Corporation and shall not be reproduced or copied in whole or in part or used as a basis for the manufacture of any items without the prior written consent.

WIRED TABLE

ITEM NO	DESCRIPTION	COLOR	FROM		TO	
			CONNECTION	WITH	CONNECTION	WITH
3	COAX	GND	P1-B2	2,11	P2-26	SOLDER
		RED	P1-B3	2	P2-22	
		BLU	P1-D2	2	P2-20	
		GND	P1-D3	2,11	P2-26	
		GRN	P1-D9	2,11	P2-19	
		GND	P1-D5	2,11	P2-25	
		GND	P1-B4	2,11	P2-25	
		WHT	P1-D5	2	P2-18	
		RED	P1-D6	2	P2-17	
		GND	P1-D7	2,11	P2-24	
		GRN	P1-B6	2,11	P2-16	
		GND	P1-B7	2,11	P2-24	
		BLU	P1-B8	2	P2-15	
		GND	P1-B9	2,11	P2-23	
		GND	P1-D8	2,11	P2-23	
		WHT	P1-D9	2	P2-14	
		BLK	P1-B10	2	P2-9	
		GND	P1-B11	2,11	P2-4	
		GND	P1-D10	2,11	P2-3	
		RED	P1-D11	2	P2-7	
		BLU	P1-B12	2	P2-6	
		GND	P1-B13	2,11	P2-2	
		GND	P1-D12	2,11	P2-1	
		GRN	P1-D13	2,11	P2-5	
		GND	P1-62	2,11	P3-26	
		RED	P1-63	2	P3-22	
		BLU	P1-J2	2	P3-20	
		GND	P1-J3	2,11	P3-26	
		GRN	P1-J4	2,11	P3-19	
		GND	P1-J5	2,11	P2-25	
		GND	P1-64	2,11	P3-25	
		WHT	P1-65	2	P3-18	
		RED	P1-66	2	P3-17	
		GND	P1-67	2,11	P3-24	
		GRN	P1-J6	2,11	P3-16	
		GND	P1-J7	2,11	P3-24	
		BLU	P1-68	2	P3-15	
		GND	P1-69	2,11	P3-23	
		GND	P1-J8	2,11	P3-23	
		WHT	P1-J9	2	P3-14	
		BLK	P1-610	2	P3-9	
		GND	P1-611	2,11	P3-4	
		GND	P1-J10	2,11	P3-3	
		RED	P1-J11	2	P3-7	
		BLU	P1-612	2	P3-6	
		GND	P1-613	2,11	P3-2	
		GND	P1-J12	2,11	P3-1	
3	COAX	GRN	P1-J13	2,11	P3-5	SOLDER

REV	
CHG	
CHK	

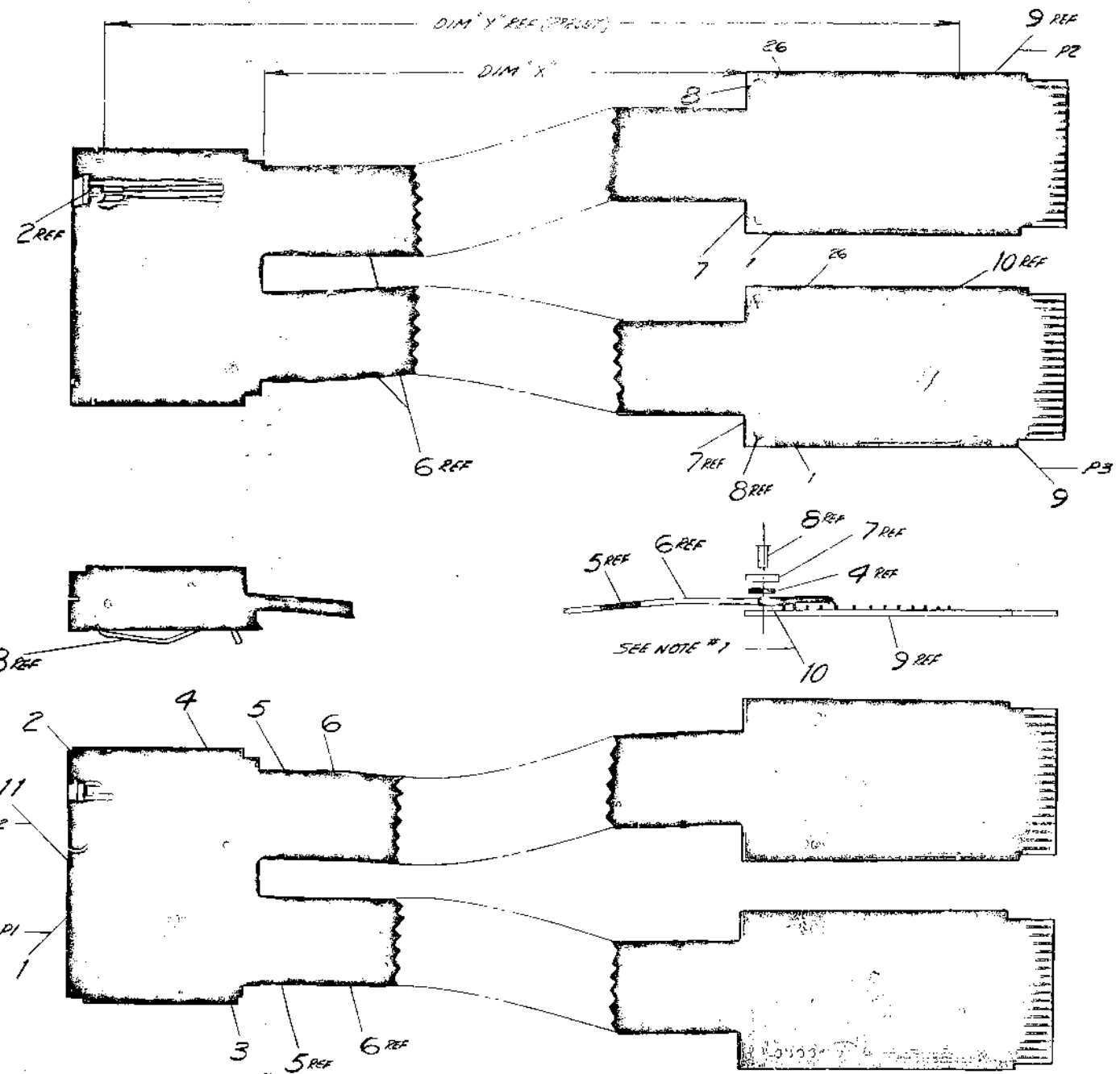
FIRST USED ON OPTION / MODEL
DX1-B

DO NOT SCALE DRAWING
UNLESS OTHERWISE SPECIFIED
DIMENSION IN INCHES
TOLERANCES
DECIMALS FRACTIONS ANGLES
± .001 ± 1/64 ± 0°30'
FINAL SURFACE QUALITY
REMOVE BURRS AND BREAK SHARP EDGES

QTY	DESCRIPTION	PART NO.	ITEM NO.
PARTS LIST			
DATE: 12-27-72		digital EQUIPMENT CORPORATION	
DATE: 12-27-72		TITLE: IBM 360 CABLE ASSY	
DATE: 12-27-72		SIZE/CODE: D-LA-DX11-B-0	
DATE: 12-27-72		NUMBER: D-LA7008919-0-0	
DATE: 12-27-72		REV: 1	
NEXT HIGHER ASSY: D-LA-DX11-B-0		SCALE: 1" = 1"	
SHEET: 2 OF 2		DIST: -	

- NOTES:**
1. ALL COLORED WIRES TO BE COVERED WITH ITEM #10 (CLEAR TUBING), PRIOR TO SOLDERING TO ITEM #9, P2 & P3 ONLY.
 2. ALL GROUND WIRES ON P1, TO BE COVERED WITH ITEM #11 (CLEAR TUBING) PRIOR TO CRIMPING TO ITEM #2 P1 ONLY.
 3. FOR PRODUCTION TESTING SEE DRAWING 8-SP-7008777-0-3

LEGEND		
NUMBER	VARIATION	
	DIM "X"	DIM "Y" REF
7008920-02	2'-0"	2'-6"



QTY	DESCRIPTION	PART NO	ITEM NO
1	AIR TUBING CLEAR TEFLON #18	9107278-11	11
1	AIR TUBING CLEAR TEFLON #19	9107302-11	10
2	CARD CONNECTOR	19289B	9
4	EYELET 6S-4-9 STIMPSON	5036796	8
2	CLAMP CABLE #340	1202704	7
1	CABLE, COAX	1700001-00	6
1	PLASTIC ELEC TAPE SCOTCH #33		5
1	TAPE #4032 3M CO.	9007839	4
1	JACK SCREW & COVER KIT	1211042	3
48	PIN BISMARL	1211043	2
1	CONN HOUSING (BROWN)	1211041-2	1

FIRST USED ON MODEL		DATE		PARTS LIST	
DXII-B		9-1-72		EQUIPMENT CORPORATION	
LARGEST OTHER HOUSE SPECIFIED DIM IN INCHES		DATE		TITLE	
TOLERANCES		9-1-72		IRM 360 CABLE ASSY	
DECIMALS	ANGLES	DATE	DATE	DATE	DATE
XX .05	* 30	9-1-72	9-1-72	9-1-72	9-1-72
XX .02		9-1-72	9-1-72	9-1-72	9-1-72
X 1		9-1-72	9-1-72	9-1-72	9-1-72
NEEDS DURING BREAK SHARP		DATE		DATE	
DURING'S SHARP QUALITY		9-1-72		9-1-72	
MAINTENANCE		NEXT INVENTORY		SIZE QUOT	
D-VA-DXII-B-2		DATE		NUMBER	
FINISH		SCALE NONE		DIA 7008920-0-0	
SHEET 1 OF 2		DIST		REV.	

REV. 2-72
CHANGEL NO.
DATE

This drawing and specifications are the property of Digital Equipment Corporation and shall not be reproduced or copied in whole or in part in any form without the express written permission of Digital Equipment Corporation.

WIRE TABLE

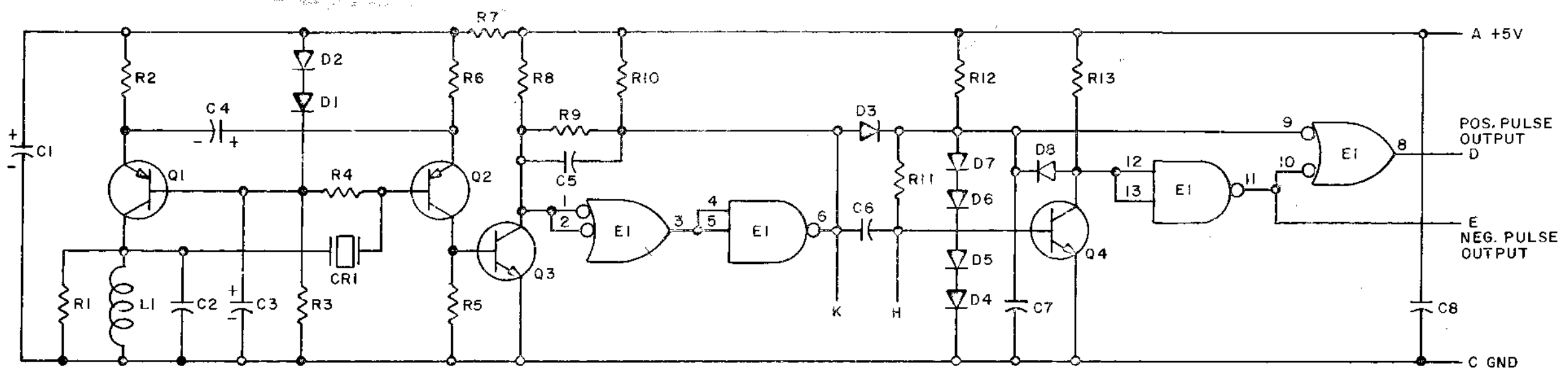
ITEM NO.	DESCRIPTION	FROM		TO		
		COLOR	CONNECTION WITH	CONNECTION WITH		
3	COAX	GND	P1-B2	2,11	P2-26	SOLDER
		RED	P1-B3	2	P2-22	
		BLU	P1-D2	2	P2-20	
		GND	P1-D3	2,11	P2-26	
		GRN	P1-D4	2,11	P2-19	
		GND	P1-D5	2,11	P2-25	
		GND	P1-B4	2,11	P2-25	
		WHT	P1-B5	2	P2-18	
		RED	P1-D6	2	P2-17	
		GND	P1-D7	2,11	P2-24	
		GRN	P1-B6	2,11	P2-16	
		GND	P1-B7	2,11	P2-24	
		BLU	P1-B8	2	P2-15	
		GND	P1-B3	2,11	P2-23	
		GND	P1-D8	2,11	P2-25	
		WHT	P1-D9	2	P2-19	
		BLK	P1-B10	2	P2-9	
		GND	P1-B11	2,11	P2-4	
		GND	P1-D10	2,11	P2-3	
		RED	P1-D11	2	P2-7	
		BLU	P1-B12	2	P2-6	
		GND	P1-B13	2,11	P2-2	
		GND	P1-D12	2,11	P2-1	
		GRN	P1-D13	2,11	P2-5	
		GND	P1-G2	2,11	P3-26	
		RED	P1-G3	2	P3-22	
BLU	P1-J2	2	P3-20			
		GND	P1-J3	2,11	P3-26	
		GRN	P1-J4	2,11	P3-19	
		GND	P1-J5	2,11	P2-25	
		GND	P1-G4	2,11	P3-25	
		WHT	P1-G5	2	P3-18	
		RED	P1-G6	2	P3-17	
		GND	P1-G7	2,11	P3-24	
		GRN	P1-J6	2,11	P3-16	
		GND	P1-J7	2,11	P3-24	
		BLU	P1-G8	2	P3-15	
		GND	P1-G9	2,11	P3-23	
		GND	P1-J8	2,11	P3-23	
		WHT	P1-J9	2	P3-14	
BLK	P1-G10	2	P3-9			
GND	P1-G11	2,11	P3-4			
GND	P1-J10	2,11	P3-3			
RED	P1-J11	2	P3-7			
BLU	P1-G12	2	P3-6			
GND	P1-G13	2,11	P3-2			
GND	P1-J12	2,11	P3-1			
3	COAX	GRN	P1-J13	2,11	P3-5	SOLDER

REV	
CHG	
CHK	
DRW	

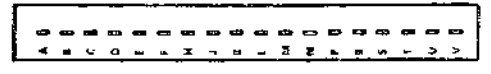
FIRST USED ON OPTION/MODEL: DX11-B		DO NOT SCALE DRAWING UNLESS OTHERWISE SPECIFIED DIMENSION IN INCHES TOLERANCES DECIMALS FRACTIONS ANGLES ±.005 ±.164 ±.030° FINAL SURFACE QUALITY REMOVE BURRS AND BREAK SHARP EDGES		PARTS LIST	
DATE	DATE	DATE	DATE	DATE	DATE
CHKD.	DATE	CHKD.	DATE	CHKD.	DATE
ENG.	DATE	ENG.	DATE	ENG.	DATE
PROJ. ENG.	DATE	PROJ. ENG.	DATE	PROJ. ENG.	DATE
PROD.	DATE	PROD.	DATE	PROD.	DATE
MATERIAL		NEXT HIGHER ASSEMBLY		TITLE	
FINISH		D-0A-DX11-B-2		IBM 360 CABLE ASSEMBLY	
SCALE NONE		SIZE CODE		NUMBER	
SHEET 2 OF 2		DIA 7009920-0-0		REV.	
		DIST.			

PART NUMBER DIA 7008920-0-0

THIS SCHEMATIC IS FURNISHED ONLY FOR TEST AND MAINTENANCE PURPOSES. THE CIRCUITS ARE PROPRIETARY IN NATURE AND SHOULD BE TREATED ACCORDINGLY. COPYRIGHT 1968 BY DIGITAL EQUIPMENT CORPORATION



- NOTES:
 1. PIN 14 ON IC = +5V
 2. PIN 7 ON IC = GND
 3. FOR VALUES OF C2, L1, CRI SEE DWG. CHART A-00517-2



R11, R12	RES. 390 1/4W 5% CC	1300309
C6	CAP. 120 MMF 100V 5% D.M.	1000018
L1, C2, CRI	SEE NOTE 3	
E1	INTEGRATED CKT. DEC7400N	1905575
Q3, Q4	TRANSISTOR DEC4274	1505502
Q1, Q2	TRANSISTOR DEC4258	1505521
R7	RES. 100 1/4W 10% CC	1300231
R4	RES. 100K 1/4W 10% CC	1300534
R3, R8, R10, R13	RES. 1K 1/4W 5% CC	1300365
R2, R5, R6, R9	RES. 2.2K 1/4W 10% CC	1300418
R1	RES. 10K 1/4W 10% CC	1300481
D3, D8	DIODE D664	1100114
D1, D2, D4-D7	DIODE D662	1100113
C7, C8	CAP. .01MFD 100V 20% DISC	1001610
C5	CAP. 47 MMF 100V 5% D.M.	1000011
C1, C3, C4	CAP. 39MFD 10V 10% S.TANT	1000076
PARTS LIST		A-PL-M405-0-0
REFERENCE DESIGNATION	DESCRIPTION	PART NO.

REV.	CHG NO.	REV.
B	00001	
C	00003	

DRN. <i>M. Waller</i>	DATE 4-17-68
CHK'D <i>[Signature]</i>	DATE 5/1/68
ENG. <i>A. Roberts</i>	DATE 5/22/68
PROD.	DATE

TRANSISTOR & DIODE CONVERSION CHART			
DEC	EIA	DEC	EIA
DEC4258	2N4258		
DEC4274	NONE		
D662	1N645		
D664	1N3606		

DIGITAL EQUIPMENT CORPORATION
 MAYNARD, MASSACHUSETTS

TITLE: **CRYSTAL CLOCK M405**

SIZE: B CODE: CS NUMBER: M405-0-1 REV: C

PRINTED CIRCUIT REV. B