



C

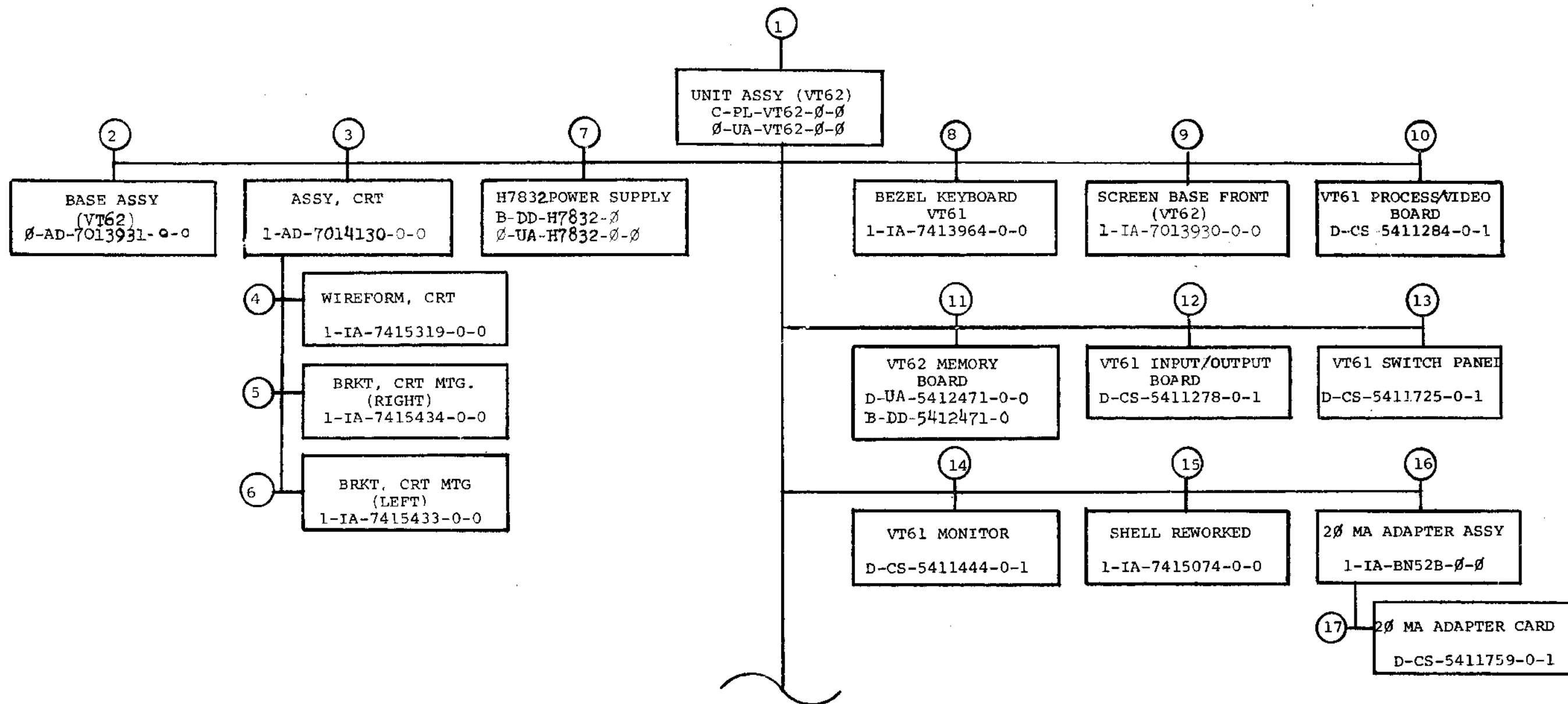
C

C

C

C

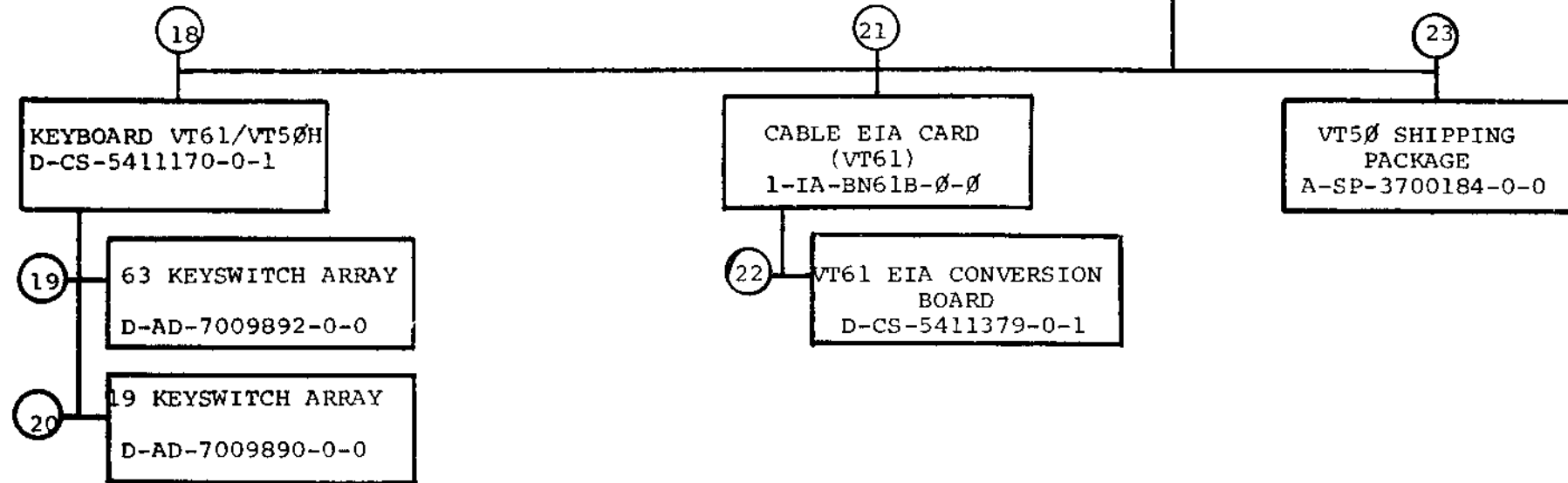




CONTINUED ON SHEET #3

TITLE	SIZE	CODE	NUMBER	REV
UNIT ASSY (VT62)	B	DD	VT62-Ø	
SHEET 2 OF 6				

CONTINUED FROM SHEET #3



TITLE	SIZE	CODE	NUMBER	REV
UNIT ASSY (VT62)	B	DD	VT62-0	
SHEET 3 OF 6				







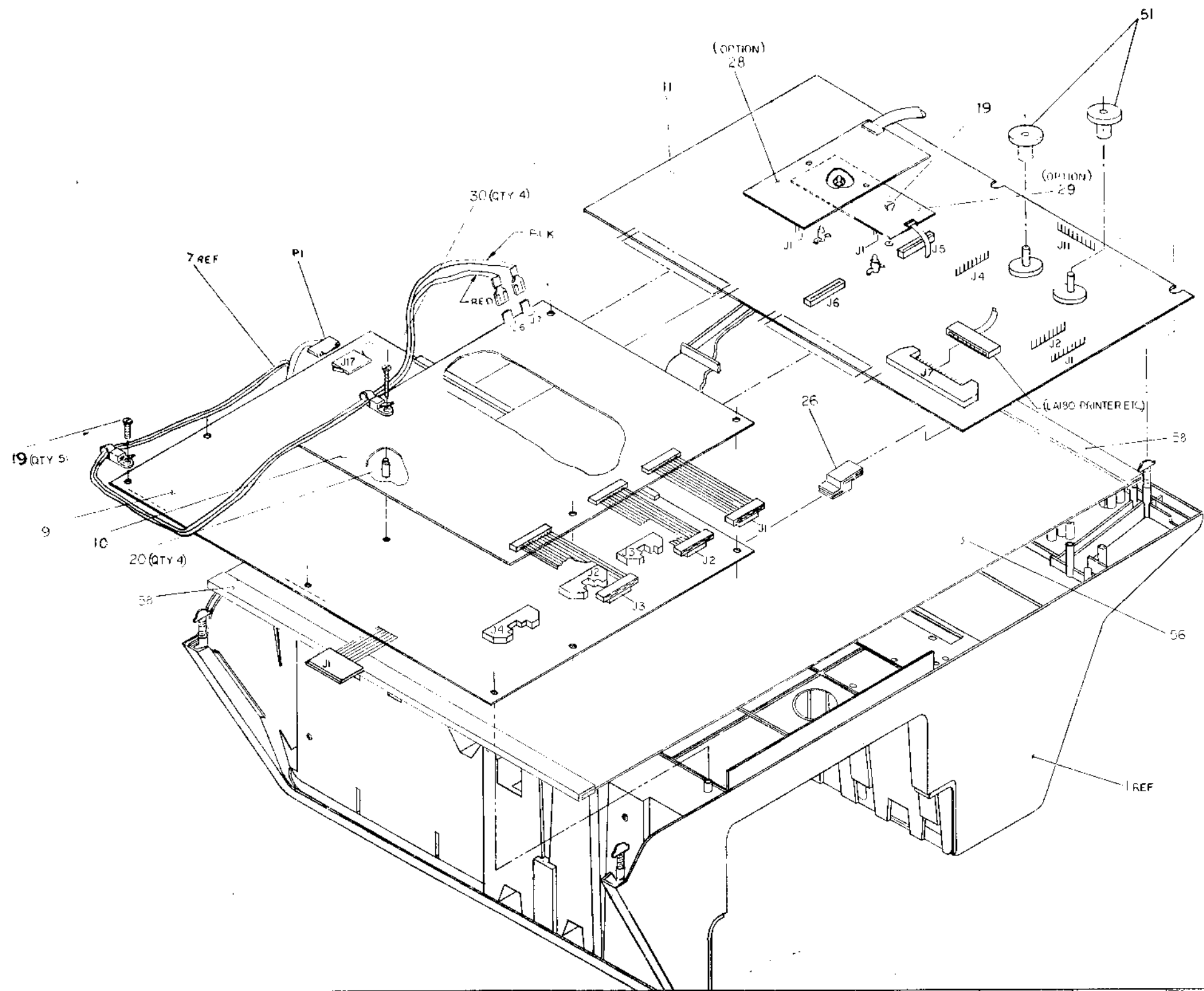






EXCEPT AS SPECIFICALLY INDICATED, ALL DIMENSIONS ARE TO BE TAKEN FROM THE EQUIPMENT OPERATING AND MAINTENANCE MANUAL. FOR COPIES OF THIS MANUAL, CONTACT THE MANUFACTURER OR THE DISTRIBUTOR. THE MANUFACTURER OR THE DISTRIBUTOR SHALL BE RESPONSIBLE FOR THE MANUFACTURE OR SALE OF THIS EQUIPMENT. THE MANUFACTURER OR THE DISTRIBUTOR SHALL BE RESPONSIBLE FOR THE MANUFACTURE OR SALE OF THIS EQUIPMENT.

1976



REV	CHG	BY

TITLE	UNIT ASSY (VT62)	SUBGROUP	NUMBER	REV
SCALE				
SHEET	3	OF	4	

1 2 3 4 5 6 7 8 9 10 11 12 13 14 15 16 17 18 19 20 21 22 23 24 25 26 27 28 29 30 31 32 33 34 35 36 37 38 39 40 41 42 43 44 45 46 47 48 49 50 51 52 53 54 55 56 57 58 59 60 61 62 63 64 65 66 67 68 69 70 71 72 73 74 75 76 77 78 79 80 81 82 83 84 85 86 87 88 89 90 91 92 93 94 95 96 97 98 99 100



THIS DRAWING AND SPECIFICATIONS, HEREIN ARE THE PROPERTY OF DIGITAL EQUIPMENT CORPORATION AND SHALL NOT BE REPRODUCED OR COPIED OR USED IN WHOLE OR IN PART AS THE BASIS FOR THE MANUFACTURE OR SALE OF ITEMS WITHOUT WRITTEN PERMISSION. COPYRIGHT © DIGITAL EQUIPMENT CORPORATION

ITEM NO.	DWG. NO. / PART NO.	DESCRIPTION				
			VT62-AA	VT62-AB	VT62-AC	VT62-AD
1.	1-IA-7415074-0-0	SHELL (REWORKED)	1	1	1	1
2.	AD 7013931-0-0	BASE ASSEMBLY	1	1	1	1
3.	1-IA-7418566-0-0	HEAT SINK	1	1	1	1
4.	8-UA-H7832-0-0	H7832 POWER SUPPLY (VT62)	1	1	1	1
5.	D-CS-5411444-0-1	BOARD, MONITOR	1	1	1	1
6.	A-PS-3613210-0-0	LABEL, ALU ADHESIVE ELECTRICAL DATA	1	1	1	1
7.	D-IA-7012017-0-0	HARNESS, POWER (VT61)	1	1	1	1
8.	AD-7014130-1-0	CRT ASSEMBLY	1	1	1	1
9.	D-CS-5411284-2-1	BOARD, PROCESS VIDEO (VT61)	1	1	1	1
10.	D-UA-5412471-0-1	BOARD, MEMORY (VT62)	1	1	1	1
11.	D-CS-5411278-1-1	BOARD, INPUT/OUTPUT (VT61)	1	1	1	1
12.	D-CS-5411170-10-1	KEYBOARD VT61/VT50H	1	1	1	1
13.	D-CS-5411725-0-1	BOARD, SWITCH PANEL (VT61)	1	1	1	1
14.	1-IA-7013930-0-0	SCREEN, BASE FRONT	1	1	1	1
15.	B-MD-7414751-0-0	SUPPORT FOAM	1	1	1	1
16.	1-IA-7011197-0-0	CRT, GROUNDING ASSEMBLY	1	1	1	1
17.	9009670-00	STANDOFF, PLASTIC SNAP-IN .25 LG	2	2	2	2
18.	9008407-01	SCR. PHL. PAN HD. #6-20 X .38 LG.	2	2	2	2
19.	9009681-05	SCR. THD. ROLLING #10 X .38 LG	24	24	24	24
20.	1212891-00	SPACER, PILOTED .75 LG.	4	4	4	4
21.	D-MD-7413103-0-0	COVER, CASSETTE	1	1	1	1
22.	1-IA-7413964-2-0	BEZEL, KEYBOARD VT61	1	1	1	1
23.	8-MD-7412573-0-0	COVER, PLANK FIXED ASSY	1	1	1	1
24.	E-MD-7412574-1-0	COPIER COVER (VT 50)	1	1	1	1
25.	1-IA-7415317-0-0	PLATE, MTG (VT61)	1	1	1	1
26.	2-MD-7415342-0-0	CLIP, BOARD MTG.	1	1	1	1
27.	9006801-00	SPACER, METAL .25 HEX X .38 LG.	8	8	8	8
28.	1-IA-BN618-05	CABLE, EIA CARD (VT61)	-	-	1	1
29.	1-IA-BN52B-7F	ADAPTER ASSY 28 MA	1	1	-	-
30.	9009803-00	SCR SELF-TAPPING TYPE A #8-5 X 1.38 LG	4	4	4	4
31.	9009683-01	SCR HEX WASHER HD (BLK) #8-32 X .38 LG.	6	6	6	6
32.	9009373-00	SCR. HEX HEAD SELF TAP #4	2	2	2	2
33.	9009671-00	WASHER, METAL WITH GASKET	2	2	2	2
34.	9006043-03	SCR. PHL. TRUSS HD. #8-32 X 1.0 LG.	2	2	2	2
35.	C-IA-7418251-0-0	CABLE, SAFETY GROUND	1	1	1	1
36.	C-MD-7413400-0-0	BRACKET, COPIER WELL	1	1	1	1
37.	9008185-00	KEPNUT #6-32	8	8	8	8
38.	9006565-00	KEPNUT #10-32	10	10	10	10
39.	9009679-02	SCR. HEX WASHER HD. #8 X .75 LG.	2	2	2	2
40.	9009910-00	SPACER, PLASTIC #10 x .375 x .25 LG	2	2	2	2
41.	C-IA-7418251-3-0	CABLE, SAFETY GROUND	1	1	1	1
42.	A-PL-VT62-0-1	SHIPPING LIST	1	1	1	1
43.	A-SP-3700184-1-0	PACK INST. TERMINAL WITHOUT COPIER	1	1	1	1

115V,  
60HZ  
3.0A  
115V,  
60HZ  
230V,  
50HZ

REV. A	2-13-78	E. A. BRUCKERT
REV. B	3/2/77	3/2/77
REV. C	3/2/77	3/2/77
REV. D	3/2/77	3/2/77
REV. E	3/2/77	3/2/77
REV. F	3/2/77	3/2/77
REV. G	3/2/77	3/2/77
REV. H	3/2/77	3/2/77
REV. I	3/2/77	3/2/77
REV. J	3/2/77	3/2/77
REV. K	3/2/77	3/2/77
REV. L	3/2/77	3/2/77
REV. M	3/2/77	3/2/77
REV. N	3/2/77	3/2/77
REV. O	3/2/77	3/2/77
REV. P	3/2/77	3/2/77
REV. Q	3/2/77	3/2/77
REV. R	3/2/77	3/2/77
REV. S	3/2/77	3/2/77
REV. T	3/2/77	3/2/77
REV. U	3/2/77	3/2/77
REV. V	3/2/77	3/2/77
REV. W	3/2/77	3/2/77
REV. X	3/2/77	3/2/77
REV. Y	3/2/77	3/2/77
REV. Z	3/2/77	3/2/77

DRWG. DRAYTON	95EPT76	FIRST USED ON	VT62
CHK'D. <i>Filomena</i>	3/2/77	TITLE	UNIT ASSY (VT62)
ENG. <i>Thompson</i>	3/2/77	REV.	B
PROD. <i>Thompson</i>	3/2/77	SCALE	1 OF 2
PROD. <i>Thompson</i>	3/2/77	SHEET	1 OF 2
NEXT HIGHER ASSY.	B-DD-VT62-0	SIZE CODE	C PL
SCALE	1 OF 2	NUMBER	VT62-0-0
SHEET	1 OF 2	DIST.	

D  
C  
B  
A

THIS DRAWING AND SPECIFICATIONS, HEREIN ARE THE PROPERTY OF DIGITAL EQUIPMENT CORPORATION AND SHALL NOT BE REPRODUCED OR COPIED OR USED IN WHOLE OR IN PART AS THE BASIS FOR THE MANUFACTURE OR SALE OF ITEMS WITHOUT WRITTEN PERMISSION. COPYRIGHT © DIGITAL EQUIPMENT CORPORATION

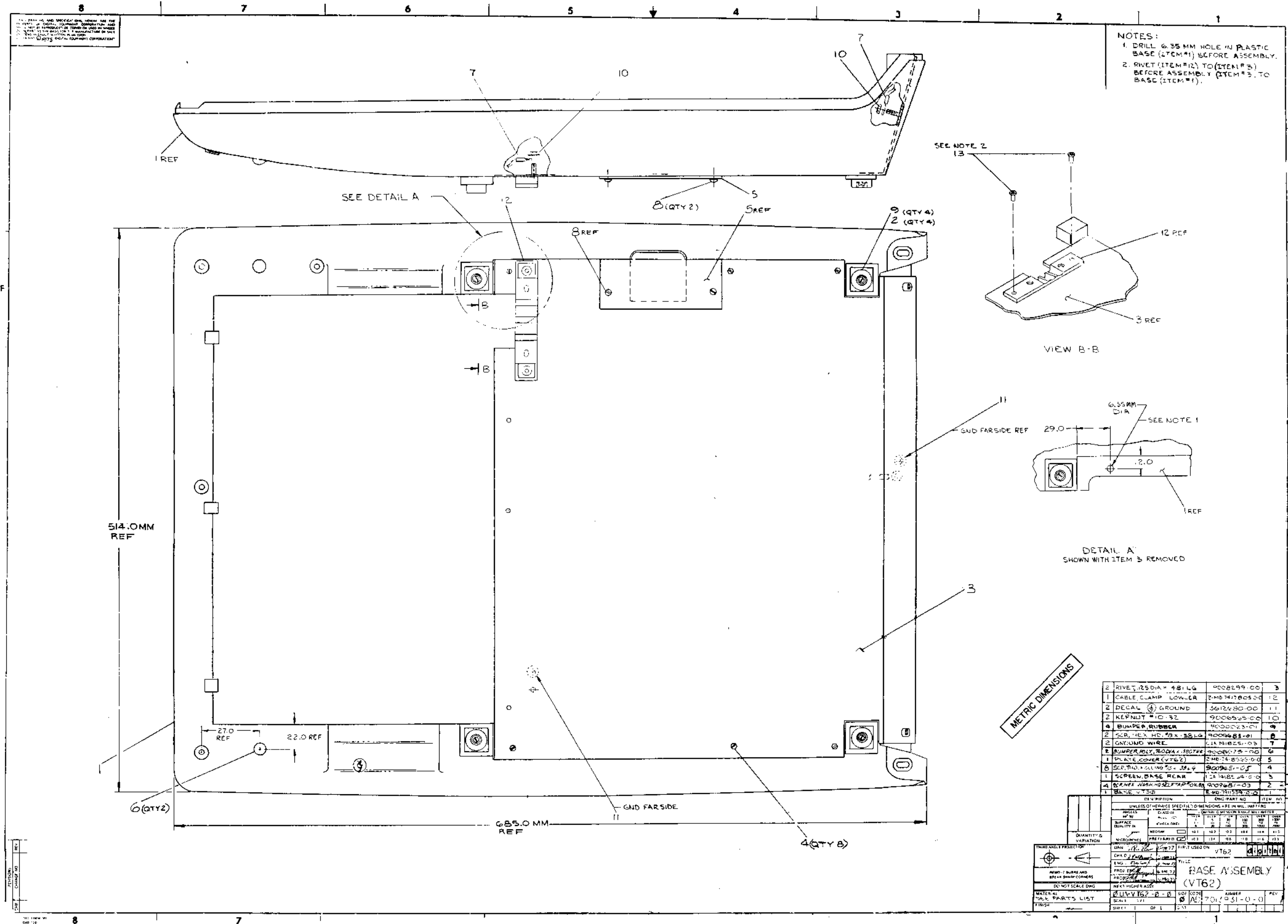
ITEM NO.	DWG. NO./PART NO.	DESCRIPTION	VT62-AA	VT62-AB	VT62-AC	VT62-AD
45.	A-PS-3614166-1-0	LABEL ADHESIVE BACKED PRINTED	-	1	-	1
46.	A-PS-3614166-0-0	LABEL ADHESIVE BACKED PRINTED	1	-	1	-
47.	A-PS-3613241-1-0	DECAL BASE FRONT	1	1	1	1
48.	A-DC-7414213-0-0	DECAL (UL)	1	1	1	1
49.	1213771	SPRING, SLIDE COVER	1	1	1	1
50.	2-MD-7417806-0-0	COVER, SLIDE	1	1	1	1
51.	2-MD-7417802-0-0	SPACER, SWITCH	2	2	2	2
52.	C-MD-7417804-0-0	CABLE CLAMP UPPER	1	1	1	1
53.	9007854-01	SCREW, PHL PAN HD#8-32 X .56 LG	2	2	2	2
54.	A-PS-3612680-0-0	DECAL, GROUND SYMBOL	3	3	3	3
55.	9009830-01	STRAP, GND 7"	2	2	2	2
56.	6-MD-7419543-02	RFI SHIELD	1	1	1	1
57.	7419599-01	SLEEVING 6 1/8"	2	2	2	2
58.	9008845-00	TAPE, GLASS REINFORCED	A/R	A/R	A/R	A/R

115V  
60HZ  
230V  
50/60HZ  
115V  
60HZ  
230V  
50/60HZ

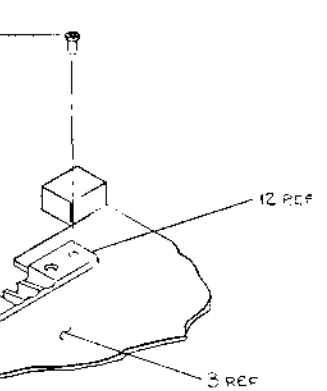
REV.	
CHG	

DRN. G. DRAYTON	9 SEPT 78	FIRST USED ON	Digital
CHK'D BY		VT62	
ENG. BY		TITLE	
PROJ. ENG.		UNIT ASSY	
PROD. BY		(VT62)	
NEXT HIGHER ASSY.		SIZE	CODE
B-DD-VT62-0		C	PL
SCALE		NUMBER	REV.
		VT62-0-0	B
SHEET	2 OF 2	DIST.	

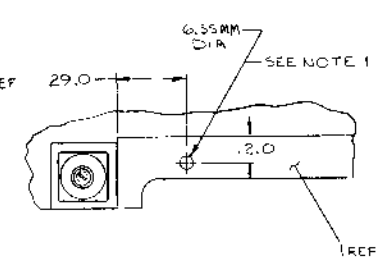
D  
C  
B  
A



NOTES:  
 1. DRILL 6.35 MM HOLE IN PLASTIC BASE (ITEM #1) BEFORE ASSEMBLY.  
 2. RIVET (ITEM #2) TO (ITEM #3) BEFORE ASSEMBLY (ITEM #3) TO BASE (ITEM #1).



VIEW B-B



DETAIL A' SHOWN WITH ITEM 3 REMOVED

METRIC DIMENSIONS

QTY	DESCRIPTION	UNIT	ITEM NO.
2	RIVET, 1/25 DIA x 4.81 LG	PC02899-00	2
1	CABLE CLAMP, LOWER	2-MD7417005-00	12
2	DECAL (4) GROUND	3612480-00	11
2	KEYNUT #10-32	9006565-00	10
4	BUMPER, RUBBER	4000523-01	4
2	SCR, HEX HD, #8 x .35 LG	9009683-01	7
2	GROUND WIRE	12A14825-03	7
2	BUMPER ADLY, 800A x .307W	9000675-00	6
1	PLATE COVER (VT62)	2-MD741805-00	5
6	SCR, HD, COLLING #2 x .25 LG	9009651-03	4
1	SCREEN, BASE REAR	12A14825-03	3
4	BUMPER WASHING SELF TAP OK	9009687-03	2
1	BASE, VT62	2-MD741805-00	1

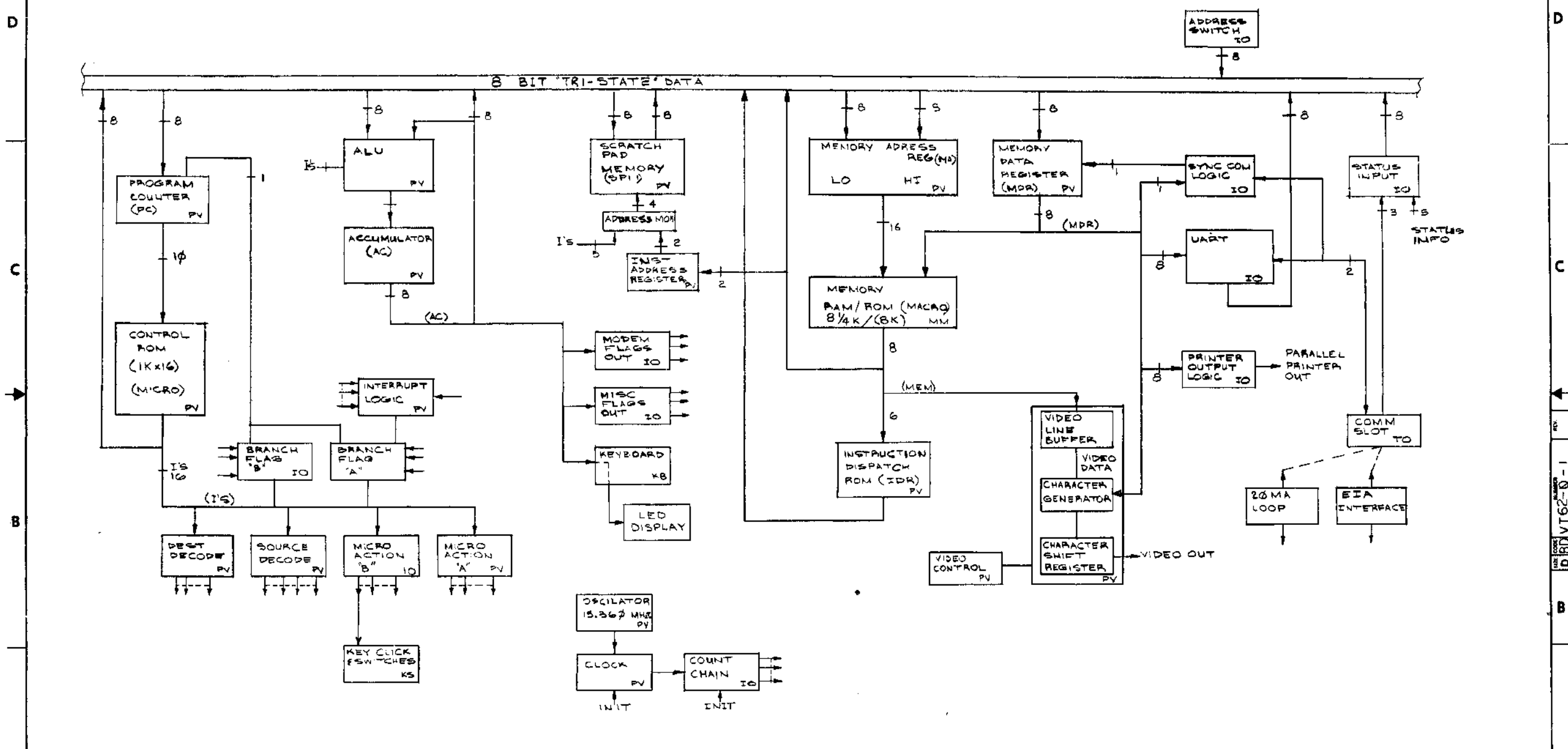
QTY	DESCRIPTION	UNIT	ITEM NO.
1	BASE ASSEMBLY (VT62)		

1. PARTS AND SERVICES ARE SUBJECT TO CHANGE WITHOUT NOTICE.  
 2. THIS DRAWING IS THE PROPERTY OF THE COMPANY AND IS NOT TO BE REPRODUCED OR COPIED IN ANY MANNER.  
 3. ALL DIMENSIONS ARE IN MILLIMETERS UNLESS OTHERWISE SPECIFIED.  
 4. ALL DIMENSIONS ARE TO CENTER UNLESS OTHERWISE SPECIFIED.  
 5. ALL DIMENSIONS ARE TO DIMENSION LINES UNLESS OTHERWISE SPECIFIED.  
 6. ALL DIMENSIONS ARE TO DIMENSION LINES UNLESS OTHERWISE SPECIFIED.

REV. 1  
 DATE 10/1/77  
 DRAWN BY  
 CHECKED BY

THIS DRAWING AND SPECIFICATIONS HEREIN ARE THE PROPERTY OF DIGITAL EQUIPMENT CORPORATION AND SHALL NOT BE REPRODUCED OR COPIED OR USED IN WHOLE OR IN PART AS THE BASIS FOR THE MANUFACTURE OR SALE OF ITEMS WITHOUT WRITTEN PERMISSION. COPYRIGHT © 1977 DIGITAL EQUIPMENT CORPORATION

1-0-291A 2



REV	
CHANGE NO.	
REVISIONS	

DRN 7. Buller	10/22/77	FIRST USED ON	VT62
CHK'D J. Falkner	3/20/77	TITLE	BLOCK DIAGRAM
ENG. Design	11/21/77	SIZE	D BD
PROJ. ENG. J. Falkner	7/24/77	NUMBER	VT62-0-1
PROD. J. Falkner	3/14/77	REV.	
NEXT HIGHER ASSY.		SCALE	
0UA-VT62-0-0		SHEET	1 OF 2

DEC FORM NO. PRD 102 D



THIS DRAWING AND SPECIFICATIONS HEREIN ARE THE PROPERTY OF DIGITAL EQUIPMENT CORPORATION AND SHALL NOT BE REPRODUCED OR COPIED OR USED IN WHOLE OR IN PART AS THE BASIS FOR THE MANUFACTURE OR SALE OF ITEMS WITHOUT WRITTEN PERMISSION. DIGITAL EQUIPMENT CORPORATION. COPYRIGHT © 1971

CLA SIGNAL	I15	I14	I13	I12	I11	I10	I9	I8	I7	I6	I5	I4	I3	I2	I1	I0
NO OP A														0	0	0
INC AC														0	0	1
LD IA														0	1	0
INC MA														0	1	1
SHIFT MOD														1	0	0
CLA PC														1	0	1
COMP PC B														1	1	0
LD RAM														1	1	1

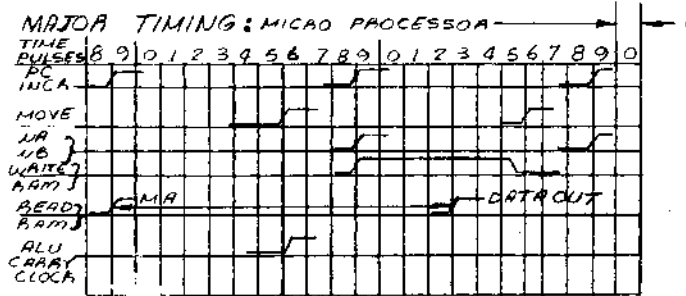
L.B SIGNAL	I15	I14	I13	I12	I11	I10	I9	I8	I7	I6	I5	I4	I3	I2	I1	I0
NO OP B	1	0	1													
SPARE	1	0	1													
RESET FLAG	1	0	1													
SPARE	1	0	1													
SPARE	1	0	1													
LD MISC FLAG	1	0	1													
LD LED FLAG	1	0	1													
LD MODEM FLAG	1	0	1													
SET REYCLICK	1	0	1													
LD INT CONTROL	1	0	1													
SPARE	1	0	1													
CLA MDR L	1	0	1													
LD SYNC LAMP	1	0	1													
PLD L	1	0	1													
CLA VID SERV REQ	1	0	1													
ENABLE VID LD	1	0	1													
ENABLE MDR A	1	0	1													
ENABLE MDR B	1	0	1													

SOURCE SIGNAL	I15	I14	I13	I12	I11	I10	I9	I8	I7	I6	I5	I4	I3	I2	I1	I0
SEL AC						0	0	0	0							
SEL STATUS 1						0	0	0	1							
SEL SWITCHES						0	0	1	0							
SEL CAS 1						0	0	1	1							
SEL CAS 2						0	1	0	0							
SEL RAM						0	1	0	1							
SEL IDA						0	1	1	0							
SEL UART						0	1	1	1							
SEL SPM LO						1	0	1	0							
SEL SPM HI						1	0	1	1							
SEL RAM						1	1	0	X							
SPARE						1	0	0	0							
TEST BOX SWITCH						1	0	0	1							

BRANCH FLAG SIGNAL	I15	I14	I13	I12	I11	I10	I9	I8	I7	I6	I5	I4	I3	I2	I1	I0
INTA 1	1	1	0	0	0	0	0	0	0							
NB X	1	1	1	0	0	0	0	0	1							
NBA	1	1	1	0	0	0	0	1	0							
F1	1	1	1	0	0	0	1	1	1							
F2	1	1	1	0	0	1	0	0	0							
C FLAG	1	1	1	0	0	1	0	1	1							
UART A FLAG	1	1	1	0	0	1	1	0	0							
UART B FLAG	1	1	1	0	0	1	1	1	1							
DO X OFF	1	1	1	0	1	0	0	0	0							
GOUT SER	1	1	1	0	1	0	0	1	1							
F3	1	1	1	0	1	0	1	0	0							
INTA 2	1	1	1	0	1	0	1	1	1							
KEY DOWN	1	1	1	0	1	1	0	0	0							
PWR UP	1	1	1	0	1	1	0	1	1							
SYNC EXH	1	1	1	0	1	1	1	1	0							
PARITY ERROR	1	1	0	0	1	1	1	1	1							
MEM BZY	1	1	0	1	0	0	0	0	0							
EQUAL	1	1	0	1	0	0	0	1	1							
CARRY OUT	1	1	1	1	1	0	0	1	0							
MDR OF OUT	1	1	0	1	0	0	1	1	1							
COPIER SER REQ	1	1	1	1	0	1	0	0	0							
PCF	1	1	1	1	0	1	0	1	1							
TRAE	1	1	0	1	0	1	1	0	0							
UID SERV	1	1	1	1	0	1	1	1	1							

\* I13 IN THE BRANCH FLAGS SHOWS TRUE BRANCH

DESTINATION SIGNAL	I15	I14	I13	I12	I11	I10	I9	I8	I7	I6	I5	I4	I3	I2	I1	I0
LD MA LO	0	1	0	0	0											
LD MA HI	0	1	0	0	1											
LD PC	0	1	0	1	0											
LD UART	0	1	0	1	1											
CAS 3 L	0	1	1	0	0											
LD MDR	0	1	1	0	1											
LD SPM	0	1	1	1	1											
LD SPM	0	1	1	1	1											
LD AC	X	0	0	0	X											



MISC FLAGS	MODEM FLAGS	LED FLAGS
AC0 GOUT STAGE		D1
AC1 RTS	F3	D2
AC2 GOUT EXH		D3
AC3 STD	DTA	D4
AC4 CLR UART A FLAG		D5
AC5		D6
AC6		D7
AC7 PWR UP		D8

STATUS	TERMINAL NO
DB0 CTS	1
DB1 SBD	2
DB2 CD	4
DB3	8
DB4 REMOTE L	16
DB5 PAINTER CABLE L	32
DB6 COPS LOCK L	64
DB7 FULL DUPLEX L	128

ALU FUNCTION	F3	F2	F1
NOT	0	0	0
OR	0	0	1
XOR	0	1	0
AND	0	1	1
DEC	1	0	0
ADD	1	0	1
SUB	1	1	0
SHIFT LEFT	1	1	1

	I15	I14	I13	I12	I11	I10	I9	I8	I7	I6	I5	I4	I3	I2	I1	I0
MOVE	0	0	0	0	0	0	0	0	0	0	0	0	0	0	0	0
COMP TO P.C	1	0	0	1	0	0	0	0	0	0	0	0	0	0	0	0
ALU	1	0	0	0	0	0	0	0	0	0	0	0	0	0	0	0
BRANCH	1	1	C	FL	FL	FL	FL	FL	L	L	L	L	L	L	L	L
OPERATE	1	0	1	X	UB	UB	UB	UB	UB	X	X	X	X	UB	UB	UB



NOTE: THIS DIAGRAM REPRESENTS THE PHYSICAL POSITIONING OF THE LED'S ON THE KEYBOARD

MDA	INTERUPT FLAG
MDA 0	N
MDA 1	B
MDA 2	F1
MDA 3	F2

CHK	CHANGE NO	REV

(INST/CODE CHART)

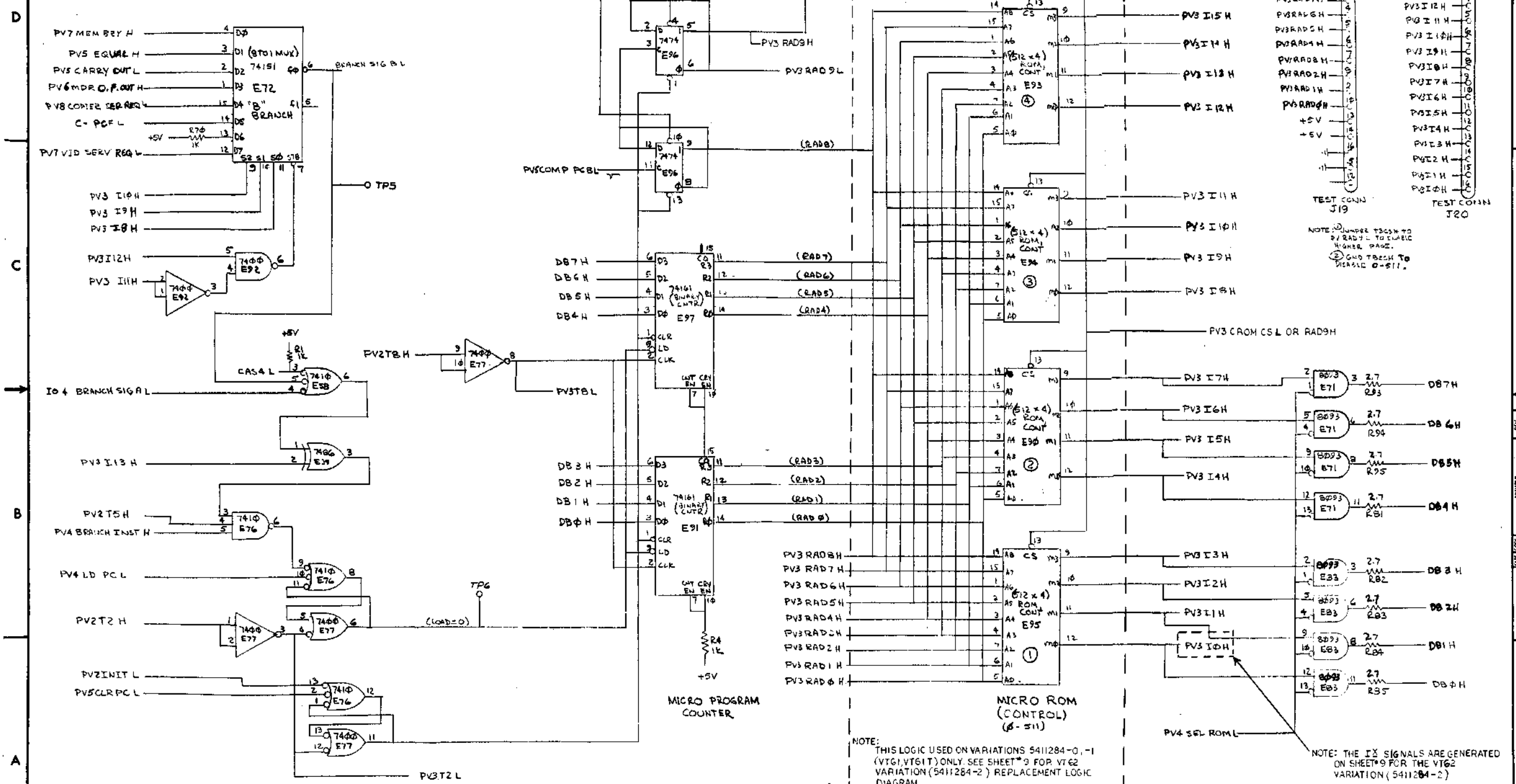
TITLE	SIZE	NUMBER	REV.
BLOCK DIAGRAM	D BD	VT62-0-1	
SCALE	SHEET 2 OF 2	DIST.	





"THIS DRAWING AND SPECIFICATIONS HEREIN ARE THE PROPERTY OF DIGITAL EQUIPMENT CORPORATION AND SHALL NOT BE REPRODUCED OR COPIED OR USED IN WHOLE OR IN PART AS THE BASIS FOR THE MANUFACTURE OR SALE OF ITEMS WITHOUT WRITTEN PERMISSION. COPYRIGHT © 1975 DIGITAL EQUIPMENT CORPORATION"

NOTE: W1 INSTALLED ON 5411284-0, -1, VARIATION (VTG1, VTE1T).  
W2 INSTALLED ON 5411284-2 VARIATION (VTG2)



NOTE: NUMBER T5CSN TO  
PV3 RAD7 - TO LOWER  
HIGHER PAGE.  
② GND TRASH TO  
DISABLE 0-511.

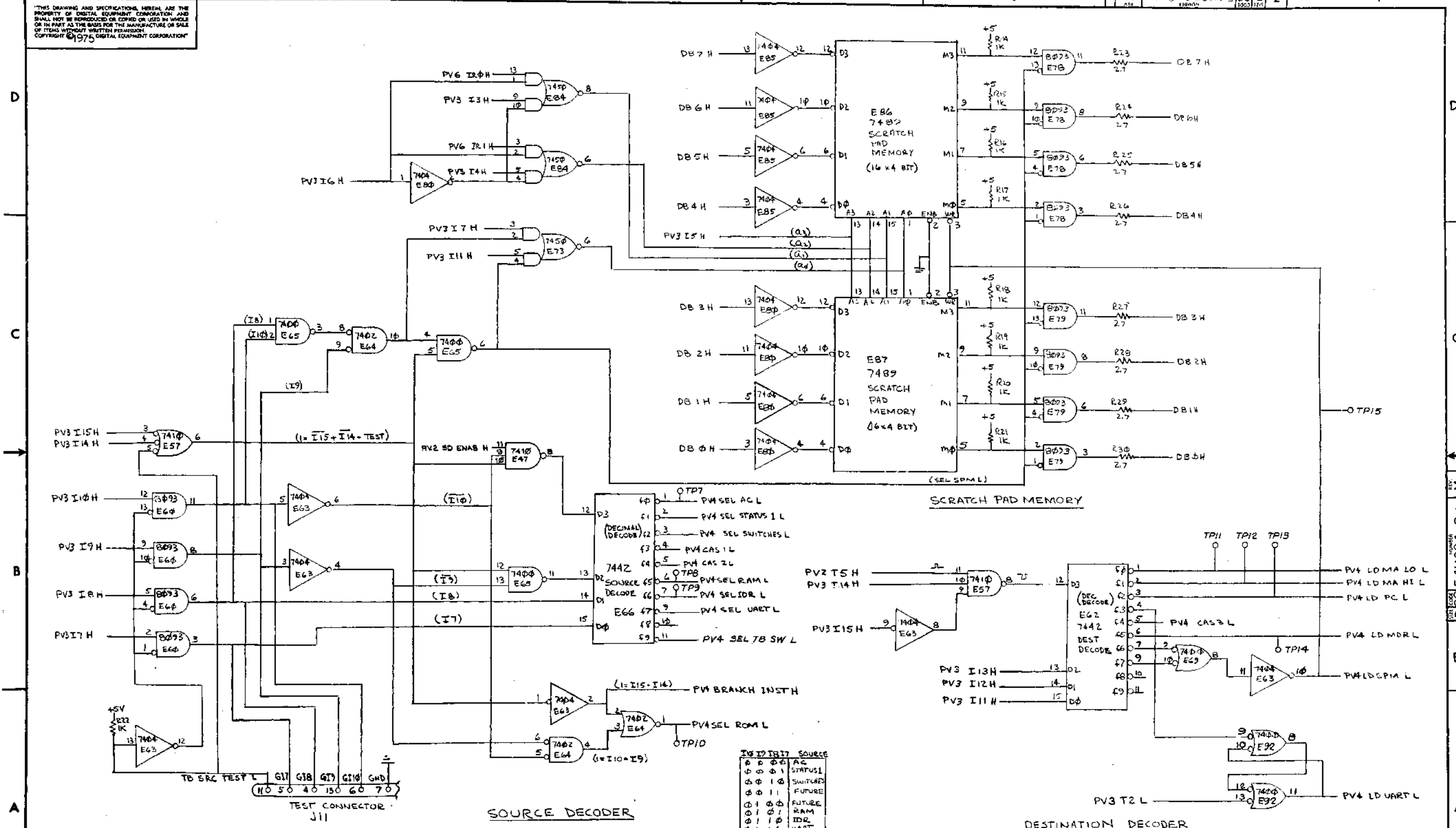
NOTE: THIS LOGIC USED ON VARIATIONS 5411284-0, -1  
(VTG1, VTE1T) ONLY. SEE SHEET 3 FOR VTG2  
VARIATION (5411284-2) REPLACEMENT LOGIC  
DIAGRAM.

NOTE: THE I<sub>X</sub> SIGNALS ARE GENERATED  
ON SHEET 9 FOR THE VTG2  
VARIATION (5411284-2)

CHK	CHANGE NO.	REV.

THIS DRAWING AND SPECIFICATIONS HEREIN ARE THE PROPERTY OF DIGITAL EQUIPMENT CORPORATION AND SHALL NOT BE REPRODUCED OR COPIED OR USED IN WHOLE OR IN PART AS THE BASIS FOR THE MANUFACTURE OR SALE OF ITEMS WITHOUT WRITTEN PERMISSION. COPYRIGHT © 1975, DIGITAL EQUIPMENT CORPORATION

DCS 5411284-0-1 2



IN	OUT	SOURCE
0	0	AC
0	0	STATUS 1
0	0	SWITCHES
0	0	FUTURE
0	1	FUTURE
0	1	RAM
0	1	IDR
0	1	UART
1	1	ROM
1	1	SPM LO
1	1	SPM HI

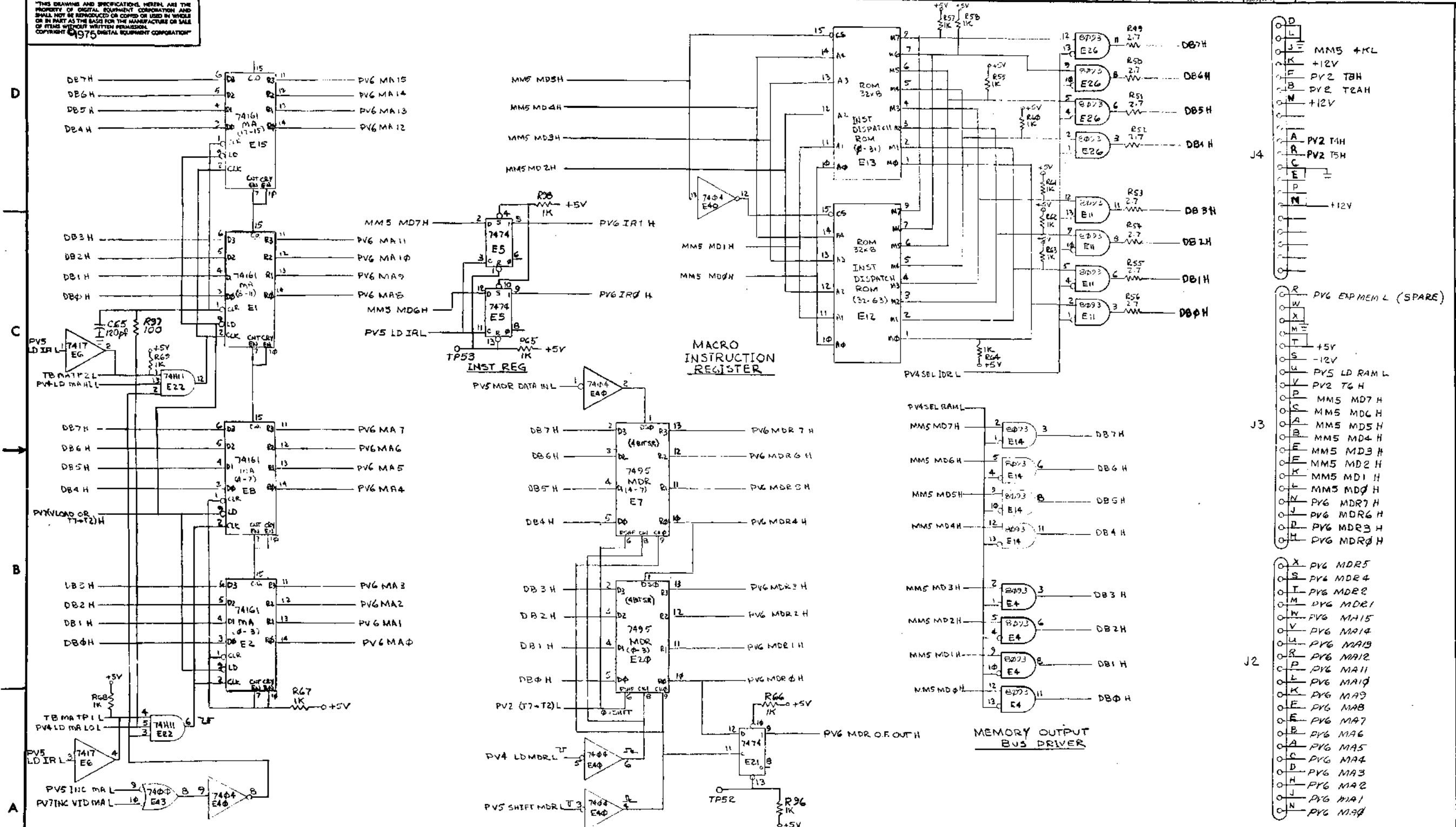
(1000 SPARE)  
(1001 TEST BOX SW)

REVISIONS		
CHK	CHANGE NO.	REV.



THIS DRAWING AND SPECIFICATIONS HEREIN ARE THE PROPERTY OF DIGITAL EQUIPMENT CORPORATION AND SHALL NOT BE REPRODUCED OR COPIED OR USED IN WHOLE OR IN PART AS THE BASIS FOR THE MANUFACTURE OR SALE OF ITEMS WITHOUT WRITTEN PERMISSION OF DIGITAL EQUIPMENT CORPORATION. COPYRIGHT © 1975 DIGITAL EQUIPMENT CORPORATION.

DCS 5411284-0-1

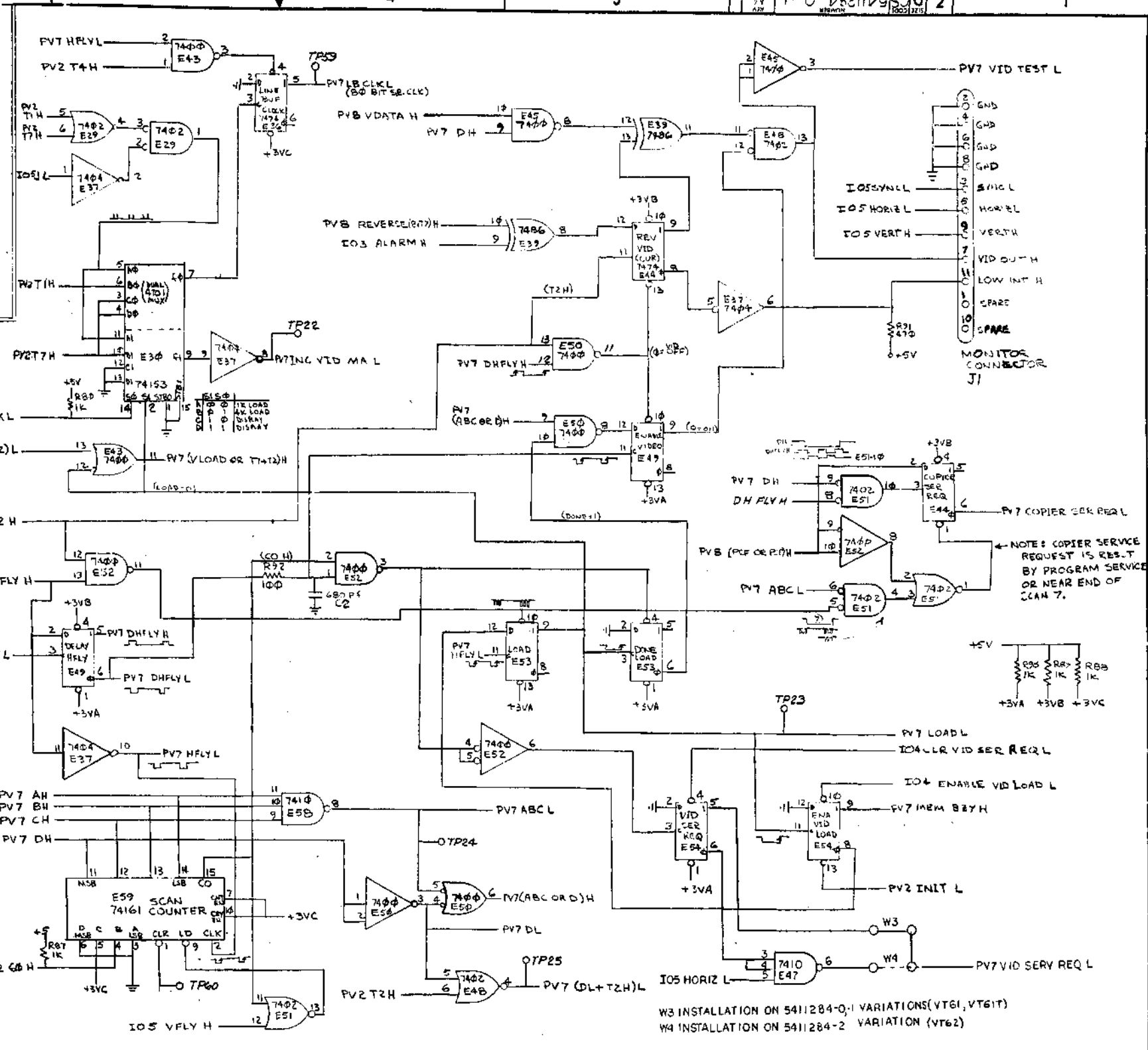
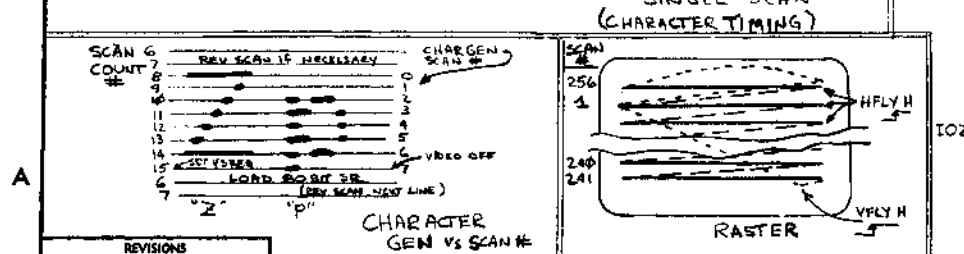
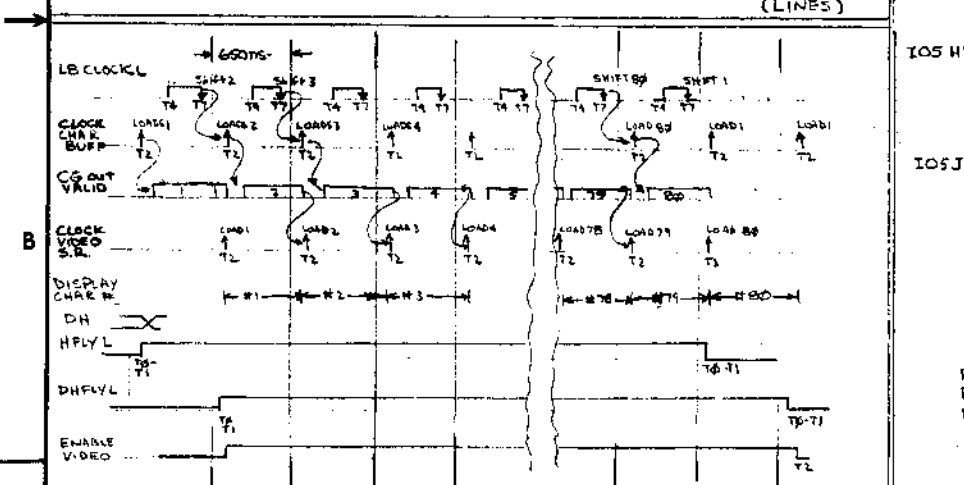
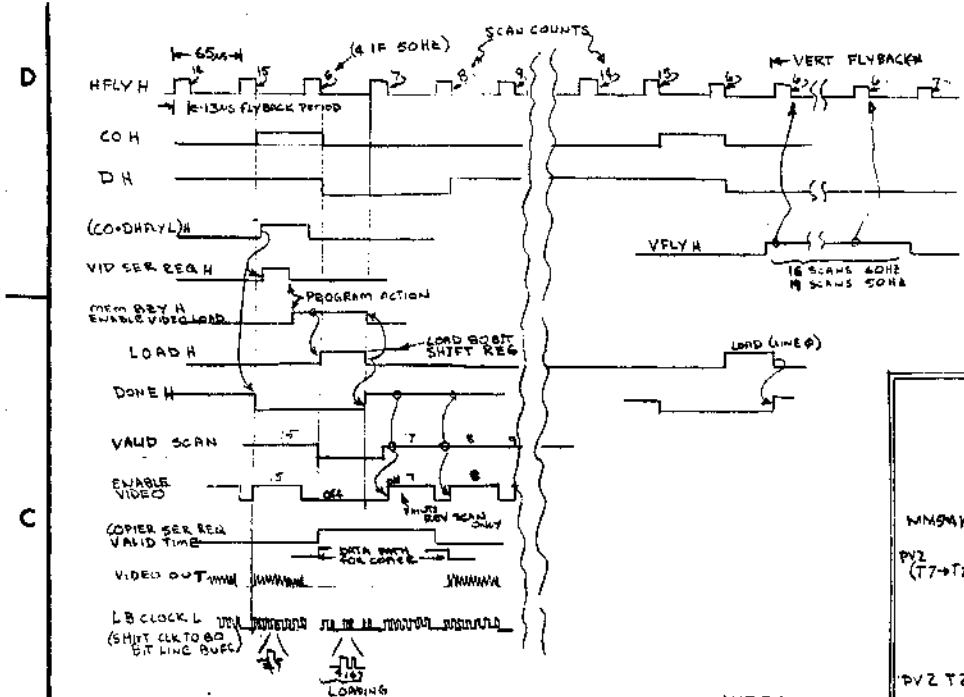


CHK	REVISIONS	CHANGE NO.	REV.

DCS 5411284-0-1 M

THIS DRAWING AND SPECIFICATIONS HEREIN ARE THE PROPERTY OF DIGITAL EQUIPMENT CORPORATION AND SHALL NOT BE REPRODUCED OR COPIED OR USED IN WHOLE OR IN PART AS THE BASIS FOR THE MANUFACTURE OR SALE OF ANY EQUIPMENT WITHOUT WRITTEN PERMISSION FROM DIGITAL EQUIPMENT CORPORATION.  
 COPYRIGHT © 1975 DIGITAL EQUIPMENT CORPORATION

DCS 5411284-0-1



CHK	CHANGE NO.	REV.

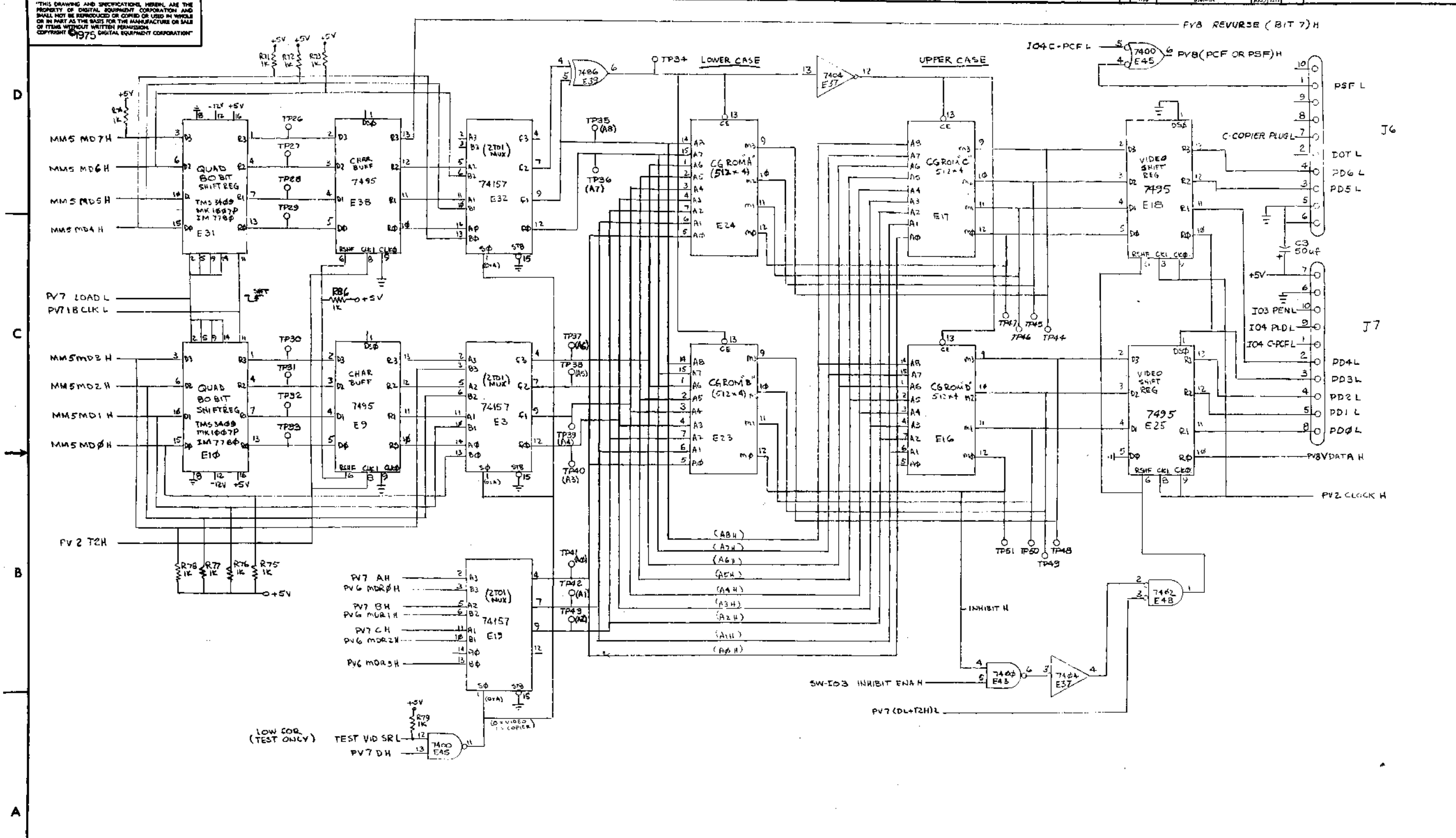
TITLE VT61 PROCESSOR VIDEO (VIDEO CONTROL/COPIER)		SIZE CODE DCS	NUMBER 5411284-0-1	REV. M
SCALE	SHEET 7	OF 10	DIST.	

DCS 5411284-0-1 M



THIS DRAWING AND SPECIFICATIONS, HEREIN, ARE THE PROPERTY OF DIGITAL EQUIPMENT CORPORATION AND SHALL NOT BE REPRODUCED OR COPIED OR USED IN WHOLE OR IN PART AS THE BASIS FOR THE MANUFACTURE OR SALE OF ITEMS WITHOUT WRITTEN PERMISSION. COPYRIGHT © 1975 DIGITAL EQUIPMENT CORPORATION

1-0-5411284-0-1



REVISIONS		
CHK	CHANGE NO.	REV.

TITLE: V61 PROCESSOR / VIDEO VIDEO DATA PATH / COPIER CONN. NUMBER: DCS 5411284-0-1 REV. M  
 SCALE: SHEET 8 OF 10

DCS 5411284-0-1 M

8

7

6

5

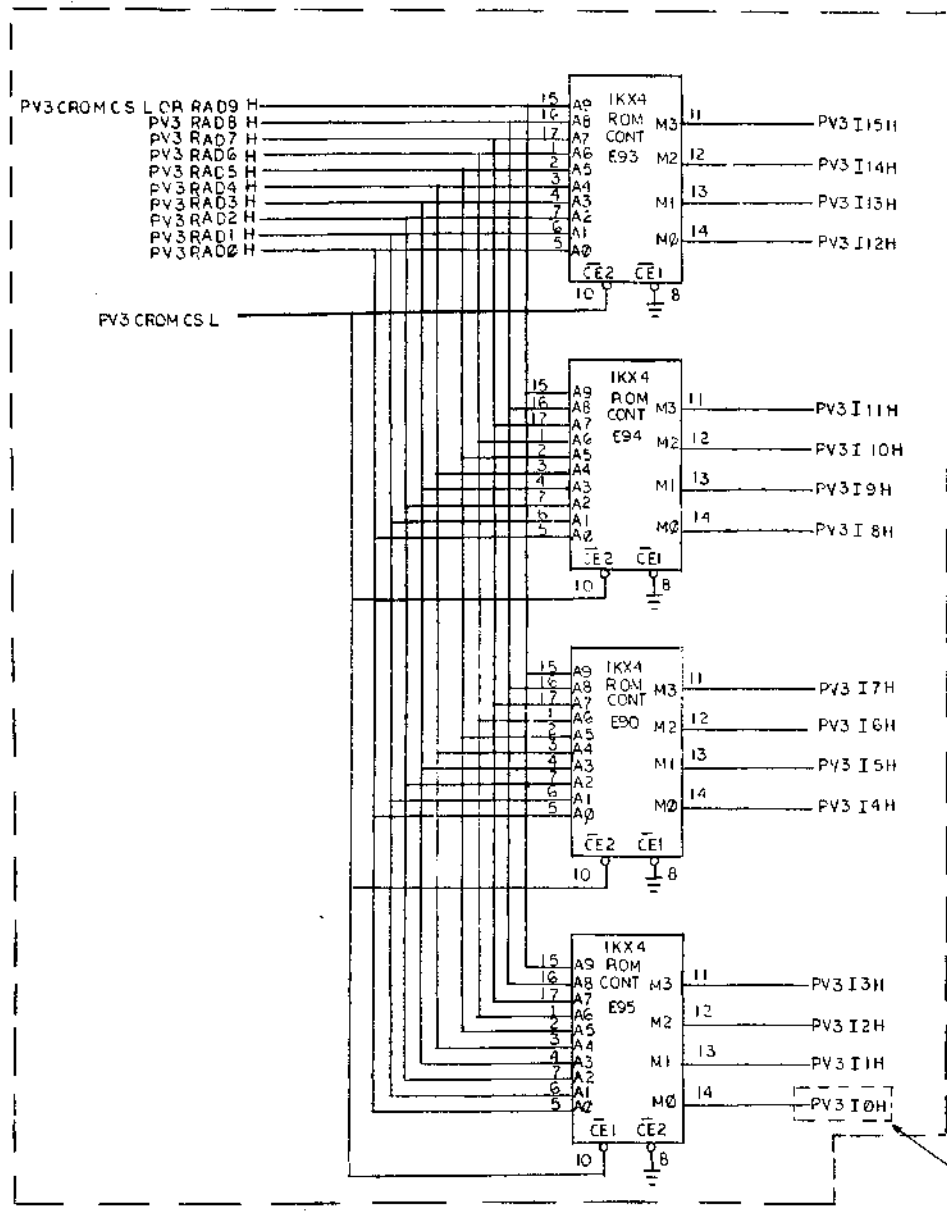
4

3

1

1-5411284-0 2

"THIS DRAWING AND SPECIFICATIONS HEREIN ARE THE PROPERTY OF DIGITAL EQUIPMENT CORPORATION AND SHALL NOT BE REPRODUCED OR COPIED OR USED IN WHOLE OR IN PART AS THE BASIS FOR THE MANUFACTURE OR SALE OF ITEMS WITHOUT WRITTEN PERMISSION. COPYRIGHT © 1976 DIGITAL EQUIPMENT CORPORATION"



MICRO ROM (CONTROL) (0-1023)

NOTE:  
 THIS LOGIC USED ON VT62 VARIATION (5411284-2) ONLY. SEE SHEET \*3 FOR VT61, VT61T VARIATIONS (5411284-0, -1).  
 IX SIGNALS ARE GENERATED ON SHEET \*3 FOR THE VT61, VT61T VARIATIONS (5411284-0, -1).

DIGITAL EQUIPMENT CORPORATION  
5411284-0-1 M

REVISIONS		
CHK	CHANGE NO.	REV.

TITLE VT61 PROCESSOR/VIDEO (CONTROL ROM 1KX16)		SIZE CODE DCS	NUMBER 5411284-0-1	REV. M
SCALE	SHEET 9 OF 10	DIST.		

8

7

6

5

4

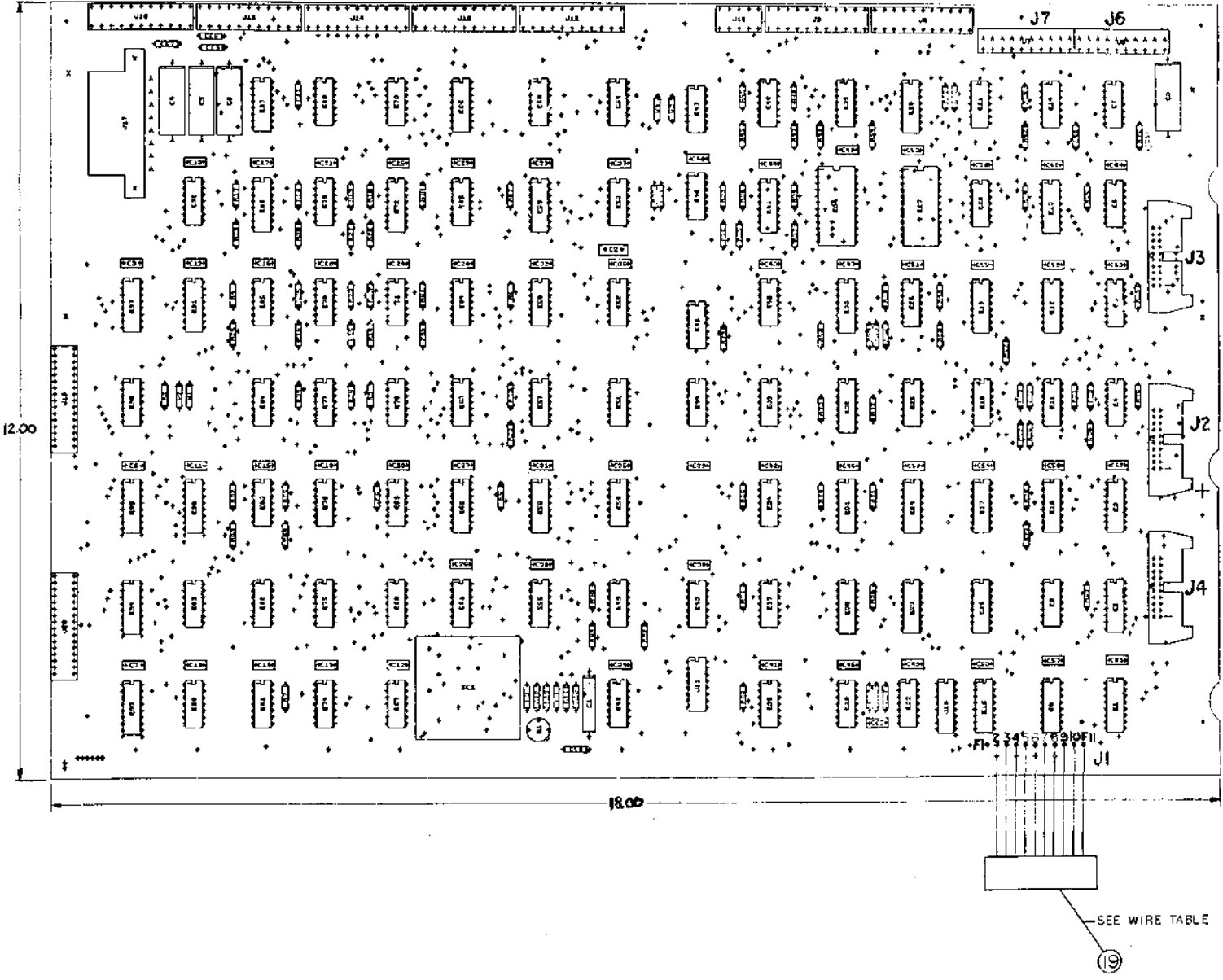
3

2

1

THIS DRAWING AND SPECIFICATIONS HEREIN ARE THE PROPERTY OF DIGITAL EQUIPMENT CORPORATION AND SHALL NOT BE REPRODUCED OR COPIED OR USED IN WHOLE OR IN PART AS THE BASIS FOR THE MANUFACTURE OR SALE OF ITEMS WITHOUT WRITTEN PERMISSION. COPYRIGHT © 1976, DIGITAL EQUIPMENT CORPORATION.

WIRE TABLE					
ITEM NO.	DESCRIPTION	FROM		TO	REMARKS
		AWG	COLOR		
19	BLK			FC-2	SOLID
	BRN			FC-3	
	RED			FC-4	
	ORN			FC-5	
	YEL			FC-6	
	GRN			FC-7	
	BLU			FC-8	
	VIO			FC-9	
	GRY			FC-10	
19	WHT			FC-11	SOLID



REVISIONS		
CHK	CHANGE NO.	REV.

TITLE	VT61 PROC./VID. BD.	SIZE/CODE	D CS	NUMBER	5411284-0-1	REV.	M
SCALE		SHEET	10	OF	10	DIST.	

DCS 5411284-0-1 M  
 NUMBER  
 DCS 5411284-0-1 M

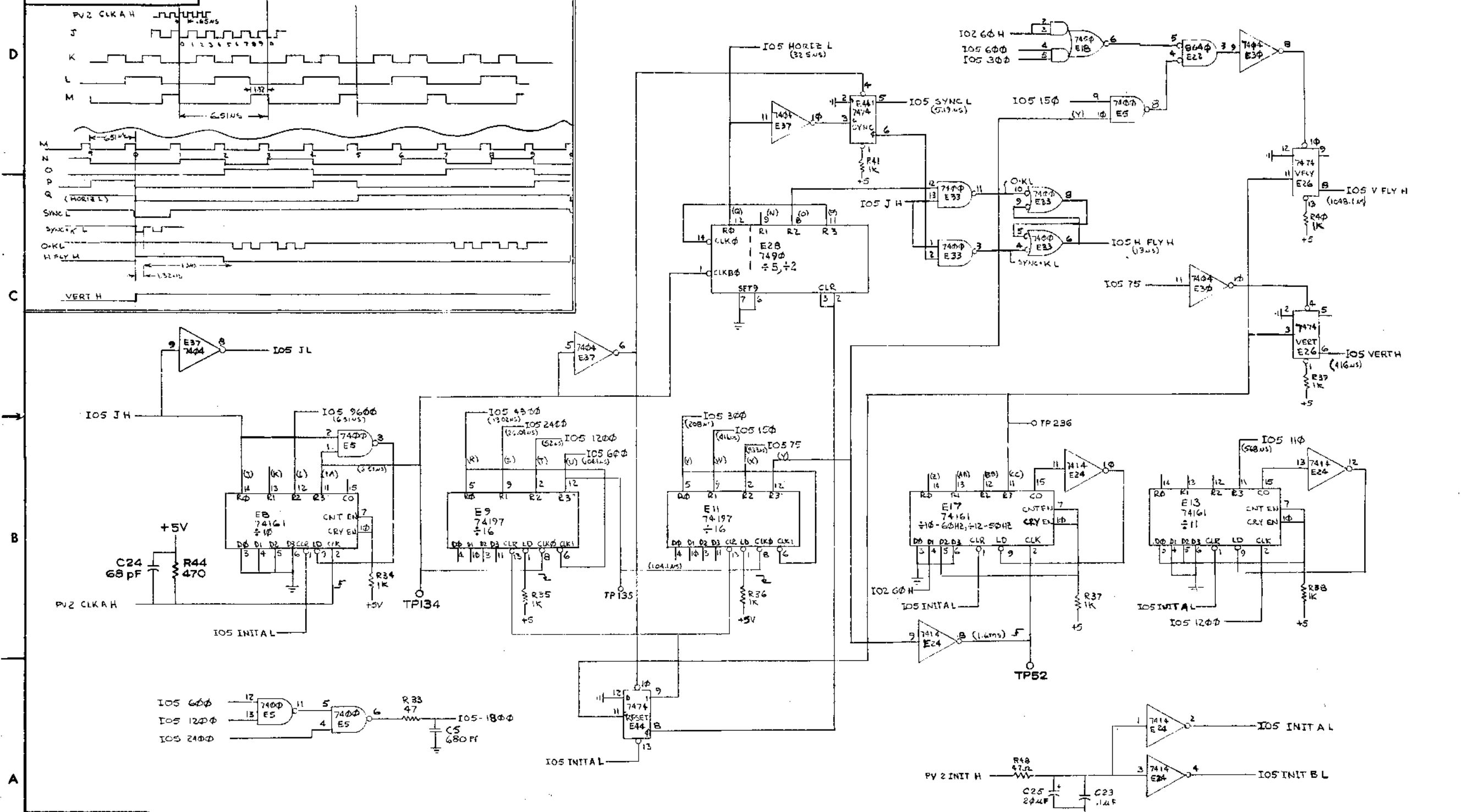








THIS DRAWING AND SPECIFICATIONS HEREIN ARE THE PROPERTY OF DIGITAL EQUIPMENT CORPORATION AND SHALL NOT BE REPRODUCED OR COPIED OR USED IN WHOLE OR IN PART AS THE BASIS FOR THE MANUFACTURE OR SALE OF ITEMS WITHOUT WRITTEN PERMISSION. COPYRIGHT © 1975 DIGITAL EQUIPMENT CORPORATION.



REVISIONS		
CHK	CHANGE NO.	REV.

TITLE VT61 INPUT/OUTPUT BOARD  
 SCALE  $\rightarrow$  SHEET 5 OF 5  
 NUMBER DCS 5411278-0-1  
 REV. CU

DCS 5411284-0-1 J







8

7

6

5412471 5  
5012470C-P2

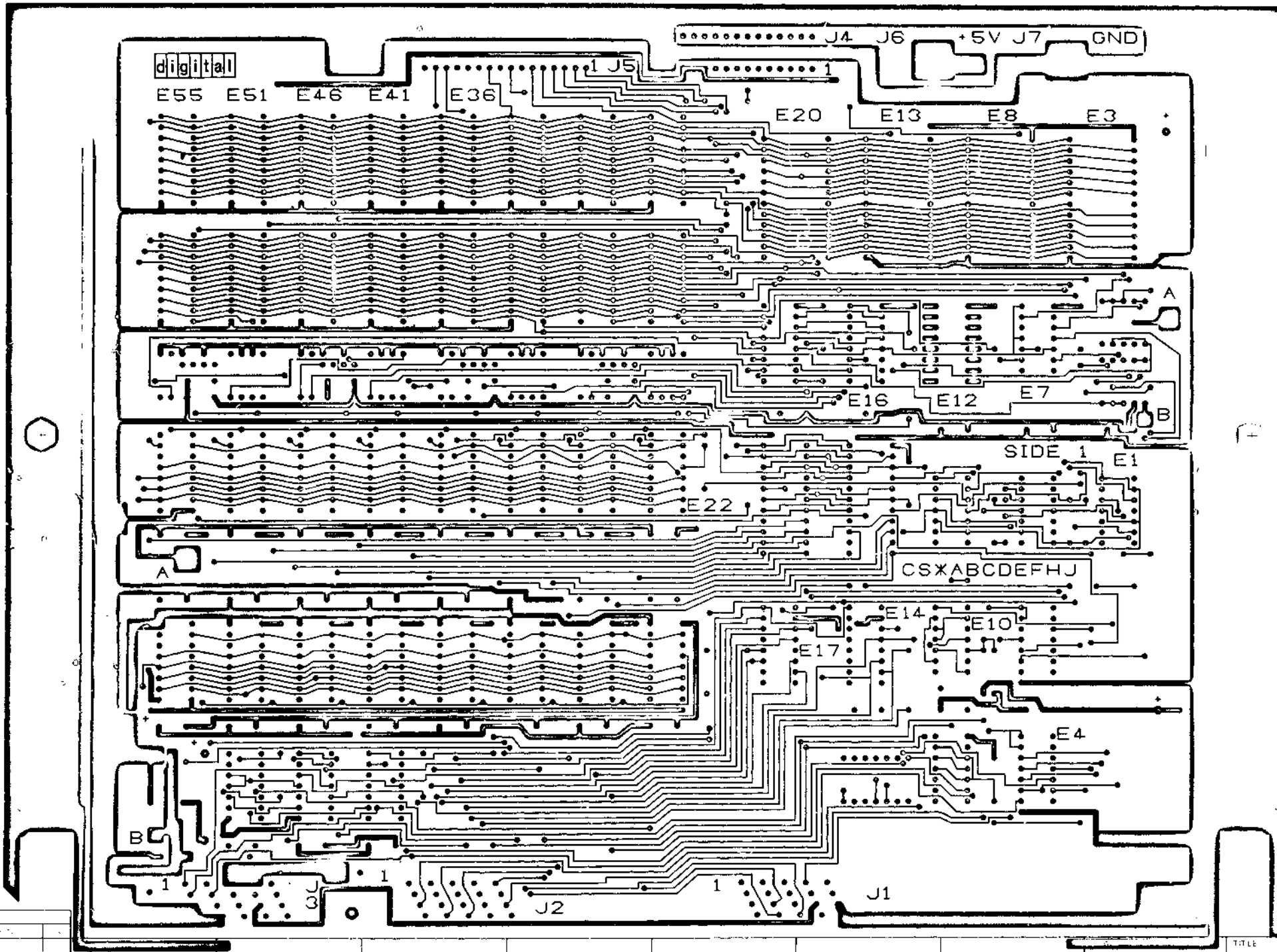
4

3

2 DUA5412471-0-0 E

1

0.017



DUA5412471-0-0

TITLE	VT62 MEMORY BOARD	DESIGN	DUA 5412471-0-0	REV.	E
SCALE	2/1	SHEET	2 of 3		

8

7

6

5

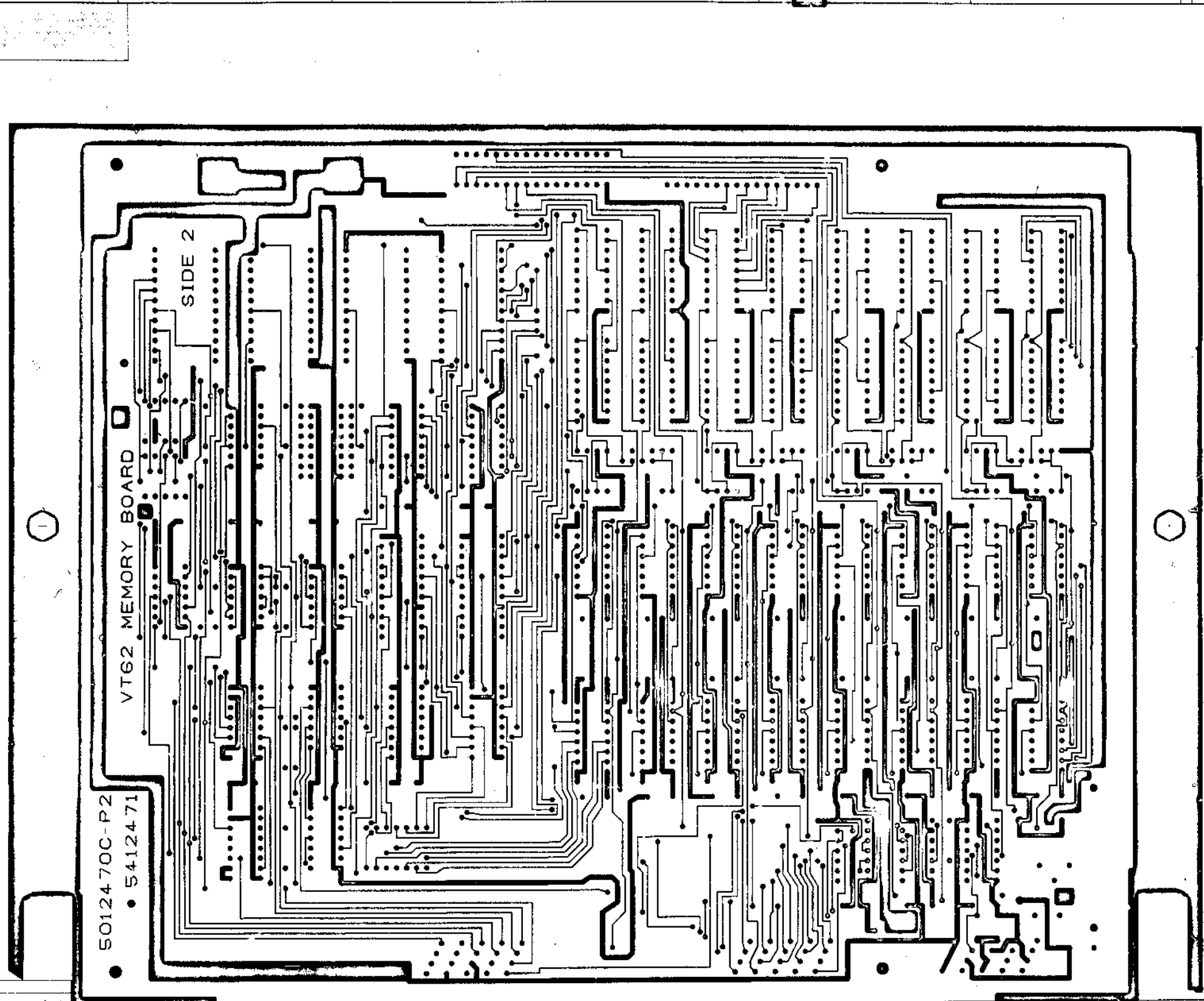
4

3

2

1

8 7 6 5 4 3 2 1



50124700-P2  
 • 5412471

VT62 MEMORY BOARD

SIDE 2

SCALE	2/1	SHEET	3	OF	3	DIST		REV	E
TITLE						VT62		NUMBER	
MFMORY BOARD						D JA		5412471-0-0	

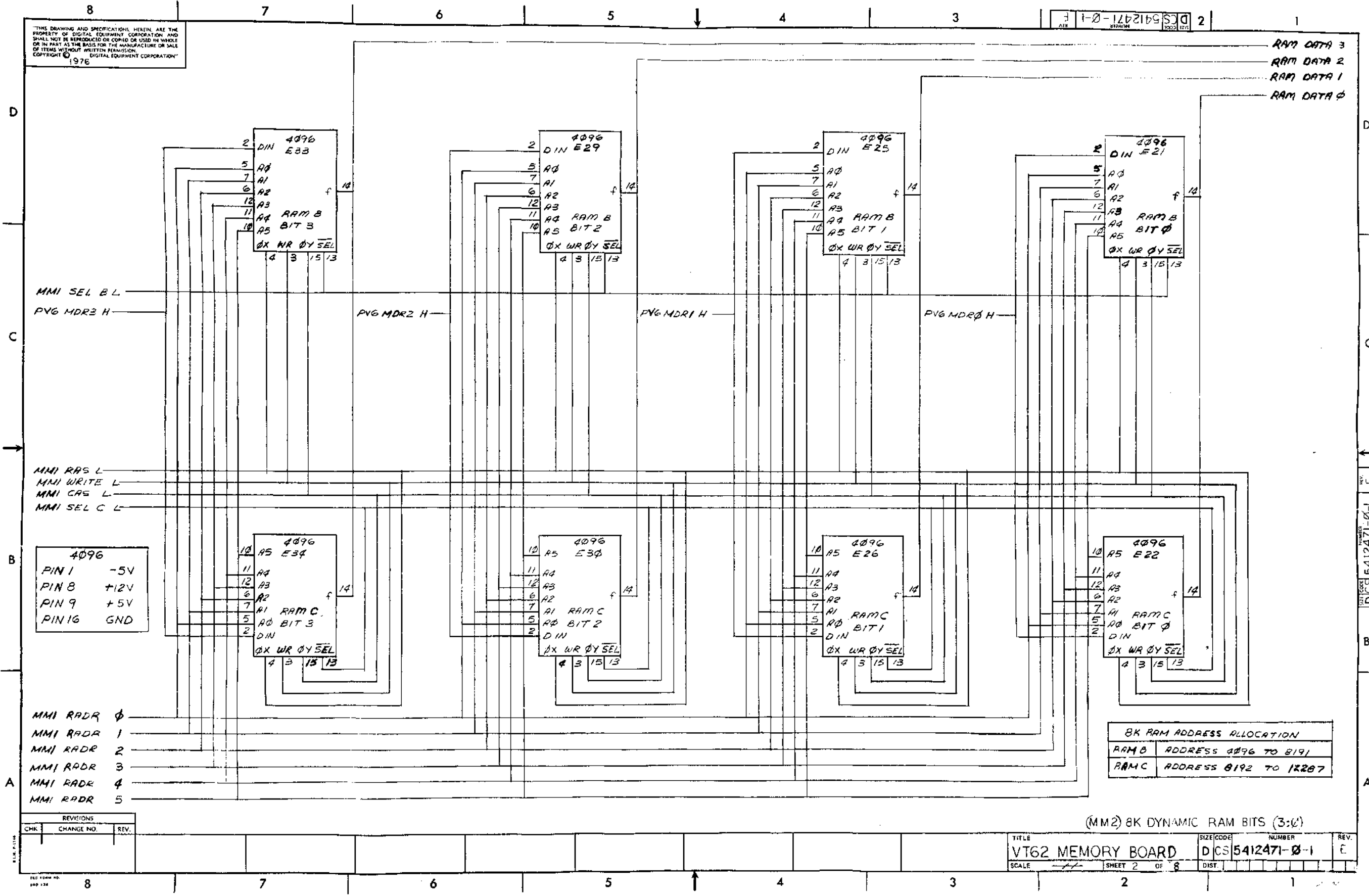
D JA 5412471 0-0 E

A B C D



"THIS DRAWING AND SPECIFICATIONS HEREIN ARE THE PROPERTY OF DIGITAL EQUIPMENT CORPORATION AND SHALL NOT BE REPRODUCED OR COPIED OR USED IN WHOLE OR IN PART AS THE BASIS FOR THE MANUFACTURE OR SALE OF ITEMS WITHOUT WRITTEN PERMISSION. COPYRIGHT © 1976 DIGITAL EQUIPMENT CORPORATION"

DCS 5412471-0-1



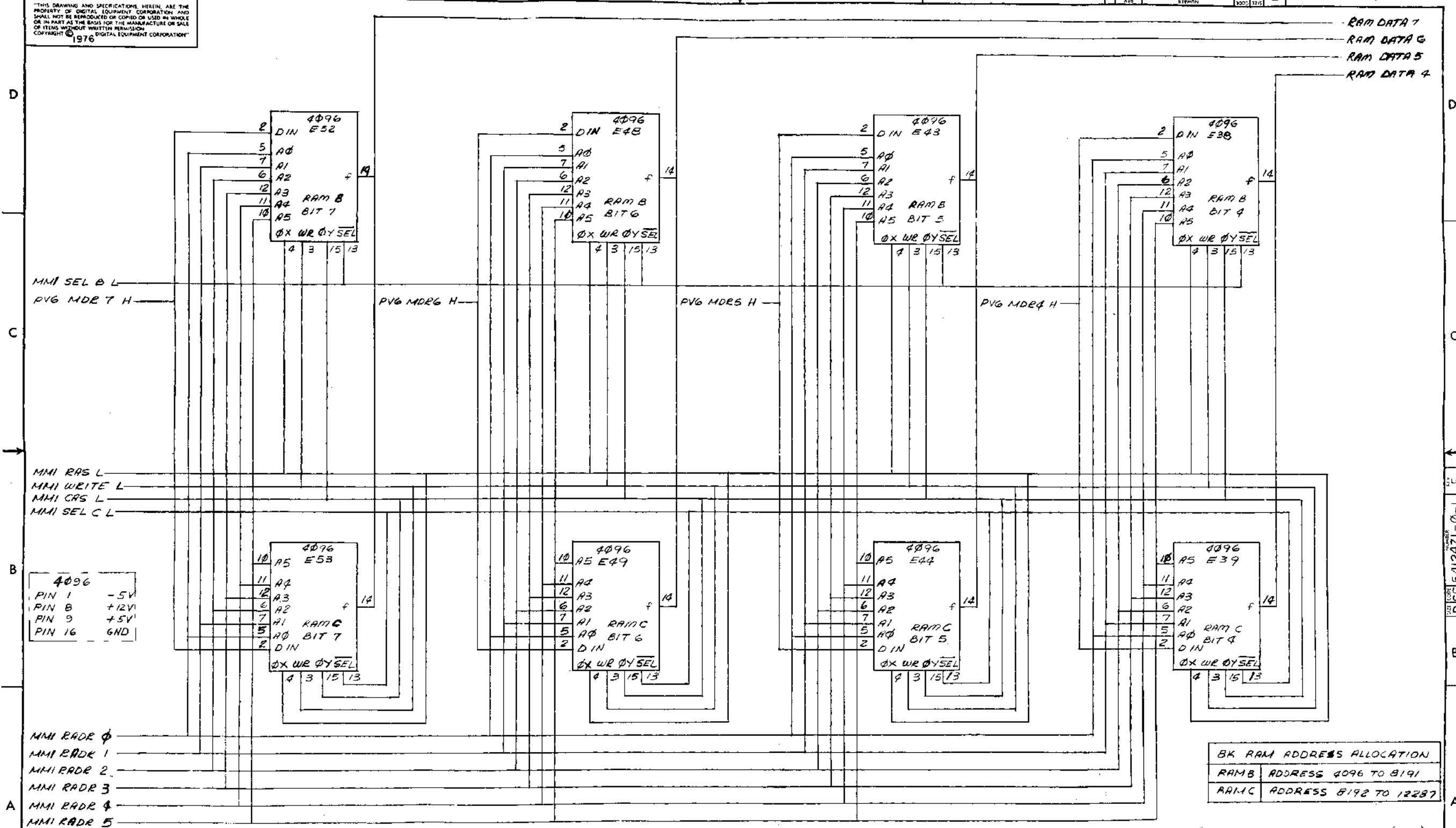
REVISIONS		
CHK	CHANGE NO.	REV.

(MM2) 8K DYNAMIC RAM BITS (3:0)

TITLE: VT62 MEMORY BOARD  
 SCALE: SHEET 2 OF 8  
 SIZE CODE: DCS 5412471-0-1  
 NUMBER: E  
 DIST:  

DCS 5412471-0-1

"THIS DRAWING AND SPECIFICATIONS HEREIN ARE THE PROPERTY OF DIGITAL EQUIPMENT CORPORATION AND SHALL NOT BE REPRODUCED OR COPIED OR USED IN WHOLE OR IN PART AS THE BASIS FOR THE MANUFACTURE OR SALE OF ITEMS WITHOUT WRITTEN PERMISSION. COPYRIGHT © 1976 DIGITAL EQUIPMENT CORPORATION"



4096  
PIN 1 -5V  
PIN 8 +12V  
PIN 9 +5V  
PIN 16 GND

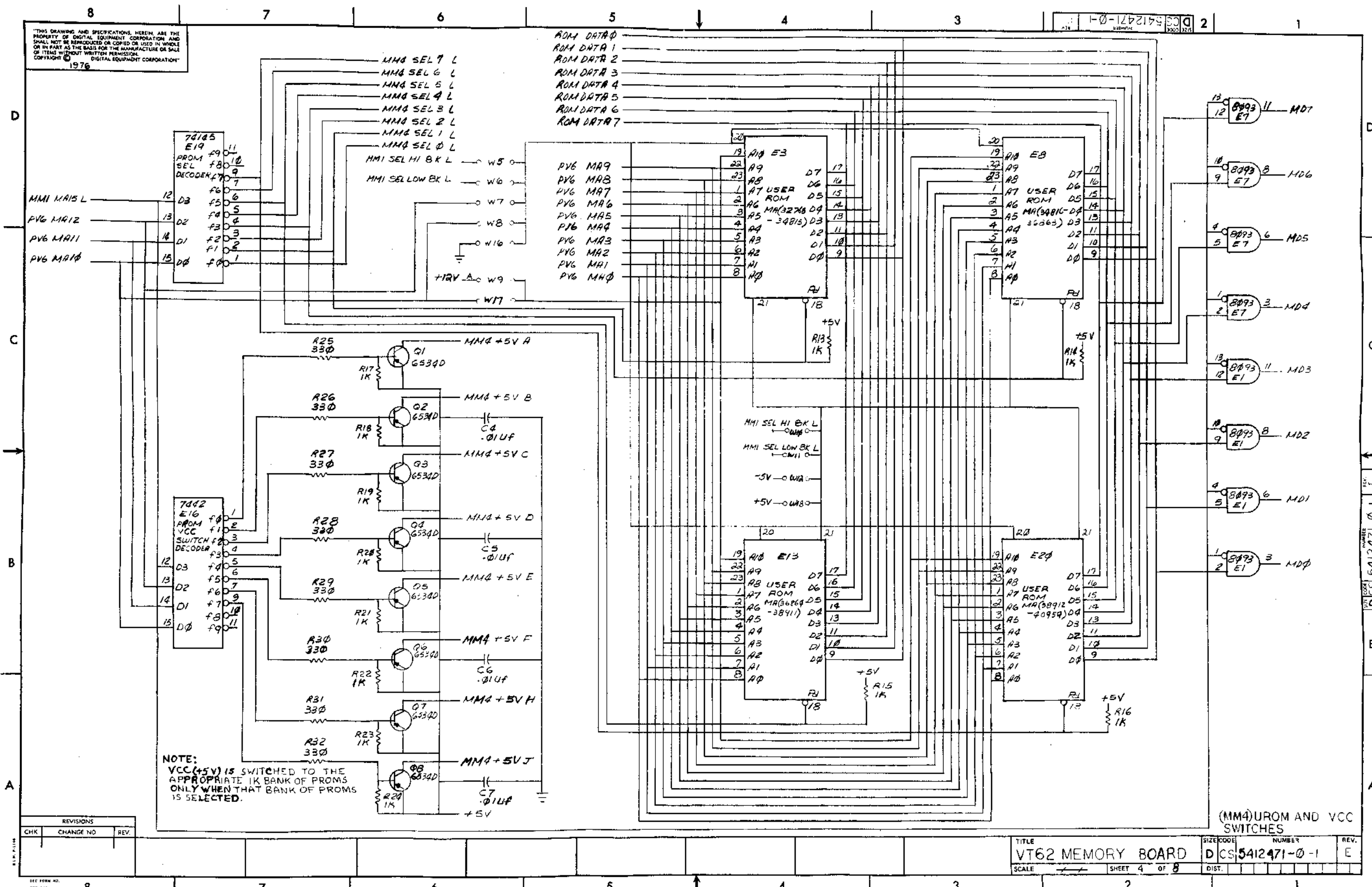
BK RAM ADDRESS ALLOCATION	
RAM B	ADDRESS 4096 TO 8191
RAM C	ADDRESS 8192 TO 12287

(MM3) BK DYNAMIC RAM BITS (7:4)

REVISIONS		
CHK	CHANGE NO.	REV.

TITLE	VT62 MEMORY BOARD	SIZE/CODE	D CS 5412471-0-1	NUMBER	1	REV	E
SCALE	1:1	SHEET	3	OF	6	DIST.	

THIS DRAWING AND SPECIFICATIONS HEREIN ARE THE PROPERTY OF DIGITAL EQUIPMENT CORPORATION AND SHALL NOT BE REPRODUCED OR COPIED OR USED IN WHOLE OR IN PART AS THE BASIS FOR THE MANUFACTURE OR SALE OF ITEMS WITHOUT WRITTEN PERMISSION. COPYRIGHT © 1976 DIGITAL EQUIPMENT CORPORATION



NOTE:  
VCC(+5V) IS SWITCHED TO THE APPROPRIATE 1K BANK OF PROMS ONLY WHEN THAT BANK OF PROMS IS SELECTED.

REVISIONS		
CHK	CHANGE NO	REV.

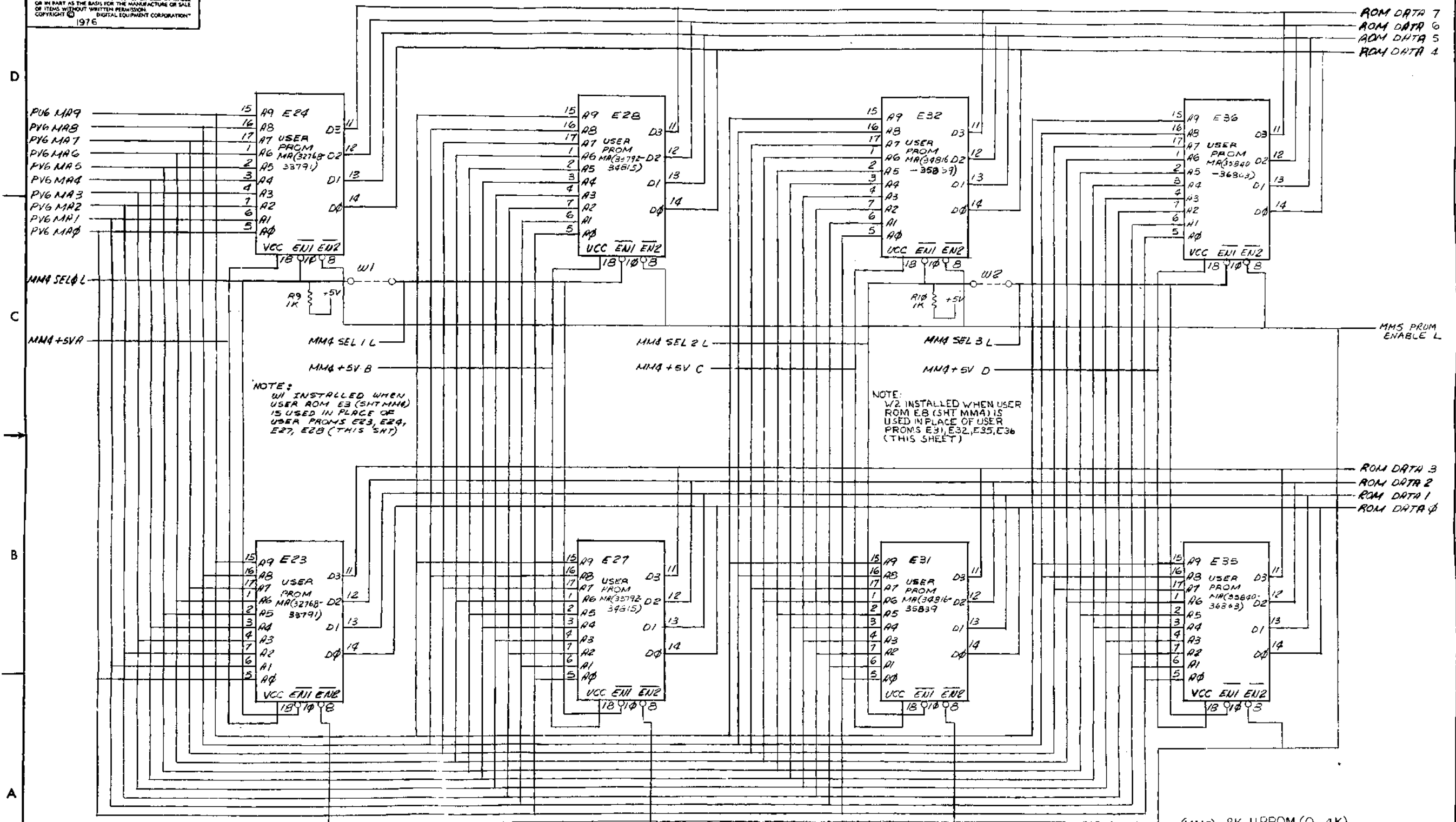
TITLE	VT62 MEMORY BOARD	SIZE CODE	DCS 5412471-0-1	NUMBER		REV.	E
SCALE		SHEET	4	OF	8	DIST.	

DCS 5412471-0-1



THIS DRAWING AND SPECIFICATIONS HEREIN ARE THE PROPERTY OF DIGITAL EQUIPMENT CORPORATION AND SHALL NOT BE REPRODUCED OR COPIED OR USED IN WHOLE OR IN PART AS THE BASIS FOR THE MANUFACTURE OR SALE OF ITEMS WITHOUT WRITTEN PERMISSION.  
 DIGITAL EQUIPMENT CORPORATION  
 COPYRIGHT © 1976

DCS 5412471-0-1



NOTE:  
 W1 INSTALLED WHEN  
 USER ROM E3 (SHT MMA)  
 IS USED IN PLACE OF  
 USER PROMS E23, E24,  
 E27, E28 (THIS SHT)

NOTE:  
 W2 INSTALLED WHEN USER  
 ROM E8 (SHT MMA) IS  
 USED IN PLACE OF USER  
 PROMS E31, E32, E35, E36  
 (THIS SHEET)

(MM5) 8K UPROM (0-4K)

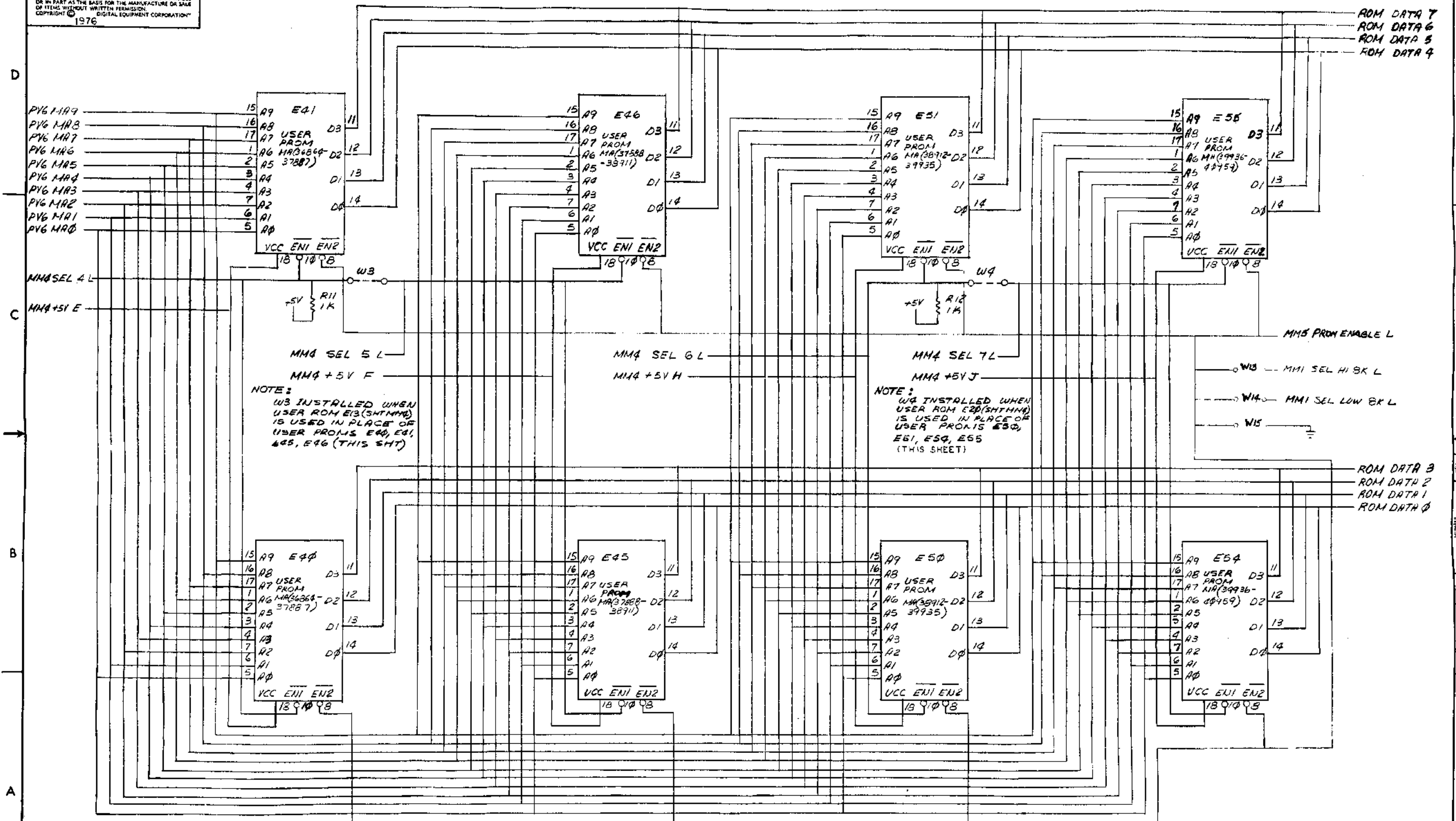
REVISIONS		
CHK	CHANGE NO.	REV.

TITLE	VT62 MEMORY BOARD	SIZE CODE	D	NUMBER	DCS 5412471-0-1	REV.	E
SCALE	1:1	SHEET	5	OF	5	DIST.	

DCS 5412471-0-1 E

"THIS DRAWING AND SPECIFICATIONS, HEREIN, ARE THE PROPERTY OF DIGITAL EQUIPMENT CORPORATION AND SHALL NOT BE REPRODUCED OR COPIED OR USED IN WHOLE OR IN PART AS THE BASIS FOR THE MANUFACTURE OR SALE OF ITEMS WITHOUT WRITTEN PERMISSION. COPYRIGHT © DIGITAL EQUIPMENT CORPORATION 1976"

DIGITAL EQUIPMENT CORPORATION  
 MODEL 5412471-0-1



NOTE:  
 W3 INSTALLED WHEN  
 USER ROM E23(SHTMM) IS  
 USED IN PLACE OF  
 USER PROMS E40, E41,  
 E45, E46 (THIS SHEET)

NOTE:  
 W4 INSTALLED WHEN  
 USER ROM E20(SHTMM) IS  
 USED IN PLACE OF  
 USER PROMS E50,  
 E51, E54, E55  
 (THIS SHEET)

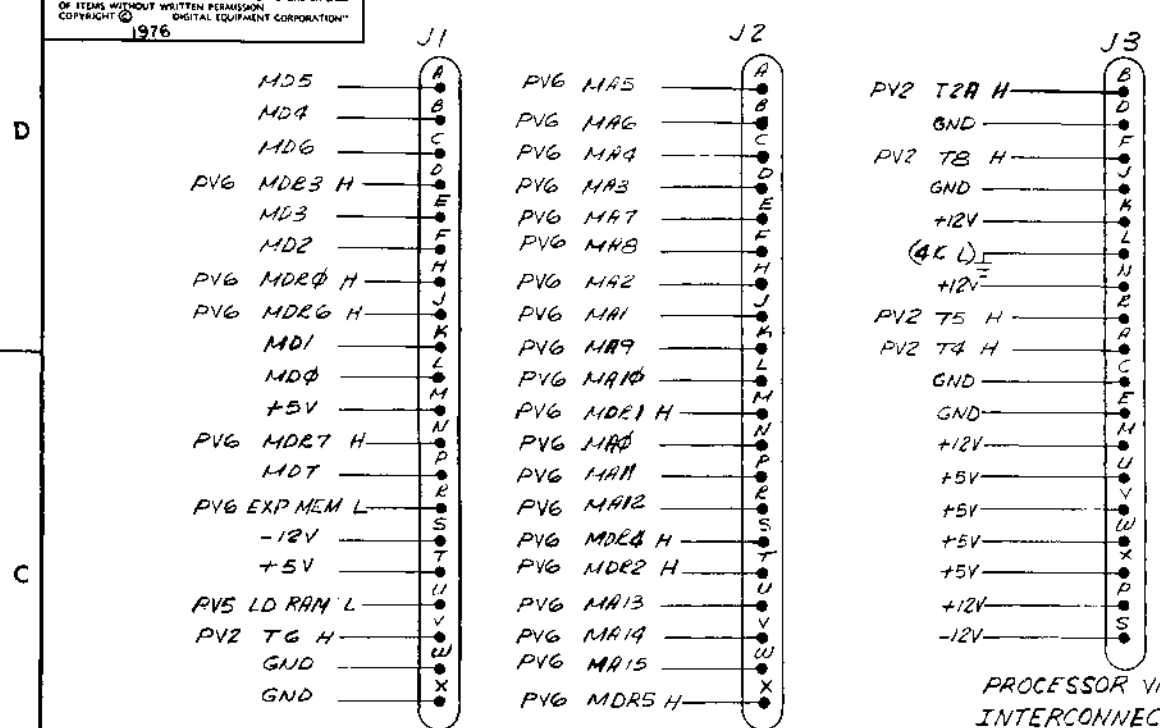
(MM6) 8K UPROM(4-8K)

REVISIONS		
CHK	CHANGE NO.	REV.

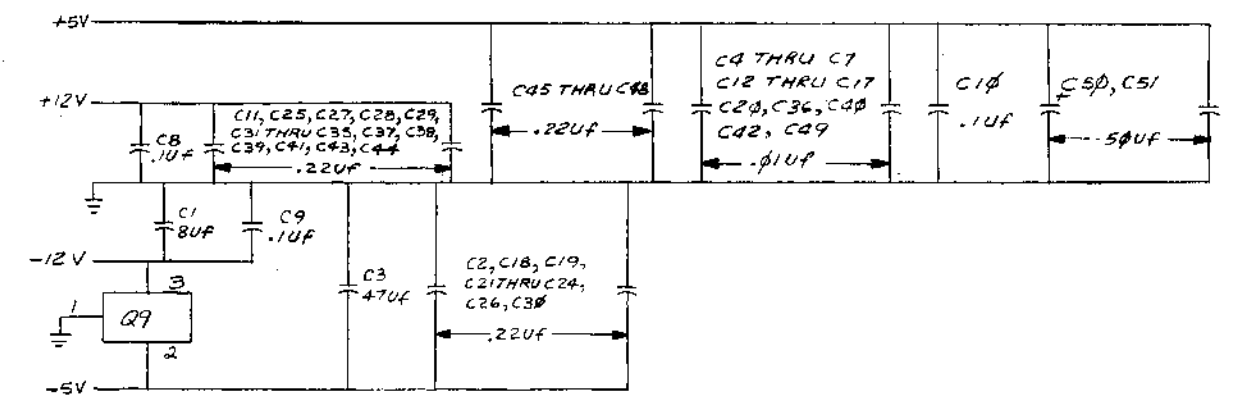
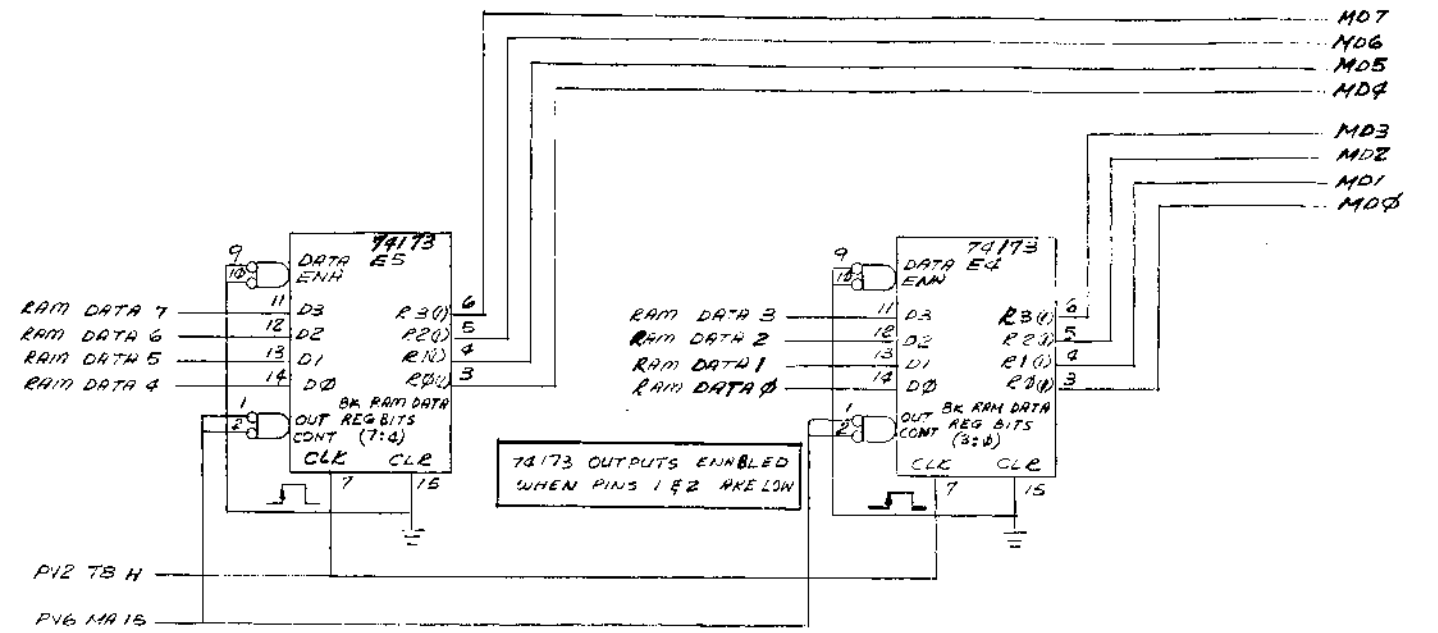
TITLE	SIZE CODE	NUMBER	REV.
VT62 MEMORY BOARD	DIGS 5412471-0-1		
SCALE	SHEET	OF	
	6	8	

THIS DRAWING AND SPECIFICATIONS HEREIN ARE THE PROPERTY OF DIGITAL EQUIPMENT CORPORATION AND SHALL NOT BE REPRODUCED OR COPIED OR USED IN WHOLE OR IN PART AS THE BASIS FOR THE MANUFACTURE OR SALE OF ITEMS WITHOUT WRITTEN PERMISSION. DIGITAL EQUIPMENT CORPORATION. COPYRIGHT © 1976

DCS 5412471-0-1 2



PROCESSOR VIDEO BOARD INTERCONNECT



REVISIONS		
CHK	CHANGE NO.	REV.

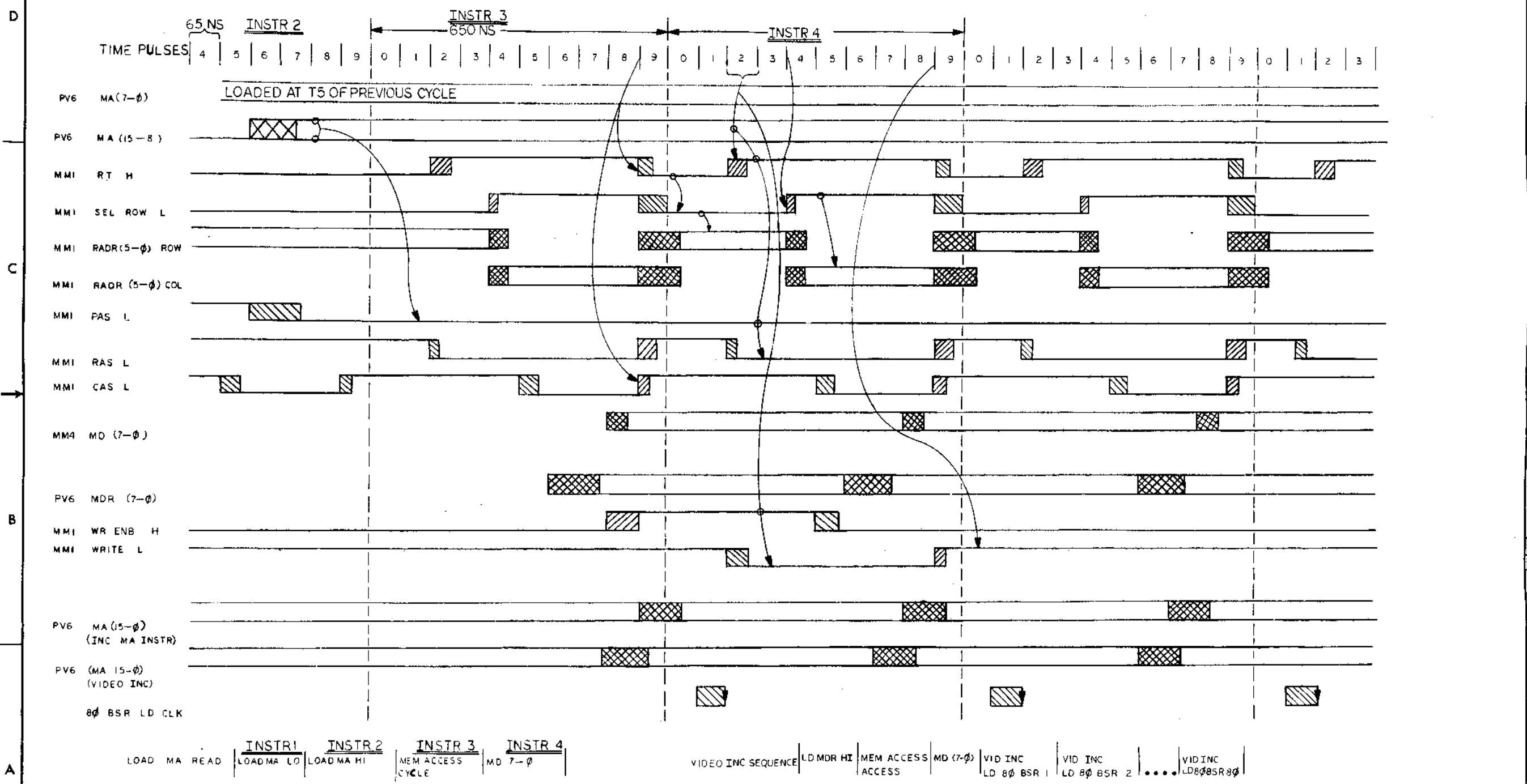
(MM7) INTERCONNECT AND 2K RAM DATA REG

TITLE	VT62 MEMORY BOARD	SIZE CODE	DCS 5412471-0-1	NUMBER	2	REV.	E
SCALE		SHEET	7	OF	8	DIST.	

DCS 5412471-0-1

THIS DRAWING AND SPECIFICATIONS, HEREIN, ARE THE PROPERTY OF DIGITAL EQUIPMENT CORPORATION AND SHALL NOT BE REPRODUCED OR COPIED OR USED IN WHOLE OR IN PART AS THE BASIS FOR THE MANUFACTURE OR SALE OF ITEMS WITHOUT WRITTEN PERMISSION. COPYRIGHT © 1976 DIGITAL EQUIPMENT CORPORATION

DCS 541247-0-1

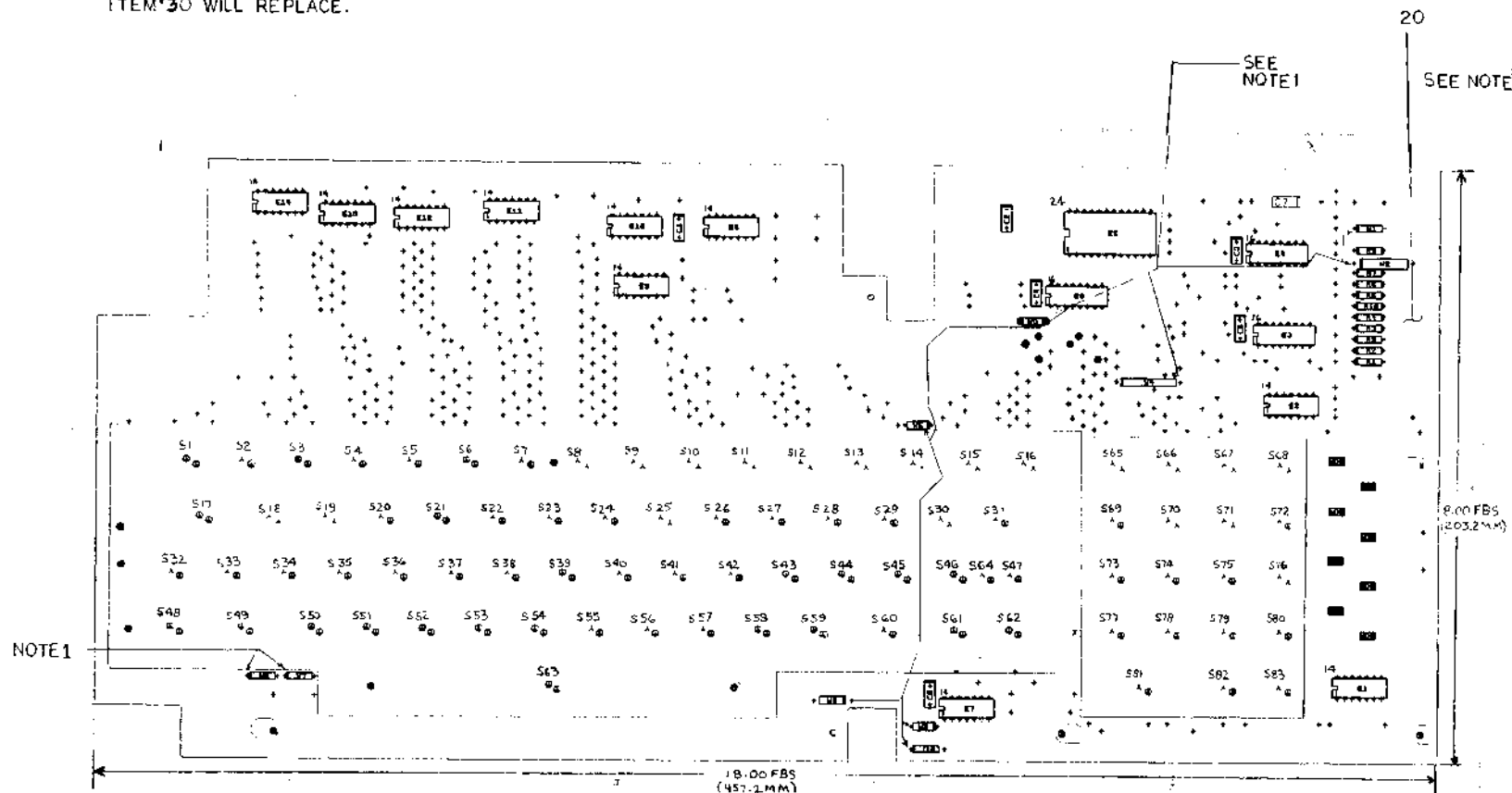


REVISIONS		
CHK	CHANGE NO.	REV

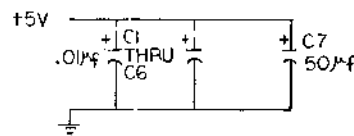
THIS DRAWING AND SPECIFICATIONS, HOWEVER, ARE THE PROPERTY OF DIGITAL EQUIPMENT CORPORATION AND SHALL NOT BE REPRODUCED OR COPIED OR IN WHOLE OR IN PART AS THE BASIS FOR THE MANUFACTURE OR SALE OF OTHER PRODUCTS WITHOUT WRITTEN PERMISSION. COPYRIGHT © 1977 DIGITAL EQUIPMENT CORPORATION

**NOTES:**

1. OPTIONAL JUMPERS: SEE SHEET 2 FOR CONFIGURATION TABLE.
2. SEE SHEET 3 OF 5 FOR WIRING TABLE.
3. SEE SHEETS 4 & 5 FOR VARIATION KEYCAP PLACEMENT.
4. NOTE THAT THE B.O.M. FOR ALL VARIATIONS OF THIS BOARD MAY REQUIRE UPDATING ON ANY ECO.
5. VARIATION 14 UTILIZES THE KEYCAP SET ITEM #27 WITH THE EXCEPTION OF POSITION S4 WHICH THE KEYCAP, ITEM #30 WILL REPLACE.



VARIATION EXPLANATION	
VARIATION	COMMENT
5411170-0	VT61
5411170-1	HEAT CYCLED, SYSTEM TESTED 5411170-0
5411170-2	BASIC VT50H
5411170-3	HEAT CYCLED, SYSTEM TESTED 5411170-2
5411170-4	VT52
5411170-5	HEAT CYCLED, SYSTEM TESTED 5411170-4
5411170-6	VT61T
5411170-7	HEAT CYCLED, SYSTEM TESTED 5411170-6
5411170-8	VT52-W
5411170-9	HEAT CYCLED, SYSTEM TESTED 5411170-8
5411170-10	VT62
5411170-11	HEAT CYCLED, SYSTEM TESTED 5411170-10
5411170-12	VT52-N
5411170-13	HEAT CYCLED, SYSTEM TESTED 5411170-12
5411170-14	VT52-W W/UK KEYCAP-S4
5411170-15	HEAT CYCLED, SYSTEM TESTED 5411170-14



IC TYPE	QTY	REV
DEC IC 7442	8	16
DEC IC 74175	8	16
DEC IC 74150	12	24
GND AND 5V ARE USUALLY PIN 7 AND 14 RESPECTIVELY EXCEPTIONS ARE STATED ABOVE		
IC PIN LOCATIONS		

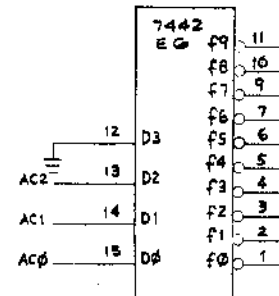
SEE OFF SHEET PARTS LIST

QTY	REF. DESIGNATION	DESCRIPTION	PART NO.	ITEM NO.											
FIRST USED ON OPTION MODEL: VT61/VT50															
ETCH BOARD REV: 0															
PARTS LIST															
<table border="1"> <tr> <td>DRN</td> <td>DATE</td> <td rowspan="5"> </td> </tr> <tr> <td>CHK'D</td> <td>DATE</td> </tr> <tr> <td>ENGR</td> <td>DATE</td> </tr> <tr> <td>PROJ ENGR</td> <td>DATE</td> </tr> <tr> <td>PROD.</td> <td>DATE</td> </tr> </table>					DRN	DATE		CHK'D	DATE	ENGR	DATE	PROJ ENGR	DATE	PROD.	DATE
DRN	DATE														
CHK'D	DATE														
ENGR	DATE														
PROJ ENGR	DATE														
PROD.	DATE														
NEXT HIGHER ASSY: 0-JA-VT50-0-0			TITLE: KEYBOARD VT61/VT50H												
DEC NO.		EIA NO.		REV: N											
SEMICONDUCTOR CONVERSION CHART															
SCALE: 1:1															
SHEET 2 OF 5															

"THIS DRAWING AND SPECIFICATIONS, HEREIN, ARE THE PROPERTY OF DIGITAL EQUIPMENT CORPORATION AND SHALL NOT BE REPRODUCED OR COPIED OR USED IN WHOLE OR IN PART AS THE BASIS FOR THE MANUFACTURE OR SALE OF ITEMS WITHOUT WRITTEN PERMISSION. COPYRIGHT © 1975 DIGITAL EQUIPMENT CORPORATION"

NOTE: NUMBERS 000 THRU 117 REPRESENT THE OCTAL AC ADDRESS OF EACH KEY.

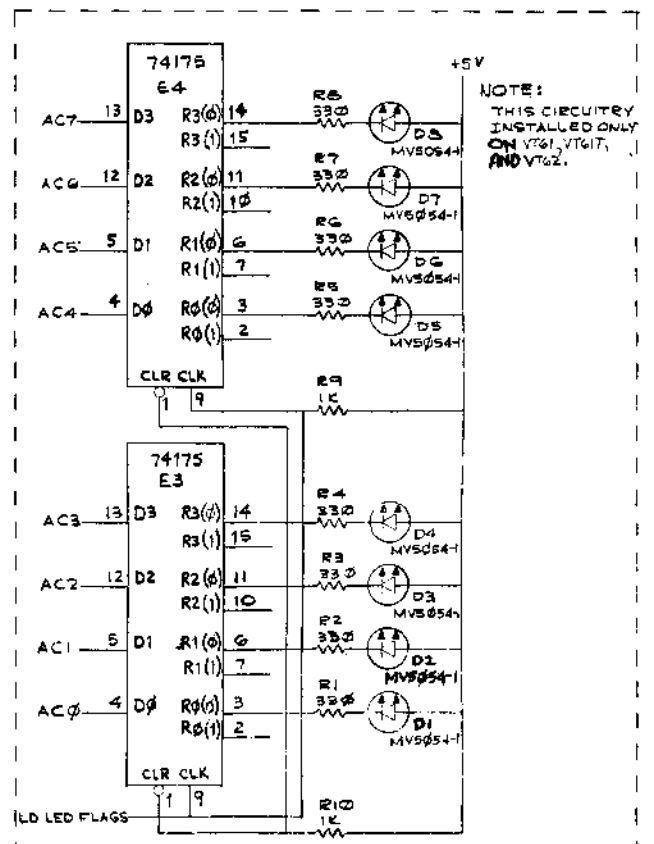
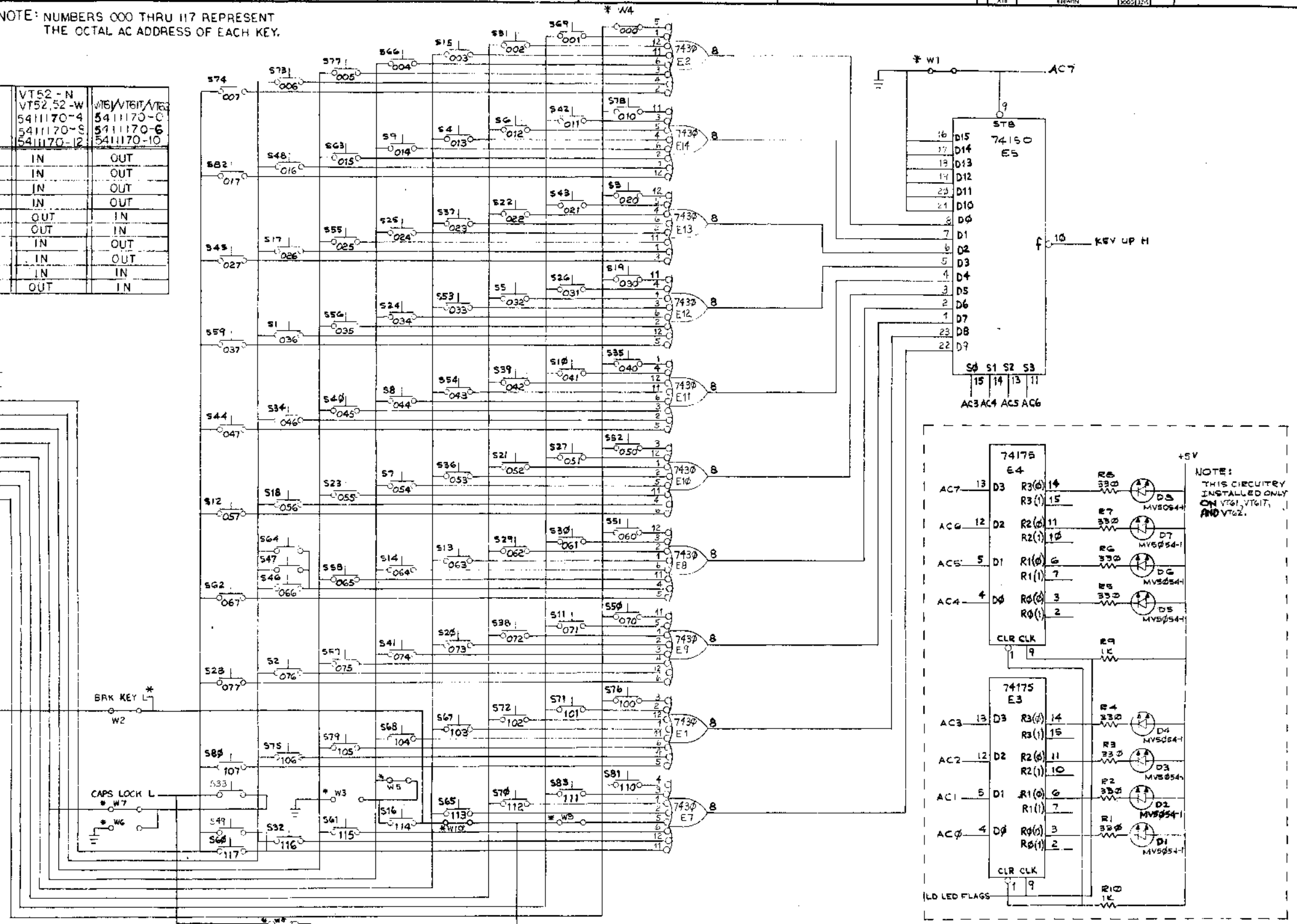
JUMPER	VT50H, J 5411170-2	VT52-N VT52, 52-W 5411170-4 5411170-8 5411170-12	VT6/VT6T/VT6Z 5411170-0 5411170-6 5411170-10
W1	IN	IN	OUT
W2	IN	IN	OUT
W3	IN	IN	OUT
W4	IN	IN	OUT
W5	OUT	OUT	IN
W6	IN	OUT	IN
W7	OUT	IN	OUT
W8	OUT	IN	OUT
W9	OUT	IN	IN
W10	OUT	OUT	IN



NOTE: SEE SHEET 3 FOR WIRE TABLES

FCI CONN

- 1 CAPS LOCK L
- 2 +5V
- 3 KEY UP H
- 4 GND
- 5 ACT
- 6 LD LED FLAGS
- 7 AC6
- 8 AC5
- 9 AC4
- 10 AC3
- 11 AC2
- 12 AC1
- 13 AC0
- 14 +5V
- 15 GND
- 16 GND

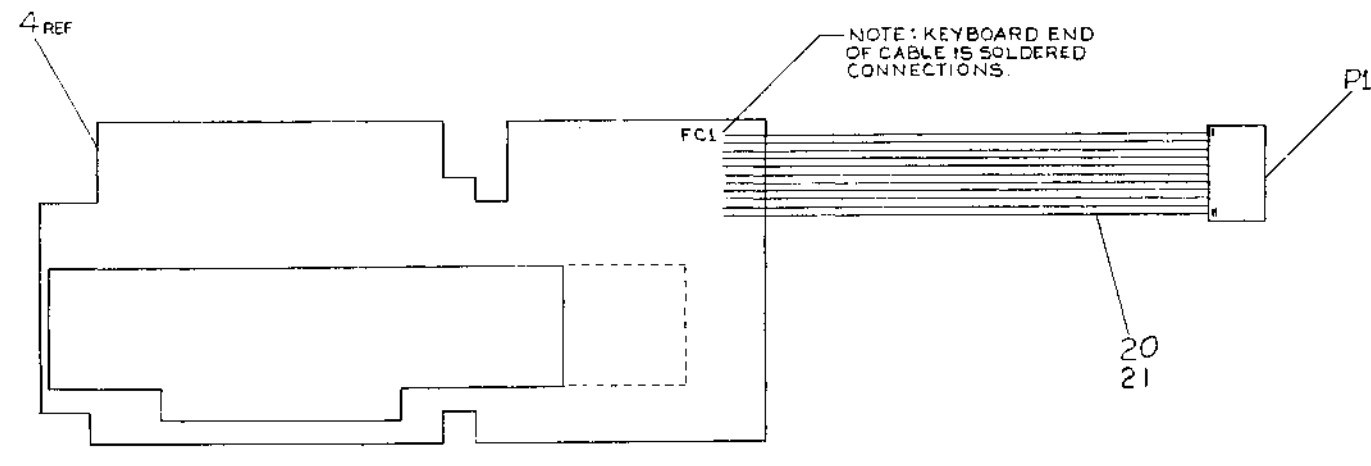


NOTE: THIS CIRCUITRY INSTALLED ONLY ON VT6/VT6T, AND VT6Z.

REVISIONS		
CHK	CHANGE NO.	REV

THIS DRAWING AND SPECIFICATIONS HEREBY ARE THE PROPERTY OF DIGITAL EQUIPMENT CORPORATION AND SHALL NOT BE REPRODUCED OR COPIED OR USED IN WHOLE OR IN PART AS THE BASIS FOR THE MANUFACTURE OR SALE OF ITEMS WITHOUT WRITTEN PERMISSION. COPYRIGHT © 1970, DIGITAL EQUIPMENT CORPORATION

WIRE TABLE (5411170-2,4,8,12)						WIRE TABLE (5411170-0,6,10)					
ITEM NO	AWG	COLOR	FROM CONNECTION	TO CONNECTION	REMARKS	ITEM NO	AWG	COLOR	FROM CONNECTION	TO CONNECTION	REMARKS
21	22	BLK	P1-1	FCI-2	+5V	22	22	BLK	P1-1	FCI-1	CAPS LOGIC
		BRN	P1-2	FCI-3	KEY UP H			BRN	P1-2	FCI-2	+5V
		RED	P1-3	FCI-4	GND			RED	P1-3	FCI-3	KEYUP
		ORN	P1-4	FCI-8	AC5			ORN	P1-4	FCI-4	GND
		YEL	P1-5	FCI-9	AC4			YEL	P1-5	FCI-5	AC7
		GRN	P1-6	FCI-10	AC3			GRN	P1-6	FCI-6	LO LED FLAGS
		BLU	P1-7	FCI-11	AC2			BLU	P1-7	FCI-7	AC6
		VIO	P1-8	FCI-12	AC1			VIO	P1-8	FCI-8	AC5
		GRY	P1-9	FCI-13	AC0			GRY	P1-9	FCI-9	AC4
		WHT	P1-10	FCI-6	BRK KEY			WHT	P1-10	FCI-10	AC3
21	22	BLU	P1-11	FCI-7	AC6			WHT/BLK	P1-11	FCI-11	AC2
								WHT/BRN	P1-12	FCI-12	AC1
								WHT/RED	P1-13	FCI-13	AC0
								WHT/ORN	P1-14	FCI-14	+5V
								WHT/YEL	P1-15	FCI-15	GND
						22	22	WHT/GRN	P1-16	FCI-16	GND



DESCRIPTION		DOG. PAR. NO.	ITEM NO.
UNLESS OTHERWISE SPECIFIED DIMENSIONS ARE IN INCHES			
ANGLES 40° 30'	CLASS OF ACCURACY	NOMINAL DIMENSION RANGE INCHES	
SURFACE QUALITY	FINISH	OVER 0.1	OVER 0.2
QUANTITY & VARIATION	MICROINCHES	OVER 0.5	OVER 1.0
THIRD ANGLE PROJECTION	DRN.	OVER 1.5	OVER 3.0
REMOVE BURRS AND BREAK SHARP CORNERS	CHK.	OVER 4.0	OVER 12.0
DO NOT SCALE DWG	ENG.	OVER 24.0	OVER 60.0
MATERIAL	PROJ. ENG.	OVER 48.0	OVER 120.0
FINISH	PRCD.	OVER 96.0	OVER 240.0
NEXT HIGHER ASSY.		SCALE	SIZE CODE
NEXT HIGHER ASSY.		SCALE	NUM.
NEXT HIGHER ASSY.		SCALE	REV.
NEXT HIGHER ASSY.		SCALE	REV.

TITLE: **KEYBOARD VT61/VT50H**  
 (TABLE CONN)  
 SIZE CODE: **D** CS: **5411170-0-1**

REV. CHG. NO. REV.  
 CHG. CHANGE NO. REV.

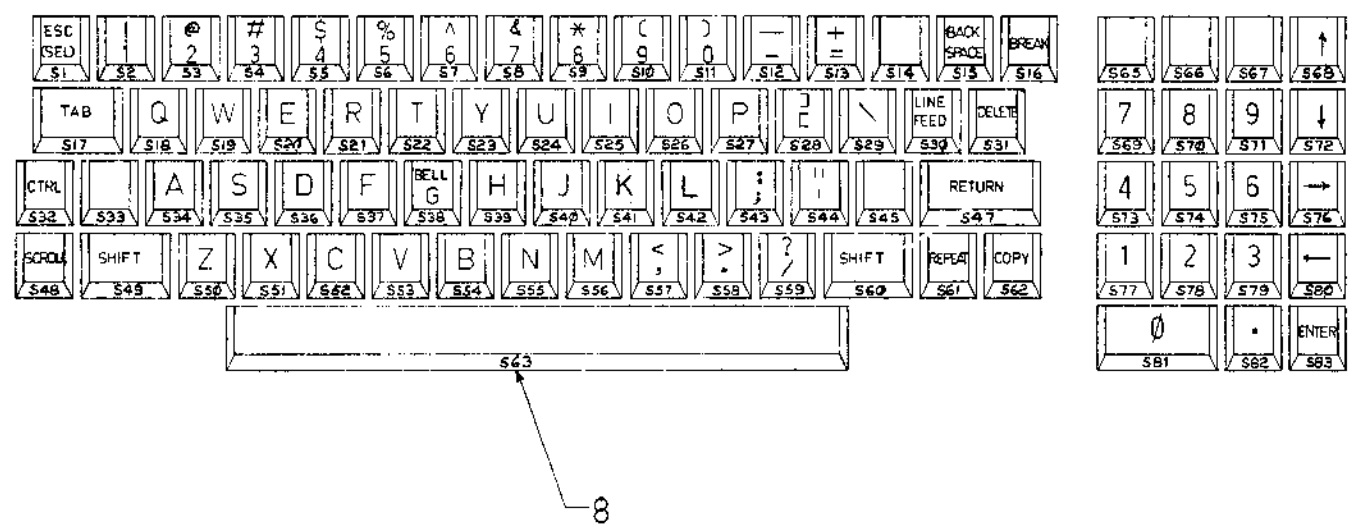
DEC FORM NO. 100-1

THIS DRAWING AND SPECIFICATIONS HEREIN ARE THE PROPERTY OF DIGITAL EQUIPMENT CORPORATION AND SHALL NOT BE REPRODUCED OR COPIED OR USED IN WHOLE OR IN PART AS THE BASIS FOR THE MANUFACTURE OR SALE OF ITEMS WITHOUT WRITTEN PERMISSION.  
 COPYRIGHT © 1975, DIGITAL EQUIPMENT CORPORATION

11 1-C-021170-01 2

NOTES: 1. THE KEYCAP PLACEMENT ON THIS SHEET REPRESENTS THE VT50H, VT50J PLACEMENT. TO FIND KEYCAP LOCATIONS FOR OTHER VARIATIONS MATCH THE SWITCH NUMBERS (EXAMPLE S9) ON EACH KEYCAP ON THIS SHEET WITH THE CORRESPONDING SWITCH NUMBER FOR THE DESIRED VARIATION ON SHEET 5.  
 2. SEE PARTS LIST FOR ITEM NUMBERS FOR DESIRED VARIATIONS.

SEE NOTE 2



REV.	
CHANGE NO.	
CHK	

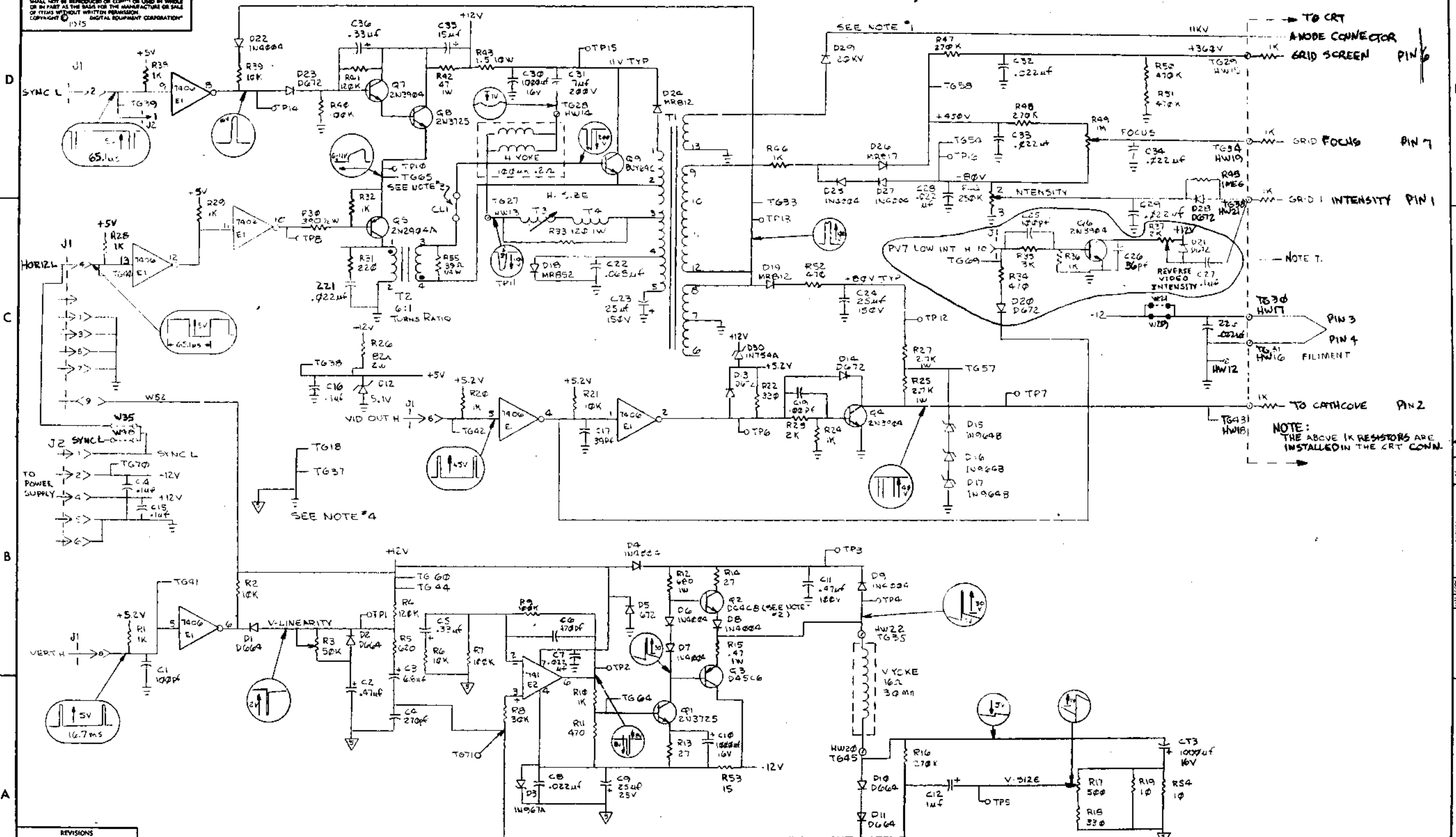
DRN. BY: M. J. ...	5-1-75	FIRST USED ON: VT50H / VT61	digital
CHK'D BY: ...	3/1/75	TITLE: KEYBOARD VT61/VT50H	(KEYCAP VARIATIONS)
ENG. BY: ...	3-2-75	SIZE CODE: CS 54 11170-0-1	REV. N
PROJ. ENG. BY: ...	3-18-75	SHEET 4 OF 5	
PROD. BY: ...	3-22-75		
NEXT HIGHER ASSY.			
SCALE: NONE			







THIS DRAWING AND SPECIFICATIONS HEREIN ARE THE PROPERTY OF DIGITAL EQUIPMENT CORPORATION AND SHALL NOT BE REPRODUCED OR COPIED OR USED IN WHOLE OR IN PART AS THE BASIS FOR THE MANUFACTURE OR SALE OF ITEMS WITHOUT WRITTEN PERMISSION. COPYRIGHT © 1975 DIGITAL EQUIPMENT CORPORATION

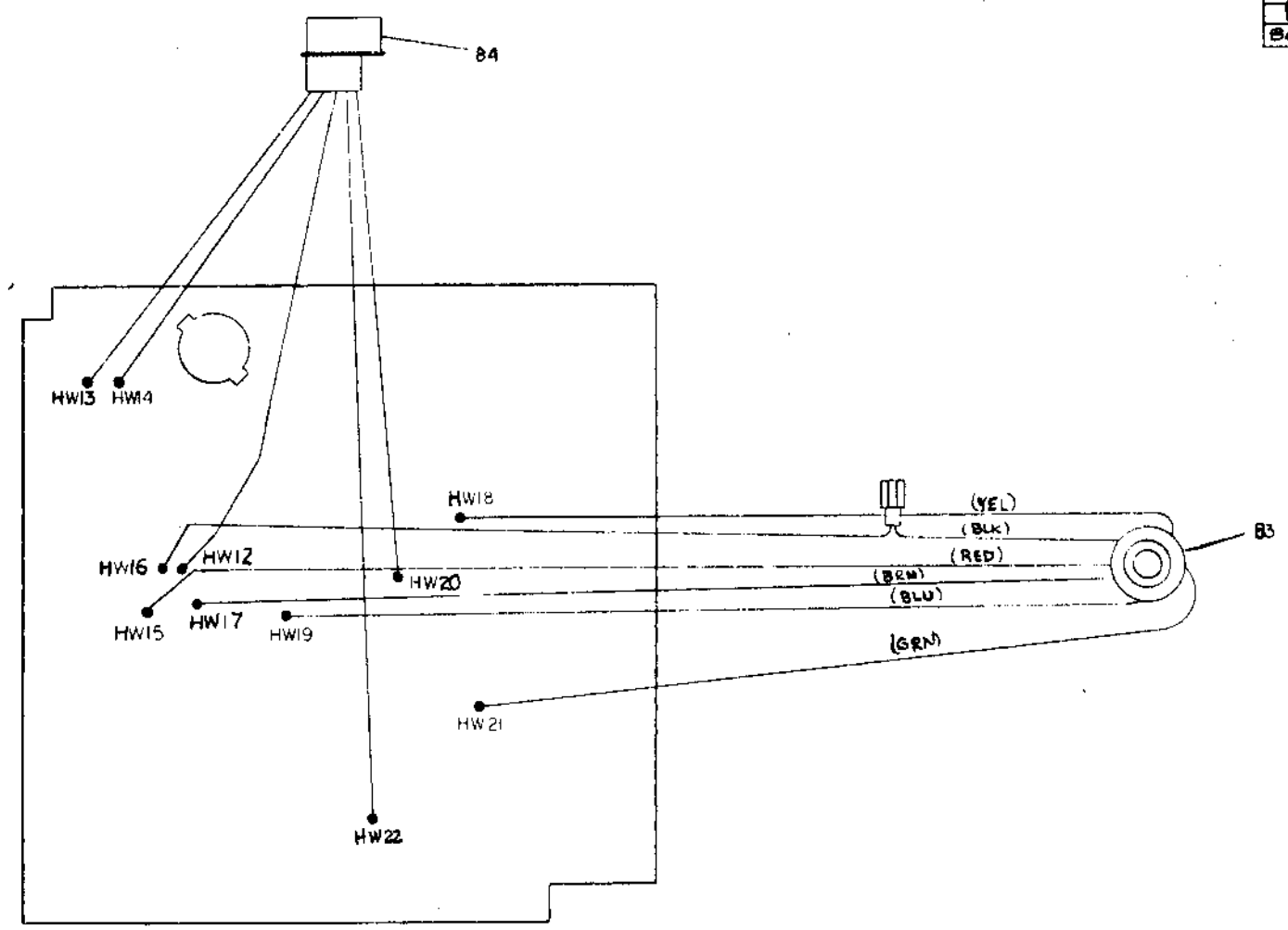


REVISIONS			TITLE		SIZE CODE		NUMBER		REV.	
CHK	CHANGE NO.	REV.	VT61 MONITOR		D.CS.5411444-1		5411444-1		J	
			SCALE	NONE	SHEET	2	OF	3	DIST.	

THIS DRAWING AND SPECIFICATION HEREIN ARE THE PROPERTY OF DIGITAL EQUIPMENT CORPORATION AND SHALL NOT BE REPRODUCED OR COPIED IN WHOLE OR IN PART AS THE BASIS FOR THE MANUFACTURE OR SALE OF ITEMS WITHOUT WRITTEN PERMISSION. COPYRIGHT © 1970 DIGITAL EQUIPMENT CORPORATION.

1-30000000 2

WIRE TABLE								
ITEM NO	DESCRIPTION			FROM			TO	
	ANG	COLOR	POINT	CONNECTION	WITH	POINT	CONNECTION	WITH
B3	18	GRN	10	PIN-1	---	HW12	---	SOLD
↓	22	BLK	9	PIN-3	---	HW20	---	↑
		TWP	8	PIN-6	---	HW22	---	
↓	22	WHT	7	PIN-5	---	HW1A	---	↑
		TWP	6	PIN-2	---	HW13	---	
B4	22	GRN	---	---	---	HW21	---	↑
↓	↓	YEL	---	---	---	HW1E	---	
		BRN	---	---	---	HW17	---	
		BLK	---	---	---	HW16	---	
		RED	---	---	---	HW15	---	
B4	22	BLU	---	---	---	HW14	---	SOLD



REVISIONS		
CHK	CHANGE NO.	REV

TITLE VT61 MONITOR PANEL						SIZE D CS	NUMBER 5411444-01	REV. J
SCALE NONE						SHEET 3 OF 3	DIST.	

DEC FORM NO. 137

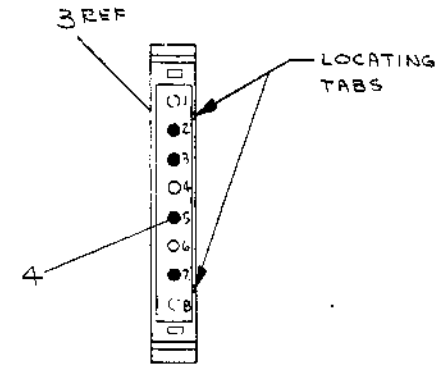


THIS DRAWING AND SPECIFICATIONS HEREIN ARE THE PROPERTY OF DIGITAL EQUIPMENT CORPORATION AND SHALL NOT BE REPRODUCED OR COPIED OR USED IN WHOLE OR IN PART AS THE BASIS FOR THE MANUFACTURE OR SALE OF ITEMS WITHOUT WRITTEN PERMISSION OF DIGITAL EQUIPMENT CORPORATION.

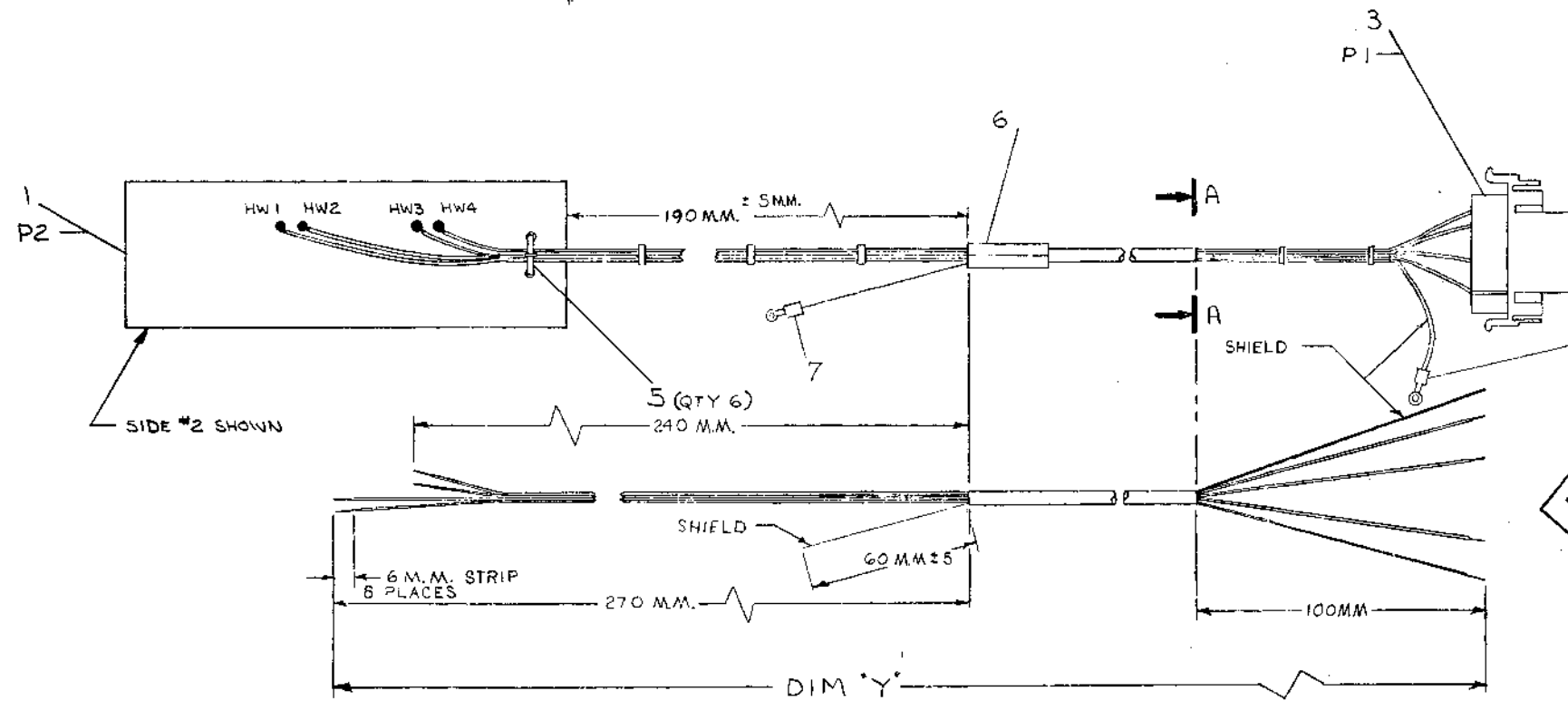
WIRE TABLE							
ITEM NO.	DESCRIPTION	FROM	TO	SIGNAL			
NO.	AWG	COLOR	CONNECTION	WITH	CONNECTION	WITH	NAME
2	22	BLK	P1-2	3	P2-HW2	SOLD.	RX-
↑	↑	RED	P1-3	↑	P2-HW4	↑	TX-
↑	↑	WHT	P1-5	↑	P2-HW1	↑	RX+
2	22	GRN	P1-7	3	P2-HW3	SOLD.	TX+

LEGEND	
NUMBER	DIMY" PRE-CUT (REF)
BN52B-04	4.0M.
BN52B-7F	7.6M.

NOTE



VIEW A-A  
SCALE: NONE  
REAR VIEW



METRIC DIMENSIONS

QTY	DESCRIPTION	DWG./PART NO.	ITEM NO.	
2	2	TERMINAL, RING TONGUE	9007928	7
1	1	SLEEVE, CABLE	3MD-7419728-0-0	6
6	6	TIE WRAP	9007031	5
4	4	TERMINAL, PIN CONTACT	1209378-03	4
1	1	CONN. PANEL MOUNT, B PIN	1209340-01	3
1/2	1/2	CABLE, 4 COND. #22 AWG STD.	1700097-00	2
1	1	20 MA ADAPTER CARD	D-C5-5411759-04	1

UNLESS OTHERWISE SPECIFIED DIMENSIONS ARE IN MILLIMETERS							
ANGLES 60° 90°	CLASS OF ACCURACY (CHECK ONE)	NOMINAL DIMENSION RANGE MILLIMETER					
		UP TO 30	30 TO 100	100 TO 300	300 TO 1000	1000 TO 2000	OVER 2000
SURFACE QUALITY IN MICROINCHES	MEDIUM	±0.1	±0.2	±0.3	±0.4	±0.8	±1.0
	PREFERRED	±0.3	±0.4	±0.5	±1.0	±1.5	±2.5

THIRD ANGLE PROJECTION

REMOVE BURRS AND BREAK SHARP CORNERS

DO NOT SCALE DWG

MATERIAL SEE PARTS LIST

FINISH

DRN. *J. Desuk* 7-7-75

CHK'D *J. Desuk* 7-31-75

ENG. *J. Desuk* 7-31-75

PROJ. ENG. *J. Desuk* 7-31-75

PRODR. *J. Desuk* 7-31-75

FIRST USED ON

TITLE

20 MA. ADAPTER ASSY

SIZE CODE

NUMBER

1 TA BN52B-0-0

SHEET OF 1

DIST.

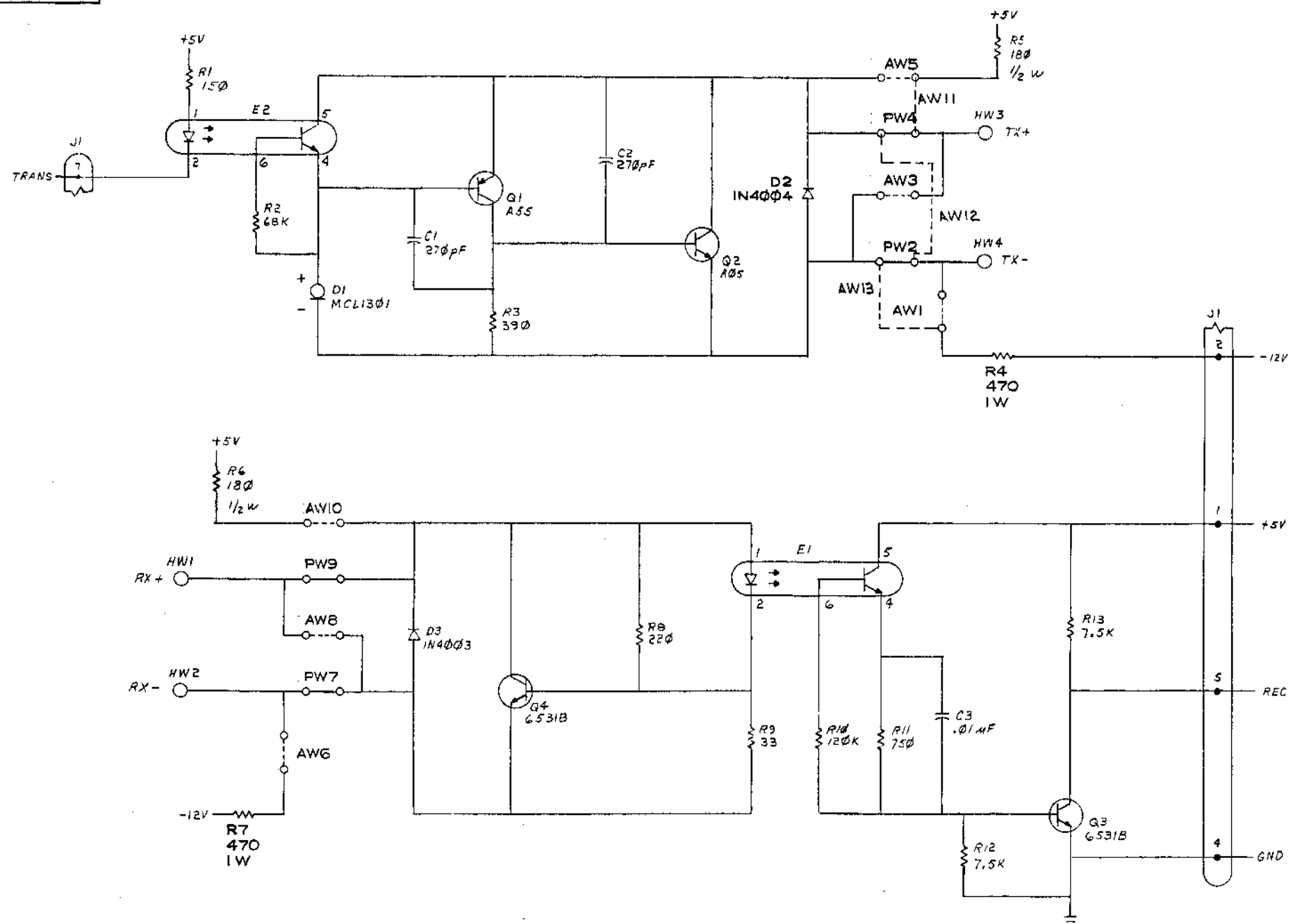
REV.	CHANGE NO.	REV.
1	00001	A
2	00002	B
3	00003	C
4	00004	D
5	00005	E
6	00006	F
7	00007	G
8	00008	H
9	00009	I
10	00010	J

1 TA BN52B-0-0-0-0



THIS DRAWING AND SPECIFICATIONS HEREIN ARE THE PROPERTY OF DIGITAL EQUIPMENT CORPORATION AND SHALL NOT BE REPRODUCED OR COPIED OR USED IN WHOLE OR IN PART AS THE BASIS FOR THE MANUFACTURE OR SALE OF ITEMS WITHOUT WRITTEN PERMISSION. COPYRIGHT © 1975 DIGITAL EQUIPMENT CORPORATION

1-0-6521159 5010 2



NOTES :

1. HW = EYELETS FOR HARDWIRING POINTS
2. AW JUMPERS ARE OPTIONAL JUMPERS
3. TO CONVERT FROM PASSIVE TO ACTIVE MODE, DELETE JUMPERS PW2, PW4, PW7 & PW9. ADD JUMPERS AW1, AW3, AW5, AW6, AW8 & AW10.
4. FOR VT61T ONLY, TO CONVERT FROM PASSIVE TRANSMIT TO ACTIVE TRANSMIT, DELETE JUMPERS PW2, PW4, ADD JUMPERS AW11, AW12 & AW13 INSTEAD OF AW1, AW3 & AW5. USE ITEM 26, TUBING (9107256-00) WITH JUMPERS.

REVISIONS		
CHK	CHANGE NO.	REV.

TITLE	20MA ADAPTER CARD	SIZE CODE	D CS	NUMBER	5411759-0-1	REV.	C
SCALE		SHEET	2	OF	2	DIST.	

DEC FORM 88

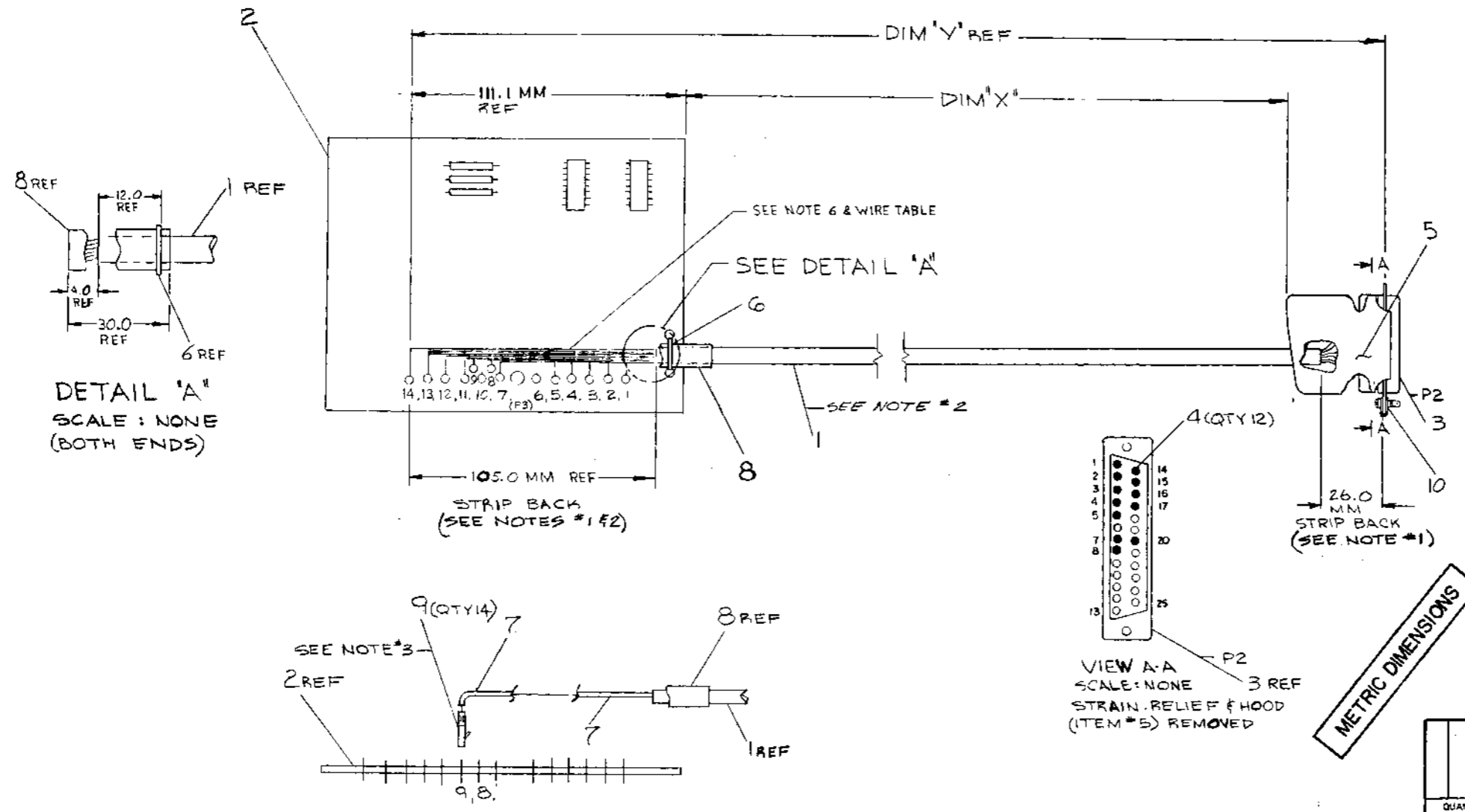


"THIS DRAWING AND SPECIFICATIONS HEREAFTER ARE THE PROPERTY OF DIGITAL EQUIPMENT CORPORATION AND SHALL NOT BE REPRODUCED OR COPIED OR USED IN WHOLE OR IN PART AS THE BASIS FOR THE MANUFACTURE OR SALE OF ITEMS WITHOUT WRITTEN PERMISSION. COPYRIGHT © 1976 DIGITAL EQUIPMENT CORPORATION"

ITEM NO	DESCRIPTION	FROM		TO		SIGNAL NAME	REMARKS	WIRE LENGTH SEE NOTE 6	
		AWG	COLOR	CONNECTION	WITH				CONNECTION
1	26	26	OL/WHT	P3-1	99SOLD	P2-3	4	REC DATA	40 MM
			WHT/BLU	P3-2		P2-3		CARRIER	40 MM
			RED/BLU	P3-3		P2-16		EIA SECONDARY ACVD DATA	40 MM
			GRN/WHT	P3-4		P2-5		CLEAR TO SEND	40 MM
			GRAY	P3-5		P2-17		SERIAL CLK RECV	40 MM
			SHIELD 'A'	P3-8				GND SHIELD FOR P3-5 CONN. SEE NOTE #2	80 MM
			GRY/GRN	P3-6		P2-15		SERIAL CLK TRANS	45 MM
			SHIELD 'B'	P3-9				GND SHIELD FOR P3-6 CONN. SEE NOTE #2	80 MM
			BRN/WHT	P3-7		P2-7		CRPD	75 MM
			BLU/WHT	P3-10		P2-1		GND	80 MM
			BLU/BLU	P3-11		P2-20		DATA TERMINAL READY	85 MM
			WHT/GRN	P3-12		P2-4		REQUEST TO SEND	95 MM
			WHT/BLU	P3-13		P2-2		TRANSMITTED DATA	100 MM
1	26	26	GRY/RED	P3-14	99SOLD	P2-14	4	EIA SECONDARY TRANS DATA	105 MM

LEGEND		
NUMBER	DIM 'X'	DIM 'Y' (PRELUT) REF
BNG18-05	5.0 ± .01M	D-140 M

- NOTES:**
1. STRIP BACK OUTER JACKET (BOTH ENDS AS SHOWN)
  2. STRIP BACK TIN FOIL ON WIRES GOING TO P3-8 & P3-9 ON VT61 EIA CARD, AND PLACE TUBING EXTENDED OVER STRIPPED WIRES
  3. AFTER ASSEMBLING TERMINAL (ITEM #2) ON WIRES MAKE CONNECTIONS TO EIA CARD AND SOLDER AS SHOWN
  4. CUT BACK ALL UNUSED WIRES TO END OF CABLE JACKET (BOTH ENDS).
  5. CABLE JACKET SHOULD EXTEND UNDER THE CABLE TIE (ITEM 6) BY APPROX. 12.0MM.
  6. WIRE LENGTH INFORMATION APPLIES TO ITEM #2 END OF CABLE.



DESCRIPTION	DWG. PART NO.	ITEM NO.
2 SCREW, RETAINER MALE	1210493-51	10
18 TERMINAL SOLDERLESS CLAMP	9009786-00	9
48 TUBING, SHAINM.	9107252-09	8
48 TUBING, EXTENDED	9107278-11	7
1 TIE, CABLE	9007031-00	6
1 CONN. HOOD & STRAIN RELIEF	1210493-50	5
12 CONTACT, PIN	1210493-43	4
1 CONN. SHELL & INSERT	1210493-31	3
1 VT61 EIA CARD	D-65-541379-0-1	2
1 CABLE, 26 COND. 26 AWG	9107736-00	1

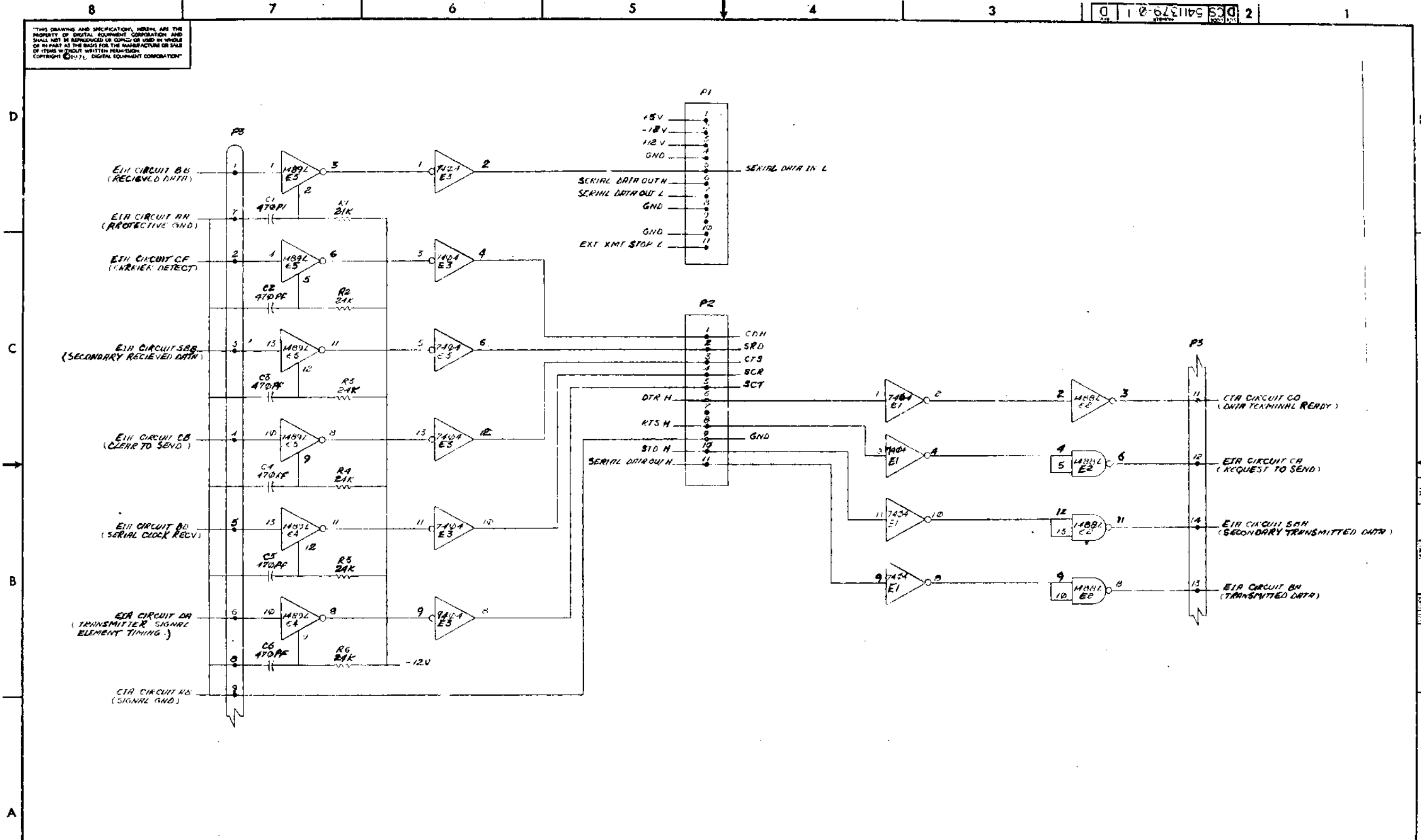
UNLESS OTHERWISE SPECIFIED DIMENSIONS ARE IN MILLIMETERS	
ANGLES	CLASS OF ACCURACY
30° 30'	(CHECK ONE)
SURFACE QUALITY IN	MEDIUM
QUANTITY & VARIATION	PREFERRED
THIRD ANGLE PROJECTION	FIRST USED ON
REMOVE BURRS AND BREAK SHARP CORNERS	TITLE
DO NOT SCALE DWG	SCALE
MATERIAL SEE PARTS LIST	FINISH

REV.	CHANGE NO.	DATE	BY
1	00004	5.5 APR 77	J. BUZYNSKI

REV. 1000 150



THIS DRAWING AND SPECIFICATION HEREIN ARE THE PROPERTY OF DIGITAL EQUIPMENT CORPORATION AND SHALL NOT BE REPRODUCED OR COPIED OR USED IN WHOLE OR IN PART AS THE BASIS FOR THE MANUFACTURE OR SALE OF ITEMS WITHOUT WRITTEN PERMISSION. COPYRIGHT © 1971, DIGITAL EQUIPMENT CORPORATION.



REVISIONS			TITLE		SIZE	CODE	NUMBER	REV.
CHK	CHANGE NO.	REV	VT61 EIA CONVERSION BD.		D	CS	5411379-0-1	0
			SCALE	NONE	SHEET	2 OF 2	DIST.	

D.E.S. 5411379-0-1

O

O

O

O

C



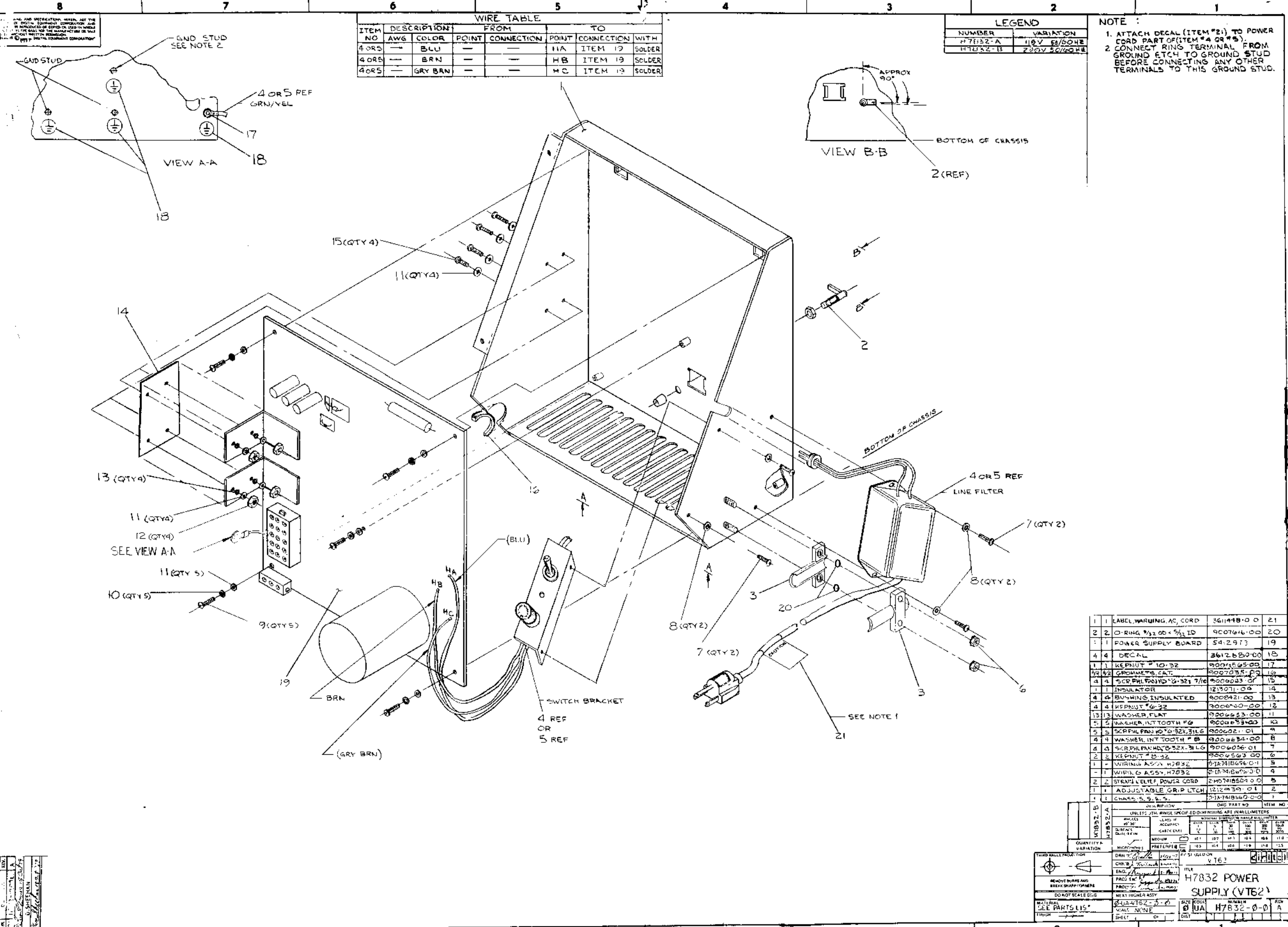
O

O

O

O

O



WIRE TABLE						
ITEM NO	DESCRIPTION	FROM	TO	WITH		
4 OR 5	BLU	—	HA	ITEM 19	SOLDER	
4 OR 5	BRN	—	HB	ITEM 19	SOLDER	
4 OR 5	GRY BRN	—	HC	ITEM 19	SOLDER	

LEGEND	
NUMBER	VARIATION
H7832-A	110V 50/60HZ
H7832-B	230V 50/60HZ

NOTE:  
 1. ATTACH DECAL (ITEM #21) TO POWER CORD PART OF (ITEM #4 OR #5).  
 2. CONNECT RING TERMINAL FROM GROUND ETCH TO GROUND STUD BEFORE CONNECTING ANY OTHER TERMINALS TO THIS GROUND STUD.

ITEM NO	DESCRIPTION	QTY	PART NO	ITEM NO
1	LABEL, WARNING, AC, CORD	1	361198-0-0	21
2	O-RING 3/32 OD x 3/32 ID	1	9C0764-00	20
1	POWER SUPPLY BOARD	1	54-2913	19
4	DECAL	4	3612680-00	18
1	KEPNUT # 10-32	1	900765-00	17
2	GROMMETS, CAT.	2	9007035-00	16
4	SCR PHL PAN HD 6-32 7/16	4	9006023-01	15
1	INSULATOR	1	123071-00	14
4	BUSHING INSULATED	4	9008421-00	13
4	KEPNUT # 6-32	4	9006020-00	12
13	WASHER, FLAT	13	9006023-00	11
5	WASHER, INT TOOTH # 6	5	9006023-00	10
5	SCR PHL PAN HD 6-32 3/16	5	9006021-01	9
4	WASHER, INT TOOTH # 8	4	9006024-00	8
4	SCR PHL PAN HD 6-32 3/16	4	9006026-01	7
2	KEPNUT # 8-32	2	9006020-00	6
1	WIRING ASSY H7832	1	90071866-01	5
1	WIRING ASSY H7832	1	90071866-01	4
2	STRAIGHTENED POWER CORD	2	2HD718509-00	3
1	ADJUSTABLE GRIP LATCH	1	123073-01	2
1	CHASSIS, S.S.S.	1	90071856-00	1

UNLESS OTHERWISE SPECIFIED DIMENSIONS ARE IN MILLIMETERS

QUANTITY	VARIATION	DESCRIPTION	QTY	ITEM NO
1		CHASSIS	1	1
1		WIRING ASSY	1	5
1		POWER SUPPLY BOARD	1	19
1		ADJUSTABLE GRIP LATCH	1	2
2		STRAIGHTENED POWER CORD	2	3
1		WIRING ASSY	1	4
1		WIRING ASSY	1	5
2		KEPNUT # 8-32	2	6
4		WASHER, INT TOOTH # 8	4	8
4		SCR PHL PAN HD 6-32 3/16	4	7
4		WASHER, INT TOOTH # 6	4	10
4		BUSHING INSULATED	4	13
4		KEPNUT # 6-32	4	12
4		INSULATOR	1	14
4		SCR PHL PAN HD 6-32 7/16	4	15
2		GROMMETS, CAT.	2	16
1		KEPNUT # 10-32	1	17
4		DECAL	4	18
1		POWER SUPPLY BOARD	1	19
2		O-RING 3/32 OD x 3/32 ID	1	20
1		LABEL, WARNING, AC, CORD	1	21

DATE: 11/15/62  
 FILE: H7832 POWER SUPPLY (V762)  
 DRAWN BY: [Signature]  
 CHECKED BY: [Signature]  
 ENGR: [Signature]  
 PROJ. ENGR: [Signature]  
 PROD. ENGR: [Signature]

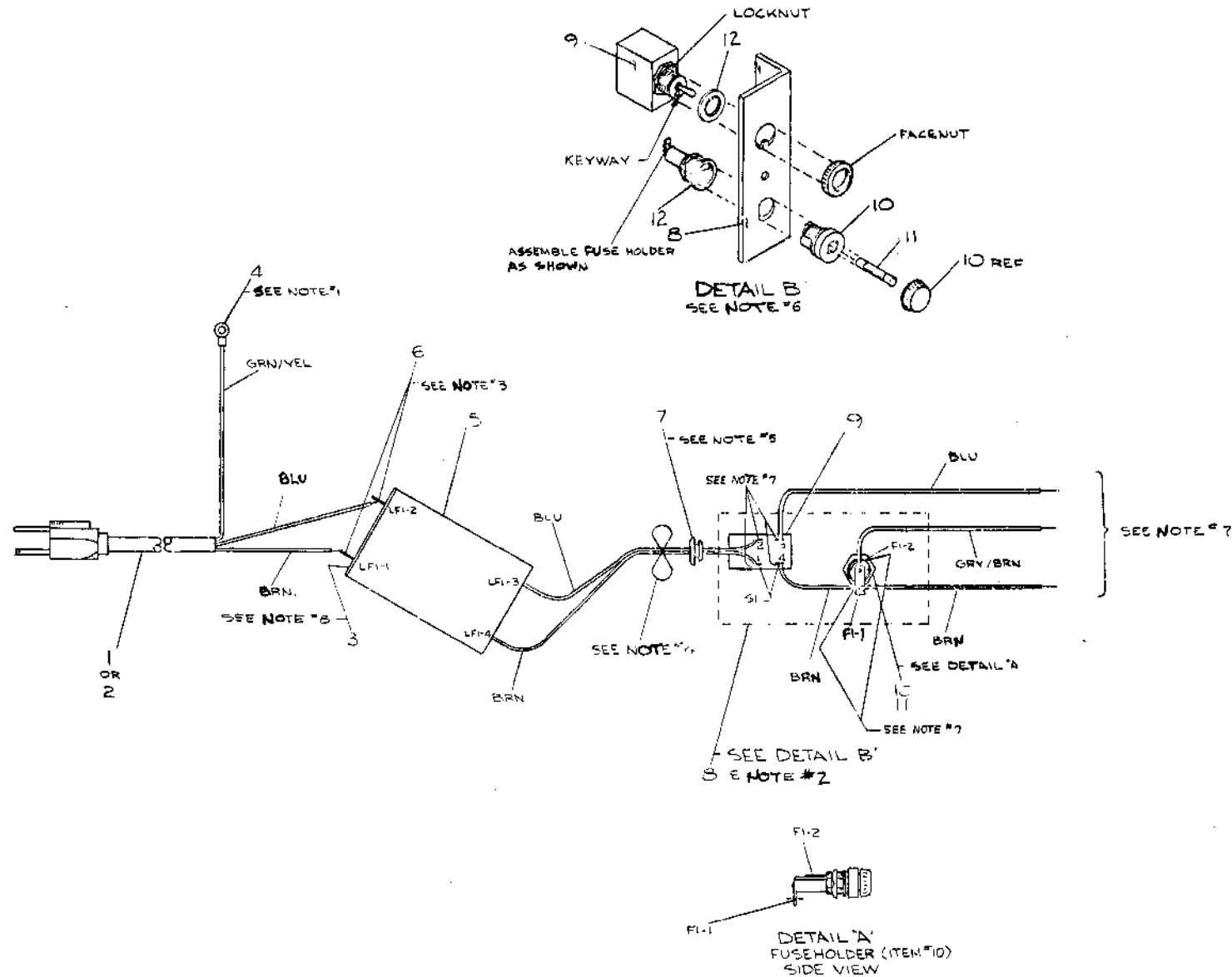
SCALE: NONE  
 SHEET: 1 OF 1

THIS DRAWING AND SPECIFICATIONS, HEREIN, ARE THE PROPERTY OF THE U.S. GOVERNMENT. REPRODUCTION OR TRANSMISSION IN ANY FORM OR BY ANY MEANS IS PROHIBITED WITHOUT THE WRITTEN PERMISSION OF THE U.S. GOVERNMENT.

WIRE TABLE								
ITEM NO.	DESCRIPTION	FROM	TO	LENGTH				
AN &	COLOR	POINT	CONNECTION	WITH	POINT	CONNECTION	WITH	
1002	BRN		LFI-1	SOLD		LFI-1	SOLD	
1002	BLU					LFI-2	SOLD	
1002	GRN/YEL							
5	BLU		LFI-3			SI-2	SOLD	180 MM
5	BRN		LFI-4			SI-1	SOLD	180 MM
13	BRN		SI-4	SOLD		F-1	SOLD	60 MM
13	BLU		SI-3	SOLD				100 MM
14	GRN/BRN		F-2	SOLD				100 MM
13	BRN		F-1	SOLD				95 MM

LEGEND	
NUMBER	VARIATION
7418696-00	HT832-A 115V 50/60 HZ
7418696-01	HT832-B 230V 50/60 HZ

- NOTES:
1. TERMINAL RING TONGUE (ITEM #4) TO BE CRIMPED TO GRN/YEL WIRE.
  2. ASSEMBLE FUSE HOLDER (ITEM #10) & SWITCH (ITEM #9) BEFORE WIRING.
  3. BLU & BRN LEADS FROM POWER CORD (ITEM #1) TO BE SOLDERED TO FILTER (ITEM #5) INPUT TERMINALS AND INSULATED WITH SHRINK TUBING (ITEM #6).
  4. BLU & BRN OUTPUT LEADS ARE TWISTED TOGETHER, 9 TWIST PER FOOT.
  5. GROMMET (ITEM #7) TO BE SLID OVER TWISTED OUTPUT LEADS OF FILTER (ITEM #5) WITH LARGER DIA FACING FILTER.
  6. ADJUST LOCKNUT (SEE DETAIL 'B') SO THAT FACE NUT IS FLUSH WITH TOGGLE SWITCH THREADS protruding THROUGH SWITCH BRACKET (ITEM #8).
  7. WIRES TO BE STRIPPED 5MM AND TINNED.
  8. PLACE COVER (ITEM #3) ON FILTER, LINE (ITEM #5) BEFORE WIRING.



ITEM NO.	DESCRIPTION	QTY	UNIT	REMARKS
1	WIRE POWER CORD BLU	1	5107560-00	15
1	WIRE POWER CORD GRN/BRN	1	5107560-01	14
1	WIRE POWER CORD BRN	1	5107560-01	13
2	WASHER INTERNAL TOOTH	2	5000980-00	12
1	FUSE	1	5007317-00	11
1	HOLDER FUSE	1	1212093-00	10
1	SWITCH TOGGLE	1	1204722-01	9
1	BRACKET SWITCH	1	214-7410561-0-0	8
1	GROMMET	1	5007663-01	7
1	TUBING SHRINK	1	5107560-00	6
1	FILTER LINE	1	1212035-00	5
1	TERMINAL RING TONGUE	1	5007950-00	4
1	CORD LINE FILTER TERMINAL	1	5007950-00	3
1	CORD POWER REWORK	1	5007950-00	2
1	CORD POWER REWORK	1	5007950-00	1

METRIC DIMENSIONS

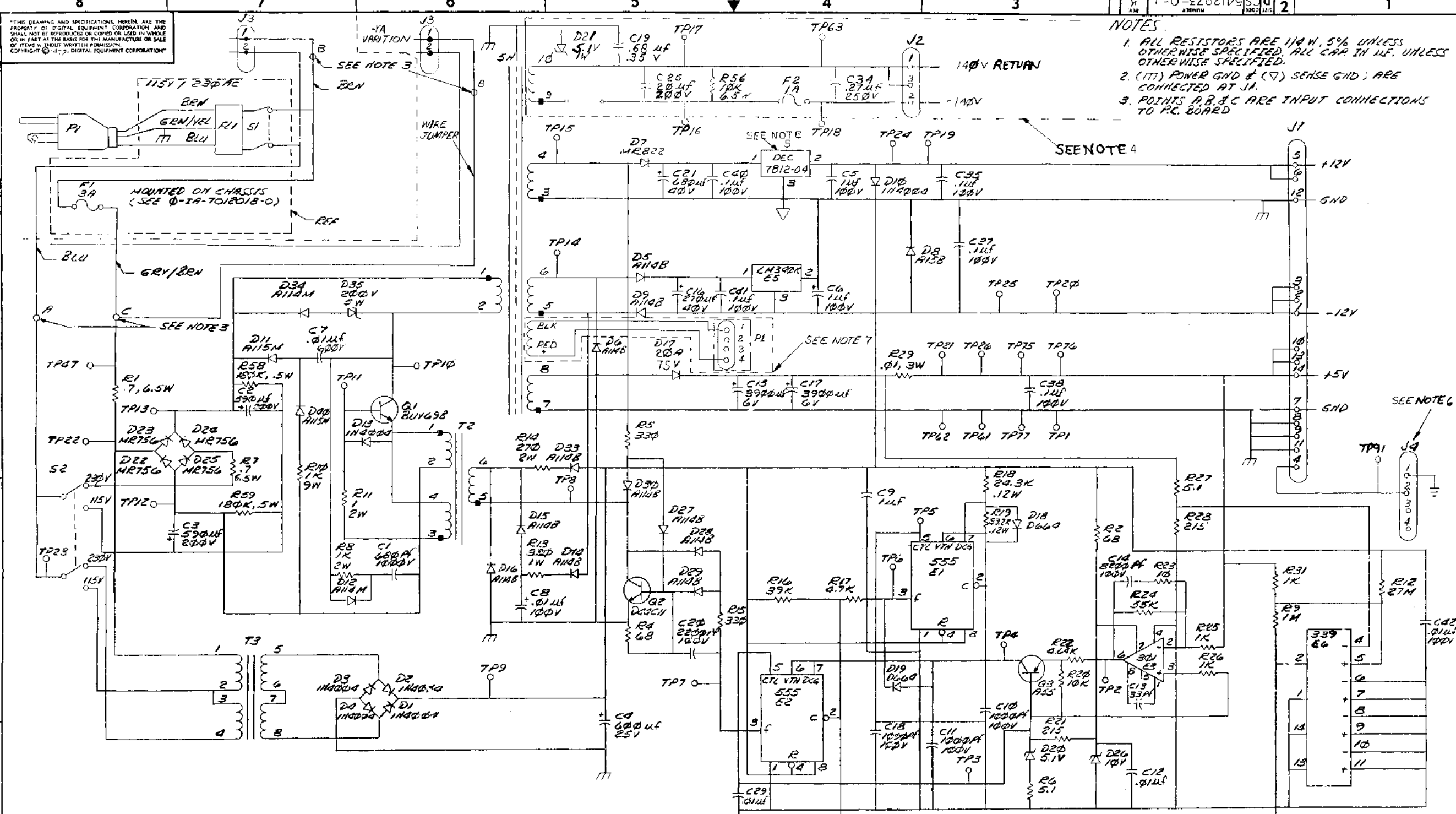
QUANTITIES SHOWN ARE FOR THE ENTIRE QUANTITY OF THIS DRAWING UNLESS OTHERWISE SPECIFIED DIMENSIONS ARE IN MILLIMETERS
APPROVED FOR FABRICATION
DESIGNED BY: [Signature]
CHECKED BY: [Signature]
DATE: [Date]
PROJECT: [Project Name]
SCALE: [Scale]
DO NOT SCALE DIMS
NEXT HIGHER ASSY: [Assy Name]
PREPARED BY: [Signature]
DATE: [Date]
PROJECT: [Project Name]
SCALE: [Scale]
DO NOT SCALE DIMS

ITEM NO.	DESCRIPTION	QTY	UNIT	REMARKS
1	WIRE POWER CORD BLU	1	5107560-00	15
1	WIRE POWER CORD GRN/BRN	1	5107560-01	14
1	WIRE POWER CORD BRN	1	5107560-01	13
2	WASHER INTERNAL TOOTH	2	5000980-00	12
1	FUSE	1	5007317-00	11
1	HOLDER FUSE	1	1212093-00	10
1	SWITCH TOGGLE	1	1204722-01	9
1	BRACKET SWITCH	1	214-7410561-0-0	8
1	GROMMET	1	5007663-01	7
1	TUBING SHRINK	1	5107560-00	6
1	FILTER LINE	1	1212035-00	5
1	TERMINAL RING TONGUE	1	5007950-00	4
1	CORD LINE FILTER TERMINAL	1	5007950-00	3
1	CORD POWER REWORK	1	5007950-00	2
1	CORD POWER REWORK	1	5007950-00	1



THIS DRAWING AND SPECIFICATIONS HEREIN ARE THE PROPERTY OF DIGITAL EQUIPMENT CORPORATION AND SHALL NOT BE REPRODUCED OR COPIED OR USED IN WHOLE OR IN PART AS THE BASIS FOR THE MANUFACTURE OR SALE OF ITEMS WITHOUT WRITTEN PERMISSION. COPYRIGHT © 1970, DIGITAL EQUIPMENT CORPORATION.

NOTES:  
 1. ALL RESISTORS ARE 1/4 W, 5% UNLESS OTHERWISE SPECIFIED. ALL CAP IN UF, UNLESS OTHERWISE SPECIFIED.  
 2. (TT) POWER GND & (▽) SENSE GND ARE CONNECTED AT J1.  
 3. POINTS A, B, & C ARE INPUT CONNECTIONS TO PC BOARD.



NOTES CONT.  
 4. THIS SECTION IS ONLY USED FOR -0 VAR. THE FOLLOWING PARTS ARE DELETED FROM -YA VAR: C19, C25, C34, D21, R56, J2, F2  
 5. LM 340K (7812) IS USED ON -YA VARIATION.  
 6. J4 IS USED ON -YA VARIATION.  
 7. 300 V TRANSFORMER WINDING IS ONLY PRESENT ON -YA VARIATION.

REV.	CHANGE NO.	DESCRIPTION
1	1	INITIAL ISSUE
2	2	REVISION
3	3	REVISION
4	4	REVISION
5	5	REVISION
6	6	REVISION
7	7	REVISION
8	8	REVISION
9	9	REVISION
10	10	REVISION
11	11	REVISION
12	12	REVISION
13	13	REVISION
14	14	REVISION
15	15	REVISION
16	16	REVISION
17	17	REVISION
18	18	REVISION
19	19	REVISION
20	20	REVISION
21	21	REVISION
22	22	REVISION
23	23	REVISION
24	24	REVISION
25	25	REVISION
26	26	REVISION
27	27	REVISION
28	28	REVISION
29	29	REVISION
30	30	REVISION

DATE: 10/1/70	BY: J. H. ...	FIRST USED ON: VT521, VT68
CHECKED: ...	DATE: 10/1/70	TITLE: VT61, VT62, VT76, FXCT
ENGINEER: ...	DATE: ...	POWER SUPPLY
PROJ. ENG. ...	DATE: ...	
PROD. ...	DATE: ...	
NEXT HIGHER ASSY:		
D:UA5412973-0-1	SIZE: ...	NUMBER: ...
SCALE: ...	D:CS	5412973-0-1
SHEET: ...	OF: ...	REV. ...

O

1

O

O

C

1

C