

0

.

.

.

.

.

0

THE MATERIAL HEREIN IS FOR INFORMATION PURPOSES ONLY AND IS SUBJECT TO CHANGE WITHOUT NOTICE. DIGITAL EQUIPMENT CORPORATION ASSUMES NO RESPONSIBILITY FOR ANY ERRORS WHICH MAY APPEAR HEREIN. 1976

DRAWING DIRECTORY

THIS DRAWING AND SPECIFICATIONS, HEREIN, ARE THE PROPERTY OF DIGITAL EQUIPMENT CORPORATION AND SHALL NOT BE REPRODUCED OR COPIED OR USED IN WHOLE OR IN PART AS THE BASIS FOR THE MANUFACTURE OR SALE OF ITEMS WITHOUT WRITTEN PERMISSION. COPYRIGHT © 1976, DIGITAL EQUIPMENT CORPORATION

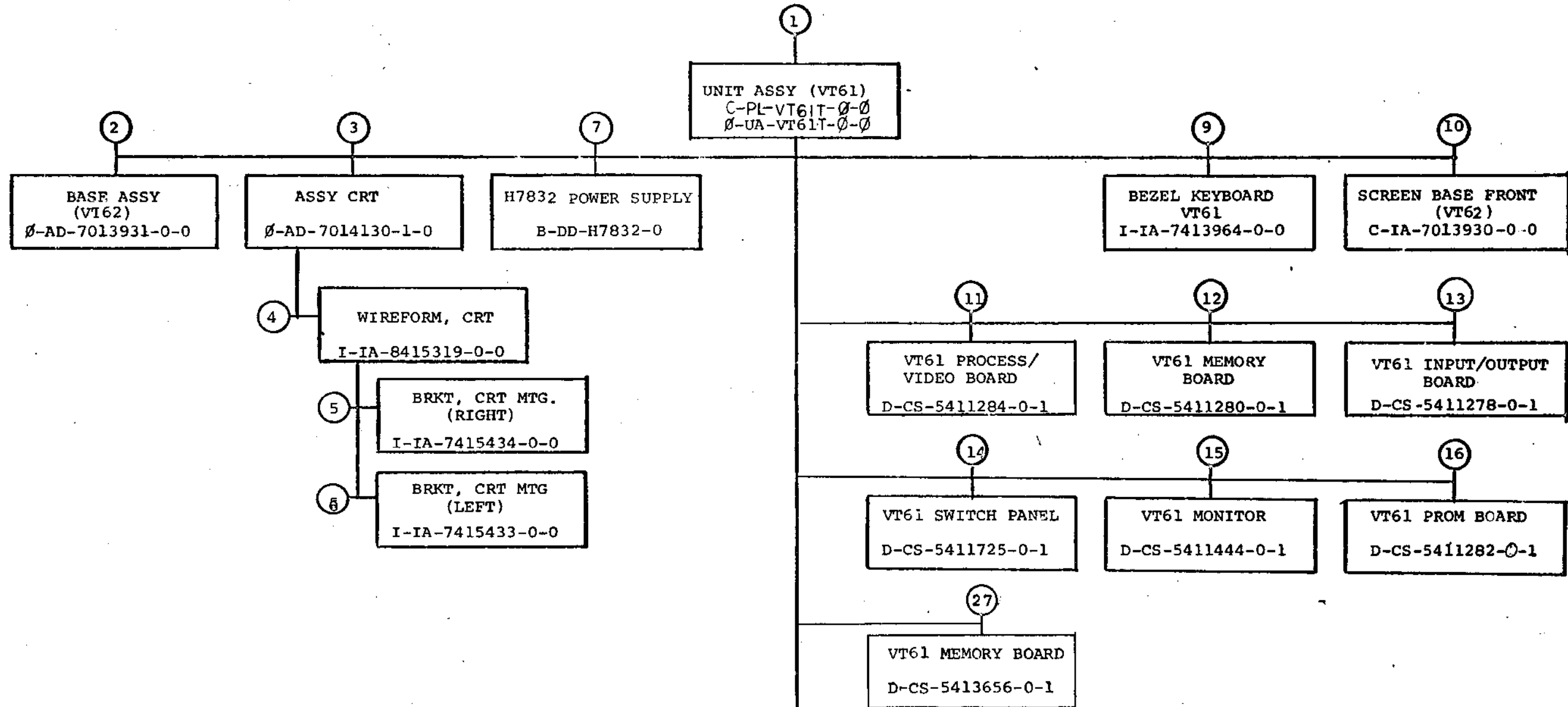
FOR FIELD MAINTENANCE PRINT SET REFER TO:

B-TC-VT61T-0-2

UNIT VARIATIONS	
VAR	TITLE
VT61T-AA	BLOCK MODE, EDITING VIDEO TERMINAL 20 MA 115V/60HZ
VT61T-AB	BLOCK MODE EDITING VIDEO TERMINAL 20 MA 230V/50 HZ
VT61T-AC	BLOCK MODE EDITING VIDEO TERMINAL EIA WITH CONTROL 115V/60 HZ
VT61T-AD	BLOCK MODE EDITING VIDEO TERMINAL EIA WITH CONTROL 230V/50 HZ
VT61T-AE	BLOCK MODE EDITING VIDEO TERMINAL EIA 115V/60 HZ
VT61T-AF	BLOCK MODE EDITING VIDEO TERMINAL EIA 230V/50 HZ
VT61T-AM	BLOCK MODE EDITING VIDEO TERMINAL 283 B PLUG 115V/60HZ
VT61T-AN	BLOCK MODE EDITING VIDEO TERMINAL 283 B PLUG 230V/50HZ
VT61T-DC	BLOCK MODE EDITING VIDEO TERMINAL EIA WITH CONTROL 115V/60HZ
VT61T-DD	BLOCK MODE EDITING VIDEO TERMINAL EIA WITH CONTROL 230V/50HZ
VT61T-DE	BLOCK MODE EDITING VIDEO TERMINAL EIA 115V/60HZ
VT61T-DF	BLOCK MODE EDITING VIDEO TERMINAL EIA 230V/50HZ
VT61T-DM	BLOCK MODE EDITING VIDEO TERMINAL 283B PLUG 115V/60HZ
VT61T-DN	BLOCK MODE EDITING VIDEO TERMINAL 283B PLUG 230V/50HZ

REVISIONS	CHK	CHANGE NO.	REV.	A	B	C	USED OR OPTION/MODEL	DRN.	DATE	TITLE	REV
								G. DRAYTON	5MAY76		
							VT61T	CHK'D.	DATE	UNIT ASSY (VT61T)	C
								PROJ. ENG.	DATE	SIZE CODE	NUMBER
								PROD.	DATE	B DD	VT61T-0
							SHEET 1 OF 6		DATE	DIST.	

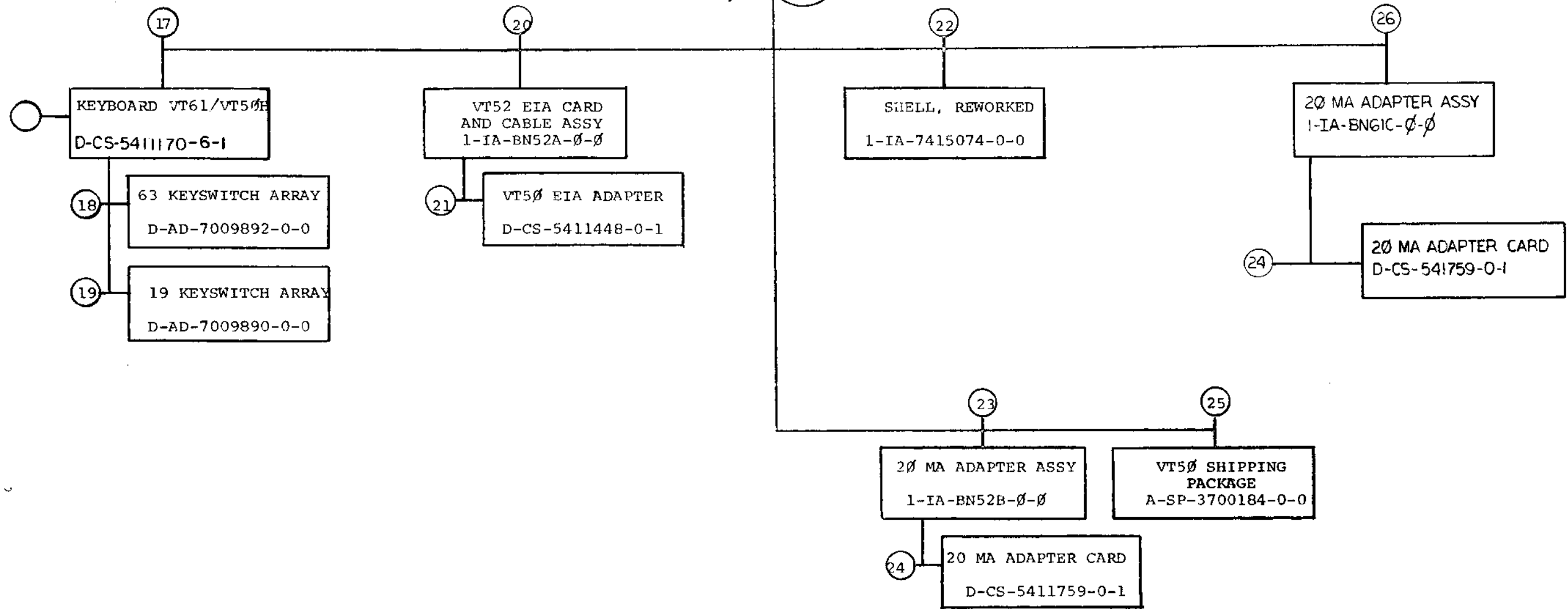
DRB 106A



CONTINUED ON SHEET # 4

TITLE	SHEET	OF	SIZE	CODE	NUMBER	REV
UNIT ASSY (VT61T)	2	6	B	DD	VT61T-0	C

CONTINUED FROM SHEET #3



TITLE	SHEET	OF	SIZE	CODE	NUMBER	REV
UNIT ASSY (VT61T)	SHEET 3 OF	6	B	DD	VT61T-0	C

FIND NO.	DRAWING NO.	DESCRIPTION	TYPE	FIND NO.	DRAWING NO.	DESCRIPTION	TYPE
1	B-TC-VT61T-0-2	VT61T FIELD MAINTENANCE PRINT SET	-	4	1-IA-7415319-0-0	WIREFORM CRT	M
	MP00110	VT61T FIELD MAINTENANCE PRINT SET	-		2-MD-7415430-0-0	STRAP, GROUND	M
	0-UA-VT61T-0-0	UNIT ASSY (VT61T)	E/M				
	A-PL-VT61T-0-0	UNIT ASSY (VT61T)(PL)	E/M				
	A-PL-VT61T-0-1	VT61T SHIPPING LIST	-				
	A-SP-VT61T-0-3	VT61T ENGINEERING SPEC.	-				
	A-SP-VT61T-0-4	VT61T ACCEPTANCE TEST	-				
	B-MD-7414751-0-0	SUPPORT, FOAM	M				
	D-MD-7413103-0-0	COVER, CASSETTE	M	5	1-IA-7415434-0-0	BRKT, CRT MTG (RIGHT)	M
	0-MD-7412573-0-0	FIXED COVER VT50	M		2-MD-7415427-0-0	SUPPORT, WIRE	M
	I-MD-7412574-0-0	COPIER COVER (VT61)	M		B-MD-7415429-0-0	NUT, WELD (LOWER)	M
	I-IA-7415317-0-0	PLATE, MTG. (VT61)	M		B-MD-7415428-0-0	NUT, WELD (UPPER)	M
	2-MD-7415342-0-0	CLIP, BD MTG	M				
	A-PS-3612680-01	DECAL	M				
	I-IA-BN618-0-0	CABLE ASSY, VT61 EIA CARD	E/M	6	1-IA-7415433-0-0	BRKT, CRT MTG. (LEFT)	M
	C-MD-7413400-0-0	BRACKET COPIER WELL	M		2-MD-7415427-0-0	SUPPORT, WIRE	M
	I-PS-3513241-0-0	DECAL BASE FRONT (VT61)	M		B-MD-7415429-0-0	NUT, WELD (LOWER)	M
	B-MD-7415063-0-0	CLIP, MODULE	M		B-MD-7415428-0-0	NUT, WELD (UPPER)	M
	A-PS-3610267-0-0	STICKER, "DANGER HIGH VOLTAGE"	M				
	B-MD-7415062-0-0	CLIP, ADAPTER	M				
	I-MD-7418566-0-0	HEAT SINK (VT61)	M				
	D-IA-7012017-0-0	HARNESS, POWER (VT61)	E/M	7	B-DD-H7832-0	H7832 POWER SUPPLY	E/M
	D-BD-VT61-0-5	BLOCK DIAGRAM	E				
	A-DC-7414213-0-0	VT50 UL STICKER	M				
	D-UA-7012697-0-0	VT61 TEST PANEL	E/M				
	A-SP-VT61-0-7	VT61/VT61T MACRO INSTRUCTION SPEC.	-				
	A-SP-VT61-0-6	VT61 TEST DIAGNOSTIC FAULT LOCATING PROCEDURE	-				
				9	1-IA-7413984-0-0	BEZEL, KEYBOARD VT61	M
					A-SS-7413964-0-1	SILK SCREEN	M
					A-SS-7413964-0-2	SILK SCREEN	M
2	0-AD-7013931-0-0	BASE ASSY (VT61)	M				
	E-MD-7411539-0-0	BASE VT50	M				
	L-IA-7418564-0-0	SCREEN, BASE BEAR	M				
	B-MD-7418565-0-0	PLATE, COVER (VT61)	M				
				10	C-IA-7013930-0-0	SCREEN BASE FRONT (VT61)	M
					C-MD-7418563-0-0	HANDLE SCREEN (VT61)	M
					C-MD-7418562-0-0	PLATE SCREEN (VT61)	M
3	0-AD-7014130-1-0	ASSEMBLY CRT	E/M				
	2-IA-7010906-0-0	YOKE ASSEMBLY	E/M				

TYPE: E ELECTRICAL
M MECHANICAL
E/M ELECTRO/MECHANICAL

digital

TITLE

UNIT ASSY (VT61T)

SHEET 4 OF 6

SIZE CODE
B DD

NUMBER
VT61T-0

REV
C

FIND NO.	DRAWING NO.	DESCRIPTION	TYPE	FIND NO.	DRAWING NO.	DESCRIPTION	TYPE
11	D-CS-5411284-0-1	VT61 PROCESS/VIDEO BOARD	E/M	16	D-CS-5411282-1-1	VT61 PROM BOARD	E/M
	K-CO-5411284-0-4	X-Y COORDINATE HOLE LOCATION	M		K-CO-5411282-1-4	X-Y COORDINATE HOLE LOCATION	M
	E-AH-5411284-0-5	ASSY?DRILLING HOLE LAYOUT	M		D-AH-5411282-1-5	ASSY/DRILLING HOLE LAYOUT	M
	B-MH-5411284-0-6	MODULE ECO HISTORY	-		B-MH-5411282-1-6	MODULE ECO HISTORY	-
	D-MD-5011283-0-0	VT61 PROCESS VIDEO PANEL DRAWING	M		1-MD-5011281-0-0	VT61 PROM PANEL	M
	C-AD-7011144-0-0	CABLE ASSEMBLY (10 CONDUCTOR)	E/M		C-IA-7012015-0-0	CABLE ASSY (VT61)	E/M
12	D-CS-5411280-0-1	VT61 MEMORY BOARD	E/M	17	D-CS-5411170-6-1	KEYBOARD, VT61/VT50 H	E/M
	K-CO-5411280-0-4	X-Y COORDINATE HOLE LOCATION	M		K-CO-5411170-6-4	X-Y COORDINATE HOLE LOCATION	M
	D-AH-5411280-0-5	ASSY/DRILLING HOLE LAYOUT	M		D-AH-5411170-6-5	ASSY/DRILLING HOLE LAYOUT	M
	B-MH-5411280-0-6	MODULE ECO HISTORY	-		B-MH-5411170-6-6	MODULE ECO HISTORY	-
	D-MD-5011279-0-0	VT61 MEMORY PANEL	M		5011169	ETCH CIRCUIT BOARD	M
	D-MD-5011279-0-0	VT61 MEMORY PANEL	M		D-IA-7010912-0-0	KEYBOARD CABLE, VT50/VT50H	E/M
	C-IA-7012015-0-0	CABLE ASSY (VT61)	E/M		B-DD-7010054-0	VT50/61 KEYBOARD TESTER	E/M
	B-DD-7011594-0-0	TESTER	M				
13	D-CS-5411278-0-1	VT61 INPUT/OUTPUT BOARD	E/M	18	D-AD-7009892-0-0	63 KEYSWITCH ARRAY	M
	K-CO-5411278-0-4	X-Y COORDINATE HOLE LOCATION	M		D-AD-7010035-0-0	63 KEYSWITCH HOUSING ASSEMBLY	M
	D-AH-5411278-0-5	ASSY/DRILLING HOLE LAYOUT	M		D-AD-7009939-0-0	SPACE BAR ASSEMBLY	M
	B-MH-5411278-0-6	MODULE ECO HISTORY	-				
	D-MD-5011277-0-0	VT61 I/O PANEL	M				
14	D-CS-5411725-0-1	VT61 SWITCH PANEL	E/M	19	D-AD-7009890-0-0	19 KEYSWITCH ARRAY	M
	K-CO-5411725-0-4	X-Y COORDINATE HOLE LOCATION	M		D-AD-7010034-0-0	KEYSWITCH HOUSING ASSEMBLY	M
	D-AH-5411725-0-5	ASSY/DRILLING HOLE LAYOUT	M				
	B-MH-5411725-0-6	MODULE ECO HISTORY	-	20	1-IA-BN52A-0-0	VT52 EIA CARD AND ASSEMBLY	E/M
	1-MD-5011724-0-0	PANEL SWITCH VT61	M		E-UA-7012186-0-0	TESTER ASSY EIA VT50/52/01	E/M
	1-IA-7012014-0-0	CABLE, VT61 SWITCH PANEL	E/M				
15	D-CS-5411444-0-1	VT61 MONITOR	E/M	21	D-CS-5411448-0-1	VT50 EIA ADAPTER	E/M
	K-CO-5411444-0-4	X-Y COORDINATE HOLE LOCATION	M		K-CO-5411448-0-4	X-Y COORDINATE HOLE LOCATION	M
	D-AH-5411444-0-5	ASSY DRILLING HOLE LAYOUT	M		D-AH-5411448-0-5	ASSY/DRILLING HOLE LAYOUT	M
	B-MH-5411444-0-6	MODULE ECO HISTORY	-		B-MH-5411448-0-6	MODULE ECO HISTORY	-
	1-MD-5011443-0-0	VT61 MONITOR PANEL	M		5011447	ETCHED CIRCUIT BOARD	M
	1-IA-7011187-0-0	HARNESS YOKE	E/M				
	2-IA-7012096-0-0	HARNESS CRT	E/M	22	1-IA-7415074-0-0	SHELL, REWORKED	M
	B-DD-7012848-0	PS MONITOR TESTER	E/M		F-MD-7411540-0-0	SHELL, VT50	M

TYPE: E ELECTRICAL
M MECHANICAL
E/M ELECTRO/MECHANICAL

digital

TITLE	SIZE	CODE	NUMBER	REV
UNIT ASSY (VT61T)	B	DD	VT61T-0	C

SHEET 5 OF 6

FIND NO.	DRAWING NO.	DESCRIPTION	TYPE	FIND NO.	DRAWING NO.	DESCRIPTION	TYPE
23	1-IA-BN52B-Ø-Ø E-UA-7012002-0-0	2Ø MA ADAPTER ASSY TESTER, 2Ø MA LOOP ASSY	E/M E/M				
24	D-CS-5411759-0-1 K-CO-5411759-0-4 D-AH-5411759-0-5 B-MH-5411759-0-6 5011758	2Ø MA ADAPTER CARD X-Y COORDINATE HOLE LOCATION ASSY/DRILLING HOLE LAYOUT MODULE ECO HISTORY ETCHED CIRCUIT BOARD	E/M M M - M				
25	A-SP-3700184-0-0 9905698 9905699 9905639 9905729 9009634	VT5Ø SHIPPING PACKAGE REGULAR SLOTTED CARTON FOAM PIECES (1 SET EQUALS 6 PIECES) LAMINATED BUILDUP CARTON SEALING TAPE TAPE (SCOTCH Y-8921)	- M M M M M				
26	1-IA-BNGIC-Ø-Ø E-UA-7012002-0-0	ADAPTER, 2Ø MA ASSY TESTER, 2Ø MA LOOP ASSY	E/M E/M				
27	B-DD-5413656-0 D-UA-5413656-0-0 K-PL-5413656-0-DBP D-CS-5413656-0-1 D-MD-5413655-0-0 K-PC-5413656-0-DBG K-PL-5413656-01-DBP	VT61 MEMORY BOARD VT61 MEMORY BOARD PARTS LIST DATA BASE VT61 MEMORY BOARD DRILL & ETCH DRAWING P.C. DESIGN DATA BASE VT61 MEMORY BOARD	E E/M E E M M E				

TYPE: E ELECTRICAL
M MECHANICAL
E/M ELECTRO/MECHANICAL



TITLE	UNIT ASSY (VT61T)	SHEET 6 OF 6	SIZE CODE B DD	NUMBER VT61T-Ø	REV C
-------	-------------------	--------------	-------------------	-------------------	----------

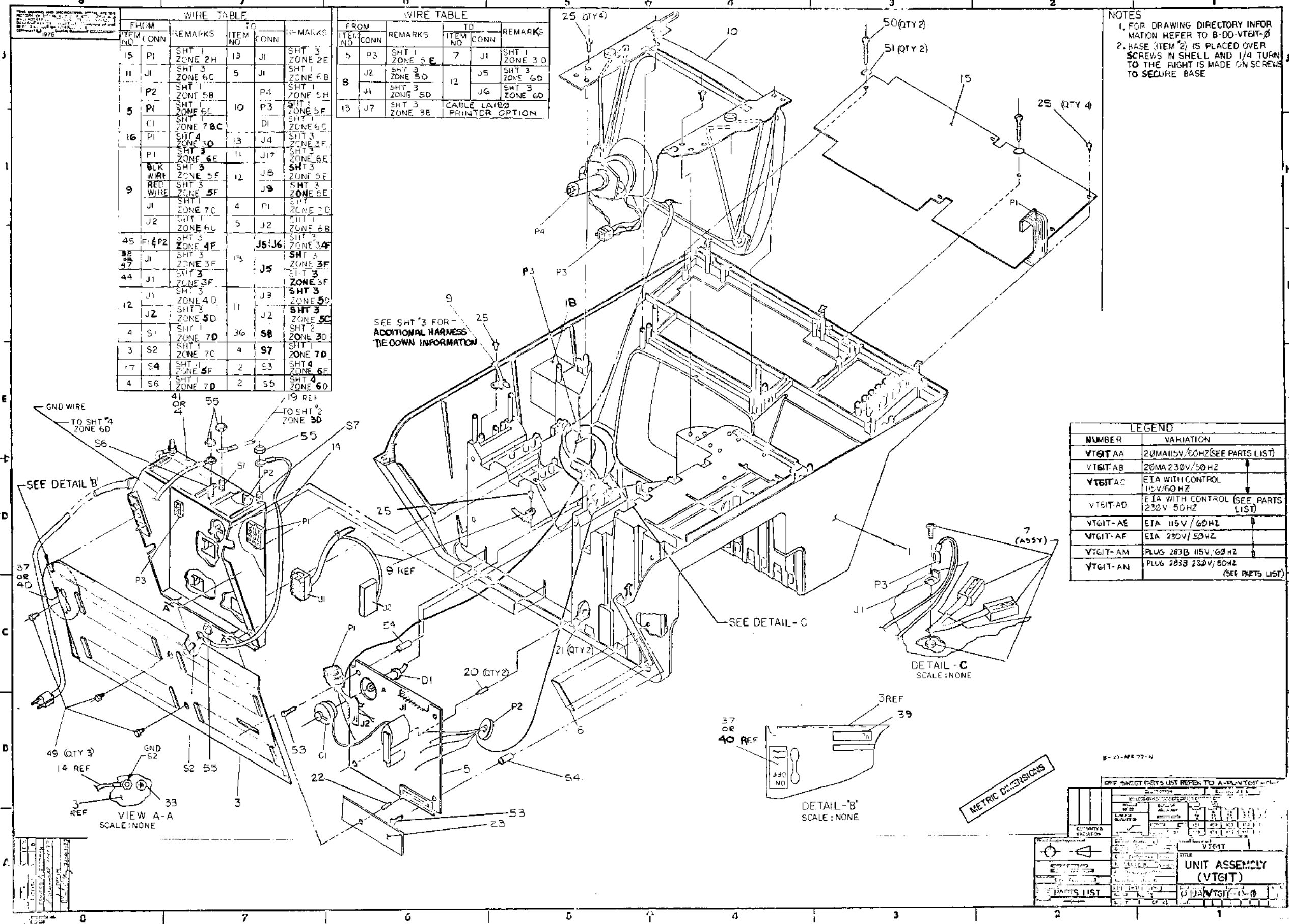
EN-01062-2C-16-R376 (325)

WIRE TABLE				
FROM ITEM NO.	CONN	REMARKS	TO ITEM NO.	CONN
15	P1	SHT 1 ZONE 2H	13	J1
11	J1	SHT 3 ZONE 6C	5	J1
	P2	SHT 1 ZONE 5B		P4
	P1	SHT 1 ZONE 6E		P3
5	P1	SHT 1 ZONE 7B.C	10	D1
16	P1	SHT 4 ZONE 3D	13	J4
	P1	SHT 3 ZONE 6E	11	J17
		BLK WIRE SHT 3 ZONE 5F	12	J6
		RED WIRE SHT 3 ZONE 5F	12	J9
9	J1	SHT 1 ZONE 7C	4	P1
	J2	SHT 1 ZONE 6C	5	J2
45	F1 & F2	SHT 3 ZONE 4F	J5 & J6	J5 & J6
38	J1	SHT 3 ZONE 3F	13	J5
47	J1	SHT 3 ZONE 3F		J5
44	J1	SHT 3 ZONE 3F		J5
12	J1	SHT 3 ZONE 4D	11	J3
	J2	SHT 3 ZONE 5D	J2	J2
4	S1	SHT 1 ZONE 7D	36	S8
3	S2	SHT 1 ZONE 7C	4	S7
17	S4	SHT 1 ZONE 6F	2	S3
4	S6	SHT 4 ZONE 7D	2	S5

WIRE TABLE				
FROM ITEM NO.	CONN	REMARKS	TO ITEM NO.	CONN
5	P3	SHT 1 ZONE 5E	7	J1
8	J2	SHT 3 ZONE 5D	12	J5
	J1	SHT 3 ZONE 5D		J6
13	J7	SHT 3 ZONE 3E		

CABLE LABELS
PRINTER OPTION

NOTES
 1. FOR DRAWING DIRECTORY INFORMATION REFER TO B-DD-VT6T-0
 2. BASE (ITEM 2) IS PLACED OVER SCREWS IN SHELL AND 1/4 TURN TO THE RIGHT IS MADE ON SCREWS TO SECURE BASE



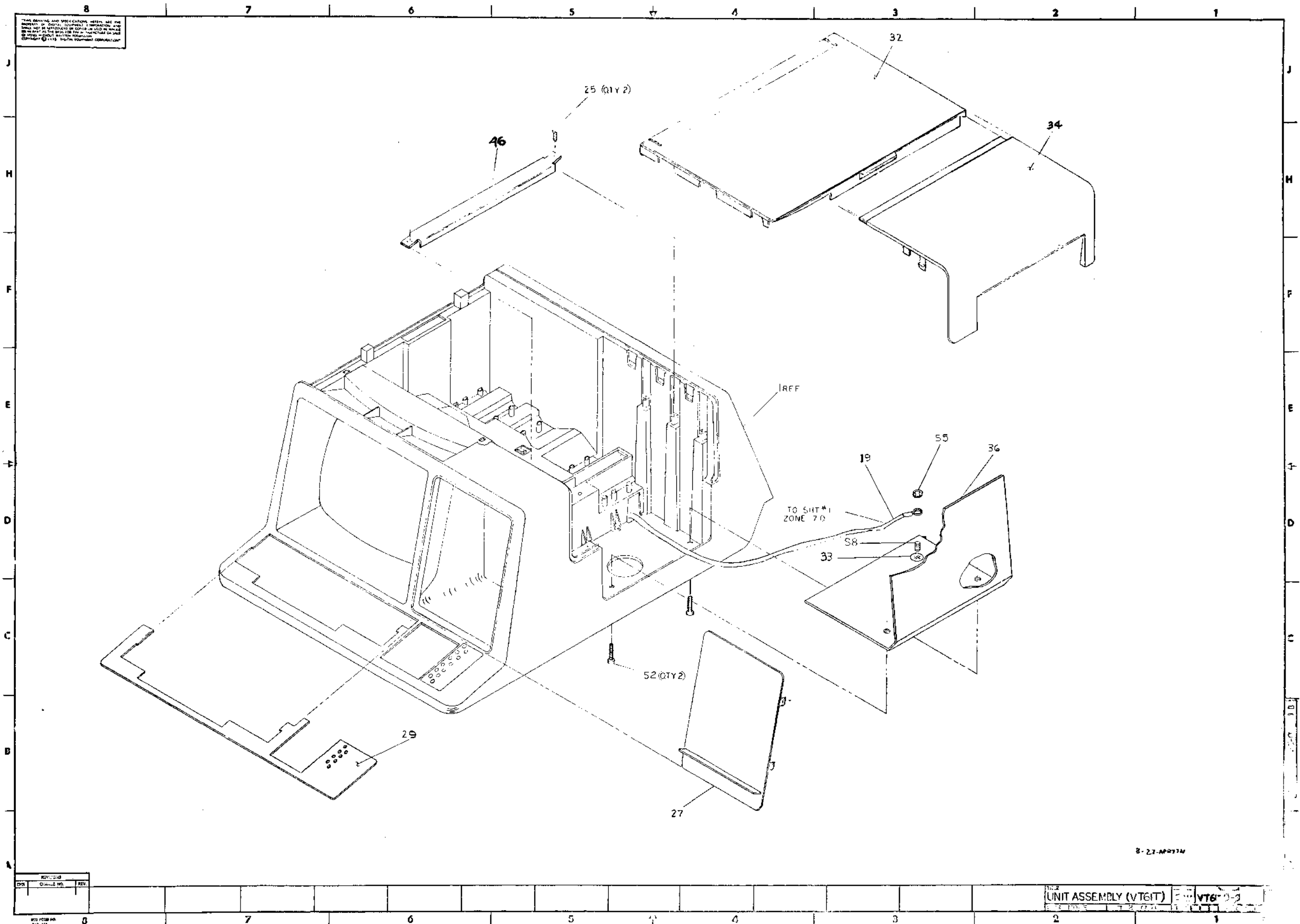
LEGEND	
NUMBER	VARIATION
VT6T-AA	20MA/115V/60HZ (SEE PARTS LIST)
VT6T-AB	20MA 230V/50HZ
VT6T-AC	EIA WITH CONTROL 115V/60HZ
VT6T-AD	EIA WITH CONTROL (SEE PARTS LIST) 230V/50HZ
VT6T-AE	EIA 115V/60HZ
VT6T-AF	EIA 230V/50HZ
VT6T-AM	PLUG 283B 115V/60HZ
VT6T-AN	PLUG 283B 230V/50HZ (SEE PARTS LIST)

PARTS LIST	
QTY	DESCRIPTION
1	VT6T
1	UNIT ASSEMBLY (VT6T)

METRIC DIMENSIONS

REVISIONS	
NO.	DESCRIPTION
1	ISSUED FOR PRODUCTION

THIS DRAWING AND SPECIFICATIONS HEREBY SET THE
 STANDARD OF QUALITY. EQUIPMENT CONSTRUCTION AND
 PERFORMANCE SHALL BE SUBJECT TO THE QUALITY CONTROL
 PROGRAM OF THE QUALITY CONTROL SYSTEM OF THE
 UNITED STATES GOVERNMENT. THE QUALITY CONTROL
 SYSTEM IS A TRADE SECRET OF THE UNITED STATES GOVERNMENT.



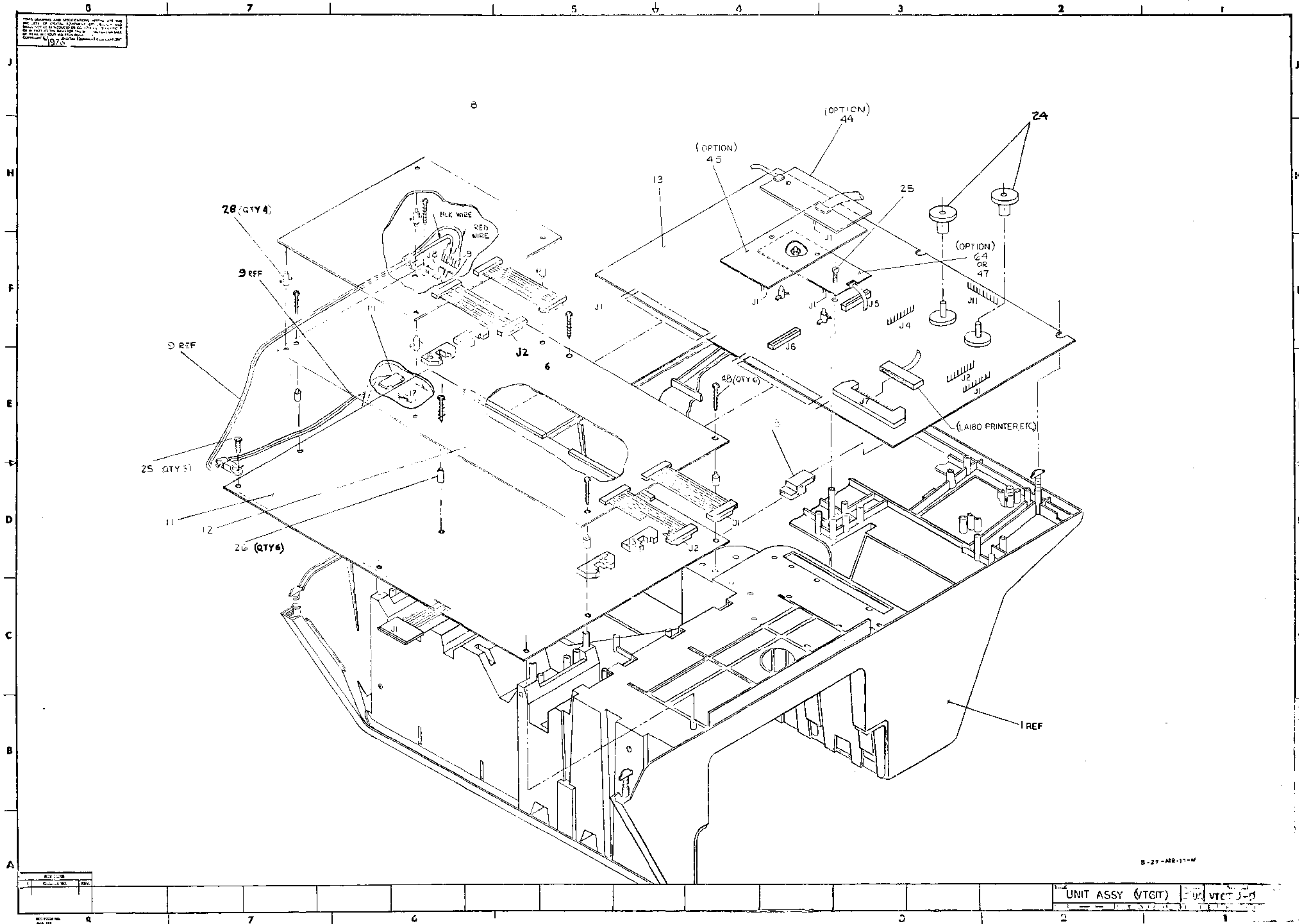
8-27-APR74M

REV.	DATE	BY

UNIT ASSEMBLY (VT6T) VT6T-0-0

8 7 6 5 4 3 2 1

THIS DRAWING AND SPECIFICATIONS HERETO ARE THE PROPERTY OF THE UNITED STATES GOVERNMENT. IT IS TO BE REPRODUCED OR TRANSMITTED IN ANY FORM OR BY ANY MEANS, ELECTRONIC OR MECHANICAL, INCLUDING PHOTOCOPYING, RECORDING, OR BY ANY INFORMATION STORAGE AND RETRIEVAL SYSTEM, WITHOUT PERMISSION IN WRITING FROM THE DIRECTOR, ARMY ELECTRONIC CENTER, FORT MONMOUTH, NEW JERSEY 08031.

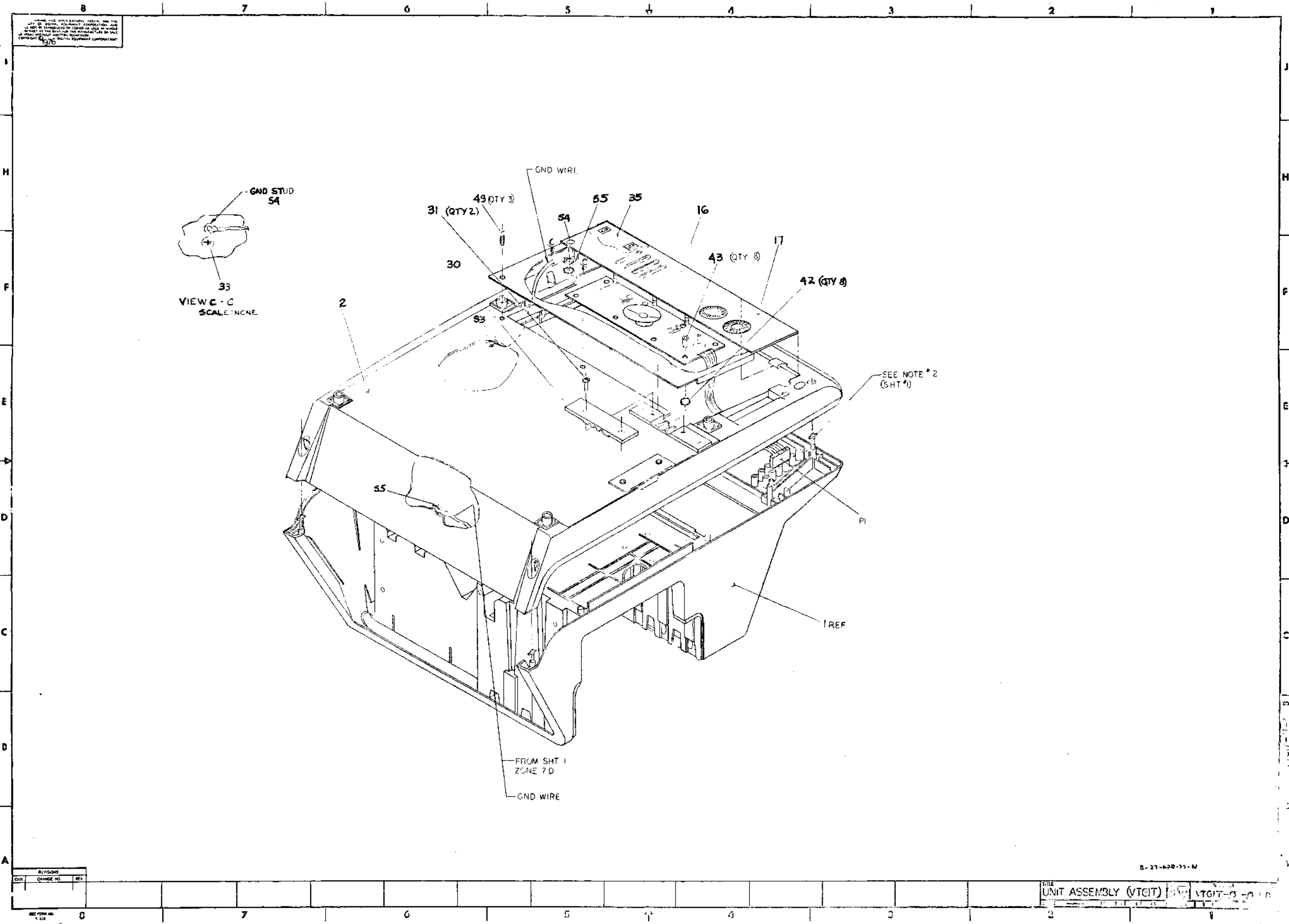


REV. NO.	REV.	DATE	BY	CHKD. BY	APP. BY	DATE	BY	CHKD. BY	APP. BY	DATE

UNIT ASSY (VTGIT)

B-27-MR-17-M

NOTE: AND OTHER CAUTIONS. READ THE TITLE OF THIS DRAWING. CONSULT THE COMPANION DRAWING FOR THE LOCATION OF THIS DRAWING. THIS DRAWING IS THE PROPERTY OF THE COMPANY AND IS NOT TO BE REPRODUCED OR TRANSMITTED IN ANY FORM OR BY ANY MEANS, ELECTRONIC OR MECHANICAL, INCLUDING PHOTOCOPYING, RECORDING, OR BY ANY INFORMATION STORAGE AND RETRIEVAL SYSTEM, WITHOUT WRITTEN PERMISSION FROM THE COMPANY.



8-27-APR-55-N

TITLE UNIT ASSEMBLY (VTGIT) VTGIT-3-11-11

DIGITAL EQUIPMENT CORPORATION

MAYNARD, MASSACHUSETTS

PARTS LIST

MADE BY G. DRAYTON	CHECKED P. CAPPADIANCA	SECTION
DATE 3-9-76	DATE 6-6-76	
ENG J. BUZYNSKI	PROD M. WHITTLESEY	ISSUED SECT.
DATE 5-25-76	DATE 5-26-76	

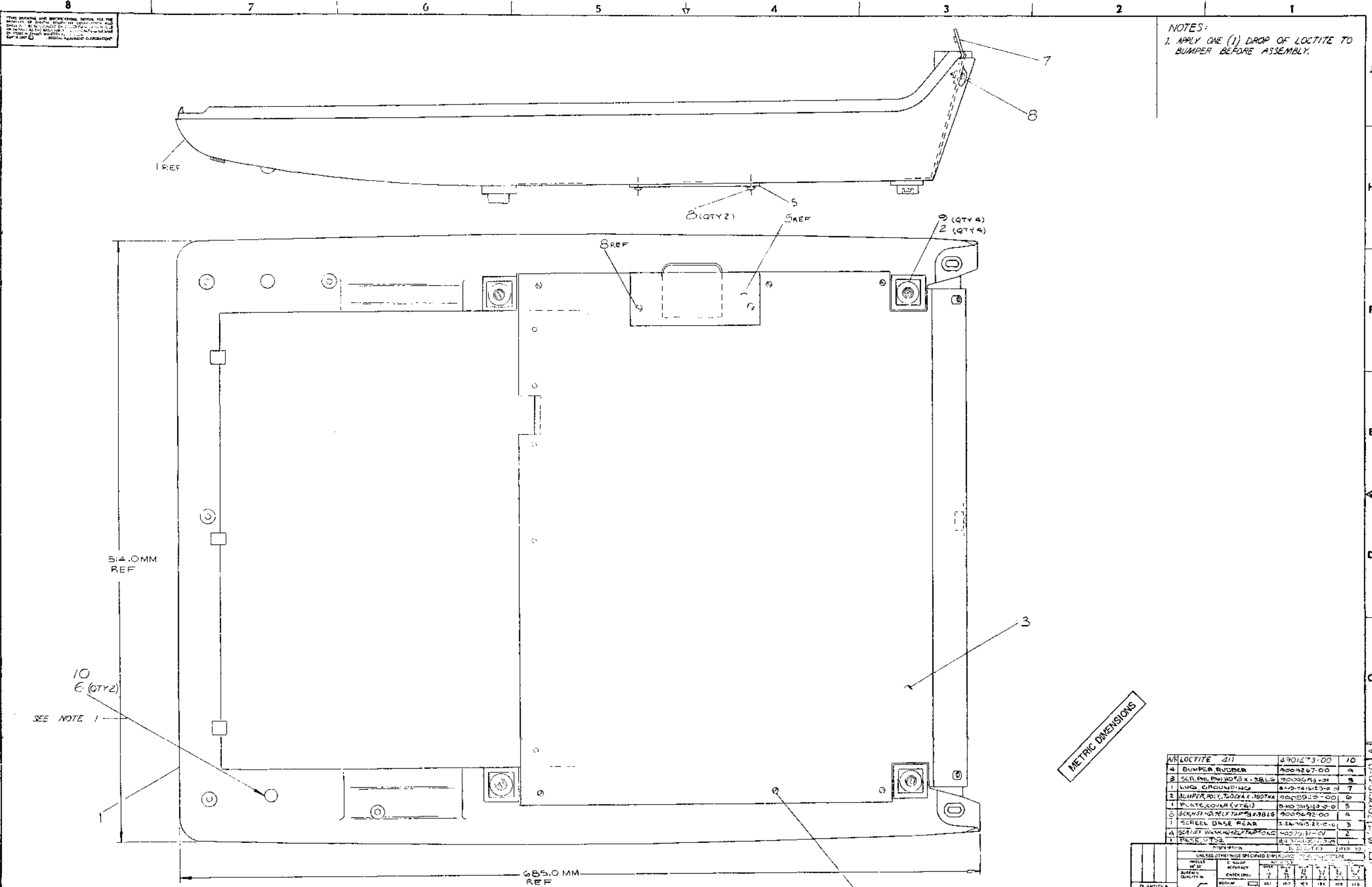
QUANTITY / VARIATION

ITEM NO	DWG NO. / PART NO.	DESCRIPTION	VT61T-AA	VT61T-AB	VT61T-AC	VT61T-AD	VT61T-AE	VT61T-AF	VT61T-AM	VT61T-AN				
			115V 60 HZ	230V 50HZ	115V 60HZ	230V 50HZ	115V 60HZ	230V 50HZ	115V 60HZ	230V 50HZ				
1	1-IA-7415074-0-0	SHELL REWORKED	1	1	1	1	1	1	1	1				
2	0-AD-7013931-0-0	BASE ASSEMBLY	1	1	1	1	1	1	1	1				
3	1-IA-7418566-0-0	HEAT SINK (VT62)	1	1	1	1	1	1	1	1				
4	0-IA-117832A	POWER SUPPLY (115V-60HZ)	1	-	1	-	1	-	1	-				
5	D-CS-5411444-0-1	BOARD, MONITOR (VT61)	1	1	1	1	1	1	1	1				
6	A-PS-3613210-0-0	LABEL, ALU. ADHESIVE	1	1	1	1	1	1	1	1				
7	1-IA-7011197-0-0	CRT, GROUNDING ASSY	1	1	1	1	1	1	1	1				
8	D-CS-5411282-1-1	BOARD, PROM (VT61)	1	1	1	1	1	1	1	1				
9	D-IA-7012017-0-0	HARNESS, POWER (VT61)	1	1	1	1	1	1	1	1				
10	1-AD-7014130-1-0	CRT ASSEMBLY	1	1	1	1	1	1	1	1				
11	D-CS-5411284-0-1	BOARD, PROCESS VIDEO (VT61)	1	1	1	1	1	1	1	1				
12	D-CS-5411280-0-1	BOARD, MEMORY (VT61)	1	1	1	1	1	1	1	1				
13	D-CS-5411278-0-1	BOARD, INPUT/OUTPUT (VT61)	1	1	1	1	1	1	1	1				
14	C-IA-7418251-0-0	CABLE, SAFETY GND	1	1	1	1	1	1	1	1				
15	D-CS-5411170-6-1	KEYBOARD VT61/VT50 H	1	1	1	1	1	1	1	1				
16	D-CS-5411725-0-1	BOARD, SWITCH PANEL (VT61)	1	1	1	1	1	1	1	1				
17	1-IA-7013930-0-0	SCREEN, BASE FRONT (VT62)	1	1	1	1	1	1	1	1				
18	B-MD-7414751-0-0	SUPPORT, FOAM	1	1	1	1	1	1	1	1				
19	C-IA-7418251-3-0	CABLE, SAFETY GND	1	1	1	1	1	1	1	1				
20	9009670-00	STANDOFF, PLASTIC SNAP-IN .25 LG	2	2	2	2	2	2	2	2				
21	9008407-J1	SCR. PH: PAN HD. #6-20 x .38 LG	2	2	2	2	2	2	2	2				
22	1213771	SPRING, SLIDE COVER	1	1	1	1	1	1	1	1				

TITLE UNIT ASSEMBLY VT61T	ASSY NO. B-DD-VT61T-0	SIZE A	CODE PL	NUMBER VT61T-0-0	REV. B	ECO NO. VT61T PNC02
SHEET 1 OF 3		DIST				

DIGITAL EQUIPMENT CORPORATION MAYNARD, MASSACHUSETTS					QUANTITY / VARIATION														
PARTS LIST					VT61T-AA	VT61T-AB	VT61T-AC	VT61T-AD	VT61T-AE	VT61T-AF	VT61T-AM	VT61T-AN							
MADE BY G. DRAYTON		CHECKED P. CAPPADIANCA		SECTION	115V 6CHZ	230V 5CHZ	115V 6CHZ	230V 5CHZ	115V 6CHZ	230V 5CHZ	115V 6CHZ	230V 5CHZ							
DATE 3-9-76		DATE 6-6-76																	
ENG J. BUZYNSKI		PROD M. WHITTLESEY		ISSUED SECT.															
DATE 5-25-76		DATE 5-26-76																	
ITEM NO.	DWG NO. / PART NO.	DESCRIPTION																	
23	2-MD-7417806-0-0	COVER, SLIDE			1	1	1	1	1	1	1	1							
24	2-MD-7417802-0-0	SPACER, SWITCH			2	2	2	2	2	2	2	2							
25	9009681-05	SCR. THD. ROLLING #10 x .38			16	16	16	16	16	16	16	16							
26	1212891-0-0	SPACER, PILOTED .75 LG			6	6	6	6	6	6	6	6							
27	D-MD-7413103-0-0	COVER, CASSETTE			1	1	1	1	1	1	1	1							
28	9009747-00	STANDOFF, RICH0 .50 LG			4	4	4	4	4	4	4	4							
29	1-IA-7413964-0-0	BEZEL, KEYBOARD (VT61)			1	1	1	1	1	1	1	1							
30	C-MD-7417804-0-0	CABLE CLAMP, UPPER			1	1	1	1	1	1	1	1							
31	9007854-01	SCR. PHL PAN HD. #8-32 x .56 LG			2	2	2	2	2	2	2	2							
32	Ø-AD-7412573-0-0	COVER, BLANK FIXED ASSY			1	1	1	1	1	1	1	1							
33	A-PS-3612680-0-0	DECAL, GND SYMBOL			3	3	3	3	3	3	3	3							
34	E-MD-7412574-1-0	COPIER COVER (VT61)			1	1	1	1	1	1	1	1							
35	A-PS-3613241-0-0	DECAL, BASS FRONT			1	1	1	1	1	1	1	1							
36	1-IA-7415317-0-0	PLATE, MTG. (VT61)			1	1	1	1	1	1	1	1							
37	A-PS-3614166-1-0	LABEL, ADHESIVE BACK PRINTED			-	1	-	1	-	1	-	1							
38	2-MD-7415342-0-0	CLIP, BD. MTG.			1	1	1	1	1	1	1	1							
39	A-DC-7414213-0-0	DECAL (UL)			1	1	1	1	1	1	1	1							
40	A-PS-3614166-0-0	LABEL, ADHESIVE BACK PRINTED			1	-	1	-	1	-	1	-							
41	Ø-UA-H7832-B	POWER SUPPLY (VT62) (230V-50HZ)			-	1	-	1	-	1	-	1							
42	9008185-00	KEPNUT #6-32			8	8	8	8	8	8	8	8							
43	9006801-00	SPACER, METAL .25 HEX x .38 LG			8	8	8	8	8	8	8	8							
44	1-IA-BN52A-7F	CABLE, EIA CARD (VT52)			-	-	-	-	1	1	-	-							
TITLE		ASSY NO.		SIZE	CODE		NUMBER		REV.		ECO NO.								
UNIT ASSEMBLY VT61T		B-DD-VT61T-0		A	PL		VT61T-0-0		B										
		SHEET 2 OF 3		DIST.															

DEC FORM DEC 16 (325) 1031 NS70
DRA 110



THIS DRAWING AND SPECIFICATIONS INTEND TO BE
 MADE BY THE MANUFACTURER OF THE
 EQUIPMENT TO WHICH THIS DRAWING IS
 APPLIED. IT IS THE RESPONSIBILITY OF THE
 MANUFACTURER TO VERIFY THE DIMENSIONS
 AND MATERIALS SPECIFIED IN THIS DRAWING
 AND TO CONTACT THE DESIGN OFFICE FOR
 CLARIFICATION IF NECESSARY.

NOTES:
 1. APPLY ONE (1) DROP OF LOCTITE TO
 BUMPER BEFORE ASSEMBLY.

514.0 MM
 REF

685.0 MM
 REF

10
 6 (QTY 2)
 SEE NOTE 1

METRIC DIMENSIONS

QTY	DESCRIPTION	UNIT PRICE	TOTAL PRICE
10	LOCTITE 211	4901573.00	4901573.00
4	BUMPER RUBBER	9009267.00	36037068.00
3	SCR. PHL. PAN HD 3 X .58 LG	9009083.00	27027249.00
1	LUG GROUNDING	812741513.00	812741513.00
2	BUMPER POLY BODY X .8074	90090913.00	180181826.00
1	PLATE COVER (VT6)	812741513.00	812741513.00
6	SCR. SI. 4.5 SELF TAP 3 X .916	9009692.00	54058152.00
1	SCREEN BASE REAR	13170522.00	13170522.00
4	SCR. NYLON WASH W/ 2.5 X 1.0	9009093.00	36036372.00
1	PLATE VT6	812741513.00	812741513.00

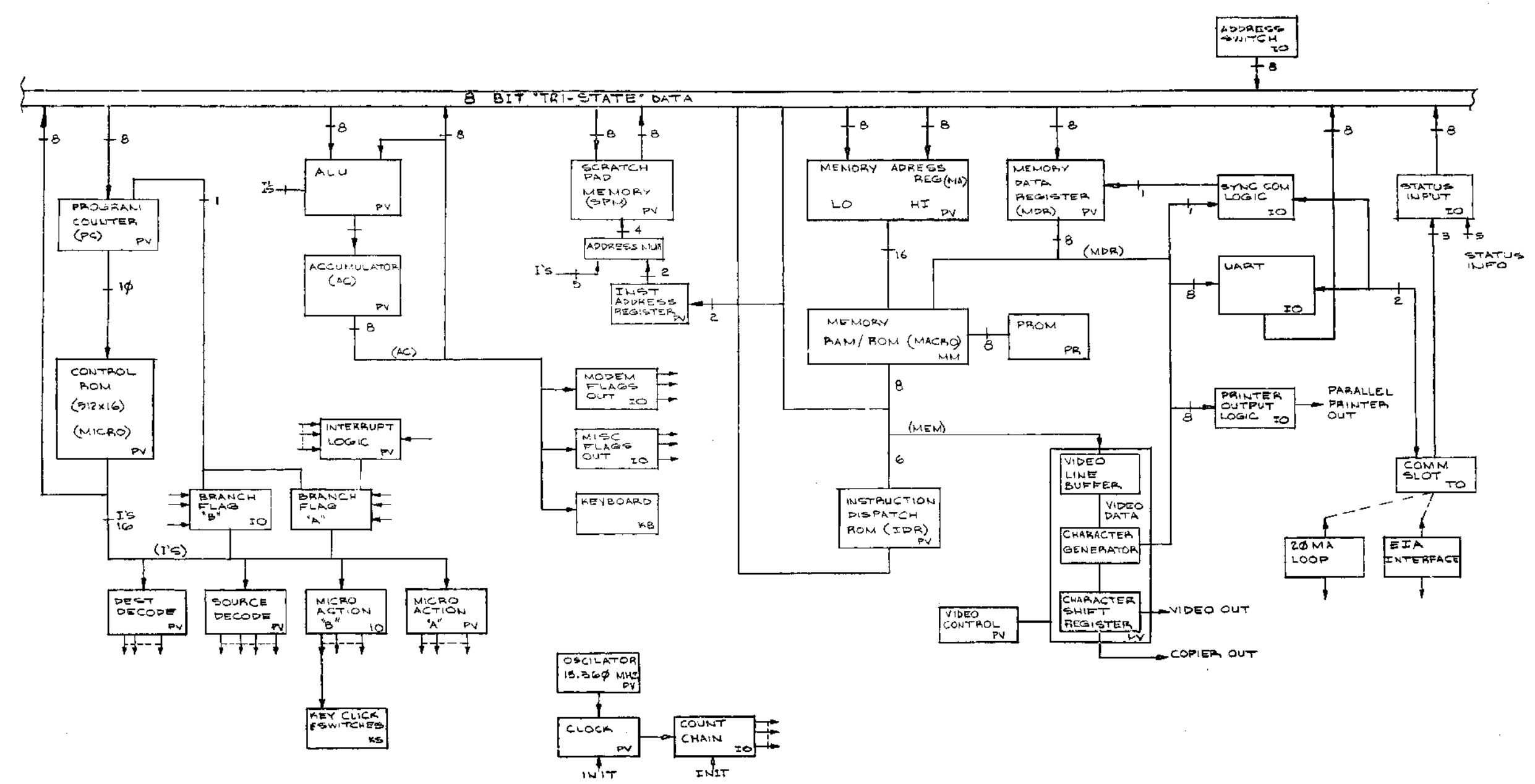
QUANTITY & VARIATION	DESCRIPTION	UNIT PRICE	TOTAL PRICE
1	BASE ASSEMBLY (VT6)	7012019.00	7012019.00

DATE: 10/20/19
 DRAWN BY: J. BITTO
 CHECKED BY: J. BITTO
 APPROVED BY: J. BITTO

BASE ASSEMBLY
 (VT6)

REV: A

READING AND SPECIFICATIONS HEREIN ARE THE PROPERTY OF THE U.S. GOVERNMENT AND WILL NOT BE REPRODUCED OR TRANSMITTED IN ANY FORM OR BY ANY MEANS, ELECTRONIC OR MECHANICAL, INCLUDING PHOTOCOPYING, RECORDING, OR BY ANY INFORMATION STORAGE AND RETRIEVAL SYSTEM, WITHOUT PERMISSION IN WRITING FROM THE U.S. GOVERNMENT PRINTING OFFICE: 1976



REV	1
CHANGE NO.	A
DATE	10/17/76
BY	...

DATE	10/17/76	PRINTED ON	VT61
TITLE	BLOCK DIAGRAM		
SCALE	D 30	NUMBER	VT61-0-5
REV.	A		

THIS DRAWING AND SPECIFICATIONS HEREIN ARE THE PROPERTY OF DIGITAL EQUIPMENT CORPORATION AND SHALL NOT BE REPRODUCED OR TRANSMITTED IN ANY FORM OR BY ANY MEANS WITHOUT WRITTEN PERMISSION. COPYRIGHT © 1975 DIGITAL EQUIPMENT CORPORATION

NOTES:
1. SEE SHEET #10 FOR COMPONENT OVERLAY DRAWING.
2. SIGNAL PREFIX NOTATION (EX. PR2) IDENTIFIES THE SIGNAL SOURCE (BOARD & PRINT). THE FIRST 2 LETTERS OF THE PREFIX IDENTIFY THE BOARD-PRINT SET. SIGNALS WHICH ARE FROM MULTIPLE SOURCES (EX. DB SIGNALS, TRI-STATE BUS OR WIRED OR'ED FROM OUTPUTS) DO NOT CARRY A SIGNAL PREFIX.
3. UNLESS OTHERWISE NOTED: RESISTANCE IS IN OHMS, CAPACITANCE IS IN PICO FARADS.
4. PARTS SHOULD NOT BE INCLUDED IN MODULE ASSY. KIT TWO 23-000A1'S SHOULD BE SUPPLIED TO FA&T WHERE THEY WILL BE BLASTED AND INSTALLED.
5. PARTS SHOULD NOT BE INCLUDED IN MODULE ASSY. KIT FOUR 23-000F1'S SHOULD BE SUPPLIED TO FA&T WHERE THEY WILL BE BLASTED AND INSTALLED.

Table with 2 columns: VARIATION, COMMENT. Rows include 5411284-0 (VT6), 5411284-1 (VT6T), 5411284-2 (VT62).

Main parts list table with columns: REF. DESIGNATION, DESCRIPTION, PART NO., ITEM NO. Includes items like IC DEC 23050A9, IC DEC 23051A9, IC DEC 23052A9, etc.

Continuation of parts list table with columns: REF. DESIGNATION, DESCRIPTION, PART NO., ITEM NO. Includes items like X-Y COORDINATE HOLE LOC, ASSY/DRILLING HOLE LAYOUT, MODULE ECO HISTORY, etc.

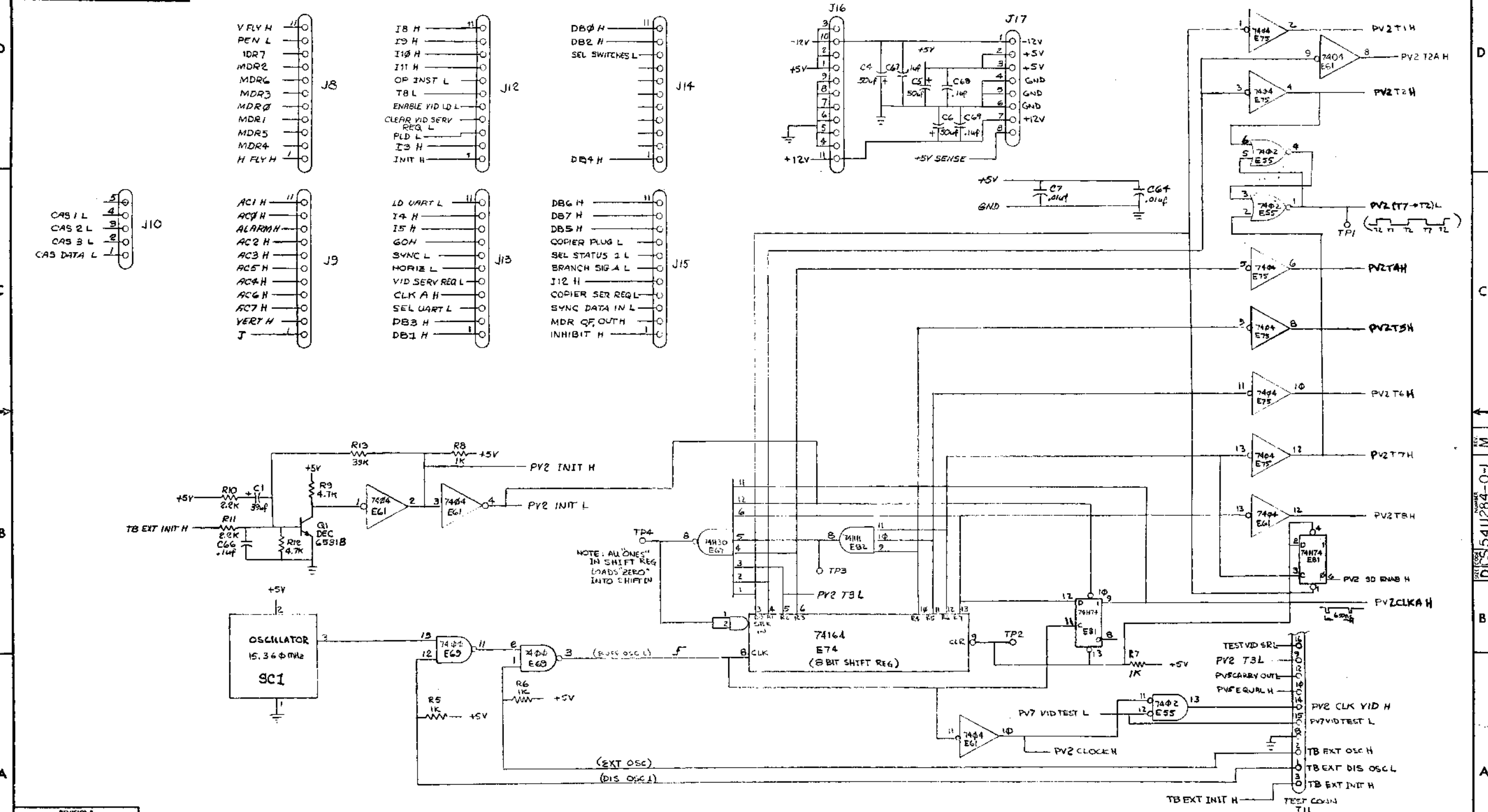
IC PIN LOCATIONS table with columns: IC TYPE, GND, +5V. Includes notes: GND AND 5V ARE USUALLY PIN 7 AND 14 RESPECTIVELY EXCEPTIONS ARE STATED ABOVE.

REVISIONS table with columns: CHK, CHANGE NO., REV. Includes handwritten entries for E BRUCKERT, D ZUKAS, etc.

Administrative section including: PARTS LIST, SEMICONDUCTOR CONVERSION CHART, and a Digital Equipment Corporation logo with project details like DATE 11-15-76 and TITLE VT61 PROCESS/VIDEO BOARD.

THIS DRAWING AND SPECIFICATIONS HEREIN ARE THE PROPERTY OF DIGITAL EQUIPMENT CORPORATION AND SHALL NOT BE REPRODUCED OR COPIED IN WHOLE OR IN PART AS THIS CASE FOR THE REPRODUCTION OR SALE OF ITEMS BY ANY OTHER CORPORATION.

DCS 5411284-0-1



REVISIONS		
CHK	CHANGE NO.	REV.

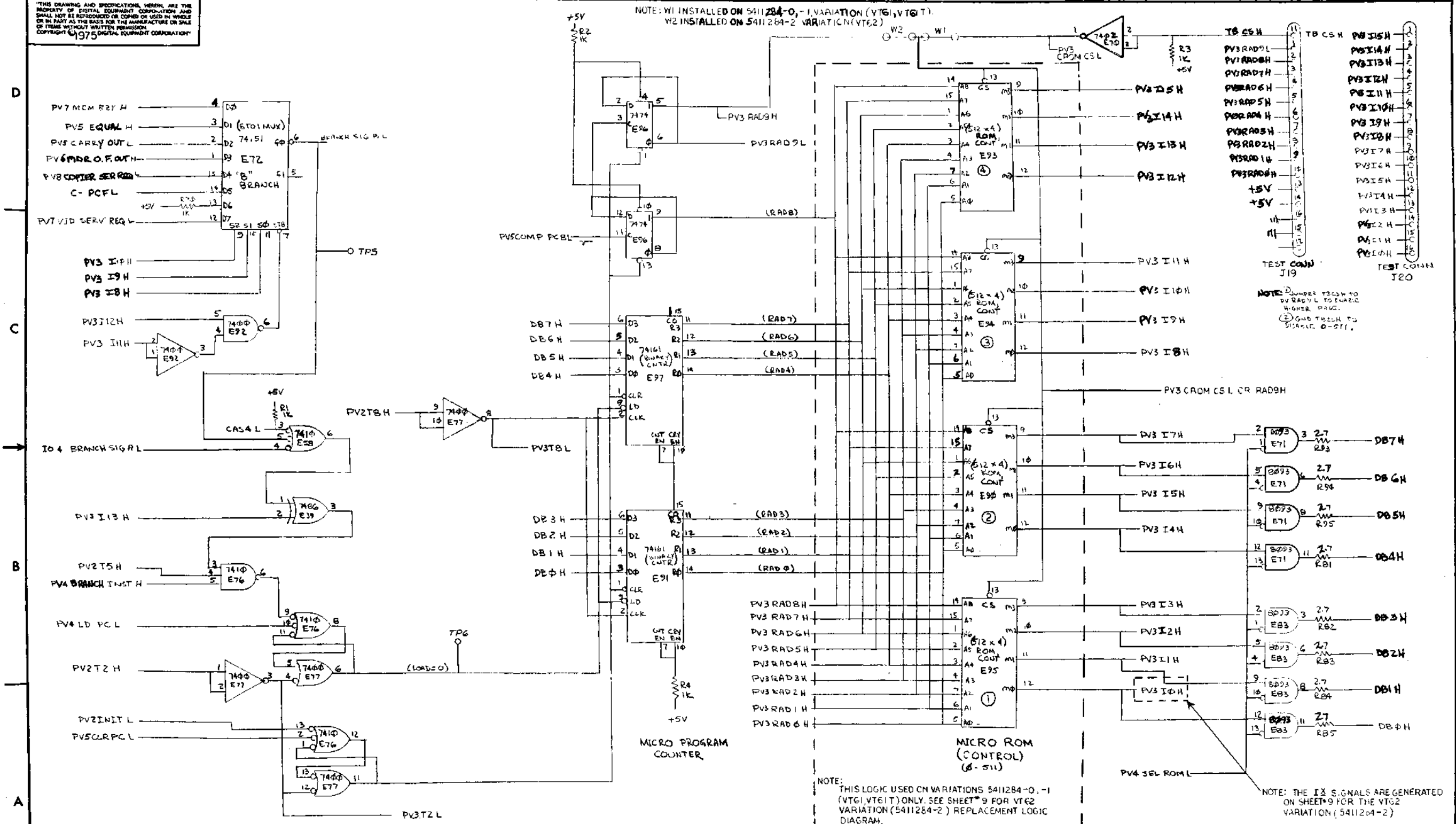
TITLE VTGI PROCESSOR/VIDEO (OSC TIME STATES/INIT) SIZE CODE NUMBER REV. DCS 5411284-0-1 M

DCS 5411284-0-1 M

THIS DRAWING AND SPECIFICATIONS HEREIN ARE THE PROPERTY OF DIGITAL EQUIPMENT CORPORATION AND SHALL NOT BE REPRODUCED OR COPIED OR USED IN WHOLE OR IN PART AS THE BASIS FOR THE MANUFACTURE OR SALE OF ITEMS WITHOUT WRITTEN PERMISSION. COPYRIGHT © 1975 DIGITAL EQUIPMENT CORPORATION.

NOTE: W1 INSTALLED ON 5411284-0, -1 VARIATION (VT61, VT61T).
W2 INSTALLED ON 5411284-2 VARIATION (VT62)

1-0-0821145



TEST POINT	TEST POINT
1	PV3 I15H
2	PV3 I14H
3	PV3 I13H
4	PV3 I12H
5	PV3 I11H
6	PV3 I10H
7	PV3 I9H
8	PV3 I8H
9	PV3 I7H
10	PV3 I6H
11	PV3 I5H
12	PV3 I4H
13	PV3 I3H
14	PV3 I2H
15	PV3 I1H
16	PV3 I0H

NOTE: JUMPER TEST TO PV RAD9L TO ENABLE WIDER RANGE.
② GND TEST TO SIGNAL 0-511.

NOTE: THIS LOGIC USED ON VARIATIONS 5411284-0, -1 (VT61, VT61T) ONLY. SEE SHEET 9 FOR VT62 VARIATION (5411284-2) REPLACEMENT LOGIC DIAGRAM.

NOTE: THE Ix SIGNALS ARE GENERATED ON SHEET 9 FOR THE VT62 VARIATION (5411284-2)

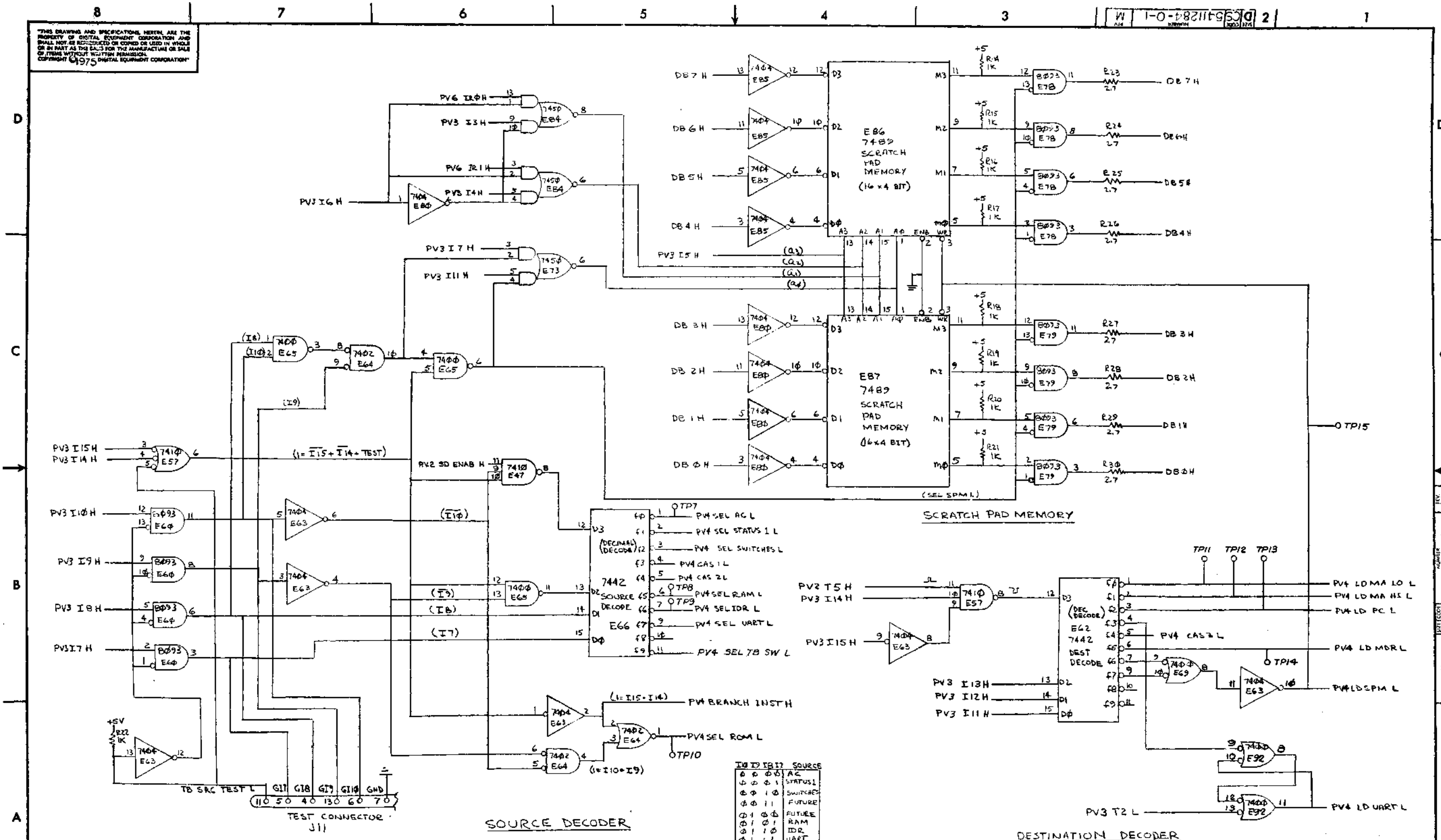
REVISIONS		
CHK	CHANGE NO.	REV.

TITLE	SIZE CODE	NUMBER	REV.
VT61 PROCESSOR/VIDEO MICRO PC/CONTROL ROM/R.B.R.	D CS	5411284-0-1	M

SCALE	SHEET	OF	TOTAL	DIST.
	3	OF	10	

REV. M 5411284-0-1

THIS DRAWING AND SPECIFICATIONS HEREIN ARE THE PROPERTY OF DIGITAL EQUIPMENT CORPORATION AND SHALL NOT BE REPRODUCED OR COPIED OR USED IN WHOLE OR IN PART AS THE BASIS FOR THE MANUFACTURE OR SALE OF ITEMS WITHOUT WRITTEN PERMISSION. COPYRIGHT © 1975 DIGITAL EQUIPMENT CORPORATION



TO	FROM	SOURCE
0	0	AC
0	0	STATUS
0	1	STATUS
0	1	SWITCHES
0	1	FUTURE
0	1	FUTURE
0	1	RAM
0	1	IDR
0	1	UART
1	1	ROM
1	1	SPM LO
1	1	SPM HI

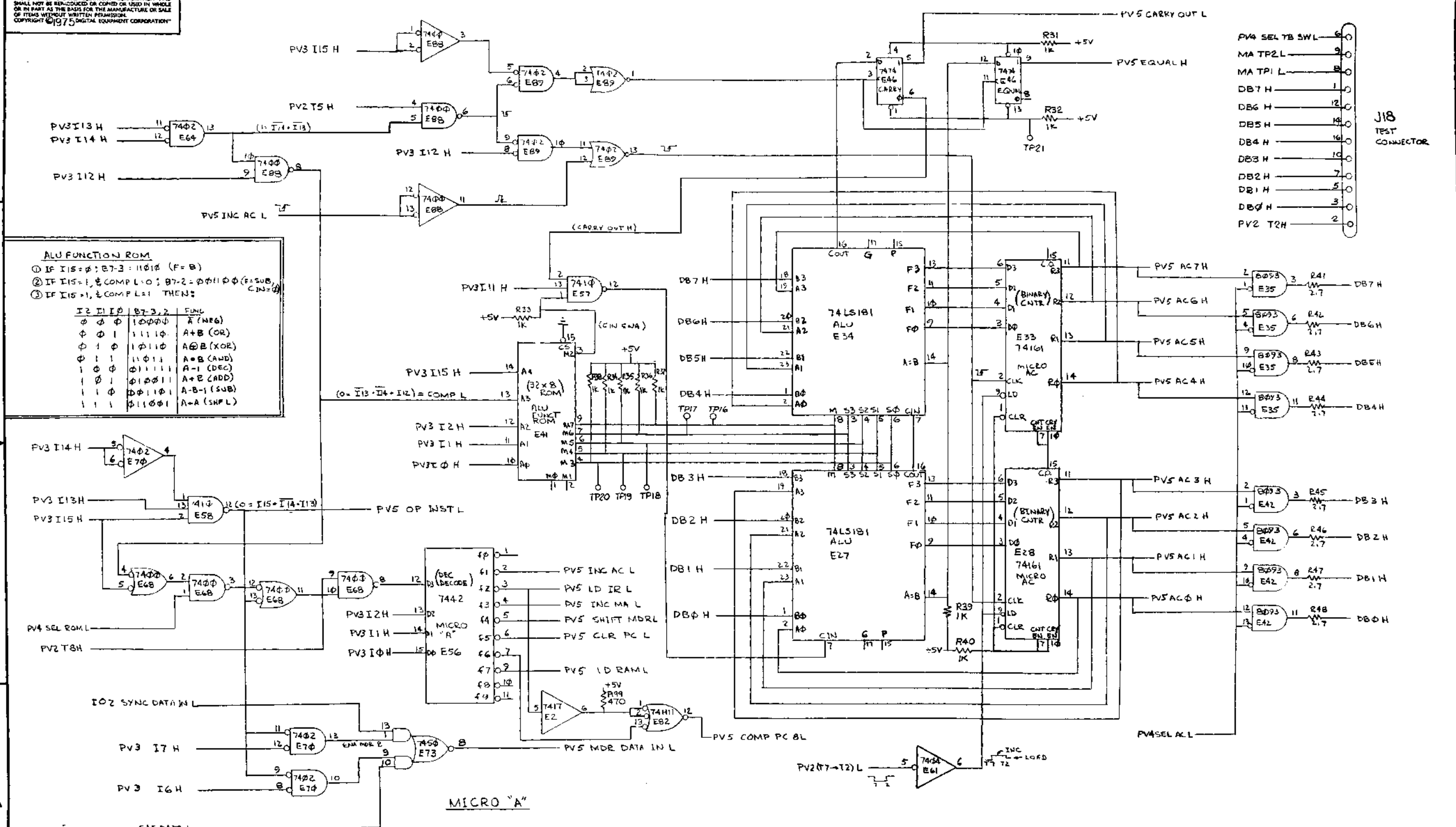
(000 SPARE)
(001 TEST BOX SW)

REVISIONS		
CHK	CHANGE NO.	REV.

DCS 5411284-0-1 M

THIS DRAWING AND SPECIFICATIONS HEREIN ARE THE PROPERTY OF DIGITAL EQUIPMENT CORPORATION AND SHALL NOT BE REPRODUCED OR COPIED OR USED IN WHOLE OR IN PART AS THE BASIS FOR THE MANUFACTURE OR SALE OF ITEMS WITHOUT WRITTEN PERMISSION. COPYRIGHT © 1975 DIGITAL EQUIPMENT CORPORATION.

1-0-592115-002



ALU FUNCTION ROM

① IF I15 = 0; B7-3 = 11010 (F = 0)
 ② IF I15 = 1; COMP L = 0; B7-2 = 01110 (F = SUB, CIN = 0)
 ③ IF I15 = 1; COMP L = 1 THEN:

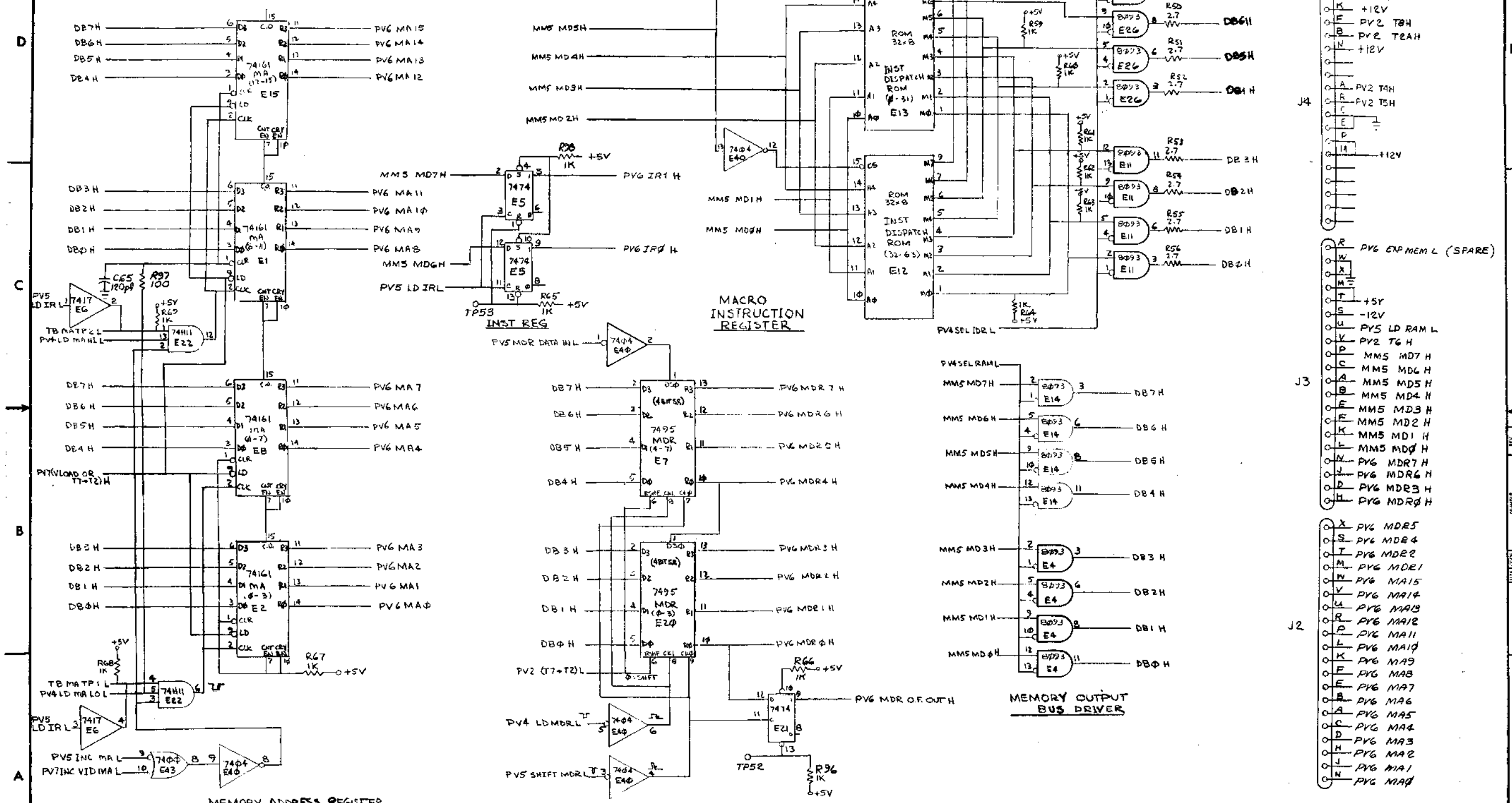
I2 I1 I0	B7-3,2	FUNC
0 0 0	1 0 0 0 0	A (NEG)
0 0 1	1 1 1 1 0	A+B (OR)
0 1 0	1 0 1 1 0	A⊕B (XOR)
0 1 1	1 1 0 1 1	A=B (AND)
1 0 0	0 1 1 1 1	A-1 (DEC)
1 0 1	0 1 0 1 1	A+B (ADD)
1 1 0	0 0 1 1 1	A-B-1 (SUB)
1 1 1	0 1 1 0 1	A+A (SHFL)

- J18 TEST CONNECTOR**
- PV4 SEL TB SWL — 6
 - MA TP2L — 9
 - MA TP1L — 8
 - DB7H — 1
 - DB6H — 12
 - DB5H — 14
 - DB4H — 16
 - DB3H — 10
 - DB2H — 7
 - DB1H — 5
 - DB0H — 3
 - PV2 T2H — 2

REVISIONS

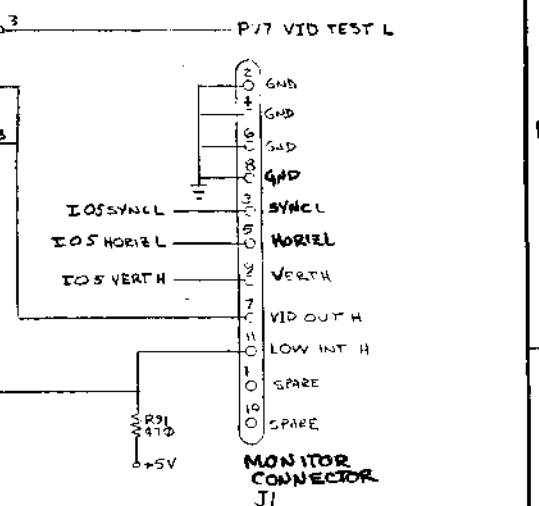
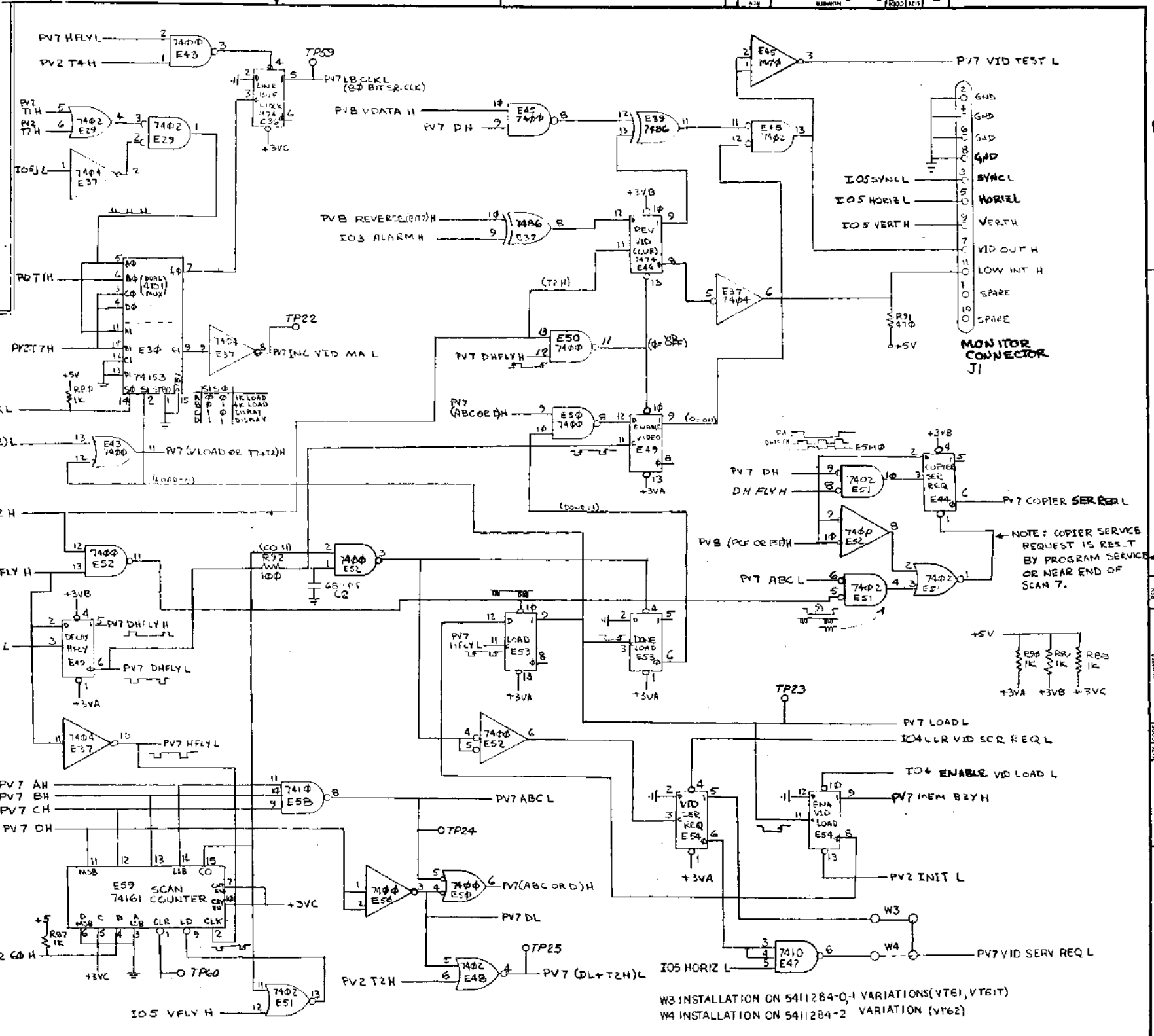
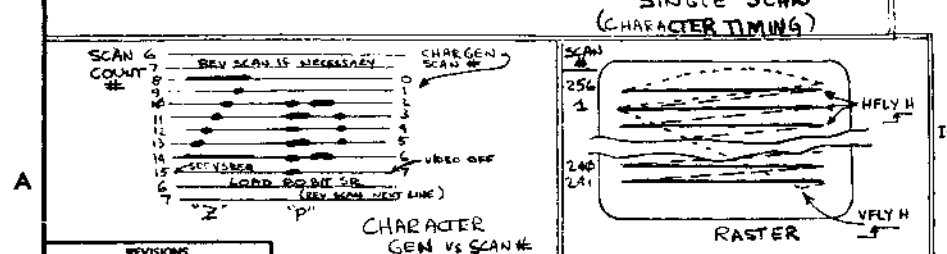
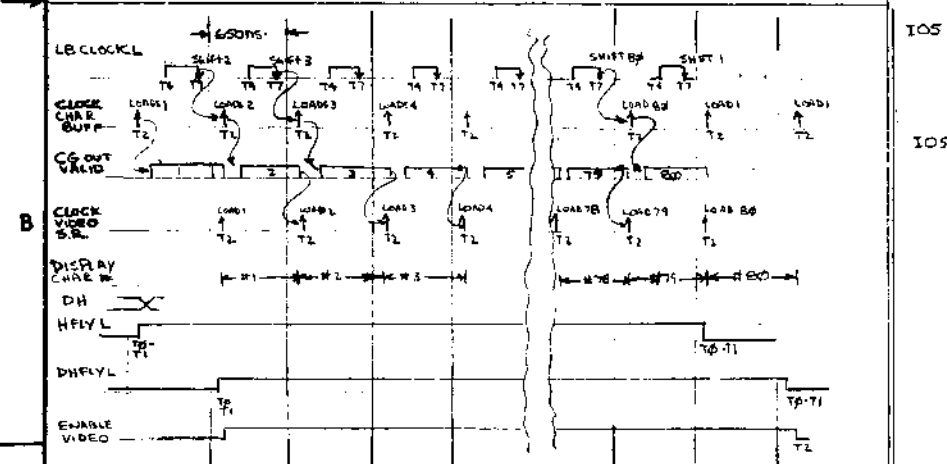
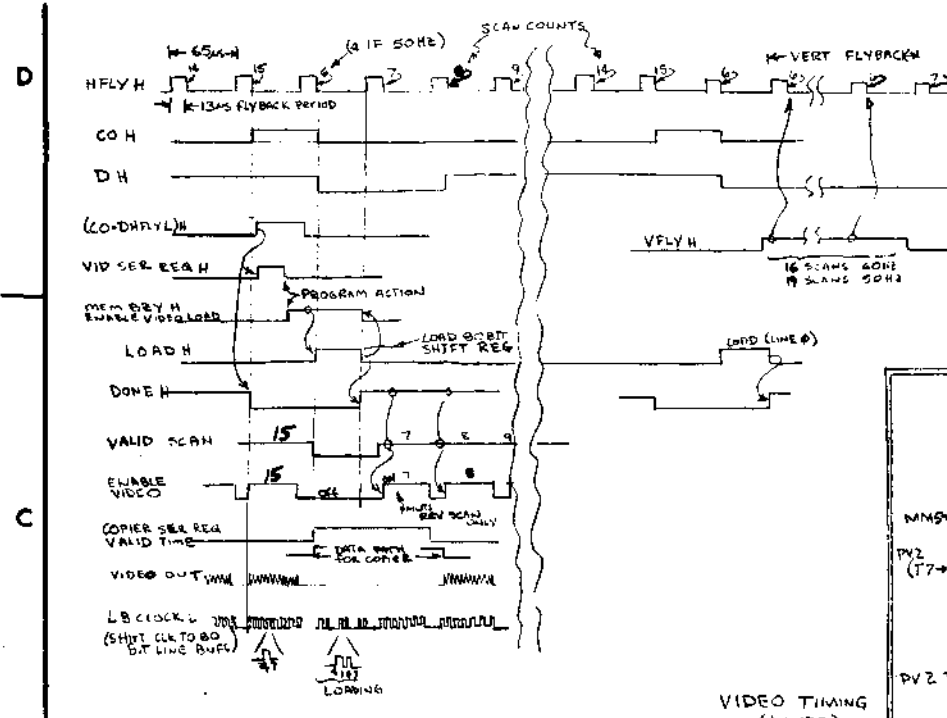
CHK	CHANGE NO.	REV.

THIS DRAWING AND SPECIFICATIONS HEREIN ARE THE PROPERTY OF DIGITAL EQUIPMENT CORPORATION AND SHALL NOT BE REPRODUCED OR COPIED OR USED IN WHOLE OR IN PART AS THE BASIS FOR THE MANUFACTURE OR SALE OF ITEMS WITHOUT WRITTEN PERMISSION. COPYRIGHT © 1975 DIGITAL EQUIPMENT CORPORATION



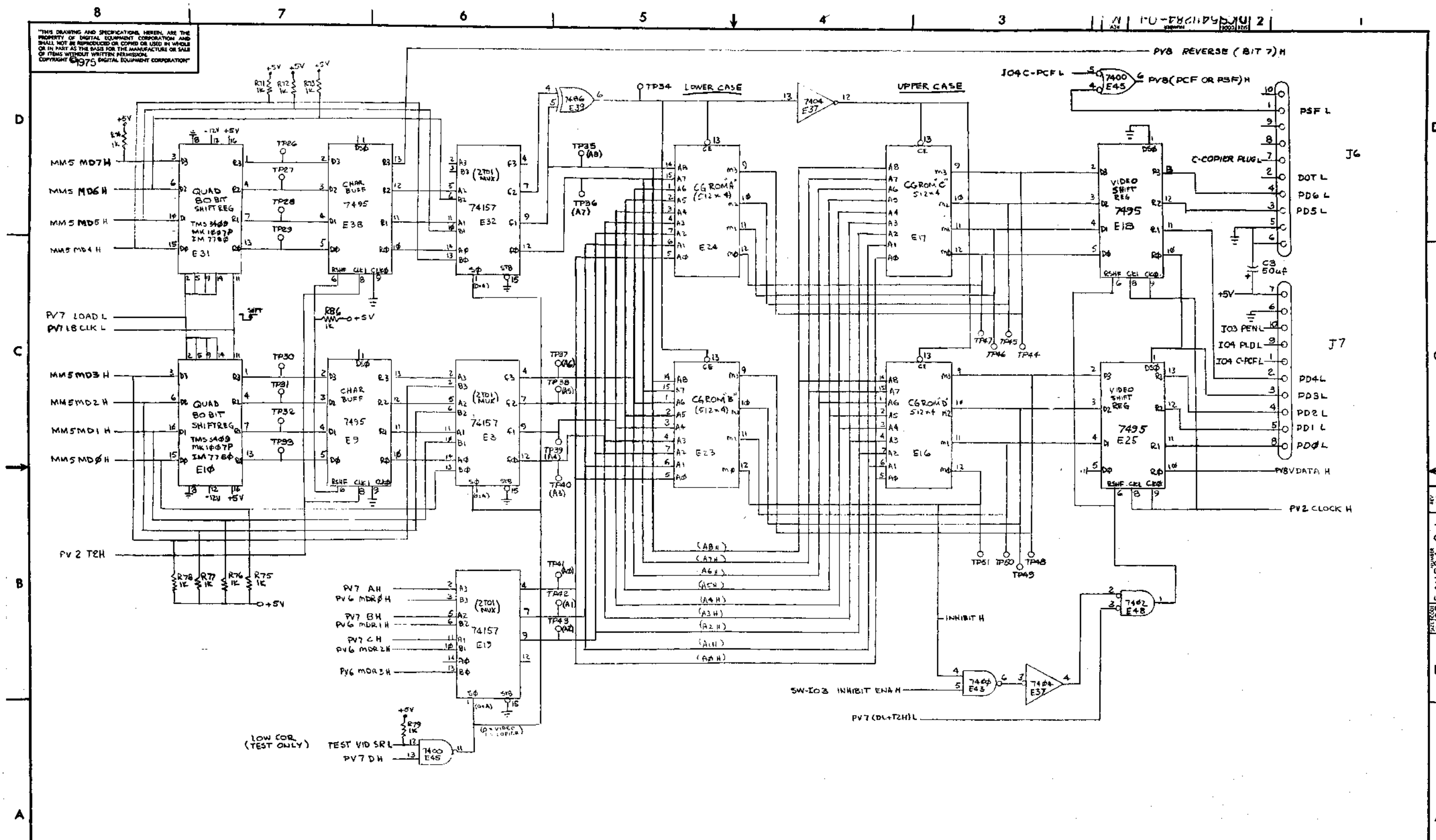
REVISIONS		
CHK	CHANGE NO.	REV.

THIS DRAWING AND SPECIFICATIONS HEREIN ARE THE PROPERTY OF DIGITAL EQUIPMENT CORPORATION AND SHALL NOT BE REPRODUCED OR COPIED OR USED IN WHOLE OR IN PART AS THE BASIS FOR THE MANUFACTURE OR SALE OF ANY PRODUCT WITHOUT WRITTEN PERMISSION FROM DIGITAL EQUIPMENT CORPORATION



REV.	CHANGE NO.	REV.

THIS DRAWING AND SPECIFICATIONS HEREIN ARE THE PROPERTY OF DIGITAL EQUIPMENT CORPORATION AND SHALL NOT BE REPRODUCED OR COPIED OR USED IN WHOLE OR IN PART AS THE BASIS FOR THE MANUFACTURE OR SALE OF ITEMS WITHOUT WRITTEN PERMISSION. COPYRIGHT © 1975 DIGITAL EQUIPMENT CORPORATION.

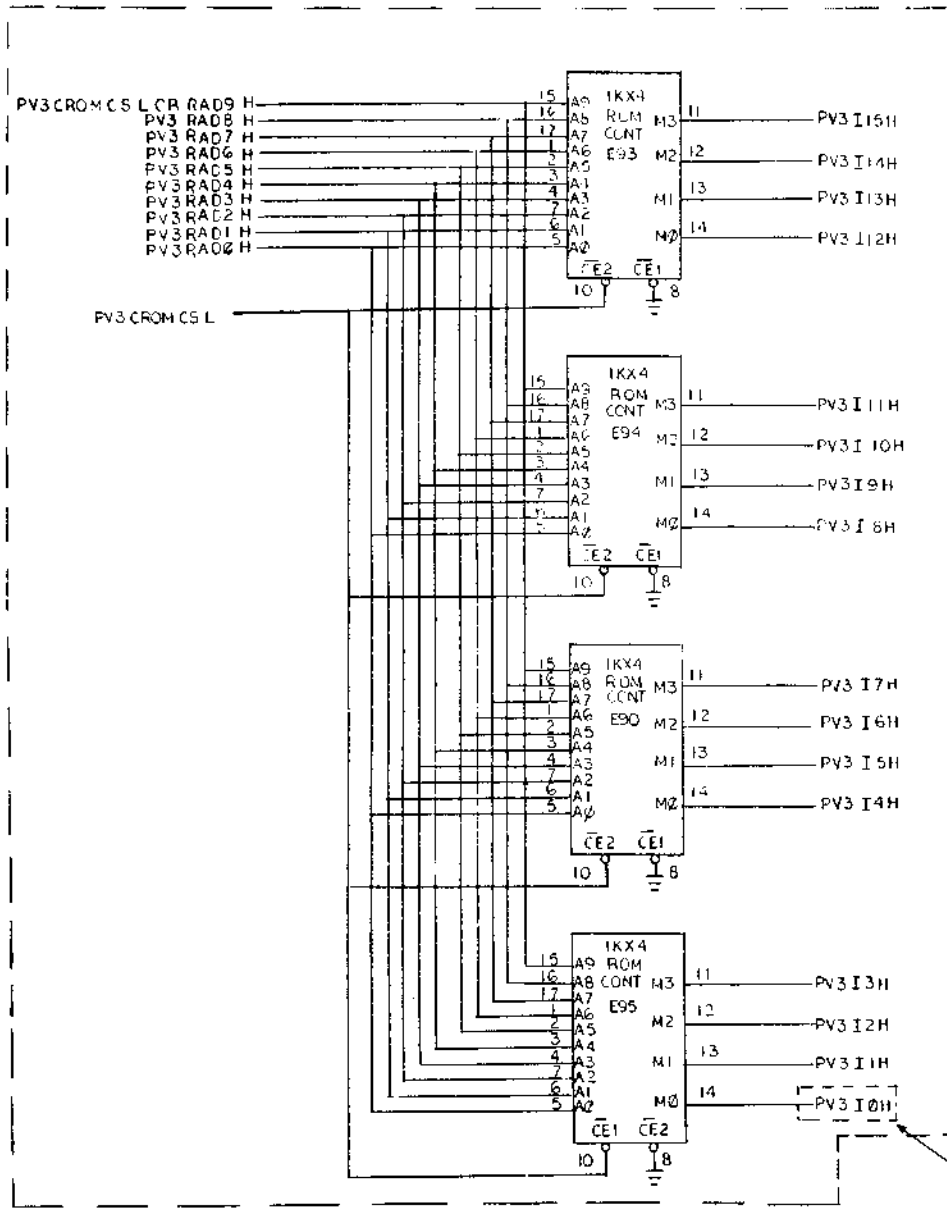


REVISIONS		
CHK	CHANGE NO.	REV.

TITLE VT61 PROCESSOR/VIDEO VIDEO DATA PATH/COOPER COMMAND
 SIZE CODE DIST. NUMBER REV. M
 SCALE SHEET 8 OF 10

DCS 5411284-0-1 M

"THIS DRAWING AND SPECIFICATIONS HEREIN ARE THE PROPERTY OF DIGITAL EQUIPMENT CORPORATION AND SHALL NOT BE REPRODUCED OR COPIED OR USED IN WHOLE OR IN PART AS THE BASIS FOR THE MANUFACTURE OR SALE OF ITEMS WITHOUT WRITTEN PERMISSION. COPYRIGHT © 1976 DIGITAL EQUIPMENT CORPORATION"



MICRO ROM
(CONTROL)
(0-1023)

NOTE:
THIS LOGIC USED ON VT62 VARIATION (5411284-2) ONLY.
SEE SHEET*3 FOR VT6I,VT6IT, VARIATIONS (5411284-0,-1).
IX SIGNALS ARE GENERATED ON SHEET*3 FOR THE VT6I,
VT6IT VARIATIONS (5411284-0,-1).

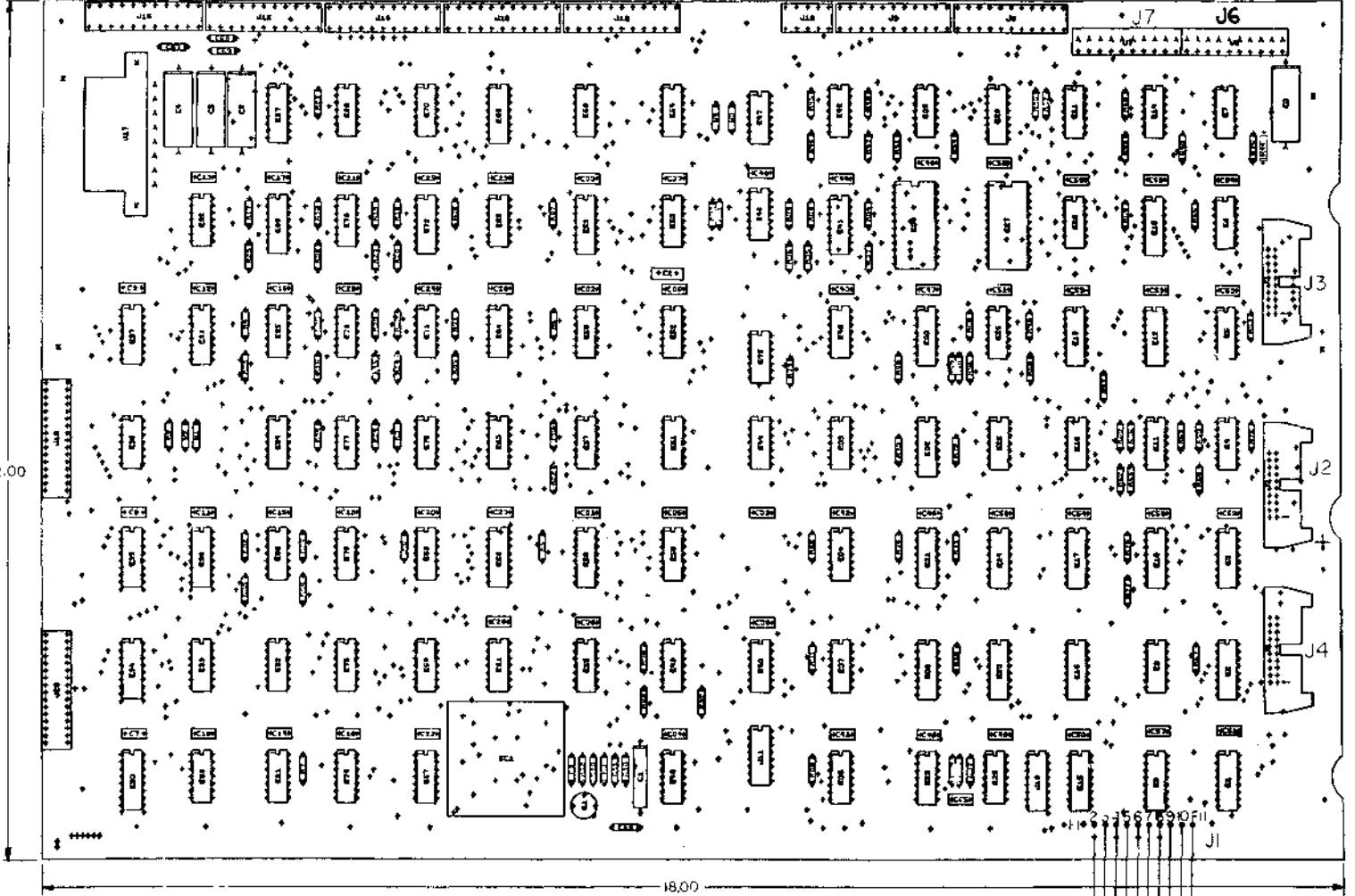
REVISIONS		
CHK	CHANGE NO.	REV.

TITLE VT6I PROCESSOR/VIDEO (CONTROL ROM 1KX16)	SIZE CODE DCS	NUMBER 5411284-0-1	REV. M
SCALE 1/1	SHEET 9	OF 10	DIST.

REV. M
NUMBER DCS 5411284-0-1

"THIS DRAWING AND SPECIFICATIONS, HEREIN, ARE THE PROPERTY OF DIGITAL EQUIPMENT CORPORATION AND SHALL NOT BE REPRODUCED OR COPIED OR USED IN WHOLE OR IN PART AS THE BASIS FOR THE MANUFACTURE OR SALE OF ITEMS WITHOUT WRITTEN PERMISSION. COPYRIGHT © 1971 DIGITAL EQUIPMENT CORPORATION"

WIRE TABLE					
ITEM NO.	DESCRIPTION		FROM	TO	REMARKS
	AWG	COLOR	CONNECTION	CONNECTION	
19	---	BLK	---	FC-2	SOLID
	---	BRN	---	FC-3	
	---	RED	---	FC-4	
	---	ORN	---	FC-5	
	---	YEL	---	FC-6	
	---	BRN	---	FC-7	
	---	BLU	---	FC-8	
	---	YIO	---	FC-9	
	---	GRY	---	FC-10	
19	---	WHT	---	FC-11	SOLID



REVISIONS		
CHK	CHANGE NO.	REV

TITLE	VT61 PROC./VID. BD.	SIZE CODE	D CS	NUMBER	5411284-0-1	REV.	M
SCALE	---	SHEET	10	OF	10	DIST.	

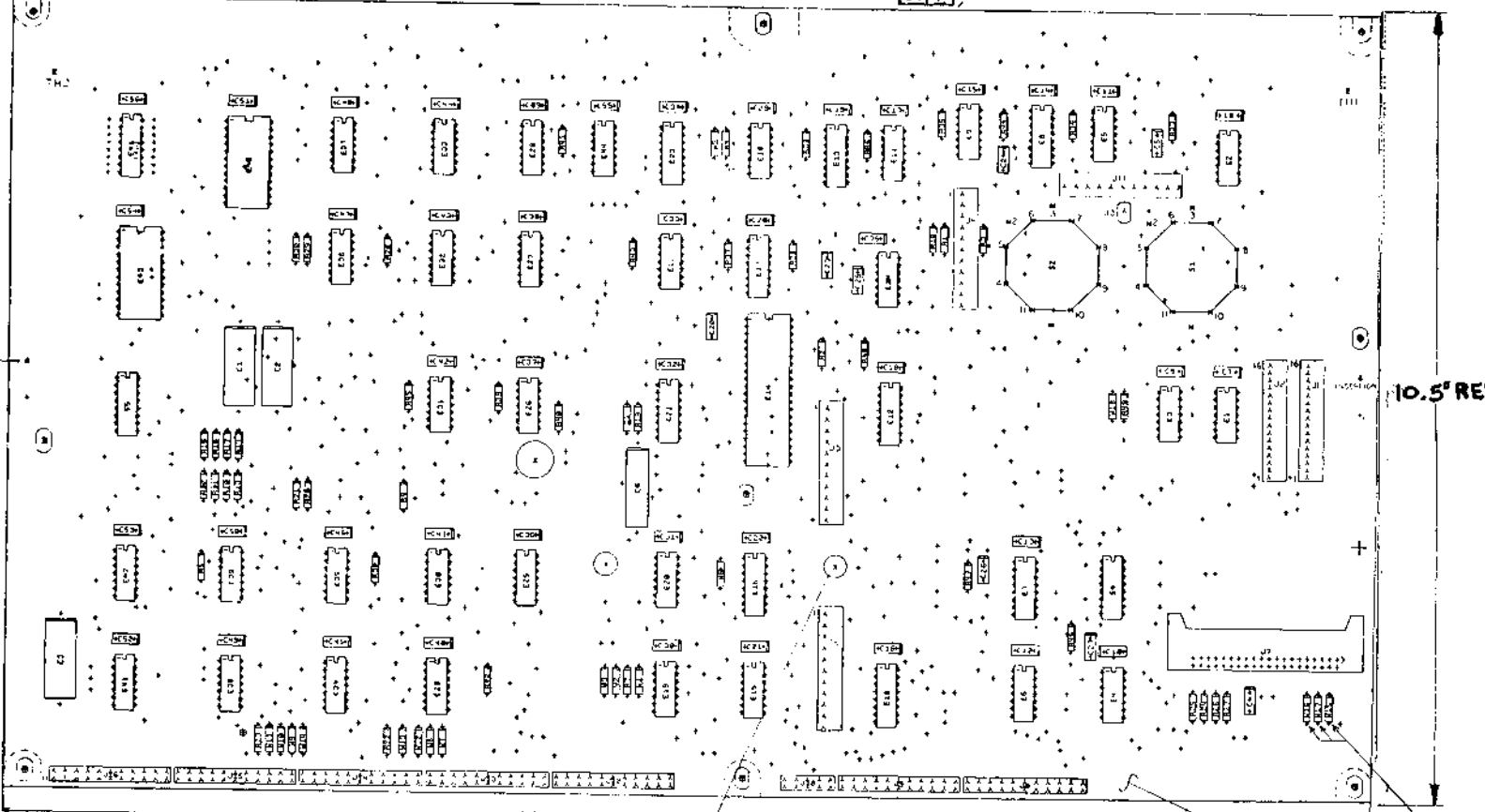
DATE CODE
 DCS 5411284-0-1 M

THIS DRAWING AND SPECIFICATIONS HEREFIN ARE THE PROPERTY OF DIGITAL EQUIPMENT CORPORATION AND SHALL NOT BE REPRODUCED OR COPIED OR USED IN WHOLE OR IN PART AS THE BASIS FOR THE MANUFACTURE OR SALE OF ITEMS WITHOUT WRITTEN PERMISSION.
 DIGITAL EQUIPMENT CORPORATION
 COPYRIGHT © 1975

NOTES:
 1. SIGNAL PREFIX NOTATION (EX. I@2) IDENTIFIES THE SIGNAL SOURCE (BOARD & PRINT). THE FIRST 2 (TWO) LETTERS OF THE PREFIX IDENTIFY THE BOARD PRINT SET, THE NUMBER INDICATES THE SHEET NUMBER WITHIN THE PRINT SET. SIGNALS WHICH ARE FROM MULTIPLE SOURCES (EX. DR-SIGNALS, TRI-STATE BUS, OR WIRED OR'ED FROM OUTPUTS) DO NOT CARRY A SIGNAL PREFIX.
 2. UNLESS OTHERWISE NOTED: RESISTANCE IS IN OHMS, CAPACITANCE IS IN PICOFARADS.
 3. W15, W16, W17 USED ONLY WITH SERIAL PRINTER
 4. REFER TO A.H. FOR ETCH CUTS AND JUMPS

LEGEND	
NUMBER	VARIATION
5411278-0	VT61, VT61T
5411278-1	VT62

55	DIP SWITCH	1211164-04	49	
6	E20, E25, E29, E34, E41, E42	I.C. DEC 8093	1910037-00	50
1	E21	I.C. DEC 74123	1910436-00	51
1	R19	RES. 20K, 1/4W, 5%	1302391-00	52
1	D1	DIODE DCG4	1100114-00	53
1	C6	CAP 22MFD 35V TANT	1002493-00	54
13	W1, W3, W4, W6-W14, W16	JUMPER, 22AWG, INSULATED	9009185-00	55
34	R1, R2, R4, R5, R7, R10, R17, R20, R23, R28, R32, R34, R43, R45, R49	RES. 1K, 1/4W, 5%	1300365-00	56
A/A	WIRE, 30AWG, SOLID GREEN	9103740-55	57	
A/A	TUBING	9107278-11	58	



REF	REF	REF	REF	QTY	QTY	REF. DESIGNATION	DESCRIPTION	PART NO.	ITEM NO.
						K-Y COORDINATE HOLE LOCATION		D-05-5411278-0-1	1
						ASSY-DRILLING HOLE LAYOUT		K-CD-5411278-0-4	2
						MODULE ECD HISTORY		D-AH-5411278-0-5	3
						VT61 I/O PANEL		D-MD-5411278-0-0	4
						STRAIGHT PINS		1212519-00	5
						CAP 500PF, 25V, AL-EI		1001196-00	6
						CAP .01UF, 100V DISC		1001610-01	7
						CAP 800PF, 100V, DAISS		1000026-00	8
						DIP SWITCH		1211164-04	9
						CONN, 40 PIN PT ANGLE HEADER		1209941-02	10
						CONN, TOP ENTRY CIS		1212151-00	11
						I.C. DEC 7404		1505686-00	12
						RES. 47, 1/4W, 5%		1300202-00	13
						RES. 1K, 1/4W, 5%		1300465-00	14
						RES. 390, 1/4W, 5%		1300304-00	15
						RES. 220, 1/4W, 5%		1300271-00	16
						RES. 930, 1/4W, 5%		1300295-00	17
						RES. 180, 1/4W, 5%		1301322-00	18
						I.C. DEC 7400		1905575-00	19
						I.C. DEC 7410		1905576-00	20
						I.C. DEC 7417		1909929-00	21
						I.C. DEC 7430		1905578-00	22
						I.C. DEC 7450		1905580-00	23
						I.C. DEC 7474		1905547-00	24
						I.C. DEC 7490		1909051-00	25
						I.C. DEC 74150		1910153-00	26
						I.C. DEC 74154		1909701-00	27
						I.C. DEC 74157		1910855-00	28
						I.C. DEC 74161		1910850-00	29
						I.C. DEC 74175		1910851-00	30
						I.C. DEC 74197		1910035-00	31
						I.C. DEC 8093		1910037-00	32
						I.C. UART		1910459-00	33
						I.C. DEC 8640		1911469-00	34
						JUMPER, 22AWG, [INSULATED]		9009185-00	35
						F PINS		9009187-00	36
						STRAIGHT PINS		1212518-01	37
						SWITCH, ROTARY		1212537-00	38
						CAP 470PF 100V DSM		1000024-00	39
						CAP 68PF 100V DSM		1000014-00	40
						RICHCO STANDOFF 1/2"		9009747-00	41
						RES. 470, 1/4W, 5%		1300316-00	42
						CAP 100PF 120V DSM		1000016-00	43
						CAP 20UF 50V		1002339-00	44
						CAP .1uF 100V		1000030	45
						I.C. DEC 7414		1911324-00	46
						I.C. DEC 7408		1910155-00	47
						I.C. DEC 7474		1905547-00	48

VARIATION JUMPER TABLE		
JUMPER	VT61, VT61T	VT62
W1	OUT	IN
W2	IN	OUT
W3	OUT	IN
W4	OUT	IN
W5	IN	OUT
W6	OUT	IN

SWITCH (S4)	FUNCTION			
	VT61, VT61T		VT62	
	OFF	ON	OFF	ON
S4-1	NO PARITY	PARITY	NO PARITY	PARITY
S4-2	EVEN PARITY	ODD PARITY	EVEN PARITY	ODD PARITY
S4-3	8 DATA BITS	7 DATA BITS	8 DATA BITS	7 DATA BITS
S4-4	NORMAL MODE	FORCE CLK MODE	NORMAL MODE	FORCE CLK MODE
S4-6	NORMAL	202C, 0, 202C/M	HALF DUTY MODE	NORMAL
S4-8	50 HZ	60 HZ	50 HZ	60 HZ

12-06-77
 J. DESUK
 5411278-0-1
 5411278-0-2
 5411278-0-3
 5411278-0-4
 5411278-0-5
 5411278-0-6
 5411278-0-7
 5411278-0-8
 5411278-0-9
 5411278-0-10
 5411278-0-11
 5411278-0-12
 5411278-0-13
 5411278-0-14
 5411278-0-15
 5411278-0-16
 5411278-0-17
 5411278-0-18
 5411278-0-19
 5411278-0-20

QTY	QTY	REF. DESIGNATION	DESCRIPTION	PART NO.	ITEM NO.
5411278-1					
5411278-0					

PARTS LIST

IC TYPE	GND	+5V

DATE: 12/6/77
 CHK'D: [Signature]
 DATE: [Signature]
 DATE: [Signature]
 DATE: [Signature]
 DATE: [Signature]
 DATE: [Signature]

digital

TITLE
 VT61 INPUT/OUTPUT BOARD

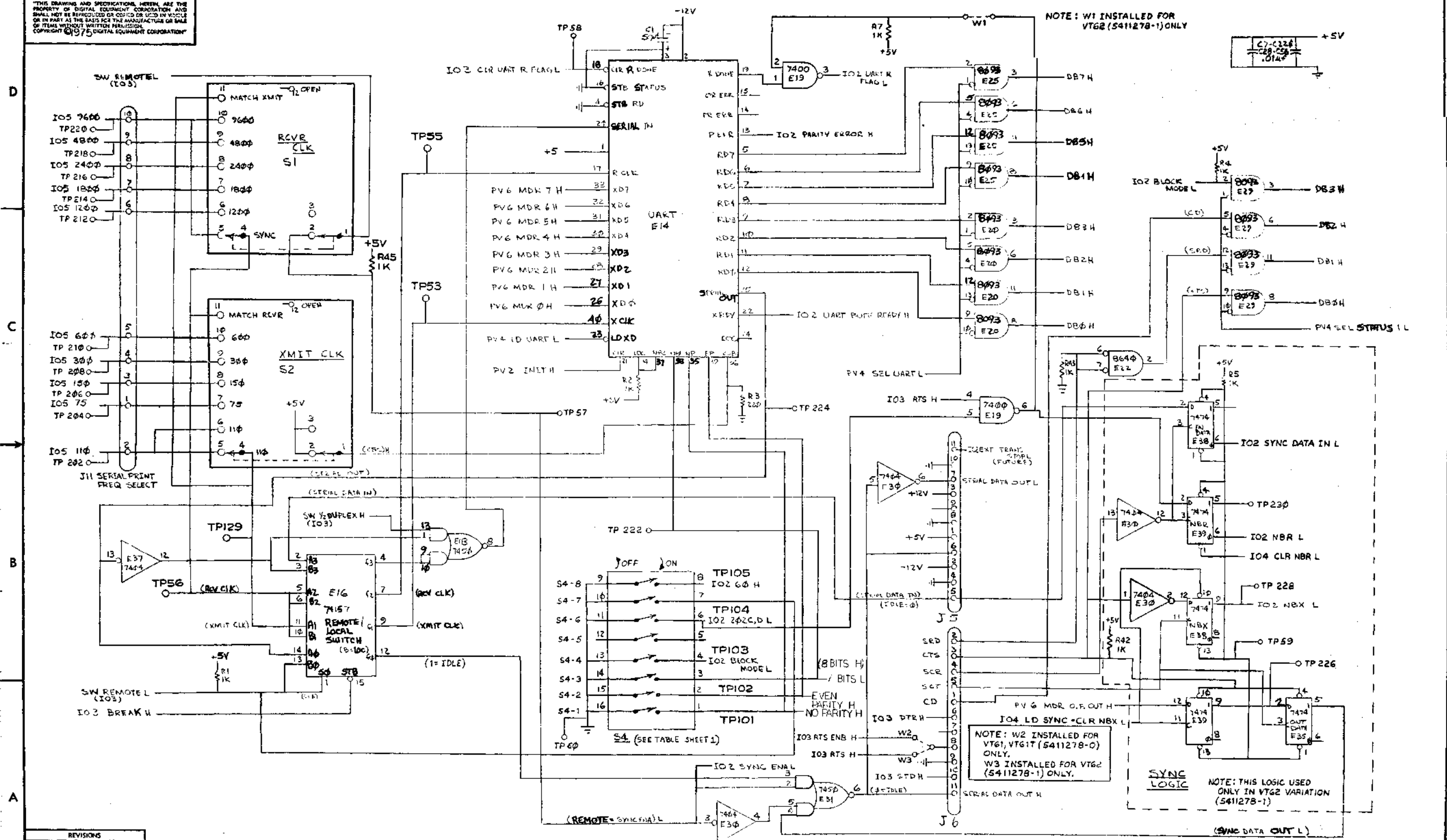
SCALE
 DCS 5411278-0-1

SHEET 1 OF 5

DEC NO. EIA NO. DEC NO. EIA NO.

SEMICONDUCTOR CONVERSION CHART

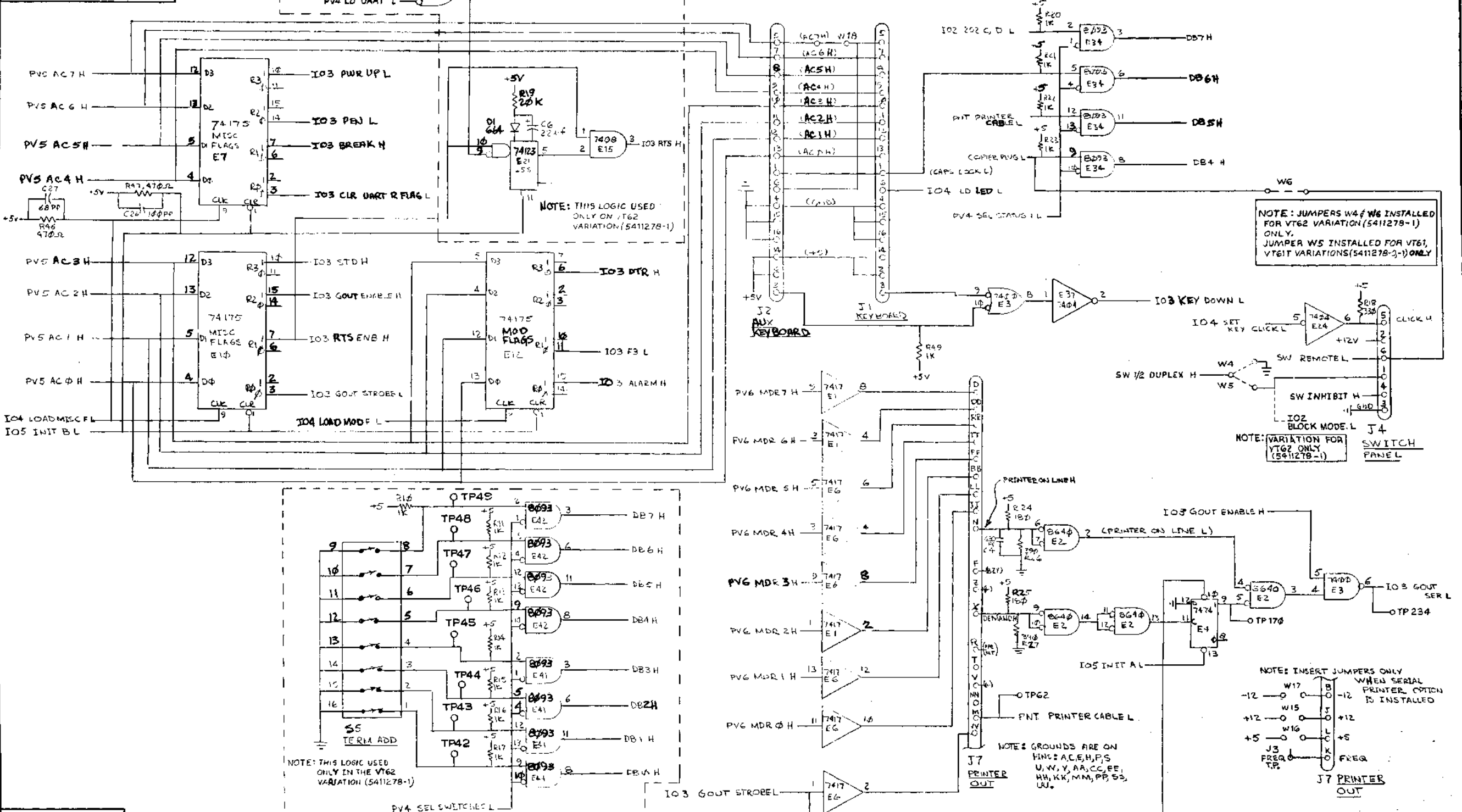
THIS DRAWING AND SPECIFICATIONS HEREIN ARE THE PROPERTY OF DIGITAL EQUIPMENT CORPORATION AND SHALL NOT BE REPRODUCED OR COPIED OR USED IN WHOLE OR IN PART AS THE BASIS FOR THE MANUFACTURE OR SALE OF ITEMS WITHOUT WRITTEN PERMISSION OF DIGITAL EQUIPMENT CORPORATION.
 COPYRIGHT © 1975 DIGITAL EQUIPMENT CORPORATION



REVISIONS		
CHK	CHANGE NO.	REV.

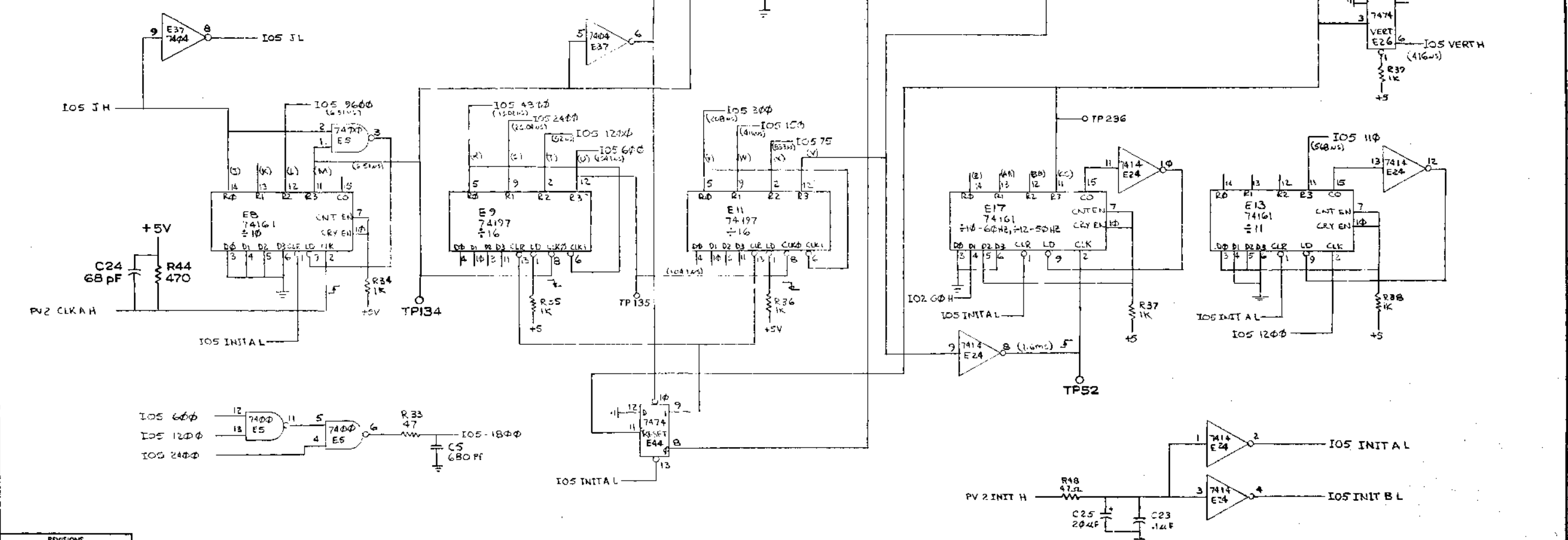
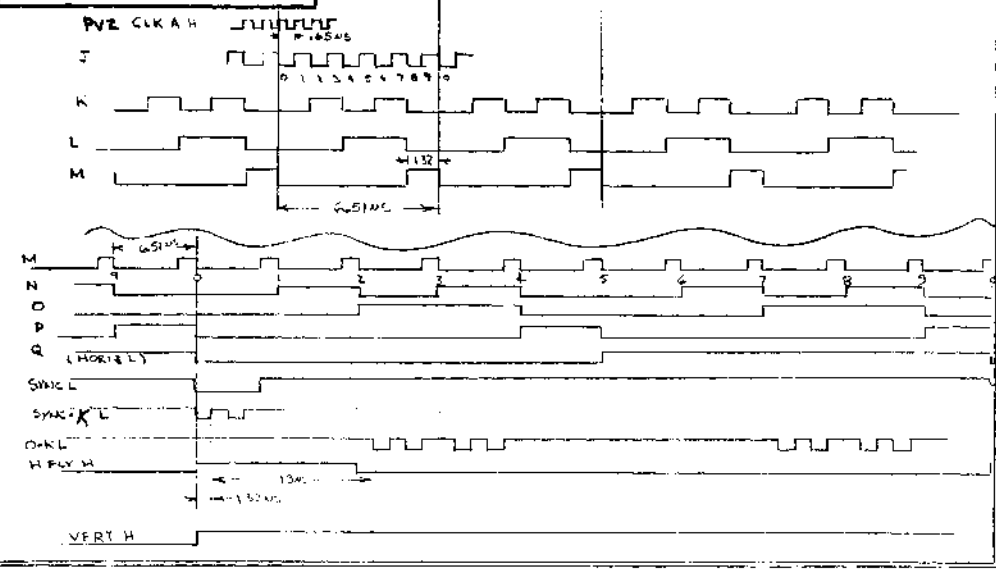
DIGITAL EQUIPMENT CORPORATION 5411278-0-1

THIS DRAWING AND SPECIFICATIONS HEREIN ARE THE PROPERTY OF DIGITAL EQUIPMENT CORPORATION AND SHALL NOT BE REPRODUCED OR COPIED OR USED IN WHOLE OR IN PART AS THE BASIS FOR THE MANUFACTURE OR SALE OF ITEMS WITHOUT WRITTEN PERMISSION OF DIGITAL EQUIPMENT CORPORATION



REVISIONS		
CHK	CHANGE NO.	REV.

THIS DRAWING AND SPECIFICATIONS ARE THE PROPERTY OF DIGITAL EQUIPMENT CORPORATION AND SHALL NOT BE REPRODUCED OR COPIED IN WHOLE OR IN PART AS THE BASIS FOR THE MANUFACTURE OR SALE OF ITEMS WITHOUT WRITTEN PERMISSION OF DIGITAL EQUIPMENT CORPORATION.



REVISIONS		
CHK	CHANGE NO	REV.

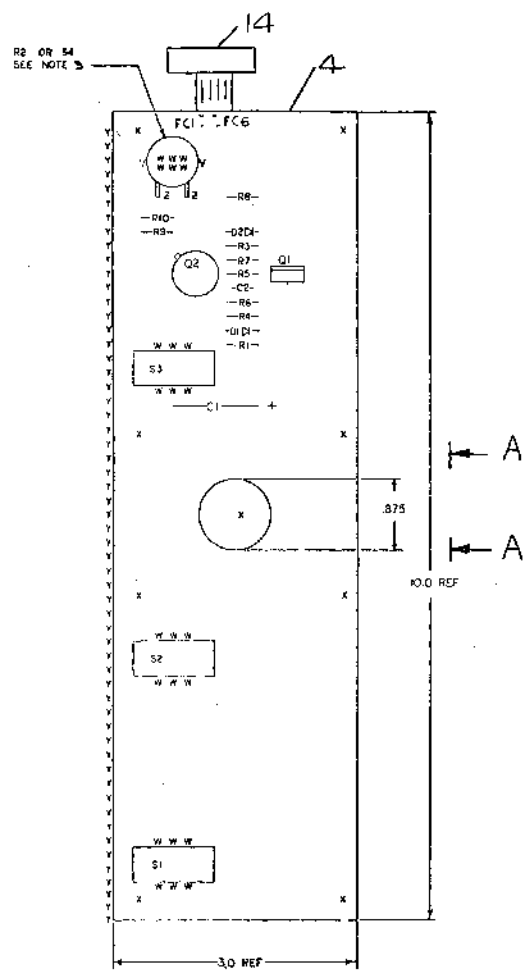
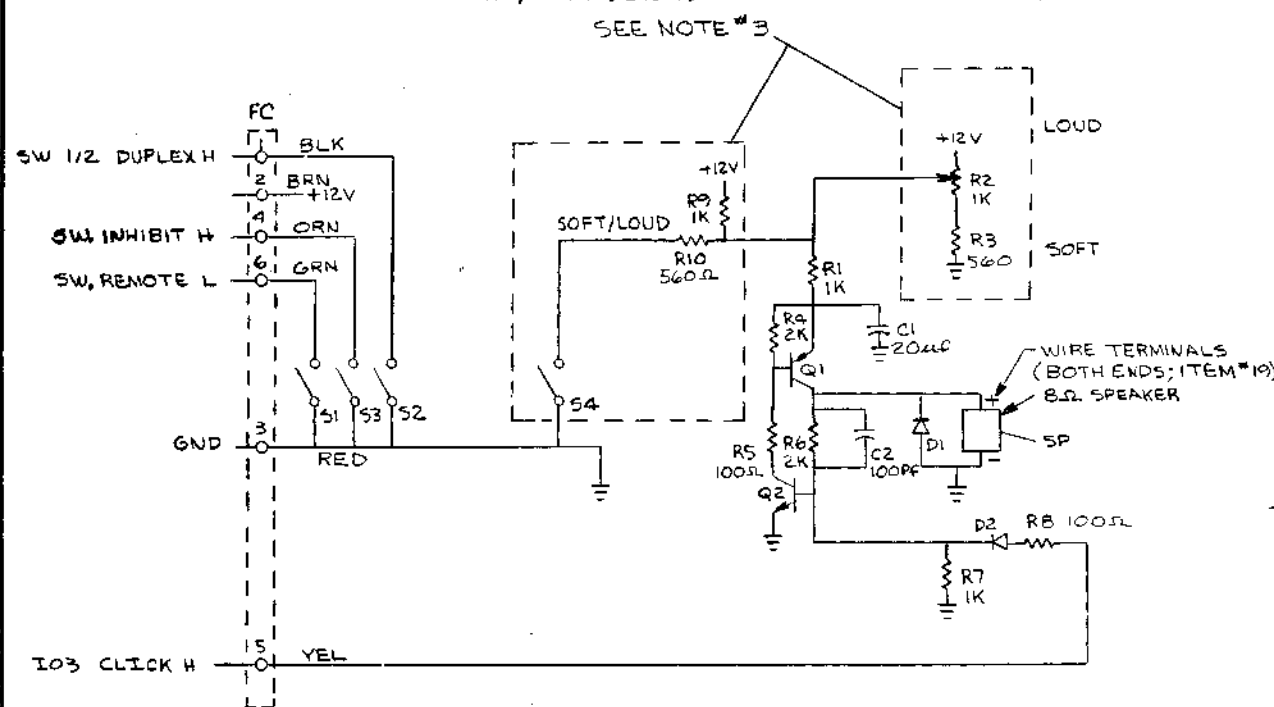
DCS 5411284-0-1

FORM NO. 10
FEBRUARY 1975
REVISIONS

NOTES:

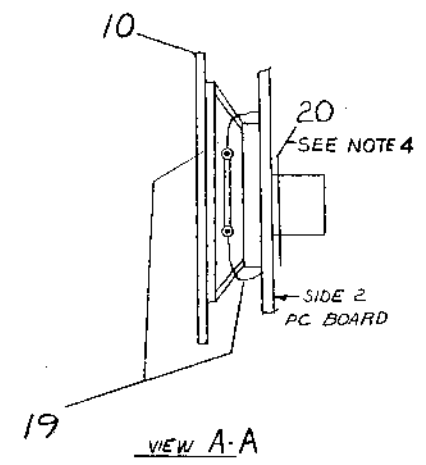
1. SIGNAL PREFIX NOTATION (EX. SW1) IDENTIFIES THE SIGNAL SOURCE (BOARD & PRINT). THE FIRST Z (TWO) LETTERS OF THE PREFIX IDENTIFY THE BOARD PRINT SET. THE NUMBER INDICATES THE SHEET NUMBER WITHIN THE PRINT SET. SIGNALS WHICH ARE FROM MULTIPLE SOURCES (EX. DE SIGNALS, TRI-STATE BUS, OR WIRED OR'ED FROM OUTPUTS) DO NOT CARRY A SIGNAL PREFIX.
2. UNLESS OTHERWISE NOTED, RESISTANCE IS IN OHMS, CAPACITANCE IS IN PICOFARADS.
3. R2 AND R3 ARE NORMALLY INSERTED. R9, R10, AND S4 COMPRISE AN ALTERNATE CIRCUIT, WHICH IS ETCHED BUT NOT NORMALLY INSERTED.

4. RETAINING RING (ITEM #20) SHOULD BE PUSHED DOWN FLUSH WITH PC BOARD, HOLDING SPEAKER (ITEM #10) SECURELY TO BOARD.



WIRE TABLE

ITEM NO	DESCRIPTION	FROM	TO	REMARKS	
14	AWG	COLOR	CONNECTION	CONNECTION	WITH
		BLK	FC-1		SOLD
		BRN	FC-2		
		RED	FC-3		
		ORN	FC-4		
		VEL	FC-5		
14		GRN	FC-6		SOLD



REF	QTY	REF. DESIGNATION	DESCRIPTION	PART NO.	ITEM NO.
REF			X-Y COORDINATE HOLE LOC	X-00-5411725-0-1	1
REF			ASSY/DRILLING HOLE LAYOUT	0-AH-5411725-0-5	2
REF			MODULE ECO HISTORY	0-MH-5411725-0-6	3
1			PANEL SWITCH VT61	I19050124-00	4
1	C2		CAP 100 PF	1000016-00	5
1	C1		CAP 204F 50V 75%	1002839-00	6
1	D2		DIODE D662	1100113-00	7
1	D1		DIODE D664	1100114-00	8
2	R5, R8		RES 100 Ω 1/4W 5%	1300229-00	9
1	SP		SPEAKER	1212564-00	10
1	R3		RES 500 Ω 1/4W 5%	1301890-00	11
2	R1, R7		RES 1K 1/4W 5%	1300365-00	12
2	R4, R6		RES 2K 1/4W 5%	1302388-00	13
1			CABLE ASSEMBLY	1TA-TC12014-0-0	14
1	Q1		TRANSISTOR D4526	1510414-00	15
1	Q2		TRANSISTOR DEC 6531B	1509338-00	16
1	R2		POT 1K	1312961-00	17
3	S1-S3		SWITCH DPDT	1210919-00	18
1/2			WIRE #22 AWG GRN	9107350-53	19
1			RING, RETAINING	9009792-00	20

IC TYPE	GND	+5V

GND AND 5V ARE USUALLY PIN 7 AND 14 RESPECTIVELY EXCEPTIONS ARE STATED ABOVE

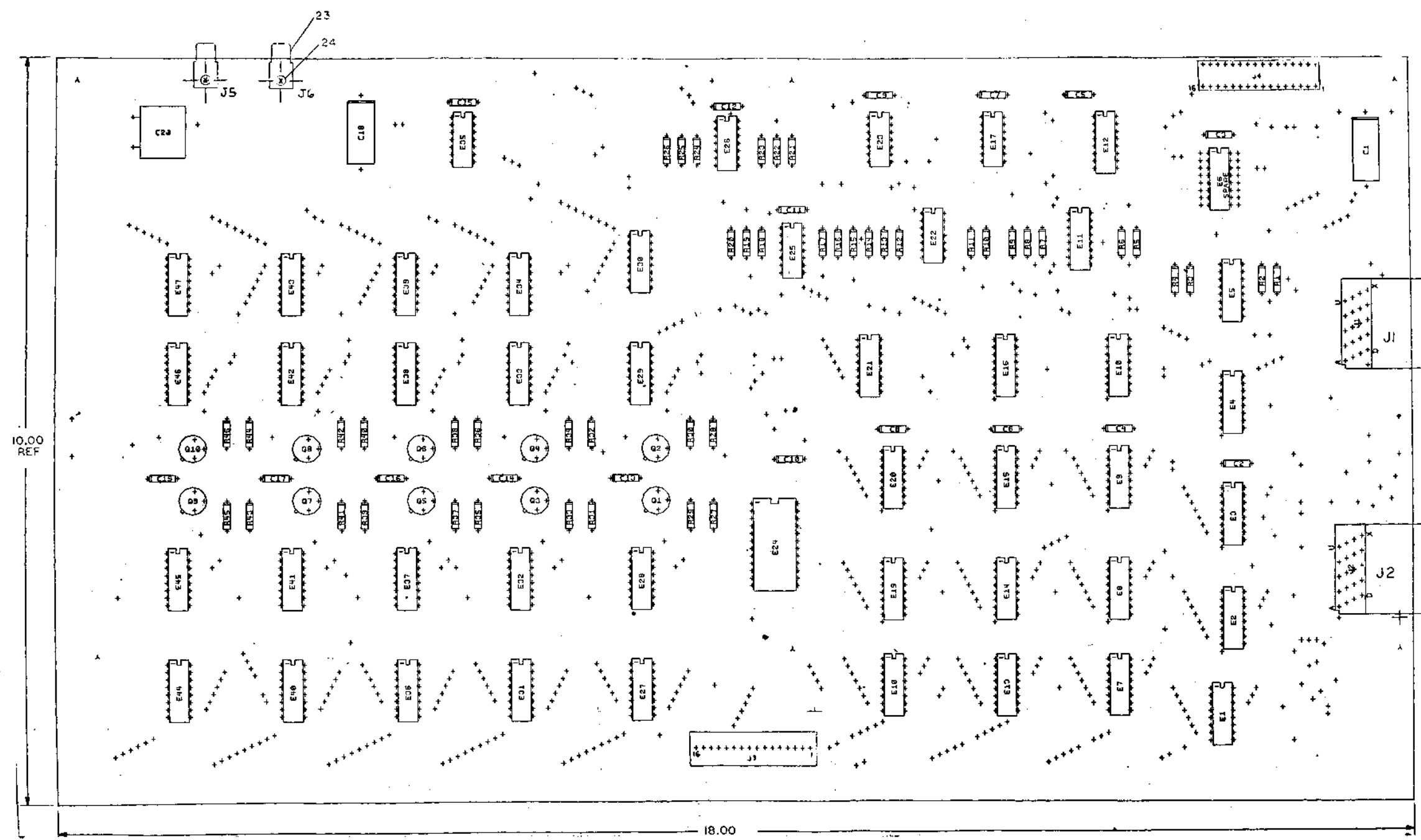
IC PIN LOCATIONS

FIRST USED ON OPTION MODEL				PARTS LIST			
VT61				ETCH BOARD REV.	B		DATE
REV. NO.	QA NO.	DCD NO.	EIA NO.	DATE		DATE	
				DATE		DATE	
SEMICONDUCTOR CONVERSION CHART				TITLE			
				VT61 SWITCH PANEL			
				SCALE		NONE	
				SHEET		1 OF 1	
				DIST.		1	
				REV.		B	

DATE 12-2-75
D CS 5411725-0-1

THIS DRAWING AND SPECIFICATIONS HEREIN ARE THE PROPERTY OF DIGITAL EQUIPMENT CORPORATION AND SHALL NOT BE REPRODUCED OR TRANSMITTED IN ANY FORM OR BY ANY MEANS, ELECTRONIC OR MECHANICAL, INCLUDING PHOTOCOPYING, RECORDING, OR BY ANY INFORMATION STORAGE AND RETRIEVAL SYSTEM, WITHOUT PERMISSION IN WRITING FROM DIGITAL EQUIPMENT CORPORATION.

D 5411280-0-0 2



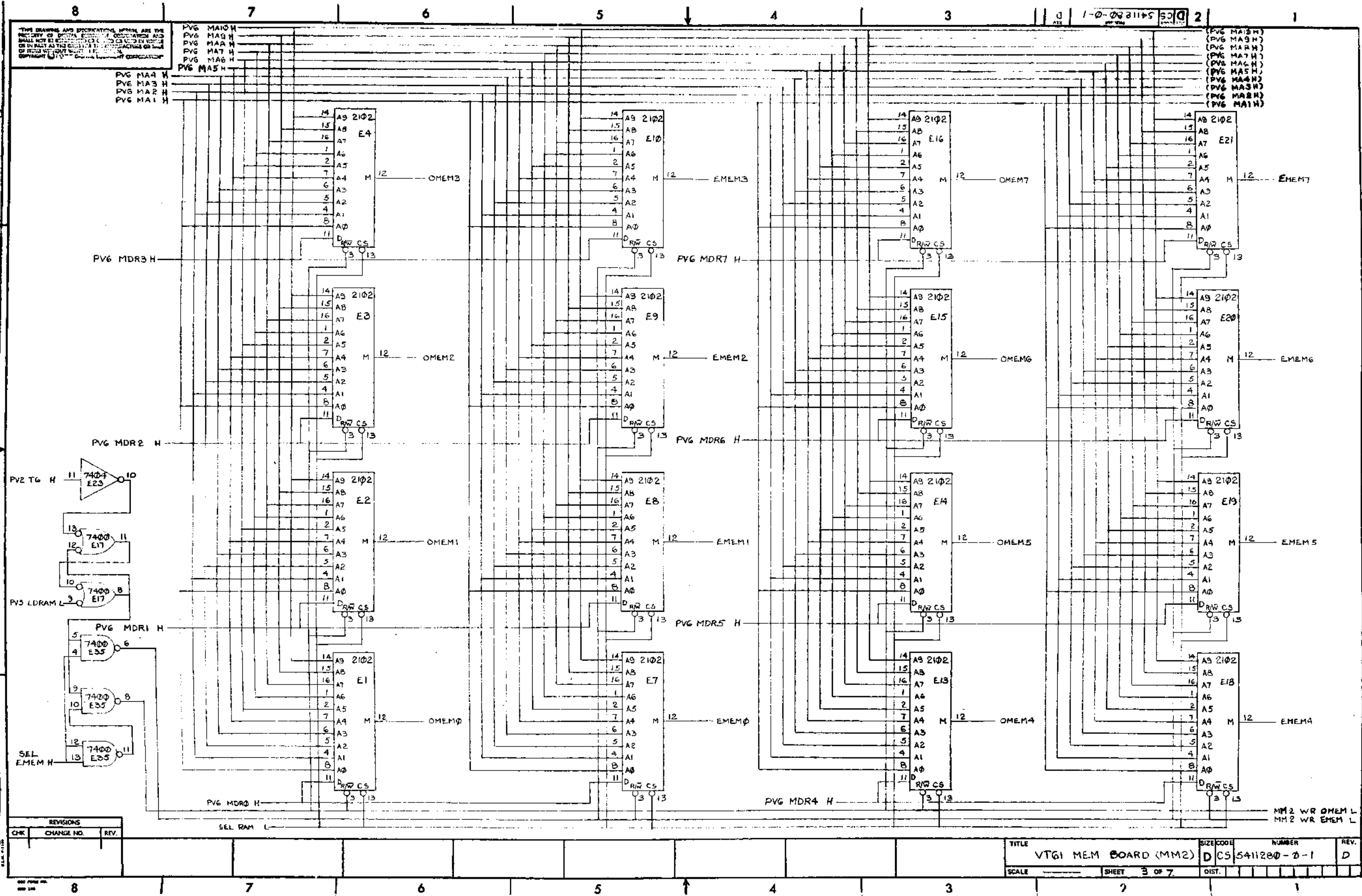
REVISIONS		
CHK	CHANGE NO.	REV.
1	5411280-2 & 2A	D
2	310/78	
J. BUZZY		

FIRST USED ON OPTION MODEL
VT 61

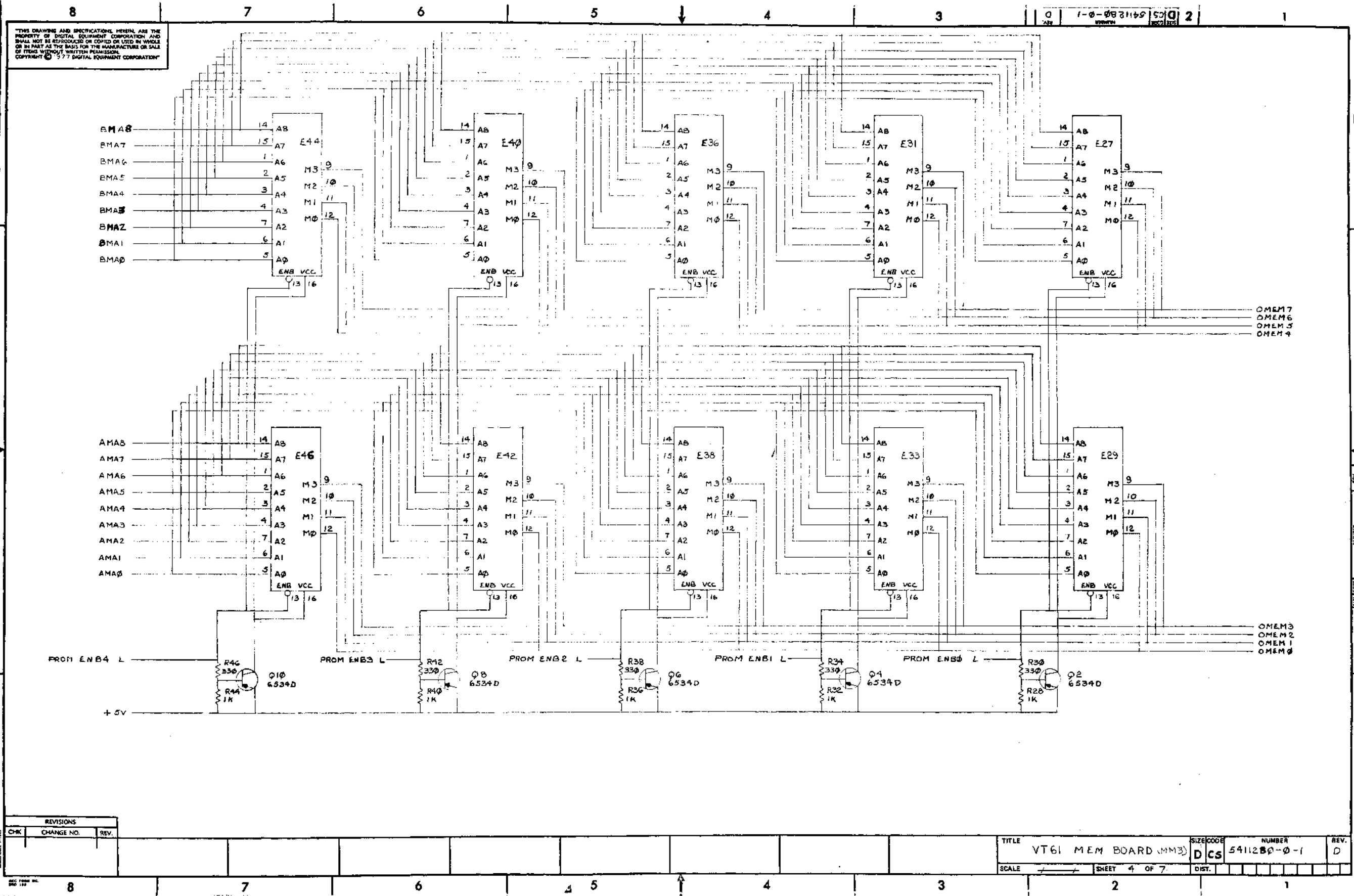
SIGNATURES	DATE
DRG. D. [Signature]	2-7-78
CHK'D [Signature]	3/2/78
ENG. [Signature]	2-8-78
PROG. ENGR. [Signature]	2/12/78
TEST. [Signature]	2/12/78

digital	
TITLE VT 61 MEMORY BOARD	
SIZE CODE	NUMBER
D 5411280-0-0	D
DIST.	

8 7 6 5 4 3 2 1



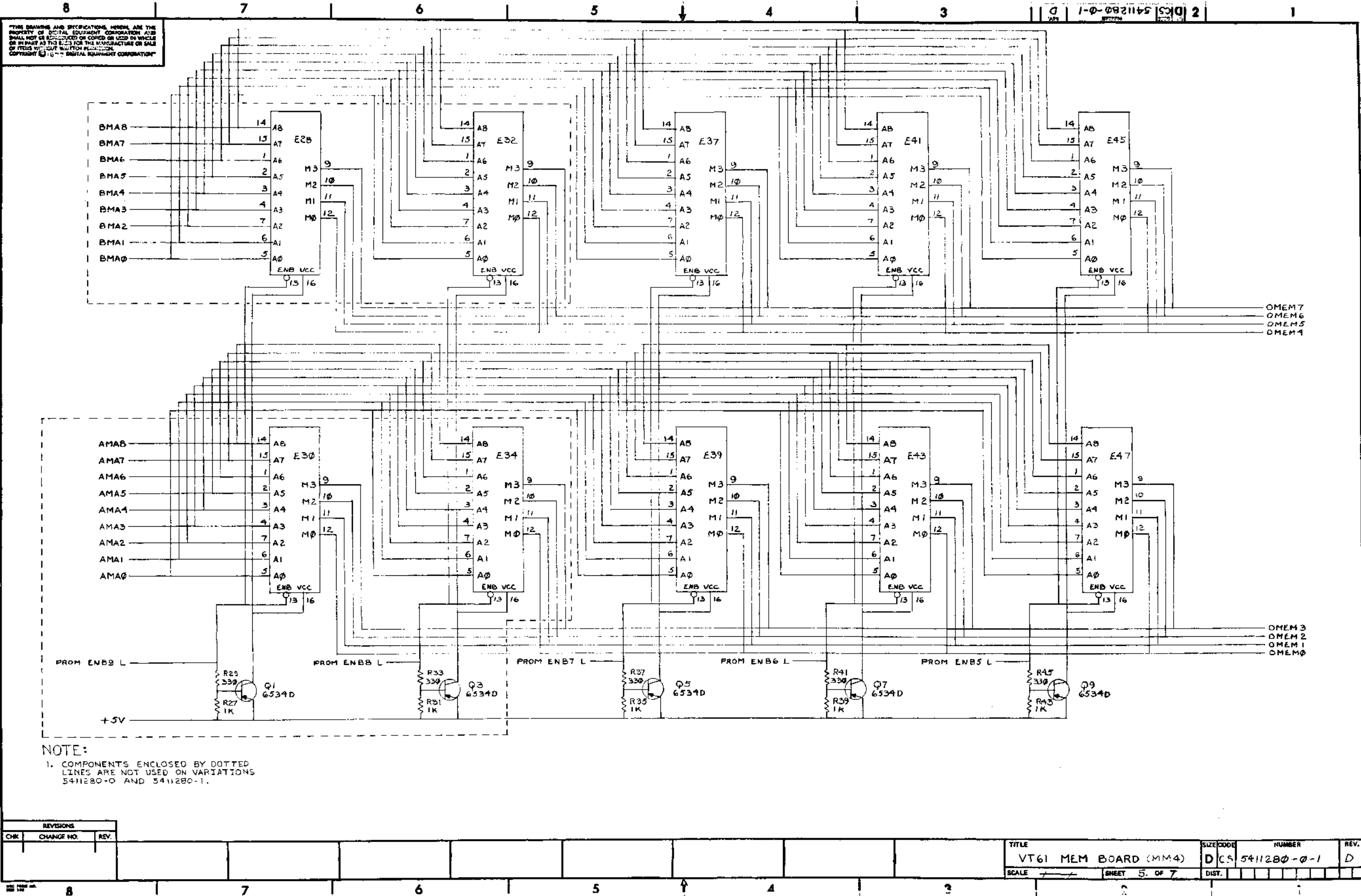
THIS DRAWING AND SPECIFICATIONS HEREIN ARE THE PROPERTY OF DIGITAL EQUIPMENT CORPORATION AND SHALL NOT BE REPRODUCED OR COPIED OR USED IN WHOLE OR IN PART AS THE BASIS FOR THE MANUFACTURE OR SALE OF ITEMS WITHOUT WRITTEN PERMISSION. COPYRIGHT © 1977 DIGITAL EQUIPMENT CORPORATION.



REVISIONS		
CHK	CHANGE NO.	REV.

TITLE	VT61 MEM BOARD (MM3)	SIZE CODE	D CS	NUMBER	5411280-0-1	REV.	D
SCALE		SHEET	4 OF 7	DIST.			

THIS DRAWING AND SPECIFICATIONS HEREON ARE THE PROPERTY OF DIGITAL EQUIPMENT CORPORATION AND SHALL NOT BE REPRODUCED OR COPIED OR USED IN WHOLE OR IN PART AS THE BASIS FOR THE MANUFACTURE OR SALE OF ITEMS WITHOUT WRITTEN PERMISSION.
 COPYRIGHT © 1977 DIGITAL EQUIPMENT CORPORATION

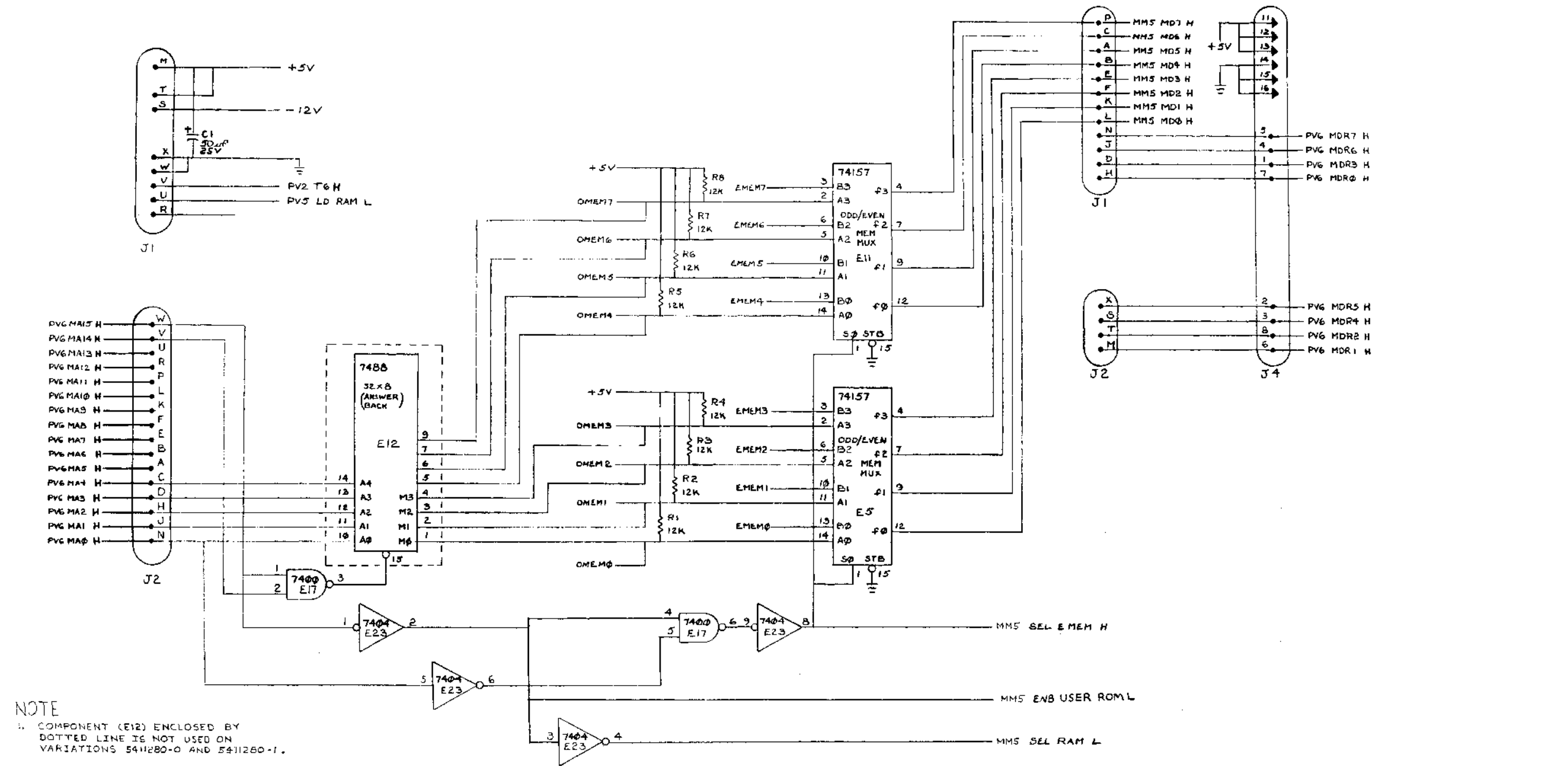


NOTE:
 1. COMPONENTS ENCLOSED BY DOTTED LINES ARE NOT USED ON VARIATIONS 5411280-0 AND 5411280-1.

REVISIONS		
CHK	CHANGE NO.	REV.

TITLE	VT61 MEM BOARD (MM4)	SIZE/CODE	D.C.S.	NUMBER	5411280-0-1	REV.	D
SCALE		SHEET	5 OF 7	DIST.			

THIS DRAWING AND SPECIFICATIONS HEREBY ARE THE PROPERTY OF DIGITAL EQUIPMENT CORPORATION AND SHALL NOT BE REPRODUCED OR COPIED OR USED IN WHOLE OR IN PART AS A BASIS FOR THE MANUFACTURE OR SALE OF ITEMS WITHOUT WRITTEN PERMISSION. COPYRIGHT © 1977 DIGITAL EQUIPMENT CORPORATION



NOTE
 1. COMPONENT (E12) ENCLOSED BY DOTTED LINE IS NOT USED ON VARIATIONS 5411280-0 AND 5411280-1.

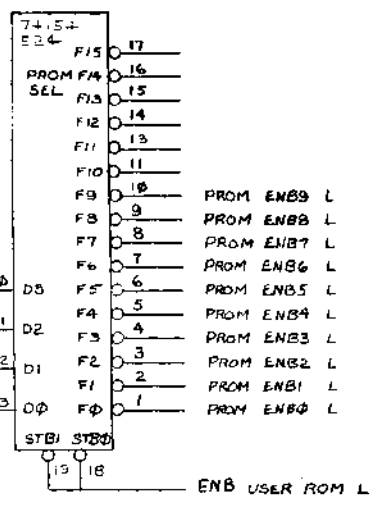
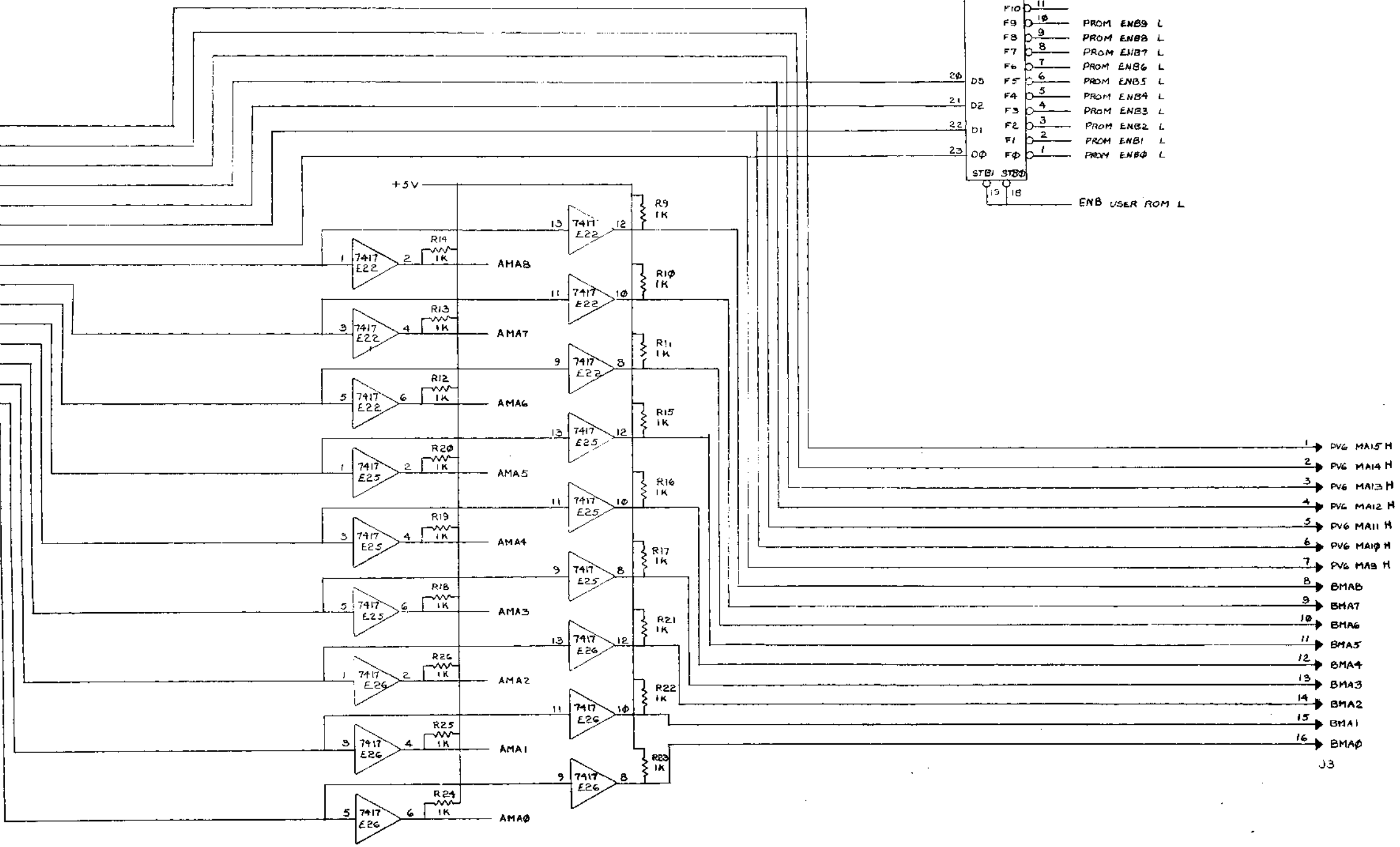
REVISIONS		
CHK	CHANGE NO.	REV.

TITLE	VT61 MEM BOARD (MM5)	SIZE CODE	D CS	NUMBER	5411280-0-1	REV.	D
SCALE	1:1	SHEET	6 OF 7	DIST.			

THIS DRAWING AND SPECIFICATIONS HEREIN ARE THE PROPERTY OF DIGITAL EQUIPMENT CORPORATION AND SHALL NOT BE REPRODUCED OR COPIED OR USED IN WHOLE OR IN PART AS THE BASIS FOR THE MANUFACTURE OR SALE OF ITEMS WITHOUT WRITTEN PERMISSION. COPYRIGHT © 1977 DIGITAL EQUIPMENT CORPORATION

D 1-0-0021165 CS D 2

PV6 MA15H
 PV6 MA14H
 PV6 MA13H
 PV6 MA12H
 PV6 MA11H
 PV6 MA10H
 PV6 MA9H
 PV6 MABH
 PV6 MATH
 PV6 MA6H
 PV6 MA5H
 PV6 MA4H
 PV6 MA3H
 PV6 MA2H
 PV6 MA1H
 PV6 MA0H



1 → PV6 MA15H
 2 → PV6 MA14H
 3 → PV6 MA13H
 4 → PV6 MA12H
 5 → PV6 MA11H
 6 → PV6 MA10H
 7 → PV6 MABH
 8 → BMA8
 9 → BMA7
 10 → BMA6
 11 → BMA5
 12 → BMA4
 13 → BMA3
 14 → BMA2
 15 → BMA1
 16 → BMA0
 J3

REVISIONS		
CHK	CHANGE NO.	REV.

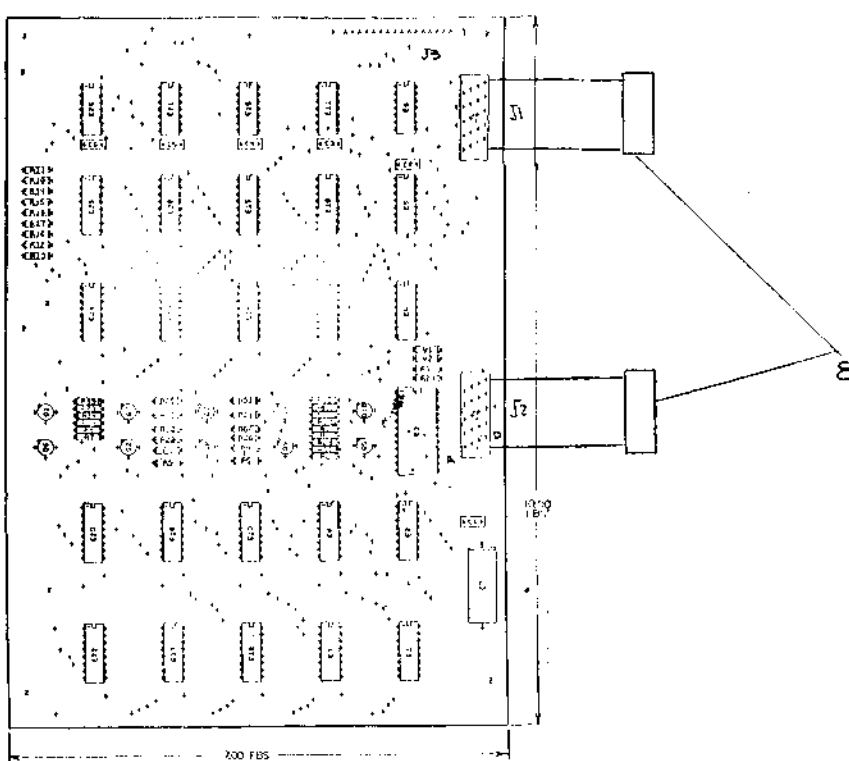
TITLE	SIZE CODE	NUMBER	REV.
VT61 MEM BOARD (MM6)	D CS	5411280-0-1	D
SCALE	SHEET	OF	DIST.
1	7	7	

8 7 6 5 4 3 2 1

"THIS DRAWING AND SPECIFICATIONS HEREIN ARE THE PROPERTY OF DIGITAL EQUIPMENT CORPORATION AND SHALL NOT BE REPRODUCED OR COPIED OR USED IN WHOLE OR IN PART AS THE BASIS FOR THE MANUFACTURE OR SALE OF ITEMS WITHOUT WRITTEN PERMISSION.
 COPYRIGHT © 1975 DIGITAL EQUIPMENT CORPORATION"

NOTES:

1. SIGNAL PREFIX NOTATION (EX. PR2) IDENTIFIES THE SIGNAL SOURCE (BOARD AND PRINT). THE FIRST TWO LETTERS OF THE PREFIX IDENTIFY THE BOARD PRINT SET, THE NUMBER INDICATES THE SHEET NUMBER WITHIN THE PRINT SET. SIGNALS WHICH ARE FROM MULTIPLE SOURCES (EX. DB SIGNALS, TRISTATE BUS, OR WIRE OR'ED FROM OUTPUTS) DO NOT CARRY A SIGNAL PREFIX.
2. UNLESS OTHERWISE NOTED: RESISTANCE IS IN OHMS, CAPACITANCE IS IN PICOFARADS.



VARIATION TABLE (ITEM #14)		
VARIATION		
5411282-1	5411282-0	
E1	23382A9	23058A9
E2		
E4		
E5	23383A9	23059A9
E7	23094A9	23060A9
E8		
E9		
E10	23095A9	23061A9
E12	23096A9	23062A9
E13	23532A9	23544A9
E14	23553A9	23545A9
E15	23097A9	23095A9
E17	23380A9	23063A9
E18	23384A9	23067A9
E19	23102A9	23068A9
E20	23381A9	23069A9
E22	23580A9	23542A9
E23	23105A9	23071A9
E24	23106A9	23072A9
E25	23531A9	23543A9

* QUANTITY ONE UNLESS OTHERWISE NOTED

LEGEND	
NUMBER	VARIATION
5411282-0	VT61
5411282-1	VT61T (TYPESET)

DCS 5411282-1 2

REF	REF	XY COORDINATE	HOLE LOCATION	K-CO-5411282-0-1
REF	REF	ASSY/DRILLING HOLE LAYOUT		DAH-5411282-0-3
REF	REF	MODULE ECO HISTORY		B-MH-5411282-0-0
1	1	VT61 FROM PANEL		5011281
6	6	C1-C6	CAP .01	1001610-01
1	1	C7	CAP 50uF 25V	1001790-00
28	28	R1-R28	RES, 1K 1/4W 5%	1300365-00
2	2		CABLE ASSY(VT61)	07A702015-0-0
10	10	R29, R38	RES, 330Ω 1/4W 5%	1300295-00
10	10	Q1-Q10	TRANSISTOR 6534D	1503909-00
3	3	E10, E21, E26	IC 7417	1909929-00
1	1	E3	IC 74154	1909701-00
2	2	E6, E11	IC 8093	1910837-00
A/R	A/R	E1, E2, E4, E5, E7, E10, E12, E15, E17, E20, E22, E25	PROMS (SEE VARIATION TABLE, THIS PAGE)	
1	1	J3	PIN, STRAIGHT	1212518-01
2	2	J1-V2	CONN, CABLE	1210722-01
1	1	W1	JUMPER,	9107560-1
0	0	V2	JUMPER	9107560-1
16	16	E10, E10, E12-E15, E17, E20, E22-E25	CONN, 16 PIN DIP	1211813-02

PROMS (ITEM #14)	8	16
74154	12	24
IC TYPE	GND	+5V
GND AND 5V ARE USUALLY PIN 7 AND 14 RESPECTIVELY EXCEPTIONS ARE STATED ABOVE		
IC PIN LOCATIONS		

REVISIONS

CHK ORIGINATED BY DATE CHARGE TO REV.

23 AUG 77 J. DESUK
 23 AUG 77 J. DESUK
 5411282-00005 J
 J. DESUK
 5411282-00004 H
 J. SUZYNSKI
 J. SUZYNSKI
 J. SUZYNSKI
 J. SUZYNSKI
 J. SUZYNSKI
 J. SUZYNSKI
 J. SUZYNSKI
 J. SUZYNSKI
 J. SUZYNSKI
 J. SUZYNSKI

PARTS LIST

QTY	REF. DESIGNATION	DESCRIPTION	PART NO.	ITEM NO.
1	VT61	ETCH BOARD REV. IC		

FIRST USED ON OPTION MODEL

DRN. DATE
 J. DESUK 8/25/75

CHG. DATE
 J. DESUK 8/25/75

DATE
 J. DESUK 8/25/75

DATE
 J. DESUK 8/25/75

DATE
 J. DESUK 8/25/75

NEXT HIGHER ASSY
 0-UA-VT61-0

SCALE 1/1

SHEET 1 OF 4

SEMICONDUCTOR CONVERSION CHART

DEC NO. EIA NO. DEC NO. EIA NO.

TITLE
 VT61 PROM BOARD

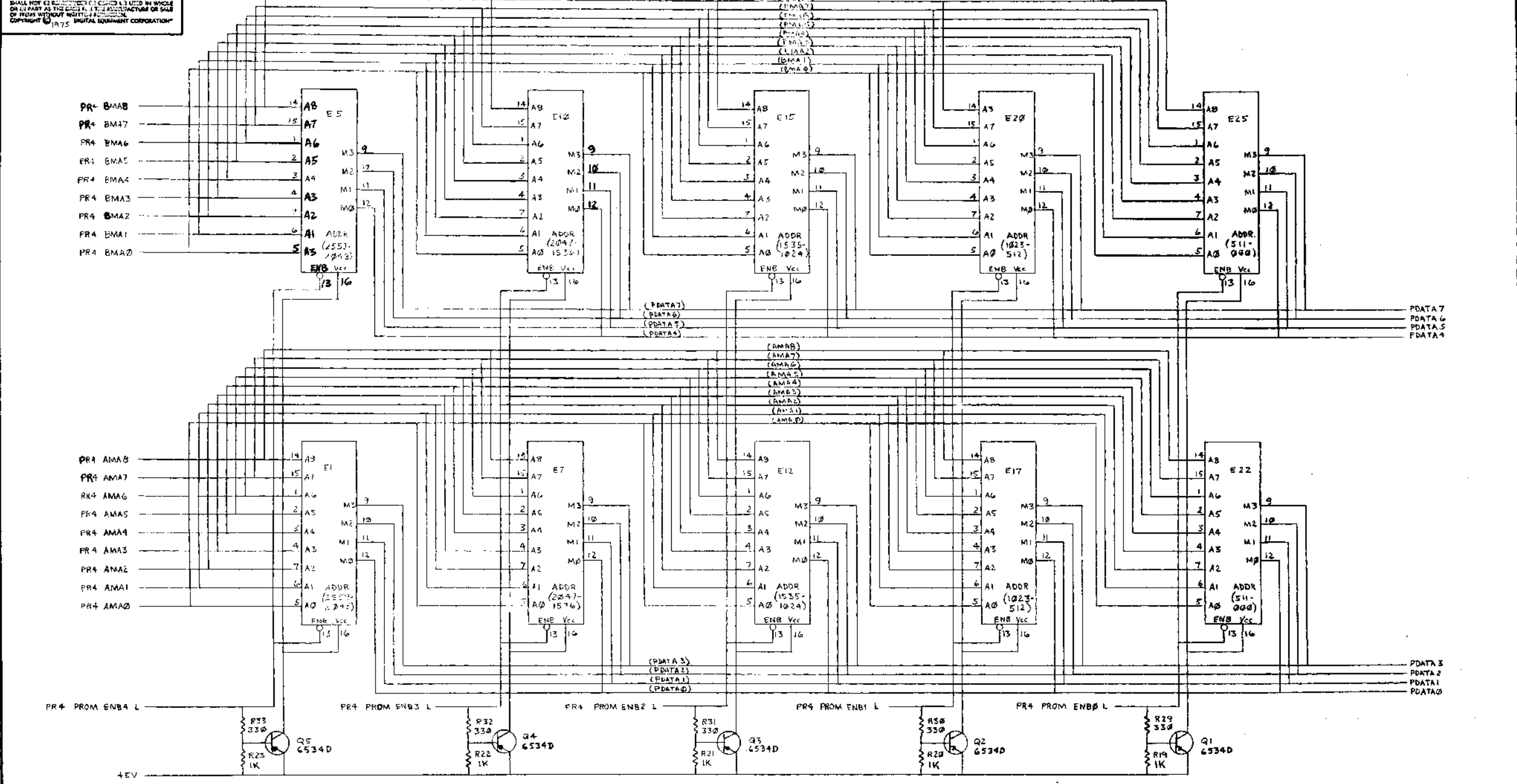
REV. J

DCS 5411282-1

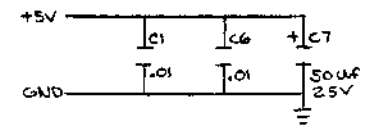
DIST.

"THIS DRAWING AND SPECIFICATIONS HEREIN ARE THE PROPERTY OF DIGITAL EQUIPMENT CORPORATION AND SHALL NOT BE REPRODUCED OR TRANSMITTED IN ANY FORM OR BY ANY MEANS, ELECTRONIC OR MECHANICAL, INCLUDING PHOTOCOPYING, RECORDING, OR BY ANY INFORMATION STORAGE AND RETRIEVAL SYSTEM, WITHOUT WRITTEN PERMISSION FROM DIGITAL EQUIPMENT CORPORATION." 1975

2 | DCS 5411282-0-1 | 1



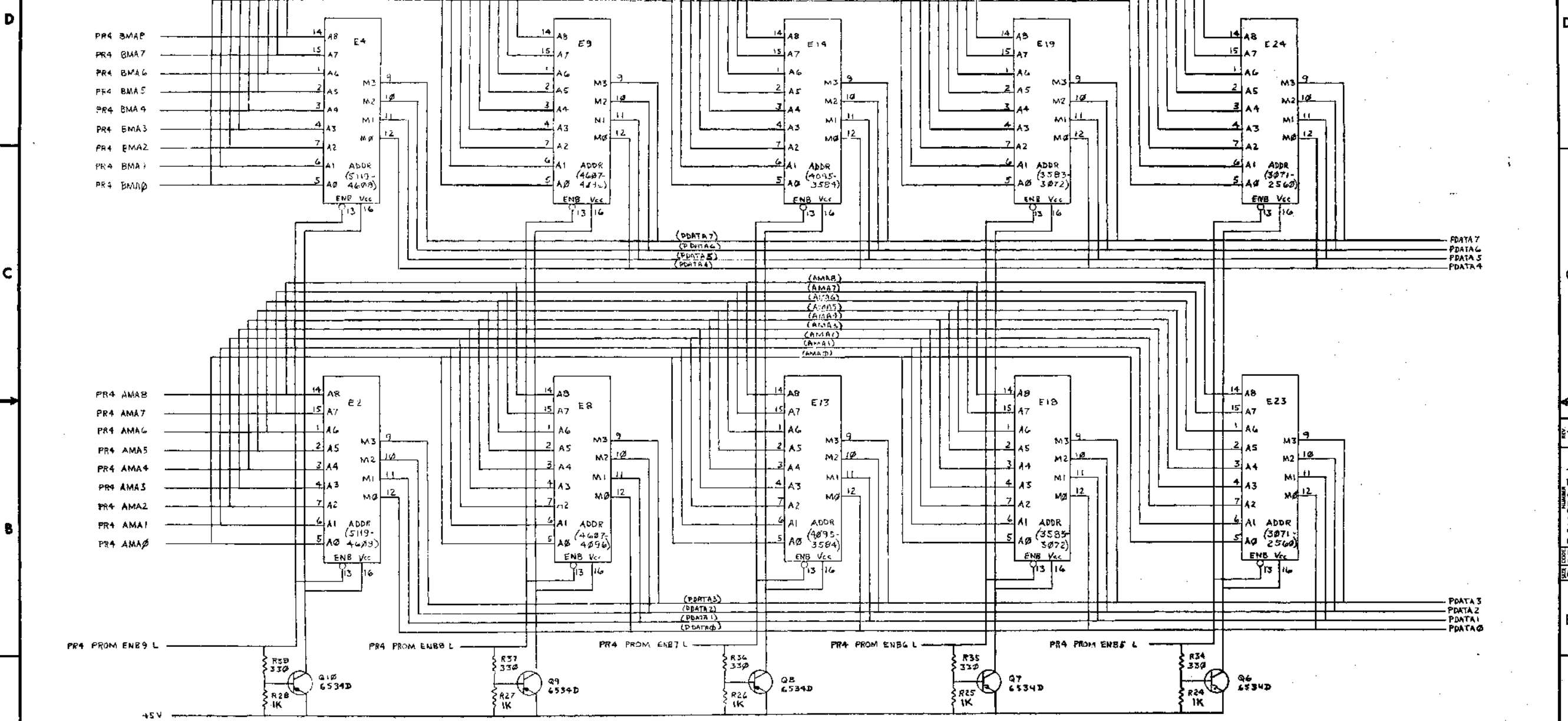
NOTE: +5V IS APPLIED TO THE INDIVIDUAL PROMS ONLY WHEN THE INDIVIDUAL IC IS ENABLED.



REVISIONS		
CHK	CHANGE NO.	REV.

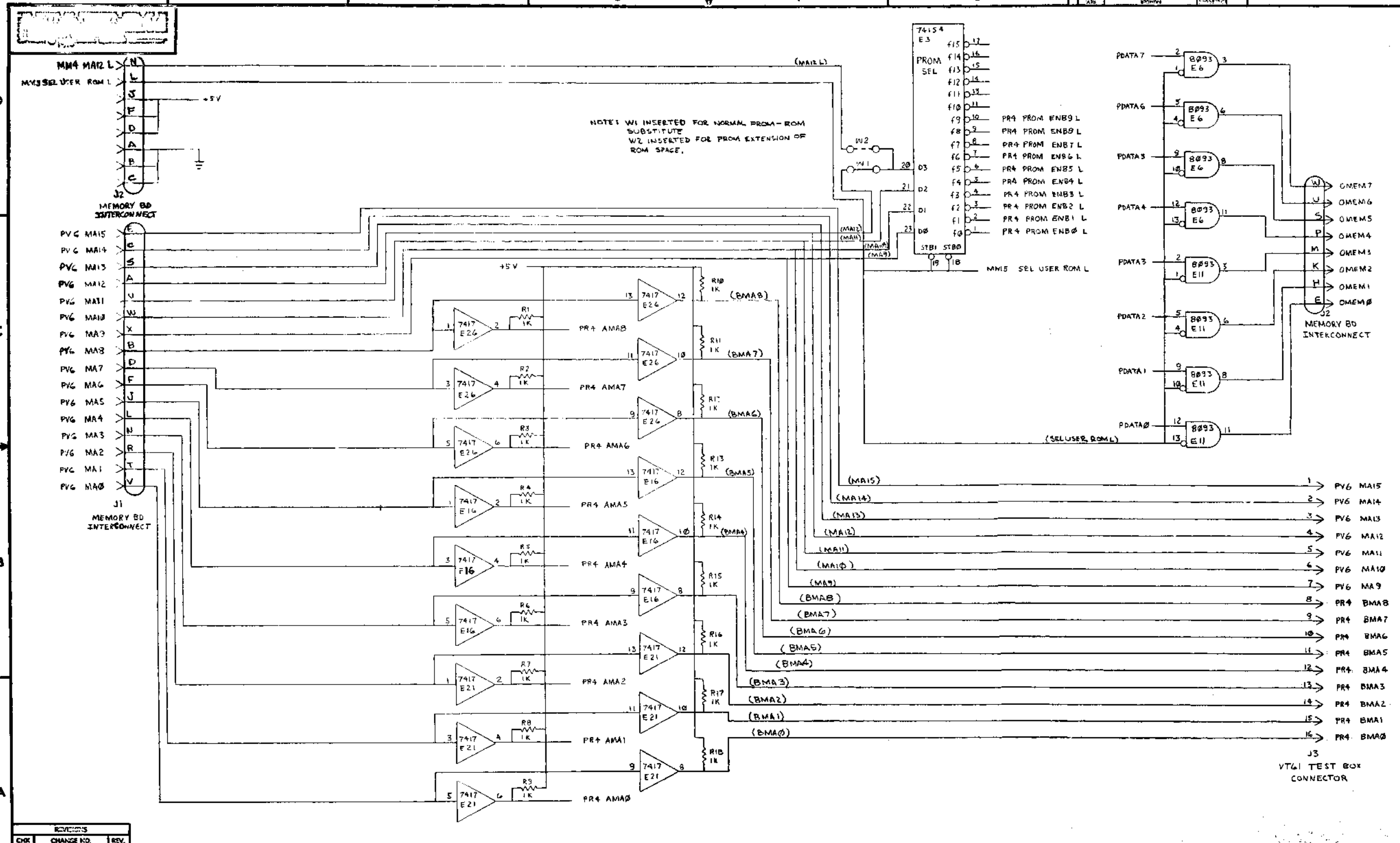
TITLE VT61 PROM BOARD (PR2) NUMBER DCS 5411282-0-1

THIS DRAWING AND INFORMATION HEREON ARE THE PROPERTY OF THE U.S. GOVERNMENT AND ARE TO BE RELEASED TO THE PUBLIC BY THE NATIONAL BUREAU OF STANDARDS. COPYRIGHT © 1975

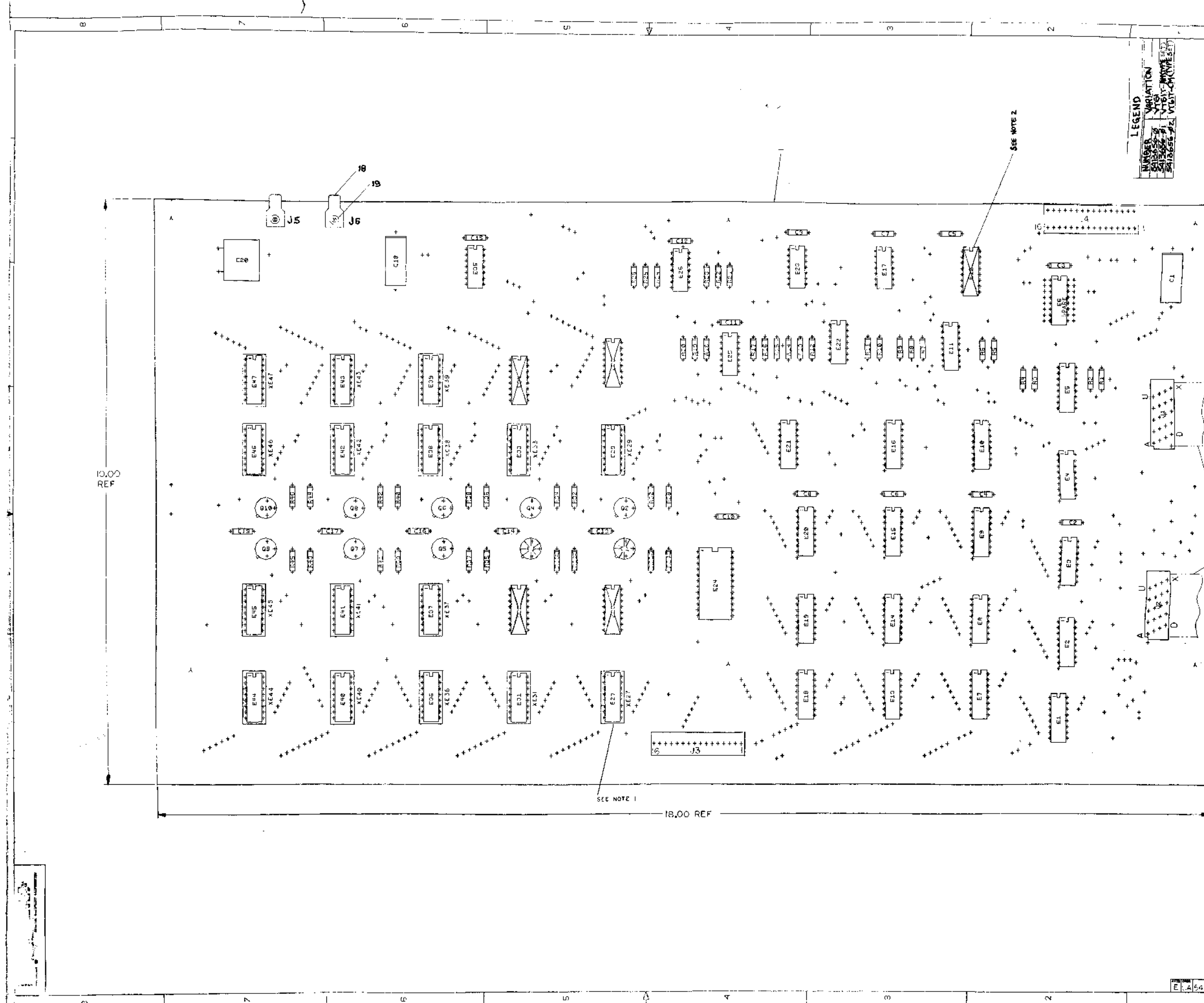


NOTE: +5V IS APPLIED TO THE INDIVIDUAL PROMS ONLY WHEN THE INDIVIDUAL IC IS ENABLED.

REVISIONS		
CHK	CHANGE NO.	REV.



REVISED		
CHK	CHANGE NO.	REV.



LEGEND

VAR	VARIATION
VT81	VT81 MEMORY BOARD
VT81	VT81 MEMORY BOARD
VT81	VT81 MEMORY BOARD
VT81	VT81 MEMORY BOARD

SIGNATURES	
DRN. D. [Signature]	DATE [Date]
ENGR. [Signature]	TITLE [Title]
PROJ. [Signature]	PROJECT [Project Name]
SMT. [Signature]	DATE [Date]
OP. [Signature]	REV. [Revision]
TEST. [Signature]	QUANTITY [Quantity]
PREP. [Signature]	PRICE [Price]
PLC. [Signature]	REF. [Reference]

CHANGE NO. REV.	
1	37
SEE NOTE 3	

NOTES: 1. ITEM 8 TO BE UNLESS OTHERWISE SPECIFIED.
 2. THESE PARTS ARE NOT USED.
 3. ALL VARIATIONS SALES-0-01-02 PER SHTS 412 OF SCHEMATIC DWG.
 4. ITEM 37 TO BE ASSEMBLED AFTER ITEM 1 IS SOLDERED INTO BOARD.

10.00 REF

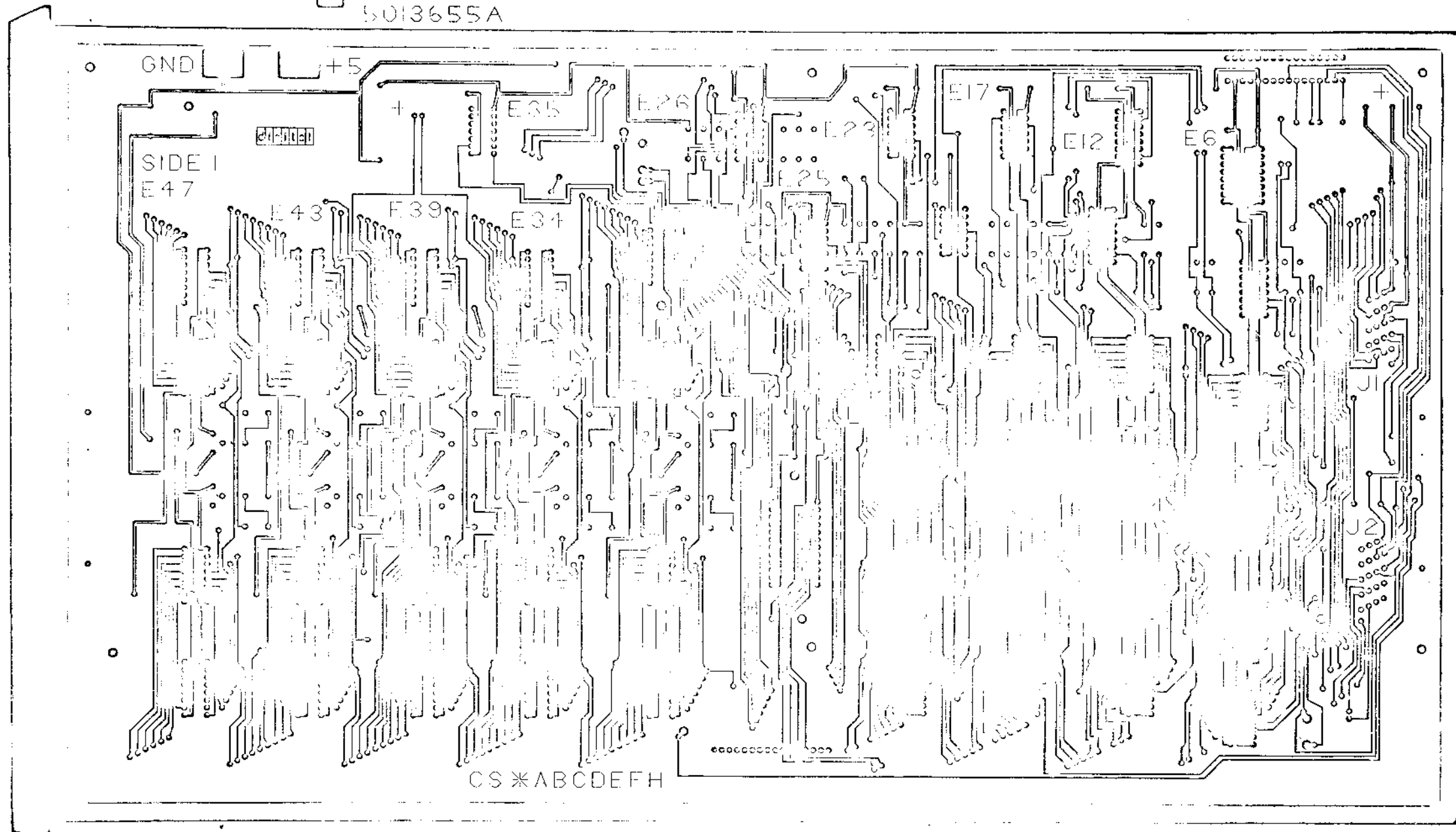
18.00 REF

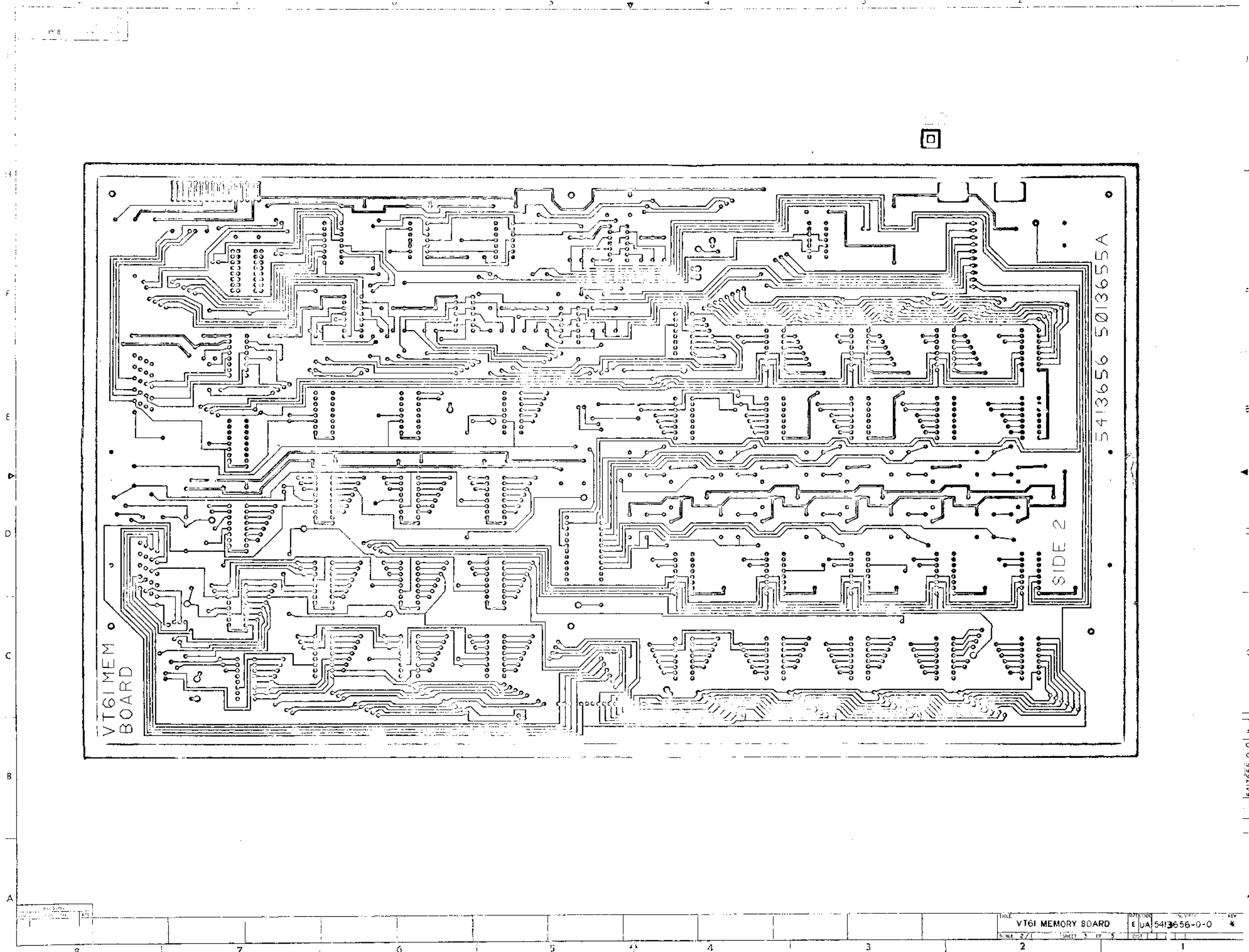
SEE NOTE 1

SEE NOTE 2

8 7 6 5 4 3 2 1

LI
5413656
5013655A





VT61 MEM
BOARD

5413656 5013655A

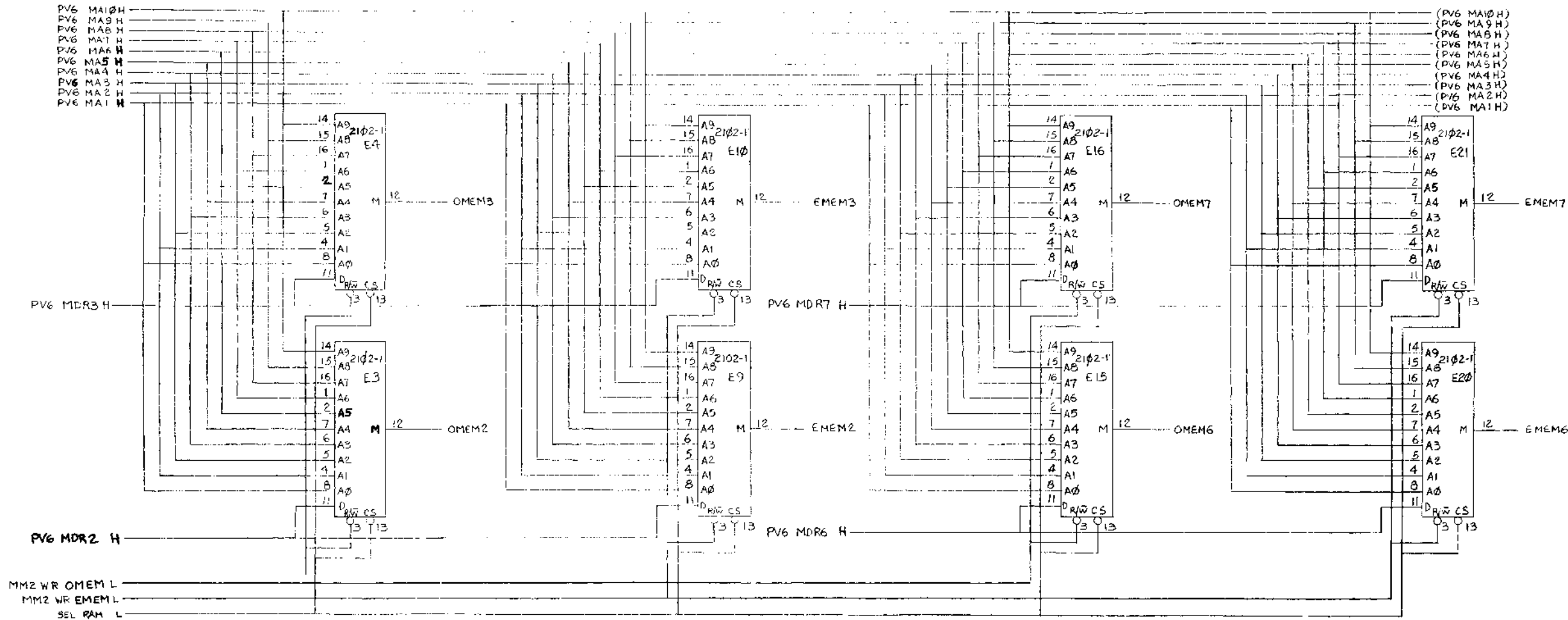
SIDE 2

TITLE		VT61 MEMORY BOARD		DRAWN		EUA		5413656-0-0		REV		*	
SHEET 2		OF 3		DATE		1966		1		1		1	

100-10413656-0-0 *

THIS DRAWING AND SPECIFICATIONS HEREIN ARE THE PROPERTY OF DIGITAL EQUIPMENT CORPORATION AND SHALL NOT BE REPRODUCED OR COPIED OR USED IN WHOLE OR IN PART AS THE BASIS FOR THE MANUFACTURE OR SALE OF ITEMS WITHOUT WRITTEN PERMISSION OF DIGITAL EQUIPMENT CORPORATION.

LEGEND	
NUMBER	VARIATION
5413656-0	VT61
5413656-1	VT61T-AM(TYPE SET)
5413656-2	VT61T-CM(TYPE SET)



ROMS	8	16
74154	12	24
74157	8	16
2102-1	9	10

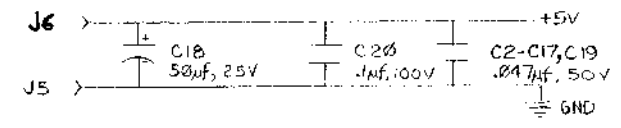
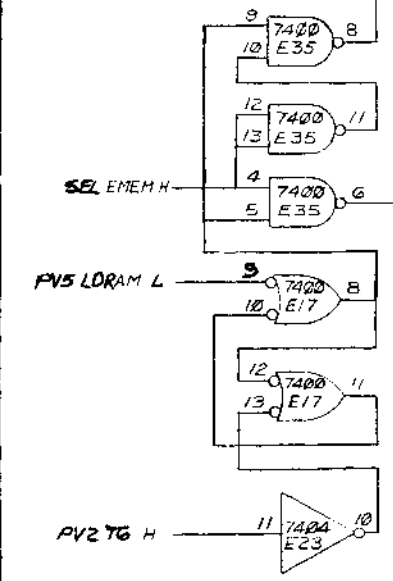
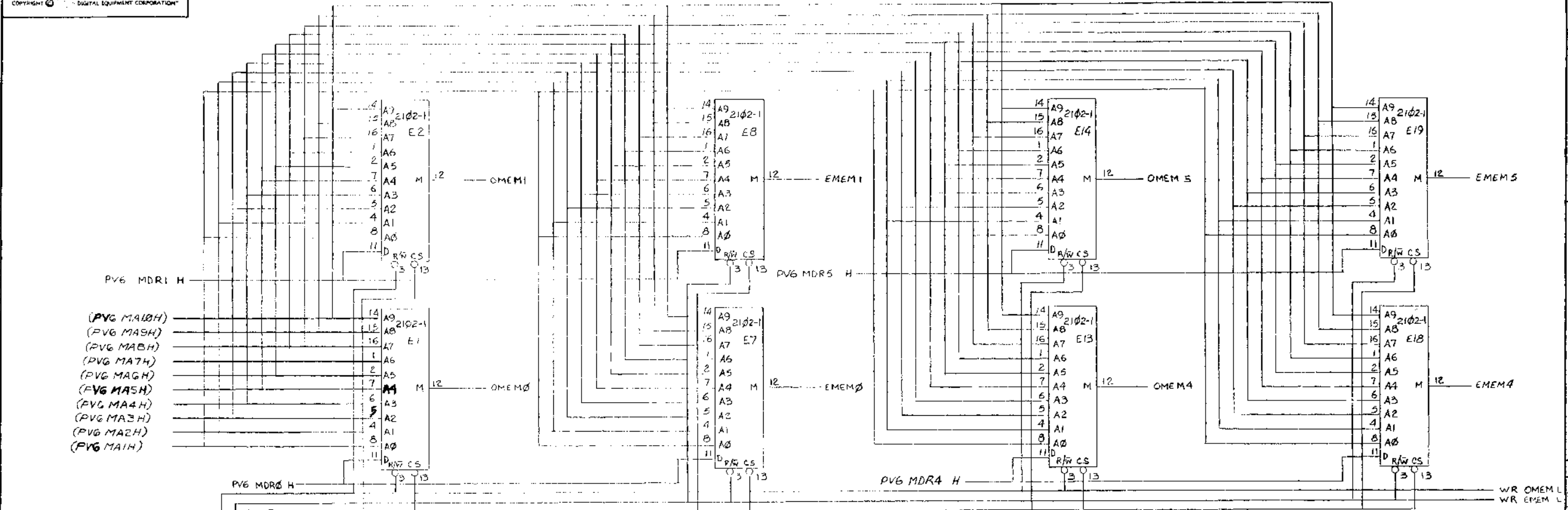
IC PIN LOCATIONS

END AND 5V ARE USUALLY PIN 7 AND 14 RESPECTIVELY. EXCEPT AS NOTED ABOVE.

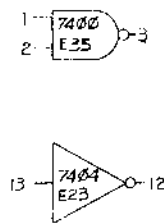
NOTES: 1. SIGNAL PREFIX NOTATION (EX. MM2) IDENTIFIES THE SIGNAL SOURCE (BOARD AND PRINT). THE FIRST (2) TWO LETTERS OF THE PREFIX IDENTIFY THE BOARD PRINT SET, THE NUMBER INDICATES THE SHEET NUMBER WITHIN THE PRINT SET. SIGNALS FROM MULTIPLE SOURCES (EX. DB SIGNALS, TRI-STATE BUS, WIRE OR LED PROM OUTPUTS), DO NOT CARRY A SIGNAL PREFIX.
2. UNLESS OTHERWISE NOTED, RESISTANCE IS IN OHMS, CAPACITANCE IS IN PICO-FARADS.

DRN	REV	FIRST USED ON	VT61	digital
ENGR	REV	TITLE	VT61	
PROJ. ENGR	REV	MEMORY BOARD		
PROJ. ENGR	REV			
NEXT HIGHER ASSY.				
SIZE	CODE	NUMBER	REV.	
D	CS	5413656-0-1	*	
SHEET	OF	DIST.		
1	OF 6			

"THIS DRAWING AND SPECIFICATIONS HEREIN ARE THE PROPERTY OF DIGITAL EQUIPMENT CORPORATION AND SHALL NOT BE REPRODUCED OR COPIED OR USED IN WHOLE OR IN PART AS THE BASIS FOR THE MANUFACTURE OR SALE OF ITEMS WITHOUT WRITTEN PERMISSION. COPYRIGHT © DIGITAL EQUIPMENT CORPORATION"

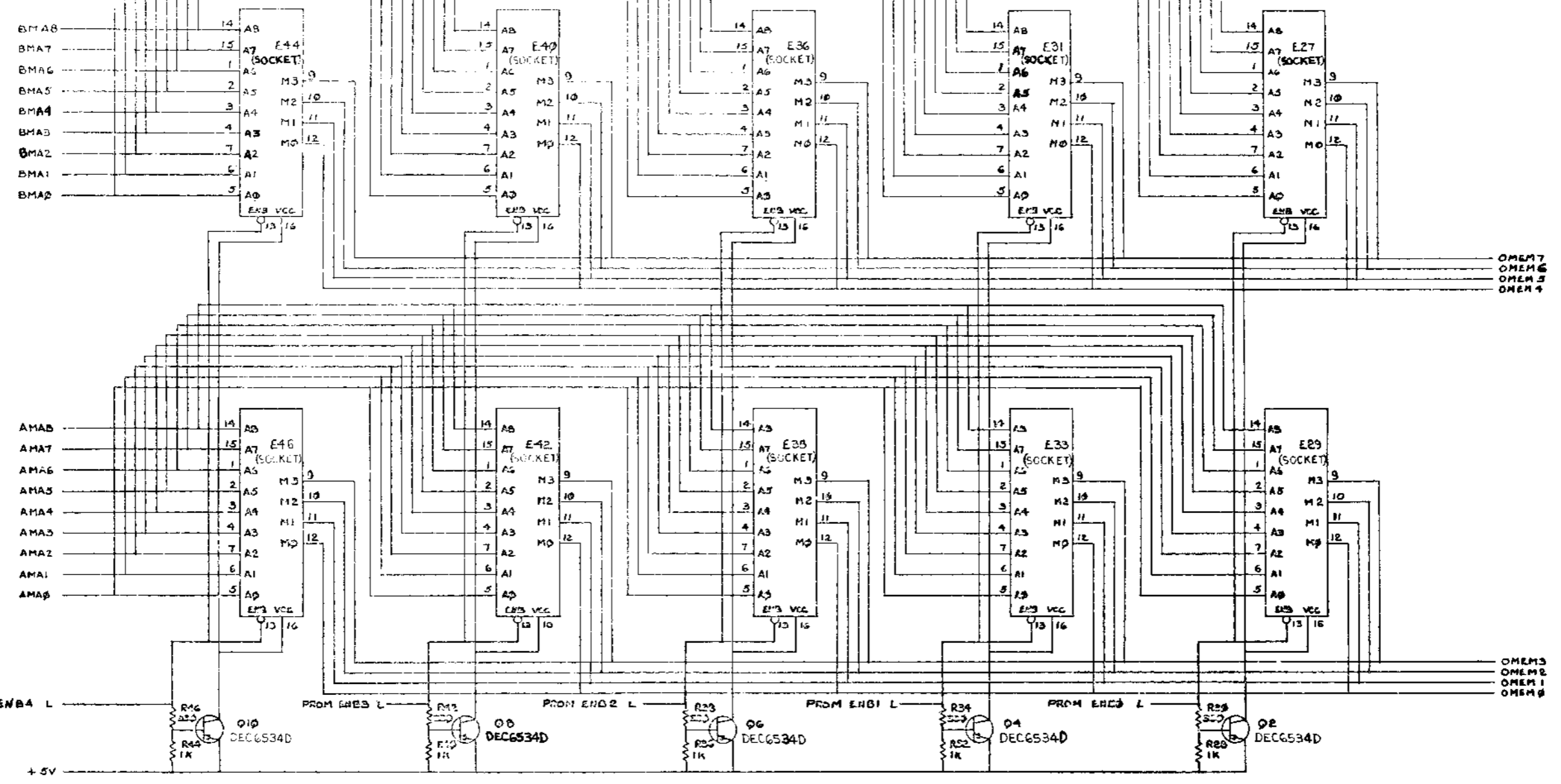


SPARE GATES



REVISIONS		
CHK	CHANGE NO.	REV.

THIS DRAWING AND INFORMATION HEREIN ARE THE PROPERTY OF BENTON ELECTRONIC CORPORATION AND SHALL REMAIN CONFIDENTIAL UNLESS SO INDICATED OTHERWISE OR BY FACT AS TO BE AVAILABLE TO THE GENERAL PUBLIC OR BY OTHER MEANS TO THE PUBLIC. © 1977 BENTON ELECTRONIC CORPORATION



REV.	DATE	BY

8 7 6 5 4 3 2 1

THIS DRAWING AND SPECIFICATIONS, HEREIN, ARE THE PROPERTY OF CONTROL SYSTEMS CORPORATION AND SHALL NOT BE REPRODUCED, COPIED, OR OTHERWISE DISSEMINATED IN ANY MANNER WITHOUT THE WRITTEN CONSENT OF CONTROL SYSTEMS CORPORATION. COPYRIGHT © 1977 BY CONTROL SYSTEMS CORPORATION.

BMA8
BMA7
BMA6
BMA5
BMA4
BMA3
BMA2
BMA1
BMA0

AMA8
AMA7
AMA6
AMA5
AMA4
AMA3
AMA2
AMA1
AMA0

FROM ENB8 L
+5V

FROM ENB7 L

FROM ENB6 L

FROM ENB5 L

R37 220
R35 1K
Q5 DEC6534D

R41 220
R39 1K
Q7 DEC6534D

R45 220
R43 1K
Q9 DEC6534D

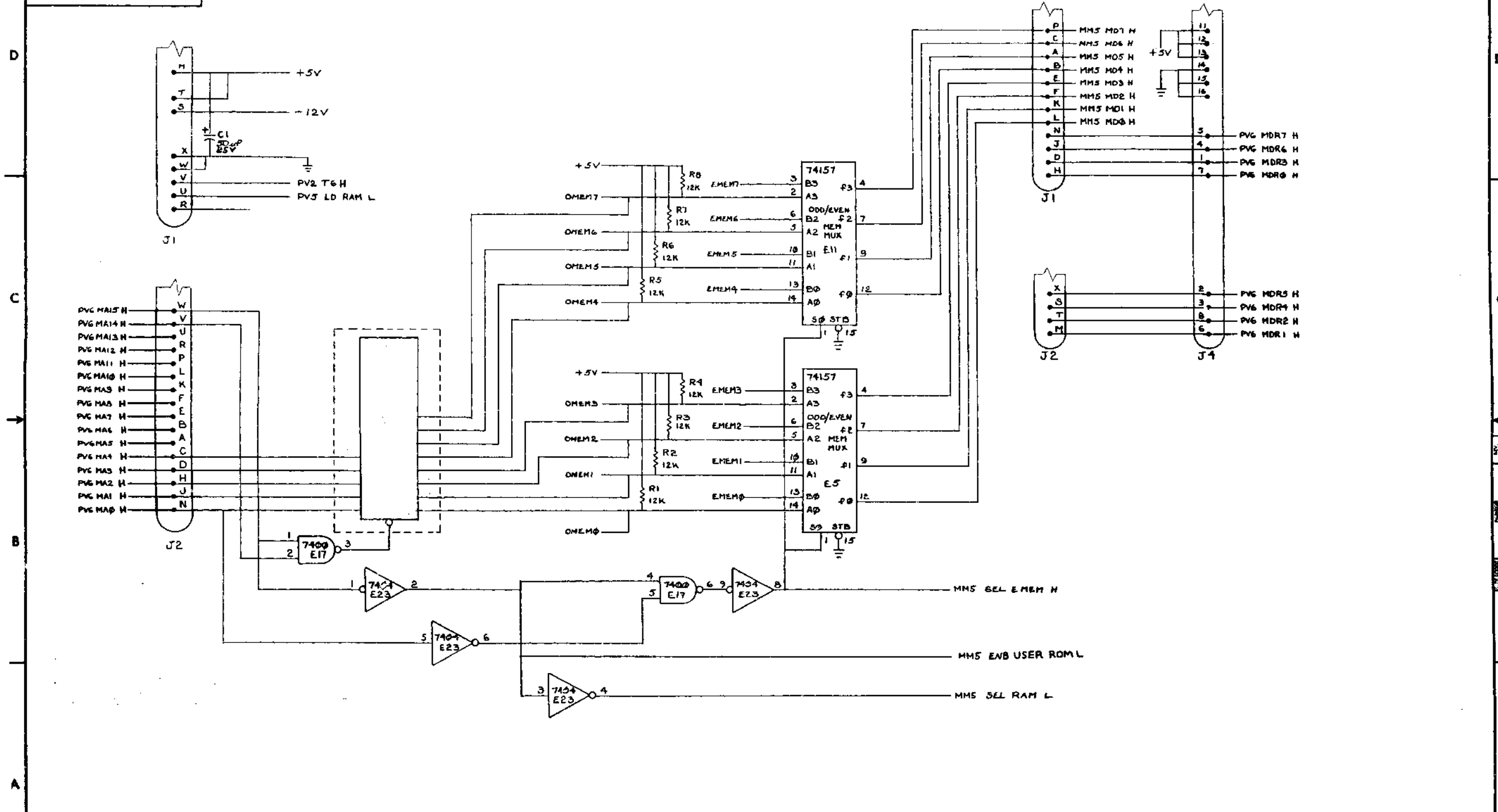
OMEM7
OMEM6
OMEM5
OMEM4

OMEM3
OMEM2
OMEM1
OMEM0

REV.	DATE	BY	CHK	APP'D	TITLE	SCALE	SHEET	NO. OF SHEETS	DATE	REV.
					VT61 MEM BOARD		4 OF 6			*

8 7 6 5 4 3 2 1

THIS DRAWING AND SPECIFICATIONS, HEREIN AND THE PROPERTY OF DIGITAL EQUIPMENT CORPORATION AND SHALL NOT BE REPRODUCED OR TRANSMITTED IN ANY FORM OR BY ANY MEANS, ELECTRONIC OR MECHANICAL, INCLUDING PHOTOCOPYING, RECORDING, OR BY ANY INFORMATION STORAGE AND RETRIEVAL SYSTEM, WITHOUT PERMISSION IN WRITING FROM DIGITAL EQUIPMENT CORPORATION. COPYRIGHT © 1978 DIGITAL EQUIPMENT CORPORATION

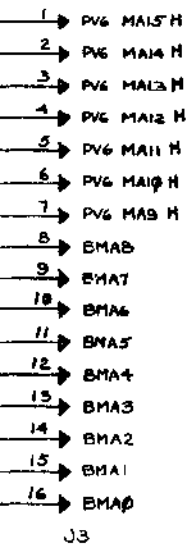
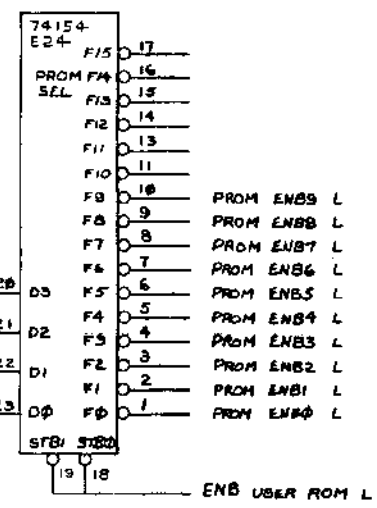
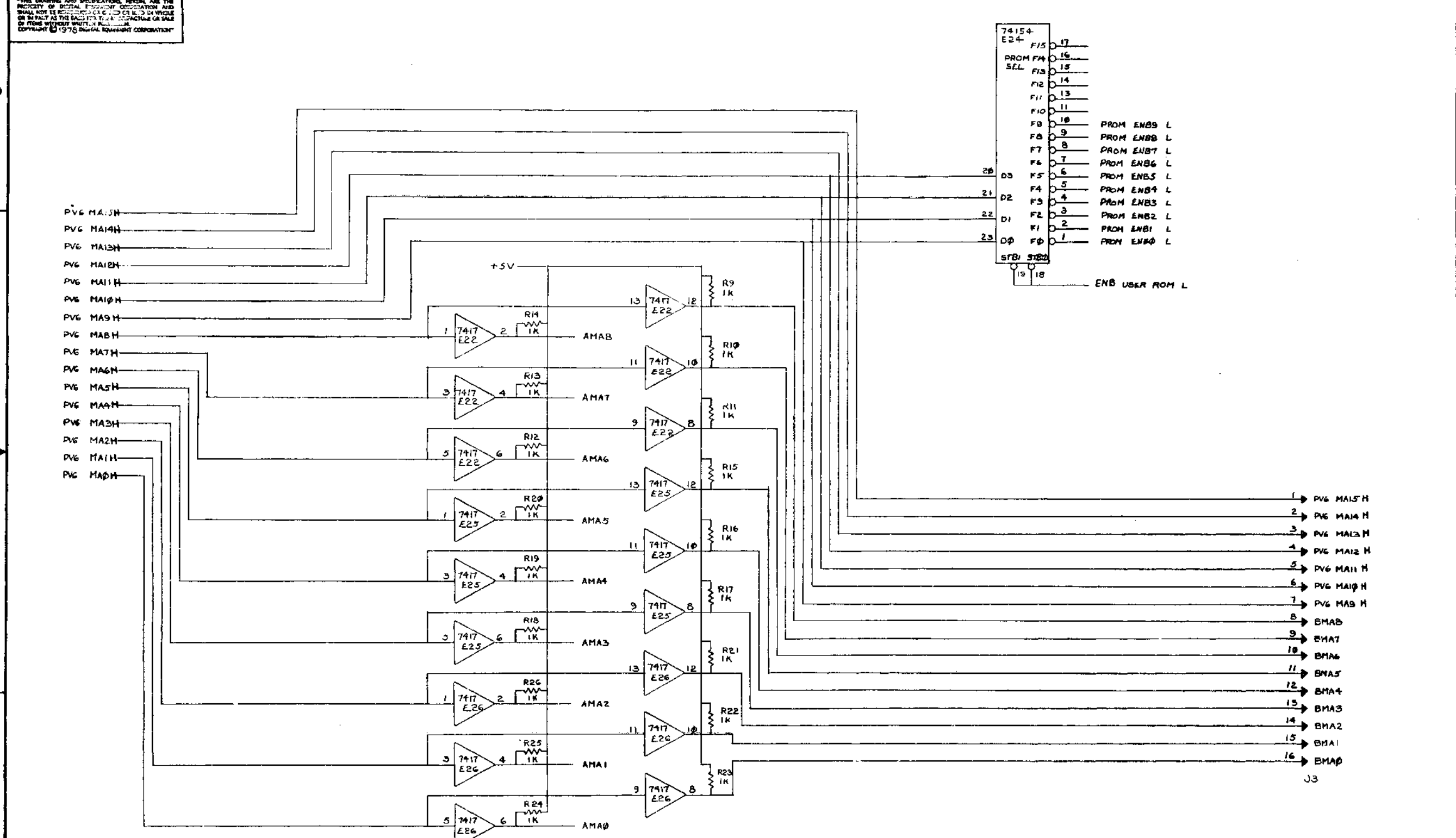


REVISIONS			TITLE		SIZE/CODE	NUMBER	REV.
CHK	CHANGE NO.	REV.	VT61 MEM BOARD		D CS	5413656-0-1	*
			SCALE	SHEET 5 OF 6	DIST.		

D3 5413656-0-1

THIS DRAWING AND SPECIFICATIONS HEREIN ARE THE PROPERTY OF DIGITAL EQUIPMENT CORPORATION AND SHALL NOT BE REPRODUCED OR TRANSMITTED IN ANY FORM OR BY ANY MEANS, ELECTRONIC OR MECHANICAL, INCLUDING PHOTOCOPYING, RECORDING, OR BY ANY INFORMATION STORAGE AND RETRIEVAL SYSTEM, WITHOUT PERMISSION IN WRITING FROM DIGITAL EQUIPMENT CORPORATION. COPYRIGHT © 1976 DIGITAL EQUIPMENT CORPORATION

1-0-9593149 2



REVISIONS		
CHK	CHANGE NO.	REV.

TITLE	SIZE CODE	NUMBER	REV.
VT61 MEM BOARD	D66	5413556-0-1	*
SCALE	SHEET	OF	DIST.
1/1	6	6	

DES 5413556-0-1

LINE	ITEM	DOCUMENT NUMBER	PART NUMBER	DESCRIPTION	QTY	REFERENCE DESIGNATOR
1	1		5013655-00	DRILL & ETCH BD	1	
2	2		1012704-00	.047 MFD 50V -20+00 CER	17	C2=C17,C19
3	3		1000030-00	.1 MFD 100V 20% 250 DISC	1	C20
4	4		1001796-00	50 MFD 75V CG 300 AL EL	2	C1,C18
5	5		1212152-00	CONN .100 10POS STDR ENERY	1	J4
6	6		1212510-01	HEADER.100 10POS STRAIGHT	1	J3
7	7		1210073-02	CONN 20POS INGR. PIERCING	2	J1,J2
8	8		1211013-02	SOCKET 10PIN IC EON PROFILE,	16	XE27,XE29,XE31,XE33,XE36-XE47
9	9		1300400-00	12 K 1/4W 5% CC	0	R1-R8
10	10		1300295-00	330 1/4W 5% CC	0	R30,R34,R37,R38,R41,R42,R45,R46
11	11		1300365-00	1 K 1/4W 5% CC	26	R9-R26,R28,R32,R35,R36,R39,R40,R43,R44
12	12		1503007-00	DEC6534D PNP 310MH 51 40 00	0	Q2,Q3=Q10
13	13		1905575-00	7400 NAND GATE-QUAD 2IN	2	E17,E35
14	14		1909606-00	7404 INVERTER GATE-HEX 1I	1	E23
15	15		1909929-00	7417 BUFFER GATE-HEX 1IMP	3	E22,E25,E26
16	16		1909701-00	74154 1 OF 16,DIP16	1	E34
17	17		1910055-00	74157 MUX 2 TO 1 QUAD	2	E6,E11
18	18		9007112-00	TERM CHECK 1POS ADAPTER	2	J5,J6
19	19	FOR J5,J6	9009000-00	EYELET, ROLLED FLANGE, .121 OD X	2	
20	20		2111310-01	2102-1 RAM,1024BIT,STATIC	16	E1-E4,E7-E10,E13-E16,E18-E21
21	21		23050A9-00	A9-03	1	E46
22	22		23059A9-00	A9-03	1	E44
23	23		23060A9-00	A9-03	1	E42
24	24		23061A9-00	A9-03	1	E40
25	25		23062A9-00	A9-03	1	E38
26	26		23064A9-00	A9-03	1	E36
27	27		23065A9-00	A9-03	1	E37
28	28		23065A9-00	A9-03	1	E36
29	29		23066A9-00	A9-03	1	E33
30	30		23067A9-00	A9-03	1	E43

REVISION HISTORY			BASIC PART NO. 5013656		D I G I T A L	
ENG	ECO NUMBER	REV	SECTION 1 OF 3	DRN	DATE	TITLE
---	INITIAL	*	SECTION VARIATION INDEX	M, RIPLEY	16-JAN-79	PARTS LIST
			[1] 00	P, BOGSMAN	16-JAN-79	VT61 MEMORY BOARD
			[2] 01			
			[3] 02	LEUNG C NG	16-JAN-79	
			[4]			
			[5]	LEUNG C NG	16-JAN-79	DOCUMENT NUMBER
			[6]			
			[7]			
			[8]			
			[9]	LEUNG C NG	16-JAN-79	SIZE CODE NUMBER REV
			[10]			K PL 5013656-0-DBP *
			[11]	LEUNG C NG	16-JAN-79	FILE NAME: EDIT #
			[12]			20300,PLS 3

"THIS DRAWING AND SPECIFICATIONS HEREIN, ARE THE PROPERTY OF DIGITAL EQUIPMENT CORPORATION AND SHALL NOT BE REPRODUCED OR COPIED OR USED IN WHOLE OR IN PART AS THE BASIS FOR THE MANUFACTURE OR SALE OF ITEMS WITHOUT WRITTEN PERMISSION. COPYRIGHT (C) 1979, DIGITAL EQUIPMENT CORPORATION."

LINE	ITEM	DOCUMENT NUMBER	PART NUMBER	DESCRIPTION	QTY	REFERENCE DESIGNATOR
31	31		23060A9-00	A9-03	1	E41
32	32		23069A9-00	A9-03	1	E31
33	33		23542A9-00	A9-03	1	E29
34	34		23071A9-00	A9-03	1	E47
35	35		23072A9-00	A9-03	1	E45
36	36		23543A9-00	A9-03	1	E27
37	37	FOR J1,J2	7012015-01	CABLE ASSY	2	
38	38		23531A9-00	*** THIS ITEM IS NOT USED ***	-	
39	39		23302A9-00	*** THIS ITEM IS NOT USED ***	-	
40	40		23303A9-00	*** THIS ITEM IS NOT USED ***	-	
41	41		23094A9-00	*** THIS ITEM IS NOT USED ***	-	
42	42		23095A9-00	*** THIS ITEM IS NOT USED ***	-	
43	43		23096A9-00	*** THIS ITEM IS NOT USED ***	-	
44	44		23532A9-00	*** THIS ITEM IS NOT USED ***	-	
45	45		23533A9-00	*** THIS ITEM IS NOT USED ***	-	
46	46		23099A9-00	*** THIS ITEM IS NOT USED ***	-	
47	47		23300A9-00	*** THIS ITEM IS NOT USED ***	-	
48	48		23304A9-00	*** THIS ITEM IS NOT USED ***	-	
49	49		23102A9-00	*** THIS ITEM IS NOT USED ***	-	
50	50		23301A9-00	*** THIS ITEM IS NOT USED ***	-	
51	51		23530A9-00	*** THIS ITEM IS NOT USED ***	-	
52	52		23105A9-00	*** THIS ITEM IS NOT USED ***	-	
53	53		23106A9-00	*** THIS ITEM IS NOT USED ***	-	
54	54		23031A9-00	*** THIS ITEM IS NOT USED ***	-	
55	55		23030A9-00	*** THIS ITEM IS NOT USED ***	-	
56	56		23039A9-00	*** THIS ITEM IS NOT USED ***	-	
57	57		23036A9-00	*** THIS ITEM IS NOT USED ***	-	
58	58		23037A9-00	*** THIS ITEM IS NOT USED ***	-	
59	59		23034A9-00	*** THIS ITEM IS NOT USED ***	-	
60	60		23044A9-00	*** THIS ITEM IS NOT USED ***	-	
61	61		23045A9-00	*** THIS ITEM IS NOT USED ***	-	
62	62		23035A9-00	*** THIS ITEM IS NOT USED ***	-	
63	63		23032A9-00	*** THIS ITEM IS NOT USED ***	-	
64	64		23042A9-00	*** THIS ITEM IS NOT USED ***	-	
65	65		23043A9-00	*** THIS ITEM IS NOT USED ***	-	
66	66		23033A9-00	*** THIS ITEM IS NOT USED ***	-	
67	67		23038A9-00	*** THIS ITEM IS NOT USED ***	-	
68	68		23040A9-00	*** THIS ITEM IS NOT USED ***	-	
69	69		23041A9-00	*** THIS ITEM IS NOT USED ***	-	
70	70	SPARE IC LOCATION			1	E6

D	I	G	I	T	A	L	TITLE	SECTION	1	OF	3	(SEE CODE)	DOCUMENT NUMBER	REV
							VT61 MEMORY BOARD						5413656-0-DDP	*

LINE ITEM	DOCUMENT NUMBER	PART NUMBER	DESCRIPTION	QTY	REFERENCE DESIGNATOR
1		5013655-00	DRILL & ETCH BD	1	
2		1012700-00	.047 HFD 50V -20+00 CER	17	C2-C17,C19
3		1000030-00	.1 HFD 100V 200 250 DISC	1	C20
4		1001796-00	50 HFD 25V CD 300 AL EL	2	C1,C18
5		1212152-00	CONN .100 16POS SIDE ENTRY	1	J4
6		1212510-01	HEADER.100 16POS STRAIGHT	1	J3
7		1210073-02	CONN 20000 700UH PIERCING	2	J1,J2
8		1211813-02	COCKET 16PIN IC LOW PROFILE	16	XE27,XE29,XE31,XE33,XE36-XE47
9		1300400-00	12 K 1/4W 50 CC	0	R1-R0
10		1300295-00	330 1/4W 50 CC	0	R30,R34,R37,R38,R41,R42,R45,R46
11		1300305-00	1 K 1/4W 50 CC	26	R0-R26,R28,R32,R35,R36,R39,R40,R43,R44
12		1503409-00	DEC6530D PNP 310MH 51 40 90	0	C2,C4-C10
13		1905575-00	7400 NAND GATE=QUAD 2IN	2	E17,E35
14		1909606-00	7404 INVERTER GATE=HEX 1I	1	E20
15		1909929-00	7417 BUFFER GATE=HEX 1IMP	3	E23,E25,E26
16		1909701-00	74154 1 OF 16,DIHA	1	E24
17		1910655-00	74157 MUX 2 TO 1 QUAD	2	E5,E11
18		9007112-00	TERM QUICK 1600 ADAPTER	2	J5,J6
19	FOR J5,J6	9009000-00	EYELET, ROLLED FLANGE, .121 OD X	2	
20		2111310-01	2103-1 RAY,1024BIT,STATIC	16	E1-E4,E7-E10,E13-E16,E18-E21
21		23059A9-00	*** THIS ITEM IS NOT USED ***	-	
22		23059A9-00	*** THIS ITEM IS NOT USED ***	-	
23		23060A9-00	*** THIS ITEM IS NOT USED ***	-	
24		23061A9-00	*** THIS ITEM IS NOT USED ***	-	
25		23062A9-00	*** THIS ITEM IS NOT USED ***	-	
26		23544A9-00	*** THIS ITEM IS NOT USED ***	-	
27		23545A9-00	*** THIS ITEM IS NOT USED ***	-	
28		23065A9-00	*** THIS ITEM IS NOT USED ***	-	
29		23066A9-00	*** THIS ITEM IS NOT USED ***	-	
30		23067A9-00	*** THIS ITEM IS NOT USED ***	-	

REVISION HISTORY			BASIC PART NO: 5013656		DRN: M, RIPLEY		DATE: 16-JAN-79		D I G I T A L		
ENG	ECO NUMBER	REV	SECTION 2 OF 3	CHK'D:	P, BOGGMAN	DATE:	16-JAN-79	TITLE	PARTS LIST		
---	INITIAL	*	SECTION VARIATION INDEX	CHK'D:	P, BOGGMAN <td>DATE:</td> <td>16-JAN-79 <td>VT61 MEMORY BOARD</td> <td colspan="3"></td> </td>	DATE:	16-JAN-79 <td>VT61 MEMORY BOARD</td> <td colspan="3"></td>	VT61 MEMORY BOARD			
			(1) 00								
			(2) 01								
			(3) 02	DES. ENG:	LEUNG C NG	DATE:	16-JAN-79				
			(4)								
			(5)	REQ. ENG.:	LEUNG C NG	DATE:	16-JAN-79	DOCUMENT NUMBER			
			(6)								
			(7)					SIZE: CODE: NUMBER	REV		
			(8)								
			(9)	DES. ENG.:	LEUNG C NG	DATE:	16-JAN-79	K PL 5413656-0-DDP	*		
			(10)								
			(11)	ASSEMBLY NUMBER:				FILE NAME:	EDIT #		
			(12)	E-NA=5013656-0-0				20300.PLS	5		

THIS DRAWING AND SPECIFICATIONS HEREIN, ARE THE PROPERTY OF DIGITAL EQUIPMENT CORPORATION AND SHALL NOT BE REPRODUCED OR COPIED OR USED IN WHOLE OR IN PART AS THE BASIS FOR THE MANUFACTURE OR SALE OF ITEMS WITHOUT WRITTEN PERMISSION. COPYRIGHT (C) 1979, DIGITAL EQUIPMENT CORPORATION

LINE ITEM	DOCUMENT NUMBER	PART NUMBER	DESCRIPTION	QTY	REFERENCE DESIGNATOR
31	31	2306AA9-00	*** THIS ITEM IS NOT USED ***	-	
32	32	23069A9-00	*** THIS ITEM IS NOT USED ***	-	
33	33	23542A9-00	*** THIS ITEM IS NOT USED ***	-	
34	34	23071A9-00	*** THIS ITEM IS NOT USED ***	-	
35	35	23072A9-00	*** THIS ITEM IS NOT USED ***	-	
36	36	23543A9-00	*** THIS ITEM IS NOT USED ***	-	
37	37	7012015-01	CABLE ASSY	2	
38	38	23531A9-00	A9-03	1	E27
39	39	23302A9-00	A9-03	1	E46
40	40	23303A9-00	A9-03	1	E44
41	41	23094A9-00	A9-03	1	E42
42	42	23095A9-00	A9-03	1	E40
43	43	23096A9-00	A9-03	1	E38
44	44	23532A9-00	A9-03	1	E39
45	45	23533A9-00	A9-03	1	E37
46	46	23099A9-00	A9-03	1	E36
47	47	23300A9-00	A9-03	1	E33
48	48	23304A9-00	A9-03	1	E43
49	49	23102A9-00	A9-03	1	E41
50	50	23301A9-00	A9-03	1	E31
51	51	23500A9-00	A9-03	1	E29
52	52	23105A9-00	A9-03	1	E47
53	53	23106A9-00	A9-03	1	E45
54	54	23031A9-00	*** THIS ITEM IS NOT USED ***	-	
55	55	23030A9-00	*** THIS ITEM IS NOT USED ***	-	
56	56	23039A9-00	*** THIS ITEM IS NOT USED ***	-	
57	57	23036A9-00	*** THIS ITEM IS NOT USED ***	-	
58	58	23037A9-00	*** THIS ITEM IS NOT USED ***	-	
59	59	23034A9-00	*** THIS ITEM IS NOT USED ***	-	
60	60	23044A9-00	*** THIS ITEM IS NOT USED ***	-	
61	61	23045A9-00	*** THIS ITEM IS NOT USED ***	-	
62	62	23035A9-00	*** THIS ITEM IS NOT USED ***	-	
63	63	23032A9-00	*** THIS ITEM IS NOT USED ***	-	
64	64	23042A9-00	*** THIS ITEM IS NOT USED ***	-	
65	65	23043A9-00	*** THIS ITEM IS NOT USED ***	-	
66	66	23033A9-00	*** THIS ITEM IS NOT USED ***	-	
67	67	23030A9-00	*** THIS ITEM IS NOT USED ***	-	
68	68	23040A9-00	*** THIS ITEM IS NOT USED ***	-	
69	69	23041A9-00	*** THIS ITEM IS NOT USED ***	-	
70	70		SPARE IC LOCATION	1	E6

D	I	G	I	T	A	L	TITLE	SECTION 2 OF 3	SIZE	CODE	DOCUMENT NUMBER	REV
							VT61 MEMORY BOARD		K	PL	5413656-0-DBP	*

LINE ITEM	DOCUMENT NUMBER	PART NUMBER	DESCRIPTION	QTY	REFERENCE DESIGNATOR
1		5013655-00	DRILL & ETCH BD	1	
2		1012704-00	.047 MFD 50V -20% CER	17	C2=C17,C19
3		1000030-00	.1 MFD 100V 20% Z5U DISC	1	C20
4		1001796-00	50 MFD 25V C3 300 AL EL	2	C1,C18
5		1212152-00	CONN .100 16POS SIDE ENTRY	1	J4
6		1212510-01	HEADER.100 16POS STRAIGHT	1	J3
7		1210073-02	CONN 20POS INSUL PIERCING	2	J1,J2
8		1211813-02	SOCKET 16PIN IC LOW PROFILE,	16	XE27,XE29,XE31,XE33,XE36-XE47
9		1300400-00	12 K 1/4W 5% CC	8	R1-R8
10		1300295-00	330 1/4W 5% CC	8	R30,R34,R37,R39,R41,R42,R45,R46
11		1300365-00	1 K 1/4W 5% CC	26	R9-R26,R28,R32,R35,R36,R39,R40,R43,R44
12		1503409-00	DEC6534D PNP 310MW SI 40 90	8	Q2,Q4-Q10
13		1905575-00	7400 NAND GATE-QUAD 2IN	2	E17,E35
14		1909686-00	7404 INVERTER GATE-HEX 1I	1	E23
15		1909929-00	7417 BUFFER GATE-HEX 1IMP	3	E22,E25,E26
16		1909701-00	74154 1 OF 16,BINA	1	E24
17		1910655-00	74157 MUX 2 TO 1 QUAD	2	E5,E11
18		9007112-00	TERM QUICK 1POS ADAPTER	2	J5,J6
19	FOR J5,J6	9009000-00	EYELET, ROLLED FLANGE, .121 OD X	2	
20		2111310-01	2102-1 RAM,1024BIT,STATIC	16	E1-E4,E7-E10,E13-E16,E18-E21
21		23050A9-00	*** THIS ITEM IS NOT USED ***	-	
22		23059A9-00	*** THIS ITEM IS NOT USED ***	-	
23		23060A9-00	*** THIS ITEM IS NOT USED ***	-	
24		23061A9-00	*** THIS ITEM IS NOT USED ***	-	
25		23062A9-00	*** THIS ITEM IS NOT USED ***	-	
26		23544A9-00	*** THIS ITEM IS NOT USED ***	-	
27		23545A9-00	*** THIS ITEM IS NOT USED ***	-	
28		23069A9-00	*** THIS ITEM IS NOT USED ***	-	
29		23066A9-00	*** THIS ITEM IS NOT USED ***	-	
30		23067A9-00	*** THIS ITEM IS NOT USED ***	-	

REVISION HISTORY		BASIC PART NO: 5413656		DRN: H. RIPLEY	DATE: 16-JAN-79	D I G I T A L				
ENG	ECO NUMBER	REV	SECTION 3 OF 3	CHK'D: P. BOSSMAN	DATE: 16-JAN-79	TITLE PARTS LIST				
	INITIAL	*	SECTION VARIATION INDEX			VT61 MEMORY BOARD				
			[1] 00							
			[2] 01							
			[3] 02	DES. ENG: LEUNG C NG	DATE: 16-JAN-79					
			[4]							
			[5]							
			[6]	RESP. ENG: LEUNG C NG	DATE: 16-JAN-79	DOCUMENT NUMBER				
			[7]			SIZE	CODE	NUMBER	REV	
			[8]							
			[9]	ENG. ENG: LEUNG C NG	DATE: 16-JAN-79	K	PL	5413656-0-DBP	*	
			[10]							
			[11]	ASSEMBLY NUMBER:				FILE NAME:	EDIT #	
			[12]	EA-5413656-0-0				20300.PLS	6	

"THIS DRAWING AND SPECIFICATIONS HEREIN, ARE THE PROPERTY OF DIGITAL EQUIPMENT CORPORATION AND SHALL NOT BE REPRODUCED OR COPIED OR USED IN WHOLE OR IN PART AS THE BASIS FOR THE MANUFACTURE OR SALE OF ITEMS WITHOUT WRITTEN PERMISSION. COPYRIGHT (C) 1979, DIGITAL EQUIPMENT CORPORATION."

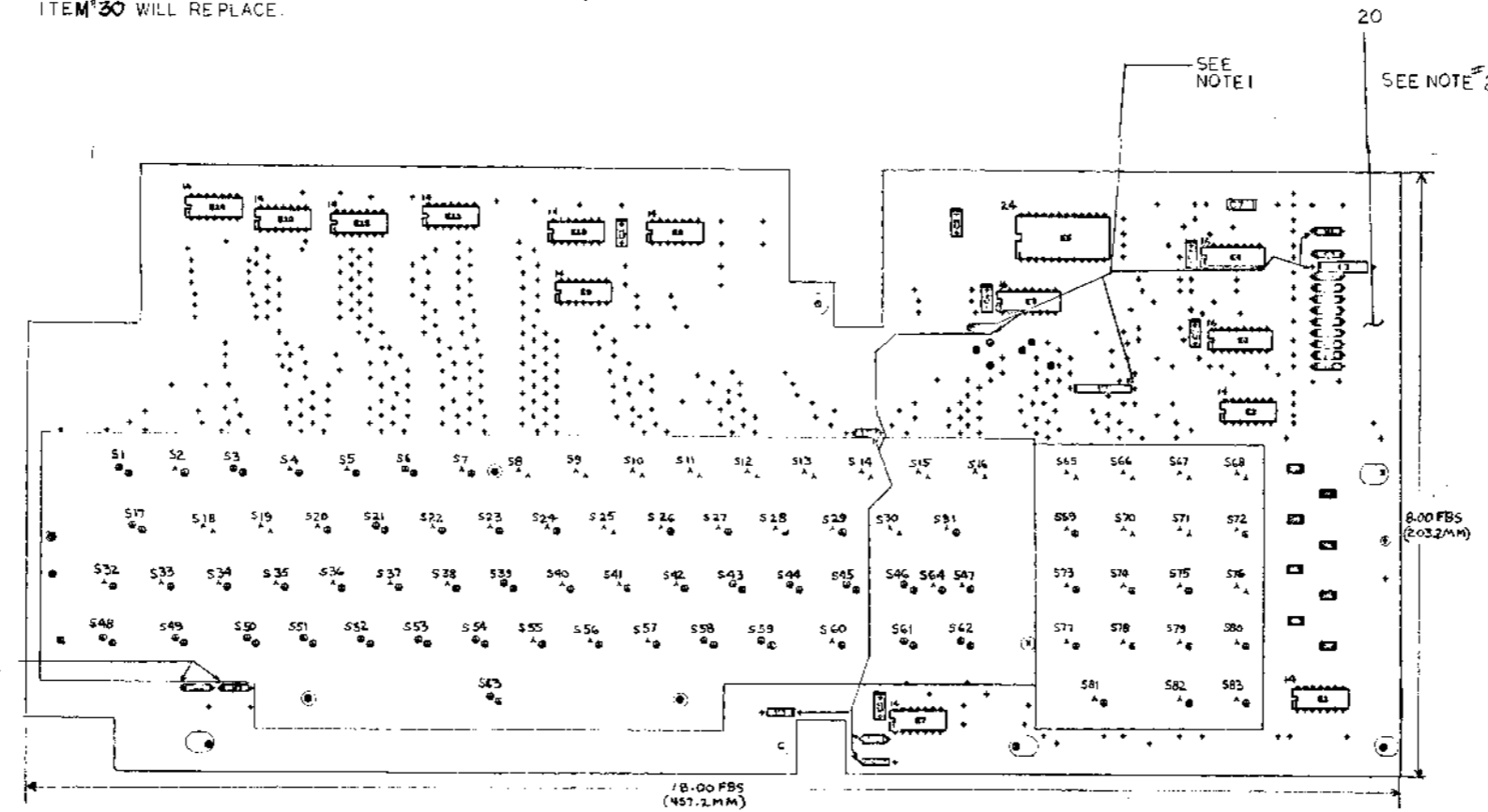
LINE	ITEM	DOCUMENT NUMBER	PART NUMBER	DESCRIPTION	QTY	REFERENCE DESIGNATOR
31	31		23068A9-00	*** THIS ITEM IS NOT USED ***	-	
32	32		23069A9-00	*** THIS ITEM IS NOT USED ***	-	
33	33		23542A9-00	*** THIS ITEM IS NOT USED ***	-	
34	34		23071A9-00	*** THIS ITEM IS NOT USED ***	-	
35	35		23072A9-00	*** THIS ITEM IS NOT USED ***	-	
36	36		23543A9-00	*** THIS ITEM IS NOT USED ***	-	
37	37	FOR J1,J2	7012015-01	CABLE ASSY	2	
38	38		23531A9-00	*** THIS ITEM IS NOT USED ***	-	
39	39		23382A9-00	*** THIS ITEM IS NOT USED ***	-	
40	40		23383A9-00	*** THIS ITEM IS NOT USED ***	-	
41	41		23094A9-00	*** THIS ITEM IS NOT USED ***	-	
42	42		23095A9-00	*** THIS ITEM IS NOT USED ***	-	
43	43		23096A9-00	*** THIS ITEM IS NOT USED ***	-	
44	44		23532A9-00	*** THIS ITEM IS NOT USED ***	-	
45	45		23533A9-00	*** THIS ITEM IS NOT USED ***	-	
46	46		23099A9-00	*** THIS ITEM IS NOT USED ***	-	
47	47		23300A9-00	*** THIS ITEM IS NOT USED ***	-	
48	48		23384A9-00	*** THIS ITEM IS NOT USED ***	-	
49	49		23102A9-00	*** THIS ITEM IS NOT USED ***	-	
50	50		23381A9-00	*** THIS ITEM IS NOT USED ***	-	
51	51		23530A9-00	*** THIS ITEM IS NOT USED ***	-	
52	52		23105A9-00	*** THIS ITEM IS NOT USED ***	-	
53	53		23106A9-00	*** THIS ITEM IS NOT USED ***	-	
54	54		23031A9-00	A9-03	1	E27
55	55		23030A9-00	A9-03	1	E46
56	56		23039A9-00	A9-03	1	E44
57	57		23036A9-00	A9-03	1	E42
58	58		23037A9-00	A9-03	1	E40
59	59		23034A9-00	A9-03	1	E38
60	60		23044A9-00	A9-03	1	E39
61	61		23045A9-00	A9-03	1	E37
62	62		23035A9-00	A9-03	1	E36
63	63		23032A9-00	A9-03	1	E33
64	64		23042A9-00	A9-03	1	E43
65	65		23043A9-00	A9-03	1	E41
66	66		23033A9-00	A9-03	1	E31
67	67		23030A9-00	A9-03	1	E29
68	68		23040A9-00	A9-03	1	E47
69	69		23041A9-00	A9-03	1	E45
70	70	SPARE IC LOCATION			1	E6

D	I	G	I	T	A	L	TITLE	SECTION	3	OF	3	132E1CODE	DOCUMENT NUMBER	REV
							V161 MEMORY BOARD						5413656-0-DBP	*

"THIS DRAWING AND SPECIFICATIONS HEREIN ARE THE PROPERTY OF DIGITAL EQUIPMENT CORPORATION AND SHALL NOT BE REPRODUCED, COPIED, IN WHOLE OR IN PART AS THEY RELATE TO ANY PRODUCT OR SCALE OF THIS DRAWING WITHOUT WRITTEN PERMISSION OF DIGITAL EQUIPMENT CORPORATION." COPYRIGHT © 1977

NOTES:

- 1. OPTIONAL JUMPERS - SEE SHEET 2 FOR CONFIGURATION TABLE.
- 2. SEE SHEET 3 OF 5 FOR WIRING TABLE.
- 3. SEE SHEETS 4 & 5 FOR VARIATION KEYCAP PLACEMENT.
- 4. NOTE THAT THE B.C.M. FOR ALL VARIATIONS OF THIS BOARD MAY REQUIRE UPDATING ON ANY ECO.
- 5. VARIATION 14 UTILIZES THE KEYCAP SET, ITEM #27 WITH THE EXCEPTION OF POSITION S4 WHICH THE KEYCAP, ITEM #30 WILL REPLACE.

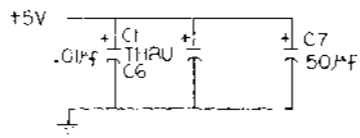


VARIATION EXPLANATION	
VARIATION	COMMENT
5411170 - 0	VT61
5411170 - 1	HEAT CYCLED, SYSTEM TESTED 5411170-0
5411170 - 2	BASIC VT50H
5411170 - 3	HEAT CYCLED, SYSTEM TESTED 5411170-2
5411170 - 4	VT52
5411170 - 5	HEAT CYCLED, SYSTEM TESTED 5411170-4
5411170 - 6	VT61T
5411170 - 7	HEAT CYCLED, SYSTEM TESTED 5411170-6
5411170 - 8	VT52-W
5411170 - 9	HEAT CYCLED, SYSTEM TESTED 5411170-8
5411170 - 10	VT62
5411170 - 11	HEAT CYCLED, SYSTEM TESTED 5411170-10
5411170 - 12	VT52-N
5411170 - 13	HEAT CYCLED, SYSTEM TESTED 5411170-12
5411170 - 14	VT52-W W/UK KEYCAP-S4
5411170 - 15	HEAT CYCLED, SYSTEM TESTED 5411170-14

NOTE 1

SEE NOTE 1

SEE NOTE 2



DEC IC	QTY	REF. DESIG.
DEC IC 7442	8	10
DEC IC 74175	8	16
DEC IC 74150	12	24
IC TYPE	GND	+5V

GND AND 5V ARE USUALLY PIN 7 AND 14 RESPECTIVELY EXCEPTIONS ARE STATED ABOVE

IC PIN LOCATIONS

SEE OFF SHEET PARTS LIST

QTY	REF. DESIGNATION	DESCRIPTION	PART NO.	ITEM NO.

FIRST USED ON OPTION MODEL VT61/VT50

ETCH BOARD REV. D

DIN.	DATE	
CHD.	DATE	
ENR.	DATE	
PROJ. ENG.	DATE	
NEXT HIGHER AGSY		
0-UA-VT50-0-0		
SCALE	SHEET 1 OF 5	

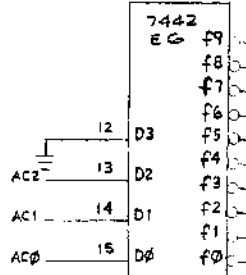
DEC. NO.	EIA. NO.	DEC. NO.	EIA. NO.
SEMICONDUCTOR CONVERSION CHART			
SHEET	NO. NUMBER		REV.
	D:CS 5411170-0-1		N
DIST.			

THIS DRAWING AND SPECIFICATIONS HEREIN ARE THE PROPERTY OF DIGITAL EQUIPMENT CORPORATION AND SHALL NOT BE REPRODUCED OR COPIED OR USED IN WHOLE OR IN PART AS THE BASIS FOR THE MANUFACTURE OR SALE OF ITEMS WITHOUT WRITTEN PERMISSION.
 COPYRIGHT © 1976 DIGITAL EQUIPMENT CORPORATION

NOTE: NUMBERS 000 THRU 117 REPRESENT THE OCTAL ADDRESS OF EACH KEY.

N 1-0-2211169 500 2

JUMPER	VT50H, J 5411170-2	VT52-N 5411170-4 5411170-8 5411170-12	VT6/VT6T/VT6S 5411170-6 5411170-10
W1	IN	IN	OUT
W2	IN	IN	OUT
W3	IN	IN	OUT
W4	IN	IN	OUT
W5	OUT	OUT	IN
W6	IN	OUT	IN
W7	OUT	IN	OUT
W8	OUT	IN	OUT
W9	OUT	IN	IN
W10	OUT	OUT	IN



NOTE: SEE SHEET 3 FOR WIRE TABLES

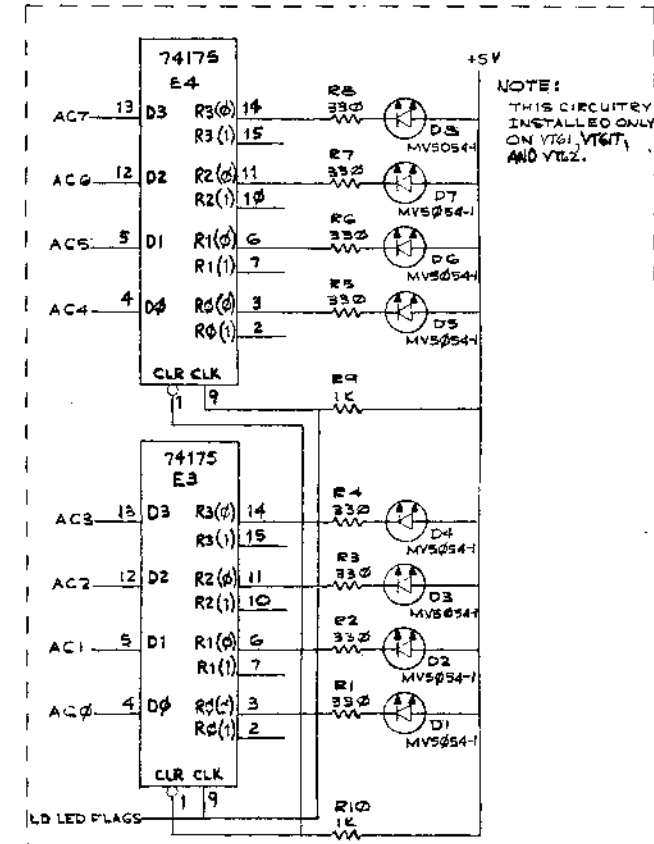
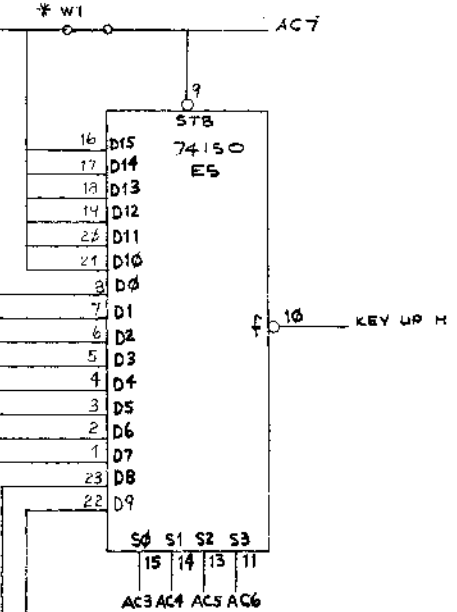
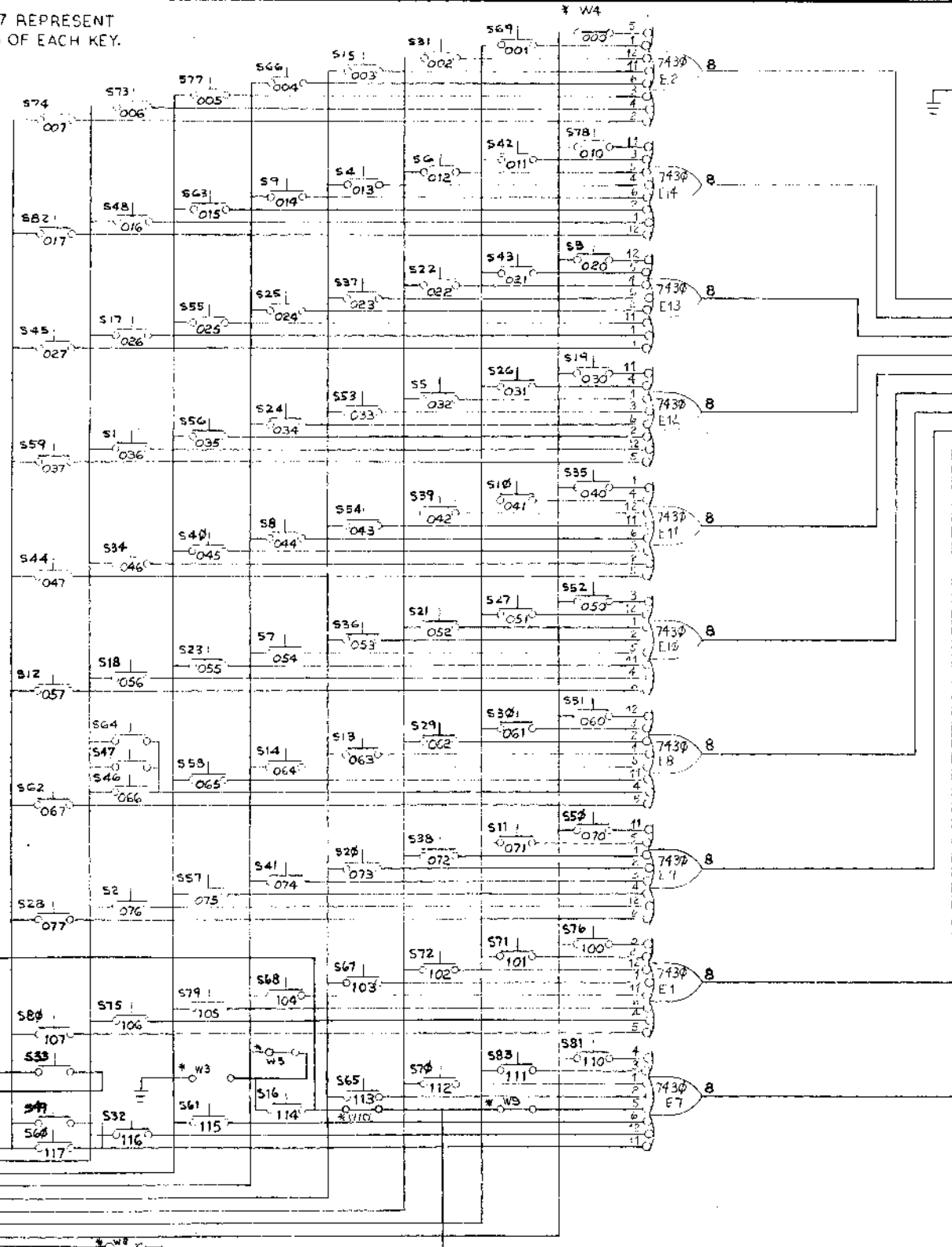
FCI CONN

- 1 CAPS LOCK L
- 2 -5V
- 3 KEY UP H
- 4 GND
- 5 AC7
- 6 LD LED FLAGS
- 7 AC6
- 8 AC5
- 9 AC4
- 10 AC3
- 11 AC2
- 12 AC1
- 13 AC0
- 14 +5V
- 15 GND
- 16 GND

BAK KEY L
* W2

CAPS LOCK L
* W7

* W6



NOTE: THIS CIRCUITRY INSTALLED ONLY ON VT61, VT6T, AND VT6Z.

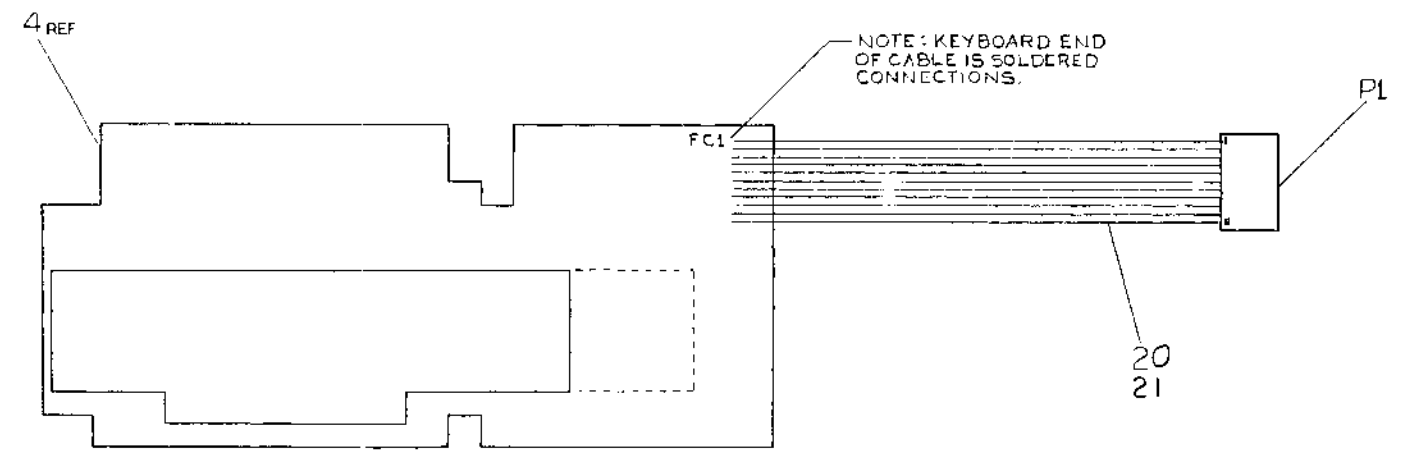
CHK	CHANGE NO.	REV.

TITLE KEYBOARD VT6/VT50H DCS 5411170-0-1
 SCALE SHEET 2 OF 5 DIST. REV. A

THIS DRAWING AND SPECIFICATIONS HEREIN ARE THE PROPERTY OF DIGITAL EQUIPMENT CORPORATION AND SHALL NOT BE REPRODUCED OR COPIED OR USED IN WHOLE OR IN PART AS THE BASIS FOR THE MANUFACTURE OR SALE OF ITEMS WITHOUT WRITTEN PERMISSION. COPYRIGHT © 1970, DIGITAL EQUIPMENT CORPORATION.

WIRE TABLE (5411170-2,4,B,12)					
ITEM NO	AWG	COLOR	FROM CONNECTION	TO CONNECTION	REMARKS
21	22	BLK	P1-1	FC1-2	+5V
A	A	BRN	P1-2	FC1-3	KEY UP H
		RED	P1-3	FC1-4	GND
		ORN	P1-4	FC1-8	AC5
		YEL	P1-5	FC1-9	AC4
		GRN	P1-6	FC1-10	AC3
		BLU	P1-7	FC1-11	AC2
		VIO	P1-8	FC1-12	AC1
		GRY	P1-9	FC1-13	AC0
V	V	WHT	P1-10	FC1-6	BRK KEY
21	22	BLU	P1-11	FC1-7	AC6

WIRE TABLE (5411170-0,6,10)					
ITEM NO	AWG	COLOR	FROM CONNECTION	TO CONNECTION	REMARKS
22	22	BLK	P1-1	FC1-1	CAPS LOGIC
J	J	BRN	P1-2	FC1-2	+5V
		RED	P1-3	FC1-3	KEY UP
		ORN	P1-4	FC1-4	GND
		YEL	P1-5	FC1-5	AC7
		GRN	P1-6	FC1-6	LD LED FLAGS
		BLU	P1-7	FC1-7	AC6
		VIO	P1-8	FC1-8	AC5
		GRY	P1-9	FC1-9	AC4
		WHT	P1-10	FC1-10	AC3
		BLK/BLK	P1-11	FC1-11	AC2
		BLK/BRN	P1-12	FC1-12	AC1
		BLK/RED	P1-13	FC1-13	AC0
		BLK/ORN	P1-14	FC1-14	+5V
V	V	WHT/YEL	P1-15	FC1-15	GND
22	22	WHT/ORN	P1-16	FC1-16	GND



QUANTITY & VARIATION	DESCRIPTION	DWG. PART NO.	ITEM NO.
UNLESS OTHERWISE SPECIFIED DIMENSIONS ARE IN INCHES			
ANGLES 10° 30°		CLASS OF ACCURACY	
SURFACE QUALITY IN		NOMINAL DIMENSION RANGE INCHES	
MICROINCHES		PREFERRED	
THIRD ANGLE PROJECTION			
REMOVE BURRS AND BREAK SHARP CORNERS			
DO NOT SCALE DWG			
MATERIAL			
FINISH			
DRN. [Signature]	CHK'D [Signature]	ENG. [Signature]	PROJ. ENG. [Signature]
FIRST USED ON		DIGITAL	
TITLE			
KEYBOARD VT61/VT50H			
(CABLE CLNN)			
SIZE	CODE	NUMBER	REV
D	CS	5411170-0-1	1
SHEET	OF	DIST.	
3	5		

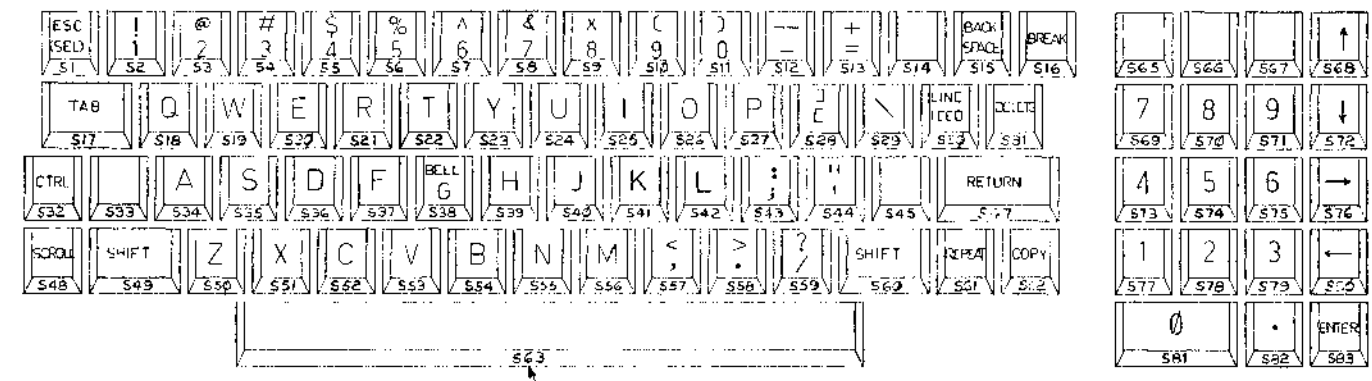
DEC FORM NO. 500 100-C

THIS DRAWING AND SPECIFICATIONS, HEREIN, ARE THE PROPERTY OF DIGITAL EQUIPMENT CORPORATION, AND SHALL NOT BE REPRODUCED OR COPIED OR USED IN WHOLE OR IN PART AS THE BASIS FOR THE MANUFACTURE OR SALE OF ITEMS WITHOUT WRITTEN PERMISSION. COPYRIGHT © 1975, DIGITAL EQUIPMENT CORPORATION.

1-0-071170-0-1 2

NOTES: 1. THE KEYCAP PLACEMENT ON THIS SHEET REPRESENTS THE VT50H, VT50J PLACEMENT. TO FIND KEYCAP LOCATIONS FOR OTHER VARIATIONS MATCH THE SWITCH NUMBERS (EXAMPLE S9) ON EACH KEYCAP ON THIS SHEET WITH THE CORRESPONDING SWITCH NUMBER FOR THE DESIRED VARIATION ON SHEET 5.
2. SEE PARTS LIST FOR ITEM NUMBERS FOR DESIRED VARIATIONS.

SEE NOTE 2



REV.	
CHANGE NO.	
CHK.	

DRN. G. Altrick	3-1-75	FIRST USED ON	VT50 H/ VT61	digital
CHK'D. J. P. ...	5/75	TITLE	KEYBOARD VT61/VT50H	
ENG. J. P. ...	2-12-75	(KEYCAP VARIATIONS)		
PROJ. ENG. J. P. ...	5-12-75	SIZE CODE	D	CS 54 11170-0-1
NEXT HIGHER ASSY.		NUMBER		REV. N
SCALE NONE		SHEET 4	OF 5	DIST.

THIS DRAWING AND SPECIFICATIONS HEREIN ARE THE PROPERTY OF DIGITAL EQUIPMENT CORPORATION AND SHALL NOT BE REPRODUCED OR COPIED OR USED IN WHOLE OR IN PART AS THE BASIS FOR THE MANUFACTURE OR SALE OF ITEMS WITHOUT WRITTEN PERMISSION. COPYRIGHT © 1976 DIGITAL EQUIPMENT CORPORATION

COLOR GUIDE
 NO. NUMBER : GRAY
 1 : RED
 2 : BLUE
 3 : WHITE
 4 : GOLD
 5 : GRAY (L. GUT)

**NOTE: LEGENDS IN LOWER PORTION OF BOX ARE ON THE FRONT FACE OF THE KEY.
 2) LEGEND ON SIDE IS ON SIDE OF KEY.**

KEYCAP PLACEMENT

SWITCH NUMBER

VARIATION	S1	S2	S3	S4	S5	S6	S7	S8	S9	S10	S11	S12	S13	S14	S15	S16	S17	S18	S19	S20	S21	S22	S23	S24	S25	S26	S27	S28	S29	S30	S31	S32	S33	S34	S35	S36	S37	S38	S39	S40	S41	S42
5411170-0 (VT6U)	ESC (SEL)	1	@	#	%	^	&	*	()	-	+	~	BACK SPACE	BREAK	TAB	Q	W	E	R	T	Y	U	I	O	P	[]	LINE FEED	DELETE	CTRL	CAPS LOCK	A	S	D	F	BELL	G	H	J	K	L
5411170-2 (VT50H)	ESC (SEL)	1	@	#	%	^	&	*	()	-	+	~	BACK SPACE	BREAK	TAB	Q	W	E	R	T	Y	U	I	O	P	[]	LINE FEED	DELETE	CTRL	CAPS LOCK	A	S	D	F	BELL	G	H	J	K	L
5411170-4 (VT52)	ESC (SEL)	1	@	#	%	^	&	*	()	-	+	~	BACK SPACE	BREAK	TAB	Q	W	E	R	T	Y	U	I	O	P	[]	LINE FEED	DELETE	CTRL	CAPS LOCK	A	S	D	F	BELL	G	H	J	K	L
5411170-6 (VT62)	ESC (SEL)	1	@	#	%	^	&	*	()	-	+	~	BACK SPACE	BREAK	TAB	Q	W	E	R	T	Y	U	I	O	P	[]	LINE FEED	DELETE	CTRL	CAPS LOCK	A	S	D	F	BELL	G	H	J	K	L
5411170-8 (VT52-W)	ESC (SEL)	1	@	#	%	^	&	*	()	-	+	~	HYPH (PUSH) / PRINT	BREAK	TAB	Q	W	E	R	T	Y	U	I	O	P	[]	LINE FEED	DELETE	CTRL	CAPS LOCK	A	S	D	F	BELL	G	H	J	K	L
5411170-10 (VT62)	ESC (SEL)	1	@	#	%	^	&	*	()	-	+	~	HYPH (PUSH) / PRINT	BREAK	TAB	Q	W	E	R	T	Y	U	I	O	P	[]	LINE FEED	DELETE	CTRL	CAPS LOCK	A	S	D	F	BELL	G	H	J	K	L
5411170-12 (VT52-N)	ESC (SEL)	1	@	#	%	^	&	*	()	-	+	~	BACK SPACE	BREAK	TAB	Q	W	E	R	T	Y	U	I	O	P	[]	LINE FEED	DELETE	CTRL	CAPS LOCK	A	S	D	F	BELL	G	H	J	K	L
5411170-14 (VT52-W)	ESC (SEL)	1	@	#	%	^	&	*	()	-	+	~	HYPH (PUSH) / PRINT	BREAK	TAB	Q	W	E	R	T	Y	U	I	O	P	[]	LINE FEED	DELETE	CTRL	CAPS LOCK	A	S	D	F	BELL	G	H	J	K	L

SWITCH NUMBER (CONT.)

VARIATION	S43	S44	S45	S46	S47	S48	S49	S50	S51	S52	S53	S54	S55	S56	S57	S58	S59	S60	S61	S62	S63	S64	S65	S66	S67	S68	S69	S70	S71	S72	S73	S74	S75	S76	S77	S78	S79	S80	S81	S82	S83
5411170-0	RETURN	SCROLL	SHIFT	Z	X	C	V	B	N	M	<	>	?	SHIFT	REPEAT	COPY	SPACE BAR	ECN	BKFLD	FWFLD	↑	7	8	9	↓	4	5	6	→	1	2	3	←	0	.	ENTER					
5411170-2	RETURN	SCROLL	SHIFT	Z	X	C	V	B	N	M	<	>	?	SHIFT	REPEAT	COPY	SPACE BAR	ECN	BKFLD	FWFLD	↑	7	8	9	↓	4	5	6	→	1	2	3	←	0	.	ENTER					
5411170-4	RETURN	SCROLL	SHIFT	Z	X	C	V	B	N	M	<	>	?	SHIFT	REPEAT	COPY	SPACE BAR	ECN	BKFLD	FWFLD	↑	7	8	9	↓	4	5	6	→	1	2	3	←	0	.	ENTER					
5411170-6	RETURN	SCROLL	SHIFT	Z	X	C	V	B	N	M	<	>	?	SHIFT	REPEAT	COPY	SPACE BAR	ECN	BKFLD	FWFLD	↑	7	8	9	↓	4	5	6	→	1	2	3	←	0	.	ENTER					
5411170-8 (VT52-W)	RETURN	SCROLL	SHIFT	Z	X	C	V	B	N	M	<	>	?	SHIFT	REPEAT	COPY	SPACE BAR	ECN	BKFLD	FWFLD	↑	7	8	9	↓	4	5	6	→	1	2	3	←	0	.	ENTER					
5411170-10 (VT62)	RETURN	SCROLL	SHIFT	Z	X	C	V	B	N	M	<	>	?	SHIFT	REPEAT	COPY	SPACE BAR	ECN	BKFLD	FWFLD	↑	7	8	9	↓	4	5	6	→	1	2	3	←	0	.	ENTER					
5411170-12 (VT52-N)	RETURN	SCROLL	SHIFT	Z	X	C	V	B	N	M	<	>	?	SHIFT	REPEAT	COPY	SPACE BAR	ECN	BKFLD	FWFLD	↑	7	8	9	↓	4	5	6	→	1	2	3	←	0	.	ENTER					
5411170-14 (VT52-W)	RETURN	SCROLL	SHIFT	Z	X	C	V	B	N	M	<	>	?	SHIFT	REPEAT	COPY	SPACE BAR	ECN	BKFLD	FWFLD	↑	7	8	9	↓	4	5	6	→	1	2	3	←	0	.	ENTER					

REVISIONS		
CHK	CHANGE NO.	REV

TITLE: KEYBOARD, VT6U/VT50H (KEYCAP PLACEMENT) SIZE CODE: DCS NUMBER: 5411170-0-1 REV: N

C

.

.

C

C

.

C

"THE MATERIAL HEREIN IS FOR INFORMATION PURPOSES ONLY AND IS SUBJECT TO CHANGE WITHOUT NOTICE. DIGITAL EQUIPMENT CORPORATION ASSUMES NO RESPONSIBILITY FOR ANY ERRORS WHICH MAY APPEAR HEREIN." 1976

FIELD MAINTENANCE PRINT SET

"THIS DRAWING AND SPECIFICATIONS, HEREIN, ARE THE PROPERTY OF DIGITAL EQUIPMENT CORPORATION AND SHALL NOT BE REPRODUCED OR COPIED OR USED IN WHOLE OR IN PART AS THE BASIS FOR THE MANUFACTURE OR SALE OF ITEMS WITHOUT WRITTEN PERMISSION. COPYRIGHT © 1976 . DIGITAL EQUIPMENT CORPORATION."

TABLE OF CONTENTS

Ø-UA-H783-Ø-Ø POWER SUPPLY H783 (VT61)
 Ø-IA-7012018-0-0 WIRING ASSY, H783
 D-CS-5411987-0-1 CIRCUIT SCHEMATIC

UNIT VARIATIONS COVERED BY THIS PRINT SET
H783-A
H783-B

H783
Field Maintenance
Print Set

Digital Equipment
Corporation
PRINT SET ORDER NO.
MPØØ157

REVISIONS	REV.		USED ON OPTION/MODEL	DRN. G. HOVEY	DATE 5-MAR-76	TITLE: H783 FIELD MAINTENANCE PRINT SET				digital					
	CHG. NO.					VT61	CHK'D	DATE	SIZE B		CODE TC	NUMBER H783-Ø-1	REV.		
	DATE							<i>S. B. BOERS</i>						<i>2 July 76</i>	DIST.
								<i>J. ENG.</i>						<i>2 July 76</i>	
								<i>FIELD SERV.</i>						<i>9 July 76</i>	
			SHEET I OF <u>1</u>												

C

.

.

.

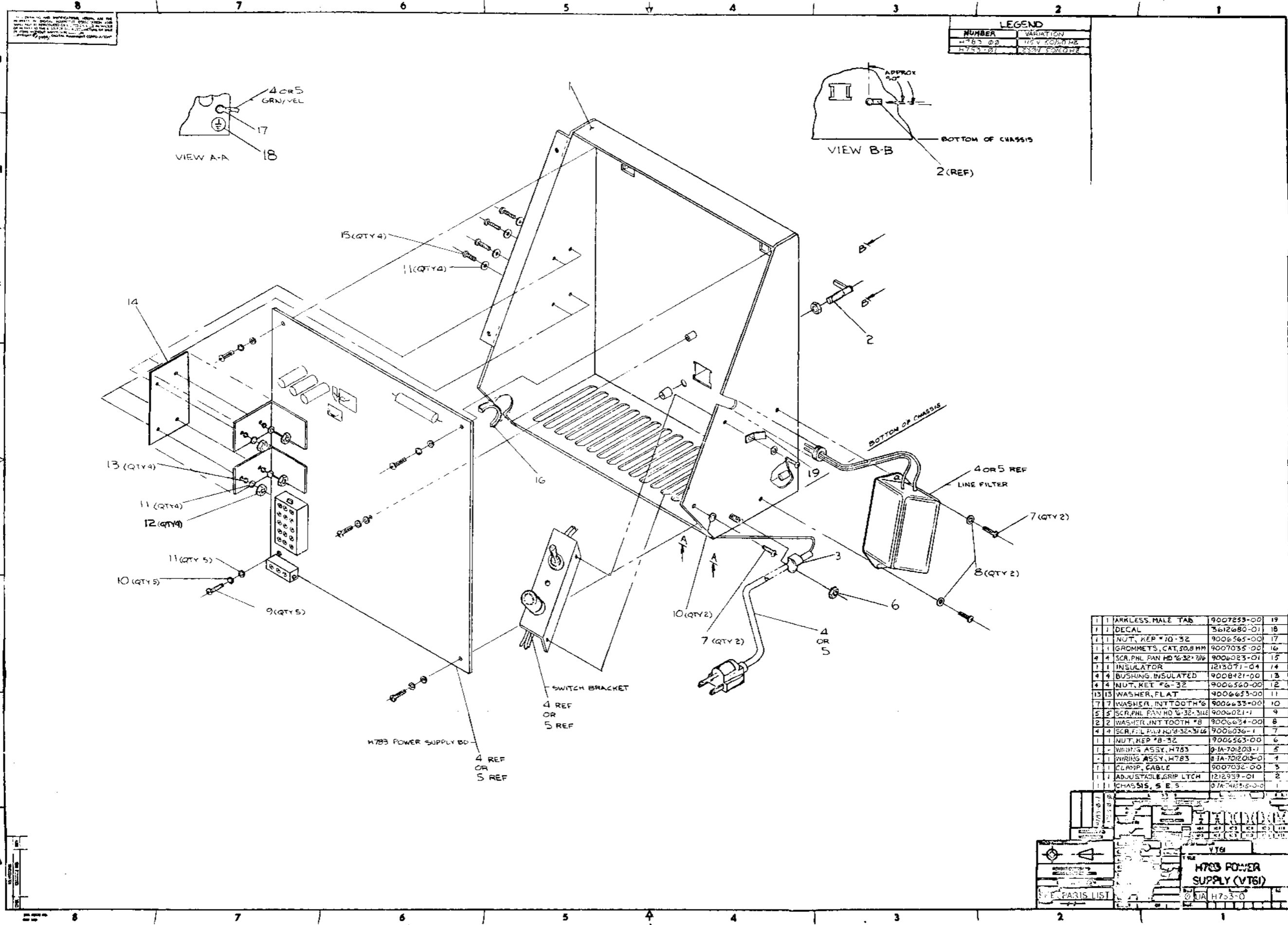
O

e

.

.

C



LEGEND	
NUMBER	VARIATION
H783-00	H783-00/01
H783-01	H783-00/02

1	1	MARKLESS MALE TAB	9007253-00	19
1	1	DECAL	3612680-01	18
1	1	NUT, KEP #10-32	9006565-00	17
1	1	GROMMETS, CAT 50,8MM	9007035-00	16
4	4	SCR, PHL PAN HD 1/8-32x7/16	9006023-01	15
1	1	INSULATOR	1213071-04	14
4	4	BUSHING, INSULATED	9008421-00	13
4	4	NUT, KEP #6-32	9006360-00	12
13	13	WASHER, FLAT	9006653-00	11
7	7	WASHER, INT TOOTH #6	9006633-00	10
5	5	SCR, PHL PAN HD 1/8-32x3/16	9006021-1	9
2	2	WASHER, INT TOOTH #8	9006634-00	8
4	4	SCR, PHL PAN HD 1/8-32x3/16	9006036-1	7
1	1	NUT, KEP #8-32	9006563-00	6
1	1	WIRING ASSY, H783	0-1A-701203-1	5
1	1	WIRING ASSY, H783	0-1A-701203-0	4
1	1	CLAMP, CABLE	9007032-00	3
1	1	ADJUSTABLE GRIP LTCH	1212939-01	2
1	1	CHASSIS, S.E.S.	0-1A-74355-0-0	1

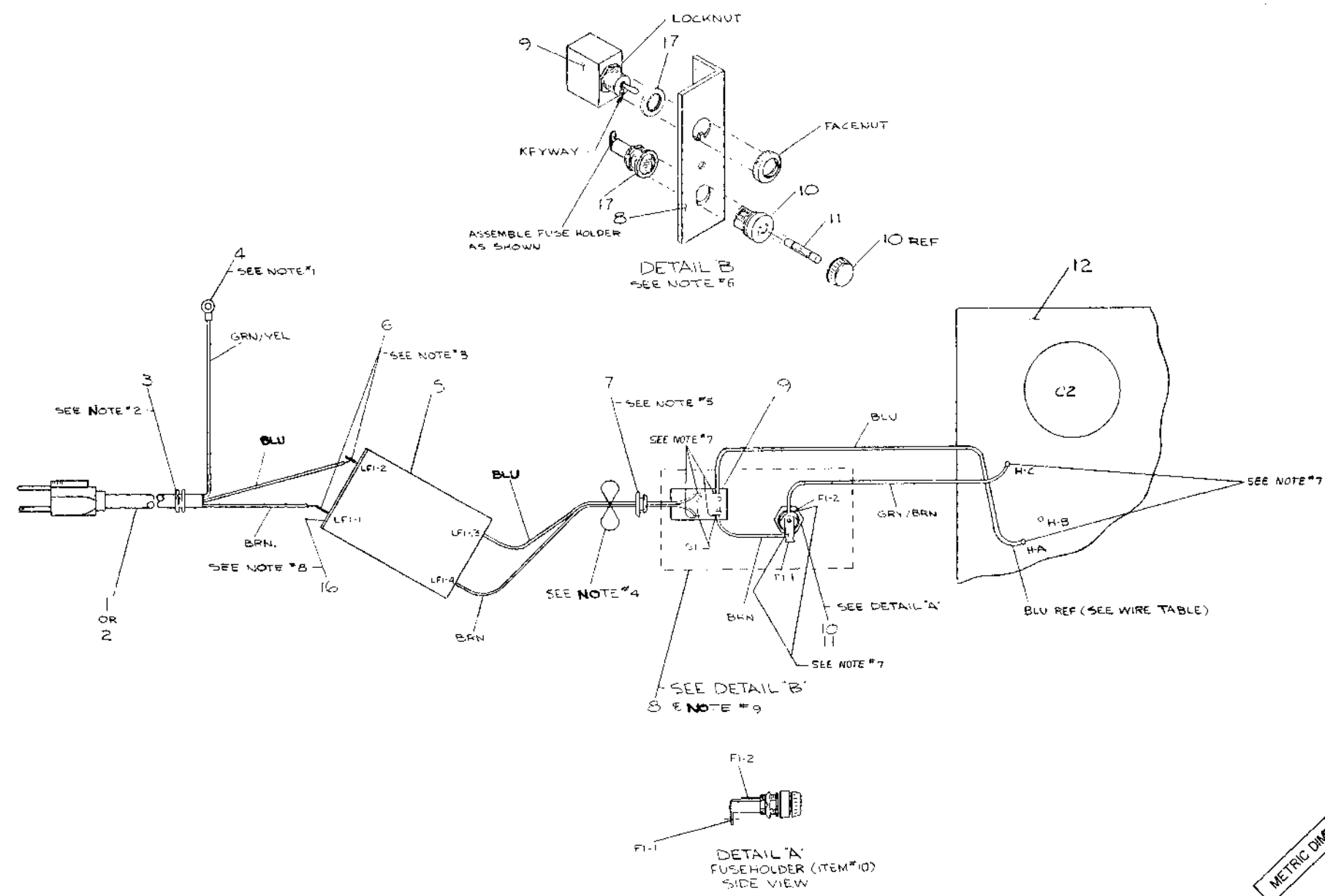
H783 POWER SUPPLY (VT6)

 PARTS LIST

WIRE TABLE									
ITEM NO	WIRE	COLOR	POINT	FROM		TO		LENGTH	
				CONNECTION	WITH	POINT	CONNECTION		
1	---	---	---	---	---	---	---	---	---
2	---	---	---	---	---	---	---	---	---
3	---	---	---	---	---	---	---	---	---
4	---	---	---	---	---	---	---	---	---
5	---	---	---	---	---	---	---	---	---
6	---	---	---	---	---	---	---	---	---
7	---	---	---	---	---	---	---	---	---
8	---	---	---	---	---	---	---	---	---
9	---	---	---	---	---	---	---	---	---
10	---	---	---	---	---	---	---	---	---
11	---	---	---	---	---	---	---	---	---
12	---	---	---	---	---	---	---	---	---
13	---	---	---	---	---	---	---	---	---
14	---	---	---	---	---	---	---	---	---
15	---	---	---	---	---	---	---	---	---

LEGEND	
NUMBER	VARIATION
702018-00	115V 50/60HZ
702018-01	230V 50/60HZ

- NOTES:
1. TERMINAL RING TONGUE (ITEM #9) TO BE CRIMPED TO GRN/YEL WIRE.
 2. GROMMET (ITEM #3) TO BE SLID OVER POWER CORD (ITEM #1).
 3. BLU (BRN LEADS FROM POWER CORD (ITEM #1) TO BE SOLDERED TO FILTER (ITEM #5) INPUT TERMINALS AND INSULATED WITH SHRINK TUBING (ITEM #6).
 4. BLU (BRN OUTPUT LEADS ARE TWISTED TOGETHER, 9 TWIST PER FOOT.
 5. GROMMET (ITEM #7) TO BE SLID OVER TWISTED OUTPUT LEADS OF FILTER (ITEM #5) WITH LARGER DIA FACING FILTER.
 6. ADJUST LOCKNUT (SEE DETAIL 'B') SO THAT FACENUT IS FLUSH WITH TOGGLE SWITCH THREADS protruding THROUGH SWITCH BRACKET (ITEM #8).
 7. WIRES TO BE STRIPPED 5MM AND TINNED.
 8. PLACE COVER (ITEM #16) ON FILTER LINE (ITEM #5) BEFORE WIRING.
 9. ASSEMBLE FUSE HOLDER (ITEM #10) & SWITCH (ITEM #9) BEFORE WIRING.



DETAIL 'B' SEE NOTE #6

DETAIL 'A' FUSEHOLDER (ITEM #10) SIDE VIEW

METRIC DIMENSIONS

QTY	DESCRIPTION	PART NUMBER	REV
2	WASHER, INTERNAL TOOTH	9008980	17
1	COVER, LINE FILTER TERMINAL	540-711257-00	16
1	WIRE #18 AWG BLU	9107360-02	15
1	WIRE #18 AWG GRN/YEL	9107410-01	18
1	WIRE #18 AWG BRN	9107360-11	13
1	VTEZ V778 POWER SUPPLY	0-VA-551373-0-0	12
1	FUSE	9007360-00	11
1	HOLDER FUSE	126003-00	10
1	SWITCH TOGGLE	126003-00	9
1	BRACKET SWITCH	9007360-00	8
1	GROMMET	9007360-00	7
1	TUBING SHRINK	9107360-00	6
1	FILTER LINE	126003-00	5
1	TERMINAL RING TONGUE	9007360-00	4
1	GROMMET	9007360-00	3
1	CORD POWER REWORK	540-711257-0-0	2
1	CORD POWER REWORK	540-711257-0-0	1

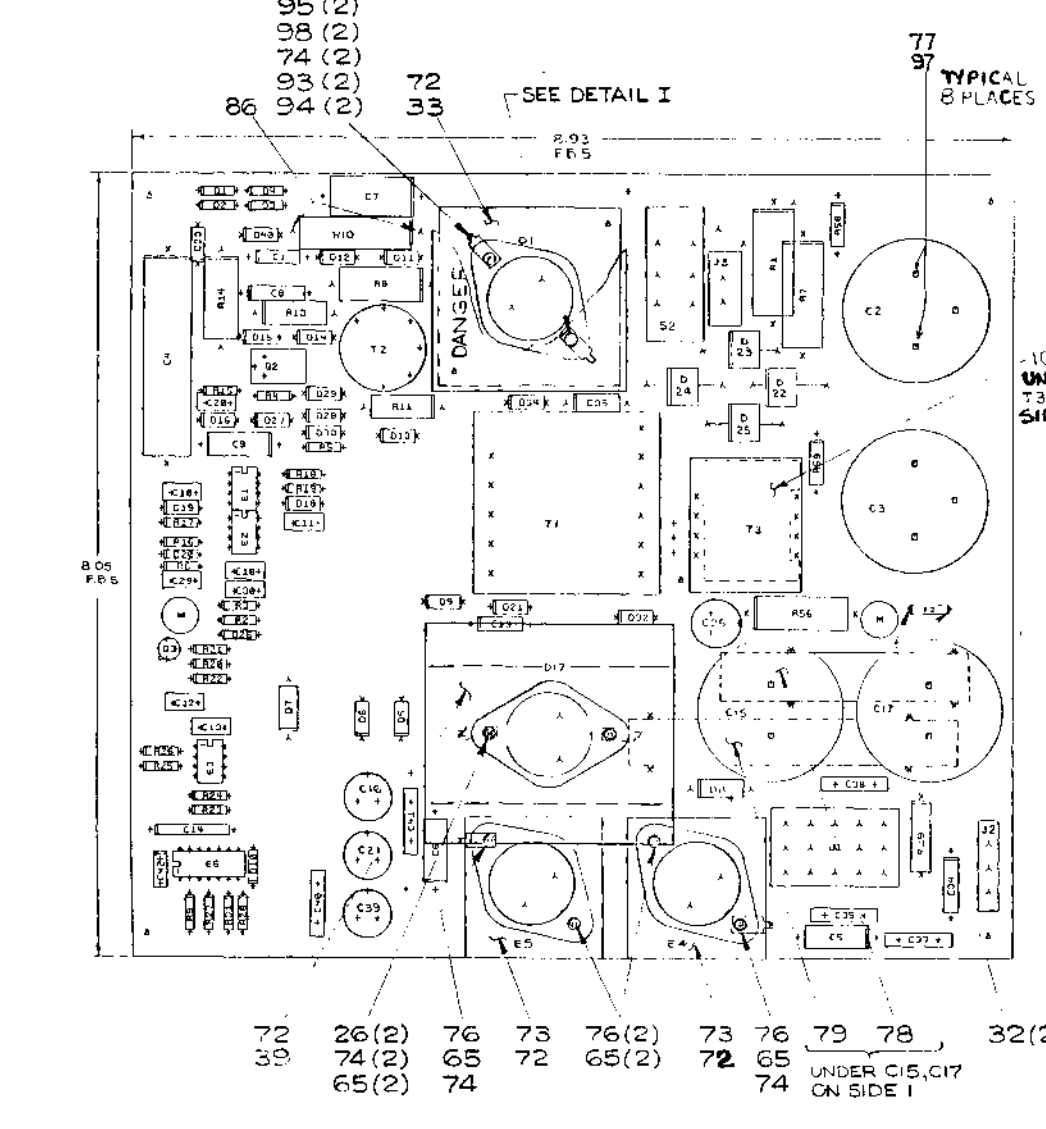
DATE: 11/11/83
 DRAWN BY: [Signature]
 CHECKED BY: [Signature]
 ENG. BY: [Signature]
 PROJ. ENG. BY: [Signature]
 PROD. BY: [Signature]
 NEXT HIGHER ASSY: [Signature]
 SCALE: NONE
 SHEET: 01

TITLE: WIRING ASSY, H783
 PART NUMBER: 702018-0-0
 SHEET: 01

1-10-1987

THIS DRAWING AND SPECIFICATIONS HEREIN ARE THE PROPERTY OF DIGITAL EQUIPMENT CORPORATION AND SHALL NOT BE REPRODUCED OR COPIED OR USED IN ANY MANNER AS PART OF THE BASIS FOR THE MANUFACTURE OR SALE OF ITEMS WITHOUT WRITTEN PERMISSION. COPYRIGHT © 1987 DIGITAL EQUIPMENT CORPORATION.

NOTES: 1. POWER RESISTORS & DIODES TO BE MOUNTED 1/2 INCH OFF BOARD. R1,R2,R8,R11,R13,R14,R29 D5-D7,D9,D11,D12,D22-D25,D40.

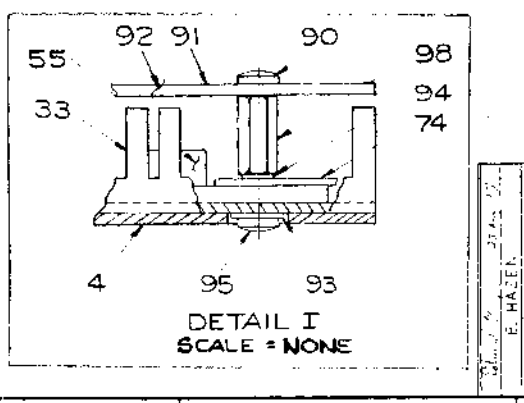


100 UNDER T3 ON SIDE 1

Table with columns: QTY, REF. DESIGNATION, DESCRIPTION, PART NO., ITEM NO. Lists components like TRANSISTOR, RESISTOR, TRANSFORMER, etc.

Table with columns: QTY, REF. DESIGNATION, DESCRIPTION, PART NO., ITEM NO. Lists components like X-Y COORDINATE HOLE LOCATION, ASSY DRILL HOLE LAYOUT, etc.

IC PIN LOCATIONS table with columns for IC TYPE, GND, +5V.

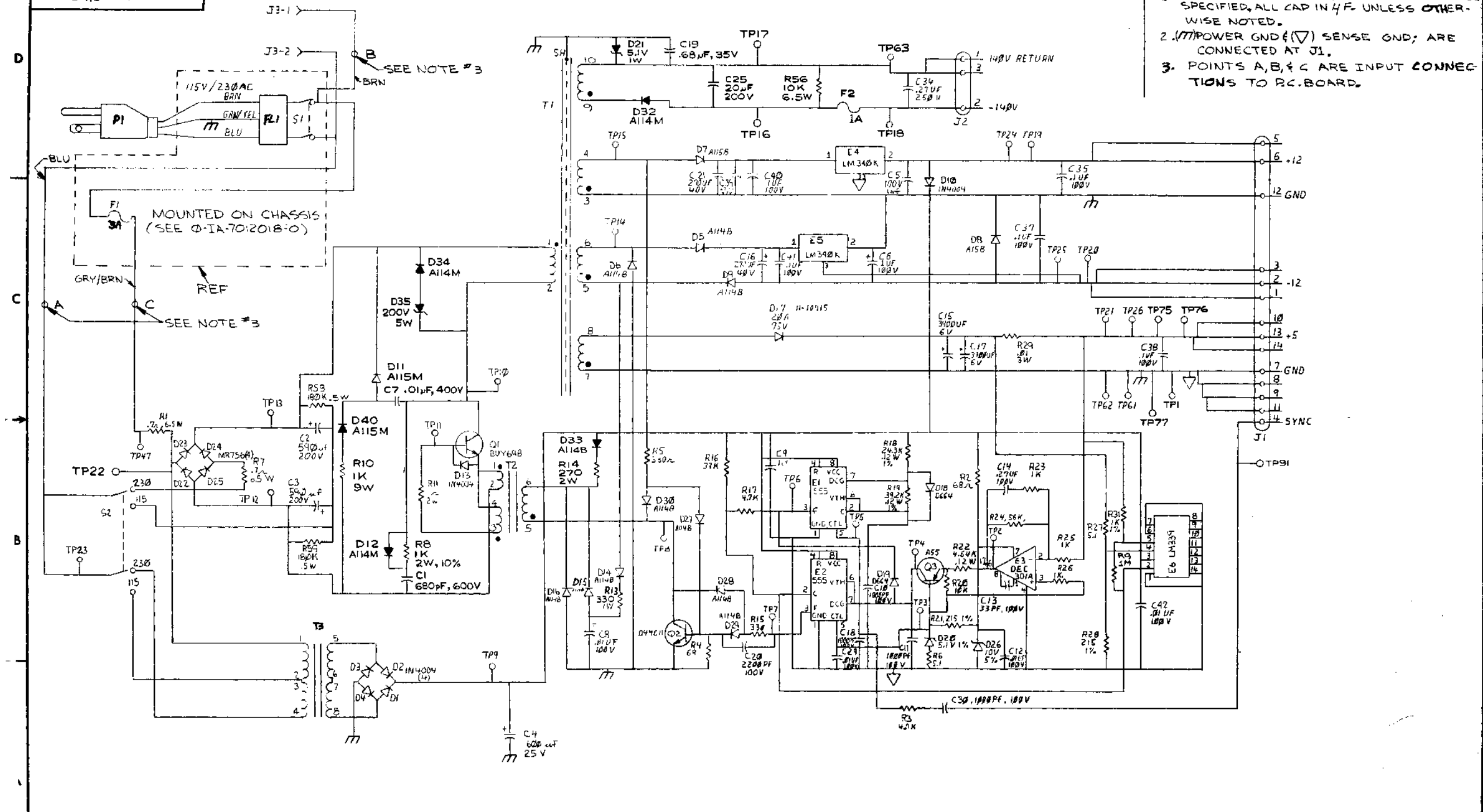


REVISIONS table with columns: DATE, BY, REV. Contains handwritten revision entries.

Administrative forms including SEMICONDUCTOR CONVERSION CHART, DATE, and digital logo.

THIS DRAWING AND SPECIFICATIONS, HEREIN, ARE THE PROPERTY OF DIGITAL EQUIPMENT CORPORATION AND SHALL NOT BE REPRODUCED OR COPIED OR USED IN WHOLE OR IN PART AS THE BASIS FOR THE MANUFACTURE OR SALE OF ITEMS WITHOUT WRITTEN PERMISSION. COPYRIGHT © 1971, DIGITAL EQUIPMENT CORPORATION

NOTES:
 1. ALL RESISTORS ARE 1/4W, 5% UNLESS OTHERWISE SPECIFIED, ALL CAP IN 4F. UNLESS OTHERWISE NOTED.
 2. (//) POWER GND (▽) SENSE GND; ARE CONNECTED AT J1.
 3. POINTS A, B, & C ARE INPUT CONNECTIONS TO PC BOARD.



REVISIONS		
CHK	CHANGE NO.	REV.

TITLE	H783 POWER SUPPLY (VT6I)	SIZE/CODE	D CS	NUMBER	5411987-0-1	REV.	H
SCALE		SHEET	2	OF	2	DIST.	

"THE MATERIAL HEREIN IS FOR INFORMATION PURPOSES ONLY AND IS SUBJECT TO CHANGE WITHOUT NOTICE. DIGITAL EQUIPMENT CORPORATION ASSUMES NO RESPONSIBILITY FOR ANY ERRORS WHICH MAY APPEAR HEREIN."

FIELD MAINTENANCE PRINT SET

"THIS DRAWING AND SPECIFICATIONS, HEREIN, ARE THE PROPERTY OF DIGITAL EQUIPMENT CORPORATION AND SHALL NOT BE REPRODUCED OR COPIED OR USED IN WHOLE OR IN PART AS THE BASIS FOR THE MANUFACTURE OR SALE OF ITEMS WITHOUT WRITTEN PERMISSION. COPYRIGHT © 1977, DIGITAL EQUIPMENT CORPORATION."

TABLE OF CONTENTS

Ø-UA-H7832-Ø-Ø POWER SUPPLY H7832 (VT62)
 Ø-IA-7418696-0-0 WIRING ASSY, H7832
 D-CS-5412973-0-1 CIRCUIT SCHEMATIC

UNIT VARIATIONS COVERED BY THIS PRINT SET
H7832 A
H7832 B

H7832
 Field Maintenance
 Print Set

Digital Equipment
 Corporation

PRINT SET ORDER NO.
 MPØØ353

REVISIONS NO. CHG. NO. DATE	REV.	USED ON OPTION/MODEL	DRN.	DATE	TITLE:						
				T. QUILLIN					3/10/77	H7832 FIELD MAINTENANCE PRINT SET	
				CHK'D <i>J. J. ...</i>	DATE 31 MAR 77	SIZE	CODE	NUMBER	REV.		
				PROJ. ENG. <i>...</i>	DATE 31 MAR 77					D	TC
			FIELD SERV. <i>John ...</i>	DATE	DIST.						



EN-0154-18-REV-8 (REV)

C

.

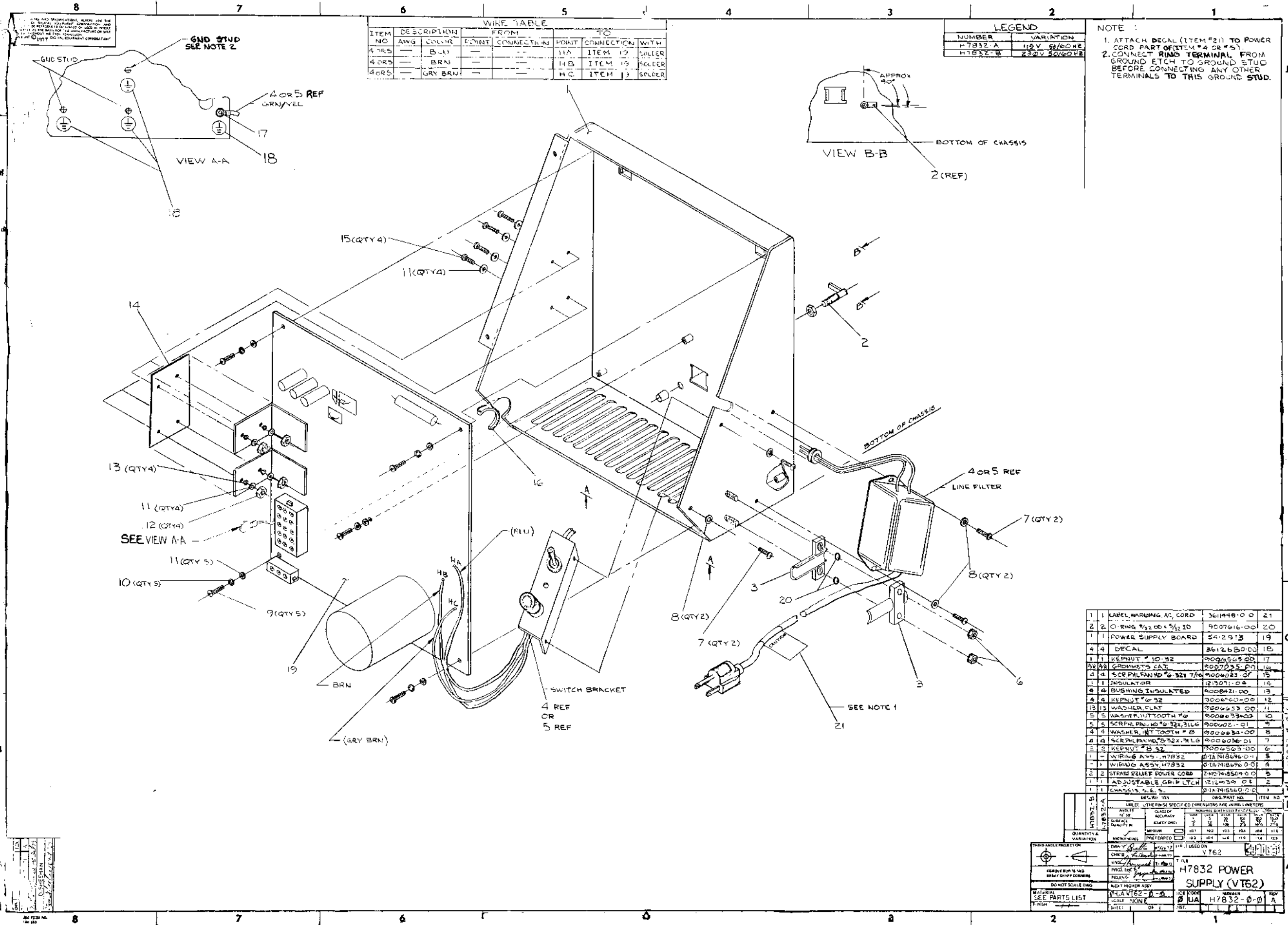
.

.

.

.

O



2. AND 405 EMPLOYED, REFER TO THE
 3. 4. 5. 6. 7. 8. 9. 10. 11. 12. 13. 14. 15. 16. 17. 18. 19. 20. 21. 22. 23. 24. 25. 26. 27. 28. 29. 30. 31. 32. 33. 34. 35. 36. 37. 38. 39. 40. 41. 42. 43. 44. 45. 46. 47. 48. 49. 50. 51. 52. 53. 54. 55. 56. 57. 58. 59. 60. 61. 62. 63. 64. 65. 66. 67. 68. 69. 70. 71. 72. 73. 74. 75. 76. 77. 78. 79. 80. 81. 82. 83. 84. 85. 86. 87. 88. 89. 90. 91. 92. 93. 94. 95. 96. 97. 98. 99. 100. 101. 102. 103. 104. 105. 106. 107. 108. 109. 110. 111. 112. 113. 114. 115. 116. 117. 118. 119. 120. 121. 122. 123. 124. 125. 126. 127. 128. 129. 130. 131. 132. 133. 134. 135. 136. 137. 138. 139. 140. 141. 142. 143. 144. 145. 146. 147. 148. 149. 150. 151. 152. 153. 154. 155. 156. 157. 158. 159. 160. 161. 162. 163. 164. 165. 166. 167. 168. 169. 170. 171. 172. 173. 174. 175. 176. 177. 178. 179. 180. 181. 182. 183. 184. 185. 186. 187. 188. 189. 190. 191. 192. 193. 194. 195. 196. 197. 198. 199. 200. 201. 202. 203. 204. 205. 206. 207. 208. 209. 210. 211. 212. 213. 214. 215. 216. 217. 218. 219. 220. 221. 222. 223. 224. 225. 226. 227. 228. 229. 230. 231. 232. 233. 234. 235. 236. 237. 238. 239. 240. 241. 242. 243. 244. 245. 246. 247. 248. 249. 250. 251. 252. 253. 254. 255. 256. 257. 258. 259. 260. 261. 262. 263. 264. 265. 266. 267. 268. 269. 270. 271. 272. 273. 274. 275. 276. 277. 278. 279. 280. 281. 282. 283. 284. 285. 286. 287. 288. 289. 290. 291. 292. 293. 294. 295. 296. 297. 298. 299. 300. 301. 302. 303. 304. 305. 306. 307. 308. 309. 310. 311. 312. 313. 314. 315. 316. 317. 318. 319. 320. 321. 322. 323. 324. 325. 326. 327. 328. 329. 330. 331. 332. 333. 334. 335. 336. 337. 338. 339. 340. 341. 342. 343. 344. 345. 346. 347. 348. 349. 350. 351. 352. 353. 354. 355. 356. 357. 358. 359. 360. 361. 362. 363. 364. 365. 366. 367. 368. 369. 370. 371. 372. 373. 374. 375. 376. 377. 378. 379. 380. 381. 382. 383. 384. 385. 386. 387. 388. 389. 390. 391. 392. 393. 394. 395. 396. 397. 398. 399. 400. 401. 402. 403. 404. 405. 406. 407. 408. 409. 410. 411. 412. 413. 414. 415. 416. 417. 418. 419. 420. 421. 422. 423. 424. 425. 426. 427. 428. 429. 430. 431. 432. 433. 434. 435. 436. 437. 438. 439. 440. 441. 442. 443. 444. 445. 446. 447. 448. 449. 450. 451. 452. 453. 454. 455. 456. 457. 458. 459. 460. 461. 462. 463. 464. 465. 466. 467. 468. 469. 470. 471. 472. 473. 474. 475. 476. 477. 478. 479. 480. 481. 482. 483. 484. 485. 486. 487. 488. 489. 490. 491. 492. 493. 494. 495. 496. 497. 498. 499. 500. 501. 502. 503. 504. 505. 506. 507. 508. 509. 510. 511. 512. 513. 514. 515. 516. 517. 518. 519. 520. 521. 522. 523. 524. 525. 526. 527. 528. 529. 530. 531. 532. 533. 534. 535. 536. 537. 538. 539. 540. 541. 542. 543. 544. 545. 546. 547. 548. 549. 550. 551. 552. 553. 554. 555. 556. 557. 558. 559. 560. 561. 562. 563. 564. 565. 566. 567. 568. 569. 570. 571. 572. 573. 574. 575. 576. 577. 578. 579. 580. 581. 582. 583. 584. 585. 586. 587. 588. 589. 590. 591. 592. 593. 594. 595. 596. 597. 598. 599. 600. 601. 602. 603. 604. 605. 606. 607. 608. 609. 610. 611. 612. 613. 614. 615. 616. 617. 618. 619. 620. 621. 622. 623. 624. 625. 626. 627. 628. 629. 630. 631. 632. 633. 634. 635. 636. 637. 638. 639. 640. 641. 642. 643. 644. 645. 646. 647. 648. 649. 650. 651. 652. 653. 654. 655. 656. 657. 658. 659. 660. 661. 662. 663. 664. 665. 666. 667. 668. 669. 670. 671. 672. 673. 674. 675. 676. 677. 678. 679. 680. 681. 682. 683. 684. 685. 686. 687. 688. 689. 690. 691. 692. 693. 694. 695. 696. 697. 698. 699. 700. 701. 702. 703. 704. 705. 706. 707. 708. 709. 710. 711. 712. 713. 714. 715. 716. 717. 718. 719. 720. 721. 722. 723. 724. 725. 726. 727. 728. 729. 730. 731. 732. 733. 734. 735. 736. 737. 738. 739. 740. 741. 742. 743. 744. 745. 746. 747. 748. 749. 750. 751. 752. 753. 754. 755. 756. 757. 758. 759. 760. 761. 762. 763. 764. 765. 766. 767. 768. 769. 770. 771. 772. 773. 774. 775. 776. 777. 778. 779. 780. 781. 782. 783. 784. 785. 786. 787. 788. 789. 790. 791. 792. 793. 794. 795. 796. 797. 798. 799. 800. 801. 802. 803. 804. 805. 806. 807. 808. 809. 810. 811. 812. 813. 814. 815. 816. 817. 818. 819. 820. 821. 822. 823. 824. 825. 826. 827. 828. 829. 830. 831. 832. 833. 834. 835. 836. 837. 838. 839. 840. 841. 842. 843. 844. 845. 846. 847. 848. 849. 850. 851. 852. 853. 854. 855. 856. 857. 858. 859. 860. 861. 862. 863. 864. 865. 866. 867. 868. 869. 870. 871. 872. 873. 874. 875. 876. 877. 878. 879. 880. 881. 882. 883. 884. 885. 886. 887. 888. 889. 890. 891. 892. 893. 894. 895. 896. 897. 898. 899. 900. 901. 902. 903. 904. 905. 906. 907. 908. 909. 910. 911. 912. 913. 914. 915. 916. 917. 918. 919. 920. 921. 922. 923. 924. 925. 926. 927. 928. 929. 930. 931. 932. 933. 934. 935. 936. 937. 938. 939. 940. 941. 942. 943. 944. 945. 946. 947. 948. 949. 950. 951. 952. 953. 954. 955. 956. 957. 958. 959. 960. 961. 962. 963. 964. 965. 966. 967. 968. 969. 970. 971. 972. 973. 974. 975. 976. 977. 978. 979. 980. 981. 982. 983. 984. 985. 986. 987. 988. 989. 990. 991. 992. 993. 994. 995. 996. 997. 998. 999. 1000.

| ITEM NO | DESCRIPTION | WIRE TABLE | |
|---------|-------------|------------|---------|
| | | FROM | TO |
| 4 OR 5 | B-LJ | 11A | ITEM 12 |
| 4 OR 5 | BRN | 11B | ITEM 13 |
| 4 OR 5 | GRY BRN | 11C | ITEM 13 |

| LEGEND | |
|---------|--------------|
| NUMBER | VARIATION |
| H7832-A | 115V 60/60HZ |
| H7832-B | 230V 50/60HZ |

NOTE:
 1. ATTACH DECAL (ITEM #21) TO POWER CORD PART OF ITEM #4 OR #5.
 2. CONNECT RING TERMINAL FROM GROUND ETCH TO GROUND STUD BEFORE CONNECTING ANY OTHER TERMINALS TO THIS GROUND STUD.

| QTY | DESCRIPTION | ITEM NO | ITEM NO |
|-----|---------------------------|----------------|---------|
| 1 | LABEL WARNING AC, CORD | 3611498-0-0 | 21 |
| 2 | O-RING 1/2 OD x 3/16 ID | 9007616-00 | 20 |
| 1 | POWER SUPPLY BOARD | 54-2913 | 19 |
| 4 | DECAL | 3612650-00 | 18 |
| 1 | KEPNUT # 10-32 | 9004935-00 | 17 |
| 4 | GROMMETS CAT | 9007035-00 | 16 |
| 4 | SCR PHL PAN HD # 321 7/16 | 9004083-00 | 15 |
| 1 | INSULATOR | 123071-00 | 14 |
| 4 | BUSHING INSULATED | 9008421-00 | 13 |
| 4 | KEPNUT # 10-32 | 9004600-00 | 12 |
| 13 | WASHER, FLAT | 9004653-00 | 11 |
| 5 | WASHER, NUT TOOTH # 8 | 9004633-00 | 10 |
| 5 | SCR PHL PAN HD # 32X 3/16 | 9004021-01 | 9 |
| 4 | WASHER, INT TOOTH # 8 | 9004634-00 | 8 |
| 4 | SCR PHL PAN HD # 32X 3/16 | 9004036-01 | 7 |
| 2 | KEPNUT # 10-32 | 9004653-00 | 6 |
| 1 | WIRING ASSY, H7832 | 01A748676-0-0 | 5 |
| 1 | WIRING ASSY, H7832 | 01A748676-0-0 | 4 |
| 2 | STRAIN RELIEF POWER CORD | 2-ND748504-0-0 | 3 |
| 1 | ADJUSTABLE GRIP LTCH | 1212639-01 | 2 |
| 1 | CHASSIS C.E.S. | 01A748540-0-0 | 1 |

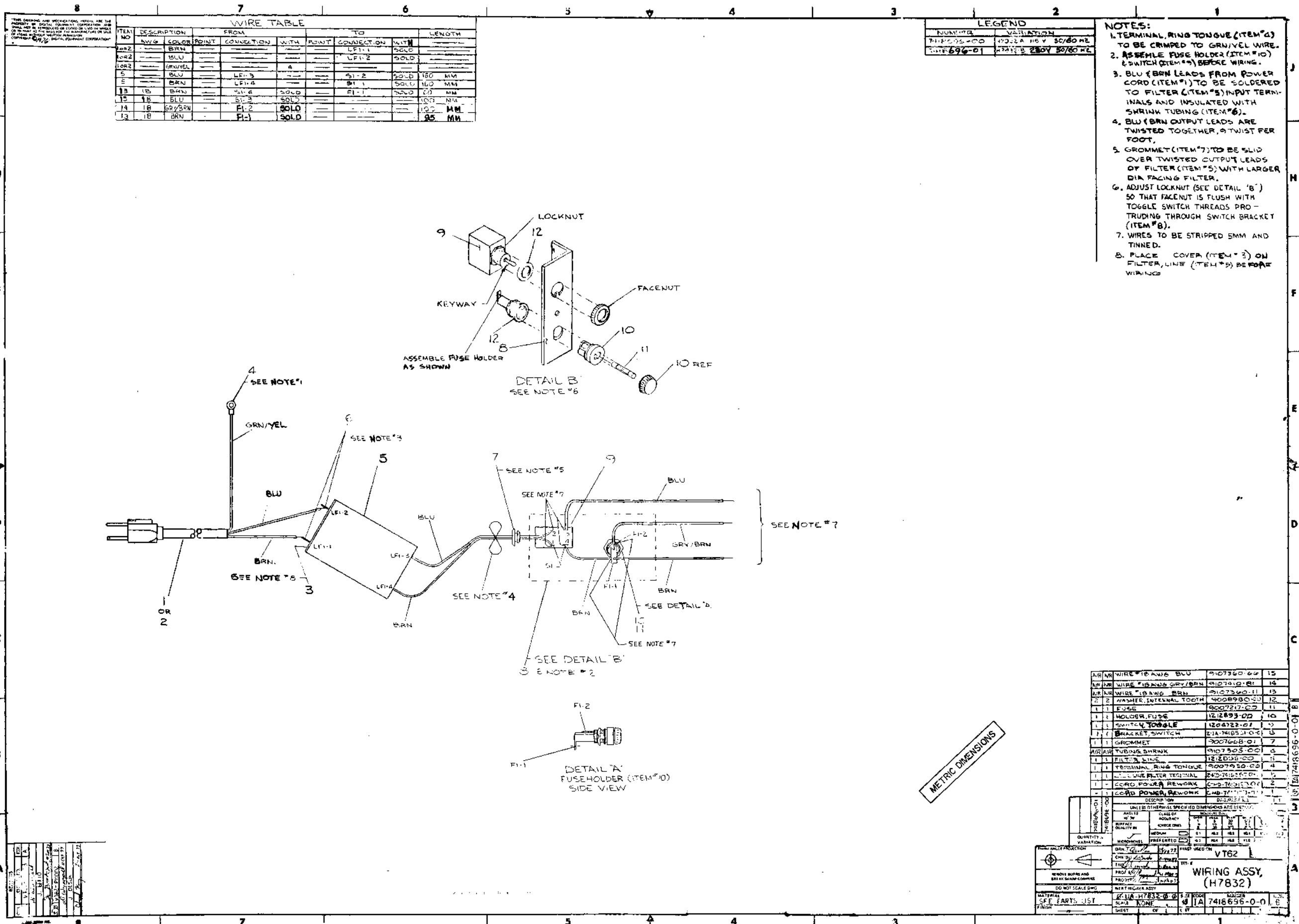
UNLESS OTHERWISE SPECIFIED DIMENSIONS ARE IN MILS UNLESS OTHERWISE SPECIFIED DIMENSIONS ARE IN MILS UNLESS OTHERWISE SPECIFIED DIMENSIONS ARE IN MILS

| QUANTITY | VARIATION | DESCRIPTION | ITEM NO |
|----------|--------------|-------------|---------|
| 1 | 115V 60/60HZ | H7832-A | 1 |
| 1 | 230V 50/60HZ | H7832-B | 1 |

REMOVE FROM THE BOARD BEFORE ASSEMBLY
 DO NOT SCALE DIMS
 SEE PARTS LIST

H7832 POWER SUPPLY (VT62)

DATE: 11/15/57
 ENG: [Signature]
 PROJ: [Signature]
 NEXT HIGHER ASSY: [Signature]
 PART NO: H7832-0-0
 REV: A

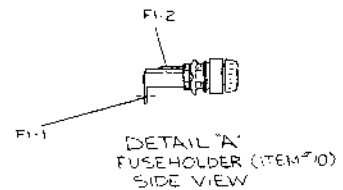
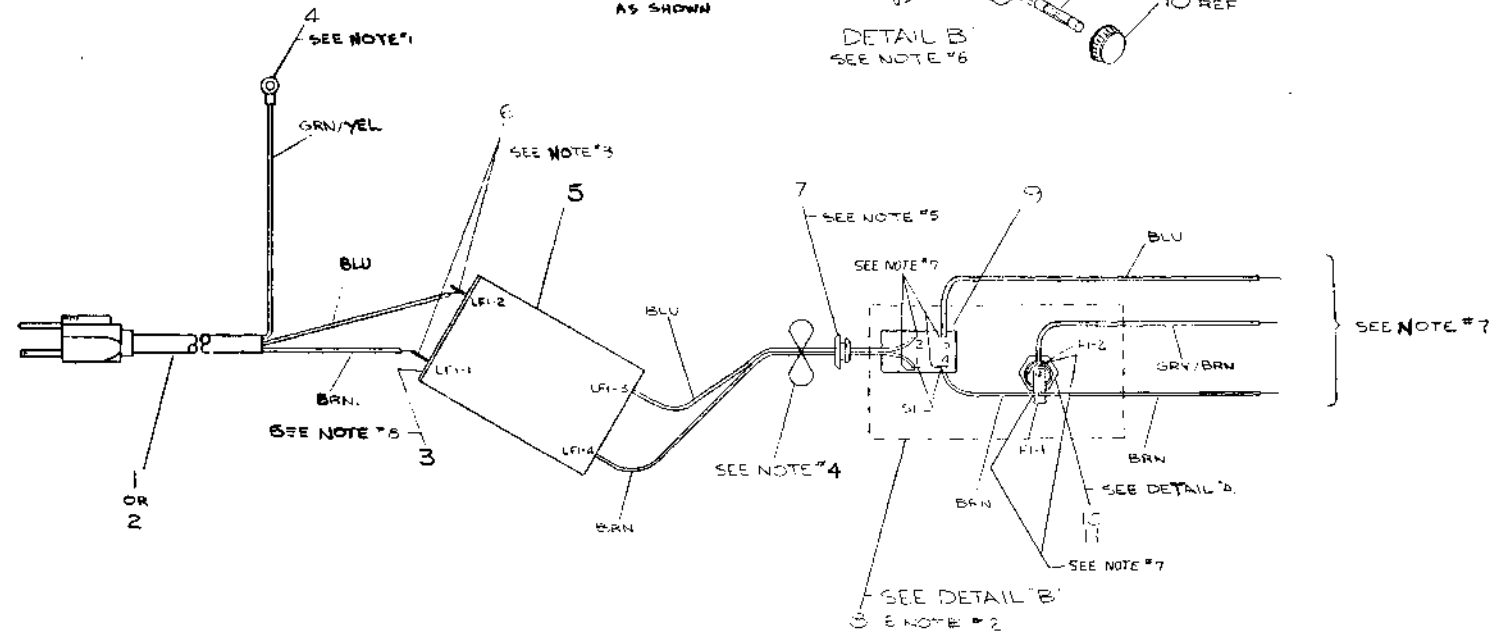
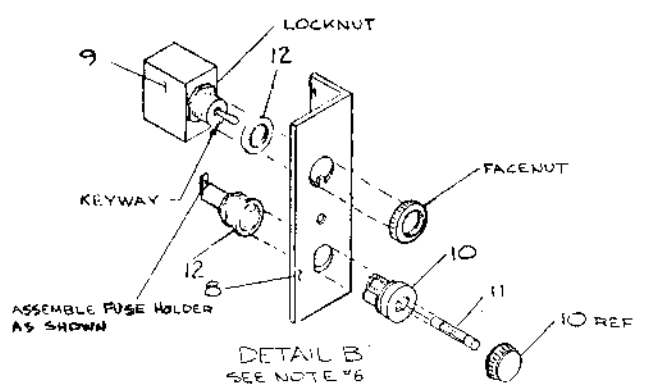


THIS DRAWING AND SPECIFICATIONS HEREIN ARE THE PROPERTY OF THE U.S. GOVERNMENT AND SHALL NOT BE REPRODUCED OR COPIED IN WHOLE OR IN PART BY ANY PERSON OR ORGANIZATION WITHOUT EXPRESS WRITTEN PERMISSION OF THE U.S. GOVERNMENT.

| WIRE TABLE | | | | | | | | | | |
|------------|----------------------|-------|------------|--------|-------|------------|------|-------|------------|--------|
| ITEM NO. | DESCRIPTION | FROM | TO | LENGTH | | | | | | |
| 1 | WIRE #18 AWG BRN | POINT | CONNECTION | WITH | POINT | CONNECTION | WITH | POINT | CONNECTION | LENGTH |
| 10 | WIRE #18 AWG BLU | | | | | | | | | |
| 10 | WIRE #18 AWG GRN/YEL | | | | | | | | | |
| 5 | WIRE #18 AWG BRN | LF-3 | SI-2 | 180 | | | | | | MM |
| 5 | WIRE #18 AWG BRN | LF-4 | SI-1 | 180 | | | | | | MM |
| 13 | WIRE #18 AWG BRN | SI-4 | FI-1 | 100 | | | | | | MM |
| 13 | WIRE #18 AWG BRN | SI-3 | FI-2 | 100 | | | | | | MM |
| 14 | WIRE #18 AWG GRY/BRN | FI-2 | | 100 | | | | | | MM |
| 13 | WIRE #18 AWG BRN | FI-1 | | 95 | | | | | | MM |

| LEGEND | |
|-----------|----------------------|
| NUMERIC | VARIATION |
| 100000-00 | 100000-00 Y 50/50 WZ |
| 696-01 | TRADE BODY 50/50 WZ |

- NOTES:**
1. TERMINAL RING TONGUE (ITEM #4) TO BE CRIMPED TO GRN/YEL WIRE.
 2. ASSEMBLE FUSE HOLDER (ITEM #10) & SWITCH (ITEM #9) BEFORE WIRING.
 3. BLU (BRN LEADS FROM POWER CORD (ITEM #1)) TO BE SOLDERED TO FILTER (ITEM #5) INPUT TERMINALS AND INSULATED WITH SHRINK TUBING (ITEM #6).
 4. BLU (BRN OUTPUT LEADS ARE TWISTED TOGETHER, 9 TWIST PER FOOT.
 5. GROMMET (ITEM #7) TO BE SLID OVER TWISTED OUTPUT LEADS OF FILTER (ITEM #5) WITH LARGER DIA FACING FILTER.
 6. ADJUST LOCKNUT (SEE DETAIL "B") SO THAT LOCKNUT IS FLUSH WITH TOGGLE SWITCH THREADS PROTRUDING THROUGH SWITCH BRACKET (ITEM #8).
 7. WIRES TO BE STRIPPED 5MM AND TINNED.
 8. PLACE COVER (ITEM #3) ON FILTER LINE (ITEM #5) BEFORE WIRING.



METRIC DIMENSIONS

| QTY | DESCRIPTION | UNIT | QTY | DESCRIPTION | UNIT |
|-----|------------------------|--------------|-----|-------------|------|
| 1 | WIRE #18 AWG BLU | 1007360-00 | 15 | | |
| 1 | WIRE #18 AWG GRY/BRN | 1007360-01 | 15 | | |
| 1 | WIRE #18 AWG BRN | 1007360-11 | 15 | | |
| 2 | WASHER, INTERNAL TOOTH | 4008980-00 | 12 | | |
| 1 | FUSE | 9007217-00 | 11 | | |
| 1 | HOLDER, FUSE | 1212893-00 | 10 | | |
| 1 | SWITCH, TOGGLE | 1204722-01 | 10 | | |
| 1 | BRACKET, SWITCH | 21A-74853-00 | 10 | | |
| 1 | GROMMET | 9007668-01 | 7 | | |
| 1 | TUBING, SHRINK | 1007305-00 | 6 | | |
| 1 | FILTER, LINE | 1212838-00 | 5 | | |
| 1 | TERMINAL RING TONGUE | 9007930-00 | 4 | | |
| 1 | LINE FILTER TERMINAL | 240-26655-00 | 5 | | |
| 1 | CORD POWER, REWORK | 625-78151-00 | 2 | | |
| 1 | CORD POWER, REWORK | 625-78151-00 | 2 | | |

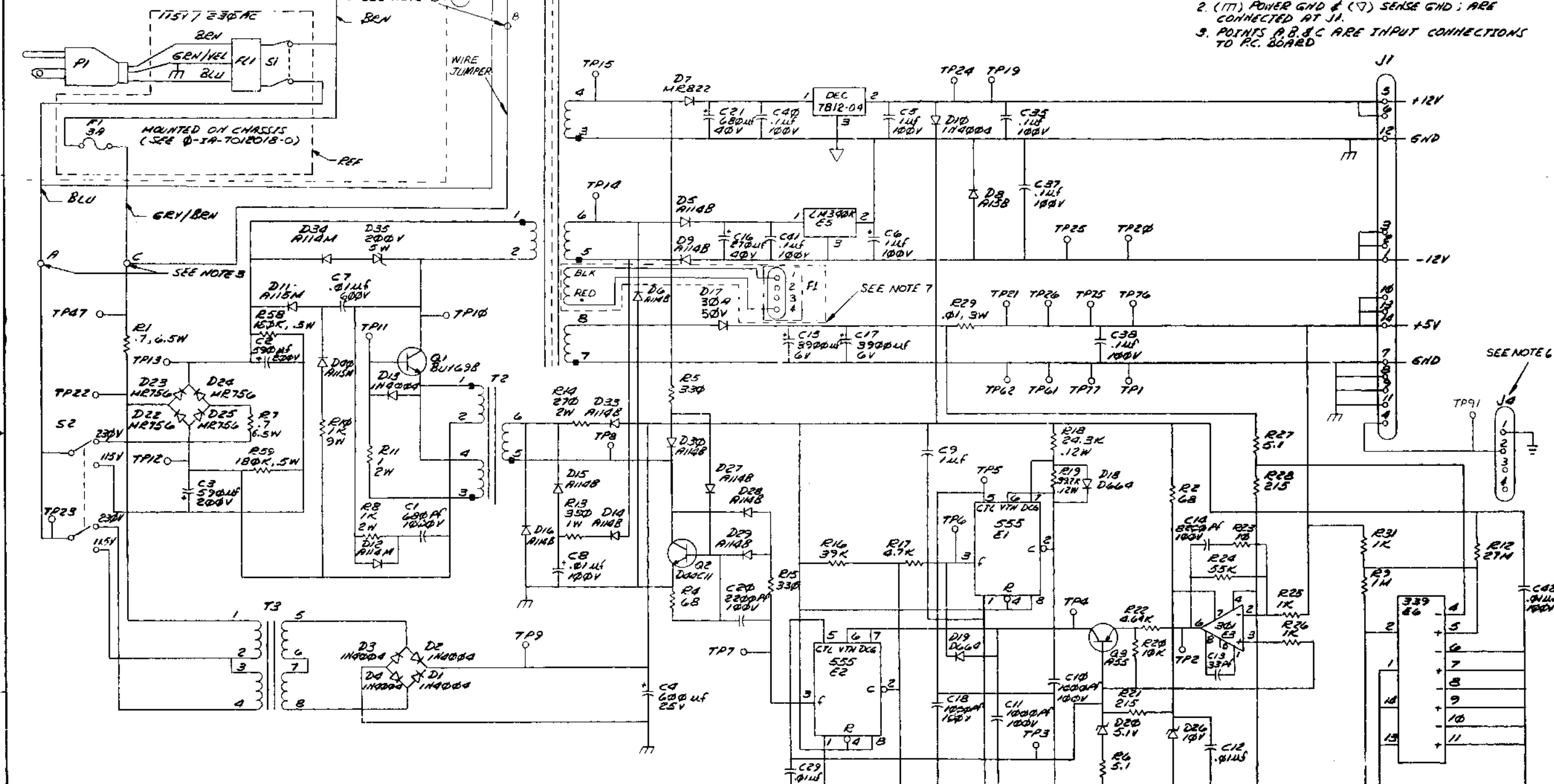
| | | | |
|----------|-------------|-------|-------|
| APPROVED | DATE | CLASS | CLASS |
| DESIGNED | DATE | CLASS | CLASS |
| CHECKED | DATE | CLASS | CLASS |
| QUANTITY | DESCRIPTION | UNIT | QTY |
| 1 | WIRING ASSY | 1 | 1 |

VT62
WIRING ASSY, (H7832)

SCALE: NONE
SHEET: 1 OF 1

THIS DRAWING AND SPECIFICATIONS HEREIN ARE THE PROPERTY OF DIGITAL EQUIPMENT CORPORATION AND SHALL NOT BE REPRODUCED OR COPIED OR USED IN WHOLE OR IN PART AS THE BASIS FOR THE MANUFACTURE OR SALE OF ITEMS WITHOUT WRITTEN PERMISSION. COPYRIGHT © 1977, DIGITAL EQUIPMENT CORPORATION.

NOTES:
1. ALL RESISTORS ARE 1/4 W, 5% UNLESS OTHERWISE SPECIFIED. ALL CAP IN UF, UNLESS OTHERWISE SPECIFIED.
2. (11) POWER GND & (17) SENSE GND ARE CONNECTED AT J1.
3. POINTS A, B & C ARE INPUT CONNECTIONS TO PC BOARD.



NOTES CONT.
4. THIS SECTION IS ONLY USED FOR -YA VARIATION.
5. LM3904 (U2) IS USED ON -YA VARIATION.
6. J1 IS USED ON -YA VARIATION.
7. 300 V TRANSFORMER WINDING IS ONLY PRESENT ON -YA VARIATION.

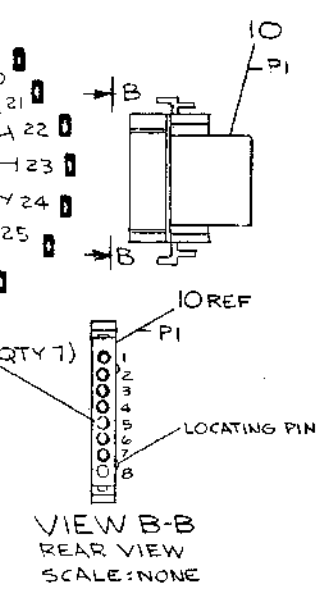
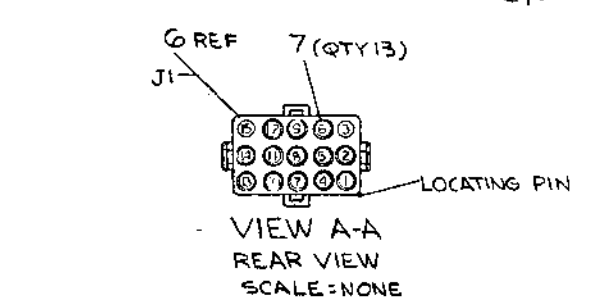
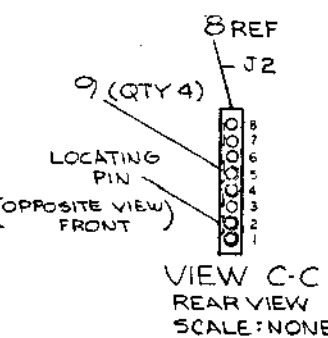
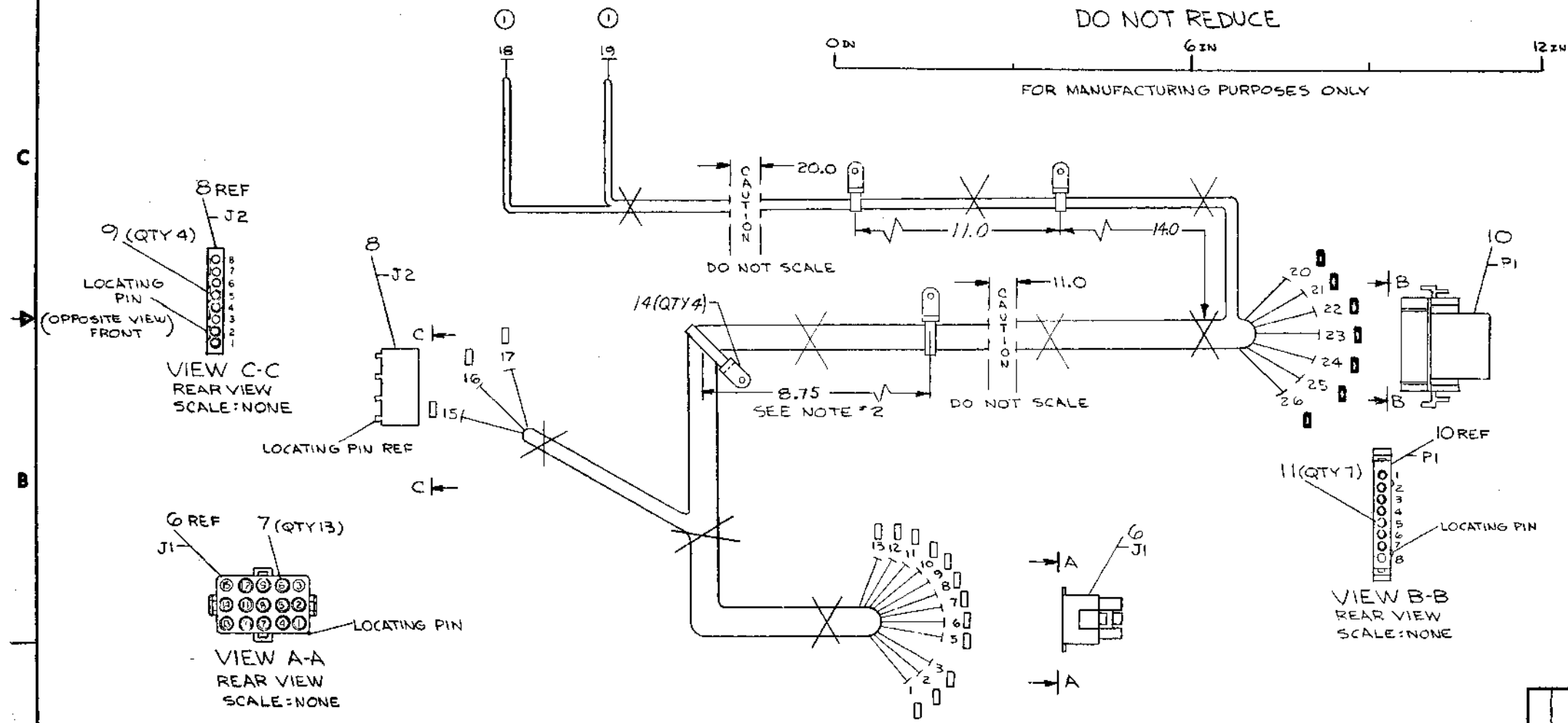
| | | |
|------------------------|-------------------|------------------------------|
| REV. 1 | DATE 7/19/77 | FIRST USED ON VT62/VT68 |
| CHK. [Signature] | APP. [Signature] | TITLE VT61, VT62, VT78, FDCT |
| ENG. [Signature] | DES. [Signature] | POWER SUPPLY |
| PROJ. ENG. [Signature] | PROD. [Signature] | |
| NEXT HIGHER ASSY. | | |
| D-11A5412973-0-0 | SIZE CODE D | NUMBER 5412973-0-1 |
| SCALE | DIST. | REV. L |
| SHEET 1 | OF 1 | |

| | |
|-----------|------------------|
| REVISIONS | REV. |
| 1 | 5412973-ML0091 L |
| 2 | ORIGINATED |

THIS DRAWING AND SPECIFICATIONS HEREIN ARE THE PROPERTY OF DIGITAL EQUIPMENT CORPORATION AND SHALL NOT BE REPRODUCED OR USED IN WHOLE OR IN PART WITHOUT WRITTEN PERMISSION. COPYRIGHT © 1975, DIGITAL EQUIPMENT CORPORATION.

| WIRE TABLE | | | | | | | | |
|------------|-----|-------|-------|------------|------|-------|------------|------|
| ITEM NO | AWG | COLOR | FROM | | | TO | | |
| | | | POINT | CONNECTION | WITH | POINT | CONNECTION | WITH |
| 15 | 18 | BLU | 1 | J1-1 | 7 | 15 | J2-2 | 9 |
| 4 | 14 | BLU | 2 | J1-2 | | 20 | P1-1 | 11 |
| 17 | 18 | GRN | 4 | J1-5 | | 16 | J2-4 | 9 |
| 3 | 14 | GRN | 5 | J1-6 | | 20 | P1-7 | 11 |
| 5 | 18 | BLK | 6 | J1-7 | | 17 | J2-5 | 9 |
| 1 | 14 | BLK | 7 | J1-8 | | 23 | P1-4 | 11 |
| 1 | | BLK | 8 | J1-9 | | 24 | P1-5 | 11 |
| 2 | | RED | 9 | J1-10 | | 21 | P1-2 | 11 |
| 1 | | BLK | 10 | J1-11 | | 19 | | 12 |
| 1 | | BLK | 11 | J1-12 | | 25 | P1-6 | 11 |
| 2 | | RED | 12 | J1-13 | | 22 | P1-3 | 11 |
| 2 | 14 | RED | 13 | J1-14 | 7 | 18 | | 12 |

NOTES:
 1. USE CABLE TIE (ITEM #13) APPROXIMATELY EVERY (3) THREE INCHES WHEN NECESSARY AND AT EVERY BREAKOUT POINT.
 2. ASSEMBLE CABLE TIE AND MOUNT (ITEM #14) AS SHOWN (REAR VIEW).



| ITEM NO | DESCRIPTION | QTY | PART NO. |
|---------|-------------------------|-----|------------|
| 17 | AIR WIRE # 18 AWG GRN | 1 | 9107360-55 |
| 16 | AIR WIRE # 18 AWG BLU | 1 | 9107360-66 |
| 15 | AIR WIRE # 18 AWG BLU | 1 | 9107360-66 |
| 14 | TIE AND MOUNT, CABLE | 9 | 9007033-00 |
| 13 | TIE, CABLE | 9 | 9007880-00 |
| 12 | TERMINAL, QUICK CONNECT | 9 | 9007969-00 |
| 11 | TERMINAL, PIN CONTACT | 7 | 1209378-00 |
| 10 | CONTACT, B PIN HOUSING | 1 | 1209340-01 |
| 9 | CONTACT, PIN | 1 | 1212203-00 |
| 8 | CONN, B SKT HOUSING | 1 | 1212620-00 |
| 7 | CONTACT, SOCKET | 12 | 1212170-00 |
| 6 | HOUSING, IS CIRCUIT | 1 | 212167-05 |
| 5 | AIR WIRE # 18 AWG BLK | 1 | 9107360-00 |
| 4 | AIR WIRE # 14 AWG BLU | 1 | 9107370-66 |
| 3 | AIR WIRE # 14 AWG GRN | 1 | 9107370-55 |
| 2 | AIR WIRE # 14 AWG RED | 1 | 9107370-22 |
| 1 | AIR WIRE # 14 AWG BLK | 1 | 9107370-00 |

| SYMBOLS | DESCRIPTION | DWG PART NO. | ITEM NO. |
|----------------------|-------------------|--------------|----------|
| ANGLE 90° | CLASS OF ACCURACY | | |
| SURFACE QUALITY | CHECK ONCE | | |
| QUANTITY & VARIATION | MICROINCHES | | |

THIRD ANGLE PROJECTION

REMOVE BURRS AND BREAK SHARP CORNERS

DO NOT SCALE DWG

SEE PARTS LIST

FINISH

DRN: [Signature] 11-2-75

CHK'D: [Signature] 11-2-75

ENG: [Signature] 12-5-75

PROJ. ENG: [Signature] 12-5-75

PROD: [Signature] 12-5-75

FIRST USED ON: VT61

TITLE: HARNESS, POWER (VT61)

SIZE: U-UA-VT61-0-0

SCALE: 1/1

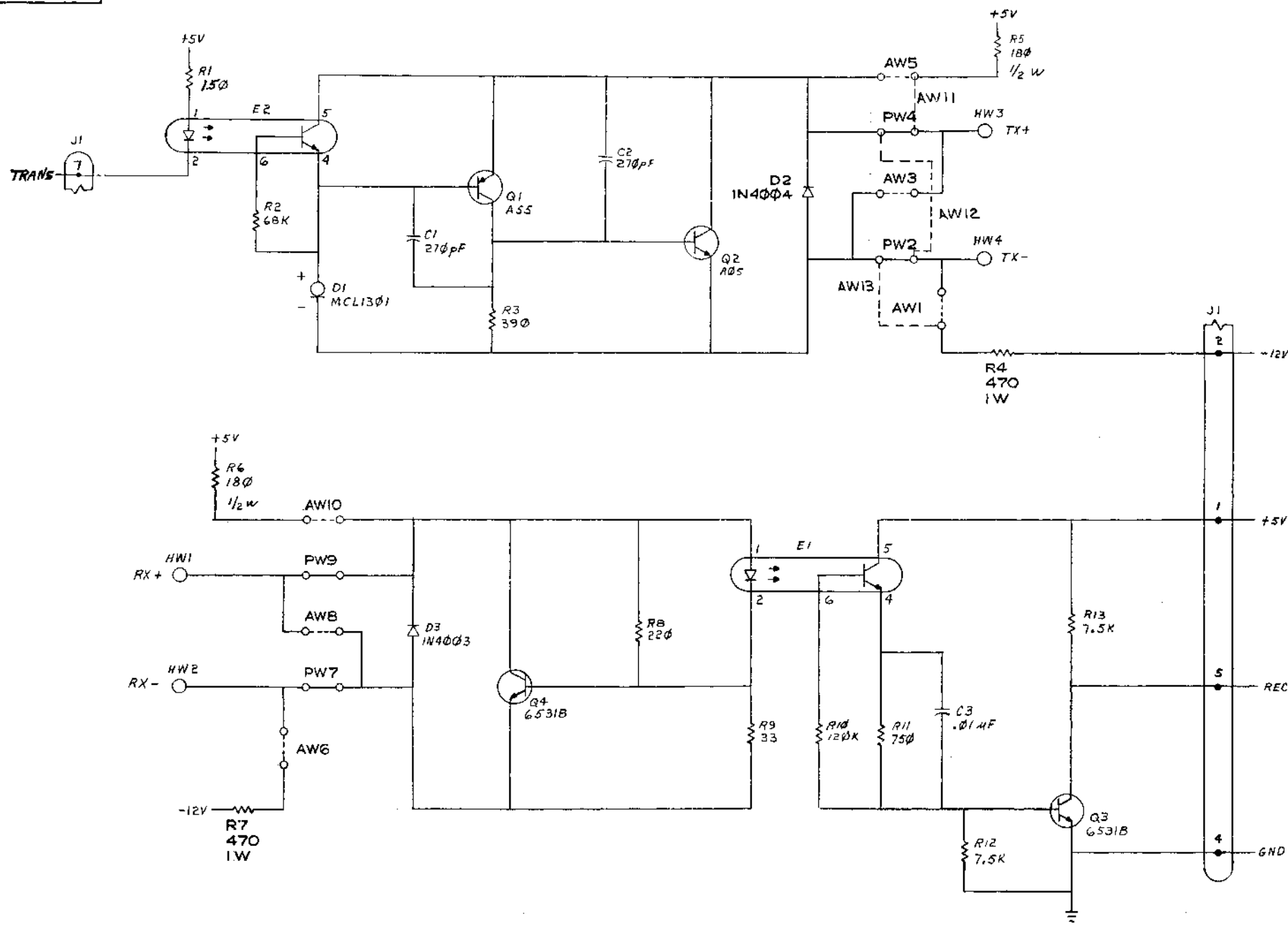
SHEET: 2 OF 2

DIST.:

| REV. | CHANGED BY | DATE | DESCRIPTION |
|------|-------------|----------|-----------------------|
| 1 | J. RUTINSKI | 11/20/75 | ISSUE FOR MANUFACTURE |

THIS DRAWING AND SPECIFICATIONS, HEREIN, ARE THE PROPERTY OF DIGITAL EQUIPMENT CORPORATION AND SHALL NOT BE REPRODUCED OR COPIED OR USED IN WHOLE OR IN PART AS THE BASIS FOR THE MANUFACTURE OR SALE OF ITEMS WITHOUT WRITTEN PERMISSION. COPYRIGHT © 1975 DIGITAL EQUIPMENT CORPORATION

CS 5411759-0-1 2



NOTES:

1. HW = EYELETS FOR HARDWIRING POINTS
2. AW JUMPERS ARE OPTIONAL JUMPERS
3. TO CONVERT FROM PASSIVE TO ACTIVE MODE, DELETE JUMPERS PW2, PW4, PW7 & PW9. ADD JUMPERS AW1, AW3, AW5, AW6, AW8 & AW10.
4. FOR VT61T ONLY, TO CONVERT FROM PASSIVE TRANSMIT TO ACTIVE TRANSMIT, DELETE JUMPERS PW2 & PW4, ADD JUMPERS AW11, AW12 & AW13 INSTEAD OF AW1, AW3 & AW5. USE ITEM 26, TUBING (9107256-00) WITH JUMPERS.

| REVISIONS | | |
|-----------|------------|------|
| CHK | CHANGE NO. | REV. |
| | | |

| | | | | | | | |
|-------|-------------------|-----------|------|--------|-------------|-------|---|
| TITLE | 20MA ADAPTER CARD | SIZE CODE | D CS | NUMBER | 5411759-0-1 | REV. | C |
| SCALE | --- | SHEET | 2 | OF | 2 | DIST. | |

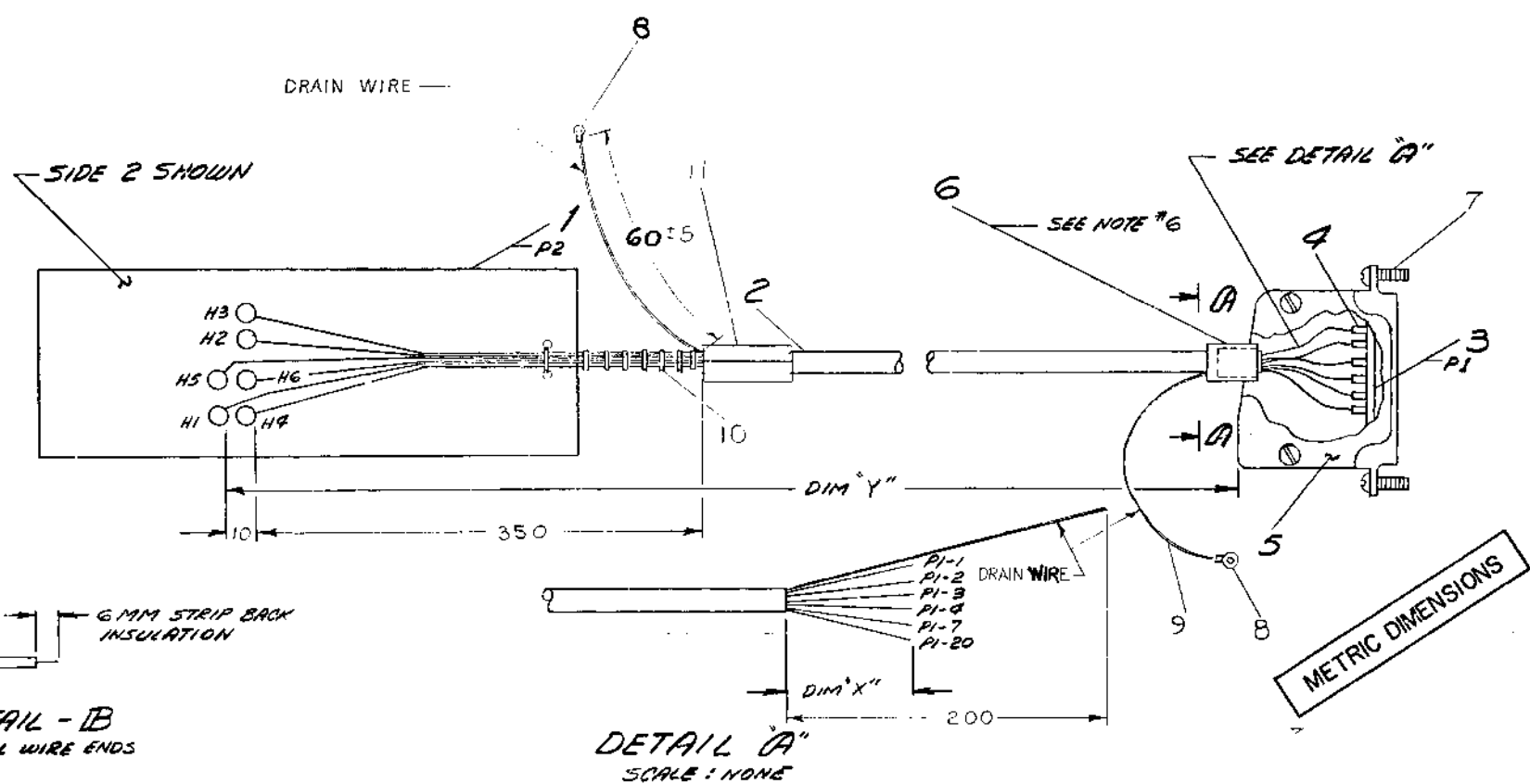
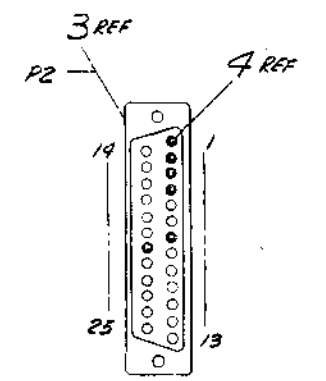
CS 5411759-0-1

THIS DRAWING AND SPECIFICATIONS HEREIN ARE THE PROPERTY OF DIGITAL EQUIPMENT CORPORATION AND SHALL NOT BE REPRODUCED OR COPIED IN WHOLE OR IN PART AS THE BASIS FOR THE MANUFACTURE OR SALE OF THIS PRODUCT WITHOUT WRITTEN PERMISSION. COPYRIGHT © 1975 DIGITAL EQUIPMENT CORPORATION

| ITEM NO | EWS | COLOR | FROM | | TO | |
|---------|-----|-------|------------|--------|------------|---------|
| | | | CONNECTION | WITH | CONNECTION | WITH |
| 1 | 24 | GRN | P2-H1 | SOLDER | P1-1 | 44CR14P |
| | | BLU | P2-H2 | | P1-2 | |
| | | RED | P2-H3 | | P1-3 | |
| | | WHT | P2-H4 | | P1-4 | |
| 1 | 24 | BLK | P2-H5 | | P1-7 | |
| | | GRN | P2-H6 | SOLDER | P1-20 | 44CR14P |

| NUMBER | VARIATION |
|----------|--|
| BNS2A-7F | DIM "X" 25MM ± 10MM
DIM "Y" 7600MM ± 50MM |

- NOTES:**
- ALTERNATE PARTS FOR ITEMS 3, 4 AND 5 ARE 120385 HOOD AND 120386 FOR THE CONNECTOR.
 - ALTERNATE CABLE NO. IS 910757B
 - ALL WIRES ARE SOLDERED ON SIDE 2 OF ITEM #1
 - CRIMPING TOOL IS MS 3198 1 OR AMPHENOL NO. 357-100 WITH NO. 357-300-2 CONTACT LOCATOR.
 - BNS2A-7F IS A 25 FOOT CABLE ASSY.
 - USE 2 LENGTHS OF 910765-09 (ITEM #6) TUBING OVER END OF CABLE WHEN USING ALTERNATE CONNECTOR. 25.9 MM AND 31.75 MM LONG.
 - ALTERNATE METHOD OF TERMINATING SHIELD IS TO REPLACE RING TERMINAL 121462B WITH RING TERMINAL 900792B AND USE SHIELD ITSELF IN PLACE OF DRAIN WIRE. TUBING 9107256 NOT USED.



| ITEM NO | DESCRIPTION | DWG/PART NO. | ITEM NO. |
|---------|------------------------|------------------|----------|
| 1 | SLEEVE, CABLE | 3-MD-741972B-0-0 | 11 |
| 8 | TIE WRAP | 9007031 | 10 |
| 4R | SLEEVE TWT | 9107256-00 | 9 |
| 2 | RING, TONGUE, TERMINAL | 121462B-00 | 8 |
| 2 | SCREW AND RETAINER | 1210493-51 | 7 |
| 9R | SHRINKABLE TUBING | 9107635-09 | 6 |
| 1 | HOOD STRAIN RELIEF | 1210493-50 | 5 |
| 6 | MALE PIN | 1210493-39 | 4 |
| 1 | SHELL AND INSERT | 1210493-31 | 3 |
| 4R | CABLE CONDUCTOR | 9107733-0-0 | 2 |
| 1 | EIA CARD | 5811523-1-0 | 1 |

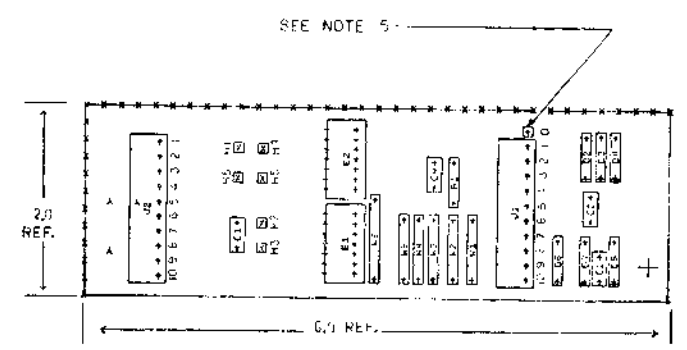
| QUANTITY & VARIATION | | UNLESS OTHERWISE SPECIFIED DIMENSIONS ARE IN MILLIMETERS | | | | | |
|--------------------------------------|-------------------------------------|--|------|-----------|------|-------|--|
| THIRD ANGLE PROJECTION | <input checked="" type="checkbox"/> | FIRST USED ON VTS2 | | | | | |
| REMOVE BURRS AND BREAK SHARP CORNERS | <input checked="" type="checkbox"/> | TITLE: VTS2 EIA CARD AND CABLE ASSEMBLY | | | | | |
| DO NOT SCALE DWG | <input checked="" type="checkbox"/> | NEXT HIGHER ASSY. | | | | | |
| MATERIAL | 0-0A-VTS2-0-0 | SIZE | CODE | NUMBER | REV. | | |
| SCALE | NONE | 1 | IA | BNS2A-0-0 | H | | |
| FINISH | | SHEET | 1 | OF | 1 | DIST. | |

| REV. | CHANGE NO. | DATE | BY | CHKD. |
|------|------------|------|----|-------|
| A | 00001 | | | |
| B | | | | |
| C | | | | |
| D | | | | |
| E | | | | |
| F | | | | |
| G | | | | |
| H | | | | |
| I | | | | |
| J | | | | |
| K | | | | |
| L | | | | |
| M | | | | |
| N | | | | |
| O | | | | |
| P | | | | |
| Q | | | | |
| R | | | | |
| S | | | | |
| T | | | | |
| U | | | | |
| V | | | | |
| W | | | | |
| X | | | | |
| Y | | | | |
| Z | | | | |

THIS DRAWING AND SPECIFICATIONS HEREIN ARE THE PROPERTY OF DIGITAL EQUIPMENT CORPORATION AND SHALL NOT BE REPRODUCED OR COPIED OR USED IN WHOLE OR IN PART AS THE BASIS FOR THE MANUFACTURE OR SALE OF ITEMS WITHOUT WRITTEN PERMISSION FROM DIGITAL EQUIPMENT CORPORATION

NOTES:

1. THIS CIRCUIT IS REPEATED 12 TIMES ON A 8" x 16" CIRCUIT BOARD
2. ALL DIODES ARE D664
3. MARK - = -10V = LOGIC 1
SPACE = +10V = LOGIC 0
4. PLACEMENT OF COMPONENTS IS DEPENDANT ON DEC DRAWING 5410302 (VT50) AND 5411743 (VT52) FOR MOUNTING AND CLEARANCE
5. WHEN BUILDING THE DASH '0' VARIATION THE EXTRA HOLE ON CONN. J1 IS AS SHOWN BELOW



| | | | |
|--|-----|-----|-------------|
| DEC 1488 L | 7 | 14 | 1 |
| IC TYPE | GND | +5V | +12V +10.5V |
| GND AND 5V ARE USUALLY PIN 7 AND 14 RESPECTIVELY EXCEPTIONS ARE STATED ABOVE | | | |
| IC PIN LOCATIONS | | | |

| QTY | QTY | REF. DESIGNATION | DESCRIPTION | PART NO. | ITEM NO. |
|-----|-----|------------------|-------------------------------|------------------|----------|
| | | J1 | HEADER, 11 POSITION | 1212519-04 | 14 |
| | | H1-H6 | EYELET G54-3 | 98-87936 | 13 |
| | | W1-W6 | JUMPER | 9-07560-1 | 12 |
| | | E1 | MC 14891 EIA RECEIVER | 19-16323 | 11 |
| | | E2 | MC 1488LEIA DRIVER | 19-16322 | 10 |
| | | R1 | RES 2.2K 1/4W 5% C.C. | 13-08417 | 9 |
| | | J1, 2 | CONN AMP C15 TOP ENTRY 10 PIN | 12-11982 | 6 |
| | | D2-D7 | DIODE D664 | 11-00114 | 7 |
| | | C2,3,4 | CAP .01UF 100V 20% DISC | 18-01618-01 | 6 |
| | | C1 | CAP 470PF 100V D.M. | 18-00024 | 5 |
| | | | ETCHED CIRCUIT BOARD | 5811447 | 4 |
| REF | REF | | MODULE HISTORY LIST | B-MH-5411448-0-6 | 3 |
| REF | REF | | ASSY DRILLING HOLE LAYOUT | D-AM-5411448-0-5 | 2 |
| REF | REF | | X-Y COORDINATE HOLE LOC. | K-CO-5411448-0-4 | 1 |

FIRST USED ON OPTION MODEL
VT50

ETCH BOARD REV. D

REVISIONS

DEC NO. EIA NO. DEC NO. EIA NO.

SEMICONDUCTOR CONVERSION CHART

DRN: R. Pucci DATE: 12-20-75
 CHG: R. Pucci DATE: 1-6-75
 ENG: R. Pucci DATE: 1-6-75
 P-32: ENG: R. Pucci DATE: 1-6-75
 PHD: R. Pucci DATE: 1-6-75

NEXT ASSEMBLY: D-UA-BN50A-0-0

SCALE NONE

SHEET 1 OF 2

digital

TITLE: VT50 EIA ADAPTER

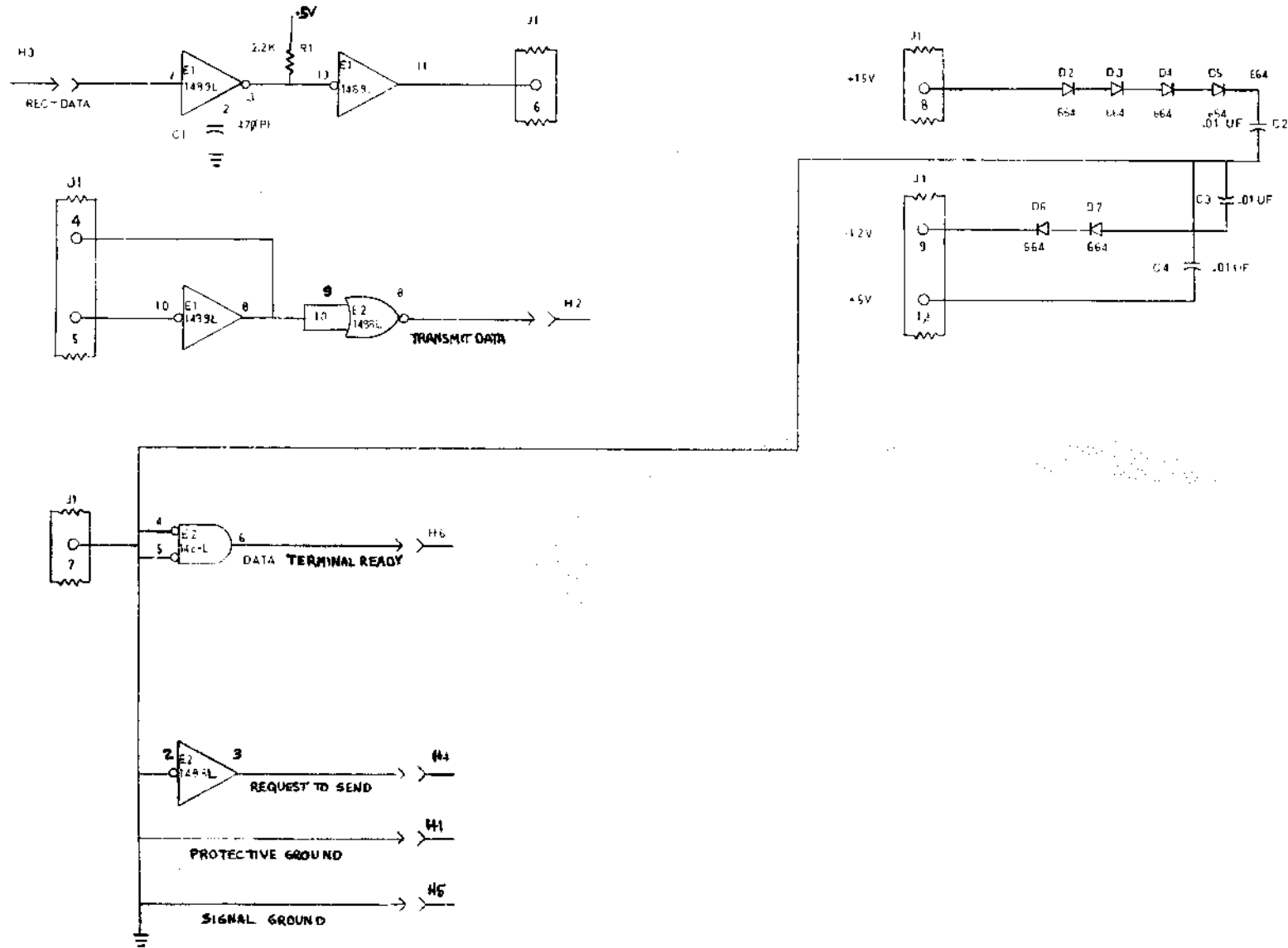
SIZE CODE: D

NUMBER: 5411448-0-1

REV: E

"THIS DRAWING AND SPECIFICATIONS HEREIN ARE THE PROPERTY OF DIGITAL EQUIPMENT CORPORATION AND SHALL NOT BE REPRODUCED OR COPIED OR USED IN WHOLE OR IN PART AS THE BASIS FOR THE MANUFACTURE OR SALE OF ITEMS WITHOUT WRITTEN PERMISSION. COPYRIGHT © DIGITAL EQUIPMENT CORPORATION"

3 1-8-8771176 530 2



| REVISIONS | | |
|-----------|------------|------|
| CHK | CHANGE NO. | REV. |
| | | |
| | | |

TITLE: VT50 EIA ADAPTER CARD
 SIZE CODE: DCS
 NUMBER: 5411448-0-1
 REV: E
 SCALE: SHEET 2 OF 2

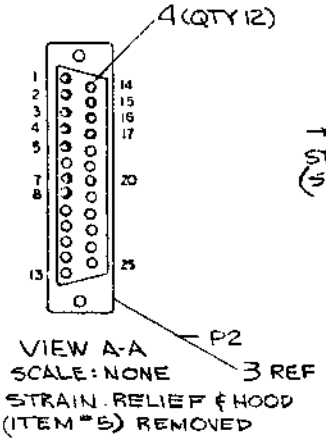
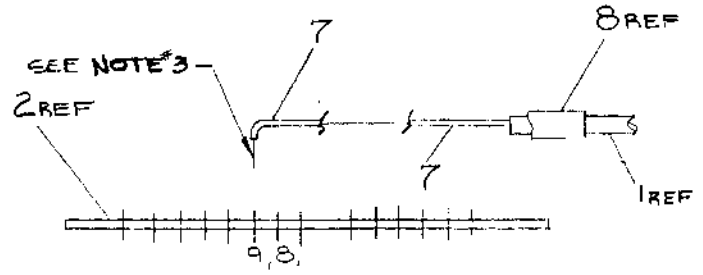
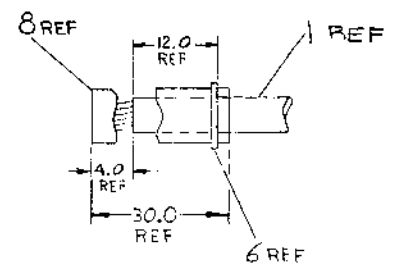
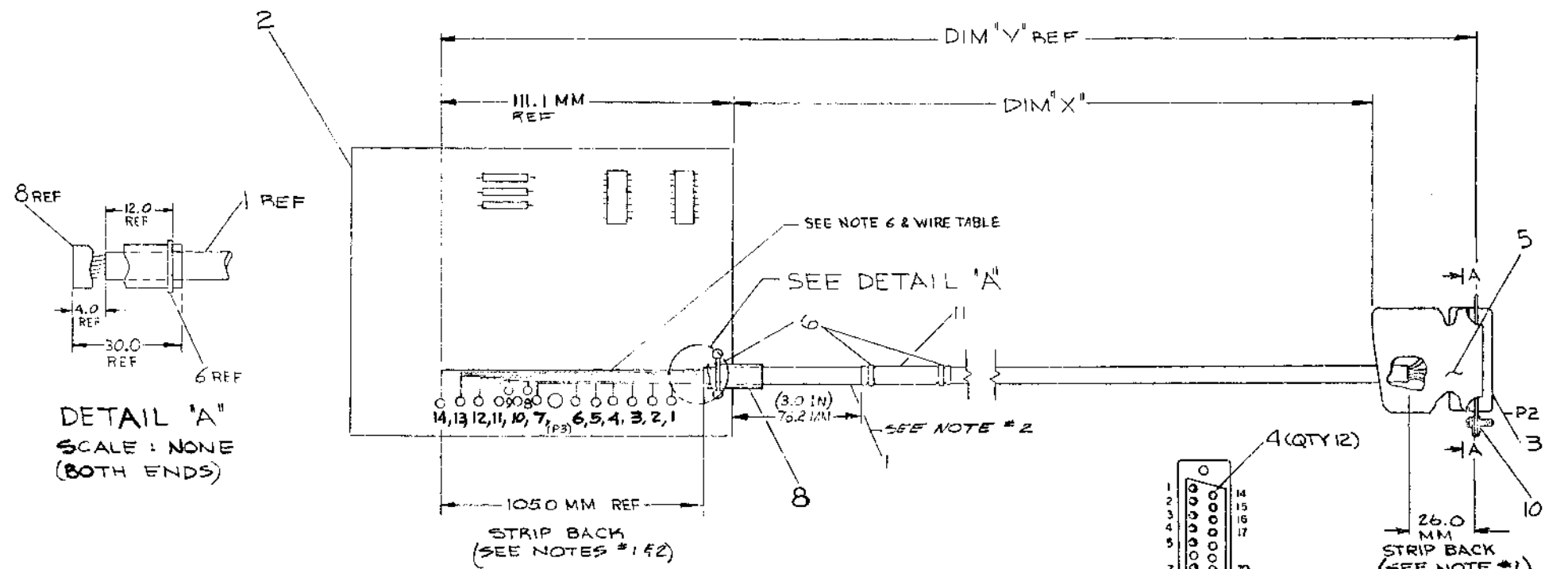
5411448-0-1 E

"THIS DRAWING AND SPECIFICATIONS, HEREIN ARE THE PROPERTY OF DIGITAL EQUIPMENT CORPORATION AND SHALL NOT BE REPRODUCED OR COPIED OR USED IN WHOLE OR IN PART AS THE BASIS FOR THE MANUFACTURE OF SALE OF ITEMS WITHOUT WRITTEN PERMISSION. COPYRIGHT © 1975 DIGITAL EQUIPMENT CORPORATION"

| WIRE TABLE | | | | | | | | |
|------------|-------------|----------|-------|------------|-------|-------------|---------------------------------------|------------------------|
| ITEM NO | DESCRIPTION | FROM | | TO | | SIGNAL NAME | REMARKS | WIRE LENGTH SEE NOTE 6 |
| | | AWG | COLOR | CONNECTION | WITH | | | |
| 1 | 26 | GRY/WHY | P3-1 | 99SOLD | P2-3 | 4 | REC DATA | 40 MM |
| | | WHY/BRN | P3-2 | | P2-8 | 0 | CARRIER | 40 MM |
| | | RED/BRN | P3-3 | | P2-16 | | EIA SECONDARY RCVD DATA | 40 MM |
| | | GRY/WHY | P3-4 | | P2-5 | | CLEAR TO SEND | 40 MM |
| | | GRAY | P3-5 | | P2-17 | | SERIAL CLK RECV | 40 MM |
| | | SHIELD A | P3-8 | | | | GND SHIELD FOR P3-5 CONN. SEE NOTE #2 | 80 MM |
| | | GRY/GRN | P3-6 | | P2-15 | | SERIAL CLK TRANS | 45 MM |
| | | SHIELD B | P3-9 | | | | GND SHIELD FOR P3-6 CONN. SEE NOTE #2 | 80 MM |
| | | BRN/WHY | P3-7 | | P2-7 | | GND | 75 MM |
| | | BLU/WHY | P3-10 | | P2-1 | | GND | 80 MM |
| | | BLU/BLU | P3-11 | | P2-20 | | DATA TERMINAL READY | 85 MM |
| | | WHY/GRN | P3-12 | | P2-4 | | REQUEST TO SEND | 95 MM |
| | | WHY/BLU | P3-13 | | P2-2 | | TRANSMITTED DATA | 100 MM |
| 1 | 26 | GRY/RED | P3-14 | 99SOLD | P2-14 | 4 | EIA SECONDARY TRANS DATA | 105 MM |

| LEGEND | | |
|----------|------------|----------------------|
| NUMBER | DIM 'X' | DIM 'Y' (PRECUT) REF |
| BN618-05 | 5.0 ± .01M | 5.140 M |

- NOTES:
1. STRIP BACK OUTER JACKET (BOTH ENDS AS SHOWN).
 2. STRIP BACK TIN FOIL ON WIRES GOING TO P3-8 & P3-9 ON VT61 EIA CARD AND PLACE TUBING EXTRUDED OVER STRIPPED WIRES.
 3. AFTER ASSEMBLING TERMINALS ON WIRES MAKE CONNECTIONS TO EIA CARD AND SOLDER AS SHOWN.
 4. CUT BACK ALL UNUSED WIRES TO END OF CABLE JACKET (BOTH ENDS).
 5. CABLE JACKET SHOULD EXTEND UNDER THE CABLE TIE (ITEM 6) BY APPROX. 12.0 MM.
 6. WIRE LENGTH INFORMATION APPLIES TO ITEM #2 END OF CABLE.



METRIC DIMENSIONS

| IDENTIFIER, LABEL | QTY | DESCRIPTION | DWG. PART NO. | ITEM NO. |
|---------------------------------|--------------|-----------------------|---------------|--------------|
| 1 IDENTIFIER, LABEL | 11 | 9009532-00 | | 11 |
| 2 SCREW, RETAINER MALE | 10 | 1210493-51 | | 10 |
| 4 TERMINAL CONNECTOR | 9 | 9009724-00 | | 9 |
| 4B TUBING, SHANK | 8 | 9107252-09 | | 8 |
| 4B TUBING, EXTRUDED | 7 | 9107278-11 | | 7 |
| 3 TIE, CABLE | 6 | 9007031-00 | | 6 |
| 1 CONN. HOOD & STRAIN RELIEF | 5 | 1210493-50 | | 5 |
| 12 CONTACT PIN | 4 | 1210493-43 | | 4 |
| 1 CONN. SHELL & INSERT | 3 | 1210493-31 | | 3 |
| 1 VT61 EIA CARD | 2 | D-05-54V379-0-1 | | 2 |
| 1 CABLE, 25 COND 26 AWG | 1 | 9107736-00 | | 1 |

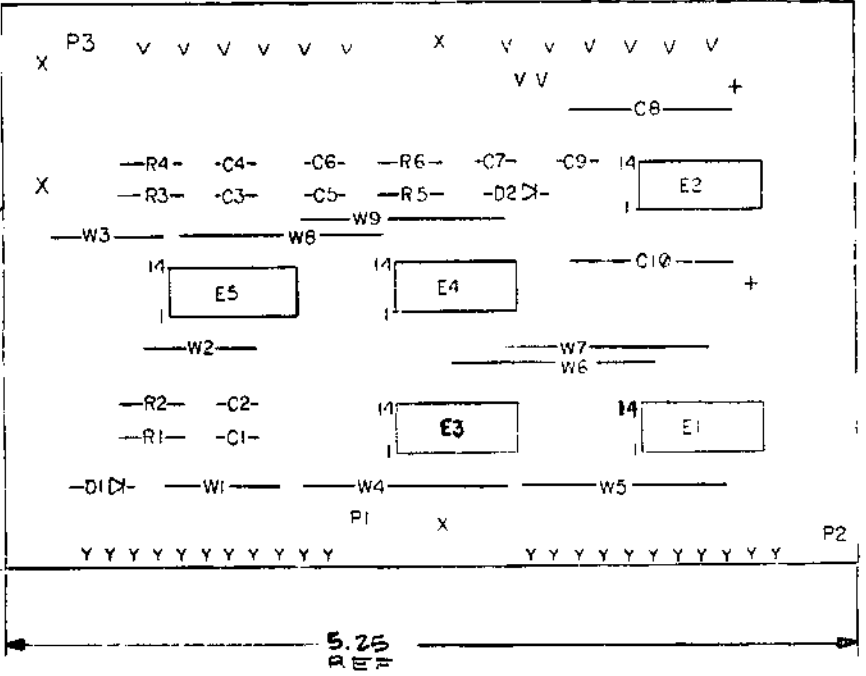
| UNLESS OTHERWISE SPECIFIED DIMENSIONS ARE IN MILLIMETERS | | NOMINAL DIMENSION RANGE MILLIMETER | | | | | |
|--|-------------------|------------------------------------|--------|---------|----------|----------|-----------|
| ANGLE | CLASS OF ACCURACY | OVER 1 | OVER 2 | OVER 30 | OVER 100 | OVER 300 | OVER 1000 |
| ANGLE NOT 90° | | 1 | 2 | 3 | 4 | 5 | 6 |
| SURFACE QUALITY (IN) | (CHECK ONE) | 10.1 | 10.2 | 10.3 | 10.4 | 10.5 | 11.0 |
| | PREFERRED | 10.3 | 10.4 | 10.6 | 11.0 | 11.8 | 22.5 |

| | | | |
|--------------------------------------|-------------------------------|---------------|---------------------------|
| QUANTITY & VARIATION | DRN. <i>[Signature]</i> | FIRST USED ON | VT61 |
| REMOVE BURRS AND BREAK SHARP CORNERS | CHK'D BY <i>[Signature]</i> | TITLE | CABLE ASSY, VT61 EIA CARD |
| DO NOT SCALE DWG | PROJ. ENG. <i>[Signature]</i> | SIZE CODE | 1 IA BN618-0-0 |
| | PRODRG. <i>[Signature]</i> | NUMBER | 1 |
| | | SHEET | 1 |
| | | OF | 1 |
| | | DIST. | |

| REV. | CHANGE NO. | DATE | BY | CHKD. |
|------|------------|----------|-------------|-------------|
| 1 | A | 11-10-75 | J. BUZYNSKI | J. BUZYNSKI |
| 2 | B | 11-10-75 | J. BUZYNSKI | J. BUZYNSKI |
| 3 | C | 11-10-75 | J. BUZYNSKI | J. BUZYNSKI |
| 4 | D | 11-10-75 | J. BUZYNSKI | J. BUZYNSKI |
| 5 | E | 11-10-75 | J. BUZYNSKI | J. BUZYNSKI |

THIS DRAWING AND SPECIFICATIONS, HEREIN, ARE THE PROPERTY OF DIGITAL EQUIPMENT CORPORATION AND SHALL NOT BE REPRODUCED OR COPIED OR USED IN WHOLE OR IN PART AS THE BASIS FOR THE MANUFACTURE OR SALE OF ITEMS WITHOUT WRITTEN PERMISSION.
 COPYRIGHT © 1975, DIGITAL EQUIPMENT CORPORATION

NOTES:



| IC TYPE | GND | +5V |
|---------|-----|-----|
| | | |
| | | |
| | | |
| | | |
| | | |
| | | |
| | | |
| | | |
| | | |
| | | |
| | | |
| | | |
| | | |
| | | |
| | | |
| | | |
| | | |
| | | |
| | | |
| | | |
| | | |
| | | |

GND AND 5V ARE USUALLY PIN 7 AND 14 RESPECTIVELY EXCEPTS ARE STATED ABOVE

IC PIN LOCATIONS

| REF | X-Y COORDINATE HOLE LOCATION | QTY | PART NO. | ITEM NO. |
|-----|-------------------------------|-----|---------------------|----------|
| REF | ASSEMBLY DRILLING HOLE LAYOUT | | D-AN-5411379-0-5 | 2 |
| REF | MODULE ECO HISTORY | | 3-MH-5411379-0-6 | 3 |
| REF | ETCHED CIRCUIT BOARD | | O-MD-5011576-4 | 4 |
| 6 | C1-C6 | | CAP 470 PF 100V | 5 |
| 2 | C7-C9 | | CAP .01UF 100V | 6 |
| 2 | C8,C10 | | CAP 25UF 25V | 7 |
| 2 | D1,D2 | | DIODE 1N4004 | 8 |
| 9 | W1-W9 | | JUMPER #22 AWG | 9 |
| 6 | R1-R6 | | RES 24K 1/4 W 5% 10 | 10 |
| 1 | E2 | | IC 1488L | 11 |
| 2 | E4,E5 | | IC, 1489L | 12 |
| 2 | E1,E3 | | IC, 7404 | 13 |
| 07 | P1,P2 | | PINS STRAIGHT | 14 |

| QTY | REF. DESIGNATION | DESCRIPTION | PART NO. | ITEM NO. |
|-----|------------------|-------------------|----------|----------|
| | VT61 | ETCH BOARD REV. 0 | | |

| | | | | |
|-----------------|--|--|--|--|
| DCS 5411379-0-1 | | | | |
|-----------------|--|--|--|--|

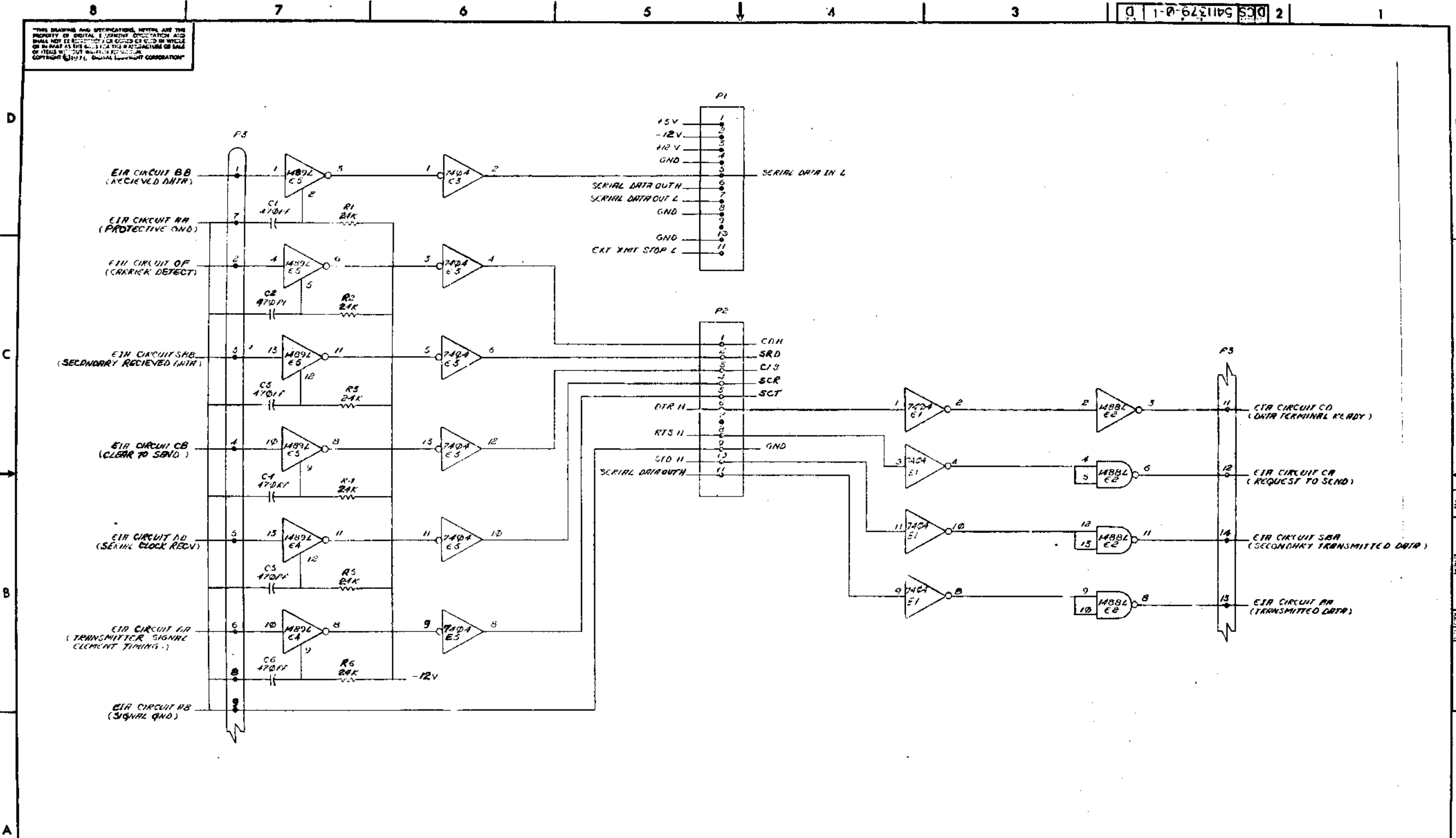
| | |
|-----------------|--------|
| DCS 5411379-0-1 | REV. D |
|-----------------|--------|

SEMICONDUCTOR CONVERSION CHART

BOARD, EIA CONVERSION VT61

DESIGNED BY: J. O. DESUK
 DATE: 12/11/75
 CHECKED BY: [Signature]
 DATE: 12/11/75
 ORIGINATED BY: ORIGINATED
 DATE: 12/11/75

THIS DRAWING AND SPECIFICATIONS HEREIN ARE THE PROPERTY OF DIGITAL EQUIPMENT CORPORATION AND SHALL NOT BE REPRODUCED OR COPIED IN WHOLE OR IN PART AS THIS IS THE MANUFACTURE OR SALE OF ITEMS OF THE UNITED STATES GOVERNMENT. COPYRIGHT © 1977, DIGITAL EQUIPMENT CORPORATION



| REVISIONS | | |
|-----------|------------|------|
| CHK | CHANGE NO. | REV. |
| | | |

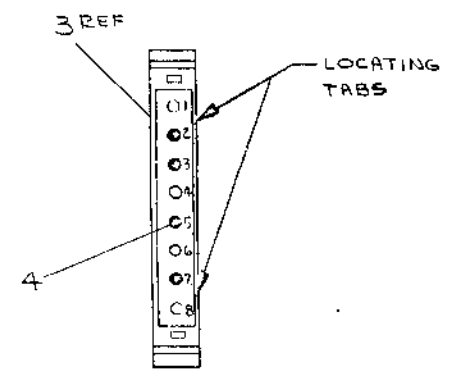
| | | | | | | | |
|-------|-------------------------|-----------|-----|--------|-------------|------|---|
| TITLE | VT61 EIA CONVERSION ED. | SIZE CODE | DCS | NUMBER | 5411379-0-1 | REV. | D |
| | | | | | | | |

THIS DRAWING AND SPECIFICATIONS HEREIN ARE THE PROPERTY OF DIGITAL EQUIPMENT CORPORATION AND SHALL NOT BE REPRODUCED OR COPIED OR USED IN WHOLE OR IN PART AS INSTRUCTIONS FOR THE MANUFACTURE OR SALE OF ITEMS UNLESS THE WRITTEN PERMISSION OF DIGITAL EQUIPMENT CORPORATION IS OBTAINED.

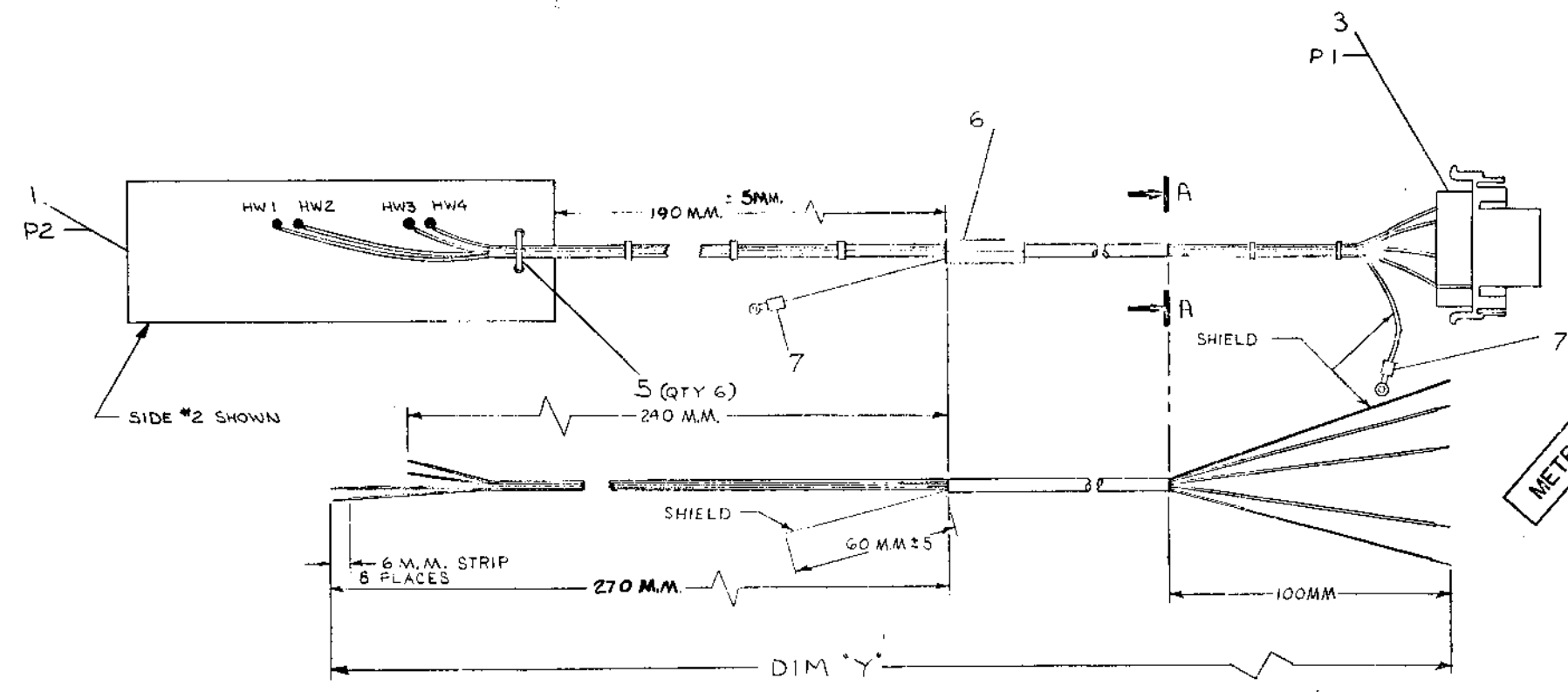
| WIRE TABLE | | | | | | | |
|------------|-------------|------|------|-------------|-----------|--|--|
| ITEM NO. | DESCRIPTION | FROM | TO | SIGNAL NAME | | | |
| 2 | 22 | BLK | P1-2 | 3 P2-HW2 | SOLD. RX- | | |
| 4 | ↑ | RED | P1-3 | 4 P2-HW4 | ↑ TX- | | |
| 4 | ↑ | WHT | P1-5 | 4 P2-HW1 | ↑ RX+ | | |
| 2 | 22 | GRN | P1-7 | 3 P2-HW3 | SOLD. TX+ | | |

| LEGEND | |
|----------|--------------------|
| NUMBER | DRY" PRE-CUT (REF) |
| BN52B-04 | 4.0 M. |
| BN52B-7F | 7.6 M. |

NOTE



VIEW A-A
SCALE: NONE
REAR VIEW



| QTY | DESCRIPTION | DWG/PART NO. | ITEM NO. | |
|-----|-------------|-----------------------------|-----------------|---|
| 2 | 2 | TERMINAL, RING TONGUE | 9007928 | 7 |
| 1 | 1 | SLEEVE, CABLE | 3MD-749728-0-0 | 6 |
| 6 | 6 | TIE WRAP | 9007031 | 5 |
| 4 | 4 | TERMINAL, PIN CONTACT | 1209378-03 | 4 |
| 1 | 1 | CONN. PANEL MOUNT, 8 PIN | 1209340-01 | 3 |
| 4 | 4 | CABLE, 4 COND. #22 AWG STD. | 1700097-00 | 2 |
| 1 | 1 | 20 MA ADAPTER CARD | D-C5-5411759-04 | 1 |

| UNLESS OTHERWISE SPECIFIED DIMENSIONS ARE IN MILLIMETERS | |
|--|-------------------|
| ANGLES | CLASS OF ACCURACY |
| 10° 30' | CHECK ONE |
| SURFACE QUALITY | MEDIUM |
| FINISH | PREFERRED |

THIRD ANGLE PROJECTION

REMOVE BURRS AND BREAK SHARP CORNERS

DO NOT SCALE DWG

MATERIAL SEE PARTS LIST

FINISH

DRN: J. DESUK 7-7-75

CHKD: J. DESUK 7-3-75

ENGR: J. DESUK 7-3-75

PROJ. ENG: J. DESUK 7-3-75

PROD. ENG: J. DESUK 7-3-75

FIRST USED ON: VT52

TITLE: 20 MA. ADAPTER ASSY

SIZE CODE: 1 IA

NUMBER: BN52B-0-0

SHEET OF 1

| REV. | CHG. NO. | BY | DATE |
|------|----------|----|--------|
| 1 | 00001 | A | 7-7-75 |
| 2 | 00002 | B | 7-7-75 |
| 3 | 00003 | C | 7-7-75 |
| 4 | 00004 | D | 7-7-75 |
| 5 | 00005 | E | 7-7-75 |
| 6 | 00006 | F | 7-7-75 |
| 7 | 00007 | G | 7-7-75 |
| 8 | 00008 | H | 7-7-75 |
| 9 | 00009 | I | 7-7-75 |
| 10 | 00010 | J | 7-7-75 |

THIS DRAWING AND SPECIFICATIONS HEREIN ARE THE PROPERTY OF DIGITAL EQUIPMENT CORPORATION AND SHALL NOT BE REPRODUCED OR COPIED OR USED IN WHOLE OR IN PART AS THE BASIS FOR THE MANUFACTURE OR SALE OF ITEMS WITHOUT WRITTEN PERMISSION. COPYRIGHT © 1976 DIGITAL EQUIPMENT CORPORATION

| WIRE TABLE ** | | | | | | | |
|---------------|-----|-------|------------|-----------------|------------|-----------------|-------------|
| ITEM NO | AWG | COLOR | FROM | | TO | | SIGNAL NAME |
| | | | CONNECTION | WITH CONNECTION | CONNECTION | WITH CONNECTION | |
| 2 | 22 | BLK | P1-BK | * P2-HW3 | 50L | | TX+ |
| | | RED | P1-R | * P2-HW2 | | | AX- |
| | | WHT | P1-Y | * P2-HW4 | | | TX- |
| 2 | 22 | GRN | P1-GN | * P2-HW1 | 50L | | RX+ |

* SEE NOTE #2
** SEE NOTE #3

| LEGEND | | |
|----------|-------------------|----------------------|
| NUMBER | DIM "X" VARIATION | DIM "Y" PRECUT (REF) |
| BNGIC-04 | 3.0 M | 4.0 M |
| BNGIC-7F | 7.5 M | 7.6 M |

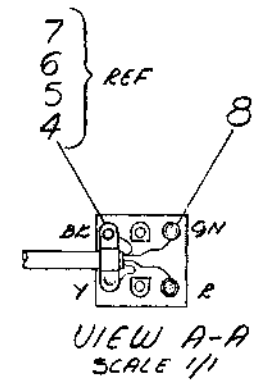
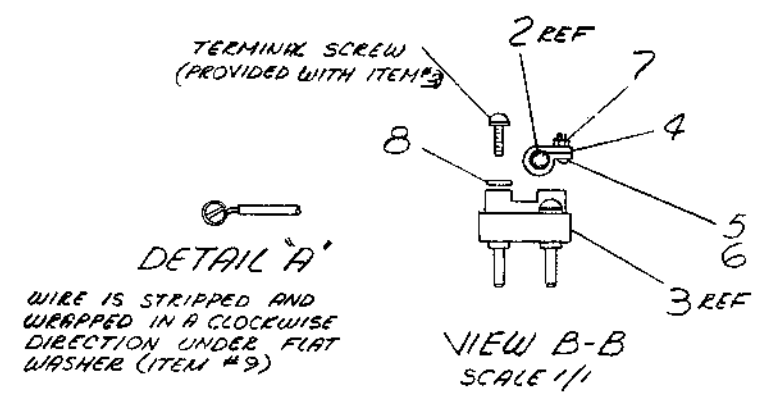
NOTES:
1. DISCARD SMALL SCREW SUPPLIED WITH PLUG (ITEM #3)

2. ATTACH WIRES INDICATED BY ASTERISK (*) TO ITEM #3 USING ITEM #8 AND SUPPLIED WITH ITEM #3

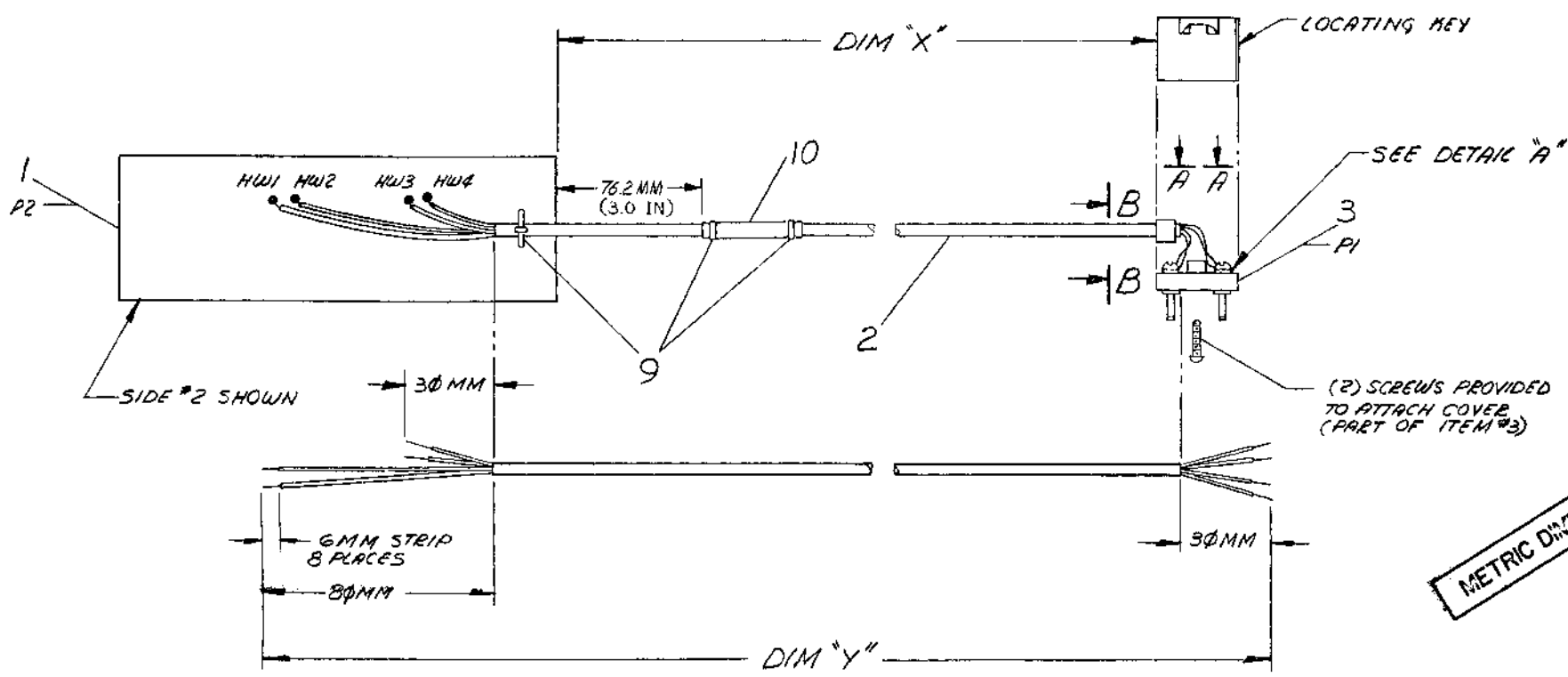
3. THE BN52C CAN BE MADE INTO A BNGIC BY INTERCHANGING CONNECTIONS GOING TO:
(A) P1-BK AND P1-Y
(B) P2-HW3 AND P2-HW4

4. (a) ITEM #1 MUST BE EQUIVALENT TO CIRCUIT SCHEMATIC REVISION 'C' OR HIGHER.
(b) THE JUMPER CONFIGURATION ON ITEM #1 MUST BE SET UP FOR ACTIVE TRANSMIT AND PASSIVE RECEIVE AS FOLLOWS:

| TRANSMIT | RECEIVE |
|-----------|------------|
| AW1 - OUT | AW6 - OUT |
| AW3 - OUT | AW8 - OUT |
| PW2 - OUT | AW10 - OUT |
| PW4 - OUT | PW7 - IN |
| AW5 - OUT | PW9 - IN |
| AW11 - IN | |
| AW12 - IN | |
| AW13 - IN | |



DETAIL - B
TYP ALL WIRE ENDS



METRIC DIMENSIONS

| ITEM NO | DESCRIPTION | DWG. PART NO. | ITEM NO. |
|---------|-----------------------------|----------------|----------|
| 1 | IDENTIFIER LABEL | 9009532-00 | 10 |
| 3 | TIE WARP | 9007031-00 | 9 |
| 4 | WASHER FLAT #4 | 9008172-00 | 8 |
| 1 | NUT, NYLON #4-40 | 9007992-00 | 7 |
| 1 | SCR, NYLON BIND. NR. 240123 | 9006401-00 | 6 |
| 1 | WASHER, FLAT NYL. #4 | 9006706-00 | 5 |
| 1 | CABLE CLAMP .12 | 9007079-00 | 4 |
| 1 | CONN. TELEPHONE (PLUG) | 1203857-01 | 3 |
| 1/2 | CABLE, 4 COND. #22 AWG | 9107706-00 | 2 |
| 1 | 20NA ADAPTEE CARD | D-55-581759-04 | 1 |

UNLESS OTHERWISE SPECIFIED DIMENSIONS ARE IN MILLIMETERS

| ANGLES | CLASS OF ACCURACY (CHECK ONE) | NOMINAL DIMENSION RANGE MILLIMETER | | | | | |
|----------------------|-------------------------------|------------------------------------|-------------|--------------|----------------|-----------------|------------------|
| | | OVER 1 TO 3 | OVER 3 TO 6 | OVER 6 TO 30 | OVER 30 TO 100 | OVER 100 TO 300 | OVER 300 TO 1000 |
| SURFACE QUAL. IN | MEDIUM | ±0.1 | ±0.2 | ±0.3 | ±0.4 | ±0.8 | ±1.0 |
| QUANTITY & VARIATION | PREFERRED | ±0.3 | ±0.4 | ±0.5 | ±1.0 | ±1.5 | ±2.5 |

THIRD ANGLE PROJECTION

DRN: [Signature] FIRST USED IN: [Signature] VTEIT

REMOVE BURRS AND BREAK SHARP CORNERS

DO NOT SCALE DWG

MATERIAL: SEE PARTS LIST

TITLE: CURRENT LOOP TO 283B PLUG

PROJ. ENG: [Signature]

PROD.: [Signature]

SCALE: 1/1

SHEET 1 OF 1

NUMBER: 0-0A-VTEIT-0-0

SCALE: 1/1

SHEET 1 OF 1

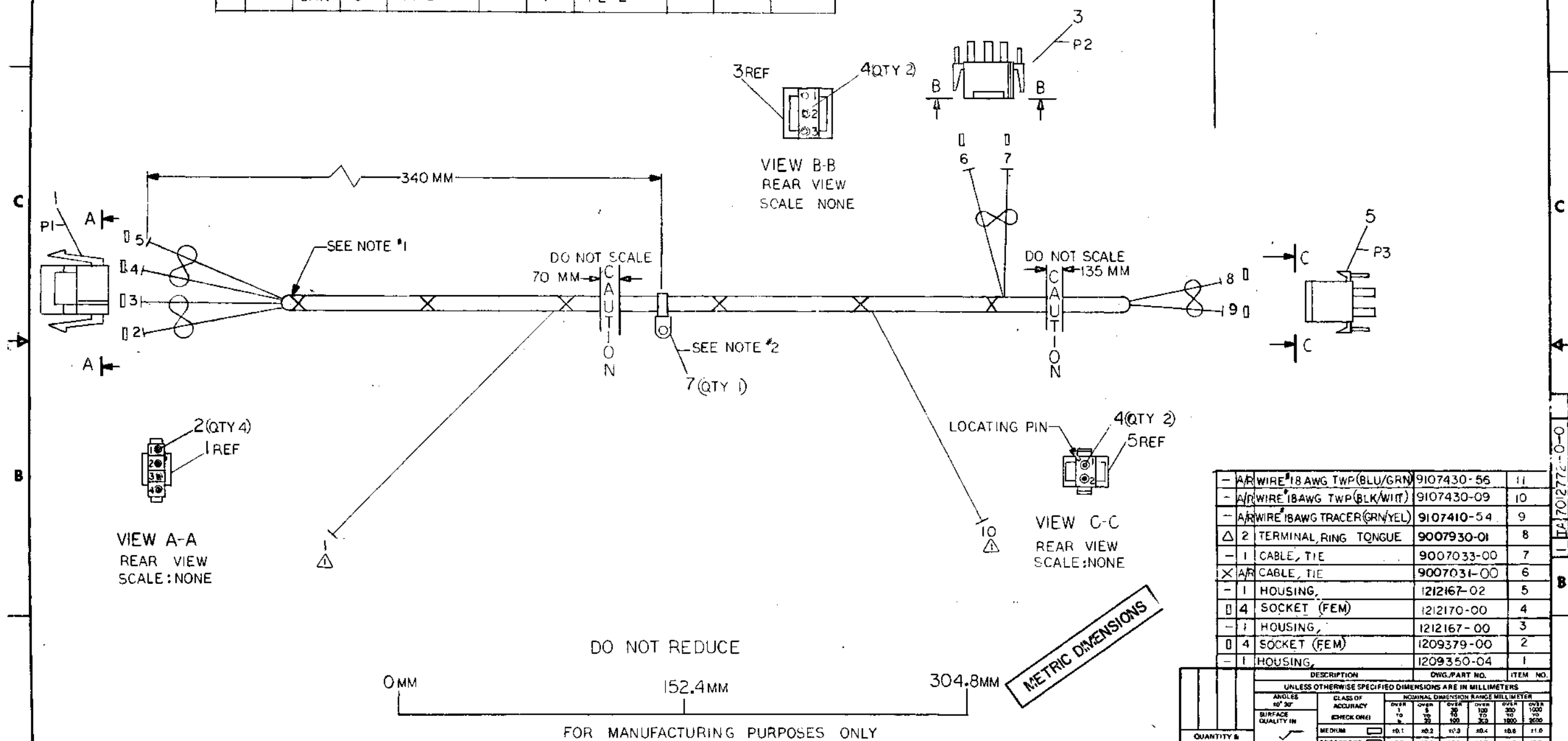
REV. B

| REV. | CHANGE NO. | DESCRIPTION | DATE |
|------|------------|----------------------------------|----------|
| 1 | 1 | INITIAL DESIGN | 11/15/75 |
| 2 | 1 | REVISED TO ADD DIMENSIONS | 12/15/75 |
| 3 | 1 | REVISED TO ADD PARTS LIST | 1/15/76 |
| 4 | 1 | REVISED TO ADD METRIC DIMENSIONS | 2/15/76 |

THIS DRAWING AND SPECIFICATIONS HEREAFTER ARE THE PROPERTY OF DIGITAL EQUIPMENT CORPORATION AND SHALL NOT BE REPRODUCED OR COPIED OR USED IN WHOLE OR IN PART AS THE BASIS FOR THE MANUFACTURE OR SALE OF ITEMS WITHOUT WRITTEN PERMISSION. COPYRIGHT © DIGITAL EQUIPMENT CORPORATION 1976

| WIRE TABLE | | | | | | | | | |
|------------|-------------------------|------------|------------|----------|----------|------------|----------|-------------|---------|
| ITEM NO. | DESCRIPTION | FROM POINT | CONNECTION | WITH | TO POINT | CONNECTION | WITH | WIRE LENGTH | REMARKS |
| 9 | 18 AWG TRACER (GRN/YEL) | 1 | --- | 8# CRIMP | 10 | --- | 8# CRIMP | 543 MM | --- |
| 10 | 18 AWG TWP (BLK/WHT) | 2 | PI-2 | 2# CRIMP | 9 | P3-1 | 4# CRIMP | 753 MM | --- |
| | | 3 | PI-1 | | 8 | P3-2 | | MM | |
| 11 | 18 AWG TWP (BLU/GRN) | 4 | PI-4 | 2# CRIMP | 6 | P2-3 | 4# CRIMP | 579 MM | --- |
| | | 5 | PI-3 | | 7 | P2-2 | | MM | |

NOTES:
 1. USE CABLE TIES (ITEM #6) APPROXIMATELY EVERY 75.0 MM WHEN NECESSARY AND AT EVERY BREAKOUT POINT.
 2. ASSEMBLE CABLE, TIE (ITEM #7) AS SHOWN (FRONT VIEW)



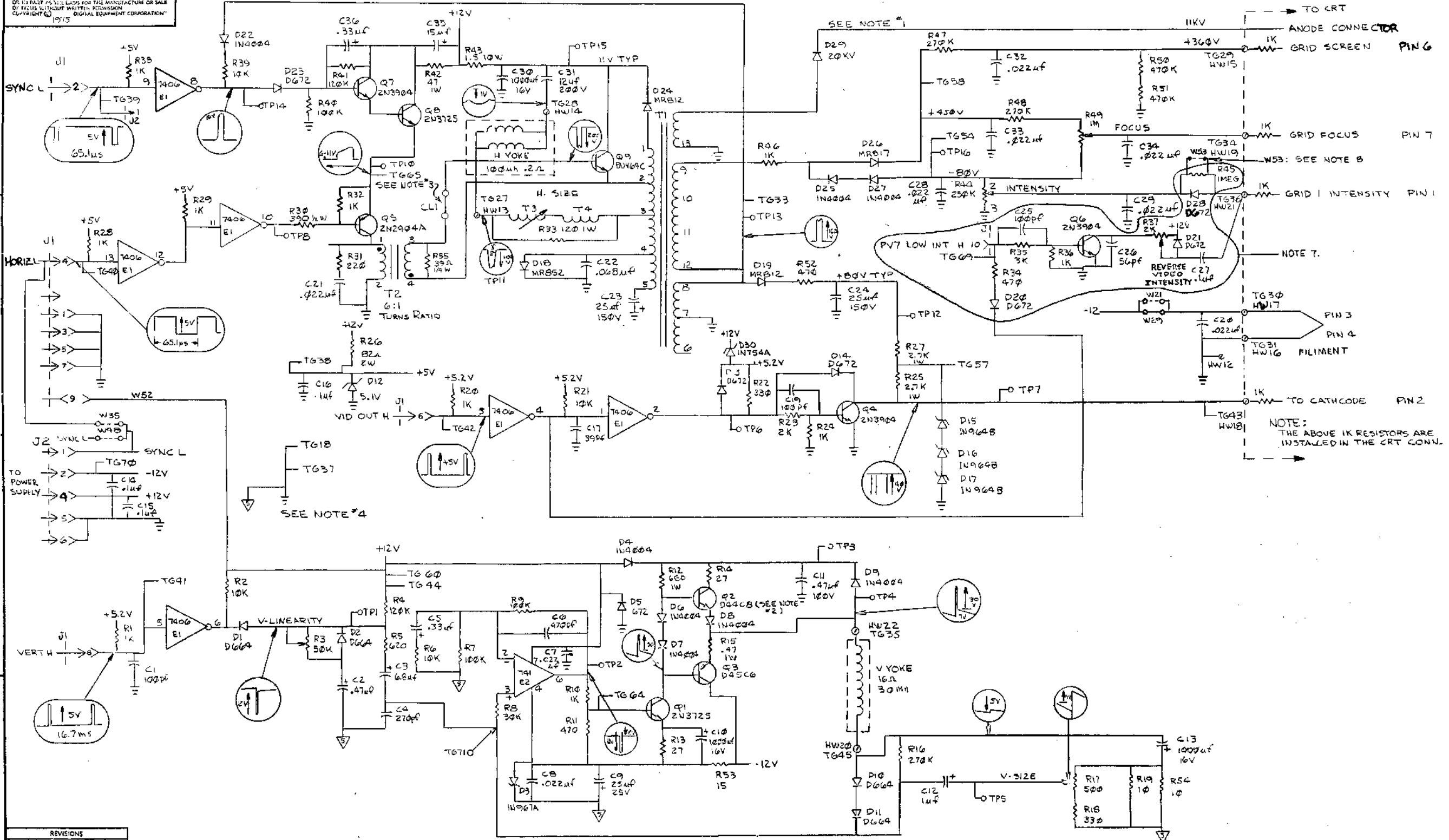
| DESCRIPTION | DWG. PART NO. | ITEM NO. |
|-------------------------|---------------|----------|
| 18 AWG TWP (BLU/GRN) | 9107430-56 | 11 |
| 18 AWG TWP (BLK/WHT) | 9107430-09 | 10 |
| 18 AWG TRACER (GRN/YEL) | 9107410-54 | 9 |
| 2 TERMINAL RING TONGUE | 9007930-01 | 8 |
| CABLE, TIE | 9007033-00 | 7 |
| CABLE, TIE | 9007031-00 | 6 |
| HOUSING, | 1212167-02 | 5 |
| 4 SOCKET (FEM) | 1212170-00 | 4 |
| HOUSING, | 1212167-00 | 3 |
| 4 SOCKET (FEM) | 1209379-00 | 2 |
| HOUSING, | 1209350-04 | 1 |

| UNLESS OTHERWISE SPECIFIED DIMENSIONS ARE IN MILLIMETERS | |
|--|-------------------------------|
| ANGLES 90° 30° | CLASS OF ACCURACY (CHECK ONE) |
| SURFACE QUALITY IN MICRONS | MEDIUM |
| QUANTITY & VARIATION | PREFERRED |
| THIRD ANGLE PROJECTION | FIRST USED ON |
| REMOVE BURRS AND BREAK SHARP CORNERS | TITLE |
| DO NOT SCALE DWG | NEXT HIGHER ASSY. |
| MATERIAL SEE PARTS LIST | SCALE |
| FINISH | SHEET |

| | | | | |
|-------------------------|---------------------------|-------------------------|-------------------------------|--------------------------|
| DRN: <i>[Signature]</i> | CHK'D: <i>[Signature]</i> | ENG: <i>[Signature]</i> | PROJ. ENG: <i>[Signature]</i> | PROD. <i>[Signature]</i> |
| HARNESS, COPIER | | SIZE CODE | NUMBER | REV. |
| 0-1A-VT61-0-0 | | 1 | 7012772-0-0 | |
| SHEET 1 OF 1 | | DIST. | | |

| REV. | CHANGE NO. |
|------|------------|
| | |

THIS DRAWING AND SPECIFICATIONS HEREIN ARE THE PROPERTY OF DIGITAL EQUIPMENT CORPORATION AND SHALL NOT BE REPRODUCED OR COPIED IN WHOLE OR IN PART WITHOUT WRITTEN PERMISSION OF DIGITAL EQUIPMENT CORPORATION. COPYRIGHT © 1975



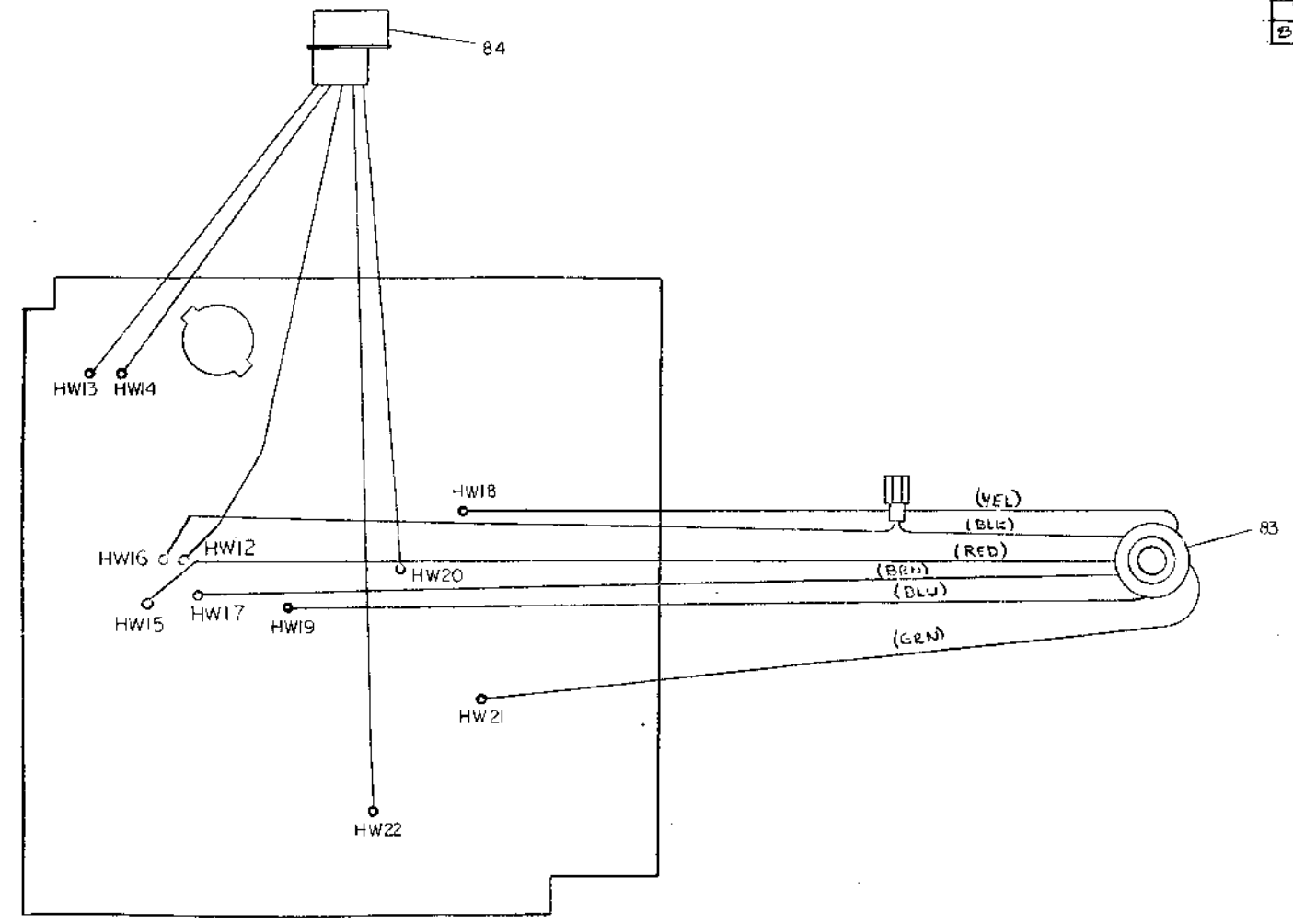
NOTE:
THE ABOVE 1K RESISTORS ARE
INSTALLED IN THE CRT CONNL.

| REVISIONS | | |
|-----------|------------|------|
| CHK | CHANGE NO. | REV. |
| | | |

THIS DRAWING AND SPECIFICATIONS HEREIN ARE THE PROPERTY OF DIGITAL EQUIPMENT CORPORATION AND SHALL NOT BE REPRODUCED OR COPIED OR USED IN WHOLE OR IN PART AS THE BASIS FOR THE MANUFACTURE OR SALE OF ITEMS WITHOUT WRITTEN PERMISSION. COPYRIGHT © 1975 DIGITAL EQUIPMENT CORPORATION

1-0-7771175
REV. 2

| WIRE TABLE | | | | | | | | |
|------------|-----|-------|-------|------------|------|-------|------------|------|
| ITEM NO | RNG | COLOR | FROM | | | TO | | |
| | | | POINT | CONNECTION | WITH | POINT | CONNECTION | WITH |
| B3 | 10 | GRN | 10 | PIN-1 | --- | HW12 | --- | SOLD |
| ↑ | 23 | BLK | 9 | PIN-3 | --- | HW20 | --- | ↑ |
| ↓ | TWP | RED | 8 | PIN-6 | --- | HW22 | --- | ↓ |
| ↓ | 22 | WHT | 7 | PIN-5 | --- | HW14 | --- | ↓ |
| B3 | TWP | BLU | 6 | PIN-2 | --- | HW13 | --- | ↓ |
| E4 | 22 | GRN | --- | --- | --- | HW21 | --- | ↓ |
| ↑ | ↑ | YEL | --- | --- | --- | HW18 | --- | ↑ |
| ↑ | ↑ | BRN | --- | --- | --- | HW17 | --- | ↑ |
| ↑ | ↑ | BLK | --- | --- | --- | HW16 | --- | ↑ |
| ↑ | ↑ | RED | --- | --- | --- | HW15 | --- | ↑ |
| B4 | 22 | BLU | --- | --- | --- | HW19 | --- | SOLD |



| REVISIONS | | |
|-----------|------------|------|
| CHK | CHANGE NO. | REV. |
| | | |

TITLE: VTGI MONITOR PANEL
 SIZE CODE: DCS
 NUMBER: 5411444-01
 REV: P
 SHEET 3 OF 3