

"THE MATERIAL HEREIN IS FOR INFORMATION PURPOSES ONLY AND IS SUBJECT TO CHANGE WITHOUT NOTICE. DIGITAL EQUIPMENT CORPORATION ASSUMES NO RESPONSIBILITY FOR ANY ERRORS WHICH MAY APPEAR HEREIN."

FIELD MAINTENANCE PRINT SET

"THIS DRAWING AND SPECIFICATIONS, HEREIN, ARE THE PROPERTY OF DIGITAL EQUIPMENT CORPORATION AND SHALL NOT BE REPRODUCED OR COPIED OR USED IN WHOLE OR IN PART AS THE BASIS FOR THE MANUFACTURE OR SALE OF ITEMS WITHOUT WRITTEN PERMISSION. COPYRIGHT © 1975, DIGITAL EQUIPMENT CORPORATION."

TABLE OF CONTENTS

B-TC-VT52-Ø-4	VT52 PRINT
Ø-UA-VT52-Ø-Ø	SET TABLE OF CONTENTS
C-PL-VT52-Ø-Ø	UNIT ASSY VT52
D-CS-5410886-0-1	UNIT ASSY VT52
D-CS-5411745-0-1	MONITOR POWER SUPPLY
D-CS-5411743-0-1	DATA PATH, MEMORY AND DECODERS
Ø-AD-7010859-0-0	ROM UART AND TIMING
D-CS-5411170-0-1	CRT ASSEMBLY
1-IA-7012166-0-0	KEYBOARD VT51/VT5Ø H
1-AD-7010861-0-0	MTG PLATE ASSEMBLY
1-IA-BN52A-Ø-Ø	TRANSFORMER ASSY
1-IA-BN52B-Ø-Ø	VT52 EIA CARD AND
1-IA-BN52C-Ø-Ø	CABLE ASSEMBLY
2-AD-7011852-0-0	2Ø MA, ADAPTER ASSY
D-IA-7011868-0-0	CURRENT LOOP TO 283B
A-PL-VT52-0-Ø	PLUG
D-CS-5411448-0-1	TRANSFORMER ASSEMBLY
D-CS-5411759-0-1	CABLE, EXTENSION
D-CS-5411815-0-1	SHIPPING LIST
D-IA-7011867-0-0	VT5Ø EIA ADAPTER
	2Ø MA, CURRENT LOOP
	8K CHARACTER GENERATOR
	CABLE, PRIMARY POWER

UNIT VARIATIONS COVERED BY THIS PRINT SET
VT52-AA
VT52-AB
VT52-AC
VT52-AE
VT52-AF
VT52-AH
VT52-CA
VT52-CB
VT52-CC

VT52

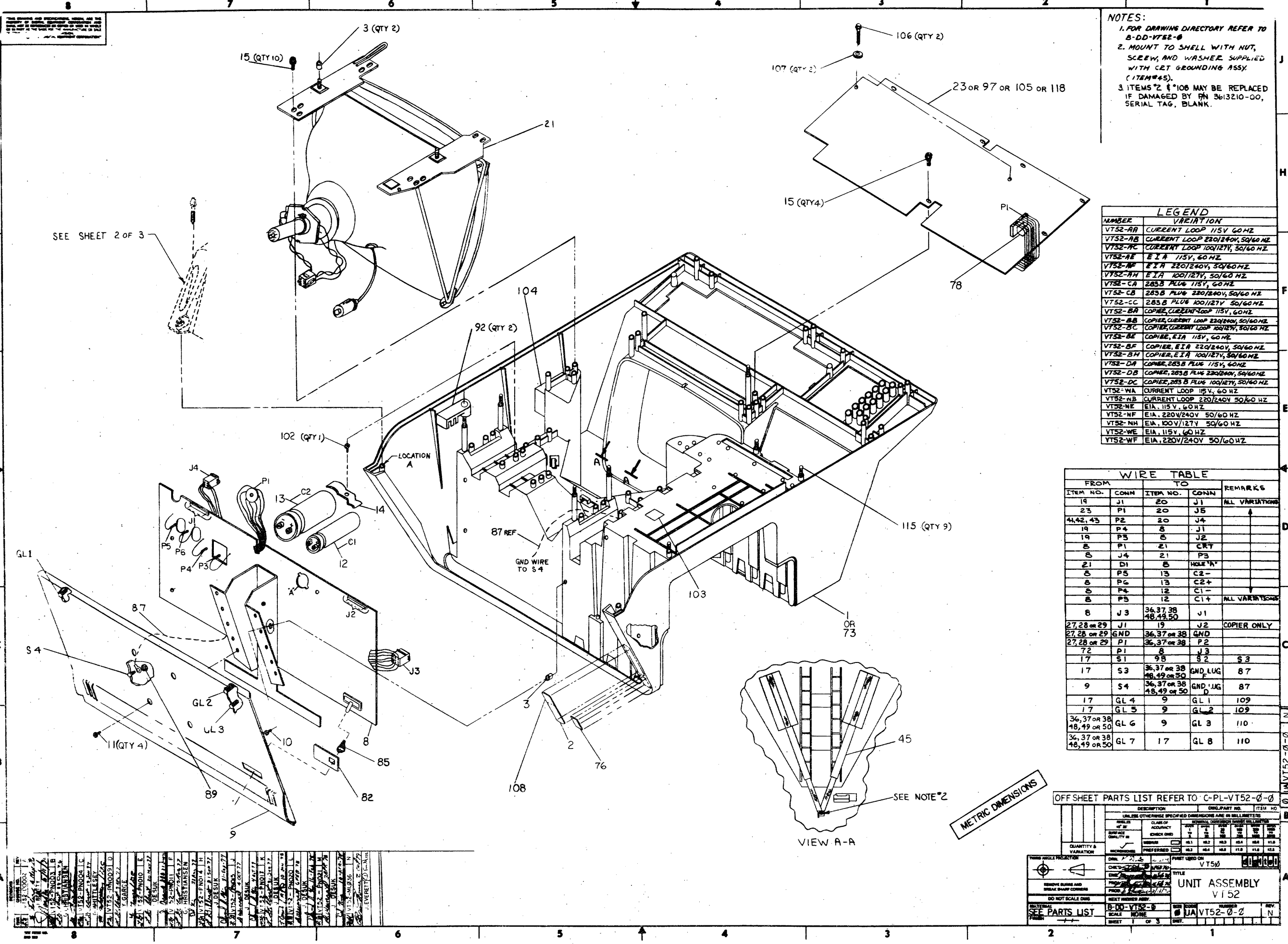
Field Maintenance Print Set

Digital Equipment Corporation

PRINT SET ORDER NO.
MPØØØ35

REVISIONS	REV.	USED ON OPTION/MODEL	DRN.	DATE	<div style="border: 1px solid black; padding: 2px;">digital</div> TITLE: VT52 FIELD MAINTENANCE PRINT SET	SIZE	CODE	NUMBER	REV.
	CHG. NO.		K. DAVIS	1/25/75		B	TC	VT52-0-4	
DATE		CHK'D	DATE	DIST.					
		<i>Sel Roberts</i>	<i>16 FEB 76</i>						
			PROJ. ENG.	DATE					
			<i>Morganster</i>	<i>15 Feb 76</i>					
			FIELD SERV.	DATE					

THE SYMBOLS AND NOTATION USED ON THIS DRAWING ARE DEFINED IN THE SYMBOLS AND NOTATION SECTION OF THE DRAWING DIRECTORY.



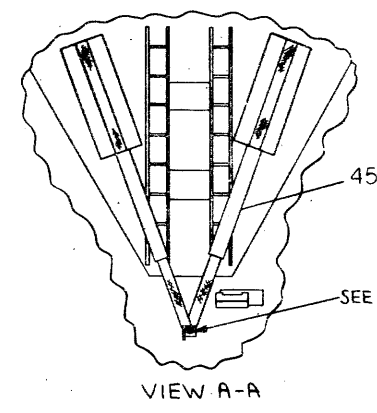
NOTES:
 1. FOR DRAWING DIRECTORY REFER TO B-DD-VT52-0
 2. MOUNT TO SHELL WITH NUT, SCREW, AND WASHER SUPPLIED WITH GET GROUNDING ASSY (ITEM#45).
 3. ITEMS 2 & 106 MAY BE REPLACED IF DAMAGED BY PN 3613210-00, SERIAL TAG, BLANK.

LEGEND

NUMBER	VARIATION
VT52-AA	CURRENT LOOP 115V 60HZ
VT52-AB	CURRENT LOOP 220/240V 50/60 HZ
VT52-AC	CURRENT LOOP 100/127V 50/60 HZ
VT52-AE	EIA 115V 60 HZ
VT52-AF	EIA 220/240V 50/60 HZ
VT52-AH	EIA 100/127V 50/60 HZ
VT52-CA	283B PLUG 115V 60HZ
VT52-CB	283B PLUG 220/240V 50/60 HZ
VT52-CC	283B PLUG 100/127V 50/60 HZ
VT52-BA	COPIER CURRENT LOOP 115V 60HZ
VT52-BB	COPIER CURRENT LOOP 220/240V 50/60 HZ
VT52-BC	COPIER CURRENT LOOP 100/127V 50/60 HZ
VT52-BE	COPIER EIA 115V 60 HZ
VT52-BF	COPIER EIA 220/240V 50/60 HZ
VT52-BH	COPIER EIA 100/127V 50/60 HZ
VT52-DA	COPIER 283B PLUG 115V 60HZ
VT52-DB	COPIER 283B PLUG 220/240V 50/60 HZ
VT52-DC	COPIER 283B PLUG 100/127V 50/60 HZ
VT52-WA	CURRENT LOOP 115V 60 HZ
VT52-WB	CURRENT LOOP 220/240V 50/60 HZ
VT52-WE	EIA 115V 60 HZ
VT52-NH	EIA 220V/240V 50/60 HZ
VT52-WE	EIA 115V 60 HZ
VT52-WF	EIA 220V/240V 50/60 HZ

WIRE TABLE

FROM	TO	REMARKS
19 J1	20 J1	ALL VARIATIONS
23 P1	20 J5	
44, 42, 43 P2	20 J4	
19 P4	5 J1	
19 P3	5 J2	
5 P1	21 CRT	
5 J4	21 P3	
21 D1	5 HOLE IN	
5 P5	13 C2-	
5 P6	13 C2+	
5 P4	12 C1-	
5 P5	12 C1+	ALL VARIATIONS
6 J3	36, 37, 38 48, 49, 50	J1
27, 28 or 29 J1	19 J2	COPIER ONLY
27, 28 or 29 GND	36, 37 or 38 GND	
27, 28 or 29 P1	36, 37 or 38 P2	
72 P1	5 J3	
17 S1	9 S2	S3
17 S3	36, 37 or 38 48, 49 or 50	GND LUG F 87
9 S4	36, 37 or 38 48, 49 or 50	GND LUG D 87
17 GL4	9 GL1	109
17 GL5	9 GL2	109
36, 37 or 38 48, 49 or 50 GL6	9 GL3	110
36, 37 or 38 48, 49 or 50 GL7	17 GL8	110



METRIC DIMENSIONS

REV	DESCRIPTION	DATE	BY	CHKD
1	REVISED TO ADD PART 106	1/10/71	J. DE SIK	J. DE SIK
2	REVISED TO ADD PART 107	1/10/71	J. DE SIK	J. DE SIK
3	REVISED TO ADD PART 108	1/10/71	J. DE SIK	J. DE SIK
4	REVISED TO ADD PART 109	1/10/71	J. DE SIK	J. DE SIK
5	REVISED TO ADD PART 110	1/10/71	J. DE SIK	J. DE SIK
6	REVISED TO ADD PART 111	1/10/71	J. DE SIK	J. DE SIK
7	REVISED TO ADD PART 112	1/10/71	J. DE SIK	J. DE SIK
8	REVISED TO ADD PART 113	1/10/71	J. DE SIK	J. DE SIK
9	REVISED TO ADD PART 114	1/10/71	J. DE SIK	J. DE SIK
10	REVISED TO ADD PART 115	1/10/71	J. DE SIK	J. DE SIK

OFF SHEET PARTS LIST REFER TO: C-PL-VT52-0-0

DESCRIPTION	QTY	PART NO.	ITEM NO.

QUANTITY & VARIATION

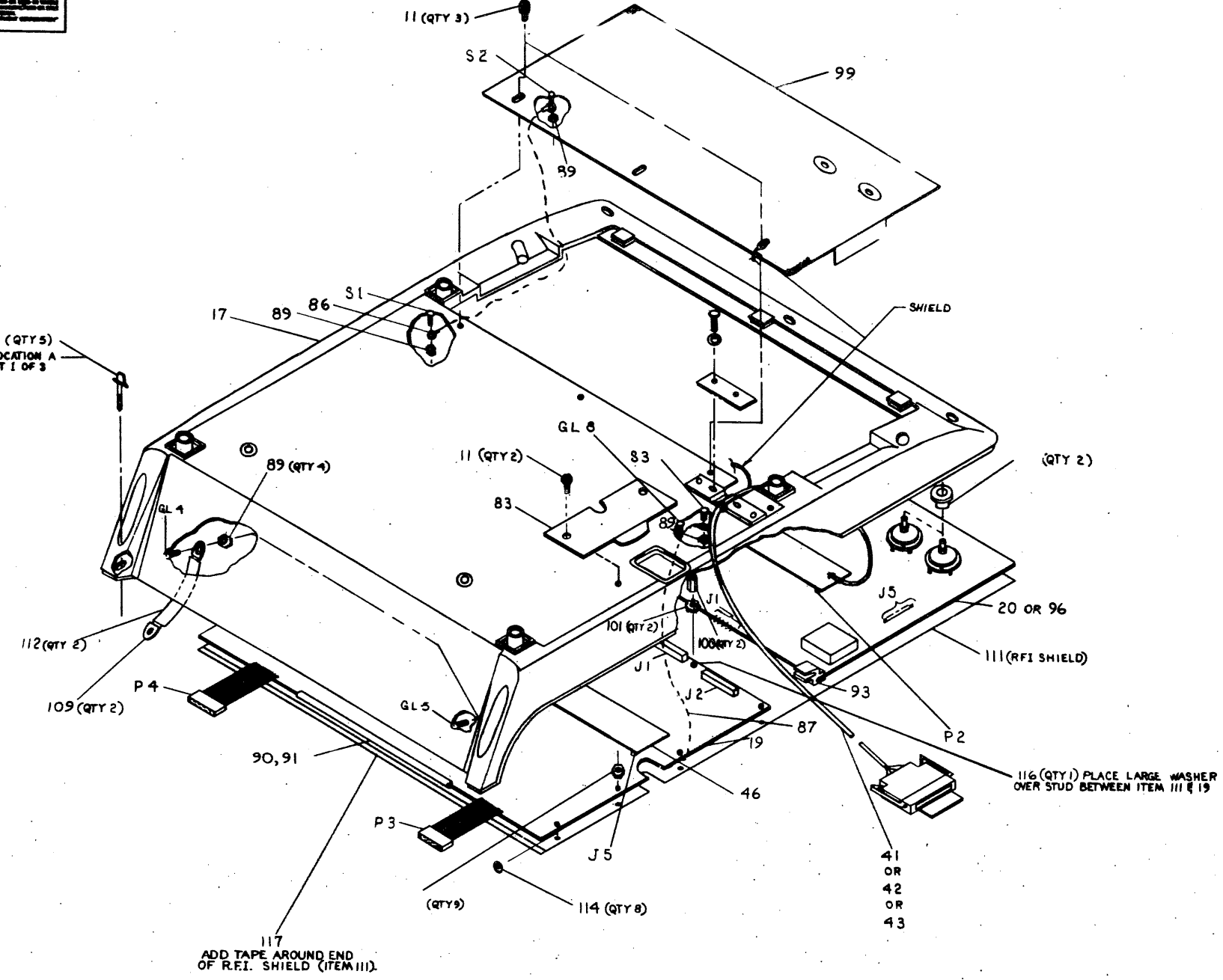
CLASS	ACCURACY	FINISH	TOLERANCE	REF. DIM.
ASSEMBLY				
SURFACE QUALITY				
FINISH				

UNIT ASSEMBLY V152

REV. 10/71 BY J. DE SIK

THIS DRAWING AND SPECIFICATIONS HERETO ARE THE PROPERTY OF THE UNITED STATES GOVERNMENT AND ARE LOANED TO YOU BY THE NATIONAL BUREAU OF STANDARDS. IT IS TO BE RETURNED TO THE NATIONAL BUREAU OF STANDARDS, 430 RICHMOND AVENUE, BETHESDA, MARYLAND 20814.

94 (QTY 5)
TO LOCATION A
SHEET 1 OF 3



QTY	PART NO.	DESCRIPTION	DIMENSIONS (IN MILLIMETERS)													
			L		W		T		D		R					
			10	20	10	20	10	20	10	20	10	20	10	20	10	20
			10	20	10	20	10	20	10	20	10	20	10	20	10	20
			10	20	10	20	10	20	10	20	10	20	10	20	10	20

DESIGNED BY DR. K. DAVIS	DATE DEC 78	CHECKED BY CHRY ROBERTS	DATE FEB 79	TITLE UNIT ASSEMBLY VT52	PROJECT NO. 60-0000
DRAWN BY DR. MORSE	DATE FEB 79	REVISIONS 1	DATE FEB 79	SCALE NONE	SHEET 2 OF 3
SEE PARTS LIST		8-00-VT52-8-8		8-00-VT52-8-8	
SCALE NONE		SCALE NONE		SCALE NONE	

60-0000-00-00

DRAWING AND SPECIFICATIONS, HEREIN ARE THE PROPERTY OF DIGITAL EQUIPMENT CORPORATION AND SHALL NOT BE REPRODUCED OR COPIED OR USED IN WHOLE OR IN PART AS THE BASIS FOR THE MANUFACTURE OR SALE OF ITEMS WITHOUT WRITTEN PERMISSION. COPYRIGHT © 1975, DIGITAL EQUIPMENT CORPORATION

Main table with columns: ITEM NO., PART NO., DESCRIPTION, and a grid for QTY / VARIATION (VT52-AA to VT52-WF).

REVISIONS table with columns: REV. (A-M), CHANGE NO., and descriptions of changes.

Administrative form containing fields for DRN (K. DAVIS), DATE (10/17/78), TITLE (UNIT ASSY), and other project details.

DRAWING AND SPECIFICATIONS, HEREIN ARE THE PROPERTY OF DIGITAL EQUIPMENT CORPORATION AND NOT TO BE REPRODUCED OR COPIED OR USED IN WHOLE OR IN PART AS THE BASIS FOR THE MANUFACTURE OR SALE OF ITEMS WITHOUT WRITTEN PERMISSION. COPYRIGHT © 1975, DIGITAL EQUIPMENT CORPORATION

ITEM NO.	PART NO.	DESCRIPTION	QTY / VARIATION																								
			VT52-AA	VT52-AB	VT52-AC	VT52-AE	VT52-AF	VT52-CA	VT52-CE	VT52-CC	VT52-BA	VT52-BB	VT52-BC	VT52-BE	VT52-BF	VT52-BH	VT52-DA	VT52-DB	VT52-DC	VT52-WA	VT52-WB	VT52-NE	VT52-NF	VT52-NB	VT52-NH	VT52-WE	VT52-WF
44	900344-00	DOUBLE COATED TAPE 30M																									
45	1-IA-7011197-0-0	GRT, GROUNDING ASSEMBLY	1	1	1	1	1	1	1	1	1	1	1	1	1	1	1	1	1	1	1	1	1	1	1	1	1
46	D-CS-5411815-0-1	8K CHAR, GENERATOR	1	1	1	1	1	1	1	1	1	1	1	1	1	1	1	1	1	1	1	1	1	1	1	1	
47	900666-00	WASHER, FLAT .500 X .187 I.D.X. .032 THK	2	2	2	2	2	2	2	2	2	2	2	2	2	2	2	2	2	2	2	2	2	2	2	2	2
48	1-AD-7010861-0-5	MTG PLATE ASSEMBLY (115V, 60 HZ)																									
49	1-AD-7010861-0-4	MTG PLATE ASSEMBLY (220/240V, 50/60 HZ)																									
50	1-AD-7010861-0-5	MTG PLATE ASSEMBLY (100/127V, 50 HZ)																									
51	9006073-03	SCR PH TRUSS HD #10-32 X .50									4	4	4	4	4	4	4	4	4	4	4						
52	9006668-00	WASHER, FLAT .625 X .200 I.D.X. .032 THK									4	4	4	4	4	4	4	4	4	4							
53	D-IA-7011862-0-0	CABLE, EXTENSION																									
54	A-PL-VT52-AA-3	SHIPPING LIST (W/O COPIER)	1																								
55	A-PL-VT52-AB-3	SHIPPING LIST (W/O COPIER)		1																							
56	A-PL-VT52-AC-3	SHIPPING LIST (W/O COPIER)			1																						
57	A-PL-VT52-AE-3	SHIPPING LIST (W/O COPIER)				1																					
58	A-PL-VT52-AF-3	SHIPPING LIST (W/O COPIER)					1																				
59	A-PL-VT52-AH-3	SHIPPING LIST (W/O COPIER)						1																			
60	A-PL-VT52-CA-3	SHIPPING LIST (W/O COPIER)							1																		
61	A-PL-VT52-CB-3	SHIPPING LIST (W/O COPIER)								1																	
62	A-PL-VT52-CC-3	SHIPPING LIST (W/O COPIER)									1																
63	A-PL-VT52-BA-3	SHIPPING LIST (W/ COPIER)										1															
64	A-PL-VT52-BB-3	SHIPPING LIST (W/ COPIER)											1														
65	A-PL-VT52-BC-3	SHIPPING LIST (W/ COPIER)												1													
66	A-PL-VT52-BE-3	SHIPPING LIST (W/ COPIER)													1												
67	A-PL-VT52-BF-3	SHIPPING LIST (W/ COPIER)														1											
68	A-PL-VT52-BH-3	SHIPPING LIST (W/ COPIER)															1										
69	A-PL-VT52-DA-3	SHIPPING LIST (W/ COPIER)																1									
70	A-PL-VT52-DB-3	SHIPPING LIST (W/ COPIER)																	1								
71	A-PL-VT52-DC-3	SHIPPING LIST (W/ COPIER)																		1							
72	2-AD-7011852-0-0	TRANSFORMER ASSEMBLY										1	1	1	1	1	1	1	1	1	1						
73	2-MD-7414866-0-0	SHELL, REWORKED										1	1	1	1	1	1	1	1	1	1						
74	A-PL-VT52-WA-3	SHIPPING LIST (W/O COPIER)																			1						
75	A-PL-VT52-WB-3	SHIPPING LIST (W/O COPIER)																				1					
76	3613211-01	DECAL CSA																									
77	A-DC-7414213-0	LABEL UL																									
78	9009339	TAPE GRAY	A	R	R	R	R	R	R	R	R	R	R	R	R	R	R	R	R	R	R	R	R	R	R	R	R
79	2-MD-7417609-0-0	CLIP CABLE CONNECTOR																									
80	9000007-01	SCREW NYLON 10-32 X .312 IN. LG.																									
81	9006664	WASHER FLAT .437 IN. X .218 ID X .062 THK.																									
82	2-MD-7417806-0-0	COVER, SLIDING	1	1	1	1	1	1	1	1	1	1	1	1	1	1	1	1	1	1	1						
83	2-MD-7417803-0-0	COVER PLATE	1	1	1	1	1	1	1	1	1	1	1	1	1	1	1	1	1	1	1						
84	2-MD-7417802-0-0	SPACER, SWITCH	2	2	2	2	2	2	2	2	2	2	2	2	2	2	2	2	2	2	2	2	2	2	2	2	2
85	1213771	SPRING	1	1	1	1	1	1	1	1	1	1	1	1	1	1	1	1	1	1	1						
86	D-IA-7418251-00	CABLE SAFETY GNC	1	1	1	1	1	1	1	1	1	1	1	1	1	1	1	1	1	1	1						

REV.	CHANGE NO.	DRN. K. DAVIS 10/20/75		FIRST USED ON		digital
		CHK'D 50 R. [Signature] 10/20/75		VT52		
		PROJ. ENG. [Signature] 10/20/75		TITLE		
		PROD. [Signature] 2/18/76		UNIT ASSY		
		NEXT HIGHER ASSY.		VT52		
		B-DD-VT52-0		SIZE	CODE	NUMBER
		SCALE		C	PL	VT52-p-0
		SHEET 2 OF 3		DIST.		REV. N

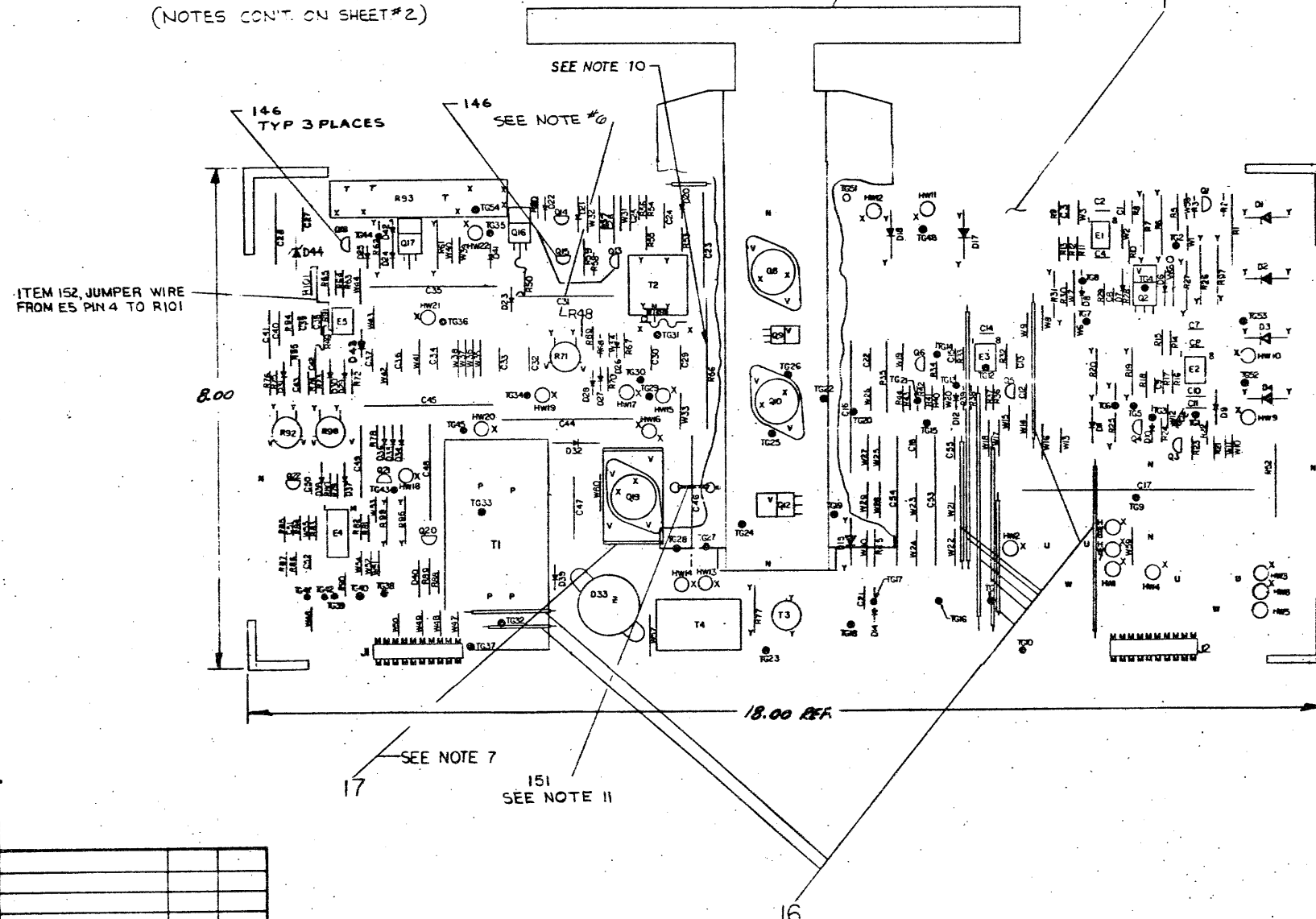
THIS DRAWING AND SPECIFICATIONS HEREIN ARE THE PROPERTY OF DIGITAL EQUIPMENT CORPORATION AND SHALL NOT BE REPRODUCED OR COPIED OR USED IN WHOLE OR IN PART AS THE BASIS FOR THE MANUFACTURE OR SALE OF ITEMS WITHOUT WRITTEN PERMISSION. COPYRIGHT © 1974, DIGITAL EQUIPMENT CORPORATION

NOTES:

1. THERE IS NO ETCH BETWEEN T1 AND D33
2. ETCH & PUNCH/DRILL FOR T05 AND T0220
3. CURRENT LOOP 4 INCH LENGTH 22 AWG WIRE
4. ~~ETCH & PUNCH~~ DO NOT INSERT
5. ∇ MUST BE CONNECTED TO A POINT GROUND
6. ECO *S IS IMPLEMENTED ONLY ON BOARDS WHERE FOCUSING IS A PROBLEM.
7. Q19 MUST BE MOUNTED ON HEAT SINK ITEM 17
8. HEADER PINS TO BE MOUNTED IN THE INSIDE HOLES (2) PLACES

(NOTES CONT. ON SHEET #2)

LEGEND	
VARIATION	DESCRIPTION
5410886-0-0	BASIC VT50
5410886-1-0	HEAT CYCLED, SYSTEM TESTED
	5410886-0 (SEE NOTE #9)



REF	X-Y COORDINATE HOLE LOCATION	K-CO-5410886-0-4	1
REF	ASSY/DRILLING HOLE LAYOUT	D-AH-5410886-0-3	4
REF	MODULE ECO HISTORY	B-MH-5410886-0-6	3
1	ETCH CIRCUIT BOARD	5010885	4
2	C50,52	CAP 100 PF 100V 5% DM	5
2	C9,38	CAP 470 PF 100V 5% DM	6
2	C25,40	CAP .33 UF 20V 10% S.TANT	7
1	C41	CAP 8.8 UF 35V 10% S.TANT	8
1	C28	CAP 15 UF 20V 10% S.TANT	9
1	C42	CAP 1 UF 35V 10% S.TANT	10
1	C43	CAP .47 UF 35V 10% S.TANT	11
1	C31	CAP .47 UF 100V 10% MYLAR	12
1	C39	CAP 270 PF 100V 5% DM	13
2	C28,49	CAP 25 UF 25V 6% AL EL	14
A/R	WIRE 22 AWG	9107776-66	18
1	HEAT SINK	1211980	17
1	C17	CAP 1900 UF 40V	18
6	C4,6,7,11,12,14,	CAP .01 UF 100V 20% DISC	19
4	C55,21,18,22,	CAP .1 UF 100V 20% DISC	20
9	C29,32,33,36,30,34,24,37, C27	CAP .022 UF 800V	21
4	C44,35,45,16	CAP 1000UF 16V	22
2	C23,48	CAP 25 UF 150V	23
1	C47	CAP .068 UF 800V	24
1	C48	CAP .1 UF 800V	25
2	C53,54	CAP 800 UF 25V	26
2	C2, C51	CAP 180 PF 100V 5% DM	27
1	C46	CAP 12.0 UF 200V	28
1	D44	DIODE IN967A	28
1	D6	DIODE IN4732A .47V	30
4	D21,38,37,43	DIODE D872	31
5	D22,27,28,25,24,23,D41,D42	DIODE IN4084	32
2	D40,7	DIODE IN752A 5.6V 5% ZENER	33
8	D34,35,36	DIODE IN964B 13V 5% ZENER	34
5	D1,23,4,15	DIODE IN5624	35
2	D17,18	DIODE MR752	36
3	D8,9,14	DIODE 4MS.121 5.1V 1% ZENER	37
1	D12	DIODE IN754A 8.0V 5% ZENER	38
4	D31, 10,29,30,	DIODE D884	39
1	D11	DIODE IN4730A 2.4V 5% ZENER	40
1	D32	DIODE MR852	41
2	D39,20	DIODE MR812	42
1	D26	DIODE MR817	43
REF	DIODE H-V DIODE ASSY (20KV)	1172553	44
1	HOBSON P92 CAP	121276	45
2	TIE WRAP	9097031	46
1	R28	RES. 5.6K, 1/4 W, 5%	47
1	R81	RES. .47,2W,5%	48
1	R73	RES. 5.1 1/4W 5%	48
2	R83, R50	RES. 27 1/4W 5%	50
1	R55	RES. 220 1/4W 5%	51
3	R79,74,88	RES. 330 1/4W 5%	52
1	R59	RES. 390 1/2W 5%	53
1	R57	RES. 47 1W 5%	54

SEE NOTE #9

DCS 5410886-0-1A

IC TYPE	GND	+5V	-12	+15	-V	+V
DEC 741						
DEC LM301						

GND AND 5V ARE USUALLY PIN 7 AND 14 RESPECTIVELY. EXCEPTIONS ARE STATED ABOVE.

DATE	BY	DESCRIPTION
11-17-74	M. WHITLESEY	DESIGN
12-19-74	M. WHITLESEY	REVISED
1-11-75	M. MORGANSTERN	REVISED
2-11-75	M. MORGANSTERN	REVISED
3-11-75	M. MORGANSTERN	REVISED
4-11-75	M. MORGANSTERN	REVISED
5-11-75	M. MORGANSTERN	REVISED
6-11-75	M. MORGANSTERN	REVISED
7-11-75	M. MORGANSTERN	REVISED
8-11-75	M. MORGANSTERN	REVISED
9-11-75	M. MORGANSTERN	REVISED
10-11-75	M. MORGANSTERN	REVISED
11-11-75	M. MORGANSTERN	REVISED
12-11-75	M. MORGANSTERN	REVISED

FIRST USED ON OPTION MODEL VT50

PARTS LIST	
QTY	REF DESIGNATION
1	R28
1	R81
1	R73
2	R83, R50
1	R55
3	R79,74,88
1	R59
1	R57

DRN	E. Wilson	DATE	11/17/74
CHK'D	P. Morganstern	DATE	12/19/74
APP'D	M. Morganstern	DATE	1/11/75
PRD	M. Morganstern	DATE	2/11/75
NEXT HIGHER ASSY			

DEC NO.	EIA NO.	DEC NO.	EIA NO.

SCALE	NONE
SHEET	1 OF 5



TITLE: MONITOR POWER SUPPLY

SIZE CODE: DCS 5410886-0-1A B

SEMICONDUCTOR CONVERSION CHART

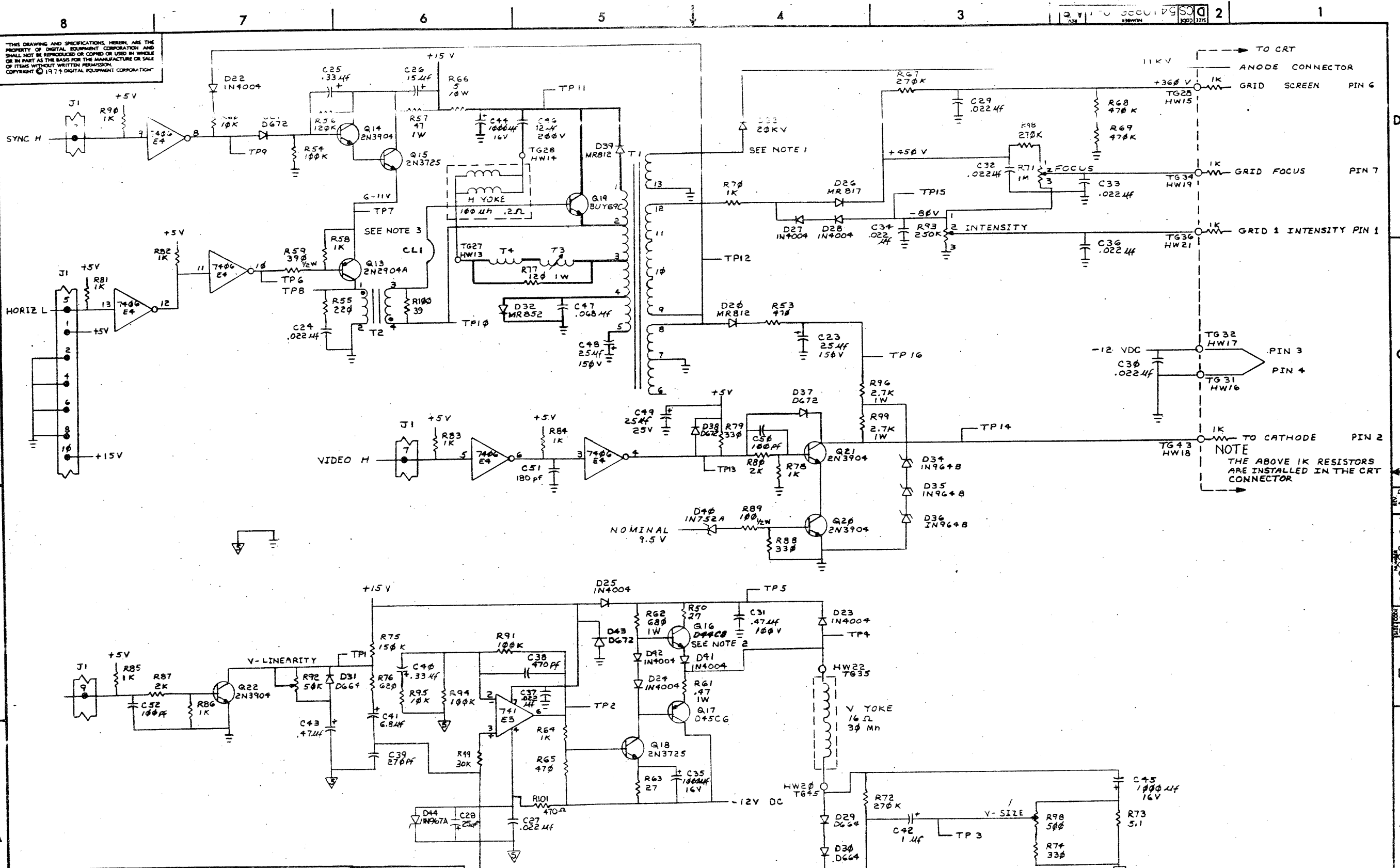
THIS DRAWING AND SPECIFICATIONS HEREIN ARE THE PROPERTY OF DIGITAL EQUIPMENT CORPORATION AND SHALL NOT BE REPRODUCED OR COPIED OR USED IN WHOLE OR IN PART AS THE BASIS FOR THE MANUFACTURE OR SALE OF ITEMS WITHOUT WRITTEN PERMISSION. COPYRIGHT © 1974 DIGITAL EQUIPMENT CORPORATION

NOTES (CON'T.):
 9. DIODE D33 QTY. 1 IS REQUIRED WITH 5410886-01 VARIATION, ONLY.
 10. SPACE RESISTOR OFF FROM BOARD USING ITEM *150 QTY 2.
 11. STRAP C46 FIRMLY TO BOARD USING TIE WRAP ITEM NO. 151

QTY	REF	DESIGNATION	DESCRIPTION	PART NO.	ITEM NO.	QTY	REF	DESIGNATION	DESCRIPTION	PART NO.	ITEM NO.
1	T1	TRAM AT 2072 (FLY BACK XFMR L)	18-11896	116		1	R76	RES. 620 1/4W 5%	1303178	55	
1	T2	TRAM DRIVER XFMR U9737 (7.5:1)	18-11897	118		13	R57,23,90,58,81,84,84, 70,82,78,83,85,86, 90,87	RES. 1K 1/4W 5%	1300385	56	
1	T4	TRAM AT 4072 (LINEARITY COIL)	18-11899	119				RES. 2K 1/4W 5%	1302388	57	
1	T3	TRAM U9934 (SIZE COIL)	18-11898	120		5	R29,33,36,80,95	RES. 10K 1/4W 5%	1300479	58	
		CRT CONN (R11N-4) IN 1/2W RES	127227	121		3	R94,91,54	RES. 100K 1/4W 5%	1302466	59	
1	E4	IC DEC 7406	1810741	122		1	R56	RES. 120K 1/4W 5%	1300539	60	
1	E5	IC DEC 741 OP-AMP	1910298	123		1	R75	RES. 150K 1/4W 5%	1302396	61	
3	E1,E2,E3	IC DEC LM301C	1910282	124		2	R68,R69	RES. 470K 1/4W 5%	1302398	62	
A/R	J1,J2	HEADER PIN	1272519	125		1	R62	RES. 680 1W 5%	1300348	63	
1		HEAT SPREADER	7412849	126		3	R72,87,R48	RES. 270K 1/4W 10%	1301310	64	
4	HW 2,3,4,7	TERMINAL, SOLDERLESS, CRIMP	9009746	127		4	R53,85, R101, R102	RES. 470 1/4W 5%	1300316	65	
56	W1-W3, W6-W14, W46-W56, W58, W59, W60	JUMPERS .6 #22 WIRE	9107780-1	128		1	R77	RES. 120 1W 5%	1301838	66	
1		SCR, PHL HD PAN #6-32x.37LG	9006022-1	129		2	R34,89	RES. 100 1/2W 5%	1300228	67	
4		TERMINAL RING TONGUE (RED)	1214628-01	130		2	R98,89	RES. 2.7K 1W 10%	1309023	68	
A/R		WIRE #18 AWG STRD (BLK)	9107360-00	131		1	R1	RES. .2 3W 3% W/W	1311804	69	
A/R		WIRE #18 AWG STRD (RED)	9107360-22	132		1	R25	RES. .06 5W 3% W/W	1311803	70	
1		NUT, KEPS #6-32	9008185	133		4	R2,21,38,10	RES. 100 1/4W 5%	1300229	71	
1		HARNESS CRT	21A-7012076-0-0	134		2	R97, R26	RES. 130,2W 5%	1304832	72	
1		HARNESS YOKE	1-1A9701187-00	135		1	R32	RES. 1 MEG 1/4W 5%	1309585	73	
1		HARNESS POWER SUPPLY	1-1A-7011186-00	136		1	R8	RES. 8.8K 1/4W 5%	1301423	74	
6		SCR, PPH #2-56 X 1/2" LG	9006005-1	137		1	R11	RES. 330K 1/4W 5%	1302081	75	
6		NUT, #2-56	9006555	138		1	R13	RES. 10K 1/4W 5%	1303312	76	
2		INSULATOR, SILICONE RUBBER	1213201-02	139		2	R12,15	RES. 4.89K 1/4W 5%	1305324	77	
2		INSULATOR, THERMAL RUBBER	1213071-06	140		1	R31	RES. .511 3/4W 15%	1308324	78	
3		INSULATOR, SILICONE RUBBER	1213071-02	141		1	R52	RES. 8.5 3W 3%	1311811	79	
6		WASHER, #2 INT TOOTH	9006631	142		1	R18	RES. 47K 1/4W 5%	1302177	80	
A/R (6MM)		TUBING, TEPHLON, 12 AWG	9107301-10	143		1	R14	RES. 4.7K 1/4W 5%	1300447	81	
12		WASHER, FLAT, SS	9008877	144		1	R17	RES. 12.1K 1/4W 5%	1303313	82	
8		SCR, PPH #2-56 X 1/2" LG	9006005-1	145		1	R45	RES. 200 1/2W 5%	1302381	83	
3	T05 TRANSISTORS	TRANSIPADS	9008206	146		1	R5	RES. 3.9K 1/2W 5%	1300443	84	
5		CABLE TIE	9007031	147		1	R22	RES. 4.3K 1/4W 5%	1302389	85	
2		SCREW, 4-40 X 3/8" LG	9006011-01	148		2	R37,24	RES. 1.5K 1/4W 5%	1300381	86	
2		NUT, KEP 4-40	9006557	149		1	R48	RES. 12K 1/4W 5%	1300448	87	
2	USE WITH R66	SPACER, CERAMIC	9009798	150		2	R6,7	RES. 75 2W 5%	1309089	88	
1		TIE WRAP	9007880	151		1	R8	RES. 2.7M 1/4W 5%	1507480	89	
A/R		WIRE 30 AWG GREEN	9105740-55	152		3	R30,12,41	RES. 10 1/4W 5%	1301317	90	

REVISONS		REVISONS		REVISONS		REVISONS		REVISONS			
CHK	CHANGE NO	REV	CHK	CHANGE NO	REV	CHK	CHANGE NO	REV	CHK	CHANGE NO	REV
EV	154 0336-00012	P		5410886-00013	R	EV	5410886-00014	S		5410886-00015	T
	1 21 21 76			9 JUNE 76			25 JUN 76			28 SEP 76	
	WHITTLESEY			WHITTLESEY			WHITTLESEY			WHITTLESEY	

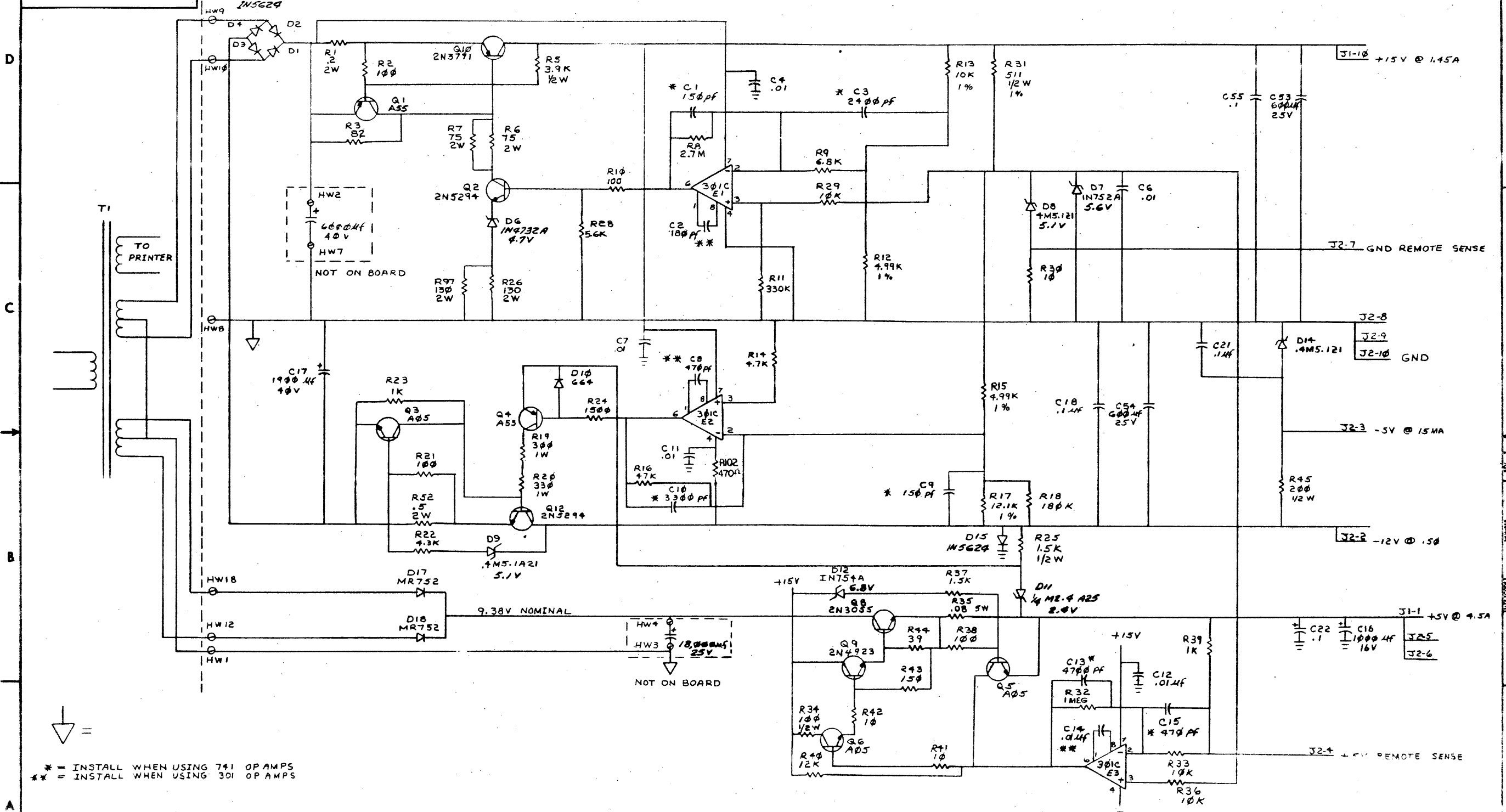
TITLE: MONITOR POWER SUPPLY
 SIZE CODE: DCS5410886-0-1
 NUMBER: 1
 SHEET 2 OF 5



REVISIONS		REVISIONS		REVISIONS		REVISIONS	
CHK	CHANGE NO.	REV.	CHK	CHANGE NO.	REV.	CHK	CHANGE NO.
NR	5410886-PN01	1	W	5410886-PN08	1	Y	5410886-PN09
B	Chanson 30 April 77		G	Christensen 30 June 77		A	Whittlesey 1 Oct 77
	M. WHITTLESEY		G. CHRISTENSEN	G. CHRISTIANSEN		J. DESUK	
	16-DEC-77						

TITLE: MONITOR/POWER SUPPLY
 SIZE CODE: DCS 5410886-0-1
 NUMBER: A3
 SHEET: 3 OF 5
 DIST.:

THIS DRAWING AND SPECIFICATIONS HEREIN ARE THE PROPERTY OF DIGITAL EQUIPMENT CORPORATION AND SHALL NOT BE REPRODUCED OR COPIED OR USED IN WHOLE OR IN PART AS THE BASIS FOR THE MANUFACTURE OR SALE OF ITEMS WITHOUT WRITTEN PERMISSION. COPYRIGHT © 1974 DIGITAL EQUIPMENT CORPORATION



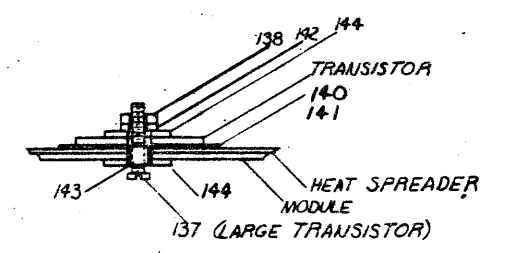
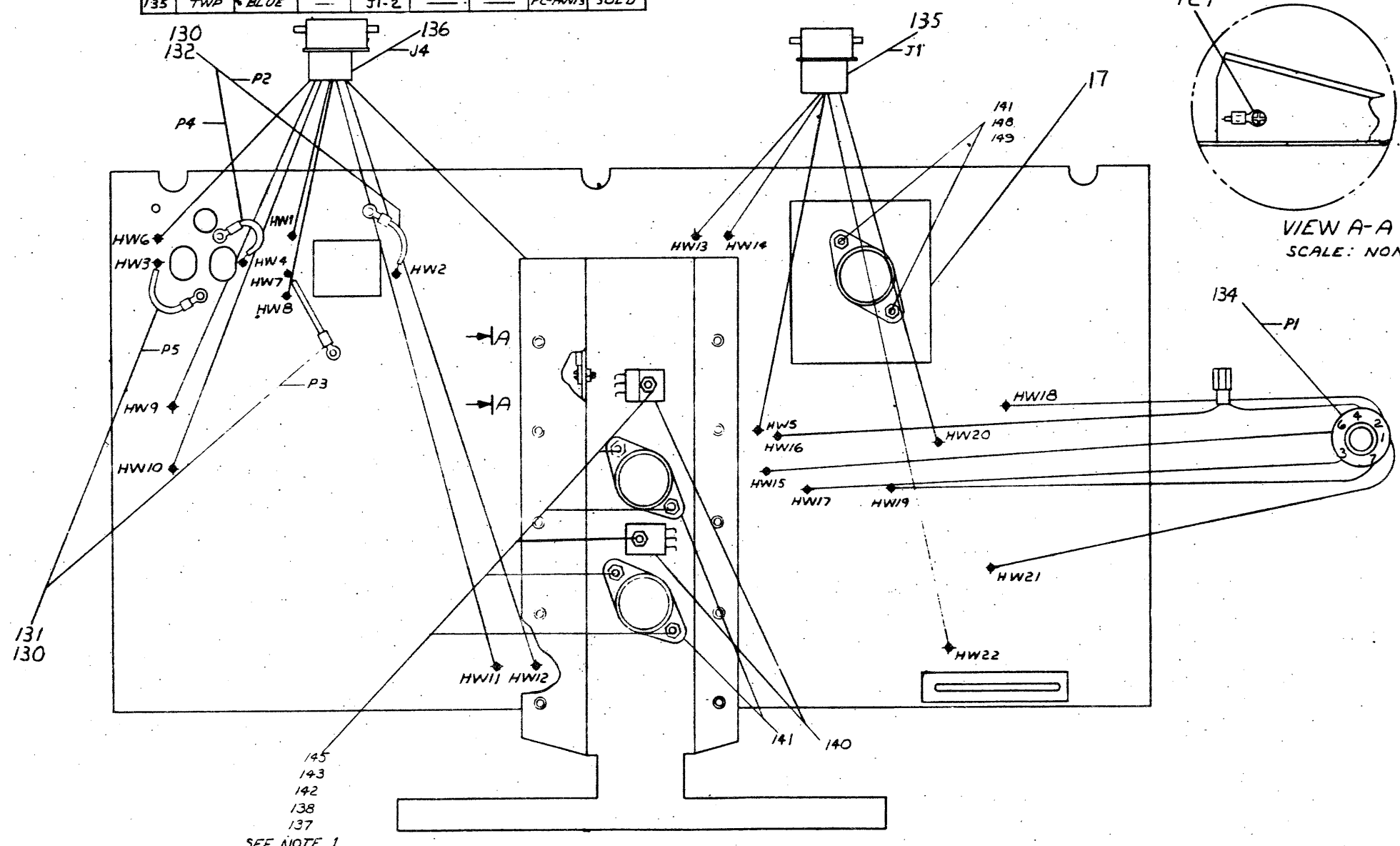
* = INSTALL WHEN USING 741 OP AMPS
 ** = INSTALL WHEN USING 301 OP AMPS

REVISIONS			REVISIONS		
CHK	CHANGE NO.	REV.	CHK	CHANGE NO.	REV.
	5410886-PNO21 AA	AA		5410886-PNO22 A B	
	DESUK			DESUK	

ITEM NO.	DESCRIPTION	FROM			TO			WIRE LENGTH	
		AWG	COLOR	POINT	CONN	WITH	POINT		CONN
136	10	GRN		J4-1			PC-HW6	SOLD	
		GRN		J4-2			GND	3/16"	
		VIO		J4-4			PC-HW12	SOLD	
		VIO		J4-5			PC-HW11		
		BLUE		J4-7			PC-HW18		
		BLUE		J4-8			PC-HW9		
		BLU/BLK		J4-9			PC-HW1		
136		VIO/BLK		J4-6			PC-HW8		
135	18	GRN		J1-1			PC-HW5		
	22	BLK		J1-3			PC-HW28		
	22	RED		J1-6			PC-HW22		
	22	WHT		J1-5			PC-HW16		
135	TWP	BLUE		J1-2			PC-HW13	SOLD	

ITEM NO.	DESCRIPTION	FROM			TO			WIRE LENGTH	
		AWG	COLOR	POINT	CONN	WITH	POINT		CONN
138	22	GRN		PI-1			PC-HW1	SOLD	
		YEL		PI-2			PC-HW18		
		BRN		PI-3			PC-HW19		
		BLK		PI-4			PC-HW16		
		RED		PI-6			PC-HW15		
134	22	BLUE		PI-7			PC-HW19		
131	18	BLK					PC-HW3		76.2 MM
131	18	BLK					PC-HW7		76.2 MM
132	18	RED					PC-HW4		76.2 MM
132	18	RED					PC-HW2	SOLD	76.2 MM

NOTES 1. SHOWN BELOW IN VIEW B-B IS A VIEW OF THE SCREW ASSY FOR ALL SIX (6) MOUNTING SCREWS.



VIEW B-B
SCALE: NONE.

145
143
142
138
137
SEE NOTE 1

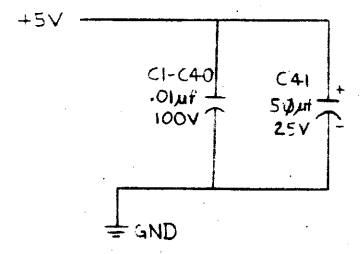
REVISIONS		
CHK	CHANGE NO.	REV.

THIS DRAWING AND SPECIFICATIONS HEREIN ARE THE PROPERTY OF DIGITAL EQUIPMENT CORPORATION AND SHALL NOT BE REPRODUCED OR COPIED OR USED IN WHOLE OR IN PART AS THE BASIS FOR THE MANUFACTURE OR SALE OF ITEMS WITHOUT WRITTEN PERMISSION
 COPYRIGHT © 1975 DIGITAL EQUIPMENT CORPORATION

NOTES:

- COMPONENTS NOT TO BE INSERTED: R8, R9.
- FOR VT51 (VARIATION -2/-3) E23 THRU E45 WILL BE DELETED. JUMPER WIRES W6 THRU W10 WILL BE DELETED AND JUMPER WIRES W1 THRU W5 WILL BE INSERTED.

LEGEND	
NUMBER	VARIATION
5411745-0	BASIC VT52
5411745-1	HEAT CYCLED, SYSTEM TESTED 5411745-0
5411745-2	BASIC VT51
5411745-3	HEAT CYCLED, SYSTEM TESTED 5411745-2



IC TYPE	8	16
7442	8	16
74155	8	16
74150	12	24
74193	8	16
7485	8	16
74157	8	16
2102	9	10
IC TYPE	GND	+5V

IC PIN LOCATIONS

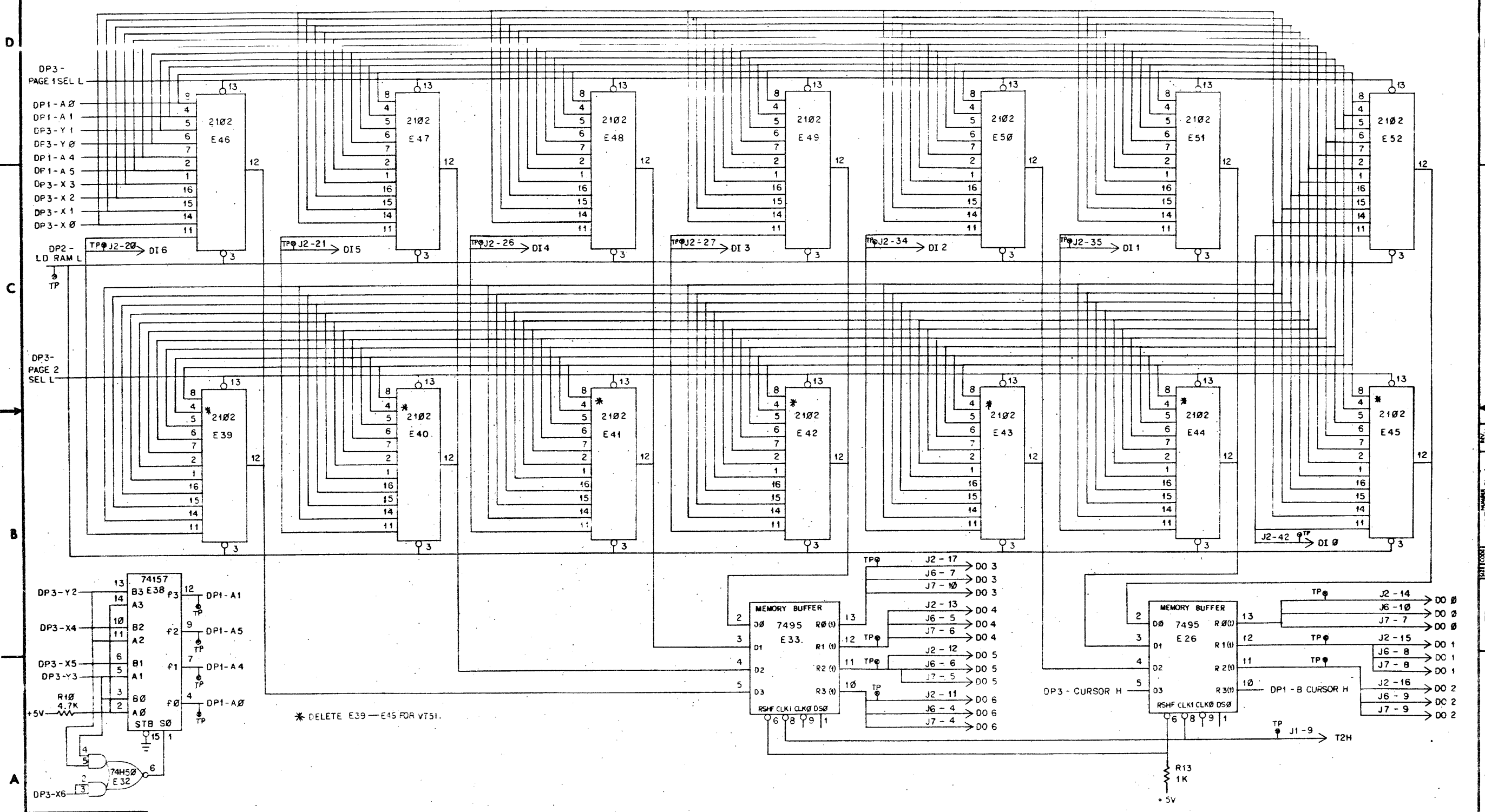
SEE B-PL-5411745-0-0

QTY	REF. DESIGNATION	DESCRIPTION	PART NO.	ITEM NO.
FIRST USED ON OPTION MODEL				
VT51/VT52				
ETCH BOARD REV. E				
PARTS LIST				
DRN. T. MISITANO		DATE 7-14-75		
CHKD. R. PUCCI		DATE 7-20-75		
ENG. T. MISITANO		DATE 8-24-75		
PROJ. ENG. M. MORGANSTERN		DATE 9-24-75		
PROD. R. PUCCI		DATE 9-24-75	TITLE	
NEXT HIGHER ASSY		DATA PATH, MEMORY AND DECODERS		
DEC NO.	EIA NO.	DEC NO.	EIA NO.	REV.
SCALE		DCSI 5411745-0-1		
SHEET		DIST.		

DESIGNER: G. CHRIS TIANSEN
 CHECKED: M. WHITTLESEY
 DATE: 11-27-77
 REVISIONS:
 1. 5411745-PN005 E
 2. 5411745-00004 D
 3. 5411745-00004 D
 4. 5411745-00004 D

REV. J
 NUMBER 5411745-0-1
 DCSI

THIS DRAWING AND SPECIFICATIONS, HEREIN, ARE THE PROPERTY OF DIGITAL EQUIPMENT CORPORATION AND SHALL NOT BE REPRODUCED OR COPIED OR USED IN WHOLE OR IN PART AS THE BASIS FOR THE MANUFACTURE OR SALE OF ITEMS WITHOUT WRITTEN PERMISSION. COPYRIGHT © 1975 DIGITAL EQUIPMENT CORPORATION



* DELETE E39—E45 FOR VT51.

REVISIONS		
CHK	CHANGE NO.	REV.

TITLE	(DP1)	SIZE/COOD	NUMBER	REV.
DATA PATHS, MEMORY AND DECODERS	D	CS	5411745-0-1	
SCALE	SHEET 2 OF 5	DIST.		

THIS DRAWING AND SPECIFICATIONS HEREIN ARE THE PROPERTY OF DIGITAL EQUIPMENT CORPORATION AND SHALL NOT BE REPRODUCED OR COPIED OR USED IN WHOLE OR IN PART AS THE BASIS FOR THE MANUFACTURE OR SALE OF ITEMS WITHOUT WRITTEN PERMISSION OF DIGITAL EQUIPMENT CORPORATION.

D

C

B

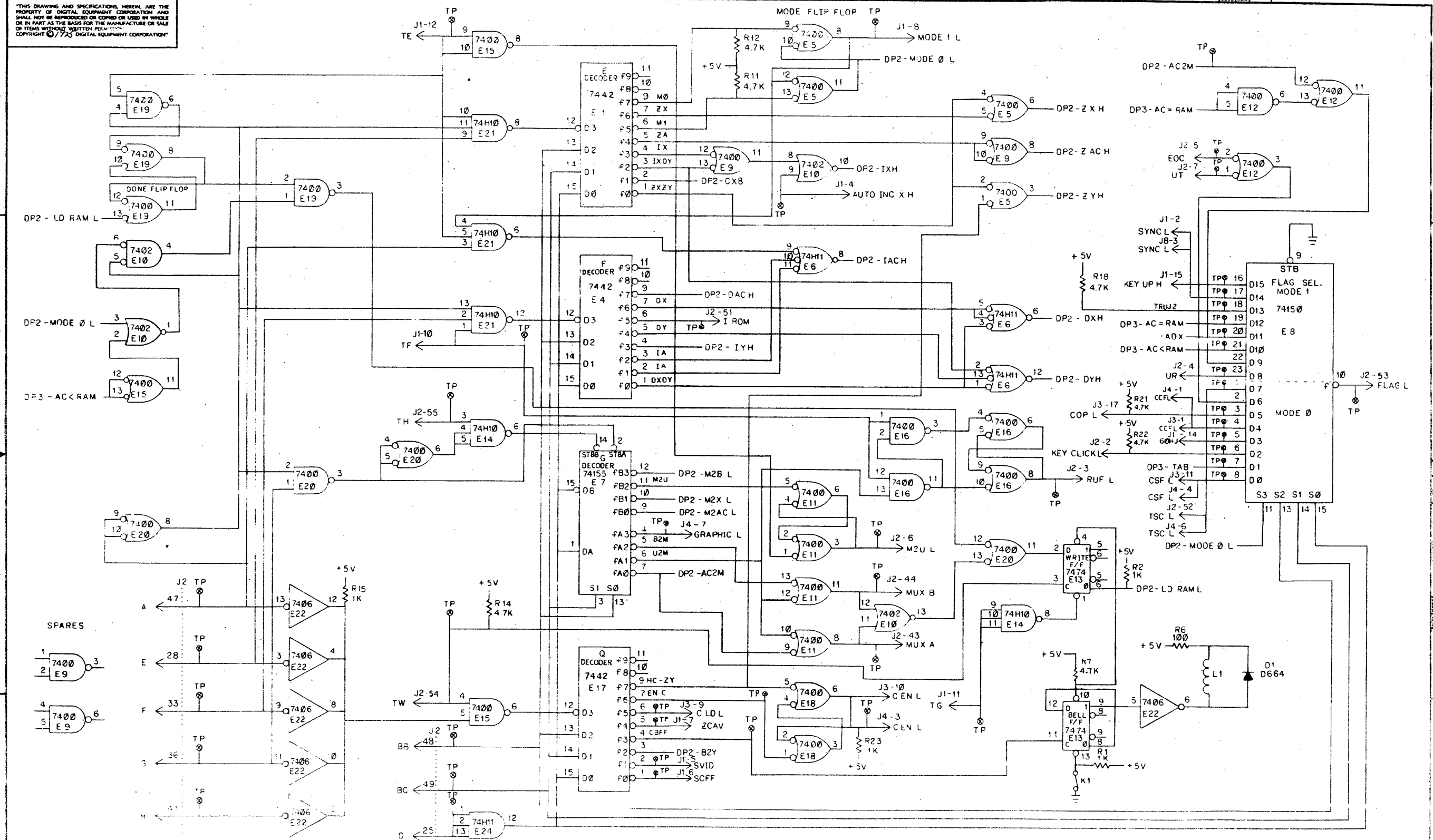
A

D

C

B

A



REV. J

B

A

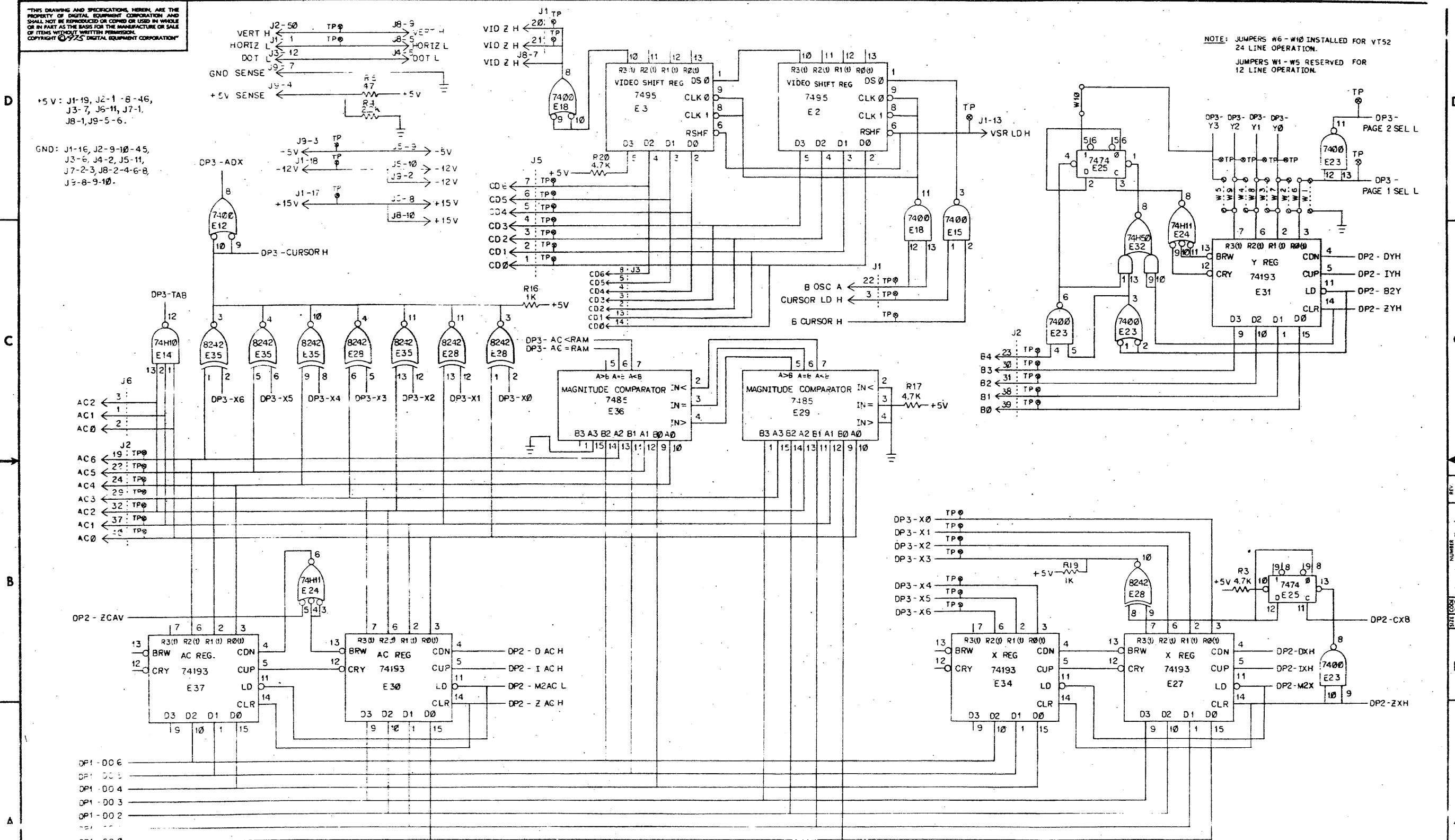
NO.	DESCRIPTION	DATE

TITLE	DATA PATHS, MEMORY AND DECODERS (DP2)	SIZE CODE	D 03	NUMBER	5411745-0-1	REV.	J
SCALE	1:1	SHEET	3	OF	5	DIST.	

THIS DRAWING AND SPECIFICATIONS, HEREIN, ARE THE PROPERTY OF DIGITAL EQUIPMENT CORPORATION AND SHALL NOT BE REPRODUCED OR COPIED OR USED IN WHOLE OR IN PART AS THE BASIS FOR THE MANUFACTURE OR SALE OF ITEMS WITHOUT WRITTEN PERMISSION. COPYRIGHT © 1975 DIGITAL EQUIPMENT CORPORATION

+5V: J1-19, J2-1-8-46, J3-7, J4-11, J7-1, J8-1, J9-5-6.
 GND: J1-16, J2-9-10-45, J3-6, J4-2, J5-11, J7-2-3, J8-2-4-6-8, J9-8-9-10.

NOTE: JUMPERS W6-W10 INSTALLED FOR VT52 24 LINE OPERATION.
 JUMPERS W1-W5 RESERVED FOR 12 LINE OPERATION.



REVISIONS		
CHK	CHANGE NO.	REV.

THIS DRAWING AND SPECIFICATIONS, HEREIN, ARE THE PROPERTY OF DIGITAL EQUIPMENT CORPORATION AND SHALL NOT BE REPRODUCED OR COPIED OR USED IN WHOLE OR IN PART AS THE BASIS FOR THE MANUFACTURE OR SALE OF ITEMS WITHOUT WRITTEN PERMISSION. COPYRIGHT © 1974 DIGITAL EQUIPMENT CORPORATION

WIRE TABLE				
ITEM NO.	DESCRIPTION	FROM	TO	
40	22	BLK	J9-1	
		BRN	2	
		RED	3	
		ORN	4	
		YEL	5	
		GRN	6	
		BLU	7	
		VIO	8	
		GRY	9	
40		WHT	J9-10	
40		BLK	J8-1	
		BRN	2	
		RED	3	
		ORN	4	
		YEL	5	
		GRN	6	
		BLU	7	
		VIO	8	
		GRY	9	
40	22	WHT	J8-10	

- J1 RUT CONN.**
- 1 HORIZ L
 - 2 SYNC L
 - 3 CURSOR LDH
 - 4 AUTO INC X H
 - 5 SVID
 - 6 SCFF
 - 7 ZCAV
 - 8 MODE IL
 - 9 T2H
 - 10 TF
 - 11 TG
 - 12 TE
 - 13 VSR LDH
 - 14 60HJ
 - 15 KEY UP H
 - 16 GND
 - 17 +15V
 - 18 -12V
 - 19 +5V
 - 20 VID Z H
 - 21 VID Z H
 - 22 B OSC A

- J2 RUT CONN.**
- 1 +5V
 - 2 KEY CLK L
 - 3 RUF L
 - 4 UR
 - 5 UT
 - 6 M2UL
 - 7 EOC
 - 8 +5V
 - 9 GND
 - 10 GND
 - 11 DO 6
 - 12 DO 5
 - 13 DO 4
 - 14 DO 0
 - 15 DO 1
 - 16 DO 2
 - 17 DO 3
 - 18 M2BL
 - 19 AC 6
 - 20 DI C
 - 21 DI 5
 - 22 AC 5
 - 23 B4
 - 24 AC 4
 - 25 D
 - 26 DI 4
 - 27 DI 3
 - 28 E
 - 29 AC 3
 - 30 B3
 - 31 B2
 - 32 AC 2
 - 33 F
 - 34 DI 2
 - 35 DI 1
 - 36 G
 - 37 AC 1
 - 38 B1
 - 39 B0
 - 40 AC 0
 - 41 H
 - 42 DI 0
 - 43 MUX A
 - 44 MUX B
 - 45 GND
 - 46 +5V
 - 47 A
 - 48 BB
 - 49 BC
 - 50 VERT H
 - 51 I ROM
 - 52 TSC L
 - 53 FLAG L
 - 54 TW
 - 55 TH

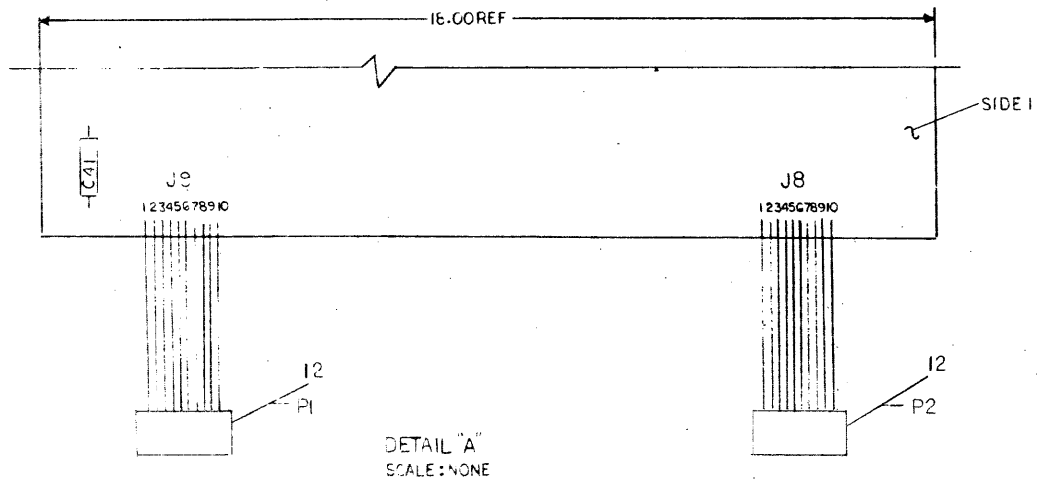
- J3 COPIER - CONN.**
- 1 CCFL
 - 2 CD 2
 - 3 CD 3
 - 4 CD 4
 - 5 CD 5
 - 6 GND
 - 7 +5V
 - 8 CD 6
 - 9 C LD L
 - 10 CEN L
 - 11 CSFL
 - 12 DOT L
 - 13 CD 1
 - 14 CD 0
 - 15
 - 16
 - 17 COPL
 - 18
 - 19
 - 20

- J4 GRAPHICS - CONN.**
- 1 CCFL
 - 2 GND
 - 3 CEN L
 - 4 CSFL
 - 5 DOT L
 - 6 TSC L
 - 7 GRAPHIC L
- J5 CHAR. GEN. CONN.**
- 1 CD 0
 - 2 CD 1
 - 3 CD 2
 - 4 CD 3
 - 5 CD 4
 - 6 CD 5
 - 7 CD 6
 - 8 +15V
 - 9 -5V
 - 10 -12V
 - 11 GND

- J6 CHAR. GEN. CONN.**
- 1 AC 1
 - 2 AC 0
 - 3 AC 2
 - 4 DO 6
 - 5 DO 4
 - 6 DO 5
 - 7 DO 3
 - 8 DO 1
 - 9 DO 2
 - 10 DO 0
 - 11 +5V
- J7 GRAPHICS - CONN.**
- 1 +5V
 - 2 GND
 - 3 GND
 - 4 DO 6
 - 5 DO 5
 - 6 DO 4
 - 7 DO 0
 - 8 DO 1
 - 9 DO 2
 - 10 DO 3

- J8 MONITOR - CONN.**
- 1 +5V
 - 2 GND
 - 3 SYNC L
 - 4 GND
 - 5 HORIZ L
 - 6 GND
 - 7 VID Z H
 - 8 GND
 - 9 VERT H
 - 10 +15V

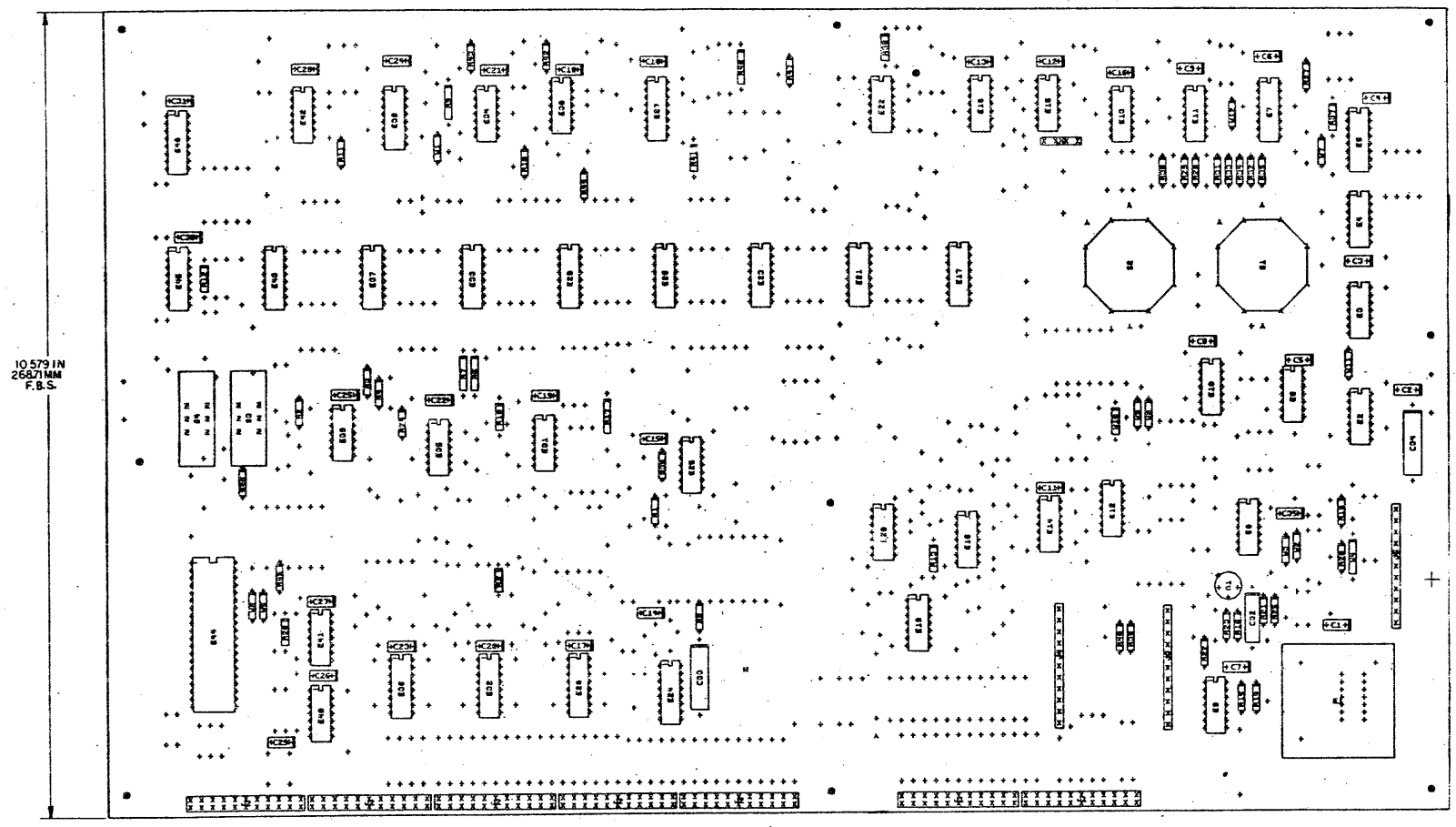
- J9 POWER CONN.**
- 1
 - 2 -12V
 - 3 -5V
 - 4 +5V SENSE
 - 5 +5V
 - 6 GND
 - 7 GND SENSE
 - 8 GND
 - 9 GND
 - 10 GND



REVISIONS		
CHK	CHANGE NO.	REV.

THIS DRAWING AND SPECIFICATIONS HEREIN ARE THE PROPERTY OF DIGITAL EQUIPMENT CORPORATION AND SHALL NOT BE REPRODUCED OR COPIED OR USED IN WHOLE OR IN PART AS THE BASIS FOR THE MANUFACTURE OR SALE OF ITEMS WITHOUT WRITTEN PERMISSION. DIGITAL EQUIPMENT CORPORATION COPYRIGHT © 1976

NOTES:
 1. COMPONENTS NOT TO BE INSERTED:
 R29-R35, R39, R40, R42-R44
 2. OPTIONAL JUMPERS: W1-W12



10.579 IN
 26871MM
 F.B.S.

J1 DATA PATH CONN	J2 DATA PATH CONN	J3 DOT X-OR CONN	J5 KEYBOARD CONN
1 HORIZ L 2 SYNC L 3 CURSOR LD H 4 AUTO INC X H 5 SVID 6 SCFF 7 ZCAV 8 MODE IL 9 T2H 10 TF 11 TG 12 TE 13 VSR LD H 14 G0HJ 15 KEY UP H 16 GND 17 +5V 18 -12V 19 +15V 20 V ID Z H 21 V ID Z H 22 B OSC A	1 +5V 2 KEY CLICK L 3 RUF L 4 UR 5 UT 6 MTU L 7 EOC 8 +5V 9 GND 10 GND 11 DOG 12 DO5 13 DO4 14 DO0 15 DO1 16 DO2 17 DO3 18 K2B L 19 AC0 20 DT6 21 DI5 22 AC5 23 B4 24 AC4 25 D 26 DI4 27 DI3 28 E	29 AC3 30 B3 31 B2 32 AC2 33 F 34 DI2 35 DI1 36 G 37 AC1 38 G1 39 B0 40 AC0 41 H 42 DI0 43 MUX A 44 MUX B 45 GND 46 +5V 47 A 48 BB 49 BC 50 VERT H 51 I ROM 52 TSC L 53 FLAG L 54 TW 55 TH	1 CTRL KEY L 2 BRK KEY L 3 AC1 4 AC1 5 AC2 6 AC3 7 AC4 8 AC5 9 GND 10 KEY UP H 11 +5V
		J4 20MA/EIA CONN.	J6 GRAPHICS CONN
		1 +5V 2 -12V 3 +15V 4 GND 5 REC. DATA H 6 7 TRANS DATA L 8 9 10 11	1 GND 2 H FLYH 3 EN CYCLE L 4 INIT L

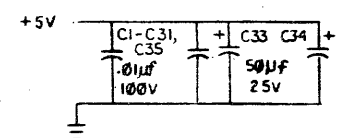
LEGEND

VARIATION	DESCRIPTION
5411743-00	VT52 COPIER ROMS
5411743-01	HEAT AND SYSTEM TESTED 5411743-00
5411743-02	VT55 BASIC
5411743-03	HEAT AND SYSTEM TESTED 5411743-02
5411743-04	VT52 BASIC, PRINTER ROMS
5411743-05	HEAT AND SYSTEM TESTED 5411743-04
5411743-06	VT51 BASIC
5411743-07	HEAT AND SYSTEM TESTED 5411743-06

JUMPER WIRE TABLE

VT	VT	VT
52	51	55
W1	OUT	IN
W2	OUT	IN
W3	IN	OUT
W4	IN	OUT

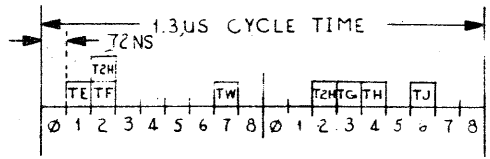
SEE OFF SHEET PARTS LIST



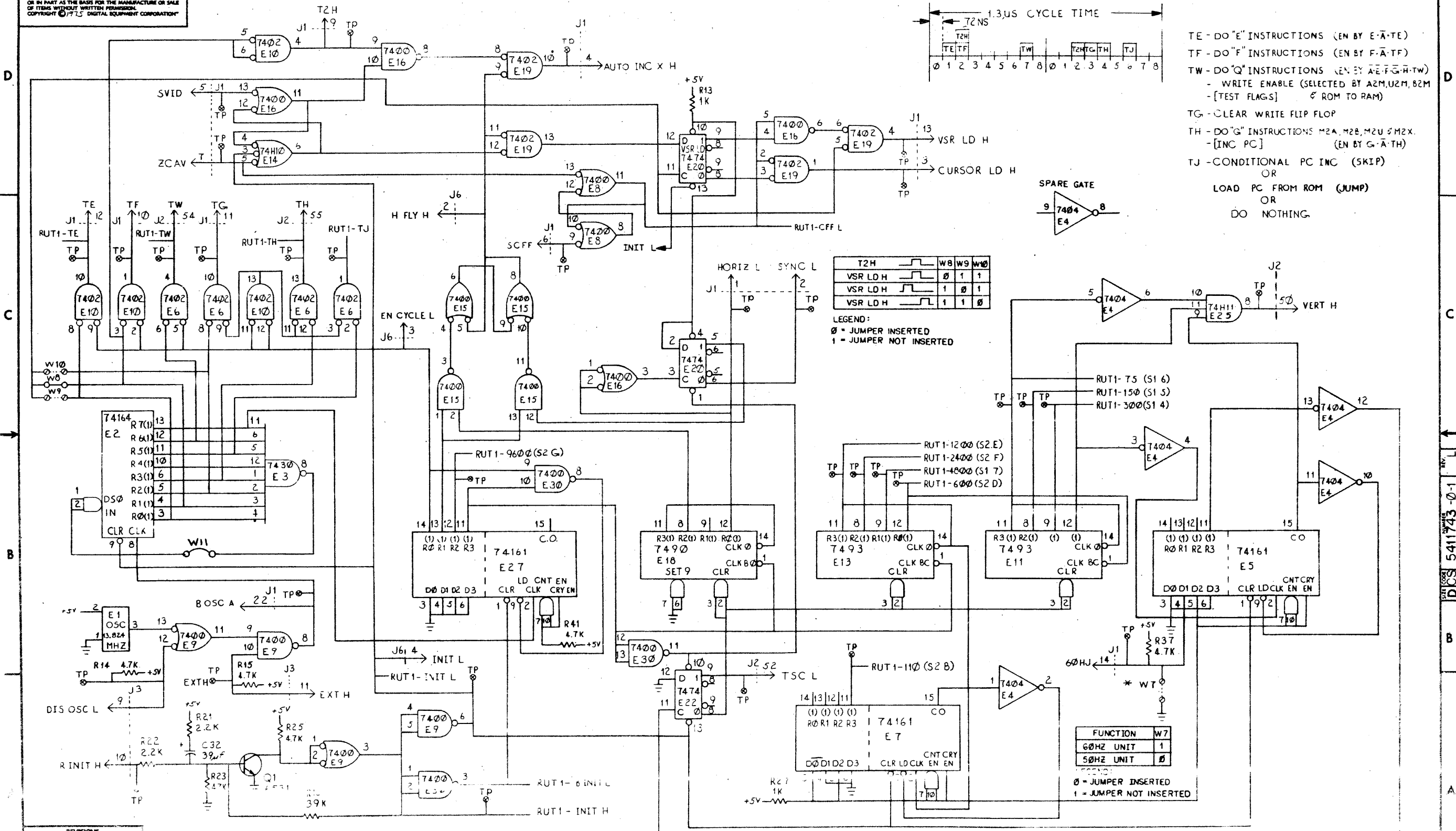
IC PIN LOCATIONS	8	7	6	5	4	3	2	1
402	3	1						
306A	8	16						
7490	10	5						
7493	10	5						
74161	8	16						
	GND	+5V						

FIRST USED ON OPTION MODEL		QTY	REF. DESIGNATION	DESCRIPTION	PART NO.	ITEM NO.																		
VT52																								
ETCH BOARD REV.		PARTS LIST																						
D		<table border="1"> <tr> <td>ORL</td> <td>DATE</td> <td>4-16-75</td> </tr> <tr> <td>TOP MISTAKO</td> <td>DATE</td> <td>9-22-75</td> </tr> <tr> <td>ENG</td> <td>DATE</td> <td>3-22-75</td> </tr> <tr> <td>PROJ. ENG</td> <td>DATE</td> <td>9-13-75</td> </tr> <tr> <td>M. MORGANSTERN</td> <td>DATE</td> <td></td> </tr> <tr> <td>PROD.</td> <td>DATE</td> <td></td> </tr> </table>					ORL	DATE	4-16-75	TOP MISTAKO	DATE	9-22-75	ENG	DATE	3-22-75	PROJ. ENG	DATE	9-13-75	M. MORGANSTERN	DATE		PROD.	DATE	
ORL	DATE	4-16-75																						
TOP MISTAKO	DATE	9-22-75																						
ENG	DATE	3-22-75																						
PROJ. ENG	DATE	9-13-75																						
M. MORGANSTERN	DATE																							
PROD.	DATE																							
REV. NO.		<table border="1"> <tr> <td>DEC NO.</td> <td>EIA NO.</td> <td>DEC NO.</td> <td>EIA NO.</td> </tr> <tr> <td></td> <td></td> <td></td> <td></td> </tr> </table>					DEC NO.	EIA NO.	DEC NO.	EIA NO.														
DEC NO.	EIA NO.	DEC NO.	EIA NO.																					
SEMICONDUCTOR CONVERSION CHART		<table border="1"> <tr> <td>SCALE</td> <td>1 OF 4</td> </tr> <tr> <td>SHEET</td> <td></td> </tr> </table>					SCALE	1 OF 4	SHEET															
SCALE	1 OF 4																							
SHEET																								
		<table border="1"> <tr> <td>SIZE</td> <td>CODE</td> <td>NUMBER</td> <td>REV.</td> </tr> <tr> <td>D</td> <td>CS</td> <td>5411743-0-1</td> <td>L</td> </tr> </table>					SIZE	CODE	NUMBER	REV.	D	CS	5411743-0-1	L										
SIZE	CODE	NUMBER	REV.																					
D	CS	5411743-0-1	L																					
		<table border="1"> <tr> <td>TITLE</td> <td>ROM, UART AND TIMING</td> </tr> </table>					TITLE	ROM, UART AND TIMING																
TITLE	ROM, UART AND TIMING																							

THIS DRAWING AND SPECIFICATIONS HEREIN ARE THE PROPERTY OF DIGITAL EQUIPMENT CORPORATION AND SHALL NOT BE REPRODUCED OR COPIED OR USED IN WHOLE OR IN PART AS THE BASIS FOR THE MANUFACTURE OR SALE OF ITEMS WITHOUT WRITTEN PERMISSION. COPYRIGHT © 1975 DIGITAL EQUIPMENT CORPORATION



- TE - DO "E" INSTRUCTIONS (EN BY E-A-TE)
- TF - DO "F" INSTRUCTIONS (EN BY F-A-TF)
- TW - DO "Q" INSTRUCTIONS (EN BY A-E-F-G-H-TW)
 - WRITE ENABLE (SELECTED BY ARM, U2M, B2M
 - [TEST FLAGS] & ROM TO RAM)
- TG - CLEAR WRITE FLIP FLOP
- TH - DO "G" INSTRUCTIONS M2A, M2B, M2U & M2X.
 - [INC PC] (EN BY G-A-TH)
- TJ - CONDITIONAL PC INC (SKIP)
 - OR
 - LOAD PC FROM ROM (JUMP)
 - OR
 - DO NOTHING.



T2H	W8	W9	W10
VSR LD H	0	1	1
VSR LD H	1	0	1
VSR LD H	1	1	0

LEGEND:
 0 = JUMPER INSERTED
 1 = JUMPER NOT INSERTED

FUNCTION	W7
60HZ UNIT	1
50HZ UNIT	0

LEGEND:
 0 = JUMPER INSERTED
 1 = JUMPER NOT INSERTED

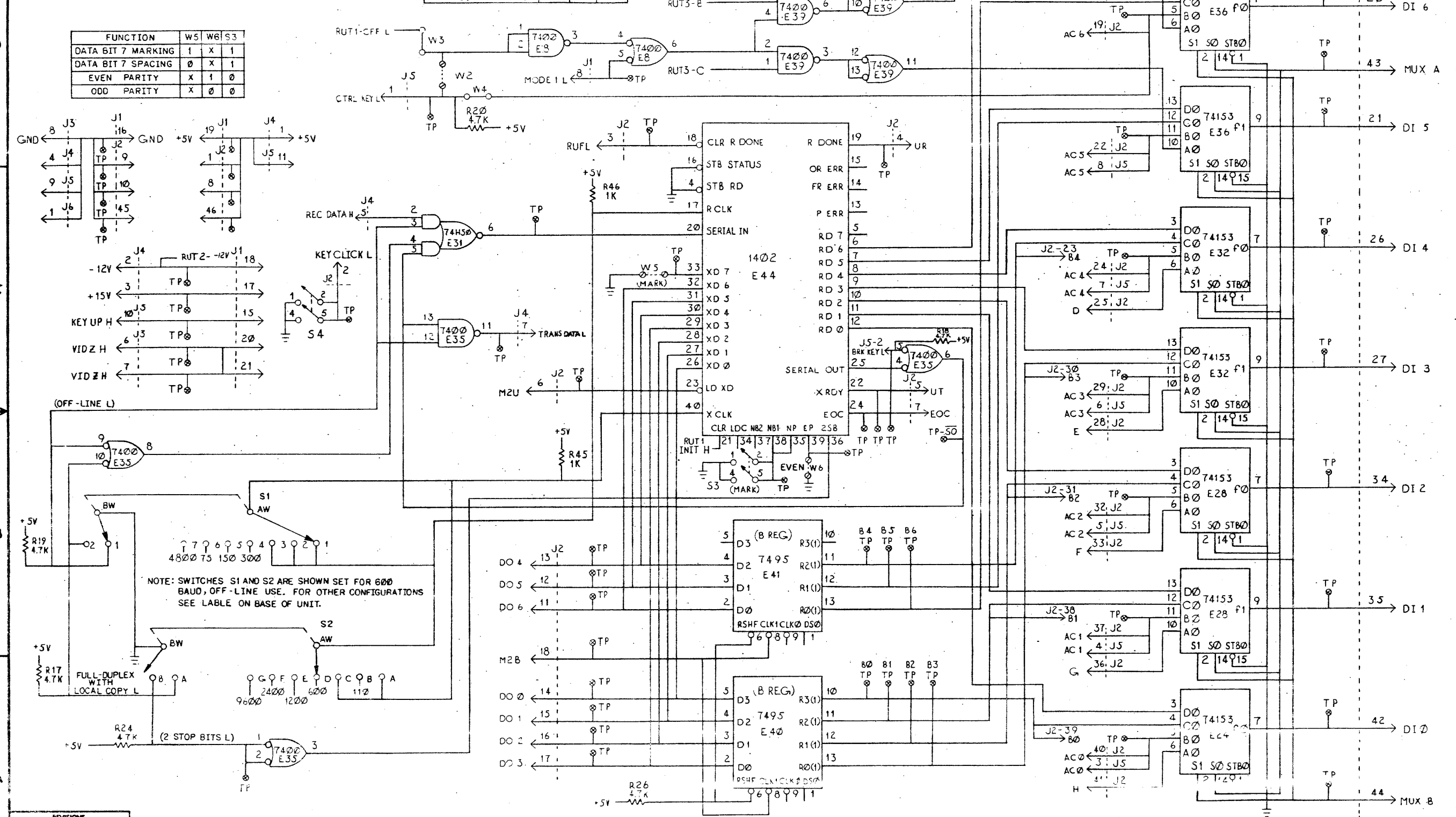
REVISIONS		
CHK	CHANGE NO.	REV.

THIS DRAWING AND SPECIFICATIONS HEREIN ARE THE PROPERTY OF DIGITAL EQUIPMENT CORPORATION AND SHALL NOT BE REPRODUCED OR COPIED OR USED IN WHOLE OR IN PART AS THE BASIS FOR THE MANUFACTURE OR SALE OF ITEMS WITHOUT WRITTEN PERMISSION. COPYRIGHT © 1972 DIGITAL EQUIPMENT CORPORATION

LEGEND:
 Ø = JUMPER INSERTED/SWITCH CLOSED
 1 = JUMPER NOT INSERTED/SWITCH OPEN
 X = DON'T CARE

KEYBOARD BEING USED	W2	W3	W4
VT61/VT50H 5411170	1	Ø	Ø
VT51 5410893	Ø	1	1

FUNCTION	W5	W6	S3
DATA BIT 7 MARKING	1	X	1
DATA BIT 7 SPACING	Ø	X	1
EVEN PARITY	X	1	Ø
ODD PARITY	X	Ø	Ø



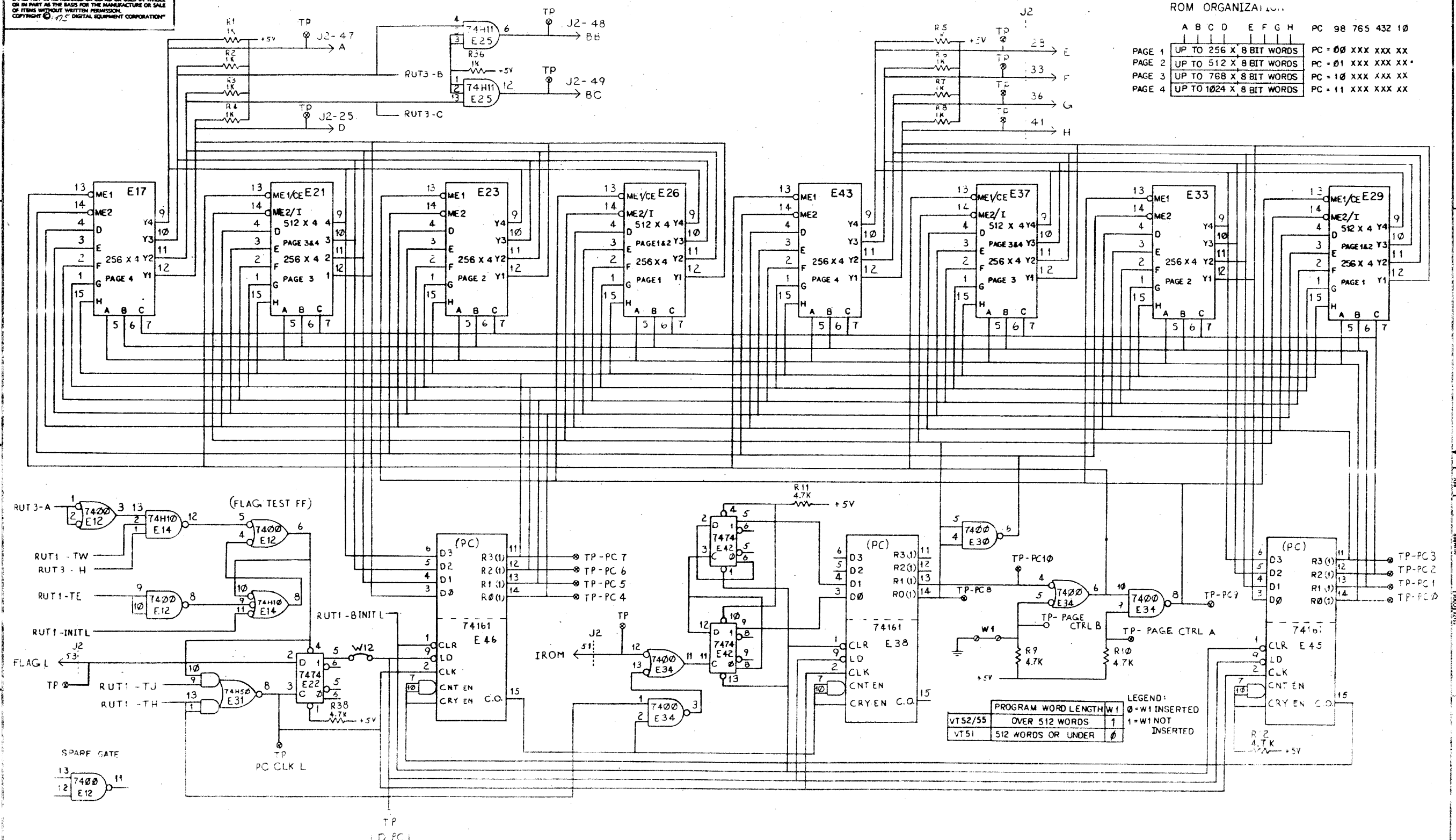
NOTE: SWITCHES S1 AND S2 ARE SHOWN SET FOR 6000 BAUD, OFF-LINE USE. FOR OTHER CONFIGURATIONS SEE LABEL ON BASE OF UNIT.

REVISIONS		
CHK	CHANGE NO.	REV.

THIS DRAWING AND SPECIFICATIONS, HEREIN, ARE THE PROPERTY OF DIGITAL EQUIPMENT CORPORATION AND SHALL NOT BE REPRODUCED OR COPIED OR USED IN WHOLE OR IN PART AS THE BASIS FOR THE MANUFACTURE OR SALE OF ITEMS WITHOUT WRITTEN PERMISSION. COPYRIGHT © 1972 DIGITAL EQUIPMENT CORPORATION

ROM ORGANIZATION

	A	B	C	D	E	F	G	H	PC	98	765	432	10
PAGE 1	UP TO 256 X 8 BIT WORDS								PC = 00	XXX	XXX	XX	
PAGE 2	UP TO 512 X 8 BIT WORDS								PC = 01	XXX	XXX	XX	
PAGE 3	UP TO 768 X 8 BIT WORDS								PC = 10	XXX	XXX	XX	
PAGE 4	UP TO 1024 X 8 BIT WORDS								PC = 11	XXX	XXX	XX	



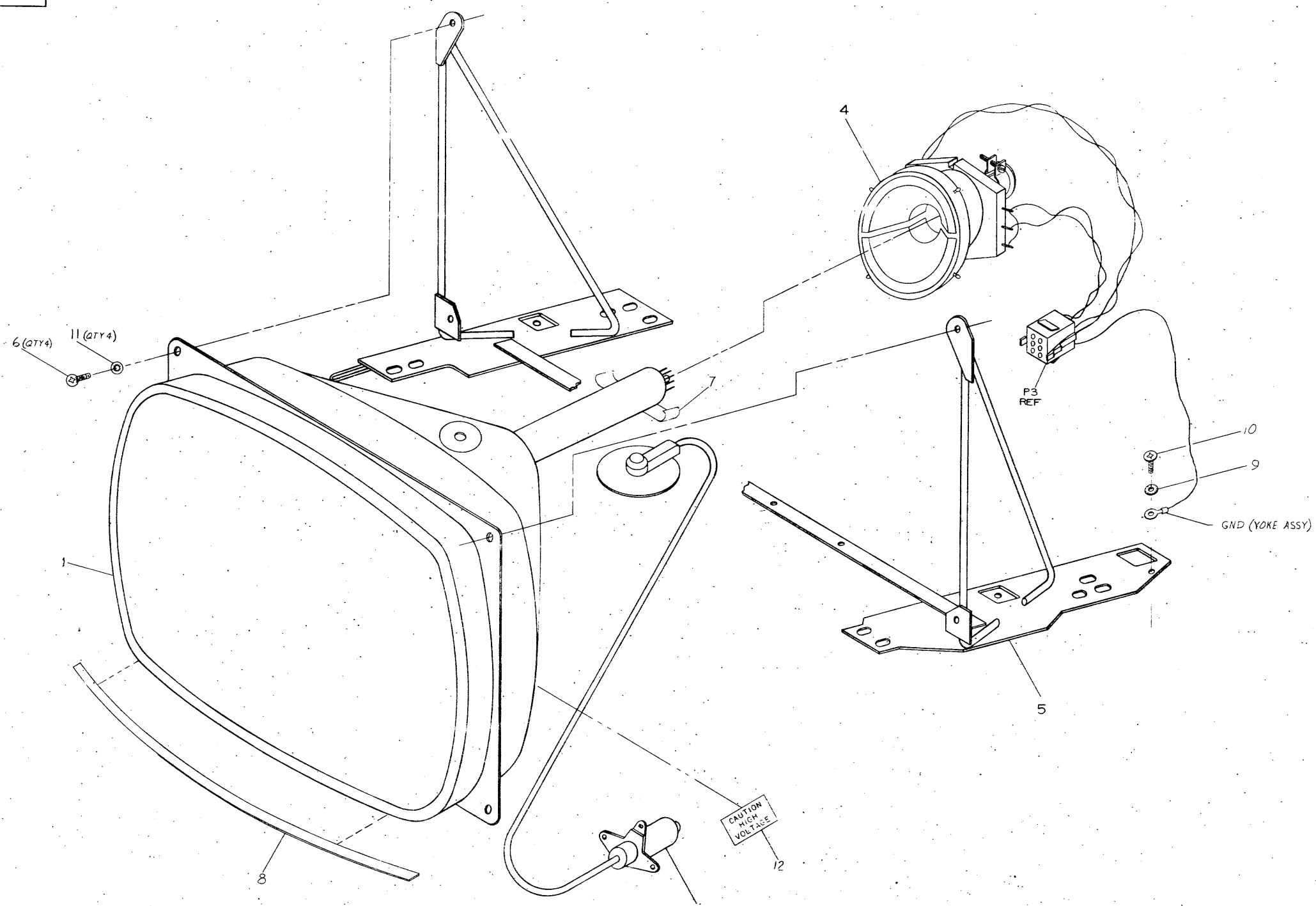
LEGEND:

PROGRAM WORD LENGTH	W1	0 = W1 INSERTED	1 = W1 NOT INSERTED
VT52/55	OVER 512 WORDS	1	
VT51	512 WORDS OR UNDER	0	

REVISIONS

CHK	CHANGE NO.	REV

THIS DRAWING AND SPECIFICATIONS, HEREIN, ARE THE PROPERTY OF METAL EQUIPMENT CORPORATION AND SHALL NOT BE REPRODUCED OR COPIED OR USED IN WHOLE OR IN PART AS THE BASIS FOR THE MANUFACTURE OR SALE OF ITEMS WITHOUT WRITTEN PERMISSION. COPYRIGHT © 1975, METAL EQUIPMENT CORPORATION



METRIC DIMENSIONS

1	DECAL, HIGH VOLTAGE	3610267	12
4	LOCKWASHER, INT. TH.	9006636	11
1	SCREW, MACH, #6-32	9006022-1	10
1	LOCKWASHER, EXT. TH.	9007649	9
1/4	TAPE, GREEN	9007839	8
1/4	TAPE, GRAY, DULT	9009339	7
4	SCREW, TRUSS HD., MACH	9006037-3	6
1	WIREFORM, CRT	1-1A-7415319-0-0	5
1	ASSEMBLY, YOKE	2-1A-7010906-0-0	4
4	SCREW, PHL PAN HD #6-32	9006036-1	3
1	DIODE, HIGH VOLTAGE	1112553	2
1	TUBE, CATHODE RAY	1211901	1

THIRD ANGLE PROJECTION		UNLESS OTHERWISE SPECIFIED DIMENSIONS ARE IN MILLIMETERS	
ANGLES 10° 30'	CLASS OF ACCURACY	MICRONAL DIMENSIONS BASED ON MILLIMETERS	
REMOVED BURRS AND BREAK SHARP CORNERS	DO NOT SCALE DIMG	QUANTITY & VARIATION	MICROMETERS PREFERRED
MATERIAL SEE PARTS LIST	FINISH	DESCRIPTION	DWG. PART NO. ITEM NO.
CHKO J. CAHILL 2-11-75	ENG. R. GIRARD 2-13-75	VT50	
PROJ. ENG. M. J. ... 2-3-75	PROJ. D. BEVINS 2-12-75	TITLE ASSEMBLY, CRT	
SIZE CODE 0-1A-VT50-0-0	NUMBER AD 7010859-0-0	SCALE 1 OF 1	REV D

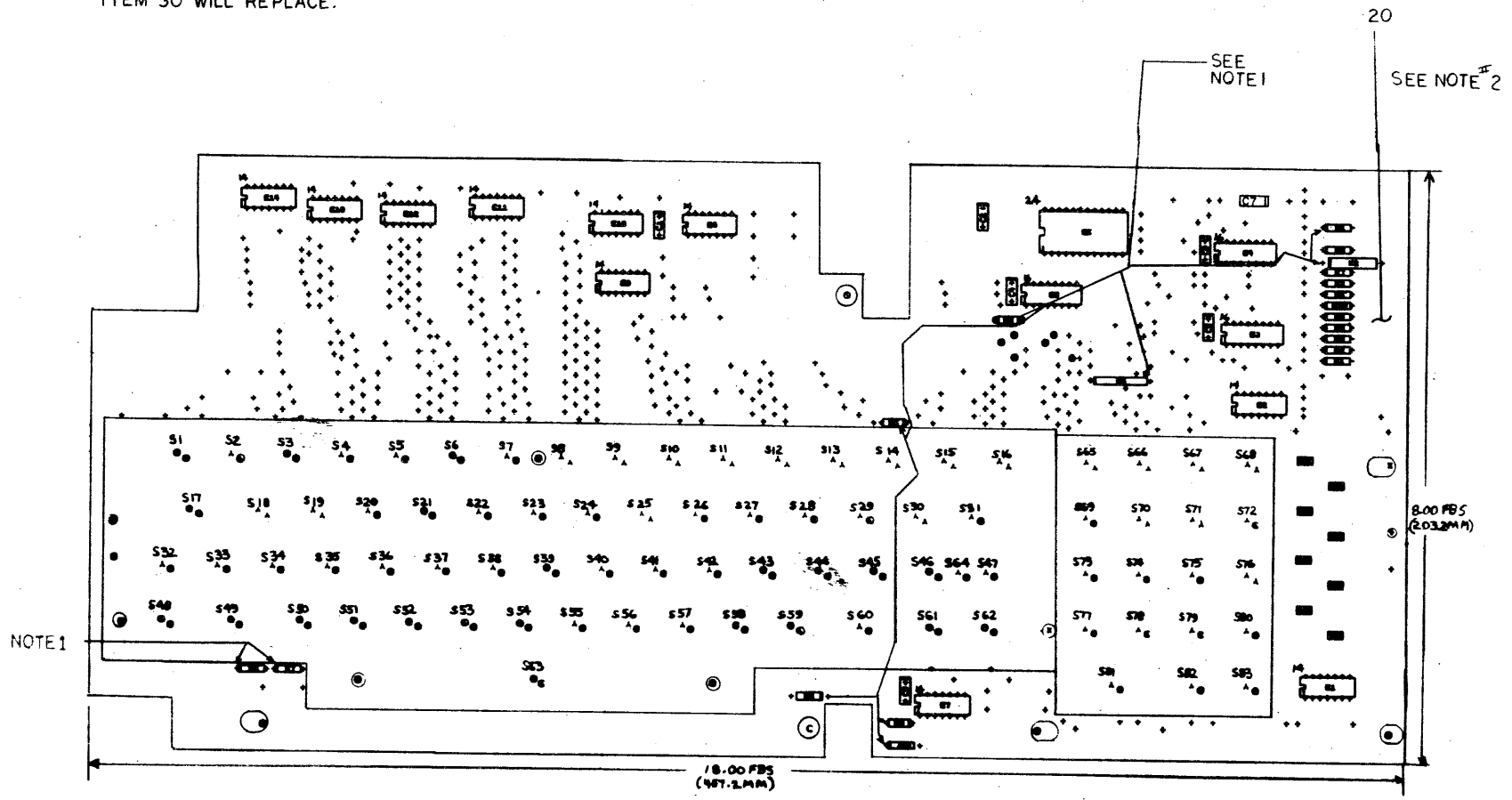
DATE	BY	CHKD	APP'D
2-11-75	J. CAHILL	J. CAHILL	J. CAHILL
2-13-75	R. GIRARD	R. GIRARD	R. GIRARD
2-3-75	M. J. ...	M. J. ...	M. J. ...
2-12-75	D. BEVINS	D. BEVINS	D. BEVINS

7010859-0-0-D

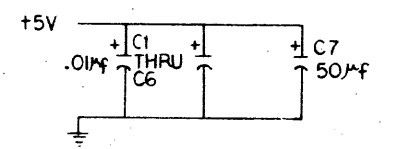
"THIS DRAWING AND SPECIFICATIONS HEREIN ARE THE PROPERTY OF DIGITAL EQUIPMENT CORPORATION AND SHALL NOT BE REPRODUCED OR COPIED OR USED IN WHOLE OR IN PART AS THE BASIS FOR THE MANUFACTURE OR SALE OF ITEMS WITHOUT WRITTEN PERMISSION. COPYRIGHT © 1977 DIGITAL EQUIPMENT CORPORATION"

NOTES:

1. OPTIONAL JUMPERS: SEE SHEET 2 FOR CONFIGURATION TABLE.
2. SEE SHEET 3 OF 5 FOR WIRING TABLE.
3. SEE SHEETS 4 & 5 FOR VARIATION KEYCAP PLACEMENT.
4. NOTE THAT THE B.O.M. FOR ALL VARIATIONS OF THIS BOARD MAY REQUIRE UPDATING ON ANY ECO.
5. VARIATION 14 UTILIZES THE KEYCAP SET ITEM #27 WITH THE EXCEPTION OF POSITION S4 WHICH THE KEYCAP ITEM #30 WILL REPLACE.



VARIATION EXPLANATION	
VARIATION	COMMENT
5411170-0	VT6I
5411170-1	HEAT CYCLED, SYSTEM TESTED 5411170-0
5411170-2	BASIC VT50H
5411170-3	HEAT CYCLED, SYSTEM TESTED 5411170-2
5411170-4	VT52
5411170-5	HEAT CYCLED, SYSTEM TESTED 5411170-4
5411170-6	VT6IT
5411170-7	HEAT CYCLED, SYSTEM TESTED 5411170-6
5411170-8	VT52-W
5411170-9	HEAT CYCLED, SYSTEM TESTED 5411170-8
5411170-10	VT62
5411170-11	HEAT CYCLED, SYSTEM TESTED 5411170-10
5411170-12	VT52-N
5411170-13	HEAT CYCLED, SYSTEM TESTED 5411170-12
5411170-14	VT52-W W/UK KEYCAP-S4
5411170-15	HEAT CYCLED, SYSTEM TESTED 5411170-14



IC TYPE	QND	+5V
DEC IC 7442	8	16
DEC IC 74175	8	16
DEC IC 74150	12	24

QND AND 5V ARE USUALLY PIN 7 AND 14 RESPECTIVELY EXCEPTORS ARE STATED ABOVE

IC PIN LOCATIONS

REVISIONS

REV.	DATE	DESCRIPTION
1	12-27-77	J. DESUR
2	1-10-78	E. BRUCKE
3	1-10-78	J. DESUR
4	1-10-78	J. DESUR
5	1-10-78	J. DESUR
6	1-10-78	J. DESUR
7	1-10-78	J. DESUR
8	1-10-78	J. DESUR
9	1-10-78	J. DESUR
10	1-10-78	J. DESUR
11	1-10-78	J. DESUR
12	1-10-78	J. DESUR
13	1-10-78	J. DESUR
14	1-10-78	J. DESUR
15	1-10-78	J. DESUR
16	1-10-78	J. DESUR
17	1-10-78	J. DESUR
18	1-10-78	J. DESUR
19	1-10-78	J. DESUR
20	1-10-78	J. DESUR

SEE OFF SHEET PARTS LIST

QTY	REF. DESIGNATION	DESCRIPTION	PART NO.	ITEM NO.
	VT6I/VT50	ETCH BOARD REV. D		

digital

TITLE: KEYBOARD
VT6I/VT50H

SCALE: 1/8" = 1"

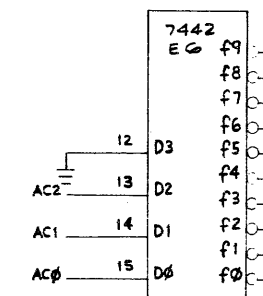
OF 5

D CS 541170-0-1 P

"THIS DRAWING AND SPECIFICATIONS HEREIN ARE THE PROPERTY OF DIGITAL EQUIPMENT CORPORATION AND SHALL NOT BE REPRODUCED OR COPIED OR USED IN WHOLE OR IN PART AS THE BASIS FOR THE MANUFACTURE OR SALE OF ITEMS WITHOUT WRITTEN PERMISSION. COPYRIGHT © 1975 DIGITAL EQUIPMENT CORPORATION"

NOTE: NUMBERS 000 THRU 117 REPRESENT THE OCTAL AC ADDRESS OF EACH KEY.

JUMPER	VT50H, J 5411170-2	VT52-W VT52, 52-W 5411170-4 5411170-8 5411170-12	VT61/VT61T/VT62 5411170-C 5411170-6 5411170-10
W1	IN	IN	OUT
W2	IN	IN	OUT
W3	IN	IN	OUT
W4	IN	IN	OUT
W5	OUT	OUT	IN
W6	IN	OUT	IN
W7	OUT	IN	OUT
W8	OUT	IN	OUT
W9	OUT	IN	IN
W10	OUT	OUT	IN



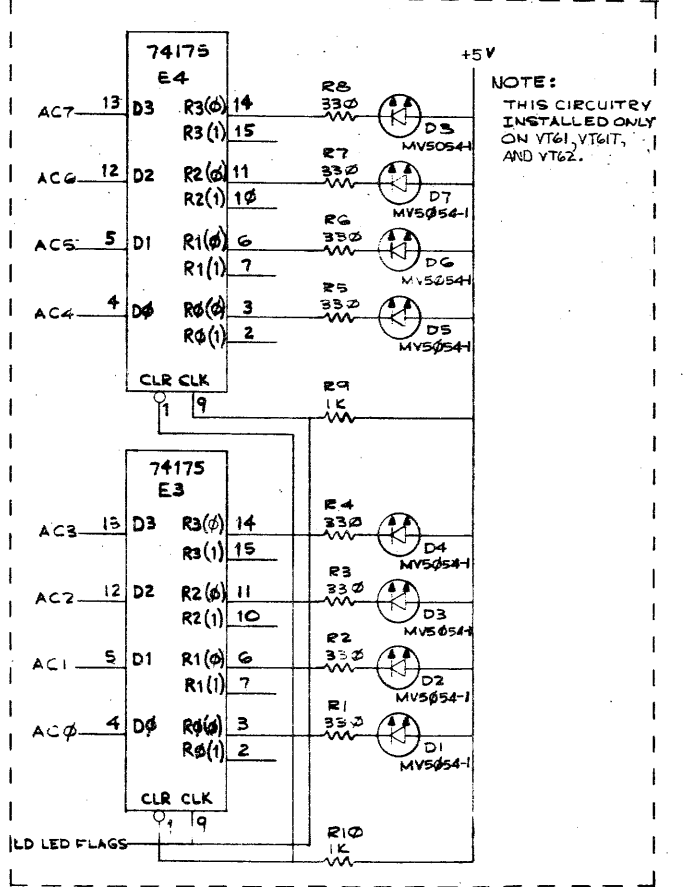
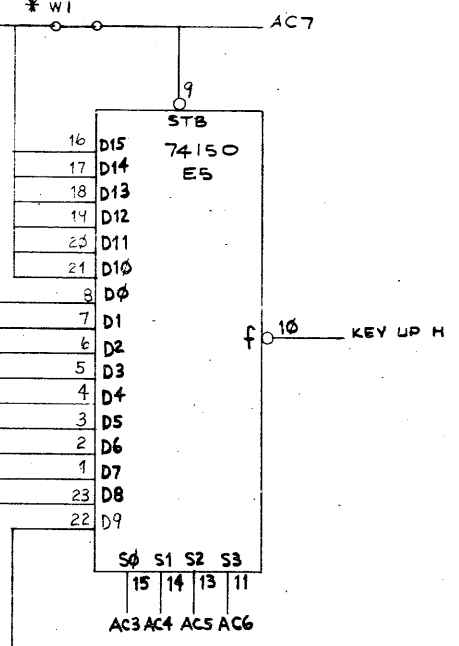
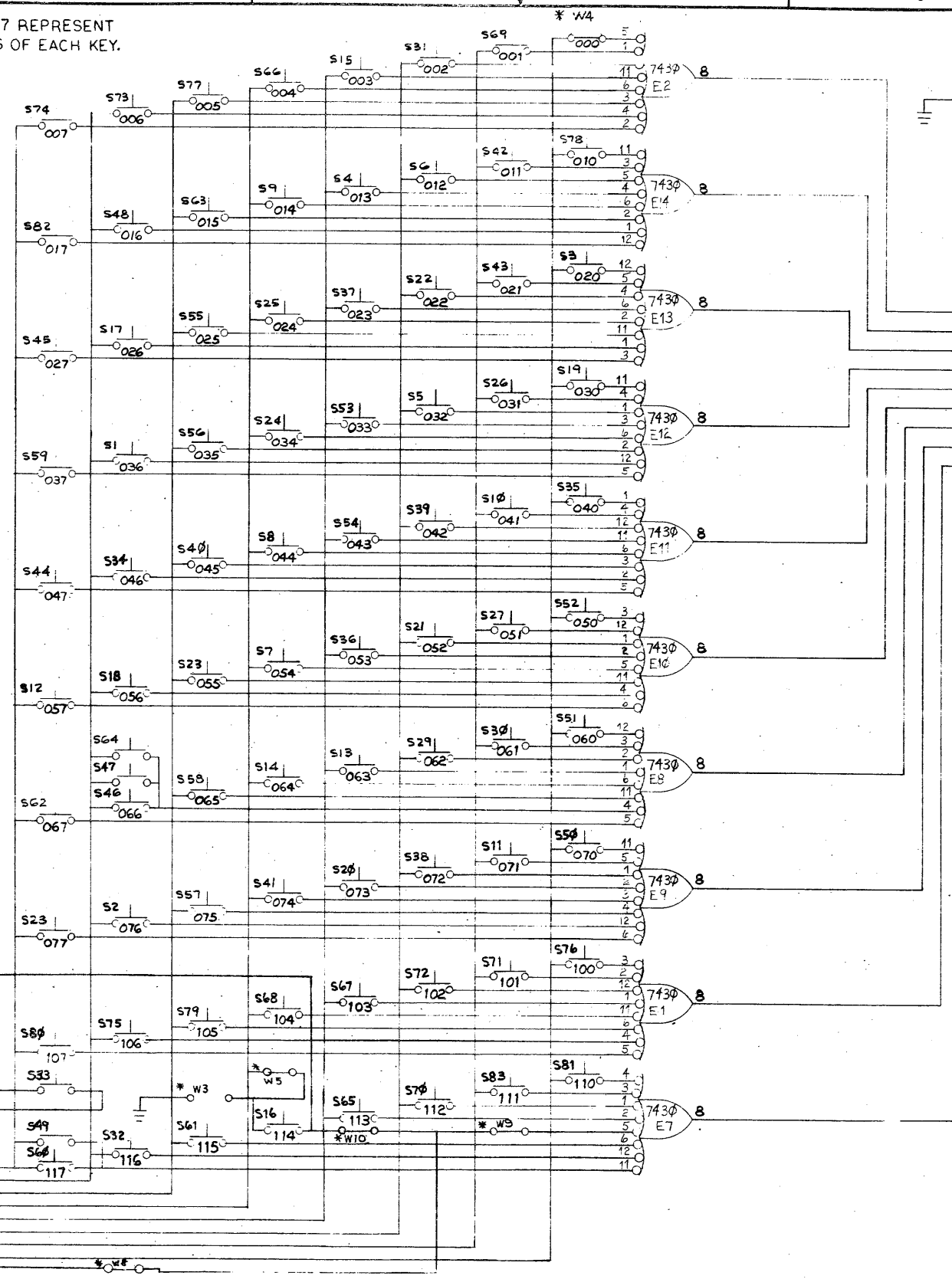
NOTE: SEE SHEET 3 FOR WIRE TABLES

FCI CONN

- 1 CAPS LOCK L
- 2 +5V
- 3 KEY UP H
- 4 GND
- 5 AC7
- 6 LD LED FLAGS
- 7 AC6
- 8 AC5
- 9 AC4
- 10 AC3
- 11 AC2
- 12 AC1
- 13 AC0
- 14 +5V
- 15 GND
- 16 GND

BRK KEY L *
W2

CAPS LOCK L *
W7



NOTE: THIS CIRCUITRY INSTALLED ONLY ON VT61, VT61T, AND VT62.

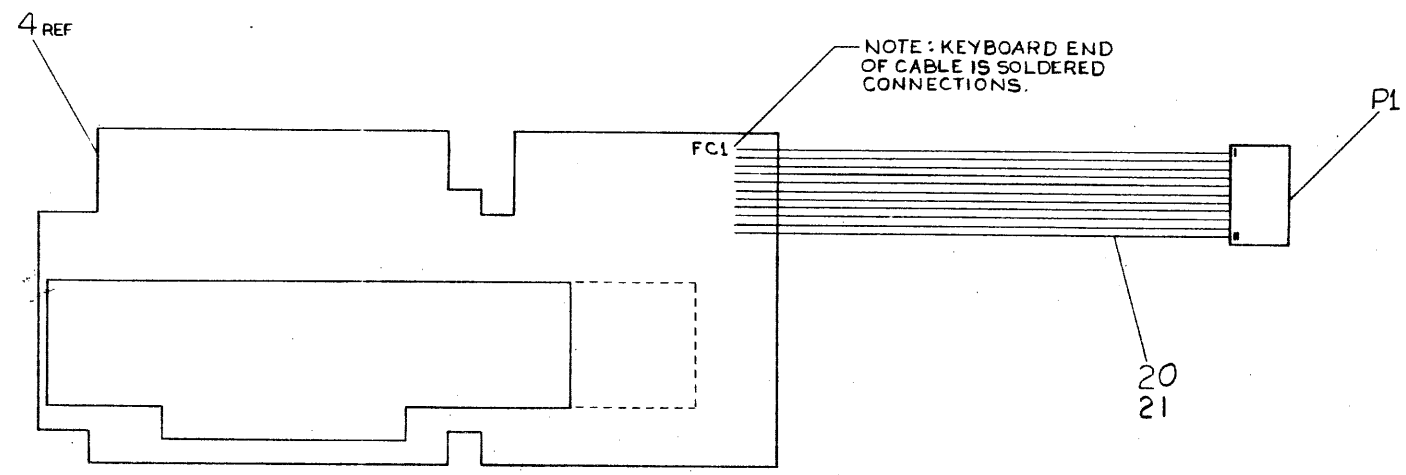
REVISIONS		
CHK	CHANGE NO.	REV.

WIRE TABLE (541170-2,4,8,12)

ITEM NO	AWG	COLOR	FROM CONNECTION	TO CONNECTION	REMARKS
21	22	BLK	P1-1	FC1-2	+5V
		BRN	P1-2	FC1-3	KEY UP H
		RED	P1-3	FC1-4	GND
		ORN	P1-4	FC1-8	AC5
		YEL	P1-5	FC1-9	AC4
		GRN	P1-6	FC1-10	AC3
		BLU	P1-7	FC1-11	AC2
		VIO	P1-8	FC1-12	AC1
		GRY	P1-9	FC1-13	AC0
		WHT	P1-10	FC1-6	BRK KEY
21	22	BLU	P1-11	FC1-7	AC6

WIRE TABLE (541170-0,6,10)

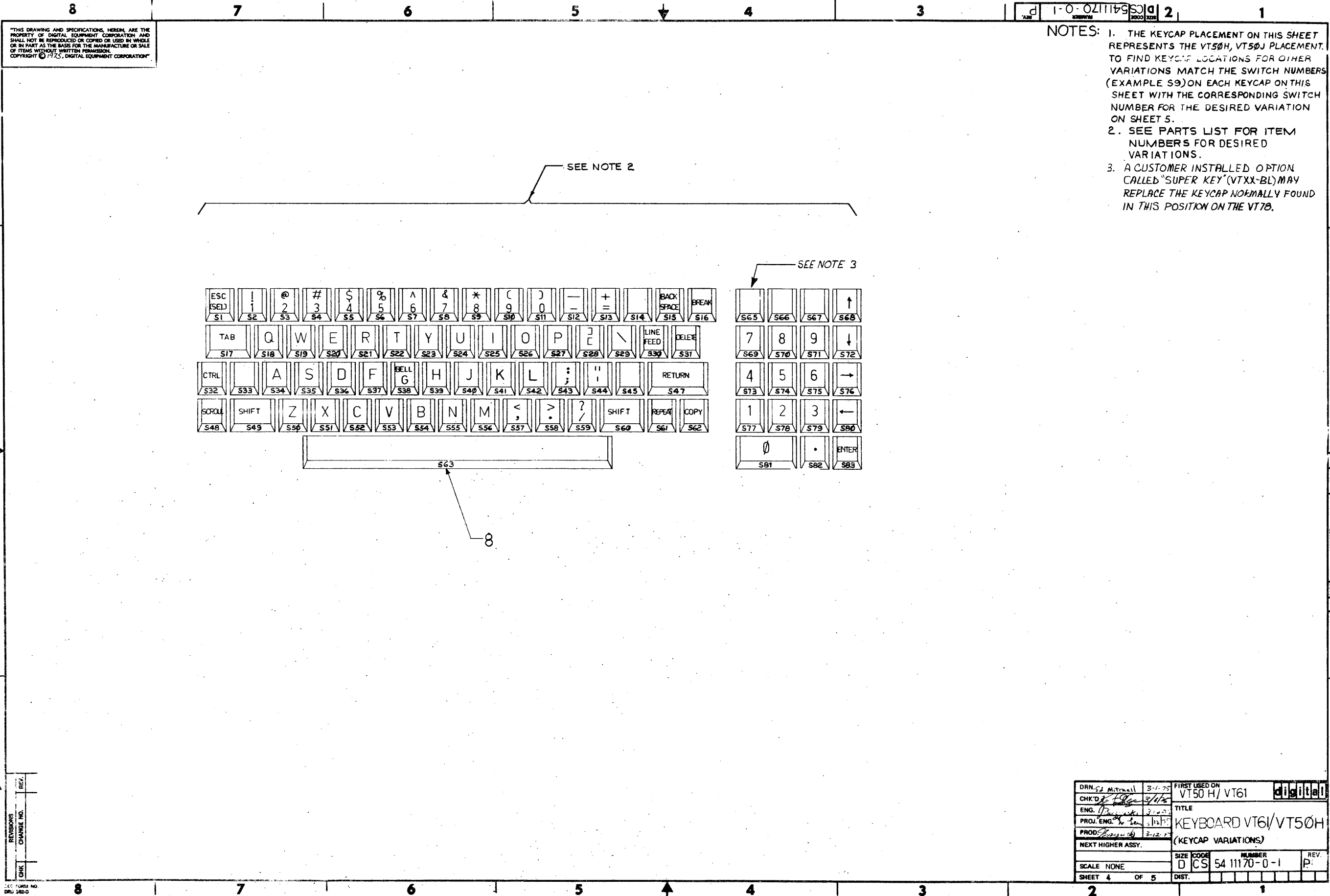
ITEM NO	AWG	COLOR	FROM CONNECTION	TO CONNECTION	REMARKS
22	22	BLK	P1-1	FC1-1	CAPS LOGIC
		BRN	P1-2	FC1-2	+5V
		RED	P1-3	FC1-3	KEYUP
		ORN	P1-4	FC1-4	GND
		YEL	P1-5	FC1-5	AC7
		GRN	P1-6	FC1-6	LO LED FLAGS
		BLU	P1-7	FC1-7	AC6
		VIO	P1-8	FC1-8	AC5
		GRY	P1-9	FC1-9	AC4
		WHT	P1-10	FC1-10	AC3
		WHT/BLK	P1-11	FC1-11	AC2
		WHT/BRN	P1-12	FC1-12	AC1
		WHT/RED	P1-13	FC1-13	AC0
		WHT/ORN	P1-14	FC1-14	+5V
		WHT/YEL	P1-15	FC1-15	GND
22	22	WHT/GRN	P1-16	FC1-16	GND



QUANTITY & VARIATION	DRN. <i>[Signature]</i>	FIRST USED ON	VT50H/VT61
THIRD ANGLE PROJECTION	CHK'D. <i>[Signature]</i>	TITLE	KEYBOARD VT61/VT50H
REMOVE BURRS AND BREAK SHARP CORNERS	ENG. <i>[Signature]</i>	(CABLE CONN)	
DO NOT SCALE DWG	PROG. <i>[Signature]</i>	SIZE	D
MATERIAL	NEXT HIGHER ASSY.	CODE	541170-0-1 P
FINISH	SCALE	NUMBER	REV.

THIS DRAWING AND SPECIFICATIONS, HEREIN, ARE THE PROPERTY OF DIGITAL EQUIPMENT CORPORATION AND SHALL NOT BE REPRODUCED OR COPIED OR USED IN WHOLE OR IN PART AS THE BASIS FOR THE MANUFACTURE OR SALE OF ITEMS WITHOUT WRITTEN PERMISSION. COPYRIGHT © 1965, DIGITAL EQUIPMENT CORPORATION

REV. NO. 1
 CHANGE NO. 1



"THIS DRAWING AND SPECIFICATIONS, HEREIN, ARE THE PROPERTY OF DIGITAL EQUIPMENT CORPORATION AND SHALL NOT BE REPRODUCED OR COPIED OR USED IN WHOLE OR IN PART AS THE BASIS FOR THE MANUFACTURE OR SALE OF ITEMS WITHOUT WRITTEN PERMISSION. COPYRIGHT © 1975, DIGITAL EQUIPMENT CORPORATION"

- NOTES:
1. THE KEYCAP PLACEMENT ON THIS SHEET REPRESENTS THE VT50H, VT50J PLACEMENT. TO FIND KEYCAP LOCATIONS FOR OTHER VARIATIONS MATCH THE SWITCH NUMBERS (EXAMPLE S9) ON EACH KEYCAP ON THIS SHEET WITH THE CORRESPONDING SWITCH NUMBER FOR THE DESIRED VARIATION ON SHEET 5.
 2. SEE PARTS LIST FOR ITEM NUMBERS FOR DESIRED VARIATIONS.
 3. A CUSTOMER INSTALLED OPTION CALLED "SUPER KEY" (VTXX-BL) MAY REPLACE THE KEYCAP NORMALLY FOUND IN THIS POSITION ON THE VT70.

REV.	
CHG.	
NO.	
DATE	

DRN. G. MITCHELL	3-1-75	FIRST USED ON	VT50 H/ VT61	DIGITAL
CHK'D. [Signature]	3/1/75	TITLE	KEYBOARD VT6/VT50H	
ENG. [Signature]	3-1-75	(KEYCAP VARIATIONS)		
PROJ. ENG. [Signature]	3-12-75	NEXT HIGHER ASSY.		
SCALE NONE		SIZE	CODE	NUMBER
SHEET 4 OF 5		D	CS	54 11170-0-1
		DIST.		REV. P.

THIS DRAWING AND SPECIFICATIONS, HEREIN, ARE THE PROPERTY OF DIGITAL EQUIPMENT CORPORATION AND SHALL NOT BE REPRODUCED OR COPIED OR USED IN WHOLE OR IN PART AS THE BASIS FOR THE MANUFACTURE OR SALE OF ITEMS WITHOUT WRITTEN PERMISSION. COPYRIGHT © 1974 DIGITAL EQUIPMENT CORPORATION

COLOR GUIDE
 NO. NUMBER : GRAY
 1 : RED
 2 : WHITE
 3 : GOLD
 4 : GOLD
 5 : GRAY, LIGHT

NOTE: 1) LEGENDS IN LOWER PORTION OF BOX ARE ON THE FRONT FACE OF THE KEY.
 2) LEGEND ON SIDE IS ON SIDE OF KEY.

KEYCAP PLACEMENT

SWITCH NUMBER

VARIATION	S1	S2	S3	S4	S5	S6	S7	S8	S9	S10	S11	S12	S13	S14	S15	S16	S17	S18	S19	S20	S21	S22	S23	S24	S25	S26	S27	S28	S29	S30	S31	S32	S33	S34	S35	S36	S37	S38	S39	S40	S41	S42
5411170-0 (VT61)	ESC (SEL)	1	@	#	\$	%	^	&	*	()	-	+	~	BACK SPACE	BREAK	TAB	Q	W	E	R	T	Y	U	I	O	P	[]	LINE FEED	DELETE	CTRL	CAPS LOCK	A	S	D	F	BELL G	H	J	K	L
5411170-2 (VT50H)	ESC (SEL)	1	@	#	\$	%	^	&	*	()	-	+	~	BACK SPACE	BREAK	TAB	Q	W	E	R	T	Y	U	I	O	P	[]	LINE FEED	DELETE	CTRL	CAPS LOCK	A	S	D	F	BELL G	H	J	K	L
5411170-4 (VT52)	ESC (SEL)	1	@	#	\$	%	^	&	*	()	-	+	~	BACK SPACE	BREAK	TAB	Q	W	E	R	T	Y	U	I	O	P	[]	LINE FEED	DELETE	CTRL	CAPS LOCK	A	S	D	F	BELL G	H	J	K	L
5411170-6 (VT61)	ESC (SEL)	1	@	#	\$	%	^	&	*	()	-	+	~	BACK SPACE	BREAK	TAB	Q	W	E	R	T	Y	U	I	O	P	[]	LINE FEED	DELETE	CTRL	CAPS LOCK	A	S	D	F	BELL G	H	J	K	L
5411170-8 (VT52-W)	ESC (SEL)	1	@	#	\$	%	^	&	*	()	-	+	~	BACK SPACE	BREAK	TAB	Q	W	E	R	T	Y	U	I	O	P	[]	LINE FEED	DELETE	CTRL	CAPS LOCK	A	S	D	F	BELL G	H	J	K	L
5411170-10 (VT62)	SELECT	1	@	#	\$	%	^	&	*	()	-	+	~	BACK SPACE	BREAK	TAB	Q	W	E	R	T	Y	U	I	O	P	[]	LINE FEED	DELETE	CTRL	CAPS LOCK	A	S	D	F	BELL G	H	J	K	L
5411170-12 (VT52-N)	ESC (SEL)	1	@	#	\$	%	^	&	*	()	-	+	~	BACK SPACE	BREAK	TAB	Q	W	E	R	T	Y	U	I	O	P	[]	LINE FEED	DELETE	CTRL	CAPS LOCK	A	S	D	F	BELL G	H	J	K	L
5411170-14 (VT52-W)	ESC (SEL)	1	@	#	\$	%	^	&	*	()	-	+	~	BACK SPACE	BREAK	TAB	Q	W	E	R	T	Y	U	I	O	P	[]	LINE FEED	DELETE	CTRL	CAPS LOCK	A	S	D	F	BELL G	H	J	K	L

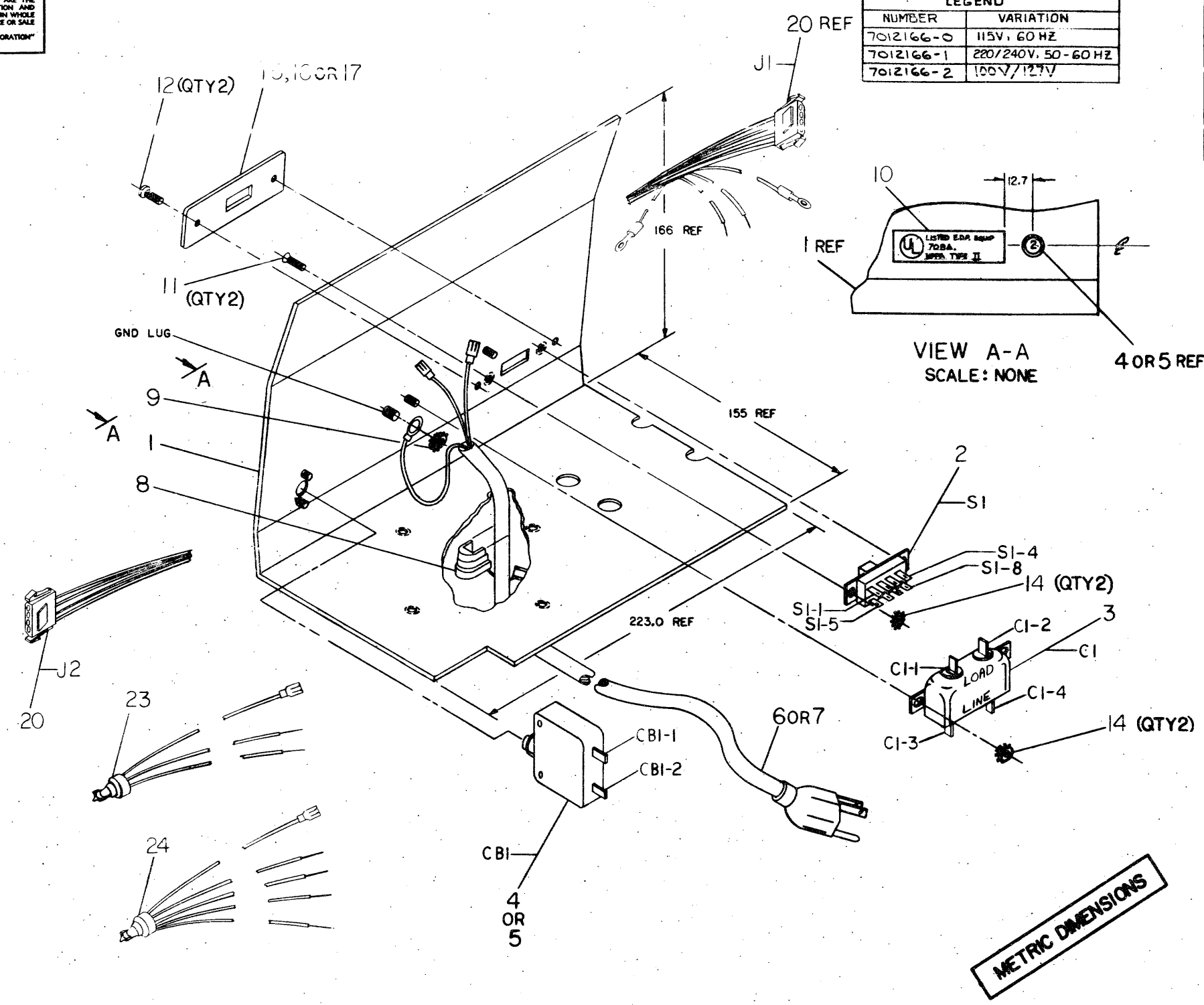
SWITCH NUMBER (CONT.)

VARIATION	S43	S44	S45	S46	S47	S48	S49	S50	S51	S52	S53	S54	S55	S56	S57	S58	S59	S60	S61	S62	S63	S64	S65	S66	S67	S68	S69	S70	S71	S72	S73	S74	S75	S76	S77	S78	S79	S80	S81	S82	S83
5411170-0	RETURN	SCROLL	SHIFT	Z	X	C	V	B	N	M	<	>	?	SHIFT	REPEAT	COPY	SPACE BAR	FCN	BACK FIELD	WORD WRAP	BLOCK START	MAKE ROOM	DELETE LINE	PREV PAGE	XMIT	NEXT PAGE	DELETE WORD	BEGIN TEXT	END TEXT	DELETE CHAR	1	2	3	4	5	6	7	8	9	0	ENTER
5411170-2	RETURN	SCROLL	SHIFT	Z	X	C	V	B	N	M	<	>	?	SHIFT	REPEAT	COPY	SPACE BAR	FCN	BACK FIELD	WORD WRAP	BLOCK START	MAKE ROOM	DELETE LINE	PREV PAGE	XMIT	NEXT PAGE	DELETE WORD	BEGIN TEXT	END TEXT	DELETE CHAR	1	2	3	4	5	6	7	8	9	0	ENTER
5411170-4	RETURN	SCROLL	SHIFT	Z	X	C	V	B	N	M	<	>	?	SHIFT	REPEAT	COPY	SPACE BAR	FCN	BACK FIELD	WORD WRAP	BLOCK START	MAKE ROOM	DELETE LINE	PREV PAGE	XMIT	NEXT PAGE	DELETE WORD	BEGIN TEXT	END TEXT	DELETE CHAR	1	2	3	4	5	6	7	8	9	0	ENTER
5411170-6	RETURN	SCROLL	SHIFT	Z	X	C	V	B	N	M	<	>	?	SHIFT	REPEAT	COPY	SPACE BAR	FCN	BACK FIELD	WORD WRAP	BLOCK START	MAKE ROOM	DELETE LINE	PREV PAGE	XMIT	NEXT PAGE	DELETE WORD	BEGIN TEXT	END TEXT	DELETE CHAR	1	2	3	4	5	6	7	8	9	0	ENTER
5411170-8 (VT52-W)	RETURN	SCROLL	SHIFT	Z	X	C	V	B	N	M	<	>	?	SHIFT	REPEAT	COPY	SPACE BAR	FCN	BACK FIELD	WORD WRAP	BLOCK START	MAKE ROOM	DELETE LINE	PREV PAGE	XMIT	NEXT PAGE	DELETE WORD	BEGIN TEXT	END TEXT	DELETE CHAR	1	2	3	4	5	6	7	8	9	0	ENTER
5411170-10 (VT62)	RETURN	SCROLL	SHIFT	Z	X	C	V	B	N	M	<	>	?	SHIFT	REPEAT	COPY	SPACE BAR	FCN	BACK FIELD	WORD WRAP	BLOCK START	MAKE ROOM	DELETE LINE	PREV PAGE	XMIT	NEXT PAGE	DELETE WORD	BEGIN TEXT	END TEXT	DELETE CHAR	1	2	3	4	5	6	7	8	9	0	ENTER
5411170-12 (VT52-N)	RETURN	SCROLL	SHIFT	Z	X	C	V	B	N	M	<	>	?	SHIFT	REPEAT	COPY	SPACE BAR	FCN	BACK FIELD	WORD WRAP	BLOCK START	MAKE ROOM	DELETE LINE	PREV PAGE	XMIT	NEXT PAGE	DELETE WORD	BEGIN TEXT	END TEXT	DELETE CHAR	1	2	3	4	5	6	7	8	9	0	ENTER
5411170-14 (VT52-W)	RETURN	SCROLL	SHIFT	Z	X	C	V	B	N	M	<	>	?	SHIFT	REPEAT	COPY	SPACE BAR	FCN	BACK FIELD	WORD WRAP	BLOCK START	MAKE ROOM	DELETE LINE	PREV PAGE	XMIT	NEXT PAGE	DELETE WORD	BEGIN TEXT	END TEXT	DELETE CHAR	1	2	3	4	5	6	7	8	9	0	ENTER

CHK	CHANGE NO.	REV.

"THIS DRAWING AND SPECIFICATIONS, HEREIN, ARE THE PROPERTY OF DIGITAL EQUIPMENT CORPORATION AND SHALL NOT BE REPRODUCED OR COPIED OR USED IN WHOLE OR IN PART AS THE BASIS FOR THE MANUFACTURE OR SALE OF ITEMS WITHOUT WRITTEN PERMISSION. COPYRIGHT © 1975, DIGITAL EQUIPMENT CORPORATION"

LEGEND	
NUMBER	VARIATION
7012166-0	115V, 60 HZ
7012166-1	220/240V, 50-60 HZ
7012166-2	100V/127V



METRIC DIMENSIONS

1	1	-	JUMPER WIRE ASSY (WHT)	2-IA-7012212-0-0	24
1	1	-	JUMPER WIRE ASSY (BLK)	2-IA-7012211-0-0	23
NR	NR	NR	TUBING, HEAT SHRINK (WHT)	9107252-09	22
2	2	4	TERMINAL, QUICK CONNECT	9007919-00	21
1	1	1	CABLE, PRIMARY POWER	D-IA-7011867-0-0	20
NR	NR	NR	WIRE, #18 AWG STRD (WHT)	9107360-99	19
NR	NR	NR	WIRE, #18 AWG STRD (BLK)	9107360-00	18
1	1	1	PLATE, VT50-S1	2-IA-7413407-3-0	17
-	-	-	PLATE, VT50-S1	2-IA-7413407-2-0	16
-	-	-	PLATE, VT50-S1	2-IA-7413407-1-0	15
4	4	4	NUT, 4-40, KEP	9006557	14
NR	NR	NR	TUBING, SHRINKABLE (WHT)	9107253-09	13
2	2	2	SCREW, 8-32X.250 BUTTON HD	9009744	12
2	2	2	SCREW, 4-40X.512 FLATHEAD	9006010-02	11
1	1	1	VT50 UL STICKER	A-DC-74423-0-0	10
1	1	1	NUT, 10-32, KEP	9006565	9
1	1	1	RELIEF, CABLE STRAIN	9008492-02	8
1	1	1	CORD POWER, 220/240	C-IA-7011019-1	7
-	-	-	CORD POWER, 115V	C-IA-7011019-0	6
-	-	-	BREAKER CIRCUIT	1210242-01	5
1	1	1	BREAKER CIRCUIT	1210242-00	4
1	1	1	FILTER	1212003	3
1	1	1	SWITCH	1211997	2
1	1	1	PLATE, MTG TRANSFORMER	D-IA-7412050-0-0	1

DESCRIPTION	DWG/PART NO.	ITEM NO.
UNLESS OTHERWISE SPECIFIED DIMENSIONS ARE IN MILLIMETERS		
FORM	CLASS OF ACCURACY	NOMINAL DIMENSION RANGE
NO. OF SURF	CHECK QTY	
QUANTITY & VARIATION	PREFERRED	
THIRD ANGLE PROJECTION	DRN: X.V.3 11-14-75	FIRST USED ON: VT52
REMOVES BURRS AND BREAKS SHARP CORNERS	CHK'D: [Signature] 1/6/76	TITLE: MTG PLATE ASSEMBLY
DO NOT SCALE DWG	END: [Signature] 1/6/76	SIZE CODE: 1 AD 7012166-0-0
MATERIAL SEE PARTS LIST	PROD: [Signature] 2/6/76	NUMBER: 1 AD 7012166-0-0
FINISH	NEXT HIGHER AUTHORITY	SHEET 1 OF 2

REV. 1
CHANGE NO.
DATE

"THIS DRAWING AND SPECIFICATIONS, HEREIN, ARE THE PROPERTY OF DIGITAL EQUIPMENT CORPORATION AND SHALL NOT BE REPRODUCED OR COPIED OR USED IN WHOLE OR IN PART AS THE BASIS FOR THE MANUFACTURE OR SALE OF ITEMS WITHOUT WRITTEN PERMISSION. COPYRIGHT © 1975, DIGITAL EQUIPMENT CORPORATION"

115V, 60 HZ

220/240 V, 50/60 HZ
100/127V, 50/60 HZ

WIRE TABLE							
ITEM NO	DESCRIPTION		FROM		TO		LENGTH
	AWG	COLOR	CONNECTION	WITH	CONNECTION	WITH	
18	18	BLK	CBI-1	21#22	CI-1	21#22	241.3 MM
18	↑	BLK	CBI-2	21#22	SI-1	SOLD#13	330.2 MM
20		BLK	---	---	SI-2	SOLD#13	---
		WHT	---	---	SI-6	SOLD#13	---
		GRN	---	---	GND LUG	9	---
6		WHT	---	---	CI-3	SELF#22	---
		BLK	---	---	CI-4	SELF#22	---
19	18	WHT	SI-5	SOLD#13	CI-2	21#22	203.2 MM

WIRE TABLE							
ITEM NO	DESCRIPTION		FROM		TO		LENGTH
	AWG	COLOR	CONNECTION	WITH	CONNECTION	WITH	
18	18	BLK	CBI-1	21#25	CI-1	21#25	241.3 MM
23	↑	BLK	POINT 2	---	CBI-2	SELF#22	---
		BLK	POINT 1	---	SI-2	SOLD#13	---
		BLK	POINT 3	---	SI-3	SOLD#13	---
24		WHT	POINT 3	---	CI-2	SELF#22	---
		WHT	POINT 1	---	SI-5	SOLD#13	---
		WHT	POINT 2	---	SI-6	---	---
		WHT	POINT 4	---	SI-7	---	---
		WHT	POINT 5	---	SI-8	---	---
20		BLK	---	---	SI-1	---	---
		WHT	---	---	SI-4	SOLD#13	---
	GRN	---	---	GROUND LUG	9	---	
7		GRN/YEL	---	---	CI-3	SELF#22	---
	18	BRN	---	---	CI-4	SELF#22	---

REVISIONS		
CHK	CHANGE NO.	REV.

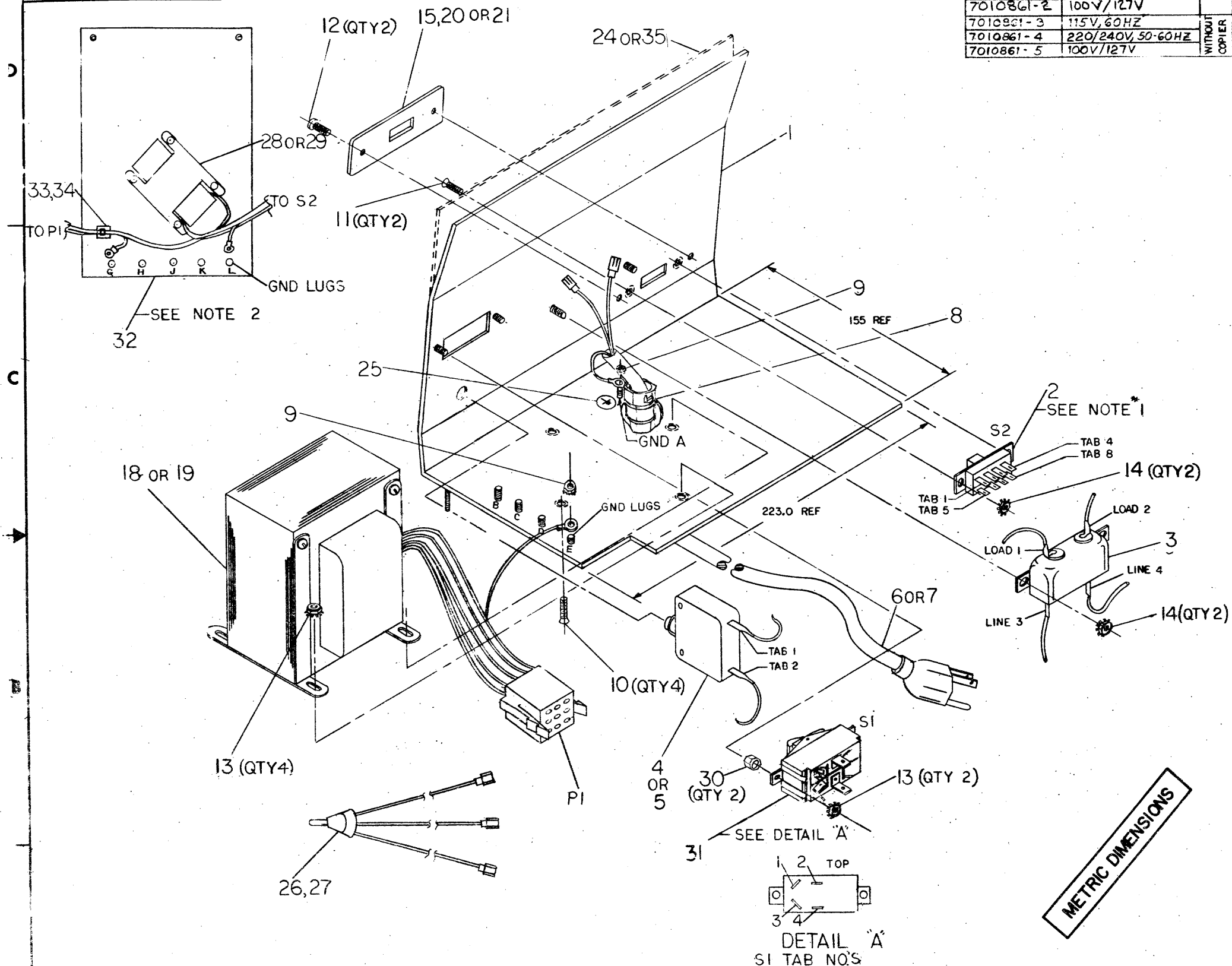
TITLE	1 AD 7012166-0-0	NUMBER	1 AD 7012166-0-0
SCALE	SHEET 2 OF 2	DIST.	

1 AD 7012166-0-0

THIS DRAWING AND SPECIFICATIONS HEREIN ARE THE PROPERTY OF DIGITAL EQUIPMENT CORPORATION AND SHALL NOT BE REPRODUCED OR COPIED IN WHOLE OR IN PART AS THE BASIS FOR THE MANUFACTURE OR SALE OF ITEMS WITHOUT WRITTEN PERMISSION. COPYRIGHT © 1975, DIGITAL EQUIPMENT CORPORATION

LEGEND		WI H	COPIER
NUMBER	VARIATION		
7010861-0	115V, 60 HZ		
7010861-1	220/240V, 50-60 HZ		
7010861-2	100V/127V		
7010861-3	115V, 60 HZ	WITHOUT	
7010861-4	220/240V, 50-60 HZ		
7010861-5	100V/127V		

NOTES:
 1. THIS ITEM NOT REQUIRED FOR VARIATIONS 0 AND 3
 2. THIS ITEM NOT REQUIRED FOR VARIATIONS 3, 4 AND 5



METRIC DIMENSIONS

QTY	DESCRIPTION	QTY	ITEM NO.
1	PLATE, MTG. TRANSFORMER	1	1A-7415341-1-0 35
1	MOUNT, TIE (ADHESIVE BACKED)	1	9008264-0-0 34
1	TIE, CABLE	1	9007032-0-0 33
1	PLATE, MTG. TRANSFORMER	1	2A-744867-0-0 32
1	SWITCH, ROCKER	1	1211621 31
2	SPACER, HEX .375 L.G.	2	9008967 30
1	HARNESS, TRANSFORMER	1	0-1A-7013031-0-0 29
1	HARNESS, TRANSFORMER	1	0-1A-7013029-0-0 28
1	JUMPER ASSY (WHT)	1	2A-7012212-0-0 27
1	JUMPER ASSY (BLK)	1	2A-7012211-0-0 26
1	DECAL, GROUND	1	A-DC-361260-01 25
1	PLATE, MTG. TRANSFORMER	1	1-1A-7415341-0-0 24
1	SWITCH, VT50-51	1	2A-7415407-2-0 23
1	HARNESS, TRANSFORMER (CONE)	1	0-1A-7013030-0-0 19
1	PLATE, VT50-51	1	2A-7415407-2-0 21
1	PLATE, VT50-51	1	2A-7415407-2-0 20
1	HARNESS, TRANSFORMER (CONE)	1	0-1A-7013030-0-0 19
1	HARNESS, TRANSFORMER (CONE)	1	1-1A-7013028-0-0 18
1	TUBING, SHRINKABLE WHT	1	0107265-09 17
1	NUT, 8-32, HEX	1	9006551 16
1	PLATE, VT50-51	1	2A-7415407-1-0 15
4	NUT, 4-40, KEP	4	9006557 14
6	NUT, 8-32, KEP	6	9006563 13
2	SCREW, 8-32X.250 BUTTON HD	2	9004744 12
2	SCREW, 4-40X.312 FLATHEAD	2	9006010-02 11
4	SCREW, 8-32X.437 FLATHEAD	4	9006038-02 10
2	NUT, 10-32, KEP	2	9006565 9
1	RELIEF, CABLE STRAIN	1	9009768-00 8
1	CORD POWER, 220/240	1	C-1A-7011819-1 7
1	CORD POWER, 115V	1	C-1A-7011019-0 6
1	BREAKER CIRCUIT	1	1210242-01 5
1	BREAKER CIRCUIT	1	1210242-00 4
1	FILTER	1	1212077-00 3
1	SWITCH	1	1211997 2
1	PLATE, MTG. TRANSFORMER	1	D-1A-742850-0-0 1

UNLESS OTHERWISE SPECIFIED DIMENSIONS ARE IN MILLIMETERS

ANGLES ± 30°	CLASS OF ACCURACY	DIMENSIONAL RANGE (MILLIMETERS)				
		0-15	15-30	30-60	60-150	150-300
SURFACE QUALITY IN	CHECK ONE	±0.1	±0.2	±0.3	±0.4	±0.5
	MEDIUM	±0.1	±0.2	±0.3	±0.4	±0.5
FINISHES	PREFERRED	±0.3	±0.4	±0.5	±0.6	±0.8

QUANTITY & VARIATION

DRN: [Signature] 1-5-75 FIRST USED ON VT50

ENG: [Signature] DATE: 6/25/75

PROL ENG: [Signature]

PROD. [Signature] 6/25/75

DO NOT SCALE DWG

MATERIAL: SEE PARTS LIST

SCALE: NONE

SHEET 1 OF 2

SIZE CODE: 1 100

NUMBER: 7010861-0-0

TITLE: TRANSFORMER ASSY

REV	DATE	BY	CHKD	DESCRIPTION
1	12-11-74	H. BLANE		REVISED TO 115V/127V
2	1-10-75	J. DESUK		REVISED TO 220/240V/50-60 HZ
3	1-10-75	J. DESUK		REVISED TO 100V/127V
4	1-10-75	J. DESUK		REVISED TO 115V/60 HZ
5	1-10-75	J. DESUK		REVISED TO 220/240V/50-60 HZ
6	1-10-75	J. DESUK		REVISED TO 100V/127V
7	1-10-75	J. DESUK		REVISED TO 115V/60 HZ
8	1-10-75	J. DESUK		REVISED TO 220/240V/50-60 HZ
9	1-10-75	J. DESUK		REVISED TO 100V/127V
10	1-10-75	J. DESUK		REVISED TO 115V/60 HZ
11	1-10-75	J. DESUK		REVISED TO 220/240V/50-60 HZ
12	1-10-75	J. DESUK		REVISED TO 100V/127V
13	1-10-75	J. DESUK		REVISED TO 115V/60 HZ
14	1-10-75	J. DESUK		REVISED TO 220/240V/50-60 HZ
15	1-10-75	J. DESUK		REVISED TO 100V/127V
16	1-10-75	J. DESUK		REVISED TO 115V/60 HZ
17	1-10-75	J. DESUK		REVISED TO 220/240V/50-60 HZ
18	1-10-75	J. DESUK		REVISED TO 100V/127V
19	1-10-75	J. DESUK		REVISED TO 115V/60 HZ
20	1-10-75	J. DESUK		REVISED TO 220/240V/50-60 HZ
21	1-10-75	J. DESUK		REVISED TO 100V/127V
22	1-10-75	J. DESUK		REVISED TO 115V/60 HZ
23	1-10-75	J. DESUK		REVISED TO 220/240V/50-60 HZ
24	1-10-75	J. DESUK		REVISED TO 100V/127V
25	1-10-75	J. DESUK		REVISED TO 115V/60 HZ
26	1-10-75	J. DESUK		REVISED TO 220/240V/50-60 HZ
27	1-10-75	J. DESUK		REVISED TO 100V/127V
28	1-10-75	J. DESUK		REVISED TO 115V/60 HZ
29	1-10-75	J. DESUK		REVISED TO 220/240V/50-60 HZ
30	1-10-75	J. DESUK		REVISED TO 100V/127V
31	1-10-75	J. DESUK		REVISED TO 115V/60 HZ
32	1-10-75	J. DESUK		REVISED TO 220/240V/50-60 HZ
33	1-10-75	J. DESUK		REVISED TO 100V/127V
34	1-10-75	J. DESUK		REVISED TO 115V/60 HZ
35	1-10-75	J. DESUK		REVISED TO 220/240V/50-60 HZ

THIS DRAWING AND SPECIFICATIONS HEREIN ARE THE PROPERTY OF DIGITAL EQUIPMENT CORPORATION AND SHALL NOT BE REPRODUCED OR COPIED OR USED IN WHOLE OR IN PART AS THE BASIS FOR THE MANUFACTURE OR SALE OF ITEMS WITHOUT WRITTEN PERMISSION OF DIGITAL EQUIPMENT CORPORATION
COPYRIGHT © 1977

115 VOLTS
60 HZ

100/127 VOLTS
220/240 VOLTS
50-60 HZ

7010861-0

WIRE TABLE

ITEM NO.	DESCRIPTION			FROM			TO			SIGNAL
	AWG	COLOR	POINT	CONNECTION	WITH	POINT	CONNECTION	WITH		
28	18	WHT	15	---	-	---	SI-3	-		
28	18	BLK	16	---	-	---	SI-1	-		
28	18	BLK	22	FL LOAD 1	-	23	CB-1	-		
28	18	BLK	24	SI-2	-	21	CB-2	-		
28	18	WHT	25	SI-4	-	20	FL LOAD 2	-		
28	18	GRN	2	---	-	18	GND B	-		
6	18	WHT	-	---	-	17	FL LINE 4	-		
6	18	BLK	-	---	-	16	FL LINE 3	-		
6	18	GRN/YEL	-	---	-	-	GND A	-		
28	18	GRN/YEL	17	GND L	-	-	GND B	-		

7010861-1 & -2

WIRE TABLE

ITEM NO.	DESCRIPTION			FROM			TO			SIGNAL
	AWG	COLOR	POINT	CONNECTION	WITH	POINT	CONNECTION	WITH		
29	18	BLK	21	---	-	---	S2-4	-		
29	18	GRN	1	---	-	---	GND G	-		
26	18	BLK	2	---	-	---	SI-1	-		
26	18	BLK	1	---	-	---	S2-2	-		
26	18	BLK	3	---	-	---	S2-3	-		
27	18	WHT	3	---	-	---	SI-3	-		
27	18	WHT	1	---	-	---	S2-6	-		
27	18	WHT	2	---	-	---	S2-7	-		
29	18	BLK	22	CB-1	-	23	FL LOAD 1	-		
29	18	WHT	14	---	-	---	S2-8	-		
29	18	WHT	16	---	-	---	S2-2	-		
7	18	BLU	-	---	-	---	FL LINE 4	-		
7	18	BRN	-	---	-	---	FL LINE 3	-		
7	18	GRN/YEL	-	---	-	---	GND A	-		
29	18	BLK	24	CB-2	-	25	SI-2	-		
29	18	WHT	26	FL LOAD 2	-	27	SI-4	-		
29	18	GRN/YEL	18	GND L	-	15	GND B	-		
29	18	BLK/WHT	17	---	-	---	S2-1	-		

7010861-3

WIRE TABLE

ITEM NO.	DESCRIPTION			FROM			TO			SIGNAL
	AWG	COLOR	POINT	CONNECTION	WITH	POINT	CONNECTION	WITH		
18	18	WHT	2	---	-	---	SI-3	-		
18	18	BLK	1	---	-	---	SI-1	-		
18	18	BLK	8	FL LOAD 1	-	3	CB-1	-		
18	18	BLK	4	SI-2	-	7	CB-2	-		
18	18	WHT	5	SI-4	-	6	FL LOAD 2	-		
18	18	GRN	11	---	-	---	GND B	-		
6	18	WHT	-	---	-	---	FL LINE 4	-		
6	18	BLK	-	---	-	---	FL LINE 3	-		
6	18	GRN	-	---	-	---	GND A	-		

7010861-4 & -5

WIRE TABLE

ITEM NO.	DESCRIPTION			FROM			TO			SIGNAL
	AWG	COLOR	POINT	CONNECTION	WITH	POINT	CONNECTION	WITH		
19	18	BLK	1	---	-	---	S2-4	-		
19	18	GRN	2	---	-	---	GND B	-		
26	18	BLK	2	---	-	---	SI-1	-		
19	18	BLK	17	CB-1	-	18	FL LOAD 1	-		
27	18	WHT	3	---	-	---	SI-3	-		
26	18	BLK	1	---	-	---	S2-2	-		
26	18	BLK	3	---	-	---	S2-3	-		
19	18	WHT	14	---	-	---	S2-8	-		
27	18	WHT	1	---	-	---	S2-6	-		
19	18	BLK/WHT	11	---	-	---	S2-1	-		
27	18	WHT	2	---	-	---	S2-7	-		
19	18	WHT	13	---	-	---	S2-2	-		
7	18	BLU	-	---	-	---	FL LINE 4	-		
7	18	BRN	-	---	-	---	FL LINE 3	-		
7	18	GRN/YEL	-	---	-	---	GND A	-		
19	18	BLK	21	CB-2	-	22	SI-2	-		
19	18	WHT	19	FL LOAD 2	-	20	SI-4	-		

REVISIONS		
CHK	CHANGE NO.	REV.

8

7

6

5

4

3

H 0-0-VT52A-0-0 2

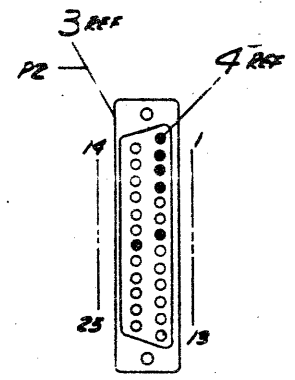
1

THE DRAWING AND SPECIFICATIONS HEREIN ARE THE PROPERTY OF DIGITAL EQUIPMENT CORPORATION AND SHALL NOT BE REPRODUCED OR COPIED OR USED IN WHOLE OR IN PART AS THE BASIS FOR THE MANUFACTURE OR SALE OF ITEMS WITHOUT WRITTEN PERMISSION. COPYRIGHT © 1975 - DIGITAL EQUIPMENT CORPORATION

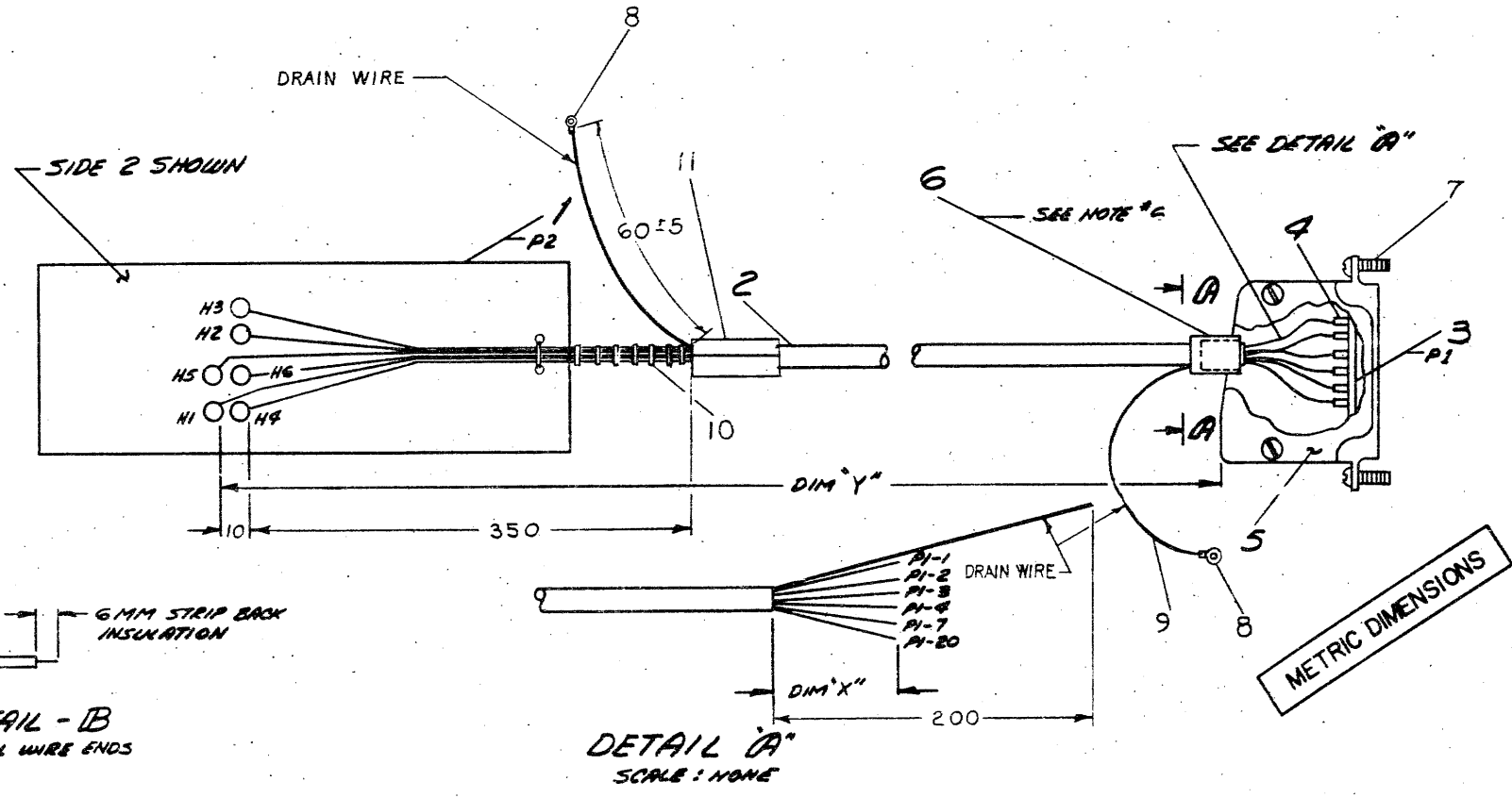
WIRE TABLE						
ITEM NO	DESCRIPTION	FROM	FROM		TO	
			CONNECTION	WITH	CONNECTION	WITH
1	24 GRN	P2-H1	SOLDER		P1-1	710256
		BLU			P1-2	
		RED			P1-3	
		WHT			P1-4	
		BLK			P1-7	
1	24 DRN	P2-H6	SOLDER		P1-20	710256

LEGEND		
NUMBER	VARIATION	
	DIM "X"	DIM "Y"
BN52A-7F	25MM ± 10MM	7600MM ± 30MM

- NOTES:
1. ALTERNATE PARTS FOR ITEMS 3, 4 AND 5 ARE 1205885 HOOD AND 1205886 FOR THE CONNECTOR.
 2. ALTERNATE CABLE NO IS 9107578
 3. ALL WIRES ARE SOLDERED ON SIDE 2 OF ITEM #1
 4. CRIMPING TOOL IS J1501 CA AMPHENOL NO. 357-100 WITH NO. 357-300-2 CONTACT LOCATOR.
 5. BN52A-7F IS A 25 FOOT CABLE ASSY.
 6. USE 2 LENGTHS OF 9107685-09 (ITEM #6) TUBING OVER END OF CABLE WHEN USING ALTERNATE CONNECTOR. 25.4 MM AND 31.75 MM LONG.
 7. ALTERNATE METHOD OF TERMINATING SHIELD IS TO REPLACE RING TERMINAL 1214628 WITH RING TERMINAL 9007928 AND USE SHIELD ITSELF IN PLACE OF DRAIN WIRE. TUBING 9107256 NOT USED.



VIEW A-A WITH HOOD REMOVED SCALE: NONE (REAR VIEW)



DETAIL - 1B TYP ALL WIRE ENDS

DETAIL 'A' SCALE: NONE

ITEM NO	DESCRIPTION	DWG. PART NO.	ITEM NO.
1	SLEEVE, CABLE	3-MD-7419728-0-0	11
8	TIE WRAP	9007031	10
AR	SLEEVE TWT	9107256-00	9
2	RING, TONGUE, TERMINAL	1214628-00	8
2	SCREW AND RETAINER	1210493-51	7
6	SLIDABLE TUBING	9107685-09	6
1	HOOD STRAIN BELT	1210493-50	5
6	MARLE PIN	1210493-39	4
1	SHELL AND INSERT	1210493-51	3
6	CABLE 6 CONDUCTOR	9107733-0-0	2
1	EIA CARD	5411948-1-0	1

UNLESS OTHERWISE SPECIFIED DIMENSIONS ARE IN MILLIMETERS

ANGLES 45° 30°	CLASS OF ACCURACY	NOMINAL DIMENSION RANGE MILLIMETER					
		0-1	1-3	3-10	10-30	30-100	100-1000
SURFACE QUALITY IN	CHECK DIMS	±0.1	±0.2	±0.3	±0.4	±0.8	±1.0
	MEDIUM	±0.1	±0.2	±0.3	±0.4	±0.8	±1.0
	PREFERRED	±0.3	±0.4	±0.5	±1.0	±1.6	±2.5

THIRD ANGLE PROJECTION

REMOVE BURRS AND BREAK SHARP CORNERS

DO NOT SCALE DWG

MATERIAL: SEE PARTS LIST

FINISH: NONE

QUANTITY & VARIATION

PROJ. ENG. [Signature]

PROD. [Signature]

NEXT HIGHER ASSY.

SIZE CODE: 0-UNVISE-0-0

SCALE: NONE

FIRST USED ON: VT52

TITLE: VT52 EIA CARD AND CABLE ASSEMBLY

NUMBER: 1

REV. H

1 OF 1

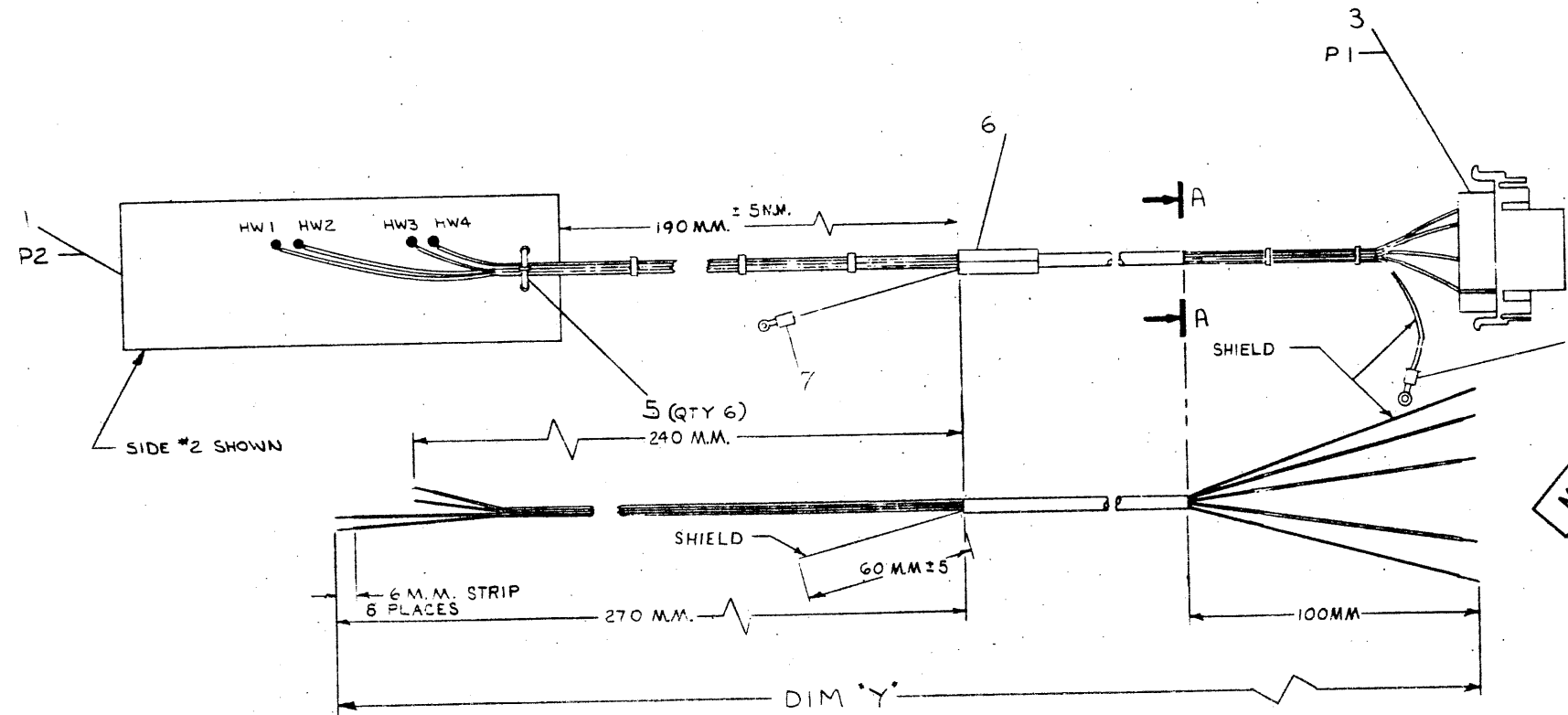
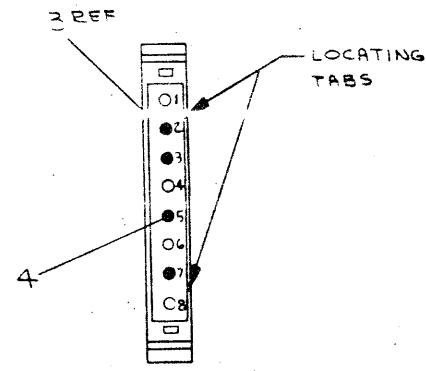
REV.	BY	CHKD.	DATE
1	M. WARGANSTERN		11-11-77
2	M. WARGANSTERN		11-11-77
3	M. WARGANSTERN		11-11-77
4	M. WARGANSTERN		11-11-77
5	M. WARGANSTERN		11-11-77
6	M. WARGANSTERN		11-11-77
7	M. WARGANSTERN		11-11-77
8	M. WARGANSTERN		11-11-77
9	M. WARGANSTERN		11-11-77
10	M. WARGANSTERN		11-11-77
11	M. WARGANSTERN		11-11-77
12	M. WARGANSTERN		11-11-77
13	M. WARGANSTERN		11-11-77
14	M. WARGANSTERN		11-11-77
15	M. WARGANSTERN		11-11-77
16	M. WARGANSTERN		11-11-77
17	M. WARGANSTERN		11-11-77
18	M. WARGANSTERN		11-11-77
19	M. WARGANSTERN		11-11-77
20	M. WARGANSTERN		11-11-77

THE DRAWING AND SPECIFICATIONS HEREIN ARE THE PROPERTY OF DIGITAL EQUIPMENT CORPORATION AND SHALL BE KEPT AS A COPY OR USED IN WHOLE OR IN PART AS THE BASIS FOR THE MANUFACTURE OR SALE OF ITEMS WITHOUT WRITTEN PERMISSION. COPYRIGHT © 1975, DIGITAL EQUIPMENT CORPORATION

WIRE TABLE							
ITEM NO.	DESCRIPTION	FROM	TO		SIGNAL		
			CONNECTION	WITH			
2	22	BLK	P1-2	3	P2-HW2	SOLD.	RX-
2	22	RED	P1-3	3	P2-HW4	SOLD.	TX-
2	22	WHT	P1-5	3	P2-HW1	SOLD.	RX+
2	22	GRN	P1-7	3	P2-HW3	SOLD.	TX+

LEGEND	
NUMBER	DIM'Y PRE-CUT (REF)
BN52B-04	4.0M.
BN52B-7F	7.6M.

NOTE



METRIC DIMENSIONS

QTY	DESCRIPTION	DWG. PART NO.	ITEM NO.	
2	2	TERMINAL RING TONGUE	9007928	7
1	1	SLEEVE, CABLE	3-MD-749728-0-0	6
6	6	TIE WRAP	9007031	5
4	4	TERMINAL, PIN CONTACT	1209378-03	4
1	1	CONN. PANEL MOUNT, 8 PIN	1209340-01	3
1	1	CABLE, 4 COND. #22 AWG STD.	1700097-00	2
1	1	20 MA ADAPTER CARD	D-CS-5411759-01	1

UNLESS OTHERWISE SPECIFIED DIMENSIONS ARE IN MILLIMETERS					
ANGLES	CLASS OF ACCURACY				
10° 30'	(CHECK ONE)				
SURFACE QUALITY IN	MEDIUM				
QUANTITY & VARIATION	PREFERRED				
MICRONICHES					
NOMINAL DIMENSION RANGE MILLIMETER					
OVER 1 TO 3	OVER 3 TO 6	OVER 6 TO 30	OVER 30 TO 100	OVER 100 TO 300	OVER 300 TO 1000
±0.1	±0.2	±0.3	±0.4	±0.6	±1.0
±0.2	±0.4	±0.5	±0.8	±1.2	±2.0

THIRD ANGLE PROJECTION

DRN. 7-75 7-75

CHKD. 7/3/75

ENG. 7/3/75

PROJ. ENG. 7/3/75

PROG. 7/3/75

DO NOT SCALE DWG.

NEXT HIGHER ASSY.

MATERIAL SEE PARTS LIST

SCALE 1/1

SHEET 1 OF 1

FIRST USED ON VT52

TITLE 20 MA. ADAPTER ASSY

SIZE CODE NUMBER REV. 1 IIA BN52B-0-0 D

REV.	DESCRIPTION	DATE
A	ISSUED FOR MANUFACTURE	7/3/75
B	REVISED	7/3/75
C	REVISED	7/3/75
D	REVISED	7/3/75

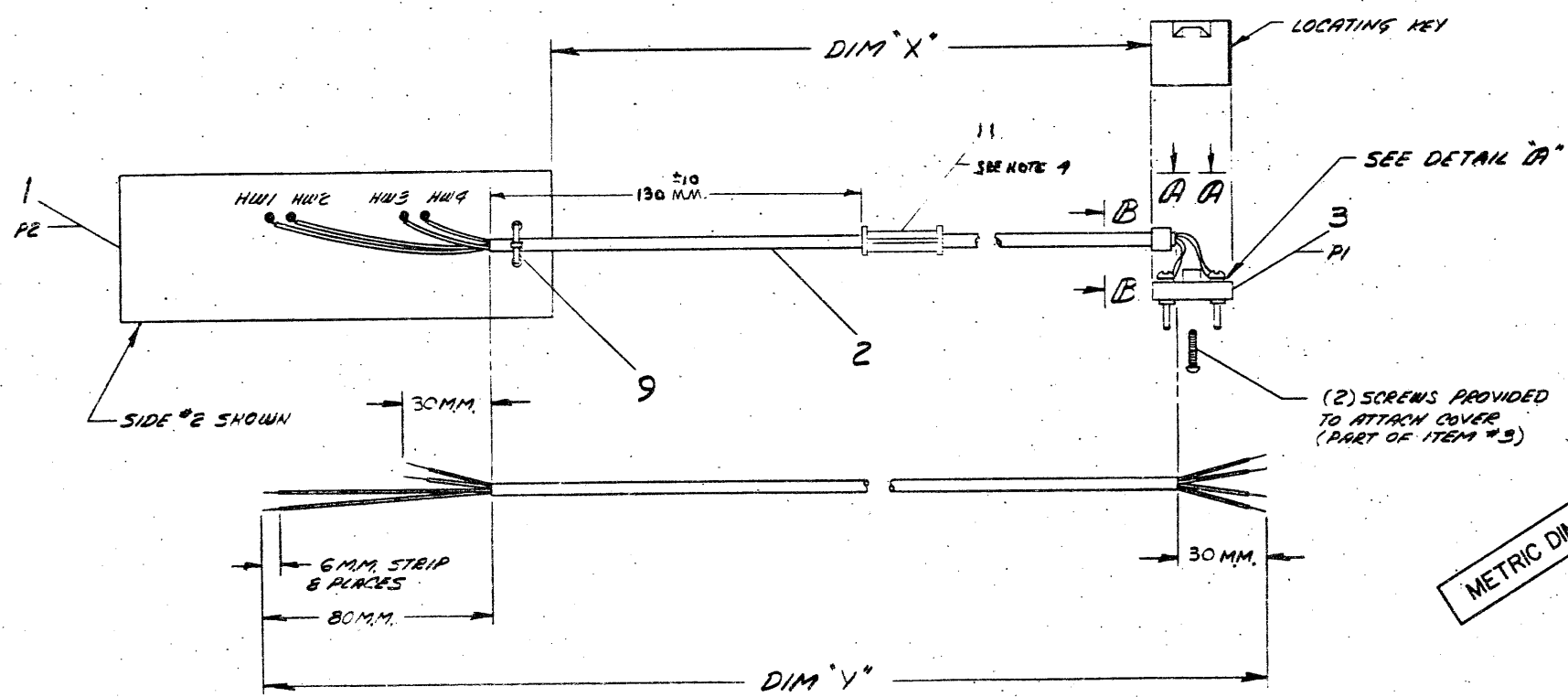
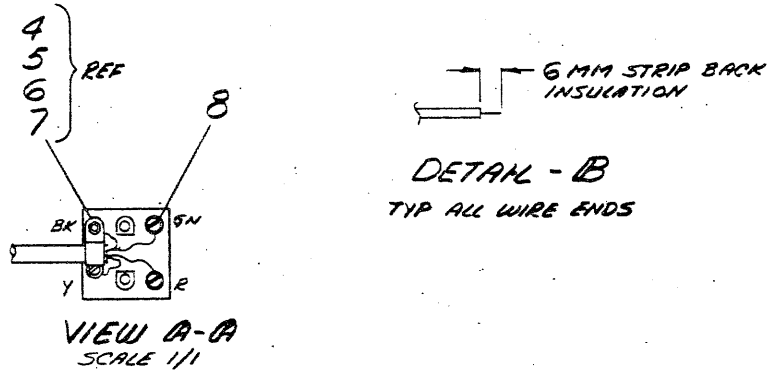
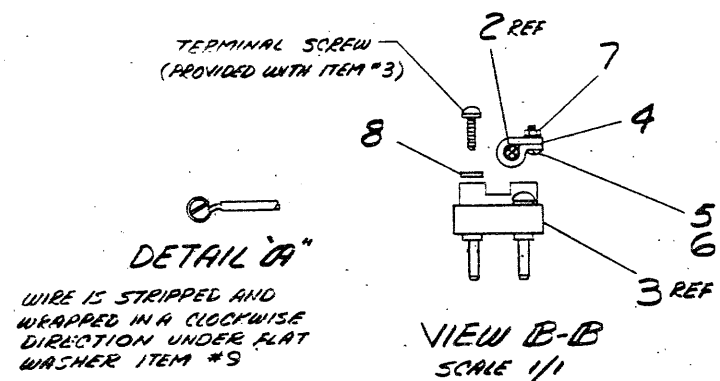
THIS DRAWING AND SPECIFICATIONS HEREIN ARE THE PROPERTY OF DIGITAL EQUIPMENT CORPORATION AND SHALL NOT BE REPRODUCED OR COPIED OR USED IN WHOLE OR IN PART AS THE BASIS FOR THE MANUFACTURE OR SALE OF ITEMS WITHOUT WRITTEN PERMISSION. COPYRIGHT © 1975, DIGITAL EQUIPMENT CORPORATION

WIRE TABLE							
ITEM NO	DESCRIPTION	FROM	TO	SIGNAL			
2	22	BLK	PI-Y *	PE-HW2 SOL	RX-		
1	1	RED	PI-R *	PE-HW4	TX-		
1	1	WHT	PI-W *	PE-HW1	RX+		
2	22	GRN	PI-GN *	PE-HW3 SOL	TX+		

* SEE NOTE #3

LEGEND		
NUMBER	DIM'X VARIATION	DIM'Y PRE-CUT (REF)
BN52C-09	3.9 M	9.0 M
BN52C-7F	7.5 M	7.6 M

- NOTES:**
1. DISCARD SMALL SCREW SUPPLIED WITH PLUG (ITEM #3)
 2. ATTACH CANN. (ITEM #10) TO CABLE WITH ONE (1) CABLE TIE (ITEM #9). DO NOT REMOVE CANN. FROM BAG.
 3. ATTACH WIRES INDICATED BY (*) ASTERISK TO ITEM #3, USING ITEM #10 AND SCREWS SUPPLIED WITH ITEM #3.
 4. ASSEMBLE SPACER, BEFORE SOLDERING CABLE TO ITEM #1.



ITEM NO	DESCRIPTION	DWG. PART NO.	ITEM NO.
1	SPACER, CABLE	C-MD-7417808-0-0	11
1	CANN. TELEPHONE (JACK)	1205857-02	10
1	TIE WRAP	9007031	9
4	WASHER, FLAT #4	9008172	8
1	NUT, NYLON #4-80	9007992	7
1	SCR. NYLON BWA. NR.#4-80X.38	9006401-4	6
1	WASHER, FLAT NYLON #4	9006706	5
1	CABLE CLAMP .12	9007079	4
1	CANN. TELEPHONE (PLUG)	1205857-01	3
1/2	CABLE, 4 COND. #22 AWG.	9107706	2
1	20 MA ADAPTER CARD	D-3-541759-0-1	1

UNLESS OTHERWISE SPECIFIED DIMENSIONS ARE IN MILLIMETERS					
ANGLES	CLASS OF ACCURACY	NOMINAL DIMENSION RANGE MILLIMETER			
10° 30'	(CHECK ONE)	OVER 1 TO 3	OVER 3 TO 10	OVER 10 TO 30	OVER 30 TO 100
SURFACE QUALITY	MEDIUM	±0.1	±0.2	±0.3	±0.4
QUANTITY & VARIATION	PREFERRED	±0.3	±0.4	±0.5	±1.0

REV.	CHK.	CHA.	LE NO.	REV.
1	1	1	1	1

THIRD ANGLE PROJECTION

REMOVE BURRS AND BREAK SHARP CORNERS

DO NOT SCALE DWG

MATERIAL: **SEE PARTS LIST**

FINISH: **SEE PARTS LIST**

TITLE: **CURRENT LOOP TO 283B PLUG**

SIZE: **1 IA BN52C-0-0**

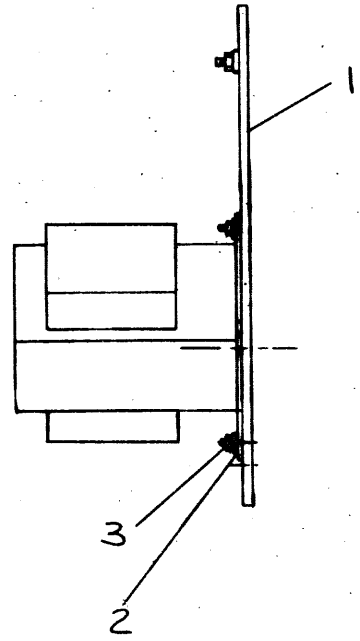
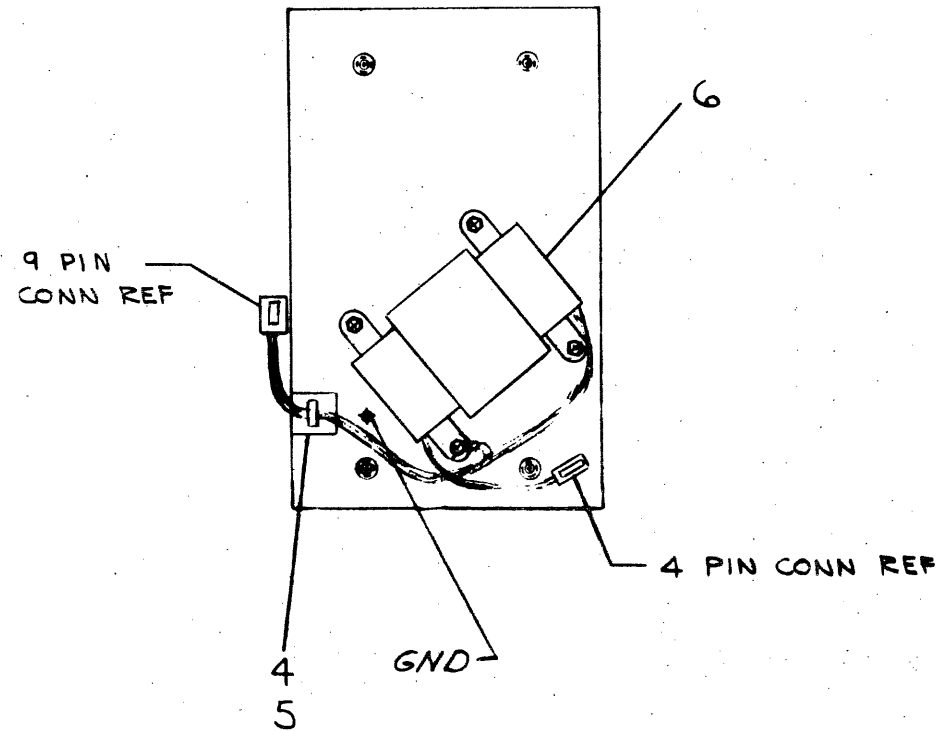
SCALE: **1/1**

SHEET: **1 OF 1**

FIRST USED ON: **VT52**

digital

"THIS DRAWING AND SPECIFICATIONS, HEREIN, ARE THE PROPERTY OF DIGITAL EQUIPMENT CORPORATION AND SHALL NOT BE REPRODUCED OR COPIED OR USED IN WHOLE OR IN PART AS THE BASIS FOR THE MANUFACTURE OR SALE OF ITEMS WITHOUT WRITTEN PERMISSION. COPYRIGHT © 1975, DIGITAL EQUIPMENT CORPORATION"



QUANTITY	DESCRIPTION	DWG. PART NO.	ITEM NO.
1	HARNES, TRANSFORMER	1-IA-7012161-0-0	6
1	TIE MOUNT	90 08264-00	5
1	CABLE TIE	90 07032-00	4
4	NUT, #8-32 KEP	90 06563-00	3
4	WASHER, FLAT	90 06660-00	2
1	PLATE, MTG, TRANS.	2-IA-7414867-0-0	1

ANGLES ±0° 30'	CLASS OF ACCURACY (CHECK ONE)	NOMINAL DIMENSION RANGE MILLIMETER					
		OVER 1 TO 5	OVER 5 TO 30	OVER 30 TO 100	OVER 100 TO 300	OVER 300 TO 1000	OVER 1000 TO 2000
<input checked="" type="checkbox"/>	MEDIUM <input type="checkbox"/>	±0.1	±0.2	±0.3	±0.4	±0.6	±1.0
<input checked="" type="checkbox"/>	PREFERRED <input type="checkbox"/>	±0.3	±0.4	±0.6	±1.0	±1.6	±2.5

THIRD ANGLE PROJECTION	DRN. <i>P.C. Gossens</i> 9-10-75	FIRST USED ON	VT50
REMOVE BURRS AND BREAK SHARP CORNERS	CHK'D <i>R.S.C.</i> 10/1/75	TITLE	TRANSFORMER ASSEMBLY
DO NOT SCALE DWG	PROJ. ENG. <i>yeach</i> 12/1/75	SIZE	2
MATERIAL SEE PARTS LIST	PROD. <i>D.L. Jones</i> 12/1/75	CODE	AD7011852-0-0
FINISH	NEXT HIGHER ASSY.	NUMBER	AD7011852-0-0
	SCALE NONE	DIST.	
	SHEET 1 OF 1		

METRIC DIMENSIONS

REVISIONS	REV.
CHANGE NO.	
CHK	

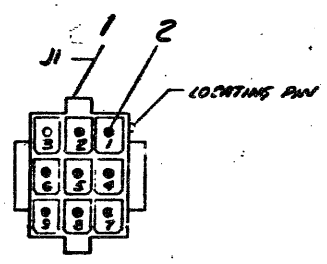
2 AD7011852-0-0

THIS DRAWING AND SPECIFICATIONS HEREIN ARE THE PROPERTY OF DIGITAL EQUIPMENT CORPORATION AND SHALL NOT BE REPRODUCED OR COPIED OR USED IN WHOLE OR IN PART AS THE BASIS FOR THE MANUFACTURE OR SALE OF ITEMS WITHOUT WRITTEN PERMISSION. COPYRIGHT © 1975 DIGITAL EQUIPMENT CORPORATION

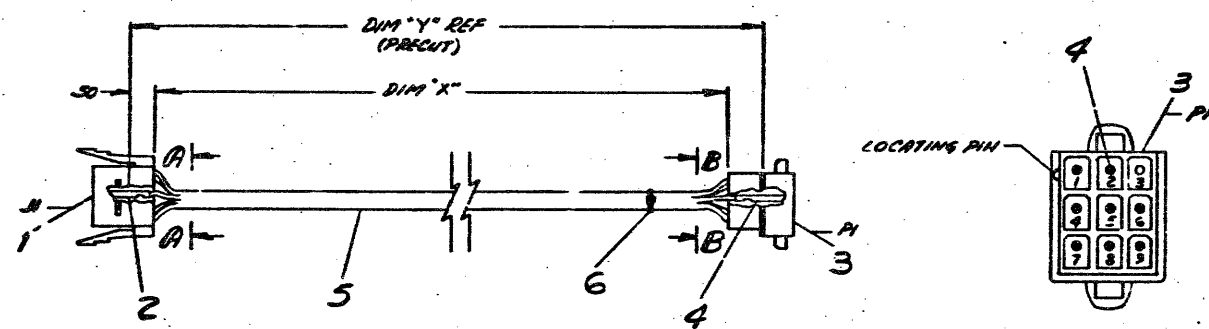
WIRE TABLE						
ITEM NO	DESCRIPTION	FROM		TO		WITH
		CONNECTION	WITH	CONNECTION	WITH	
5	18 GRN	J1-1	2	PI-1	4	
6	18 GRN	J1-2	2	PI-2	4	
7	18 VIO	J1-4	2	PI-4	4	
7	18 VIO	J1-5	2	PI-5	4	
8	18 WD/BLK	J1-6	2	PI-6	4	
9	13 BLUE	J1-7	2	PI-7	4	
9	18 BLUE	J1-8	2	PI-8	4	
10	18 BLUE/BLK	J1-9	2	PI-9	4	

LEGEND	
NUMBER	VARIATION
	DIM 'X'
	DIM 'Y' REF
	18 IN ± 1 IN
	15 IN ± 1 IN

NOTES:
1. ALL CONNECTIONS TO BE MADE POINT TO POINT (J1-1 TO PI-1) ETC.



VIEW A-A
SCALE: NONE



VIEW B-B
SCALE: NONE

QTY	DESCRIPTION	DWG. PART NO.	ITEM NO.
10	WIRE, #18 AWG BLUE/BLK	9107910-60	10
9	WIRE, #18 AWG BLUE	9107360-66	9
8	WIRE, #18 AWG VIO/BLK	9107910-70	8
7	WIRE, #18 AWG VIO	9107360-77	7
6	WIRE, #18 AWG GRN	9107360-55	6
5	TIE WRAP	900703-00	5
4	PIN, TERMINAL	120937B-00	4
3	PIN, HOUSING	1209351-00	3
2	SOCKET, TERMINAL	1209379-00	2
1	SOCKET, HOUSING	1209350-00	1

UNLESS OTHERWISE SPECIFIED DIMENSIONS ARE IN INCHES	
ANGLES	CLASS OF ACCURACY
SURFACE QUALITY	FINISH
QUANTITY & VARIATION	PREFERRED
THIRD ANGLE PROJECTION	FIRST USED ON
REMOVE BURRS AND BREAK SHARP CORNERS	DO NOT SCALE DWG
MATERIAL	SCALE
FINISH	SHEET

DESCRIPTION: CABLE, EXTENSION
 TITLE: VTS2 digital
 SIZE CODE: D
 NUMBER: IA 7011868-0-0
 REV.:

REV. 1
CHANGED BY: [Signature]
DATE: [Blank]

DIGITAL EQUIPMENT CORPORATION
MAYNARD, MASSACHUSETTS
PARTS LIST

MADE BY K.DAVIS
DATE 12/2/75
ENG *Morgan*
DATE *16 FEB 76*

CHECKED *S.D. Roberts*
DATE 16 FEB 76
PROD *M. W. Roberts*
DATE 2/18/76

SECTION 2
ISSUED SECT. 2

ITEM NO.	DWG NO. / PART NO.	DESCRIPTION	VT52-BC	VT52-BE	VT52-BF	VT52-BH	VT52-DA	VT52-DB	VT52-DC	VT52-WA	VT52-WB	VT52-NF	VT52-NF	VT52-NU
1	MP000035	VT52 PRINT SET	*	*	*	*	*	*	*	*	*	*	*	*
2	EK-VT5X-OP	USER MANUAL	1	1	1	1	1	1	1	1	1	1	1	1
3	3612418	COPIER PAPER	1	1	1	1	1	1	1	1	1	1	1	1
4	2-MD-7413264-0-0	ANODE	1	1	1	1	1	1	1	1	1	1	1	1
5	E-VT5C-OP	COPIER MANUAL	1	1	1	1	1	1	1	1	1	1	1	1

TITLE SHIPPING LIST VT52
ASSY NO. 0-UA-VT52-0-0
SHEET 2 OF 2
SIZE CODE A PL
NUMBER VT52-0-3
REV. B
ECO NO.

DEC FORM DEC 16-(325)-1031-N870
ORA 110

DIGITAL EQUIPMENT CORPORATION
MAYNARD, MASSACHUSETTS
PARTS LIST

MADE BY K.DAVIS
DATE 12/2/75
ENG *Morgan*
DATE *12 Feb 76*

CHECKED *S.D. Roberts*
DATE 16 FEB 76
PROD *M. W. Roberts*
DATE 2/18/76

SECTION 1
ISSUED SECT. 2

ITEM NO.	DWG NO. / PART NO.	DESCRIPTION	VT52-AA	VT52-AB	VT52-AC	VT52-AE	VT52-AF	VT52-AH	VT52-CA	VT52-CB	VT52-CC	VT52-BA	VT52-BB
1	MP000035	VT52 PRINT SET	*	*	*	*	*	*	*	*	*	*	*
2	EK-VT5X-OP	USER MANUAL	1	1	1	1	1	1	1	1	1	1	1
3	3612418	COPIER PAPER	-	-	-	-	-	-	-	-	-	-	-
4	2-MD-7413264-0-0	ANODE	-	-	-	-	-	-	-	-	-	-	-
5	EK-VT5C-OP	COPIER MANUAL	-	-	-	-	-	-	-	-	1	1	1

* THIS ITEM IS AN OPTION AND IS TO BE SHIPPED ONLY WHEN PURCHASED AS A SEPERATE ITEM BY CUSTOMER

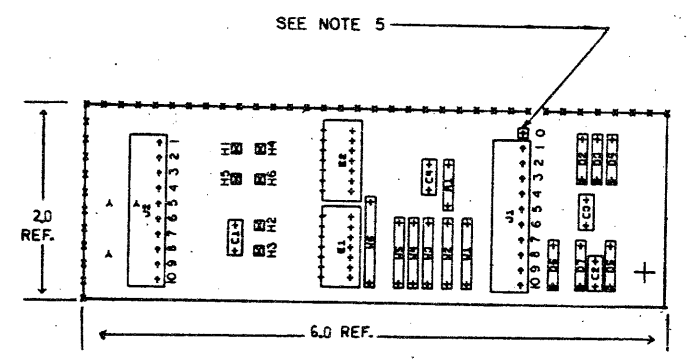
TITLE SHIPPING LIST VT52
ASSY NO. 0-UA-VT52-0-0
SHEET 1 OF 2
SIZE CODE A PL
NUMBER VT52-0-3
REV. B
ECO NO. VT52-PNO20

DEC FORM DEC 16-(325)-1031-N870
ORA 110

THIS DRAWING AND SPECIFICATIONS HEREIN ARE THE PROPERTY OF DIGITAL EQUIPMENT CORPORATION AND SHALL NOT BE REPRODUCED OR COPIED OR USED IN WHOLE OR IN PART AS THE BASIS FOR THE MANUFACTURE OF ANY OF ITS ITEMS WITHOUT WRITTEN PERMISSION.
 COPYRIGHT © 1975 DIGITAL EQUIPMENT CORPORATION

NOTES:

1. THIS CIRCUIT IS REPEATED 12 TIMES ON A 8" X 18" CIRCUIT BOARD
2. ALL DIODES ARE D66A
3. MARK = -10V = LOGIC 1
 SPACE = +10V = LOGIC 0
4. PLACEMENT OF COMPONENTS IS DEPENDANT ON DEC DRAWING 5410902 (VT50) AND 5411743 (VT52) FOR MOUNTING AND CLEARANCE
5. WHEN BUILDING THE DASH "O" VARIATION THE EXTRA HOLE ON CONN. J1 IS AS SHOWN BELOW



DEC 1488 L	7	14	1
IC TYPE	GND	+5V	+11.5V +10.5V
2ND AND 5V ARE USUALLY PIN 7 AND 14 RESPECTIVELY. EXCEPTIONS ARE STATED ABOVE			
IC PIN LOCATIONS			

DATE	21-05-77
BY	J. BITTO
CHKD	M. WHITTLESEY
APP'D	R. PUCCI
DATE	6-3-76
BY	M. WHITTLESEY
CHKD	M. WHITTLESEY
APP'D	R. PUCCI
DATE	1-1-76
BY	M. WHITTLESEY
CHKD	M. WHITTLESEY
APP'D	R. PUCCI
DATE	6-3-76
BY	M. WHITTLESEY
CHKD	M. WHITTLESEY
APP'D	R. PUCCI

QTY	QTY	REF. DESIGNATION	DESCRIPTION	PART NO.	ITEM NO.
		J1	HEADER, 11. POSITION	1212519-04	14
		H1-H6	EYELET GS4-3	98-87836	13
		W1-WG	JUMPER	91-07560-1	12
		E1	MC 1489L EIA RECEIVER	19-18323	11
		E2	MC 1488L EIA DRIVER	19-18322	10
		R1	RES 2.2K 1/4W 5% CC.	13-08417	9
		J1, 2	CONN AMP CIS TOP ENTRY 10 PIN	12-11982	8
		D2-D7	DIODE D66A	11-88114	7
		C2,3,4	CAP .01UF 100V 20% DISC	18-81618-01	6
		C1	CAP 470PF 100V D.M.	18-88824	5
			ETCHED CIRCUIT BOARD	5811447	4
REF	REF		MODULE HISTORY LIST	B-MH-5411448-8-6	3
REF	REF		ASSY DRILLING HOLE LAYOUT	D-AH-5411448-8-5	2
REF	REF		X-Y COORDINATE HOLE LOC.	X-CO-5411448-8-4	1

FIRST USED ON OPTION MODEL: VT50

ETCH BOARD REV. D

digital

TITLE: VT50 EIA ADAPTER

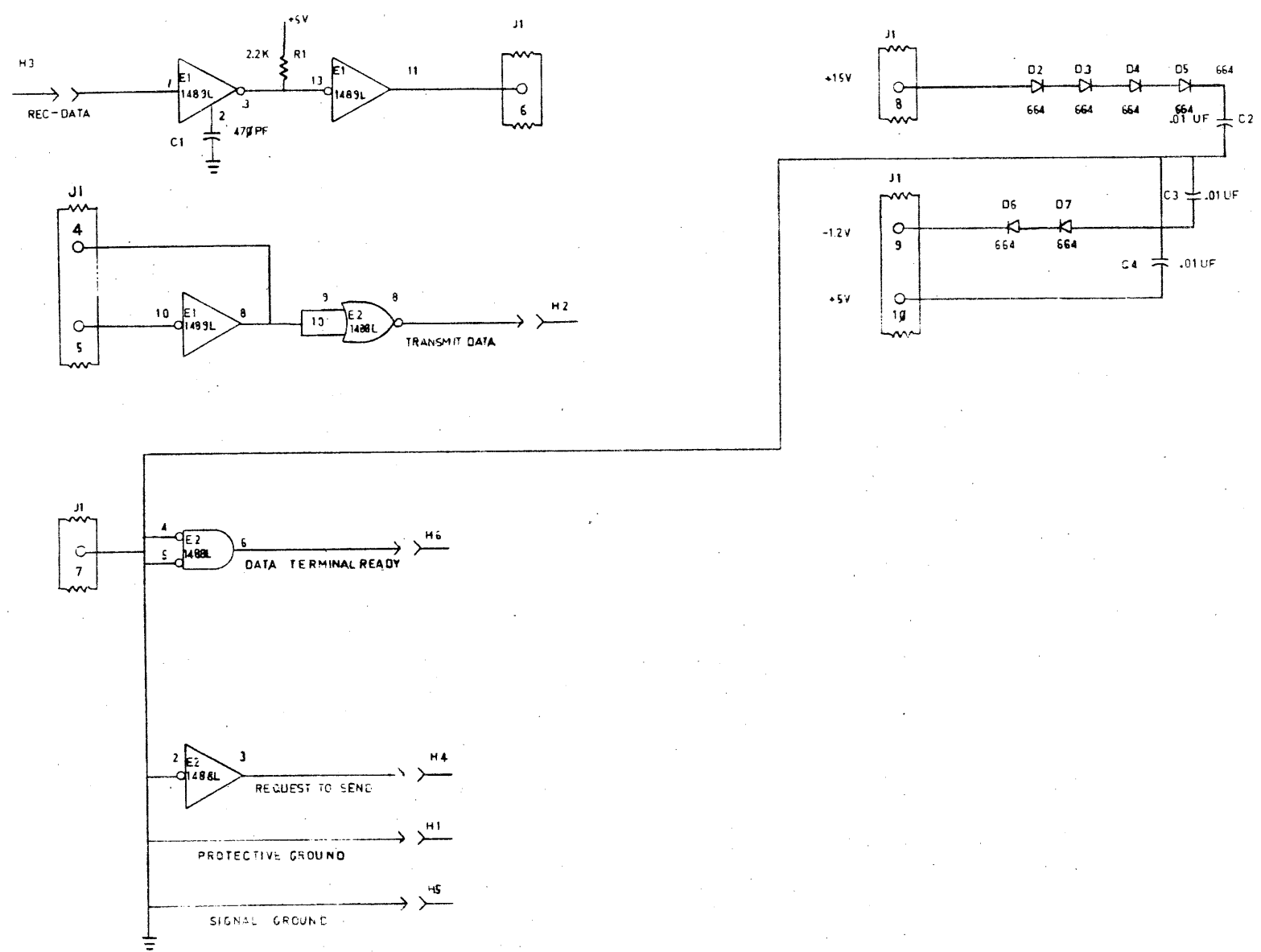
SIZE CODE: DCS NUMBER: 5411448-8-1

SCALE: NONE

SHEET 1 OF 2

SEMICONDUCTOR CONVERSION CHART

THIS DRAWING AND SPECIFICATIONS HEREAFTER ARE THE PROPERTY OF DIGITAL EQUIPMENT CORPORATION AND SHALL NOT BE REPRODUCED OR COPIED OR USED IN WHOLE OR IN PART AS THE BASIS FOR THE MANUFACTURE OR SALE OF ITEMS WITHOUT WRITTEN PERMISSION. COPYRIGHT © DIGITAL EQUIPMENT CORPORATION 1-7-75



REVISIONS		
CHK	CHANGE NO.	REV.

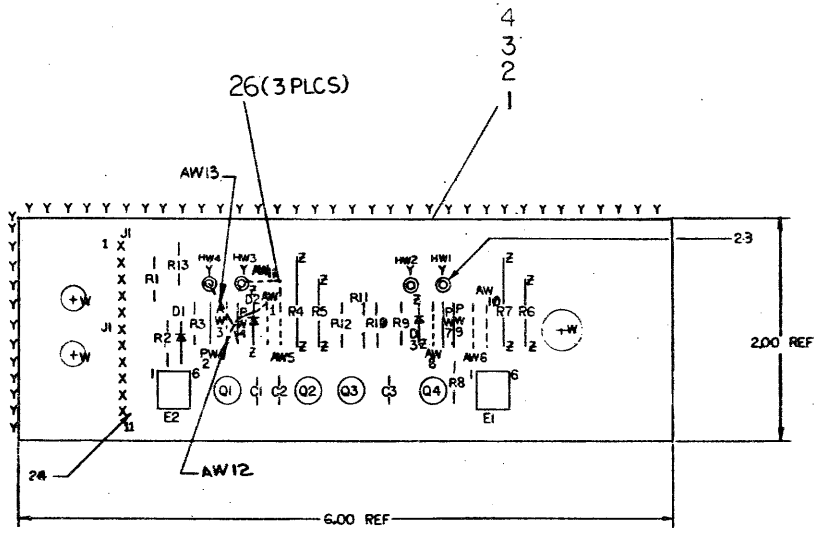
TITLE	VT50 EIA ADAPTER CARD	SIZE CODE	D	NUMBER	5411448-0-1	REV.	E
SCALE		SHEET	2	OF	2	DIST.	

REV. E NUMBER 5411448-0-1

"THIS DRAWING AND SPECIFICATIONS, HEREIN, ARE THE PROPERTY OF DIGITAL EQUIPMENT CORPORATION AND SHALL NOT BE REPRODUCED OR COPIED OR USED IN WHOLE OR IN PART AS THE BASIS FOR THE MANUFACTURE OR SALE OF ITEMS WITHOUT WRITTEN PERMISSION. COPYRIGHT © 1975 DIGITAL EQUIPMENT CORPORATION"

NOTES:

REF	X-Y COORDINATE HOLE LOCATION	A-CO-5411759-0-4	1	
REF	ASSY/DRILLING HOLE LAYOUT	E-AH-5411759-0-5	2	
REF	MODULE ECO HISTORY	B-MH-5411759-0-6	3	
1	ETCHED CIRCUIT BOARD	5011758	4	
2	C1, C2	CAP. 270PF 100V DM	1000022	5
1	C3	CAP. .01uF 100V DISC	1001610-01	6
1	R9	RES. 33 1/4W 5%	1300197	7
1	R1	RES. 150 1/4W 5%	1300250	8
1	R8	RES. 220 1/4W 5%	1300271	9
1	R3	RES. 390 1/4W 5%	1300309	10
1	R11	RES. 750 1/4W 5%	1301401	11
2	R12, R13	RES. 7.5K 1/4W 5%	1301422	12
1	R2	RES. 68K 1/4W 5%	1301327	13
1	R10	RES. 120K 1/4W 5%	1300539	14
2	R5, R6	RES. 180 1/2W 5%	1300260	15
2	R4, R7	RES. 470 1W 5%	1300319	16
1	D1	DIODE MCL1301 (1MA@10-80)	1105610	17
2	D2, D3	DIODE 1N4004	1105796	18
1	Q1	TRANS. SILICON, ASS PNP	1510706	19
1	Q2	TRANS. SILICON, A05 NPN	1510705	20
2	Q3, Q4	TRANS. DEC 6531B NPN	1509338	21
2	E1, E2	PHOTO OPTIC COUPLER	1911998	22
4	HW1 - HW9	EYELET, FLANGED	9007836	23
355	J1	HEADER, 11 POSITION	1212519-04	24
AR	PW2, PW4, PW7, PW9	WIRE, BUSS # 22AWG	9107560-01	25
A/R	SEE NOTE 4	TUBING, THIN WALL, .027" I.D.	9107256-00	26



IC TYPE	GND	+5V
GND AND 5V ARE USUALLY PIN 7 AND 14 RESPECTIVELY EXCEPTS ARE STATED ABOVE		
IC PIN LOCATIONS		

LEUNG C. NG
 5411759-0-1
 M. WHITTLESEY
 5411759-0-1
 M. MORGANSTERN
 5411759-0-0001 A
 JOHN CASTLE 2-17-76

FIRST USED ON OPTION MODEL
VT52

CHK	ORIGINATED	REVISIONS
CHG	CHANGE NO.	REV.
DEC NO.	EIA NO.	DEC NO.
EIA NO.	DEC NO.	EIA NO.

DRN.	DATE
CHK'D	DATE
ENG.	DATE
PROJ. ENG.	DATE
PROD.	DATE
REV.	DATE

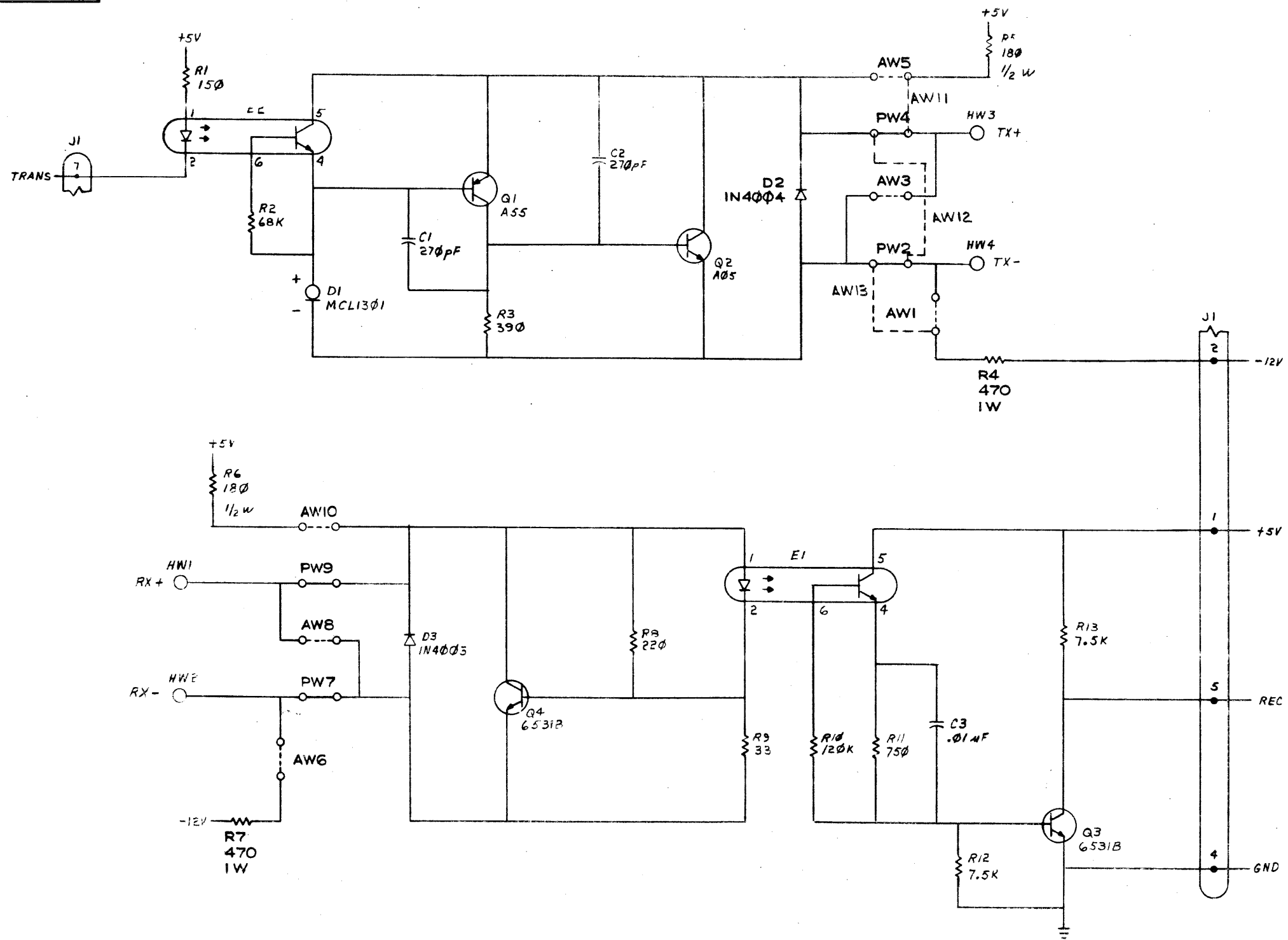
digital
 TITLE: 20 MA ADAPTER CARD
 SIZE CODE NUMBER REV.
 DCS 5411759-0-1 C
 SHEET 1 OF 2

SEMICONDUCTOR CONVERSION CHART

DCS 5411759-0-1
 NUMBER
 REV. C

THIS DRAWING AND SPECIFICATIONS HEREIN ARE THE PROPERTY OF DIGITAL EQUIPMENT CORPORATION AND SHALL NOT BE REPRODUCED, COPIED, OR TRANSMITTED IN ANY FORM OR BY ANY MEANS, ELECTRONIC OR MECHANICAL, INCLUDING PHOTOCOPYING, RECORDING, OR BY ANY INFORMATION STORAGE AND RETRIEVAL SYSTEM, WITHOUT THE WRITTEN PERMISSION OF DIGITAL EQUIPMENT CORPORATION. COPYRIGHT © 1975 DIGITAL EQUIPMENT CORPORATION

1-0-6521189 2



NOTES :

1. HW = EYELETS FOR HARDWIRING POINTS
2. AW JUMPERS ARE OPTIONAL JUMPERS
3. TO CONVERT FROM PASSIVE TO ACTIVE MODE, DELETE JUMPERS PW2, PW4, PW7 & PW9. ADD JUMPERS AW1, AW3, AW5, AW6, AW8 & AW10.
4. FOR VT61T ONLY, TO CONVERT FROM PASSIVE TRANSMIT TO ACTIVE TRANSMIT, DELETE JUMPERS PW2 & PW4, ADD JUMPERS AW11, AW12 & AW13 INSTEAD OF AW1, AW3 & AW5. USE ITEM 26, TUBING (9107256-00) WITH JUMPERS.

REV.	CHANGE NO.	REV.

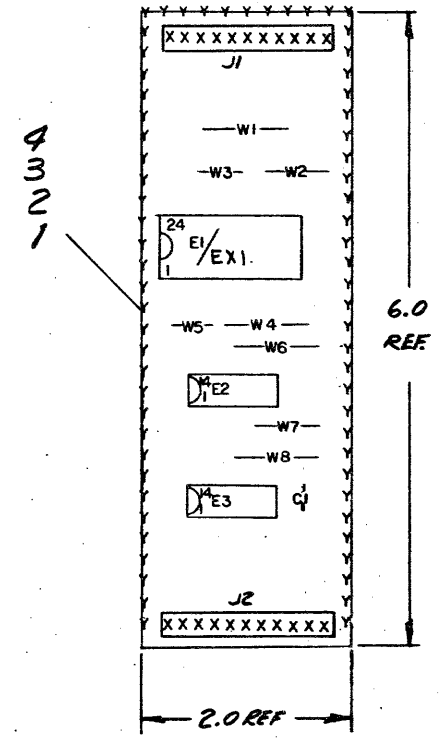
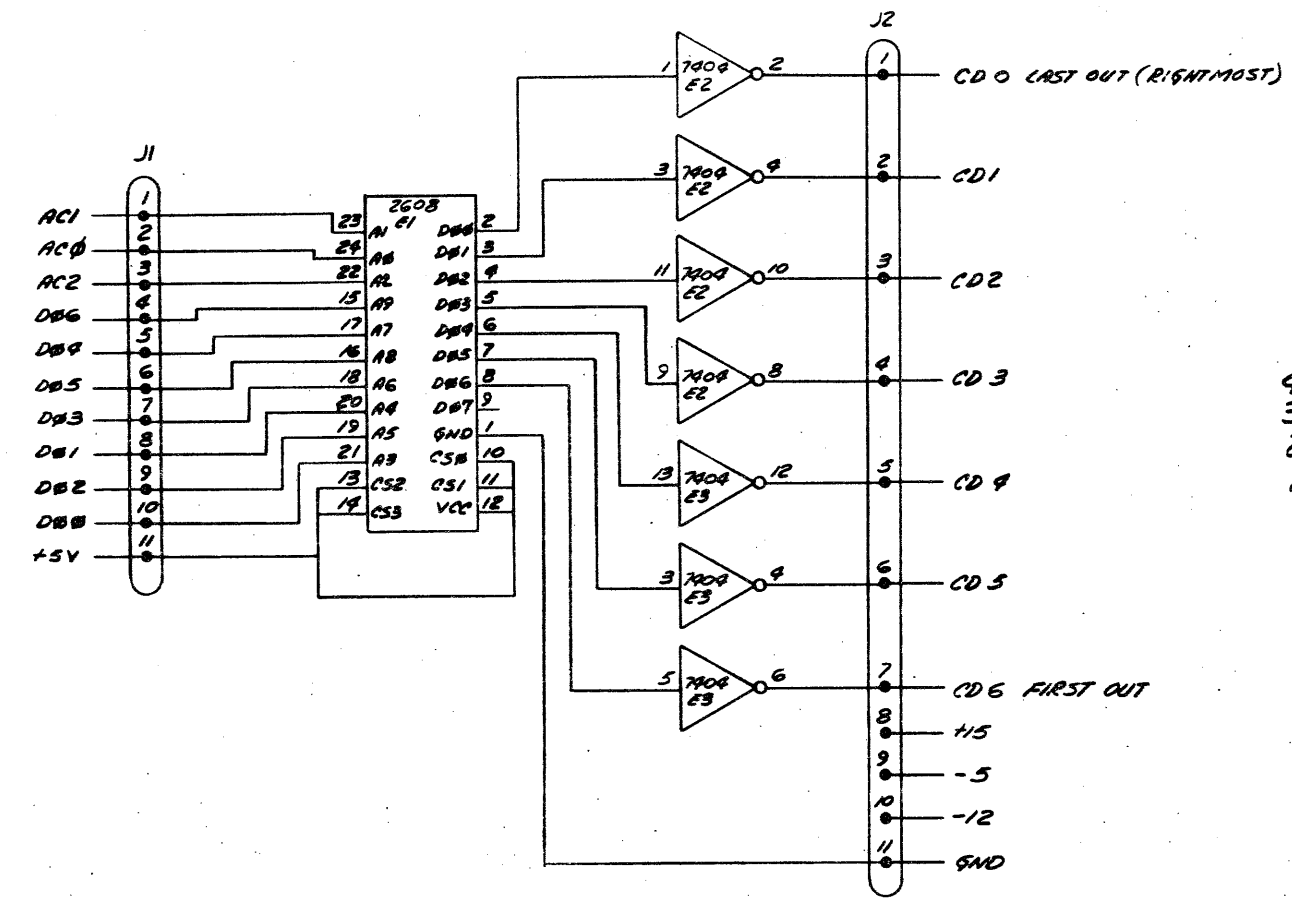
TITLE: 20MA ADAPTER CARD
 SIZE/DATE: D/CS 5411759-0-1
 NUMBER: 1
 REV: C

THIS DRAWING AND SPECIFICATIONS HEREIN ARE THE PROPERTY OF DIGITAL EQUIPMENT CORPORATION AND SHALL NOT BE REPRODUCED OR COPIED OR USED IN WHOLE OR IN PART AS THE BASIS FOR THE MANUFACTURE OR SALE OF ITEMS WITHOUT WRITTEN PERMISSION.
 COPYRIGHT © 1975 DIGITAL EQUIPMENT CORPORATION

NOTES:

- 1. JUMPERS W3, W5 ON .9 CENTERS
- JUMPERS W2, W7 ON .6 CENTERS
- JUMPERS W1, W4, W6, W8 ON .8 CENTERS

D
C
B
A



2608	1	12
IC TYPE	GND	+5V
GND AND 5V ARE USUALLY PIN 7 AND 14 RESPECTIVELY. EXCEPTIONS ARE STATED ABOVE.		
IC PIN LOCATIONS		

REF	QTY	REF. DESIGNATION	DESCRIPTION	PART NO.	ITEM NO.
REF			X-Y COORDINATE HOLE LOCATION	KCO-5411815-0-4	1
REF			ASSY/DRILLING HOLE LAYOUT	EAN-5411815-0-5	2
REF			MODULE ECO HISTORY	BAN-5411815-0-6	3
1	1		ETCHED CIRCUIT BOARD	5011814	4
1	1	C1	CAP. .01MFD 100V 20% DISC	1001610-01	5
2	2	E2, E3	I.C. DEC 7404	1909686	6
-	1	E1	I.C. DEC 2608	23002B4	7
A/R	W1 THRU W8		JUMPER	9107780-01	8
A/R	J1, J2		HEADER, 11 POSITION	1212519	9
1	-	EX1	SOCKET, IC 24 PIN	1210693-00	10

DEC NO.	EIA NO.	DEC NO.	EIA NO.
SEMICONDUCTOR CONVERSION CHART			
TITLE: 8K CHARACTER GENERATOR			
SIZE CODE: DCS 5411815-0-1			
SHEET 1 OF 1			

D
C
B
A

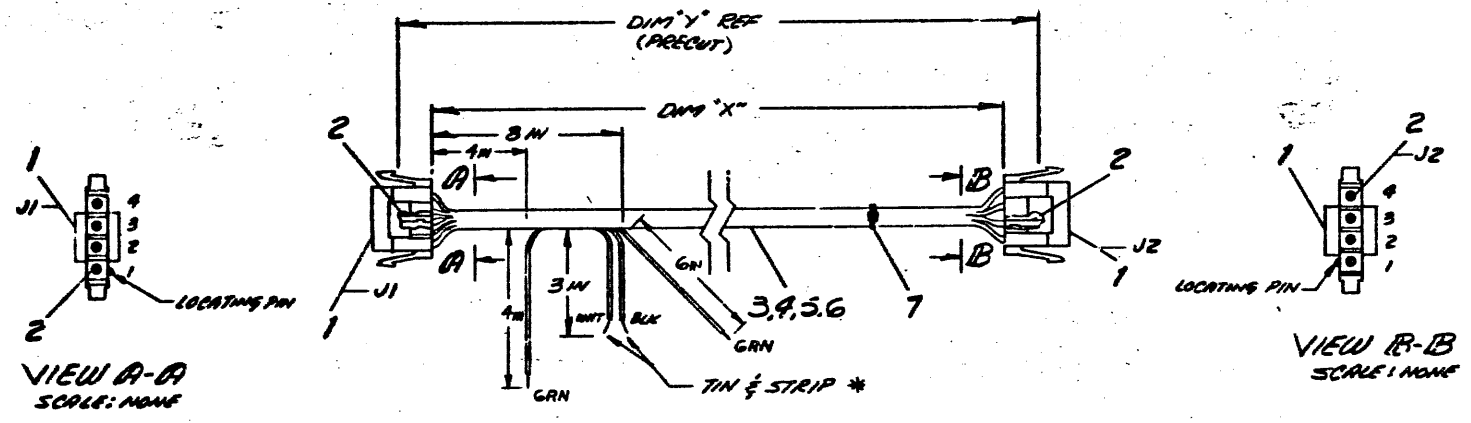
8 7 6 5 4 3 2 1

THIS DRAWING AND SPECIFICATIONS HEREON ARE THE PROPERTY OF DIGITAL EQUIPMENT CORPORATION AND SHALL NOT BE REPRODUCED OR COPIED IN ANY MANNER OR BY ANY MEANS WITHOUT THE WRITTEN PERMISSION OF DIGITAL EQUIPMENT CORPORATION. © 1978 DIGITAL EQUIPMENT CORPORATION

LEGEND	
NUMBER	VARIATION
1	DIM "X" 16 IN ± 1/16
2	DIM "Y" REF 17 IN ± 1/16

WIRE TABLE						
ITEM NO	DESCRIPTION	FEED	CONNECTION		WITH	TO
			CONNECTION	WITH		
2	#18 RED	J1-9	-2	J2-4	#2	
6	#18 RED/BLK	J1-3	#2	J2-3	#2	
4	#18 BLK	J1-2	#2	J2-2	#2	
4	#18 BLK	J1-2	#2	-	*	
5	#18 WHT	J1-1	#2	J2-1	#2	
5	#18 WHT	J1-1	#2	-	*	
8	#18 GRN	GROUND	9	GROUND	9	

* INDICATES TIN STRIP



2	TERMINAL, RING TONGUE TO	9007930-01	9
NR	WIRE, #18 AWG GRN	9107360-55	8
NR	TIN WRAP	5007031-00	7
NR	WIRE, #18 AWG RED/BLK	9107810-29	6
NR	WIRE, #18 AWG WHT	9107360-99	5
NR	WIRE, #18 AWG BLK	9107360-00	4
NR	WIRE, #18 AWG RED	9107360-22	3
8	SOCKET, TERMINAL	1209379-00	2
2	SOCKET, HOUSING	1209350-00	1

UNLESS OTHERWISE SPECIFIED DIMENSIONS ARE IN INCHES

ANGLE	CLASS OF	0.001	0.002	0.003	0.004	0.005	0.006	0.007	0.008	0.009	0.010
± .30	ACCURACY	0.001	0.002	0.003	0.004	0.005	0.006	0.007	0.008	0.009	0.010

QUANTITY & VARIATION

THIRD ANGLE PROJECTION

REMOVE BURRS AND BREAK SHARP CORNERS

DO NOT SCALE DWG

MATERIAL: SEE PARTS LIST

FINISH

DESCRIPTION: DMC PART NO. ITEM NO.

DATE: 3/10/78

CHK'D BY: [Signature]

ENG: [Signature]

PROJ. ENG: [Signature]

PROJ. I.A. [Signature]

NEXT HIGHER ASSY:

3-0A-VT52-0-0

SCALE: NONE

SHEET 1 OF 1

FIRST USED ON: VT52 digital

TITLE: CABLE, PRIMARY POWER

SIZE CODE: D

NUMBER: IA7011867-C-0

REV.

DIA 7011867-C-0