

ILLUSTRATED PARTS BREAKDOWN

VT100 VIDEO TERMINAL

HOW TO USE THE IPB

GENERAL

This IPB is compiled following the organization and nomenclature of the engineering drawing structure.

MAJOR ASSEMBLY LOCATOR

The Major Assembly Locator (first illustration) is an index that provides a description and a figure reference for all illustrations used in this manual.

INDENTED PARTS LIST

This manual identifies each assembly being broken down (figure reference callout), and all parts of that assembly. Further breakdown of an assembly is shown by an asterisk (*) preceding the item callouts in the Description Column. The number of asterisks preceding an item is used to denote the subordination of that item with respect to the Major Assembly. A single asterisk preceding an item description indicates that the item is part of the major assembly being illustrated. Items that are subordinate to single asterisks items, are denoted by two asterisks (**) and immediately follow the related single asterisk item. Additional asterisks are used, as required, to denote further subordination. This system of part identification, provides a means for the user to identify the next higher assembly item and make alternate selections for parts when the required replacement part or assembly is not immediately available.

COLUMN CALLOUT DESCRIPTION

Figure & Item — Indicates the figure number and item number of each part.

Description — Lists the name of the part and pertinent specifications (when required). Asterisks preceding the description denote the subordination of the part to the next higher assembly.

DEC Part No. — Lists the DEC part ordering number. A blank in this column indicates a DEC part number was not assigned at the time of publication.

ECO Cut-In — The notation at the top of this column indicates the ECO level of the system (option), at which the IPB was initially prepared. Subsequent ECO level designations, that modify existing parts or add new parts to the device, are inserted in the ECO Cut-In column next to the part that is added or modified. A bracket ([]) preceding the item description is used to indicate the parts affected by ECO's.

Vendor Code/Part No. — Indicates vendor parts that are not stocked by DEC. Refer to the Field Service Spares Catalog (vendor part number to DEC part number) for the vendor code cross-reference.

Used On Code — Letters in this column correspond to the variation codes assigned in Figure 1. Parts with an Alpha notation(s) are used only in those option variations. A blank indicates that the part is used on all option variations.

Ref Fig No. — A cross reference between illustrations. For each Major Assembly, the number in this column denotes the figure of the next higher assembly. For all subassemblies, the number in this column denotes the figure showing additional detailed breakdown.

SYMBOL USAGE

Hardware Designators — Alpha designators for screws (S), washers (W), nuts (N), and retaining rings (R) are inserted after the item number callouts on the illustration when stacked item numbers are used.

Attaching Hardware — The @ symbol is inserted before any part that is used as attaching hardware. Attaching hardware is denoted as those parts that are not an integral part of the referenced assembly.

(NFR) Not Field Repairable — The (NFR) symbol is inserted after any assembly that is not to be field dismantled.

Other Symbols — Any other symbols that are required for kits, accessories, etc., will be explained and appear as part of the item description.

REVISION HISTORY

OTHER IPB MANUALS REQUIRED TO SUPPORT THIS OPTION.....

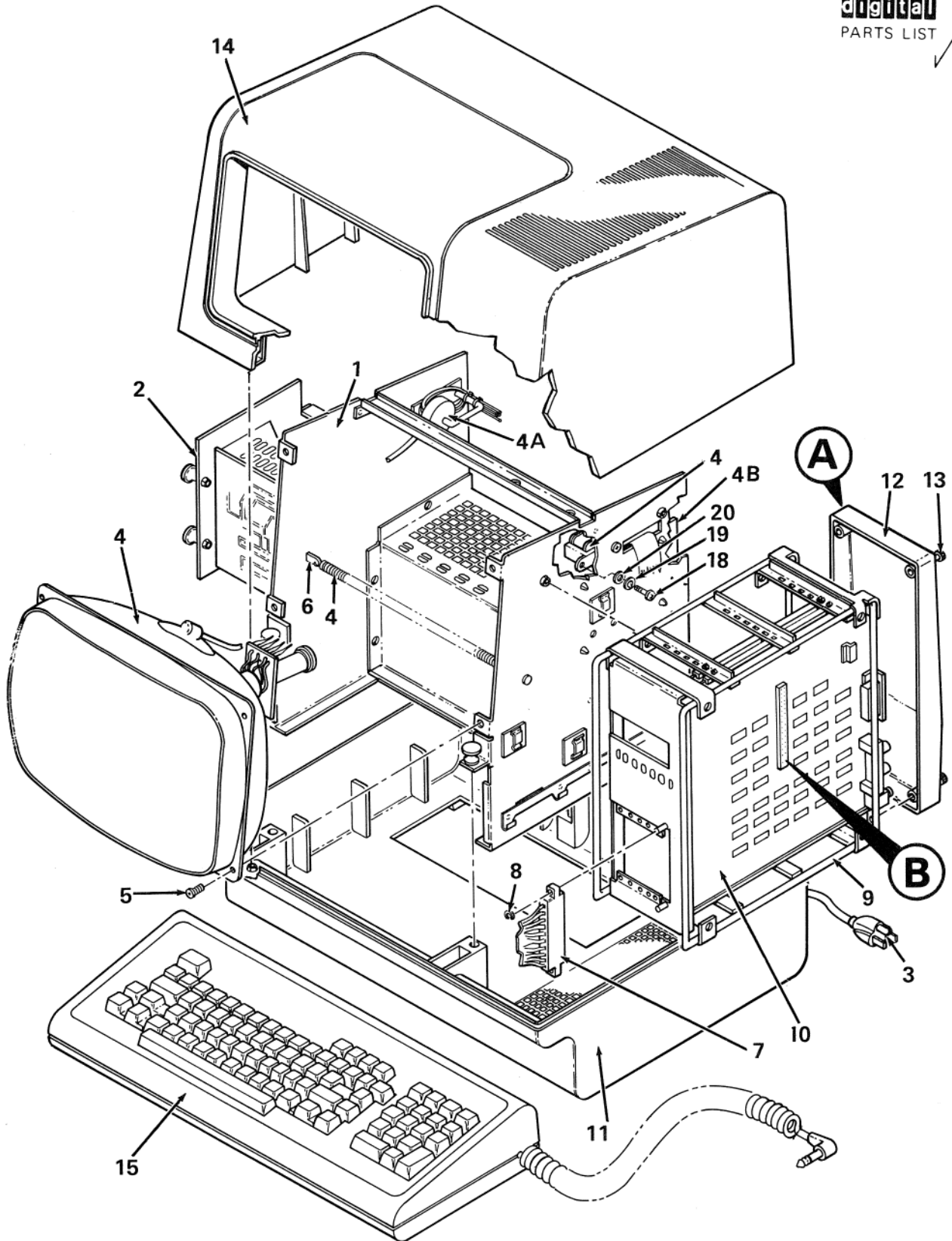
PRINTING	ECO LEVEL	DATE	PAGES AFFECTED	
3rd Printing	VT100 00000-00030 70-14975 VT100-00022 70-14979 VT100-00024 70-15053 VT100-00025 70-14977 VT100-00021 70-14980 00000-00001 70-14653 VT100-00028 70-15765 VT100-00028 VT1XX-AA 00000-00001	2-15-80	N/A	N/A
<p>This 3rd Printing EK-VT100-IP-003 SUPERCEDES 2nd Printing EK-VT100-IP-002</p>				

Copyright © 1978, 1979, 1980 by Digital Equipment Corporation
All rights reserved.

DEC reserves the right, without notice, to make substitutions and modifications in the specifications of products documented in this manual and further reserves the right to withdraw any of these products from the market without notice.

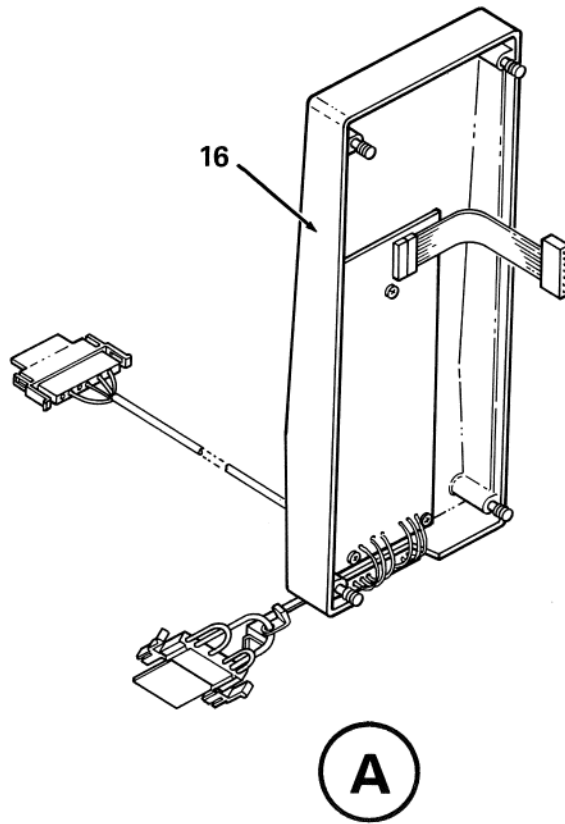
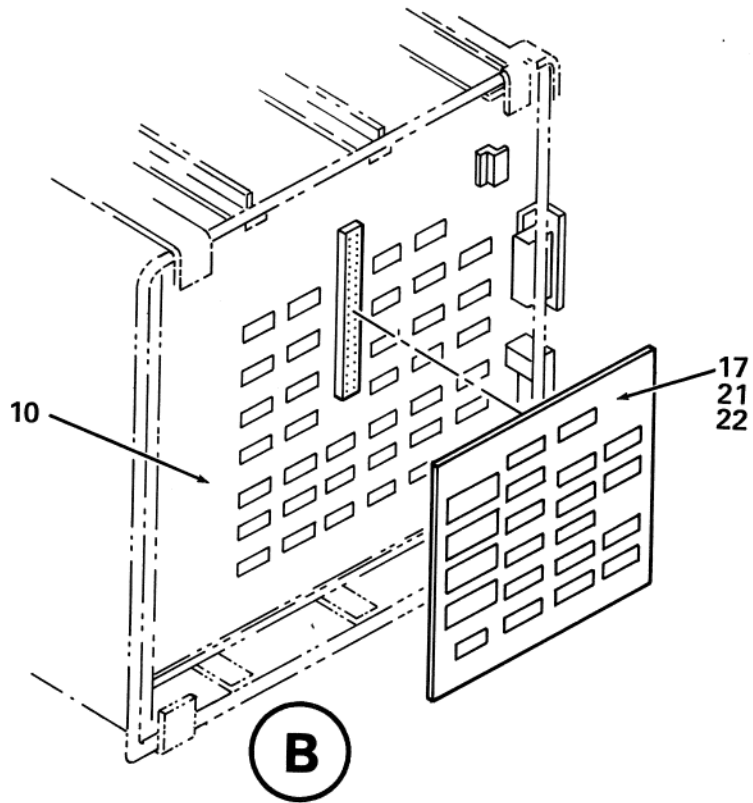
DEC is not responsible for errors which may appear in the technical description (including illustrations and photographs) of the products covered by this manual.

None of the descriptions contained in this manual imply the granting of any license whatsoever to make, use or sell equipment constructed in accordance therewith.



VT100-01

Figure 1. VT100 Unit Assembly (Sheet 1 of 2)



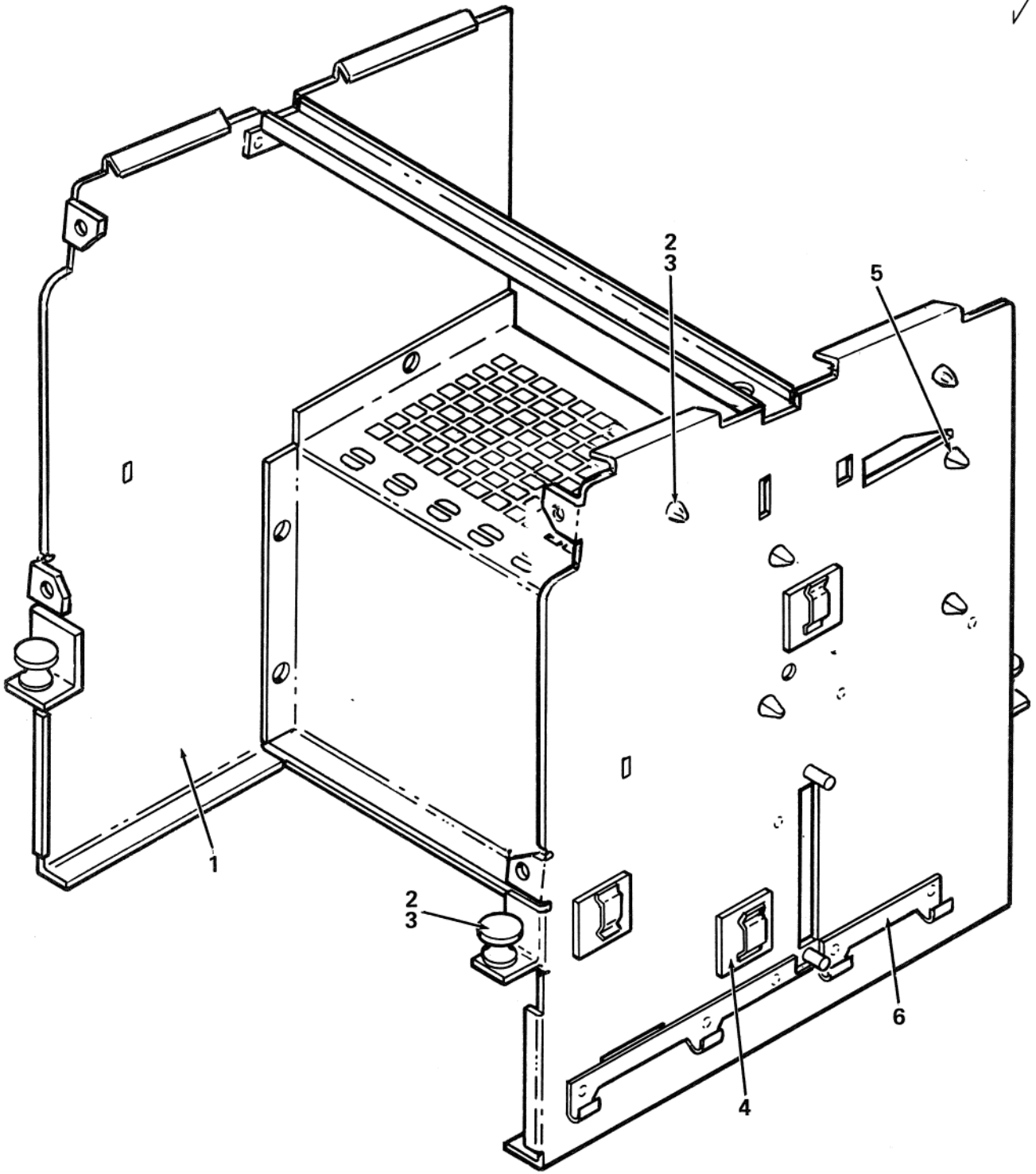
VT100-01A

Figure 1. VT100 Unit Assembly (Sheet 2 of 2)

FIG. & ITEM NO.	DESCRIPTION	DEC PART NO.	ECO CUT-IN VT100 00000	USED ON CODE	REF FIG NO.
1-	<p>VT100 UNIT ASSEMBLY</p> <p>Code A – Used on Model VT100-AA, W/115 V Plug</p> <p>Code B – Used on Model VT100-AB, W/230 V Plug</p> <p>Code C – Used on Model VT100-NA, DecForm, W/115 V Plug</p> <p>Code D – Used on Model VT100-NB, DecForm, W/230 V Plug</p> <p>Code E – Used on Model VT100-WA, Word Processing W/115 V Plug (added)</p> <p>Code F – Used on Model VT100-WB, Word Processing W/230 V Plug (added)</p> <p>Code G – Used on Model VT100-WC, AVO, French Canadian WP Keycaps, Foreign Language Roms, W/115 V Plug (added)</p> <p>Code H – Used on Model VT100-WD, AVO, French Canadian WP Keycaps, Foreign Language Roms, W/230 V Plug (added)</p> <p>Code J – Used on Model VT100-WE, AVO, French WP Keycaps, Foreign Language Roms, W/115 V Plug (added)</p> <p>Code K – Used on Model VT100-WF, AVO, French WP Keycaps, Foreign Language Roms, W/230 V Plug (added)</p> <p>Code L – Used on Model VT100-WG, AVO, Dutch Keycaps, Foreign Language Roms, W/115 V Plug (added)</p> <p>Code M – Used on Model VT100-WH, AVO, Dutch Keycaps, Foreign Language Roms, W/230 V Plug (added)</p> <p>Code N – Used on Model VT100-WJ, AVO, German Keycaps, Foreign Language Roms, W/115 V Plug (added)</p> <p>Code P – Used on Model VT100-WK, AVO, German Keycaps, Foreign Language Roms, W/230 V Plug (added)</p> <p>Code R – Used on Model VT100-WY, AVO, WP Keycaps, Foreign Language Roms, W/115 V Plug (added)</p> <p>Code S – Used on Model VT100-WZ, AVO, WP Keycaps, Foreign Language Roms, W/230 V Plug (added)</p>	<p>VT100-AA</p> <p>VT100-AB</p> <p>VT100-NA</p> <p>VT100-NB</p> <p>VT100-WA</p> <p>VT100-WB</p> <p>VT100-WC</p> <p>VT100-WD</p> <p>VT100-WE</p> <p>VT100-WF</p> <p>VT100-WG</p> <p>VT100-WH</p> <p>VT100-WJ</p> <p>VT100-WK</p> <p>VT100-WY</p> <p>VT100-WZ</p>	<p></p> <p>00003</p> <p>00003</p> <p>00028</p> <p>00028</p> <p>00028</p> <p>00028</p> <p>00028</p> <p>00028</p> <p>00028</p> <p>00028</p> <p>00028</p> <p>00028</p> <p>00028</p> <p>00028</p> <p>00028</p> <p>00028</p>	<p>A</p> <p>B</p> <p>C</p> <p>D</p> <p>E</p> <p>F</p> <p>G</p> <p>H</p> <p>J</p> <p>K</p> <p>L</p> <p>M</p> <p>N</p> <p>P</p> <p>R</p> <p>S</p>	

FIG. & ITEM NO.	DESCRIPTION	DEC PART NO.	ECO CUT-IN VT100 00000	USED ON CODE	REF FIG NO.
1-					
1	*CRT CHASSIS ASSEMBLY (See Note)	70-14975-00			2
2	*POWER SUPPLY ASSEMBLY	70-14979-00			3
3	*Power Cord (115 V USA)	17-00083-09		ACEGJ	
	*Power Cord (230 V USA)	17-00083-10		LNR	
				BDFHK	
				MPS	
4	*CRT MONITOR ASSEMBLY (See Note)	30-16080-00			
4A	**Transformer, Flyback	30-16080-01			
4B	**Monitor Board Assembly	30-16080-02			
5	*Screw, Slotted Hex Hd No. 6-32 x .31	90-09967-00			
6	*Retainer, Ground Sprint CRT	74-19836-00			
7	*D.C. POWER CABLE ASSEMBLY	70-14978-01	00030		
8	*Retaining Ring	90-10007-00			
9	*P.C. CARD FRAME ASSEMBLY	70-14977-00			5
10	*Basic Video Module Assembly	54-13009-00		A - F	
	*Foreign Character Set WWP Roms Video Module Assembly (added)	54-13009-02	00028	G - S	
11	*BASE ENCLOSURE ASSEMBLY	70-14980-00			6
12	*WORT BOX ASSEMBLY	70-14976-00			
13	**Screw, Captive	90-08911-01			
14	*TOP ENCLOSURE ASSEMBLY	70-14974-00			
15	*KEYBOARD ASSEMBLY (W/AUX. KEYPAD)	70-14653-00		AB	7
	*KEYBOARD ASSEMBLY (DECFORM)	70-14653-02		CD	7
	*KEYBOARD ASSEMBLY (WORD PROCESSING) (added)	70-14653-03	00003	EFRS	7
	*KEYBOARD ASSEMBLY (FRENCH CANADIAN) (added)	70-14653-05	00028	GH	7
	*KEYBOARD ASSEMBLY (FRENCH) (added)	70-14653-06	00028	JK	7
	*KEYBOARD ASSEMBLY (DUTCH) (added)	70-14653-07	00028	LM	7
	*KEYBOARD ASSEMBLY (GERMAN) (added)	70-14653-08	00028	NP	7
16	*20 mA Current Loop Adapter (Optional)	VT1XX-AA			9
17	*Advance Video Board (Optional)	VT1XX-AB		A - F	
	*Foreign Advanced Video Board (Rom "A") (added)	54-13097-03	00028	G - S	
18	*Screw, Self Tap No. 6 x 3/8 (added)	90-10112-00	00002		
19	*Washer, External Tooth Lock No. 6 (added)	90-07649-00	00002		
20	*Washer, Flat No. 6 (added)	90-06659-00	00002		
21	*Word Processing Advance Video Module (added)	54-13097-01	00003	EF	
22	*Support, Circuit (added)	90-09313-01	00003	E - S	
	Labels (Not Shown)				
	†Label, UL	74-14213-00			
	†Label, Electrical Data	36-13210-01			
	+Label, electrical Data	36-13210-02			
	†Label, CSA	36-13211-01			
	†Label, Switch Position	36-15680-00			

FIG. & ITEM NO.	DESCRIPTION	DEC PART NO.	ECO CUT-IN VT100 00000	USED ON CODE	REF FIG NO.
1-	<p>NOTE: When ordering a "Field Service Monitor Assembly Kit" specify Part No. 70-16187-00. This assembly consists of a CRT Monitor Assembly 30-16080-00 (Item 4) mounted in a CRT Chassis Assembly 70-14975-00 (Item 1).</p>				

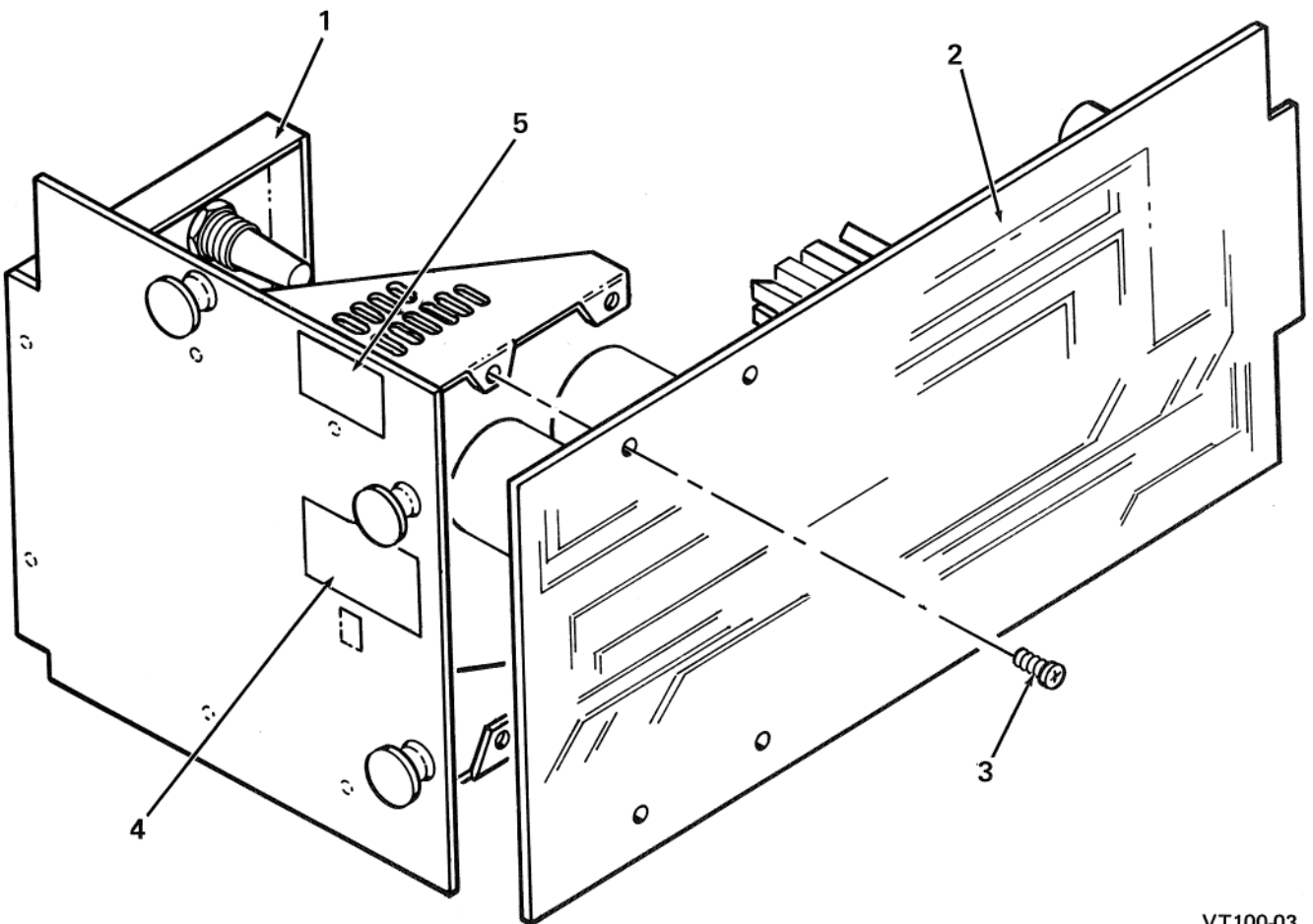


VT100-02

Figure 2. CRT Chassis Assembly

FIG. & ITEM NO.	DESCRIPTION	DEC PART NO.	ECO CUT-IN 70-14975 00000	USED ON CODE	REF FIG NO.
2-	CRT CHASSIS ASSEMBLY	70-14975-00			
1	*Chassis, CRT Weldment	70-14552-00			
2	*Plunger	90-09964-00			
3	*Grommet	90-09966-01			
4	[*Clamp, Cable (deleted)	90-10016-00			
5	*Clamp, Cable (added)	90-09636-00	00002		
6	*Support, Circuit Board	90-09747-01			
6	*Clip, Support	74-19419-00			

FIG. & ITEM NO.	DESCRIPTION	DEC PART NO.	ECO CUT-IN 70-14979 00001	USED ON CODE	REF FIG NO.
3-	POWER SUPPLY ASSEMBLY	70-14979-00			1
1	*EMI FILTER ASSEMBLY	70-15053-00			4
2	*H7831 POWER SUPPLY MODULE	54-12996-00			
3	*Screw, Slotted Self Tap No. 6-32 x 5/16	90-09967-00			
4	*Label, VT100 "DANGER"	36-15869-00			
5	*Label, Serial	36-13210-02			



VT100-03

Figure 3. Power Supply Assembly

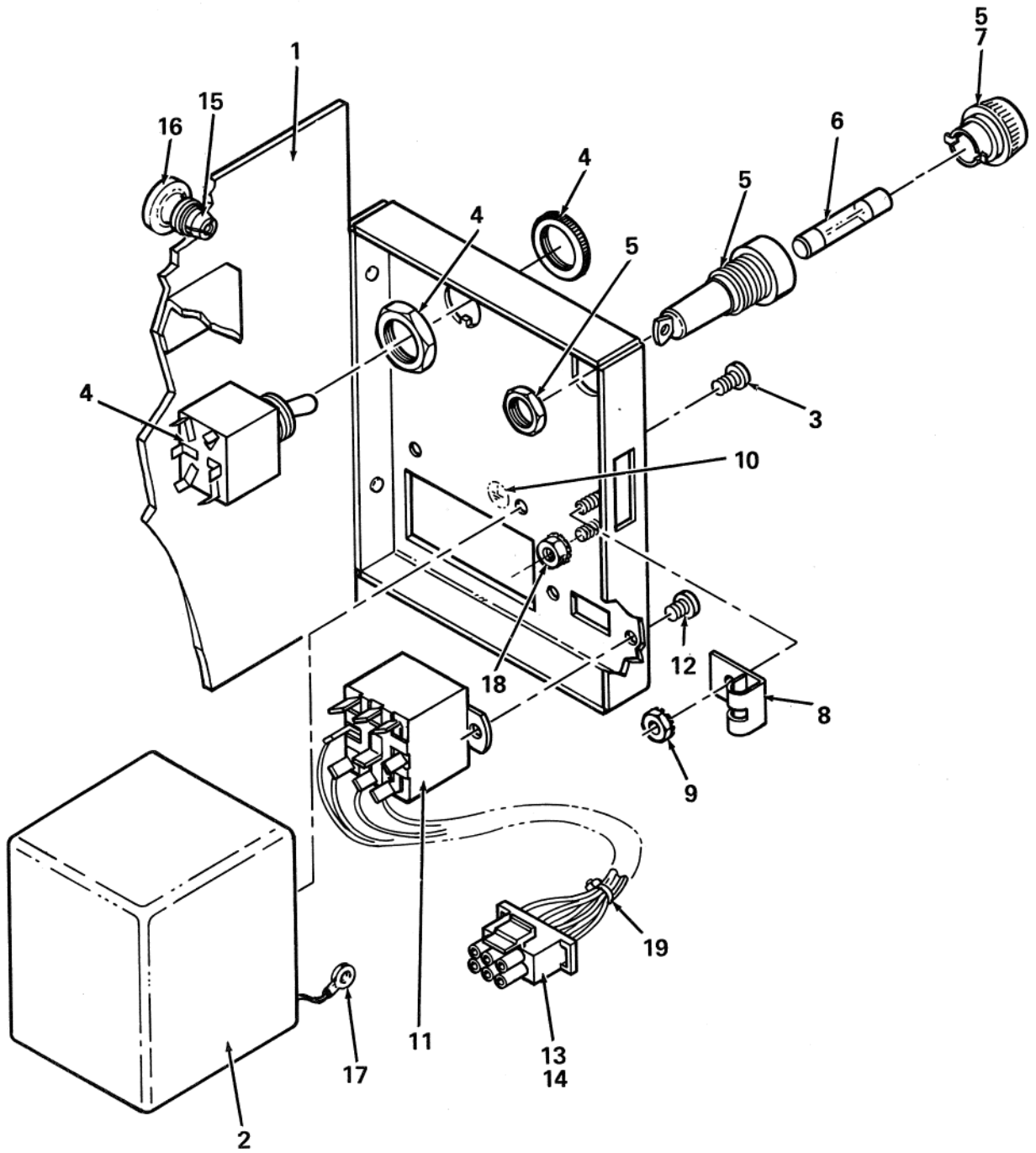
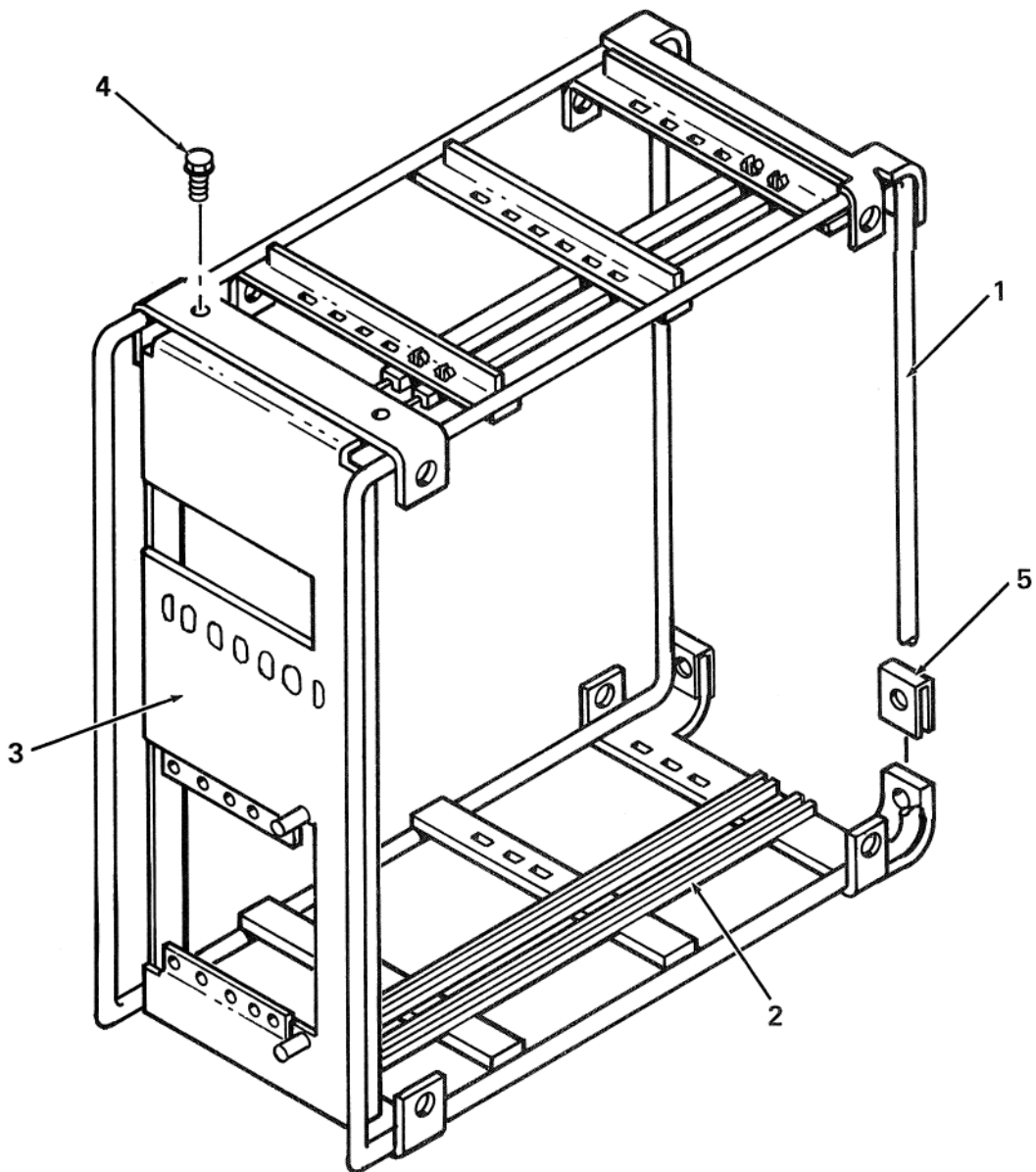


Figure 4. EMI Filter Assembly

VT100-04

FIG. & ITEM NO.	DESCRIPTION	DEC PART NO.	ECO CUT-IN 70-15053 00000	USED ON CODE	REF FIG NO.
4-	EMI FILTER ASSEMBLY	70-15053-00			3
1	*Cover, Power Supply Stop	70-14313-00			
2	*EMI Filter (deleted)	12-15493-00			
	*EMI Filter (added)	12-15494-00	VT100-00014		
3	*Screw, Slotted Hex Hd No. 6-32 x .38	90-06453-00			
4	*Switch, Toggle	12-15232-00			
5	*Fuse Holder	12-12893-00			
6	*Fuse, 3 A 250 V	90-07217-00			
7	*Decal, Fuse Current	36-15285-00			
8	*Clip, Ground	74-20322-00			
9	*Nut, Kep No. 6-32	90-06560-00			
10	*Decal, Ground	36-12680-00			
11	*Switch, Slide	12-14155-03			
12	*Screw, Phl Flat Hd No. 4-40 x .25	90-09643-02			
13	*Connector, (P1) 6 Pin Mate-N-Lok	12-12167-06			
14	*Terminal, (P1) Socket Crimp	12-12170-00			
15	*Grommet	90-09966-01			
16	*Plunger	90-09964-00			
17	*Terminal, Ring Tongue (added)	90-07930-00	VT100-00024		
18	*Nut, Kep No. 10-32 (added)	90-06565-00	VT100-00024		
19	*Tie Wrap (added)	90-07031-00	VT100-00025		

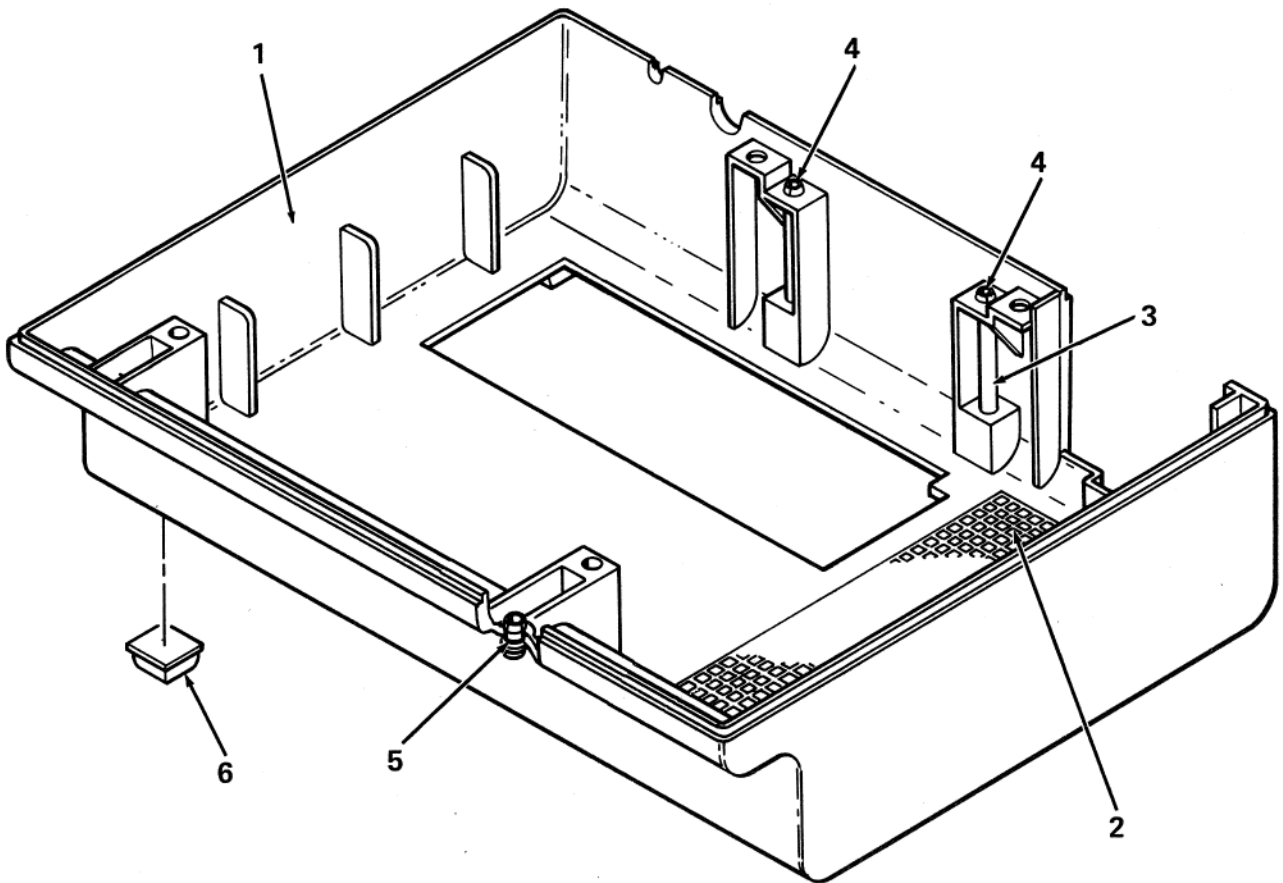
FIG. & ITEM NO.	DESCRIPTION	DEC PART NO.	ECO CUT-IN 70-14977 00000	USED ON CODE	REF FIG NO.
5-	P.C. CARD FRAME ASSEMBLY	70-14977-00			1
1	*Frame, P.C. Card	70-14247-00			
2	*Guide, P.C. Board	12-12405-00			
3	*Stop, P.C. Card	74-19469-00			
4	*Screw, Hex Hd Self Tap No. 6-32 x .31	90-09967-00			
5	*Nut, "U" Type Speed No. 6-32 (deleted)	90-09978-00	00001		



VT100-05

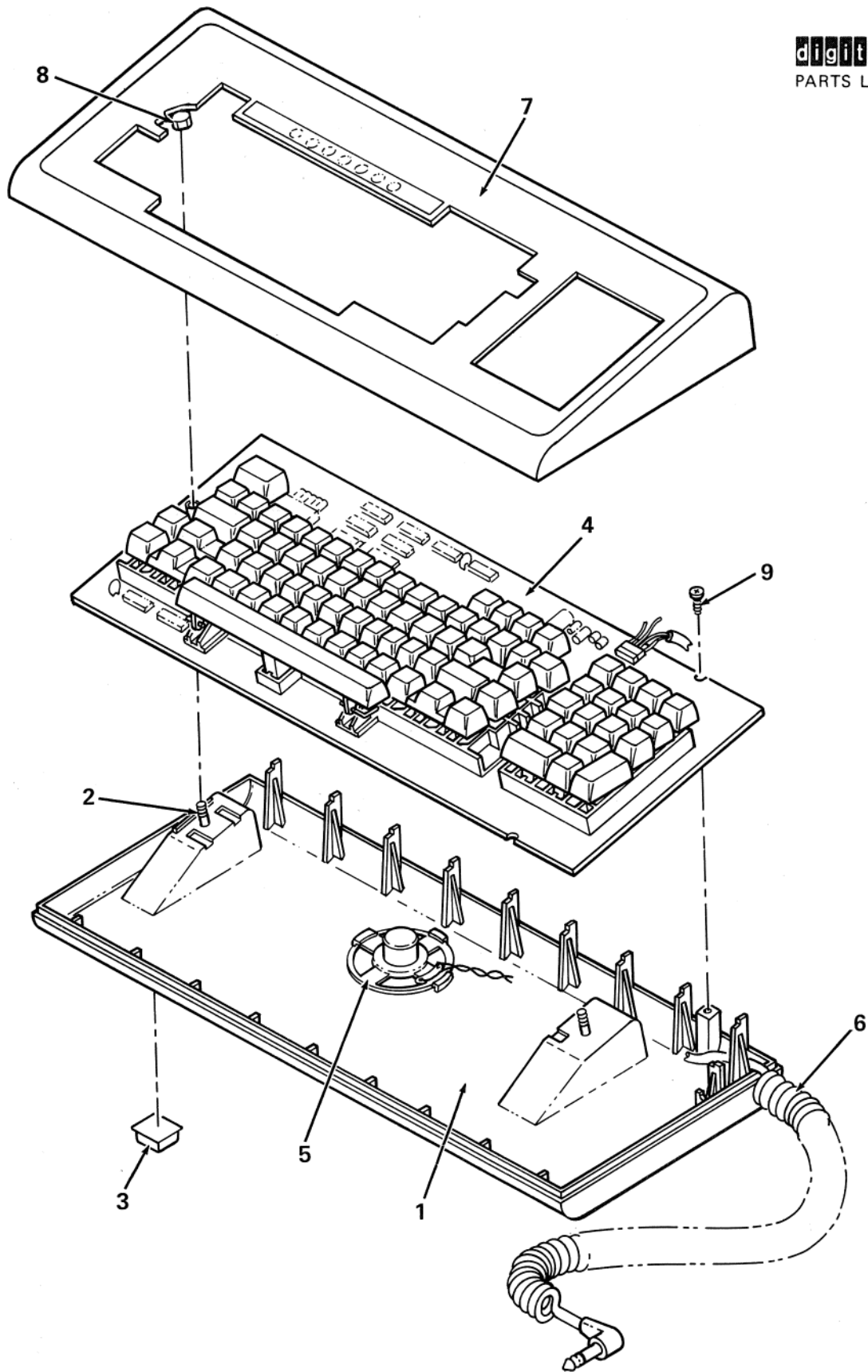
Figure 5. P.C. Card Frame Assembly

FIG. & ITEM NO.	DESCRIPTION	DEC PART NO.	ECO CUT-IN 70-14980 00000	USED ON CODE	REF FIG NO.
6--	BASE ENCLOSURE ASSEMBLY	70-14980-00			1
1	*Enclosure, CTR Bottom	74-18871-00			
2	*Screen, Insert	74-19837-00			
3	*Plunger, Special	12-14740-00			
4	*Grommet (deleted)	90-09966-00			
	*Grommet (added)	90-09966-02	VT100 00009		
5	*Plunger	90-09965-00			
6	*Feet, Black Rubber	90-09624-00			



VT100-06

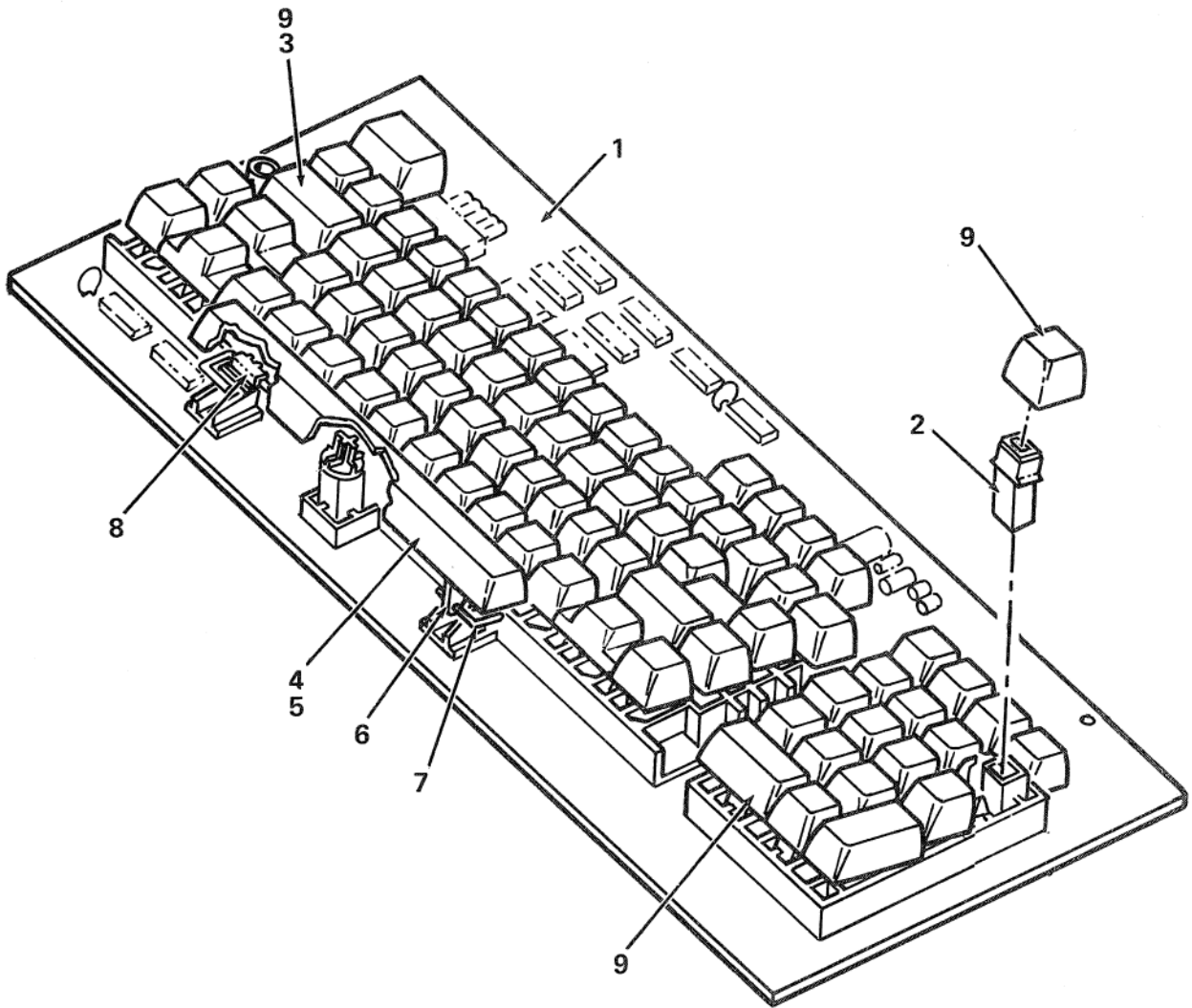
Figure 6. Base Enclosure Assembly



VT100-07

Figure 7. Keyboard Assembly

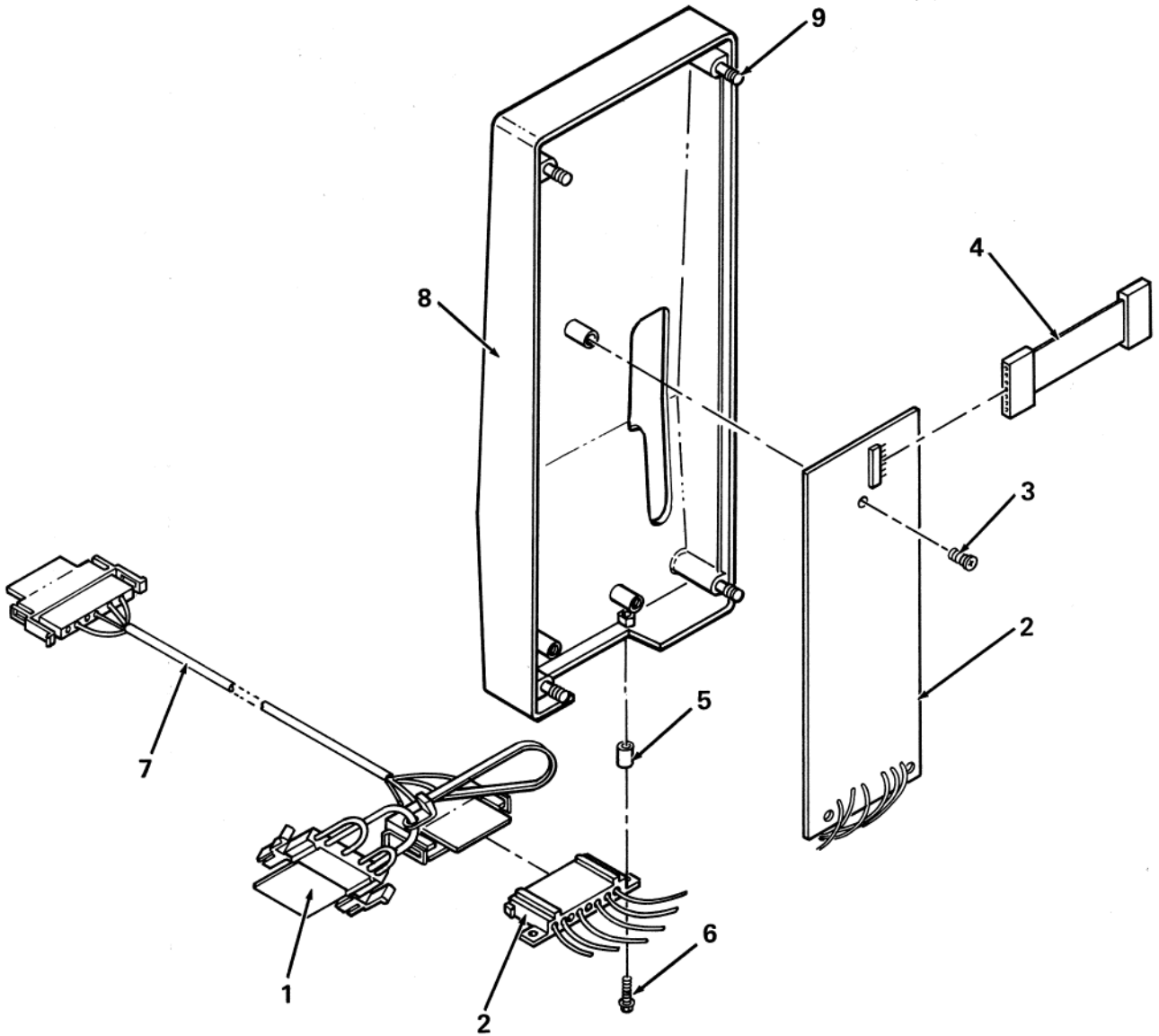
FIG. & ITEM NO.	DESCRIPTION	DEC PART NO.	ECO CUT-IN 70-14653 00000	USED ON CODE	REF FIG NO.
7-	KEYBOARD ASSEMBLY (W/AUX. KEYPAD)	70-14653-00		AB	1
	KEYBOARD ASSEMBLY (DECFORM)	70-14653-02		CD	1
	KEYBOARD ASSEMBLY (WORD PROCESSING) (added)	70-14653-03	00002	EFRS	1
	KEYBOARD ASSEMBLY (FRENCH CANADIAN) (added)	70-14653-05	VT100-00028	GH	1
	KEYBOARD ASSEMBLY (FRENCH) (added)	70-14653-06	VT100-00028	JK	1
	KEYBOARD ASSEMBLY (DUTCH) (added)	70-14653-07	VT100-00028	LM	1
	KEYBOARD ASSEMBLY (GERMAN) (added)	70-14653-08	VT100-00028	NP	1
1	*Enclosure, Keyboard Bottom	74-19028-00			
2	**Screw, Captive No. 6-32	12-14817-00			
3	**Feet, Rubber	90-09624-00			
4	*KEYBOARD/KEYCAP ASSEMBLY (W/AUX, KEYPAD)	70-15765-00		AB	8
	*KEYBOARD/KEYCAP ASSEMBLY (DECFORM)	70-15765-02		CD	8
	*KEYBOARD/KEYCAP ASSEMBLY (WORD PROCESSING) (added)	70-15765-03	00002	EFRS	8
	*KEYBOARD/KEYCAP ASSEMBLY (FRENCH CANADIAN) (added)	70-15765-05	VT100-00028	GH	8
	*KEYBOARD/KEYCAP ASSEMBLY (FRENCH) (added)	70-15765-06	VT100-00028	JK	8
	*KEYBOARD/KEYCAP ASSEMBLY (DUTCH) (added)	70-15765-07	VT100-00028	LM	8
	*KEYBOARD/KEYCAP ASSEMBLY (GERMAN) (added)	70-15765-08	VT100-00028	NP	8
5	*Speaker, Round	12-15050-00			
6	*Power Cable Assembly	70-14652-00			
7	*Top Enclosure Assembly	70-14654-00			
8	**Onsert, Faston No. 6-32	90-09601-00			
9	*Screw, Phi Hd Self Tap No. 6-32 x .25 (deleted)	90-09680-00	00003		



VT100-08

Figure 8. Keyboard/Keycap Assembly

FIG. & ITEM NO.	DESCRIPTION	DEC PART NO.	ECO CUT-IN 70-15765 00000	USED ON CODE	REF FIG NO.
8-	KEYBOARD/KEYCAP ASSEMBLY (W/AUX KEYPAD)	70-15765-00		AB	7
	KEYBOARD/KEYCAP ASSEMBLY (DECFORM)	70-15765-02		CD	7
	KEYBOARD/KEYCAP ASSEMBLY (WORD PROCESSING (added))	70-15765-03	00002	EFRS	7
	KEYBOARD/KEYCAP ASSEMBLY (FRENCH CANADIAN) (added)	70-15765-05	VT100-00028	GH	7
	KEYBOARD/KEYCAP ASSEMBLY (FRENCH) (added)	70-15765-06	VT100-00028	JK	7
	KEYBOARD/KEYCAP ASSEMBLY (DUTCH) (added)	70-15765-07	VT100-00028	LM	7
	KEYBOARD/KEYCAP ASSEMBLY (GERMAN) (added)	70-15765-08	VT100-00028	NP	7
1	*KEYBOARD MODULE ASSEMBLY	54-13404-00			
2	*Adapter, Keycap	12-14332-00			
3	*Keycap Set (Basic Set VT100)	12-14333-72		AB	
	*Keycap Set (DECform Set)	12-14333-CO		CD	
	*Keycap Set (Word Processing) (added)	12-14333-JO	00002	EFRS	
4	*SPACE BAR ASSEMBLY	70-15050-00			
5	**Bar, Space	12-11857-02			
6	**Bracket, Spacer Bar	74-20119-00			
7	**Bar, Equalizer	12-11858-00			
8	*Clip, Equalizer Bar	74-20120-00			
9	*Keycap Set (Basic Numeric Pad)	12-14333-91		AB	
	*Keycap Set (French Canadian) (added)	12-14333-CP	VT100-00028	GH	
	*Keycap Set (French) (added)	12-14333-CB	VT100-00028	JK	
	*Keycap Set (Dutch) (added)	12-14333-8U	VT100-00028	LM	
	*Keycap Set (German) (added)	12-14333-EY	VT100-00028	NP	



VT100-09

Figure 9. 20 mA Current Loop Adapter (Optional)

FIG. & ITEM NO.	DESCRIPTION	DEC PART NO.	ECO CUT-IN VT1XX 00000	USED ON CODE	REF FIG NO.
9-	20 MA CURRENT LOOP ADAPTER (Optional)	VT1XX-AA			1
1	*20 MA Loopback Connector	70-15503-00			
2	*20 MA Adapter Assembly	70-15273-00			
3	*Screws, Sems Phi Hd No. 6-32 x .312	90-09701-00			
4	*Cable, Internal	70-15506-0B			
5	*Spacer, Round	90-09672-02			
6	*Screw, Self Tapping No. 6-32 x .62	90-10097-00			
7	*Cable, Interface	BC05F-15			
8	*Wort Box Assembly	70-14976-00			
9	**Screw, Captive Hex Hd No. 6-32 x 1-3/8	90-08911-01			
					DEC