

R. Tinga
2/27/81

**VT05 alphanumeric
display terminal
engineering drawings**

MASTER DRAWING LIST

MAINTENANCE MANUALS		UNIT VARIATIONS																		
NO.	TITLE	VT05-0																		
VT05-0	ALPHA-NUMERIC TERMINAL																			

USED ON OPTIONS						

REVISIONS		CHG. NO.	APP'D.	DRN.	DATE	EQUIPMENT CORPORATION <small>MAYNARD, MASSACHUSETTS</small>			
REV.	DATE			CHK'D	DATE				
				ENG.	DATE	SIZE	CODE	NUMBER	REV.
A	7/71	00028	<i>auc8</i>	J. MCHUGH	5/7/71	A	ML	VT05-0	Z
B	8/71	00031	<i>auc8</i>	<i>K. Cook</i>	6-3-71				
C	8/71	00034	<i>WCS</i>	<i>K. P. Miller</i>	6/3/71				
D	9/71	00036	<i>R.F.</i>	<i>V. P. Miller</i>	6/13/71				
E	9/71	00038	<i>R.P.</i>	<i>G. Brundage</i>	6/7/71				
F	11/71	00041	<i>R.P.</i>						
G	12/71	00046	<i>R.P.</i>						
H	2/72	00048	<i>M.H.</i>						
J	4/72	00050	<i>R.P.</i>						
K	7/72	00056	<i>R.P.</i>						
L	8/72	00057	<i>R.P.</i>						
M	9/72	00060	<i>N.H.</i>						
N	11/72	00061	<i>R.P.</i>						
P	12/72	00063	<i>R.P.</i>						
R	1/73	00064	<i>R.P.</i>						
S	1/73	00066	<i>F.S.</i>						
T	6/73	00070	<i>R.P./ec</i>						
U	9/73	00071	<i>R.P.</i>						
V	11/73	00072	<i>R.P.</i>						
W	12-73	00073	<i>R.P.</i>						
Y	3/74	00074	<i>R.P.</i>						
Z									
FIRST USED ON				SCALE		DIST.			
VT05				NONE					
SHEET 1 OF 3									

PRINT SET					DWG. NO.	REV. LET.	NO. OF SHEETS	TITLE	OPTION NO.		
VT05-0											
X					D-UA-VT05-0-0	R	3	ALPHA-NUMERIC TERMINAL			
X					A-PL-VT05-0-0	R	4	ALPHA-NUMERIC TERMINAL			
X					D-CS-H733-2-1	R	2	SCHEMATIC PWR SUPPLY			
X					D-DI-VT05-0-1		2	DRAWING INDEX LIST			
X					D-BD-VT05-0-25		1	VT05 BLOCK DIAGRAM			
X					E-CS-M7000-0-1	#	2	CURSOR CONTROL			
X					E-CS-M7001-0-1	#	2	CHARACTER GENERATOR & TIMING			
X					E-CS-M7002-0-1	#	2	MEMORY & MEMORY TIMING			
X					E-CS-M7003-0-1	#	2	INTERFACE (VT05A)			
X					D-CS-M7004-0-1	#	5	INTERFACE (VT05B)			
X					D-TD-VT05-0-02		1	STATIC Y COUNTER (M7000)			
X					D-TD-VT05-0-03		1	DYNAMIC Y COUNTER (M7002)			
X					D-TD-VT05-0-04		1	CURSOR UP (M7000)			
X					D-TD-VT05-0-05		1	CURSOR DOWN OR LF (M7000)			
X					D-TD-VT05-0-06		1	STATIC X COUNTER (M7000)			
X					D-TD-VT05-0-07		1	DYNAMIC X COUNTER (M7000)			
X					D-TD-VT05-0-08		1	CURSOR TO RIGHT (M7000)			
X					D-TD-VT05-0-09		1	TAB LOGIC (M7000)			
X					D-TD-VT05-0-10		1	CURSOR TO LEFT (M7000)			
X					D-TD-VT05-0-11		1	CARRIAGE RETURN (M7000)			
X					D-TD-VT05-0-12		1	AUTOMATIC CR/LF (M7000)			
X					D-TD-VT05-0-13		1	HOME (M7000)			
X					D-TD-VT05-0-14		1	X & Y COMPARATOR (M7001)			
X					D-TD-VT05-0-15		1	ROW SELECT CIRCUIT (M7001)			
X					D-TD-VT05-0-16	B	1	CHARACTER LOCATION COUNTER (M7001)			
X					D-TD-VT05-0-17	A	1	CURSOR SYNCHRONIZER (M7001)			
X					D-TD-VT05-0-18	A	1	MAIN MEMORY TIMING (M7002)			
X					D-TD-VT05-0-19		1	ERASE SCREEN & ERASE LINE CRT (M7001)			
X					A-PI_3700043-0-0	B	3	VT05 DISPLAY PACKAGING INSTRUCTIONS			
TITLE					ALPHA NUMERIC TERMINAL			SIZE	CODE	NUMBER	REV.
					SHEET 2 OF 3			A	ML	VT05-0	Z

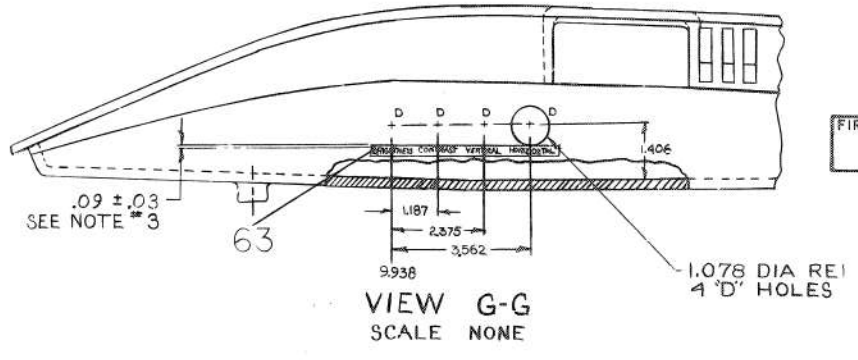
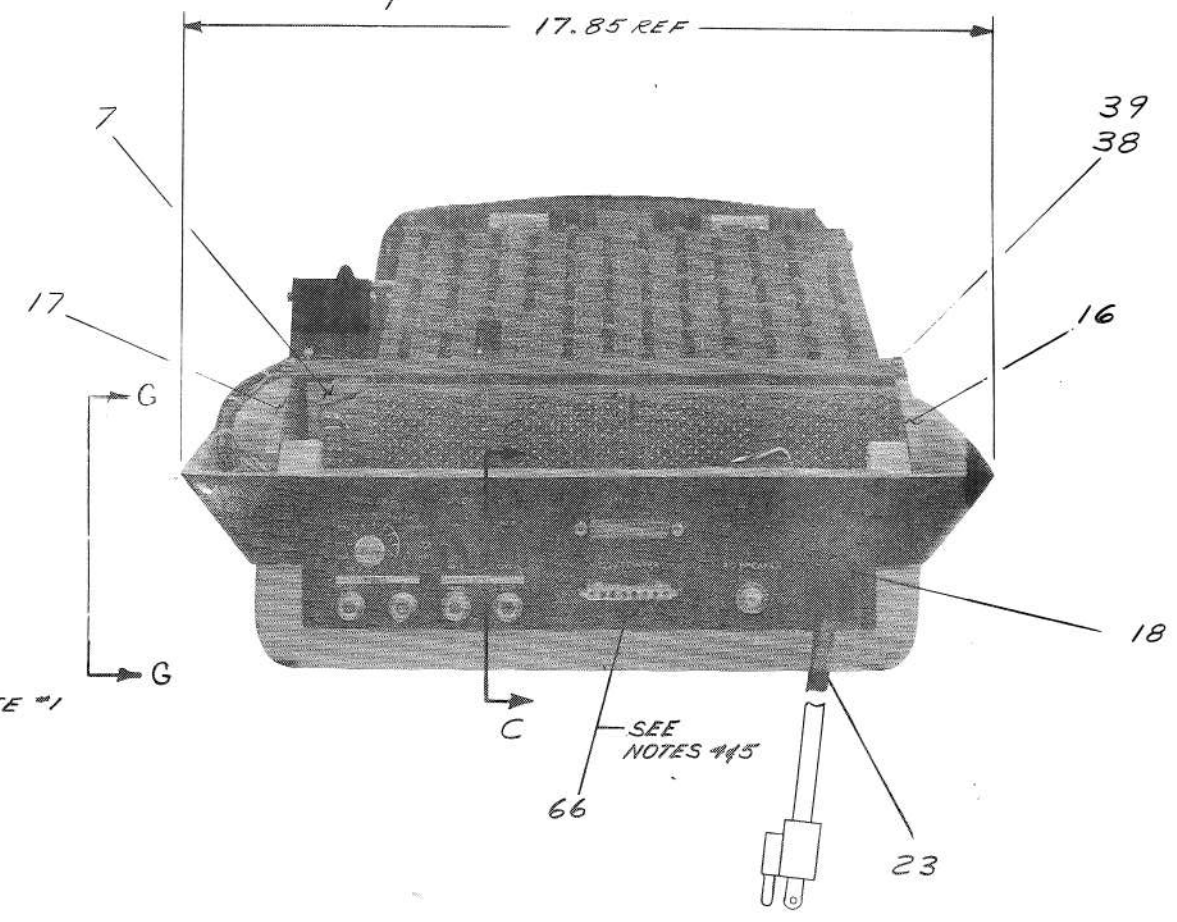
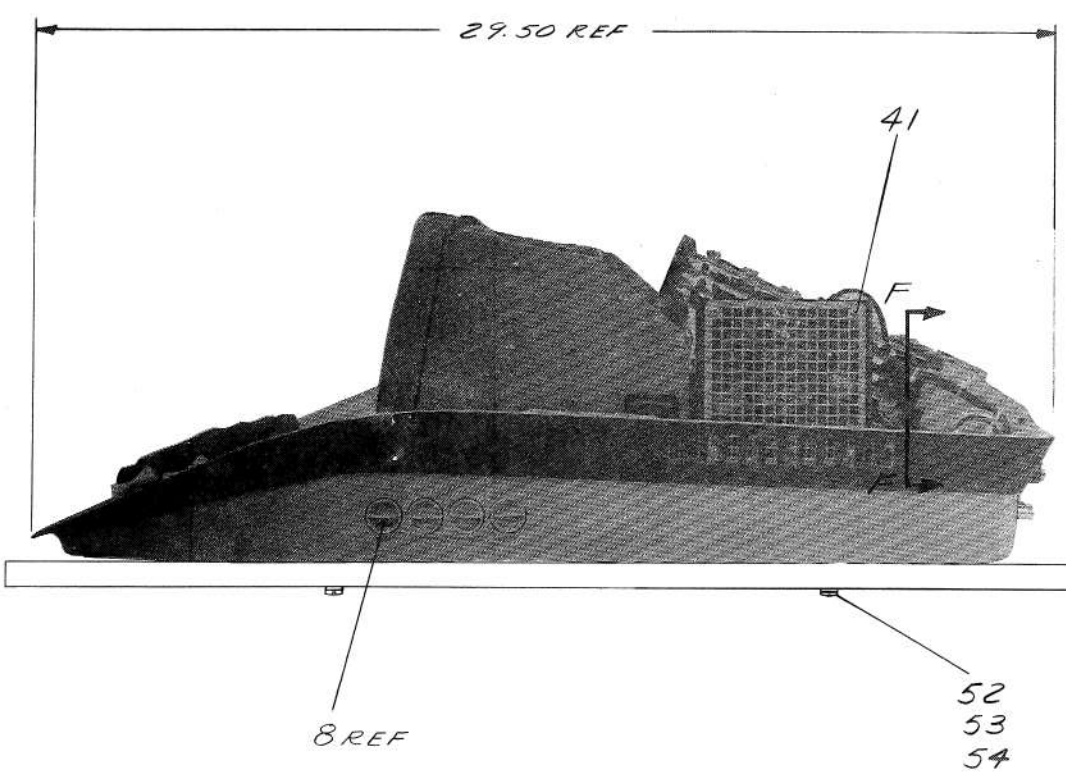
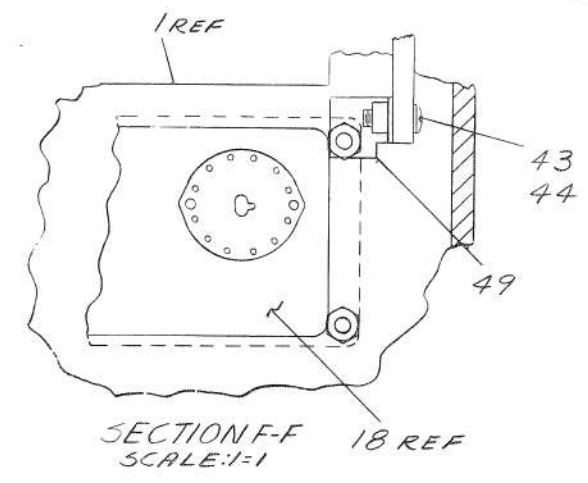
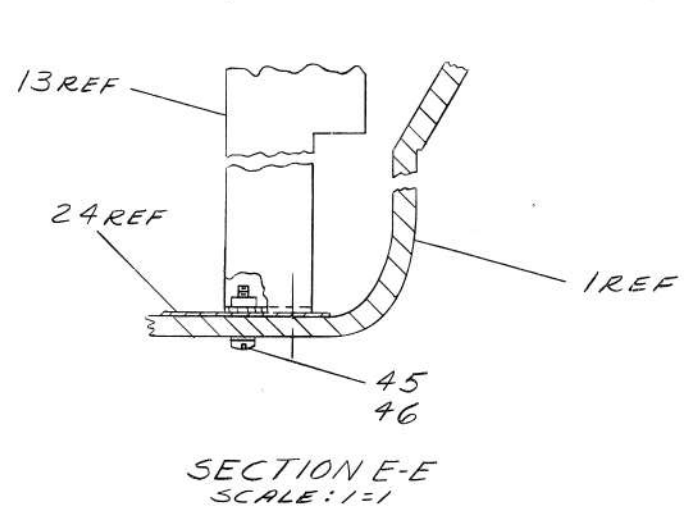
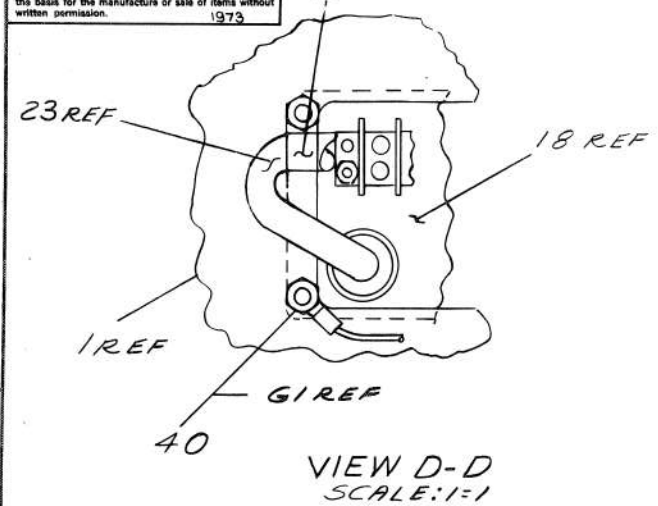
DRA 132

PRINT SET					DWG. NO.	REV. LET.	NO. OF SHEETS	TITLE	OPTION NO.		
VT05-0											
X					D-TD-VT05-0-20		1	BELL CIRCUIT (M7001)			
X					D-TD-VT05-0-21	A	1	TEST PATTERN GENERATOR (M7002)			
X					D-TD-VT05-0-22		1	CAD (M7001)			
X					D-CS-5410541-0-1	#	1	#2 KEYBOARD SCHEMATIC			
X					D-CS-5410613-0-1	#	1	CURSOR BOARD			
X					D-TD-VT05A-0-01	A	1	BAUD RATE GENERATOR (M7003)			
X					D-TD-VT05A-0-02	A	1	RECEIVER TIMING (M7003)			
X					C-UA-VT05B-00-00	B	1	HIGH SPEED VT05			
X					A-PL-VT05B-00-00	B	1	HIGH SPEED VT05			
X					C-UA-VT05A-00-00	B	1	LOW SPEED VT05			
X					A-PL-VT05A-00-00	B	2	LOW SPEED VT05			
X					D-AD-5409945-0-0	#	3	KEYBOARD ASSY			
X					D-MU-VT05-0-23	A	1	VT05 BUSS ASSIGNMENTS			
X					A-SP-7665078-0-0		3	U.L. REQUIREMENTS FOR VT05			
X					D-IC-VT05-0-24	C	1	VT05 PWR & SIGNAL WIRING			
X					A-AL-VT05-0-30	B	1	ACCESSORY LIST			
X					A-SL-VT05-0-31	B	1	SOFTWARE LIST			
X					A-SP-VT05-0-26		2	ACCEPTANCE PROCEDURES (CUSTOMER)			
-					A-SP-VT05-0-27	B	22	PRODUCTION CHECKOUT PROCEDURES			
-					A-SP-VT05-0-28	A	9	ACCEPTANCE SPECIFICATIONS			
-					A-SP-VT05-0-29	A	37	ENGINEERING SPECIFICATIONS			
X					D-CS-H733-1-1	#	1	SCHEMATIC PWR. SUPPLY			
X					D-CS-H733-0-1	#	1	SCHEMATIC PWR SUPPLY			
X					D-CS-E020-0-1	#	1	SCHEMATIC BUS BOARD			
X					D-CS-3010326-0-3	#	2	SCHEMATIC VT05 RASTER DISPLAY			
X					D-CS-3010326-0-2	#	2	SCHEMATIC SCOPE			
X					D-CS-5409945-0-1	#	1	SCHEMATIC DEC KEYBOARD #2			
X					A-PL-5409945-0-0	#	3	PARTS LIST DEC KEYBOARD #2			
X					D-CS-3010166-0-1	#	1	SCHEMATIC DEC KEYBOARD #2 (PURCHASED)			
X					D-AD-7007232-0-0	#	1	POT ASSY			
X					A-PL-7007232-0-0	#	1	POT ASSY			
X					D-AD-5410224-0-0	#	2	CURSOR BOARD ASSY. (KEYBOARD)			
TITLE					ALPHA NUMERIC TERMINAL			SIZE	CODE	NUMBER	REV.
					SHEET 3 OF 3			A	ML	VT05-0	Z

DRA 132

DEC 16-(325)-1048-1-N471

This drawing and specifications, herein, are the property of Digital Equipment Corporation and shall not be reproduced or copied or used in whole or in part as the basis for the manufacture or sale of items without written permission.
1973



FIRST USED ON OPTION/MODEL
VT05

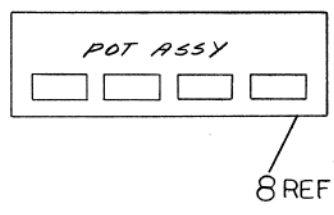
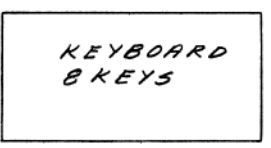
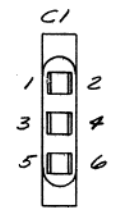
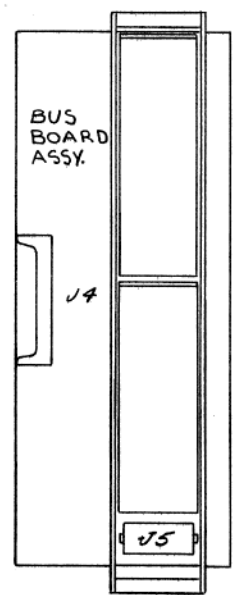
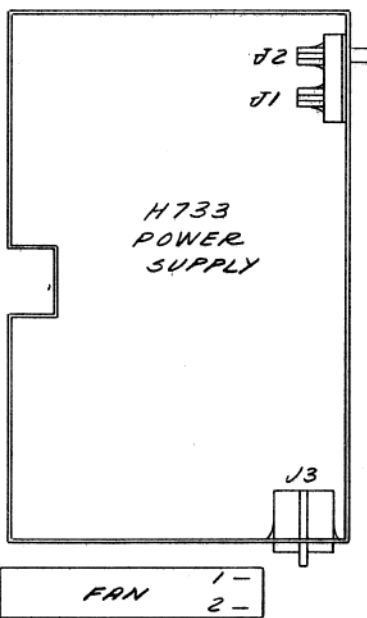
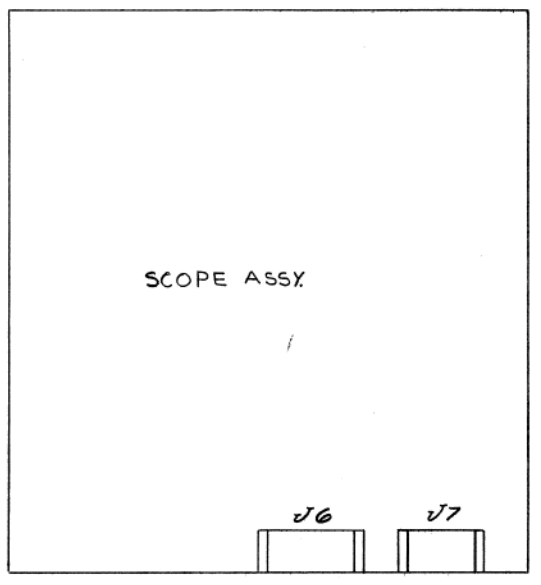
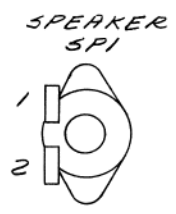
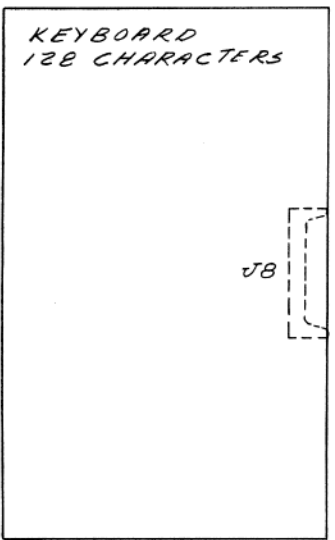
DO NOT SCALE DRAWING	
UNLESS OTHERWISE SPECIFIED	
DIMENSION IN INCHES	
TOLERANCES	ANGLES
DIMENSIONAL FINISHES	ANGLES
FINISH	REMOVE BURRS AND BREAK SHARP CORNERS
MATERIAL	
FINISH	

QTY.	DESCRIPTION	PART NO.	ITEM NO.
PARTS LIST			
OWN	DATE	digital EQUIPMENT CORPORATION MAYNARD, MASSACHUSETTS	
CHK'D	DATE		
ENR	DATE	TITLE ALPHA-NUMERIC TERMINAL	
PROG. ENG.	DATE		
PROD.	DATE	SIZE CODE NUMBER REV. DUAIVT05-0-0 R	
SCALE	SCALE		
SHEET	2 OF 3	DIST.	

REVISIONS	REV.
CHANGE NO.	
CHK	

This drawing and specifications, herein, are the property of Digital Equipment Corporation and shall not be reproduced or copied or used in whole or in part as the basis for the manufacture or sale of items without written permission.

WIRE TABLE					WIRE TABLE				
ITEM NO.	DESCRIPTION	FROM HARV. CONNECTION	TO CONNECTION	ITEM NO.	DESCRIPTION	FROM HARV. CONNECTION	TO CONNECTION		
18	-	-	P6	J8	18	-	-	P2	J4
18	22	YEL	102	SPI-2	18	18	WHT	4A	C1-3
18	22	ORN	103	SPI-1	18	18	RED	4B	C1-5
8	-	-	P1	J7	18	18	BLK	4C	C1-1
18	-	-	P7	J6	18	18	BLK	3A	G1
18	-	-	134	FAN-1	18	18	RED	4	C1-4
18	-	-	135	FAN-2	23	-	WHT	-	C1-6
18	-	-	P4	J3	23	-	GRN	-	G1
18	-	-	P3	J5	23	-	BLK	-	CBI-2
18	-	-	P1	J1	18	18	BLK	63	G2
18	-	-	-	-	55	-	-	-	J2



REV	
CHANGE NO.	
CHK	

FIRST USED ON OPTION/MODEL VT05	QTY.	DESCRIPTION	PART NO.	ITEM NO.
PARTS LIST				
UNLESS OTHERWISE SPECIFIED DIMENSION IN INCHES TOLERANCES DECIMALS FRACTIONS ANGLES = .005 ± 1/64 ± 0°30' FINAL SURFACE QUALITY REMOVE BURRS AND BREAK SHARP CORNERS	DRN DATE 5/13/71	CHKD DATE 5/6/71	digital EQUIPMENT CORPORATION MAYNARD, MASSACHUSETTS	
MATERIAL ++	ENG DATE 5/13/71	PROJ. ENG. DATE 5/13/71	TITLE ALPHA-NUMERIC TERMINAL	
FINISH ++	PROD. DATE 2/14/71	NEXT HIGHER ASSY A-ML-VT05-0		SIZE CODE DUA VT05-0-0
SCALE NONE		NUMBER 3 OF 3		REV R
SHEET		DIST.		

DIGITAL EQUIPMENT CORPORATION MAYNARD, MASSACHUSETTS					QUANTITY / VARIATION																
PARTS LIST																					
MADE BY P. MARCOTTE		CHECKED <i>R. Cook</i>		SECTION 1																	
DATE 4/20/71		DATE 5-6-71		ISSUED SECT. 1																	
ENG <i>H. S. Piller</i>		PROD <i>J. Buncley</i>		ISSUED SECT. 1																	
DATE 5/13/71		DATE 5/14/71		ISSUED SECT. 1																	
ITEM NO.	DWG NO. / PART NO.	DESCRIPTION																			
1	E-PS-1210913-0-0	PLASTIC BASE				1															
2	E-PS-1210914-0-0	PLASTIC COVER				1															
3	3010326	SCOPE ASSY				1															
4	A-PL-H733-0-0	H733 POWER SUPPLY				1															
5	5410541	KEYBOARD (128 CHARACTERS)				1															
6	5410613	KEYBOARD (8 KEYS)				1															
7	E-IA-E020-0-0	BUS BOARD (VT05)				1															
8	D-AD-7007232-0-0	POT ASSY				1															
9	C-IA-7408638-1-0	BRACKET, LARGE KEYBOARD (R.H.)				1															
10	C-IA-7408638-2-0	BRACKET, LARGE KEYBOARD (L.H.)				1															
11	D-IA-7408852-0-0	BRACKET, SMALL KEYBOARD (REV. J)				1															
12	1210299	SPEAKER, 16Ω, 1/2W QUAM				1															
13	D-IA-7408573-0-0	BRACKET, FAN				1															
14	1209942-01	FAN				1															
15	C-MD-74004881-0-0	SCREEN, FAN				2															
16	C-IA-7408580-1-0	RETAINER CONNECTOR BLOCK				1															
17	C-IA-7408580-2-0	RETAINER, CONNECTOR BLOCK				1															
18	D-IA-7007231-0-0	HARNESS & BACK PLATE ASSY				1															
19	9007083	CLAMP, CABLE NYLON 3/8				1															
20	B-SC-1210348-0-0	BUTTON, ROCKER SWITCH				1															
21	B-SC-1210349-0-0	BUTTON, ROCKER SWITCH				1															
22	9008894-1	TAPE 1/2 IN. WIDE				A/R															
TITLE ALPHA-NUMBER TERMINAL		ASSY NO. D-UA-VT05-0-0		SIZE CODE A PL		NUMBER VT05-0-0		REV. R		ECO NO. VT05-00074											
		SHEET 1 OF 4		DIST. 6																	

DIGITAL EQUIPMENT CORPORATION MAYNARD, MASSACHUSETTS					QUANTITY / VARIATION																
PARTS LIST																					
MADE BY P. MARCOTTE		CHECKED <i>R. Cook</i>		SECTION 1																	
DATE 4/20/71		DATE 5-6-71		ISSUED SECT. 1																	
ENG <i>H. S. Piller</i>		PROD <i>J. Buncley</i>		ISSUED SECT. 1																	
DATE 5/13/71		DATE 5/14/71		ISSUED SECT. 1																	
ITEM NO.	DWG NO. / PART NO.	DESCRIPTION																			
23	C-IA-7008502-9-0	POWER CORD				1															
24	E-MD-7408891-0-0	SCREEN, PROTECTIVE				1															
25	D-IA-7408585-0-0	SHIELD, SCOPE				1															
26	B-IA-7408894-0-0	BRACKET, MTG SWITCH				1															
27	1209856-01	MODULE HOLDER				2															
28	74-11477	FOAM MODULE SOLD DOWN				1															
29	E-CS-M7000-0-1	CURSOR CONTROL				1															
30	E-CS-M7001-0-1	CHARACTER GENERATOR & TIMING				1															
31	E-CS-M7002-0-1	MEMORY & MEMORY TIMING				1															
32	9008301-1	SCR PHL PAN HD #4-40 X .25LG SST				2															
33	9006010-1	SCR PHL PAN HD #4-40x.31 LG SST				4															
34	9006011-1	SCR PHL PAN HD #4-40 X .38LG SST				2															
35	9006632	LOCKWASHER #4 INT TOOTH				6															
36	9006557	NUT, KEPS #4-40 HEX				4															
37	9006022-1	SCR PHL PA N HD #6-32X.38LG SST				2															
38	9006024-1	SCR PHL PAN HD #6-32X.50 LG SST				12															
39	9006633	LOCKWASHER #6 INT TOOTH				14															
40	9006560	NUT, KEPS #6-32 HEX SST				6															
41	9006121	SCR, FILL HD POZI-DRIVE 8-32X.38STL				8															
42	9006039-1	SCR, PHL PAN HD #8-32 X.50 LG SST				5															
43	9006040-1	SCR, PHL PAN HD #8-32X.62LG SST				11															
44	9006634-1	LOCKWASHER #8 INT TOOTH				16															
TITLE ALPHA-NUMERIC TERMINAL		ASSY NO. D-UA-VT05-0-0		SIZE CODE A PL		NUMBER VT05-0-0		REV. R		ECO NO.											
		SHEET 2 OF 4		DIST. 6																	

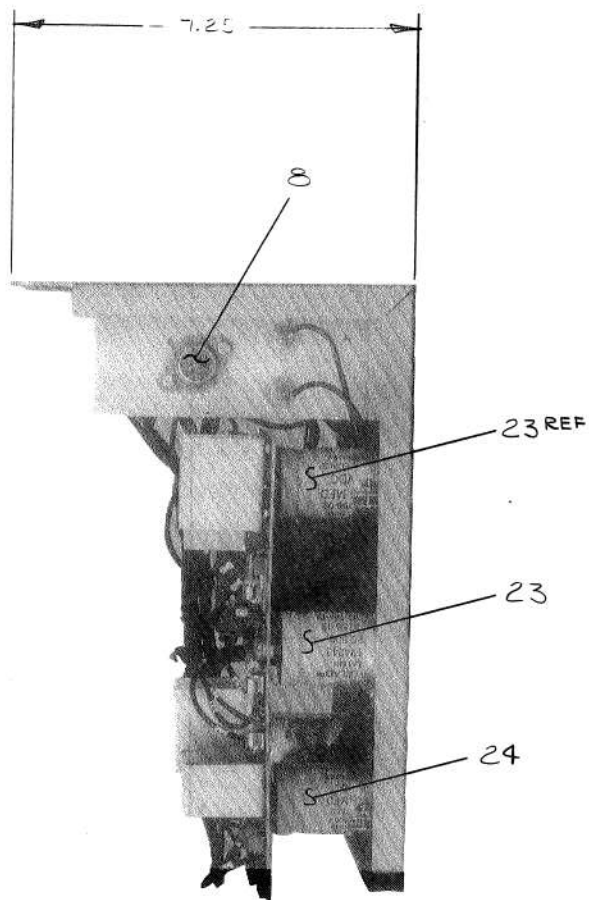
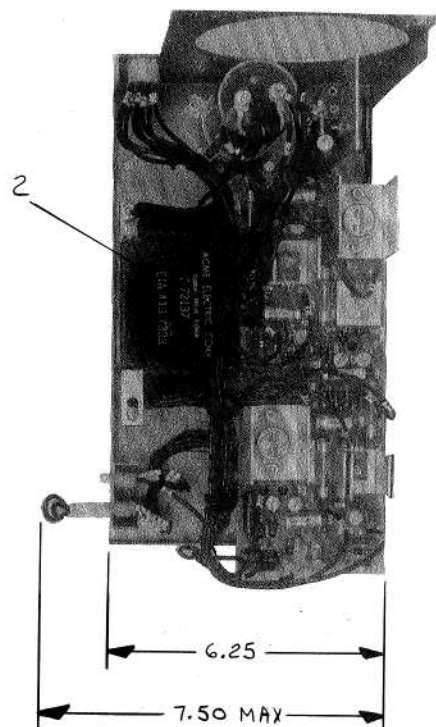
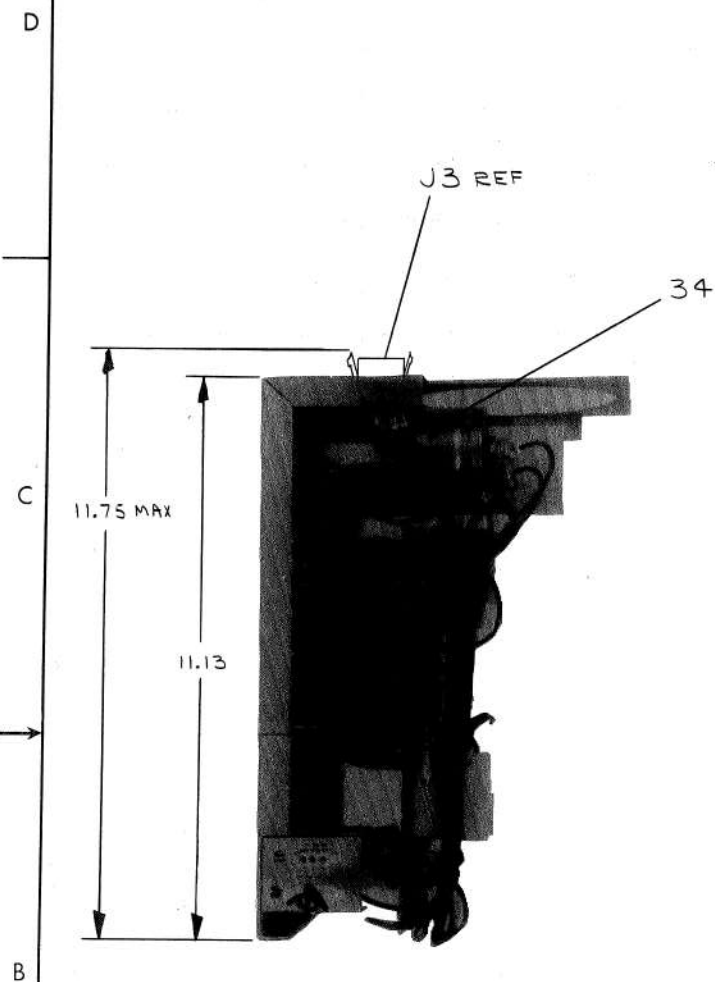
DIGITAL EQUIPMENT CORPORATION MAYNARD, MASSACHUSETTS PARTS LIST				QUANTITY / VARIATION																				
MADE BY P. MARCOTTE		CHECKED <i>R. Cook</i>		SECTION																				
DATE 4/20/71		DATE 5-6-71		1																				
ENG <i>K. S. Pichler</i>		PROD <i>G. Bundy</i>		ISSUED SECT.																				
DATE 5/13/71		DATE 5/14/71		1																				
ITEM NO.	DWG NO. / PART NO.	DESCRIPTION																						
45	9006074-1	SCR PHL PAN HD #10-32 X .62LG SST		12																				
46	9006636	LOCK WASHER #10 INT TOOTH		12																				
47	9006042-1	SCR, PHL PAN HD # 8-32 x 7/8 LG		2																				
48	1000034	CAP. 2X.1 MFD 1000 VDC		1																				
49	B-IA-7408607-0-0	BRACKET, SHIPPING		1																				
50	9006584	NUT, SPEED TINN. #C8901-632-4		4																				
51	D-MD-7605976-0-0	BASEBOARD, MOUNTING		1																				
52	9006060-3	SCR PHL TRUSS HD 1/4-20X1.0 LG SST		4																				
53	9006669	WASHER 1/4		4																				
54	9006637	LOCKWASHER INT TOOTH 1/4		4																				
55	B-IA-7008425-1-0	JUMPER ASSY POWER SUPPLY		1																				
56	D-SC-1210479 0-0	VT05 SCOPE MASK		1																				
57	1210581	WASHER, NYLON (FEET)		4																				
58	1210582	SCREW NYLON (FEET)		4																				
59	C-IA-7008519-0-0	INTERFACE CABLE		1																				
60	B-MD-7409285-0-0	INSULATOR		1																				
61	9009041-2	SCR, NYLON #6-32 x 1/4		2																				
62	7008612SD	CABLE, KEYBOARD INTERCONN.		1																				
63	3611183	DECAL, TV CONTROLS		1																				
64	B-MD-7410759-0-0	SHIM PLATE, SM KEYBOARD		1																				
65	B-MD-7410760-0-0	SHIM PLATE, LG KEYBOARD		2																				
66	A-DC-7410785-0-0	DECAL, UL LABEL		1																				
TITLE ALPHA-NUMBER TERMINAL				ASSY NO. D-UA-VT05-0-0				SIZE CODE A PL		NUMBER VT05-0-0				REV. ECO NO. R										
SHEET 3 OF 4				DIST. <i>G</i>																				

DIGITAL EQUIPMENT CORPORATION MAYNARD, MASSACHUSETTS PARTS LIST				QUANTITY / VARIATION																				
MADE BY P. Marcotte		CHECKED R. Cook		SECTION																				
DATE 4/20/71		DATE 5/6/71		1																				
ENG K. Pichler		PROD G. Bundy		ISSUED SECT.																				
DATE 5/13/71		DATE 5/14/71		1																				
ITEM NO.	DWG NO. / PART NO.	DESCRIPTION																						
67	9006714	WASHER, NYLON .500 OD X .252 ID		8																				
68	9008993	WASHER, NYLON .437 OD X .203 ID		4																				
69	A-PI-3700043-0-0	PKG INST VT05		1																				
TITLE ALPHA-NUMERIC TERMINAL				ASSY NO. D-UA-VT05-0-0				SIZE CODE A PL		NUMBER VT05-0-0				REV. ECO NO. R										
SHEET 4 OF 4				DIST.																				

THIS DRAWING AND SPECIFICATIONS HEREIN ARE THE PROPERTY OF DIGITAL EQUIPMENT CORPORATION, AND SHALL NOT BE REPRODUCED OR COPIED OR USED IN WHOLE OR IN PART AS THE BASIS FOR THE MANUFACTURE OR SALE OF ITEMS WITHOUT WRITTEN PERMISSION. COPYRIGHT © 1973 DIGITAL EQUIPMENT CORPORATION.

NOTES:

1. FOR 110V VAC OPERATION; J4 WILL HAVE 2 JUMPER WIRES, 1 BETWEEN PIN #4 & #3 AND 1 BETWEEN PIN #1 & #2. FOR 230V VAC OPERATION; J4 WILL HAVE A JUMPER WIRE BETWEEN PIN #3 & #1.



MADE FROM D-107379 WITH PERMISSION FROM ACME ELECTRIC CORP.

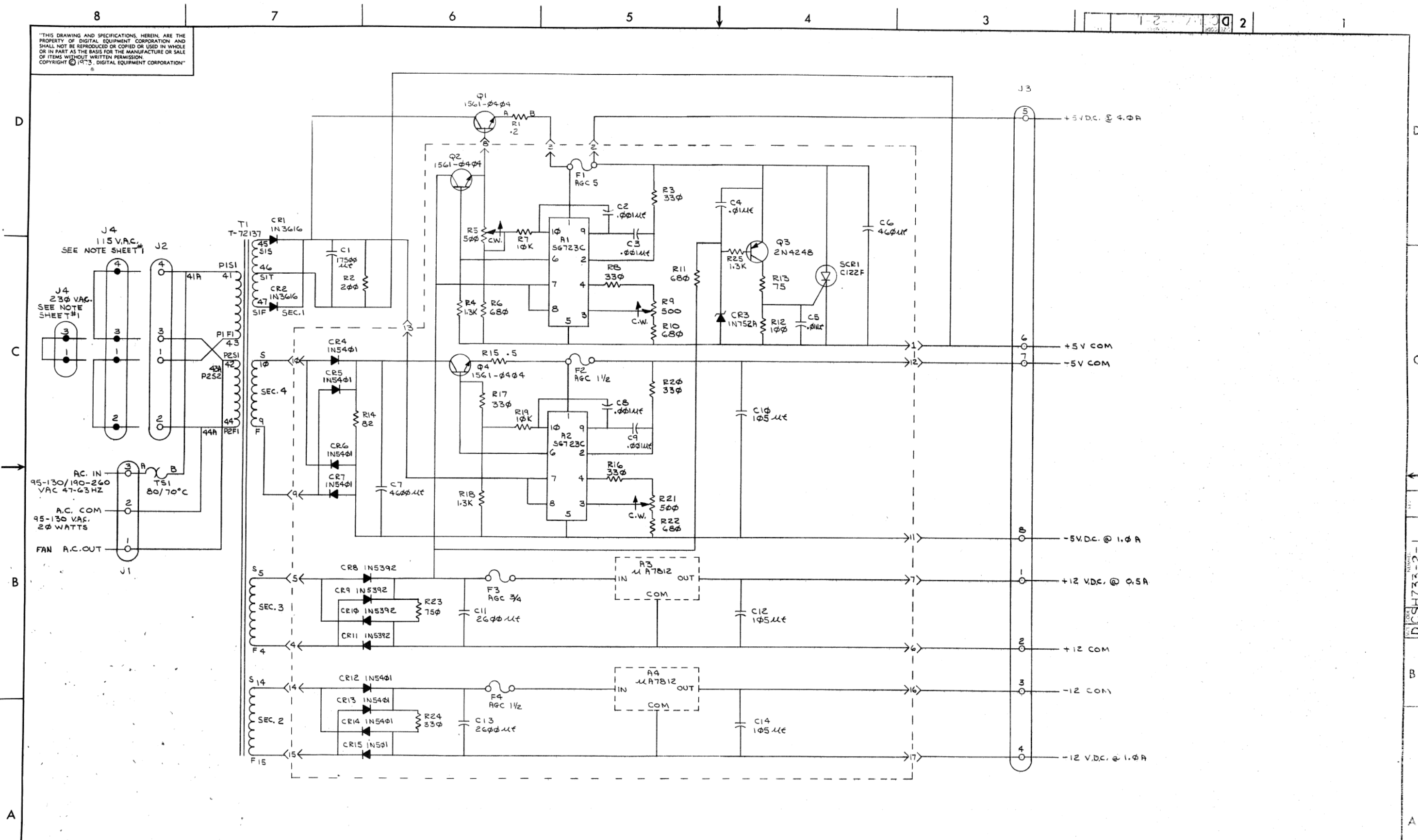
1	CAP 17500µF 20VDC	C1	A-31-74243	34
1	DIODE 1N752A	CR3	A-14-50538	33
8	DIODE 1N5401	CR4 THRU CR7 CR12 THRU CR15	A-2-81259	32
4	DIODE 1N5392	CR8 THRU CR11	A-1-82573	31
2	DIODE 1N3616	CR1 CR2	A-2-92571	30
1	DIODE C122F	SCR1	A-1-91517	29
4	CAP .001µF 1KVDC.	C2, C3 C8, C9	A-1-71984	28
2	CAP .01µF 100VDC.	C4, C5	A-2-88012	27
3	CAP 105µF 25VDC.	C10, C12 C14	A-18-104963	26
1	CAP 460µF 15VDC.	C6	A-12-104963	25
1	CAP 4600µF 15VDC.	C7	A-19-74243	24
2	CAP 2600µF 30VDC.	C11, C13	A-46-74243	23
1	RES .2Ω 7W	R1	A-1-92731	22
1	RES 200Ω 2W	R2	A-12-41321	21
1	RES 750Ω 2W	R23	A-56-41321	20
1	RES 100Ω 1/2W	R12	A-1-44507	19
5	RES 330Ω 1/2W	R3, R8, R16, R17, R20	A-18-44507	18
4	RES 680Ω 1/2W	R6, R10, R11, R22	A-19-44507	17
2	RES 10K 1/2W	R7, R19	A-43-44507	16
3	RES 1.3K 1/2W	R4, R8, R25	A-50-44507	15
1	RES 75Ω 1/2W	R13	A-78-44507	14
1	RES 82Ω 5W	R14	A-68-52815	13
1	RES 330Ω 5W	R24	A-73-52815	12
3	POT 500Ω 1/4W	R5, R9, R21	A-5-92353	11
1	RES .5Ω 5W	R15	A-3-92730	10
1	TSTR 2N424B	Q3	A-1-83242	9
3	TSTR 1561-0404	Q1, Q2, Q4	A-6-67703	8
2	IC SG723C	A1, A2	A-98737	7
2	IC µA 7812A	A3, A4	A-107237	6
1	FUSE 5A	F1	A-1-2310B	5
1	FUSE AGC .75Ø A	F3	A-5-27241	4
2	FUSE AGC1 .5A	F2, F4	A-7-27241	3
1	TRANSFORMER	T1	T-72137	2
1	TEMP SW 80°/70°C	TS1	A-76812	1

FIRST USED ON OPTION/MODEL	VT05	QTY.	DESCRIPTION	DES.	PART NO.	ITEM NO.		
PARTS LIST								
DRN.	K. J. D.	DATE	10-17-73	digital EQUIPMENT CORPORATION MAYNARD, MASSACHUSETTS				
UNLESS OTHERWISE SPECIFIED DIMENSION IN INCHES	TOLERANCES							
DECIMALS	ANGLES	EXAMPLES						
.xxx = .005	'0 '30'	DRN.	DATE	DATE	DATE			
.xx = .02		Richard Pucci	11/1/73	Richard Pucci	11/1/73			
.x = .1		PROJ. ENG.	DATE	DATE	DATE			
REMOVE BURRS AND BREAK SHARP CORNERS SURFACE QUALITY Y		Richard Pucci	11/1/73	Richard Pucci	11/1/73			
		PRD.	DATE	DATE	DATE			
		Paul Higo	11/1/73	Paul Higo	11/1/73			
MATERIAL	NEXT HIGHER ASSY.							
/ /	A-ML-VT05-0-0					SIZE CODE	NUMBER	REV.
FINISH	SCALE NONE					DCS	H733-2-1	
/ /	SHEET 1 OF 2					DIST.		

REV.	
CHANGED TO	
BY	
DATE	
APPROVED	
DATE	

DCS H733-2

"THIS DRAWING AND SPECIFICATIONS, HEREIN, ARE THE PROPERTY OF DIGITAL EQUIPMENT CORPORATION AND SHALL NOT BE REPRODUCED OR COPIED OR USED IN WHOLE OR IN PART AS THE BASIS FOR THE MANUFACTURE OR SALE OF ITEMS WITHOUT WRITTEN PERMISSION. COPYRIGHT © 1973, DIGITAL EQUIPMENT CORPORATION"



REVISIONS		
CHK	CHANGE NO.	REV.

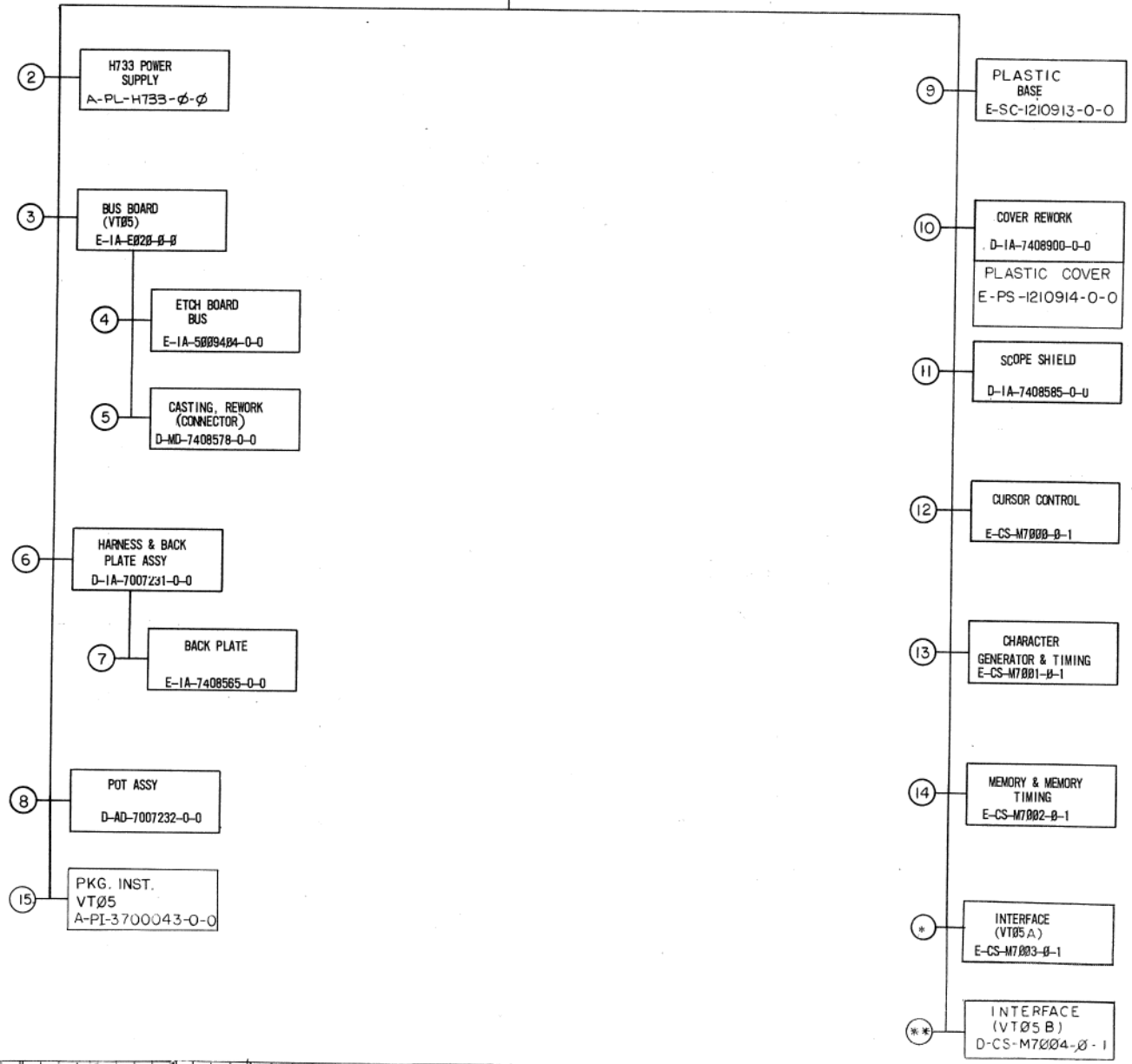
TITLE	POWER SUPPLY H733	SIZE CODE	NUMBER	REV.
SCALE	1:1	SHEET	2 OF 2	DIST
DCS H733-2-1				

DCS H733-2-1

This drawing and specifications, herein, are the property of Digital Equipment Corporation and shall not be reproduced or copied or used in whole or in part as the basis for the manufacture or sale of items without written permission. 1972

1-2-571AIC 2

ALPHA-NUMERIC
TERMINAL
D-UA-VT05-0-0



* USED WITH VT05A OPTIONS
** USED WITH VT05B OPTIONS

CHK	CHANGE NO.	REV.	DATE	BY
	VT05-00028	A	7-29-71	R. PUCCI
	VT05-00031	B	7-30-71	R. PUCCI
	VT05-00038	C	8-11-71	R. PUCCI
	VT05-00046	D	10-14-71	R. PUCCI
	VT05-00050	E	12-11-71	R. PUCCI
	VT05-00056	F	1-3-72	R. PUCCI
	VT05-00060	H	2-27-72	R. PUCCI
	VT05-00061	J	3-1-72	R. PUCCI
	VT05-00063	K	3-1-72	R. PUCCI
	VT05-00066	L	3-1-72	R. PUCCI
	VT05-00071	M	2-7-73	R. PUCCI
	VT05-00074	R	1-25-74	R. PUCCI
	VT05-00075	S	3-8-74	R. PUCCI
	VT05-00077	P	3-13-74	R. PUCCI

FIRST USED ON OPTION / MODEL
VT05

DO NOT SCALE DRAWING
UNLESS OTHERWISE SPECIFIED
DIMENSION IN INCHES
TOLERANCES
DECIMALS FRACTIONS ANGLES
±.000 ±.004 ±.030
FINAL SURFACE QUALITY
REMOVE BURRS AND BREAK SHARP CORNERS
MATERIAL
FINISH

QTY.	DESCRIPTION	PART NO.	ITEM NO.
PARTS LIST			
digital EQUIPMENT CORPORATION MAYNARD, MASSACHUSETTS			
DRAWING INDEX LIST			
NEXT HIGHER ASSY A-ML-VT05-0		SCALE NONE	REV. R
SHEET 1 OF 1		SIZE / CODE NUMBER D DI VT05-0-1	

REV. R
NUMBER
D DI VT05-0-1

This drawing and specifications, herein, are the property of Digital Equipment Corporation and shall not be reproduced or copied or used in whole or in part as the basis for the manufacture or sale of items without written permission.

MECHANICAL					DEPT USAGE					MECHANICAL					DEPT USAGE					ELECTRICAL					DEPT USAGE																																																																						
FIND NO.	DESCRIPTION	PART NO.	PROD	CUST	F/C	FIND NO.	DESCRIPTION	PART NO.	PROD	CUST	F/C	FIND NO.	DESCRIPTION	PART NO.	PROD	CUST	F/C	FIND NO.	DESCRIPTION	PART NO.	PROD	CUST	F/C																																																																								
1.	ALPHA-NUMERIC TERMINAL ALPHA-NUMERIC TERMINAL (PL) RETAINER, CONNECTOR BLOCK BRACKET, LARGE KEYBOARD BRACKET, SMALL KEYBOARD BRACKET, FAN SCREEN, FAN BUTTON ROCKER SWITCH BUTTON ROCKER SWITCH SCREEN, PROTECTIVE BRACKET, SWITCH MTG POWER CORD JUMPER ASSY, POWER SUPPLY INTERFACE CABLE INSULATOR CABLE KEYBOARD INTERCONN DECAL, TV CONTROLS SHIM PLATE, LG KEYBOARD SHIM PLATE, SM KEYBOARD DECAL, UL LABEL FOAM MODULE HOLD DOWN H733 POWER SUPPLY	D-IA-VT05-0-0 A-PL-VT05-0-0 C-IA-740858-0-0 D-IA-740852-0-0 D-IA-740857-0-0 C-MD-7404881-0-0 B-SC-1210348-0-0 B-SC-1210349-0-0 E-MD-7408891-0-0 B-IA-7408894-0-0 C-IA-7006502-0-0 B-IA-7008425-0-0 C-IA-7008519-0-0 B-MD-7409285-0-0 C-IA-7008812-0-0 A-PS-301193-0-0 B-MD-7410760-0-0 B-MD-7410759-0-0 A-DC-7410785-0-0 B-MD-7411477-0-0 A-PL-H733-0-0				12.	CURSOR CONTROL X-Y COORDINATE HOLE LOC ASSY/DRILLING HOLE LAYOUT MODULE ECO HISTORY TEST PROCEDURE	E-CS-M7000-0-1 K-CO-M7000-0-4 D-AH-M7000-0-5 B-MH-M7000-0-6 A-SP-M7000-0-2				13.	CHARACTER GENERATOR & TIMING X-Y COORDINATE HOLE LOC ASSY/DRILLING HOLE LAYOUT MODULE ECO HISTORY REAR SUPPORT BRKT CRYSTAL HOLDER BRKT TEST PROCEDURE	E-CS-M7001-0-1 K-CO-M7001-0-4 D-AH-M7001-0-5 B-MH-M7001-0-6 B-MD-R405-0-1-0-3 B-MD-R405-0-1-0-2 A-SP-M7001-0-5				14.	MEMORY & MEMORY TIMING X-Y COORDINATE HOLE LOC ASSY/DRILLING HOLE LAYOUT MODULE ECO HISTORY TEST PROCEDURE	E-CS-M7002-0-1 K-CO-M7002-0-4 D-AH-M7002-0-5 B-MH-M7002-0-6 A-SP-M7002-0-8				*.	INTERFACE (VT05A) X-Y COORDINATE HOLE LOC ASSY/DRILLING HOLE LAYOUT MODULE ECO HISTORY REAR SUPPORT BRKT CRYSTAL HOLDER BRKT TEST PROCEDURE	E-CS-M7003-0-1 K-CO-M7003-0-4 D-AH-M7003-0-5 B-MH-M7003-0-6 B-MD-R405-0-1-0-3 B-MD-R405-0-1-0-2 A-SP-M7003-0-8				**.	INTERFACE (VT05 B) X-Y COORDINATE HOLE LOC ASSY/DRILLING HOLE LAYOUT MODULE HISTORY REAR SUPPORT BRKT CRYSTAL HOLDER BRKT TEST PROCEDURE MODULE TEST AND SYSTEM TEST STATION	D-CS-M7004-0-1 K-CO-M7004-0-4 D-AH-M7004-0-5 B-MH-M7004-0-6 B-MD-R405-0-1-0-3 B-MD-R405-0-1-0-2 A-SP-M7004-0-8				15.	PACK, INST(VT05) OUTER CARTON INNER CARTON INNER SLEEVE TORO PAD (BLUE/WHITE) POLY BAG (30X42X4 MIL) POLY BAG (12X24X4 MIL)	A-I-3700043-0-0 A-PS-9905090-0-0 A-PS-9905091-0-0 A-PS-9905089-0-0 A-PS-9905044-1 A-PS-9905129-36 A-PS-9905129-32				1.	ALPHA-NUMERIC TERMINAL STATIC Y COUNTER (M7000) DYNAMIC Y COUNTER (M7002) CURSOR UP (M7000) CURSOR DOWN DFL (M7000) STATIC X COUNTER (M7000) DYNAMIC X COUNTER (M7000) CURSOR TO RIGHT (M7000) TAB LOGIC (M7000) CURSOR TO LEFT (M7000) CARRIAGE RETURN (M7000) AUTOMATIC CR/LF (M7000) HOME (M7000) X & Y COMPARE (M7001) ROW SELECT CIRCUIT (M7001) CHARACTER LOCATION COUNTER (M7001) CURSOR SYNCHRONIZER (M7001) MAIN MEMORY TIMING (M7002) ERASE SCREEN & ERASE LINE CRT (M7001) BELL CIRCUIT (M7001) TEST PATTERN GENERATOR (M7002) CAD (M7001) VT05 BUSS ASSIGNMENTS VT05 PWR & SIGNAL WIRING VT05 BLOCK DIAGRAM ACCEPTANCE PROCEDURES (CUSTOMER) PRODUCTION CHECKOUT PROCEDURES ACCEPTANCE SPECIFICATIONS ENGINEERING SPECIFICATIONS SCHEMATIC & PL LK01-R KEYBOARD CURSOR BOARD ASSY (KEY BOARD) SCHEMATIC, SCOPE ACCESSORY LIST SOFTWARE LIST SCHEMATIC VT05 RASTER DISPLAY VT05 RASTER DISPLAY CARTON	A-ML-VT05-0 D-TD-VT05-0-02 D-TD-VT05-0-03 D-TD-VT05-0-04 D-TD-VT05-0-05 D-TD-VT05-0-06 D-TD-VT05-0-07 D-TD-VT05-0-08 D-TD-VT05-0-09 D-TD-VT05-0-10 D-TD-VT05-0-11 D-TD-VT05-0-12 D-TD-VT05-0-13 D-TD-VT05-0-14 D-TD-VT05-0-15 D-TD-VT05-0-16 D-TD-VT05-0-17 D-TD-VT05-0-18 D-TD-VT05-0-19 D-TD-VT05-0-20 D-TD-VT05-0-21 D-TD-VT05-0-22 D-MJ-VT05-0-23 D-IC-VT05-0-24 D-BO-VT05-0-25 A-SP-VT05-0-26 A-SP-VT05-0-27 A-SP-VT05-0-28 A-SP-VT05-0-29 D-CS-5410541-0-1 D-CS-5410543-0-1 D-CS-3010326-0-0 A-AL-VT05-0-30 A-SL-VT05-0-31 D-CS-3010326-0-3 A-PI-3700101-0-0				2.	SCHEMATIC, POWER SUPPLY SCHEMATIC POWER SUPPLY SCHEMATIC POWER SUPPLY	D-CS-H733-0-1 D-CS-H733-1-1 D-CS-H733-2-1				3.	CIRCUIT SCHEMATIC	D-CS-E020-0-1				4.	PRINTED CIRCUIT LAYOUT	PC-5009404-0-1				12.	CURSOR CONTROL	E-CS-M7000-0-1				13.	CHARACTER GENERATOR & TIMING	E-CS-M7001-0-1				14.	MEMORY & MEMORY TIMING	E-CS-M7002-0-1				*.	INTERFACE (VT05 A)	E-CS-M7003-0-1				**.	INTERFACE (VT05 B)	D-CS-M7004-0-1			

REV	DATE	BY	CHK'D	DATE	BY	ENG.	DATE	BY	PROJ. ENG.	DATE	BY	PROD.	DATE	BY	NEXT HIGHER ASSY	SCALE	SHEET	OF

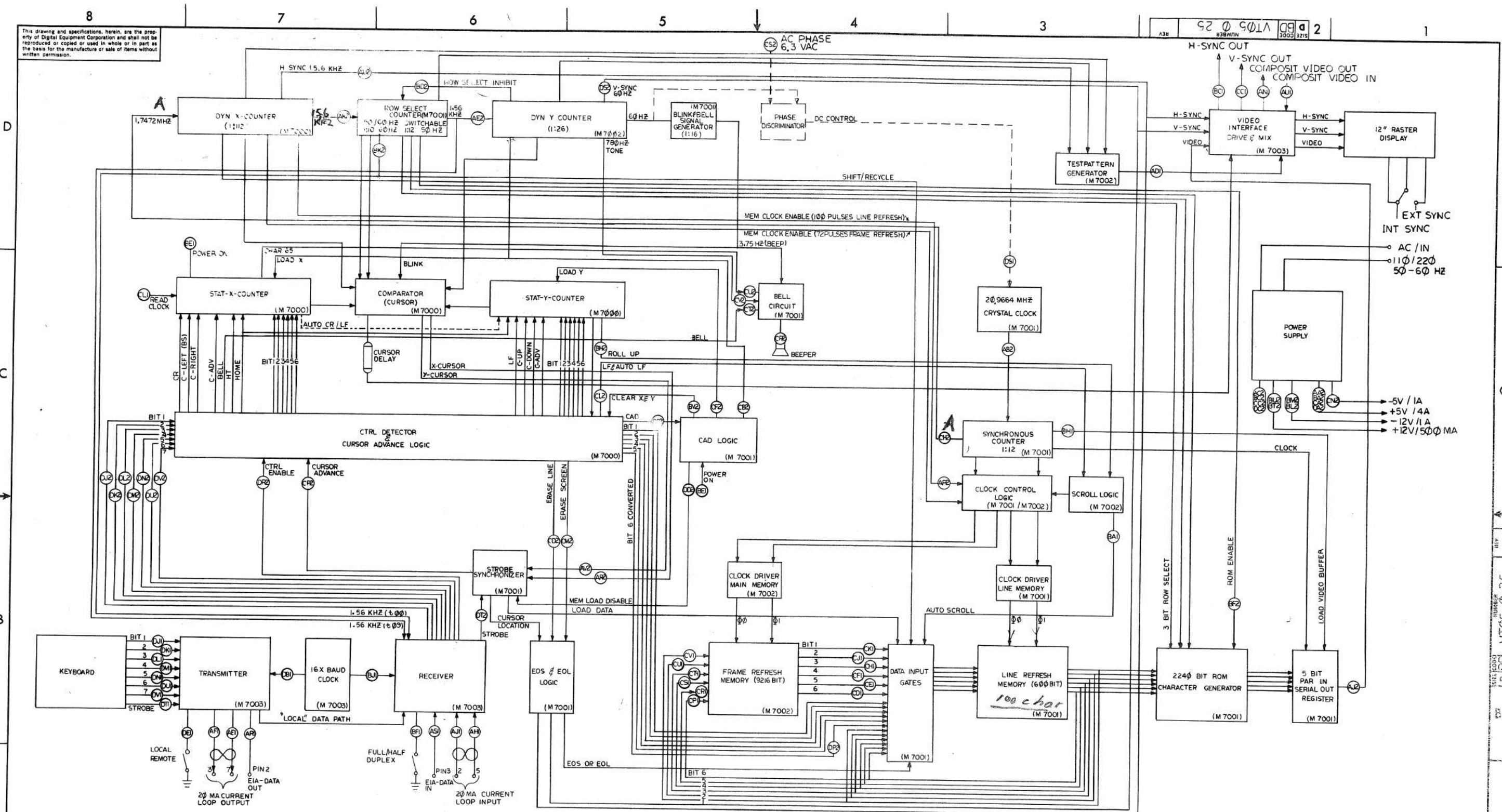
FIRST USED ON OPTION/MODEL: VT05

digital EQUIPMENT CORPORATION
MAYNARD, MASSACHUSETTS

TITLE: DRAWING INDEX LIST

SIZE CODE: D
NUMBER: DIVVT05-0-1
REV: R

This drawing and specifications herein are the property of Digital Equipment Corporation and shall not be reproduced or copied or used in whole or in part as the basis for the manufacture or sale of items without written permission.



REV	NO
CHG	NO

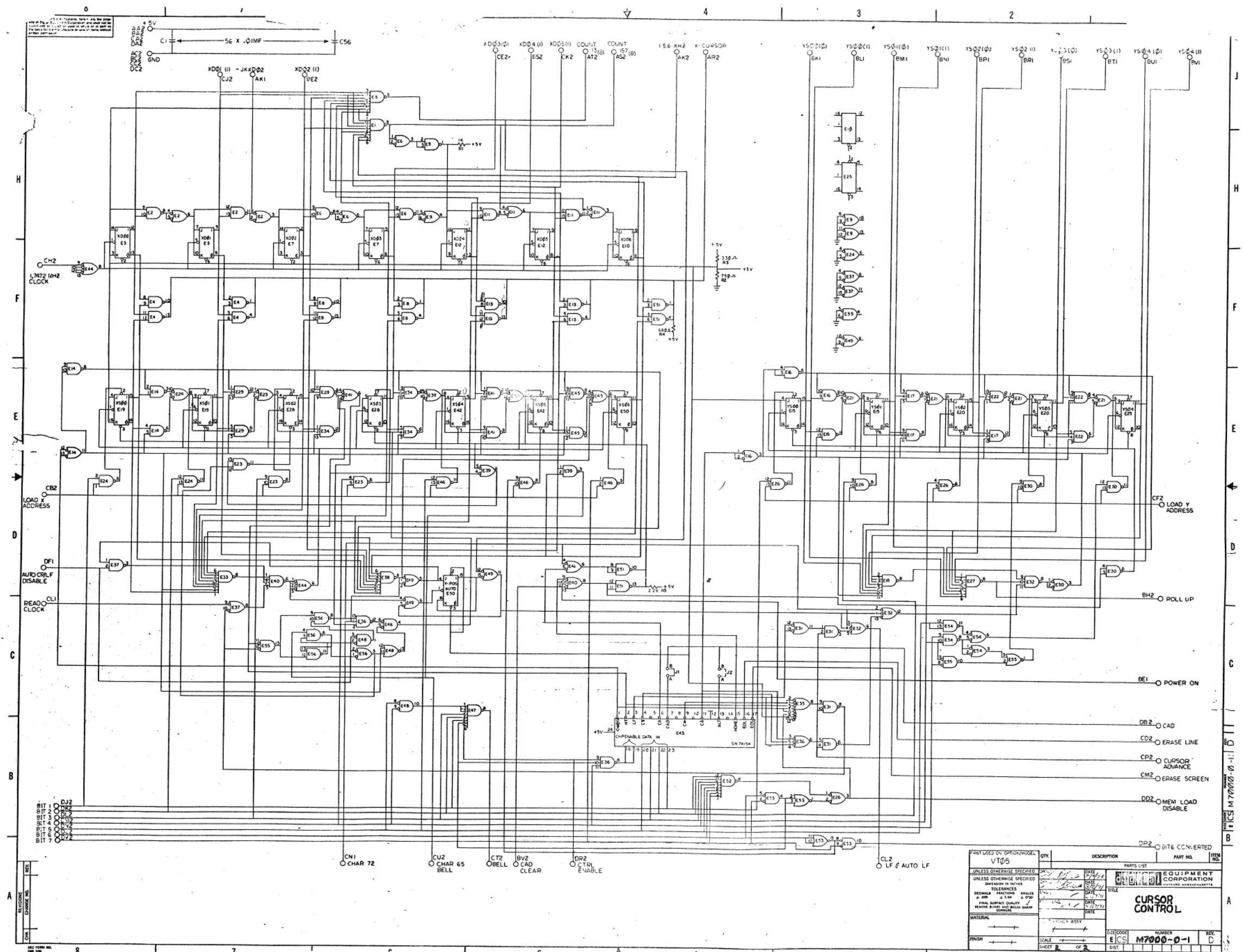
DEC FORM NO. 07-102A

FIRST USED ON OPTION/MODEL VT05	QTY.	DESCRIPTION	PART NO.	ITEM NO.
UNLESS OTHERWISE SPECIFIED				
DIMENSION IN INCHES				
TOLERANCES				
DECIMALS	FRACTIONS	ANGLES		
± .005	± 1/64	± 0°30'		
FINAL SURFACE QUALITY				
REMOVE BURRS AND BREAK SHARP CORNERS				
MATERIAL	NEXT HIGHER ASSY			
FINISH	A-MIL-VT05-0			
SCALE		SIZE CODE		NUMBER
SHEET 1 OF 1		D BD		VT05-025
DIST.				REV.

digital EQUIPMENT CORPORATION
MAYNARD, MASSACHUSETTS

TITLE
VT05
BLOCK DIAGRAM

PART NUMBER
VT05-025



REV	DESCRIPTION	DATE	BY	CHKD
1	INITIAL	12/1/71		
2	REVISED	12/1/71		
3	REVISED	12/1/71		
4	REVISED	12/1/71		
5	REVISED	12/1/71		
6	REVISED	12/1/71		
7	REVISED	12/1/71		
8	REVISED	12/1/71		
9	REVISED	12/1/71		
10	REVISED	12/1/71		
11	REVISED	12/1/71		
12	REVISED	12/1/71		
13	REVISED	12/1/71		
14	REVISED	12/1/71		
15	REVISED	12/1/71		
16	REVISED	12/1/71		
17	REVISED	12/1/71		
18	REVISED	12/1/71		
19	REVISED	12/1/71		
20	REVISED	12/1/71		

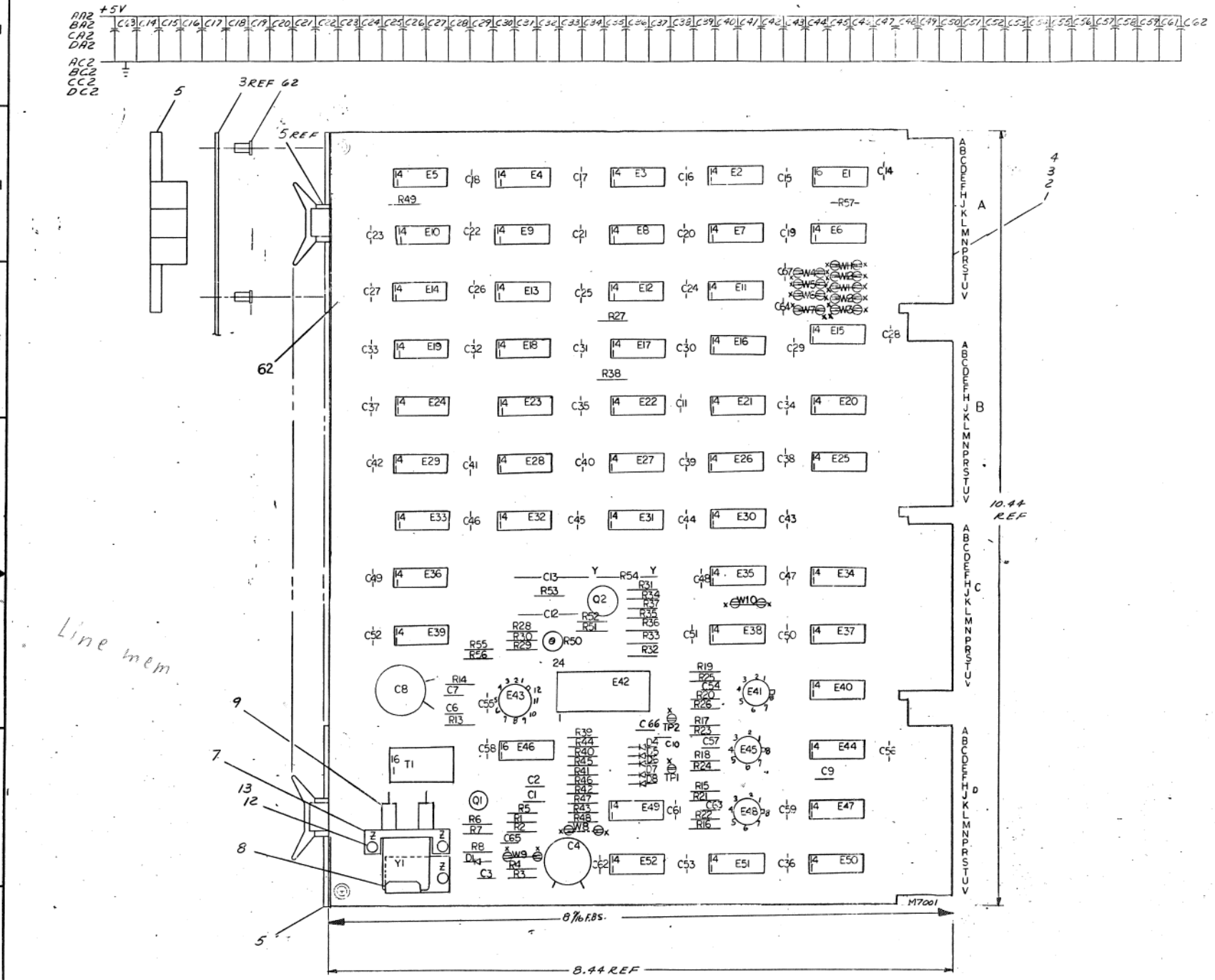
REV	DESCRIPTION	DATE	BY	CHKD
1	INITIAL	12/1/71		
2	REVISED	12/1/71		
3	REVISED	12/1/71		
4	REVISED	12/1/71		
5	REVISED	12/1/71		
6	REVISED	12/1/71		
7	REVISED	12/1/71		
8	REVISED	12/1/71		
9	REVISED	12/1/71		
10	REVISED	12/1/71		
11	REVISED	12/1/71		
12	REVISED	12/1/71		
13	REVISED	12/1/71		
14	REVISED	12/1/71		
15	REVISED	12/1/71		
16	REVISED	12/1/71		
17	REVISED	12/1/71		
18	REVISED	12/1/71		
19	REVISED	12/1/71		
20	REVISED	12/1/71		

REV	DESCRIPTION	DATE	BY	CHKD
1	INITIAL	12/1/71		
2	REVISED	12/1/71		
3	REVISED	12/1/71		
4	REVISED	12/1/71		
5	REVISED	12/1/71		
6	REVISED	12/1/71		
7	REVISED	12/1/71		
8	REVISED	12/1/71		
9	REVISED	12/1/71		
10	REVISED	12/1/71		
11	REVISED	12/1/71		
12	REVISED	12/1/71		
13	REVISED	12/1/71		
14	REVISED	12/1/71		
15	REVISED	12/1/71		
16	REVISED	12/1/71		
17	REVISED	12/1/71		
18	REVISED	12/1/71		
19	REVISED	12/1/71		
20	REVISED	12/1/71		

REV	DESCRIPTION	DATE	BY	CHKD
1	INITIAL	12/1/71		
2	REVISED	12/1/71		
3	REVISED	12/1/71		
4	REVISED	12/1/71		
5	REVISED	12/1/71		
6	REVISED	12/1/71		
7	REVISED	12/1/71		
8	REVISED	12/1/71		
9	REVISED	12/1/71		
10	REVISED	12/1/71		
11	REVISED	12/1/71		
12	REVISED	12/1/71		
13	REVISED	12/1/71		
14	REVISED	12/1/71		
15	REVISED	12/1/71		
16	REVISED	12/1/71		
17	REVISED	12/1/71		
18	REVISED	12/1/71		
19	REVISED	12/1/71		
20	REVISED	12/1/71		

EICS M7000-0-1
 PART NO. M7000-0-1
 CURSOR CONTROL
 NUMBER M7000-0-1
 SHEET 1 OF 1

The drawing and any reference herein are the property of the U.S. Government and shall remain the property of the U.S. Government and shall not be distributed, copied, or used in any way for the benefit of any other person or organization.



NOTES:
 1. UNLESS OTHERWISE NOTED:
 CAPACITORS: 1% 1/4W 5%
 RESISTORS: 1% 1/4W 5%
 I.C. = DEC 7400
 2. OPTIONAL JUMPER INDICATED BY DASH
 LINES. EXAMPLE: W2, W3, ETC

IC PIN LOCATION	ITEM NO	ANG	FROM PT	TO PT
INTEL 1-507	-5V PIN	22	W1A	W1B
INTEL 1-507	W1A	22	W1A	W1B
INTEL 1-507	W1B	22	W1A	W1B
INTEL 1-507	W1C	22	W1A	W1B
INTEL 1-507	W1D	22	W1A	W1B
INTEL 1-507	W1E	22	W1A	W1B
INTEL 1-507	W1F	22	W1A	W1B
INTEL 1-507	W1G	22	W1A	W1B
INTEL 1-507	W1H	22	W1A	W1B
INTEL 1-507	W1I	22	W1A	W1B
INTEL 1-507	W1J	22	W1A	W1B
INTEL 1-507	W1K	22	W1A	W1B
INTEL 1-507	W1L	22	W1A	W1B
INTEL 1-507	W1M	22	W1A	W1B
INTEL 1-507	W1N	22	W1A	W1B
INTEL 1-507	W1O	22	W1A	W1B
INTEL 1-507	W1P	22	W1A	W1B
INTEL 1-507	W1Q	22	W1A	W1B
INTEL 1-507	W1R	22	W1A	W1B
INTEL 1-507	W1S	22	W1A	W1B
INTEL 1-507	W1T	22	W1A	W1B
INTEL 1-507	W1U	22	W1A	W1B
INTEL 1-507	W1V	22	W1A	W1B
INTEL 1-507	W1W	22	W1A	W1B
INTEL 1-507	W1X	22	W1A	W1B
INTEL 1-507	W1Y	22	W1A	W1B
INTEL 1-507	W1Z	22	W1A	W1B

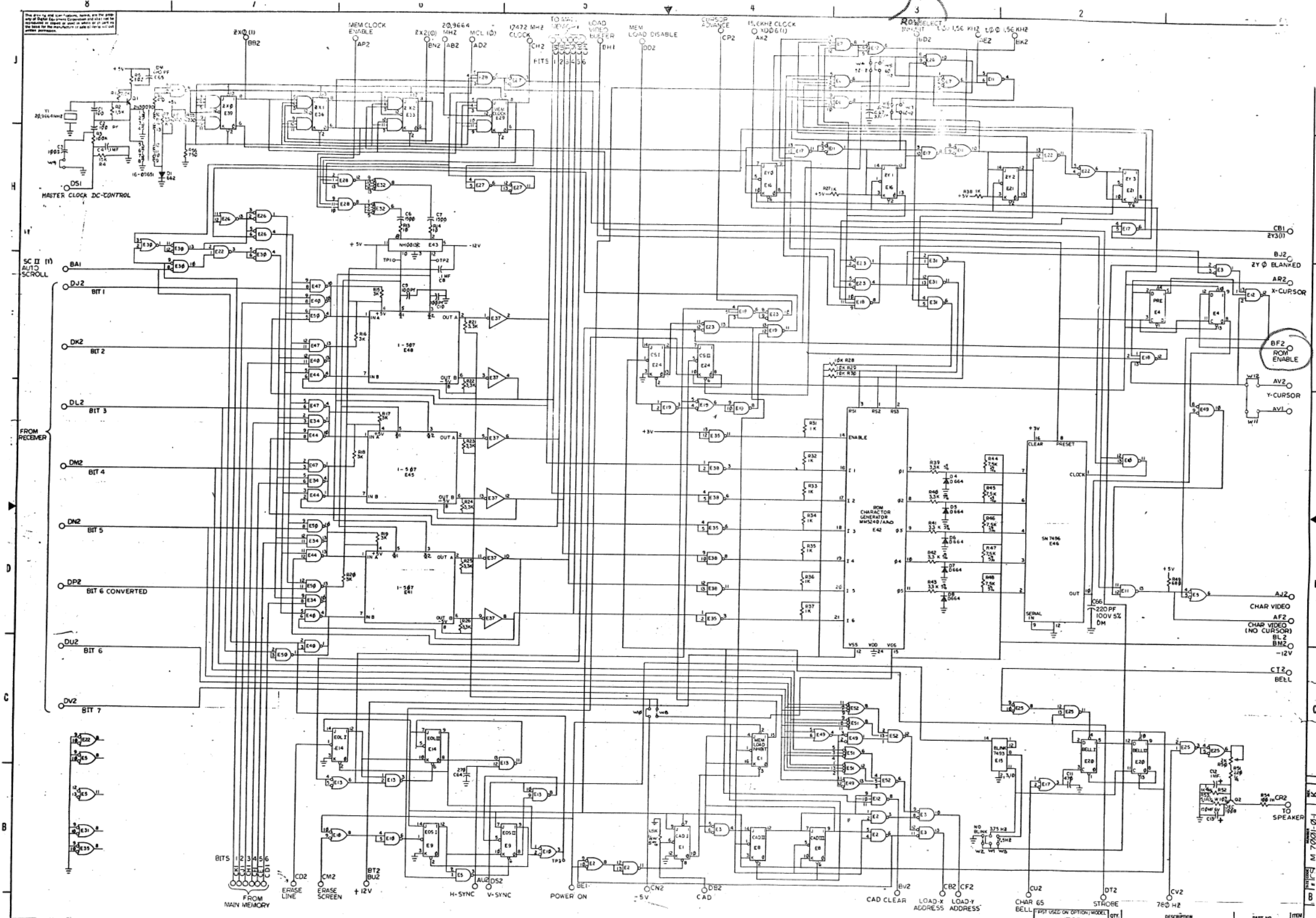
QTY	REF DESIGNATION	DESCRIPTION	PART NO.	REV
1	C67	CAP 330PF 100V 5% DM	1000023	72
1	AN	THINK BOARD	407250-09	71
1	TI	PULSE TRANSFORMER T68010	160961	60
1	C66	CAP 270PF 100V 5% DM	1000021	68
1	Q2	TRANSISTOR 2N1008	190155	67
1	C64	CAP 270PF 100V 5% DM	1000022	64
1	C65	CAP 680PF 100V 5% DM	1000020	63
1	E46	I.C. DEC 7400	190156	61
1	E43	I.C. MM 0013C	190153	60
1	E42	I.C. MM 5200A7	190152	59
1	E41	I.C. INTEL 1-507	190151	58
1	E40	I.C. DEC 7400	190150	57
1	E39	I.C. DEC 7400	190149	56
1	E38	I.C. DEC 7400	190148	55
1	E37	I.C. DEC 7400	190147	54
1	E36	I.C. DEC 7400	190146	53
1	E35	I.C. DEC 7400	190145	52
1	E34	I.C. DEC 7400	190144	51
1	E33	I.C. DEC 7400	190143	50
1	E32	I.C. DEC 7400	190142	49
1	E31	I.C. DEC 7400	190141	48
1	E30	I.C. DEC 7400	190140	47
1	E29	I.C. DEC 7400	190139	46
1	E28	I.C. DEC 7400	190138	45
1	E27	I.C. DEC 7400	190137	44
1	E26	I.C. DEC 7400	190136	43
1	E25	I.C. DEC 7400	190135	42
1	E24	I.C. DEC 7400	190134	41
1	E23	I.C. DEC 7400	190133	40
1	E22	I.C. DEC 7400	190132	39
1	E21	I.C. DEC 7400	190131	38
1	E20	I.C. DEC 7400	190130	37
1	E19	I.C. DEC 7400	190129	36
1	E18	I.C. DEC 7400	190128	35
1	E17	I.C. DEC 7400	190127	34
1	E16	I.C. DEC 7400	190126	33
1	E15	I.C. DEC 7400	190125	32
1	E14	I.C. DEC 7400	190124	31
1	E13	I.C. DEC 7400	190123	30
1	E12	I.C. DEC 7400	190122	29
1	E11	I.C. DEC 7400	190121	28
1	E10	I.C. DEC 7400	190120	27
1	E9	I.C. DEC 7400	190119	26
1	E8	I.C. DEC 7400	190118	25
1	E7	I.C. DEC 7400	190117	24
1	E6	I.C. DEC 7400	190116	23
1	E5	I.C. DEC 7400	190115	22
1	E4	I.C. DEC 7400	190114	21
1	E3	I.C. DEC 7400	190113	20
1	E2	I.C. DEC 7400	190112	19
1	E1	I.C. DEC 7400	190111	18
1	E0	I.C. DEC 7400	190110	17
1	D1	DIODE 066*	110011	16
1	D2	DIODE 066*	110011	15
1	D3	DIODE 066*	110011	14
1	C1	CAP 100PF 100V 5% DM	1000019	13
1	C2	CAP 100PF 100V 5% DM	1000018	12
1	C3	CAP 100PF 100V 5% DM	1000017	11
1	C4	CAP 100PF 100V 5% DM	1000016	10
1	C5	CAP 100PF 100V 5% DM	1000015	9
1	C6	CAP 100PF 100V 5% DM	1000014	8
1	C7	CAP 100PF 100V 5% DM	1000013	7
1	C8	CAP 100PF 100V 5% DM	1000012	6
1	C9	CAP 100PF 100V 5% DM	1000011	5
1	C10	CAP 100PF 100V 5% DM	1000010	4
1	C11	CAP 100PF 100V 5% DM	1000009	3
1	C12	CAP 100PF 100V 5% DM	1000008	2
1	C13	CAP 100PF 100V 5% DM	1000007	1

ETCH BOARD REV	DATE	BY	REASON
1	11/10/65	AM-1009	INITIAL
2	11/10/65	AM-1009	REVISION
3	11/10/65	AM-1009	REVISION
4	11/10/65	AM-1009	REVISION
5	11/10/65	AM-1009	REVISION
6	11/10/65	AM-1009	REVISION
7	11/10/65	AM-1009	REVISION
8	11/10/65	AM-1009	REVISION
9	11/10/65	AM-1009	REVISION
10	11/10/65	AM-1009	REVISION

CHARACTER GENERATOR AND TIMING

117301-0-1

INH
others
select

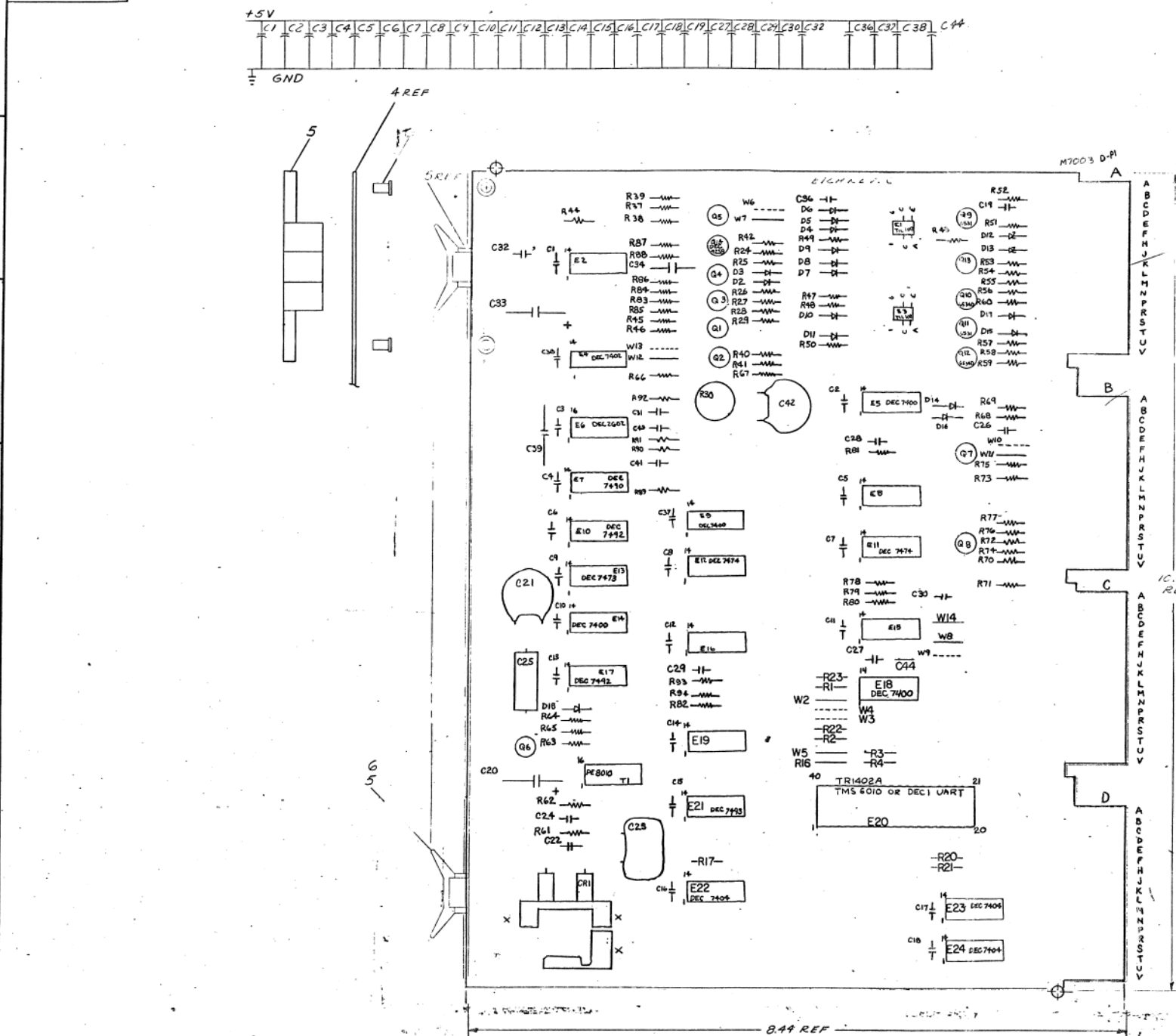


The drawing and components shown are for the purpose of identification only and are not to be used for the construction of any other equipment.

REV.	DESCRIPTION	DATE	BY	CHKD.	APP'D.	QTY.	DESCRIPTION	PART NO.	REV.
1	VT05	12/12/64
<p>UNLESS OTHERWISE SPECIFIED: DIMENSIONS IN INCHES TOLERANCES: DECIMAL FRACTIONS ANGLES IN DEGREES FINISH: ALL SURFACES TO BE POLISHED TO A 150 GRIT FINISH UNLESS OTHERWISE SPECIFIED. MATERIAL: ALL DIMENSIONS TO BE TO UNLESS OTHERWISE SPECIFIED. FINISH: ALL DIMENSIONS TO BE TO UNLESS OTHERWISE SPECIFIED.</p>									
<p>CHARACTER GENERATOR AND TIMING</p>									
<p>SCALE: 1:1</p>									

M 70031-01

Check and specifications, both on the part and on the equipment, before the part is used. If a part is found to be defective, it should be replaced by a new part of the same type and specifications.



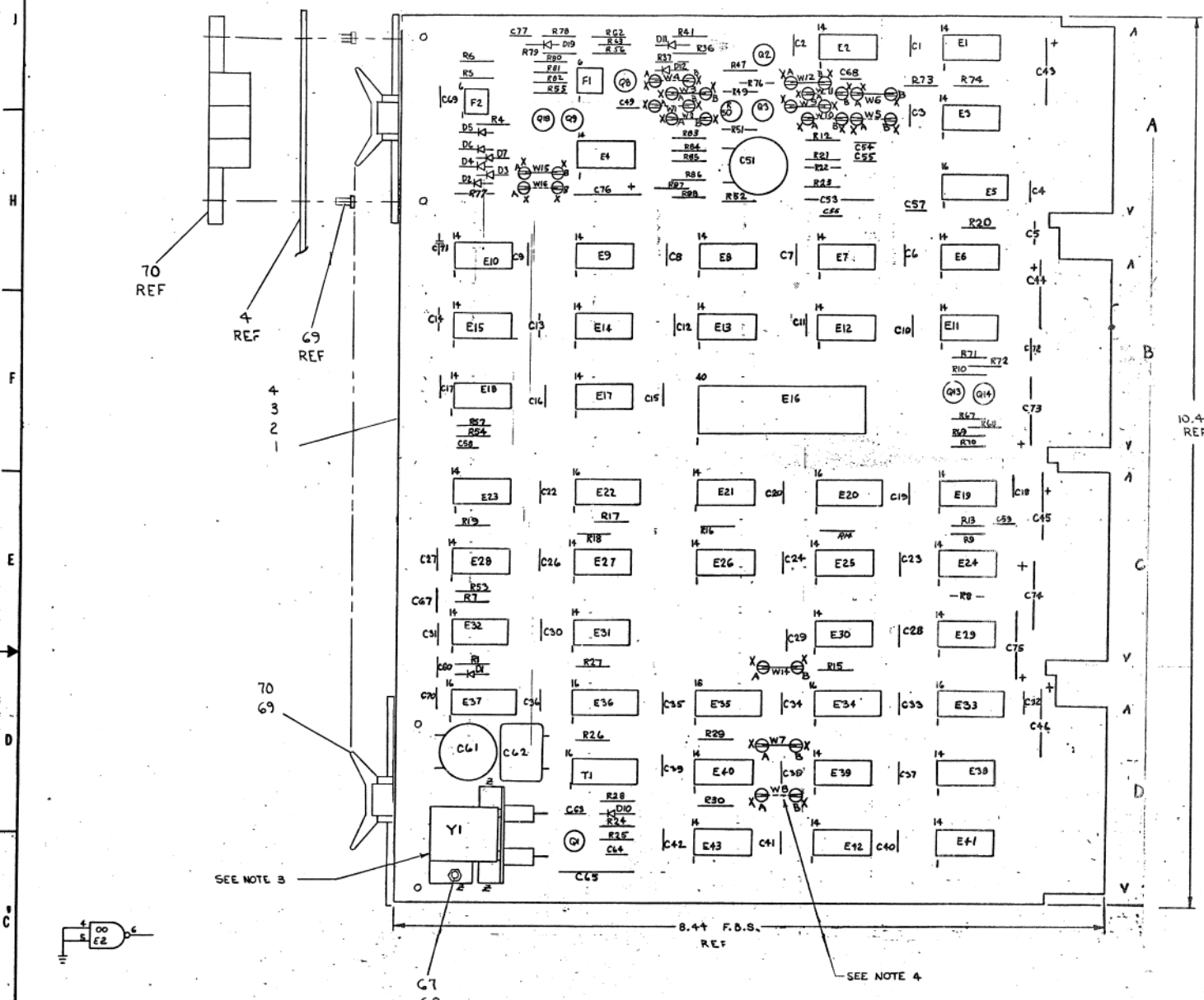
- NOTES:
- UNLESS OTHERWISE NOTED:
 - DIODES = D664
 - CAPACITOR = .01MFD 100V 20%
 - OPTIONAL JUMPERS INDICATED BY DASH LINES. EXAMPLE W6-----
 - USE ECD M7003-00003 WHEN REPLACING E19 IF IT IS A TMS 1808 JC
 - TR1402A - WESTON DIGITAL TMS 6010 - TEXAS INSTRUMENTS DEC 3 UART - GENERAL INS

QTY	REF DESIGNATION	DESCRIPTION	PART NO.	ITEM NO.
30	R39	RES. 300 OHM 5%	1300300	28
30	R37	RES. 300 OHM 5%	1300300	29
30	R38	RES. 300 OHM 5%	1300300	30
30	R36	RES. 300 OHM 5%	1300300	31
30	R35	RES. 300 OHM 5%	1300300	32
30	R34	RES. 300 OHM 5%	1300300	33
30	R33	RES. 300 OHM 5%	1300300	34
30	R32	RES. 300 OHM 5%	1300300	35
30	R31	RES. 300 OHM 5%	1300300	36
30	R30	RES. 300 OHM 5%	1300300	37
30	R29	RES. 300 OHM 5%	1300300	38
30	R28	RES. 300 OHM 5%	1300300	39
30	R27	RES. 300 OHM 5%	1300300	40
30	R26	RES. 300 OHM 5%	1300300	41
30	R25	RES. 300 OHM 5%	1300300	42
30	R24	RES. 300 OHM 5%	1300300	43
30	R23	RES. 300 OHM 5%	1300300	44
30	R22	RES. 300 OHM 5%	1300300	45
30	R21	RES. 300 OHM 5%	1300300	46
30	R20	RES. 300 OHM 5%	1300300	47
30	R19	RES. 300 OHM 5%	1300300	48
30	R18	RES. 300 OHM 5%	1300300	49
30	R17	RES. 300 OHM 5%	1300300	50
30	R16	RES. 300 OHM 5%	1300300	51
30	R15	RES. 300 OHM 5%	1300300	52
30	R14	RES. 300 OHM 5%	1300300	53
30	R13	RES. 300 OHM 5%	1300300	54
30	R12	RES. 300 OHM 5%	1300300	55
30	R11	RES. 300 OHM 5%	1300300	56
30	R10	RES. 300 OHM 5%	1300300	57
30	R9	RES. 300 OHM 5%	1300300	58
30	R8	RES. 300 OHM 5%	1300300	59
30	R7	RES. 300 OHM 5%	1300300	60
30	R6	RES. 300 OHM 5%	1300300	61
30	R5	RES. 300 OHM 5%	1300300	62
30	R4	RES. 300 OHM 5%	1300300	63
30	R3	RES. 300 OHM 5%	1300300	64
30	R2	RES. 300 OHM 5%	1300300	65
30	R1	RES. 300 OHM 5%	1300300	66
30	D1	DIODE 1N4730 ZENER	1105130	23
30	D2	DIODE 1N4730 ZENER	1105130	24
30	D3	DIODE 1N4730 ZENER	1105130	25
30	D4	DIODE 1N4730 ZENER	1105130	26
30	D5	DIODE 1N4730 ZENER	1105130	27
30	D6	DIODE 1N4730 ZENER	1105130	28
30	D7	DIODE 1N4730 ZENER	1105130	29
30	D8	DIODE 1N4730 ZENER	1105130	30
30	D9	DIODE 1N4730 ZENER	1105130	31
30	D10	DIODE 1N4730 ZENER	1105130	32
30	C1	CAP. 0.01MFD 100V 20% DISC	1001010	17
30	C2	CAP. 0.01MFD 100V 20% DISC	1001010	18
30	C3	CAP. 0.01MFD 100V 20% DISC	1001010	19
30	C4	CAP. 0.01MFD 100V 20% DISC	1001010	20
30	C5	CAP. 0.01MFD 100V 20% DISC	1001010	21
30	C6	CAP. 0.01MFD 100V 20% DISC	1001010	22
30	C7	CAP. 0.01MFD 100V 20% DISC	1001010	23
30	C8	CAP. 0.01MFD 100V 20% DISC	1001010	24
30	C9	CAP. 0.01MFD 100V 20% DISC	1001010	25
30	C10	CAP. 0.01MFD 100V 20% DISC	1001010	26
30	C11	CAP. 0.01MFD 100V 20% DISC	1001010	27
30	C12	CAP. 0.01MFD 100V 20% DISC	1001010	28
30	C13	CAP. 0.01MFD 100V 20% DISC	1001010	29
30	C14	CAP. 0.01MFD 100V 20% DISC	1001010	30
30	C15	CAP. 0.01MFD 100V 20% DISC	1001010	31
30	C16	CAP. 0.01MFD 100V 20% DISC	1001010	32
30	C17	CAP. 0.01MFD 100V 20% DISC	1001010	33
30	C18	CAP. 0.01MFD 100V 20% DISC	1001010	34
30	C19	CAP. 0.01MFD 100V 20% DISC	1001010	35
30	C20	CAP. 0.01MFD 100V 20% DISC	1001010	36
30	C21	CAP. 0.01MFD 100V 20% DISC	1001010	37
30	C22	CAP. 0.01MFD 100V 20% DISC	1001010	38
30	C23	CAP. 0.01MFD 100V 20% DISC	1001010	39
30	C24	CAP. 0.01MFD 100V 20% DISC	1001010	40
30	C25	CAP. 0.01MFD 100V 20% DISC	1001010	41
30	C26	CAP. 0.01MFD 100V 20% DISC	1001010	42
30	C27	CAP. 0.01MFD 100V 20% DISC	1001010	43
30	C28	CAP. 0.01MFD 100V 20% DISC	1001010	44
30	C29	CAP. 0.01MFD 100V 20% DISC	1001010	45
30	C30	CAP. 0.01MFD 100V 20% DISC	1001010	46
30	C31	CAP. 0.01MFD 100V 20% DISC	1001010	47
30	C32	CAP. 0.01MFD 100V 20% DISC	1001010	48
30	C33	CAP. 0.01MFD 100V 20% DISC	1001010	49
30	C34	CAP. 0.01MFD 100V 20% DISC	1001010	50
30	C35	CAP. 0.01MFD 100V 20% DISC	1001010	51
30	C36	CAP. 0.01MFD 100V 20% DISC	1001010	52
30	C37	CAP. 0.01MFD 100V 20% DISC	1001010	53
30	C38	CAP. 0.01MFD 100V 20% DISC	1001010	54
30	C39	CAP. 0.01MFD 100V 20% DISC	1001010	55
30	C40	CAP. 0.01MFD 100V 20% DISC	1001010	56
30	C41	CAP. 0.01MFD 100V 20% DISC	1001010	57
30	C42	CAP. 0.01MFD 100V 20% DISC	1001010	58
30	C43	CAP. 0.01MFD 100V 20% DISC	1001010	59
30	C44	CAP. 0.01MFD 100V 20% DISC	1001010	60
30	W1	WIRE		1
30	W2	WIRE		2
30	W3	WIRE		3
30	W4	WIRE		4
30	W5	WIRE		5
30	W6	WIRE		6
30	W7	WIRE		7
30	W8	WIRE		8
30	W9	WIRE		9
30	W10	WIRE		10
30	W11	WIRE		11
30	W12	WIRE		12
30	W13	WIRE		13
30	W14	WIRE		14
30	W15	WIRE		15
30	W16	WIRE		16
30	W17	WIRE		17
30	W18	WIRE		18
30	W19	WIRE		19
30	W20	WIRE		20
30	W21	WIRE		21
30	W22	WIRE		22
30	W23	WIRE		23
30	W24	WIRE		24
30	W25	WIRE		25
30	W26	WIRE		26
30	W27	WIRE		27
30	W28	WIRE		28
30	W29	WIRE		29
30	W30	WIRE		30
30	W31	WIRE		31
30	W32	WIRE		32
30	W33	WIRE		33
30	W34	WIRE		34
30	W35	WIRE		35
30	W36	WIRE		36
30	W37	WIRE		37
30	W38	WIRE		38
30	W39	WIRE		39
30	W40	WIRE		40
30	W41	WIRE		41
30	W42	WIRE		42
30	W43	WIRE		43
30	W44	WIRE		44
30	W45	WIRE		45
30	W46	WIRE		46
30	W47	WIRE		47
30	W48	WIRE		48
30	W49	WIRE		49
30	W50	WIRE		50
30	W51	WIRE		51
30	W52	WIRE		52
30	W53	WIRE		53
30	W54	WIRE		54
30	W55	WIRE		55
30	W56	WIRE		56
30	W57	WIRE		57
30	W58	WIRE		58
30	W59	WIRE		59
30	W60	WIRE		60
30	W61	WIRE		61
30	W62	WIRE		62
30	W63	WIRE		63
30	W64	WIRE		64
30	W65	WIRE		65
30	W66	WIRE		66
30	W67	WIRE		67
30	W68	WIRE		68
30	W69	WIRE		69
30	W70	WIRE		70
30	W71	WIRE		71
30	W72	WIRE		72
30	W73	WIRE		73
30	W74	WIRE		74
30	W75	WIRE		75
30	W76	WIRE		76
30	W77	WIRE		77
30	W78	WIRE		78
30	W79	WIRE		79
30	W80	WIRE		80
30	W81	WIRE		81
30	W82	WIRE		82
30	W83	WIRE		83
30	W84	WIRE		84
30	W85	WIRE		85
30	W86	WIRE		86
30	W87	WIRE		87
30	W88	WIRE		88
30	W89	WIRE		89
30	W90	WIRE		90
30	W91	WIRE		91
30	W92	WIRE		92
30	W93	WIRE		93
30	W94	WIRE		94
30	W95	WIRE		95
30	W96	WIRE		96
30	W97	WIRE		97
30	W98	WIRE		98
30	W99	WIRE		99
30	W100	WIRE		100

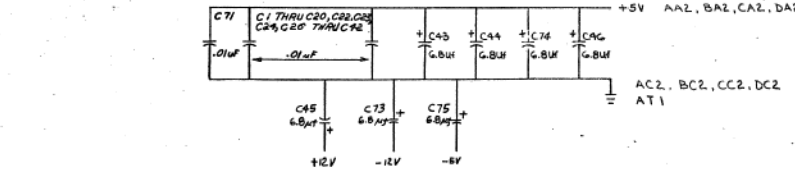
IC TYPE	QTY	REF	DESCRIPTION	PART NO.	ITEM NO.		
TR1402A	2	3	1	W3-A W3-B			
DEC3 UART	2	3	1	W3-A W3-B			
TMS 6010	2	3	1	W3-A W3-B			
DEC 7493	10	5		W3-A W3-B			
DEC 7473	11	4		W3-A W3-B			
DEC 7490	10	5		W3-A W3-B			
DEC 7492	10	5		W3-A W3-B			
IC TYPE	W2	-5	GND	+5V	66	22	W3-A W3-B
GND AND BY ARE USUALLY PIN 7 AND 14 RESPECTIVELY. EXCEPTIONS ARE STATED ABOVE.	ITEM NO.	QTY	FROM	TO	PI		
IC PIN LOCATIONS							
JUMPER LIST							

REV	DATE	DESCRIPTION
1	11-17-72	INITIAL DESIGN
2	11-17-72	REVISED TO ADD COMPONENTS
3	11-17-72	REVISED TO ADD COMPONENTS
4	11-17-72	REVISED TO ADD COMPONENTS
5	11-17-72	REVISED TO ADD COMPONENTS
6	11-17-72	REVISED TO ADD COMPONENTS
7	11-17-72	REVISED TO ADD COMPONENTS
8	11-17-72	REVISED TO ADD COMPONENTS
9	11-17-72	REVISED TO ADD COMPONENTS
10	11-17-72	REVISED TO ADD COMPONENTS
11	11-17-72	REVISED TO ADD COMPONENTS
12	11-17-72	REVISED TO ADD COMPONENTS
13	11-17-72	REVISED TO ADD COMPONENTS
14	11-17-72	REVISED TO ADD COMPONENTS

This drawing and specifications, hereinafter referred to as the drawing, shall be the property of the Government and shall remain the property of the Government whether or not the drawing is used for the manufacture of any article or article part.



IC TYPE	14	16	18	20	22	24	26	28	30	32	34	36	38	40	42	44	46	48	50	52	54	56	58	60	62	64	66	68	70	72	74	76	78	80																																																																																																																																																																																																																																																																																																																																																																																																																																																																																																																																																																																																																																																																																									
W1-A	W1-B	W1-C	W1-D	W1-E	W1-F	W1-G	W1-H	W1-I	W1-J	W1-K	W1-L	W1-M	W1-N	W1-O	W1-P	W1-Q	W1-R	W1-S	W1-T	W1-U	W1-V	W1-W	W1-X	W1-Y	W1-Z	W1-AA	W1-AB	W1-AC	W1-AD	W1-AE	W1-AF	W1-AG	W1-AH	W1-AI	W1-AJ	W1-AK	W1-AL	W1-AM	W1-AN	W1-AO	W1-AP	W1-AQ	W1-AR	W1-AS	W1-AT	W1-AU	W1-AV	W1-AW	W1-AX	W1-AY	W1-AZ	W1-BA	W1-BB	W1-BC	W1-BD	W1-BE	W1-BF	W1-BG	W1-BH	W1-BI	W1-BJ	W1-BK	W1-BL	W1-BM	W1-BN	W1-BO	W1-BP	W1-BQ	W1-BR	W1-BS	W1-BT	W1-BU	W1-BV	W1-BW	W1-BX	W1-BY	W1-BZ	W1-CA	W1-CB	W1-CC	W1-CD	W1-CE	W1-CF	W1-CG	W1-CH	W1-CI	W1-CJ	W1-CK	W1-CL	W1-CM	W1-CN	W1-CO	W1-CP	W1-CQ	W1-CR	W1-CS	W1-CT	W1-CU	W1-CV	W1-CW	W1-CX	W1-CY	W1-CZ	W1-DA	W1-DB	W1-DC	W1-DD	W1-DE	W1-DF	W1-DG	W1-DH	W1-DI	W1-DJ	W1-DK	W1-DL	W1-DM	W1-DN	W1-DO	W1-DP	W1-DQ	W1-DR	W1-DS	W1-DT	W1-DU	W1-DV	W1-DW	W1-DX	W1-DY	W1-DZ	W1-EA	W1-EB	W1-EC	W1-ED	W1-EE	W1-EF	W1-EG	W1-EH	W1-EI	W1-EJ	W1-EK	W1-EL	W1-EM	W1-EN	W1-EO	W1-EP	W1-EQ	W1-ER	W1-ES	W1-ET	W1-EU	W1-EV	W1-EW	W1-EX	W1-EY	W1-EZ	W1-FA	W1-FB	W1-FC	W1-FD	W1-FE	W1-FF	W1-FG	W1-FH	W1-FI	W1-FJ	W1-FK	W1-FL	W1-FM	W1-FN	W1-FO	W1-FP	W1-FQ	W1-FR	W1-FS	W1-FT	W1-FU	W1-FV	W1-FW	W1-FX	W1-FY	W1-FZ	W1-GA	W1-GB	W1-GC	W1-GD	W1-GE	W1-GF	W1-GG	W1-GH	W1-GI	W1-GJ	W1-GK	W1-GL	W1-GM	W1-GN	W1-GO	W1-GP	W1-GQ	W1-GR	W1-GS	W1-GT	W1-GU	W1-GV	W1-GW	W1-GX	W1-GY	W1-GZ	W1-HA	W1-HB	W1-HC	W1-HD	W1-HE	W1-HF	W1-HG	W1-HH	W1-HI	W1-HJ	W1-HK	W1-HL	W1-HM	W1-HN	W1-HO	W1-HP	W1-HQ	W1-HR	W1-HS	W1-HT	W1-HU	W1-HV	W1-HW	W1-HX	W1-HY	W1-HZ	W1-IA	W1-IB	W1-IC	W1-ID	W1-IE	W1-IF	W1-IG	W1-IH	W1-II	W1-IJ	W1-IK	W1-IL	W1-IM	W1-IN	W1-IO	W1-IP	W1-IQ	W1-IR	W1-IS	W1-IT	W1-IU	W1-IV	W1-IW	W1-IX	W1-IY	W1-IZ	W1-JA	W1-JB	W1-JC	W1-JD	W1-JE	W1-JF	W1-JG	W1-JH	W1-JI	W1-JJ	W1-JK	W1-JL	W1-JM	W1-JN	W1-JO	W1-JP	W1-JQ	W1-JR	W1-JS	W1-JT	W1-JU	W1-JV	W1-JW	W1-JX	W1-JY	W1-JZ	W1-KA	W1-KB	W1-KC	W1-KD	W1-KE	W1-KF	W1-KG	W1-KH	W1-KI	W1-KJ	W1-KK	W1-KL	W1-KM	W1-KN	W1-KO	W1-KP	W1-KQ	W1-KR	W1-KS	W1-KT	W1-KU	W1-KV	W1-KW	W1-KX	W1-KY	W1-KZ	W1-LA	W1-LB	W1-LC	W1-LD	W1-LE	W1-LF	W1-LG	W1-LH	W1-LI	W1-LJ	W1-LK	W1-LL	W1-LM	W1-LN	W1-LO	W1-LP	W1-LQ	W1-LR	W1-LS	W1-LT	W1-LU	W1-LV	W1-LW	W1-LX	W1-LY	W1-LZ	W1-MA	W1-MB	W1-MC	W1-MD	W1-ME	W1-MF	W1-MG	W1-MH	W1-MI	W1-MJ	W1-MK	W1-ML	W1-MN	W1-MO	W1-MP	W1-MQ	W1-MR	W1-MS	W1-MT	W1-MU	W1-MV	W1-MW	W1-MX	W1-MY	W1-MZ	W1-NA	W1-NB	W1-NC	W1-ND	W1-NE	W1-NF	W1-NG	W1-NH	W1-NI	W1-NJ	W1-NK	W1-NL	W1-NM	W1-NO	W1-NP	W1-NQ	W1-NR	W1-NS	W1-NT	W1-NU	W1-NV	W1-NW	W1-NX	W1-NY	W1-NZ	W1-OA	W1-OB	W1-OC	W1-OD	W1-OE	W1-OF	W1-OG	W1-OH	W1-OI	W1-OJ	W1-OK	W1-OL	W1-OM	W1-ON	W1-OO	W1-OP	W1-OQ	W1-OR	W1-OS	W1-OT	W1-OU	W1-OV	W1-OW	W1-OX	W1-OY	W1-OZ	W1-PA	W1-PB	W1-PC	W1-PD	W1-PE	W1-PF	W1-PG	W1-PH	W1-PI	W1-PJ	W1-PK	W1-PL	W1-PM	W1-PN	W1-PO	W1-PP	W1-PQ	W1-PR	W1-PS	W1-PT	W1-PU	W1-PV	W1-PW	W1-PX	W1-PY	W1-PZ	W1-QA	W1-QB	W1-QC	W1-QD	W1-QE	W1-QF	W1-QG	W1-QH	W1-QI	W1-QJ	W1-QK	W1-QL	W1-QM	W1-QN	W1-QO	W1-QP	W1-QQ	W1-QR	W1-QS	W1-QT	W1-QU	W1-QV	W1-QW	W1-QX	W1-QY	W1-QZ	W1-RA	W1-RB	W1-RC	W1-RD	W1-RE	W1-RF	W1-RG	W1-RH	W1-RI	W1-RJ	W1-RK	W1-RL	W1-RM	W1-RN	W1-RO	W1-RP	W1-RQ	W1-RR	W1-RS	W1-RT	W1-RU	W1-RV	W1-RW	W1-RX	W1-RY	W1-RZ	W1-SA	W1-SB	W1-SC	W1-SD	W1-SE	W1-SF	W1-SG	W1-SH	W1-SI	W1-SJ	W1-SK	W1-SL	W1-SM	W1-SN	W1-SO	W1-SP	W1-SQ	W1-SR	W1-SS	W1-ST	W1-SU	W1-SV	W1-SW	W1-SX	W1-SY	W1-SZ	W1-TA	W1-TB	W1-TC	W1-TD	W1-TE	W1-TF	W1-TG	W1-TH	W1-TI	W1-TJ	W1-TK	W1-TL	W1-TM	W1-TN	W1-TO	W1-TP	W1-TQ	W1-TR	W1-TS	W1-TT	W1-TU	W1-TV	W1-TW	W1-TX	W1-TY	W1-TZ	W1-UA	W1-UB	W1-UC	W1-UD	W1-UE	W1-UF	W1-UG	W1-UH	W1-UI	W1-UJ	W1-UK	W1-UL	W1-UM	W1-UN	W1-UO	W1-UP	W1-UQ	W1-UR	W1-US	W1-UT	W1-UY	W1-UV	W1-UW	W1-UX	W1-UY	W1-UZ	W1-VA	W1-VB	W1-VC	W1-VD	W1-VE	W1-VF	W1-VG	W1-VH	W1-VI	W1-VJ	W1-VK	W1-VL	W1-VM	W1-VN	W1-VO	W1-VP	W1-VQ	W1-VR	W1-VS	W1-VT	W1-VU	W1-VV	W1-VW	W1-VX	W1-VY	W1-VZ	W1-WA	W1-WB	W1-WC	W1-WD	W1-WE	W1-WF	W1-WG	W1-WH	W1-WI	W1-WJ	W1-WK	W1-WL	W1-WM	W1-WN	W1-WO	W1-WP	W1-WQ	W1-WR	W1-WS	W1-WT	W1-WU	W1-WV	W1-WW	W1-WX	W1-WY	W1-WZ	W1-XA	W1-XB	W1-XC	W1-XD	W1-XE	W1-XF	W1-XG	W1-XH	W1-XI	W1-XJ	W1-XK	W1-XL	W1-XM	W1-XN	W1-XO	W1-XP	W1-XQ	W1-XR	W1-XS	W1-XT	W1-XU	W1-XV	W1-XW	W1-XX	W1-XY	W1-XZ	W1-YA	W1-YB	W1-YC	W1-YD	W1-YE	W1-YF	W1-YG	W1-YH	W1-YI	W1-YJ	W1-YK	W1-YL	W1-YM	W1-YN	W1-YO	W1-YP	W1-YQ	W1-YR	W1-YS	W1-YT	W1-YU	W1-YV	W1-YW	W1-YX	W1-YY	W1-YZ	W1-ZA	W1-ZB	W1-ZC	W1-ZD	W1-ZE	W1-ZF	W1-ZG	W1-ZH	W1-ZI	W1-ZJ	W1-ZK	W1-ZL	W1-ZM	W1-ZN	W1-ZO	W1-ZP	W1-ZQ	W1-ZR	W1-ZS	W1-ZT	W1-ZU	W1-ZV	W1-ZW	W1-ZX	W1-ZY	W1-ZZ



- UNLESS OTHERWISE SPECIFIED:
RESISTANCE IS IN OHMS
CAPACITANCE IS IN PICOFARADS
ITEM #G3 MAY BE REPLACED BY TR14-02A
- INSTALL ITEM #11 TO ITEM #49 BEFORE ASSEMBLY OF ITEMS C4-G5, G7-G8 TO ITEM #4.
- ALL DOTTED JUMPERS ARE OPTIONAL.
- DELETED COMPONENTS: R2, R3, R4, R31 THRU R35, R38, R39, R40, R41 THRU R44, R58 THRU R61, R64, R65, R66, R75, D8, D9, D13 THRU D18, Q4 THRU Q7, Q10, Q11, Q12, C50

QTY	REF DESIGNATION	DESCRIPTION	PART NO.	ITEM NO.
1	E4	IC DEC 148B L	1910322	76
1	C72	CAP 1000PF 100V 5% D M	400042	75
1		INSULATOR 8000 PDI	1202812	74
1	C70	CAP .001UF 250V 20% DMC	1000043	73
1		WIRE INS 2285	8101350-20	72
1		TUBING HEAT SHINKABLE 3/4	8107250	71
1		HANDLE FLIP CHIP MAGENTA	8008337 6	70
1		WELLET C 54-7	8008732	69
1		WHT HEAT 5-56	8008555	68
1		SCR BINDER HD #2-36X3-18	8004000-4	67
1		LUG SPLIT	8004135	66
1		BRACKET CRYSTAL HOL DER	5303154	65
1		BRACKET CRYSTAL HOL DER	5302825	64
1	E16	IC DEC 148T	1910345-2	63
1	E41	IC DEC 7483	1909056	62
1	E42	IC DEC 7490	1909051	61
2	E39, E43	IC DEC 7482	1909053	60
1	E5	IC DEC 7412P	1812636	59
7	E40E22, E23 THRU E27	IC DEC 7488	1811292	58
1	E8	IC DEC 7492	1802004	57
1	E6 THRU E8, E40	IC DEC 7474	1802007	56
1	E21	IC DEC 7410	1805578	55
1	E17	IC DEC 7410	1805578	54
4	E9, E12, E13, E15	IC DEC 7474	1805547	53
8	E1, E11, E18, E24 THRU E28	IC DEC 7481	1805000	52
5	E2, E16, E19, E23, E38	IC DEC 7480	1805515	51
5	E10, E29 THRU E32	IC DEC 7484	1805886	50
1	T1	CRYSTAL 844 8 MHZ	1810245-1	49
1	T1	ZMFR PULSE PE 8010	1809651	48
2	F1, F2	COUPLER PHOTO OPTIC OC1-8	1510727	47
1	G8	1518 DEC 6531	1509238	46
1				45
1				44
7	Q1 THRU Q3, Q8, Q13, Q14, Q16	T58H DEC 3008 B	1502100	43
1	R17	RES 560 1/4W 5%	1301810	42
2	R64, R68	RES 150 1/4W 5%	1302250	41
1	R50	RES 3K 1/2W 250 PPT 62PP	1301510-04	40
1				39
2	R21, R28	RES 410 1/4W 5%	1300318	37
2	R22, R23	RES 30K 1/4W 5%	1302394	36
5	R20, R21, R25, R27, R28, R29	RES 220 1/4W 5%	1300271	35
1	R30	RES 47K 1/2W 5%	1302777	34
1				33
7	R36, R37, R41, R53, R57, R70, R72	RES 1K 1/4W 5%	1300385	32
4	R29, R41, R58, R71	RES 750 1/4W 5%	1301401	31
4	R52, R62, R69, 72, 73	RES 15 1/4W 5%	1302318	30
3	R74, R78, R79	RES 2.2K 1/4W 5%	1300417	29
3	R63, R64, R65	RES 5.6K 1/4W 5%	1301874	28
9	R13 THRU R19, R26	RES 3.3K 1/4W 5%	1300439	27
7	R10	RES 880 1/4W 5%	1301424	26
2	R1, R20	RES 330 1/4W 5%	1300295	25
4	R9, R51, R57, R63	RES 1.5K 1/4W 5%	1300391	24
2	R5, R56	RES 68K 1/4W 5%	1301327	23
7	R8 THRU R12, R14, R4, R3	RES 10K 1/4W 5%	1300478	22
1				21
1	R4	RES 18 1/4W 5%	1301124	20
1	R81	RES 7.5K 1/4W 5%	1301432	19
1				18
11	Q1 THRU Q7, D1, D12, D19, D10	DIODE 066A	1100114	17
1	C83	CAP 33PF 100V 5% DM	1000009	16
1	C82	CAP 5100PF 100V 5% DM	1000821	15
1	C84	CAP 820PF 100V 5% DM	1000827	14
1	C85	CAP .047UF 200V 10% WFLAR	1000053	13
2	C81, C81	CAP 1UF 100V 20% DISC	1000030	12
1				11
8	C43 THRU C48, C73, C74, C75, C76	CAP 8 80V 35V 70% TANT	1000087	10
1	C53	CAP .015 UF 100V 10% WFLAR	1002930	9
2	C58, C77	CAP 680 PF 100V 5% DM	1000026	8
7	C55, C57	JP 270 PF 100V 5% DM	1000022	7
1	C49	CAP 10 PF 100V 5% DM	1000006	6
48	C1 THRU C20, C22 THRU C28, C29, C30, C31, C32, C33, C34, C35, C36, C37, C38, C39, C40, C41, C42, C43, C44, C45, C46, C47, C48	CAP .01 UF 100V 20% DISC	1001810	5
1		ETCHED CIRCUIT BOARD	5009889	4
REF		MODULE ECO HISTORY	B WH W7004 0-6	3
REF		ASSY DRILLING HOLE LAYOUT	E WH W7004 0-5	2
REF		X-Y COORDINATE HOLE LOCATION	K CO W7004 0-4	1

VT05 HIGH SPEED INTERFACE

SEMICONDUCTOR CONVERSION CHART

REVISIONS

DATE

BY

CHKD

APP'D

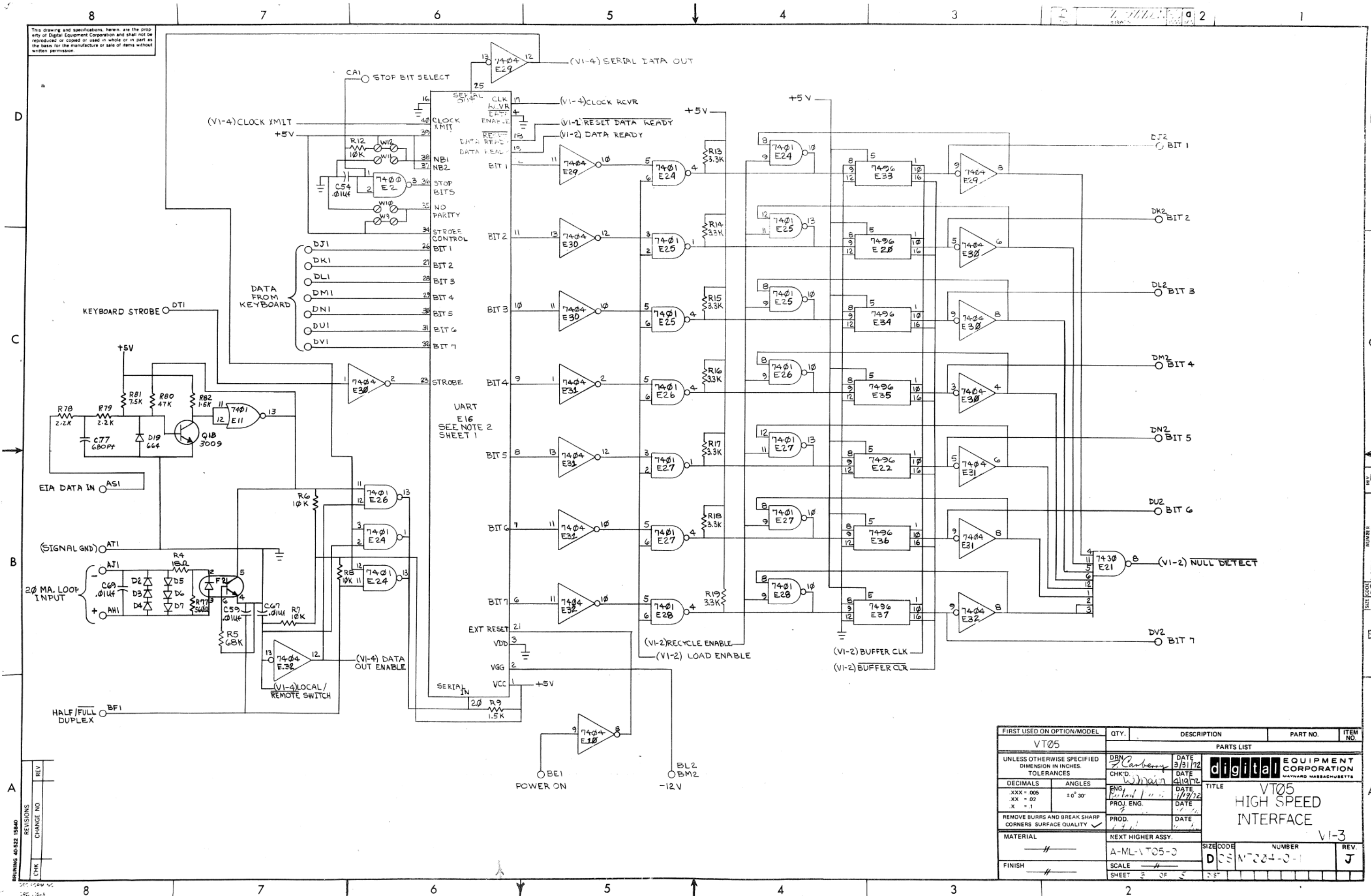
PREP'D

PROJ

SCALE

SHEET 1 OF 3

This drawing and specifications, herein, are the property of Digital Equipment Corporation and shall not be reproduced or copied or used in whole or in part as the basis for the manufacture or sale of items without written permission.

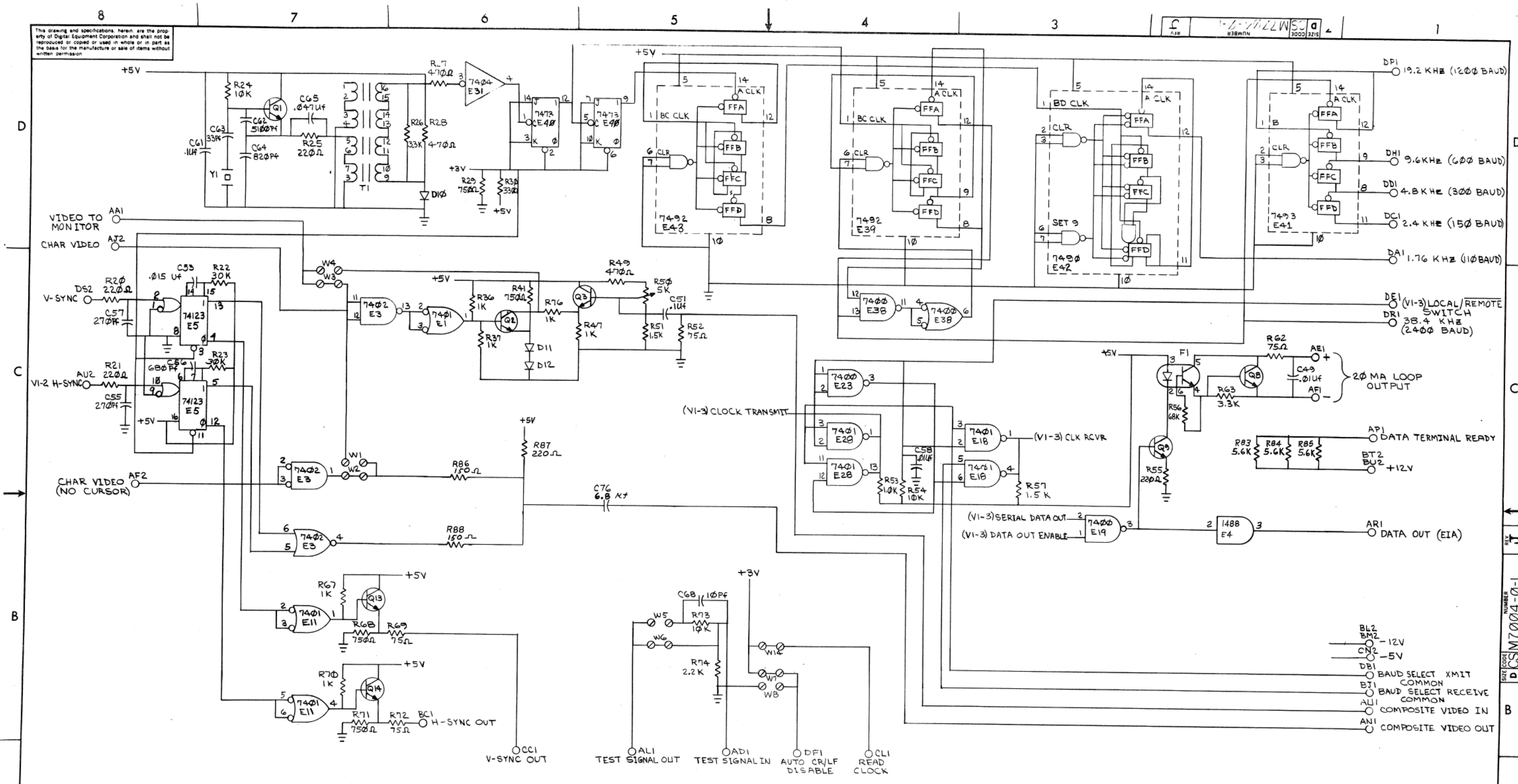


REVISIONS

REV	CHANGE NO

FIRST USED ON OPTION/MODEL	QTY.	DESCRIPTION	PART NO.	ITEM NO.
VT05				
PARTS LIST				
UNLESS OTHERWISE SPECIFIED DIMENSION IN INCHES. TOLERANCES		DRN <i>F. Carberry</i> DATE 3/31/72	digital EQUIPMENT CORPORATION MAYNARD MASSACHUSETTS TITLE VT05 HIGH SPEED INTERFACE VI-3	
DECIMALS	ANGLES	CHK'D. <i>W. Main</i> DATE 4/19/72		
XXX = .005	± 0° 30'	ENG. <i>Paul J. ...</i> DATE 1/19/72		
XX = .02		PROJ. ENG. DATE		
REMOVE BURRS AND BREAK SHARP CORNERS SURFACE QUALITY		PROD. DATE		
MATERIAL	NEXT HIGHER ASSY.	SCALE	SIZE CODE	NUMBER
FINISH	A-ML-VT05-3	SHEET 3 OF 5	DCE	N7224-0-1

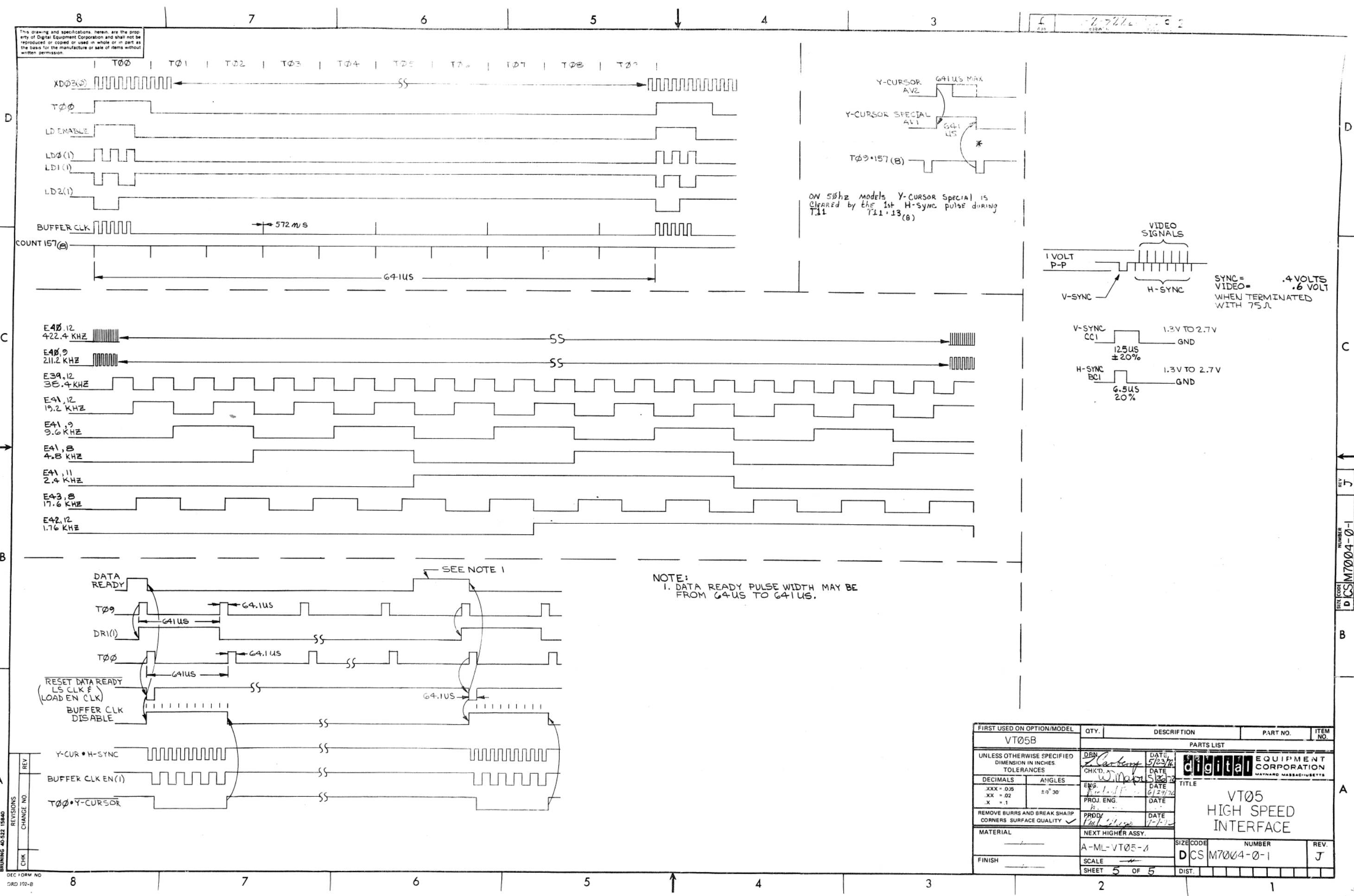
This drawing and specifications, herein, are the property of Digital Equipment Corporation and shall not be reproduced or copied or used in whole or in part as the basis for the manufacture or sale of items without written permission.



REV	
CHG	
CHK	
REVISIONS	CHANGE NO.

FIRST USED ON OPTION/MODEL	QTY.	DESCRIPTION	PART NO.	ITEM NO.
VT05				
PARTS LIST				
UNLESS OTHERWISE SPECIFIED DIMENSION IN INCHES TOLERANCES	DRN <i>L. Carberry</i>	DATE 4/10/72	digital EQUIPMENT CORPORATION <small>MAYNARD MASSACHUSETTS</small> TITLE VT05 HIGH SPEED INTERFACE VI-4	
DECIMALS	CHK'D. <i>W. Moran</i>	DATE 4/13/72		
ANGLES XXX = .005 .XX = .02 .X = .1	ENG. <i>Richard L. ...</i>	DATE 7/19/72		
REMOVE BURRS AND BREAK SHARP CORNERS SURFACE QUALITY	PROD. <i>...</i>	DATE 4/1/72		
MATERIAL	NEXT HIGHER ASSY.	SCALE	SIZE CODE	NUMBER
FINISH	A-ML-VT05-0	4	DCS	M7004-0-1
		SHEET 4 OF 5	DIST.	REV. J

This drawing and specifications herein are the property of Digital Equipment Corporation and shall not be reproduced or copied or used in whole or in part as the basis for the manufacture or sale of items without written permission.



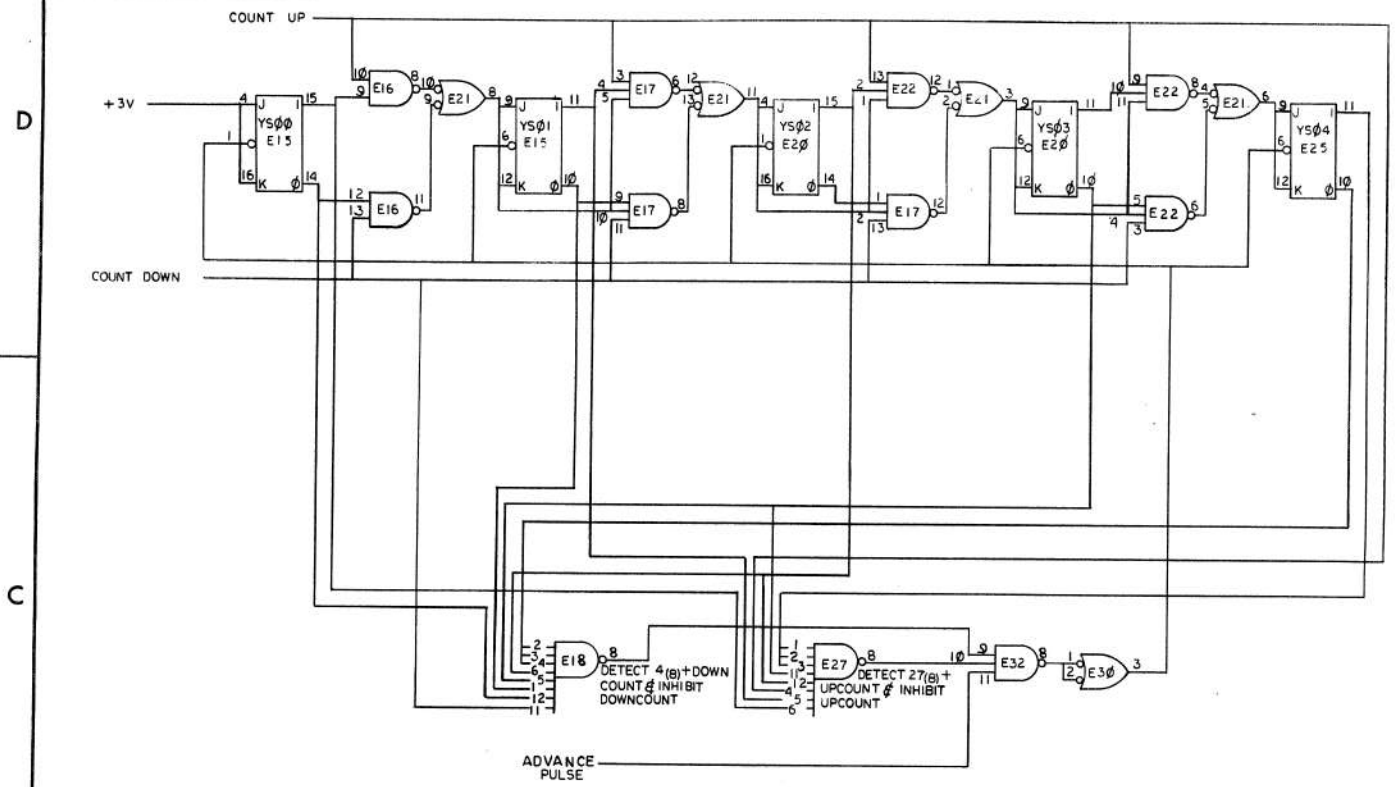
FIRST USED ON OPTION/MODEL	QTY.	DESCRIPTION	PART NO.	ITEM NO.
VT05B				
PARTS LIST				
UNLESS OTHERWISE SPECIFIED DIMENSION IN INCHES TOLERANCES	DRN	DATE	digital EQUIPMENT CORPORATION MAYNARD MASSACHUSETTS	
DECIMALS .XXX = .035 .XX = .02 .X = .1	CHK'D	DATE		
ANGLES ±0° 30'	ENGR	DATE	VT05 HIGH SPEED INTERFACE	
REMOVE BURRS AND BREAK SHARP CORNERS SURFACE QUALITY	PROJ. ENG.	DATE		
MATERIAL	PRDDY	DATE	SIZE CODE NUMBER REV. D CS M7004-0-1 J	
NEXT HIGHER ASSY.				
FINISH	SCALE	SHEET 5 OF 5	DIST.	

BRUNING 40-522 15840
DEC FORM NO 192-B

REV J
NUMBER DCS M7004-0-1
SIZE CODE

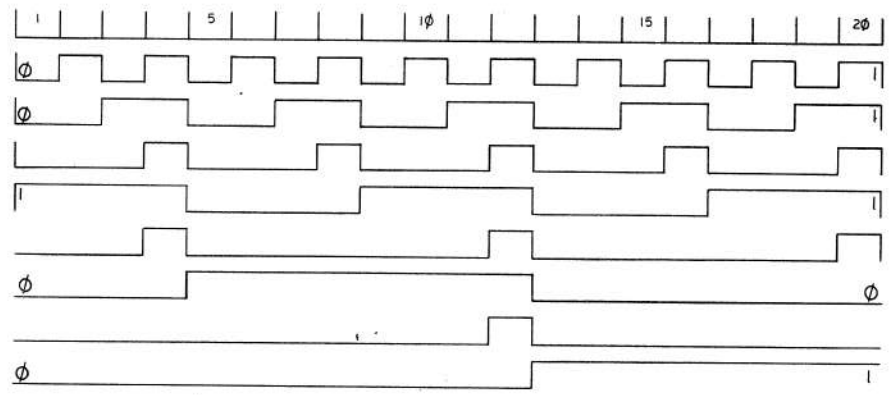
This drawing and specifications, herein, are the property of Digital Equipment Corporation and shall not be reproduced or copied or used in whole or in part as the basis for the manufacture or sale of items without written permission.

20-0-501A 01 2



ASYNCHRONOUS CURSOR ADVANCE

- YS00 (I) = JKYS01
- YS01 (I)
- JKYS02
- YS02 (I)
- JKYS03
- YS03 (I)
- JKYS04
- YS04 (I)



REV	
CHANGE NO.	
CHK	

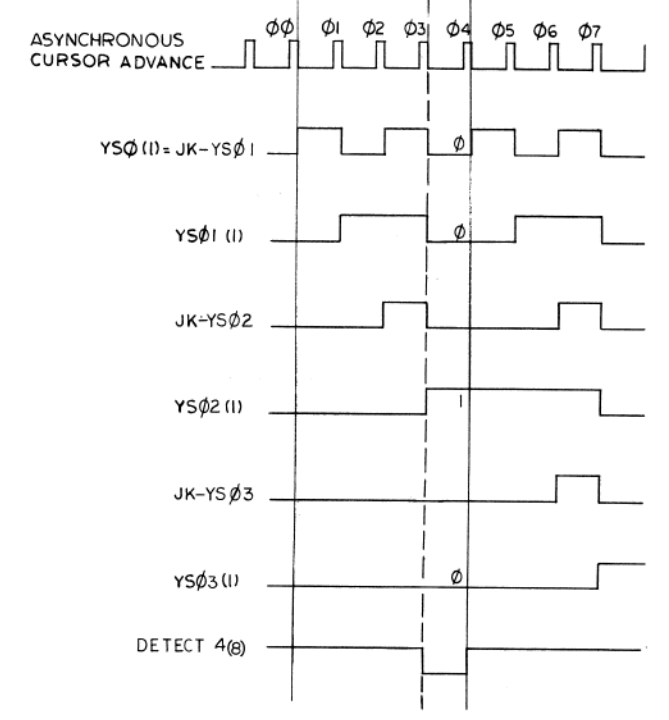
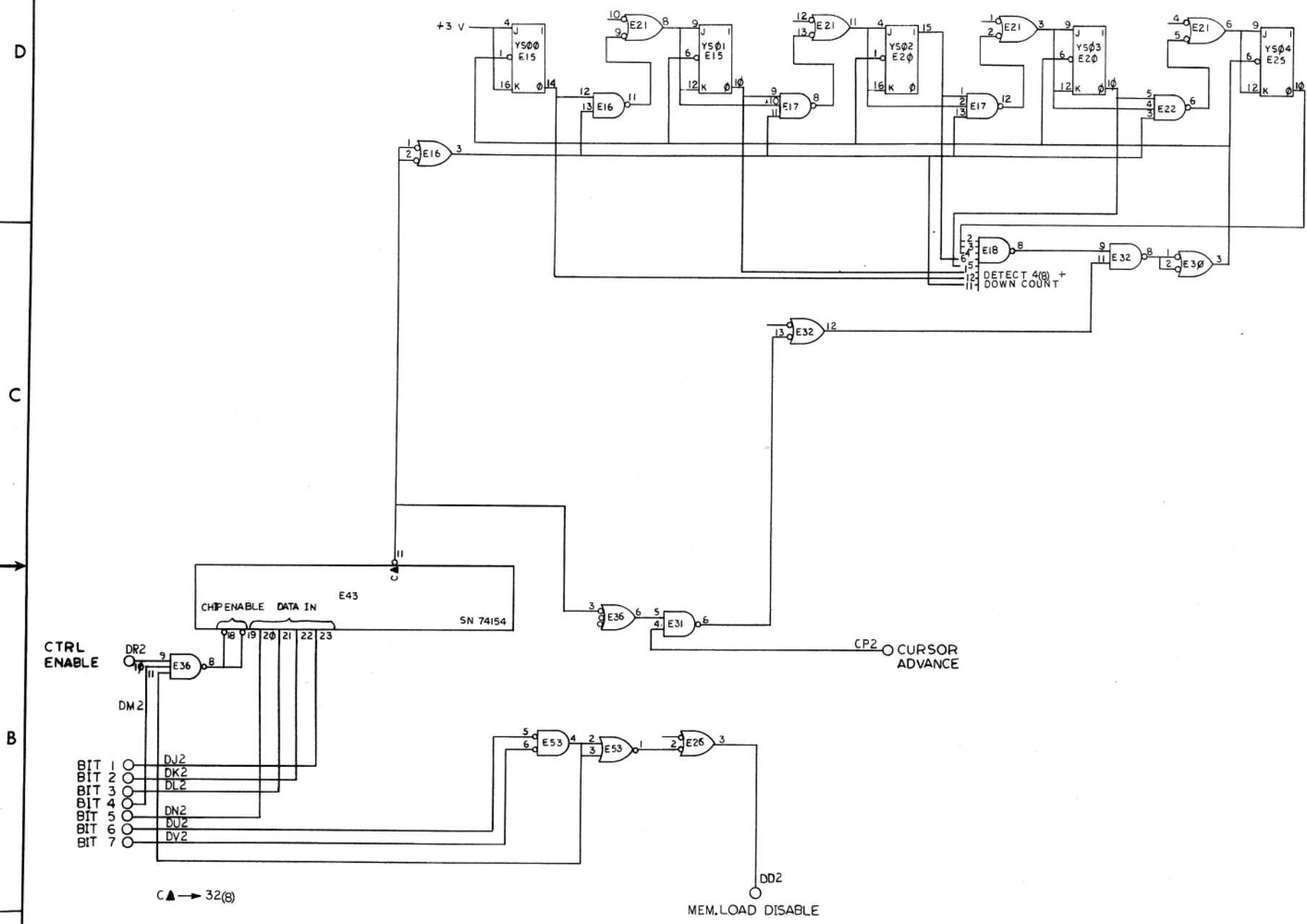
FIRST USED ON OPTION/ MODEL VT05	QTY.	DESCRIPTION	PART NO.	ITEM NO.
UNLESS OTHERWISE SPECIFIED	DRN	DATE	PARTS LIST	
UNLESS OTHERWISE SPECIFIED	CHKD	DATE	digital EQUIPMENT CORPORATION MAYNARD MASSACHUSETTS	
TOLERANCES	ENG	DATE	TITLE	
DECIMALS FRACTIONS ANGLES	PROJ. ENG.	DATE	STATIC Y-COUNTER	
± .005 ± 1/64 ± 0°30'	PROD.	DATE	(M-7000)	
FINAL SURFACE QUALITY	NEXT HIGHER ASSY		SIZE CODE	NUMBER
REMOVE BURRS AND BREAK SHARP CORNERS	A-ML-VT05-0		DTDVT05-0-02	REV.
MATERIAL	SCALE		DIST.	
FINISH	SHEET 1 OF 1			

DEC FORM 1
DRD 102A

REV
NUMBER
D T D V T 0 5 - 0 - 0 2

The drawing and specifications herein are the property of Digital Equipment Corporation and shall not be reproduced or copied or used in whole or in part as the basis for the manufacture or sale of items without written permission.

VT05-0-04 2



REVISIONS	NO.	REV.
CHK		

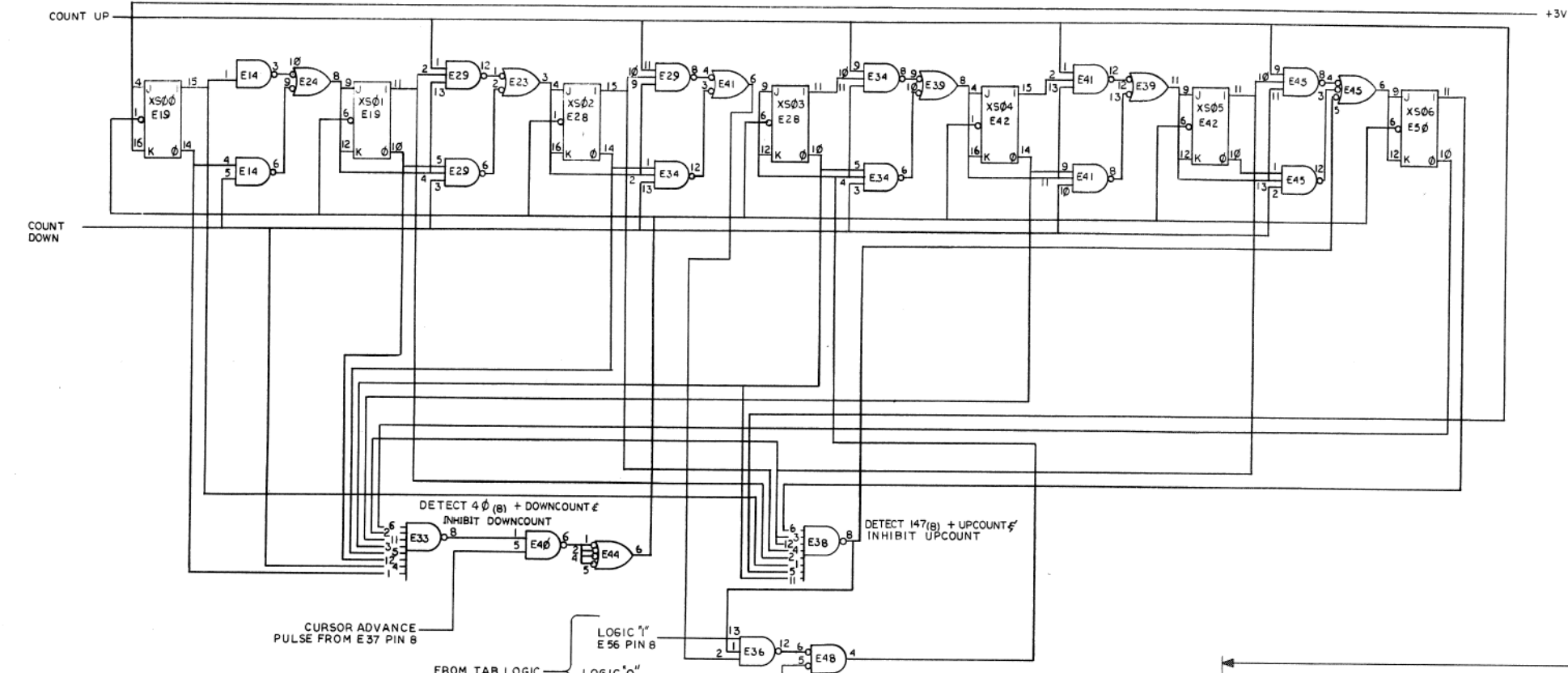
FIRST USED ON OPTION/ MODEL VT05	QTY.	DESCRIPTION	PART NO.	ITEM NO.
PARTS LIST				
UNLESS OTHERWISE SPECIFIED		DRN	DATE	digital EQUIPMENT CORPORATION NATHAN, MASSACHUSETTS TITLE CURSOR UP (M-7000) SIZE CODE NUMBER DITVT05-0-04 DIST. REV.
UNLESS OTHERWISE SPECIFIED		CHKD	DATE	
DIMENSION IN INCHES		ENG	DATE	
TOLERANCES		PROJ. ENG	DATE	
DECIMALS ± 0.05 FRACTIONS ± 1/64 ANGLES ± 0°30' FINAL SURFACE QUALITY REMOVE BURRS AND BREAK SHARP CORNERS		PROD.	DATE	
MATERIAL	NEXT HIGHER ASSY			
FINISH	A-ML-VT05-0			
SCALE	SHEET 1 OF 1			

REV. NO. 1
VT05-0-04

This drawing and specifications, herein, are the property of Digital Equipment Corporation and shall not be reproduced or copied or used in whole or in part as the basis for the manufacture or sale of items without written permission.

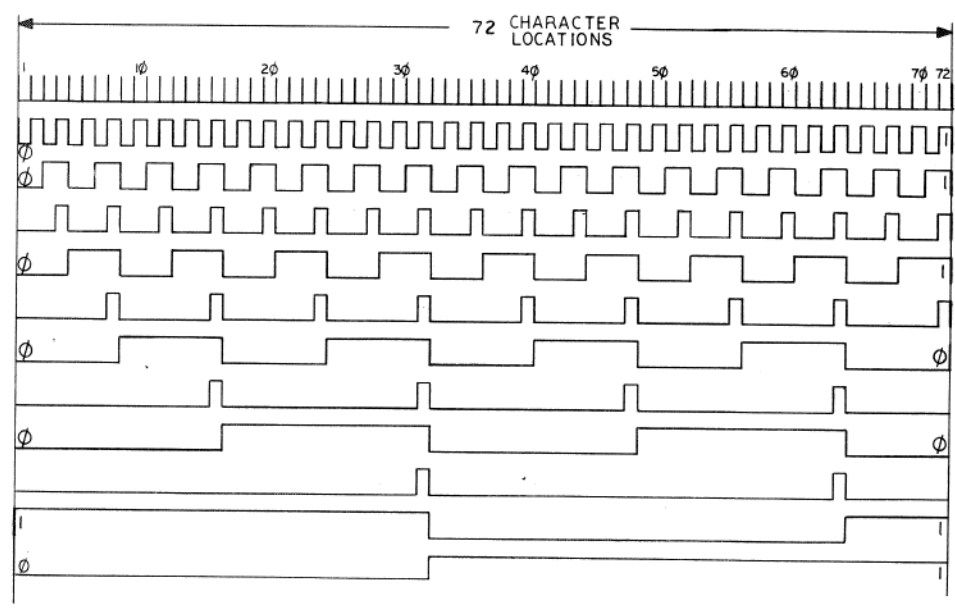
30-0-501A 2

8 7 6 5 4 3 1



ASYNCHRONOUS CURSOR ADVANCE

- XS00 (I) = JK-XS01
- XS01 (I)
- JK-XS02
- XS02 (I)
- JK-XS03
- XS03 (I)
- JK-XS04
- XS04 (I)
- JK-XS05
- XS05 (I)
- XS06 (I)



REVISIONS	REV.
CHANGE NO.	
CHK	

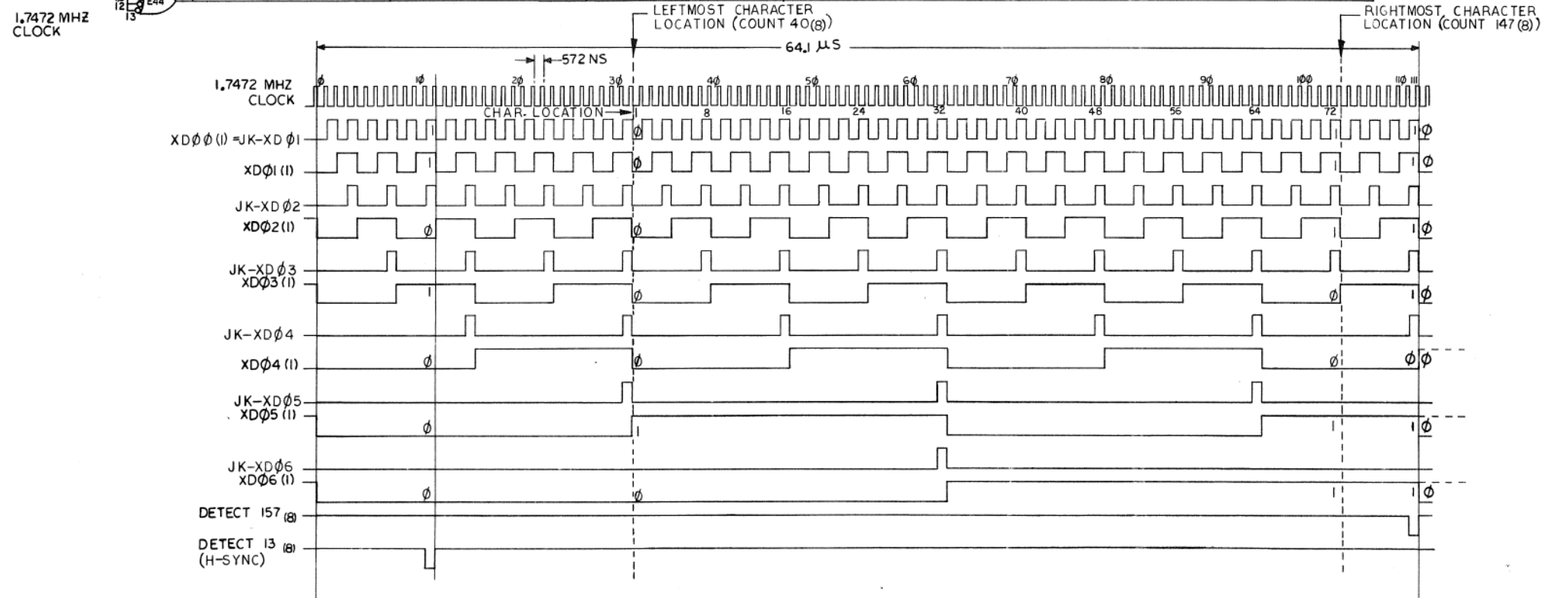
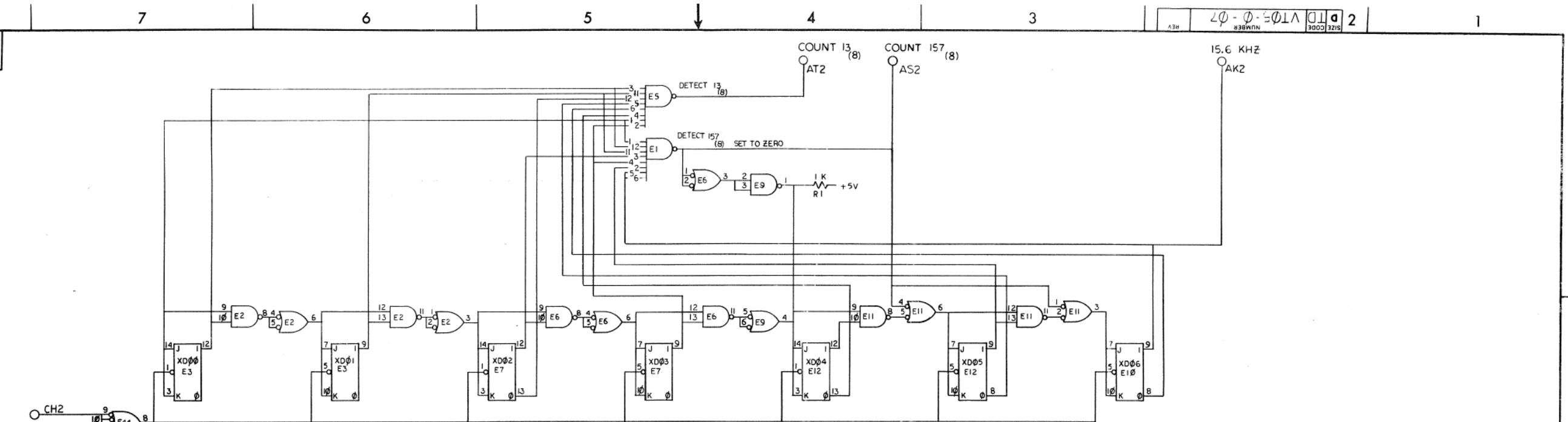
DEC FORM NO. DRD 102A

8 7 6 5 4 3 2 1

FIRST USED ON OPTION / MODEL VT05	QTY.	DESCRIPTION	PART NO.	ITEM NO.
UNLESS OTHERWISE SPECIFIED	PARTS LIST			
UNLESS OTHERWISE SPECIFIED	DRY	DATE	digital EQUIPMENT CORPORATION MAYNARD, MASSACHUSETTS	
DIMENSION IN INCHES	CHKD	DATE	TITLE	
TOLERANCES	ENG	DATE	STATIC X-COUNTER	
DECIMALS FRACTIONS ANGLES	PROJ. ENG.	DATE	NUMBER (M-7000)	
± .005 ± 1/64 ± 0°30'	PROD.	DATE	SIZE CODE NUMBER REV.	
FINAL SURFACE QUALITY REMOVE BURRS AND BREAK SHARP CORNERS	NEXT HIGHER ASSY		DITD VT05-0-06	
MATERIAL	A-ML-VT05-0		DIST.	
FINISH	SCALE		SHEET 1 OF 1	

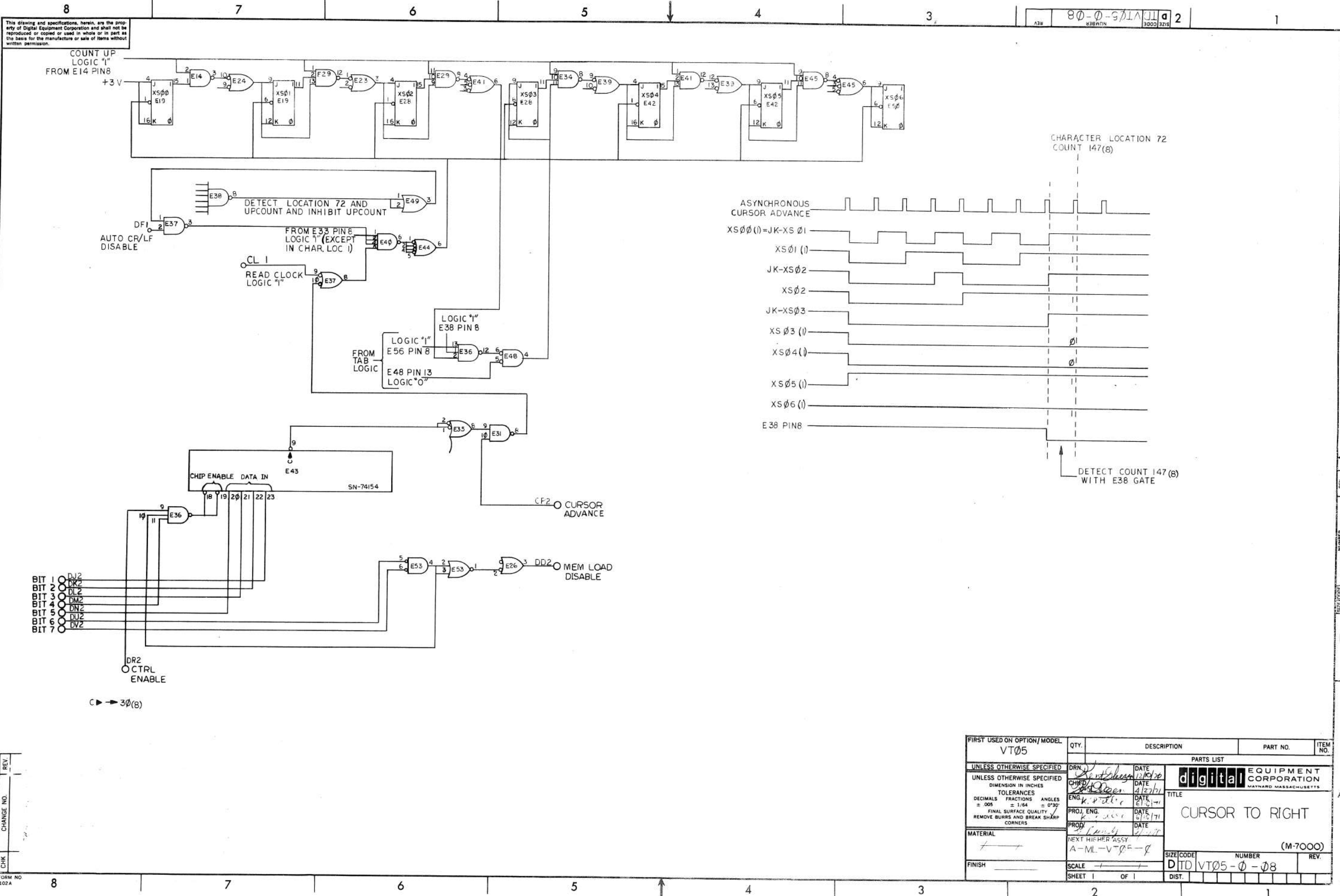
REV. NUMBER DITDVT05-0-06

This drawing and specifications, herein, are the property of Digital Equipment Corporation and shall not be reproduced or copied or used in whole or in part as the basis for the manufacture or sale of items without written permission.



REVISIONS	REV
CHANGE NO.	
CHK	

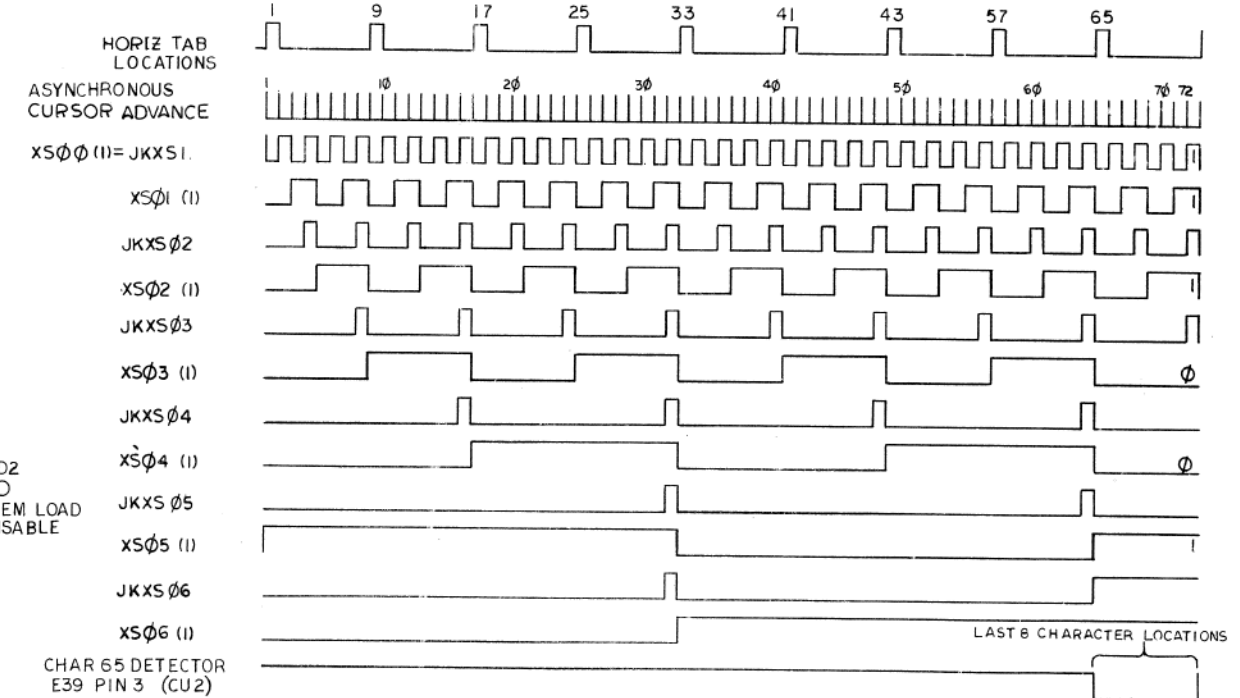
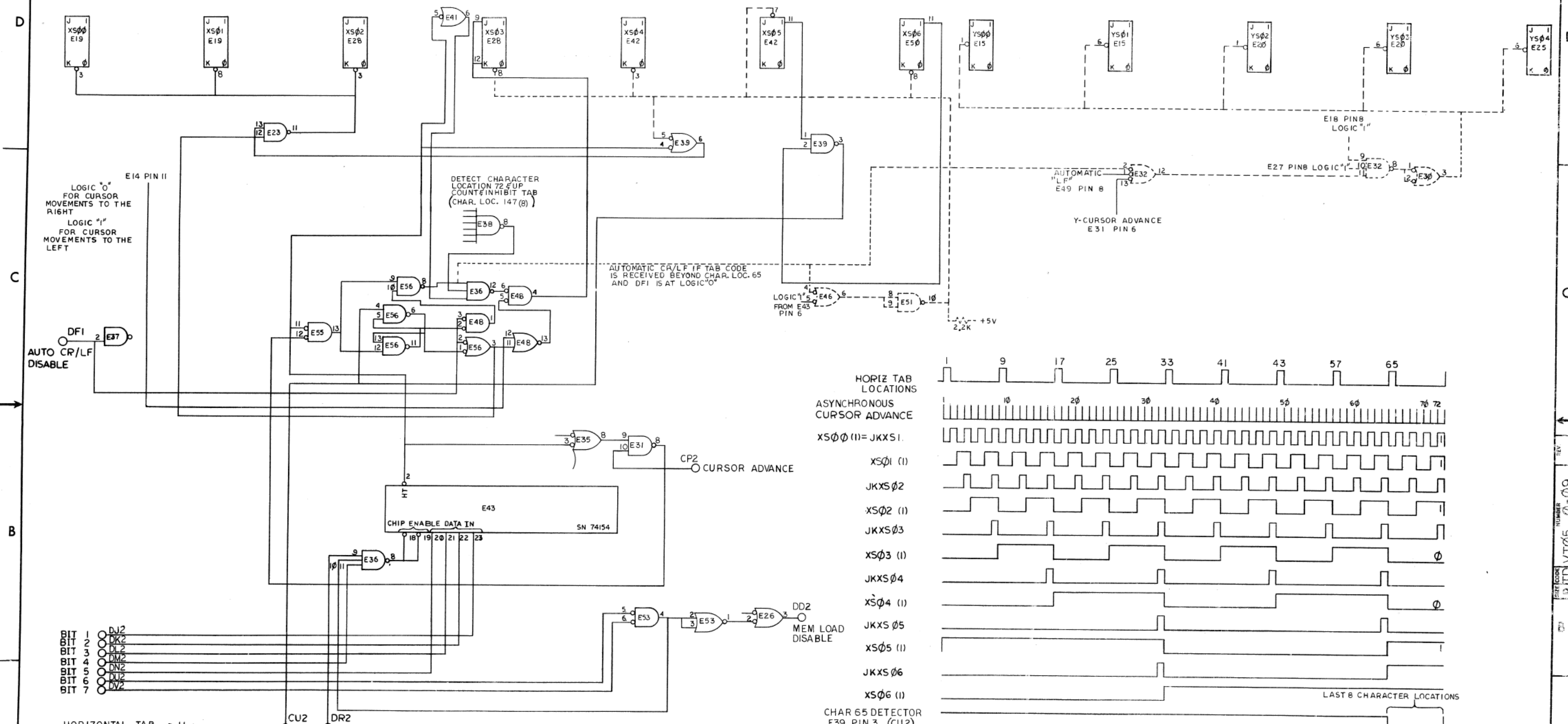
FIRST USED ON OPTION/MODEL VT05	QTY.	DESCRIPTION	PART NO.	ITEM NO.
PARTS LIST				
UNLESS OTHERWISE SPECIFIED	DATE	digital EQUIPMENT CORPORATION MATTAPOISETT, MASSACHUSETTS TITLE DYNAMIC X COUNTER (M-7000)		
UNLESS OTHERWISE SPECIFIED	DATE			
DIMENSION IN INCHES	DATE			
TOLERANCES	DATE			
DECIMALS FRACTIONS ANGLES	DATE	SIZE CODE NUMBER REV.		
= .008 ± 1/64 ± 0°30'	DATE	DITDVT05-0-07		
FINAL SURFACE QUALITY	DATE	SHEET 1 OF 1		
REMOVE BURRS AND BREAK SHARP CORNERS	DATE	DIST.		
MATERIAL	NEXT HIGHER ASSY			
FINISH	A-ML-VT05-0			



FIRST USED ON OPTION/ MODEL VT05	QTY.	DESCRIPTION	PART NO.	ITEM NO.
PARTS LIST				
UNLESS OTHERWISE SPECIFIED	DRN	DATE	digital EQUIPMENT CORPORATION MAYNARD MASSACHUSETTS	
DIMENSION IN INCHES	CHKD	DATE	TITLE	
TOLERANCES	ENG	DATE	CURSOR TO RIGHT	
DECIMALS FRACTIONS ANGLES	PROJ. ENG.	DATE	NUMBER (M-7000)	
± .005 ± .164 ± 0°30'	PROD.	DATE	SIZE CODE NUMBER REV.	
FINAL SURFACE QUALITY REMOVE BURRS AND BREAK SHARP CORNERS	NEXT HIGHER ASSY		D TD VT05-0-08	
MATERIAL	A-ML-VT05-0		SCALE	
FINISH	SHEET 1 OF 1		DIST.	

REV. NO. 1
VT05-0-08

This drawing and specifications, herein, are the property of Digital Equipment Corporation and shall not be reproduced or copied or used in whole or in part as the basis for the manufacture or sale of items without written permission.

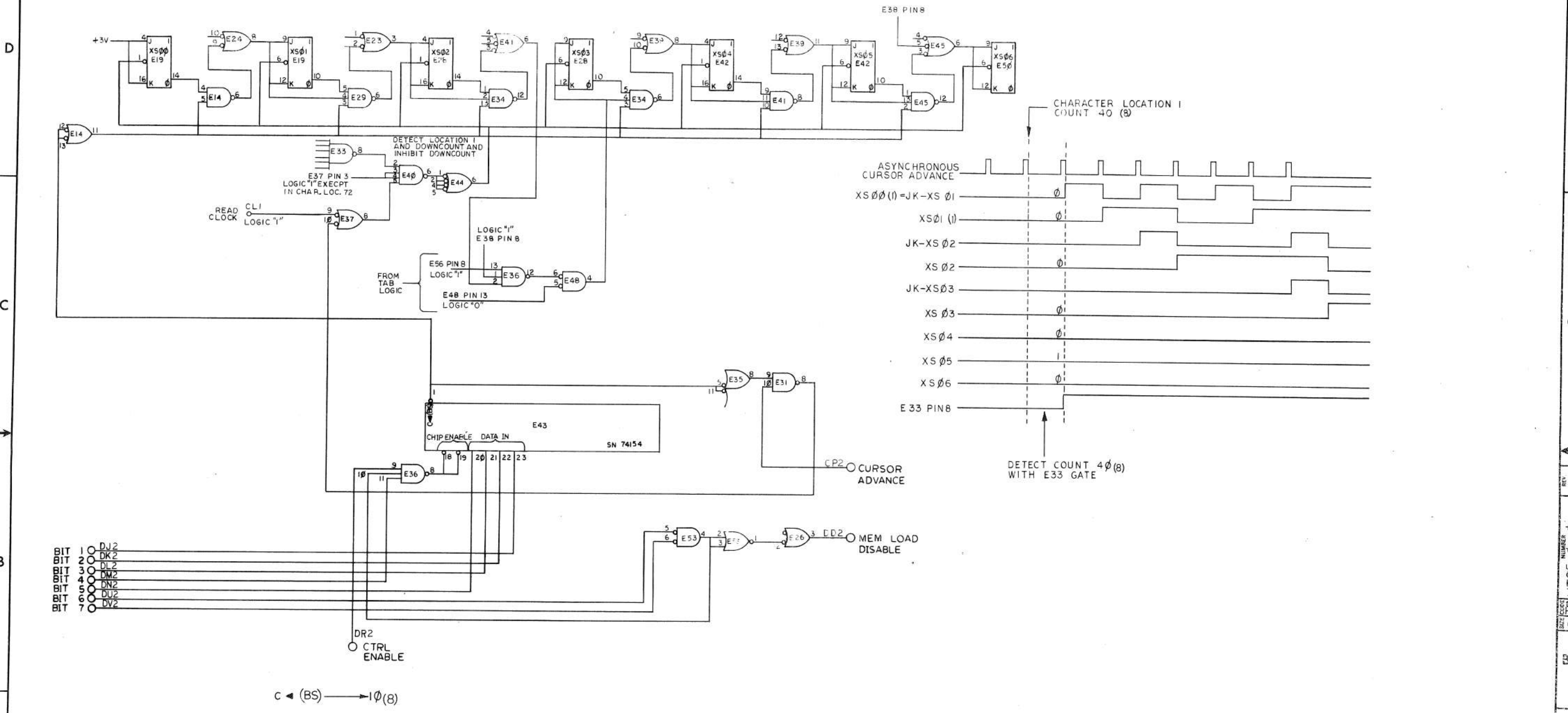


REV.	CHANGE NO.

FIRST USED ON OPTION/MODEL VT05	QTY.	DESCRIPTION	PART NO.	ITEM NO.
PARTS LIST				
UNLESS OTHERWISE SPECIFIED	DRN	DATE	digital EQUIPMENT CORPORATION MAYNARD, MASSACHUSETTS	
UNLESS OTHERWISE SPECIFIED	CHKD	DATE	TITLE	
DIMENSION IN INCHES	ENG	DATE	TAB LOGIC	
TOLERANCES	PROL ENG	DATE	NEXT HIGHER ASSY	
DECIMALS FRACTIONS ANGLES	PRD	DATE	A-ML-VT05-0	
± .005 ± 1/64 ± 0°30'	MATERIAL		SIZE/CODE NUMBER (M-7000)	
FINAL SURFACE QUALITY	FINISH		D1TDVT05-0-09	
REMOVE BURRS AND BREAK SHARP CORNERS			SCALE OF	
			SHEET 1 OF 1	
			DIST.	

REV. NUMBER 60-0-901A

This drawing and specifications, herein, are the property of Digital Equipment Corporation and shall not be reproduced or copied or used in whole or in part as the basis for the manufacture or sale of items without written permission.



- BIT 1 DJ2
- BIT 2 DK2
- BIT 3 DL2
- BIT 4 DM2
- BIT 5 DN2
- BIT 6 DU2
- BIT 7 DV2

c (BS) → 10 (8)

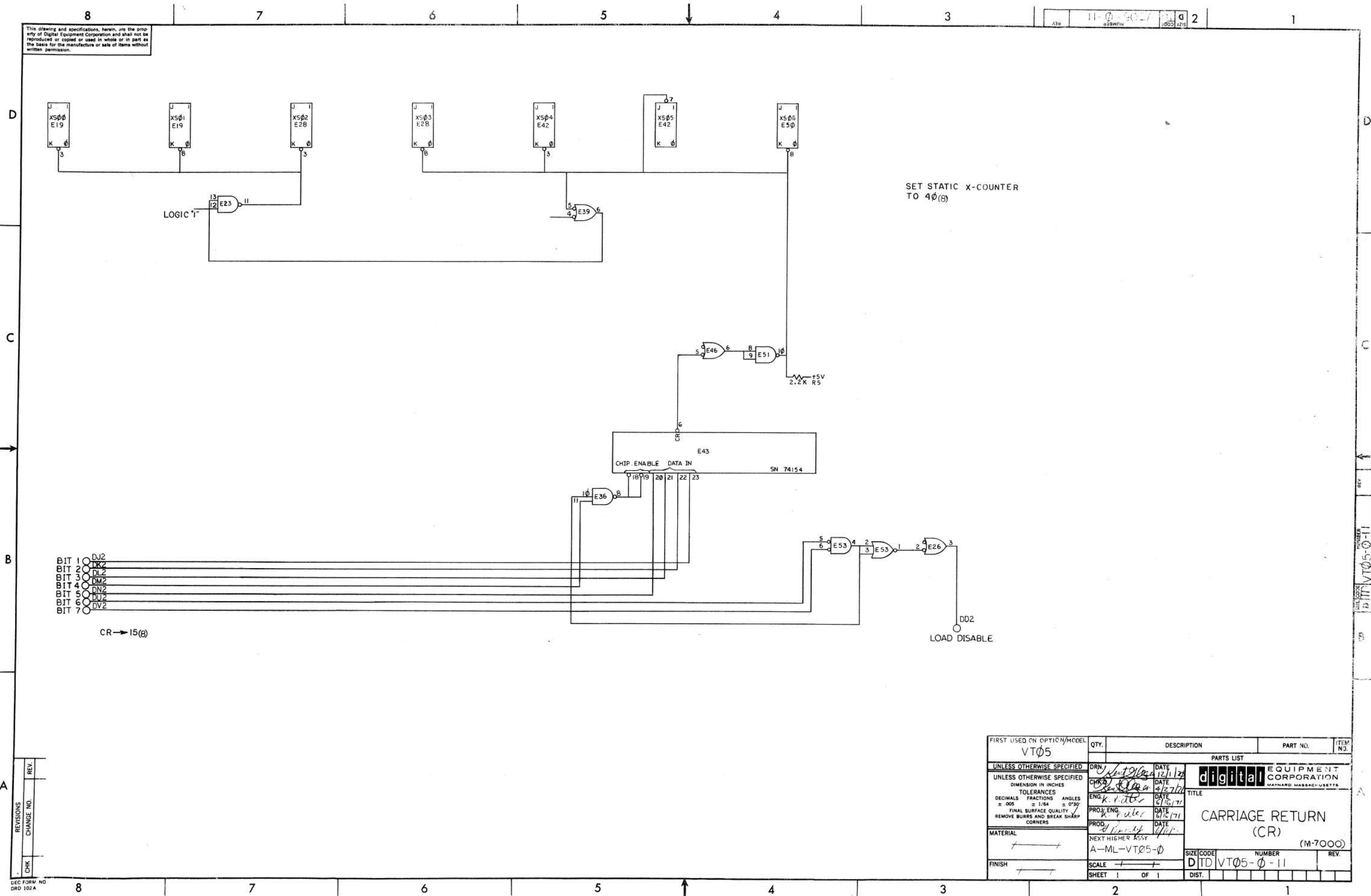
REV.	NO.
CHG.	NO.

REV. NO. 10
 DTD VT05-0-10

FIRST USED ON OPTION / MODEL VT05	QTY.	DESCRIPTION	PART NO.	ITEM NO.
PARTS LIST				
UNLESS OTHERWISE SPECIFIED	DRN	DATE	digital EQUIPMENT CORPORATION MAYNARD, MASSACHUSETTS	
UNLESS OTHERWISE SPECIFIED	CHK'D	DATE		
TOLERANCES DIMENSION IN INCHES	ENG.	DATE		
DECIMALS FRACTIONS ANGLES ± .005 ± 1/64 ± 0°30'	PROJ. ENG.	DATE		
FINAL SURFACE QUALITY REMOVE BURRS AND BREAK SHARP CORNERS	PROD.	DATE	TITLE CURSOR TO LEFT	
MATERIAL	NEXT HIGHER ASSY		(M-7000)	
FINISH	SCALE	NUMBER		REV.
SHEET 1 OF 1		DTD VT05-0-10		DIST.

This drawing and specifications, herein, are the property of Digital Equipment Corporation and shall not be reproduced or copied or used in whole or in part as the basis for the manufacture or sale of items without written permission.

11-0-0027 2



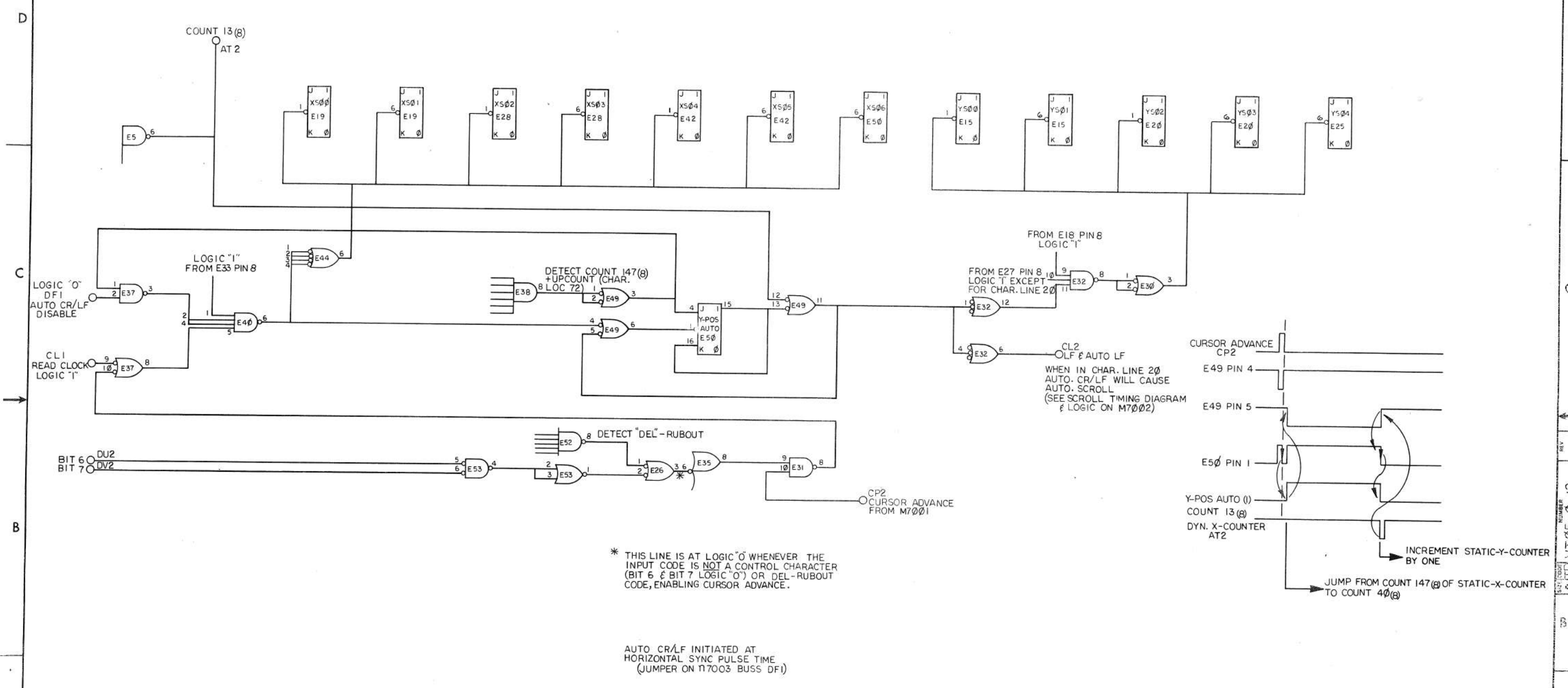
REV.	
CHANGE NO.	
CHK	

FIRST USED ON OPTION/MODEL	QTY.	DESCRIPTION	PART NO.	ITEM NO.
VT05				
PARTS LIST				
UNLESS OTHERWISE SPECIFIED	DRN	DATE	digital EQUIPMENT CORPORATION MAYNARD, MASSACHUSETTS	
UNLESS OTHERWISE SPECIFIED	CHK'D	DATE		
DIMENSION IN INCHES	ENG	DATE		
TOLERANCES	PROJ. ENG.	DATE		
DECIMALS FRACTIONS ANGLES	PROD.	DATE		
± .005 ± 1/64 ± 0°30'			CARRIAGE RETURN (CR) (M-7000)	
MATERIAL	NEXT HIGHER ASSY		SIZE/CODE	NUMBER
FINISH	SCALE		DITD	VT05-0-11
	SHEET 1	OF 1	DIST.	

REV. 11-0-0027-0-11

This drawing and specifications, herein, are the property of Digital Equipment Corporation and shall not be reproduced or copied or used in whole or in part as the basis for the manufacture or sale of items without written permission.

21-7 601A 01 2

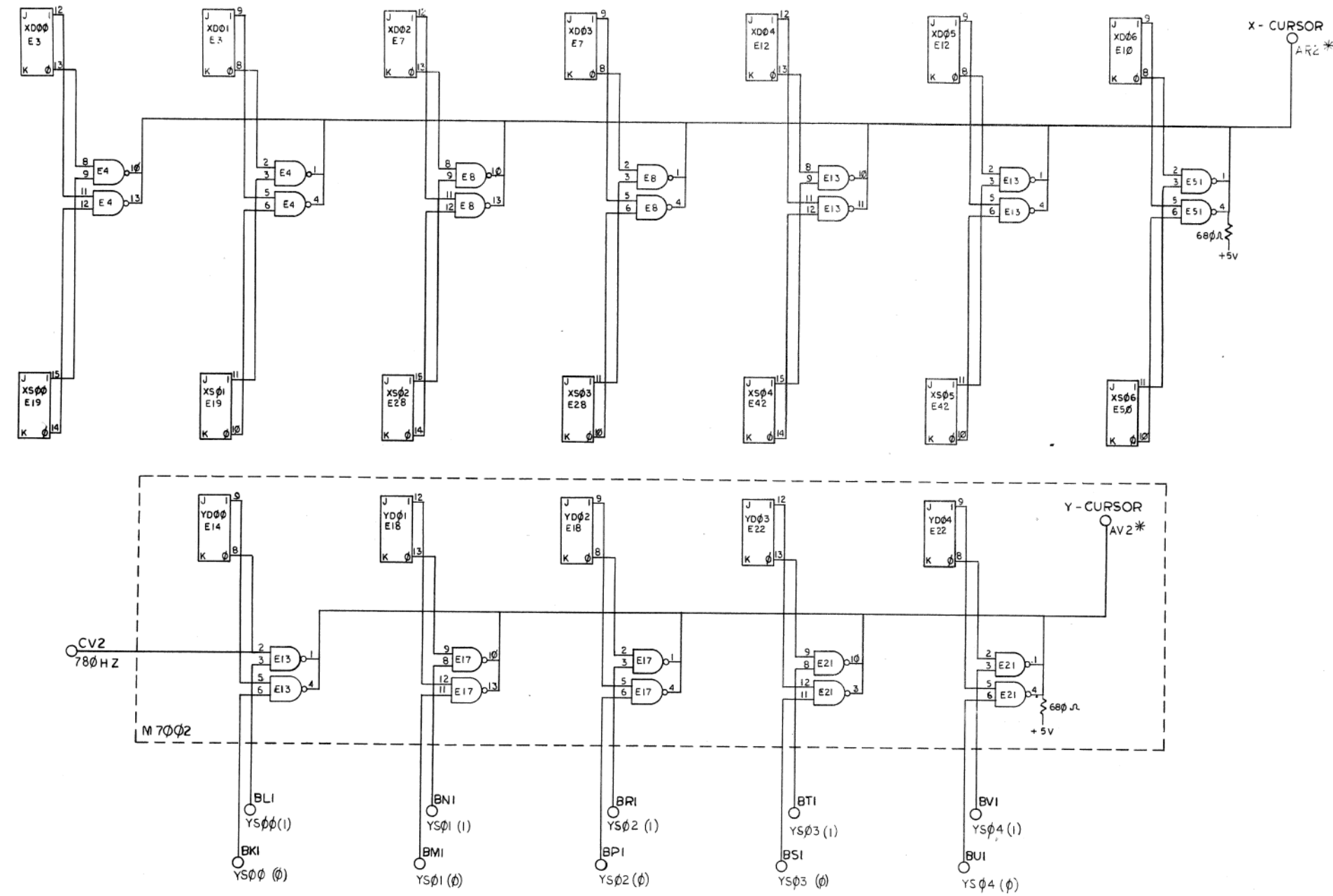


REV	
CHANGE NO	
CHK	

FIRST USED ON OPTION/MODEL	QTY.	DESCRIPTION	PART NO.	ITEM NO.
VT05				
PARTS LIST				
UNLESS OTHERWISE SPECIFIED DIMENSION IN INCHES.		DRN	DATE	digital EQUIPMENT CORPORATION MAYNARD MASSACHUSETTS
TOLERANCES		CHK'D	DATE	
DECIMALS	ANGLES	ENG	DATE	TITLE AUTOMATIC CR/LF
.XXX - .005	+0° 30'	PROJ. ENG.	DATE	
.XX - .02		PRD.	DATE	
REMOVE BURRS AND BREAK SHARP CORNERS SURFACE QUALITY				
MATERIAL	NEXT HIGHER ASSY.			
FINISH	SCALE	SIZE CODE	NUMBER	REV.
	SHEET 1 OF 1	DTD	VT05-0-12	

This drawing and specifications herein are the property of Digital Equipment Corporation and shall not be reproduced or copied or used in whole or in part as the basis for the manufacture or sale of items without written permission.

REV. 2

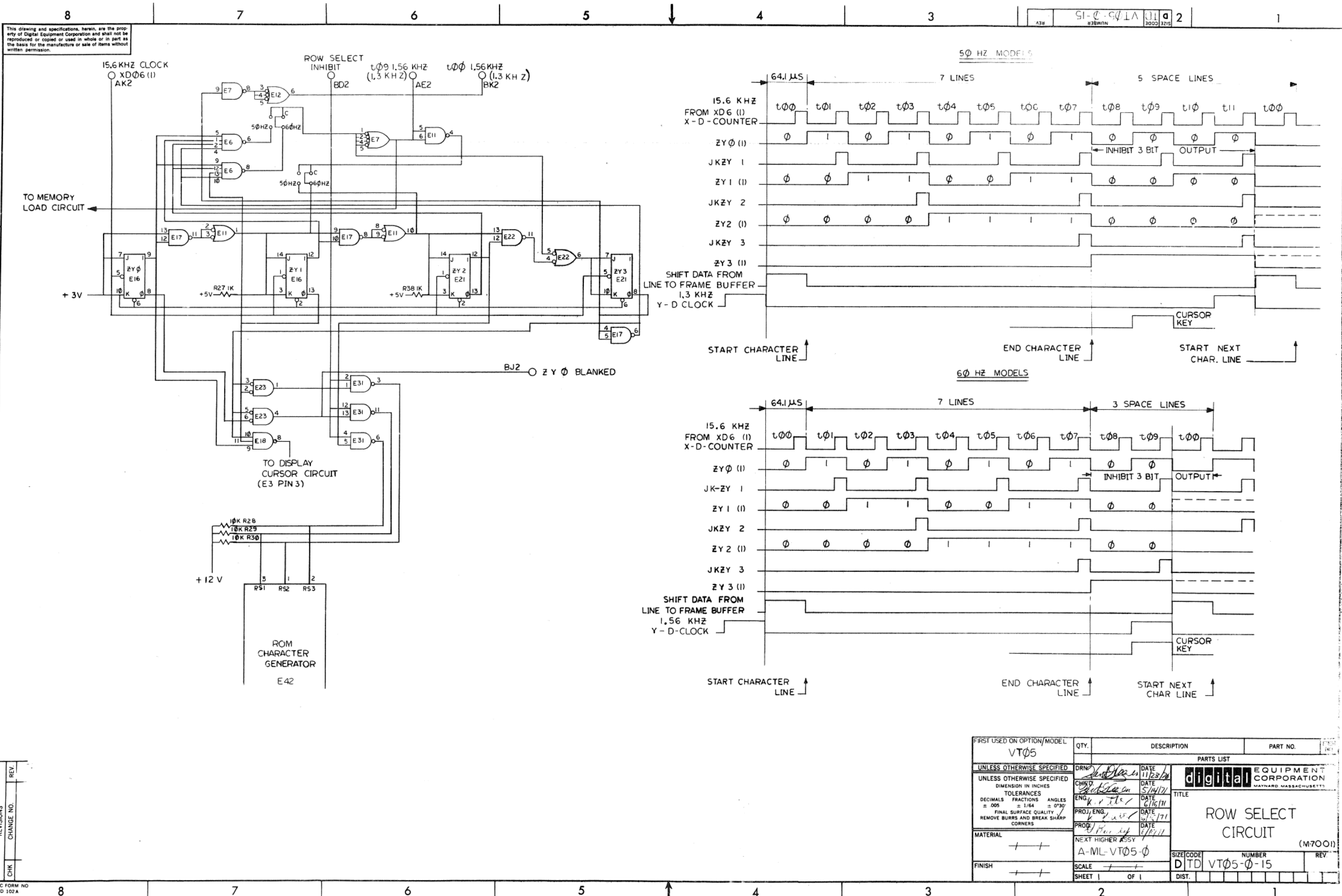


* LOGIC "1" WHEN ALL FLIP FLOPS OF DYNAMIC AND STATIC COUNTER ARE SET TO THE SAME COUNT.

REVISIONS	REV.
CHANGE NO.	
CHK	

FIRST USED ON OPTION/MODEL VT05	QTY.	DESCRIPTION	PART NO.	ITEM NO.
UNLESS OTHERWISE SPECIFIED	PARTS LIST			
UNLESS OTHERWISE SPECIFIED	DRY	DATE	digital EQUIPMENT CORPORATION MAYNARD, MASSACHUSETTS	
DIMENSION IN INCHES	CHK	DATE	TITLE	
TOLERANCES	ENG	DATE	X & Y COMPARATOR	
DECIMALS FRACTIONS ANGLES	PROJ. ENG.	DATE	(M-7000)(M-7002)	
± .005 ± 1/64 ± 0°30'	PROD.	DATE	SIZE CODE NUMBER REV.	
FINAL SURFACE QUALITY REMOVE BURRS AND BREAK SHARP CORNERS			DITD VT05-0-14	
MATERIAL	NEXT HIGHER ASSY	SCALE		
---	A-ML-VT05-0	SHEET 1 OF 1		
FINISH		DIST.		

REV. 2
NUMBER
DITD VT05-0-14

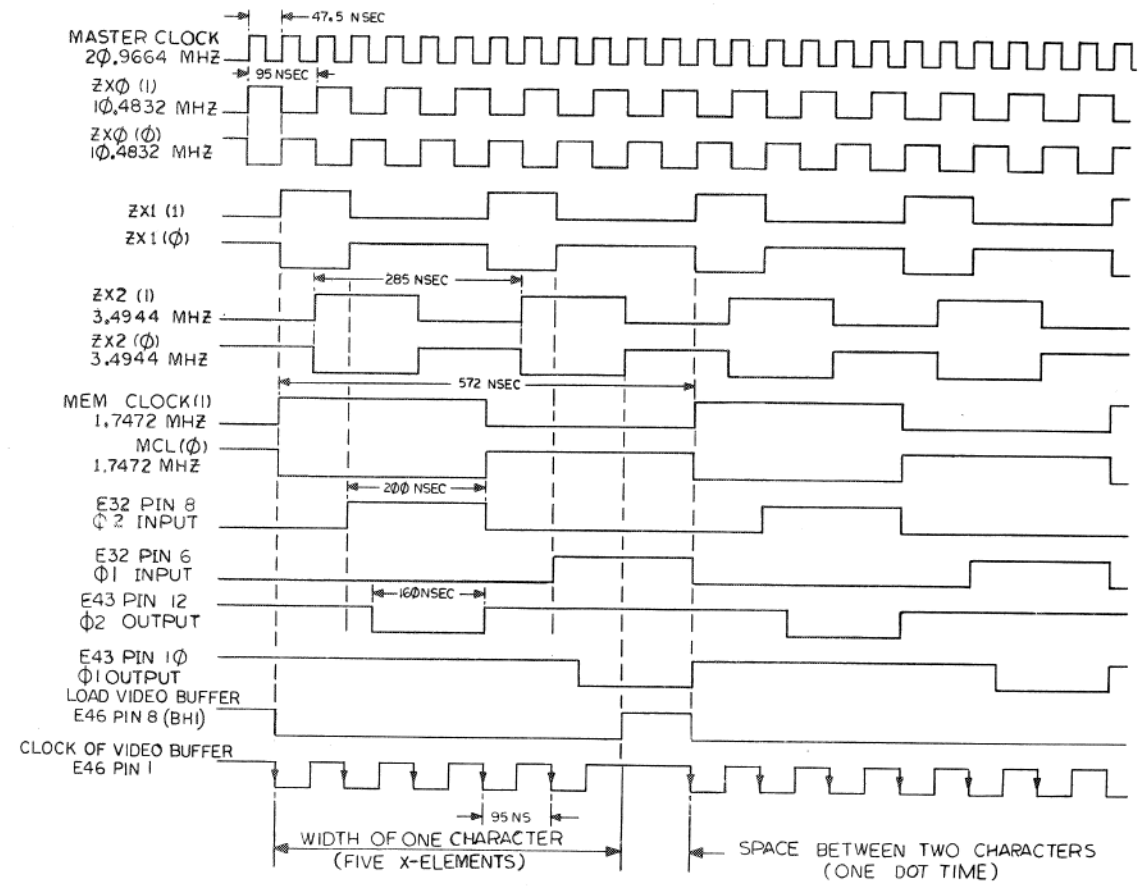
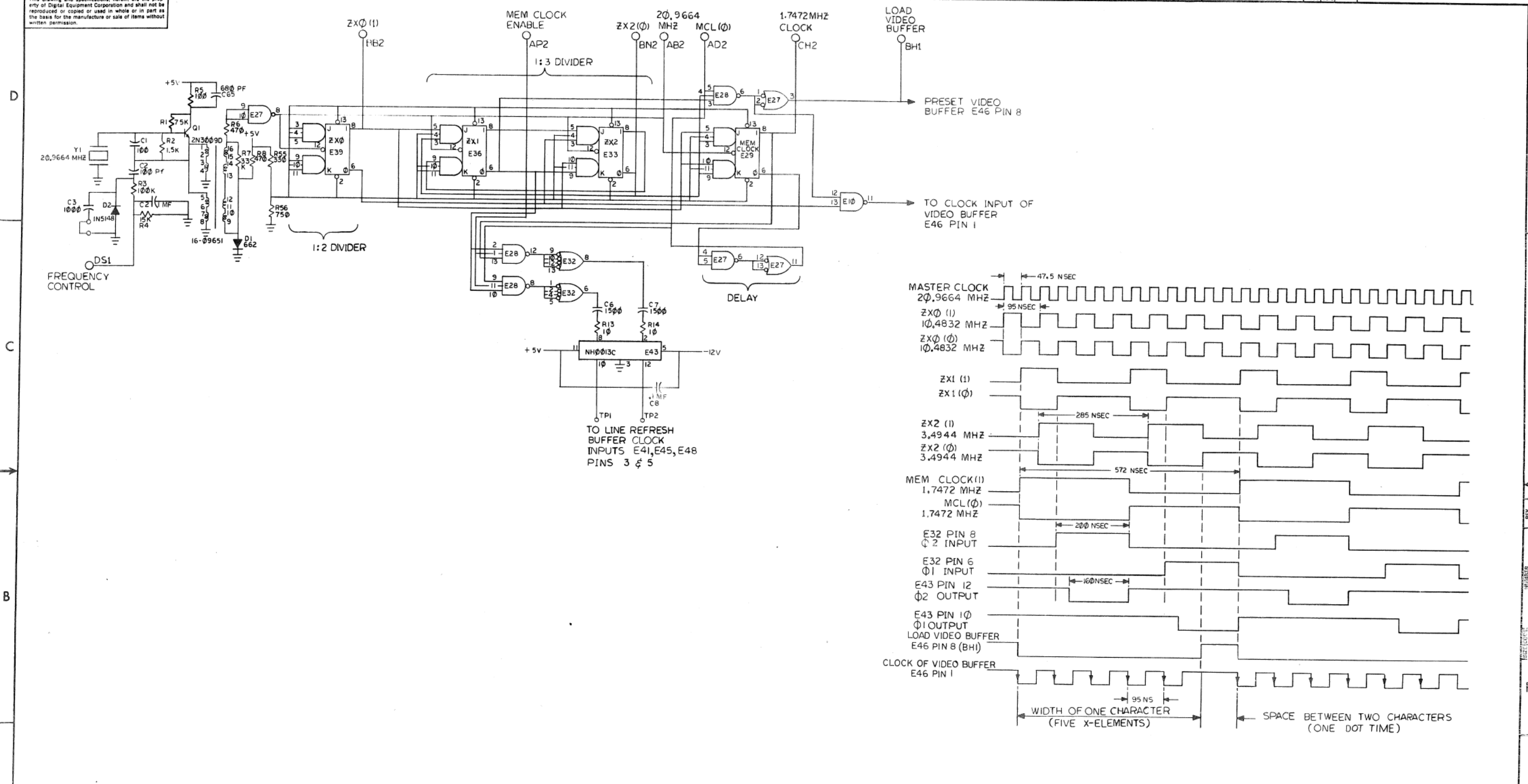


REVISIONS	REV.
CHANGE NO.	
CHK	

FIRST USED ON OPTION/MODEL VT05	QTY.	DESCRIPTION	PARTS LIST	PART NO.
UNLESS OTHERWISE SPECIFIED	DRN	DATE	digital EQUIPMENT CORPORATION MAYNARD, MASSACHUSETTS	
DIMENSION IN INCHES	CHKD	DATE	TITLE	
TOLERANCES	ENG	DATE	ROW SELECT CIRCUIT (M7001)	
DECIMALS FRACTIONS ANGLES	PROJ. ENG.	DATE	SIZE CODE	NUMBER
± .005 ± 1/64 ± 0°30'	PROD.	DATE	DITD	VT05-0-15
FINAL SURFACE QUALITY REMOVE BURRS AND BREAK SHARP CORNERS			SCALE	REV.
			1 OF 1	
MATERIAL	NEXT HIGHER ASSY			
FINISH	A-ML-VT05-0			

DITD VT05-0-15

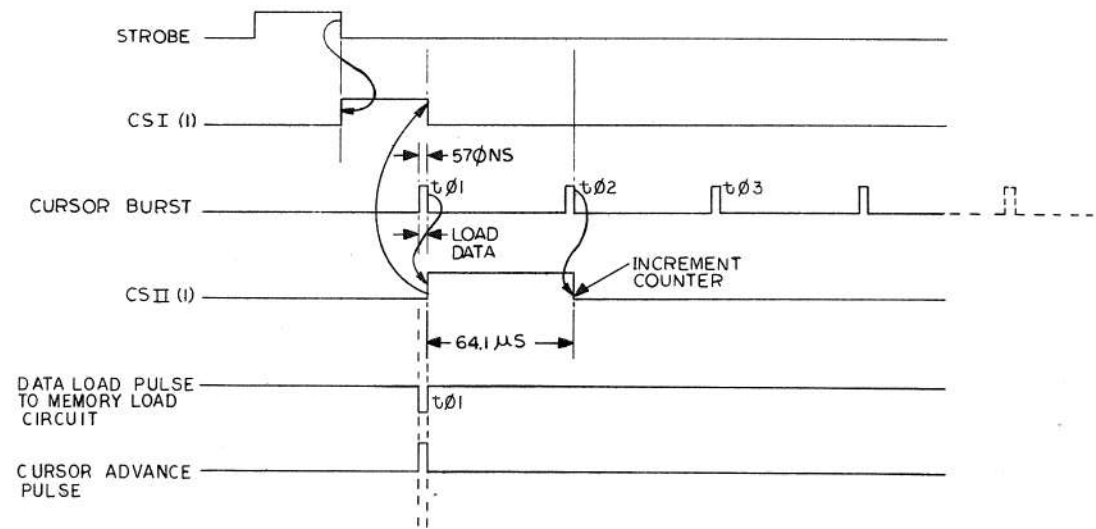
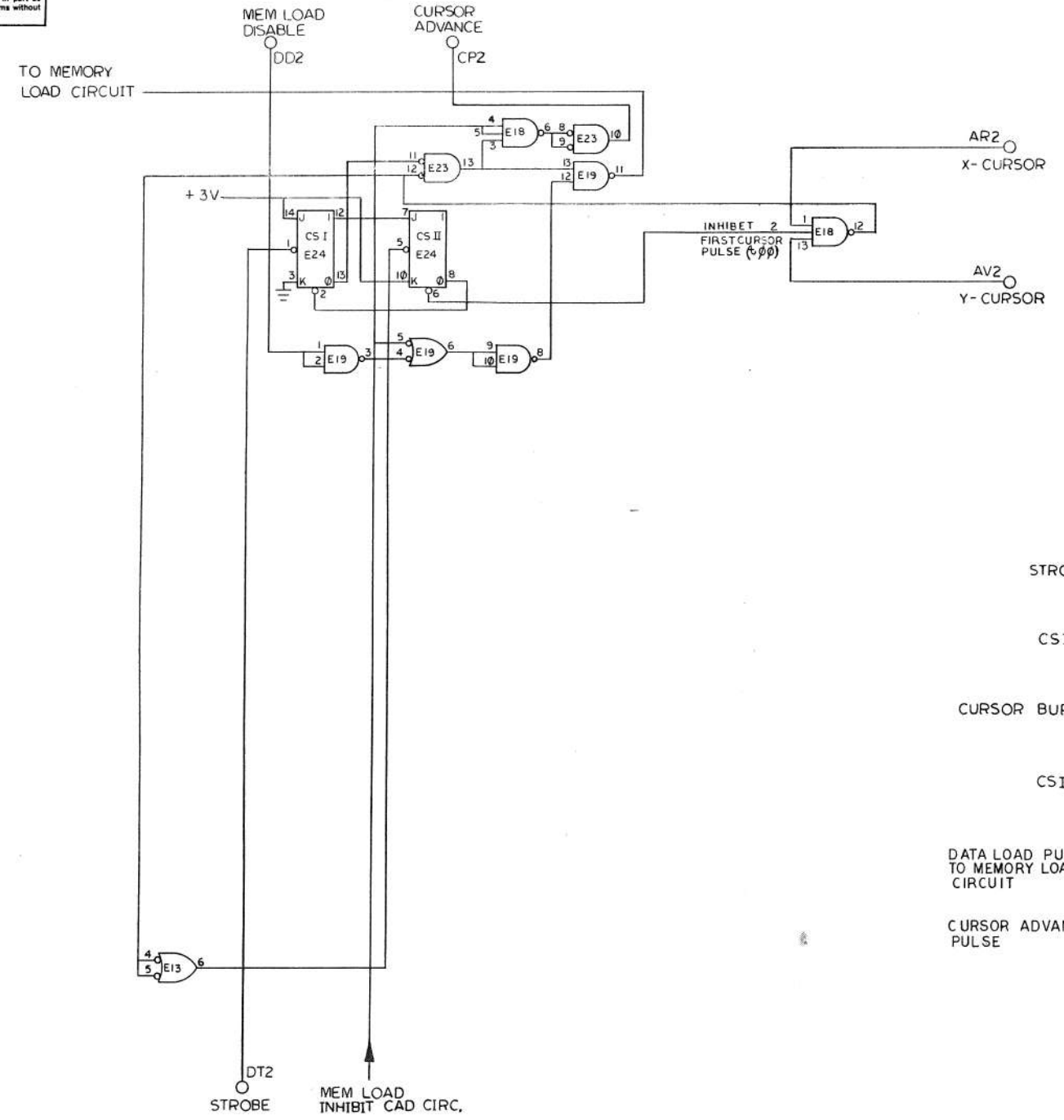
This drawing and specifications, herein, are the property of Digital Equipment Corporation and shall not be reproduced or copied or used in whole or in part as the basis for the manufacture or sale of items without written permission.



REV	CHANGE NO.	DATE
A	VT05-00016	12/1/71
B	VT05-00071	12/1/71
C	VT05-00071	12/1/71
D	VT05-00071	12/1/71

FIRST USED ON OPTION/ MODEL	QTY.	DESCRIPTION	PART NO.	ITEM NO.
VT05				
PARTS LIST				
UNLESS OTHERWISE SPECIFIED				
DIMENSION IN INCHES				
TOLERANCES				
DECIMALS FRACTIONS ANGLES				
= .005 = 1/64 = 0°30'				
FINAL SURFACE QUALITY				
REMOVE BURRS AND BREAK SHARP CORNERS				
MATERIAL				
NEXT HIGHER ASSY				
A-ML-VT05-0				
FINISH				
SCALE				
SHEET 1 OF 1				
TITLE				
CHARACTER LOCATION COUNTER (M-7001)				
SIZE CODE				
D1D VT05-0-16				
NUMBER				
REV. B				
DIST.				

This drawing and specifications, herein, are the property of Digital Equipment Corporation and shall not be reproduced or copied or used in whole or in part as the basis for the manufacture or sale of items without written permission.

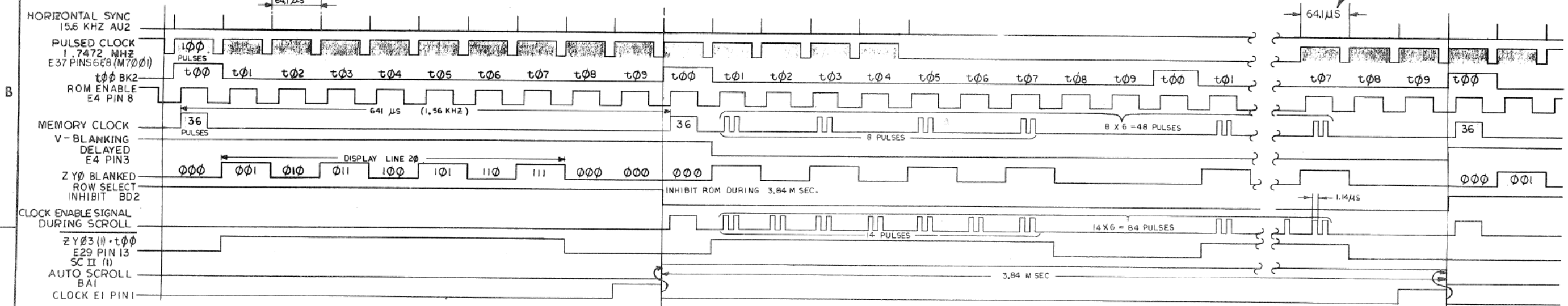
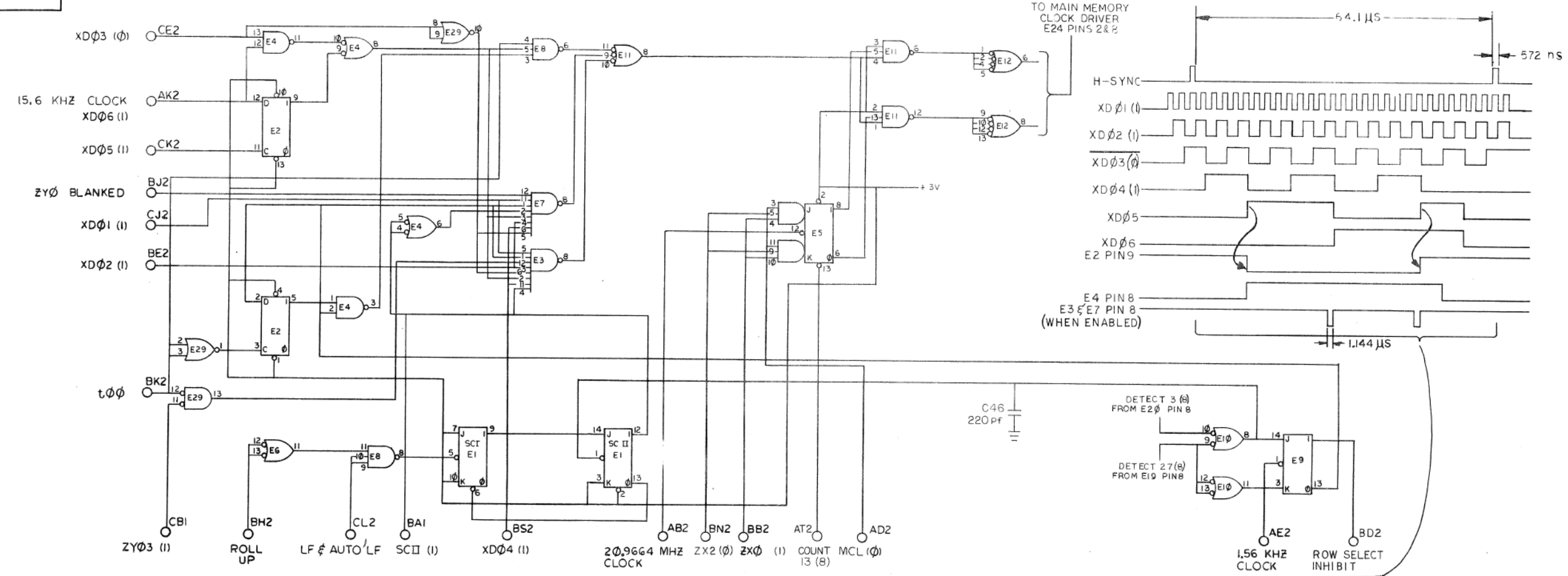


REV.	CHANGE NO.	DATE
1	VT05-00056	7-22-72
2	R. PUCCI	7-27-72

FIRST USED ON OPTION / MODEL	QTY.	DESCRIPTION	PART NO.	ITEM NO.
VT05				
PARTS LIST				
UNLESS OTHERWISE SPECIFIED		DRN	DATE	digital EQUIPMENT CORPORATION MAYNARD, MASSACHUSETTS
DIMENSION IN INCHES		CHKD	DATE	
TOLERANCES		ENG	DATE	
DECIMALS FRACTIONS ANGLES		PROJ. ENG.	DATE	
± .005 ± 1/64 ± 0°30'		PROJ. ENGR.	DATE	CURSOR SYNCHRONIZER (M-7001)
FINAL SURFACE QUALITY REMOVE BURRS AND BREAK SHARP CORNERS		PROJ. ENGR.	DATE	
MATERIAL	NEXT HIGHER ASSY			
FINISH	A-ML-VT05-0	SCALE	NUMBER	REV.
		SHEET 1 OF 1	VT05-0-17	A

This drawing and specifications, herein, are the property of Digital Equipment Corporation and shall not be reproduced or copied or used in whole or in part as the basis for the manufacture or sale of items without written permission.

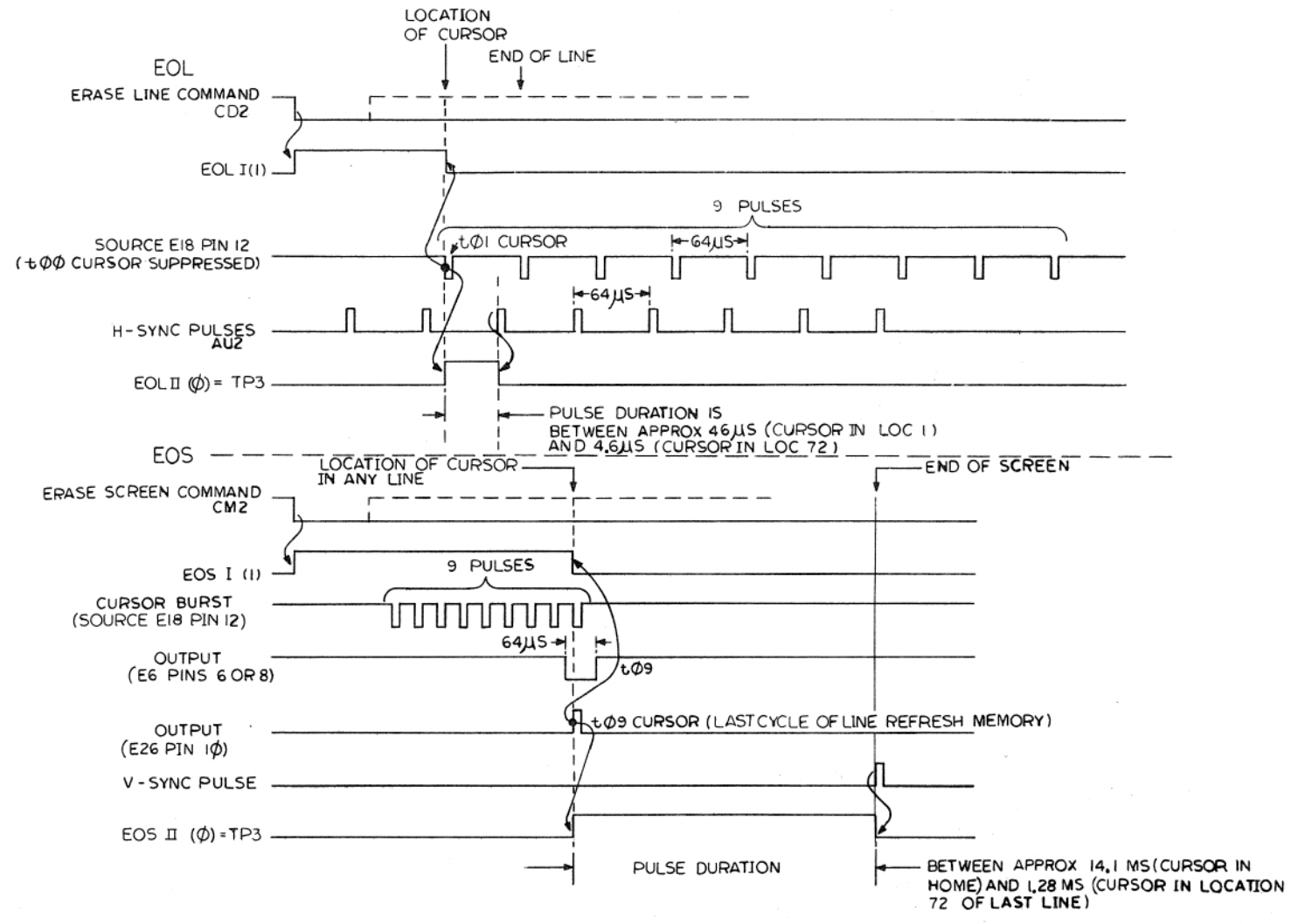
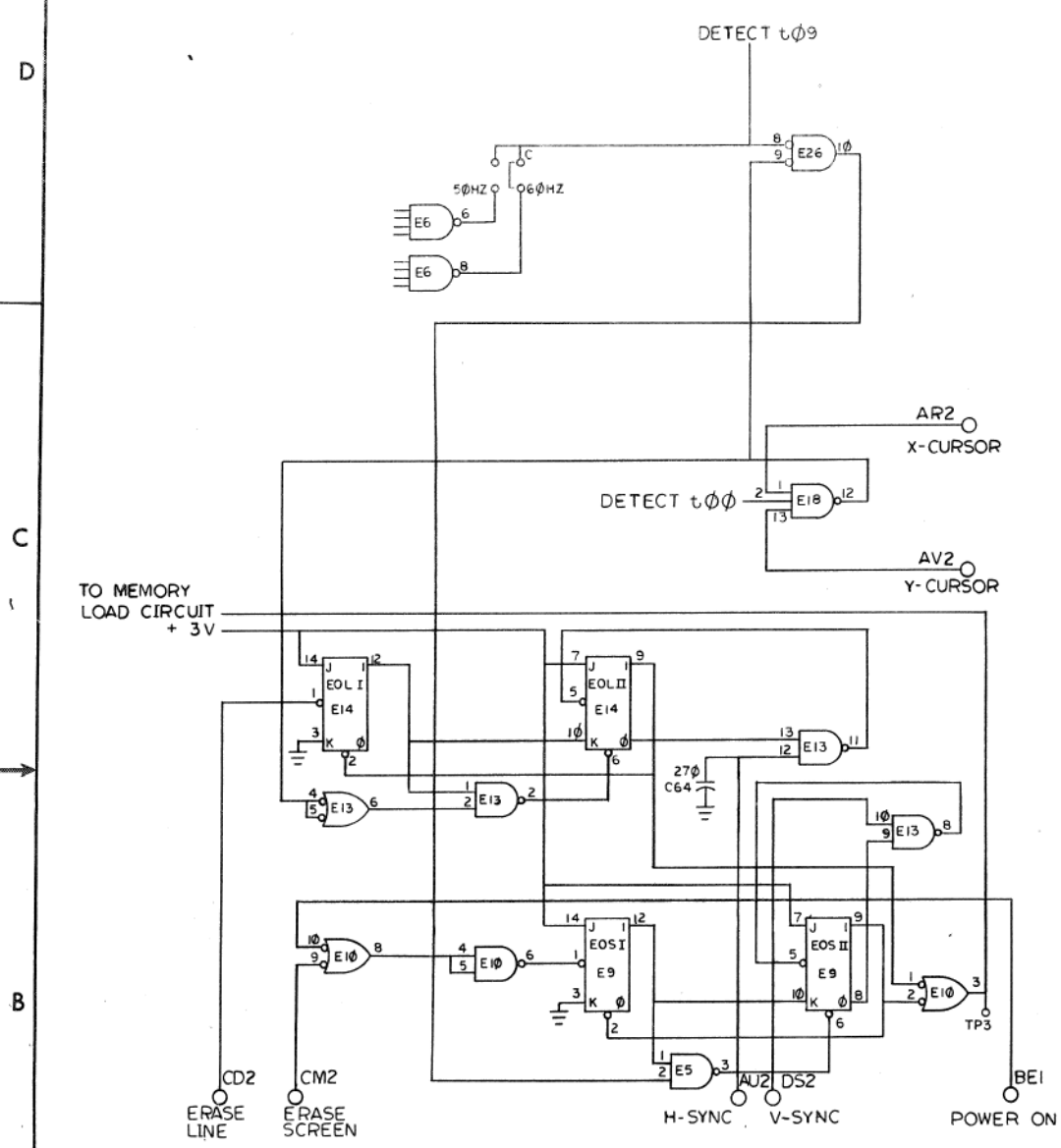
81-0-5011 2



REV	DATE	BY	CHK
1	10-21-73	R. PUCCI	
2	10-21-73		

FIRST USED ON OPTION/MODEL VT05	DESCRIPTION	PART NO.	ITEM NO.
UNLESS OTHERWISE SPECIFIED DIMENSION IN INCHES TOLERANCES DECIMALS FRACTIONS ANGLES ± .005 ± 1/64 ± 0°30' FINAL SURFACE QUALITY REMOVE BURRS AND BREAK SHARP CORNERS	DRN: [Signature] DATE: 11/21/71 CHKD: [Signature] DATE: 12/2/71 ENG: K. P. [Signature] DATE: 6/16/71 PROJ. ENG: K. P. [Signature] DATE: 6/16/71 PROD: [Signature] DATE: 10/21/71	digital EQUIPMENT CORPORATION MAYNARD, MASSACHUSETTS	
MATERIAL ---	NEXT HIGHER ASSY A-ML-VT05-0	TITLE MAIN MEMORY TIMING (M-7002)	
FINISH ---	SCALE ---	SIZE CODE DITD	NUMBER VT05-0-18 REV. A
DEC FORM NO. DRD 102A	SHEET 1 OF 1	DIST.	

This drawing and specifications, herein, are the property of Digital Equipment Corporation and shall not be reproduced or copied or used in whole or in part as the basis for the manufacture or sale of items without written permission.



REVISIONS	NO.	DATE
CHK	CHANGE NO.	REV.

FIRST USED ON OPTION/ MODEL VT05	QTY.	DESCRIPTION	PART NO.	ITEM NO.
UNLESS OTHERWISE SPECIFIED	PARTS LIST			
DRAWN: <i>[Signature]</i>	DATE: 11/24/70	digital CORPORATION MAYNARD, MASSACHUSETTS		
CHKD: <i>[Signature]</i>	DATE: 5/19/71	TITLE		
ENG: <i>[Signature]</i>	DATE: 6/1/71	ERASE SCREEN & ERASE LINE CIRCUIT		
PROJ. ENG: <i>[Signature]</i>	DATE: 6/16/71	NUMBER (M-7001)		
PROD: <i>[Signature]</i>	DATE: 1/2/71	SIZE CODE: DTD VT05-0-19		
MATERIAL: ---	NEXT HIGHER ASSY: A-ML-VT05-0	SCALE: ---	SHEET: 1	OF: 1
FINISH: ---	DIST.:			

VT05-0-19

**DIGITAL EQUIPMENT CORPORATION
MAYNARD MASSACHUSETTS**

PACKAGING INSTRUCTION

REV: A DATE: 6-21-71
B 1-18-72

TITLE VT05 DISPLAY

MATERIAL REQUIREMENTS

Quantity	Identification No.	Specification No.	Description
1	1-3610 2412 1712-0	9905090	Outer Carton
1	1-3202 2002 1210-0	9905091	Inner Carton
1	3-3106 1904 1200-0	9905089	Inner Sleeve
8	TPC 320-70-PS	9905044-1	Toro Pad Blue/White
1	P400-3000 0000 4200-0	9905129-36	Poly Bag 30 x 42 x 4 mil
1	P400-1200 0000 2400-0	9905129-32	Poly Bag 12 x 24 x 4 mil

PACKAGING INSTRUCTIONS

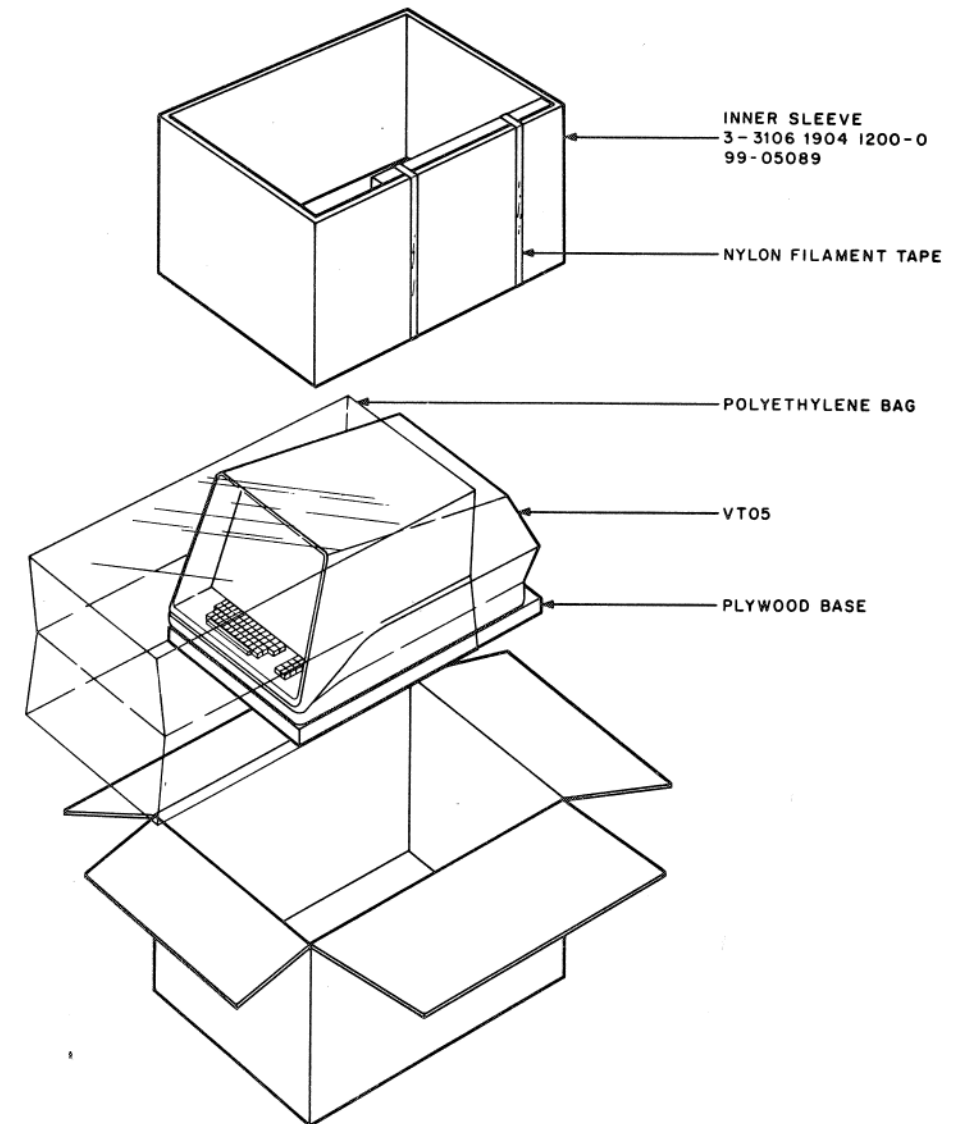
Step	Procedure
1	Set up and tape the inner box (1-3202 2002 1210-0) using 3-inch wide Glasflex tape.
2	Insert the VT05 Display, which is attached to a plywood base, into the poly bag (P400-3000 0000 4200-0) and seal with tape (Figure 1).
3	Set the VT05 in the inner box.
4	Place accessories and software in the poly bag (P400-1200 0000 2400-0) and tape it to the inside of the inner sleeve as shown in Figure 1. Use nylon filament tape.
5	Place the inner sleeve, with poly bag attached, over the VT05.
6	Close and seal the inner carton using 3-inch wide Glasflex tape.
7	Place four Toro pads (blue/white) in each of the bottom four corners of the outer box.
8	Insert the inner carton into the outer carton with the inner carton resting on the four Toro pads (Figure 2).
9	Place four Toro pads on the top four corners of the inner carton.
10	Close and seal the outer carton using 3-inch wide Glasflex tape.

PACKAGING INSTRUCTION

REV: A DATE: 6-21-71
B 1-18-72

TITLE VT05 DISPLAY

FIGURE 1



NOTE
 Make changes to the "C" size original only and rephotograph.

ENG. J.W. Lawrence APPD. J.W. Lawrence SIZE A CODE PI NUMBER 3700043-0-0

ENG. *R. E. Blumer 1/14/72* APPD. *R. E. Blumer 1/14/72* SIZE A CODE PI NUMBER 3700043-0-0

This drawing and specifications, herein, are the property of Digital Equipment Corporation and shall not be reproduced or copied or used in whole or in part as the basis for the manufacture or sale of items without written permission.

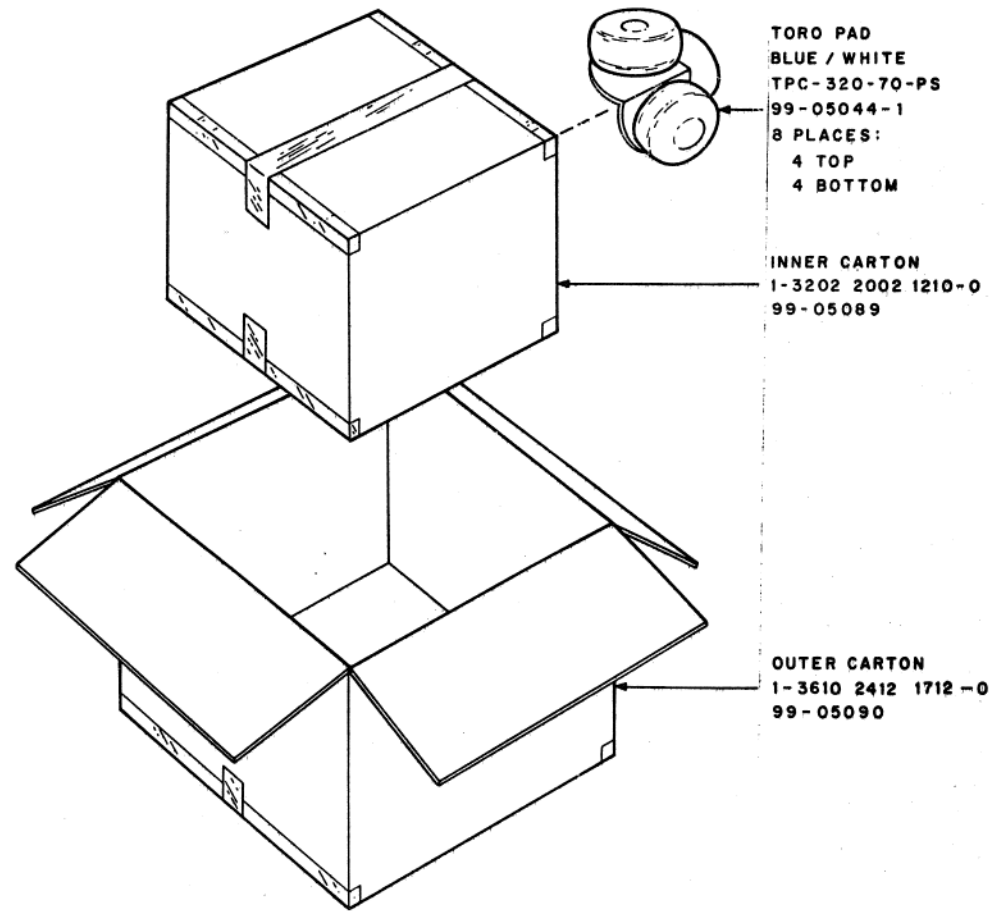
This drawing and specifications, herein, are the property of Digital Equipment Corporation and shall not be reproduced or copied or used in whole or in part as the basis for the manufacture or sale of items without written permission.

PACKAGING INSTRUCTION

TITLE VT05 DISPLAY

REV: A DATE: 6-21-71
 B 1-18-72

FIG. 2



NOTE
MAKE CHANGES TO THE "C" SIZE ORIGINAL ONLY AND REPHOTOGRAPH.

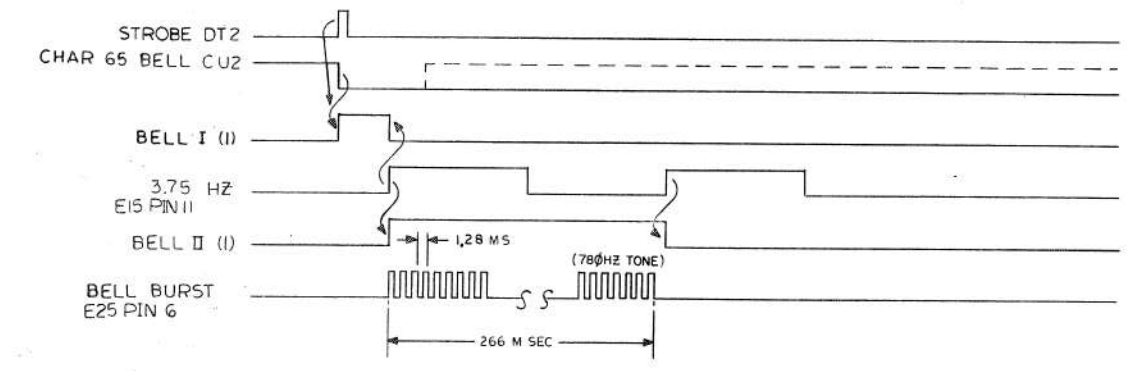
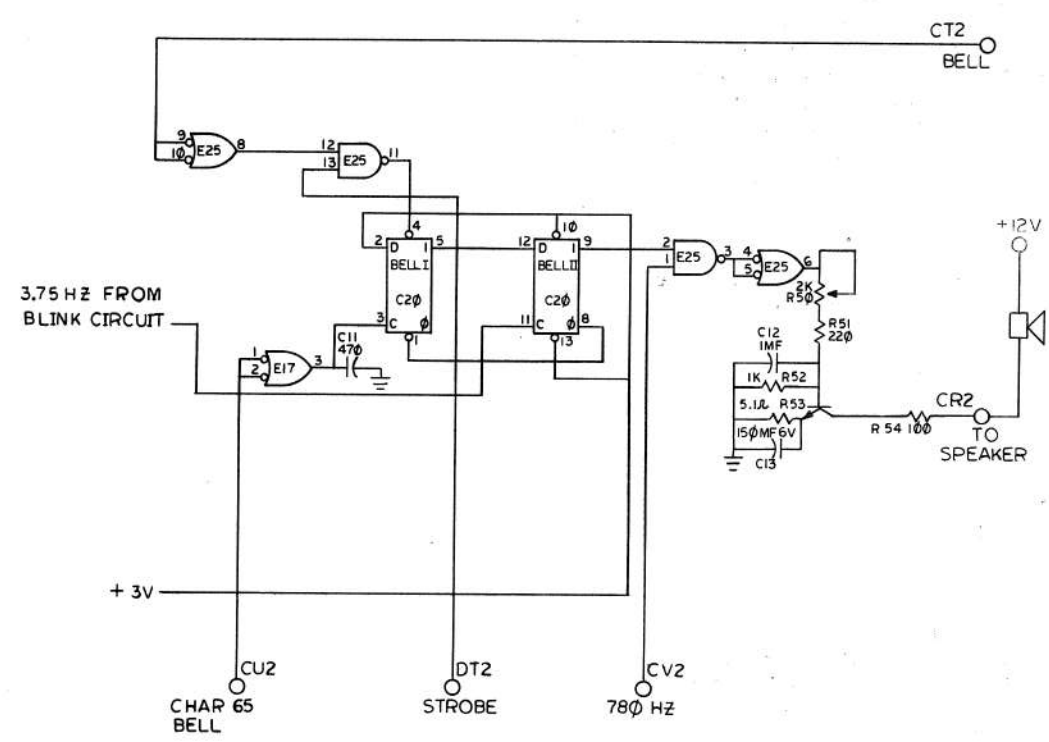
ENG. *J. W. Lawrence*

APPD. *J. W. Lawrence 5-5-71*

SIZE	CODE	NUMBER
A	PI	3700043-0-0

DRC-108

This drawing and specifications, herein, are the property of Digital Equipment Corporation and shall not be reproduced or copied or used in whole or in part as the basis for the manufacture or sale of items without written permission.



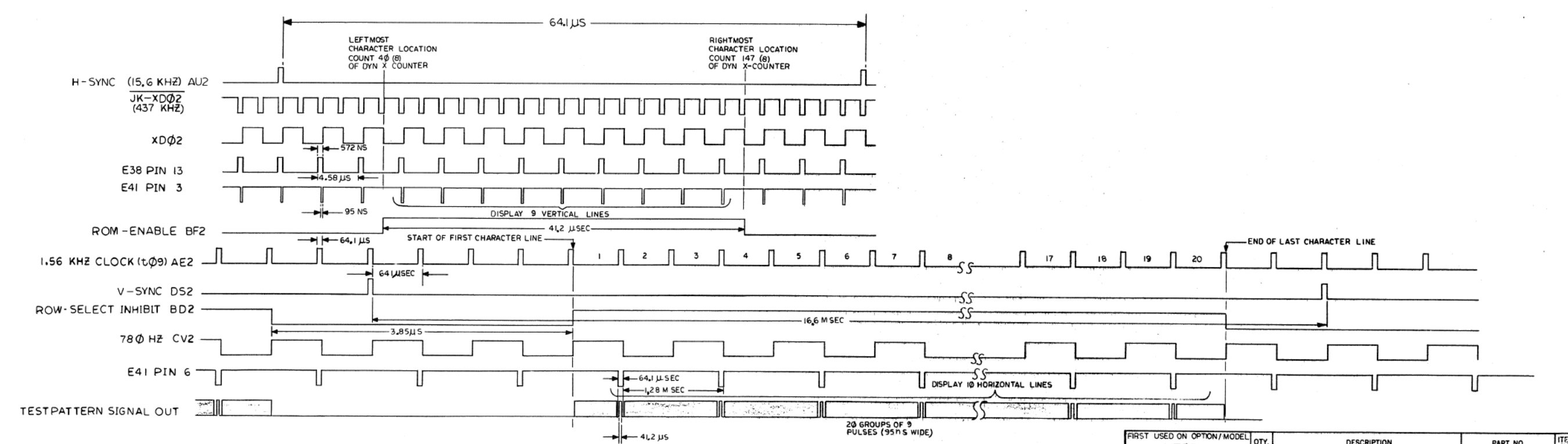
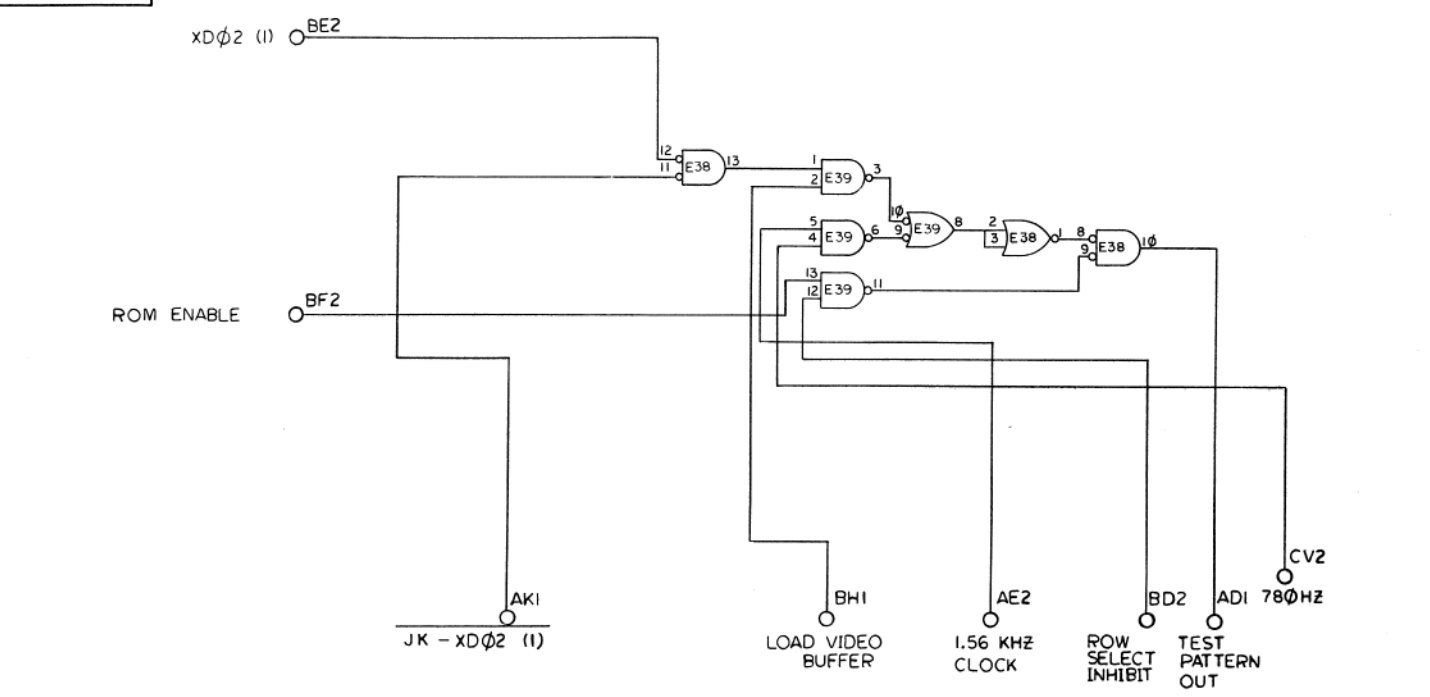
REVISIONS	REV.
CHANGE NO.	
CHK	

FIRST USED ON OPTION / MODEL VT05	QTY.	DESCRIPTION	PART NO.	ITEM NO.
PARTS LIST				
UNLESS OTHERWISE SPECIFIED	DRN	DATE	digital EQUIPMENT CORPORATION MAYNARD, MASSACHUSETTS	
UNLESS OTHERWISE SPECIFIED	CHKD	DATE	TITLE	
DIMENSION IN INCHES	ENG	DATE	BELL CIRCUIT	
TOLERANCES	PROJ. ENG	DATE	(M-7001)	
DECIMALS FRACTIONS ANGLES	PROD	DATE	SIZE CODE NUMBER	
± .005 ± 1/64 ± 0°30'			D T D VT05-0-20	
FINAL SURFACE QUALITY REMOVE BURRS AND BREAK SHARP CORNERS			REV.	
MATERIAL	NEXT HIGHER ASSY			
FINISH	A-ML-VT05-0	SCALE		
		SHEET 1 OF 1		

REV. 1
B-DVT05-0-20

This drawing and specifications, herein, are the property of Digital Equipment Corporation and shall not be reproduced or copied or used in whole or in part as the basis for the manufacture or sale of items without written permission.

8 7 6 5 4 3 2 1



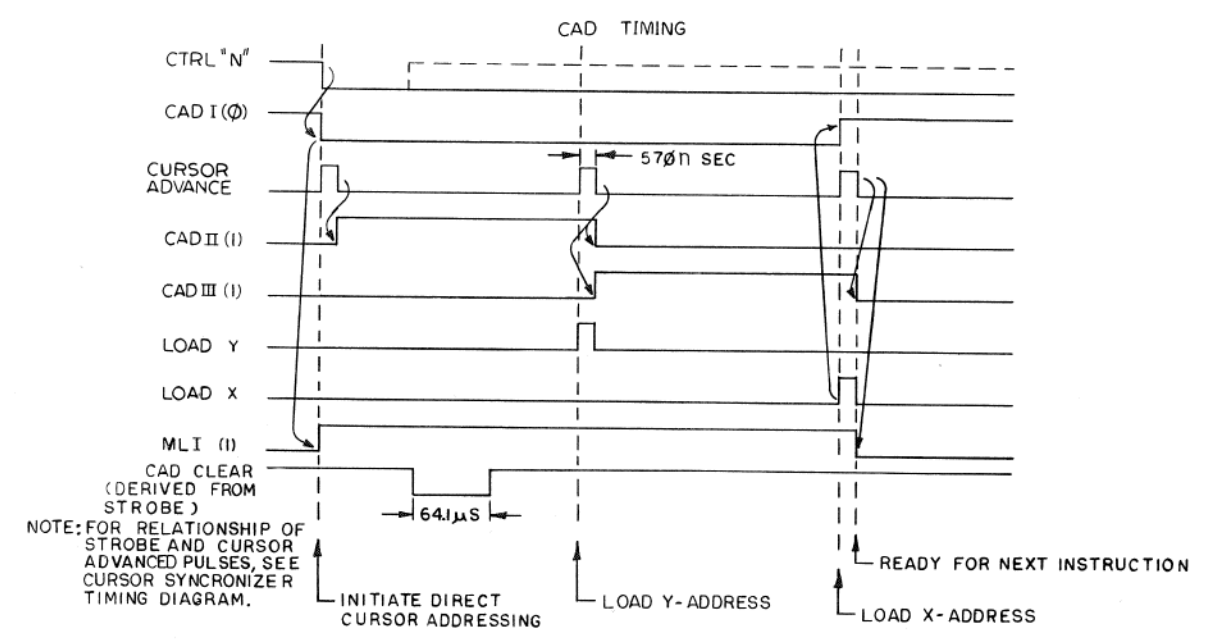
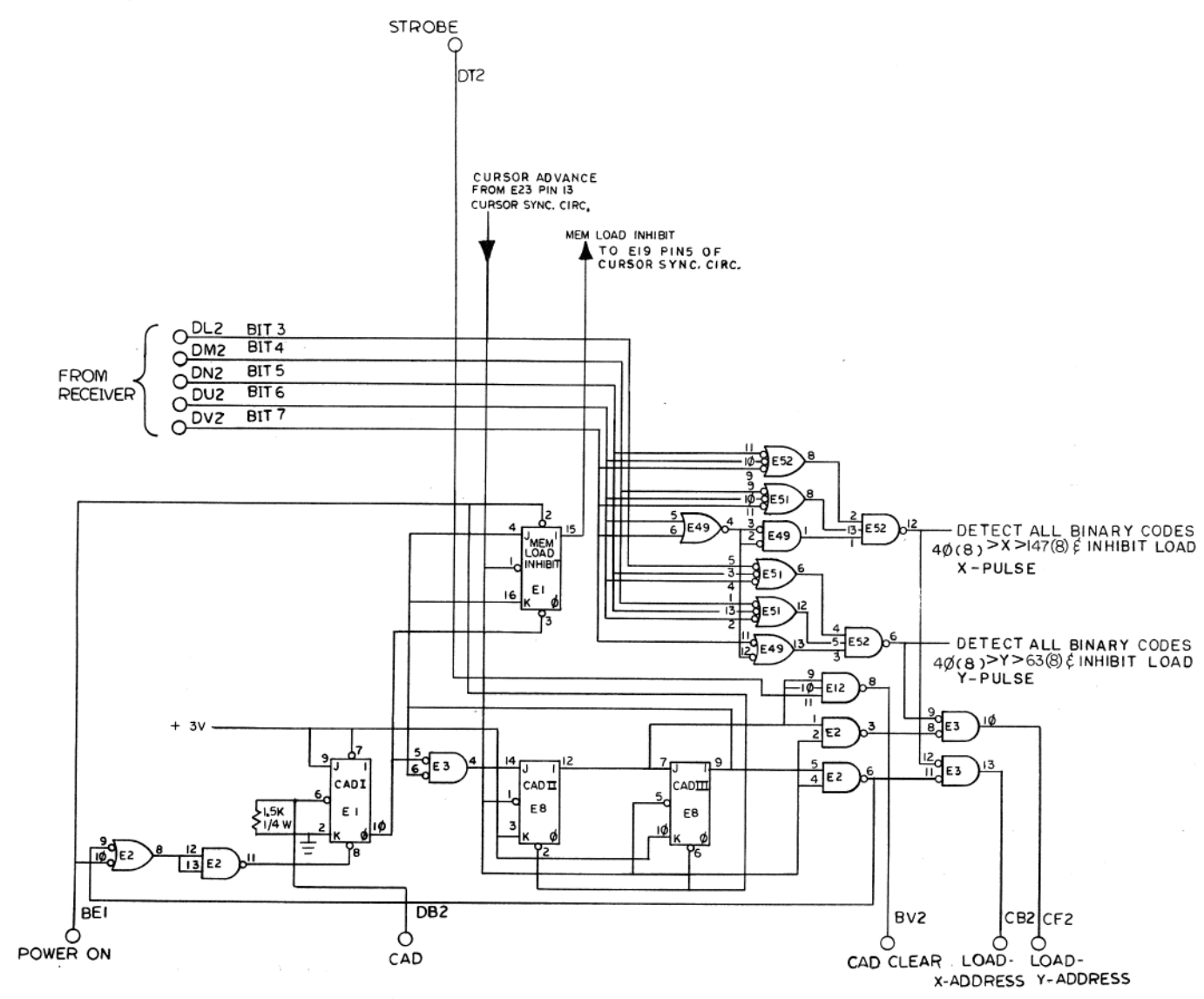
REV.	CHANGE NO.	DATE
A	VTØ5-00071	11/18/71
B	VTØ5-00072	12/17/71
C	VTØ5-00073	6/16/71
D	VTØ5-00074	6/16/71

FIRST USED ON OPTION/MODEL VTØ5	QTY.	DESCRIPTION	PART NO.	ITEM NO.
UNLESS OTHERWISE SPECIFIED				
DIMENSION IN INCHES				
TOLERANCES				
DECIMALS	FRACTIONS	ANGLES		
± .005	± 1/64	± 0°30'		
FINAL SURFACE QUALITY				
REMOVE BURRS AND BREAK SHARP CORNERS				
MATERIAL	FINISH	NEXT HIGHER ASSY		
++	++	A-ML-VTØ5-Ø		
SCALE		SIZE CODE	NUMBER	REV.
1 OF 1		D TD	VTØ5-Ø-21	A

REV. A
ITEM NO. VTØ5-Ø-21

This drawing and specifications, herein, are the property of Digital Equipment Corporation and shall not be reproduced or copied or used in whole or in part as the basis for the manufacture or sale of items without written permission.

22-0-501A 2



REV.	CHANGE NO.

DEC FORM NO DTD 102A

FIRST USED ON OPTION/MODEL VT05	QTY.	DESCRIPTION	PART NO.	ITEM NO.
UNLESS OTHERWISE SPECIFIED				
DIMENSION IN INCHES				
TOLERANCES				
DECIMALS	FRACTIONS	ANGLES		
± .005	± 1/64	± 0°30'		
FINAL SURFACE QUALITY REMOVE BURRS AND BREAK SHARP CORNERS				
MATERIAL	NEXT HIGHER ASSY			
	A-ML-VT05-0			
FINISH	SCALE	SHEET	OF	

digital EQUIPMENT CORPORATION
MAYNARD, MASSACHUSETTS

TITLE
cur address
CAD direct

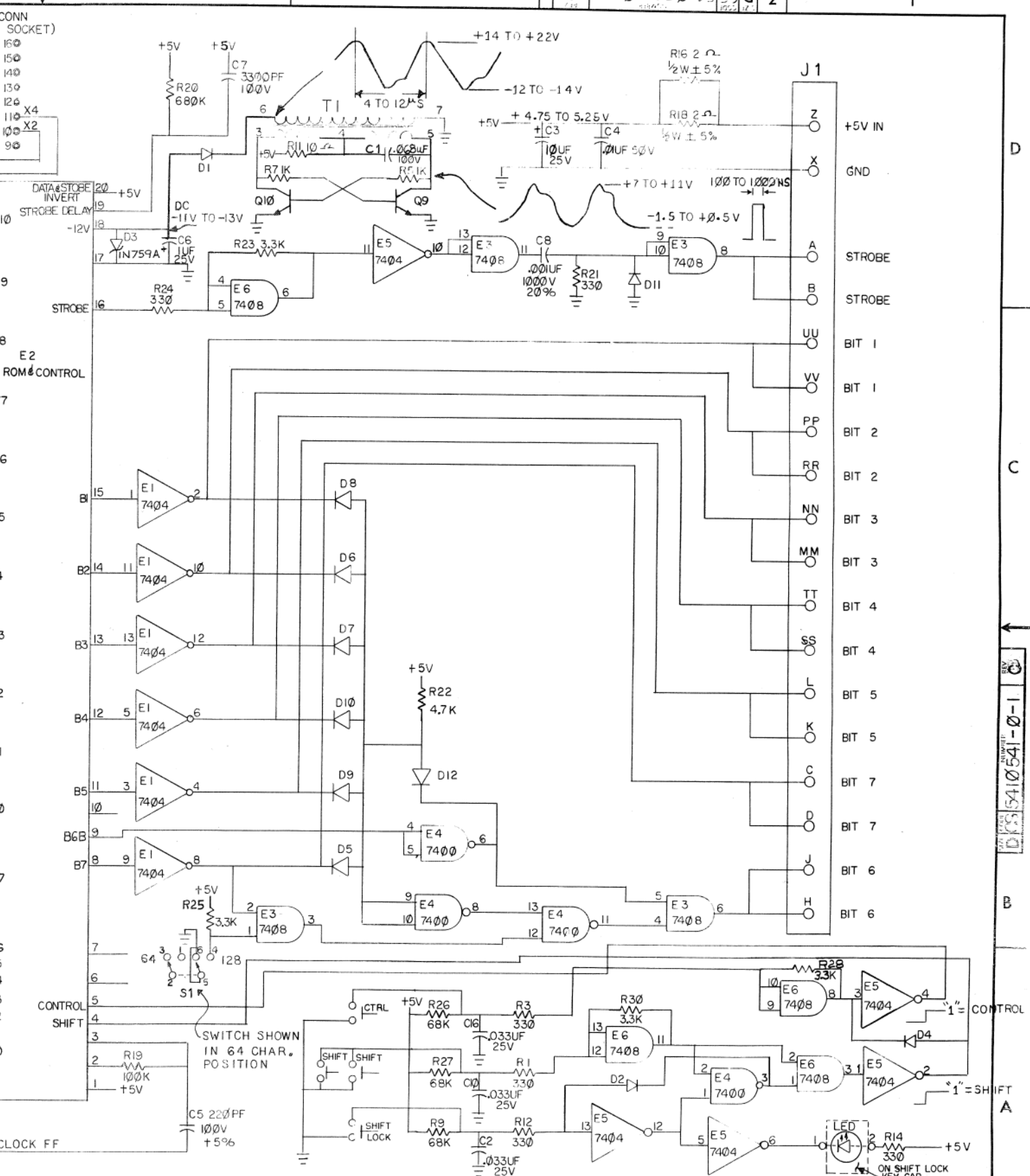
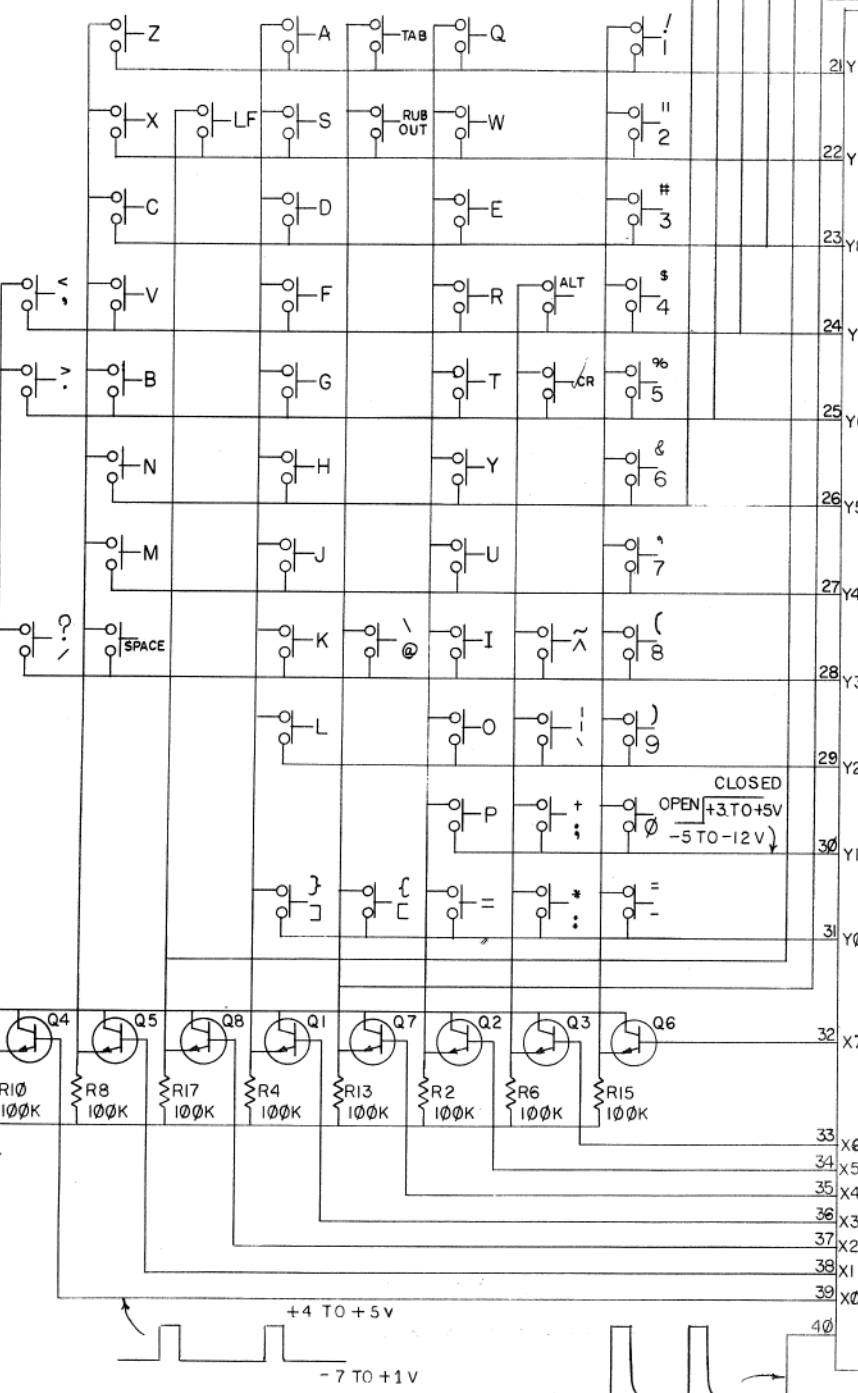
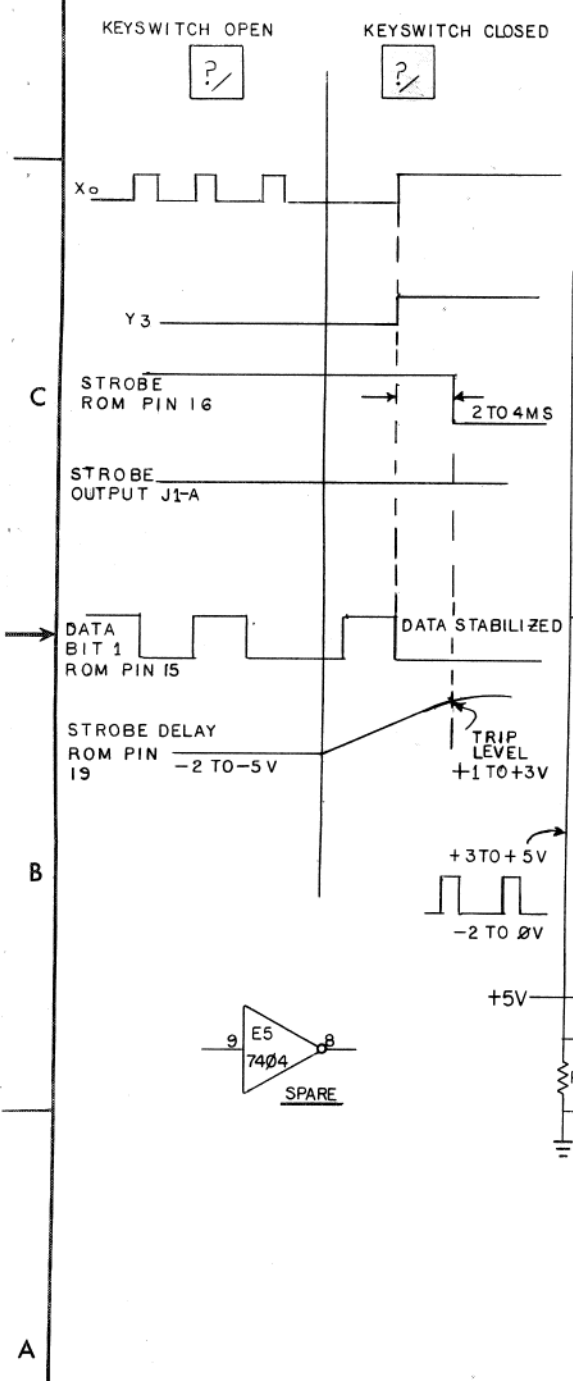
SIZE CODE
D T D VT05-0-22

REV. NO. VT05-0-22

"THIS DRAWING AND SPECIFICATIONS, HEREIN, ARE THE PROPERTY OF DIGITAL EQUIPMENT CORPORATION AND SHALL NOT BE REPRODUCED OR COPIED OR USED IN WHOLE OR IN PART AS THE BASIS FOR THE MANUFACTURE OR SALE OF ITEMS WITHOUT WRITTEN PERMISSION. COPYRIGHT © 1973, DIGITAL EQUIPMENT CORPORATION"

NOTES

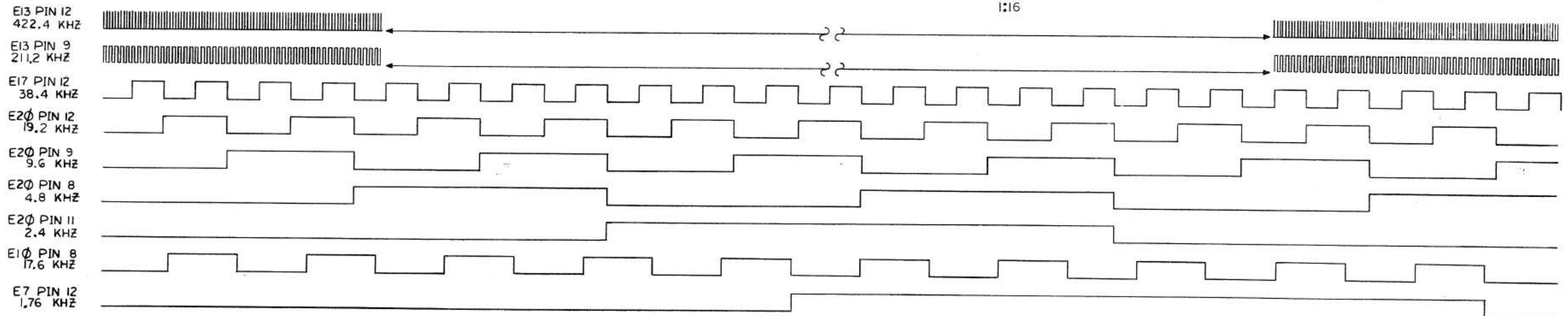
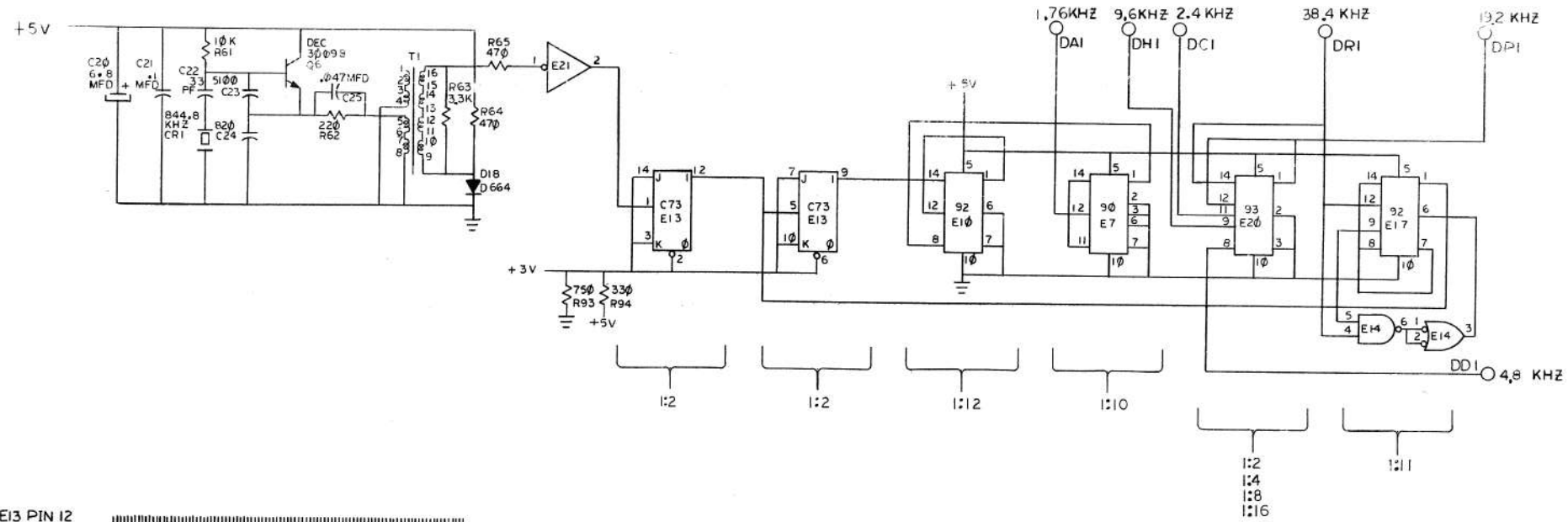
1. UNLESS OTHERWISE SPECIFIED:
 a. RESISTORS ARE EXPRESSED IN OHMS & ARE $\frac{1}{4}$ W \pm 5%.
 b. DIODES ARE D664.
 c. TRANSISTORS ARE DEC 3009B.



REVISIONS		
CHK	CHANGE NO.	REV.

This drawing and specifications, herein, are the property of Digital Equipment Corporation and shall not be reproduced or copied or used in whole or in part as the basis for the manufacture or sale of items without written permission.

VT05-0-01A 2



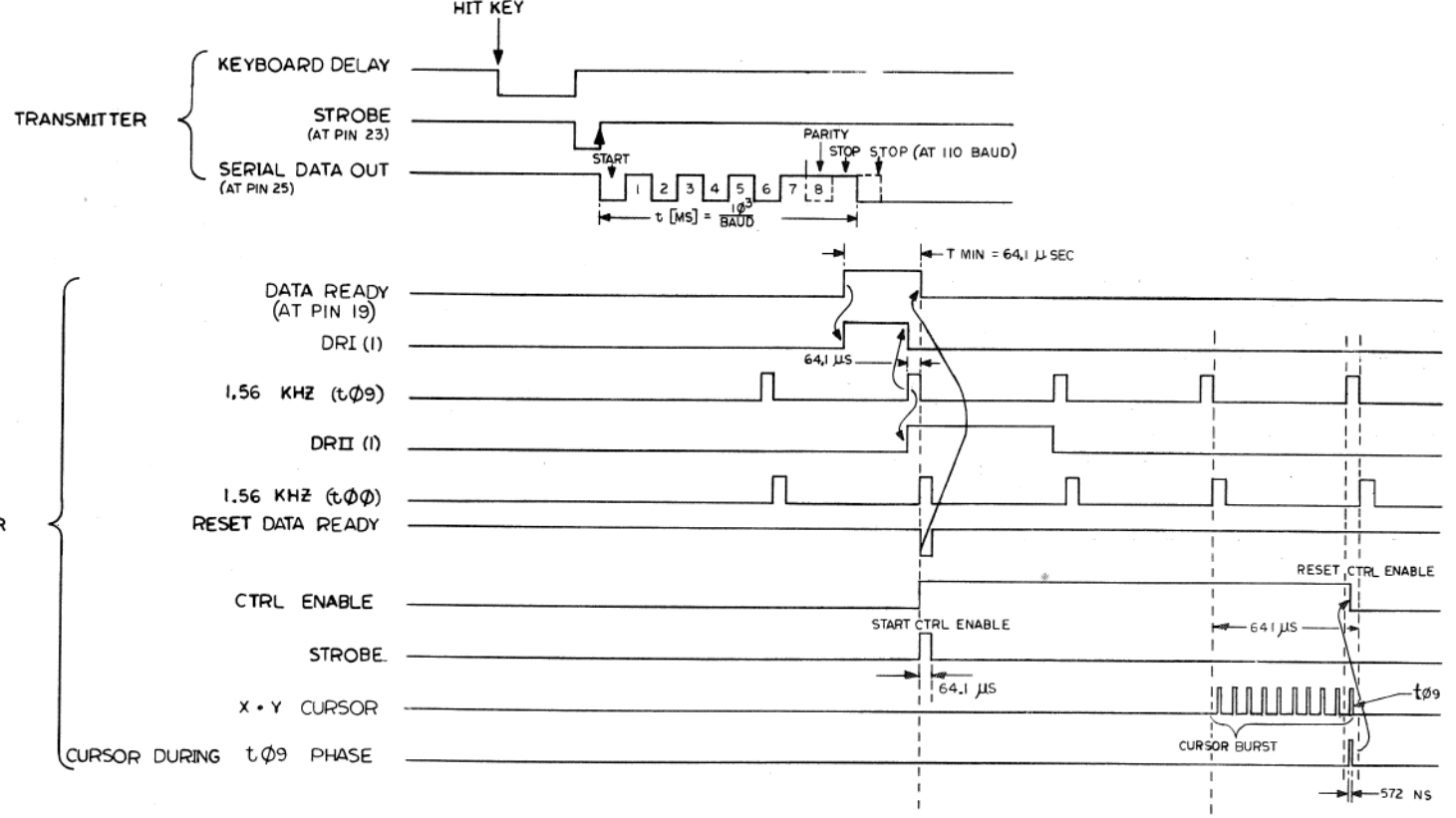
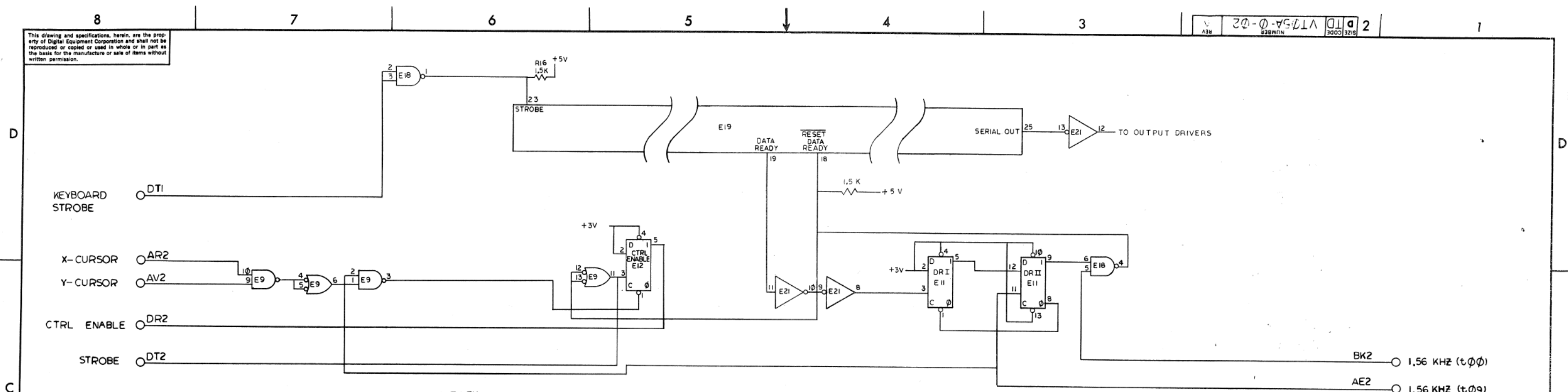
REVISIONS	CHANGE NO.	REV.
CHK	VT05-00056	B
R. PUCCI	7-28-72	

FIRST USED ON OPTION MODEL	QTY.	DESCRIPTION	PART NO.	ITEM NO.
VT05				
PARTS LIST				
UNLESS OTHERWISE SPECIFIED	DRN	DATE	digital EQUIPMENT CORPORATION MATTHARD, MASSACHUSETTS TITLE BAUD RATE GENERATOR (M-7003)	
UNLESS OTHERWISE SPECIFIED	CHWD	DATE		
DIMENSION IN INCHES	ENG.	DATE		
TOLERANCES	PROJ. ENG.	DATE		
DECIMALS FRACTIONS ANGLES	PROD.	DATE		
± .005 ± 1/64 ± 0°30'				
FINAL SURFACE QUALITY / REMOVE BURRS AND BREAK SHARP CORNERS				
MATERIAL	NEXT HIGHER ASSY			
FINISH	A-ML-VT05-0			
SCALE		SIZE CODE		NUMBER
SHEET 1 OF 1		D TD VT05A-0-01		REV. A

VT05A-0-01 A

This drawing and specifications, herein, are the property of Digital Equipment Corporation and shall not be reproduced or copied or used in whole or in part as the basis for the manufacture or sale of items without written permission.

VT05A-0-02



REV	CHG	NO	DATE
A		00056	7-22-72
			7-28-72

FIRST USED ON OPTION / MODEL VT05	QTY.	DESCRIPTION	PART NO.	ITEM NO.
PARTS LIST				
UNLESS OTHERWISE SPECIFIED	DRY	DATE	digital EQUIPMENT CORPORATION MAYNARD, MASSACHUSETTS	
UNLESS OTHERWISE SPECIFIED	CHKD	DATE	TITLE	
TOLERANCES	ENG	DATE	TRANSMITTER & RECEIVER TIMING	
DECIMALS FRACTIONS ANGLES	PROJ. ENG.	DATE	NUMBER (M-7003)	
= .005 = .154 = 0°30'	PROD.	DATE	SIZE CODE NUMBER REV.	
FINAL SURFACE QUALITY			D TD VT05A-0-02 A	
REMOVE BURRS AND BREAK SHARP CORNERS			SHEET 1 OF 1	
MATERIAL	NEXT HIGHER ASSY	DIST.		
FINISH	A-ML-VT05-0			

REV. A
VT05A-0-02


This drawing and specifications, herein, are the property of Digital Equipment Corporation and shall not be reproduced or copied or used in whole or in part as the basis for the manufacture or sale of items without written permission.

MODEL NUMBER	DESCRIPTION	VARIATION
VT05B-AA	NO PARITY; HALF ASC11-KEYBOARD 115V; 60HZ	
VT05B-AB	NO PARITY; HALF ASC11-KEYBOARD 230V; 60HZ	AC BREAKER TO BE 1 AMP; JUMPER PINS 1 & 3 ON J2 OF H733 POWER SUPPLY ; ON TERMINAL STRIP OF SCOPE ASSY JUMPER TERMINALS 1 TO 2 AND 3 TO 4, CHG AC CORD
VT05B-AC	NO PARITY; HALF ASC11-KEYBOARD 115V;50HZ	ON M7001 ADD JUMPER W4 & W6 AND DELETE W5 & W7; ADD A 330PF DM CAP (SEE NOTES) <i>INSERT W16 & DELETE W15 ON M7001</i>
VT05B-AD	NO PARITY; HALF ASC11-KEYBOARD 230V; 50HZ	ADD A 330PF DM CAP ON M7001 (SEE NOTES) <i>INSERT W16 & DELETE W15 ON M7004</i> AC BREAKER TO BE 1 AMP; JUMPER PINS 1 & 3 ON J2 OF H733 POWER SUPPLY; ON M7001 ADD JUMPERS W4 & W6 AND DELETE W5 & W7; ON TERMINAL STRIP OF SCOPE ASSY JUMPER TERMINALS 1 TO 2 AND 3 TO 4
VT05B-BA	NO PARITY; FULL ASC11-KEYBOARD 115V; 60HZ	SET SLIDE SWITCH ON KEYBOARD TO "128"
VT05B-BB	NO PARITY; FULL ASC11-KEYBOARD 230V; 60HZ	SET SLIDE SWITCH ON KEYBOARD TO "128" JUMPER PINS 1 & 3 ON J2 OF H733 POWER SUPPLY ON TERMINAL STRIP OF SCOPE ASSY JUMPER TERMINALS 1 TO 2 AND 3 TO 4. AC BREAKER TO BE 1 AMP CHG AC CORD
VT05B-BC	NO PARITY; FULL ASC11-KEYBOARD 115V; 50HZ	SET SLIDE SWITCH ON KEYBOARD TO "128", ON M7001 ADD JUMPERS W4 & W6 AND DELETE W5 & W7, AND ADD A 330PF DM CAP (SEE NOTE) <i>INSERT W16 & DELETE W15 ON M7004</i>
VT05B-BD	NO PARITY; FULL ASC11-KEYBOARD 230V; 50HZ	SET SLIDE SWITCH ON KEYBOARD TO "128"; AC BREAKER TO BE 1 AMP; JUMPER PINS 1 & 3 ON J2 OF H733 POWER SUPPLY; ON M7001 ADD JUMPERS W4 & W6 AND DELETE W5 & W7; ON TERMINAL STRIP OF SCOPE ASSY JUMPER TERMINALS 1 TO 2 AND 3 TO 4 CHG AC CORD <i>INSERT W16 DELETE W15 ON M7004</i> ADD A 330 PF DM CAP (SEE NOTES)
VT05B-CA	WITH PARITY; HALF ASC11-KEYBOARD 115V; 60HZ	ON M7004 ADD JUMPER W10 & DELETE W9
VT05B-CB	WITH PARITY; HALF ASC11-KEYBOARD 230V;60HZ	ON M7004 ADD JUMPER W10 & DELETE W9, AC BREAKER TO BE 1 AMP; JUMPER PINS 1 & 3 ON J2 OF H733 POWER SUPPLY. ON TERMINAL STRIP OF SCOPE ASSY JUMPER TERMINALS 1 TO 2 AND 3 TO 4, CHG AC CORD
VT05B-CC	WITH PARITY; HALF ASC11-KEYBOARD 115V;50HZ	ON M7004 ADD JUMPER W10 & DELETE W9, ON M7001 ADD JUMPERS W4 & W6 AND DELETE W5 & W7 AND ADD A 330PF DM CAP (SEE NOTES) <i>INSERT W16 & DELETE W15 ON THE M7004</i>
VT05B-CD	WITH PARITY; HALF ASC11-KEYBOARD 230V;50HZ	ON M7004 ADD JUMPER W10 & DELETE W9; AC BREAKER TO BE 1 AMP; JUMPER PINS 1 & 3 ON J2 OF H733 POWER SUPPLY; ON M7001 ADD JUMPERS W4 & W6 DELETE W5 & W7, ON TERMINAL STRIP OF SCOPE ASSY JUMPER TERMINALS 1 TO 2 AND 3 TO 4. CHG AC CORD. ON M7001 ADD A 330PF DM CAP (SEE NOTES) <i>INSERT W16, DELETE W15 ON M7004</i>
VT05B-DA	WITH PARITY; FULL ASC11-KEYBOARD 115V; 60HZ	ON M7004 ADD JUMPER W10 & DELETE W9; SET SWITCH ON KEYBOARD TO "128"
VT05B-DB	WITH PARITY; FULL ASC11-KEYBOARD 230V; 60HZ	ON M7004 ADD JUMPER W10 & DELETE W9; SET SLIDE SWITCH ON KEYBOARD TO "128" AC BREAKER TO BE 1 AMP JUMPER PINS 1 & 3 ON J2 OF H733 POWER SUPPLY; ON TERMINAL STRIP OF SCOPE ASSY JUMPER TERMINALS 1 TO 2 AND 3 TO 4. CHG AC CORD
VT05B-DC	WITH PARITY; FULL ASC11-KEYBOARD 115V; 50HZ	ON M7004 ADD JUMPER W10 & DELETE W9; SET SLIDE SWITCH ON KEYBOARD TO "128"; ON M7001 ADD JUMPERS W4 & W6 AND DELETE W5 & W7, AND ADD A 330PF DM CAP (SEE NOTES) <i>INSERT W16 DELETE W15 ON M7004</i>
VT05B-DD	WITH PARITY; FULL ASC11-KEYBOARD 230V; 50HZ	ON M7004 ADD JUMPER W10 & DELETE W9; SET SLIDE SWITCH ON KEYBOARD TO "128"; AC BREAKER TO BE 1 AMP; JUMPER PINS 1 & 3 ON J2 OF H733 POWER SUPPLY; ON M7001 ADD JUMPERS W4 & W6 & DELETE W5 & W7; ON TERMINAL STRIP OF SCOPE ASSY JUMPER TERMINAL 1 TO 2, AND 3 TO 4 CHG AC CORD <i>ON M7001 ADD A 330PF DM CAP (SEE NOTES) INSERT W16 & DELETE W15 ON M7004</i>

NOTES:

- FOR PICTORIAL REPRESENTATION SEE DWG #D-UA-VT05-B-B
- THE 330 PF DM CAP (1000023) IS INSERTED ON ETCH REVS. E AND OLDER ONE SIDE GOES INTO A FEED THRU (E11 PIN 7) AND THE OTHER TO A FEED THRU WHICH IS COMMON TO (E7 PIN 1, 2, 4, 5) AND (E6 PIN 6)
- WHEN CONVERTING FROM 50 TO 60 HZ REMOVE THE 330PF CAP WHICH IS OUTLINED IN NOTE 2 ABOVE, ALSO REMOVE ECO SHOW IN NOTE 5
- NOTES 2 & 3 ONLY APPLY TO BOARDS PREVIOUS TO REV J.
- USE ECO #M7004-00004.
- ONLY SYLVANIA SCOPES HAVE THE TERMINAL STRIPS. MOTOROLA HAS A SLIDE SWITCH ON THE RIGHT SIDE PANEL, ABOVE THE CONNECTORS.

REV.	CHANGE NO.	DATE	BY
A	VT05-00057	8-10-72	P. PUCCI
B	VT05-00071	8-10-72	P. PUCCI
C	VT05-00071	9-20-72	P. PUCCI
D	VT05-00071	10-5-73	P. PUCCI

FIRST USED ON OPTION/MODEL	QTY.	DESCRIPTION	PART NO.	ITEM NO.
VT05		PARTS LIST		
UNLESS OTHERWISE SPECIFIED DIMENSION IN INCHES. TOLERANCES		DRN. <i>J. Tim</i>	DATE 5/11/72	 <p>digital EQUIPMENT CORPORATION MAYNARD, MASSACHUSETTS</p> <p>TITLE VT05B UNIT ASSEMBLY</p>
DECIMALS .XXX = .005 .XX = .02 .X = .1		CHK'D. <i>GULICK</i>	DATE 5/19/72	
ANGLES ±0° 30'		ENG. <i>Richard Pucci</i>	DATE 5/22/72	
REMOVE BURRS AND BREAK SHARP CORNERS SURFACE QUALITY ✓		PROJ. ENG. <i>Paul C. Ryan</i>	DATE 5/23/72	
MATERIAL <i>++</i>		PROD. <i>John A. White</i>	DATE 6-5-72	
FINISH <i>++</i>		NEXT HIGHER ASSY.		
		A-ML-VT05-0	SIZE CODE C	NUMBER UA VT05B-00-00
		SCALE NONE		REV. B
		SHEET 1 OF 1	DIST. 6	

MODEL NUMBER	DESCRIPTION	VARIATION
VT05A-AA	NO PARITY; HALF ASCII-KEYBOARD 115V; 60HZ	
VT05A-AB	NO PARITY; HALF ASCII-KEYBOARD 230V; 60HZ	AC BREAKER TO BE 1 AMP; JUMPER PINS 1 & 3 ON J2 OF H733 POWER SUPPLY; ON TERMINAL STRIP OF SCOPE ASSY JUMPER TERMINALS 1 TO 2 AND 3 TO 4. CHG AC CORD
VT05A-AC	NO PARITY; HALF ASCII-KEYBOARD 115V; 50HZ	ON M7001 ADD JUMPER W4 & W6 AND DELETE W5 & W7; ADD A 330PF DM CAP (SEE NOTES 2 & 3)
VT05A-AD	NO PARITY; HALF ASCII-KEYBOARD 230V; 50HZ	ADD A 330PF DM CAP ON M7001 (SEE NOTES 2 & 3) AC BREAKER TO BE 1 AMP; JUMPER PINS 1 & 3 ON J2 OF H733 POWER SUPPLY; ON M7001 ADD JUMPERS W4 & W6 AND DELETE W5 & W7; ON TERMINAL STRIP OF SCOPE ASSY JUMPER TERMINALS 1 TO 2 AND 2 TO 3. CHG AC CORD
VT05A-BA	NO PARITY; FULL ASCII-KEYBOARD 115V; 60HZ	SET SLIDE SWITCH ON KEYBOARD TO "128"
VT05A-BB	NO PARITY; FULL ASCII-KEYBOARD 230V; 60HZ	SET SLIDE SWITCH ON KEYBOARD TO "128"; JUMPER PINS 1 & 3 ON J2 OF H733 POWER SUPPLY; ON TERMINAL STRIP OF SCOPE ASSY JUMPER TERMINALS 1 TO 2 AND 3 TO 4. AC BREAKER TO BE 1 AMP. CHG AC CORD
VT05A-BC	NO PARITY; FULL ASCII-KEYBOARD 115V; 50HZ	SET SLIDE SWITCH ON KEYBOARD TO "128"; ON M7001 ADD JUMPERS W4 & W6 AND DELETE W5 & W7, AND ADD A 330PF DM CAP. (SEE NOTES 2 & 3)
VT05A-BD	NO PARITY; FULL ASCII-KEYBOARD 230V; 50HZ	SET SLIDE SWITCH ON KEYBOARD TO "128"; AC BREAKER TO BE 1 AMP; JUMPER PINS 1 & 3 ON J2 OF H733 POWER SUPPLY; ON M7001 ADD JUMPERS W4 & W6 AND DELETE W5 & W7; ON TERMINAL STRIP OF SCOPE ASSY JUMPER TERMINALS 1 TO 2 AND 3 TO 4. CHG AC CORD.
VT05A-CA	WITH PARITY; HALF ASCII-KEYBOARD 115V; 60HZ	ON M7003 ADD JUMPER W3 & DELETE W2
VT05A-CB	WITH PARITY; HALF ASCII-KEYBOARD 230V; 60HZ	ON M7003 ADD JUMPER W3 & DELETE W2; AC BREAKER TO BE 1 AMP; JUMPER PINS 1 & 3 ON J2 OF H733 POWER SUPPLY. ON TERMINAL STRIP OF SCOPE ASSY JUMPER TERMINALS 1 TO 2 AND 3 TO 4. CHG AC CORD
VT05A-CC	WITH PARITY; HALF ASCII-KEYBOARD 115V; 50HZ	ON M7003 ADD JUMPER W3 & DELETE W2; ON M7001 ADD JUMPERS W4 & W6 AND DELETE W5 & W7 AND ADD A 330PF DM CAP (SEE NOTES 2 & 3)
VT05A-CD	WITH PARITY HALF ASCII-KEYBOARD 230V; 50HZ	ON M7003 ADD JUMPER W3 & DELETE W2; AC BREAKER TO BE 1 AMP; JUMPER PINS 1 & 3 ON J2 OF H733 POWER SUPPLY; ON M7001 ADD JUMPERS W4 & W6 AND DELETE W5 & W7. ON TERMINAL STRIP OF SCOPE ASSY JUMPER TERMINALS 1 TO 2 AND 3 TO 4. CHG AC CORD. ON M7001 ADD A 330PF DM CAP (SEE NOTES 2 & 3)
VT05A-DA	WITH PARITY; FULL ASCII-KEYBOARD 115V; 60HZ	ON M7003 ADD JUMPER W3 & DELETE W2; SET SWITCH ON KEYBOARD TO "128"
VT05A-DB	WITH PARITY; FULL ASCII-KEYBOARD 230V; 60HZ	ON M7003 ADD JUMPER W3 & DELETE W2; SET SLIDE SWITCH ON KEYBOARD TO "128". AC BREAKER TO BE 1 AMP. JUMPER PINS 1 & 3 ON J2 OF H733 POWER SUPPLY; ON TERMINAL STRIP OF SCOPE ASSY JUMPER TERMINALS 1 TO 2 AND 3 TO 4. CHG AC CORD
VT05A-DC	WITH PARITY; FULL ASCII-KEYBOARD 115V; 50HZ	ON M7003 ADD JUMPER W3 & DELETE W2; SET SLIDE SWITCH ON KEYBOARD TO "128"; ON M7001 ADD JUMPERS W4 & W6 AND DELETE W5 & W7, AND ADD A 330PF DM CAP (SEE NOTES 2 & 3)
VT05A-DD	WITH PARITY; FULL ASCII-KEYBOARD 230V; 50HZ	ON M7003 ADD JUMPER W3 & DELETE W2; SET SLIDE SWITCH ON KEYBOARD TO "128"; AC BREAKER TO BE 1 AMP; JUMPER PINS 1 & 3 ON J2 OF H733 POWER SUPPLY; ON M7001 ADD JUMPERS W4 & W6 AND DELETE W5 & W7; ON TERMINAL STRIP OF SCOPE ASSY JUMPER TERMINAL 1 TO 2, AND 3 TO 4. CHG AC CORD ON M7001 ADD A 33PF DM CAP (SEE NOTES 2 & 3)

NOTE: 1. FOR PICTORIAL REPRESENTATION SEE DWG # D-UA-VT05 0 0
 2. THE 330 PF DM CAP (1000023) IS INSERTED AS FOLLOWS
 ONE SIDE GOES INTO A FEED THRU (E11 PIN 7) AND THE OTHER TO A FEED THRU WHICH IS COMMON TO (E7 PIN 1, 2, 4, 5) AND (E6 PIN 6).
 3. WHEN CONVERTING FROM 50 TO 60 HZ REMOVE THE 330PF CAP WHICH IS OUTLINED IN NOTE 2 ABOVE.
 4. NOTES 2 & 3 ONLY APPLY TO BOARDS PREVIOUS TO REV. J

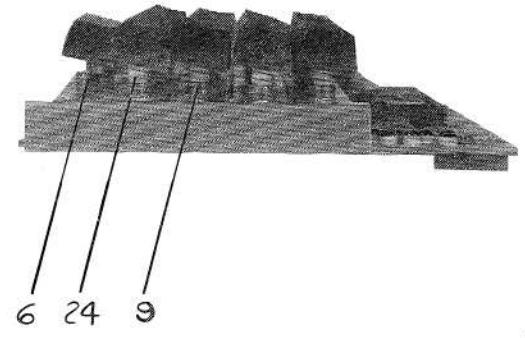
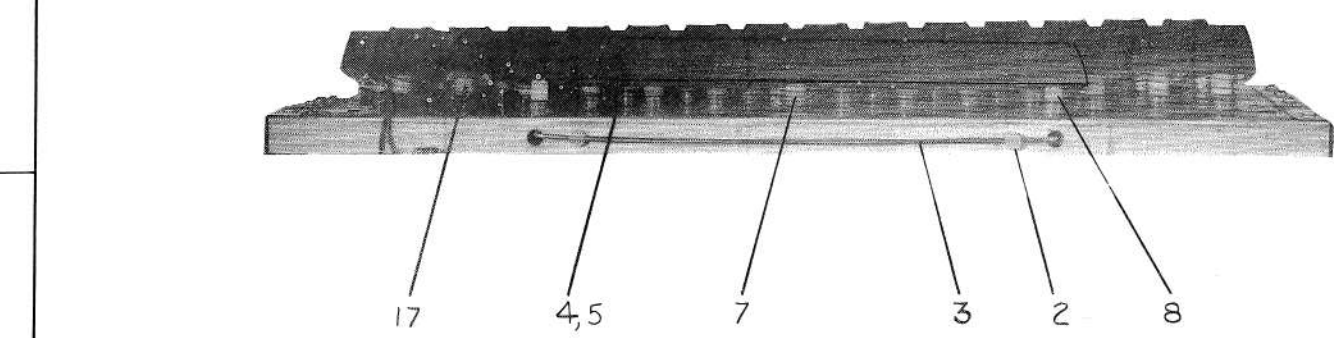
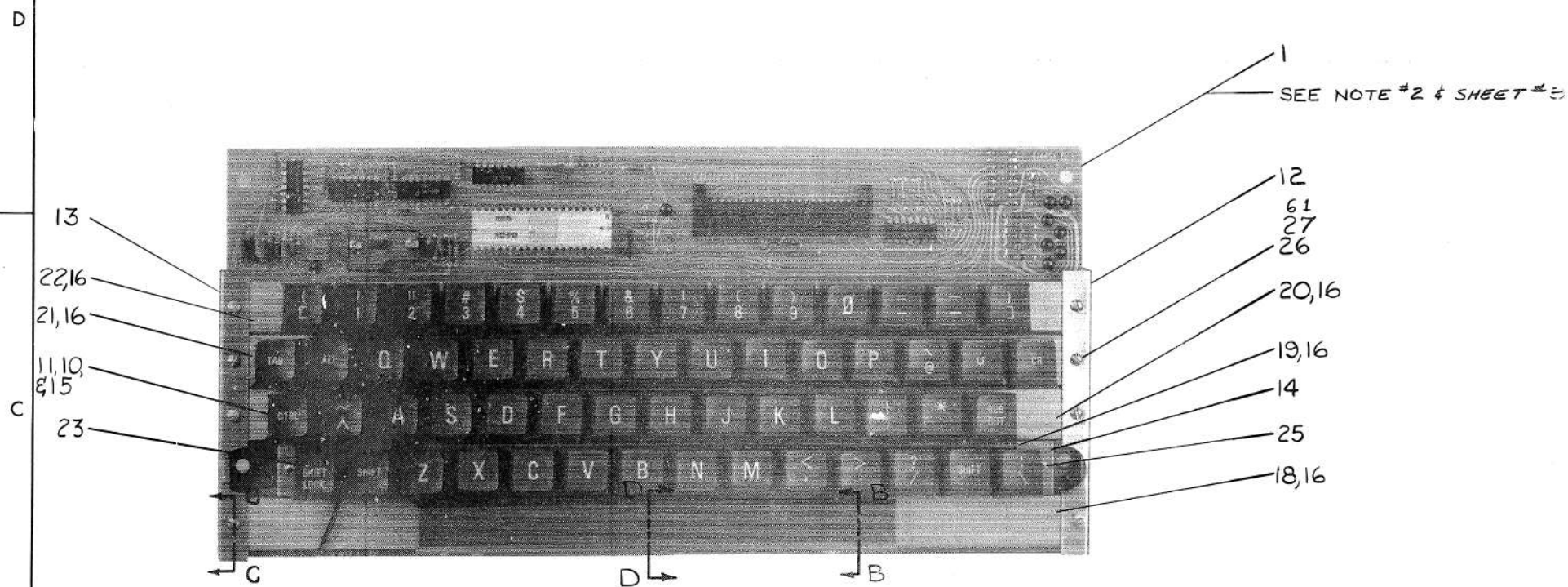
CHK	CHANGE NO.	REV.
	VT05-00041	A
	W. Williams 11-16-71	
	R. PUCCI	
	R. Pucci 11-22-71	B
	VT05-00056	
	R. Pucci 7-22-72	
	R. PUCCI	
	R. Pucci 7-28-72	

FIRST USED ON OPTION/MODEL	QTY.	DESCRIPTION	PART NO.	ITEM NO.
VT05		PARTS LIST		
UNLESS OTHERWISE SPECIFIED DIMENSION IN INCHES. TOLERANCES	DRN. <i>S. Williams</i>	DATE 4-21-71	EQUIPMENT CORPORATION MAYNARD, MASSACHUSETTS	
DECIMALS .XXX = .005 .XX = .02 .X = .1	CHK'D <i>R. Pucci</i>	DATE 5-6-71	TITLE VT05A UNIT ASSEMBLY	
ANGLES ±0° 30'	ENG. <i>R. Pucci</i>	DATE 5-14-71		
REMOVE BURRS AND BREAK SHARP CORNERS SURFACE QUALITY ✓	PROJ. ENG. <i>W.S. Miller</i>	DATE 5/13/71		
MATERIAL	PROD. <i>R. Pucci</i>	DATE 5/11/71		
FINISH	NEXT HIGHER ASSY.			
	A-ML-VT05-0	SIZE CODE C	NUMBER UA VT05A-00-00	REV. B
	SCALE NONE			
	SHEET OF			

REV. B
 NUMBER CUA VT05A-00-00
 SIZE CODE B

This drawing and specifications, herein, are the property of Digital Equipment Corporation and shall not be reproduced or copied or used in whole or in part as the basis for the manufacture or sale of items without written permission.

- NOTES:
- IF ITEM #11 (COMPLETE SET) IS ORDERED DO NOT ORDER ITEM #4 (9 KEY SPACE BAR) AS IT IS PART OF COMPLETE SET WHEN ORDERED FROM CONTROL DEVICES. IF INDIVIDUAL KEYCAPS (ITEM#11) ARE ORDERED ITEM #4 MUST THEN BE ORDERED ALSO AS PER PARTS LIST.
 - FOR COMPONENT ASSY INFORMATION ON ITEM #1 (PC BOARD) REFER TO SHEET #3
 - FOR CIRCUIT SCHEMATIC INFORMATION REFER TO DWG D-05-5409945-0-1



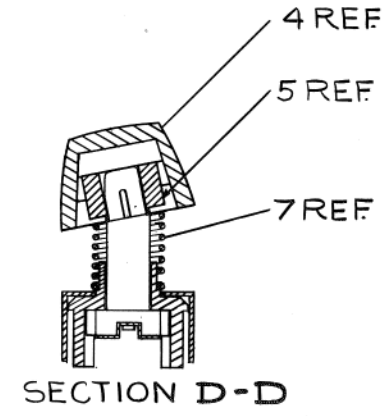
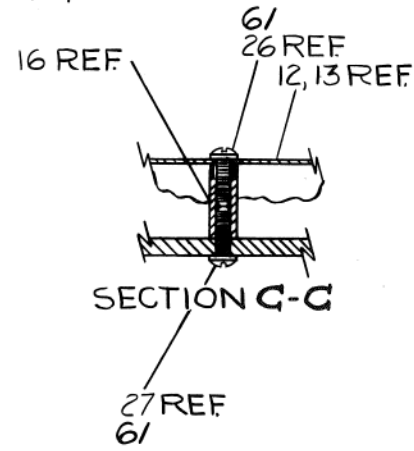
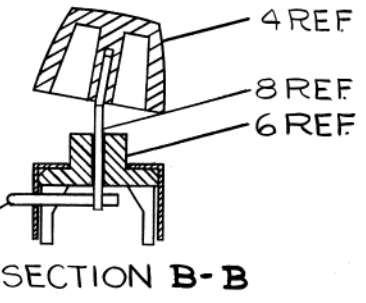
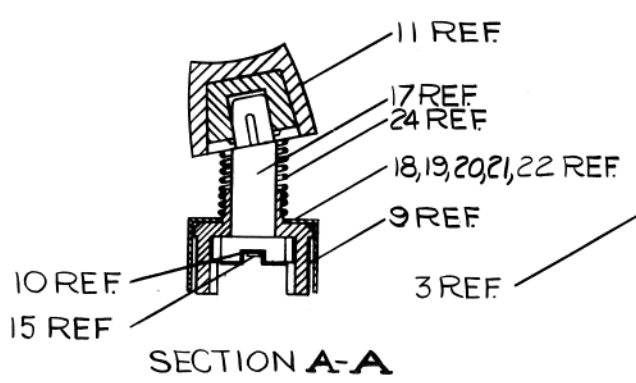
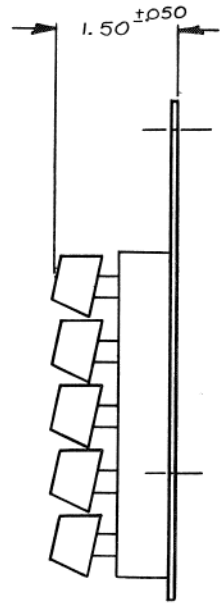
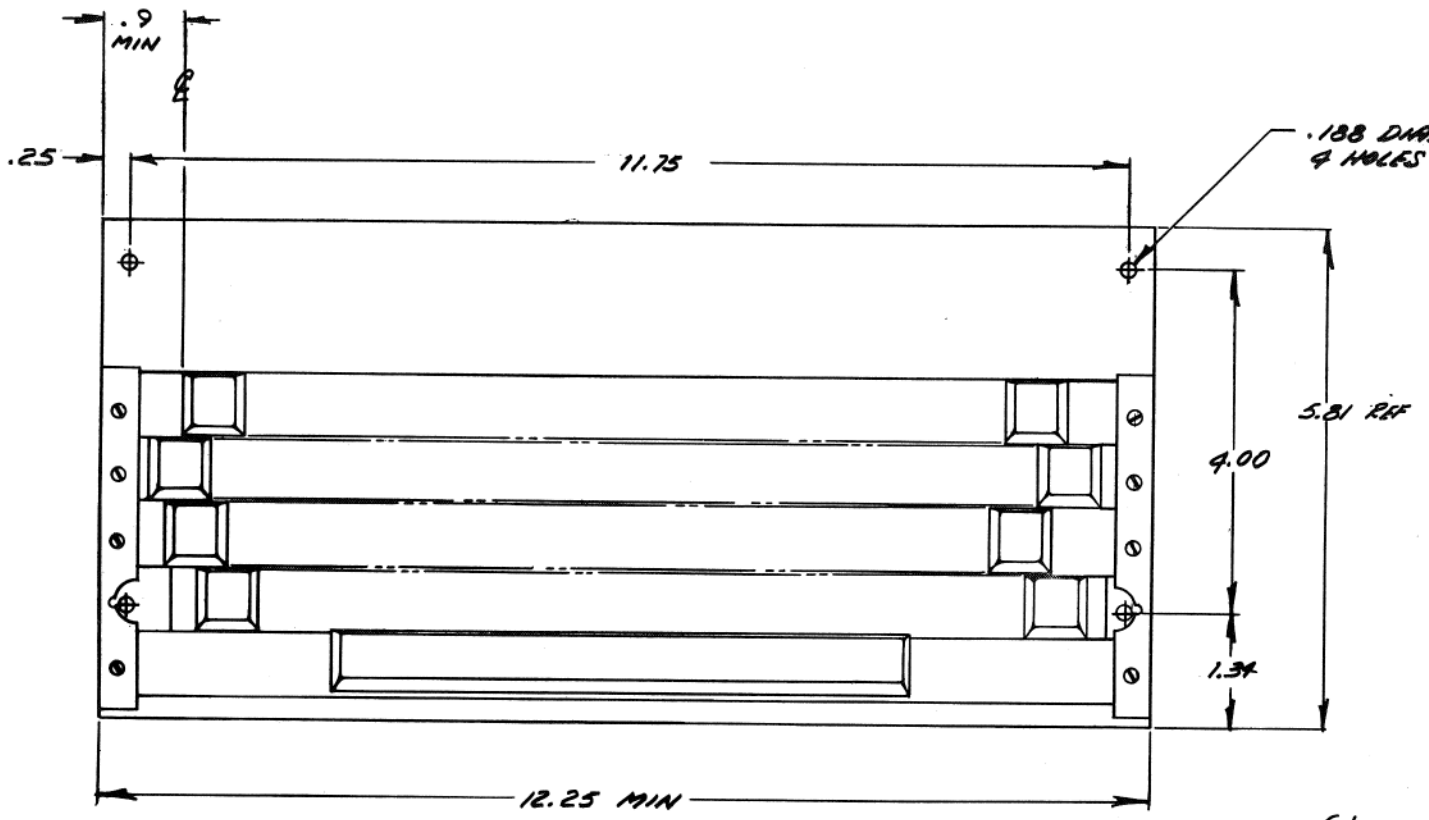
REV.	CHANGE NO.	CHK.
A	LK01-00001	BEATTY
B	LK01-00003	BEATTY
C	LK01-00004	BEATTY
D	LK01-00004	BEATTY
E	LK01-00001	BEATTY
F	LK01-00001	BEATTY
G	LK01-00001	BEATTY
H	LK01-00001	BEATTY
I	LK01-00001	BEATTY
J	LK01-00001	BEATTY
K	LK01-00001	BEATTY
L	LK01-00001	BEATTY
M	LK01-00001	BEATTY
N	LK01-00001	BEATTY
O	LK01-00001	BEATTY
P	LK01-00001	BEATTY
Q	LK01-00001	BEATTY
R	LK01-00001	BEATTY
S	LK01-00001	BEATTY
T	LK01-00001	BEATTY
U	LK01-00001	BEATTY
V	LK01-00001	BEATTY
W	LK01-00001	BEATTY
X	LK01-00001	BEATTY
Y	LK01-00001	BEATTY
Z	LK01-00001	BEATTY

QTY.	DESCRIPTION	PART NO.	ITEM NO.
PARTS LIST			
UNLESS OTHERWISE SPECIFIED DIMENSION IN INCHES. TOLERANCES			
DECIMALS	ANGLES	TOLERANCES	
.XXX + .005	± 0° 30'		
.XX + .02			
.X + .1			
REMOVE BURRS AND BREAK SHARP CORNERS SURFACE QUALITY			
MATERIAL			
FINISH			
NEXT HIGHER ASSY.		SIZE CODE	NUMBER
B-DD-LK01-0		DAD	5409945-0-0
SCALE		REV.	F
SHEET OF 3			

REV. 2 DAD 5409945-0-0

This drawing and specifications, herein, are the property of Digital Equipment Corporation and shall not be reproduced or copied or used in whole or in part as the basis for the manufacture or sale of items without written permission.

REV. F 0-0-0 5409945-DAD 2



REVISIONS
CHANGE NO.
CHK

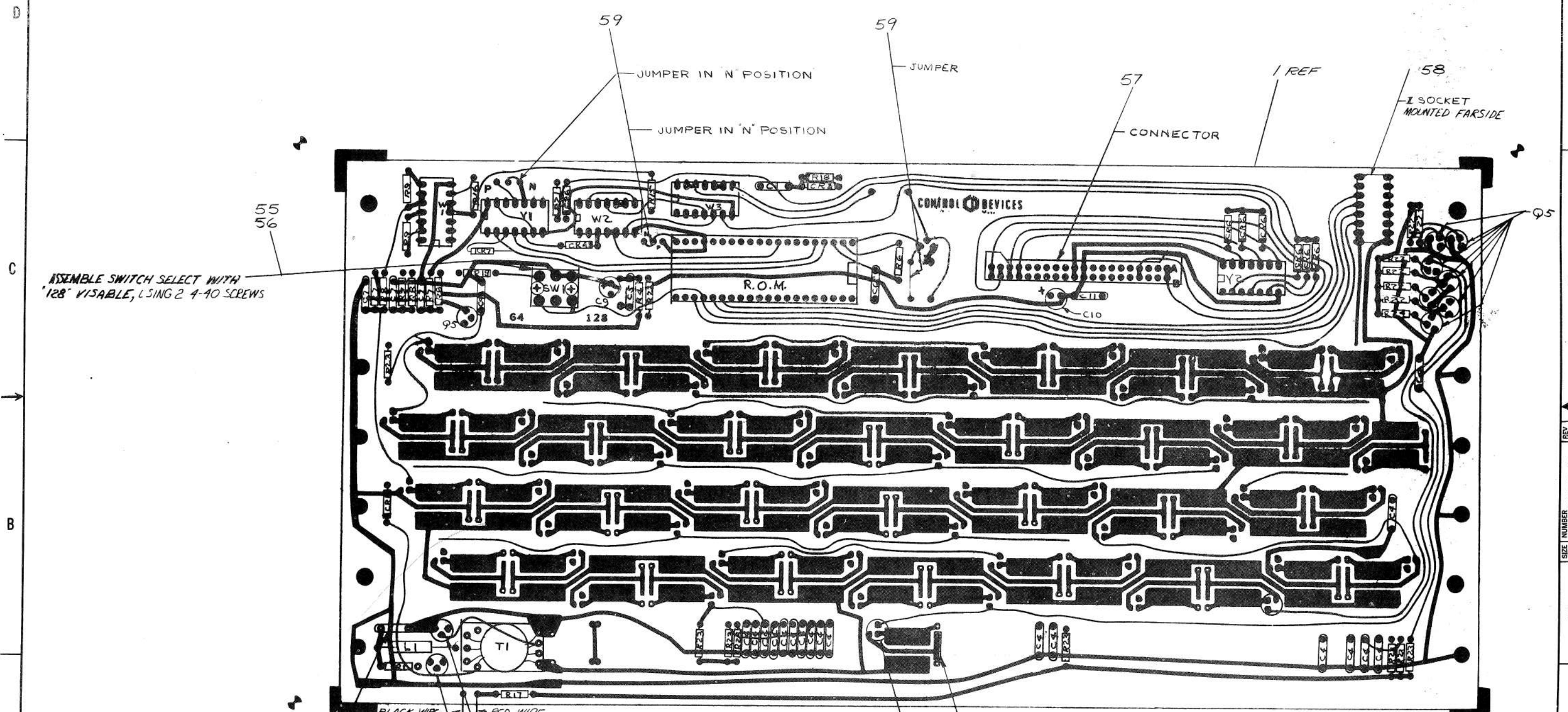
FIRST USED ON OPTION/MODEL	QTY.	DESCRIPTION	PART NO.	ITEM NO.
++				
PARTS LIST				
UNLESS OTHERWISE SPECIFIED DIMENSION IN INCHES. TOLERANCES		DATE 1-4-72 CHK'D DATE 1-16-72	 DIGITAL EQUIPMENT CORPORATION MAYNARD, MASSACHUSETTS	
DECIMALS .XXX - .005	ANGLES ±0° 30'	DATE 1-19-72 PROJ. ENG. P. W. BISHOP		
.XX - .02		DATE 2/19/72	TITLE KEYBOARD ASSY	
.X - .1		DATE 2/19/72		
REMOVE BURRS AND BREAK SHARP CORNERS SURFACE QUALITY		PROD. DATE 2/19/72		
MATERIAL	++	NEXT HIGHER ASSY.	SIZE CODE	NUMBER
FINISH	++	SCALE NONE	DAD	5409945-0-0
		SHEET 2 OF 3	DIST.	REV. F

REV. F
NUMBER 5409945-0-0
DAD

This drawing and specifications, herein, are the property of Digital Equipment Corporation and shall not be reproduced or copied or used in whole or in part as the basis for the manufacture or sale of items without written permission.

REV. 0-0-5409945-0
SIZE D

NOTES:
FORMERLY CONTROL DEVICE DWG. NO. D4459



ASSEMBLE SWITCH SELECT WITH
"128" VISIBLE, USING 2 4-10 SCREWS

BLACK WIRE
RED WIRE
HARDWARE TO LIGHTED KEYCAP
Q1
Q2

TOLERANCES
DECIMAL
.XXX = .005
.XX = .02
.X = .1

R2 (58 PLACES)
Q3 (58 PLACES)

FIRST USED ON OPT/ MOD	QTY.	DESCRIPTION	PART NO.	ITEM NO.
DO NOT SCALE DRAWING	DRN	DATE 1-6-72		
UNLESS OTHERWISE SPECIFIED DIMENSION IN INCHES	CHK'D	DATE 1-14-72		
TOLERANCES	ENG.	DATE 2/10/72		
ANGLES ± 0°30'	PROJ. ENG.	DATE		
FINAL SURFACE QUALITY REMOVE BURRS AND BREAK SHARP CORNERS	PROD.	DATE		
MATERIAL	NEXT HIGHER ASSY			
FINISH	SCALE 2/1	SHEET 3 OF 3	CODE AD	SIZE D-5409945-0-0
			NUMBER	REV. F

REV.	CHANGE NO.

DEC FORM NO. 101

REV. F
SIZE D
NUMBER 5409945-0-0

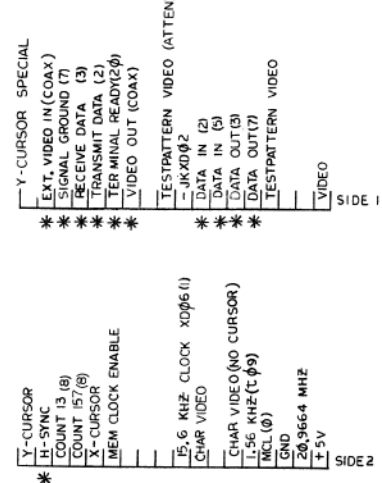
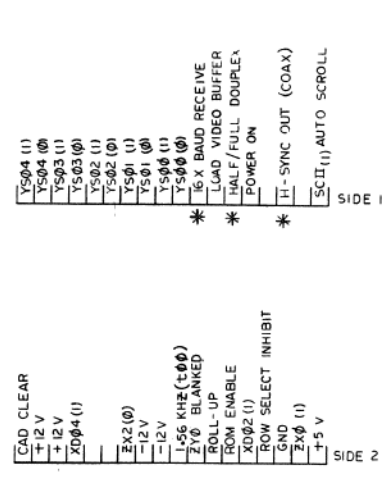
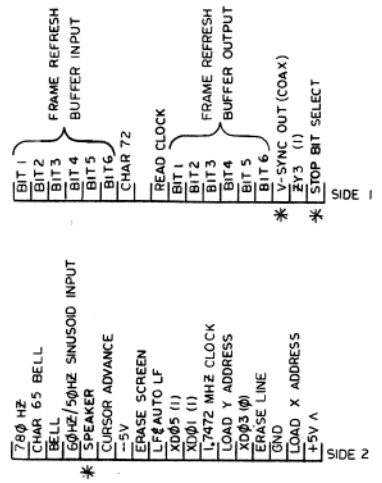
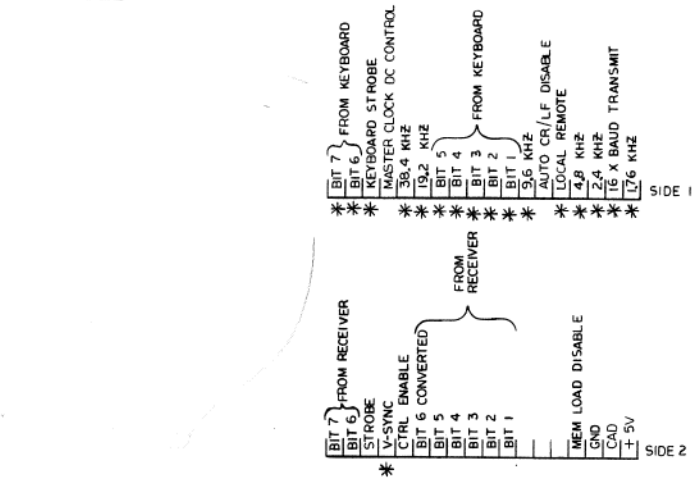
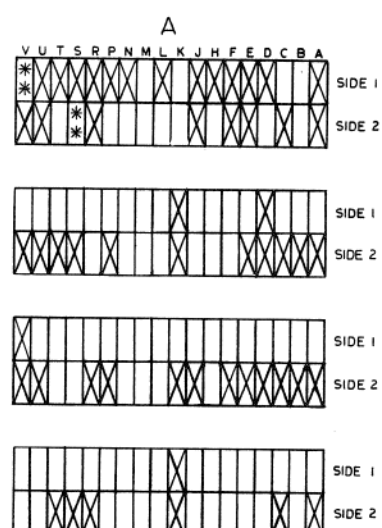
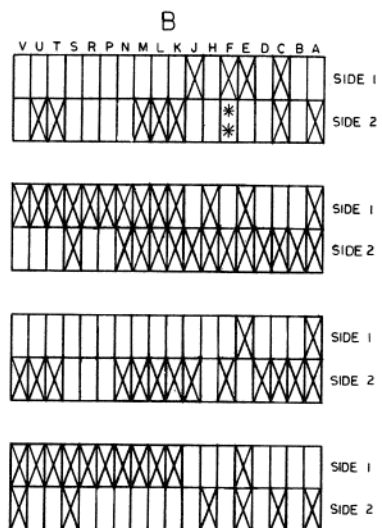
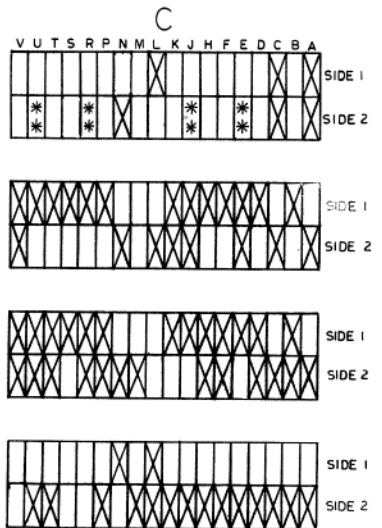
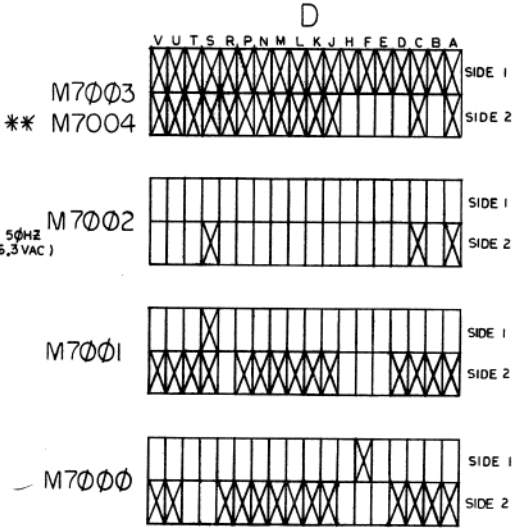
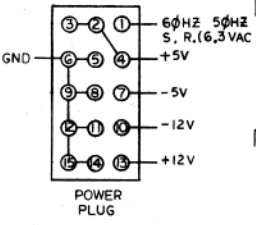
The drawing and specifications herein are the property of Digital Equipment Corporation and shall not be reproduced or copied in whole or in part as the basis for the manufacture or sale of items without written permission.

D

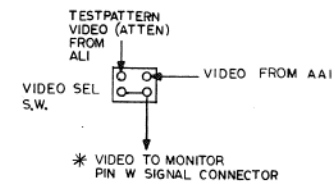
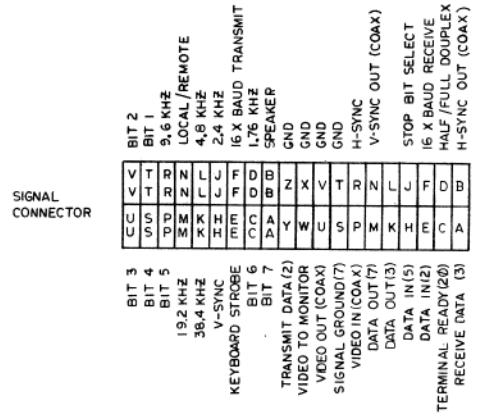
C

B

A



NOTE: * = ALL EXTERNAL CONNECTIONS
 ** ALL BUSS LOCATIONS SHOWING ** ARE USED BY THE M7004 AS WELL AS THOSE USED BY THE M7003.
 EXCEPTION: AR2 IS NOT USED ON THE M7004



REV.	CHG.	NO.	DATE
A	VT05-00071		5/15/71
			5/19/71
			6/16/71
			8/15/71
			6/17/71

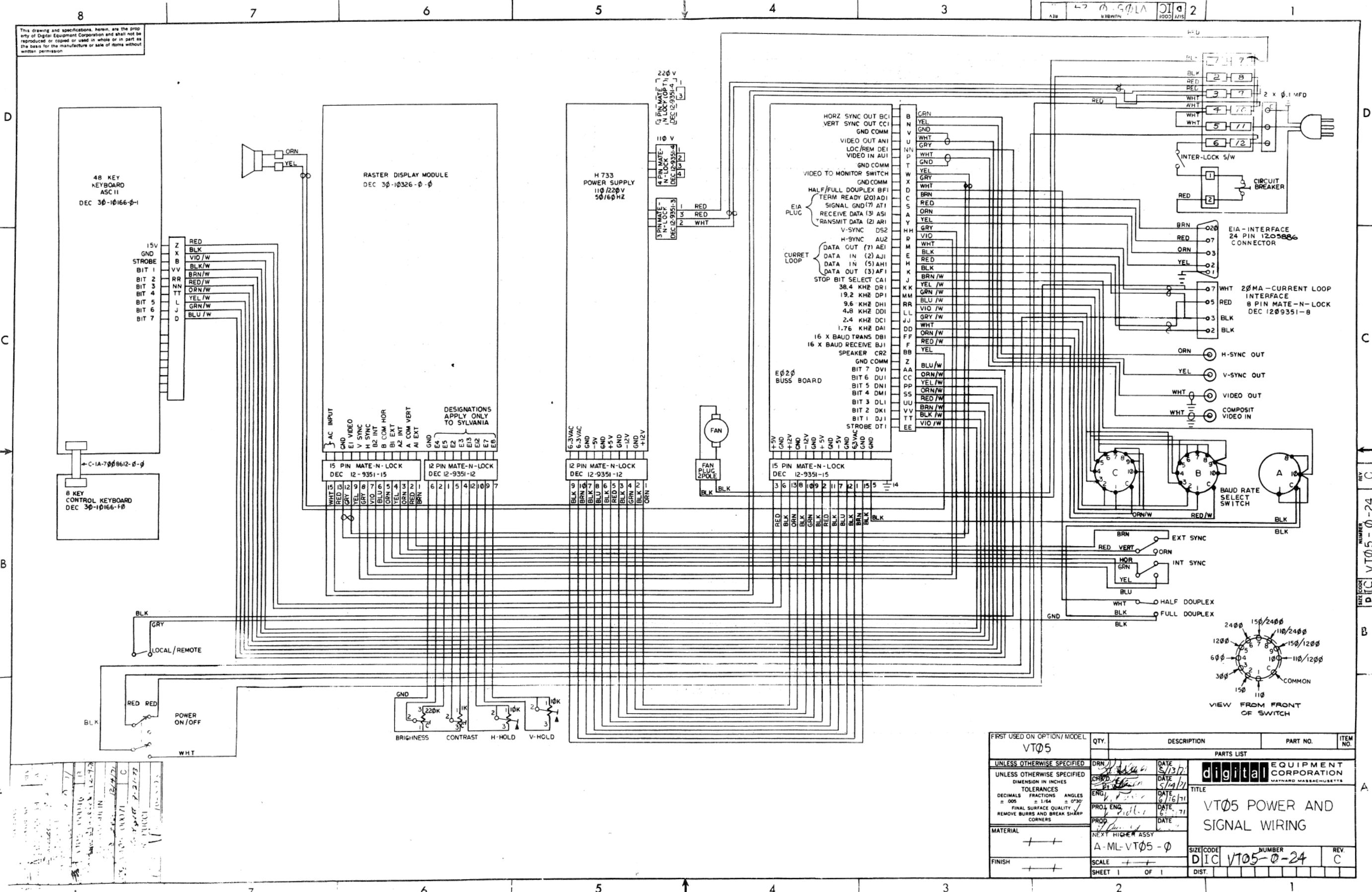
R. PUCCI

10-5-73

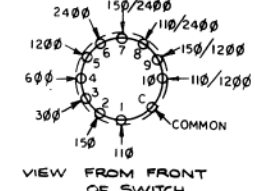
FIRST USED ON OPTION / MODEL	QTY.	DESCRIPTION	PART NO.	ITEM NO.
VT05				
PARTS LIST				
UNLESS OTHERWISE SPECIFIED				
DIMENSION IN INCHES				
TOLERANCES				
DECIMALS FRACTIONS ANGLES				
± .005 ± 1/64 ± 0°30'				
FINAL SURFACE QUALITY				
REMOVE BURRS AND BREAK SHARP CORNERS				
MATERIAL	+	+		
FINISH	+	+		
NEXT HIGHER ASSY		A-ML-VT05-0		
SCALE	+	+		
SHEET	1	OF	1	
SIZE CODE		NUMBER		REV.
DMU		VT05 0-23		A
DIST.				

VT05-0-23

This drawing and specifications, herein, are the property of Digital Equipment Corporation and shall not be reproduced or copied or used in whole or in part as the basis for the manufacture or sale of items without written permission.



QTY.	DESCRIPTION	PART NO.	ITEM NO.
FIRST USED ON OPTION/ MODEL VT05			
UNLESS OTHERWISE SPECIFIED	DRN	DATE	5/13/71
UNLESS OTHERWISE SPECIFIED	CHRD	DATE	5/14/71
TOLERANCES	ENG	DATE	6/16/71
DECIMALS FRACTIONS ANGLES	PROJ. ENG.	DATE	6/17/71
± .005 ± .154 ± 0°30'	PROD.	DATE	
FINAL SURFACE QUALITY REMOVE BURRS AND BREAK SHARP CORNERS			
MATERIAL	NEXT HIGHER ASSY		
FINISH	A-ML-VT05-0		
SCALE	SIZE CODE		
SHEET 1 OF 1	D I C VT05-0-24		
	NUMBER		
	REV. C		



REVISIONS

NO.	DATE	DESCRIPTION
1	5-13-71	REVISED TO ADD 12V LINE TO POWER SUPPLY
2	5-14-71	REVISED TO ADD 5V LINE TO POWER SUPPLY
3	6-16-71	REVISED TO ADD 10K RESISTOR TO BRIGHTNESS CONTROL
4	6-17-71	REVISED TO ADD 1K RESISTOR TO CONTRAST CONTROL

REV. C NUMBER 1-0-24 SIZE CODE D I C VT05-0-24

DIGITAL EQUIPMENT CORPORATION MAYNARD, MASSACHUSETTS			LEGEND		QUANTITY / VARIATION							
SOFTWARE LIST			D	DOCUMENT								
MADE BY J. Niemela	CHECKED <i>J. Niemela</i>	SECTION	DN	DOCUMENT CHANGE NOTICE								
DATE 10/27/71	DATE <i>11-2-71</i>		PA	PAPER TAPE ASCII								
ENG <i>K. Pidd</i>	PRODJ. Niemela	ISSUED SECT.	PB	PAPER TAPE BINARY								
DATE	DATE 10/27/71		PM	PAPER TAPE READ-IN-MODE								
ITEM NO.	DWG NO. / PART NO.	DESCRIPTION	PDP-8,12	PDP-9,15	PDP-11	PDP-10				KIT CHECK	BY	DATE
1	MainDec 08-DGV5A(X)PB	VT05 Paper Tape Binary	1									
2	MainDec 08-DGV5A(X)D	VT05 Document	1									
3	MainDec15-DAZ5A(X)PB	VT05 Paper Tape Binary		1								
4	MainDec15-DAZ5A(X)D	VT05 Document		1								
5	MainDec11-DZVTB(X)PB	VT05 Paper Tape Binary			1							
6	Main DEC11-DZVTB(X)D	VT05 Document			1							
7	Main DEC10-DCVTA(X)PB	VT05 Paper tape Binary				1						
8	Main DEC10-DCVTA(X)D	VT05 Document				1						
NOTE: (X) Indicates that latest revision number will be supplied												
TITLE		ASSY. NO.	SIZE	CODE	NUMBER			REV.	ECO NO			
VT05 Software List			A	SL	VT05-0-31			B	VT05-00071			
SHEET 1 OF 1		DIST.										

This drawing and specifications, herein, are the property of Digital Equipment Corporation and shall not be reproduced or copied or used in whole or in part as the basis for the manufacture or sale of items without written permission.

DIGITAL EQUIPMENT CORPORATION
MAYNARD, MASSACHUSETTS

ENGINEERING SPECIFICATION

DATE

TITLE VT05 Alphanumeric Display Customer Acceptance Procedure

REVISIONS

REV	DESCRIPTION	CHG NO	ORIG	DATE	APPD BY	DATE
			D. Starratt	6/21		

ENG	APPD	SIZE A	CODE SP	NUMBER VT05-0-26	REV
-----	------	-----------	------------	---------------------	-----

DEC FORM NO. DRA 107

1 OF 2

ENGINEERING SPECIFICATION



CONTINUATION SHEET

TITLE VT05 ALPHANUMERIC DISPLAY CUSTOMER ACCEPTANCE PROCEDURE

Customer Acceptance Procedure

Prior to running of customer acceptance, the VT05 should be installed in accordance with the procedure in Chapter 2 of the VT05 Maintenance Manual Vol I.

Enclosed with the VT05 you will find a large envelope containing the following items:

1. Customer Acceptance Forms - Upon successful completion of acceptance, the field serviceman must list any exceptions to proper acceptance on this form. The exceptions must include missing items, incomplete shipments or specification conflicts. The customer must sign the Acceptance Form.
2. Accessory Checklist - This is a list of all items which were shipped with the VT05, and should be used to inventory the shipment. The customer should be present during this inventory. Any missing items should be noted on the Customer Acceptance Form.

Customer Acceptance is a demonstration to the customer, that the VT05 operates according to specification. The demonstration shall consist of operating the appropriate diagnostics in the customer's presence.

1. Consult the supplied diagnostic write-up for proper set-up and operation.
2. Run the diagnostic for one complete pass.

Successful completion of 1 & 2 shall constitute completion of VT05 Customer Acceptance. Discrepancies must be listed on the Customer Acceptance Form, and signed by the customer.

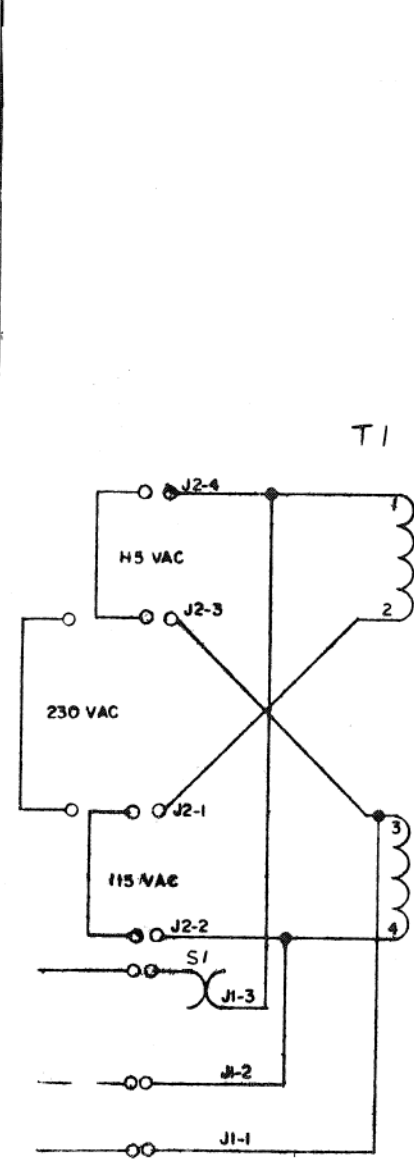
SIZE A	CODE SP	NUMBER VT05-0-26	REV
-----------	------------	---------------------	-----

DEC FORM NO. DRA 108 DEC 16-(381)-1022-N370

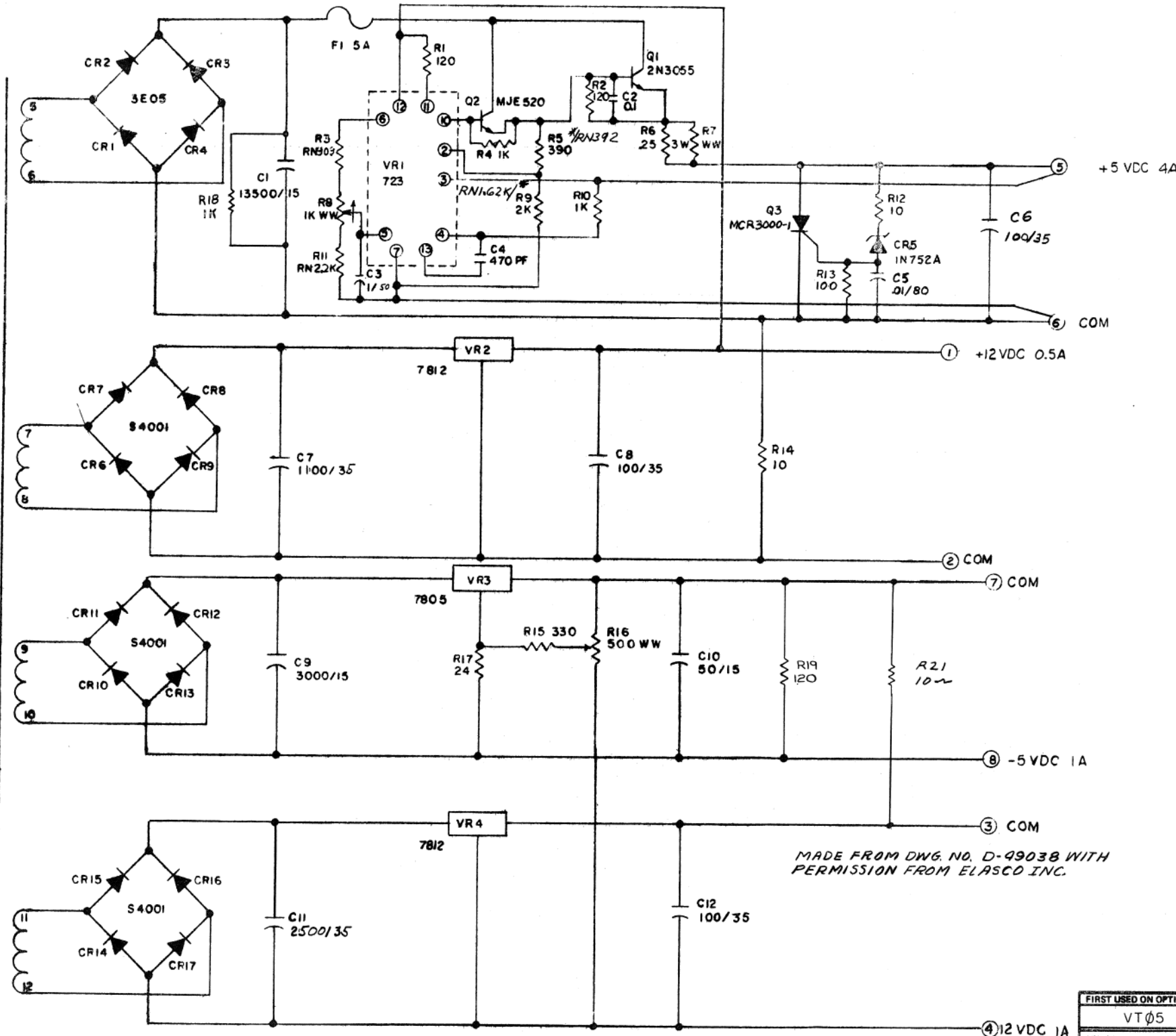
SHEET 2 OF 2

This drawing and specifications, herein, are the property of Digital Equipment Corporation and shall not be reproduced or copied or used in whole or in part as the basis for the manufacture or sale of items without written permission.

REPRODUCED WITH PERMISSION OF ELASCO INC.



NOTE: S1 OPENS AT $90 \pm 5^\circ\text{C}$
RECLOSES AT $60 \pm 5^\circ\text{C}$



MADE FROM DWG. NO. D-49038 WITH PERMISSION FROM ELASCO INC.

UNLESS OTHERWISE SPECIFIED
ALL RESISTOR VALUES ARE IN OHMS AND ARE 1/2 WATT.
ALL CAPACITOR VALUES ARE IN MICRO-FARADS.

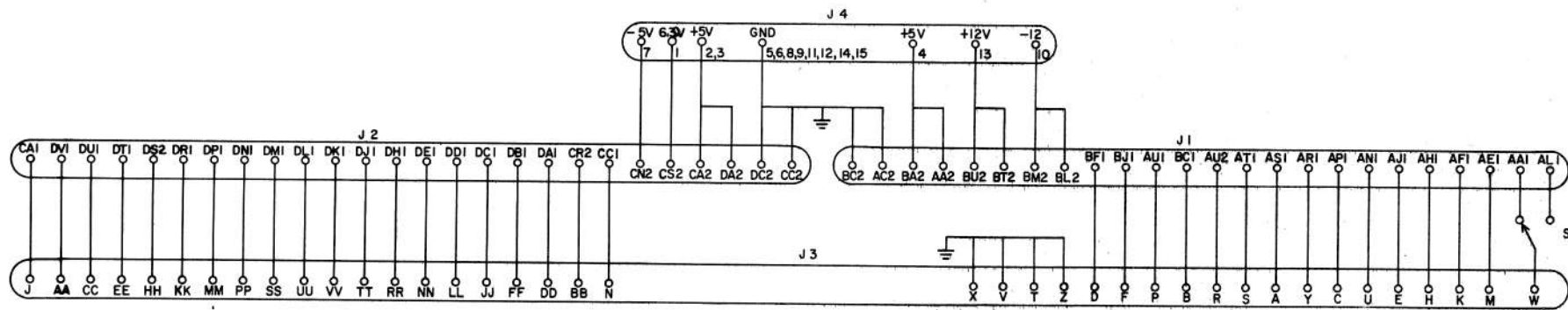
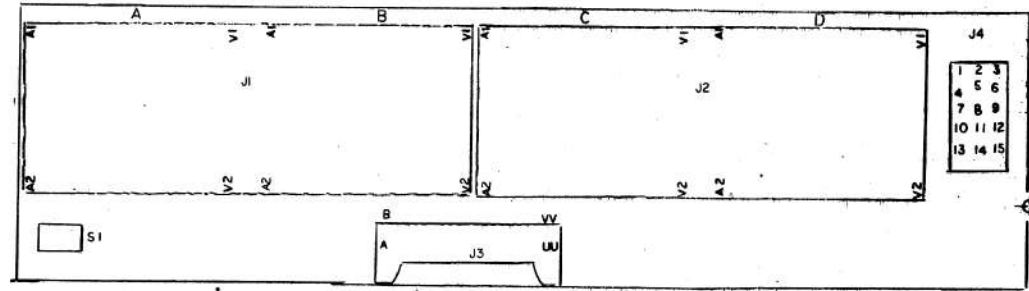
* RECOMMENDED REPLACEMENTS
R5 - RN60D - 392~
R9 - RN60D - 1.62K~

QTY.	DESCRIPTION	PART NO.	REV.	
1	RES, 1/2 W 5%	R19	120 Ω	38
1	RES, 1/2 W 5%	R18	1K Ω	37
1	ZC FAIRCHILD USA723332	VR1		36
1	POT, CLAROSTAT U30	R16	500 Ω	35
1	TRANSFORMER	T1	T-4432	34
1	RES, 1/2 W 5%	R15	330 Ω	33
1	LC LINEAR VOLTAGE REG 7805	VR3	UGH7805393	32
2	LC LINEAR VOLTAGE REG 7812	VR2, VR4	UGH7812393	31
1	RES, 1/2 W 5%	R13	10 Ω	30
3	RES, 1/2 W 5% R21	R12, R14, R21		29
1	RES, RN60D	R11	2.2K Ω	28
* 1	RES, 1/2 W 5%	R9	2K Ω	27
1	POT, CLAROSTAT U39	R8	1K Ω	26
2	RES, 3W WW CLAROSTAT	R6, R7	.25 Ω CC3D	25
* 1	RES, 1/2 W 5%	R5	390 Ω	24
2	RES, 1/2 W 5%	R4, R10	1K Ω	23
1	RES, RN60D	R3	909 Ω	22
2	RES, 1/2 W 5%	R2, R1	120 Ω	21
1	RES, 1/2 W 5%	R17	29 Ω	20
1	S.C.R.	Q3	MCR 3000-1	19
1	TRANS	Q2	MJE 520	18
1	TRANS, SOLITRON	Q1	2N3055	17
1	SENSOR, ELMWOOD	S1	2450-117	16
1	FUSE	F1	5A	15
1	DIODE, ZENER	CR5	1N752A	14
12	DIODE	CR6, CR17	S4001	13
4	DIODE	CR1, CR7, CR8, CR9	3E05	12
2	CAP, G.E. OR SPRA. C5	C2	01MFB0Y	11
				10
1	CAP, IEC	C10	50/15V	9
3	CAP, IEC	C6, 8, 12	100/35V	8
1	CAP, ERIE OR CENTRALAB	C9	470 PF-25V	7
1	CAP, IEC	C3	1/50V	6
1	CAP, G.E. OR SPRA.	C5	01/80V	5
1	CAP, SIM/SYNCR0 2.500/35	C11	33C357L252	4
1	CAP, STM/SYNCR0 3000M/15V	C9	33C156L33	3
1	CAP, STM/SYNCR0 1700/35	C7	33C356L112	2
1	CAP, STM 13500 MF/15V	C1	91C15HB1352	1

FIRST USED ON OPTION/MODEL		QTY.	DESCRIPTION	PART NO.
VT05				
UNLESS OTHERWISE SPECIFIED				
DRN.	DATE	PARTS LIST		
CHK'D.	DATE	digital EQUIPMENT CORPORATION		
ENGR.	DATE	MAYNARD, MASSACHUSETTS		
REQ. ENG.	DATE	TITLE		
PROD.	DATE	SCHEMATIC POWER SUPPLY		
REMOVE BURRS AND BREAK SHARP CORNERS SURFACE QUALITY		MATERIAL		
NEXT HIGHER ASSY.		SIZE CODE		
SEE PARTS LIST		NUMBER		
FINISH		REV.		
SCALE NONE		DICS H733-1-1		
SHEET		DIST.		

REV.	CHANGE NO.	DATE
1	H733-00001	1-25-73
2		
3		

THIS SCHEMATIC IS FURNISHED ONLY FOR TEST AND MAINTENANCE PURPOSES. THE CIRCUITS ARE PROPRIETARY IN NATURE AND SHOULD BE TREATED ACCORDINGLY. COPYRIGHT 1971 BY DIGITAL EQUIPMENT CORPORATION.



NOTE:
ALL IDENTIFIED PINS OF THE SAME DESIGNATIONS ARE BUSSED. e.g. B1, B2

QTY	REF DESIGNATION	DESCRIPTION	DEC PART NO.	REV
1		BRACKET	D-MD-74-08578-0-1	11
1	S1	SWITCH	1209628	10
15		SOCKETS PIN	1209456	9
1	J4	CONNECTOR	1209350-15	8
1	J3	CONNECTOR	1209941	7
2	J1, J2	CONNECTOR	1205348	6
1		ETCHED CIRCUIT BOARD	5009404	5
		MODULE ECO HISTORY	B-MH-8020-0-6	4
		ASSY/DRILLING HOLE LAYOUT	E-IA-5009494-0-0	3
		X-Y COORDINATE HOLE LOCATION	K-CO-8020-0-4	2
		DESCRIPTION	DEC PART NO.	

REV	DATE	BY	CHKD	DATE	BY
1	4-14-72	S. COOPER			
2	7/21/77				
3	11/1/77				
4	11/1/77				

TRANSISTOR & DIODE CONVERSION CHART

DEC	EIA	DEC	EIA

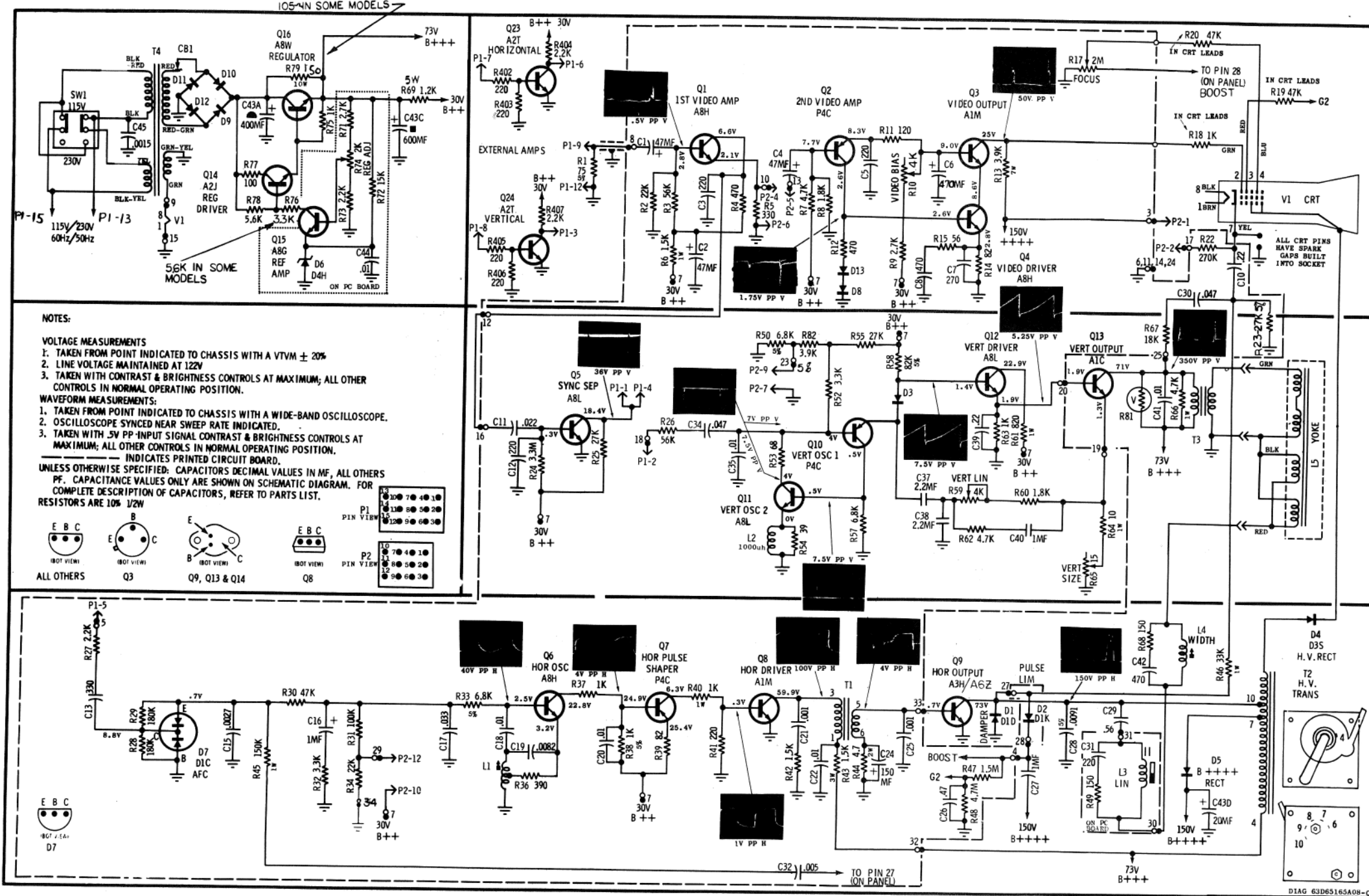
digital EQUIPMENT CORPORATION
MAYNARD, MASSACHUSETTS

TITLE: VT05 BUS BOARD
SIZE: D CODE: CS NUMBER: E020-0-1 REV: C
PRINTED CIRCUIT REV: C

This drawing and specifications, herein, are the property of Digital Equipment Corporation and shall not be reproduced or copied or used in whole or in part as the basis for the manufacture or sale of items without written permission.

REPRODUCED WITH PERMISSION OF MOTOROLA

REV. 2 3010326-0-3



NOTES:

VOLTAGE MEASUREMENTS

- TAKEN FROM POINT INDICATED TO CHASSIS WITH A VTVM $\pm 20\%$
- LINE VOLTAGE MAINTAINED AT 122V
- TAKEN WITH CONTRAST & BRIGHTNESS CONTROLS AT MAXIMUM; ALL OTHER CONTROLS IN NORMAL OPERATING POSITION.

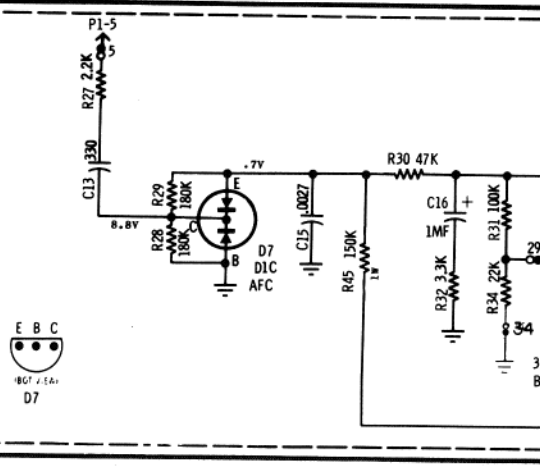
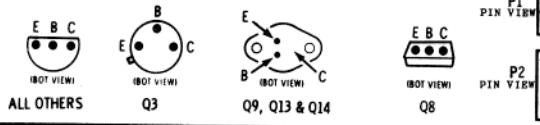
WAVEFORM MEASUREMENTS:

- TAKEN FROM POINT INDICATED TO CHASSIS WITH A WIDE-BAND OSCILLOSCOPE.
- OSCILLOSCOPE SYNCED NEAR SWEEP RATE INDICATED.
- TAKEN WITH .5V PP-INPUT SIGNAL CONTRAST & BRIGHTNESS CONTROLS AT MAXIMUM; ALL OTHER CONTROLS IN NORMAL OPERATING POSITION.

INDICATES PRINTED CIRCUIT BOARD.

UNLESS OTHERWISE SPECIFIED: CAPACITORS DECIMAL VALUES IN MF, ALL OTHERS PF. CAPACITANCE VALUES ONLY ARE SHOWN ON SCHEMATIC DIAGRAM. FOR COMPLETE DESCRIPTION OF CAPACITORS, REFER TO PARTS LIST.

RESISTORS ARE 10% 1/2W



QTY.	DESCRIPTION	PART NO.	ITEM NO.
1	SPRING SPECIAL: CRT ADADAG GRND	41D6587A01	183
1	SPACER TRANSISTOR Q3 Q8	43B68719A01	182
1	SOCKET TRANSISTOR Q9, Q13, Q16	9C63825A01	181
1	SOCKET CRT INCL. LEADS, R18, R19, R20	9D67555A25	180
1	SCREW, TPG 8-18 X 1 DEF YOKE CLAMP MTG.	35131480	179
1	SCREW, TPG 6-20 X 1/2 CLU PAN HD TRANSISTOR MTG. Q9, Q13, Q16	35136050	178
1	RIVET DRIVE PIN NYLON HV TRANSF. MFG.	5510281A03	177
1	INSULATOR, TRANSISTOR COVER Q9, Q13, Q16	14V25000A41	176
1	INSULATOR, MOLDED RUBBER, SS RECT. CAP/HV. TRANSF.	14C68842A04	175
1	INSULATOR MICA TRANSISTOR SOCKET Q9, Q13, Q16	14A562353	174
1	HEAT SINK: Q3	26C66745A05	173
1	GROMMET, PLASTIC, PC PANEL MTG.	5B69911A01	172
1	COVER NYLON, SLIDE SWITCH(SW-1)	15S10630A01	171
1	CONTACT RECP. FOR CONN.(P1, P2)	39S10184A41	170
1	(P2) CONNECTOR RECP. : 12 CONTACT: LESS CONTACTS	15S10183A27	169
1	(P1) CONNECTOR, RECP. : 15 CONTACT: LESS CONTACTS	15S10183A30	168
1	CONNECTOR, PC PANEL: 9 CONTACT ON CHASSIS	31D70084A04	167
1	CONNECTOR, 2ND ANODE	42D65864A54	166
1	CLAMP METAL DEF YOKE MTG.	42B66166A15	165
1	CAP SS RECTIFIER (HV. TRANSF PRI/SEC LEAD)	9D66133A30	164
1	CRT (SYLVANIA 5T54449A OR CLINTON CE226-M12P4S)	96S233A01	163

MOTOROLA
DEC MONITOR
NUMBER:
63065165A08

FIRST USED ON OPTION/MODEL	QTY.	DESCRIPTION	PART NO.	ITEM NO.
VT05				
UNLESS OTHERWISE SPECIFIED DIMENSION IN INCHES.				
DECIMALS	ANGLES	TOLERANCES		
.XXX - .005	$\pm 0^{\circ} 30'$			
.XX - .02				
.X - .1				
REMOVE BURRS AND BREAK SHARP CORNERS SURFACE QUALITY				
MATERIAL				
FINISH				
NEXT HIGHER ASSY.				
SCALE				
SHEET				

digital EQUIPMENT CORPORATION
MAYNARD, MASSACHUSETTS

TITLE
VT05
RASTER DISPLAY

SIZE CODE	NUMBER	REV.
A-ML-VT05-0	3010326-0-3	A

REVISIONS	CHANGE NO.	REV.
1	3010326-00004	A
2	3010326-00004	A
3	3010326-00004	A
4	3010326-00004	A
5	3010326-00004	A
6	3010326-00004	A
7	3010326-00004	A
8	3010326-00004	A

DEC FORM NO. DRD 100-A

This drawing and specifications, herein, are the property of Digital Equipment Corporation and shall not be reproduced or copied in whole or in part as the basis for the manufacture or sale of items without written permission.

REPRODUCED WITH PERMISSION OF MOTOROLA

8	7	6	5	4	3	2	1				
T-4	Power	25D68164A17	162	R-31	100K 10% 1/2W	6S125534	108	D-13	Diode, low power	48D67120A11	53
T-3	Vert. Output	25D65840A22	161	R-30	47K 10% 1/2W	6S125892	107	D-12	Rectifier, silicon: 91A05	48S191A05	52
T-2	H.V. Transformer: complete	24D69791A11	160	R-29	180K 10% 1/2W	6S125531	106	D-11	Rectifier, silicon: 91A05	48S191A05	51
T-1	Horiz. Driver	25D67440A03	159	R-28	180K 10% 1/2W	6S125531	105	D-10	Rectifier, silicon: 91A05	48S191A05	50
SW-1	Switch, slide: DPDT: (115V/230V)	40S10624A01	158	R-27	2200 10% 1/2W	6S129875	104	D-9	Rectifier, silicon: 91A05	48S191A05	49
R-407	2200 10% 1/2W	6S129875	157	R-26	56K10% 1/2W	6S127541	103	D-8	Diode, low power	48D67120A11	48
R-406	220 10% 1/2W	6S127099	156	R-25	27K 10% 1/2W	6S121300	102	D-7	Diode, dual: DIC: detector	48S134917	47
R-405	220 10% 1/2W	6S127099	155	R-24	3.3 meg. 10% 1/2W	6S127538	101	D-6	Diode, silicon: zener: D4H	48S137266	46
R-404	2200 10% 1/2W	6S129875	154	R-23	27K 5% 1/2W	6S10053C67	100	D-5	Rectifier, silicon: 91A05	48S191A05	45
R-403	220 10% 1/2W	6S127099	153	R-22	270K 10% 1/2W	6S129296	99	D-4	Rectifier, H.V.: sel: D3S	48S137201	44
R-402	220 10% 1/2W	6S127099	152	R-20	Part of CRT Socket Assembly		98	D-3	Diode, low power	48D67120A11	43
R-82	3900 5% 1/2W	6S10053C47	151	R-19	Part of CRT Socket Assembly		97	D-2	Diode: pulse limiter: DIK	48S134978	42
R-81	Varistor	6C66263A06	150	R-18	Part of CRT Socket Assembly		96	D-1	Diode, silicon: DID; Damper	48S134921	41
R-79	105 10% 10W WW	17S135589	149	R-15	56 10% 1/2W	6S131412	95	C-45	.0015 mf 20% 1.4KV Z5U	21S10330A05	40
R-78	5600 10% 1/2W	6S127005	148	R-14	82 10% 1/2W	6S127516	94	C-44	.01 mf + 80 - 20% 50V Z5V	21S180C96	39
R-77	100 10% 1/2W	6S129221	147	R-13	3900 10% 7W WW	17S740259	93	C-43	400 mf/125V, 600 mf/100V, 200 mf/50V, 20 mf/200V lytic	23C65807A47	38
R-76	5600 10% 1/2W	6S124506	146	R-12	470 10% 1/2W	6S127633	92	C-42	470 pf 10% 500V X5F	21S180A71	37
R-75	1000 10% 1/2W	6S121301	145	R-11	120 10% 1/2W	6S128226	91	C-41	.01 mf 10% 600V mylar	8S10064A06	36
R-73	2200 10% 1/2W	6S129875	144	R-9	2700 10% 1/2W	6S119826	90	C-40	1.0 mf 10% 100V mtiz polyester	8S10212A10	35
R-72	15K 10% 1/2W	6S124551	143	R-8	1800 10% 1/2W	6S122445	89	C-39	.22 mf 10% 160V polyester	8S10191B67	34
R-71	2700 10% 1/2W	6S119926	142	R-7	4700 10% 1/2W	6S121847	88	C-38	2.2 mf 10% 100V mtiz polyester	8S10212A20	33
R-69	1200 10% 3W WW	17S647132	141	R-6	1500 10% 1W	6S128955	87	C-37	2.2 mf 10% 100V mtiz polyester	8S10212A20	32
R-68	150 10% 1/2W	6S124797	140	R-5	330 10% 1/2W	6S127940	86	C-36	.01 mf 10% 160V polyester	8S10191B98	31
R-67	18K 10% 1/2W	6S122848	139	R-4	470 10% 1/2W	6S127633	85	C-35	.047 mf 10% 160V polyester	8S10191A32	30
R-66	4700 10% 1W	6S123364	138	R-3	56K 10% 1/2W	6S127541	84	C-34	.005 mf 20% 1KV Z5F	21S180D34	29
R-64	10 10% 1W	6S10053F17	137	R-2	22K 10% 1/2W	6S125568	83	C-32	220 pf 10% 500V X5F	21S180B87	28
R-63	1000 10% 1/2W	6S121301	136	R-1	75 5% 1/2W	6S10053C06	82	C-31	.047 mf 10% 160 V polyester	8S10191A32	27
R-62	4700 10% 1/2W	6S121847	135	R-74	Regulator Adjust: 2K	17D65820A37	81	C-30	.56 mf 10% 250V mtiz polyester	8S10212D33	26
R-61	820 10% 1W	6S10053F29	134	R-65	Vert. Size: 15 ohms	17D65820A38	80	C-29	.0091 mf 5% 1000V mylar	8S10064861	25
R-60	1800 10% 1/2W	6S122445	133	R-59	Vert. Linearity: 4K	18D67858A12	79	C-28	1.0 mf 10% 630V mtiz polyester	8S10212A11	24
R-58	82K 5% 1/2W	6S129793	132	R-17	Focus: 2 meg.	18D66401A54	77	C-27	.47 mf 10% 630V mtiz polyester	8S10212B53	23
R-57	6800 10% 1/2W	6S119930	131	R-10	Video Bias: 4K	48S134970	76	C-26	.001 mf 10% 500V X5F	21S180B51	22
R-55	27K 10% 1/2W	6S121300	130	Q-24	Vertical: A2T	48S134970	75	C-25	150 mf 10V lytic	23D65282A40	21
R-54	39 10% 1/2W	6S131972	129	Q-18	Regulator: ABW	48S137368	74	C-24	.01 mf 10% 160V polyester	8S10191B98	20
R-53	68 10% 1/2W	6S129874	128	Q-15	Reference Amp: ABG	48S137315	73	C-22	.001 mf 10% 500V X5F	21S180B51	19
R-52	3300 10% 1/2W	6S124506	127	Q-14	Regulator driver: AJZ	48S134952	72	C-21	.01 mf 10% 160V polyester	8S10191B98	18
R-50	6800 5% 1/2W	6S10053C53	126	Q-13	Vert. output: A1C	48S134900	71	C-20	.0082 mf 10% 160V poly-carb	8S10299A74	17
R-49	150 10% 1/2W	6S124797	125	Q-12	Vert. driver: ABL	48S137325	70	C-19	.01 mf 10% 100V poly-carb	8S10299A73	16
R-48	4.7 meg 10% 1/2W	6S10053D21	124	Q-11	Vert. oscillator (2): ABL	48S137317	69	C-18	.033 mf 10% 160V polyester	8S10191B90	15
R-47	1.5 meg 10% 1/2W	6S129417	123	Q-10	Vert. oscillator (1): P4C	48S137324	68	C-16	1.0 mf 15V lytic	23S10229A07	14
R-46	33K 10% 1W	6S127634	122	Q-9	Horiz output: ABZ	48S137203	67	C-15	.0027 mf 10% 500V Z5F	21S180C41	13
R-45	150K 10% 1W	6S120141	121	Q-8	Horiz driver: A1M	48S134919	66	C-13	330 pf 10% 500V X5F	21S131625	12
R-44	4.7 10% 2W WW	17S10159A04	120	Q-7	Horiz pulse shaper: P4C	48S137324	65	C-12	220 pf 20% 100V X5F	21S180D10	11
R-43	1500 10% 3W fxd mtl film	17S10130B07	119	Q-6	Horiz oscillator: ABH	48S137317	64	C-11	.022 mf 10% 160V polyester	8S10191A21	10
R-42	1500 10% 1/2W	6S127513	118	Q-5	Sync separator: ABL	48S137325	63	C-10	.22 mf 10% 160V polyester	8S10191B67	9
R-41	220 10% 1/2W	6S127099	117	Q-4	Video driver: ABH	48S137317	62	C-8	470 pf 10% 500V X5F	21S180B53	8
R-40	1000 10% 1W	6S127547	116	Q-3	Video output: A1M	48S134919	61	C-7	270 pf 10% 500V X5F	21S180E78	7
R-39	82 10% 1/2W	6S127516	115	Q-2	2nd video: P4	48S137324	60	C-6	470 mf 16V lytic	23S10255A78	6
R-38	1000 5% 1/2W	6S10053C33	114	Q-1	1st video: ABH	48S137317	59	C-5	220 Pf 20% 100V X5F	21S180D10	5
R-37	1000 10% 1/2W	6S121301	113	L-5	Deflection Yoke	24D68523A13	58	C-4	47 mf 35V lytic	23S10255A33	4
R-36	390 10% 1/2W	6S125545	112	L-4	Horiz width: incis C42 & R68	24V25000A74	57	C-3	220 pf 20% 100V X5F	21S180D10	3
R-34	22K 10% 1/2W	6S125568	111	L-3	Horiz Linearity	24D69163A09	56	C-2	47 mf 35V lytic	23S10255A33	2
R-33	6800 5% 1/2W	6S10053C53	110	L-2	Compensating: 1000 HH	24D68801A26	55	C-1	47 mf 35V lytic	23S10255A33	1
R-32	3300 10% 1/2W	6S124506	109	L-1	Horiz set	24D68822A08	54				

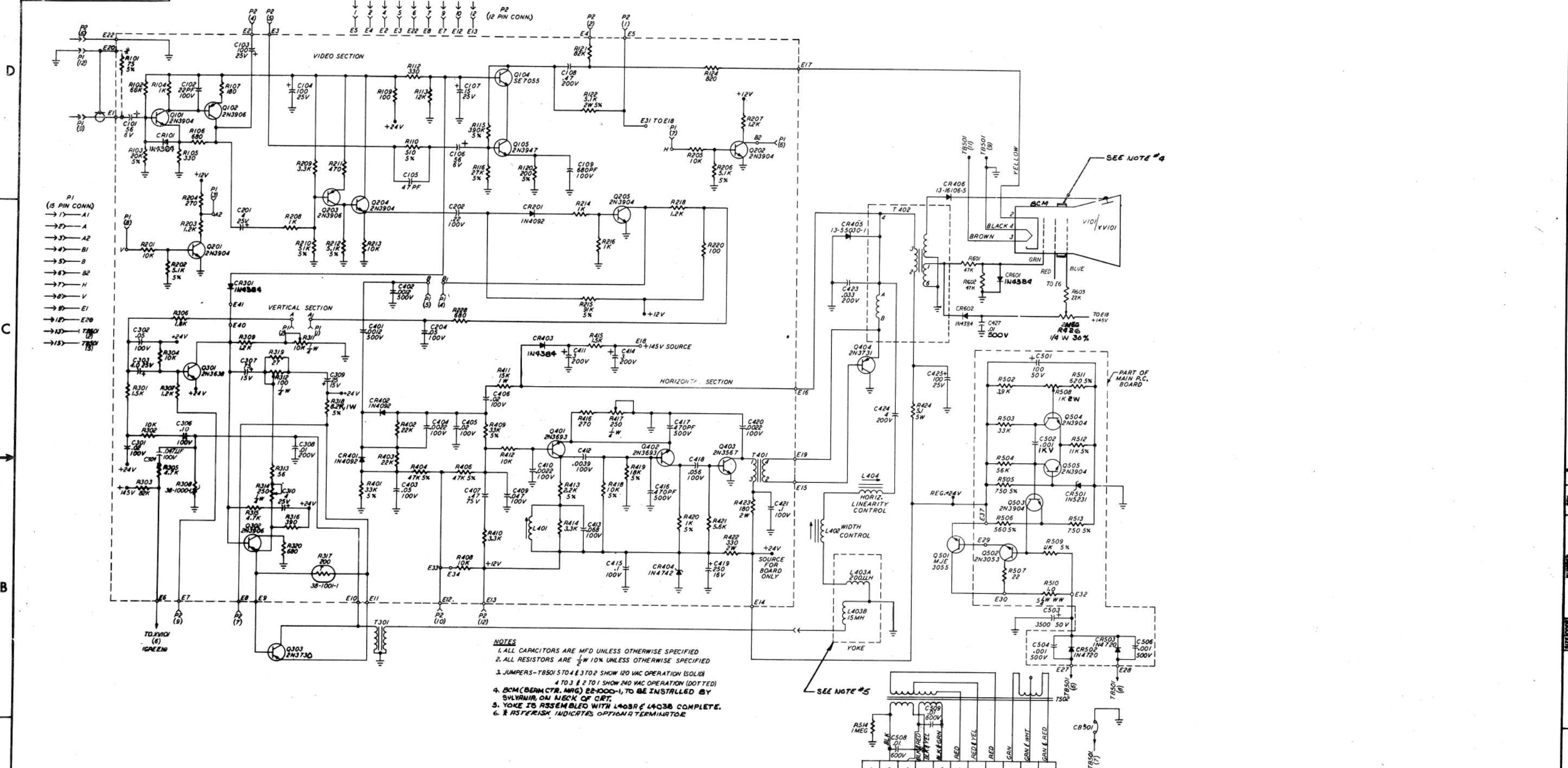
BRUNING 40-107 15958
 REVISIONS
 CHANGE NO.
 REV.

FIRST USED ON OPTION/MODEL	QTY.	DESCRIPTION	PART NO.	ITEM NO.
VT05				
PARTS LIST				
UNLESS OTHERWISE SPECIFIED DIMENSION IN INCHES TOLERANCES		DRN	DATE	EQUIPMENT CORPORATION MAYNARD, MASSACHUSETTS
DECIMALS	ANGLES	CHK'D	DATE	
.XXX - .006	±0° 30'	ENG	DATE	
.XX - .02		PROJ. ENG.	DATE	
.X - .1		PROJ.	DATE	
REMOVE BURRS AND BREAK SHARP CORNERS SURFACE QUALITY				
MATERIAL				
NEXT HIGHER ASSY.				
FINISH		SCALE		REV.
		SHEET OF		
		DIST.		

VT05
 RASTER DISPLAY

DCS 3010326-0-3
 A

This drawing and specifications, herein, are the property of Digital Equipment Corporation and shall not be reproduced or copied in whole or in part as the basis for the manufacture or sale of items without written permission.



- NOTES
1. ALL CAPACITORS ARE MFD UNLESS OTHERWISE SPECIFIED
 2. ALL RESISTORS ARE 1/2 W 10% UNLESS OTHERWISE SPECIFIED
 3. JUMPERS-TB501 TO 4 E3 TO 2 SHOW 120 VAC OPERATION (SOLID) 4 TO 3 & 2 TO 1 SHOW 240 VAC OPERATION (DOTTED)
 4. BCM (BEAM CURR. MAG) 22-1000-1, TO BE INSTALLED BY SYLVANIA, ON NECK OF CRT.
 5. YOKE TO ASSEMBLED WITH L403 & L403B COMPLETE.
 6. * RESISTOR INDICATES OPTIONAL TERMINATOR

1	WRTY	3/10/71	3/10/71
2	REV	3/10/71	3/10/71
3	CHK	3/10/71	3/10/71

REV.	CHANGE NO.	DATE	BY
A	VTDS-00036	9/18-71	PUCCI
B	3010326 00002	9/20/71	ED. COUGHLIN

FIRST USED ON OPTION / MODEL
VT05

GTE SYLVANIA
DEC MONITOR
PART NO. E00-1073

DO NOT SCALE DRAWING	UNLESS OTHERWISE SPECIFIED
TOLERANCES	DECIMALS FRACTIONS ANGLES
±.008	± 1/64 ± 0°30'
FINAL SURFACE QUALITY / REMOVE BURRS AND BREAK SHARP CORNERS	
MATERIAL	FINISH
SCALE	SHEET OF 2

QTY.	DESCRIPTION	PART NO.	ITEM NO.
PARTS LIST			
DRN. C.B. MCCOY		DATE 6-9-71	EQUIPMENT CORPORATION MAYNARD, MASSACHUSETTS
CHK'D. [Signature]		DATE 6-9-71	
ENG. [Signature]		DATE 7-20-71	
PROJ. ENG. [Signature]		DATE 7-20-71	
PROD. [Signature]		DATE 7-15-71	TITLE VT05 RASTER DISPLAY
NEXT HIGHER ASSY A-ML-VT05-0		SIZE CODE	NUMBER D/CS 3010326-0-2
SCALE		DIST.	REV. B

This drawing and specifications, herein, are the property of Digital Equipment Corporation and shall not be reproduced or copied or used in whole or in part as the basis for the manufacture or sale of items without written permission.

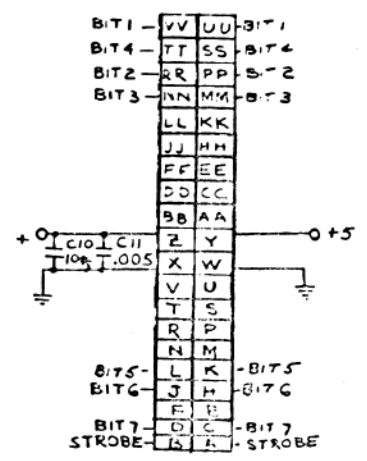
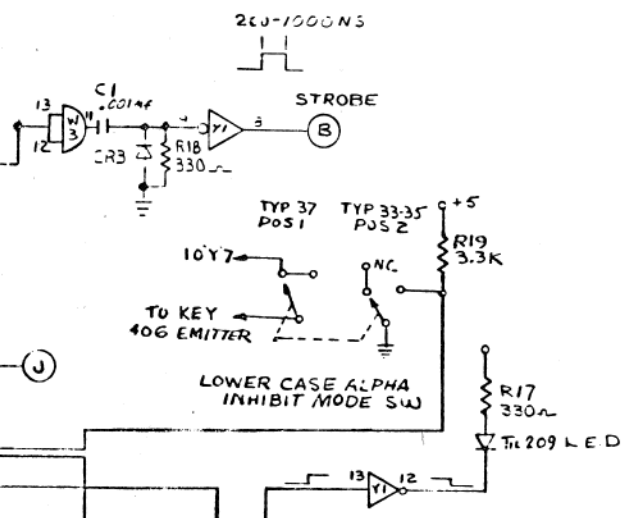
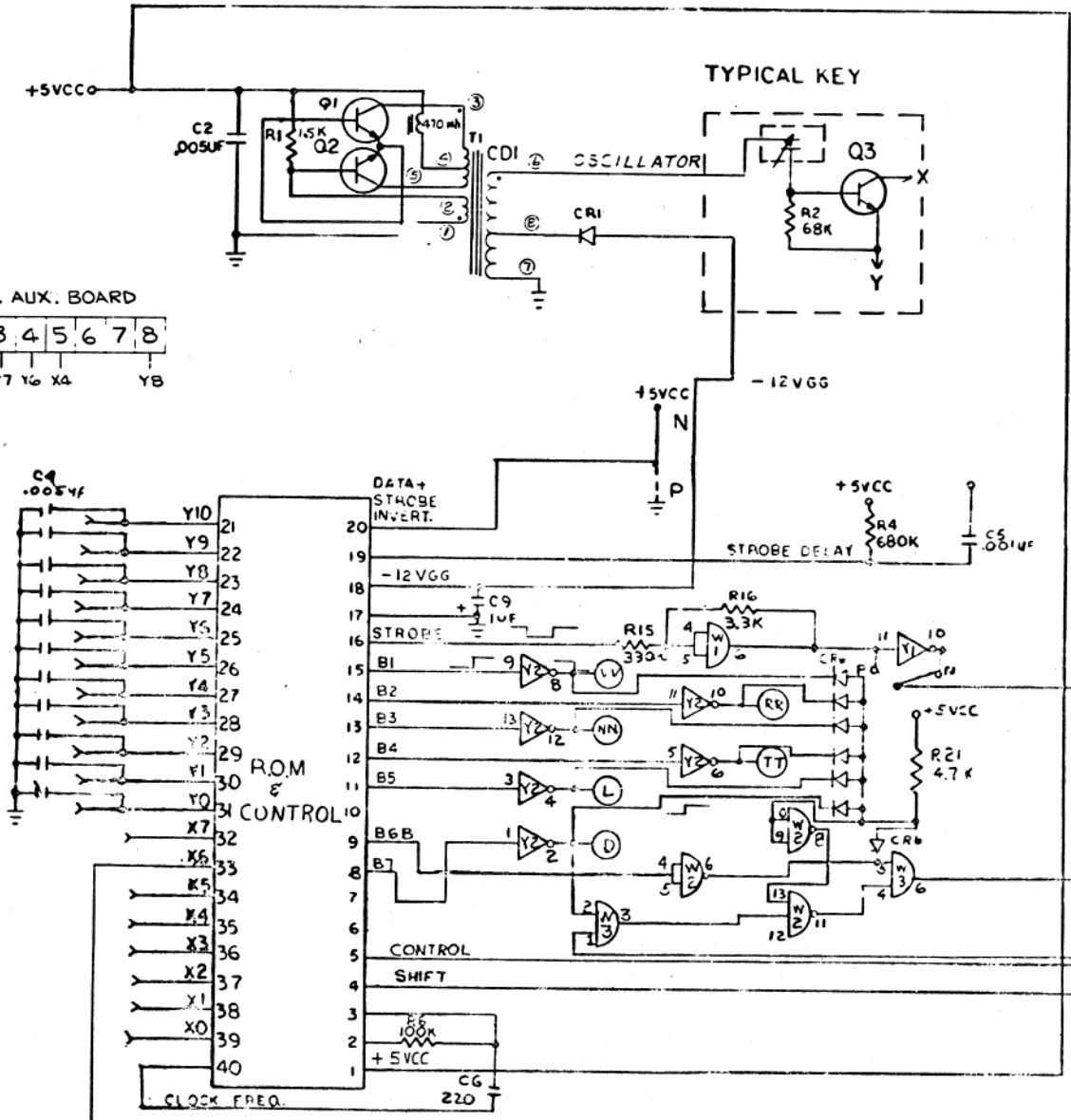
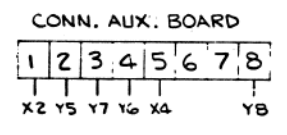
QTY	REF	DESCRIPTION	QTY	REF	DESCRIPTION	QTY	REF	DESCRIPTION	QTY	REF	DESCRIPTION
1	V101	CATHODE RAY TUBE, 12CSP4	131	2	C101, C106	CAPACITOR, 56 uf 6V	83	7	R201, R205, R213, R302, R304, R408, R412	RESISTOR, 10K, 1/2W, 10%	35
1	P2	PIN, CONN., HOUSING, CONN, PIN	130	1	R603	RESISTOR, 22K 1W 10%	82	1	R124	RESISTOR, 820, 1/2W, 10%	34
1	P1	HOUSING, CONN, PIN	129	2	R601, R602	RESISTOR, 47K 1/2W 10%	81	1	R122	RESISTOR, 5.1K, 2W, 5%	33
1	PC-1	PC BOARD	128	1	R514	RESISTOR, 1 MEG 1/2 W 10%	80	2	R121, R303	RESISTOR, 82K, 1/2W, 10%	32
1	XV101	CRT SOCKET	127	1	R512	RESISTOR, 11K 1/2W 5%	79	1	R120	RESISTOR, 200, 1/2W, 5%	31
4	BCM	BEAM CTR. MAG.	126	1	R511	RESISTOR, 620 1/2W 5%	78	1	R116	RESISTOR, 27K, 1/2W, 5%	30
1	CB501	CIRCUIT BREAKER	125	1	R510	RESISTOR, 1.0 5-1/2W WW	77	1	R115	RESISTOR, 390K, 1/2W, 5%	29
1	T502	TRANSFORMER, POWER	124	1	R509	RESISTOR, 1.1K 1/2W 5%	76	1	R113	RESISTOR, 12K, 1/2W, 10%	28
1	T402	TRANSFORMER, ASSY HS & HV	123	1	R507	RESISTOR, 22 1/2W 10%	75	1	R110	RESISTOR, 510, 1/2W, 5%	27
1	T401	TRANSFORMER, HORIZ BUFFER	122	1	R506	RESISTOR, 580 1/2W 5%	74	2	R109, R220	RESISTOR, 100, 1/2W, 10%	26
1	T301	TRANSFORMER, VERT-SCAN	121	2	R505, R513	RESISTOR, 750 1/2W 5%	73	1	R107	RESISTOR, 180, 1/2W, 10%	25
1	L404	COIL, HORIZ LINEARITY CONTROL	120	1	R504	RESISTOR, 56K 1/2W 10%	72	3	R106, R228, R320	RESISTOR, 680, 1/2W, 10%	24
2	L403A, L403B	COIL, YOKE	119	1	R508	RESISTOR, 1K, 2W, POT.	71	2	R105, R112	RESISTOR, 330, 1/2W, 10%	23
1	L402	COIL, CONTROL WIDTH	118	1	R503	RESISTOR, 33K 1/2W, 10%	70	4	R104, R208, R214, R276	RESISTOR, 1K, 1/2W, 10%	22
1	L401	COIL HORIZ FREQ	117	1	R502	RESISTOR, 3.9K, 1/2W, 10%	69	1	R103	RESISTOR, 20K, 1/2W, 5%	21
2	C508, C509	CAPACITOR, .01 uf 600V	116	1	R426	RESISTOR, 2MEG, 1/4W, 30% POT	68	1	R102	RESISTOR, 68K, 1/2W, 10%	20
2	C504, C506	CAPACITOR, .001 uf 500V	115	1	R424	RESISTOR, 5.1, 5W, WW	67	1	R101	RESISTOR, 75, 1W, 5% OPTIONAL TERMINATOR	19
1	C503	CAPACITOR, 3500 uf 50V	114	1	R423	RESISTOR, 180, 2W, 10%	66	1	Q502	TRANSISTOR, 2N3053	18
1	C502	CAPACITOR, .001 uf 1KV	113	1	R422	RESISTOR, 330, 2W, 10%	65	1	Q501	TRANSISTOR, 2N3055	17
1	C501	CAPACITOR, 100 uf 50V	112	1	R421	RESISTOR, 5.6K, 1/2W, 10%	64	1	Q404	TRANSISTOR, 2N3051	16
1	C427	CAPACITOR, .01 uf 500V	111	1	R420	RESISTOR, 1K 1/2W, 5%	63	1	Q403	TRANSISTOR, 2N3050	15
1	C424	CAPACITOR, 4 uf 200V	110	1	R419	RESISTOR, 18K 1/2W, 5%	62	2	Q401, Q402	TRANSISTOR, 2N3050	14
1	C423	CAPACITOR, .033 uf 200V	109	1	R418	RESISTOR, 10K, 1/2W, 5%	61	1	Q303	TRANSISTOR, 2N2730	13
1	C419	CAPACITOR, 250 uf 16V	108	1	R417	RESISTOR, 250, 1/4W, POT	60	1	Q301	TRANSISTOR, 2N3053	12
1	C418	CAPACITOR, .056 uf 100V	107	1	R413	RESISTOR, 2.2K 1/2W, 5%	59	1	Q105	TRANSISTOR, 2N3947	11
2	C416, C417	CAPACITOR, 470 pf 500V	106	1	R411	RESISTOR, 15K 1W, 10%	58	1	Q104	TRANSISTOR, SE-7055	10
1	C413	CAPACITOR, .068 uf 100V	105	2	R404, R406	RESISTOR, 47K, 1/2W, 5%	57	3	Q102, Q203, Q302	TRANSISTOR, 2N3906	9
1	C412	CAPACITOR, .0039 uf 100V	104	2	R402, R403	RESISTOR, 22K 1/2W, 10%	56	8	Q101, Q201, Q202, Q204, Q205, Q303, Q304, Q305	TRANSISTOR, 2N3904	8
2	C411, C414	CAPACITOR, 3 uf 200V	103	2	R401, R409	RESISTOR, 33K, 1/2W, 5%	55	2	CR502, CR503	DIODE SILICON 1N4720	7
3	C404, C410, C420	CAPACITOR, .0022 uf 100V	101	1	R319	RESISTOR, 27, 1/2W, 10%	54	1	CR501	DIODE, ZENER 5-1V, 1N5231	6
2	C401, C402	CAPACITOR, .0012 uf 500V	100	1	R318	RESISTOR, 8.2K 1W, 5%	53	1	CR406	DIODE, SELENIUM	5
1	C309	CAPACITOR 25 uf 15V	99	1	R317	RESISTOR, 200, THERMISTOR	52	1	CR404	DIODE, ZENER, 12V 1N4742	4
1	C308	CAPACITOR, .01 uf 200V	98	1	R316	RESISTOR, 390, 1/2W, 10%	51	1	CR405	DIODE SILICON	3
1	C307	CAPACITOR, 75 uf, 15V	97	1	R314	RESISTOR, 250, 1/4W, POT. DUAL	50	3	CR201, CR401, CR402	DIODE SILICON, 1N4092	2
3	C306, C415, C421	CAPACITOR, .1 uf 100V	96	1	R313	RESISTOR, 56, 1/2W, 10%	49	5	CR101, CR301, CR403, CR602	DIODE, SILICON, 1N4384	1
2	C304, C409	CAPACITOR, .047 uf 100V	95	1	R312	RESISTOR, 100, 1/4W, POT	48				
1	C407	CAPACITOR, .47 uf 75V	94	1	R311	RESISTOR, 10K, 1/4W, POT. DUAL	47				
3	C301, C405, C406	CAPACITOR, .02 uf 100V	93	1	R308	RESISTOR, VDR, 1/2W, 10%	46				
3	C204, C302, C403	CAPACITOR, .05 uf 100V	92	1	R306	RESISTOR, 1.8K, 1/2W, 10%	45				
1	C202	CAPACITOR, .22 uf 100 V	91	2	R305, R315	RESISTOR, 4.7K, 1/2W, 10%	44				
3	C201, C303, C310	CAPACITOR, 4 uf 25V	90	2	R301, R415	RESISTOR, 1.5K, 1/2W, 10%	43				
1	C109	CAPACITOR, 680 pf 100V	89	1	R215	RESISTOR, 91K, 1/2W, 5%	42				
1	C108	CAPACITOR, .47 uf 200V	88	1	R211	RESISTOR, 470, 1/2W, 10%	41				
1	C107	CAPACITOR, 15 uf 25V	87	1	R210	RESISTOR, 51K, 1/2W, 5%	40				
1	C105	CAPACITOR, 47 pf 500V	86	3	R209, R410, R414	RESISTOR, 3.3K, 1/2W, 10%	39				
3	C103, C104, C425	CAPACITOR, 100 uf 25V	85	2	R204, R416	RESISTOR, 270, 1/2W, 10%	38				
1	C102	CAPACITOR, 22 pf 100V	84	5	R203, R207, R218, R307, R309	RESISTOR, 1.2K, 1/2W 10%	37				
				3	R202, R206, R212	RESISTOR, 5.1K, 1/2W, 5%	36				

FIRST USED ON OPTION/MODEL		VT05	
UNLESS OTHERWISE SPECIFIED DIMENSION IN INCHES TOLERANCES	DRN CBM/gy 6-14-71	DATE	6-14-71
DECIMALS .xxx - .005 .xx - .02 .x - .1	CHKD K. J. Miller 7-20-71	DATE	7-20-71
ANGLES ±0° 30'	ENG K. J. Miller 7-20-71	DATE	7-20-71
REMOVE BURRS AND BREAK SHARP CORNERS SURFACE QUALITY	PROJ. ENG. K. J. Miller 7-15-71	DATE	7-15-71
MATERIAL	NEXT HIGHER ASSY.	TITLE VT05 RASTER DISPLAY	
FINISH	SCALE	SIZE CODE D CS	NUMBER 3010326-0-2
	SHEET 2 OF 2	DIST.	REV. B

REVISIONS
CHANGE NO. REV.
CHK

This drawing and specifications herein are the property of Digital Equipment Corporation and shall not be reproduced or copied or used in whole or in part as the basis for the manufacture or sale of items without written permission.

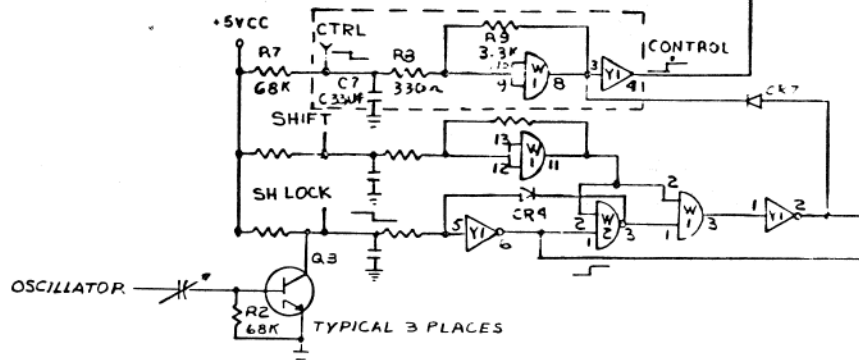
1-0-5-66049 SC 2



IC DESCRIPTION	
SYMBOL	TYPE
Y1, Y2	7404
W1, W3	7408
W2	7400
K.O.M.	0017
TRANS.	-4

CAUTION: DIODE CR7 MUST BE ADDED IF SMC (STANDARD MICROSYSTEM) ROM KR 2376-17 IS USED.

REV	DATE	BY	CHK
1	12/12/72	A	
2	1/10/73	B	
3	1/10/73	C	
4	1/10/73	D	
5	1/10/73	E	
6	1/10/73	F	
7	1/10/73	G	
8	1/10/73	H	
9	1/10/73	I	
10	1/10/73	J	
11	1/10/73	K	
12	1/10/73	L	
13	1/10/73	M	
14	1/10/73	N	
15	1/10/73	O	
16	1/10/73	P	
17	1/10/73	Q	
18	1/10/73	R	
19	1/10/73	S	
20	1/10/73	T	
21	1/10/73	U	
22	1/10/73	V	
23	1/10/73	W	
24	1/10/73	X	
25	1/10/73	Y	
26	1/10/73	Z	



UNLESS OTHERWISE SPECIFIED
DIMENSION IN INCHES
TOLERANCES
DECIMALS FRACTIONS ANGLES
±.02 ±.124 ±.030
FINAL SURFACE QUALITY
REMOVE BURRS AND BREAK SHARP
EDGES

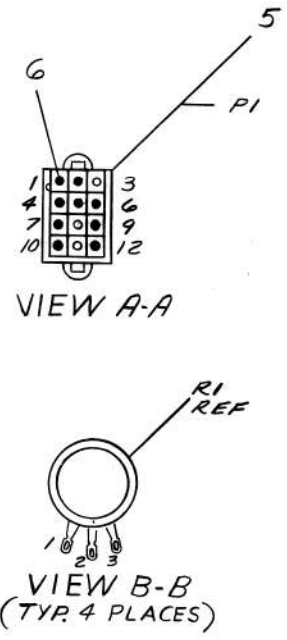
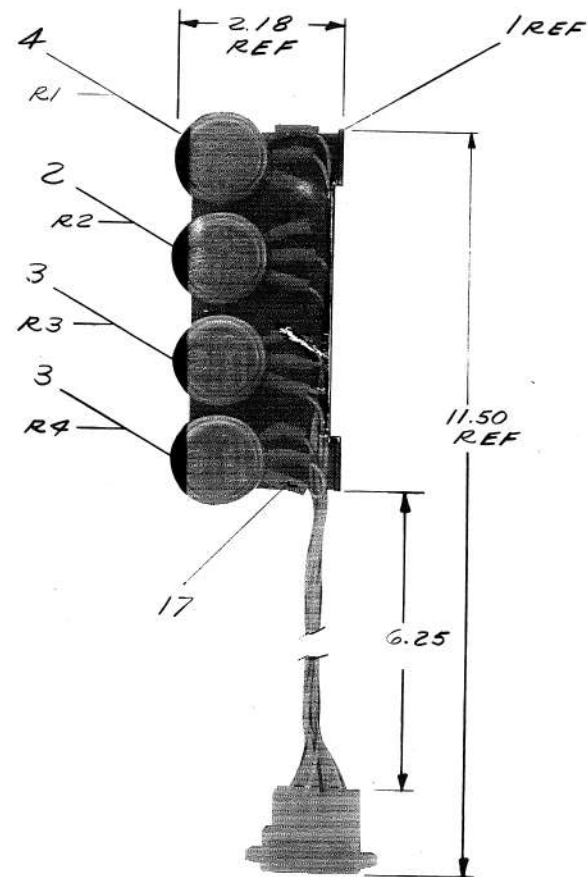
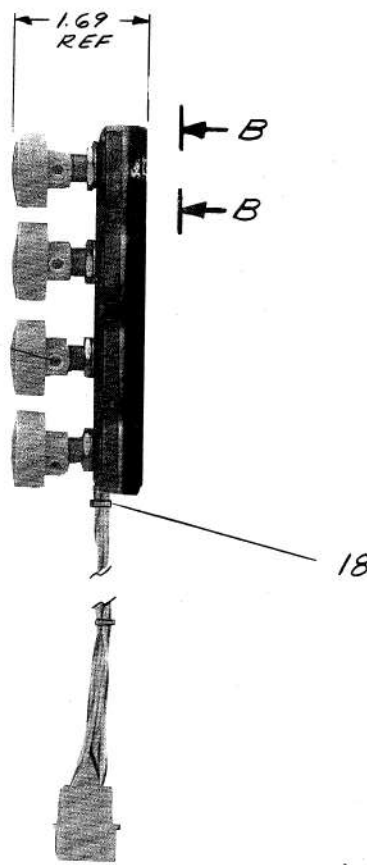
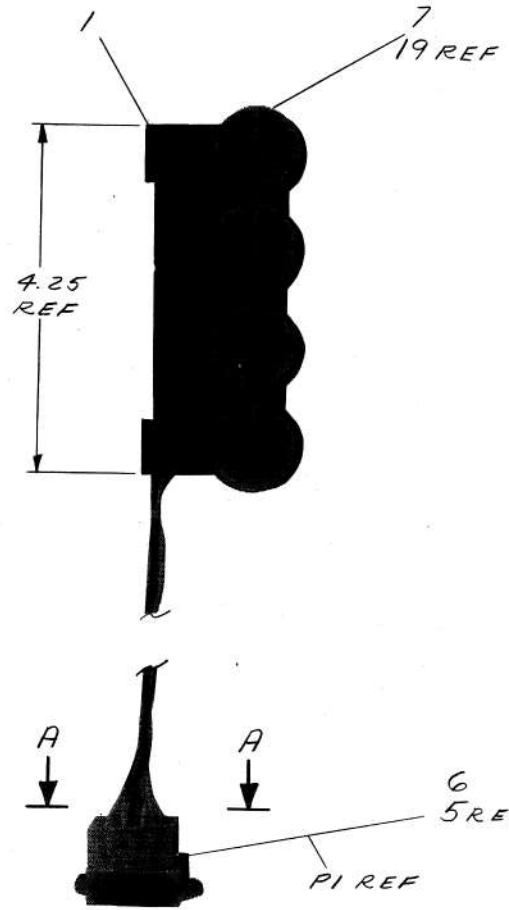
QTY.	DESCRIPTION	PART NO.	ITEM NO.
	PARTS LIST		
	DIGITAL EQUIPMENT CORPORATION MAYNARD MASSACHUSETTS		
	TITLE DEC KEYBOARD '2		
	NEXT HIGHER ASSY D4D-5409945-0-C		
	SCALE	DWG. CODE	REV. NO.
		DIC 5409945-0-1	

This drawing and specifications, herein, are the property of Digital Equipment Corporation and shall not be reproduced or copied or used in whole or in part as the basis for the manufacture or sale of items without written permission.

REV. 2
DIAI 7007232-0-0

WIRE TABLE						
ITEM NO.	DESCRIPTION	FROM		TO		
		CONNECTION	WITH	CONNECTION	WITH	
8	22 BLK	R1-1	*	R2-3	—	
8	BLK	R2-3	*	P1-6	ITEM 6	
16	WHT/BRN	R1-2		P1-2		
15	WHT/BLK	R1-3		P1-1		
14	WHT/RED	R2-1		P1-4		
13	WHT/DRN	R2-2		P1-5	ITEM 6	
12	WHT/YEL	R3-2		R3-1	—	
12	WHT/YEL	R3-1		P1-7	ITEM 6	
11	WHT/GRN	R3-3		P1-9	ITEM 6	
10	WHT/BLU	R4-2		R4-1	—	
10	WHT/BLU	R4-1		P1-10	ITEM 6	
9	22 WHT/VIO	R4-3	*	P1-12	ITEM 6	

* THIS CONNECTION REQUIRES THE USE OF ITEM 17 & SOLDER.



REV.	CHANGE NO.	DATE	BY
1	1	5-12-71	PICHLER
2	2	5-17-71	PICHLER

FIRST USED ON OPTION/MODEL
VT05

DO NOT SCALE DRAWING
UNLESS OTHERWISE SPECIFIED
DIMENSION IN INCHES
TOLERANCES
DECIMALS FRACTIONS ANGLES
± .005 ± 1/64 ± 0°30'
FINAL SURFACE QUALITY
REMOVE BURRS AND BREAK SHARP CORNERS
MATERIAL
FINISH

QTY.	DESCRIPTION	PART NO.	ITEM NO.
	PARTS LIST		
	DIGITAL EQUIPMENT CORPORATION MAYNARD, MASSACHUSETTS		
	TITLE POT ASSEMBLY		
	NEXT HIGHER ASSY D-UA-VT05-0-0	SCALE NONE	REV.
	SHEET OF	DIST.	

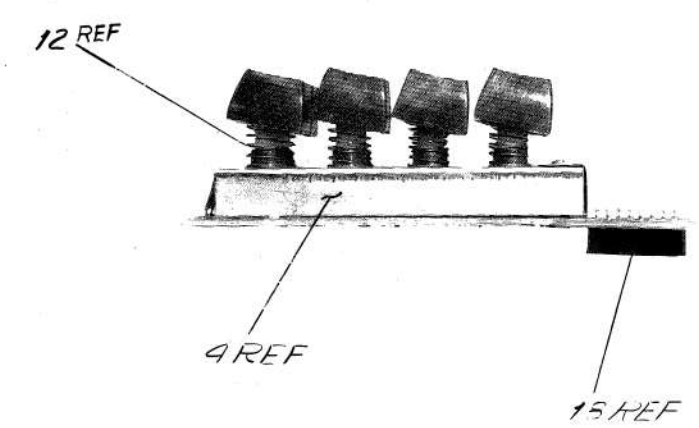
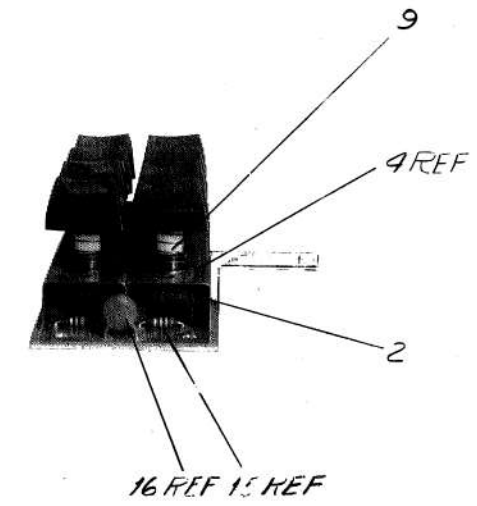
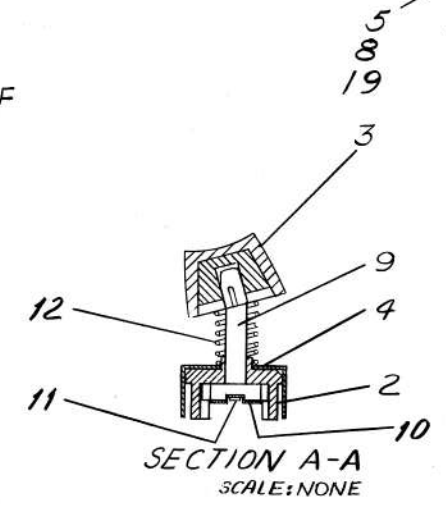
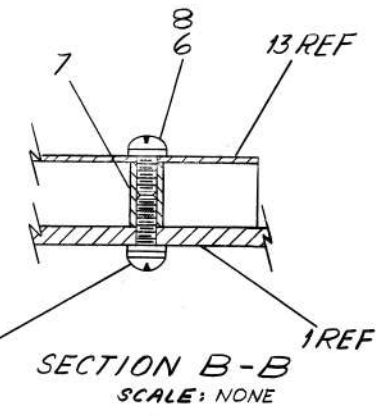
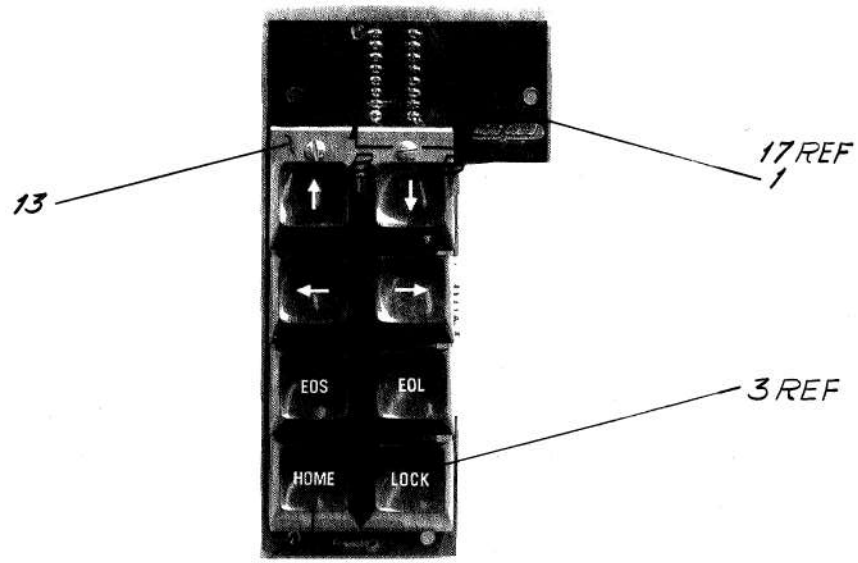
REV. A
DIAI 7007232-0-0

DIGITAL EQUIPMENT CORPORATION MAYNARD, MASSACHUSETTS PARTS LIST				QUANTITY / VARIATION																
MADE BY P. MARCOTTE		CHECKED <i>R Cook</i>		SECTION																
DATE 1-14-71		DATE 2/11/71		1																
ENG <i>J Graham</i>		PROD <i>G. Bunch</i>		ISSUED SECT.																
DATE 2-12-71		DATE 3-4-71		1																
ITEM NO.	DWG NO. / PART NO.	DESCRIPTION																		
1	C-MD-7408564-0-0	BRACKET, POTS MTG		1																
2	1300370	POT 1K 2W 10%		1																
3	1302205	POT 10K 2W 10%		2																
4	1310311	POT 250K 2W 10%		1																
5	1209351-12	CONN MATE-N-LOC #1-480278-0		1																
6	1209378-01	PIN CON AMP #60620-4 LOOSE		9																
7	C-SC-1210227-0-0	KNOB, 1" DIA		4																
8	9107350-00	WIRE #22 AWG STRD TEF INS (BLK)		A/R																
9	9107400-97	WIRE #22 AWG STRD TEF INS (WHT/VIO)		A/R																
10	9107400-96	WIRE #22 AWG STRD TEF INS (WHT/BLU)		A/R																
11	9107400-95	WIRE #22 AWG STRD TEF INS (WHT/GRN)		A/R																
12	9107400-94	WIRE #22 AWG STRD TEF INS (WHT/YEL)		A/R																
13	9107400-93	WIRE #22 AWG STRD TEF INS (WHT/ORN)		A/R																
14	9107400-92	WIRE #22 AWG STRD TEF INS (WHT/RED)		A/R																
15	9107400-90	WIRE #22 AWG STRD TEF INS (WHT/BLK)		A/R																
16	9107400-91	WIRE #22 AWG STRD TEF INS (WHT/BRN)		A/R																
17	9107305-02	TUBING, HEAT SHRINKABLE		A/R																
18	9007031	TIE WRAP PANDUIT SSTIM		3																
19	9006291-10	SCR, SOC HD SET #6-32 X 1/4 LG		4																
TITLE		ASSY NO.		SIZE	CODE	NUMBER				REV.	ECO NO.									
POT ASSY		D-AD-7007232-0-0		A	PL	7007232-0-0				A	VT05-00014									
		SHEET 1 OF 1		DIST.																

This drawing and specifications herein are the property of Digital Equipment Corporation and shall not be reproduced or copied or used in whole or in part as the basis for the manufacture or sale of items without written permission.

AD 5410224-0-0 2

NOTES:
1. FOR REFERENCE INFO REFER TO DWG. NO. D-AD-5409945-0-0



QTY.	DESCRIPTION	PART NO.	ITEM NO.
1	ETCH CIRCUIT BOARD	5010223	20
2	NYLON WASHER	9009263	19
1	SOCKET, 16 PIN IC	1210025	18
8	TRANSISTOR NPN	1510948	17
1	CAP. .005 UF	1001765	16
8	RES. 1/4 W 5% 68K (CARBON COMP)	1301327	15
REF	CURSOR BOARD (KEY BOARD)	D-CS-5410224-0-1	14
1	DUST COVER, SHORT	B-MD-740521-0-0	13
8	SPRING, LIGHT	9009161	12
8	SCREW, DRIVE 3/16	9009162	11
8	PLATE, COUPLING	C-MD-7409516-0-0	10
8	KEY SHAFT, STEPPED 90° TURN	D-MD-740599-0-0	9
4	WASHER, #2	9006631	8
2	STAND OFF, CHANNEL	B-MD-74095380-0	7
2	SCREW, #2-56 X 1/4 LG	9006001-9	6
2	SCREW, #2-56 X 3/16 LG	9006002-9	5
2	CHANNEL MACHINING	C-MD-7410520-0-0	4
1 SET	KEYCAP, SINGLE	D-PS-9009148-63-0	3
8	KEY GUIDE	C-MD-7409525-0-0	2
REF	P.C. BOARD, CURSOR BOARD	D-JA-5010223-0-0	1

FIRST USED ON OPTION/MODEL	QTY.	DESCRIPTION	PART NO.	ITEM NO.
VT05				

UNLESS OTHERWISE SPECIFIED DIMENSION IN INCHES.		TOLERANCES	
DECIMALS	ANGLES		
XXX .005	± 0° 30'		
XX .02			
X .1			

DRN.	DATE	CHK'D	DATE	ENGR.	DATE	PROJ. ENG.	DATE	PROD.	DATE
D. Schmidt	7-17-72	B. Hartup	7/27/72	John Beckman	7-31-72	B. V. Sider	7/14/72	R. Davis	8/14/72

MATERIAL		NEXT HIGHER ASSY.	
SEE PARTS LIST	D-UA-VT05-0-0	SIZE CODE	NUMBER
FINISH	SCALE NONE	D AD	5410224-0-0
	SHEET 1 OF 2	DIST.	

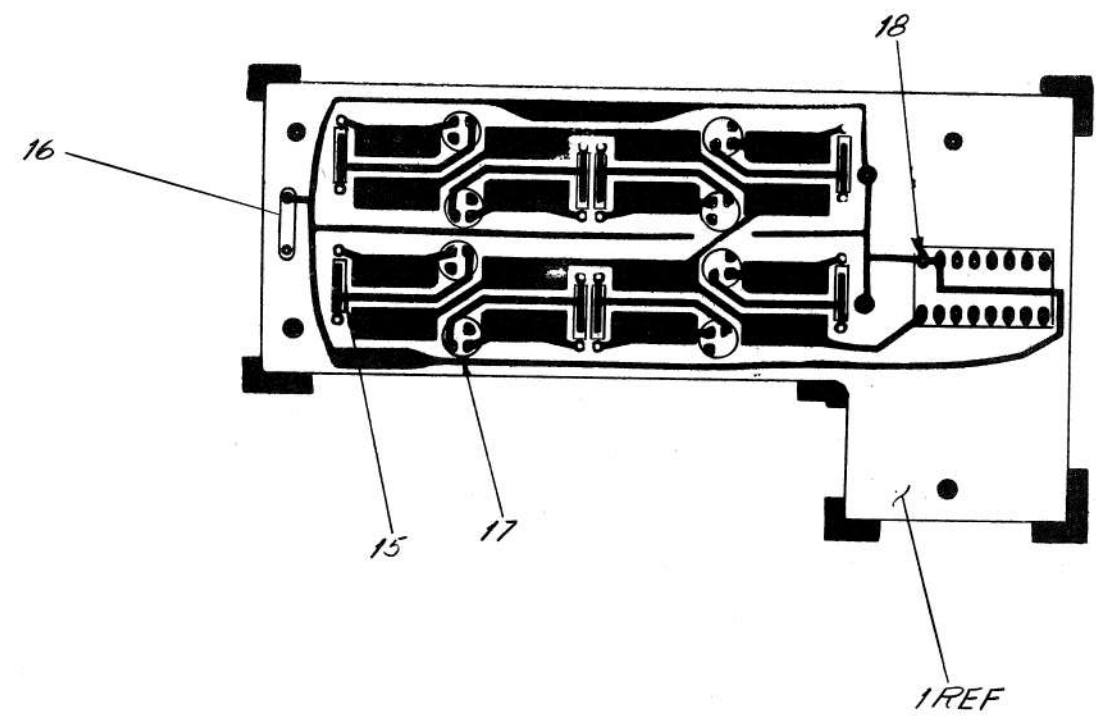
PARTS LIST		TITLE	
digital EQUIPMENT CORPORATION MAYNARD MASSACHUSETTS		CURSOR BOARD ASSY (KEYBOARD)	
D-AD-5410224-0-0		REV. A	

REV.	CHG	NO.	DATE	BY
A		1	7/27/72	R. PUCCI

DEC FORM NO. 8
DIRT 100-A

This drawing and specifications, herein, are the property of Digital Equipment Corporation and shall not be reproduced or copied or used in whole or in part as the basis for the manufacture or sale of items without written permission.

REV. 2
 SIZE CODE DAD 5410224-0-0
 NUMBER



REV.	
CHANGE NO.	
CHK	

QTY.	DESCRIPTION	PART NO.	ITEM NO.
PARTS LIST			
DRN	<i>B. Shugart</i>	DATE	7/20/72
CHK'D	<i>B. Shugart</i>	DATE	7/27/72
DESIGNED	<i>B. Shugart</i>	DATE	7/17/72
PROJ. ENG.	<i>W. W. Widdon</i>	DATE	11/1/72
PROD.	<i>K. Davis</i>	DATE	9/11/72
MATERIAL		NEXT HIGHER ASSY.	
FINISH		SCALE NONE	
SHEET 2 OF 2		SIZE CODE	NUMBER
		DAD 5410224-0-0	REV. #

digital EQUIPMENT CORPORATION
 MAYNARD MASSACHUSETTS
 TITLE
 CURSOR BOARD ASSY
 (KEYBOARD)