

digital

LA 36

Engineering Drawings

Digital Equipment Corporation

The material herein is for information purposes only and is subject to change without notice. Digital Equipment Corporation assumes no responsibility for any errors which may appear herein.

These drawings and specifications herein are the property of Digital Equipment Corporation and shall not be reproduced or copied or used in whole or in part as the basis for the manufacture or sale of items without written permission.

Copyright © 1975, Digital Equipment Corporation

DRAWING DIRECTORY

"THIS DRAWING AND SPECIFICATIONS, HEREIN, ARE THE PROPERTY OF DIGITAL EQUIPMENT CORPORATION AND SHALL NOT BE REPRODUCED OR COPIED OR USED IN WHOLE OR IN PART AS THE BASIS FOR THE MANUFACTURE OR SALE OF ITEMS WITHOUT WRITTEN PERMISSION. COPYRIGHT © 1974, DIGITAL EQUIPMENT CORPORATION"

CUSTOMER PRINT SET INDEX

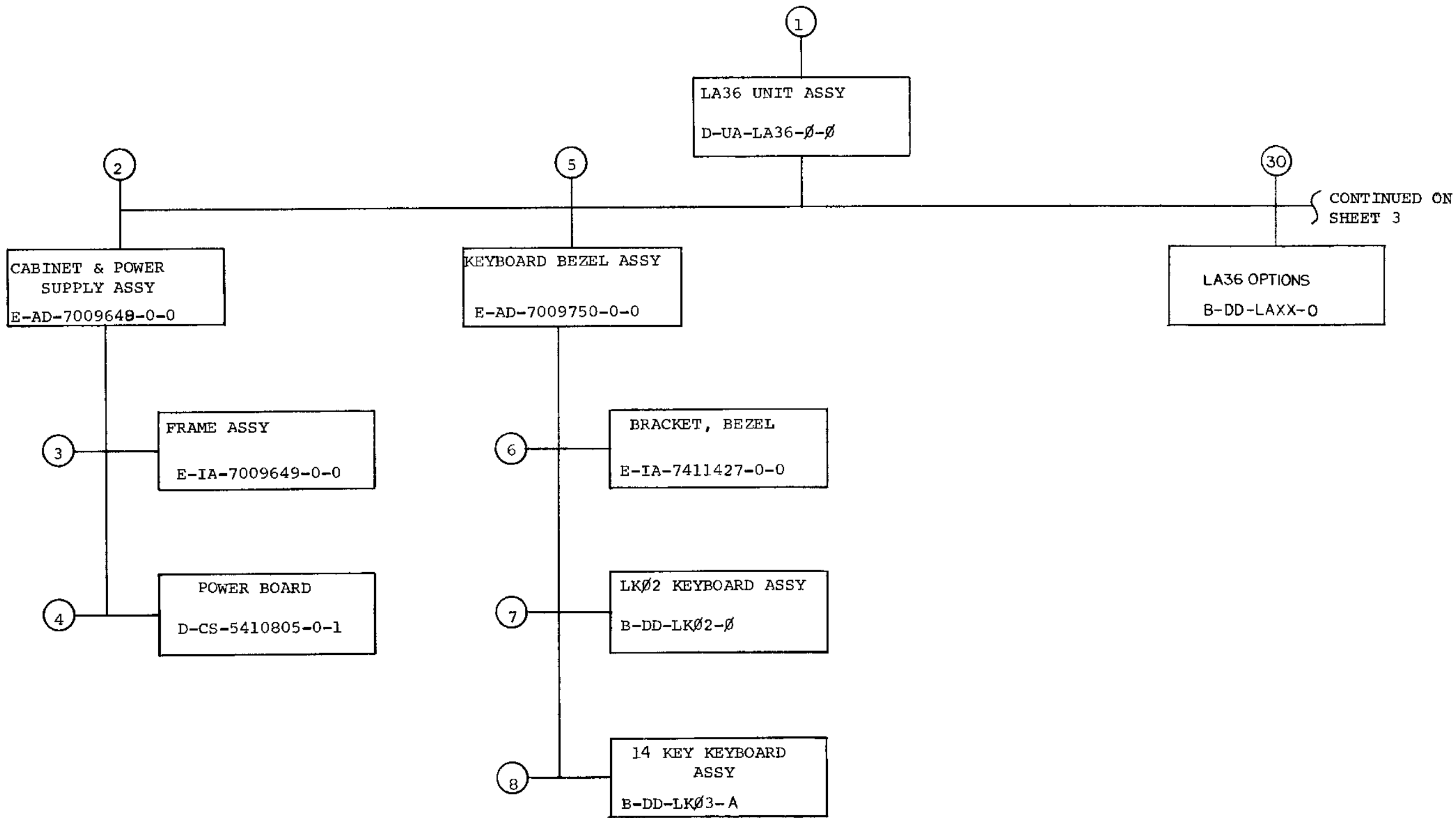
SEQUENCE		SEQUENCE	
LA36 OPTION ARRANGEMENT	D-AR-LA36-Ø-1		
LA36 POWER SCHEMATIC	D-CS-LA36-Ø-5		
LOGIC BOARD (LA36)	D-CS-M7722-Ø-1		
LA36 POWER BOARD	D-CS-5410805-0-1		
LKØ2 KEY BOARD	D-CS-5410736-0-1		
LOGIC BOARD (LA36)	D-CS-M7723-Ø-1		
PACKAGING INSTRUCTIONS	A-SP-3700131-0-0		
LOGIC BOARD (LA36)	D-CS-M7728-Ø-1		

THIS IS PRINT SET

UNIT VARIATIONS		PRINT SET			
VAR	TITLE	1	2	3	4
LA36-CE	LA36 NUM PAD PAPER OUT 60 HZ 90-132 VOLT	X			
LA36-CF	LA36 NUM PAD. PAPER OUT 60 HZ 180-264 VOLT	X			
LA36-CH	LA36 NUM PAD, PAPER OUT 50 HZ 90-132 VOLT	X			
LA36-CJ	LA36 NUM PAD. PAPER OUT. 50 HZ 180-264 VOLT	X			
LA36-DE	LA36 60 HZ 90-132 VOLT	X			
LA36-DF	LA36 60 HZ 180-264 VOLT	X			
LA36-DH	LA36 50 HZ 90-132 VOLT	X			
LA36-DJ	LA36 50 HZ 180-264 VOLT	X			

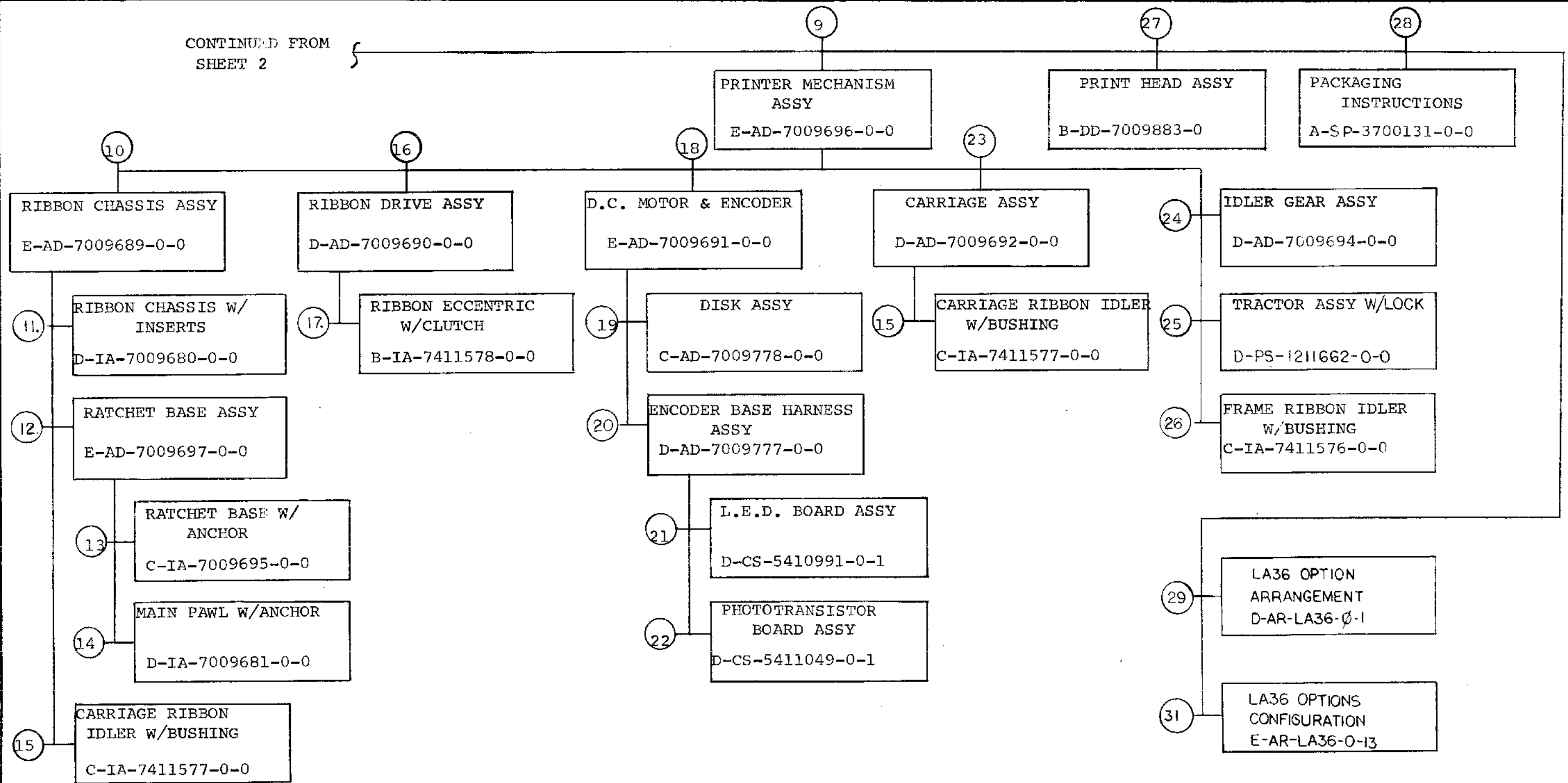
REVISIONS	CHG. NO.	LA36 - 165 L	REV	L	<table border="1" style="width: 100%; border-collapse: collapse;"> <tr> <td style="width: 40px;">DATE</td> <td style="width: 40px;">8.2.72</td> <td style="width: 40px;">CHG. NO.</td> <td style="width: 40px;">LA36 172 M</td> <td style="width: 40px;">REV</td> <td style="width: 40px;">M</td> </tr> <tr> <td style="width: 40px;">DATE</td> <td style="width: 40px;">8.2.72</td> <td style="width: 40px;">CHG. NO.</td> <td style="width: 40px;">LA36-180 N</td> <td style="width: 40px;">REV</td> <td style="width: 40px;">N</td> </tr> </table>	DATE	8.2.72	CHG. NO.	LA36 172 M	REV	M	DATE	8.2.72	CHG. NO.	LA36-180 N	REV	N
	DATE	8.2.72	CHG. NO.	LA36 172 M		REV	M										
	DATE	8.2.72	CHG. NO.	LA36-180 N		REV	N										
	USED ON OPTION/MODEL	DRN. McCARTHY	DATE 6/4/74	TITLE DECWRITER II DRAWING DIRECTORY													
		CHK'D. McCARTHY	DATE 6/28/74														
	PROJ ENG. BICKOFF	DATE 7/13/74															
	PROD. CORTYZ	DATE 7/14/74	SIZE	CODE	NUMBER	REV											
	FIELD SERV. SAVIN	DATE 7/15/74	B	DD	LA36 Ø		N										
SHEET 1 OF 7		DIST															

DEC 16-1975 10621A-R972



TITLE	SHEET	OF	SIZE	CODE	NUMBER	REV
DECWRITER II DRAWING DIRECTORY	2	7	B	DD	LA36-Ø	N

CONTINUED FROM
SHEET 2



TITLE	SHEET OF	SIZE CODE	NUMBER	REV
DECWRITER II DRAWING DIRECTORY	3 OF 7	B DD	LA36-0	N

CUSTOMER PRINT SET		MECHANICAL					CUSTOMER PRINT SET		MECHANICAL						
MFG SET	FIND NO.	DRAWING NO.	REV	NO OF SHT	DESCRIPTION	OPTION NO./FILE DATE	MFG SET	FIND NO.	DRAWING NO.	REV	NO OF SHT	DESCRIPTION	OPTION NO./FILE DATE		
	1	E-UA-LA36-0-0		3	LA36 UNIT ASSY		X	7	B-DD-LK02-0		3	LK02 KEYBOARD ASSY			
		A-PL-LA36-0-0		3	LA36 UNIT ASSY PARTS LIST		X		D-CS-5410736-0-1	#	2	LK02 KEY BOARD			
		E-MD-7411116-0-0		3	HOUSING										
		C-MD-7411818-0-0		1	CLIP, COVER										
		D-MD-7411430-0-0		1	PAPER GUIDE										
		C-PS-3611826-0-0		1	NAME PLATE			X	8	B-DD-LK03-A		3	LK03-AKEYBOARD ASSY		
		E-MD-7411122-0-0		2	COVER										
		D-AD-7011519-0-0		1	LA36 KEYBOARD CABLE										
		C-AD-7010001-0-0		1	JUMPER(LA36)				9	E-AD-7009696-0-0		2	PRINTER MECHANISM ASSY		
										A-PL-7009696-0-0		3	PRINTER MECHANISM ASSY P.L.		
										D-IA-7411072-0-0		1	PRINT BAR		
	2	E-AD-7009648-0-0		3	CABINET ASSY W/POWER SUPPLY					C-MD-7411033-0-0		1	CARRIAGE SHAFT		
		E-IA-7411120-0-0		1	DOOR, CABINET					B-MD-7411439-0-0		1	PIVOT, LOWER		
		C-MD-7413286		1	COVER, EMI FILTER					B-MD-7411103-0-0		1	PIVOT, RATCHET		
		D-IA-7009895-0-0		1	HARNESS, CAPACITOR					B-MD-7411108-0-0		1	BUSHING, PLAIN		
		C-MD-7411607-0-0		1	PLATE, COVER					C-MD-7411076-0-0		1	TRACTOR, SUPPORT SHAFT		
		D-AD-7009779-0-0		1	TRANSFORMER ASSY					C-MD-7411075-0-0		1	TRACTOR, DRIVE SHAFT		
		A-DC-7412548-0-0		1	FUSE RATING LABEL					C-MD-7411425-0-0		1	TRACTOR, SHAFT RETAINING BUSHING		
		C-IA-7009905-0-0		1	JUMPER					B-MD-7411098-0-0		1	COLLAR, SIDE PLATE		
		B-AD-7009673-0-0		1	POWER CORD ASSY					D-MD-7411441-0-0		1	HUB, CLUTCH		
										E-MD-7411440-0-0		1	GEAR, DRIVE CLUTCH		
										B-MD-7411443-0-0		1	WASHER, CLUTCH		
										D-MD-7411437-0-0		1	LINE FEED KNOB		
										B-MD-7411575-0-0		1	SHAFT, IDLER		
										B-MD-7411412-0-0		1	RETAINER, BUMPER SPRING		
										B-MD-7411816-0-0		1	SPRING, CARRIAGE BUMPER		
										E-IA-7411028-0-0		1	SIDE PLATE		
										B-MD-7412535-0-0		1	ADAPTER, LINE FEED		
	3	E-IA-7009649-0-0		1	FRAME ASSY										
		E-IA-7411125-0-0		1	END PANEL										
		E-IA-7411121-0-0		1	HOUSING, COMPONENT										
		C-IA-7411117-0-0		1	FOOT										
		E-IA-7411080-0-0		1	BASE										
		C-MD-7412019-0-0		1	ANGLE STIFFENING										
	4	D-CS-5410805-0-1			LA36 POWER BOARD										
		D-IA-7411077-0-0			HEATSINK										
	5	E-AD-7009750-0-0		1	KEYBOARD BEZEL ASSY										
	6	E-IA-7411427-0-0		1	BRACKET, BEZEL										
		C-SS-7411427-0-1		1	KEYBOARD BEZEL SILK SCREEN										
CUSTOMER PRINT SET CODES		X = PRINT OF DOCUMENT INCLUDED IN PRINT SET C = INCLUDES ALL PRINTS INDICATED ON DOCUMENT S = CONFIDENTIAL AUTHORIZED SIGNATURE REQUIRED					TITLE DECWRITER II DRAWING DIRECTORY			SHEET 4 OF 7		SIZE B DL	CODE LA36-0	NUMBER LA36-0	REV N

CUSTOMER PRINT SET		MECHANICAL					CUSTOMER PRINT SET		MECHANICAL						
	MFG. SET	FIND NO.	DRAWING NO.	REV	NO OF SHT	DESCRIPTION	OPTION NO./FILE DATE		MFG. SET	FIND NO.	DRAWING NO.	REV	NO OF SHT	DESCRIPTION	OPTION NO./FILE DATE
		10	E-AD-7009689-0-0		1	RIBBON CHASSIS ASSY				15	C-IA-7411577-0-0		1	CARRIAGE RIBBON IDLER W/BUSHING	
			C-MD-7411090-0-0		1	SPRING, MAIN PAWL					C-MD-7411102-0-0		1	IDLER, CARRIAGE RIBBON	
			C-MD-7411105-0-0		1	SPRING, UPPER PAWL									
			D-MD-7411048-0-0		1	DRIVER, SPOOL									
			D-MD-7411432-0-0		1	RATCHET, WHEEL				16	D-AD-7009690-0-0		1	RIBBON DRIVE ASSY	
			B-IA-7411405-0-0		1	DISK, FRICTION					D-MD-7411113-0-0		1	BRACKET, RIBBON DRIVE	
			B-MD-7411098-0-0		1	COLLAR, SIDE PLATE					C-MD-7411084-0-0		1	ROD, END	
			B-MD-7411106-0-0		1	WASHER, BRAKE					B-MD-7411068-0-0		1	SHAFT, RIBBON IDLER	
			B-MD-7411061-0-0		1	WASHER, RATCHET					D-MD-7411035-0-0		1	PULLEY, TIMING	
			D-MD-7411058-0-0		1	INTERPOSER					C-MD-7411124-0-0		1	CLAMP, COLLAR	
			C-MD-7411419-0-0		1	GUIDE, SHOE					B-MD-7411123-0-0		1	WASHER, ECCENTRIC	
			D-MD-7411060-0-0		1	SENSOR, REVERSE					D-MD-7411046-0-0		1	PUSH ROD	
			C-MD-7411087-0-0		1	SPRING, INTERPOSER					C-MD-7411426-0-0		1	SPRING, BACKSTOP	
											B-MD-7412536-0-0		1	HOLDER BEARING	
											C-IA-7412613-0-0		1	BEARING HOLDER W/BUSHING	
		11	D-IA-7009680-0-0		1	RIBBON CHASSIS W/INSERTS				17	B-IA-7411578-0-0		1	RIBBON ECCENTRIC W/CLUTCH	
			E-IA-7411057-0-0		1	CHASSIS, RIBBON					B-MD-7411069-0-0		1	ECCENTRIC, RIBBON	
			C-MD-7411431-0-0		1	STANDOFF, RETAINER									
			B-MD-7411433-0-0		1	PIN, INTERPOSER									
		12	E-AD-7009697-0-0		1	RATCHET BASE ASSY				18	E-AD-7009691-0-0		1	D.C. MOTOR & ENCODER ASSY	
			D-MD-7411054-0-0		1	PAWL, UPPER					C-IA-7009780-0-0		1	D.C. MOTOR	
			B-MD-7411063-0-0		1	PAWL, PIVOT					D-MD-7411035-0-0		1	PULLY, TIMING	
											C-MD-7411124-0-0		1	CLAMP, COLLAR	
											D-MD-7411416-0-0		1	DUST COVER, ENCODER	
											C-MD-7413351-0-0		1	ADAPTER, EC MOTOR	
											C-AD-7010762-0-0		1	EC MOTOR ASSY	
										19	C-AD-7009778-0-0		1	DISK ASSY	
											C-MD-7411414-0-0		1	HUB, ENCODER	
											B-MD-7411757-0-0		1	ADHESIVE, ENCODER DISK	
											C-MD-7411088-0-0		1	DISK, ENCODER	
		13	C-IA-7009695-0-0		1	RATCHET BASE W/ANCHOR									
			D-MD-7411055-0-0		1	BASE, RATCHET									
			B-MD-7411104-0-0		1	ANCHOR, SPRING									
		14	D-IA-7009681-0-0		1	MAIN PAWL W/ANCHOR									
			D-MD-7411059-0-0		1	PAWL, MAIN									
			B-MD-7411104-0-0		1	ANCHOR, SPRING									
CUSTOMER PRINT SET CODES	X = PRINT OF DOCUMENT INCLUDED IN PRINT SET C = INCLUDES ALL PRINTS INDICATED ON DOCUMENT S = CONFIDENTIAL AUTHORIZED SIGNATURE REQUIRED						TITLE	DECWRITER II DRAWING DIRECTORY		SHEET 5 OF 7	SIZE B	CODE DD	NUMBER LA36-Ø	REV N	

CUSTOMER PRINT SET		MECHANICAL					CUSTOMER PRINT SET		MECHANICAL					
MFG. SET	FIND NO.	DRAWING NO.	REV	NO OF SHT	DESCRIPTION	OPTION NO./FILE DATE	1	MFG. SET	FIND NO.	DRAWING NO.	REV	NO OF SHT	DESCRIPTION	OPTION NO./FILE DATE
X	20	D-AD-7009777-0-0		1	ENCODER BASE HARNESS ASSY				25	D-PS-1211662-04		1	TRACTOR W/LOCK L.H	
		D-MD-7411603-0-0		1	GIZZIE, ENCODER					D-PS-1211662-05		1	TRACTOR W/LOCK R.H	
		C-MD-7411089-0-0		1	MASK, ENCODER					C-MD-7414433-0-0		2	SCREW TRACTOR LOCK	
		B-MD-7411580-0-0		1	ADHESIVE, ENCODER MASK									
		D-IA-7009749-0-0		1	SENSOR HARNESS									
	21	D-CS-5410991-0-1		1	L.E.D. BOARD ASSY									
		D-IA-5010990-0-0		2	ENCODER P.C. BOARD									
	22	D-CS-5411049-0-1		1	PHOTOTRANSISTOR BOARD ASSY				26	C-IA-7411576-0-0		1	FRAME RIBBON IDLER W/BUSHING	
		D-IA-5010990-0-0		2	ENCODER P.C. BOARD					D-MD-7411085-0-0		1	IDLER. FRAME RIBBON	
									27	B-DD-7009883-0		3	PRINT HEAD ASSY (LA36)	
	23	D-AD-7009692-0-0		1	CARRIAGE ASSY				28	A-SP-3700131-0-0		2	PACKAGING INSTRUCTION	
		E-IA-7411109-0-0		2	CARRIAGE					9009288		1	NUT, TEE	
		D-MD-7411110-0-0		1	LEVER, CARRIAGE ADJUSTMENT					9009290-03		1	BOLT, HEX HEAD 3/8 - 16 x 3	
		B-MD-7411107-0-0		1	BUSHING, ECCENTRIC					3601252-0-0		1	CAUTION TAG	
		B-MD-7411115-0-0		1	SHAFT, IDLER					A-SP-9009634		2	STAIN RESISTANT TAPE (3M)	
										A SP 9905737 0 0		2	SUPPORTS CORNER	
										A-SP-9905734-0-0		2	STRAPPING POLYPROPYLENE	
										A-PS-9905651-0-1		2	BRACE WOOD 2 x 3	
										A-PS-9905601-0-0		2	CARTON FULL OVERLAP	
	15	C-IA-7411577-0-0		1	CARRIAGE RIBBON IDLER W/BUSHING					A-PS-9905651 0-0		3	SKID WOOD	
		C-MD-7411102-0-0		1	IDLER, CARRIAGE RIBBON					A-PS-9905639-0-0		2	BUILDUP LAMINATED	
										A-PS-9905129-39		4	POLY BAG 3MIL 28 x 25 x 32	
	24	D-AD-7009694-0-0		1	IDLER GEAR ASSY	X		X29	E-AR-LA36-0-1	#			LA36 OPTION ARRANGEMENT	
		B-MD-7411420-0-0		1	BRACKET, GEAR				D-IA-7412016-0-0		1		BASKET, PAPER	
		B-MD-7411424-0-0		1	TUBE, IDLER				C-AD-7009751-0-0		1		WHEEL ASSY	
									C-MD-7411826-0-0		1		WHEEL, CASTER	
									C-IA-7411824-0-0		1		BRACKET, WHEEL MOVING	
									C-MD-7411972-0-0		1		BRACKET, TABLE SUPPORT	
									A-PL-7009897-0-0		1		TABLE ASSY	
									D-PS-3411736-0-0		1		TABLE TOP	
						X		X31	E-AR-LA36-0-13	#	2		LA36 OPTIONS CONFIGURATION	

CUSTOMER PRINT SET
 X = PRINT OF DOCUMENT INCLUDED IN PRINT SET
 C = INCLUDES ALL PRINTS INDICATED ON DOCUMENT
 S = CONFIDENTIAL AUTHORIZED SIGNATURE REQUIRED

TITLE
 DECWRITER II DRAWING DIRECTORY

SHEET 6 OF 7

SIZE CODE
 B DD

NUMBER
 LA36-0

REV
 N

CUSTOMER PRINT SET		ELECTRICAL					CUSTOMER PRINT SET											
1	MFG. SET	FIND NO.	DRAWING NO.	REV	NO OF SHT	DESCRIPTION	OPTION NO./FILE DATE		MFG. SET	FIND NO.	DRAWING NO.	REV	NO OF SHT	DESCRIPTION	OPTION NO./FILE DATE			
	X	1	E-UA-LA36-0-0		3	LA36 UNIT ASSY												
			A-PL-LA36-0-0		3	LA36 UNIT ASSY P.L.												
			A-SP-LA36-0-2		13	LA36 TEST PLAN												
			A-SP-LA36-0-3		4	LA36 TEST PROCEDURE												
			A-MD-7412103-0-0		1	PKG. OF PAPER (100 SHEETS)												
			A-SP-LA36-0-7		25	LA36 PRINTER SPEC												
X	X		D-CS-LA36-0-5	#	1	LA36 POWER SCHEMATIC												
			A-SP-LA36-0-8		3	LA36 DC MOTOR ACCEPTANCE PROC.												
			A-SP-LA36-0-9		10	LA36 SPEC. & VERIFICATION PROC.												
			DEC-0-0-H36UG-A-D		-	OPERATING INST. (LA36)												
		2	E-AD-7009648-0-0		3	CABINET ASSY W/POWER SUPPLY												
X	X		D-CS-M7722-0-1	#	8	LOGIC BOARD (LA36)												
X	X		D-CS-M7723-0-1	#	8	LOGIC BOARD (LA36)												
		4	D-CS-5410805-0-1	#	1	LA36 POWER BOARD												
			D-IA-7411077-0-0		1	HEAT SINK												
		20	D-AD-7009777-0-0		1	ENCODER BASE HARNESS ASSY												
X	X	30	B-DD-LAXX-0	#	2	LA36 OPTIONS												
	X	32	A-SP-LA36-0-11	#	6	LA36 CHKOUT PROCEDURE FOR PDP 8 WM												
	X	33	A-SP-LA36-0-12	#	5	LA36 CHKOUT PROCEDURE FOR PDP-11 WM												
	X		A-SP-LA36-0-14	#	22	KIT 36-A TRANSFER SPECIFICATION												
CUSTOMER PRINT SET CODES	X = PRINT OF DOCUMENT INCLUDED IN PRINT SET C = INCLUDES ALL PRINTS INDICATED ON DOCUMENT S = CONFIDENTIAL AUTHORIZED SIGNATURE REQUIRED						TITLE	DECWRITER II DRAWING DIRECTORY		SHEET 7 OF 7	SIZE CODE	B DD		NUMBER	LA36-0		REV	N

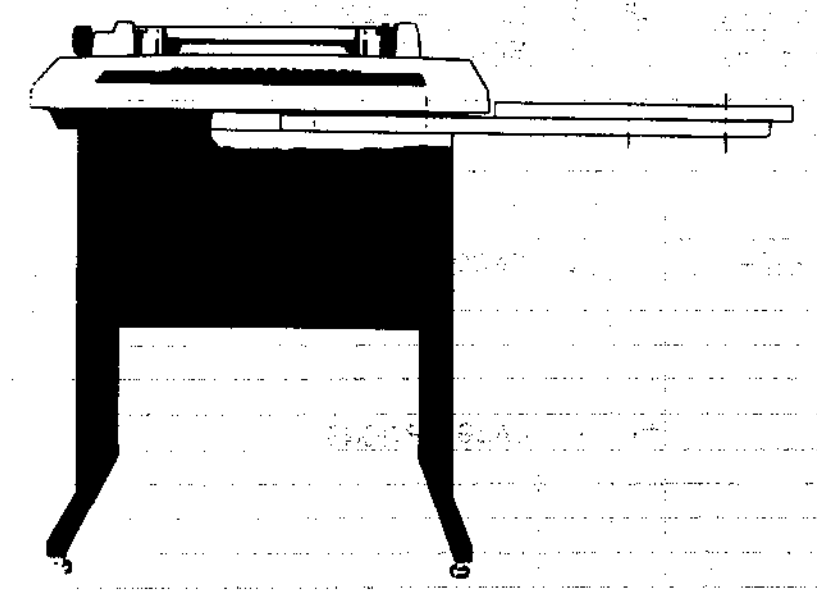
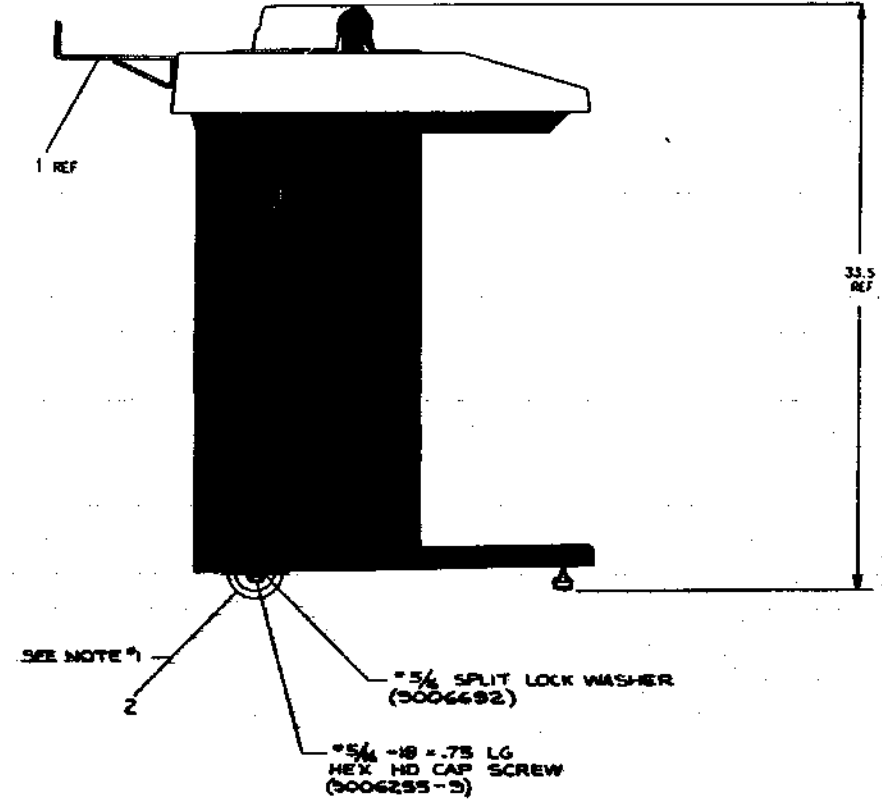
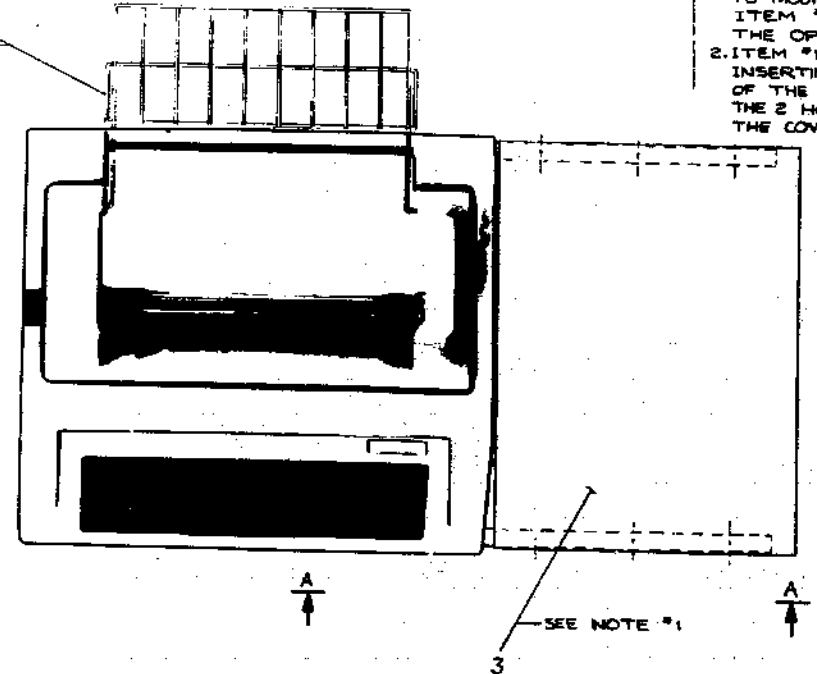
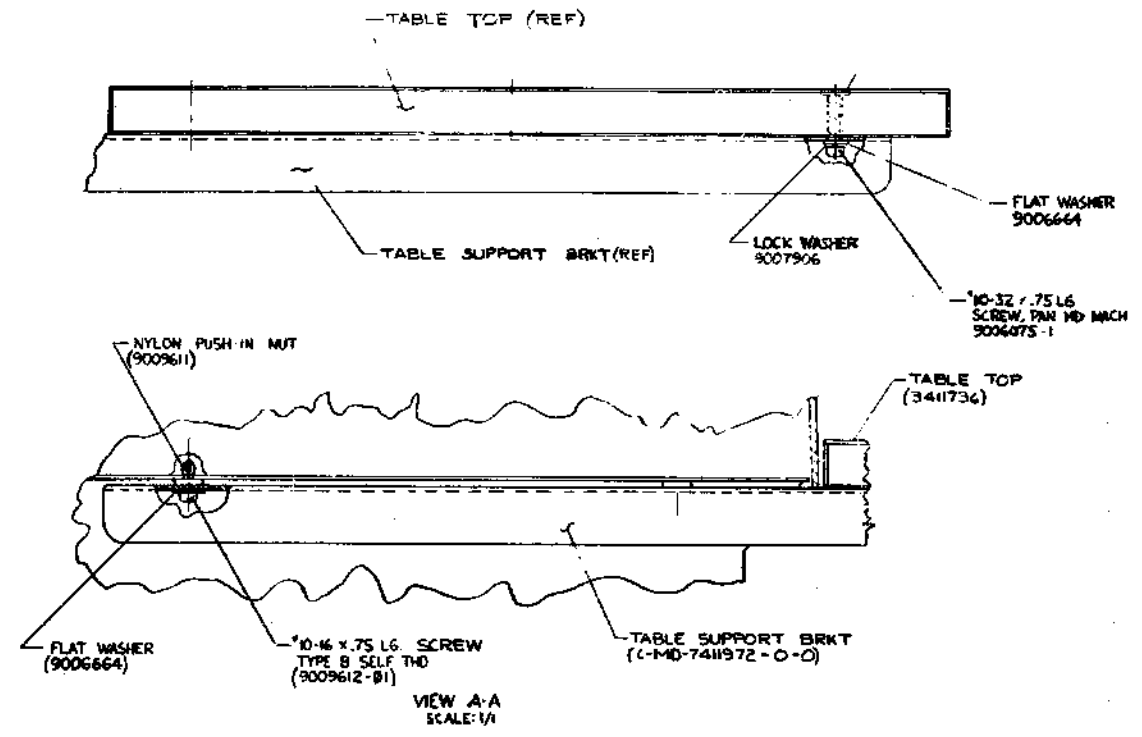
DRB 108

DEC 16-(325)-1062-2B-R972

8 7 6 5 4 3 2 1

THIS DRAWING AND INFORMATION HEREON ARE THE PROPERTY OF QUALITY ELECTRONIC CORPORATION AND ARE NOT TO BE REPRODUCED OR COPIED IN ANY MANNER WITHOUT THE WRITTEN PERMISSION OF QUALITY ELECTRONIC CORPORATION

NOTES:
 1. ALL HARDWARE NECESSARY TO MOUNT ITEM #2 AND ITEM #3 IS SUPPLIED IN THE OPTIONS KIT.
 2. ITEM #1 IS INSTALLED BY INSERTING THE BENT ENDS OF THE "PAPER BASKET" INTO THE 2 HOLES PROVIDED ON THE COVER AS SHOWN.



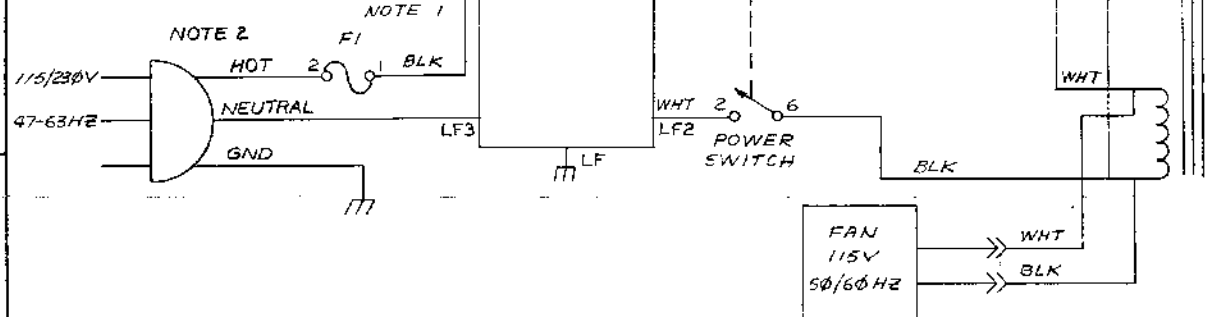
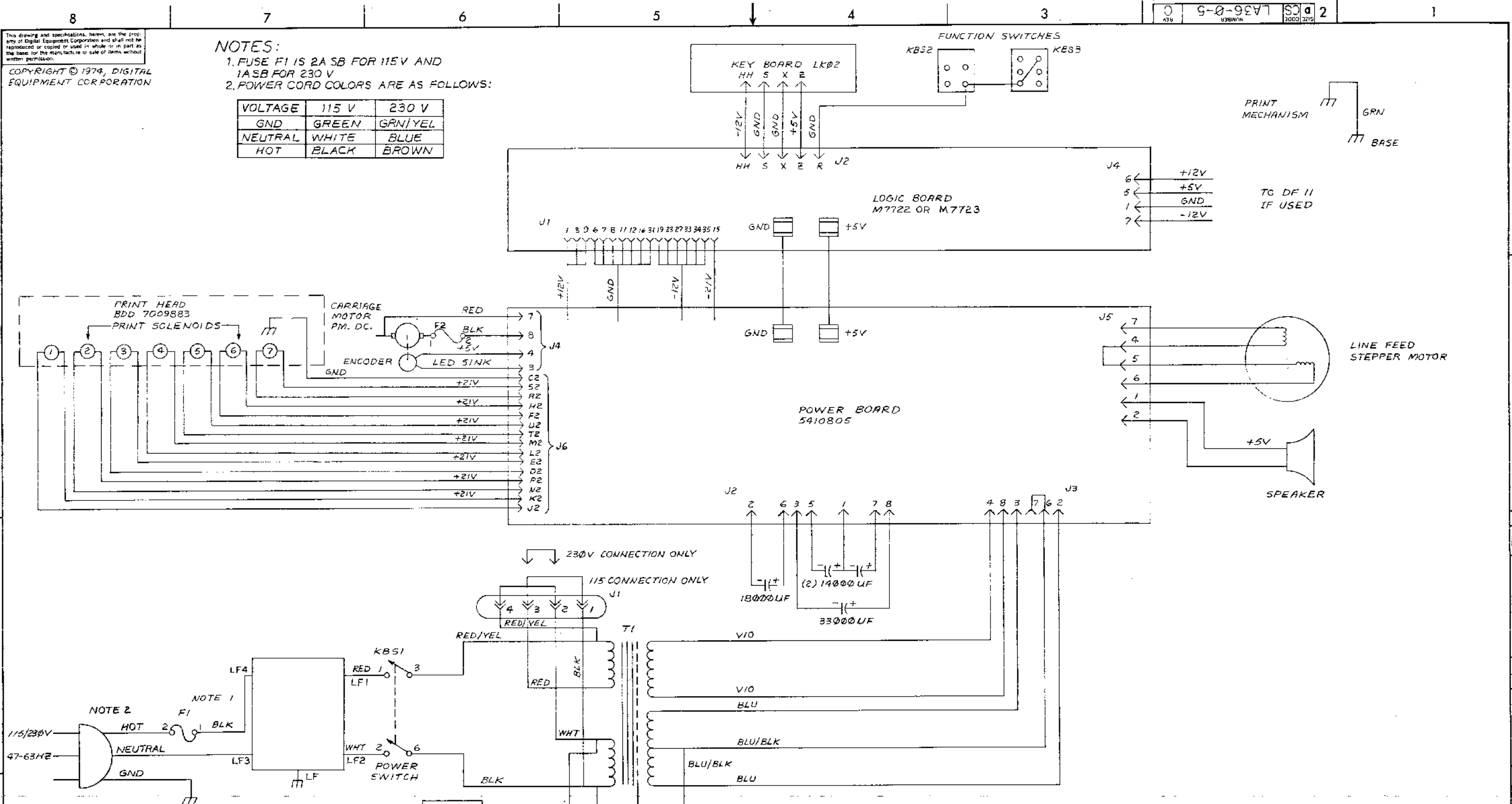
LA36		LA36 OPTION ARRANGEMENT	
REV	DESCRIPTION	DATE	BY
1	LA36 TABLE ASSEMBLY	10/15/68	JL
2	REVISION		
3	REVISION		
4	REVISION		
5	REVISION		
6	REVISION		
7	REVISION		
8	REVISION		
9	REVISION		
10	REVISION		
11	REVISION		
12	REVISION		
13	REVISION		
14	REVISION		
15	REVISION		
16	REVISION		
17	REVISION		
18	REVISION		
19	REVISION		
20	REVISION		
21	REVISION		
22	REVISION		
23	REVISION		
24	REVISION		
25	REVISION		
26	REVISION		
27	REVISION		
28	REVISION		
29	REVISION		
30	REVISION		
31	REVISION		
32	REVISION		
33	REVISION		
34	REVISION		
35	REVISION		
36	REVISION		
37	REVISION		
38	REVISION		
39	REVISION		
40	REVISION		
41	REVISION		
42	REVISION		
43	REVISION		
44	REVISION		
45	REVISION		
46	REVISION		
47	REVISION		
48	REVISION		
49	REVISION		
50	REVISION		
51	REVISION		
52	REVISION		
53	REVISION		
54	REVISION		
55	REVISION		
56	REVISION		
57	REVISION		
58	REVISION		
59	REVISION		
60	REVISION		
61	REVISION		
62	REVISION		
63	REVISION		
64	REVISION		
65	REVISION		
66	REVISION		
67	REVISION		
68	REVISION		
69	REVISION		
70	REVISION		
71	REVISION		
72	REVISION		
73	REVISION		
74	REVISION		
75	REVISION		
76	REVISION		
77	REVISION		
78	REVISION		
79	REVISION		
80	REVISION		
81	REVISION		
82	REVISION		
83	REVISION		
84	REVISION		
85	REVISION		
86	REVISION		
87	REVISION		
88	REVISION		
89	REVISION		
90	REVISION		
91	REVISION		
92	REVISION		
93	REVISION		
94	REVISION		
95	REVISION		
96	REVISION		
97	REVISION		
98	REVISION		
99	REVISION		
100	REVISION		

7 6 5 4 3 2 1

This drawing and specifications herein are the property of Digital Equipment Corporation and shall not be reproduced or copied in whole or in part as the basis for the manufacture or sale of items without written permission.
 COPYRIGHT © 1974, DIGITAL EQUIPMENT CORPORATION

NOTES:
 1. FUSE F1 IS 2A 5B FOR 115V AND 1A 5B FOR 230V
 2. POWER CORD COLORS ARE AS FOLLOWS:

VOLTAGE	115 V	230 V
GND	GREEN	GRN/YEL
NEUTRAL	WHITE	BLUE
HOT	BLACK	BROWN



QTY	REF DESIGNATION	DESCRIPTION	PART NO.	ITEM NO.
PARTS LIST				
ETCH-BOARD-REV				
digital EQUIPMENT CORPORATION MAYNARD, MASSACHUSETTS				
LA36 POWER SCHEMATIC				
DRN		DATE	7/12/74	
CHK'D		DATE	7/15/74	
ENG		DATE	7/15/74	
PROG		DATE	7/15/74	
REV		DATE	7/15/74	
NEXT HIGHER ASSY				
SCALE		DICS LA36-0-5		
SHEET 1		OF 1		

REV	CHANGE NO.	REV
1	1	A
2	2	B
3	3	C

DEC NO.	EIA NO.	DEC NO.	EIA NO.

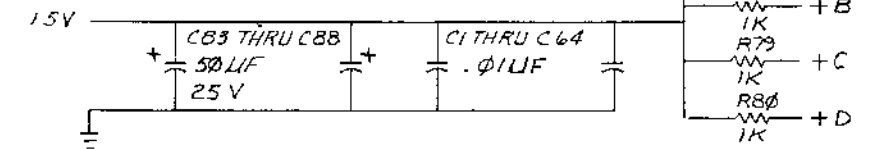
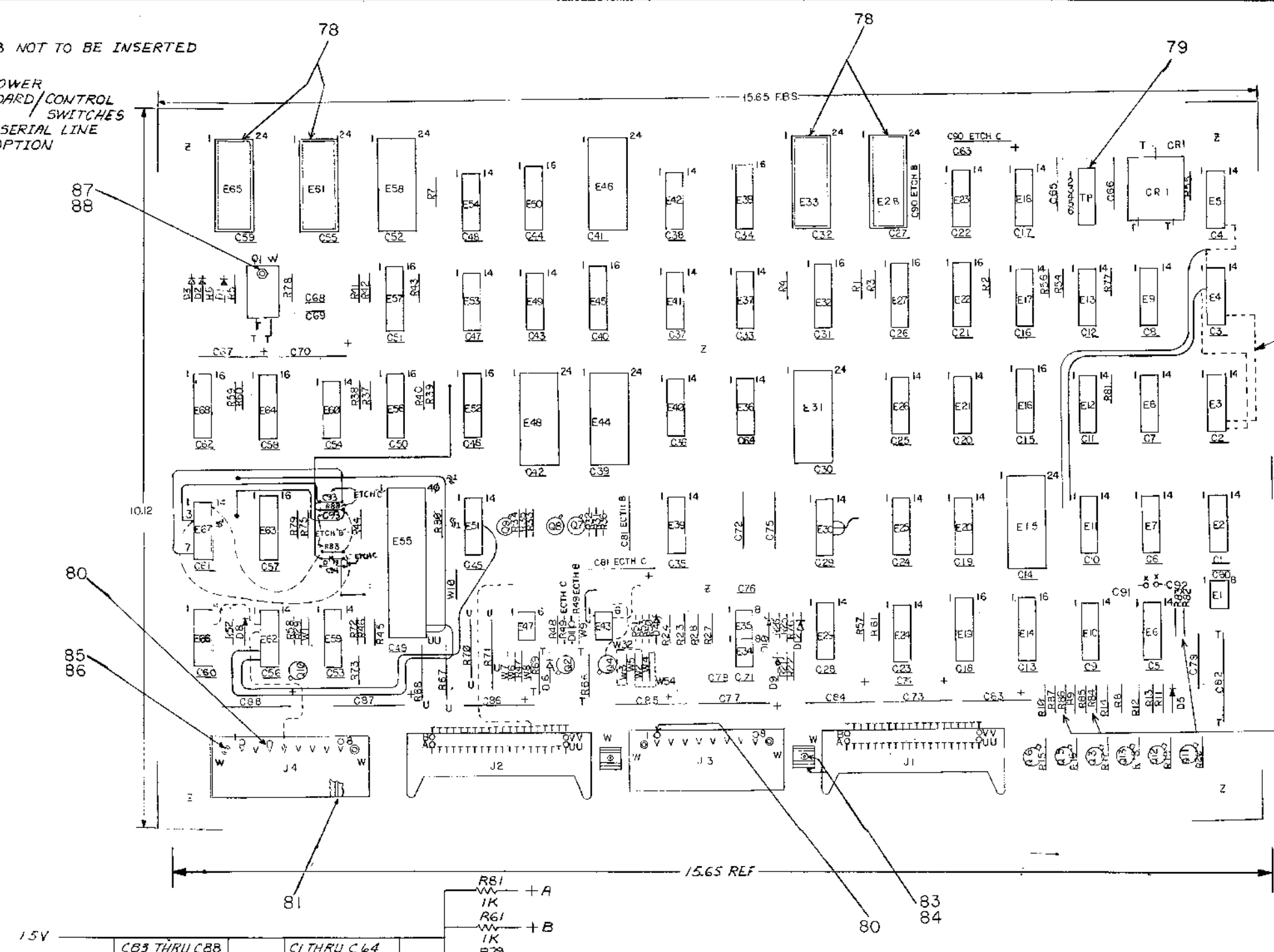
DRAWING 40-107 15868

REV. C
LA36-0-5
DICS

THIS DRAWING AND SPECIFICATIONS, HEREIN, ARE THE PROPERTY OF DIGITAL EQUIPMENT CORPORATION AND SHALL NOT BE REPRODUCED OR COPIED OR USED IN WHOLE OR IN PART AS THE BASIS FOR THE MANUFACTURE OR SALE OF ITEMS WITHOUT WRITTEN PERMISSION. COPYRIGHT © 1973 DIGITAL EQUIPMENT CORPORATION

NOTES:

- * E27 & E48 NOT TO BE INSERTED
- CONNECTORS:
 J1 → J1 POWER
 J2 → KEYBOARD/CONTROL SWITCHES
 J3 → COMA, SERIAL LINE
 J4 → DFII OPTION
- PREFERRED CONFIGURATION
 E58 = 23-082A6 ("CROM")
 E61 = EMPTY
 E65 = EMPTY
 SUBSTITUTE CONFIGURATION
 E58 = EMPTY
 E61 = 23-083A4 ("PROM 1")
 E65 = 23-082A4 ("PROM 0")
- PREFERRED CONFIGURATION
 E17 = I.C. 8640
 R54 = 5.6K 1/4W 5%
 R55 = 1K 1/4W 5%
 R56 = 5.6K 1/4W 5%
 SUBSTITUTE CONFIGURATION
 E17 = I.C. 980
 R54 = 10K 1/4W 5%
 R55 = 470 1/4W 5%
 R56 = 10K 1/4W 5%
- DOTTED LINES REPRESENT ADDED WIRES TO ETCH REV B BOARDS ONLY.
- LOCATIONS OF R82 THRU R87 ARE SLIGHTLY DIFFERENT ON ETCH REV B BOARDS.
- SUBSTITUTE CONFIGURATIONS ARE EQUAL IN PERFORMANCE TO PREFERRED CONFIGURATIONS. IT IS NOT NECESSARY TO CHANGE CONFIGURATIONS IN THE FIELD.



8640	1	8
LM301A	NONE	NONE
1702	NONE	12,15
74123	8	16
74150	12	24
74154	12	24
74161	8	16
74175	8	16
74190	8	16
74193	8	16
7442	8	16
7489	8	16
7495	10	5
MK260P	12	24
UART	3	1
IC TYPE	GND	+5V

GND AND 5V ARE USUALLY PIN 7 AND 14 RESPECTIVELY. EXCEPTIONS ARE STATED ABOVE.

IC PIN LOCATIONS

J. BITTO	9 JAN 74	K
J. BITTO	9/17/75	J
J. BITTO	8-21-75	J
J. BITTO	6-10-75	H
J. BITTO	00006	H
J. BITTO	4/16/75	F
J. BITTO	00004	F
J. BITTO	1-20-75	E
J. BITTO	00004	E
J. BITTO	00004	E
J. BITTO	00003	D
J. BITTO	00003	D
J. BITTO	00002	C
J. BITTO	00002	C
J. BITTO	00002	B
J. BITTO	00002	B

QTY	REF DESIGNATION	DESCRIPTION	PART NO.	ITEM NO.																				
FIRST USED ON OPTION MODEL																								
LA36																								
ETCH BOARD REV B C																								
PARTS LIST																								
<table border="1"> <tr> <td>DRN</td> <td>DATE</td> <td>DRN</td> <td>DATE</td> </tr> <tr> <td>CHKD</td> <td>DATE</td> <td>CHKD</td> <td>DATE</td> </tr> <tr> <td>ENG</td> <td>DATE</td> <td>ENG</td> <td>DATE</td> </tr> <tr> <td>PROJ. ENG</td> <td>DATE</td> <td>PROJ. ENG</td> <td>DATE</td> </tr> <tr> <td>PROD.</td> <td>DATE</td> <td>PROD.</td> <td>DATE</td> </tr> </table>					DRN	DATE	DRN	DATE	CHKD	DATE	CHKD	DATE	ENG	DATE	ENG	DATE	PROJ. ENG	DATE	PROJ. ENG	DATE	PROD.	DATE	PROD.	DATE
DRN	DATE	DRN	DATE																					
CHKD	DATE	CHKD	DATE																					
ENG	DATE	ENG	DATE																					
PROJ. ENG	DATE	PROJ. ENG	DATE																					
PROD.	DATE	PROD.	DATE																					
<table border="1"> <tr> <td>SIZE</td> <td>CODE</td> <td>NUMBER</td> <td>REV.</td> </tr> <tr> <td>D</td> <td>C</td> <td>M7722-0-1</td> <td>K</td> </tr> </table>					SIZE	CODE	NUMBER	REV.	D	C	M7722-0-1	K												
SIZE	CODE	NUMBER	REV.																					
D	C	M7722-0-1	K																					
<table border="1"> <tr> <td>DEC NO.</td> <td>EIA NO.</td> <td>DEC NO.</td> <td>EIA NO.</td> </tr> <tr> <td></td> <td></td> <td></td> <td></td> </tr> </table>					DEC NO.	EIA NO.	DEC NO.	EIA NO.																
DEC NO.	EIA NO.	DEC NO.	EIA NO.																					
SEMICONDUCTOR CONVERSION CHART																								
SCALE 1 OF 3																								

DIGITAL EQUIPMENT CORPORATION
 DCS M7722-0-1

DIGITAL EQUIPMENT CORPORATION
 DCS M7722-0-1

THIS DRAWING AND SPECIFICATIONS HEREIN ARE THE PROPERTY OF DIGITAL EQUIPMENT CORPORATION AND SHALL NOT BE REPRODUCED OR COPIED OR USED IN WHOLE OR IN PART AS THE BASIS FOR THE MANUFACTURE OR SALE OF ITEMS WITHOUT WRITTEN PERMISSION. COPYRIGHT © 1975, DIGITAL EQUIPMENT CORPORATION.

PARTS LIST
QUANTITIES SHOWN REPRESENT PREFERRED CONFIGURATION

Table with 5 columns: QTY, REF DESIGNATION, DESCRIPTION, PART NO., ITEM NO. Lists components like X-Y COORDINATE HOLE LOCATION, ASSY/DRILLING HOLE LAYOUT, MODULE ECO HISTORY, etc.

Table with 5 columns: QTY, REF DESIGNATION, DESCRIPTION, PART NO., ITEM NO. Lists components like IC 7474, IC 7488, IC 7410, etc.

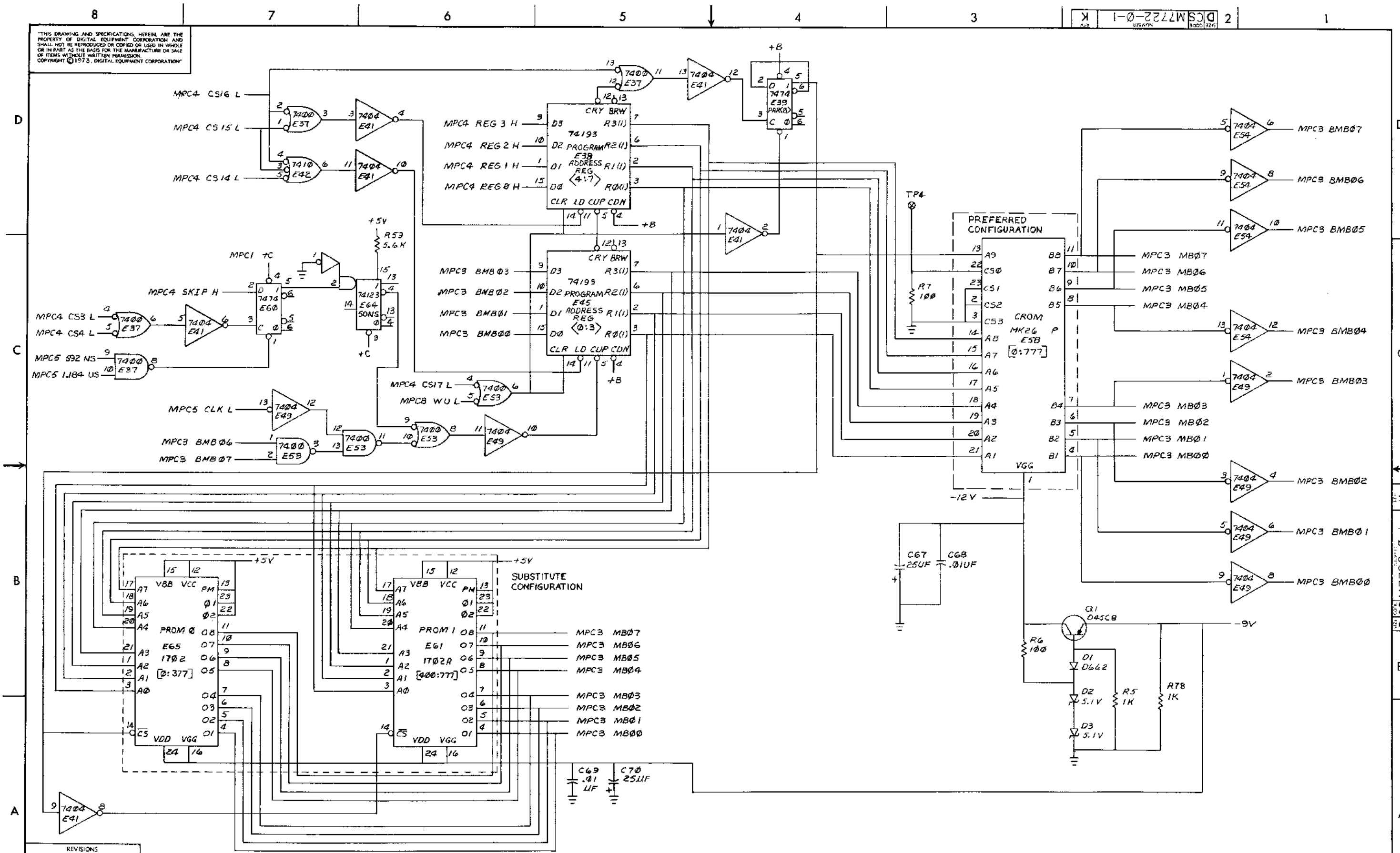
Table with 5 columns: QTY, REF DESIGNATION, DESCRIPTION, PART NO., ITEM NO. Lists components like 30 INSULATED WIRE (GREEN), THERMAL COMPOUND, etc.

Table with 3 columns: CHK, CHANGE NO, REV. Revisions table.

Table with 4 columns: TITLE (LA36 (MPC2)), SIZE CODE (DCSM7722-0-1), NUMBER, REV. (K). Includes scale and sheet information.

REV. K DCSM7722-0-1

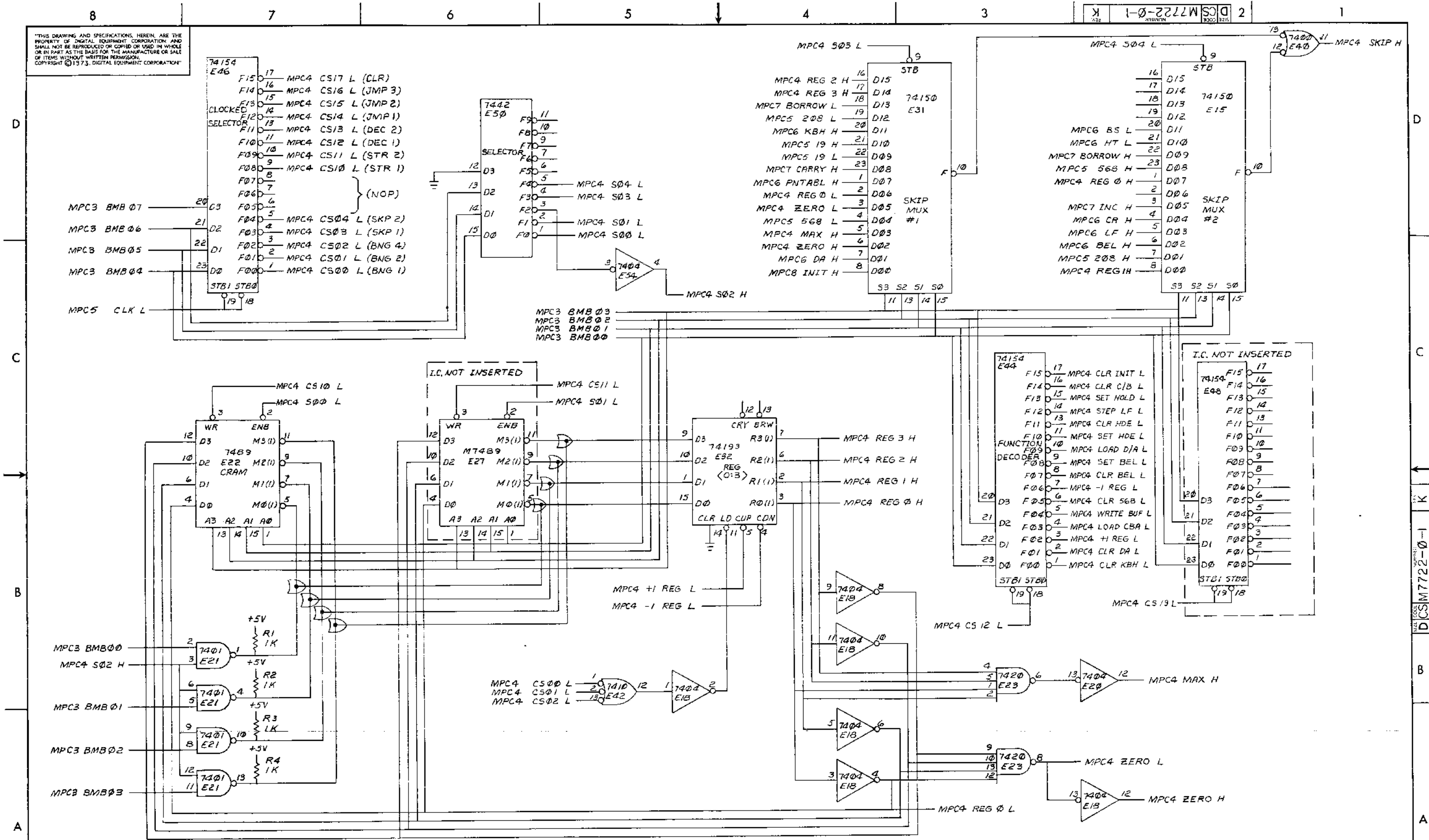
"THIS DRAWING AND SPECIFICATIONS, HEREIN, ARE THE PROPERTY OF DIGITAL EQUIPMENT CORPORATION AND SHALL NOT BE REPRODUCED OR COPIED OR USED IN WHOLE OR IN PART AS THE BASIS FOR THE MANUFACTURE OR SALE OF ITEMS WITHOUT WRITTEN PERMISSION. COPYRIGHT © 1973, DIGITAL EQUIPMENT CORPORATION"



REVISIONS		
CHK	CHANGE NO.	REV.

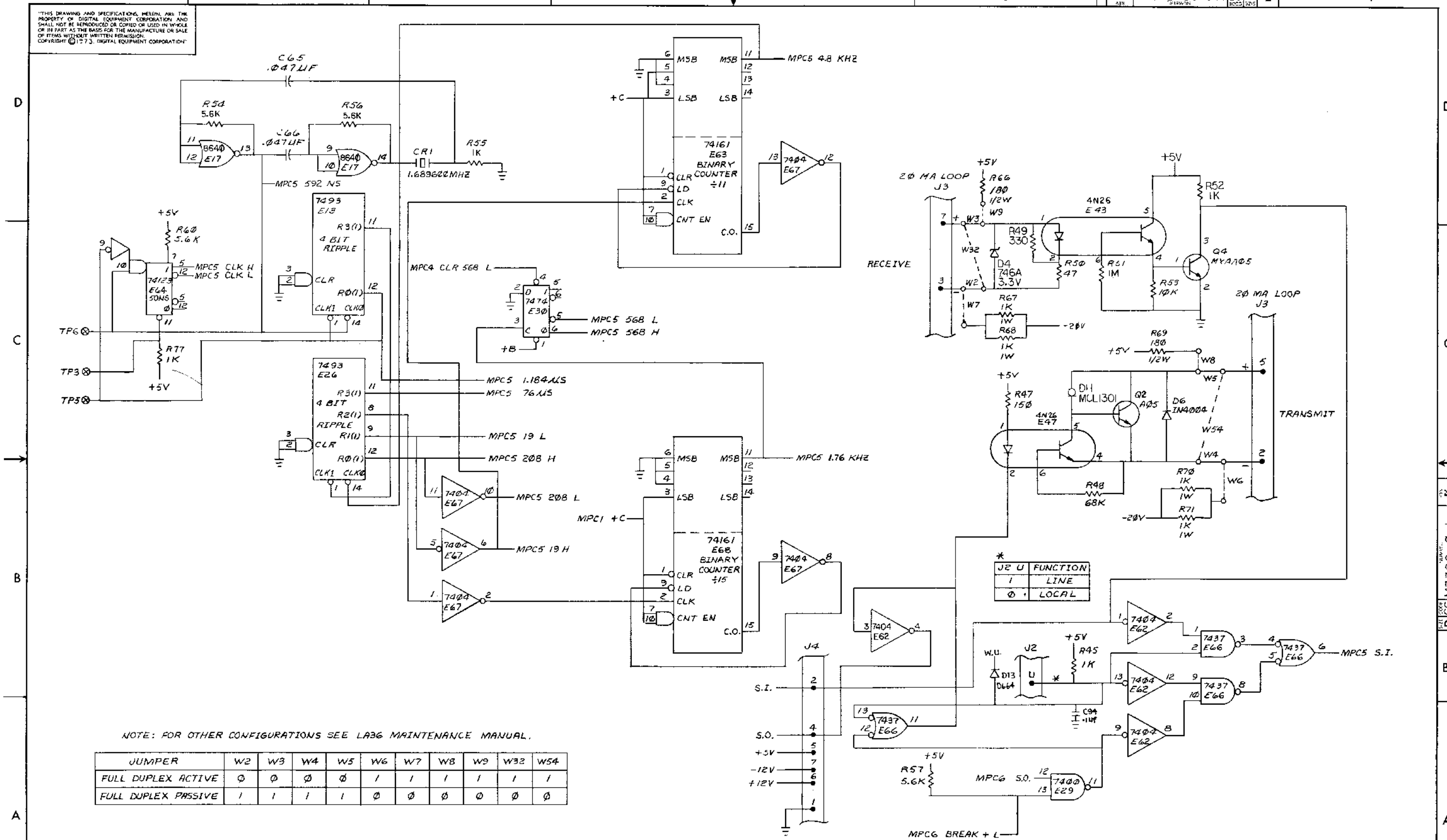
TITLE	LA36 (MPC3)	SIZE CODE	DCS M7722-0-1	NUMBER		REV.	K
SCALE		SHEET	3 OF 8	DIST.			

"THIS DRAWING AND SPECIFICATIONS, HEREIN, ARE THE PROPERTY OF DIGITAL EQUIPMENT CORPORATION, AND SHALL NOT BE REPRODUCED OR COPIED OR USED IN WHOLE OR IN PART AS THE BASIS FOR THE MANUFACTURE OR SALE OF ITEMS WITHOUT WRITTEN PERMISSION. COPYRIGHT © 1973, DIGITAL EQUIPMENT CORPORATION"



REVISIONS		
CHK	CHANGE NO	REV.

THIS DRAWING AND SPECIFICATIONS HEREIN ARE THE PROPERTY OF DIGITAL EQUIPMENT CORPORATION AND SHALL NOT BE REPRODUCED OR COPIED OR USED IN WHOLE OR IN PART AS THE BASIS FOR THE MANUFACTURE OR SALE OF ITEMS WITHOUT WRITTEN PERMISSION. COPYRIGHT © 1973, DIGITAL EQUIPMENT CORPORATION.



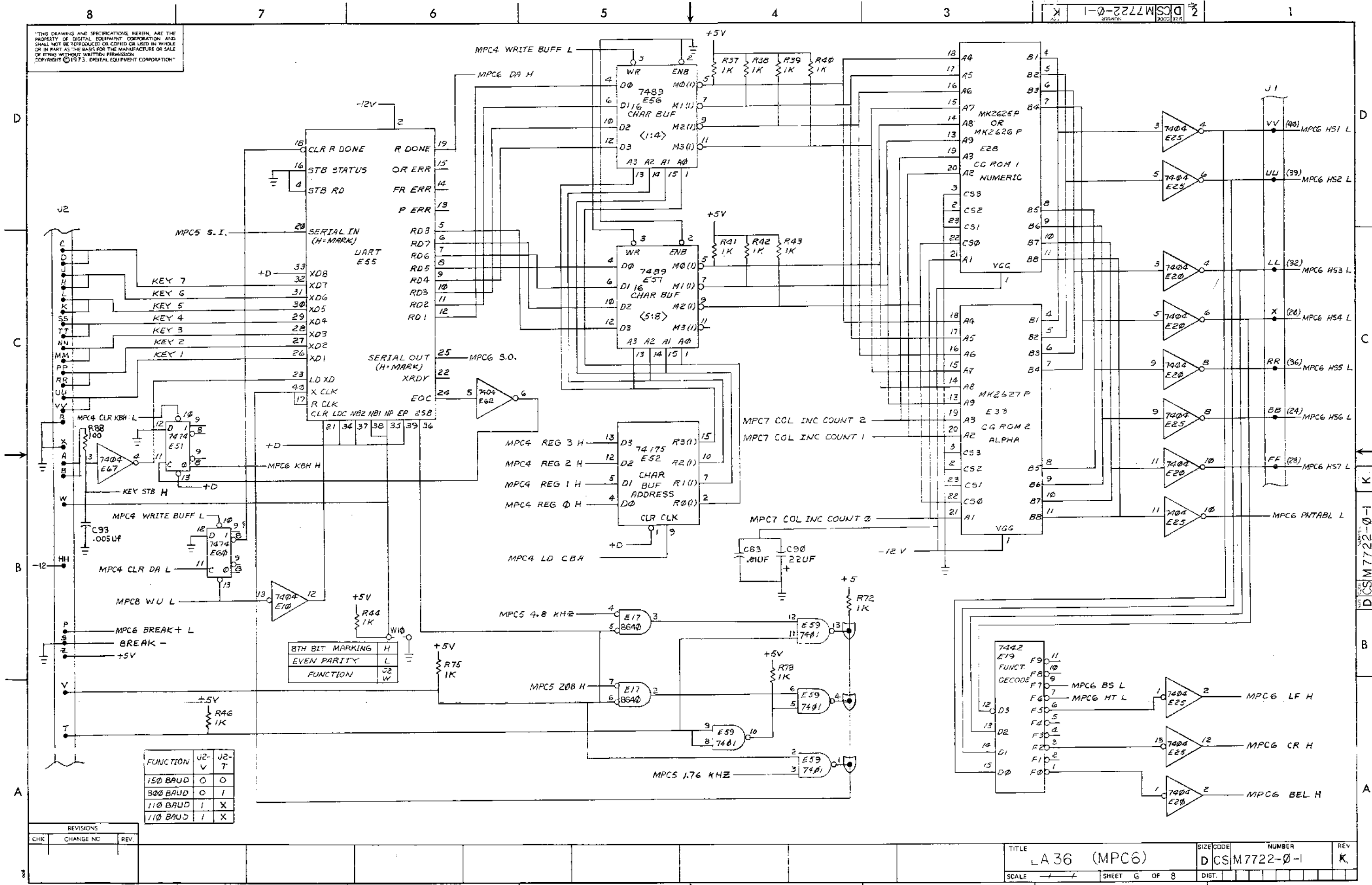
NOTE: FOR OTHER CONFIGURATIONS SEE LA36 MAINTENANCE MANUAL.

JUMPER	W2	W3	W4	W5	W6	W7	W8	W9	W32	W54
FULL DUPLEX ACTIVE	0	0	0	0	1	1	1	1	1	1
FULL DUPLEX PASSIVE	1	1	1	1	0	0	0	0	0	0

J2 U	FUNCTION
1	LINE
0	LOCAL

REVISIONS		
CHK	CHANGE NO	REV

"THIS DRAWING AND SPECIFICATIONS HEREIN ARE THE PROPERTY OF DIGITAL EQUIPMENT CORPORATION AND SHALL NOT BE REPRODUCED OR COPIED OR USED IN WHOLE OR IN PART AS THE BASIS FOR THE MANUFACTURE OR SALE OF ITEMS WITHOUT WRITTEN PERMISSION. COPYRIGHT © 1973, DIGITAL EQUIPMENT CORPORATION"

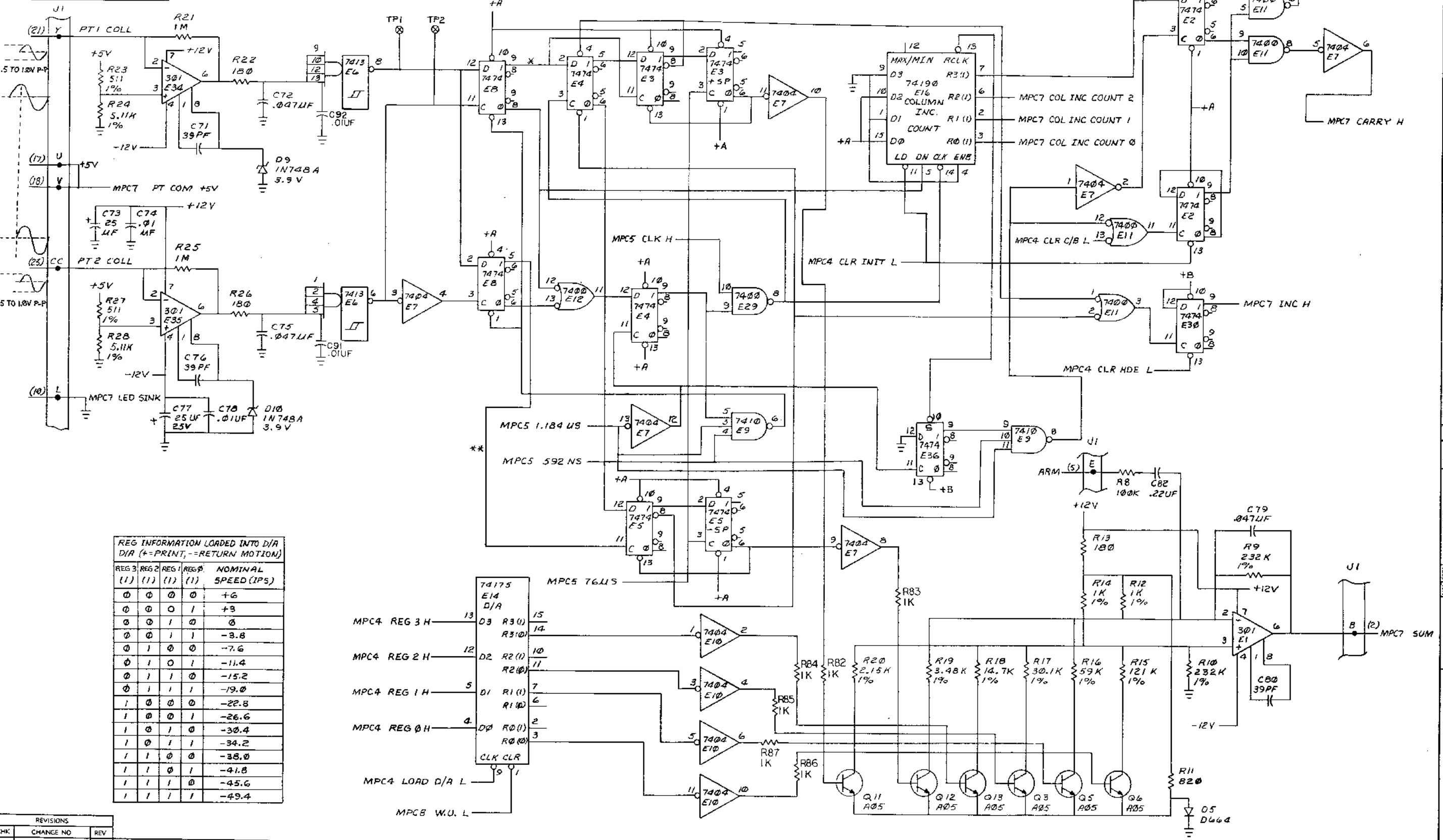


FUNCTION	J2-V	J2-T
150 BAUD	0	0
300 BAUD	0	1
110 BAUD	1	X
110 BAUD	1	X

REVISIONS		
CHK	CHANGE NO	REV.

"THIS DRAWING AND SPECIFICATIONS, HEREIN, ARE THE PROPERTY OF DIGITAL EQUIPMENT CORPORATION AND SHALL NOT BE REPRODUCED OR COPIED OR USED IN WHOLE OR IN PART AS THE BASIS FOR THE MANUFACTURE OR SALE OF ITEMS WITHOUT WRITTEN PERMISSION. COPYRIGHT © 1973, DIGITAL EQUIPMENT CORPORATION."

* PRINT MOTION (.010")
** RETURN MOTION (.010")



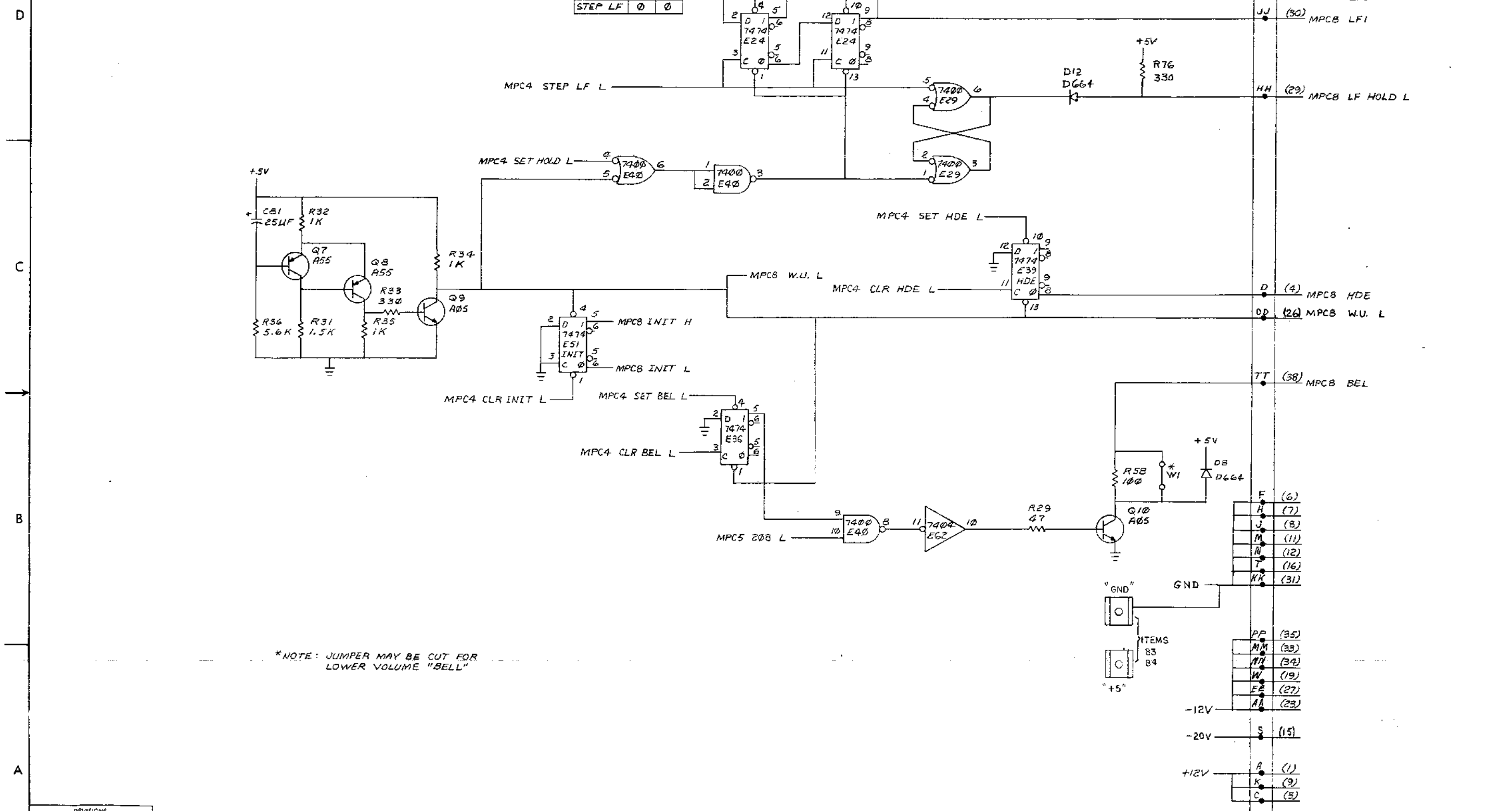
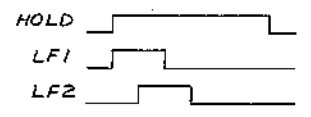
REG INFORMATION LOADED INTO D/A D/A (+=PRINT, -=RETURN MOTION)

REG 3	REG 2	REG 1	REG 0	NOMINAL SPEED (IPS)
0	0	0	0	+6
0	0	0	1	+3
0	0	1	0	0
0	0	1	1	-3.8
0	1	0	0	-7.6
0	1	0	1	-11.4
0	1	1	0	-15.2
0	1	1	1	-19.0
1	0	0	0	-22.8
1	0	0	1	-26.6
1	0	1	0	-30.4
1	0	1	1	-34.2
1	1	0	0	-38.0
1	1	0	1	-41.8
1	1	1	0	-45.6
1	1	1	1	-49.4

REVISIONS		
CHK	CHANGE NO	REV

"THIS DRAWING AND SPECIFICATIONS HEREIN ARE THE PROPERTY OF DIGITAL EQUIPMENT CORPORATION AND SHALL NOT BE REPRODUCED OR COPIED OR USED IN WHOLE OR IN PART AS THE BASIS FOR THE MANUFACTURE OR SALE OF ITEMS WITHOUT WRITTEN PERMISSION. COPYRIGHT © 1973, DIGITAL EQUIPMENT CORPORATION"

	LF2	LF1
HOLD	0	0
STEP LF	0	1
STEP LF	1	1
STEP LF	1	0
STEP LF	0	0



*NOTE: JUMPER MAY BE CUT FOR LOWER VOLUME "BELL"

REVISIONS		
CHK	CHANGE NO.	REV.

THIS DRAWING AND SPECIFICATIONS HEREIN ARE THE PROPERTY OF DIGITAL EQUIPMENT CORPORATION AND SHALL NOT BE REPRODUCED OR COPIED OR USED IN WHOLE OR IN PART AS THE BASIS FOR THE MANUFACTURE OR SALE OF ITEMS WITHOUT WRITTEN PERMISSION. COPYRIGHT © 1974 DIGITAL EQUIPMENT CORPORATION

NOTES:

1. CONNECTORS:

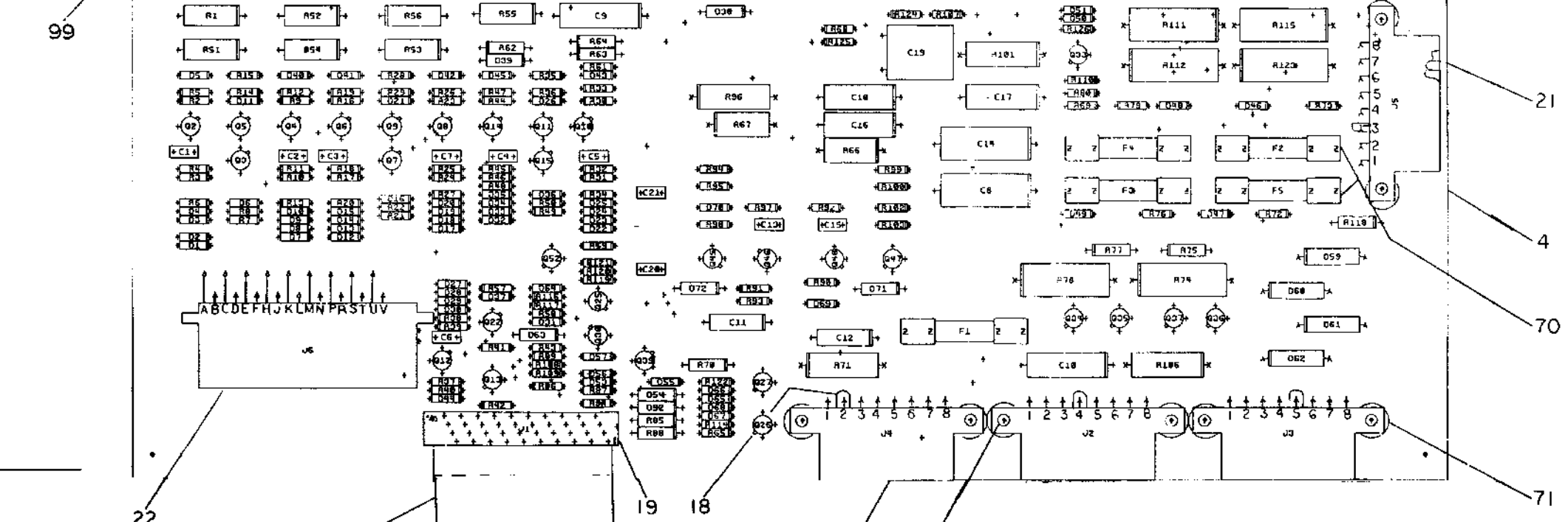
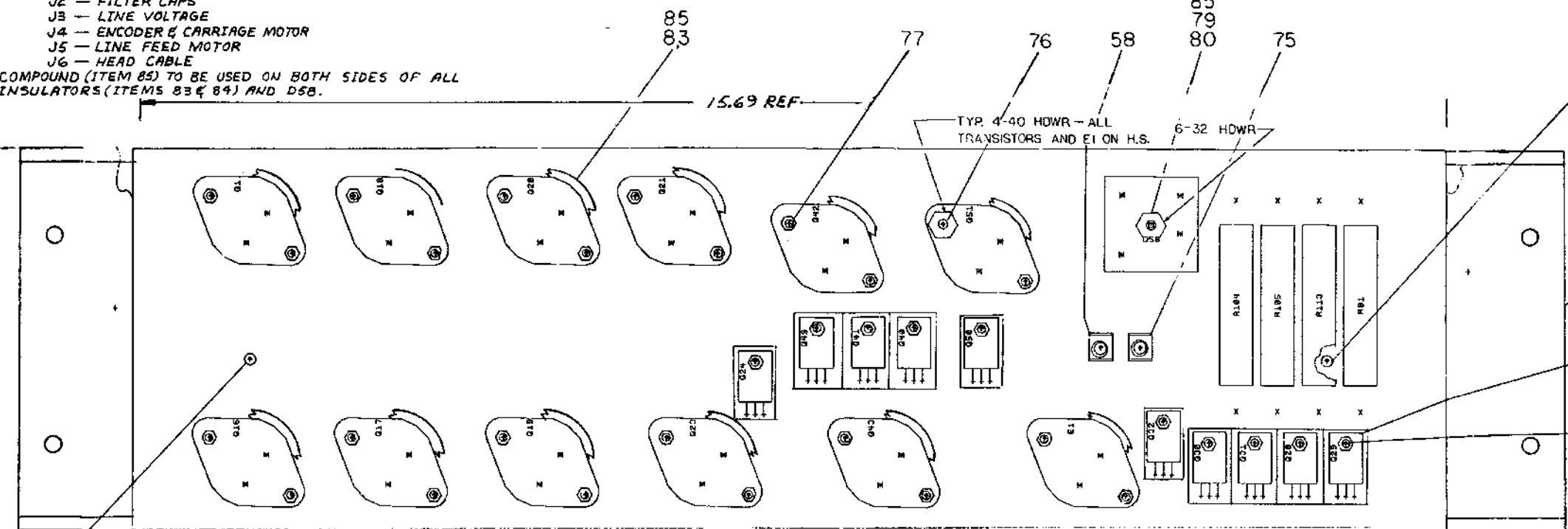
- J1 - UI LOGIC
- J2 - FILTER CAPS
- J3 - LINE VOLTAGE
- J4 - ENCODER & CARRIAGE MOTOR
- J5 - LINE FEED MOTOR
- J6 - HEAD CABLE

2. COMPOUND (ITEM 85) TO BE USED ON BOTH SIDES OF ALL INSULATORS (ITEMS 83 & 84) AND D58.

3. "THIS SIDE UP" STICKER TO BE INSTALLED ON CABLE CONNECTOR P1 AS SHOWN.

4. IF SERVO MOTOR IS NOT FIRED EXTERNALLY ON CABINET, THE VALUE OF F1 WILL BE 2 AMP, SLOW-BLOW. (PN 9002216).

5. RESISTORS R120 AND R121 ARE TRIMMER RESISTORS WHICH MAY BE REMOVED IN TEST. IF A RESISTOR IS REMOVED IT MUST BE REMOVED COMPLETELY.



FIRST USED ON OPTION MODEL
LA36

QTY	REF DESIGNATION	DESCRIPTION	PART NO.	ITEM NO.
PARTS LIST				
	ETCH BOARD REV	C		

DRN: [Signature] DATE: 3/29/74
 CKD: [Signature] DATE: 5/12/74
 ENG: [Signature] DATE: 7/13/74
 PROL. ENG: [Signature] DATE: 5/21/74
 PROD: [Signature] DATE: 7/21/74
 NEXT HIGHER ASSY: [Signature]

digital EQUIPMENT CORPORATION
 MAINTAKE, MASSACHUSETTS
 TITLE: LA 36 POWER BOARD
 SIZE CODE: DCS 5410805-0-1 T
 NUMBER: [Blank] REV: [Blank]
 SCALE: 1 OF 5
 SHEET: 1 OF 5

IC TYPE	GND	+5V
IC1		
IC2		
IC3		
IC4		
IC5		
IC6		
IC7		
IC8		
IC9		
IC10		
IC11		
IC12		
IC13		
IC14		
IC15		
IC16		
IC17		
IC18		
IC19		
IC20		
IC21		
IC22		
IC23		
IC24		
IC25		
IC26		
IC27		
IC28		
IC29		
IC30		
IC31		
IC32		
IC33		
IC34		
IC35		
IC36		
IC37		
IC38		
IC39		
IC40		
IC41		
IC42		
IC43		
IC44		
IC45		
IC46		
IC47		
IC48		
IC49		
IC50		
IC51		
IC52		
IC53		
IC54		
IC55		
IC56		
IC57		
IC58		
IC59		
IC60		
IC61		
IC62		
IC63		
IC64		
IC65		
IC66		
IC67		
IC68		
IC69		
IC70		
IC71		
IC72		
IC73		
IC74		
IC75		
IC76		
IC77		
IC78		
IC79		
IC80		
IC81		
IC82		
IC83		
IC84		
IC85		
IC86		
IC87		
IC88		
IC89		
IC90		
IC91		
IC92		
IC93		
IC94		
IC95		
IC96		
IC97		
IC98		
IC99		
IC100		

DRN	DATE	BY	REV
J. BITTO	7-11-74	J. BITTO	1
J. BITTO	8-1-74	J. BITTO	2
J. BITTO	8-1-74	J. BITTO	3
J. BITTO	8-1-74	J. BITTO	4
J. BITTO	8-1-74	J. BITTO	5
J. BITTO	8-1-74	J. BITTO	6
J. BITTO	8-1-74	J. BITTO	7
J. BITTO	8-1-74	J. BITTO	8
J. BITTO	8-1-74	J. BITTO	9
J. BITTO	8-1-74	J. BITTO	10
J. BITTO	8-1-74	J. BITTO	11
J. BITTO	8-1-74	J. BITTO	12
J. BITTO	8-1-74	J. BITTO	13
J. BITTO	8-1-74	J. BITTO	14
J. BITTO	8-1-74	J. BITTO	15
J. BITTO	8-1-74	J. BITTO	16
J. BITTO	8-1-74	J. BITTO	17
J. BITTO	8-1-74	J. BITTO	18
J. BITTO	8-1-74	J. BITTO	19
J. BITTO	8-1-74	J. BITTO	20
J. BITTO	8-1-74	J. BITTO	21
J. BITTO	8-1-74	J. BITTO	22
J. BITTO	8-1-74	J. BITTO	23
J. BITTO	8-1-74	J. BITTO	24
J. BITTO	8-1-74	J. BITTO	25
J. BITTO	8-1-74	J. BITTO	26
J. BITTO	8-1-74	J. BITTO	27
J. BITTO	8-1-74	J. BITTO	28
J. BITTO	8-1-74	J. BITTO	29
J. BITTO	8-1-74	J. BITTO	30
J. BITTO	8-1-74	J. BITTO	31
J. BITTO	8-1-74	J. BITTO	32
J. BITTO	8-1-74	J. BITTO	33
J. BITTO	8-1-74	J. BITTO	34
J. BITTO	8-1-74	J. BITTO	35
J. BITTO	8-1-74	J. BITTO	36
J. BITTO	8-1-74	J. BITTO	37
J. BITTO	8-1-74	J. BITTO	38
J. BITTO	8-1-74	J. BITTO	39
J. BITTO	8-1-74	J. BITTO	40
J. BITTO	8-1-74	J. BITTO	41
J. BITTO	8-1-74	J. BITTO	42
J. BITTO	8-1-74	J. BITTO	43
J. BITTO	8-1-74	J. BITTO	44
J. BITTO	8-1-74	J. BITTO	45
J. BITTO	8-1-74	J. BITTO	46
J. BITTO	8-1-74	J. BITTO	47
J. BITTO	8-1-74	J. BITTO	48
J. BITTO	8-1-74	J. BITTO	49
J. BITTO	8-1-74	J. BITTO	50
J. BITTO	8-1-74	J. BITTO	51
J. BITTO	8-1-74	J. BITTO	52
J. BITTO	8-1-74	J. BITTO	53
J. BITTO	8-1-74	J. BITTO	54
J. BITTO	8-1-74	J. BITTO	55
J. BITTO	8-1-74	J. BITTO	56
J. BITTO	8-1-74	J. BITTO	57
J. BITTO	8-1-74	J. BITTO	58
J. BITTO	8-1-74	J. BITTO	59
J. BITTO	8-1-74	J. BITTO	60
J. BITTO	8-1-74	J. BITTO	61
J. BITTO	8-1-74	J. BITTO	62
J. BITTO	8-1-74	J. BITTO	63
J. BITTO	8-1-74	J. BITTO	64
J. BITTO	8-1-74	J. BITTO	65
J. BITTO	8-1-74	J. BITTO	66
J. BITTO	8-1-74	J. BITTO	67
J. BITTO	8-1-74	J. BITTO	68
J. BITTO	8-1-74	J. BITTO	69
J. BITTO	8-1-74	J. BITTO	70
J. BITTO	8-1-74	J. BITTO	71
J. BITTO	8-1-74	J. BITTO	72
J. BITTO	8-1-74	J. BITTO	73
J. BITTO	8-1-74	J. BITTO	74
J. BITTO	8-1-74	J. BITTO	75
J. BITTO	8-1-74	J. BITTO	76
J. BITTO	8-1-74	J. BITTO	77
J. BITTO	8-1-74	J. BITTO	78
J. BITTO	8-1-74	J. BITTO	79
J. BITTO	8-1-74	J. BITTO	80
J. BITTO	8-1-74	J. BITTO	81
J. BITTO	8-1-74	J. BITTO	82
J. BITTO	8-1-74	J. BITTO	83
J. BITTO	8-1-74	J. BITTO	84
J. BITTO	8-1-74	J. BITTO	85
J. BITTO	8-1-74	J. BITTO	86
J. BITTO	8-1-74	J. BITTO	87
J. BITTO	8-1-74	J. BITTO	88
J. BITTO	8-1-74	J. BITTO	89
J. BITTO	8-1-74	J. BITTO	90
J. BITTO	8-1-74	J. BITTO	91
J. BITTO	8-1-74	J. BITTO	92
J. BITTO	8-1-74	J. BITTO	93
J. BITTO	8-1-74	J. BITTO	94
J. BITTO	8-1-74	J. BITTO	95
J. BITTO	8-1-74	J. BITTO	96
J. BITTO	8-1-74	J. BITTO	97
J. BITTO	8-1-74	J. BITTO	98
J. BITTO	8-1-74	J. BITTO	99
J. BITTO	8-1-74	J. BITTO	100

THIS DRAWING AND SPECIFICATIONS, HEREIN, ARE THE PROPERTY OF DIGITAL EQUIPMENT CORPORATION AND SHALL NOT BE REPRODUCED OR COPIED OR USED IN WHOLE OR IN PART AS THE BASIS FOR THE MANUFACTURE OR SALE OF ITEMS WITHOUT WRITTEN PERMISSION. COPYRIGHT © 1974, DIGITAL EQUIPMENT CORPORATION.

QTY	REF DESIGNATION	DESCRIPTION	PART NO.	ITEM NO.
REF		X-Y COORDINATE HOLE LOCATION	K-CO-5410805-0-4	1
REF		ASST/DRILLING HOLE LAYOUT	E-AH-5410805-0-5	2
REF		MODULE ECO HISTORY	B-MH-5410805-0-8	3
1		ETCHED CIRCUIT BOARD	5010806	4
3	C16, C17, C18	CAP 25UF 25V 10% AL EL	1000075	5
7	C1 THRU C7	CAP .005UF 100V 20% DISC	1001765	6
4	C13, C15, C20, C21	CAP .01UF 100V 20% DISC	1001610-01	7
1	C14	CAP .22UF 100V 10% NYLAR	1000037	8
1	C8	CAP 100UF 12V 20% AL EL	1000433	9
2	C9, C10	CAP 20UF 50V 10% AL EL	1002039	10
2	C11, C12	CAP 1.5UF 35V 10% TANT	1009725	11
25	D5, D6, D11, D16, D21, D26, D31, D36, D40 THRU D45, D50, D55, D57, D64 THRU D70, D56	DIODE D664	1100114	12
28	D1 THRU D4, D7 THRU D10, D12 THRU D15, D17 THRU D20, D22 THRU D25, D27 THRU D30, D32 THRU D35	DIODE 1N4744	1105648	13
7	D37, D46 THRU D51	DIODE 1N4004	1105796	14
4	D59 THRU D62	DIODE M4R752	1110615	15
1	D58	BRIDGE	1110714	16
5	D71, D72, D98, D99, D83	DIODE .4W 5.1A21 5.1V 1% ZENER	1105873	17
4		KEYING PLUGS	1211595	18
1	J1	CONN 3M 40 PIN	1210073	19
4	J2, J3, J4, J5	CONN MAT-N-LOCK SOCKET HOUSING	1209340	20
28		SOCKETS (PC) AMP (61320-1)	1209456-01	21
1	J6	CONN H802 18PIN (MODIFIED)	5510831	22
1	R118	RES 47, 1/4W, 5%	1301695	23
7	R1, R51, R52, R53, R54, R55, R56	RES .050 2W 1%	1311867	24
4	R111, R112, R115, R123	RES 4, 5W, 1/2W	1311624	25
8	R80, R2, R9, R16, R23, R30, R37, R44	RES 100, 1/4W, 5%	1300229	26
1	R107	RES 18, 1/4W, 5%	1302124	27
1	R82	RES 100, 1/4W, 5%	1300228	28
2	R104, R105	RES 100, 10W, 5%	1310597	29
2	R103, R97	RES 150, 1/4W, 5%	1300250	30
2	R114, R121	RES 1.1K, 1/4W, 5%	1301475	31
8	R4, R11, R16, R21, R32, R35, R45, R91	RES 220, 1/4, 5%	1300271	32
2	R75, R77	RES 180, 1/4W, 5%	1300260	33
2	R74, R78	RES 200, 5W, 5%	1309639	34
1	R80	RES 270, 1/4W, 5%	1301972	35
1	R71	RES 380, 2W, 5%	1301864	36
1	R106	RES 270, 2W, 10%	1300288	37
7	R3, R10, R17, R24, R31, R38, R48	RES 180, 1/4W, 5%	1301322	38
1	R96	RES 300, 2W, 5%	1309855	39
3	R95, R100, R126	RES 380, 1/4W, 5%	1300308	40
1	R101	RES 470, 2W, 5%	1303062	41
1	R70	RES 39, 1/4W, 5%	1302336	42
2	R85, R88	RES 300, 1/4W, 5%	1300291	43
1	R85	RES 1K, 1/4W, 5%	1300365	44
2	R63, R64	RES 1K, 1/4W	1300384	45
2	R66, R67	RES 820, 1W, 5%	1302658	46

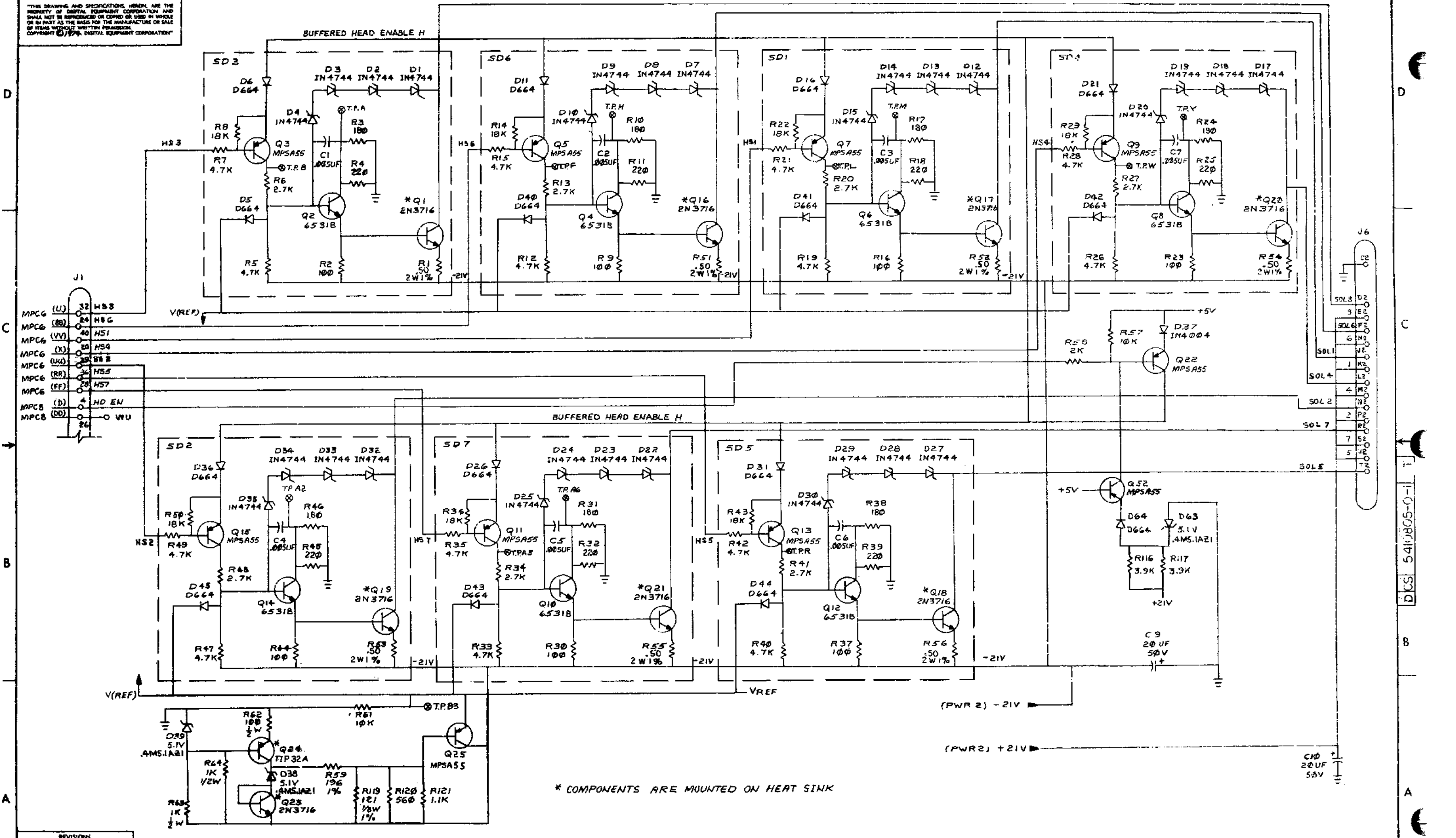
QTY	REF DESIGNATION	DESCRIPTION	PART NO.	ITEM NO.
3	R58, R86, R89	RES. 2K 1/4W 5%	1302388	47
7	R6, R13, R20, R27, R34, R41, R48	RES 2.7K, 1/4W, 5%	1300426	48
5	R94, R99, R116, R117, R122	RES 3.9K, 1/4W, 5%	1300444	49
14	R5, R7, R12, R15, R19, R21, R28, R28, R33, R35, R40, R42, R47, R48	RES 4.7K, 1/4W, 5%	1300447	50
5	R57, R61, R108, R109, R110	RES 10K, 1/4W, 5%	1300478	51
7	R8, R14, R22, R29, R36, R43, R50	RES 18K, 1/4W, 5%	1302465	52
1	R120	RES 560, 1/4W, 5%	1301890	53
2	R92, R93	RES 464, 1/4W, 1%	1303047	54
2	R98, R102	RES 819, 1/4W, 1%	1305126	55
1	R59	RES 196, 1/4W, 1%	1302956	56
1	R119	RES 121, 1/4W, 1%	1302957	57
2		FASTON TAB	9007113	58
8	Q23, Q1, Q16, Q17, Q18, Q19, Q20, Q21	TRANS 2N3716	1503069	59
9	Q24, Q6, Q8, Q10, Q12, Q14, Q38, Q39	TRANS 65318	1509338	60
2	Q42, Q43	TRANS 3715	1503058	61
1	Q51	TRANS 2N3791	1509581	62
				63
6	Q33, Q34, Q36, Q47, Q48	TRANS MPSA05	1510705	64
15	Q3, Q5, Q7, Q9, Q11, Q13, Q15, Q22, Q26, Q27, Q35, Q37, Q45, Q46, Q52	TRANS MPSA55	1510706	65
5	Q28, Q30, Q32, Q41, Q49	TRANS TIP31A	1512590	66
5	Q29, Q31, Q40, Q24, Q50	TRANS TIP32A	1512589	67
1	E1	IC LM309K REGULATOR	1910460	68
1		HEAT SINK	7411077	69
10		FUSE CLIPS	9009513-01	70
8		WASHERS, FLAT, NYLON #6	9006707	71
8		EYELET (MAT-N-LOK)	9007286	72
1	F1	FUSE 30 AMP, 32V, GLASS	9007240	73
4	F2, F3, F4, F5	FUSE 3/4 AMP SLOW BLOW	1211137	74
2		EYELET	9009000	75
24		SCREW, PPH 4-40 X 1/2	9006013-01	76
34		NUT, KEP, 4-40	9006557	77
				78
1		SCREW, PPH 6-32 X 15/16	9007838-01	79
1		NUT, KEP, 6-32	9006560	80
1		CONN, 40 PIN (CABLE END)	1211206	81
1		CABLE, POWER BOARD	CAD-7010367-0-0	82
12		INSULATORS, T03	9006721	83
10		INSULATOR	9009597	84
A/R		COMPOUND, THERMAL	9008268	85
				86
				87
2	R94, R87	RES 1.5K, 1/4W, 5%	1300391	88
2	D52, D54	DIODE 1N747A, 3.6V ZENER	1110572	89
10		SCREW, PPH 4-40 X 1/16	9006012-01	90
				91
				92
1		LABEL	3611567	93
1	C19	CAP .1UF 100V 20% DISC	1000030-00	94
6	R68, R69, R72, R73, R76, R79	RES. 470 1/4W 5%	1300316	95
				96
				97

SEE NOTE 4.

QTY	REF DESIGNATION	DESCRIPTION	PART NO.	ITEM NO.
2	R81, R113	RES 60, 10W, 5%	1312997	98
2		RIVET, POP	9006460	99
2	R124, R125	RES, FUSEABLE, 100, 1/4W, 5%	1310831-03	100

REVISIONS		
CHK	CHANGE NO.	REV.

THIS DRAWING AND SPECIFICATIONS, HEREIN, ARE THE PROPERTY OF DIGITAL EQUIPMENT CORPORATION AND SHALL NOT BE REPRODUCED OR COPIED OR USED IN WHOLE OR IN PART AS THE BASIS FOR THE MANUFACTURE OR SALE OF ITEMS WITHOUT WRITTEN PERMISSION. COPYRIGHT © 1974, DIGITAL EQUIPMENT CORPORATION.

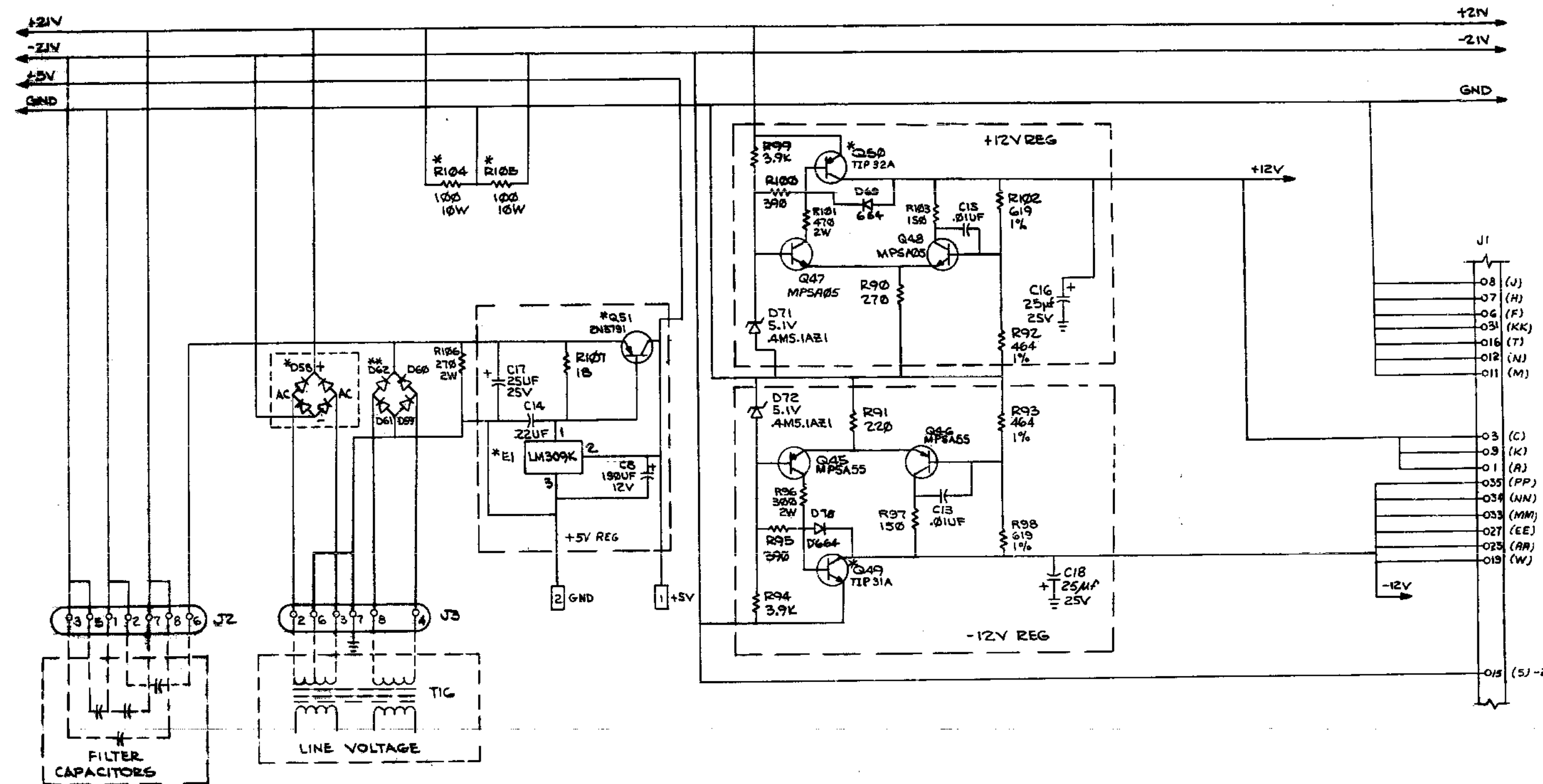


* COMPONENTS ARE MOUNTED ON HEAT SINK

CHK	CHANGE NO.	REV.

TITLE	LA 36 POWER BOARD	SIZE CODE	DCS	NUMBER	5410805-0-1	REV.	1-T
SCALE	1:1	SHEET	3	OF	5	DIST.	

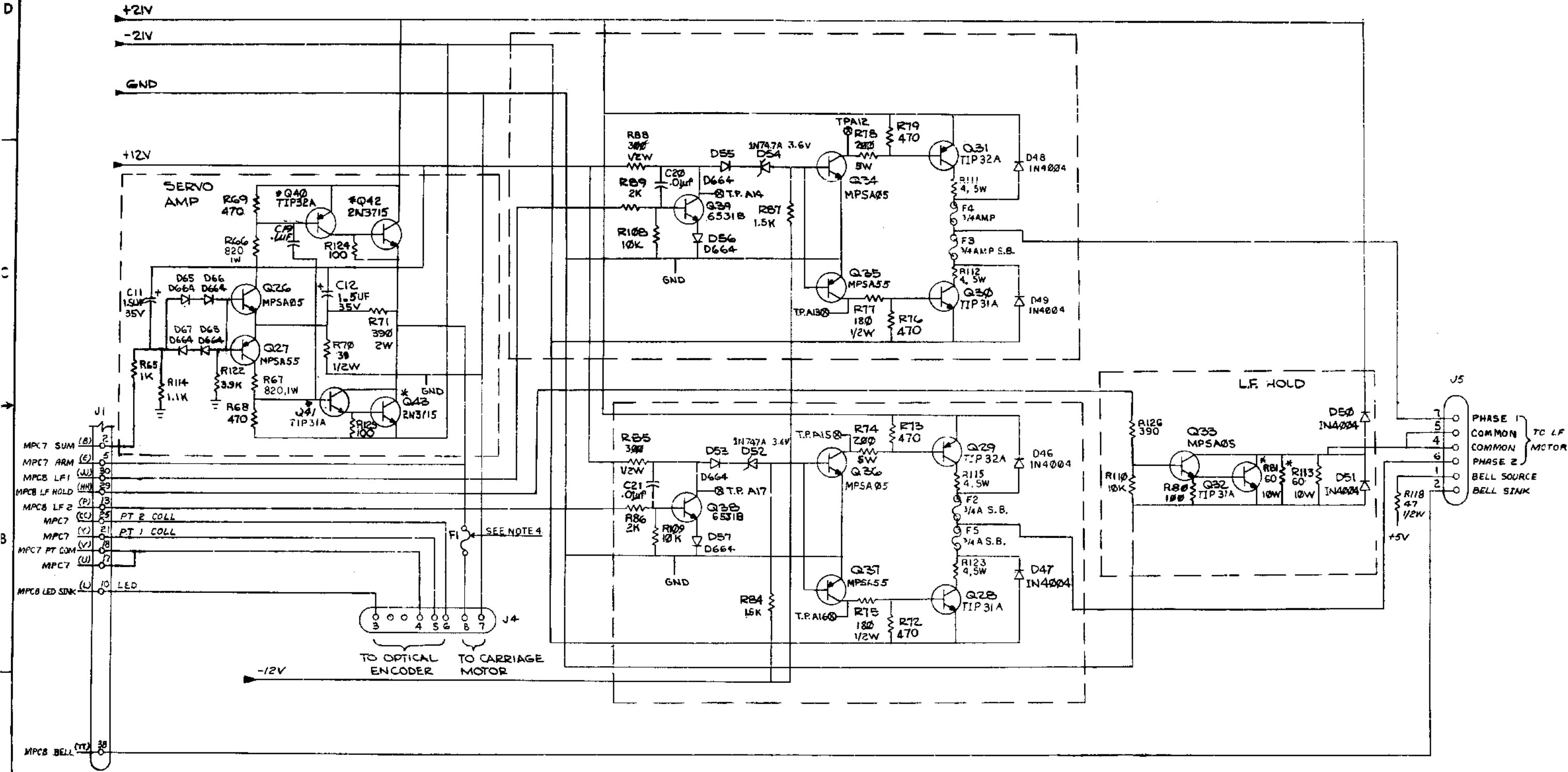
THIS DRAWING AND SPECIFICATIONS HEREAFTER ARE THE PROPERTY OF DIGITAL EQUIPMENT CORPORATION AND SHALL NOT BE REPRODUCED OR COPIED OR USED IN WHOLE OR IN PART AS THE BASIS FOR THE MANUFACTURE OR SALE OF ITEMS WITHOUT WRITTEN PERMISSION. COPYRIGHT © 1974, DIGITAL EQUIPMENT CORPORATION.



* COMPONENTS ARE MOUNTED ON HEAT SINK.
 ** DIODES D59 THRU D62 ARE MA782.

REVISIONS		
CHK	CHANGE NO.	REV.

THIS DRAWING AND SPECIFICATIONS, HEREIN, ARE THE PROPERTY OF DIGITAL EQUIPMENT CORPORATION AND SHALL NOT BE REPRODUCED OR COPIED OR USED IN WHOLE OR IN PART AS THE BASIS FOR THE MANUFACTURE OR SALE OF ITEMS WITHOUT WRITTEN PERMISSION. COPYRIGHT © 1974, DIGITAL EQUIPMENT CORPORATION.

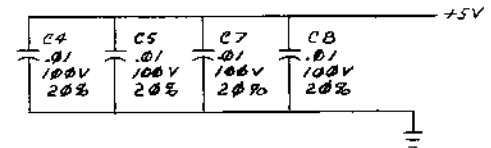
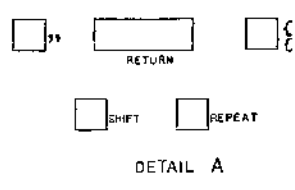
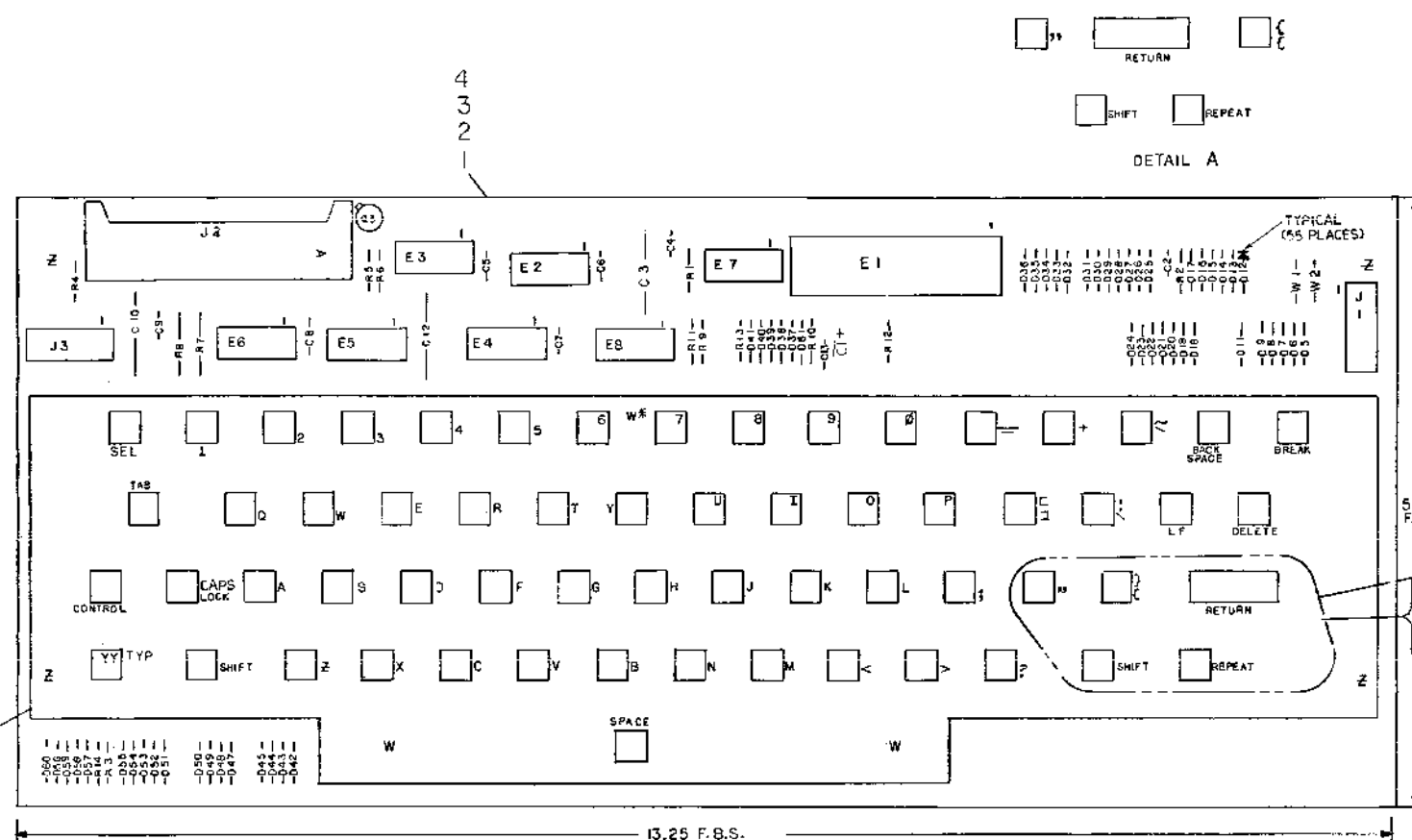


* COMPONENTS ARE MOUNTED ON HEAT SINK.

REVISIONS		
CHK	CHANGE NO.	REV.

This drawing and specifications, herein, are the property of Digital Equipment Corporation and shall not be reproduced or copied or used in whole or in part as the basis for the manufacture or sale of items without written permission. COPYRIGHT © 1975

NOTES: TWO VARIATIONS OF THIS BOARD SHALL BE AVAILABLE:
 1. 5410736-0-0 NORMAL = NORMAL KEY CAP CONFIGURATION; W1, IN; W2, OUT
 2. 5410736-YA-0 YA = OPTIONAL KEY CAP CONFIGURATION; W2, IN; W1, OUT



REF	REF	DESCRIPTION	PART NO.	ITEM NO.	
		X-Y COORDINATE HOLE LOCATION	K-00-5410736-0-4	1	
		ASSY/DRILLING HOLE LAYOUT	D-AH-5410736-0-5	2	
		MODULE ECO HISTORY	B-MH-5410736-0-6	3	
		ETCHED CIRCUIT BOARD	5010735	4	
1	1	C3	CAP, .01UF, 100V 10% MYLAR	1005784	5
6	6	C4,C5,C7,C8,C9,C13	CAP, .01UF, 100V 20% DISC	1001610-01	6
1	1	C1	CAP, .1UF, 25V TANT	1010866-01	7
1	1	C2	CAP, 180PF, 100V 5% ANCH	1000020-00	8
2	2	C10,C12	CAP, .10UF, 20V 10% TANT	1004813	9
55	55	D5-D9,D11-D#5,D47-D61	DIODE, D664	1100114-00	10
1	1	Q3	TRANSISTOR DEC 3009B	1503100-00	11
2	2	J1, J3	SOCKET (16 PINS)	1211813	12
1	1	J2	CONNECTOR, RIGHT ANGLE HEADER	1209941-02	13
1	1	XE1	SOCKET ROM	1212385-00	14
1	1	E2	I.C. 7404	1909686	15
2	2	E3, E8	I.C. 7400	1905575	16
2	2	E5, E6	I.C. 7437	1910091	17
1	1	E4	I.C. 9601	1909373	18
1	1	E1	I.C. ROM.	23002C1	19
0	1	W1	JUMPER (INSULATED .4)	9009185	20
1	1		63 KEYSWITCH ARRAY	D-AD-7009812-0-0	21
9	9	R1,R3,R4,R5,R10-RM	RES 1K 1/4 W 5%	1300365-00	22
1	1	R6	RES 3.9K 1/4 W 5%	1300444-00	23
1	1	R9	RES 22K 1/4 W 5%	1301808-00	24
1	1	R2	RES 100K 1/4 W 5%	1302466-00	25
2	2	R7,R8	RES 2 OHM 1/2 W 5%	1309421-00	26
1	1	E7	I.C. 7410	1905576	27
1	0	W2	JUMPER (INSULATED .4)	9009185	28
1	1	C6	CAP 1000 PF 100V 5% MICH	1000042-00	29

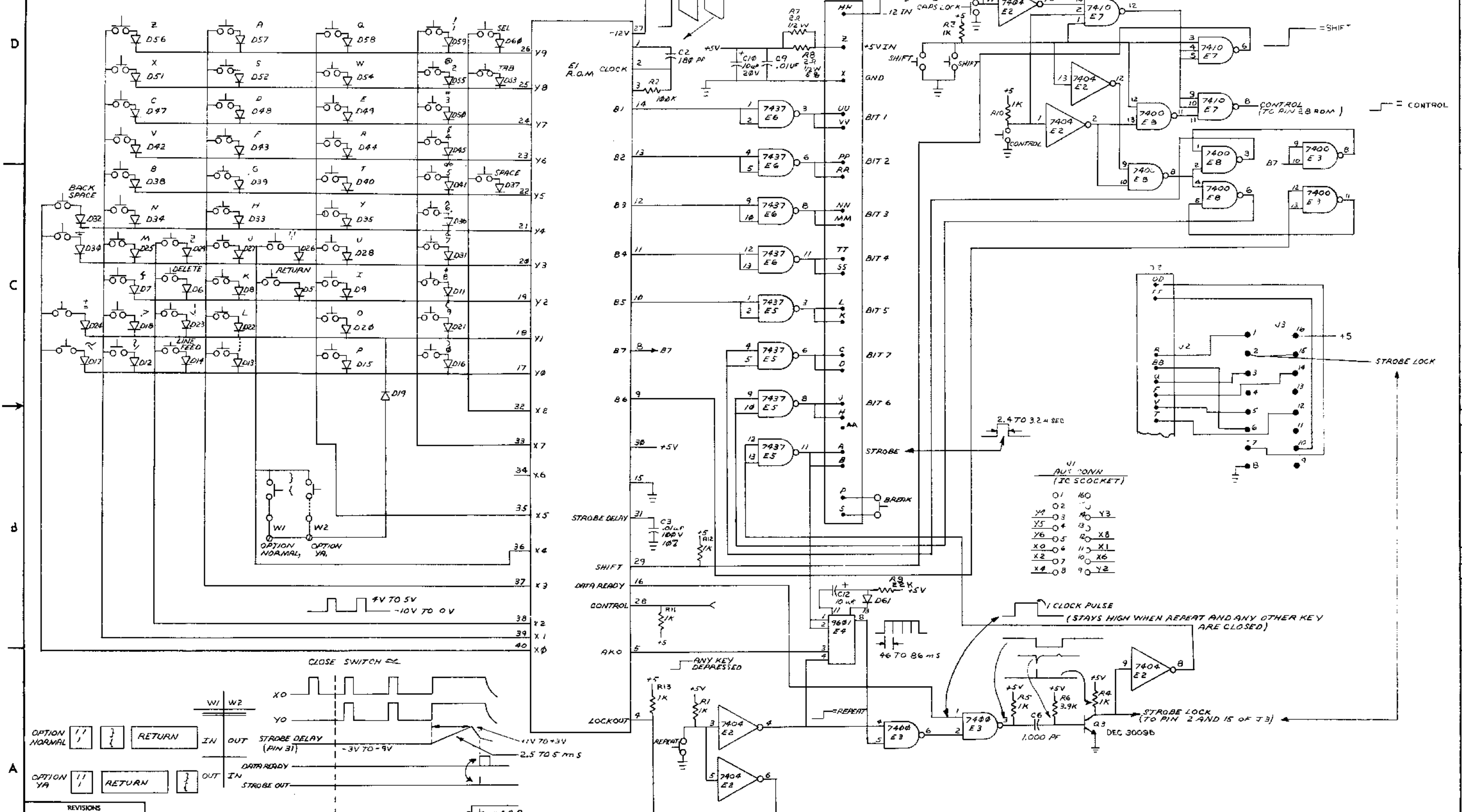
QTY	REF DESIGNATION	DESCRIPTION	PART NO.	ITEM NO.

ETCH BOARD REV				PARTS LIST	
ETCH BOARD REV	F				
DRN	POIRIER	DATE	1-25-74	digital EQUIPMENT CORPORATION MAYNARD, MASSACHUSETTS	
CHK'D	<i>Costa</i>	DATE	3-2-75		
ENG	P NELSON	DATE	2-4-74	TITLE LK02 KEYBOARD	
PROJ. ENG.	P NELSON	DATE	2-4-74	NEXT HIGHER ASSY D-UA-LK02-0-0	
PROD.		DATE		SCALE 1" = 1"	
REVISIONS		SIZE CODE	D CS	NUMBER	5410736-0-1
IN 759 A	N. A.				REV. F
D664	IN 3606				
DEC NO.	EIA NO.	DEC NO.	EIA NO.	SEMICONDUCTOR CONVERSION CHART	
				SHEET 1 OF 2	

BRUNING 40-107 18860

SIZE CODE NUMBER
D CS 5410736-0-1
REV. F

THIS DRAWING AND SPECIFICATIONS HEREIN ARE THE PROPERTY OF DIGITAL EQUIPMENT CORPORATION AND SHALL NOT BE REPRODUCED OR COPIED OR USED IN WHOLE OR IN PART AS THE BASIS FOR THE MANUFACTURE OR SALE OF ITEMS WITHOUT WRITTEN PERMISSION. COPYRIGHT © 1975 DIGITAL EQUIPMENT CORPORATION



OPTION NORMAL 1 1 RETURN IN OUT STROBE DELAY (PIN 31) -3V TO -9V

OPTION YA 1 1 RETURN IN OUT DATA READY -2.5 TO 5 mS

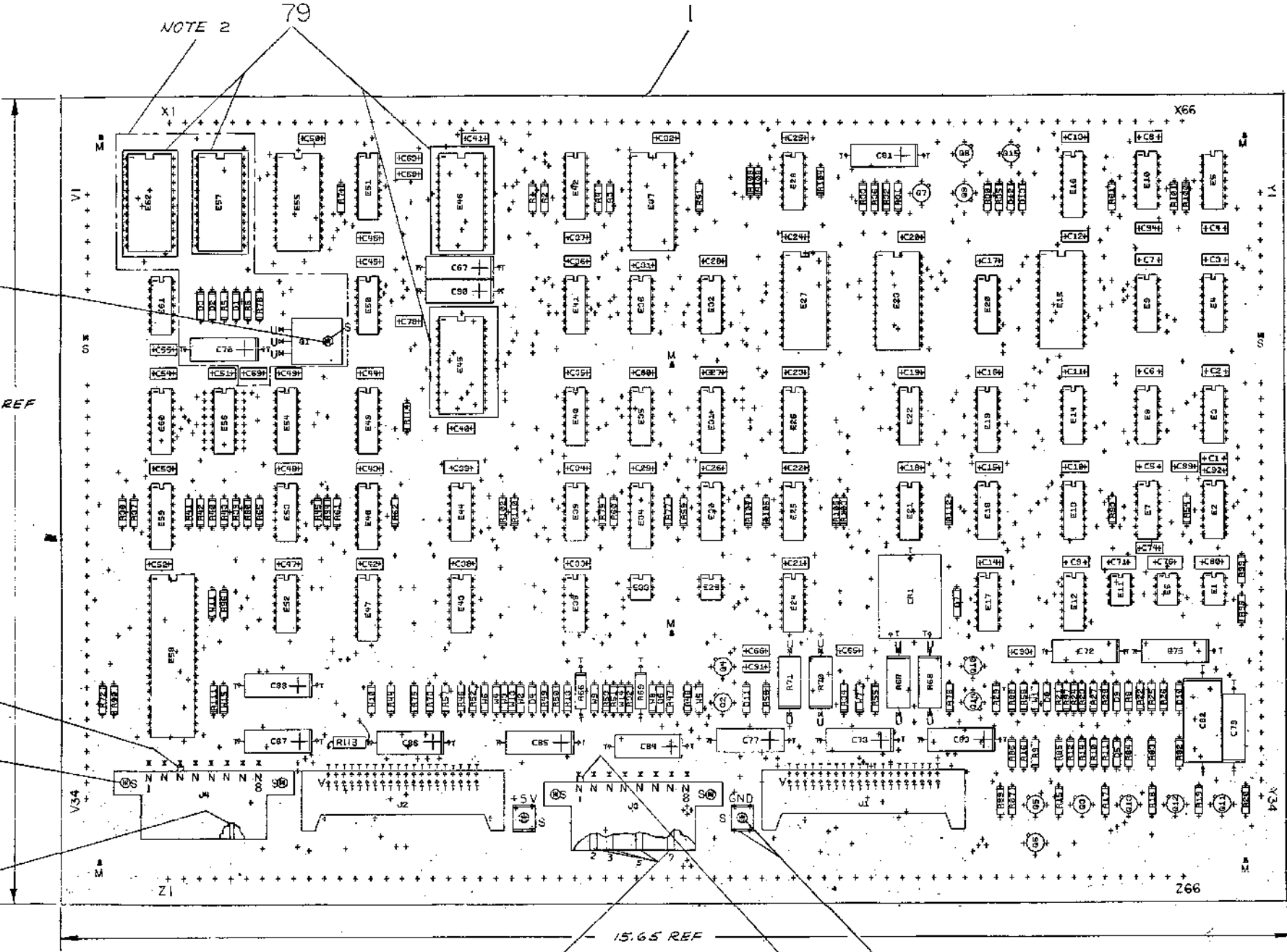
DATA (B1) I.C.P.

CHK	CHANGE NO.	REV.

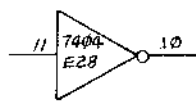
"THIS DRAWING AND SPECIFICATIONS, HEREIN, ARE THE PROPERTY OF DIGITAL EQUIPMENT CORPORATION AND SHALL NOT BE REPRODUCED OR COPIED OR USED IN WHOLE OR IN PART AS THE BASIS FOR THE MANUFACTURE OR SALE OF ITEMS WITHOUT WRITTEN PERMISSION. COPYRIGHT © 1974 DIGITAL EQUIPMENT CORPORATION"

NOTES:

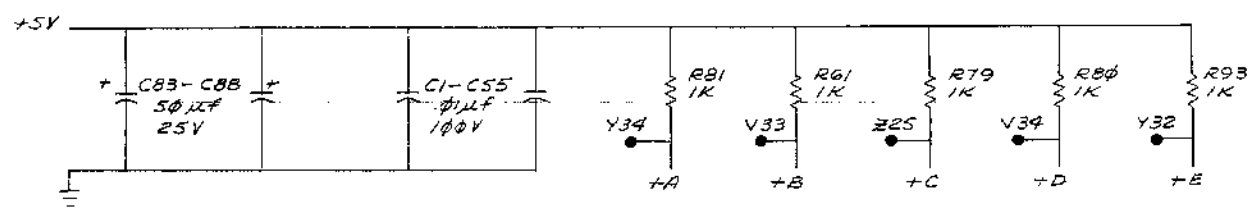
- CONNECTORS:
 J1 → J1 POWER BOARD
 J2 → KEYBOARD/CONTROL SWITCHES
 J3 → 20MA. SERIAL LINE
 J4 → OPTIONAL INTERFACE PORT
- COMPONENTS WITHIN OUTLINE NOT INSERTED IN PREFERRED CONFIGURATION.
- REF DES NOT USED ARE:
 R63, R64, R74, C56-C62, C64, W12



SPARES:



E56 SPARE IC POSITION
 E56-8 = GND
 E56-16 = +5V



8C40	1	8
LM301A	NONE	NONE
1702	NONE	12,15
74123	8	16
74150	12	24
74154	12	24
74161	8	16
74175	8	16
74190	8	16
74193	8	16
7442	8	16
7489	8	16
7493	10	5
MK2600P	12	24
UART	3	1
IC TYPE	GND	+5V

GND AND 5V ARE USUALLY PIN 7 AND 14 RESPECTIVELY EXCEPTIONS ARE STATED ABOVE

IC PIN LOCATIONS

QTY		REF. DESIGNATION	DESCRIPTION	PART NO.	ITEM NO.
FIRST USED ON OPTION MODEL LA36					
ETCH BOARD REV. C					
PARTS LIST					
DRN. DATE		CHK'D. DATE		DATE	
ENG. DATE		PROJ. ENG. DATE		DATE	
PROP. DATE		NEXT HIGHER ASSY		DATE	
DEC. NO.		EIA NO.		DEC. NO.	
EIA NO.		DEC. NO.		EIA NO.	
SCALE		SHEET		OF	
SIZE CODE		NUMBER		REV.	
D CS		M7723-0-1		E	

SEMICONDUCTOR CONVERSION CHART



TITLE
 LA36
 MPC

"THIS DRAWING AND SPECIFICATIONS, HEREIN, ARE THE PROPERTY OF DIGITAL EQUIPMENT CORPORATION AND SHALL NOT BE REPRODUCED OR COPIED OR USED IN WHOLE OR IN PART AS THE BASIS FOR THE MANUFACTURE OR SALE OF ITEMS WITHOUT WRITTEN PERMISSION. COPYRIGHT © 1974 DIGITAL EQUIPMENT CORPORATION"

QTY	REF. DESIGNATION	DESCRIPTION	PART NO.	ITEM NO.
REF		X-Y COORDINATE HOLE LOCATION	KCO-M7723-Ø-4	REF
REF		ASSY/DRILLING HOLE LAYOUT	D-AM-M7723-Ø-5	REF
REF		MODULE ECO HISTORY	B-MH-M7723-Ø-6	REF
1		ETCHED CIRCUIT BOARD	5011225	1
1	C82	CAP. 22µf 100V 10% MYLAR	1000037	2
3	C72, C75, C79	CAP. 0.97µf 100V 10% MYLAR	1000051	3
*	C1-C55, C63, C68, C69, C74, C78, C89, C92, C93, C94	CAP. 0.1µf 100V DISC	1001610-01	4
2	C65, C66	CAP. 0.05µf 100V DISC	1001765	5
*	C67, C70, C73, C77, C81, C90	CAP. 25µf 25V AL EL	1000075	6
6	C83-C88	CAP. 50µf 25V AL EL	1001796	7
3	C71, C76, C80	CAP. 39pf 100V 5% DIPPED MICA	1000010	8
*	D1	DIODE D662	1100113	9
4	D5, D8, D7, D12	DIODE D664	1100114	10
2	D9, D10	DIODE 1N748A 39V 5% ZENER	1100122	11
1	D4	DIODE 1N746A 3.3V 5% ZENER	1104860	12
1	D6	DIODE 1N4004	1105796	13
*	D2, D3, D13	DIODE .4M 5.1A21 5.1V 1% ZENER	1105873	14
1	D11	DIODE MCL1301	1105610	15
2	J3, J4	CONN 8PIN MAT-N-LOK (SOCKET HOUSING)	1209390-00	16
2	J1, J2	CONN 40PIN BERG	1209991	17
1	R50	RES 47 1/4W 5% CC	1300202	18
*	R6, R7, R58, R90, R91, R101	RES 100 1/4W 5% CC	1300229	19
2	R47, R113	RES 150 1/4W 5% CC	1300250	20
3	R13, R22, R26	RES 180 1/4W 5% CC	1301322	21
2	R66, R69	RES 180 1/2W 5% CC	1300260	22
2	R89, R99	RES 220 1/4W 5% CC	1300271	23
2	R30, R114	RES 330 1/4W 5% CC	1300295	24
2	R29, R88	RES 470 1/4W 5% CC	1300316	25
2	R23, R27	RES 511 1/4W 1% MF	1302411	26
2	R11, R92	RES 820 1/4W 5% CC	1301775	27
1	R17	RES 30.1K 1/4W 1% MF	1311594	28
2	R12, R14	RES 100K 1/4W 1% MF	1303114	29
4	R67, R68, R70, R71	RES 1K 1W 5% CC	1300368	30
1	R31	RES 1.5K 1/4W 5% CC	1300391	31
7	R82-R87, R100	RES 2K 1/4W 5% CC	1302388	32
1	R20	RES 2.15K 1/4W 1% MF	1311653	33
1	R19	RES 3.98K 1/4W 1% MF	1305114	34
2	R29, R28	RES 5.11K 1/4W 1% MF	1304854	35
6	R36, R54, R56, R57, R59, R60	RES 5.6K 1/4W 5% CC	1301874	36
6	R33, R43, R44, R62, R96, R111	RES 10K 1/4W 5% CC	1300479	37
1	R18	RES 14.7K 1/4W 1% MF	1302941	38
*	R1-R5, R32, R34, R35, R45, R46, R47, R43, R52, R55, R61, R65, R72, R73, R75, R81, R93, R94, R99, R110, R112	RES 1K 1/2W 5% CC	1300365	39
1	R16	RES 59.0K 1/4W 1% MF	1300525	40
1	R48	RES 68K 1/4W 5% CC	1301327	41
1	R8	RES 100K 1/4W 5% CC	1302466	42
1	R51	RES 470K 1/4W 5% CC	1302398	43
1	R15	RES 121K 1/8W 1% MF	1305255	44
2	R9, R10	RES 232K 1/8W 1% MF	1305424	45
2	R21, R25	RES 1M 1/4W 5% CC	1309595	46
3	Q7, Q8, Q15	TRANSISTOR MP5A55	1510706	47
11	Q2-Q6, Q9-Q14	TRANSISTOR MP5A05	1510705	48
*	Q1	TRANSISTOR D45CB	1510598	49
1	C81	CRYSTAL 1.6896MHR	1811689	50
2	R97, R98	RES 10 1/4W 5% CC	1301317	51

QTY	REF DESIGNATION	DESCRIPTION	PART NO.	ITEM NO.
11	E9, E7, E9, E12, E13, E14, E17, E22, E35, E38, E5	IC 7474	1905547	52
3	E10, E39, E44	IC 7400	1905575	53
1	E3	IC 7410	1905576	54
1	E40	IC 7420	1905577	55
2	E32, E43	IC 7401	1905590	56
2	E21, E30	IC 7493A	1909054	57
1	E24	IC 8640	1911469	58
7	E8, E28, E41, E50, E53, E61	IC 7409	1909686	59
2	E15, E37	IC 74154	1909701	60
1	E2	IC 7413	1909989	61
3	E31, E49, E51	IC 74193	1910018	62
1	E26	IC 7442	1910046	63
1	E52	IC 7437	1910091	64
1	E16	IC 74190	1910095	65
2	E23, E27	IC 74150	1910153	66
3	E1, E6, E11	IC LM301AN DIP	1910282	67
3	E42, E59, E64	IC 7489	1910396	68
1	E34	IC 74123	1910436	69
1	E58	IC UART	1910959	70
2	E47, E48	IC 74161	1910650	71
2	E19, E54	IC 74175	1910651	72
1	E45	IC MK2626P (NO SET UNSLASHED Ø)	23071A6	73
2	E29, E33	IC 50C75	1911998	74
				75
1	E46	IC MK2627P (ALPHA SET)	23070A6	76
Ø	E45 (ALTERNATE)	IC MK2625P (NO SET SLASHED Ø)	23072A6	77
3	E10, E20, E36	IC 7408	1910155	78
*	Ø	Ø	Ø	79
2		KEYING PLUG, MAT-N-LOK	1211595	80
11		SOCKETS, MAT-N-LOK 61320-3	1209456-01	81
5	WI-W5	WIRE, INSULATED JUMPER	9009185	82
2		FASTON TERMINAL	9007113	83
2		EYELETS (FASTON MOUNTING)	9009000	84
4		EYELETS (MAT-N-LOK MOUNTING)	9006732	85
4		WASHER, FLAT, NYLON #6	9006707	86
*	Ø	Ø	Ø	87
*	Ø	Ø	Ø	88
*	E55	IC MK2628P (CONTROL PROGRAM)	23082A6	89
*	E62	IC 1702A "PROM Ø"	23082A4	90
*	E57	IC 1702A "PROM 1"	23083A4	91
A/R	Ø	Ø	Ø	92
8	R102-R109	RES 47K 1/4W 5% CC	1302177	93
1	C91	CAP 470 PF 100V 5% DIPPED MICA	1000024	94

* SEE CONFIGURATION LIST FOR QUANTITY OF STARRED ITEMS.

CONFIGURATION LIST

PREFERRED CONFIGURATION: (WITH ROM CONTROL MEMORY - WITHOUT PROMS & -9V REGULATOR)

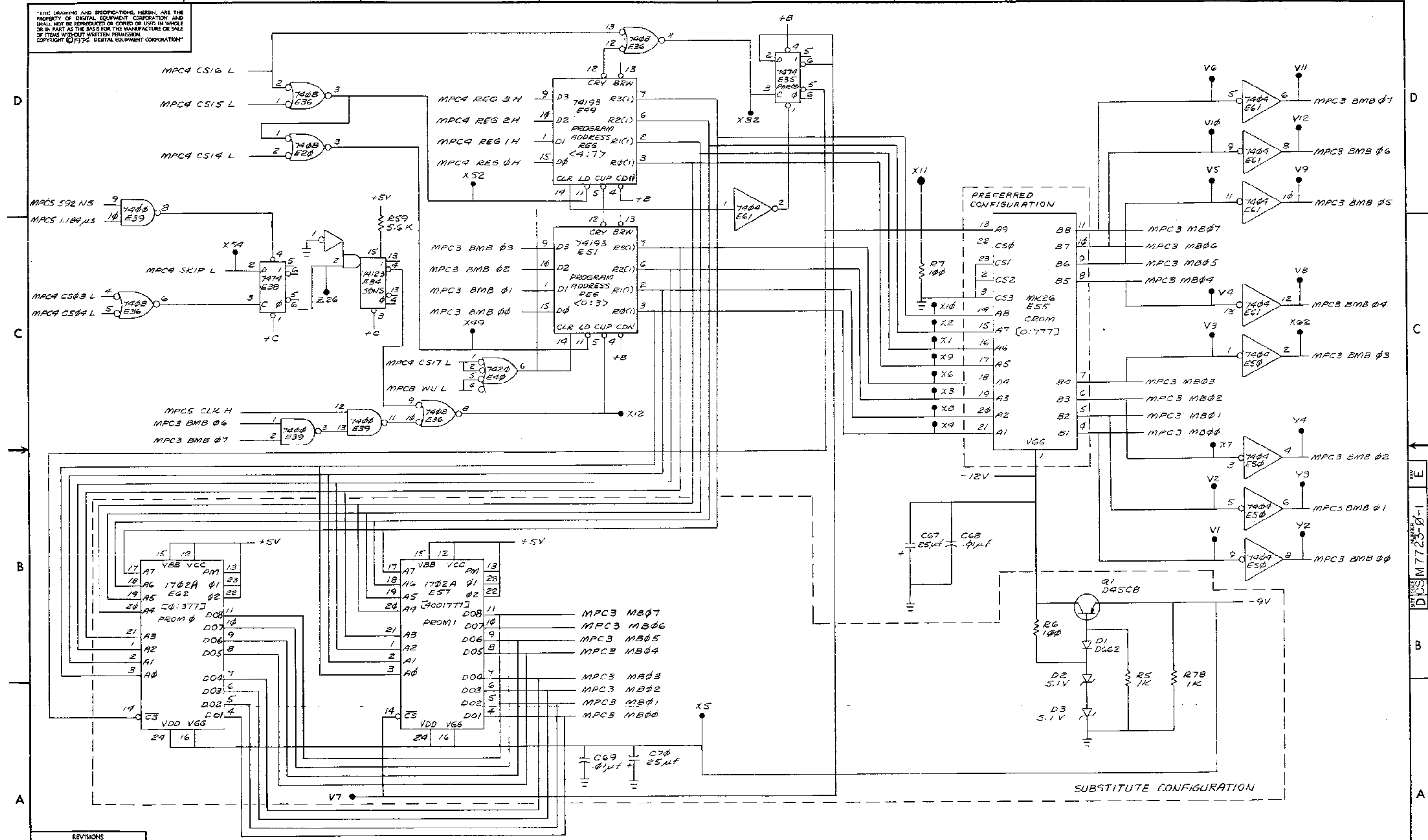
ITEM NO.	QUANTITY RETAINED	REF DESIGNATIONS RETAINED	REF DESIGNATIONS DELETED
4	63	ALL EXCEPT C69	C69
6	5	C67, C73, C77, C81, C90	C70
9	0		D1
14	1	D13	D2, D3
19	5	R7, R53, R90, R91, R101	R6
39	33	ALL EXCEPT R5 & R78	R5, R78
49	0		Q1
79	2	FOR E45, E46	FOR E57, E62
89	1	E55	
90	0		E62
91	0		E57
88	0		
87	0		

SUBSTITUTE CONFIGURATION: (WITHOUT ROM CONTROL MEMORY - WITH PROMS AND -9V REGULATOR)

ITEM NO.	QUANTITY RETAINED	REF DESIGNATIONS RETAINED	REF DESIGNATIONS DELETED
4	64	ALL	
6	6	ALL	
9	1	D1	
14	3	ALL	
19	6	ALL	
39	35	ALL	
49	1	Q1	
79	4	FOR E45, E46, E57, E62	
89	0		E55
90	1	E62	
91	1	E57	
88	1		
87	1		

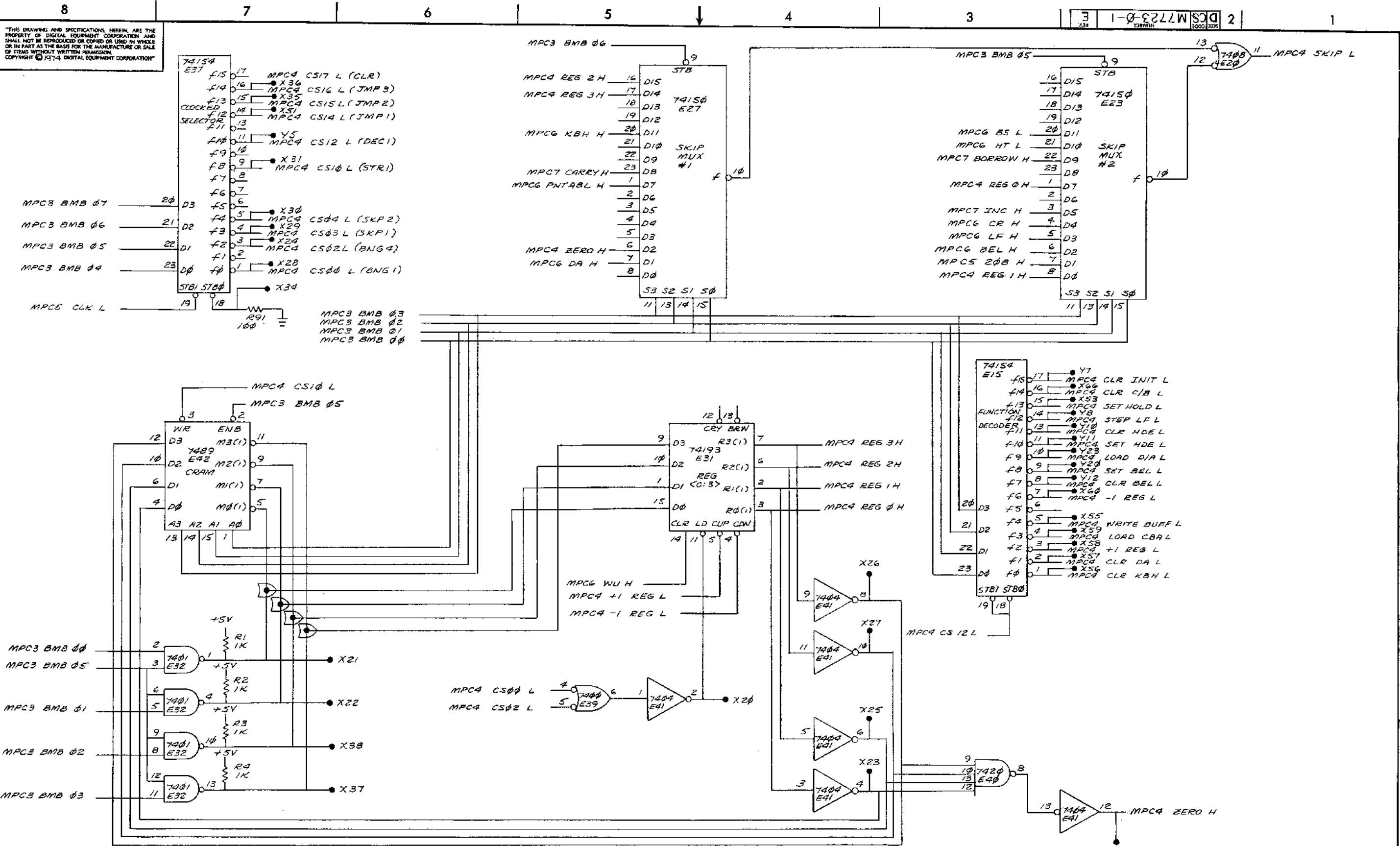
CHK	CHANGE NO.	REV.

"THIS DRAWING AND SPECIFICATIONS, HEREIN, ARE THE PROPERTY OF DIGITAL EQUIPMENT CORPORATION AND SHALL NOT BE REPRODUCED OR COPIED OR USED IN WHOLE OR IN PART, AS THE BASIS FOR THE MANUFACTURE OR SALE OF ITEMS WITHOUT WRITTEN PERMISSION. COPYRIGHT © 1974, DIGITAL EQUIPMENT CORPORATION"



REVISIONS		
CHK	CHANGE NO.	REV.

TITLE	LA36 (MPC3)	SIZE CODE	D	NUMBER	DCS M7723-0-1	REV.	E
SCALE	1:1	SHEET	3	OF	8	DIST.	



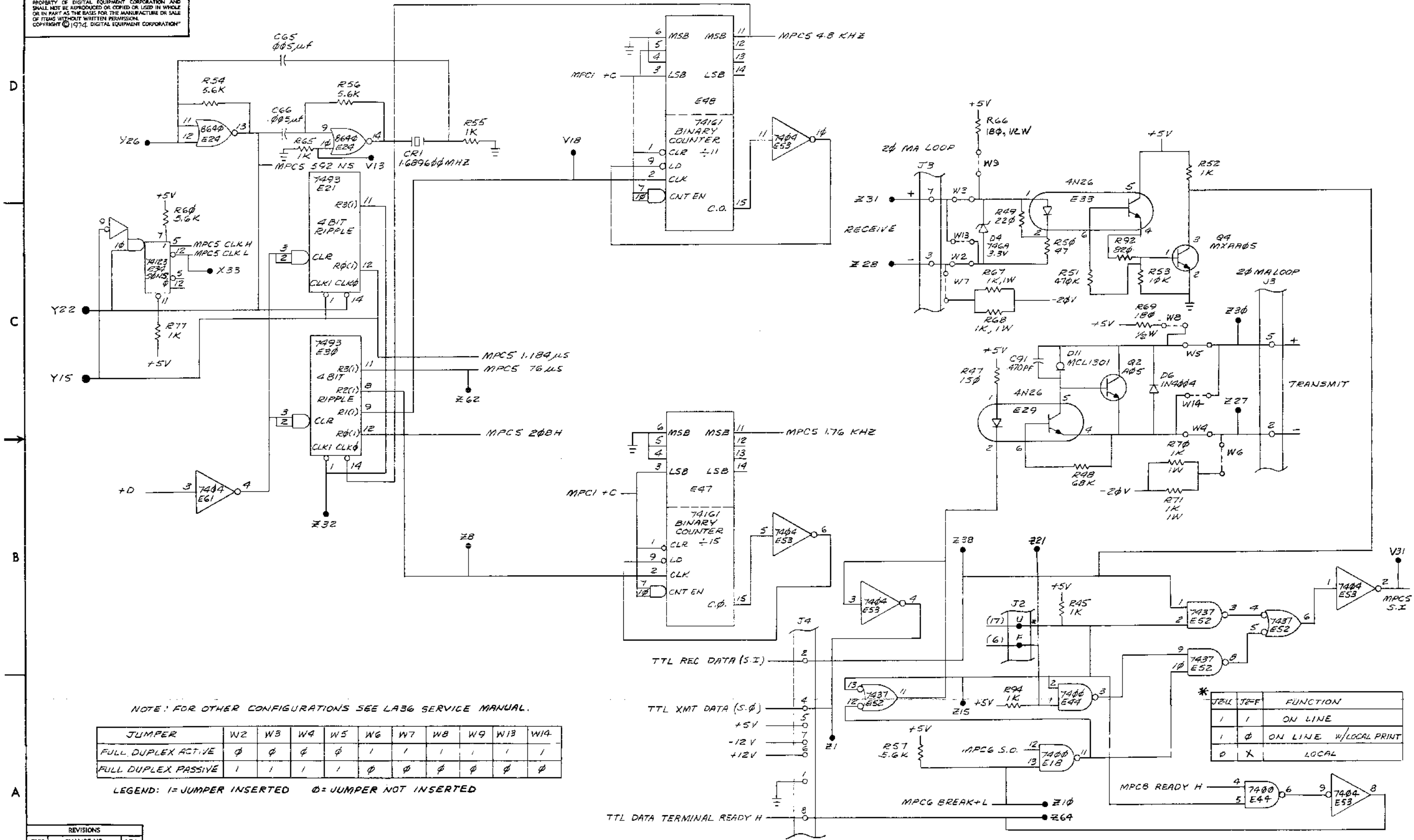
"THIS DRAWING AND SPECIFICATIONS, HEREIN, ARE THE PROPERTY OF DIGITAL EQUIPMENT CORPORATION AND SHALL NOT BE REPRODUCED OR COPIED OR USED IN WHOLE OR IN PART AS THE BASIS FOR THE MANUFACTURE OR SALE OF ITEMS WITHOUT WRITTEN PERMISSION. COPYRIGHT © 1974 DIGITAL EQUIPMENT CORPORATION"

3 1-0-22277W SCD 2

REVISIONS		
CHK	CHANGE NO.	REV.

TITLE LA36 (MPC4) SIZE CODE DCS NUMBER M7723-0-1 REV. E

"THIS DRAWING AND SPECIFICATIONS, HEREIN, ARE THE PROPERTY OF DIGITAL EQUIPMENT CORPORATION AND SHALL NOT BE REPRODUCED OR COPIED OR USED IN WHOLE OR IN PART AS THE BASIS FOR THE MANUFACTURE OR SALE OF ITEMS WITHOUT WRITTEN PERMISSION. COPYRIGHT © 1974, DIGITAL EQUIPMENT CORPORATION"



NOTE: FOR OTHER CONFIGURATIONS SEE LA36 SERVICE MANUAL.

JUMPER	W2	W3	W4	W5	W6	W7	W8	W9	W13	W14
FULL DUPLEX ACTIVE	∅	∅	∅	∅	1	1	1	1	1	1
FULL DUPLEX PASSIVE	1	1	1	1	∅	∅	∅	∅	∅	∅

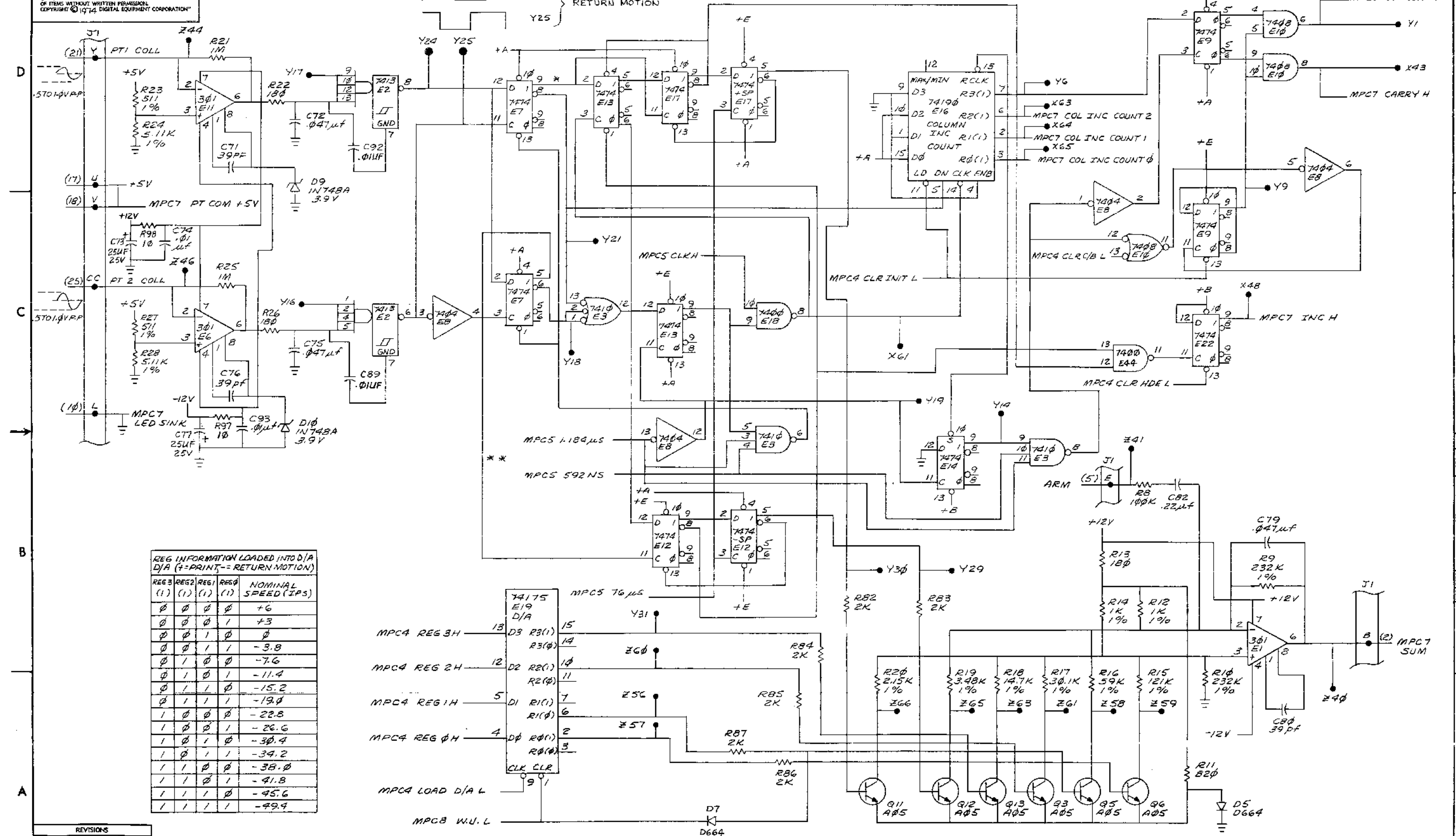
LEGEND: 1= JUMPER INSERTED ∅= JUMPER NOT INSERTED

J2L	J2F	FUNCTION
1	1	ON LINE
1	∅	ON LINE W/LOCAL PRINT
∅	X	LOCAL

REVISIONS		
CHK	CHANGE NO.	REV.

"THIS DRAWING AND SPECIFICATIONS HEREIN ARE THE PROPERTY OF DIGITAL EQUIPMENT CORPORATION AND SHALL NOT BE REPRODUCED OR COPIED OR USED IN WHOLE OR IN PART AS THE BASIS FOR THE MANUFACTURE OR SALE OF ITEMS WITHOUT WRITTEN PERMISSION. COPYRIGHT © 1974, DIGITAL EQUIPMENT CORPORATION"

* PRINT MOTION (.010")
 ** RETURN MOTION (.010")



REG INFORMATION LOADED INTO D/A
 D/A (+PRINT, -RETURN MOTION)

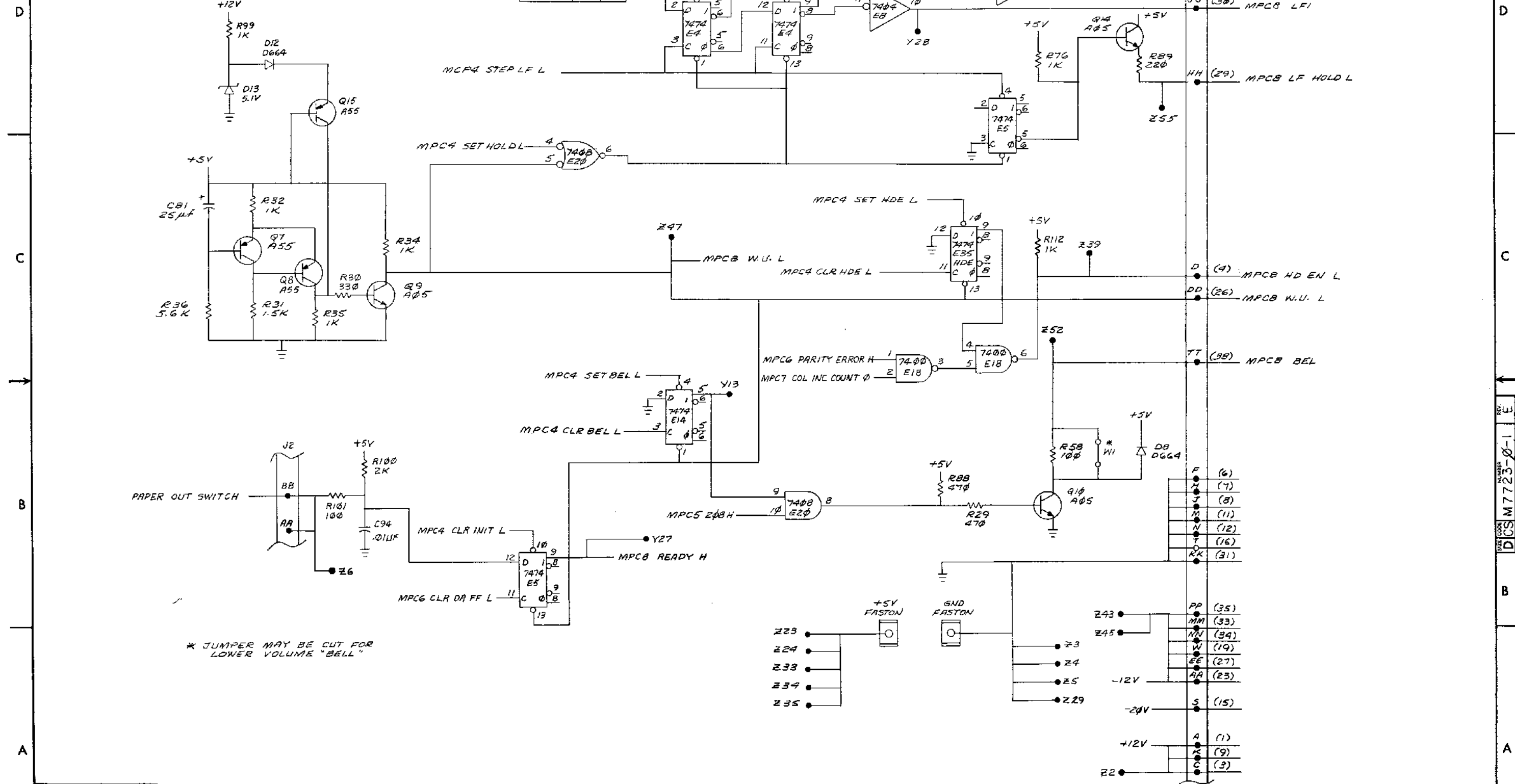
REG3	REG2	REG1	REG0	NOMINAL SPEED (IPS)
0	0	0	0	+6
0	0	0	1	+3
0	0	1	0	0
0	0	1	1	-3.8
0	1	0	0	-7.6
0	1	0	1	-11.4
0	1	1	0	-15.2
0	1	1	1	-19.0
1	0	0	0	-22.8
1	0	0	1	-26.6
1	0	1	0	-30.4
1	0	1	1	-34.2
1	1	0	0	-38.0
1	1	0	1	-41.8
1	1	1	0	-45.6
1	1	1	1	-49.4

REVISIONS

CHK	CHANGE NO.	REV.

"THIS DRAWING AND SPECIFICATIONS, HEREIN, ARE THE PROPERTY OF DIGITAL EQUIPMENT CORPORATION AND SHALL NOT BE REPRODUCED OR COPIED OR USED IN WHOLE OR IN PART AS THE BASIS FOR THE MANUFACTURE OR SALE OF ITEMS WITHOUT WRITTEN PERMISSION. COPYRIGHT © 1974 DIGITAL EQUIPMENT CORPORATION"

	LF2	LF1
HOLD	0	0
STEP LF	0	1
STEP LF	1	1
STEP LF	1	0
STEP LF	0	0



* JUMPER MAY BE CUT FOR LOWER VOLUME "BELL"

REVISIONS		
CHK	CHANGE NO	REV.

This drawing and specifications, herein, are the property of Digital Equipment Corporation and shall not be reproduced or copied or used in whole or in part as the basis for the manufacture or sale of items without written permission.

DIGITAL EQUIPMENT CORPORATION MAYNARD MASSACHUSETTS

PACKAGING INSTRUCTION

REV: A DATE: 7/75
 B 1/76

TITLE
DECwriter

MATERIAL REQUIREMENTS

Quantity	Purchase Specification No.	Description
1	9905601	Stitched Tube
1	9905601-01	Full Telescope Cap
1	9905639	Pad with Foam (LA36/LA35 only)
1	9905129-39	Poly Bag
1	9905651	Wood Skid
1	9905651-01	Wood Brace (2 X 3)
2	90-09288	Tee Nut
2	90-09290-03	3/8-16 X 3 Hex-Head Bolt
1	36-12520-0-0	Caution Tag
6 ft	90-09634	Stain Resistant Tape (3M)
1	90-07032	Panduit Cable Tie
20 ft	9905734-02	Polypropylene Strapping
1	9905129-35	Poly Bag

PACKAGING INSTRUCTIONS

- | Step | Procedure |
|------|--|
| 1. | Lift the cover and slide the print head to the left as far as it will go. Slip the Panduit Cable Tie (90-07032) around the ribbon rollers (A and B). Do not over-tighten. Fasten Caution Tag (36-12520-0-0) to tractor drive shaft. Close cover. |
| 2. | Place Pad with Foam (9905639) (foam side down) on top of the LA36/LA35 keyboard. Tape with two (2) strips of glass filament tape (90-09634). Tape back door closed, using two (2) strips of tape. |
| 3. | Place DECwriter on top of Skid Deck (9905651). |
| 4. | Place all hardware and software into Poly Bag (9905129-35) and staple to deck of skid. |
| 5. | Place one strip of CW21 (Custom Wrap) or Microfoam, over each leg of the DECwriter. |
| 6. | Place Wood Brace (9905651-01) on top of legs <i>as far back as it will go</i> to properly align the bolt holes. |
| 7. | Place Hex-Head Bolts (90-09290-03) through the bolt holes in the wood brace; place the Tee Nuts (90-09288) up and underneath the skid deck; then tighten down. |
| 8. | Place a Poly Bag (9905129-39) over the DECwriter. Then, place the Stitched Tube (9905601) over and around the unit. Assemble Full Telescope Cap (9905601-01) and place on top of Stitched Tube. |

NOTE

Make sure that the Stitched Tube is resting on the wood skid base, on all 4 sides.

9. Strap in two places as shown in Figure 2. Use Polypropylene strapping (9905734-02).

ENG <i>Ken Merian</i>	12/22/75	APPD <i>D. W. Lawrence</i>	12/29/75	SIZE A	CODE SP	NUMBER 3700131-0-0	REV B
--------------------------	----------	-------------------------------	----------	-----------	------------	-----------------------	----------

DEC 8-(551)-1031-1-R671
DRA - 129

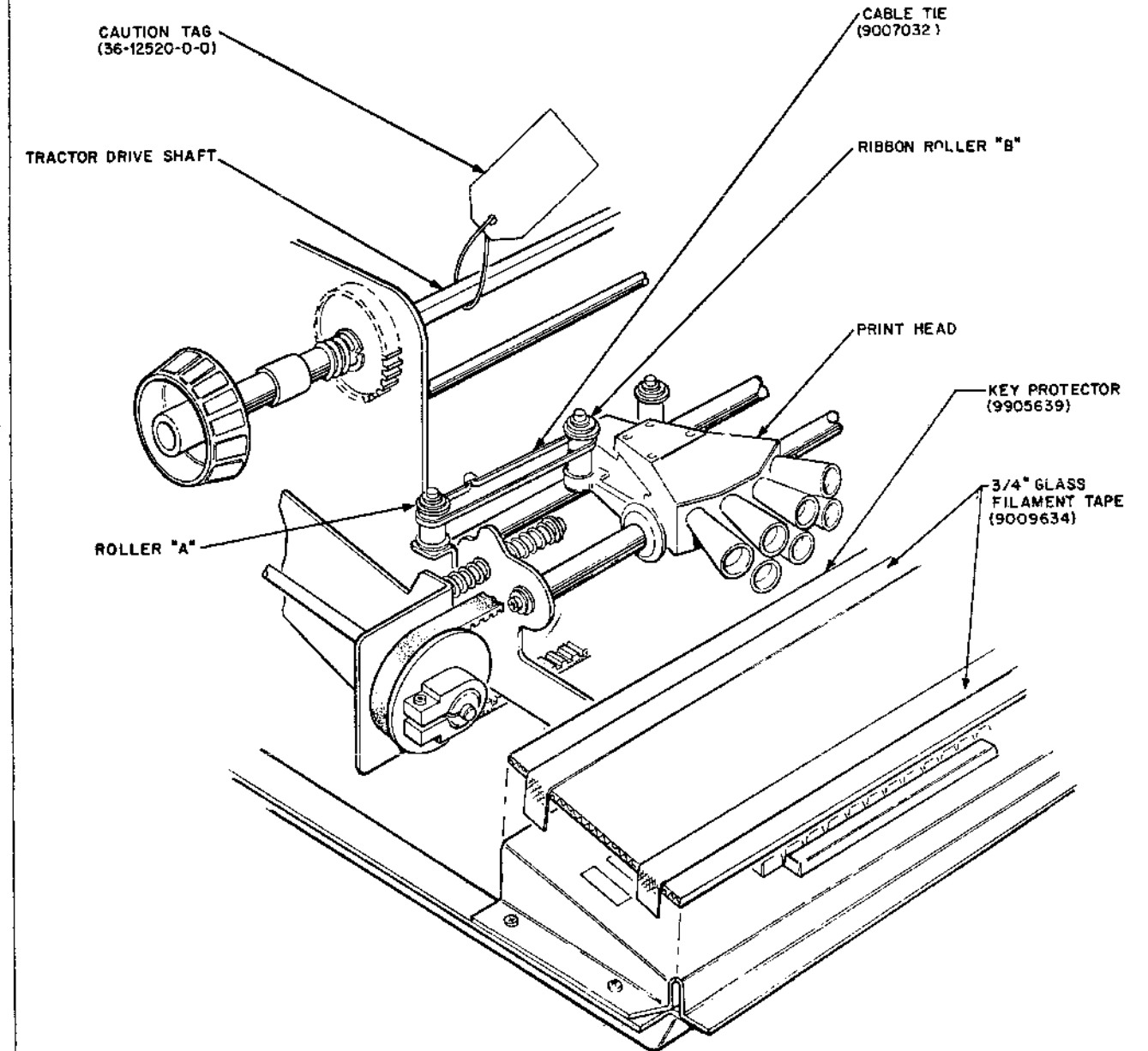
SHEET 1 OF 3

PACKAGING INSTRUCTION

REV: _____ DATE: _____

TITLE
DECWRITER

This drawing and specifications, herein, are the property of Digital Equipment Corporation and shall not be reproduced or copied or used in whole or in part as the basis for the manufacture or sale of items without written permission.



NOTE:
Make changes to "C" size original only and rephotograph.

ENG.	APPD. <i>D. W. Lawrence</i>	7/7/75	SIZE A	CODE SP	NUMBER 3700131-0-0	REV B
------	--------------------------------	--------	-----------	------------	-----------------------	----------

DRC-108

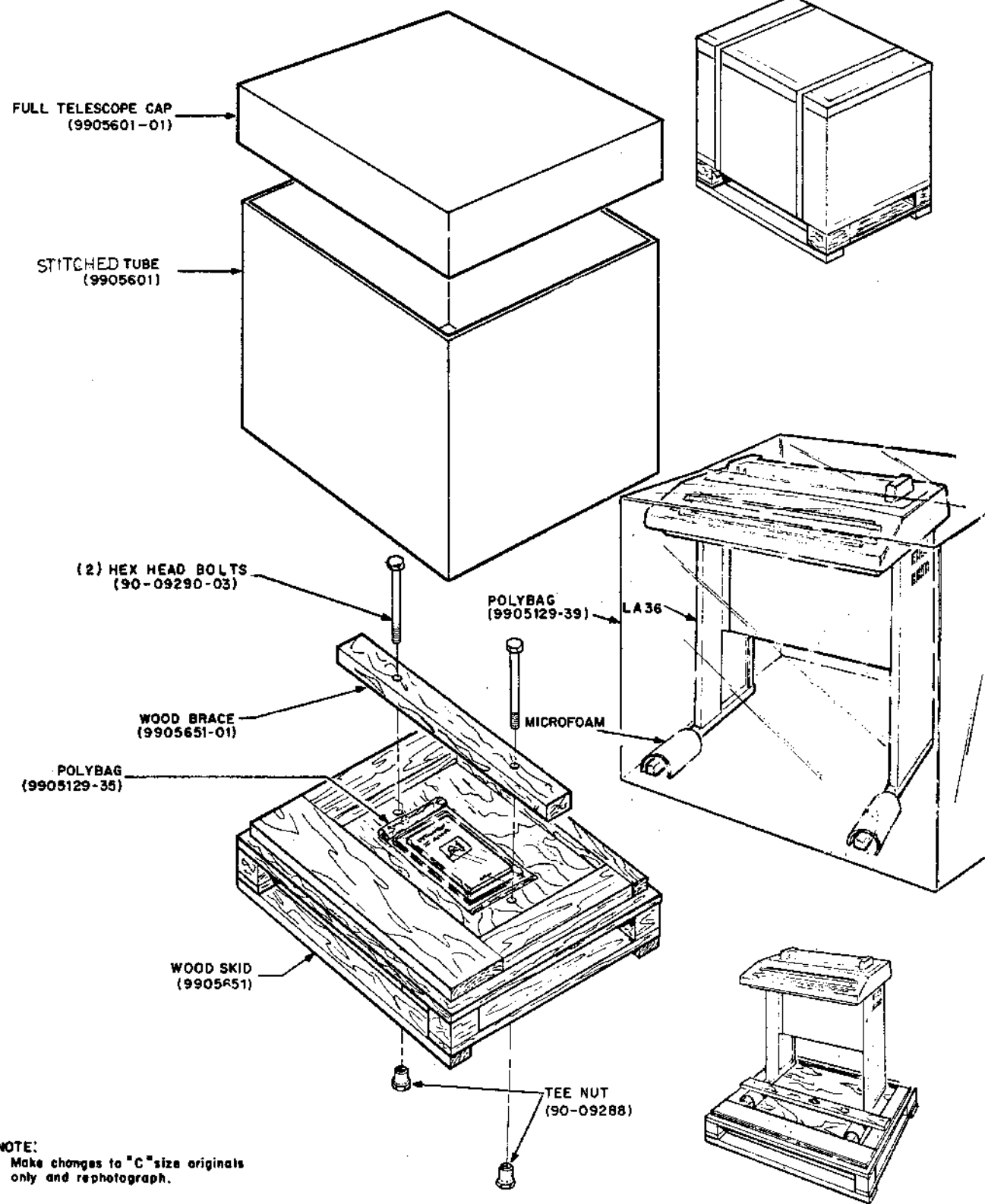
SHEET 2 OF 3

This drawing and specifications, herein, are the property of Digital Equipment Corporation and shall not be reproduced or copied or used in whole or in part as the basis for the manufacture or sale of items without written permission.

PACKAGING INSTRUCTION

REV: _____ DATE: _____

TITLE
DECWRITER

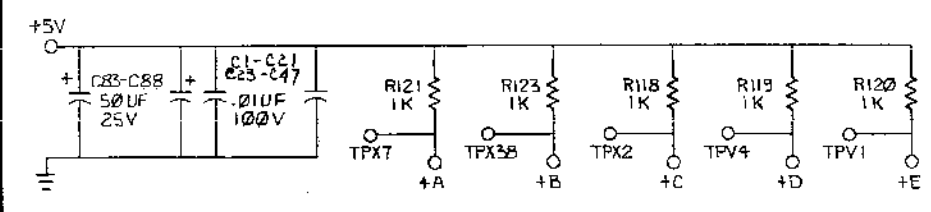
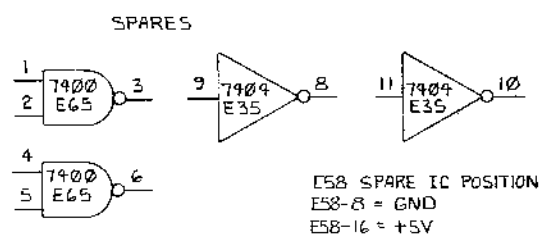


NOTE:
Make changes to "C" size originals
only and rephotograph.

ENG. <i>Ken Merriam</i>	2/24/75	APPD. <i>J. W. Lawrence</i>	2/24/75	SIZE A	CODE SP	NUMBER 3700131-0-0	REV. B
----------------------------	---------	--------------------------------	---------	-----------	------------	-----------------------	-----------

"THIS DRAWING AND SPECIFICATIONS, HEREIN, ARE THE PROPERTY OF DIGITAL EQUIPMENT CORPORATION AND SHALL NOT BE REPRODUCED OR COPIED OR USED IN WHOLE OR IN PART AS THE BASIS FOR THE MANUFACTURE OR SALE OF ITEMS WITHOUT WRITTEN PERMISSION. COPYRIGHT © 1975 DIGITAL EQUIPMENT CORPORATION"

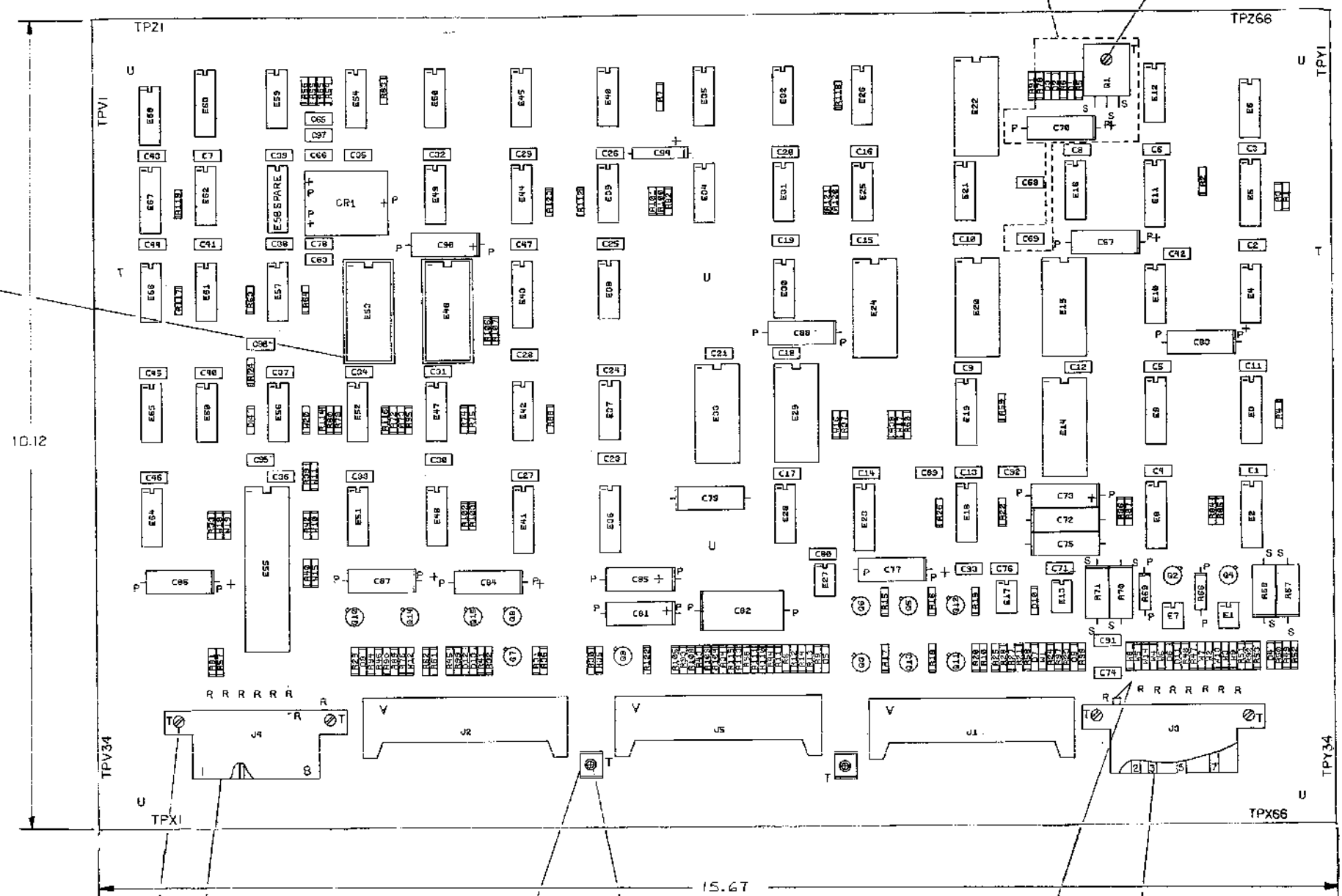
- NOTES:**
- CONNECTORS:
 J1 → J1 POWER BOARD
 J2 → KEYBOARD
 J3 → 20MA. SERIAL LINE
 J4 → OPTIONAL INTERFACE PORT
 J5 → J5 EXPANDER OPTION MOUNTING BOARD
 - COMPONENTS WITHIN OUTLINE NOT INSERTED IN PREFERRED CONFIGURATION
 - REF DES NOT USED ARE:
 C60, C61, C62, C64, C48-C58, C96
 - MAXIMUM REF DES USED ARE:
 W20, R124, E66, C98, D14, J5, CR1, Q15



8640	1	8
LM301A	—	—
1702A	—	16
74123	8	16
74150	12	24
74154	12	24
74161	8	16
74175	8	16
74190	8	16
74193	8	16
7442	8	16
7489	8	16
7493	10	5
MK2600P	12	24
UART	3	1
IC TYPE	GND	+5V

GND AND 5V ARE USUALLY PIN 7 AND 14 RESPECTIVELY EXCEPTIONS ARE STATED ABOVE

IC PIN LOCATIONS



92 93 19 23 (QTY 8) 94 96 25 19 23 (QTY 4) LOCATIONS 2,3,5,7 ONLY

QTY	REF. DESIGNATION	DESCRIPTION	PART NO.	ITEM NO.
	LA36	ETCH BOARD REV. C		

DRY	DATE 5-28-75
CHK'D	DATE 5-28-75
ENG	DATE 5-28-75
PROJ. ENGR.	DATE 5-28-75
PROD. ENGR.	DATE 5-28-75
PROG.	DATE 5-28-75
NEXT HIGHER ASSY	

DEC NO.	EIA NO.	DEC NO.	EIA NO.

SCALE	SHEET	OF	9

REVISIONS

CHK	CHANGE NO.	REV.

J. BITTO
 M7728-00003 D
 J. BITTO
 M7728-00002 C
 R. LOMICKA
 M7728-00001 B

digital

TITLE LA36 MPC

SIZE CODE DCS NUMBER M7728-0-1 REV. D

SEMICONDUCTOR CONVERSION CHART

DCS M7728-0-1 D
 REVISION NUMBER

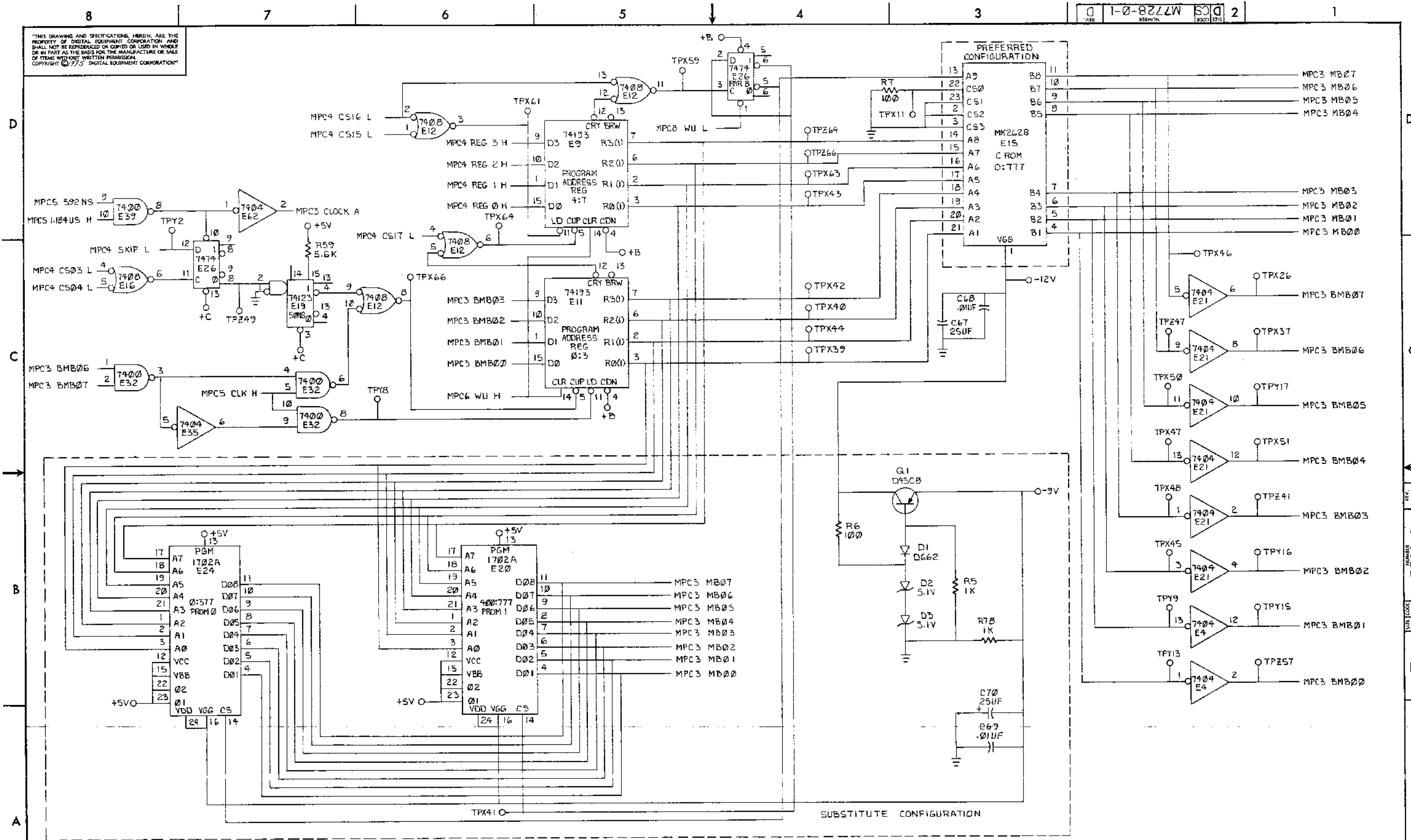
"THIS DRAWING AND SPECIFICATIONS HEREIN, ARE THE PROPERTY OF DIGITAL EQUIPMENT CORPORATION AND SHALL NOT BE REPRODUCED OR COPIED OR USED IN WHOLE OR IN PART AS THE BASIS FOR THE MANUFACTURE OR SALE OF ITEMS WITHOUT WRITTEN PERMISSION. COPYRIGHT © 1975, DIGITAL EQUIPMENT CORPORATION"

QTY/VAR		REFERRED	SUBSTITUTE	REF. DESIGNATION	DESCRIPTION	PART NO.	ITEM NO.
		REF	REF		ASSY/DRILLING HOLE LAYOUT	E-M7728-B-5	1
		REF	REF		MODULE ECO HISTORY	B-M7728-B-5	2
1	1				ETCHED CIRCUIT BOARD	5011682	3
4	4	C71, C76, C80, C97			CAP39 PF 100V 5% DIPPED MICA	1000010	4
1	1	C91			CAP 470PF 100V 5% DIPPED MICA	1000024	5
1	1	C82			CAP .22UF 100V 10% NYLAR	1000037	6
3	3	C72, C75, C79			CAP .047UF 100V 10% NYLAR	1000051	7
5	6	C67, C73, C77, C81, C90			CAP 25UF 25V AL EL	1000075	8
53	54	C23-C27, C1-C61, C63, C68, C74, C78, C89, C92-C98			CAP .01UF 100V DISC	1001610-01	9
3	3	C85, C86, C98			CAP .005UF 100V DISC	1001765	10
6	6	C83-C88			CAP 50UF 25V AL EL	1001796	11
0	1				DIODE D86Z	1100113	12
5	5	D5, D7, D8, D12, D14			DIODE D864	1100114	13
2	2	D9, D10			DIODE IN748A 3.9V 5% ZENER	1100122	14
1	1	D4			DIODE IN748A 3.3V 5% ZENER	1104860	15
1	1	D11			DIODE MCL1301	1105610	16
1	1	D6			DIODE IN4004	1105796	17
1	3	D13			DIODE 4M5JAZ1 5.1V 1% ZENER	1105873	18
2	2	J3, J4			CONN 8 PIN MATE-N-LOCK(HOUSING)	1206340-00	19
3	3	J1, J2, J5			CONN 40 PIN BERG	1209341-02	20
3	3	J1, J2, J5			LATCH LEFT FOR BERG	1209341-03	21
3	3	J1, J2, J5			LATCH RIGHT FOR BERG	1209341-04	22
12	12				SOCKET, MATE-N-LOCK 61320-3	1209456-01	23
2	4	E48, E53			SOCKET, IC 24 PIN	1210693	24
1	1	J3			KEYING PLUG MATE-N-LOCK	1211595	25
1	1	R50			RES 47 $\frac{1}{4}$ W 5% CC	1300202	26
5	6	R7, R33, R58, R91, R124			RES 100 $\frac{1}{4}$ W 5% CC	1300229	27
2	2	R46, R47			RES 150, $\frac{1}{4}$ W 5% CC	1300250	28
2	2	R66, R69			RES 180 $\frac{1}{4}$ W 5% CC	1300260	29
2	2	R49, R89			RES 220 $\frac{1}{4}$ W 5% CC	1300271	30
2	2	R30, R90			RES 330 $\frac{1}{4}$ W 5% CC	1300295	31
3	3	R29, R34, R88			RES 470 $\frac{1}{4}$ W 5% CC	1300316	32
25	27	R1-R4, R32, R35, R45, R52, R55, R81-R85, R76, R84, R88, R112, R118-R123, R44			RES 1K $\frac{1}{4}$ W 5% CC	1300365	33
4	4	R67, R68, R70, R71			RES 1K 1W 5% CC	1300368	34
1	1	R31			RES 1.5K $\frac{1}{4}$ W 5% CC	1300391	35
15	18	R37-R43, R53, R102-R109, R117, R100			RES 10K $\frac{1}{4}$ W 5% CC	1306479	36
1	1	R16			RES 59 0K $\frac{1}{4}$ W 1% 100PPM MF RN55-D-F	1300525	37
2	2	R97, R98			RES 10 $\frac{1}{4}$ W 5% CC	1301317	38
3	3	R13, R22, R26			RES 180 $\frac{1}{4}$ W 5% CC	1301322	39
1	1	R40			RES 68K $\frac{1}{4}$ W 5% CC	1301327	40
2	2	R11, R02			RES 820 $\frac{1}{4}$ W 5% CC	1301775	41
6	6	R36, R54, R56, R57, R59, R60			RES 5.6K $\frac{1}{4}$ W 5% CC	1301874	42
8	8	R72-R75, R79-R81, R85			RES 47K $\frac{1}{4}$ W 5% CC	1302177	43
14	14	R82-R87, R93, R96, R110, R111, R113-R116			RES 2K 1/4W 5% CC	1302388	44
1	1	R51			RES 470K $\frac{1}{4}$ W 5% CC	1302398	45
2	2	R27, R23			RES 511 $\frac{1}{4}$ W 1% 100PPM MF RN55-D-F	1302411	46
1	1	R8			RES 100K $\frac{1}{4}$ W 5% CC	1302466	47
1	1	R18			RES 14.7K $\frac{1}{4}$ W 1% 100PPM MF RN55-D-F	1302941	48
2	2	R12, R14			RES 1.00K $\frac{1}{4}$ W 1% 100PPM MF RN55-D-F	1303114	49
2	2	R24, R28			RES 5.11K $\frac{1}{4}$ W 1% 100PPM MF RN55-D-F	1304854	50
1	1	R19			RES 3.48K $\frac{1}{4}$ W 1% 100PPM MF RN55-D-F	1305114	51

QTY/VAR		REFERRED	SUBSTITUTE	REF. DESIGNATION	DESCRIPTION	PART NO.	ITEM NO.
1	1	R15			RES 121K $\frac{1}{4}$ W 1% MF	1305255	52
2	2	R9, R18			RES 232K $\frac{1}{4}$ W 1% MF	1305424	53
2	2	R21, R25			RES 1M $\frac{1}{4}$ W 5% CC	1308535	54
1	1	R17			RES 30.1K $\frac{1}{4}$ W 1% MF	1311594	55
1	1	R20			RES 2.15K $\frac{1}{4}$ W 1% MF	1311653	56
0	1				TRANSISTOR D45C8	1510598	57
10	10	Q2-Q6, Q10-Q14			TRANSISTOR MPSA05	1510705	58
3	3	Q7, Q8, Q15			TRANSISTOR MPSA55	1510706	59
1	1	Q9			TRANSISTOR DEC6531B	1509338	60
1	1	CR1			CRYSTAL 1.6896 MHZ(WIRE LEADS)	1811689	61
11	11	E25, E26, E30, E31, E34, E37, E40, E44, E45, E50, E54			I.C. 7474	1905547	62
6	6	E32, E38, E39, E49, E60, E65			I.C. 7400	1905575	63
4	4	E10, E47, E52, E57			I.C. 7401	1905590	64
2	2	E66, E68			I.C. 7493A	1909054	65
5	5	E4, E21, E28, E35, E62			I.C. 7404	1909686	66
2	2	E22, E93			I.C. 74154	1909701	67
1	1	E18			I.C. 7413	1909989	68
3	3	E5, E9, E11			I.C. 74193	1910018	70
1	1	E23			I.C. 7442	1910046	71
1	1	E61			I.C. 7437	1910091	72
1	1	E43			I.C. 74190	1910095	73
2	2	E14, E29			I.C. 74150	1910153	74
5	5	E6, E12, E16, E42, E64			I.C. 7408	1910155	75
3	3	E13, E17, E27			I.C. LM301AN DIP	1910282	76
3	3	E3, E36, E41			I.C. 7489	1910396	77
1	1	E19			I.C. 74123	1910436	78
1	1	E55			I.C. UART	1910459	79
2	2	E63, E67			I.C. 74161	1910650	80
2	2	E2, E8			I.C. 74175	1910851	91
2	2	E46, E51			I.C. 8093	1910837	82
1	1	E58			I.C. 8640	1911469	83
2	2	E1, E7			I.C. SOC75, 4N26	1911998	84
0	1				PROM, 1702A, PROGRAMMED PROMM	23082A4	85
0	1				PROM, 1702A, PROGRAMMED PROMI	23083A4	86
1	1	E53			ROM, MK2627(ALPHA SET, ASCII)	23070A6	87
1	1	E48			ROM, MK2626(NO. SET, ASCII)	23071A6	88
1	0	E15			ROM, MK2628(CONTROL PROGRAM)	23082A6	88
0	1				SCREW, SLOTTED BIND HD 4.40 x5/16	9006010-4	90
0	1				NUT, KEP 4-40	9006557	91
4	4				WASHER, FLAT, NYLON #6	9006707	92
4	4				EYELET(MATE-N-LOCK MOUNTING)	9006732	93
2	2				FASTON TERMINAL	9007113	94
0	A/R				THERMAL COMPOUND	9008268	95
2	2				EYELET (FASTEN MOUNTING)	9009000	96
7	7	W1-W5, W18, W20			WIRE, INSULATED JUMPER	9009185	97
1	1	C95			CAP .1UF 100V	1010978-36	98
1	1	R101			RES 270 1/4W 5% CC	1301972	99
1	1	C94			CAP 39UF 10V 10% TANT	1000070	100
1	1	E56			IC 7414	1911324	101

REVISIONS		
CHK	CHANGE NO.	REV.

"THIS DRAWING AND SPECIFICATIONS, HEREIN, ARE THE PROPERTY OF DIGITAL EQUIPMENT CORPORATION AND SHALL NOT BE REPRODUCED OR COPIED OR USED IN WHOLE OR IN PART AS THE BASIS FOR THE MANUFACTURE OR SALE OF ITEMS WITHOUT WRITTEN PERMISSION. COPYRIGHT © 1975 DIGITAL EQUIPMENT CORPORATION"



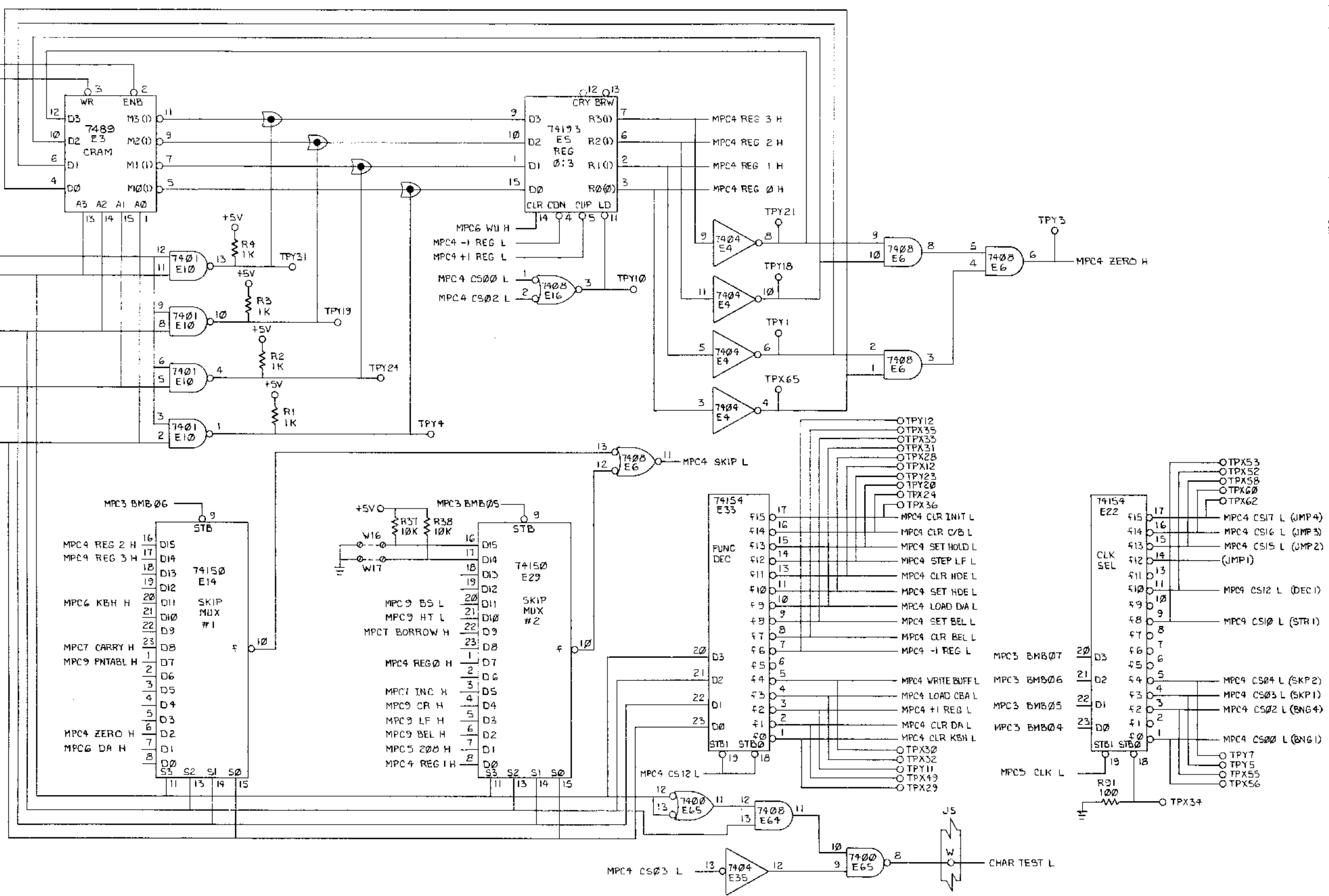
REVISIONS		
CHK	CHANGE NO.	REV.

REV. D M7728-0-1

"THIS DRAWING AND SPECIFICATIONS HEREIN ARE THE PROPERTY OF DIGITAL EQUIPMENT CORPORATION AND SHALL NOT BE REPRODUCED OR COPIED OR USED IN WHOLE OR IN PART AS THE BASIS FOR THE MANUFACTURE OR SALE OF ITEMS WITHOUT WRITTEN PERMISSION. COPYRIGHT © 1975 DIGITAL EQUIPMENT CORPORATION"

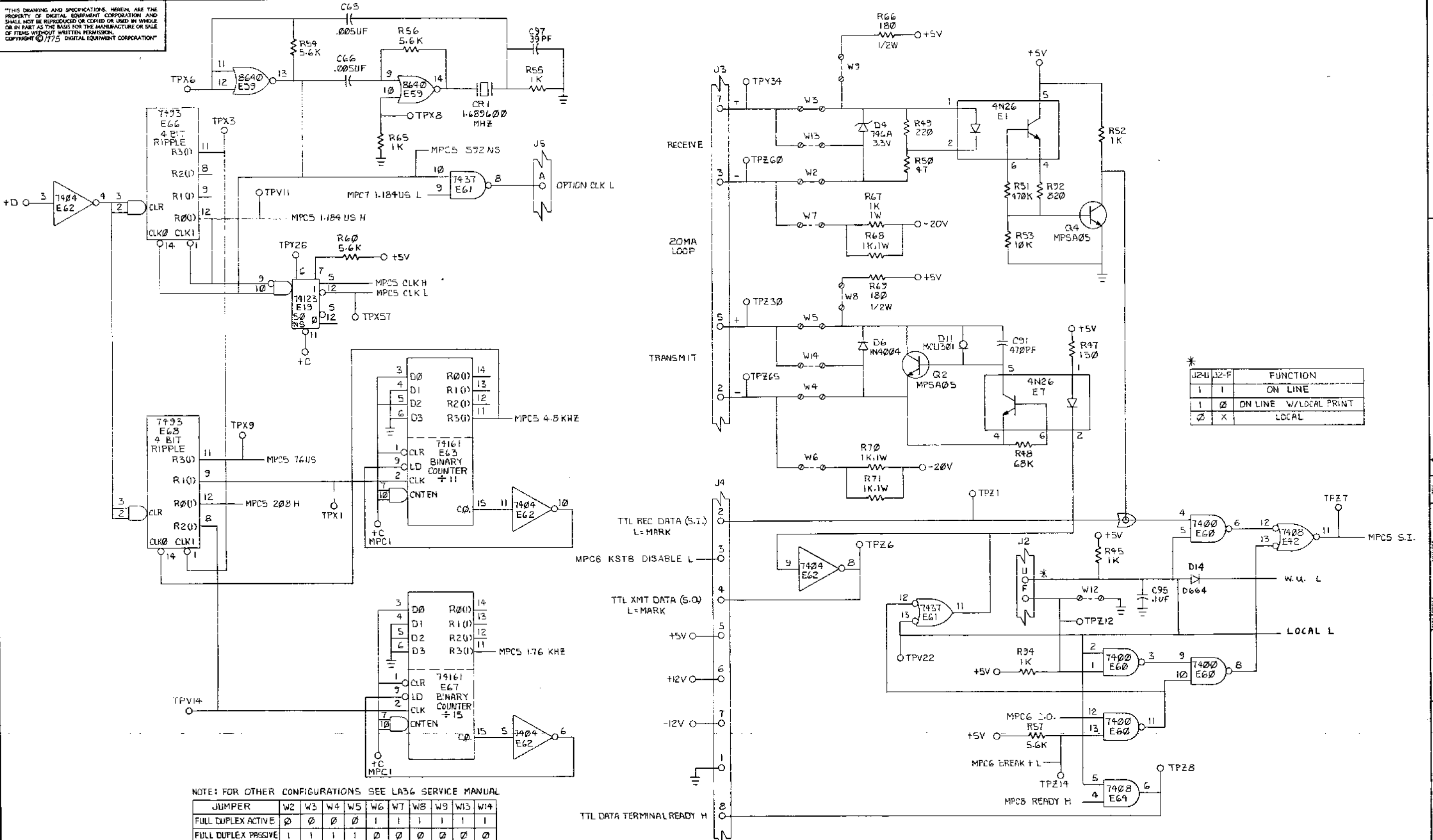
D
C
B
A

D
C
B
A



REVISIONS		
CHK	CHANGE NO.	REV.

"THIS DRAWING AND SPECIFICATIONS, HEREIN, ARE THE PROPERTY OF DIGITAL EQUIPMENT CORPORATION AND SHALL NOT BE REPRODUCED OR COPIED OR USED IN WHOLE OR IN PART AS THE BASIS FOR THE MANUFACTURE OR SALE OF ITEMS WITHOUT WRITTEN PERMISSION. COPYRIGHT © 1975 DIGITAL EQUIPMENT CORPORATION"



* Jumper Function Table:

J2-4	J2-F	FUNCTION
1	1	ON LINE
1	0	ON LINE W/LOCAL PRINT
0	X	LOCAL

NOTE: FOR OTHER CONFIGURATIONS SEE LA36 SERVICE MANUAL

JUMPER	W2	W3	W4	W5	W6	W7	W8	W9	W13	W14
FULL DUPLEX ACTIVE	0	0	0	0	1	1	1	1	1	1
FULL DUPLEX PASSIVE	1	1	1	1	0	0	0	0	0	0

LEGEND: 1 = JUMPER INSERTED
0 = JUMPER NOT INSERTED

REVISIONS

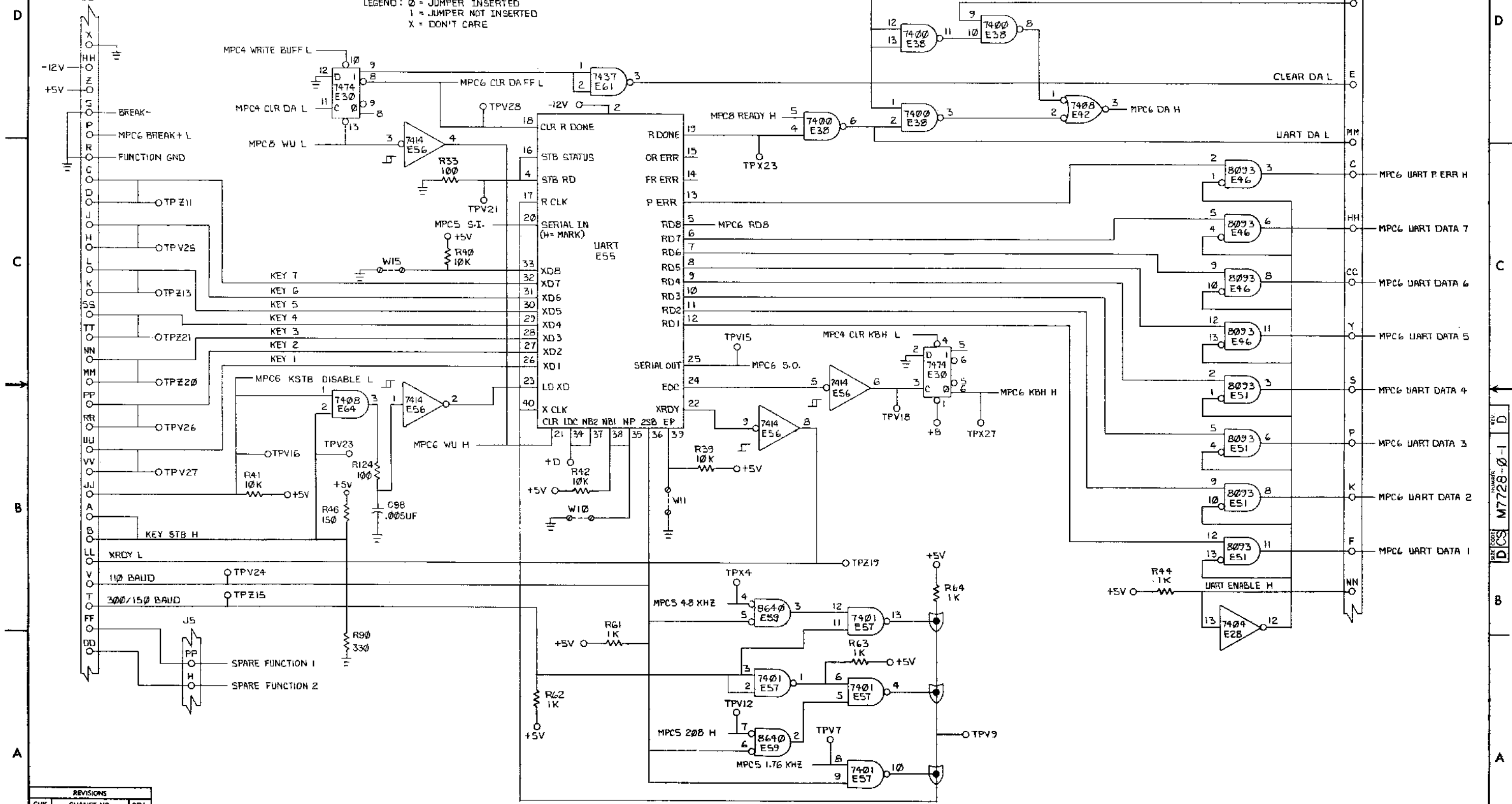
CHK	CHANGE NO.	REV.

"THIS DRAWING AND SPECIFICATIONS, HEREIN, ARE THE PROPERTY OF DIGITAL EQUIPMENT CORPORATION AND SHALL NOT BE REPRODUCED OR COPIED OR USED IN WHOLE OR IN PART AS THE BASIS FOR THE MANUFACTURE OR SALE OF ITEMS WITHOUT WRITTEN PERMISSION. COPYRIGHT © 1975 DIGITAL EQUIPMENT CORPORATION"

FUNCTION	J2-V	J2-T
150 BAUD	0	0
300 BAUD	0	1
110 BAUD	1	X

FUNCTION	W10	W11	W15
8TH BIT MARKING	1	X	1
8TH BIT SPACING	1	X	0
EVEN PARITY	0	1	X
ODD PARITY	0	0	X

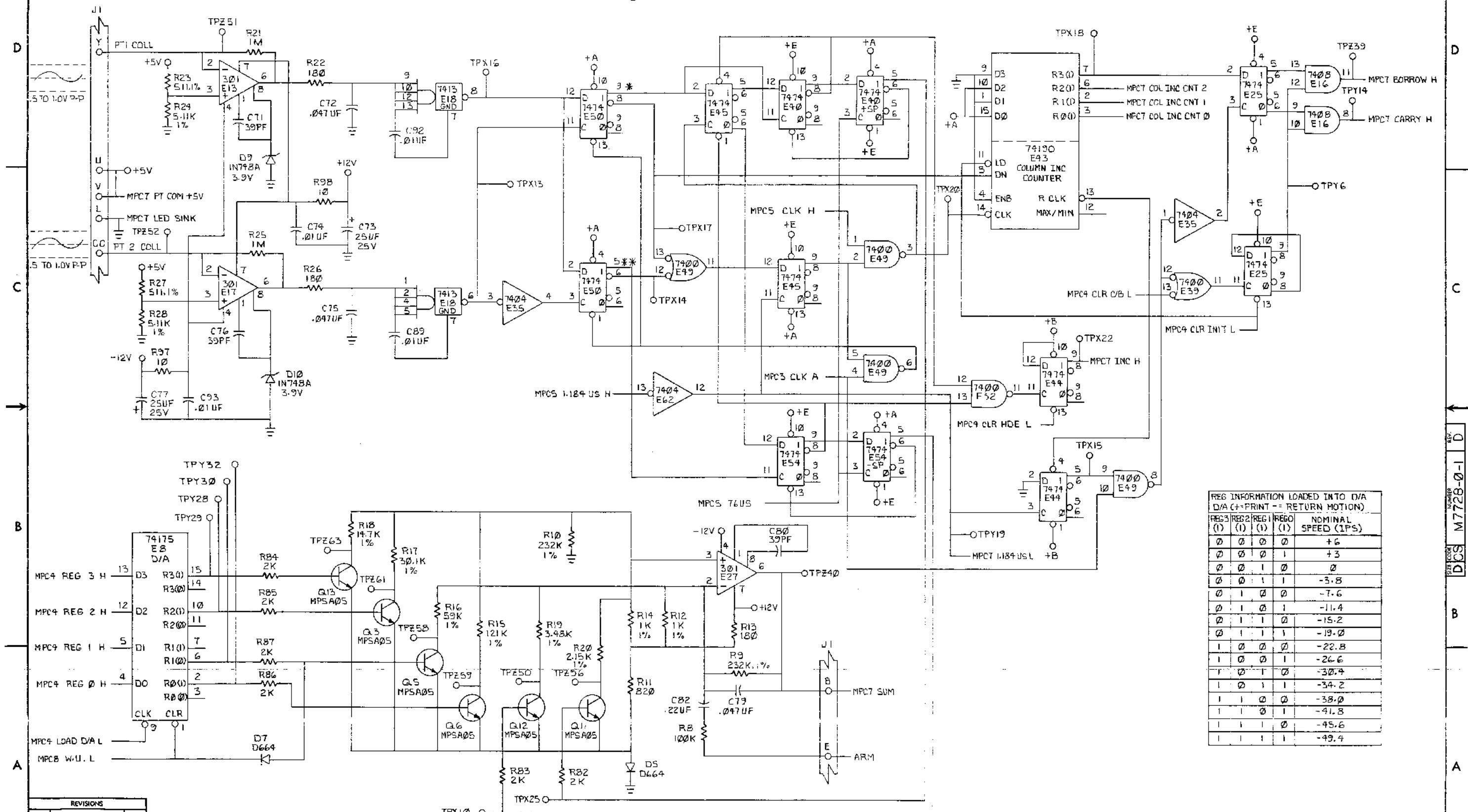
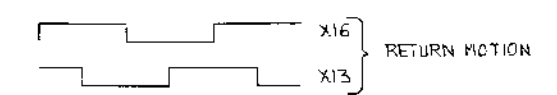
LEGEND: 0 = JUMPER INSERTED
1 = JUMPER NOT INSERTED
X = DON'T CARE



REVISIONS		
CHK	CHANGE NO.	REV.

"THIS DRAWING AND SPECIFICATIONS HEREIN ARE THE PROPERTY OF DIGITAL EQUIPMENT CORPORATION AND SHALL NOT BE REPRODUCED OR COPIED OR USED IN WHOLE OR IN PART AS THE BASIS FOR THE MANUFACTURE OR SALE OF ITEMS WITHOUT WRITTEN PERMISSION. COPYRIGHT © 1975 DIGITAL EQUIPMENT CORPORATION"

* PRINT MOTION (010*)
 ** RETURN MOTION (010*)

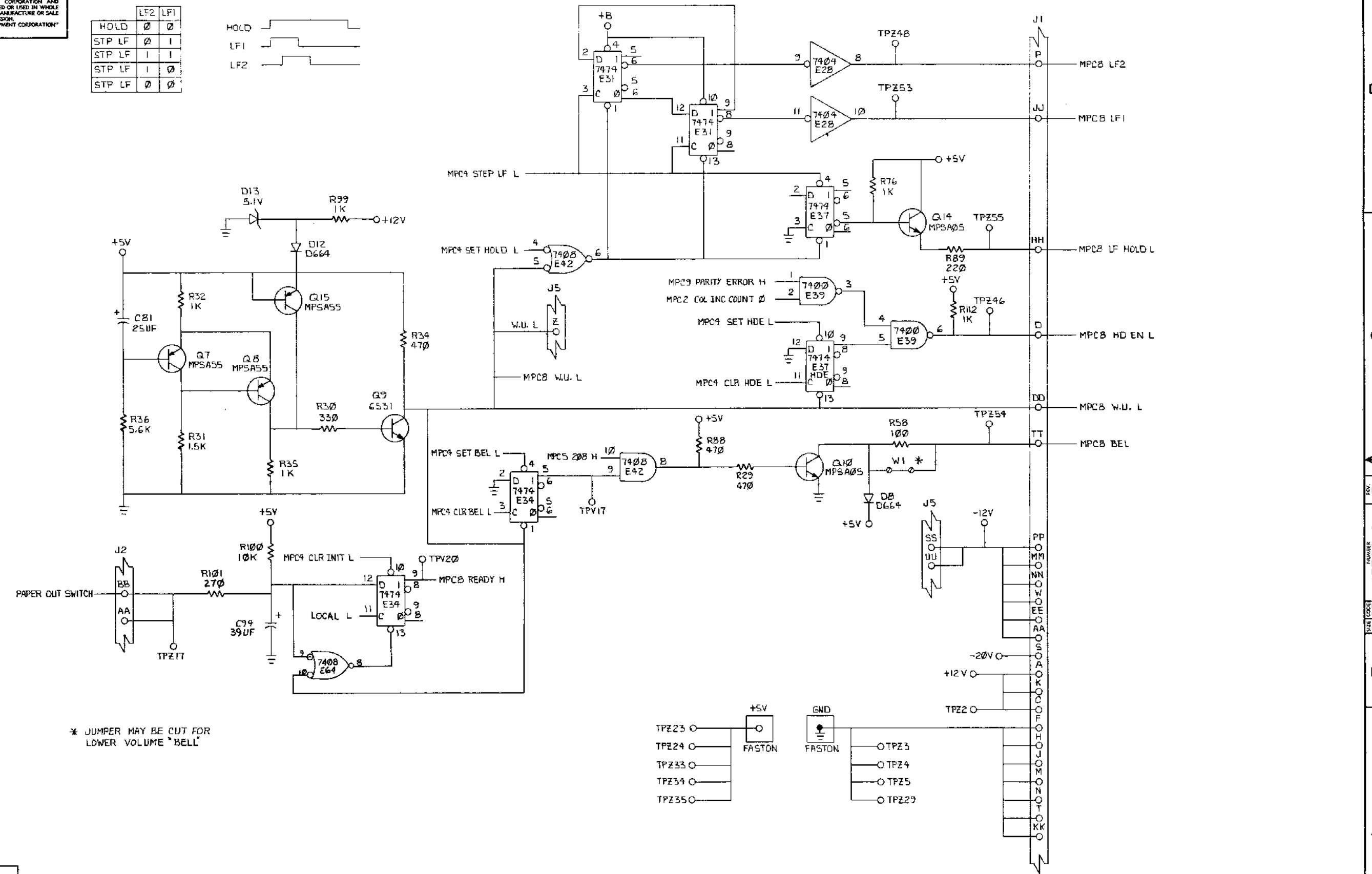
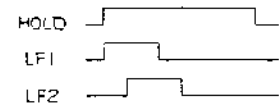


REG INFORMATION LOADED INTO D/A				
D/A (+PRINT = RETURN MOTION)				
REG3	REG2	REG1	REG0	NOMINAL SPEED (IPS)
0	0	0	0	+6
0	0	0	1	+3
0	0	1	0	0
0	0	1	1	-3.8
0	1	0	0	-7.6
0	1	0	1	-11.4
0	1	1	0	-15.2
0	1	1	1	-19.0
1	0	0	0	-22.8
1	0	0	1	-26.6
1	0	1	0	-30.4
1	0	1	1	-34.2
1	1	0	0	-38.0
1	1	0	1	-41.8
1	1	1	0	-45.6
1	1	1	1	-49.4

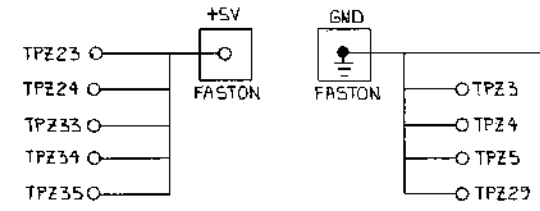
REVISIONS		
CHK	CHANGE NO.	REV.

"THIS DRAWING AND SPECIFICATIONS HEREIN ARE THE PROPERTY OF DIGITAL EQUIPMENT CORPORATION AND SHALL NOT BE REPRODUCED OR COPIED OR USED IN WHOLE OR IN PART AS THE BASIS FOR THE MANUFACTURE OR SALE OF ITEMS WITHOUT WRITTEN PERMISSION. COPYRIGHT © 1975 DIGITAL EQUIPMENT CORPORATION"

	LF2	LF1
HOLD	0	0
STP LF	0	1
STP LF	1	1
STP LF	1	0
STP LF	0	0

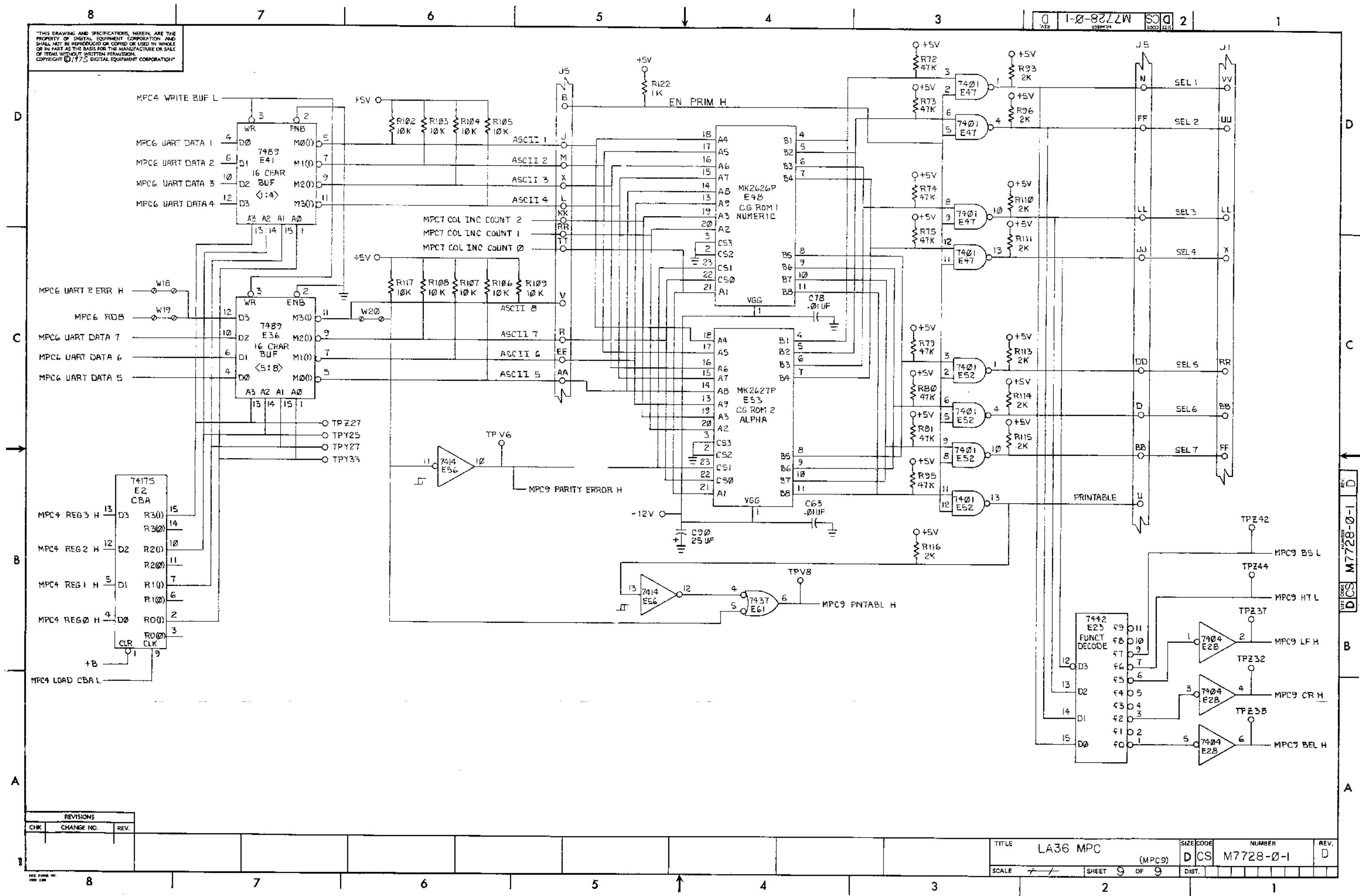


* JUMPER MAY BE CUT FOR LOWER VOLUME * BELL



REVISIONS		
CHK	CHANGE NO.	REV.

THIS DRAWING AND SPECIFICATIONS, HEREIN, ARE THE PROPERTY OF DIGITAL EQUIPMENT CORPORATION AND SHALL NOT BE REPRODUCED OR COPIED OR USED IN WHOLE OR IN PART AS THE BASIS FOR THE MANUFACTURE OR SALE OF ITEMS WITHOUT WRITTEN PERMISSION. COPYRIGHT © 1975 DIGITAL EQUIPMENT CORPORATION



REVISIONS		
CHK	CHANGE NO.	REV.