

R. Tinga  
23786

**LA36 DECwriter II  
engineering  
drawings**

The material herein is for information purposes only and is subject to change without notice. Digital Equipment Corporation assumes no responsibility for any errors which may appear herein.

These drawings and specifications herein are the property of Digital Equipment Corporation and shall not be reproduced or copied or used in whole or in part as the basis for the manufacture or sale of items without written permission.  
Copyright © 1975, Digital Equipment Corporation

# DRAWING DIRECTORY

"THIS DRAWING AND SPECIFICATIONS, HEREIN, ARE THE PROPERTY OF DIGITAL EQUIPMENT CORPORATION AND SHALL NOT BE REPRODUCED OR COPIED OR USED IN WHOLE OR IN PART AS THE BASIS FOR THE MANUFACTURE OR SALE OF ITEMS WITHOUT WRITTEN PERMISSION. COPYRIGHT © 1974, DIGITAL EQUIPMENT CORPORATION"

## CUSTOMER PRINT SET INDEX

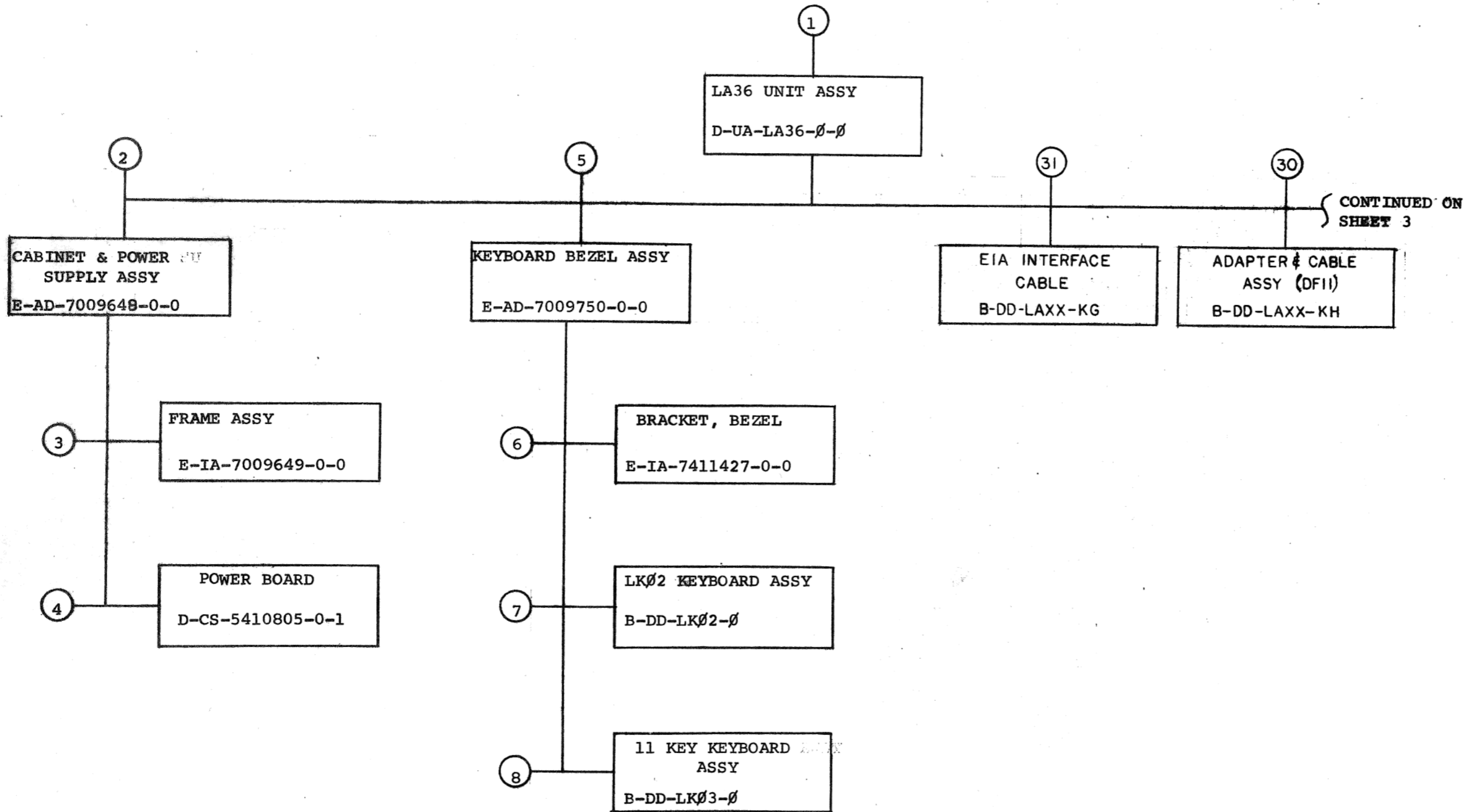
THIS IS PRINT SET

	SEQUENCE		SEQUENCE
LA36 OPTION ARRANGEMENT		D-AR-LA36-0-1	
LA36 POWER SCHEMATIC		D-CS-LA36-0-5	
LOGIC BOARD (LA36)		D-CS-M7722-0-1	
LA36 POWER BOARD		D-CS-5410805-0-1	
LK02 KEY BOARD		D-CS-5410736-0-1	

UNIT VARIATIONS		PRINT SET	
VAR	TITLE	1	
LA36-DA	LA36, 20MA CURRENT LOOP, 115V	X	
LA36-DB	LA36, 20MA CURRENT LOOP, 230V	X	
LA36-CA	LA36, 20MA CUR LOOP NUM PAD, 115V	X	
LA36-CB	LA36, 20MA CUR LOOP NUM PAD, 230V	X	
LA36-CC	LA36, 20MA N PAD, 115V PDP10	X	
LA36-CD	LA36, 20MA N PAD, 230V PDP10	X	
LA36-DC	LA36, 20MA 115V PDP10 (-)	X	
LA36-DD	LA36, 20MA 230V PDP10 (-)	X	
LA36- KA	LA36 ACCESSORY KIT	X	
LAXX-KG	EIA INTERFACE CABLE	X	
LAXX-KH	ADAPTER & CABLE ASSY (DF11)	X	

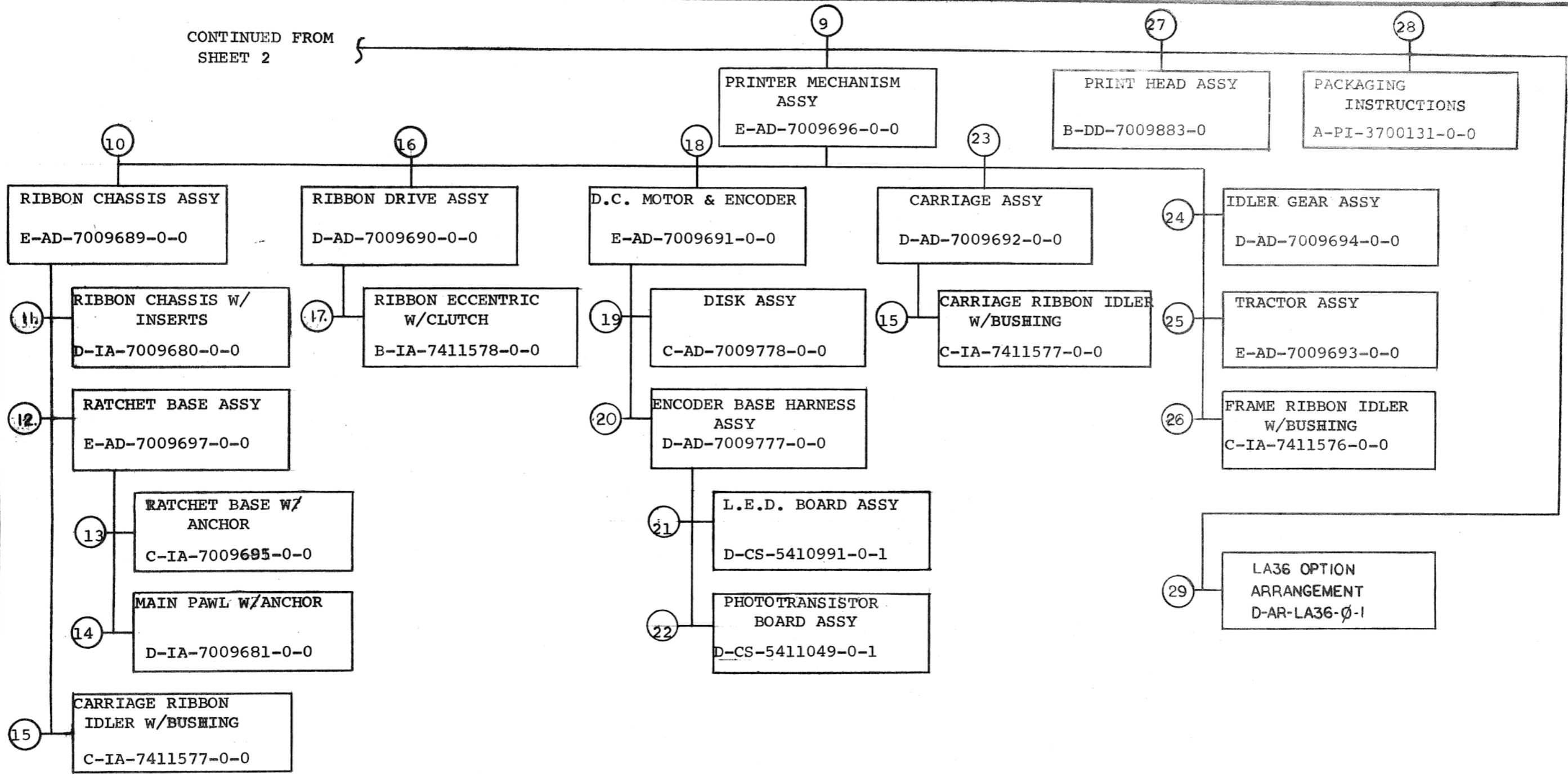
REVISIONS					USED ON OPTION/MODEL		DRN.	DATE	TITLE			
DATE	CHG. NO.	REV					McCarthy	6/4/74	DECWRITER II DRAWING DIRECTORY			
9-74	LA36-00002	A				CHK'D.	DATE					
2-75	LA36-00052	B				W.F. McCarthy	6/28/74					
2-75	LA36-00055	C				PROJ ENG.	DATE					
3-75	LA36 00061	D				<i>(Signature)</i>	7/11/74	SIZE	CODE	NUMBER	REV	
4-75	LA36-00081	E				PROD.	DATE	B	DD	LA36-0	E	
						FIELD SERV.	DATE					
					SHEET	1	OF	2				

DEC 16-13251-1062-1A-R972



TITLE	SHEET	OF	SIZE	CODE	NUMBER	REV
DECWRITER II DRAWING DIRECTORY	2	7	B	DD	LA36-Ø	E

CONTINUED FROM  
SHEET 2



TITLE	SHEET	OF	SIZE	CODE	NUMBER	REV
DECWRITER II DRAWING DIRECTORY	7	8	DD	LA36-0		E

CUSTOMER PRINT SET		MECHANICAL					CUSTOMER PRINT SET		MECHANICAL						
	INFO. SET	FIND NO.	DRAWING NO.	REV	NO OF SHT	DESCRIPTION	OPTION NO./FILE DATE		INFO. SET	FIND NO.	DRAWING NO.	REV	NO OF SHT	DESCRIPTION	OPTION NO./FILE DATE
		1	E-UA-LA36- $\phi$ - $\phi$		3	LA36 UNIT ASSY		X	X	7	B-DD-LK $\phi$ 2- $\phi$		3	LK $\phi$ 2 KEYBOARD ASSY	
			A-PL-LA36- $\phi$ - $\phi$		3	LA36 UNIT ASSY PARTS LIST		X			D-CS-5410736-0-1	#	2	LK $\phi$ 2 KEY BOARD	
			E-MD-7411116-0-0		3	HOUSING									
			C-MD-7411818-0-0		1	CLIP, COVER									
			D-MD-7411430-0-0		1	PAPER GUIDE									
			C-PS-3611826-0-0		1	NAME PLATE			X	8	B-DD-LK $\phi$ 3- $\phi$		3	LK $\phi$ 3 KEYBOARD ASSY	
			E-MD-7411122-0-0		2	COVER									
			C-UA-BC $\phi$ 5F- $\phi$ - $\phi$		1	BC $\phi$ 5F CABLE INTERFACE									
			D-AD-7010000-0-0		1	LA36 KEYBOARD CABLE									
			C-AD-7010001-0-0		1	JUMPER(LA36)				9	E-AD-7009696-0-0		2	PRINTER MECHANISM ASSY	
			D-IA-7009212		1	283 B CONN TO MATE-N-LOCK					A-PL-7009696-0-0		3	PRINTER MECHANISM ASSY P.L.	
		2	E-AD-7009648-0-0		3	CABINET ASSY W/POWER SUPPLY					D-IA-7411072-0-0		1	PRINT BAR	
			E-IA-7411120-0-0		1	DOOR, CABINET					C-MD-7411033-0-0		1	CARRIAGE SHAFT	
			C-MD-7413286		1	COVER, EMI FILTER					B-MD-7411439-0-0		1	PIVOT, LOWER	
			D-IA-7009895-0-0		1	HARNES, CAPACITOR					B-MD-7411103-0-0		1	PIVOT, RATCHET	
			C-MD-7411607-0-0		1	PLATE, COVER					B-MD-7411108-0-0		1	BUSHING, PLAIN	
			D-AD-7009779-0-0		1	TRANSFORMER ASSY					C-MD-7411076-0-0		1	TRACTOR, SUPPORT SHAFT	
			A-DC-7412548-0-0		1	FUSE RATING LABEL					C-MD-7411075-0-0		1	TRACTOR, DRIVE SHAFT	
			C-IA-7009905-0-0		1	JUMPER					C-MD-7411425-0-0		1	TRACTOR, SHAFT RETAINING BUSHING	
			B-AD-7009673-0-0		1	POWER CORD ASSY					B-MD-7411098-0-0		1	COLLAR, SIDE PLATE	
											D-MD-7411441-0-0		1	HUB, CLUTCH	
											E-MD-7411440-0-0		1	GEAR, DRIVE CLUTCH	
											B-MD-7411443-0-0		1	WASHER, CLUTCH	
											D-MD-7411437-0-0		1	LINE FEED KNOB	
											B-MD-7411575-0-0		1	SHAFT, IDLER	
											B-MD-7411412-0-0		1	RETAINER, BUMPER SPRING	
											B-MD-7411816-0-0		1	SPRING, CARRIAGE BUMPER	
											E-IA-7411028-0-0		1	SIDE PLATE	
											B-MD-7412535-0-0		1	ADAPTER, LINE FEED	
		3	E-IA-7009649-0-0		1	FRAME ASSY									
			E-IA-7411125-0-0		1	END PANEL									
			E-IA-7411121-0-0		1	HOUSING, COMPONENT									
			C-IA-7411117-0-0		1	FOOT									
			E-IA-7411080-0-0		1	BASE									
			C-MD-7412019-0-0		1	ANGLE STIFFENING									
		4	D-CS-5410805-0-1			LA36 POWER BOARD									
			D-IA-7411077-0-0			HEATSINK									
		5	E-AD-7009750-0-0		1	KEYBOARD BEZEL ASSY									
			C-IA-7008612-0-0		1	CABLE, KEYBOARD									
		6	E-IA-7411427-0-0		1	BRACKET, BEZEL									
			C-SS-7411427-0-1		1	KEYBOARD BEZEL SILK SCREEN									

CUSTOMER PRINT SET CODES  
X = PRINT OF DOCUMENT INCLUDED IN PRINT SET  
C = INCLUDES ALL PRINTS INDICATED ON DOCUMENT  
S = CONFIDENTIAL AUTHORIZED SIGNATURE REQUIRED

TITLE  
DECWRITER II DRAWING DIRECTORY

SHEET 4 OF 7

SIZE CODE NUMBER  
B DU LA36- $\phi$

REV  
E



CUSTOMER PRINT SET		MECHANICAL					CUSTOMER PRINT SET		MECHANICAL						
	MFG. SET	FIND NO.	DRAWING NO.	REV	NO OF SHT	DESCRIPTION	OPTION NO./FILE DATE		MFG. SET	FIND NO.	DRAWING NO.	REV	NO OF SHT	DESCRIPTION	OPTION NO./FILE DATE
		10	E-AD-7009689-0-0		1	RIBBON CHASSIS ASSY				15	C-IA-7411577-0-0		1	CARRIAGE RIBBON IDLER W/BUSHING	
			C-MD-7411090-0-0		1	SPRING, MAIN PAWL					C-MD-7411102-0-0		1	IDLER, CARRIAGE RIBBON	
			C-MD-7411105-0-0		1	SPRING, UPPER PAWL									
			D-MD-7411048-0-0		1	DRIVER, SPOOL									
			D-MD-7411432-0-0		1	RATCHET, WHEEL				16	D-AD-7009690-0-0		1	RIBBON DRIVE ASSY	
			B-IA-7411405-0-0		1	DISK, FRICTION					D-MD-7411113-0-0		1	BRACKET, RIBBON DRIVE	
			B-MD-7411098-0-0		1	COLLAR, SIDE PLATE					C-MD-7411084-0-0		1	ROD, END	
			B-MD-7411106-0-0		1	WASHER, BRAKE					B-MD-7411068-0-0		1	SHAFT, RIBBON IDLER	
			B-MD-7411061-0-0		1	WASHER, RATCHET					D-MD-7411035-0-0		1	PULLEY, TIMING	
			D-MD-7411058-0-0		1	INTERPOSER					C-MD-7411124-0-0		1	CLAMP, COLLAR	
			C-MD-7411419-0-0		1	GUIDE, SHOE					B-MD-7411123-0-0		1	WASHER, ECCENTRIC	
			D-MD-7411060-0-0		1	SENSOR, REVERSE					D-MD-7411046-0-0		1	PUSH ROD	
			C-MD-7411087-0-0		1	SPRING, INTERPOSER					C-MD-7411426-0-0		1	SPRING, BACKSTOP	
											B-MD-7412536-0-0		1	HOLDER BEARING	
											C-IA-7412613-0-0		1	BEARING HOLDER W/BUSHING	
		11	D-IA-7009680-0-0		1	RIBBON CHASSIS W/INSERTS									
			E-IA-7411057-0-0		1	CHASSIS, RIBBON									
			C-MD-7411431-0-0		1	STANDOFF, RETAINER									
			B-MD-7411433-0-0		1	PIN, INTERPOSER									
		12	E-AD-7009697-0-0		1	RATCHET BASE ASSY									
			D-MD-7411054-0-0		1	PAWL, UPPER									
			B-MD-7411063-0-0		1	PAWL, PIVOT									
		13	C-IA-7009695-0-0		1	RATCHET BASE W/ANCHOR									
			D-MD-7411055-0-0		1	BASE, RATCHET									
			B-MD-7411104-0-0		1	ANCHOR, SPRING									
		14	D-IA-7009681-0-0		1	MAIN PAWL W/ANCHOR									
			D-MD-7411059-0-0		1	PAWL, MAIN									
			B-MD-7411104-0-0		1	ANCHOR, SPRING									
		15	C-AD-7009778-0-0		1	DISK ASSY									
			C-MD-7411414-0-0		1	HUB, ENCODER									
			B-MD-7411757-0-0		1	ADHESIVE, ENCODER DISK									
			C-MD-7411088-0-0		1	DISK, ENCODER									
		16	E-AD-7009691-0-0		1	D.C. MOTOR & ENCODER ASSY									
			C-IA-7009780-0-0		1	D.C. MOTOR									
			D-MD-7411035-0-0		1	PULLY, TIMING									
			C-MD-7411124-0-0		1	CLAMP, COLLAR									
			D-MD-7411416-0-0		1	DUST COVER, ENCODER									
			C-MD-7413351-0-0		1	ADAPTER, EC MOTOR									
			C-AD-7010762-0-0		1	EC MOTOR ASSY									
		17	B-IA-7411578-0-0		1	RIBBON ECCENTRIC W/CLUTCH									
			B-MD-7411069-0-0		1	ECCENTRIC, RIBBON									
		18	E-AD-7009691-0-0		1	D.C. MOTOR & ENCODER ASSY									
			C-IA-7009780-0-0		1	D.C. MOTOR									
			D-MD-7411035-0-0		1	PULLY, TIMING									
			C-MD-7411124-0-0		1	CLAMP, COLLAR									
			D-MD-7411416-0-0		1	DUST COVER, ENCODER									
			C-MD-7413351-0-0		1	ADAPTER, EC MOTOR									
			C-AD-7010762-0-0		1	EC MOTOR ASSY									
		19	C-AD-7009778-0-0		1	DISK ASSY									
			C-MD-7411414-0-0		1	HUB, ENCODER									
			B-MD-7411757-0-0		1	ADHESIVE, ENCODER DISK									
			C-MD-7411088-0-0		1	DISK, ENCODER									
CUSTOMER PRINT SET CODES	X = PRINT OF DOCUMENT INCLUDED IN PRINT SET C = INCLUDES ALL PRINTS INDICATED ON DOCUMENT S = CONFIDENTIAL AUTHORIZED SIGNATURE REQUIRED						TITLE	DECWRITER II DRAWING DIRECTORY		SIZE	CODE	NUMBER		REV	
								SHEET 5 OF 7		B	DD	LA36-Ø		E	

DRB 108

DEC 16-(325)-1062-2B-R972



CUSTOMER PRINT SET		ELECTRICAL					CUSTOMER PRINT SET								
1	MFG. SET	FIND NO.	DRAWING NO.	REV	NO OF SHT	DESCRIPTION	OPTION NO./FILE DATE		MFG. SET	FIND NO.	DRAWING NO.	REV	NO OF SHT	DESCRIPTION	OPTION NO./FILE DATE
	X	1	E-UA-LA36-0-0		3	LA36 UNIT ASSY									
			A-PL-LA36-0-0		3	LA36 UNIT ASSY P.L.									
			A-SP-LA36-0-2		13	LA36 TEST PLAN									
			A-SP-LA36-0-3		4	LA36 TEST PROCEDURE									
			A-MD-7412103-0-0		1	PKG. OF PAPER (100 SHEETS)									
			A-SP-LA36-0-4		25	LA36 PRINTER SPEC									
X	X		D-CS-LA36-0-5	#	1	LA36 POWER SCHEMATIC									
			A-SP-LA36-0-8		3	LA36 DC MOTOR ACCEPTANCE PROC.									
			A-SP-LA36-0-9		10	LA36 SPEC. & VERIFICATION PROC.									
			DEC-0-0-H36UG-A-D		-	OPERATING INST. (LA36)									
		2	E-AD-7009648-0-0		3	CABINET ASSY W/POWER SUPPLY									
X	X		D-CS-M7722-0-1	#	8	LOGIC BOARD (LA36)									
		4	D-CS-5410805-0-1	#	1	LA36 POWER BOARD									
			D-IA-7411077-0-0		1	HEAT SINK									
		20	D-AD-7009777-0-0		1	ENCODER BASE HARNESS ASSY									
X	X	30	B-DD-LAXX-KG		1	EIA INTERFACE CABLE									
X	X	31	B-DD-LAXX-KH		1	ADAPTER & CABLE ASSY (DFH)									

CUSTOMER PRINT SET CODES  
X = PRINT OF DOCUMENT INCLUDED IN PRINT SET  
C = INCLUDES ALL PRINTS INDICATED ON DOCUMENT  
S = CONFIDENTIAL AUTHORIZED SIGNATURE REQUIRED

TITLE  
DECWRITER II DRAWING DIRECTORY

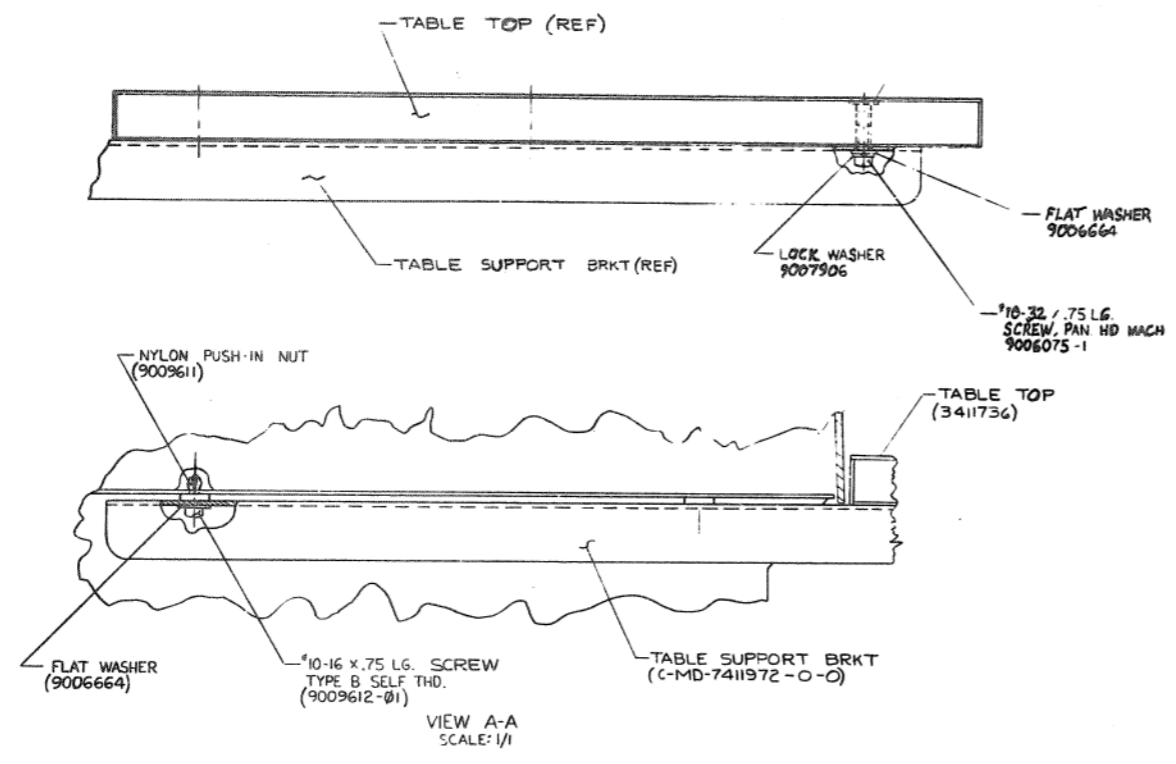
SHEET 9 OF 9  
SIZE CODE B DD  
NUMBER LA36-0

REV  
E

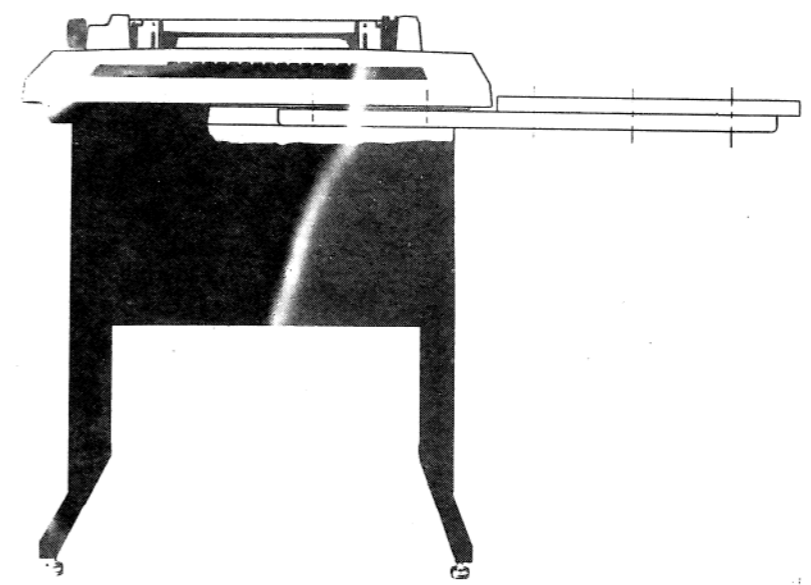
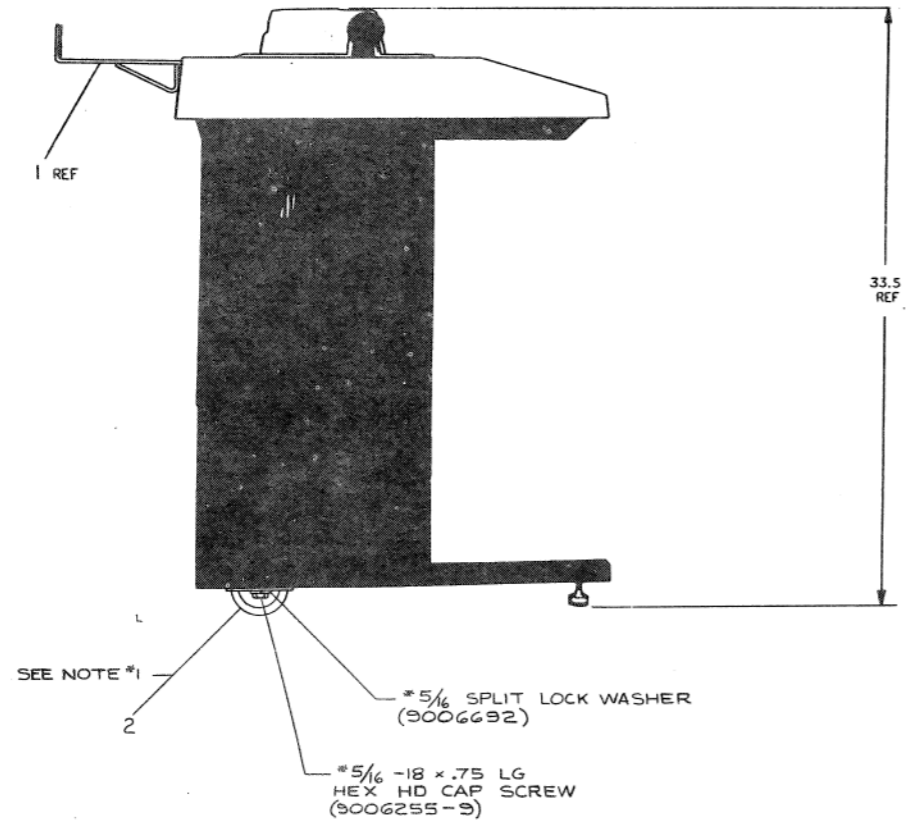
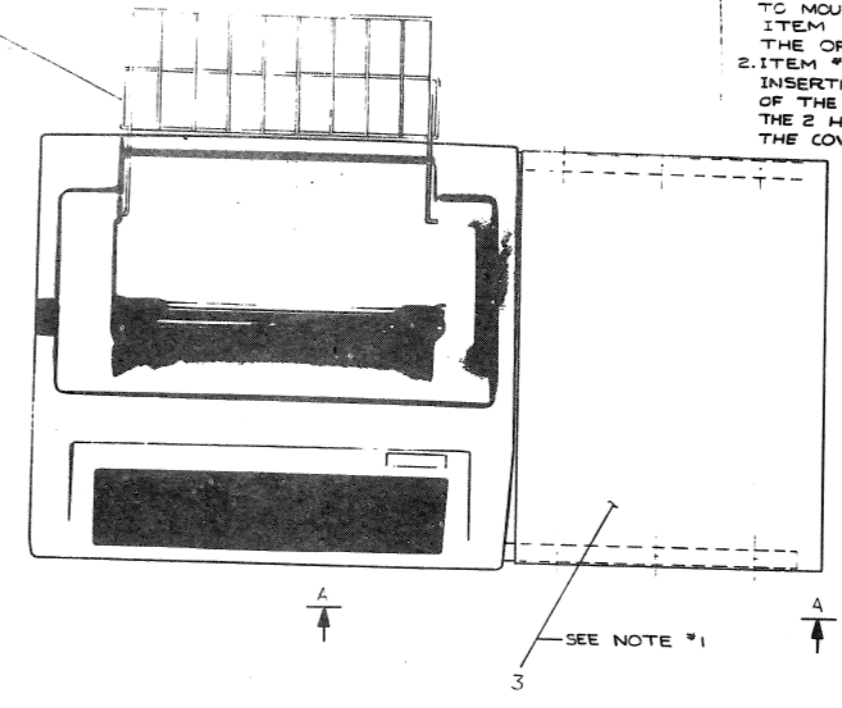


THIS DRAWING IS THE PROPERTY OF DIGITAL EQUIPMENT CORPORATION. IT IS TO BE USED FOR THE MANUFACTURE OF THE EQUIPMENT SPECIFIED HEREON. IT IS NOT TO BE REPRODUCED OR TRANSMITTED IN ANY FORM OR BY ANY MEANS, ELECTRONIC OR MECHANICAL, INCLUDING PHOTOCOPYING, RECORDING, OR BY ANY INFORMATION STORAGE AND RETRIEVAL SYSTEM, WITHOUT THE WRITTEN PERMISSION OF DIGITAL EQUIPMENT CORPORATION.

NOTES:  
 1. ALL HARDWARE NECESSARY TO MOUNT ITEM #2 AND ITEM #3 IS SUPPLIED IN THE OPTIONS KIT.  
 2. ITEM #1 IS INSTALLED BY INSERTING THE BENT ENDS OF THE "PAPER BASKET" INTO THE 2 HOLES PROVIDED ON THE COVER AS SHOWN.



SEE NOTE #2



FIRST USED ON OPTION/MODEL		QTY.	DESCRIPTION	PART NO.	ITEM NO.
1	LA36 TABLE ASSY	PL-7009897-0-0	3		
2	WHEEL ASSEMBLY	EAB-7009751-0-0	2		
1	BASKET, PAPER	D-1A-7412016-0-0	1		

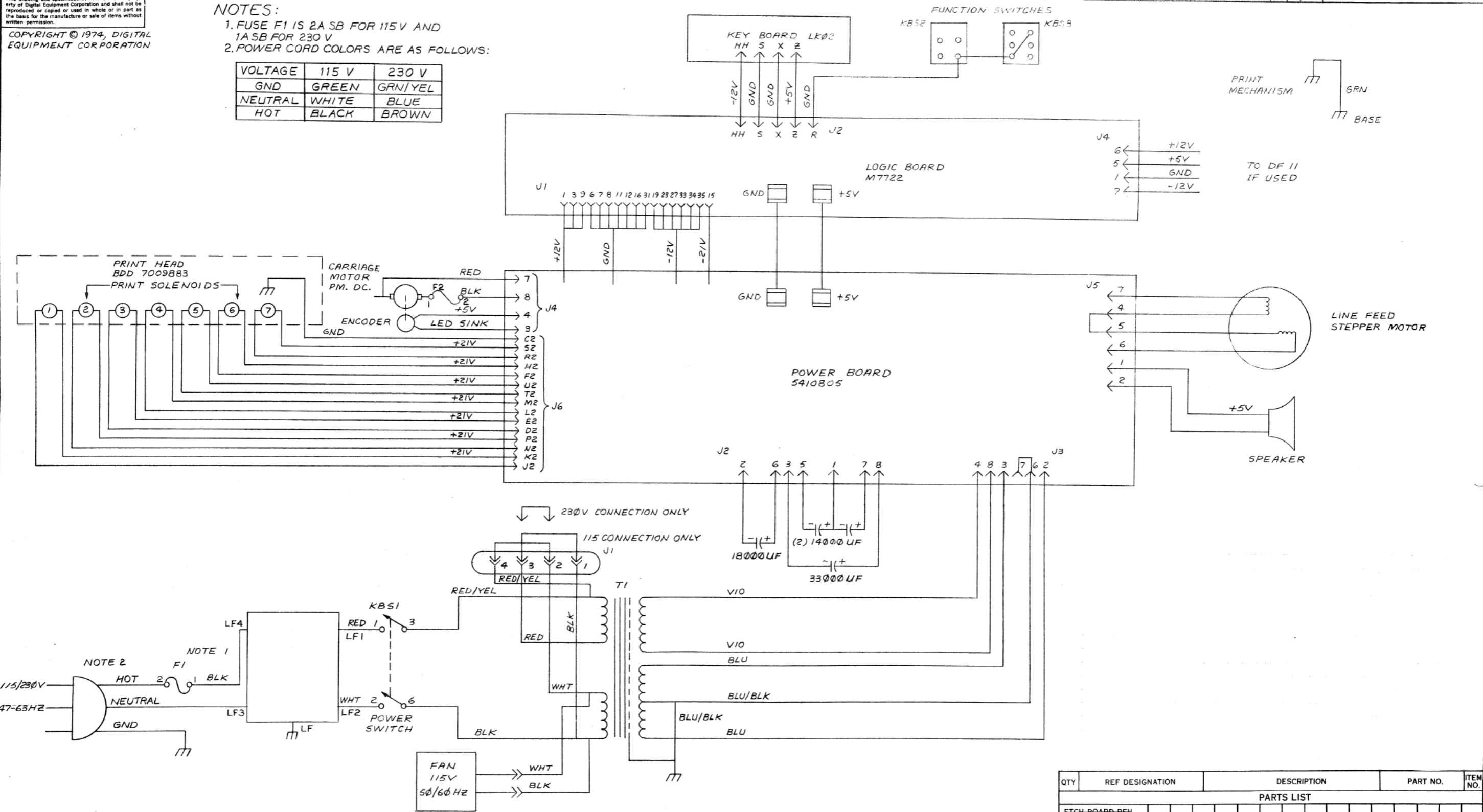
  

LA36		PARTS LIST	
DIMENSIONAL TOLERANCE	DRN	DATE	digital
DIMENSIONS ARE UNLESS OTHERWISE SPECIFIED	CHK'D	DATE	
MILLIMETERS	INCHES	ANGLES	TITLE
XXX +1.0K	XX +.01	XX +.1	LA36 OPTION ARRANGEMENT
XX +.05	X +.005	X +.1	NUMBER
X +.02	X +.002	X +.1	E AR LA36-0-1
THIRD ANGLE PROJECTION	REMOVE BURRS AND BREAK SHARP CORNERS SURFACE QUALITY	NEXT HIGHER ASSY.	REV.
MATERIAL	B-DD-LA36-0	SCALE	
FINISH		SHEET 1 OF 1	

This drawing and specifications, herein, are the property of Digital Equipment Corporation and shall not be reproduced or copied or used in whole or in part as the basis for the manufacture or sale of items without written permission.  
 COPYRIGHT © 1974, DIGITAL EQUIPMENT CORPORATION

- NOTES:**  
 1. FUSE F1 IS 2A SB FOR 115V AND 1A SB FOR 230 V  
 2. POWER CORD COLORS ARE AS FOLLOWS:

VOLTAGE	115 V	230 V
GND	GREEN	GRN/YEL
NEUTRAL	WHITE	BLUE
HOT	BLACK	BROWN



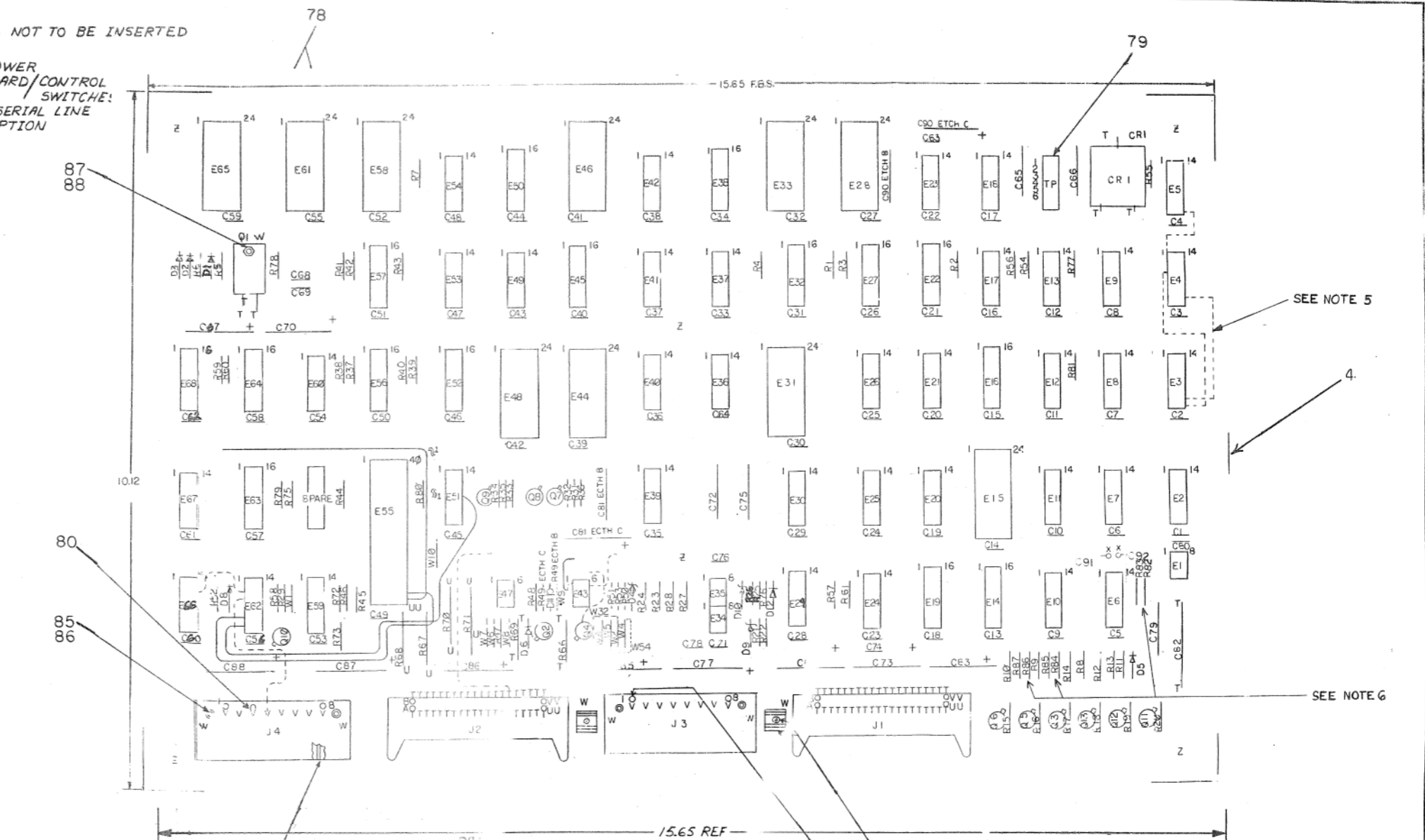
QTY	REF DESIGNATION	DESCRIPTION	PART NO.	ITEM NO.
PARTS LIST				
ETCH BOARD-REV				
DRN. <i>[Signature]</i>		DATE 7/12/74	digital EQUIPMENT CORPORATION MATYARD, MASSACHUSETTS TITLE LA36 POWER SCHEMATIC	
CHK'D. <i>[Signature]</i>		DATE 7/15/74		
ENG. <i>[Signature]</i>		DATE 7/15/74		
PROD. <i>[Signature]</i>		DATE 7/15/74		
NEXT HIGHER ASSY		DATE 7/15/74		
DEC NO.	EIA NO.	DEC NO.	EIA NO.	SCALE 1 OF 1
SEMICONDUCTOR CONVERSION CHART				SHEET 1 OF 1
SIZE CODE DIST. LA36-0-5			NUMBER	REV. B

REV	CHANGE NO.	REVISIONS
1	LA36-00052	E. NEAL
2	LA36-00076	E. NEAL
3	LA36-00076	E. NEAL
4	LA36-00076	E. NEAL
5	LA36-00076	E. NEAL

THIS DRAWING AND SPECIFICATIONS, HEREIN, ARE THE PROPERTY OF DIGITAL EQUIPMENT CORPORATION AND SHALL NOT BE REPRODUCED OR COPIED OR USED IN WHOLE OR IN PART AS THE BASIS FOR THE MANUFACTURE OR SALE OF ITEMS WITHOUT WRITTEN PERMISSION. COPYRIGHT © 1973, DIGITAL EQUIPMENT CORPORATION.

**NOTES:**

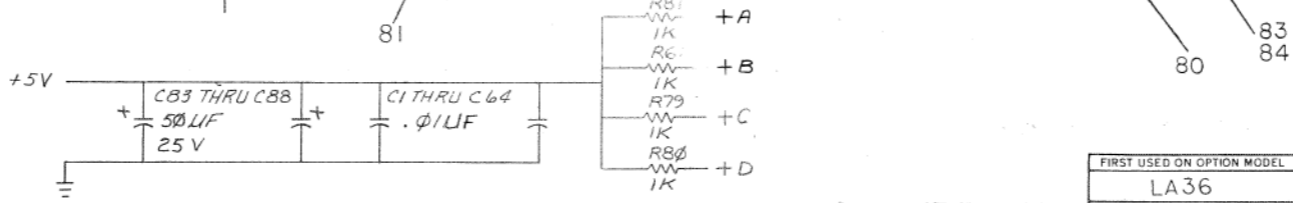
1. \* E27 & E48 NOT TO BE INSERTED
2. CONNECTORS:  
 J1 → J1 POWER  
 J2 → KEYBOARD/CONTROL SWITCHES  
 J3 → 20MA. SERIAL LINE  
 J4 → DFII OPTION
3. PREFERRED CONFIGURATION  
 E58 = 23-082A6 ('CROM')  
 E61 = EMPTY  
 E65 = EMPTY  
 SUBSTITUTE CONFIGURATION  
 E58 = EMPTY  
 E61 = 23-083A4 ('PROM 1')  
 E65 = 23-082A4 ('PROM 0')
4. PREFERRED CONFIGURATION  
 E17 = I.C. 8640  
 R54 = 5.6K 1/4W 5%  
 R55 = 1K 1/4W 5%  
 R56 = 5.6K 1/4W 5%  
 SUBSTITUTE CONFIGURATION  
 E17 = I.C. 380  
 R54 = 10K 1/4W 5%  
 R55 = 470 1/4W 5%  
 R56 = 10K 1/4W 5%
5. DOTTED LINES REPRESENT ADDED WIRES TO ETCH REV B BOARDS ONLY.
6. LOCATIONS OF R82 THRU R87 ARE SLIGHTLY DIFFERENT ON ETCH REV B BOARDS.
7. SUBSTITUTE CONFIGURATIONS ARE EQUAL IN PERFORMANCE TO PREFERRED CONFIGURATIONS. IT IS NOT NECESSARY TO CHANGE CONFIGURATIONS IN THE FIELD.



8640	1	8
LM301A	NONE	NONE
1702	NONE	12,15
74123	8	16
74150	12	24
74154	12	24
74161	8	16
74175	8	16
74130	8	16
74193	8	16
7442	8	16
7489	8	16
7493	10	5
MK2600P	12	24
UART	3	1
IC TYPE	GND	+5V

GND AND 5V ARE USUALLY PIN 7 AND 14 RESPECTIVELY. EXCEPTIONS ARE STATED ABOVE.

IC PIN LOCATIONS



R81 1K R82 5.6K R83 10K R84 10K R85 10K R86 10K R87 10K	+A +B +C +D
--	----------------------

FIRST USED ON OPTION MODEL		QTY	REF DESIGNATION	DESCRIPTION	PART NO.	ITEM NO.
LA36			B C			
PARTS LIST						
DRN		DATE		digital EQUIPMENT CORPORATION		
CHK'D		DATE		MAYFORD MASSACHUSETTS		
ENG		DATE		TITLE		
PROD. ENG.		DATE		LA36 (MPC1)		
PROD.		DATE		NEXT HIGHER ASSY		
SCALE		SHEET		SIZE CODE		NUMBER
1 OF 8		DIST.		DCS M7722-0-1		REV. E

SEMICONDUCTOR CONVERSION CHART

THIS DRAWING AND SPECIFICATIONS HEREIN ARE THE PROPERTY OF DIGITAL EQUIPMENT CORPORATION AND SHALL NOT BE REPRODUCED OR COPIED OR USED IN WHOLE OR IN PART AS THE BASIS FOR THE MANUFACTURE OR SALE OF ITEMS WITHOUT WRITTEN PERMISSION. COPYRIGHT © 1973, DIGITAL EQUIPMENT CORPORATION.

**PARTS LIST**  
QUANTITIES SHOWN REPRESENT PREFERRED CONFIGURATION

QTY	REF DESIGNATION	DESCRIPTION	PART NO.	ITEM NO.
REF		X-Y COORDINATE HOLE LOCATION	K-CO-M7722-B-4	1
REF		ASSY/DRILLING HOLE LAYOUT	D-AH-M7722-B-5	2
REF		MODULE ECO HISTORY	B-MH-M7722-B-6	3
1		ETCHED CIRCUIT BOARD	5010823	4
3	C71, C76, C80	CAP 39PF, 100V, 5%, DIPPED MICA	1888818	5
1	C82	CAP .22UF, 100V 10% NYLAR	1888837	6
5	C85, C86, C72, C75, C79	CAP .047UF, 100V 10% NYLAR	1888851	7
70	C1 THRU C64, C68, C69, C74, C78, C91, C92	CAP .01UF 100V DISC	1881618-B1	8
				9
6	C67, C70, C73, C77, C81, C90	CAP 25UF 25V 20% AL EL	1888875	10
6	C83 THRU C88	CAP 50UF 25V 10% AL EL	1881796	11
1	D1	DIODE D662	1188113	12
3	D8, D5, D12	DIODE D664	1188114	13
2	D9, D10	DIODE IN748A 35V ZENER 5%	1188122	14
1	D4	DIODE IN748A 33V ZENER 5%	1184868	15
1	D6	DIODE IN4004	1185796	16
2	D2, D3	DIODE .4M 5.1A21 5.1V ZENER 1%	1105873	17
2	J3, J4	CONN 8PIN MAT-N-LOK (SOCKET HOUSING)	1289348	18
2	J1, J2	CONN 40PIN BERG	1289941	19
2	R23, R27	RES 511 1/4W 1%	1382411	20
3	R21, R25, R51	RES 1M 1/4W 5%	1380959S	21
2	R29, R50	RES 47 1/4W 5%	1388282	22
3	R6, R58, R7	RES 100 1/4W 5%	1388229	23
1	R47	RES 150 1/4W 5%	1388258	24
3	R33, R76, R49	RES 330 1/4W 5%	1388295	25
34	R1 THRU R5, R32, R34, R35, R37 THRU R46, R52, R61, R72, R73, R75, R77 THRU R87, R55	RES 1K 1/4W 5%	1300365	26
1	R31	RES 1.5K 1/4W 5%	1388391	27
1	R54, R56, R53	RES 10K 1/4W 5%	1388479	28
3	R13, R22, R26	RES 180 1/4W 5%	1381322	29
1	R48	RES 68K 1/4W 5%	1381327	30
1	R11	RES 820 1/4W 5%	1381775	31
6	R36, R59, R60, R57, R54, R56	RES 5.6K 1/4W 5%	1381874	32
				33
1	R8	RES 100K 1/4W 5%	1382466	34
1	R18	RES 14.7K 1/4W 1%	1382941	35
2	R12, R14	RES 1K 1/4W 1%	1383114	36
4	R67, R68, R70, R71	RES 1K 1W 5%	1388368	37
1	R19	RES 3.48K 1/4W 1%	1385114	38
1	R15	RES 121K 1/4W 1%	1385255	39
2	R9, R10	RES 232K 1/4W 1%	1385424	40
1	R17	RES 30.1K 1/4W 1%	1311594	41
1	R16	RES 59K 1/4W 1%	1388525	42
				43
2	Q7, Q8	TRANSISTOR MPSA55	1510706	44
10	Q2, Q4, Q9, Q10, Q11, Q12, Q13, Q3, Q5, Q6	TRANSISTOR MPSA85	1518785	45
1	Q1	TRANSISTOR D4SC8	1518598	46
1	CR 1	CRYSTAL 1.6896 MHZ SUBSTITUTE	1818245-02	47
1	CR 1	CRYSTAL 1.6896 MHZ PREFERRED	181689	

QTY	REF DESIGNATION	DESCRIPTION	PART NO.	ITEM NO.
11	E2, E3, E4, E5, E8, E24, E30, E39, E51, E60, E36	IC 7474	1985547	48
6	E11, E12, E29, E37, E40, E53	IC 7498	1985575	49
2	E9, E42	IC 7418	1985578	50
1	E23	IC 7428	1985577	51
2	E21, E59	IC 7481	1985598	52
2	E13, E26	IC 7493A	1989854	53
				54
10	E7, E10, E18, E20, E25, E41, E49, E54, E82, E87	IC 7484	1989888	55
2	E44, E46	IC 74154	1989781	56
1	E6	IC 7413	1989889	57
3	E32, E38, E45	IC 74193	1918818	58
2	E19, E50	IC 7442	1918846	59
1	E66	IC 7437	1918891	60
1	E16	IC 74198	1918895	61
2	E15, E31	IC 74150	1918153	62
3	E1, E34, E35	IC LM3818AN DIP.	1918282	63
3	E22, E56, E57	IC 7489, 3101	1918396	64
1	E64	IC 74123	1918436	65
1	E55	IC UART	1918459	66
2	E83, E88	IC 74181	1918658	67
2	E14, E52	IC 74175	1918651	68
1	E28	IC MK2626P (NUMBER SET UNSLASHED Ø)	23071A6	69
2	E43, E47	IC 4N26 (SOCT5)	1911998	70
				71
1	E33	IC MK2627P (ALPHA SET)	23070A6	72
				73
				74
2	R66, R69	RES 18Ø 1/2W 5%	138826Ø	75
2	R24, R28	RES 5.11K 1/4W 1%	1384854	76
1	R20	RES 2.15K 1/4W 1%	1311653	77
2	E61, E65	SOCKET IC 24 PIN	1218693	78
1		SOCKET IC 14 PIN (TP SOCKET)	1218854	79
2		KEYING PLUG, MAT-N-LOK	1211593	80
11		SOCKETS, MAT-N-LOK 6132Ø-1	1209456	81
5	W1 THRU W5	WIRE, INSULATED JUMPER	9009185	82
2		FASTON	9007113	83
2		EYELETS (FASTON)	900900Ø	84
4		EYELETS (MAT-N-LOK)	9007266	85
4		WASHER, FLAT, NYLON, #6	9006707	86
1		SCREW, SLOTTED BIND. HD. 4-40 X 5/16	9006Ø1Ø-4	87
1		NUT, KEP, 4-4Ø	9006557	88
1	D11	DIODE MCL1301	1105610-0-0	89
				90

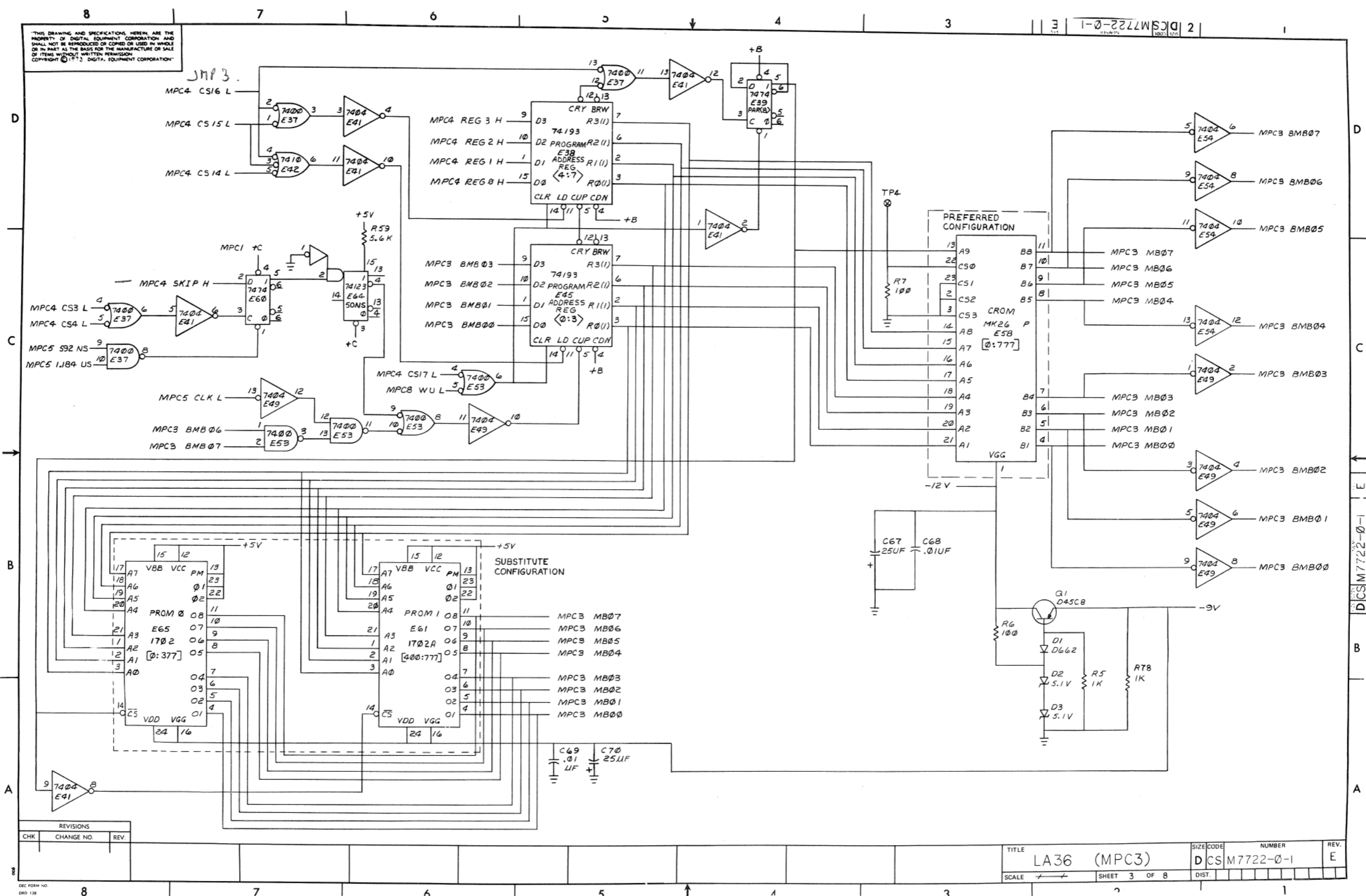
QTY	REF DESIGNATION	DESCRIPTION	PART NO.	ITEM NO.
				91
A/R		30 INSULATED WIRE (GREEN)	9105740-55	92
				93
				94
A/R	FOR MOUNTING Q1	THERMAL COMPOUND	90C 8268	95
1	E58	I.C. MK2628P "CROM"	23082A6	96
1	E17	I.C. 8640	1911469	97

REVISIONS		
CHK	CHANGE NO	REV

TITLE	LA36 (MPC2)	SIZE CODE	D C S M 7722	NUMBER	-Ø-1	REV.	E
SCALE		SHEET	2	OF	8	DIST.	

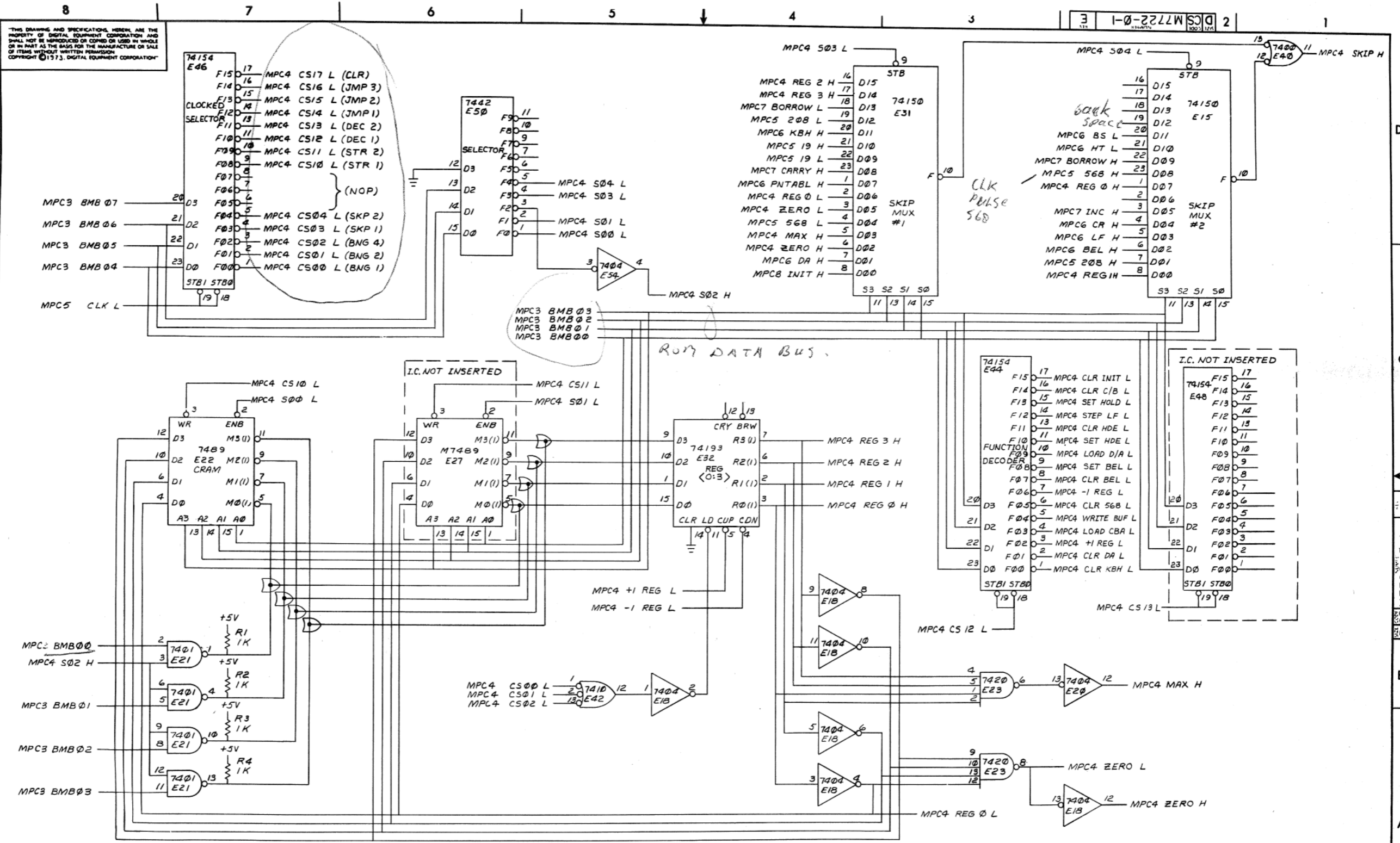


THIS DRAWING AND SPECIFICATIONS HEREIN ARE THE PROPERTY OF DIGITAL EQUIPMENT CORPORATION AND SHALL NOT BE REPRODUCED OR COPIED OR USED IN WHOLE OR IN PART AS THE BASIS FOR THE MANUFACTURE OR SALE OF ITEMS WITHOUT WRITTEN PERMISSION. COPYRIGHT © 1973 DIGITAL EQUIPMENT CORPORATION.



REVISIONS		
CHK	CHANGE NO.	REV.

TITLE	LA36 (MPC3)	SIZE CODE	D	NUMBER	CSM7722-0-1	REV.	E
SCALE	1:1	SHEET	3	OF	8	DIST.	



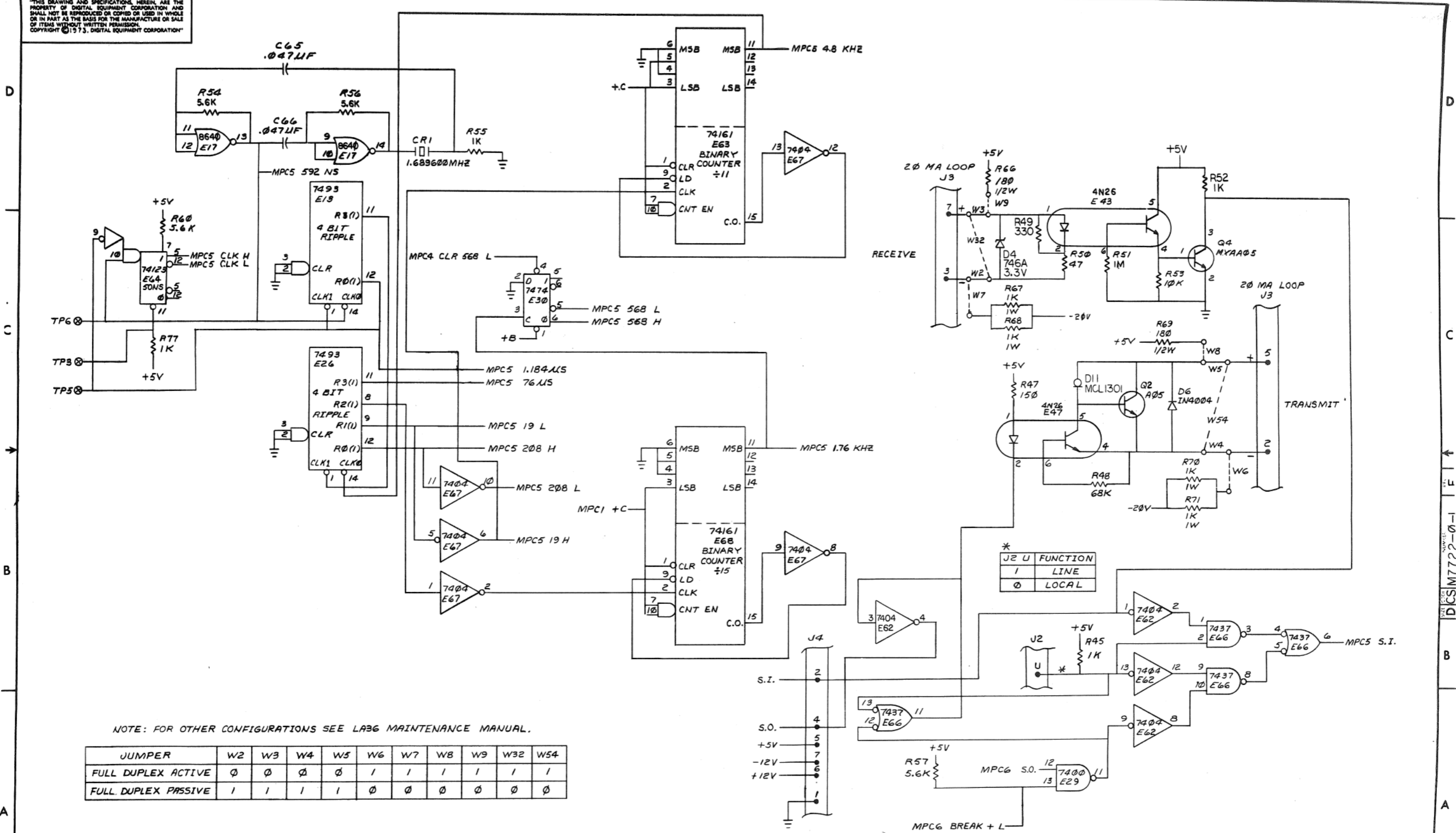
THIS DRAWING AND SPECIFICATIONS, HEREIN, ARE THE PROPERTY OF DIGITAL EQUIPMENT CORPORATION AND SHALL NOT BE REPRODUCED OR COPIED OR USED IN WHOLE OR IN PART AS THE BASIS FOR THE MANUFACTURE OR SALE OF ITEMS WITHOUT WRITTEN PERMISSION. COPYRIGHT © 1973, DIGITAL EQUIPMENT CORPORATION.

REVISIONS		
CHK	CHANGE NO.	REV.

TITLE	LA36 (MPC4)	SIZE CODE	D CS M7722-0-1	NUMBER		REV.	E
SCALE		SHEET	4 OF 8	DIST.			

"THIS DRAWING AND SPECIFICATIONS HEREIN ARE THE PROPERTY OF DIGITAL EQUIPMENT CORPORATION AND SHALL NOT BE REPRODUCED OR COPIED OR USED IN WHOLE OR IN PART AS THE BASIS FOR THE MANUFACTURE OR SALE OF ITEMS WITHOUT WRITTEN PERMISSION. COPYRIGHT © 1973, DIGITAL EQUIPMENT CORPORATION"

DIGITAL EQUIPMENT CORPORATION  
 MODEL M7722-0-1



NOTE: FOR OTHER CONFIGURATIONS SEE LA36 MAINTENANCE MANUAL.

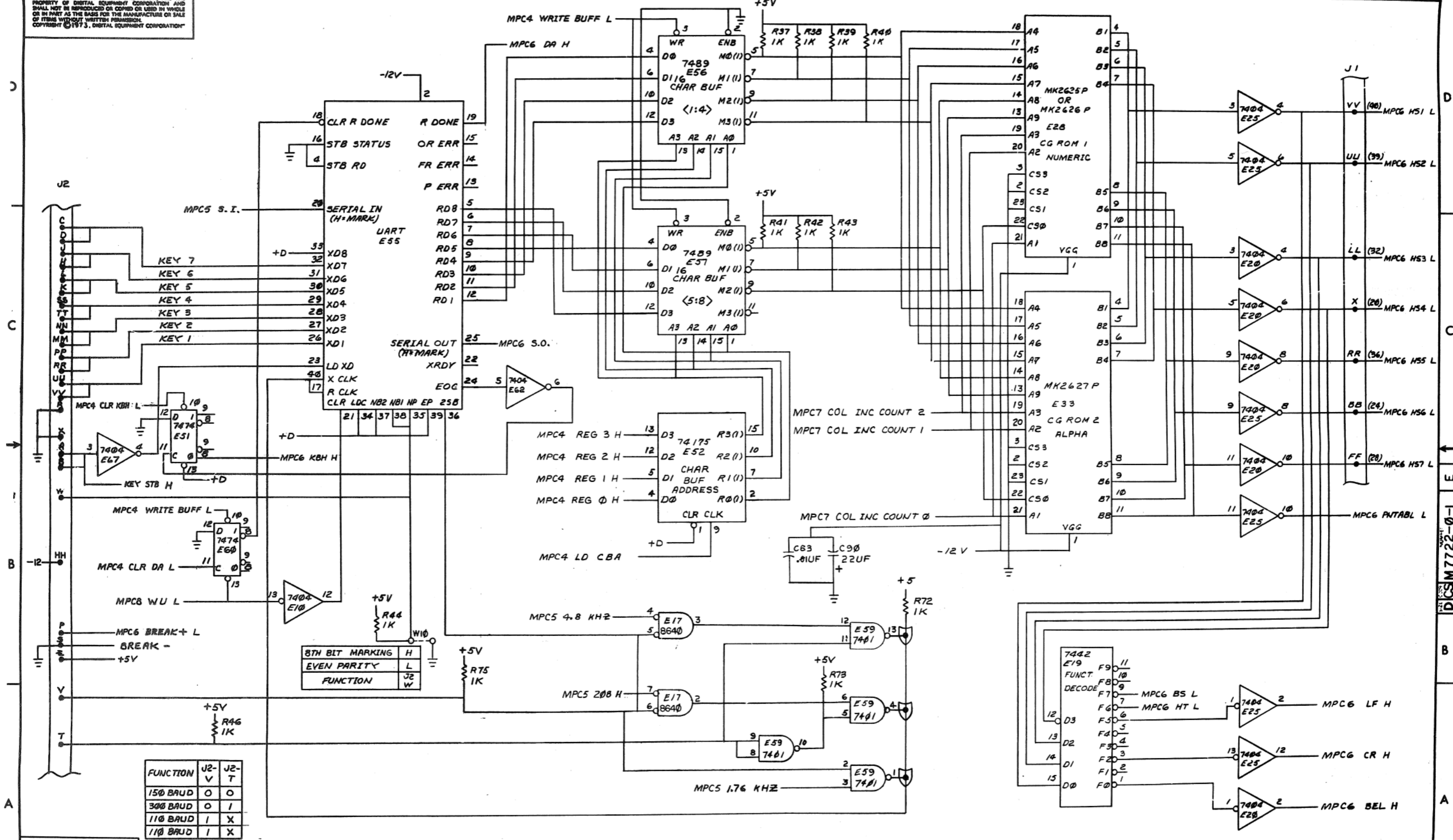
JUMPER	W2	W3	W4	W5	W6	W7	W8	W9	W32	W54
FULL DUPLEX ACTIVE	0	0	0	0	1	1	1	1	1	1
FULL DUPLEX PASSIVE	1	1	1	1	0	0	0	0	0	0

\* J2 U FUNCTION

1	LINE
0	LOCAL

REVISIONS		
CHK	CHANGE NO	REV

THIS DRAWING AND SPECIFICATIONS HEREIN ARE THE PROPERTY OF DIGITAL EQUIPMENT CORPORATION AND SHALL NOT BE REPRODUCED OR COPIED OR USED IN WHOLE OR IN PART AS THE BASIS FOR THE MANUFACTURE OR SALE OF ITEMS WITHOUT WRITTEN PERMISSION. COPYRIGHT © 1973, DIGITAL EQUIPMENT CORPORATION

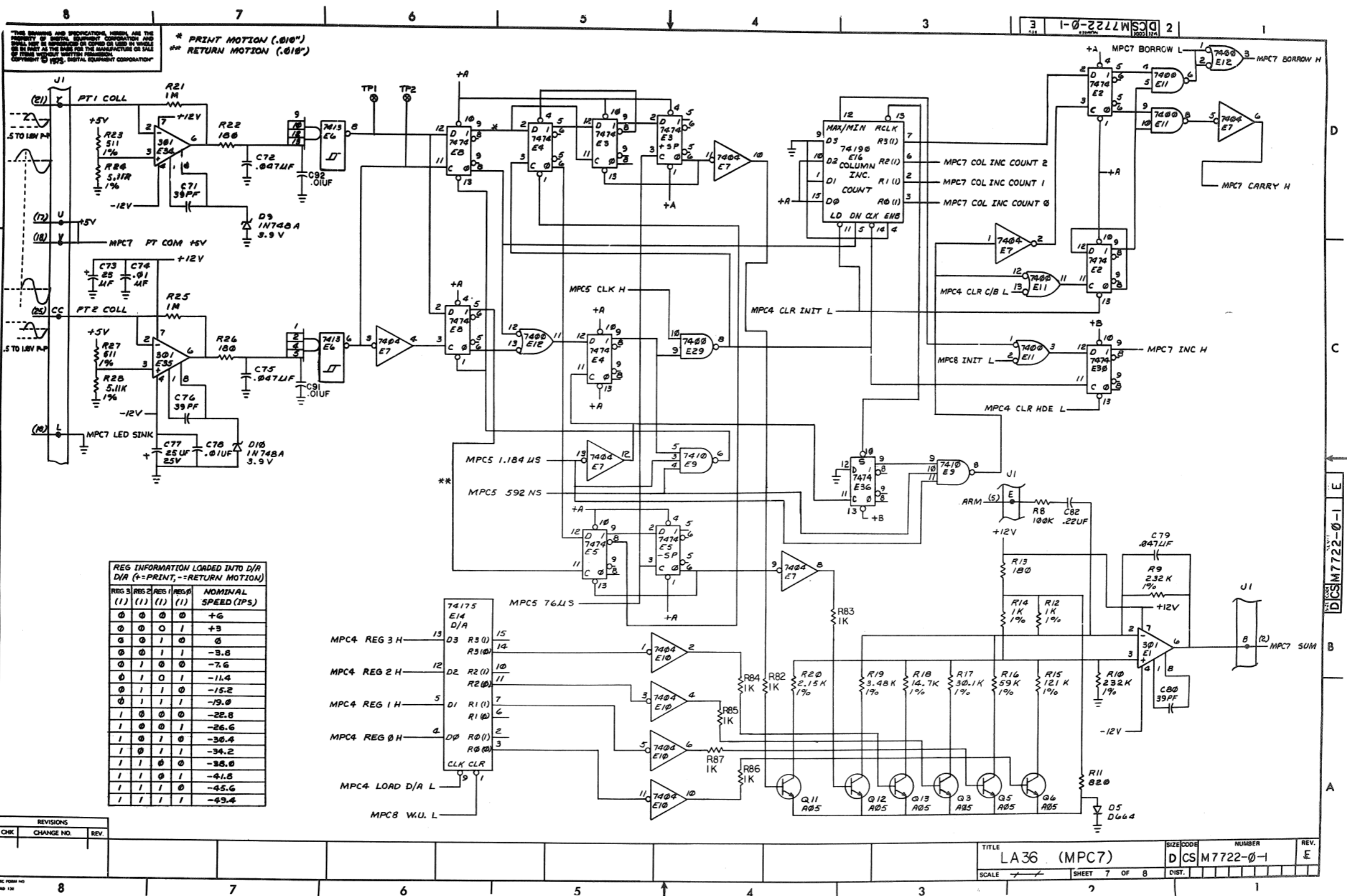


FUNCTION	J2-V	J2-T
150 BAUD	0	0
300 BAUD	0	1
110 BAUD	1	X
110 BAUD	1	X

8TH BIT MARKING	H
EVEN PARITY	L
FUNCTION	J2-W

REVISIONS		
CHK	CHANGE NO.	REV.





THE DRAWING AND SPECIFICATIONS HEREIN ARE THE PROPERTY OF DIGITAL EQUIPMENT CORPORATION AND SHALL NOT BE REPRODUCED OR COPIED IN WHOLE OR IN PART AS THE BASIS FOR THE MANUFACTURE OR SALE OF ITEMS WITHOUT WRITTEN PERMISSION. COPYRIGHT © 1975, DIGITAL EQUIPMENT CORPORATION.

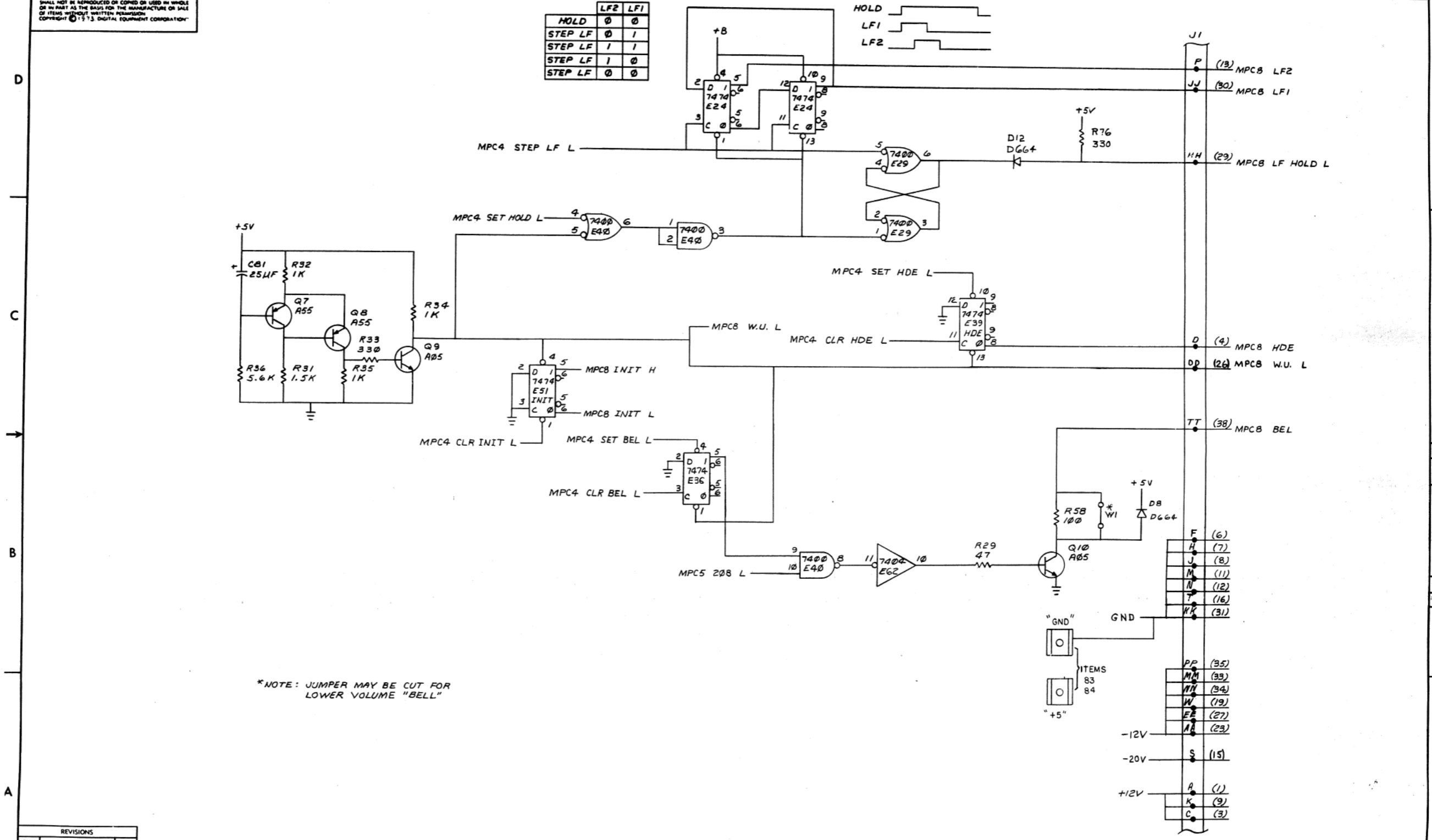
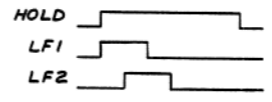
\* PRINT MOTION (.010")  
 \*\* RETURN MOTION (.010")

REG INFORMATION LOADED INTO D/A				
D/A (+ = PRINT, - = RETURN MOTION)				
REG 3	REG 2	REG 1	REG 0	NOMINAL SPEED (IPS)
0	0	0	0	+6
0	0	0	1	+3
0	0	1	0	0
0	0	1	1	-3.8
0	1	0	0	-7.6
0	1	0	1	-11.4
0	1	1	0	-15.2
0	1	1	1	-19.0
1	0	0	0	-22.8
1	0	0	1	-26.6
1	0	1	0	-30.4
1	0	1	1	-34.2
1	1	0	0	-38.0
1	1	0	1	-41.8
1	1	1	0	-45.6
1	1	1	1	-49.4

REVISIONS		
CHK	CHANGE NO.	REV.

THIS DRAWING AND SPECIFICATIONS HEREIN ARE THE PROPERTY OF DIGITAL EQUIPMENT CORPORATION AND SHALL NOT BE REPRODUCED OR COPIED OR USED IN WHOLE OR IN PART AS THE BASIS FOR THE MANUFACTURE OR SALE OF ITEMS WITHOUT WRITTEN PERMISSION. COPYRIGHT © 1973 DIGITAL EQUIPMENT CORPORATION.

	LF2	LF1
HOLD	0	0
STEP LF	0	1
STEP LF	1	1
STEP LF	1	0
STEP LF	0	0



\*NOTE: JUMPER MAY BE CUT FOR LOWER VOLUME "BELL"

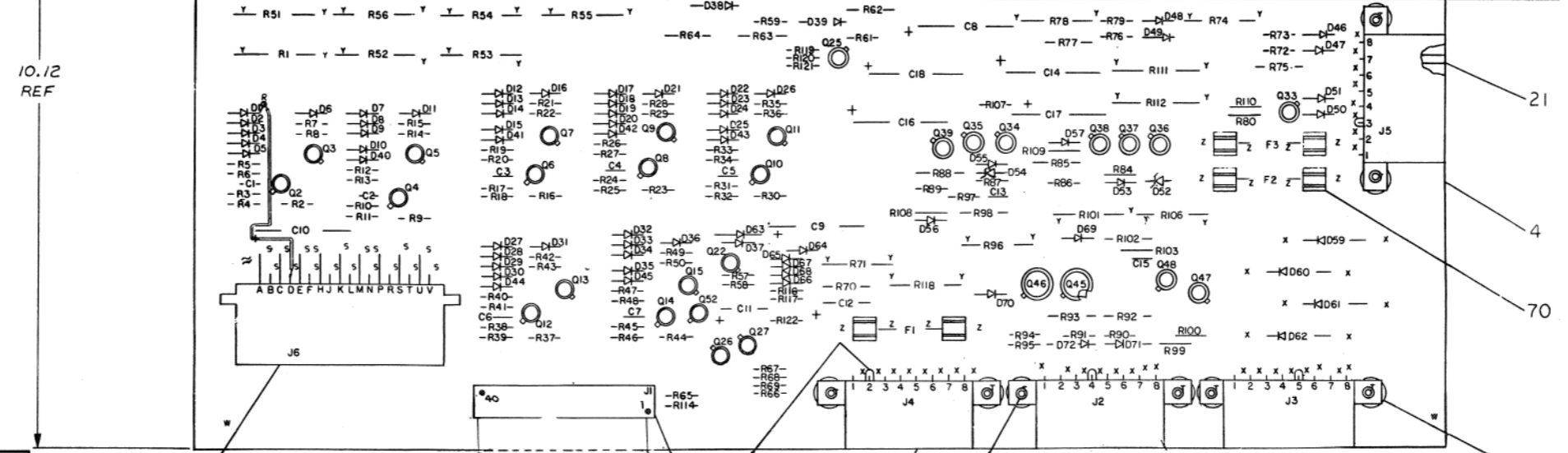
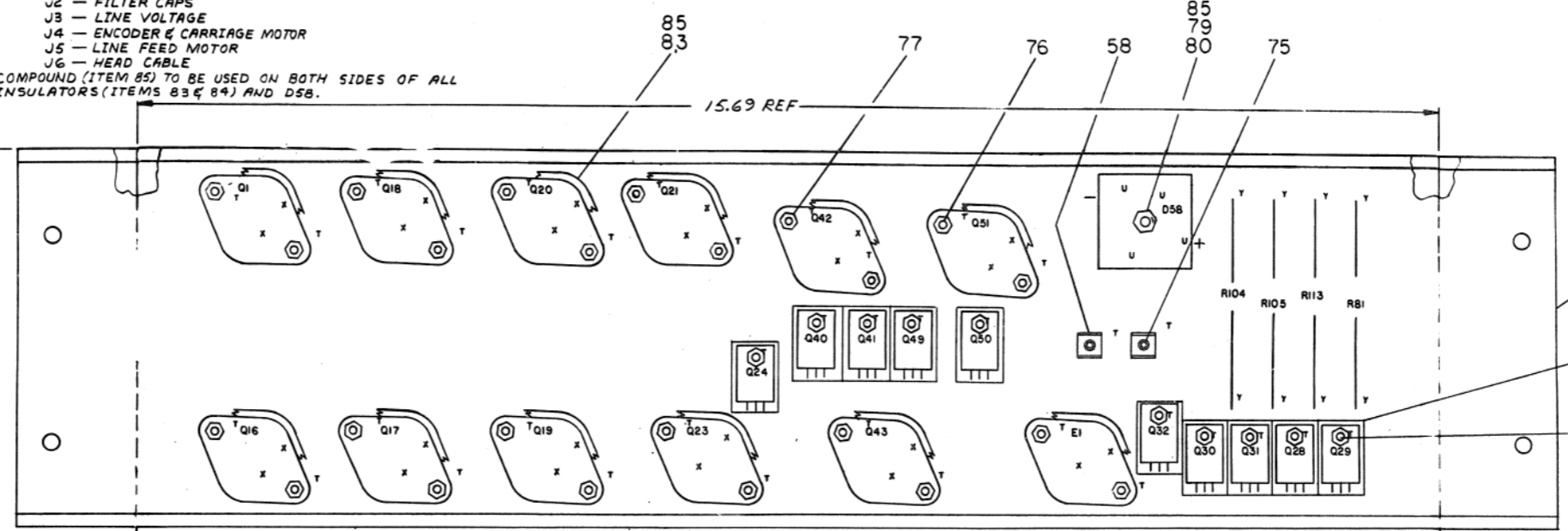
REVISIONS		
CHK	CHANGE NO.	REV.

THE DIMENSIONS AND SPECIFICATIONS HEREIN ARE THE PROPERTY OF DIGITAL EQUIPMENT CORPORATION AND SHALL NOT BE REPRODUCED OR COPIED OR USED IN WHOLE OR IN PART AS THE BASIS FOR THE MANUFACTURE OR SALE OF THIS PRODUCT WITHOUT THE WRITTEN PERMISSION OF DIGITAL EQUIPMENT CORPORATION.

NOTES:

- 1. CONNECTORS:  
 J1 - J1 LOGIC  
 J2 - FILTER CAPS  
 J3 - LINE VOLTAGE  
 J4 - ENCODER & CARRIAGE MOTOR  
 J5 - LINE FEED MOTOR  
 J6 - HEAD CABLE
- 2. COMPOUND (ITEM 85) TO BE USED ON BOTH SIDES OF ALL INSULATORS (ITEMS 83 & 84) AND D58.

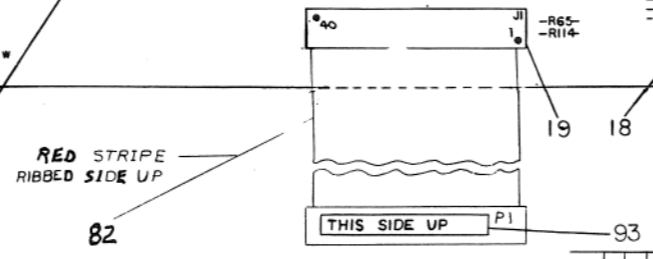
3. "THIS SIDE UP" STICKER TO BE INSTALLED ON CABLE CONNECTOR P1 AS SHOWN.



IC TYPE	GND	+5V

GND AND 5V ARE USUALLY PIN 7 AND 14 RESPECTIVELY. EXCEPTIONS ARE STATED ABOVE.

IC PIN LOCATIONS

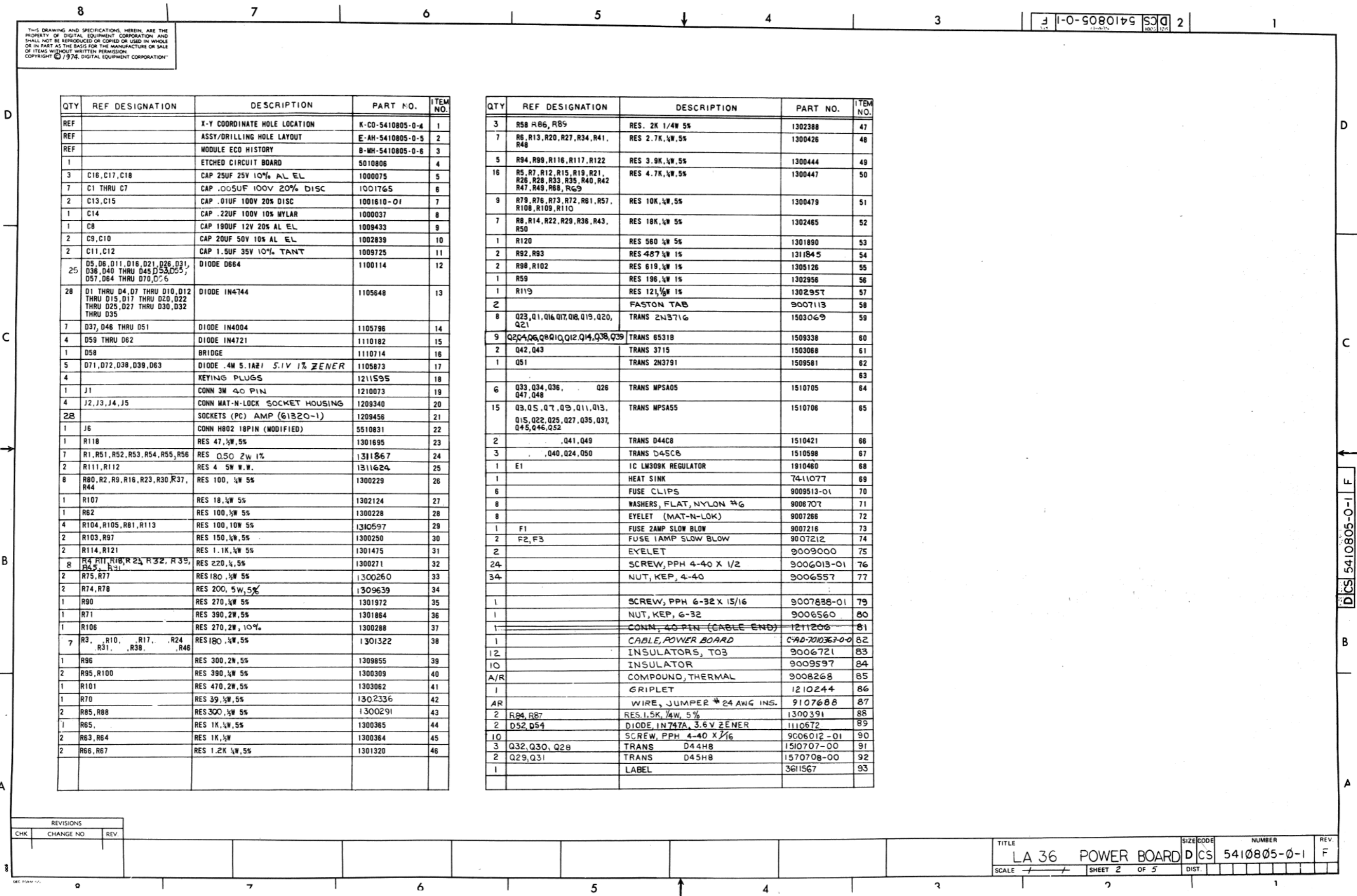


QTY	REF DESIGNATION	DESCRIPTION	PART NO.	ITEM NO.
	LA36			
FIRST USED ON OPTION MODEL				
ETCH BOARD REV C				
PARTS LIST				
DRN: <i>P. Heller</i> DATE: 3/29/74 CHKD: <i>P. S.</i> DATE: 5/13/74 ENG: <i>H. L. M.</i> DATE: 5/13/74 PROD. ENG: <i>C. ...</i> DATE: 5/13/74 PROD. DATE: 5/13/74 NEXT HIGHER ASSY:				
TITLE			<b>digital</b> EQUIPMENT CORPORATION MAYNARD, MASSACHUSETTS 01901	
LA 36			POWER BOARD	
SIZE CODE			NUMBER	REV.
DCS 5410805-0-1			F	F
SCALE			SHEET 1 OF 5	
SEMICONDUCTOR CONVERSION CHART				

CHK	CHANGE NO.	REV.

THIS DRAWING AND SPECIFICATIONS, HEREIN, ARE THE PROPERTY OF DIGITAL EQUIPMENT CORPORATION AND SHALL NOT BE REPRODUCED OR COPIED OR USED IN WHOLE OR IN PART AS THE BASIS FOR THE MANUFACTURE OR SALE OF ITEMS WITHOUT WRITTEN PERMISSION. COPYRIGHT © 1974, DIGITAL EQUIPMENT CORPORATION.

DCS 5410805-0-1 2



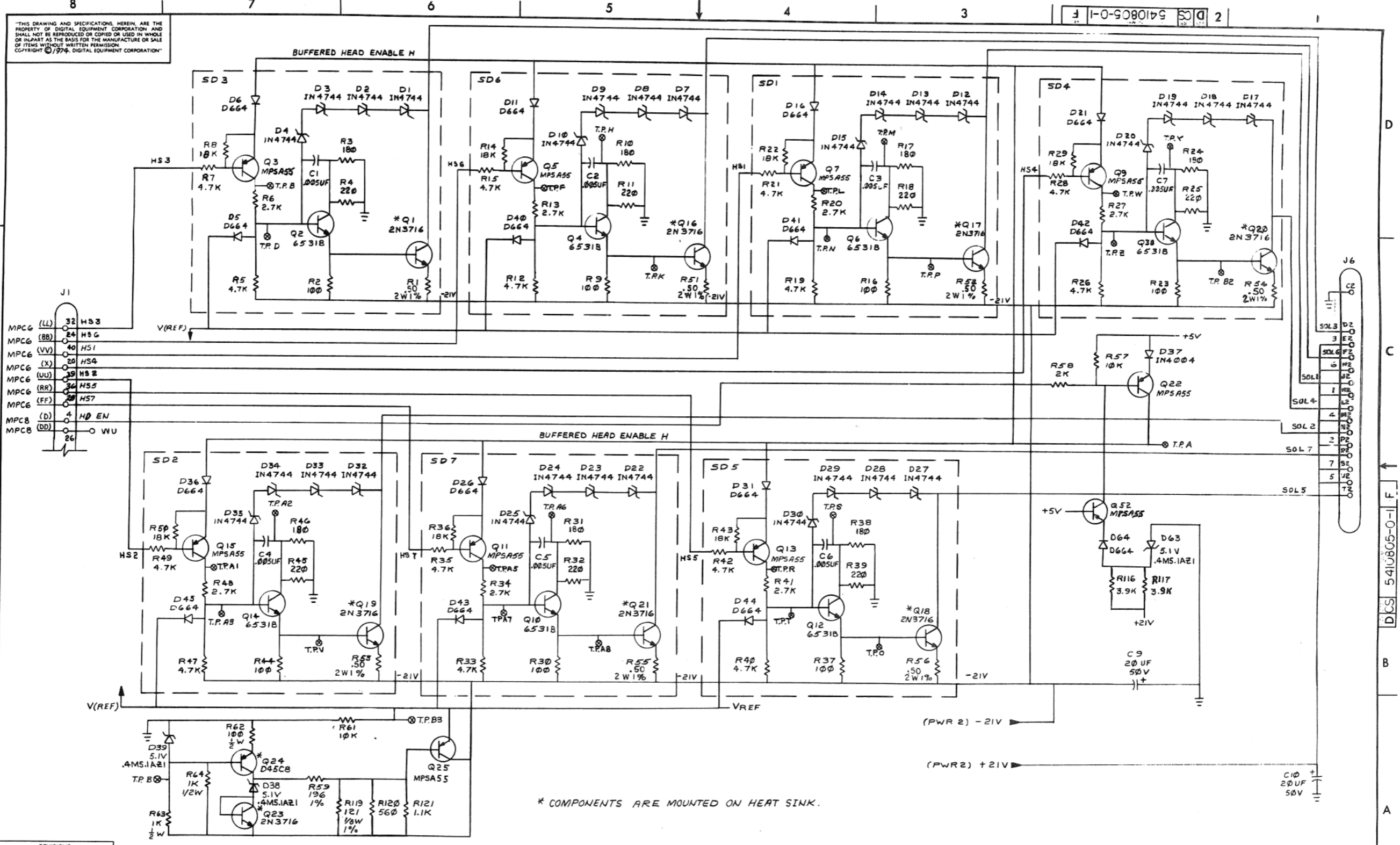
QTY	REF DESIGNATION	DESCRIPTION	PART NO.	ITEM NO.
REF		X-Y COORDINATE HOLE LOCATION	K-CO-5410805-0-4	1
REF		ASSY/DRILLING HOLE LAYOUT	E-AH-5410805-0-5	2
REF		MODULE ECO HISTORY	B-MH-5410805-0-6	3
1		ETCHED CIRCUIT BOARD	5010806	4
3	C16, C17, C18	CAP 25UF 25V 10% AL EL	1000075	5
7	C1 THRU C7	CAP .005UF 100V 20% DISC	1001765	6
2	C13, C15	CAP .01UF 100V 20% DISC	1001610-01	7
1	C14	CAP .22UF 100V 10% MYLAR	1000037	8
1	C8	CAP 190UF 12V 20% AL EL	1009433	9
2	C9, C10	CAP 20UF 50V 10% AL EL	1002839	10
2	C11, C12	CAP 1.5UF 35V 10% TANT	1009725	11
25	D5, D6, D11, D16, D21, D26, D31, D36, D40 THRU D45, D53, D55, D57, D64 THRU D70, D76	DIODE D864	1100114	12
28	D1 THRU D4, D7 THRU D10, D12 THRU D15, D17 THRU D20, D22 THRU D25, D27 THRU D30, D32 THRU D35	DIODE 1N4744	1105648	13
7	D37, D46 THRU D51	DIODE 1N4004	1105796	14
4	D59 THRU D62	DIODE 1N4721	1110182	15
1	D58	BRIDGE	1110714	16
5	D71, D72, D38, D39, D63	DIODE .4M 5.1A21 5.1V 1% ZENER	1105873	17
4		KEYING PLUGS	1211595	18
1	J1	CONN 3M 40 PIN	1210073	19
4	J2, J3, J4, J5	CONN MAT-N-LOCK SOCKET HOUSING	1209340	20
28		SOCKETS (PC) AMP (6132Q-1)	1209456	21
1	J6	CONN H802 18PIN (MODIFIED)	5510831	22
1	R118	RES 47, 1/4W, 5%	1301695	23
7	R1, R51, R52, R53, R54, R55, R56	RES 0.50 2W 1%	1311867	24
2	R111, R112	RES 4 5W W.W.	1311624	25
8	R80, R2, R9, R16, R23, R30, R37, R44	RES 100, 1/4W 5%	1300229	26
1	R107	RES 18, 1/4W 5%	1302124	27
1	R62	RES 100, 1/4W 5%	1300228	28
4	R104, R105, R81, R113	RES 100, 10W 5%	1310597	29
2	R103, R97	RES 150, 1/4W, 5%	1300250	30
2	R114, R121	RES 1.1K, 1/4W 5%	1301475	31
8	R4, R11, R18, R23, R32, R35, R45, R51	RES 220, 1/4, 5%	1300271	32
2	R75, R77	RES 180, 1/4W 5%	1300260	33
2	R74, R78	RES 200, 5W, 5%	1309639	34
1	R90	RES 270, 1/4W 5%	1301972	35
1	R71	RES 390, 2W, 5%	1301864	36
1	R106	RES 270, 2W, 10%	1300288	37
7	R3, R10, R17, R24, R31, R38, R46	RES 180, 1/4W, 5%	1301322	38
1	R96	RES 300, 2W, 5%	1309855	39
2	R95, R100	RES 390, 1/4W 5%	1300309	40
1	R101	RES 470, 2W, 5%	1303062	41
1	R70	RES 39, 1/4W, 5%	1302336	42
2	R85, R88	RES 300, 1/4W 5%	1300291	43
1	R65	RES 1K, 1/4W, 5%	1300365	44
2	R63, R64	RES 1K, 1/4W	1300364	45
2	R66, R67	RES 1.2K 1/4W, 5%	1301320	46

QTY	REF DESIGNATION	DESCRIPTION	PART NO.	ITEM NO.
3	R58, R66, R89	RES. 2K 1/4W 5%	1302388	47
7	R6, R13, R20, R27, R34, R41, R48	RES 2.7K, 1/4W, 5%	1300426	48
5	R94, R99, R116, R117, R122	RES 3.9K, 1/4W, 5%	1300444	49
16	R5, R7, R12, R15, R19, R21, R26, R28, R33, R35, R40, R42, R47, R49, R68, R69	RES 4.7K, 1/4W, 5%	1300447	50
9	R79, R76, R73, R72, R61, R57, R108, R109, R110	RES 10K, 1/4W, 5%	1300479	51
7	R8, R14, R22, R29, R36, R43, R50	RES 18K, 1/4W 5%	1302465	52
1	R120	RES 560 1/4W 5%	1301890	53
2	R92, R93	RES 487 1/4W 1%	1311845	54
2	R98, R102	RES 619, 1/4W 1%	1305126	55
1	R59	RES 196, 1/4W 1%	1302956	56
1	R119	RES 121, 1/4W 1%	1302957	57
2		FASTON TAB	9007113	58
8	Q23, Q1, Q16, Q17, Q18, Q19, Q20, Q21	TRANS 2N3716	1503069	59
9	Q24, Q6, Q8, Q10, Q12, Q14, Q38, Q39	TRANS 6531B	1509338	60
2	Q42, Q43	TRANS 3715	1503088	61
1	Q51	TRANS 2N3791	1509581	62
				63
6	Q33, Q34, Q36, Q47, Q48	TRANS MPSA05	1510705	64
15	Q3, Q5, Q7, Q9, Q11, Q13, Q15, Q22, Q25, Q27, Q35, Q37, Q45, Q46, Q52	TRANS MPSA55	1510706	65
2		TRANS D44C8	1510421	66
3		TRANS D45C8	1510598	67
1	E1	IC LM309K REGULATOR	1910460	68
1		HEAT SINK	74-11077	69
6		FUSE CLIPS	9009513-01	70
8		WASHERS, FLAT, NYLON #6	9006707	71
8		EYELET (MAT-N-LOK)	9007266	72
1	F1	FUSE 2AMP SLOW BLOW	9007216	73
2	F2, F3	FUSE 1AMP SLOW BLOW	9007212	74
24		EYELET	9009000	75
34		SCREW, PPH 4-40 X 1/2	9006013-01	76
		NUT, KEP, 4-40	9006557	77
1		SCREW, PPH 6-32 X 15/16	9007838-01	79
1		NUT, KEP, 6-32	9006560	80
1		CONN, 40 PIN (CABLE END)	1211206	81
1		CABLE, POWER BOARD	CAD-7010363-0-0	82
12		INSULATORS, T03	9006721	83
10		INSULATOR	9009597	84
A/R		COMPOUND, THERMAL	9008268	85
1		GRIPLET	1210244	86
AR		WIRE, JUMPER #24 AWG INS.	9107688	87
2	R84, R87	RES. 1.5K, 1/4W, 5%	1300391	88
2	D52, D54	DIODE 1N747A, 3.6V ZENER	1110672	89
10		SCREW, PPH 4-40 X 1/16	9006012-01	90
3	Q32, Q30, Q28	TRANS D44H8	1510707-00	91
2	Q29, Q31	TRANS D45H8	1510708-00	92
1		LABEL	3611567	93

REVISIONS		
CHK	CHANGE NO	REV

TITLE LA 36 POWER BOARD DCS NUMBER 5410805-0-1 REV. F  
 SCALE 1:1 SHEET 2 OF 5 DIST.





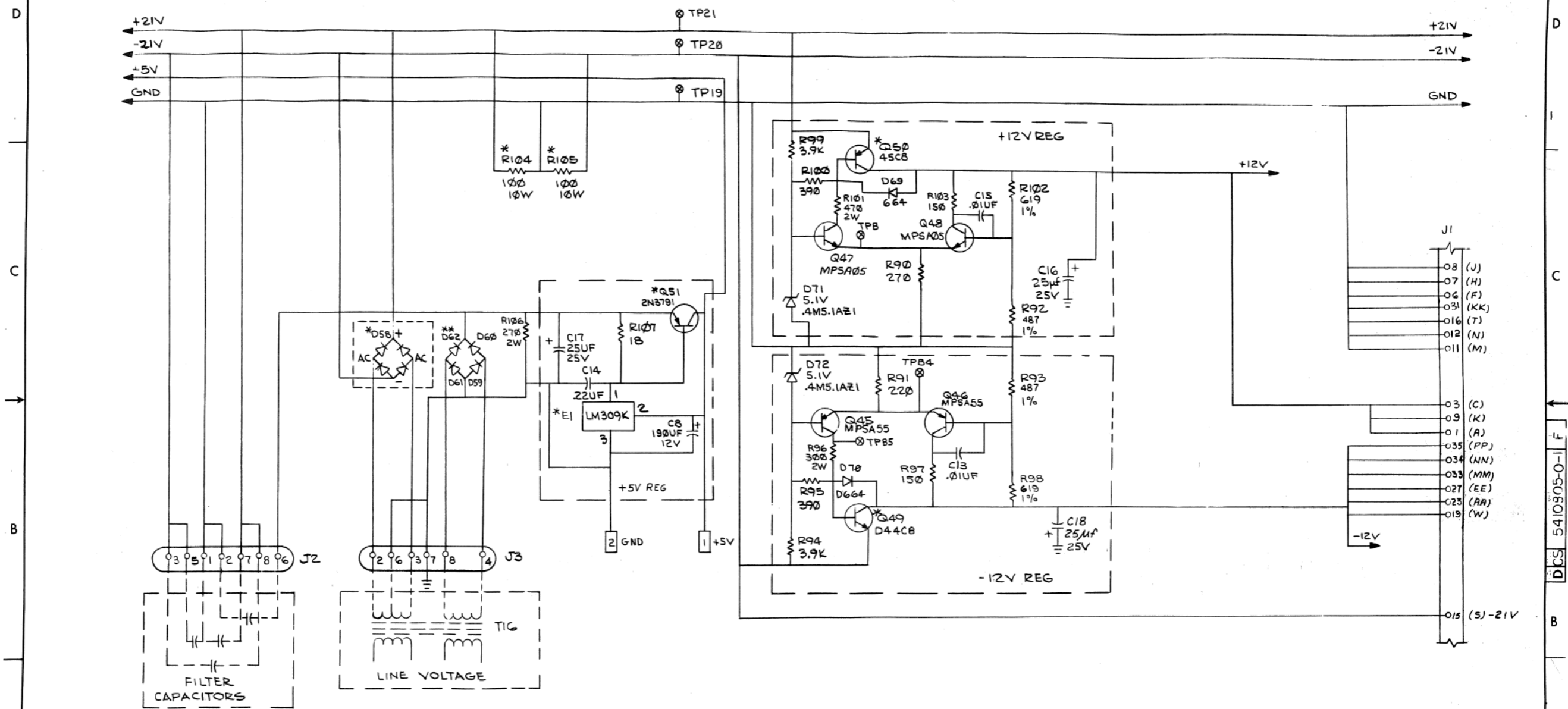
THIS DRAWING AND SPECIFICATIONS HEREIN ARE THE PROPERTY OF DIGITAL EQUIPMENT CORPORATION AND SHALL NOT BE REPRODUCED OR COPIED OR USED IN WHOLE OR IN PART AS THE BASIS FOR THE MANUFACTURE OR SALE OF ITEMS WITHOUT WRITTEN PERMISSION. COPYRIGHT © 1974 DIGITAL EQUIPMENT CORPORATION

REVISIONS		
CHK	CHANGE NO.	REV.

TITLE	LA 36 POWER BOARD	SIZE CODE	D CS	NUMBER	5410805-0-1	REV.	F
SCALE	+	SHEET	3	OF	5	DIST.	

DEC FORM NO. 080 138

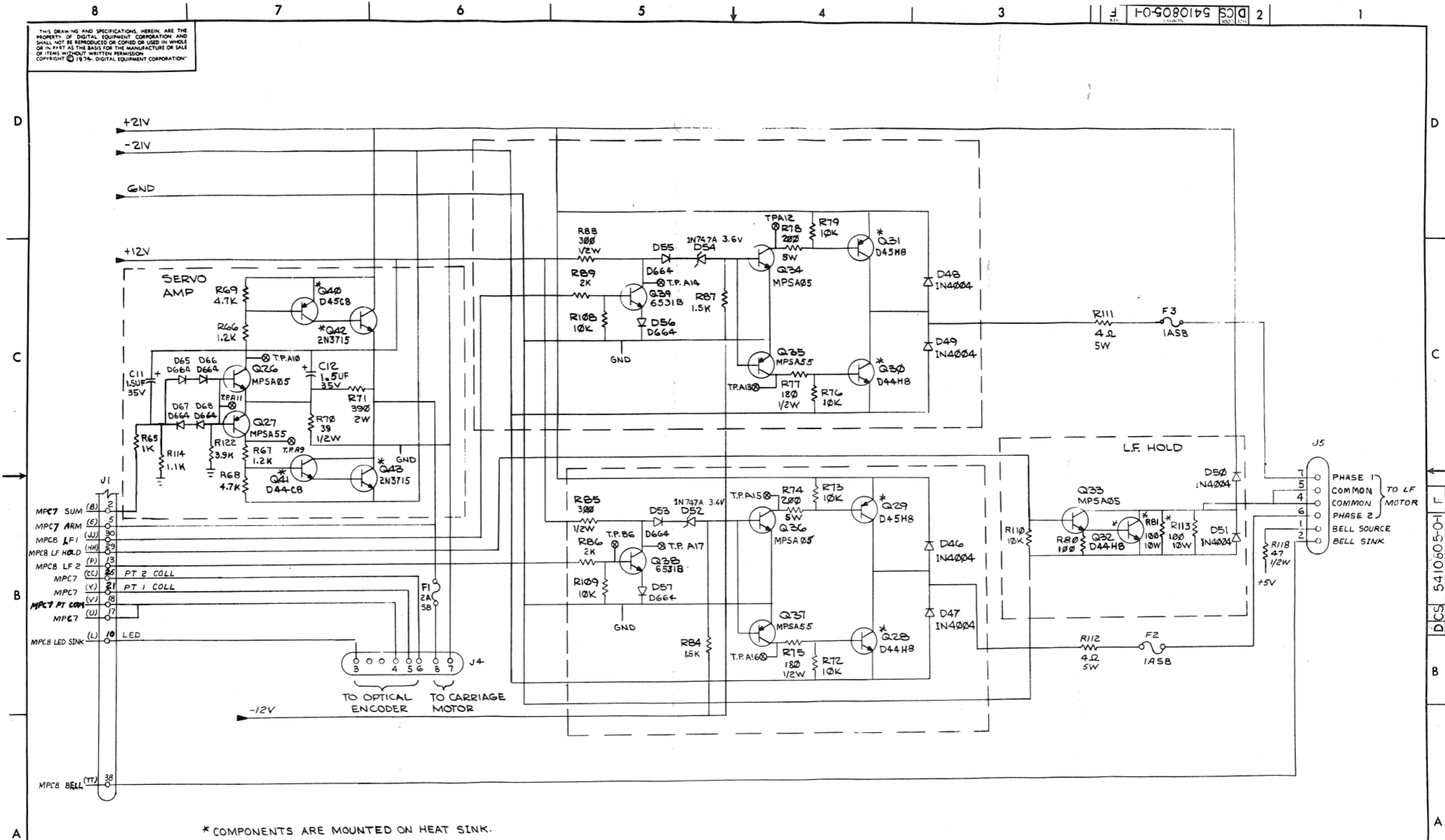
"THIS DRAWING AND SPECIFICATIONS, HEREIN, ARE THE PROPERTY OF DIGITAL EQUIPMENT CORPORATION AND SHALL NOT BE REPRODUCED OR COPIED OR USED IN WHOLE OR IN PART AS THE BASIS FOR THE MANUFACTURE OR SALE OF ITEMS WITHOUT WRITTEN PERMISSION. COPYRIGHT © 1974, DIGITAL EQUIPMENT CORPORATION"



\* COMPONENTS ARE MOUNTED ON HEAT SINK.  
 \*\* DIODES D59 THRU D62 ARE 1N4721.

REVISIONS		
CHK	CHANGE NO	REV

THIS DRAWING AND SPECIFICATIONS, HEREIN, ARE THE PROPERTY OF DIGITAL EQUIPMENT CORPORATION AND SHALL NOT BE REPRODUCED OR COPIED OR USED IN WHOLE OR IN PART AS THE BASIS FOR THE MANUFACTURE OR SALE OF ITEMS WITHOUT WRITTEN PERMISSION. COPYRIGHT © 1974, DIGITAL EQUIPMENT CORPORATION.



\* COMPONENTS ARE MOUNTED ON HEAT SINK.

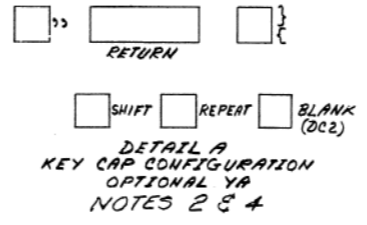
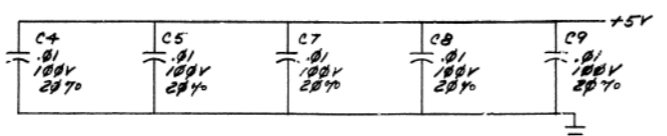
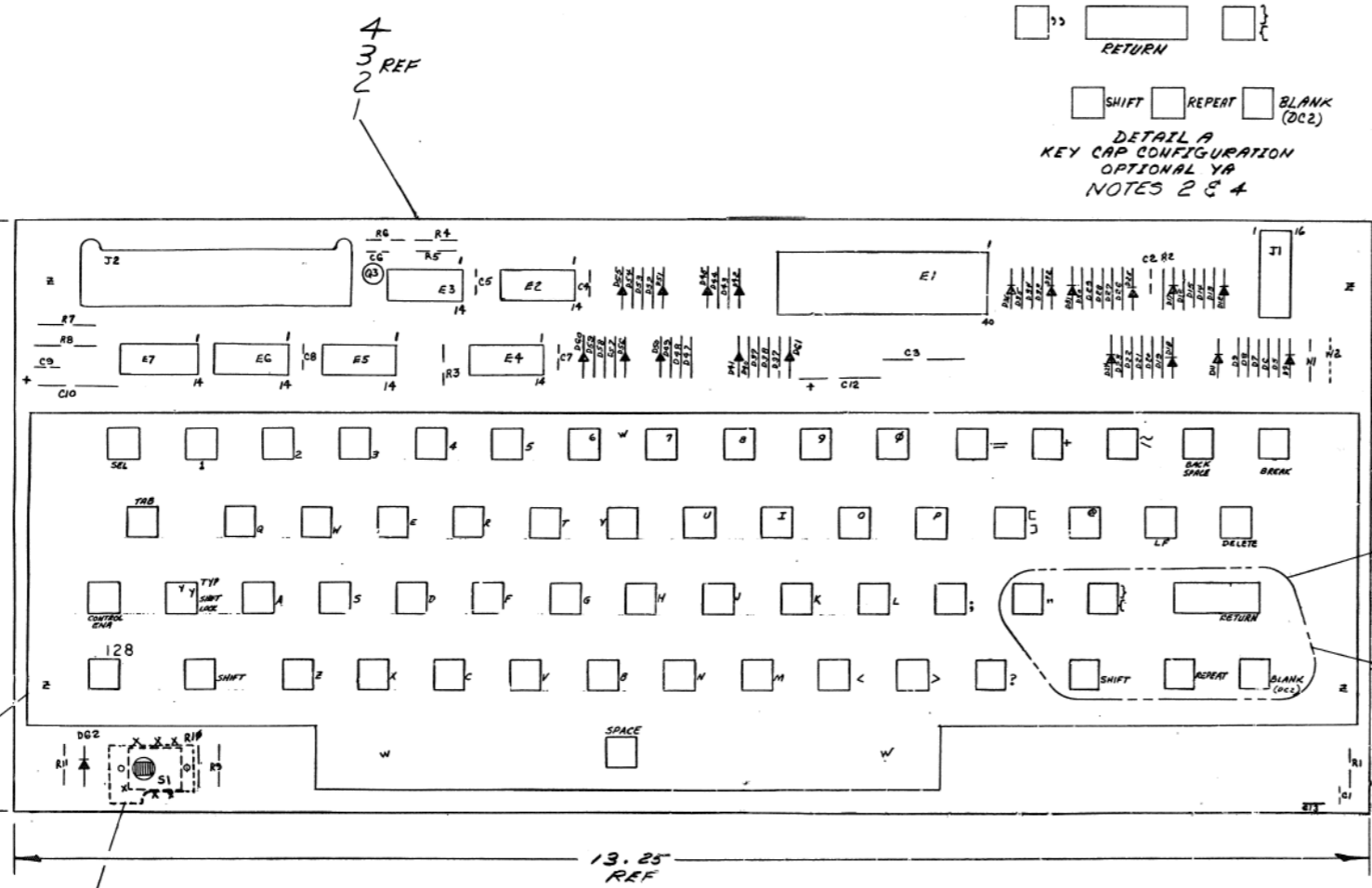
REVISIONS		
CHK	CHANGE NO.	REV.

TITLE	LA 36 POWER BOARD	SIZE CODE	D CS	NUMBER	5410805-0-1	REV.	F
SCALE	+	SHEET	5	OF	5	DIST.	

This drawing and specifications herein are the property of Digital Equipment Corporation and shall not be reproduced or copied or used in whole or in part as the basis for the manufacture or sale of items without written permission. COPYRIGHT © 1974. DIGITAL EQUIPMENT CORPORATION

NOTES: TWO VARIATIONS OF THIS BOARD SHALL BE AVAILABLE:  
 1. 5410736-0-0 NORMAL = NORMAL KEY CAP CONFIGURATION; W1, IN; W2 OUT  
 2. 5410736-YA-0 YA = OPTIONAL KEY CAP CONFIGURATION; W2, IN; W1 OUT

D  
C  
B  
A



SEE DETAIL A

NORMAL KEY CAP CONFIGURATION  
NOTES 1 & 3

REF	REF	DESCRIPTION	PART NO.	QTY
		X-Y COORDINATE HOLE LOCATION	K-CO-5410736-0-4	1
		ASSY/DRILLING HOLE LAYOUT	D-AH-5410736-C-5	2
		MODULE ECO HISTORY	B-MH-5410736-0-9	3
1	1	ETCHED CIRCUIT BOARD	5010735	4
1	1	CAP., .01UF, 100V 10% MYLAR	1005784	5
6	6	C4, C5, C7, C8, C9, C13	CAP., .01UF, 100V, 20% DISC	1001610-01
1	1	C1	CAP., 1UF, 25V TANT	1010866-01
1	1	C11	CAP., .068, 100V 10% MYLAR	1000032-00
2	2	C2, C6	CAP., 180PF, 100V 5% MICH	1000020-00
2	2	C10, C12	CAP., 10UF, 20V 10% TANT	1004873
57	57	D4, D5, D11, D45, D47, D62	DIODE, 7864	1100114-00
1	1	D1	DIODE, 1N750A, ZENER, 12V 5%	1110838-00
1	1	Q3	TRANSISTOR DEC 3009B	1503100-00
1	1	S1	SWITCH (DPST)	1210019
1	1	J1	SOCKET (16 PINS)	1210025-00
1	1	J2	CONNECTOR, RIGHT ANGLE HEADER	1209941-00
1	1	XE1	SOCKET ROM	1210947-00
1	1	E2	I.C. 7404	1909686
1	1	E3	I.C. 7400	1905575
1	1	E7	I.C. 7430	1905578
2	2	E5, E6	I.C. 7437	1910091
1	1	E4	I.C. 9601	1909373
1	1	E1	I.C. ROM	2111634
2	2		SCREW PHILIP SCREW SELF-TAP 4-40 x 3/16	9009163
1	1		PHENOLIC SWITCH SELECTOR	B-MD-7409532-0-0
1	1		TRANSFORMER ASSEMBLY	7009482-0-0
1	1	W1, W2	JUMPER (INSULATED) (.4)	9009185
1	1		63 KEYSWITCH ARRAY	DAD7009892-00
5	5	R1, R4, R5, R9, R10	RES 1K 1/4W 5%	1300365-00
2	2	R6, R11	RES 3.9K 1/4W 5%	1300444-00
1	1	R13	RES 10K 1/4W 5%	1301317-00
1	1	R3	RES 22K 1/4W 5%	1301808-00
1	1	R2	RES 100K 1/4W 5%	1302466-00
2	2	R7, R8	RES 2 OHM 1/4W 5%	1309421-00

QTY	REF DESIGNATION	DESCRIPTION	PART NO.	ITEM NO.
PARTS LIST				
ETCH BOARD REV D				
DRN <i>M. Pines</i> DATE 1/25/74		 TITLE LK02 KEYBOARD SIZE CODE DCS 5410736-0-1 NUMBER REV. C SHEET 1 OF 2		
CHK'D <i>J. Fel</i> DATE 1-31-74				
ENG. <i>Paul E. Melton</i> DATE 2-4-74				
PROJ. ENG. <i>Paul E. Melton</i> DATE 2-4-74				
PROD. <i>J.P. Kelly</i> DATE 2-5-74				
NEXT HIGHER ASSY D-UA-LK02-0-0				
DEC NO. 2064 EIA NO. 1N360B				
SEMICONDUCTOR CONVERSION CHART				

CHK	CHANGE NO.	REV

B  
C  
D  
CS 5410736-0-1



THIS DRAWING AND SPECIFICATIONS, HEREIN, ARE THE PROPERTY OF DIGITAL EQUIPMENT CORPORATION AND SHALL NOT BE REPRODUCED OR COPIED OR USED IN WHOLE OR IN PART AS THE BASIS FOR THE MANUFACTURE OR SALE OF ITEMS WITHOUT WRITTEN PERMISSION. COPYRIGHT © 1974, DIGITAL EQUIPMENT CORPORATION

NOTES:  
1. UNLESS OTHERWISE SPECIFIED DIODES ARE DGG4.

