

# FIELD MAINTENANCE PRINT SET

## TABLE OF CONTENTS

|                    |  |
|--------------------|--|
| B-TC-LA12Ø-Ø-3     | LA12Ø FIELD MAINTENANCE PRINT SET (TC) |
| B-DD-LA12X-AL      | LA12X-AL 20 MA OPTION PACKAGE (DD)     |
| B-DD-LA12Ø-Ø       | LA12Ø UNIT ASSY. (DD)                  |
| E-UA-LA12Ø-Ø-Ø     | LA12Ø UNIT ASSY.                       |
| B-PL-LA12Ø-Ø-Ø     | LA12Ø UNIT ASSY. (PL)                  |
| D-BD-LA12Ø-Ø-2     | LA12Ø BLOCK DIAGRAM                    |
| E-UA-5413044-0-0   | H711Ø POWER SUPPLY                     |
| A-PL-5413044-0-0   | H711Ø POWER SUPPLY (PL)                |
| D-CS-5413044-Ø-1   | H711Ø POWER SUPPLY (CS)                |
| D-UA-5412644-0-0   | KEY PAD (LA12Ø)                        |
| K-PL-5412644-0-DBP | KEY PAD (LA12Ø) (PL)                   |
| D-CS-5412644-0-1   | KEY PAD (LA12Ø) (CS)                   |
| D-UA-5412642-0-0   | KEYBOARD LA12Ø                         |
| K-PL-5412642-0-DBP | KEYBOARD LA12Ø (PL)                    |
| D-CS-5412642-0-1   | KEYBOARD LA12Ø (CS)                    |
| E-UA-M7Ø81-Ø-Ø     | PRINTER LOGIC & POWER BOARD            |
| K-PI-M7Ø81-0-DBP   | PRINTER LOGIC & POWER BOARD (PL)       |
| D-CS-M7Ø81-Ø-Ø     | PRINTER LOGIC & POWER BOARD (CS)       |
| D-CS-5411653-Ø-1   | 6 LPI FORM CONTROL                     |
| D-UA-5413206-0-0   | 20 MA ADAPTOR                          |
| K-PL-5413206-Ø-DBP | 20 MA ADAPTOR (PL)                     |
| D-CS-5413206-Ø-1   | 20 MA ADAPTOR (CS)                     |
| D-IA-7015168-0-0   | POWER ENTRY BKT ASSY. (CVT)            |
| E-UA-5413673-0-0   | H7150 POWER SUPPLY                     |

| UNIT VARIATIONS COVERED BY THIS PRINT SET |
|---|
| LA12Ø-AA                                  |
| LA12Ø-BA                                  |
| LA12Ø-DA                                  |
| LA12Ø-GA                                  |
| LA12Ø-RE                                  |
|   |
|   |
|   |
|   |
|   |
|   |
|   |
|   |
|   |
|   |
|   |
|   |
|   |
|   |
|   |
|   |
|   |
|   |
|   |
|   |
|   |

LA12Ø

Field Maintenance Print Set

Digital Equipment Corporation

PRINT SET ORDER NUMBER  
MPØØ663

REV. C  
NUMBER LA12Ø-Ø-3  
SIZE CODE B TC

|           |          |                  |                   |                     |                      |              |                 |   |                 |
|-----------|----------|------------------|-------------------|---------------------|----------------------|--------------|-----------------|---|-----------------|
| REVISIONS | CHG. NO. | LA120-PN090 A    | LA120-PN092 B     | LA120-PN096 C       | USED ON OPTION/MODEL | DRN.         | DATE            | <div style="border: 1px solid black; padding: 2px; font-weight: bold; font-size: 1.2em; display: inline-block;">digital</div><br><br>TITLE:<br><br>LA12Ø UNIT ASSY. |                 |
|           | DATE     | 9-79             | 9-79              | 10-79               |                      |              | <i>D. Healy</i> |   | 29 AUG 79       |
|           | REV.     |                  | A                 | B                   |                      | C            |                 |   | <i>D. Healy</i> |
|           |          |                  |                   |                     |                      | P. E. Mahon  | 14 SEP 79       |   |                 |
|           |          |                  |                   |                     |                      | <i>Blatt</i> | <i>Ally</i>     |   |                 |
|           |          |                  |                   |                     | SHEET 1 OF 2         |              |                 |   |                 |
|           |          | SIZE<br><b>B</b> | CODE<br><b>TC</b> | NUMBER<br>LA12Ø-Ø-3 | REV.<br>C            |              |                 |   |                 |
|           |          | DIST.            |                   |                     |                      |              |                 |   |                 |

PN

# TABLE OF CONTENTS

|                    |                              |
|--------------------|------------------------------|
| A-PL-5413673-0-0   | H7150 POWER SUPPLY (PL)      |
| D-CS-5413673-0-0   | H7150 POWER SUPPLY (CS)      |
| D-IA-7016530-0-0   | POWER ENTRY ASSY. (SWITCHER) |
| K-PL-4514001-0-DBP | LA120 KEYBOARD TERMINATOR    |
| D-UA-5414001-0-0   | LA120 KEYBOARD TERMINATOR    |
| D-CS-5414001-1-0   | LA120 KEYBOARD TERMINATOR    |

|       |                  |              |                         |                     |          |
|-------|------------------|--------------|-------------------------|---------------------|----------|
| TITLE | LA120 UNIT ASSY. | SHEET 2 OF 2 | SIZE CODE<br><b>BTC</b> | NUMBER<br>LA120-0-3 | REV<br>C |
|-------|------------------|--------------|-------------------------|---------------------|----------|

"THE MATERIAL HEREIN IS FOR INFORMATION PURPOSES ONLY  
AND IS SUBJECT TO CHANGE WITHOUT NOTICE. DIGITAL EQUIPMENT  
CORPORATION ASSUMES NO RESPONSIBILITY FOR ANY ERRORS  
WHICH MAY APPEAR HEREIN."

# DRAWING DIRECTORY

"THIS DRAWING AND SPECIFICATIONS, HEREIN, ARE THE PROPERTY OF DIGITAL EQUIPMENT CORPORATION  
AND SHALL NOT BE REPRODUCED OR COPIED OR USED IN WHOLE OR IN PART AS THE BASIS FOR THE MANU-  
FACTURE OR SALE OF ITEMS WITHOUT WRITTEN PERMISSION. COPYRIGHT © 1978  
DIGITAL EQUIPMENT CORPORATION."

## UNIT VARIATIONS

| VAR      | TITLE                |
|----------|----------------------|
| LA12X-AL | 20 MA OPTION PACKAGE |
|          |                      |
|          |                      |
|          |                      |
|          |                      |
|          |                      |
|          |                      |
|          |                      |
|          |                      |
|          |                      |
|          |                      |
|          |                      |
|          |                      |
|          |                      |
|          |                      |
|          |                      |
|          |                      |
|          |                      |
|          |                      |
|          |                      |
|          |                      |
|          |                      |
|          |                      |
|          |                      |
|          |                      |
|          |                      |
|          |                      |
|          |                      |
|          |                      |

|           |            |             |  |                      |                |                   |  |                                  |           |          |     |
|-----------|------------|-------------|--|----------------------|----------------|-------------------|--|----------------------------------|-----------|----------|-----|
| REVISIONS | REV.       | A           |  | USED ON OPTION/MODEL | DRN.<br>B.HALE | DATE<br>24 JUL 78 | TITLE<br><span style="float: right;"><b>digital</b></span> |                                  |           |          |     |
|           | CHANGE NO. | LA120-PNO44 |  | LAI20-HA             | CHK'D          | DATE              | 70   | LA12X-AL 20 MA<br>OPTION PACKAGE |           |          |     |
|           | CHK        | R           |  |                      | PROJ. ENG.     | DATE              | 4 AUG 78   | SIZE                             | CODE      | NUMBER   | REV |
|           | R          | LA120-PNO44 |  |                      | PROD.          | DATE              | 8/1/78   | <b>B</b>                         | <b>DD</b> | LA12X-AL | A   |
|           | SHEET      | 1           |  | OF                   | 2              | DIST.             |  |                                  |           |          |     |

| FIND NO. | DRAWING NO.      | DESCRIPTION                              | TYPE | FIND NO. | DRAWING NO. | DESCRIPTION | TYPE |
|----------|------------------|--|------|----------|-------------|-------------|------|
| 1        | B-PL-LA12X-AL-Ø  | 20 MA OPTION PKG.                        | E/M  |          |             |             |      |
|          | C-UA-BCØ5F-Ø-Ø   | CABLE, INTERFACE BCØ5F                   | E/M  |          |             |             |      |
|          | D-IA-7016186-0-0 | HARNESS, INTERNAL 20 MA ADAPTER          | E/M  |          |             |             |      |
|          | B-PL-LA12X-AL    | SHIPPING LIST LA12X-AL                   | -    |          |             |             |      |
| 2        | D-AD-7016059-0-0 | 20 MA ASSY.                              | M    |          |             |             |      |
|          | D-MD-7421168-0-0 | PLATE, INTERFACE                         | M    |          |             |             |      |
| 3        | D-IA-7015273-0-0 | 20 MA ADAPTER ASSY.                      | E/M  |          |             |             |      |
| 4        | B-DD-5413206-0   | 20 MA ADAPTER BOARD                      | E/M  |          |             |             |      |
| 5        | D-IA-7015503-0-0 | 20 MA LOOPBACK CONNECTION                | E    |          |             |             |      |
| 6        | EK-LA12X-IN-ØØ1  | INSTALLATION PROCEDURE, 20 MA OPTION KIT | E/M  |          |             |             |      |

TYPE: E ELECTRICAL  
M MECHANICAL  
E/M ELECTRO/MECHANICAL



THIS MATERIAL HEREIN IS FOR INFORMATION PURPOSES ONLY AND IS SUBJECT TO CHANGE WITHOUT NOTICE. DIGITAL EQUIPMENT CORPORATION ASSUMES NO RESPONSIBILITY FOR ANY ERRORS WHICH MAY APPEAR HEREIN.

# DRAWING DIRECTORY

"THIS DRAWING AND SPECIFICATIONS, HEREIN, ARE THE PROPERTY OF DIGITAL EQUIPMENT CORPORATION AND SHALL NOT BE REPRODUCED OR COPIED OR USED IN WHOLE OR IN PART AS THE BASIS FOR THE MANUFACTURE OR SALE OF ITEMS WITHOUT WRITTEN PERMISSION. COPYRIGHT © 1978 DIGITAL EQUIPMENT CORPORATION."

## UNIT VARIATIONS

| VAR                 | TITLE   |
|---------------------|---|
| LA120-AA            | BASIC TERMINAL, NO NUMERIC PAD, NO PAPER, NO RIBBON, EIA INTERFACE, 115V, 60 HZ   |
| LA120-BA            | BASIC TERMINAL, NUMERIC PAD, EIA INTERFACE, 115V, 60 HZ                           |
| <del>LA120-CA</del> | <del>BASIC TERMINAL, NUMERIC PAD, 20 MA INTERFACE, MATE-N-LOCK, 115V, 60 HZ</del> |
| LA120-DA            | UNIVERSAL POWER SUPPLY, 115/230 VAC, 50/60 HZ, E.I.A. INTERFACE, NUMERIC PAD      |
| LA120-GA            | UNIVERSAL POWER SUPPLY, 115/230 VAC, 50/60 HZ, E.I.A. INTERFACE NO NUMERIC PAD    |
| LA120-RE            | READ ONLY TERMINAL, EIA INTERFACE, 110V, 60 HZ                                    |
|                     |   |
|                     |   |
|                     |   |
|                     |   |
|                     |   |
|                     |   |
|                     |   |
|                     |   |
|                     |   |
|                     |   |
|                     |   |
|                     |   |
|                     |   |
|                     |   |
|                     |   |
|                     |   |
|                     |   |
|                     |   |
|                     |   |
|                     |   |
|                     |   |

| REVISIONS |             | USED ON OPTION/MODEL | DRN.         | DATE      | TITLE                           |      |         |
|-----------|-------------|----------------------|--------------|-----------|---------------------------------|------|---------|
| CHK       | CHANGE NO.  | LA120                | B. HALE      | 7 JUL '78 | LA120 UNIT ASSY. <b>digital</b> |      |         |
| XX        | LA120-PN039 |                      | CHK'D.       | DATE      | SIZE                            | CODE | NUMBER  |
| XX        | LA120-PN043 |                      | D. Keagy     | 26 JUL 78 | B                               | DD   | LA120-Ø |
| XX        | LA120-PN050 |                      | PROJ. ENG.   | DATE      | REV                             |      |         |
| XX        | LA120-PN096 |                      | P. E. McLean | 4 AUG 78  | F                               |      |         |
| XX        | LA120-PN132 |                      | PROD.        | DATE      | DIST.                           |      |         |
| XX        | LA120-PN133 |                      | John Joyce   | 8/4/78    |                                 |      |         |
|           |             | SHEET 1 OF 7         |              |           |                                 |      |         |

"THIS DRAWING AND SPECIFICATIONS, HEREIN, ARE THE PROPERTY OF DIGITAL EQUIPMENT CORPORATION AND SHALL NOT BE REPRODUCED OR COPIED OR USED IN WHOLE OR IN PART AS THE BASIS FOR THE MANUFACTURE OR SALE OF ITEMS WITHOUT WRITTEN PERMISSION. 1978  
 COPYRIGHT © DIGITAL EQUIPMENT CORPORATION"

1  
 LA120 UNIT ASSY.  
 E-UA-LA120-0-0  
 B-PL-LA120-0-0

2  
 COVER ASSY.  
 D-IA-7010758-0-0

4  
 H7110 POWER SUPPLY  
 B-DD-H7110-0

5  
 KEYBOARD BEZEL ASSY.  
 E-AD-7015276-0-0

3  
 COVER SUB ASSY  
 D-IA-7011447-0-0

6  
 KEYPAD/KEYCAP ASSY.  
 D-AD-7015764-0-0

11  
 FRAME ASSY.  
 E-IA-7015152-0-0

13  
 COVER PANEL ASSY.  
 D-AD-7016471-0-0

14  
 PRINTER LOGIC & PWR. BD.  
 B-DD-M7081-0

7  
 KEYPAD (LA120)  
 B-DD-5412644-0

12  
 END PANEL FRAME ASSY.  
 E-DA-7015153-0-0

8  
 KEYBOARD/KEYCAP ASSY.  
 D-AD-7015763-0-0

15  
 POWER ENTRY BRKT ASSY (CVT)  
 D-IA-7015168-0-0

16  
 EIA CABLE ASSY  
 C-IA-7015386-0-0

17  
 20 MA OPTION KIT  
 B-DD-LA12X-AL

9  
 KEYBOARD (LA120)  
 B-DD-5412642-0-0

18  
 HOUSING ASSY.  
 D-IA-7015581-0-0

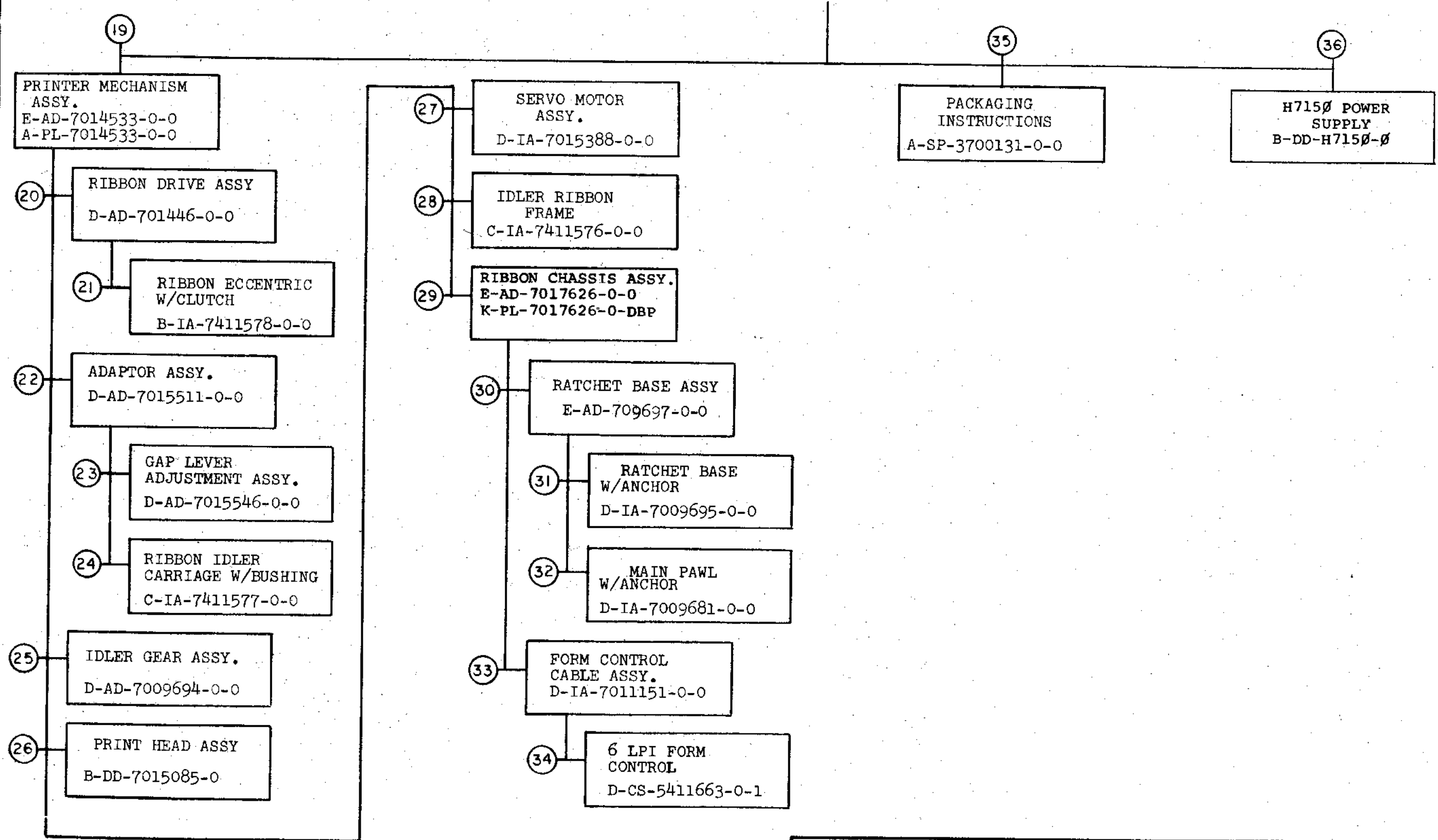
10  
 SPACE BAR ASSY.  
 D-AD-7015050-0-0

CONTINUED ON SHEET 3

|       |                 |              |      |        |         |     |   |
|-------|-----------------|--------------|------|--------|---------|-----|---|
| TITLE | LA120 UNIT ASSY | SIZE CODE    | B DD | NUMBER | LA120-0 | REV | F |
|       |                 | SHEET 2 OF 7 |      |        |         |     |   |

"THIS DRAWING AND SPECIFICATIONS, HEREIN, ARE THE PROPERTY OF DIGITAL EQUIPMENT CORPORATION AND SHALL NOT BE REPRODUCED OR COPIED OR USED IN WHOLE OR IN PART AS THE BASIS FOR THE MANUFACTURE OR SALE OF ITEMS WITHOUT WRITTEN PERMISSION. 1978  
 COPYRIGHT © DIGITAL EQUIPMENT CORPORATION"

CONTINUED FROM SHEET 2



|              |                 |           |    |        |         |     |   |
|--------------|-----------------|-----------|----|--------|---------|-----|---|
| TITLE        | LA120 UNIT ASSY | SIZE CODE | DD | NUMBER | LA120-0 | REV | F |
| SHEET 3 OF 7 |                 |           |    |        |         |     |   |

PN

| FIND NO.   | DRAWING NO.      | DESCRIPTION                         | TYPE | FIND NO.                  | DRAWING NO.      | DESCRIPTION           | TYPE         |  |
|--|------------------|-------------------------------------|------|---------------------------|------------------|-----------------------|--------------|--|
|  |                  |                                     |      | 6                         | D-AD-7015764-0-0 | KEYPAD/KEYCAP ASSY.   | E/M          |  |
|  |                  |                                     |      |                           | D-PS-1214333-0-0 | KEY CAPS (NUMBERS)    | M            |  |
|  |                  |                                     |      |                           | D-PS-1214332-0-0 | ADAPTOR, KEY CAPS     | M            |  |
|  | E-UA-LA120-0-0   | LA120 UNIT ASSY.                    | E/M  |                           |                  |                       |              |  |
|  | B-PL-LA120-0-0   | LA120 UNIT ASSY. (PL)               | E/M  |                           |                  |                       |              |  |
|  | B-DD-LA120-0-2   | LA120 BLOCK DIAGRAM                 | E    |                           |                  |                       |              |  |
|  | D-IA-7015408-0-0 | HARNESS, LOGIC POWER                | E/M  |                           |                  |                       |              |  |
|  | C-IA-7015552-0-0 | GROUND WIRE - POWER SUPPLY CHASSIS  | E/M  |                           |                  |                       |              |  |
|  | A-PS-1700107-0-0 | HEAD CABLE ASSY.                    | E/M  | 7                         | B-DD-5412644-0   | KEYPAD (LA120)        | E/M          |  |
|  | D-IA-7412158-0-0 | PAPER GUIDE                         | M    |                           |                  |                       |              |  |
|  | C-MD-7412424-0-0 | SWITCH, FORMS REWORK                | M    |                           |                  |                       |              |  |
|  | E-IA-7015387-0-0 | SWITCHES, HARNESS ASSY.             | E/M  |                           |                  |                       |              |  |
|  | A-PS-1700083-0-0 | POWER CORD                          | E/M  |                           |                  |                       |              |  |
|  | A-DC-7412197-0-0 | DECAL, U.L.                         | M    | 8                         | D-AD-7015763-0-0 | KEYBOARD/KEYCAP ASSY. | E/M          |  |
|  | A-PS-1700107-0-0 | HEAD CABLE ASSY.                    | E/M  |                           | C-MD-7420120-0-0 | CLIP, EQUALIZER       | M            |  |
|  | D-BD-LA120-0-4   | BLOCK DIAGRAM ( 115-230V 50-60 HZ ) | E    |                           | D-PS-1214333-0-0 | KEYCAPS SET           | M            |  |
|  |                  |                                     |      |                           | D-PS-1214352-0-0 | ADAPTOR KEYCAP        | M            |  |
|  |                  |                                     |      |                           |                  |                       |              |  |
|  |                  |                                     |      | 9                         | B-DD-5412642-0   | KEYBOARD (LA120)      | E/M          |  |
|  |                  |                                     |      |                           |                  |                       |              |  |
|  |                  |                                     |      |                           |                  |                       |              |  |
|  |                  |                                     |      | 10                        | D-AD-7015050-0-0 | SPACE BAR ASSY.       | M            |  |
|  |                  |                                     |      |                           | B-MD-7420119-0-0 | BRACKET, SPACE BAR    | M            |  |
|  |                  |                                     |      |                           | E-PS-1211857-0-0 | BAR, SPACE            | M            |  |
| 2  | D-IA-7010758-0-0 | COVER ASSY.                         | M    |                           | C-PS-1211858-0-0 | BAR, EQUALIZER        | M            |  |
|  | C-MD-7411818-0-0 | CLIP, COVER                         | M    |                           | D-PS-1211860-0-0 | ADAPTOR, KEYCAP SET   | M            |  |
|  |                  |                                     |      |                           |                  |                       |              |  |
|  |                  |                                     |      |                           |                  |                       |              |  |
|  |                  |                                     |      |                           |                  |                       |              |  |
|  |                  |                                     |      | 11                        | E-IA-7015152-0-0 | FRAME ASSY.           | M            |  |
| 3  | D-IA-7011447-0-0 | COVER, SUB ASSY.                    | M    |                           | E-IA-7420117-0-0 | BASE                  | M            |  |
|  | E-MD-7411122-0-0 | COVER                               | M    |                           | B-MD-7420217-0-0 | BRACKET, FAN MOUNTING | M            |  |
|  |                  |                                     |      |                           | C-MD-7420218-0-0 | PANEL, SHIELDING      | M            |  |
|  |                  |                                     |      |                           | E-IA-7420116-0-0 | HOUSING, COMPONENT    | M            |  |
|  |                  |                                     |      |                           |                  |                       |              |  |
| 4  | B-DD-H7110-0     | H7110 POWER SUPPLY                  | E/M  |                           |                  |                       |              |  |
|  |                  |                                     |      |                           |                  |                       |              |  |
|  |                  |                                     |      |                           |                  |                       |              |  |
|  |                  |                                     |      |                           |                  |                       |              |  |
|  |                  |                                     |      | 12                        | E-DA-7015153-0-0 | END PANEL FRAME ASSY. | M            |  |
| 5  | E-AD-7015276-0-0 | KEYBOARD BEZEL ASSY.                | E/M  |                           | C-IA-7411117-0-0 | FOOT FRAME ASSY.      | M            |  |
|  | E-PS-1214563-0-0 | BEZEL, KEYBOARD                     | M    |                           |                  |                       |              |  |
|  | D-PS-1215053-0-0 | CLOSURE OPTIONS                     | M    |                           |                  |                       |              |  |
| TYPE: E ELECTRICAL<br>M MECHANICAL<br>E/M ELECTRO/MECHANICAL |                  |                                     |      | TITLE<br>LA120 UNIT ASSY. |                  |                       | SHEET 4 OF 7 |  |
| DRB 108A   |                  |                                     |      | digital                   |                  | SIZE CODE<br>B DD     |              |  |
|  |                  |                                     |      | NUMBER<br>LA120-0         |                  | REV<br>F              |              |  |

PN



| FIND NO. | DRAWING NO.      | DESCRIPTION                     | TYPE | FIND NO. | DRAWING NO.      | DESCRIPTION                       | TYPE |
|----------|------------------|---------------------------------|------|----------|------------------|-----------------------------------|------|
| 13       | D-AD-7016471-C-C | COVER PANEL ASSY.               | M    |          | C-MD-7411076-0-0 | SHAFT, TRACTOR SUPPORT (.312 DIA) | M    |
|          | D-IA-7422179-0-0 | COVER PANEL                     | M    |          | C-MD-7411075-0-0 | SHAFT, TRACTOR DRIVE (.250 SQ)    | M    |
|          | B-MD-7422180-0-0 | HANDLE PANEL                    | M    |          | C-MD-7411425-0-0 | BUSHING, TRACTOR SHAFT RETAINING  | M    |
|          | A-IS-3618076-0-0 | FUSE RATING LABEL               | M    |          | B-MD-7411098-0-0 | COLLAR, SIDE PLATE                | M    |
|          |                  |                                 |      |          | D-MD-7411441-0-0 | HUB, CLUTCH                       | M    |
|          |                  |                                 |      |          | E-MD-7411440-0-0 | GEAR, DRIVE CLUTCH                | M    |
|          |                  |                                 |      |          | B-MD-7411443-0-0 | WASHER, CLUTCH                    | M    |
|          |                  |                                 |      |          | D-MD-7411437-0-0 | KNOB, LINE FEED                   | M    |
| 14       | B-DD-M7081-Ø     | PRINTER, LOGIC AND POWER BOARD  |      |          | B-MD-7411575-0-0 | SHAFT, IDLER (SIDE PLATE)         | M    |
|          |                  |                                 |      |          | E-IA-7418142-0-0 | PLATE, SIDE                       | M    |
|          |                  |                                 |      |          | C-MD-7420024-0-0 | CLAMP, 5/8 SHAFT                  | M    |
| 15       | D-IA-7015168-0-0 | POWER ENTRY BRACKET ASSY. (CVT) | E/M  |          | B-MD-7412535-0-0 | ADAPTER, LINE FEED                | M    |
|          | D-IA-7420162-0-0 | BRACKET, MOUNTING               | M    |          | C-MD-7414433-0-0 | SCREW, TRACTOR LOCK               | M    |
|          | D-IA-7015548-0-0 | HARNESS, POWER ENTRY            | E/M  |          | D-MD-7417937-0-0 | BAR, PRINT                        | M    |
|          | C-IA-7015800-0-0 | WIRE, JUMPER                    | E/M  |          | C-IA-7420025-0-0 | RETAINER, 5/8 SHAFT               | M    |
|          |                  |                                 |      |          | B-MD-7419421-0-0 | SPACER, D.C. MOTOR                | M    |
|          |                  |                                 |      |          | C-MD-7419394-0-0 | SHAFT, CARRIAGE 5/8               | M    |
|          |                  |                                 |      |          | D-MD-7418139-0-0 | SHAFT, CARRIAGE 1/2               | M    |
|          |                  |                                 |      |          |                  |                                   |      |
| 16       | C-IA-7015386-0-0 | EIA CABLE ASSY.                 | E/M  |          |                  |                                   |      |
|          | B-MD-7420337-0-0 | PLATE, EIA CONN.                | M    | 20       | D-AD-7011446-0-0 | RIBBON DRIVE ASSY.                | M    |
|          |                  |                                 |      |          | D-MD-7411113-0-0 | BRACKET, RIBBON DRIVE             | M    |
|          |                  |                                 |      |          | C-MD-7411084-0-0 | ROD, END                          | M    |
|          |                  |                                 |      |          | B-MD-7411068-0-0 | SHAFT, RIBBON IDLER               | M    |
|          |                  |                                 |      |          | C-MD-7411124-0-0 | CLAMP, COLLAR                     | M    |
| 17       | B-DD-LA12X-AL    | 20 MA OPTION KIT (LA12Ø)        | E/M  |          | B-MD-7411123-0-0 | WASHER, ECCENTRIC                 | M    |
|          |                  |                                 |      |          | C-MD-7413526-0-0 | PUSH ROD                          | M    |
|          |                  |                                 |      |          | C-MD-7411426-0-0 | SPRING, BACK STOP                 | M    |
|          |                  |                                 |      |          | A-PS-1212446-0-0 | PULLEY, TIMING                    | M    |
|          |                  |                                 |      |          |                  |                                   |      |
| 18       | D-IA-7015581-0-0 | HOUSING ASSY.                   | M    |          |                  |                                   |      |
|          | E-PS-1214562-0-0 | HOUSING (LA12Ø)                 | M    | 21       | B-IA-7411578-0-0 | RIBBON ECCENTRIC W/CLUTCH         | M    |
|          | E-MD-7411116-0-0 | HOUSING (LA36)                  | M    |          | B-MD-7411069-0-0 | ECCENTRIC, RIBBON                 | M    |
|          |                  |                                 |      |          |                  |                                   |      |
|          |                  |                                 |      |          |                  |                                   |      |
| 19       | E-AD-7014533-0-0 | PRINTER MECHANISM ASSY.         | E/M  |          |                  |                                   |      |
|          | A-PL-7014533-0-0 | PRINTER MECHANISM ASSY. (PL)    | E/M  |          |                  |                                   |      |
|          | E-AD-7015389-0-0 | STEPPING MOTOR ASSY.            | E/M  |          |                  |                                   |      |
|          | C-AD-7010001-0-0 | STRAP, GROUND                   | E/M  |          |                  |                                   |      |
|          | B-MD-7411439-0-0 | PIVOT, LOWER                    | M    |          |                  |                                   |      |
|          | B-MD-7411103-0-0 | PIVOT, RATCHET                  | M    |          |                  |                                   |      |
|          | E-MD-7411108-0-0 | BUSHING, FLAT                   | M    |          |                  |                                   |      |

TYPE: E ELECTRICAL  
M MECHANICAL  
E/M ELECTRO/MECHANICAL

digital

TITLE

LA12Ø UNIT ASSY.

SHEET 5 OF 7

SIZE CODE  
B DD

NUMBER  
LA12Ø-Ø

REV  
F

| FIND NO. | DRAWING NO.      | DESCRIPTION                     | TYPE | FIND NO. | DRAWING NO.                 | DESCRIPTION                         | TYPE         |
|----------|------------------|---------------------------------|------|----------|-----------------------------|-------------------------------------|--------------|
| 22       | D-AD-7015511-0-0 | ADAPTER ASSY.                   | M    | 29       | E-AD-7017626-0-0            | RIBBON CHASSIS ASSY.                | M            |
|          | E-MD-7420634-0-0 | ADAPTER                         | M    |          | D-IA-7417870-0-0            | CHASSIS, RIBBON                     | M            |
|          | B-MD-7420293-0-0 | SPRING, FRONT BEARING           | M    |          | C-MD-7411090-0-0            | SPRING, MAIN PAWL                   | M            |
|          | B-MD-7420641-0-0 | SPRING CARRIAGE                 | M    |          | C-MD-7411105-0-0            | SPRING, UPPER PAWL                  | M            |
|          | B-MD-7411115-0-0 | SHAFT, IDLER CARRIAGE           | M    |          | D-MD-7411048-0-0            | DRIVER SPOOL                        | M            |
|          |                  |                                 |      |          | D-MD-7411432-0-0            | RATCHET, WHEEL                      | M            |
|          |                  |                                 |      |          | B-IA-7411405-0-0            | DISK, FRICTION                      | M            |
|          |                  |                                 |      |          | B-MD-7411098-0-0            | COLLAR, SIDE PLATE                  | M            |
|          |                  |                                 |      |          | B-MD-7411103-0-0            | PIVOT, RATCHET                      | M            |
| 23       | D-AD-7015546-0-0 | GAP LEVER ADJUSTMENT ASSY.      | M    |          | B-MD-7411061-0-0            | WASHER, RATCHET                     | M            |
|          | C-MD-7420633-0-0 | BEARING TUBE (EXTRUDED)         | M    |          | D-MD-7411058-0-0            | INTERPOSER                          | M            |
|          | B-MD-7420422-0-0 | BEARING                         | M    |          | C-MD-7411419-0-0            | GUIDE SHOE                          | M            |
|          | D-MD-7420736-0-0 | LEVER, GAP ADJUSTMENT           | M    |          | D-MD-7411060-0-0            | SENSOR, REVERSE                     | M            |
|          | B-MD-7420605-0-0 | RESERVOIR, OIL                  | M    |          | C-MD-7411087-0-0            | SPRING, INTERPOSER                  | M            |
|          |                  |                                 |      |          | B-MD-7412976-0-0            | CAP, STAND OFF-SPOOL                | E/M          |
|          |                  |                                 |      |          | <del>C-IA-7012781-0-0</del> | <del>SWITCH, ROTARY ASSY.</del>     | <del>M</del> |
|          |                  |                                 |      |          | <del>C-MD-7418875-0-0</del> | <del>PLATE, SWITCH</del>            | <del>M</del> |
|          |                  |                                 |      |          | C-MD-7412977-0-0            | STANDOFF, SPOOL RIBBON              | M            |
| 24       | C-IA-7411577-0-0 | RIBBON IDLER CARRIAGE W/BUSHING | M    |          | B-MD-7416620-0-0            | RETAINING LINE, SPECIAL             | M            |
|          | C-MD-7411102-0-0 | IDLER, CARRIAGE RIBBON          | M    |          | <del>D-IA-7011151-0-0</del> | <del>FORM CONTROL CABLE ASSY.</del> | <del>M</del> |
|          |                  |                                 |      |          | <del>A-DC-7412552-0-0</del> | <del>LABEL VPI SWITCH</del>         | <del>M</del> |
|          |                  |                                 |      |          | <del>A-DC-7416535-0-0</del> | <del>DECAL PARITY SWITCH</del>      | <del>M</del> |
|          |                  |                                 |      |          | D-MD-7424154-0-0            | RIBBON TENSION SPRING               |              |
|          |                  |                                 |      |          | E-MD-7424155-0-0            | SPRING RETAINING BRACKET            |              |
| 25       | D-AD-7009694-0-0 | IDLER GEAR ASSY.                | M    | 30       | E-AD-7009697-0-0            | RATCHET BASE ASSY.                  | M            |
|          | B-MD-7411420-0-0 | BRACKET, GEAR                   | M    |          | D-MD-7411054-0-0            | RATCHET, UPPER BASE                 | M            |
|          | C-MD-7416219-0-0 | STAND OFF GEAR                  | M    |          | B-MD-7411063-0-0            | PAWL, PIVOT                         | M            |
| 26       | B-DD-7015085-0   | PRINT HEAD ASSY.                | E/M  |          |                             |                                     |              |
| 27       | D-IA-7015388-0-0 | SERVO MOTOR ASSY.               | E/M  | 31       | C-IA-7009695-0-0            | RATCHET BASE W/ANCHOR               | M            |
|          | D-MD-7416402-0-0 | CLAMP, PULLEY                   | M    |          | D-MD-7411055-0-0            | BASE, RATCHET                       | M            |
|          |                  |                                 |      |          | B-MD-7411104-0-0            | ANCHOR, SPRING                      | M            |
| 28       | C-IA-7011576-0-0 | IDLER, RIBBON FRAME             | M    | 32       | D-IA-7009681-0-0            | MAIN PAWL W/ANCHOR                  | M            |
|          | D-MD-7411085-0-0 | IDLER, FRAME RIBBON             | M    |          | D-MD-7411059-0-0            | PAWL, MAIN                          | M            |
|          |                  |                                 |      |          | B-MD-7411104-0-0            | ANCHOR, SPRING                      | M            |

TYPE: E ELECTRICAL  
M MECHANICAL  
E/M ELECTRO/MECHANICAL



TITLE LA120 UNIT ASSY. SHEET 6 OF 7 SIZE CODE B DD NUMBER LA120-0 REV F

*Handwritten mark*

| FIND NO. | DRAWING NO.      | DESCRIPTION                    | TYPE | FIND NO. | DRAWING NO. | DESCRIPTION | TYPE |
|----------|------------------|--------------------------------|------|----------|-------------|-------------|------|
| 33       | D-IA-7011151-0-0 | FORM CONTROL CABLE ASSY.       | E/M  |          |             |             |      |
| 34       | D-CS-5411663-0-1 | 6 LPI FORM CONTROL             | E/M  |          |             |             |      |
| 35       | A-SP-3700131-00  | PACKAGING INSTRUCTIONS         | M    |          |             |             |      |
|          | A-PS-9905651-0-0 | SKID, WOOD                     | M    |          |             |             |      |
|          | A-PS-9905601-00  | TUBE, STITCHED                 | M    |          |             |             |      |
|          | A-PS-9905639-0-0 | PAD WITH FORM (LA36/LA35 ONLY) | M    |          |             |             |      |
|          | A-PS-9905651-01  | BRACE, WOOD                    | M    |          |             |             |      |
|          | 9009290-03       | BOLT, HEX-HEAD 3/8-16 x 3      | M    |          |             |             |      |
|          | A-PS-3612520-0-0 | TAG, CAUTION                   | M    |          |             |             |      |
|          | A-PS-9009634-0-0 | TAPE, STAIN RESISTANT          | M    |          |             |             |      |
|          | A-PS-9007032-0-0 | TIE, CABLE PANDUIT             | M    |          |             |             |      |
|          | A-PS-9905734-02  | STRAPPING, POLYPROPYLENE       | M    |          |             |             |      |
|          | A-PS-9008319-0-0 | WASHER, FLAT                   | M    |          |             |             |      |
|          | A-PS-9905129-33  | BAG, POLY                      | M    |          |             |             |      |
| 36       | B-DD-H715Ø-Ø     | H715Ø POWER SUPPLY             | E/M  |          |             |             |      |

TYPE: E ELECTRICAL  
M MECHANICAL  
E/M ELECTRO/MECHANICAL



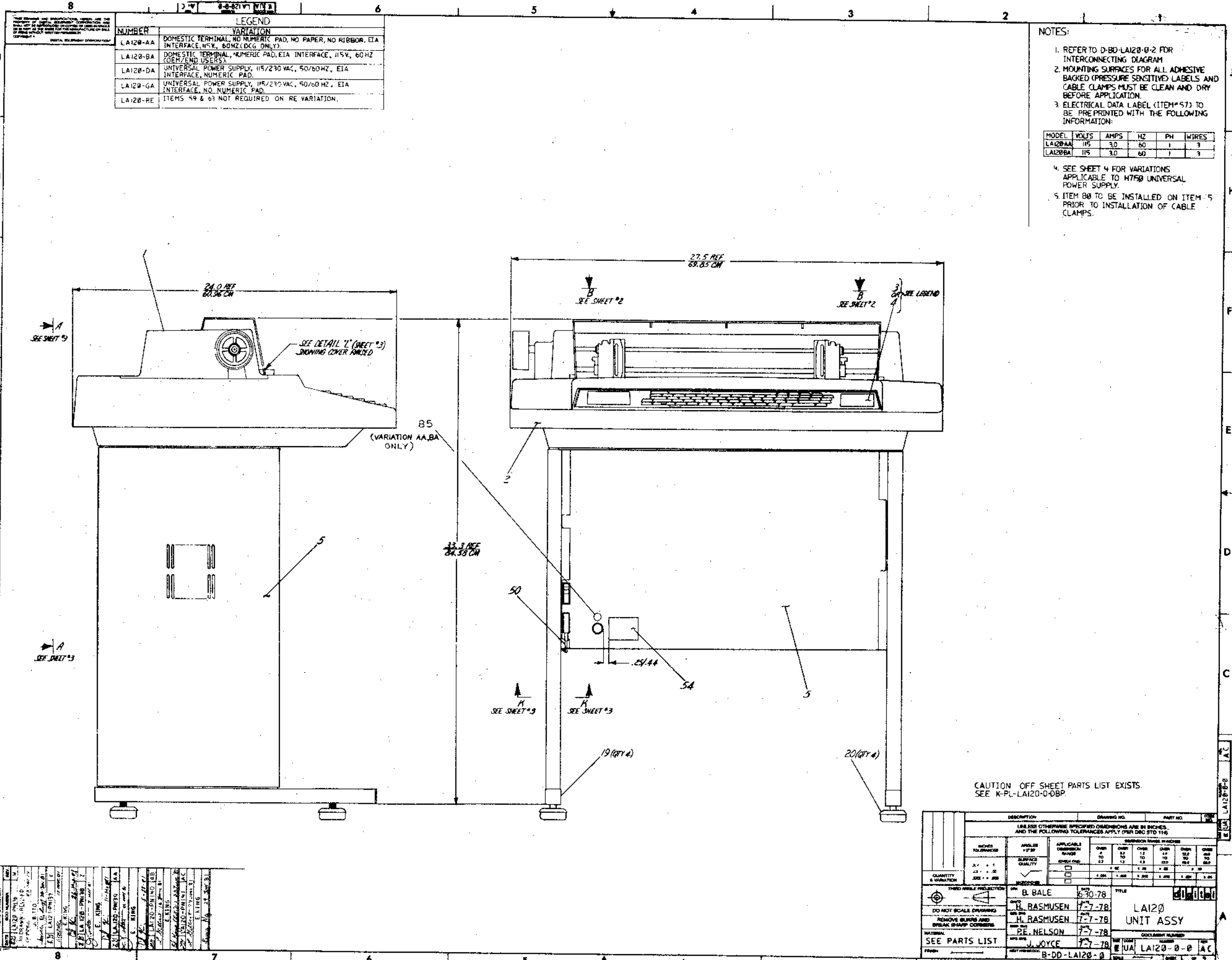
TITLE LA12Ø UNIT ASSY.

SHEET 7 OF 7

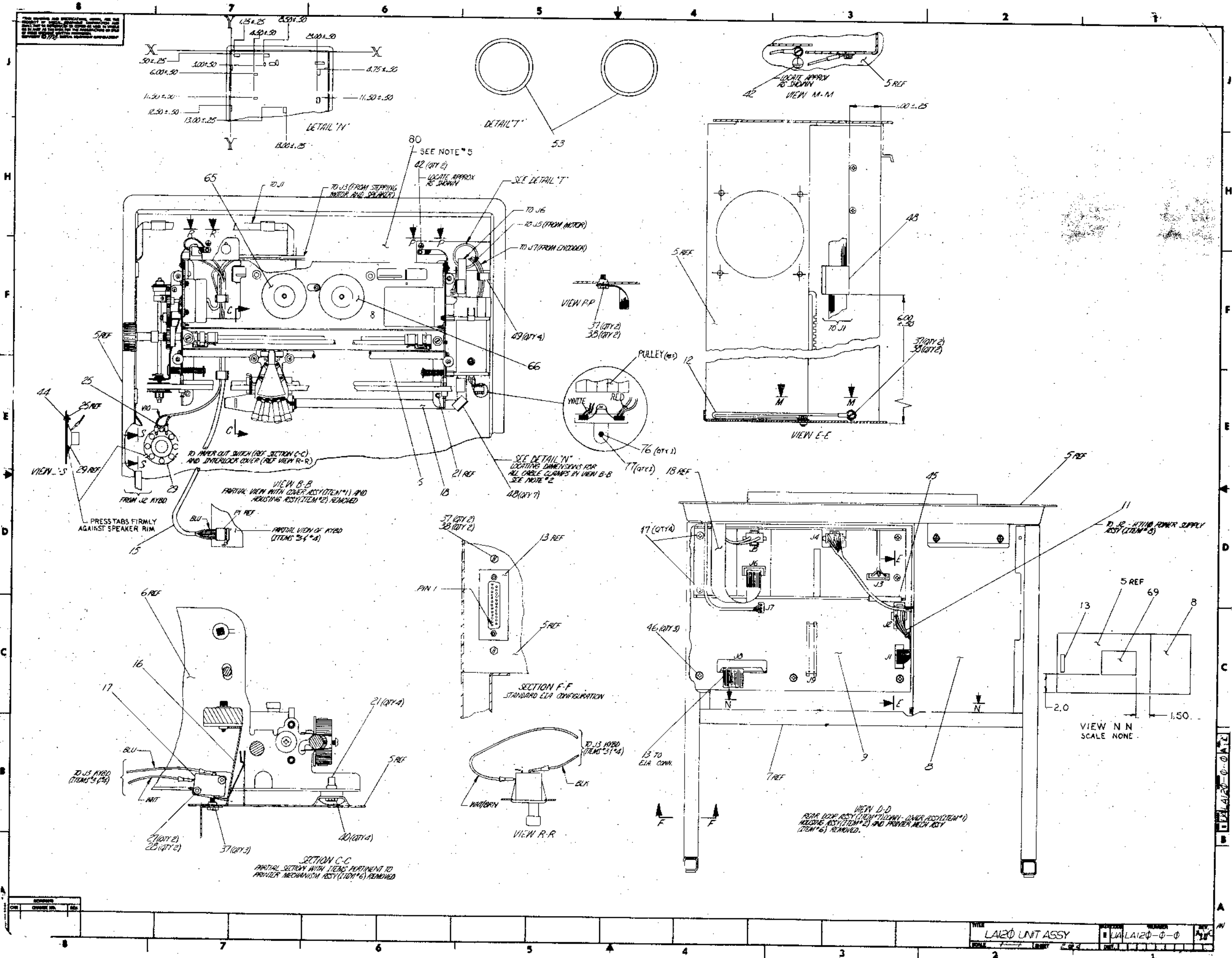
SIZE CODE  
**B DD**

NUMBER  
LA12Ø - Ø

REV  
**F**

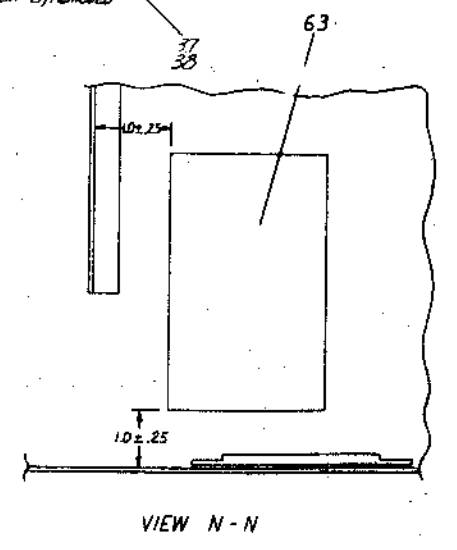
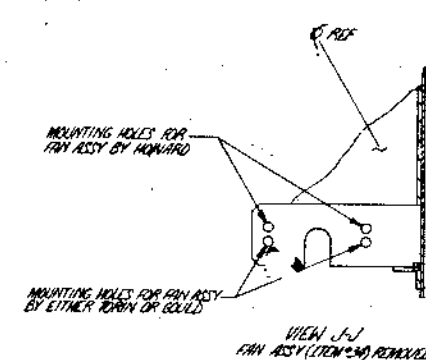
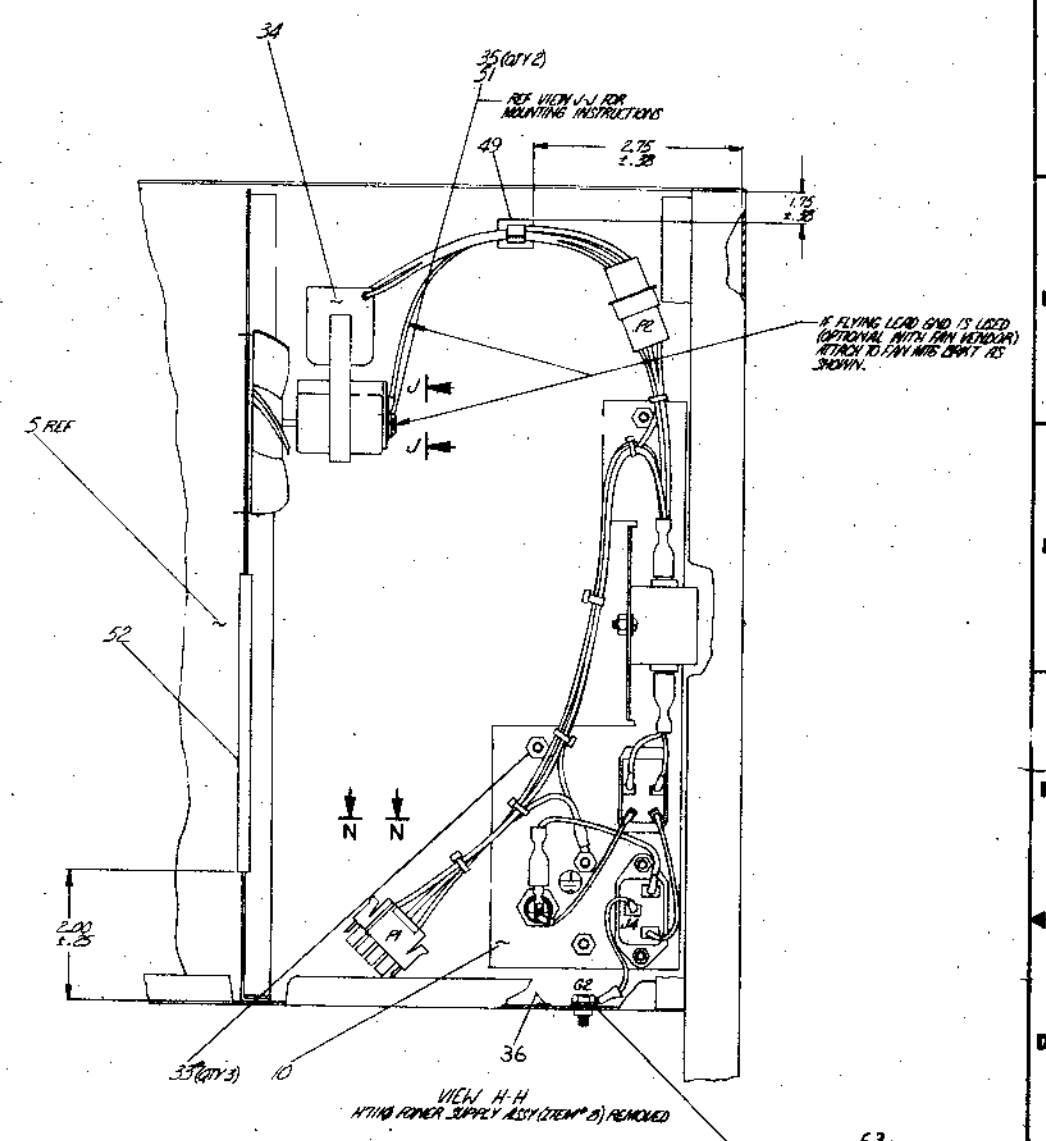
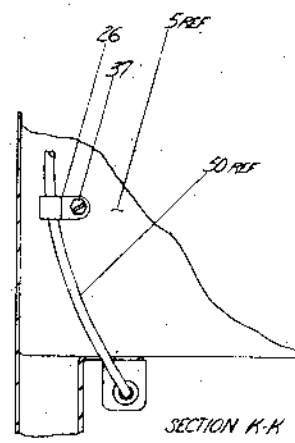
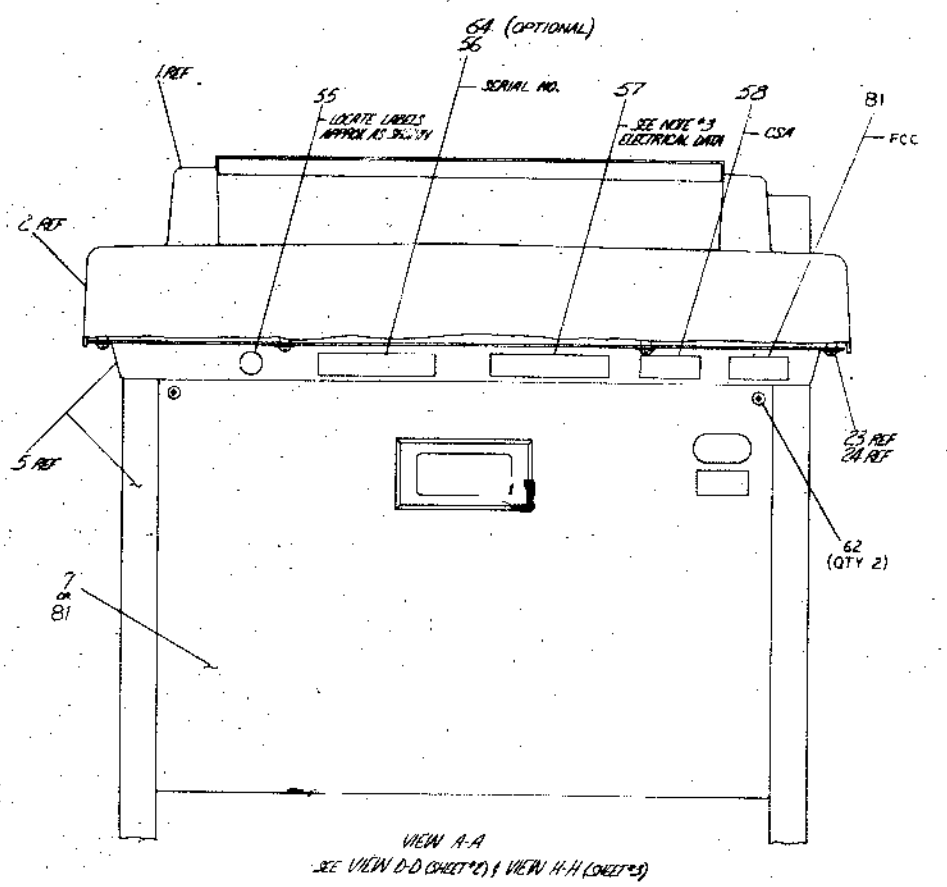
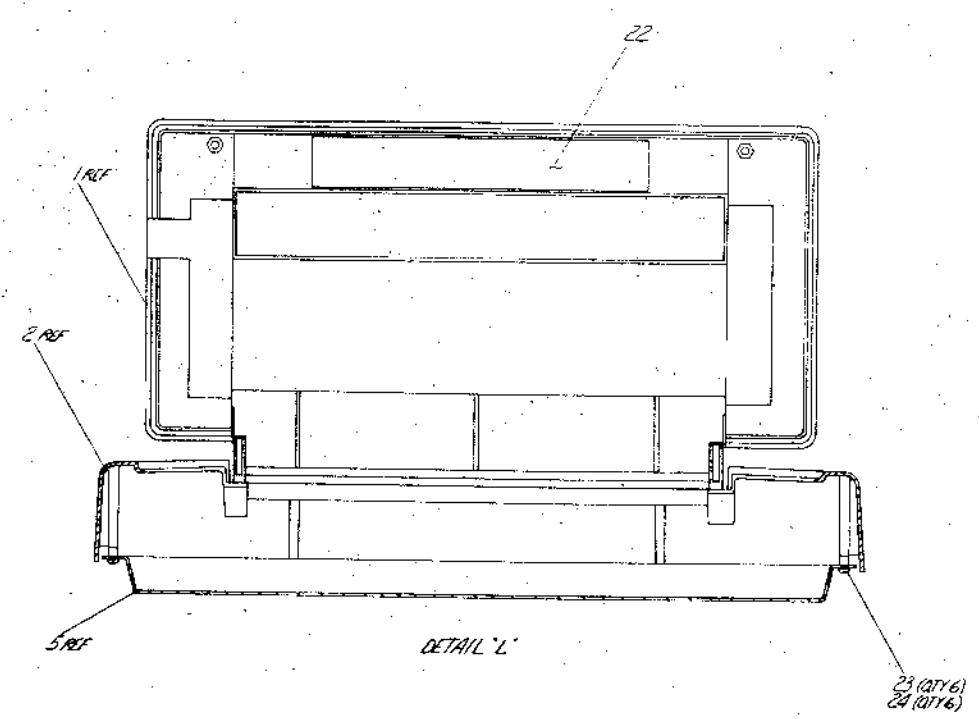


THIS DRAWING AND ASSOCIATED DRAWINGS, AND THE INFORMATION CONTAINED THEREIN, ARE UNCLASSIFIED EXCEPT WHERE SHOWN OTHERWISE. DATE 11/21/2011 BY 60322/UC/STP/MLP/STP/MLP



|            |     |                          |                          |
|------------|-----|--------------------------|--------------------------|
| TITLE      |     | LA120 UNIT ASSY          |                          |
| NUMBER     |     | LA120-0-0                |                          |
| DATE       | REV | BY                       | CHK                      |
| 11/21/2011 | 1   | 60322/UC/STP/MLP/STP/MLP | 60322/UC/STP/MLP/STP/MLP |

THE ENGINEER AND ARCHITECT ASSOCIATES, INC.  
 1000 AVENUE OF THE STARS, SUITE 1000  
 WASHINGTON, D.C. 20004  
 (202) 462-1000

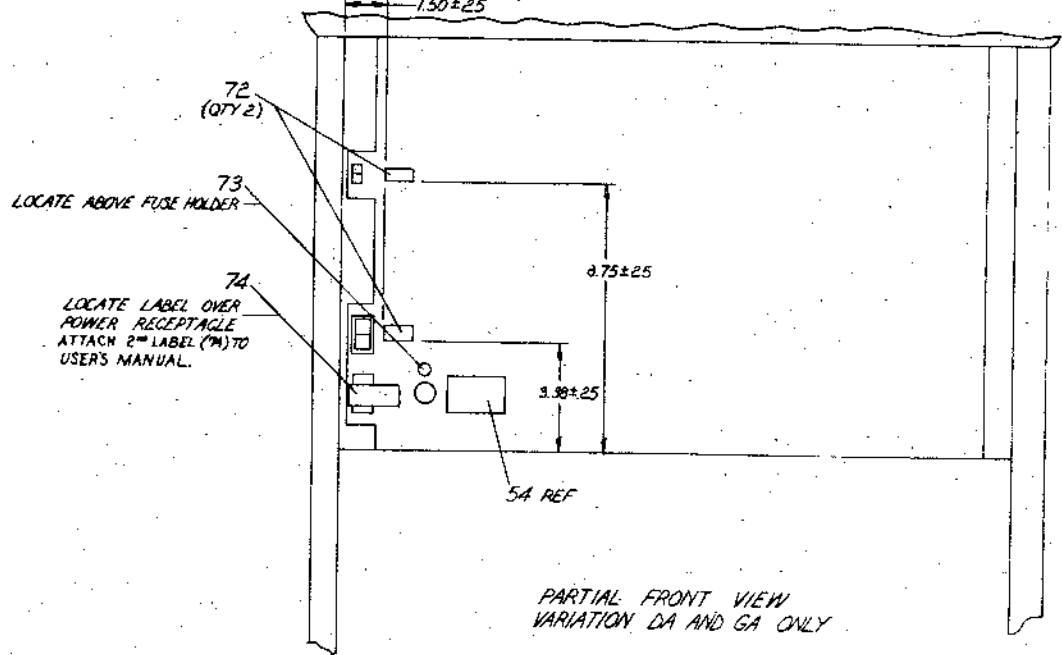
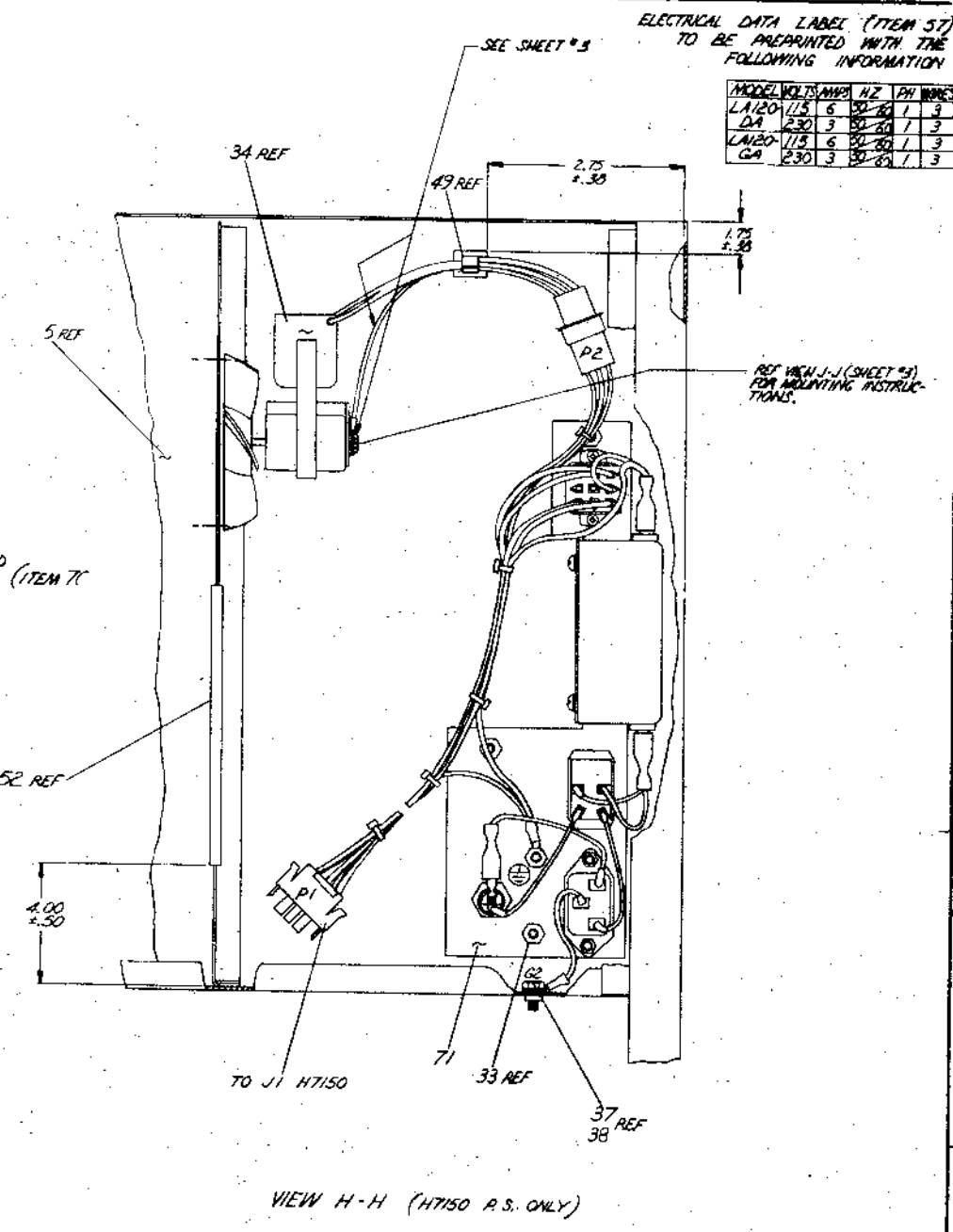
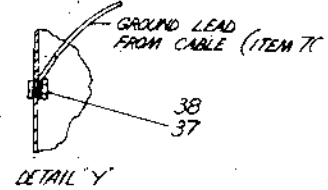
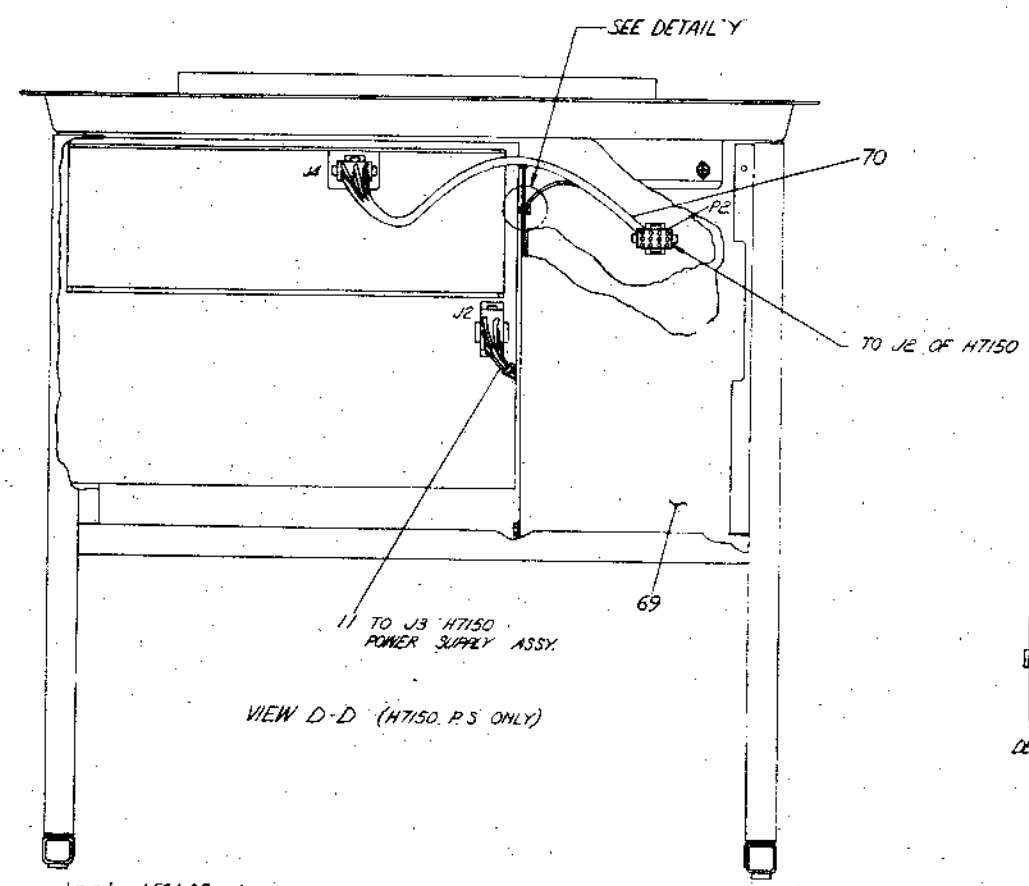


|     |      |    |      |
|-----|------|----|------|
| REV | DATE | BY | CHKD |
|     |      |    |      |

THIS DRAWING IS THE PROPERTY OF THE UNITED STATES GOVERNMENT AND IS LOANED TO YOU. IT AND ITS CONTENTS ARE NOT TO BE DISTRIBUTED OUTSIDE YOUR AGENCY.

ELECTRICAL DATA LABEL (ITEM 57)  
TO BE PREPRINTED WITH THE  
FOLLOWING INFORMATION

| MODEL | VOLTS | AMPS | HZ    | PH | WORKS |
|-------|-------|------|-------|----|-------|
| LA120 | 115   | 6    | 60/50 | 1  | 3     |
| DA    | 230   | 3    | 60/50 | 1  | 3     |
| LA120 | 115   | 6    | 60/50 | 1  | 3     |
| GA    | 230   | 3    | 60/50 | 1  | 3     |



| LINE | ITEM | DOCUMENT NUMBER  | PART NUMBER | DESCRIPTION                      | QUANTITY PER VARIATION |    |    |    |    |
|------|------|------------------|-------------|----------------------------------|------------------------|----|----|----|----|
|      |      |                  |             |                                  | AA                     | BA | DA | GA | RE |
| 1    | 1    | D-IA-7010758-0-0 | 7010758-00  | COVER ASSY DOC LA180/120         | 1                      | 1  | 1  | 1  | 1  |
| 2    | 2    | D-IA-7015581-0-0 | 7015581-00  | HOUSING ASSY,LA120               | 1                      | 1  | 1  | 1  | 1  |
| 3    | 3    | E-AD-7015276-0-0 | 7015276-00  | KEYBOARD BEZEL ASSY              | 1                      | -  | -  | 1  | -  |
| 4    | 4    | E-AD-7015276-0-0 | 7015276-01  | KEYBOARD BEZEL                   | -                      | 1  | 1  | -  | -  |
| 5    | 5    | E-IA-7015152-0-0 | 7015152-00  | FRAME ASSY                       | 1                      | 1  | 1  | 1  | 1  |
| 6    | 6    | E-AD-7014533-0-0 | 7014533-00  | PRINTER MECHANISM LA120          | 1                      | 1  | 1  | 1  | 1  |
| 7    | 7    | D-AD-7016471-0-0 | 7016471-00  | DOOR,LA120                       | 1                      | 1  | -  | -  | 1  |
| 8    | 8    | E-UA-H7110-0-0   | H7110-00    | LA120 PS, 115/230VAC             | 1                      | 1  | -  | -  | 1  |
| 9    | 9    | E-UA-M7081-0-0   | M7081-00    | PRINTER LOGIC AND POWER BOARD    | 1                      | 1  | 1  | 1  | 1  |
| 10   | 10   | D-IA-7015168-0-0 | 7015168-00  | POWER ENTRY BRKT ASSY (CV)       | 1                      | 1  | -  | -  | 1  |
| 11   | 11   | D-IA-7015408-0-0 | 7015408-00  | LOGIC POWER CABLE ASSY           | 1                      | 1  | 1  | 1  | 1  |
| 12   | 12   | C-IA-7015552-0-0 | 7015552-00  | WIRE, GROUND PWR SUPPLY CHASSIS  | 1                      | 1  | 1  | 1  | 1  |
| 13   | 13   | C-IA-7015386-0-0 | 7015386-0J  | EIA CABLE (LA120)                | 1                      | 1  | 1  | 1  | 1  |
| 14   | 14   | A-SP-3700131-0-0 | 3700131-00  | PACKAGING INSTRUCTIONS DECRYPTER | 1                      | 1  | 1  | 1  | 1  |
| 15   | 15   | E-IA-7015387-0-0 | 7015387-00  | SWITCHES HARNESS ASSY            | 1                      | 1  | 1  | 1  | 1  |
| 16   | 16   | D-IA-7412158-0-0 | 7412158-00  | GUIDE PAPER (LA180-P)            | 1                      | 1  | 1  | 1  | 1  |
| 17   | 17   | B-MD-7412424-0-0 | 7412424-00  | PAPER OUT SWITCH                 | 1                      | 1  | 1  | 1  | 1  |
| 18   | 18   |                  | 1700107-01  | CABLE,ASSY,24 COND. 16POS        | 1                      | 1  | 1  | 1  | 1  |
| 19   | 19   |                  | 1211067-02  | TUBING CLOSURE ID=15GAUGE        | 4                      | 4  | 4  | 4  | 4  |
| 20   | 20   |                  | 9009685-00  | FOOT, LEVELER, 1-7/16 LG.        | 4                      | 4  | 4  | 4  | 4  |
| 21   | 21   |                  | 9008896-00  | NUT,WELL 10-32 BR IN             | 4                      | 4  | 4  | 4  | 4  |
| 22   | 22   |                  | 7416178-00  | DECAL (LA180)                    | 1                      | 1  | 1  | 1  | 1  |
| 23   | 23   |                  | 9009630-01  | SCREW,TAPPING,TYPE BF,PAN,PHIL,  | 6                      | 6  | 6  | 6  | 6  |
| 24   | 24   |                  | 9006653-00  | WASHER, FLAT, .375 O.D. X .156 I | 6                      | 6  | 6  | 6  | 6  |
| 25   | 25   |                  | 9009301-00  | NUT, SPEED, 6-32X.44LGX.28WIDE X | 1                      | 1  | 1  | 1  | 1  |
| 26   | 26   |                  | 9007082-00  | CLAMP,CABLE,SCREW HTD. 5/16"     | 1                      | 1  | 1  | 1  | 1  |
| 27   | 27   |                  | 9008033-01  | SCREW,PAN,PHIL 4-40X 9/16 SS     | 2                      | 2  | 2  | 2  | 2  |
| 28   | 28   |                  | 9006557-00  | NUT,KEP 4-40X 1/4 AF             | 3                      | 3  | 3  | 3  | 3  |
| 29   | 29   |                  | 1215050-00  | SPEAKER,2.5"DIA,80HM,ROUND       | 1                      | 1  | 1  | 1  | 1  |
| 30   | 30   | A-EK-LA120-R-G   |             | REF.CARD,OPERATOR LA120          | 1                      | 1  | 1  | 1  | 1  |

| REVISION HISTORY |             |     | BASIC PART NO: LA120     |                  | DRN:        | D. BRIDGERS          | DATE:           | DIGITAL |             |     |  |
|------------------|-------------|-----|--------------------------|------------------|-------------|----------------------|-----------------|---------|-------------|-----|--|
| ENG!             | ECO NUMBER  | REV | SECTION A OF A           | CHK'D:           | L. GILBERT  | DATE:                | PARTS LIST      |         |             |     |  |
|                  | INITIAL     | IT  | SECTION. VARIATION INDEX |                  |             | DATE:                | LA120 UNIT ASSY |         |             |     |  |
| JB               | LA120-PN133 | U   | [A] AA,BA,DA,GA,RE       |                  |             | DATE:                |                 |         |             |     |  |
| JB               | LA120-PN134 | V   |                          |                  |             | DATE:                |                 |         |             |     |  |
| JB               | LA120-PN135 | W   | [B]                      | DES.ENG.:        | H. RASMUSEN | DATE:                |                 |         |             |     |  |
| EK               | LA120-PN137 | Y   |                          |                  |             | DATE:                |                 |         |             |     |  |
| JB               | LA120-PN138 | Z   | [C]                      |                  |             | DATE:                |                 |         |             |     |  |
| JB               | LA120-PN139 | AA  |                          | RESP.ENG.:       | P. NELSON   | DATE:                | DOCUMENT NUMBER |         |             |     |  |
| JB               | LA120-PN140 | AB  | [D]                      |                  |             | DATE:                |                 |         |             |     |  |
| EK               | LA120-PN141 | AC  |                          |                  |             | DATE:                | SIZE!           | CODE!   | NUMBER      | REV |  |
|                  |             |     | [E]                      | MFG.ENG.:        | J. JOYCE    | DATE:                | K               | PL      | LA120-0-DBP | AC  |  |
|                  |             |     | [F]                      | ASSEMBLY NUMBER: |             | TOP DOCUMENT NUMBER: | FILE NAME!      |         | EDIT #      |     |  |
|                  |             |     |                          | E-UA-LA120-0-0   |             | B-DD-LA120-0-0       | Z120AC.PLS      |         | 17          |     |  |

\*THIS DRAWING AND SPECIFICATIONS HEREIN, ARE THE PROPERTY OF DIGITAL EQUIPMENT CORPORATION AND SHALL NOT BE REPRODUCED OR COPIED OR USED IN WHOLE OR IN PART AS THE BASIS FOR THE MANUFACTURE OR SALE OF ITEMS WITHOUT WRITTEN PERMISSION. COPYRIGHT (C) 1981. DIGITAL EQUIPMENT CORPORATION \*

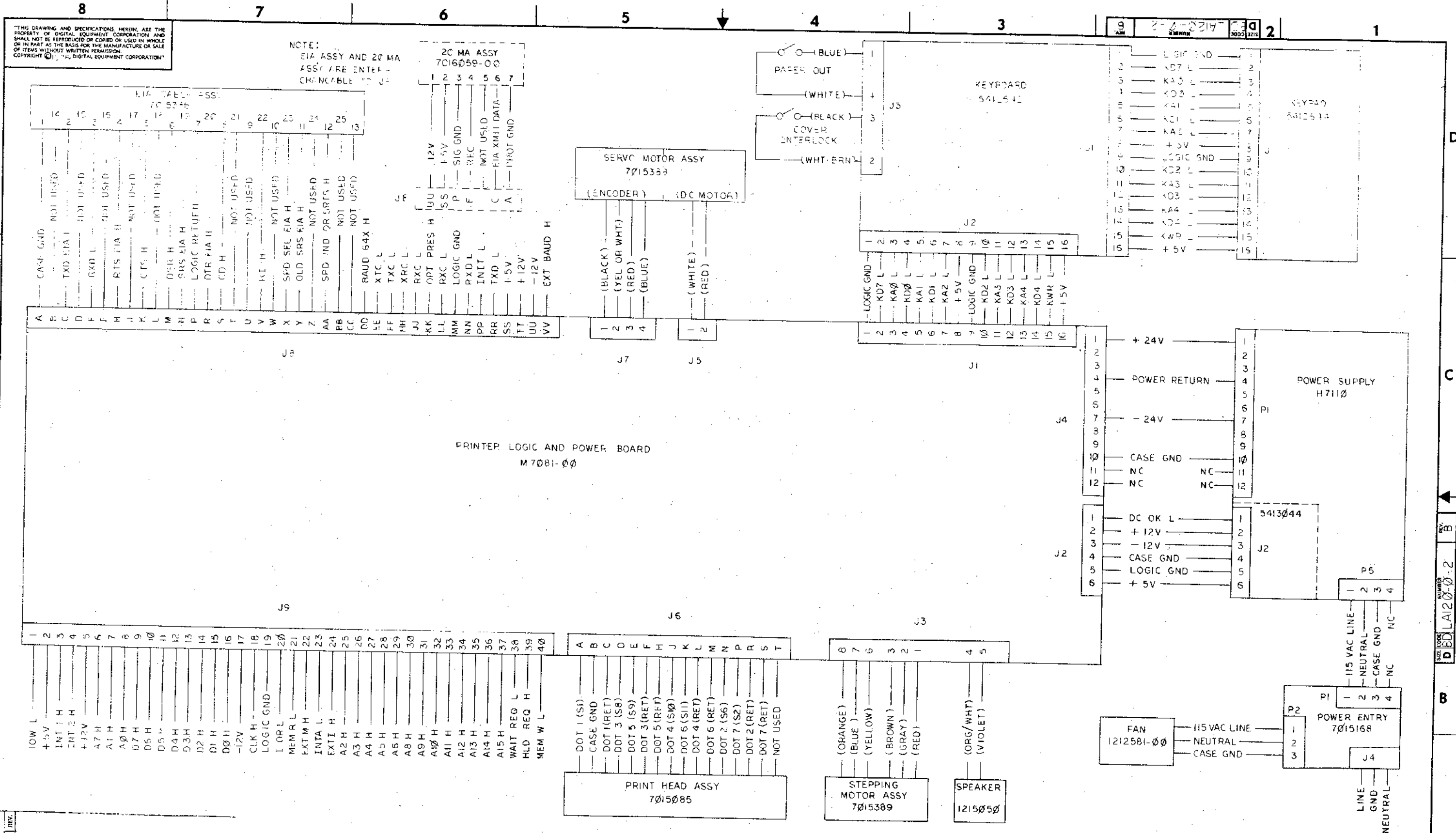




| LINE | ITEM | DOCUMENT NUMBER  | PART NUMBER | DESCRIPTION                    | QUANTITY PER VARIATION |    |    |    |    |
|------|------|------------------|-------------|--------------------------------|------------------------|----|----|----|----|
|      |      |                  |             |                                | AA                     | BA | DA | GA | RE |
| 79   | 79   | A-EK-LA120-R-G   |             | REFERENCE CARD, OPERATOR LA120 | 1                      | 1  | 1  | 1  | 1  |
| 80   | 80   | E-MD-7423859-0-0 | 7423859-00  | ACOUSTIC FOAM                  | 1                      | 1  | 1  | 1  | 1  |
| 81   | 81   |                  | 3617880-03  | LABEL, FCC CLASS A PERIPHERAL  | 1                      | 1  | 1  | 1  | 1  |
| 82   | 82   |                  | 3618307-05  | ASSY, 04, 01                   | 1                      | 1  | 1  | 1  | 1  |
| 83   | 83   |                  | 3618331-01  | *** THIS ITEM IS NOT USED ***  | -                      | -  | -  | -  | -  |
| 84   | 84   | D-AD-7016471-0-0 | 7016471-01  | COVER PANEL ASSY.              | -                      | -  | 1  | 1  | -  |
| 85   | 85   |                  | 3615285-00  | LABEL, FUSE HOLDER             | 1                      | 1  | -  | -  | -  |

86 NOTE: 1. ITEM 64 AND ITEM 77 ARE OPTIONAL.

|   |   |   |   |   |   |   |                 |           |      |      |      |                 |     |
|---|---|---|---|---|---|---|-----------------|-----------|------|------|------|-----------------|-----|
| D | I | G | I | T | A | L | TITLE           | SECTION A | OF A | SIZE | CODE | DOCUMENT NUMBER | REV |
|   |   |   |   |   |   |   | LA120 UNIT ASSY |           |      |      |      | LA120-0-DBP     | AC  |
|   |   |   |   |   |   |   |                 |           |      | K    | PL   |                 |     |



"THIS DRAWING AND SPECIFICATIONS HEREIN ARE THE PROPERTY OF DIGITAL EQUIPMENT CORPORATION AND SHALL NOT BE REPRODUCED OR COPIED OR USED IN WHOLE OR IN PART AS THE BASIS FOR THE MANUFACTURE OR SALE OF ITEMS WITHOUT WRITTEN PERMISSION. COPYRIGHT © 1978, DIGITAL EQUIPMENT CORPORATION"

NOTE:  
EIA ASSY AND 20 MA ASSY ARE INTER-CHANGEABLE

|                           |           |               |                             |
|---------------------------|-----------|---------------|-----------------------------|
| DRN: <i>[Signature]</i>   | 4-16-78   | FIRST USED ON | LA120                       |
| CHK'D: <i>[Signature]</i> | 5-3-78    | TITLE         | LA120 BLOCK DIAGRAM DRAWING |
| ENG: <i>[Signature]</i>   | 7-26-78   | SCALE         |                             |
| PRD: <i>[Signature]</i>   | 30 JUN 78 | SIZE CODE     | D                           |
| PROJ: <i>[Signature]</i>  | 2 Aug 78  | NUMBER        | 6                           |
| NEXT HIGHER ASSY.         |           | DIST.         |                             |
| B-DD-LA120-0              |           |               |                             |
| SHEET 1 OF 2              |           |               |                             |

|          |      |
|----------|------|
| REV. NO. | REV. |
| 1        |      |
| 2        |      |
| 3        |      |
| 4        |      |
| 5        |      |
| 6        |      |
| 7        |      |
| 8        |      |

PART NUMBER LA120-0-2

B

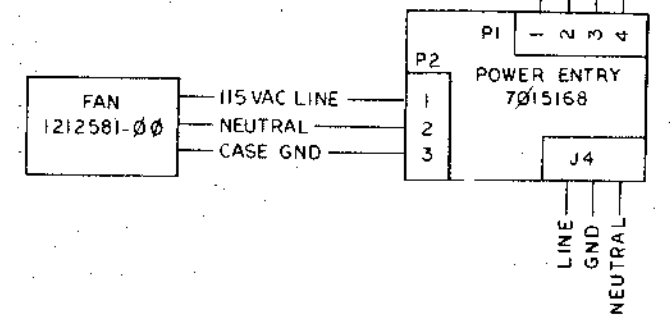
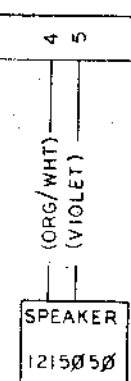
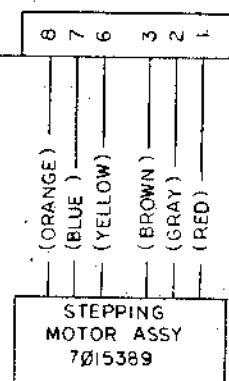
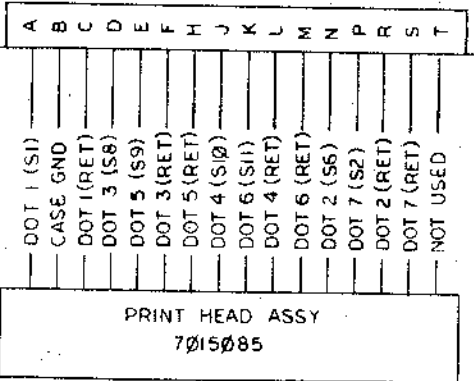
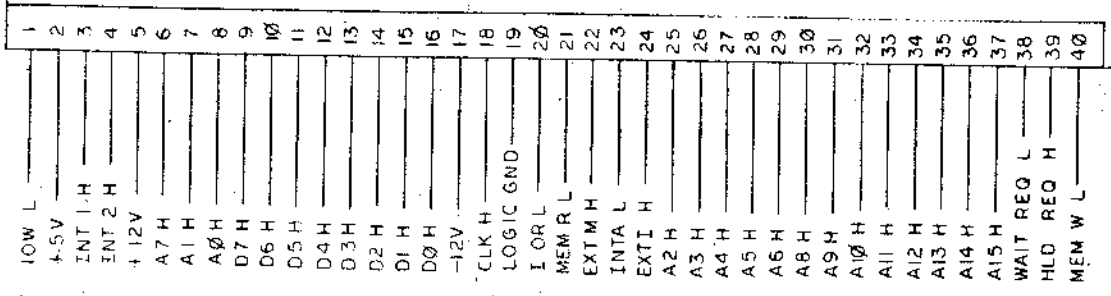
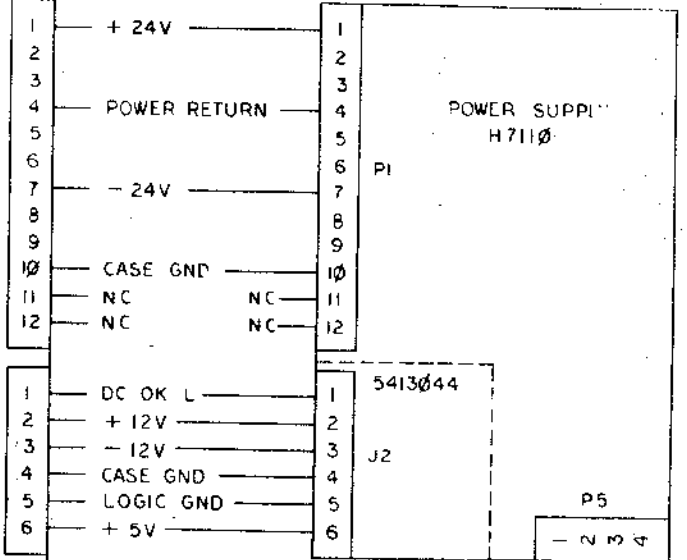
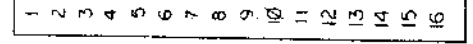
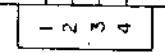
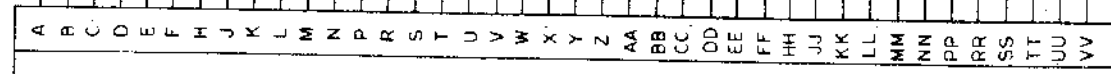
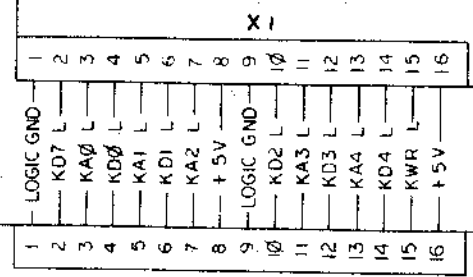
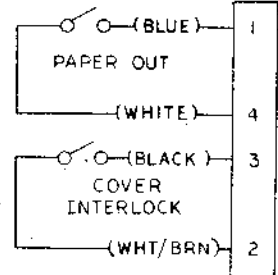
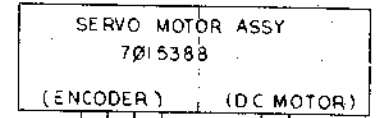
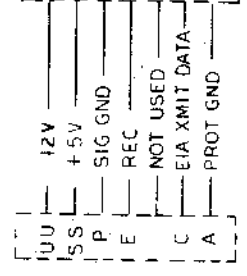
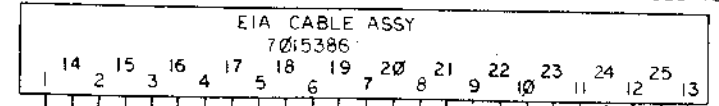
A

THIS DRAWING AND SPECIFICATIONS, HEREIN, ARE THE PROPERTY OF DIGITAL EQUIPMENT CORPORATION AND SHALL NOT BE REPRODUCED OR COPIED OR USED IN WHOLE OR IN PART AS THE BASIS FOR THE MANUFACTURE OR SALE OF ITEMS WITHOUT WRITTEN PERMISSION. COPYRIGHT © 1971 DIGITAL EQUIPMENT CORPORATION

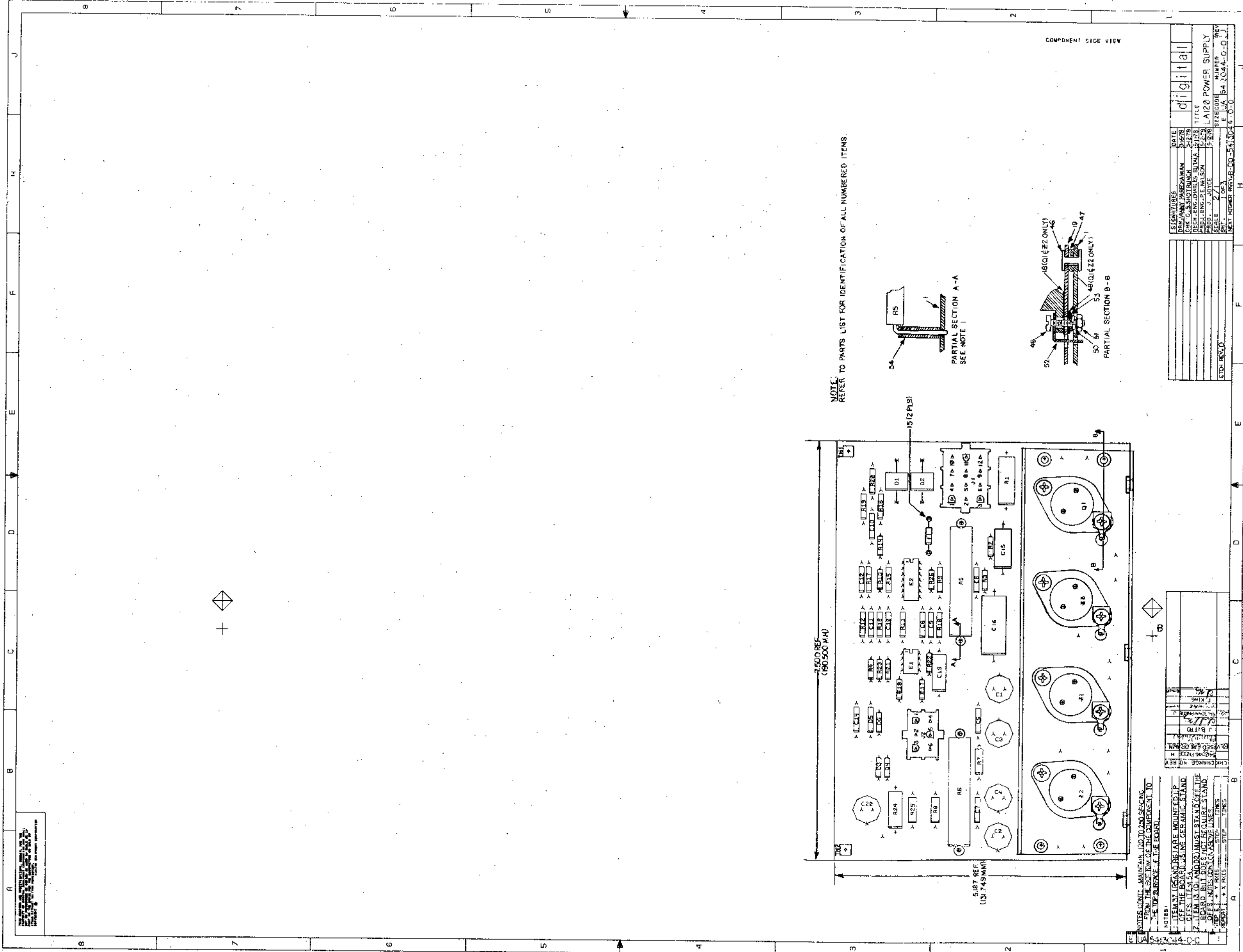
NOTE:  
EIA ASSY AND 20 MA ASSY ARE INTER-CHANGABLE TO J8

20 MA ASSY  
7016059-00

NOTES:  
1. THE DIAGRAM ON THIS SHEET REFERS TO LA120 - RE VERSION 011.

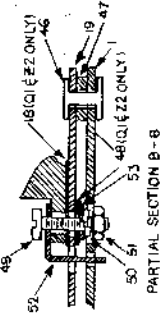


| REVISIONS |            |      |
|-----------|------------|------|
| CHK       | CHANGE NO. | REV. |
|           |            |      |
|           |            |      |



NOTE: REFER TO PARTS LIST FOR IDENTIFICATION OF ALL NUMBERED ITEMS.

COMPONENT SIDE VIEW



1. NOTES:  
 1. DIMENSIONS ARE UNLESS OTHERWISE SPECIFIED IN MILLIMETERS.  
 2. DIMENSIONS IN PARENTHESES ARE FOR INFORMATION ONLY.  
 3. DIMENSIONS ARE TO CENTER UNLESS OTHERWISE SPECIFIED.  
 4. DIMENSIONS ARE TO SURFACE UNLESS OTHERWISE SPECIFIED.  
 5. DIMENSIONS ARE TO CENTER UNLESS OTHERWISE SPECIFIED.  
 6. DIMENSIONS ARE TO SURFACE UNLESS OTHERWISE SPECIFIED.  
 7. DIMENSIONS ARE TO CENTER UNLESS OTHERWISE SPECIFIED.  
 8. DIMENSIONS ARE TO SURFACE UNLESS OTHERWISE SPECIFIED.  
 9. DIMENSIONS ARE TO CENTER UNLESS OTHERWISE SPECIFIED.  
 10. DIMENSIONS ARE TO SURFACE UNLESS OTHERWISE SPECIFIED.

| REVISIONS | DATE     | BY          | CHK'D       | DATE     | BY          | CHK'D       |
|-----------|----------|-------------|-------------|----------|-------------|-------------|
| 1         | 10/22/59 | W. J. JOYCE | W. J. JOYCE | 10/22/59 | W. J. JOYCE | W. J. JOYCE |
| 2         | 11/24/59 | W. J. JOYCE | W. J. JOYCE | 11/24/59 | W. J. JOYCE | W. J. JOYCE |
| 3         | 12/15/59 | W. J. JOYCE | W. J. JOYCE | 12/15/59 | W. J. JOYCE | W. J. JOYCE |
| 4         | 1/12/60  | W. J. JOYCE | W. J. JOYCE | 1/12/60  | W. J. JOYCE | W. J. JOYCE |
| 5         | 2/11/60  | W. J. JOYCE | W. J. JOYCE | 2/11/60  | W. J. JOYCE | W. J. JOYCE |
| 6         | 3/11/60  | W. J. JOYCE | W. J. JOYCE | 3/11/60  | W. J. JOYCE | W. J. JOYCE |
| 7         | 4/11/60  | W. J. JOYCE | W. J. JOYCE | 4/11/60  | W. J. JOYCE | W. J. JOYCE |
| 8         | 5/11/60  | W. J. JOYCE | W. J. JOYCE | 5/11/60  | W. J. JOYCE | W. J. JOYCE |
| 9         | 6/11/60  | W. J. JOYCE | W. J. JOYCE | 6/11/60  | W. J. JOYCE | W. J. JOYCE |
| 10        | 7/11/60  | W. J. JOYCE | W. J. JOYCE | 7/11/60  | W. J. JOYCE | W. J. JOYCE |

| NO. | DESCRIPTION | QTY. |
|-----|-------------|------|
| 1   | RESISTOR    | 1    |
| 2   | CAPACITOR   | 1    |
| 3   | DIODE       | 1    |
| 4   | TRANSFORMER | 1    |
| 5   | INDUCTOR    | 1    |
| 6   | WIRE        | 1    |
| 7   | WIRE        | 1    |
| 8   | WIRE        | 1    |
| 9   | WIRE        | 1    |
| 10  | WIRE        | 1    |
| 11  | WIRE        | 1    |
| 12  | WIRE        | 1    |
| 13  | WIRE        | 1    |
| 14  | WIRE        | 1    |
| 15  | WIRE        | 1    |
| 16  | WIRE        | 1    |
| 17  | WIRE        | 1    |
| 18  | WIRE        | 1    |
| 19  | WIRE        | 1    |
| 20  | WIRE        | 1    |
| 21  | WIRE        | 1    |
| 22  | WIRE        | 1    |
| 23  | WIRE        | 1    |
| 24  | WIRE        | 1    |
| 25  | WIRE        | 1    |
| 26  | WIRE        | 1    |
| 27  | WIRE        | 1    |
| 28  | WIRE        | 1    |
| 29  | WIRE        | 1    |
| 30  | WIRE        | 1    |

ETCH REV. 0  
 NEXT HIGH RESOLUTION COPY  
 SA 1024-00  
 SA 1024-01  
 SA 1024-02  
 SA 1024-03  
 SA 1024-04  
 SA 1024-05  
 SA 1024-06  
 SA 1024-07  
 SA 1024-08  
 SA 1024-09  
 SA 1024-10

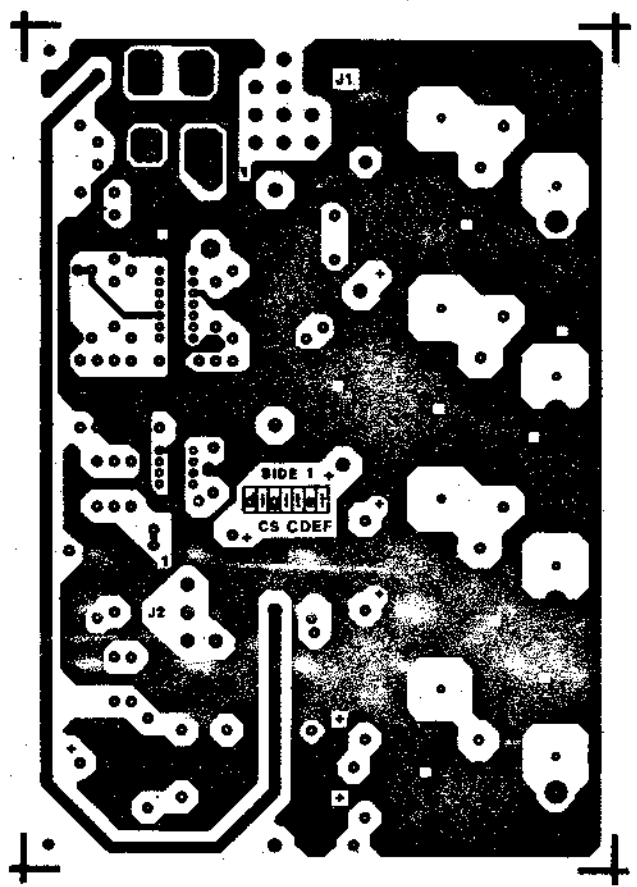
| NO. | DESCRIPTION | QTY. |
|-----|-------------|------|
| 1   | RESISTOR    | 1    |
| 2   | CAPACITOR   | 1    |
| 3   | DIODE       | 1    |
| 4   | TRANSFORMER | 1    |
| 5   | INDUCTOR    | 1    |
| 6   | WIRE        | 1    |
| 7   | WIRE        | 1    |
| 8   | WIRE        | 1    |
| 9   | WIRE        | 1    |
| 10  | WIRE        | 1    |
| 11  | WIRE        | 1    |
| 12  | WIRE        | 1    |
| 13  | WIRE        | 1    |
| 14  | WIRE        | 1    |
| 15  | WIRE        | 1    |
| 16  | WIRE        | 1    |
| 17  | WIRE        | 1    |
| 18  | WIRE        | 1    |
| 19  | WIRE        | 1    |
| 20  | WIRE        | 1    |
| 21  | WIRE        | 1    |
| 22  | WIRE        | 1    |
| 23  | WIRE        | 1    |
| 24  | WIRE        | 1    |
| 25  | WIRE        | 1    |
| 26  | WIRE        | 1    |
| 27  | WIRE        | 1    |
| 28  | WIRE        | 1    |
| 29  | WIRE        | 1    |
| 30  | WIRE        | 1    |

SA 1024-00  
 SA 1024-01  
 SA 1024-02  
 SA 1024-03  
 SA 1024-04  
 SA 1024-05  
 SA 1024-06  
 SA 1024-07  
 SA 1024-08  
 SA 1024-09  
 SA 1024-10

THIS DRAWING IS THE PROPERTY OF THE COMPANY AND IS NOT TO BE REPRODUCED OR COPIED IN ANY MANNER WITHOUT THE WRITTEN PERMISSION OF THE COMPANY. IT IS TO BE USED ONLY FOR THE PURPOSES SPECIFIED AND IS NOT TO BE USED FOR ANY OTHER PURPOSES. IT IS TO BE DESTROYED WHEN NO LONGER NEEDED FOR THE ORIGINAL PURPOSES.

THIS DRAWING AND INFORMATION HEREON ARE THE PROPERTY OF THE U.S. GOVERNMENT AND ARE TO BE RELEASED TO THE PUBLIC IN WHOLE OR IN PART AS AUTHORIZED BY THE NATIONAL ARCHIVES AT COLLEGE PARK, MARYLAND.

6013043D  
6413044



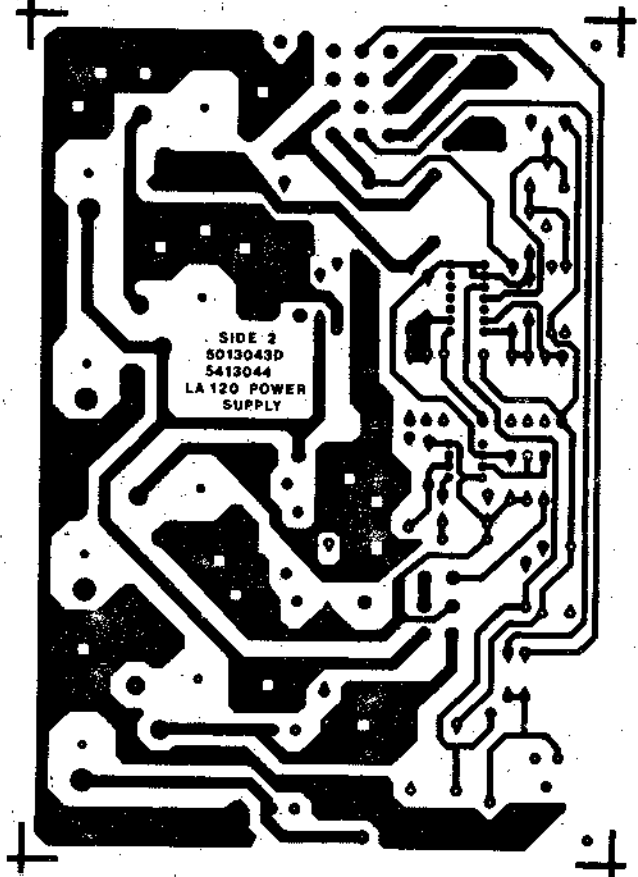
VIEWED FROM SIDE 1

| REVISIONS |      |    |
|-----------|------|----|
| NO.       | DATE | BY |
|           |      |    |

|       |                    |           |   |        |   |      |      |
|-------|--------------------|-----------|---|--------|---|------|------|
| TITLE | LAI20 POWER SUPPLY | PROJ. NO. |   | NUMBER |   | REV. |      |
| SCALE | 2/1                | SHEET     | 2 | OF     | 3 | DATE |      |
|       |                    |           |   |        |   |      | 1 PW |

EUA 5413044-0-0 J

THIS DRAWING AND INFORMATION HEREON ARE THE PROPERTY OF ELECTRA ELECTRONICS CORPORATION AND SHALL NOT BE REPRODUCED OR TRANSMITTED IN ANY FORM OR BY ANY MEANS, ELECTRONIC OR MECHANICAL, INCLUDING PHOTOCOPYING, RECORDING, OR BY ANY INFORMATION STORAGE AND RETRIEVAL SYSTEM WITHOUT THE WRITTEN PERMISSION OF ELECTRA ELECTRONICS CORPORATION.



VIEWED FROM SIDE 2

| REVISIONS |            |      |
|-----------|------------|------|
| DATE      | CHANGE NO. | REV. |
|           |            |      |

|                             |                 |                 |                       |           |
|-----------------------------|-----------------|-----------------|-----------------------|-----------|
| TITLE<br>LA120 POWER SUPPLY |                 | DESIGNER<br>EUA | NUMBER<br>5413044-0-0 | REV.<br>J |
| SCALE<br>2/1                | SHEET<br>3 of 3 |                 | DATE<br>1 PW          |           |

EUA 5413044-0-0 J

| LINE | ITEM | DOCUMENT NUMBER  | PART NUMBER | DESCRIPTION                     | QTY | PER VARIATION | REFERENCE DESIGNATOR                   |
|------|------|------------------|-------------|---------------------------------|-----|---------------|--|
| 1    | 1    | E-MD-5013043-0-0 | 5013043-00  | LA120 PWR SUPPLY MAIN, BRD      | 1   |               |  |
| 2    | 2    |                  | 1000075-00  | 25 MFD 25V +75-10% AL EL        | 1   |               | C15                                    |
| 3    | 3    |                  | 1001610-00  | .01 MFD 50V +80-20% 250 CER     | 2   |               | C17,C18                                |
| 4    | 4    |                  | 1005507-00  | 1 MFD 100V +50-10% AL EL        | 1   |               | C19                                    |
| 5    | 5    |                  | 1009433-00  | 190 MFD 12V +75-10% AL EL       | 1   |               | C16                                    |
| 6    | 6    |                  | 1012607-00  | 560 MFD 20V+100-10% AL EL       | 2   |               | C3,C4                                  |
| 7    | 7    |                  | 1012607-04  | 270 MFD 40V+100-10% AL EL       | 1   |               | C20                                    |
| 8    | 8    |                  | 1013466-11  | .22 MFD 50V +80-20% 250 CER     | 10  |               | C5,C6,C7,C8,C9,C10,C11,C12,C13,<br>C14 |
| 9    | 9    |                  | 1014526-00  | 180 MFD 40V+100-10% AL EL       | 2   | CUNT          | C1,C2                                  |
| 10   | 10   |                  | 1105796-09  | 1N 4004 PIV=400 I= 1A D041 SP   | 2   |               | D3,D4                                  |
| 11   | 11   |                  | 1105873-00  | 4M5-1A21 VZ= 5.1 1% .400W       | 1   |               | D5                                     |
| 12   | 12   |                  | 1109502-00  | 1N 4742 VZ= 12.0 10% 1W Y       | 1   |               | D6                                     |
| 13   | 13   |                  | 1110615-00  | MP 752 PIV=200 I=22A A264 SM    | 2   |               | D1,D2                                  |
| 14   | 14   |                  | 1205747-00  | FUSE, SUB-MINI, 5.000A, 125V, A | 1   |               | F1                                     |
| 15   | 15   |                  | 1209336-00  | JACK, 1LINE                     | 2   |               |  |
| 16   | 16   |                  | 1212297-05  | MATE-N-LOK 6PIN UNIV HEADER     | 1   |               | J2                                     |
| 17   | 17   |                  | 1212297-06  | MATE-N-LOK 12PIN UNIV HEADER    | 1   |               | J1                                     |
| 18   | 18   |                  | 1213071-02  | INSULATOR,RUBBER SILICONE SM    | 2   |               |  |
| 19   | 19   |                  | 1215217-00  | HEAT SINK,TO-3,ALUM             | 1   |               |  |
| 20   | 20   |                  | 1300288-00  | 270.0 2.0 W 10.0 % CC           | 1   |               | R1                                     |
| 21   | 21   |                  | 1300296-00  | 330.0 .50 W 5.0 % CC            | 1   |               | R25                                    |
| 22   | 22   |                  | 1300319-00  | 470.0 1.0 W 5.0 % CC            | 1   |               | R24                                    |
| 23   | 23   |                  | 1300365-00  | 1.0 K .25 W 5.0 % CC            | 2   |               | R3,R4                                  |
| 24   | 24   |                  | 1300400-00  | 1.80 K .50 W 10.0 % CC          | 2   |               | R7,R8                                  |
| 25   | 25   |                  | 1300426-00  | 2.70 K .25 W 5.0 % CC           | 1   |               | R23                                    |
| 26   | 26   |                  | 1302092-00  | 220.0 K .25 W 5.0 % CC          | 2   |               | R13,R14                                |
| 27   | 27   |                  | 1302124-00  | 18.0 .25 W 5.0 % CC             | 1   |               | R2                                     |
| 28   | 28   |                  | 1302465-00  | 18.0 K .25 W 5.0 % CC           | 1   |               | R26                                    |
| 29   | 29   |                  | 1303114-00  | 1.0 K .25 W 1.0 % RM55D-F10     | 2   |               | R11,R12                                |

| REVISION HISTORY |               |     | BASIC PART NO: 5413044   |                  |                                 |
|------------------|---------------|-----|--------------------------|------------------|---------------------------------|
| ENG              | ECO NUMBER    | REV | SECTION A OF A           | DRN:             | VIN PARECHANIAN DATE: 13-MAR-78 |
| ---              | INTT          | C   | SECTION, VARIATION INDEX | CHKID:           | T SHETRAWNSKI DATE: 5-APR-78    |
| 1                | EN001         | D   | [A] 00                   | DES.ENG:         | CHARLES BUTALA DATE: 13-MAR-78  |
| 1                | 5413044-PN002 | E   | [B]                      | RESP.ENG.:       | CHARLES BUTALA DATE: 13-MAR-78  |
| 1                | 5413044-PN003 | F   | [C]                      | SIZE:            | NUMBER                          |
| 1                | 5413044-PN004 | H   | [D]                      | CODE:            | NUMBER                          |
| 1                | 5413044-PN005 | J   | [E]                      | MFG.ENG.:        | JAMES JOYCE DATE: 30-MAR-78     |
| 1                | 5413044-PN006 | K   | [F]                      | ASSEMBLY NUMBER: | TOP DOCUMENT NUMBER:            |
|                  |               |     | [G]                      | F-UA-5413044-0-0 | H7110                           |
|                  |               |     | [H]                      |                  | FILE NAME:                      |
|                  |               |     | [I]                      |                  | 13044K,PLS                      |
|                  |               |     | [J]                      |                  | EDIT #                          |
|                  |               |     | [K]                      |                  | 20                              |

"THIS DRAWING AND SPECIFICATIONS HEREIN, ARE THE PROPERTY OF DIGITAL EQUIPMENT CORPORATION AND SHALL NOT BE REPRODUCED OR COPIED OR USED IN WHOLE OR IN PART AS THE BASIS FOR THE MANUFACTURE OR SALE OF ITEMS WITHOUT WRITTEN PERMISSION. COPYRIGHT (C) 1981, DIGITAL EQUIPMENT CORPORATION."



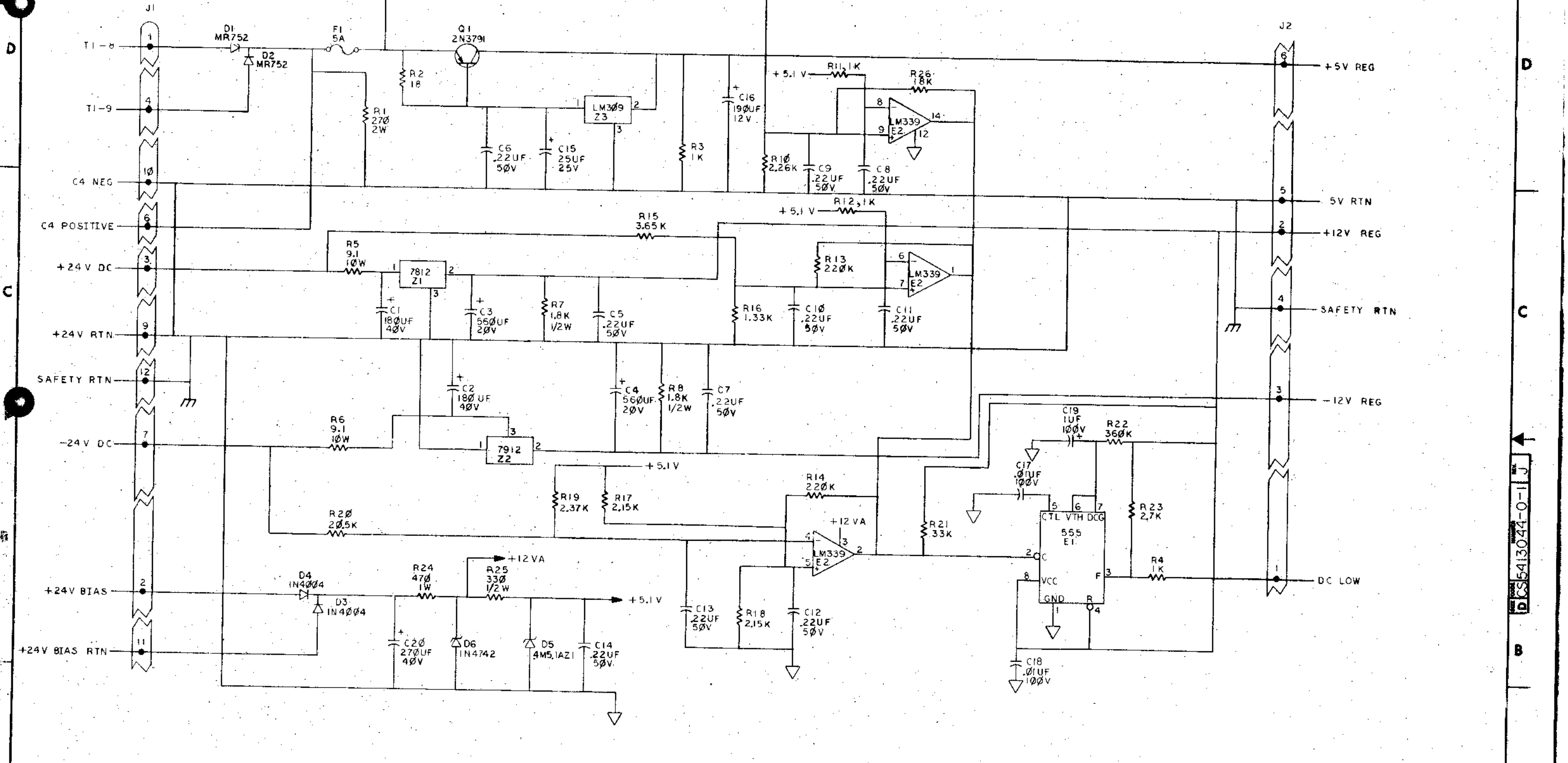
| LINE | ITEM | DOCUMENT NUMBER  | PART NUMBER | DESCRIPTION                      | QTY PER VARIATION<br>00 | REFERENCE DESIGNATOR |
|------|------|------------------|-------------|----------------------------------|-------------------------|----------------------|
| 30   | 30   |                  | 1304835-00  | /REPLACED BY 13-05337-00         | PM 1                    |                      |
| 31   | 31   |                  | 1310630-00  | 1.33 K .25 W 1.0 % RN55D-F10     | 1                       | R15                  |
| 32   | 32   |                  | 1310632-00  | 2.37 K .25 W 1.0 % RN55D-F10     | 1                       | R16                  |
| 33   | 33   |                  | 1311653-00  | 7.15 K .25 W 1.0 % RN55D-F10     | 1                       | R19                  |
| 34   | 34   |                  | 1312933-00  | 360.0 K .25 W 5.0 % CC           | 2                       | R17,R18              |
| 35   | 35   |                  | 1313349-00  | 33.0 K .25 W 5.0 % CC            | 1                       | R22                  |
| 36   | 36   |                  | 1313846-00  | 2.26 K .25 W 1.0 % RN55D-F10     | 1                       | R21                  |
| 37   | 37   |                  | 1314520-00  | 9.10 10.0 W 5.0 % Ww             | 1                       | R10                  |
| 38   | 38   |                  | 1315096-00  | 1.87 K .25 W 1.0 % RN55D-F10     | 2                       | R5,R6                |
| 39   | 39   |                  | 1315097-00  | 20.50 K .25 W 1.0 % RN55D-F10    | 1                       | R9                   |
| 40   | 40   |                  | 1509581-00  | 2N 3791 PNP 150WC SI 60 30 M     | 1                       | R20                  |
| 41   | 41   |                  | 1910460-00  | DEC 309 VOLT REG, FIX +15V       | 1                       | Q1                   |
| 42   | 42   |                  | 1911944-00  | 555CN TIMER, FUNCT. BLOCK        | 1                       | Z3                   |
| 43   | 43   |                  | 1912048-00  | DEC 7812 VOLT REG, FIX +12V      | 1                       | E1                   |
| 44   | 44   |                  | 1912108-00  | 339 VOLT CMPRTR, QUAD            | 1                       | Z1                   |
| 45   | 45   |                  | 1914517-00  | 7912 VOLT REG, FIX -12V          | 1                       | E2                   |
| 46   | 46   |                  | 9006507-00  | RIVET, BLIND, .125 DIA X .257 LG | 4                       | Z2                   |
| 47   | 47   |                  | 9006658-00  | WASHER, FLAT, .375 O.D. X .144 I | 4                       |                      |
| 48   | 48   |                  | 9006707-00  | WASHER, NYLON, FLAT #6 .312 OD   | 4                       |                      |
| 49   | 49   |                  | 9007793-01  | SCREW, PAN, PHIL 6-32X 9/16 SS   | 8                       |                      |
| 50   | 50   |                  | 9007801-00  | WASHER, LOCK, S.S. #6            | 8                       |                      |
| 51   | 51   |                  | 9008957-00  | NUT, HEX 6-32X 1/4 AF X 3        | 8                       |                      |
| 52   | 52   |                  | 9009676-00  | TERM LUG 1POS SOLDER             | 4                       |                      |
| 53   | 53   |                  | 9006656-00  | WASHER, FLAT, .312 O.D. X .156 I | 8                       |                      |
| 54   | 54   |                  | 9009798-00  | SPACER, CERAMIC, .186 ODX.078 ID | 4                       |                      |
| 55   | 55   | A-SP-3700440-0-0 | 3700440-00  | INSTR PKG MODULE 5413044         | REF                     |                      |
| 56   | 56   | A-SP-3700438-0-0 | 3700438-00  | INSTR PKG, BULK CARTON 99-06476- | REF                     |                      |

57 NOTE: 1. FOR INDIVIDUAL FIELD SERVICE/CUSTOMER SPARES SHIPMENTS  
 58 NOTE: USE PKG. INSTRUCTIONS A-SP-3700440-0-0. FOR BULK INTERPLANT  
 59 NOTE: SHIPMENTS USE PKG. INSTRUCTION A-SP-3700438-0-0.

|   |   |   |   |   |   |   |                    |                |      |      |                 |     |
|---|---|---|---|---|---|---|--------------------|----------------|------|------|-----------------|-----|
| D | I | G | I | T | A | L | TITLE              | SECTION A OF A | SIZE | CODE | DOCUMENT NUMBER | REV |
|   |   |   |   |   |   |   | LA120 POWER SUPPLY |                | K    | PL   | 5413044-0-DBP   | K   |

THIS DRAWING AND SPECIFICATIONS HEREIN ARE THE PROPERTY OF DIGITAL EQUIPMENT CORPORATION AND SHALL NOT BE REPRODUCED OR COPIED OR USED IN WHOLE OR IN PART AS THE BASIS FOR THE MANUFACTURE OR SALE OF ITEMS WITHOUT WRITTEN PERMISSION. COPYRIGHT © 1978, DIGITAL EQUIPMENT CORPORATION.

NOTES:  
1. ALL RESISTORS ARE TO BE 1/4 W UNLESS OTHERWISE NOTED.

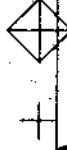
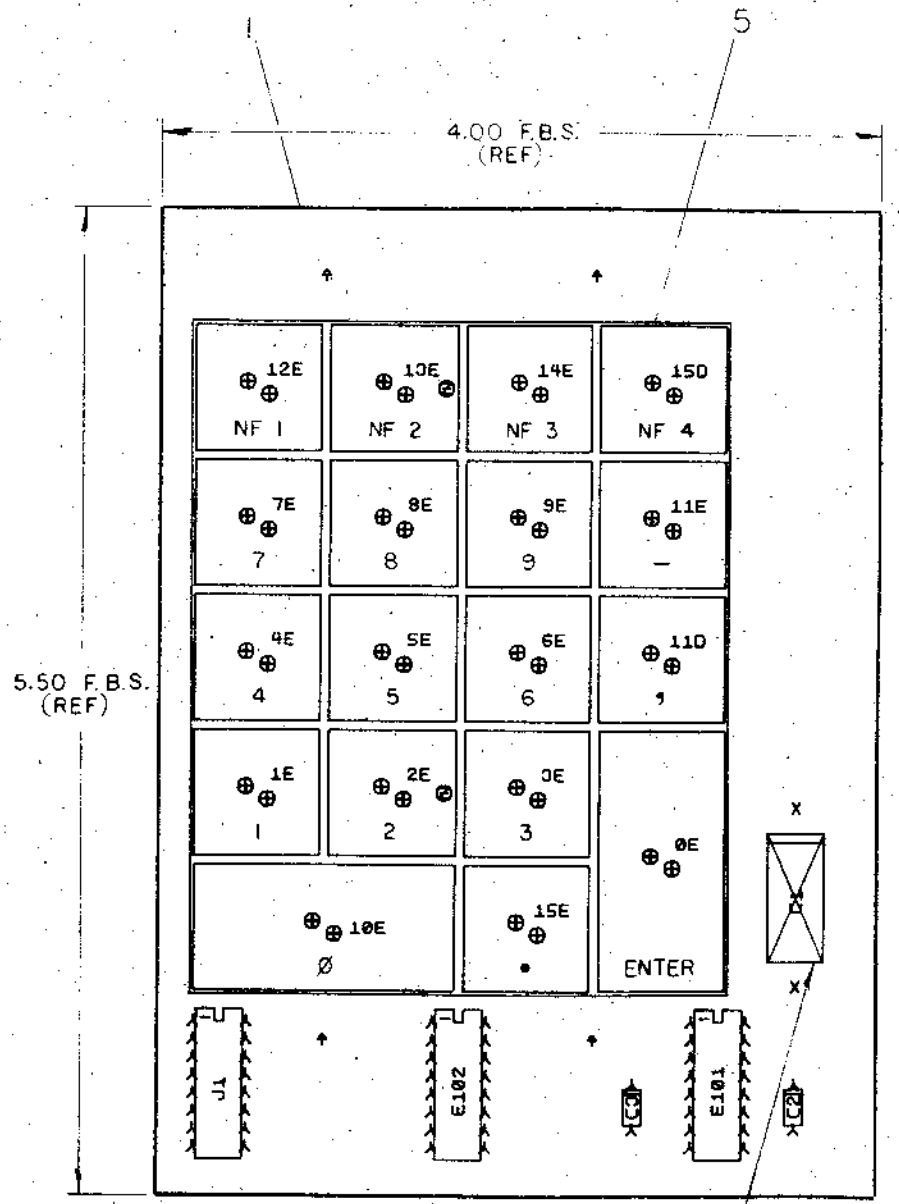


| REV. | DATE     | BY       | CHK'D |
|------|----------|----------|-------|
| 1    | 5 MAR 80 | J. BITTO |       |
| 2    | 5 MAR 80 | J. BITTO |       |
| 3    | 5 MAR 80 | J. BITTO |       |
| 4    | 5 MAR 80 | J. BITTO |       |
| 5    | 5 MAR 80 | J. BITTO |       |
| 6    | 5 MAR 80 | J. BITTO |       |
| 7    | 5 MAR 80 | J. BITTO |       |
| 8    | 5 MAR 80 | J. BITTO |       |

|                               |           |               |                    |               |
|-------------------------------|-----------|---------------|--------------------|---------------|
| DRN. <i>[Signature]</i>       | 11 JAN 80 | FIRST USED ON | H7110/LA120        | digital       |
| CHK'D <i>[Signature]</i>      | 5/1/80    | TITLE         | LA120 POWER SUPPLY |               |
| ENG. <i>[Signature]</i>       |           | SIZE          | CODE               | NUMBER        |
| PROJ. ENG. <i>[Signature]</i> |           | SCALE         | D                  | CS5413044-0-1 |
| PROJ. MGR. <i>[Signature]</i> |           | SHEET         | OF                 | REV. J        |
| NEXT HIGHER ASSY.             |           | DIST.         |                    |               |

THIS DRAWING AND SPECIFICATIONS, HEREIN, ARE THE PROPERTY OF DIGITAL EQUIPMENT CORPORATION AND SHALL NOT BE REPRODUCED OR COPIED IN WHOLE OR IN PART OR THE BASIS FOR THE CONSTRUCTION OF THIS OR OTHER WITHOUT WRITTEN PERMISSION.  
 DIGITAL EQUIPMENT CORPORATION

COMPONENT SIDE VIEW



NOTES: 1. C1 IS NOT USED.

| CHK CHANGE NO   | REV  | DATE | BY |
|-----------------|------|------|----|
| 502643-FRONT    | C    |      |    |
| REVISED - IN DR | AVII |      |    |
|                 |      |      |    |
|                 |      |      |    |
|                 |      |      |    |
|                 |      |      |    |
|                 |      |      |    |
|                 |      |      |    |
|                 |      |      |    |
|                 |      |      |    |

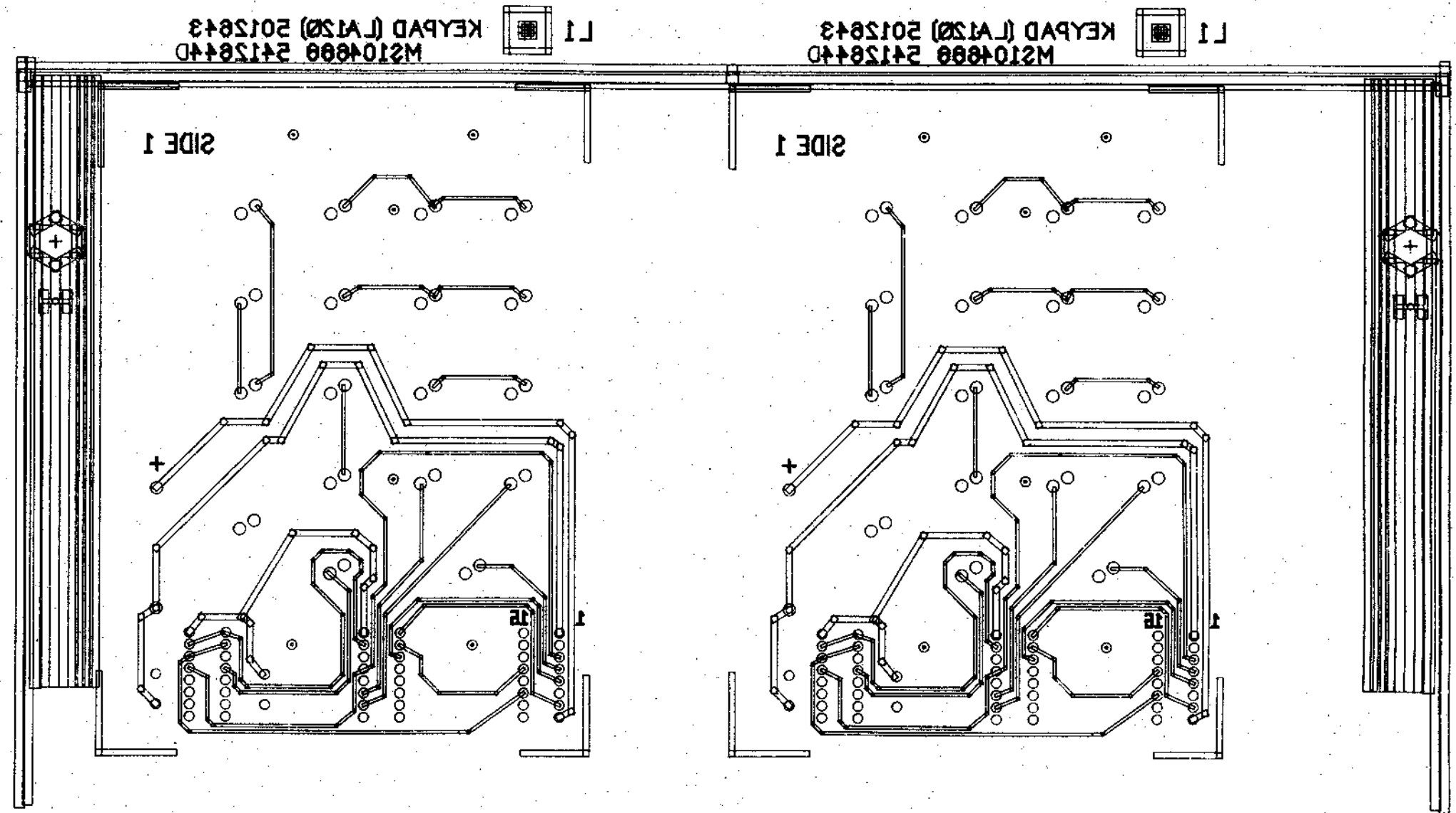
|           |   |
|-----------|---|
| ETCH REV. | D |
|           |   |
|           |   |
|           |   |
|           |   |
|           |   |

| SIGNATURES                       | DATE        | TITLE    |
|----------------------------------|-------------|----------|
| DRN. W. RIPLEY                   | 3-16-77     | digital  |
| CHK'D. L. H.                     | 2-1-77      |          |
| MECH. ENG. R. LOMICKA            | 4-4-77      |          |
| PROJ. ENG. R. LOMICKA            | 4-4-77      |          |
| PROG. J. J. YCE                  | 4-4-77      |          |
| SCALE 2/1                        | SIZE CODE D | NUMBER 1 |
| SHT. 1 OF 3                      | REV         |          |
| NEXT HIGHER ASSY. B-DD-5412644-0 |             |          |

| STEP   | Y AXES | STEP | TIMES |
|--------|--------|------|-------|
| REPEAT | X AXES | STEP | TIMES |

1 MS#

THIS DRAWING AND SPECIFICATIONS, GENERAL AND THE  
PARTS LIST ARE THE PROPERTY OF THE UNITED STATES GOVERNMENT  
AND ARE LOANED TO YOU BY THE NATIONAL BUREAU OF STANDARDS  
FOR INFORMATION IN YOUR WORK. IT IS TO BE RETURNED TO THE  
NATIONAL BUREAU OF STANDARDS AT THE END OF THE LOAN PERIOD.  
COPYRIGHT © 1954 UNITED STATES GOVERNMENT

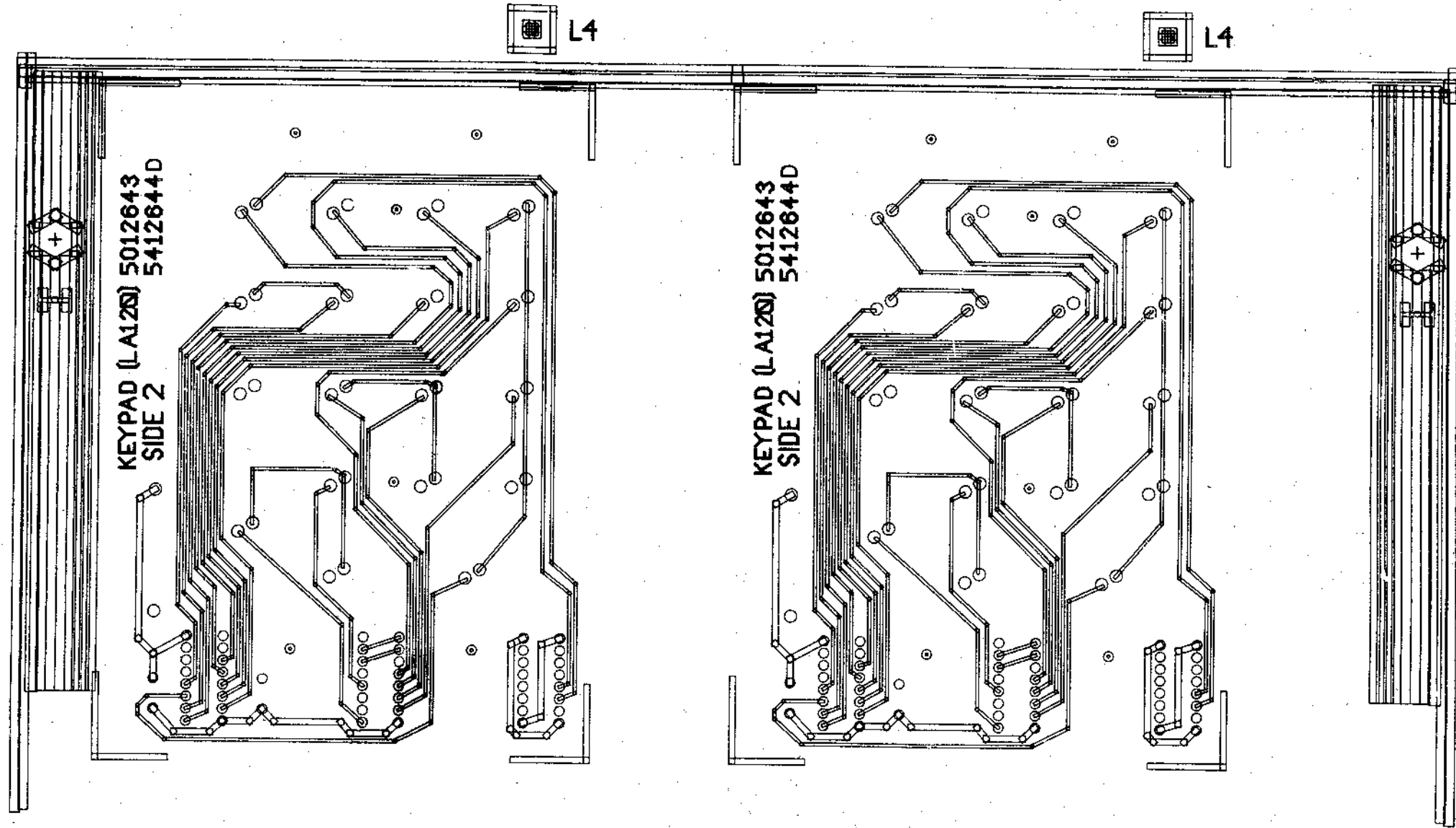


L1 KEYPAD (L120) 2012843  
M210488 2412844

L1 KEYPAD (L120) 2012843  
M210488 2412844

THIS DRAWING AND SPECIFICATIONS, HEREIN, ARE THE PROPERTY OF BACAL EQUIPMENT CORPORATION AND WILL NOT BE REPRODUCED OR COPIED OR USED IN WHOLE OR IN PART IN THE DESIGN FOR THE MANUFACTURE OR SALE OF THIS OR ANY OTHER EQUIPMENT WITHOUT WRITTEN PERMISSION. BACAL EQUIPMENT CORPORATION

2 DUA 5412644-C-0 D



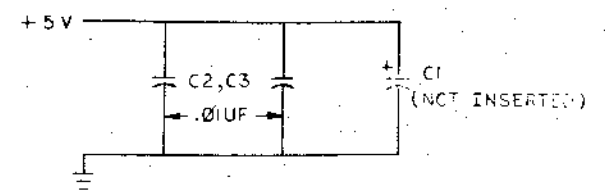
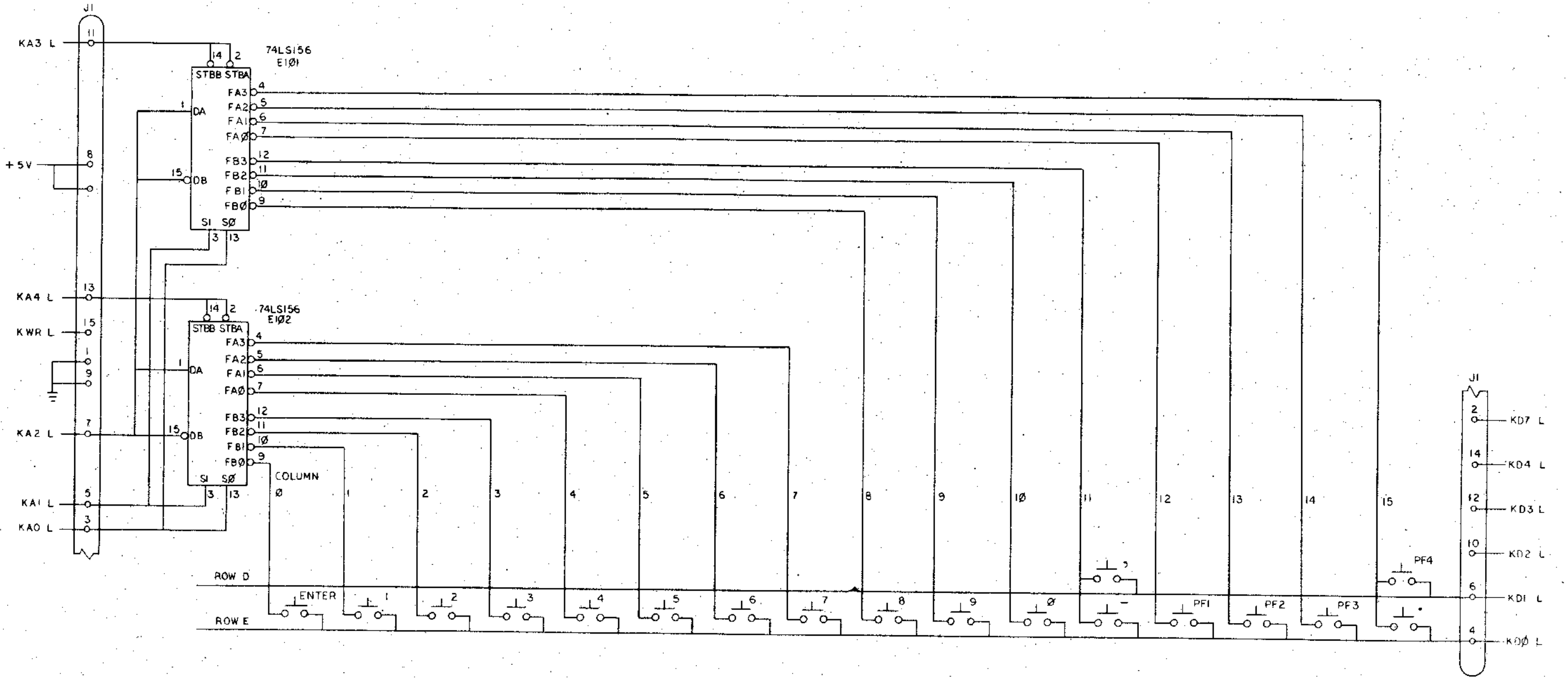
SHEET 3 OF 3  
SIZE COOL D UA  
NUMBER 5412644-C-0  
REV D  
1 MS#

| LINE ITEM | DOCUMENT NUMBER | PART NUMBER | DESCRIPTION                    | QTY PER VARIATION<br>00 | REFERENCE DESIGNATOR |
|-----------|-----------------|-------------|--------------------------------|-------------------------|----------------------|
| 1         | 1               | 5012643-00  | KEY PAD (LA120) (ETCH BRD.)    | 1                       |                      |
| 2         | 2               | 1001610-00  | .01 MFD 50V -20+80 Z5U AXIAL   | 2                       | C2,C3                |
| 3         | 3               | 1211813-02  | SOCKET 16PIN IC LOW PROFILE,   | 1                       | J1                   |
| 4         | 4               | 1913950-00  | LS156 DECODER,2 OF 4(DUAL)     | 2                       | E101,E102            |
| 5         | 5               | 7014561-00  | 18 KEY NUMERIC PAD ASSY        | 1                       |                      |
| 6         | 6               | 9010033-00  | SCREW,PAN,PHILLIPS, 4-24 X 3/8 | 2                       |                      |

| REVISION HISTORY |               | BASIC PART NO: 5412644 |                         | DRN: N. RIPLEY        | DATE: 15-FEB-78      | DIGITAL               |            |
|------------------|---------------|------------------------|-------------------------|-----------------------|----------------------|-----------------------|------------|
| ENG:             | ECO NUMBER    | REV                    | SECTION A OF A          | CHK'D: M. PICARD      | DATE: 15-FEB-78      | TITLE                 | PARTS LIST |
| ---              | INIT          | B                      | SECTION VARIATION INDEX | DES. ENG: R. LOMICKA  | DATE: 07-MAR-78      |                       |            |
| JB               | 5412644-PN001 | D                      | [A] 00                  | RESP. ENG: R. LOMICKA | DATE: 07-MAR-78      | DOCUMENT NUMBER       |            |
|                  |               |                        | [B]                     | MFG. ENG: J. JOYCE    | DATE: 07-MAR-78      | SIZE: CODE: NUMBER    | REV        |
|                  |               |                        | [C]                     | ASSEMBLY NUMBER:      | TOP DOCUMENT NUMBER: | K PL 5412644-0-DBP    | D          |
|                  |               |                        | [D]                     | D-UA-5412644-0-0      | LA120                | FILE NAME: 12644D.PLS | EDIT #: 12 |
|                  |               |                        | [E]                     |                       |                      |                       |            |
|                  |               |                        | [F]                     |                       |                      |                       |            |
|                  |               |                        | [G]                     |                       |                      |                       |            |
|                  |               |                        | [H]                     |                       |                      |                       |            |
|                  |               |                        | [I]                     |                       |                      |                       |            |
|                  |               |                        | [J]                     |                       |                      |                       |            |
|                  |               |                        | [K]                     |                       |                      |                       |            |
|                  |               |                        | [L]                     |                       |                      |                       |            |
|                  |               |                        | [M]                     |                       |                      |                       |            |
|                  |               |                        | [N]                     |                       |                      |                       |            |

"THIS DRAWING AND SPECIFICATIONS HEREIN, ARE THE PROPERTY OF DIGITAL EQUIPMENT CORPORATION AND SHALL NOT BE REPRODUCED OR COPIED OR USED IN WHOLE OR IN PART AS THE BASIS FOR THE MANUFACTURE OR SALE OF ITEMS WITHOUT WRITTEN PERMISSION. COPYRIGHT (C) 1980, DIGITAL EQUIPMENT CORPORATION"

THIS DRAWING AND SPECIFICATIONS, HEREIN, ARE THE PROPERTY OF DIGITAL EQUIPMENT CORPORATION AND SHALL NOT BE REPRODUCED OR COPIED OR USED IN WHOLE OR IN PART AS THE BASIS FOR THE MANUFACTURE OR SALE OF ITEMS WITHOUT WRITTEN PERMISSION.  
 COPYRIGHT © 1977, DIGITAL EQUIPMENT CORPORATION

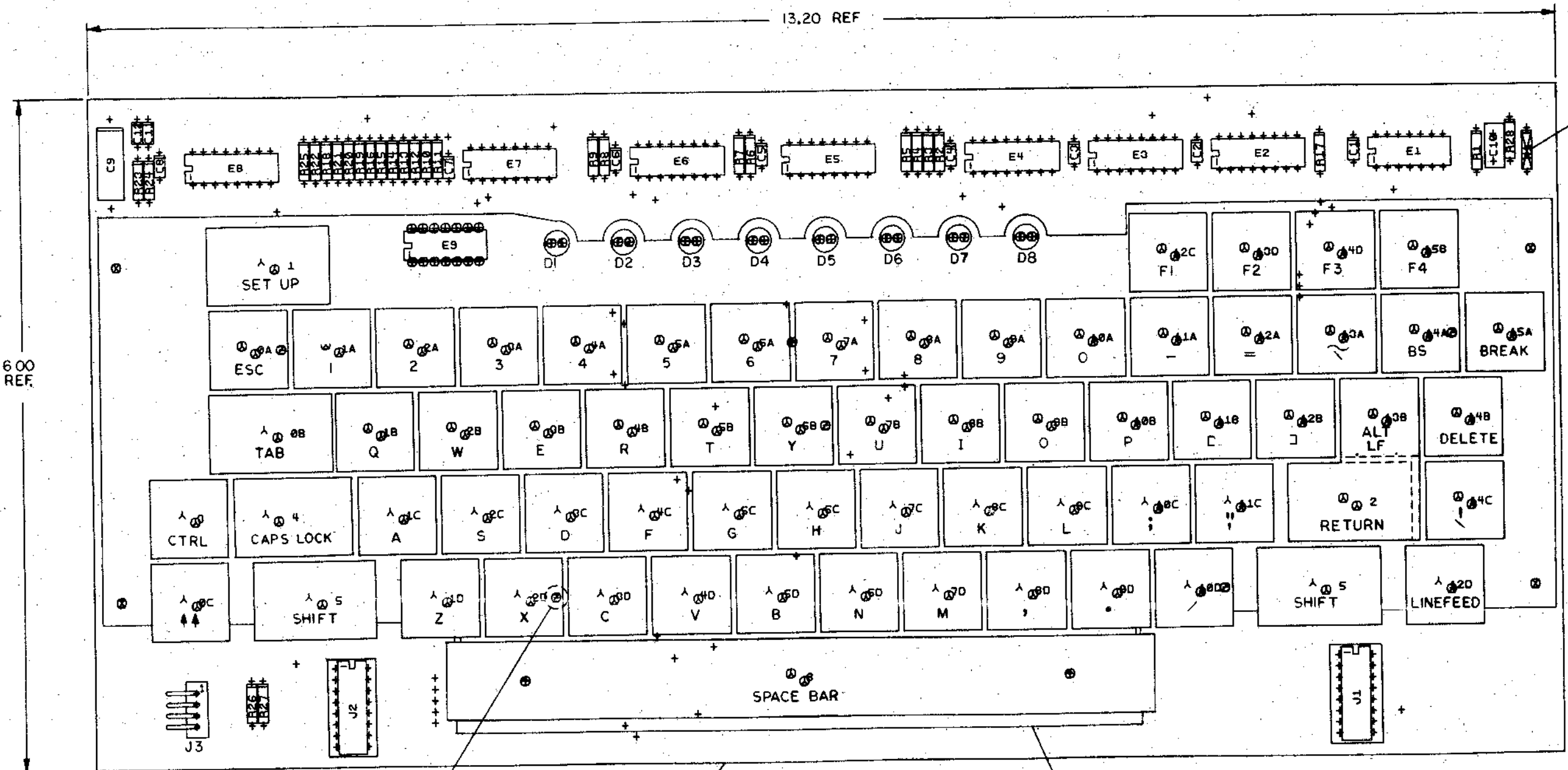


| REV. | CHG. | NO. | DATE | BY       | REASON          |
|------|------|-----|------|----------|-----------------|
| 1    |      |     |      | J. BITTO | INITIAL         |
| 2    |      |     |      | J. BITTO | REVISED ENCODER |

|                                      |               |                   |
|--------------------------------------|---------------|-------------------|
| DRN: <i>[Signature]</i> 12/1/77      | FIRST USED ON | digital           |
| CHK'D: <i>[Signature]</i> 3-7-78     | LA120         |                   |
| ENG: <i>[Signature]</i> 1/2/78       | TITLE         | KEYPAD<br>(LA120) |
| PROJ. ENG: <i>[Signature]</i> 1/2/78 |               |                   |
| PROD: <i>[Signature]</i> 1/2/78      |               |                   |
| NEXT HIGHER ASSY.                    |               |                   |
| 8-DD-5412644-0                       | SIZE CODE     | NUMBER            |
| SCALE                                | D             | CS 5412644-0-1    |
| SHEET                                | OF            | DIST.             |

THIS DRAWING AND SPECIFICATIONS, HEREBY, ARE THE PROPERTY OF BELL TELEPHONE CORPORATION AND SHALL NOT BE REPRODUCED OR COPIED IN WHOLE OR IN PART OR IN ANY MANNER WITHOUT THE WRITTEN PERMISSION OF BELL TELEPHONE CORPORATION.  
 DATE: MAR 1978  
 DRAWING NUMBER: 5412642-0-0

COMPONENT SIDE VIEW



NOTES: 1. WI NOT USED.

| CHG | NO | REV | DATE | BY       | CHK'D |
|-----|----|-----|------|----------|-------|
| 1   | 1  | D   |      | J. BITTO |       |

|                            |    |
|----------------------------|----|
| ETCH REV.                  | D  |
| P.C. DESIGN DATA BASE REV. | DL |

| SIGNATURES                       |  | DATE    | digital |
|----------------------------------|--|---------|---------|
| DRN. M. R. Kelly                 |  | 3/14/78 |         |
| CHK'D. R. L. ...                 |  | 3/14/78 |         |
| ENG. Roy Lomicka                 |  | 3/14/78 |         |
| PROJ. ENG. Roy Lomicka           |  | 3/14/78 |         |
| PROD. J. ...                     |  | 3/14/78 |         |
| SCALE 2/1                        |  |         |         |
| SHT. 1 OF 3                      |  |         |         |
| NEXT NUMBER ASSY. B-00-5412642-0 |  |         |         |

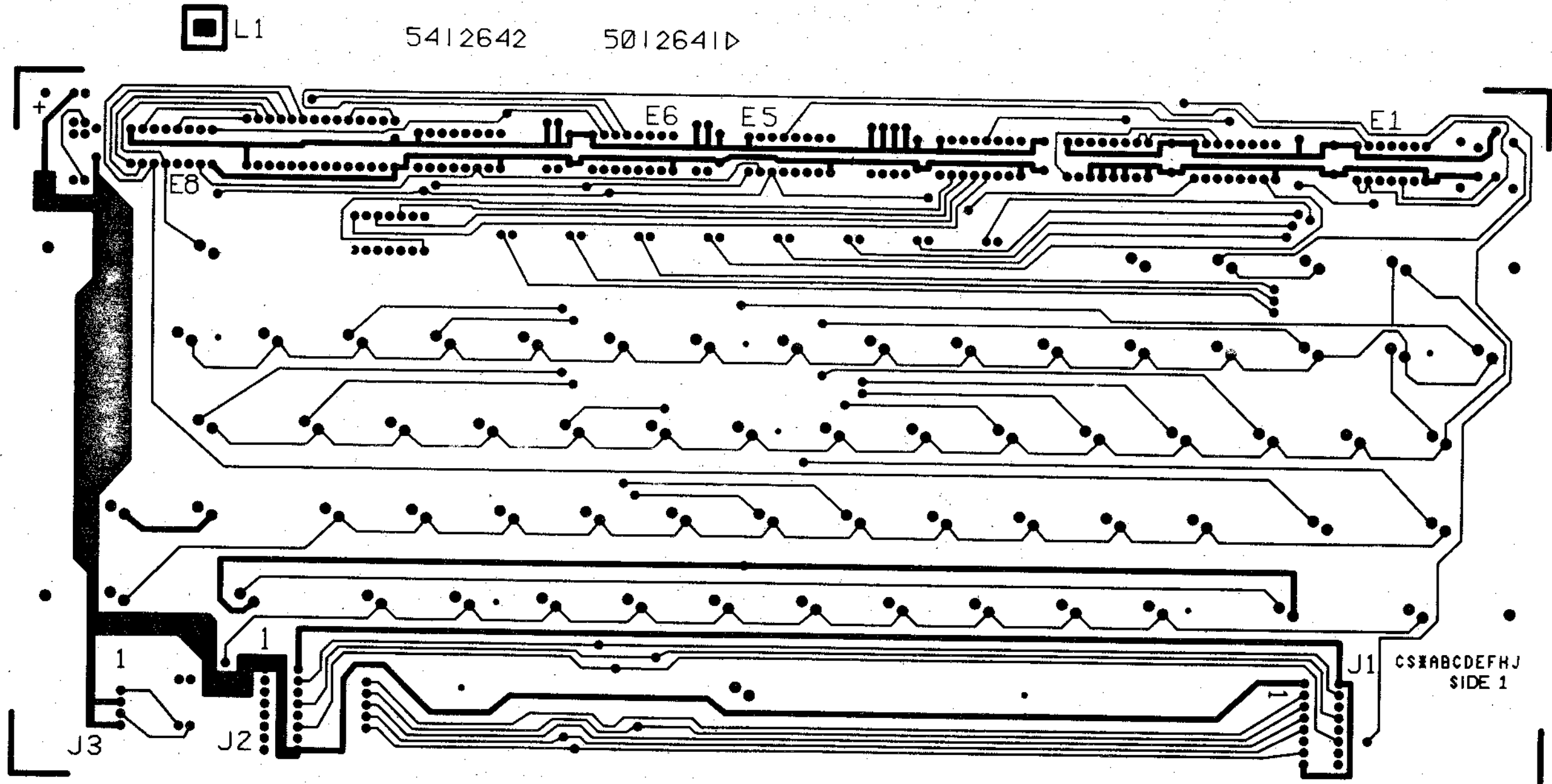
TITLE KEYBOARD LAI20

NUMBER 00  
 REV 0  
 SIZE CODE UA 5412642-0-0

APPN 1 MS#104687



THIS DRAWING AND SPECIFICATIONS HEREIN ARE THE PROPERTY OF DIGITAL EQUIPMENT CORPORATION AND SHALL NOT BE REPRODUCED OR COPIED OR USED IN WHOLE OR IN PART AS THE BASIS FOR THE MANUFACTURE OR SALE OF ITEMS WITHOUT WRITTEN PERMISSION. COPYRIGHT © 1970, DIGITAL EQUIPMENT CORPORATION.



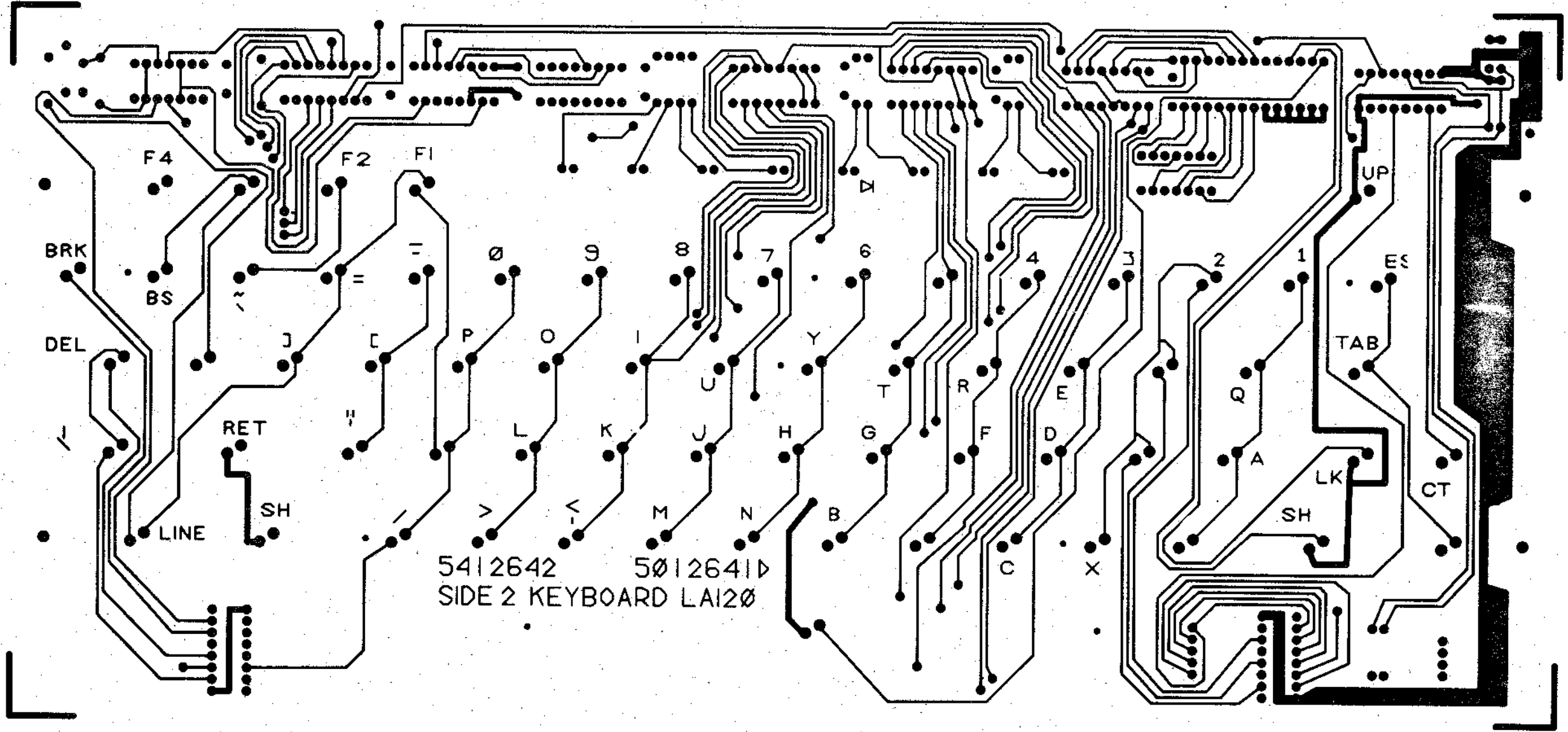
CSXABCDEFHJ  
SIDE 1

| REVISIONS |          |     |
|-----------|----------|-----|
| CHK       | CHANGE # | REV |
|           |          |     |

|       |                |           |     |        |             |       |   |
|-------|----------------|-----------|-----|--------|-------------|-------|---|
| TITLE | KEYBOARD LA120 | SIZE CODE | DUA | NUMBER | 5412642-0-0 | REV.  | D |
| SCALE | 2/1            | SHEET     | 2   | OF     | 3           | DIST. |   |

PHN 1

THIS DRAWING AND SPECIFICATIONS, HEREIN, ARE THE PROPERTY OF DIGITAL EQUIPMENT CORPORATION AND SHALL NOT BE REPRODUCED OR COPIED OR USED IN WHOLE OR IN PART AS THE BASIS FOR THE MANUFACTURE OR SALE OF ITEMS WITHOUT WRITTEN PERMISSION. COPYRIGHT © 1978, DIGITAL EQUIPMENT CORPORATION.



5412642 5012641D  
SIDE 2 KEYBOARD LA120

| REVISIONS |           |     |
|-----------|-----------|-----|
| CHK       | CHANGE NO | REV |
|           |           |     |
|           |           |     |

|       |                |           |        |        |             |      |   |
|-------|----------------|-----------|--------|--------|-------------|------|---|
| TITLE | KEYBOARD LA120 | SIZE CODE | DUA    | NUMBER | 5412642-0-0 | REV. | D |
| SCALE | 2/1            | SHEET     | 3 OF 3 | DIST.  |             |      |   |

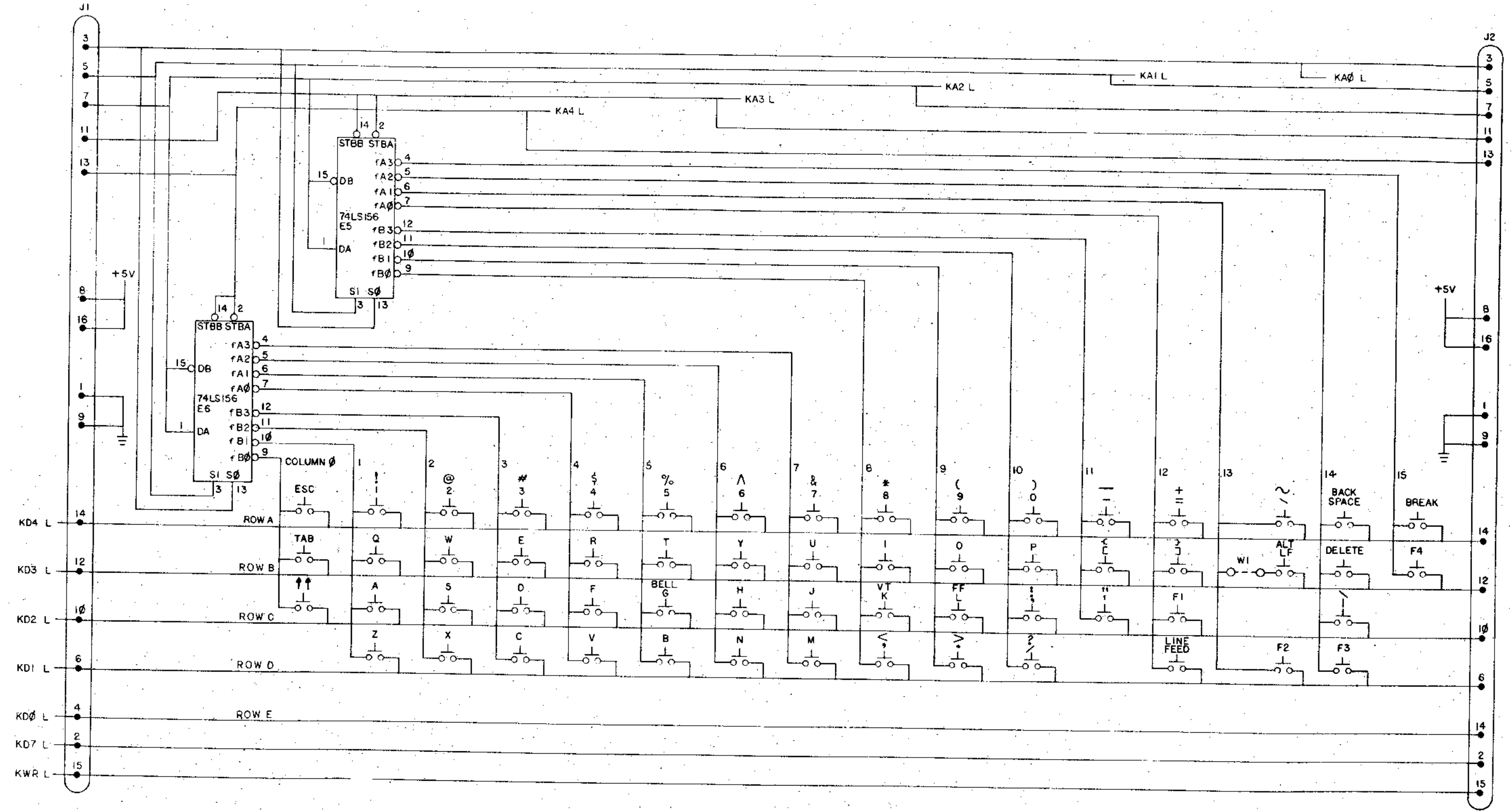
| LINE | ITEM | DOCUMENT NUMBER | PART NUMBER | DESCRIPTION                    | QTY PER VARIATION | REFERENCE DESIGNATOR |
|------|------|-----------------|-------------|--------------------------------|-------------------|----------------------|
| 1    | 1    |                 | 5012641-00  | KEY BOARD (LA120) (ETCH BOARD) | 1                 |                      |
| 2    | 2    |                 | 1000042-00  | 1000.0 MMF 100V 5%200PPM DM15S | 1                 | C10                  |
| 3    | 3    |                 | 1001610-01  | .01 MFD 100V -20+80 Z5U DISC   | 10                | C1-C8,C11,C12        |
| 4    | 4    |                 | 1012084-01  | 8 MFD 25V G% 300 AL EL         | 1                 | C9                   |
| 5    | 5    |                 | 1110864-00  | LED 2MCD@10MA                  | 8                 | D1-D8                |
| 6    | 6    |                 | 1114589-00  | LED,4-DIGIT,10MA,3V,RED        | 1                 | E9                   |
| 7    | 7    |                 | 1215006-02  | SOCKET 16PIN IC LOW PROFILE    | 2                 | J1,J2                |
| 8    | 8    |                 | 1214981-00  | CONN 4PIN RT ANGLE             | 1                 | J3                   |
| 9    | 9    |                 | 1300309-00  | 390.0 .25 W 5.0 % CC           | 10                | R26-R28,R10-R16      |
| 10   | 10   |                 | 1300316-00  | 470.0 .25 W 5.0 % CC           | 9                 | R2-R9,R17            |
| 11   | 11   |                 | 1300479-00  | 10.0 K .25 W 5.0 % CC          | 8                 | R18-R25              |
| 12   | 12   |                 | 1302957-00  | 121.0 .25 W 1.0 % RN55D-F10    | 1                 | R1                   |
| 13   | 13   |                 | 1910047-00  | 74145 DECODER&DRIVER           | 1                 | E4                   |
| 14   | 14   |                 | 1911637-00  | 74132 NAND GATE-QUAD 2 IN      | 1                 | E1                   |
| 15   | 15   |                 | 1912648-00  | LS251 MUX 8 INPUT,TRI-STA      | 1                 | E8                   |
| 16   | 16   |                 | 1912849-00  | LS161 COUNTER,SYNCHR,4BIT      | 1                 | E3                   |
| 17   | 17   |                 | 1912860-00  | LS259 LATCH 8BIT               | 1                 | E2                   |
| 18   | 18   |                 | 1913950-00  | LS156 DECODER,2 OF 4(DUAL)     | 2                 | E5,E6                |
| 19   | 19   |                 | 2114580-00  | DECODER BCD-7/DRIVER           | 1                 | E7                   |
| 20   | 20   |                 | 7013910-00  | KEYBOARD ARRAY ASSY            | 1                 |                      |
| 21   | 21   |                 | 9010033-00  | SCREW,PAN,PHILLIPS, 4-24 X 3/8 | 5                 |                      |

| REVISION HISTORY |            | BASIC PART NO: 5412642 |                          | DRN:             | P.KENDIRCK   | DATE: 15-FEB-78   | DIGITAL          |            |                       |        |  |
|------------------|------------|------------------------|--------------------------|------------------|--|---|------------------|------------|-----------------------|--------|--|
| ENGR             | ECO NUMBER | REV                    | SECTION A OF A           | CHK'D:           | W.CASSIDY  | DATE: 15-FEB-78   | TITLE            | PARTS LIST |                       |        |  |
| ---              | INIT       | C                      | SECTION, VARIATION INDEX | CHK'D:           | W.CASSIDY <td>DATE: 15-FEB-78 <td>KEYBOARD (LA120)</td> <td colspan="4"></td> </td>  | DATE: 15-FEB-78 <td>KEYBOARD (LA120)</td> <td colspan="4"></td>   | KEYBOARD (LA120) |            |                       |        |  |
| JB               | PN001      | D                      | (A) 00                   | DES,ENG:         | R. LOMICKA <td>DATE: 18-APR-78 <td></td> <td colspan="4"></td> </td>   | DATE: 18-APR-78 <td></td> <td colspan="4"></td>   |                  |            |                       |        |  |
|                  |            |                        | (B)                      | RESP,ENG,:       | R. LOMICKA <td>DATE: 18-APR-78 <td></td> <td colspan="4"></td> </td>   | DATE: 18-APR-78 <td></td> <td colspan="4"></td>   |                  |            |                       |        |  |
|                  |            |                        | (C)                      | MFG,ENG,:        | J. JOYCE <td>DATE: 18-APR-78 <td>SIZE: K</td> <td>CODE: PL</td> <td>NUMBER: 5412642-0-DBP</td> <td>REV: D</td> <td></td> </td> | DATE: 18-APR-78 <td>SIZE: K</td> <td>CODE: PL</td> <td>NUMBER: 5412642-0-DBP</td> <td>REV: D</td> <td></td> | SIZE: K          | CODE: PL   | NUMBER: 5412642-0-DBP | REV: D |  |
|                  |            |                        | (D)                      | ASSEMBLY NUMBER: |  | TOP DOCUMENT NUMBER:  | FILE NAME:       | EDIT #     |                       |        |  |
|                  |            |                        | (E)                      | D-UA-5412642-0-0 |  | LA120   | 12642D.PLS       | 20         |                       |        |  |
|                  |            |                        | (F)                      |                  |  |   |                  |            |                       |        |  |
|                  |            |                        | (G)                      |                  |  |   |                  |            |                       |        |  |
|                  |            |                        | (H)                      |                  |  |   |                  |            |                       |        |  |
|                  |            |                        | (I)                      |                  |  |   |                  |            |                       |        |  |
|                  |            |                        | (J)                      |                  |  |   |                  |            |                       |        |  |
|                  |            |                        | (K)                      |                  |  |   |                  |            |                       |        |  |
|                  |            |                        | (L)                      |                  |  |   |                  |            |                       |        |  |
|                  |            |                        | (M)                      |                  |  |   |                  |            |                       |        |  |
|                  |            |                        | (N)                      |                  |  |   |                  |            |                       |        |  |

"THIS DRAWING AND SPECIFICATIONS HEREIN, ARE THE PROPERTY OF DIGITAL EQUIPMENT CORPORATION AND SHALL NOT BE REPRODUCED OR COPIED OR USED IN WHOLE OR IN PART AS THE BASIS FOR THE MANUFACTURE OR SALE OF ITEMS WITHOUT WRITTEN PERMISSION. COPYRIGHT (C) 1980, DIGITAL EQUIPMENT CORPORATION "

THIS DRAWING AND SPECIFICATIONS HEREIN ARE THE PROPERTY OF DIGITAL EQUIPMENT CORPORATION AND SHALL NOT BE REPRODUCED OR COPIED OR USED IN WHOLE OR IN PART AS THE BASIS FOR THE MANUFACTURE OR SALE OF ITEMS WITHOUT WRITTEN PERMISSION.  
 COPYRIGHT © 1977, DIGITAL EQUIPMENT CORPORATION

DIGITAL  
 CS 5412642-0-1 2 1



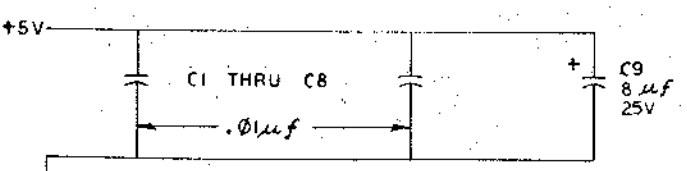
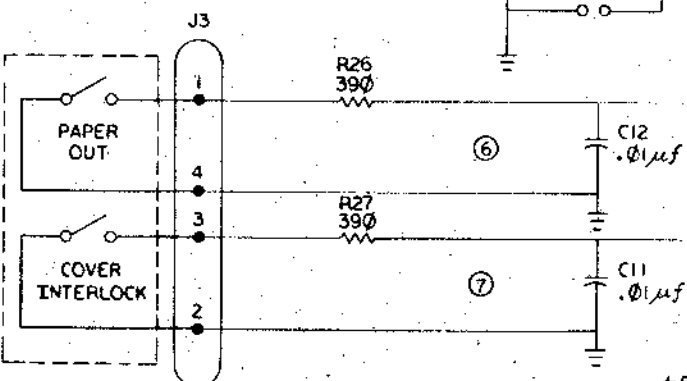
|            |          |
|------------|----------|
| REVISED BY | REV.     |
| CHANGE     | D        |
| CHK        | J.P.     |
| DATE       | 5/12/77  |
| BY         | J. BITTO |

|                          |          |                          |                  |         |
|--------------------------|----------|--------------------------|------------------|---------|
| DRN. <i>[Signature]</i>  | 10/10/77 | FIRST USED ON            | LAI20            | DIGITAL |
| CHK'D <i>[Signature]</i> | 5/13/77  | TITLE                    | KEYBOARD LAI20   |         |
| ENG. <i>[Signature]</i>  | 5/13/77  | PROD. <i>[Signature]</i> | 17 MAY 77        |         |
| NEXT HIGHER ASSY.        |          |                          |                  |         |
| SCALE                    | NONE     | SIZE CODE                | D CS 5412642-0-1 | REV. D  |
| SHEET                    | 1 OF 2   | DIST.                    |                  |         |

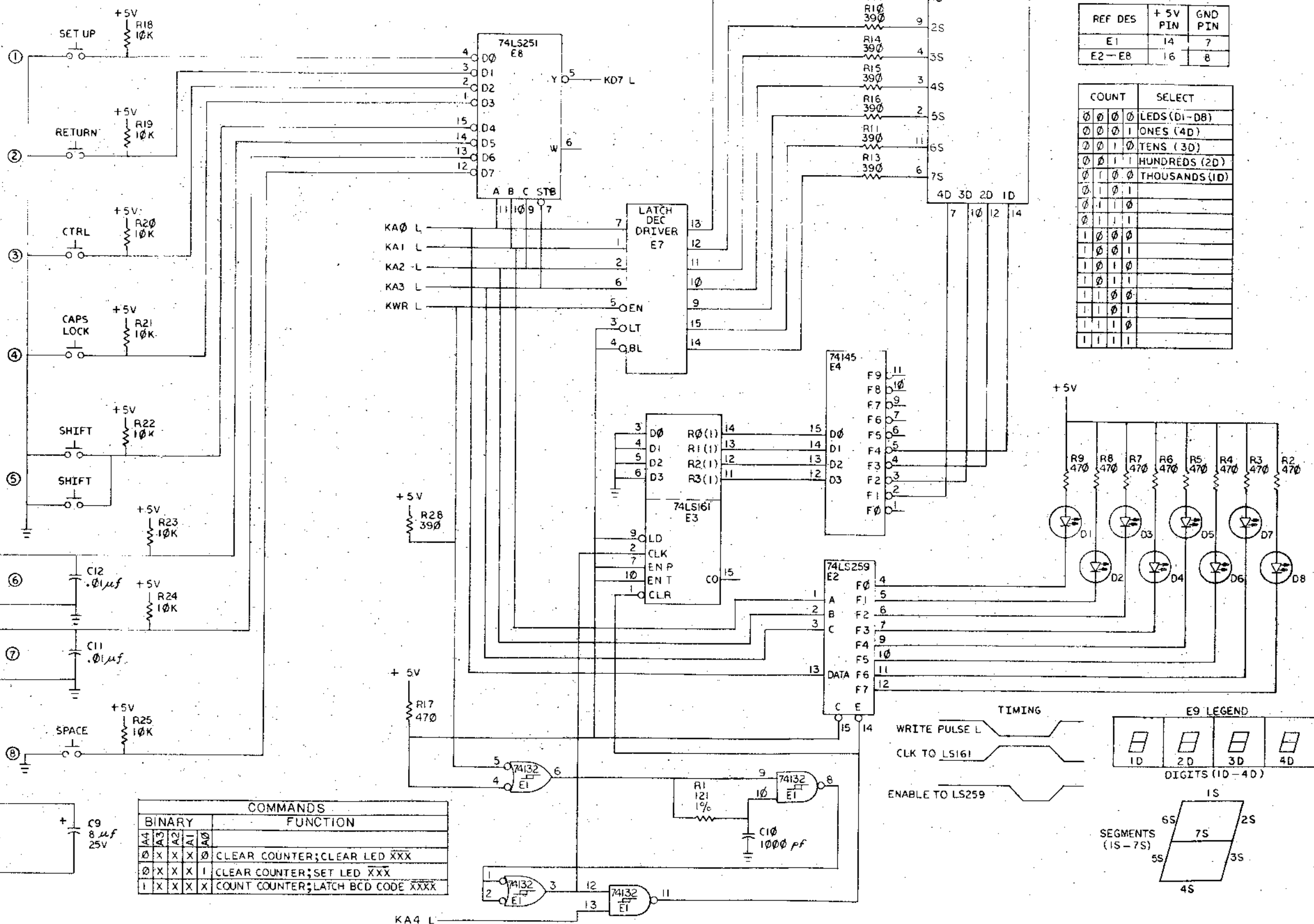
"THIS DRAWING AND SPECIFICATIONS HEREIN ARE THE PROPERTY OF DIGITAL EQUIPMENT CORPORATION AND SHALL NOT BE REPRODUCED OR COPIED OR USED IN WHOLE OR IN PART AS THE BASIS FOR THE MANUFACTURE OR SALE OF ITEMS WITHOUT WRITTEN PERMISSION. COPYRIGHT © 1977 DIGITAL EQUIPMENT CORPORATION"

| ADDRESS    | COLUMN    | SWITCHES     |
|------------|-----------|--------------|
| XXXX 10-17 | 0-7       | NOT SELECTED |
| XXXX 20-27 | 8-15      | SELECTED     |
| XXXX 00-07 | NOT VALID |              |
| XXXX 30-37 | NOT VALID |              |

| A4L | A3L | A2L | A1L | A0L | COLUMN # | SWITCH # |
|-----|-----|-----|-----|-----|----------|----------|
| 0   | 1   | 0   | 0   | 0   | 0        |          |
| 0   | 1   | 0   | 0   | 1   | 1        |          |
| 0   | 1   | 0   | 1   | 0   | 2        |          |
| 0   | 1   | 0   | 1   | 1   | 3        |          |
| 0   | 1   | 1   | 0   | 0   | 4        |          |
| 0   | 1   | 1   | 0   | 1   | 5        |          |
| 0   | 1   | 1   | 1   | 0   | 6        |          |
| 0   | 1   | 1   | 1   | 1   | 7        |          |
| 1   | 0   | 0   | 0   | 0   | 8        | ①        |
| 1   | 0   | 0   | 0   | 1   | 9        | ②        |
| 1   | 0   | 0   | 1   | 0   | 10       | ③        |
| 1   | 0   | 0   | 1   | 1   | 11       | ④        |
| 1   | 0   | 1   | 0   | 0   | 12       | ⑤        |
| 1   | 0   | 1   | 0   | 1   | 13       | ⑥        |
| 1   | 0   | 1   | 1   | 0   | 14       | ⑦        |
| 1   | 0   | 1   | 1   | 1   | 15       | ⑧        |

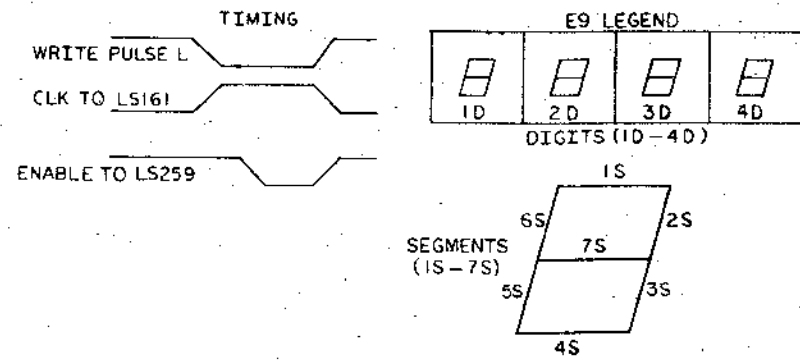
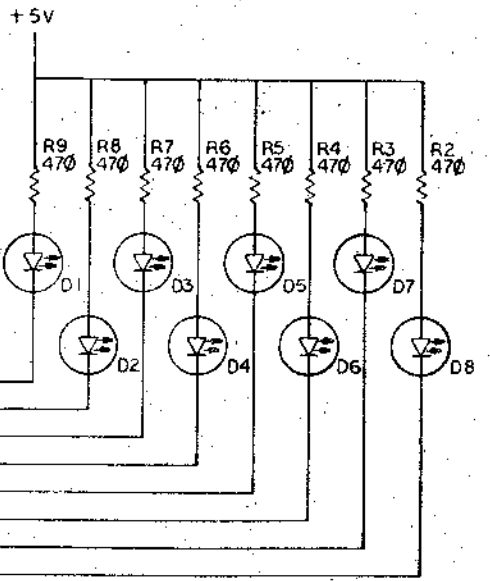


| BINARY |    | COMMANDS | FUNCTION |    |  |                                    |
|--------|----|----------|----------|----|--|------------------------------------|
| A4     | A3 | A2       | A1       | A0 |  |                                    |
| 0      | x  | x        | x        | 0  |  | CLEAR COUNTER; CLEAR LED XXX       |
| 0      | x  | x        | x        | 1  |  | CLEAR COUNTER; SET LED XXX         |
| 1      | x  | x        | x        | x  |  | COUNT COUNTER; LATCH BCD CODE XXXX |

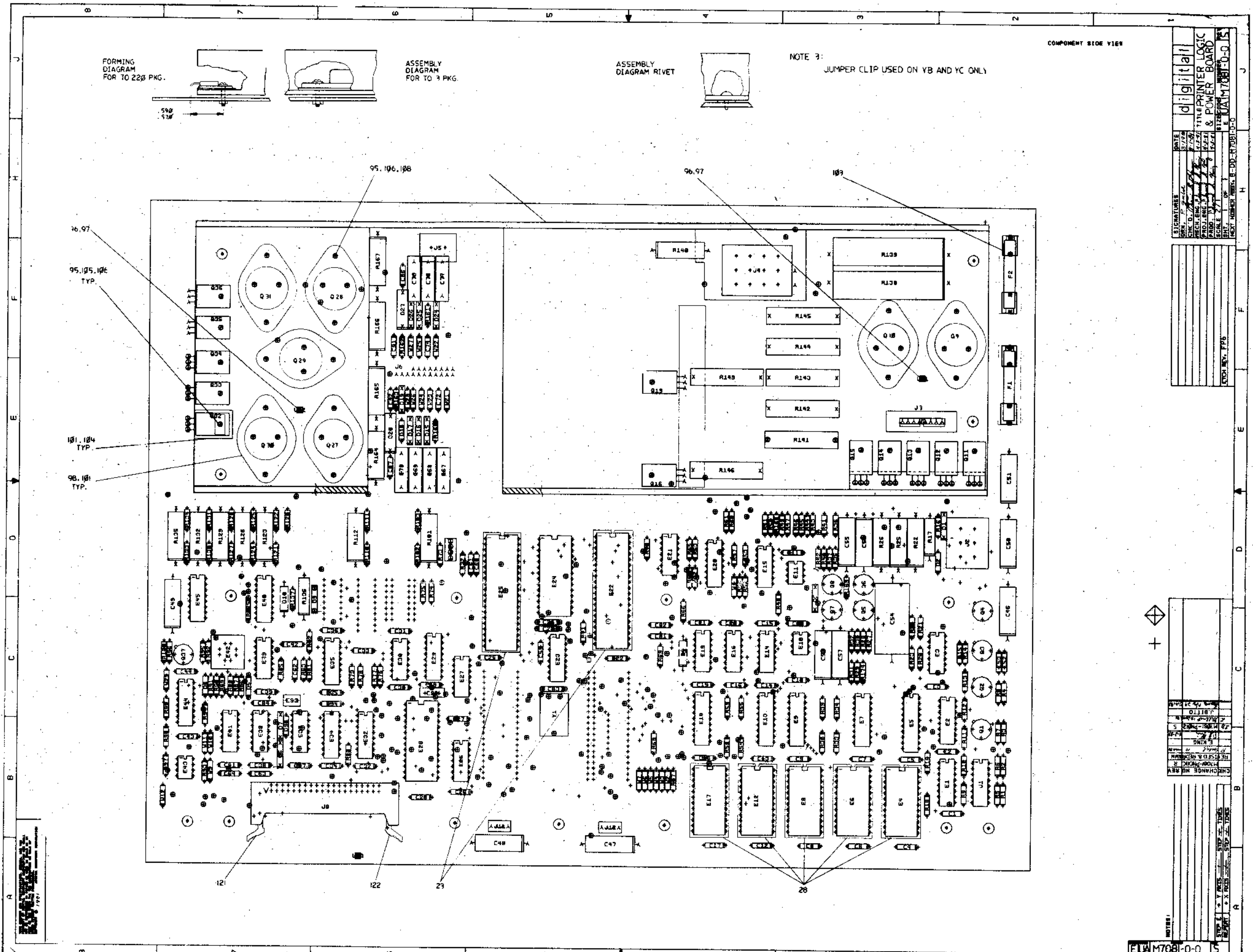


| REF DES | +5V PIN | GND PIN |
|---------|---------|---------|
| E1      | 14      | 7       |
| E2-E8   | 16      | 8       |

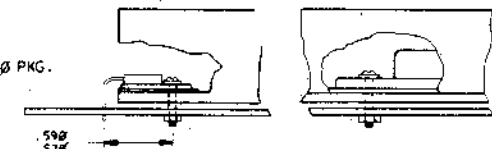
| COUNT   | SELECT         |
|---------|----------------|
| 0 0 0 0 | LEDS (D1-D8)   |
| 0 0 0 1 | ONES (4D)      |
| 0 0 1 0 | TENS (3D)      |
| 0 0 1 1 | HUNDREDS (2D)  |
| 0 1 0 0 | THOUSANDS (1D) |
| 0 1 0 1 |                |
| 0 1 1 0 |                |
| 0 1 1 1 |                |
| 1 0 0 0 |                |
| 1 0 0 1 |                |
| 1 0 1 0 |                |
| 1 0 1 1 |                |
| 1 1 0 0 |                |
| 1 1 0 1 |                |
| 1 1 1 0 |                |
| 1 1 1 1 |                |



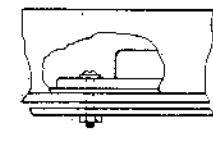
| REVISIONS |            |      |
|-----------|------------|------|
| CHK       | CHANGE NO. | REV. |
|           |            |      |



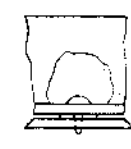
FORMING DIAGRAM FOR TO 220 PKG.



ASSEMBLY DIAGRAM FOR TO 3 PKG.



ASSEMBLY DIAGRAM RIVET



NOTE 3: JUMPER CLIP USED ON YB AND YC ONLY

COMPONENT SIDE VIEW

96.97  
95.105.106  
TYP.

101.104  
TYP.

98.101  
TYP.

95.106.108

96.97

109

121

122

23

28

| DATE    | BY      | CHK'D BY | APP'D BY | REV. | DESCRIPTION            |
|---------|---------|----------|----------|------|------------------------|
| 1/27/70 | J. KING | J. KING  | J. KING  | 1    | ISSUED FOR PRODUCTION  |
| 1/27/70 | J. KING | J. KING  | J. KING  | 2    | CHANGE IN BOARD LAYOUT |
| 1/27/70 | J. KING | J. KING  | J. KING  | 3    | CHANGE IN BOARD LAYOUT |
| 1/27/70 | J. KING | J. KING  | J. KING  | 4    | CHANGE IN BOARD LAYOUT |
| 1/27/70 | J. KING | J. KING  | J. KING  | 5    | CHANGE IN BOARD LAYOUT |

| REV. | DATE    | DESCRIPTION            |
|------|---------|------------------------|
| 1    | 1/27/70 | ISSUED FOR PRODUCTION  |
| 2    | 1/27/70 | CHANGE IN BOARD LAYOUT |
| 3    | 1/27/70 | CHANGE IN BOARD LAYOUT |
| 4    | 1/27/70 | CHANGE IN BOARD LAYOUT |
| 5    | 1/27/70 | CHANGE IN BOARD LAYOUT |

| REV. | DATE    | DESCRIPTION            |
|------|---------|------------------------|
| 1    | 1/27/70 | ISSUED FOR PRODUCTION  |
| 2    | 1/27/70 | CHANGE IN BOARD LAYOUT |
| 3    | 1/27/70 | CHANGE IN BOARD LAYOUT |
| 4    | 1/27/70 | CHANGE IN BOARD LAYOUT |
| 5    | 1/27/70 | CHANGE IN BOARD LAYOUT |

| REV. | DATE    | DESCRIPTION            |
|------|---------|------------------------|
| 1    | 1/27/70 | ISSUED FOR PRODUCTION  |
| 2    | 1/27/70 | CHANGE IN BOARD LAYOUT |
| 3    | 1/27/70 | CHANGE IN BOARD LAYOUT |
| 4    | 1/27/70 | CHANGE IN BOARD LAYOUT |
| 5    | 1/27/70 | CHANGE IN BOARD LAYOUT |

| LINE ITEM | DOCUMENT NUMBER | PART NUMBER       | DESCRIPTION                            | QTY PER VARIATION |    |    | REFERENCE DESIGNATOR  |
|-----------|-----------------|-------------------|--|-------------------|----|----|---|
|           |                 |                   |  | 00                | YB | YC |   |
| 1         | 1               | 5012080-00        | M7081                                  | 1                 | 1  | 1  |   |
| 2         | 2               | 1000038-00        | .39 MFD 100V 10% MYLR                  | 1                 | 1  | 1  | C54   |
| 3         | 3               | 1000075-00        | .25 MFD 25V +75-10% AL EL              | 6                 | 6  | 6  | C46-C51   |
| 4         | 4               | 1001610-00        | .01 MFD 50V +80-20% Z5U CER            | 47                | 47 | 47 | C1-C30,C32,C34,C35,C37-C39,<br>CONT C41-C44,C80-C84,C91,C92 |
| 5         | 5               | 1002323-00        | .022 MFD 100V 10% MYLR                 | 1                 | 1  | 1  | C57   |
| 6         | 6               | 1002342-00        | .1 MFD 100V 10% MYLR                   | 2                 | 2  | 2  | C56,C58   |
| 7         | 7               | 1002423-00        | 3300.0 MMF 100V 5%200PPM MICA          | 7                 | 7  | 7  | C67-C70,C77-C79   |
| 8         | 8               | 1010031-06        | .68 MFD 50V 10% M.POLYCARB             | 1                 | 1  | 1  | C55   |
| 9         | 9               | 1010274-01        | .22 MFD 50V +80-20% Z5U CER            | 2                 | 2  | 2  | C52,C53   |
| 10        | 10              | 1013466-12        | 2200.0 MMF 50V 10% X7R CER             | 1                 | 1  | 1  | C62   |
| 11        | 11              | 1013466-13        | 39.0 MMF 50V 5% CER                    | 3                 | 3  | 3  | C59-C61   |
| 12        | 12              | 1013466-16        | .010 MFD 50V 10% X7R CER               | 4                 | 4  | 4  | C72,C74,C86,C87   |
| 13        | 13              | 1100114-00        | D 664 QS\75PCB PIV= 25V SP             | 3                 | 3  | 3  | D2,D5,D8  |
| 14        | 14              | 1105796-00        | 1N 4004 PIV=400 I= 1A D041 SP          | 12                | 12 | 12 | D1,D3,D6,D7,D9,D15-D17,D19,<br>CONT D24-D26                 |
| 15        | 15              | 1105873-00        | 4M5-1A21 VZ= 5.1 1% .400W              | 2                 | 2  | 2  | D4,D10  |
| 16        | 16              | 1114507-00        | 1N 4749A VZ= 24 5% 1W                  | 2                 | 2  | 2  | D20,D27   |
| 17        | 17              | 1114588-00        | NSR91408A PIV=50 I=4A T03              | 1                 | 1  | 1  | Q29   |
| 18        | 18              | 1209941-02        | HEADER 100 40POS RT ANGLE              | 1                 | 1  | 1  | J8  |
| 19        | 19              | 1211813-02        | SKT,IC 16PIN DIP GOLD PLATE            | 1                 | 1  | 1  | J1  |
| 20        | 20              | 1212297-00        | MATE-N-LOK 2PIN UNIV HEADER            | 1                 | 1  | 1  | J5  |
| 21        | 21              | 1212297-05        | MATE-N-LOK 6PIN UNIV HEADER            | 1                 | 1  | 1  | J2  |
| 22        | 22              | 1212297-06        | MATE-N-LOK 12PIN UNIV HEADER           | 1                 | 1  | 1  | J4  |
| 23        | 23              | USE WITH E22,E25  | 1215006-08 SKT,IC 40PIN DIP TIN PLATEE | 2                 | 2  | 2  |   |
| 24        | 24              | 1213477-02        | HEADER 16POS                           | 1                 | 1  | 1  | J6  |
| 25        | 25              | 1214886-01        | HEADER 40POS VERTICAL                  | 1                 | 1  | 1  | J9  |
| 26        | 26              | 1214978-00        | CONN 4POS WAFER-POLARIZIN              | 1                 | 1  | 1  | J7  |
| 27        | 27              | 1214978-01        | CONN 8POS WAFER-POLARIZIN              | 1                 | 1  | 1  | J3  |
| 28        | 28              | WITH E4,6,8,12,17 | 1215006-06 SKT,IC 24PIN DIP TIN PLATEE | 5                 | 5  | 5  |   |

| REVISION HISTORY |             | BASIC PART NO: M7081 |                         | DRN: J. FITZGERALD |            | DATE: 24-MAR-78      |           | DIGITAL                       |        |
|------------------|-------------|----------------------|-------------------------|--------------------|------------|----------------------|-----------|-------------------------------|--------|
| ENGI             | ECG NUMBER  | REV                  | SECTION A OF A          | CHK'D:             | R. HUMMERS | DATE:                | 28-MAR-78 | TITLE PARTS LIST              |        |
| ---              | INIT        | 1D                   | SECTION VARIATION INDEX |                    |            |                      |           | PRINTER LOGIC AND POWER BOARD |        |
| LG               | M7081-PN001 | 1E                   | [A] 00,YB,YC            |                    |            |                      |           |                               |        |
| JB               | M7081-PN002 | 1F                   | [B]                     |                    |            |                      |           |                               |        |
| RO               | PN003       | 1H                   | [C]                     | DES,ENG:           | R. LOMICKA | DATE:                | 11-APR-78 |                               |        |
| JB               | PN004       | 1J                   | [D]                     |                    |            |                      |           | DOCUMENT NUMBER               |        |
| JB               | PN005       | 1K                   | [E]                     | RESP,ENG.:         | R. LOMICKA | DATE:                | 11-APR-78 | SIZE                          | CODE   |
| JB               | PN006       | 1L                   | [F]                     |                    |            |                      |           | NUMBER                        | REV    |
| JB               | PN007       | 1M                   | [H]                     |                    |            |                      |           |                               |        |
| JB               | M7081-PN008 | 1N                   | [J]                     |                    |            |                      |           |                               |        |
| JB               | M7081-PN009 | 1P                   | [K]                     | MFG,ENG.:          | J. JOYCE   | DATE:                | 11-APR-78 | K                             | PL     |
| JB               | M7081-PN010 | 1R                   | [L]                     |                    |            |                      |           | M7081-0-DBP                   | T      |
| JB               | M7081-PN011 | 1S                   | [M]                     | ASSEMBLY NUMBER:   |            | TOP DOCUMENT NUMBER: |           | FILE NAME:                    | EDIT # |
| JB               | M7081-PN012 | 1T                   | [N]                     | E-UA-M7081-0-00    |            | B-DD-M7081-0-0       |           | M7081T,PLS                    | 29     |

"THIS DRAWING AND SPECIFICATIONS HEREIN, ARE THE PROPERTY OF DIGITAL EQUIPMENT CORPORATION AND SHALL NOT BE REPRODUCED OR COPIED OR USED IN WHOLE OR IN PART AS THE BASIS FOR THE MANUFACTURE OR SALE OF ITEMS WITHOUT WRITTEN PERMISSION. COPYRIGHT (C) 1981, DIGITAL EQUIPMENT CORPORATION"







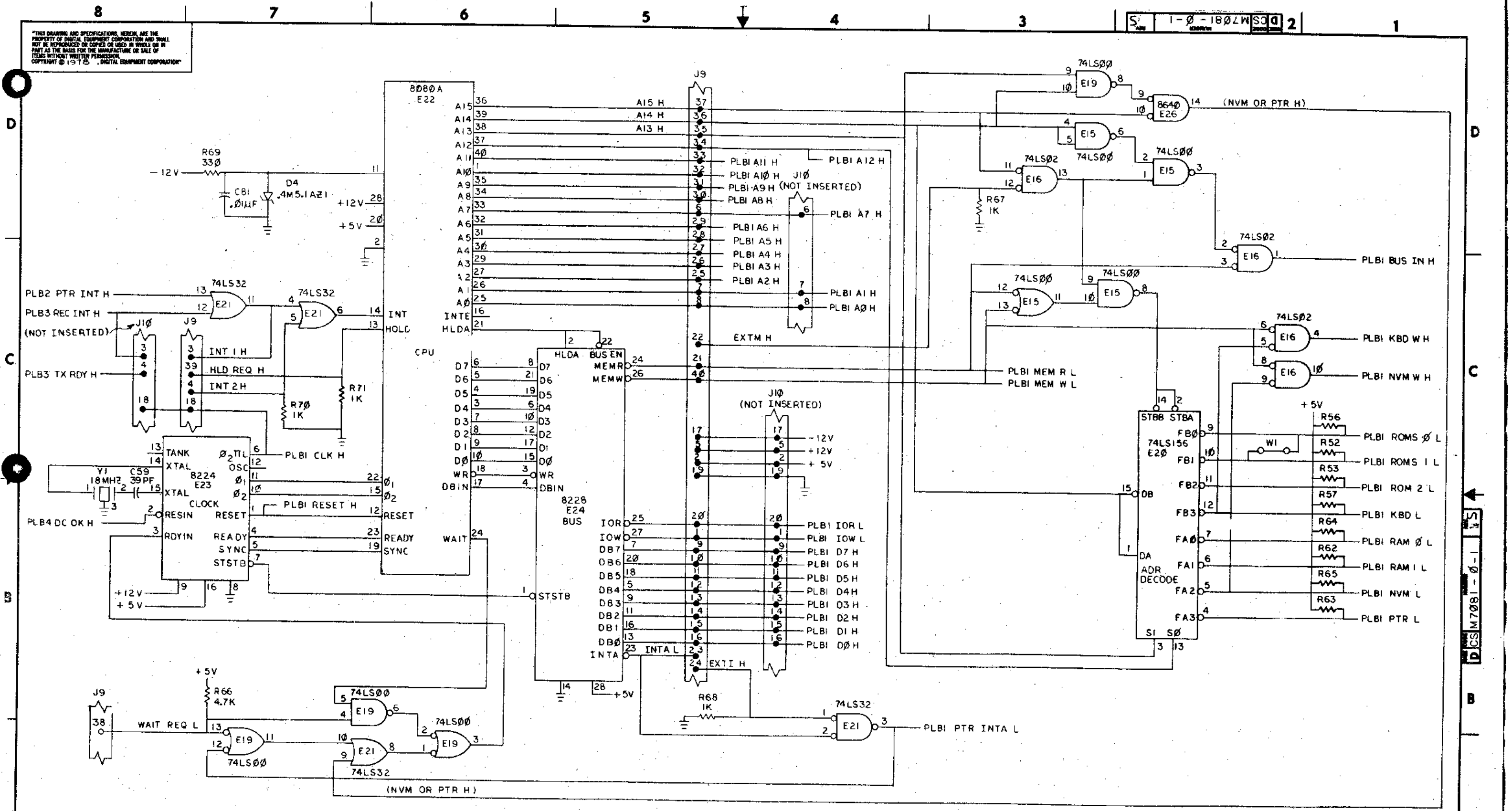
| LINE ITEM | DOCUMENT NUMBER | PART NUMBER      | DESCRIPTION                 | QTY PER VARIATION |     |     | REFERENCE DESIGNATOR |
|-----------|-----------------|------------------|-----------------------------|-------------------|-----|-----|----------------------|
|           |                 |                  |                             | 00                | YB  | YC  |                      |
| 116       | 116             | 1913950-00       | LS156 DECODER,2 OF 4(DUAL)  | 1                 | 1   | 1   | E20                  |
| 117       | 117             | 23086E2-00       | E2-02                       | -                 | 1   | -   | E4                   |
| 118       | 118             | 23004E4-00       | E4-02                       | -                 | 1   | -   | E6                   |
| 119       | 119             | 1215899-01       | CLIP,JUMPER,,400CENTERS     | -                 | 1   | 1   | W29                  |
| 120       | 120             | 1215901-01       | HEADER 2PIN STRAIGHT        | -                 | 1   | 1   | W29                  |
| 121       | 121             | 1209941-03       | HEADER RT ANGLE LEFT L      | 1                 | 1   | 1   |                      |
| 122       | 122             | 1209941-04       | HEADER RT ANGLE,RIGHT       | 1                 | 1   | 1   |                      |
| 123       | 123             | A-SP-3700443-0-0 | INSTR PKG MODULE M7081      | REF               | REF | REF |                      |
| 124       | 124             | A-SP-3700428-0-0 | PKG BULK CARTON 99-06476-26 | REF               | REF | REF |                      |

125 NOTE: FOR INDIVIDUAL FIELD SERVICE/CUSTOMER SPARES SHIPMENTS USE  
 126 NOTE: PACKAGING INSTRUCTIONS A-SP-3700443-0-0, VARIATION 00 FOR  
 127 NOTE: BULK INTERPLANT SHIPMENTS USE PACKAGING INSTRUCTIONS  
 128 NOTE: A-SP-3700428-0-0,VARIATION 03.

|   |   |   |   |   |   |   |                               |                |      |      |                 |     |
|---|---|---|---|---|---|---|-------------------------------|----------------|------|------|-----------------|-----|
| D | I | G | I | T | A | L | TITLE                         | SECTION A OF A | SIZE | CODE | DOCUMENT NUMBER | REV |
|   |   |   |   |   |   |   | PRINTER LOGIC AND POWER BOARD |                | K    | PI   | M7061-0-DBP     | T   |

"THIS DRAWING AND SPECIFICATIONS, HEREIN, ARE THE PROPERTY OF DIGITAL EQUIPMENT CORPORATION AND SHALL NOT BE REPRODUCED OR COPIED OR USED IN WHOLE OR IN PART AS THE BASIS FOR THE MANUFACTURE OR SALE OF ITEMS WITHOUT WRITTEN PERMISSION. COPYRIGHT © 1978, DIGITAL EQUIPMENT CORPORATION"

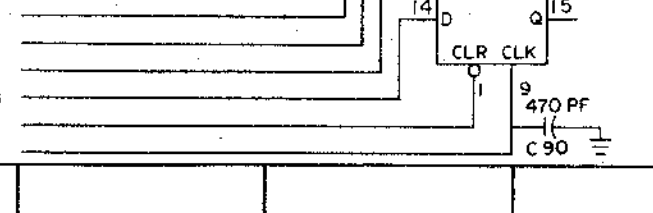
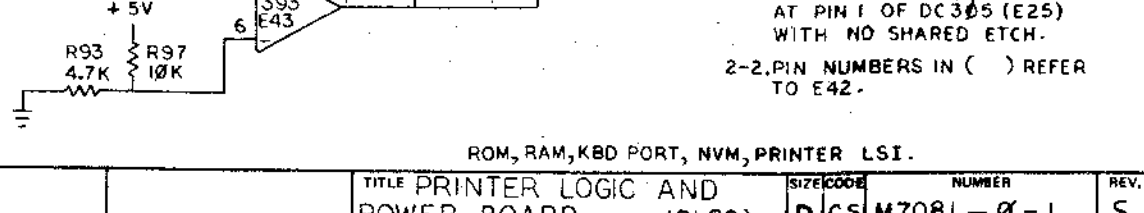
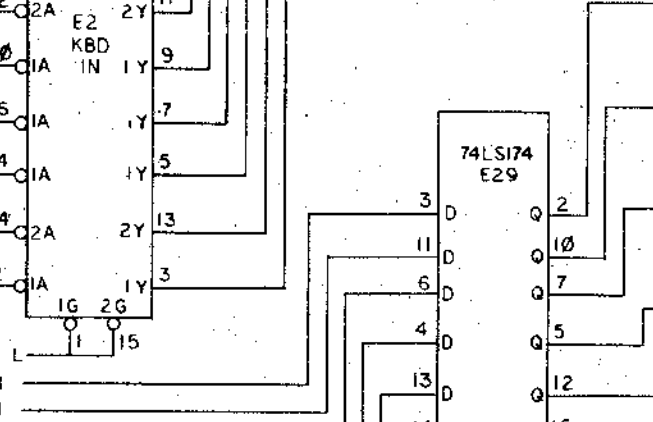
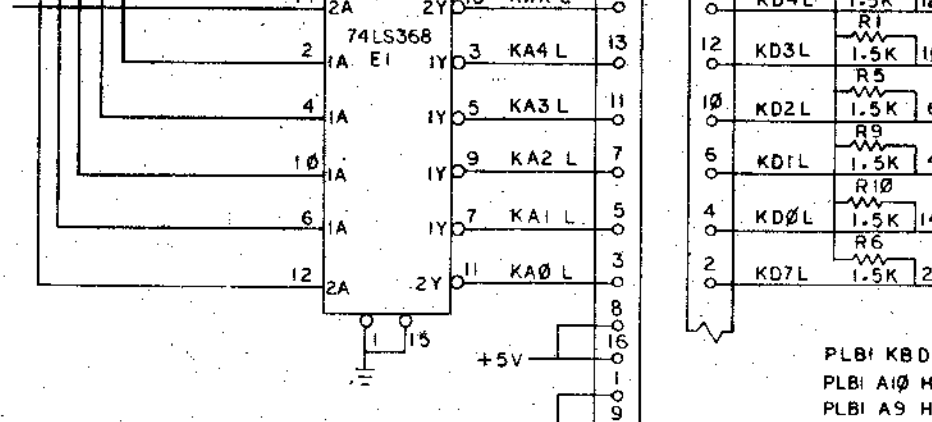
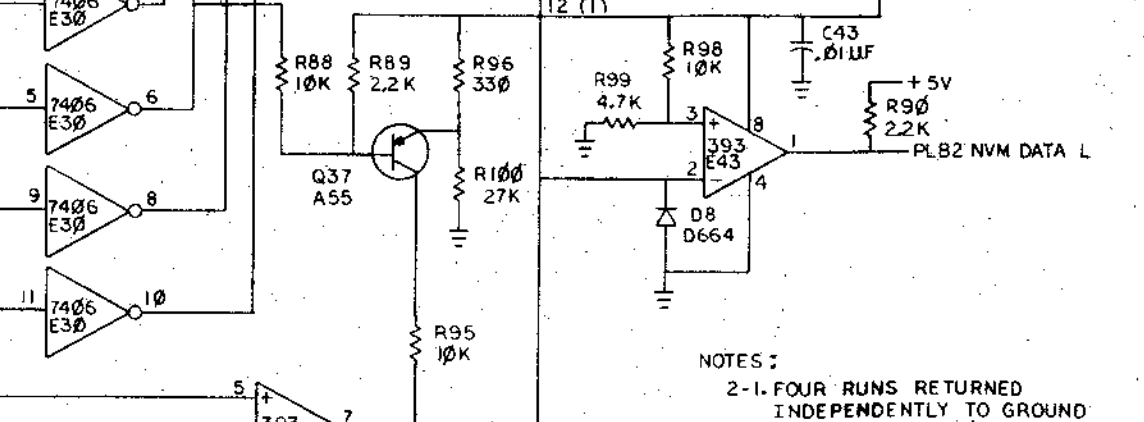
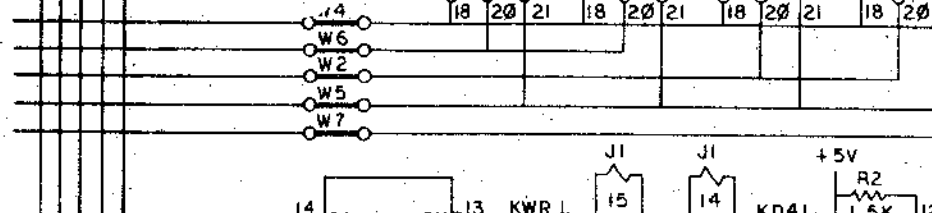
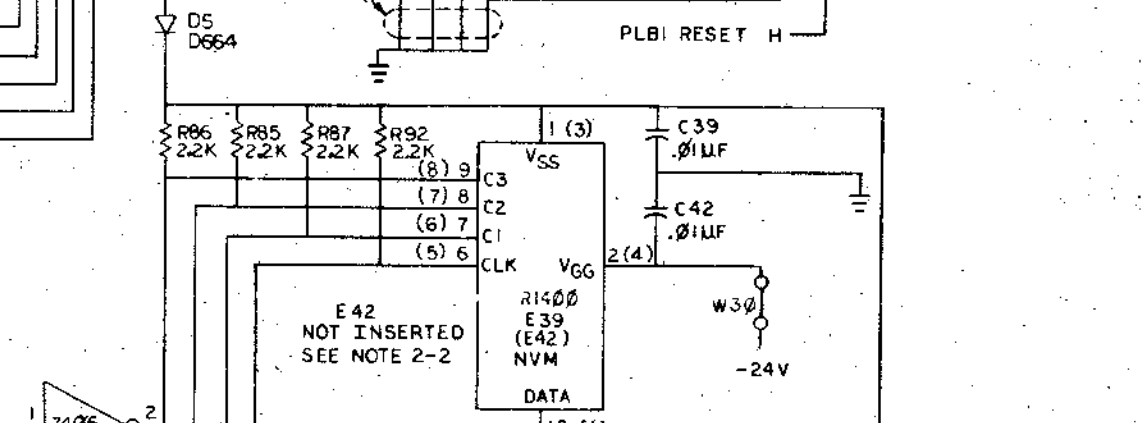
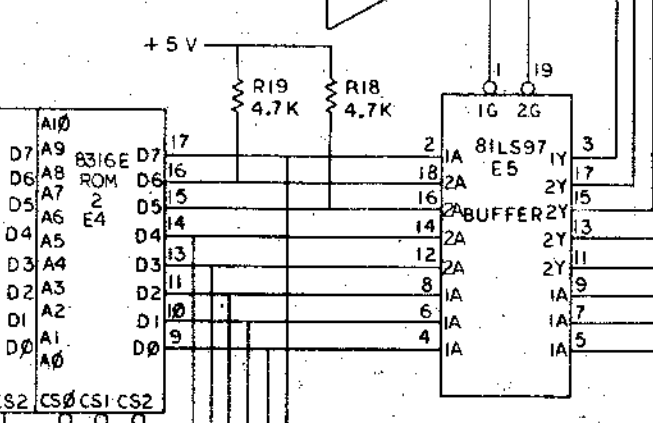
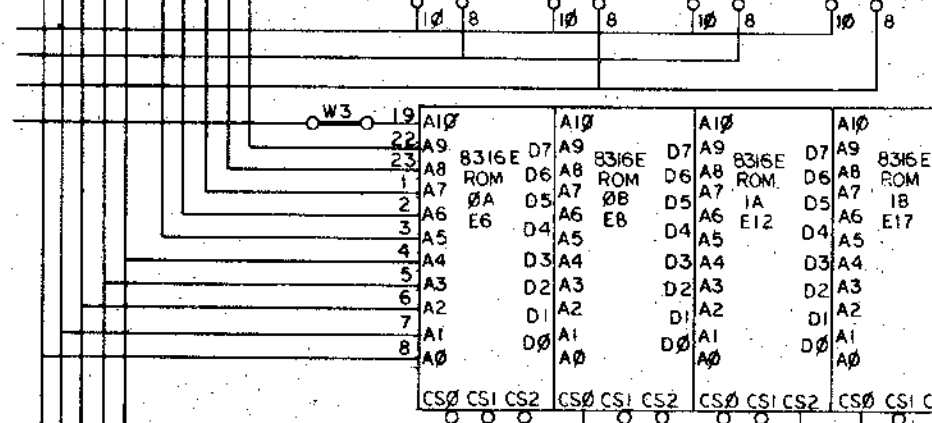
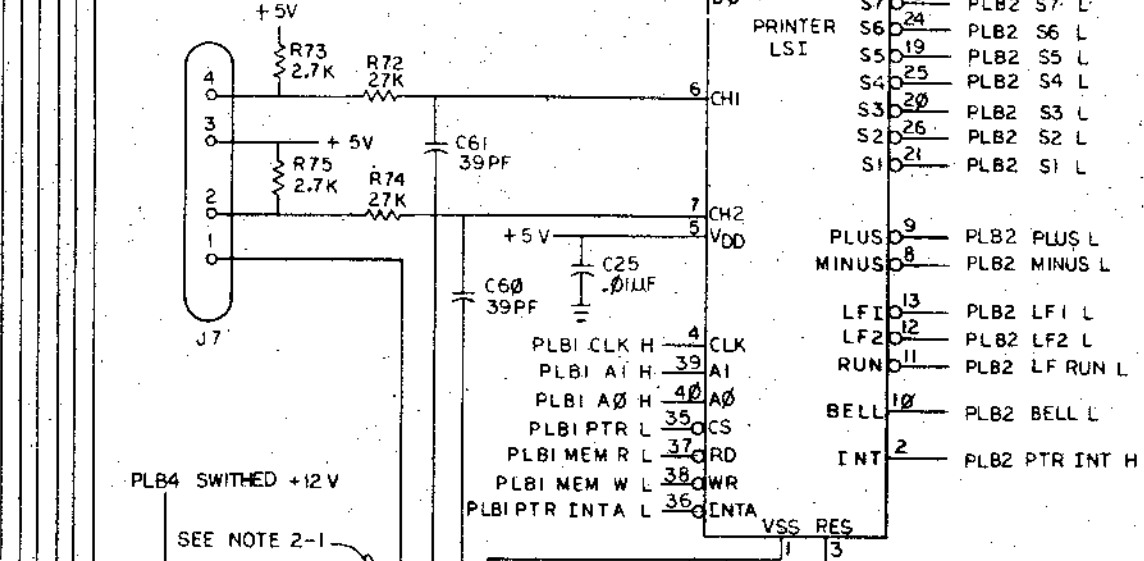
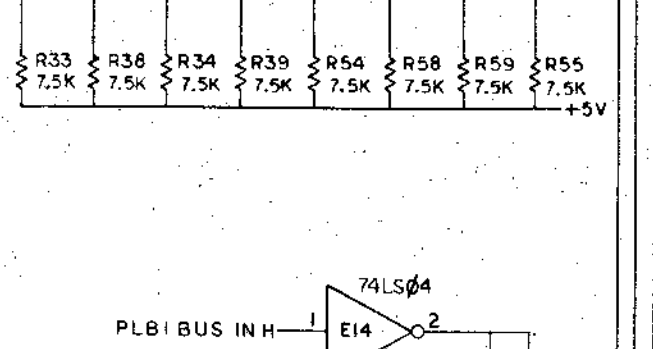
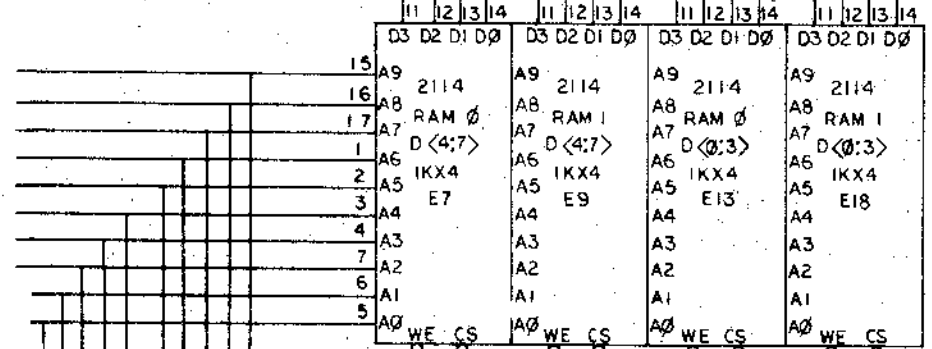
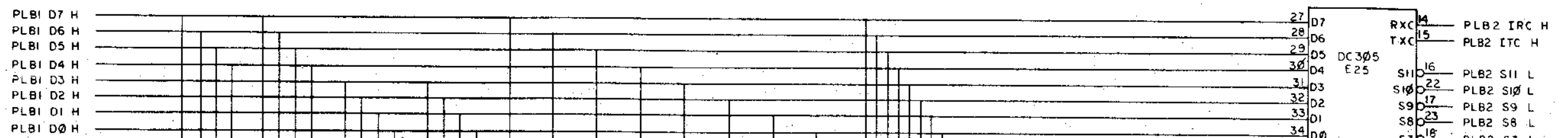
1-0-180ZWS02



| REV | DATE     | BY       | CHK | DESCRIPTION             |
|-----|----------|----------|-----|-------------------------|
| 1   | 12-11-78 | J. BITTO |     | INITIAL DESIGN          |
| 2   | 1-11-79  | J. BITTO |     | REVISED FOR MANUFACTURE |
| 3   | 2-11-79  | J. BITTO |     | REVISED FOR MANUFACTURE |
| 4   | 3-11-79  | J. BITTO |     | REVISED FOR MANUFACTURE |
| 5   | 4-11-79  | J. BITTO |     | REVISED FOR MANUFACTURE |
| 6   | 5-11-79  | J. BITTO |     | REVISED FOR MANUFACTURE |
| 7   | 6-11-79  | J. BITTO |     | REVISED FOR MANUFACTURE |
| 8   | 7-11-79  | J. BITTO |     | REVISED FOR MANUFACTURE |

|                              |                        |   |                   |
|------------------------------|------------------------|---|-------------------|
| CPU, CLOCK, BUS, ADR DECODE. |                        | FIRST USED ON LA120                         |                   |
| DRN: [Signature]             | CHK'D: [Signature]     | TITLE: PRINTER LOGIC AND POWER BOARD (PLBI) |                   |
| ENG: [Signature]             | PROJ. ENG: [Signature] | NEXT HIGHER ASSY: B-DD-M7081-0              |                   |
| PROD. [Signature]            |                        | SIZE CODE: DCS                              | NUMBER: M7081-0-1 |
| SCALE: 1:1                   |                        | SHEET: 1                                    | OF 6              |

THIS DRAWING AND SPECIFICATIONS, HEREIN, ARE THE PROPERTY OF DIGITAL EQUIPMENT CORPORATION AND SHALL NOT BE REPRODUCED OR COPIED OR USED IN WHOLE OR IN PART AS THE BASIS FOR THE MANUFACTURE OR SALE OF ITEMS WITHOUT WRITTEN PERMISSION. COPYRIGHT © 1971 DIGITAL EQUIPMENT CORPORATION



NOTES:  
 2-1. FOUR RUNS RETURNED INDEPENDENTLY TO GROUND AT PIN 1 OF DC305 (E25) WITH NO SHARED ETCH.  
 2-2. PIN NUMBERS IN ( ) REFER TO E42.

D  
C  
B  
A

D  
C  
B  
A

| REVISIONS |            |      |
|-----------|------------|------|
| CHK       | CHANGE NO. | REV. |
|           |            |      |

THIS DRAWING AND SPECIFICATIONS HEREIN ARE THE PROPERTY OF DIGITAL EQUIPMENT CORPORATION AND SHALL NOT BE REPRODUCED OR COPIED OR USED IN WHOLE OR IN PART AS THE BASIS FOR THE MANUFACTURE OR SALE OF ITEMS WITHOUT WRITTEN PERMISSION. COPYRIGHT © 1978 DIGITAL EQUIPMENT CORPORATION

5 1-0-1807WCS 2

D

D

C

C

B

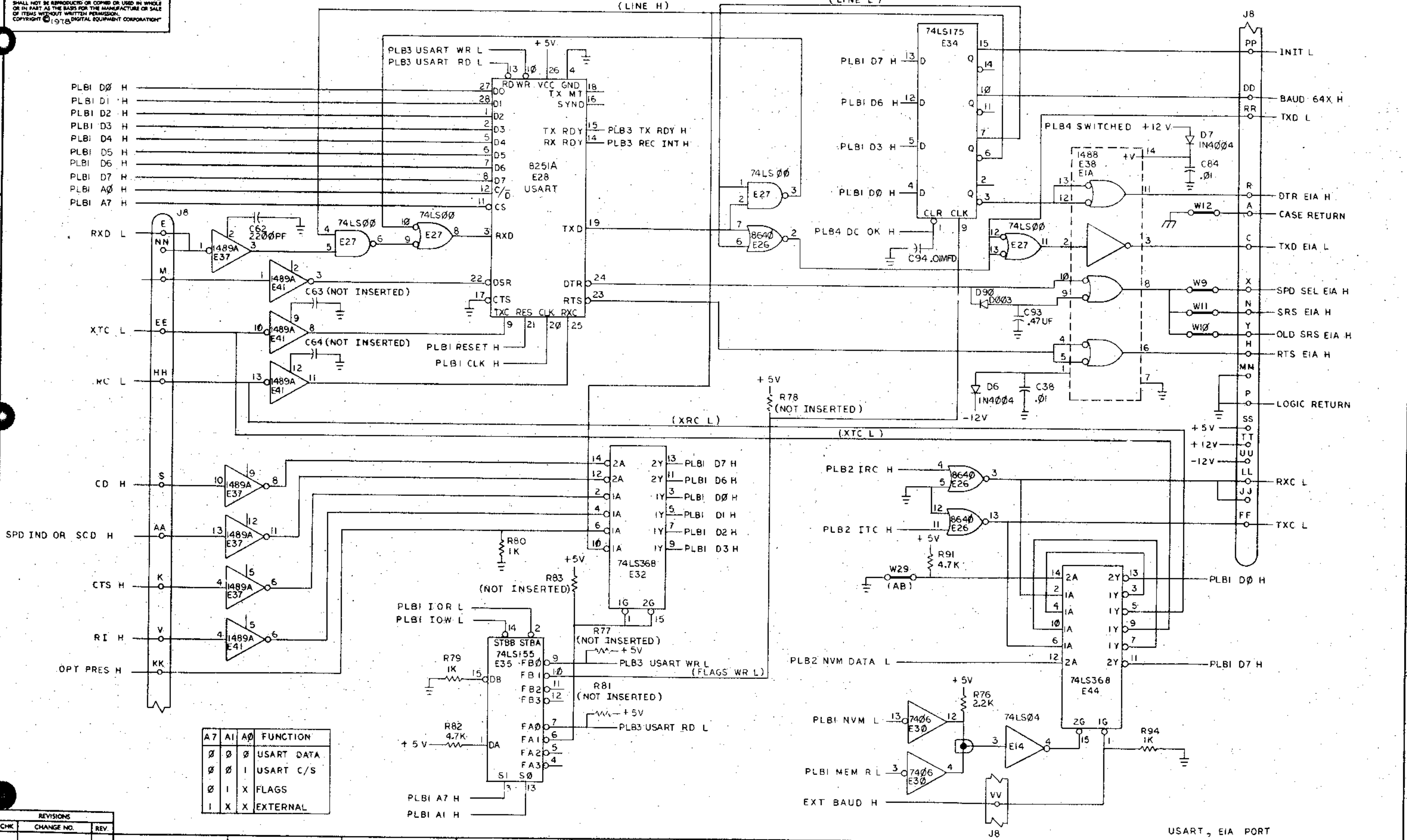
B

A

A

| REVISIONS |            |      |
|-----------|------------|------|
| CHK       | CHANGE NO. | REV. |
|           |            |      |

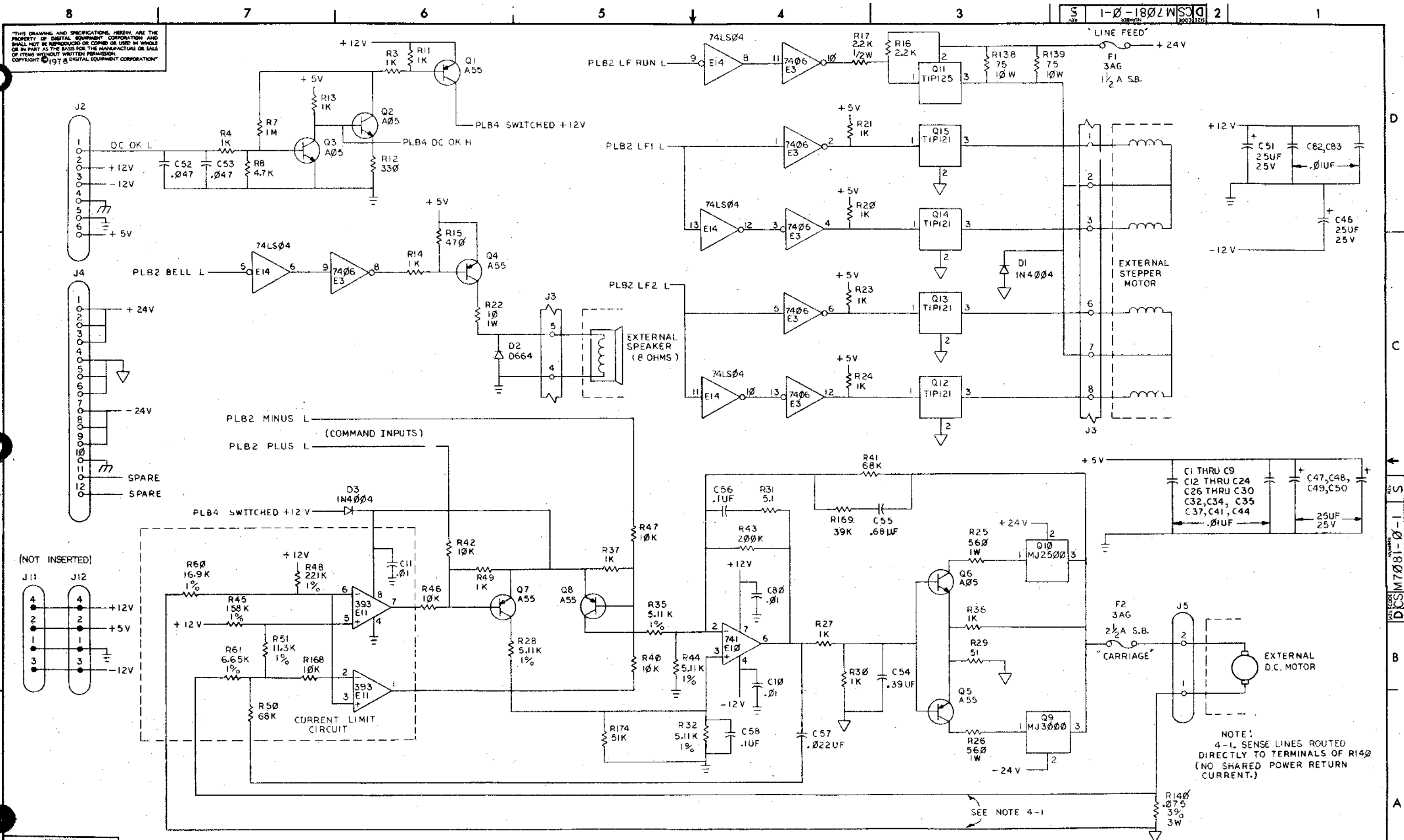
| A7 | A1 | A0 | FUNCTION   |
|----|----|----|------------|
| 0  | 0  | 0  | USART DATA |
| 0  | 0  | 1  | USART C/S  |
| 0  | 1  | X  | FLAGS      |
| 1  | X  | X  | EXTERNAL   |



TITLE **PRINTER LOGIC AND POWER BOARD (PLB3)** SIZE CODE **D** NUMBER **CS M7081-0-1** REV. **5**

SCALE **1/8"** SHEET **3 OF 6** DIST. **1**

DEC FORM NO. DDD 138



THIS DRAWING AND SPECIFICATIONS HEREIN ARE THE PROPERTY OF DIGITAL EQUIPMENT CORPORATION AND SHALL NOT BE REPRODUCED OR COPIED OR USED IN WHOLE OR IN PART AS THE BASIS FOR THE MANUFACTURE OR SALE OF ITEMS WITHOUT WRITTEN PERMISSION. COPYRIGHT © 1978 DIGITAL EQUIPMENT CORPORATION

1-0-1802 WSD 2

NOTE:  
4-1. SENSE LINES ROUTED DIRECTLY TO TERMINALS OF R140 (NO SHARED POWER RETURN CURRENT.)

SEE NOTE 4-1

| CHK | CHANGE NO. | REV. |
|-----|------------|------|
|     |            |      |

|                                    |                      |  |                       |                          |                |
|------------------------------------|----------------------|--|-----------------------|--------------------------|----------------|
| CARRIAGE, LF, BELL AMPS, PWR ENTRY |                      | TITLE: <b>PRINTER LOGIC AND POWER BOARD (PLB4)</b> | SIZE CODE: <b>DCS</b> | NUMBER: <b>M7081-0-1</b> | REV.: <b>S</b> |
| SCALE: <b>1:1</b>                  | SHEET: <b>4 OF 6</b> | DIST.  |                       |                          |                |

THIS DRAWING AND SPECIFICATIONS HEREIN ARE THE PROPERTY OF DIGITAL EQUIPMENT CORPORATION AND SHALL NOT BE REPRODUCED OR COPIED OR USED IN WHOLE OR IN PART AS THE BASIS FOR THE MANUFACTURE OR SALE OF ITEMS WITHOUT WRITTEN PERMISSION. COPYRIGHT © 1978 DIGITAL EQUIPMENT CORPORATION

D

C

B

A

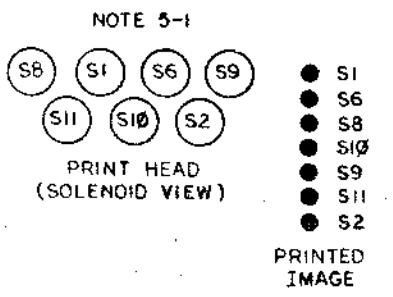
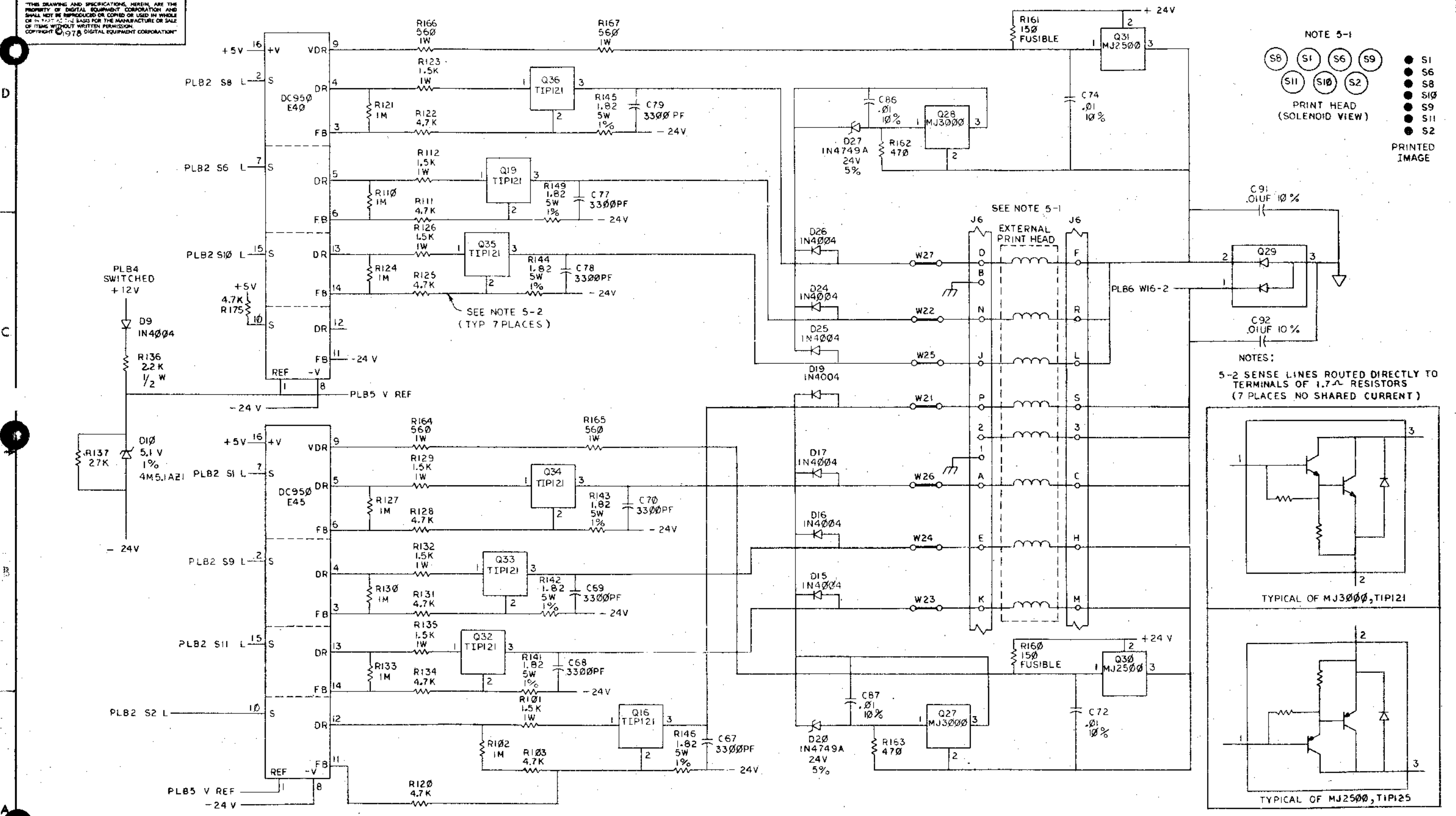
D

C

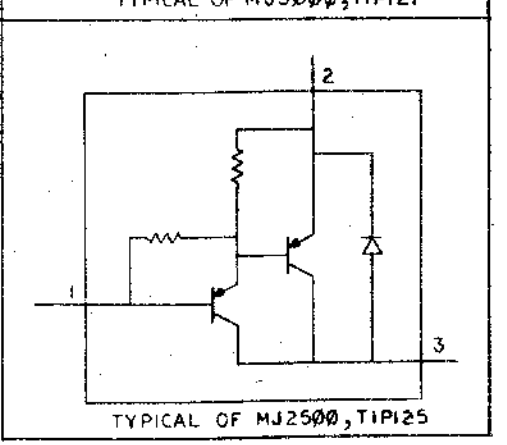
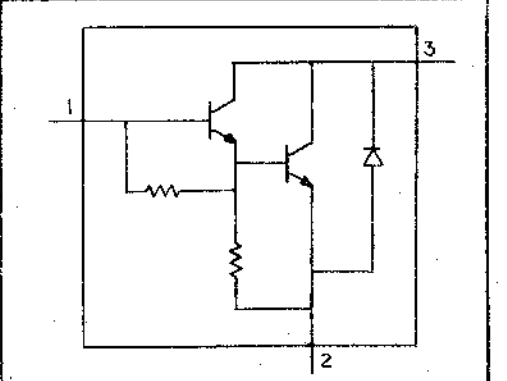
B

A

S 1-0-180ZW SCD 2

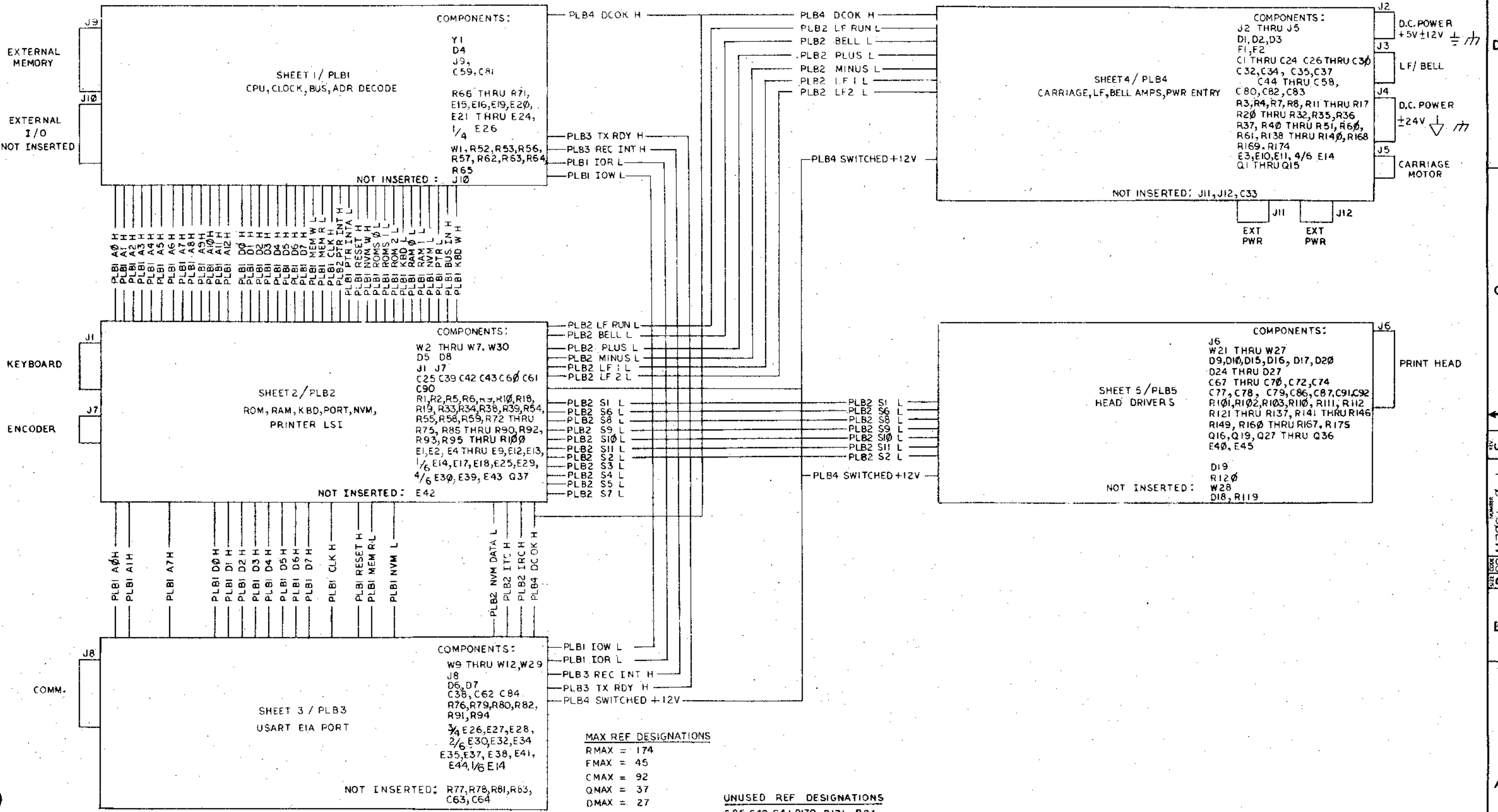


NOTES:  
5-2 SENSE LINES ROUTED DIRECTLY TO TERMINALS OF 1.7Ω RESISTORS (7 PLACES NO SHARED CURRENT)



| REV. | CHANGE NO. | REV. |
|------|------------|------|
|      |            |      |

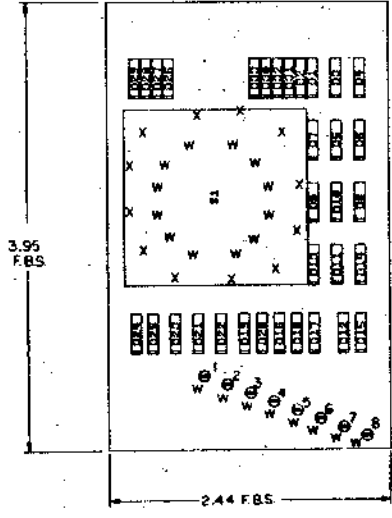
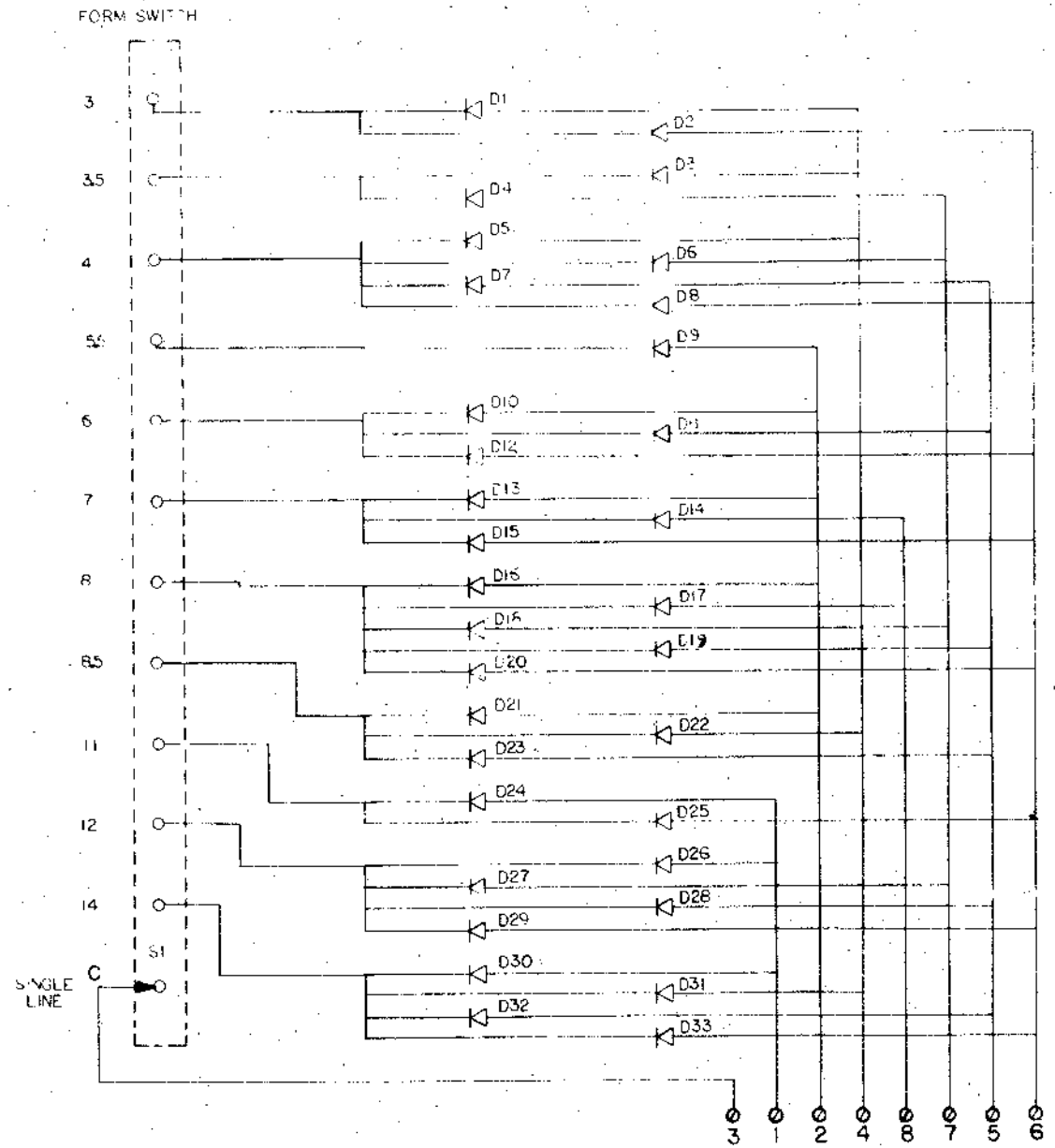
THIS DRAWING AND SPECIFICATIONS HEREIN ARE THE PROPERTY OF DIGITAL EQUIPMENT CORPORATION AND SHALL NOT BE REPRODUCED OR COPIED OR USED IN WHOLE OR IN PART AS THE BASIS FOR THE MANUFACTURE OR SALE OF ITEMS WITHOUT WRITTEN PERMISSION. COPYRIGHT © 1978 DIGITAL EQUIPMENT CORPORATION





"THIS DRAWING AND SPECIFICATIONS, HEREIN, ARE THE PROPERTY OF DIGITAL EQUIPMENT CORPORATION AND SHALL NOT BE REPRODUCED OR COPIED OR USED IN WHOLE OR IN PART AS THE BASIS FOR THE MANUFACTURE OR SALE OF ITEMS WITHOUT WRITTEN PERMISSION. DIGITAL EQUIPMENT CORPORATION. COPYRIGHT © 1975"

**NOTES:**



|  |     |     |
|--|-----|-----|
| IC TYPE  | GND | +5V |
| GND AND 5V ARE USUALLY PIN 7 AND 14 RESPECTIVELY. EXCEPTIONS ARE STATED ABOVE. |     |     |
| IC PIN LOCATIONS   |     |     |

| QTY | REF. DESIGNATION | DESCRIPTION                       | PART NO.         | ITEM NO. |
|-----|------------------|-----------------------------------|------------------|----------|
| 8   |                  | SPLIT LUG                         | 9006735-00       | 7        |
| 33  | DI-D33           | DIODE D664                        | 1100114-00       | 6        |
| 1   | S1               | SWITCH, SINGLE POLE - 12 POSITION | 1212443-00       | 5        |
| 1   |                  | ETCHED CIRCUIT BOARD              | C-MD-5011652-0-0 | 4        |
| REF |                  | MODULE ECO HISTORY                | B-MH-5411653-0-6 | 3        |
| REF |                  | ASSY/DRILLING HOLE LAYOUT         | D-AH-5411653-0-5 | 2        |
| REF |                  | X-Y COORDINATE HOLE LOCATION      | K-CO-5411653-0-4 | 1        |

LA180 FIRST USED ON OPTION MODEL

ETCH BOARD REV. A

|                        |  |
|------------------------|--|
| DRN. DATE 2/3/75       |  |
| CHK'D DATE 4/2/75      |  |
| PROJ. ENG. DATE 4/1/75 |  |
| PROJ. MGR. DATE 4/1/75 |  |
| DATE 4/1/75            |  |

TITLE: 6 LPI FORM CONTROL

SIZE CODE: D CS NUMBER: 5411653-0-1 REV. \*

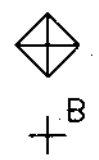
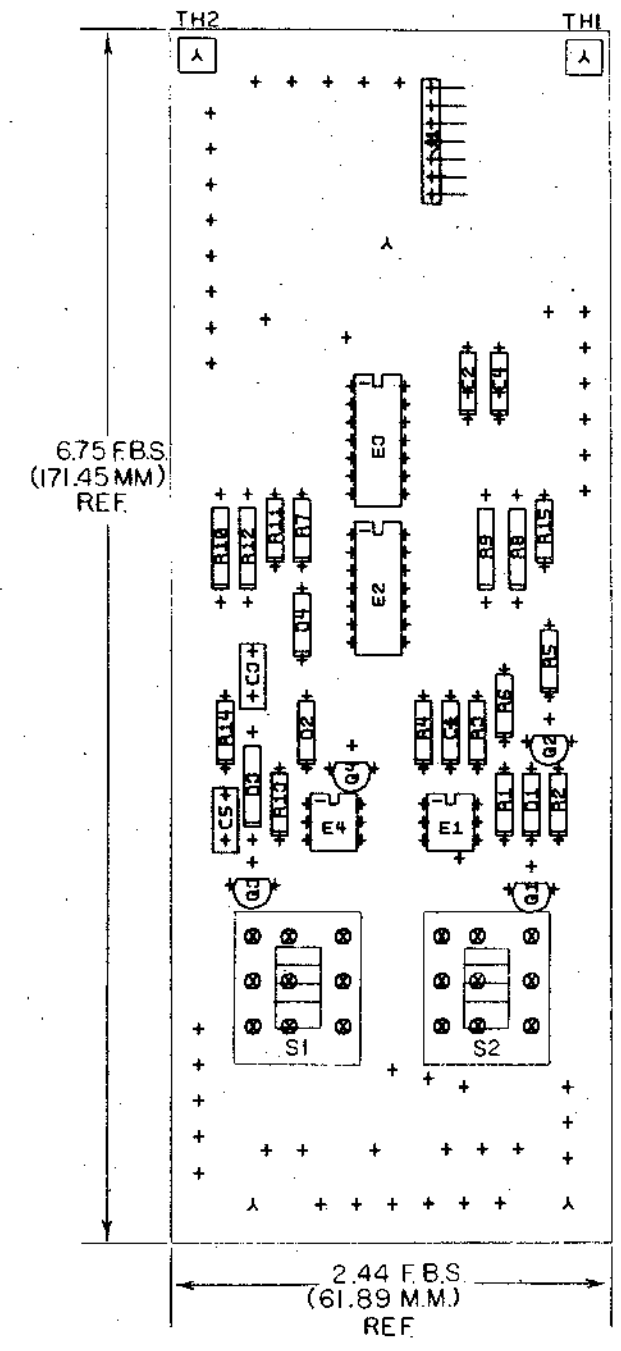
SCALE: NONE

SEMICONDUCTOR CONVERSION CHART

REV. \* 5411653-0-1

THIS DRAWING AND ASSOCIATED DATA, SPECIFICATIONS, AND THE PROPERTY OF NORTH AVIATION CORPORATION AND SHALL NOT BE DISCLOSED OR REPRODUCED IN ANY MANNER WITHOUT THE WRITTEN PERMISSION OF NORTH AVIATION CORPORATION. COPYRIGHT © 1977

COMPONENT SIDE VIEW



NOTES:

---



---



---



---



---



---

| CHK | CHANGE | NO | REV |
|-----|--------|----|-----|
|     |        |    |     |
|     |        |    |     |
|     |        |    |     |

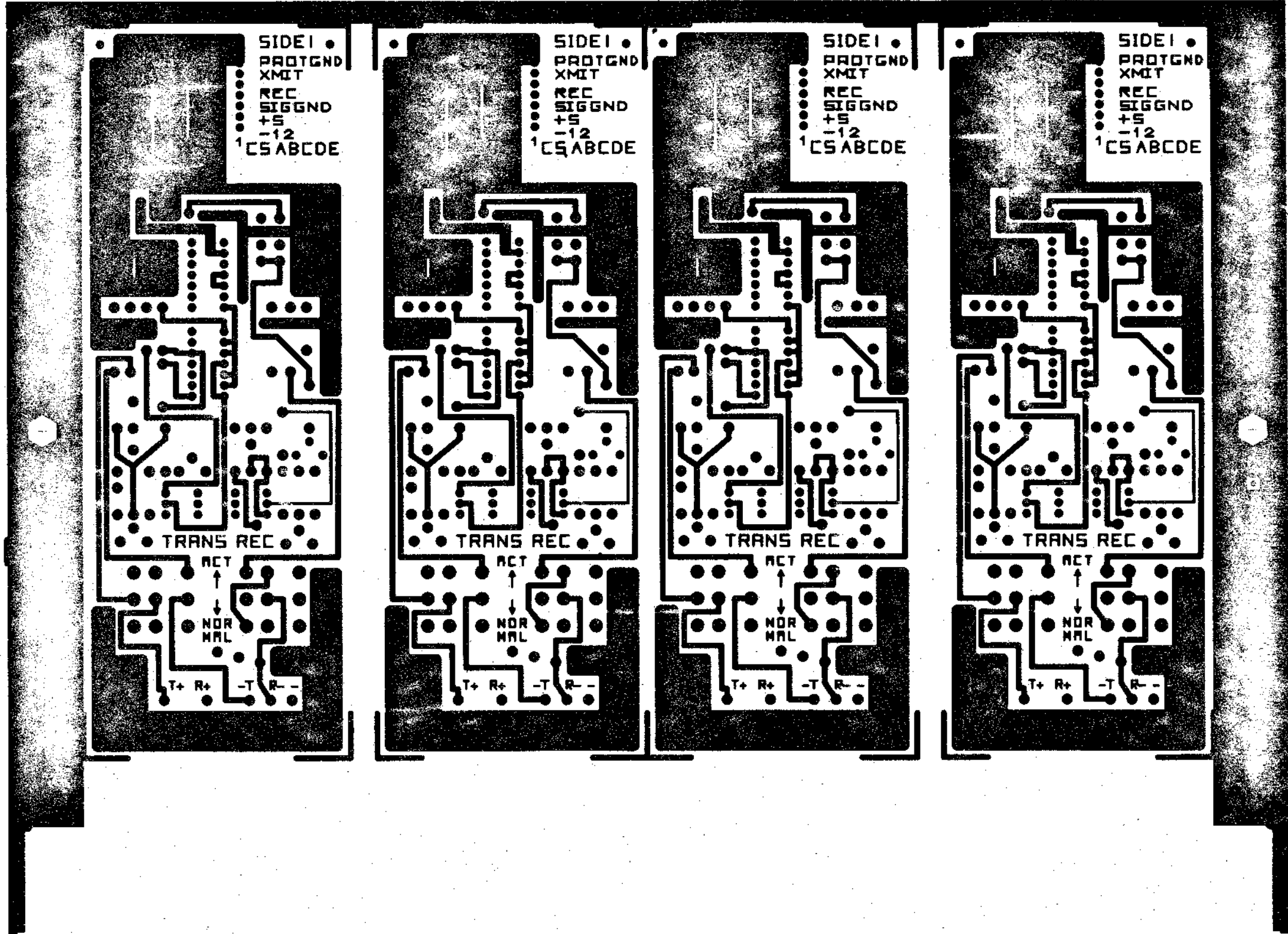
|                            |   |
|----------------------------|---|
|                            |   |
|                            |   |
|                            |   |
|                            |   |
|                            |   |
|                            |   |
|                            |   |
|                            |   |
| ETCH REV.                  | C |
| P.C. DESIGN DATA BASE REV. | C |

|                                  |           |                |               |
|----------------------------------|-----------|----------------|---------------|
| SIGNATURES                       |           | DATE           | digital       |
| DRN. <i>V. J. [illegible]</i>    |           | 11-16-77       |               |
| CHK'D. <i>[illegible]</i>        |           | 11-16-77       |               |
| ENC. <i>[illegible]</i>          |           | 11-17-77       |               |
| PROJ. ENG. <i>[illegible]</i>    |           | 11-17-77       |               |
| PROD. <i>[illegible]</i>         |           | 11-17-77       | TITLE         |
| SCALE 2/1                        | SIZE CODE | NUMBER         | 20 MA-ADAPTER |
| SHT. 1 OF 3                      | 0         | UA 5413206-0-0 | REV           |
| NEXT HIGHER ASSY. B-0D-5413206-0 |           |                | B             |

THIS DRAWING AND THE INFORMATION CONTAINED HEREIN ARE THE PROPERTY OF DIGITAL EQUIPMENT CORPORATION. NO PART SHALL BE REPRODUCED OR COPIED OF ANY MANNER WITHOUT WRITTEN PERMISSION. COPYRIGHT © 1977 DIGITAL EQUIPMENT CORPORATION.

8 0-0-9023175 A D 2

5013205C  
5413206
5013205C  
5413206
5013205C  
5413206
5013205C  
5413206



VIEWED FROM SIDE 1

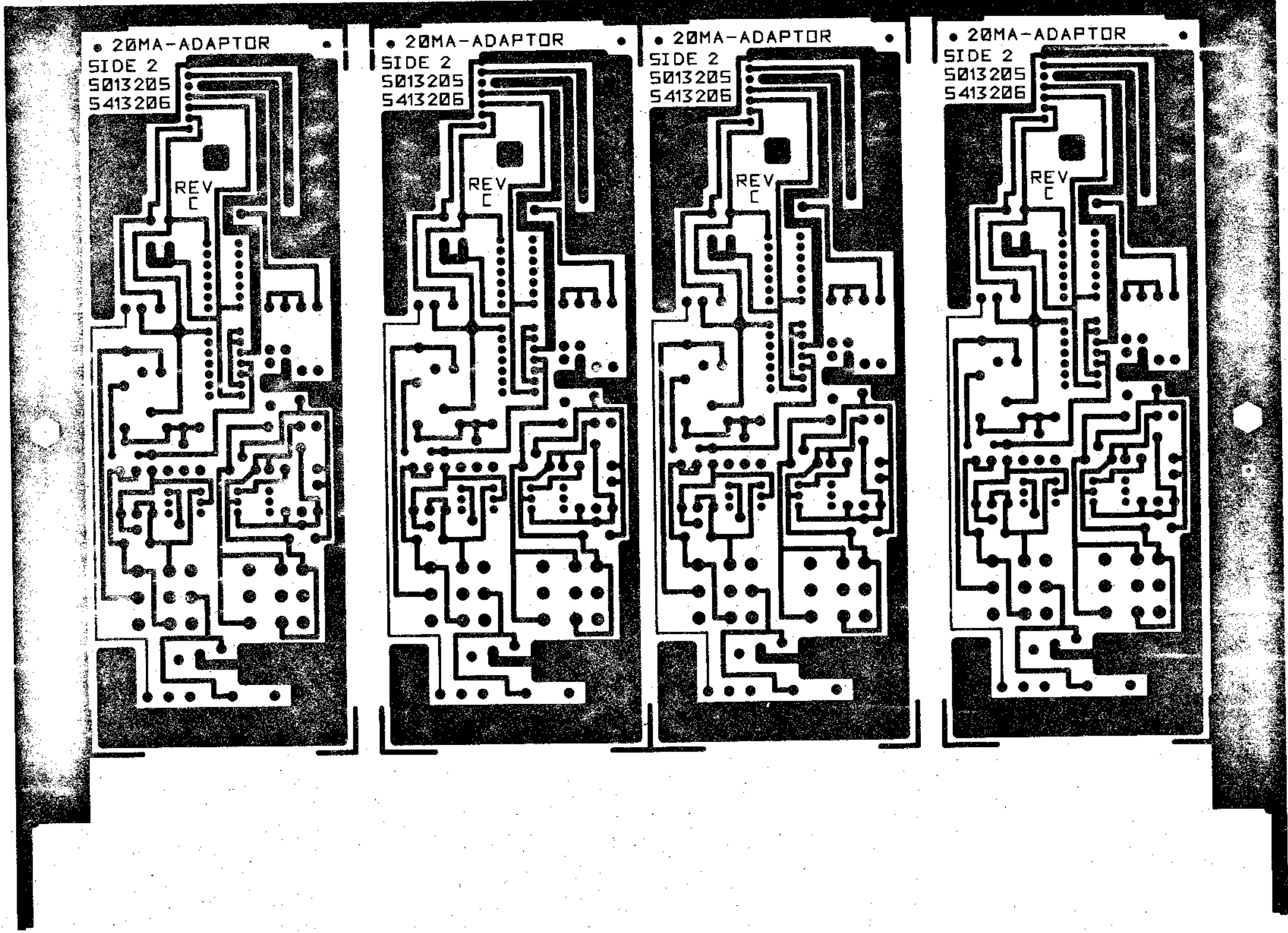
| REVISIONS |            |      |
|-----------|------------|------|
| CHK       | CHANGE NO. | REF. |
|           |            |      |

|       |              |           |        |        |               |     |   |
|-------|--------------|-----------|--------|--------|---------------|-----|---|
| TITLE | 20MA ADAPTOR | SIZE CODE | D UA   | NUMBER | 5413206-0-0 B | REV | B |
| SCALE | 2:1          | SHEET     | 2 OF 3 | DIST   |               |     |   |

8 7 6 5 4 3 2 1

DUA 5413206-0-0 B

THIS DRAWING AND THE EQUIPMENT TO WHICH IT APPLIES ARE THE PROPERTY OF DIGITAL EQUIPMENT CORPORATION AND SHALL NOT BE REPRODUCED OR COPIED IN WHOLE OR IN PART AS THE BASIS FOR THE MANUFACTURE OF ITEMS WITHOUT WRITTEN PERMISSION OF DIGITAL EQUIPMENT CORPORATION. COPYRIGHT © 1978



VIEWED FROM SIDE 2

| REVISIONS |           |     |
|-----------|-----------|-----|
| CHK       | CHANGE NO | REV |
|           |           |     |
|           |           |     |

|       |               |          |      |        |             |      |   |
|-------|---------------|----------|------|--------|-------------|------|---|
| TITLE | 20 MA ADAPTOR | REV CODE | D UA | NUMBER | 5413206-0-0 | REV  | B |
| SCALE | 2:            | SHEET    | 3    | OF     | 3           | DIST |   |

DIA 5413206-0-0 B

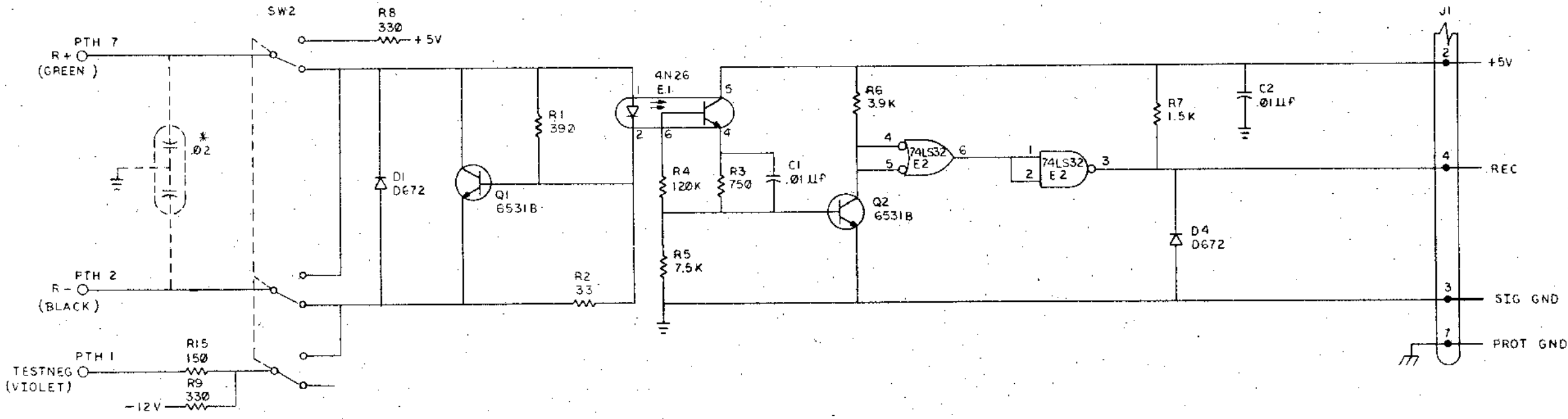
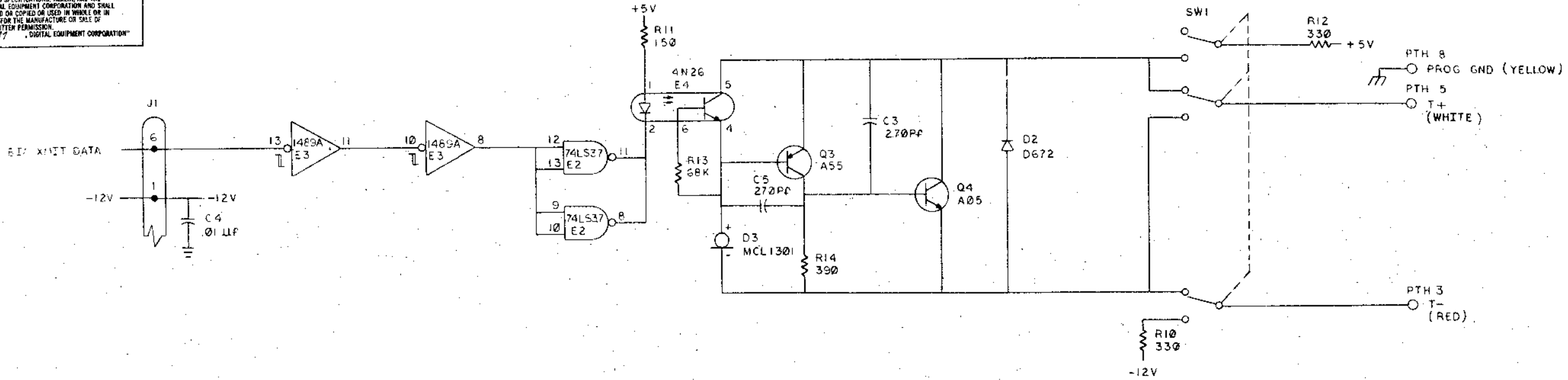
| LINE | ITEM | DOCUMENT NUMBER  | PART NUMBER | DESCRIPTION                   | QTY | PER VARIATION | REFERENCE DESIGNATOR |
|------|------|------------------|-------------|-------------------------------|-----|---------------|----------------------|
| 1    | 1    | D-1D-5013205-0-0 | 5013205-00  | ETCH BOARD FOR 5413206        | 1   |               |                      |
| 2    | 2    |                  | 1000022-00  | 270.0 MFD 100V 5%200PPM MICA  | 2   |               | C3,C5                |
| 3    | 3    |                  | 1001610-00  | .01 MFD 50V +80-20% 250 CER   | 3   |               | C1,C2,C4             |
| 4    | 4    |                  | 1105275-00  | D 672 TR= 15NS PIV= 60V SI    | 3   |               | D1,D2,D4             |
| 5    | 5    |                  | 1105610-00  | MCL1301 CL@1MA FROM10-80V     | 1   |               | D3                   |
| 6    | 6    |                  | 1215048-01  | CONN 7POS RT ANGLE            | 1   |               | J1                   |
| 7    | 7    |                  | 1215089-00  | SW,SLIDE 3P 1A DBLE THROW     | 2   |               | S1,S2                |
| 8    | 8    |                  | 1301522-00  | 27.0 .25 W 5.0 % CC           | 1   |               | R2                   |
| 9    | 9    |                  | 1300250-00  | 150.0 .25 W 5.0 % CC          | 2   |               | R11,R15              |
| 10   | 10   |                  | 1300296-00  | 330.0 .50 W 5.0 % CC          | 4   |               | R8,R9,R10,R12        |
| 11   | 11   |                  | 1300309-00  | 390.0 .25 W 5.0 % CC          | 2   |               | R1,R14               |
| 12   | 12   |                  | 1300391-00  | 1.50 K .25 W 5.0 % CC         | 1   |               | R7                   |
| 13   | 13   |                  | 1300444-00  | 3.90 K .25 W 5.0 % CC         | 1   |               | R6                   |
| 14   | 14   |                  | 1300539-00  | 120.0 K .25 W 5.0 % CC        | 1   |               | R4                   |
| 15   | 15   |                  | 1301327-00  | 68.0 K .25 W 5.0 % CC         | 1   |               | R13                  |
| 16   | 16   |                  | 1301401-00  | 750.0 .25 W 5.0 % CC          | 1   |               | R3                   |
| 17   | 17   |                  | 1301422-00  | 7.50 K .25 W 5.0 % CC         | 1   |               | R5                   |
| 18   | 18   |                  | 1509338-00  | DEC6531B NPN 310MA SI 40 90 P | 2   |               | Q1,Q2                |
| 19   | 19   |                  | 1510705-00  | XA 05 NPN 500MA SI 60 50 P    | 1   |               | Q4                   |
| 20   | 20   |                  | 1510706-00  | XA 55 PNP 500MA SI 60 50 P    | 1   |               | Q3                   |
| 21   | 21   |                  | 1916959-00  | POTOTRANSISTOR                | 2   |               | E1,E4                |
| 22   | 22   |                  | 1912817-00  | LS37 NAND GATE-QUAD 2IN,P     | 1   |               | E2                   |
| 23   | 23   |                  | 1913130-00  | DEC 14#9A RECEIVER,LINE,QUAD, | 1   |               | E3                   |
| 24   | 24   |                  | 1113003-00  | IN 5282 PIV=55 I=500M D035    | 1   |               | D5                   |

| REVISION HISTORY |               | BASIC PART NO: 5413206 |                         | DRN:             | T. SHETRAWSKI  | DATE:                | 30-MAR-78 | DIGITAL          |       |               |     |
|------------------|---------------|------------------------|-------------------------|------------------|----------------|----------------------|-----------|------------------|-------|---------------|-----|
| ENG:             | ECD NUMBER    | REV                    | SECTION A OF A          | CHK'D:           | T. SHETRAWSKI  | DATE:                | 30-MAR-78 | TITLE PARTS LIST |       |               |     |
| ---              | INIT          | B                      | SECTION VARIATION INDEX | DES.ENG:         | M. MORGENSTERN | DATE:                | 30-MAR-78 | DOCUMENT NUMBER  |       |               |     |
| JB               | 5413206-PN001 | C                      | [A] 00                  | RESP.ENG.:       | M. MORGENSTEPN | DATE:                | 30-MAR-78 | SIZE:            | CODE: | NUMBER        | REV |
|                  |               |                        | [B]                     | MFG.ENG.:        | T. CURCIARI    | DATE:                | 30-MAR-78 | K                | PL    | 5413206-0-DBP | C   |
|                  |               |                        | [C]                     | ASSEMBLY NUMBER: |                | TOP DOCUMENT NUMBER: |           | FILE NAME:       |       | EDIT #        |     |
|                  |               |                        | [D]                     | D-0A-5413206-0-0 |                | 1VE100               |           | 13206C.PLS       |       | 6             |     |
|                  |               |                        | [E]                     |                  |                |                      |           |                  |       |               |     |
|                  |               |                        | [F]                     |                  |                |                      |           |                  |       |               |     |
|                  |               |                        | [G]                     |                  |                |                      |           |                  |       |               |     |
|                  |               |                        | [H]                     |                  |                |                      |           |                  |       |               |     |
|                  |               |                        | [I]                     |                  |                |                      |           |                  |       |               |     |
|                  |               |                        | [J]                     |                  |                |                      |           |                  |       |               |     |
|                  |               |                        | [K]                     |                  |                |                      |           |                  |       |               |     |
|                  |               |                        | [L]                     |                  |                |                      |           |                  |       |               |     |
|                  |               |                        | [M]                     |                  |                |                      |           |                  |       |               |     |
|                  |               |                        | [N]                     |                  |                |                      |           |                  |       |               |     |

"THIS DRAWING AND SPECIFICATIONS HEREIN, ARE THE PROPERTY OF DIGITAL EQUIPMENT CORPORATION AND SHALL NOT BE REPRODUCED OR COPIED OR USED IN WHOLE OR IN PART AS THE BASIS FOR THE MANUFACTURE OR SALE OF ITEMS WITHOUT WRITTEN PERMISSION. COPYRIGHT (C) 1980, DIGITAL EQUIPMENT CORPORATION"

"THIS DRAWING AND SPECIFICATIONS, HEREIN, ARE THE PROPERTY OF DIGITAL EQUIPMENT CORPORATION AND SHALL NOT BE REPRODUCED OR COPIED OR USED IN WHOLE OR IN PART AS THE BASIS FOR THE MANUFACTURE OR SALE OF ITEMS WITHOUT WRITTEN PERMISSION. DIGITAL EQUIPMENT CORPORATION. COPYRIGHT © 1977"

1-0-00221515 CS 5413206-0-1



NOTE:  
1. \* OPTIONAL

|                  |     |     |            |       |                   |               |               |       |      |             |      |
|------------------|-----|-----|------------|-------|-------------------|---------------|---------------|-------|------|-------------|------|
| DRN              | CHK | ENG | PROJ. ENG. | PROD. | NEXT HIGHER ASSY. | FIRST USED ON | TITLE         | SIZE  | CODE | NUMBER      | REV. |
|                  |     |     |            |       |                   | VT100         | 20 MA ADAPTOR | D     | CS   | 5413206-0-1 | B    |
| D-UA-5413206-0-0 |     |     |            |       |                   | SCALE         |               | SHEET |      | OF          |      |
|                  |     |     |            |       |                   | DIST.         |               |       |      |             |      |

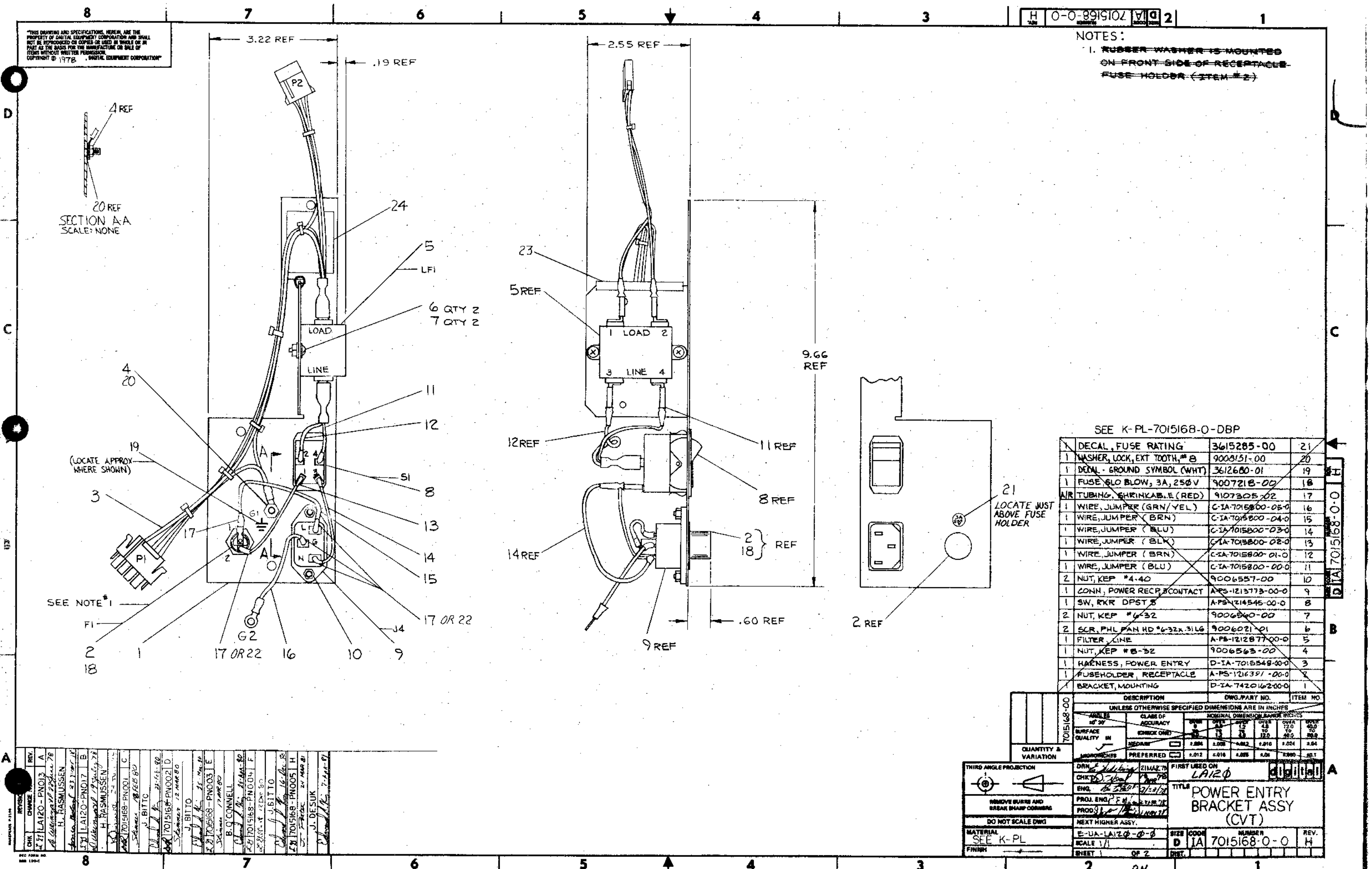
REVISION  
CHANGE NO.  
REV.

D CS 5413206-0-0 B

"THIS DRAWING AND SPECIFICATIONS, HEREIN, ARE THE PROPERTY OF DIGITAL EQUIPMENT CORPORATION AND SHALL NOT BE REPRODUCED OR COPIED OR USED IN WHOLE OR IN PART AS THE BASIS FOR THE MANUFACTURE OR SALE OF ITEMS WITHOUT WRITTEN PERMISSION. COPYRIGHT © 1978, DIGITAL EQUIPMENT CORPORATION"

NOTES:

- 1. RUBBER WASHER IS MOUNTED ON FRONT SIDE OF RECEPTACLE FUSE HOLDER (ITEM # 2)



SEE K-PL-7015168-0-DBP

| DESCRIPTION                    | DWG. PART NO.     | ITEM NO. |
|--------------------------------|-------------------|----------|
| DECAL, FUSE RATING             | 3615285-00        | 21       |
| 1 WASHER, LOCK, EXT TOOTH, # 8 | 9008151-00        | 20       |
| 1 DECAL - GROUND SYMBOL (WHT)  | 3612680-01        | 19       |
| 1 FUSE SLO BLOW, 3A, 250V      | 9007218-00        | 18       |
| AIR TUBING, SHRINKABLE (RED)   | 9107305-02        | 17       |
| 1 WIRE, JUMPER (GRN/YEL)       | C-IA-7015800-05-0 | 16       |
| 1 WIRE, JUMPER (BRN)           | C-IA-7015800-04-0 | 15       |
| 1 WIRE, JUMPER (BLU)           | C-IA-7015800-03-0 | 14       |
| 1 WIRE, JUMPER (BLK)           | C-IA-7015800-02-0 | 13       |
| 1 WIRE, JUMPER (BRN)           | C-IA-7015800-01-0 | 12       |
| 1 WIRE, JUMPER (BLU)           | C-IA-7015800-00-0 | 11       |
| 2 NUT, KEP #4-40               | 9006557-00        | 10       |
| 1 CONN, POWER RECP, CONTACT    | A-PS-121373-00-0  | 9        |
| 1 SW, RKR DPST 3               | A-PS-1214545-00-0 | 8        |
| 2 NUT, KEP #6-32               | 9006560-00        | 7        |
| 2 SCR, PHL PAN HD #6-32x.31L6  | 9006021-01        | 6        |
| 1 FILTER, LINE                 | A-PS-1212877-00-0 | 5        |
| 1 NUT, KEP #8-32               | 9006563-00        | 4        |
| 1 HARNESS, POWER ENTRY         | D-IA-7015848-00-0 | 3        |
| 1 FUSEHOLDER, RECEPTACLE       | A-PS-1216391-00-0 | 2        |
| 1 BRACKET, MOUNTING            | D-IA-7420162-00-0 | 1        |

|            |                      |   |                                |
|------------|----------------------|---|--------------------------------|
| 7015168-00 | DESCRIPTION          | UNLESS OTHERWISE SPECIFIED DIMENSIONS ARE IN INCHES |                                |
|            | QUANTITY & VARIATION | CLASS OF ACCURACY                                   | NOMINAL DIMENSION RANGE INCHES |
|            |                      | SURFACE QUALITY                                     | CHECK ON                       |
| PREFERRED  |                      | 2.004   | 2.016                          |

THIRD ANGLE PROJECTION

DRN: [Signature] ZIMAC: [Signature]

CHKD: [Signature] 7/2/78

ENG: [Signature] 7/2/78

PROJ. ENG: P.E.H. 7/2/78

PROD. [Signature] 7/2/78

DO NOT SCALE DWG

MATERIAL: SEE K-PL

FINISH: [Symbol]

FIRST USED ON: LA120

TITLE: POWER ENTRY BRACKET ASSY (CVT)

REV. H

SIZE: D

CODE: IA

NUMBER: 7015168-0-0

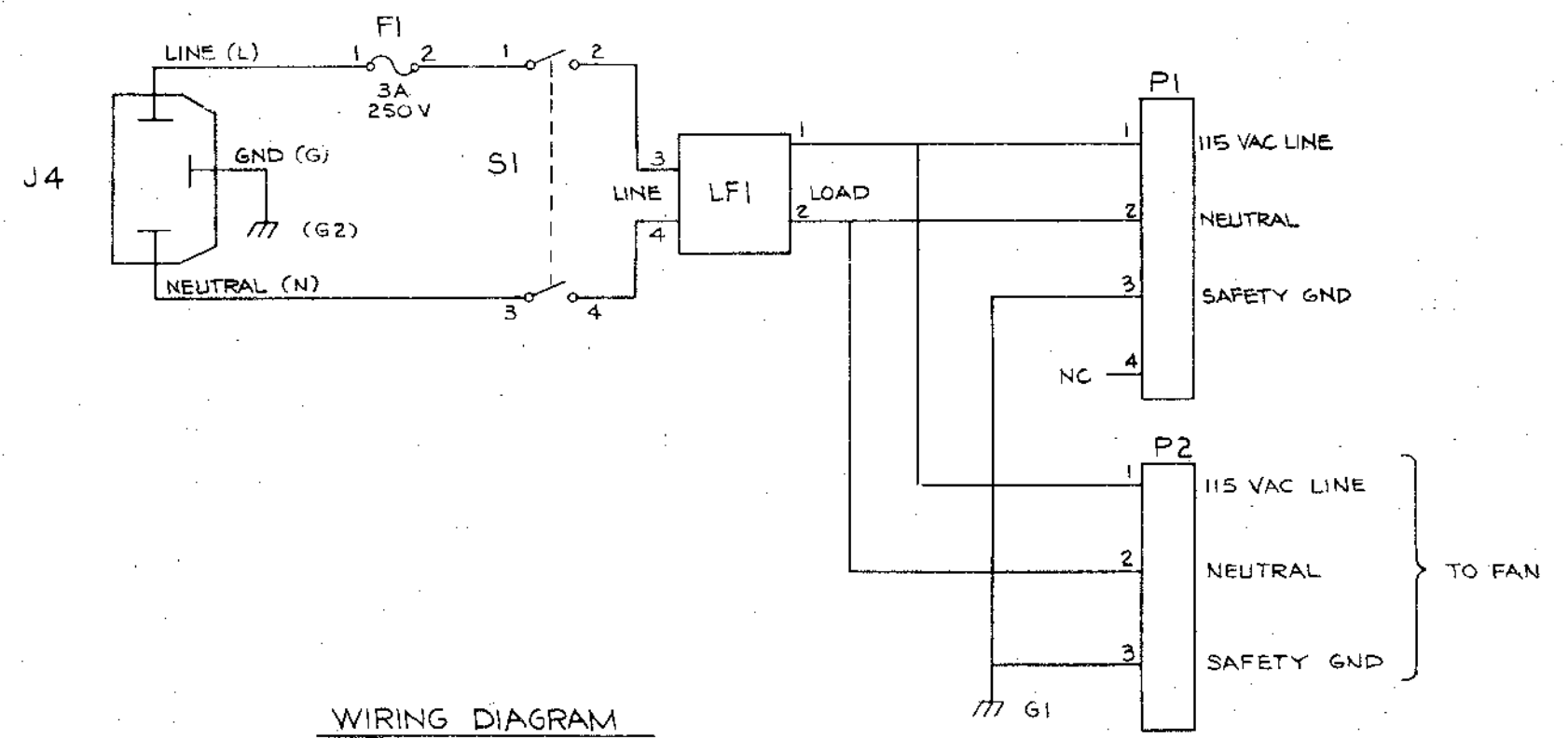
SHEET 1 OF 2

| REV. | CHANGE        | BY | DATE   |
|------|---------------|----|--------|
| 1    | LA120 - PNOJ3 | A  | 7/2/78 |
| 2    | LA120 - PNOJ3 | B  | 7/2/78 |
| 3    | LA120 - PNOJ3 | C  | 7/2/78 |
| 4    | LA120 - PNOJ3 | D  | 7/2/78 |
| 5    | LA120 - PNOJ3 | E  | 7/2/78 |
| 6    | LA120 - PNOJ3 | F  | 7/2/78 |
| 7    | LA120 - PNOJ3 | G  | 7/2/78 |
| 8    | LA120 - PNOJ3 | H  | 7/2/78 |

"THIS DRAWING AND SPECIFICATIONS HEREIN ARE THE PROPERTY OF METAL EQUIPMENT CORPORATION AND SHALL NOT BE REPRODUCED OR COPIED OR USED IN WHOLE OR IN PART AS THE BASIS FOR THE MANUFACTURE OR SALE OF ITEMS WITHOUT WRITTEN PERMISSION. COPYRIGHT © 1978 METAL EQUIPMENT CORPORATION"

WIRE TABLE

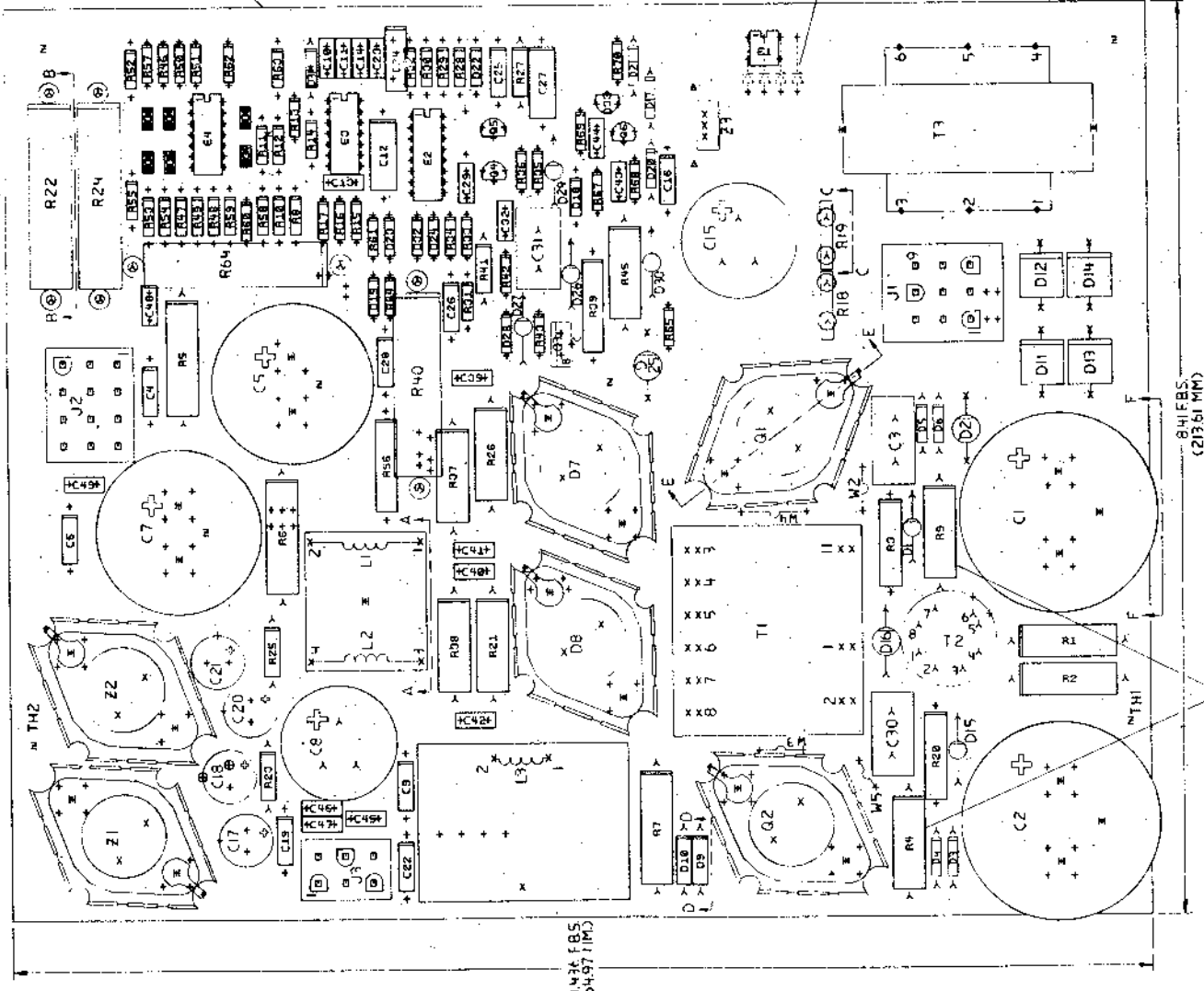
| ITEM NO | DESCRIPTION |         | FROM  |       |        | TO    |           |            | REMARKS |
|---------|-------------|---------|-------|-------|--------|-------|-----------|------------|---------|
|         | AWG         | COLOR   | POINT | CONN  | WITH   | POINT | CONN      | WITH       |         |
| 3       | 18          | GRN/YEL | 1     | -     | -      | -     | ITEM 1-G1 | ITEM 24120 |         |
|         |             | BLU     | 8     | -     | -      | -     | LFI-2     | -          |         |
|         |             | BRN     | 9     | -     | -      | -     | LFI-1     | -          |         |
| 11      |             | BLU     | -     | LFI-4 | -      | -     | S1-4      | -          |         |
| 12      |             | BRN     | -     | LFI-3 | -      | -     | S1-2      | -          |         |
| 13      |             | BLK     | -     | S1-1  | -      | -     | F1-2      | SOL 17     |         |
| 14      |             | BLU     | -     | S1-3  | -      | -     | J4-N      | SOL 17     |         |
| 15      | 18          | BRN     | -     | J4-L  | SOL 17 | -     | F1-1      | SOL 17     |         |
| 16      | 14          | GRN/YEL | -     | J4-G  | SOL 17 | -     | -         | -          |         |



| REVISIONS |            |      |
|-----------|------------|------|
| CHK       | CHANGE NO. | REV. |
|           |            |      |

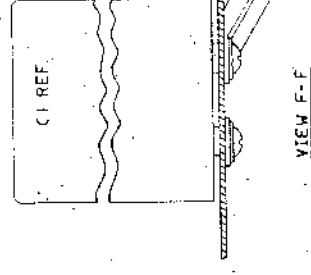
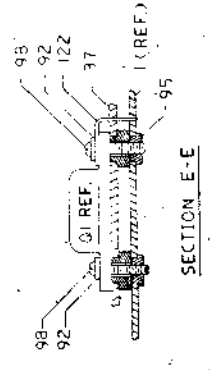
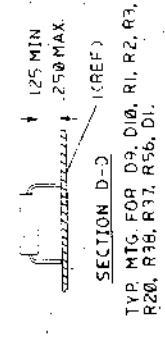
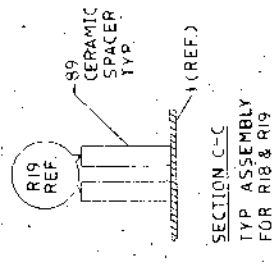
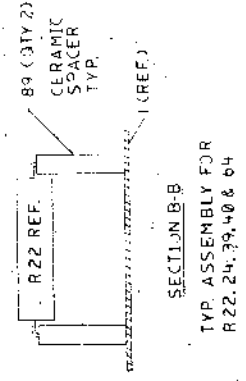
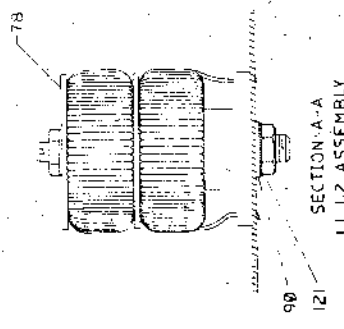


U.S. GOVERNMENT PRINTING OFFICE: 1961  
 O-647418S  
 (26-197 IMP)



EXTRA HOLES FOR DISCRETE DIODE OPTION

SEE NOTE 2



COMPONENT SIDE VIEW

|             |                   |                 |
|-------------|-------------------|-----------------|
| DATE        | 2/7/61            | digital         |
| DRN. NO.    | 100               | LA-120          |
| CHK. BY     | J. J. [Signature] | POWER SUPPLY    |
| PROJ. ENGR. | J. J. [Signature] | STANDARD NUMBER |
| SCALE       | 27 OF 31          | EUA 5413673-0-0 |
| REV. NO.    | 0                 |                 |

| STEP | BY | DATE | STEP | DATE |
|------|----|------|------|------|
| 1    |    |      | 2    |      |
| 3    |    |      | 4    |      |
| 5    |    |      | 6    |      |

NOTES:  
 1. THIS BOARD REQUIRES UL APPROVAL.  
 2. R1 & R9 ARE FUSIBLE RESISTORS.  
 3. DO NOT INSTALL CHC-5000033R5.  
 4. R61 - R71L & C6

EUA 5413673-0-0

| LINE ITEM | DOCUMENT NUMBER | PART NUMBER      | DESCRIPTION                              | QTY PER VARIATION | REFERENCE DESIGNATOR     |
|-----------|-----------------|------------------|--|-------------------|--------------------------|
|           |                 |                  |  | 00                |                          |
| 1         | 1               | E-MD-5013672-0-0 | 5013672-00 DRILL & ETCH BD               | 1                 |                          |
| 2         | 2               |                  | 1016117-00 1600 MFD 200V +50-10% AL EL   | 2                 | C1,C2                    |
| 3         | 3               |                  | 1014139-00 .0022 MFD 600V 10% POLYPROP   | 2                 | C3,C30                   |
| 4         | 4               |                  | 1013466-11 .22 MFD 50V +80-20% Z5U CER   | 7                 | C4,C6,C9,C16,C19,C22,C25 |
| 5         | 5               |                  | 1016233-00 14,000 MFD 28V 20% AL EL      | 2                 | C5,C7                    |
| 6         | 6               |                  | 1014260-03 8200 MFD 6.3V +75-10% AL EL   | 1                 | C8                       |
| 7         | 7               |                  | 1001610-01 .01 MFD50/100V +80-20% DISC   | 9                 | C10,C11,C13,C14,C45-C49  |
| 8         | 8               |                  | 1005507-00 1 MFD 100V +50-10% AL EL      | 2                 | C12,C27                  |
| 9         | 9               |                  | 1014260-02 2100 MFD 40V +75-10% AL EL    | 1                 | C15                      |
| 10        | 10              |                  | 1014526-00 180 MFD 40V+100-10% AL EL     | 2                 | C17,C20                  |
| 11        | 11              |                  | 1012607-00 560 MFD 20V+100-10% AL EL     | 2                 | C18,C21                  |
| 12        | 12              |                  | 1000055-00 2200.0 MMF 250V 20% Y5S DISC  | 5                 | C32,C39-C42              |
| 13        | 13              |                  | 1011847-01 .01 MFD 400V 10% POLYPROP     | 1                 | C31                      |
| 14        | 14              |                  | 1014170-00 2700.0 MMF 100V 1% 70PPM MICA | 1                 | C24                      |
| 15        | 15              |                  | 1000016-00 100.0 MMF 100V 5%200PPM MICA  | 2                 | C23,C29                  |
| 16        | 16              |                  | 1005328-00 .33 MFD 20V 10% S.TANT        | 1                 | C26                      |
| 17        | 17              |                  | 1004812-00 15 MFD 20V 10% S.TANT         | 1                 | C28                      |
| 18        | 18              |                  | 1112595-02 A114M PIV=600 I= 1A           | 2                 | D1,D15                   |
| 19        | 20              |                  | 1105796-00 1N 4004 PIV=400 I= 1A D041 SP | 8                 | D3-D6,D17,D21,D31,D20    |
| 20        | 21              |                  | 1114192-00 TR=200NS COM. CATHODE         | 2                 | D7,D8                    |
| 21        | 22              |                  | 1114893-00 UES1301 PIV= 50 I= 6A         | 2                 | D9,D10                   |
| 22        | 23              |                  | 1110615-01 PIV=600 I=6A SI               | 4                 | D11,D12,D13,D14          |
| 23        | 24              |                  | 1105873-00 4M5-1AZ1 VZ= 5.1 1% .400W     | 1                 | D22                      |
| 24        | 25              |                  | 1100114-00 D 664 QS\75PCB PIV= 25V SP    | 5                 | D23,D24,D28,D19,D32      |
| 25        | 26              |                  | 1112594-01 A115B PIV=200 I= 3A           | 1                 | D25                      |
| 26        | 27              |                  | 1112595-01 A114B PIV=200 I= 1A           | 4                 | D26,D27,D29,D30          |
| 27        | 28              |                  | 1115369-00 VM 18 PIV=100 I=1A            | 1                 | E1                       |
| 28        | 29              |                  | 1510706-00 XA 55 PNP 500MW SI 60 50 P    | 1                 | Q4                       |
| 29        | 30              |                  | 1514271-01 D 44Q5 NPN 31W SI225 30       | 1                 | Q3                       |
| 30        | 31              |                  | 1510705-00 XA 05 NPN 500MW SI 60 50 P    | 1                 | Q5                       |

| REVISION HISTORY |               | BASIC PART NO: 5413673 |                         | DRN:             | JERRY BEST    | DATE:                | 05-OCT-78 | D I G I T A L      |      |               |     |
|------------------|---------------|------------------------|-------------------------|------------------|---------------|----------------------|-----------|--------------------|------|---------------|-----|
| ENG              | ECO NUMBER    | REV                    | SECTION A OF A          | CHK'D:           | T. SHETRAWSKI | DATE:                | 05-OCT-78 | TITLE PARTS LIST   |      |               |     |
|                  | INIT          | B                      | SECTION VARIATION INDEX |                  |               |                      |           | LA120 POWER SUPPLY |      |               |     |
| DS               | 5413673-PN002 | C                      | [A] 00                  |                  |               |                      |           |                    |      |               |     |
| JB               | 5413673-PN003 | D                      | [B]                     |                  |               |                      |           |                    |      |               |     |
| JB               | 5413673-PN004 | E                      | [C]                     | DES.ENG:         | DAN SHEEHAN   | DATE:                | 05-OCT-78 |                    |      |               |     |
| JB               | 5413673-PN005 | F                      | [D]                     |                  |               |                      |           |                    |      |               |     |
| LG               | 5413673-PN006 | H                      | [E]                     |                  |               |                      |           | DOCUMENT NUMBER    |      |               |     |
| NG               | 5413673-PN006 | H                      | [F]                     | RESP.ENG.:       | DAN SHEEHAN   | DATE:                | 05-OCT-78 |                    |      |               |     |
|                  |               |                        | [G]                     |                  |               |                      |           | SIZE               | CODE | NUMBER        | REV |
|                  |               |                        | [J]                     |                  |               |                      |           |                    |      |               |     |
|                  |               |                        | [K]                     | MFG.ENG.:        | JIM JOYCE     | DATE:                | 09-APR-79 | K                  | PL   | 5413673-0-DBP | H   |
|                  |               |                        | [L]                     |                  |               |                      |           |                    |      |               |     |
|                  |               |                        | [M]                     | ASSEMBLY NUMBER: |               | TOP DOCUMENT NUMBER: |           | FILE NAME:         |      | EDIT #        |     |
|                  |               |                        | [N]                     | D-UA-5413673-0-0 |               |                      |           | 13673H.PLS         |      | 52            |     |

\*THIS DRAWING AND SPECIFICATIONS HEREIN, ARE THE PROPERTY OF DIGITAL EQUIPMENT CORPORATION AND SHALL NOT BE REPRODUCED OR COPIED OR USED IN WHOLE OR IN PART AS THE BASIS FOR THE MANUFACTURE OR SALE OF ITEMS WITHOUT WRITTEN PERMISSION. COPYRIGHT (C) 1981. DIGITAL EQUIPMENT CORPORATION \*

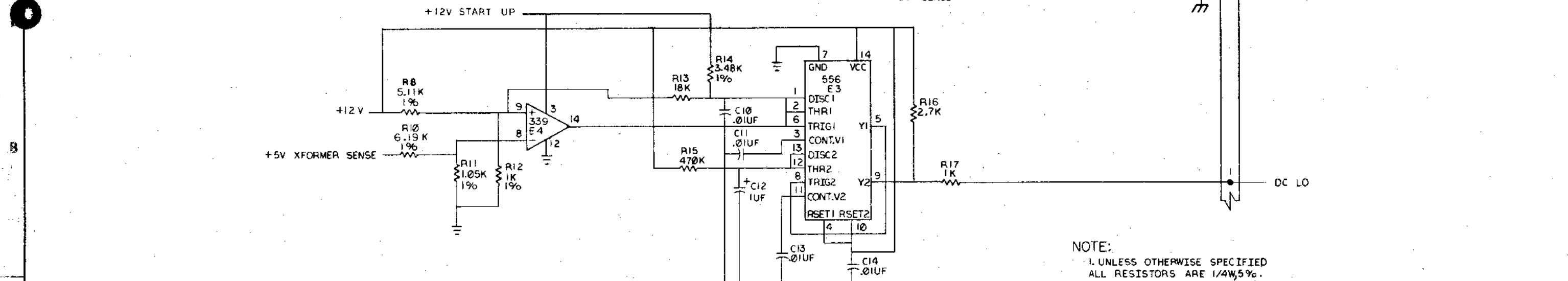
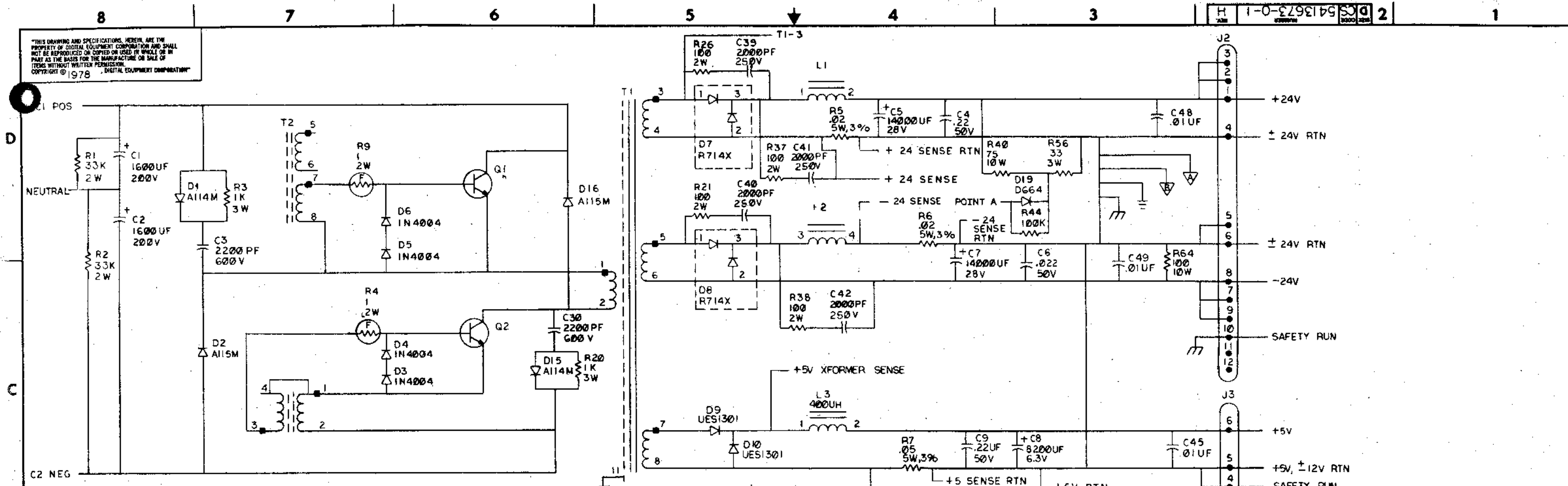
| LINE | ITEM | DOCUMENT NUMBER | PART NUMBER | DESCRIPTION                   | QTY PER VARIATION<br>00 | REFERENCE DESIGNATOR        |
|------|------|-----------------|-------------|-------------------------------|-------------------------|-----------------------------|
| 31   | 32   |                 | 1512782-00  | NPN 100W S1325 15             | 2                       | Q1,Q2                       |
| 32   | 33   |                 | 1212297-06  | MATE-N-LOK 12PIN UNIV HEADER  | 1                       | J2                          |
| 33   | 34   |                 | 1212297-02  | MATE-N-LOK 9PIN UNIV HEADER   | 1                       | J1                          |
| 34   | 35   |                 | 1212297-05  | MATE-N-LOK 6PIN UNIV HEADER   | 1                       | J3                          |
| 35   | 37   |                 | 1213426-04  | HEAT SINK T0-3 CLEAR ANODIZED | 6                       |                             |
| 36   | 38   |                 | 1215228-00  | *** THIS ITEM IS NOT USED *** | -                       |                             |
| 37   | 40   |                 | 1300512-00  | 33.0 K 2.0 W10.0 % CC         | 2                       | R1,R2                       |
| 38   | 41   |                 | 1314350-00  | 1.0 2.0 W10.0 % FUSE          | 2                       | R4,R9                       |
| 39   | 42   |                 | 1310876-00  | .02 5.0 W 3.0 % WW            | 2                       | R5,R6                       |
| 40   | 43   |                 | 1310876-03  | .05 5.0 W 3.0 % WW            | 1                       | R7                          |
| 41   | 46   |                 | 1312479-00  | 1.05 K .25 W 1.0 % RN55D-F10  | 1                       | R11                         |
| 42   | 47   |                 | 1303114-00  | 1.0 K .25 W 1.0 % RN55D-F10   | 7                       | R12,R47,R48,R53,R58,R59,R54 |
| 43   | 48   |                 | 1302465-00  | 18.0 K .25 W 5.0 % CC         | 1                       | R13                         |
| 44   | 49   |                 | 1305114-00  | 3.48 K .25 W 1.0 % RN55D-F10  | 1                       | R14                         |
| 45   | 50   |                 | 1302398-00  | 470.0 K .25 W 5.0 % CC        | 1                       | R15                         |
| 46   | 51   |                 | 1300426-00  | 2.70 K .25 W 5.0 % CC         | 1                       | R16                         |
| 47   | 52   |                 | 1314270-02  | 2.50 15.0 % NTC THERM         | 2                       | R18,R19                     |
| 48   | 53   |                 | 1314520-00  | 9.10 10.0 W 5.0 % WW          | 2                       | R22,R24                     |
| 49   | 54   |                 | 1300400-00  | 1.80 K .50 W10.0 % CC         | 2                       | R23,R25                     |
| 50   | 55   |                 | 1314239-00  | 33.0 3.0 W 5.0 % WW           | 1                       | R56                         |
| 51   | 56   |                 | 1300219-00  | 68.0 .25 W 5.0 % CC           | 1                       | R43                         |
| 52   | 57   |                 | 1309595-00  | 1.0 M .25 W 5.0 % CC          | 1                       | R46                         |
| 53   | 58   |                 | 1314253-00  | 240.0 K .25 W 5.0 % CC        | 3                       | R50,R57,R62                 |
| 54   | 59   |                 | 1305336-00  | 200.0 K .25 W 1.0 % RN55D-F10 | 1                       | R60                         |
| 55   | 64   |                 | 1300316-00  | 470.0 .25 W 5.0 % CC          | 1                       | R35                         |
| 56   | 65   |                 | 1304854-00  | 5.11 K .25 W 1.0 % RN55D-F10  | 5                       | R28,R29,R30,R31,R8          |
| 57   | 66   |                 | 1314187-00  | 6.19 K .25 W 1.0 % RN55D-F10  | 2                       | R32,R10                     |
| 58   | 67   |                 | 1301317-00  | 10.0 .25 W 5.0 % CC           | 2                       | R36,R42                     |
| 59   | 68   |                 | 1302091-00  | 330.0 K .25 W 5.0 % CC        | 1                       | R33                         |
| 60   | 69   |                 | 1302177-00  | 47.0 K .25 W 5.0 % CC         | 2                       | R34,R51                     |
| 61   | 70   |                 | 1300285-00  | 270.0 .50 W 5.0 % CC          | 1                       | R27                         |
| 62   | 72   |                 | 1305380-00  | 270.0 2.0 W 5.0 % CC          | 1                       | R45                         |
| 63   | 73   |                 | 1300249-00  | 150.0 .50 W 5.0 % CC          | 1                       | R41                         |
| 64   | 74   |                 | 9009185-00  | *** THIS ITEM IS NOT USED *** | -                       |                             |
| 65   | 75   |                 | 1310597-00  | 100.0 10.0 W 5.0 % WW         | 1                       | R64                         |
| 66   | 76   |                 | 1300365-00  | 1.0 K .25 W 5.0 % CC          | 2                       | R17,R61                     |
| 67   | 77   |                 | 1311594-00  | 30.10 K .25 W 1.0 % RN55D-F10 | 1                       | R49                         |
| 68   | 78   |                 | 1616234-00  | CHOKE,DUAL .3UH-1.35UH,0A-7A  | 1                       | L1,L2                       |
| 69   | 79   |                 | 1614542-00  | CHOKE,400UH 4.2A              | 1                       | L3                          |
| 70   | 80   |                 | 1614539-01  | XFMR F=AB S= 140              | 1                       | T1                          |
| 71   | 81   |                 | 1614272-00  | PULSE XFMR,4 WOUND            | 1                       | T2                          |
| 72   | 82   |                 | 1616237-00  | XFMR F=AB S= 15@150MA 50HZ    | 1                       | T3                          |
| 73   | 83   |                 | 1914250-00  | 3524 MODULATOR-REGULATING     | 1                       | E2                          |
| 74   | 84   |                 | 1912108-00  | 339 VOLT CMPRTR,QUAD          | 1                       | E4                          |
| 75   | 85   |                 | 1914392-00  | 556 TIMER-DUAL                | 1                       | E3                          |
| 76   | 86   |                 | 1912048-00  | DEC 7812 VOLT REG,FIX +12V    | 1                       | Z1                          |
| 77   | 87   |                 | 1914517-00  | 7912 VOLT REG,FIX -12V        | 1                       | Z2                          |
| 78   | 88   |                 | 1912048-06  | DEC 7812 VOLT REG,FIX +12V    | 1                       | Z3                          |

|               |  |                    |                |      |      |                 |     |
|---------------|--|--------------------|----------------|------|------|-----------------|-----|
| D I G I T A L |  | TITLE              | SECTION A OF A | SIZE | CODE | DOCUMENT NUMBER | REV |
|               |  | LA120 POWER SUPPLY |                | K    | PL   | 5413673-0-DBP   | H   |

| LINE | ITEM | DOCUMENT NUMBER | PART NUMBER | DESCRIPTION                        | QTY PER VARIATION<br>00 | REFERENCE DESIGNATOR |
|------|------|-----------------|-------------|------------------------------------|-------------------------|----------------------|
| 79   | 89   |                 | 9009798-00  | SPACER, CERAMIC, .186 ODX.078 ID   | 14                      |                      |
| 80   | 90   |                 | 9009950-01  | WASHER, FLAT BR/TIN .203IDX .4380  | 9                       |                      |
| 81   | 91   |                 | 9000038-07  | SCREW, PAN, PHIL 10-32X 3/8 BR/T   | 8                       |                      |
| 82   | 92   |                 | 9007801-00  | WASHER, LOCK, S.S. #6              | 12                      |                      |
| 83   | 93   |                 | 9006010-01  | *** THIS ITEM IS NOT USED ***      | -                       |                      |
| 84   | 94   |                 | 9006557-00  | *** THIS ITEM IS NOT USED ***      | -                       |                      |
| 85   | 95   |                 | 1214789-00  | INSERT, THREADED 6-32, BRASS, ELEC | 12                      |                      |
| 86   | 98   |                 | 9007793-01  | SCREW, PAN, PHIL 6-32X 9/16 SS     | 12                      |                      |
| 87   | 102  |                 | 9007906-00  | WASHER, LOCK S.S. #10              | 8                       |                      |
| 88   | 103  |                 | 1011740-05  | 1000.0 MMF 50V 10% CER             | 6                       |                      |
| 89   | 106  |                 | 1112594-02  | A115M PIV=600 I= 3A                | 2                       | C33-C38              |
| 90   | 107  |                 | 1302380-00  | 100.0 2.0 W 5.0 % CC               | 4                       | D2, D16              |
| 91   | 108  |                 | 1310606-00  | 75.0 10.0 W 5.0 % WW               | 1                       | R21, R26, R37, R38   |
| 92   | 109  |                 | 1312984-00  | 187.0 K .25 W 1.0 % RN55D-F10      | 1                       | R40                  |
| 93   | 110  |                 | 1305323-00  | 511.0 K .25 W 1.0 % RN55D-F10      | 1                       | R55                  |
| 94   | 111  |                 | 1303043-00  | 464.0 K .25 W 1.0 % RN55D-F10      | 1                       | R63                  |
| 95   | 113  |                 | 1314675-00  | 1.0 K 3.0 W 5.0 % WW               | 2                       | R52                  |
| 96   | 120  |                 | 1302466-00  | 100.0 K .25 W 5.0 % CC             | 1                       | R3, R20              |
| 97   | 121  |                 | 9006565-00  | NUT, KEP 10-32X 3/8 AF             | 1                       | R44                  |
| 98   | 122  |                 | 9009676-00  | TERM, SOLDER BARRIER STR           | 6                       |                      |
| 99   | 123  |                 | 9107780-00  | *** THIS ITEM IS NOT USED ***      | -                       |                      |
| 100  | 124  |                 | 1309094-00  | 100.0 5.0 W 5.0 % WW               | 1                       | R39                  |

|   |   |   |   |   |   |   |                    |                |      |      |                 |     |
|---|---|---|---|---|---|---|--------------------|----------------|------|------|-----------------|-----|
| D | I | G | I | T | A | L | TITLE              | SECTION A OF A | SIZE | CODE | DOCUMENT NUMBER | REV |
|   |   |   |   |   |   |   | LA120 POWER SUPPLY |                | K    | PL   | 5413673-0-DBP   | H   |

THIS DRAWING AND SPECIFICATIONS, HEREIN, ARE THE PROPERTY OF DIGITAL EQUIPMENT CORPORATION AND SHALL NOT BE REPRODUCED OR COPIED IN WHOLE OR IN PART AS THE BASIS FOR THE MANUFACTURE OR SALE OF ITEMS WITHOUT WRITTEN PERMISSION. COPYRIGHT © 1978, DIGITAL EQUIPMENT CORPORATION.



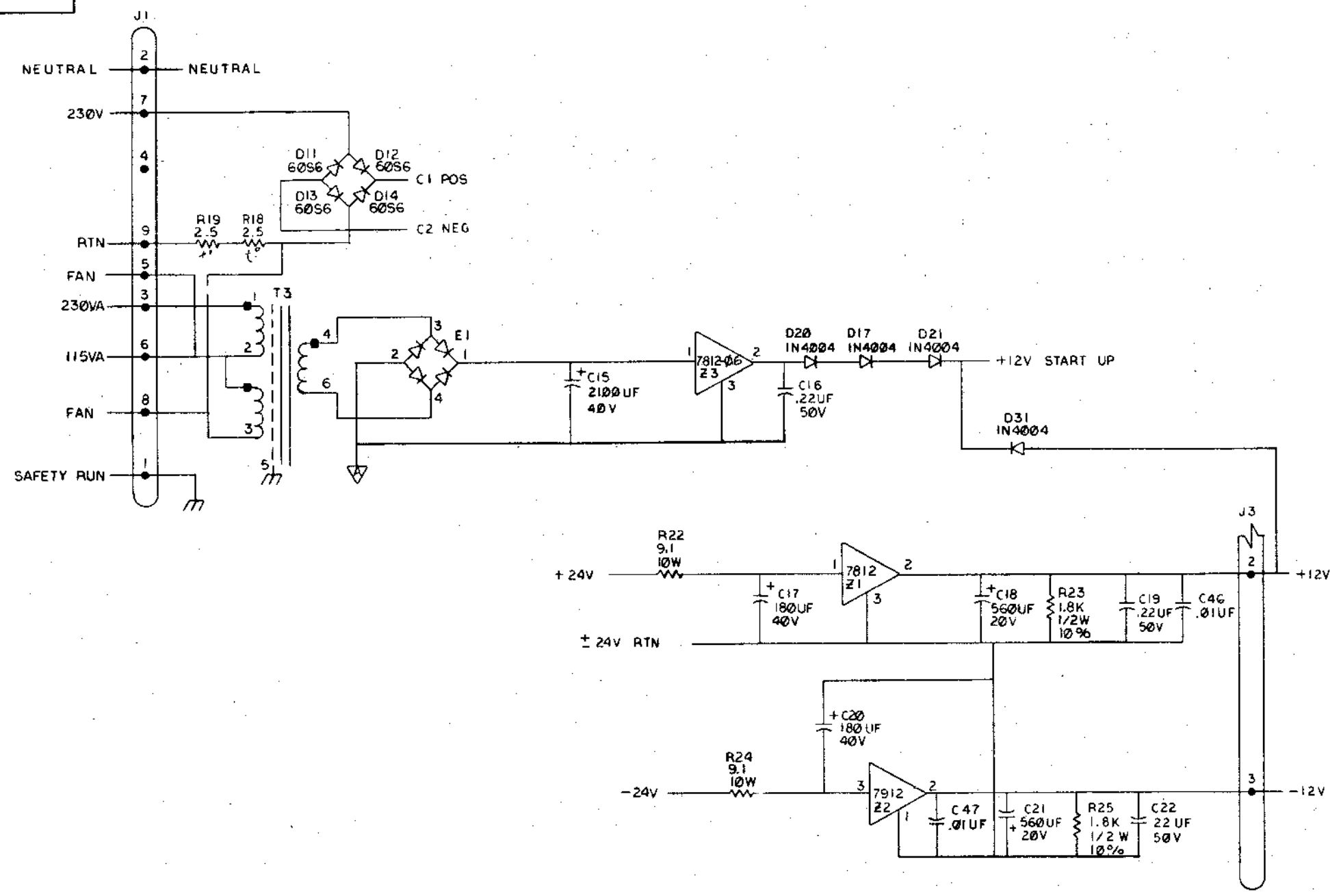
NOTE:  
1. UNLESS OTHERWISE SPECIFIED  
ALL RESISTORS ARE 1/4W, 5%.

| REV. | DATE     | BY         | CHK'D    |
|------|----------|------------|----------|
| B    | 1/11/79  | J. BITTO   | J. BITTO |
| C    | 2/23/79  | D. SHEEHAN | J. BITTO |
| D    | 3/1/80   | J. BITTO   | J. BITTO |
| E    | 7/14/80  | J. BITTO   | J. BITTO |
| F    | 10/14/81 | J. BITTO   | J. BITTO |
| H    | 1/14/81  | J. BITTO   | J. BITTO |
| I    | 1/14/81  | J. BITTO   | J. BITTO |

|                           |                          |         |
|---------------------------|--------------------------|---------|
| DRN GRANAM 8/17/78        | FIRST USED ON H7150      | digital |
| CHK'D [Signature] 8/17/78 | TITLE LA120 POWER SUPPLY |         |
| ENG. [Signature]          | PROJ. ENG. [Signature]   |         |
| PROD. [Signature]         |                          |         |
| NEXT HIGHER ASSY.         |                          |         |
| B-DD-5413673-0            | SIZE CODE NUMBER         | REV.    |
| SCALE 1/1                 | D CS 5413673-0-1         | H       |
| SHEET 1 OF 3              | DIST.                    |         |

REV. H 1-0-5413673-0-1

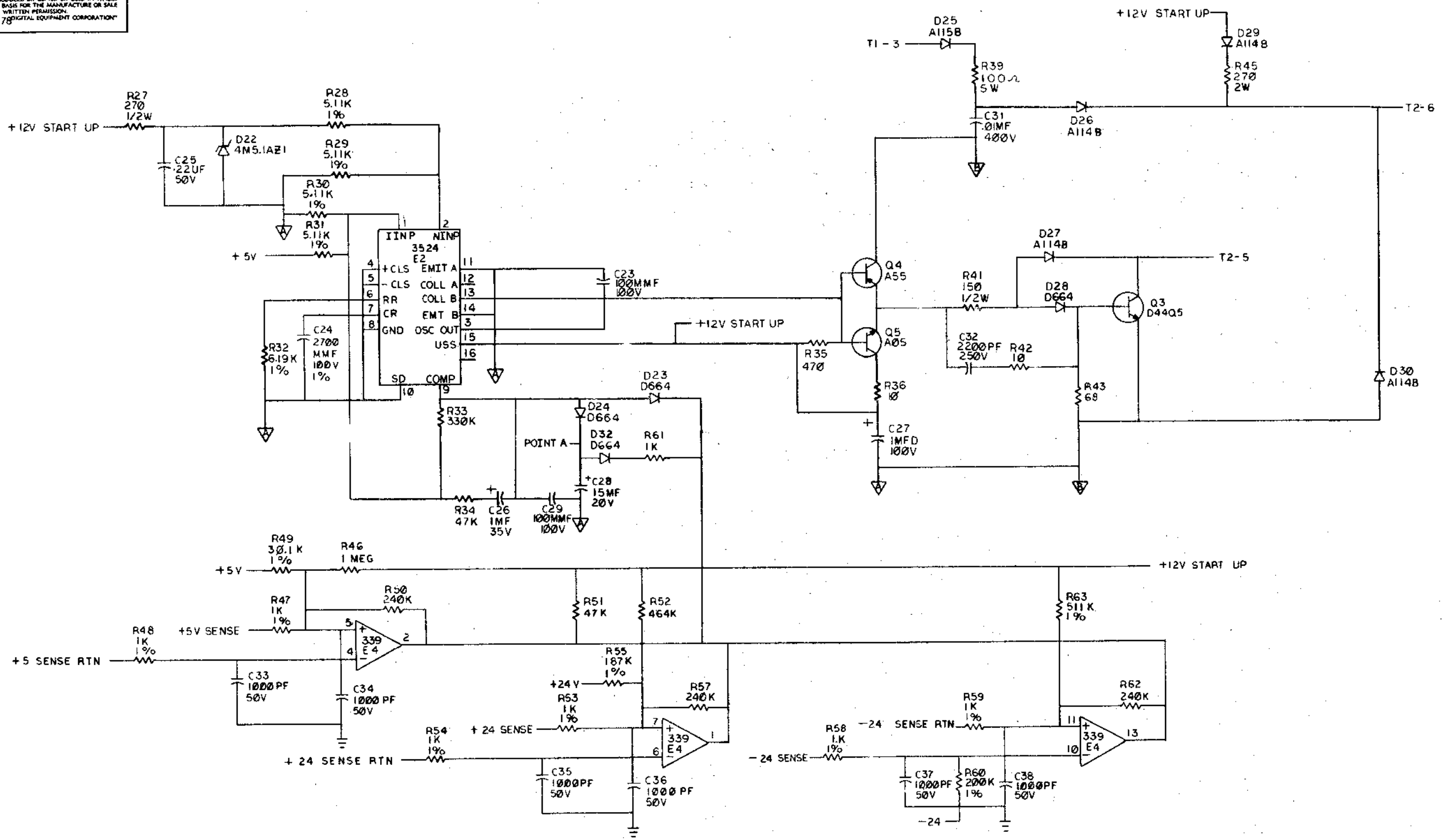
THIS DRAWING AND SPECIFICATIONS HEREIN ARE THE PROPERTY OF DIGITAL EQUIPMENT CORPORATION AND SHALL NOT BE REPRODUCED OR COPIED OR USED IN WHOLE OR IN PART AS THE BASIS FOR THE MANUFACTURE OR SALE OF ITEMS WITHOUT WRITTEN PERMISSION. COPYRIGHT © 1978 DIGITAL EQUIPMENT CORPORATION



| REVISIONS |            |      |
|-----------|------------|------|
| CHK       | CHANGE NO. | REV. |
|           |            |      |

|       |                    |           |      |        |             |       |   |
|-------|--------------------|-----------|------|--------|-------------|-------|---|
| TITLE | LA120 POWER SUPPLY | SIZE CODE | D CS | NUMBER | 5413673-0-1 | REV.  | H |
| SCALE |                    | SHEET     | 2    | OF     | 3           | DIST. |   |

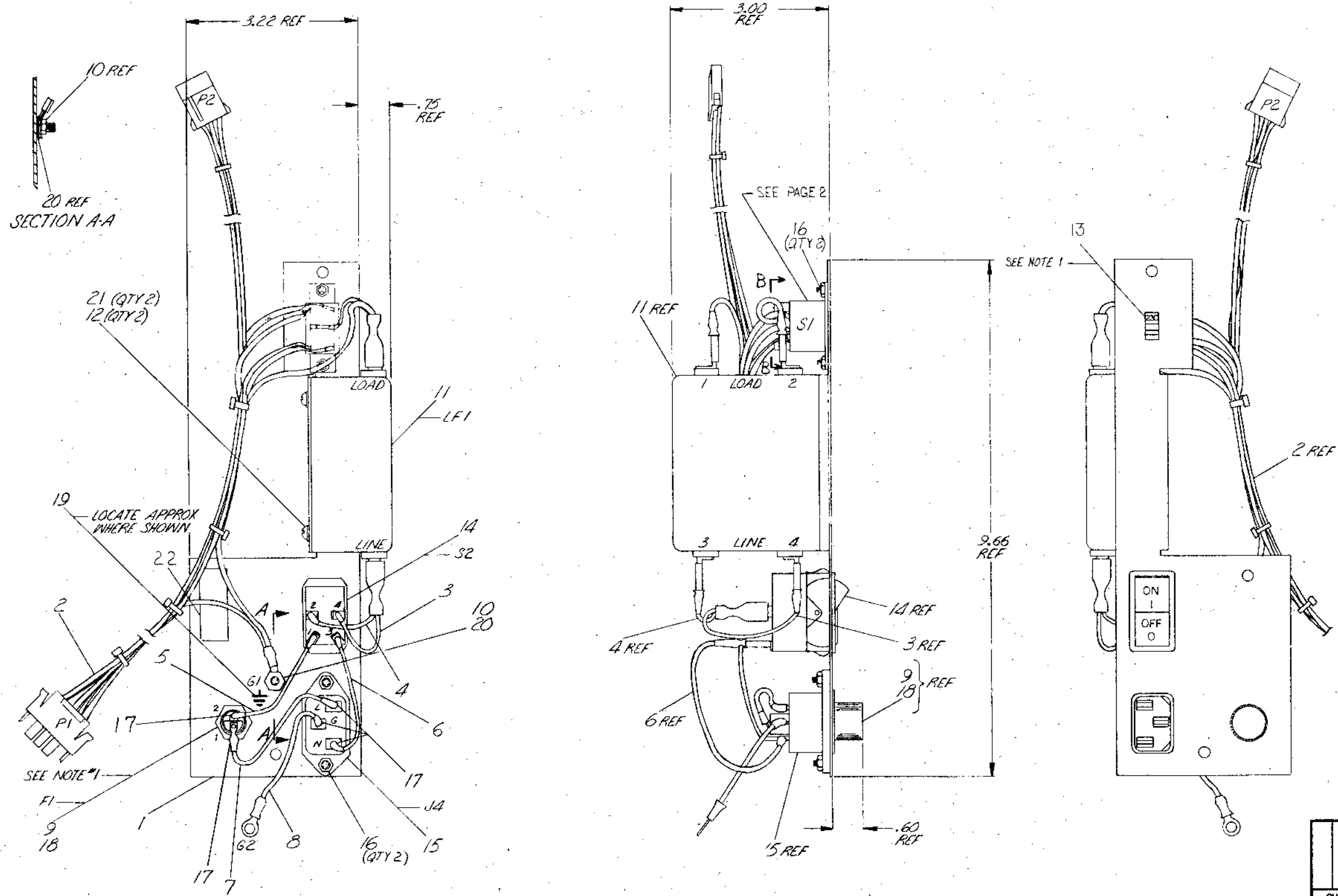
THIS DRAWING AND SPECIFICATIONS HEREIN ARE THE PROPERTY OF DIGITAL EQUIPMENT CORPORATION AND SHALL NOT BE REPRODUCED OR COPIED OR USED IN WHOLE OR IN PART AS THE BASIS FOR THE MANUFACTURE OR SALE OF ITEMS WITHOUT WRITTEN PERMISSION.  
 COPYRIGHT © 1978 DIGITAL EQUIPMENT CORPORATION



| REVISIONS |            |      |
|-----------|------------|------|
| CHK       | CHANGE NO. | REV. |
|           |            |      |
|           |            |      |

THIS DRAWING AND SPECIFICATIONS HEREIN ARE THE PROPERTY OF DIGITAL EQUIPMENT CORPORATION AND SHALL NOT BE REPRODUCED OR COPIED OR USED IN WHOLE OR IN PART AS THE BASIS FOR THE MANUFACTURE OR SALE OF ITEMS WITHOUT WRITTEN PERMISSION.  
COPYRIGHT © 1978, DIGITAL EQUIPMENT CORPORATION

NOTES:  
1. OPTIONAL SWITCH HAS 220V LABELING.



CAUTION: OFF SHEET PARTS LIST EXISTS. SEE K-PL-7016530-0-DBP

| REV. | CHANGE NO.      | DATE    | BY           | CHKD. |
|------|-----------------|---------|--------------|-------|
| 1    | 7016530-PN001 A | 9-16-80 | B. O'CONNELL |       |
| 2    | 7016530-PN002 B | 10-2-80 | J. BITTO     |       |
| 3    | 7016530-PN003 C | 10-2-80 | J. BITTO     |       |
| 4    | 7016530-PN004 D | 10-2-80 | J. DE SUK    |       |

| QUANTITY & VARIATION                                | DESCRIPTION | DWG. PART NO.                  | ITEM NO.           |
|---|-------------|--------------------------------|--------------------|
| UNLESS OTHERWISE SPECIFIED DIMENSIONS ARE IN INCHES |             |                                |                    |
| NOMINAL DIMENSION RANGE INCHES                      |             |                                |                    |
| ANGLES 90° 30'                                      |             | CLASS OF ACCURACY              |                    |
| SURFACE QUALITY IN MICROINCHES                      |             | NOMINAL DIMENSION RANGE INCHES |                    |
|   |             | OVER 0 TO 0.2                  | OVER 0.2 TO 0.5    |
|   |             | OVER 0.5 TO 1.2                | OVER 1.2 TO 4.0    |
|   |             | OVER 4.0 TO 12.0               | OVER 12.0 TO 40.0  |
|   |             | OVER 40.0 TO 80.0              | OVER 80.0 TO 100.0 |
|   |             | MEDIUM                         | PREFERRED          |
|   |             | ±.004                          | ±.012              |
|   |             | ±.008                          | ±.016              |
|   |             | ±.012                          | ±.025              |
|   |             | ±.016                          | ±.040              |
|   |             | ±.024                          | ±.063              |
|   |             | ±.032                          | ±.100              |

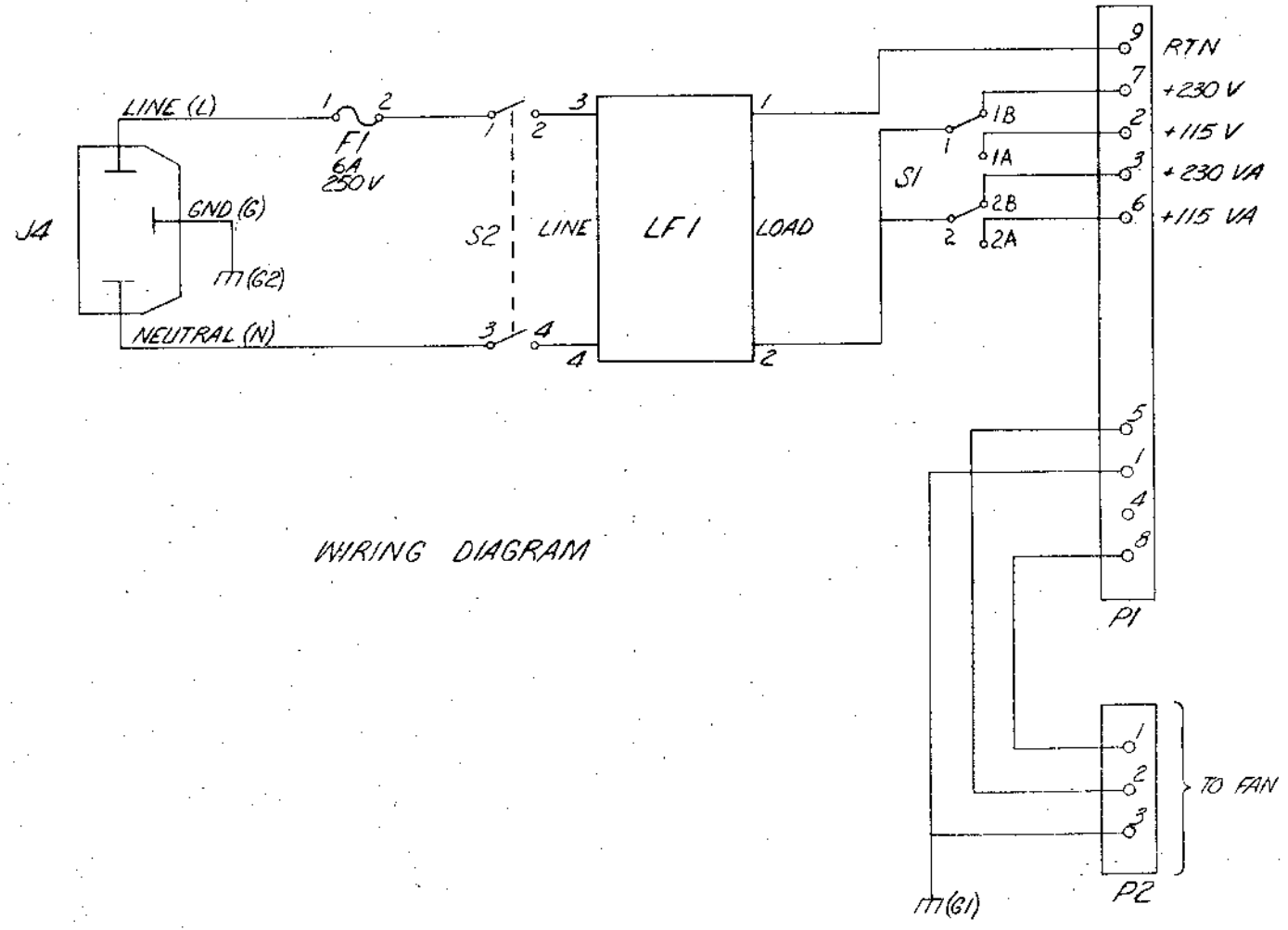
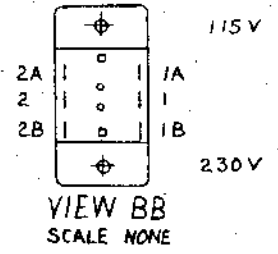
  

|                                      |                            |                      |   |
|--------------------------------------|----------------------------|----------------------|---|
| THIRD ANGLE PROJECTION               | ORIGIN: <i>LA120</i>       | DATE: <i>10/2/80</i> | FIRST USED ON: <i>LA120</i>               |
| REMOVE BURRS AND BREAK SHARP CORNERS | PROJ. ENG: <i>P. E. M.</i> | DATE: <i>10/2/80</i> | TITLE: <b>POWER ENTRY ASSY (SWITCHER)</b> |
| DO NOT SCALE DWG                     | PROD. BY: <i>J. DE SUK</i> | DATE: <i>10/2/80</i> | SIZE CODE: <b>D</b>                       |
| MATERIAL: <i>SEE 6530B.PLS</i>       | NEXT HIGHER ASSY:          | SCALE: <i>1 OF 2</i> | NUMBER: <b>7016530-0-0</b>                |
| FINISH: <i>1 OF 2</i>                |                            |                      | REV. <b>D</b>                             |



WIRE TABLE

| ITEM NO. | DESCRIPTION |         |       | FROM  |          |       | TO    |          |  | REMARKS |
|----------|-------------|---------|-------|-------|----------|-------|-------|----------|--|---------|
|          | AWG         | COLOR   | POINT | CONN  | WITH     | POINT | CONN  | WITH     |  |         |
| 3        | 18          | BLU     | ---   | LF1-4 | ---      | ---   | S2-4  | ---      |  |         |
| 4        | 18          | BRN     | ---   | LF1-3 | ---      | ---   | S2-2  | ---      |  |         |
| 5        | 18          | BLK     | ---   | S2-1  | ---      | ---   | F1-2  | SOLE #17 |  |         |
| 6        | 18          | BLU     | ---   | S2-3  | ---      | ---   | J4-N  | SOLE #17 |  |         |
| 7        | 18          | BRN     | ---   | J4-L  | SOLE #17 | ---   | F1-1  | SOLE #17 |  |         |
| 8        | 14          | GRN/YEL | ---   | J4-G  | SOLE #17 | ---   | ---   | ---      |  |         |
| 2        | 14          | GRN/YEL | 1     | ---   | ---      | ---   | G1    | ITEM #10 |  |         |
|          | 14          | GRN/YEL | 2     | ---   | ---      | ---   | G1    | ITEM #10 |  |         |
|          | 18          | BLU     | ---   | SI-1  | ---      | ---   | LF1-2 | ---      |  |         |
|          | 18          | BRN     | ---   | PI-9  | ---      | ---   | LF1-1 | ---      |  |         |
|          | 18          | BLK     | ---   | PI-7  | ---      | 11    | SI-1B | ---      |  |         |
|          | 18          | BLK     | ---   | PI-3  | ---      | 12    | SI-2B | ---      |  |         |
|          | 18          | BRN     | ---   | PI-2  | ---      | 13    | SI-1A | ---      |  |         |
|          | 18          | BRN     | ---   | PI-6  | ---      | 14    | SI-2A | ---      |  |         |
| 18       | BLU         | ---     | SI-2  | ---   | 15       | SI-1  | ---   |          |  |         |



WIRING DIAGRAM

| REVISIONS |            |      |
|-----------|------------|------|
| CHK       | CHANGE NO. | REV. |
|           |            |      |

| LINE | ITEM | DOCUMENT NUMBER  | PART NUMBER | DESCRIPTION                  | QTY PER VARIATION | REFERENCE DESIGNATOR |
|------|------|------------------|-------------|------------------------------|-------------------|----------------------|
| 1    | 1    | D-MD-5014000-0-0 | 5014000-00  | DRILL & ETCH BD              | 1                 |                      |
| 2    | 2    |                  | 1001610-00  | .01 MFD 50V -20+90 Z5U AXIAL | 3                 | C1-C3                |
| 3    | 3    |                  | 1300365-00  | 1 K 1/4W 5% CC               | 1                 | R1                   |
| 4    | 4    |                  | 1300479-00  | 10 K 1/4W 5% CC              | 2                 | R2,R3                |
| 5    | 5    |                  | 1300309-00  | 390 1/4W 5% CC               | 2                 | R4,R5                |
| 6    | 6    |                  | 1912648-00  | LS251 MUX 8 INPUT,TRI-STA    | 1                 | E1                   |
| 7    | 7    |                  | 1209837-00  | SOCKET 16PIN IC ADAPTER PLUG | 1                 | X1                   |
| 8    | 8    |                  | 9009217-00  | POST, WIRE WRAP              | 4                 |                      |

| REVISION HISTORY |            |     | BASIC PART NO: 5414001  |    | DRN: E, WILSON   |               | DATE: 18-DEC-78 |           | DIGITAL                         |       |               |        |
|------------------|------------|-----|-------------------------|----|------------------|---------------|-----------------|-----------|---------------------------------|-------|---------------|--------|
| ENG              | ECO NUMBER | REV | SECTION A OF A          |    | CHK'D:           | R, W, CAUNTER | DATE:           | 18-DEC-78 | TITLE PARTS LIST                |       |               |        |
| ---              | INITIAL    | A   | SECTION VARIATION INDEX |    | DES, ENG:        | D, LEBLANC    | DATE:           | 18-DEC-78 | 5414001<br>LA120 KEYBOARD TERM. |       |               |        |
|                  |            |     | (A)                     | 00 | RESP, ENG,:      | D, LEBLANC    | DATE:           | 18-DEC-78 | DOCUMENT NUMBER                 |       |               |        |
|                  |            |     | (B)                     |    | MFG, ENG,:       | ED BLAIR      | DATE:           | 28-FEB-79 | SIZE:                           | CODE: | NUMBER        | REV    |
|                  |            |     | (C)                     |    | ASSEMBLY NUMBER: |               |                 |           | K                               | PL    | 5414001-0-DBP | A      |
|                  |            |     | (D)                     |    | D-UA-5414001-0-0 |               |                 |           |                                 |       |               |        |
|                  |            |     | (E)                     |    |                  |               |                 |           |                                 |       | FILE NAME:    | EDIT # |
|                  |            |     | (F)                     |    |                  |               |                 |           |                                 |       | 14001.PRT     | 3      |
|                  |            |     | (G)                     |    |                  |               |                 |           |                                 |       |               |        |
|                  |            |     | (H)                     |    |                  |               |                 |           |                                 |       |               |        |
|                  |            |     | (I)                     |    |                  |               |                 |           |                                 |       |               |        |
|                  |            |     | (J)                     |    |                  |               |                 |           |                                 |       |               |        |
|                  |            |     | (K)                     |    |                  |               |                 |           |                                 |       |               |        |
|                  |            |     | (L)                     |    |                  |               |                 |           |                                 |       |               |        |
|                  |            |     | (M)                     |    |                  |               |                 |           |                                 |       |               |        |
|                  |            |     | (N)                     |    |                  |               |                 |           |                                 |       |               |        |

"THIS DRAWING AND SPECIFICATIONS HEREIN, ARE THE PROPERTY OF DIGITAL EQUIPMENT CORPORATION AND SHALL NOT BE REPRODUCED OR COPIED OR USED IN WHOLE OR IN PART AS THE BASIS FOR THE MANUFACTURE OR SALE OF ITEMS WITHOUT WRITTEN PERMISSION. COPYRIGHT (C) 1979, DIGITAL EQUIPMENT CORPORATION"

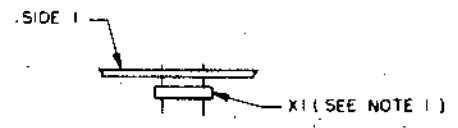
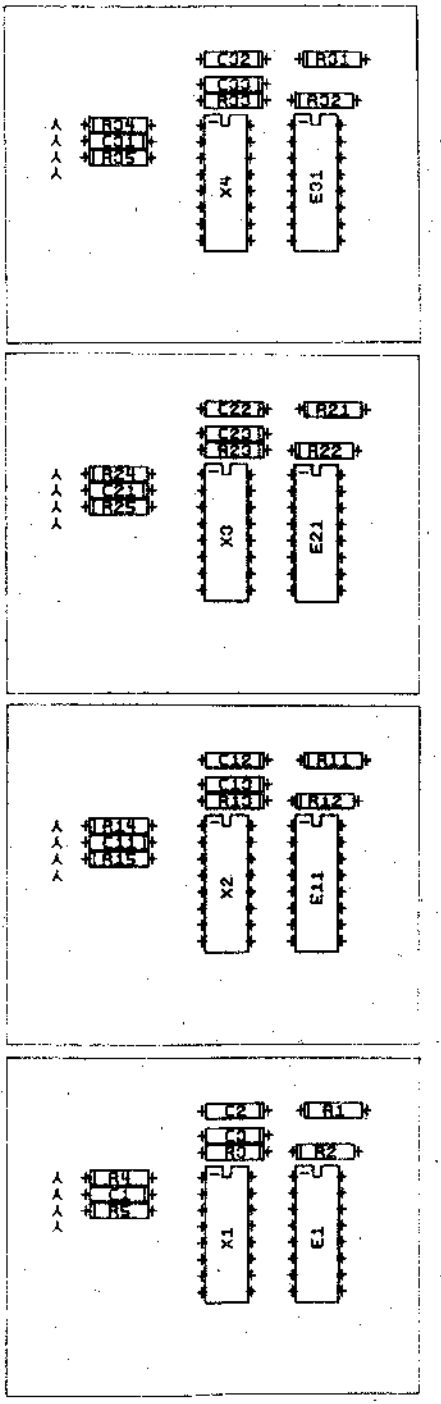
THIS DRAWING AND SPECIFICATIONS HEREAFTER ARE THE PROPERTY OF ELECTRONIC EQUIPMENT CORPORATION AND SHALL NOT BE REPRODUCED OR COPIED IN WHOLE OR IN PART WITHOUT THE WRITTEN PERMISSION OF ELECTRONIC EQUIPMENT CORPORATION © 1978

8 7 6 5 4 3 2 1  
 A 0-0-0001-0-0 A

COMPONENT SIDE VIEW

D  
C  
B  
A

D  
C  
B  
A



NOTES: COMPONENT X1 IS INSTALLED ON SIDE 2 AND IS ONLY INSERTED AS DEEP AS NECESSARY TO MAKE A GOOD SOLDER CONNECTION ON SIDE 1.

| CHG | NO | REV |
|-----|----|-----|
|     |    |     |
|     |    |     |
|     |    |     |

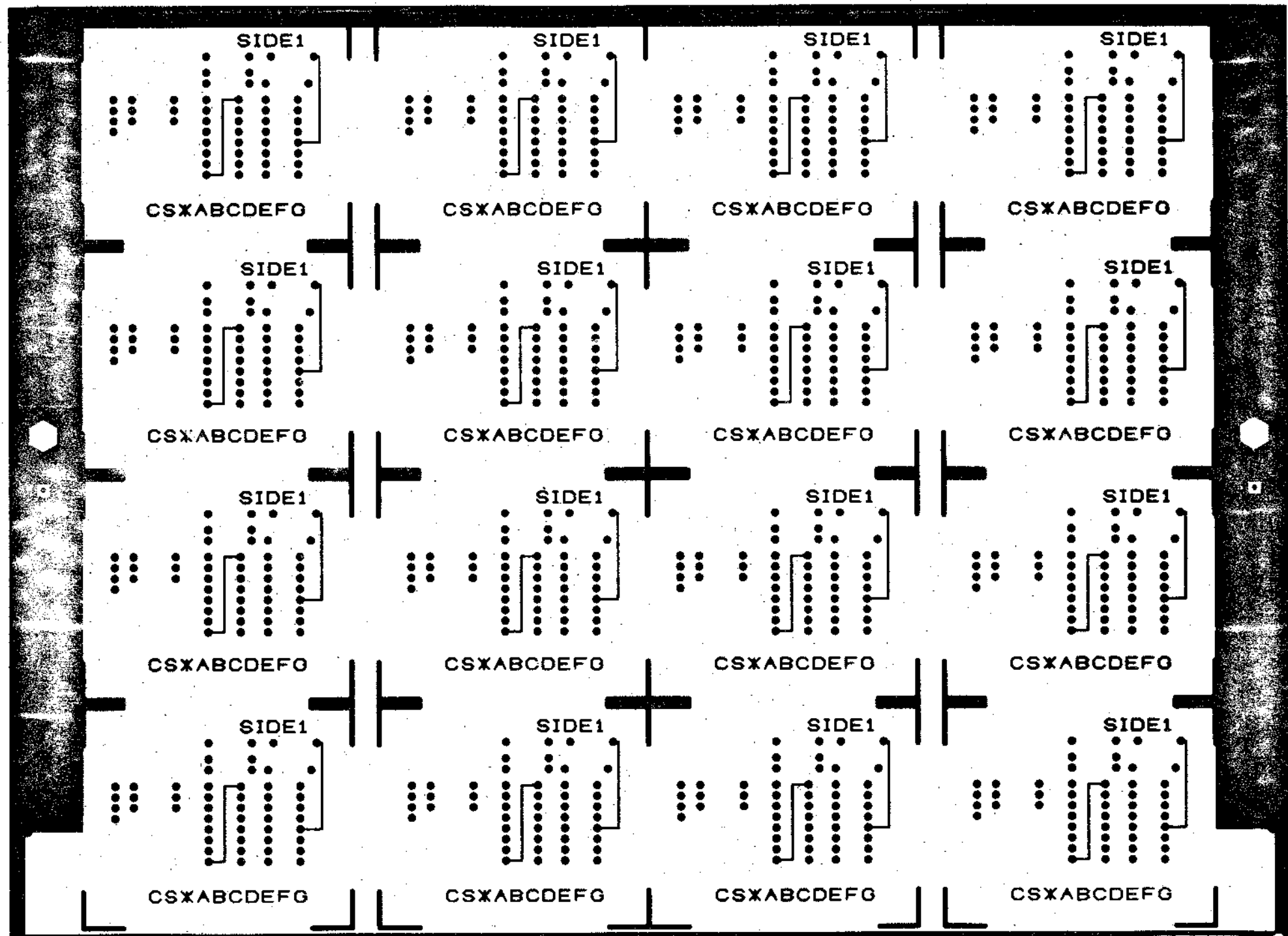
|             |                                |
|-------------|--------------------------------|
| ETCH REV. A | P.C. DESIGN DATA BRISE REV. AL |
|-------------|--------------------------------|

|                                  |           |                |       |
|----------------------------------|-----------|----------------|-------|
| SIGNATURES                       | DATE      | digital        |       |
| DRN. <i>J. H. Ford</i>           | 6-21-78   |                |       |
| CHK'D. <i>R. J. Galt</i>         | 6-20-78   | TITLE LA120    |       |
| ENG. <i>J. H. Ford</i>           | 6-21-78   |                |       |
| PROJ. ENG. <i>R. J. Galt</i>     | 6-21-78   | KEYBOARD TERM. |       |
| PROD. <i>J. H. Ford</i>          | 6-21-78   |                |       |
| SCALE 2/1                        | SIZE CODE | NUMBER         | REV   |
| SHT. 1 OF 3                      | 0         | JA 5414001-0-0 | A     |
| NEXT HIGHER ASSY. 8-00-5414001-0 |           | MR             | 1 MS# |

8 7 6 5 4 3 2 1

THIS DRAWING AND SPECIFICATIONS HEREIN ARE THE PROPERTY OF DIGITAL EQUIPMENT CORPORATION AND SHALL NOT BE REPRODUCED OR COPIED OR USED IN WHOLE OR IN PART AS THE BASIS FOR THE MANUFACTURE OR SALE OF ITEMS WITHOUT WRITTEN PERMISSION. COPYRIGHT © 1978 DIGITAL EQUIPMENT CORPORATION.

DJA 5414001-0-0 A



| REVISIONS |           |     |
|-----------|-----------|-----|
| CHK       | CHANGE NO | REV |
|           |           |     |

|                      |           |             |       |
|----------------------|-----------|-------------|-------|
| TITLE                | SIZE CODE | NUMBER      | REV.  |
| LAI20 KEYBOARD TERM. | DJA       | 5414001-0-0 | A     |
| SCALE                | SHEET     | OF          | DIST. |
| 2/1                  | 2         | 3           | MR    |

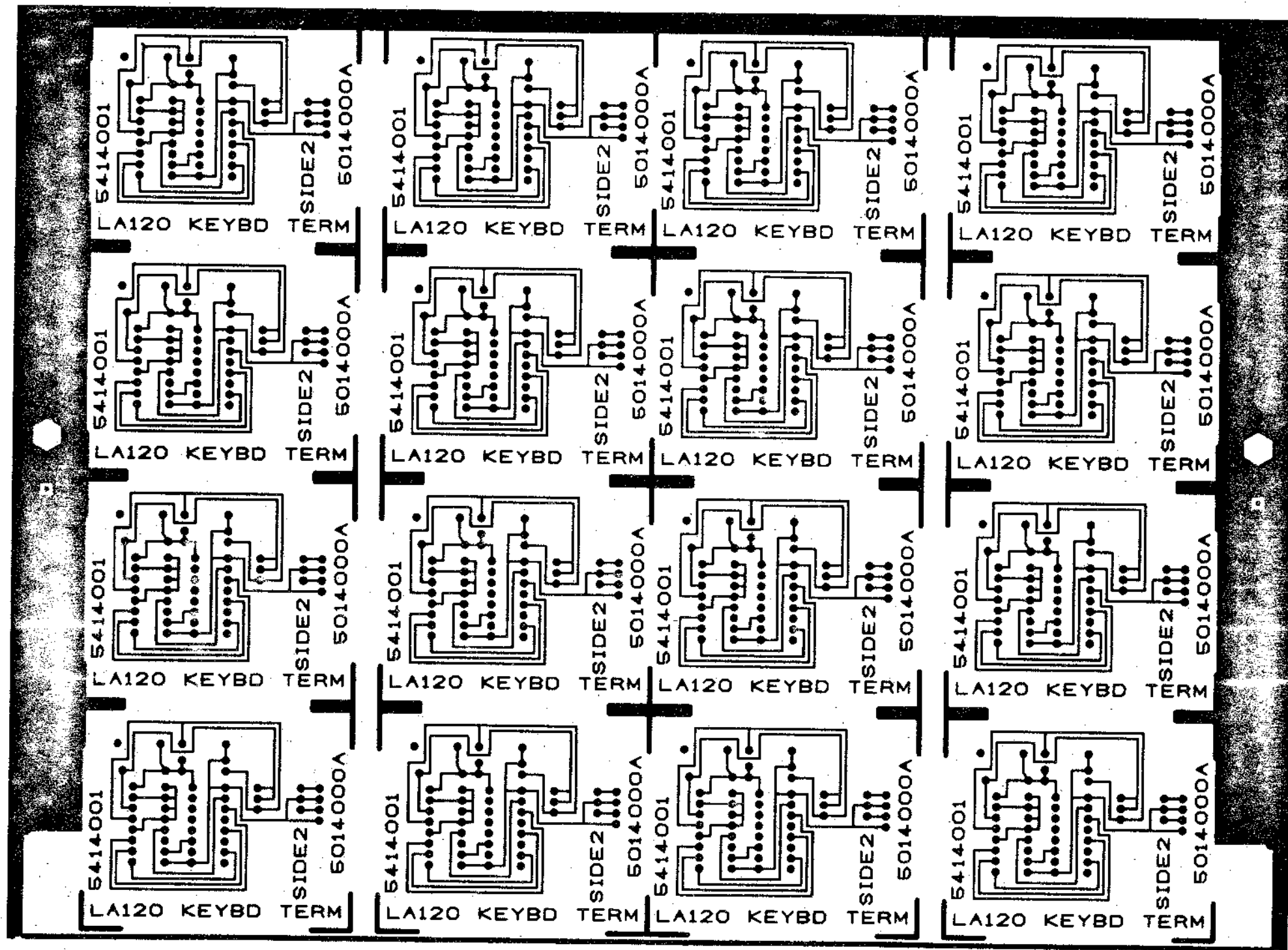
DWG. NO. 8

DJA 5414001-0-0 A

THIS DRAWING AND SPECIFICATIONS HEREIN ARE THE PROPERTY OF DIGITAL EQUIPMENT CORPORATION AND SHALL NOT BE REPRODUCED OR COPIED OR USED IN WHOLE OR IN PART AS THE BASIS FOR THE MANUFACTURE OR SALE OF ITEMS WITHOUT WRITTEN PERMISSION. COPYRIGHT © 1978 DIGITAL EQUIPMENT CORPORATION.

DUA 5414001-0-0 A 2

D  
C  
B  
A



D  
C  
B  
A

DUA 5414001-0-0 A

| REVISIONS |           |     |
|-----------|-----------|-----|
| CHK       | CHANGE NO | REV |
|           |           |     |

|                     |              |             |      |
|---------------------|--------------|-------------|------|
| TITLE               | SIZE CODE    | NUMBER      | REV. |
| LA120 KEYBOARD TERM | D UA         | 5414001-0-0 | A    |
| SCALE 2/1           | SHEET 3 OF 3 | DIST.       | MR   |

8

7

6

5

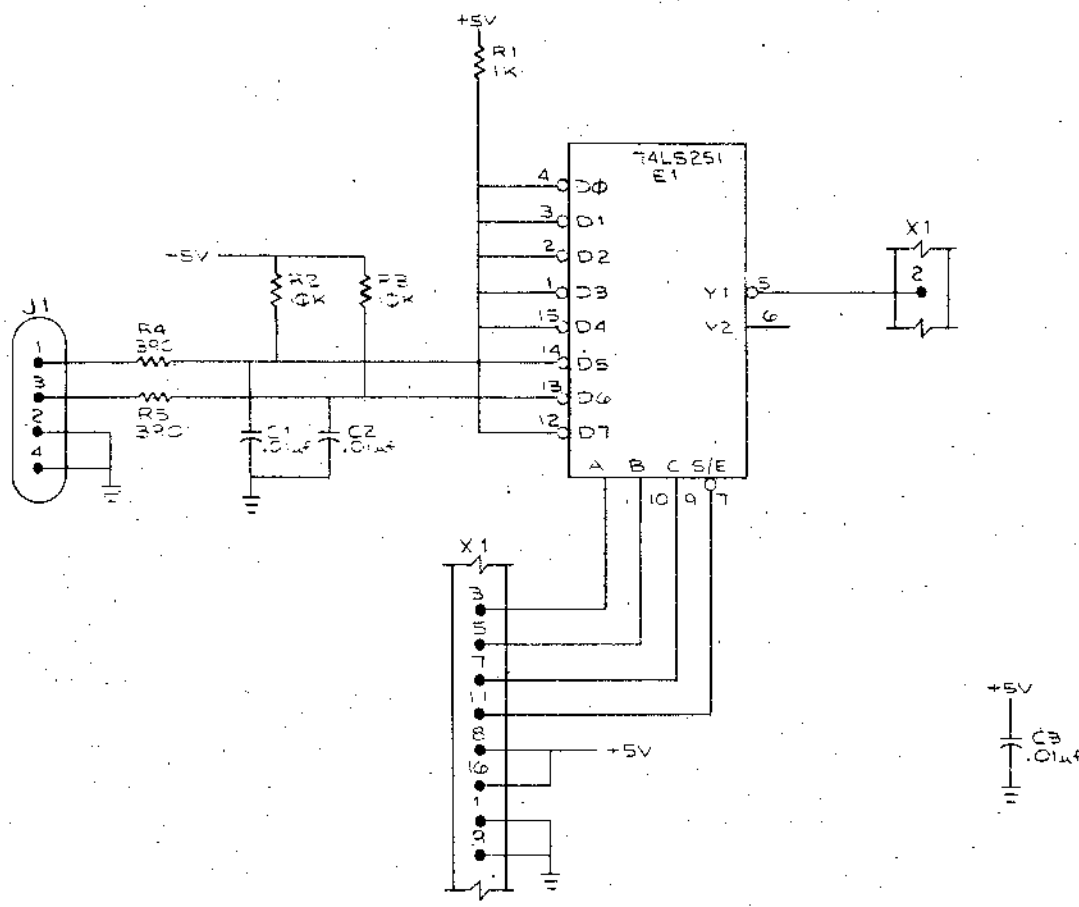
4

3

2

1

"THIS DRAWING AND SPECIFICATIONS HEREIN ARE THE PROPERTY OF DIGITAL EQUIPMENT CORPORATION AND SHALL NOT BE REPRODUCED OR COPIED OR USED IN WHOLE OR IN PART AS THE BASIS FOR THE MANUFACTURE OR SALE OF ITEMS WITHOUT WRITTEN PERMISSION.  
 COPYRIGHT © 1978 . DIGITAL EQUIPMENT CORPORATION"



REVISIONS

| REV | CHG | NO |
|-----|-----|----|
|     |     |    |

|                           |                      |                        |          |
|---------------------------|----------------------|------------------------|----------|
| DRN: <i>W. Conner</i>     | DATE: <i>10/2/78</i> | FIRST USED ON: LA120   | digital  |
| CHK: <i>W. Conner</i>     | DATE: <i>10/2/78</i> | TITLE: LA120           |          |
| ENG: <i>D. Bell</i>       | DATE: <i>1/21/78</i> | KEYBOARD TERM.         |          |
| PROJ. ENG: <i>D. Bell</i> | DATE: <i>1/21/78</i> |                        |          |
| PROD: <i>L. Conner</i>    | DATE: <i>10/2/78</i> |                        |          |
| NEXT HIGHER ASSY:         |                      |                        |          |
| B-DD-5414001-0            | SIZE CODE: D         | NUMBER: CS 5414001-0-1 | REV: A   |
| SCALE: 1                  | SHEET: 1             | OF: 1                  | DIST: MR |

REV. A  
 CS 5414001-0-1