



LINE	ITEM	DOCUMENT NUMBER	PART NUMBER	DESCRIPTION	QUANTITY PER VARIATION
1	1	E-AD-7017463-0-0	7017463-00	GUIDE/PANEL ASSY	1
2	2		9006010-01	SCREW,MACH PAN PHIL	4-
3	3	A-SP-3700650-0-0	3700650-02	PKG CARTRIDGE LA10X ROM	1
4	4		1914213-00	81LS97 BUFFER GATE-OCTAL 2I	1
5	5	D-AR-LA10X-FL-2		MULT. FRONT OPT. ARRANG.	REF
6	6	EK-L10FL-IN		MULT. FONT OPT. INSTALL. GUIDE	1

REVISION HISTORY		BASIC PART NO: LA10X		DRN:	P. MONTANO	DATE:	02-JUN-82		D I G I T A L			
ENG:	ECO NUMBER	REV	SECTION A OF A	CHK'D:	L. GILBERT	DATE:	02-JUN-82		TITLE PARTS LIST			
	INITIAL	A	SECTION. VARIATION INDEX						MULTIPLE FONT OPTION			
			[A] FL	DES.ENG.:	E. NEAL	DATE:	02-JUN-82		DOCUMENT NUMBER			
			[B]	RESP.ENG.:	E. NEAL	DATE:	02-JUN-82		SIZE	CODE	NUMBER	REV
			[C]						K	PL	LA10X-FL-DBP	A
			[D]	MFG.ENG.:	E. NEAL	DATE:	02-JUN-82					
			[E]	ASSEMBLY NUMBER:	D-AR-LA10X-FL-2	TOP DOCUMENT NUMBER:	B-DD-LA10X-FL-0		FILE NAME:		LA10XF.PLS	EDIT #
			[F]									1

"THIS DRAWING AND SPECIFICATIONS HEREIN, ARE THE PROPERTY OF DIGITAL EQUIPMENT CORPORATION AND SHALL NOT BE REPRODUCED OR COPIED OR USED IN WHOLE OR IN PART AS THE BASIS FOR THE MANUFACTURE OR SALE OF ITEMS WITHOUT WRITTEN PERMISSION. COPYRIGHT (C) 1983. DIGITAL EQUIPMENT CORPORATION "


CHK HH 3

"THE MATERIAL HEREIN IS FOR INFORMATION PURPOSES ONLY AND IS SUBJECT TO CHANGE WITHOUT NOTICE. DIGITAL EQUIPMENT CORPORATION ASSUMES NO RESPONSIBILITY FOR ANY ERRORS WHICH MAY APPEAR HEREIN."

**DRAWING DIRECTORY**

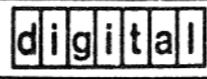
"THIS DRAWING AND SPECIFICATIONS HEREIN, ARE THE PROPERTY OF DIGITAL EQUIPMENT CORPORATION AND SHALL NOT BE REPRODUCED OR COPIED OR USED IN WHOLE OR IN PART AS THE BASIS FOR THE MANUFACTURE OR SALE OF ITEMS WITHOUT WRITTEN PERMISSION. COPYRIGHT © 1981 DIGITAL EQUIPMENT CORPORATION.

UNIT VARIATIONS	
VAR	TITLE
LA10X-FL	MULTIPLE FONT OPTION

REVISIONS	REV.	A	USED ON OPTION/MODEL	DRN.	DATE	TITLE	 MULTIPLE FONT OPTION	SIZE CODE NUMBER B DD LA 10X-FL	REV A
	CHANGE NO.								
	INITIAL								
	CHK								


FIND NO.	DRAWING NO.	DESCRIPTION	TYPE	FIND NO.	DRAWING NO.	DESCRIPTION	TYPE
1	MP-Ø1208-ØØ	MULTIPLE FONT OPTION (MP)	-				
	B-TC-LA1ØX-FL-1	MULTIPLE FONT OPTION (TC)	-				
	K-PL-LA1ØX-FL-DBP	MULTIPLE FONT OPTION (PL)	E/M				
2	E-AD-7017463-0-0	GUIDE PANEL ASSY	E/M				
	K-PL-7017463-0-DBP	GUIDE PANEL ASSY (PL)	E/M				
	E-MD-7423941-0-0	CARTRIDGE GUIDE	M				
	D-MD-7423944-0-0	LID (FRONT HAND	M				
	C-MD-7423947-0-0	AXLE	M				
	C-MD-7423946-0-0	SPRING, TENSION	M				
	D-MD-7423969-0-0	WINDOW, FONT	M				
	D-MD-7423990-0-0	CAP, SWITCH	M				
	D-MD-7423945-0-0	LID (BACK HAND)	M				
3	B-DD-5414326-0	FONT SELECT BOARD	E/M				
4	A-SP-3700650-0-0	PACKAGING INSTRUCTIONS	M				

TYPE: E ELECTRICAL  
M MECHANICAL  
E/M ELECTRO/MECHANICAL



TITLE  
MULTIPLE FONT OPTION

SHEET 2 OF 2

SIZE CODE  
B DD

NUMBER  
LA1ØX-FL

REV  
A

DRB 108A

ML3

86

DRAWING NO.	NO. OF SHTS.	PART NO.	DESCRIPTION	REVISIONS																			
		5414326-00	FONT SELECT BOARD	A																			
D-UA-5414326-0-0	1		FONT SELECT BOARD	A																			
D-CS-5414326-0-1	1		FONT SELECT BOARD	A																			
K-PL-5414326-0-DBP	1		FONT SELECT BOARD	A																			
K-PC-5414326-0-DBG			P.C. DESIGN DATA BASE	C																			
		5014325-00	P.C. BOARD	C																			
D-MD-5014325-0-0	1		DRILL & ETCH DRAWING	A																			
D-EC-5014325-0-0	1		ETCH CUT DRAWING	A																			

**NOTES:**

REVISIONS		DATE	CHG NO.	REV.

"THIS DRAWING AND SPECIFICATIONS, HEREIN, ARE THE PROPERTY OF DIGITAL EQUIPMENT CORPORATION AND SHALL NOT BE REPRODUCED OR COPIED OR USED IN WHOLE OR IN PART AS THE BASIS FOR THE MANUFACTURE OR SALE OF ITEMS WITHOUT WRITTEN PERMISSION.  
 COPYRIGHT © 1981 DIGITAL EQUIPMENT CORPORATION



USED ON OPTION/MODEL	DRN. K. GLEEZEN	12-18-79	TITLE	
LA100	CHK'D D. DROZD	5-11-81	FONT SELECT BOARD	
	ENG. S. LARKIN	1OCT81	SIZE	CODE
	PROD. J. MCSHANE	1OCT81	B	DD
			NUMBER	
			5414326-0	
			REV.	
			A	
			SHEET 1 OF 1	

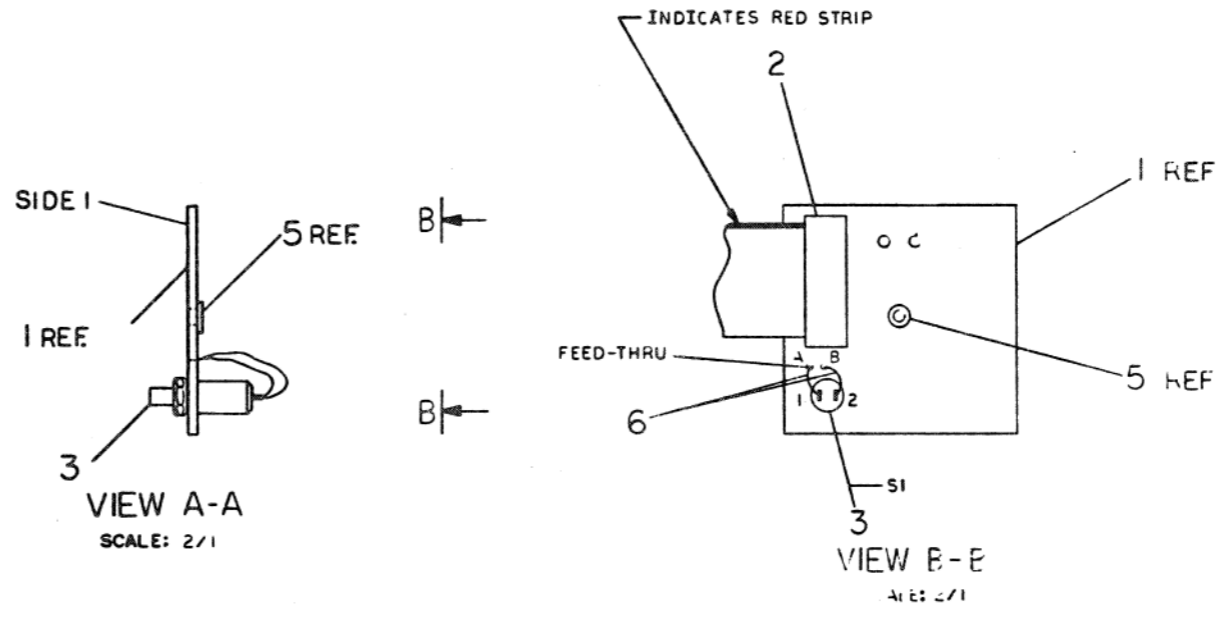
8 7 6 5 4 3 2 1

THIS DRAWING AND SPECIFICATIONS, HEREIN, AND THE PROPERTY OF SEITZ COMPANY CORPORATION AND SHALL NOT BE REPRODUCED OR FOR USE IN ANY MANNER AS PART OF THE DRAWING FOR THE MANUFACTURE OR SALE OF THIS PRODUCT WITHOUT PERMISSION. SEITZ COMPANY CORPORATION © 1981

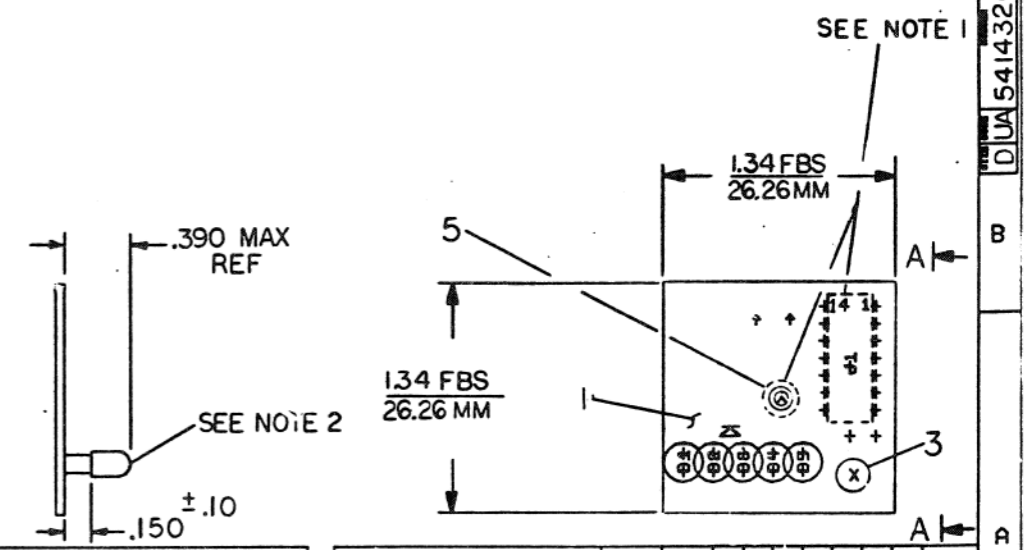
WIRE TABLE

ITEM NO.	DESCRIPTION		FR. M.		TO	
	AWG	COLOR	CONN	WITH	CONN	WITH
6	30	GRN	SI-1	SCL	FEED-THRU A	SCL
	30	GRN	SI-2	SCL	FEED-THRU B	SCL

COMPONENT SIDE VIEW



DUA 5414326-0-0  
 A B C D  
 8 7 6 5 4 3 2 1



- NOTES: 1. ITEMS 5 AND J1 MOUNT ON SIDE 2.  
 2. USE LED GAUGE FIXTURE NO. 34-02507-3 FOR INSTALLING LEDS.

CHG	CHANGE NO.	REV

STEP 1	+ Y AXIS	1.75	STEP 5	TIMES
REPORT	+ X AXIS	1.75	STEP 5	TIMES

ETCH REV. C

SIGNATURES	DATE	digital
DRN.	3 May 80	
CHK'D	2-11-80	TITLE
MECH. ENG.	10-1-80	
PROJ. ENG.	10-1-80	SIZE CODE
PROD. ENGR.	10-1-80	
SCALE	2/1	NUMBER
SHT. 1 OF 1		DUA 5414326-0-0A
NEXT HIGHER ASSY	B-CD-5414326-0	REV

AUTOMATED BY PRTLST.3L(40)

PARTS LIST

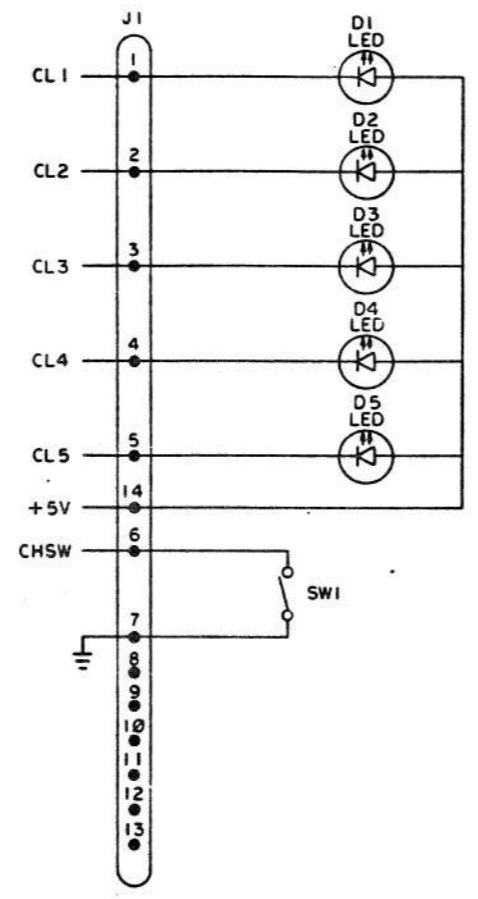
SHEET A1 OF A1

LINE	ITEM	DOCUMENT NUMBER	PART NUMBER	DESCRIPTION	QTY PER VARIATION	REFERENCE DESIGNATOR
1	QUANTITY	D-MD-5014325-0-0	5014325-00	DRILL&ETCH BRD	1	
1	QUANTITY	D-IA-7017454-0-0	7017454-00	CABLE FONT SELECT	1	
			1218082-00	SW, PB 1P .5A SPST	1	
			1112689-00	LED .8MCD@16MA VF-5V	5	S1
			9009111-01	INSERT, P.C. BOARD 2-56 X .065 X	1	D1-D5
			9105740-55	WIRE(WRAP)30AWG UL1423	A/R	

REVISION HISTORY			BASIC PART NO: 5414326		D I G I T A L	
ENG	ECO NUMBER	REV	SECTION A OF A	DRN: DAVID DROZD	DATE: 18-DEC-79	TITLE PARTS LIST
	INITIAL	A	SECTION VARIATION INDEX	CHK'D: KENT GLEEZEN	DATE: 18-DEC-79	FONT SELECT BOARD
			[A] 00	DES. ENG: SHARON LARKIN	DATE: 01-OCT-81	DOCUMENT NUMBER
			[B]	RESP. ENG.: SHARON LARKIN	DATE: 01-OCT-81	SIZE: CODE: NUMBER REV
			[C]	MFG. ENG.: JOHN MCSHANE	DATE: 01-OCT-81	K PL 5414326-0-DBP A
			[D]	ASSEMBLY NUMBER:	TOP DOCUMENT NUMBER:	FILE NAME: EDIT #
			[E]	D-UA-5414326-0-0	D-UA-5414326-0-0	21093A.PLS 13
			[F]			
			[H]			
			[J]			
			[K]			
			[L]			
			[M]			
			[N]			

"THIS DRAWING AND SPECIFICATIONS HEREIN, ARE THE PROPERTY OF DIGITAL EQUIPMENT CORPORATION AND SHALL NOT BE REPRODUCED OR COPIED OR USED IN WHOLE OR IN PART AS THE BASIS FOR THE MANUFACTURE OR SALE OF ITEMS WITHOUT WRITTEN PERMISSION. COPYRIGHT (C) 1991. DIGITAL EQUIPMENT CORPORATION"

"THIS DRAWING AND SPECIFICATIONS, HEREIN, ARE THE PROPERTY OF DIGITAL EQUIPMENT CORPORATION AND SHALL NOT BE REPRODUCED OR COPIED OR USED IN WHOLE OR IN PART AS THE BASIS FOR THE MANUFACTURE OR SALE OF ITEMS WITHOUT WRITTEN PERMISSION. COPYRIGHT © 1964 DIGITAL EQUIPMENT CORPORATION"



REV.	
CHG.	
CHK.	
DATE	
REVISIONS	
CHANGE NO.	

DRN. APPROVAL	DATE	FIRST USED ON	digital
CHK. <i>[Signature]</i>	1-80	LA 20	
ENG.		TITLE	FONT SELECT
PROJ. ENG.			BD.
PROD.			
NEXT HIGHER ASSY.			
B-DD-5414326-0	SIZE	CODE	NUMBER
SCALE	D	CS	5414326-0-1
SHEET 1	OF 1	DIST.	REV. A



LAST PCA X01

**digital PARTS LIST**

DRN. R. ROBICHAUD DATE 28 OCT 80	DES. ENG. <i>E.L. Neal</i> DATE 28 MAY '82	MFG. ENG. <i>J. Halpin 6-1-82</i>
CHK'D. <i>E.L. Neal</i> DATE 28 MAY '82	RESP. ENG. <i>E.L. Neal</i> DATE 28 MAY '82	NEXT HIGHER DOC. B-DD-LA100-0

NOTES:

ITEM NO.	DRAWING NO.	PART NO.	DESCRIPTION	QUANTITY / VARIATION												REFERENCE DESIGNATORS
				LA100-AA	LA100-BA	LA100-CA	LA100-RA	LA100-YA	LA100-ZA	LA100-AB	LA100-BB	LA100-CB	LA100-RB	LA100-YB	LA100-ZB	
1	B-TC-LA100-0-1	MP-01096-00	LA100 FIELD MAINTENANCE PRINT SET	1	1	1	1	1	1	1	1	1	1	1	1	

ECO NO. INITIAL  
**A**

"THIS DRAWING AND SPECIFICATIONS, HEREIN, ARE THE PROPERTY OF DIGITAL EQUIPMENT CORPORATION AND SHALL NOT BE REPRODUCED OR COPIED OR USED IN WHOLE OR IN PART AS THE BASIS FOR THE MANUFACTURE OR SALE OF ITEMS WITHOUT WRITTEN PERMISSION. COPYRIGHT © 1980 DIGITAL EQUIPMENT CORPORATION"

TITLE  
**SHIPPING LIST LA100**

ASSY. NO.  
B-DD-LA100-0  
SECTION A1 OF A1

SIZE **B** CODE **PL**

NUMBER  
LA100-0  
SHEET 1 OF 1  
REV. **A**