

"THE MATERIAL HEREIN IS FOR INFORMATION PURPOSES ONLY AND IS SUBJECT TO CHANGE WITHOUT NOTICE. DIGITAL EQUIPMENT CORPORATION ASSUMES NO RESPONSIBILITY FOR ANY ERRORS WHICH MAY APPEAR HEREIN."

DRAWING DIRECTORY

"THIS DRAWING AND SPECIFICATIONS, HEREIN, ARE THE PROPERTY OF DIGITAL EQUIPMENT CORPORATION AND SHALL NOT BE REPRODUCED OR COPIED OR USED IN WHOLE OR IN PART AS THE BASIS FOR THE MANUFACTURE OR SALE OF ITEMS WITHOUT WRITTEN PERMISSION. COPYRIGHT © 1983 DIGITAL EQUIPMENT CORPORATION."

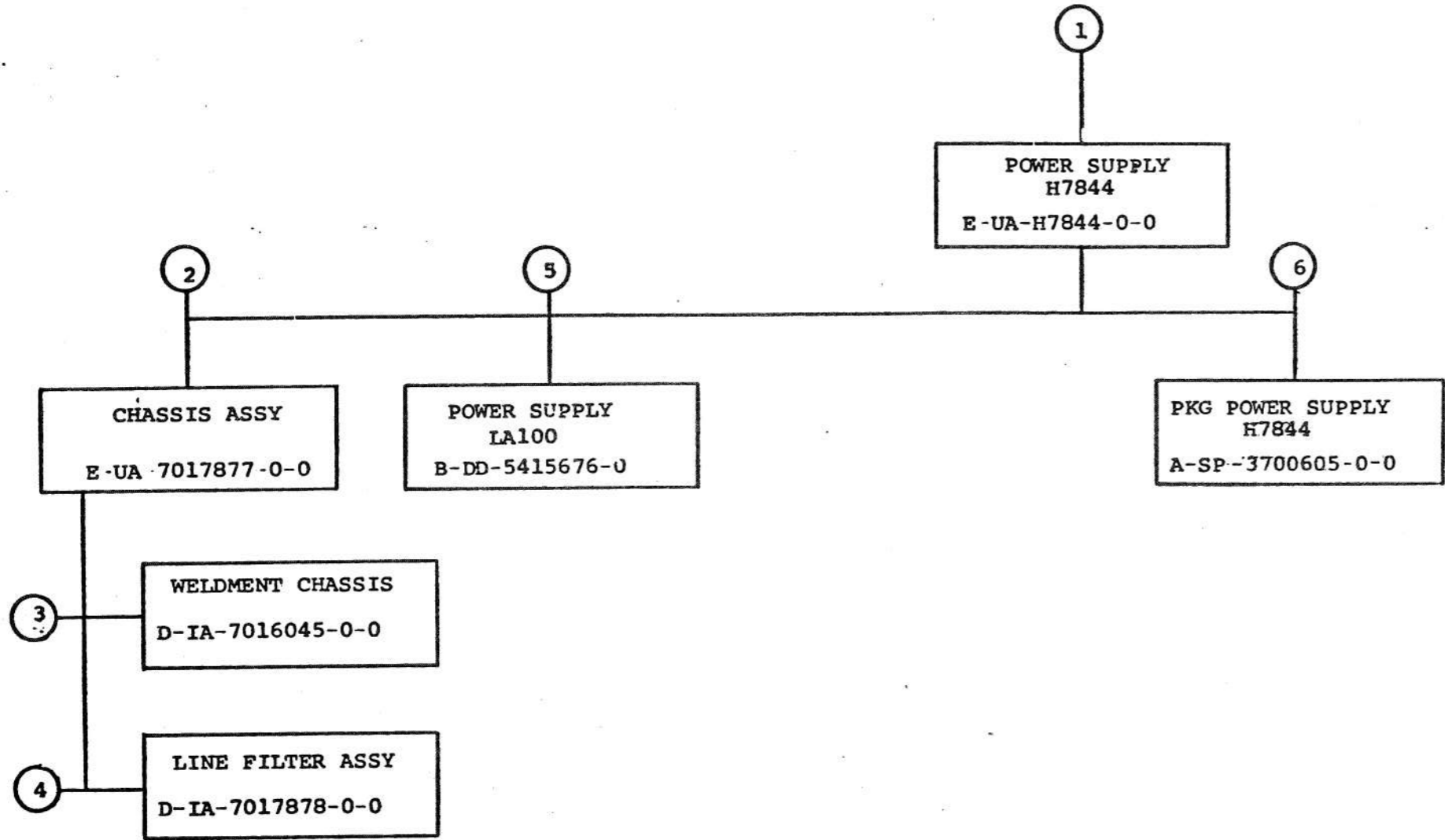
FOR FIELD MAINTENANCE PRINT SET
REFER TO B-TC-H7844-0-1

UNIT VARIATIONS	
VAR	TITLE
H7844	POWER SUPPLY H7844

REVISIONS		USED ON OPTION/MODEL	DRN.	DATE	TITLE		digital												
CHK	CHANGE NO.	H7844	B. CSERPES	10/83	POWER SUPPLY H7844		<table border="1"> <tr> <th>SIZE</th> <th>CODE</th> <th>NUMBER</th> <th>REV</th> </tr> <tr> <td>B</td> <td>DD</td> <td>H7844</td> <td>A</td> </tr> </table>					SIZE	CODE	NUMBER	REV	B	DD	H7844	A
SIZE	CODE	NUMBER	REV																
B	DD	H7844	A																
INITIAL	REV.	LA100	CHK'D.	DATE															
LA100PN020	A		L. Gilbert	16 FEB 84															
			PROJ. ENG.	DATE															
			MACARTHUR	01/84															
			PROD.	DATE															
			ED KING	27 FEB 84															
		SHEET 1 OF 3																	

.RB 106A

43



TITLE	SHEET	SIZE	CODE	NUMBER	REV
POWER SUPPLY H7844	2 OF 3	B	DD	H7844-0	A

92

FIND NO.	DRAWING NO.	DESCRIPTION	TYPE	FIND NO.	DRAWING NO.	DESCRIPTION	TYPE
1	MP01068	FIELD MAINTENANCE PRINT SET (MP)	REF	6	A-SP-3700605-0-0	PKG POWER SUPPLY H7844	REF
	B-TC-H7844-0-1	FIELD MAINTENANCE PRINT SET (TC)	REF				
	E-UA-H7844-0-0	POWER SUPPLY H7844	E/M				
	K-PL-H7844-0-DBP	POWER SUPPLY H7844 (PL)	E/M				
	A-SP-H7844-0-2	POWER SUPPLY H7844	REF				
	D-MD-7420755-0-0	COVER	M				
2	E-AD-7017877-0-0	CHASSIS ASSY	E/M				
	K-PL-7017877-0-DBP	CHASSIS ASSY (PL)	E/M				
3	D-IA-7016045-0-0	WELDMENT, CHASSIS	M				
	E-MD-7420756-0-0	CHASSIS	M				
	C-MD-7421431-0-0	INSERT, PERFORATED	M				
4	D-IA-7017878-0-0	LINE FILTER ASSY	E/M				
	K-PL-7017878-0-DBP	LINE FILTER ASSY (PL)	E/M				
5	B-DD-5415676-0	POWER SUPPLY LA100	E/M				

TYPE: E ELECTRICAL
M MECHANICAL
EM ELECTRO/MECHANICAL

digital

TITLE

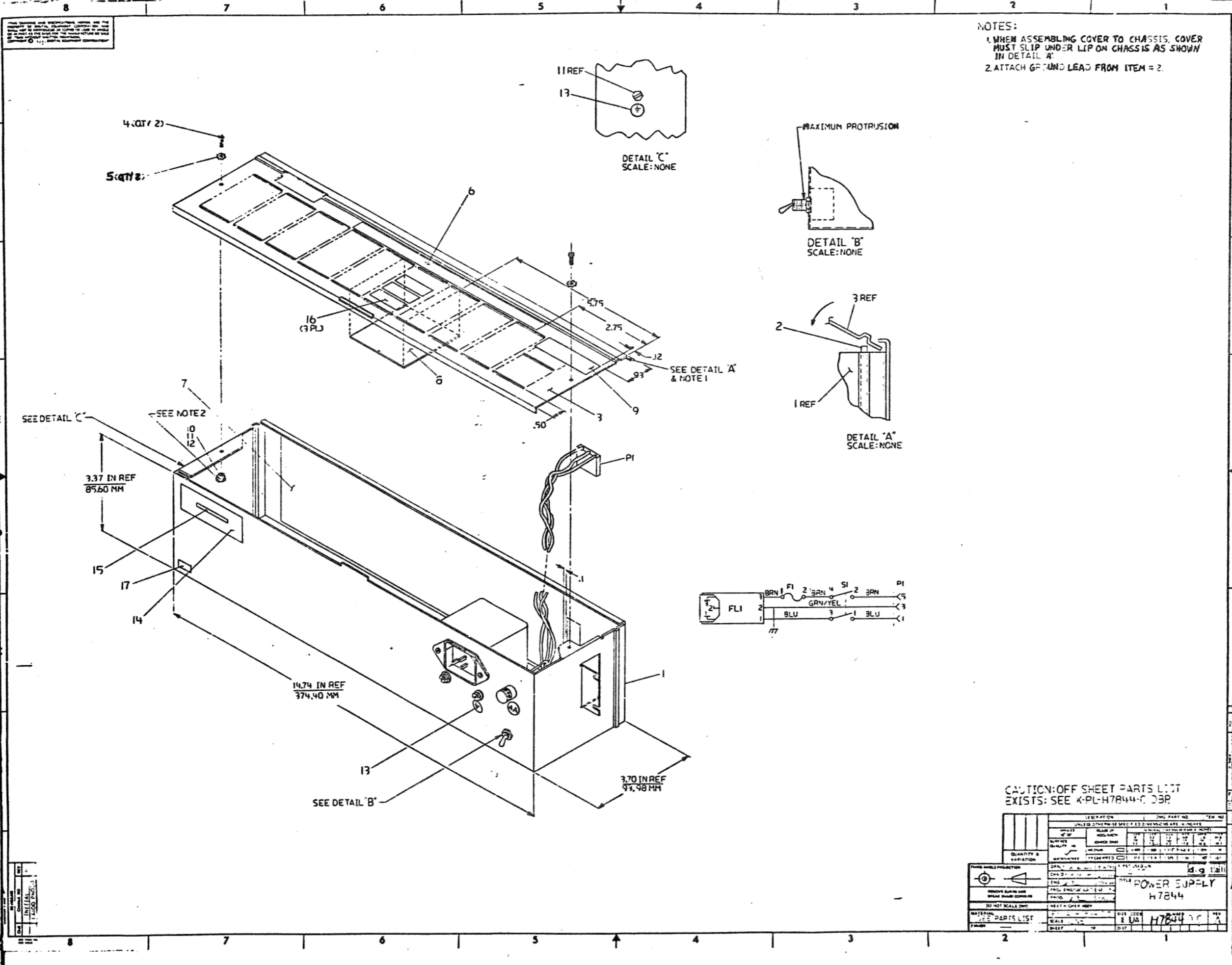
POWER SUPPLY H7844

SHEET 3 OF 3

SIZE CODE
B DD

NUMBER
H7844-0

REV
A

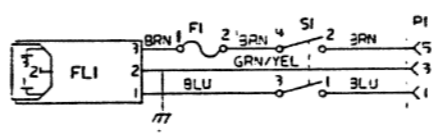


NOTES:
 1. WHEN ASSEMBLING COVER TO CHASSIS, COVER MUST SLIP UNDER LIP ON CHASSIS AS SHOWN IN DETAIL 'A'.
 2. ATTACH GROUND LEAD FROM ITEM = 2.

DETAIL 'C'
SCALE: NONE

MAXIMUM PROTRUSION
 DETAIL 'B'
SCALE: NONE

DETAIL 'A'
SCALE: NONE



CAUTION: OFF SHEET PARTS LIST EXISTS: SEE K-PL-H7844-C D3R

QTY	DESCRIPTION	QTY	DESCRIPTION
1	COVER	1	CHASSIS
1	TERMINAL BLOCK	1	WIRE
1	GROUND LEAD	1	SCREW

TITLE: POWER SUPPLY
 H7844
 SCALE: 1:1
 SHEET: 2 OF 2

PARTS LIST

LINE ITEM	DOCUMENT NUMBER	PART NUMBER	DESCRIPTION	QUANTITY PER VARIATION
1	E-AD-7017877-0-0	7017877-01	CHASSIS ASSY	1
2	D-UA-5415676-0-0	5415676-01	LA100 POWER SUPPLY	1
3	D-MD-7420755-0-0	7420755-00	COVER	1
4		9006418-01	SCREW,TAP PAN PHIL THD RL 8-	2
5		9008151-00	WASHER,LOCK EXTERNAL STEEL	2
6	A-PS-3618294-0-0	3618294-01	LABEL,DANGER HIGH VOLTAGE	1
7	A-PS-3617973-0-0	3617973-01	LABEL,INSULATOR ADH. 11.5 X 3.2	1
8	A-PS-3617973-0-0	3617973-02	LABEL,INSULATOR ADH. 2.25X 3.25	1
9	A-PS-3616157-0-0	3616157-00	LABEL,CORRECT VOLTAGE SETTING,CA	1
10		9006563-00	NUT,HEX EXT TOOTH LCKWSHR 8-32	1
11		9009988-08	SCREW,SEMS HEX SLOT 8-	1
12		9008072-00	WASHER,LOCK EXTERNAL STEEL	1
13		3612680-02	DECAL, GROUND SIGN W/CIRCLE,BLK	2
14		9009255-01	LABEL, POWER SUPPLY, 2-7/8" LG X	1
15		9008473-04	LABEL,BAR CODE .7X1.5 3K/RO	1
16		3618460-05	LABEL,BAR CODE,BLANK	3
17		3621739-01	LABEL,COUNTRY OF ORIGIN HONG KON	1

REVISION HISTORY		BASIC PART NO: H7844		DRN:	B. CSERPES	DATE:	19-OCT-83	DIGITAL			
ENG	ECO NUMBER	REV	SECTION A OF A	CHK'D:	L. GILBERT	DATE:	19-OCT-83	TITLE PARTS LIST			
	INITIAL	A	SECTION. VARIATION INDEX					POWER SUPPLY H7844			
			[A] 00	DES.ENG.:	R. MAC ARTHUR	DATE:	19-OCT-83	DOCUMENT NUMBER			
			[B]	RESP.ENG.:	E. KING	DATE:	19-OCT-83	SIZE	CODE	NUMBER	REV
			[C]	MFG.ENG.:	B. MASTERS	DATE:	19-OCT-83	K	PL	H7844-0-DBP	A
			[D]	ASSEMBLY NUMBER:	E-UA-H7844-0-0	TOP DOCUMENT NUMBER:	B-DD-H7844-0-0	FILE NAME:		H7844.PLS	EDIT #
			[E]								6
			[F]	*THIS DRAWING AND SPECIFICATIONS HEREIN, ARE THE PROPERTY OF DIGITAL EQUIPMENT CORPORATION AND SHALL NOT BE REPRODUCED OR COPIED OR USED IN WHOLE OR IN PART AS THE BASIS FOR THE MANUFACTURE OR SALE OF ITEMS WITHOUT WRITTEN PERMISSION. COPYRIGHT (C) 1983. DIGITAL EQUIPMENT CORPORATION *							

THIS DRAWING AND SPECIFICATIONS HEREIN ARE THE PROPERTY OF DIGITAL EQUIPMENT CORPORATION AND SHALL NOT BE REPRODUCED OR COPIED OR USED IN WHOLE OR IN PART AS THE BASIS FOR THE MANUFACTURE OR SALE OF ITEMS WITHOUT WRITTEN PERMISSION. COPYRIGHT © 1983 DIGITAL EQUIPMENT CORPORATION

DCS 5415676-0-1

8

6

5

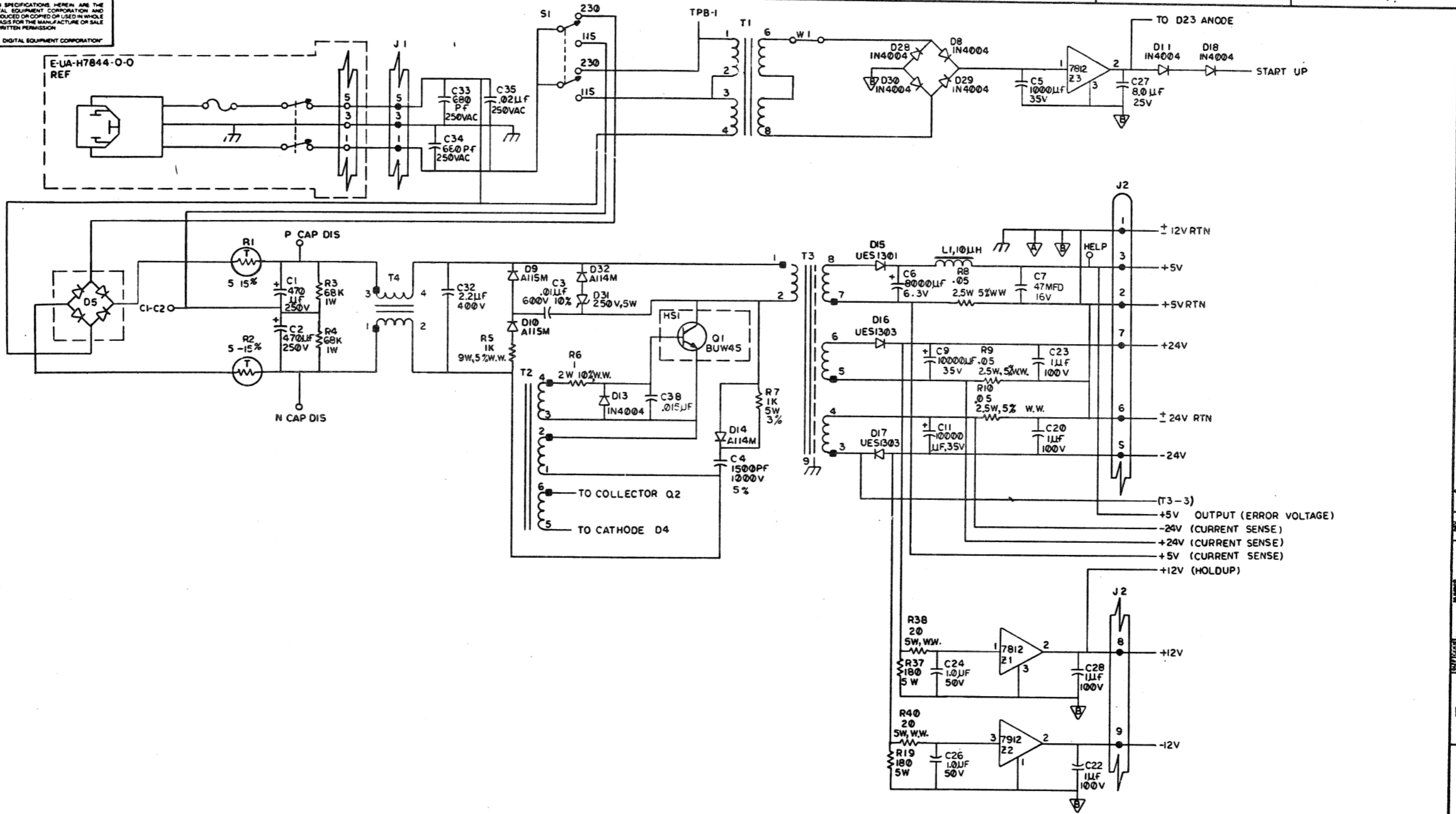
4

3

2

1

E-UA-H7844-0-0 REF



REV.	DATE	ECO NUMBER
1		

DESIGNED BY <i>Paul Page</i>	DATE 2-9-83	TITLE LA100 POWER SUPPLY	DIGITAL
CHECKED BY <i>Paul Page</i>	DATE 4-8-82	DOCUMENT NUMBER DCS 5415676-0-1	REV A
DESIGNED BY <i>Paul Page</i>	DATE 3-24-83	SCALE	SHEET 1 OF 2
DESIGNED BY <i>Paul Page</i>	DATE 3-24-83		
DESIGNED BY <i>L. Brown</i>	DATE 8-24-83		
NEXT HIGHER DOC B-DD-5415676-0-0			

98

8

7

6

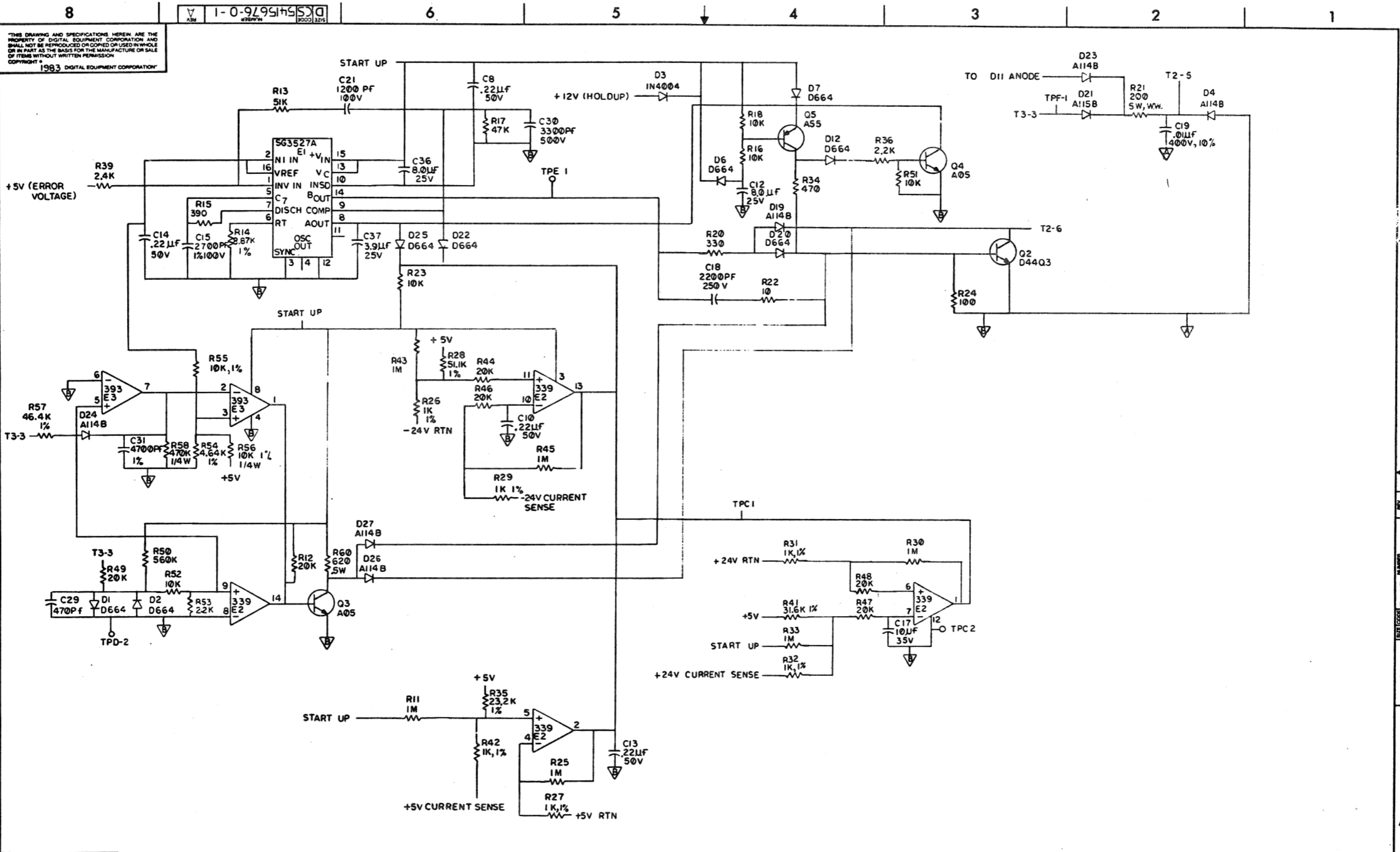
5

4

3

2

1

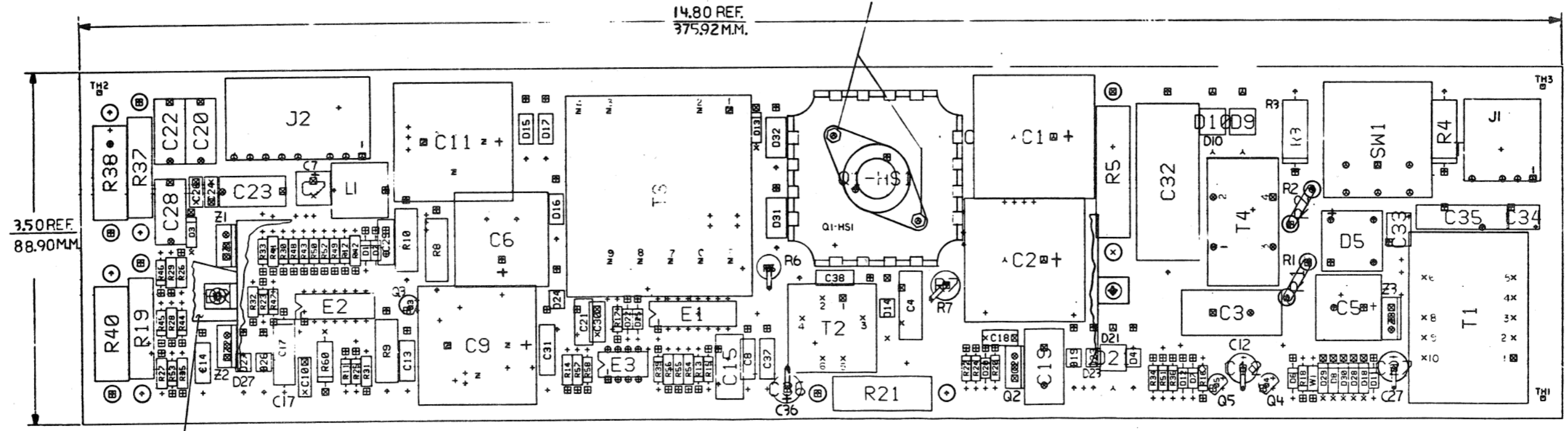
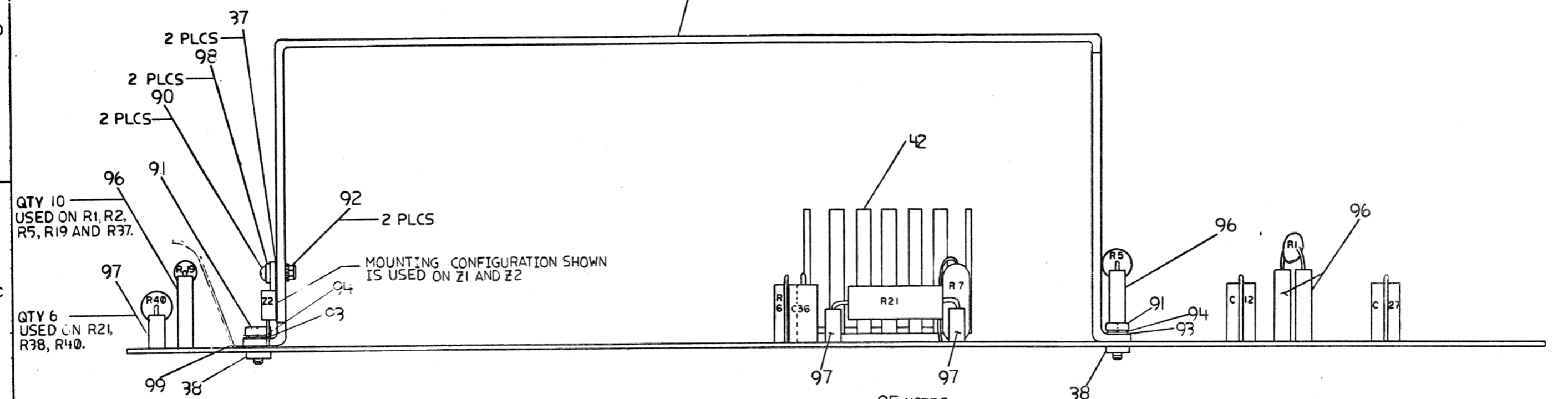


REVISION HISTORY		
DATE	ECO NUMBER	REV.

TITLE
LA100 POWER SUPPLY

DOCUMENT NUMBER		
SIZE	CODE	NUMBER
D	CS	5415676-0-1
SCALE	SHEET 2	OF 2

THIS DRAWING AND SPECIFICATIONS HERETO, ARE THE PROPERTY OF DIGITAL EQUIPMENT CORPORATION AND SHALL NOT BE REPRODUCED OR COPIED IN WHOLE OR IN PART OR BE LOANED FOR THE MANUFACTURE OR SALE OF EQUIPMENT WITHOUT WRITTEN PERMISSION. COPYRIGHT © 1983 DIGITAL EQUIPMENT CORPORATION



NOTES:

1. THE BOARD MEETS ALL REQUIREMENTS FOR...
2. TO ORDER ITEM # TO BE...

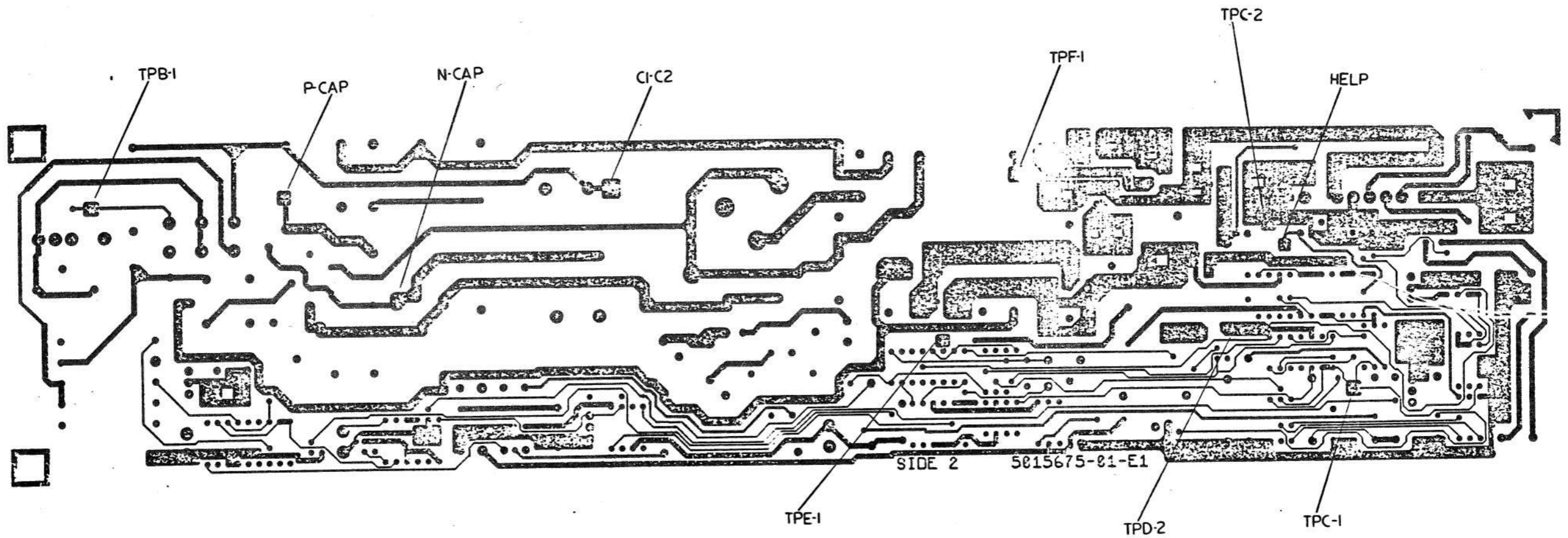
STEP	Y AXIS	STEP	TIMES
E			
REPEAT	X AXIS		

CHG	NO	REV

ETCH REV. E1

SIGNATURES	DATE	TITLE LA100 POWER SUPPLY
DRN. <i>Kathie Kennedy</i>	6/20/83	
CHK'D. <i>Jan de Puit</i>	5/24/83	
MECH. ENG. <i>...</i>	2/24/83	
PROJ. ENG. <i>...</i>	5/18/83	
PROD. <i>L. Brown</i>	2/24/83	
SCALE 2:1	SIZE CODE	NUMBER
SHT. 1 OF 2	D	UA 5415676-0-0 2
TOP DOC. NO. 00-5415676-0-0		

THIS DRAWING AND SPECIFICATIONS HEREIN ARE THE PROPERTY OF DIGITAL EQUIPMENT CORPORATION AND SHALL NOT BE REPRODUCED OR COPIED OR USED IN WHOLE OR IN PART AS THE BASIS FOR THE MANUFACTURE OR SALE OF ITEMS WITHOUT WRITTEN PERMISSION. COPYRIGHT © 1963 DIGITAL EQUIPMENT CORPORATION



SIDE 2 5015675-01-E1

REVISIONS		
CHK	CHANGE NO	REV

TITLE	LA100 POWER SUPPLY	SIZE CODE	D UA	NUMBER	5415676-0-0	REV.	A
SCALE	2:1	SHEET	2	OF	2	DIST.	

D UA 5415676-0-0

LINE	ITEM	DOCUMENT NUMBER	PART NUMBER	DESCRIPTION	QTY PER VARIATION	REFERENCE DESIGNATOR
					01	
1	1	D MD 5015675-0-0	5015675-01	CIRCUIT DRILL & ETCH	1	
2	2		1000024-00	470.0 MMF 100V 5%200PPM MICA	1	C29
3	3		1000055-00	2200.0 MMF 250V 20% Y5S DISC	1	C18
4	4		1000064-00	3.9MFD 10V 10% S.TANT	1	C37
5	5		1002424-00	1200.0 MMF 100V 5%200PPM MICA	1	C21
6	6		1002630-00	.015 MFD 100V 10% MYLR	1	C38
7	7		1009312-00	.0047 MFD 100V 1% MYLR	1	C31
8	8		1010274-01	.22 MFD 50V +80-20% Z5U CER	1	C10
9	9		1010274-02	1 MFD 50V +80-20% CER	2	C24,C26
10	10		1011847-01	.01 MFD 400V 10% POLYPROP	1	C19
11	11		1011847-02	.01 MFD 600V 10% POLYPROP	1	C3
12	12		1012084-01	8 MFD 25V +75-10% AL EL	3	C12,C27,C36
13	13		1013466-11	.22 MFD 50V +80-20% Z5U CER	3	C8,C13,C14
14	14		1013963-00	3300.0 MMF 500V 20% Z5U DISC	1	C30
15	15		1014170-00	2700.0 MMF 100V 1% 70PPM MICA	1	C15
16	16		1015466-00	8000 MFD 6.3V +75-10% AL EL	1	C6
17	17		1015520-00	1 MFD 100V 5% MET. MYLR	4	C20,C22,C23,C28
18	18		1017472-00	10 MFD 35V +50-10% AL EL	1	C17
19	19		1019413-05	470 MFD 250V 20% AL EL	2	C1,C2
20	20		1019422-04	2.2MFD 400V 20% MET. MYLR	1	C32
21	21		1019537-01	1000 MFD 35V +50-10% AL EL	1	C5
22	22		1020173-03	10,000 MFD 35V 20% AL EL	2	C9,C11
23	23		1021266-01	1500.0 MMF 1000V 5% 70PPM MICA	1	C4
24	24		1021546-01	47 MFD 16V 20% AL EL	1	C7
25	25		1021591-01	.02 MFD 1400V 20% CER	1	C35
26	26		1021591-02	680.0 MMF 1400V 20% CER	2	C33,C34
27	27		1100114-00	PIV= 25 IO=135 MA	8	D1,D2,D6,D7,D12,D20,D22,D25
28	28		1105796-01	PIV= 400 IO= 1.00A DO-41	8	D3,D8,D11,D13,D18,D28,D29,D30
29	29		1112594-01	PIV= 200 IO= 3.00A	1	D21
30	30		1112594-02	PIV= 600 IO= 3.00A	2	D9,D10

REVISION HISTORY		BASIC PART NO: 5415676		DRN: RITA BUREAU	DATE: 25-JUL-83	D I G I T A L	
ENG:	ECO NUMBER	REV	SECTION A OF A	CHK'D: KEN DE MONTIGNY	DATE: 25-AUG-83	TITLE PARTS LIST	
	INITIAL	A	SECTION VARIATION INDEX	DES.ENG: BOB MACARTHUR	DATE: 25-AUG-83	LA100 POWER SUPPLY	
			[A] 01	RESP.ENG.: BOB MACARTHUR	DATE: 25-AUG-83	DOCUMENT NUMBER	
			[B]	MFG.ENG.: LEV BROWN	DATE: 25-AUG-83	SIZE: K	CODE: PL
			[C]	ASSEMBLY NUMBER: D-UA-5415676-0-0	TOP DOCUMENT NUMBER: B-DD-5415676-0-0	NUMBER: 5415676-0-DBP	REV: A
			[D]			FILE NAME: Z5775A.PLS	EDIT #: 15
			[E]	"THIS DRAWING AND SPECIFICATIONS HEREIN, ARE THE PROPERTY OF DIGITAL EQUIPMENT CORPORATION AND SHALL NOT BE REPRODUCED OR COPIED OR USED IN WHOLE OR IN PART AS THE BASIS FOR THE MANUFACTURE OR SALE OF ITEMS WITHOUT WRITTEN PERMISSION. COPYRIGHT (C) 1983. DIGITAL EQUIPMENT CORPORATION"			
			[F]				
			[G]				
			[H]				
			[I]				

LINE	ITEM	DOCUMENT NUMBER	PART NUMBER	DESCRIPTION	QTY PER VARIATION	REFERENCE DESIGNATOR
					01	
31	31		1112595-01	PIV= 200 IO= 1.00A AXIAL	6	D4,D19,D23,D24,D26,D27
32	32		1112595-02	PIV= 600 IO= 1.00A AXIAL	2	D14,D32
33	33		1114893-00	RECT,ULTRA FAST PIV= 50 IO= 6.0	1	D15
34	34		1115272-00	RECT,ULTRA FAST PIV= 150 IO= 6.0	2	D16,D17
35	35		1117721-00	TRANS,SUPP. 250V 5 A	1	D31
36	36		1118205-00	PIV= 420 IO= 6.00A	1	D5
37	37		1213071-06	INSULATOR,RUBBER SILICONE	2	
38	38		1214789-00	INSERT,THREAD	2	
39	39		1215307-00	PCB,HEADER 09POS(1X09).156CC 90D	1	J2
40	40		1215307-02	PCB,HEADER 04POS(1X04).156CC 90D	1	J1
41	41		1216064-00	SW,SLIDE 2PDT 10A	1	SW1
42	42		1219253-00	HEAT SINK,TO-3 1.780X1.78	1	HS1
43	43		1300229-00	100.0 .25 W 5.0 % CF	1	R24
44	44		1300295-00	330.0 .25 W 5.0 % CF	1	R20
45	45		1300316-00	470.0 .25 W 5.0 % CF	1	R34
46	46		1300417-00	2.20 K .25 W 5.0 % CF	2	R36,R53
47	47		1300479-00	10.0 K .25 W 5.0 % CF	5	R16,R18,R23,R51,R52
48	48		1301317-00	10.0 .25 W 5.0 % CF	1	R22
49	49		1301732-00	620.0 .50 W 5.0 % CF	1	R60
50	50		1302177-00	47.0 K .25 W 5.0 % CF	1	R17
51	51		1305146-00	8.87 K .25 W 1.0 % RN55D-F10	1	R14
52	52		1302391-00	20.0 K .25 W 5.0 % CF	6	R12,R46-R49,R44
53	53		1302398-00	470.0 K .25 W 5.0 % CF	1	R58
54	54		1303114-00	1.0 K .25 W 1.0 % RN55D-F10	6	R26,R27,R29,R31,R32,R42
55	55		1303177-00	2.40 K .25 W 5.0 % CF	1	R39
56	56		1303311-00	46.40 K .25 W 1.0 % RN55D-F10	1	R57
57	57		1303312-00	10.0 K .25 W 1.0 % RN55D-F10	2	R55,R56
58	58		1304839-00	51.0 K .25 W 5.0 % CF	1	R13
59	59		1304856-00	4.64 K .25 W 1.0 % RN55D-F10	1	R54
60	60		1305419-00	31.60 K .25 W 1.0 % RN55D-F10	1	R41
61	61		1309595-00	1.0 M .25 W 5.0 % CF	6	R11,R25,R30,R33,R43,R45
62	62		1309639-00	200.0 5.0 W 5.0 % WW	1	R21
63	63		1312655-00	180.0 5.0 W 5.0 % WW	2	R19,R37
64	64		1300309-00	390.0 .25 W 5.0 % CF	1	R15
65	65		1312992-00	560.0 K .25 W 5.0 % CF	1	R50
66	66		1313191-00	1.0 K 9.0 W 5.0 % WW	1	R5
67	67		1313476-00	51.10 K .25 W 1.0 % RN55D-F10	1	R28
68	68		1313841-00	23.20 K .25 W 1.0 % RN55D-F10	1	R35
69	69		1314270-00	5.0 15.0 % NTC THERM	2	R1,R2
70	70		1314350-00	1.0 2.0 W10.0 % FUSE	1	R6
71	71		1314615-00	.05 2.50 W 5.0 % WW	3	R8-R10
72	72		1315586-00	68.0 K 1.0 W 5.0 % CC	2	R3,R4
73	73		1315764-00	1.0 K 5.0 W 3.0 % WW	1	R7
74	74		1317591-00	20.0 5.0 W 5.0 % WW	2	R38,R40
75	75		1510705-00	XA 05 NPN 500MW SI 60 50 P	2	Q3,Q4
76	76		1510706-00	XA 55 PNP 500MW SI 60 50 P	1	Q5
77	77		1514271-02	D 44Q3 NPN 175V	1	Q2
78	78		1517910-00	2N 6547 NPN TO-3	1	Q1

D	I	G	I	T	A	L	TITLE	SECTION	OF	SIZE	CODE	DOCUMENT NUMBER	REV
							LA100 POWER SUPPLY	A		K	PL	5415676-0-0BP	A

AUTOMATED BY PRIEST,4Q(50)

PARTS LIST

SHEET A3 OF A3

LINE	ITEM	DOCUMENT NUMBER	PART NUMBER	DESCRIPTION	QTY PER VARIATION 01	REFERENCE DESIGNATOR
79	79		1617492-00	XFMR S=240-360V S=5/+-24V	1	T3
80	80		1618013-00	10.0 UH 20A	1	L1
81	81		1618404-00	39.0 MH 30% 500MA	1	T4
82	82		1621982-01	XFMR, BIAS, 120/240V 47-63HZ	1	T1
83	83		1618543-00	PULSE XFMR, RATIO 1:8:32 PC MNT	1	T2
84	84		1912048-05	7812 VOLT REG, FIX +12V	2	Z1, Z3
85	85		1912108-00	339 VOLT CMPRTR, QUAD	1	E2
86	86		1914156-00	LM 393 VOLT. COMPARATOR DUAL	1	E3
87	87		1914517-01	7912 VOLT REG, FIX -12V	1	Z2
88	88		1916819-00	3527A MODULATOR, REGULATING	1	E1
89	89		7424091-00	BRKT, HEAT SINK	1	
90	90		9006011-01	SCREW, MACH PAN PHIL 4-	2	
91	91		9006021-01	SCREW, MACH PAN PHIL 6-	2	
92	92		9006557-00	NUT, HEX EXT TOOTH LCKWSHR 4-40	2	
93	93		9006656-00	WASHER, FLAT STEEL	2	
94	94		9007801-00	WASHER, HELICAL SPLIT SST	2	
95	95		9008185-00	NUT, HEX EXT TOOTH LCKWSHR 6-32	2	
96	96		9009798-00	SPACER, CLEAR HOLE RND CERAM .07	10	
97	97		9009798-01	SPACER, CLEAR HOLE RND CERAM .07	6	
98	98		9010057-00	WASHER, SHOULDER INSULATG PPS	2	
99	99		7429446-01	STRAP, GROUND	1	
100	100		9009185-00	JUMPER, WIRE, INSULATED, BLACK B	1	W1

D	I	G	I	T	A	L	TITLE	SECTION A OF A	SIZE	CODE	DOCUMENT NUMBER	REV
							LA100 POWER SUPPLY		K	PL	5415676-0-DBP	A