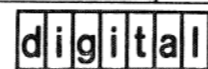


TITLE	SHEET	SIZE	CODE	NUMBER	REV
RACK MOUNT, DUAL DRIVE	2 OF 3	B	DD	TU58-C	A

FIND NO.	DRAWING NO.	DESCRIPTION	TYPE	FIND NO.	DRAWING NO.	DESCRIPTION	TYPE
1	B-TC-TU58-C-1	FIELD MAINTENANCE PRINT SET (TC)	REF	6	B-DD-7016078-0	POWER SUPPLY	E/M
	MPØØ747	FIELD MAINTENANCE PRINT SET (MP)	REF				
	E-UA-TU58-C-Ø	RACK MOUNT TAPE DRIVE	E/M				
	B-PL-TU58-C-Ø	RACK MOUNT TAPE DRIVE (PL)	E/M				
	C-MD-7422486-0-0	BEZEL, FOAM, REWORK	M				
	D-MD-7421487-0-0	BRACKET, LED MOUNTING	M				
	C-IA-7016305-0-0	CABLE, SERIAL TU58	E/M				
	B-IA-7016525-0-0	JUMPER, LED	E/M				
	C-IA-7016527-0-0	CABLE POWER SUPPLY	E/M				
	B-PL-TU58-C	SHIPPING LIST	-				
2	E-AD-7015854-0-1	HSG/MODULE ASSY, TAPE DRIVE	E/M	7	E-IA-7016079-0-0	ENCLOSURE ASSY	M
	B-MD-7422229-0-1	CARD GUIDE SINGLE	M				
3	D-IA-7015820-0-0	HSG WELDMENT TAPE DRIVE	M	E-MD-7421486-0-0	ENCLOSURE, TOP	M	
	E-MD-7421099-0-0	HSG BASE	M				
	D-MD-7421085-0-0	HSG, TOP	M				
	D-MD-7423815-0-0	HSG WELDMENT REWORK	M	E-MD-7421485-0-0	ENCLOSURE, BOTTOM	M	
4	B-DD-5413489-0	SERIAL CONTROLLER MODULE	E/M	8	A-SP-3700405-0-0	PACKAGE INSTRUCTIONS	
5	B-DD-TU58-XA	CARTRIDGE DRIVE	E/M				

TYPE: E ELECTRICAL
M MECHANICAL
E/M ELECTRO/MECHANICAL



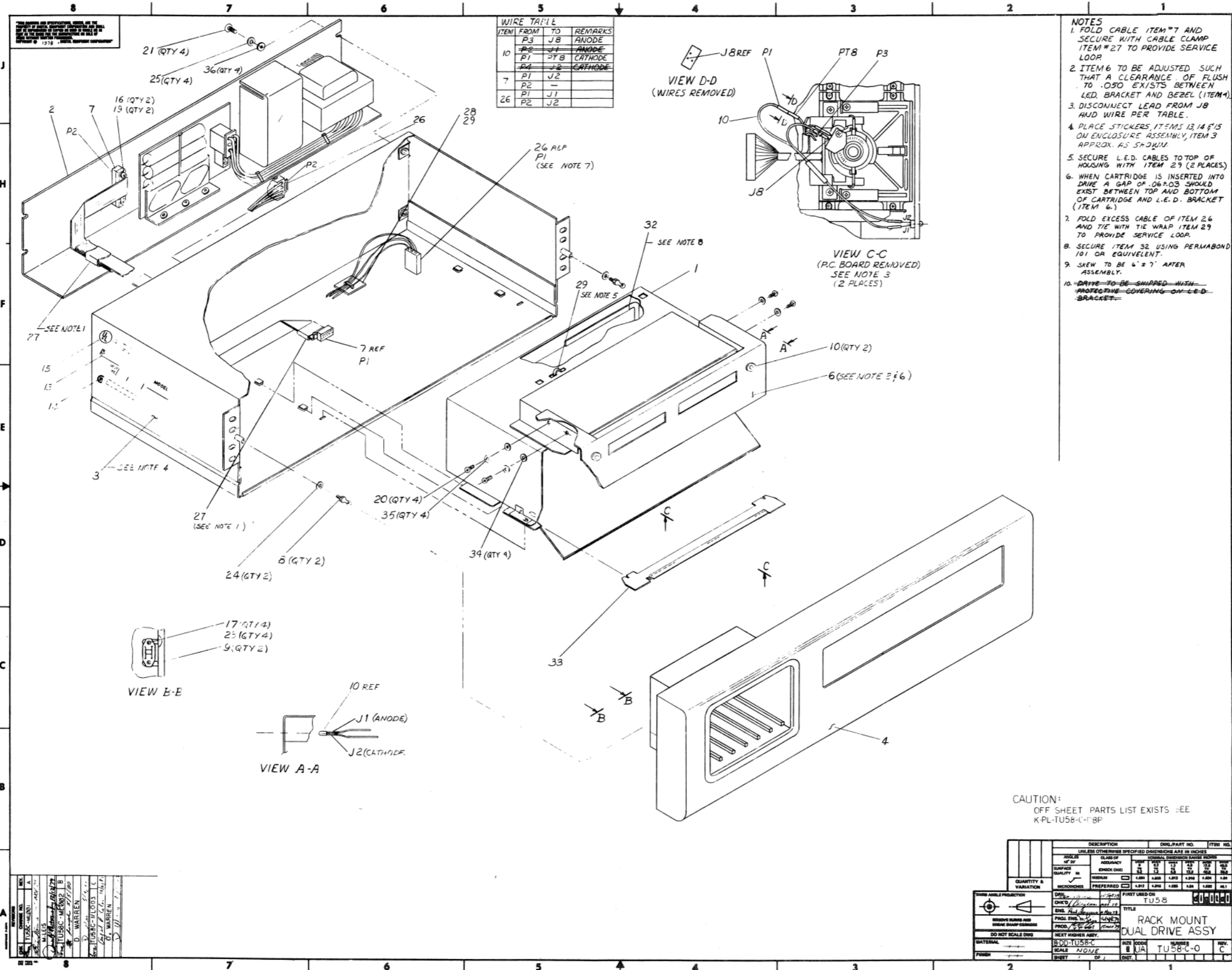
TITLE RACK MOUNT DUAL DRIVE

SHEET 3 OF 3

SIZE CODE B DD

NUMBER TU58-C

REV A



ITEM	FROM	TO	REMARKS
10	P3	J8	ANODE
	P1	J1	ANODE
	P1	J2	CATHODE
	P1	J2	CATHODE
7	P1	J2	
	P2	-	
	P1	J1	
26	P2	J2	

- NOTES**
1. FOLD CABLE ITEM #7 AND SECURE WITH CABLE CLAMP ITEM #27 TO PROVIDE SERVICE LOOP.
 2. ITEM 6 TO BE ADJUSTED SUCH THAT A CLEARANCE OF FLUSH TO .050 EXISTS BETWEEN LED BRACKET AND BEZEL (ITEM 4).
 3. DISCONNECT LEAD FROM J8 AND WIRE PER TABLE.
 4. PLACE STICKERS, ITEMS 13, 14 & 15 ON ENCLOSURE ASSEMBLY, ITEM 3 APPROX. AS SHOWN.
 5. SECURE L.E.D. CABLES TO TOP OF HOUSING WITH ITEM 29 (2 PLACES).
 6. WHEN CARTRIDGE IS INSERTED INTO DRIVE A GAP OF .06-.03 SHOULD EXIST BETWEEN TOP AND BOTTOM OF CARTRIDGE AND L.E.D. BRACKET (ITEM 6).
 7. FOLD EXCESS CABLE OF ITEM 26 AND TIE WITH TIE WRAP ITEM 29 TO PROVIDE SERVICE LOOP.
 8. SECURE ITEM 32 USING PERMABOND 101 OR EQUIVALENT.
 9. SKEW TO BE 6° ± 7' AFTER ASSEMBLY.
 10. ~~DRIVE TO BE SHIPPED WITH PROTECTIVE COVERING ON LED BRACKET.~~

CAUTION:
OFF SHEET PARTS LIST EXISTS -SEE
K-PL-TU58-C-1-BP

REV. 1	DATE	BY	CHKD.
1	10/1/68	WARREN	WARREN
2	10/1/68	WARREN	WARREN
3	10/1/68	WARREN	WARREN
4	10/1/68	WARREN	WARREN
5	10/1/68	WARREN	WARREN
6	10/1/68	WARREN	WARREN
7	10/1/68	WARREN	WARREN
8	10/1/68	WARREN	WARREN

DESCRIPTION	QTY	UNIT	REV.
RAK MOUNT DUAL DRIVE ASSY	1	EA	1
800-TU58-C	1	EA	1
800-TU58-C-0	1	EA	1

LINE	ITEM	DOCUMENT NUMBER	PART NUMBER	DESCRIPTION	QUANTITY PER VARIATION	
					CA	CX
1	1	E-AD-7015854-0-0	7015854-01	HOUSING/MODULE ASSY TAPE DRIVE(W	1	1
2	2	D-AD-7016078-0-0	7016078-00	POWER SUPPLY ASSY	1	1
3	3	E-IA-7016079-0-0	7016079-00	ENCLOSURE ASSY	1	1
4	4	C-MD-7422486-0-0	7422486-00	BEZEL,REWORK FOAM	1	1
5	5		BLANK		0	0
6	6	D-MD-7421487-0-0	7421487-00	BRKT, LED MTG, TU58	1	1
7	7	C-IA-7016305-0-0	7016305-1F	CABLE I/O	1	1
8	8		9008149-00	STUD, BALL, 6-32 X .155, .187 DI	2	2
9	9		9008487-00	RETAINER, BALL STUD	2	2
10	10		7017543-00	L.E.D. ASSY.	2	2
11	11	B-IA-7016525-0-0	7016525-00	*** THIS ITEM IS NOT USED ***	-	-
12	12		BLANK		0	0
13	13		3613209-00	LABEL,ELECTRICAL DATA	1	1
14	14		3613211-00	DECAL,CLEAR PREPRINTED CSA 1-1/4	1	1
15	15	A-DC-7416197-0-0	7416197-01	DECAL	1	1
16	16		9006557-00	NUT,KEP , 4-40X 1/4 AF	2	2
17	17		9010036-00	SCREW, SLOTTED HEX. HEAD 4 X 5/1	4	4
18	18		9008301-01	SCREW,PAN,PHIL 4-40X 1/4 SS	4	4
19	19		9008033-01	SCREW,PAN,PHIL 4-40X 9/16 SS	2	2
20	20		9006020-01	SCREW,PAN,PHIL 6-32X 1/4 SS	4	4
21	21		9006039-03	SCREW,TRUS,PHIL, 8-32X 1/2	4	4
22	22		9006656-00	*** THIS ITEM IS NOT USED ***	-	-
23	23		9006632-00	WASHER,LOCK,INT,.2600D X .120ID	4	4
24	24		9006633-00	WASHER,LOCK,INT,.2800D X .146ID	2	2
25	25		9006634-00	WASHER,LOCK,INT,.2300D X .172ID	4	4
26	26	C-IA-7016527-0-0	7016527-1F	1FT. 6 IN. +-1.0 IN.	1	1
27	27		9009636-00	CLAMP, CABLE, FOR FLAT CABLE	2	2
28	28		9008264-00	MOUNT, CABLE TIE, ADHESIVE BACKE	A/R	A/R
29	29		9007031-00	TIE,CABLE BUNDL.DIA 0- 3/4"=101	A/R	A/R
30	30	A-SP-3700405-0-0	3700405-00	INSTR PKG KIT OPTION TU58-CA	1	1

REVISION HISTORY		BASIC PART NO: OTU58		DRN: C.GEISENHAINER		DATE: 09-OCT-80		DIGITAL			
ENG	ECO NUMBER	REV	SECTION A OF A	CHK'D							
DW	TU58C-ML003	C	SECTION. VARIATION INDEX	CHK'D:	D.BRIGHAM		DATE: 09-OCT-80	RACK MOUNT DUAL DRIVE ASSY			
			[A] CA,CX								
			[B]	DES.ENG.:	P.LORUSSO		DATE: 09-OCT-80				
			[C]	RESP.ENG.:	P.LORUSSO		DATE: 09-OCT-80	DOCUMENT NUMBER			
			[D]					SIZE	CODE	NUMBER	REV
			[E]	MFG.ENG.:	P.GIBRS		DATE: 09-OCT-80	K	PL	TU58-C-DBP	C
			[F]	ASSEMBLY NUMBER:			TOP DOCUMENT NUMBER:	FILE NAME:	EDIT #		
				E-UA-TU58-0-0				Z1677C.PLS			3

*THIS DRAWING AND SPECIFICATIONS HEREIN, ARE THE PROPERTY OF DIGITAL EQUIPMENT CORPORATION AND SHALL NOT BE REPRODUCED OR COPIED OR USED IN WHOLE OR IN PART AS THE BASIS FOR THE MANUFACTURE OR SALE OF ITEMS WITHOUT WRITTEN PERMISSION. COPYRIGHT (C) 1980. DIGITAL EQUIPMENT CORPORATION *

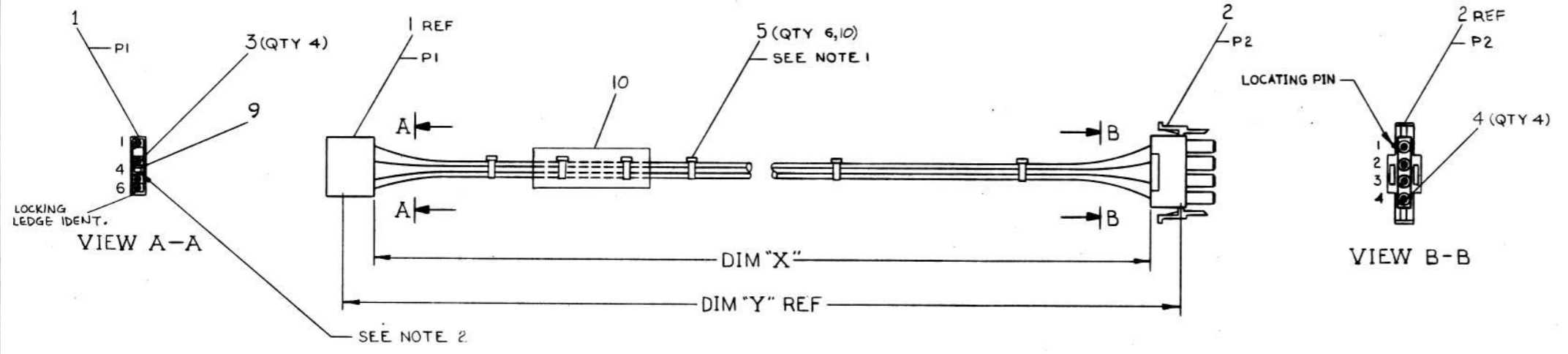
0-0-2299102 2

THIS DRAWING AND SPECIFICATIONS HEREBY ARE THE PROPERTY OF MILITARY AIRCRAFT DEVELOPMENT AND SHALL NOT BE REPRODUCED OR COPIED IN WHOLE OR IN PART AS THE BASIS FOR THE MANUFACTURE OR SALE OF ITEMS THEREFROM WITHOUT PERMISSION OF MILITARY AIRCRAFT DEVELOPMENT © 1978 MILITARY AIRCRAFT DEVELOPMENT

WIRE TABLE							
ITEM NO	DESCRIPTION	COLOR	CONN	WITH	TO	WITH	REMARKS
6	18	BLU	PI-1	1 3/8	P2-1	2 3/4	+12V
7	18	BLK	PI-3	1 3/8	P2-2	2 3/4	
7	18	BLK	PI-6	1 3/8	P2-3	2 3/4	
8	18	RED	PI-5	1 3/8	P2-4	2 3/4	+5V

LEGEND		
NUMBER	DIM "X" VARIATION	DIM "Y" (PRECUT) REF
7016527-02	2 FT ± 1.0 IN	2 FT - 5 IN
7016527-01	1 FT ± 1.0 IN	1 FT - 5 IN
7016527-1F	1 FT 6 IN ± 1.0 IN	1 FT - 11 IN

NOTES:
 1. ATTACH CABLE TIE (ITEM 5) APPROXIMATELY EVERY 3" AS SHOWN.
 2. INSERT KEY PLUG (ITEM 9) INTO POSITION 4 FROM THIS END.



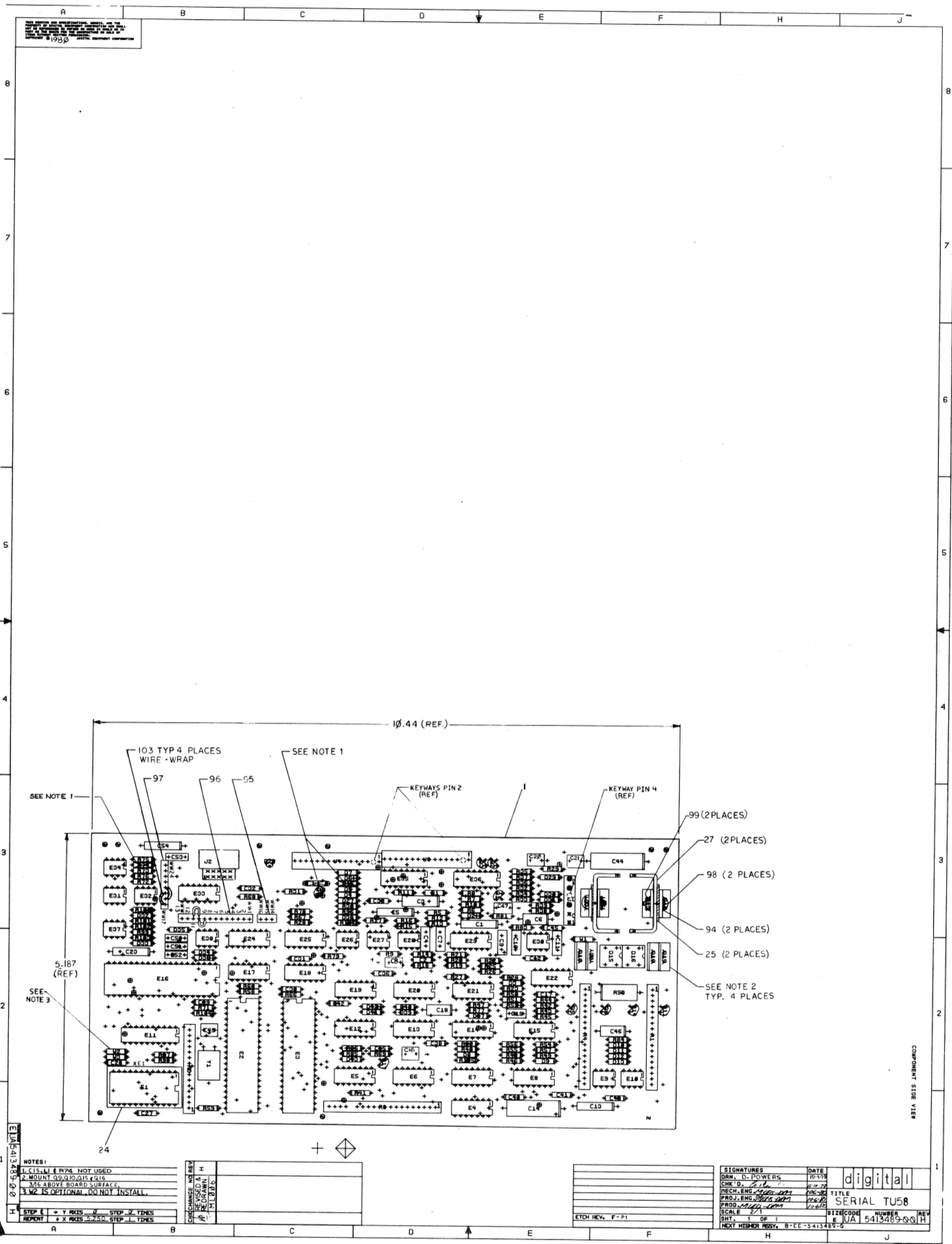
CAUTION OFF SHEETS PARTS LIST EXIST B-PL-7016527-0-0

REV	DATE	BY	CHKD	DESCRIPTION
1	11/12/77	C. BICKOFF		7016527-ML001 A
2	11/12/77	JIM WA		7016527-ML002 R
3	11/12/77	D. WARREN		7016527-ML003 C

QUANTITY & VARIATION	DESCRIPTION	DWG. PART NO.	ITEM NO.
1	CABLE, TU58 SUPPLY OUTPUT	D-AD-7016078-0-0	1
1	KEY PLUG	7016527-0-0	9
1	LOCATING PIN	7016527-0-0	2
1	CABLE TIE	7016527-0-0	5

UNLESS OTHERWISE SPECIFIED DIMENSIONS ARE IN INCHES	CLASS OF ACCURACY	1	2	3	4	5	6	7	8	9	10
ANGLES 20°	CHECK ONE	0.1	0.05	0.02	0.01	0.005	0.002	0.001	0.0005	0.0002	0.0001
SURFACE QUALITY IN	MEDIUM	1.004	1.000	1.012	1.010	1.004	1.004	1.004	1.004	1.004	1.004
INCHES	PREFERRED	1.012	1.010	1.000	1.01	1.000	1.01	1.000	1.01	1.000	1.01

THIRD ANGLE PROJECTION	DRN	28/78	FIRST USED ON	7016527-0-0
REMOVE BURRS AND BREAK SHARP CORNERS	CHK'D	28/78	TITLE	CABLE, TU58 SUPPLY OUTPUT
DO NOT SCALE DWG	ENG.	28/78	SIZE	D
MATERIAL SEE PARTS LIST	PROJ. ENG.	28/78	CODE	IA 7016527-0-0
FINISH NONE	PROD. DES.	28/78	NUMBER	1
			REV.	C
			SHEET	1 OF 1
			DIST.	



8

7

6

5

4

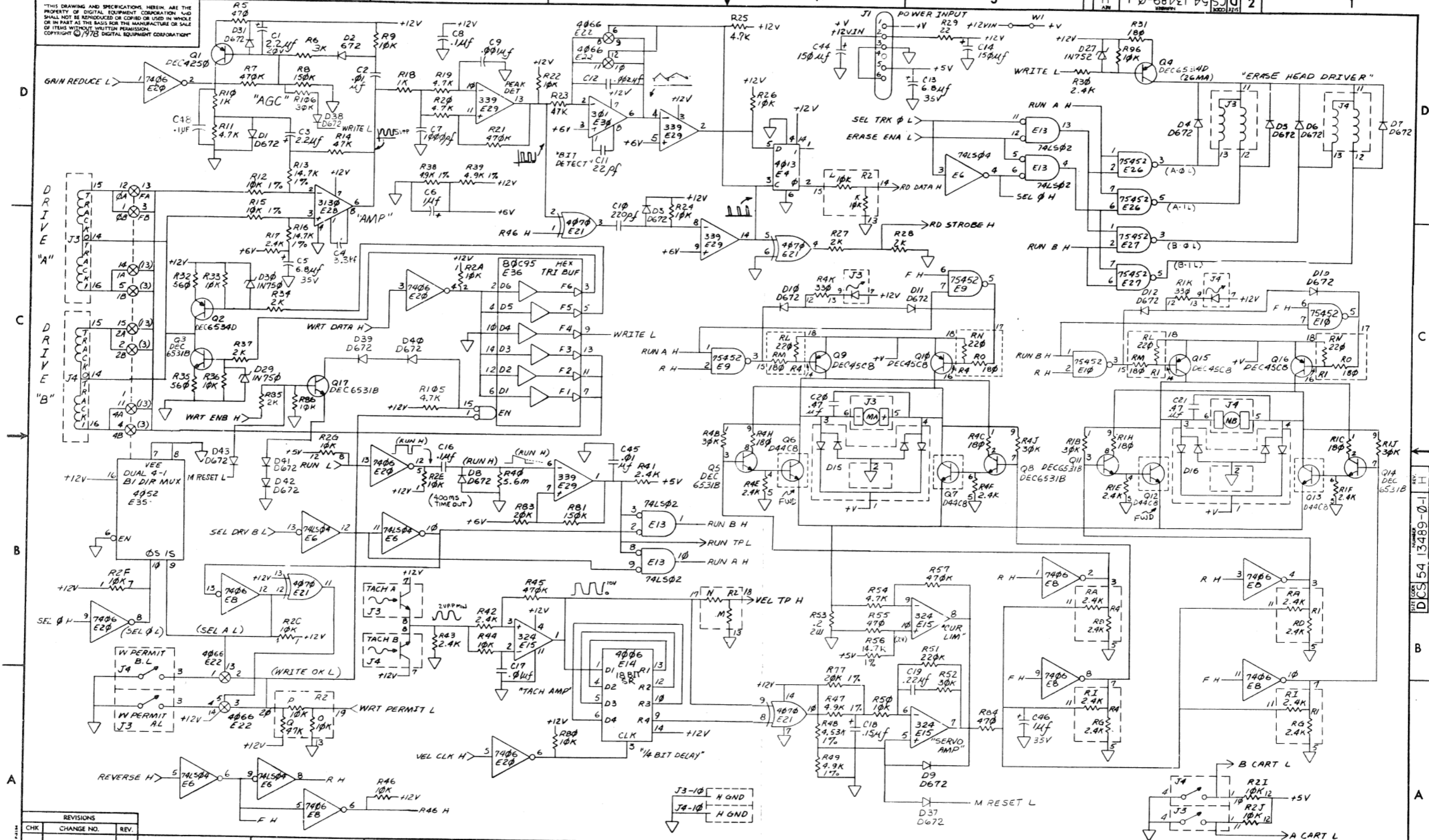
3

2

1

THIS DRAWING AND SPECIFICATIONS HEREIN ARE THE PROPERTY OF DIGITAL EQUIPMENT CORPORATION AND SHALL NOT BE REPRODUCED OR COPIED OR USED IN WHOLE OR IN PART AS THE BASIS FOR THE MANUFACTURE OR SALE OF ITEMS WITHOUT WRITTEN PERMISSION. COPYRIGHT © 1978 DIGITAL EQUIPMENT CORPORATION

DCS 54 13489-0-1



REVISIONS		
CHK	CHANGE NO.	REV.

TITLE TU58 ELECTRONICS: SERIAL NUMBER DCS 54 13489-0-1 H
 SCALE 1:1 SHEET 2 OF 2 DIST.

8

7

6

5

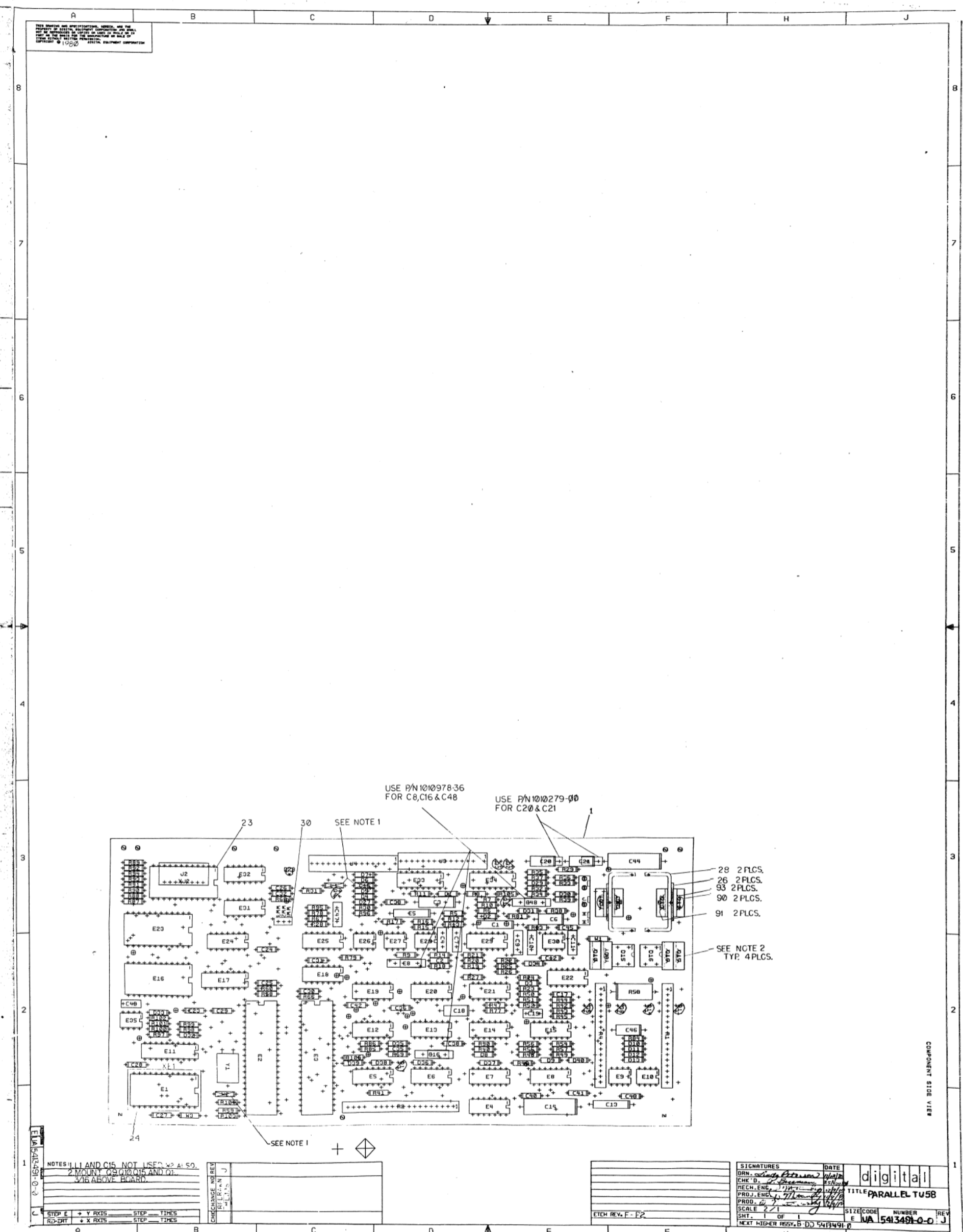
4

3

2

1

THIS DRAWING AND ASSOCIATED NOTES, AND THE
 PARTS OF THIS DRAWING, ARE THE PROPERTY OF
 THE UNITED STATES GOVERNMENT AND ARE TO BE
 REPRODUCED AS SHOWN ON THIS DRAWING. NO
 PART OF THIS DRAWING IS TO BE REPRODUCED OR
 TRANSMITTED IN ANY FORM OR BY ANY MEANS
 WITHOUT PERMISSION IN WRITING FROM THE
 OFFICE OF THE ASSISTANT SECRETARY FOR
 ACQUISITION, DEFENSE EQUIPMENT COMPTON
 CORPORATION © 1968



NOTES: 1. L AND C15 NOT USED AS ALSO
 2. MOUNT C8, C16, C15 AND C1
 3/16 ABOVE BOARD.

STEP	E	Y	AXIS	STEP	TIMES
RE-ENT			X		

CHANGE NO	REV	DATE	BY	CHKD

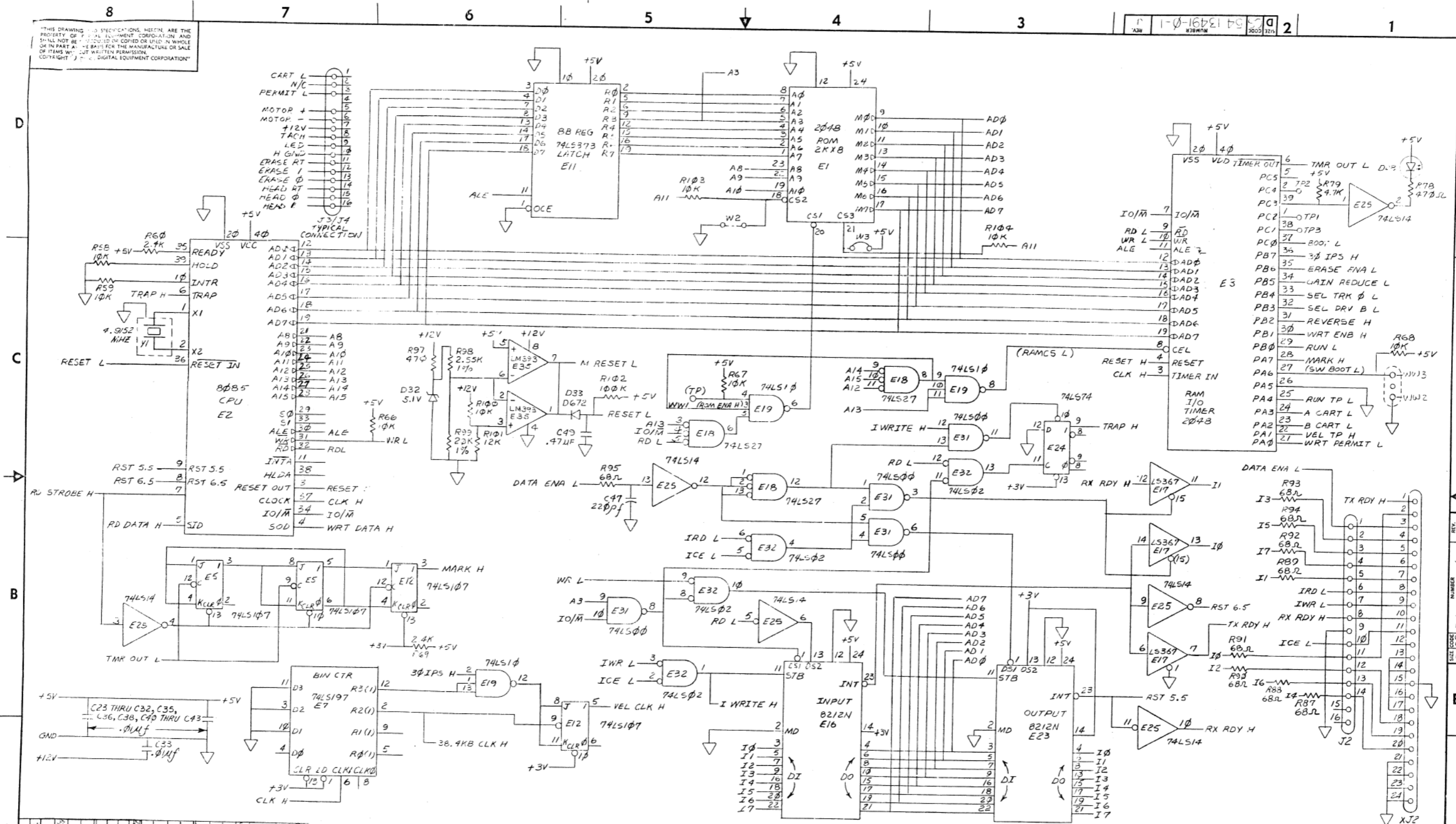
ETCH REV. F-22

SIGNATURES	DATE	digital
DRN. <i>[Signature]</i>	<i>[Date]</i>	
RECH. ENG. <i>[Signature]</i>	<i>[Date]</i>	
PROJ. ENG. <i>[Signature]</i>	<i>[Date]</i>	
PROD. <i>[Signature]</i>	<i>[Date]</i>	
SCALE 2/1		
SHT. 1 OF 1		
NEXT HIGHER ASSY. B-D 549491-P		

SIZE	CODE	NUMBER	REV
E	WA	1543491-0-0	J

COMPONENT SIDE VIEW

THIS DRAWING AND SPECIFICATIONS HEREIN ARE THE PROPERTY OF ANALOGUMENT CORPORATION AND SHALL NOT BE REPRODUCED OR COPIED IN WHOLE OR IN PART WITHOUT THE WRITTEN PERMISSION OF ANALOGUMENT CORPORATION.



REV.	DATE	BY	CHKD.	DESCRIPTION
1	10/17/78	M. LEIS	M. LEIS	INITIAL DESIGN
2	11/14/78	M. LEIS	M. LEIS	REVISED FOR MANUFACTURE
3	12/11/78	M. LEIS	M. LEIS	REVISED FOR MANUFACTURE
4	1/15/79	M. LEIS	M. LEIS	REVISED FOR MANUFACTURE
5	2/12/79	M. LEIS	M. LEIS	REVISED FOR MANUFACTURE
6	3/11/79	M. LEIS	M. LEIS	REVISED FOR MANUFACTURE
7	4/8/79	M. LEIS	M. LEIS	REVISED FOR MANUFACTURE
8	5/6/79	M. LEIS	M. LEIS	REVISED FOR MANUFACTURE

DRN	10/17/78	FIRST USED ON	TU58	digital
CHKD.	M. LEIS	DATE	11/17/78	
ENG. NO.	11178	TITLE	PARALLEL TU58	
PROJ. ENG. IN CHARGE	M. LEIS	DATE	11/17/78	
PROD. DATE	11/17/78			
NEXT HIGHER ASSY.				
H-DRAWING NO.	54-13491-0	SIZE CODE	D CS	NUMBER
SCALE	1:1	DIST.		REV. J
SHEET	1 OF 2			

8

7

6

5

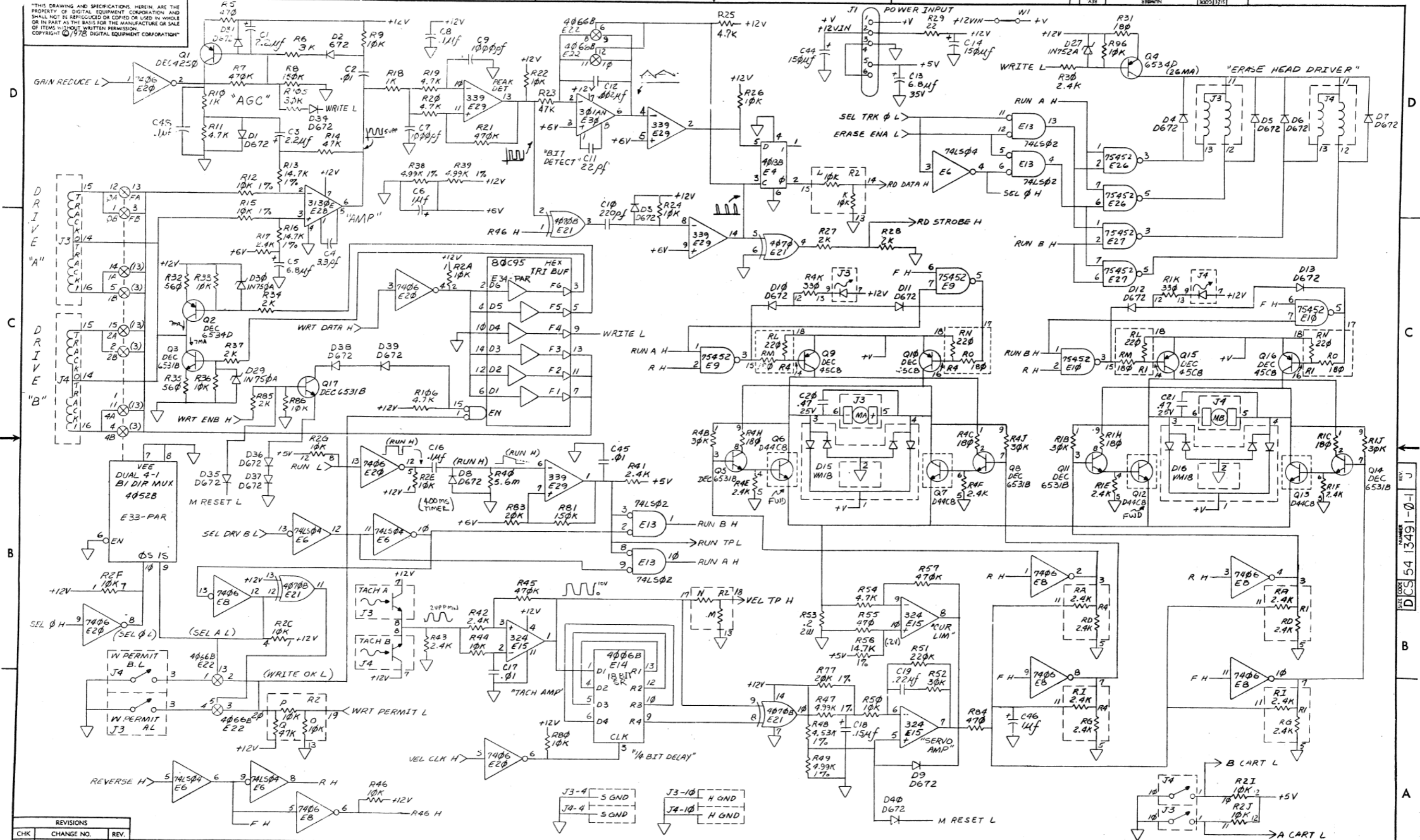
4

3

2

1

"THIS DRAWING AND SPECIFICATIONS HEREIN ARE THE PROPERTY OF DIGITAL EQUIPMENT CORPORATION, AND SHALL NOT BE REPRODUCED OR COPIED OR USED IN WHOLE OR IN PART AS THE BASIS FOR THE MANUFACTURE OR SALE OF ITEMS WITHOUT WRITTEN PERMISSION. COPYRIGHT © 1978 DIGITAL EQUIPMENT CORPORATION"



REVISIONS		
CHK	CHANGE NO.	REV.
ML	01	D
ML	01	D

TITLE	PARALLEL TU58	SIZE CODE	DCS	NUMBER	54 13491-0-1	REV.	J
SCALE	1/1	SHEET	2 OF 2	DIST.			

REV. J 54 13491-0-1

LINE ITEM	DOCUMENT NUMBER	PART NUMBER	DESCRIPTION	QTY PER VARIATION	REFERENCE DESIGNATOR	
				00		
1	1	5013488-00	TU58 ELECTRONIC SERIAL	1		
2	2	1215816-00	HEADER,100 15POS STRAIGHT	2	J3,J4	
3	3	1000021-00	220.0 MMF 100V 5%200PPM MICA	1	C10	
4	4	1000023-00	*** THIS ITEM IS NOT USED ***	-		
5	5	1010978-36	.1 MFD 50V 10% CER	3	C8,C16,C47	
6	6	1000042-00	1000.0 MMF 100V 5%200PPM MICA	2	C9,C7	
7	7	1001610-00	.01 MFD 50V +80-20% 25U CER	17	C2,C17,C27-C33,C35,C36,C38,C40, CONT C41,C42,C43,C45	
8	8	1001776-00	1 MFD 35V 10% S.TANT	2	C6,C46	
9	9	1002315-00	2000.0 MMF 500V 5%200PPM MICA	1	C12	
10	10	1013466-21	3.3 MMF 50V+- .5PF CER	1	C4	
11	11	1002431-00	2.2MFD 35V 10% S.TANT	2	C1,C3	
12	12	1005306-00	6.8MFD 35V 10% S.TANT	4	C5,C13,C23,C54	
13	13	1005334-00	*** THIS ITEM IS NOT USED ***	-		
14	14	1005820-00	22.0 MMF 100V 5%200PPM MICA	1	C11	
15	15	1010978-40	.22 MFD 50V 10% CER	1	C19	
16	16	1011895-00	.15 MFD 35V 10% S.TANT	1	C18	
17	17	1012312-00	*** THIS ITEM IS NOT USED ***	-		
18	18	1100101-00	*** THIS ITEM IS NOT USED ***	-		
19	19	1102808-00	1N 752A VZ= 5.6 5% .40W	1	D27	
20	20	1105275-00	D 672 TR= 15NS PIV= 60V SI	25	D1-D13,D31,D33-D43	
21	21	1110324-00	LED 1MCD@10MA PIV=3	1	D28	
22	22	1115369-00	VM 18 PIV=100 I=1A	2	D15,D16	
23	23	1213506-04	HEADER 10POS RT ANGLE W/3 SI	1	J2	
24	24	1212385-04	SOCKET 24PIN IC	1	XE1	
25	25	USED FOR Q7 & Q12	1213071-06	INSULATOR,RUBBER SILICONE	2	
26	26		1213113-01	*** THIS ITEM IS NOT USED ***	-	
27	27		1213418-01	HEAT SINK,VERTICLE MNT,ALUMINUM	2	
28	28		1300247-00	120.0 .25 W 5.0 % CC	1	R75
29	29		1300274-00	*** THIS ITEM IS NOT USED ***	-	

REVISION HISTORY		BASIC PART NO: 5413489		DRN:	DAN MUTNANSKY	DATE:	22-MAY-78	DIGITAL		
ENG!	ECO NUMBER	REV	SECTION A OF A	CHK'D:	P. BOSSMAN	DATE:	6-JUNE-78	TITLE	PARTS LIST	
---	INIT	C	SECTION.VARIATION INDEX							
PB	5413489-ML001	D	[A] 00					SERIAL TU58		
M.L	5413489-ML003	E	[B]							
ML	5413489-ML004	F	[C]	DES.ENG:	MIKE LEIS	DATE:	22-MAY-78			
D.M	5413489-ML006	H	[D]							
			[E]							
			[F]	RESP.ENG.:	M. LEIS	DATE:	6-JUNE-78	DOCUMENT NUMBER		
			[H]							
			[J]					SIZE!CODE! NUMBER	REV	
			[K]	MFG.ENG.:	P. BARTON	DATE:	6-JUNE-78	K ! PL ! 5413489-0-DBP	H	
			[L]							
			[M]	ASSEMBLY NUMBER:		TOP DOCUMENT NUMBER:		FILE NAME:	EDIT #	
			[N]	E-UA-5413489-0-0		TU58		Z0582H.PLS	37	

"THIS DRAWING AND SPECIFICATIONS HEREIN, ARE THE PROPERTY OF DIGITAL EQUIPMENT CORPORATION AND SHALL NOT BE REPRODUCED OR COPIED OR USED IN WHOLE OR IN PART AS THE BASIS FOR THE MANUFACTURE OR SALE OF ITEMS WITHOUT WRITTEN PERMISSION. COPYRIGHT (C) 1980. DIGITAL EQUIPMENT CORPORATION "

LINE	ITEM	DOCUMENT NUMBER	PART NUMBER	DESCRIPTION	QTY PER VARIATION 00	REFERENCE DESIGNATOR
76	76		1914451-00	74LS393 COUNTER,BINARY,4BIT	1	E33
77	77		1914466-00	3130E OP AMP MOS/FET IN,CM	1	E28
78	78		1915219-00	LS373 FF-D OCTAL-TRANSPARE	1	E11
79	79		1915415-00	9636 DRIVER,DUAL,EIA RS-	1	E32
80	80		1915416-00	9637 RECEIVER,DUAL,RS-42	1	E34
81	81		1915417-00	9638 DRIVER,DUAL,EIA RS-	1	E31
82	82		2113605-00	4006B SHIFT REG,18 STAGE	1	E14
83	83		2113609-00	4013B FF-D DUAL W/SET/RESE	1	E4
84	84		2113630-00	4052B MULTIPLEXER 4CHAN DI	1	E35
85	85		2113632-00	4066B BILATERAL SWITCH-QUA	1	E22
86	86		2113634-00	4070B X-OR GATE-QUAD CMOS	1	E21
87	87		2113937-00	UART 125K BUAD	1	E16
88	88		2114663-00	MM 80C95 BUFFER-GATE-HEX TRIS	1	E36
89	89		2114963-00	UP,8-BIT NMOS	1	E2
90	90		2114964-00	RAM 2048 MOSJ-STATIC	1	E3
91	91		23089E2-00	E2-01	1	E1
92	92		1212619-07	HEADER.156 6POS STRAIGHT	1	J1
93	93		9009185-00	JUMPER, WIRE, INSULATED, BLACK B	2	W1,W3
94	94	USED FOR Q7 & Q12	9010057-00	WASHER, INSULATING SHOULDER FOR	2	
95	95		1215816-01	HEADER.100 3POS STRAIGHT	1	
96	96		1215816-02	HEADER.100 13POS STRAIGHT	1	
97	97		1215816-03	HEADER.100 8POS STRAIGHT	1	
98	98		9006011-01	SCREW,PAN,PHIL 4-40X 3/8 SS	2	
99	99		9006557-00	NUT,KEP , 4-40X 1/4 AF	2	
100	100		1100124-00	1N 750A VZ= 4.7 5% .40W P	2	D29,D30
101	101		1301890-00	560.0 .25 W 5.0 % CC	2	R32,R35
102	102		1313840-00	4.53 K .25 W 1.0 % RN55D-F10	1	R48
103	103		9105740-55	WIRE(WRAP)30AWG UL1423	A/R	
104	104		1012084-03	150 MFD 15V +75-10% AL EL	2	C44,C14
105	105		9107256-11	*** THIS ITEM IS NOT USED ***	-	
106	106		1910741-01	7406N BUFFER,HEX	1	E20
107	107		5414232-00	*** THIS ITEM IS NOT USED ***	-	
108	108		1310633-00	2.55 K .25 W 1.0 % RN55D-F10	1	R101
109	109		1300488-00	12.0 K .25 W 5.0 % CC	1	R103
110	110		1302466-00	100.0 K .25 W 5.0 % CC	1	R104
111	111		1105871-00	1/4M5.1A21 = 5.1 1% .25W N	1	D32
112	112		1914156-00	LM 393 VOLT.COMPARATOR DUAL	1	E37
113	113		1912098-00	0026 DRIVER,MOS CLOCK,2	1	E38
114	114		1010274-01	.22 MFD 50V +80-20% Z5U CER	4	C50-C53
115	115		1010279-00	.47 MFD 25V 20% CER	3	C20,C21,C49

! D ! I ! G ! I ! T ! A ! L !	! TITLE	! SERIAL TU58	! SECTION A OF A	! SIZE ! CODE !	! DOCUMENT NUMBER	! REV
! ! ! ! ! ! ! !	! ! ! ! ! ! ! !	! ! ! ! ! ! ! !	! ! ! ! ! ! ! !	! K ! PL !	! 5413489-0-DBP	! H !

LINE	ITEM	DOCUMENT NUMBER	PART NUMBER	DESCRIPTION	QTY	PER VARIATION	REFERENCE DESIGNATOR
					00		
1	1		5013490-00	TU58 ELECTRONICS PARALLEL	1		
2	2		1000021-00	220.0 MMF 100V 5%200PPM MICA	2		C10,C47
3	4		1010978-36	.1 MFD 50V 10% CER	3		C8,C16,C48
4	5		1000042-00	1000.0 MMF 100V 5%200PPM MICA	2		C9,C7
5	6		1001610-00	.01 MFD 50V +80-20% 25U CER	21		C2,C17,C23-C33,C35,C36,C38,
6	7		1001776-00	1 MFD 35V 10% S.TANT	2	CONT	C40-C43,C45
7	8		1002315-00	2000.0 MMF 500V 5%200PPM MICA	1		C6,C46
8	9		1013466-21	3.3 MMF 50V+- .5PF CER	1		C12
9	10		1002431-00	2.2MFD 35V 10% S.TANT	2		C4
10	11		1005306-00	6.8MFD 35V 10% S.TANT	2		C1,C3
11	13		1005820-00	22.0 MMF 100V 5%200PPM MICA	1		C5,C13
12	14		1010978-40	.22 MFD 50V 10% CER	1		C11
13	15		1011895-00	.15 MFD 35V 10% S.TANT	1		C19
14	16		1012084-03	150 MFD 15V +75-10% AL EL	2		C18
15	17		1012312-00	*** THIS ITEM IS NOT USED ***	-		C44,C14
16	18		1100124-00	1N 750A VZ= 4.7 5% .40W P	2		D29,D30
17	19		1102808-00	1N 752A VZ= 5.6 5% .40W	1		D27
18	20		1105275-00	D 672 TR= 15NS PIV= 60V SI	22		D1-D13,D31,D33-D40
19	21		1110324-00	LED 1MCD@10MA PIV=3	1		D28
20	22		1115369-00	VM 18 PIV=100 I=1A	2		D15,D16
21	23		1216106-00	SOCKET 32PIN	1		XJ2
22	24		1212385-04	SOCKET 24PIN IC	1		XE1
23	25		1212619-07	HEADER.156 6POS STRAIGHT	1		J1
24	26		1213071-06	INSULATOR,RUBBER SILICONE	2		
25	28		1213418-01	HEAT SINK,VERTICLE MNT,ALUMINUM	2		
26	29		1215816-00	HEADER.100 15POS STRAIGHT	2		J3,J4
27	30		1215816-01	HEADER.100 3POS STRAIGHT	1		
28	31		1300219-00	68.0 .25 W 5.0 % CC	9		R87-R95
29	32		1300316-00	470.0 .25 W 5.0 % CC	5		R5,R55,R78,R84,R97

REVISION HISTORY		BASIC PART NO: 5413491		DRN:	D. MUTNANSKY	DATE:	14-JUL-78	DIGITAL			
ENG	ECO NUMBER	REV	SECTION A OF A	CHK'D:	D. MUTNANSKY	DATE:	08-AUG-78	TITLE	PARTS LIST		
---	INIT	IC	SECTION, VARIATION INDEX	CHK'D:	D. MUTNANSKY	DATE:	08-AUG-78	PARALLEL TU58			
PB	ML001	ID	[A] 00	DES.ENG:	M. LEIS	DATE:	08-AUG-78	DOCUMENT NUMBER			
M.L	ML002	IE	[B]	RESP.ENG.:	M. LEIS	DATE:	14-JUL-78	SIZE	CODE	NUMBER	REV
ML	5413491-ML003	IF	[C]	MFG.ENG.:	F. BARTON	DATE:	08-AUG-78	K	PL	5413491-0-DBP	J
ML	5413491-ML005	IH	[D]	ASSEMBLY NUMBER:		TOP DOCUMENT NUMBER:		FILE NAME:			
ML	5413491-ML006	IJ	[E]	D-UA-5413491-0-0		TU58		Z0583J.PLS			
			[F]								
			[G]								
			[H]								
			[I]								
			[J]								
			[K]								
			[L]								
			[M]								
			[N]								

"THIS DRAWING AND SPECIFICATIONS HEREIN, ARE THE PROPERTY OF DIGITAL EQUIPMENT CORPORATION AND SHALL NOT BE REPRODUCED OR COPIED OR USED IN WHOLE OR IN PART AS THE BASIS FOR THE MANUFACTURE OR SALE OF ITEMS WITHOUT WRITTEN PERMISSION. COPYRIGHT (C) 1980. DIGITAL EQUIPMENT CORPORATION"

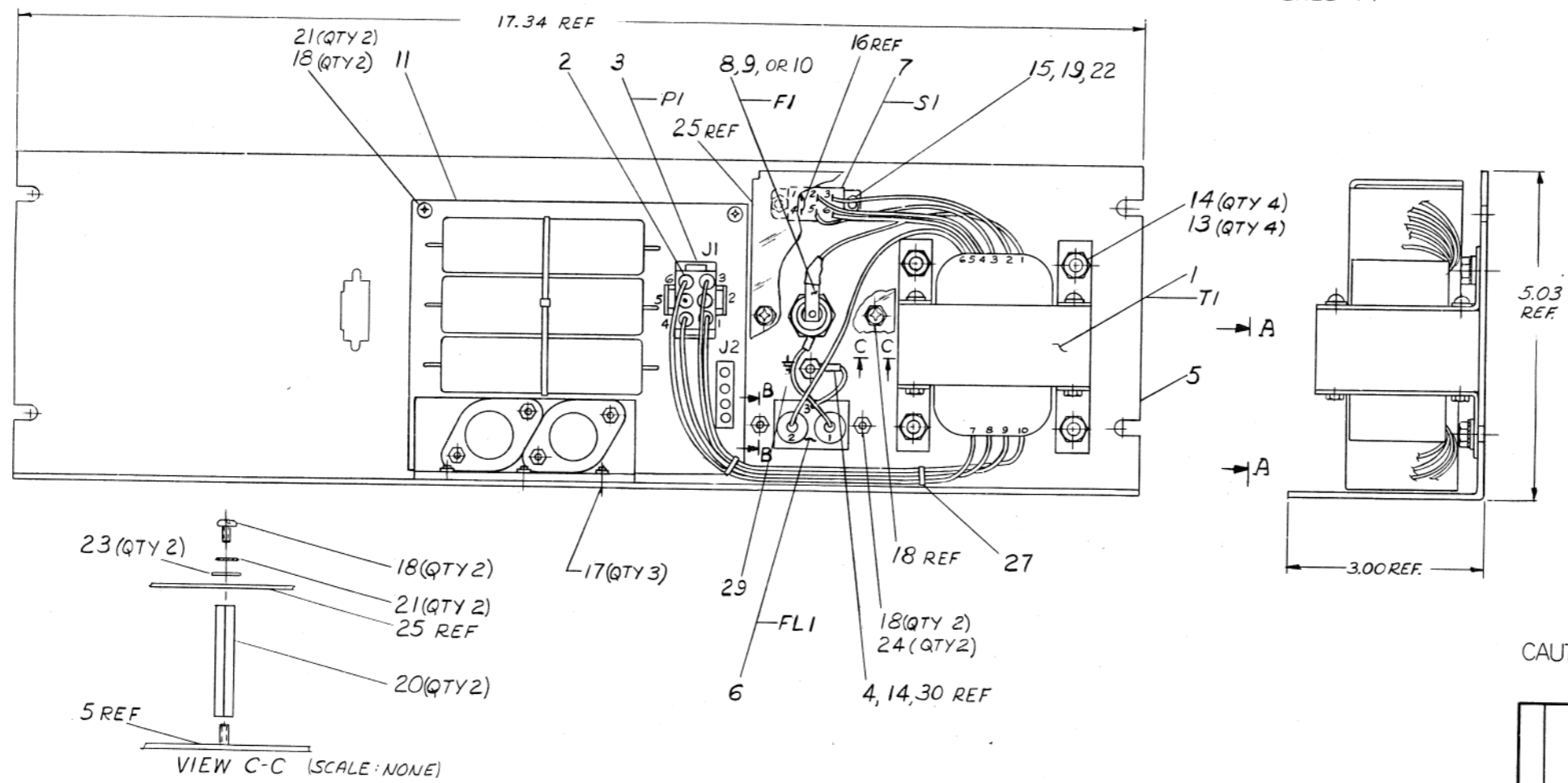
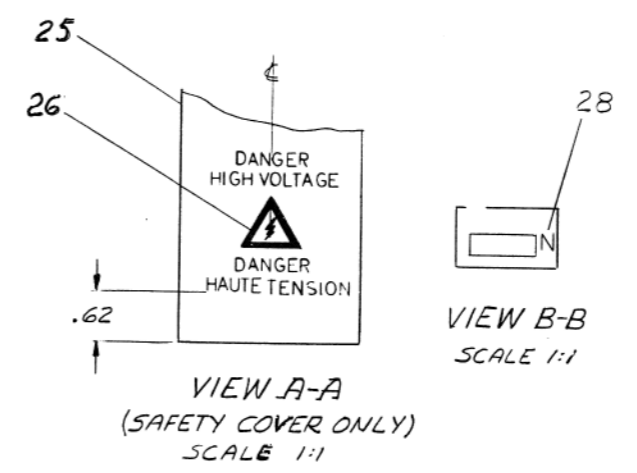
LINE ITEM	DOCUMENT NUMBER	PART NUMBER	DESCRIPTION	QTY PER VARIATION	REFERENCE DESIGNATOR
				00	
30	33	1300365-00	1.0 K .25 W 5.0 % CC	2	R10,R18
31	35	1300447-00	4.70 K .25 W 5.0 % CC	7	R11,R19,R20,R25,R54,R79,R106
32	36	1300479-00	10.0 K .25 W 5.0 % CC	20	R9,R22,R24,R26,R44,R46,R50,R58, R59,R66-R68,R80,R33,R36,R96,R86, CONT R100,R103,R104 CONT R31
33	37	1301322-00	180.0 .25 W 5.0 % CC	1	R6
34	38	1300432-00	3.0 K .25 W 5.0 % CC	1	R32,R35
35	39	1301890-00	560.0 .25 W 5.0 % CC	2	R29
36	40	1301969-00	22.0 .25 W 5.0 % CC	1	R51
37	41	1302092-00	220.0 K .25 W 5.0 % CC	1	R14,R23
38	42	1302177-00	47.0 K .25 W 5.0 % CC	2	R27,R28,R34,R37,R85
39	43	1302388-00	2.0 K .25 W 5.0 % CC	5	R83
40	44	1302391-00	20.0 K .25 W 5.0 % CC	1	R52,R105
41	45	1302394-00	30.0 K .25 W 5.0 % CC	2	R8,R81
42	46	1302396-00	150.0 K .25 W 5.0 % CC	2	R7,R21,R45,R57
43	47	1302398-00	470.0 K .25 W 5.0 % CC	4	R13,R16,R56
44	48	1302941-00	14.70 K .25 W 1.0 % RN55D-F10	3	R17,R30,R41-R43,R60,R69
45	49	1303177-00	2.40 K .25 W 5.0 % CC	7	R12,R15
46	50	1303312-00	10.0 K .25 W 1.0 % RN55D-F10	2	R38,R39,R47,R49
47	51	1305324-00	4.99 K .25 W 1.0 % RN55D-F10	4	R40
48	52	1309386-00	5.60 M .25 W 5.0 % CC	1	R53
49	53	1311466-00	.20 2.0 W 5.0 % WW	1	R77,R99
50	54	1313596-00	20.0 K .25 W 1.0 % RN55D-F10	2	R48
51	55	1313840-00	4.53 K .25 W 1.0 % RN55D-F10	1	R2
52	56	1315660-00	R NETWORK 16-10K 1-4.7K 20PIN	1	R1,R4
53	57	1315661-00	R NETWORK MULTI-VALUE	2	Q2,Q4
54	58	1505409-00	DEC6534D PNP 310MW SI 40 90	2	Q1
55	59	1509142-00	DEC4250 PNP 200MW SI 40250	1	Q3,Q5,Q8,Q11,Q14,Q17
56	60	1509338-00	DEC6531B NPN 310MW SI 40 90 P	6	Q6,Q7,Q12,Q13
57	61	1510421-00	D 44CB NPN 30WT SI 60 20	4	Q9,Q10,Q15,Q16
58	62	1510598-00	DEC45CB PNP 27WT SI 60 20 Y	4	Y1
59	63	1812396-06	XTAL 4.9152 MHZ	1	E30
60	64	1910282-00	301AN OP AMP	1	E9,E10,E26,E27
61	65	1910645-00	75452 DRIVER,PERIPH,DUAL,	4	E8
62	66	1910741-00	7406 INVERTER GATE-HEX 1I	1	E15
63	67	1912107-00	324 OP AMP,QUAD	1	E29
64	68	1912108-00	339 VOLT CMPRTR,QUAD	1	E31
65	69	1912799-00	LS00 NAND-GATE-QUAD 2IN,P	1	E13,E32
66	70	1912801-00	LS02 NOR-GATE-QUAD 2IN	2	E6
67	71	1912803-00	774LS04 INVERTER GATE, HEX	1	E18
68	72	1912813-00	LS27 NOR GATE-TRIPLE 3IN	1	E24
69	73	1912824-00	LS74 FF-D DUAL,EDGE TRIGG	1	E5,E12
70	74	1912832-00	LS107 FF-JK DUAL MASTER/SL	2	E25
71	75	1913414-00	LS14 INVERTER GATE-HEX SC	1	E7
72	76	1912857-00	LS197 COUNTER,BINARY,PRESET	1	E17
73	77	1913471-00	LS367 DRIVER,BUS,HEX,TRI-	1	E16,E23
74	78	1913667-00	DP 8212N BUFFER 8 BIT TRISTA	2	E28
75	79	1914466-00	3130E OP AMP MOS/FET IN,CM	1	

! D ! I ! G ! I ! T ! A ! L !	! TITLE !	! SECTION A OF A !	! SIZE ! CODE !	! DOCUMENT NUMBER !	! REV !
! ! ! ! ! ! ! !	! PARALLEL TU58 !	! ! ! ! ! ! ! !	! K ! PL !	! 5413491-0-DBP !	! J !

"THIS DRAWING AND SPECIFICATIONS HEREIN ARE THE PROPERTY OF DIGITAL EQUIPMENT CORPORATION AND SHALL NOT BE REPRODUCED OR COPIED OR USED IN WHOLE OR IN PART AS THE BASIS FOR THE MANUFACTURE OR SALE OF ITEMS WITHOUT WRITTEN PERMISSION."
 COPYRIGHT © 1978 . DIGITAL EQUIPMENT CORPORATION

ITEM NO.	DESCRIPTION		FROM		TO		REMARKS
	AWG	COLOR	CONNECTION	WITH	CONNECTION	WITH	
1	18	BLUE	T1-7		P1-6	3&2	9.37 LG.
1		BLUE	T1-8		P1-4	3&2	9.37 LG.
1		BLU/BLK	T1-9		P1-3	3&2	10.00 LG.
1		BLU/BLK	T1-10		P1-1	3&2	10.00 LG.
30		GRN/YEL	FL1-3	SOLDER	GND	4, 14	3.5 LG.
31		BROWN	FL1-1	SOLDER	F1-1	SOLD,10	4.25 LG.
1		RED	T1-1		F1-2	SOLD,10	6.5 LG.
1		RED	T1-2		S1-3	SOLDER	4.5 LG.
1		RED/YEL	T1-3		S1-5		5.5 LG.
1		BLACK	T1-4		S1-2		4.5 LG.
1		WHITE	T1-5		S1-6		4.0 LG.
1	18	WHITE	T1-6		FL1-2	SOLDER	6.5 LG.
16	18	-	S1-1	SOLDER	S1-4	SOLDER	.5 LG.

NOTE:
 1. LOCATE ITEM 26 SYMMETRICALLY ON ITEM 25.



CAUTION: OFF SHEET PARTS LIST EXISTS
 SEE B-PL-7016078-0-0

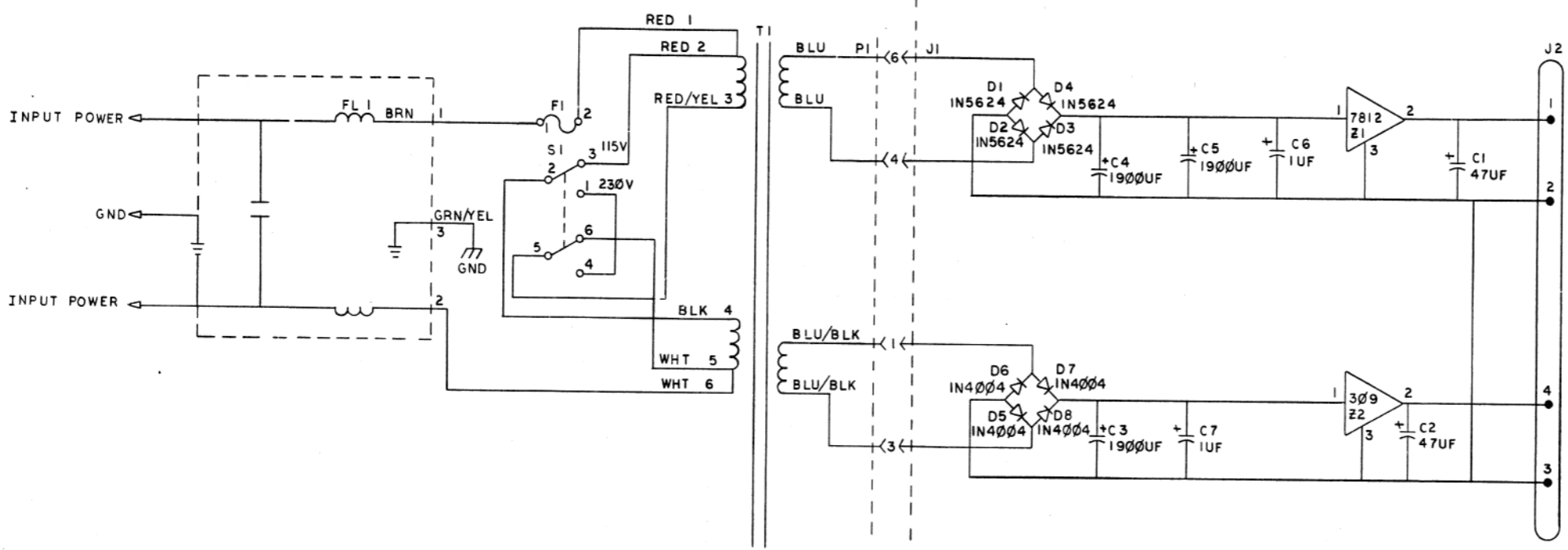
QUANTITY & VARIATION	DESCRIPTION		DWG./PART NO.	ITEM NO.
	ANGLE	CLASS OF ACCURACY		
MICROINCHES	30°	PRECISION	UNLESS OTHERWISE SPECIFIED DIMENSIONS ARE IN INCHES	
	45°	STANDARD		
SURFACE QUALITY	IN	(CHECK ONE)	NOMINAL DIMENSION RANGE INCHES	
	IN			
FINISH	IN		0 TO 0.2	0.2 TO 0.4
	IN		0.4 TO 0.6	0.6 TO 1.0
MATERIAL	IN		1.2 TO 2.0	2.0 TO 4.0
	IN		4.0 TO 12.0	12.0 TO 40.0
FINISH	IN		40.0 TO 80.0	80.0 TO 100.0
	IN			

DRN	23/10/78	155877-01	FIRST USED ON	TU 58	digital
CHK'D			TITLE	POWER SUPPLY ASSEMBLY	
ENG.			PROJECT	AD 7016078-0-0	
PROJ. ENG.			PROD. DATE	10/24/78	
PROD. DATE			SHEET	1	OF 1

REV.	CHANGE NO.

DEC FORM NO. 080 100-C

"THIS DRAWING AND SPECIFICATIONS, HEREIN, ARE THE PROPERTY OF DIGITAL EQUIPMENT CORPORATION AND SHALL NOT BE REPRODUCED OR COPIED OR USED IN WHOLE OR IN PART AS THE BASIS FOR THE MANUFACTURE OR SALE OF ITEMS WITHOUT WRITTEN PERMISSION. COPYRIGHT © 1978, DIGITAL EQUIPMENT CORPORATION"



REVISIONS	REV.
CHANGE NO.	
CHK	

DRN. <i>Jim Down</i>	SEPT 78	FIRST USED ON	TU58	digital
CHK'D <i>John</i>	SEP 78	TITLE	POWER SUPPLY SCHEMATIC	
ENG. <i>Jim Down</i>	10/1/78	SIZE	CODE	NUMBER
PROJ. ENG. <i>John</i>	01/1/78	D	CS	7016078-0-1
PROD. <i>John</i>	10/11/78	SHEET	OF	DIST.
NEXT HIGHER ASSY.		REV.		
D-AD-7016078-0-0		REV.		

LINE ITEM	DOCUMENT NUMBER	PART NUMBER	DESCRIPTION	QUANTITY PER VARIATION XA
1	D-AD-7015510-0-0	7015510-00	CARTRIDGE DRIVE	1
2	A-PS-3700385-0-0	3700385-00	INSTR PKG TAPE DRIVE TU58-XA	1
3		9906077-03	BAG, COTTON, PARTS	1
4	B-MD-7424084-0-0	7424084-00	SCREW, SHOULDER	4
5	A-PS-1217653-0-0	1217653-00	SPRING, COMPRESSION .234 OD X .3	4
6	B-MD-7424101-0-0	7424101-00	WASHER	4
7	EK-0TU58-WS		MOUNTING INSTRUCTIONS	1
8	A-PS-3617416-0-0	3617416-00	LABEL, HEAD CLEANING ADVICE FOR T	1

9 NOTE: ITEMS 4-7 ARE MOUNTING HARDWARE TO BAGGED AND SHIPPED WITH UNIT

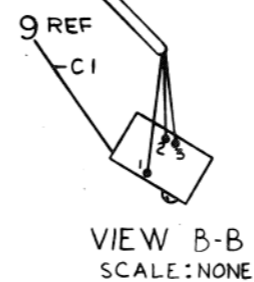
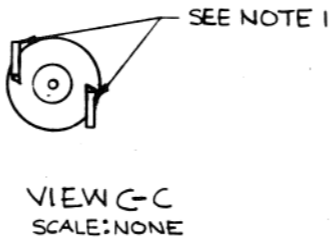
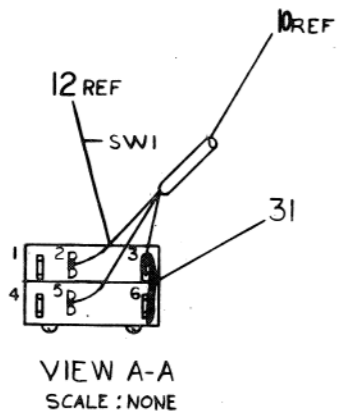
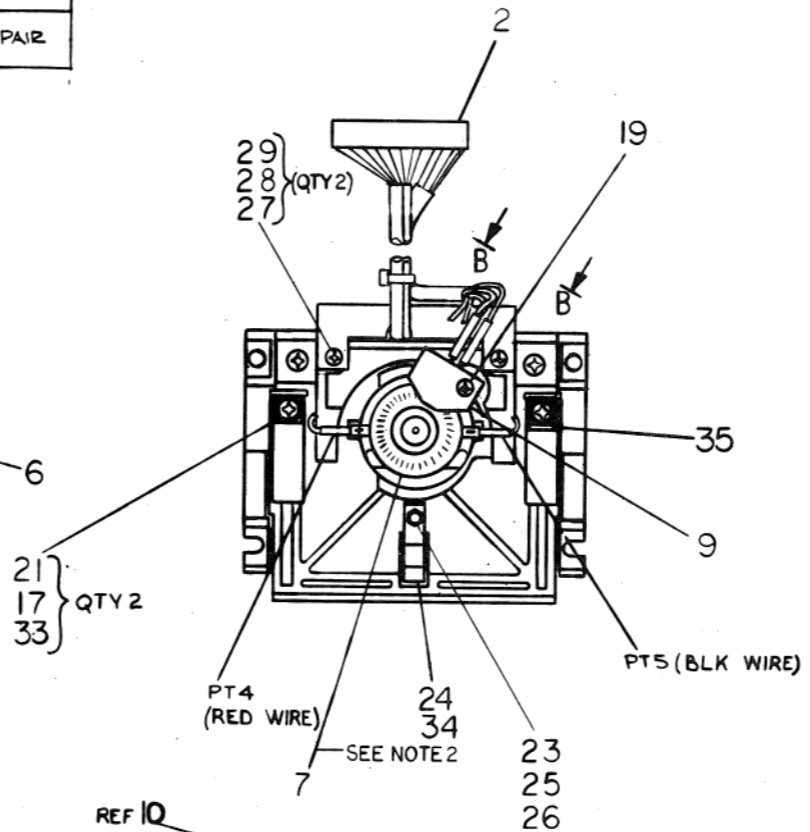
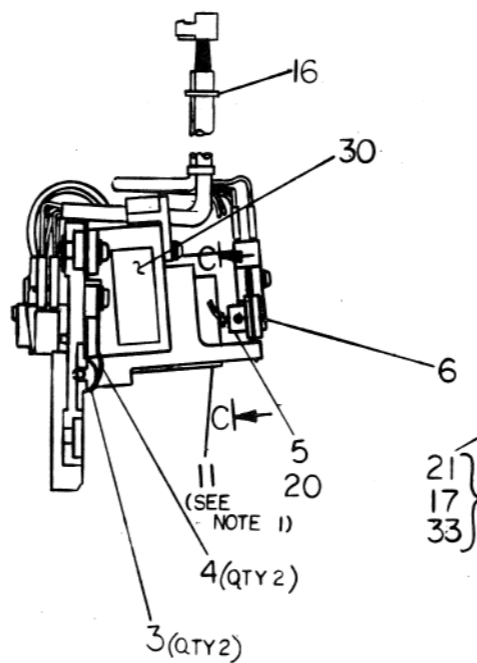
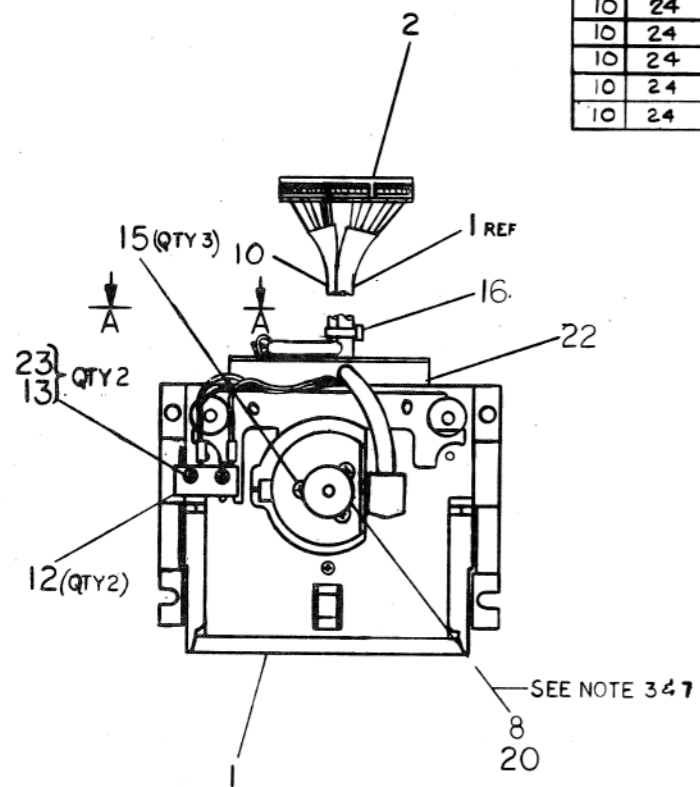
REVISION HISTORY		BASIC PART NO: 0TU58		DRN:	G.MARINI	DATE:	9-20-78	DIGITAL			
ENG!	ECO NUMBER	REV	SECTION A OF A	CHK'D:	T.ANDREWS	DATE:	12-5-78	TITLE PARTS LIST			
D.W!	TU58XA-ML003	A	SECTION, VARIATION INDEX	DES.ENG.:	P.WAYNE	DATE:	2-2-79	DRIVE MECHANISM (TU58-XA)			
DW!	TU58XA-ML004	B	[A] XA	RESP.ENG.:	P.WAYNE	DATE:	12-5-80	DOCUMENT NUMBER			
			[B]	MFG.ENG.:	R.TAYLOR	DATE:	12-5-78	SIZE!	CODE!	NUMBER	REV
			[C]	ASSEMBLY NUMBER:		TOP DOCUMENT NUMBER:		K!	PL!	TU58-XA-DBP	B
			[D]					FILE NAME:			EDIT #!
			[E]					Z1609B.PLS			13!
			[F]								

"THIS DRAWING AND SPECIFICATIONS HEREIN, ARE THE PROPERTY OF DIGITAL EQUIPMENT CORPORATION AND SHALL NOT BE REPRODUCED OR COPIED OR USED IN WHOLE OR IN PART AS THE BASIS FOR THE MANUFACTURE OR SALE OF ITEMS WITHOUT WRITTEN PERMISSION. COPYRIGHT (C) 1980, DIGITAL EQUIPMENT CORPORATION"

WIRE TABLE							
ITEM NO	DESCRIPTION	FROM		TO		REMARKS	
		CONN	WITH	CONN	WITH		
10	24	YEL	PT-2	---	SWI-5	---	
10	24	GRY	PT-1	---	SWI-2	---	
10	24	VIO	PT-3	---	SWI-3	---	
31	22	---	SW-6	SOLD	SWI-3	SOLD	BUS WIRE
10	24	GRN	PT-6	---	CI-3	---	
10	24	BRN	PT-8	---	CI-2	---	
10	24	BLU	PT-7	---	CI-1	---	
10	24	BLK	PT-5	---	MOTOR-	---	
10	24	RED	PT-4	---	MOTOR+	---	TWISTED PAIR

8. ASSEMBLE ITEM*5,6 & 9 USING $5 \pm .5$ IN LBS TORQUE.
9. CARTRIDGE WITHDRAWAL FORCE SHALL BE A MAXIMUM OF 4.8 LBS. AND WHEN AN EXCESS FORCE OF 1 LB. IS APPLIED TO THE DRIVE ROLLER (OUTWARD) AND IS REMOVED, THE CARTRIDGE SHALL STILL BE AGAINST THE DRIVE REFERENCE STOPS.
10. HEAD SKEW TO BE WITHIN $6' \pm 0'6''$ AFTER FINAL ASSY.

- NOTES:
1. MOTOR TO BE ROTATED TO PROVIDE EASIEST ACCESS TO TERMINALS PT4, PT5. MOTOR LEADS MAY BE BENT AS SHOWN IF NECESSARY TO CLEAR MOTOR MOUNT.
 2. CODE WHEEL ITEM #7 MUST ROTATE FREELY WITHOUT RUBBING IN SLOT IN OPTICAL SENSOR ITEM #9.
 3. TIGHTEN ITEM #20 TO $3.5 \pm .5$ IN LBS. SET DRIVE ROLLER, ITEM #8, TO BE FLUSH WITH END OF MOTOR SHAFT ITEM #11. TIGHTEN ITEM #20 TO $3.5 \pm .5$ IN LBS.
 4. TIGHTEN ITEMS 13 & 25 TO $2.0 \pm .5$ IN LBS.
 5. TIGHTEN ITEMS 15, 17, 27 TO $3.5 \pm .5$ IN LBS.
 6. TIGHTEN ITEM 21 TO $5 \pm .5$ IN LBS.
 7. WHEN CARTRIDGE IS INSERTED INTO DRIVE THE FORCE ON THE DRIVE ROLLER (ITEM 8) IS TO BE $1 \text{ LB} \pm .1$.



CAUTION: OFF SHEET PARTS LIST K-PL-7015510-0-DBP

7015510-0-0 DBP	D. WARREN	9/24/77
7015510-0-0 DBP	D. WARREN	9/24/77
7015510-0-0 DBP	D. WARREN	9/24/77
7015510-0-0 DBP	D. WARREN	9/24/77
7015510-0-0 DBP	D. WARREN	9/24/77
7015510-0-0 DBP	D. WARREN	9/24/77
7015510-0-0 DBP	D. WARREN	9/24/77
7015510-0-0 DBP	D. WARREN	9/24/77
7015510-0-0 DBP	D. WARREN	9/24/77
7015510-0-0 DBP	D. WARREN	9/24/77

QUANTITY & VARIATION	DESCRIPTION	ONE PART NO.	ITEM NO.
1	TU58-XA		
TITLE			
CARTRIDGE DRIVE			
SCALE 1/1			
PART NO. 7015510-0-0			
REV. E			