

THIS DRAWING AND SPECIFICATIONS, WHEN USED IN CONNECTION WITH THE DISK DRIVE MOUNTING KIT, SHALL BE THE PROPERTY OF THE DISK DRIVE MOUNTING KIT MANUFACTURER AND SHALL NOT BE REPRODUCED OR TRANSMITTED IN ANY FORM OR BY ANY MEANS, ELECTRONIC OR MECHANICAL, INCLUDING PHOTOCOPYING, RECORDING, OR BY ANY INFORMATION STORAGE AND RETRIEVAL SYSTEM, WITHOUT THE WRITTEN PERMISSION OF THE DISK DRIVE MOUNTING KIT MANUFACTURER.

NOTES: CONT

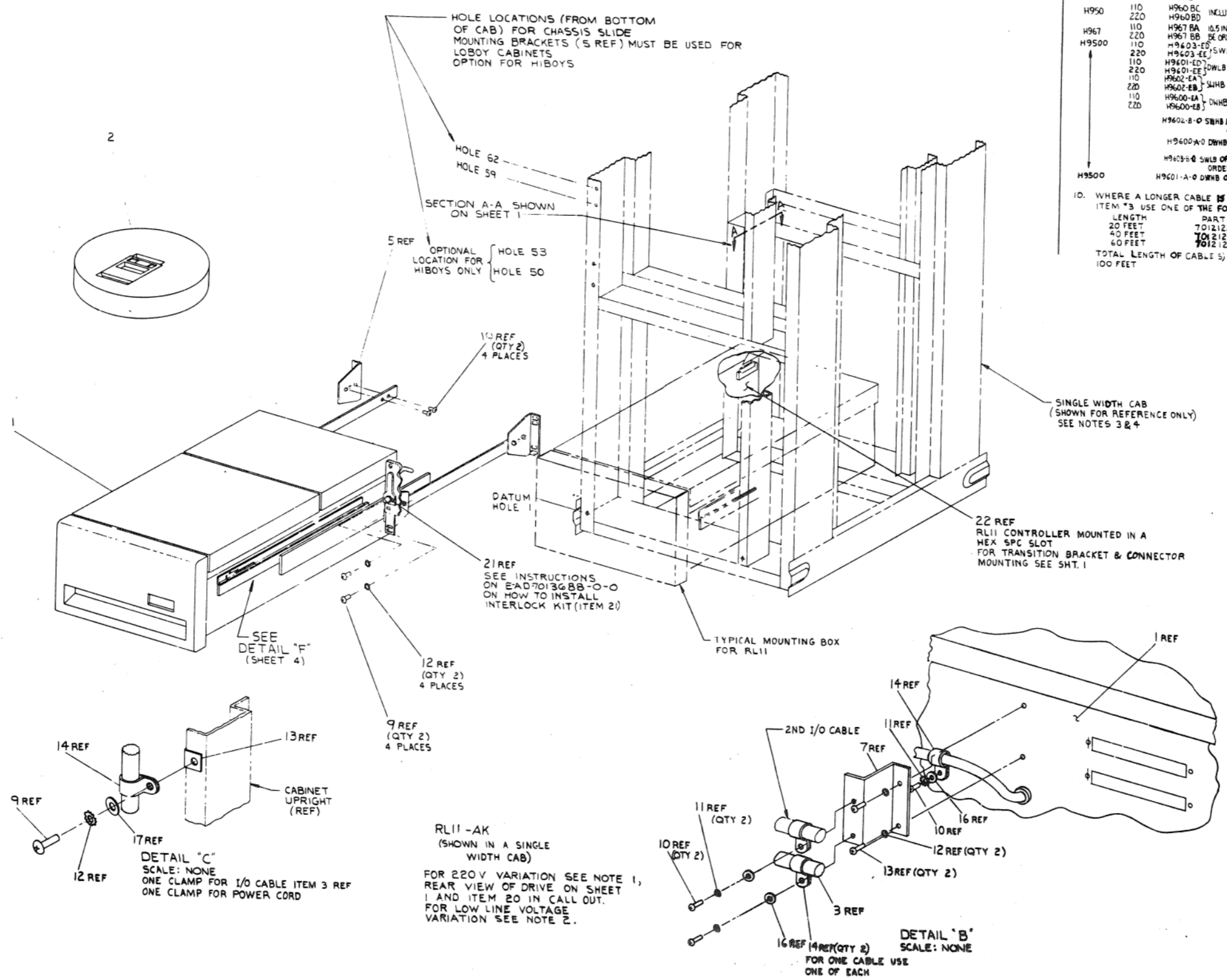
9. CABINET OPTIONS INCLUDE SKINS, DOORS, COVERS TRIM, AND POWER CONTROLLERS.

TYPE	VOLTS	DWG	REMARKS
H950	110	H960 BC	INCLUDES FIVE 10.5 IN HIGH PANELS
	220	H960 BD	
H967	110	H967 BA	10.5 IN COVER PANELS (H950-0A) MUST BE ORDERED IF REQUIRED.
	220	H967 BB	
H9500	110	H9603-ED	SWLB WITH H9514-TOP COVERS
	220	H9603-EE	
	110	H9601-ED	SWLB WITH H9514-TOP COVERS
	220	H9601-EE	
	110	H9602-EA	SWLB COMPLETE HIBOY CABINET
	220	H9602-EB	
	110	H9600-EA	DWHB COMPLETE HIBOY CABINET
	220	H9600-EB	
		H9602-B-0	SWLB OPTION ARRANGEMENT (ORDER AS REQUIRED)
		H9600-A-0	DWHB OPTION ARRANGEMENT (ORDER AS REQUIRED)
		H9603-B-0	SWLB OPTION ARRANGEMENT (ORDER AS REQUIRED)
		H9601-A-0	DWHB OPTION ARRANGEMENT (ORDER AS REQUIRED)

10. WHERE A LONGER CABLE IS REQUIRED THAN ITEM 3 USE ONE OF THE FOLLOWING:

LENGTH	PART NO
20 FEET	7012122-20
40 FEET	7012122-40
60 FEET	7012122-60

TOTAL LENGTH OF CABLE IS NOT TO EXCEED 100 FEET



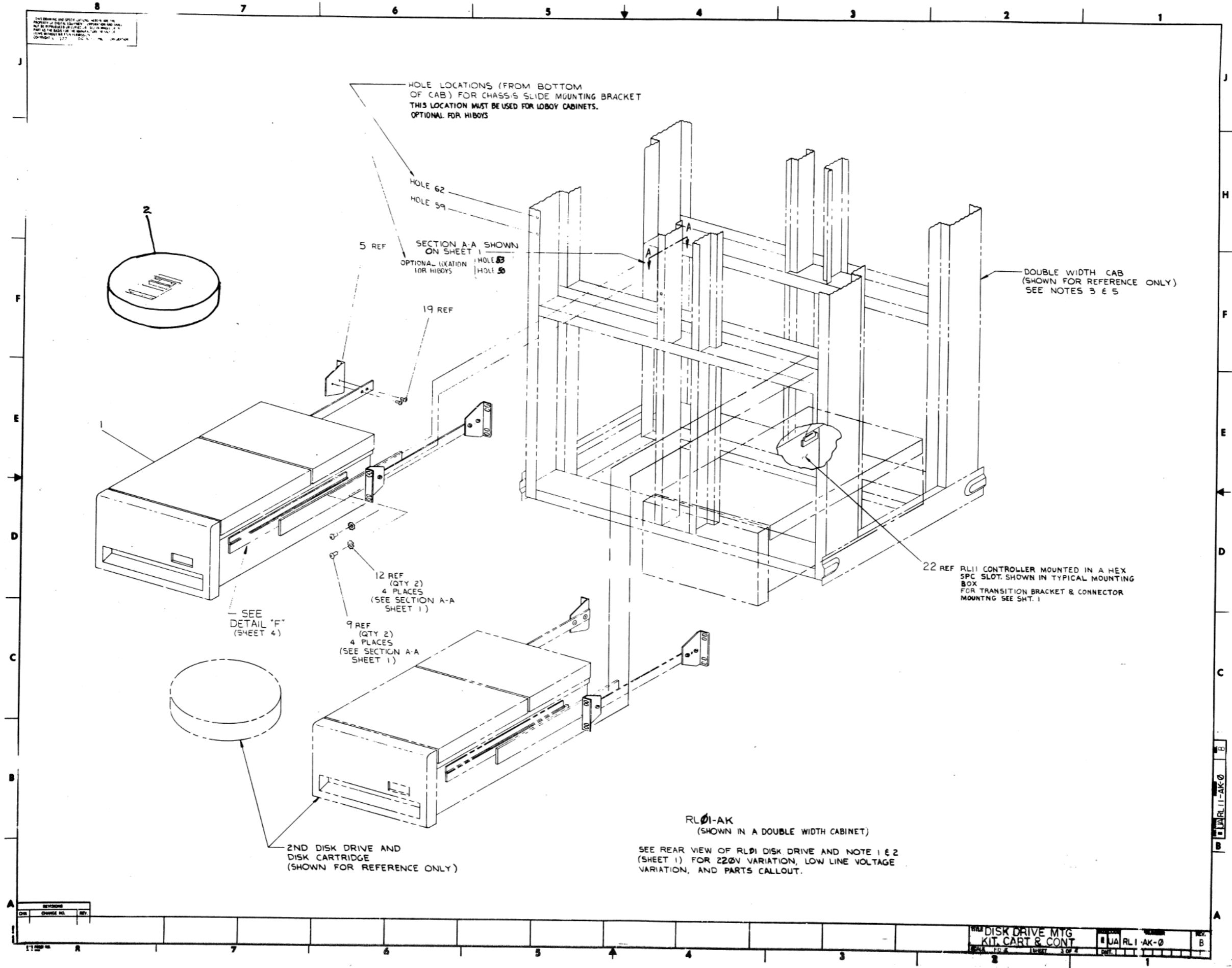
RL11-AK
(SHOWN IN A SINGLE WIDTH CAB)
FOR 220 V VARIATION SEE NOTE 1,
REAR VIEW OF DRIVE ON SHEET
1 AND ITEM 20 IN CALL OUT.
FOR LOW LINE VOLTAGE
VARIATION SEE NOTE 2.

DETAIL "C"
SCALE: NONE
ONE CLAMP FOR I/O CABLE ITEM 3 REF
ONE CLAMP FOR POWER CORD

DETAIL "B"
SCALE: NONE
FOR ONE CABLE USE
ONE OF EACH

DISK DRIVE MTG
KIT CAB & CONT
RL11-AK-0

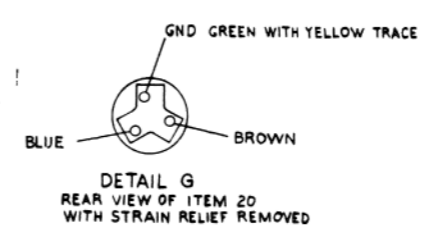
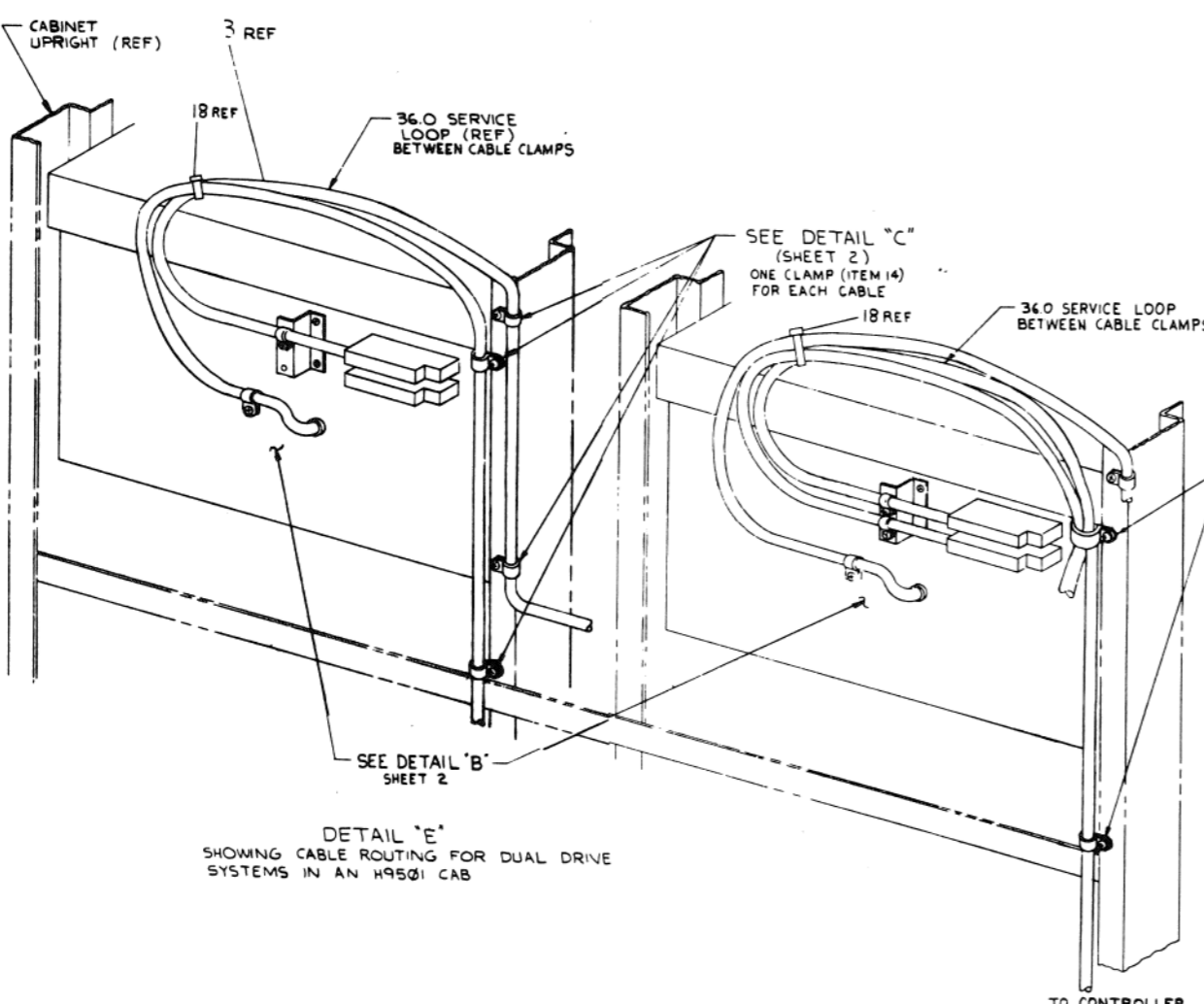
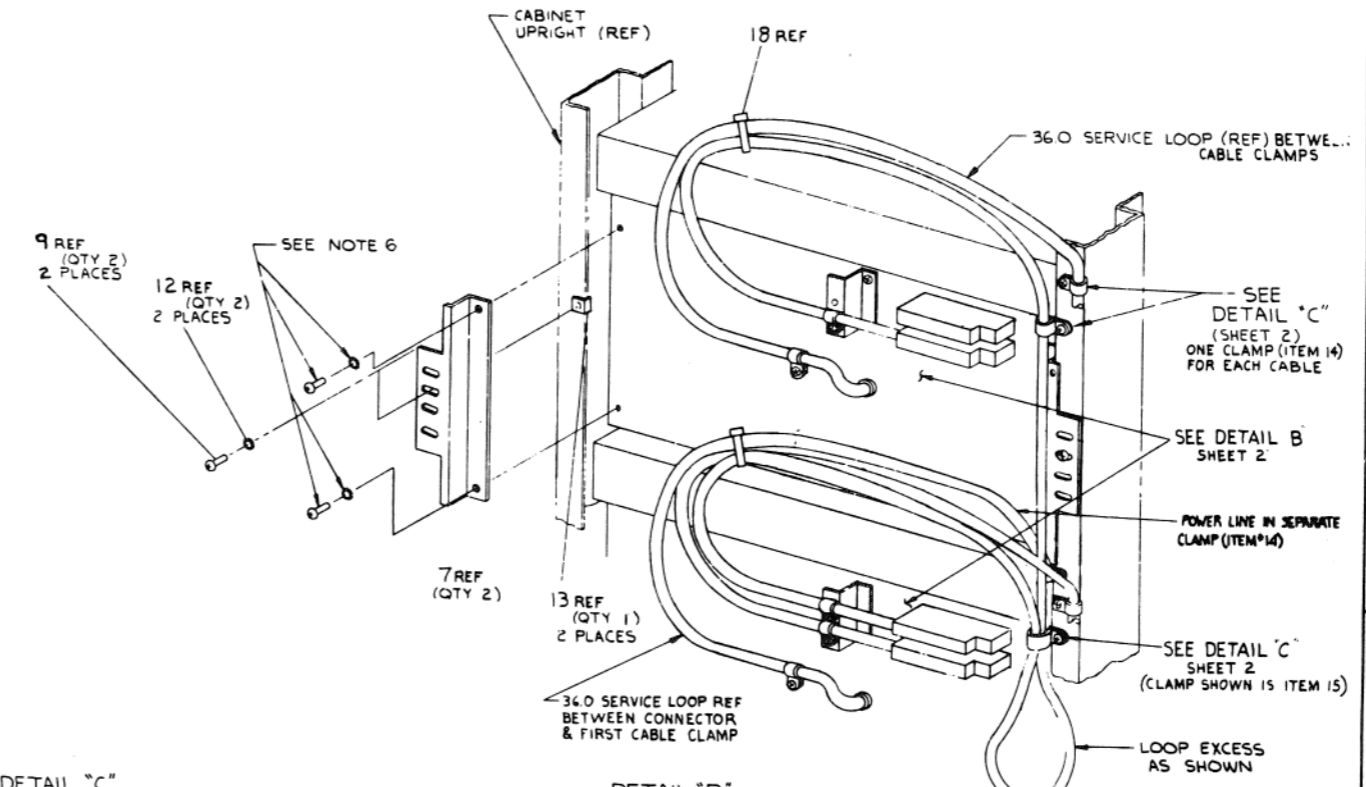
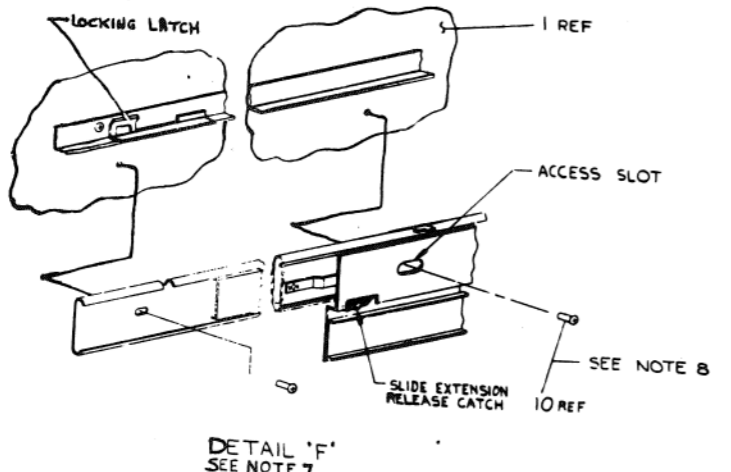
THIS DRAWING AND SPECIFICATIONS ARE THE PROPERTY OF ROLAND ELECTRONICS. THESE ARE NOT TO BE REPRODUCED OR COPIED IN ANY MANNER WITHOUT THE WRITTEN PERMISSION OF ROLAND ELECTRONICS. THIS DRAWING IS THE PROPERTY OF ROLAND ELECTRONICS. IT IS TO BE USED ONLY FOR THE PURPOSES INTENDED BY ROLAND ELECTRONICS. IT IS NOT TO BE USED FOR ANY OTHER PURPOSES.



REV	CHANGE NO.	DATE

DISK DRIVE MTG KIT, CART & CONT
 RLII-AK-0
 1 OF 4
 REV B

THIS DRAWING AND SPECIFICATIONS, HEREIN, ARE THE PROPERTY OF BUSH BARRINGER, INCORPORATED AND SHALL BE KEPT IN CONFIDENCE BY THE BUYER AND SHALL NOT BE REPRODUCED OR COPIED IN ANY MANNER WITHOUT THE WRITTEN PERMISSION OF BUSH BARRINGER, INCORPORATED.



REV	DATE	BY	CHKD

DISK DRIVE MTG KIT CAB & CONT
SCALE NONE SHEET 4 OF 4
REV. B
DATE

