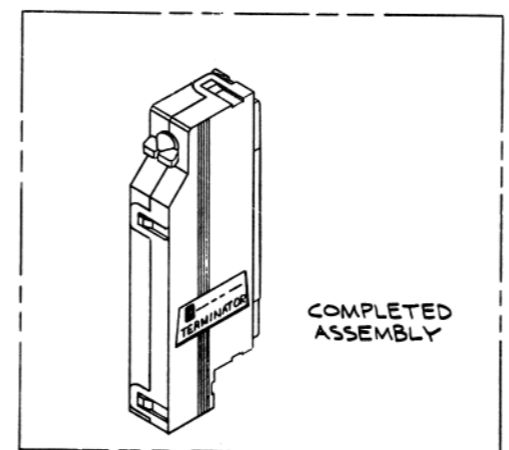
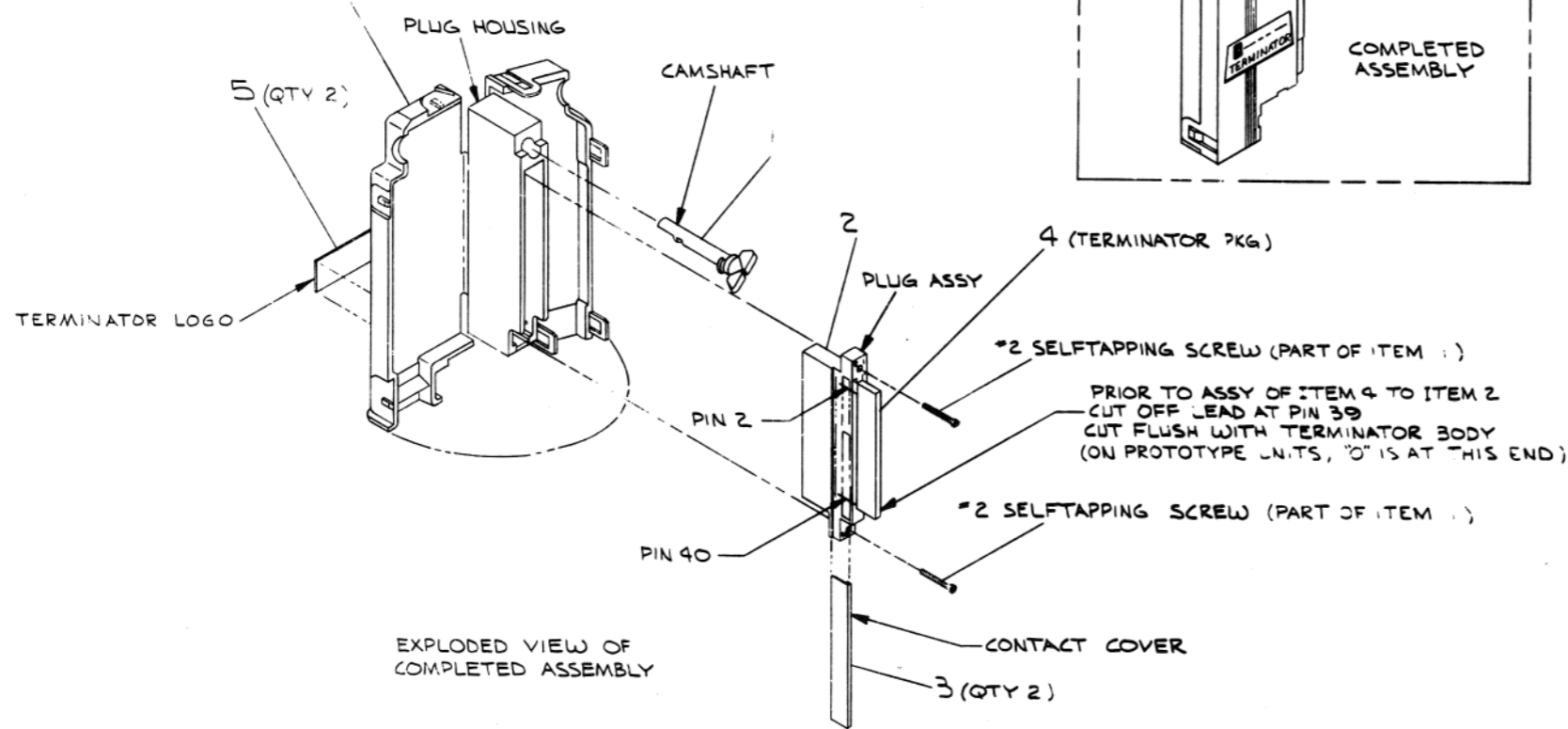


TITLE	SHEET	OF	SIZE	CODE	NUMBER	REV
RL11 CONTROLLER ASSY	2	3	B	DD	RL11-Ø	*

"THIS DRAWING AND SPECIFICATIONS, HEREIN, ARE THE PROPERTY OF DIGITAL EQUIPMENT CORPORATION AND SHALL NOT BE REPRODUCED OR COPIED OR USED IN WHOLE OR IN PART AS THE BASIS FOR THE MANUFACTURE OR SALE OF ITEMS WITHOUT WRITTEN PERMISSION. COPYRIGHT © 1976, DIGITAL EQUIPMENT CORPORATION"

U-0-282102114 2



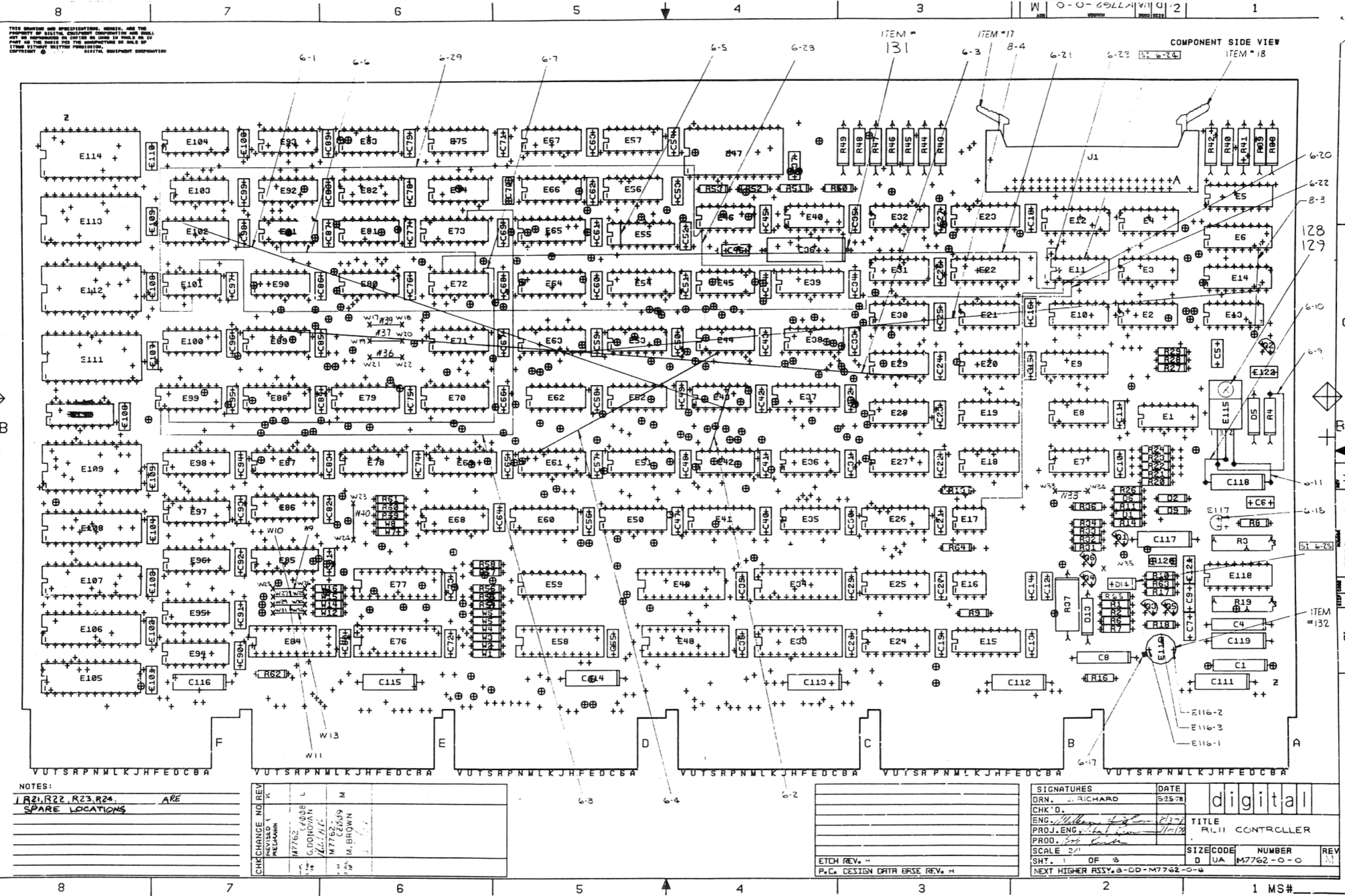
ITEM NO.	DESCRIPTION	DWG. PART NO.	ITEM NO.
2	LOGO, TERMINATOR	A-DE-7416678-0-0	5
1	TERMINATOR PKG	1313242-00	4
2	COVER, CONTACT	1211591-11	3
1	PLUG ASSY	1211591-07	2
1	CONN PLUG HSG & CAMSHAFT KIT	1211591-34	1

QUANTITY & VARIATION	DESCRIPTION	DWG. PART NO.	UNLESS OTHERWISE SPECIFIED DIMENSIONS ARE IN INCHES					
			ANGLES		NORMAL DIMENSION RANGE INCHES			
0.562107	MEDIUM	E-012	CLASS OF ACCURACY	OVER 0 TO 0.3	OVER 0.3 TO 1.2	OVER 1.2 TO 3.0	OVER 3.0 TO 12.0	OVER 12.0 TO 30.0
			CHECK ONE	±.004	±.008	±.012	±.016	±.024
			PREFERRED	±.012	±.016	±.024	±.04	±.08

THIRD ANGLE PROJECTION	DRG. <i>[Signature]</i> 7-JAN-76	FIRST USED ON	2K06
REMOVE BURRS AND BREAK SHARP CORNERS	CHK'D <i>[Signature]</i>	TITLE	TERMINATOR ASSY
DO NOT SCALE DWG	PROL. ENR. <i>[Signature]</i> 5/21/76	SIZE	D
MATERIAL SEE PARTS LIST	PROD. <i>[Signature]</i> 6/6/76	CODE	1A7012293-0-0
FINISH	NEXT HIGHER ASSY.	NUMBER	1
	SCALE: NONE	REV.	A
	SHEET 1 OF 1	DIST.	

REV. A	DATE 1/25/76
W. DUNHAM	
102293-00001	

DIGITAL 12293-0-0 A



THIS DRAWING AND SPECIFICATIONS, HEREIN, AND THE PROPERTY OF DIGITAL EQUIPMENT CORPORATION AND SHALL NOT BE REPRODUCED OR COPIED IN ANY MANNER OR IN ANY MEDIUM WITHOUT THE WRITTEN PERMISSION OF DIGITAL EQUIPMENT CORPORATION.

NOTES:
 1. R21, R22, R23, R24 ARE SPARE LOCATIONS

CHANGE NO	REV	DATE	BY	CHK'D.
1	K			
2	L			
3	M			

ETCH REV. -
P.C. DESIGN DATA ERSE REV. -

SIGNATURES		DATE
DRN. J. RICHARD		5-25-78
CHK'D.		
ENG. <i>William J. ...</i>		5-27-78
PROJ. ENG. <i>...</i>		11-13-78
PROD. <i>...</i>		
SCALE 3/1		
SHT. 1 OF 6		
NEXT HIGHER ASSY. 3-00-M7762-0-0		

digital	
TITLE RLII CONTROLLER	
SIZE CODE	NUMBER
D UA	M7762-0-0
REV	

1 MS#

THIS DRAWING AND SPECIFICATION HEREIN ARE THE PROPERTY OF DIGITAL EQUIPMENT CORPORATION AND SHALL NOT BE REPRODUCED OR USED IN WHOLE OR IN PART AS THE BASIS FOR THE MANUFACTURE OR SALE OF ITEMS WITHOUT THE WRITTEN PERMISSION OF DIGITAL EQUIPMENT CORPORATION.

LAYER 1

M7762
6012167H-P1

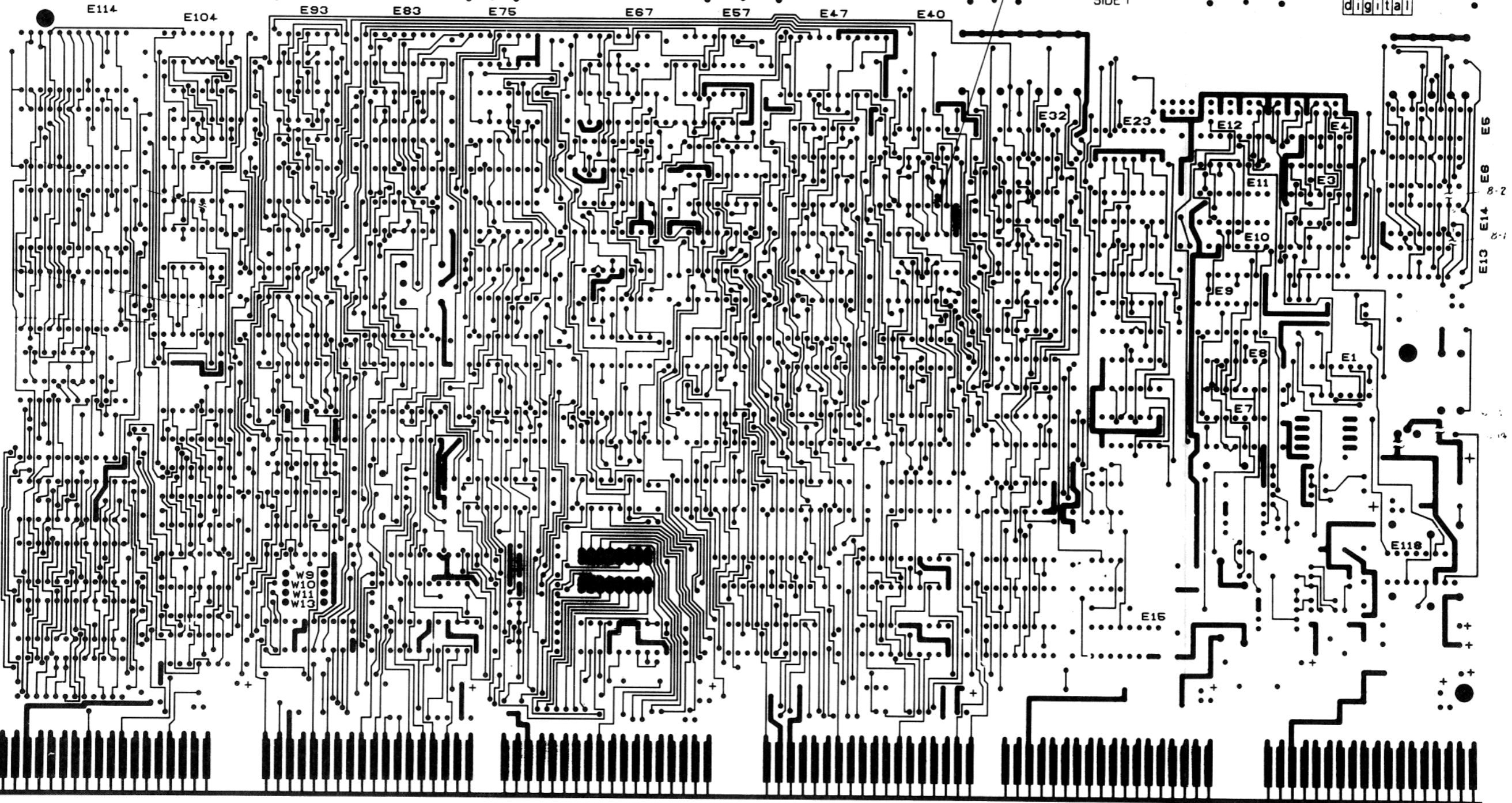
L1

6-27

SIDE 1

digital

CS*ABCDEFGHIJKLMNPRS



REVISIONS		
CHK	CHANGE NO	REV

TITLE	SIZE CODE	NUMBER	REV.
RL11 CONTROLLER	D UAM7762 - C - C		
SCALE 2/1	SHEET 2 OF 6	DIST.	

D UAM7762 - C - C

8

7

6

5

4

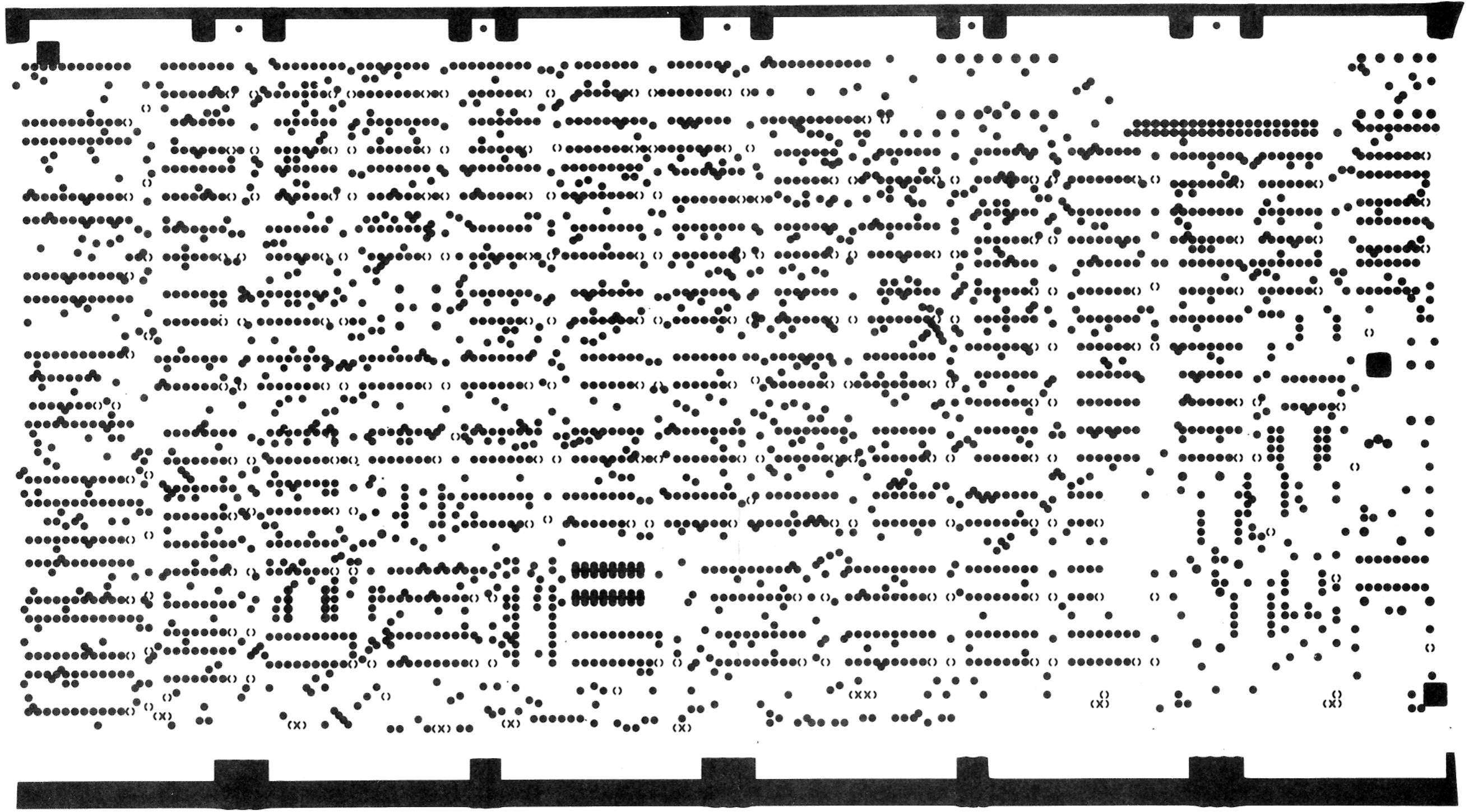
3

LAYER 12

L2

M7762
6012167H-P1

THIS DRAWING AND SPECIFICATIONS ARE THE PROPERTY OF DIGITAL EQUIPMENT CORPORATION AND SHALL NOT BE REPRODUCED OR COPIED IN WHOLE OR IN PART AS THE BASIS FOR THE MANUFACTURE OR SALE OF ITEMS WITHOUT WRITTEN PERMISSION. COPYRIGHT © DIGITAL EQUIPMENT CORPORATION



D
C
B
A
D UA M7762 - 0 - 0

REVISIONS		
CHK	CHANGE NO	REV

TITLE	RL11 CONTROLLER	SIZE CODE	D UA	NUMBER	M7762 - 0 - 0	REV.	
SCALE	2/1	SHEET	3	OF	6	DIST.	

8

7

6

5

4

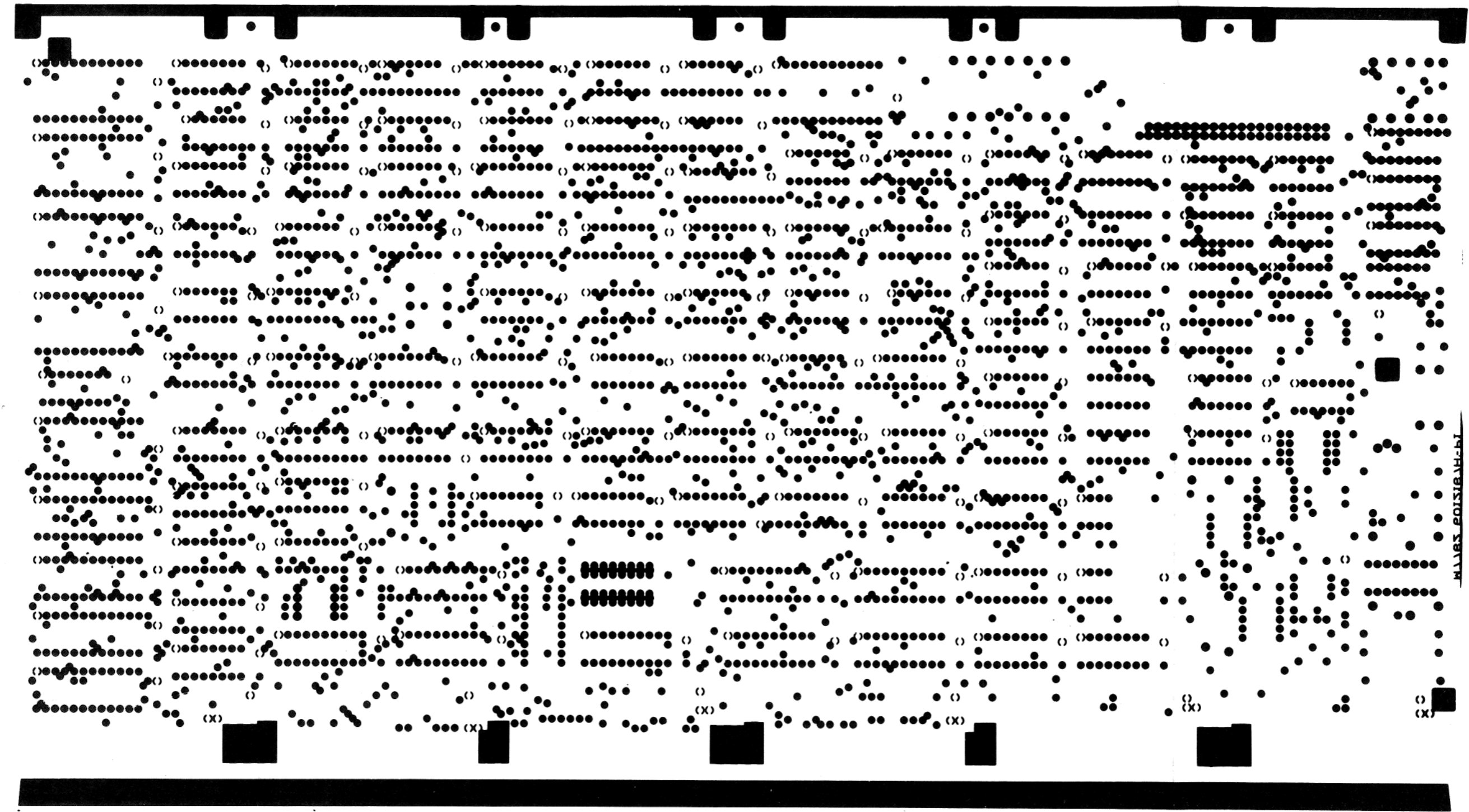
3

2

1

LAYER 3

THIS DRAWING AND ALL INFORMATION HEREON ARE THE PROPERTY OF DIGITAL EQUIPMENT CORPORATION AND SHALL NOT BE REPRODUCED OR TRANSMITTED IN ANY FORM OR BY ANY MEANS, ELECTRONIC OR MECHANICAL, INCLUDING PHOTOCOPYING, RECORDING, OR BY ANY INFORMATION STORAGE AND RETRIEVAL SYSTEM, WITHOUT THE WRITTEN PERMISSION OF DIGITAL EQUIPMENT CORPORATION.



REVISIONS		
CHK	CHANGE NO	REV.

TITLE	SIZE CODE	NUMBER	REV.
RL11 CONTROLLER	D UA	M7762-0-0	
SCALE 2/1	SHEET 4	OF 6	DIST.

THIS DRAWING AND SPECIFICATIONS HEREIN ARE THE PROPERTY OF DIGITAL EQUIPMENT CORPORATION AND SHALL NOT BE REPRODUCED OR LOANED OR USED IN WHOLE OR IN PART AS THE BASIS FOR THE MANUFACTURE OR SALE OF ITEMS WITHOUT WRITTEN PERMISSION. DIGITAL EQUIPMENT CORPORATION

M 834AJ

L4

RL11 CONTROLLER SIDE 2

M7762 5012167H-P1

DUA M7762-0-C

REVISIONS		
CHK	CHANGE NO	REV

TITLE	RL11 CONTROLLER	SIZE CODE	DUA M7762-0-C	NUMBER		REV.	
SCALE	2/1	SHEET	5 OF 6	DIST			

THIS DRAWING AND SPECIFICATIONS HEREIN ARE THE PROPERTY OF DIGITAL EQUIPMENT CORPORATION AND SHALL NOT BE REPRODUCED OR COPIED OR USED IN WHOLE OR IN PART AS THE BASIS FOR THE MANUFACTURE OR SALE OF ITEMS WITHOUT WRITTEN PERMISSION. COPYRIGHT © 1974, DIGITAL EQUIPMENT CORPORATION

REWORK INSTRUCTIONS:

- WIRE ADDS:
- 6-1. E43-5 TO E102-15
 - 6-2. E42-13 TO E43-10
 - 6-3. E29-6 TO E89-15
 - 6-4. E61-14 TO E44-3
 - 6-5. E55-2 TO E55-15
 - 6-6. E91-3 TO E72-9
 - 6-7. F72-8 TO E99-2
 - 6-8. E99-1 TO E73-11
 - 6-9. E115-1 TO TOP OF R4
 - 6-10. E115-3 TO GROUND SIDE (LEFT) OF C118
 - 6-11. E115-2 TO POSITIVE SIDE (RIGHT) OF C118

- ETCH CUTS:
- 6-12. SIDE 2 AT E115-PIN 2
 - 6-13. SIDE 1 AT E115-PIN 3 (CENTER PIN)
 - 6-14. SIDE 1 AT E115-PIN 1
 - 6-15. SIDE 1 FROM E99-1 TO E44-1 (AT FEED-THRU ABOVE E99-16)
 - 6-16. SIDE 1 FROM E100-5 TO E99-2 (AT E100-5)
 - 6-17. FOR PROPER INSTALLATION OF E116 REFER TO ORIENTATION TAB AND PINNING CALLOUT ON PAGE ONE OF DUA-M7762-0-0 REV K.
 - 6-18. INSTALL E117 WITH ORIENTATION FLAT TOWARD RB. CENTER TERMINAL OF E117 GOES INTO HOLE CLOSEST TO RB.
 - 6-19. SIDE 1 FROM E101-10 TO E46-1 AT E101-10 UNDER CHIP BETWEEN FEED-THRU (NOTE: PERFORM CUT BEFORE ASSEMBLING COMPONENTS TO BOARD).

- WIRE ADDS (CONT):
- 6-20. E11-2 TO E17-5
 - 6-21. E11-1 TO E72-13
 - 6-22. E11-3 TO E101-10
 - 6-23. E11-4 TO PIN 16 OF E11 LOCATION

- SPECIAL INSTRUCTIONS:
- 6-24. INSTALLATION OF E11 MUST BE MADE SO PIN 1 OF IC (74S32) IS AT PIN 2 OF E11 LOCATION.
 - 6-25. D14 MUST BE HAND INSERTED DUE TO HOLE SPACING IN BOARD (NOTE ORIENTATION MARK ON D14)

- ETCH CUTS:
- 6-26. SIDE 2 AT E101-4
 - 6-27. SIDE 1 AT E39-11

- WIRE ADDS:
- 6-28. E46-1 TO E39-11
 - 6-29. E46-1 TO E101-4

- ETCH CUTS:
- 8-1. SIDE 1 AT E14-7 BETWEEN E13 & E14
 - 8-2. SIDE 1 AT E14-10 BETWEEN E14 & E6

- WIRE ADDS:
- 8-3. FROM FEED THRU NEAR E13-6 & E13-7 TO E6-7
 - 8-4. E63-6 TO E14-7

REVISIONS		
CHK	CHANGE NO.	REV.

TITLE	SIZE CODE	NUMBER	REV.
REL. CONTROLLER	DUA	M7762-0-0	M
SCALE 2/1	SHEET 6 OF 6	DIST.	

REV. 1
DUA M7762-0-0

DIGITAL EQUIPMENT CORPORATION PARTS LIST				QUANTITY / VARIATION										NOTES:				
MADE BY D. MAYUSKI DATE 7 MAR 77		CHECKED P. BOSSMAN DATE 29 MAR 77												USED ON: OPTION/MODEL RL11				
ENG C. LIU DATE 8 APR 77		PROD R. STROTT DATE 8 APR 77																
SECTION 1		ISSUED SECTION 1																
ITEM NO.	DRAWING NO.	PART NO.	DESCRIPTION	REF														REF DESIGNATION
	D-CS-M7762-0-1		CIRCUIT SCHEMATIC	REF														
	D-UA-M7762-0-0		UNIT ASSEMBLY	REF														
	D-DD-M7762-0		DRAWING DIRECTORY	REF														
	D-MD-5012167-0-0		DRILL AND ETCH DRAWING	REF														
1		5012167	ETCHED CIRCUIT BOARD	1														
2																		
3		1001610-00	CAP., 01UFD, 50V	103														C5, C6, C7, C10-C16, C18-C35, C47-C110, C120, C37-C45, C121
4		1005306-00	CAP., 6.8UFD, 35V, 10%	8														C1, C8, C111-C116
5		1000042-00	CAP., 1000PFD, +5%, 100V, DIPPED MICA	1														C46
6		1004812-00	CAP., 15MFD, 20V	3														C117, C118, C119
7		1000010-00	CAP., 39PFD, 100V	1														C9
8		11-1411-	DIODE, 1N4152	1														D14
9		1012121-00	CAP., 220PFD, 100V	1														C3
10		1000050-00	CAP., .033UFD, 100V, 10%	1														C4
11		1111577-00	DIODE, 1N4454	4														D1, D2, D6, D9
12		1110994-00	DIODE, 1N751A	2														D5, D13
13																		
14																		
15		1209838-00	SOCKET, PRIORITY JUMPER, 16 PIN	1														E59
16		1209941-02	CONN., 40 PIN	1														J1
17		1209941-03	CONN., LATCH LEFT	1														
18		1209941-04	CONN., LATCH RIGHT	1														
19		1210711-02	HANDLE, ASSEMBLY	1														
20		1300005-05	RES., NETWORK 13-82 RES. 5%	1														E13
21		1309143-09	RES. POT, 3/4W, 5K, 10%	2														R3, R19
22		1301781-00	RES., 82, 1/2W, 5%	12														R38-R49
23		1301424-00	RES., 680, 1/2W, 5%	6														R16, R20, R53, R60, R61, R52

E.C.O. NO.
M7762-00001
M7762-00002
M7762-00003
M7762-00004
M7762-00005
M7762-00006
M7762-00009

"THIS DRAWING AND SPECIFICATIONS, HEREIN, ARE THE PROPERTY OF DIGITAL EQUIPMENT CORPORATION AND SHALL NOT BE REPRODUCED OR COPIED OR USED IN WHOLE OR IN PART AS THE BASIS FOR THE MANUFACTURE OR SALE OF ITEMS WITHOUT WRITTEN PERMISSION. COPYRIGHT © 1978 DIGITAL EQUIPMENT CORPORATION"

TITLE
RL11 CONTROLLER

ASSY NO.
D-UA-M7762-0-0
SHEET 1 OF 5

SIZE CODE
B PL
NUMBER
M7762-0-0
INSERTION PARTS LIST DATA BASE REV

REV.
L

DIGITAL EQUIPMENT CORPORATION PARTS LIST				QUANTITY / VARIATION										NOTES:				
MADE BY D. MAYUSKI DATE 7 MAR 77		CHECKED P. BOSSMAN DATE 29 MAR 77												USED ON: OPTION/MODEL RL11				
ENG C. LIU DATE 8 APR 77		PROD R. STROTT DATE 8 APR 77																
		SECTION 1																
		ISSUED SECTION 1																
ITEM NO.	DRAWING NO.	PART NO.	DESCRIPTION															REF DESIGNATION
24		1300295-00	RES., 330, 1/4W, 5%	3														R27, R34, R62
25		1311522-00	RES., 200, 1/4W, 5%	1														R28
26		1311422-00	RES., 178, 1/4W, 1%	4														R54, R55, R58, R59
27		1305125-00	RES., 383, 1/4W, 1%	2														R56, R57
28		1300229-00	RES., 100, 1/4W, 5%	2														R29, R13
29		1300262-00	RES., 180, 1W, 5%	1														R37
30																		
31																		
32		1 2858-00	RES., 100, 1/4W, 1%	2														R2, R6
33		13-03226-00	RES., 68.1, 1/4W, 1%	1														R1
34		1300274-00	RES., 220, 1/2W, 5%	1														R4
35		1310630-00	RES., 1.33K, 1/4W, 1%	1														R7
36		1302871-00	RES., 1.21K, 1/4W, 1%	1														R10
37		1302685-00	RES., 909, 1/4W, 1%	1														R11
38		1300417-00	RES., 2.2K, 1/4W, 5%	±														R12
39																		
40		1301972-00	RES., 270, 1/4W, 5%	±														R15
41		1300411-00	RES., 2K, 1/4W, 1%	2														R17, R63
42																		
43		1300365-00	RES., 1K, 1/4W, 5%	1														R33
44																		
45																		
46		1300447-00	RES., 4.7K, 1/4W, 5%	1														R51
47		1300271-00	RES., 220, 1/4W, 5%	1														R32
48		1302388-00	RES., 2K, 1/4W, 5%	±														R35
49		1302177-00	RES., 47K, 1/4W, 5%	1														R50
50		1302397-00	RES., 180K, 1/4W, 5%	1														R51

"THIS DRAWING AND SPECIFICATIONS, HEREIN, ARE THE PROPERTY OF DIGITAL EQUIPMENT CORPORATION AND SHALL NOT BE REPRODUCED OR COPIED OR USED IN WHOLE OR IN PART AS THE BASIS FOR THE MANUFACTURE OR SALE OF ITEMS WITHOUT WRITTEN PERMISSION. COPYRIGHT © 1979 DIGITAL EQUIPMENT CORPORATION"

TITLE
RL11 CONTROLLER

ASSY NO.
D-UA-M7762-0-0

SIZE CODE
B PL

NUMBER
M7762-0-0

REV.
L

DIGITAL EQUIPMENT CORPORATION PARTS LIST				QUANTITY / VARIATION										NOTES:			
MADE BY D. MAYUSKI DATE 7 MAR 77		CHECKED P. BOSSMAN DATE 29 MAR 77												USED ON: OPTION/MODEL RL11			
ENG C. LIU DATE 8 APR 77		PROD R. STROTT DATE 8 APR 77															
		SECTION 1															
		ISSUED SECTION 1															
ITEM NO.	DRAWING NO.	PART NO.	DESCRIPTION														REF DESIGNATION
51																	
52		1503409-01	TRANS., 2N6534B	1													Q2
53		15-03121-00	TRANS., 2N2369	1													Q3
54		1513490-00	TRANS., 2N4403	4													Q1, Q4, Q5, Q6
55		1614666-00	DELAY LINE, 500 NS 10 TAP	1													E18
56		1610033-00	DELAY LINE, 100 NS 9 TAP	1													E9
57		1611243-00	DELAY LINE, 250 NS 10 TAP	1													E19
58		1614159-00	DELAY LINE, 50 NS 10 TAP	1													E22
59		1811660-1	MOTOROLA OSC., 8.2MHz	1													E35
60																	
61		1905547-00	I.C., DEC 7474	1													E67
62		1910153-00	I.C., 74150	1													E109
63		1914072-00	I.C., 74159	1													E47
64		1910650-00	I.C., DEC 74161	4													E98, E99, E164, E110
65		1909061-00	I.C., DEC 74H52	1													E80
66		1910532-00	I.C., DEC 74S00	2													E7, E32
67		1913312-00	I.C., 7428	1													E29
68		1910534-00	I.C., DEC 74S04	4													E20, E27, E50, E43
69		1910536-00	I.C., DEC 74S10	1													E8
70		1911712-00	I.C., 74S51	1													E74
71		1910544-00	I.C., DEC 74S74	6													E21, E31, E66, E53, E56, E28
72		1910545-00	I.C., DEC 74S112	1													E63
73		1911911-00	I.C., DEC 74S124	1													E118
74		1912799-00	I.C., DEC 74LS00	3													E38, E45, E2
75		1912801-00	I.C., DEC 74LS02	2													E46, E81
76		1912803-00	I.C., DEC 74LS04	2													E72, E92
77		1912805-00	I.C., DEC 74LS08	3													E1, E40, E71

E.C.O. NO.

"THIS DRAWING AND SPECIFICATIONS, HEREIN, ARE THE PROPERTY OF DIGITAL EQUIPMENT CORPORATION AND SHALL NOT BE REPRODUCED OR COPIED OR USED IN WHOLE OR IN PART AS THE BASIS FOR THE MANUFACTURE OR SALE OF ITEMS WITHOUT WRITTEN PERMISSION. COPYRIGHT © 1978 DIGITAL EQUIPMENT CORPORATION"

TITLE
RL11 CONTROLLER

ASSY NO.
D-UA-M7762-0-0

SIZE
B

CODE
PL

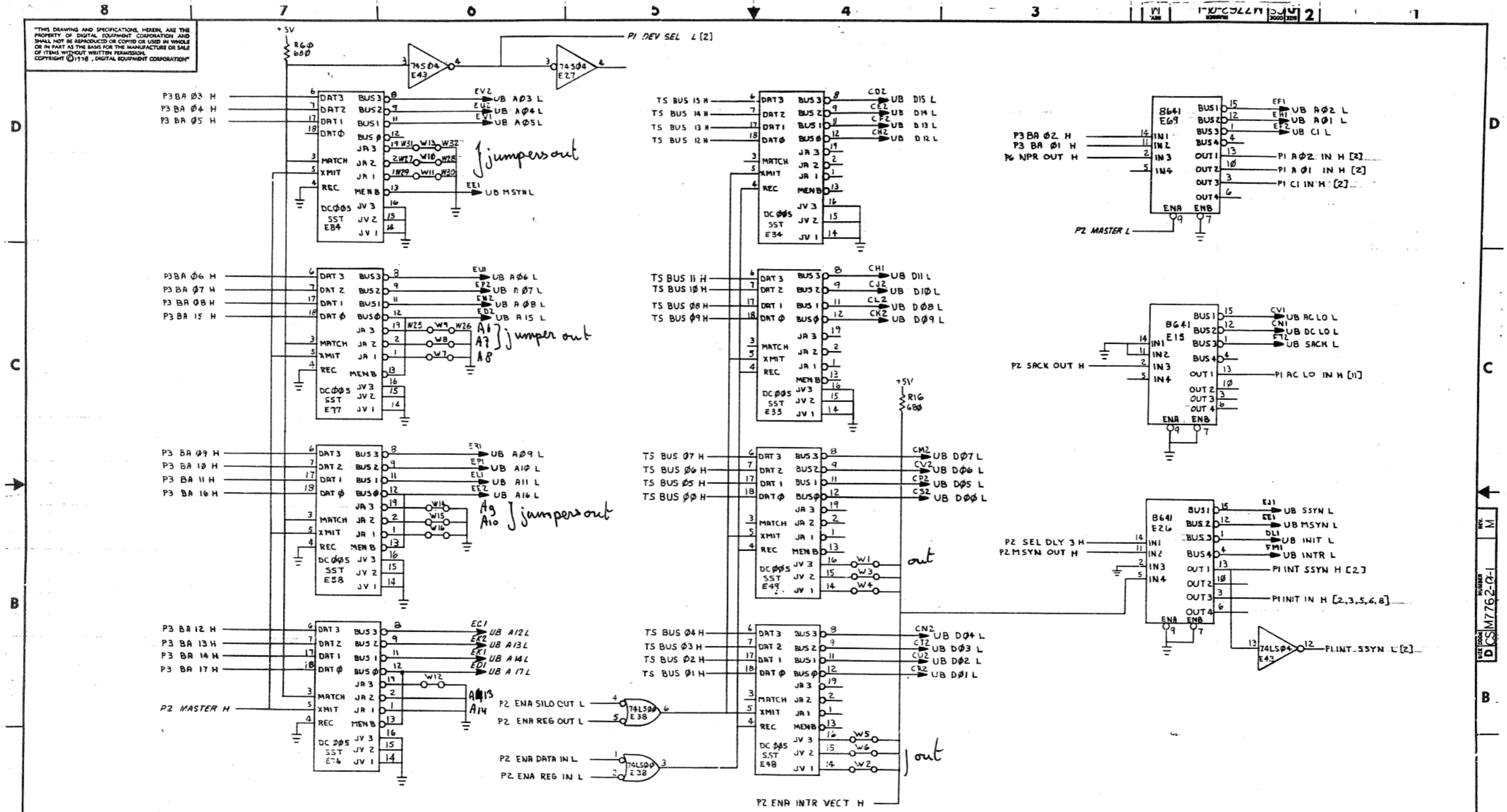
NUMBER
M7762-0-0

REV.
L

SHEET 3 OF 5

INSERTION PARTS LIST DATA BASE REV

THIS DRAWING AND SPECIFICATIONS HEREIN ARE THE PROPERTY OF DIGITAL EQUIPMENT CORPORATION AND SHALL NOT BE REPRODUCED OR COPIED OR USED IN WHOLE OR IN PART AS THE BASIS FOR THE MANUFACTURE OR SALE OF ITEMS WITHOUT WRITTEN PERMISSION. COPYRIGHT © 1978, DIGITAL EQUIPMENT CORPORATION.

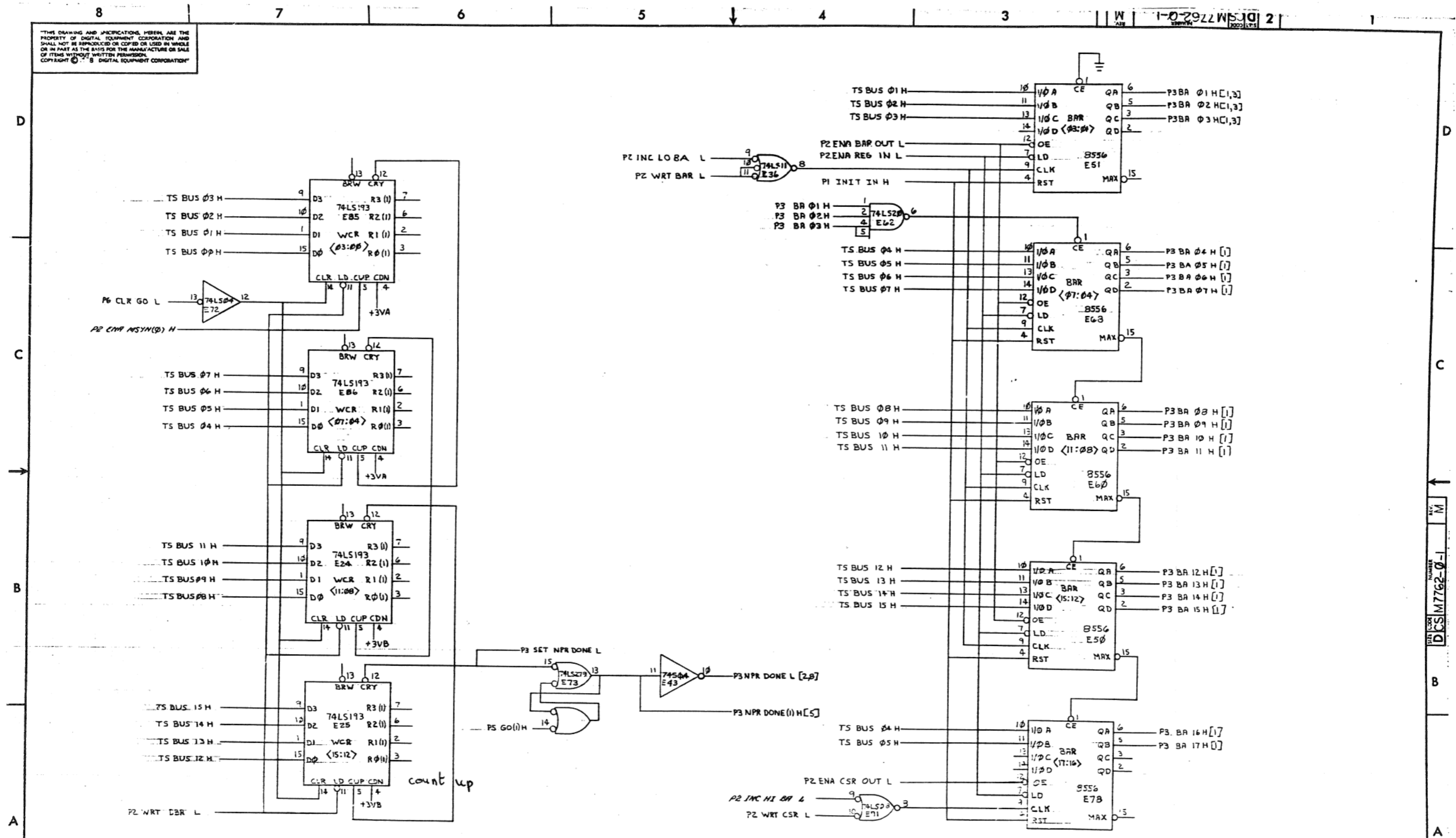


UNIBUS TRANSCEIVERS

REV.	DATE	BY	CHKD.	DESCRIPTION
1	11/17/77	J. VAGIAS	J. VAGIAS	INITIAL RELEASE
2	12/15/77	J. VAGIAS	J. VAGIAS	REVISION
3	1/11/78	J. VAGIAS	J. VAGIAS	REVISION
4	1/11/78	J. VAGIAS	J. VAGIAS	REVISION
5	1/11/78	J. VAGIAS	J. VAGIAS	REVISION
6	1/11/78	J. VAGIAS	J. VAGIAS	REVISION
7	1/11/78	J. VAGIAS	J. VAGIAS	REVISION
8	1/11/78	J. VAGIAS	J. VAGIAS	REVISION

DRN. No. 1000	FIRST USED ON	digital
CHK'D. 1000	TITLE	RLII (PI)
ENG. 1000	PROJECT	RLII CONTROLLER
PROD. ENG. 1000	SIZE CODE	D CS
NEXT HIGHER ASSY.	NUMBER	M7762-0-1
SCALE	DIST.	
SHEET 1 OF 11	REV.	K1

THIS DRAWING AND SPECIFICATIONS HEREIN ARE THE PROPERTY OF DIGITAL EQUIPMENT CORPORATION AND SHALL NOT BE REPRODUCED OR COPIED OR USED IN WHOLE OR IN PART AS THE BASIS FOR THE MANUFACTURE OR SALE OF ITEMS WITHOUT WRITTEN PERMISSION. COPYRIGHT © 1978 DIGITAL EQUIPMENT CORPORATION



REVISIONS		
CHK	CHANGE NO.	REV.

WORD COUNT REGISTER AND BUS ADDRESS REGISTER

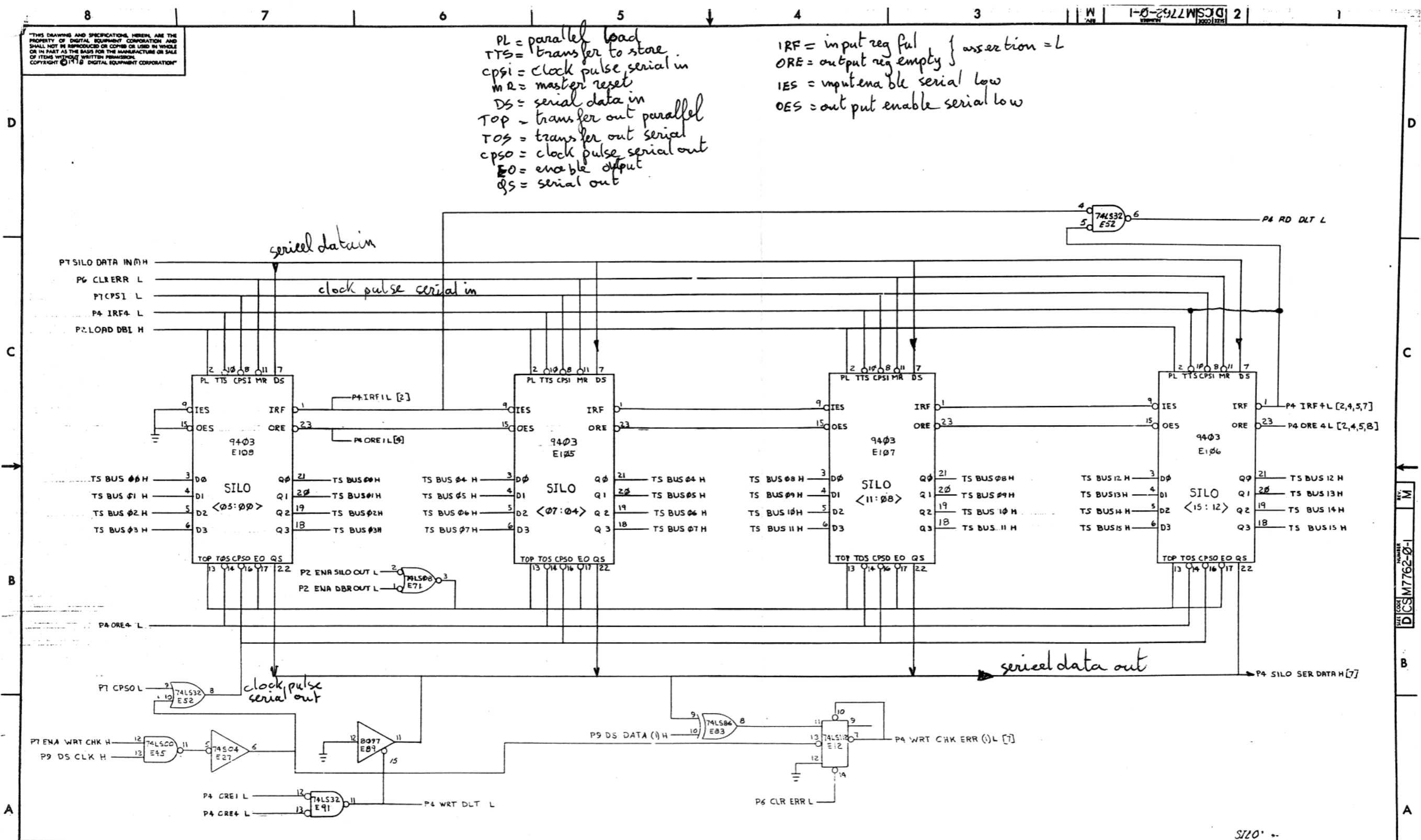
TITLE	R11 CONTROLLER (P3)	SIZE/CODE	DCS M7762-0-1	NUMBER		REV.	M
SCALE		SHEET	3 OF 11	DIST.			

DCS M7762-0-1

THIS DRAWING AND SPECIFICATIONS, HEREIN, ARE THE PROPERTY OF DIGITAL EQUIPMENT CORPORATION AND SHALL NOT BE REPRODUCED OR COPIED OR USED IN WHOLE OR IN PART AS THE BASIS FOR THE MANUFACTURE OR SALE OF ITEMS WITHOUT WRITTEN PERMISSION. COPYRIGHT © 1978 DIGITAL EQUIPMENT CORPORATION

PL = parallel load
 TTS = transfer to store
 CPSI = clock pulse serial in
 MR = master reset
 DS = serial data in
 TOP = transfer out parallel
 TOS = transfer out serial
 CPSO = clock pulse serial out
 EO = enable output
 OS = serial out

IRF = input reg full } assertion = L
 ORE = output reg empty }
 IES = input enable serial low
 OES = output enable serial low

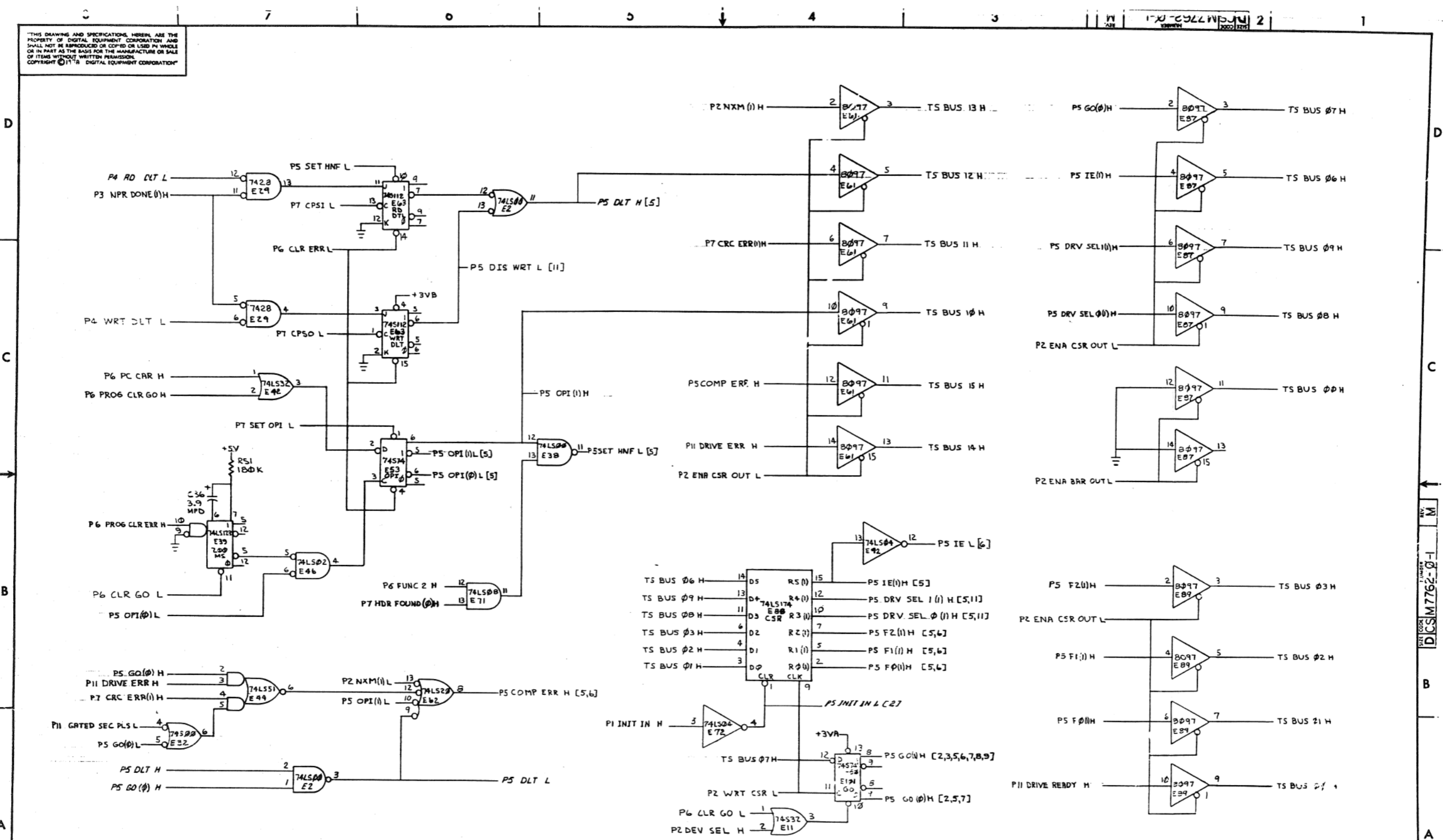


REVISIONS		
CHK	CHANGE NO.	REV.

TITLE	RL11 CONTROLLER (P4)	SIZE/CODE	D CS M7762-0-1	NUMBER	11	REV.	11
SCALE		SHEET	4 OF 11	DIST.			

SHEET CODE: DCS M7762-0-1
 NUMBER: 11

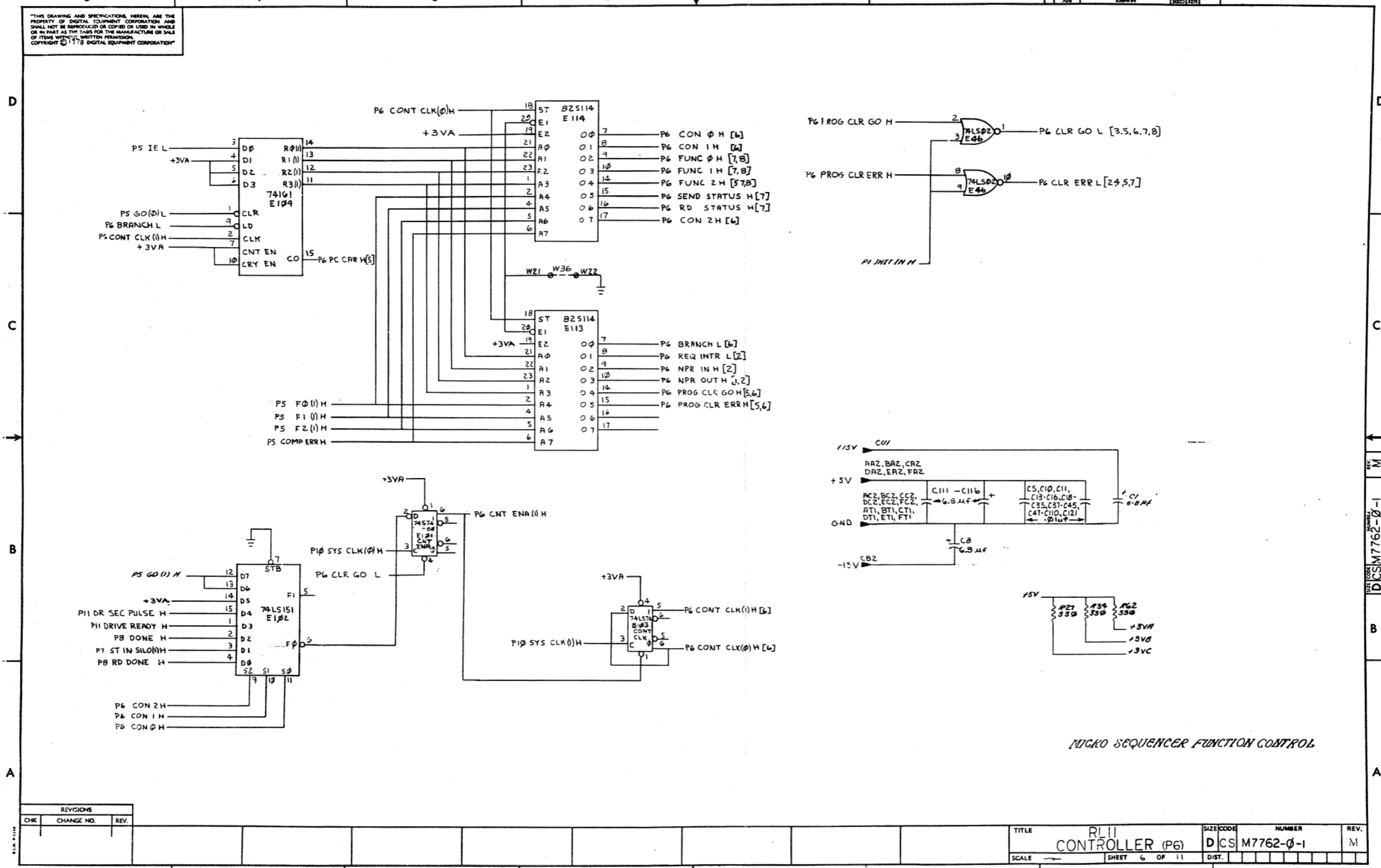
THIS DRAWING AND SPECIFICATIONS HEREIN ARE THE PROPERTY OF DIGITAL EQUIPMENT CORPORATION AND SHALL NOT BE REPRODUCED OR COPIED OR USED IN WHOLE OR IN PART AS THE BASIS FOR THE MANUFACTURE OR SALE OF ITEMS WITHOUT WRITTEN PERMISSION. COPYRIGHT © 1978 DIGITAL EQUIPMENT CORPORATION



REVISIONS		
CHK	CHANGE NO.	REV.

CSR AND ERROR REGISTERS

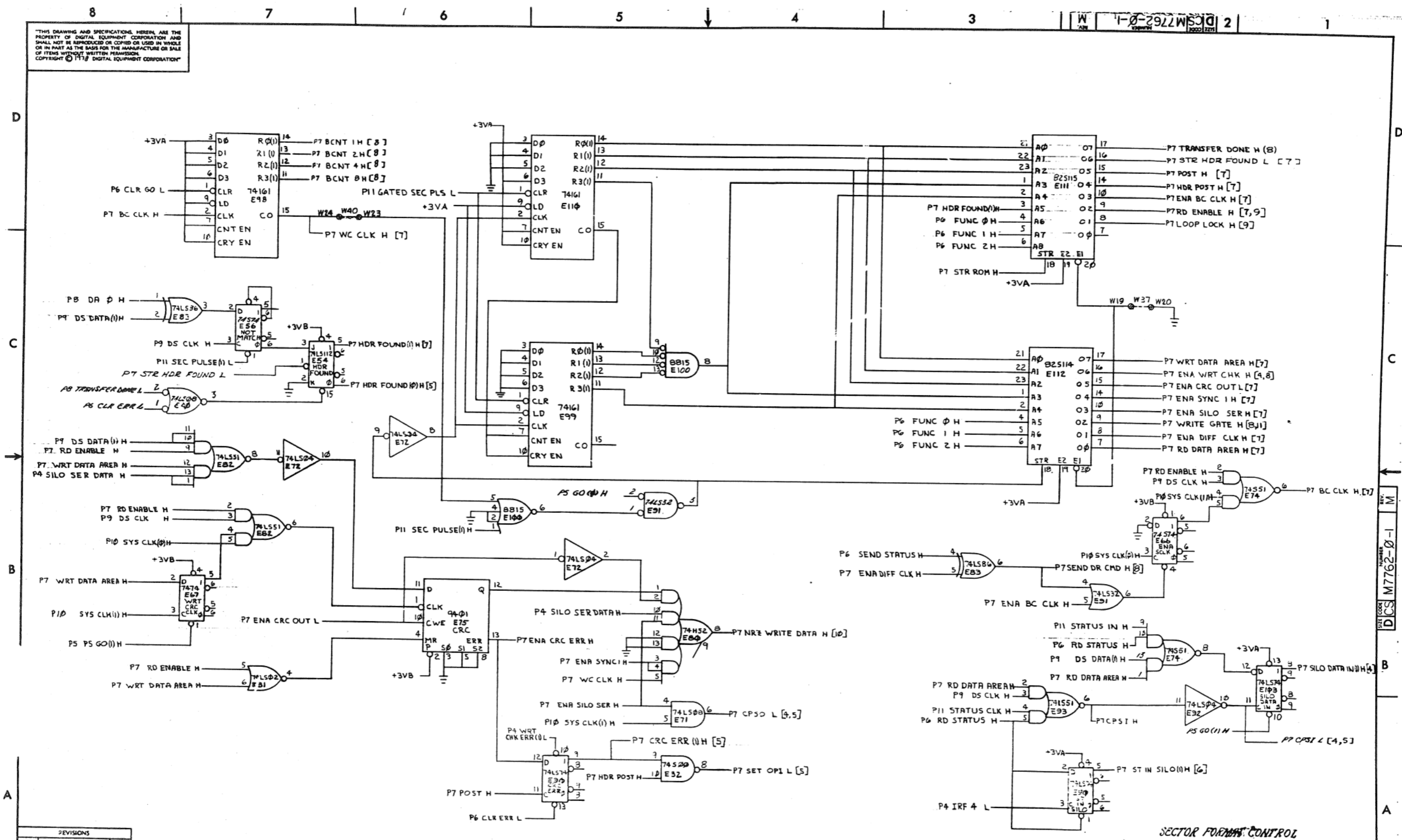
THIS DRAWING AND SPECIFICATIONS HEREIN ARE THE PROPERTY OF DIGITAL EQUIPMENT CORPORATION AND SHALL NOT BE REPRODUCED OR COPIED OR USED IN WHOLE OR IN PART AS THE BASIS FOR THE MANUFACTURE OR SALE OF ITEMS WITHOUT WRITTEN PERMISSION. COPYRIGHT © 1975 DIGITAL EQUIPMENT CORPORATION



MICRO SEQUENCER FUNCTION CONTROL

REVISIONS		
CHK	CHANGE NO.	REV.

"THIS DRAWING AND SPECIFICATIONS HEREIN ARE THE PROPERTY OF DIGITAL EQUIPMENT CORPORATION AND SHALL NOT BE REPRODUCED OR COPIED OR USED IN WHOLE OR IN PART AS THE BASIS FOR THE MANUFACTURE OR SALE OF ITEMS WITHOUT WRITTEN PERMISSION. COPYRIGHT © 1978 DIGITAL EQUIPMENT CORPORATION"



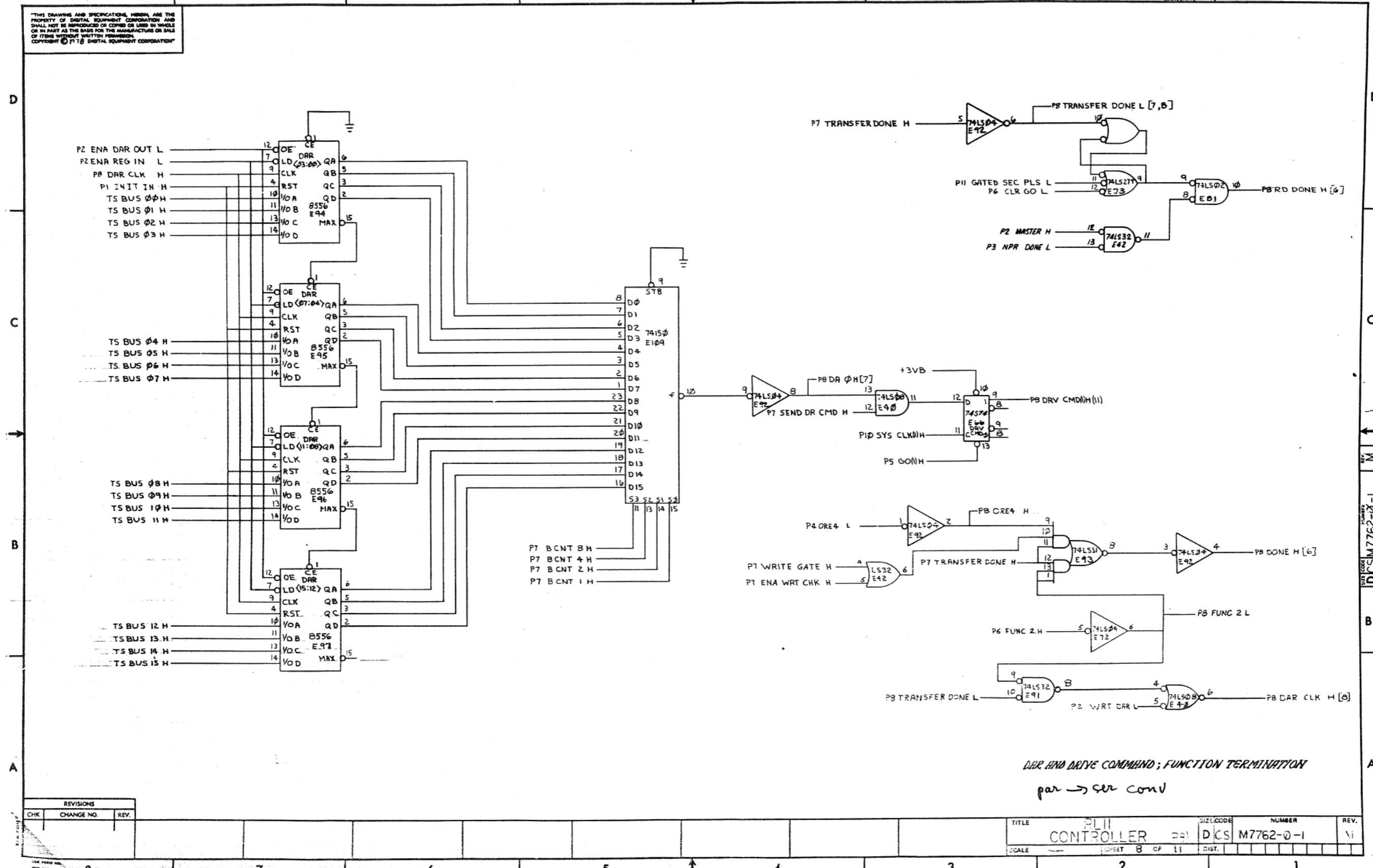
REVISIONS		
CHK	CHANGE NO.	REV

TITLE	PII CONTROLLER (P7)	SIZ CODE	NUMBER	REV.
SCALE	SHEET 7 OF 11	DIST.		VI

SECTOR FORMAT CONTROL

THIS DRAWING AND SPECIFICATIONS HEREIN ARE THE PROPERTY OF DIGITAL EQUIPMENT CORPORATION AND SHALL NOT BE REPRODUCED OR COPIED OR USED IN WHOLE OR IN PART AS THE BASIS FOR THE MANUFACTURE OR SALE OF ITEMS WITHOUT WRITTEN PERMISSION. COPYRIGHT © 1978 DIGITAL EQUIPMENT CORPORATION

DCS M7762-0-1

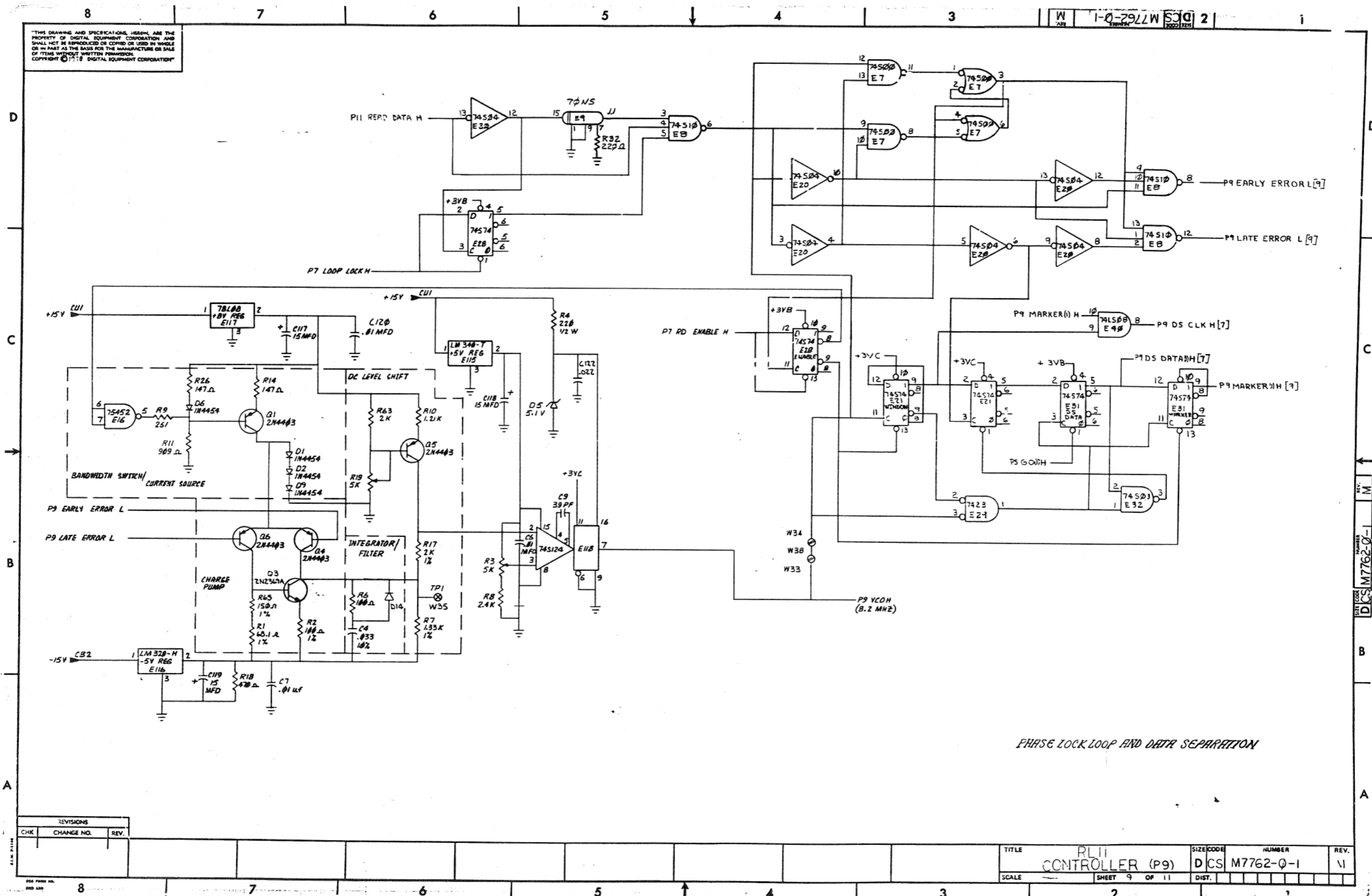


DR AND DRIVE COMMAND; FUNCTION TERMINATION
par → see conv

REVISIONS		
CHK	CHANGE NO.	REV.

TITLE	PL11 CONTROLLER	SIZE CODE	DCS	NUMBER	M7762-0-1	REV.	M
SCALE	SHEET 8 OF 11		DIST.				

THIS DRAWING AND SPECIFICATIONS HEREON ARE THE PROPERTY OF DIGITAL EQUIPMENT CORPORATION AND SHALL NOT BE REPRODUCED OR COPIED OR USED IN WHOLE OR IN PART AS THE BASIS FOR THE MANUFACTURE OR SALE OF ITEMS WITHOUT WRITTEN PERMISSION. COPYRIGHT © 1978 DIGITAL EQUIPMENT CORPORATION



PHASE LOCK LOOP AND DATA SEPARATION

REVISIONS		
CHK	CHANGE NO.	REV.

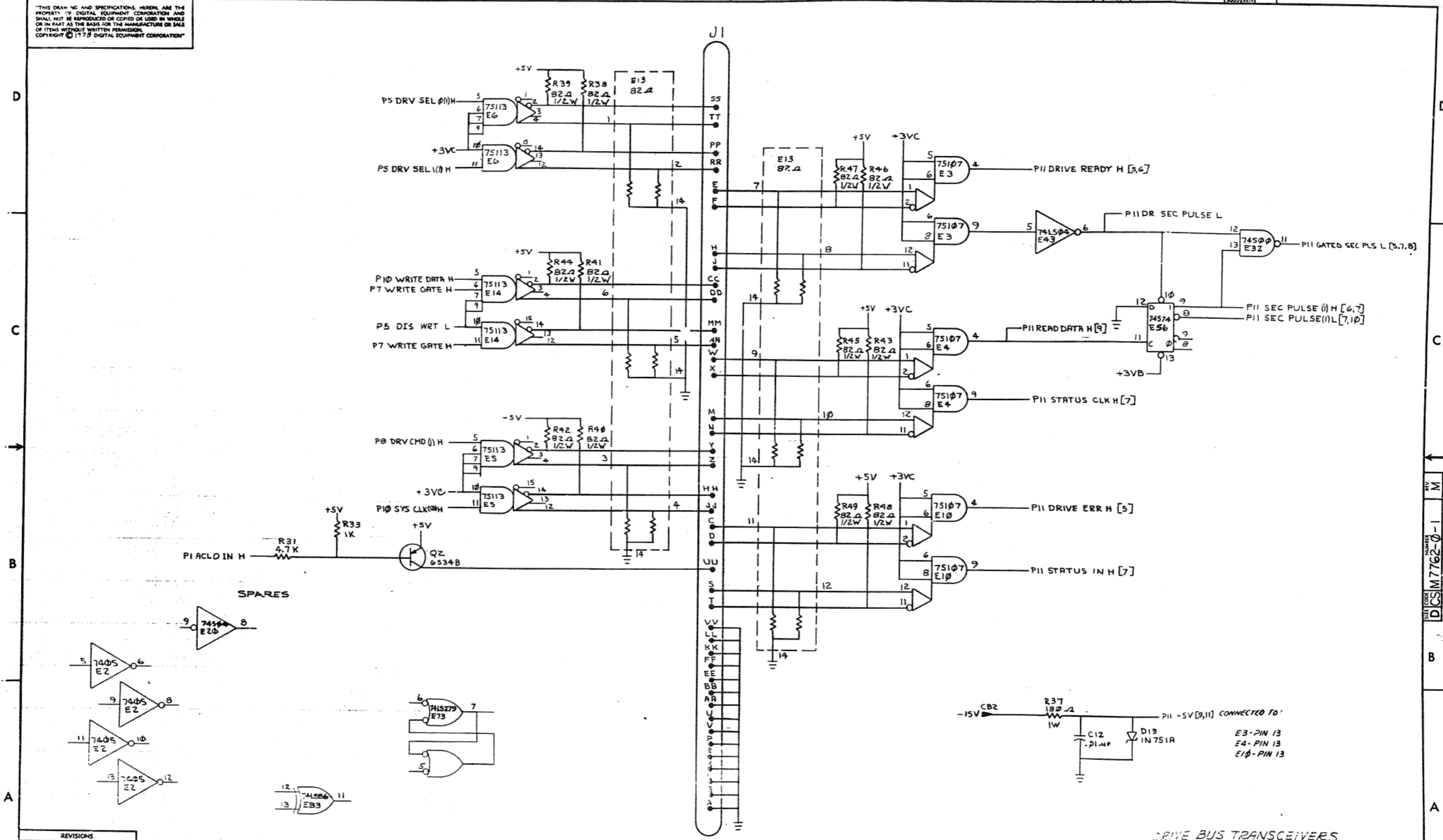
TITLE	RLII CONTROLLER (P9)	SIZE CODE	D CS	NUMBER	M7762-0-1	REV.	VI
SCALE		SHEET	9	OF	11	DIST.	

LINE ITEM	DOCUMENT NUMBER	PART NUMBER	DESCRIPTION	QTY PER VARIATION	REFERENCE DESIGNATOR
				00	
1	D-MD-5014024-0-0	5014024-00	DRILL AND ETCH BRD	1	
2	EWS		RESISTOR,FINAL TEST, 1/4W, 1%	4	R115,R116,R118,R119
3		1000023-00	330.0 MMF 100V 5%200PPM DM15S	4	C93,C106-C108
4		1000024-00	470.0 MMF 100V 5%200PPM DM15S	1	C94
5		1000064-00	3.9MFD 10V 10% 150D S.TA	2	C76,C85
6		1000076-00	39 MFD 10V 10% 150D S.TA	4	C73,C78,C86,C95
7		1001610-00	.01 MFD 50V -20+80 Z5U AXIAL	74	C1-C6,C8-C39,C40-C45,C47-C49, C51-C53,C55-C68,C70,C71,C77, C79-C82,C84,C88,C104 C74,C75,C92,C97
8		1001776-00	1 MFD 35V 10% S.TANT	4	CONT
9		1004812-00	15 MFD 20V 10% S.TANT	1	CONT
10		1005784-00	.01 MFD 100V 10% 663VW MYLR	1	C87
11		1010978-32	.047 MFD 50V 10% 2C067CER.	1	C101
12		1013466-07	220.0 MMF 50V 5% CER.	1	C96
13		1013466-08	680.0 MMF 50V 10% CER.	1	C91
14		1013466-09	1000.0 MMF 50V 10% CER.	2	C89,C90
15		1013466-10	3300.0 MMF 50V 5% CER.	1	C83
16		1013466-11	.22 MFD 50V +80/-20% CER.	4	C98,C100,C103,C105
17		1111577-00	1N 4454 TR= 4NS PIV= 50 S	2	C99,C102
18		1113953-00	1N 5523D VZ= 5.1 1%	16	D1,D7-D20,D22
19		1114117-00	1N 4152 PIV=450 I=75M	1	D21
20		1209941-02	HEADER 100 40POS RT ANGLE	5	D2-D6
21		1209941-03	HEADER RT ANGLE LEFT L	1	J12
22		1209941-04	HEADER RT ANGLE,RIGHT	5	
23		1209941-05	HEADER.100 10POS RT ANGLE	1	J11
24		1209941-06	HEADER.100 20POS RT ANGLE	3	J4-J6
25		1210385-01	PIN 1POS WIRE WRAP	10	TP17-TP26
26		1213922-02	HEADER 3POS	1	J14
27		1213922-04	HEADER 6POS	1	J2
28		1300229-00	100 1/4W 5% CC	5	R48,R133-R136

REVISION HISTORY		BASIC PART NO: 5414025		DRN:	ART SIMM	DATE:	18-APR-79	D I G I T A L			
ENG	ECO NUMBER	REV	SECTION A OF A	CHK'D:	P. KENDRICK	DATE:	18-APR-79	TITLE PARTS LIST			
	INITIAL	A	SECTION VARIATION INDEX					DRIVE LOGIC			
			[A] 00								
			[B]								
			[C]	DES.ENG:	MIKE BROWN	DATE:	18-APR-79				
			[D]								
			[E]	RESP.ENG.:	MIKE BROWN	DATE:	18-APR-79	DOCUMENT NUMBER			
			[F]					SIZE	CODE	NUMBER	REV
			[G]								
			[H]	MFG.ENG.:	D. LICK	DATE:	18-APR-79	K	PL	5414025-0-DBP	A
			[I]								
			[J]	ASSEMBLY NUMBER:		TOP DOCUMENT NUMBER:		FILE NAME:		EDIT #	
			[K]	D-UA-5414025-0-0		#RL02		Z0496A.PLS		16	
			[L]								
			[M]								
			[N]								

*THIS DRAWING AND SPECIFICATIONS HEREIN, ARE THE PROPERTY OF DIGITAL EQUIPMENT CORPORATION AND SHALL NOT BE REPRODUCED OR COPIED OR USED IN WHOLE OR IN PART AS THE BASIS FOR THE MANUFACTURE OR SALE OF ITEMS WITHOUT WRITTEN PERMISSION. COPYRIGHT (C) 1979. DIGITAL EQUIPMENT CORPORATION *

THIS DRAWING AND SPECIFICATIONS HEREIN ARE THE PROPERTY OF DIGITAL EQUIPMENT CORPORATION AND SHALL NOT BE REPRODUCED OR COPIED OR USED IN WHOLE OR IN PART AS THE BASIS FOR THE MANUFACTURE OR SALE OF ITEMS WITHOUT WRITTEN PERMISSION. COPYRIGHT © 1978 DIGITAL EQUIPMENT CORPORATION



DRIVE BUS TRANSCEIVERS

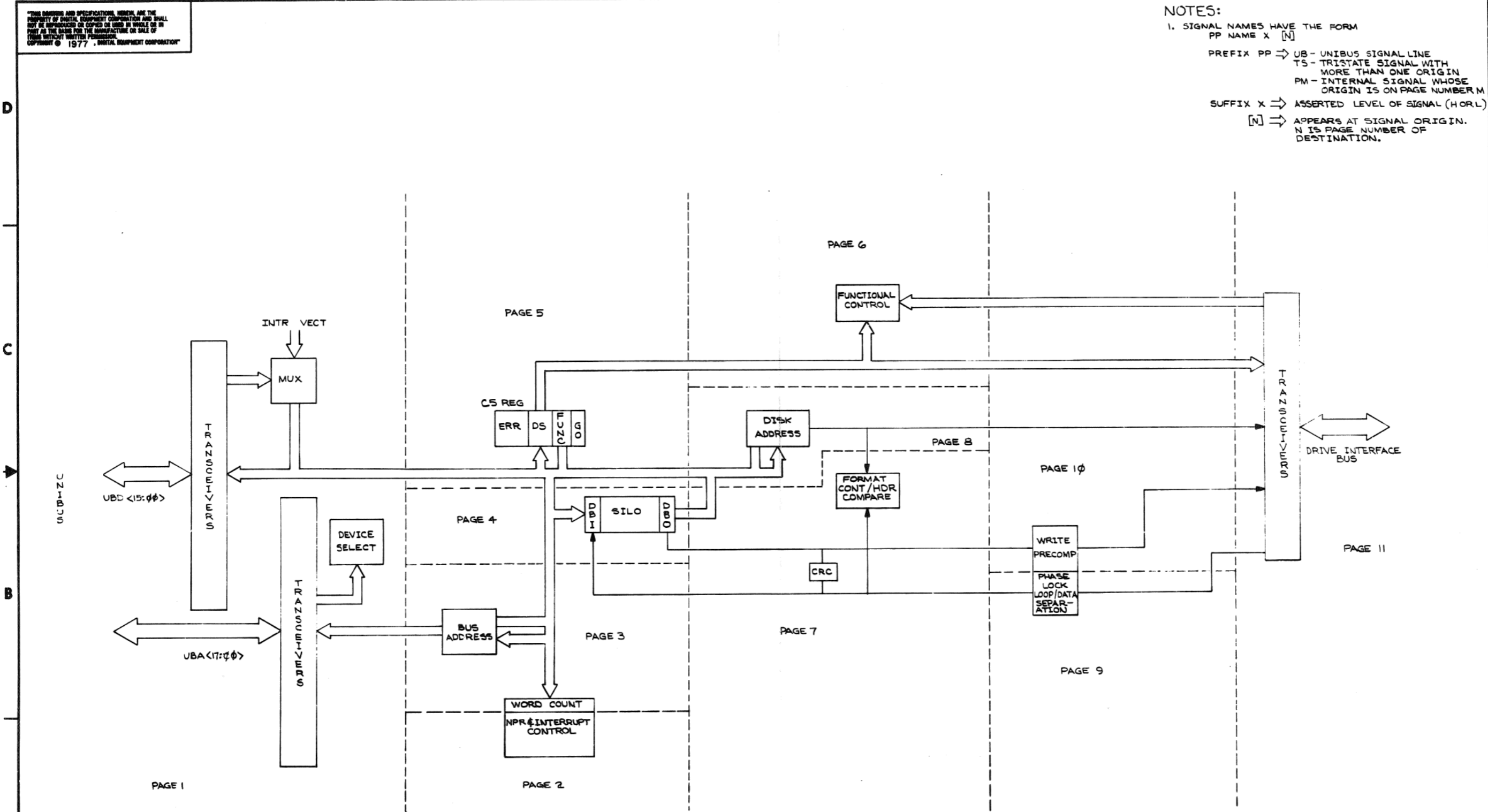
REVISIONS		
CHK	CHANGE NO.	REV.

TITLE	RLII CONTROLLER (PII)	SIZE CODE	D CS M762-0-1	NUMBER	11 OF 11	REV.	M
SCALE		SHEET		DIST.			

REV. M DCS M762-0-1

"THE DRAWING AND SPECIFICATIONS HEREIN ARE THE PROPERTY OF DIGITAL EQUIPMENT CORPORATION AND SHALL NOT BE REPRODUCED OR COPIED OR USED IN WHOLE OR IN PART AS THE BASIS FOR THE MANUFACTURE OR SALE OF ITEMS WITHOUT WRITTEN PERMISSION.
COPYRIGHT © 1977, DIGITAL EQUIPMENT CORPORATION"

NOTES:
1. SIGNAL NAMES HAVE THE FORM
PP NAME X [N]
PREFIX PP → UB - UNIBUS SIGNAL LINE
TS - TRISTATE SIGNAL WITH MORE THAN ONE ORIGIN
PM - INTERNAL SIGNAL WHOSE ORIGIN IS ON PAGE NUMBER M
SUFFIX X → ASSERTED LEVEL OF SIGNAL (H OR L)
[N] → APPEARS AT SIGNAL ORIGIN. N IS PAGE NUMBER OF DESTINATION.

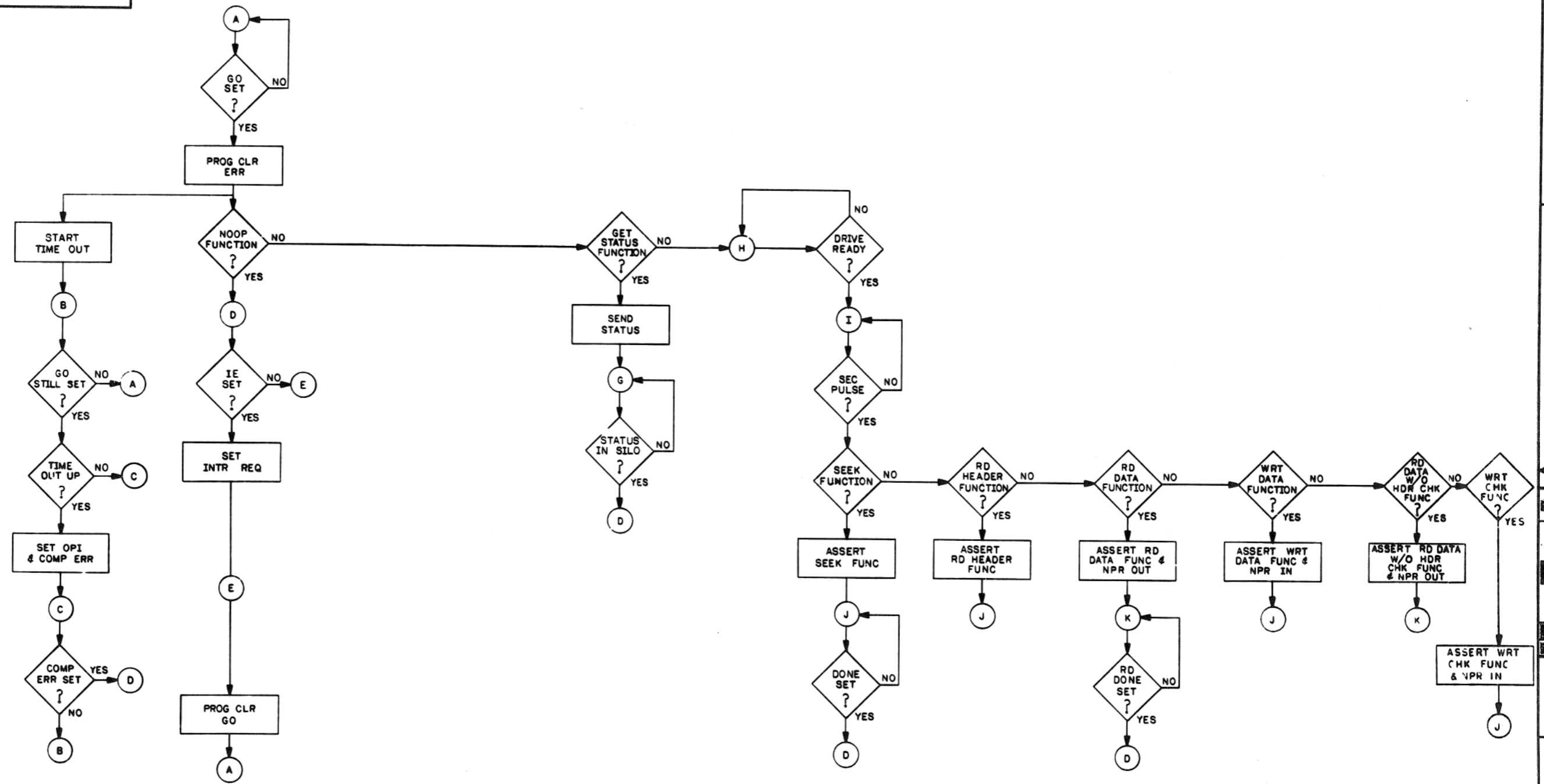


DRN: <i>[Signature]</i> 2/2/77	FIRST USED ON: RLII
CHK'D: <i>[Signature]</i> 2/2/77	TITLE: RLII CONTROLLER BLOCK DIAGRAM
ENG: <i>[Signature]</i> 2/2/77	
PROJ. ENG: <i>[Signature]</i> 2/2/77	
PROD: <i>[Signature]</i> 2/2/77	
NEXT HIGHER ASSY: B-DD-M7762-0	SIZE CODE: D
SCALE: 1:1	NUMBER: M7762-0-2
SHEET: 1	OF: 1
	DIST: 1

REVISIONS
NO. BY DATE
1. BY DATE

THIS DRAWING AND SPECIFICATIONS HEREIN ARE THE PROPERTY OF DIGITAL EQUIPMENT CORPORATION AND SHALL NOT BE REPRODUCED OR COPIED OR USED IN WHOLE OR IN PART AS THE BASIS FOR THE MANUFACTURE OR SALE OF ITEMS WITHOUT WRITTEN PERMISSION. COPYRIGHT © 1977, DIGITAL EQUIPMENT CORPORATION

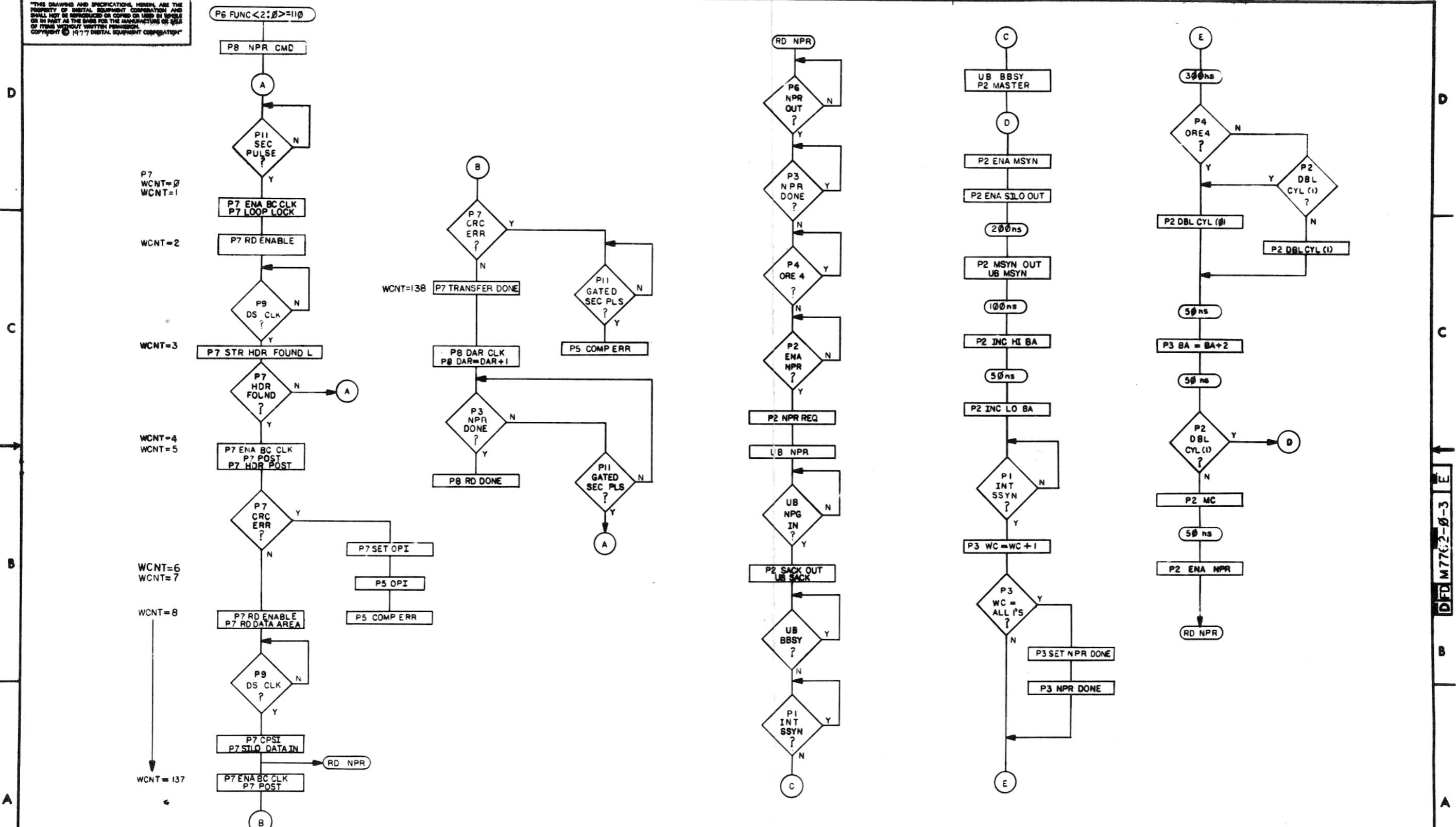
D E D M 7762-0-3 2 1



REV	DATE	BY	CHKD
1	3-4-77	J. J. [Signature]	[Signature]
2	3-4-77	[Signature]	[Signature]
3	3-4-77	[Signature]	[Signature]
4	3-4-77	[Signature]	[Signature]
5	3-4-77	[Signature]	[Signature]
6	3-4-77	[Signature]	[Signature]
7	3-4-77	[Signature]	[Signature]
8	3-4-77	[Signature]	[Signature]

FUNCTION CONTROL FLOW			
DRN. [Signature]	3-4-77	FIRST VERSION	RLII
CHKD. [Signature]	3-4-77		
ENG. [Signature]	3-4-77		
PROJ. ENG. [Signature]	3-4-77		
PROD. [Signature]	3-4-77		
NEXT HIGHER ASSY.		SIZE CODE	NUMBER
B-DD-M7762-0		D FD	M 7762-0-3
SCALE	1:1	REV	E
SHEET	OF 3	DIST.	

THIS DRAWING AND SPECIFICATIONS, HEREIN, ARE THE PROPERTY OF DIGITAL EQUIPMENT CORPORATION AND SHALL NOT BE REPRODUCED OR COPIED OR USED IN WHOLE OR IN PART AS THE BASIS FOR THE MANUFACTURE OF ANY OF ITS PRODUCTS WITHOUT WRITTEN PERMISSION. Copyright © 1977 DIGITAL EQUIPMENT CORPORATION

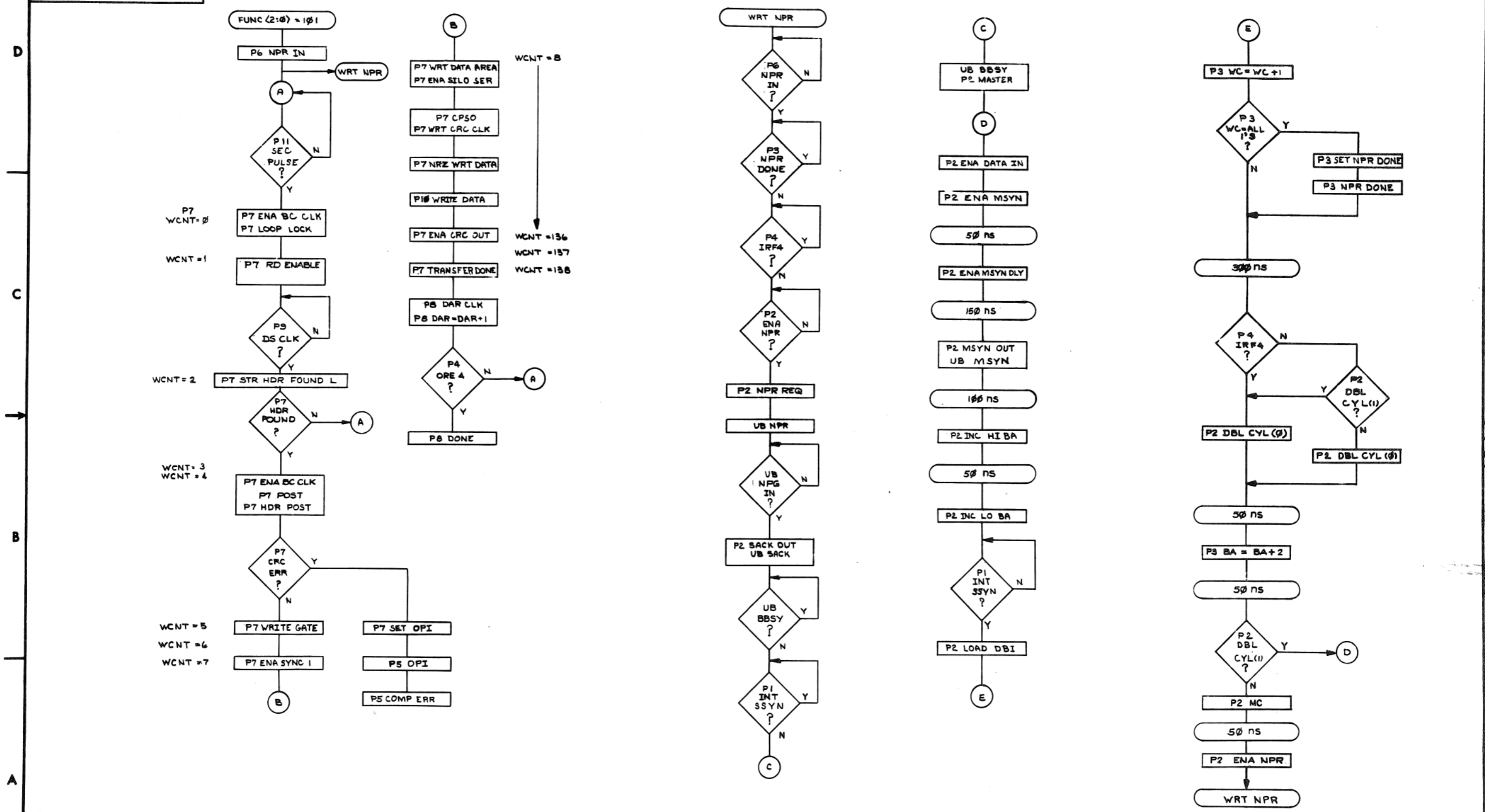


REVISIONS		
CHK	CHANGE NO.	REV.

READ DATA COMMAND FORMAT # NPR FLOW

TITLE	RL11 CONTROLLER FLOW DIAGRAM	SIZE CODE	D F D	NUMBER	M 7762-0-3	REV.	E
SCALE	1:1	SHEET	2	OF	3	DIST.	

THIS DRAWING AND SPECIFICATIONS HEREIN ARE THE PROPERTY OF DIGITAL EQUIPMENT CORPORATION AND SHALL NOT BE REPRODUCED OR COPIED OR USED IN WHOLE OR IN PART AS THE BASIS FOR THE MANUFACTURE OR SALE OF ITEMS WITHOUT WRITTEN PERMISSION. COPYRIGHT © 1977 DIGITAL EQUIPMENT CORPORATION

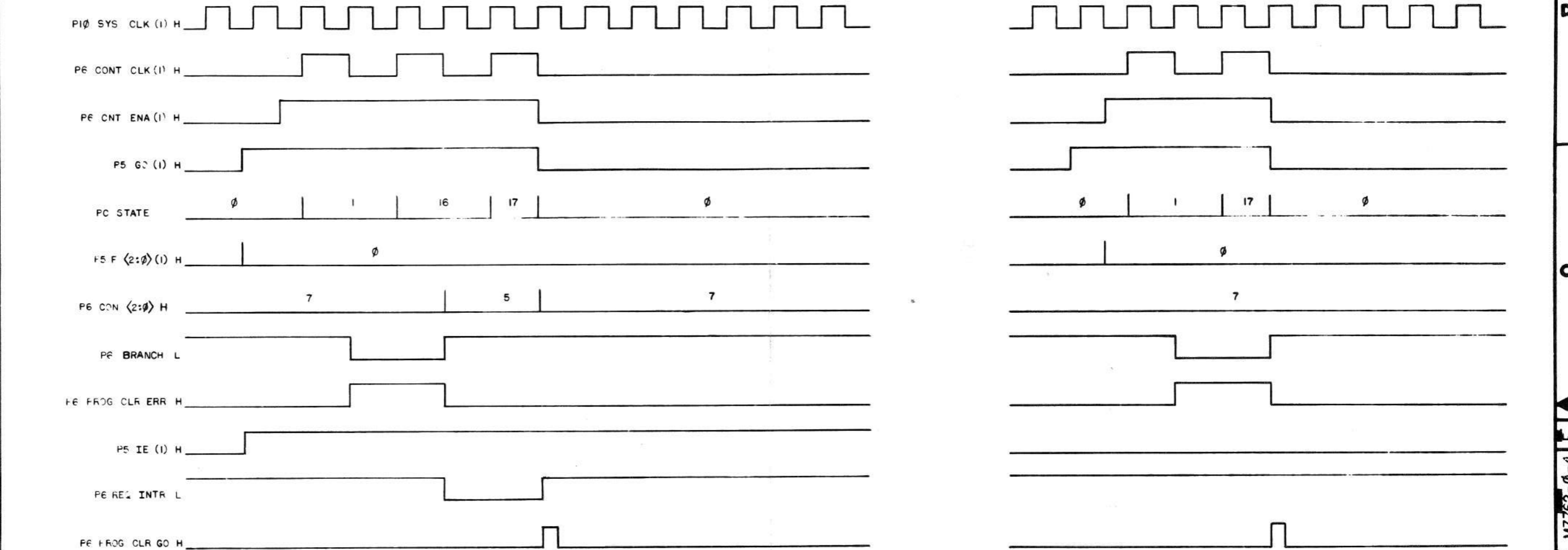


REVISIONS		
CHK	CHANGE NO.	REV.

WRITE DATA COMMAND FORMAT & NPR FLOW

TITLE	RLII CONTROLLER FLOW DIAGRAM	SIZE CODE	D FD	NUMBER	M7762-0-3	REV.	E
SCALE		SHEET	3	OF	3	DIST.	

THIS DRAWING AND SPECIFICATIONS HEREIN ARE THE PROPERTY OF DIGITAL EQUIPMENT CORPORATION AND SHALL NOT BE REPRODUCED OR COPIED OR USED IN WHOLE OR IN PART AS THE BASIS FOR THE MANUFACTURE OR SALE OF ITEMS WITHOUT WRITTEN PERMISSION.
 COPYRIGHT © 1977, DIGITAL EQUIPMENT CORPORATION



WITH IE SET

WITHOUT IE SET

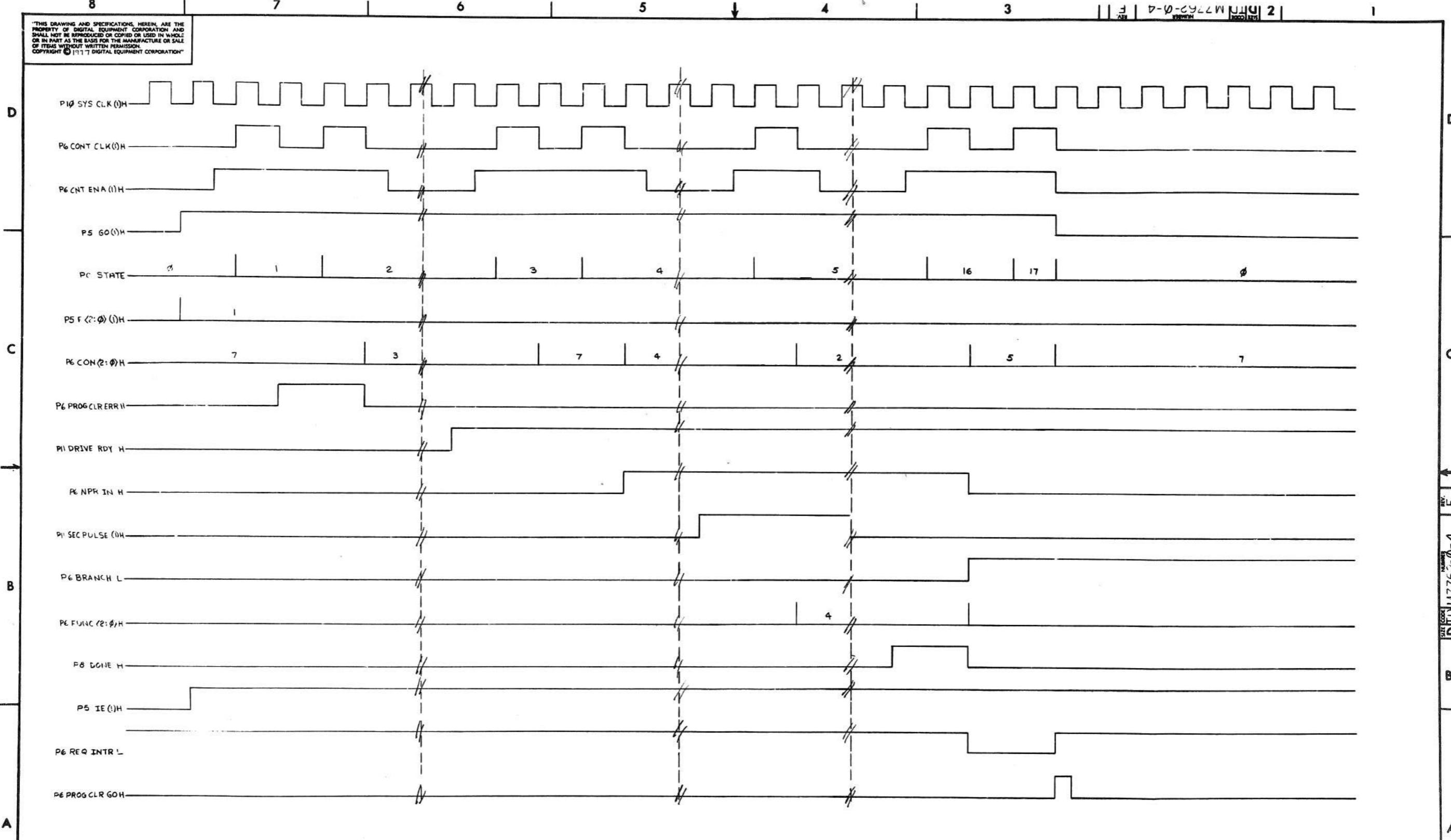
NO OP FUNCTION TIMING

DRN. S. D. [Signature]	REV. [Signature]	DATE [Signature]	FILE NO. [Signature]	REV. [Signature]
CHK'D [Signature]	ENG. [Signature]	PROJ. ENG. [Signature]	PROB. [Signature]	TITLE RLII
NEXT HIGHER ASSY.				TITLE RLII CONTROLLER TIMING DIAGRAM
B-DD-M7762-0	SCALE	SIZE CODE D TD	NUMBER M7762-0-4	REV. F
SHEET 1 OF 13	DST.			

REV. [Signature]	DATE [Signature]
CHK. CHANGE NO. [Signature]	DATE [Signature]
M7762-00001	DATE [Signature]
[Signature]	DATE [Signature]
[Signature]	DATE [Signature]
[Signature]	DATE [Signature]

"THIS DRAWING AND SPECIFICATIONS HEREIN ARE THE PROPERTY OF DIGITAL EQUIPMENT CORPORATION AND SHALL NOT BE REPRODUCED OR COPIED OR USED IN WHOLE OR IN PART AS THE BASIS FOR THE MANUFACTURE OR SALE OF ITEMS WITHOUT WRITTEN PERMISSION. COPYRIGHT © 1977 DIGITAL EQUIPMENT CORPORATION"

REV. F
NAME: DTD M7762-0-4
DATE: 11/76



REVISIONS		
CHK	CHANGE NO.	REV.

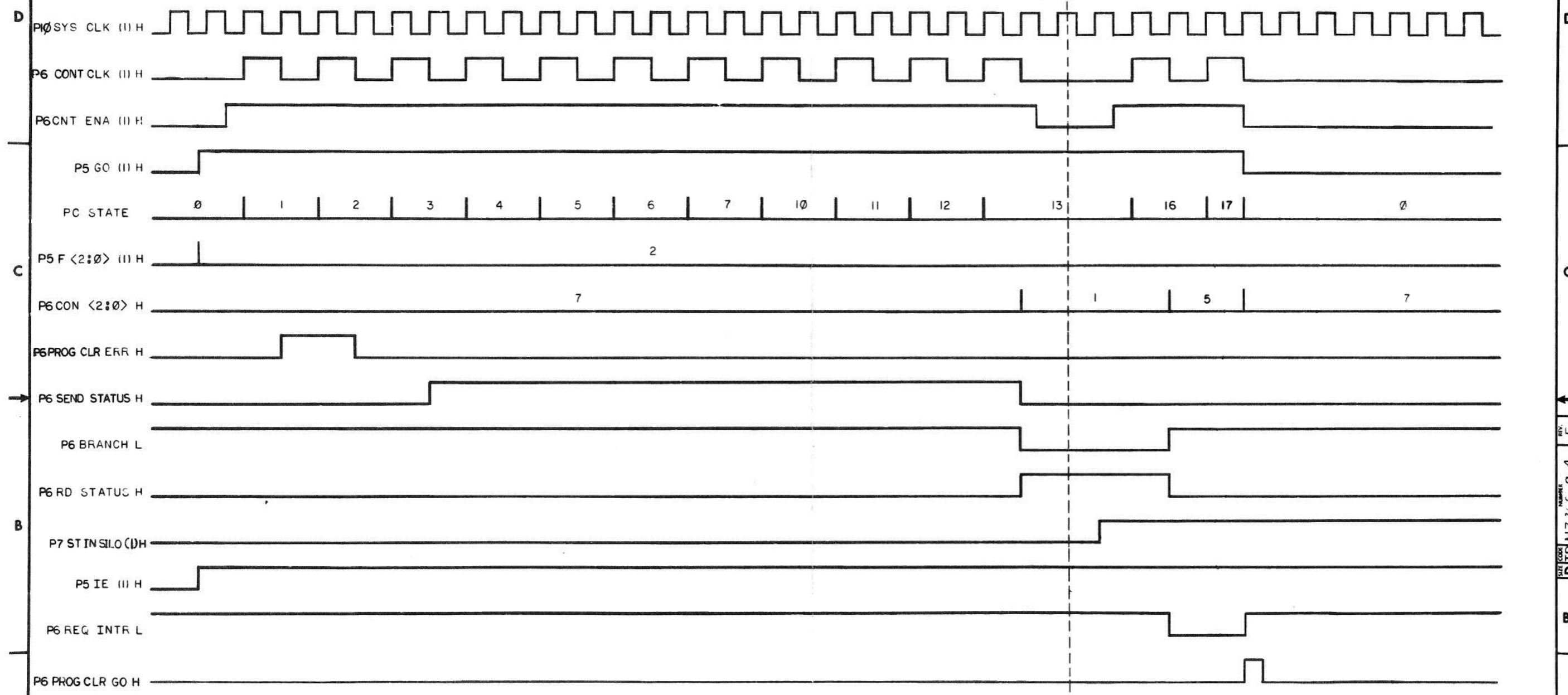
WRITE CHECK FUNCTION TIMING

TITLE	RLU1 CONTROLLER TIMING DIAGRAM	SIZE CODE	NUMBER	REV.
SCALE	1/1	D TD	M7762-0-4	F
SHEET	2	OF	13	DIST.

8 7 6 5 4 3 2 1

REV. F
NAME: DTD M7762-0-4
DATE: 11/76

THIS DRAWING AND SPECIFICATIONS HEREIN ARE THE PROPERTY OF DIGITAL EQUIPMENT CORPORATION AND SHALL NOT BE REPRODUCED OR COPIED OR USED IN WHOLE OR IN PART AS THE BASIS FOR THE MANUFACTURE OR SALE OF ITEMS WITHOUT WRITTEN PERMISSION. COPYRIGHT © 1977 DIGITAL EQUIPMENT CORPORATION

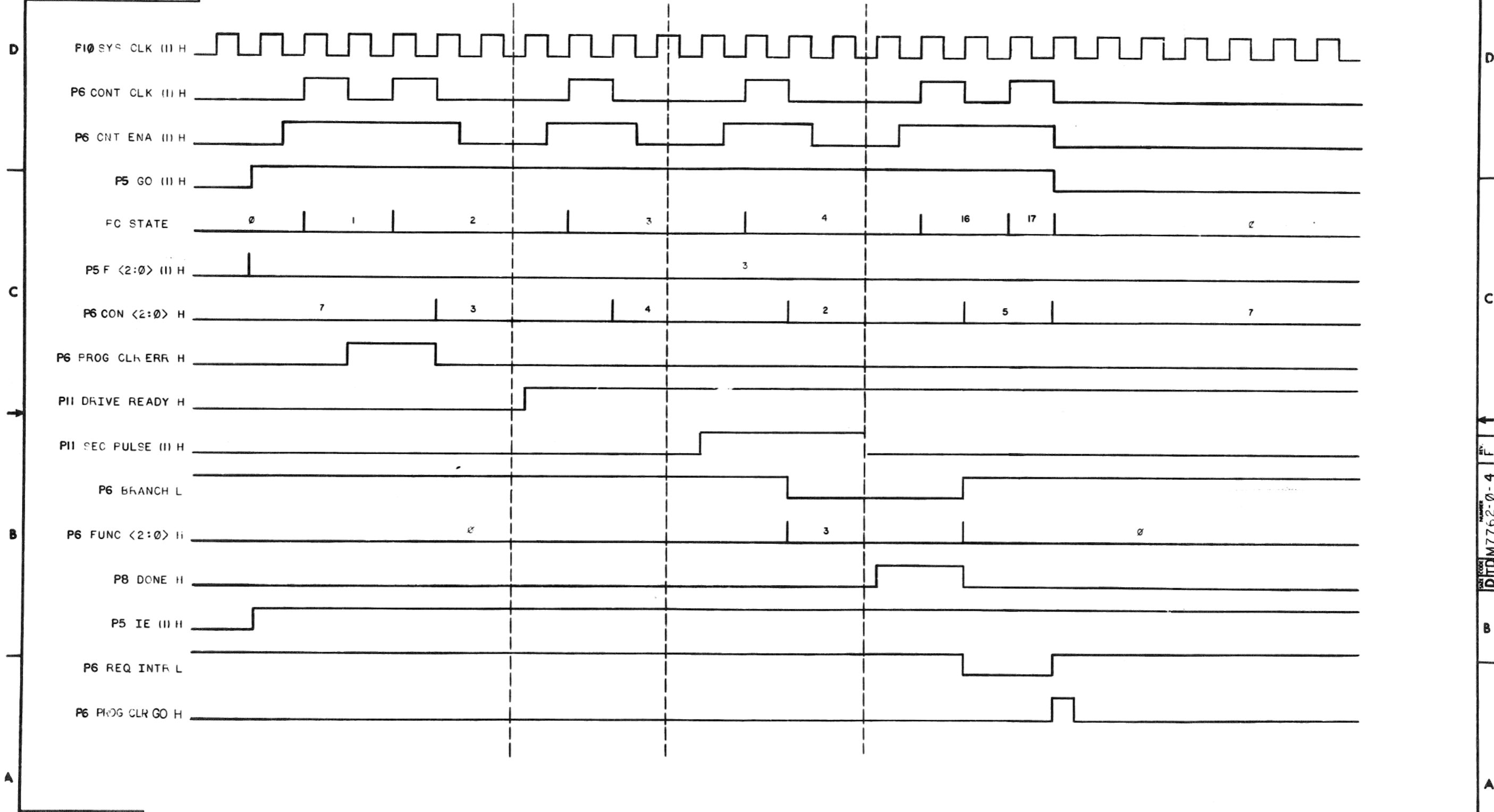


REVISIONS		
CHK	CHANGE NO.	REV.

GET STATUS FUNCTION TIMING			
TITLE	RLII CONTROLLER TIMING DIAGRAM	SIZE CODE	DITD
NUMBER	M7762-0-4	REV.	F
SCALE	1:1	SHEET	3 OF 13

"THIS DRAWING AND SPECIFICATIONS HEREIN ARE THE PROPERTY OF DIGITAL EQUIPMENT CORPORATION AND SHALL NOT BE REPRODUCED OR COPIED OR USED IN WHOLE OR IN PART AS THE BASIS FOR THE MANUFACTURE OR SALE OF ITEMS WITHOUT WRITTEN PERMISSION. COPYRIGHT © 1977 DIGITAL EQUIPMENT CORPORATION"

REV. 4-0-4
 NAME M7762-0-4
 DTD 2



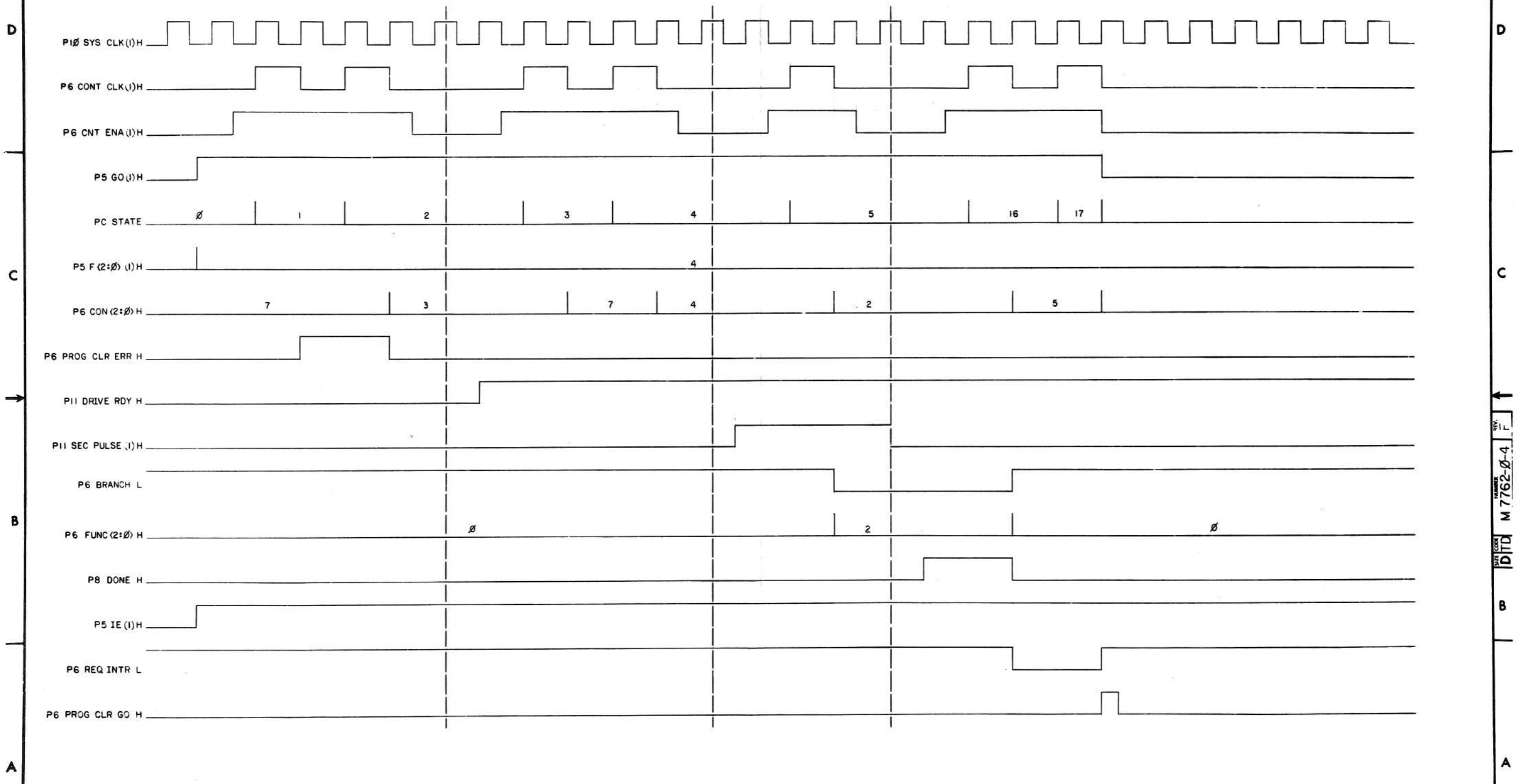
REVISIONS		
CHK	CHANGE NO.	REV.

SEEK FUNCTION TIMING
 TITLE RLII CONTROLLER
 TIMING DIAGRAM
 SCALE NONE SHEET 4 OF 13
 SIZE CODE DTD NUMBER M7762-0-4 REV. F

8 7 6 5 4 3 2 1

DRAWING NO. M7762-0-4

"THIS DRAWING AND SPECIFICATIONS HEREIN ARE THE PROPERTY OF DIGITAL EQUIPMENT CORPORATION AND SHALL NOT BE REPRODUCED OR COPIED OR USED IN WHOLE OR IN PART AS THE BASIS FOR THE MANUFACTURE OR SALE OF ITEMS WITHOUT WRITTEN PERMISSION. DIGITAL EQUIPMENT CORPORATION" COPYRIGHT ©



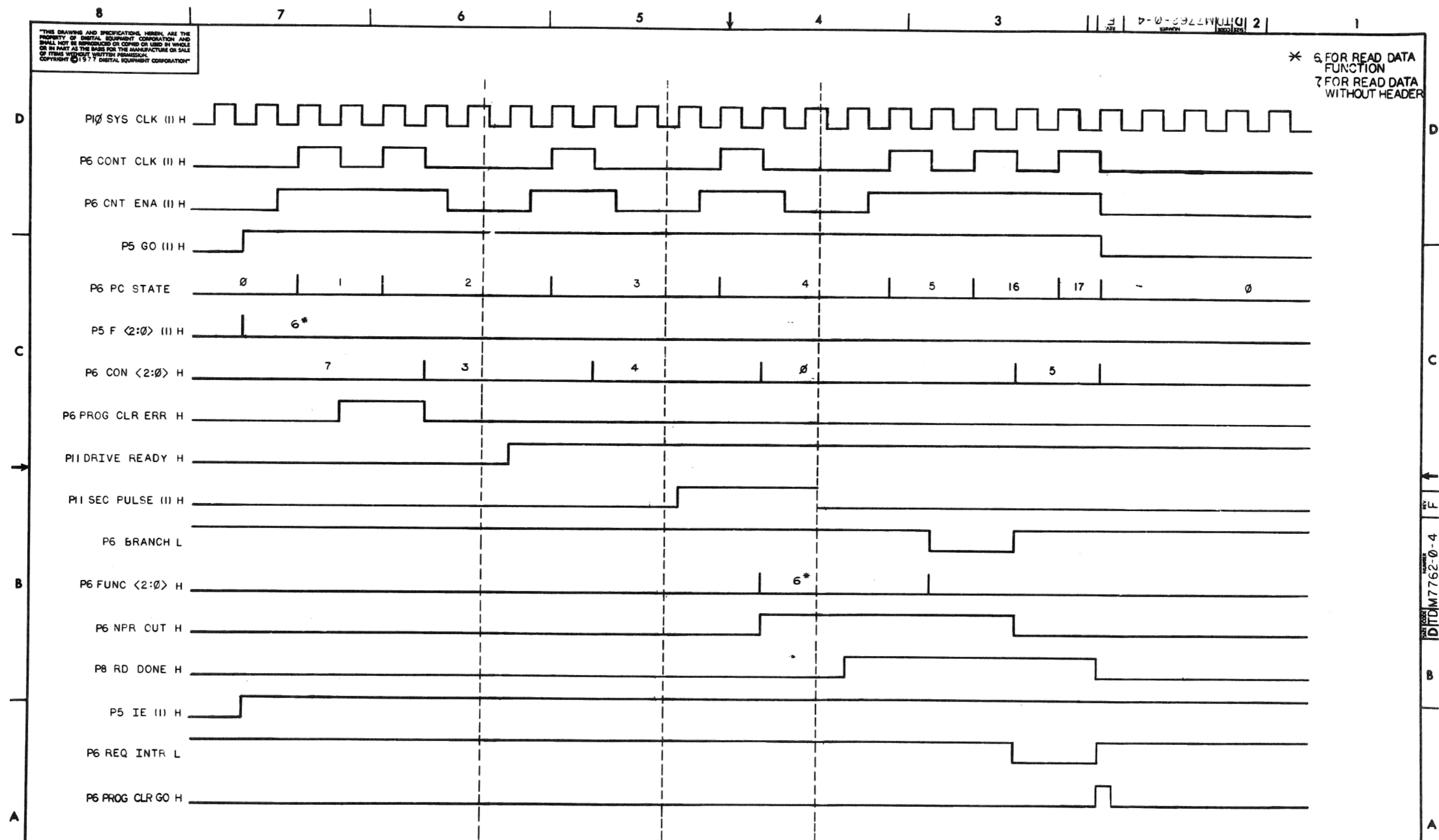
REVISIONS		
CHK	CHANGE NO.	REV.

READ HEADER FUNCTION TIMING			
TITLE	RLII CONTROLLER TIMING DIAGRAM	SIZE/CODE	DTD
NUMBER	M 7762-0-4	REV.	F
SCALE	— / —	SHEET	5 OF 13

"THIS DRAWING AND SPECIFICATIONS, HEREIN, ARE THE PROPERTY OF DIGITAL EQUIPMENT CORPORATION AND SHALL NOT BE REPRODUCED OR COPIED OR USED IN WHOLE OR IN PART AS THE BASIS FOR THE MANUFACTURE OR SALE OF ITEMS WITHOUT WRITTEN PERMISSION. COPYRIGHT © 1977 DIGITAL EQUIPMENT CORPORATION"

REV. 2
M7762-0-4

* 6 FOR READ DATA FUNCTION
7 FOR READ DATA WITHOUT HEADER

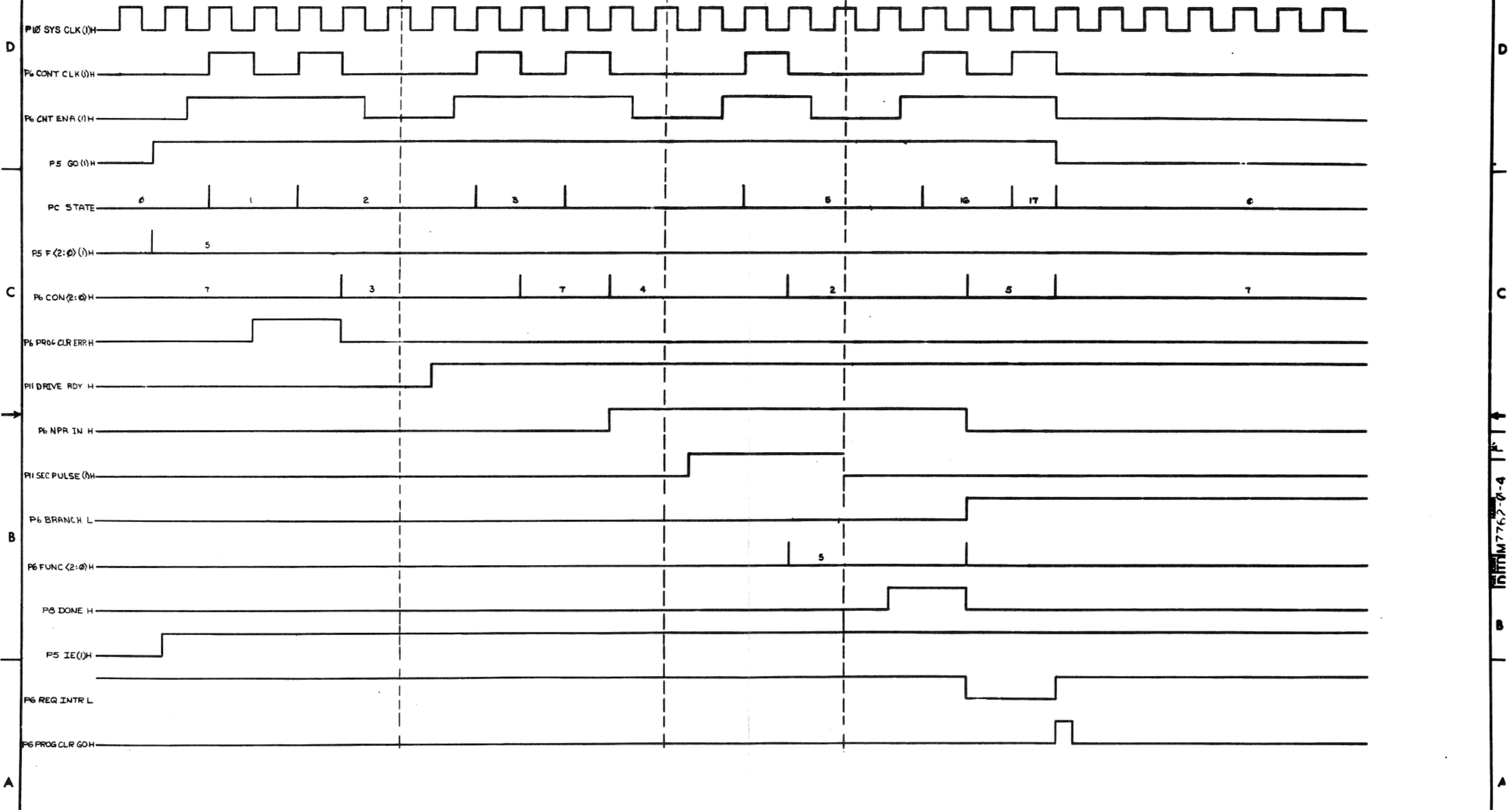


REVISIONS		
CHK	CHANGE NO.	REV.

READ DATA FUNCTION TIMING			
TITLE	RLI CONTROLLER	SIZE CODE	NUMBER
	TIMING DIAGRAM	D TD	M7762-0-4
SCALE	NONE	SHEET	6 OF 13
		DIST.	

DITDM7762-0-4

"THIS DRAWING AND SPECIFICATIONS HEREIN ARE THE PROPERTY OF DIGITAL EQUIPMENT CORPORATION AND SHALL NOT BE REPRODUCED OR COPIED OR USED IN WHOLE OR IN PART AS THE BASIS FOR THE MANUFACTURE OR SALE OF ITEMS WITHOUT WRITTEN PERMISSION. COPYRIGHT © 1977 DIGITAL EQUIPMENT CORPORATION"

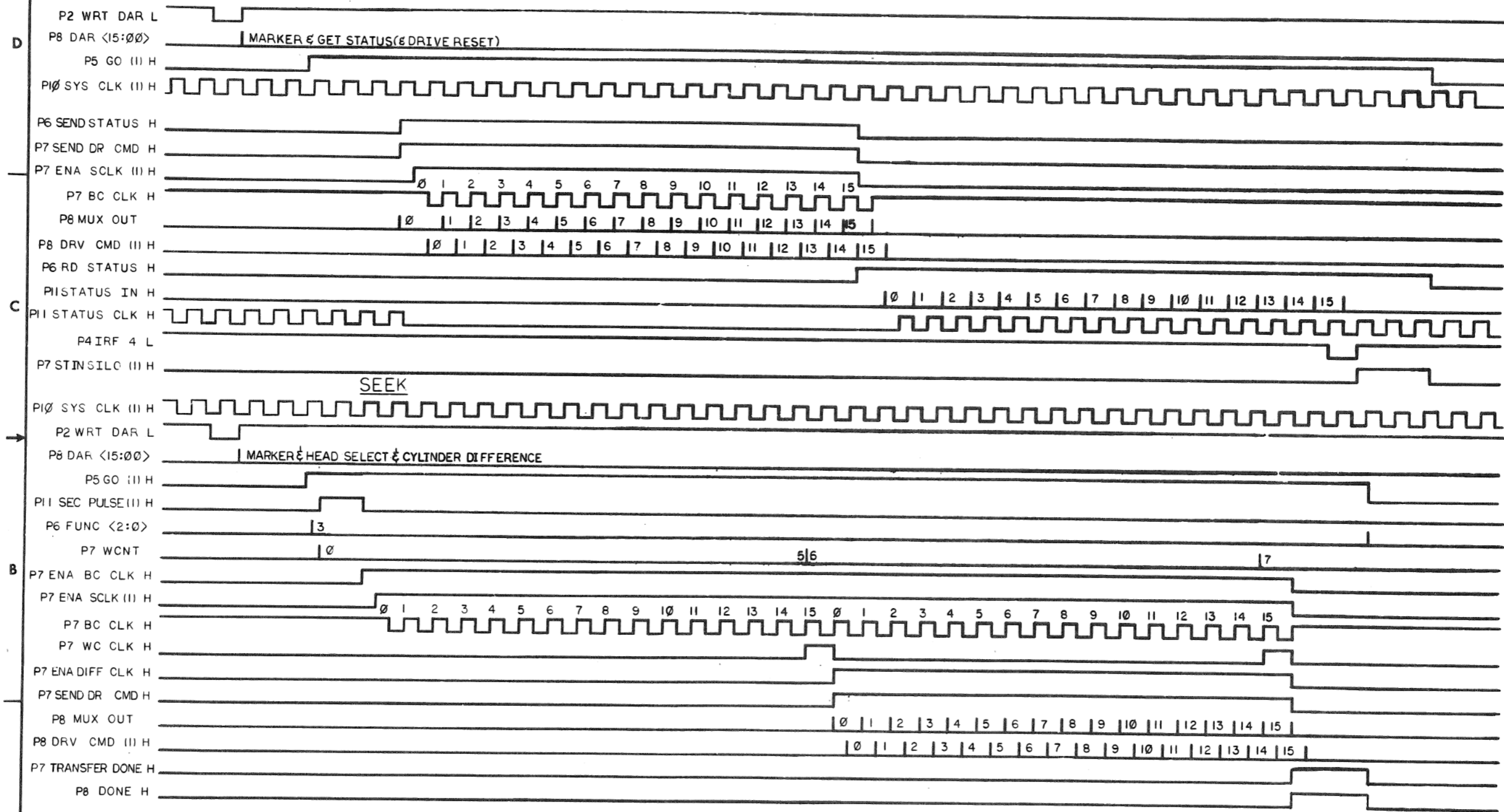


REVISIONS		
CHK	CHANGE NO.	REV.

WRITE DATA FUNCTION TIMING			
TITLE	RLII CONTROLLER	SIZE CODE	NUMBER
	TIMING DIAGRAM	DTD	M7762-0-4
SCALE	SHEET 7 OF 13	DIST.	REV. F

THIS DRAWING AND SPECIFICATIONS HEREIN ARE THE PROPERTY OF DIGITAL EQUIPMENT CORPORATION AND SHALL NOT BE REPRODUCED OR COPIED OR USED IN WHOLE OR IN PART AS THE BASIS FOR THE MANUFACTURE OR SALE OF ITEMS WITHOUT WRITTEN PERMISSION. COPYRIGHT © 1977 DIGITAL EQUIPMENT CORPORATION

GET STATUS



REVISIONS		
CHK	CHANGE NO.	REV.

GET STATUS & SEEK FORMAT TIMING

TITLE	RLII CONTROLLER TIMING DIAGRAM	SIZE CODE	D TD	NUMBER	M7762-0-4	REV.	F
SCALE	←	SHEET	8	OF	13	DIST.	

DEC FORM NO. DWD 130

8

7

6

5

4

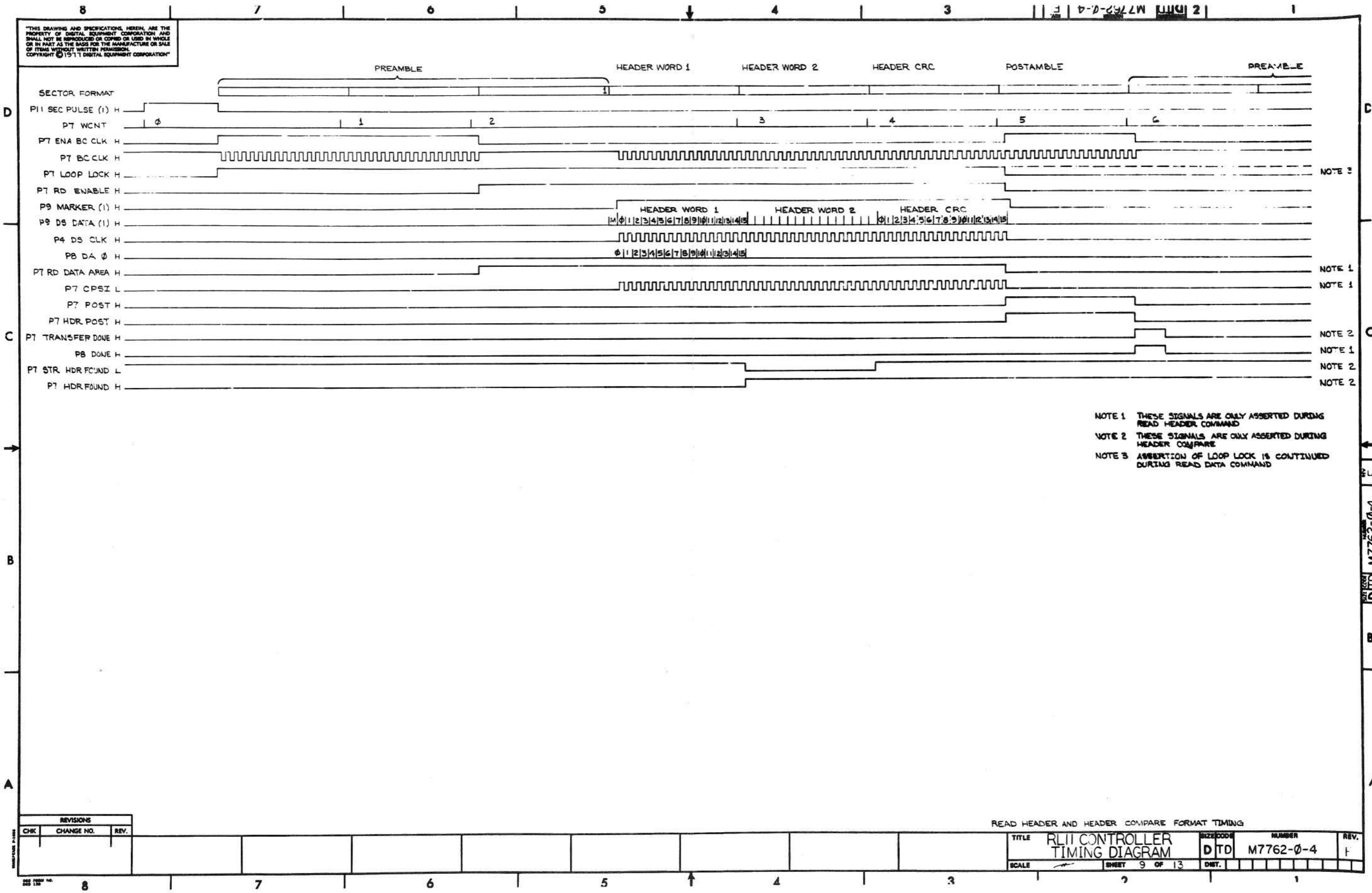
3

2

1

DWD M7762-0-4 F

"THIS DRAWING AND SPECIFICATIONS, HEREIN, ARE THE PROPERTY OF DIGITAL EQUIPMENT CORPORATION AND SHALL NOT BE REPRODUCED OR COPIED OR USED IN WHOLE OR IN PART AS THE BASIS FOR THE MANUFACTURE OR SALE OF ITEMS WITHOUT WRITTEN PERMISSION. COPYRIGHT © 1977 DIGITAL EQUIPMENT CORPORATION"



NOTE 1 THESE SIGNALS ARE ONLY ASSERTED DURING READ HEADER COMMAND
 NOTE 2 THESE SIGNALS ARE ONLY ASSERTED DURING HEADER COMPARE
 NOTE 3 ASSERTION OF LOOP LOCK IS CONTINUED DURING READ DATA COMMAND

REVISIONS		
CHK	CHANGE NO.	REV.

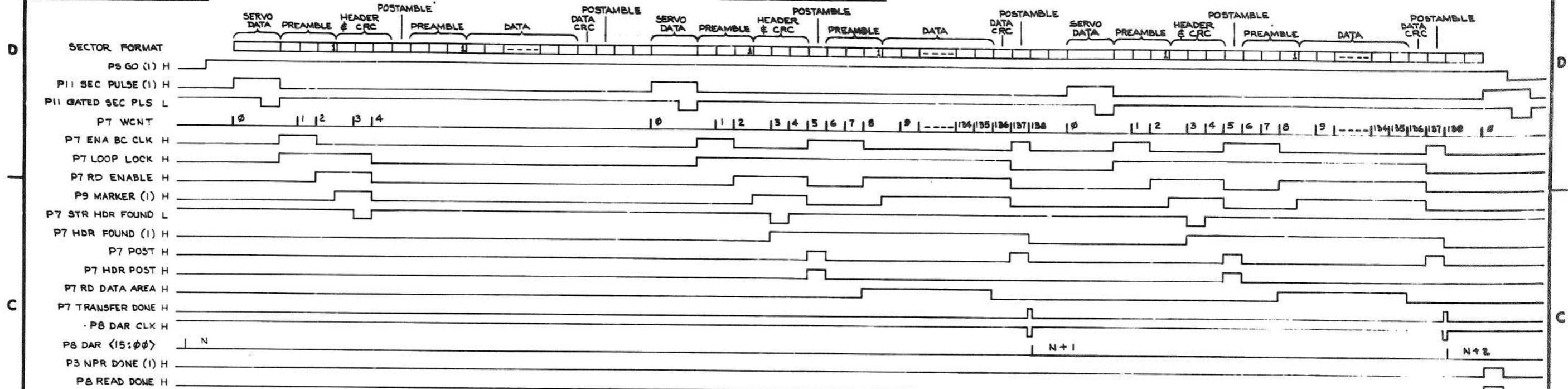
READ HEADER AND HEADER COMPARE FORMAT TIMING			
TITLE	RLI CONTROLLER TIMING DIAGRAM	SIZE CODE	NUMBER
SCALE		D.T.D.	M7762-0-4
SHEET	9 OF 13	DIST.	
REV.	F		

M7762-0-4

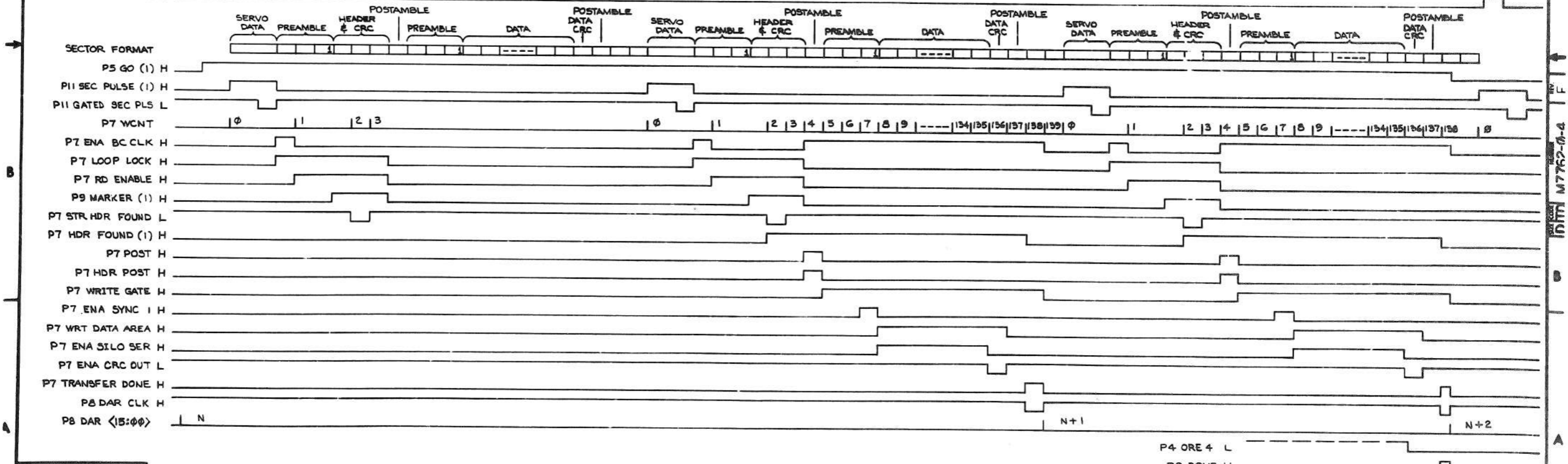
THIS DRAWING AND SPECIFICATIONS HEREIN ARE THE PROPERTY OF DIGITAL EQUIPMENT CORPORATION AND SHALL NOT BE REPRODUCED OR COPIED OR USED IN WHOLE OR IN PART AS THE BASIS FOR THE MANUFACTURE OR SALE OF ITEMS WITHOUT THE WRITTEN PERMISSION OF DIGITAL EQUIPMENT CORPORATION.
 Copyright © 1977 Digital Equipment Corporation

D-W-0322M JUN 77

READ DATA COMMAND



WRITE DATA COMMAND



P4 ORE 4 L
 P8 DONE H

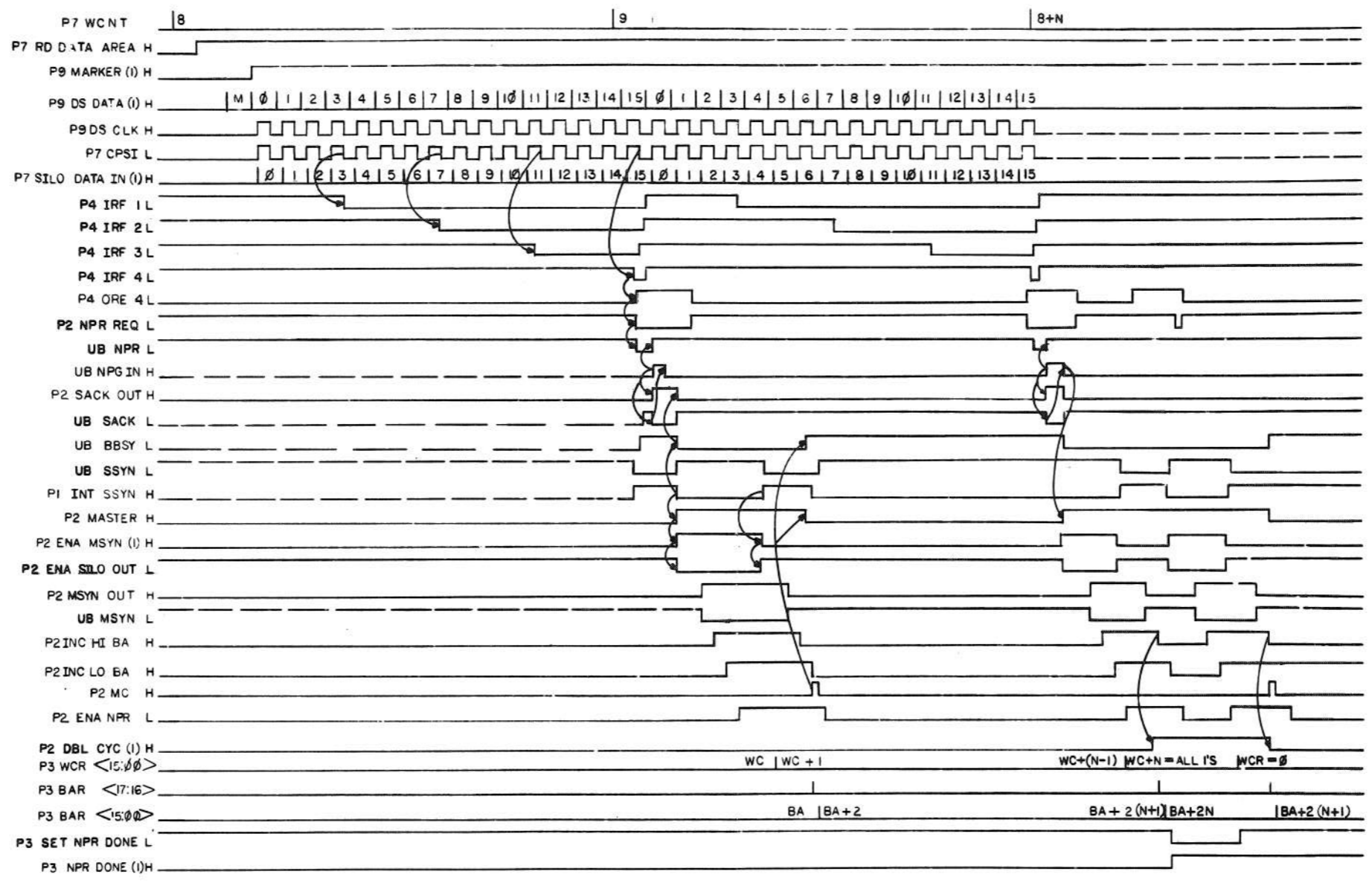
READ/WRITE COMMAND FORMAT CONTROL TIMING

REVISIONS		
CHK	CHANGE NO.	REV.

TITLE	RLII CONTROLLER TIMING DIAGRAM	DIST. CODE	DITD	NUMBER	M7762-0-4	REV.	F
SCALE		SHEET	10	OF	13	DIST.	

M7762-0-4

THIS DRAWING AND SPECIFICATIONS HEREIN ARE THE PROPERTY OF DIGITAL EQUIPMENT CORPORATION AND SHALL NOT BE REPRODUCED OR COPIED OR USED IN WHOLE OR IN PART AS THE BASIS FOR THE MANUFACTURE OR SALE OF ITEMS WITHOUT WRITTEN PERMISSION. COPYRIGHT © 1977 DIGITAL EQUIPMENT CORPORATION



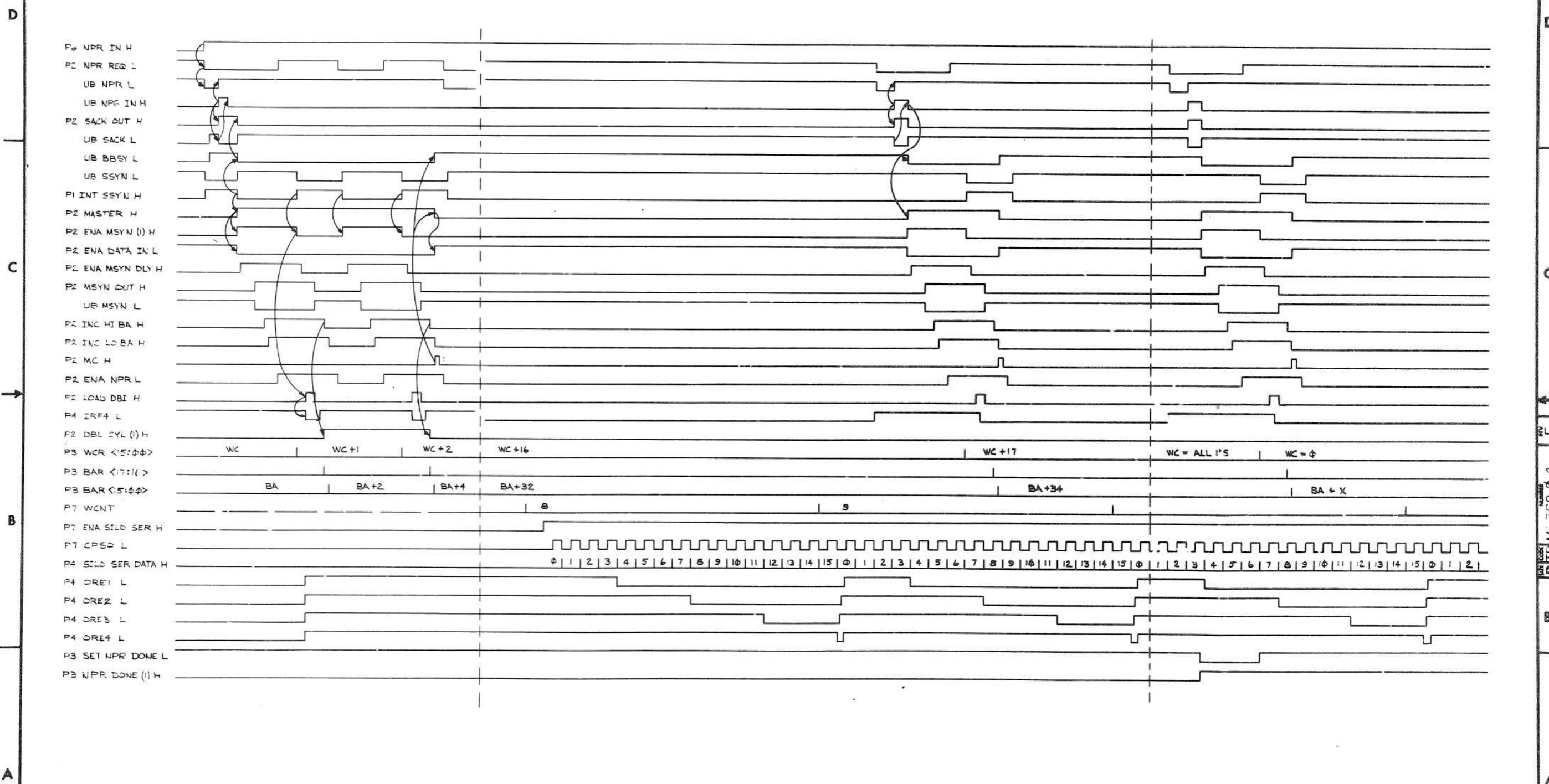
REVISIONS		
CHK	CHANGE NO.	REV.

READ DATA NPR # SILO TIMING

TITLE	R11 CONTROLLER TIMING DIAGRAM	SIZE CODE	D TD	NUMBER	M 7762-0-4	REV.	F
SCALE		SHEET	11	OF	13	DIST.	

REV. F M 7762-0-4

THIS DRAWING AND SPECIFICATIONS, HEREIN, ARE THE PROPERTY OF DIGITAL EQUIPMENT CORPORATION AND SHALL NOT BE REPRODUCED OR COPIED OR USED IN WHOLE OR IN PART AS THE BASIS FOR THE MANUFACTURE OR SALE OF ITEMS WITHOUT WRITTEN PERMISSION. COPYRIGHT © 1977 DIGITAL EQUIPMENT CORPORATION



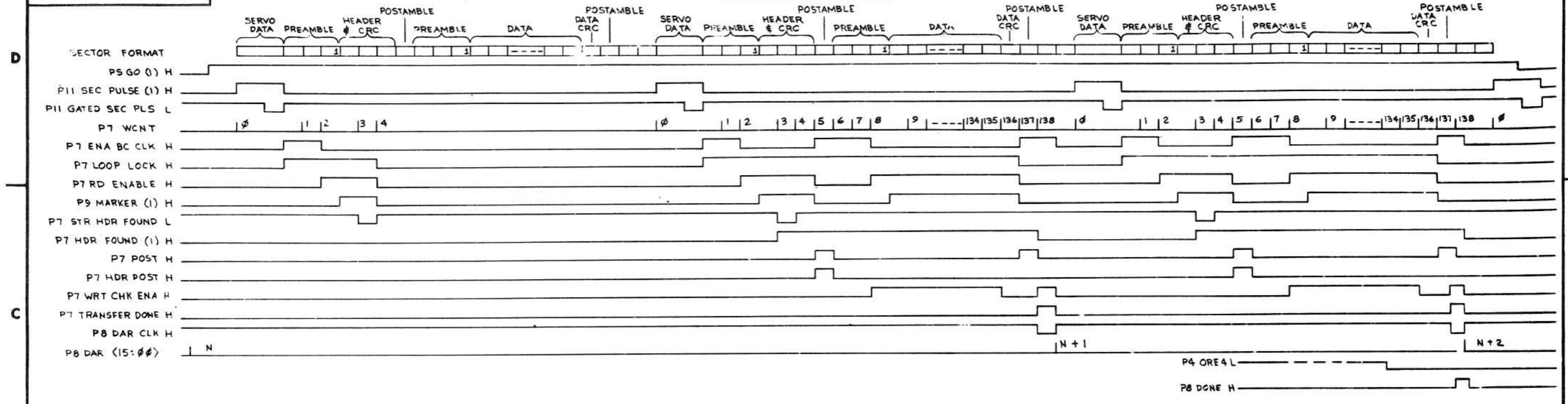
REVISIONS		
CHK	CHANGE NO.	REV.

WRITE DATA NPR & SILO TIMING

TITLE	RLII CONTROLER TIMING DIAGRAM	SIZE/CODE	D TD	NUMBER	M7762-0-4	REV.	F
SCALE		SHEET	12	OF	13	DIST.	

THIS DRAWING AND SPECIFICATIONS HEREIN ARE THE PROPERTY OF DIGITAL EQUIPMENT CORPORATION AND SHALL NOT BE REPRODUCED OR COPIED OR USED IN WHOLE OR IN PART AS THE BASIS FOR THE MANUFACTURE OR SALE OF ITEMS WITHOUT WRITTEN PERMISSION. COPYRIGHT © 1977 DIGITAL EQUIPMENT CORPORATION

WRITE CHECK COMMAND



WRITE CHECK COMMAND FORMAT CONTROL TIMING

REVISIONS		
CHK	CHANGE NO.	REV.

TITLE	RLII CONTROLLER TIMING DIAGRAM	SIZE CODE	D	NUMBER	M7762-0-4	REV.	F
SCALE	1:1	SHEET	13	OF	13	DIST.	

