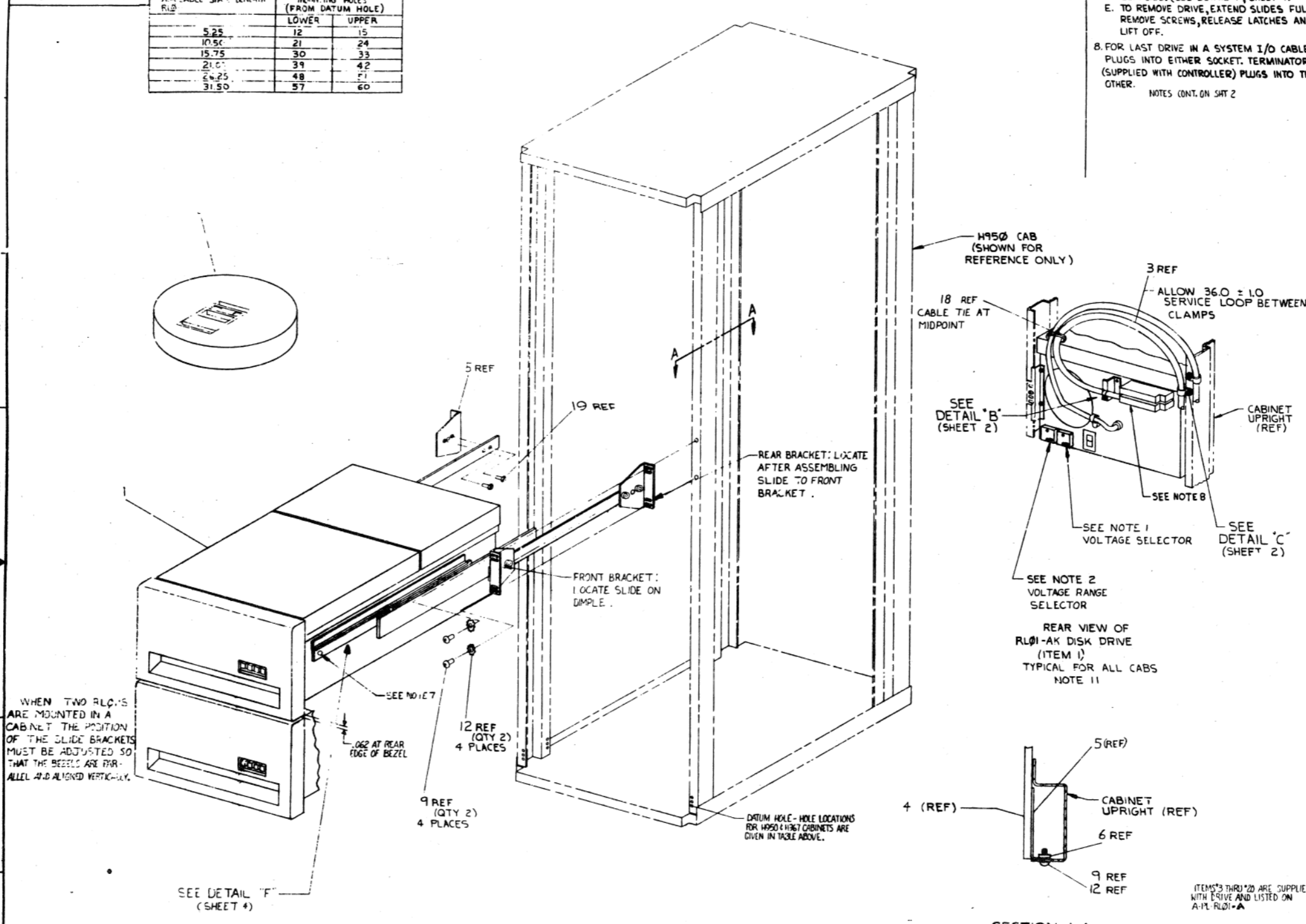


HOLE LOCATIONS FOR MOUNTING IN H950 AND H967 CABINETS		
MOUNTABLE SPACE BENEATH R.L.D.	MOUNTING HOLES (FROM DATUM HOLE)	
	LOWER	UPPER
5.25	12	15
10.50	21	24
15.75	30	33
21.00	39	42
26.25	48	51
31.50	57	60

THIS DRAWING AND INFORMATION HEREON ARE THE PROPERTY OF THE UNITED STATES GOVERNMENT AND ARE TO BE RELEASED TO THE PUBLIC IN WHOLE OR IN PART AS AUTHORIZED BY EXECUTIVE ORDER 11652, APRIL 25, 1972, AND BY THE COMPTROLLER OF THE GENERAL ACCOUNTING OFFICE, APRIL 25, 1972.



7. CONT.
- D. SECURE DRIVE TO SLIDES USING SCREWS SUPPLIED. (SEE DETAIL 'F', SHEET 4)
 - E. TO REMOVE DRIVE, EXTEND SLIDES FULLY, REMOVE SCREWS, RELEASE LATCHES AND LIFT OFF.
 - F. FOR LAST DRIVE IN A SYSTEM I/O CABLE PLUGS INTO EITHER SOCKET TERMINATOR (SUPPLIED WITH CONTROLLER) PLUGS INTO THE OTHER.
- NOTES CONT. ON SHT 2

- NOTES:
1. MACHINES ARE SHIPPED CONFIGURED FOR 110V AND NOMINAL VOLTAGE RANGE. FOR 220V OPERATION REMOVE TWO SCREWS FROM 'VOLTAGE RANGE SELECTOR' COVER, WITHDRAW THE COVER, AND RE-INSERT THRU THE SMALL WINDOW. REPLACE THE TWO SCREWS, CUT OFF 110V PLUG ON THE POWER CORD, REPLACE BY 220V PLUG (ITEM 20). FOR COLOR CODE SEE DETAIL 'G', SHEET 4.
 2. 'LOW LINE' AND 'NOMINAL LINE' ARE DEFINED ON COVER OF 'VOLTAGE RANGE SELECTOR' FOR LOW LINE VOLTAGE OPERATION. REMOVE TWO SCREWS FROM 'VOLTAGE RANGE SELECTOR' COVER, WITHDRAW THE COVER AND RE-INSERT IT TURNED UPSIDE DOWN. AFTER INSERTION, 'LOW' MUST BE SHOWING THRU THE SMALL WINDOW. REPLACE THE TWO SCREWS.
 3. WHEN AN RL01-AK IS ORDERED IN CONJUNCTION WITH H9500, H9501, H9502, H9503, H9504, H9601, H9602, H9603 INTERLOCK KIT(S) (REF 21) OR CABLE RESTRAINT SYSTEM(S) (REF 22) MUST BE ORDERED AND INSTALLED.
 4. WHEN AN RL01-AK IS ORDERED IN CONJUNCTION WITH A H9503/H9603 THE TRIM PIECES (H9514-B) MUST BE ORDERED.
 5. WHEN AN RL01-AK IS ORDERED IN CONJUNCTION WITH A H9501/H9601 TRIM PIECES (H9514-A) MUST BE ORDERED.
 6. TO ATTACH SHIPPING BRACKET (ITEM 7) REMOVE TWO SCREWS AND TWO LOCKWASHERS FROM ONE SIDE OF THE POWER PANEL ON THE REAR OF DISK DRIVE (ITEM 1), POSITION A SHIPPING BRACKET TO DETERMINE LOCATION OF 'U' NUT (ITEM 13) AND ATTACH BRACKET USING ORIGINAL SCREWS AND LOCKWASHERS AND ITEMS 12 AND 9 (AS SHOWN IN DETAIL 'D'). BRACKET MAY BE ATTACHED TO EITHER SIDE OF UNIT.
 7. TO MOUNT RL01 IN CABINET:
 - A. MOUNT BRACKETS AND SLIDES TO UPRIGHTS.
 - B. EXTEND SLIDES AS FAR AS POSSIBLE BY RELEASING CATCHES. (SEE DETAIL 'F' SHT 4)
 - C. PLACE DRIVE ON SLIDES AND PUSH BACK UNTIL ENDS OF RAILS FIT UNDER TABS ON SLIDE AND LATCHES ENGAGE.

REV	DATE	BY	CHKD	DESCRIPTION
A				REVISED TO SHOW HOLE LOCATIONS FOR MOUNTING IN H950 AND H967 CABINETS
B				REVISED TO SHOW HOLE LOCATIONS FOR MOUNTING IN H950 AND H967 CABINETS
C				REVISED TO SHOW HOLE LOCATIONS FOR MOUNTING IN H950 AND H967 CABINETS
D				REVISED TO SHOW HOLE LOCATIONS FOR MOUNTING IN H950 AND H967 CABINETS
E				REVISED TO SHOW HOLE LOCATIONS FOR MOUNTING IN H950 AND H967 CABINETS

REF	DESCRIPTION	QTY	UNIT	REF	DESCRIPTION	QTY	UNIT
1	RL01 DATA CARTRIDGE	1	EA	20	REF PLUG 220V POWER	20	EA
2	RL01 DISK DRIVE AND MTS HARDWARE	1	EA	21	REF INTERLOCK KIT (B)	1	EA
3	REF CABLE RESTRAINT SYSTEM (A)	1	EA	22	REF CABLE RESTRAINT SYSTEM (B)	1	EA
4	REF UPRIGHT	1	EA	23	REF NUT U SHAPED RETAINING	1	EA
5	REF BRACKET SHIPPING	1	EA	24	REF WASHER LOCK EXT TOOTH	1	EA
6	REF NUT	1	EA	25	REF WASHER FLAT #10	1	EA
7	REF BRACKET CHASSIS SLIDE	1	EA	26	REF WASHER FLAT #6	1	EA
8	REF CHASSIS SLIDE	1	EA	27	REF CLAMP CABLE .75 NOM	1	EA
9	REF I/O CABLE ASSY (QTY 2)	2	EA	28	REF CLAMP CABLE .575 NOM	1	EA
10	REF I/O CABLE ASSY (QTY 2)	2	EA	29	REF SCREW PHL PAN HD #3-32 x .50	1	EA
11	REF I/O CABLE ASSY (QTY 2)	2	EA	30	REF BRACKET CABLE SUPPORT	1	EA
12	REF I/O CABLE ASSY (QTY 2)	2	EA	31	REF BRACKET SHIPPING RL01	1	EA
13	REF I/O CABLE ASSY (QTY 2)	2	EA	32	REF BAR NUT	1	EA
14	REF I/O CABLE ASSY (QTY 2)	2	EA	33	REF BRACKET CHASSIS SLIDE	1	EA
15	REF I/O CABLE ASSY (QTY 2)	2	EA	34	REF CHASSIS SLIDE	1	EA
16	REF I/O CABLE ASSY (QTY 2)	2	EA	35	REF I/O CABLE ASSY (QTY 2)	2	EA
17	REF I/O CABLE ASSY (QTY 2)	2	EA	36	REF I/O CABLE ASSY (QTY 2)	2	EA
18	REF I/O CABLE ASSY (QTY 2)	2	EA	37	REF I/O CABLE ASSY (QTY 2)	2	EA
19	REF I/O CABLE ASSY (QTY 2)	2	EA	38	REF I/O CABLE ASSY (QTY 2)	2	EA
20	REF I/O CABLE ASSY (QTY 2)	2	EA	39	REF I/O CABLE ASSY (QTY 2)	2	EA

UNLESS OTHERWISE SPECIFIED, DIMENSIONS ARE IN INCHES.

QUANTITY & VARIATION

DISK DRIVE MTG KIT & CARTRIDGE

SCALE: NONE

DATE: 11/1/72

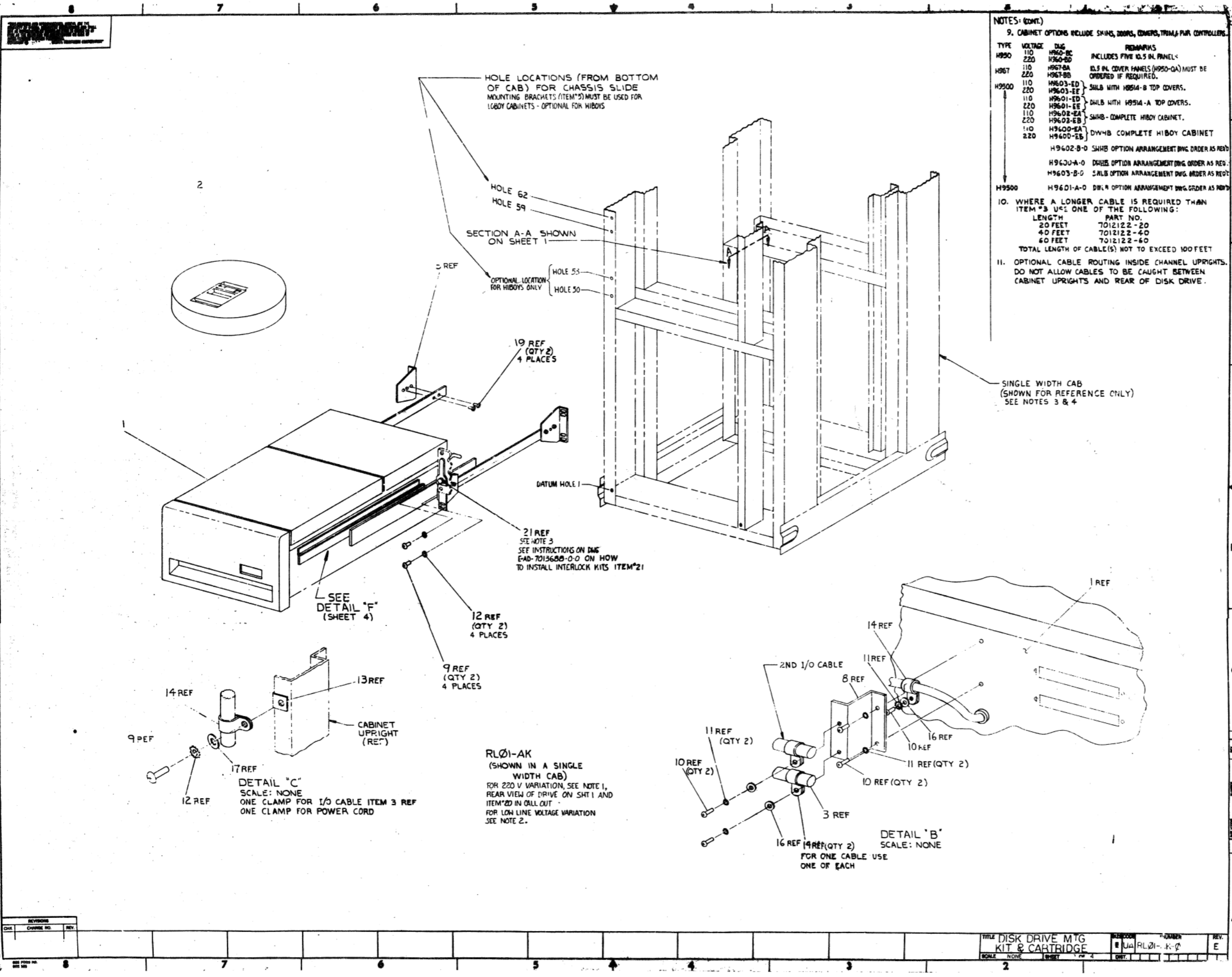
BY: [Signature]

CHKD: [Signature]

APP'D: [Signature]

DO NOT SCALE THIS DRAWING

SEE PARTS LIST



NOTES: (CONT.)

9. CABINET OPTIONS INCLUDE SKINS, DOORS, COVERS, TRIM & PWR CONTROLLERS.

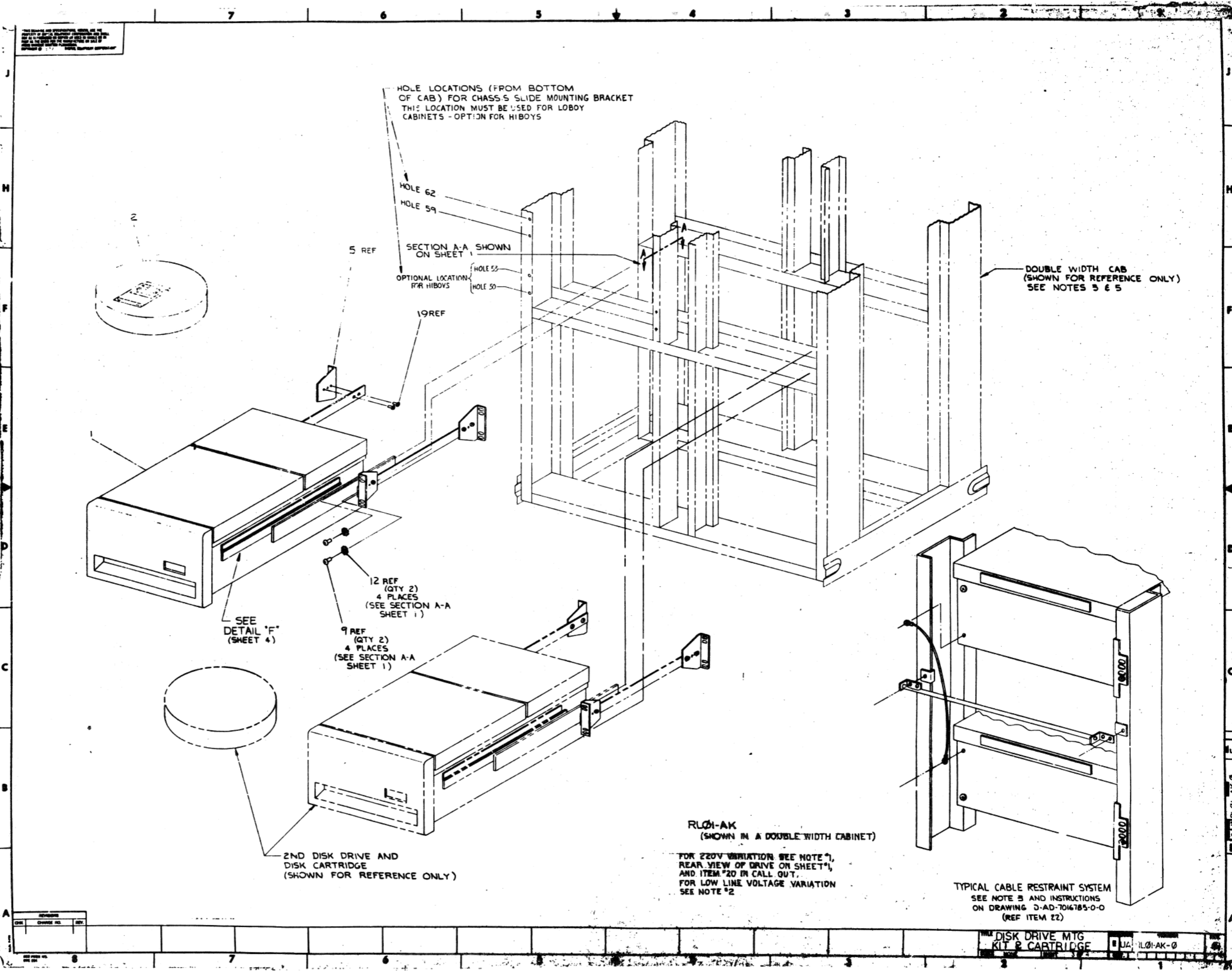
TYPE	VOLTAGE	DWG	REMARKS
H950	110	H950-BC	INCLUDES FIVE 10.5 IN. PANELS
	220	H950-BD	
H967	110	H967-BA	10.5 IN. COVER PANELS (H950-CA) MUST BE ORDERED IF REQUIRED.
	220	H967-BB	
H9500	110	H9603-ED	SHLB WITH H9514-B TOP COVERS.
	220	H9603-EE	
	110	H9601-ED	SHLB WITH H9514-A TOP COVERS.
	220	H9601-EE	
	110	H9602-EA	SHHB - COMPLETE HIBOY CABINET.
	220	H9602-EB	
	110	H9600-EA	DWMB - COMPLETE HIBOY CABINET
	220	H9600-EB	
		H9602-B-0	SHHB OPTION ARRANGEMENT DWG. ORDER AS REQ'D
		H9600-A-0	DWMB OPTION ARRANGEMENT DWG. ORDER AS REQ'D
		H9603-B-0	SHLB OPTION ARRANGEMENT DWG. ORDER AS REQ'D
H9500		H9601-A-0	DWMB OPTION ARRANGEMENT DWG. ORDER AS REQ'D

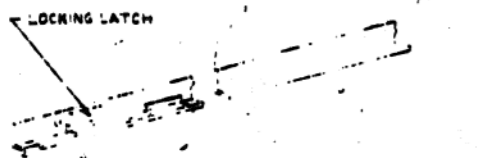
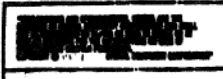
10. WHERE A LONGER CABLE IS REQUIRED THAN ITEM #3 USE ONE OF THE FOLLOWING:

LENGTH	PART NO.
20 FEET	701212-20
40 FEET	701212-40
60 FEET	701212-60

TOTAL LENGTH OF CABLE(S) NOT TO EXCEED 100 FEET
 11. OPTIONAL CABLE ROUTING INSIDE CHANNEL UPRIGHTS. DO NOT ALLOW CABLES TO BE CAUGHT BETWEEN CABINET UPRIGHTS AND REAR OF DISK DRIVE.

J
H
F
E
D
C
B
A





1 REF



DETAIL G
REAR VIEW OF ITEM 20
WITH STRAIN RELIEF REMOVED

CABINET UPRIGHT (REF)

18 REF

9 REF

12 REF

SEE NOTE 6

7 REF

13 REF

36.0 SERVICE LOOP (REF) BETWEEN CABLE CLAMPS

SEE DETAIL "C"
SHEET 2
ONE CLAMP (ITEM 14)
FOR EACH CABLE

SEE DETAIL "B"
SHEET 2

POWER LINE IN SEPARATE CLAMP (ITEM 14)

SEE DETAIL "C"
SHEET 2
(CLAMP SHOWN IS ITEM 15)

LOOP EXCESS AS SHOWN

DETAIL "F"
SEE NOTE 7

CABINET UPRIGHT (REF)

3 REF

18 REF

36.0 SERVICE LOOP (REF) BETWEEN CABLE CLAMPS

SEE DETAIL "C"
SHEET 2
ONE CLAMP (ITEM 14)
FOR EACH CABLE

18 REF

36.0 SERVICE LOOP BETWEEN CABLE CLAMPS

SEE DETAIL "C"
SHEET 2
CLAMP EACH CABLE ABOVE SHIPPING BRKT (ITEM 14)

POWER LINE IN SEPARATE CLAMP

CABINET UPRIGHT REF

18 REF

36.0 SERVICE LOOP BETWEEN CABLE CLAMPS REF

TO CONTROLLER

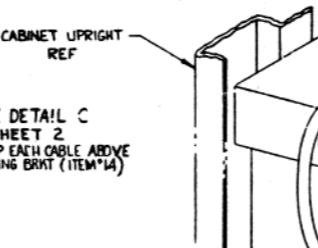
ITEM 14

ITEM 15

SEE DETAIL "B"
SHEET 2

DETAIL "E"
SHOWING CABLE ROUTING FOR DUAL DRIVE SYSTEMS IN AN H9501 CAB
NOTE 11

TO CONTROLLER



DETAIL "D"
SHOWING TYPICAL MOUNTING OF SHIPPING BRKT (ITEM 7) AND CABLE ROUTING FOR DUAL DRIVE SYSTEM (CPU BELOW) IN AN H950 CABINET
NOTE 11

POWER LINE IN SEPARATE CLAMP

CABINET UPRIGHT REF

18 REF

36.0 SERVICE LOOP BETWEEN CABLE CLAMPS REF

TO CONTROLLER

ITEM 14

ITEM 15

36.0 SERVICE LOOP BETWEEN CABLE CLAMPS REF

AUXILIARY VIEW
TYPICAL CABLE ROUTING FOR DUAL DRIVE SYSTEM (CPU ABOVE) IN AN H950 CABINET - SEE NOTE 11

LOOP EXCESS AS SHOWN

REV	DATE	BY	CHKD	APP'D	DESCRIPTION
1					

TITLE DISK DRIVE MTG KIT & CARTRIDGE
 NUMBER EJA RL 1-AK-0
 SCALE NONE SHEET 4 OF 4 DIST.