

"THE MATERIAL HEREIN IS FOR INFORMATION PURPOSES ONLY AND IS SUBJECT TO CHANGE WITHOUT NOTICE. DIGITAL EQUIPMENT CORPORATION ASSUMES NO RESPONSIBILITY FOR ANY ERRORS WHICH MAY APPEAR HEREIN."

FIELD MAINTENANCE PRINT SET

"THIS DRAWING AND SPECIFICATIONS, HEREIN, ARE THE PROPERTY OF DIGITAL EQUIPMENT CORPORATION AND SHALL NOT BE REPRODUCED OR COPIED OR USED IN WHOLE OR IN PART AS THE BASIS FOR THE MANUFACTURE OR SALE OF ITEMS WITHOUT WRITTEN PERMISSION. COPYRIGHT © 1977 DIGITAL EQUIPMENT CORPORATION."

TABLE OF CONTENTS

FIELD MAINTENANCE PRINT SET
RL01 DISK DRIVE ASSEMBLY
RL01 SYSTEM CABLING

B-TC-RL01-0-1
E-UA-RL01-0-0 (Sheets 1,2 & 3 Only)
D-IC-RL01-0-3 (Sheet 2 Only)

POWER PANEL ASSEMBLY

D-AD-7012130-0-0

READ/WRITE BOARD

D-UA-5413536-0-0 (Sheet 1 only)
B-PL-5413536-0-0
D-CS-5413536-0-1

FRONT PANEL

D-UA-5411846-0-0 (Sheet 1 only)
B-PL-5411846-0-0
D-CS-5411846-0-1

AC SERVO

D-UA-5411848-0-0 (Sheet 1 only)
K-PL-5411848-0-DBP
D-CS-5411848-0-1

DC SERVO AND POWER BOARD

D-UA-5413534-0-0 (Sheet 1 only)
K-PL-5413534-0-DBP
D-CS-5413534-0-1

DRIVE LOGIC

D-UA-5414025-0-0 (Sheet 1 only)
K-PL-5414025-0-DBP
D-CS-5414025-0-1

UNIT VARIATIONS
COVERED BY THIS
PRINT SET

RL01-A

RL01

**Field Maintenance
Print Set**

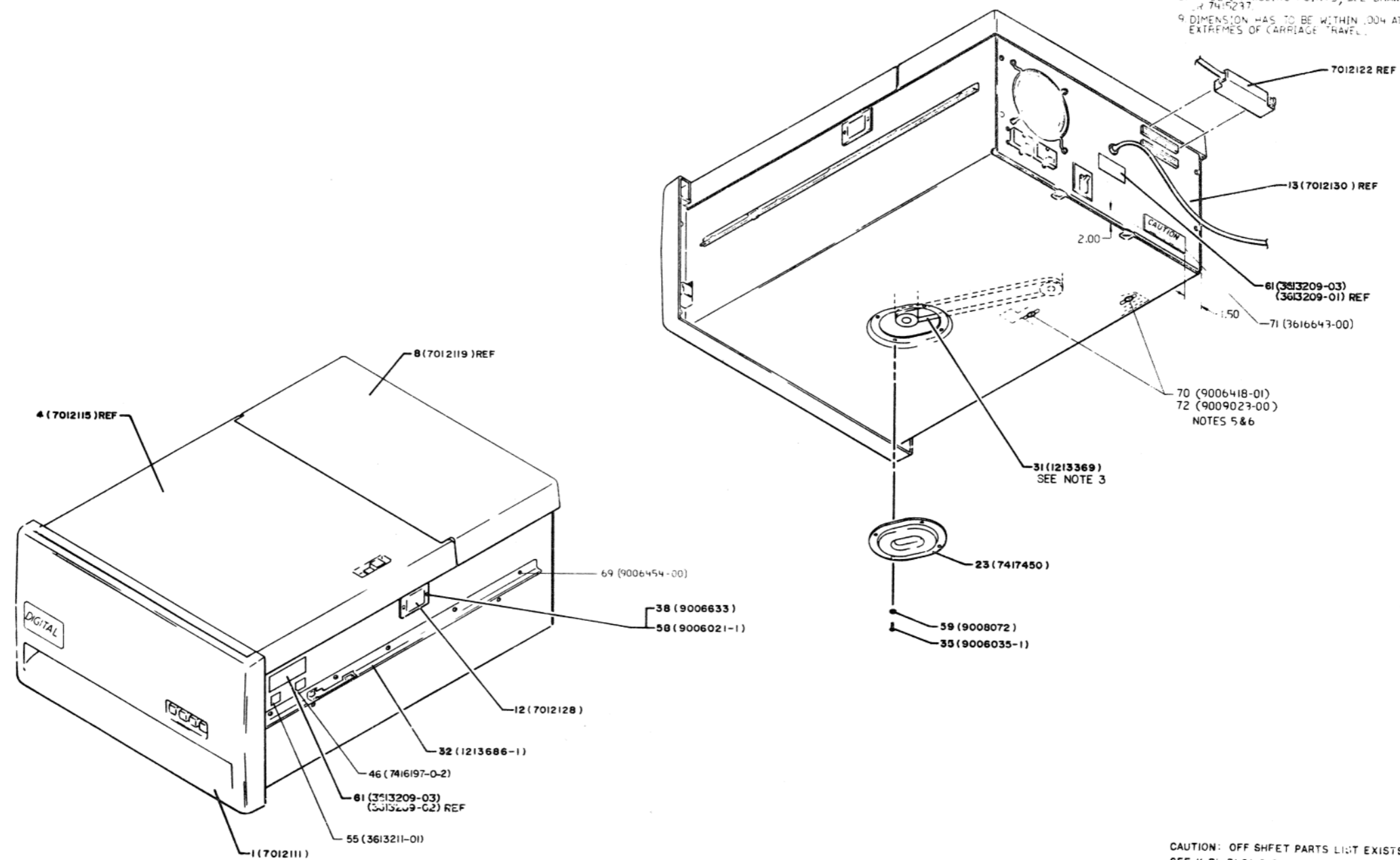
**Digital Equipment
Corporation**
PRINT SET NO.
MP00347

REVISIONS	DATE	CHG. NO.	REV			USED ON OPTION/MODEL	DRN.	DATE	TITLE:
			D	E	F				
	26 JUL 79		REDRAWN # PER ECO RL01-CX036 M.BROWN	RL01-CX039 M.ZARICH	RL01-CX040 M.ZARICH		G.SCHNEIDER	20-02-77	RL01 DISK DRIVE
							CHK'D G.RICHENBERG	20-02-77	
							PROJ. ENG. P.ARNOLD	20-02-77	
							FIELD SERV. J. REED	21-02-77	
DRB 124						SHEET 1 OF 1			

REV. F
SIZE CODE B TC
NUMBER RL01-0-1



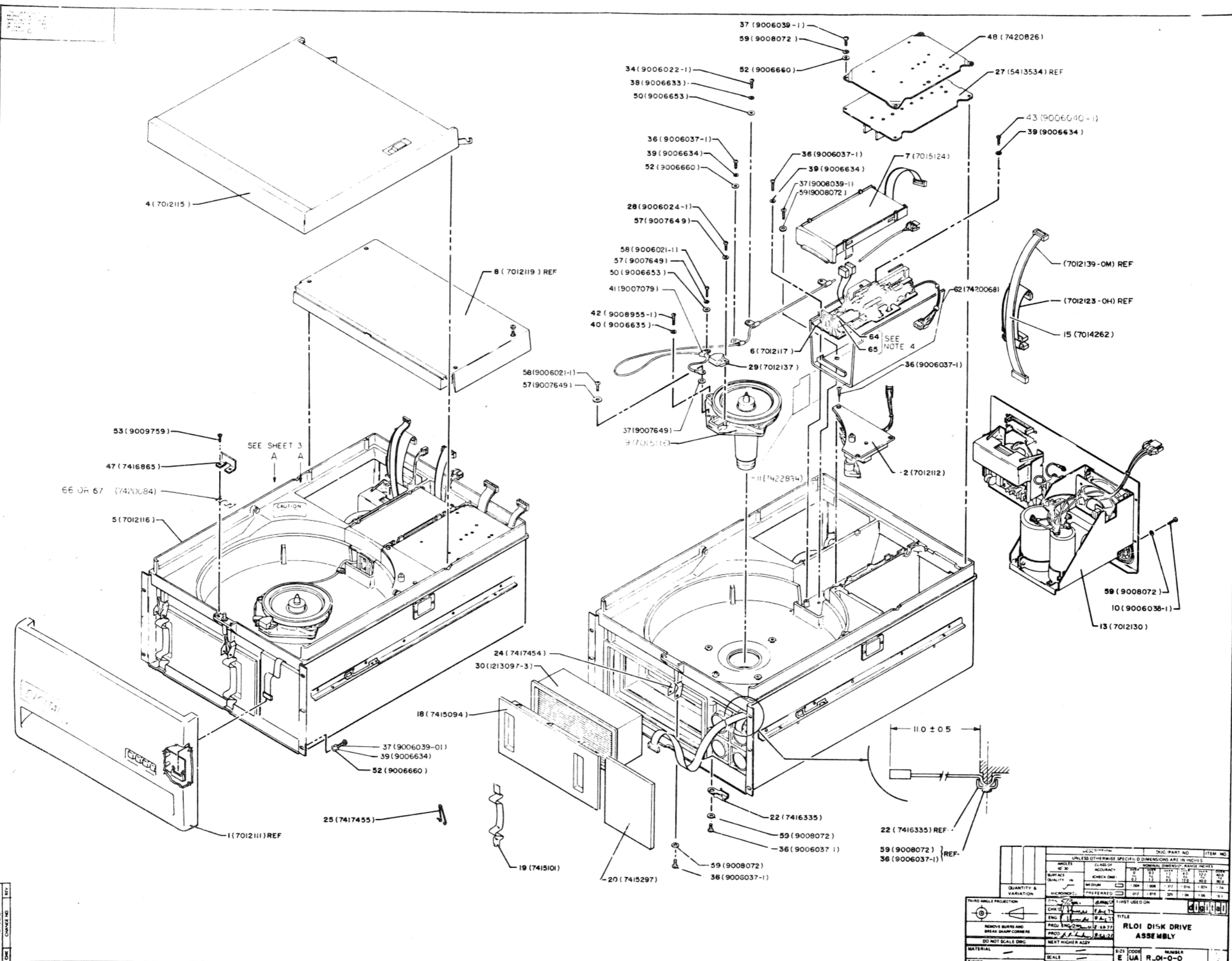
- NOTES**
1. LOWER HEAD (ITEM 65) SHALL BE POSITIONED REARWARDS AGAINST PIN IN CARRIAGE
 2. ALL SCREWS TO BE TIGHTENED AS FOLLOWS
 4-40 SCREW
 6-32
 8-32
 10-32
 3. DRIVE BELT TENSION 10.0 ± 1.0 LBS
 4. 4-40 HEAD MTC BOLTS TO BE TIGHTENED TO 5.0 ± 0.5 IN LBS
 5. TORQUE 8-32 SELF TAPPING HARDWARE (ITEM 70) TO 16-18 IN-LBS.
 6. BLOWER HOUSING SECURING HARDWARE TO BE REMOVED BEFORE OPERATING UNIT.
 7. DIMENSION APPLIES TO HIGHEST OR LOWEST POINT ALONG BRUSH ARM OR BLOCK OF BRUSH.
 8. THREE (3) TOOLING POINTS, SEE DRAWING 7416846 & 7416237
 9. DIMENSION HAS TO BE WITHIN .004 AT BOTH EXTREMES OF CARRIAGE TRAVEL.



CAUTION: OFF SHEET PARTS LIST EXISTS. SEE K-PL-RLOI-O-DBP (Z0499)

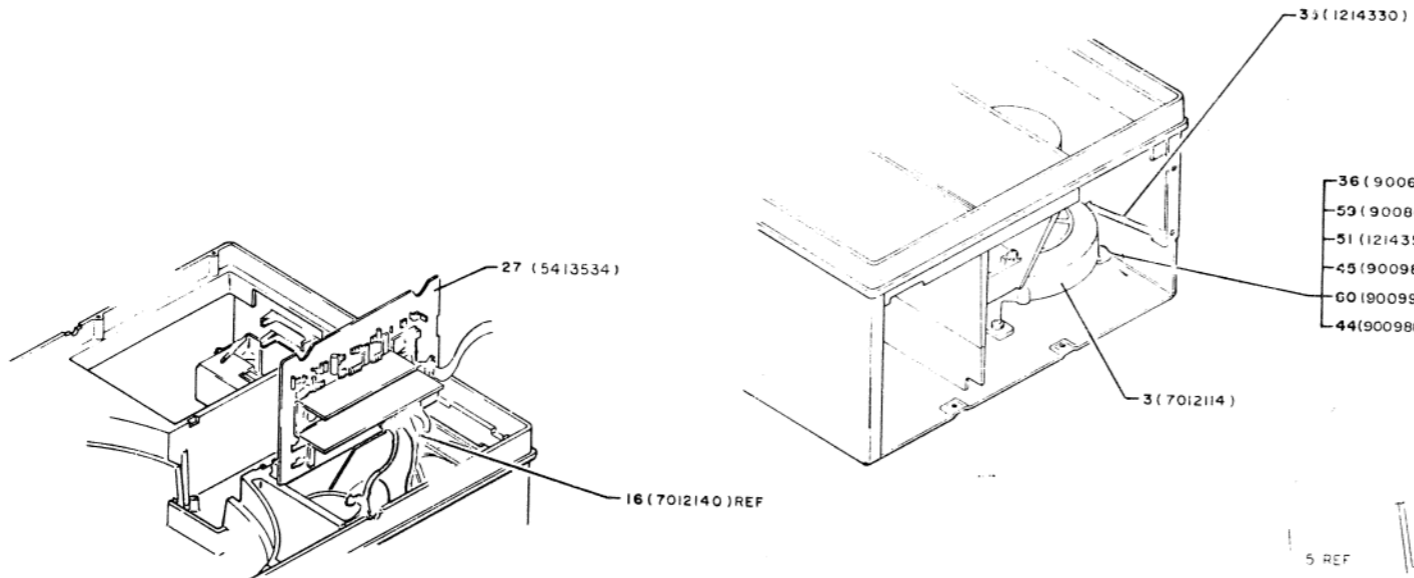
REV	A	B	C	D	E	F	H	J	K	L	M	N	P	R	S	T	U	V
1																		
2																		
3																		
4																		
5																		
6																		
7																		
8																		
9																		
10																		

DESCRIPTION	DWG PART NO	ITEM NO
RLOI DISK DRIVE ASSEMBLY	RLOI-O-O	V

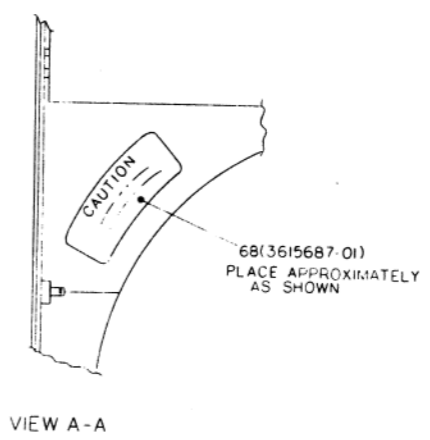
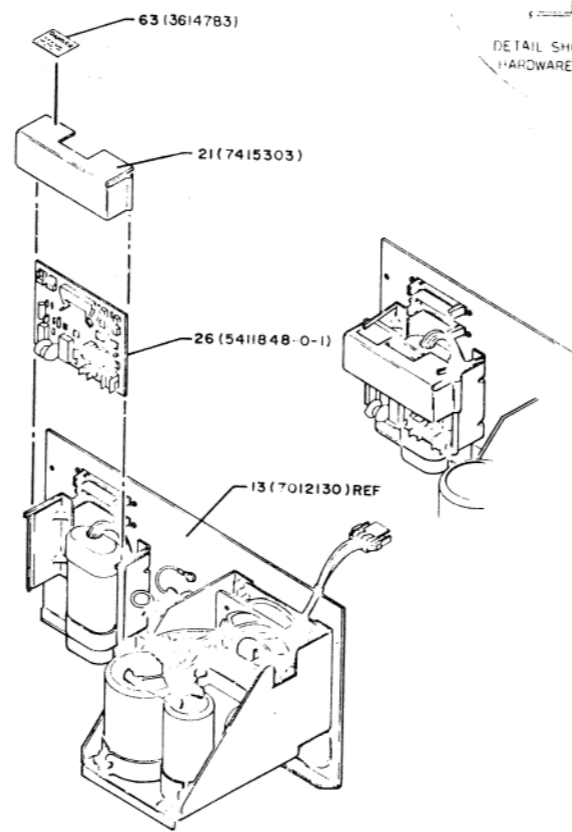
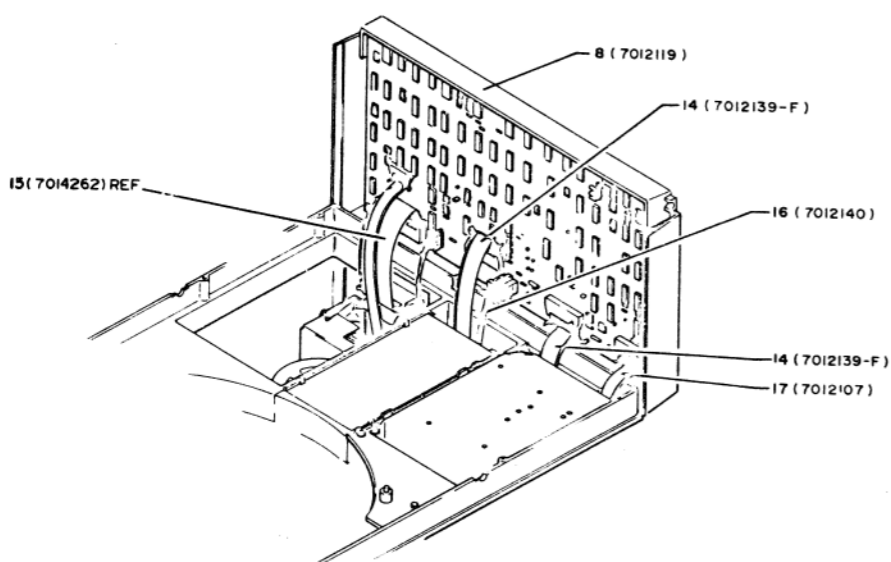
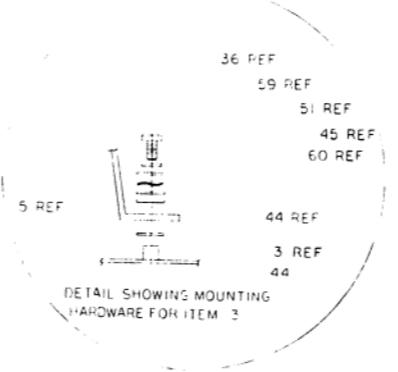


QUANTITY & VARIATION		DESCRIPTION		DWG PART NO	ITEM NO
1		ASSEMBLY			
UNLESS OTHERWISE SPECIFIED DIMENSIONS ARE IN INCHES					
INCHES	NO 30	CLASS OF ACCURACY	20	NOMINAL DIMENSIONS	RANGE INCHES
SURFACE QUALITY	IN	CHECK ONE	20	12.5	12.5
		MEDIUM	100	12.5	12.5
		PREFERRED	217	12.5	12.5
THIRD ANGLE PROJECTION					
FIRST USED ON					
TITLE					
RLOI DISK DRIVE ASSEMBLY					
MATERIAL					
SCALE					
SHEET 2 OF 4					

REVIEWS
DATE
CHANGE NO
BY



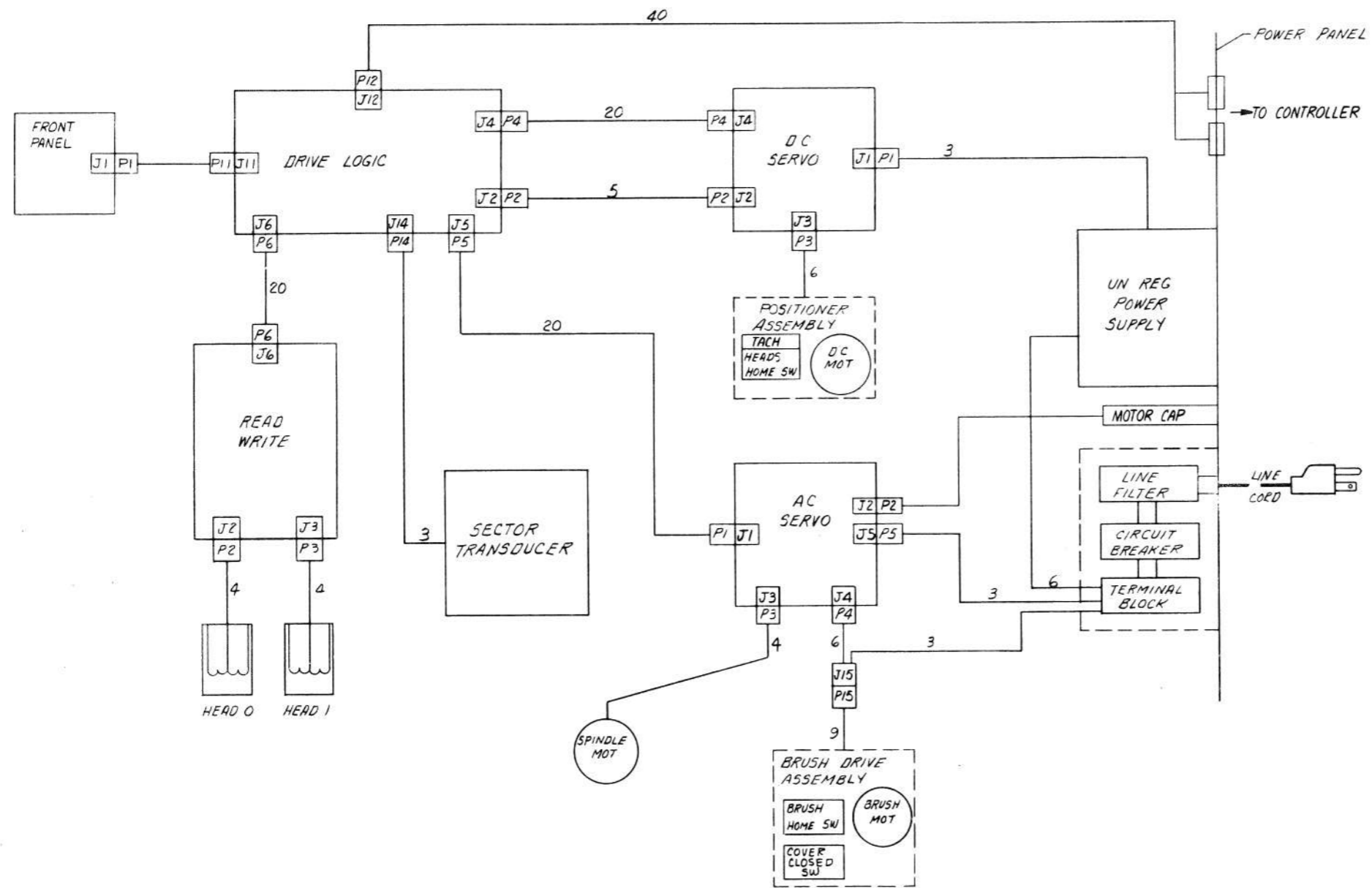
- PARTS LISTED IN ASSEMBLY ORDER
- 36 (9006037-01)
 - 59 (9008072)
 - 51 (1214359)
 - 45 (9009885)
 - 60 (9009974)
 - 44 (9009884)



VIEW A-A

DESCRIPTION	DWG PART NO	ITEM NO
UNLESS OTHERWISE SPECIFIED, DIMENSIONS ARE IN INCHES		
ANNEAL		
FINISH		
QUANTITY		
QUALITY		
DATE		
BY		
CHECKED		
APPROVED		
RLOI DISK DRIVE ASSEMBLY		
SCALE	SIZE	NUMBER
EUA	RLOI-0-0	

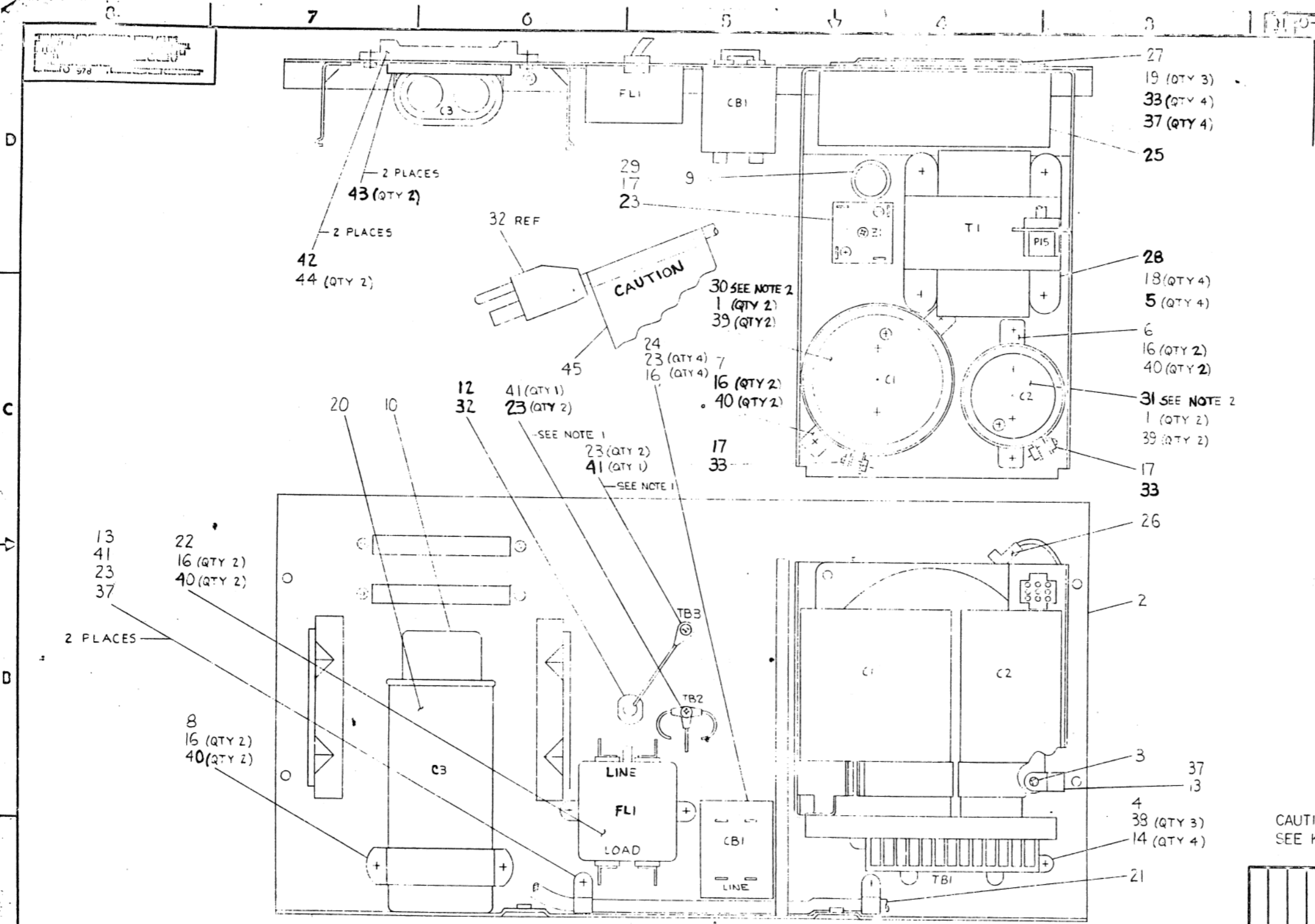
THIS DRAWING AND SPECIFICATIONS HEREIN ARE THE PROPERTY OF DIGITAL EQUIPMENT CORPORATION AND SHALL NOT BE REPRODUCED OR COPIED OR USED IN WHOLE OR IN PART AS THE BASIS FOR THE MANUFACTURE OR SALE OF ITEMS WITHOUT WRITTEN PERMISSION.
 COPYRIGHT © 1978, DIGITAL EQUIPMENT CORPORATION



REV	
CHG	
CHK	
REVISIONS	CHANGE NO.

THIRD ANGLE PROJECTION	DRN. <i>[Signature]</i> 9-27-77	FIRST USED ON	RL01	DIGITAL	
	CHK'D <i>[Signature]</i>	TITLE	RL01 SYSTEM CABLING		
REMOVE BURRS AND BREAK SHARP CORNERS	PROJ. ENG. <i>[Signature]</i> 9-27-77	SIZE	D IC	NUMBER	REV.
DO NOT SCALE DWG	PROD. <i>[Signature]</i> 10/1/77	SCALE	2 OF 2	RL01-0-3	C
MATERIAL	B-DD-RL01-0	SHEET	2 OF 2		
FINISH					

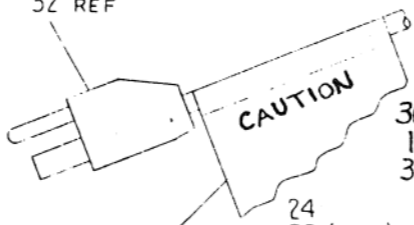
RL01-0-3
 C
 B
 A



NOTES:
 1. INT TOOTH LOCK WASHERS (ITEM 23) ARE USED OVER AND UNDER GROUND TERMINALS.
 2. ORIENT TERMINALS AS SHOWN.

2 PLACES
 43 (QTY 2)
 2 PLACES
 42
 44 (QTY 2)
 32 REF
 20
 10
 12
 32
 41 (QTY 1)
 23 (QTY 2)
 -SEE NOTE 1
 23 (QTY 2)
 41 (QTY 1)
 -SEE NOTE 1
 13
 41
 23
 37
 22
 16 (QTY 2)
 40 (QTY 2)
 8
 16 (QTY 2)
 40 (QTY 2)
 2 PLACES

27
 19 (QTY 3)
 33 (QTY 4)
 37 (QTY 4)
 25
 28
 18 (QTY 4)
 5 (QTY 4)
 6
 16 (QTY 2)
 40 (QTY 2)
 31 SEE NOTE 2
 1 (QTY 2)
 39 (QTY 2)
 17
 33
 26
 2
 37
 13
 4
 38 (QTY 3)
 14 (QTY 4)
 21



CAUTION: OFF SHEET PARTS LIST EXISTS. SEE K-PL-7012130 O DBP (Z7849)

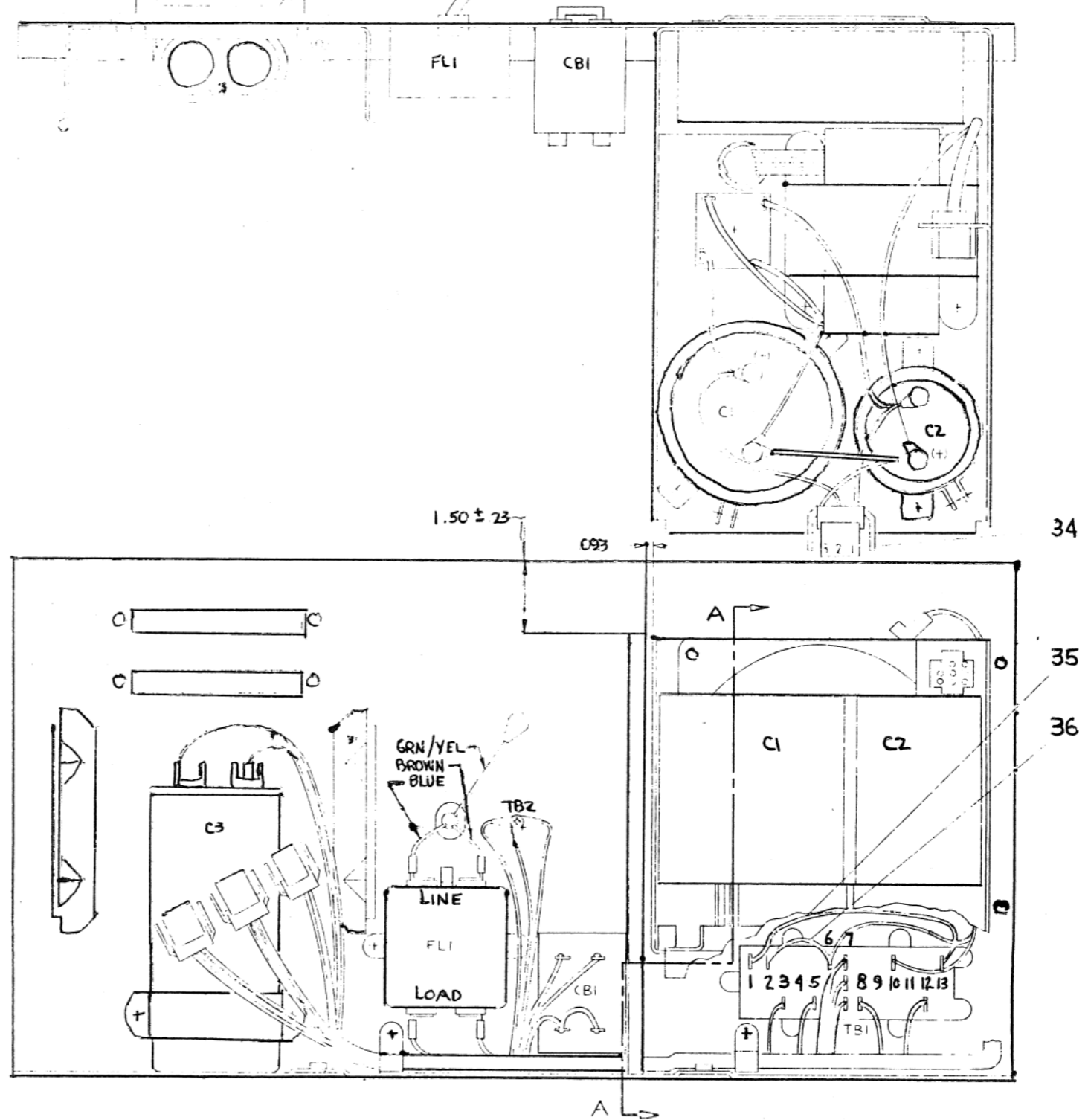
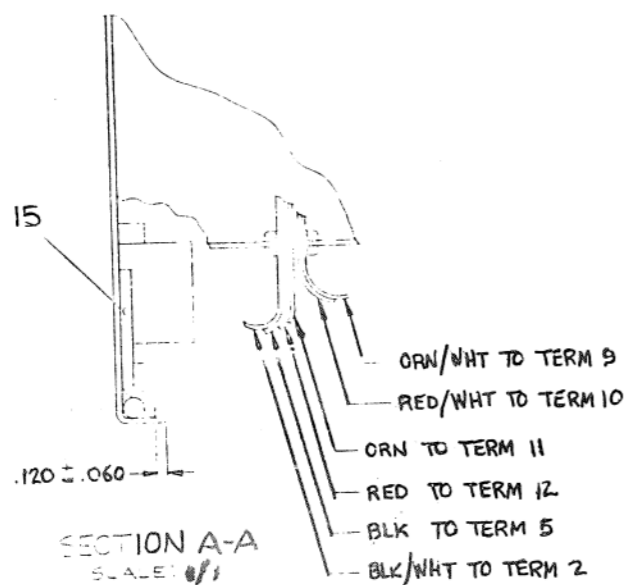
REV	A	B	C	D	E	F	G	H	I	J	K	L	M	N	P	R
1																
	REV	REV	REV	REV	REV	REV	REV	REV	REV	REV	REV	REV	REV	REV	REV	REV
	BY	BY	BY	BY	BY	BY	BY	BY	BY	BY	BY	BY	BY	BY	BY	BY
	DATE	DATE	DATE	DATE	DATE	DATE	DATE	DATE	DATE	DATE	DATE	DATE	DATE	DATE	DATE	DATE

DESCRIPTION	ENG/PART NO.	ITEM NO.																																		
POWER PANEL ASSY		RL01																																		
<table border="1"> <thead> <tr> <th>REV</th> <th>A</th> <th>B</th> <th>C</th> <th>D</th> <th>E</th> <th>F</th> <th>G</th> <th>H</th> <th>I</th> <th>J</th> <th>K</th> <th>L</th> <th>M</th> <th>N</th> <th>P</th> <th>R</th> </tr> </thead> <tbody> <tr> <td>1</td> <td></td> <td></td> <td></td> <td></td> <td></td> <td></td> <td></td> <td></td> <td></td> <td></td> <td></td> <td></td> <td></td> <td></td> <td></td> <td></td> </tr> </tbody> </table>			REV	A	B	C	D	E	F	G	H	I	J	K	L	M	N	P	R	1																
REV	A	B	C	D	E	F	G	H	I	J	K	L	M	N	P	R																				
1																																				
<p>11-0-C-021021-2</p>																																				

THIS DRAWING AND SPECIFICATIONS HEREIN ARE THE PROPERTY OF DIGITAL EQUIPMENT CORPORATION AND SHALL NOT BE REPRODUCED OR USED IN WHOLE OR IN PART AS THE BASIS FOR THE MANUFACTURE OR SALE OF ANY EQUIPMENT WITHOUT WRITTEN PERMISSION OF DIGITAL EQUIPMENT CORPORATION.

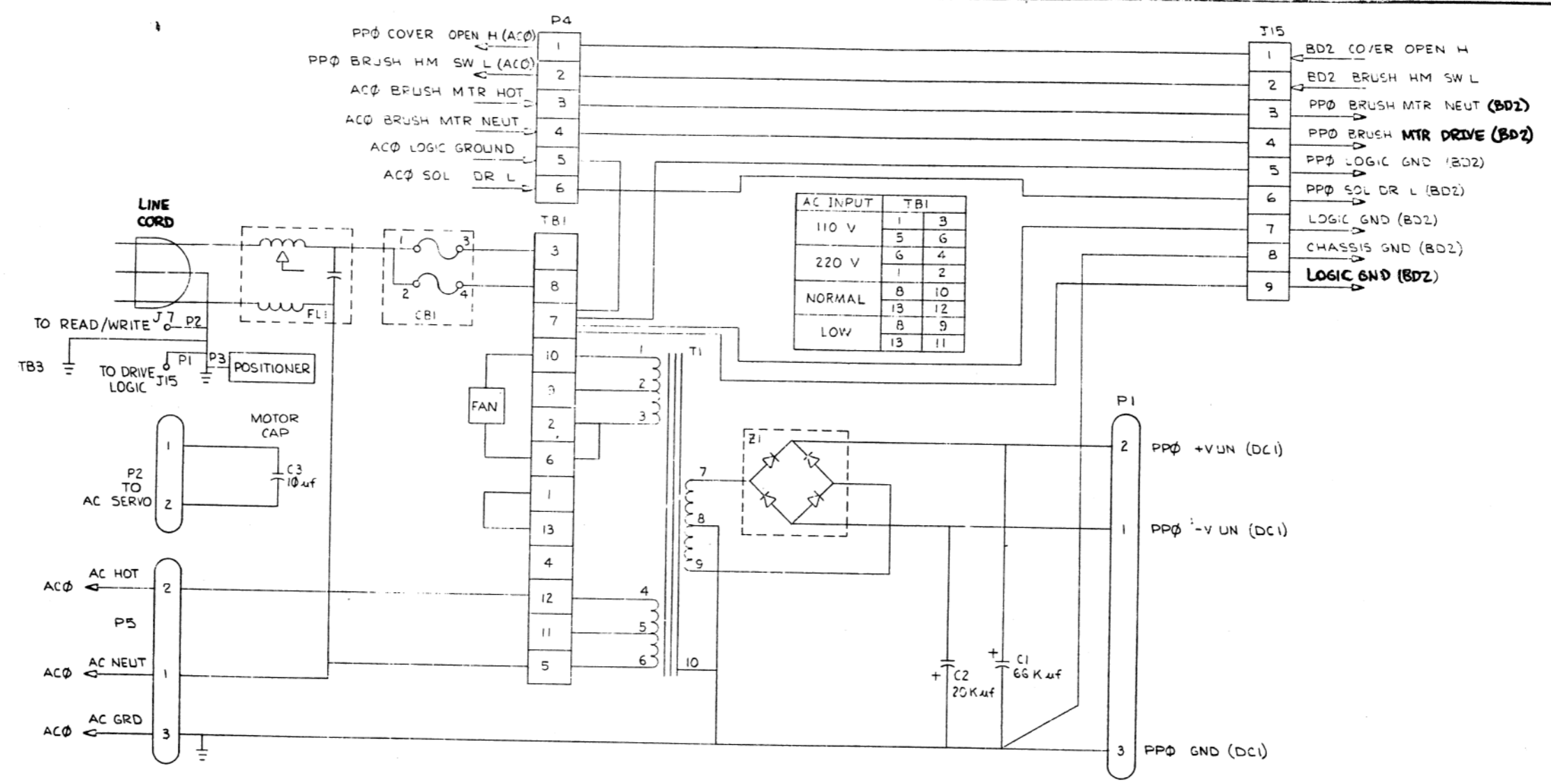
NOTES:

1. INPUT VOLTAGE 50 OR 60 HZ
90-110, 105-128 VAC
180-220, 210-256 VAC
2. OUTPUT VOLTAGE ± 11.5 VDC MIN AT MIN POINT OF THE RIPPLE. 18 VDC MAX AT HIGH LINE. (MAX OF 25 VDC AT HIGH LINE NO LOAD).
3. OUTPUT CURRENT: POSITIVE OUTPUT
.25 AMP CONTINUOUS
3.5 AMP PULSE "25 MS"
NEGATIVE OUTPUT
.25 AMP CONTINUOUS
3.5 AMP PULSE "25 MS"
PULSE CURRENT ON ALTERNATE OUTPUT AT A 65 MS OUT CYCLE.
4. OUTPUT RIPPLE AT 110 VOLTS
A. NO LOAD 100 MV P/P
B. +2.5A 600 MV P/P
-2.5A 300 MV P/P
C. +2.5A 600 MV P/P
-3.75A 1.5V DURING PULSE
5. HIGH POT TEST PER UL 478
CONNECT BOTH AC LEADS TO THE POSITIVE TERMINAL OF THE SUPPLY AND GRN WIRE GROUND TO THE NEGATIVE TERMINAL OF THE SUPPLY. CLOSE CIRCUIT BREAKER AND INCREASE VOLTAGE TO 1750 VDC, ANY CURRENT INDICATES FAILURE.



REVISIONS		
CHK	CHANGE NO	REV

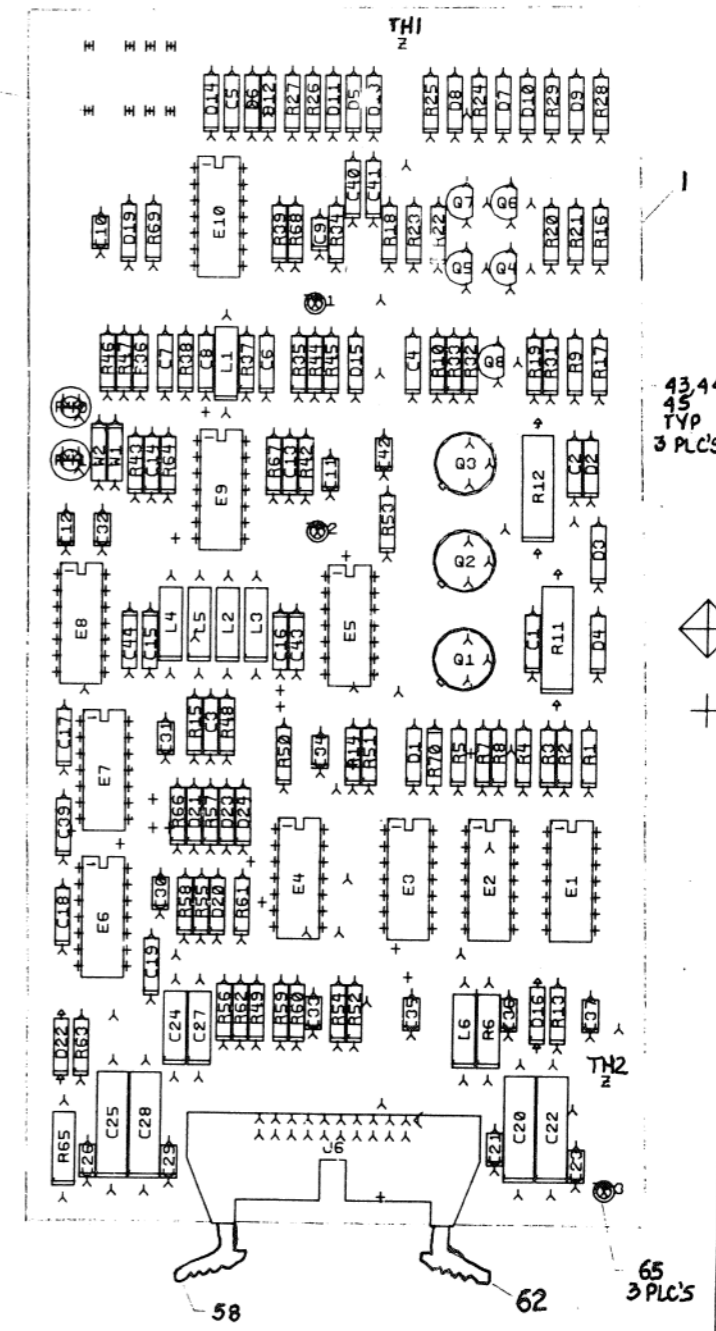
TITLE POWER PANEL ASSY		SIZE/CODE 2 OF 3	NUMBER DAD701230-0-0
---------------------------	--	---------------------	-------------------------



THIS DRAWING AND SPECIFICATIONS HEREBY ARE THE PROPERTY OF DIGITAL EQUIPMENT CORPORATION AND SHALL NOT BE REPRODUCED OR COPIED OR USED IN WHOLE OR IN PART AS THE BASIS FOR THE MANUFACTURE OR SALE OF ITEMS WITHOUT WRITTEN PERMISSION. DIGITAL EQUIPMENT CORPORATION

DJA 5413536-0-0

COMPONENT SIDE VIEW



NOTES:

CHANGE NO	REV

ETCH REV. 5
P.C. DESIGN DATA BASE RCV. BL

SIGNATURES	DATE
DRN. <i>[Signature]</i>	<i>[Date]</i>
CHK'D. <i>[Signature]</i>	<i>[Date]</i>
ENG. <i>[Signature]</i>	<i>[Date]</i>
PROJ. ENG. <i>[Signature]</i>	<i>[Date]</i>
PROD. <i>[Signature]</i>	<i>[Date]</i>
SCALE <i>[Signature]</i>	<i>[Date]</i>
SHT. 1 OF 3	
NEXT HIGHER ASSY: 3-00-5413536-0	

digital	
TITLE RL02	
READ WRITE BOARD	
SIZE C32E	NUMBER
DJA 5413536-0-0	REV A

1 MS#

LINE	ITEM	DOCUMENT NO.	PART NO.	DESCRIPTION	QTY	REFERENCE DESIGNATORS
1	1	D-ND-5013535-0-0	5013535-00	ETCHED CIRCUIT BD	1	
2	2		1001610-00	.01 MFD 50V 250 309CER/8000PF MIN	17	C9-C12,C21,C23,C26,C29-C37,C42
3	3		1005306-00	6.8MFD 35V 10% 150D S,TA (10-00)	4	C20,C22,C25,C28
4	4		1013466-14	82.0 MMF 50V 5% CER	2	C16,C43
5	5		1013466-04	33.0 MMF 50V 5% CER,	1	C8
6	6		1013466-05	56.0 MMF 50V 5% CER,	1	C5
7	7		1013466-07	220.0 MMF 50V 5% CER,	5	C1,C2,C4,C17,C39
8	8		1013466-09	1000.0 MMF 50V 10% CER,	1	C18
9	9		1013466-11	.22 MFD 50V +80/-20% CER,	2	C24,C27
10	10		1013466-15	1200.0 MMF 50V 5% CER,	3	C19,C40,C41
11	11		1109943-00	1N 4733A VZ= 5.1 5% 1W Y	2	D16,D22
12	12		1113953-00	1N 5523D VZ= 5.1 1%	1	D1
13	13		1100122-00	1N 748A VZ= 3.9 5%	1	D19
14	14		1111577-00	1N 4454 TR= 4NS PIV= 50 S	11	D5-D10,D15,D20,D21,D23,D24
15	15		1300250-00	150 1/4W 5% CC (13-00)	1	R5
16	16		1300229-00	100 1/4W 5% CC (13-00)	5	R39,R52,R54,R59,R69
17	17		1300232-00	100 1W 5% CC (13-00)	2	R11,R12
18	18		1300247-00	120 1/4W 5% CC (13-00)	1	R56
19	19		1300365-00	1 K 1/4W 5% CC (13-00)	8	R13,R14,R35,R36,R48,R49,R66, CONT R70
20	20		1300444-00	3.0 K 1/4W 5% CC (13-00)	1	R46
21	21		1300447-00	4.7 K 1/4W 5% CC (13-00)	3	R9,R10,R32
22	22		1301775-00	820 1/4W 5% CC (13-00)	1	R31
23	23		1301317-00	10 1/4W 5% CC (13-00)	1	R63
24	24		1302612-00	1.78 K 1/4W 1% RN55D-F 100PPM (13-00)	2	R50,R51
25	25		1300195-00	33 1/2W 5% CC (13-00)	2	R6,R65
26	26		1304725-00	300 1/4W 1% RN55D-F 100PPM (13-00)	1	R62
27	27		1312930-00	5.1 K 1/4W 5% CC (13-00)	2	R55,R58
28	28		1301424-00	680 1/4W 5% CC (13-00)	4	R16,R18,R21,R23
29	29		1302391-00	20 K 1/4W 5% CC (13-00)	1	R60

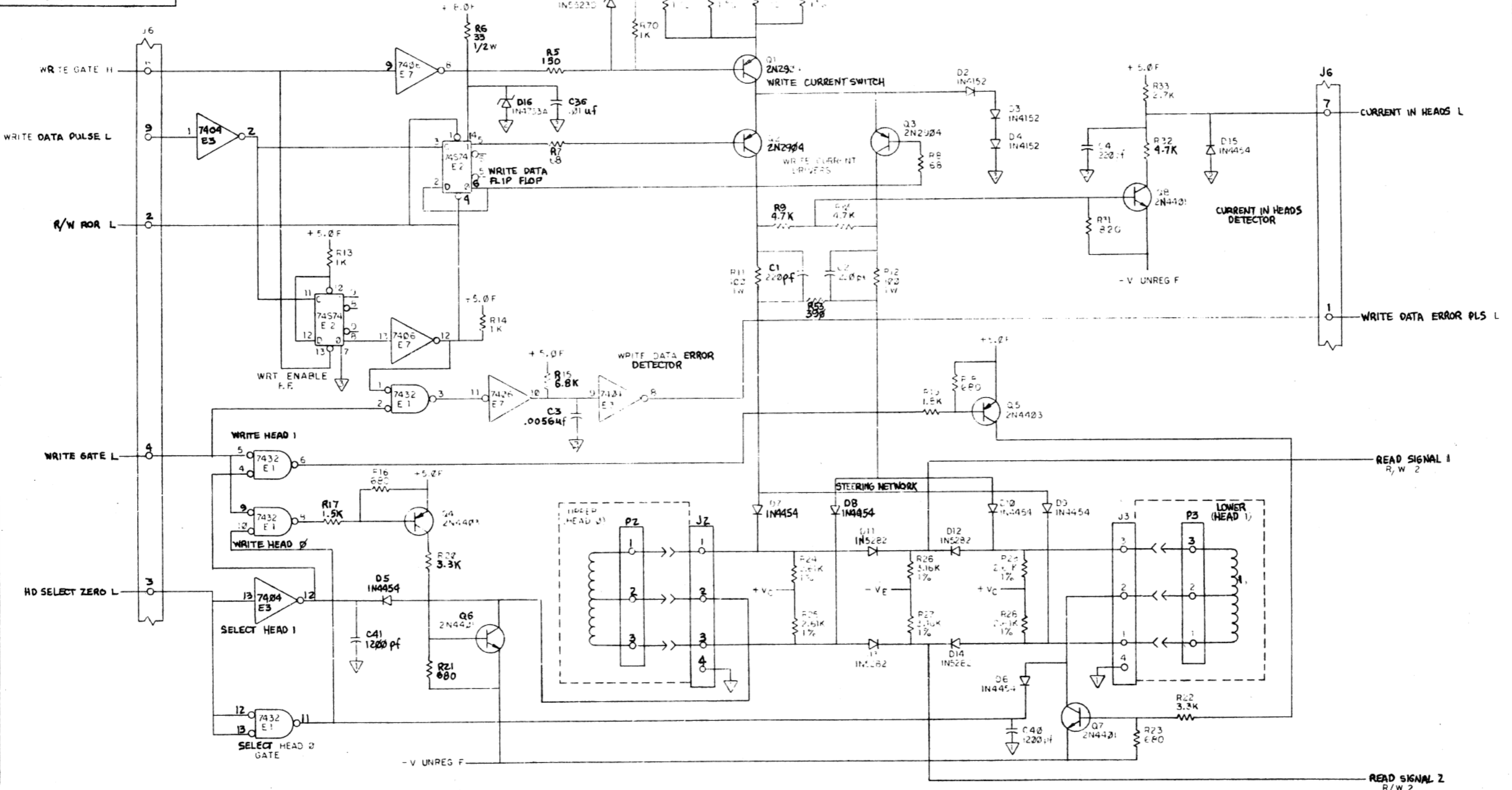
REVISION HISTORY			VARIATIONS FOR THIS ASSY.		FIRST USED ON: RL02		DIGITAL EQUIPMENT CORPORATION MAYNARD, MASSACHUSETTS		
CHK	ECO NO	REV	00		MADE BY:	DATE:	TITLE		
---	INIT	A			JERRY REST	14-AUG-78	PARTS LIST		
					CHECKED: L. ROOHR	14-AUG-78	READ/WRITE BOARD		
					DSN,ENG.: B. NOGUCHI	DATE:			
					PROD.: P. CHURCH	DATE:		SIZE CODE DOCUMENT NUMBER	REV
					RESP,ENG.: B. NOGUCHI	DATE: 14-AUG-78	ASSY,NO.: D-UA-5413536-0-0	K PL 5413536-0-DBP	A
									EDIT#
									5

"THIS DRAWING AND SPECIFICATIONS HEREIN, ARE THE PROPERTY OF DIGITAL EQUIPMENT CORPORATION AND SHALL NOT BE REPRODUCED OR COPIED OR USED IN WHOLE OR IN PART AS THE BASIS FOR THE MANUFACTURE OR SALE OF ITEMS WITHOUT WRITTEN PERMISSION. COPYRIGHT 1978, DIGITAL EQUIPMENT CORPORATION"

LINE	ITEM	DOCUMENT NO.	PART NO.	DESCRIPTION	QTY	REFERENCE DESIGNATORS
30	30		1300426-00	2.7 K 1/4W 5% CC (13-00)	1	R33
31	31		1302956-00	196 1/4W 1% RN55D-F 100PPM (13-00)	3	R2,R3,R4
32	32		1300439-00	3.3 K 1/4W 5% CC (13-00)	2	R20,R22
33	33		1305143-00	825 1/4W 1% RN55D-F 100PPM (13-00)	2	R44,R45
34	34		1303303-00	2.61 K 1/4W 1% RN55D-F 100PPM (13-00)	4	R24,R25,R28,R29
35	35		1302645-00	1.1 K 1/4W 1% RN55D-F 100PPM (13-00)	1	R61
36	36		1301477-00	82 1/4W 5% CC (13-00)	1	R68
37	37		1301322-00	180 1/4W 5% CC (13-00)	2	R37,R38
38	38		1313469-00	240 1/4W 5% CC (13-00)	1	R34
39	39		1303045-00	3.16 K 1/4W 1% RN55D-F 100PPM (13-00)	2	R26,R27
40	40		1501913-00	2N 2904A PNP 600MW SI 60 40 Y	3	Q1-Q3
41	41		1513489-00	2N 4401 NPN 350MW SI 40 20	3	Q6-Q8
42	42		1513490-00	2N 4403 PNP 350MW SI-40 30	2	Q4,Q5
43	43		1210001-00	HEAT SINK = 2201 RED	3	
44	44		9007201-00	TRANSIPADS #10253	3	
45	45		9008260-00	COMPOUND, THERMAL JOINT	9	
46	46		1611257-01	CHOKES(CERAMIC BEAD)AXIAL LEAD, ON TAPE, FOR	1	L6
47	47		1613898-01	33.0 UH INDUCTOR	4	L2-L5
48	48		1613898-02	39.0 UH INDUCTOR	1	L1
49	49		1910268-00	DEC 75107B RECEIVER, LINE, DUAL, 25 MV, MASS	1	E8
50	50		1909686-00	7404 INVERTER GATE=HEX 1IN	1	E3
51	51		1910544-00	74574 FF-D DUAL, EDGE TRIGGER	1	E2
52	52		1910644-00	733 DIFFERENTIAL AMP, WIDE BAND	2	E9,E10
53	53		1910741-00	7406 INVERTER GATE=HEX 1IN, BUFFER, 0	1	E7
54	54		1911521-00	7432 OR GATE=QUAD 2IN, POSITIVE	1	E1
55	55		1910268-01	DEC 75107B-01 RECEIVER, LINE, DUAL, 10 MV, MA	2	E5,E4
56	56		1910725-00	75100B RECEIVER, LINE, DUAL, MASSBUS	1	E6
57	57		1209941-06	HEADER, 100 20POS RT ANGLE	1	J6
58	58		1209941-03	HEADER RT ANGLE LEFT LATCH FOR	1	
59	59		1209941-04	HEADER RT ANGLE, RIGHT LATCH FOR	1	
60	60		1210305-01	PIN 1POS WIRE WRAP	8	
61	61		9007791-00	TERM PCB 2POS SOLDER, TURRET	3	TP1,TP2,TP3
62	62		1303067-00	422 1/4W 1% RN55D-F 100PPM (13-00)	2	R42,R43
63	63		1300219-00	68 1/4W 5% CC (13-00)	4	R7,R8,R47,R57
64	64		1301423-00	6.8 K 1/4W 5% CC (13-00)	3	R15,R64,R67
65	65		1300391-00	1.5 K 1/4W 5% CC (13-00)	2	R17,R19
66	66		1114117-00	1N 4152 PIV=450 I=75M	3	D2-D4
67	67		1113003-00	1N 5202 PIV=55 I=500M D035	4	D11-D14
68	68		1015573-01	5600.0 MMF 50V 5% CER, S	5	C3,C6,C7,C13,C14
69	69		1304857-00	237 1/4W 1% RN55D-F 100PPM (13-00)	1	R1
70	70		1300309-00	390 1/4W 5% CC (13-00)	1	R53
71	71		1013466-17	150 MMF 50V 5% CER	2	C15,C44
72	72		1309150-07	2 K 1/2W 10% POT 100PPM	2	R40,R41
73	73		9009185-00	JUMPER, WIRE, INSULATED, BLACK BAND	2	W1,W2

DIGITAL EQUIPMENT CORPORATION MAYNARD, MASSACHUSETTS	TITLE PARTS LIST READ/WRITE BOARD	SIZE K	CODE PL	DOCUMENT NUMBER 5413536-0-DBP	REV A
---	---	-----------	------------	----------------------------------	----------

THIS DRAWING AND SPECIFICATIONS HEREIN ARE THE PROPERTY OF E. I. du Pont de Nemours and Company, Inc. and shall not be used, copied, or reproduced in any form or by any means without the written permission of E. I. du Pont de Nemours and Company, Inc. COPYRIGHT © 1964 E. I. du Pont de Nemours and Company, Inc.

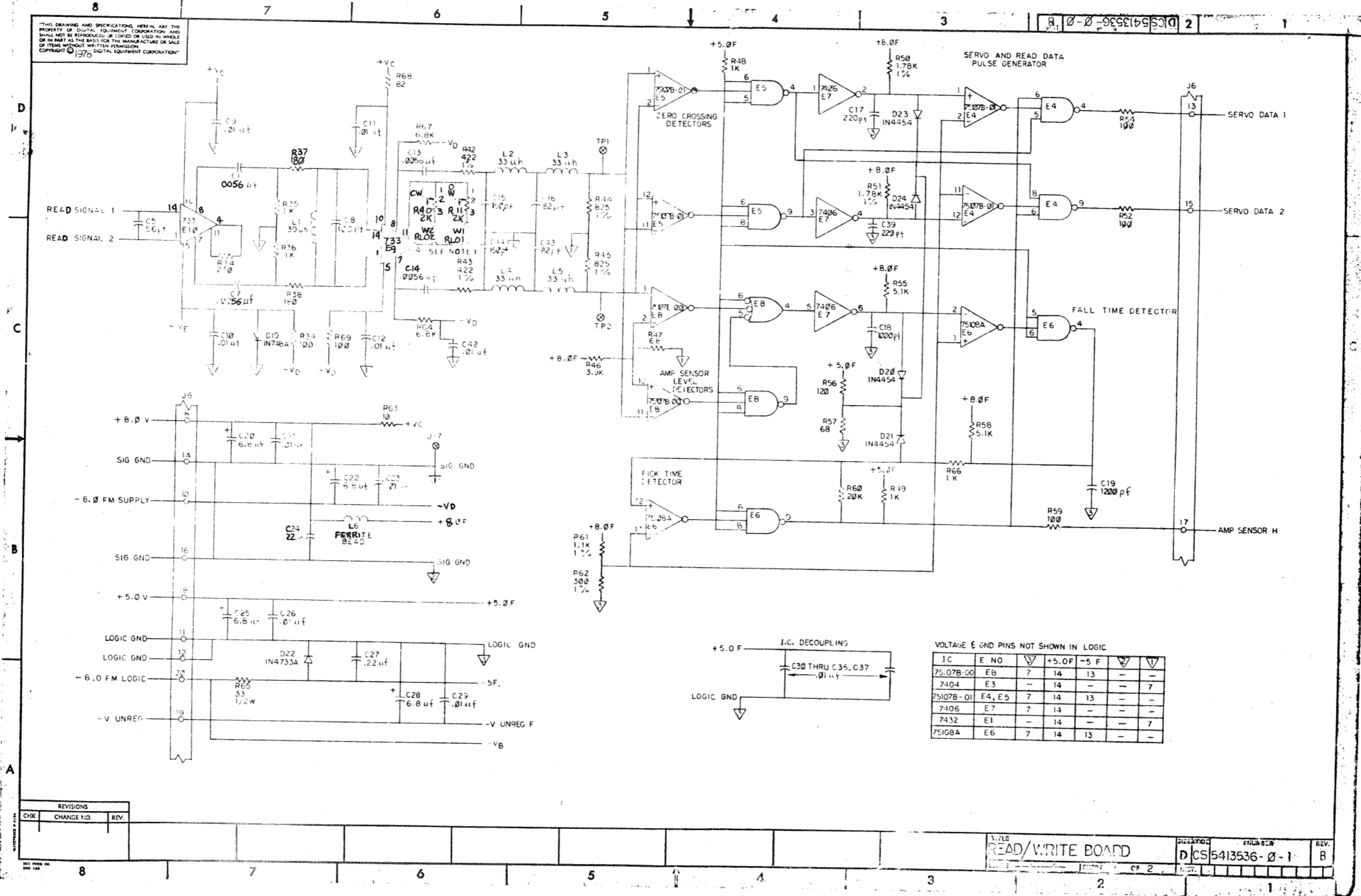


NOTE:
 1. FOR RLO1 CUT W2 AND LEAVE IN W1.
 FOR RLO2 CUT W1 AND LEAVE IN W2.

DRN. B. Nichols	FIRST USED ON	RL02
CHK'D P. Rank	DATE	5/8/57
ENG. P. Rank	TITLE	READ/WRITE BOARD
PROJ. ENG. M. ZARICH	SIZE	D
PROD. ENG. M. ZARICH	CODE	CS 5413536-0-1
NEXT HIGHER ACQY.	NUMBER	1
SCALE	REV.	B
SHEET 1 OF 2		

THIS DRAWING AND SPECIFICATIONS HEREIN ARE THE PROPERTY OF DIGITAL EQUIPMENT CORPORATION AND SHALL NOT BE REPRODUCED, COPIED OR USED IN WHOLE OR IN PART AS THE BASIS FOR THE MANUFACTURE OR SALE OF ITEMS WITHOUT WRITTEN PERMISSION. COPYRIGHT © 1976

D CS 5413536-0-1



VOLTAGE & GND PINS NOT SHOWN IN LOGIC

IC	E NO	V	+5.0F	-5 F	V	V
75107B-00	EB	7	14	13	-	-
7404	E3	-	14	-	-	7
75107B-01	E4, E5	7	14	13	-	-
7406	E7	7	14	-	-	-
7432	E1	-	14	-	-	7
75108A	E6	7	14	13	-	-

REVISIONS

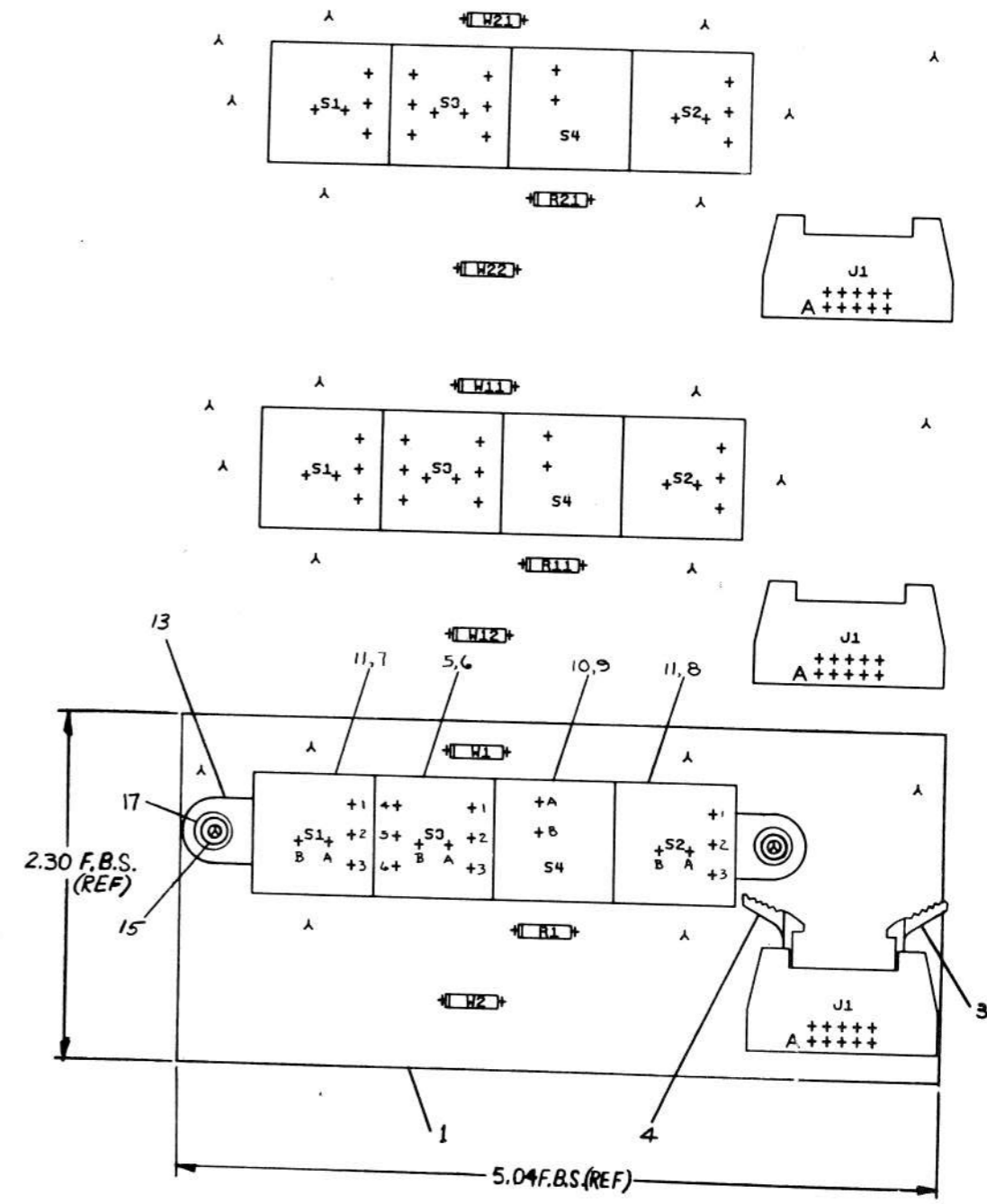
CHK	CHANGE NO.	REV.

1. FILE
READ/WRITE BOARD
D CS 5413536-0-1
REV. B

THIS DESIGN AND SPECIFICATION, REMAINS THE PROPERTY OF BENTON ENGINEERING CORPORATION. IT SHALL NOT BE REPRODUCED OR COPIED IN ANY MANNER, IN PART OR IN WHOLE, FOR THE PURPOSES OF ANY OTHER DESIGN OR DRAWING WITHOUT WRITTEN PERMISSION. REVISED 10/76 BENTON ENGINEERING CORPORATION

DUA 5411846-0-0 F 2

COMPONENT SIDE VIEW



NOTES:
 1. ALL MANUFACTURING INFORMATION, DATE CODE, CIRCUIT SCHEMATIC, REV, QUALITY CONTROL STAMPS, ETC. ARE TO BE STAMPED ON ETCH SIDE (SIDE Z) OF MODULE.

CHG	NO	REV	DATE	BY	CHK
1	1	1			
2	1	1			
3	1	1			
4	1	1			
5	1	1			
6	1	1			
7	1	1			
8	1	1			

ETCH REV. D
P.C. DESIGN DATA BASE REV. D

SIGNATURES	DATE
DRN. MR. [Signature]	11/5/76
CHK'D. [Signature]	4-11-77
ENG. [Signature]	3-2-77
PROJ. ENG. [Signature]	3/4/77
PROD.	

digital
TITLE
FRONT PANEL
SCALE 2/1
SHT. 1 OF 2
NEXT HIGHER ASSY. B-DD-5411846-0
SIZE CODE
D UA 5411846-0-0 F
NUMBER
REV

1 MS#

DIGITAL EQUIPMENT CORPORATION PARTS LIST				QUANTITY / VARIATION								NOTES:	
MADE BY S. MARLOW DATE 7 APR 76		CHECKED P. BURNELL DATE 10 JAN 77											
ENG G. REICHENBERG DATE 7 MAR 77		PROD L. KIRK DATE 9 MAR 77											
ITEM NO.	DRAWING NO.	PART NO.	DESCRIPTION	5411846-0-0									REF DESIGNATION
1	D-MD-5011845-0-0	5011845	ETCH BOARD	1									
2		1209941-05	CONN., 10 PIN BERG	1									J1
3		1209941-04	CONN., LATCH-LEFT	1									
4		1209941-03	CONN., LATCH-RIGHT	1									
5		1212690-02	SWITCH, UNIT SELECT	1									S3
6		1212691-00	SWITCH CAP., DRIVE SELECT UNIT 0	1									S3
7		1212714-05	SWITCH CAP., LOAD	1									S1
8		1212714-01	SWITCH CAP., WRITE PROTECT	1									S2
9		1212714-02	SWITCH CAP., FAULT	1									S4
10		1212715-02	INDICATOR, FAULT DISPLAY	1									S4
11		1212717-05	SWITCH, PB	2									S1, S2
12		1212716-01	BULB, 14V	1									
13		1213188-01	SWITCH MOUNTING BRACKET, 4 POS.	1									
14		1300365	RES., 1K, 1/4W, 5%	1									R1
15		9006732	EYELET, GS4-7	2									
16		9107560-01	BUS WIRE, JUMPER	2									W1, W2
17		9006655	WASHER	2									

E.C.O. NO. 5411846-0-0
 5 FEB 79 W.C.M.
 5411846-0-0
 21 MAR 79 W.C.M.

"THIS DRAWING AND SPECIFICATIONS, HEREIN, ARE THE PROPERTY OF DIGITAL EQUIPMENT CORPORATION AND SHALL NOT BE REPRODUCED OR COPIED OR USED IN WHOLE OR IN PART AS THE BASIS FOR THE MANUFACTURE OR SALE OF ITEMS WITHOUT WRITTEN PERMISSION. COPYRIGHT © 1979, DIGITAL EQUIPMENT CORPORATION"

TITLE
FRONT PANEL

ASSY NO.
D-15-5411846-0-0

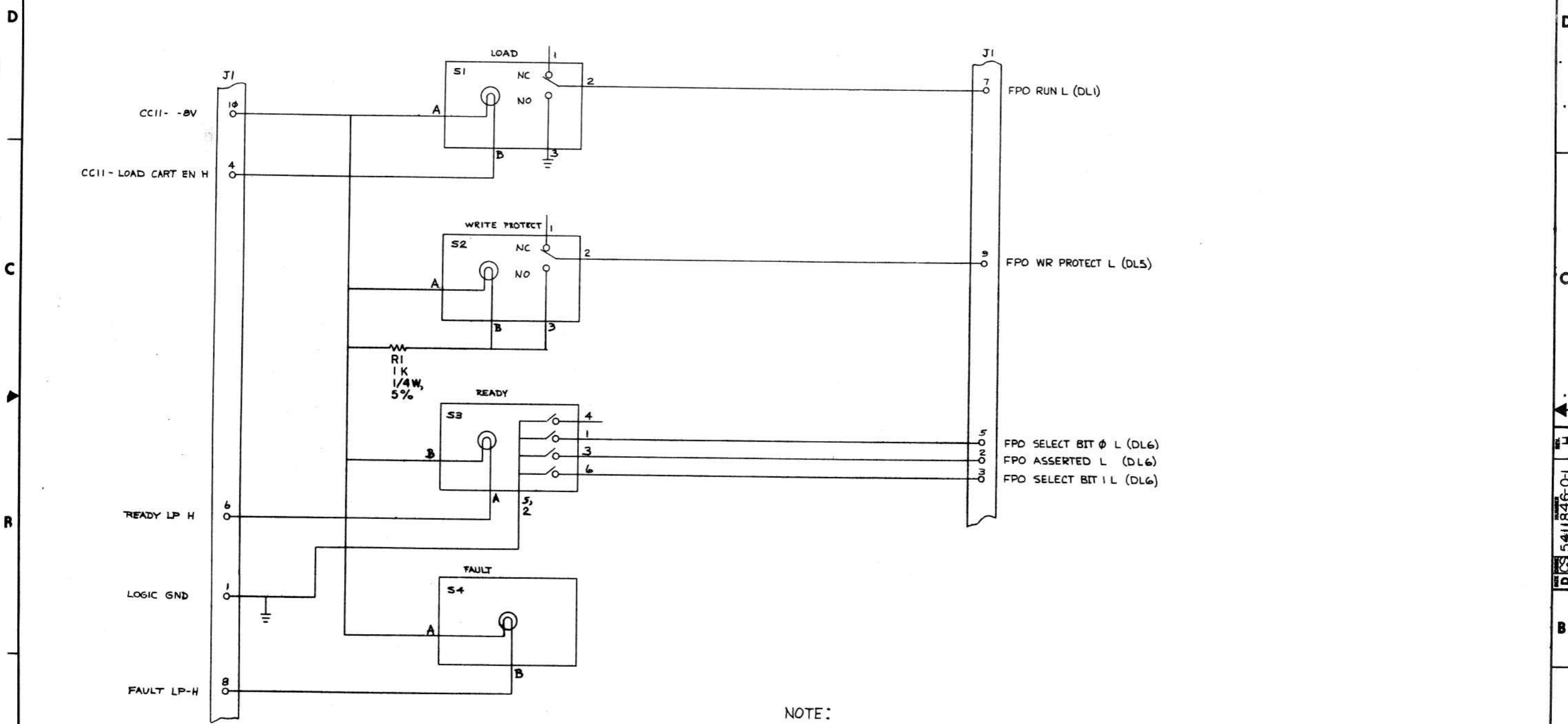
SIZE CODE NUMBER
B PL 5411846-0-0

REV.
H

SHEET 1 OF 1

INSESION PARTS LIST DATA BASE REV

THIS DRAWING AND SPECIFICATIONS HEREIN ARE THE PROPERTY OF DIGITAL EQUIPMENT CORPORATION AND SHALL NOT BE REPRODUCED OR COPIED OR USED IN WHOLE OR IN PART AS THE BASIS FOR THE MANUFACTURE OR SALE OF ITEMS WITHOUT WRITTEN PERMISSION. COPYRIGHT © 1976, DIGITAL EQUIPMENT CORPORATION



NOTE:
1. ALL LAMPS ARE 6E-73 TYPE

REV.	DATE	BY	CHKD
F	1-11-77	G. REICHENBERG	
H	3-7-77	M. ZARICH	

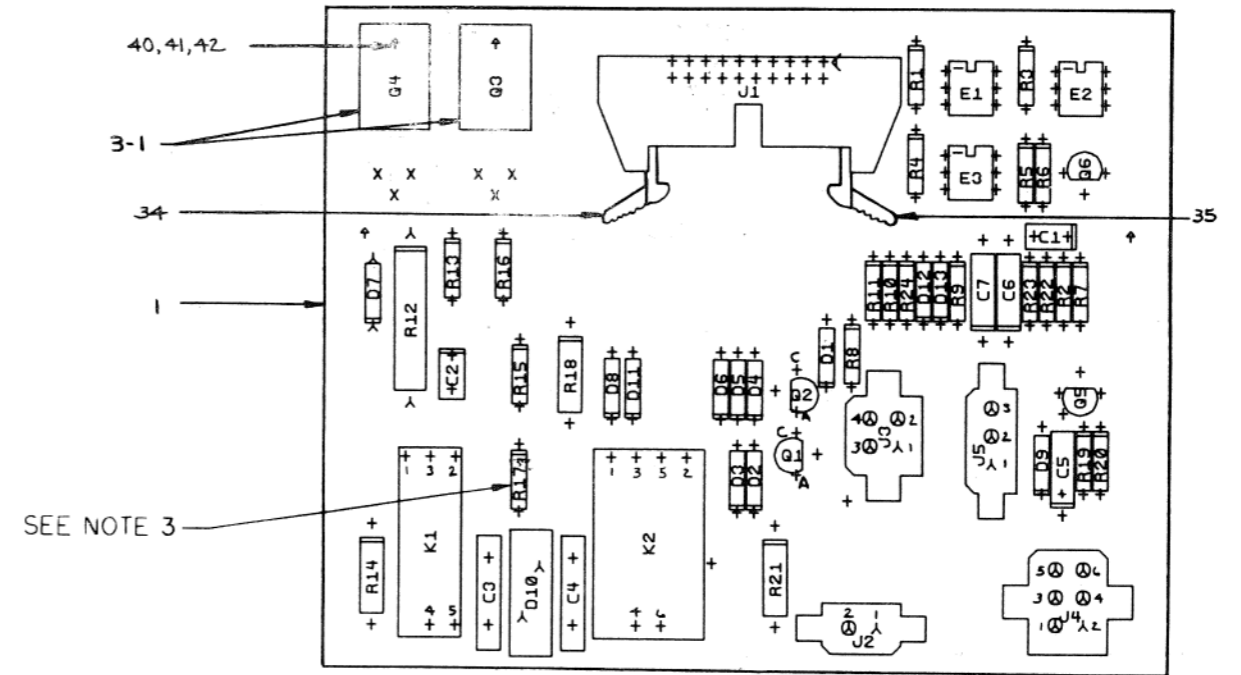
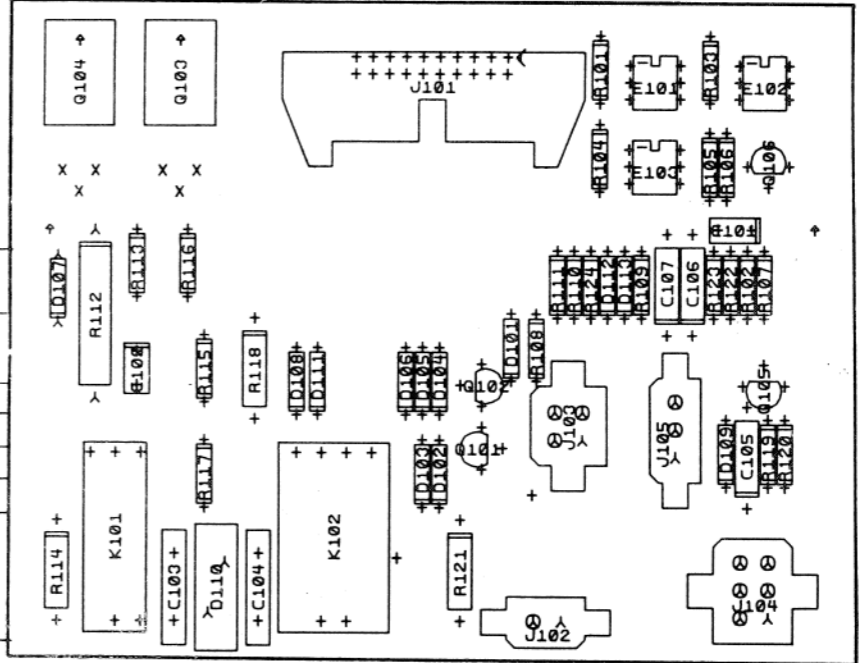
DRN. <i>H. Waldman</i>	FIRST USED ON	TITLE FRONT PANEL
CHK'D <i>R. E. Sullivan</i>		
ENG. <i>R. E. Sullivan</i>		
PROD. <i>R. E. Sullivan</i>		
NEXT HIGHER ASSY.	SIZE CODE	NUMBER
SCALE	D CS	5411846-0-1
SHEET 1 OF 1	DIST.	REV. H

D 5411846-0-1 H

THIS DRAWING AND SPECIFICATIONS, HEREIN, ARE THE PROPERTY OF DIGITAL EQUIPMENT CORPORATION AND SHALL NOT BE REPRODUCED OR COPIED IN WHOLE OR IN PART OR THE WHOLE FOR THE MANUFACTURE OR SALE OF ITEMS WITHOUT WRITTEN PERMISSION.
 COPYRIGHT © 1977 DIGITAL EQUIPMENT CORPORATION

COMPONENT SIDE VIEW

ACTUAL REF DESIGNATOR	SUPERFICIAL REF DESIGNATORS
C1,C2,C3,C4,C5,C6,C7	C101,C102,C103,C104,C105,C106,C107
D1,D2,D3,D4,D5,D6,D7,D8,D9,D10 D11,D12,D13	D101,D102,D103,D104,D105,D106,D107,D108,D109,D110,D111,D112, D113
E1,E2,E3	E101,E102,E103
K1,K2,K3	K101,K102,K103
J1,J2,J3,J4,J5	J101,J102,J103,J104,J105
Q1,Q2,Q3,Q4,Q5,Q6	Q101,Q102,Q103,Q104,Q105,Q106
R1,R2,R3,R4,R5,R6,R7,R8,R9,R10 R11,R12,R13,R14,R15,R16,R17,R18,R19, R20,R21,R22	R101,R102,R103,R104,R105,R106,R107,R108,R109,R110,R111,R112, R113,R114,R115,R116,R117,R118,R119,R120,R121,R122



SEE NOTE 3

- NOTES:
- B HOLES .0745 (+.000-.0045) MAYNARD ONLY
 - U/L APPROVAL REQUIRED
 - REWORK INSTRUCTIONS:
 - REMOVE R17 (330R, 1/4W, 5%)
 - INSTALL R17 (330R 1/2W, 5%)

CHK	CHG	NO	REV	DATE	BY	APP
✓		1			F	
✓		2			F	

ETCH REV.	E-P2
P.C. DESIGN DATA BASE REV.	E-P2

SIGNATURES	DATE
DRN. <i>[Signature]</i>	10/1
CHK'D. <i>[Signature]</i>	10/1
ENG. <i>[Signature]</i>	26 Sep 77
PROJ. ENG. <i>[Signature]</i>	26 Sep 77
PROD. <i>[Signature]</i>	26 Sep 77

digital		TITLE AC SERVO	
SCALE 2/1	SIZE CODE D	NUMBER UA 5411848-0-0	REV F
SHT. 1 OF 4		NEXT HIGHER ASSY. B-DD-5411848-0	

LINE	ITEM	DOCUMENT NUMBER	PART NUMBER	DESCRIPTION	QTY	PER VARIATION	REFERENCE DESIGNATOR
					00		
1	1	D-MD-5011847-0-0	5011847-00	ETCH CRKT BRD	1		
2	2		1011683-00	.022 MFD 50V 10% 2C067 CER.	1		C1
3	3		1012312-01	.47 MFD 50V XZ	1		C2
4	4		1013682-00	.1 MFD 500V +80 -20% CER.	2		C3,C4
5	5		1001776-00	1 MFD 35V 10% S.TANT	2		C5,C7
6	6		1110856-00	1N 970B VZ= 24.0 5% .40W Y	1		D1
7	7		1111577-00	1N 4454 TR= 4NS PIV= 50 S	10		D2-D6,DB,D9,D11-D13
8	8		1105796-00	1N 4004 PIV=400 I= 1A D041 SP	1		D7
9	9		1510727-01	OPTO COUPLED ISOLATOR	3		E1-E3
10	10		1213917-00	RLY,REED 5V COIL,DPDT	1		K2
11	11		1213915-00	RLY,REED, 5V COIL,SPDT	1		K1
12	12		1110997-00	VP 130A10 VOLT. SUPPRESS.130VAC	1		D10
13	13		1209941-06	HEADER.100 20POS RT ANGLE	1		J1
14	14		1213922-00	HEADER 2POS	1		J2
15	15		1213922-01	HEADER 3POS	1		J5
16	16		1213922-03	HEADER 4POS	1		J3
17	17		1213922-04	HEADER 6POS	1		J4
18	18		1300315-00	470 1/2W 5% CC	2		R14,R21
19	19		1300271-00	220 1/4W 5% CC	3		R1,R3,R4
20	20		1311220-00	5.1 1/2W 5% CC	1		R18
21	21		1301327-00	68 K 1/4W 5% CC	1		R6
22	22		1302466-00	100 K 1/4W 5% CC	2		R5,R8
23	23		1300444-00	3.9 K 1/4W 5% CC	1		R20
24	24		1314516-00	200 K 1/4W 5% CC	2		R7,R23
25	25		1300496-00	15 K 1/4W 5% CC	1		R10
26	26		1300479-00	10 K 1/4W 5% CC	2		R11,R24
27	27		1300482-00	10 K 2W 10% CC	1		R12
28	28		1312927-00	16 1/4W 5% CC	2		R15,R16
29	29		1314649-00	430 K 1/4W 5% CC	1		R22

REVISION HISTORY			BASIC PART NO: 5411848			D I G I T A L		
ENG	ECD NUMBER	REV	SECTION A OF A	DRN:	H. RICHER	DATE:	23 MAR 76	
---	INITIAL	E	SECTION.VARIATION INDEX	CHK'D:	F. BURNELL	DATE:	10 JAN 77	TITLE
MZ	5411848-CZ003	F	[A] 00	DES.ENG:	F. BADUM	DATE:	7 JUN 77	PARTS LIST
			[B]	RESP.ENG.:	F. BADUM	DATE:	7 JUN 77	DOCUMENT NUMBER
			[C]	MFG.ENG.:	D. LESAGE	DATE:	7 JUN 77	SIZE!CODE! NUMBER ! REV
			[D]	ASSEMBLY NUMBER:	D-UA-5411848-0-0			K ! PL ! 5411848-0-DBP ! F
			[E]					FILE NAME: ! EDIT #
			[F]					Z0491.PLS ! 3
			[G]					
			[H]					
			[J]					
			[K]					
			[L]					
			[M]					
			[N]					

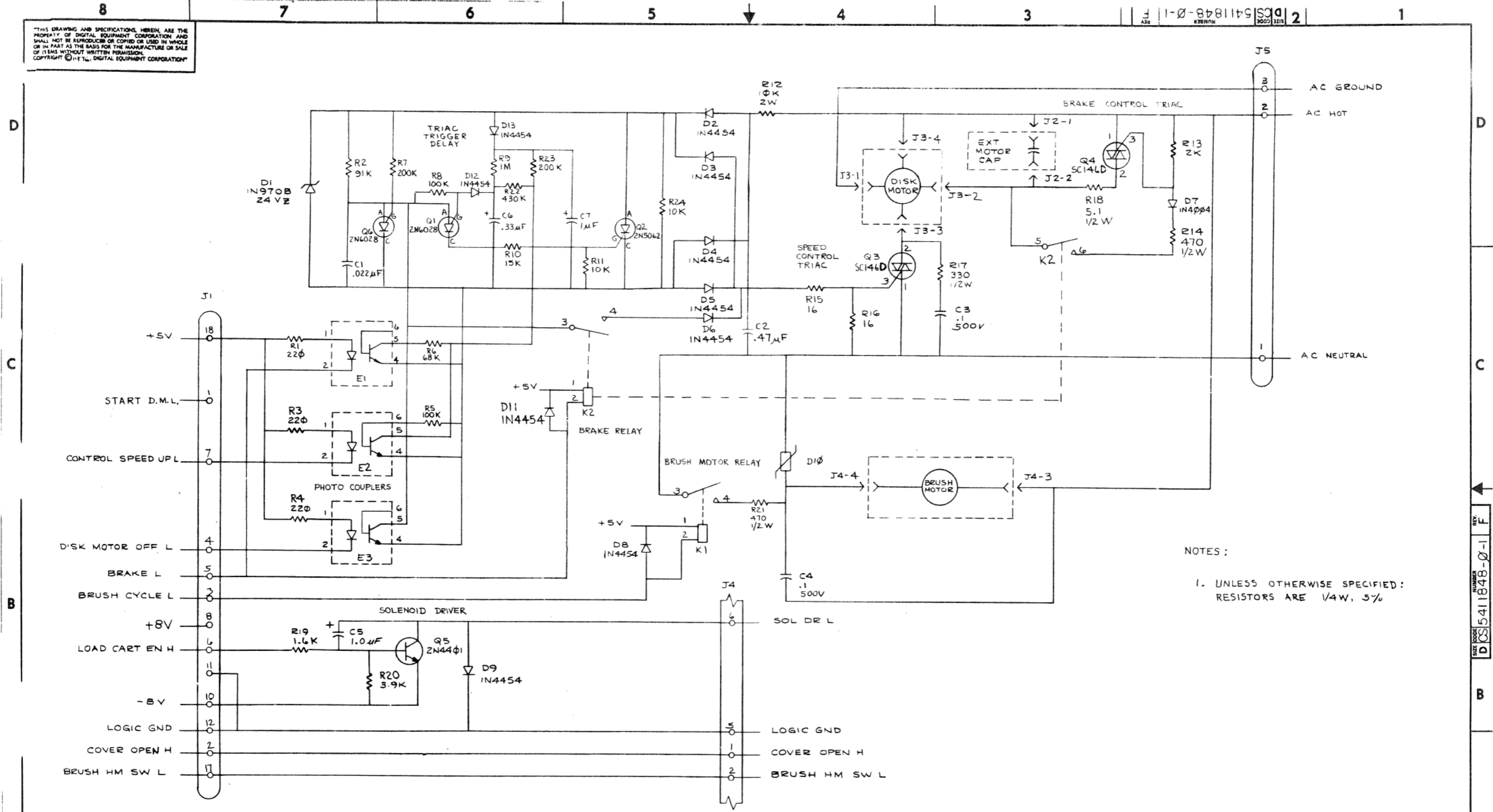
"THIS DRAWING AND SPECIFICATIONS HEREIN, ARE THE PROPERTY OF DIGITAL EQUIPMENT CORPORATION AND SHALL NOT BE REPRODUCED OR COPIED OR USED IN WHOLE OR IN PART AS THE BASIS FOR THE MANUFACTURE OR SALE OF ITEMS WITHOUT WRITTEN PERMISSION. COPYRIGHT (C) 1979. DIGITAL EQUIPMENT CORPORATION"

PARTS LIST

LINE ITEM	DOCUMENT NUMBER	PART NUMBER	DESCRIPTION	QTY PER VARIATION 00	REFERENCE DESIGNATOR
30	30	1300296-00	330	1/2W 5% CC	1 R17
31	31	1302388-00	2	K 1/4W 5% CC	1 R13
32	32	1309595-00	1	M 1/4W 5% CC	1 R9
33	33	1303176-00	1.6	K 1/4W 5%	1 R19
34	34	1209941-03	HEADER	RT ANGLE LEFT L	1 J1
35	35	1209941-04	HEADER	RT ANGLE,RIGHT	1 J1
36	36	1510877-00	2N 6028	UJT 300MW R67B	2 Q1,Q6
37	37	1110968-00	2N 5062	SCR@100V I=.8A T092	1 Q2
38	38	1510070-00	TRIAC@400V,I> 8A	#RCA40669 M	2 Q3,Q4
39	39	1513489-00	2N 4401	NPN 350MW SI 40 20	1 Q5
40	40	9006557-00	NUT,KEP	, 4-40X 1/4 AF	2 Q3,Q4
41	41	9006010-01	SCREW,PAN ,PHIL,	4-40X 5/16	2 Q3,Q4
42	42	9006655-00	WASHER, FLAT,	.312 O.D. X .125 I	2 Q3,Q4
43	43		*** THIS ITEM IS NOT USED ***		
44	44	1000002-04	.33	MFD 35V 10% .150I S.TA	1 C6
45	45	1314650-00	91	K 1/4W 5% CC	1 R2

D	I	G	I	T	A	L	TITLE	SECTION A OF A	SIZE	CODE	DOCUMENT NUMBER	REV
							AC SERVO		K	PL	5411848-0-DBP	F

THIS DRAWING AND SPECIFICATIONS, HEREIN, ARE THE PROPERTY OF DIGITAL EQUIPMENT CORPORATION AND SHALL NOT BE REPRODUCED OR COPIED OR USED IN WHOLE OR IN PART AS THE BASIS FOR THE MANUFACTURE OR SALE OF ITEMS WITHOUT WRITTEN PERMISSION. COPYRIGHT © 1971, DIGITAL EQUIPMENT CORPORATION

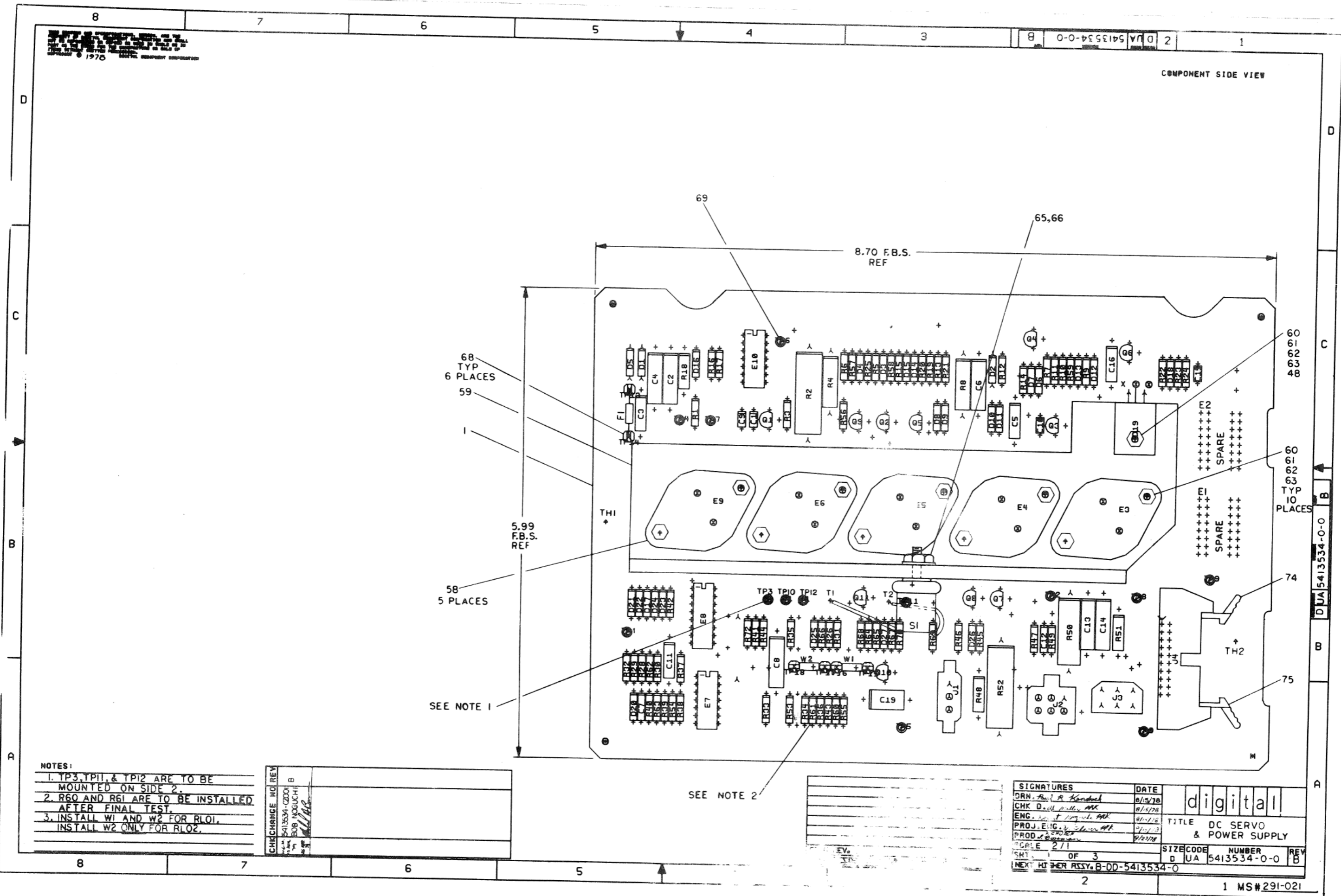


NOTES:
1. UNLESS OTHERWISE SPECIFIED:
RESISTORS ARE 1/4W, 5%

REV	CHG	NO.	DATE	BY	CHK'D
C					
D					
E					
F					

DRN. <i>S. Weir</i>	8/16/76	FIRST USED ON	RLO1	Digital
CHK'D <i>B. Bunnell</i>	1-14-77	TITLE	AC SERVO	
ENG. <i>W. Bunnell</i>	6-8-77	PROJ. ENG.	<i>W. Bunnell</i>	
PROD. <i>W. Bunnell</i>	4/7/77	NEXT HIGHER ASSY.		
D-UA-5411848-0-0	SIZE	CODE	NUMBER	REV.
SCALE <i>1/1</i>	D	CS 5411848-0-1	F	
SHEET 1	OF 1	DIST.		

COMPONENT SIDE VIEW



- NOTES:
1. TP3, TP11, & TP12 ARE TO BE MOUNTED ON SIDE 2.
 2. R60 AND R61 ARE TO BE INSTALLED AFTER FINAL TEST.
 3. INSTALL W1 AND W2 FOR R101. INSTALL W2 ONLY FOR R102.

CHANGE NO	REV
5413534-0001	B
BOB NOGUCHI	

SIGNATURES	DATE
DRN. <i>R. Kimmel</i>	8/15/78
CHK D. <i>W. Miller</i>	8/15/78
ENC. <i>T. J. Miller</i>	8/15/78
PROJ. ENG. <i>J. J. Miller</i>	8/15/78
PROD. <i>J. J. Miller</i>	8/15/78

digital	
TITLE DC SERVO & POWER SUPPLY	
SIZE CODE	NUMBER
DUA 5413534-0-0	REV B

1 MS#291-021

LINE	ITEM	DOCUMENT NUMBER	PART NUMBER	DESCRIPTION	QTY PER VARIATION	REFERENCE DESIGNATOR
					00	
1	1	D-MD-5013533-0-0	5013533-00	ETCHED CIRCUIT BOARD	1	
2	2		1013466-08	680.0 MMF 50V 10% CER.	1	C12
3	3		1016009-00	2200 MMF 50V 5% CER.	1	C7
4	4		1001610-00	.01 MFD 50V -20+80 Z5U AXIAL	4	C1,C9,C10,C15
5	5		1002630-00	.015 MFD 100V 10% 663UW MYLR	1	C8
6	6		1013466-11	.22 MFD 50V +80/-20% CER.	4	C3,C5,C11,C16
7	7		1005306-00	6.8MFD 35V 10% S.TANT	4	C4,C6,C13,C14
8	8		1000076-00	39 MFD 10V 10% 150D S.TA	1	C2
9	9		1309422-00	5.1 1/4W 5% CC	1	R58
10	10		1312929-00	62 1/4W 5% CC	2	R3,R23
11	11		1311523-00	110 1/4W 5% CC	1	R22
12	12		1300247-00	120 1/4W 5% CC	1	R13
13	13		1300271-00	220 1/4W 5% CC	1	R59
14	14		1301425-00	300 1/4W 5% CC	1	R55
15	15		1303178-00	620 1/4W 5% CC	1	R6
16	16		1300365-00	1 K 1/4W 5% CC	5	R1,R7,R39,R44,R57
17	17		1300391-00	1.5 K 1/4W 5% CC	1	R5
18	18		1302388-00	2 K 1/4W 5% CC	2	R31,R43
19	19		1300426-00	2.7 K 1/4W 5% CC	2	R46,R47
20	20		1302389-00	4.3 K 1/4W 5% CC	1	R53
21	21		1300447-00	4.7 K 1/4W 5% CC	10	R10-R12,R14,R15,R19,R20,R24,R49, R68
22	22		1303179-00	8.2 K 1/4W 5% CC	3	R9,R16,R17
23	23		1300488-00	12 K 1/4W 5% CC	4	R25,R26,R45,R56
24	24		1305346-00	27 K 1/4W 5% CC	1	R21
25	25		1305131-00	*** THIS ITEM IS NOT USED ***	-	
26	26		1312923-00	2.10 K 1/4W 1% RN55D-F 100PPM	1	R41
27	27		1305114-00	3.48 K 1/4W 1% RN55D-F 100PPM	1	R34
28	28		1314763-00	4.12 K 1/4W 1% RN55D-F 100PPM	1	R36

REVISION HISTORY		BASIC PART NO: 5413534		DRN:	JERRY BEST	DATE:	26-JUL-78	D I G I T A L			
ENG!	ECD NUMBER	REV	SECTION A OF A	CHK'D:	JERRY BEST	DATE:	26-JUL-78	TITLE PARTS LIST			
	INIT	A	SECTION VARIATION INDEX	DES.ENG:	R. NOGUCHI	DATE:		D.C. SERVO AND POWER SUPPLY			
	BM 5413534-CZ001	B	[A] 00	RESP.ENG.:	R. NOGUCHI	DATE:	26-JUL-78	DOCUMENT NUMBER			
			[B]	MFG.ENG.:	P. CHURCH	DATE:		SIZE	CODE	NUMBER	REV
			[C]	ASSEMBLY NUMBER:		TOP DOCUMENT NUMBER:		K	PL	5413534-0-DBP	B
			[D]	D-UA-5413534-0-0		RL02		FILE NAME:		Z0494E.PLS	EDIT #
			[E]								14
			[F]								
			[G]								
			[H]								
			[I]								
			[J]								
			[K]								
			[L]								
			[M]								
			[N]								

"THIS DRAWING AND SPECIFICATIONS HEREIN, ARE THE PROPERTY OF DIGITAL EQUIPMENT CORPORATION AND SHALL NOT BE REPRODUCED OR COPIED OR USED IN WHOLE OR IN PART AS THE BASIS FOR THE MANUFACTURE OR SALE OF ITEMS WITHOUT WRITTEN PERMISSION. COPYRIGHT (C) 1979, DIGITAL EQUIPMENT CORPORATION"

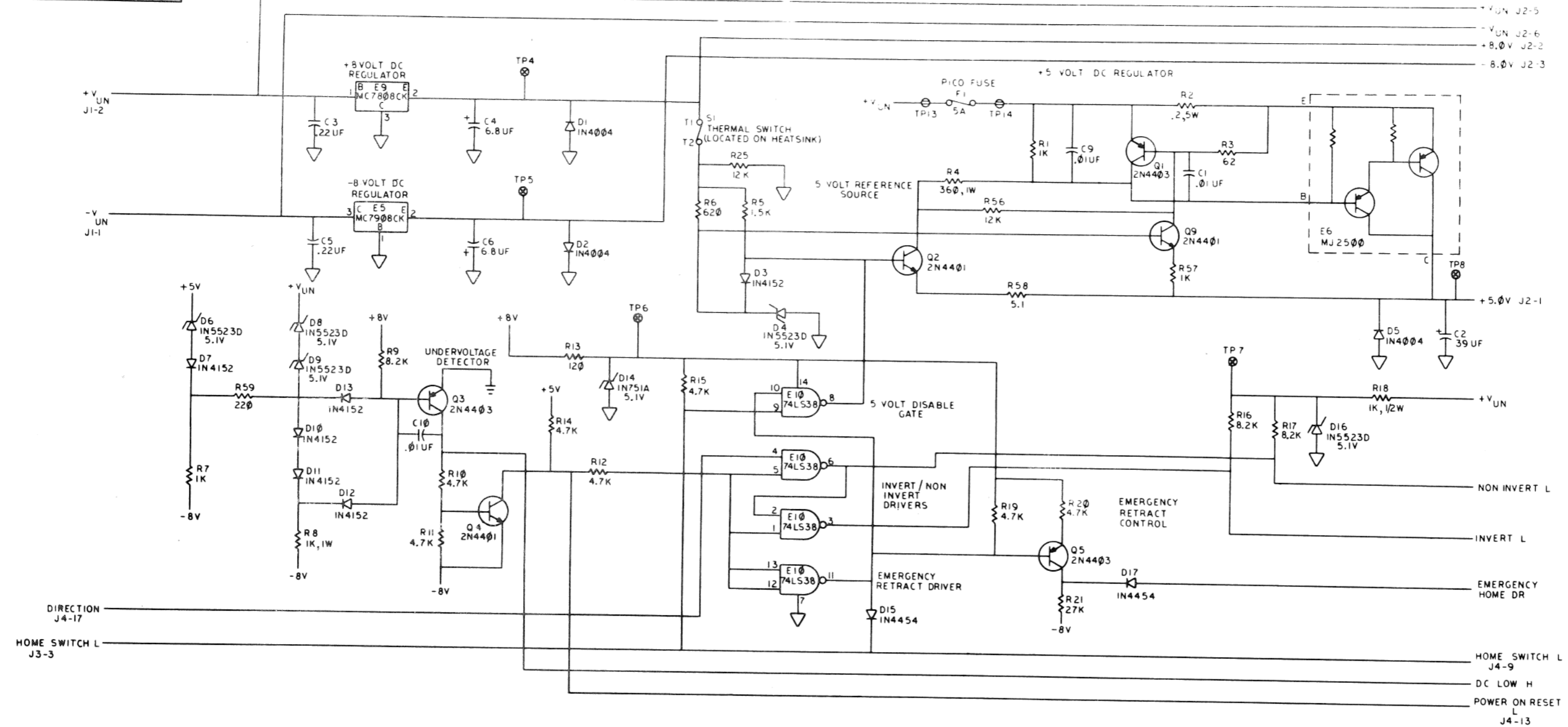
LINE	ITEM	DOCUMENT NUMBER	PART NUMBER	DESCRIPTION	QTY	PER VARIATION	REFERENCE DESIGNATOR
					00		
29	29		1303312-00	10.0 K 1/4W 1% RN55D-F 100PPM	3		R28,R29,R62
30	30		1312924-00	10.7 K 1/4W 1% RN55D-F 100PPM	1		R32
31	31		1309412-00	18.2 K 1/4W 1% RN55D-F 100PPM	1		R33
32	32		1315436-00	52.3 K 1/4W 1% RN55D-F 100PPM	1		R54
33	33		1304843-00	243 K 1/4W 1% RN55D-F 100PPM	1		R72
34	34		1315437-00	237 K 1/4W 1% RN55D-F 100PPM	1		R38
35	35		1302378-00	51 1/2W 5% CC	1		R51
36	36		1300364-00	1 K 1/2W 5% CC	2		R18,R48
37	37		1314068-00	360 1W 5% CC	1		R4
38	38		1300368-00	1 K 1W 5% CC	1		R8
39	39		1301494-00	200 2W 5% CC	1		R50
40	40		1313358-00	.2 5W 3% WW	2		R2,R52
41	41		1105796-00	1N 4004 FIV=400 I= 1A D041 SP	3		D1,D2,D5
42	42		1113953-00	1N 5523D VZ= 5.1 1%	8		D4,D6,D8,D9,D16,D18,D21,D22
43	43		1109990-00	1N 757A VZ= 9.1 5% .40W P	2		D23,D24
44	44		1110994-00	1N 751A VZ= 5.1 5% .40W	1		D14
45	45		1114117-00	1N 4152 FIV=450 I=75M	6		D3,D7,D10,D11,D12,D13
46	46		1111577-00	1N 4454 TR= 4NS FIV= 50 S	6		D15,D17,D20,D25-D27
47	47		1513698-00	TRIAC@200V,I>14A	1		D19
48	48		9009597-00	INSULATOR, THERMA-FILM \$	1		
49	49		1513489-00	2N 4401 NFN 350MW SI 40 20	4		Q2,Q4,Q8,Q9
50	50		1513490-00	2N 4403 PNF 350MW SI-40 30	6		Q1,Q3,Q5-Q7,Q11
51	51		1511282-00	MJ2500 PNF 150WC SI 60 5 1K 5A	2		E4,E6
52	52		1511349-00	TIP 640 (OR MJ3000) NFN DARLINGT	1		E3
53	53		1911706-00	5012 ANALOG SWITCH,4CHNL	1		E8
54	54		1912818-00	LS38 NAND BUFFER-QUAD 2IN	1		E10
55	55		1912107-01	324ANOP AMP,QUAD	1		E7
56	56		1913695-00	7808 VOLT.REG.FIX +	1		E9
57	57		1913694-00	7908 VOLT.REG.FIX -	1		E5
58	58		9008419-00	WASHER, FLAT, THERMAFILM .002THK	5		
59	59		7418595-00	HEATSINK ASSEMBLY	1		
60	60		9008033-01	SCREW,PAN ,PHIL, 4-40X 9/16	11		
61	61		9006557-00	NUT,KEP , 4-40X 1/4 AF	11		
62	62		9006655-00	WASHER, FLAT, .312 O.D. X .125 I	11		
63	63		9008268-00	COMPOUND, THERMAL JOINT \$	A/R		
64	64		1210824-00	THERMOSTAT,0@215,C@156,SPST	1		S1
65	65		9008185-00	NUT,KEP , 6-32X1/4 AF	1		
66	66		9006653-00	WASHER, FLAT, .375 O.D. X .156 I	1		
67	67		1205747-00	FUSE, SUB-MINI, 5.000A, 125V, A	1		F1
68	68		9006735-00	EYELET, FUNNEL FLANGE, .059 OD X	6		TP13-TP18
69	69		9007791-00	TERM PCB 2POS SOLDER,TURRET	13		TP0-TP12
70	70		1213922-01	HEADER 3POS	1		J1
71	71		1213922-04	HEADER 6POS	1		J2
72	72		1213900-00	CONN,RCPT 6PIN	1		J3
73	73		1209941-06	HEADER,100 20POS RT ANGLE	1		J4
74	74		1209941-04	HEADER RT ANGLE,RIGHT	1		
75	75		1209941-03	HEADER RT ANGLE LEFT L	1		

D I G I T A L				TITLE	SECTION A OF A		SIZE	CODE	DOCUMENT NUMBER	REV
				D.C. SERVO AND POWER SUPPLY			K	PL	5413534-0-DBP	B

LINE	ITEM	DOCUMENT NUMBER	PART NUMBER	DESCRIPTION	QTY	PER VARIATION	REFERENCE DESIGNATOR
					00		
76	76		1305314-00	4.99 K 1/4W 1% RN55D-F 100PPM	2		R37,R30
77	77		1300250-00	150 1/4W 5% CC	1		R42
78	78		1312618-00	16.9 K 1/4W 1% RN55D-F 100PPM	1		R40
79	79		1300229-00	100 1/4W 5% CC	1		R63
80	80		1305336-00	*** THIS ITEM IS NOT USED ***	-		
81	81		1309416-00	31.6 K 1/4W 1% RN55D-F 100PPM	1		R65
82	82		1015574-01	*** THIS ITEM IS NOT USED ***	-		
83	83		9009185-00	JUMPER, WIRE, INSULATED, BLACK P	2		W1,W2
84	84		1303044-00	100 K 1/4W 1% RN55D-F 100PPM	1		R64
85	85		1015574-00	*** THIS ITEM IS NOT USED ***	-		
86	86		1315435-00	25.5 K 1/4W 1% RN55D-F 100PPM	1		R66
87	87		1312930-00	5.1 K 1/4W 5% CC	1		R67
88	88		1015520-00	1 MFD 100V 5% M.POLYESTER	1		C19
89	89		1513697-00	2N 5640 FET N CHNNL	1		Q10
90	90		1300479-00	10 K 1/4W 5% CC	1		R69
91	91		1302466-00	100 K 1/4W 5% CC	1		R70

D	I	G	I	T	A	L	TITLE	SECTION A OF A	SIZE	CODE	DOCUMENT NUMBER	REV
							D.C. SERVO AND POWER SUPPLY		K	PL	5413534-0-DBP	B

THIS DRAWING AND SPECIFICATIONS HEREIN ARE THE PROPERTY OF DIGITAL EQUIPMENT CORPORATION AND SHALL NOT BE REPRODUCED OR COPIED OR USED IN WHOLE OR IN PART AS THE BASIS FOR THE MANUFACTURE OR SALE OF ITEMS WITHOUT WRITTEN PERMISSION. COPYRIGHT © 1978, DIGITAL EQUIPMENT CORPORATION.



- NOTES:
1. ALL RESISTORS TO BE 1/4W, 5%; UNLESS OTHERWISE SPECIFIED.
 2. E1 AND E2 ARE SPARES.
 3. VALUE OF R6 OR R61 WILL BE DETERMINED IN TESTING.
 4. INSTALL W1 AND W2 FOR RL01. INSTALL W2 ONLY FOR RL02.

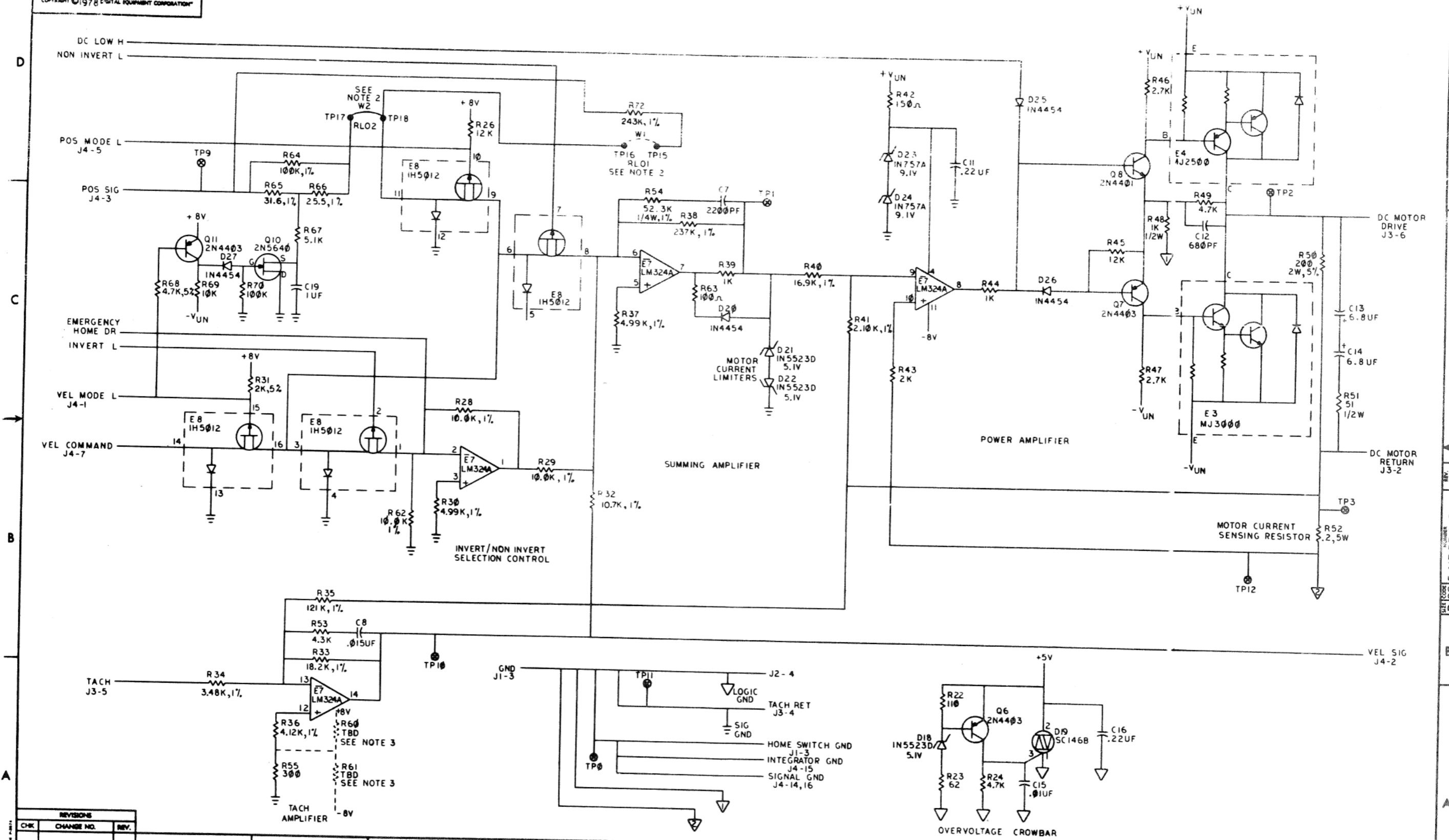
DESCRIPTION		DWG./PART NO.		ITEM NO.	
UNLESS OTHERWISE SPECIFIED DIMENSIONS ARE IN INCHES					
ANGLE	CLASS OF SURFACE QUALITY	TOLERANCE RANGE INCHES			
30°	(CHECK ONE)	FROM 0 TO 0.125	FROM 0.125 TO 0.250	FROM 0.250 TO 0.500	FROM 0.500 TO 1.000
	MEDIUM	±0.004	±0.005	±0.007	±0.010
	PREFERRED	±0.012	±0.010	±0.005	±0.004
QUANTITY & VARIATION	FIRST USED ON				
DRN: P. Richard	DATE: 8/15/78				
CHK'D: J. Miller	DATE: 8/15/78				
PROJ. ENG: R. DeLuca	DATE: 8/15/78				
PROD. P. [unclear]	DATE: 8/15/78				
NEXT HIGHER ASSY.					
MATERIAL	D-UA-5413534-0-0		SIZE	CODE	NUMBER
SCALE	1		D	CS	5413534-0-1
SHEET	1		OF 2	DIST.	REV. B

413534-CZ80R
DOY YOSUCHI

D CS 5413534-0-1 B

THIS DRAWING AND SPECIFICATIONS HEREIN ARE THE PROPERTY OF DIGITAL EQUIPMENT CORPORATION AND SHALL NOT BE REPRODUCED OR COPIED OR USED IN WHOLE OR IN PART AS THE BASIS FOR THE MANUFACTURE OR SALE OF ITEMS WITHOUT WRITTEN PERMISSION. COPYRIGHT © 1978 DIGITAL EQUIPMENT CORPORATION

DCS 5413534-0-1 2



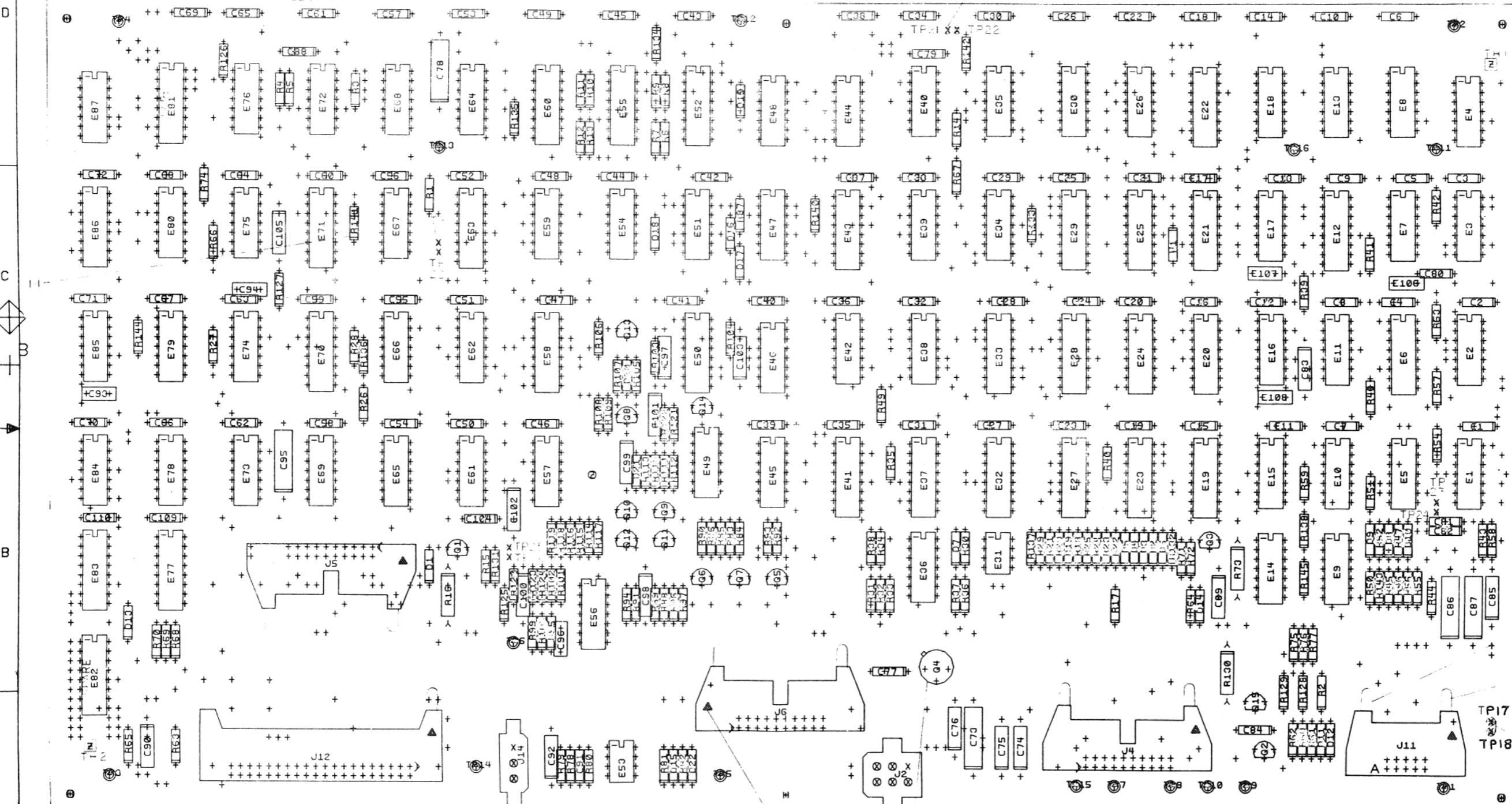
REVISIONS		
CHK	CHANGE NO.	REV.

TITLE		DC SERVO AND POWER SUPPLY		SIZE CODE	NUMBER	REV.
SCALE		SHEET 2 OF 2		DCS	5413534-0-1	B

27

THIS DRAWING AND CERTIFICATION, HEREIN, ARE THE PROPERTY OF DIGITAL EQUIPMENT CORPORATION AND SHALL NOT BE REPRODUCED OR TRANSMITTED IN ANY FORM OR BY ANY MEANS FOR THE BASIS FOR THE PRODUCTION OF ANYTHING WITHOUT WRITTEN PERMISSION.
 COPYRIGHT © DIGITAL EQUIPMENT CORPORATION

MS# 291-061 2



COMPONENT SIDE VIEW
 104
 16 PLACES

10 PLACES

21
5
PLACES
 B
 22
5
PLACES
 A
 106
SEE
NOTE 1

- NOTES:
- 1. INSTALL ITEM 106 AFTER TEST (BETWEEN TPI7 & TPI8 ONLY).
 - 2. VALUE OF ITEM 2 TO BE DETERMINED AT NEXT HIGH LEVEL ASSEMBLY.
 - 3. STAMP ORIENTATION TRIANGLES ON CONNECTORS AS SHOWN WITH INDELIBLE RED INK.

CHANGE NO	REV

SEE NOTE 3
 SEE NOTE 2

103

SIGNATURES		DATE	digital
DRN. ()			
CHK'D.			TITLE
ENG. [Signature]			DRIVE LOGIC
PROJ. ENG. [Signature]			SIZE CODE
			NUMBER
			REV
ETCH REV. B			
DESIGN DATA BRSE REV. BL			

1 MS# 291-061

LINE	ITEM	DOCUMENT NUMBER	PART NUMBER	DESCRIPTION	QTY	PER VARIATION	REFERENCE DESIGNATOR
					00		
1	1	D-MD-5014024-0-0	5014024-00	DRILL AND ETCH BRD	1		
2	2	EWS		RESISTOR, FINAL TEST, 1/4W, 1%	4		R115, R116, R118, R119
3	3		1000023-00	330.0 MMF 100V 5%200PPM DM15S	4		C93, C106-C108
4	4		1000024-00	470.0 MMF 100V 5%200PPM DM15S	1		C94
5	5		1000064-00	3.9MFD 10V 10% 150D S.TA	2		C76, C85
6	6		1000076-00	39 MFD 10V 10% 150D S.TA	4		C73, C78, C86, C95
7	7		1001610-00	.01 MFD 50V -20+80 Z5U AXIAL	74		C1-C6, C8-C39, C40-C45, C47-C49, C51-C53, C55-C68, C70, C71, C77, C79-C82, C84, C88, C104
8	8		1001776-00	1 MFD 35V 10% S.TANT	4	CONT	C74, C75, C92, C97
9	9		1004812-00	15 MFD 20V 10% S.TANT	1	CONT	C87
10	10		1005784-00	.01 MFD 100V 10% 663VW MYLR	1		C101
11	11		1010978-32	.047 MFD 50V 10% 2C067CER.	1		C96
12	12		1013466-07	220.0 MMF 50V 5% CER.	1		C91
13	13		1013466-08	680.0 MMF 50V 10% CER.	2		C89, C90
14	14		1013466-09	1000.0 MMF 50V 10% CER.	1		C83
15	15		1013466-10	3300.0 MMF 50V 5% CER.	4		C98, C100, C103, C105
16	16		1013466-11	.22 MFD 50V +80/-20% CER.	2		C99, C102
17	17		1111577-00	1N 4454 IR= 4NS PIV= 50 S	16		D1, D7-D20, D22
18	18		1113953-00	1N 5523D VZ= 5.1 1%	1		D21
19	19		1114117-00	1N 4152 PIV=450 I=75M	5		D2-D6
20	20		1209941-02	HEADER 100 40POS RT ANGLE	1		J12
21	21		1209941-03	HEADER RT ANGLE LEFT L	5		
22	22		1209941-04	HEADER RT ANGLE, RIGHT	5		
23	23		1209941-05	HEADER, 100 10POS RT ANGLE	1		J11
24	24		1209941-06	HEADER, 100 20POS RT ANGLE	3		J4-J6
25	25		1210385-01	PIN 1POS WIRE WRAP	10		TP17-TP26
26	26		1213922-02	HEADER 3POS	1		J14
27	27		1213922-04	HEADER 6POS	1		J2
28	28		1300229-00	100 1/4W 5% CC	5		R48, R133-R136

REVISION HISTORY		BASIC PART NO: 5414025		DRN:	ART SYM	DATE: 18-APR-79	D I G I T A L
ENG	ECO NUMBER	REV	SECTION A OF A	CHK'D:	P. KENDRICK	DATE: 18-APR-79	TITLE PARTS LIST
	INITIAL	A	SECTION, VARIATION INDEX	DRG. ENG:	MIKE BROWN	DATE: 18-APR-79	DRIVE LOGIC
MB	5414025-CX001	B	[A] 00	RESP. ENG.:	MIKE BROWN	DATE: 18-APR-79	DOCUMENT NUMBER
MB	5414025-CX002	C	[B]	MFG. ENG.:	D. LICK	DATE: 18-APR-79	SIZE CODE NUMBER REV
			[C]	ASSEMBLY NUMBER:	ID-UA-5414025-0-0	TOP DOCUMENT NUMBER:	FILE NAME: Z0496C.PLS
			[D]			#RL02	EDIT # 21
			[E]				
			[F]				
			[G]				
			[H]				
			[I]				
			[J]				
			[K]				
			[L]				
			[M]				
			[N]				

*THIS DRAWING AND SPECIFICATIONS HEREIN, ARE THE PROPERTY OF DIGITAL EQUIPMENT CORPORATION AND SHALL NOT BE REPRODUCED OR COPIED OR USED IN WHOLE OR IN PART AS THE BASIS FOR THE MANUFACTURE OR SALE OF ITEMS WITHOUT WRITTEN PERMISSION. COPYRIGHT (C) 1979. DIGITAL EQUIPMENT CORPORATION *

29

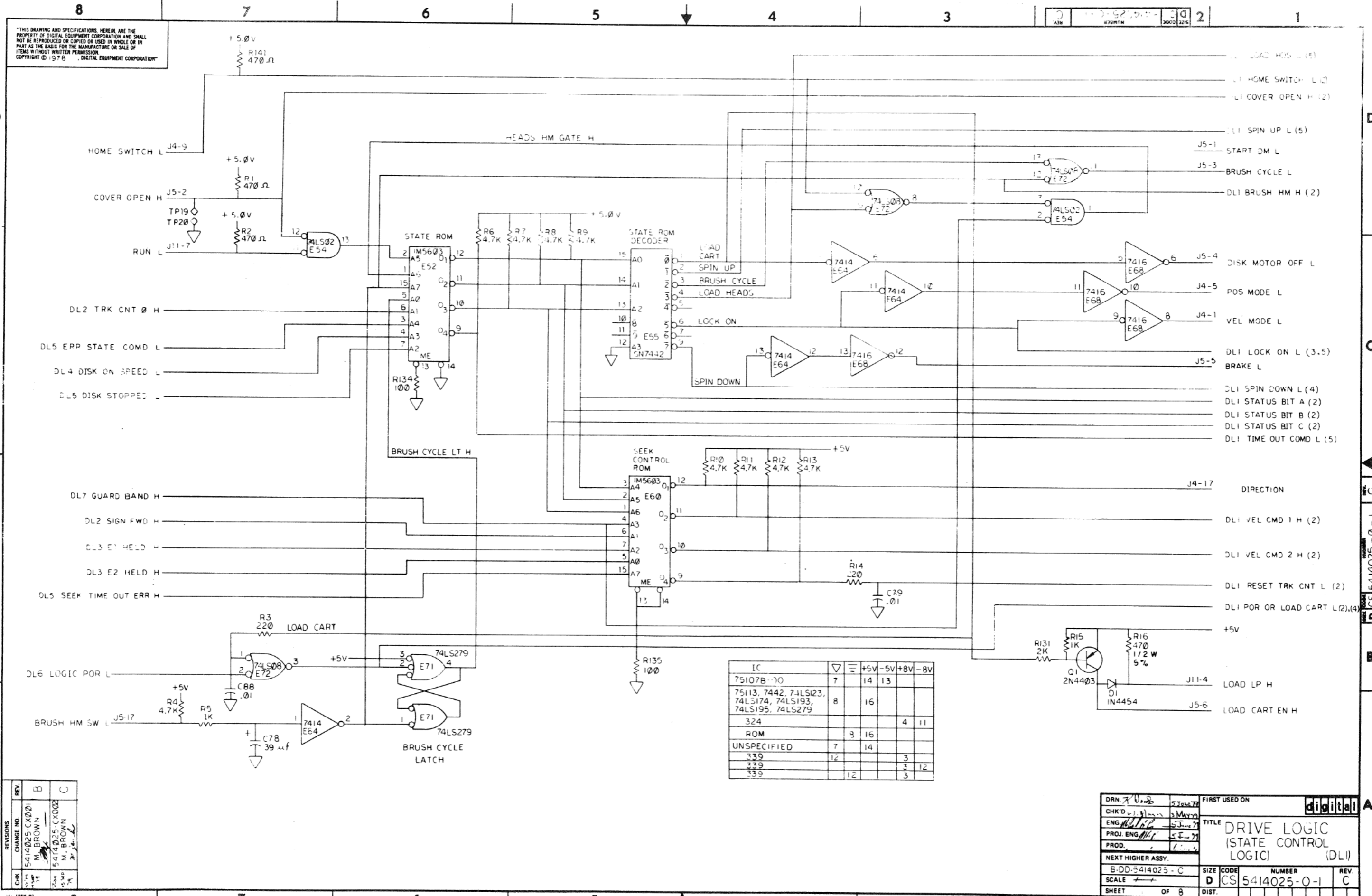
LINE	ITEM	DOCUMENT NUMBER	PART NUMBER	DESCRIPTION	QTY	PER VARIATION	REFERENCE DESIGNATOR
					00		
29	29		1300271-00	220 1/4W 5%		CC 4	R3,R14,R41,R143
30	30		1300315-00	470 1/2W 5%		CC 3	R16,R73,R130
31	31		1300316-00	470 1/4W 5%		CC 4	R1,R2,R79,R142
32	32		1300365-00	1 K 1/4W 5%		CC 16	R5,R15,R39,R40,R42,R47,R52,R54, R56,R61,R72,R74,R101,R106,R129, R140
33	33		1300411-00	2 K 1/4W 1%		100PPM 1	R144
34	34		1300439-00	3.3 K 1/4W 5%		CC 3	R93,R124,R126
35	35		1300447-00	4.7 K 1/4W 5%		CC 36	R4,R6-R13,R26-R28,R34,R35,R38, R43,R44,R49,R53,R57,R58,R62, R75-R78,R80,R82,R92,R102,R105, R123,R125,R127,R138,R145
36	36		1300479-00	10 K 1/4W 5%		CC 2	R70,R107
37	37		1302388-00	2 K 1/4W 5%		CC 13	R18-R21,R45,R50,R66,R67,R71,R87, R122,R128,R131
38	38		1302391-00	20 K 1/4W 5%		CC 1	R59
39	39		1302394-00	30 K 1/4W 5%		CC 1	R95
40	40		1302398-00	470 K 1/4W 5%		CC 1	R55
41	41		1302466-00	100 K 1/4W 5%		CC 1	R121
42	42		1302514-00	39 K 1/4W 5%		CC 2	R91,R120
43	43		1302666-00	10 M 1/4W 5%		CC 1	R94
44	44		1302871-00	1.21 K 1/4W 1%		RN55D-F 100PPM 1	R88
45	45		1303044-00	100 K 1/4W 1%		RN55D-F 100PPM 1	R25
46	46		1303047-00	464 1/4W 1%		RN55D-F 100PPM 5	R64,R65,R83,R85,R113
47	47		1303114-00	1.0 K 1/4W 1%		RN55D-F 100PPM 2	R89,R117
48	48		1303312-00	10.0 K 1/4W 1%		RN55D-F 100PPM 7	R17,R29-R31,R36,R60,R63
49	49		1304693-00	562 1/4W 1%		RN55D-F 100PPM 1	R108
50	50		1304841-00	75 K 1/4W 5%		CC 1	R81
51	51		1304862-00	1.62 K 1/4W 1%		RN55D-F 100PPM 1	R110
52	52		1304870-00	6.81 K 1/4W 1%		RN55D-F 100PPM 1	R33
53	53		1305124-00	287 1/4W 1%		RN55D-F 100PPM 2	R84,R86
54	54		1305265-00	39.2 K 1/4W 1%		RN55D-F 100PPM 1	R24
55	55		1305266-00	365 K 1/4W 1%		RN55D-F 100PPM 2	R96,R99
56	56		1305405-00	24.9 K 1/4W 1%		RN55D-F 100PPM 1	R23
57	57		1309595-00	1 M 1/4W 5%		CC 3	R46,R51,R132
58	58		1310632-00	2.37 K 1/4W 1%		RN55D-F 100PPM 1	R109
59	59		1311594-00	30.1 K 1/4W 1%		RN55D-F 100PPM 2	R97,R100
60	60		1312929-00	62 1/4W 5%		CC 2	R111,R112
61	61		1312930-00	5.1 K 1/4W 5%		CC 3	R68,R69,R137
62	62		1312989-00	17.8 K 1/4W 1%		RN55D-1782F 3	R22,R103,R104
63	63		1313589-00	1.4 K 1/4W 1%		RN55D-F 100PPM 1	R90
64	64		1313846-00	2.26 K 1/4W 1%		RN55D-F 100PPM 1	R32
65	65		1314041-00	3.01 K 1/4W 1%		RN55D-F 1	R37
66	66		1314491-00	1.02 K 1/4W 1%		RN55D-F 100PPM 1	R114
67	67		1513489-00	2N 4401 NPN 350MW SI 40 20		3	Q7,Q10,Q12
68	68		1513490-00	2N 4403 PNP 350MW SI-40 30		10	Q1-Q3,Q5,Q6,Q8,Q9,Q11,Q13,Q15
69	69		1513697-00	2N 5640 FET N CHNNL		1	Q14
70	70		1909928-00	7416 INVERTER GATE-HEX 1I		4	E9,E10,E68,E85

D I G I T A L				TITLE	DRIVE LOGIC	SECTION A OF A	SIZE	CODE	DOCUMENT NUMBER	REV
							K	PL	5414025-0-DBP	C

LINE ITEM	DOCUMENT NUMBER	PART NUMBER	DESCRIPTION	QTY PER VARIATION 00	REFERENCE DESIGNATOR
71	71	1910046-00	7442 DECODER-1 OF 10,BCD	1	E55
72	72	1910268-00	DEC 75107B RECEIVER,LINE,DUAL,	4	E57,E61,E65,E87
73	73	1910298-00	741 OP AMP GEN PURP. COM	1	E31
74	74	1910363-00	7496 SHIFT REG.,5BIT	1	E63
75	75	1910536-00	74S10 NAND GATE-TRIPLE 3IN	1	E45
76	76	1910655-00	74157 MUX 2 TO 1 QUAD	2	E23,E24
77	77	1911341-00	75113 DRIVER,LINE,DUAL,MA	3	E77,E83,E86
78	78	1912107-01	324ANOP AMP,QUAD	1	E49
79	79	1912108-00	339 VOLT CMPRTR,QUAD	3	E5,E36,E56
80	80	1912541-00	79M05 VOLT.REG.FIX -	1	Q4
81	81	1912697-00	LS174 FF-D HEX W/CLEAR	2	E37,E41
82	82	1912799-00	LS00 NAND-GATE-QUAD 2IN,P	4	E7,E15,E44,E67
83	83	1912801-00	LS02 NOR-GATE-QUAD 2IN	4	E1,E30,E39,E54
84	84	1912803-00	LS04 INVERTER GATE-HEX 1I	2	E79,E80
85	85	1912805-00	LS08 AND GATE-QUAD 2IN,PO	6	E14,E34,E38,E69,E72,E76
86	86	1912807-00	LS10 NAND GATE-TRIPLE 3IN	1	E18
87	87	1912810-00	LS20 NAND GATE-DUAL 4IN	1	E2
88	88	1912813-00	LS27 NOR GATE-TRIPLE 3IN	1	E73
89	89	1912816-00	LS32 OR GATE-QUAD 2IN,POS	4	E17,E35,E59,E84
90	90	1912824-00	LS74 FF-D DUAL,EDGE TRIGG	9	E3,E11,E16,E26,E42,E46,E47,E62, CONT E75
91	91	1912829-00	LS86 X-OR GATE-QUAD 2IN	3	E51,E66,E78
92	92	1912837-00	LS123 ONE SHOT-DUAL,RETRIG	1	E50
93	93	1912854-00	LS193 COUNTER,SYNCHR,4BIT,	3	E27,E28,E43
94	94	1912855-00	LS195 SHIFT REG.,4BIT PARA	5	E19-E22,E25
95	95	1912857-00	LS197 COUNTER,BINARY,PRESET	4	E4,E8,E13,E74
96	96	1912864-00	LS279 LATCH,QUAD-S-R	6	E6,E12,E29,E33,E58,E71
97	97	1913414-00	LS14 INVERTER GATE-HEX SC	2	E40,E48
98	98	1914156-00	LM 393 VOLT.COMPARATOR DUAL	1	E53
99	99	23368A2-00	A2-02,A2-04	1	E52
100	100	23371A2-00	A2-02,A2-04	1	E60
101	101	23444A2-00	A2-02,A2-04	1	E70
102	102	23445A2-00	A2-02,A2-04	1	E32
103	103	9007201-00	TRANSIPADS #10253	1	
104	104	9007791-00	TERM PCB 2POS SOLDER,TURRET	16	TP1-TP16
105	105	9009185-00	JUMPER, WIRE, INSULATED, BLACK B	1	W1
106	106	9105740-55	WIRE(WRAP)30AWG UL1423	A/R	
107	107	1012784-00	.047 MFD 50V -20+80 CER	8	C7,C46,C50,C54,C69,C72,C109,C110
108	108	1911324-00	7414 INVERTER,HEX 1IN SCH	1	E64

D	I	G	I	T	A	L	TITLE	SECTION A OF A	SIZE	CODE	DOCUMENT NUMBER	REV
							DRIVE LOGIC				541-025-0-DRP	C

THIS DRAWING AND SPECIFICATIONS, HEREIN, ARE THE PROPERTY OF DIGITAL EQUIPMENT CORPORATION AND SHALL NOT BE REPRODUCED OR COPIED OR USED IN WHOLE OR IN PART AS THE BASIS FOR THE MANUFACTURE OR SALE OF ITEMS WITHOUT WRITTEN PERMISSION.
 COPYRIGHT © 1978, DIGITAL EQUIPMENT CORPORATION



IC	7	+5V	-5V	+8V	-8V
75107B-00	7	14	13		
75113, 7442, 74LS123, 74LS174, 74LS193, 74LS195, 74LS279	8	16			
324				4	11
ROM	3	16			
UNSPECIFIED	7	14			
339	12			3	
339				3	12
339	12			3	

REV.	B	C
5414025-CX000	M. BROWN	
5414025-CX002	M. BROWN	

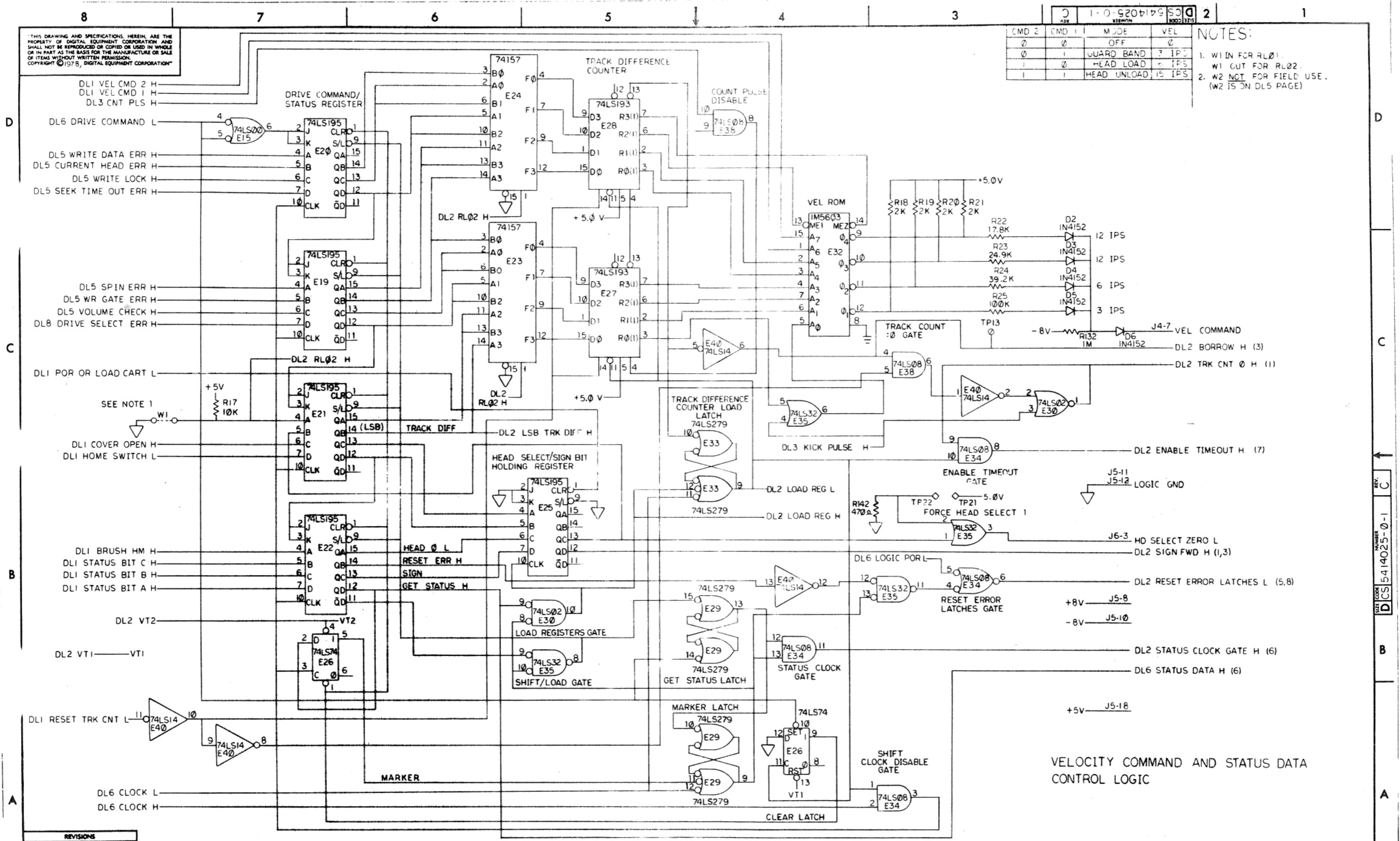
DRN. 7/10/78	5 June 78	FIRST USED ON	digital
CHK'D 7/10/78	5 June 78	TITLE	DRIVE LOGIC (STATE CONTROL LOGIC) (DL1)
ENG. 7/10/78	5 June 78	PROJ. ENG. 7/10/78	
PROD.		NEXT HIGHER ASSY.	
B-DD-5414025-C	SIZE CODE	NUMBER	REV.
SCALE	D	CS 5414025-0-1	C
SHEET OF 8	DIST.		

D CS 5414025-0-1

THIS DRAWING AND SPECIFICATIONS HEREIN ARE THE PROPERTY OF DIGITAL EQUIPMENT CORPORATION AND SHALL NOT BE REPRODUCED OR COPIED OR USED IN WHOLE OR IN PART AS THE BASIS FOR THE MANUFACTURE OR SALE OF ITEMS WITHOUT WRITTEN PERMISSION. COPYRIGHT © 1978, DIGITAL EQUIPMENT CORPORATION

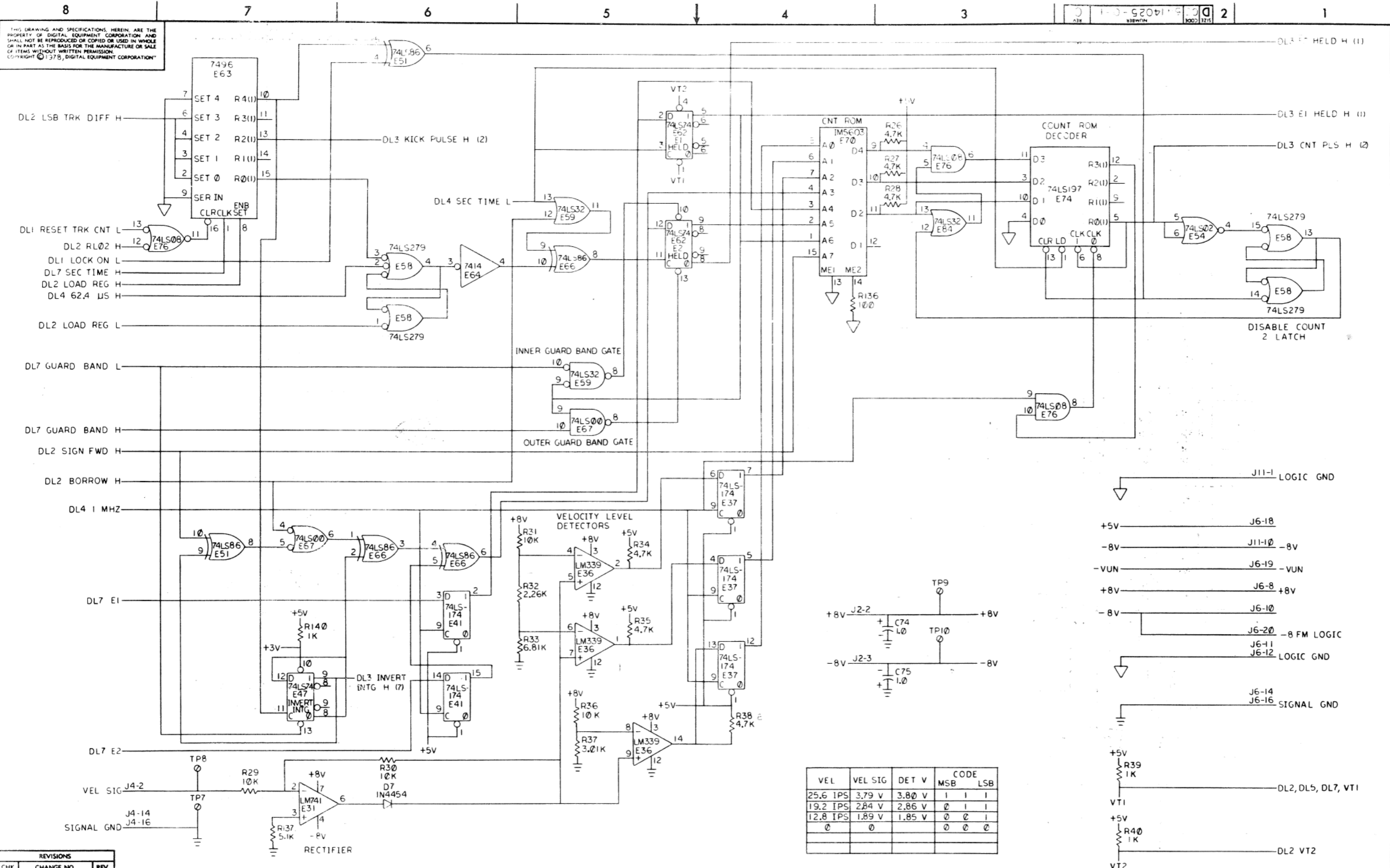
CMD 2	CMD 1	MODE	VEL
0	0	OFF	0
0	1	GUARD BAND	7 IPS
1	0	HEAD LOAD	1 IPS
1	1	HEAD UNLOAD	15 IPS

NOTES:
 1. W1 IN FOR RL01.
 W1 CUT FOR RL02.
 2. W2 NOT FOR FIELD USE.
 (W2 IS ON DL5 PAGE)



CHK	CHANGE NO.	REV.

TITLE	DRIVE LOGIC (DL2)	SIZE CODE	D	NUMBER	CS 5414025-0-1	REV.	C
SCALE	1:1	SHEET	2	OF	8	DIST.	



THIS DRAWING AND SPECIFICATIONS HEREIN ARE THE PROPERTY OF DIGITAL EQUIPMENT CORPORATION AND SHALL NOT BE REPRODUCED OR COPIED OR USED IN WHOLE OR IN PART AS THE BASIS FOR THE MANUFACTURE OR SALE OF ITEMS WITHOUT WRITTEN PERMISSION. COPYRIGHT © 1978, DIGITAL EQUIPMENT CORPORATION

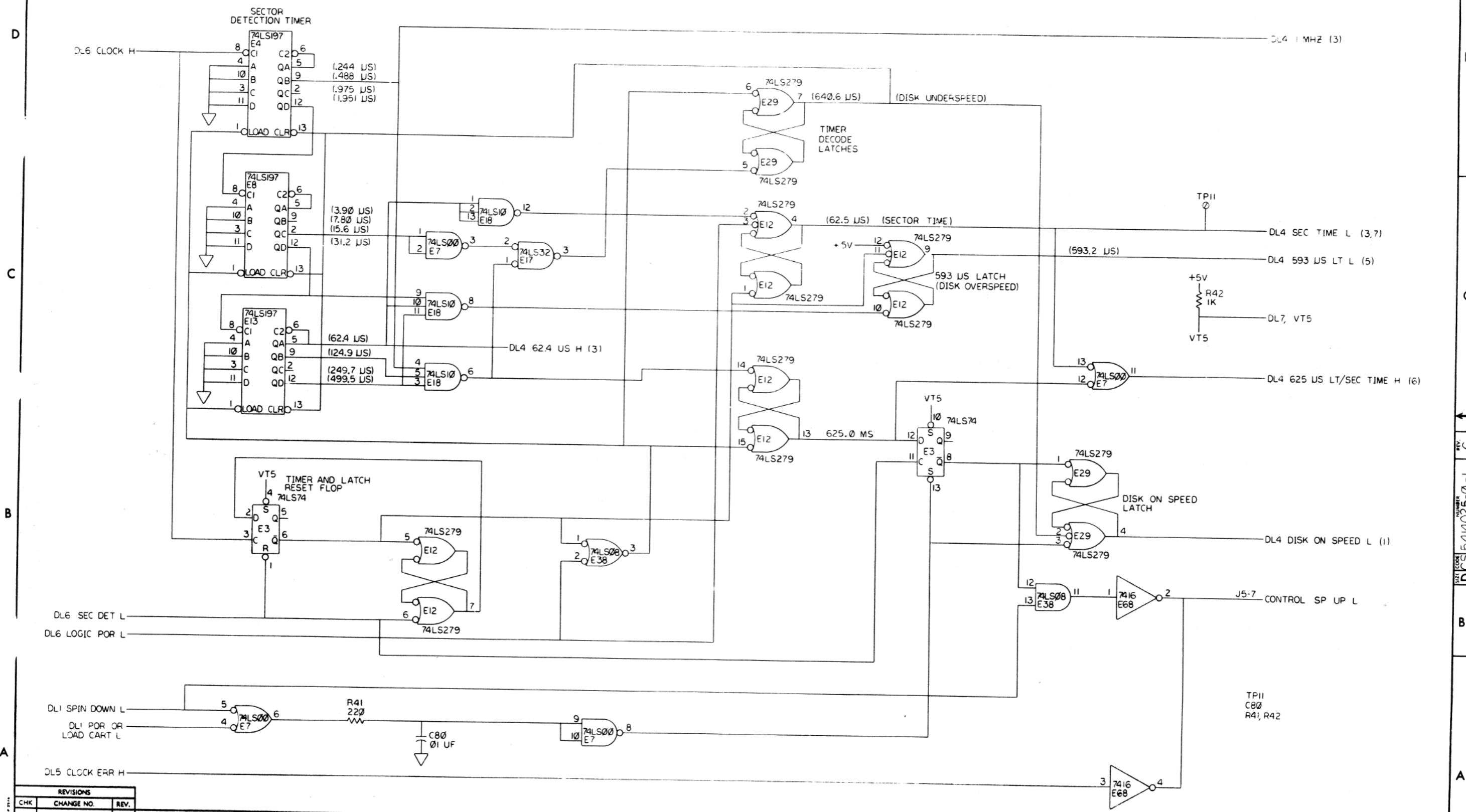
REVISIONS		
CHK	CHANGE NO.	REV.

VEL	VEL SIG	DET V	CODE	
			MSB	LSB
25.6 IPS	3.79 V	3.80 V	1	1
19.2 IPS	2.84 V	2.86 V	0	1
12.8 IPS	1.89 V	1.85 V	0	0
0	0	0	0	0

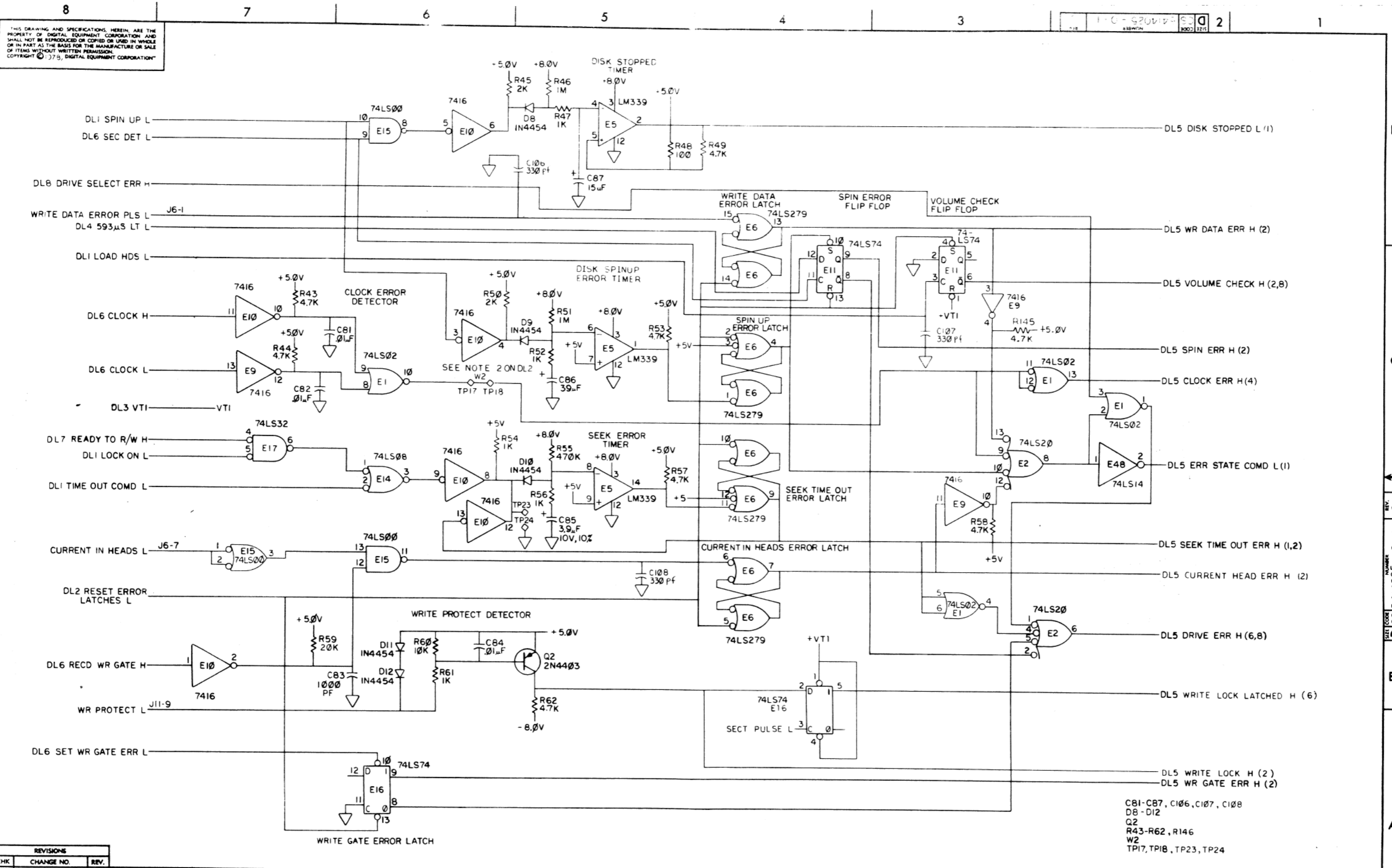
TITLE DRIVE LOGIC (COUNT LOGIC) (DL3) SIZE CODE NUMBER REV. DCS 5414025-0-1 C
 SCALE SHEET 3 OF 8 DIST.

REV. C NUMBER DCS 5414025-0-1

THIS DRAWING AND SPECIFICATIONS, HEREIN, ARE THE PROPERTY OF DIGITAL EQUIPMENT CORPORATION AND SHALL NOT BE REPRODUCED OR COPIED OR USED IN WHOLE OR IN PART AS THE BASIS FOR THE MANUFACTURE OR SALE OF ITEMS WITHOUT WRITTEN PERMISSION. COPYRIGHT © 1972 BY DIGITAL EQUIPMENT CORPORATION.



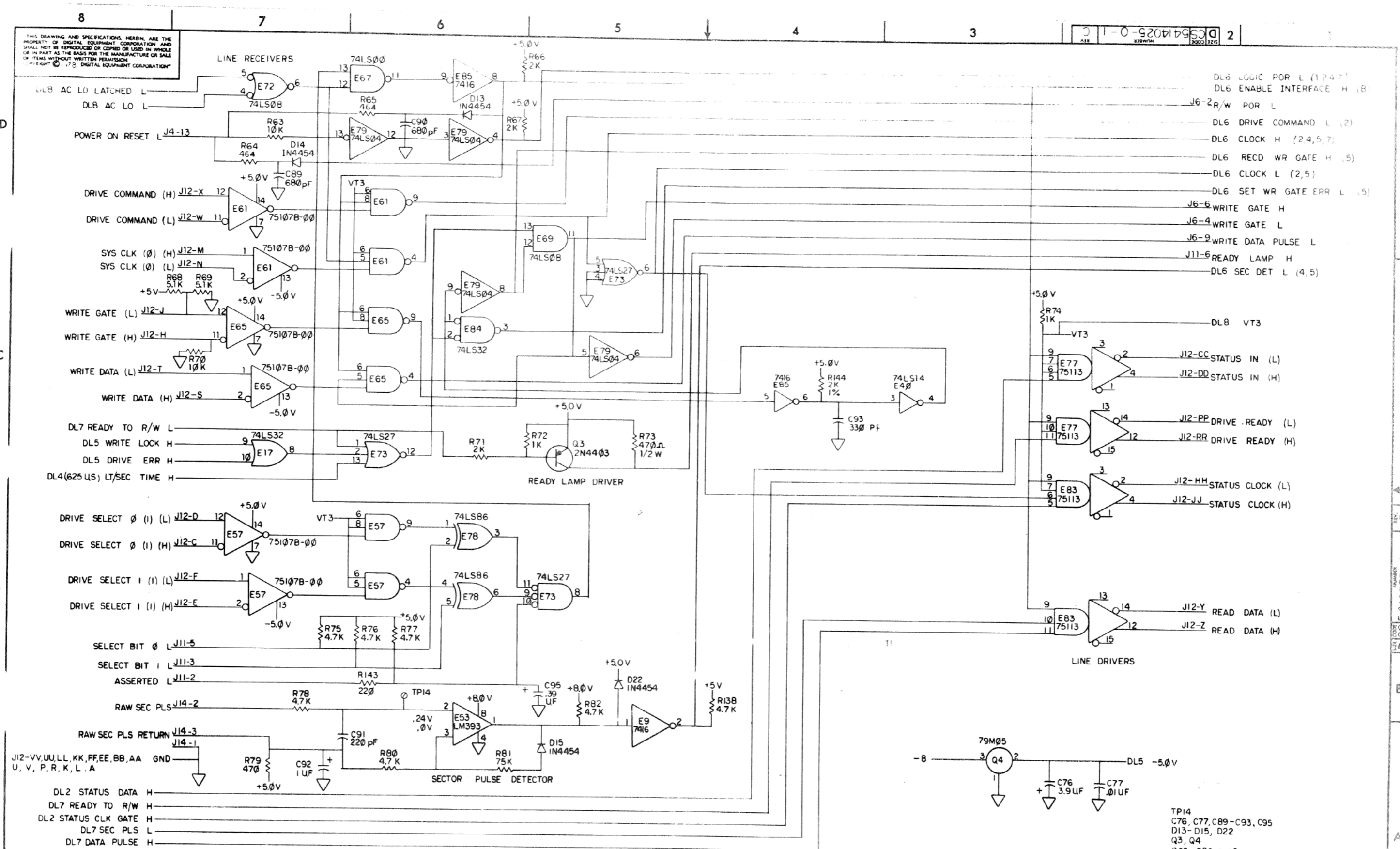
REVISIONS		
CHK	CHANGE NO.	REV.



C81-C87, C106, C107, C108
 D8-D12
 Q2
 R43-R62, R146
 W2
 TP17, TP18, TP23, TP24

REVISIONS		
CHK	CHANGE NO.	REV.

TITLE	DRIVE LOGIC (ERROR LOGIC) (DL5)	SIZE CODE	D CS	NUMBER	5414025-0-1	REV.	C
SCALE		SHEET	5	OF	8	DIST.	



THIS DRAWING AND SPECIFICATIONS HEREIN ARE THE PROPERTY OF DIGITAL EQUIPMENT CORPORATION AND SHALL NOT BE REPRODUCED OR COPIED OR USED IN WHOLE OR IN PART AS THE BASIS FOR THE MANUFACTURE OR SALE OF ITEMS WITHOUT WRITTEN PERMISSION OF DIGITAL EQUIPMENT CORPORATION.

CS5414025-0-1 2

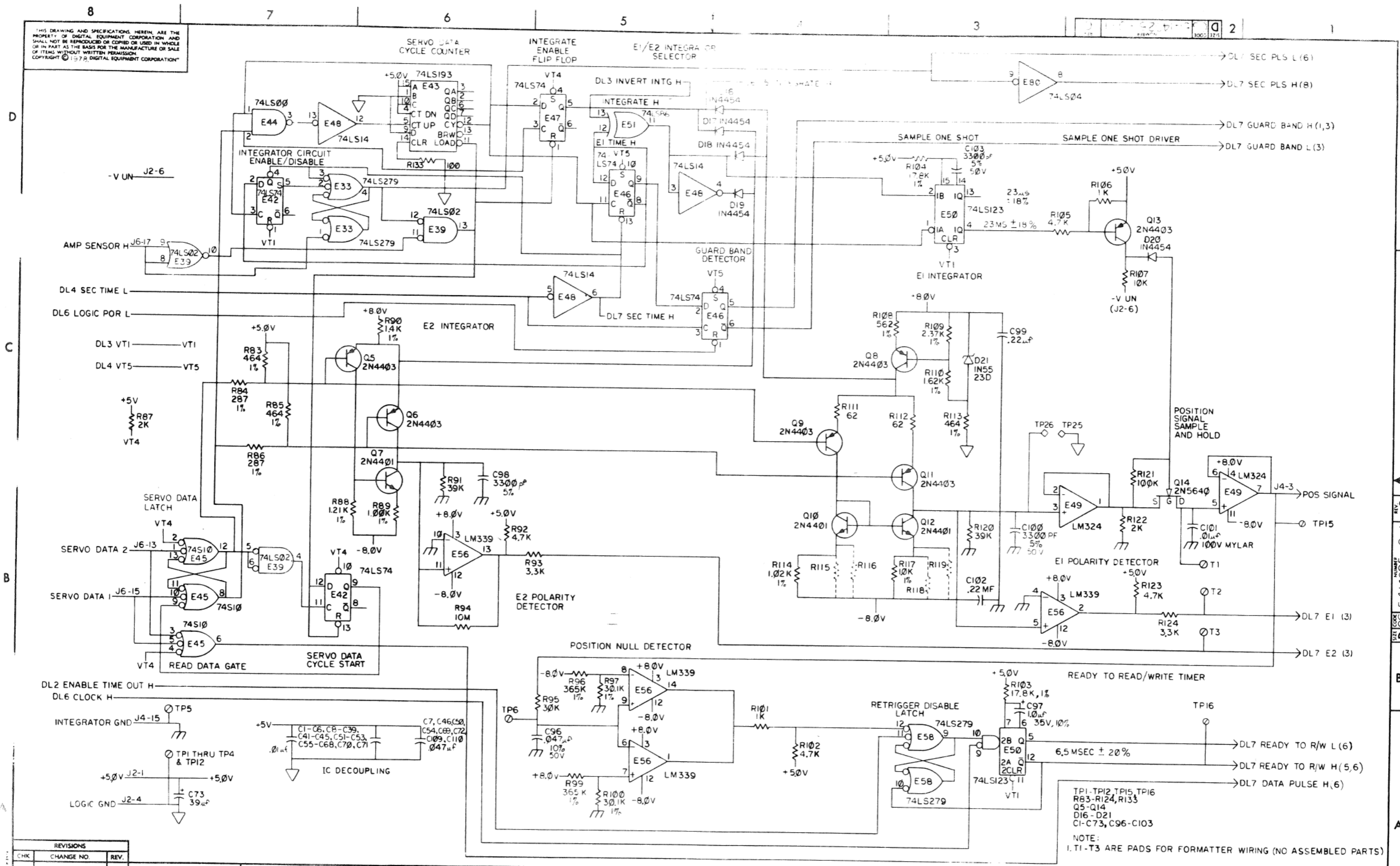
- DL6 LOGIC POR L (1247)
- DL6 ENABLE INTERFACE H (8)
- J6-2 R/W POR L
- DL6 DRIVE COMMAND L (2)
- DL6 CLOCK H (2,4,5,7)
- DL6 RECD WR GATE H (5)
- DL6 CLOCK L (2,5)
- DL6 SET WR GATE ERR L (5)
- J6-6 WRITE GATE H
- J6-4 WRITE GATE L
- J6-9 WRITE DATA PULSE L
- J11-6 READY LAMP H
- DL6 SEC DET L (4,5)

REVISIONS		
CHK	CHANGE NO.	REV.

TITLE	DRIVE LOGIC (INTERFACE LOGIC) (DL6)	SIZE CODE	NUMBER	REV.
SCALE		SHEET	6 OF 8	C

TP14
C76, C77, C89-C93, C95
D13-D15, D22
Q3, Q4
R63-R82, R138

THIS DRAWING AND SPECIFICATIONS HEREIN ARE THE PROPERTY OF DIGITAL EQUIPMENT CORPORATION AND SHALL NOT BE REPRODUCED OR COPIED OR USED IN WHOLE OR IN PART AS THE BASIS FOR THE MANUFACTURE OR SALE OF ITEMS WITHOUT WRITTEN PERMISSION. COPYRIGHT © 1978, DIGITAL EQUIPMENT CORPORATION



TPI-TPI2, TPI5, TPI6
R83-R124, R133
Q5-Q14
D16-D21
C1-C73, C96-C103

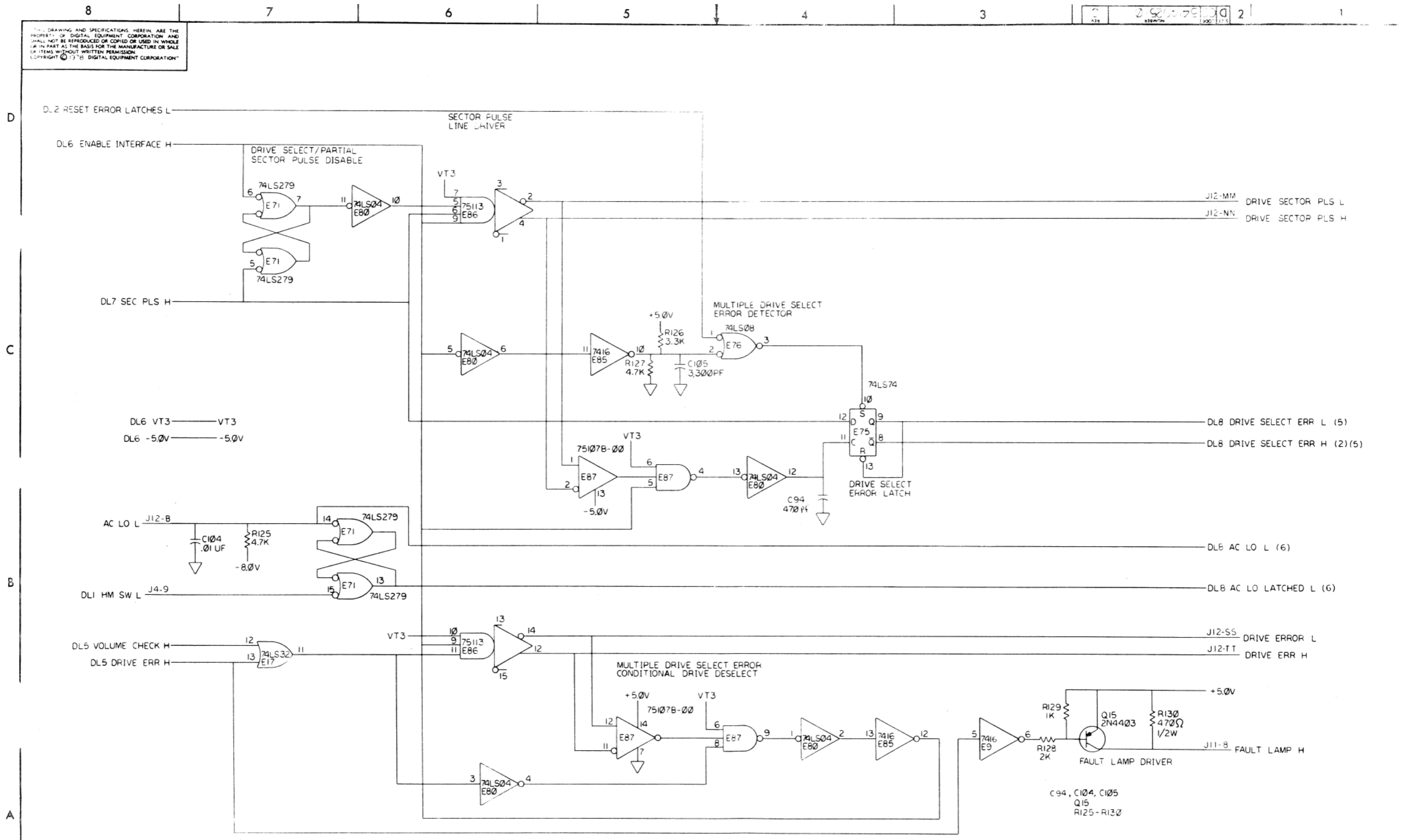
NOTE:
I, TI-T3 ARE PADS FOR FORMATTER WIRING (NO ASSEMBLED PARTS)

REVISIONS		
CHK	CHANGE NO.	REV.

TITLE	DRIVE LOGIC (INTEGRATOR LOGIC) (DL7)	SIZE CODE	D CS	NUMBER	5414025-0-1	REV.	C
SCALE	SHEET	7	OF	8	DIST.		

DCS 5414025-0-1
 REV. C

ALL DRAWINGS AND SPECIFICATIONS HEREIN ARE THE PROPERTY OF DIGITAL EQUIPMENT CORPORATION AND SHALL NOT BE REPRODUCED OR COPIED OR USED IN WHOLE OR IN PART AS THE BASIS FOR THE MANUFACTURE OR SALE OF ITEMS WITHOUT WRITTEN PERMISSION.
 COPYRIGHT © 1975 DIGITAL EQUIPMENT CORPORATION



REVISIONS		
CHK	CHANGE NO	REV.

TITLE	DRIVE LOGIC (DLB)	SIZE CODE	D CS	NUMBER	5414025-0-1	REV.	C
SCALE		SHEET	6 OF 8	DIST.			

REV. C
 NUMBER DCS 5414025-0-1
 SIZE CODE

37