

**Maintenance Manual
Volume II**

RK8 Disk System

**RK8 DISK SYSTEM
MAINTENANCE MANUAL
VOLUME II**

Copyright © 1970 by Digital Equipment Corporation

The material in this manual is for information purposes and is subject to change without notice.

The following are trademarks of Digital Equipment Corporation, Maynard, Massachusetts:

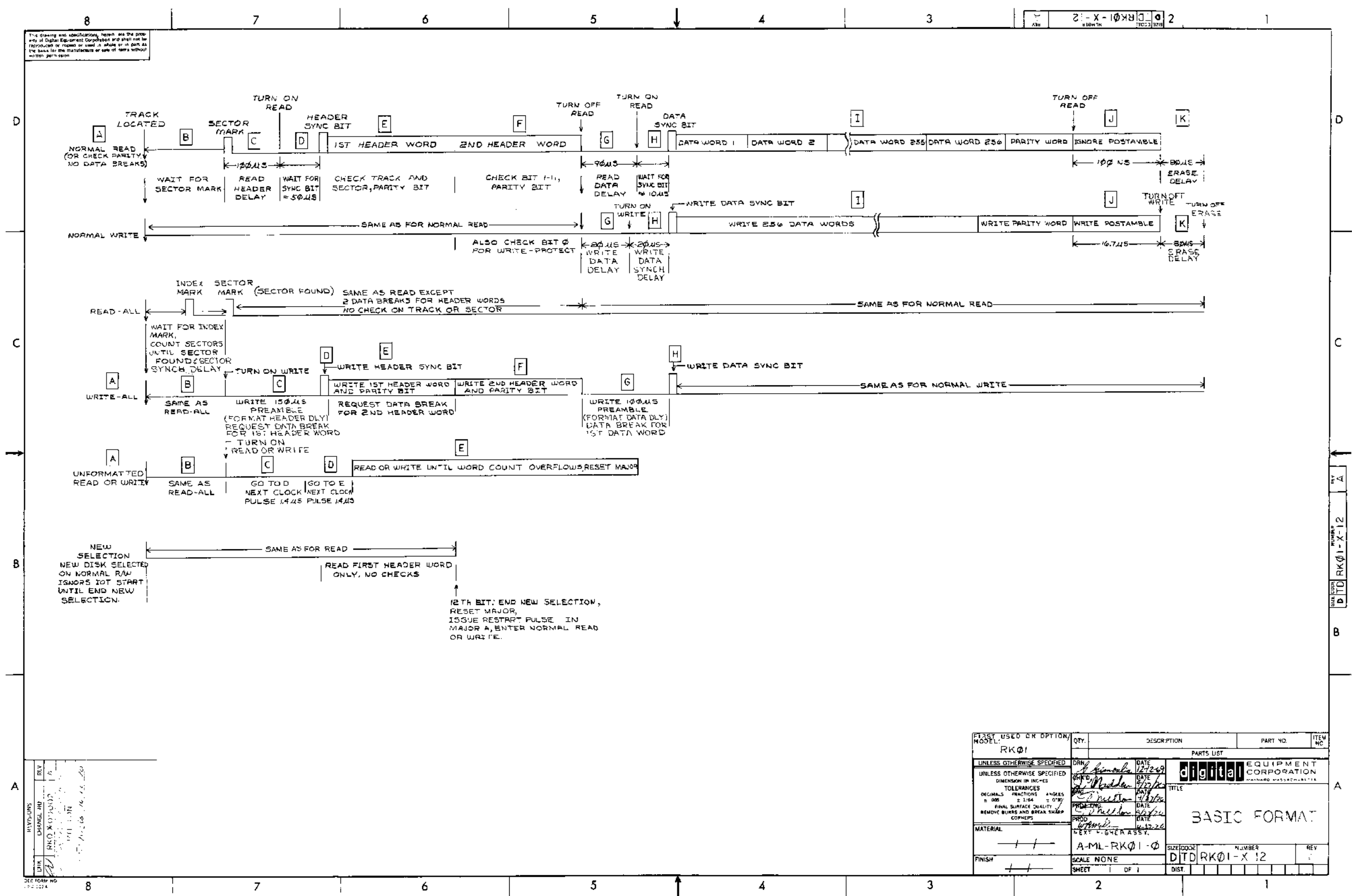
DEC	PDP
FLIP CHIP	FOCAL
DIGITAL	COMPUTER LAB

CONTENTS

Figure Number	Description	Drawing Number
RK01 Disk Drive		
Figure II-1	RK01 Basic Format Diagram	D-TD-RK01-X-12
Figure II-2	RK01 Block Diagram	D-BD-RK01-X-13
Figure II-3	RK01 Flow Diagram	D-FD-RK01-X-14
Figure II-4	RK01/RK08 Timing Diagram	D-TD-RK01-X-15
Figure II-5	Format Delays Block Schematic Diagram	D-BS-RK01-X-01
Figure II-6	Cable to RK08 Block Schematic Diagram	D-BS-RK01-X-09
Figure II-7	Track Seek Block Schematic Diagram	D-BS-RK01-X-02
Figure II-8	Disk and Track Address Block Schematic Diagram	D-BS-RK01-X-03
Figure II-9	Compare Track Address Block Schematic Diagram	D-BS-RK01-X-04
Figure II-10	Disk Selection Block Schematic Diagram	D-BS-RK01-X-05
Figure II-11	Disk Cables Block Schematic Diagram	D-BS-RK01-X-06
Figure II-12	+3V Loads Block Schematic Diagram	D-BS-RK01-X-07
Figure II-13	+3V Clamp Block Schematic Diagram	D-BS-RK01-X-08
RK08 Disk Control		
Figure II-14	IOT Decoding Block Schematic Diagram	D-BS-RK08-0-05 Sheet 1 of 2
Figure II-15	IOT Decoding Block Schematic Diagram	D-BS-RK08-0-05 Sheet 2 of 2
Figure II-16	Skip and Break Block Schematic Diagram	D-BS-RK08-0-06
Figure II-17	Maintenance Register Block Schematic Diagram	D-BS-RK08-0-07
Figure II-18	Major Sequencer Register Block Schematic Diagram	D-BS-RK08-0-08
Figure II-19	R/W Command, Find Sector, End transfer Block Schematic Diagram	D-BS-RK08-0-09
Figure II-20	Read Block Schematic Diagram	D-BS-RK08-0-10
Figure II-21	Write Block Schematic Diagram	D-BS-RK08-0-11
Figure II-22	Data Buffer Block Schematic Diagram	D-BS-RK08-0-12
Figure II-23	Data Shift Register Block Schematic Diagram	D-BS-RK08-0-13
Figure II-24	Longitudinal Parity Block Schematic Diagram	D-BS-RK08-0-14 Sheet 1 of 2
Figure II-25	Longitudinal Parity Block Schematic Diagram	D-BS-RK08-0-14 Sheet 2 of 2

CONTENTS (Cont)

Figure Number	Description	Drawing Number
RK08 Disk Control (Cont)		
Figure II-26	Status Register Block Schematic Diagram	D-BS-RK08-0-15
Figure II-27	Sector Addressing Block Schematic Diagram	D-BS-RK08-0-16 Sheet 1 of 2
Figure II-28	Sector Addressing Block Schematic Diagram	D-BS-RK08-0-16 Sheet 2 of 2
Figure II-29	Bit and Block Counter Block Schematic Diagram	D-BS-RK08-0-17
Figure II-30	Word Count (WC) Register Block Schematic Diagram	D-BS-RK08-0-18
Figure II-31	Current Address and EMA Register Block Schematic Diagram	D-BS-RK08-0-19
Figure II-32	AC Input Gating 00-05 Block Schematic Diagram	D-BS-RK08-0-20
Figure II-33	AC Input Gating 06-11 Block Schematic Diagram	D-BS-RK08-0-21
Figure II-34	AC Memory Buffer (MB) Inverters Block Schematic Diagram	D-BS-RK08-0-22
Figure II-35	+3V Clamps Block Schematic Diagram	D-BS-RK08-0-23
Figure II-36	Cable to RK01-X Block Schematic Diagram	D-BS-RK08-0-24
Figure II-37	I/O and Data Break Cables Block Schematic Diagram	D-BS-RK08-0-25
Figure II-38	Indicator Cables Block Schematic Diagram	D-BS-RK08-0-26
Power Supply		
Figure II-39	Type 716 Power Supply Circuit Schematic Diagram	C-CS-716-0-1
Figure II-40	Type 854 Power Control Panel Wiring Diagram	B-CS-854-0-1
Figure II-41	Type 854 Power Control Panel Component Pin Location Diagram	D-UA-854-0-0
Figure II-42	Register Indicator Panel Circuit Schematic Diagram	D-CS-5408458-0-1
Figure II-43	Control Panel Switch Assembly Diagram	E-AD-7006672-0-0
Figure II-44	AC/DC Power Wiring Diagram	E-IC-RK01-0-2



ITEM NO.	PART NO.	DESCRIPTION	QTY.	PLST USED OR OPTION MODEL:
				RK01
UNLESS OTHERWISE SPECIFIED				
DIMENSION IN INCHES		TOLERANCES		
DECIMALS FRACTIONS ANGLES		± .005 ± .010 ± .020		
FINISH SURFACE QUALITY		REMOVE BURRS AND BREAK SHARP CORNERS		
MATERIAL		A-ML-RK01-0		
FINISH		NONE		
SCALE NONE		SHEET 1 OF 1		
TITLE		BASIC FORMAT		
NUMBER		DITD RK01-X-12		
REV		1		

Figure II-1 RK01 Basic Format Diagram

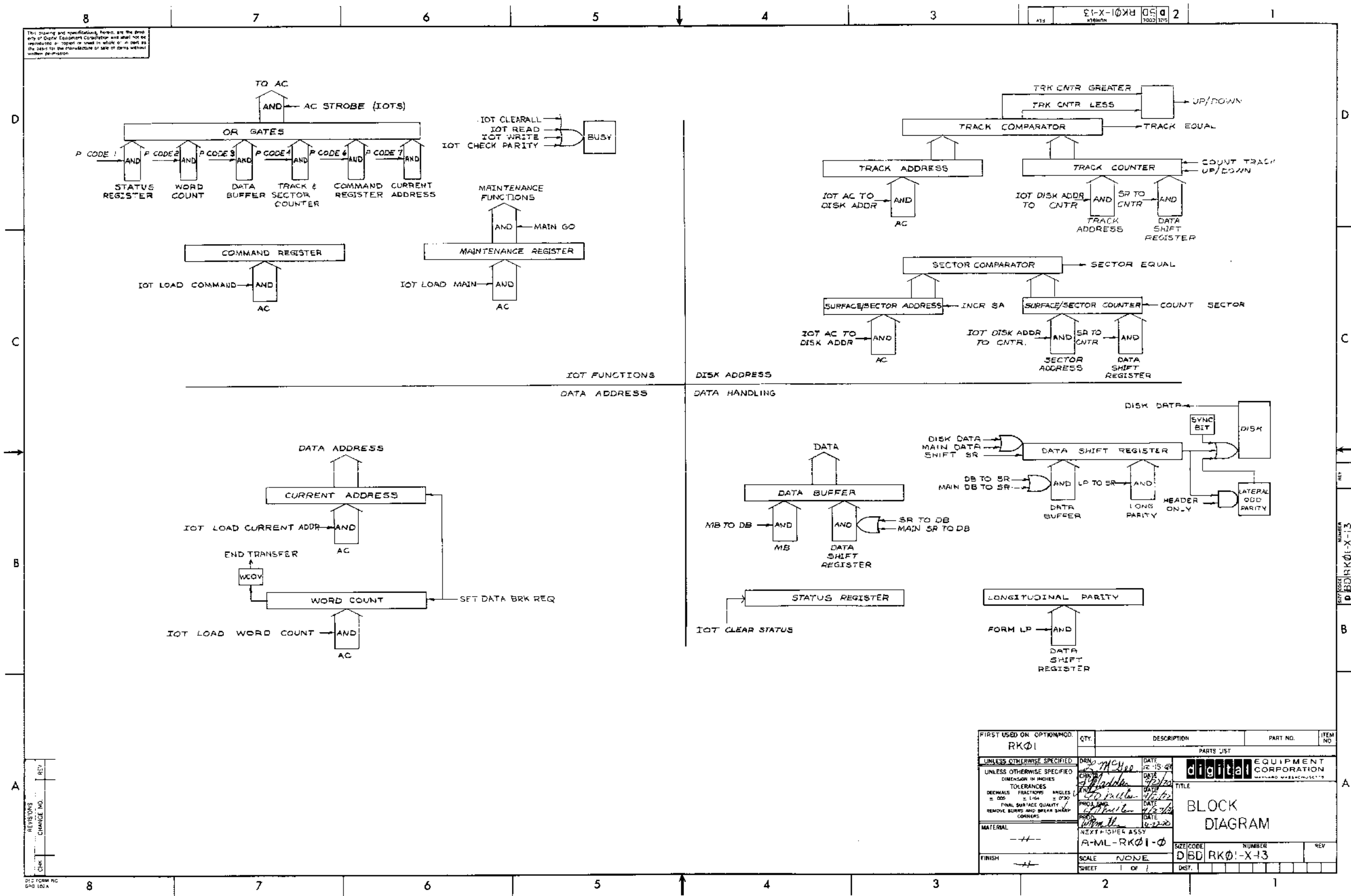


Figure II-2 RK01 Block Diagram

FIRST USED ON	OPTION/NO.	QTY.	DESCRIPTION	PART NO.	ITEM NO.
RK01					
PARTS LIST					
UNLESS OTHERWISE SPECIFIED					
DIMENSION IN INCHES					
TOLERANCES					
DECIMALS	FRACTIONS	ANGLES			
± .005	± 1/32	± 0°30'			
FINAL SURFACE QUALITY					
REMOVE BURRS AND BREAK SHARP CORNERS					
MATERIAL	NEXT HIGHER ASSY				
FINISH	A-ML-RK01-0				
SCALE NONE			SIZE CODE		NUMBER
SHEET 1 OF 1			D8D RK01-X-13		REV

digital EQUIPMENT CORPORATION

BLOCK DIAGRAM

D8D RK01-X-13

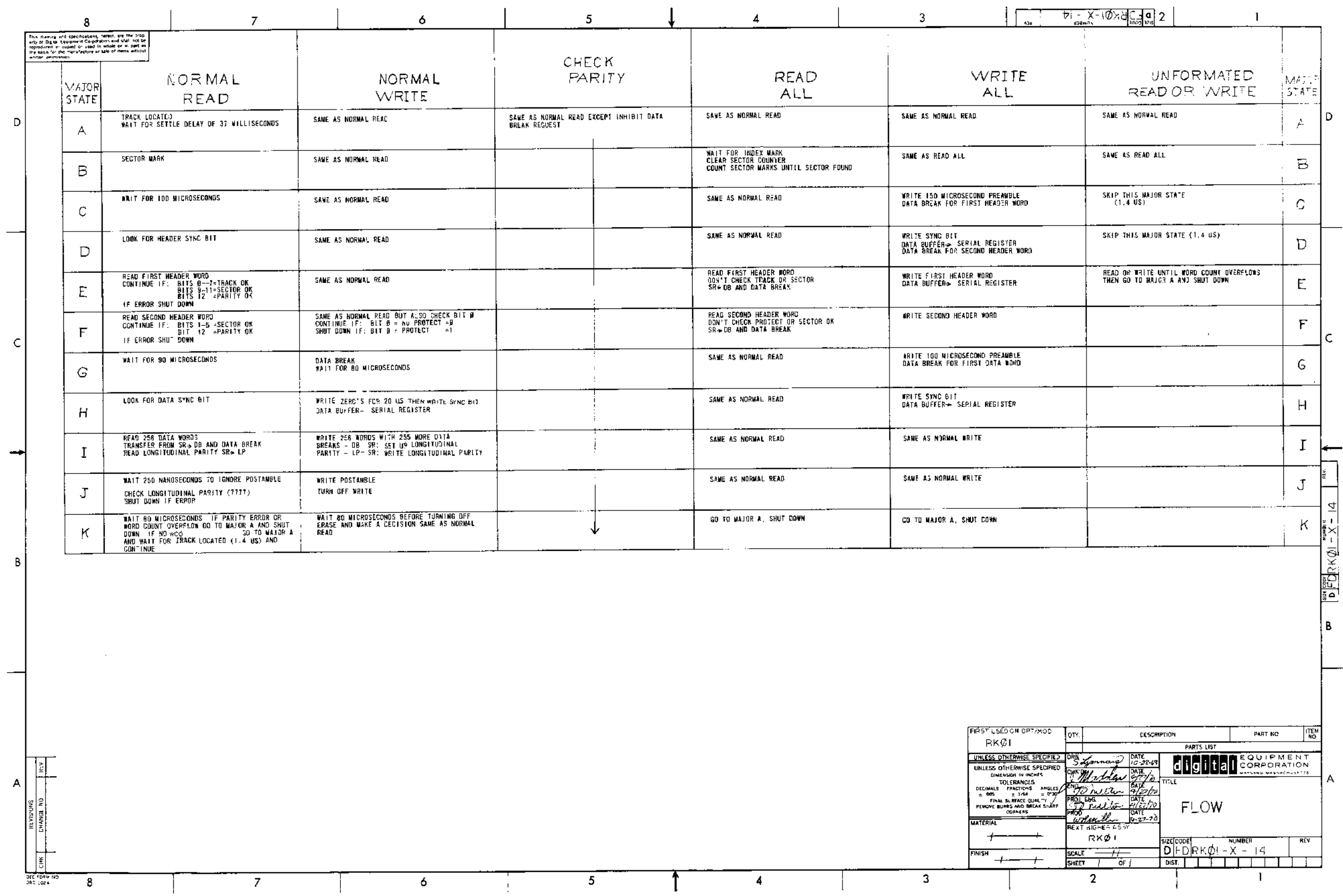


Figure II-3 RK01 Flow Diagram

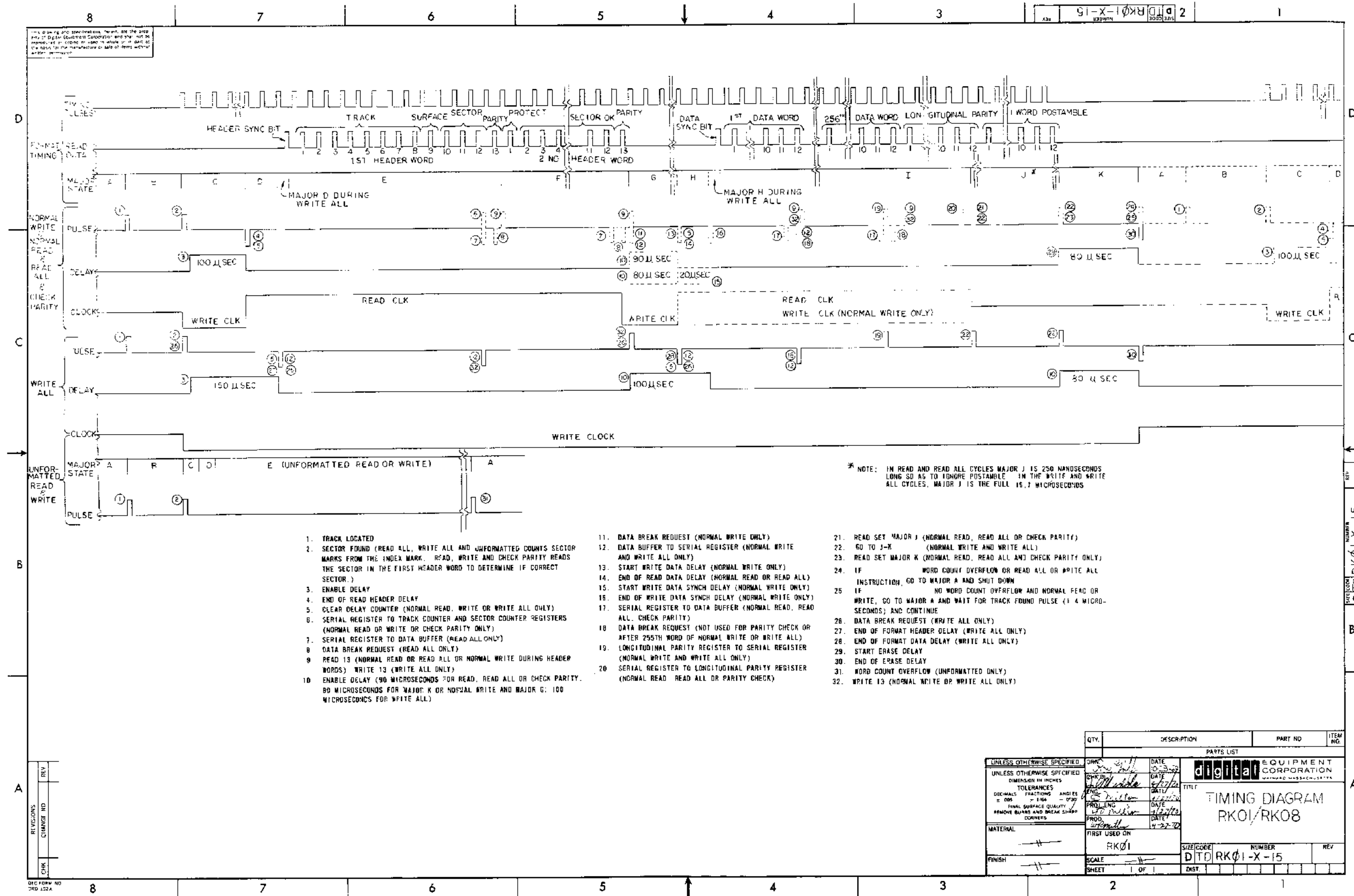


Figure II-4 RK01/RK08 Timing Diagram

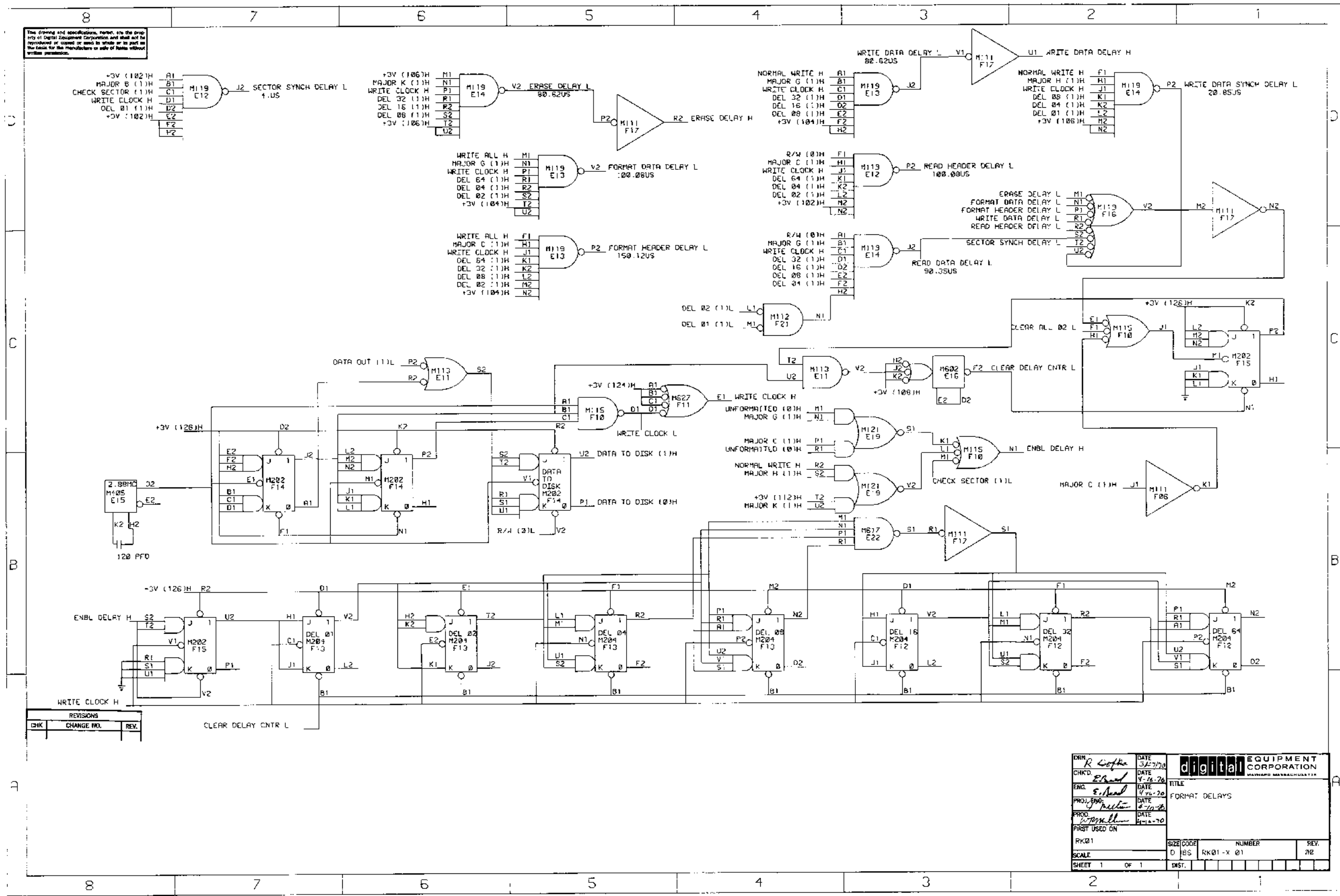


Figure II-5 Format Delays Block Schematic Diagram

This drawing and specifications, herein are the property of Digital Equipment Corporation and shall not be reproduced or copied or used in whole or in part as the basis for the manufacture of any of these without written permission.

M901
E06

- A1 TRACK LOCATED L
- B1 NEW SELECT I I L
- C1 NEW SELECT PULSE L
- D1 SECTOR PROTECT SW H
- E1 SET TIME OUT ERROR L
- F1 SET TRACK FOUND H
- H1 PROTECT L
- J1 ERASE DELAY L
- K1 SECTOR SYNCH DELAY L
- L1 ERASE DELAY H
- M1 WRITE DATA DELAY H
- N1 WRITE DATA DELAY L
- P1 FORMAT HEADER DELAY L
- R1 READ HEADER DELAY L
- S1 READ DATA DELAY L
- T1 WRITE CLOCK H
- U1 FORMAT DATA DELAY L
- V1 WRITE DATA SYNCH DELAY L

M901
E07

- A1 AC 00 (1)H
- B1 AC 01 (1)H
- C1 AC 02 (1)H
- D1 AC 03 (1)H
- E1 AC 04 (1)H
- F1 AC 05 (1)H
- H1 AC 06 (1)H
- J1 AC 07 (1)H
- K1 AC 08 (1)H
- L1 AC 09 (1)H
- M1 AC 10 (1)H
- N1 AC 11 (1)H
- PT1 CLEAR ALL 02 H
- RT1 CLEAR ALL 02 L
- S1 LOAD DISK ADDR H
- T1 LOAD COMMAND H
- U1 TOT START L
- V1 LOAD DISK ADDR L

M901
E08

- A1 TRACK ADDR 00 (1)H
- B1 TRACK ADDR 01 (1)H
- C1 TRACK ADDR 02 (1)H
- D1 TRACK ADDR 03 (1)H
- E1 TRACK ADDR 04 (1)H
- F1 TRACK ADDR 05 (1)H
- H1 TRACK ADDR 06 (1)H
- J1 TRACK ADDR 07 (1)H
- K1 DISK READ CLOCK L
- L1 TOT START H
- M1 MAJOR C (1)H
- N1 MAJOR B (1)H
- P1 MAJOR A (1)H
- R1 MAJOR K (1)H
- S1 I/O CLEAR L
- T1 MAJOR B (1)H
- U1 MAJOR A (1)H
- V1 NEW SELECT (1)H

M901
E06

- A2 EXT DISK 00 (1)H
- B2 EXT DISK 01 (1)H
- C2 EXT DISK 02 (1)H
- D2 INDEX PULSE H
- E2 SECTOR PULSE H
- F2 DISK READ DATA H
- H2 SET NON-DRIVE ERROR L
- J2 TRACK EQUAL L
- K2 SR 00 (1)H
- L2 SR 01 (1)H
- M2 SR 02 (1)H
- N2 SR 03 (1)H
- P2 SR 04 (1)H
- R2 SR 05 (1)H
- S2 SR 06 (1)H
- T2 SR 07 (1)H
- U2 SR TO COUNTER H
- V2 RESET NEW SELECT H

M901
E07

- A2 DISK ADDR TO COUNTER H
- B2 UNFORMATTED (0)H
- C2 MAIN 00 (1)H
- D2 LOAD COMMAND L
- E2 R/W (0)H
- F2 R/W (0)H
- H2 SELECT SURFACE (1)H
- J2 CHECK SECTOR (1)H
- K2 CHECK SECTOR (1)H
- L2 DATA OUT (1)H
- M2 NORMAL WRITE H
- N2 SEEK TRACK (0)H
- P2 SEEK TRACK (1)H
- R2 UNFORMATTED WRITE L
- S2 WRITE ALL L
- T2 WRITE ALL H
- U2 BUSY (0)H
- V2 NORMAL R/W H

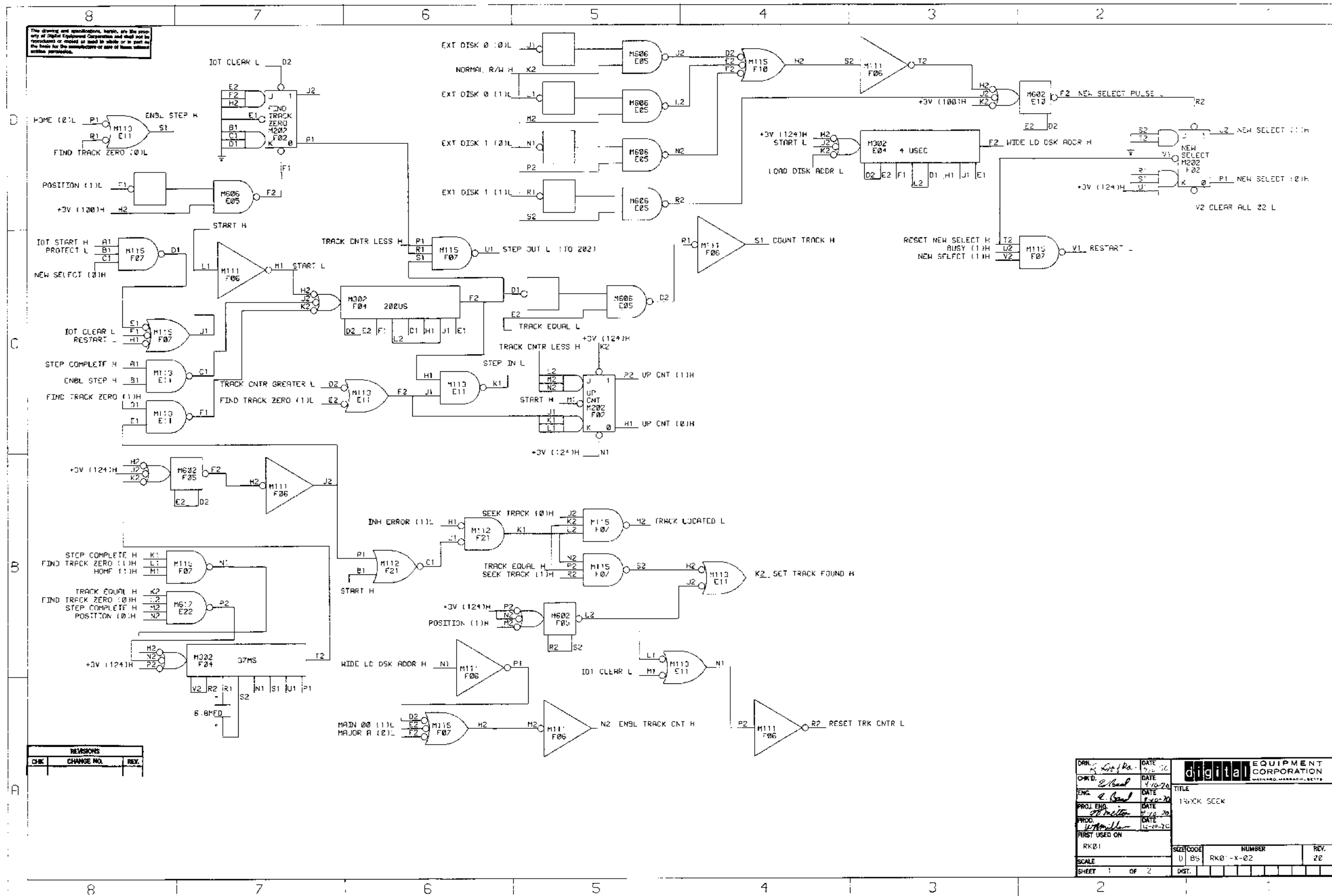
M901
E08

- A2 TRACK CNTR 00 (1)H
- B2 TRACK CNTR 01 (1)H
- C2 TRACK CNTR 02 (1)H
- D2 TRACK CNTR 03 (1)H
- E2 TRACK CNTR 04 (1)H
- F2 TRACK CNTR 05 (1)H
- H2 TRACK CNTR 06 (1)H
- J2 TRACK CNTR 07 (1)H
- K2 WRITE CLOCK L
- L2 RESET TRK SEC CNTRS L
- M2 DMN ERROR (1)H
- N2 ERASE (1)H
- P2 WRITE FLOP (1)H
- R2
- S2 INITIALIZE L
- T2
- U2
- V2 MAJOR D+E+F+H+I+P

REVISIONS		
CHK	CHANGE NO.	REV.

DRW: <i>S. Shaw</i>	DATE: 5-22-70	digital EQUIPMENT CORPORATION MAYNARD, MASSACHUSETTS
CHKD: <i>S. Shaw</i>	DATE: 4-14-70	
ENG: <i>S. Shaw</i>	DATE: 4-14-70	TITLE: CABLE TO RK08
PROJ. ENG: <i>S. Shaw</i>	DATE: 4-14-70	
PROD: <i>W. Merrill</i>	DATE: 4-14-70	
FIRST USED ON: RK01		
SCALE: 1 OF 1	SIZE CODE: D I C	NUMBER: RK01-X-09
	DIST.	REV: 02

Figure II-6 Cable to RK08 Block Schematic Diagram



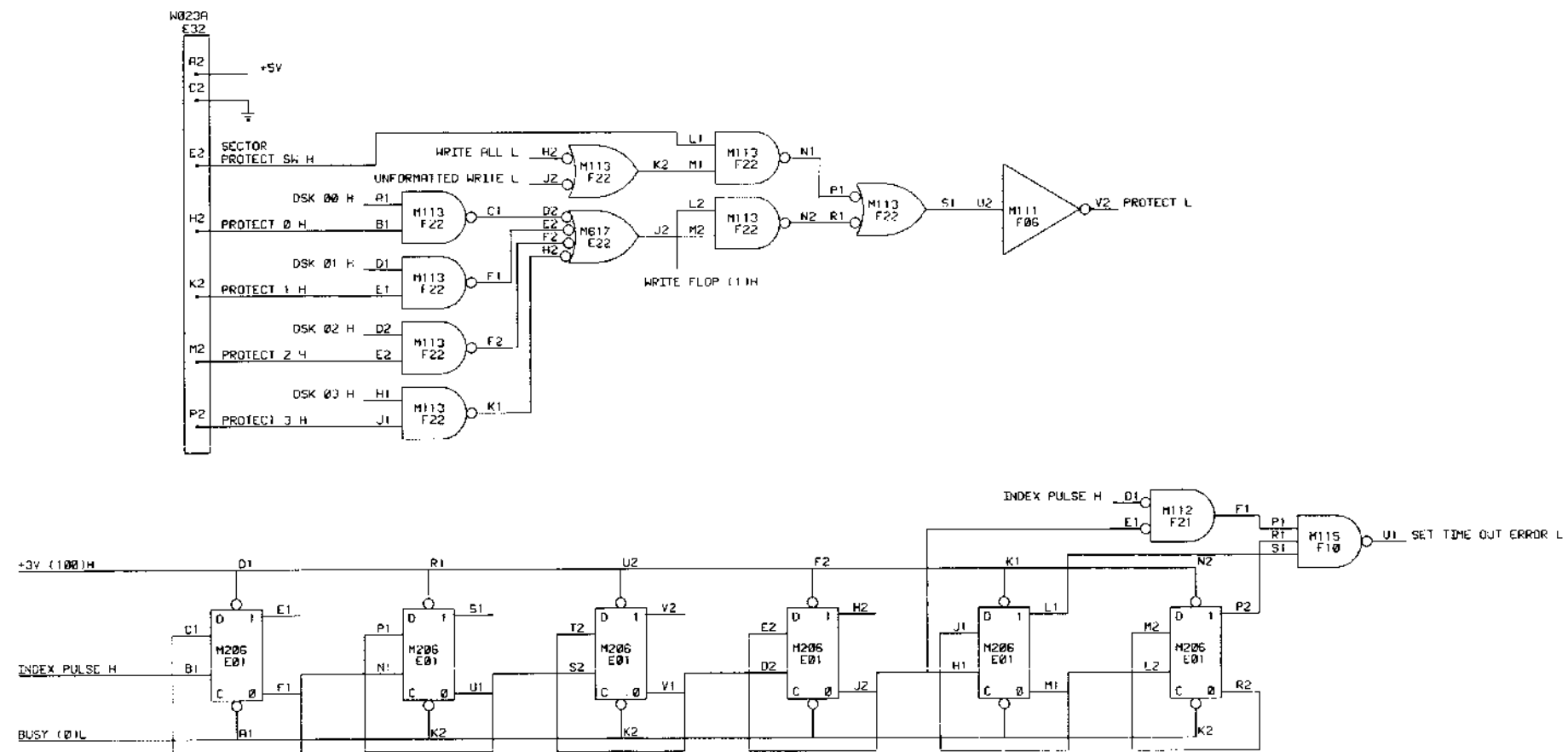
The drawing and specifications herein are the property of Digital Equipment Corporation and shall not be reproduced or copied in whole or in part without the prior written consent of Digital Equipment Corporation.

REVISIONS		
CHK	CHANGE NO.	REV.

DRW: <i>[Signature]</i>	DATE: 11-10-70	 EQUIPMENT CORPORATION <small>MAYNARD, MASSACHUSETTS</small>
CHK'D: <i>[Signature]</i>	DATE: 11-10-70	
ENG: <i>[Signature]</i>	DATE: 11-10-70	TITLE: 15-VCK SEEK
PROJ. ENG: <i>[Signature]</i>	DATE: 11-10-70	
PROD: <i>[Signature]</i>	DATE: 11-10-70	
FIRST USED ON:		
RK01	SCALE: U BS	NUMBER: RK0-x-02
SHEET 1 OF 2	DIST.	REV. 20

Figure II-7 Track Seek Block Schematic Diagram (Sheet 1)

This document and specifications herein are the property of Digital Equipment Corporation and shall not be reproduced or copied in whole or in part as they relate to the manufacture or sale of items without written permission.



REVISIONS		
CHK	CHANGE NO.	REV.

DRW: P. Debra	DATE: 3/24/70	digital EQUIPMENT CORPORATION MAYNARD, MASSACHUSETTS
CHK'D: E. Reed	DATE: 4/10/70	
ENG: E. Reed	DATE: 4/10/70	TITLE: TRACK SEEK
PROJ. ENG: J. Miller	DATE: 4/10/70	
PROD. W. Bonnell	DATE: 4/10/70	
FIRST USED ON		
RK01	SIZE CODE: D BS	NUMBER: RK01-X-02
SCALE:		REV. 00
SHEET 2 OF 2	DIST.	

Figure II-7 Track Seek Block Schematic Diagram (Sheet 2)

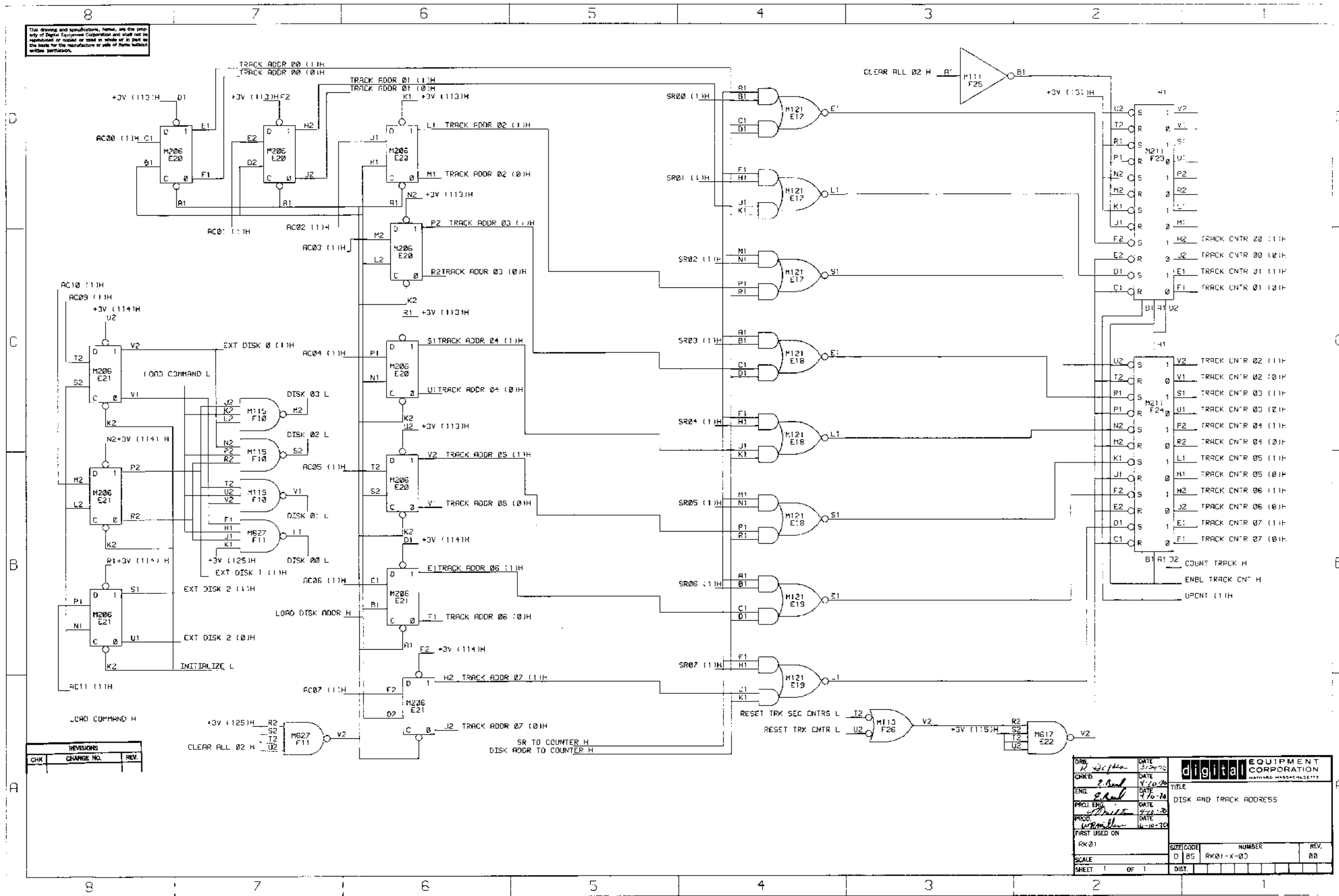


Figure II-8 Disk and Track Address Block Schematic Diagram

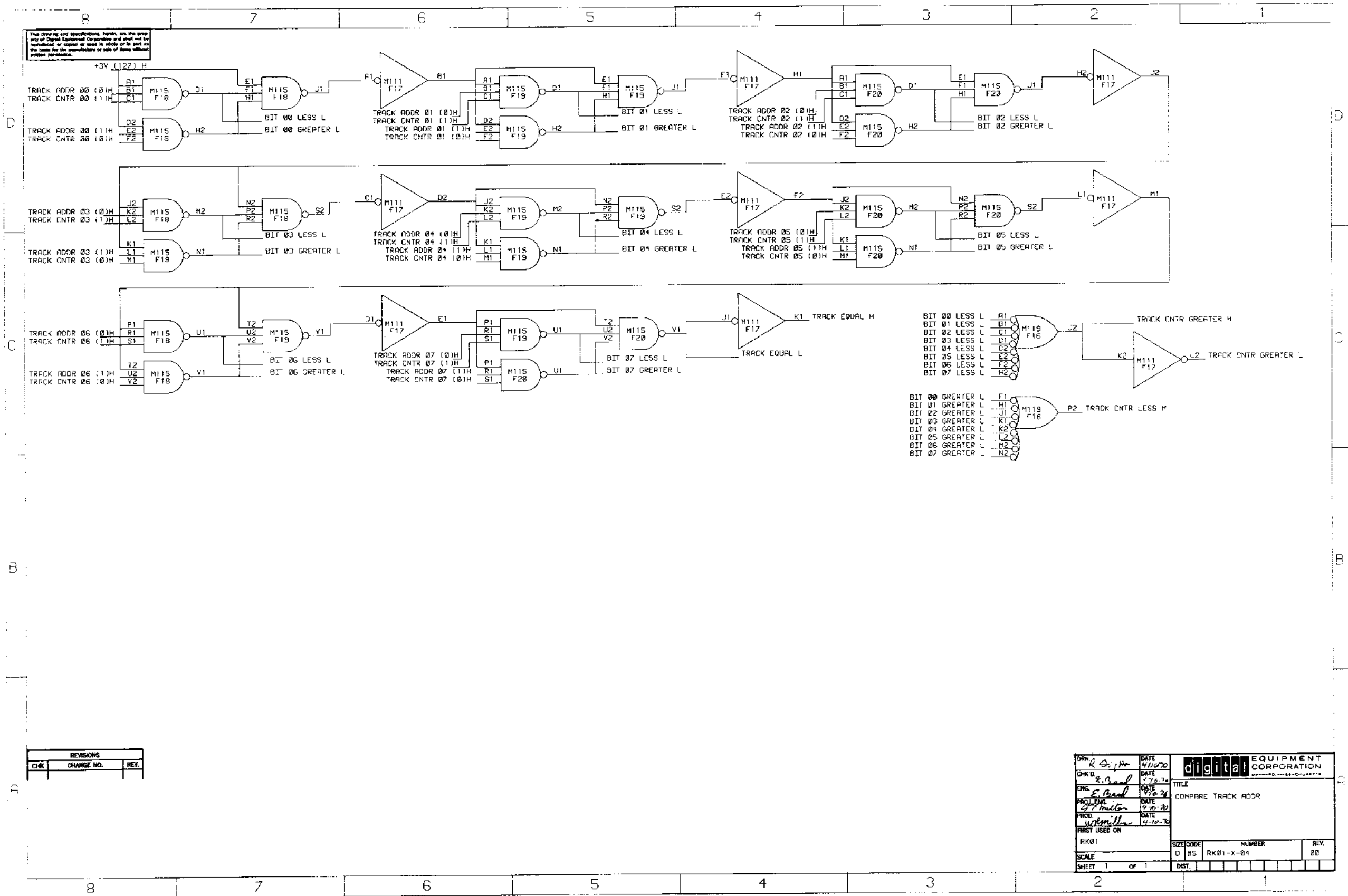


Figure II-9 Compare Track Address Block Schematic Diagram

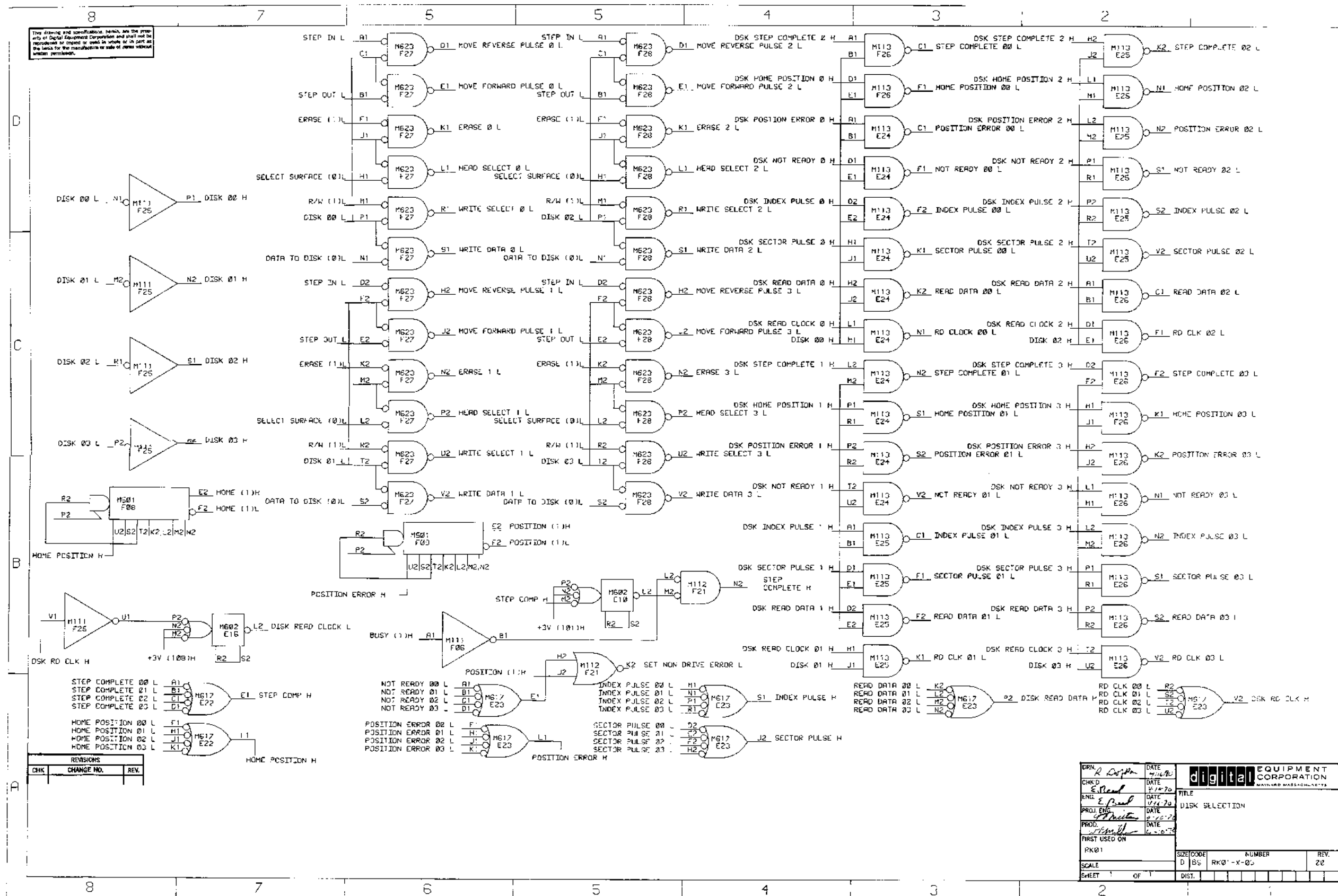


Figure II-10 Disk Selection Block Schematic Diagram

This drawing and specifications hereon are the property of Digital Equipment Corporation and shall not be reproduced or copied in whole or in part as they have for the manufacture or sale of parts without written permission.

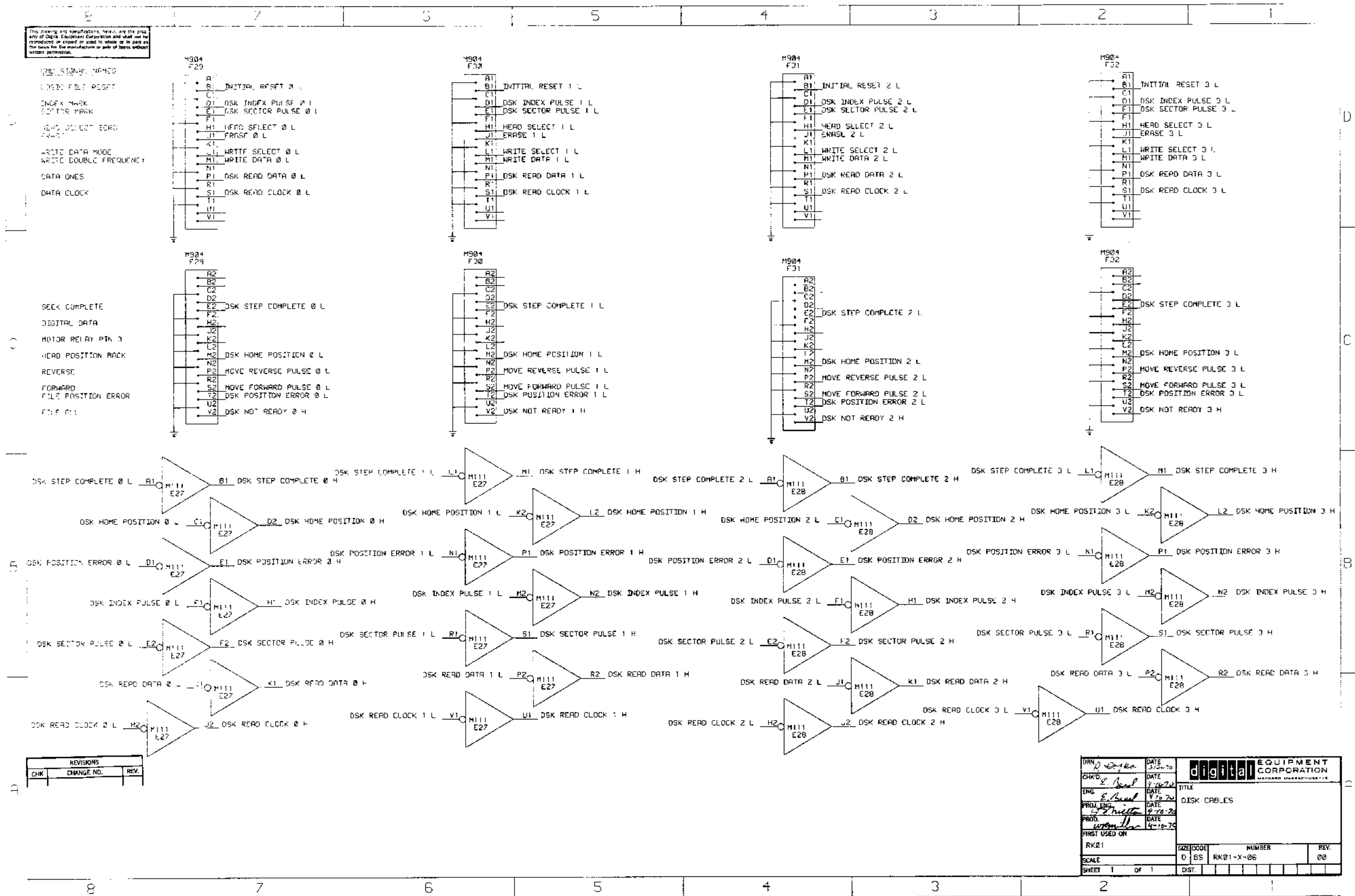
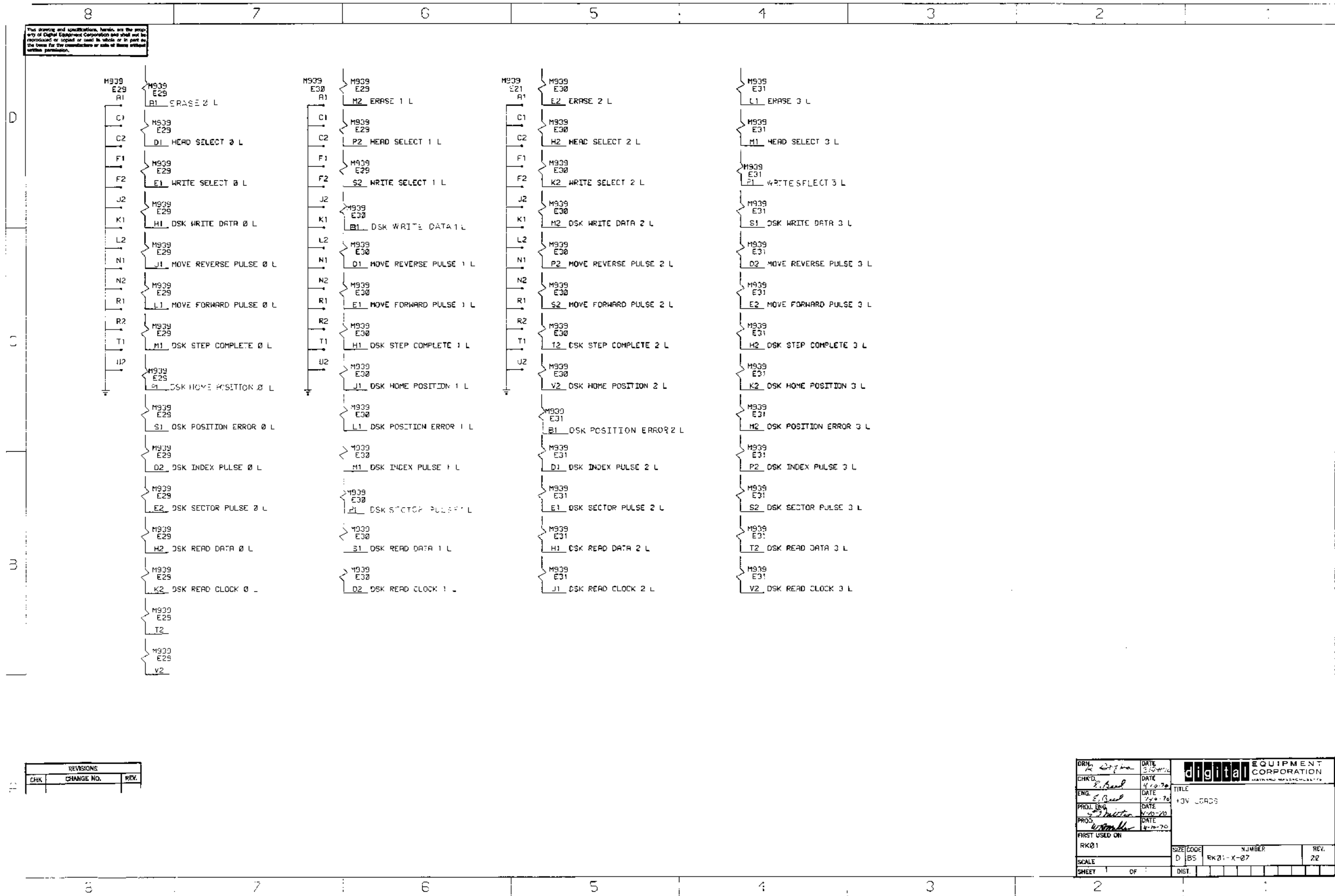


Figure II-11 Disk Cables Block Schematic Diagram



REVISIONS		
CHK	CHANGE NO.	REV.

DRN. <i>R. D. L.</i>	DATE <i>3/25/70</i>	digital EQUIPMENT CORPORATION MAYFIELD MASSACHUSETTS
CHKD. <i>E. Reed</i>	DATE <i>4/19/70</i>	
ENG. <i>E. Reed</i>	DATE <i>2/20/70</i>	TITLE +3V LOADS
PROJ. ENG. <i>E. Reed</i>	DATE <i>2/20/70</i>	FIRST USED ON RK01
PROJ. <i>E. Reed</i>	DATE <i>2/20/70</i>	
SCALE D BS	SIZE CODE D BS	NUMBER RK01-X-07
SHEET 1	OF 1	REV. 2/2

Figure II-12 +3V Loads Block Schematic Diagram

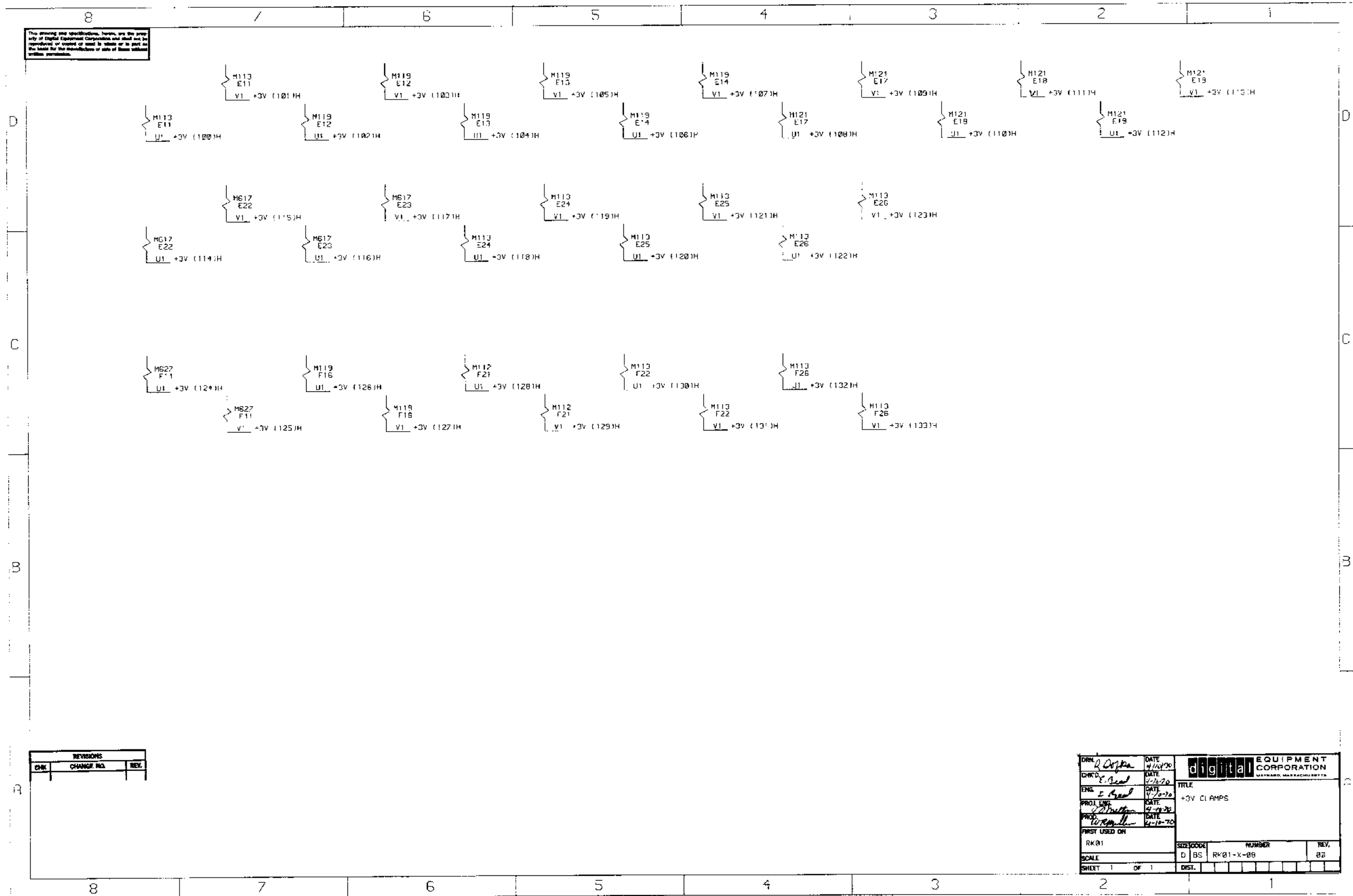


Figure II-13 +3V Clamp Block Schematic Diagram

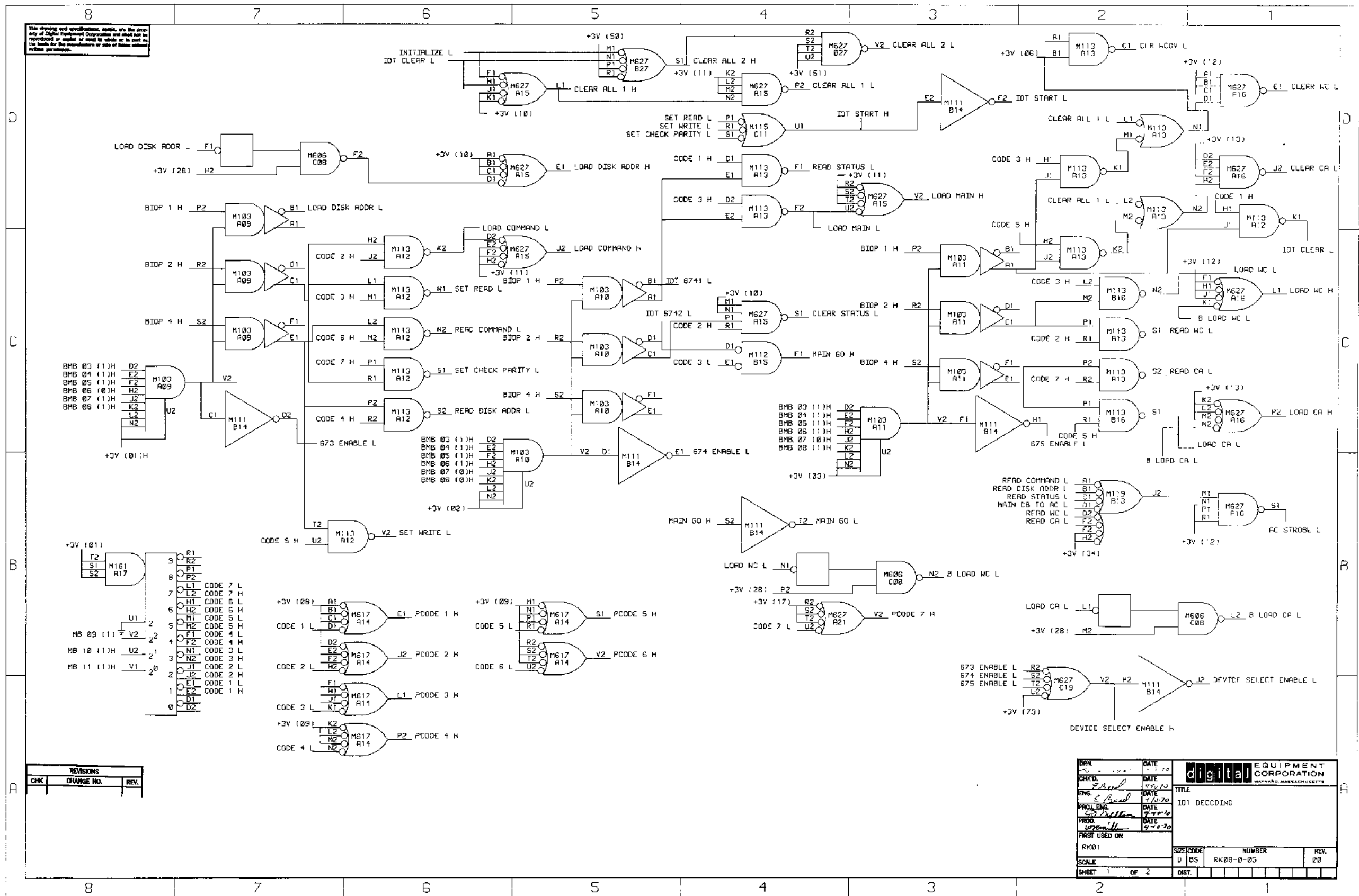


Figure II-14 IOT Decoding Block Schematic Diagram

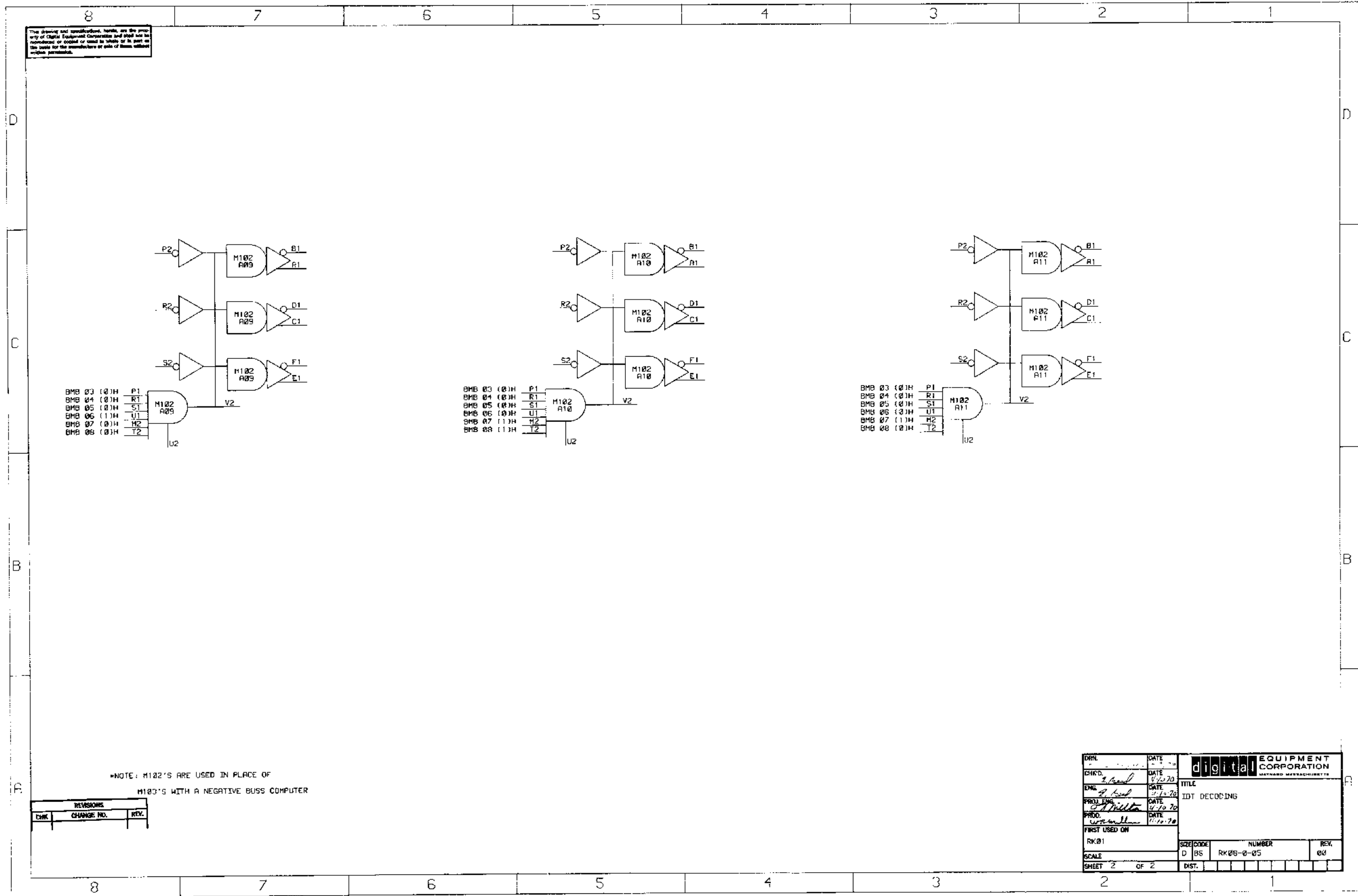


Figure II-15 IOT Decoding Block Schematic Diagram

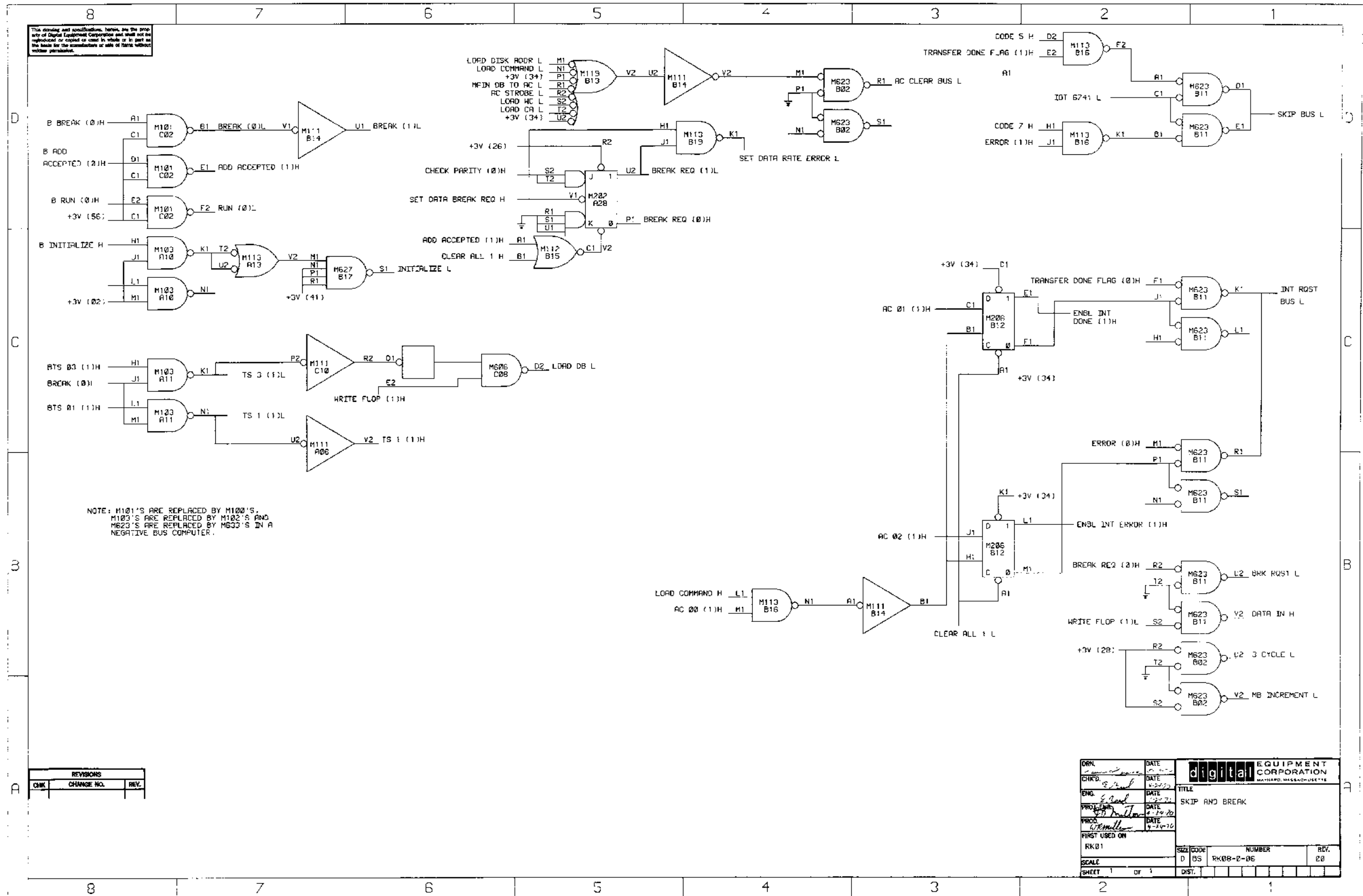


Figure II-16 Skip and Break Block Schematic Diagram

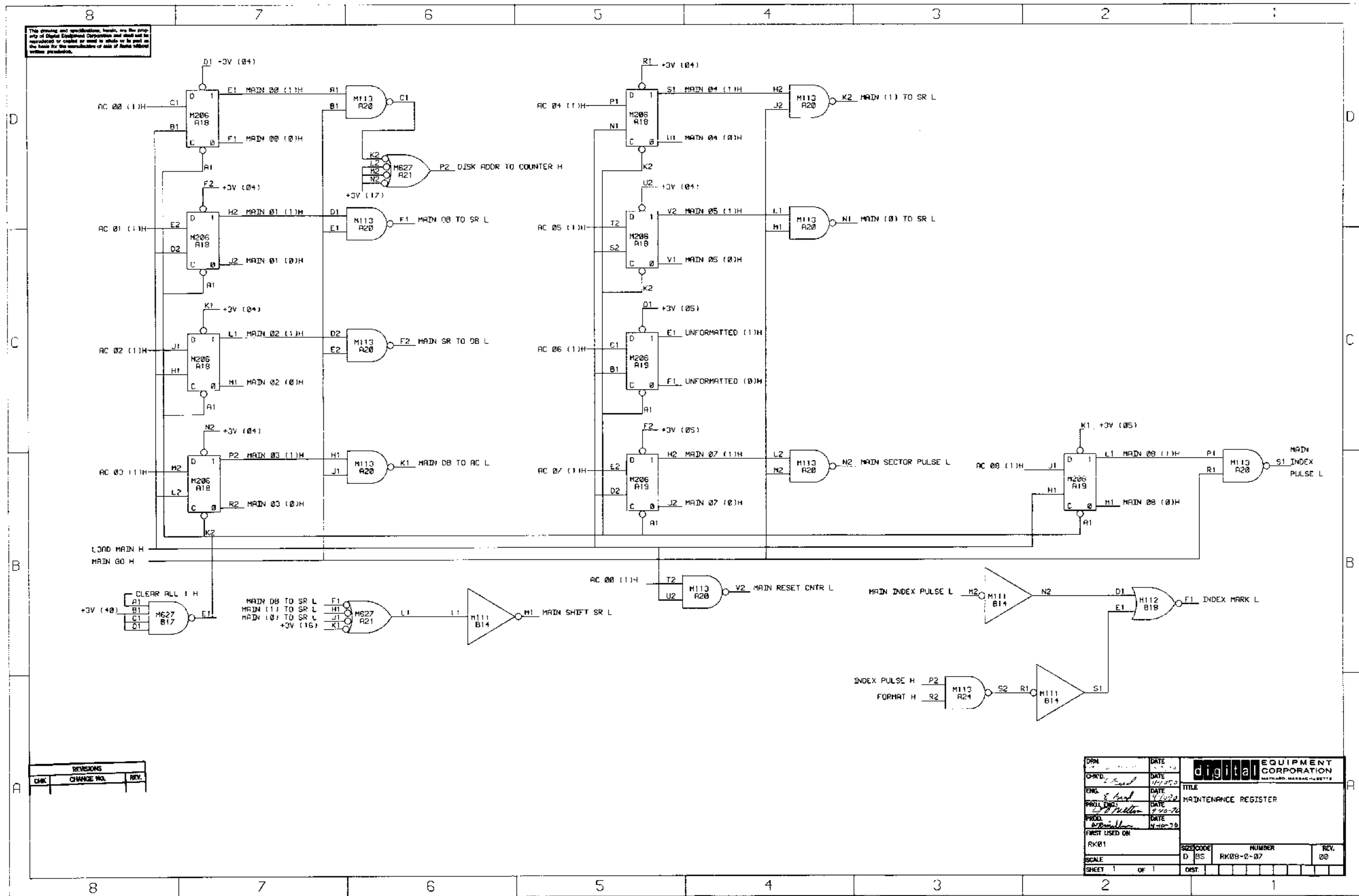


Figure II-17 Maintenance Register Block Schematic Diagram

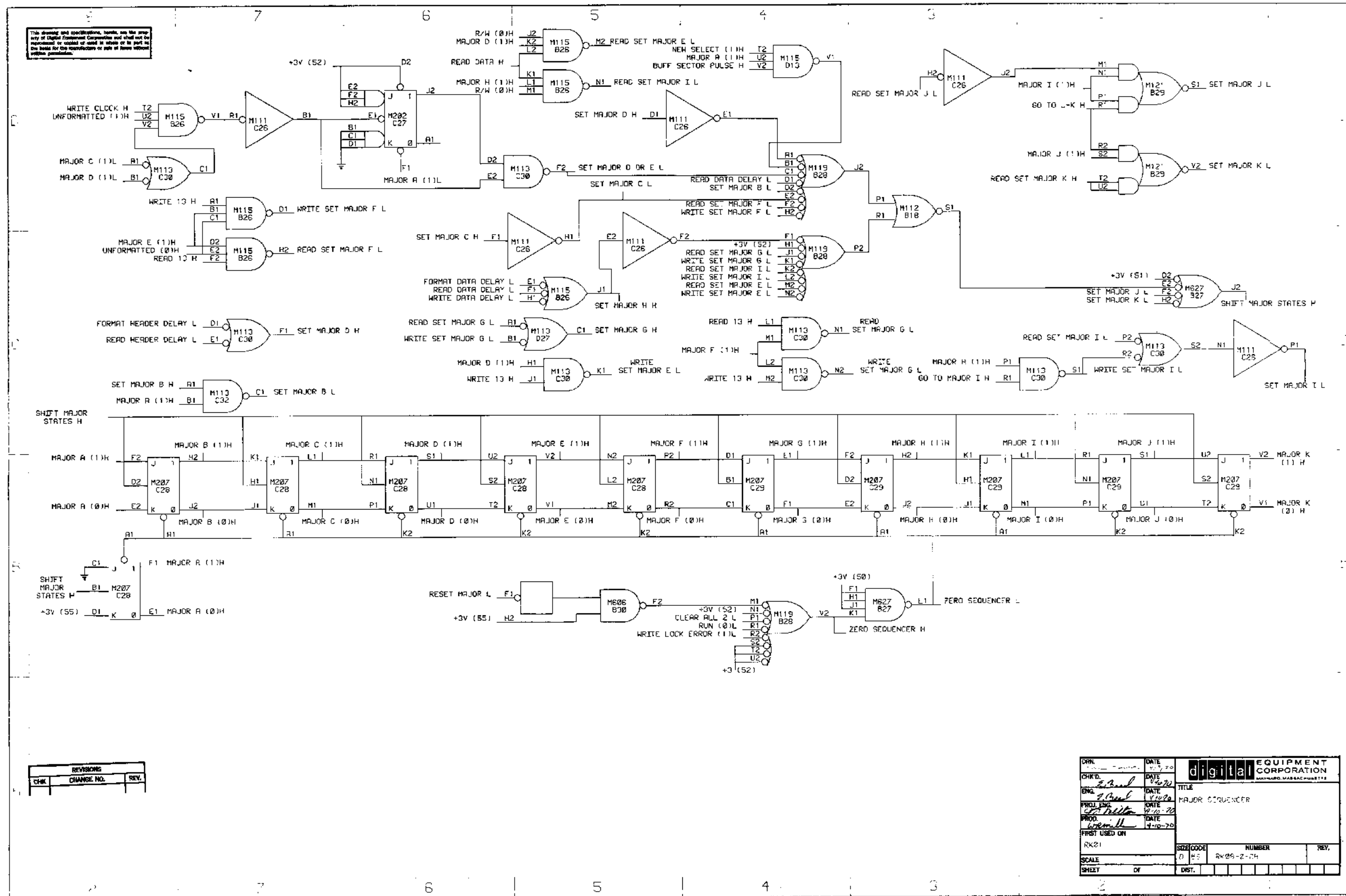


Figure II-18 Major Sequencer Register Block Schematic Diagram

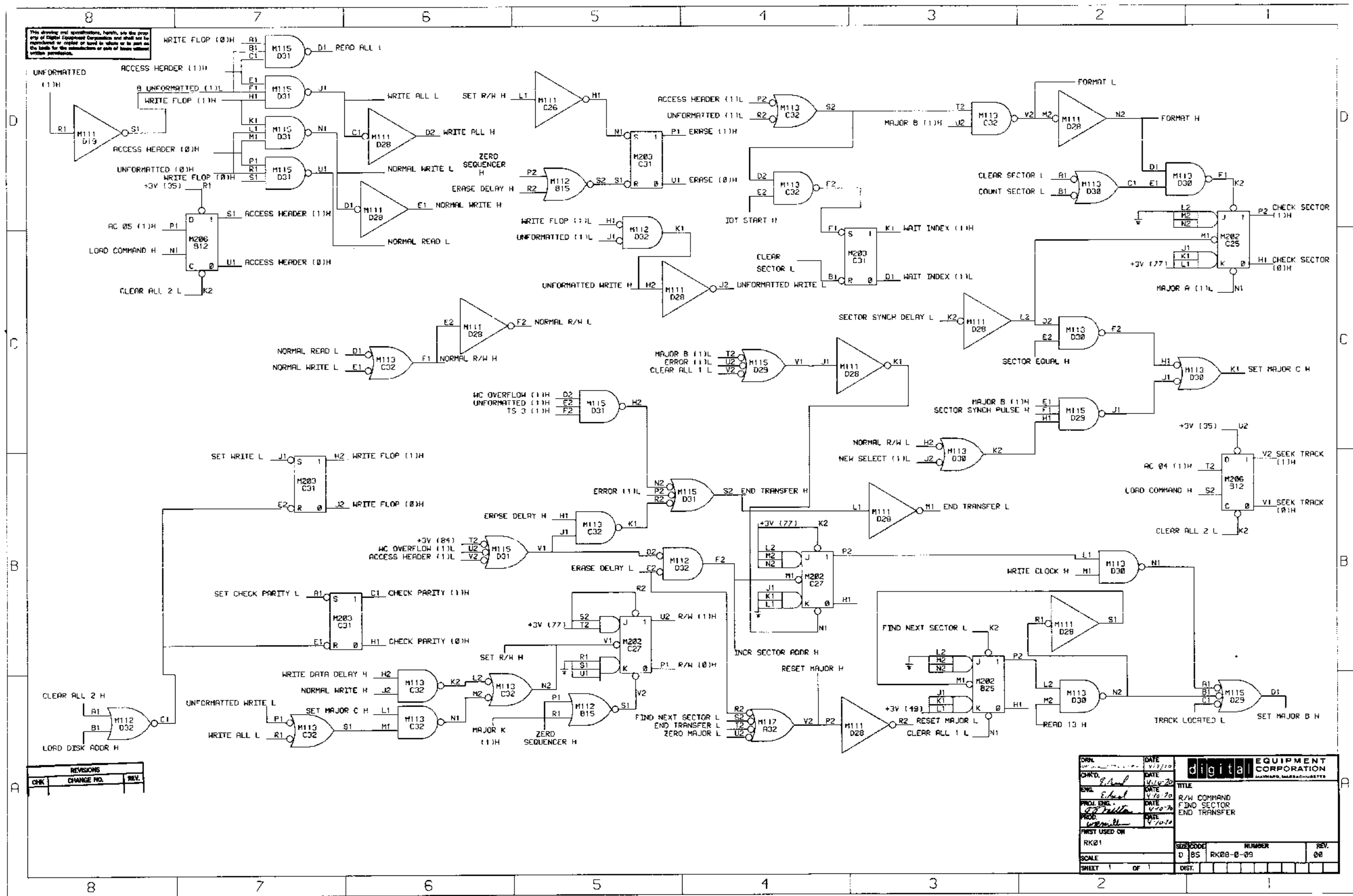
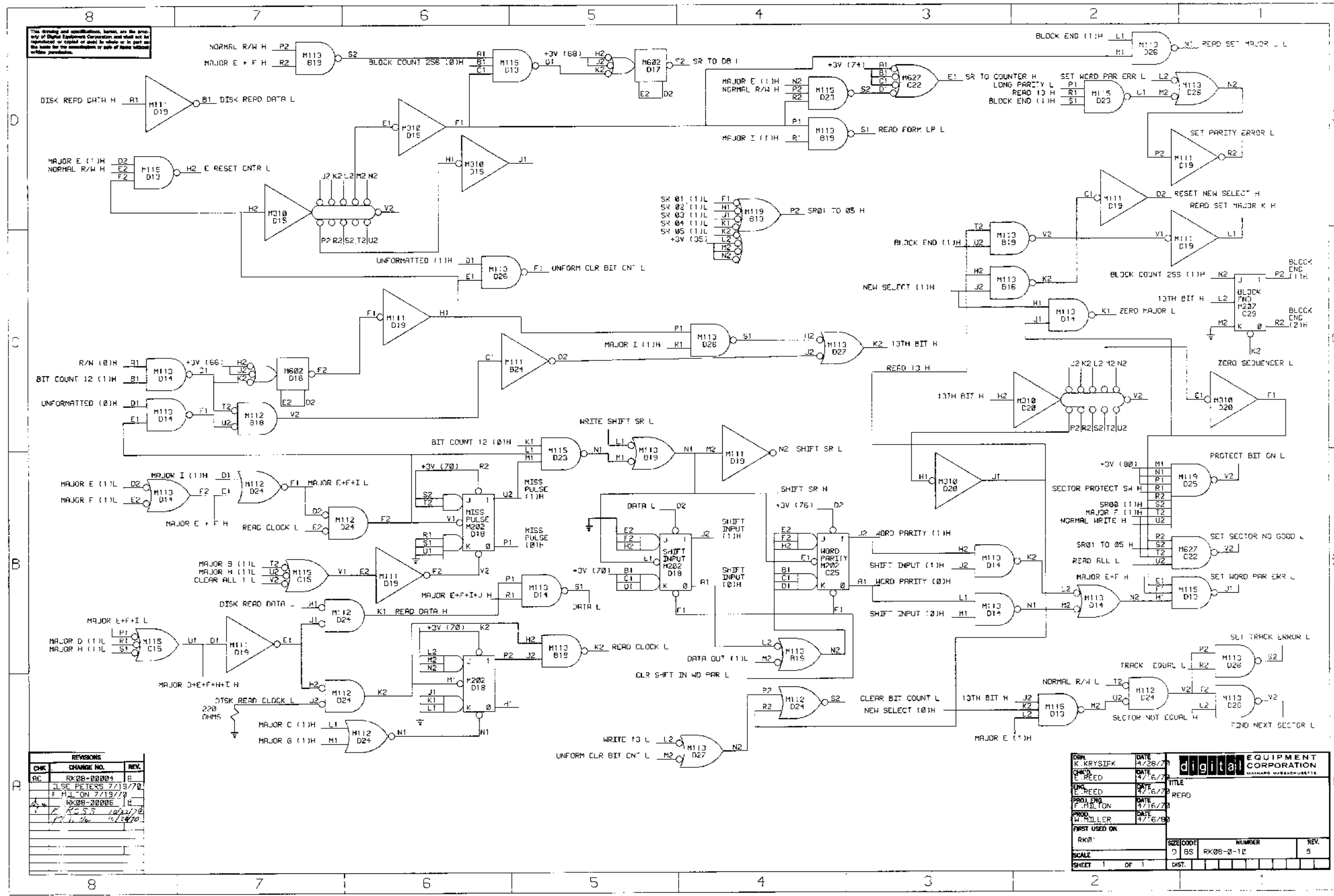


Figure II-19 R/W Command, Find Sector, End transfer Block Schematic Diagram



REVISIONS		
CHK	CHANGE NO.	REV.
AC	RK08-20004	E
	ELSE PETERS 7/19/70	
	F.M.L. ON 7/19/70	
	RK08-20005	H
	P. ROSS 12/21/70	
	P.L. De 12/24/70	

DRW	K. KRYSIJK	DATE	4/28/70	digital EQUIPMENT CORPORATION MAYNARD MASSACHUSETTS
CHKD	E. REED	DATE	4/26/70	
ENG.	E. REED	DATE	4/16/70	TITLE
PROJ. ENG.	F. MILLTON	DATE	4/16/70	READ
PROD.	W. MILLER	DATE	4/16/70	
FIRST USED ON				
REV.		SIZE	CODE	NUMBER
SCALE		D	BS	RK08-2-1C
SHEET	1	OF	1	DIST.

Figure II-20 Read Block Schematic Diagram

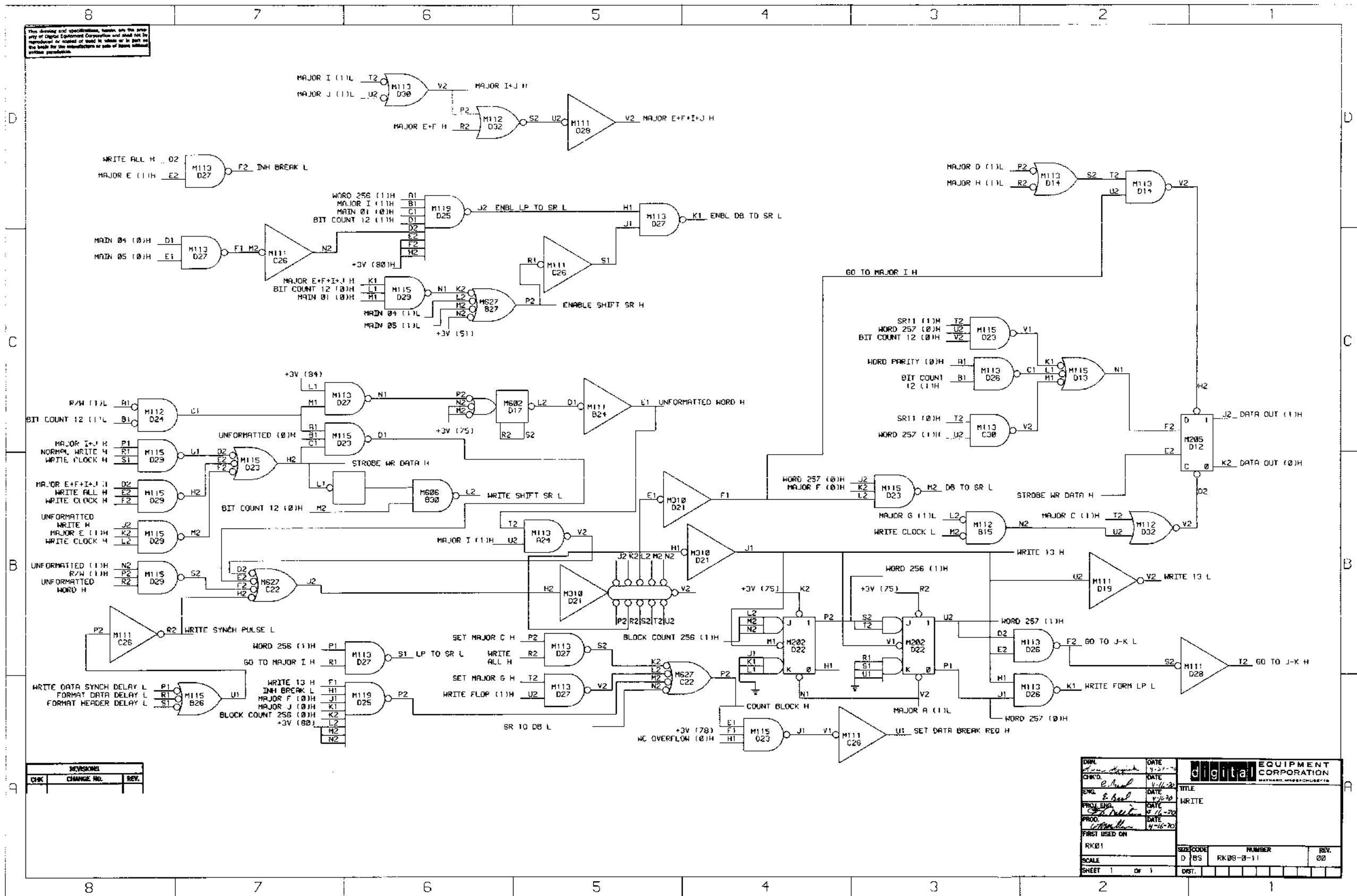


Figure II-21 Write Block Schematic Diagram

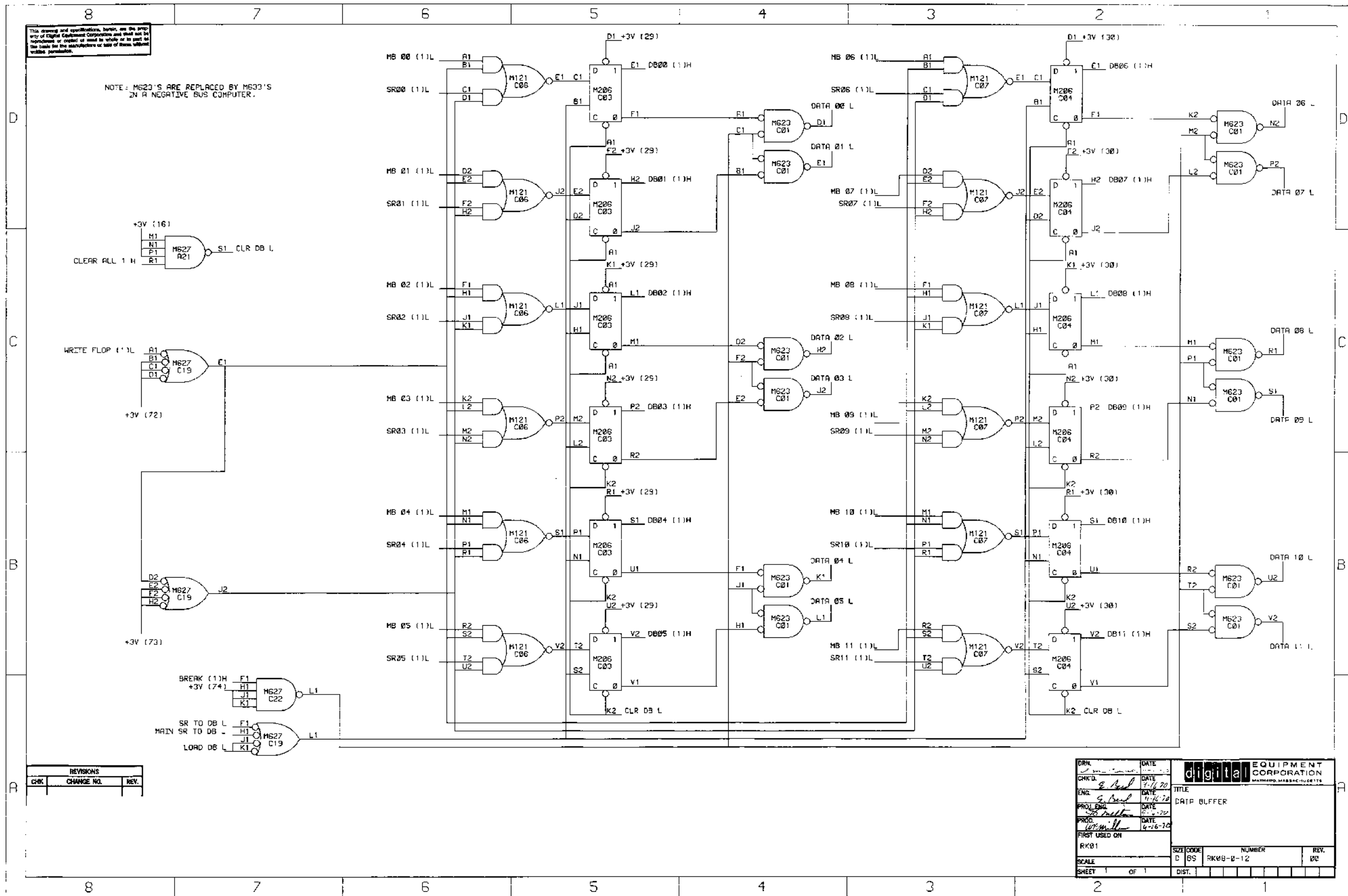
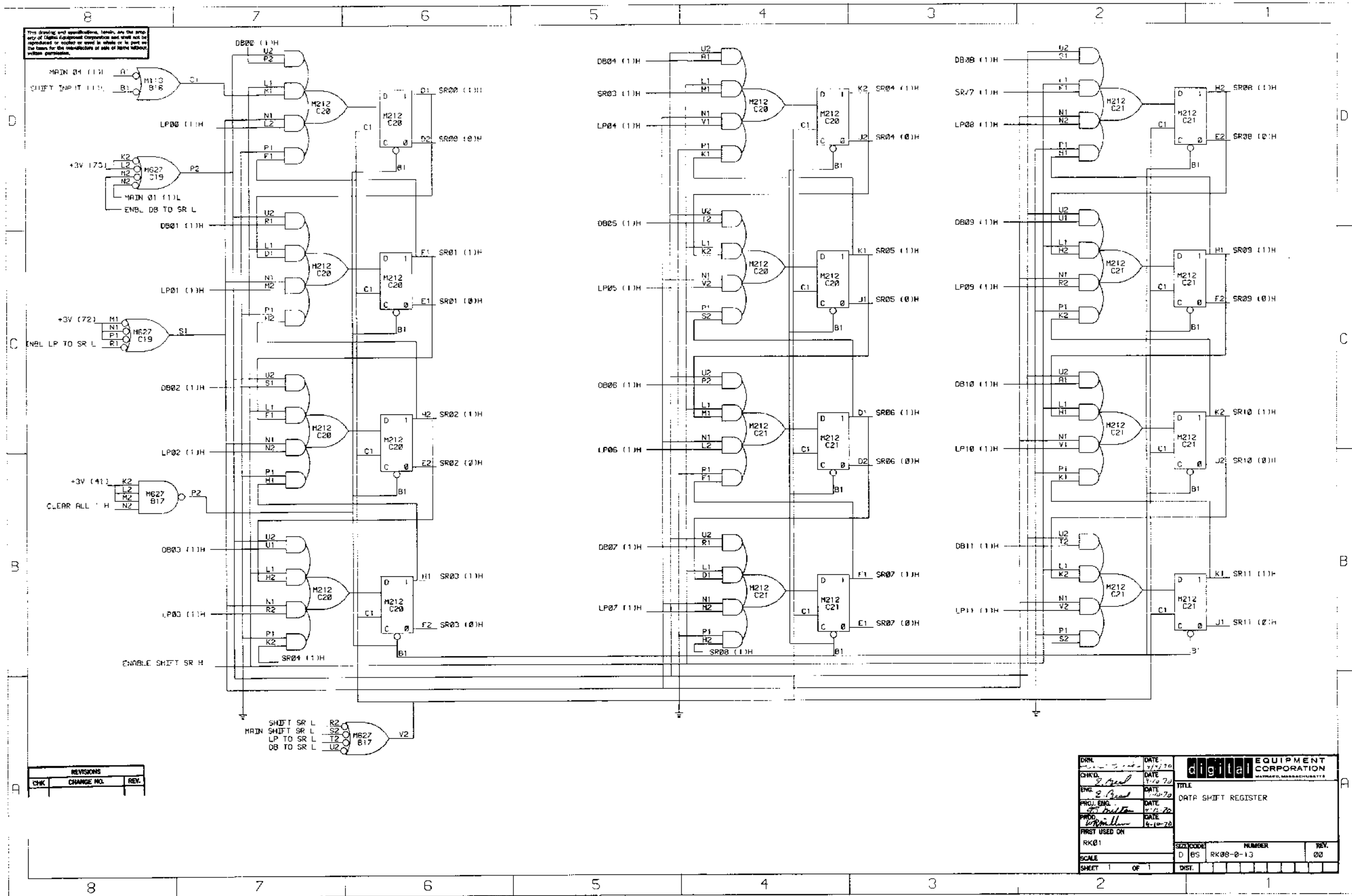


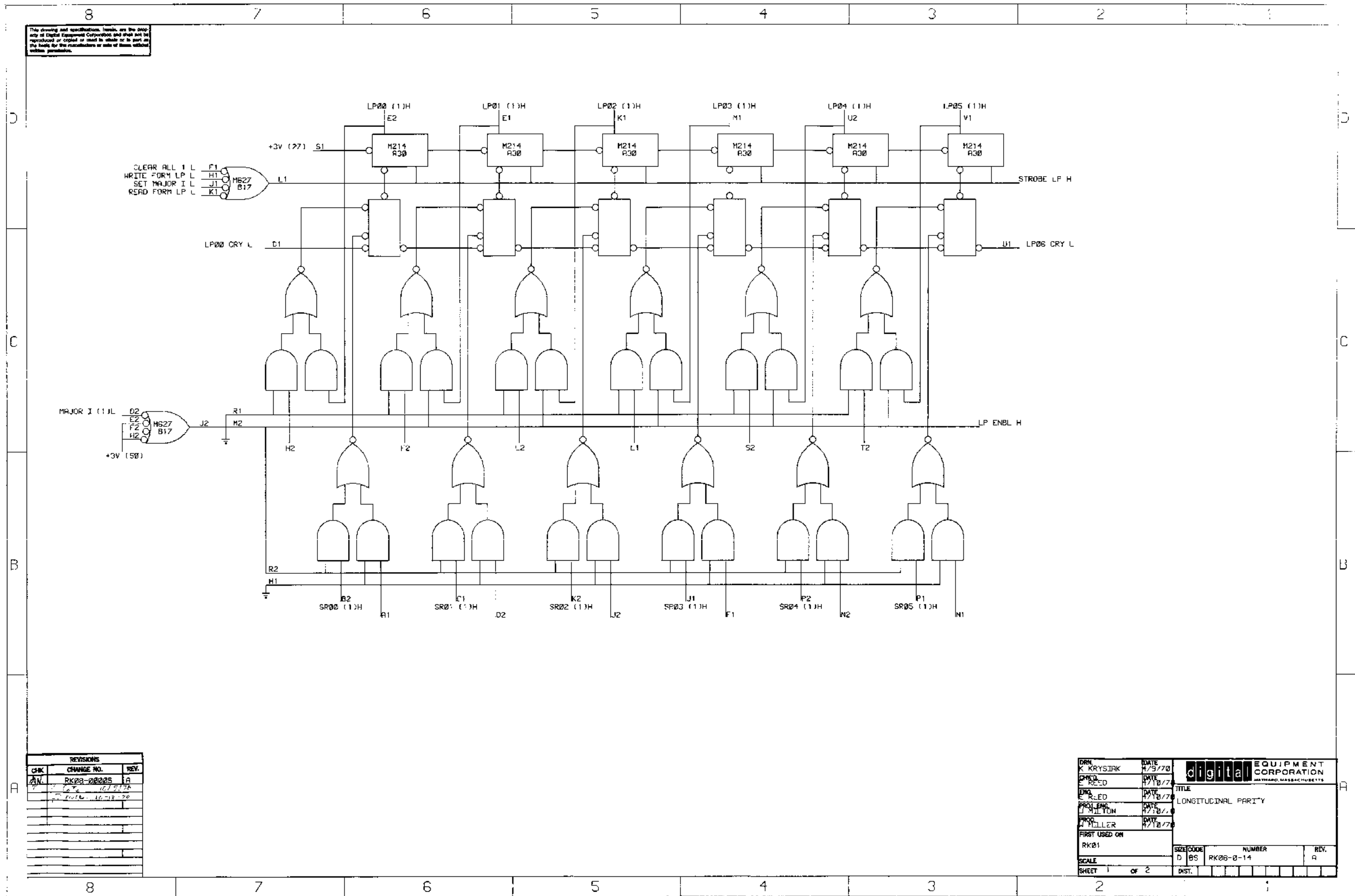
Figure 11-22 Data Buffer Block Schematic Diagram



REVISIONS		
CHK	CHANGE NO.	REV.

DRN	DATE	digital EQUIPMENT CORPORATION <small>WALTHAM, MASSACHUSETTS</small>
CHKD	DATE	
ENG	DATE	
PROJ. ENG.	DATE	
PROD.	DATE	
FIRST USED ON		TITLE
RK01		DATA SHIFT REGISTER
SCALE		SIZE CODE
SHEET 1 OF 1		NUMBER
		REV.
		00

Figure II-23 Data Shift Register Block Schematic Diagram

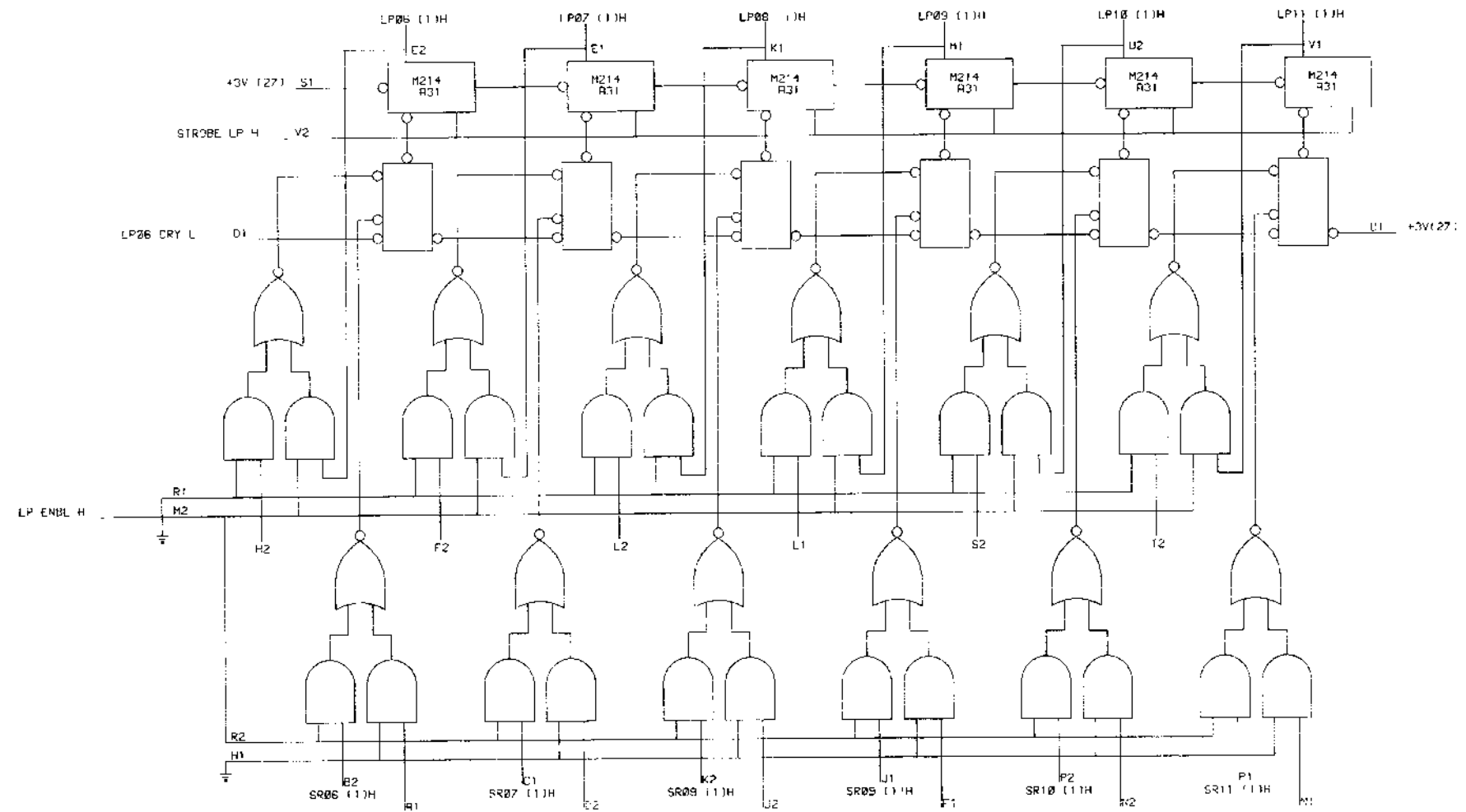


REVISIONS		
CHK	CHANGE NO.	REV.
AN	RK08-08025	1A

DRN	K KRYSIRK	DATE	4/3/70	
CHKD	E REED	DATE	7/10/70	
ENR	E REED	DATE	4/10/70	TITLE
PROG ENR	J MILLER	DATE	7/10/70	LONGITUDINAL PARITY
PROG	J MILLER	DATE	4/10/70	
FIRST USED ON				
RK01		SIZE/CODE	D BS	NUMBER
SCALE				RK08-0-14
SHEET	1	of	2	REV.
				A

Figure II-24 Longitudinal Parity Block Schematic Diagram (Sheet 1 of 2)

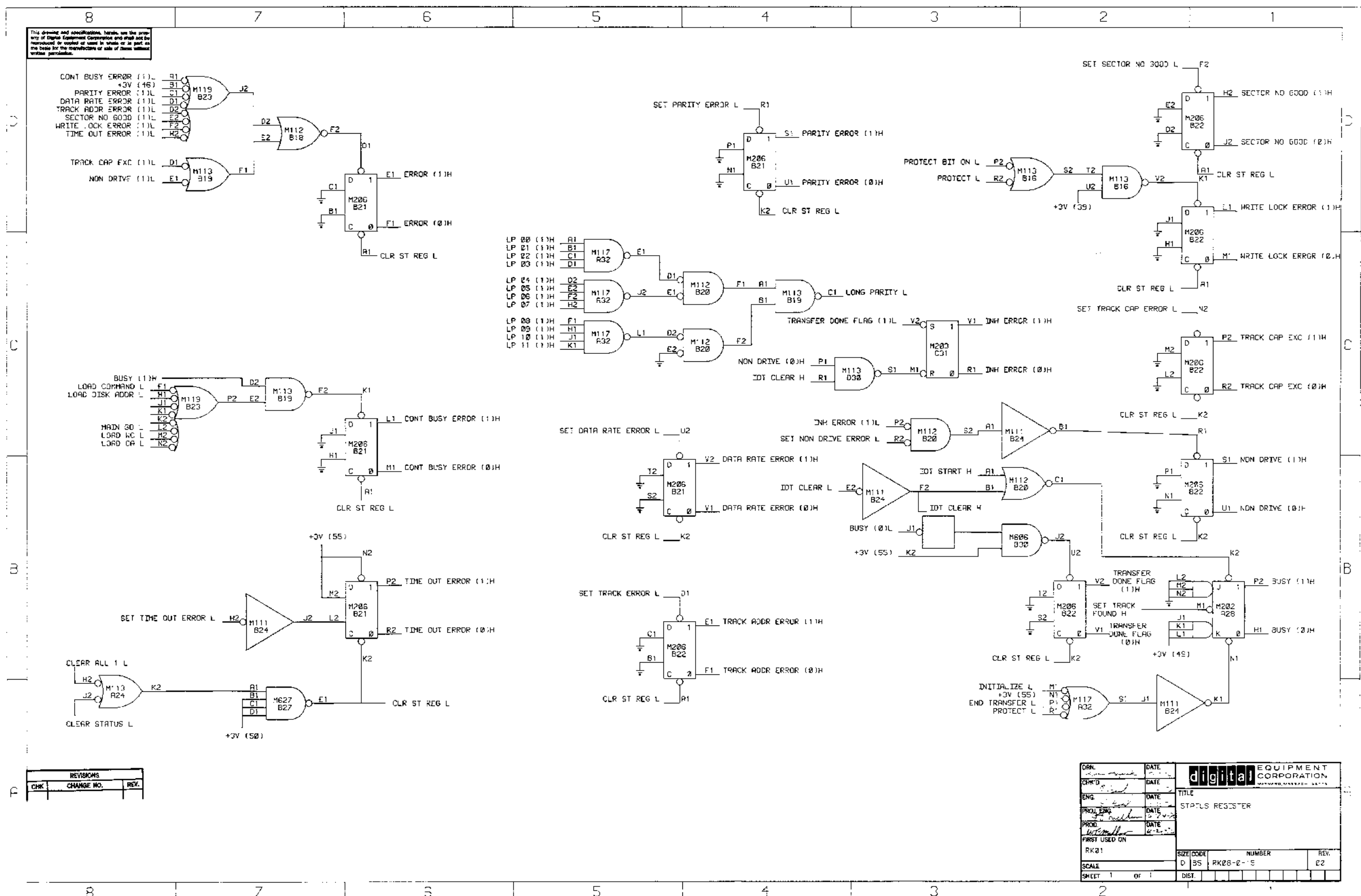
This drawing and specifications, herein, are the property of Digital Equipment Corporation and shall not be reproduced or copied in whole or in part or the basis for the manufacture of any of them without written permission.



REVISIONS		
CHK	CHANGE NO.	REV.

CHK	KRYSIAK	DATE	4/9/70	digital EQUIPMENT CORPORATION <small>MEMPHIS, MISSISSIPPI</small>
CHKD	E. REED	DATE	4/10/70	
CHKD	E. REED	DATE	4/10/70	
CHKD	J. HILLON	DATE	4/10/70	
CHKD	W. MILLER	DATE	4/10/70	
FIRST USED ON				TITLE
RK01				LONGITUDINAL PARITY
SCALE	2	SIZE CODE	D BS	NUMBER
SHEET	2	DIST.		RK09-0-14
				REV.
				A

Figure II-25 Longitudinal Parity Block Schematic Diagram
(Sheet 2 of 2)



This drawing and specifications, herein, are the property of Digital Equipment Corporation and shall not be reproduced or used in whole or in part as the basis for the manufacture of any device without written permission.

REVISIONS		
CHK	CHANGE NO.	REV.

ORG: CHD: ENG: PROJ. ENG: PROD: FIRST USED ON: RK21	DATE: DATE: DATE: DATE: DATE:	digital EQUIPMENT CORPORATION TITLE: STATUS REGISTER
SCALE: SHEET 1 OF 1	SIZE CODE: D 35 NUMBER: RK08-E-15 DIST:	REV: 02

Figure II-26 Status Register Block Schematic Diagram

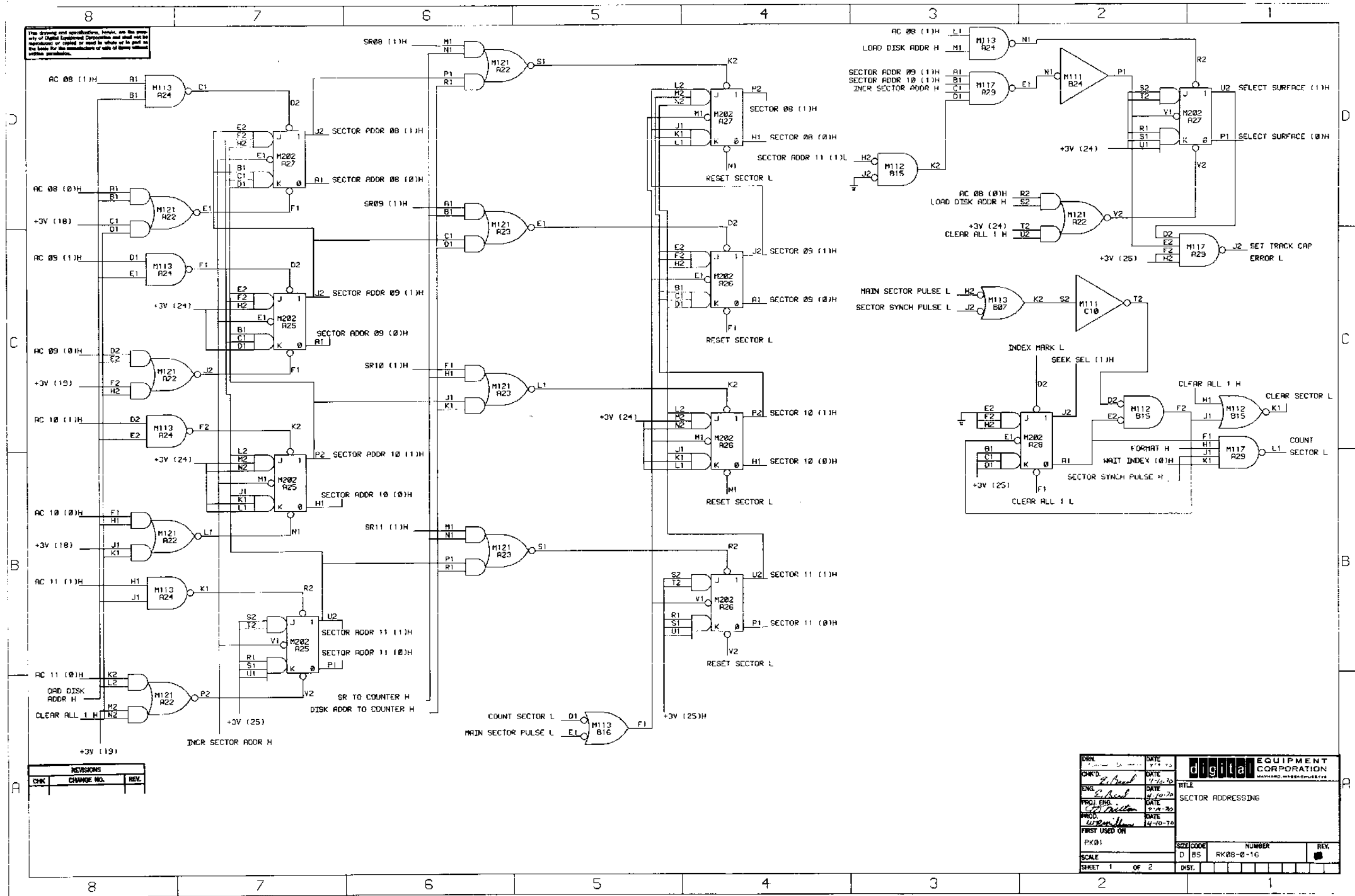


Figure II-27 Sector Addressing Block Schematic Diagram
(Sheet 1 of 2)

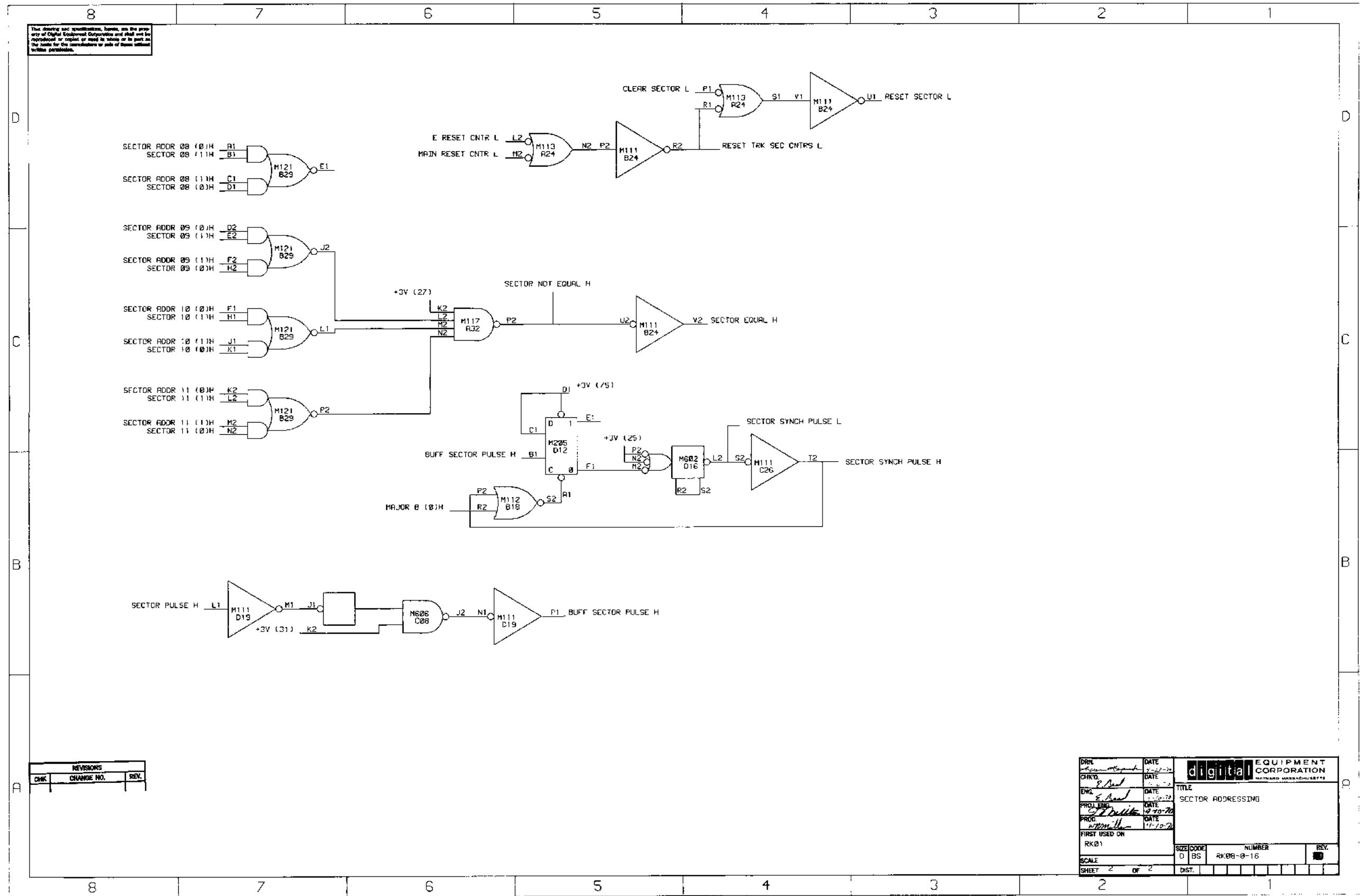
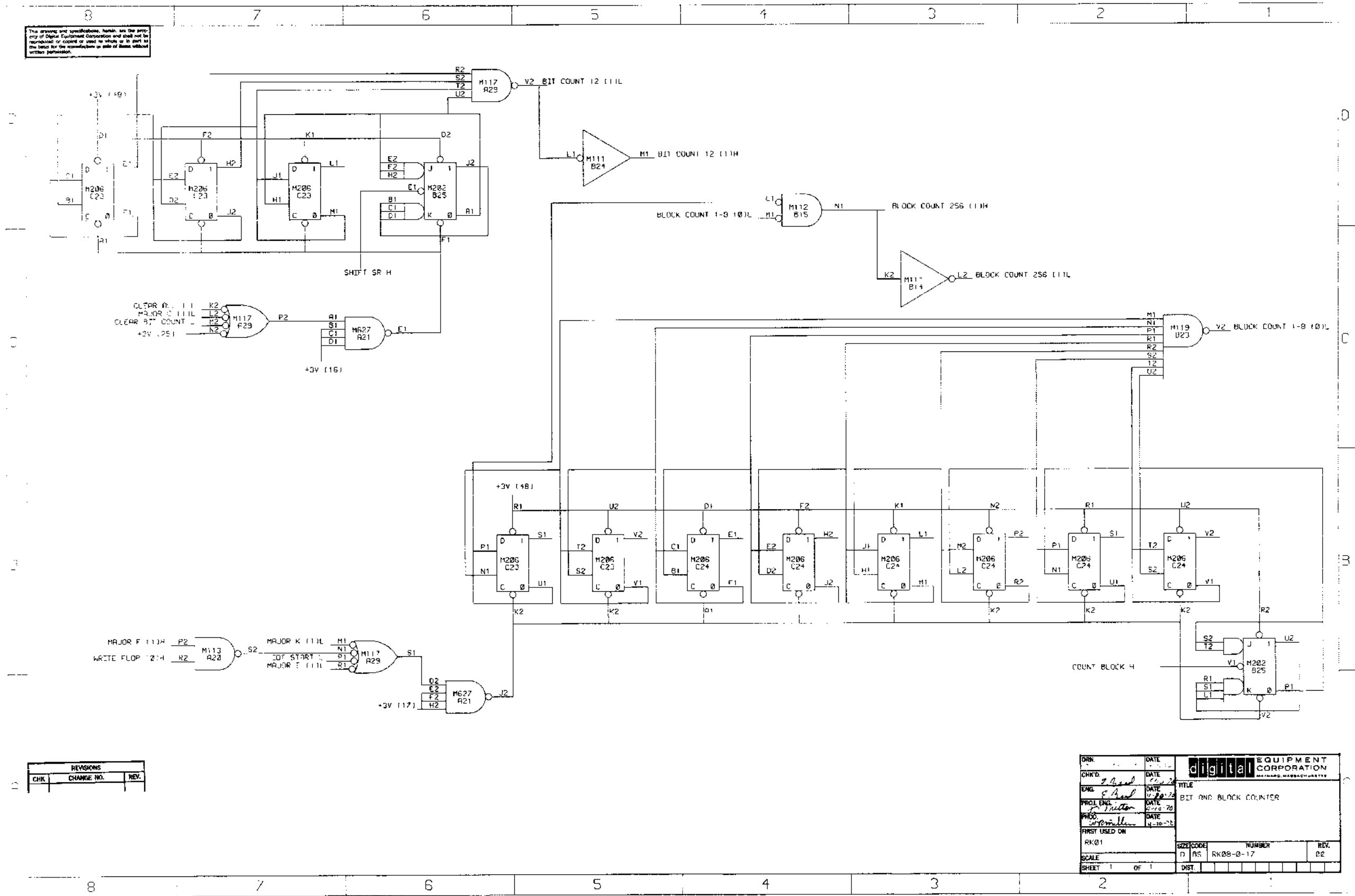


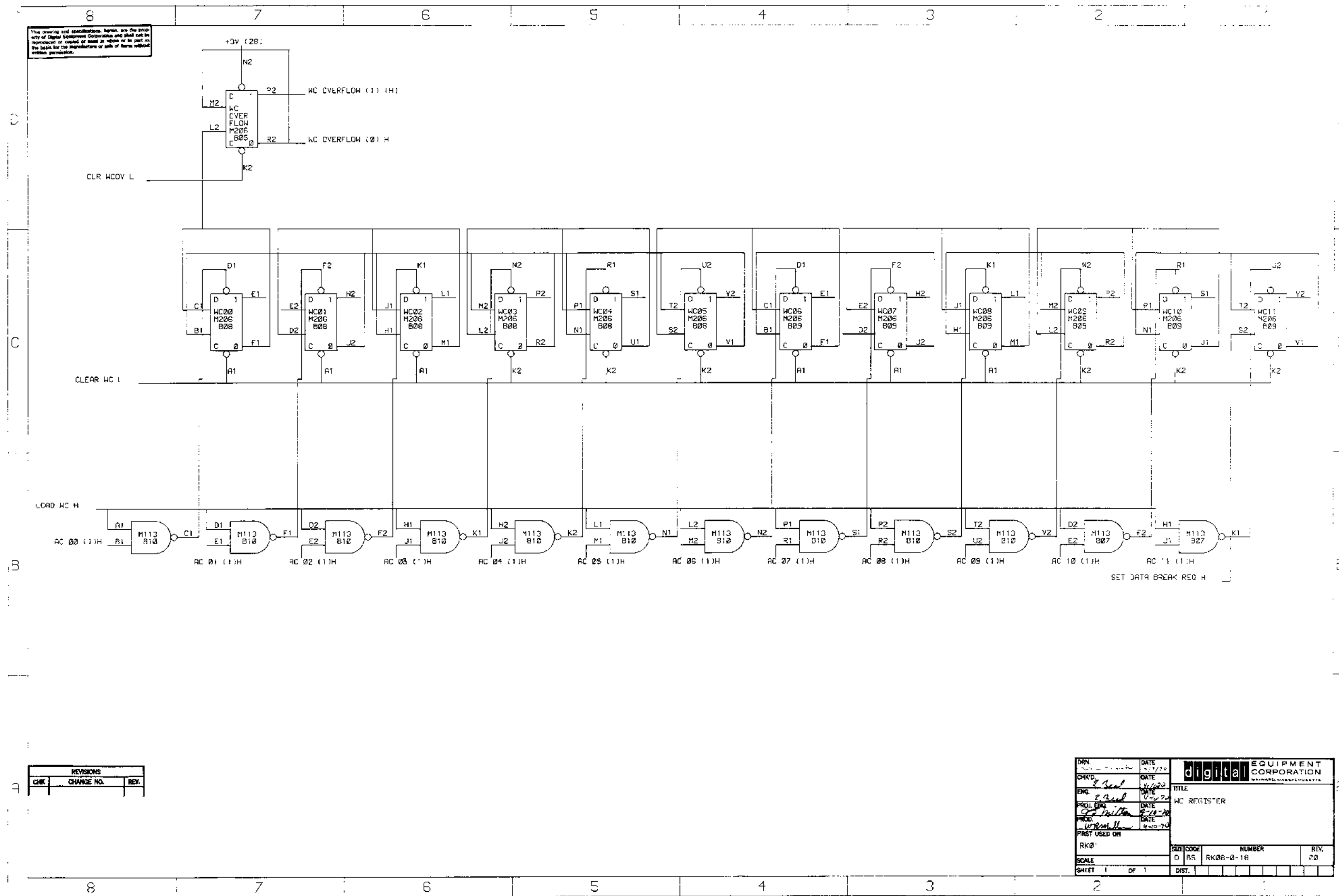
Figure II-28 Sector Addressing Block Schematic Diagram
(Sheet 2 of 2)



REVISIONS		
CHK	CHANGE NO.	REV.

DRN	DATE	 digital EQUIPMENT CORPORATION MAJOR MANUFACTURER	TITLE
CHK'D	DATE		BIT AND BLOCK COUNTER
ENG	DATE		
PROJ. ENGR.	DATE		
PROD.	DATE		
FIRST USED ON		SIZE CODE	NUMBER
RK:01		D RS	RK08-0-17
SCALE		DIST.	REV.
SHEET 1 OF 1			02

Figure II-29 Bit and Block Counter Block Schematic Diagram



The drawing and specifications herein are the property of Digital Equipment Corporation and shall not be reproduced or copied or used in whole or in part as the basis for the manufacture or sale of items without written permission.

REVISIONS		
CHK	CHANGE NO.	REV.

DRN	DATE		TITLE
CHK'D	DATE		WC REGISTER
ENR	DATE	SIZE CODE	NUMBER
PREL. ENR	DATE	D R5	RK08-Q-18
REV.	DATE	SHEET	REV.
FIRST USED ON	DATE	1	00
RK0	DATE	OF 1	DIST.

Figure II-30 Word Count (WC) Register Block Schematic Diagram

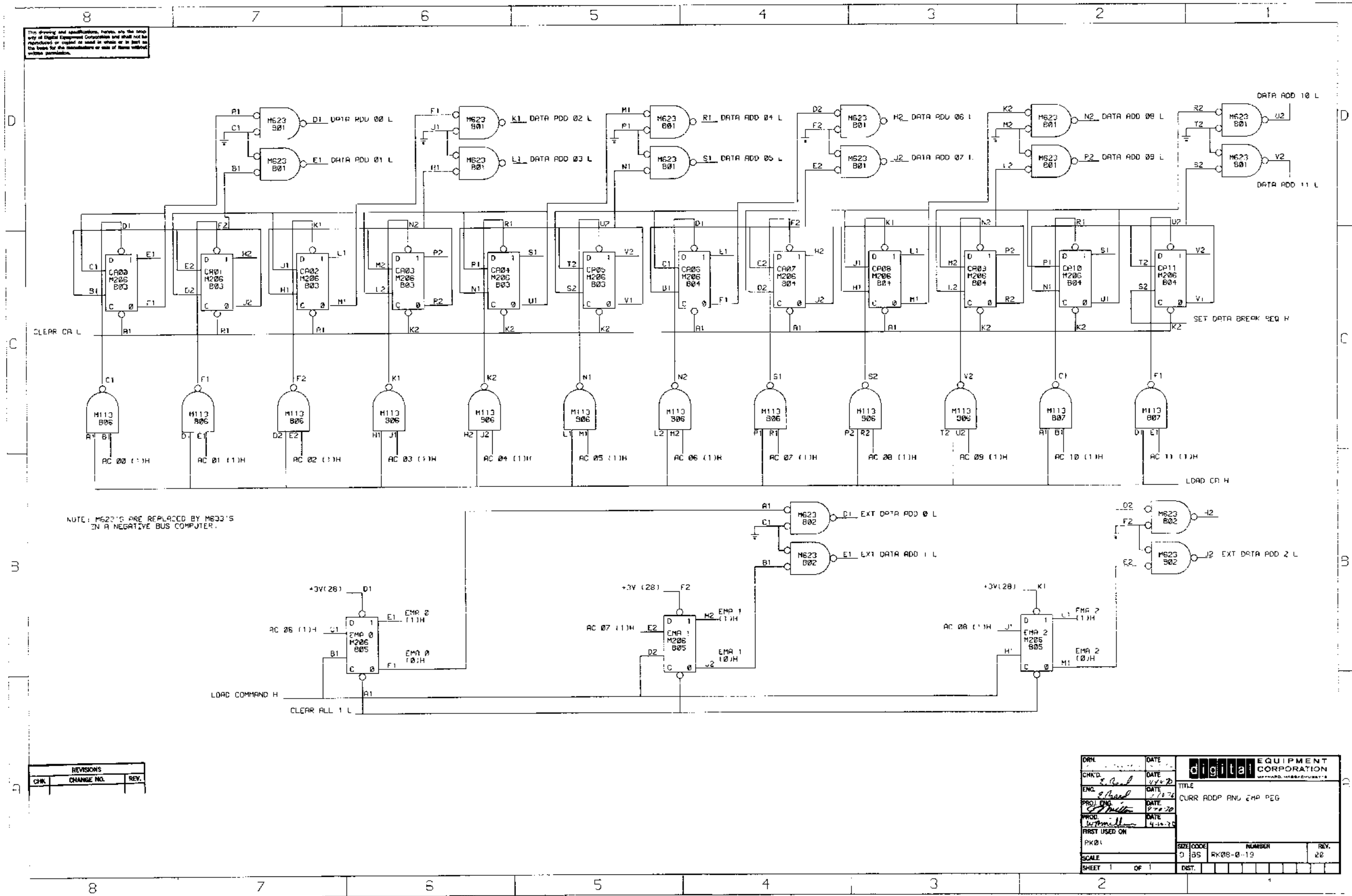


Figure II-31 Current Address and EMA Register Block Schematic Diagram

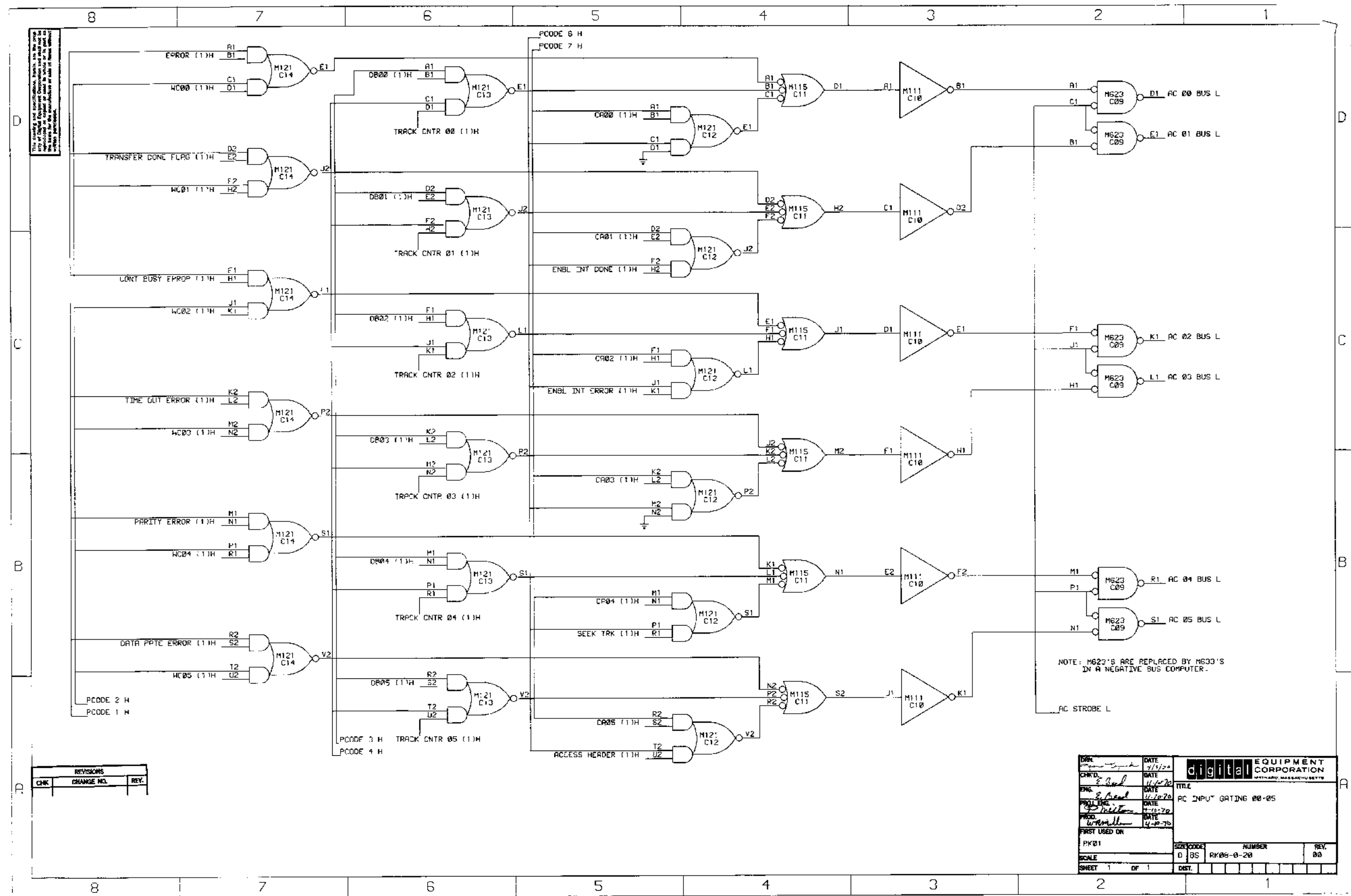


Figure II-32 AC Input Gating 00-05 Block Schematic Diagram

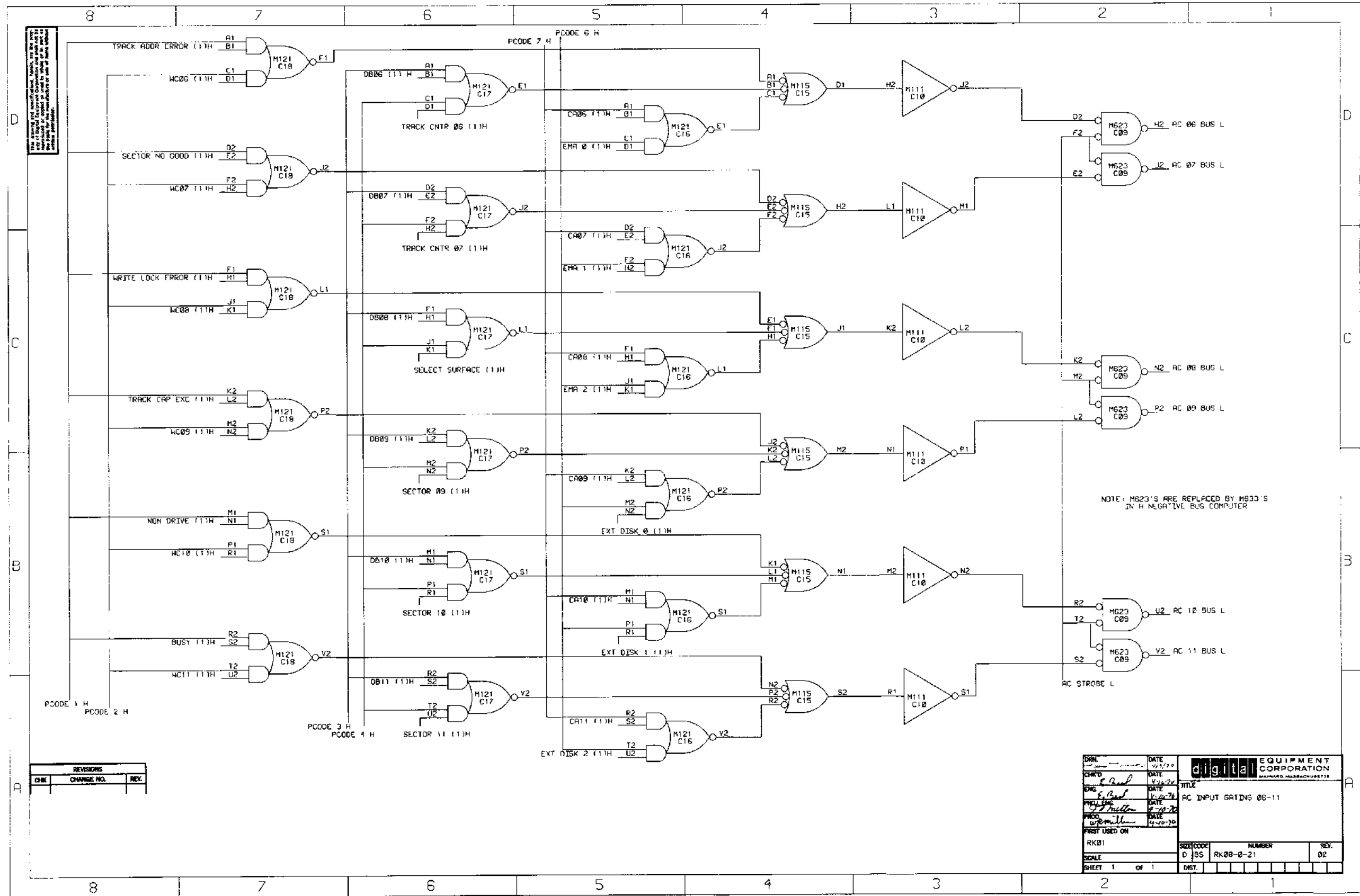


Figure II-33 AC Input Gating 06-11 Block Schematic Diagram

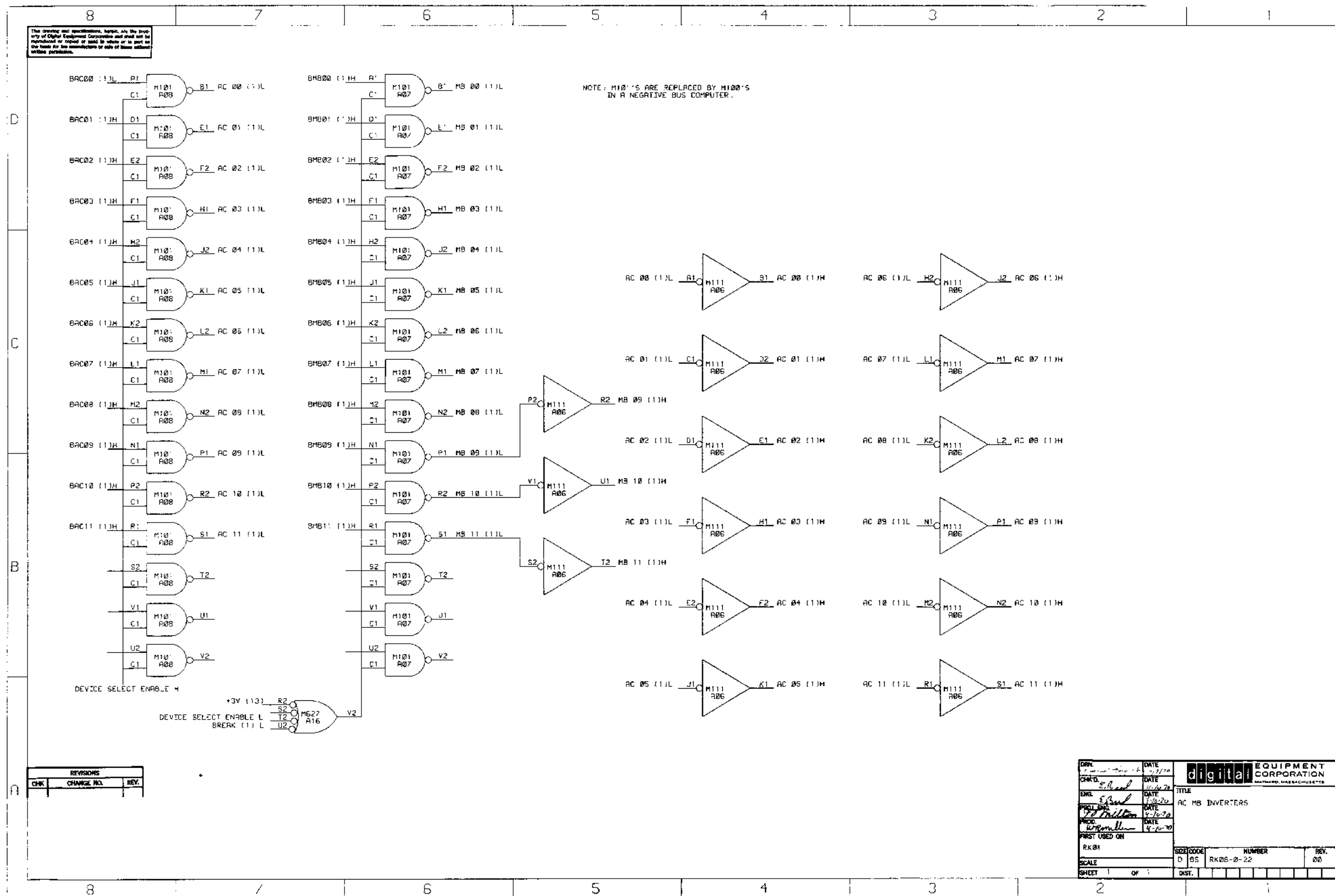


Figure II-34 AC Memory Buffer (MB) Inverters Block Schematic Diagram

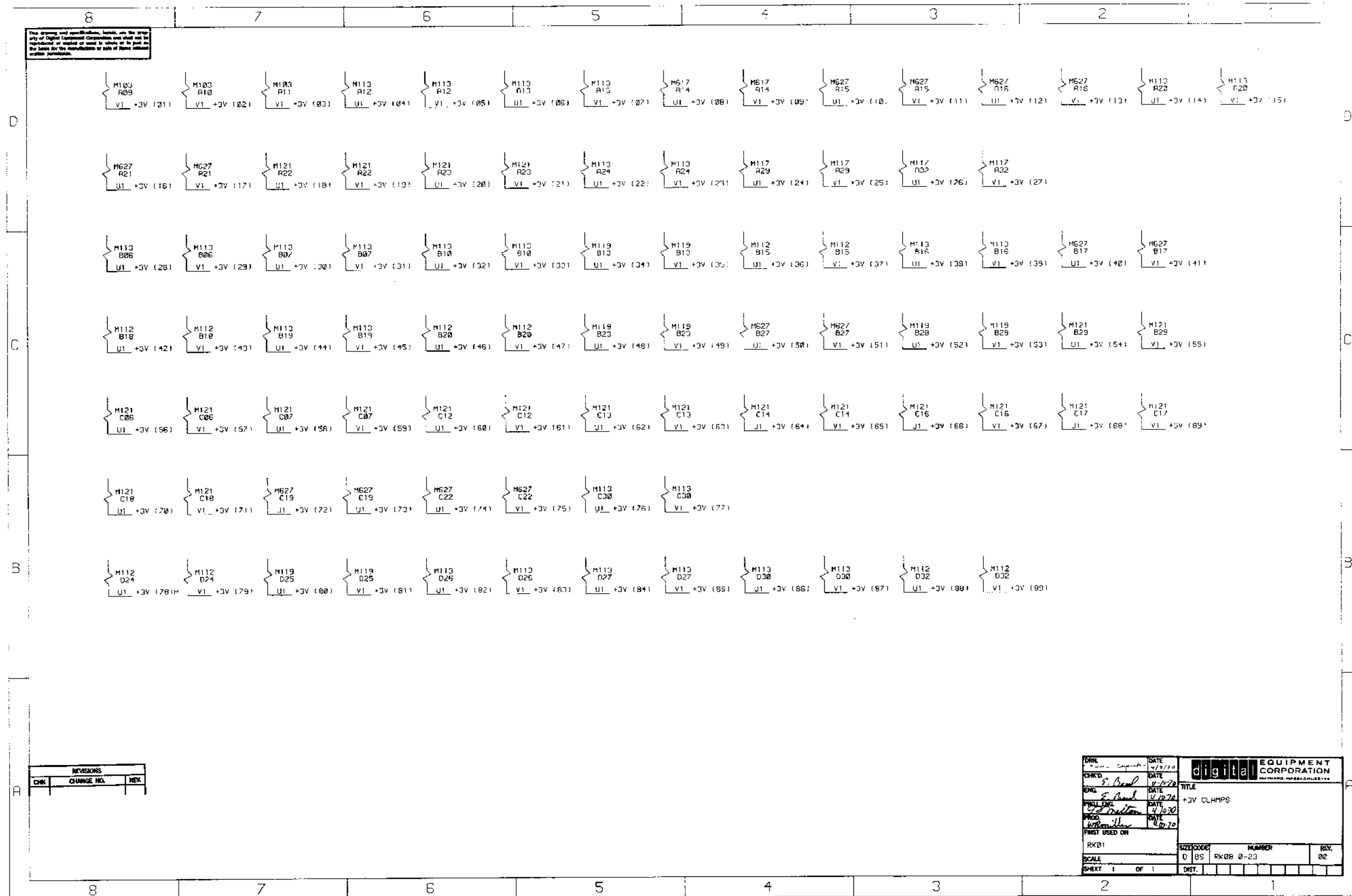


Figure II-35 +3V Clamps Block Schematic Diagram

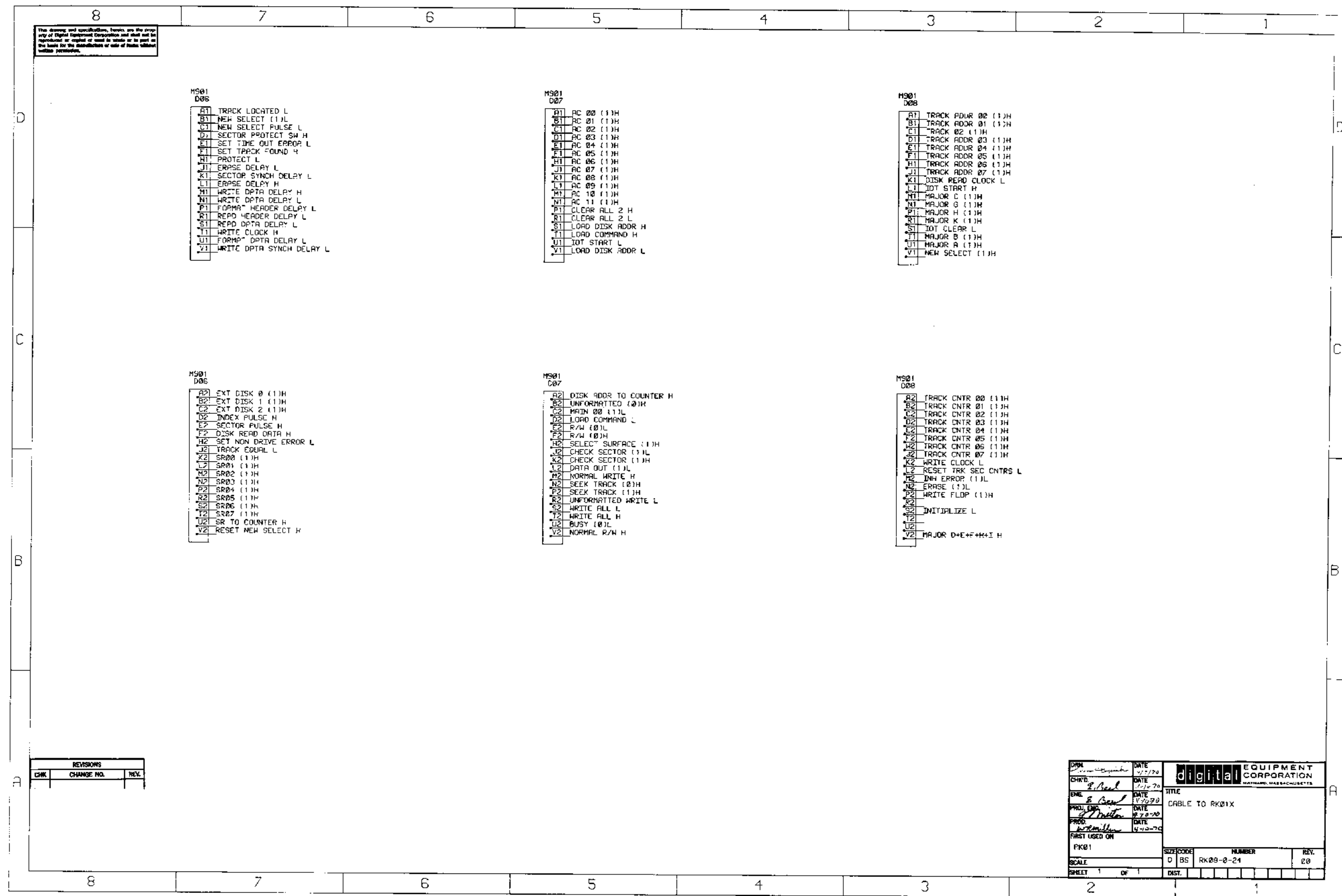


Figure II-36 Cable to RK01-X Block Schematic Diagram

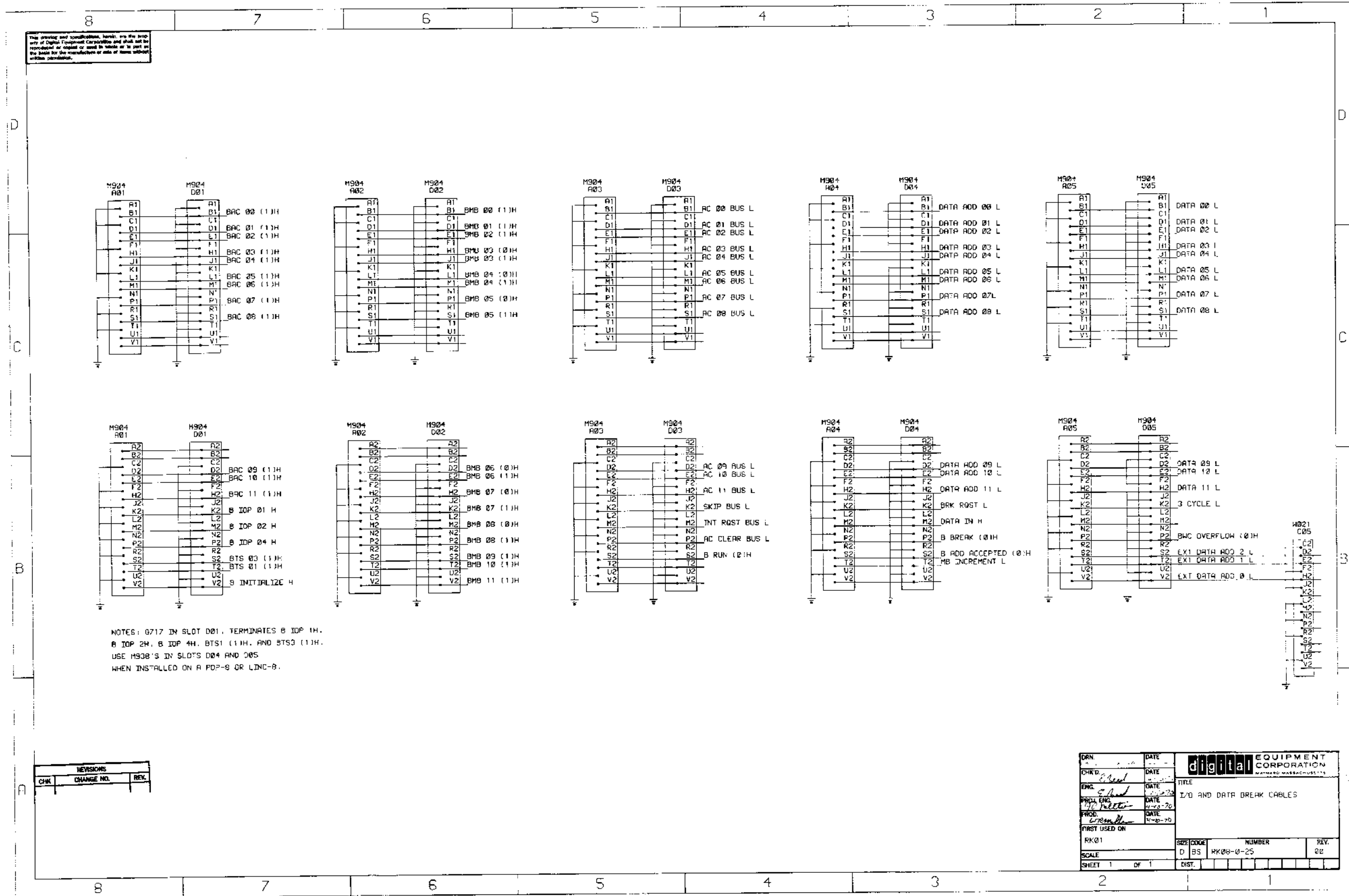


Figure II-37 I/O and Data Break Cables Block Schematic Diagram

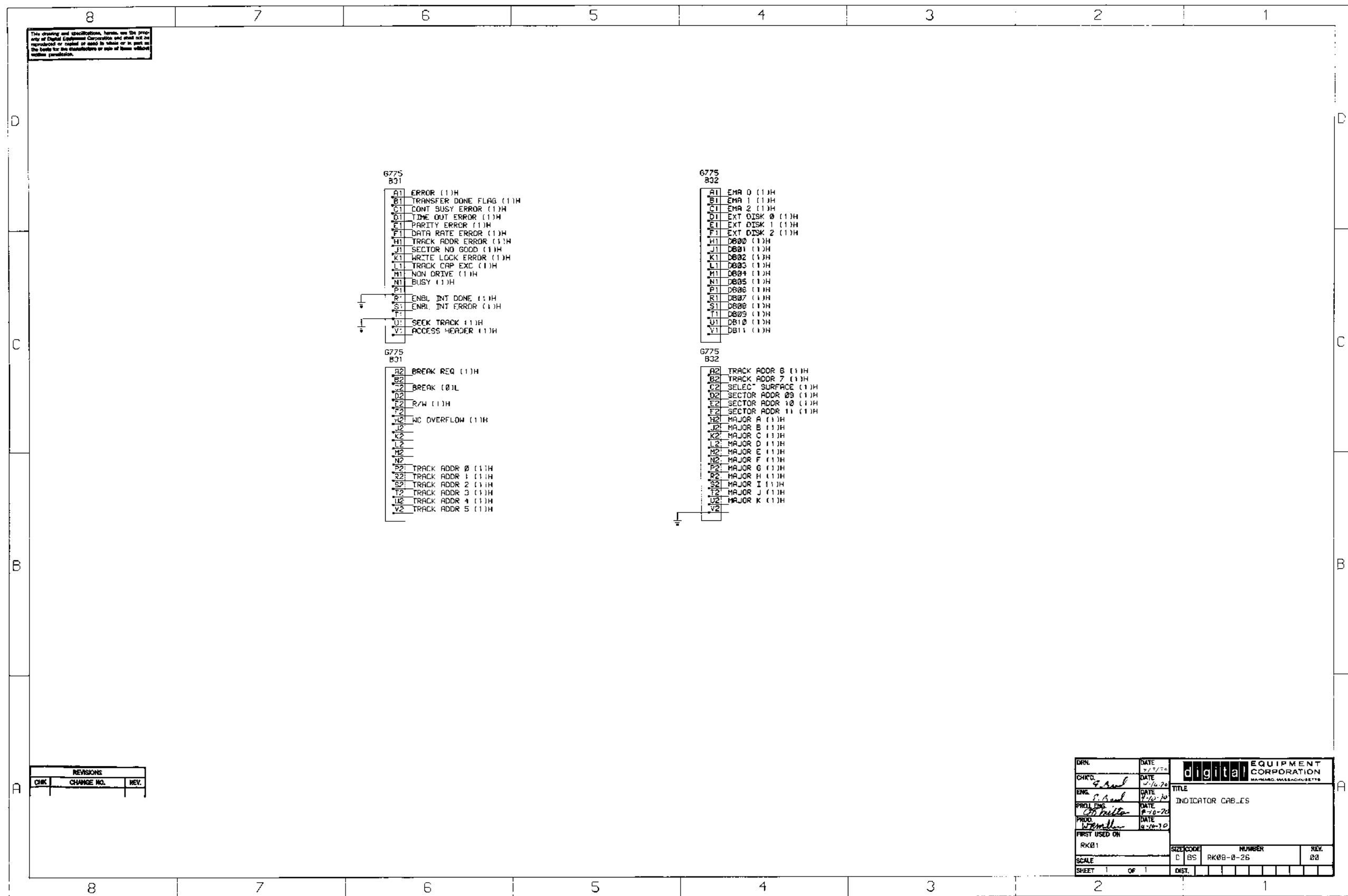


Figure II-38 Indicator Cables Block Schematic Diagram

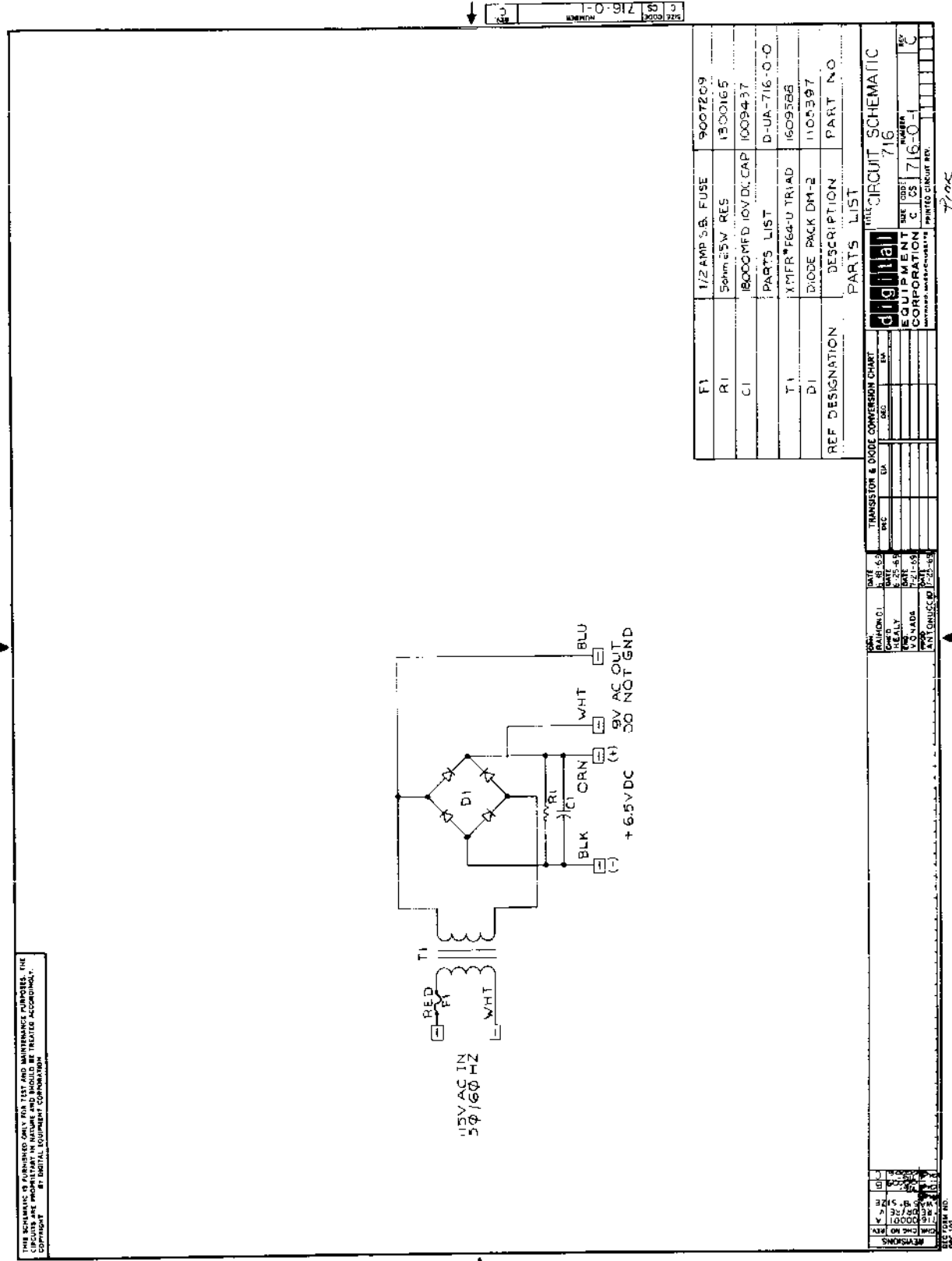


Figure II-39 Type 716 Power Supply Circuit Schematic Diagram

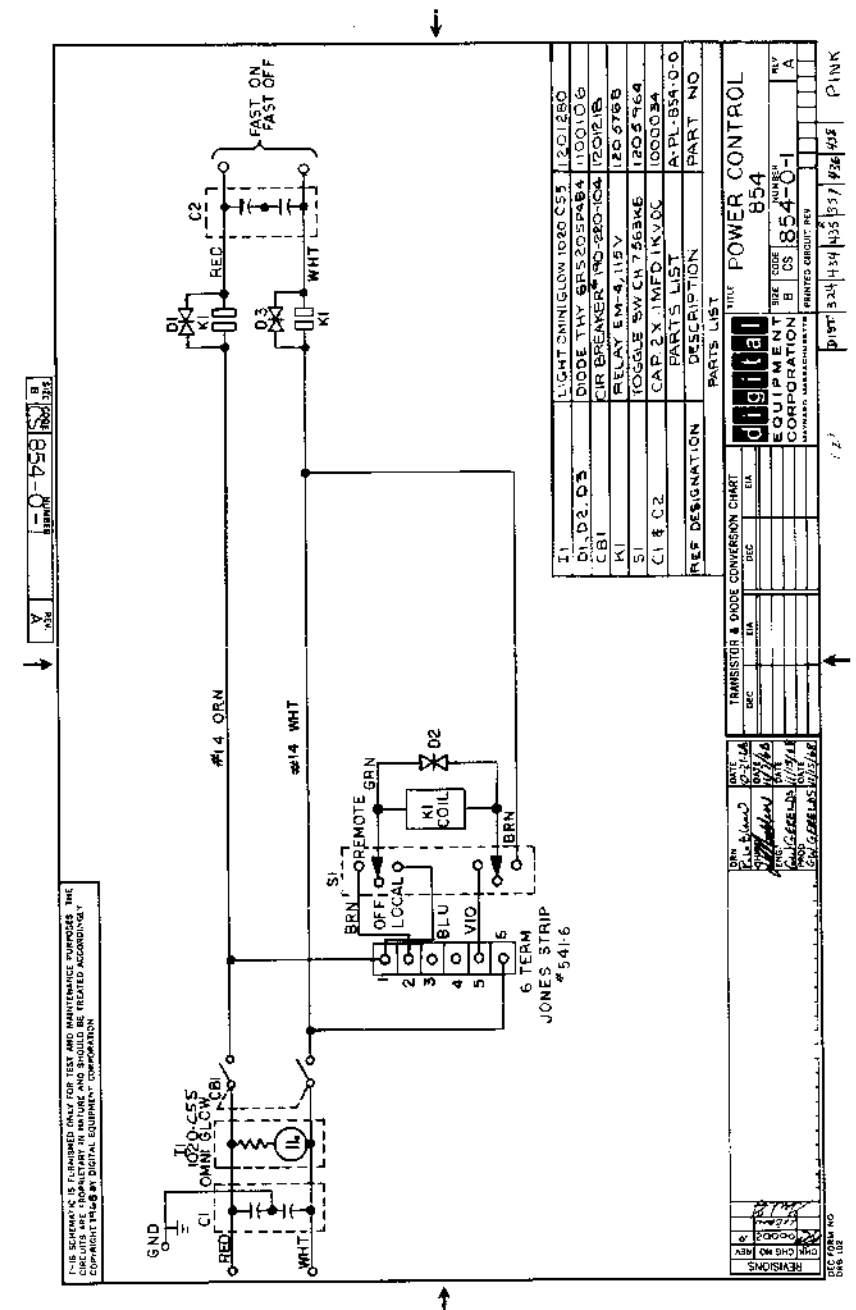


Figure II-40 Type 854 Power Control Panel Wiring Diagram

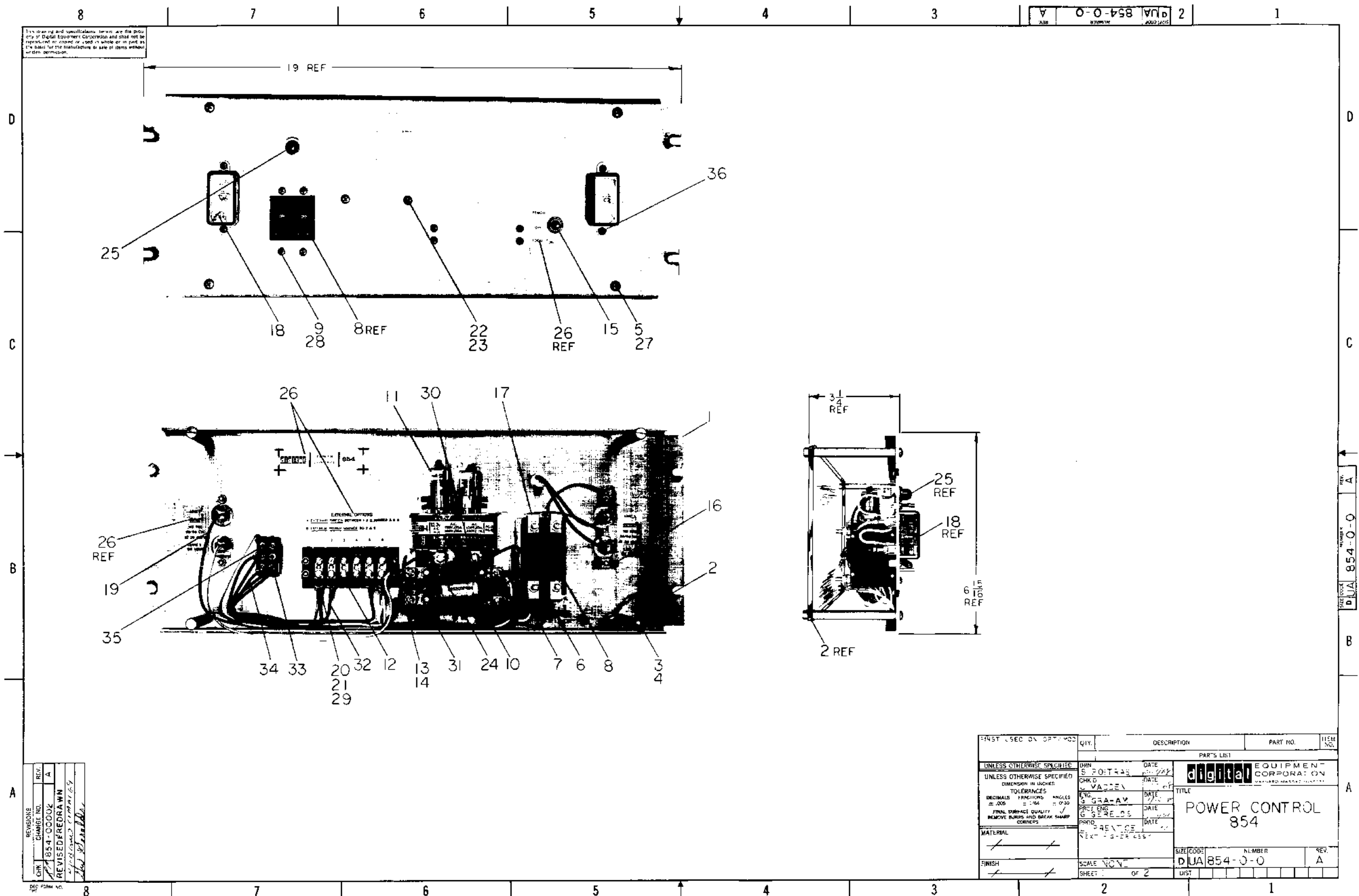


Figure II-41 Type 854 Power Control Panel
Component Pin Location Diagram
(Sheet 1)

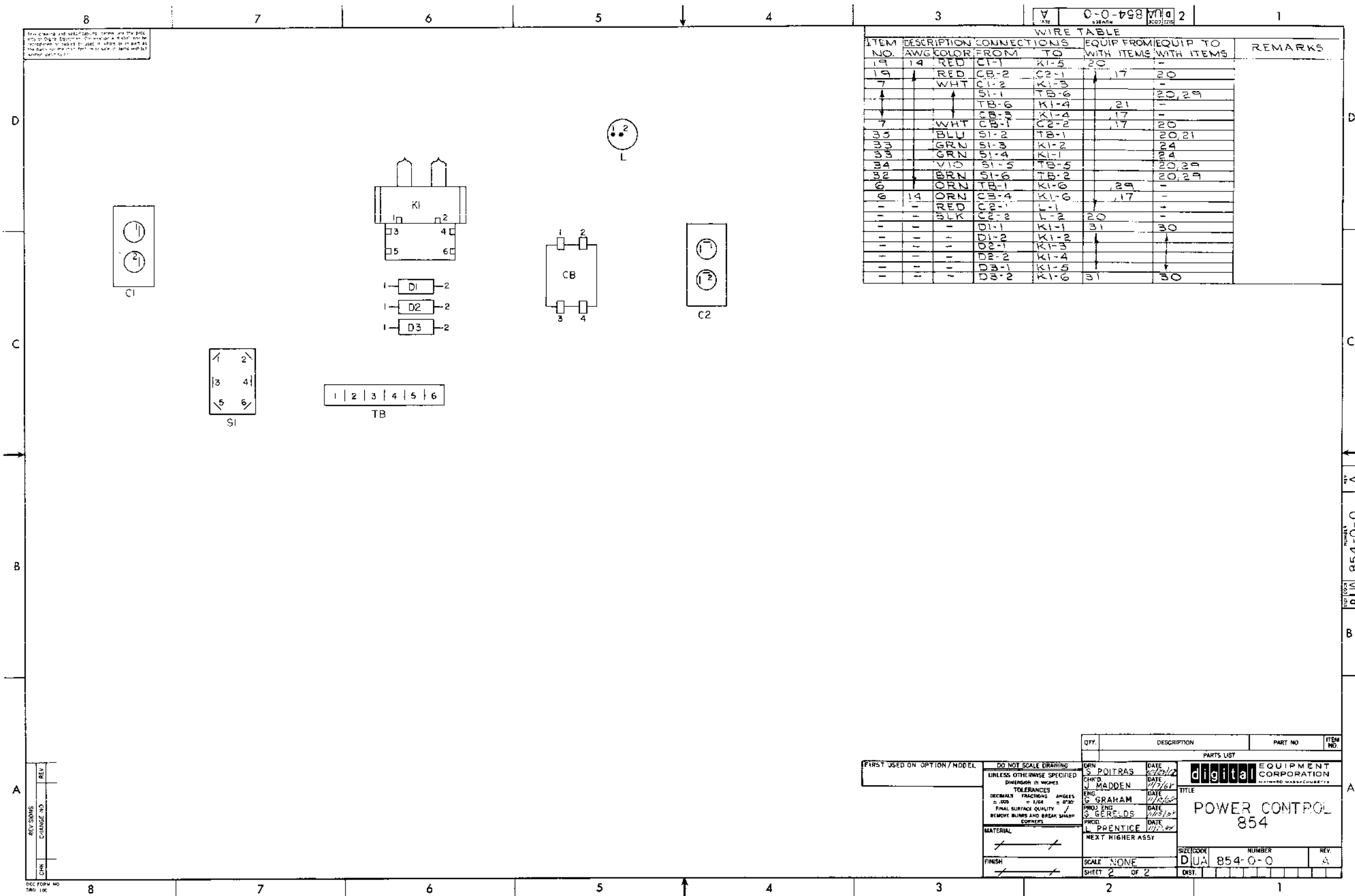


Figure II-41 Type 854 Power Control Panel
Component Pin Location Diagram
(Sheet 2)

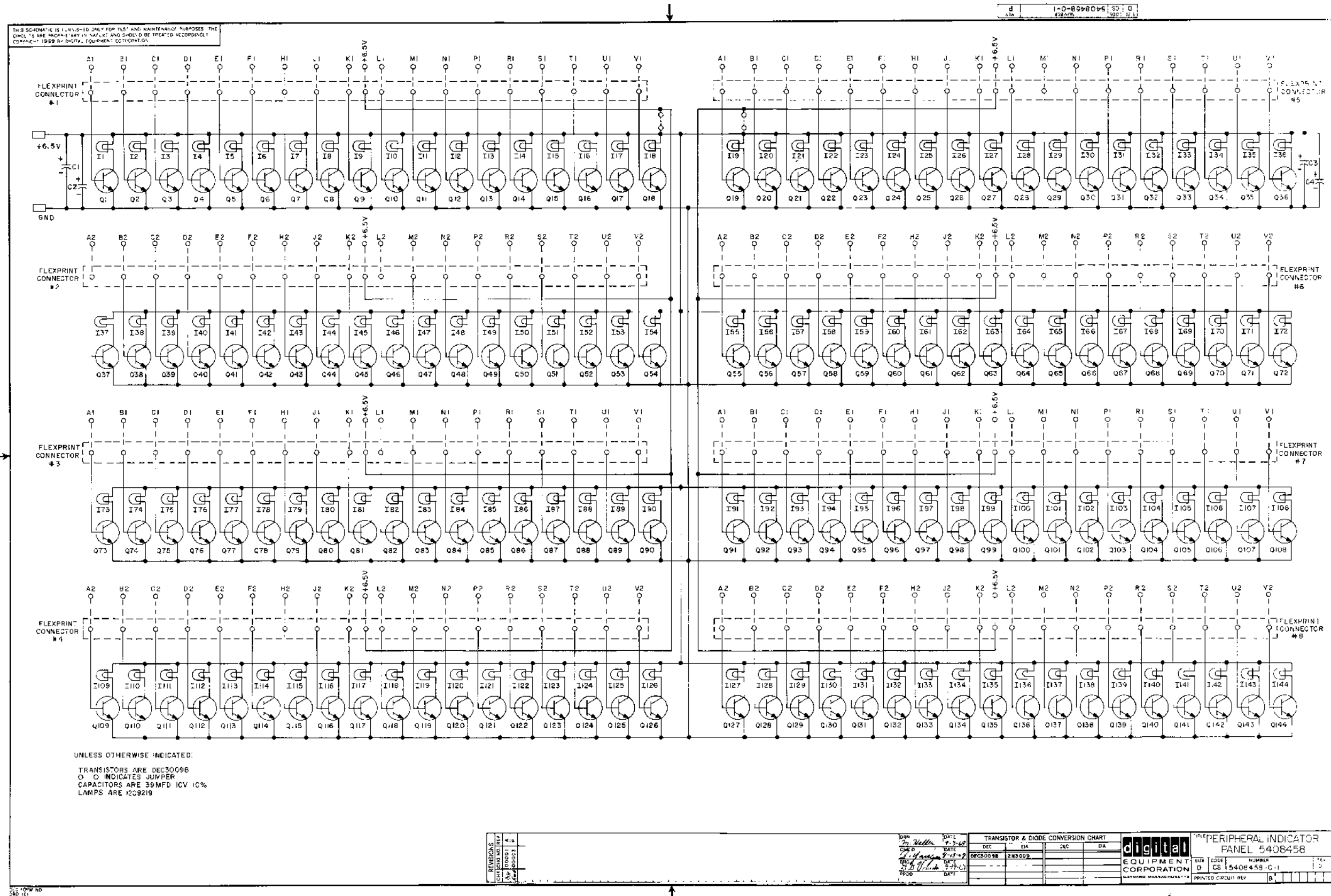
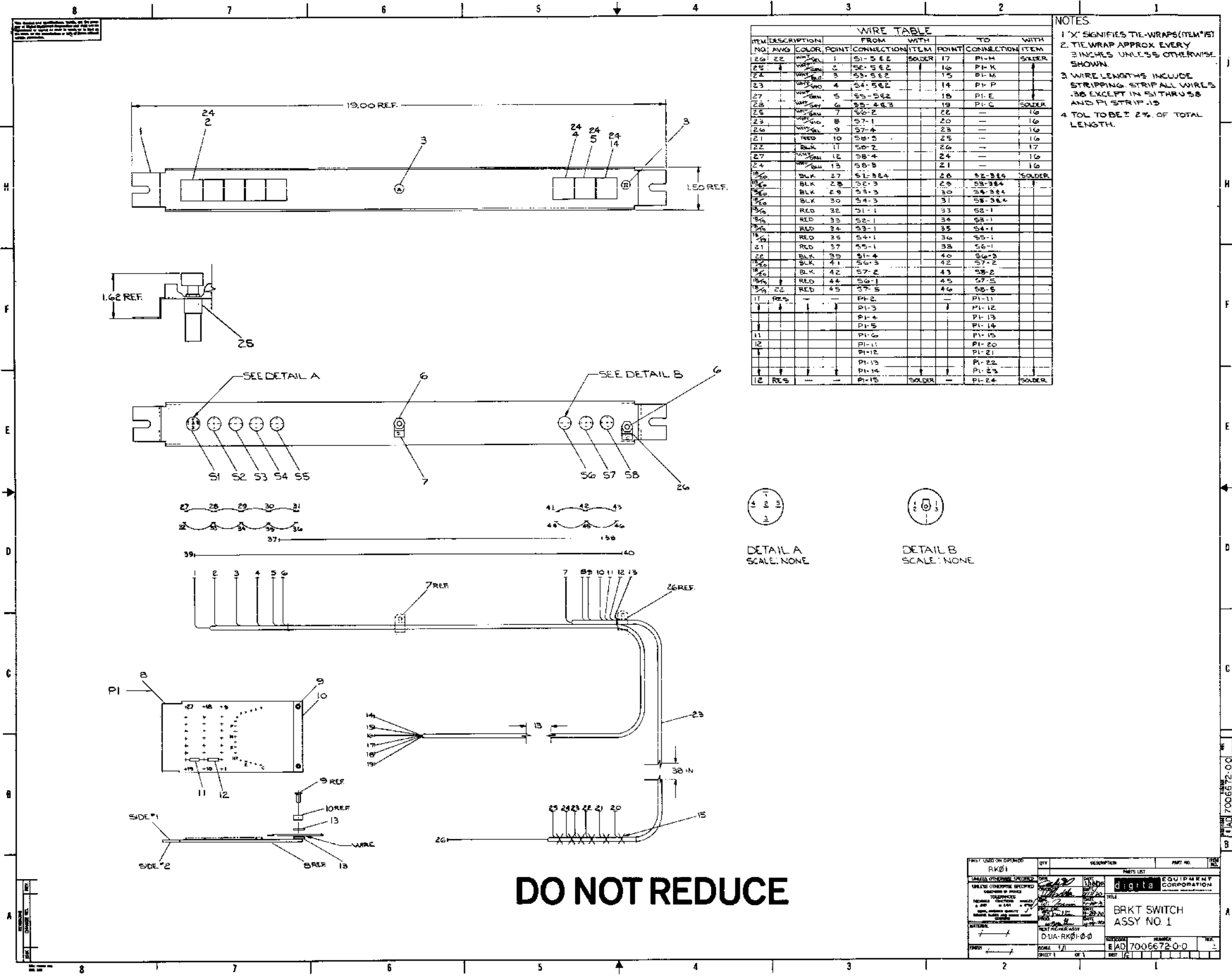
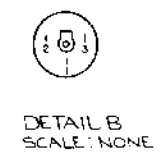


Figure II-42 Register Indicator Panel Circuit Schematic Diagram



WIRE TABLE									
ITEM NO.	DESCRIPTION	AVG COLOR	POINT	CONNECTION	ITEM	WITH	POINT	CONNECTION	ITEM
26	WIRE	BLK	1	S1-S E 2	SOLDER		17	P1-H	SOLDER
25	WIRE	BLK	2	S2-S E 2			16	P1-K	
24	WIRE	BLK	3	S3-S E 2			15	P1-M	
23	WIRE	WHT	4	S4-S E 2			14	P1-P	
27	WIRE	WHT	5	S5-S E 2			18	P1-E	
28	WIRE	WHT	6	S5-S E 3			19	P1-C	SOLDER
25	WIRE	WHT	7	S5-2			22		16
23	WIRE	WHT	8	S7-1			20		16
24	WIRE	WHT	9	S7-4			23		16
21	WIRE	WHT	10	S8-3			25		16
22	WIRE	BLK	11	S8-2			26		17
27	WIRE	WHT	12	S8-4			24		16
24	WIRE	WHT	13	S8-8			21		16
18	WIRE	BLK	27	S1-S E 4			28	S2-S E 4	SOLDER
19	WIRE	BLK	28	S2-3			29	S3-S E 4	
20	WIRE	BLK	29	S3-3			30	S4-S E 4	
21	WIRE	BLK	30	S4-3			31	S5-S E 4	
22	WIRE	RED	32	S1-1			33	S2-1	
23	WIRE	RED	33	S2-1			34	S3-1	
24	WIRE	RED	34	S3-1			35	S4-1	
25	WIRE	RED	35	S4-1			36	S5-1	
26	WIRE	RED	37	S5-1			38	S6-1	
27	WIRE	BLK	39	S1-4			40	S2-3	
28	WIRE	BLK	41	S2-3			42	S3-2	
29	WIRE	BLK	42	S3-2			43	S4-2	
30	WIRE	RED	44	S6-1			45	S7-5	
31	WIRE	RED	45	S7-5			46	S8-5	
11	RES			P1-2				P1-11	
12	RES			P1-3				P1-12	
13	RES			P1-4				P1-13	
14	RES			P1-5				P1-14	
15	RES			P1-6				P1-15	
16	RES			P1-11				P1-20	
17	RES			P1-12				P1-21	
18	RES			P1-13				P1-22	
19	RES			P1-14				P1-23	
20	RES			P1-15	SOLDER			P1-24	SOLDER

- NOTES
- 1 'X' SIGNIFIES TIE-WRAPS (ITEM #15)
 2. TIE WRAP APPROX EVERY 3 INCHES UNLESS OTHERWISE SHOWN
 3. WIRE LENGTHS INCLUDE STRIPPING. STRIP ALL WIRES .38 EXCEPT IN S1 THRU S8 AND P1 STRIP .15
 4. TOL TO BE ± 2% OF TOTAL LENGTH.



REV	DESCRIPTION	DATE	BY	CHKD
1	REVISED TO SHOW CHANGES TO WIRE TABLE	11/20/70	W. J. HARRIS	J. E. HARRIS
2	REVISED TO SHOW CHANGES TO WIRE TABLE	11/20/70	W. J. HARRIS	J. E. HARRIS
3	REVISED TO SHOW CHANGES TO WIRE TABLE	11/20/70	W. J. HARRIS	J. E. HARRIS
4	REVISED TO SHOW CHANGES TO WIRE TABLE	11/20/70	W. J. HARRIS	J. E. HARRIS
5	REVISED TO SHOW CHANGES TO WIRE TABLE	11/20/70	W. J. HARRIS	J. E. HARRIS

BRKT SWITCH ASSY NO. 1

DIA-RK01-00

SCALE 1/1

REV 1 OF 1

Figure II-43 Control Panel Switch Assembly Diagram

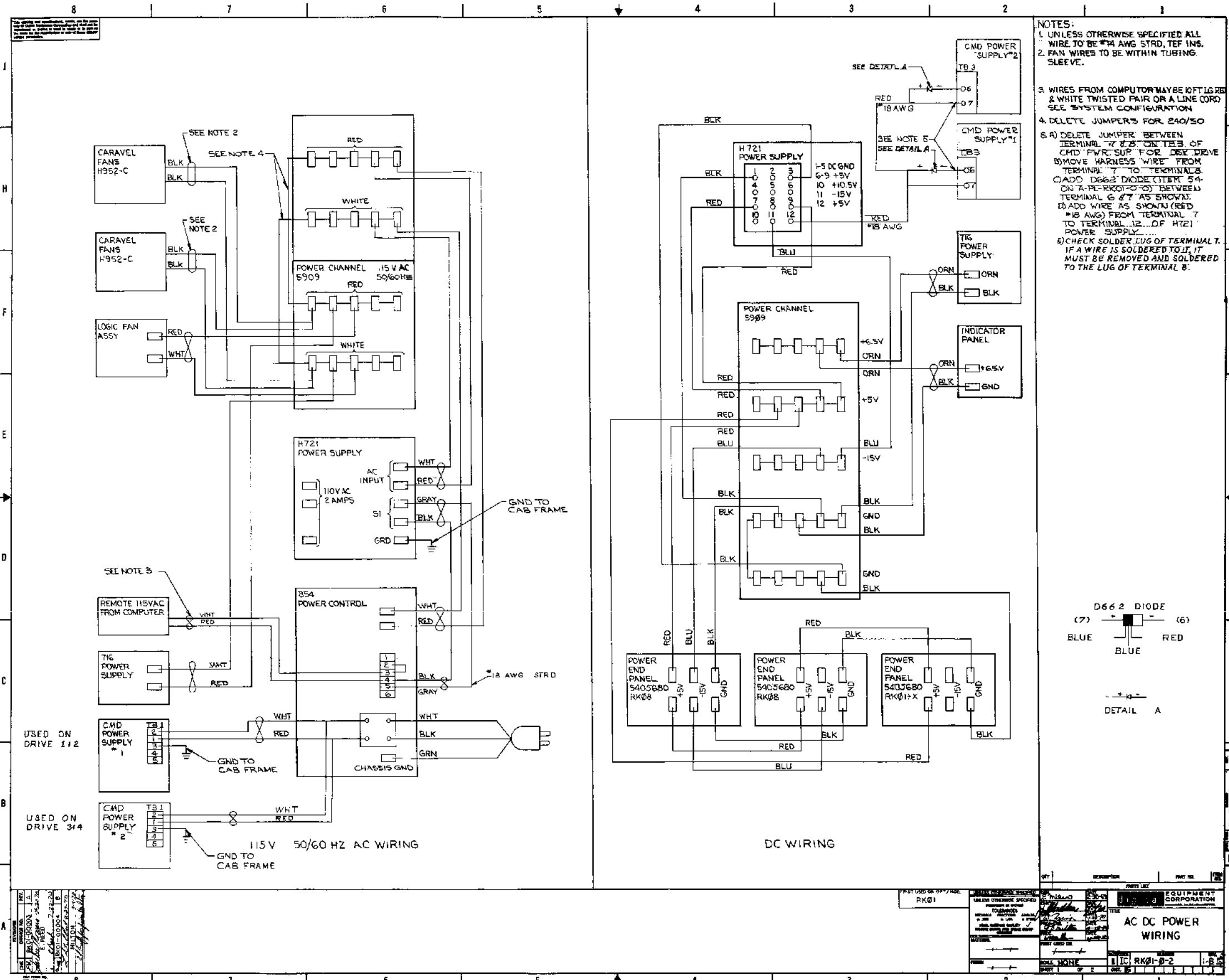
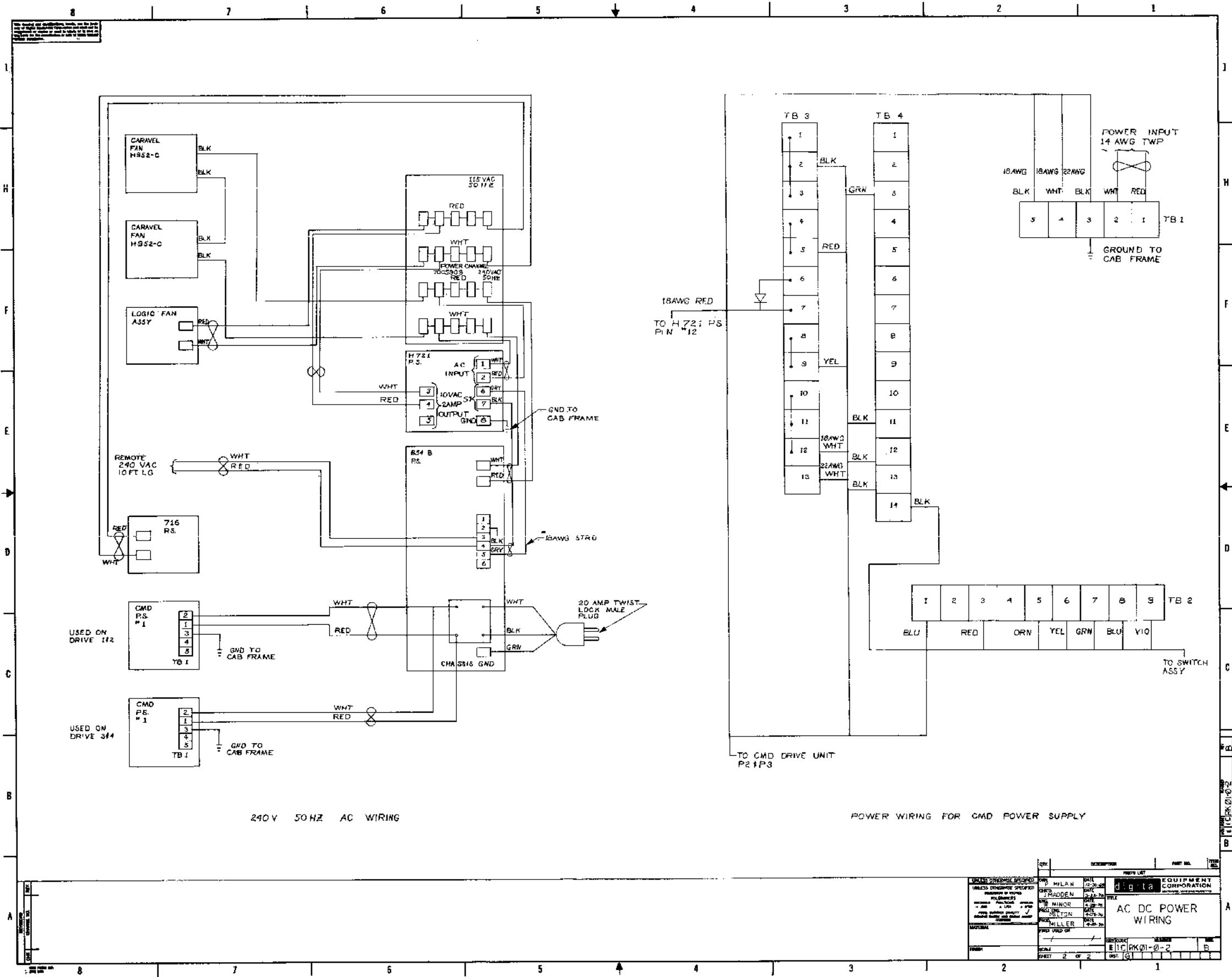


Figure II-44 AC/DC Power Wiring Diagram



See drawing and specifications for details. All wire sizes are in AWG unless otherwise specified. All ground connections are to the cabinet frame.

REV.	DESCRIPTION	DATE	BY	CHKD.
001	ISSUED	12-20-78	MYLAN	DALE
002	REVISED	01-24-79	BRADEN	DALE
003	MINOR	05-29-79	DALE	DALE
004	REVISION	03-23-79	DALE	DALE
005	REVISION	04-20-79	DALE	DALE

DATE	12-20-78	BY	MYLAN	CHKD.	DALE
SCALE	AS SHOWN	SHEET	2 OF 2	PROJECT	11C PK01-0-2

PROJECT	11C PK01-0-2	SHEET	2 OF 2
DESCRIPTION	AC DC POWER WIRING	DATE	12-20-78
BY	MYLAN	CHKD.	DALE