

digital

RK 11-D

Engineering Drawings

Digital Equipment Corporation

The material herein is for information purposes only and is subject to change without notice. Digital Equipment Corporation assumes no responsibility for any errors which may appear herein.

These drawings and specifications herein are the property of Digital Equipment Corporation and shall not be reproduced or copied or used in whole or in part as the basis for the manufacture or sale of items without written permission.

Copyright © 1975, Digital Equipment Corporation



CUSTOMER PRINT SET INDEX

SEQUENCE		SEQUENCE
MODULE UTILIZATION	D-MU-RK11-D-1	
PARTS LIST	A-PL-RK11-D-1	
STATUS CONTROL	D-CS-M7254-0-1	
DISK CONTROL	D-CS-M7255-0-1	
DATA PATHS	D-CS-M7256-0-1	
BUS CONTROL	D-CS-M7257-0-1	
BACK PANEL INTERCONNECTION	D-IC-RK11-D-3	
RK11-D FUNCTION FLOWS	D-FD-RK11-D-9	
ETCH BACK PANEL	D-CS-5410185-0-1	
UNIT ASSEMBLE	D-UA-RK11-0-0	
WIRED ASSEMBLY	C-IA-7009142-0-0	
BUS TERMINATOR	A-PL-M930-0-0	
OPTION HARNESS	D-IA-7009559-0-0 (SEE NOTE)	
RK05 OPTION CONFIGURATION	D-OC-RK05-0-15	
MAINTENANCE MODULE	A-SS-5509081-0-11	
ACCESSORY LIST	A-AL-RK11-D-6	
SOFTWARE LIST	A-SL-RK11-D-7	
ETCH/WIRE LIST	K-WL-RK11-D-2	
AWT REVISION STATUS	A-WT-7009142-0	

THIS IS PRINT SET

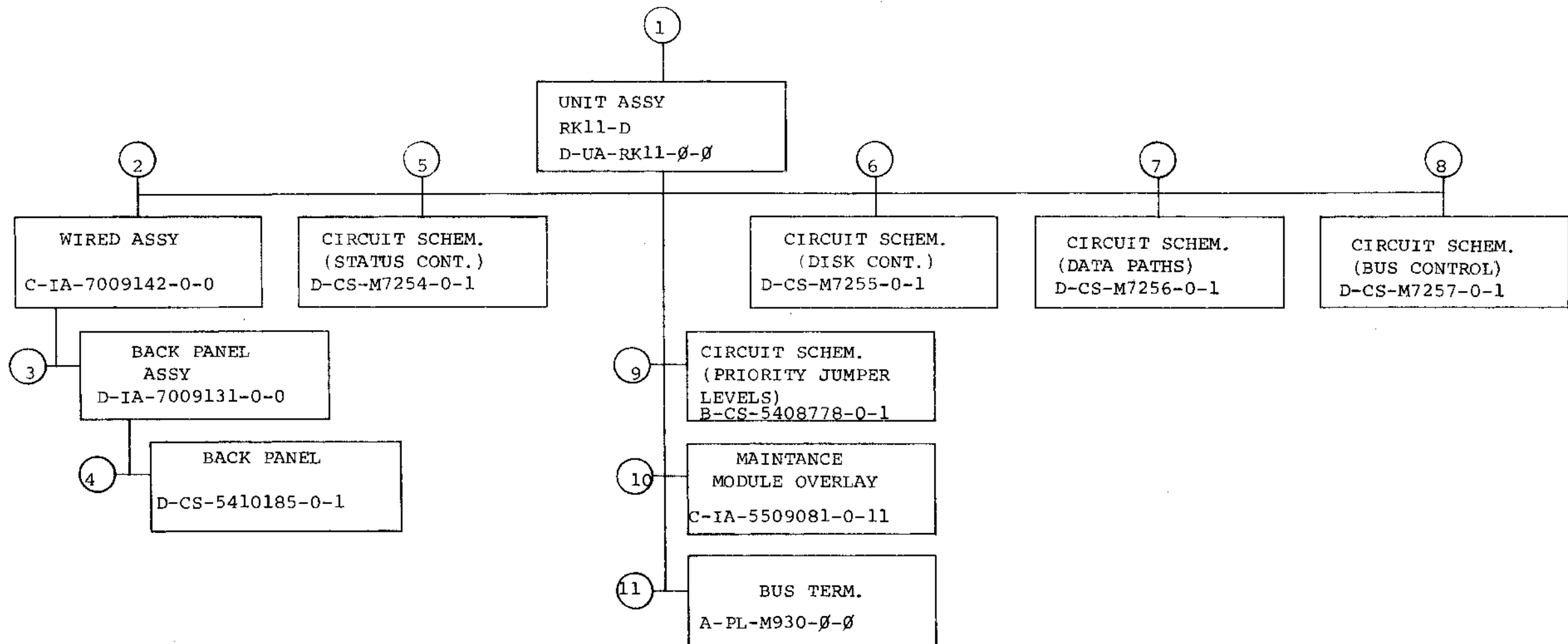
UNIT VARIATIONS		PRINT SET		
VAR	TITLE	1	2	3
RK11-D	DISK CONTROL	X		
RK11-E	DISK CONTROL	X		
RK11-DE	RK11-D, RK05-DE (TALL CAB, 861, 115V, 50HZ)	X		
RK11-DF	RK11-D, RK05-DF (TALL CAB, 861, 230V, 60HZ)	X		
RK11-DH	RK11-D, RK05-DH (TALL CAB, 861, 115V, 50 HZ)	X		
RK11-DJ	RK11-D, RK05-DJ (TALL CAB, 861, 230V, 50 HZ)	X		
RK11J-DE	RK11-D, RK05J-DE	X		
RK11J-DF	RK11-D, RK05J-DF	X		
RK11J-DH	RK11-D, RK05J-DH	X		
RK11J-DJ	RK11-D, RK05J-DJ	X		
RK11J-DK	RK11-D, RK05J-DK	X		
RK11J-DL	RK11-D, RK05J-DL	X		
RK11J-DM	RK11-D, RK05J-DM	X		
RK11J-DN	RK11-D, RK05J-DN	X		

NOTE: USE RK11-D OPTION HARNESS 7009559 IN 11/40 SYSTEMS WITH S/N GREATER THAN 6000 AND 11/45 SYSTEMS WITH S/N GREATER THAN 2000. OLDER MACHINES REQUIRE RK11-D POWER HARNESS 7008992.

PDP11/15 AND PDP11/20 SYSTEM AND BALL-ES BOXES USE NO POWER HARNESS OTHER THAN THAT SUPPLIED INTERNAL TO THE BOX. BALL-D BOXES REQUIRE RK11-D POWER HARNESS 7008992.

REVISIONS							USED ON OPTION/MODEL		DRN.	DATE	TITLE	NUMBER				REV		
DATE	CHG. NO.	REV	K	L	M	N	P	R				B	DD					
3-74	EK11D-14									E. WILSON	12-72			DISK CONTROL				R
4-74	RK11D-15									CHK'D.	DATE							
5-74	RK11D-16									GILBERT	12-72							
7-75	RK11D-17									PROJ ENG.	DATE							
10-75	RK11D-18									T. ORR	12-72							
10-76	RK11D-19									PROD.	DATE							
										R. DOOLEY	12-72							
										FIELD SERV.	DATE							
										R. FULTON	12-72							

SHEET 1 OF 4



TITLE	SHEET	SIZE	CODE	NUMBER	REV
DISK CONTROL	2 OF 4	B	DD	RK11-D	R

CUSTOMER PRINT SET		ELECTRICAL					CUSTOMER PRINT SET		ELECTRICAL						
	MFG. SET	FIND NO.	DRAWING NO.	REV	NO OF SHT	DESCRIPTION	OPTION NO./FILE DATE		MFG. SET	FIND NO.	DRAWING NO.	REV	NO OF SHT	DESCRIPTION	OPTION NO./FILE DATE
X		1	D-UA-RK11-0-0	C	1	UNIT ASSY (RK11-D)		X		8	D-CS-M7257-0-1	#	6	CIRCUIT SCHEMATIC (BUS CONT.)	
			D-MU-RK11-D-1	*	1	MODULE UTILIZATION (RK11-D)					D-CO-M7257-0-4		1	X-Y COORDINATE HOLE LOCATION	
			A-PL-RK11-D-1	*	1	MODULE UTILIZATION (RK11-D) PL					D-AH-M7257-0-5		1	ASSY DRILLING HOLE LOCATION	
			D-IA-7008992-0-0		1	POWER HARNESS (REF)					B-MH-M7257-0-6		1	MODULE ECO HISTORY	
X			D-IC-RK11-D-3	C	4	BACK PANEL INTERCONNECTION									
X			D-IA-7009559-0-0	#	1	OPTION HARNESS									
X		2	C-IA-7009142-0-0	B	1	WIRED ASSY (RK11-D)				9	B-CS-5408778-0-1		1	CIRCUIT SCHEMATIC (PRIORITY JUMPER LEVELS)	
											C-IA-5408778-0-0		1	PRIORITY JUMPER LEVEL #5	
											D-IA-5008777-0-0		1	ETCH BOARD	
								X		10	A-SS-5509081-0-11	#		MAINTENANCE MODULE OVERLAY (RK11-D)	
											C-IA-5509081-0-0			MAINTENANCE MODULE OVERLAY	
X		4	D-CS-5410185-0-1	#	1	CIRCUIT SCHEMATIC (BACKPANEL)		X			D-CC-RK05-0-15	#		RK05 OPTION CONFIGURATION (REF)	
			K-CO-5410185-0-4		1	X-Y COORDINATE HOLE LOCATION									
			E-AH-5410185-0-5		1	ASSY DRILLING HOLE LOCATION									
			B-MH-5410185-0-6		1	MODULE ECO HISTORY									
C			K-WL-RK11-D-2	H	1	ETCH/WIRE LIST (RK11-D)		X		11	A-PL-M930-0-0	#		BUS TERMINATOR	
X			A-WT-7009142-0	H	1	AWT REVISION STATUS									
X		5	D-CS-M7254-0-1	#	6	CIRCUIT SCHEMATIC (STATUS CONT)				12	A-SP-RK11-D-4	A	18	RK11-D ENGINEERING SPECS	
			K-CO-M7254-0-4		1	X-Y COORDINATE HOLE LOCATION					A-SP-RK11-D-5	A	5	RK11-D CHECK OUT PROCEDURE	
			D-AH-M7254-0-5		1	ASSY DRILLING HOLE LOCATION		X			A-AL-RK11-D-6	*	1	RK11-D ACCESSORY LIST	
			B-MH-M7254-0-6		1	MODULE ECO HISTORY		X			A-PL-RK11-D-7	A	1	RK11-D SOFTWARE LIST	
											A-SP-RK11-D-8	A	4	RK11-D ACCEPTANCE PROCEDURE	
X								X			D-FD-RK11-D-9	*	5	RK11-D, E FUNCTION FLOWS	
											B-DD-RK11-TA			RK11-D, E TESTER	
											A-SP-RK11-0-2		23	DISK SYSTEM MANUFACTURING PROCEDURES (REF)	
X		7	D-CS-M7256-0-1	#	7	CIRCUIT SCHEMATIC (DATA PATHS)									
			K-CO-M7256-0-4		1	X-Y COORDINATE HOLE LOCATION									
			D-AH-M7256-0-5		1	ASSY DRILLING HOLE LOCATION									
			B-MH-M7256-0-6		1	MODULE ECO HISTORY									

CUSTOMER PRINT SET CODES
X = PRINT OF DOCUMENT INCLUDED IN PRINT SET
C = INCLUDES ALL PRINTS INDICATED ON DOCUMENT
S = CONFIDENTIAL AUTHORIZED SIGNATURE REQUIRED

= PRINT OF DOCUMENT IS LATEST REVISION LEVEL

TITLE CONTROL

SHEET 3 OF 4

SIZE CODE
B DD

NUMBER
RK11-D

REV
R

CUSTOMER PRINT SET					MECHANICAL					CUSTOMER PRINT SET					MECHANICAL				
1	MFG. SET	FIND NO.	DRAWING NO.	REV	NO OF SHT	DESCRIPTION	OPTION NO./FILE DATE	1	MFG. SET	FIND NO.	DRAWING NO.	REV	NO OF SHT	DESCRIPTION	OPTION NO./FILE DATE				
		1	D-UA-RK11-0-0	C	1	UNIT ASSY (RK11-D)				8	D-CS-M7257-0-1	#	5	CIRCUIT SCHEMATIC (BUS CONTROL)					
											K-CO-M7257-0-4		1	X-Y COORDINATE HOLE LOCATION					
											D-AH-M7257-0-5		1	ASSY DRILLING HOLE LOCATION					
											B-MH-M7257-0-6		1	MODULE ECO HISTORY					
		2	C-IA-7009142-0-0	B	1	WIRED ASSY (RK11-D)													
		3	D-IA-7009131-0-0	#	1	BACKPANEL													
			E-SC-1209583-0-1		1	CASTING, THREE BLOCK													
			A-SS-7407846-0-0		1	DECAL LOGIC SERIAL NUMBER													
		4	D-CS-5410185-0-1	#	1	CIRCUIT SCHEMATIC (BACKPANEL)													
			K-CO-5410185-0-4		1	X-Y COORDINATE HOLE LOCATION													
			E-AH-5410185-0-5		1	ASSY DRILLING HOLE LOCATION													
			B-MH-5410185-0-6		1	MODULE ECO HISTORY													
		5	D-CS-M7254-0-1	#	5	CIRCUIT SCHEMATIC (STATUS CONT.)													
			K-CO-M7254-0-4		1	X-Y COORDINATE HOLE LOCATION													
			D-AH-M7254-0-5		1	ASSY DRILLING HOLE LOCATION													
			B-MH-M7254-0-6		1	MODULE ECO HISTORY													
		6	D-CS-M7255-0-1	#	6	CIRCUIT SCHEMATIC (DISK CONT.)													
			K-CO-M7255-0-4		1	X-Y COORDINATE HOLE LOCATION													
			D-AH-M7255-0-5		1	ASSY DRILLING HOLE LOCATION													
			B-MH-M7255-0-6		1	MODULE ECO HISTORY													
		7	D-CS-M7256-0-1	#	6	CIRCUIT SCHEMATIC (DATA PATHS)													
			K-CO-M7256-0-4		1	X-Y COORDINATE HOLE LOCATION													
			D-AH-M7256-0-5		1	ASSY DRILLING HOLE LOCATION													
			B-MH-M7256-0-6		1	MODULE ECO HISTORY													

CUSTOMER PRINT SET CODES

X = PRINT OF DOCUMENT INCLUDED IN PRINT SET
 C = INCLUDES ALL PRINTS INDICATED ON DOCUMENT
 S = CONFIDENTIAL AUTHORIZED SIGNATURE REQUIRED

= PRINT OF DOCUMENT IS LATEST REVISION LEVEL

TITLE

BUS CONTROL

SHEET 4 OF 4

SIZE CODE
 B DD

NUMBER
 RK11-D

REV
 R

This drawing and specifications herein are the property of Digital Equipment Corporation and shall not be reproduced or copied or used in whole or in part as the basis for the manufacture or sale of items without written permission.

REV. 2

ALL KEYS OF RIBBON
THE KEYS OF RIBBON MUST HAVE AN M7700
OR LATER OR LATER AND HAVE A
SPRING MODEL OF KEY A OR LATER.
EVEN KEYS THE KEYS MUST ALSO
HAVE A GIB KEY OR LATER.

1	UNIBUS IN	M7254	M7255	M7256	M7257	STATUS CONTROL	DISK	DATA	BUS
2	BC11-A	DISK CABLE							
3	G772	POWER							
4		UNIBUS OUT							
		M7254	M7255	M7256	M7257				
		M7254	M7255	M7256	M7257				

REV.	DATE
CHANGE NO.	
UNW	

FIRST USED ON OPTION/MODEL

DO NOT SCALE DRAWING
UNLESS OTHERWISE SPECIFIED
DIMENSION IN INCHES
TOLERANCES
DECIMALS FRACTIONS ANGLES
± .005 ± .001 ± .030
FINAL SURFACE QUALITY
REMOVE BURRS AND BREAK SHARP CORNERS

QTY.	DESCRIPTION	PART NO.	ITEM NO.
PARTS LIST			
DRN	DATE	digital EQUIPMENT CORPORATION MAYNARD, MASSACHUSETTS	
CHK'D.	DATE	TITLE MODULE UTILIZATION	
ENG.	DATE	SIZE CODE NUMBER REV.	
PROJ. ENG.	DATE	SCALE NOTE	
PROD.	DATE	SHEET 1 OF 1	
NEXT HIGHER ASSY		DIST	

DIGITAL EQUIPMENT CORPORATION MAYNARD, MASSACHUSETTS PARTS LIST					QUANTITY/VARIATION																			
MADE BY		LEWIS		9-26-72	CHECKED	<i>[Signature]</i>			SECTION															
DATE					DATE	<i>12/13/72</i>																		
ENG		<i>[Signature]</i>			PROD	<i>R. Doolan</i>			ISSUED SECT.															
DATE					DATE	<i>12/13/72</i>																		
ITEM NO.	DWG NO. / PART NO.		DESCRIPTION																					
1	M7254		STATUS CONTROL			1																		
2	M7255		DISK CONTROL			1																		
3	M7256		DATA PATHS			1																		
4	M7257		EUS CONTROL			1																		
TITLE					MODULE UTILIZATION (RK11-D)			ASSY NO.			D-MU-RK11-D-1			SIZE CODE		A PL		NUMBER			REV.		ECO NO.	
SHEET					1			OF			1			DIST.										

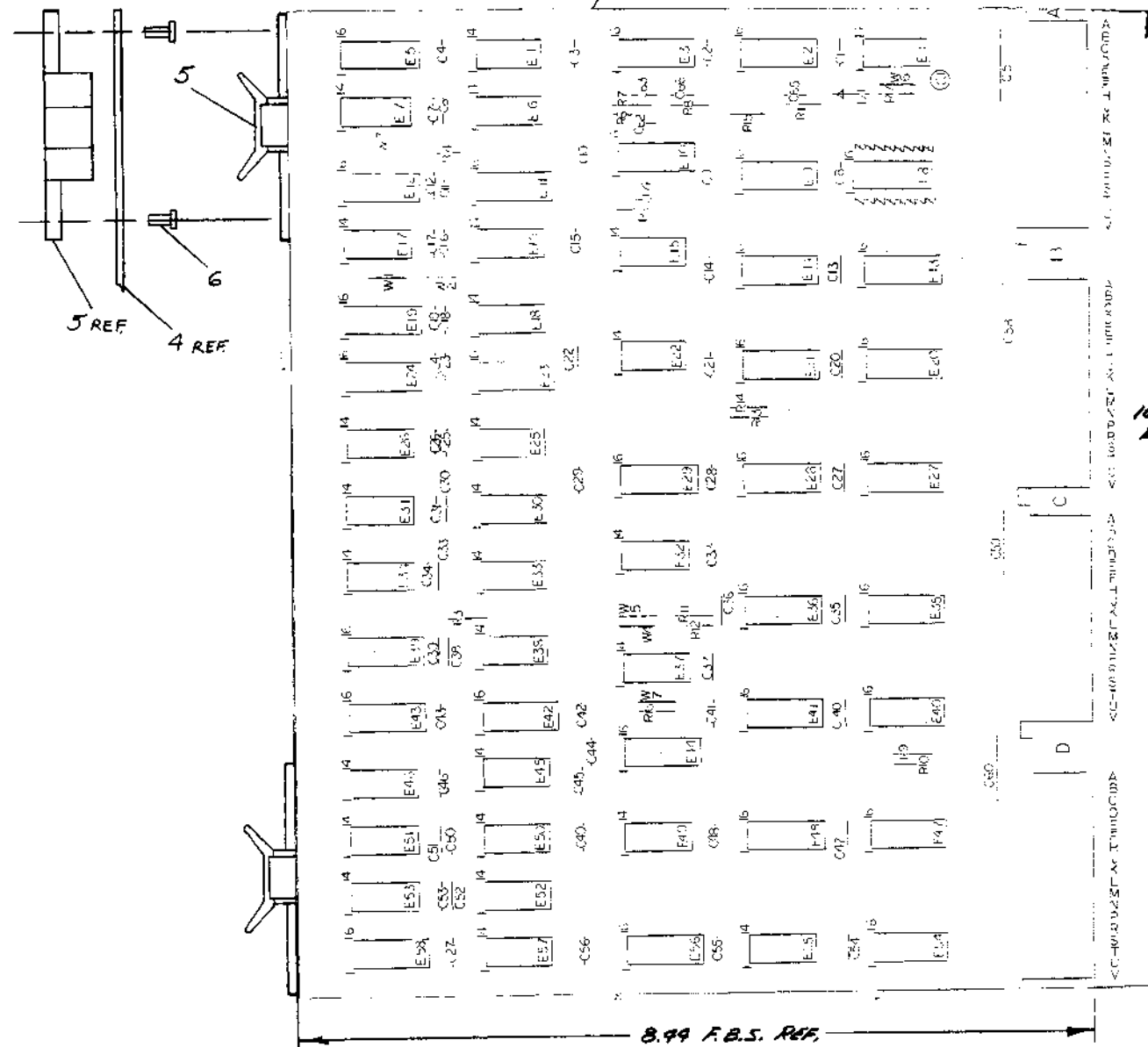
This drawing and specifications, forms, are the property of Digital Equipment Corporation and shall not be reproduced or copied or used in whole or in part for the benefit of the manufacturer or user of items without written permission. COPYRIGHT © 1973 DIGITAL EQUIPMENT CORPORATION

NOTES:

* IF NECESSARY USE I.C. DEC 8875 P/N 1910647
 ** IC DEC 384 P/N 1909486 OR 5384 P/N 1910394 MAY BE SUBSTITUTED FOR 7384 IN E26. EI MUST BE A 7384

**PIN NOMENCLATURE
 MODULE RKII-D**

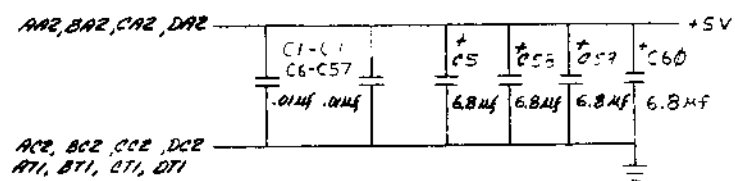
QTY	REF DESIGNATION	DESCRIPTION	PART NO.	ITEM NO.
1	Q1	TRANSISTOR DEC 6534B	1503409-01	50
1	E8	I.C. SOCKET	1209838	49
1	W1, W4, W6, W7	INSULATED JUMPER L-2007-1	5009185	48
1	E39	I.C. DEC 7475	1903050	47
2	E23, E41	I.C. DEC 74125	1910631	46
1	E25	I.C. DEC 8815	1909713	45
1	E4	I.C. DEC 74N55	1909063	44
3	E17, E52	I.C. DEC 74N53	1909062	43
1	E38	I.C. DEC 7408	1910135	42
1	E45	I.C. DEC 74N11	1909267	41
5	E21, E27, E28, E29, E40	I.C. DEC 74123	1910018	40
4	E12, E19, E24, E56	I.C. DEC 74161	1910630	39
1	E57	I.C. DEC 74N79	1909667	38
3	E4, E7, E37	I.C. DEC 7479	1903597	37
1	E53	I.C. DEC 74N52	1909061	35
2	E15, E22	I.C. DEC 7437	1910091	34
2	E1, E26	I.C. DEC 7384	1910393	33
1	E20	I.C. DEC 8881	1909705	32
3	E2, E3, E10	I.C. DEC 74123	1910436	31
3	E7, E43, E44	I.C. DEC 4015	1910087	30
2	E31, E32	I.C. DEC 7420	1905577	29
1	E16	I.C. DEC 7410	1905876	28
3	E18, E39, E49	I.C. DEC 7400	1905525	27
2	E46, E50	I.C. DEC 7402	1909008	26
2	E34, E42, E55, E58, E64	I.C. DEC 74153	1909937	25
1	E11	I.C. DEC 7496	1910363	24
1	E25	I.C. DEC 7427	1910878	23
2	E51, E33	I.C. DEC 7409	1903686	22
1	E43	I.C. DEC 7442	1910096	21
3	R10, R12, R14	RES. 750 Ω 1/4 W 5%	1301401	20
3	R9, R11, R13	RES. 330 Ω 1/4 W 5%	1300295	19
3	R3, R15, R16	RES. 1 K 1/4 W 5%	1302365	18
1	R1	RES. 47K 1/4 W 5%	1302177	17
1	R2	RES. 3K 1/4 W 5%	1300432	16
4	R2, R6, R7, R8	RES. 10 K 1/4 W 5%	1300475	15
1	R17	RES. 470 Ω 1/4 W 5%	1300316	14
1	D1	DIODE 1N748A 3.9V	1100122	13
2	C62, C63	CAP. 47PF 100V 5% D.M.	1000011	12
1	C65	CAP. 370 PF 100V 5% D.M.	1001631	11
1	C69	CAP. 56 PF 100V 5% D.M.	1000012	10
1	C66	CAP. 120 PF 100V 5% D.M.	1000018	9
2	C1-C4, C6-C57	CAP. .01 μF 100V 20% AXIAL	1001610	8
4	C5, C58, C59, C60	CAP. 6.8 μF 35V, 10% TANT	1005306	7
8		EYELET (S.S.-7) STAMPED	9006732	6
4		HANDLE (FLIP-CHIP) MAGENTA	9008337-06	5
1		ETCHED CIRCUIT BOARD	5009385	4
DEF		MODULE ECO HISTORY	B-M-M7254-0-6	3
REF		ASSY/DRILLING HOLE LAYOUT	B-M-M7254-0-5	2
REF		X-Y COORDINATE HOLE LOCATION	K-08-M7254-0-4	1



IC TYPE	GND	+5V
I.C. DEC 74175	8	16
I.C. DEC 74161	8	16
I.C. DEC 7384	1	8
I.C. DEC 4015	8	16
I.C. DEC 7496	12	5
I.C. DEC 74123	8	16
I.C. DEC 74153	8	16
I.C. DEC 74123	8	16
I.C. DEC 7475	12	5
I.C. DEC 7442	8	16

IC PIN LOCATIONS

GND AND 5V ARE USUALLY PIN 7 AND 14 RESPECTIVELY. EXCEPTIONS ARE STATED ABOVE.



FIRST USED ON OPTION MODEL
RKII-D

ETCH BOARD REV E

ORIGINATED	DATE	REV	DATE

DEC 6534B NONE
 1N748A 1N748A
 NEXT HIGHER ASSY
 B-00-RKII-D

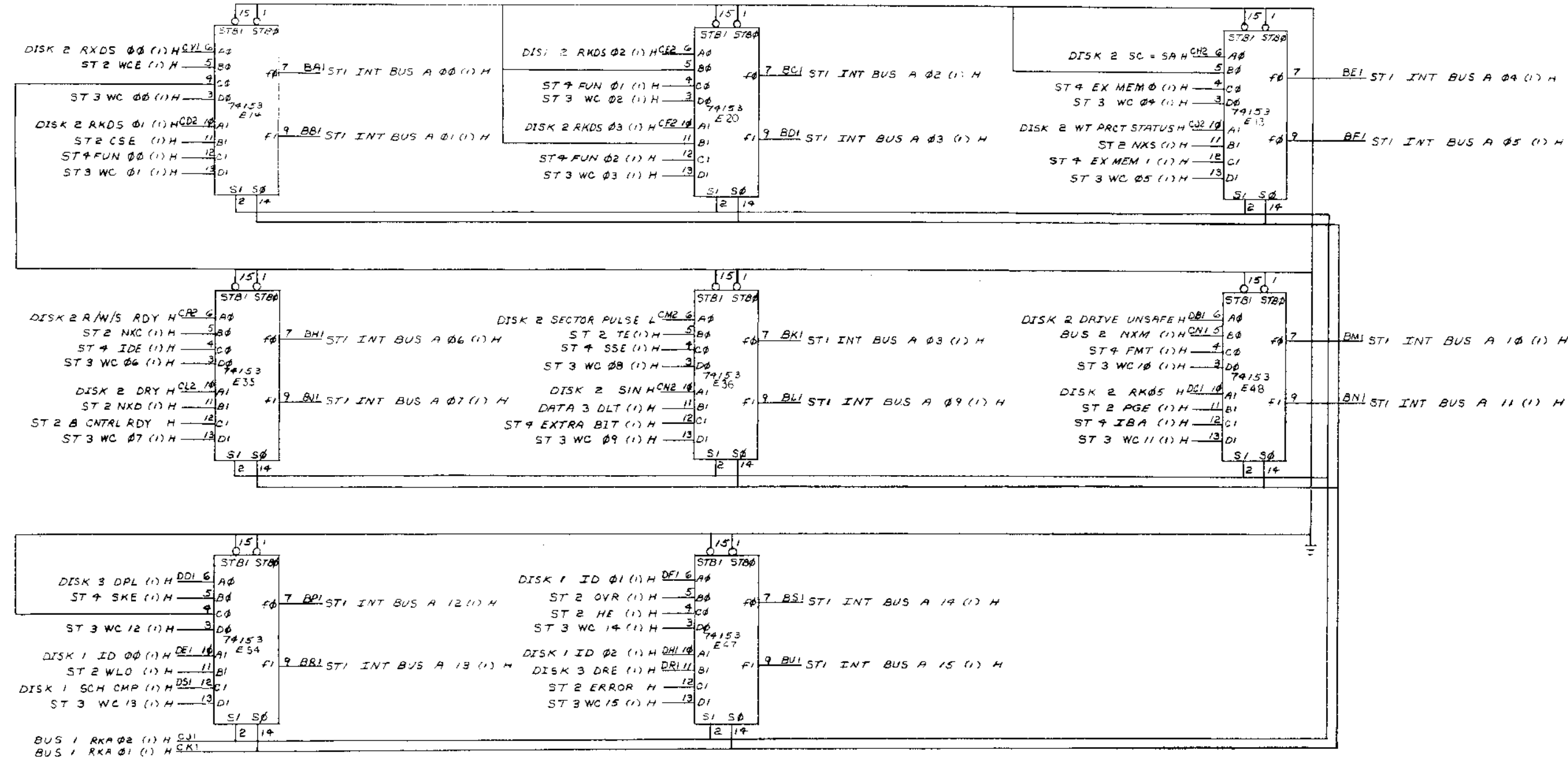
SCALE NONE
 SHEET 2 OF

STATUS CONTROL
RKII-D

SIZE CODE DCS M7254-0-1
 NUMBER 1
 REV. H

This drawing and specifications herein are the property of Digital Equipment Corporation and shall not be reproduced or copied in whole or in part as the basis for the manufacture or sale of items without written permission. COPYRIGHT © 1973 DIGITAL EQUIPMENT CORPORATION

1-0-0522 WSO 2

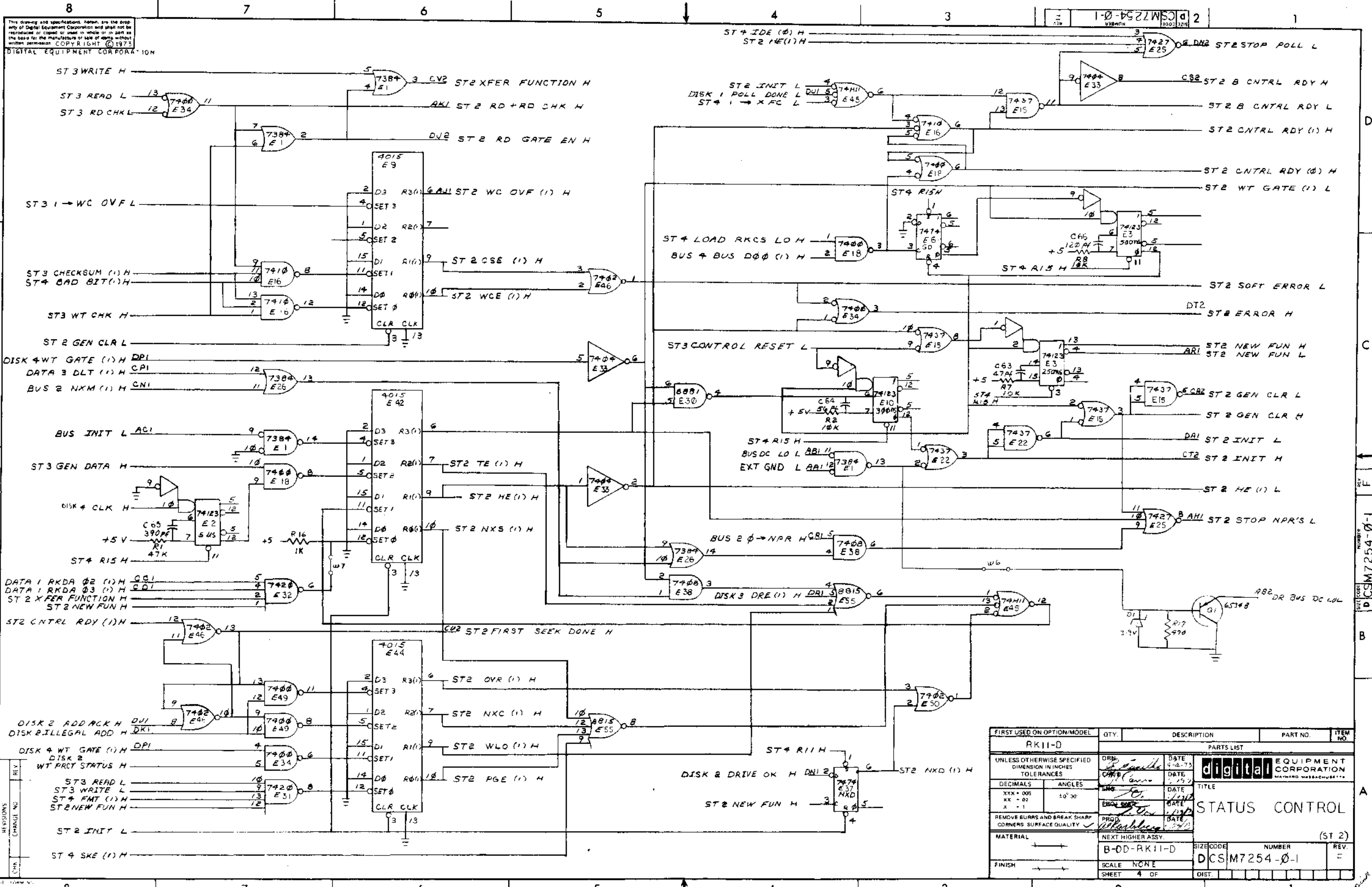


- NOTES:
1. CUT W3 FOR 16 BIT OPERATION (RK11-D)
 2. CUT W1 FOR 18 BIT OPERATION (RK11-E)
 3. CUT W2 FOR 16 BIT OPERATION (RK11-D)
 4. CUT W5 FOR NORMAL OPERATION (CHECKS HEADER 16 TIMES BEFORE FLAGGING SEEK ERROR)
 5. CUT W4 FOR RK11-C COMPATABILITY (CHECKS HEADER ONCE)

REVISIONS
 CHANGE NO. REV.

FIRST USED ON OPTION/MODEL	QTY.	DESCRIPTION	PART NO.	ITEM NO.
RK11-D				
PARTS LIST				
UNLESS OTHERWISE SPECIFIED DIMENSION IN INCHES TOLERANCES	DRN. <i>[Signature]</i>	DATE 4-1-73	 digital EQUIPMENT CORPORATION MAYNARD, MASSACHUSETTS	
DECIMALS	ENG. <i>[Signature]</i>	DATE		
ANGLES	PRG. <i>[Signature]</i>	DATE		
XXX - .009 XX - .02 X - .1	PROB. <i>[Signature]</i>	DATE 2/21/73		
REMOVE BURRS AND BREAK SHARP CORNERS SURFACE QUALITY				TITLE STATUS CONTROL
MATERIAL	NEXT HIGHER ASSY	(ST 1)		
FINISH	B-DD-RK11-D	SIZE CODE DCS	NUMBER M7254-0-1	REV. C
	SCALE NONE			
	SHEET 3 OF			

011 FORM NO. 080 101-B



This drawing and specifications herein are the property of Digital Equipment Corporation and shall not be reproduced or copied or used in whole or in part as the basis for the manufacture or sale of items without written permission. COPYRIGHT © 1973 DIGITAL EQUIPMENT CORPORATION 10M

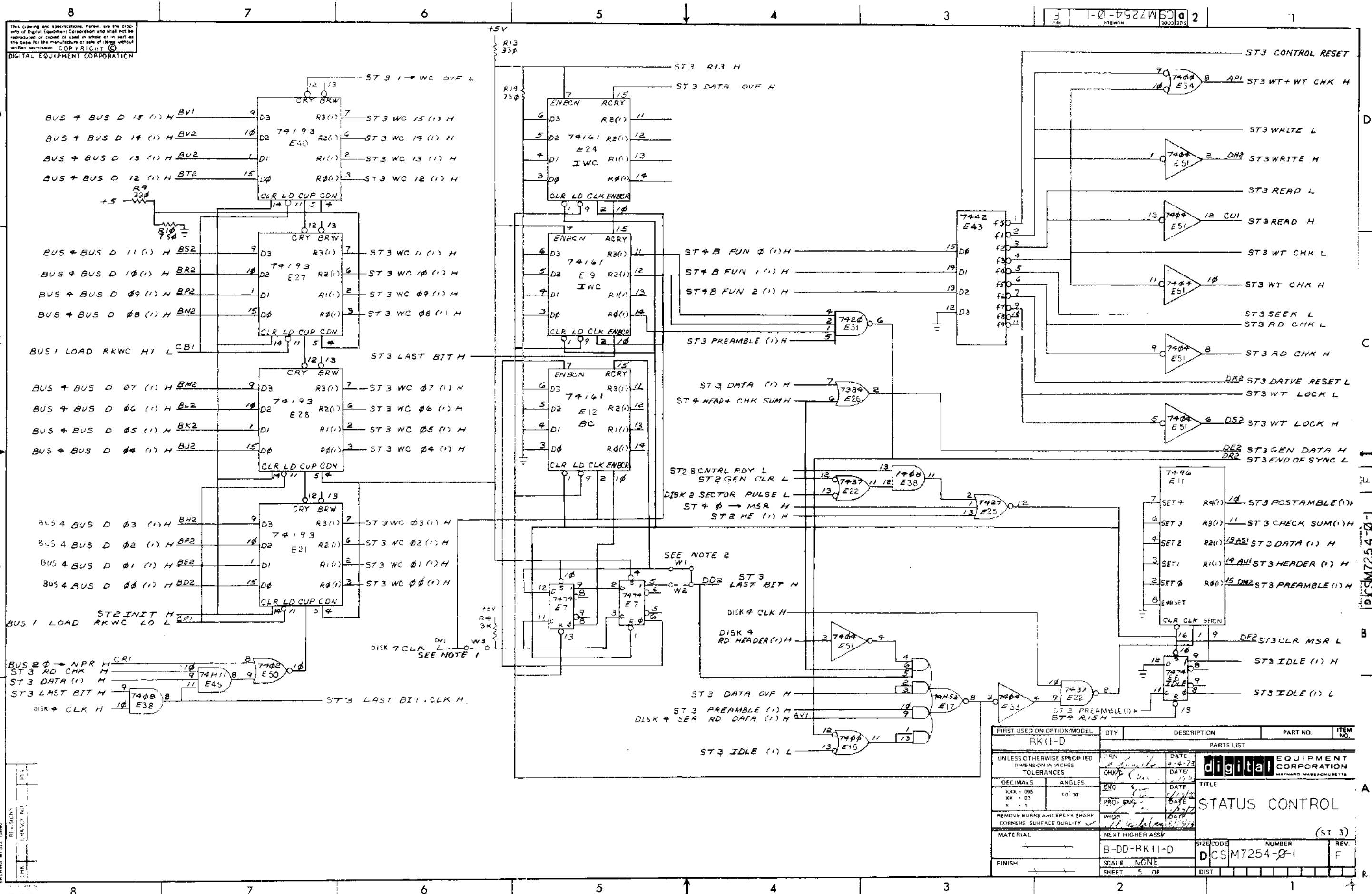
1-0-10-10522WMSO 2

FIRST USED ON OPTION/MODEL	QTY.	DESCRIPTION	PART NO.	ITEM NO.
AK11-D				
UNLESS OTHERWISE SPECIFIED DIMENSION IN INCHES TOLERANCES				
DECIMALS	ANGLES	PARTS LIST		
XXX + 005	± 0° 30'	digital EQUIPMENT CORPORATION		
XX - 02		MAYNARD MARCHAND		
X - 1		TITLE		
REMOVE BURRS AND BREAK SHARP CORNERS SURFACE QUALITY				
NEXT HIGHER ASSY.				
MATERIAL				
FINISH				
B-DD-AK11-D		SIZE	NUMBER	REV.
SCALE NONE		DCS M7254-0-1		=
SHEET 4 OF		DIST.		

STATUS CONTROL

(ST 2)

REV. E
DCS M7254-0-1



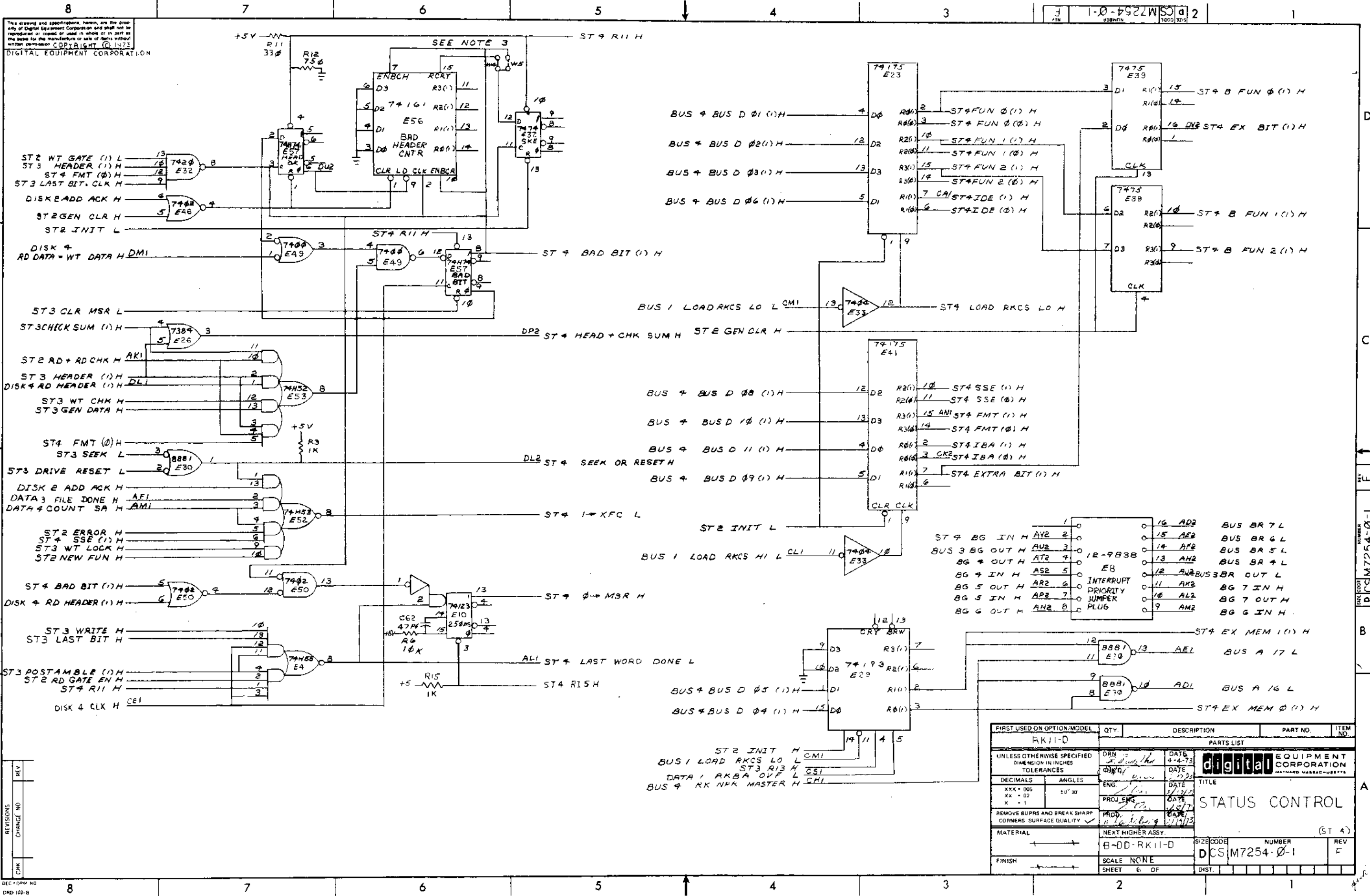
This drawing and specifications, herein, are the property of Digital Equipment Corporation and shall not be reproduced or copied in whole or in part without written permission. COPYRIGHT © DIGITAL EQUIPMENT CORPORATION

1-0-7522250 2

FIRST USED ON OPTION/MODEL	QTY	DESCRIPTION	PART NO.	ITEM NO.
RK11-D		PARTS LIST		
UNLESS OTHERWISE SPECIFIED DIMENSION IN INCHES TOLERANCES		DATE 4-4-73	digital EQUIPMENT CORPORATION	
DECIMALS	ANGLES	CHKD	DATE	TITLE
XXX - 005	10' 30"	ENG	DATE 1/17/73	STATUS CONTROL
REMOVE BURRS AND BREAK SHARP CORNERS SURFACE QUALITY		PROJ. ENG.	DATE 1/17/73	(ST 3)
MATERIAL	NEXT HIGHER ASSY	PROP.	DATE	
FINISH	B-DD-RK11-D	SCALE NONE	SIZE CODE	NUMBER
		SHEET 5 OF	DCSM7254-0-1	REV. F
			DIST	

DRAWING NO. 157-15810

DCSM7254-0-1



FIRST USED ON OPTION/MODEL	QTY.	DESCRIPTION	PART NO.	ITEM NO.
RK11-D				
UNLESS OTHERWISE SPECIFIED DIMENSION IN INCHES TOLERANCES				
DECIMALS	ANGLES	PARTS LIST		
XXX + 005	± 0° 30'	digital CORPORATION		
XX - 02		MAYNARD MANUFACTURING CO.		
X - 1		TITLE		
REMOVE BURRS AND BREAK SHARP CORNERS SURFACE QUALITY				
MATERIAL	NEXT HIGHER ASSY.	STATUS CONTROL (ST 4)		
FINISH	SCALE NONE	SIZE CODE	NUMBER	REV
	SHEET 6 OF	DIST.	DCS M7254-0-1	F

BRUNING 40-522 15840
REV. NO. 1
CHG. NO. 1

REV. NO. 1
CHG. NO. 1
DCS M7254-0-1

PAGE REVISION CONTROL SHEET

SH NO.	PAGE REVISIONS															REMARKS
	B	C	D	E	F	H	FI	J	F2	K	L	M	N	P		
1	B	C	D	E	F	H	FI	J	F2	K	L	M	N	P	DISK 1 DISK 2 DISK 3 DISK 4	
2	B	C	C	C	C	D	CI	E	CI	E	F	F	H	J		
3	B	C	C	C	C	D	CI	D	DI	D	D	D	D	D		
4	B	B	B	C	D	E	DI	E	DI	E	E	F	F	F		
5	F	B	B	B	B	C	BI	D	BI	D	E	E	F	F		
6	F	B	C	C	C	D	CI	D	CI	D	D	D	D	D		
7	F	C	D	D	D	E	DI	E	DI	E	E	F	H	J		
ECO NO.			00001-1A	00002	00003	00004	00005	00006	00006	00007	00007	00008	00009	00010	00011	
ETCH REV.	C	L	D	D	D	E	C&D	E	C&L	E	E	E	F	P		
ENG.		70	70	70	70	70	70	70	70	70	70	70	REC	REC		
DATE		10-27	2-15-73	4/17	5/29/73	7-17	10/10/73	11/13	1/8/74	1/27/74	4/9/74	10/14/74	3/24/75	7/23/75		
FIRST USED ON OPTION/MODEL															RK11-L	

DRN.	<i>Wilson</i>	DATE	10/11/72
CHK'D.	<i>[Signature]</i>	DATE	11/12
ENG.	<i>[Signature]</i>	DATE	10/22/72
PROJ. ENG.	<i>[Signature]</i>	DATE	11/22
PROD.	<i>[Signature]</i>	DATE	11/22

digital EQUIPMENT CORPORATION
MAYNARD MASSACHUSETTS

TITLE
DISK CONTROL
RK11-D

THIS DRAWING AND SPECIFICATIONS, HEREIN, AND THE CONTENTS THEREOF SHALL NOT BE REPRODUCED OR COPIED OR USED IN WHOLE OR IN PART AS THE BASIS FOR THE MANUFACTURE OR SALE OF ITEMS WITHOUT WRITTEN PERMISSION.

NEXT HIGHER ASSY.
B-DD-RK11-D
SCALE
SHEET 1 OF 7

SIZE CODE NUMBER REV.
B CS M7255-0-1 P
DIST. | | | | | | | | | |

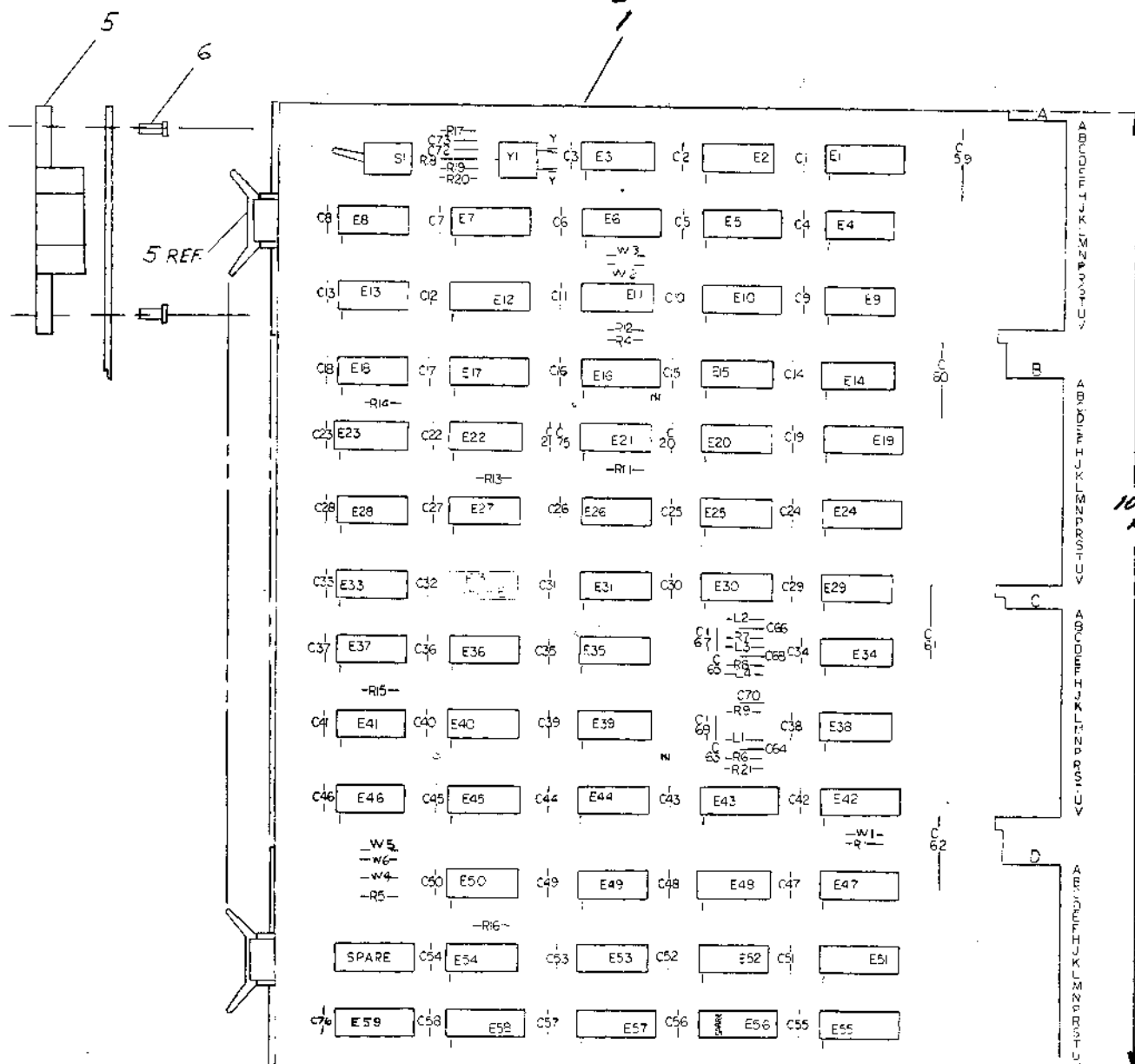
This drawing and specifications, herein, are the property of Digital Equipment Corporation and shall not be reproduced or copied or used in whole or in part as the basis for the manufacture or sale of items without written permission. COPYRIGHT ©

NOTES:

1.) IF 8640'S (ITEM#33) ARE NOT AVAILABLE, USE 11380'S PART NO. 19-11113

DIGITAL EQUIPMENT CORPORATION

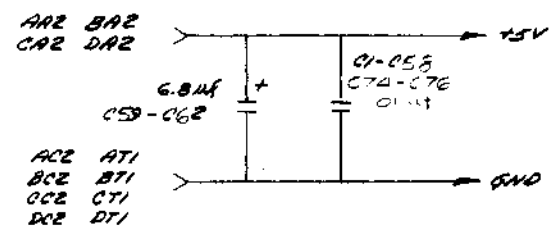
1-0-9921W50 2



PIN NOMENCLATURE
MODULE RK11-D

QTY	REF DESIGNATION	DESCRIPTION	PART NO.	ITEM NO.
3	W1, W2, W6	INSULATED JUMPER L2007-1	9009185	53
2		SPLIT LUGS	9006735	52
2		SWAGE LUGS	9007791	51
1	S1	SWITCH TOGGLE SPDT	1210209	50
4	L1-L4	INDUCTOR 100UH, 165MA 10%	1610662	49
1	Y1	CRYSTAL (SEE TABLE I)		48
10	E11, E16, E22, E27, E31, E45, E49, E52-E59	I.C. DEC 7479	1905547	47
1	E50	I.C. DEC 74H09	1909931	46
2	E13, E46	I.C. DEC 7408	1910155	45
1	E59	I.C. DEC 314	1909709	44
1	E55	I.C. DEC 74161	1910650	43
1	E31	I.C. DEC 8815	1909713	42
1	E43	I.C. DEC 7442	1910096	41
1	E7	I.C. DEC 7476	1905585	40
1	E6	I.C. DEC 74179	1910652	39
1	E28	I.C. DEC 7482	1905584	38
1	E15	I.C. DEC 74NE1	1909058	37
1	E36	I.C. DEC 74H50	1909060	36
1	E37	I.C. DEC 7450	1905580	35
1	E34	I.C. DEC 8242	1909718	34
6	E20, E21, E25, E29, E30, E38	I.C. DEC 4640	1911469	33
2	E12, E17	I.C. DEC 74123	1910018	32
2	E22, E47	I.C. DEC 74157	1910655	31
1	E57	I.C. DEC 74151	1909836	30
2	E51, E58	I.C. DEC 74175	1910651	29
1	E3	I.C. DEC 380	1912549	28
5	E2, E4, E9, E14, E15	I.C. DEC 8881	1909705	27
				26
1	E35	I.C. DEC 7420	1905577	25
3	E23, E39, E45	I.C. DEC 7410	1905576	24
3	E8, E90, E44	I.C. DEC 7400	1905575	23
2	E5, E10	I.C. DEC 7496	1910363	22
2	E26, E33	I.C. DEC 7404	1909686	21
7	R1, R4, R12, R13, R15, R16, R21	RES. 1K 1/4W 5%	1300365	20
1	R5	RES. 3K 1/4W 5%	1300432	19
4	R6-R9	RES. 910R 1/4W 5%	1305374	18
2	R17, R18	RES. 10K 1/4W 5%	1300979	17
				16
2	R11, R14	RES. 390R 1/4W 5%	1300309	15
2	R19, R20	RES. 470R 1/4W 5%	1300316	14
3	E1, E13, E24	RES. PACK	1311003-01	13
2	C72, C73	CAP. 105PF 100V 20%	1001765	12
4	C63, C65, C67, C69	CAP. 270PF 100V 5% DM	1000022	11
4	C64, C66, C68, C70	CAP. 39PF 100V 5% DM	1000010	10
60	C1-C58, C75, C76	CAP. 0.1UF 100V 20% AXIAL	1001610	9
4	C59-C62	CAP. 6.8UF 35V 10% TANIT	1003306	8
				7
8		EYELET (GS-A-7) STAMPAN	9006732	6
4		HANDLE FLIP-CHIP MARGENTA	9008337-06	5
1		ETCHED CIRCUIT BOARD	5009986	4
REF		MODULE ECO HISTORY	B-DM-M7255-0-6	3
REF		ASSY/DRAWING HOLE LAYOUT	B-DM-M7255-0-5	2
REF		X-Y COORDINATE HOLE LOCATION	B-DM-M7255-0-4	1

I.C. DEC 3640	1	8
I.C. DEC 380	1	8
I.C. DEC 74193	8	16
I.C. DEC 74175	8	16
I.C. DEC 74161	8	16
I.C. DEC 74151	8	16
I.C. DEC 74157	8	16
I.C. DEC 7496	5	12
I.C. DEC 314	1	8
I.C. DEC 7482	11	4
I.C. DEC 74179	8	16
I.C. DEC 7476	5	13
I.C. DEC 7442	8	16
I.C. DEC 74123	8	16
IC TYPE	GND	+5V



FIRST USED ON OPTION MODEL
RK11-D

ETCH BOARD REV F

REV	DATE	BY	CHKD

DATE 3/7/72
CHKD J. J. J.
ENG. J. J. J.
PROJ. J. J. J.
NEXT HIGHER ASSY
B-DD-RK11-D

DEC NO. EIA NO. DEC NO. EIA NO.

SCALE NONE

SHEET 2 OF

digital EQUIPMENT CORPORATION
MAINTENANCE MASSACHUSETTS

TITLE
DISK CONTROL
RK11-D

SIZE CODE NUMBER
D CS M7255-0-1

REV. J

SEMICONDUCTOR CONVERSION CHART

GND AND 5V ARE USUALLY PIN 7 AND 14 RESPECTIVELY. EXCEPTIONS ARE STATED ABOVE.

IC PIN LOCATIONS

DRAWING NO. 222-1639


THIS DRAWING AND SPECIFICATIONS HEREBY ARE THE PROPERTY OF DIGITAL EQUIPMENT CORPORATION AND SHALL NOT BE REPRODUCED OR COPIED OR USED IN WHOLE OR IN PART AS THE BASIS FOR THE MANUFACTURE OR SALE OF ITEMS WITHOUT WRITTEN PERMISSION. COPYRIGHT © 1972 DIGITAL EQUIPMENT CORPORATION.

- NOTES:**
- 1.) INSTALL W1 FOR RK05.
 - 2.) CUT W4 FOR RK11-C COMPATIBILITY (NORMAL OPERATION)
 - 3.) FOR RK11-D (RK05) CUT JUMPER W3 FOR RK11-E (18 BIT RK05) CUT JUMPER W2.
 - 4.) FOR NORMAL OPERATION INSTALL W6. CHANGES ID BITS ONLY FOR SEARCH COMPLETE INTERRUPT. INSTALL W5 TO CHANGE ID BITS FOR ANY INTERRUPT.
 - 5.) INSTALL PROPER CRYSTAL IN SPLIT LUGS AS OUTLINED IN TABLE I.

TABLE I

	DISK	BIT WORD	MHZ	DEC PIN
RK11-D	RK05	16	2.090	18-10694-3
RK11-E	RK0E	18	3.090	18-10694-4

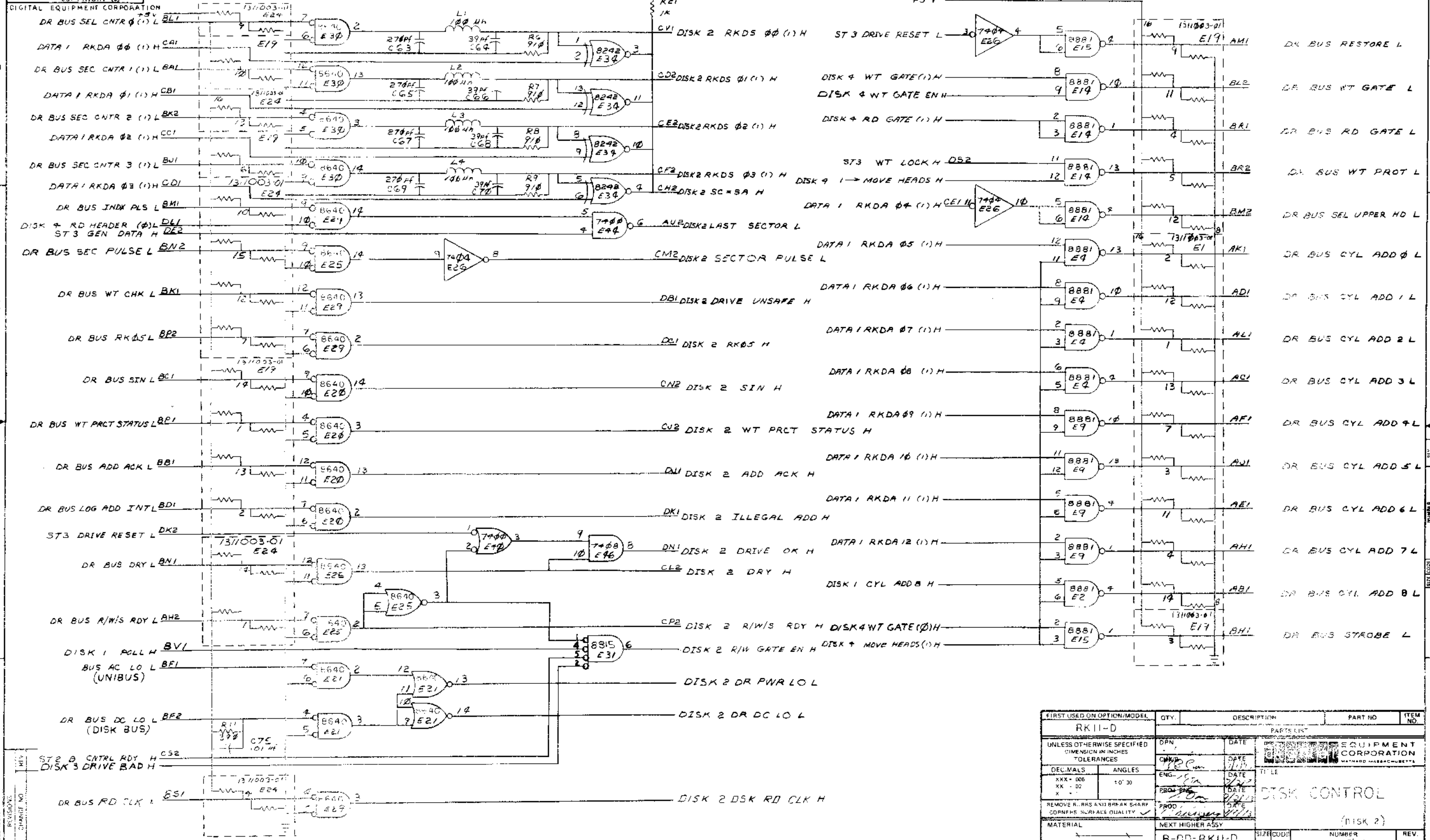
D 1-0-9922W50 2

FIRST USE / OPTION / MODEL	QTY.	DESCRIPTION	PART NO.	ITEM NO.
RK11-D		PARTS LIST		
JNLESS OTHERWISE SPECIFIED DIMENSION TOLERANCES	DRN.	DATE	 digital EQUIPMENT CORPORATION <small>MAYNARD, MASSACHUSETTS</small>	
DECIMALS	CHK'D.	DATE		
ANGLES	ENG.	DATE		
.xxx = .005 .xx = .02 x = .1	PROJ. ENG.	DATE		
REMOVE BURRS AND BREAK SHARP CORNERS SURFACE QUALITY 1	PROD.	DATE	TITLE DISK CONTROL RK11-D	
MATERIAL	NEXT HIGHER ASSY.		SIZE CODE	NUMBER
FINISH	SCALE		DICS	M7255-0-1
	SHEET OF		DIST.	REV. D

REV.	CHANG. NO.	REVISIONS

DICS M7255-0-1

This drawing and specifications, herein, are the property of Digital Equipment Corporation and shall not be reproduced or copied or used in whole or in part as the basis for the manufacture or sale of items without written permission. COPYRIGHT ©



DRAWING NO. 522 15650
REV. 10-78

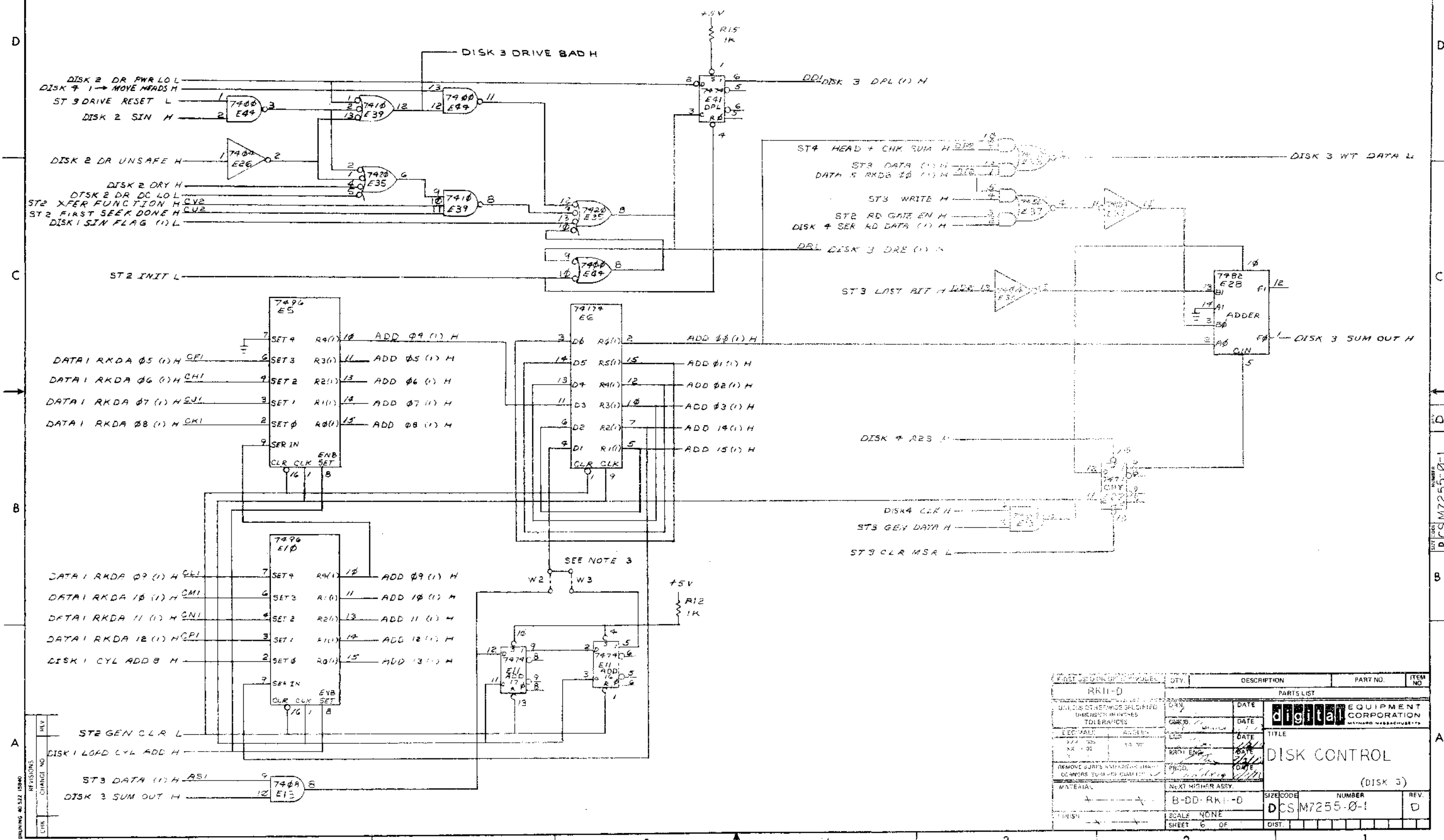
REV. 10-78
DCS M7255-0-1

FIRST USED ON OPTION/MODEL	QTY.	DESCRIPTION	PART NO.	ITEM NO.
RK11-D				
UNLESS OTHERWISE SPECIFIED DIMENSION IN INCHES TOLERANCES				
DECIMALS	ANGLES	DATE	PARTS LIST	
XXX - 006	10' 30"	DATE	DIGITAL EQUIPMENT CORPORATION MAYFORD MASSACHUSETTS	
XX - 02		DATE	TITLE	
X -		DATE	DISK CONTROL	
REMOVE ALL RIS AND BRKIN SHARP CORNFHS SURFACE QUALITY				
MATERIAL	NEXT HIGHER ASSY	PROD. DATE	DISK CONTROL (DISK 2)	
FINISH	B-DD-RK11-D	SCALE NONE	SIZE/CODE	NUMBER
		SHEET 5 OF	DCS M7255-0-1	REV. F

This drawing and specifications, herein, are the property of Digital Equipment Corporation and shall not be reproduced or used in whole or in part as the basis for the manufacture or sale of items without written permission. COPYRIGHT ©

DIGITAL EQUIPMENT CORPORATION

DCS M7255-0-1



REVISIONS
REV. NO. DATE
CHG. NO. DATE

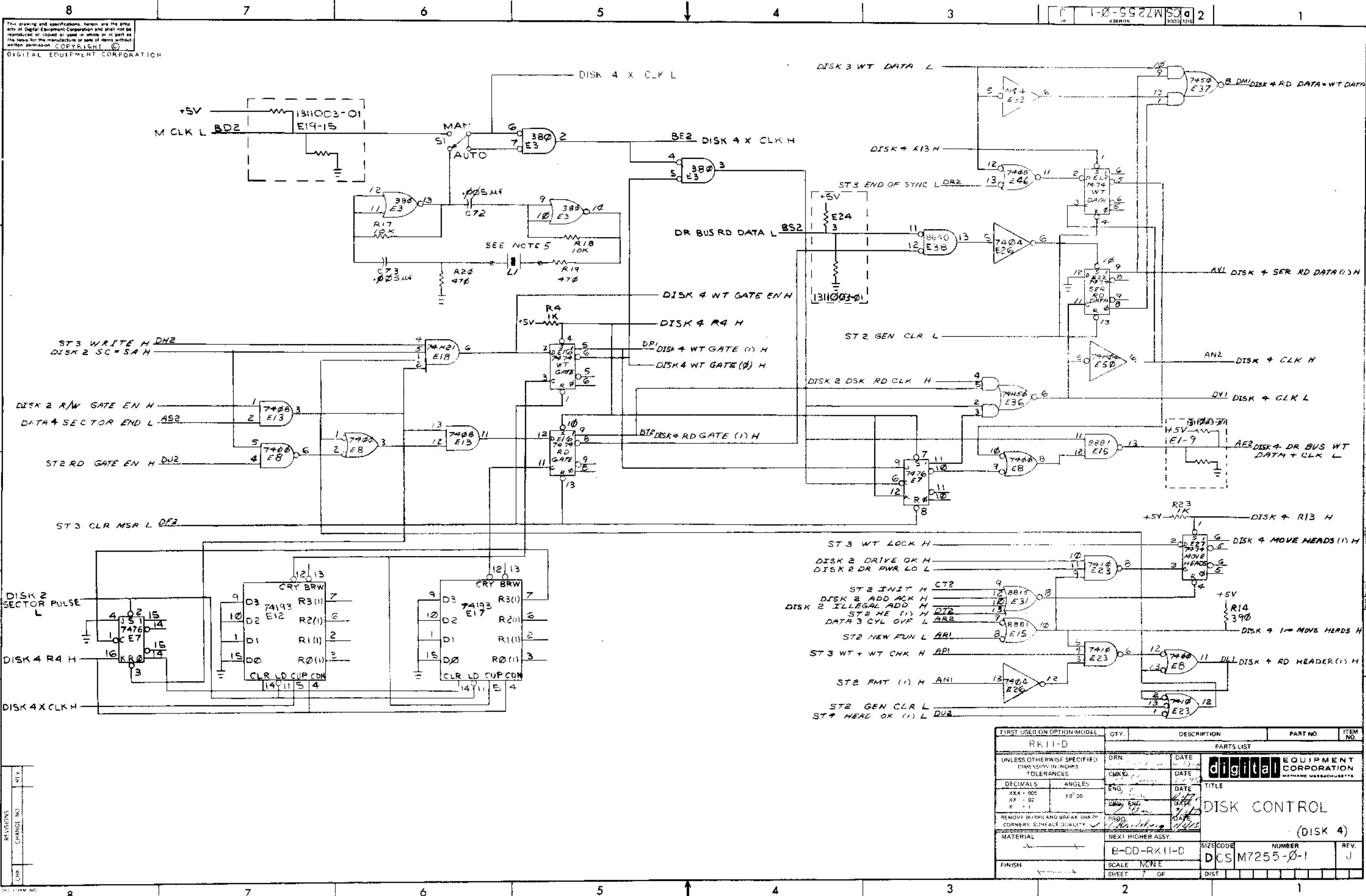
REV.	DATE	DESCRIPTION	PART NO.	ITEM NO.
1	1/11/68	ISSUED FOR PRODUCTION	B-DD-RK1-0	1
2	2/11/68	REVISION	B-DD-RK1-0	1
3	3/11/68	REVISION	B-DD-RK1-0	1
4	4/11/68	REVISION	B-DD-RK1-0	1
5	5/11/68	REVISION	B-DD-RK1-0	1
6	6/11/68	REVISION	B-DD-RK1-0	1
7	7/11/68	REVISION	B-DD-RK1-0	1
8	8/11/68	REVISION	B-DD-RK1-0	1
9	9/11/68	REVISION	B-DD-RK1-0	1
10	10/11/68	REVISION	B-DD-RK1-0	1
11	11/11/68	REVISION	B-DD-RK1-0	1
12	12/11/68	REVISION	B-DD-RK1-0	1

REV.	DATE	DESCRIPTION	PART NO.	ITEM NO.
1	1/11/68	ISSUED FOR PRODUCTION	B-DD-RK1-0	1
2	2/11/68	REVISION	B-DD-RK1-0	1
3	3/11/68	REVISION	B-DD-RK1-0	1
4	4/11/68	REVISION	B-DD-RK1-0	1
5	5/11/68	REVISION	B-DD-RK1-0	1
6	6/11/68	REVISION	B-DD-RK1-0	1
7	7/11/68	REVISION	B-DD-RK1-0	1
8	8/11/68	REVISION	B-DD-RK1-0	1
9	9/11/68	REVISION	B-DD-RK1-0	1
10	10/11/68	REVISION	B-DD-RK1-0	1
11	11/11/68	REVISION	B-DD-RK1-0	1
12	12/11/68	REVISION	B-DD-RK1-0	1

REV.	DATE	DESCRIPTION	PART NO.	ITEM NO.
1	1/11/68	ISSUED FOR PRODUCTION	B-DD-RK1-0	1
2	2/11/68	REVISION	B-DD-RK1-0	1
3	3/11/68	REVISION	B-DD-RK1-0	1
4	4/11/68	REVISION	B-DD-RK1-0	1
5	5/11/68	REVISION	B-DD-RK1-0	1
6	6/11/68	REVISION	B-DD-RK1-0	1
7	7/11/68	REVISION	B-DD-RK1-0	1
8	8/11/68	REVISION	B-DD-RK1-0	1
9	9/11/68	REVISION	B-DD-RK1-0	1
10	10/11/68	REVISION	B-DD-RK1-0	1
11	11/11/68	REVISION	B-DD-RK1-0	1
12	12/11/68	REVISION	B-DD-RK1-0	1

REV.	DATE	DESCRIPTION	PART NO.	ITEM NO.
1	1/11/68	ISSUED FOR PRODUCTION	B-DD-RK1-0	1
2	2/11/68	REVISION	B-DD-RK1-0	1
3	3/11/68	REVISION	B-DD-RK1-0	1
4	4/11/68	REVISION	B-DD-RK1-0	1
5	5/11/68	REVISION	B-DD-RK1-0	1
6	6/11/68	REVISION	B-DD-RK1-0	1
7	7/11/68	REVISION	B-DD-RK1-0	1
8	8/11/68	REVISION	B-DD-RK1-0	1
9	9/11/68	REVISION	B-DD-RK1-0	1
10	10/11/68	REVISION	B-DD-RK1-0	1
11	11/11/68	REVISION	B-DD-RK1-0	1
12	12/11/68	REVISION	B-DD-RK1-0	1

DCS M7255-0-1



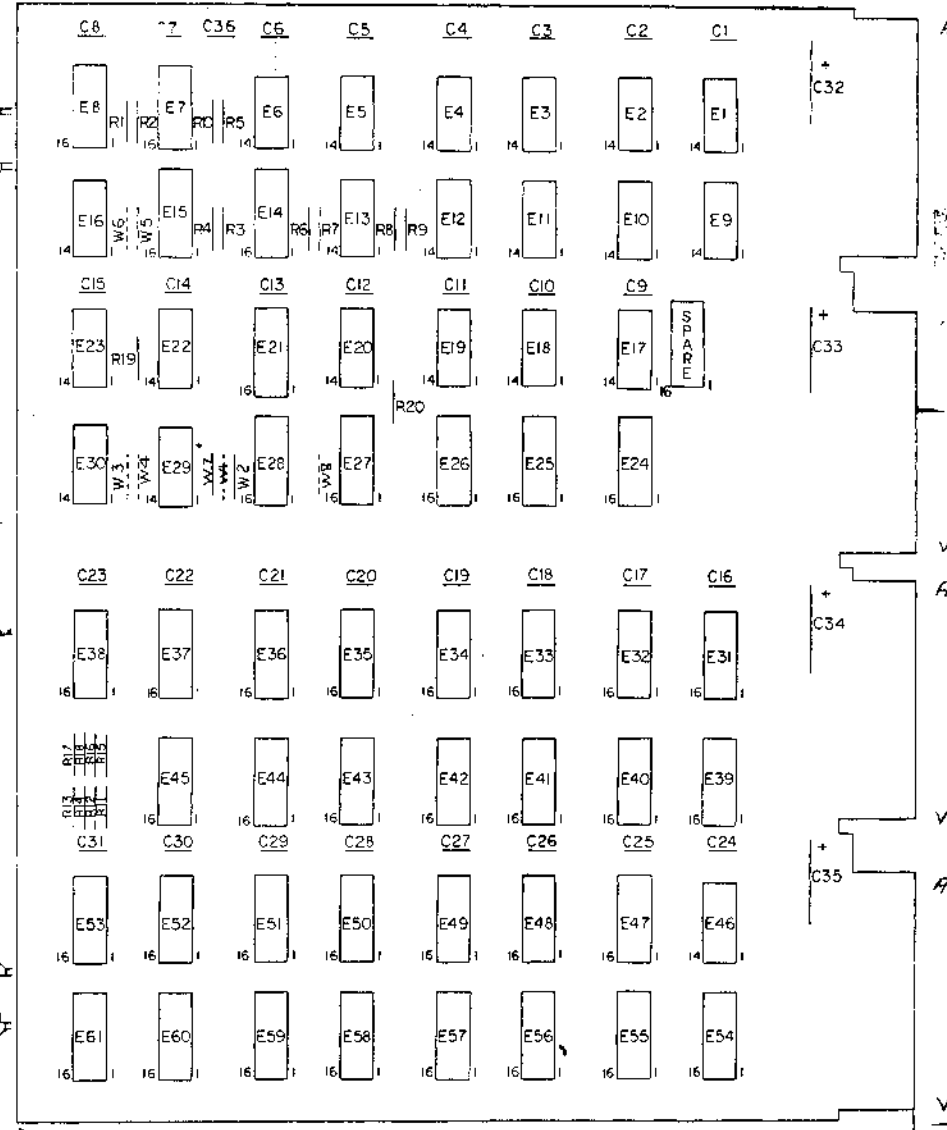
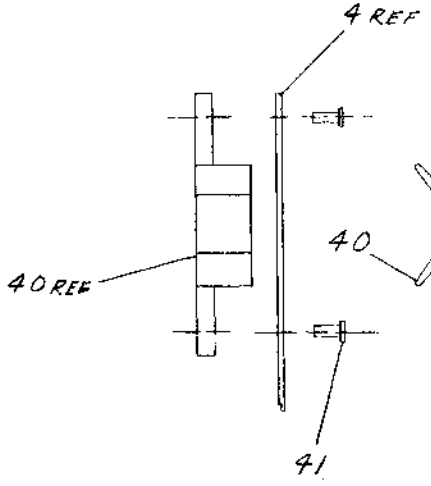
This drawing and specifications herein are the property of Digital Equipment Corporation and shall not be reproduced or copied or used in whole or in part as the basis for the manufacture or sale of items without written permission. COPYRIGHT © DIGITAL EQUIPMENT CORPORATION

FIRST USED ON OPTION/MODEL	QTY.	DESCRIPTION	PART NO.	ITEM NO.
RK11-D		PARTS LIST		
UNLESS OTHERWISE SPECIFIED DIMENSIONS IN INCHES TOLERANCES	DRN	DATE	digital EQUIPMENT CORPORATION MAYNARD MASSACHUSETTS	
DECIMALS ANGLES	CHKD	DATE	TITLE	
XXX + 00E XX - D2 * .1	ENG	DATE	DISK CONTROL (DISK 4)	
REMOVE BURRS AND BREAK SHARP CORNERS. SURFACE QUALITY	URD/ENG	DATE	MATERIAL	
	PROD	DATE	NEXT HIGHER ASSY.	
			B-DD-RK11-D	SIZE CODE NUMBER DCS M7255-0-1
FINISH	SCALE NONE		SHEET 7 OF	REV. J
				DIST

NOTES:

This drawing and specifications, herein, are the property of Digital Equipment Corporation and shall not be reproduced or copied or used in whole or in part as the basis for the manufacture or sale of items without written permission. COPYRIGHT © DIGITAL EQUIPMENT CORPORATION

THIS DRAWING IS TO BE USED IN THE REPLACEMENT OF ANY 3-1/4 INCH DRAWING NUMBERED BY 8649



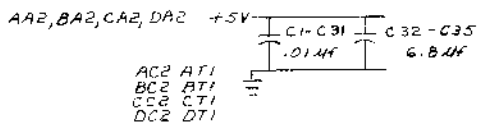
PIN NOMENCLATURE MODULE RK11-D

QTY	REV DESIGNATION	DESCRIPTION	TEMP
1	R6	5.6K 1/4 W 5% 1/2	
3	WE, W6, W7	INSULATOR PART 1-2007-	85
8		CYCLE 684-33 TIPS/SON	16
4		HANDLE, FLIP CHIP MAGENTA	40
4	E52, E53, E60, E61	I.C. DEC 74157	5
8	E48-E51, E56-E59	I.C. DEC 74153	3
1	E45	I.C. DEC 74157	
1	L33	10K RESISTOR PACK	-02
5	E31		
7	E41, E52, E53, E54, E57, E58, E59	I.C. DEC 74157	
1	E30	I.C. DEC 8640	
10	E28-E33, E41-E45	I.C. DEC 8640	
1	E35	I.C. DEC 8640	
2	E22, E29	I.C. DEC 74157	
1	E27	I.C. DEC 8640	
1	E18	I.C. DEC 74421	
1	E17	I.C. DEC 8640	
1	E13	I.C. DEC 74157	
7	E12	I.C. DEC 74157	
4	E11, E16, E17, E20	I.C. DEC 74157	
1	E10	I.C. DEC 8640	
1	E9	I.C. DEC 8640	
1	E8	I.C. DEC 8640	
3	E7, E15, E16	I.C. DEC 74157	
1	E6	I.C. DEC 8640	
2	E4, E6	I.C. DEC 74157	
1	E3	I.C. DEC 8640	
1	E2	I.C. DEC 8640	
1	E1	I.C. DEC 74404	
4	R15-R18	RES. 680 1/4 W 5% CC	
4	R11-R14	RES 330 1/4 W 5% CC	
1	R10	RES 20K 1/4 W 5% CC	
4	R8, R9, R17, R20	RES. 1K 1/4 W 5% CC	
4	R3-R6, R7	RES 50K 1/4 W 5% MF	
1	R2	RES 100 1/4 W 5% CC	
1	R1	RES 100 1/4 W 5% CC	
1	C36	CAP 100V 100 1/4 W D.M.	
4	C32-C35	CAP 100V 33 1/4 W 5% TANT	
31	C1-C31	CAP. 100V 100 1/4 W DISC.	
1		ETCHED CIRCUIT BOARD	
REF		MODULE 8640	
REF		DRILLING AND PLATING	
REF		X-Y COORDINATE AND LOCATION	

DEC 7447	8	16
DEC 7473	11	4
DEC 74170	8	16
DEC 74173	8	16
DEC 74161	8	16
DEC 74157	8	16
DEC 74153	8	16
DEC 8271	8	16
DEC 8640	1	8
IC TYPE	GND	+5V

GND AND 5V ARE USUALLY PIN 7 AND 14 RESPECTIVELY. EXCEPTIONS ARE STATED ABOVE.

IC PIN LOCATIONS



FIRST USED ON OPTION MODEL: RK11-D

ETCH BOARD REV: D

REVISIONS:

DATE: 10-23-73

PROJECT: DATA

SCALE: 1/8"

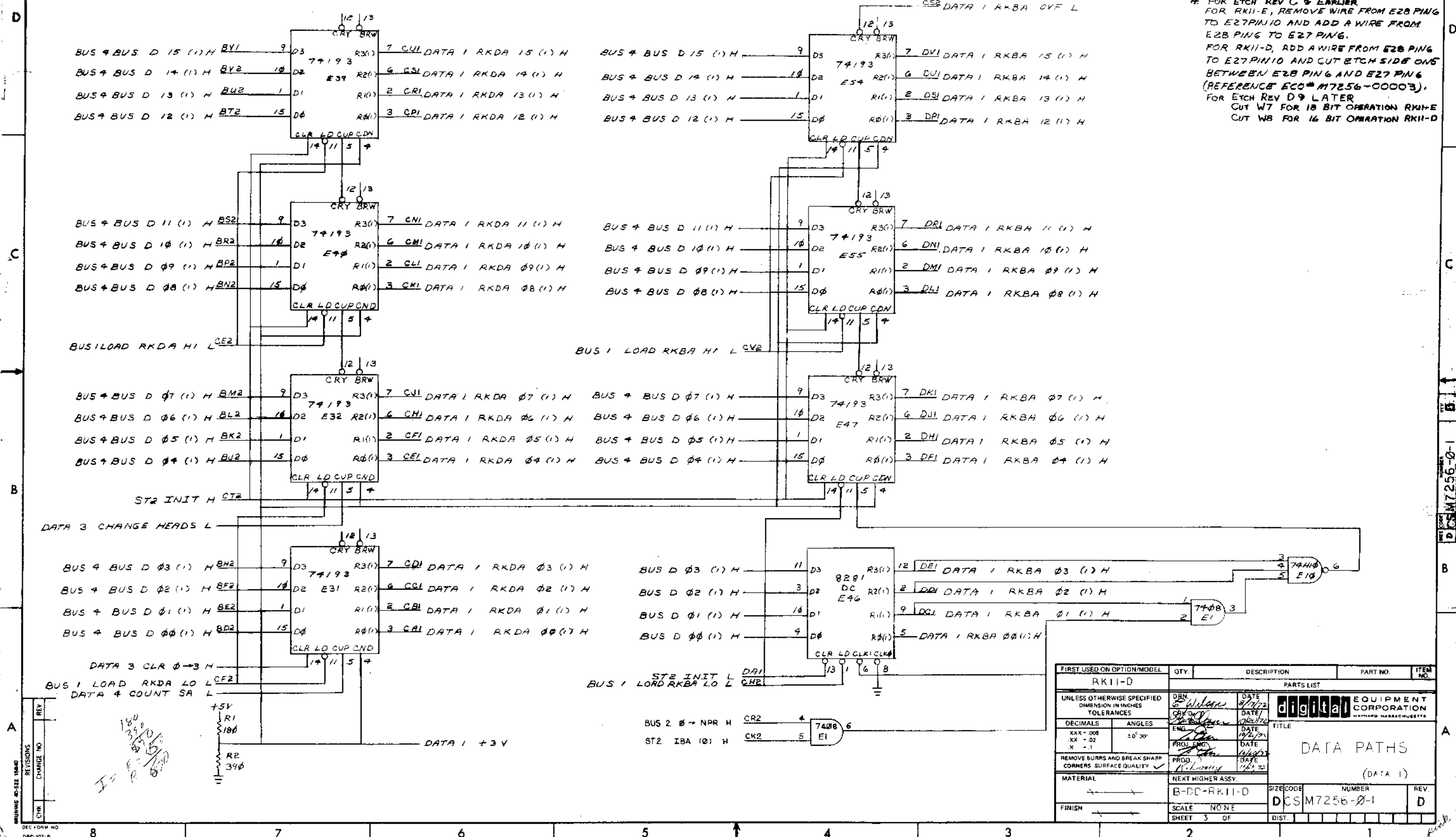
SHEET: 1 OF 1

CSM7256-0-1

The drawing and specifications herein are the property of Digital Equipment Corporation and shall not be reproduced or copied or used in whole or in part as the basis for the manufacture or sale of items without written permission. COPYRIGHT © DIGITAL EQUIPMENT CORPORATION

Q 1-0-9922W 2

- NOTES:
- CUT W1 FOR 16 BIT OPERATION (RKII-D)
CUT W2 FOR 18 BIT OPERATION (RKII-E)
 - CUT W3+W4 FOR 16 BIT OPERATION
 - CUT W5 FOR 18 BIT OPERATION
CUT W6 FOR 16 BIT OPERATION
 - FOR ETCH REV C & EARLIER
FOR RKII-E, REMOVE WIRE FROM E28 PIN6 TO E27 PIN10 AND ADD A WIRE FROM E28 PIN6 TO E27 PIN6.
FOR RKII-D, ADD A WIRE FROM E28 PIN6 TO E27 PIN10 AND CUT ETCH SIDE ONE BETWEEN E28 PIN6 AND E27 PIN6. (REFERENCE ECO# M7256-00003).
FOR ETCH REV D & LATER
CUT W7 FOR 18 BIT OPERATION (RKII-E)
CUT W8 FOR 16 BIT OPERATION (RKII-D)



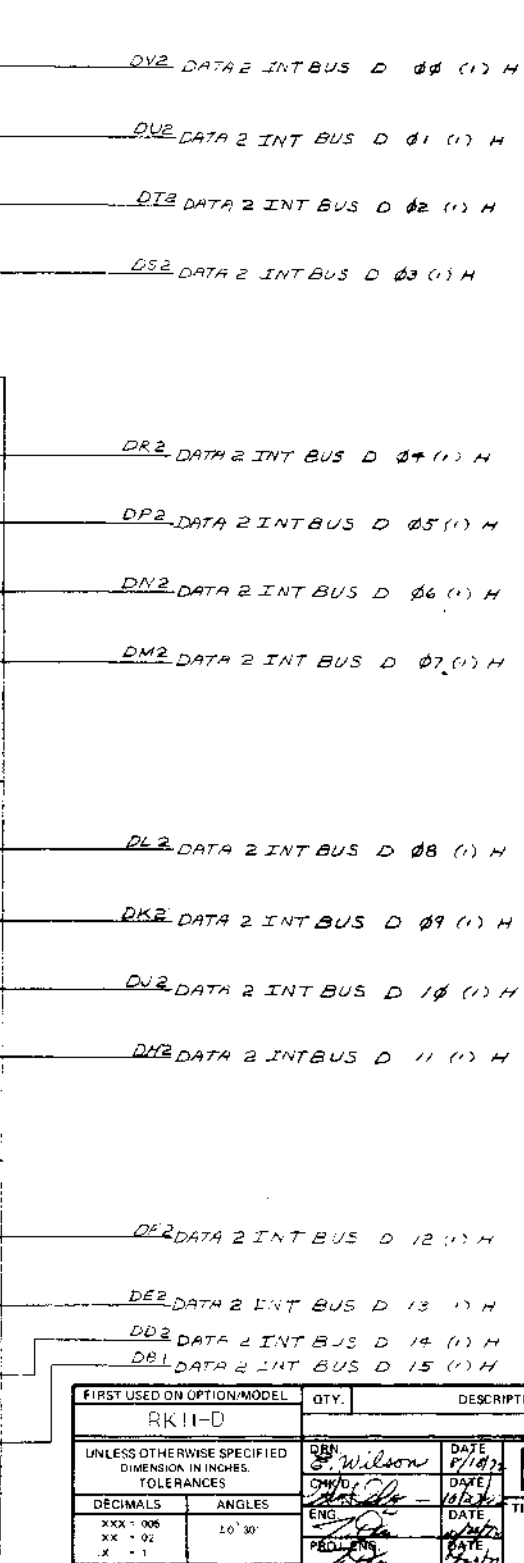
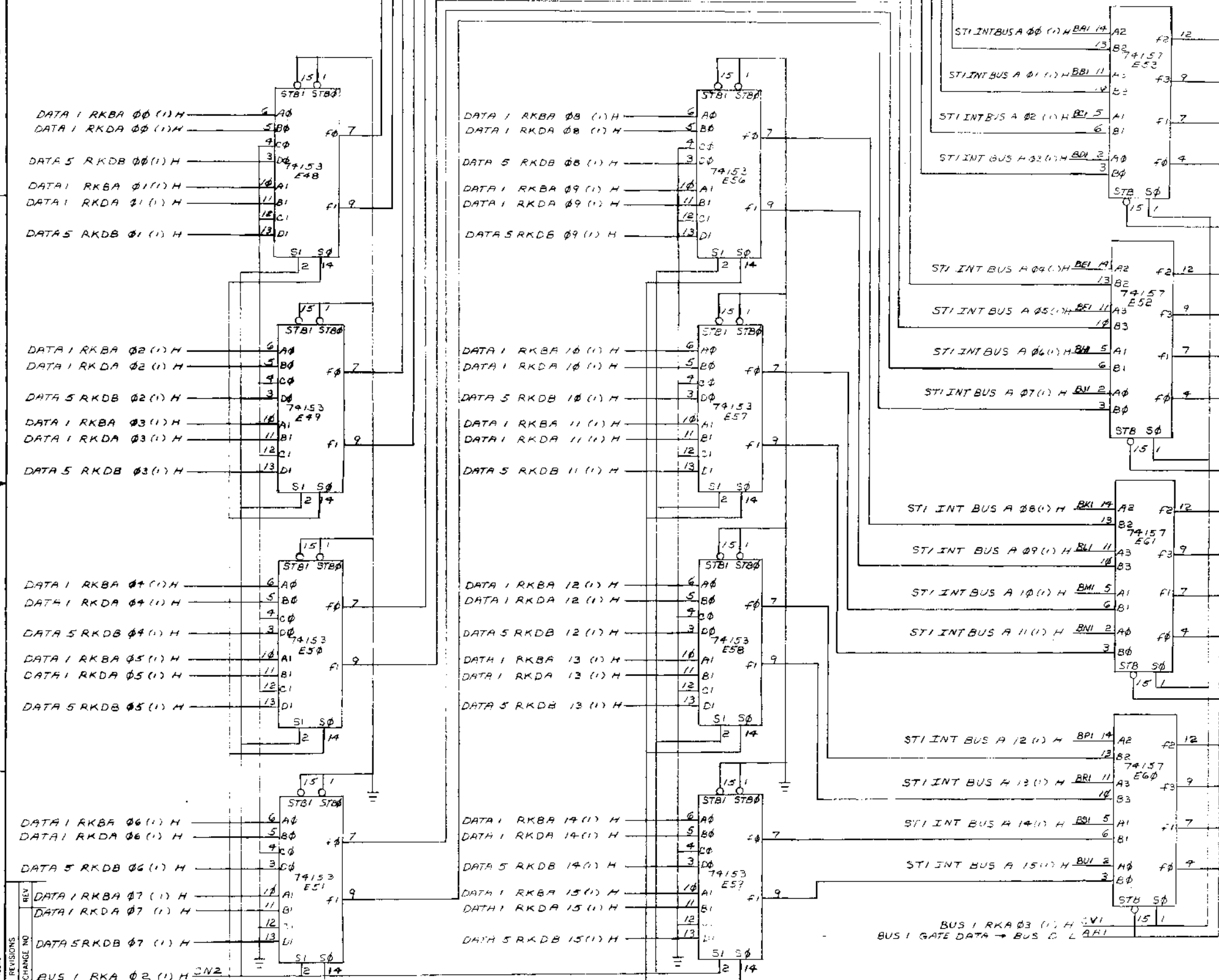
REVISIONS
CHK CHANGE NO
DEC FORM NO DND 102-B

CSM7256-0-1

FIRST USED ON OPTION/MODEL	QTY.	DESCRIPTION	PART NO.	ITEM NO.
RKII-D				
UNLESS OTHERWISE SPECIFIED DIMENSION IN INCHES TOLERANCES				
DECIMALS	ANGLES	PARTS LIST		
XXX - 008	±0° 30'	DRN	DATE	digital EQUIPMENT CORPORATION MILFORD MASSACHUSETTS
XX - 02		DATE		
X - 1		DATE		
REMOVE BURRS AND BREAK SHARP CORNERS SURFACE QUALITY				
MATERIAL				
NEXT HIGHER ASSY.		TITLE		
B-DC-RKII-D		DATA PATHS		
SCALE NONE		(DATA 1)		
SHEET 3 OF		NUMBER		
		DCS M7256-0-1		
		REV		
		D		

The drawing and specifications herein are the property of Digital Equipment Corporation and shall not be reproduced or copied in whole or in part for the manufacture or sale of items without written permission. COPYRIGHT © DIGITAL EQUIPMENT CORPORATION

D
C
B
A



REV	CHANGE NO	DESCRIPTION
1		
2		
3		
4		
5		
6		
7		
8		

FIRST USED ON OPTION/MODEL	QTY.	DESCRIPTION	PART NO.	ITEM NO.
RK11-D				
UNLESS OTHERWISE SPECIFIED DIMENSIONS IN INCHES. TOLERANCES				
DECIMALS	ANGLES	PARTS LIST		
XXX + .005	10' 30'			
XX + .02				
X + .1				
REMOVE BURRS AND BREAK SHARP CORNERS SURFACE QUALITY				
MATERIAL	NEXT HIGHER ASSY.	SIZE CODE	NUMBER	REV.
FINISH	B-CC-RK11-D	DCSM7256-0-1		A
	SCALE NONE	SHEET 4 OF		

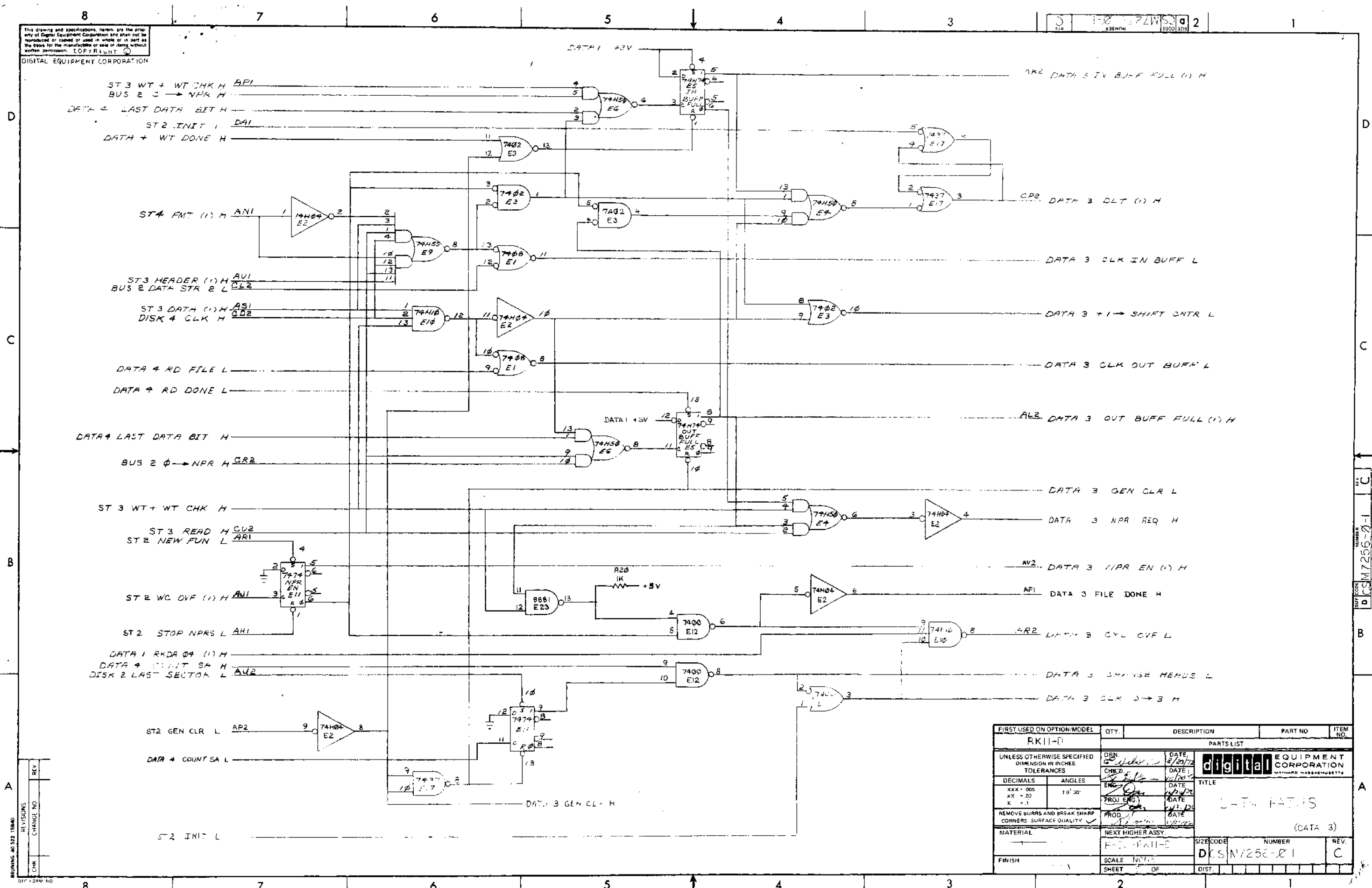
DATA PATHS (DATA 2)

REV A
DCSM7256-0-1

DEC FORM NO 102-10

This drawing and specifications herein are the property of Digital Equipment Corporation and shall not be reproduced or copied in whole or in part as the basis for the manufacture or sale of items without written permission. COPYRIGHT ©

DIGITAL EQUIPMENT CORPORATION



REV	CHANGE NO

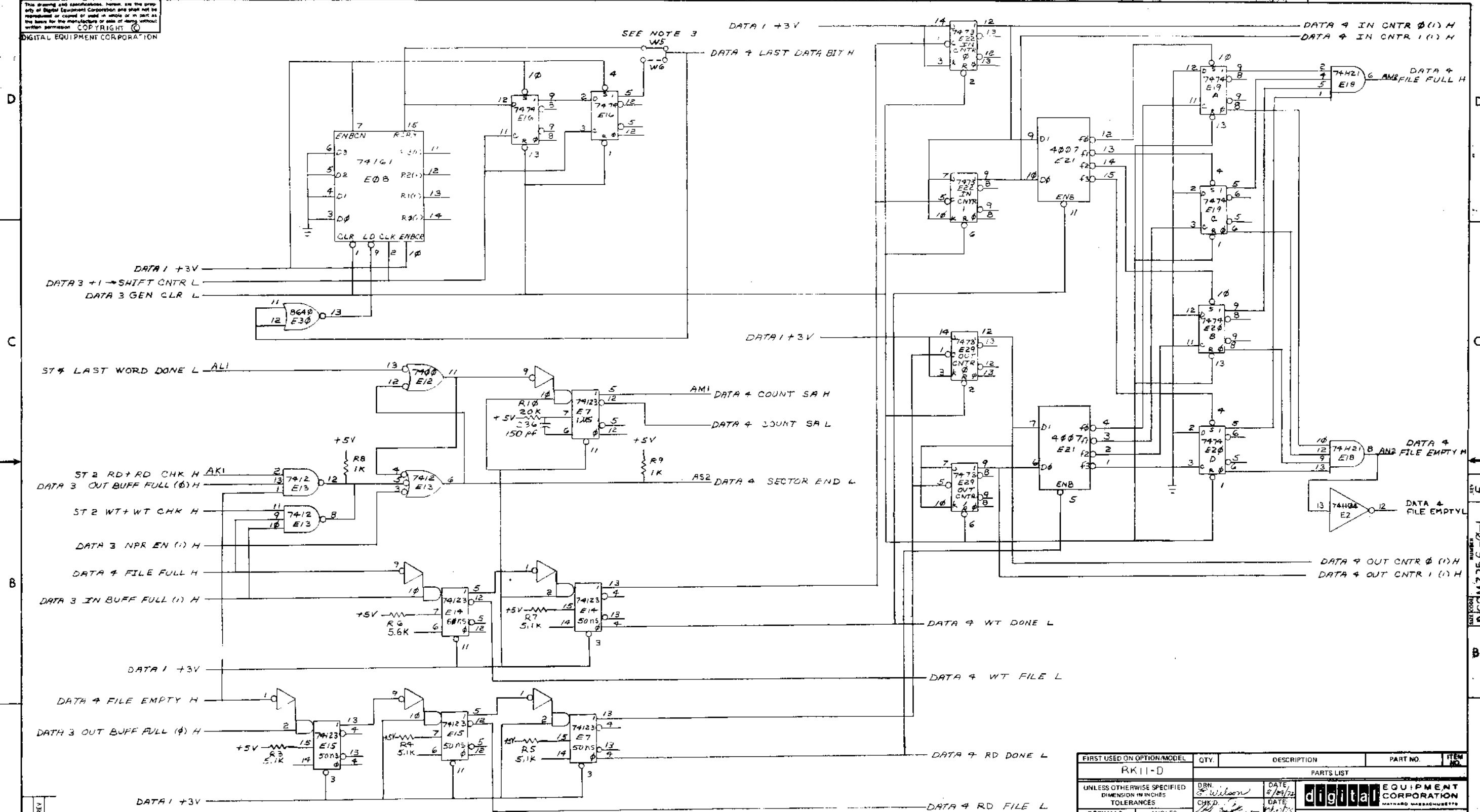
FIRST USED ON OPTION/MODEL	QTY.	DESCRIPTION	PART NO	ITEM NO.
RK11-0				
UNLESS OTHERWISE SPECIFIED DIMENSION IN INCHES TOLERANCES				
DECIMALS	ANGLES			
XXX + .005	10° 30'			
XX + .02				
X + .1				
REMOVE BURRS AND BREAK SHARP CORNERS SURFACE QUALITY				
MATERIAL	NEXT HIGHER ASSY.			
FINISH	SCALE			
	SHEET OF			

REV C
PART NO DCSM7256-01

TITLE
L-TM PARTS
(DATA 3)
SIZE CODE NUMBER REV
DCSM7256-01 C

This drawing and specifications, herein, are the property of Digital Equipment Corporation and shall not be reproduced or copied in whole or in part as the basis for the manufacture or sale of items without written permission. COPYRIGHT © DIGITAL EQUIPMENT CORPORATION

1-72-9522WMS 2



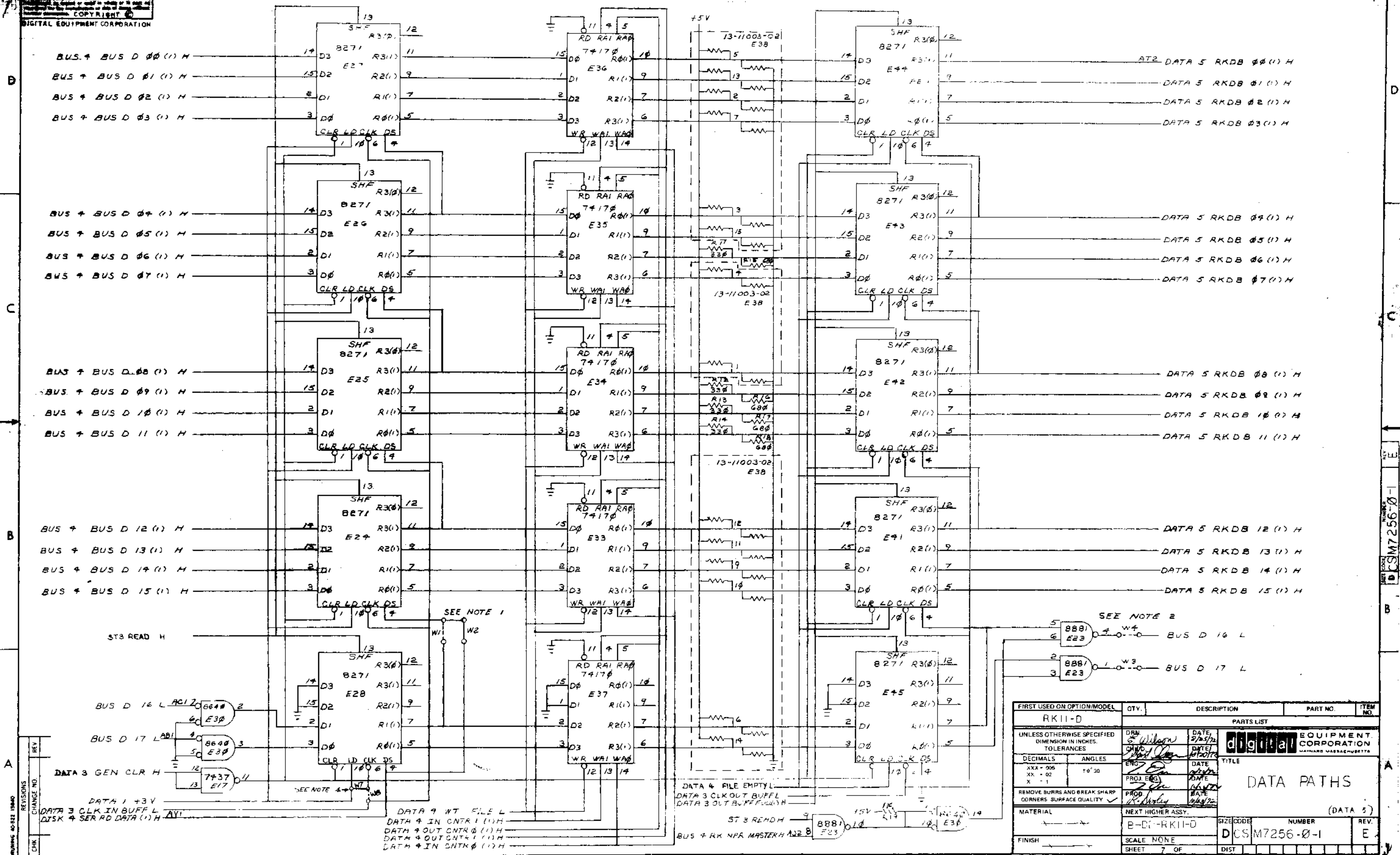
REV	CHG	NO

FIRST USED ON OPTION/MODEL	QTY	DESCRIPTION	PART NO.	ITEM NO.
RK11-D				
PARTS LIST				
UNLESS OTHERWISE SPECIFIED		DRN: Wilson	DATE: 8/24/72	
DIMENSION IN INCHES		CHK'D: [Signature]	DATE: [Date]	
TOLERANCES		ENG: [Signature]	DATE: [Date]	DATA PATHS (DATA 4)
DECIMALS: .xxx - .005	ANGLES: 50° 30'	PROJ. ENG: [Signature]	DATE: [Date]	
REMOVE BURRS AND BREAK SHARP CORNERS SURFACE QUALITY		PROD: [Signature]	DATE: [Date]	
MATERIAL		NEXT HIGHER ASSY.		
FINISH		B-DU-RK11-D	SCALE: NONE	
		SHEET 6 OF	DIST	

NUMBER 1
 DCSM7256-0-1
 REV E

DIGITAL EQUIPMENT CORPORATION
 COPYRIGHT ©

CSM7256-0-1
 2



REVISIONS
 CHANGE NO.
 CHK

DATA 1 +3V
 DATA 3 CLK IN BUFF L
 DISK 4 SER RD DATA (1) H

DATA 3 GEN CLR H
 DATA 4 IN CNTR 1 (1) H
 DATA 4 OUT CNTR 0 (1) H
 DATA 4 OUT CNTR 1 (1) H
 DATA 4 IN DATA 0 (1) H

DATA 4 FILE EMPTY
 DATA 3 CLK OUT BUFF L
 DATA 3 OUT BUFF L (1) H

ST 3 REHDH
 BUS 4 RK NPA MASTERH A22 B

SEE NOTE 1
 SEE NOTE 2

FIRST USED ON OPTION/MODEL	QTY.	DESCRIPTION	PART NO.	ITEM NO.
RK11-D				
PARTS LIST				
UNLESS OTHERWISE SPECIFIED DIMENSION IN INCHES. TOLERANCES				
DECIMALS	ANGLES	TITLE		
XXX - 005	10' 30	DATA PATHS		
REMOVE BURRS AND BREAK SHARP CORNERS. SURFACE QUALITY				
MATERIAL				
NEXT HIGHER ASSY.				
FINISH				
B-D-RK11-D		SIZE CODE	NUMBER	REV.
SCALE NONE		DCSM7256-0-1		E
SHEET 7 OF		DIST		

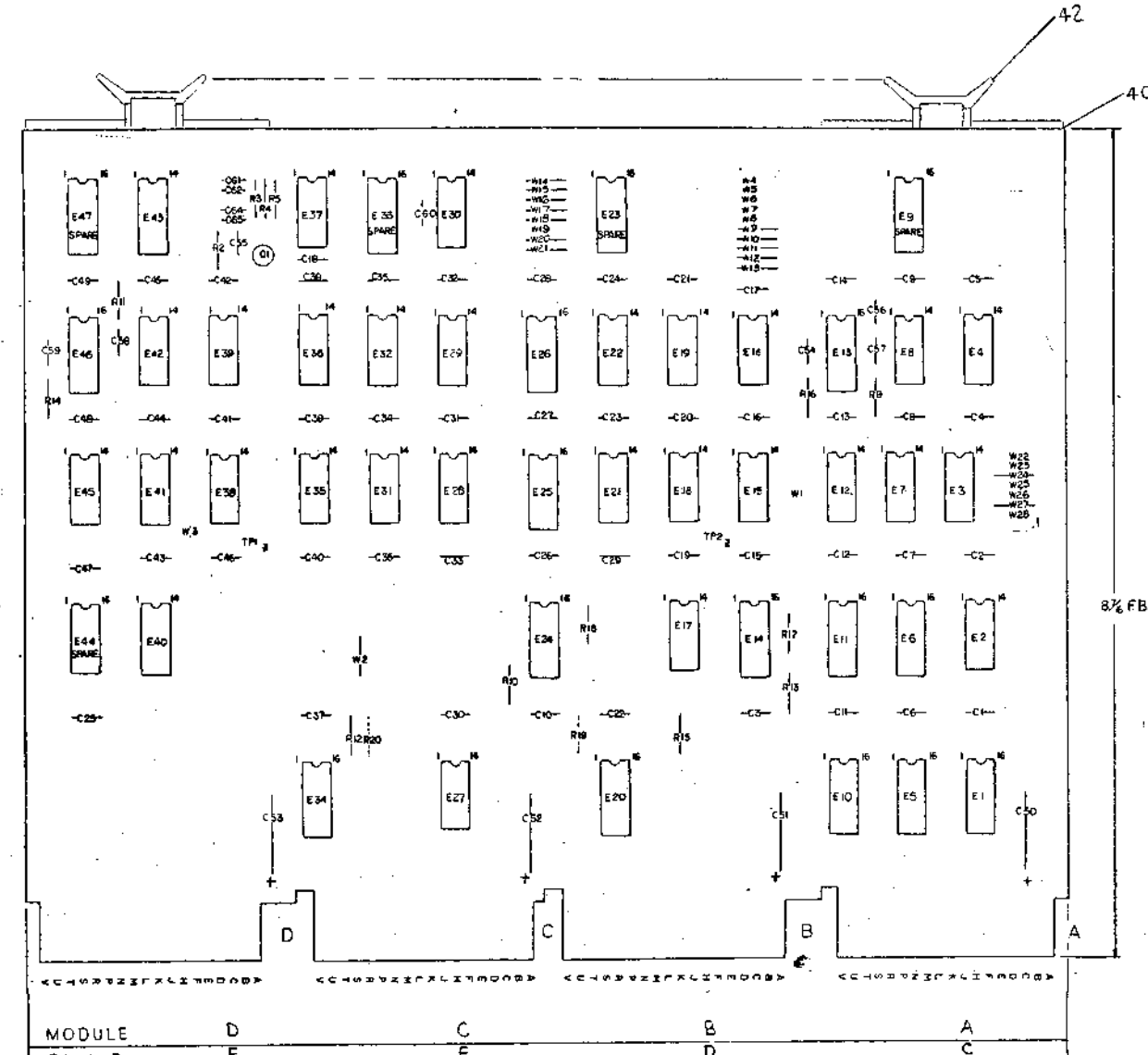
DCSM7256-0-1

THIS DRAWING AND SPECIFICATIONS HEREIN ARE THE PROPERTY OF DIGITAL EQUIPMENT CORPORATION AND SHALL NOT BE REPRODUCED OR COPIED OR USED IN WHOLE OR IN PART AS THE BASIS FOR THE MANUFACTURE OR SALE OF ITEMS WITHOUT WRITTEN PERMISSION. COPYRIGHT © 1973 DIGITAL EQUIPMENT CORPORATION.

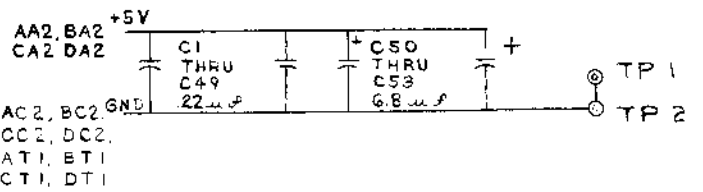
NOTES: 1. R10 AND R10 ARE OPTIONAL COMPONENTS. DO NOT INSERT.

2. W1, W3 THRU W8, W19, W22, W23, W25, W26, W28, ARE OPTIONAL JUMPERS. DO NOT INSERT.

* IF 8641'S ARE NOT AVAILABLE, USE 8888'S, PART NO. 191117-01.



PIN NOMENCLATURE



IC TYPE	GND	+5V
I.C. DEC 8642	1	8
I.C. DEC 74H103	11	4
I.C. DEC 314	1	8
I.C. DEC 7442	8	16
I.C. DEC 74123	8	12
I.C. DEC 74151	8	16
I.C. TYPE	GND	+5V

GND AND 5V ARE USUALLY PIN 7 AND 14 RESPECTIVELY. EXCEPTIONS ARE STATED ABOVE.

IC PIN LOCATIONS

REF	DESCRIPTION	PART NO.	ITEM NO.
	X-Y COORDINATE HOLE LOC.	KCO-M7257-0-4	1
	ASSY/DRILLING HOLE LAYOUT	D-AH-M7257-05	2
	MODULE ECO HISTORY	B-MH-M7257-06	3
1	ETCHED CIRCUIT BOARD	5009990	4
2	C55, C59	CAP 10 MMF 100V 5%	5
1	C54	CAP 270 MMF 100V 5%	6
2	C57, C60	CAP 330 MMF 100V 5%	7
1	C56	CAP 1200 MMF 100V 5%	8
49	C1 THRU C49	CAP .22 MF 50V 20%	9
4	C50 THRU C53	CAP 6.8 MFD 35V 10% TANT	10
4	C61, C62, C64, C65	CAP 6.8 MMF 100V 5%	11
1	C55	CAP 27 MMF 100V 5%	12
1	Q1	TRANS DEC 3009B	13
3	R2, R3, R4	RES. 330 1/4 W 5%	14
2	R10, R13	RES. 390 1/4 W 5%	15
1	R5	RES. 287 1/8 W 1%	16
4	R12, R15, R17, R18	RES. 180 1/4 W 5%	17
1	R16	RES. 5.6K 1/4 W 5%	18
1	R9	RES. 4.7K 1/4 W 5%	19
2	R11, R14	RES. 5.1K 1/8 W 1%	20
			21
2	R16, E30	RES. 1K RESISTOR PACK	22
1	E19	IC. 74H20	23
2	E22, E38	IC. 7402	24
3	E18, E31, E37	IC. 74H00	25
4	E40, E41, E42, E35	IC. 74H74	26
1	E2	IC. 314	27
4	E3, E4, E8, E27	IC. 8881	28
3	E7, E12, E15	IC. 8242	29
1	E21	IC. 74H04	30
1	E26	IC. 74151	31
2	E24, E25	IC. 7442	32
1	E28	IC. 7437	33
3	E36, E39, E45	IC. 7408	34
3	E29, E32, E43	IC. 74H103	35
2	E13, E46	IC. 74123	36
1	E17	IC. 8640	37
8	E1, E5, E6, E19, E14, E20, E34	IC. 8641	38
16	W2, W9 THRU W18, W20, W21, W24, W27	INSULATED JUMPER	39
8		EYELET	40
2	TP1, TP2	SOLDER TERMINALS	41
4		HANDLE (FLIPCHIP) MAGENTA	42

FIRST USED ON OPTION MODEL
RK11-D

EICH BOARD REV C

REVISIONS

DRN. DATE 10/9/73
CHK'D DATE 10/17/73
ENG. DATE 11/10/73
PROJ. ENG. DATE 11/10/73
PROD. DATE 11/10/73

digital EQUIPMENT CORPORATION
TITLE: BUS CONTROL
RK11-D

NEXT HIGHER ASSY: B-DD-RK11-D

DEC NO. EIA NO. DEC NO. EIA NO.

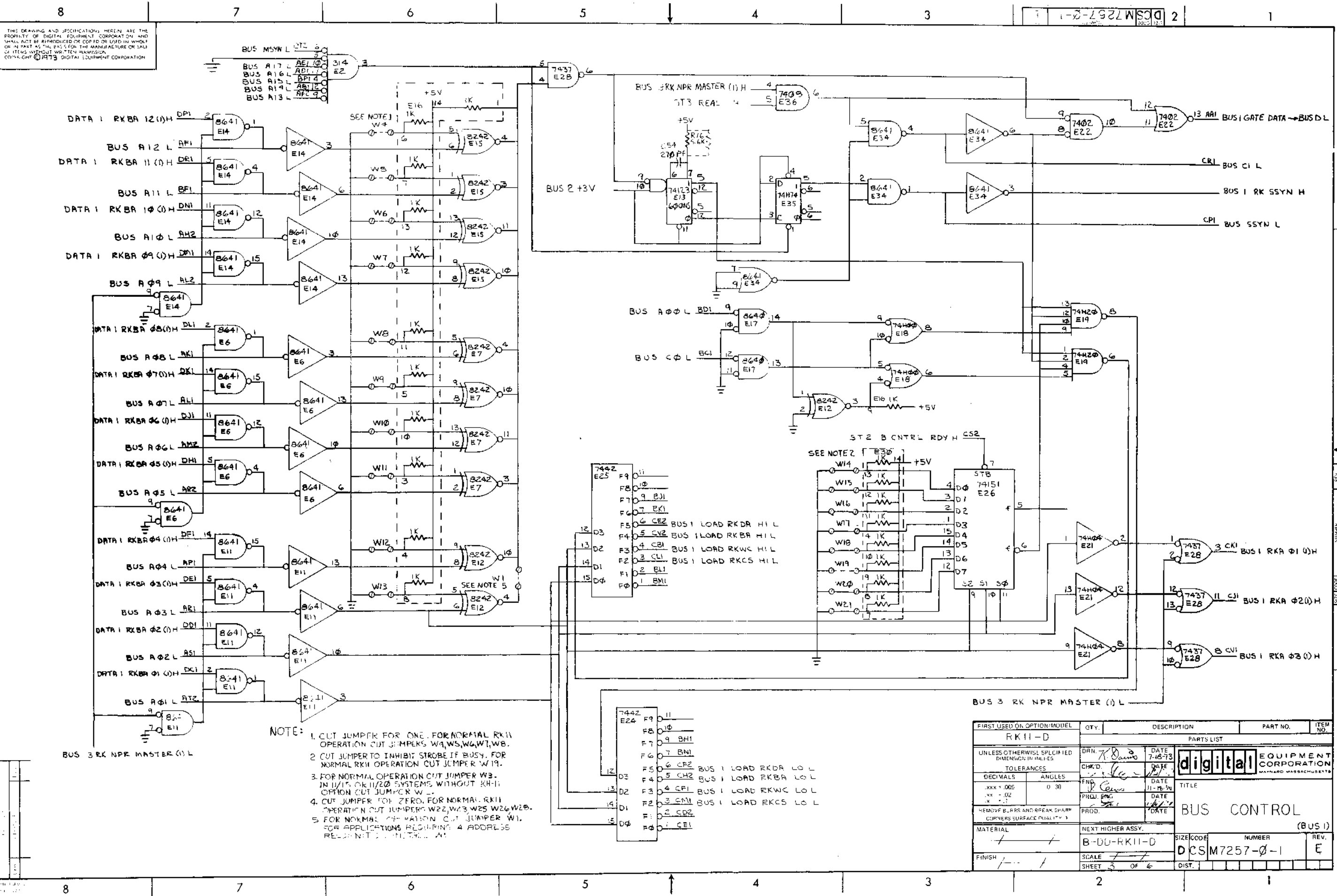
SCALE: NONE

SEMICONDUCTOR CONVERSION CHART

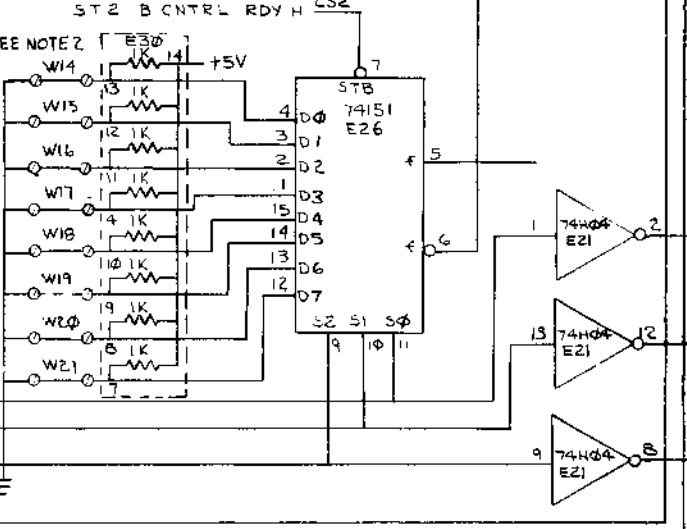
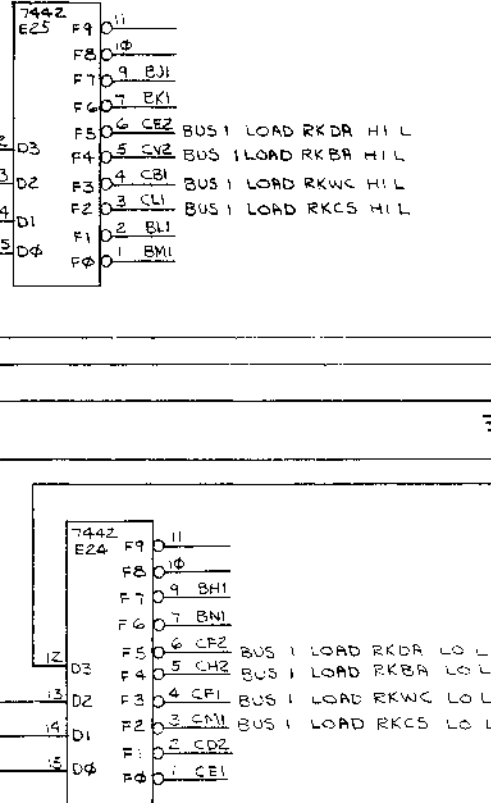
SHEET OF 6

SIZE CODE: DCS NUMBER: M7257-0-1 REV. M

THIS DRAWING AND SPECIFICATIONS HEREIN ARE THE PROPERTY OF DIGITAL EQUIPMENT CORPORATION AND SHALL NOT BE REPRODUCED OR COPIED OR USED IN WHOLE OR IN PART AS TO THE BASIS FOR THE MANUFACTURE OR SALE OF ITEMS WITHOUT WRITTEN PERMISSION.
COPYRIGHT © 1973 DIGITAL EQUIPMENT CORPORATION



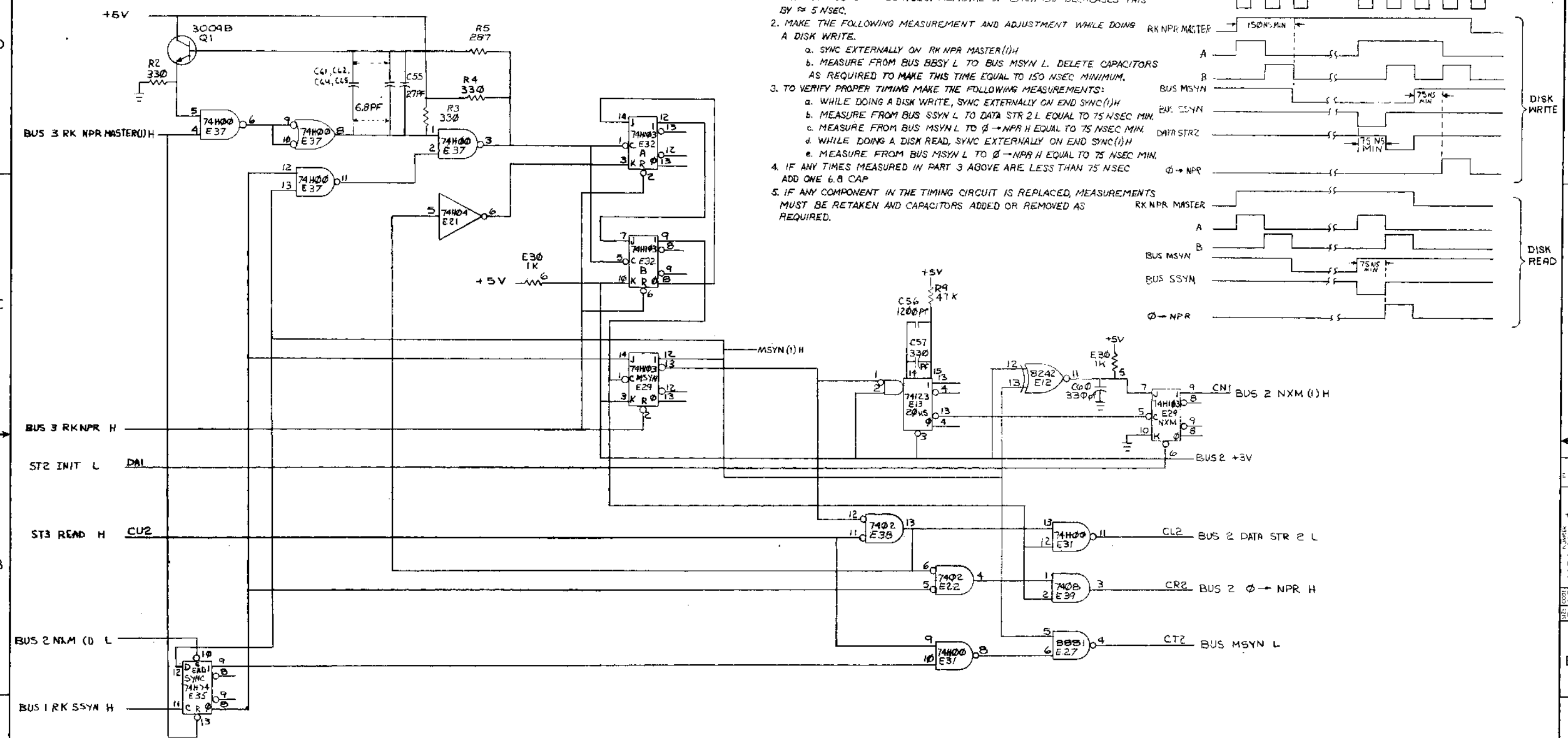
- NOTE:
1. CUT JUMPER FOR ONE. FOR NORMAL RK11 OPERATION CUT JUMPER W4, W5, W6, W7, W8.
 2. CUT JUMPER TO INHIBIT STROBE IF BUSY. FOR NORMAL RK11 OPERATION CUT JUMPER W19.
 3. FOR NORMAL OPERATION CUT JUMPER W3. IN U/15 OR U/20 SYSTEMS WITHOUT KH-11 OPTION CUT JUMPER W1.
 4. CUT JUMPER FOR ZERO. FOR NORMAL RK11 OPERATION CUT JUMPER W22, W23, W25, W26, W28.
 5. FOR NORMAL OPERATION CUT JUMPER W1. FOR APPLICATIONS REQUIRING 4 ADDRESS RESOLUTION CONTROL W1.



FIRST USED OR OPTION/MODEL	QTY.	DESCRIPTION	PART NO.	ITEM NO.
RK11-D				
PARTS LIST				
UNLESS OTHERWISE SPECIFIED DIMENSIONS IN INCHES	DRN. <i>K. Davis</i>	DATE 7-18-73	digital EQUIPMENT CORPORATION MAYNARD, MASSACHUSETTS	
TOLERANCES	CHK'D. <i>...</i>	DATE	TITLE	
DECIMALS .XXX ± .005	FND. <i>...</i>	DATE 11-16-74	BUS CONTROL (BUS 1)	
ANGLES 0 30	PRD. <i>...</i>	DATE	NUMBER	
REMOVE BURRS AND BREAK SHARP CORNERS SURFACE QUALITY 1	PRDD. <i>...</i>	DATE	DCSM7257-0-1	
MATERIAL	NEXT HIGHER ASSY.	SCALE	REV.	
	B-DD-RK11-D	3	E	
FINISH		SHEET 3 OF 6	DIST.	

THIS DRAWING AND SPECIFICATIONS HEREIN ARE THE PROPERTY OF DIGITAL EQUIPMENT CORPORATION AND SHALL NOT BE REPRODUCED OR COPIED OR USED IN WHOLE OR IN PART AS THE BASIS FOR THE MANUFACTURE OR SALE OF ITEMS WITHOUT WRITTEN PERMISSION. COPYRIGHT © 1973, DIGITAL EQUIPMENT CORPORATION.

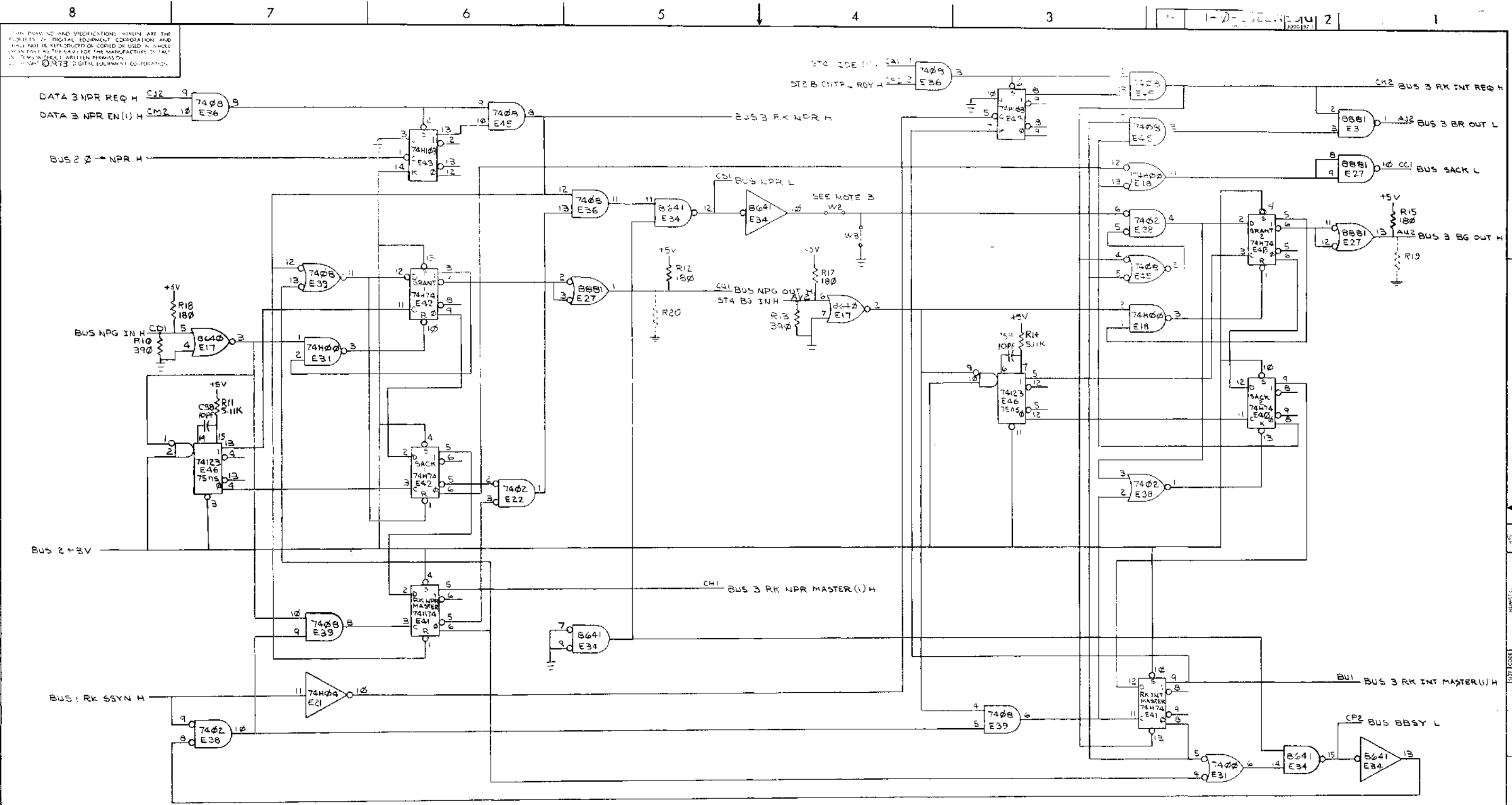
SET UP UNIBUS TIMING AS FOLLOWS:
 1. TIMING ADJUSTMENTS ARE MADE BY REMOVING CAPACITORS C61 THRU C65 AS REQUIRED. WITH C61 THRU C65 ALL INSTALLED THE OUTPUT AT E3703 HAS A PERIOD OF ≈ 88 NSEC. REMOVAL OF EACH CAP DECREASES THIS BY ≈ 5 NSEC.
 2. MAKE THE FOLLOWING MEASUREMENT AND ADJUSTMENT WHILE DOING A DISK WRITE.
 a. SYNC EXTERNALLY ON RK NPR MASTER(I)H
 b. MEASURE FROM BUS BBSY L TO BUS MSYN L. DELETE CAPACITORS AS REQUIRED TO MAKE THIS TIME EQUAL TO 150 NSEC MINIMUM.
 3. TO VERIFY PROPER TIMING MAKE THE FOLLOWING MEASUREMENTS:
 a. WHILE DOING A DISK WRITE, SYNC EXTERNALLY ON END SYNC(I)H
 b. MEASURE FROM BUS SSYN L TO DATA STR 2 L EQUAL TO 75 NSEC MIN.
 c. MEASURE FROM BUS MSYN L TO $\phi \rightarrow$ NPR H EQUAL TO 75 NSEC MIN.
 d. WHILE DOING A DISK READ, SYNC EXTERNALLY ON END SYNC(I)H
 e. MEASURE FROM BUS MSYN L TO $\phi \rightarrow$ NPR H EQUAL TO 75 NSEC MIN.
 4. IF ANY TIMES MEASURED IN PART 3 ABOVE ARE LESS THAN 75 NSEC ADD ONE 6.8 CAP
 5. IF ANY COMPONENT IN THE TIMING CIRCUIT IS REPLACED, MEASUREMENTS MUST BE RETAKEN AND CAPACITORS ADDED OR REMOVED AS REQUIRED.



FIRST USED ON OPTION/MODEL	QTY.	DESCRIPTION	PART NO.	ITEM NO.
RK11-D		PARTS LIST		
UNLESS OTHERWISE SPECIFIED DIMENSION IN INCHES		DATE 7/10/73	digital EQUIPMENT CORPORATION MAYNARD, MASSACHUSETTS	
TOLERANCES		DATE 7/10/73		
DECIMALS ANGLES		DATE 11-18-74		
.xxx - .005 .xx - .02 .x - .1	+0 .30	DATE 1/27/75		
REMOVE BURRS AND BREAK SHARP CORNERS SURFACE QUALITY Y		PROD. DATE	TITLE BUS CONTROL (BUS 2)	
MATERIAL	NEXT HIGHER ASSY.		NUMBER DCS M7257-0-1	
FINISH	SCALE 1:1		REV. E	
	SHEET 4 OF 6		DST.	

REVISIONS
 CHANGED TO
 BY
 DATE

DCS M7257-0-1 E



ALL DIMENSIONS AND SPECIFICATIONS HEREIN ARE THE PROPERTY OF DIGITAL EQUIPMENT CORPORATION AND SHALL NOT BE REPRODUCED OR COPIED IN ANY MANNER WITHOUT THE WRITTEN PERMISSION OF DIGITAL EQUIPMENT CORPORATION.

1-2-75 REV. 10 2

DCS M7257-0-1

FIRST USED OR OPTION MODEL	QTY.	DESCRIPTION	PART NO.	ITEM NO.
RK. - D				
PARTS LIST				
UNLESS OTHERWISE SPECIFIED, DIMENSIONS IN INCHES				
TOLERANCES				
DECIMALS	ANGLES			
MAX. DIM.	30			
MIN. DIM.	0.01	TITLE		
REMOVE DIMENSIONS FROM DRAWING WHEN SUPPLEMENTAL QUALITY	PROD.	DATE		
MATERIAL		NEXT HIGHER ASSY.		
FINISH		B-DD-RK. - D		
SCALE		SIZE CODE		
SHEET 5 OF 6		NUMBER		
		DIST.		
		REV. F		
		DCS M7257-0-1		

digital EQUIPMENT CORPORATION
MAYLAND MASSACHUSETTS

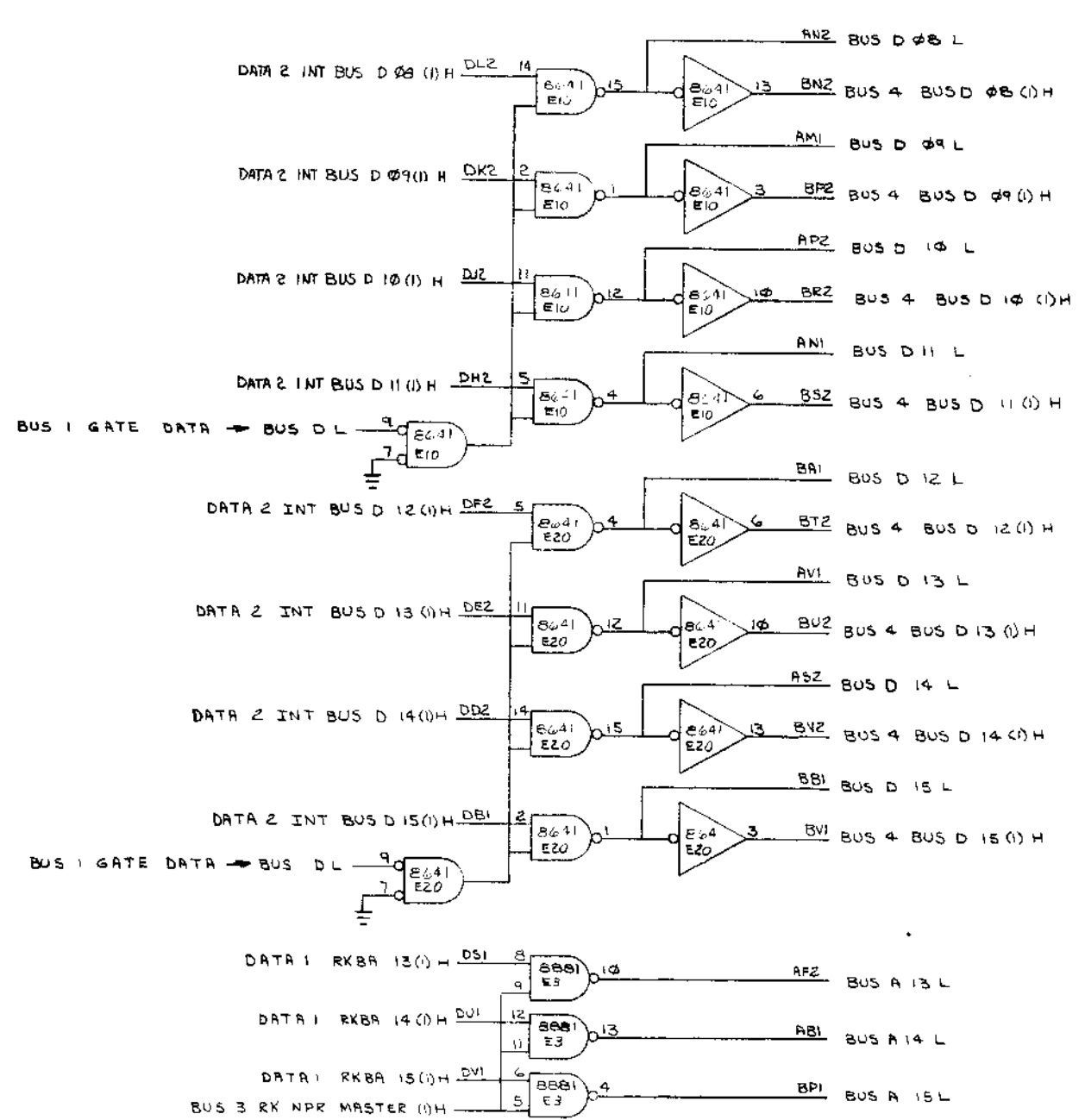
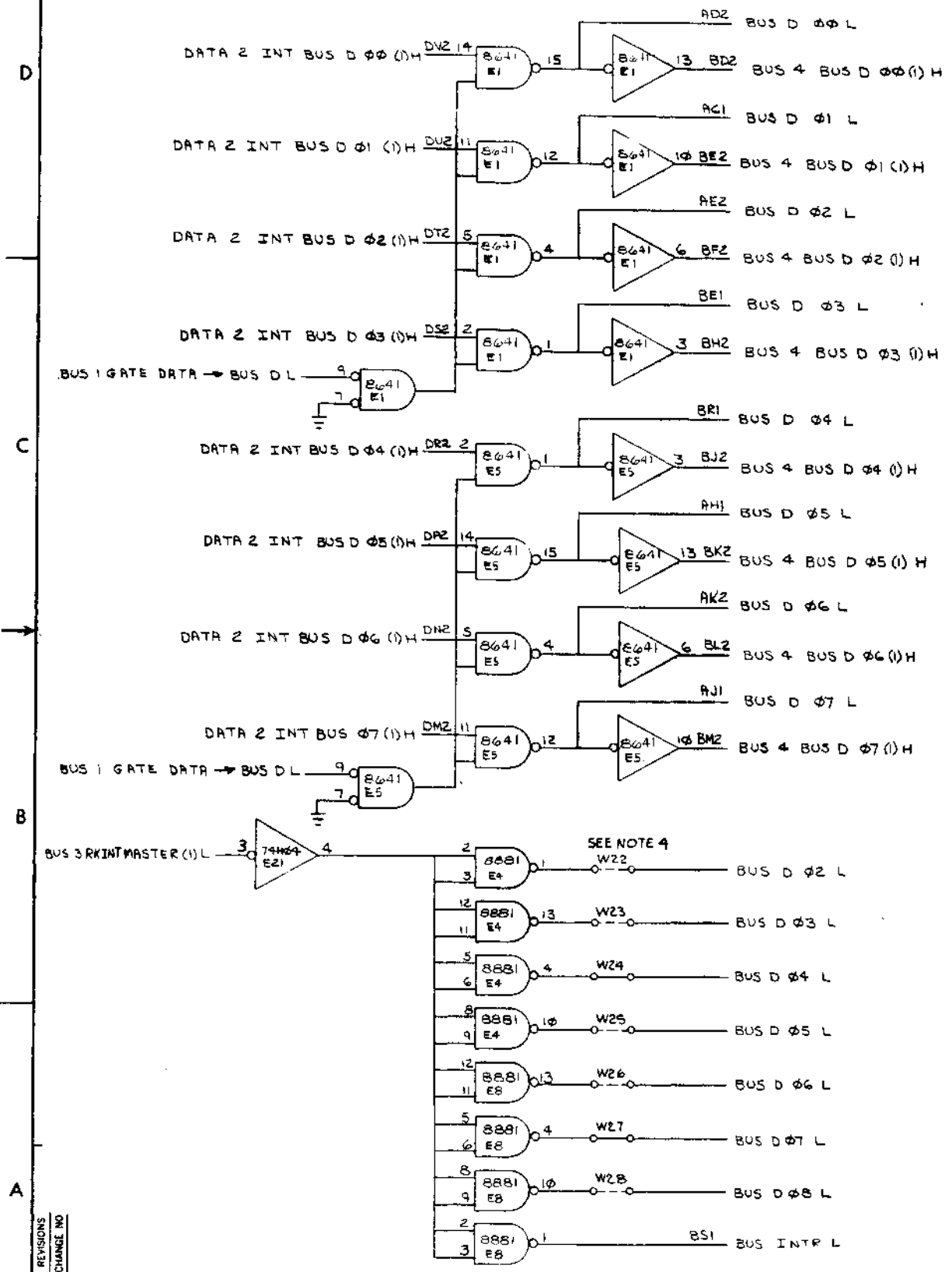
BUS CONTROL
(BUS 3)

DCS M7257-0-1

SHEET 5 OF 6

This drawing and specifications herein are the property of Digital Equipment Corporation and shall not be reproduced or copied in whole or in part or the basis for the manufacture or sale of items without written permission. © 1973 DIGITAL EQUIPMENT CORPORATION

1-02527-N 30 2



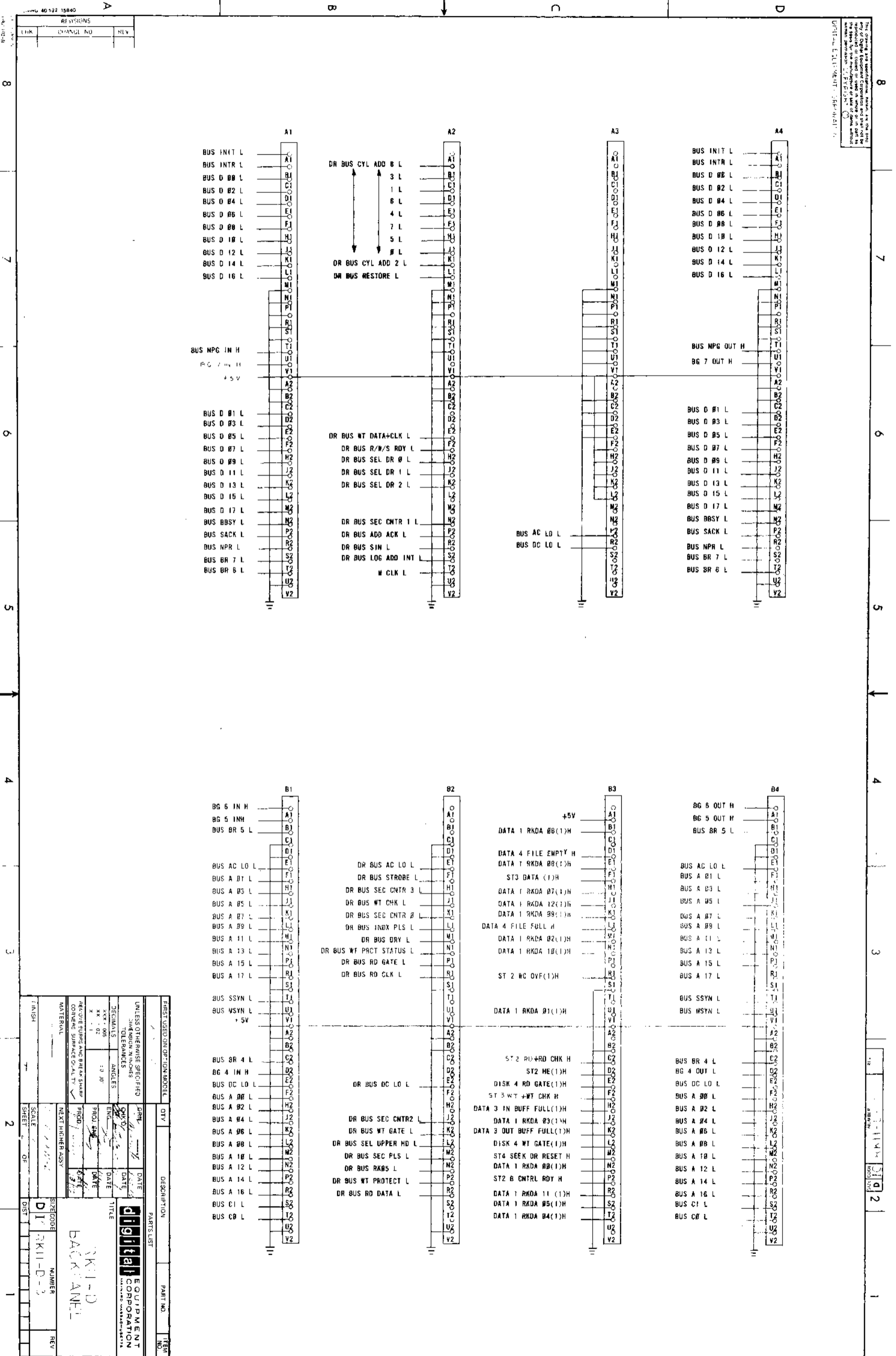
REVISIONS
CHANGE NO.
CHK

DEC FORM NO. 040 102A

NEXT HIGHER ASSY	QTY	DESCRIPTION	PART NO.	ITEM NO.
-K11 D				
PARTS LIST				
UNLESS OTHERWISE SPECIFIED				
DIMENSION IN INCHES				
TOLERANCES				
DECIMALS	FRACTIONS	ANGLES		
+ .005	+ 1/64	± 0°30'		
FINAL SURFACE QUALITY				
REMOVE BURRS AND BREAK SHARP CORNERS				
MATERIAL	FIRST USED ON	DATE		
	B DD-RK11 D-G			
FINISH	SCALE	SHEET	OF	
TITLE			REV.	
BUS CONTROL			D	
SIZE CODE			NUMBER	
DICS M7257-0-1				
DIST.				

DICS M7257-0-1

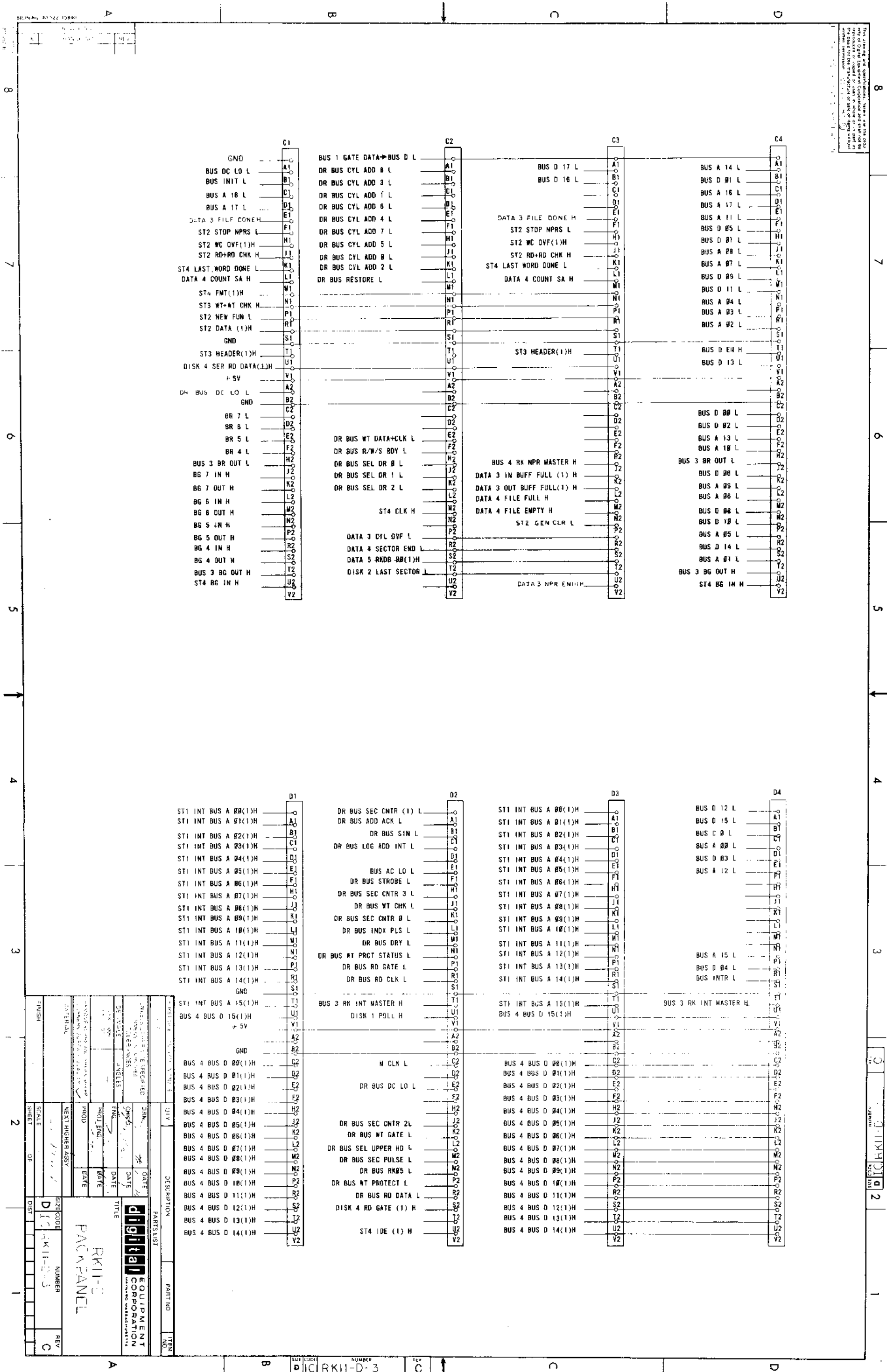
This drawing is the property of Digital Equipment Corporation and shall not be reproduced or used in any way without the express written permission of Digital Equipment Corporation.



REV	NUMBER	DESCRIPTION
1	1	REVISED BACK PANEL
2	2	REVISED BACK PANEL

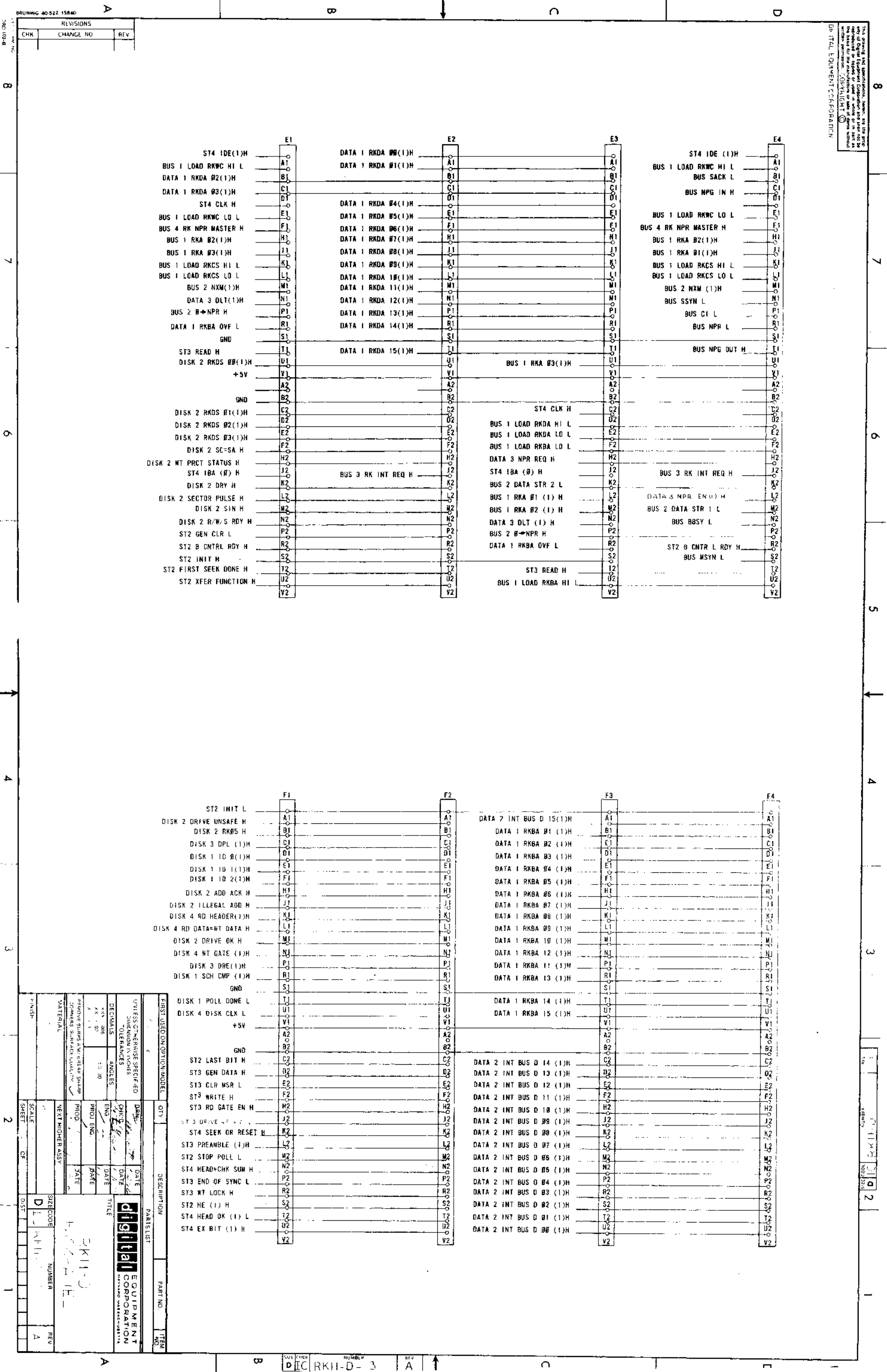
DATE	DATE	DATE	DATE
11/17/73	11/17/73	11/17/73	11/17/73
DESIGNED BY	CHECKED BY	ENGINEER	DATE
J. J. ...	J. J. ...	J. J. ...	11/17/73
DECIMALS	ANGLES	PROJ. ENG.	DATE
XX.XXX	10.00	J. J. ...	11/17/73
XX.XX	1.00	DATE	DATE
XX.X	0.10	DATE	DATE
XX.X	0.05	DATE	DATE
XX.X	0.02	DATE	DATE
XX.X	0.01	DATE	DATE
XX.X	0.005	DATE	DATE
XX.X	0.002	DATE	DATE
XX.X	0.001	DATE	DATE
XX.X	0.0005	DATE	DATE
XX.X	0.0002	DATE	DATE
XX.X	0.0001	DATE	DATE

This drawing and specifications, when used in accordance with the drawings and specifications of the equipment, shall be the property of Digital Equipment Corporation and shall not be reproduced or transmitted in any form or by any means, electronic, mechanical, photocopying, recording, or by any information storage and retrieval system, without permission in writing from Digital Equipment Corporation.



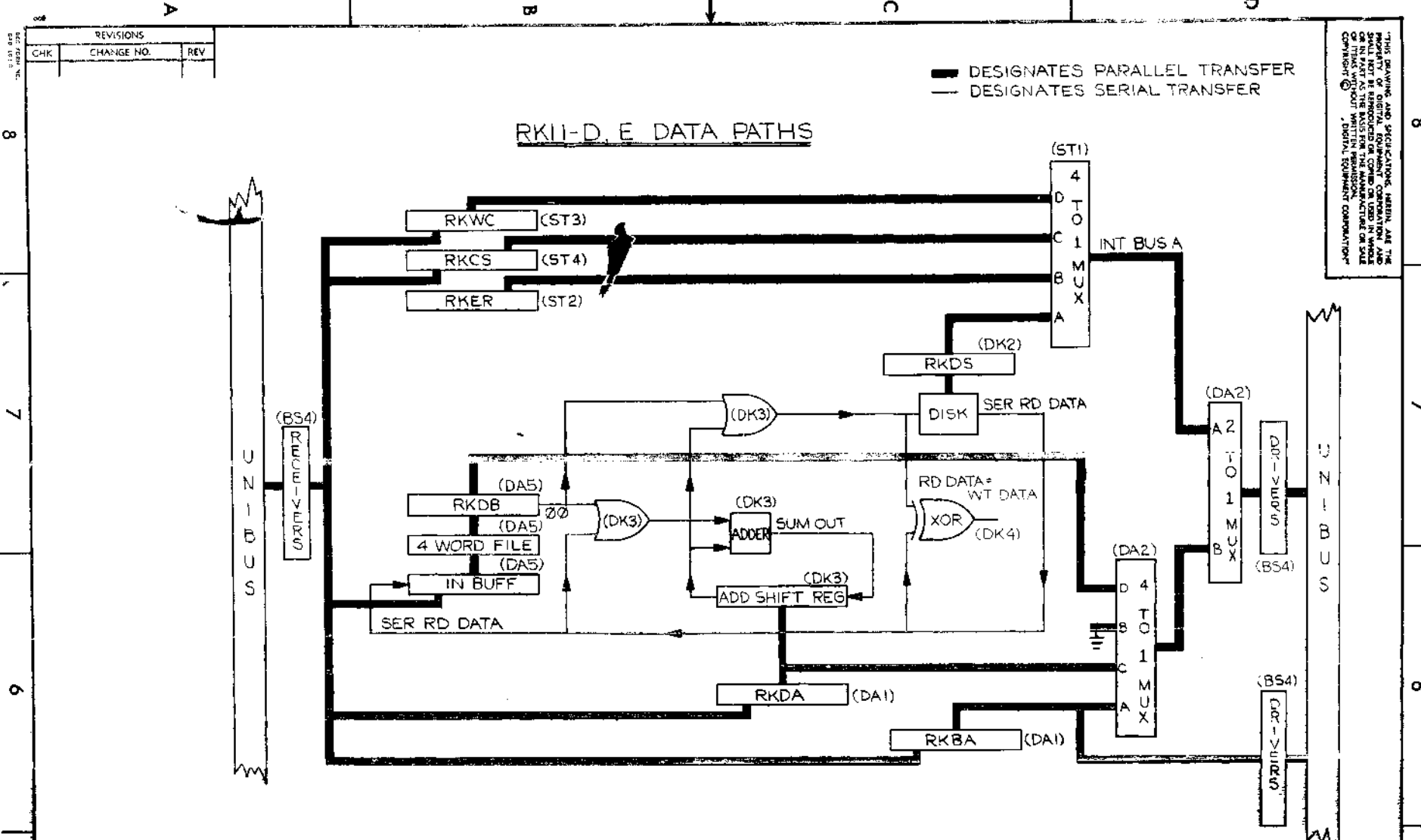
DATE		DATE	
DRAWN BY		CHECKED BY	
DESIGNED BY		APPROVED BY	
MATERIAL		NEXT HIGHER ASSY	
FINISH		SCALE	
SHEET		OF	
DISTRIBUTION		REV	
SIZE CODE		NUMBER	
DIGITAL EQUIPMENT CORPORATION		RACK PANEL	

This drawing and its contents are the property of Digital Equipment Corporation and shall not be reproduced or copied in any form or by any means without the prior written permission of Digital Equipment Corporation.

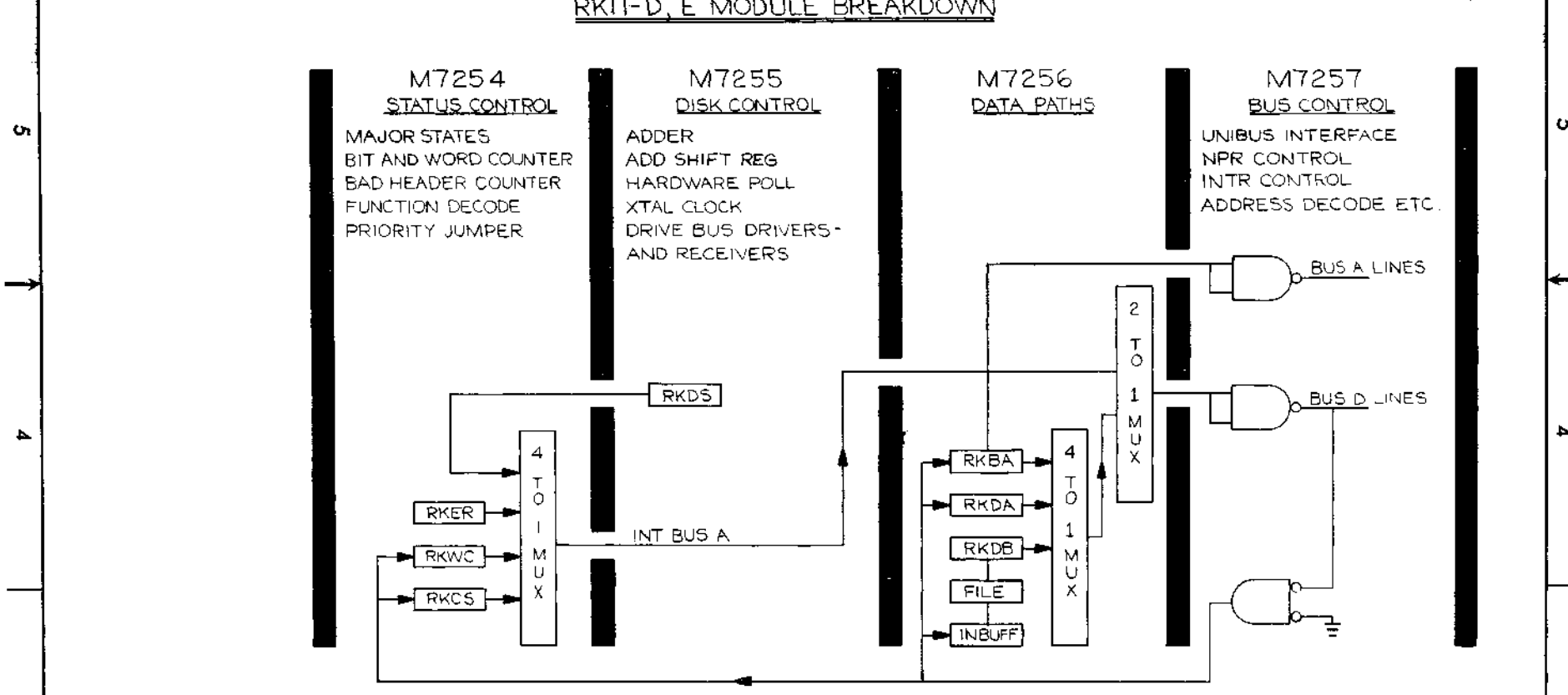


REVISIONS		
CHK	CHANGE NO	REV

FIRST USED ON OPTION/MODEL		PART NO.		ITEM NO.	
DESCRIPTION		DATE		DATE	
PARTS LIST		DATE		DATE	
CHECKED BY		DATE		DATE	
DRAWN BY		DATE		DATE	
ENGR BY		DATE		DATE	
PROJ ENGR		DATE		DATE	
PROD. DATE		DATE		DATE	
MATERIAL		DATE		DATE	
NEXT HIGH-ER ASSY		DATE		DATE	
FINISH		DATE		DATE	
SCALE		DATE		DATE	
SHEET		DATE		DATE	
CF		DATE		DATE	
DIST		DATE		DATE	
SIZE CODE		DATE		DATE	
NUMBER		DATE		DATE	
REV		DATE		DATE	
A		DATE		DATE	



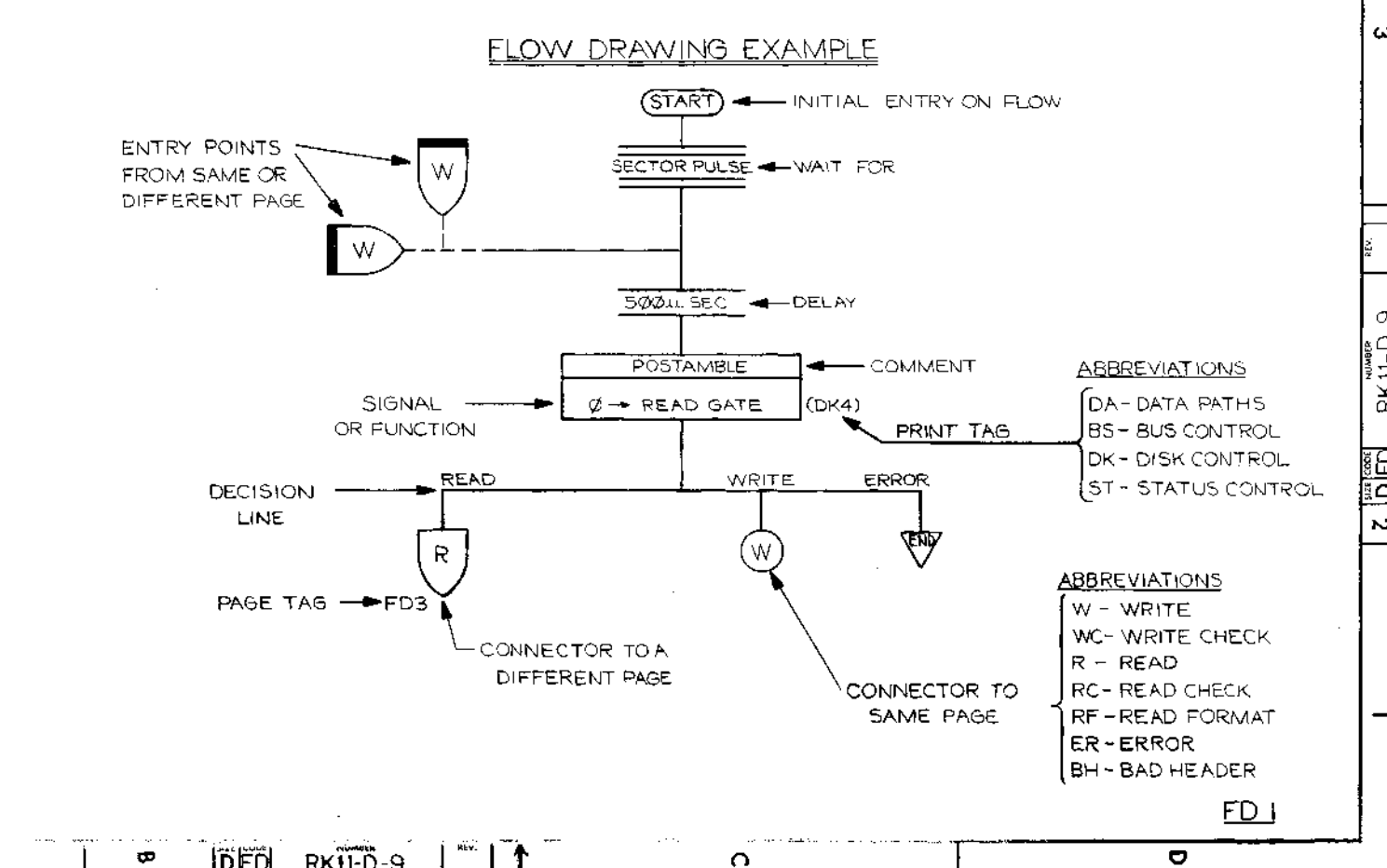
THIS DRAWING AND SPECIFICATIONS, HEREIN ARE THE PROPERTY OF DIGITAL EQUIPMENT CORPORATION AND ARE TO BE USED BY THE USER ONLY AS A GUIDE TO THE MANUFACTURE OF ITEMS WHICH WILL BE USED IN CONNECTION WITH THE SYSTEMS, PROGRAMS, AND/OR SERVICES PROVIDED BY DIGITAL EQUIPMENT CORPORATION.



REVISIONS		CHK	CHANGE NO.	REV
DATE	BY			

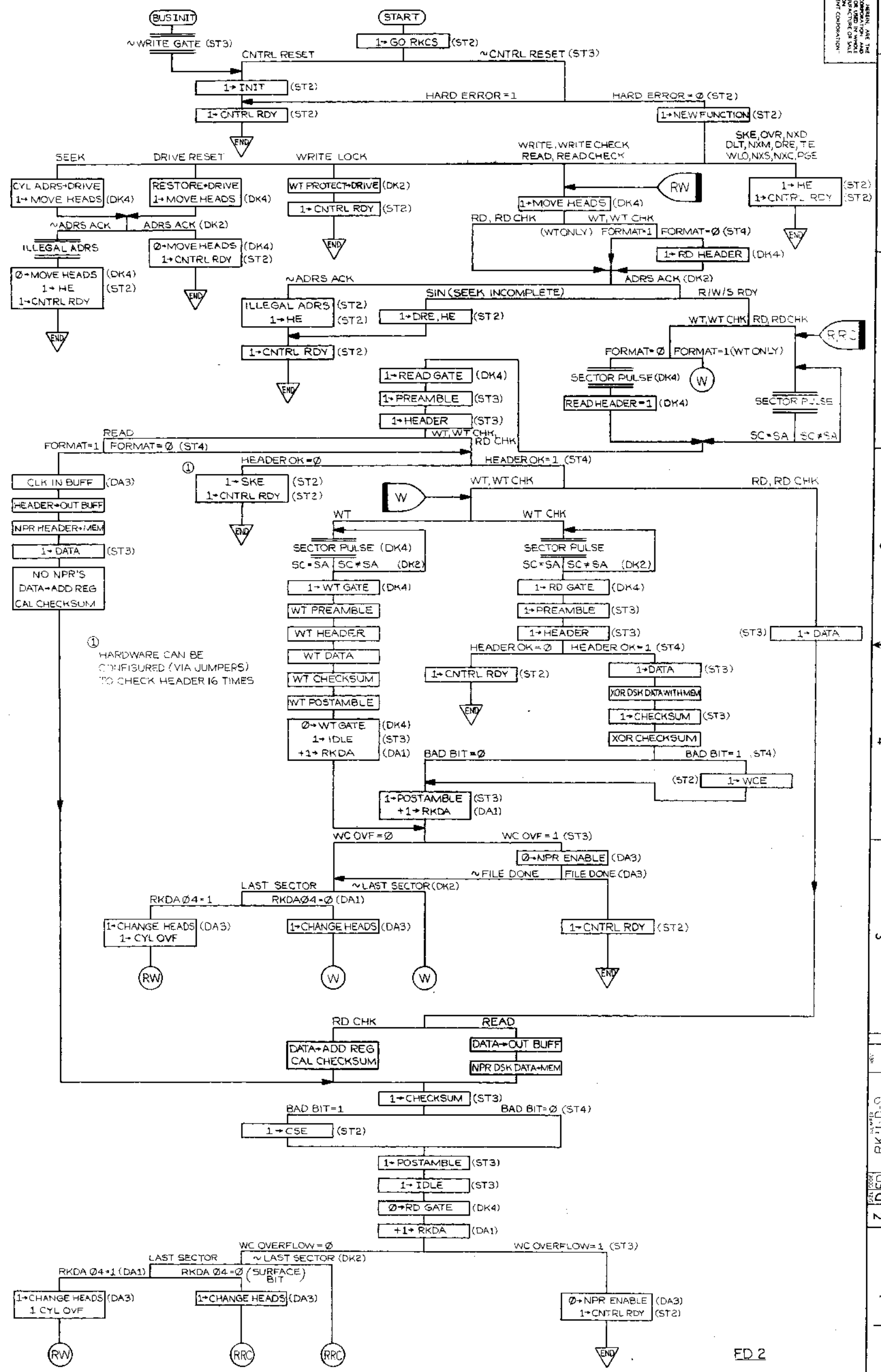
FIRST USED ON OPTION/MODEL	PARTS LIST	DESCRIPTION	PART NO.
RK11-D			

DIMENSIONAL TOLERANCE		DIMENSIONAL TOLERANCE	
MILLIMETERS	INCHES	MILLIMETERS	INCHES
XXX ± 0.10	XXX ± 0.005	XXX ± 0.10	XXX ± 0.005
XX ± 0.05	XX ± 0.02	XX ± 0.05	XX ± 0.02
X ± 0.2	X ± 0.1	X ± 0.2	X ± 0.1
ANGLES	ANGLES	ANGLES	ANGLES
90° ± 30'	90° ± 30'	90° ± 30'	90° ± 30'
REMOVE BURRS AND BREAK SHARP CORNERS	REMOVE BURRS AND BREAK SHARP CORNERS	REMOVE BURRS AND BREAK SHARP CORNERS	REMOVE BURRS AND BREAK SHARP CORNERS
FINISH	FINISH	FINISH	FINISH
B-0D-RK11-D	B-0D-RK11-D	B-0D-RK11-D	B-0D-RK11-D
SCALE	SCALE	SCALE	SCALE
1 OF 5	1 OF 5	1 OF 5	1 OF 5
SHEET	SHEET	SHEET	SHEET
DIST	DIST	DIST	DIST
SIZE CODE	SIZE CODE	SIZE CODE	SIZE CODE
DFD	DFD	DFD	DFD
RK11-D-9	RK11-D-9	RK11-D-9	RK11-D-9
NUMBER	NUMBER	NUMBER	NUMBER
REV.	REV.	REV.	REV.



THIS DRAWING AND SPECIFICATION, HEREIN, ARE THE PROPERTY OF DIGITAL EQUIPMENT CORPORATION, AND NO PART IS TO BE REPRODUCED OR TRANSMITTED IN ANY FORM OR BY ANY MEANS, ELECTRONIC OR MECHANICAL, INCLUDING PHOTOCOPYING, RECORDING, OR BY ANY INFORMATION STORAGE AND RETRIEVAL SYSTEM, WITHOUT PERMISSION IN WRITING FROM DIGITAL EQUIPMENT CORPORATION.

FUNCTIONAL FLOW DRAWING



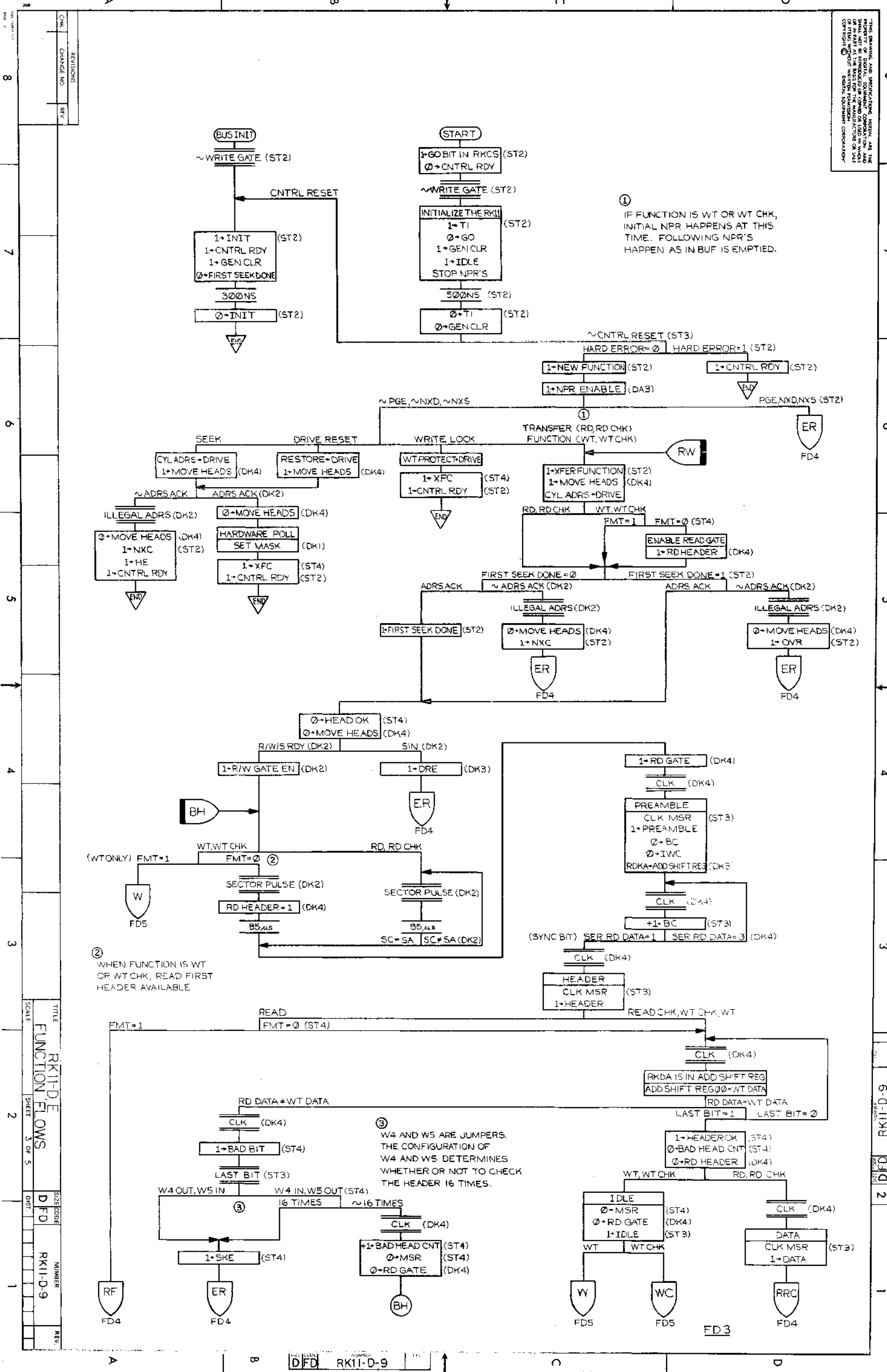
① HARDWARE CAN BE CONFIGURED (VIA JUMPERS) TO CHECK HEADER 16 TIMES

CHK	CHANGE NO.	REV.

TITLE	RK11-D-9
FUNCTION FLOWS	
SCALE	
SHEET	2 OF 5
DIST.	
SIZE	
NUMBER	RK11-D-9
REV.	

DIGITAL EQUIPMENT CORPORATION

THIS DRAWING AND SPECIFICATIONS ARE THE PROPERTY OF DIGITAL EQUIPMENT CORPORATION AND SHALL NOT BE REPRODUCED OR COPIED IN WHOLE OR IN PART WITHOUT WRITTEN PERMISSION OF THE CORPORATION. DIGITAL EQUIPMENT CORPORATION.



① IF FUNCTION IS WT OR WT CHK, INITIAL NPR HAPPENS AT THIS TIME. FOLLOWING NPR'S HAPPEN AS IN BUF IS EMPTIED.

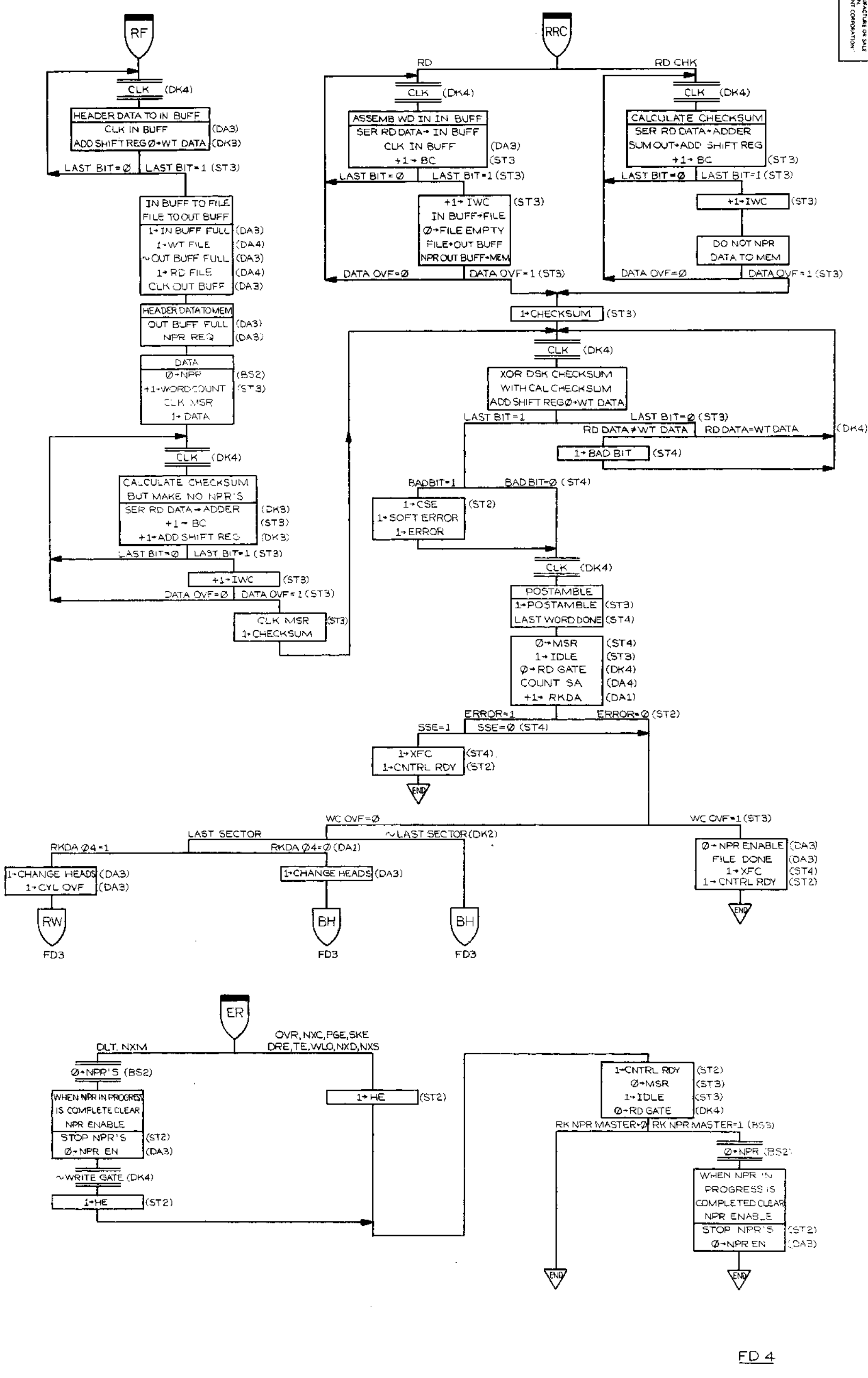
② WHEN FUNCTION IS WT OR WT CHK, READ FIRST HEADER AVAILABLE

③ W4 AND W5 ARE JUMPERS. THE CONFIGURATION OF W4 AND W5 DETERMINES WHETHER OR NOT TO CHECK THE HEADER 16 TIMES.

REVISIONS
 CHK CHANGE NO. REV
 TITLE: RK11-D-9
 FUNCTION FLOWS
 SHEET 3 OF 5
 SIZE CODE: DFD
 NUMBER: RK11-D-9

8
 7
 6
 5
 4
 3
 2
 1
 DFD RK11-D-9

THIS DRAWING AND SPECIFICATIONS, HEREIN, ARE THE PROPERTY OF DIGITAL EQUIPMENT CORPORATION, AND NO PART THEREOF IS TO BE REPRODUCED OR TRANSMITTED IN ANY FORM OR BY ANY MEANS, WITHOUT WRITTEN PERMISSION OF DIGITAL EQUIPMENT CORPORATION.



CHK	CHANGE NO.	REV

REV.	NUMBER	SIZE/DATE	SCALE	TITLE

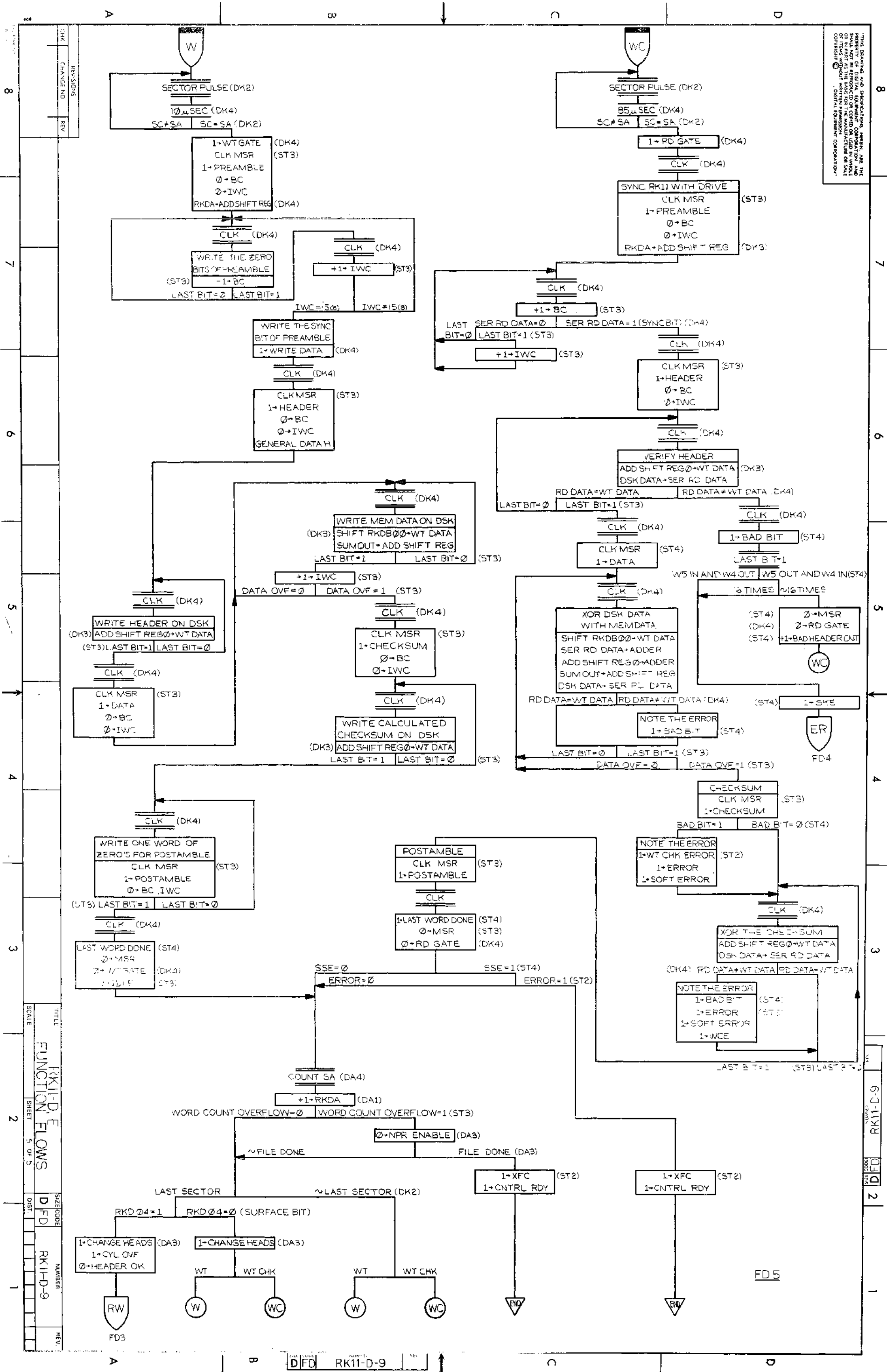
REV.	NUMBER	SIZE/DATE	SCALE	TITLE

8
7
6
5
4
3
2
1

8
7
6
5
4
3
2
1

8
7
6
5
4
3
2
1

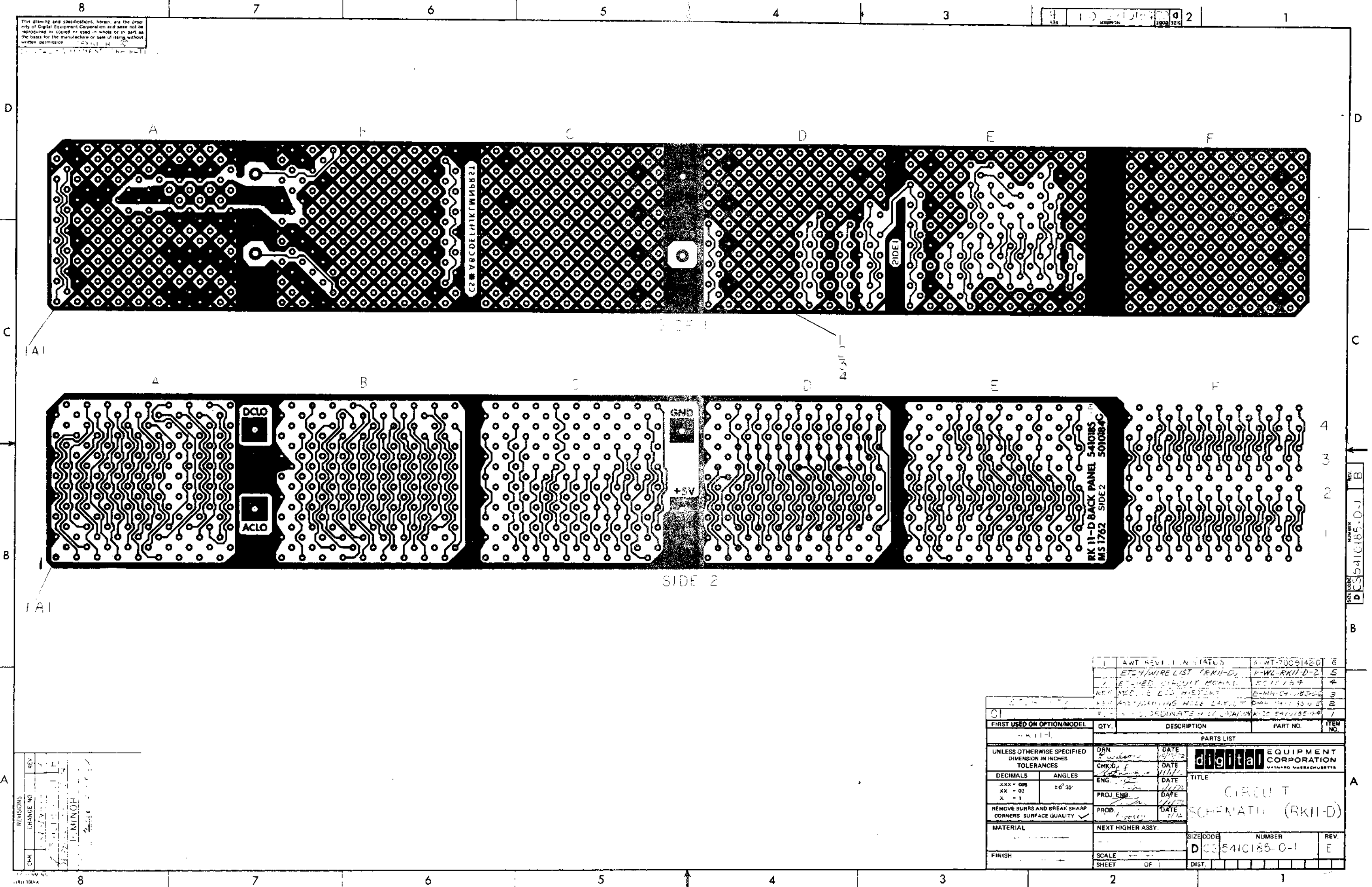
THIS DRAWING AND SPECIFICATIONS, HEREIN, ARE THE PROPERTY OF DIGITAL EQUIPMENT CORPORATION AND SHALL NOT BE REPRODUCED OR COPIED OR USED IN WHOLE OR IN PART FOR ANY OTHER PROJECT WITHOUT THE WRITTEN PERMISSION OF DIGITAL EQUIPMENT CORPORATION.



REV. 1
 NUMBER RK11-D-9
 SIZE CODE DFD
 SHEET 5 OF 5
 TITLE RK11-D-9 FUNCTION FLOWS
 SCALE

REV. 1
 NUMBER RK11-D-9
 SIZE CODE DFD
 SHEET 5 OF 5
 TITLE RK11-D-9 FUNCTION FLOWS
 SCALE

This drawing and specifications, herein, are the property of Digital Equipment Corporation and shall not be reproduced, in whole or in part, as the basis for the manufacture or sale of items without written permission.



REV	DATE	BY	CHK	REVISIONS
1				
2				
3				
4				
5				
6				
7				
8				

FIRST USED ON OPTION/MODEL	QTY.	DESCRIPTION	PART NO.	ITEM NO.
RK 11-D				
PARTS LIST				
UNLESS OTHERWISE SPECIFIED DIMENSION IN INCHES TOLERANCES		DRAWN DATE	digital EQUIPMENT CORPORATION MAYFIELD MASSACHUSETTS	
DECIMALS	ANGLES	CHK'D DATE	TITLE	
.XXX - .008	10° - 30°	ENG DATE	CIRCUIT	
REMOVE BURRS AND BREAK SHARP CORNERS SURFACE QUALITY		PROJ. ENG. DATE	SCHEMATIC (RK11-D)	
MATERIAL	NEXT HIGHER ASSY.	PROD. DATE	SIZE CODE	NUMBER
			D 03541C185-0-1	REV.
FINISH	SCALE	SHEET	DIST.	E

AWT REV. I. I. N. STATUS	AWT-00091420	6
ETCH/WIRE LIST (RK11-D)	Y-WL-RK11-D-2	5
ETCHED CIRCUIT BOARD	PCB-189	4
MOD. TO ELD HISTORY	E-MH-04-03006	3
ADD. MANUFACTURING HOLE LAYOUT	DM 14-1-53005	2
PL. NO. COORDINATE HOLE LAYOUT	KDC 04105004	1

WIRE TABLE

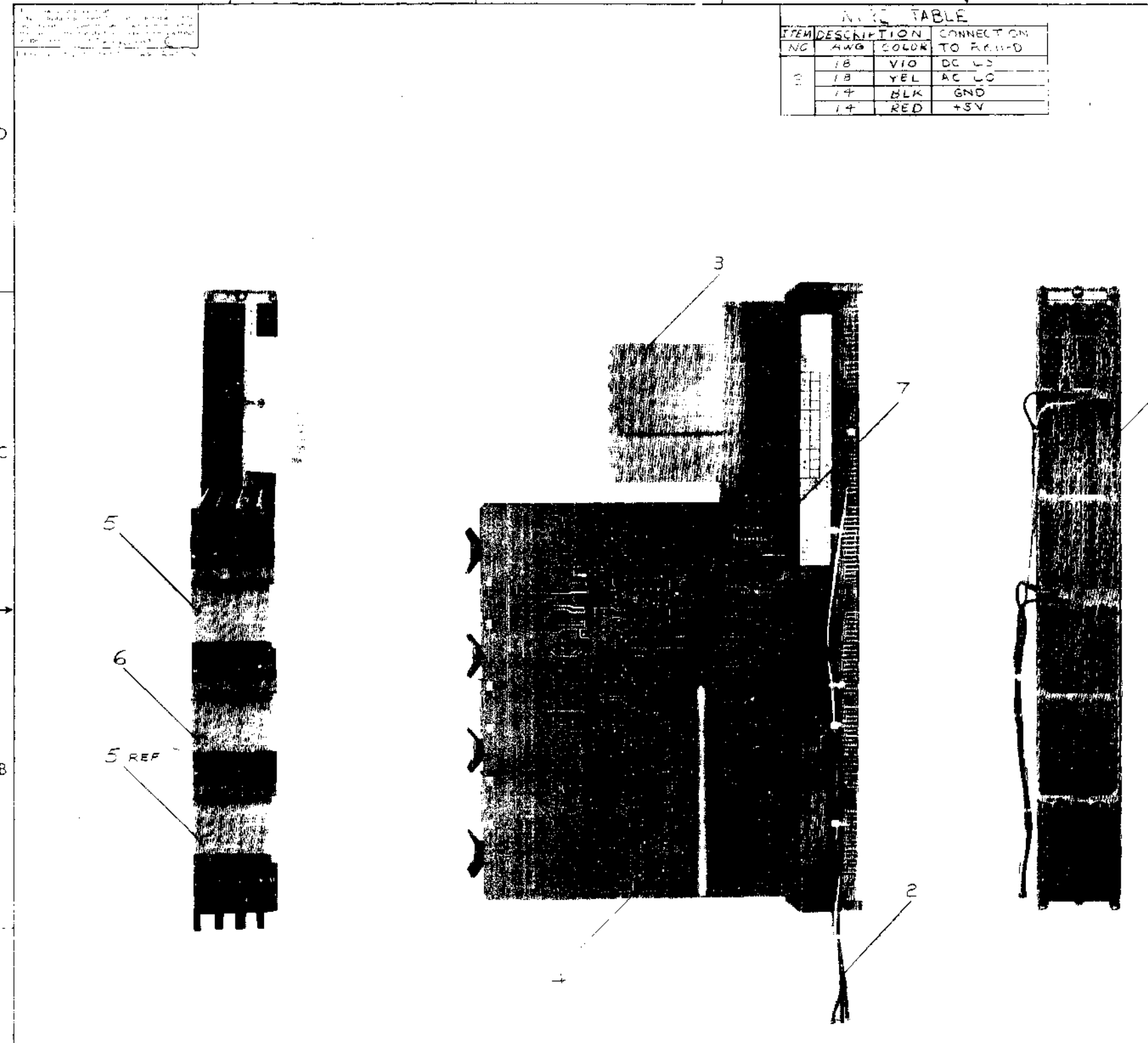
ITEM NO	DESCRIPTION	WIRE COLOR	CONNECTION TO BOARD
16		VIO	DC LS
17		YEL	AC LO
17		BLK	GND
17		RED	+5V

LEGEND

OPTION	VARIATION
RK11-D	DISK CONTROL
RK11-E	DISK CONTROL
RK11-DE	RK11-D WITH RK05-DE
RK11-DF	RK11-D WITH RK05-DF
RK11-DH	RK11-D WITH RK05-DH
RK11-DJ	RK11-D WITH RK05-DJ
RK11J-DE	RK11-D WITH RK05J-DE
RK11J-DF	RK11-D WITH RK05J-DF
RK11J-DH	RK11-D WITH RK05J-DH
RK11J-DJ	RK11-D WITH RK05J-DJ
RK11J-DK	RK11-D WITH RK05J-DK
RK11J-DL	RK11-D WITH RK05J-DL
RK11J-DM	RK11-D WITH RK05J-DM
RK11J-DN	RK11-D WITH RK05J-DN

NOTES:

- ITEM 17 IS MADE UP OF ITEMS 1 THRU 8 AND 10 THRU 12.
- USE RK11-D OPTION HARNESS 7009559 IN 11/40 SYSTEMS WITH S/N GREATER THAN 6000 AND 11/45 SYSTEMS WITH S/N GREATER THAN 2000. OLDER MACHINES REQUIRE RK11-D POWER HARNESS 7008992. PDP 11/20 AND PDP 11/15 SYSTEMS AND RA11-ES BOXES USE NO POWER HARNESS OTHER THAN THAT SUPPLIED INTERNAL TO THE BOX. BA11-D BOXES REQUIRE RK11-D POWER HARNESS 7008992.
- ITEM 8080 IS INSTALLED ON THE M7255 MODULE DURING SYSTEM INTEGRATION.



RK11J-DM	RK11J-DL	RK11J-DK	RK11J-DJ	RK11J-DH	RK11J-DF	RK11J-DE	RK11J-DG	RK11-DH	RK11-DF	RK11-DE	RK11-E	RK11-D

QTY	DESCRIPTION	PART NO	ITEM NO
1	CAB, RK05J 230V 50HZ	RK05J-DN	25
1	CAB, RK05J 115V 50HZ	RK05J-DM	24
1	CAB, RK05J 230V 60HZ	RK05J-DL	23
1	CAB, RK05J 115V 60HZ	RK05J-DK	22
1	TALL CAB, 861, RK05J 230V 50HZ	RK05J-DJ	21
1	TALL CAB, 861, RK05J 115V 50HZ	RK05J-DH	20
1	TALL CAB, 861, RK05J 230V 60HZ	RK05J-DF	19
1	TALL CAB, 861, RK05J 115V 60HZ	RK05J-DE	18
1	DISK CONTROL	RK11-D	17
1	TALL CAB, 861, RK05 115V 60HZ	RK05-DE	16
1	TALL CAB, 861, RK05 230V 60HZ	RK05-DF	15
1	TALL CAB, 861, RK05 115V 50HZ	RK05-DH	14
1	TALL CAB, 861, RK05 230V 50HZ	RK05-DJ	13
1	INTERNAL BUS CONNECT...	C-05-M920-D-1	12
1	BUS TERMINATOR	C-05-M930-D-1	11
1	MAINT MODULE OVERLAY (RHS)	A-S-05-M912-D	10
1	3.090 MHZ CRYSTAL	18-10699-4	9
1	2.880 MHZ CRYSTAL	18-10699-3	8
1	PRIORITY PLUG LEVEL 5	5908778	7
1	MODULE CLAMPS WITHOUT SEPARATION	12-09856-2	6
2	MODULE CLAMPS WITH SEPARATION	12-09856-1	5
1	MODULE UTILIZATION	D-MU-RK11-D-1	4
1	CABLE 15 FT	D-UA-FC114-15	3
1	OPTION HARNESS	D-IA-7009559-00	2
1	ALL	C-IA-700942-D-1	1

DATE	11/15/72
BY	J. ORK
APP'D	J. ORK
REV	1
REV	2
REV	3
REV	4
REV	5
REV	6
REV	7
REV	8

PARTS LIST

DESIGNER	WILSON	DATE	10/15/72
CHECKED	Wilson	DATE	11/1/72
ENGINEER	Wilson	DATE	11/1/72
PRODUCED	Wilson	DATE	11/1/72
DATE	11/1/72		

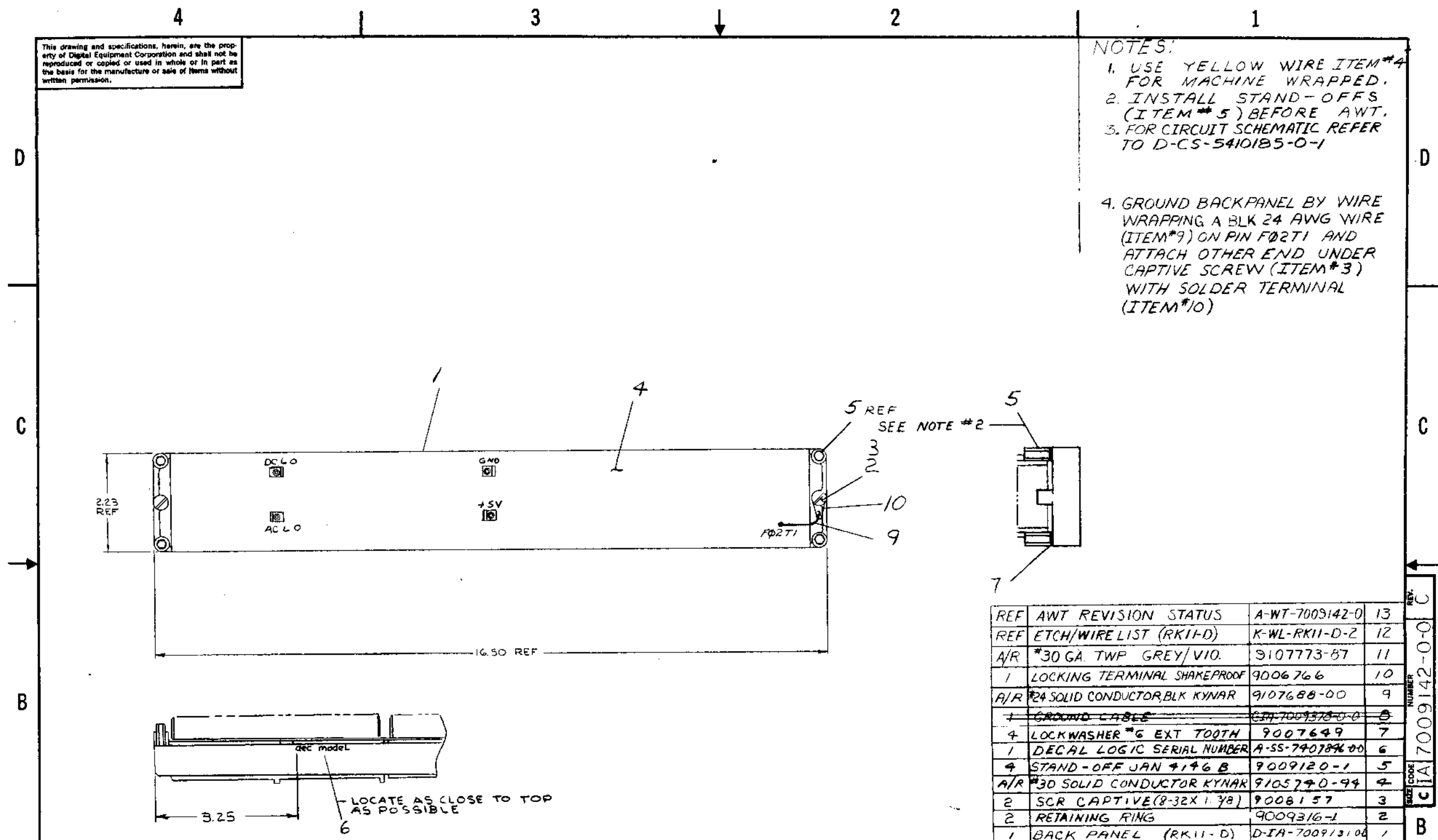
digital EQUIPMENT CORPORATION
MAYFIELD MASSACHUSETTS

TITLE: DISK CONTROL

SIZE	CODE	NUMBER	REV
DUA	RK11-D-0		

This drawing and specifications, herein, are the property of Digital Equipment Corporation and shall not be reproduced or copied or used in whole or in part as the basis for the manufacture or sale of items without written permission.

- NOTES:
1. USE YELLOW WIRE ITEM #4 FOR MACHINE WRAPPED.
 2. INSTALL STAND-OFFS (ITEM #5) BEFORE AWT.
 3. FOR CIRCUIT SCHEMATIC REFER TO D-CS-5410185-0-1
 4. GROUND BACKPANEL BY WIRE WRAPPING A BLK 24 AWG WIRE (ITEM #9) ON PIN F02T1 AND ATTACH OTHER END UNDER CAPTIVE SCREW (ITEM #3) WITH SOLDER TERMINAL (ITEM #10)



REF	AWT	REVISION	STATUS	A-WT-7009142-0	13
REF	ETCH/WIRE LIST (RK11-D)			K-WL-RK11-D-2	12
A/R	#30 GA. TWP GREY/VIO.			9107773-87	11
1	LOCKING TERMINAL SHAKEPROOF			9006766	10
A/R	#24 SOLID CONDUCTOR, BLK KYNAR			9107688-00	9
1	GROUND CABLE			910709378-0-0	8
4	LOCKWASHER #6 EXT TOOTH			9007649	7
1	DECAL LOGIC SERIAL NUMBER			A-SS-7907896-00	6
4	STAND-OFF JAN #146 B			9009120-1	5
A/R	#30 SOLID CONDUCTOR KYNAR			9105790-99	4
2	SCR CAPTIVE (8-32 X 1/8)			9008157	3
2	RETAINING RING			9009316-1	2
1	BACK PANEL (RK11-D)			D-IA-700913106	1

FIRST USED ON OPTION/MODEL RK11-D	QTY.	DESCRIPTION	PART NO.	ITEM NO.
PARTS LIST				
UNLESS OTHERWISE SPECIFIED DIMENSION IN INCHES. TOLERANCES	DN G. Wilson 9/25/72	DATE	 digital EQUIPMENT CORPORATION MAYNARD, MASSACHUSETTS	
DECIMALS .XXX = .005 .XX = .02 .X = .1	CHK'D 10/1/72	DATE		
ANGLES ±0° 30'	ENG 10/1/72	DATE		
REMOVE BURRS AND BREAK SHARP CORNERS SURFACE QUALITY ✓	PROJ. ENG. 10/1/72	DATE		
MATERIAL	PROD. 10/1/72	DATE	TITLE WIRED ASS'Y (RK11-D)	
FINISH	NEXT HIGHER ASSY.		SIZE CODE CIA	NUMBER 7009142-0-0
	B-DD-RK11-D		REV. C	
	SCALE			
	SHEET 1 OF 1			

REV.	CHANGE NO.	BY	DATE
A	00010	R. Lewis	10-1-72
B	00016	R. Lewis	10-12-73
C	00019	R. Lewis	6-4-74
		R. Chisner	28 Oct 76
		R. Gruda	10-29-76

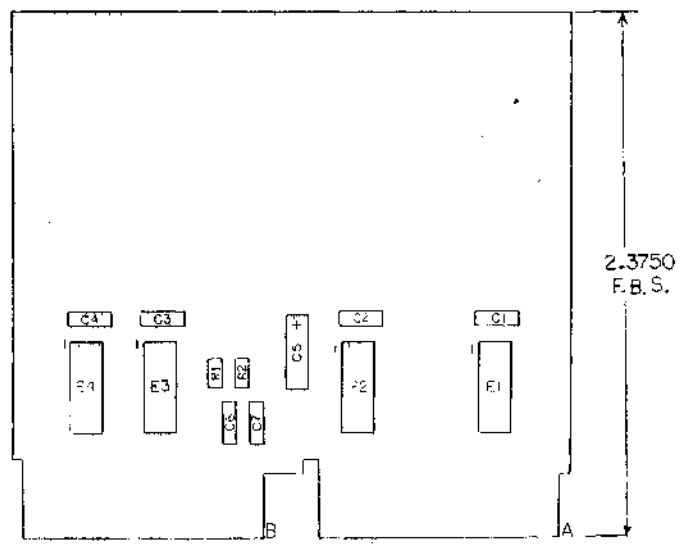
REV. C
 NUMBER CIA 7009142-0-0
 SIZE CODE B

8 7 6 5 4 3 2 1

THIS DRAWING AND SPECIFICATIONS, HEREIN ARE THE PROPERTY OF DIGITAL EQUIPMENT CORPORATION AND SHALL NOT BE REPRODUCED OR COPIED OR USED IN WHOLE OR IN PART AS THE BASIS FOR THE MANUFACTURE OR SALE OF ITEMS WITHOUT WRITTEN PERMISSION
 COPYRIGHT © 1975 DIGITAL EQUIPMENT CORPORATION

NOTES:

REF	COORDINATE HOLE LOCATION	K-CO-M930-0-4
REF	ASSY/ DRILLING HOLE LAYOUT	D-AH-M930-0-E
REF	MODULE ECO HISTORY	B-MH-M930-0-6
1	ETCHED CIRCUIT BOARD	5008696
4	DI THRU C4	CAP 100 µF 50V CER
2	RES R2	CAP 1000 pF 250V 20% DISC
1	CE	CAP 39 µF 10V 10% TANT
2	R1, R2	RES 383 Ω 1/4W 1%
3	E1, E4	25 REC DIVIDER NETWORK
2	E2, E3	25 REC DIVIDER NETWORK



IC TYPE	GND	+5V
GND AND 5V ARE USUALLY PIN 7 AND 14 RESPECTIVELY EXCEPTONS ARE STATED ABOVE		
IC PIN LOCATIONS		

8 7 6 5 4 3 2 1

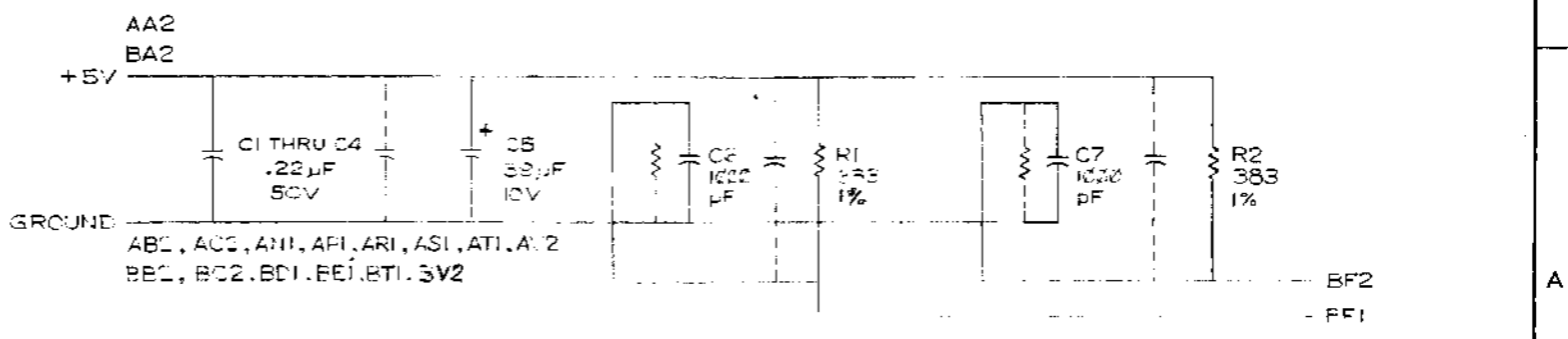
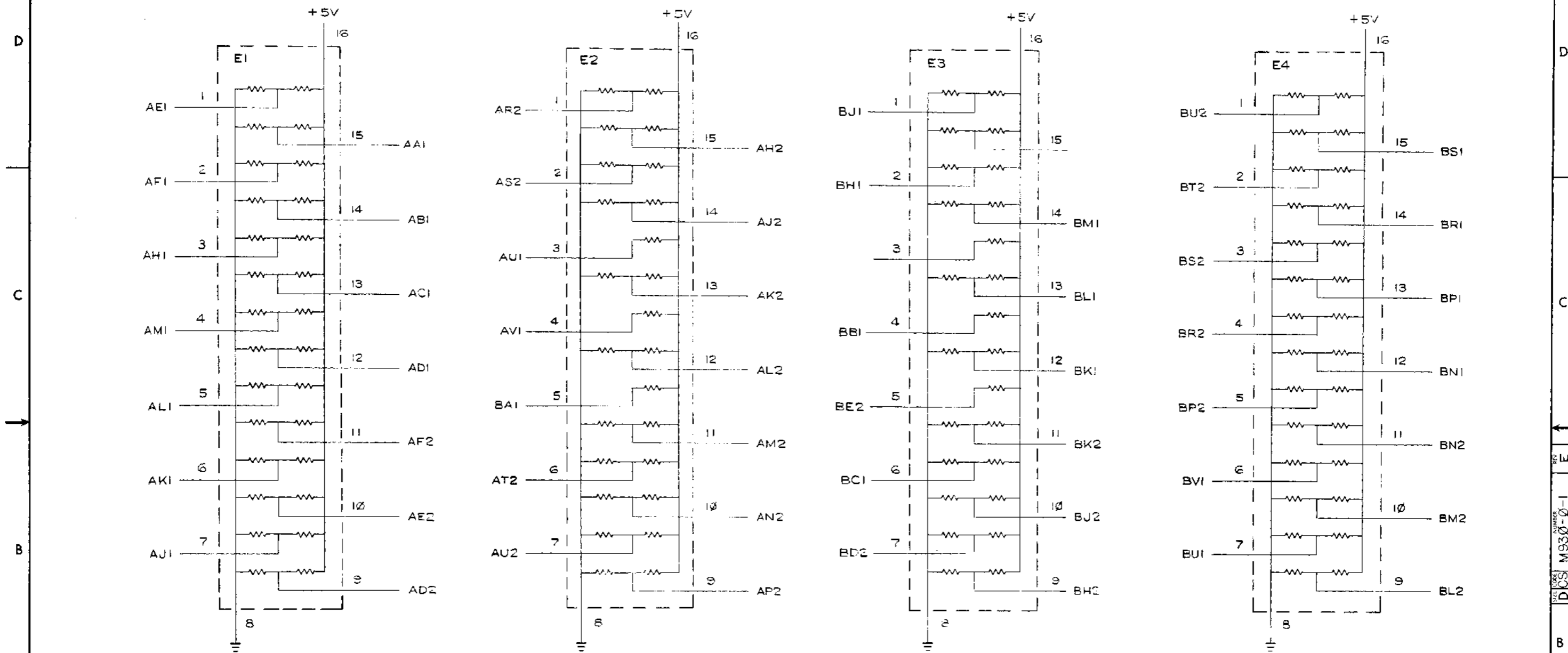
FIRST USED ON OPTION MODEL		PARTS LIST	
QTY	REF. DESIGNATION	DESCRIPTION	PART NO. / ITEM NO.
	ETCH BOARD REV. E-P3		
DRN. J. CARYER DATE 7-9-75 CHKD. DATE 7-16-75 ENG. DATE PROJ. ENG. DATE PROD. DATE		TITLE BUS TERMINATOR	
REVISIONS CHG. NO. REV. 1 1 2 1 3 1 4 1 5 1 6 1 7 1 8 1		NEXT HIGHER ASSY DEC. NO. EIA NO. DEC. NO. EIA NO.	
SCALE SHEET OF		SIZE CODE DCS NUMBER M930-0-1 REV. E	
SEMICONDUCTOR CONVERSION CHART			

NUMBER M930-0-1 REV. E
 DCS M930-0-1



"THIS DRAWING AND SPECIFICATIONS HEREIN ARE THE PROPERTY OF DIGITAL EQUIPMENT CORPORATION AND SHALL NOT BE REPRODUCED OR COPIED OR USED IN WHOLE OR IN PART AS THE BASIS FOR THE MANUFACTURE OR SALE OF ITEMS WITHOUT WRITTEN PERMISSION. COPYRIGHT © 1975 DIGITAL EQUIPMENT CORPORATION"

1-720W 8012 2

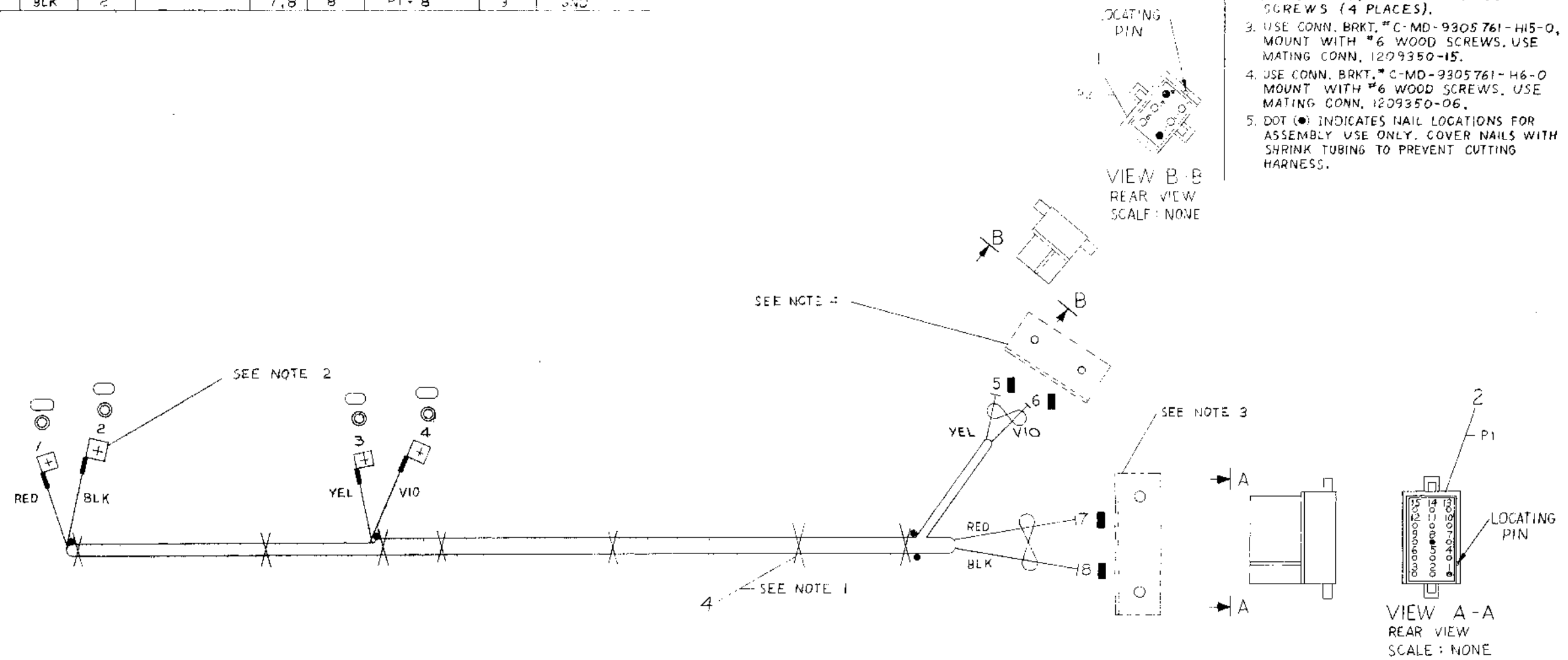


REVISIONS		
CHK	CHANGE NO.	REV.

THIS DRAWING AND SPECIFICATIONS HEREIN ARE THE PROPERTY OF DIGITAL EQUIPMENT CORPORATION AND SHALL NOT BE REPRODUCED OR COPIED OR USED IN WHOLE OR IN PART AS THE BASIS FOR THE MANUFACTURE OR SALE OF ITEMS WITHOUT WRITTEN PERMISSION. COPYRIGHT © 1973 DIGITAL EQUIPMENT CORPORATION

WIRE TABLE										
ITEM NO	DESCRIPTION	AWG	COLOR	POINT	LOCATION FROM	TERMINAL	POINT	CONNECTION	TERM	SIGNAL
6		#19	YEL	3		P1-4	3			AC LO
TWP		#18	VIO	4		P2-3	3			DC LO
5		#14	RED	1		P1-1	3			+5
TWP		#14	BLK	2		P1-8	3			GND

- NOTES:
1. USE TIE WRAPS (X) ITEM #4 APPROXIMATELY EVERY THREE (3) INCHES WHEN NECESSARY, AND AT EVERY BREAKOUT POINT.
 2. ATTACH MALE FASTON DEC # (3002219-0) WITH #4 WOOD SCREWS (4 PLACES).
 3. USE CONN. BRKT. # C-MD-9305761-H15-0, MOUNT WITH #6 WOOD SCREWS. USE MATING CONN. 1209350-15.
 4. USE CONN. BRKT. # C-MD-9305761-H6-0 MOUNT WITH #6 WOOD SCREWS. USE MATING CONN. 1209350-06.
 5. DOT (●) INDICATES NAIL LOCATIONS FOR ASSEMBLY USE ONLY. COVER NAILS WITH SHRINK TUBING TO PREVENT CUTTING HARNESS.



SYMBOL	DESCRIPTION	PART NO.	QTY.
○	A/R TUBING, SHRINKABLE 3/16 ID X 9/16	9107305-02	8
⊙	CONN, SOLDERLESS	9009262-00	7
—	A/R WIRE #18 AWG TWP YEL/VIO	9107430-47	6
—	A/R WIRE #14 AWG TWP BLK/RED	9107440-02	5
X	A/R WRAP, TIE	9007031	4
■	PIN, MALE	1209378-01	3
□	HOUSING, CONN. 15 PIN	1209351-15	2
□	HOUSING, CONN. 4 PIN	1209351-06	1

DO NOT REMOVE
DO NOT BUILD FROM REDUCED PRINT

REVISIONS
CHANGE NO.
CHK

FIRST USED ON OPT	QTY.	DESCRIPTION	PART NO.	ITEM NO.
4-11-73				

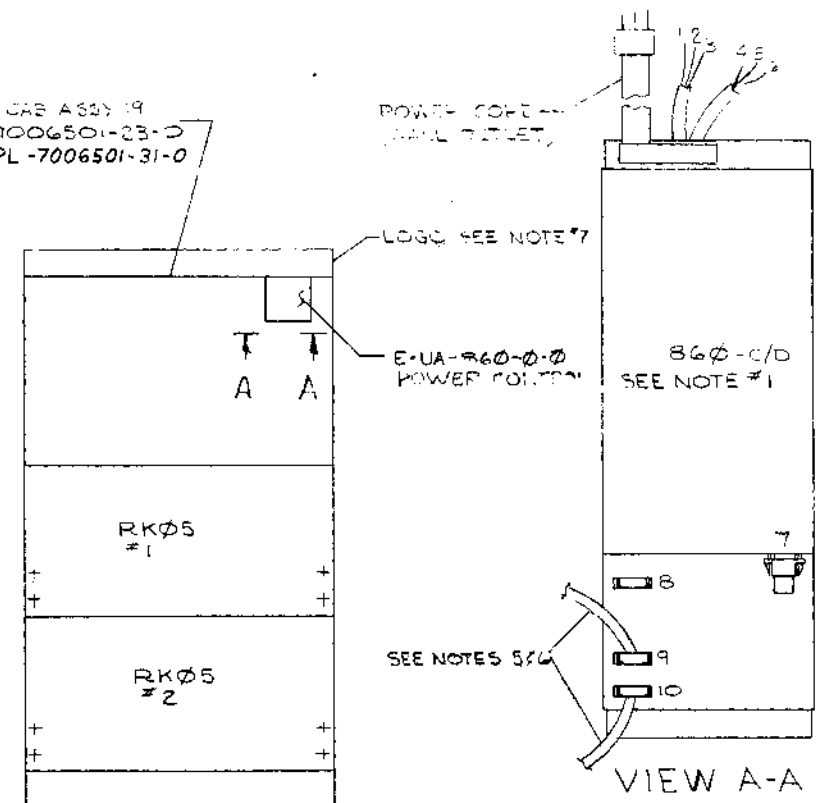
UNLESS OTHERWISE SPECIFIED DIMENSION IN INCHES		DATE	
DRM.	DATE	DRM.	DATE
CHK'D.	DATE	CHK'D.	DATE
ENG.	DATE	ENG.	DATE
PROJ. ENG.	DATE	PROJ. ENG.	DATE
PROD.	DATE	PROD.	DATE

TITLE		PARTS LIST	
OPTION HARNESS		RK11-D	
SIZE	CODE	NUMBER	REV.
D	A	7009559-0-0	1

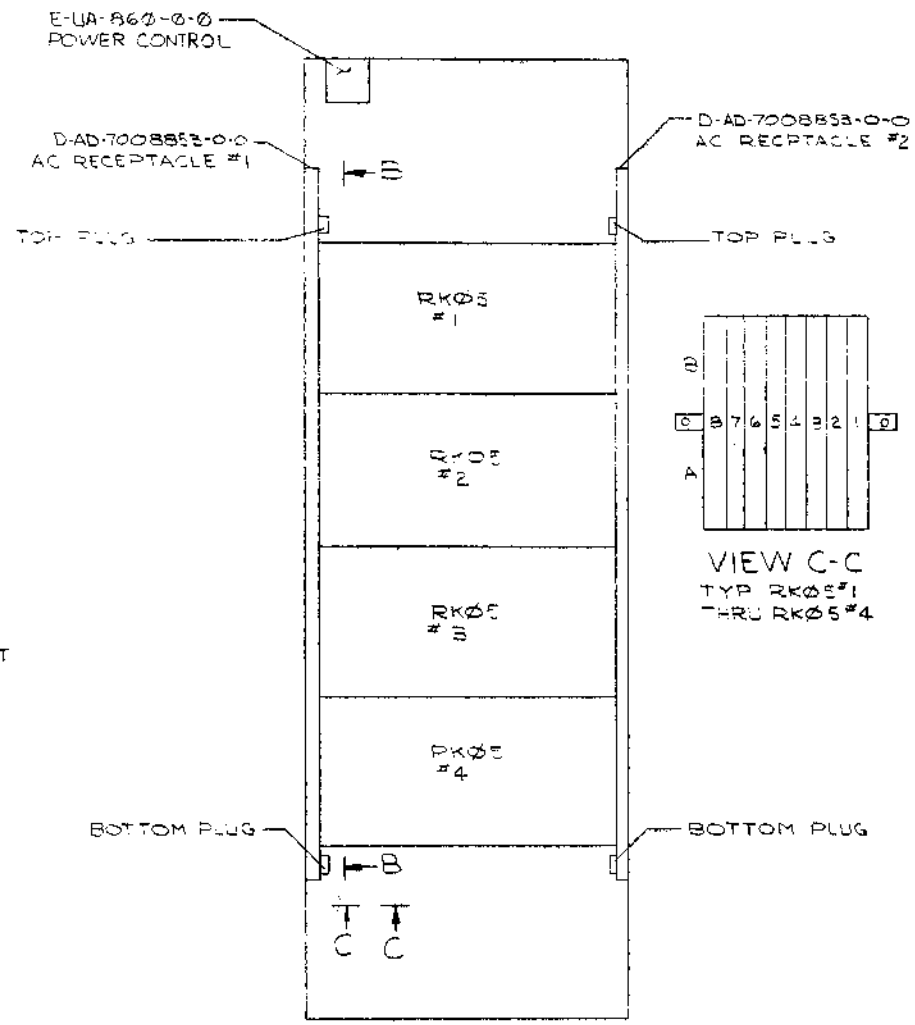
DRAWING NUMBER DTA 7009559-0-0

This drawing and specifications, herein, are the property of Digital Equipment Corporation and shall not be reproduced or copied in whole or in part as the basis for the manufacture or sale of items without written permission.

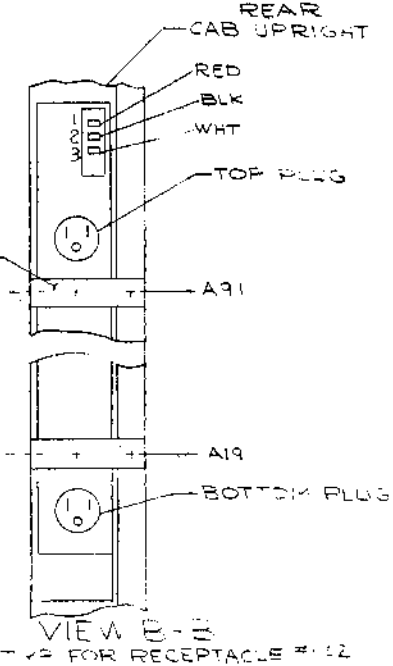
BASIC CAB ASSEMBLY
C-PL-7006501-23-0
OR C-PL-7006501-31-0



VIEW A-A



REAR VIEW



VIEW B-B
TYP FOR RECEPTACLE #12

FRONT VIEW

CONFIGURATION WITH 860 POWER CONTROL

- NOTES:
- 1) TO RENOM 860-A & B TO 860-C & D REFER TO DRAWING E-UA-860-B-B.
 - 2) IF LESS THAN 4 DRIVES, THE M33B MODULE IS MOVED TO THE LAST DRIVE ON THE BUS IN THE SLOT NORMALLY OCCUPIED BY THE OUTCOMING BC11A CABLE.
 - 3) IF MORE THAN 4 DRIVES EACH WILL BE CONFIGURED SIMILARLY IN A SECOND CAB.
 - 4) AS REQUIRED BY CONTROLLER, THE INCOMING CABLE TO RK05 #5 MAY COME DIRECTLY FROM A DISK CONTROL OR FROM THE SLOT NORMALLY OCCUPIED BY THE M33B IN RK05 #4. (SEE NOTE #2). POWER AND CABLING INFORMATION ALSO APPLY TO CAB #2.
 - 5) IN A SYSTEM USING PDP-11/15, 11/20, OR PDP-8 PROCESSORS AND IF 860 OR 861 POWER CONTROL IS FIRST IN THE CHAIN OF POWER CONTROLS, CONNECT P1 OF CABLE #7008864 TO POWER CONTROL AND P2 OF 2 CABLE #7008864 TO H720-E/F IN THE PROCESSOR. DO NOT USE ANY OTHER JUMPER PLUG IN THE PROCESSOR POWER SUPPLY. IN ALL OTHER SITUATIONS USE CABLE #7008288 FOR INTERCONNECTIONS.
 - 6) PLUGS 8, 9 AND 10 ARE WIRED IN PARALLEL. USE ANY PLUGS AS REQUIRED. NO JUMPER PLUG IS REQUIRED ON THE 860 OR 861 POWER CONTROL.
 - 7) USE BLANK LOGO, COLOR TO COINCIDE WITH PRODUCT LINE.
 - 8) TO MOUNT CHASSIS SLIDES ON RACK USE MOUNTING HARDWARE KIT #7008276 OR ITEMS.
 1. TINNERMAN NUT #9007788
 2. #10-32 PHL TRUSS #9006074-3 HD SCR 5/8 LG
 3. #10 EXTERNAL TOOTH #9007851 WASHER
 LOCATION OF MOUNTING HOLES TO BE AS FOLLOWS: STARTING FROM BOTTOM OF RACK HOLE NUMBERS FOR FRONT AND REAR, LEFT AND RIGHT:

21, 24
39, 42
57, 60
75, 78
 - 9) USE THE PRE-FOLDED CREASES ON THE DISK BUS CABLE FOR CLAMPING. DO NOT PULL THE CABLE TIGHT AGAINST PRE-FILTER. LEAVE SERVICE LOOP SO THAT HAND CAN FIT BETWEEN THE CABLE AND FILTER.
 - 10) RK05'S PLUG INTO SWITCHED AC OUTLETS ONLY.

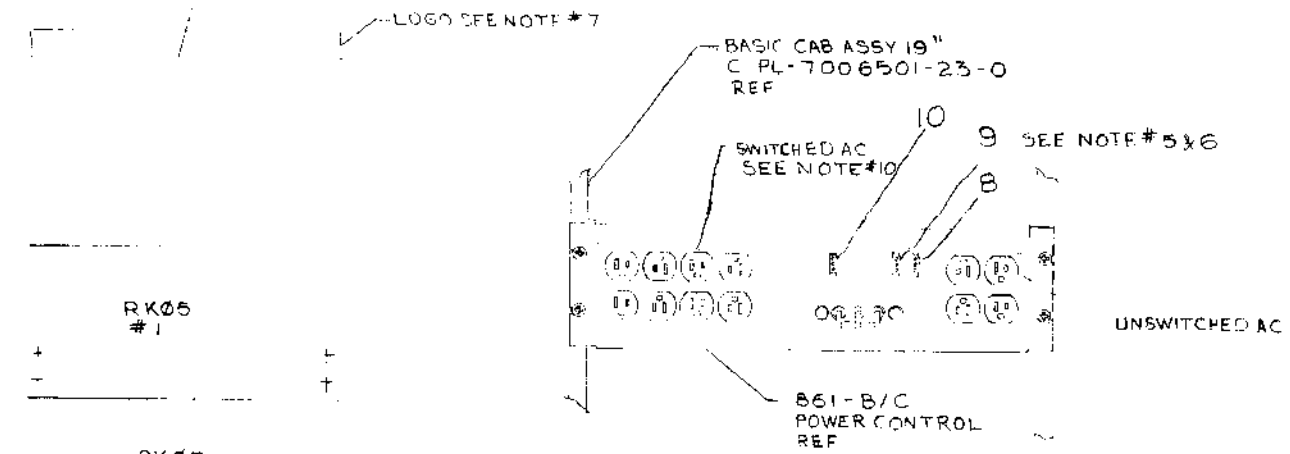
REV	CHG	NO	DATE	BY	APP
A		0002H			
B		00043			

FIRST USED ON OPTION/MODEL	QTY.	DESCRIPTION	PART NO.	ITEM NO.
PARTS LIST				
UNLESS OTHERWISE SPECIFIED DIMENSION IN INCHES. TOLERANCES	DRN. DATE 7/12/72	CHK'D. DATE 6/17/72	digital EQUIPMENT CORPORATION MAYNARD MASSACHUSETTS TITLE: RK05 OPTION CONFIGURATION NUMBER: D00RK05-0-15 REV. B	
DECIMALS ANGLES	ENG. DATE 7-12-72	PROD. DATE 7-12-72		
XX = .005 XX = .02 X = .1	±0°30'			
REMOVE BURRS AND BREAK SHARP CORNERS. SURFACE QUALITY				
MATERIAL	NEXT HIGHER ASSY.			
FINISH	SCALE	SHEET OF 3		

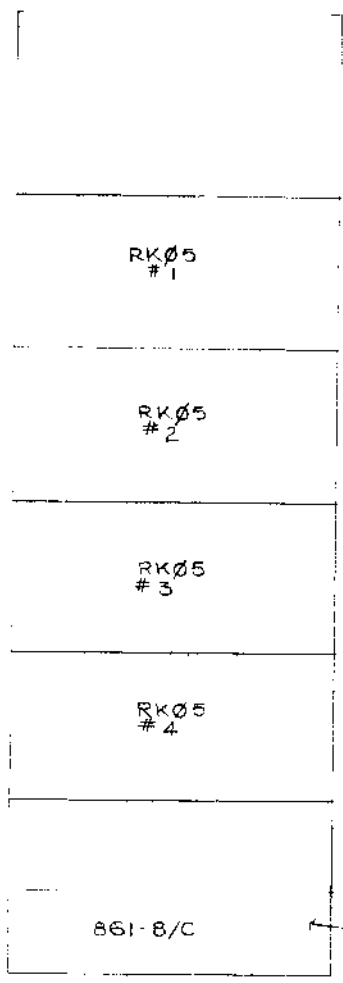
This drawing and specifications are the property of Digital Equipment Corporation and shall not be reproduced or copied or used in whole or in part as the basis for the manufacture in any of items without written permission.

02

BASIC CABINET ASSY 19"
C-PL-7006501-23-0
REF PL 7006501-51-0



DETAIL "A"
NOT TO SCALE



FRONT VIEW

REAR VIEW

CONFIGURATION WITH 861 POWER CONTROL

REVISIONS
 CHANGE NO.
 REF.

FIRST USED ON OPTION/MODEL	QTY	DESCRIPTION	PART NO	ITEM NO
PARTS LIST				
UNLESS OTHERWISE SPECIFIED DIMENSION IN INCHES TOLERANCES	DRN: <i>[Signature]</i> CHK'D: <i>[Signature]</i>	DATE: 7-12-72 DATE: 7-12-72	digital EQUIPMENT CORPORATION MAYFORD MASSACHUSETTS	
DECIMALS: .005 ANGLES: -0°30'	ENG: E. SIMMONS PROJ ENG: E. SIMMONS	DATE: 7-12-72 DATE: 7-12-72	TITLE RK05 CONFIGURATION	
REMOVE ROUNDS AND BREAK SHARP CORNERS SURFACE QUALITY	PROD: A. KARLSBERG	DATE: 7-31-72		
MATERIAL	NEXT HIGHER ASSY:	SIZE CODE	NUMBER	REV
		D	00 RK05-Ø-15	B
FINISH	SCALE: 1" = 1"	SHEET: 2 OF 2	DIST:	

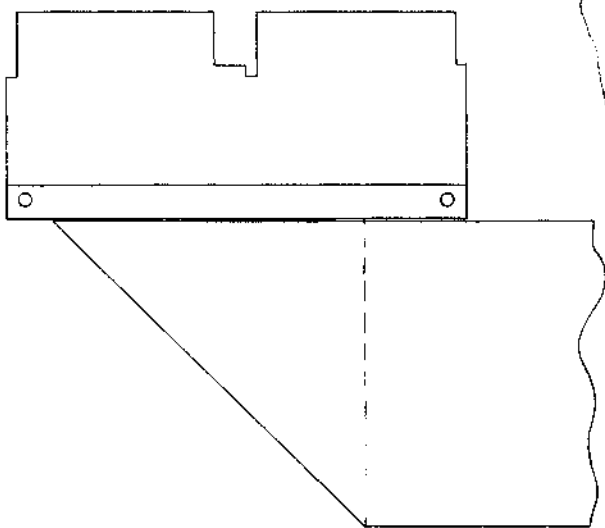
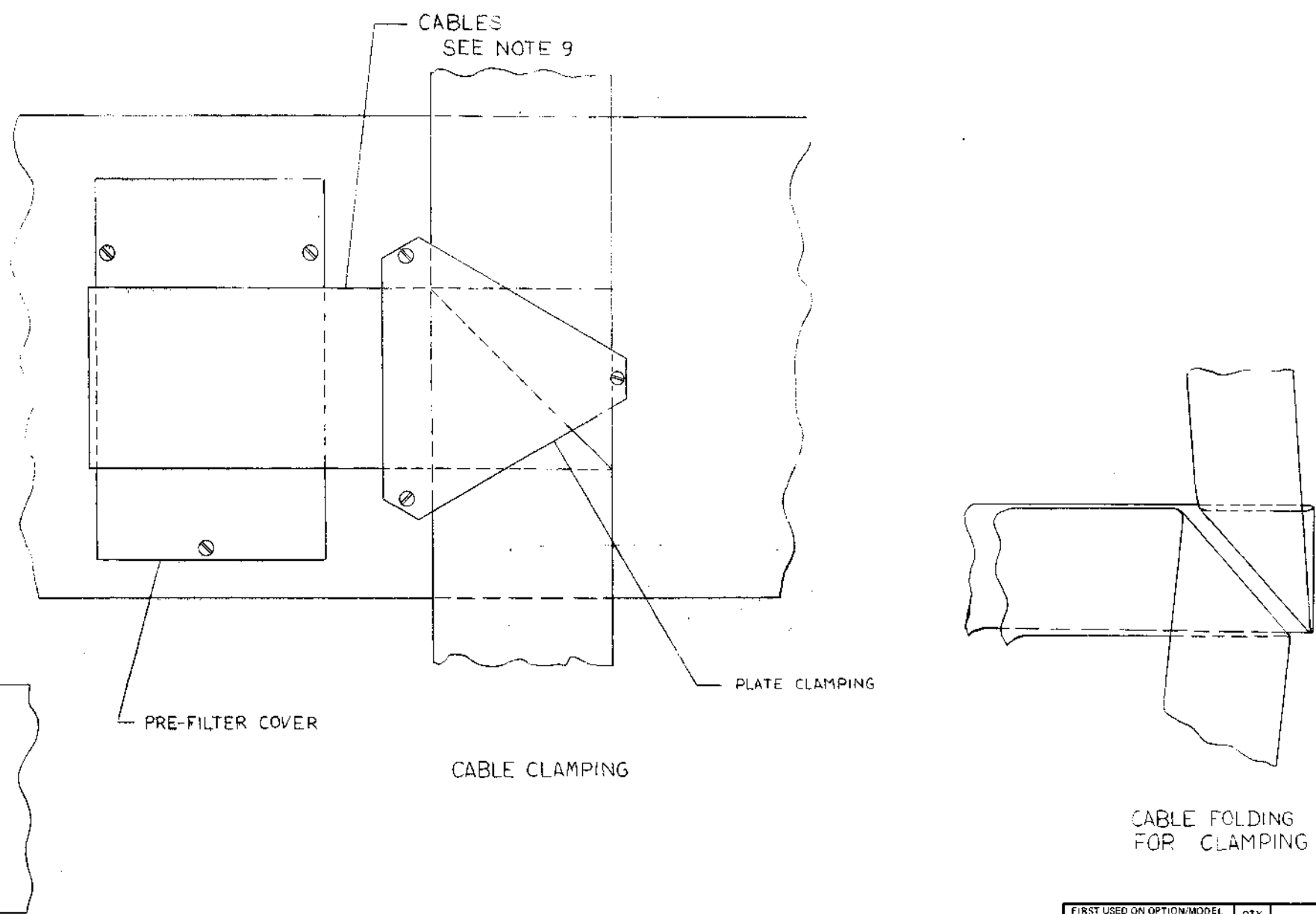
This drawing and specifications, herein, are the property of Digital Equipment Corporation and shall not be reproduced or copied or used in whole or in part as the basis for the manufacture or sale of items without written permission.

POWER CORD CONNECTIONS WITH 860 POWER CONTROL	
FROM	TO
RK05 #1	AC RECEPTACLE #1 TOP PLUG
RK05 #2	AC RECEPTACLE #2 TOP PLUG
RK05 #3	AC RECEPTACLE #2 BOTTOM PLUG
RK05 #4	AC RECEPTACLE #1 BOTTOM PLUG

BUS CABLE CONNECTIONS					
FROM		TO		CABLE	REMARKS
DEVICE	LOCATION	DEVICE	LOCATION		
DISK CONTROL	A, R	RK05 #1	ABB	BU1A	SYSTEM A/R
RK05 #1	AB7	RK05 #2	AB7	BU2-6	
RK05 #2	ABB	RK05 #3	4BB	BU2-6	
RK05 #3	AB7	RK05 #4	AB7	BU2-6	
RK05 #4	ABB			M380	MODULE

860 POWER CONNECTIONS				
AWG	COLOR	FROM	TO	REMARKS
10	BLK	860-PT1*RECP #1-1	#1-1	SEE VIEW B-B
TWP	WHT	860-PT2*	#1-2	
	RED	860-PT3*	#1-3	
10	BLK	860-PT4*	#2-1	SEE VIEW B-B
TWP	WHT	860-PT5*	#2-2	
	RED	860-PT6*RECP #2-3	#2-3	

*(ASTERISK) INDICATES WIRE POINTS ON 860 POWER CONTROL MARKED WITH BRADY MARKERS.



FIRST USED ON OPTION/MODEL	QTY.	DESCRIPTION	PART NO.	ITEM NO.
PARTS LIST				
UNLESS OTHERWISE SPECIFIED DIMENSION IN INCHES TOLERANCES	DRN CHK'D	DATE	digital EQUIPMENT CORPORATION MAYNARD MASSACHUSETTS	
DECIMALS ANGLES	DATE	DATE		
XXX + 0.00 XX + 0.05 X + 0.1	±0° 20'	DATE	TITLE RK05 OPTION CONFIGURATION	
REMOVE BURRS AND BREAK SHARP CORNERS SURFACE QUALITY	DATE	DATE		
MATERIAL	PROD.	DATE	SIZE CODE	NUMBER
FINISH	NEXT HIGHER ASSY	SCALE	DIST	REV.
	SHEET 3 OF 3			B

REV.	CHANGE NO.

SIZE CODE
 DIST
 NUMBER
 000005-0-15
 REV. B

This drawing and specifications, herein, are the property of Digital Equipment Corporation and shall not be reproduced or copied or used in whole or in part as the basis for the manufacture or sale of items without written permission.

RK11-D B2	OFF	OFF	UI	OFF	OUT BUFF FULL	IN BUFF FULL	FILE EMPTY	FILE FULL	D1	RKDA 04	RKDA 00
	OFF	AI	OFF	HE	DATA	WT OR WTCK	RD GATE	RKDA 11	RKDA 08	RKDA 05	RKDA 01
				RD OR RDCK	WT GATE	RKDA 12	RKDA 09	RKDA 06	RKDA 02		
				WT GATE	RKDA 10	RKDA 07	RKDA 03				
			CNTL RDY	SEEK OR RSET	WC OVF	R1					

FIRST USED ON OUT / MOD

RK11-D

REVISIONS	REV.
CHANGE NO.	
CHK	

SPEC # 1200100-14 (BLACK)

DRN. D. MATHIAS	DATE 6/2/72	digital EQUIPMENT CORPORATION MAYNARD, MASSACHUSETTS
CHK'D. B.W.	DATE 6/2/72	
ENG. S.E.	DATE 6/2/72	TITLE
PROJ. ENG.	DATE	MAINTENANCE MODULE OVERLAY (RK11-D)
PROB. 1/1/72	DATE 6/6/72	
NEXT HIGHER Assy C-MD-5509081-0-0	SIZE A	CODE SS
SCALE	NUMBER 5509081-0-11	REV.
SHEET	OF	DIST.

DIGITAL EQUIPMENT CORPORATION MAYNARD, MASSACHUSETTS ACCESSORY LIST			LEGEND D DOCUMENT DN DOCUMENT CHANGE NOTICE PA PAPER TAPE ASCII PB PAPER TAPE BINARY PM PAPER TAPE READ-IN-MODE		QUANTITY / VARIATION							
MADE BY <i>[Signature]</i> DATE <i>12/14/72</i>		CHECKED <i>[Signature]</i> DATE	SECTION	PA	PB	PM	KIT CHECK	BY	DATE	INSTALLATION CHECK	BY	DATE
ENG <i>[Signature]</i> DATE <i>11/1/72</i>		PROD <i>R. Lowrey</i> DATE <i>12/13/72</i>	ISSUED SECT.	PA	PB	PM	KIT CHECK	BY	DATE	INSTALLATION CHECK	BY	DATE
ITEM NO.	DWG NO. / PART NO.	DESCRIPTION		RK11-D	RK11-E							
1	See variations	Complete print set		1	1							
2	DEC-11-HRKDA-A D	Manual, RK11-D,E		1	1							
3	LIBKIT-11-RK11-Ø	Sealed software kit		1	1							
4	MAINDEC-11-DZQGA-B-D	GTP write-up (Field add-on only)		1	1							
5	MAINDEC-11-DZQGA-B-PB	GTP binary tape (Field add-on only)		1	1							
6	M920	UNIBUS jumper		1	1							
7	BC11-A-15	15 foot UNIBUS cable		1	1							
8	A-SS-5509081-11	Transparent overlay to KM11-A										
TITLE			ASSY. NO.	SIZE CODE		NUMBER		REV.	ECO NO			
PRINTING HEAD DISK CONTROL RK11-D,E				A AL		2071-Ø-6						
SHEET 1 OF			DIST									

DIGITAL EQUIPMENT CORPORATION

MASSACHUSETTS

PARTS LIST

MADE BY	B. VOWLES	DESIGNED BY	T. CAR	SECTION
DATE	10/11/74	DATE	11/11/74	
ENG	T. CAR	PROG	R. DOLLEY	ISSUED SECT.
DATE	11/11/74	DATE	12/13/74	

QUANTITY / VARIATION

ITEM NO.	DWG NO. / PART NO.	DESCRIPTION	RK11-C	RK11-D	RK11-E													
1	MAINDEC-11-DZKA-D	ESL DISK STATIC TEST - WRITE UP	1	1	1													
2	MAINDEC-11-DZKA-PE	RK11 STATIC TEST BINARY TAPE	1	1	1													
3	MAINDEC-11-DZKB-D	RK11 DATA TEST WRITE UP	1	1	1													
4	MAINDEC-11-DZKB-PE	RK11 DATA TEST BINARY TAPE	1	1	1													
5	MAINDEC-11-DZKA-D	PER. RANDOM EXERCISOR WRITE UP	1	1	1													
6	MAINDEC-11-DZKA-PE	PER. RANDOM EXERCISOR BINARY TAPE	1	1	1													
7	MAINDEC-11-DZKA-D	PARIS LOGIC TEST WRITE UP	1	1	1													
8	MAINDEC-11-DZKA-PE	PARIS LOGIC TEST BINARY TAPE	1	1	1													
9	MAINDEC-11-DZKA-D	RK11/RK05 DYNAMIC TEST WRITE UP	1	1	1													
10	MAINDEC-11-DZKA-PE	RK11/RK05 DYNAMIC TEST BINARY TAPE	1	1	1													
11	MAINDEC-11-DZKA-D	RK11/RK05 PERFORMANCE EXERCISER WRITE UP	1	1	1													
12	MAINDEC-11-DZKA-PE	RK11/RK05 PERFORMANCE EXERCISER BINARY TAPE	1	1	1													
13	MAINDEC-11-DZKA-D	IDENTITY PACKAGE WRITE UP	1	1	1													
14	MAINDEC-11-DZKA-PE	IDENTITY PACKAGE BINARY TAPE	1	1	1													

TITLE	MOVING HEAD DISK CONTROL	ASSY NO.		SIZE	CODE	NUMBER	REV.	ECO NO.
	11-11-74			A	PL	RK11-D-7	A	RK11-D-00017
		SHEET	OF	DIST.				

This drawing and specifications, herein, are the property of Digital Equipment Corporation and shall not be reproduced or copied or used in whole or in part as the basis for the manufacture or sale of items without written permission.

SIZE CODE K WL NUMBER RKII-D-2 REV. H

REV. NO.		REV.	DESCRIPTION	DATE	DRN.	DATE	PARTS LIST	ITEM NO.
1	RKIID-00003	A	Beasley 12-4-72		B. W. W.	11-2-72		
2	RKIID-00005	B	T. Orr 12/7/72					
3	RKIID-00009	C	E. Allain 9-26-73					
4	RKIID-00011	D	T. Orr 9-28-73					
	RKIID-00013	E	T. Orr 11-12-73					
	RKIID-00015	F	T. Orr 4-30-74					
	RKIID-00019	H	T. Orr 11/7/74					

SIZE CODE K WL NUMBER RKII-D-2 REV. H

RK110, H	WPP2R4, V34(63)-1	23-AUG-76	1-NOV-76	15116	PAGE 4											
RUN NAME	A/P	PIN	ORDER	DAY *	Q	DRAW	RV	RG	Y	X	Z	REMARKS	NC	LENGTH	EXCEPTIONS	RUN NUMBER
		NAME	PIN	ORDER									FLAG			
BUS A15	L	R01R1		1-01 *	P		D02							2		31
BUS A15	L	R01R1		1-02 *			D02							5-5/8		31
BUS A15	L	R04P1		1-03 *			D01									31
BUS A15	L			1										7-5/8	1400000000	31
BUS A16	L	R01S2		1-01 *	P		D02							2		32
BUS A16	L	R04S2		1-02 *			D02							1-5/8		32
BUS A16	L	C0401		1-03 *	P		D01							2		32
BUS A16	L	C0101		1-04 *			D01									32
BUS A16	L			1										5-5/8	1400000000	32
BUS A17	L	R01S1		1-01 *	P		D02							2		33
BUS A17	L	R04S1		1-02 *			D02							1-5/8		33
BUS A17	L	C04E1		1-03 *	P		D01							2		33
BUS A17	L	C01F1		1-04 *			D01									33
BUS A17	L			1										5-5/8	1400000000	33
BUS AC 10	L	D02F1		1-01 *										6-1/8		34
BUS AC 10	L	R01F1		1-02 *	P									2		34
BUS AC 10	L	R04F1		1-03 *										2-3/8		34
BUS AC 10	L	R03R2		1-04 *												34
BUS AC 10	L			1										10-4/8	1400000000	34
BUS RF 51	L	A01P2		1-01 *	P		D02							2		35
BUS RF 51	L	R04P2		1-02 *	H		D02							11		35
BUS RF 51	L	R04P2		1-03 *			D01									35
BUS RF 51	L			1										13-0/8	1400000000	35
BUS RF 4	L	R04D2		1-01 *	P		D02							2		36
BUS RF 4	L	R01D2		1-02 *	H		D02							3-3/8		36
BUS RF 4	L	C01H2		1-03 *			D01									36
BUS RF 4	L			1										5-3/8	1400000000	36
BUS RF 5	L	R01C1		1-01 *	P									2		37
BUS RF 5	L	R01C1		1-02 *	H		D02							3-5/8		37
BUS RF 5	L	C01F2		1-03 *			D01									37
BUS RF 5	L			1										5-5/8	1400000000	37
BUS RF 5	L	A01H2		1-01 *	F		D02							2		38
BUS RF 5	L	A01H2		1-02 *	H		D02							4-2/8		38
BUS RF 5	L	C01F2		1-03 *			D01									38
BUS RF 5	L			1										6-2/8	1400000000	38
BUS RF 7	L	A01T2		1-01 *	P		D02							2		39
BUS RF 7	L	A01T2		1-02 *	H		D02							4-2/8		39
BUS RF 7	L	C01D2		1-03 *			D01									39
BUS RF 7	L			1										6-2/8	1400000000	39
BUS C4	L	R01U2		1-01 *	P		D02							2		40
BUS C4	L	R04U2		1-02 *	H		D02							4-1/8		40
BUS C4	L	D04C1		1-03 *			D01									40
BUS C4	L			1										6-1/8	1400000000	40

RK110, H	WPP2R4, V34(63)-1	23-AUG-76	1-NOV-76	15116	PAGE 5											
RUN NAME	A/P	PIN	ORDER	DAY *	Q	DRAW	RV	RG	Y	X	Z	REMARKS	NC	LENGTH	EXCEPTIONS	RUN NUMBER
		NAME	PIN	ORDER									FLAG			
BUS C1	L	R01T2		1-01 *	P		D02							2		41
BUS C1	L	R04T2		1-02 *	H		D02							8-1/8		41
BUS C1	L	R04R1		1-03 *			D01									41
BUS C1	L			1										10-1/8	1400000000	41
BUS C 41	H	C0101			P		D01								1-PIN RUN	42
BUS C 41	L	A01C1		1-01 *	P		D02							2		43
BUS C 41	L	A04C1		1-02 *			D02							6-1/8		43
BUS C 41	L	C04D2		1-03 *			D01									43
BUS C 41	L			1										8-1/8	1400000000	43
BUS C 41 (1)	H	R01D2		1-01 *	P		D01							1-4/8		44
BUS C 41 (1)	H	R03D2		1-02 *	F		D01							1		44
BUS C 41 (1)	H	R04D2		1-03 *	F		D01									44
BUS C 41 (1)	H			1										2-4/8	1400000000	44
BUS C 41	L	A01D2		1-01 *	P		D02							2		45
BUS C 41	L	R04D2		1-02 *			D02							5-7/8		45
BUS C 41	L	C01C1		1-03 *			D01									45
BUS C 41	L			1										7-7/8	1400000000	45
BUS C 41 (1)	H	D01E2		1-01 *	P		D01							1-4/8		46
BUS C 41 (1)	H	D03F2		1-02 *	P		D01							1		46
BUS C 41 (1)	H	D04F2		1-03 *	P		D01									46
BUS C 41 (1)	H			1										2-4/8	1400000000	46
BUS C 41	L	R0101		1-01 *	P		D02							2		47
BUS C 41	L	R0401		1-02 *			D02							5-7/8		47
BUS C 41	L	C04E2		1-03 *			D01									47
BUS C 41	L			1										7-7/8	1400000000	47
BUS C 41 (1)	H	C01F2		1-01 *	P		D01							1-4/8		48
BUS C 41 (1)	H	D03F2		1-02 *	P		D01							1		48
BUS C 41 (1)	H	D04F2		1-03 *	P		D01									48
BUS C 41 (1)	H			1										2-4/8	1400000000	48
BUS C 41	L	A01E2		1-01 *	P		D02							2		49
BUS C 41	L	R04E2		1-02 *			D02							8-5/8		49
BUS C 41	L	D04E1		1-03 *			D01									49
BUS C 41	L			1										10-5/8	1400000000	49
BUS C 41 (1)	H	D01H2		1-01 *	P		D01							1-4/8		50
BUS C 41 (1)	H	D03H2		1-02 *	P		D01							1		50
BUS C 41 (1)	H	D04H2		1-03 *	P		D01									50
BUS C 41 (1)	H			1										2-4/8	1400000000	50
BUS C 41	L	R01R1		1-01 *	P		D02							2		51
BUS C 41	L	R04R1		1-02 *			D02							9-5/8		51
BUS C 41	L	D04R1		1-03 *			D01									51
BUS C 41	L			1										11-5/8	1400000000	51
BUS C 41 (1)	H	D01J2		1-01 *	F		D01							1-4/8		52
BUS C 41 (1)	H	D03J2		1-02 *	P		D01							1		52
BUS C 41 (1)	H	D04J2		1-03 *	P		D01									52
BUS C 41 (1)	H			1										2-4/8	1400000000	52

PKT NO. BUS NAME	A/P	APP288_V34(63)=1 PIN NAME	ORDER PIN	23-AUG-76 DAY - ORDER	Q	DRAW OPT	RV RG Y	X Z	REMARKS	15:16 NC LENGTH EXCEPTIONS FLAG	PAGE 8	RUN NUMBER
BUS D16	L	A41M1		1-01 *	P		D02				2	75
BUS D16	L	A44M1		1-02 *			D02				5-1/8	75
BUS D16	L	C03C1		1-03 *								75
BUS D16	L			1							7-1/8 1400000000	75
BUS D17	L	A41N2		1-01 *	P		D02				2	76
BUS D17	L	A44N2		1-02 *			D02				5-1/8	76
BUS D17	L	C03B1		1-03 *								76
BUS D17	L			1							7-1/8 1400000000	76
BUS DC 10	L	A43S2		1-01 *			D02				2-5/8	77
BUS DC 10	L	B43F2		1-02 *							2	77
BUS DC 10	L	B41F2		1-03 *			D02				2-5/8	77
BUS DC 10	L	C01B1		1-04 *			D01					77
BUS DC 10	L			1							7-2/8 1400000000	77
BUS D11T	L	A44A1		1-01 *	P		D02				2	78
BUS D11T	L	A43A1		1-02 *	H		D02				6	78
BUS D11T	L	C01C1		1-03 *								78
BUS D11T	L			1							8-0/8 1400000000	78
BUS D11R	L	A41B1		1-01 *	P		D02				2	79
BUS D11R	L	A44B1		1-02 *	H		D02				10-1/8	79
BUS D11R	L	D04S1		1-03 *			D01					79
BUS D11R	L			1							12-1/8 1400000000	79
BUS DSYN	L	B41V1		1-01 *	P		D02				2	80
BUS DSYN	L	B44V1		1-02 *	H		D02				8-1/8	80
BUS DSYN	L	F0412		1-03 *			D01					80
BUS DSYN	L			1							10-1/8 1400000000	80
BUS DPG IN	H	A41U1		1-01 *	H		D02				10-7/8	81
BUS DPG IN	H	E04D1		1-02 *			D01					81
BUS DPG IN	H			1							10-7/8 1400000000	81
BUS DPG OUT	H	A44U1		1-01 *	H		D02				11	82
BUS DPG OUT	H	E04U1		1-02 *			D01					82
BUS DPG OUT	H			1							11-0/8 1400000000	82
BUS DPR	L	A41S2		1-01 *	P		D02				2	83
BUS DPR	L	A44S2		1-02 *	H		D02				11-1/8	83
BUS DPR	L	F04S1		1-03 *			D01					83
BUS DPR	L			1							13-1/8 1400000000	83
BUS SACK	L	A41R2		1-01 *	P		D02				2	84
BUS SACK	L	A44R2		1-02 *	H		D02				9-7/8	84
BUS SACK	L	E04C1		1-03 *			D01					84
BUS SACK	L			1							11-7/8 1400000000	84
BUS SSYN	L	B41U1		1-01 *	P		D02				2	85
BUS SSYN	L	F04U1		1-02 *	H		D02				7-5/8	85
BUS SSYN	L	E04P1		1-03 *			D01					85
BUS SSYN	L			1							9-6/8 1400000000	85

PKT NO. BUS NAME	A/P	APP288_V34(63)=1 PIN NAME	ORDER PIN	23-AUG-76 DAY - ORDER	Q	DRAW OPT	RV RG Y	X Z	REMARKS	15:16 NC LENGTH EXCEPTIONS FLAG	PAGE 9	RUN NUMBER
CLK	H	C02N2		1-01 *							5-5/8	86
CLK	H	E01E1		1-02 *	P		D01				1-7/8	86
CLK	H	F03D2		1-03 *	P		D01					86
CLK	H			1							7-4/8 1400000000	86
CLR MSR	L	F01F2		1-01 *	P		D01				1	87
CLR MSR	L	F02F2		1-02 *	P		D01					87
CLR MSR	L			1							1-0/8 1400000000	87
COUNT SA	H	C01M1		1-01 *	P		D01				1-4/8	88
COUNT SA	H	C03M1		1-02 *	P		D01					88
COUNT SA	H			1							1-4/8 1400000000	88
CYL OVF	L	C02F2		1-01 *	P		D01				1	89
CYL OVF	L	C03F2		1-02 *	P		D01					89
CYL OVF	L			1							1-0/8 1400000000	89
DATA (1)	H	F03H1		1-01 *			D02				4	90
DATA (1)	H	C03S1		1-02 *	P		D01				1	90
DATA (1)	H	C02S1		1-03 *	P		D01				1	90
DATA (1)	H	C01S1		1-04 *	P		D01					90
DATA (1)	H			1							6-0/8 1400000000	90
DATA STR 1	L	F04G2					D01					91
DATA STR 2	L	F03D2		1-01 *	P		D01				1	92
DATA STR 2	L	F04L2		1-02 *	P		D01					92
DATA STR 2	L			1							1-0/8 1400000000	92
DISK CLK	L	F01V1		1-01 *	P		D01				1	93
DISK CLK	L	F02V1		1-02 *	P		D01					93
DISK CLK	L			1							1-0/8 1400000000	93
DLT (1)	H	F01P1		1-01 *	P		D01				1-5/8	94
DLT (1)	H	F03P2		1-02 *	P		D01					94
DLT (1)	H			1							1-5/8 1400000000	94
DPL (1)	H	F01D1		1-01 *	P		D01				1	95
DPL (1)	H	F02D1		1-02 *	P		D01					95
DPL (1)	H			1							1-0/8 1400000000	95
DR BUS ADD ACK	L	A42R2		1-01 *			D02				7-1/8	96
DR BUS ADD ACK	L	D02R1		1-02 *			D01					96
DR BUS ADD ACK	L			1							7-1/8 1400000000	96
DR BUS CYL ADD 0	L	A42K1		1-01 *			D02				5-5/8	97
DR BUS CYL ADD 0	L	C02K1		1-02 *			D01					97
DR BUS CYL ADD 0	L			1							5-5/8 1400000000	97
DR BUS CYL ADD 1	L	A42D1		1-01 *			D02				5-5/8	98
DR BUS CYL ADD 1	L	C02D1		1-02 *			D01					98
DR BUS CYL ADD 1	L			1							5-5/8 1400000000	98
DR BUS CYL ADD 2	L	A42L1		1-01 *			D02				5-5/8	99
DR BUS CYL ADD 2	L	C02L1		1-02 *			D01					99
DR BUS CYL ADD 2	L			1							5-5/8 1400000000	99

RR110.H RUN NAME	A/P	FIN NAME	ORDER PIN	BAY = ORDER	Q	DRAW OPT	RV	RG	Y	X	Z	REMARKS	15116 NC LENGTH EXCEPTIONS FLAG	PAGE 10	RUN NUMBER
DR BUS CYL ADD 3	L	A02C1		1-01 *			D02				1		5-6/8		100
DR BUS CYL ADD 3	L	C02C1		1-02 *			D01								100
DR BUS CYL ADD 3	L			1									5-6/8 1400000000		100
DR BUS CYL ADD 4	L	A02F1		1-01 *			D02				1		5-6/8		101
DR BUS CYL ADD 4	L	C02F1		1-02 *			D01								101
DR BUS CYL ADD 4	L			1									5-6/8 1400000000		101
DR BUS CYL ADD 5	L	A02J1		1-01 *			D02				1		5-6/8		102
DR BUS CYL ADD 5	L	C02J1		1-02 *			D01								102
DR BUS CYL ADD 5	L			1									5-6/8 1400000000		102
DR BUS CYL ADD 6	L	A02E1		1-01 *			D02				1		5-6/8		103
DR BUS CYL ADD 6	L	C02E1		1-02 *			D01								103
DR BUS CYL ADD 6	L			1									5-6/8 1400000000		103
DR BUS CYL ADD 7	L	A02H1		1-01 *			D02				1		5-6/8		104
DR BUS CYL ADD 7	L	C02H1		1-02 *			D01								104
DR BUS CYL ADD 7	L			1									5-6/8 1400000000		104
DR BUS CYL ADD 8	L	A02B1		1-01 *			D02				1		5-6/8		105
DR BUS CYL ADD 8	L	C02B1		1-02 *			D01								105
DR BUS CYL ADD 8	L			1									5-6/8 1400000000		105
DR BUS DC LD	L	C01R2		1-01 *							2		2-7/8		106
DR BUS DC LD	L	C02F2		1-02 *			D02				1		5-6/8		106
DR BUS DC LD	L	D02F2		1-03 *			D01								106
DR BUS DC LD	L			1									0-5/8 1400000000		106
DR BUS DRY	L	A02N1		1-01 *			D02				1		5-6/8		107
DR BUS DRY	L	C02N1		1-02 *			D01								107
DR BUS DRY	L			1									5-6/8 1400000000		107
DR BUS INDX PLS	L	B02M1		1-01 *			D02				1		5-6/8		108
DR BUS INDX PLS	L	D02M1		1-02 *			D01								108
DR BUS INDX PLS	L			1									5-6/8 1400000000		108
DR BUS LOG ADD INT	L	A0212		1-01 *			D02				1		7-1/8		109
DR BUS LOG ADD INT	L	D0201		1-02 *			D01								109
DR BUS LOG ADD INT	L			1									7-1/8 1400000000		109
DR BUS F/W/S RDY	L	A02H2		1-01 *			D02				1		5-6/8		110
DR BUS F/W/S RDY	L	C02H2		1-02 *			D01								110
DR BUS F/W/S RDY	L			1									5-6/8 1400000000		110
DR BUS FD CLK	L	B02S1		1-01 *			D02				1		5-6/8		111
DR BUS FD CLK	L	D02S1		1-02 *			D01								111
DR BUS FD CLK	L			1									5-6/8 1400000000		111
DR BUS FD DATA	L	B02S2		1-01 *			D02				1		5-6/8		112
DR BUS FD DATA	L	D02S2		1-02 *			D01								112
DR BUS FD DATA	L			1									5-6/8 1400000000		112

RR110.H RUN NAME	A/P	FIN NAME	ORDER PIN	BAY = ORDER	Q	DRAW OPT	RV	RG	Y	X	Z	REMARKS	15116 NC LENGTH EXCEPTIONS FLAG	PAGE 11	RUN NUMBER
DR BUS FD GATE	L	B02P1		1-01 *			D02				1		5-6/8		113
DR BUS FD GATE	L	D02P1		1-02 *			D01								113
DR BUS FD GATE	L			1									5-6/8 1400000000		113
DR BUS FE STORE	L	A02M1		1-01 *			D02				1		5-6/8		114
DR BUS FE STORE	L	C02M1		1-02 *			D01								114
DR BUS FE STORE	L			1									5-6/8 1400000000		114
DR BUS FE 25	L	B02F2		1-01 *			D02				1		5-6/8		115
DR BUS FE 25	L	D02F2		1-02 *			D01								115
DR BUS FE 25	L			1									5-6/8 1400000000		115
DR BUS SEC CNTR 0	L	B02L1		1-01 *			D02				1		5-6/8		116
DR BUS SEC CNTR 0	L	D02L1		1-02 *			D01								116
DR BUS SEC CNTR 0	L			1									5-6/8 1400000000		116
DR BUS SEC CNTR 1	L	A02P2		1-01 *			D02				1		7-1/8		117
DR BUS SEC CNTR 1	L	D02A1		1-02 *			D01								117
DR BUS SEC CNTR 1	L			1									7-1/8 1400000000		117
DR BUS SEC CNTR 2	L	B02K2		1-01 *			D02				1		5-6/8		118
DR BUS SEC CNTR 2	L	D02K2		1-02 *			D01								118
DR BUS SEC CNTR 2	L			1									5-6/8 1400000000		118
DR BUS SEC CNTR 3	L	B02J1		1-01 *			D02				1		5-6/8		119
DR BUS SEC CNTR 3	L	D02J1		1-02 *			D01								119
DR BUS SEC CNTR 3	L			1									5-6/8 1400000000		119
DR BUS SEC PLS	L	B02N2		1-01 *			D02				1		5-6/8		120
DR BUS SEC PLS	L	D02N2		1-02 *			D01								120
DR BUS SEC PLS	L			1									5-6/8 1400000000		120
DR BUS SEC DR 0	L	A02J2		1-01 *			D02				1		5-6/8		121
DR BUS SEC DR 0	L	C02J2		1-02 *			D01								121
DR BUS SEC DR 0	L			1									5-6/8 1400000000		121
DR BUS SEC DR 1	L	A02K2		1-01 *			D02				1		5-6/8		122
DR BUS SEC DR 1	L	C02K2		1-02 *			D01								122
DR BUS SEC DR 1	L			1									5-6/8 1400000000		122
DR BUS SEC DR 2	L	A02L2		1-01 *			D02				1		5-6/8		123
DR BUS SEC DR 2	L	C02L2		1-02 *			D01								123
DR BUS SEC DR 2	L			1									5-6/8 1400000000		123
DR BUS SEC UPPER HD	L	B02M2		1-01 *			D02				1		5-6/8		124
DR BUS SEC UPPER HD	L	D02M2		1-02 *			D01								124
DR BUS SEC UPPER HD	L			1									5-6/8 1400000000		124
DR BUS SIN	L	A02S2		1-01 *			D02				1		7-1/8		125
DR BUS SIN	L	C02C1		1-02 *											125
DR BUS SIN	L			1									7-1/8 1400000000		125
DR BUS STROBE	L	B02H1		1-01 *			D02				1		5-6/8		126
DR BUS STROBE	L	D02H1		1-02 *			D01								126
DR BUS STROBE	L			1									5-6/8 1400000000		126

RP110, H RUN NAME	A/P	4RP2RR, V34(63)-1 PIN NAME	23-AUG-76 ORDER PIN	BAY * ORDER	Q	DRAW	RV PG Y OPT	X Z	REMARKS	1-NOV-76	15116 NC FLAG	PAGE 12 LENGTH EXCEPTIONS	RUN NUMBER
DR BUS AT CLK	L	R02K1		1-01 *			D02	1			5-6/8	127	
DR BUS AT CLK	L	R02K1		1-02 *			D01				5-6/8	127	
DR BUS AT CLK	L			1							1400000000	127	
DR BUS AT DATA+CLK	L	R02F2		1-01 *			D02	1			5-6/8	128	
DR BUS AT DATA+CLK	L	R02F2		1-02 *			D01				5-6/8	128	
DR BUS AT DATA+CLK	L			1							1400000000	128	
DR BUS AT GATE	L	R02L2		1-01 *			D02	1			5-6/8	129	
DR BUS AT GATE	L	R02L2		1-02 *			D01				5-6/8	129	
DR BUS AT GATE	L			1							1400000000	129	
DR BUS AT PRCT STATUS	L	R02P1		1-01 *			D02	1			5-6/8	130	
DR BUS AT PRCT STATUS	L	R02P1		1-02 *			D01				5-6/8	130	
DR BUS AT PRCT STATUS	L			1							1400000000	130	
DR BUS AT PROTECT	L	R02R2		1-01 *			D02	1			5-6/8	131	
DR BUS AT PROTECT	L	R02R2		1-02 *			D01				5-6/8	131	
DR BUS AT PROTECT	L			1							1400000000	131	
DRF (1)	H	R01R1		1-01 *	P		D01	1			1	132	
DRF (1)	H	R02R1		1-02 *	P		D01				1	132	
DRF (1)	H			1							1-0/8	1400000000	132
DRIVE OK	H	R01N1		1-01 *	P		D01	1			1	133	
DRIVE OK	H	R02N1		1-02 *	P		D01				1	133	
DRIVE OK	H			1							1-0/8	1400000000	133
DRIVE RESET	L	R01K2		1-01 *	P		D01	1			1	134	
DRIVE RESET	L	R02K2		1-02 *	P		D01				1	134	
DRIVE RESET	L			1							1-0/8	1400000000	134
DRIVE UNSAFE	H	R01B1		1-01 *	P		D01	1			1	135	
DRIVE UNSAFE	H	R02B1		1-02 *	P		D01				1	135	
DRIVE UNSAFE	H			1							1-0/8	1400000000	135
DRY	H	R01L2		1-01 *	P		D01	1			1	136	
DRY	H	R02L2		1-02 *	P		D01				1	136	
DRY	H			1							1-0/8	1400000000	136
END OF SYNC	L	R01R2		1-01 *	P		D01	1			1	137	
END OF SYNC	L	R02R2		1-02 *	P		D01				1	137	
END OF SYNC	L			1							1-0/8	1400000000	137
EX HIT	H	R01V2		1-01 *	P		D01	1			1	138	
EX HIT	H	R02V2		1-02 *	P		D01				1	138	
EX HIT	H			1							1-0/8	1400000000	138
FILE DONE	H	R01F1		1-01 *	P			1			1-4/8	139	
FILE DONE	H	R03F1		1-02 *	P						1-4/8	139	
FILE DONE	H			1							1-4/8	1400000000	139
FILE EMPTY	H	R03E1		1-01 *			D02	1			4-1/8	140	
FILE EMPTY	H	R03N2		1-02 *							4-1/8	140	
FILE EMPTY	H			1							4-1/8	1400000000	140

RP110, H RUN NAME	A/P	4RP2RR, V34(63)-1 PIN NAME	23-AUG-76 ORDER PIN	BAY * ORDER	Q	DRAW	RV PG Y OPT	X Z	REMARKS	1-NOV-76	15116 NC FLAG	PAGE 13 LENGTH EXCEPTIONS	RUN NUMBER
FILE FULL	H	R03M1		1-01 *			D02	1			3-1/8	141	
FILE FULL	H	R03M2		1-02 *							3-1/8	141	
FILE FULL	H			1							1400000000	141	
FIRST SEEK DONE	H	R01U2		1-01 *	P		D01	1			1	142	
FIRST SEEK DONE	H	R02U2		1-02 *	P		D01				1	142	
FIRST SEEK DONE	H			1							1-0/8	1400000000	142
FMT (1)	H	R01M1		1-01 *	P		D01	2			1	143	
FMT (1)	H	R02M1		1-02 *	P		D01	1			1	143	
FMT (1)	H	R03M1		1-03 *	P		D01				2-0/8	1400000000	143
FMT (1)	H			1									
GATE DATA TO BUS D	L	R02A1		1-01 *	P		D01	2			1	144	
GATE DATA TO BUS D	L	R03A1		1-02 *	P		D01	1			1	144	
GATE DATA TO BUS D	L	R04A1		1-03 *	P		D01				2-0/8	1400000000	144
GATE DATA TO BUS D	L			1									
GEN CLR	L	R01K2		1-01 *	P		D01	2			1	145	
GEN CLR	L	R02K2		1-02 *	P		D01	1			6-1/8	145	
GEN CLR	L	R03P2		1-03 *							7-1/8	1400000000	145
GEN CLR	L			1									
GEN DATA	H	R01E2		1-01 *	P		D01	1			1	146	
GEN DATA	H	R02E2		1-02 *	P		D01				1	146	
GEN DATA	H			1							1-0/8	1400000000	146
GND #1		R01A1		1-01 *	I			1			0-4/8	147	
GND #1		R01C2		1-02 *	P		D02	2			5-7/8	147	
GND #1		R01B2		1-03 *	P		D02	1			0-1/8	147	
GND #1		R01C2		1-04 *	P		D02	2			1-5/8	147	
GND #1		R01N1		1-05 *	P		D02	1			0-1/8	147	
GND #1		R01P1		1-06 *	P		D02	2			0-1/8	147	
GND #1		R01R1		1-07 *	P		D02	1			0-1/8	147	
GND #1		R01S1		1-08 *	P		D02	2			0-1/8	147	
GND #1		R01T1		1-09 *	P		D02	1			0-4/8	147	
GND #1		R01V2		1-10 *	P		D02	2			1-2/8	147	
GND #1		R01R2		1-11 *	P		D02	1			0-1/8	147	
GND #1		R01C2		1-12 *	P		D02	2			0-1/8	147	
GND #1		R01D1		1-13 *	P		D02	1			0-1/8	147	
GND #1		R01E1		1-14 *	P		D02	2			1-7/8	147	
GND #1		R01T1		1-15 *	P		D02	1			0-4/8	147	
GND #1		R01V2		1-16 *	P		D02	2			2-7/8	147	
GND #1		R01T1		1-17 *	P		D01	1			1-5/8	147	
GND #1		R01C2		1-18 *	P		D01	2			2-1/8	147	
GND #1		R01T1		1-19 *	P		D01	1			1-3/8	147	
GND #1		R01C2		1-20 *	P		D01	2			2-1/8	147	
GND #1		R01T1		1-21 *	P		D01	1			1-5/8	147	
GND #1		R01C2		1-22 *	P		D01	2			2-1/8	147	
GND #1		R01T1		1-23 *	P		D01					147	
GND #1				1							27-0/8	1400000000	147

RP110,H RUN NAME	APP2RR,V34(63)-1 A/P PIN NAME	23-AUG-76 ORDER PIN	BAY * ORDER	Q	DRAW OPT	RV RG Y	X	Z	REMARKS	1=Nov=76	15116 NC LENGTH FLAG	PAGE 14 EXCEPTIONS	RUN NUMBER
GND 42	AM2H2		1-01 * P		D02			2			0-1/8		148
GND 42	AM2C2		1-02 * P		D02			1			1-5/8		148
GND 42	AM2N1		1-03 * P		D02			2			0-1/8		148
GND 42	AM2P1		1-04 * P		D02			1			0-1/8		148
GND 42	AM2R1		1-05 * P		D02			2			0-1/8		148
GND 42	AM2S1		1-06 * P		D02			1			0-1/8		148
GND 42	AM2T1		1-07 * P		D02			2			0-4/8		148
GND 42	AM2V2		1-08 * P		D02			1			0-5/8		148
GND 42	AM2U1		1-09 * P					2			1-5/8		148
GND 42	AM2B2		1-10 * P		D02			1			0-1/8		148
GND 42	AM2C2		1-11 * P		D02			2			0-1/8		148
GND 42	AM2D1		1-12 * P		D02			1			0-1/8		148
GND 42	AM2E1		1-13 * P		D02			2			1-7/8		148
GND 42	AM2T1		1-14 * P		D02			1			0-4/8		148
GND 42	AM2V2		1-15 * P		D02			2			1-1/8		148
GND 42	AM2C2		1-16 * P		D01			1			2-1/8		148
GND 42	AM2T1		1-17 * P		D01			2			1-5/8		148
GND 42	AM2C2		1-18 * P		D01			1			2-1/8		148
GND 42	AM2T1		1-19 * P		D01			2			1-3/8		148
GND 42	AM2C2		1-20 * P		D01			1			2-1/8		148
GND 42	AM2T1		1-21 * P		D01			2			1-5/8		148
GND 42	AM2C2		1-22 * P		D01			1			2-1/8		148
GND 42	AM2T1		1-23 * P		D01			1			2-1/8		148
GND 42			1								22-0/8	1400000000	148
GND 43	AM3C2		1-01 * P		D02			1			0-1/8		149
GND 43	AM3D2		1-02 * P		D02			2			0-1/8		149
GND 43	AM3E2		1-03 * P		D02			1			0-1/8		149
GND 43	AM3F2		1-04 * P		D02			2			1-3/8		149
GND 43	AM3N1		1-05 * P		D02			1			0-1/8		149
GND 43	AM3P1		1-06 * P		D02			2			0-1/8		149
GND 43	AM3R1		1-07 * P		D02			1			0-1/8		149
GND 43	AM3S1		1-08 * P		D02			2			0-1/8		149
GND 43	AM3T1		1-09 * P		D02			1			0-1/8		149
GND 43	AM3U1		1-10 * P		D02			2			0-1/8		149
GND 43	AM3V1		1-11 * P					1			1-3/8		149
GND 43	AM3C2		1-12 * P		D02			2			2-1/8		149
GND 43	AM3T1		1-13 * P		D02			1			1-3/8		149
GND 43	AM3C2		1-14 * P		D01			2			2-1/8		149
GND 43	AM3T1		1-15 * P		D01			1			1-5/8		149
GND 43	AM3C2		1-16 * P		D01			2			2-1/8		149
GND 43	AM3T1		1-17 * P		D01			1			1-3/8		149
GND 43	AM3C2		1-18 * P		D01			2			2-1/8		149
GND 43	AM3T1		1-19 * P		D01			1			1-5/8		149
GND 43	AM3C2		1-20 * P		D01			2			2-1/8		149
GND 43	AM3T1		1-21 * P		D01			1			2-1/8		149
GND 43			1								20-4/8	1400000000	149

RP110,H RUN NAME	APP2RR,V34(63)-1 A/P PIN NAME	23-AUG-76 ORDER PIN	BAY * ORDER	Q	DRAW OPT	RV RG Y	X	Z	REMARKS	1=Nov=76	15116 NC LENGTH FLAG	PAGE 15 EXCEPTIONS	RUN NUMBER
GND 44	AM4B2		1-01 * P		D02			1			0-1/8		150
GND 44	AM4C2		1-02 * P		D02			2			1-5/8		150
GND 44	AM4N1		1-03 * P		D02			1			0-1/8		150
GND 44	AM4P1		1-04 * P		D02			2			0-1/8		150
GND 44	AM4R1		1-05 * P		D02			1			0-1/8		150
GND 44	AM4S1		1-06 * P		D02			2			0-1/8		150
GND 44	AM4T1		1-07 * P		D02			1			0-4/8		150
GND 44	AM4V2		1-08 * P		D02			2			1-2/8		150
GND 44	AM4B2		1-09 * P		D02			1			0-1/8		150
GND 44	AM4C2		1-10 * P		D02			2			0-1/8		150
GND 44	AM4D1		1-11 * P		D02			1			0-1/8		150
GND 44	AM4E1		1-12 * P		D02			2			1-7/8		150
GND 44	AM4T1		1-13 * P		D02			1			0-4/8		150
GND 44	AM4V2		1-14 * P		D02			2			1-1/8		150
GND 44	AM4C2		1-15 * P		D01			1			2-1/8		150
GND 44	AM4T1		1-16 * P		D01			2			1-5/8		150
GND 44	AM4C2		1-17 * P		D01			1			2-1/8		150
GND 44	AM4T1		1-18 * P		D01			2			1-3/8		150
GND 44	AM4C2		1-19 * P		D01			1			2-1/8		150
GND 44	AM4T1		1-20 * P		D01			2			1-5/8		150
GND 44	AM4C2		1-21 * P		D01			1			2-1/8		150
GND 44	AM4T1		1-22 * P		D01			1			2-1/8		150
GND 44			1								21-0/8	1400000000	150
HE (1)	H	AM3E2	1-01 * P		D02			1			12-5/8		151
HE (1)	H	AM2T2	1-02 * P		D01			2			1		151
HE (1)	H	AM1T2	1-03 * P		D01			1			1		151
HE (1)	H		1								13-5/8	1400000000	151
HEAD + CHK SUM	H	FM1P2	1-01 * P		D01			1			1		152
HEAD + CHK SUM	H	FM2P2	1-02 * P		D01			1			1		152
HEAD + CHK SUM	H		1								1-0/8	1400000000	152
HEAD OK (1)	L	FM1U2	1-01 * P		D01			1			1		153
HEAD OK (1)	L	FM2U2	1-02 * P		D01			1			1		153
HEAD OK (1)	L		1								1-0/8	1400000000	153
HEADER (1)	H	CM1U1	1-01 * P		D01			1			1-4/8		154
HEADER (1)	H	CM3U1	1-02 * P		D01			1			1-4/8		154
HEADER (1)	H		1								1-4/8	1400000000	154
IBA (4)	H	EM1K2	1-01 * P		D01			1			1-4/8		155
IBA (4)	H	EM3K2	1-02 * P		D01			1			1-4/8		155
IBA (4)	H		1								1-4/8	1400000000	155
ID 1 (1)	H	FM1E1	1-01 * P		D01			1			1		156
ID 1 (1)	H	FM2E1	1-02 * P		D01			1			1		156
ID 1 (1)	H		1								1-0/8	1400000000	156
ID 1 (1)	H	FM1F1	1-01 * P		D01			1			1		157
ID 1 (1)	H	FM2F1	1-02 * P		D01			1			1		157
ID 1 (1)	H		1								1-0/8	1400000000	157
ID 2 (1)	H	FM1H1	1-01 * P		D01			1			1		158
ID 2 (1)	H	FM2H1	1-02 * P		D01			1			1		158
ID 2 (1)	H		1								1-0/8	1400000000	158

RKLID,H RUN NAME	A/P	APP288,V34(63)-1		23-AUG-76		DRAW	RV	RG	Y	X	Z	REMARKS	1-NOV-76		15116 NC FLAG	PAGE 16 LENGTH EXCEPTIONS	RUN NUMBER		
		PIN NAME	ORDER PIN	BAY * ORDER	Q								OPT						
IDE (1)	H	EM1A1		1-01 *	P											1-5/8		159	
IDE (1)	H	DM2V2		1-02 *	P											1-2/8		159	
IDE (1)	H	EM4A1		1-03 *	P													159	
IDE (1)	H			1												2-7/8	1400000000	159	
ILLEGAL ADD	H	EM1K1		1-01 *	P											1		160	
ILLEGAL ADD	H	EM2K1		1-02 *	P											1		160	
ILLEGAL ADD	H			1												1-0/8	1400000000	160	
IN BUFF FULL (1)	H	EM3J2		1-01 *													3-1/8		161
IN BUFF FULL (1)	H	EM3K2		1-02 *															161
IN BUFF FULL (1)	H			1													3-1/8	1400000000	161
INT	H	EM1T2		1-01 *	P											1		162	
INT	H	EM2T2		1-02 *	P											1		162	
INT	H	EM3T2		1-03 *	P													162	
INT	H			1													2-0/8	1400000000	162
INT	L	EM1A1		1-01 *	P											1		163	
INT	L	EM2A1		1-02 *	P											1		163	
INT	L	EM3A1		1-03 *	P											1		163	
INT	L	EM4A1		1-04 *	P													163	
INT	L			1													3-0/8	1400000000	163
INT BUS A00 (1)	H	DM1A1		1-01 *	P												1-4/8		164
INT BUS A00 (1)	H	DM3A1		1-02 *	P														164
INT BUS A00 (1)	H			1													1-4/8	1400000000	164
INT BUS A01 (1)	H	DM1B1		1-01 *	P												1-4/8		165
INT BUS A01 (1)	H	DM3B1		1-02 *	P														165
INT BUS A01 (1)	H			1													1-4/8	1400000000	165
INT BUS A02 (1)	H	DM1C1		1-01 *	P												1-4/8		166
INT BUS A02 (1)	H	DM3C1		1-02 *	P														166
INT BUS A02 (1)	H			1													1-4/8	1400000000	166
INT BUS A03 (1)	H	DM1D1		1-01 *	P												1-4/8		167
INT BUS A03 (1)	H	DM3D1		1-02 *	P														167
INT BUS A03 (1)	H			1													1-4/8	1400000000	167
INT BUS A04 (1)	H	DM1E1		1-01 *	P												1-4/8		168
INT BUS A04 (1)	H	DM3E1		1-02 *	P														168
INT BUS A04 (1)	H			1													1-4/8	1400000000	168
INT BUS A05 (1)	H	DM1F1		1-01 *	P												1-4/8		169
INT BUS A05 (1)	H	DM3F1		1-02 *	P														169
INT BUS A05 (1)	H			1													1-4/8	1400000000	169
INT BUS A06 (1)	H	DM1G1		1-01 *	P												1-4/8		170
INT BUS A06 (1)	H	DM3G1		1-02 *	P														170
INT BUS A06 (1)	H			1													1-4/8	1400000000	170
INT BUS A07 (1)	H	DM1J1		1-01 *	P												1-4/8		171
INT BUS A07 (1)	H	DM3J1		1-02 *	P														171
INT BUS A07 (1)	H			1													1-4/8	1400000000	171

RKLID,H RUN NAME	A/P	APP288,V34(63)-1		23-AUG-76		DRAW	RV	RG	Y	X	Z	REMARKS	1-NOV-76		15116 NC FLAG	PAGE 17 LENGTH EXCEPTIONS	RUN NUMBER		
		PIN NAME	ORDER PIN	BAY * ORDER	Q								OPT						
INT BUS A08 (1)	H	DM1K1		1-01 *	P												1-4/8		172
INT BUS A08 (1)	H	DM3K1		1-02 *	P														172
INT BUS A08 (1)	H			1													1-4/8	1400000000	172
INT BUS A09 (1)	H	DM1L1		1-01 *	P												1-4/8		173
INT BUS A09 (1)	H	DM3L1		1-02 *	P														173
INT BUS A09 (1)	H			1													1-4/8	1400000000	173
INT BUS A10 (1)	H	DM1M1		1-01 *	P												1-4/8		174
INT BUS A10 (1)	H	DM3M1		1-02 *	P														174
INT BUS A10 (1)	H			1													1-4/8	1400000000	174
INT BUS A11 (1)	H	DM1N1		1-01 *	P												1-4/8		175
INT BUS A11 (1)	H	DM3N1		1-02 *	P														175
INT BUS A11 (1)	H			1													1-4/8	1400000000	175
INT BUS A12 (1)	H	DM1P1		1-01 *	P												1-4/8		176
INT BUS A12 (1)	H	DM3P1		1-02 *	P														176
INT BUS A12 (1)	H			1													1-4/8	1400000000	176
INT BUS A13 (1)	H	DM1R1		1-01 *	P												1-4/8		177
INT BUS A13 (1)	H	DM3R1		1-02 *	P														177
INT BUS A13 (1)	H			1													1-4/8	1400000000	177
INT BUS A14 (1)	H	DM1S1		1-01 *	P												1-4/8		178
INT BUS A14 (1)	H	DM3S1		1-02 *	P														178
INT BUS A14 (1)	H			1													1-4/8	1400000000	178
INT BUS A15 (1)	H	DM1U1		1-01 *	P												1-4/8		179
INT BUS A15 (1)	H	DM3U1		1-02 *	P														179
INT BUS A15 (1)	H			1													1-4/8	1400000000	179
INT BUS D00 (1)	H	EM3V2		1-01 *	P												1		180
INT BUS D00 (1)	H	EM4V2		1-02 *	P														180
INT BUS D00 (1)	H			1													1-0/8	1400000000	180
INT BUS D01 (1)	H	EM3U2		1-01 *	P												1		181
INT BUS D01 (1)	H	EM4U2		1-02 *	P														181
INT BUS D01 (1)	H			1													1-0/8	1400000000	181
INT BUS D02 (1)	H	EM3T2		1-01 *	P												1		182
INT BUS D02 (1)	H	EM4T2		1-02 *	P														182
INT BUS D02 (1)	H			1													1-0/8	1400000000	182
INT BUS D03 (1)	H	EM3S2		1-01 *	P												1		183
INT BUS D03 (1)	H	EM4S2		1-02 *	P														183
INT BUS D03 (1)	H			1													1-0/8	1400000000	183
INT BUS D04 (1)	H	EM3P2		1-01 *	P												1		184
INT BUS D04 (1)	H	EM4P2		1-02 *	P														184
INT BUS D04 (1)	H			1													1-0/8	1400000000	184
INT BUS D05 (1)	H	EM3P2		1-01 *	P												1		185
INT BUS D05 (1)	H	EM4P2		1-02 *	P														185
INT BUS D05 (1)	H			1													1-0/8	1400000000	185

REF ID, H RUN NAME	M/P	PIN NAME	ORDER PIN	RAY = ORDER	Q	DRAW OPT	RV	RG	Y	X	Z	REMARKS	15116 NC LENGTH EXCEPTIONS FLAG	PAGE 18	RUN NUMBER
INT BUS D26 (1)	H	F03M2		1-01 * P			D01				1		1		186
INT BUS D26 (1)	H	F04M2		1-02 * P			D01								186
INT BUS D26 (1)	H			1									1-0/8 1400000000		186
INT BUS D27 (1)	H	F03M2		1-01 * P			D01				1		1		187
INT BUS D27 (1)	H	F04M2		1-02 * P			D01								187
INT BUS D27 (1)	H			1									1-0/8 1400000000		187
INT BUS D28 (1)	H	F03L2		1-01 * P			D01				1		1		188
INT BUS D28 (1)	H	F04L2		1-02 * P			D01								188
INT BUS D28 (1)	H			1									1-0/8 1400000000		188
INT BUS D29 (1)	H	F03K2		1-01 * P			D01				1		1		189
INT BUS D29 (1)	H	F04K2		1-02 * P			D01								189
INT BUS D29 (1)	H			1									1-0/8 1400000000		189
INT BUS D10 (1)	H	F03J2		1-01 * P			D01				1		1		190
INT BUS D10 (1)	H	F04J2		1-02 * P			D01								190
INT BUS D10 (1)	H			1									1-0/8 1400000000		190
INT BUS D11 (1)	H	F03H2		1-01 * P			D01				1		1		191
INT BUS D11 (1)	H	F04H2		1-02 * P			D01								191
INT BUS D11 (1)	H			1									1-0/8 1400000000		191
INT BUS D12 (1)	H	F03F2		1-01 * P			D01				1		1		192
INT BUS D12 (1)	H	F04F2		1-02 * P			D01								192
INT BUS D12 (1)	H			1									1-0/8 1400000000		192
INT BUS D13 (1)	H	F03E2		1-01 * P			D01				1		1		193
INT BUS D13 (1)	H	F04E2		1-02 * P			D01								193
INT BUS D13 (1)	H			1									1-0/8 1400000000		193
INT BUS D14 (1)	H	F03D2		1-01 * P			D01				1		1		194
INT BUS D14 (1)	H	F04D2		1-02 * P			D01								194
INT BUS D14 (1)	H			1									1-0/8 1400000000		194
INT BUS D15 (1)	H	F03B1		1-01 * P			D01				1		1		195
INT BUS D15 (1)	H	F04B1		1-02 * P			D01								195
INT BUS D15 (1)	H			1									1-0/8 1400000000		195
LAST BIT	H	F01D2		1-01 * P			D01				1		1		196
LAST BIT	H	F02D2		1-02 * P			D01								196
LAST BIT	H			1									1-0/8 1400000000		196
LAST SECTOR	L	C02U2		1-01 * P			D01				1		1		197
LAST SECTOR	L	C03U2		1-02 * P			D01								197
LAST SECTOR	L			1									1-0/8 1400000000		197
LAST WORD DONE	L	C03L1		1-01 * P			D01				1		1-4/8		198
LAST WORD DONE	L	C03L1		1-02 * P			D01								198
LAST WORD DONE	L			1									1-4/8 1400000000		198
LOAD RKA HI	L	F03V2		1-01 * P			D01				1		1		199
LOAD RKA HI	L	F04V2		1-02 * P			D01								199
LOAD RKA HI	L			1									1-0/8 1400000000		199

REF ID, H RUN NAME	M/P	PIN NAME	ORDER PIN	RAY = ORDER	Q	DRAW OPT	RV	RG	Y	X	Z	REMARKS	15116 NC LENGTH EXCEPTIONS FLAG	PAGE 19	RUN NUMBER
LOAD RKA LO	L	F03H2		1-01 * P			D01				1		1		200
LOAD RKA LO	L	F04H2		1-02 * P			D01								200
LOAD RKA LO	L			1									1-0/8 1400000000		200
LOAD RKS HI	L	F01L1		1-01 * P			D01				1		2		201
LOAD RKS HI	L	F04L1		1-02 * P			D01								201
LOAD RKS HI	L			1									2-0/8 1400000000		201
LOAD RKS LO	L	F01M1		1-01 * P			D01				1		2		202
LOAD RKS LO	L	F04M1		1-02 * P			D01								202
LOAD RKS LO	L			1									2-0/8 1400000000		202
LOAD RKA HI	L	F03F2		1-01 * P			D01				1		1		203
LOAD RKA HI	L	F04F2		1-02 * P			D01								203
LOAD RKA HI	L			1									1-0/8 1400000000		203
LOAD RKA LO	L	F03F2		1-01 * P			D01				1		1		204
LOAD RKA LO	L	F04F2		1-02 * P			D01								204
LOAD RKA LO	L			1									1-0/8 1400000000		204
LOAD RKC HI	L	F01R1		1-01 * P			D01				1		2		205
LOAD RKC HI	L	F04R1		1-02 * P			D01								205
LOAD RKC HI	L			1									2-0/8 1400000000		205
LOAD RKC LO	L	F01F1		1-01 * P			D01				1		2		206
LOAD RKC LO	L	F04F1		1-02 * P			D01								206
LOAD RKC LO	L			1									2-0/8 1400000000		206
M CLK	L	F02D2		1-01 * P							1		6-7/8		207
M CLK	L			1-02 * P											207
M CLK	L			1									6-7/8 1400000000		207
NEW RUN	L	C01R1		1-01 * P			D01				2		1		208
NEW RUN	L	C02R1		1-02 * P			D01				1		1		208
NEW RUN	L	C03R1		1-03 * P			D01								208
NEW RUN	L			1									2-0/8 1400000000		208
NPR EN (1)	H	F03V2		1-01 * P							1		5-1/8		209
NPR EN (1)	H	F04M2		1-02 * P											209
NPR EN (1)	H			1									5-1/8 1400000000		209
NPR REQ	H	F03J2		1-01 * P			D01				1		1		210
NPR REQ	H	F04J2		1-02 * P			D01								210
NPR REQ	H			1									1-0/8 1400000000		210
NXM (1)	H	F01N1		1-01 * P			D01				1		2		211
NXM (1)	H	F04N1		1-02 * P			D01								211
NXM (1)	H			1									2-0/8 1400000000		211
OUT BUFFER FULL (1)	H	F03L2		1-01 * P			D02				1		3		212
OUT BUFFER FULL (1)	H	C03L2		1-02 * P											212
OUT BUFFER FULL (1)	H			1									3-0/8 1400000000		212

RK110.H		*RPP288.V34(63)-1 23-AUG-76					1-NOV-76		PAGE 20			RUN NUMBER
A/Z	PIN NAME	ORDER PIN	BAY # ORDER	Q	DRAW OPT	RV RG Y	X Z	REMARKS	15116 NC FLAG	LENGTH	EXCEPTIONS	
	POLE BONE	H	FW1U1	1-01 *	P	D01						213
	POLE BONE	L	FW2U1	1-02 *	P	D01						213
	POLE BONE	L		1					1-0/8	1400000000		213
	PREAMPLIF (1)	H	FW1M2	1-01 *	P	D01						214
	PREAMPLIF (1)	H	FW2M2	1-02 *	P	D01						214
	PREAMPLIF (1)	H		1					1-0/8	1400000000		214
	R/W/S RBY	H	FW1P2	1-01 *	P	D01						215
	R/W/S RBY	H	FW2P2	1-02 *	P	D01						215
	R/W/S RBY	H		1					1-0/8	1400000000		215
	RD DATA=WT DATA	H	FW1M1	1-01 *	P	D01						216
	RD DATA=WT DATA	H	FW2M1	1-02 *	P	D01						216
	RD DATA=WT DATA	H		1					1-0/8	1400000000		216
	RD GATE (1)	H	FW3F2	1-01 *		D02				7-3/8		217
	RD GATE (1)	H	FW2T2	1-02 *								217
	RD GATE (1)	H		1					7-3/8	1400000000		217
	RD GATE EN	H	FW1J2	1-01 *	P	D01						218
	RD GATE EN	H	FW2J2	1-02 *	P	D01						218
	RD GATE EN	H		1					1-0/8	1400000000		218
	RD HEADER (1)	H	FW1L1	1-01 *	P	D01						219
	RD HEADER (1)	H	FW2L1	1-02 *	P	D01						219
	RD HEADER (1)	H		1					1-0/8	1400000000		219
	RD+RD CHK	H	FW3D2	1-01 *		D02				3-7/8		220
	RD+RD CHK	H	FW3K1	1-02 *	P	D01				1-4/8		220
	RD+RD CHK	H	FW3K1	1-03 *	P	D01						220
	RD+RD CHK	H		1					5-3/8	1400000000		220
	READ	H	FW1U1	1-01 *	P	D01				1-6/8		221
	READ	H	FW3U2	1-02 *	P	D01				1		221
	READ	H	FW4U2	1-03 *	P	D01						221
	READ	H		1					2-6/8	1400000000		221
	RK INT MASTER	H	FW2D1	1-01 *	P	D01						222
	RK INT MASTER	H	FW1U1	1-02 *	P	D01						222
	RK INT MASTER	H		1					1-4/8	1400000000		222
	RK INT REG	H	FW2K2	1-01 *	P	D01						223
	RK INT REG	H	FW4K2	1-02 *	P	D01						223
	RK INT REG	H		1					1-4/8	1400000000		223
	RK VCR MASTER	H	FW3J2	1-01 *						5-5/8		224
	RK VCR MASTER	H	FW4H1	1-02 *	P	D01				2		224
	RK VCR MASTER	H	FW1H1	1-03 *	P	D01						224
	RK VCR MASTER	H		1					7-5/8	1400000000		224
	RK25	H	FW1C1	1-01 *	P	D01						225
	RK25	H	FW2C1	1-02 *	P	D01						225
	RK25	H		1					1-0/8	1400000000		225

RK110.H		*RPP288.V34(63)-1 23-AUG-76					1-NOV-76		PAGE 21			RUN NUMBER
A/Z	PIN NAME	ORDER PIN	BAY # ORDER	Q	DRAW OPT	RV RG Y	X Z	REMARKS	15116 NC FLAG	LENGTH	EXCEPTIONS	
	RKA 01 (1)	H	FW3K1	1-01 *	P	D01						226
	RKA 01 (1)	H	FW4K1	1-02 *	P	D01						226
	RKA 01 (1)	H	FW3M2	1-03 *		D01				0-4/8		226
	RKA 01 (1)	H		1					2-4/8	1400000000		226
	RKA 02 (1)	H	FW1J1	1-01 *	P	D01						227
	RKA 02 (1)	H	FW4J1	1-02 *	P	D01						227
	RKA 02 (1)	H	FW3M2	1-03 *		D01						227
	RKA 02 (1)	H		1					3-0/8	1400000000		227
	RKA 03 (1)	H	FW3V1	1-01 *	P	D01						228
	RKA 03 (1)	H	FW4V1	1-02 *	P	D01						228
	RKA 03 (1)	H		1					1-0/8	1400000000		228
	RKBA 01 (1)	H	FW3C1	1-01 *	P	D01						229
	RKBA 01 (1)	H	FW4C1	1-02 *	P	D01						229
	RKBA 01 (1)	H		1					1-0/8	1400000000		229
	RKBA 02 (1)	H	FW3D1	1-01 *	P	D01						230
	RKBA 02 (1)	H	FW4D1	1-02 *	P	D01						230
	RKBA 02 (1)	H		1					1-0/8	1400000000		230
	RKBA 03 (1)	H	FW3E1	1-01 *	P	D01						231
	RKBA 03 (1)	H	FW4E1	1-02 *	P	D01						231
	RKBA 03 (1)	H		1					1-0/8	1400000000		231
	RKBA 04 (1)	H	FW3F1	1-01 *	P	D01						232
	RKBA 04 (1)	H	FW4F1	1-02 *	P	D01						232
	RKBA 04 (1)	H		1					1-0/8	1400000000		232
	RKBA 05 (1)	H	FW3H1	1-01 *	P	D01						233
	RKBA 05 (1)	H	FW4H1	1-02 *	P	D01						233
	RKBA 05 (1)	H		1					1-0/8	1400000000		233
	RKBA 06 (1)	H	FW3J1	1-01 *	P	D01						234
	RKBA 06 (1)	H	FW4J1	1-02 *	P	D01						234
	RKBA 06 (1)	H		1					1-0/8	1400000000		234
	RKBA 07 (1)	H	FW3K1	1-01 *	P	D01						235
	RKBA 07 (1)	H	FW4K1	1-02 *	P	D01						235
	RKBA 07 (1)	H		1					1-0/8	1400000000		235
	RKBA 08 (1)	H	FW3L1	1-01 *	P	D01						236
	RKBA 08 (1)	H	FW4L1	1-02 *	P	D01						236
	RKBA 08 (1)	H		1					1-0/8	1400000000		236
	RKBA 09 (1)	H	FW3M1	1-01 *	P	D01						237
	RKBA 09 (1)	H	FW4M1	1-02 *	P	D01						237
	RKBA 09 (1)	H		1					1-0/8	1400000000		237
	RKBA 10 (1)	H	FW3N1	1-01 *	P	D01						238
	RKBA 10 (1)	H	FW4N1	1-02 *	P	D01						238
	RKBA 10 (1)	H		1					1-0/8	1400000000		238

RK110	RUN NAME	A/Z	PIN NAME	ORDER PIN	RAY - ORDER	Q	DRAW	RV	RG	Y	X	Z	REMARKS	15116	PAGE 22	NC LENGTH EXCEPTIONS	RUN NUMBER
RKPA 11	(1)	H	EV3PI		1-01	*	P	D01				1			1		239
RKPA 11	(1)	H	EV4PI		1-02	*	P	D01									239
RKPA 11	(1)	H			1									1-0/8	1400000000		239
RKPA 12	(1)	H	EV3PI		1-01	*	P	D01				1			1		240
RKPA 12	(1)	H	EV4PI		1-02	*	P	D01									240
RKPA 12	(1)	H			1									1-0/8	1400000000		240
RKPA 13	(1)	H	EV3SI		1-01	*	P	D01				1			1		241
RKPA 13	(1)	H	EV4SI		1-02	*	P	D01									241
RKPA 13	(1)	H			1									1-0/8	1400000000		241
RKPA 14	(1)	H	EV3UI		1-01	*	P	D01				1			1		242
RKPA 14	(1)	H	EV4UI		1-02	*	P	D01									242
RKPA 14	(1)	H			1									1-0/8	1400000000		242
RKPA 15	(1)	H	EV3VI		1-01	*	P	D01				1			1		243
RKPA 15	(1)	H	EV4VI		1-02	*	P	D01									243
RKPA 15	(1)	H			1									1-0/8	1400000000		243
RKPA 00V		L	EV1S1		1-01	*	P	D01				1			1-0/8		244
RKPA 00V		L	EV3S2		1-02	*	P	D01									244
RKPA 00V		L			1									1-0/8	1400000000		244
RKPA 00	(1)	H	EV3P2		1-01	*		D02				1			0-7/8		245
RKPA 02	(1)	H	EV3A1		1-02	*	P	D01				2			1		245
RKPA 23	(1)	H	EV2A1		1-03	*	P	D01									245
RKPA 23	(1)	H			1									7-7/8	1400000000		245
RKPA 01	(1)	H	EV3V1		1-01	*		D02				1			6-2/8		246
RKPA 01	(1)	H	EV3B1		1-02	*	P	D01				2			1		246
RKPA 01	(1)	H	EV2B1		1-03	*	P	D01									246
RKPA 01	(1)	H			1									7-2/8	1400000000		246
RKPA 02	(1)	H	EV3M1		1-01	*		D02				1			7-1/8		247
RKPA 02	(1)	H	EV4C1		1-02	*	P	D01				2			1		247
RKPA 02	(1)	H	EV2C1		1-03	*	P	D01				1			1		247
RKPA 02	(1)	H	EV1C1		1-04	*	P	D01									247
RKPA 02	(1)	H			1									9-1/8	1400000000		247
RKPA 03	(1)	H	EV3K2		1-01	*		D02				1			7-5/8		248
RKPA 03	(1)	H	EV3D1		1-02	*	P	D01				2			1		248
RKPA 03	(1)	H	EV2D1		1-03	*	P	D01				1			1		248
RKPA 03	(1)	H	EV1D1		1-04	*	P	D01									248
RKPA 03	(1)	H			1									9-5/8	1400000000		248
RKPA 04	(1)	H	EV3U2		1-01	*		D02				1			6-7/8		249
RKPA 04	(1)	H	EV3E1		1-02	*	P	D01				2			1		249
RKPA 04	(1)	H	EV2E1		1-03	*	P	D01									249
RKPA 04	(1)	H			1									7-7/8	1400000000		249
RKPA 05	(1)	H	EV3T2		1-01	*		D02				1			7-1/8		250
RKPA 05	(1)	H	EV3F1		1-02	*	P	D01				2			1		250
RKPA 05	(1)	H	EV2F1		1-03	*	P	D01									250
RKPA 05	(1)	H			1									0-1/8	1400000000		250

RK110	RUN NAME	A/Z	PIN NAME	ORDER PIN	RAY - ORDER	Q	DRAW	RV	RG	Y	X	Z	REMARKS	15116	PAGE 23	NC LENGTH EXCEPTIONS	RUN NUMBER
RKPA 06	(1)	H	EV3C1		1-01	*		D02				1			0-6/8		251
RKPA 06	(1)	H	EV3H1		1-02	*	P	D02				2			1		251
RKPA 06	(1)	H	EV2H1		1-03	*	P	D01									251
RKPA 06	(1)	H			1									9-6/8	1400000000		251
RKPA 07	(1)	H	EV3J1		1-01	*		D01				1			0-2/8		252
RKPA 07	(1)	H	EV3J1		1-02	*	P	D01				2			1		252
RKPA 07	(1)	H	EV2J1		1-03	*	P	D01									252
RKPA 07	(1)	H			1									9-2/8	1400000000		252
RKPA 08	(1)	H	EV3K1		1-01	*		D02				1			0-5/8		253
RKPA 08	(1)	H	EV3K1		1-02	*	P	D01				2			1		253
RKPA 08	(1)	H	EV2K1		1-03	*	P	D01									253
RKPA 08	(1)	H			1									9-5/8	1400000000		253
RKPA 09	(1)	H	EV3L1		1-01	*		D02				1			0-2/8		254
RKPA 09	(1)	H	EV3L1		1-02	*	P	D01				2			1		254
RKPA 09	(1)	H	EV2L1		1-03	*	P	D01									254
RKPA 09	(1)	H			1									9-2/8	1400000000		254
RKPA 10	(1)	H	EV3P1		1-01	*		D02				1			0		255
RKPA 10	(1)	H	EV3M1		1-02	*	P	D01				2			1		255
RKPA 10	(1)	H	EV2M1		1-03	*	P	D01									255
RKPA 10	(1)	H			1									9-0/8	1400000000		255
RKPA 11	(1)	H	EV3S2		1-01	*		D02				1			7-7/8		256
RKPA 11	(1)	H	EV3B1		1-02	*	P	D01				2			1		256
RKPA 11	(1)	H	EV2B1		1-03	*	P	D01									256
RKPA 11	(1)	H			1									0-7/8	1400000000		256
RKPA 12	(1)	H	EV3K1		1-01	*		D02				1			0-6/8		257
RKPA 12	(1)	H	EV3P1		1-02	*	P	D01				2			1		257
RKPA 12	(1)	H	EV2P1		1-03	*	P	D01									257
RKPA 12	(1)	H			1									9-6/8	1400000000		257
RKPA 13	(1)	H	EV2P1		1-01	*	P	D01				1			1		258
RKPA 13	(1)	H	EV3P1		1-02	*	P	D01									258
RKPA 13	(1)	H			1									1-0/8	1400000000		258
RKPA 14	(1)	H	EV2S1		1-01	*	P	D01				1			1		259
RKPA 14	(1)	H	EV3S1		1-02	*	P	D01									259
RKPA 14	(1)	H			1									1-0/8	1400000000		259
RKPA 15	(1)	H	EV2U1		1-01	*	P	D01				1			1		260
RKPA 15	(1)	H	EV3U1		1-02	*	P	D01									260
RKPA 15	(1)	H			1									1-0/8	1400000000		260
RKPA 00	(1)	H	EV2T2		1-01	*	P	D01				1			1		261
RKPA 00	(1)	H	EV3T2		1-02	*	P	D01									261
RKPA 00	(1)	H			1									1-0/8	1400000000		261
RKPA 00	(1)	H	EV1V1		1-01	*	P	D01				1			1		262
RKPA 00	(1)	H	EV2V1		1-02	*	P	D01									262
RKPA 00	(1)	H			1									1-0/8	1400000000		262

RK110,H RUN NAME	A/P	PN NAME	ORDER PIN	BAY = ORDER	Q	DRAW OPT	RV RG Y	X	Z	REMARKS	1-NOV-76	15:16 NC FLAG	PAGE 24 LENGTH EXCEPTIONS	RUN NUMBER
RKDS 01 (1)	H	EW102		1-01 *	P	D01			1					263
RKDS 01 (1)	H	EW202		1-02 *	P	D01								263
RKDS 01 (1)	H			1								1-0/8	1400000000	263
RKDS 02 (1)	H	EW1F2		1-01 *	P	D01			1					264
RKDS 02 (1)	H	EW2F2		1-02 *	P	D01								264
RKDS 02 (1)	H			1								1-0/8	1400000000	264
RKDS 03 (1)	H	EW1F2		1-01 *	P	D01			1					265
RKDS 03 (1)	H	EW2F2		1-02 *	P	D01								265
RKDS 03 (1)	H			1								1-0/8	1400000000	265
SC=SA	H	EW1H2		1-01 *	P	D01			1					266
SC=SA	H	EW2H2		1-02 *	P	D01								266
SC=SA	H			1								1-0/8	1400000000	266
SCH CMP (1)	H	EW1S1		1-01 *	P	D01			1					267
SCH CMP (1)	H	EW2S1		1-02 *	P	D01								267
SCH CMP (1)	H			1								1-0/8	1400000000	267
SECTION END	L	EW2S2		1-01 *	P	D01			1					268
SECTION END	L	EW3S2		1-02 *	P	D01								268
SECTION END	L			1								1-0/8	1400000000	268
SECTION PULSE	H	EW1H2		1-01 *	P	D01			1					269
SECTION PULSE	H	EW2H2		1-02 *	P	D01								269
SECTION PULSE	H			1								1-0/8	1400000000	269
SEEK DR RESET	H	EW3H2		1-01 *		D02			1			11-1/8		270
SEEK DR RESET	H	EW2L2		1-02 *	P	D01			2			1		270
SEEK DR RESET	H	EW1L2		1-03 *	P	D01								270
SEEK DR RESET	H			1								12-1/8	1400000000	270
SER PD DATA (1)	H	EW1V1		1-01 *	P	D01			2			1		271
SER PD DATA (1)	H	EW2V1		1-02 *	P	D01			1			1		271
SER PD DATA (1)	H	EW3V1		1-03 *	P	D01								271
SER PD DATA (1)	H			1								2-0/8	1400000000	271
SIN	H	EW1H2		1-01 *	P	D01			1					272
SIN	H	EW2H2		1-02 *	P	D01								272
SIN	H			1								1-0/8	1400000000	272
STOP WPKS	L	EW1H1		1-01 *	P	D01			1					273
STOP WPKS	L	EW3H1		1-02 *	P	D01								273
STOP WPKS	L			1								1-4/8	1400000000	273
STOP POLL	L	EW1H2		1-01 *	P	D01			1					274
STOP POLL	L	EW2H2		1-02 *	P	D01								274
STOP POLL	L			1								1-0/8	1400000000	274
WC DVE (1)	H	EW3S1		1-01 *		D02			1			2-1/8		275
WC DVE (1)	H	EW301		1-02 *	P	D01			2			1-4/8		275
WC DVE (1)	H	EW1J1		1-03 *	P	D01								275
WC DVE (1)	H			1								3-5/8	1400000000	275

RK110,H RUN NAME	A/P	PN NAME	ORDER PIN	BAY = ORDER	Q	DRAW OPT	RV RG Y	X	Z	REMARKS	1-NOV-76	15:16 NC FLAG	PAGE 25 LENGTH EXCEPTIONS	RUN NUMBER
WRITE	H	EW1H2		1-01 *	P	D01			1					276
WRITE	H	EW2H2		1-02 *	P	D01								276
WRITE	H			1								1-0/8	1400000000	276
WT GATE (1)	H	EW3H2		1-01 *		D02			1			11-7/8		277
WT GATE (1)	H	EW2P1		1-02 *	P	D01			2			1		277
WT GATE (1)	H	EW1P1		1-03 *	P	D01								277
WT GATE (1)	H			1								12-7/8	1400000000	277
WT LOCK	H	EW1S2		1-01 *	P	D01			1					278
WT LOCK	H	EW2S2		1-02 *	P	D01								278
WT LOCK	H			1								1-0/8	1400000000	278
WT PRCT STATUS	H	EW102		1-01 *	P	D01			1					279
WT PRCT STATUS	H	EW202		1-02 *	P	D01								279
WT PRCT STATUS	H			1								1-0/8	1400000000	279
WTAT CHK	H	EW3H2		1-01 *		D02			1			3-7/8		280
WTAT CHK	H	EW3P1		1-02 *	P	D01			2			1		280
WTAT CHK	H	EW2P1		1-03 *	P	D01			1			1		280
WTAT CHK	H	EW1P1		1-04 *	P	D01								280
WTAT CHK	H			1								5-7/8	1400000000	280
XFER POSITION	H	EW1V2		1-01 *	P	D01			1					281
XFER POSITION	H	EW2V2		1-02 *	P	D01								281
XFER POSITION	H			1								1-0/8	1400000000	281

This drawing and specifications, herein, are the property of Digital Equipment Corporation and shall not be reproduced or copied or used in whole or in part as the basis for the manufacture or sale of items without written permission.

DRAWING NUMBER	INIT REL			AUTOMATIC WIRE TESTER (AWT) REVISION STATUS																REV				
	TIO	F	H																					
K-WL-RKII-D-2	F	F	H																					
C-IA-7009142-0-0	B	B	C																					
D-CS-5410185-0-1	A	B	B																					

SIZE CODE NUMBER
A WT 7009142-0

REV. -	ORIGINATED
CHANGE NO. 5410185-1	RKIID-00019
CHK -	H

DRN. <i>W. J. [signature]</i>	DATE 7-25-73	digital EQUIPMENT CORPORATION MAYNARD, MASSACHUSETTS
CHK'D.	DATE	
ENG. <i>W. J. [signature]</i>	DATE 7-25-73	TITLE RKIID
PROJ. ENG. <i>W. J. [signature]</i>	DATE 7-25-73	
PROD. <i>W. J. [signature]</i>	DATE 7-25-73	
FIRST USED ON RKIID		
SCALE 1/1	SIZE CODE A WT	NUMBER 7009142-0
SHEET 1 OF 1	DIST.	REV. H

