

RK11-D 109008
disk drive controller
engineering drawings

CUSTOMER PRINT SET INDEX

THIS IS PRINT SET

MODULE UTILIZATION

SEQUENCE	SEQUENCE
PARTS LIST	L-MU-RK11-D-1
STATUS CONTROL	A-PL-RK11-D-1
DISK CONTROL	D-CS-M7254-0-1
DATA PATHS	D-CS-M7255-0-1
BUS CONTROL	D-CS-M7256-0-1
BACK PANEL INTERCONNECTION	D-CS-M7257-0-1
RK11-D FUNCTION FLOWS	D-IC-RK11-D-3
ETCH BACK PANEL	D-FD-RK11-D-9
UNIT ASSEMBLY	D-CS-5410185-0-1
WIRED ASSEMBLY	D-UA-RK11-0-0
BUS TERMINATOR	C-IA-7009142-0-0
OPTION HARNESS	A-PL-M930-0-0
RK05 OPTION CONFIGURATION	D-IA-7009559-0-0 (SEE NOTE)
MAINTENANCE MODULE	D-OC-RK05-0-15
ACCESSORY LIST	A-SS-5509081-0-11
SOFTWARE LIST	A-AL-RK11-D-6
ETCH/WIRE LIST	A-SL-RK11-D-7
	K-WL-RK11-D-2

UNIT VARIATIONS

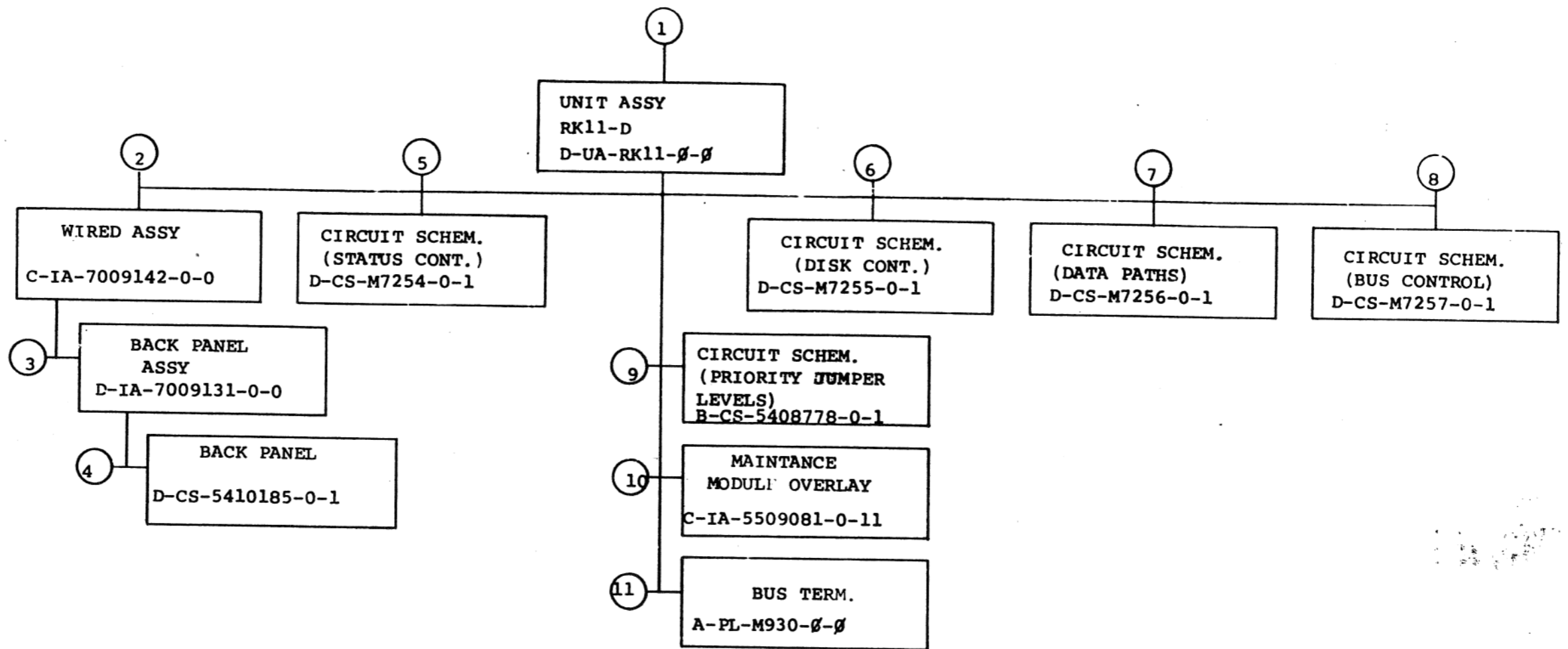
VAR	TITLE	PRINT SET		
		1	2	3
RK11-D	DISK CONTROL	X		
RK11-E	DISK CONTROL	X		
RK11-DE	RK11-D, RK05-DE (TALL CAB, 861, 115V, 60HZ)	X		
RK11-DF	RK11-D, RK05-DF (TALL CAB, 861, 230V, 60HZ)	X		
RK11-DH	RK11-D, RK05-DH (TALL CAB, 861, 115V, 50 HZ)	X		
RK11-DJ	RK11-D, RK05-DJ (TALL CAB, 861, 230V, 50 HZ)	X		

NOTE: USE RK11-D OPTION HARNESS 7009559 IN 11/40 SYSTEMS WITH S/N GREATER THAN 6000 AND 11/45 SYSTEMS WITH S/N GREATER THAN 2000 OLDER MACHINES REQUIRE RK11-D POWER HARNESS 7008992.

PDP11/15 AND PDP11/20 SYSTEM AND BALL-ES BOXES USE NO POWER HARNESS OTHER THAN THAT SUPPLIED INTERNAL TO THE BOX. BALL-D BOXES REQUIRE RK11-D POWER HARNESS 7008992.

REVISIONS	DATE	CHG. NO	REV
	3-74	PX10-14	K
	4-74	RK11D-15	L
	5-74	RK11D-16	M

USED ON OPTION/MODEL	DRN. E. WILSON	DATE 12-72	TITLE			
	CHK'D.	DATE	DISK CONTROL			
	GILBERT	12-72				
	PROJ ENG.	DATE				
	T. ORR	12-72				
	PROD.	DATE				
	R. DOOLEY	12-72	SIZE CODE	NUMBER	REV	
	FIELD SERV.	DATE	B DD	RK11-D	M	
SHEET 1 OF 4		R. FULTON	12-72	DIST		



TITLE	DISK CONTROL	SHEET 2 OF 4	SIZE CODE	NUMBER	REV
		B DD		RK11-D	M

ELECTRICAL						ELECTRICAL									
CUSTOMER PRINT SET	MFG. SET	FIND NO.	DRAWING NO.	REV	NO OF SHT	DESCRIPTION	OPTION NO / FILE DATE	CUSTOMER PRINT SET	MFG. SET	FIND NO.	DRAWING NO.	REV	NO OF SHT	DESCRIPTION	OPTION NO / FILE DATE
X		1	D-UA-RK11-0-0	B	1	UNIT ASSY (RK11-D)		X		8	D-CS-M7257-0-1	#	6	CIRCUIT SCHEMATIC (BUS CONT.)	
X			D-MU-RK11-D-1	*	1	MODULE UTILIZATION (RK11-D)					K-CO-M7257-0-4		1	X-Y COORDINATE HOLE LOCATION	
X			A-PL-RK11-D-1	*	1	MODULE UTILIZATION (RK11-D) PL					D-AH-M7257-0-5		1	ASSY DRILLING HOLE LOCATION	
			D-IA-7008992-0-0		1	POWER HARNESS (REF)					B-MH-M7257-0-6		1	MODULE ECO HISTORY	
X			D-IC-RK11-D-3	C	4	BACK PANEL INTERCONNECTION									
X			D-IA-7009559-0-0	#	1	OPTION HARNESS									
X		2	C-IA-7009142-0-0	B	1	WIRED ASSY (RK11-D)				9	B-CS-5408778-0-1		1	CIRCUIT SCHEMATIC (PRIORITY JUMPER LEVELS)	
											C-IA-5408778-0-0		1	PRIORITY JUMPER LEVEL #5	
											D-IA-5008777-0-0		1	ETCH BOARD	
		3	D-IA-7009131-0-0		1	BACK PANEL		X		10	A-SS-5509081-0-11	#		MAINTENANCE MODULE OVERLAY (RK11-D)	
											C-IA-5509081-0-0			MAINTENANCE MODULE OVERLAY	
X		4	D-CS-5410185-0-1	#	1	CIRCUIT SCHEMATIC (BACKPANEL)		X			D-OC-RK05-0-15	#		RK05 OPTION CONFIGURATION (REF)	
			K-CO-5410185-0-4		1	X-Y COORDINATE HOLE LOCATION									
			E-AH-5410185-0-5		1	ASSY DRILLING HOLE LOCATION									
			B-MH-5410185-0-6		1	MODULE ECO HISTORY									
C			K-WI-RK11-D-2	F	1	ETCH/WIRE LIST (RK11-D)		X		11	A-PL-M930-0-0	#		BUS TERMINATOR	
X		5	D-CS-M7254-0-1	#	6	CIRCUIT SCHEMATIC (STATUS CONT)				12	A-SP-RK11-D-4	A	10	RK11-D ENGINEERING SPEC	
			K-CO-M7254-0-4		1	X-Y COORDINATE HOLE LOCATION					A-SP-RK11-D-5		4	RK11-D CHECK OUT PROCEDURE	
			D-AH-M7254-0-5		1	ASSY DRILLING HOLE LOCATION		X			A-AL-RK11-D-6	*	1	RK11-D ACCESSORY LIST	
			B-MH-M7254-0-6		1	MODULE ECO HISTORY		X			A-SL-RK11-D-7	*	1	RK11-D SOFTWARE LIST	
								X			A-SP-RK11-D-8		4	RK11-D ACCEPTANCE PROCEDURE	
X		6	D-CS-M7255-0-1	#	7	CIRCUIT SCHEMATIC (DISK CONT.)					D-FD-RK11-D-9	*	5	RK11-D,E FUNCTION FLOWS	
			K-CO-M7255-0-4		1	X-Y COORDINATE HOLE LOCATION					B-DD-RK11-TA			RK11-D,E TESTER	
			D-AH-M7255-0-5		1	ASSY DRILLING HOLE LOCATION									
			B-MH-M7255-0-6		1	MODULE ECO HISTORY									
X		7	D-CS-M7256-0-1	#	7	CIRCUIT SCHEMATIC (DATA PATHS)									
			K-CO-M7256-0-4		1	X-Y COORDINATE HOLE LOCATION									
			D-AH-M7256-0-5		1	ASSY DRILLING HOLE LOCATION									
			B-MH-M7256-0-6		1	MODULE ECO HISTORY									

CUSTOMER PRINT SET CODES
X = PRINT OF DOCUMENT INCLUDED IN PRINT SET
C = INCLUDES ALL PRINTS INDICATED ON DOCUMENT
S = CONFIDENTIAL AUTHORIZED SIGNATURE REQUIRED

= PRINT OF DOCUMENT IS LATEST REVISION LEVEL

TITLE
DISK CONTROL

SIZE CODE
B DD

NUMBER
RK11-D

REV
10

CUSTOMER PRINT SET		MECHANICAL					CUSTOMER PRINT SET						
MFG. SET	FIND NO.	DRAWING NO.	REV	NO OF SHT	DESCRIPTION	OPTION NO / FILE DATE	MFG. SET	FIND NO.	DRAWING NO.	REV	NO OF SHT	DESCRIPTION	OPTION NO / FILE DATE
1							1						
	1	D-UA-RK11-0-0	B	1	UNIT ASSY (RK11-D)			8	D-CS-M7257-0-1	#	5	CIRCUIT SCHEMATIC (BUK CONTROL)	
									K-CO-M7257-0-4		1	X-Y COORDINATE HOLE LOCATION	
									D-AH-M7257-0-5		1	ASSY DRILLING HOLE LOCATION	
									B-MH-M7257-0-6		1	MODULE ECO HISTORY	
	2	C-1A-7009142-0-0	B	1	WIRED ASSY (RK11-D)								
	3	D-1A-7009131-0-0	#	1	BACKPANEL								
		E-SC-1209583-0-1		1	CASTING, THREE BLOCK								
		A-SS-7407846-0-0		1	DECAL LOGIC SERIAL NUMBER								
	4	D-CS-5410185-0-1	#	1	CIRCUIT SCHEMATIC (BACKPANEL)								
		K-CO-5410185-0-4		1	X-Y COORDINATE HOLE LOCATION								
		E-AH-5410185-0-5		1	ASSY DRILLING HOLE LOCATION								
		B-MH-5410185-0-6		1	MODULE ECO HISTORY								
	5	D-CS-M7254-0-1	#	5	CIRCUIT SCHEMATIC (STATUS CONT.)								
		K-CO-M7254-0-4		1	X-Y COORDINATE HOLE LOCATION								
		D-AH-M7254-0-5		1	ASSY DRILLING HOLE LOCATION								
		B-MH-M7254-0-6		1	MODULE ECO HISTORY								
	6	D-CS-M7255-0-1	#	6	CIRCUIT SCHEMATIC (DISK CONT.)								
		K-CO-M7255-0-4		1	X-Y COORDINATE HOLE LOCATION								
		D-AH-M7255-0-5		1	ASSY DRILLING HOLE LOCATION								
		B-MH-M7255-0-6		1	MODULE ECO HISTORY								
	7	D-CS-M7256-0-1	#	6	CIRCUIT SCHEMATIC (DATA PATHS)								
		K-CO-M7256-0-4		1	X-Y COORDINATE HOLE LOCATION								
		D-AH-M7256-0-5		1	ASSY DRILLING HOLE LOCATION								
		B-MH-M7256-0-6		1	MODULE ECO HISTORY								

CUSTOMER PRINT SET CODES
X = PRINT OF DOCUMENT INCLUDED IN PRINT SET
C = INCLUDES ALL PRINTS INDICATED ON DOCUMENT
S = CONFIDENTIAL AUTHORIZED SIGNATURE REQUIRED

- PRINT OF DOCUMENT IS LATEST REVISION LEVEL

TITLE DISK CONTROL

SHEET 4 OF 4

SIZE CODE B DD

NUMBER RK11-D

REV M

This drawing and specifications, herein, are the property of Digital Equipment Corporation and shall not be reproduced or copied or used in whole or in part as the basis for the manufacture or sale of items without written permission.

DMURKII-D-1
REV. J

NOTE:
FOR PROPER OPERATION OF RKII-D, E THE RK05 DRIVE MUST HAVE AN M770^B REV. J OR LATER, AND HAVE A BACK PANEL OF REV. A OR LATER. FOR RKII-E THE RK05 MUST ALSO HAVE A G18^B REV. K OR LATER.

4	UNIBUS OUT M93 ^B TERMINATOR OR M92 ^B INTERNAL CONNECTOR OR BC11-A CABLE	M7257	M7257	STATUS CONTROL	BUS CONTROL
3	POWER CONN. W13 ^B K M11A MAINTENANCE BOARD (OPTIONAL)	M7256	M7256	DATA PATHS	
2	DISK CABLE BC11-A	M7255	M7255	DISK CONTROL	
1	UNIBUS IN M92 ^B INTERNAL CONNECTOR OR BC11-A CABLE	M7254	M7254	STATUS CONTROL	

FIRST USED ON OPTION/MODEL
RKII-D

DO NOT SCALE DRAWING
UNLESS OTHERWISE SPECIFIED
DIMENSIONS IN INCHES
TOLERANCES
DECIMAL FRACTIONS ANGLES
±.000 ±.005 ±.010
FINAL SURFACE QUALITY
REMOVE BURRS AND BREAK SHARP EDGES

DATE 11/15/72
DATE 11/15/72
DATE 11/15/72
DATE 11/15/72

PARTS LIST	
digital EQUIPMENT CORPORATION MAYFIELD, MASSACHUSETTS	TITLE MODULE UTILIZATION
SCALE NONE	REV. J
SHEET 1 OF 1	DMURKII-D-1

REV. J
DATE 11/15/72
DWG NO. 100

DIGITAL EQUIPMENT CORPORATION
MAYNARD, MASSACHUSETTS

PARTS LIST

QUANTITY/VARIATION

MADE BY LEWIS 9-26-72
DATE
ENG J. D. Miller
DATE 12/17/72

CHECKED [Signature] 12/17/72
DATE
PROD R. Doolan
DATE 12/17/72

SECTION
ISSUED SECT.

ITEM NO.	DWG NO. / PART NO.	DESCRIPTION
1	M7254	STATUS CONTROL
2	M7255	DISK CONTROL
3	M7256	DATA PATHS
4	M7257	BUS CONTROL

TITLE MODULE UTILIZATION (RK11-D)

ASSY NO. D-MU-RK11-D-1
SHEET 1 OF 1

SIZE CODE A PL
DIST.

NUMBER RK11-D-1

REV. ECO NO.

PAGE REVISION CONTROL SHEET

PAGE REVISIONS

REMARKS

SH NO.	DESCRIPTION	DATE	ENG.	ETCH REV. NO.	REVISIONS	DATE	ENG.	ETCH REV. NO.	REVISIONS	DATE	ENG.	ETCH REV. NO.	REVISIONS
1	C												
2	B	12-1-72	C	0001	12-1-72								
3	B	2-16-73	C	0002	2-16-73								
4	B	6-5-73	E	0003	6-5-73								
5	B	10-10-73	C	0004	10-10-73								
6	B	10-10-73	E	0004	10-10-73								
7	B	5-30-74	C	0005	5-30-74								
8	B	5-30-74	E	0005	5-30-74								
9	B	7-18-74	E	0006	7-18-74								

(ST 1)
(ST 2)
(ST 3)
(ST 4)

ETCH REV. "D" NOT TO BE USED.

FIRST USED ON OPTION/MODEL

RK11-D

digital EQUIPMENT CORPORATION
MAYNARD MASSACHUSETTS

TITLE
STATUS CONTROL

(RK11-D)

SIZE CODE NUMBER REV.
B CS M7254-4-1 J

NEXT HIGHER ASSY.
B-00-RK11-D

SCALE
SHEET 1 OF 6

THIS DRAWING AND SPECIFICATIONS, HEREIN, ARE THE PROPERTY OF DIGITAL EQUIPMENT CORPORATION AND SHALL NOT BE REPRODUCED OR COPIED OR USED IN WHOLE OR IN PART AS THE BASIS FOR THE MANUFACTURE OR SALE OF ITEMS WITHOUT WRITTEN PERMISSION.
 COPYRIGHT © DIGITAL EQUIPMENT CORPORATION

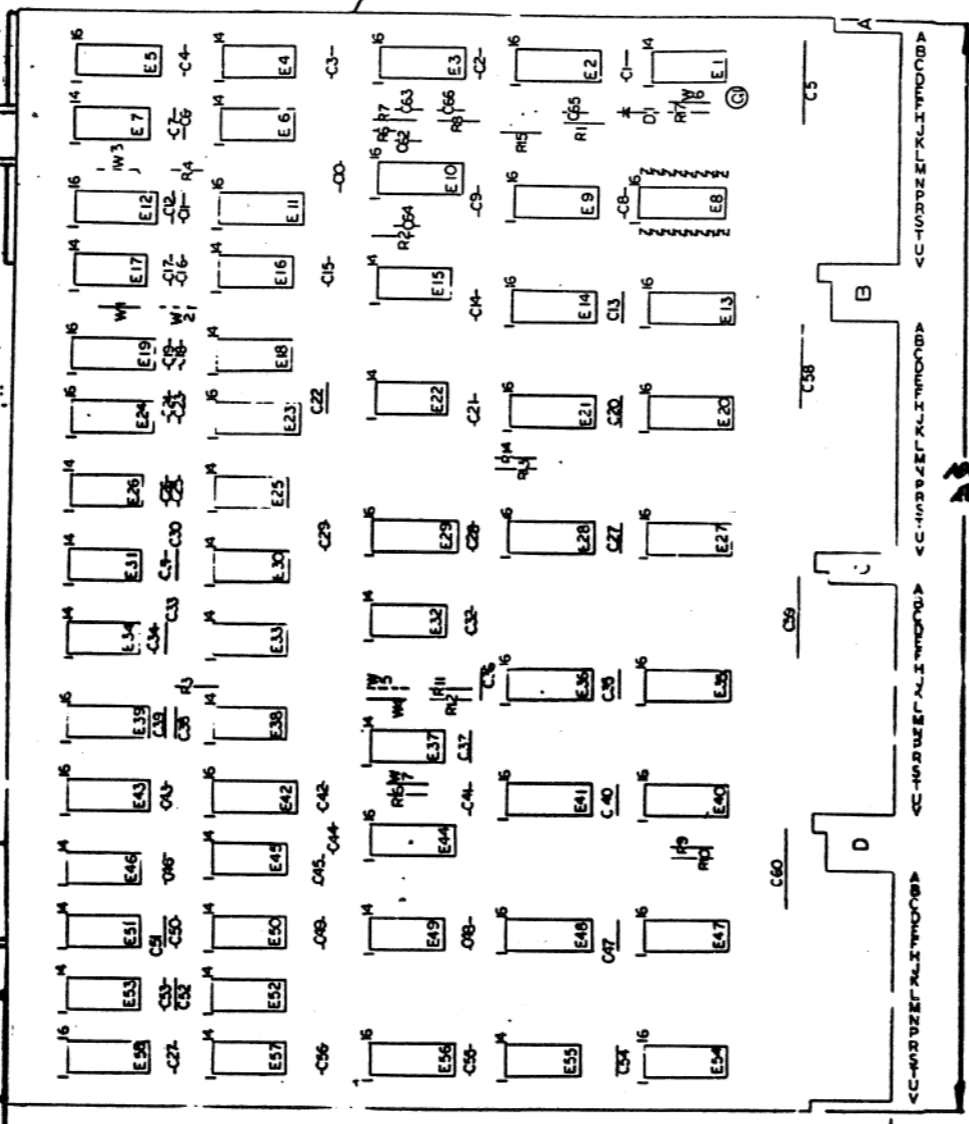
This drawing and specifications, herein, are the property of Digital Equipment Corporation and shall not be reproduced or copied in whole or in part in any form without the prior written permission of Digital Equipment Corporation. COPYRIGHT © 1973 DIGITAL EQUIPMENT CORPORATION

NOTES:

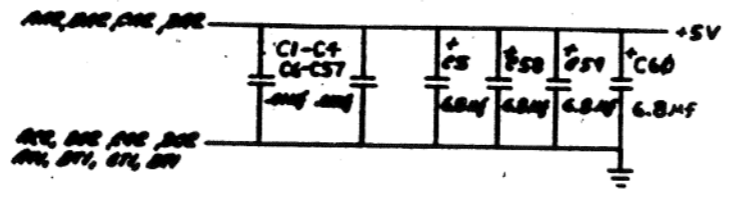
Y P N 1909486 OR 5364 P/N 1910374 MAY BE SUBSTITUTED FOR 7364 IN E26. E1 MUST BE A 7364

**PIN NOMENCLATURE
MODULE RKII-D**

QTY	REF DESIGNATION	DESCRIPTION	PART NO.	ITEM NO.
1	Q1	TRANSISTOR DEC 6534B	1503409-01	50
1	E8	IC SOCKET	1209838	49
4	W1,W4,W6,W7	INSULATED WIRE L-2007-1	9009185	48
1	E39	I.C. DEC 7425	1909050	47
2	E23,E41	I.C. DEC 7425	1910651	46
1	E55	I.C. DEC 8815	1909713	45
1	E4	I.C. DEC 74135	1909063	44
2	E17,E52	I.C. DEC 74129	1909062	43
1	E38	I.C. DEC 7408	1910155	42
1	E45	I.C. DEC 74111	1909267	41
5	E21,E27,E28,E29,E40	I.C. DEC 74138	1910018	40
4	E12,E19,E24,E56	I.C. DEC 74161	1910630	39
1	E57	I.C. DEC 74174	1909667	38
3	E6,E7,E37	I.C. DEC 7474	1905547	37
1	E53	I.C. DEC 74152	1909061	36
2	E15,E22	I.C. DEC 7457	1910091	35
2	E1,E26	I.C. DEC 7384	1910393	34
1	E30	I.C. DEC 8881	1909705	33
3	E2,E3,E10	I.C. DEC 74129	1910486	32
3	E9,E42,E44	I.C. DEC 7415	1910087	31
3	E31,E32	I.C. DEC 7400	1905577	30
1	E16	I.C. DEC 7410	1905576	29
3	E18,E34,E49	I.C. DEC 7400	1905525	28
2	E46,E50	I.C. DEC 7402	1909004	27
3	E25,E27,E28	I.C. DEC 74153	1909337	26
1	E11	I.C. DEC 7456	1910563	25
1	E25	I.C. DEC 7407	1910878	24
2	E51,E53	I.C. DEC 7404	1905686	23
1	E43	I.C. DEC 7402	1910046	22
3	R4,R5,R6	RES. 750 Ω 1/4 W 5%	1901401	21
3	R7,R8,R9	RES. 330 Ω 1/4 W 5%	190295	20
3	R10,R15,R16	RES. 1K Ω 1/4 W 5%	1902965	19
1	R1	RES. 47K Ω 1/4 W 5%	1902177	18
1	R2	RES. 2K Ω 1/4 W 5%	1902982	17
4	R3,R4,R7,R8	RES. 10K Ω 1/4 W 5%	1902179	16
1	R17	RES. 470 Ω 1/4 W 5%	1900316	15
1	D1	DIODE IN748A 3.9V	1100122	14
2	C62,C63	CAP. 0.1 μF 100V 5% D.M.	1000001	13
1	C65	CAP. 20 μF 100V 5% D.M.	1001001	12
1	C64	CAP. 50 μF 100V 5% D.M.	1000012	11
1	C66	CAP. 100 μF 100V 5% D.M.	1000018	10
36	C1-C4,C6-C57	CAP. 0.1 μF 100V 5% AXIAL	1007610	9
4	C5,C58,C59,C60	CAP. 0.01 μF 25V, 10% TANT	1005906	8
1		SOCKET (5-9-7) STANDARD	300628	6
1		MODULE (PWR-GRD) INTEGRATED	9008997-05	5
1		STRIPBOARD CARRIER BOARD	5003385	4
1		MODULE AND MOUNT	900110000-6	3
1		ASSSEMBLY AND FRONT	900110000-5	2
1		KEY CHASSIS "HOLD LOCATION"	1-15-100000-1	1



I.C. TYPE	QTY	LOC.
I.C. DEC 4175	8	16
I.C. DEC 74161	8	16
I.C. DEC 7384	1	8
I.C. DEC 4015	8	16
I.C. DEC 7496	12	5
I.C. DEC 74138	5	16
I.C. DEC 74135	5	16
I.C. DEC 7415	12	5
I.C. DEC 7425	3	16
I.C. DEC 7402	3	16



REVISION HISTORY

REV.	DESCRIPTION
REV - D	

ETCH BOARD REV E

DATE 4-5-73

STATUS CONTROL
RKII-D

DEC 6534B NONE
IN748A IN748A

SEMICONDUCTOR CONVERSION CHART

DEC NO. EIA NO. DEC NO. EIA NO.

SCALE 1:1

DATE 4-5-73

BY [Signature]

REVIEWED BY [Signature]

APPROVED BY [Signature]

DATE 4-5-73

BY [Signature]

REVIEWED BY [Signature]

APPROVED BY [Signature]

DATE 4-5-73

BY [Signature]

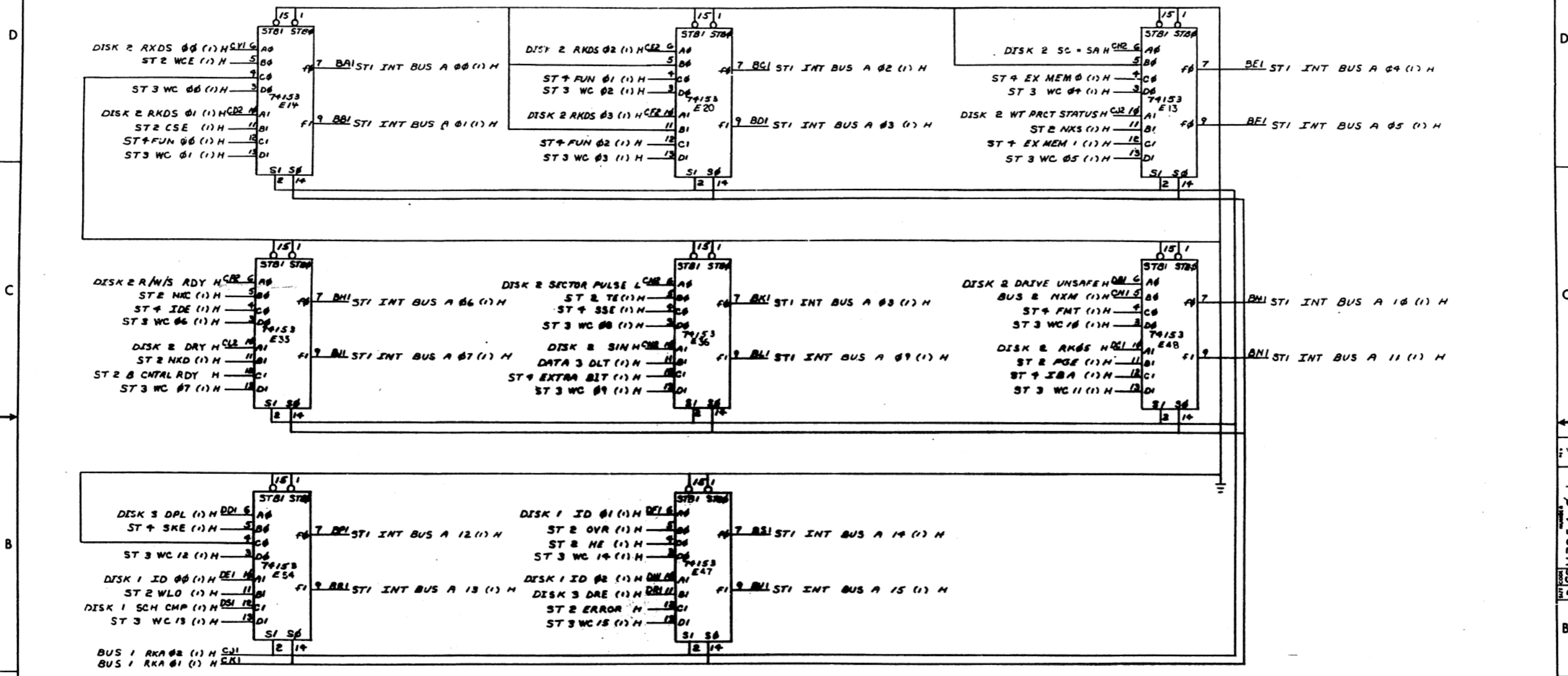
REVIEWED BY [Signature]

APPROVED BY [Signature]

DEC FORM NO. 000-1264

This drawing and specifications herein are the property of Digital Equipment Corporation and shall not be reproduced or copied in whole or in part as the basis for the manufacture or sale of items without written permission. COPYRIGHT © 1973 DIGITAL EQUIPMENT CORPORATION

1-0-7522 WSC 2



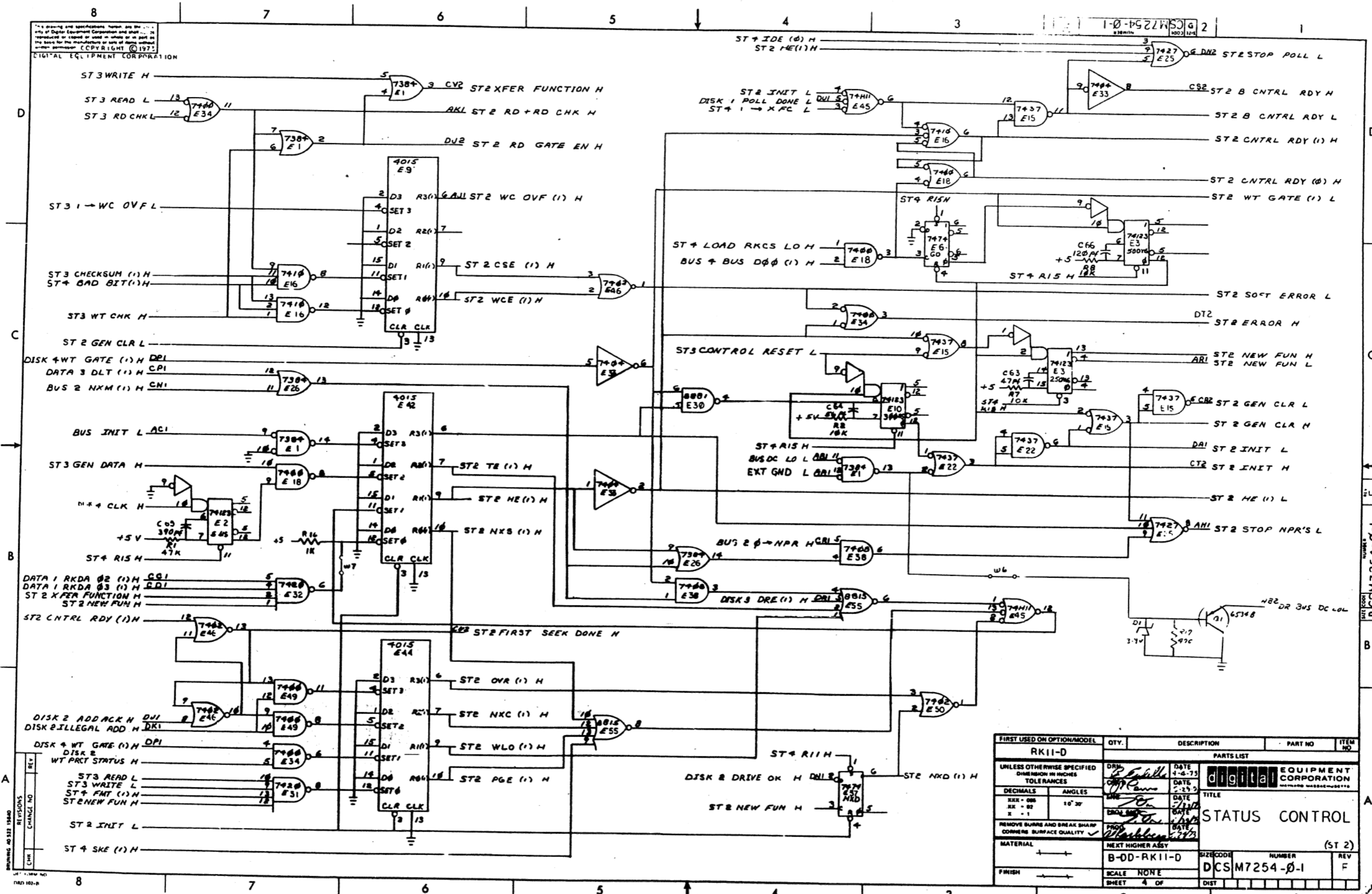
- NOTES:
1. CUT W3 FOR 16 BIT OPERATION (RKII-D)
 2. CUT W1 FOR 18 BIT OPERATION (RKII-B)
CUT W2 FOR 16 BIT OPERATION (RKH-D)
 3. CUT W5 FOR NORMAL OPERATION (CHECKS HEADER 16 TIMES BEFORE FLAGGING SEEK ERROR)
CUT W4 FOR RKII-C COMPATIBILITY (CHECKS HEADER ONCE)

FIRST USED ON OPTION/MODEL	QTY.	DESCRIPTION	PART NO.	ITEM NO.
RKII-D		PARTS LIST		
UNLESS OTHERWISE SPECIFIED DIMENSION IN INCHES TOLERANCES	DATE 4-4-75	EQUIPMENT CORPORATION		
DECIMALS ANGLES	DATE 5-27-75	STATUS CONTROL		
1/16" - .001	DATE 7-17-75	(ST 1)		
REMOVE BURRS AND BREAK SHARP CORNERS SURFACE QUALITY	DATE 8-14-75	B-DD-RKII-D		
MATERIAL	NEXT HIGHER ASSY.	DRAWING NO.	NUMBER	REV.
		DCS M7254-0-1		C
FINISH	SCALE NONE	SHEET 3 OF	DIST.	

REVISIONS
REV. NO.
CHANGE NO.

D E S I G N N U M B E R
D C S M 7 2 5 4 - 0 - 1

1-0-65227W50 2
 1-0-65227W50 2
 1-0-65227W50 2

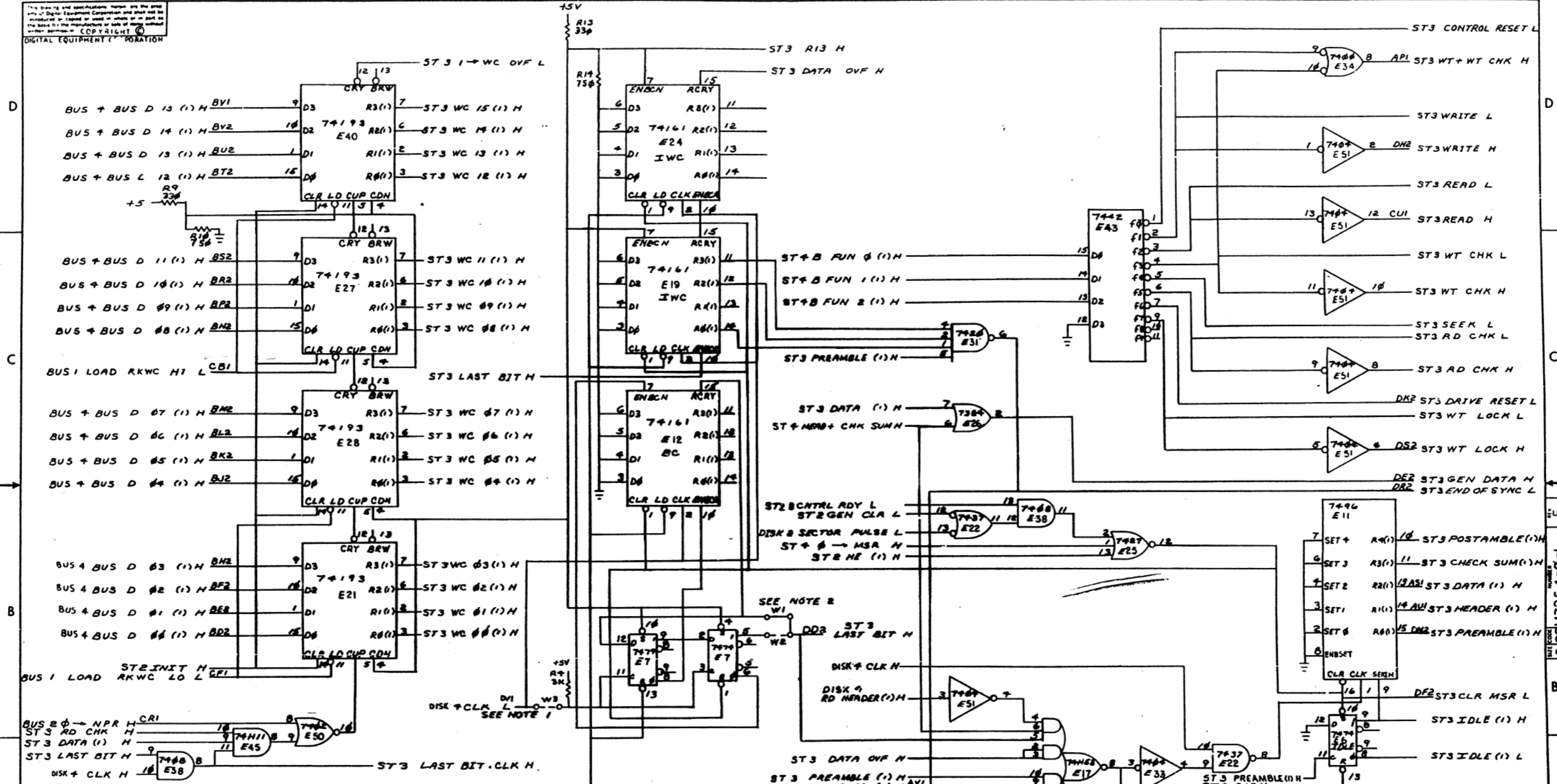


FIRST USED ON OPTION/MODEL	QTY.	DESCRIPTION	PART NO.	ITEM NO.
RK11-D				
UNLESS OTHERWISE SPECIFIED DIMENSION IN INCHES TOLERANCES				
DECIMALS	ANGLES	PARTS LIST		
±.005	±.005	digital EQUIPMENT CORPORATION		
±.010	±.010	TITLE		
±.015	±.015	STATUS CONTROL (ST 2)		
±.020	±.020	MATERIAL		
±.030	±.030	NEXT HIGHER ASSY		
±.040	±.040	B-0D-RK11-D		
±.050	±.050	SCALE NONE		
±.060	±.060	FINISH		
±.070	±.070	SHEET 4 OF		
±.080	±.080	DIST		
±.090	±.090	NUMBER		
±.100	±.100	DCS M7254-0-1		
±.110	±.110	REV		
±.120	±.120	F		

REVISIONS
 CHANGE NO.
 1
 2
 3
 4
 5
 6
 7
 8

DCS M7254-0-1
 1-0-65227W50 2

This drawing and specifications herein are the property of Digital Equipment Corporation and shall not be reproduced or used in whole or in part in any manner without the prior written consent of Digital Equipment Corporation.



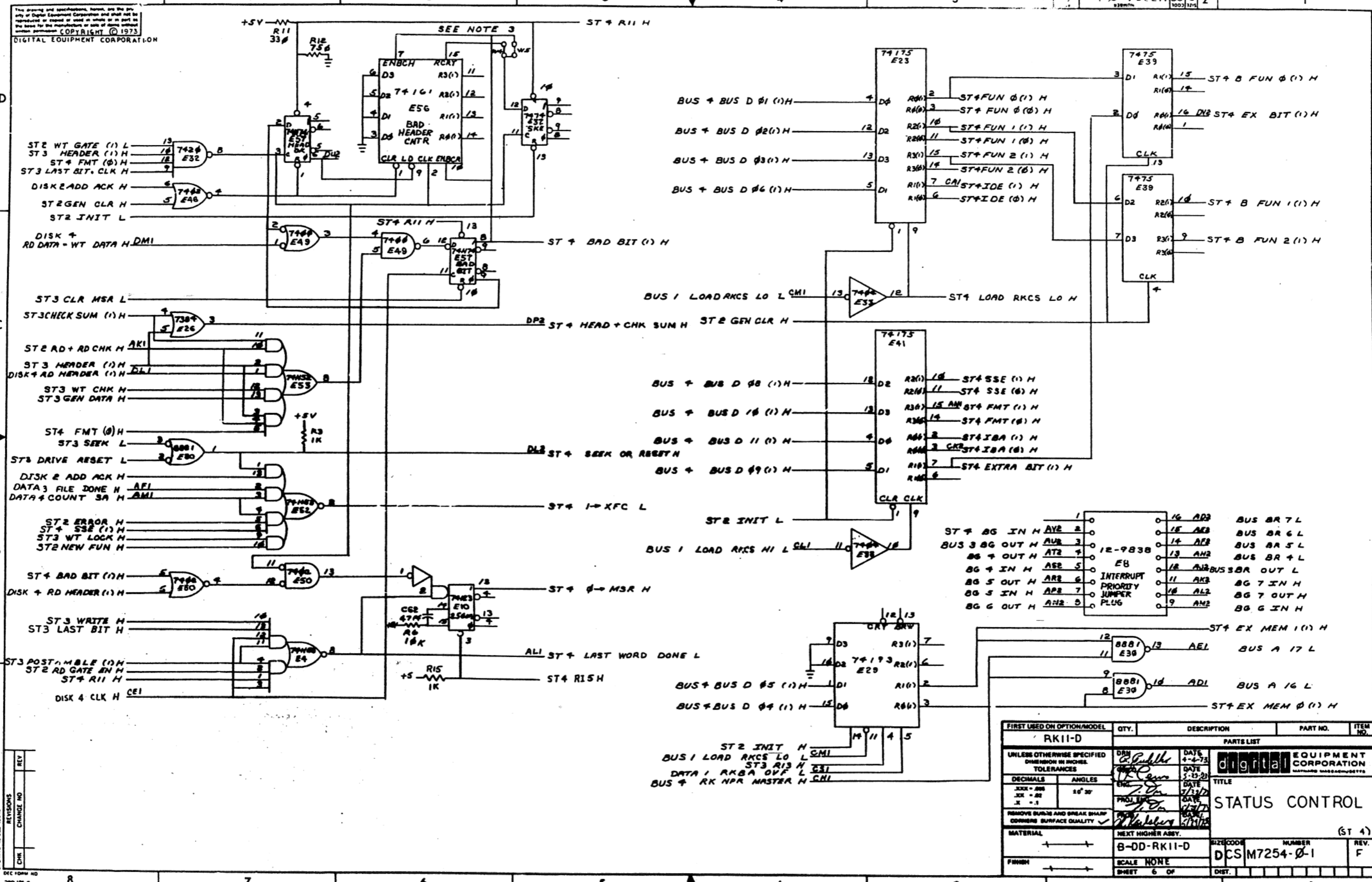
FIRST USED ON OPTION/MODEL	QTY.	DESCRIPTION	PART NO.	ITEM NO.
RK11-D				
UNLESS OTHERWISE SPECIFIED DIMENSIONS IN INCHES				
TOLERANCES				
DECIMALS	ANGLES			
SIZE - .005	1/4°			
SIZE - .010	1/8°			
SIZE - .015	1/2°			
REMOVE BURRS AND BREAK SHARP CORNERS SURFACE QUALITY				
MATERIAL	NEXT HIGHER ASSY.	SIZE CODE	NUMBER	REV.
	B-DD-RK11-D	DCSM7254-0-1		F
FINISH	SCALE NONE	SHEET 3 OF	DIST.	

STATUS CONTROL

(ST 3)

REVISIONS
NO. DATE BY
1 11/11/73 E45
2 11/11/73 E45
3 11/11/73 E45
4 11/11/73 E45
5 11/11/73 E45
6 11/11/73 E45
7 11/11/73 E45
8 11/11/73 E45
9 11/11/73 E45
10 11/11/73 E45
11 11/11/73 E45
12 11/11/73 E45
13 11/11/73 E45
14 11/11/73 E45
15 11/11/73 E45
16 11/11/73 E45
17 11/11/73 E45
18 11/11/73 E45
19 11/11/73 E45
20 11/11/73 E45

DCSM7254-0-1



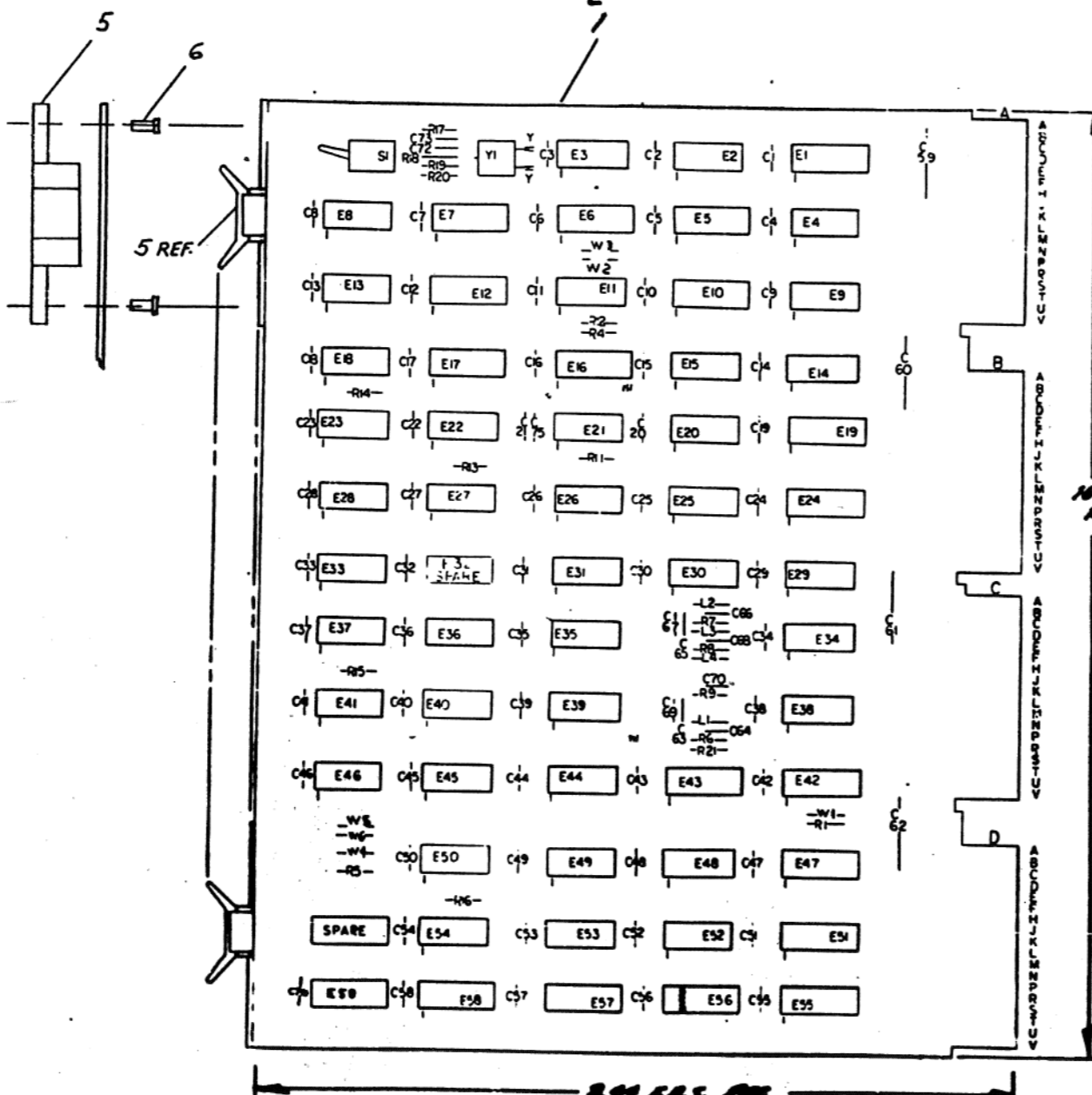
FIRST USED ON OPTION/MODEL	QTY.	DESCRIPTION	PART NO.	ITEM NO.
RK11-D				
UNLESS OTHERWISE SPECIFIED DIMENSIONS IN INCHES TOLERANCES				
DECIMALS	ANGLES	PARTS LIST		
±.005	±.005	digital EQUIPMENT CORPORATION		
±.010	±.010	MATTING: UNLESS OTHERWISE SPECIFIED		
±.020	±.020	TITLE		
±.040	±.040	STATUS CONTROL (ST 4)		
±.080	±.080	MATERIAL		
±.160	±.160	NEXT HIGHER ASSY.		
±.320	±.320	B-DD-RK11-D		
±.640	±.640	SCALE NONE		
±1.280	±1.280	FINISH		
		SHEET 6 OF		
		DST.		
		NUMBER		
		DCS M7254-0-1		
		REV. F		

REVISIONS

NO.	DATE	DESCRIPTION
1		
2		
3		
4		
5		
6		
7		
8		

This drawing and specifications become the property of Digital Equipment Corporation and shall not be reproduced or copied or used in whole or in part in any manner without the written permission of Digital Equipment Corporation. COPYRIGHT ©

NOTES:
 1.) IF 8640'S (ITEM#33) ARE NOT AVAILABLE, USE 11380'S PART NO. 19-11113

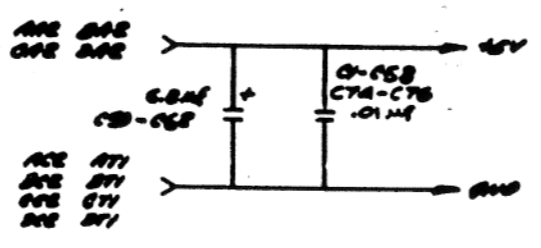


PIN NOMENCLATURE
 MODULE RK11-D

I.C. TYPE	QTY	LOC.
I.C. DEC 8640	1	8
I.C. DEC 7380	1	8
I.C. DEC 74173	8	16
I.C. DEC 74175	8	16
I.C. DEC 74161	8	16
I.C. DEC 74151	8	16
I.C. DEC 74157	8	16
I.C. DEC 7436	5	12
I.C. DEC 314	1	8
I.C. DEC 7482	11	4
I.C. DEC 74174	8	16
I.C. DEC 7476	5	13
I.C. DEC 7492	8	16
I.C. DEC 74123	8	16
I.C. TYPE	GND	+5V

GND AND 5V ARE USUALLY PIN 7 AND 14 RESPECTIVELY. EXCEPTIONS ARE STATED ABOVE.

IC PIN LOCATIONS



QTY	REF DESIGNATION	DESCRIPTION	PART NO.	ITEM NO.
3	W6	INSULATED JUMPER	2007-1 9009185	53
2		SPLIT LUGS	9006735	52
2		SWAGE LUGS	9007791	51
1	51	SWITCH TOGGLE SPDT	1210209	50
4	L1-L4	INDUCTOR 100UH 165MA 10%	1610662	49
1	Y1	CRYSTAL (SEE TABLE 1)		48
10	E11, E16, E22, E27, E41, E48, E49, E52-E59	I.C. DEC 7474	1905547	47
1	E50	I.C. DEC 74804	1909931	46
8	E13, E46	I.C. DEC 7408	1910155	45
1	E39	I.C. DEC 314	1909704	44
1	E53	I.C. DEC 74161	1910650	43
1	E31	I.C. DEC 8815	1903718	42
1	E43	I.C. DEC 7492	1910046	41
1	E7	I.C. DEC 7476	1905585	40
1	E6	I.C. DEC 74174	1910652	39
1	E29	I.C. DEC 7482	1905584	38
1	E18	I.C. DEC 7481	1909058	37
1	E36	I.C. DEC 74180	1909060	36
1	E37	I.C. DEC 7450	1905580	35
1	E34	I.C. DEC 8842	1908718	34
6	E20, E21, E22, E23, E24, E25	I.C. DEC 8440	1911469	33
2	E22, E17	I.C. DEC 74188	1910018	32
2	E22, E27	I.C. DEC 74157	1910685	31
1	E27	I.C. DEC 74151	1905586	30
2	E21, E28	I.C. DEC 74175	1910651	29
1	E3	I.C. DEC 7380	1910390	28
8	E2, E4, E9, E14, E15	I.C. DEC 8881	1909705	27
1	E35	I.C. DEC 7420	1905577	26
3	E23, E33, E45	I.C. DEC 7410	1905576	25
3	E8, E90, E44	I.C. DEC 7400	1905575	24
2	E8, E10	I.C. DEC 7496	1910363	23
2	E26, E33	I.C. DEC 7404	1909886	22
7	R1, R2, R3, R4, R5, R6, R7	RES. 1K 1/4W 5%	1300365	20
1	R8	RES. 5K 1/4W 5%	1300482	19
4	R9-R12	RES. 20K 1/4W 5%	1305874	18
2	R13, R14	RES. 10K 1/4W 5%	1300979	17
2	R11, R12	RES. 390Ω 1/4W 5%	1300309	16
2	R19, R20	RES. 470Ω 1/4W 5%	1300316	15
3	E1, E19, E24	RES. PACK	1311003-01	13
2	C72, C73	CAP. 0.05μF 10V 20%	101765	12
4	C62, C65, C67, C69	CAP. 270pF 10V 5% DM	1000022	11
4	C64, C66, C68, C70	CAP. 39pF 100V 5% DM	1000010	10
60	C1-C60, C75, C76	CAP. 0.1μF 100V 20% AXIAL	1001610	9
4	C57-C62	CAP. 6.8μF 35V 10% TWT	1045806	8
8		PIVOT (GS-F-7) STANDARD	3006732	6
4		HANDLE FLIP-CHIP MOUNTING	300287-06	5
1		ETCHED CIRCUIT BOARD	5005985	4
1		FRONT AND REAR PANEL	5001780-6-6	3
1		ASSEMBLY UNIT BRACKET	5001780-6-5	2
1		X-Y COORDINATE UNIT BRACKET	5001780-6-4	1

PARTS LIST			
ETCH BOARD REV	F	DATE	BY
DISK CONTROL RK11-D			
B-DD-RK11-D		NUMBER	
SEMICONDUCTOR CONVERSION CHART		D/CSI M7255-0-1	
DEC. NO.	EIA NO.	DEC. NO.	EIA NO.

REV. 10-72 1049

19-11113-0

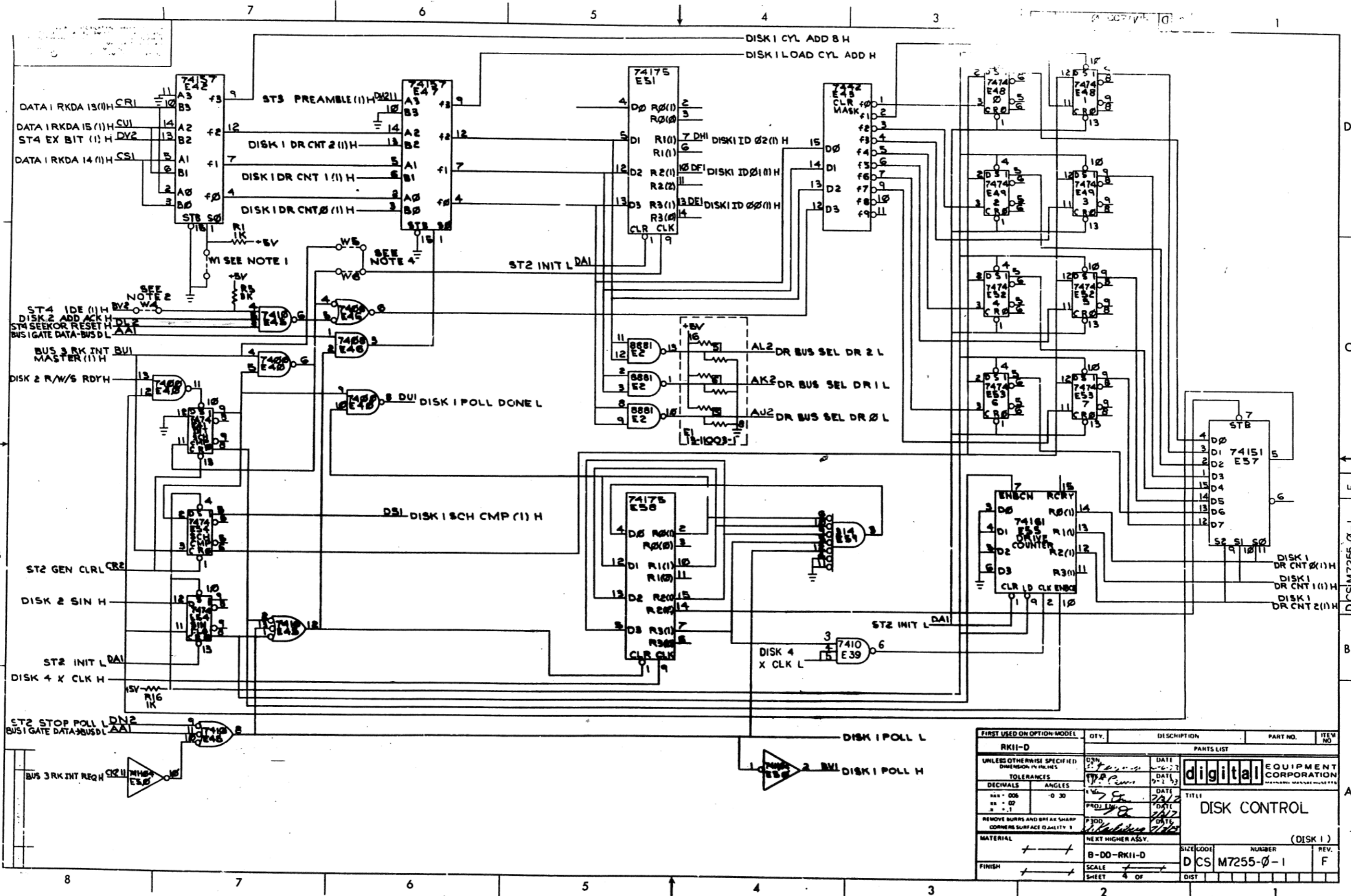
NOTES:

1. INSTALL W1 FOR RK05.
2. CUT W4 FOR RKII-C COMPATIBILITY (NORMAL OPERATION)
3. FOR RKII-D (RK05) CUT JUMPER W3 FOR RKII-E (18 BIT RK05) CUT JUMPER W2.
4. FOR NORMAL OPERATION INSTALL W6 (CHANGES ID BITS ONLY FOR SEARCH COMPLETE INTERRUPT). INSTALL W5 TO CHANGE ID BITS FOR ANY INTERRUPT.
5. INSTALL PROPER CRYSTAL IN SPLIT LUGS AS OUTLINED IN TABLE I.

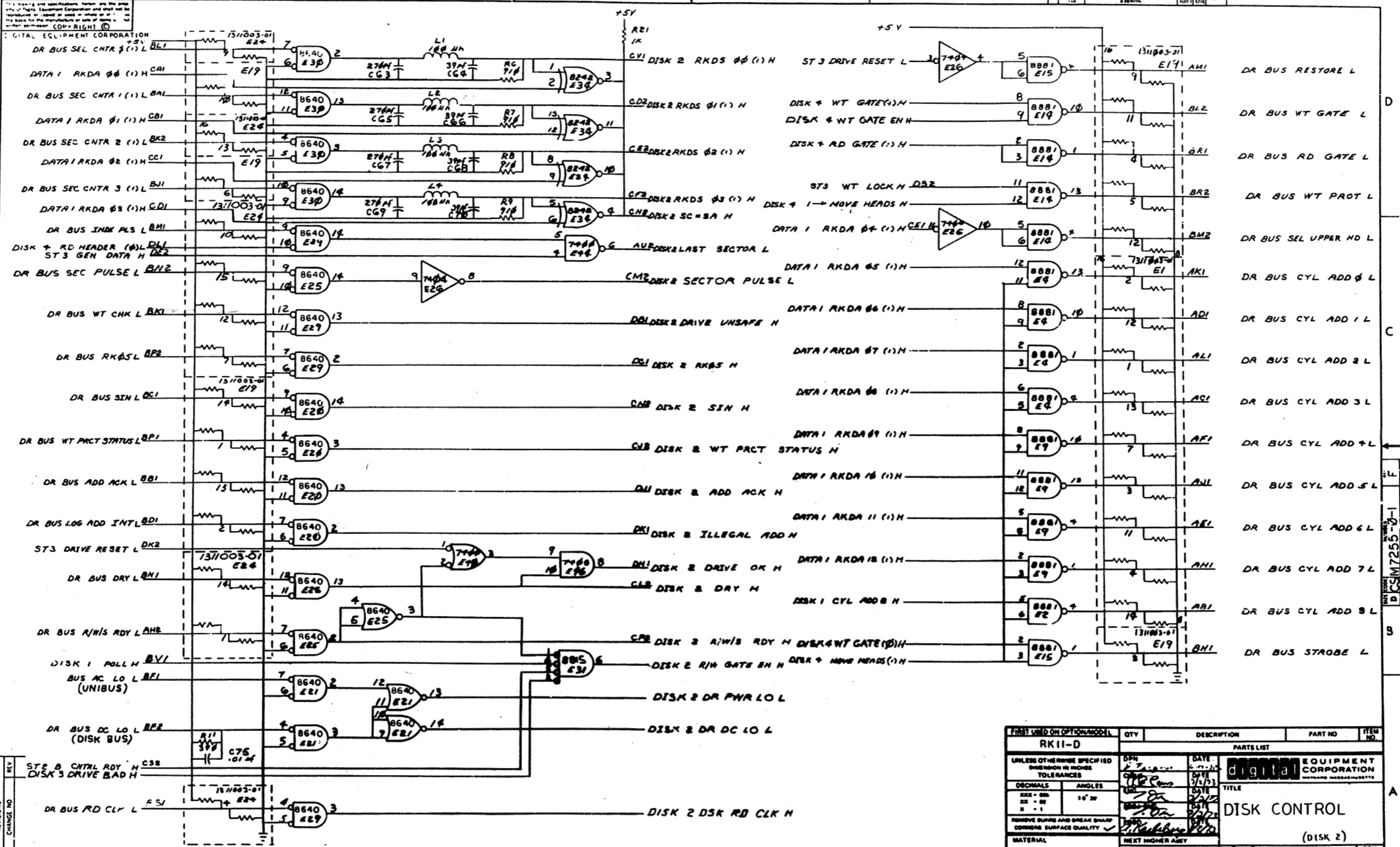
	DISK	BITS/WORD	MHZ	DEC F/N
RKII-D	RK05	16	2.880	18-10694-3
RKII-E	RK05	18	3.090	18-10694-4

FIRST USED ON OPTION/MODEL	QTY	DESCRIPTION	PART NO.	REV NO.
RKII-D				
UNLESS OTHERWISE SPECIFIED DIMENSION IN INCHES		DRN.	DATE	digital EQUIPMENT CORPORATION TITLE: DISK CONTROL RKII-D
TOLERANCES		CHK'D	DATE	
DECIMALS	ANGLES	ENG.	DATE	
.XX = .005	+0 30'	PROL'NG.	DATE	
.XX = .02		PRD.	DATE	
.X = .1				
REMOVE BURRS AND BREAK SHARP CORNERS SURFACE QUALITY 1				
MATERIAL		NEXT HIGHER ASSY		
		B-DC-RKII C	SIZE CODE	NUMBER
FINISH		SCALE NCNE	D CS	M7255-01
		SHEET 3 OF	DIST	

D
C
B



FIRST USED ON OPTION-MODEL	QTY.	DESCRIPTION	PART NO.	ITEM NO.
RKII-D				
UNLESS OTHERWISE SPECIFIED DIMENSIONS IN INCHES				
TOLERANCES				
DECIMALS	ANGLES	DATE		
±.005	±0.30	DATE	2/12/72	
REMOVE BURRS AND BREAK SHARP CORNERS SURFACE QUALITY 3				
NEXT HIGHER ASSY.				
MATERIAL				
FINISH				
PARTS LIST		TITLE		
digital EQUIPMENT CORPORATION		DISK CONTROL		
B-DD-RKII-D		(DISK 1)		
SCALE 4 OF		NUMBER REV.		
SHEET 4 OF		D CS M7255-0-1 F		



DIGITAL EQUIPMENT CORPORATION
 DR BUS SEL CNTR (1) L BL1
 DATA 1 RKDA 00 (1) H CA1
 DR BUS SEC CNTR 1 (1) L BA1
 DATA 1 RKDA 01 (1) H CB1
 DR BUS SEC CNTR 2 (1) L BK2
 DATA 1 RKDA 02 (1) H CC1
 DR BUS SEC CNTR 3 (1) L BJ1
 DATA 1 RKDA 03 (1) H CD1
 DR BUS INDR PLS L BH1
 DISK 4 RD HEADER (0) L DL1
 ST 3 GEN DATA H DE2
 DR BUS SEC PULSE L BH2
 DR BUS WT CHK L BK1
 DR BUS RKAS L BP2
 DR BUS SIN L BC1
 DR BUS WT PRCT STATUS L BP1
 DR BUS ADD ACK L BB1
 DR BUS LOG ADD INTL BD1
 ST 3 DRIVE RESET L DK2
 DR BUS DRY L BN1
 DR BUS R/W/S RDY L AH2
 DISK 1 POLL H BV1
 BUS AC LO L BE1 (UNIBUS)
 DR BUS DC LO L BE2 (DISK BUS)
 ST 2 B CNTRL RDY H CS2
 DISK 3 DRIVE BAD H
 DR BUS RD CLK L ES1

REVISIONS

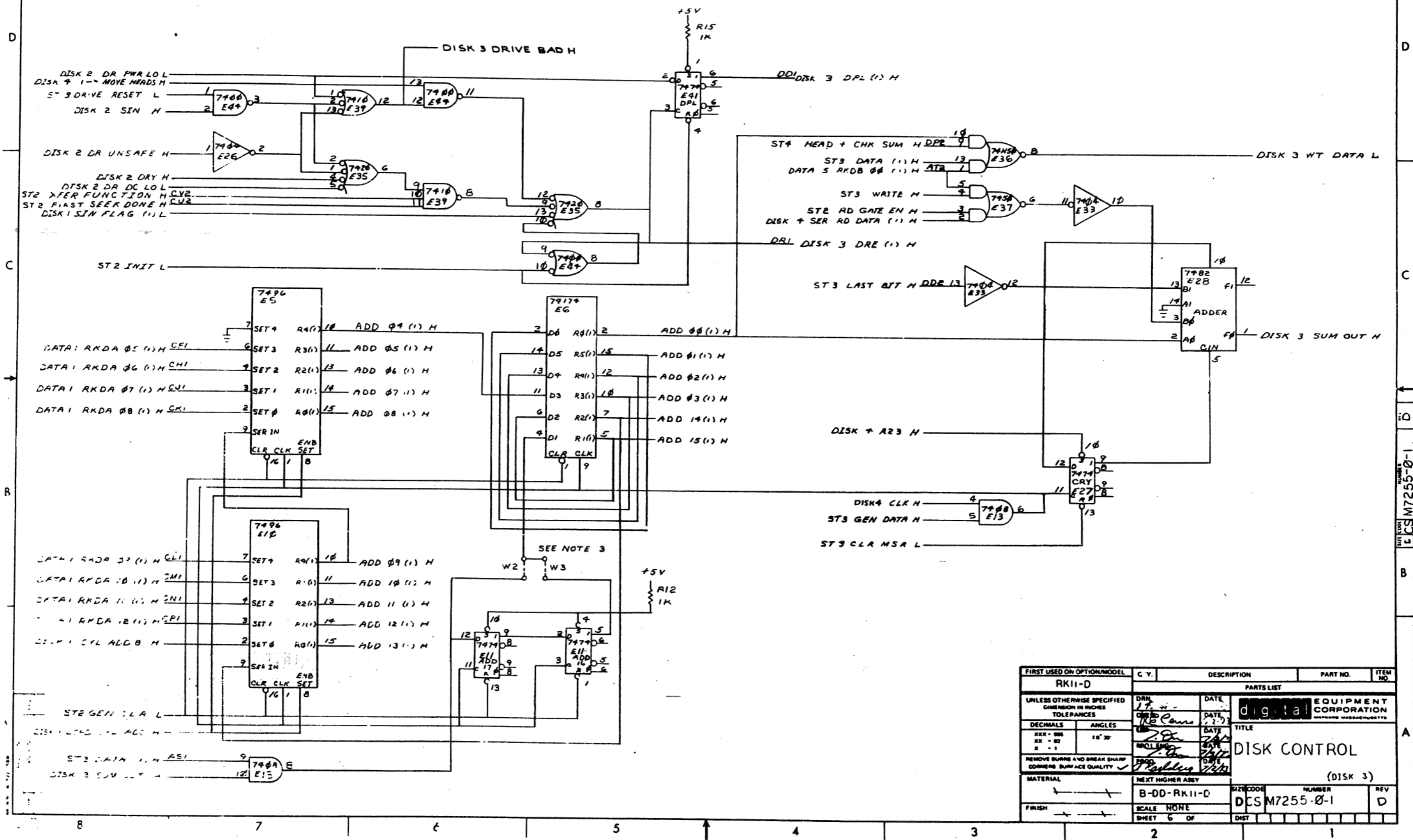
REV	CHANGE NO	DESCRIPTION
1		
2		
3		
4		
5		
6		
7		
8		

FIRST USED ON	QTY	DESCRIPTION	PART NO	ITEM NO
RK11-D				
UNLESS OTHERWISE SPECIFIED DIMENSIONS IN INCHES TOLERANCES				
DECIMALS	ANGLES	DATE		
XXX - .00	10° 30'	3/1/73		
XX - .01		DATE		
X - .02		3/1/73		
REMOVE BURRS AND BREAK SHARP CORNERS SURFACE QUALITY				
MATERIAL				
NEXT HIGHER ASSEMBLY				
B-DD-RK11-D				
FINISH				
SCALE NONE				
SHEET 5 OF				

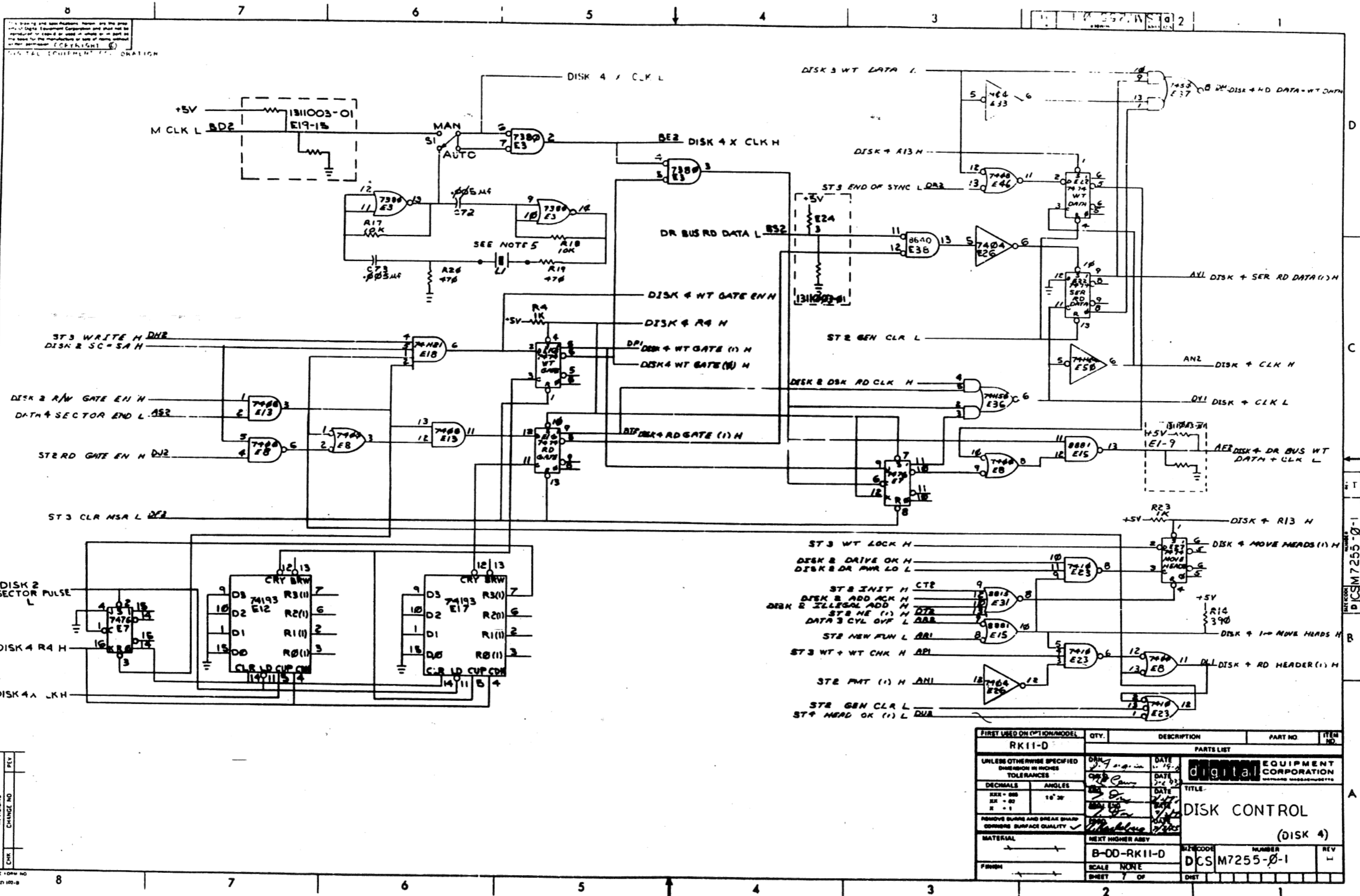
PARTS LIST			
QTY	DESCRIPTION	PART NO	ITEM NO
1	DISK CONTROL (DISK 2)	DCS M7255-0-1	F

The drawing and specifications herein are the property of Digital Equipment Corporation and shall not be reproduced or used in whole or in part without the express written permission of Digital Equipment Corporation. COPYRIGHT

DIGITAL EQUIPMENT CORPORATION



FIRST USED ON OPTION/MODEL	C. Y.	DESCRIPTION	PART NO.	ITEM NO.
RK11-D				
PARTS LIST				
UNLESS OTHERWISE SPECIFIED DIMENSIONS IN INCHES	DATE	digital EQUIPMENT CORPORATION		
TOLERANCES	DATE	DATE		
DECIMALS	ANGLES	TITLE		
±.000	10' 30"	DISK CONTROL		
±.001		(DISK 3)		
±.002		MATERIAL		
±.005		NEXT HIGHER ASSEMBLY		
REMOVE BURRS & NO BREAK SHARP CORNERS SURFACE QUALITY	DATE	B-DD-RK11-D		
	DATE	SCALE NONE		
	DATE	FINISH		
	DATE	SHEET 6 OF		
	DATE	DST		
	DATE	SIZE CODE		
	DATE	NUMBER		
	DATE	REV		
	DATE	DCS M7255-0-1		
	DATE	D		



FIRST USED ON (OPTION/MODEL)	QTY.	DESCRIPTION	PART NO.	ITEM NO.
RK11-D				
UNLESS OTHERWISE SPECIFIED DIMENSIONS IN INCHES TOLERANCES				
DECIMALS	ANGLES	DATE		
± .005	± .005	11-15-62		
± .010	± .010	DATE		
± .020	± .020	7-2-63		
± .050	± .050	DATE		
± .100	± .100	7-1-63		
REMOVE BURRS AND BREAK SHARP EDGES SURFACE QUALITY				
MATERIAL				
NEXT HIGHER ASSY				
B-00-RK11-D				
SCALE NONE				
SHEET 7 OF 8				
PART CODE				
DCS M7255-0-1				
NUMBER				
REV				
L				
DIST				



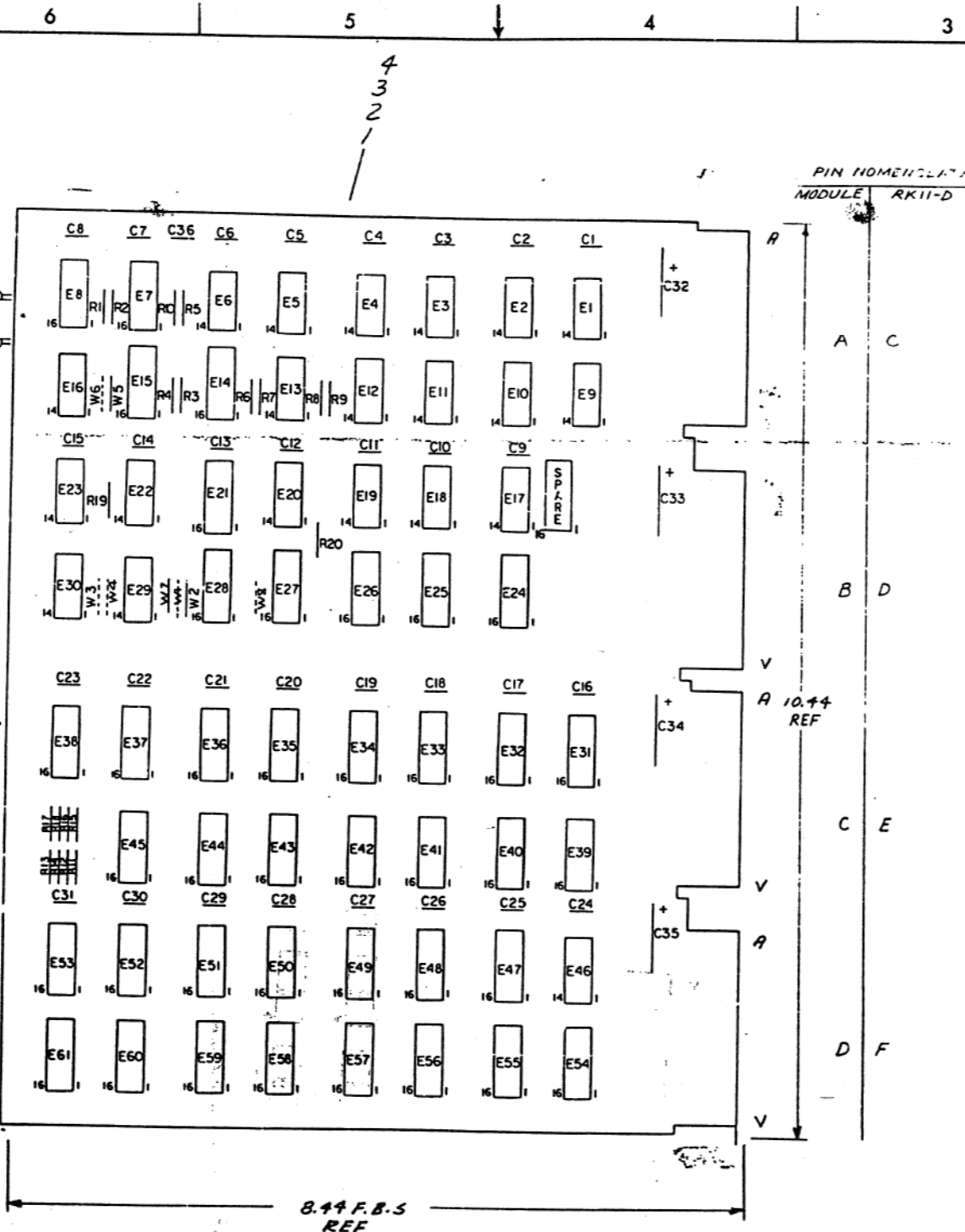
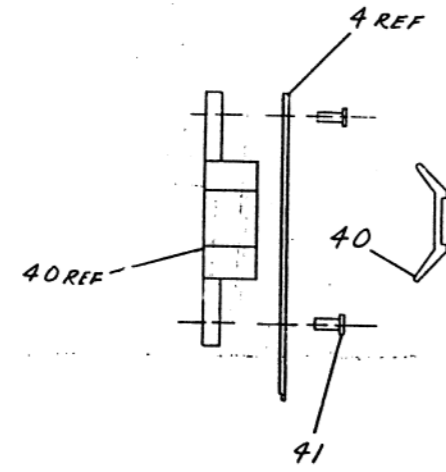
DISK CONTROL
(DISK 4)

REV
CHANGE NO
CHK
DATE 10-18-62
DWD 102-B

DCS M7255-0-1

This drawing and specifications are the property of Digital Equipment Corporation and shall not be reproduced or copied or used in whole or in part as the basis for the manufacture of any of items without written permission.

NOTES:

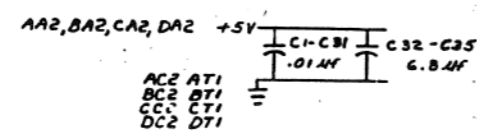


* DEC 8640'S WERE PHASED IN AS 380 REPLACEMENTS
 ALL 380 FAILURES SHOULD BE REPLACED BY 8640'S

PIN NOMENCLATURE
 MODULE RK11-D

QTY	REF DESIGNATION	DESCRIPTION	PART NO.	ITEM NO.
1	R6	5.6K 1/4 W 5% CC	1301874	41
3	WB, W5, W7	INSULATED JUMPER L-277-1	9206732	42
8		EYELET #659-7 E.B. TIMPSON	1710655	43
4		HANDLE, FLIP CHIP MAGENTA	1710655	44
4	E52, E53, E60, E61	I.C. DEC 74157	1710655	45
8	E48-E51, E56-E59	I.C. DEC 74153	1710655	46
1	E46	I.C. DEC 8291 DC	1909470	47
1	E38	DIP RESISTOR PACK	1311003-02	48
5	E33-E37	I.C. DEC 74170	1710655	49
7	E31, E32, E39, E40, E47, E54, E55	I.C. DEC 74193	1710655	50
1	E30	I.C. DEC 74193	1710655	51
10	E24-E28, E41-E45	I.C. DEC 8271	1709205	52
1	E23	I.C. DEC 8881	1909205	53
2	E22, E29	I.C. DEC 7473	1705587	54
1	E21	I.C. DEC 4807	1709567	55
1	E18	I.C. DEC 7401	1709568	56
1	E17	I.C. DEC 7437	1710091	57
1	E13	I.C. DEC 7412	1709205	58
1	E12	I.C. DEC 7400	1705575	59
4	E11, E16, E19, E20	I.C. DEC 7474	1705547	60
1	E10	I.C. DEC 74116	1709205	61
1	E9	I.C. DEC 74455	1909003	62
1	E8	I.C. DEC 74161	1710250	63
3	E7, E14, E15	I.C. DEC 74123	1710436	64
1	E5	I.C. DEC 74474	1709667	65
2	E4, E6	I.C. DEC 74450	1709205	66
1	E3	I.C. DEC 7400	1709007	67
1	E2	I.C. DEC 74484	1709931	68
1	E1	I.C. DEC 7438	1710155	69
4	R15-R18	RES. 680Ω 1/4W 5% CC	1301924	70
4	R11-R14	RES. 330Ω 1/4W 5% CC	1300275	71
1	R10	RES. 20K 1/4W 5% CC	1302391	72
4	R8, R9, R19, R20	RES. 1K 1/4W 5% CC	1300565	73
1	R3-R5, RT	RES. 5.1K 1/4W 1% MF	1304854	74
1	R2	RES. 370Ω 1/4W 5% CC	1300367	75
1	R1	RES. 180Ω 1/4W 5% CC	1301322	76
1	C36	CAP. 150PF 100V 5% D.M.	1000019	77
4	C32-C35	CAP. 6.8UF 35V 20% TANT	1003067	78
31	C1-C31	CAP. .01UF 100V 20% D1SC.	1061610	79
1		ETCHED CIRCUIT BOARD	5009987	80
REF		MODULE ECO HISTORY	B-M-N-7256-1-3	81
REF		ASSY/DRILLING HOLE LAYOUT	D-M-N-7256-0-5	82
RI		X-Y COORDINATE HOLE LOCATION	R-CO-7256-0-4	83

IC TYPE	GND	+5V
DEC 7407	8	16
DEC 7473	11	4
DEC 74170	8	16
DEC 74193	8	16
DEC 74161	8	16
DEC 74157	8	16
DEC 74153	8	16
DEC 8271	8	16
DEC 8640	1	8



FIRST USED ON OPTION MODEL
 RK11-D

ETCH BOARD REV D

digital EQUIPMENT CORPORATION
 MAYNARD MASSACHUSETTS

DATA PATHS

E-11-RK11-D

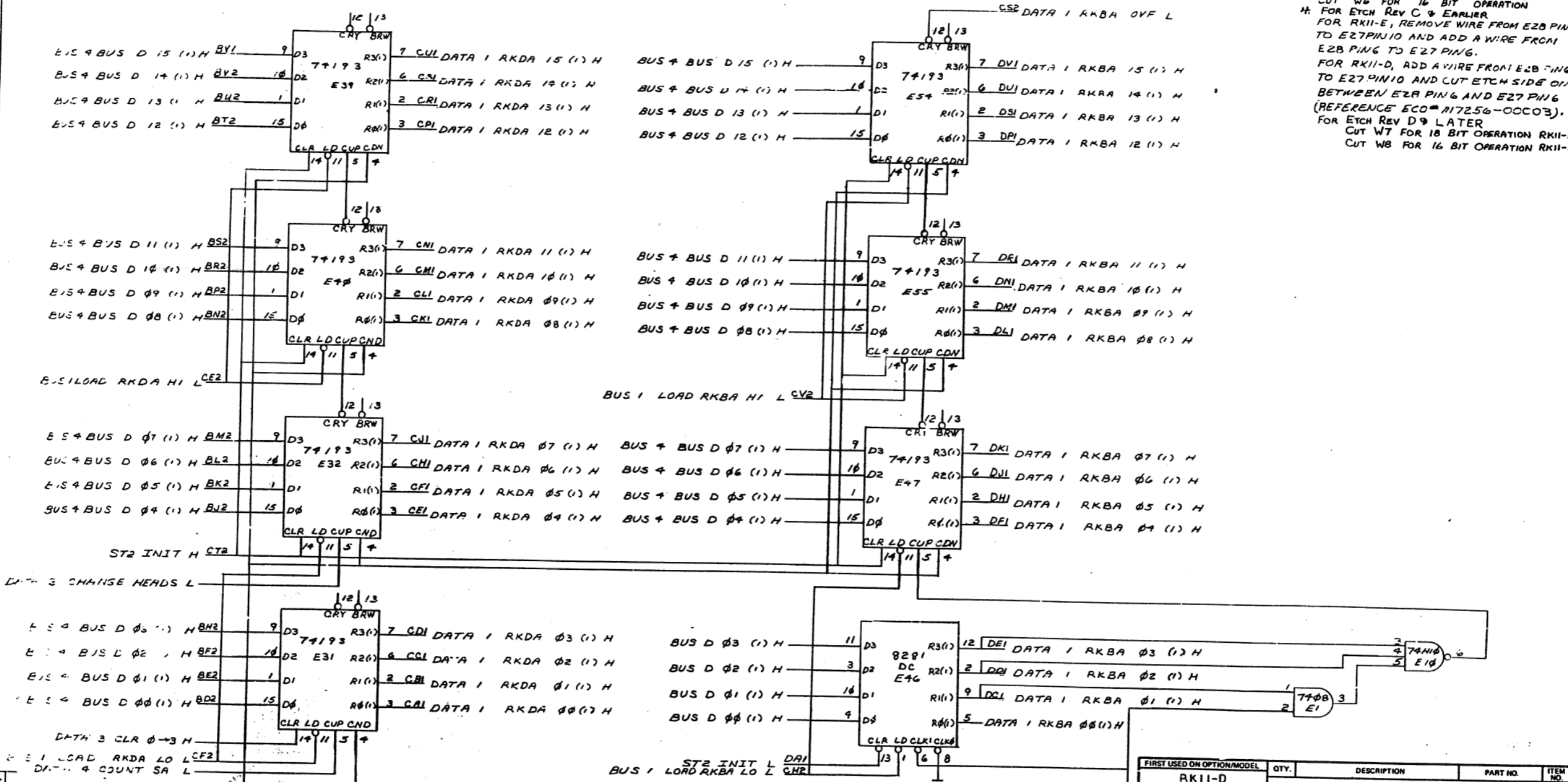
SIZE CODE: DCS NUMBER: M7256-0-1 REV: E

SEMICONDUCTOR CONVERSION CHART

SCALE: 1:1 SHEET 2 OF 2

1-0-007-WSJ 2

- NOTES:
- CUT W1 FOR 16 BIT OPERATION (RKII-D)
CUT W2 FOR 18 BIT OPERATION (RKII-E)
 - CUT W3+W4 FOR 16 BIT OPERATION
 - CUT W5 FOR 18 BIT OPERATION
CUT W6 FOR 16 BIT OPERATION
 - FOR ETCH REV C & EARLIER
FOR RKII-E, REMOVE WIRE FROM E28 PING TO E27 PIN 10 AND ADD A WIRE FROM E28 PING TO E27 PING.
 - FOR RKII-D, ADD A WIRE FROM E28 PING TO E27 PIN 10 AND CUT ETCH SIDE ONE BETWEEN E28 PING AND E27 PING (REFERENCE ECO # 117256-00003).
 - FOR ETCH REV D & LATER
CUT W7 FOR 18 BIT OPERATION RKII-E
CUT W8 FOR 16 BIT OPERATION RKII-D



FIRST USED ON OPTION/MODEL	QTY.	DESCRIPTION	PART NO.	ITEM NO.
RKII-D				
UNLESS OTHERWISE SPECIFIED DIMENSION IN INCHES TOLERANCES				
DECIMALS	ANGLES	TITLE		
.0005	±0°30'	DATA PATHS (DATA 1)		
REMOVE BURRS AND BREAK SHARP CORNERS SURFACE QUALITY				
MATERIAL				
NEXT HIGHER ASSY.				
FINISH		SCALE	SIZE CODE	NUMBER
		NONE	B-DD-RKII-D	DCSM7256-0-1
		SHEET 3 OF	DIST.	REV. D

CHANGE NO. REV.

DCSM7256-0-1

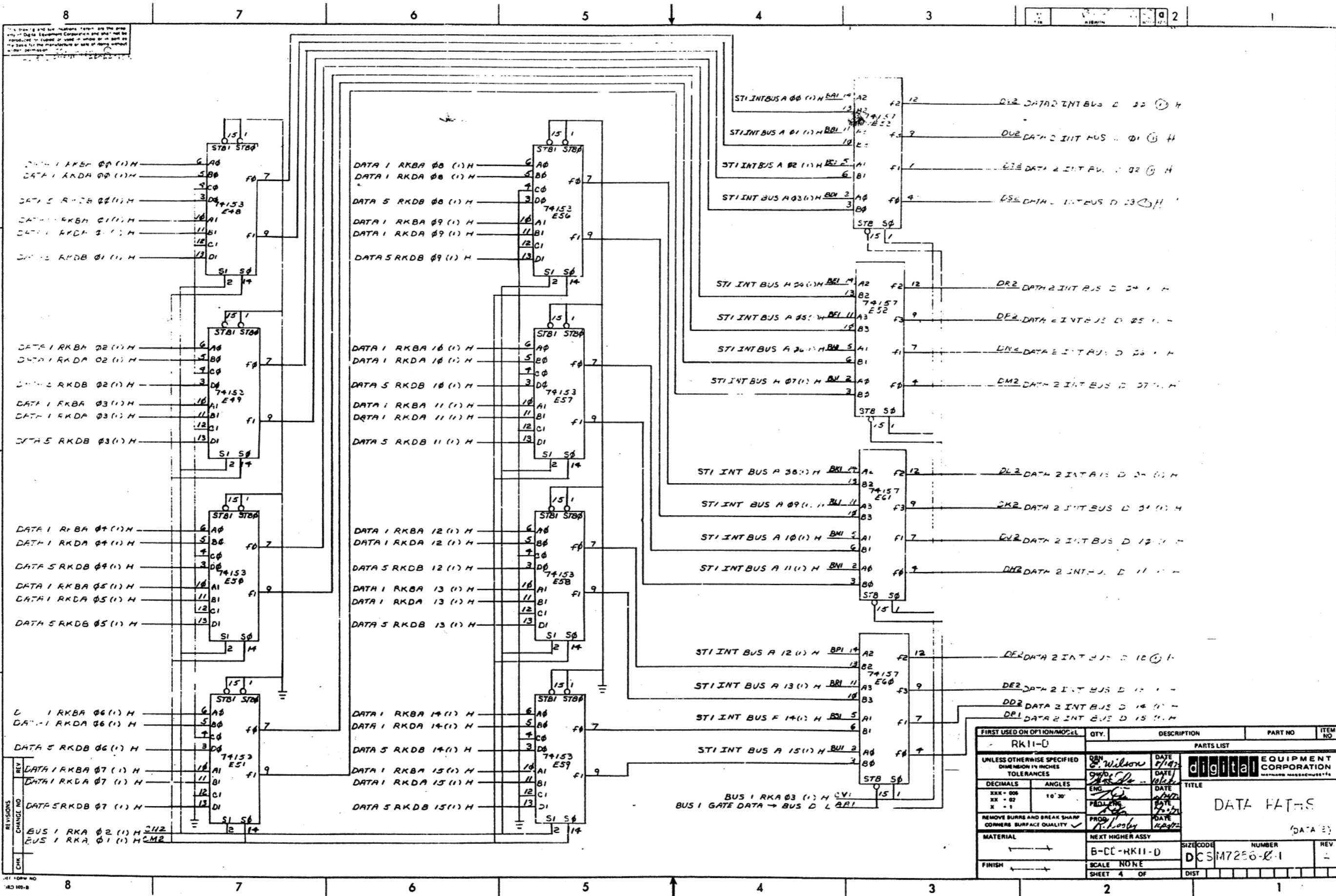
A

B

C

D

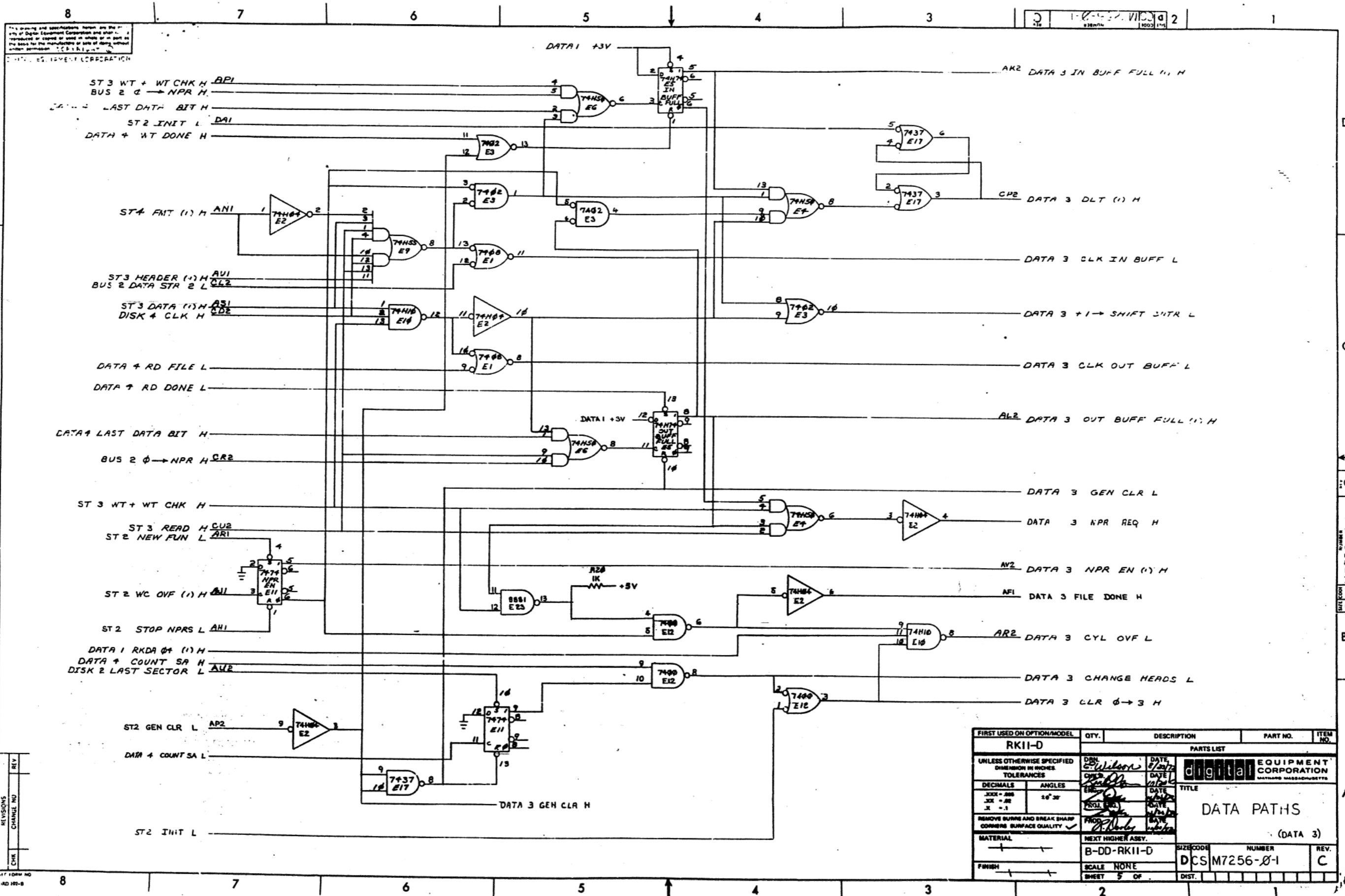
This drawing and the "Makers Term" are the property of Data Equipment Corporation and shall not be reproduced or copied or used in whole or in part as the basis for the manufacture or sale of items without written permission.



FIRST USED ON OPTION/MODEL	QTY.	DESCRIPTION	PART NO.	ITEM NO.
RK11-D				
UNLESS OTHERWISE SPECIFIED DIMENSION IN INCHES TOLERANCES				
DECIMALS	ANGLES	DATE	PARTS LIST	
XX - 008	10 30'	9/14/72	digital EQUIPMENT CORPORATION	
XX - 02		10/6/72	MAYFIELD MASSACHUSETTS	
X - 1		12/2/72	TITLE	
REMOVE BURRS AND BREAK SHARP CORNERS SURFACE QUALITY				
MATERIAL				
NEXT HIGHER ASSY				
FINISH				
SCALE NONE			SIZE CODE	NUMBER
SHEET 4 OF			DCS M7256-01	REV
			DIST	

DATA PARTS

REVISIONS
 CHANGE NO. 1
 DATA 1 RKBA 02 (1) H C112
 DATA 1 RKDA 01 (1) H C112



This drawing and specifications herein are the property of Digital Equipment Corporation and shall not be reproduced or copied in whole or in part without the express written permission of Digital Equipment Corporation.

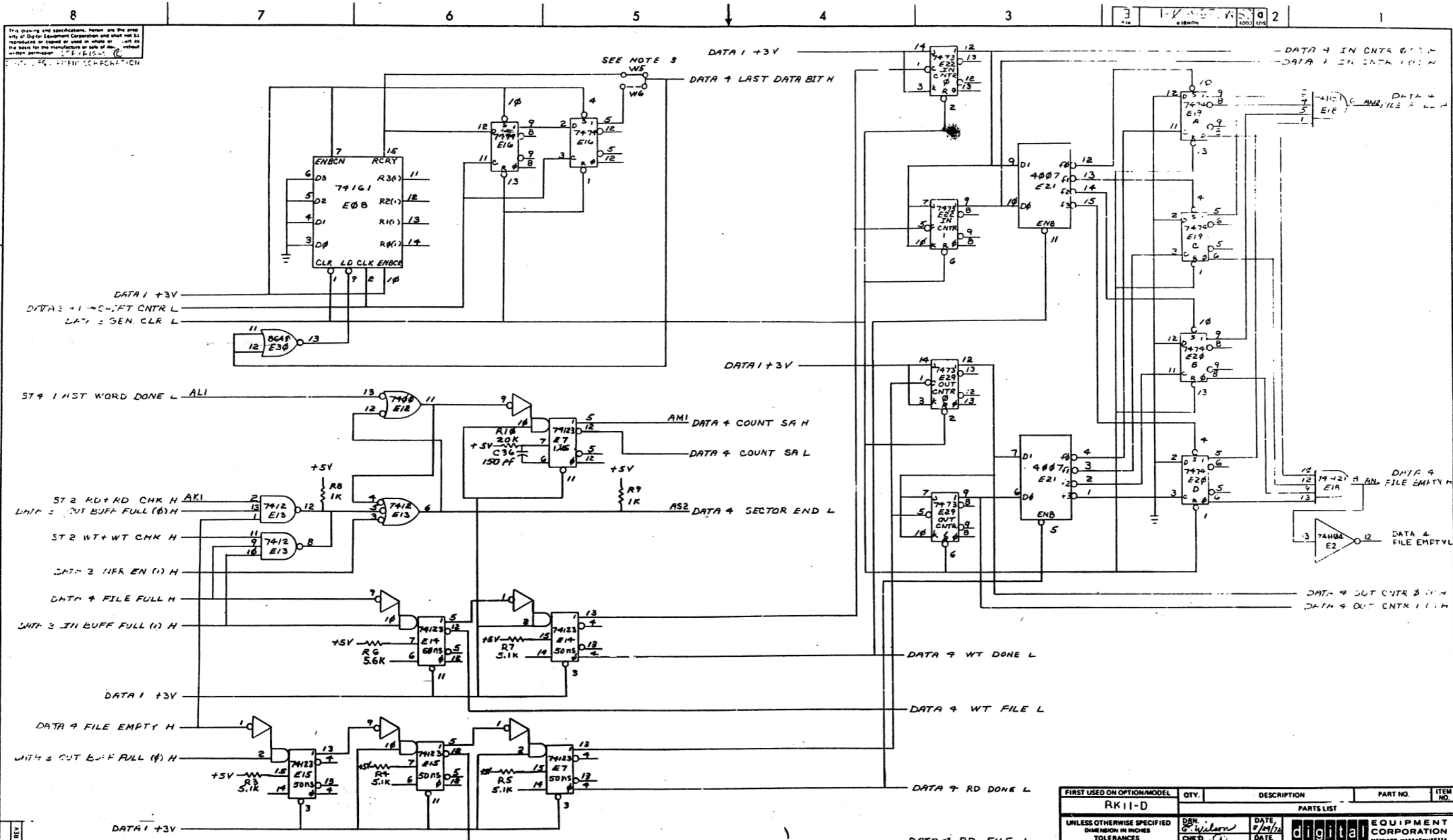
FIRST USED ON OPTION/MODEL	QTY.	DESCRIPTION	PART NO.	ITEM NO.
RK11-D				
UNLESS OTHERWISE SPECIFIED DIMENSION IN INCHES TOLERANCES				
DECIMALS		ANGLES		
.XXX - .008		16° 30'		
.XXX - .008				
.XXX - .008				
REMOVES BURRS AND BREAK SHARP CORNERS SURFACE QUALITY				
MATERIAL				
NEXT HIGHER ASSY.				
B-DD-RK11-D				
SCALE NONE				
FINISH				
SHEET 5 OF				
PARTS LIST			TITLE	
digital EQUIPMENT CORPORATION MAYFIELD MASSACHUSETTS			DATA PATHS (DATA 3)	
SIZE CODE			NUMBER	REV.
B-DD-RK11-D			DCS M7256-0-1	C
DST.				

REV.	CHANGE NO.	DATE

AD 100-9

B7-CM7256-0-1

A

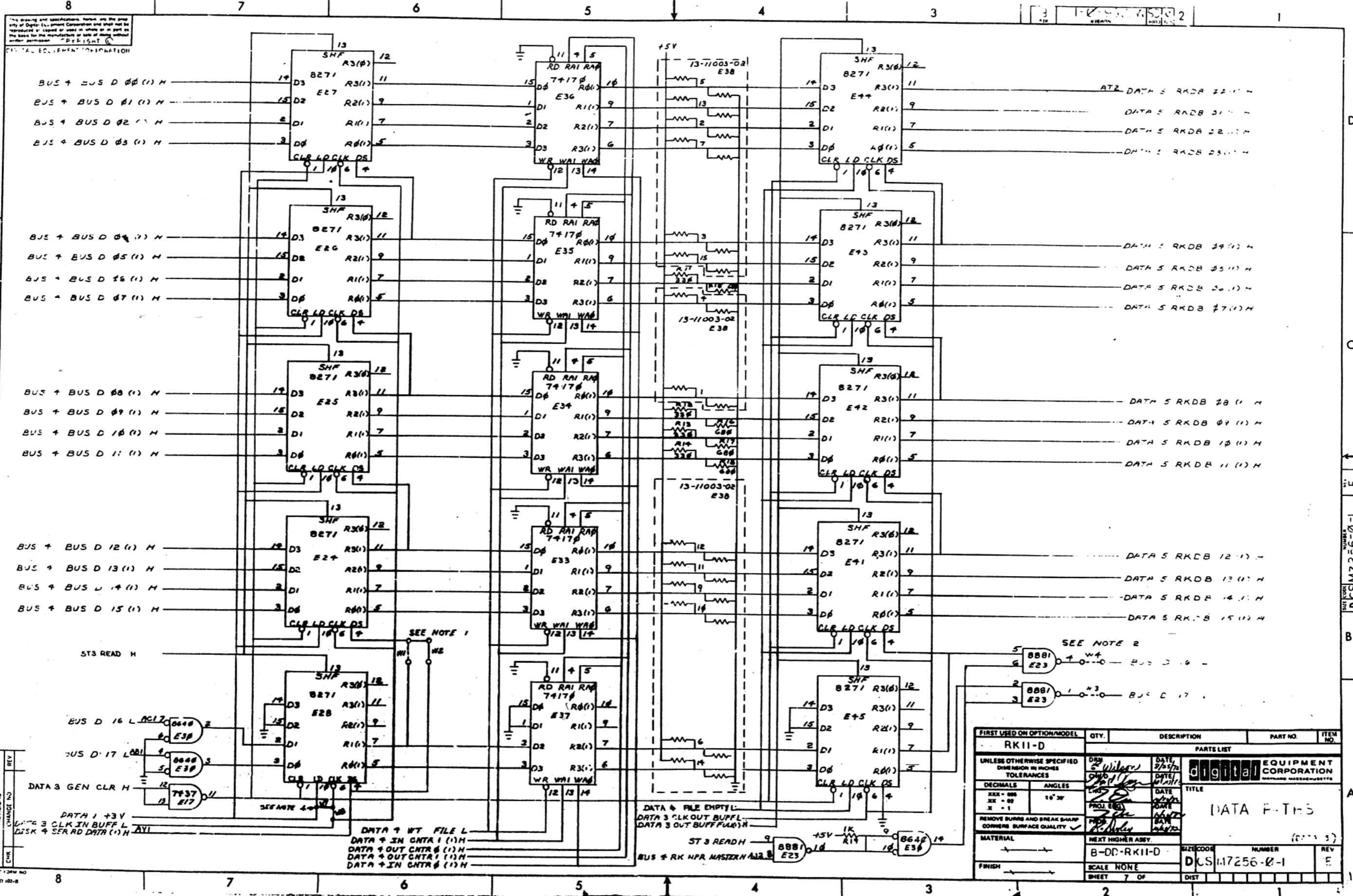


This drawing and specifications herein are the property of Digital Equipment Corporation and shall not be reproduced or used in whole or in part without the written permission of Digital Equipment Corporation.

REV	CHG	NO

FIRST USED ON OPTION/MODEL	QTY.	DESCRIPTION	PART NO.	ITEM NO.
RK11-D				
PARTS LIST				
UNLESS OTHERWISE SPECIFIED DIMENSION IN INCHES TOLERANCES	DBN 6/1/72	DATE		
DECIMALS	DATE	DATE		
ANGLES	DATE	DATE		
REMOVE BURRS AND BREAK SHARP CORNERS SURFACE QUALITY	DATE	DATE		
MATERIAL	NEXT HIGHER ASSY.		SIZE CODE	NUMBER
FINISH	SCALE NONE		DCS M7256-01	REV
SHEET 6 OF	DIST.			E

REV. 1
 DATE 6/1/72
 BY 6/1/72
 CHECKED 6/1/72
 APPROVED 6/1/72
 TITLE
 DATA PATHS
 DATA 4)



This drawing and specifications, herein, are the property of Digital Equipment Corporation and shall not be reproduced or copied in whole or in part on the basis for the manufacture or sale of any other product without the written permission of Digital Equipment Corporation.

DIGITAL EQUIPMENT CORPORATION

REVISIONS

REV	CHANGE NO	DESCRIPTION
1		
2		
3		
4		
5		
6		
7		
8		

FIRST USED ON OPTION/MODEL	QTY.	DESCRIPTION	PART NO.	ITEM NO.
RK11-D				

UNLESS OTHERWISE SPECIFIED	DRY	DATE	PARTS LIST
DIMENSION IN INCHES	5-Wilson	2/25/72	
TOLERANCES	DW	DATE	digital EQUIPMENT CORPORATION
DECIMALS	PROJ ENG	DATE	
ANGLES	PROJ MGR	DATE	
XXX = 000		DATE	
XX = 00		DATE	
X = 0		DATE	

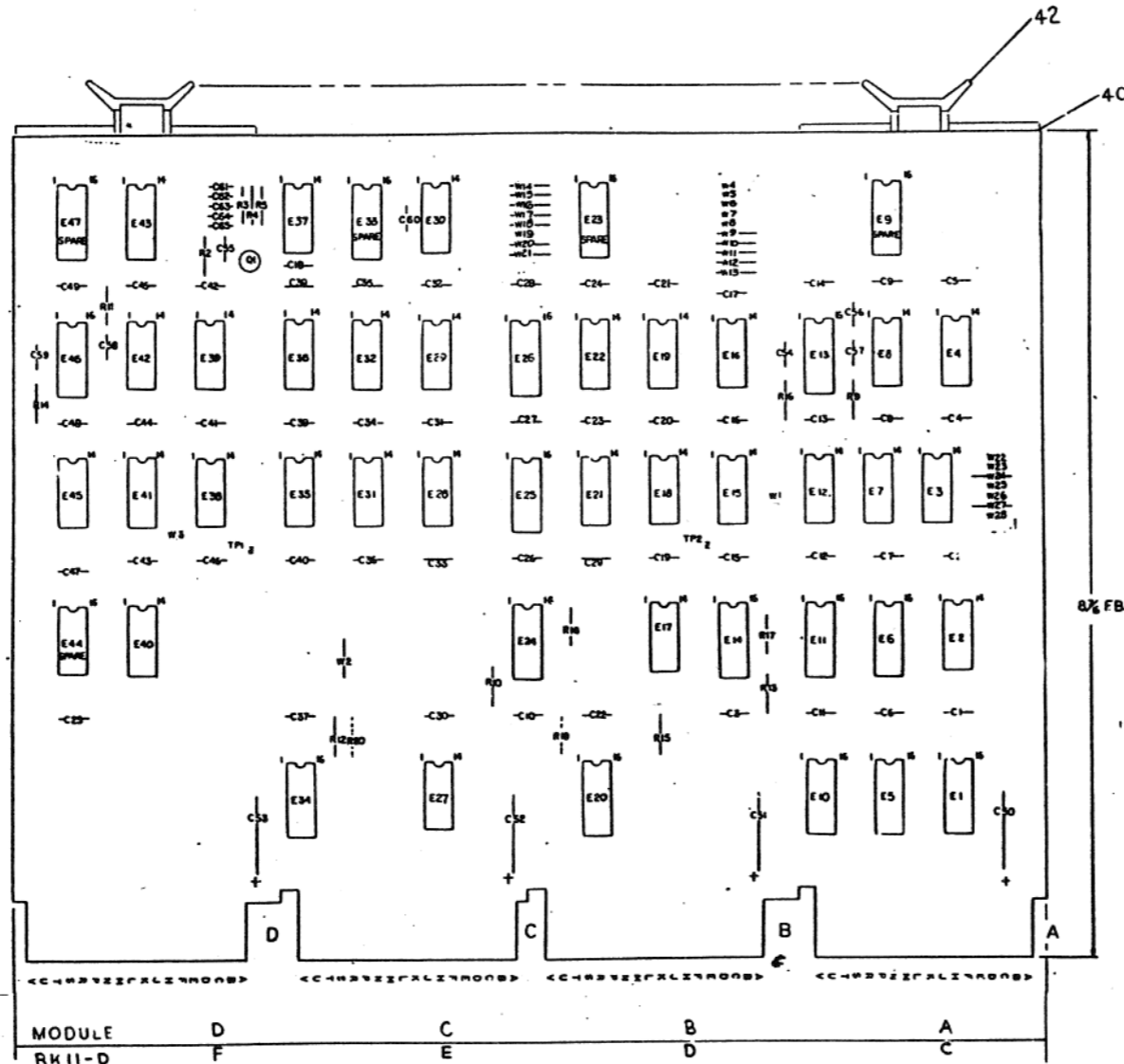
TITLE: DATA PATHS

MATERIAL	NEXT HIGHER ASSY.	SIZE CODE	NUMBER	REV
	B-DC-RK11-D			E
FINISH	SCALE NONE	SHEET 7 OF	DIST	

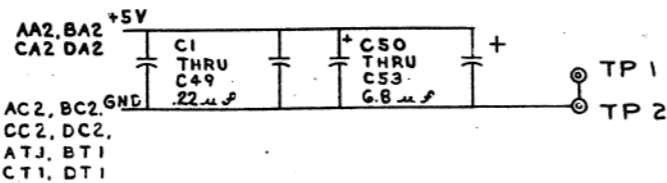
PART NUMBER DCSM7256-0-1

A

NOTES: R19 AND R20 ARE OPTIONAL COMPONENTS
DO NOT INSERT
W1, W3 THRU W8, W19, W22, W23, W25, W26
W28, ARE OPTIONAL JUMPERS. DO NOT INSERT.



PIN NOMENCLATURE



REF	X-Y COORDINATE	HOLE LOC.	QTY	REF DESIGNATION	DESCRIPTION	PART NO	FILM NO
REF		ASSY/DRILLING HOLE LAYOUT				D-AH-M 257-05	2
REF		MODULE ECO HISTORY				B-MH-M 257-06	3
1		ETCHED CIRCUIT BOARD				5009990	4
2	C53, C53	CAP 10 MMF 100V 5%				1003006	5
1	C54	CAP 270 MMF 100V 5%				1000022	6
2	C57, C60	CAP 330 MMF 100V 5%				1000023	7
1	C56	CAP 1200 MMF 100V 5%				1002424	8
49	C1 THRU C49	CAP .22 MF 50V 20%				1010274-01	9
4	C50 THRU C53	CAP 6.8 MFD 35V 10% TANT				1005306	10
5	C61 THRU C65	CAP 6.8 MMF 100V 5%				1003005	11
1	C55	CAP 27 MMF 100V 5%				1001739	12
1	Q1	TRANS DEC 3009B				1503100	13
3	R2, R3, R4	RES. 330 1/4 W 5%				1300295	14
2	R10, R13	RES. 390 1/4 W 5%				1300309	15
1	R5	RES. 287 1/8 W 1%				1305124	16
4	R12, R15, R17, R3	RES. 180 1/4 W 5%				1301322	17
1	R16	RES. 5.6K 1/4 W 5%				1301874	18
1	R9	RES. 4.7K 1/4 W 5%				1302177	19
2	R11, R14	RES. 5.1K 1/8 W 1%				1304854	20
2	E16, E30	RES. 1K RESISTOR PACK				1300005-01	22
1	E19	IC. 74H20				1905635	23
2	E22, E38	IC. 7402				1907004	24
3	E18, E31, E37	IC. 74H00				1909056	25
4	E40, E41, E42, E35	IC. 74H74				1909637	26
1	E2	IC. 314				1909704	27
4	E3, E4, E8, E27	IC. 8881				1909705	28
3	E7, E12, E15	IC. 8242				1907712	29
1	E21	IC. 74H04				1909931	30
1	E26	IC. 74151				1909936	31
2	E24, E25	IC. 7442				1910046	32
1	E28	IC. 7437				1912091	33
3	E36, E39, E45	IC. 7408				1910155	34
3	E29, E32, E43	IC. 74H103				1910409	35
2	E13, E46	IC. 74123				1910436	36
1	E17	IC. 3540				191117-00	37
8	E15, E6, E19, E14, E20, E34	IC. 8838				191117-00	38
15	W2, W9 THRU W18, W20, W21, W24, W27	INSULATED JUMPER				9009185	39
8		EYELET				9006732	40
2	TP1, TP2	SOLDER TERMINALS				9007791	41
4		HANDLE (FLIPCHIP) MAGENTA				9008337-06	42

IC	DE	DATE	REV	BY
IC	DEC	74-1103	11	4
IC	DEC	814	1	8
IC	DEC	744	8	16
IC	DEC	74123	8	17
IC	DEC	7151	8	18
IC	DEC	7151	8	18
IC	DEC	7151	8	18
IC	DEC	7151	8	18
IC	DEC	7151	8	18
IC	DEC	7151	8	18

FIRST USED ON OPTION MODEL
RK11-D

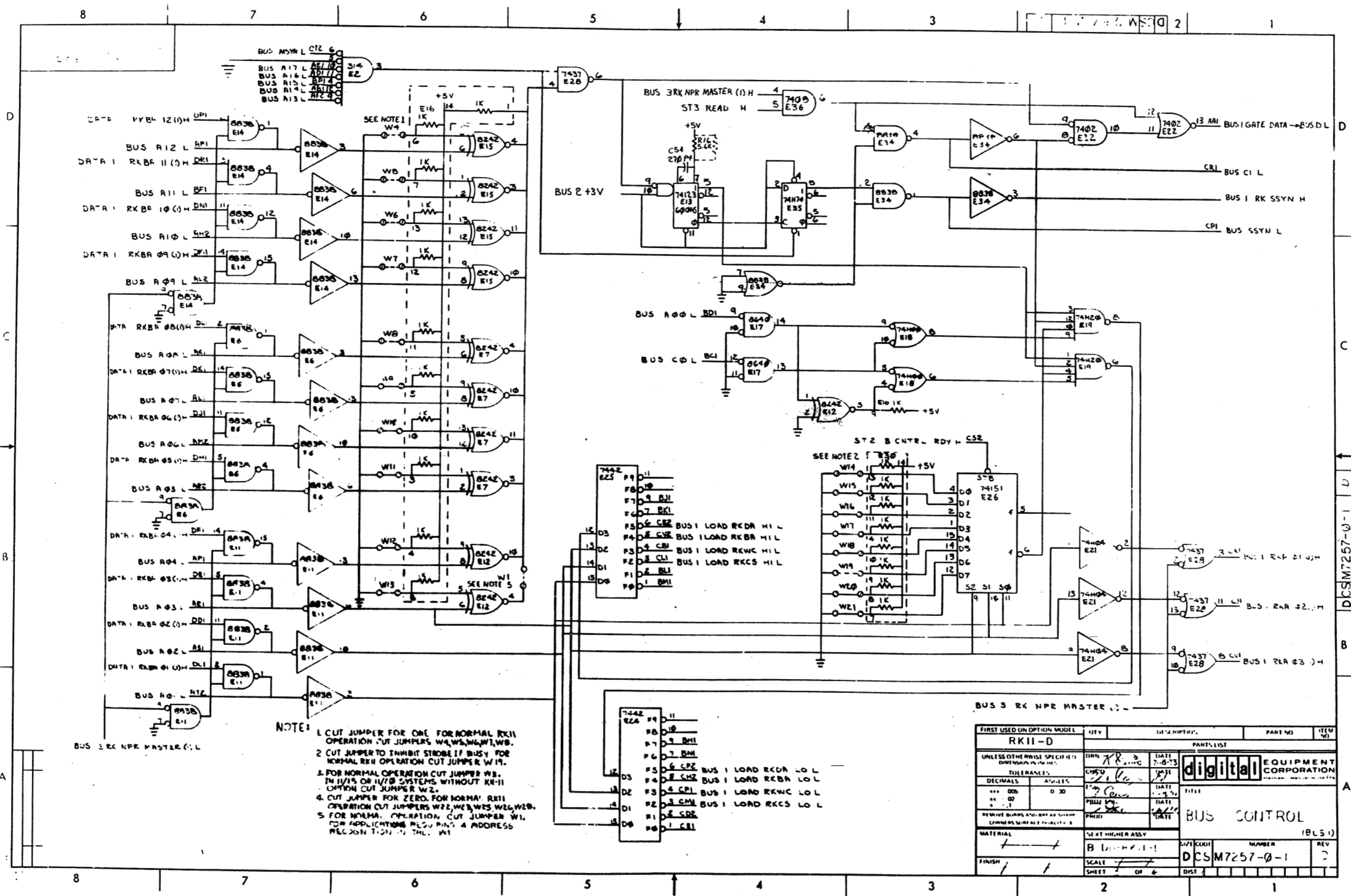
ETCH BOARD REV C

DRN: [Signature] DATE: 10/1/73
 ENG: [Signature] DATE: 10/1/73
 PROJ. ENG: [Signature] DATE: 10/1/73
 PROD: [Signature] DATE: 10/1/73

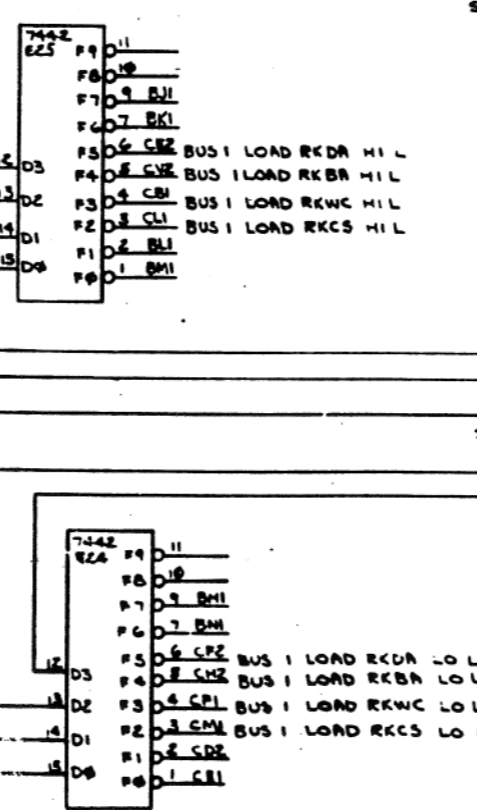
digital EQUIPMENT CORPORATION
 BUS CONTROL
 RK11-D

SIZE CODE: DCS NUMBER: M7257-0-1
 SCALE: NONE
 SHEET: OF 2

SEMICONDUCTOR CONVERSION CHART

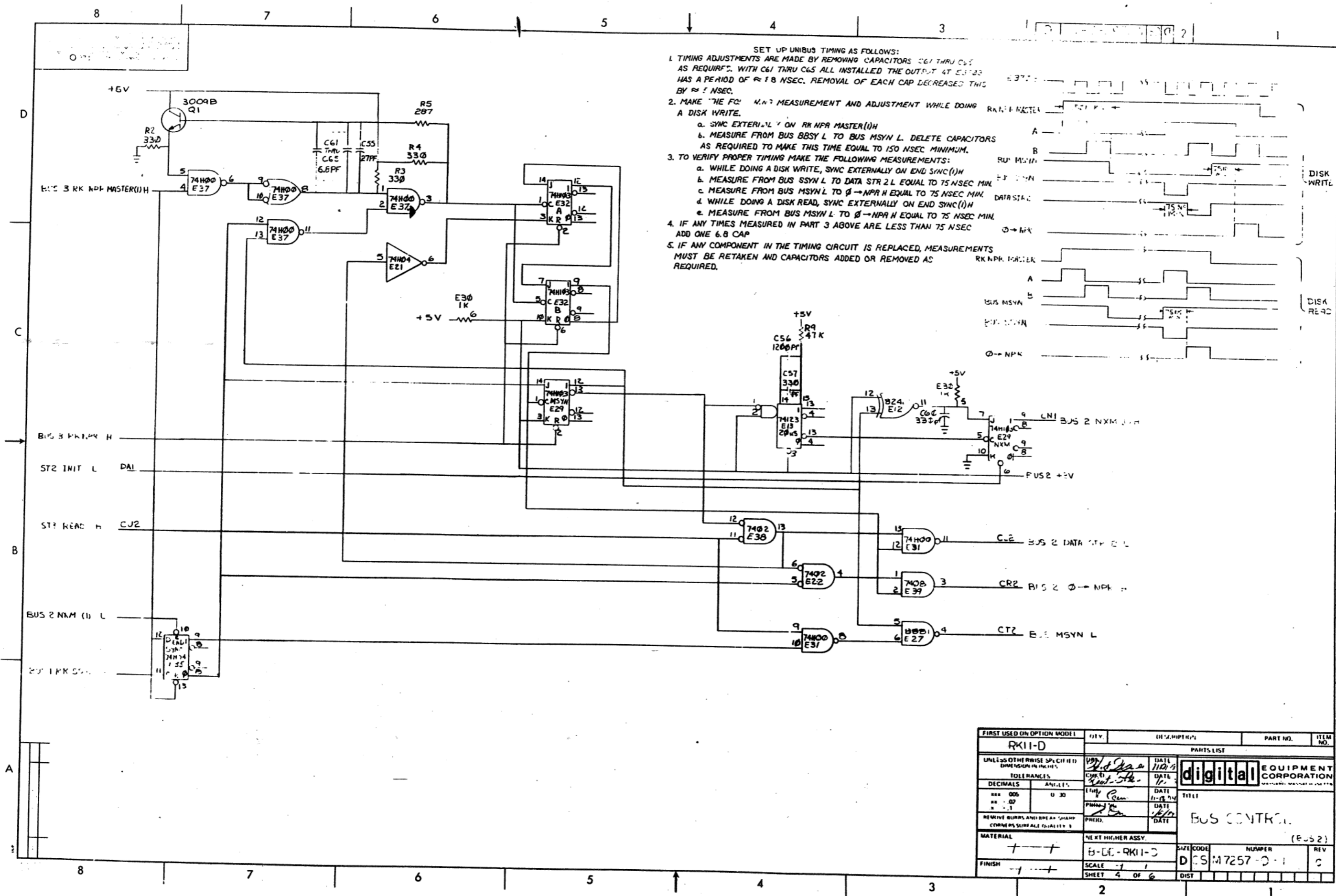


NOTE:
 1. CUT JUMPER FOR ONE FOR NORMAL RKII OPERATION. CUT JUMPERS W4, W5, W6, W7, W8.
 2. CUT JUMPER TO INHIBIT STROBE IF BUSY FOR NORMAL RKII OPERATION. CUT JUMPER W19.
 3. FOR NORMAL OPERATION CUT JUMPER W8. IN 11/15 OR 11/18 SYSTEMS WITHOUT RK-II OPTION CUT JUMPER W2.
 4. CUT JUMPER FOR ZERO. FOR NORMAL RKII OPERATION CUT JUMPERS W22, W23, W25, W26, W28.
 5. FOR NORMAL OPERATION CUT JUMPER W1. FOR APPLICATIONS PLEASE PRINT ADDRESS REGION TYPED IN THE W1



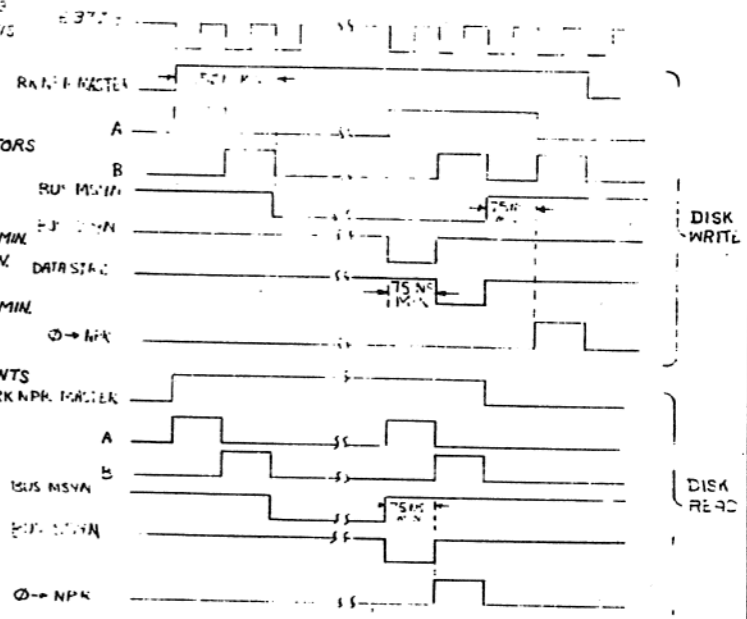
FIRST USED ON OPTION MODEL	QTY	DESCRIPTION	PART NO.	ITEM NO.
RKII-D				
PARTS LIST				
UNLESS OTHERWISE SPECIFIED:	DRN	DATE		
TOLERANCES:	CMCU	7-8-73		
DECIMALS	ANGLES			
*** DIMS	0.30			
RESERVE DIMS AND SPECS UNLESS OTHERWISE SPECIFIED	DATE		BUS CONTROL (BUS 1)	
MATERIAL	DATE			
FINISH	SCALE		DCS M7257-0-1	
	SHEET	OF 4	DIST	

DCS M7257-0-1

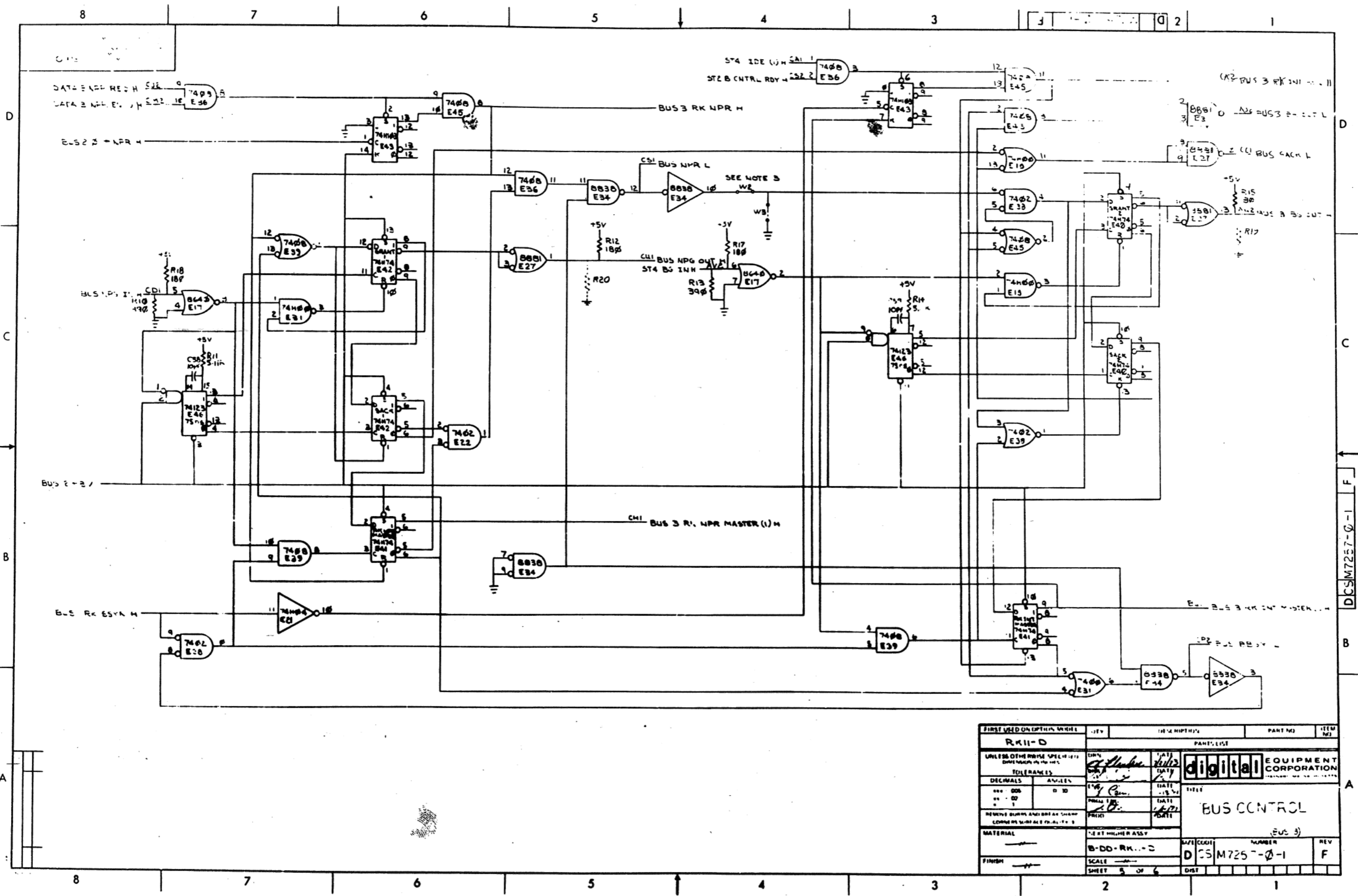


SET UP UNIBUS TIMING AS FOLLOWS:

- TIMING ADJUSTMENTS ARE MADE BY REMOVING CAPACITORS C61 THRU C65 AS REQUIRED. WITH C61 THRU C65 ALL INSTALLED THE OUTPUT AT E37 HAS A PERIOD OF ≈ 1.8 NSEC. REMOVAL OF EACH CAP DECREASES THIS BY ≈ 1 NSEC.
- MAKE THE FOLLOWING MEASUREMENT AND ADJUSTMENT WHILE DOING A DISK WRITE.
 - SYNC EXTERNALLY ON RK NPF MASTER (UH)
 - MEASURE FROM BUS BBSY L TO BUS MSYN L. DELETE CAPACITORS AS REQUIRED TO MAKE THIS TIME EQUAL TO 150 NSEC MINIMUM.
- TO VERIFY PROPER TIMING MAKE THE FOLLOWING MEASUREMENTS:
 - WHILE DOING A DISK WRITE, SYNC EXTERNALLY ON END SYNC (UH)
 - MEASURE FROM BUS SSYN L TO DATA STR 2 L EQUAL TO 75 NSEC MIN.
 - MEASURE FROM BUS MSYN L TO $\phi \rightarrow$ NPM H EQUAL TO 75 NSEC MIN.
 - WHILE DOING A DISK READ, SYNC EXTERNALLY ON END SYNC (UH)
 - MEASURE FROM BUS MSYN L TO $\phi \rightarrow$ NPM H EQUAL TO 75 NSEC MIN.
- IF ANY TIMES MEASURED IN PART 3 ABOVE ARE LESS THAN 75 NSEC ADD ONE 6.8 CAP
- IF ANY COMPONENT IN THE TIMING CIRCUIT IS REPLACED, MEASUREMENTS MUST BE RETAKEN AND CAPACITORS ADDED OR REMOVED AS REQUIRED.



FIRST USED ON OPTION MODEL	REV	DESCRIPTION	PART NO.	ITEM NO.
RK11-D				
UNLESS OTHERWISE SPECIFIED DIMENSIONS IN INCHES				
TOLERANCES				
DECIMALS	ANGLES	DATE	DATE	DATE
0.005	0.30	11/18/80	11/18/80	11/18/80
0.01		11/18/80	11/18/80	11/18/80
0.02		11/18/80	11/18/80	11/18/80
0.05		11/18/80	11/18/80	11/18/80
0.1		11/18/80	11/18/80	11/18/80
REMOVE BURRS AND BREAK SHARP CORNERS SURFACE QUALITY 1				
MATERIAL				
NEXT HIGHER ASSY.				
B-BE-RK11-D				
SCALE 1/1				
SHEET 4 OF 6				
PARTS LIST		TITLE		
digital EQUIPMENT CORPORATION		BUS CONTROL		
MATERIAL		NUMBER		
FINISH		REV		
DCS M7257-0-1		C		
DIST				



FIRST USED ON OPTION WHERE		REV	DATE	PART NO	ITEM NO
RK11-D					
UNLESS OTHERWISE SPECIFIED					
TOLERANCES					
DECIMALS	ANGLES				
0.005	0.005				
0.01	0.01				
0.02	0.02				
0.05	0.05				
0.1	0.1				
MATERIAL		NEXT NUMBER ASSY		MATERIAL	
FINISH		SCALE		NUMBER	
		B-DD-RK...-2		DCS M7257-0-1	
		SHEET 5 OF 6		REV F	

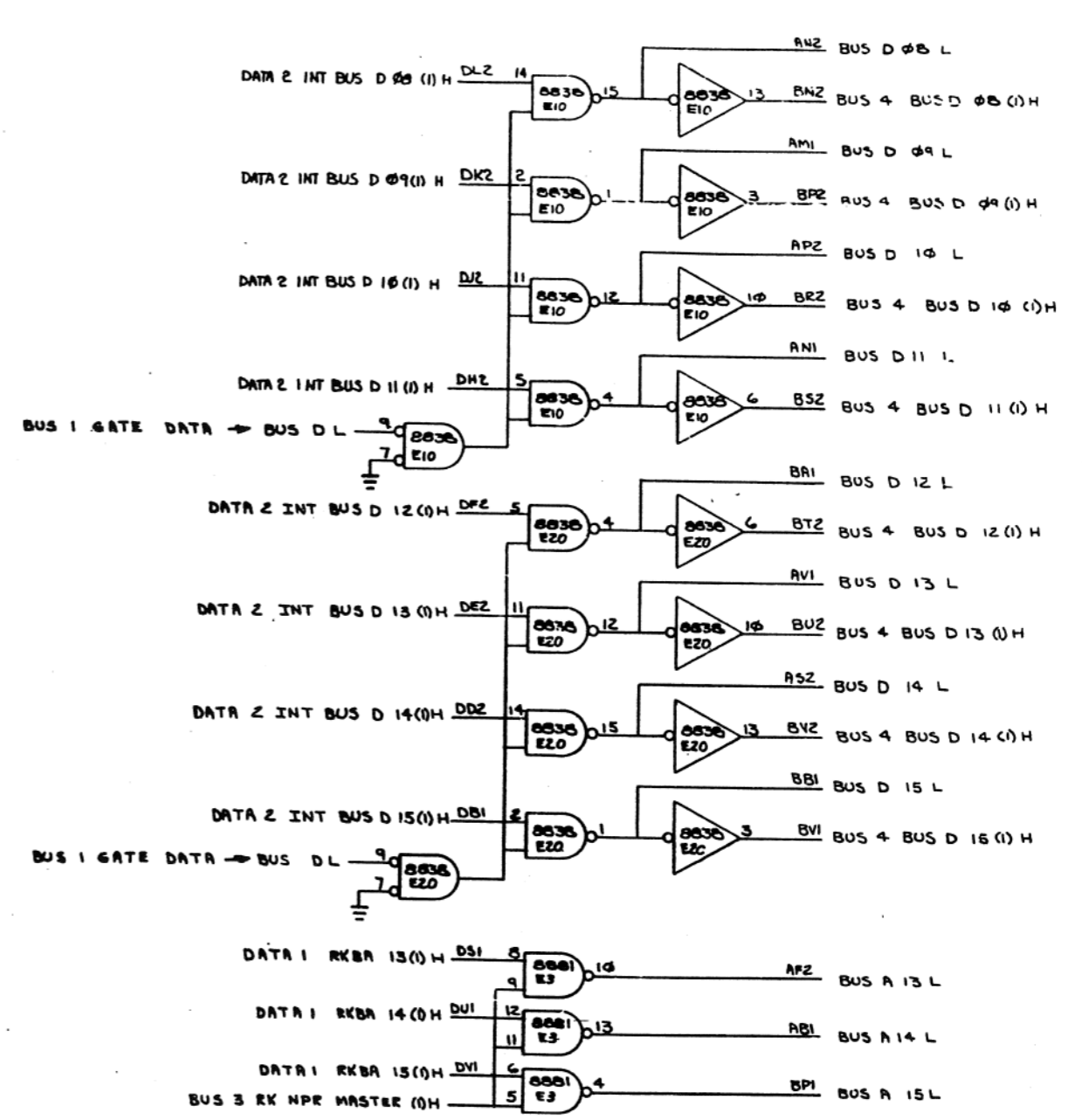
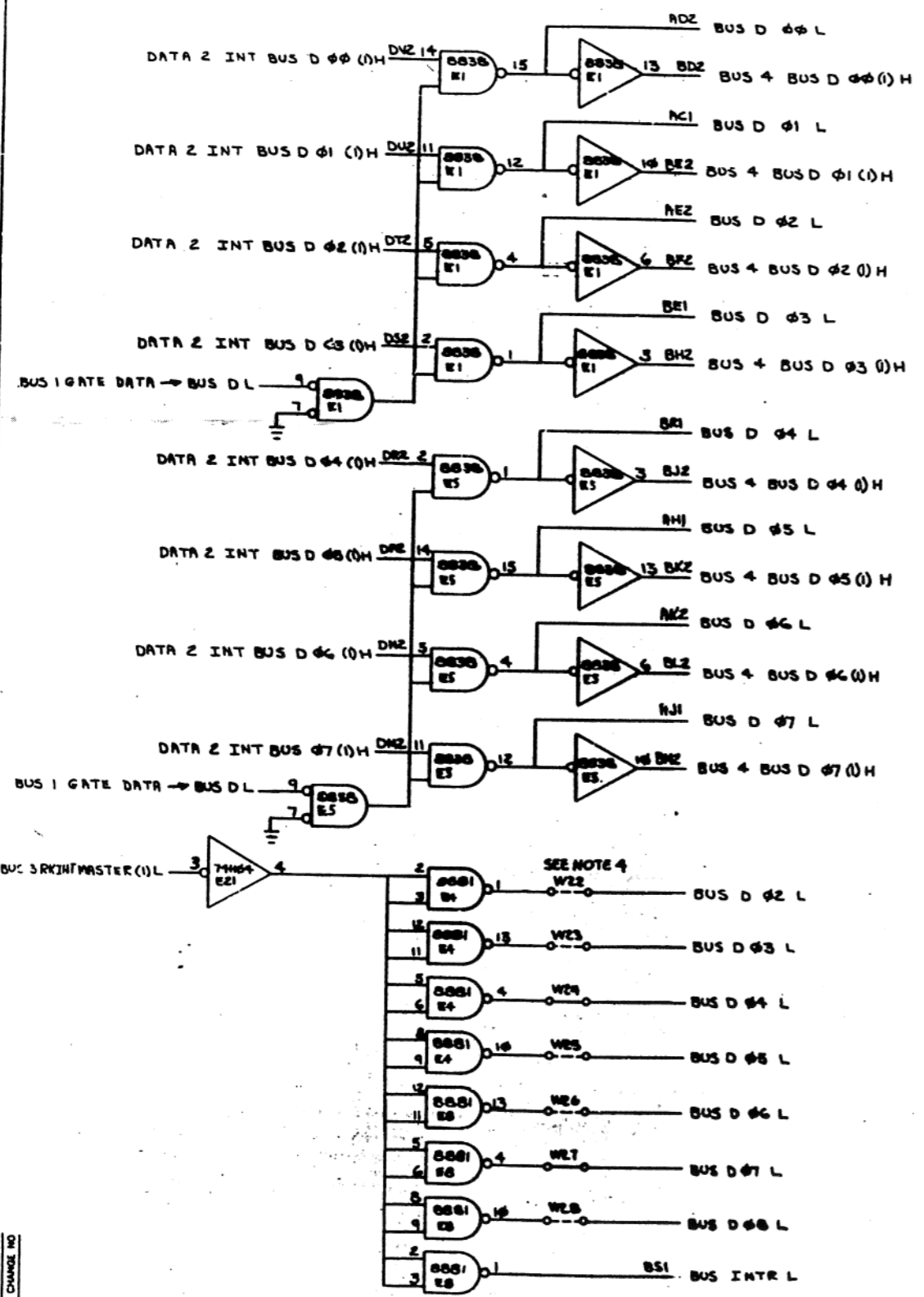
digital EQUIPMENT CORPORATION

BUS CONTROL

(EUC 3)

DCS M7257-0-1 F

8
7
6
5
4
3
2
1

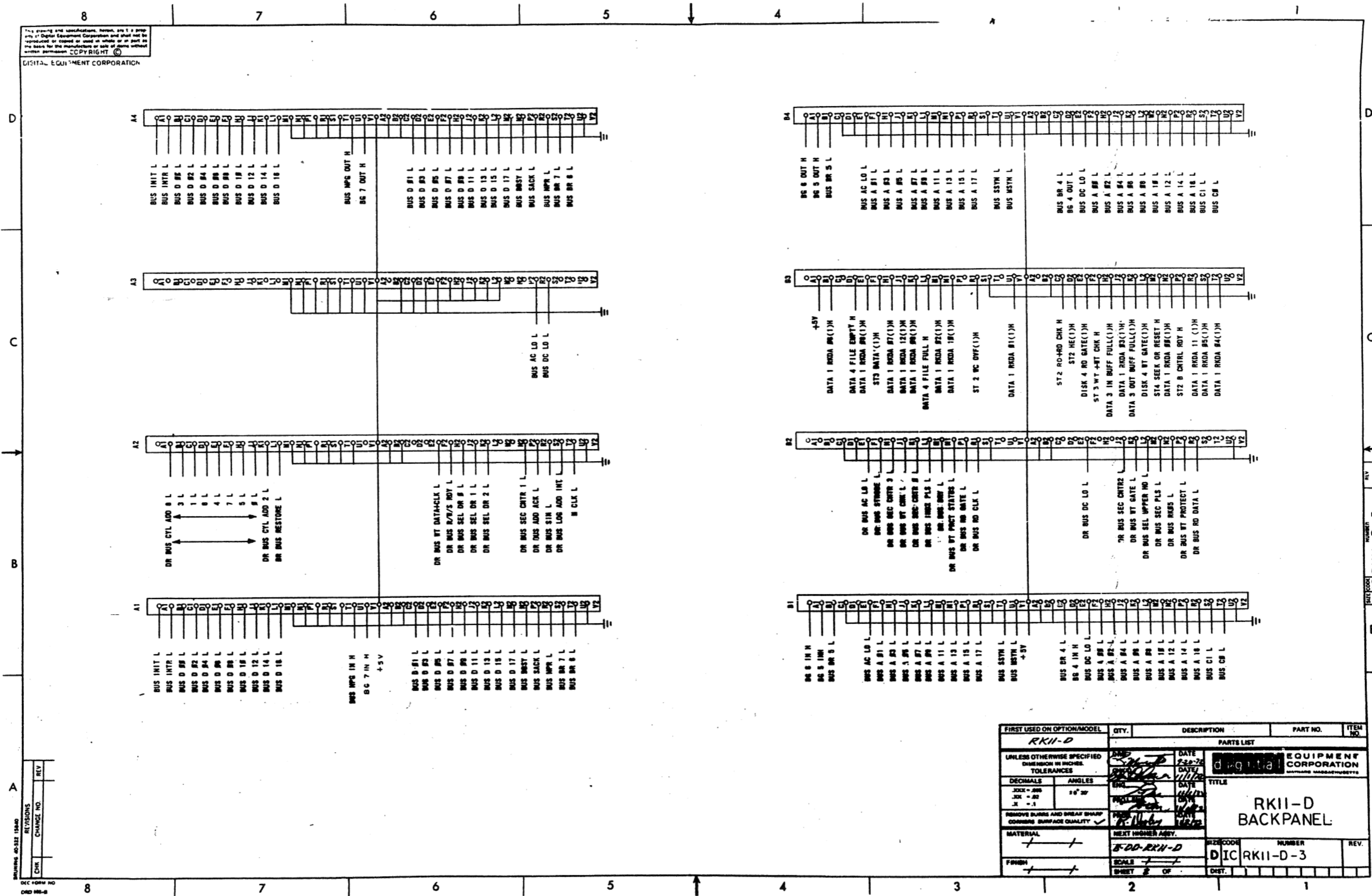


QTY.	DESCRIPTION	PART NO.	ITEM NO.
	RK11-D		
EQUIPMENT CORPORATION			
BUS CONTROL			
(BUS 4)			
DCS M7257-0-1			
REV. C			

REVISIONS
CHG
NO

This drawing and specifications, herein, are the property of Digital Equipment Corporation and shall not be reproduced or copied in whole or in part without the written permission of Digital Equipment Corporation.

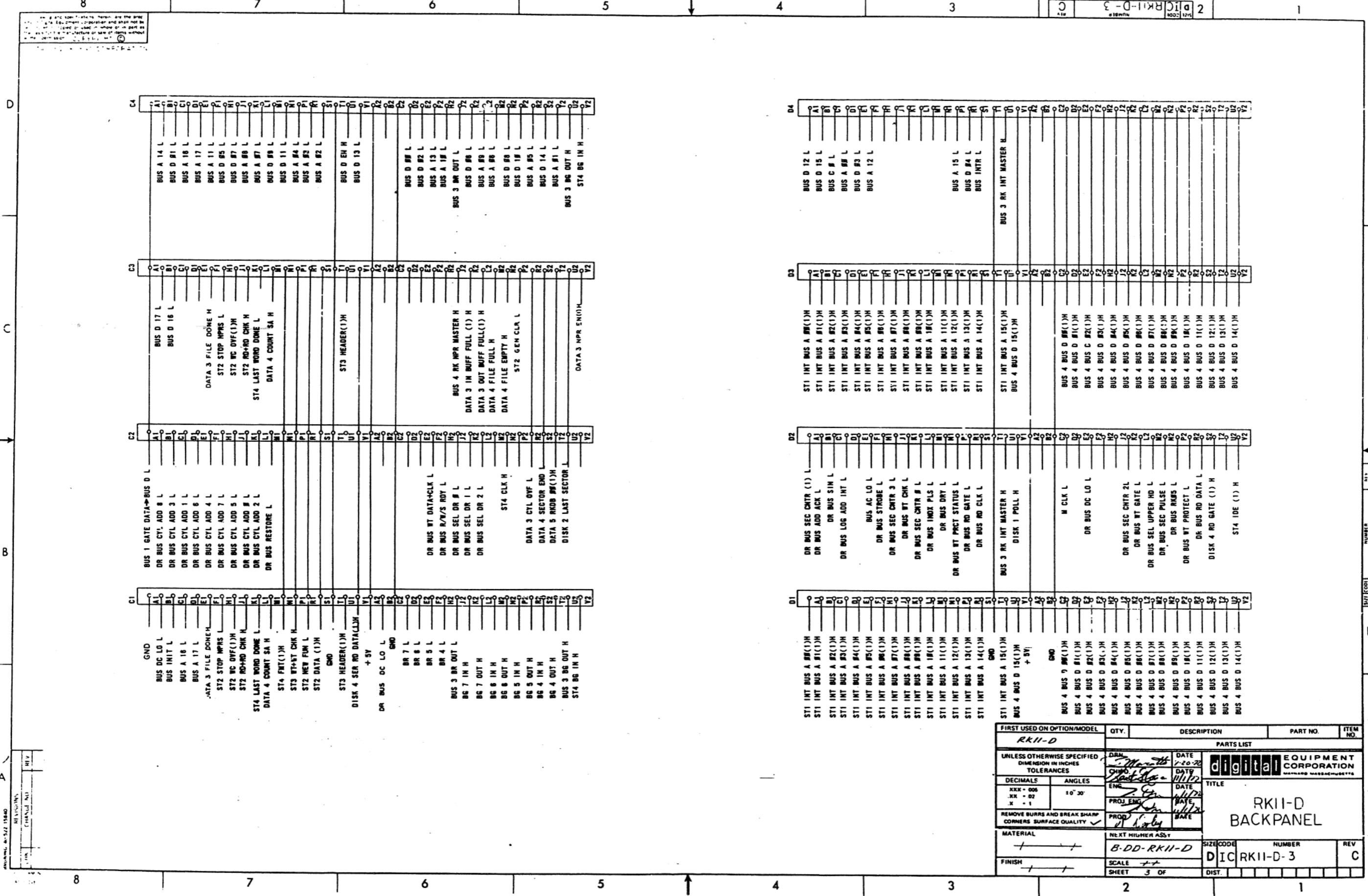
DIGITAL EQUIPMENT CORPORATION



REV	CHANGE NO.	REVISIONS

FIRST USED ON OPTION/MODEL	QTY.	DESCRIPTION	PART NO.	ITEM NO.
RKII-D				
UNLESS OTHERWISE SPECIFIED DIMENSIONS IN INCHES				
TOLERANCES		DATE	PARTS LIST	
DECIMALS	ANGLES	2-28-76	 RKII-D BACKPANEL	
SIZE - .005	16° 30'	DATE		
XX - .00		DATE		
REMOVE BURRS AND BREAK SHARP CORNERS SURFACE QUALITY				
MATERIAL	NEXT HIGHER ASSY.		SIZE CODE	NUMBER
FINISH	B-DD-RKII-D		DIC	RKII-D-3
	SCALE			
	SHEET 2 OF			

REV. NO. DIC/RKII-D-3

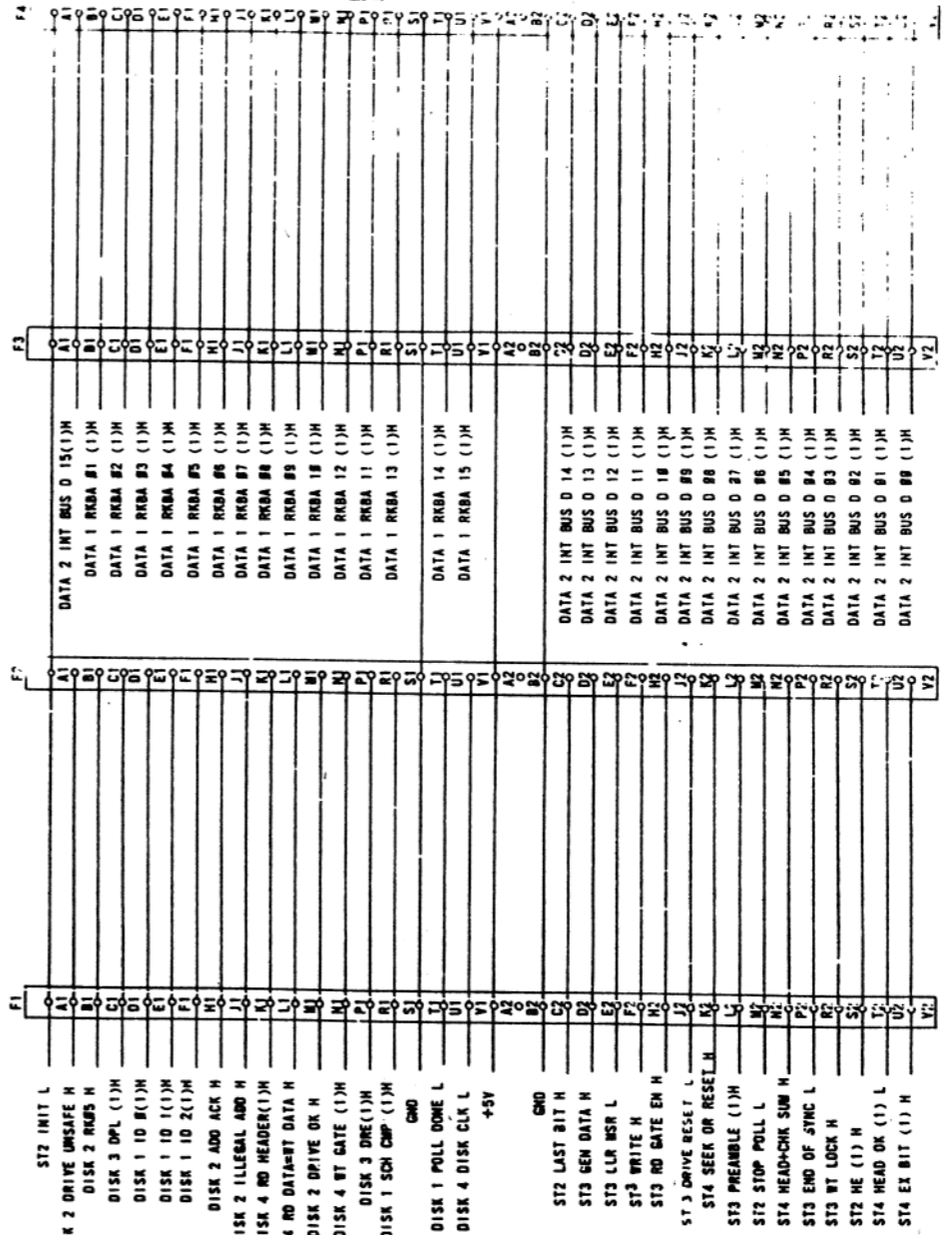
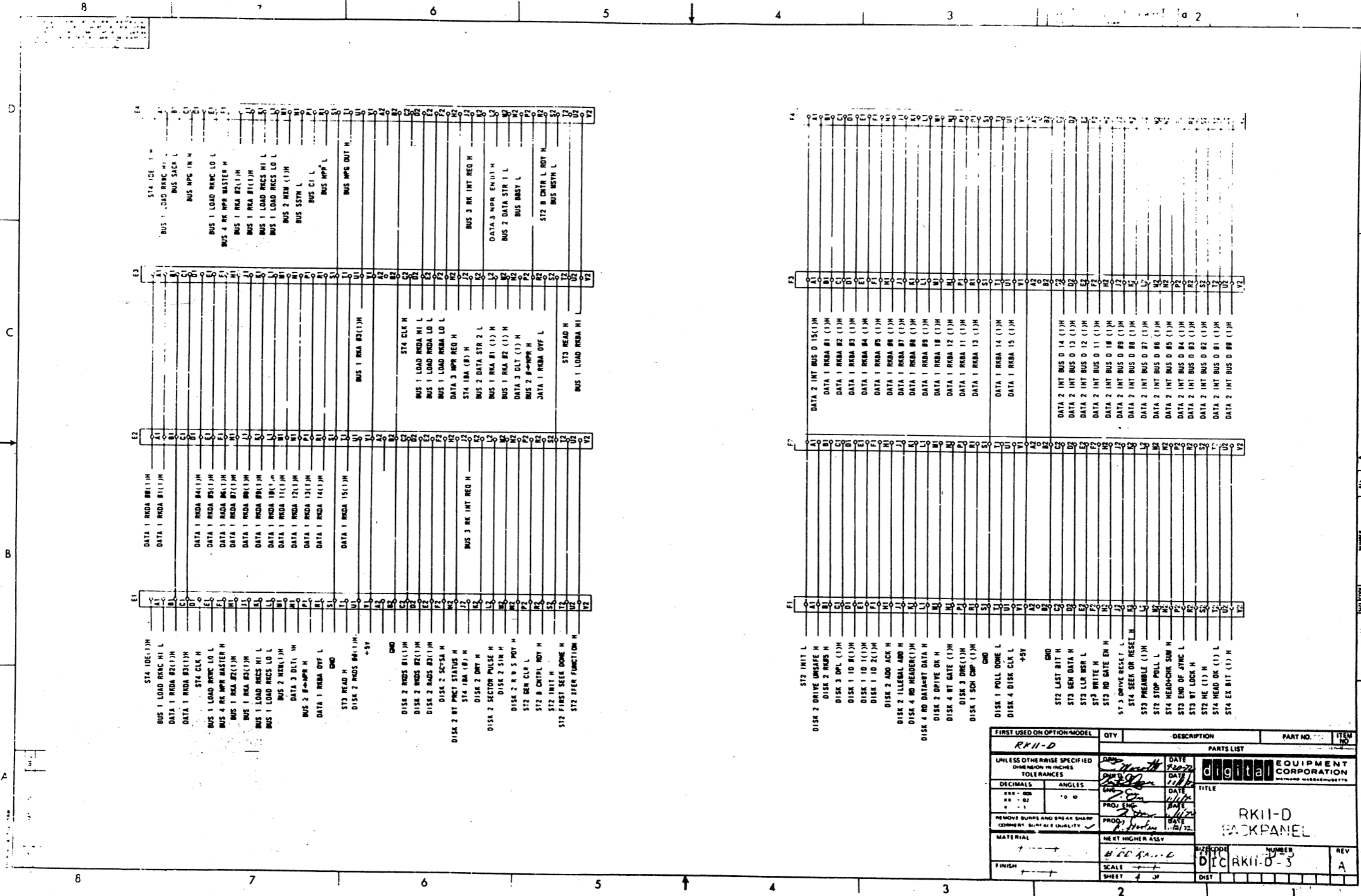


8
 A
 DIMENSIONS
 CHANGE NO. 117

FIRST USED ON OPTION/MODEL	QTY.	DESCRIPTION	PART NO.	ITEM NO.																				
RKII-D																								
UNLESS OTHERWISE SPECIFIED DIMENSION IN INCHES TOLERANCES																								
DECIMALS	ANGLES	<table border="1"> <tr> <td>DATE</td> <td>1-20-72</td> </tr> <tr> <td>DRAWN</td> <td>W. J. J.</td> </tr> <tr> <td>CHECKED</td> <td>W. J. J.</td> </tr> <tr> <td>DATE</td> <td>1/11/72</td> </tr> <tr> <td>ENG.</td> <td>W. J. J.</td> </tr> <tr> <td>DATE</td> <td>1/11/72</td> </tr> <tr> <td>PROJ. ENG.</td> <td>W. J. J.</td> </tr> <tr> <td>DATE</td> <td>1/11/72</td> </tr> <tr> <td>PROP.</td> <td>W. J. J.</td> </tr> <tr> <td>DATE</td> <td>1/11/72</td> </tr> </table>			DATE	1-20-72	DRAWN	W. J. J.	CHECKED	W. J. J.	DATE	1/11/72	ENG.	W. J. J.	DATE	1/11/72	PROJ. ENG.	W. J. J.	DATE	1/11/72	PROP.	W. J. J.	DATE	1/11/72
DATE	1-20-72																							
DRAWN	W. J. J.																							
CHECKED	W. J. J.																							
DATE	1/11/72																							
ENG.	W. J. J.																							
DATE	1/11/72																							
PROJ. ENG.	W. J. J.																							
DATE	1/11/72																							
PROP.	W. J. J.																							
DATE	1/11/72																							
XXX - 006	10° 30'	digital EQUIPMENT CORPORATION WATERTOWN, MASSACHUSETTS																						
X - 1																								
REMOVE BURNS AND BREAK SHARP CORNERS SURFACE QUALITY																								
TITLE RKII-D BACKPANEL																								
MATERIAL	NEXT HIGHER ASSY	SIZE CODE	NUMBER	REV																				
+	B-DD-RKII-D	DIC	RKII-D-3	C																				
FINISH	SCALE	SHEET	DIST.																					
+	3 OF																							

PART NO. **DIC RKII-D-3**

PART NO. **DIC RKII-D-3**



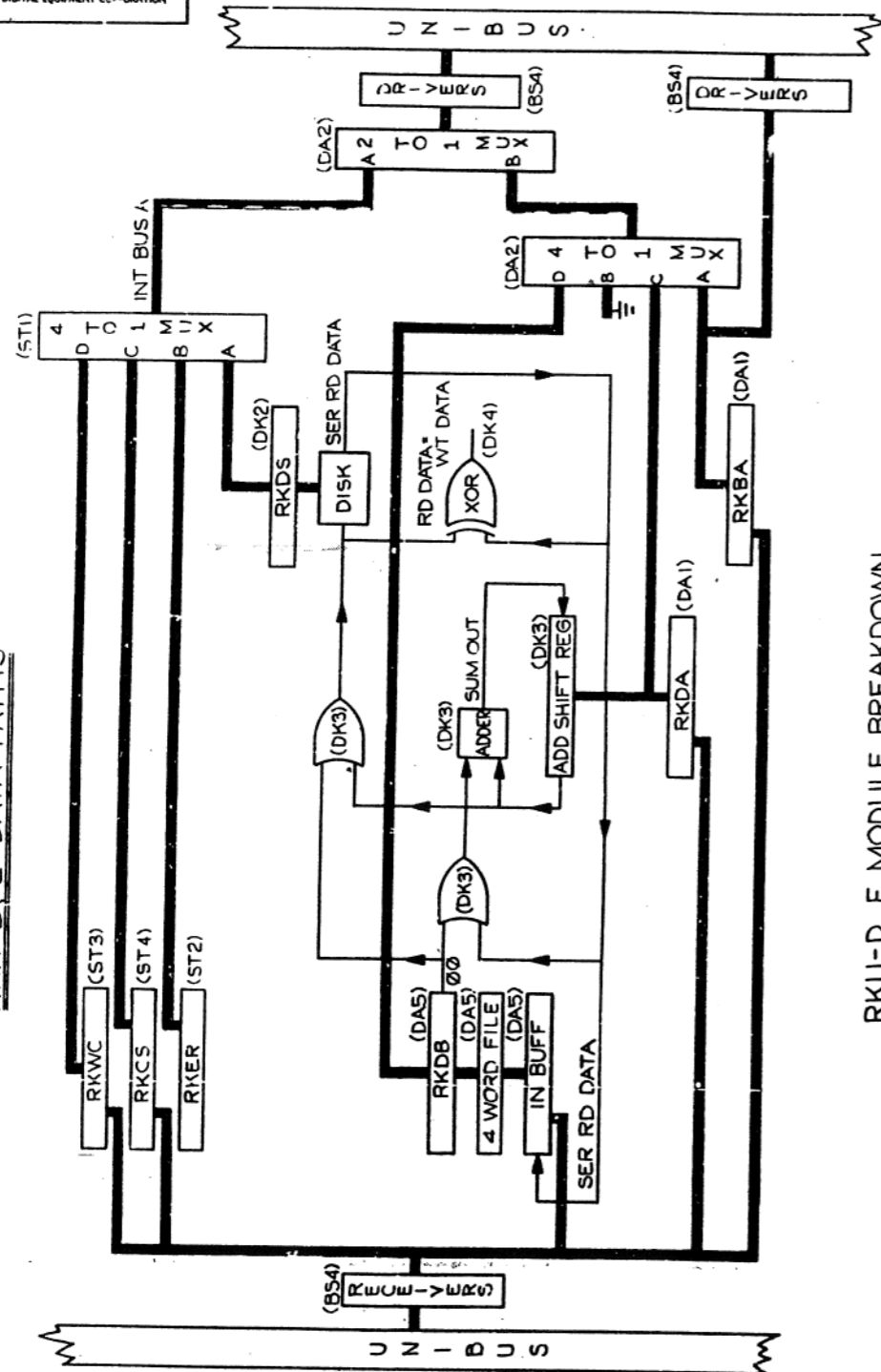
FIRST USED ON OPTION/MODEL	QTY	DESCRIPTION	PART NO.	ITEM NO.								
RKII-D												
UNLESS OTHERWISE SPECIFIED DIMENSIONS IN INCHES TOLERANCES												
DECIMALS	ANGLES	<table border="1"> <tr> <td>DATE</td> <td>DATE</td> </tr> <tr> <td>1/10</td> <td>1/10</td> </tr> <tr> <td>DATE</td> <td>DATE</td> </tr> <tr> <td>1/10</td> <td>1/10</td> </tr> </table>			DATE	DATE	1/10	1/10	DATE	DATE	1/10	1/10
DATE	DATE											
1/10	1/10											
DATE	DATE											
1/10	1/10											
REMOVE BURRS AND BREAK SHARP CORNERS. SURFACE QUALITY		digital EQUIPMENT CORPORATION WATUARD MASSACHUSETTS RKII-D BACKPANEL NUMBER: DICRKII-D-3 REV: A										
MATERIAL	NET HIGHER ASSY											
FINISH	SCALE	SHEET	DIST									

DRAWING NUMBER: **DICRKII-D-3**
 REV: **A**

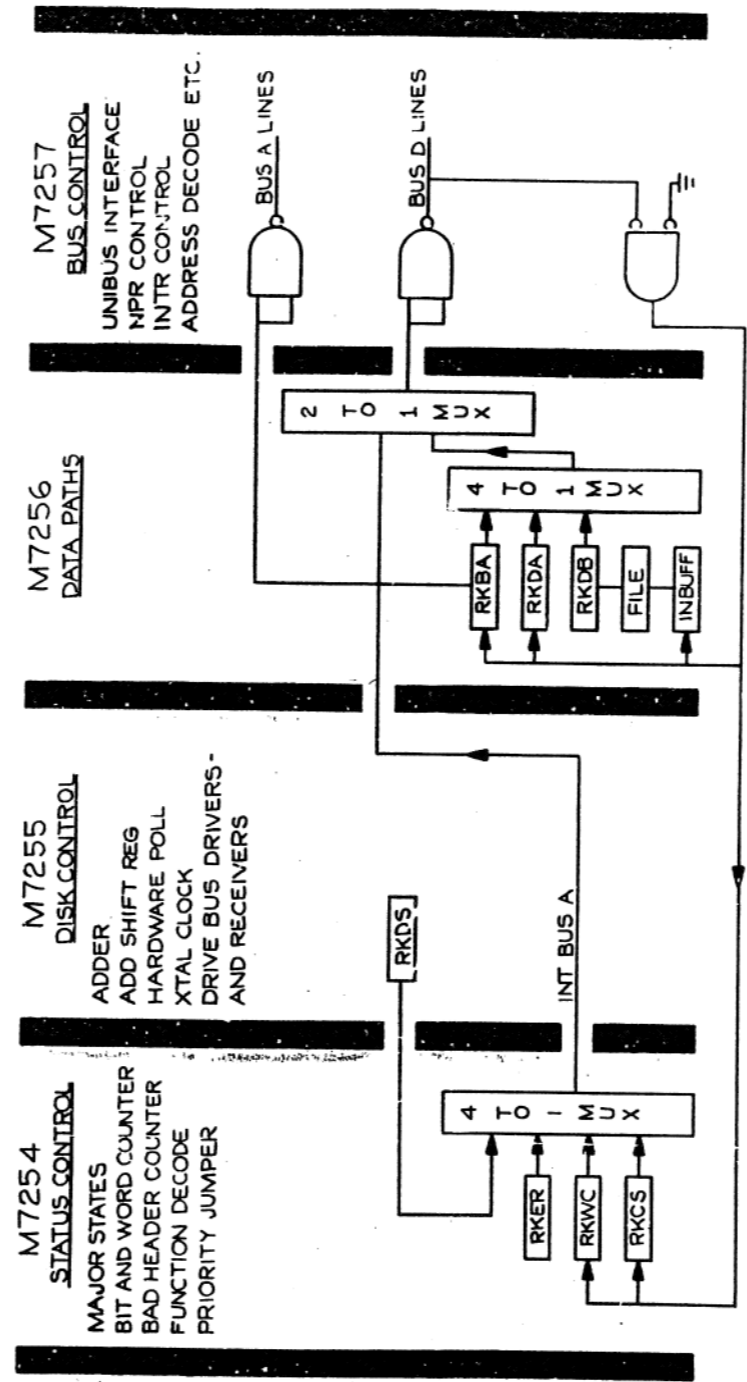
THE DRAWING AND SPECIFICATIONS HEREIN ARE THE PROPERTY OF DIGITAL EQUIPMENT CORPORATION AND SHALL NOT BE REPRODUCED OR COPIED OR USED IN WHOLE OR IN PART AS THE BASIS FOR THE MANUFACTURE OR SALE OF ITEMS WITHOUT WRITTEN PERMISSION. COPYRIGHT © DIGITAL EQUIPMENT CORPORATION

— DESIGNATES PARALLEL TRANSFER
 - - - DESIGNATES SERIAL TRANSFER

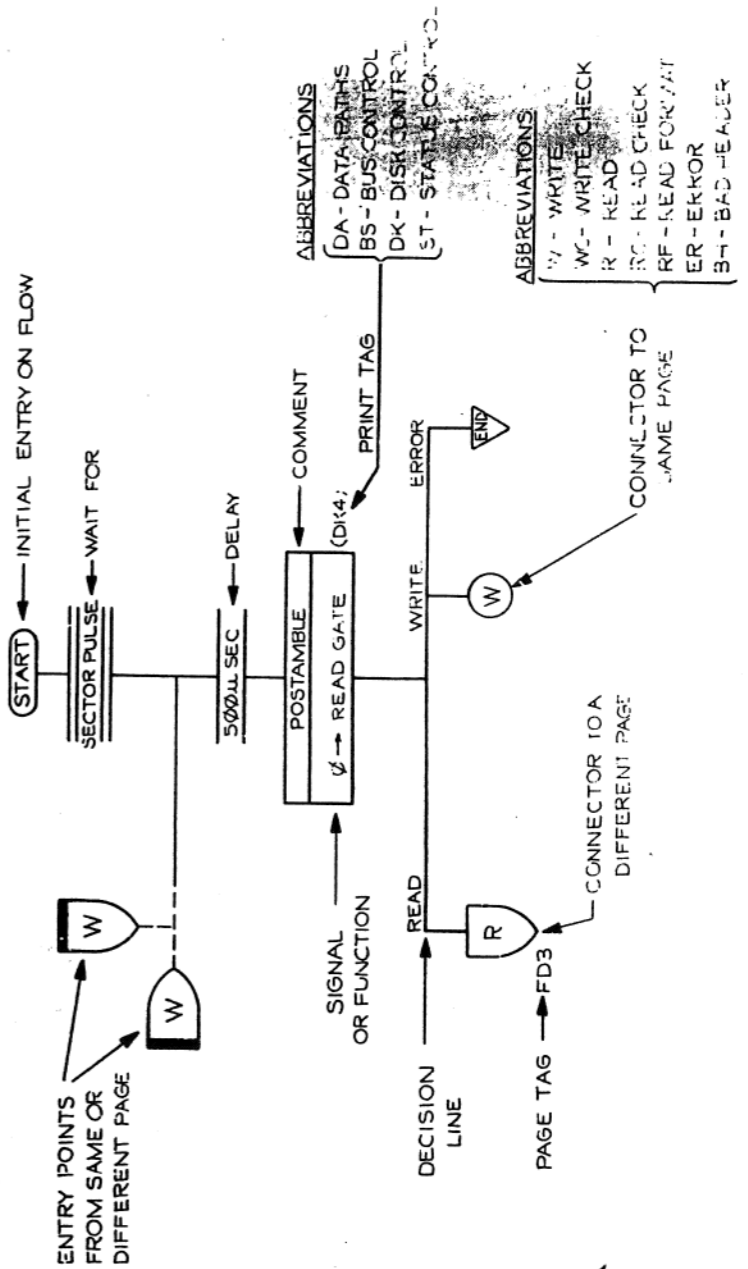
RK11-D, E DATA PATHS



RK11-D, E MODULE BREAKDOWN



FLOW DRAWING EXAMPLE



ABBREVIATIONS
 DA - DATA PATHS
 BS - BUS CONTROL
 DK - DISK CONTROL
 ST - STATUS CONTROL

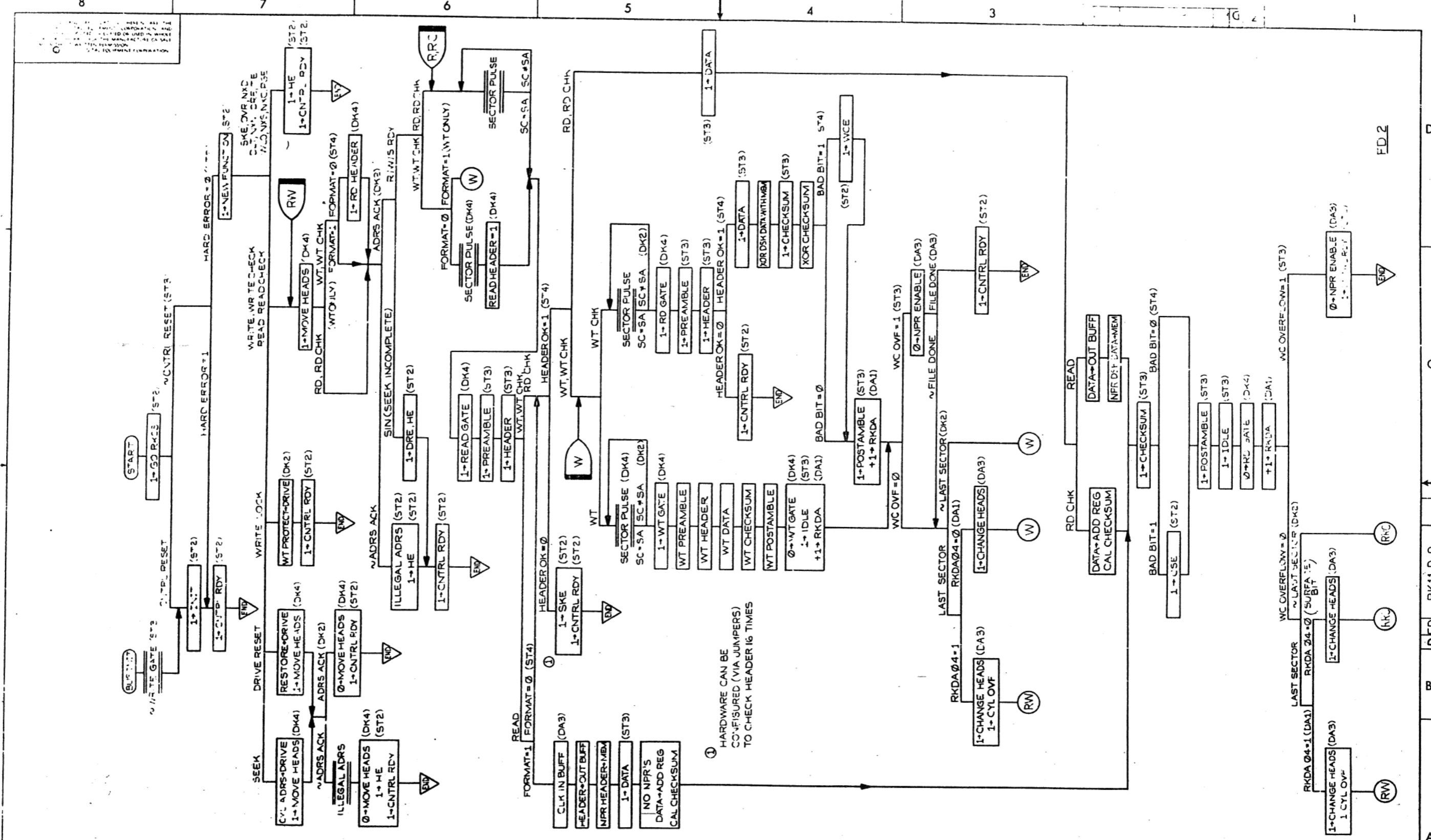
ABBREVIATIONS
 W - WRITE
 WC - WRITE CHECK
 R - READ
 RC - READ CHECK
 RF - READ FOR FAT
 ER - ERROR
 BT - BAD HEADER

REV	CHG	NO.	REV

FIRST USED ON OPTION/MODEL RK11-D		QTY.	DESCRIPTION	PART NO.	ITEM NO.
DIMENSIONAL TOLERANCE		PARTS LIST			
DIMENSIONS ARE MILLIMETERS UNLESS OTHERWISE SPECIFIED		DRN J. R. K. / 12/74	DATE 2-20-74		
MILLIMETERS INCHES ANGLES		CHK R. R. / 12/74	DATE 5-13-74		
XX - 0.10	XX - 0.05	ENG M. J. / 12/74	DATE 12/74		
XX - 0.05	XX - 0.02	PRD M. J. / 12/74	DATE 12/74		
XX - 0.2	XX - 0.1	PROG M. J. / 12/74	DATE 12/74	TITLE RK11-D, E FUNCTION FLOWS	
THIRD ANGLE PROJECTION	REMOVE BURRS AND BREAK SHARP CORNERS SURFACE QUALITY	NEXT HIGHER ASSY.		SIZE CODE D	NUMBER RK11-D-9
MATERIAL	FINISH	SCALE		REV.	
		SHEET 1 OF 5			

REV	NO	DESCRIPTION

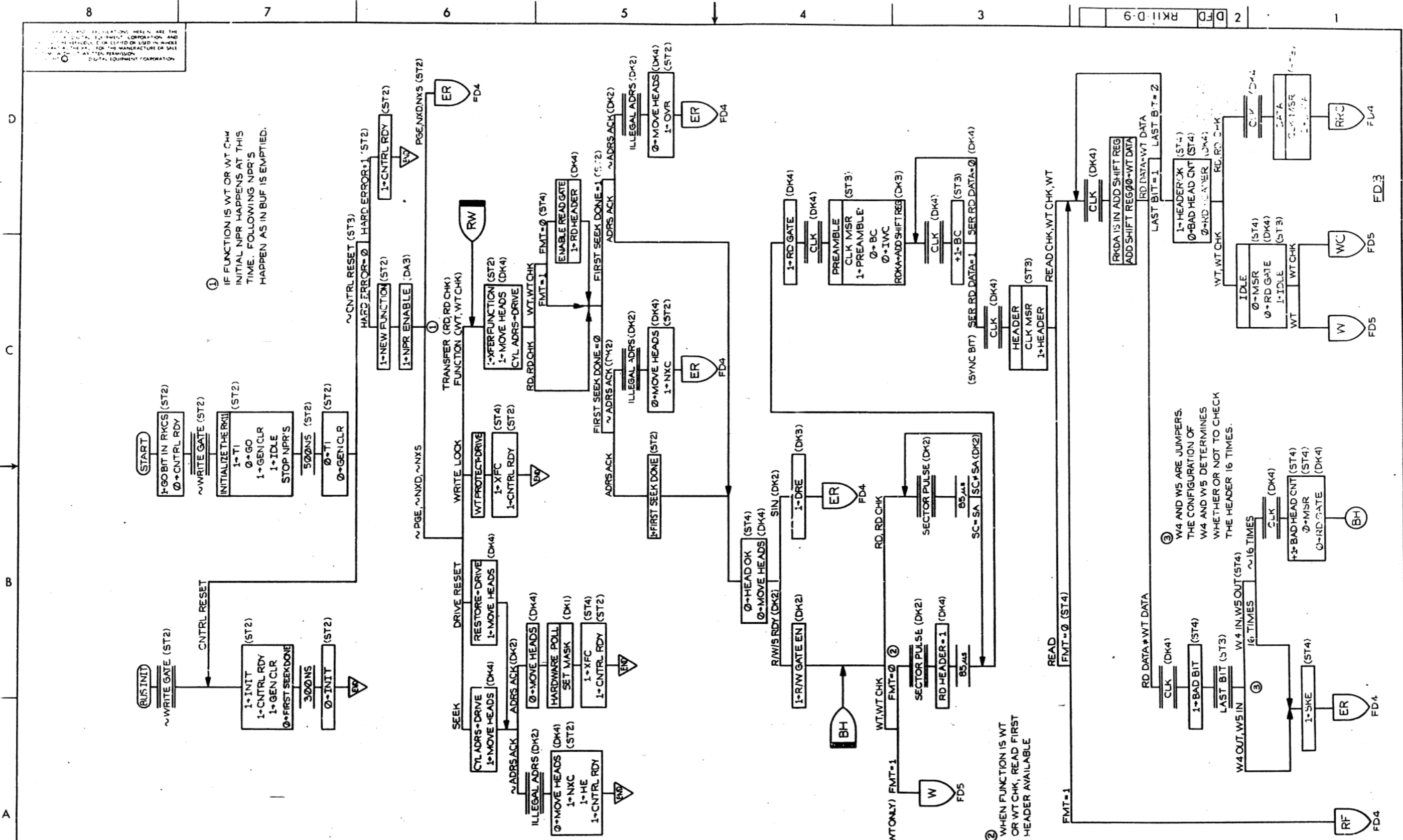
FUNCTION FLOW OF RW-20



FD.2

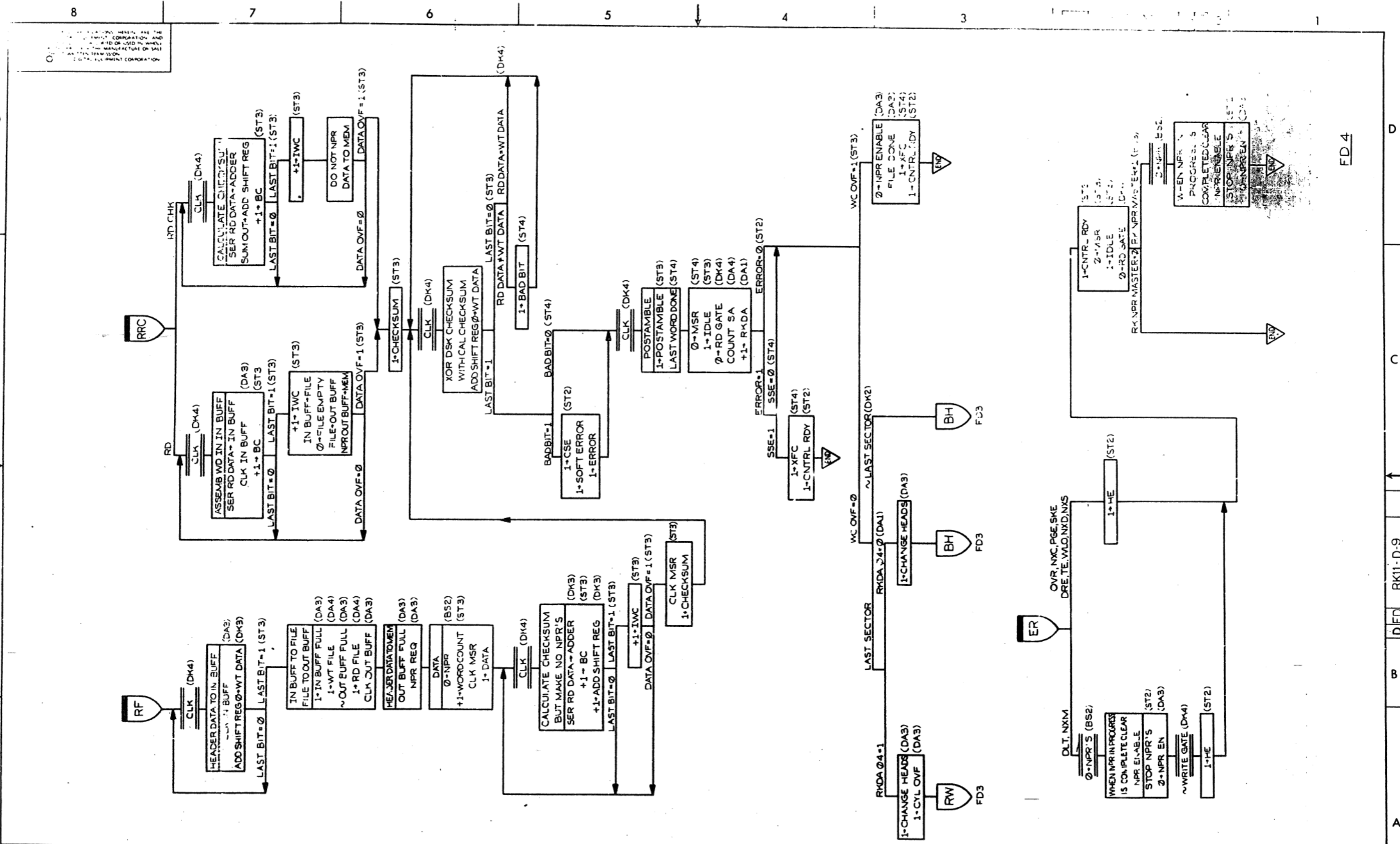
A B C D

TITLE	RK11-D.E FUNCTION FLOWS	SIZE CODE	NUMBER	REV.
SCALE	SHEET 2 OF 5	D F D	RK11-D-9	



REV	CHANGE NO	REV

ALL LOGIC SYMBOLS HEREIN ARE THE PROPERTY OF INTERNATIONAL BUSINESS MACHINES CORPORATION AND SHOULD BE USED IN WHOLE OR IN PART ONLY IN CONNECTION WITH THE MANUFACTURE OF SAID EQUIPMENT BY SAID CORPORATION.



FD 4

REVISIONS			TITLE		SIZE	CODE	NUMBER		REV.
NO.	CHANGE NO.	REV.	RK11-D-9		D	FD	RK11-D-9		
8			FUNCTION FLOWS						
7									
6									
5									
4									
3									
2									
1									

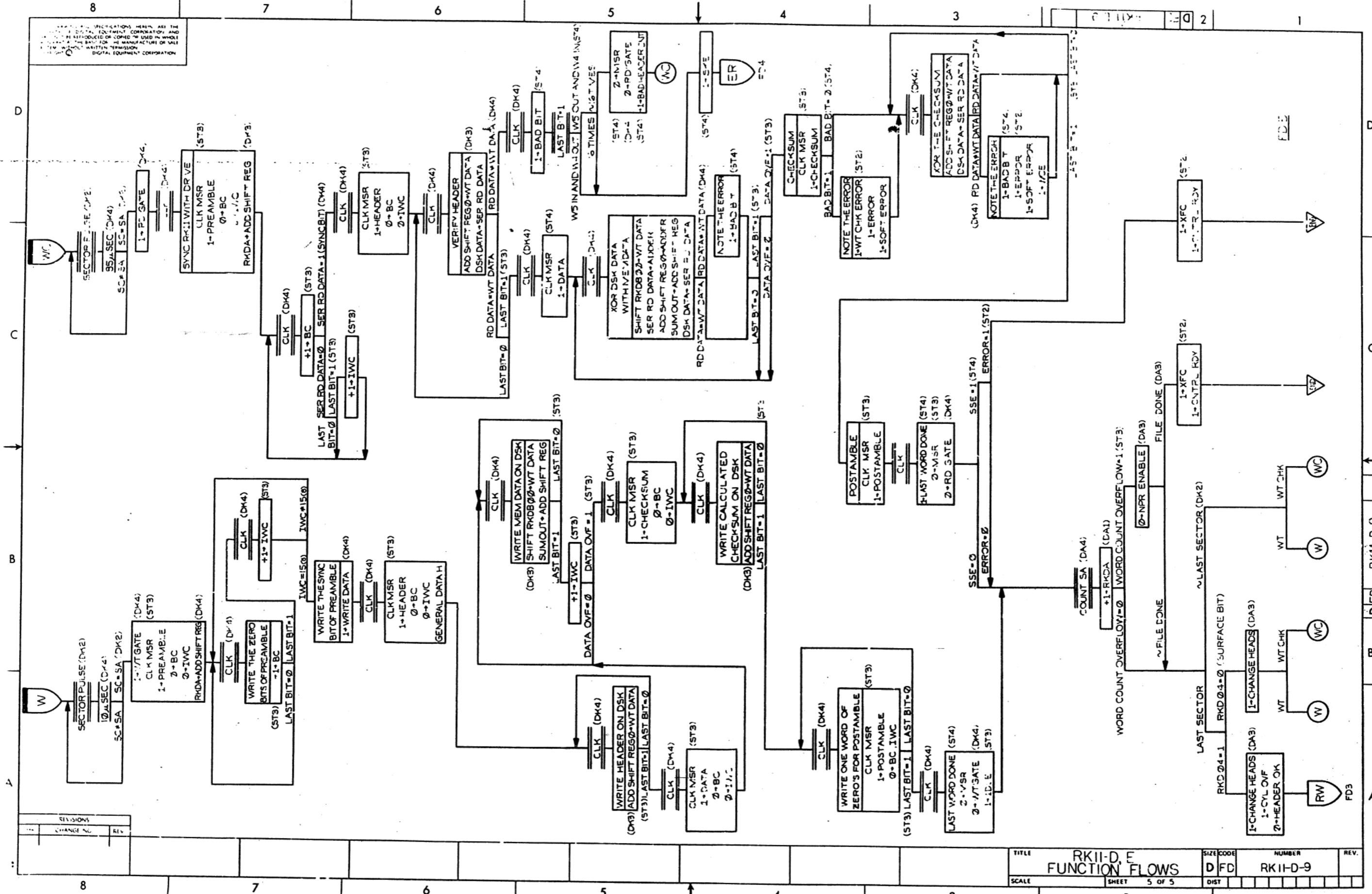
A

B

D

C

D

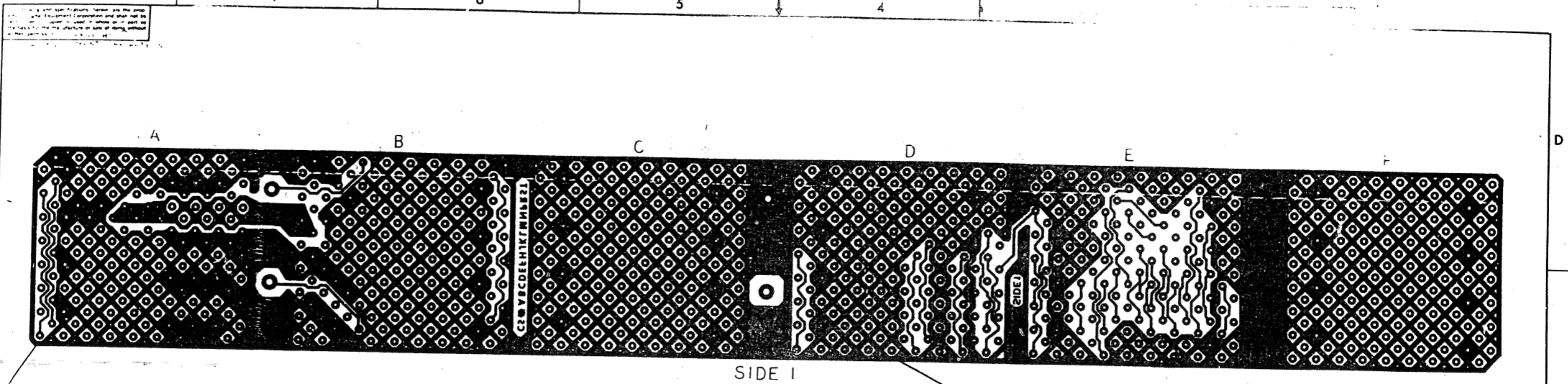


REVISIONS
 CHANGE NO. REV.
 1
 2
 3

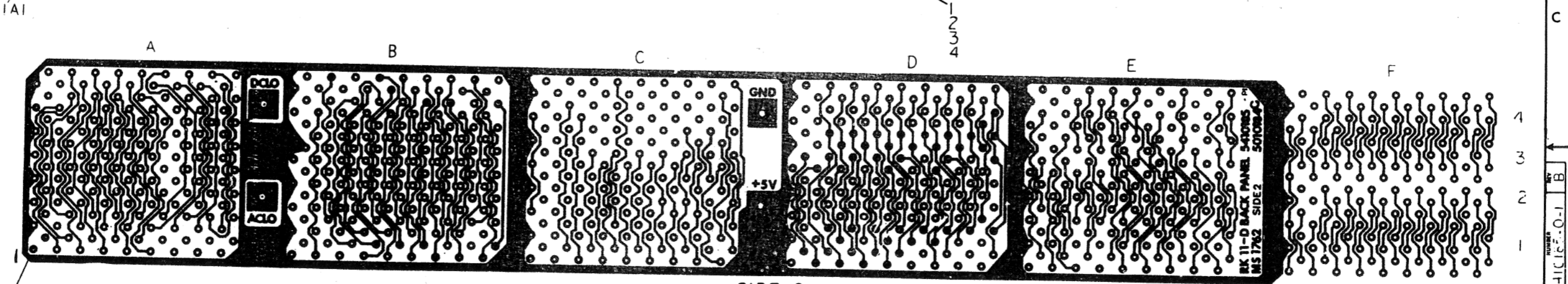
A B C D

D/FC RK11-D-9

1. This drawing and its details herein are the property of Digital Equipment Corporation and shall not be used, copied, or reproduced in whole or in part, in any form, without the written permission of Digital Equipment Corporation.



SIDE 1



SIDE 2

REV	CHANGE NO	DATE	BY
A	1	1/24/72	W.F.D.
B	1	1/25/72	W.F.D.
MINOR			

ETCH REV		QTY.	DESCRIPTION	PART NO.	ITEM NO.
C					
FIRST LIST OPTION/MODEL					
RK11-D					
UNLESS OTHERWISE SPECIFIED DIMENSION IN INCHES					
TOLERANCES					
DECIMALS	ANGLES				
.XX - .005	± 0° 30'				
.XX - .01					
.X - .1					
REMOVE BURRS AND BREAK SHARP CORNERS SURFACE QUALITY					
MATERIAL					
NEXT HIGHER ASSY.					
FINISH					

AWT REVISION STATUS	AWT	REV
ETCH/WIRE LIST (RK11-D)	K-WL-RK11-D-2	5
ETCHED CIRCUIT BOARD	5C10185	4
REF MODULE ECO HISTORY	B-MH-5410185-04	3
REF ASSY/DRILLING HOLE LAYOUT	D-AH-5410185-0-5	2
REF X-Y COORDINATE HOLE LOCATION	K-CO-5410185-0-9	1

DSN	DATE	DESIGNED BY	DATE	ENG	DATE	PROL ENG	DATE	FRM	DATE
Wilson	1/17/72	Wilson	1/17/72	Wilson	1/17/72	Wilson	1/17/72	Wilson	1/17/72

PARTS LIST		TITLE	
digital EQUIPMENT CORPORATION		CIRCUIT SCHEMATIC (RK11-D)	
B-00-RK11-D		DCCS 5410185-0-1	
SCALE	SHEET	OF	DIST.

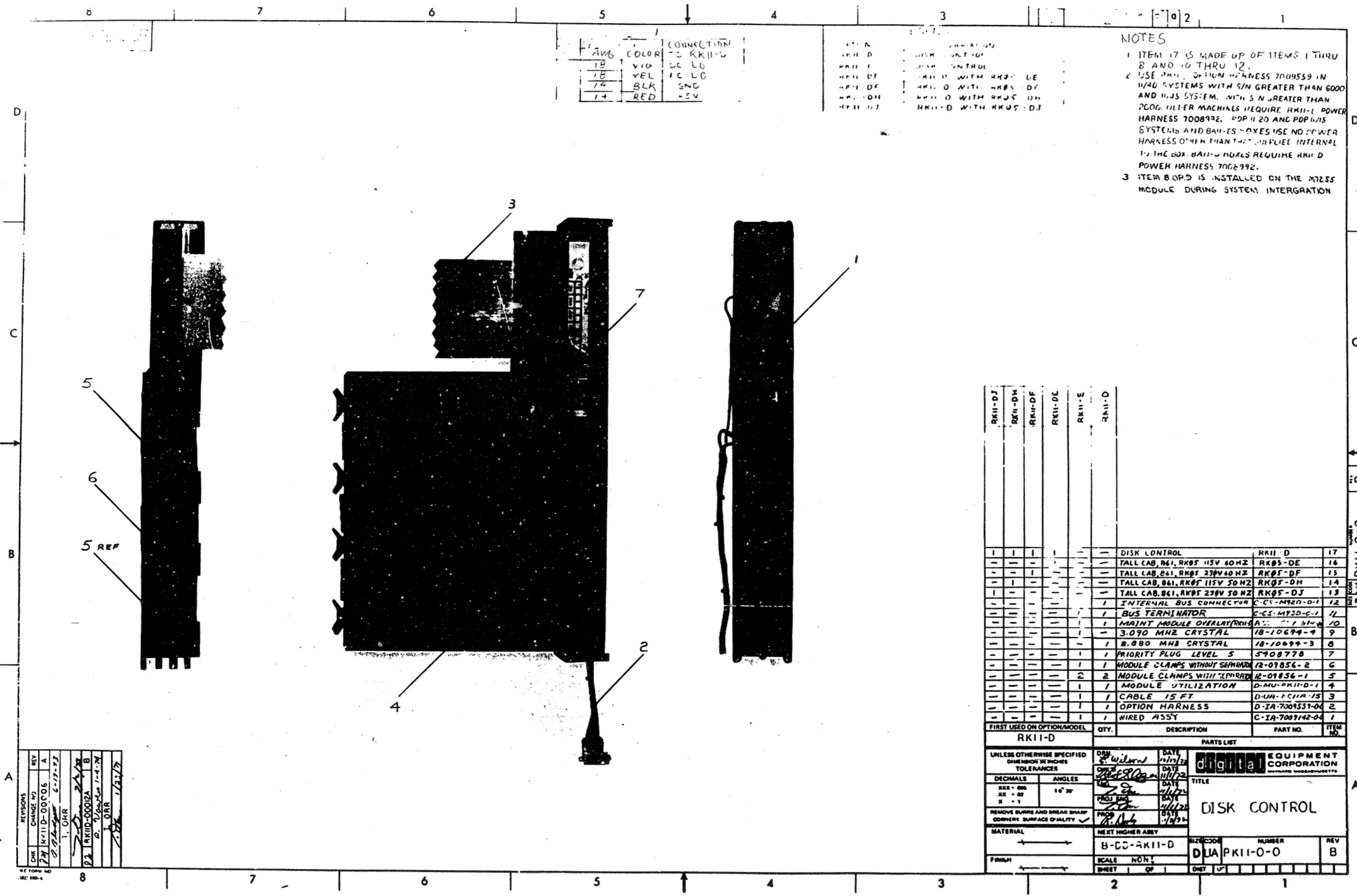
THE CODE NUMBER IS B-00-RK11-D
 DCCS 5410185-0-1
 SHEET 2 OF 1

AWG	COLOR	CONNECTION TO RKII-D
18	VIO	DC LG
18	YEL	AC LG
14	BLK	3NC
14	RED	-5V

ITEM	DESCRIPTION
RKII-D	DISK CONTROL
RKII-D	DISK CONTROL
RKII-DF	RKII-D WITH RK05-DE
RKII-D	RKII-D WITH RK05-DF
RKII-DH	RKII-D WITH RK05-DH
RKII-DJ	RKII-D WITH RK05-DJ

NOTES

- ITEM 17 IS MADE UP OF ITEMS 1 THRU 8 AND 10 THRU 12.
- USE RKII-D OPTION HARNESS 7009559 IN 1140 SYSTEMS WITH S/N GREATER THAN 6000 AND 1145 SYSTEMS WITH S/N GREATER THAN 7000. OTHER MACHINES REQUIRE RKII-E POWER HARNESS 7008992. PDP 11 20 AND PDP 11/45 SYSTEMS AND BAI-ES-02ES USE NO POWER HARNESS OTHER THAN THAT SUPPLIED INTERNAL TO THE BOX. BAI-0 BOXES REQUIRE RKII-D POWER HARNESS 7008992.
- ITEM 8 OP.D IS INSTALLED ON THE M7255 MODULE DURING SYSTEM INTEGRATION.



REV	CHANGE NO	REV
A	00006	1/11/72
B	00012	1/11/72
C	00013	1/11/72
D	00014	1/11/72
E	00015	1/11/72
F	00016	1/11/72
G	00017	1/11/72
H	00018	1/11/72
I	00019	1/11/72
J	00020	1/11/72

RKII-DJ	RKII-DH	RKII-DF	RKII-DE	RKII-E	RKII-D	DESCRIPTION	PART NO.	ITEM NO.
						DISK CONTROL	RKII-D	17
						TALL CAB, 861, RK05 115V 60HZ	RK05-DE	16
						TALL CAB, 861, RK05 230V 60HZ	RK05-DF	15
						TALL CAB, 861, RK05 115V 50HZ	RK05-DH	14
						TALL CAB, 861, RK05 230V 50HZ	RK05-DJ	13
						INTERNAL BUS CONNECTOR	C-CS-M920-0-1	12
						BUS TERMINATOR	C-CS-MY20-0-1	11
						MAINT MODULE OVERLAY (REPAIR)	18-10699-9	10
						3.090 MHE CRYSTAL	18-10699-9	9
						2.880 MHE CRYSTAL	18-10699-3	8
						PRIORITY PLUG LEVEL 5	5908778	7
						MODULE CLAMPS WITHOUT SEPARATE	12-09856-2	6
						MODULE CLAMPS WITH SEPARATE	12-09856-1	5
						MODULE UTILIZATION	D-MU-RKII-D-1	4
						CABLE 15 FT.	D-UR-FC11A-15	3
						OPTION HARNESS	D-IA-7009551-04	2
						WIRED ASSY	C-IA-7009142-04	1

PARTS LIST

UNLESS OTHERWISE SPECIFIED DIMENSION IN INCHES TOLERANCER

DECIMALS	ANGLES
.XXX - .000	10° 30'
.XX - .00	
X - .1	

REMOVE BURRS AND BREAK SHARP CORNERS SURFACE QUALITY

MATERIAL: _____ NEXT HIGHER ASSY: _____

SCALE: NONE

DATE: 1/11/72

BY: [Signature]

CHK: [Signature]

REV: A

NUMBER: B-CC-RKII-D

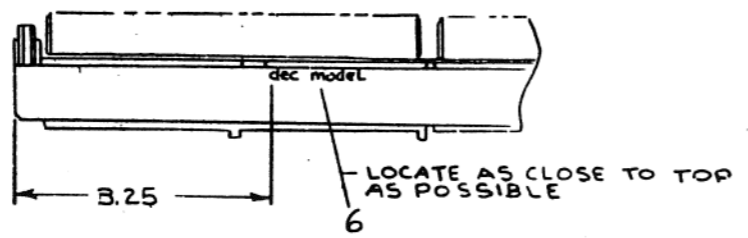
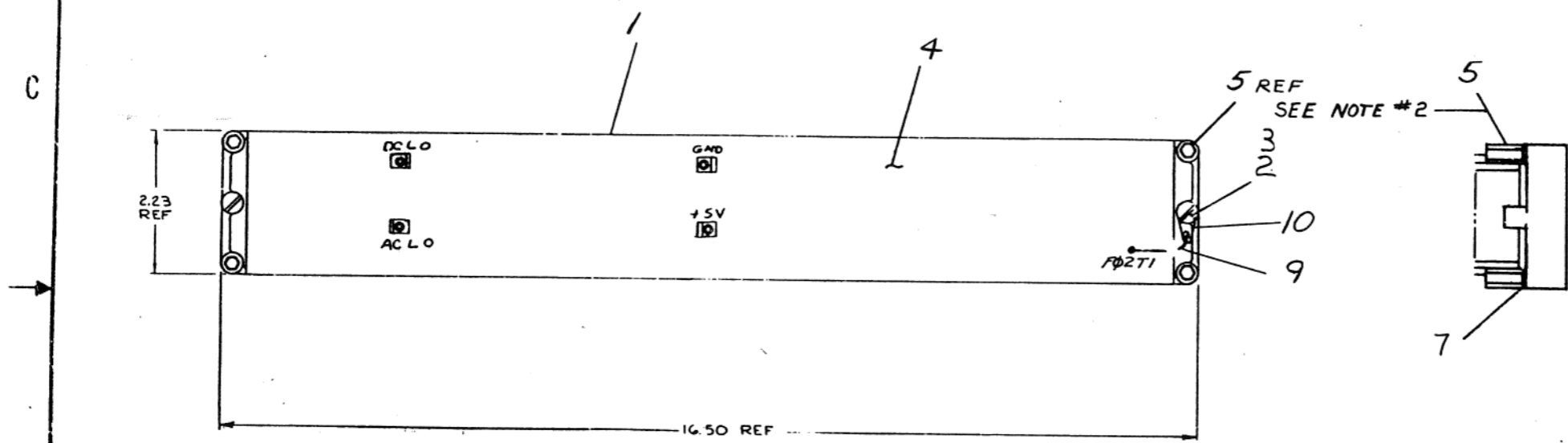
REV: B

NUMBER: DUA PKII-O-O

REV: B

...ations, herein, are the prop...
 ... corporation and shall not be...
 ... used in whole or in part as...
 ... manufacture or sale of items without...

NOTES:
 1. USE YELLOW WIRE ITEM #4
 ... WRAPPED.
 2. INSTALL STAND-OFFS
 (ITEM #5) BEFORE AWT.
 ... SCHEMATIC REFER
 TO DCS-5410185-0-1
 4. GROUND BACKPANEL BY WIRE
 WRAPPING A BLK 24 AWG WIRE
 (ITEM #9) ON PIN F02T1 AND
 ATTACH OTHER END UNDER
 CAPTIVE SCREW (ITEM #3).
 WITH SOLDER TERMINAL
 (ITEM #10)



QTY.	DESCRIPTION	PART NO.	ITEM NO.
1	LOCKING TERMINAL SHAKEPROOF	9006766	10
A/R	#24 SOLID CONDUCTOR, BLK KYNAR	9107688-00	9
1	GROUND CABLE	9109378-0-0	8
4	LOCKWASHER #6 EXT TOOTH	9007649	7
1	DECAL LOGIC SERIAL NUMBER	A-SS-740789-00	6
4	STAND-OFF JAN #146 B	9009120-1	5
A/R	#30 SOLID CONDUCTOR KYNAR	9105740-99	4
2	SCR CAPTIVE (8-32X1 7/8)	9008157	3
2	RETAINING RING	9009316-1	2
1	BACK PANEL (RKII-D)	D-IA-700913100	1

FIRST USED ON OPTION/MODEL RKII-D		PARTS LIST	
UNLESS OTHERWISE SPECIFIED DIMENSION IN INCHES. TOLERANCES	DBN. <i>E. Wilson</i>	DATE 9/25/72	 digital EQUIPMENT CORPORATION MAYNARD, MASSACHUSETTS
DECIMALS	CHK'D <i>[Signature]</i>	DATE 10/1/72	
ANGLES	ENG. <i>[Signature]</i>	DATE 10/1/72	
xxx - .008 xx - .02 x - .1	PROJ. ENG. <i>[Signature]</i>	DATE 10/1/72	
REMOVE BURRS AND BREAK SHARP CORNERS SURFACE QUALITY	PROD. <i>R. Dorley</i>	DATE 11/2/72	TITLE WIRED ASS'Y (RKII-D)
MATERIAL	NEXT HIGHER ASSY.	SIZE CODE	NUMBER
FINISH	B-DD-RKII-D	CIA	7009142-0-0
	SCALE	SHEET	OF
		1	1
		DIST.	

REV.	DATE	BY	DESCRIPTION
1	11-2-73	ORR	
2			
3			
4			

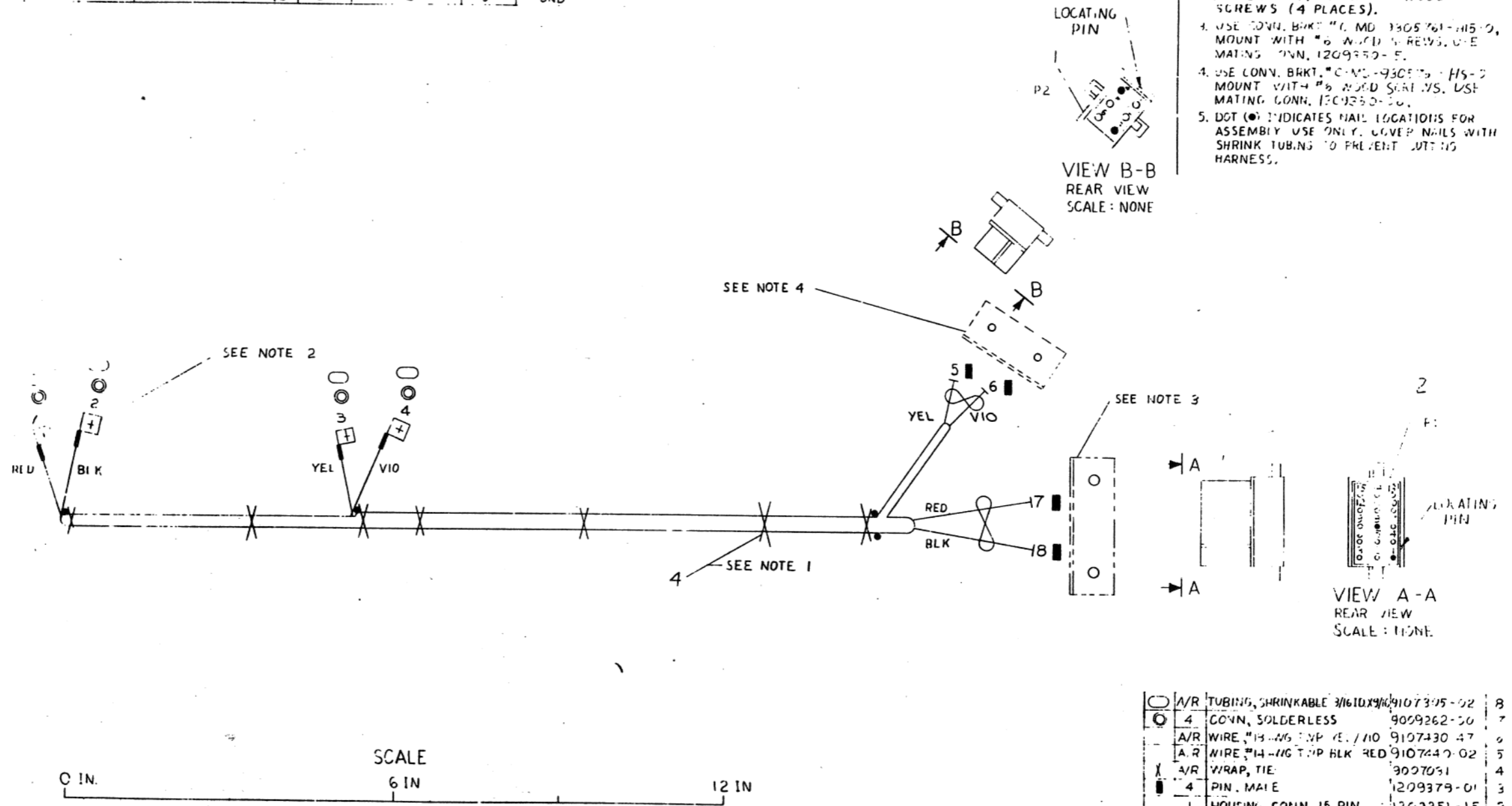
REV. B
 NUMBER
 C IA 7009142-0-0
 SHEET
 B

A

0-0-6996002-1 D 2

WIRE TABLE										
ITEM NO	DESCRIPTION	FROM				TO				SIGNAL
		AWG	CO. OR	POINT	CONNECTION	TERM	POINT	CONNECTION	TERM	
6	# 18 YEL			3		7,8	5	P2-4	3	AC LO
5	# 18 VIO			4		7,8	6	P2-3	3	DC LO
5	# 4 REL			1		7,8	7	P1-1	3	-5
5	# 4 BLK			2		7,8	8	P1-8	3	GND

- NOTES
- USE TIE WRAPS ON ITEM #4 APPROXIMATELY EVERY THREE (3) INCHES WHEN NECESSARY, AND AT EVERY BREAKOUT POINT.
 - ATTACH MALE FASTON DEC # (3008219-0) WITH #4 WOOD SCREWS (4 PLACES).
 - USE CONV. BRKT # C-MD 3805761-415-0, MOUNT WITH #6 WOOD SCREWS, USE MATING CONN, 1209350-5.
 - USE CONV. BRKT # C-MD-930575-415-0 MOUNT WITH #6 WOOD SCREWS, USE MATING CONN, 1209350-5.
 - DOT (•) INDICATES NAIL LOCATIONS FOR ASSEMBLY USE ONLY. COVER NAILS WITH SHRINK TUBING TO PREVENT CUTTING HARNESS.



DO NOT REDUCE
DO NOT BUILD FROM REDUCED PRINT

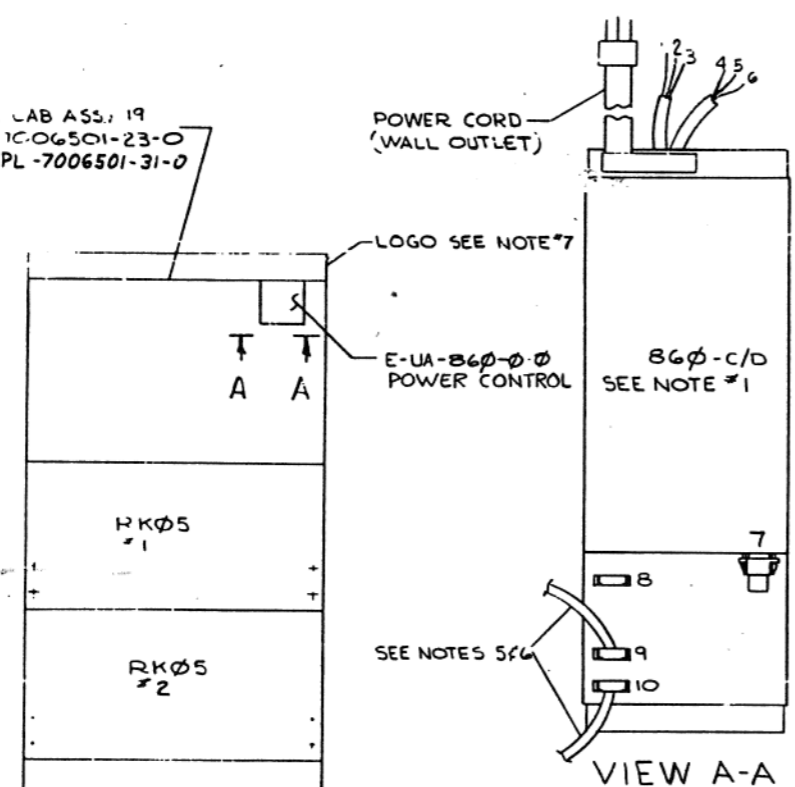
CAUTION - DRAWING SIZE AND SCALE REDUCED FOR MICROFILM NOT TO BE USED FOR PRODUCTION

QTY.	DESCRIPTION	PART NO.	ITEM NO.
1	A/R TUBING, SHRINKABLE 3/16ID X 1/8	9107395-02	8
4	CONN, SOLDERLESS	9009262-50	7
1	A/R WIRE #18 AWG TYP REL / 110	9107430-47	6
1	A/R WIRE #14 AWG TYP BLK RED	9107440-02	5
4	A/R WRAP, TIE	3007091	4
4	PIN, MALE	1209379-01	3
1	HOUSING, CONN, 15 PIN	1209351-15	2
1	HOUSING, CONN, 6 PIN	1209351-06	1

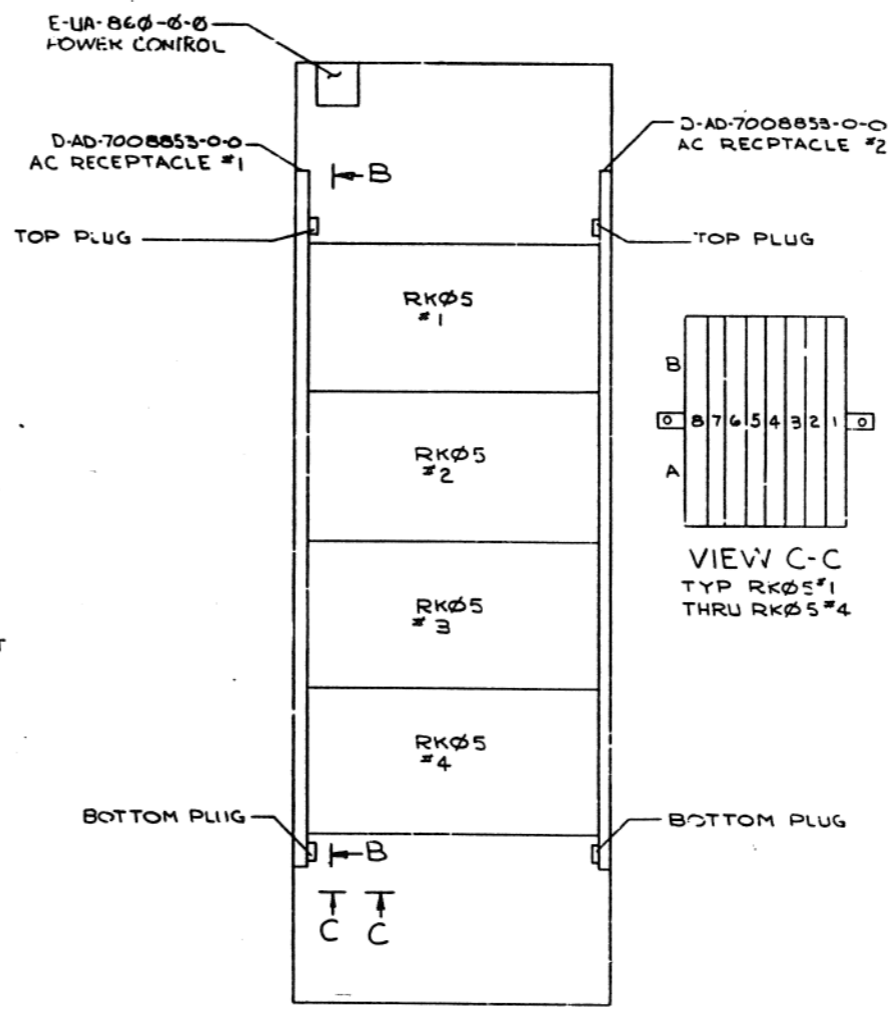
FIRST USED ON OPT. #		QTY.		DESCRIPTION		PART NO.		ITEM NO.	
RK11-D									
UNLESS OTHERWISE SPECIFIED DIMENSION IN INCHES				DRN		DATE		PARTS LIST	
TOLERANCES				CHK'D		DATE		digital EQUIPMENT CORPORATION	
DECIMALS		ANGLES		END.		DATE		TITLE	
.xxx - .005		° 0 30'		PROJ. ENG.		DATE		OPTION HARNESS	
.xx - .02				PROD.		DATE		RK11-D	
.x - .1				REMOVE BURRS AND BREAK SHARP CORNERS SURFACE QUALITY 1					
MATERIAL		NEXT HIGHER ASSY.		SIZE CODE		NUMBER		REV.	
SEE PARTS LIST				D 1A		7003559-0-0			
FINISH		SCALE		SHEET		OF		DIST	
		1 / 1		1		1			

REV	
CHANGE NO	

BASIC CAB ASSY 19
 C-PL-1006501-23-0
 OR C-PL-7006501-31-0

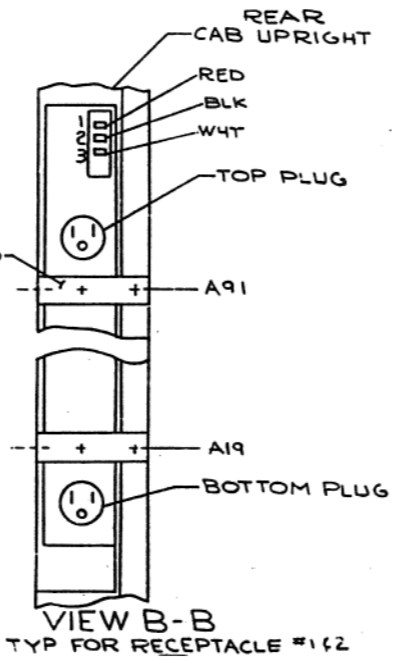


FRONT VIEW



REAR VIEW

CONFIGURATION WITH 860 POWER CONTROL



VIEW B-B
 TYP FOR RECEPTACLE #1 & 2

- NOTES:
- 1) TO REMARK 860 A & B TO 860 C & D REFER TO DRAWING E UA 860-0-0
 - 2) IF LESS THAN 4 DRIVES, THE #930 MODULE IS MOVED TO THE LAST DRIVE ON THE BUS IN THE SLOT NORMALLY OCCUPIED BY THE OUTCOMING BC11A CABLE
 - 3) IF MORE THAN 4 DRIVES, EACH WILL BE CONFIGURED SIMILARLY IN A SECOND CAB
 - 4) AS REQUIRED BY CONTROLLER, THE INCOMING CABLE TO RK05 #5 MAY COME DIRECTLY FROM A DISK CONTROL OR FROM THE SLOT NORMALLY OCCUPIED BY THE #930 IN RK05 #4 (SEE NOTE #2). POWER AND CABLING INFORMATION ALSO APPLY TO CAB #2
 - 5) IN A SYSTEM USING PDP-11, 15, 11/20, OR POP-8 PROCESSORS AND IF 860 OR 861 POWER CONTROL IS FIRST IN THE CHAIN OF POWER CONTROLS, CONNECT P1 OF CABLE #7008964 TO POWER CONTROL AND P2 OF 2 CABLE #7008964 TO H720-E/F IN THE PROCESSOR. DO NOT USE ANY OTHER JUMPER PLUG IN THE PROCESSOR POWER SUPPLY. IN ALL OTHER SITUATIONS USE CABLE #7008288 FOR INTERCONNECTIONS.
 - 6) PLUGS 8, 9 AND 10 ARE WIRED IN PARALLEL. USE ANY PLUGS AS REQUIRED. NO JUMPER PLUG IS REQUIRED ON THE 860 OR 861 POWER CONTROL.
 - 7) USE BLANK LOGO, COLOR TO COINCIDE WITH PRODUCT LINE.
 - 8) TO MOUNT CHASSIS SLIDES ON RACK USE MOUNTING HARDWARE KIT #7009276 OR ITEMS.
 1. TINNEMAN NUT #900778E
 2. #10-32 PHL TRUSS #9006074-3
 3. #10 EXTERNAL TOOTH #9007651
 WASHER
 LOCATION OF MOUNTING HOLES TO BE AS FOLLOWS: STARTING FROM BOTTOM OF RACK HOLE NUMBERS FOR FRONT AND REAR, LEFT AND RIGHT
 21.24
 39.42
 57.60
 75.78
 - 9) USE THE PRE-FOLDED CREASES ON THE DISK BUS CABLE FOR CLAMPING. DO NOT PULL THE CABLE TIGHT AGAINST PRE-FILTER. LEAVE SERVICE LOOP SO THAT HAND CAN FIT BETWEEN THE CABLE AND FILTER.
 - 10) RK05'S PLUG INTO SWITCHED AC OUTLETS ONLY.

REV	DATE	BY	CHKD
1	7-14-79	W. SCHMIDT	
2	7-14-79	W. SCHMIDT	
3	7-14-79	W. SCHMIDT	
4	7-14-79	W. SCHMIDT	
5	7-14-79	W. SCHMIDT	
6	7-14-79	W. SCHMIDT	
7	7-14-79	W. SCHMIDT	
8	7-14-79	W. SCHMIDT	

FIRST USED ON OPTION/MODEL	QTY.	DESCRIPTION	PART NO	ITEM NO
RK05				
UNLESS OTHERWISE SPECIFIED DIMENSIONS IN INCHES TOLERANCES				
DECIMALS	ANGLES	PARTS LIST		
XXX - 00%	10° W	DRN	DATE	digital EQUIPMENT CORPORATION MILWAUKEE, WISCONSIN
XX - 02		CHKD	DATE	
X - 1		ENG	DATE	TITLE
REMOVE BURRS AND BREAK SHARP CORNERS SURFACE QUALITY		PROD	DATE	RK05
MATERIAL	NEAT HIGHER ASSY	DATE	DATE	OPTION CONFIGURATION
FINISH	H-DD-RK05-0	DATE	DATE	
	SCALE	SHEET	OF	REV
	1 OF 3	1	3	B

8

7

6

5

4

3

912222 2

FRONT VIEW

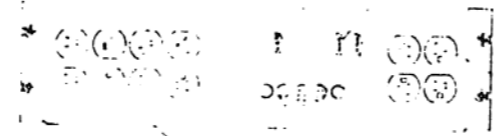
RK05 #1
RK05 #2
RK05 #3
RK05 #4

LOGO SEE NOTE #7

BASIC CAB ASSY 19"
C PL-7006501-23-0
REF

SWITCHED AC
SEE NOTE #10

10
9 SEE NOTE #5 & 6
8



861-B/C
POWER CONTROL
REF

DETAIL "A"
NOT TO SCALE

SEE NOTE #8

UNSWITCHED AC

RK05 #1
RK05 #2
RK05 #3
RK05 #4

861-B/C

E-UA-861 B-C
POWER CONTROL
SEE DETAIL "A"

FRONT VIEW

REAR VIEW

CONFIGURATION WITH 861 POWER CONTROL

FIRST USED ON OPTION/MODEL	QTY	DESCRIPTION	PART NO	ITEM NO
PARTS LIST				
UNLESS OTHERWISE SPECIFIED DIMENSION IN INCHES TOLERANCES		DRN <i>shc</i>	DATE	digital EQUIPMENT CORPORATION <small>MAINTAINS MEASUREMENTS</small>
DECIMALS		CHK'D	DATE	
ANGLES		ENG	DATE	
X - 02		PROJ ENG:	DATE	
X - 1		PROJ ENG:	DATE	TITLE -K75 CONFIGURATION
REMOVE BURRS AND BREAK SHARP CORNERS SURFACE QUALITY		PROD	DATE	
MATERIAL		NEXT HIGHER ASSY		SIZE CODE
FINISH		SCALE		NUMBER
		SHEET 2 OF 3		DIST
				REV

8

7

6

5

4

3

2

1

D
C
B
A

POWER CORD CONNECTIONS WITH 600 POWER CONTROL

WIRE #0	AC RECEPTACLE #1 TOP PLUG
WIRE #1	AC RECEPTACLE #2 TOP PLUG
WIRE #2	AC RECEPTACLE #2 BOTTOM PLUG
WIRE #3	AC RECEPTACLE #1 BOTTOM PLUG

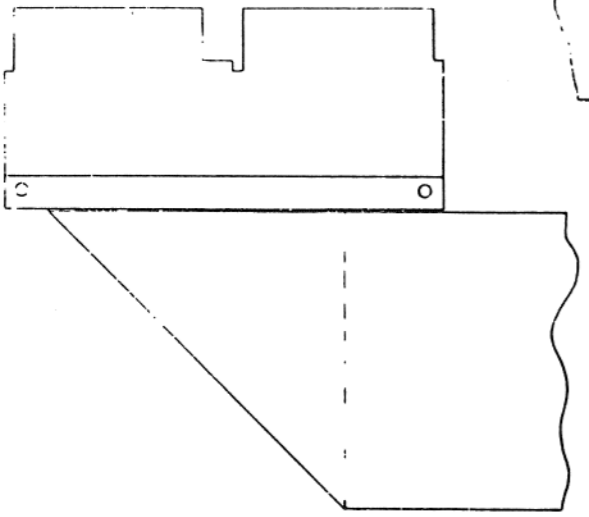
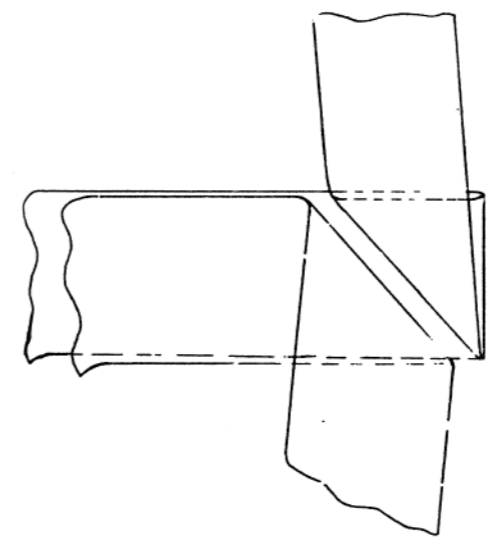
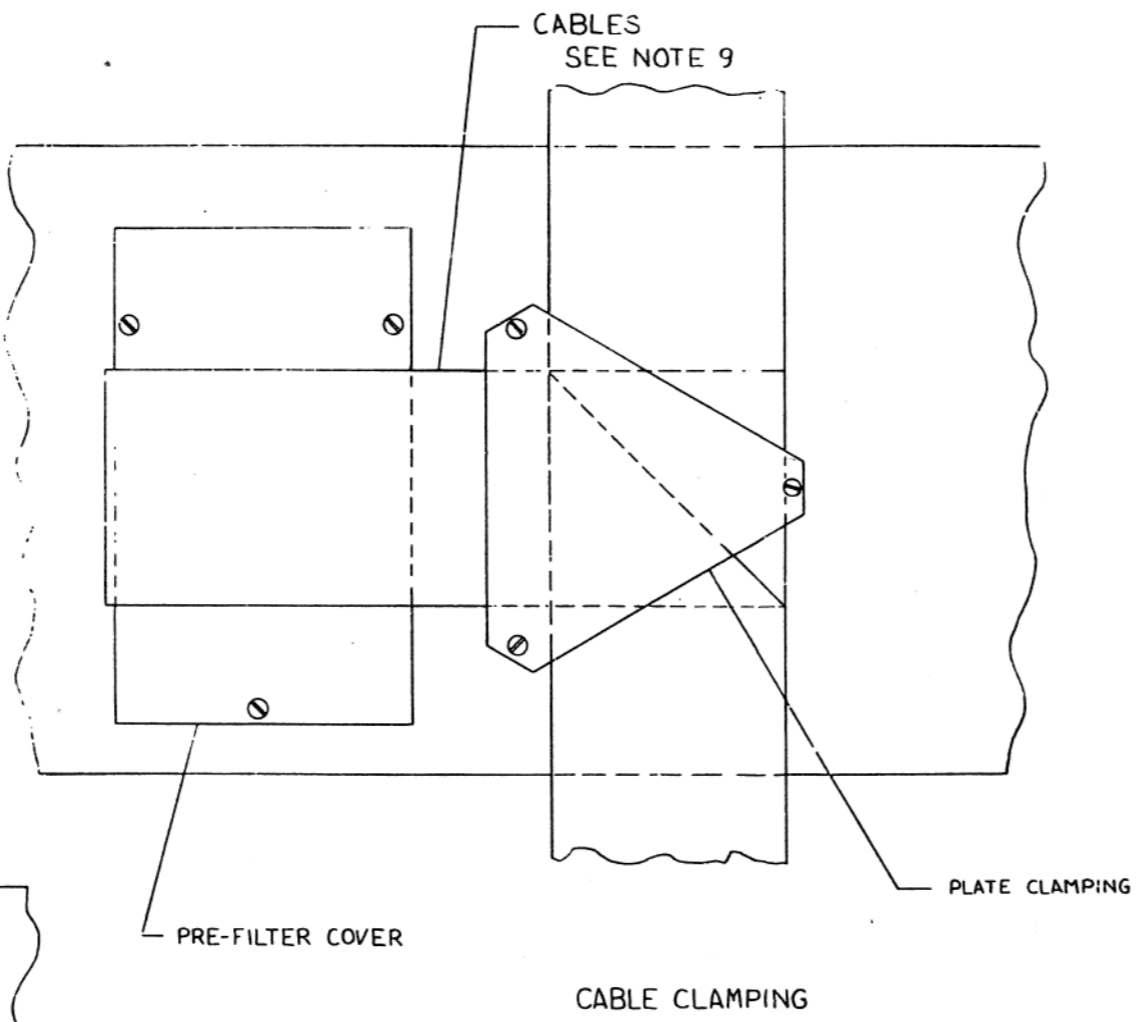
BUS CABLE CONNECTIONS

FROM		TO		CABLE	REMARKS
DEVICE	LOCATION	DEVICE	LOCATION		
DISK CONTROL	A/R	RK05 #1	AB8	BC11A	LENGTH A/R
RK05 #1	AB7	RK05 #2	AB7	BC11A-6	
RK05 #2	AB8	RK05 #3	AB8	BC11A-6	
RK05 #3	AB7	RK05 #4	AB7	BC11A-6	
RK05 #4	AB8			M930	MODULE

600 POWER CONNECTIONS

WIRE	COLOR	FROM	TO	REMARKS
10	BLK	B60-F-1	RECP #1-1	
11	WHT	B60-F-2	#1-2	
12	RED	B60-F-3	#1-3	SEE VIEW W
13	BLK	B60-F-4	#2-1	B-B
14	WHT	B60-F-5	#2-2	
15	RED	B60-F-6	RECP #2-3	

* ASTERISK INDICATES WIRE POINTS ON 600 POWER CONTROL MARKED WITH BRADY MARKERS.



FIRST USED ON OPTION/MODEL	QTY	DESCRIPTION	PART NO.	ITEM NO.	
PARTS LIST					
UNLESS OTHERWISE SPECIFIED DIMENSION IN INCHES TOLERANCES	DRN CHK'D	DATE 6/21/71	digital EQUIPMENT CORPORATION BOSTON, MASSACHUSETTS		
DECIMALS ANGLES	DATE 7-12-72	DATE 7-12-72			
REMOVE BURRS AND BREAK SHARP CORNERS SURFACE QUALITY	PROD.	DATE 7-2-72	TITLE RK05 OPTION CONFIGURATION		
MATERIAL	SCALE	DATE 7-2-72			
FINISH	SHEET 3 OF 3	DIST	SIZE CODE D0C	NUMBER RK05-0-15	REV B

51-3-53
 DOC 1025-0-15
 1025 175

DIGITAL EQUIPMENT CORPORATION MAYNARD, MASSACHUSETTS		ACCESSORY LIST		LEGEND		QUANTITY/VARIATION															
MADE BY <i>[Signature]</i> DATE <i>12/19/72</i>		CHECKED <i>[Signature]</i> DATE		SECTION		D	DOCUMENT		RK11-D	RK11-E					KIT CHECK	BY	DATE	INSTALLATION CHECK	BY	DATE	
ENG <i>[Signature]</i> DATE		PROD <i>R. D. [Signature]</i> DATE <i>12/19/72</i>		ISSUED SECT.		DN	DOCUMENT CHANGE NOTICE														
						PA	PAPER TAPE ASCII														
						PB	PAPER TAPE BINARY														
ITEM NO.	DWG NO./PART NO.	DESCRIPTION																			
1	See variations	Complete print set				1	1														
2	DEC-11-IRKDA-A-B	Manual, RK11-D,E				1	1														
3	LIBKIT-11-RK11-B	Sealed software kit				1	1														
4	MAINDEC-11-DZQGA-B-D	GTP write-up (Field add-on only)				1	1														
5	MAINDEC-11-DZQGA-B-PB	GTP binary tape (Field add-on only)				1	1														
6	M920	UNIBUS jumper				1	1														
7	BC11-A-15	15 foot UNIBUS cable				1	1														
8	A-SS-5509081-11	Transparent overlay to KM11-A																			
TITLE MOVING HEAD DISK CONTROL RK11-D.E			ASSY. NO.			SIZE CODE A/A		NUMBER RK11-D-6		REV.		ECO NO.									
			SHEET 1 OF 1			DIST.															

This drawing and specifications, herein, are the property of Digital Equipment Corporation and shall not be reproduced or copied or used in whole or in part as the basis for the manufacture or sale of items without written permission.

FIRST USED ON OPTION MODEL	QTY.	DESCRIPTION	PART NO.	ITEM NO.
RKII-D				

REVISIONS	CHANGE NO.	REV.
84	RKIID-00003	A
Beasley 12-4-72		
T. ORR		
84	RKIID-00005	B
B. Blodgett 4-3-73		
T. ORR		
86	RKIID-00009	C
E. Allain 9-26-73		
T. ORR		
84	RKIID-00011	D
J. Charlier 11-12-73		
ORR		
84	RKIID-00013	E
A. Manbowing 2-5-74		
T. ORR		
87C	RKIID-00015	F
J. Charlier 4-30-74		
T. ORR		

DRN	DATE
<i>E. Wilson</i>	9/27/72
CHK'D	DATE
<i>P. Deane</i>	10/11/72
ENG.	DATE
<i>Tom Orr</i>	10/11/72
PROJ. ENG.	DATE
<i>Tom Orr</i>	10/11/72
PROD.	DATE
<i>R. Woolley</i>	11/2/72

digital EQUIPMENT CORPORATION
MAYNARD, MASSACHUSETTS

TITLE
ETCH/WIRE LIST
(RKII-D)

NEXT HIGHER ASSEMBLY	SIZE CODE	NUMBER	REV.
C-1A-70091 42-0-0	K WL	RKII-D-2	F
SCALE	DIST.		
SHEET	OF		

RK1HLP
RUN NAME

HND288.V22(22) 11/06/73

A/P		PIN	ORDER	BAY -	W	DRAY	KV	PG	1	A	Z	REMARKS	1-MAY-74	19:27	PAGE 1
		NAME	PIN	ORDER									LENGTH	EXCEPTIONS	RUN NUMBER
+5V		A01A2		1-01 *	H			U02			2				
+5V		A02A2		1-02 *	H			U02			1	P		HAND WIRE	1
+5V		A03A2		1-03 *	H			U02			2	P		HAND WIRE	1
+5V		A04A2		1-04 *	H			U02			1	P		HAND WIRE	1
+5V		A03H2		1-05 *	H			U02			2	P		HAND WIRE	1
+5V		A03J2		1-06 *	H			U02			1	P		HAND WIRE	1
+5V		A03K2		1-07 *	H			U02			2	P		HAND WIRE	1
+5V		A03L2		1-08 *	H			U02			1	P		HAND WIRE	1
+5V		A03M2		1-09 *	H			U02			2	P		HAND WIRE	1
+5V		B01A2		1-10 *	H			U02			1	P		HAND WIRE	1
+5V		B02A2		1-11 *	H			U02			2	P		HAND WIRE	1
+5V		B03B1		1-12 *	H			U02			1	P		HAND WIRE	1
+5V		B03A2		1-13 *	H			U02			2	P		HAND WIRE	1
+5V		B04A2		1-14 *	H			U02			1	P		HAND WIRE	1
+5V		C04A2		1-15 *	H			U01			2	P		HAND WIRE	1
+5V		C03A2		1-16 *	H			U01			1	P		HAND WIRE	1
+5V		C02A2		1-17 *	H			U01			2	P		HAND WIRE	1
+5V		C01A2		1-18 *	H			U01			1	P		HAND WIRE	1
+5V		D01A2		1-19 *	H			U01			2	P		HAND WIRE	1
+5V		D02A2		1-20 *	H			U01			1	P		HAND WIRE	1
+5V		D03A2		1-21 *	H			U01			2	P		HAND WIRE	1
+5V		D04A2		1-22 *	H			U01			1	P		HAND WIRE	1
+5V		E04A2		1-23 *	H			U01			2	P		HAND WIRE	1
+5V		E03A2		1-24 *	H			U01			1	P		HAND WIRE	1
+5V		E02A2		1-25 *	H			U01			2	P		HAND WIRE	1
+5V		E01A2		1-26 *	H			U01			1	P		HAND WIRE	1
+5V		F01A2		1-27 *	H			U01			2	P		HAND WIRE	1
+5V		F02A2		1-28 *	H			U01			1	P		HAND WIRE	1
+5V		F03A2		1-29 *	H			U01			2	P		HAND WIRE	1
+5V		F04A2		1-30 *	H			U01				P		H TO WHERE	1
													R9-0/8		1
0 TU NPR	H	E01R1		1-01 *	H			U01			1	P		HAND WIRE	2
0 TU NPR	H	E03R2		1-02 *	H			U01			2	P		HAND WIRE	2
0 TU NPR	H	E04R2		1-03 *	H			U01				P		H TO WHERE	2
													6-2/8		2
ADD ACK	H	F01J1		1-01 *	H			U01			1	P		HAND WIRE	3
ADD ACK	H	F02J1		1-02 *	H			U01				P		H TO WHERE	3
													2-6/8		3
B CNTRL RDY	H	B03R2		1-01 *				U02			1				4
B CNTRL RDY	H	E04S2		1-02 *	H			U01			2	P		HAND WIRE	4
B CNTRL RDY	H	E02S2		1-03 *	H			U01			1	P		HAND WIRE	4
B CNTRL RDY	H	E01S2		1-04 *	H			U01				P		H TO WHERE	4
													16-4/8		4

00000000

RK110.F RUN NAME		HND288.V22(22) 11/06/73						1-MAY-74		19:27		PAGE 2	
A/P	PIN NAME	ORDER PIN	HAY - ORDER	W	DRAW	KV	PG	X	Z	REMARKS	LENGTH	EXCEPTIONS	RUN NUMBER
	BG 4 IN	H	C01E2										5
	BG 4 IN	H	C01S2										5
	BG 4 IN										6-0/8		5
	BG 4 OUT	H	B04E2										6
	BG 4 OUT	H	C01T2										6
	BG 4 OUT										6-6/8		6
	BG 5 IN	H	B01B1										7
	BG 5 IN	H	C01P2										7
	BG 5 IN										6-2/8		7
	BG 5 OUT	H	B04B1										8
	BG 5 OUT	H	C01R2										8
	BG 5 OUT										7-0/8		8
	BG 6 IN	H	B01A1										9
	BG 6 IN	H	C01M2										9
	BG 6 IN										6-2/8		9
	BG 6 OUT	H	B04A1										10
	BG 6 OUT	H	C01N2										10
	BG 6 OUT										6-6/8		10
	BG 7 IN	H	A01V1										11
	BG 7 IN	H	C01K2										11
	BG 7 IN										6-4/8		11
	BG 7 OUT	H	A04V1										12
	BG 7 OUT	H	C01L2										12
	BG 7 OUT										7-2/8		12
	BG IN	H	C01V2										13
	BG IN	H	C04V2										13
	BG IN										3-5/8	HAND WIRE H TO WHERE.	13
	BG OUT	H	C01U2										14
	BG OUT	H	C04U2										14
	BG OUT										3-5/8	HAND WIRE H TO WHERE.	14
	BR OUT	L	C01J2										15
	BR OUT	L	C04J2										15
	BR OUT										3-5/8	HAND WIRE H TO WHERE.	15

RK110.F RUN NAME		HND288.V22(22) 11/06/73						1-MAY-74		19:27		PAGE 3	
A/P	PIN NAME	ORDER PIN	HAY - ORDER	W	DRAW	KV	PG	X	Z	REMARKS	LENGTH	EXCEPTIONS	RUN NUMBER
	BUS A00	L	B01H2										16
	BUS A00	L	B04H2										16
	BUS A00	L	D04D1										16
	BUS A00										11-3/8		16
	BUS A01	L	B01H1										17
	BUS A01	L	B04H1										17
	BUS A01	L	C04T2										17
	BUS A01										10-0/8		17
	BUS A02	L	B01J2										18
	BUS A02	L	B04J2										18
	BUS A02	L	C04S1										18
	BUS A02										9-6/8		18
	BUS A03	L	B01J1										19
	BUS A03	L	B04J1										19
	BUS A03	L	C04R1										19
	BUS A03										9-2/8		19
	BUS A04	L	B01K2										20
	BUS A04	L	B04K2										20
	BUS A04	L	C04P1										20
	BUS A04										9-2/8		20
	BUS A05	L	B01K1										21
	BUS A05	L	B04K1										21
	BUS A05	L	C04R2										21
	BUS A05										9-4/8		21
	BUS A06	L	B01L2										22
	BUS A06	L	B04L2										22
	BUS A06	L	C04M2										22
	BUS A06										8-6/8		22
	BUS A07	L	B01L1										23
	BUS A07	L	B04L1										23
	BUS A07	L	C04L1										23
	BUS A07										8-4/8		23
	BUS A08	L	B01M2										24
	BUS A08	L	B04M2										24
	BUS A08	L	C04K1										24
	BUS A08										8-4/8		24

RK110.F
RUN NAME

HND288.V22(22) 11/06/73
A/P PIN ORDER RAY -
NAME PIN ORDER

U DRAW KV PG I X Z REMARKS

1-MAY-74 LENGTH EXCEPTIONS PAGE 5
NUMBER

BUS A09	L	B01M1		1-01 *	H	U02		2						
BUS A09	L	4M1		1-02 *		U02		1						
BUS A09	L	C04L2		1-03 *		U02								
BUS A09				1										
BUS A10	L	B01N2		1-01 *	H	U02		2						
BUS A10	L	B04N2		1-02 *		U02		1						
BUS A10	L	C04H2		1-03 *		U01								
BUS A10				1										
BUS A11	L	B01N1	B04N1	1-01 *	H	U02		2						
BUS A11	L	B04N1		1-02 *		U02		1						
BUS A11	L	D04F1		1-03 *		U01								
BUS A11				1										
BUS A12	L	B01P2		1-01 *	H	U02		2						
BUS A12	L	B04P2		1-02 *		U02		1						
BUS A12	L	C04F1		1-03 *		U01								
BUS A12				1										
BUS A13	L	B01P1		1-01 *	H	U02		2						
BUS A13	L	B04P1		1-02 *		U02		1						
BUS A13	L	C04F2		1-03 *		U01								
BUS A13				1										
BUS A14	L	B01R2		1-01 *	H	U02		1						
BUS A14	L	B04R2		1-02 *		U02		2						
BUS A14	L	C04B1		1-03 *		U01								
BUS A14				1										
BUS A15	L	B01R1	B04R1	1-01 *	H	U02		2						
BUS A15	L	B04R1		1-02 *		U02		1						
BUS A15	L	D04P1		1-03 *		U01								
BUS A15				1										
BUS A16	L	B01S2	B04S2	1-01 *	H	U02		1						
BUS A16	L	B04S2	C04D1	1-02 *		U02		2						
BUS A16	L	C04D1	C01D1	1-03 *	H	U01		1						
BUS A16	L	C01D1		1-04 *		U01								
BUS A16				1										
BUS A17	L	B01S1	B04S1	1-01 *	H	U02		1						
BUS A17	L	B04S1	C04E1	1-02 *		U02		2						
BUS A17	L	C04E1	C01E1	1-03 *	H	U01		1						
BUS A17	L	C01E1		1-04 *		U01								
BUS A17				1										

RK110.F
RUN NAME

HND288.V22(22) 11/06/73
A/P PIN ORDER RAY -
NAME PIN ORDER

U DRAW KV PG I X Z REMARKS

1-MAY-74 LENGTH EXCEPTIONS PAGE 5
NUMBER

BUS AC L0	L	D02F1		1-01 *				1						
BUS AC L0	L	B01F1		1-02 *	H			2						
BUS AC L0	L	B04F1		1-03 *				1						
BUS AC L0	L	A03R2		1-04 *										
BUS AC L0				1										
BUS BHSY	L	A01P2		1-01 *	H	U02		2						
BUS BHSY	L	A04P2		1-02 *		U02		1						
BUS BHSY	L	E04P2		1-03 *		U01								
BUS BHSY				1										
BUS BR 4	L	B04D2		1-01 *	H	U02		2						
BUS BR 4	L	B01D2		1-02 *		U02		1						
BUS BR 4	L	C01H2		1-03 *		U01								
BUS BR 4				1										
BUS BR 5	L	B04C1		1-01 *	H			2						
BUS BR 5	L	B01C1		1-02 *		U01		1						
BUS BR 5	L	C01F2		1-03 *		U01								
BUS BR 5				1										
BUS BR 6	L	A04U2		1-01 *	H	U02		2						
BUS BR 6	L	A01U2		1-02 *		U02		1						
BUS BR 6	L	C01E2		1-03 *		U01								
BUS BR 6				1										
BUS BR 7	L	A04T2		1-01 *	H	U02		2						
BUS BR 7	L	A01T2		1-02 *		U02		1						
BUS BR 7	L	C01U2		1-03 *		U01								
BUS BR 7				1										
BUS C0	L	B01U2	B04U2	1-01 *	H	U02		2						
BUS C0	L	B04U2		1-02 *		U02		1						
BUS C0	L	D04C1		1-03 *		U01								
BUS C0				1										
BUS C1	L	B01T2	B04T2	1-01 *	H	U02		2						
BUS C1	L	B04T2		1-02 *		U02		1						
BUS C1	L	E04R1		1-03 *		U01								
BUS C1				1										
BUS D EN	H	C04U1			H	U01								
BUS D00	L	A01C1		1-01 *	H	U02		2						

RUN NAME	A/P	PIN NAME	ORDER PIN	HAY - ORDER	Q	DRAM	KV	PG	I	X	Z	REMARKS	1-MAY-74 LENGTH	19:27 EXCEPTIONS	PAGE 6 RUN NUMBER
BUS 000 (1)	H	D02		1-01 *	H						1		P		44
BUS 000 (1)	H			1-02 *	H						2		P		44
BUS 000 (1)	H	D04D2		1-03 *	H								P		44
BUS 000 (1)				1										6-0/8	44
BUS 001	L	A01D2		1-01 *	H						2		P		45
BUS 001	L	A04D2		1-02 *							1		P		45
BUS 001	L	C04C1		1-03 *									P		45
BUS 001				1										11-4/8	45
BUS 001 (1)	H	D01E2		1-01 *	H						1		P		46
BUS 001 (1)	H	D03E2		1-02 *	H						2		P		46
BUS 001 (1)	H	D04E2		1-03 *	H								P		46
BUS 001 (1)				1										6-0/8	46
BUS 002	L	A01D1		1-01 *	H						2		P		47
BUS 002	L	A04D1		1-02 *							1		P		47
BUS 002	L	C04E2		1-03 *									P		47
BUS 002				1										11-4/8	47
BUS 002 (1)	H	D01F2		1-01 *	H						1		P		48
BUS 002 (1)	H	D03F2		1-02 *	H						2		P		48
BUS 002 (1)	H	D04F2		1-03 *	H								P		48
BUS 002 (1)				1										6-0/8	48
BUS 003	L	A01E2		1-01 *	H						2		P		49
BUS 003	L	A04E2		1-02 *							1		P		49
BUS 003	L	D04E1		1-03 *									P		49
BUS 003				1										14-2/8	49
BUS 003 (1)	H	D01H2		1-01 *	H						1		P		50
BUS 003 (1)	H	D03H2		1-02 *	H						2		P		50
BUS 003 (1)	H	D04H2		1-03 *	H								P		50
BUS 003 (1)				1										6-0/8	50
BUS 004	L	A01E1		1-01 *	H						2		P		51
BUS 004	L	A04E1		1-02 *							1		P		51
BUS 004	L	D04R1		1-03 *									P		51
BUS 004				1										15-2/8	51
BUS 004 (1)	H	D01J2		1-01 *	H						1		P		52
BUS 004 (1)	H	D03J2		1-02 *	H						2		P		52
BUS 004 (1)	H	D04J2		1-03 *	H								P		52
BUS 004 (1)				1										6-0/8	52

Equipment Computation

RUN NAME	A/P	PIN NAME	ORDER PIN	HAY - ORDER	Q	DRAM	KV	PG	I	X	Z	REMARKS	1-MAY-74 LENGTH	19:27 EXCEPTIONS	PAGE 7 RUN NUMBER
BUS 005	L	A01F2		1-01 *	H						2		P		53
BUS 005	L	A04F2		1-02 *							1		P		53
BUS 005	L	C04H1		1-03 *									P		53
BUS 005				1										11-6/8	53
BUS 005 (1)	H	D01K2		1-01 *	H						1		P		54
BUS 005 (1)	H	D03K2		1-02 *	H						2		P		54
BUS 005 (1)	H	D04K2		1-03 *	H								P		54
BUS 005 (1)				1										6-0/8	54
BUS 006	L	A01F1		1-01 *	H						2		P		55
BUS 006	L	A04F1		1-02 *							1		P		55
BUS 006	L	C04K2		1-03 *									P		55
BUS 006				1										11-6/8	55
BUS 006 (1)	H	D01L2		1-01 *	H						1		P		56
BUS 006 (1)	H	D03L2		1-02 *	H						2		P		56
BUS 006 (1)	H	D04L2		1-03 *	H								P		56
BUS 006 (1)				1										6-0/8	56
BUS 007	L	A01H2	A04H2	1-01 *	H						2		P		57
BUS 007	L	A04H2		1-02 *							1		P		57
BUS 007	L	C04J1		1-03 *									P		57
BUS 007				1										11-7/8	57
BUS 007 (1)	H	D01M2		1-01 *	H						1		P		58
BUS 007 (1)	H	D03M2		1-02 *	H						2		P		58
BUS 007 (1)	H	D04M2		1-03 *	H								P		58
BUS 007 (1)				1										6-0/8	58
BUS 008	L	A01H1		1-01 *	H						2		P		59
BUS 008	L	A04H1		1-02 *							1		P		59
BUS 008	L	C04N2		1-03 *									P		59
BUS 008				1										12-2/8	59
BUS 008 (1)	H	D01N2		1-01 *	H						1		P		60
BUS 008 (1)	H	D03N2		1-02 *	H						2		P		60
BUS 008 (1)	H	D04N2		1-03 *	H								P		60
BUS 008 (1)				1										6-0/8	60
BUS 009	L	A01J2		1-01 *	H						2		P		61
BUS 009	L	A04J2		1-02 *							1		P		61
BUS 009	L	C04M1		1-03 *									P		61
BUS 009				1										12-0/8	61

Equipment Computation

RK110.F RUN NAME	A/P	PIN NAME	ORDER PIN	BAY - ORDER	Q	DRAW	KV	PG	1	X	Z	REMARKS	1-MAY-74 LENGTH	19:27 EXCEPTIONS	PAGE 8 RUN NUMBER
BUS D09 (1)	H	D01P2		1-01 *	H						1		P		62
BUS D09 (1)	H	D03P2		1-02 *	H						2		P	HAND WIRE	62
BUS D09 (1)	H	D04P2		1-03 *	H								P	H TO WHERE	62
BUS D09 (1)				1										6-0/8	62
BUS D10	L	A01J1		1-01 *	H						2		P	HAND WIRE	63
BUS D10	L	A04J1		1-02 *							1			TO HERE	63
BUS D10	L	C04P2		1-03 *											63
BUS D10				1										12-0/8	63
BUS D10 (1)	H	D01R2		1-01 *	H						1		P	HAND WIRE	64
BUS D10 (1)	H	D03R2		1-02 *	H						2		P	HAND WIRE	64
BUS D10 (1)	H	D04R2		1-03 *	H								P	H TO WHERE	64
BUS D10 (1)				1										6-0/8	64
BUS D11	L	A01K2	A04K2	1-01 *	H						2		P	HAND WIRE	65
BUS D11	L	A04K2		1-02 *							1			TO HERE	65
BUS D11	L	C04R1		1-03 *											65
BUS D11				1										12-1/8	65
BUS D11 (1)	H	D01S2		1-01 *	H						1		P	HAND WIRE	66
BUS D11 (1)	H	D03S2		1-02 *	H						2		P	HAND WIRE	66
BUS D11 (1)	H	D04S2		1-03 *	H								P	H TO WHERE	66
BUS D11 (1)				1										6-0/8	66
BUS D12	L	A01K1	A04K1	1-01 *	H						2		P	HAND WIRE	67
BUS D12	L	A04K1		1-02 *							1			TO HERE	67
BUS D12	L	D04A1		1-03 *											67
BUS D12				1										13-5/8	67
BUS D12 (1)	H	D01T2		1-01 *	H						1		P	HAND WIRE	68
BUS D12 (1)	H	D03T2		1-02 *	H						2		P	HAND WIRE	68
BUS D12 (1)	H	D04T2		1-03 *	H								P	H TO WHERE	68
BUS D12 (1)				1										6-0/8	68
BUS D13	L	A01L2	A04L2	1-01 *	H						2		P	HAND WIRE	69
BUS D13	L	A04L2		1-02 *							1			TO HERE	69
BUS D13	L	C04V1		1-03 *											69
BUS D13				1										12-7/8	69
BUS D13 (1)	H	D01U2		1-01 *	H						1		P	HAND WIRE	70
BUS D13 (1)	H	D03U2		1-02 *	H						2		P	HAND WIRE	70
BUS D13 (1)	H	D04U2		1-03 *	H								P	H TO WHERE	70
BUS D13 (1)				1										6-0/8	70

RK110.F RUN NAME	A/P	PIN NAME	ORDER PIN	BAY - ORDER	Q	DRAW	KV	PG	1	X	Z	REMARKS	1-MAY-74 LENGTH	19:27 EXCEPTIONS	PAGE 9 RUN NUMBER
BUS D14	L	A01L1		1-01 *	H						2		P	HAND WIRE	71
BUS D14	L	A04L1		1-02 *							1			TO HERE	71
BUS D14	L	C04S2		1-03 *											71
BUS D14				1										12-0/8	71
BUS D14 (1)	H	D01V2		1-01 *	H						1		P	HAND WIRE	72
BUS D14 (1)	H	D03V2		1-02 *	H						2		P	HAND WIRE	72
BUS D14 (1)	H	D04V2		1-03 *	H								P	H TO WHERE	72
BUS D14 (1)				1										6-0/8	72
BUS D15	L	A01M2	A04M2	1-01 *	H						2		P	HAND WIRE	73
BUS D15	L	A04M2		1-02 *							1			TO HERE	73
BUS D15	L	D04B1		1-03 *											73
BUS D15				1										13-5/8	73
BUS D15 (1)	H	D01V1		1-01 *	H						1		P	HAND WIRE	74
BUS D15 (1)	H	D03V1		1-02 *	H						2		P	HAND WIRE	74
BUS D15 (1)	H	D04V1		1-03 *	H								P	H TO WHERE	74
BUS D15 (1)				1										6-0/8	74
BUS D16	L	A01M1	A04M1	1-01 *	H						2		P	HAND WIRE	75
BUS D16	L	A04M1		1-02 *							1			TO HERE	75
BUS D16	L	C03C1		1-03 *											75
BUS D16				1										10-4/8	75
BUS D17	L	A01N2	A04N2	1-01 *	H						2		P	HAND WIRE	76
BUS D17	L	A04N2		1-02 *							1			TO HERE	76
BUS D17	L	C03B1		1-03 *											76
BUS D17				1										10-4/8	76
BUS DC LD	L	A03S2		1-01 *							1				77
BUS DC LD	L	B04F2		1-02 *							2				77
BUS DC LD	L	B01F2		1-03 *							1				77
BUS DC LD	L	C01B1		1-04 *											77
BUS DC LD				1										12-4/8	77
BUS INIT	L	A04A1		1-01 *	H						2		P	HAND WIRE	78
BUS INIT	L	A01A1		1-02 *							1			TO HERE	78
BUS INIT	L	C01C1		1-03 *											78
BUS INIT				1										11-4/8	78
BUS INTR	L	A01B1		1-01 *	H						2		P	HAND WIRE	79
BUS INTR	L	A04B1		1-02 *							1			TO HERE	79
BUS INTR	L	D04S1		1-03 *											79
BUS INTR				1										15-6/8	79

RK110.F RUN NAME	HND288.V22(22) 11/06/73										1-MAY-74	19:27	PAGE 10	
	A/P	PIN NAME	ORDER PIN	BAY - ORDER	Q	DRW	KV	PG	X	Z	REMARKS	LENGTH	EXCEPTIONS	RUN NUMBER
BUS MSYN	L	B01V1		1-01 *	H		U02			2				80
BUS MSYN	L	B04V1		1-02 *			U02			1			HAND WIRE TU HERE	80
BUS MSYN	L	E04T2		1-03 *			U01							80
BUS MSYN				1								13-6/8		80
BUS NPG IN	H	A01U1		1-01 *			U02			1				81
BUS NPG IN	H	E04U1		1-02 *			U01							81
BUS NPG IN				1								12-0/8		81
BUS NPG OUT	H	A04U1		1-01 *	1		U02			1				82
BUS NPG OUT	H	E04U1		1-02 *			U01							82
BUS NPG OUT				1								13-3/8		82
BUS NPR	L	A01S2		1-01 *	H		U02			2				83
BUS NPR	L	A04S2		1-02 *			U02			1			HAND WIRE TU HERE	83
BUS NPR	L	E04S1		1-03 *			U01							83
BUS NPR				1								16-6/8		83
BUS SACK	L	A01R2		1-01 *	H		U02			2				84
BUS SACK	L	A04R2		1-02 *			U02			1			HAND WIRE TU HERE	84
BUS SACK	L	E04C1		1-03 *			U01							84
BUS SACK				1								15-4/8		84
BUS SSYN	L	B01U1	B04U1	1-01 *	H		U02			2				85
BUS SSYN	L	B04U1		1-02 *			U02			1			HAND WIRE TU HERE	85
BUS SSYN	L	E04P1		1-03 *			U01					4-5		85
BUS SSYN				1								13-5/8		85
CLK	H	C02N2		1-01 *						1				86
CLK	H	E01E1		1-02 *	H		U01			2			HAND WIRE	86
CLK	H	E03D2		1-03 *	H		U01						H TU WHERE	86
CLK				1								10-6/8		86
CLR MSR	L	F01F2		1-01 *	H		U01			1			HAND WIRE	87
CLR MSR	L	F02F2		1-02 *	H		U01						H TU WHERE	87
CLR MSR				1								2-6/8		87
COUNT SA	H	C01M1		1-01 *	H		U01			1			HAND WIRE	88
COUNT SA	H	C03M1		1-02 *	H		U01						H TU WHERE	88
COUNT SA				1								3-2/8		88
CYL OVF	L	C02R2		1-01 *	H		U01			1			HAND WIRE	89
CYL OVF	L	C03R2		1-02 *	H		U01						H TU WHERE	89
CYL OVF				1								2-6/8		89

EQUIPMENT CORPORATION

RK110.F RUN NAME	HND288.V22(22) 11/06/73										1-MAY-74	19:27	PAGE 11	
	A/P	PIN NAME	ORDER PIN	BAY - ORDER	Q	DRW	KV	PG	X	Z	REMARKS	LENGTH	EXCEPTIONS	RUN NUMBER
DATA (1)	H	B03H1		1-01 *			U02			1				90
DATA (1)	H	C03S1		1-02 *	H		U01			2			HAND WIRE	90
DATA (1)	H	C02S1		1-03 *	H		U01			1			HAND WIRE	90
DATA (1)	H	C01S1		1-04 *	H		U01						H TU WHERE	90
DATA (1)				1								11-2/8		90
DATA STR 1	L	E04N2			H		U01						1-PIN RUN	91
DATA STR 2	L	E03L2		1-01 *	H		U01			1			HAND WIRE	92
DATA STR 2	L	E04L2		1-02 *	H		U01						H TU WHERE	92
DATA STR 2				1								2-6/8		92
DISK CLK	L	F01V1		1-01 *	H		U01			1			HAND WIRE	93
DISK CLK	L	F02V1		1-02 *	H		U01						H TU WHERE	93
DISK CLK				1								2-6/8		93
DLT (1)	H	F01P1		1-01 *	H		U01			1			HAND WIRE	94
DLT (1)	H	E03P2		1-02 *	H		U01						H TU WHERE	94
DLT (1)				1								3-4/8		94
DPL (1)	H	F01D1		1-01 *	H		U01			1			HAND WIRE	95
DPL (1)	H	F02D1		1-02 *	H		U01						H TU WHERE	95
DPL (1)				1								2-6/8		95
DR BUS ADD ACK	L	A02R2		1-01 *			U02			1				96
DR BUS ADD ACK	L	D02H1		1-02 *			U01							96
DR BUS ADD ACK				1								9-0/8		96
DR BUS CYL ADD 0	L	A02K1		1-01 *			U02			1		3-5		97
DR BUS CYL ADD 0	L	C02K1		1-02 *			U01							97
DR BUS CYL ADD 0				1								7-7/8		97
DR BUS CYL ADD 1	L	A02U1		1-01 *			U02			1		3-5		98
DR BUS CYL ADD 1	L	C02D1		1-02 *			U01							98
DR BUS CYL ADD 1				1								7-7/8		98
DR BUS CYL ADD 2	L	A02L1		1-01 *			U02			1		3-5		99
DR BUS CYL ADD 2	L	C02L1		1-02 *			U01							99
DR BUS CYL ADD 2				1								7-7/8		99
DR BUS CYL ADD 3	L	A02C1		1-01 *			U02			1		3-5		100
DR BUS CYL ADD 3	L	C02C1		1-02 *			U01							100
DR BUS CYL ADD 3				1								1-7/8		100
DR BUS CYL ADD 4	L	A02F1		1-01 *			U02			1		3-5		101
DR BUS CYL ADD 4	L	C02F1		1-02 *			U01							101
DR BUS CYL ADD 4				1								1-7/8		101

EQUIPMENT CORPORATION

PK110.F RUN NAME	A/P	PIN NAME	ORDER PIN	BAY - ORDER	Q	DRW	RV	PG	X	Z	REMARKS	1-MAY-74 LENGTH	19:27 EXCEPTIONS	PAGE 12 NUMBER
DR BUS CYL ADD 5	L	A02J1		1-01 *								3-5		102
DR BUS CYL ADD 5	L	C02J1		1-02 *										102
DR BUS CYL ADD 5				1								7-7/8		102
DR BUS CYL ADD 6	L	A02E1		1-01 *								3-5		103
DR BUS CYL ADD 6	L	C02E1		1-02 *										103
DR BUS CYL ADD 6				1								7-7/8		103
DR BUS CYL ADD 7	L	A02H1		1-01 *								3-5		104
DR BUS CYL ADD 7	L	C02H1		1-02 *										104
DR BUS CYL ADD 7				1								7-7/8		104
DR BUS CYL ADD 8	L	A02B1		1-01 *								3-5		105
DR BUS CYL ADD 8	L	C02B1		1-02 *										105
DR BUS CYL ADD 8				1								7-7/8		105
DR BUS DC LO	L	C01B2		1-01 *	2									106
DR BUS DC LO	L	B02F2		1-02 *										106
DR BUS DC LO	L	D02F2		1-03 *										106
DR BUS DC LO				1								12-0/8		106
DR BUS DRY	L	B02N1		1-01 *	1							3-5		107
DR BUS DRY	L	D02N1		1-02 *										107
DR BUS DRY				1								7-7/8		107
DR BUS INDX PLS	L	B02M1		1-01 *	1							3-5		108
DR BUS INDX PLS	L	D02M1		1-02 *										108
DR BUS INDX PLS				1								7-7/8		108
DR BUS LOG ADD INT	L	A02T2		1-01 *										109
DR BUS LOG ADD INT	L	D02T2		1-02 *										109
DR BUS LOG ADD INT				1								9-0/8		109
DR BUS R/W/S RDY	L	A02H2		1-01 *										110
DR BUS R/W/S RDY	L	C02H2		1-02 *										110
DR BUS R/W/S RDY				1								7-4/8		110
DR BUS RD CLK	L	B02S1		1-01 *	1							3-5		111
DR BUS RD CLK	L	D02S1		1-02 *										111
DR BUS RD CLK				1								7-7/8		111
DR BUS RD DATA	L	B02S2		1-01 *										112
DR BUS RD DATA	L	D02S2		1-02 *										112
DR BUS RD DATA				1								7-4/8		112

PK110.F RUN NAME	A/P	PIN NAME	ORDER PIN	BAY - ORDER	Q	DRW	RV	PG	X	Z	REMARKS	1-MAY-74 LENGTH	19:27 EXCEPTIONS	PAGE 13 NUMBER
DR BUS RD GATE	L	B02R1		1-01 *	1							3-5		113
DR BUS RD GATE	L	D02R1		1-02 *										113
DR BUS RD GATE				1								7-7/8		113
DR BUS RESTORE	L	A02M1		1-01 *	1							3-5		114
DR BUS RESTORE	L	C02M1		1-02 *										114
DR BUS RESTORE				1								7-7/8		114
DR BUS RK05	L	B02P2		1-01 *										115
DR BUS RK05	L	D02P2		1-02 *										115
DR BUS RK05				1								7-4/8		115
DR BUS SEC CNTR 0	L	B02L1		1-01 *	1							3-5		116
DR BUS SEC CNTR 0	L	D02L1		1-02 *										116
DR BUS SEC CNTR 0				1								7-7/8		116
DR BUS SEC CNTR 1	L	A02P2		1-01 *										117
DR BUS SEC CNTR 1	L	D02A1		1-02 *										117
DR BUS SEC CNTR 1				1								9-0/8		117
DR BUS SEC CNTR 2	L	B02K2		1-01 *										118
DR BUS SEC CNTR 2	L	D02K2		1-02 *										118
DR BUS SEC CNTR 2				1								7-4/8		118
DR BUS SEC CNTR 3	L	B02J1		1-01 *	1							3-5		119
DR BUS SEC CNTR 3	L	D02J1		1-02 *										119
DR BUS SEC CNTR 3				1								7-7/8		119
DR BUS SEC PLS	L	B02N2		1-01 *										120
DR BUS SEC PLS	L	D02N2		1-02 *										120
DR BUS SEC PLS				1								7-4/8		120
DR BUS SEL DR 0	L	A02J2		1-01 *										121
DR BUS SEL DR 0	L	C02J2		1-02 *										121
DR BUS SEL DR 0				1								7-4/8		121
DR BUS SEL DR 1	L	A02K2		1-01 *										122
DR BUS SEL DR 1	L	C02K2		1-02 *										122
DR BUS SEL DR 1				1								7-4/8		122
DR BUS SEL DR 2	L	A02L2		1-01 *										123
DR BUS SEL DR 2	L	C02L2		1-02 *										123
DR BUS SEL DR 2				1								7-4/8		123
DR BUS SEL UPPER HD	L	B02M2		1-01 *										124
DR BUS SEL UPPER HD	L	D02M2		1-02 *										124
DR BUS SEL UPPER HD				1								7-4/8		124

RKIID.F RUN NAME	HND288.V22(22) 11/06/73					U	DRAW	KV	PG	I	X	Z	REMARKS	1-MAY-74	19:27	PAGE 14
	A/P	PIN NAME	ORDER PIN	BAY - ORDER	LENGTH									EXCEPTIONS	RUN NUMBER	
DR BUS SIN	L	A02S2		1-01 *			U02					1				125
DR BUS SIN	L	D02C1		1-02 *												125
DR BUS SIN				1									9-0/8			125
DR BUS STROBE	L	B02H1		1-01 *	1		U02					1	3-5			126
DR BUS STROBE	L	D02H1		1-02 *			U01									126
DR BUS STROBE				1									7-7/8			126
DR BUS WT CHR	L	B02K1		1-01 *	1		U02					1	3-5			127
DR BUS WT CHR	L	D02K1		1-02 *			U01									127
DR BUS WT CHR				1									7-7/8			127
DR BUS WT DATA+CLK	L	A02F2		1-01 *			U02					1				128
DR BUS WT DATA+CLK	L	C02F2		1-02 *			U01									128
DR BUS WT DATA+CLK				1									7-4/8			128
DR BUS WT GATE	L	B02L2		1-01 *			U02					1				129
DR BUS WT GATE	L	D02L2		1-02 *			U01									129
DR BUS WT GATE				1									7-4/8			129
DR BUS WT PRCT STATUS	L	B02P1		1-01 *	1		U02					1	3-5			130
DR BUS WT PRCT STATUS	L	D02P1		1-02 *			U01									130
DR BUS WT PRCT STATUS				1									1-7/8			130
DR BUS WT PROTECT	L	B02R2		1-01 *			U02					1				131
DR BUS WT PROTECT	L	D02R2		1-02 *			U01									131
DR BUS WT PROTECT				1									7-4/8			131
DRE (1)	H	F01K1		1-01 *	H		U01					1	P	HAND WIRE		132
DRE (1)	H	F02K1		1-02 *	H		U01						P	H TO WHERE		132
DRE (1)				1										2-6/8		132
DRIVE OK	H	F01N1		1-01 *	H		U01					1	P	HAND WIRE		133
DRIVE OK	H	F02N1		1-02 *	H		U01						P	H TO WHERE		133
DRIVE OK				1										2-6/8		133
DRIVE RESET	L	F01K2		1-01 *	H		U01					1	P	HAND WIRE		134
DRIVE RESET	L	F02K2		1-02 *	H		U01						P	H TO WHERE		134
DRIVE RESET				1										2-6/8		134
DRIVE UNSAFE	H	F01B1		1-01 *	H		U01					1	P	HAND WIRE		135
DRIVE UNSAFE	H	F02B1		1-02 *	H		U01						P	H TO WHERE		135
DRIVE UNSAFE				1										2-6/8		135
DRY	H	E01L2		1-01 *	H		U01					1	P	HAND WIRE		136
DRY	H	E02L2		1-02 *	H		U01						P	H TO WHERE		136
DRY				1										2-6/8		136

RKIID.F RUN NAME	HND288.V22(22) 11/06/73					U	DRAW	KV	PG	I	X	Z	REMARKS	1-MAY-74	19:27	PAGE 15
	A/P	PIN NAME	ORDER PIN	BAY - ORDER	LENGTH									EXCEPTIONS	RUN NUMBER	
END OF SYNC	L	F01R2		1-01 *	H		U01					1	P	HAND WIRE		137
END OF SYNC	L	F02R2		1-02 *	H		U01						P	H TO WHERE		137
END OF SYNC				1										2-6/8		137
EX BIT	H	F01V2		1-01 *	H		U01					1	P	HAND WIRE		138
EX BIT	H	F02V2		1-02 *	H		U01						P	H TO WHERE		138
EX BIT				1										2-6/8		138
FILE DONE	H	C01F1		1-01 *	H							1	P	HAND WIRE		139
FILE DONE	H	C03F1		1-02 *	H								P	H TO WHERE		139
FILE DONE				1										3-2/8		139
FILE EMPTY	H	B03E1		1-01 *			U02					1				140
FILE EMPTY	H	C03N2		1-02 *												140
FILE EMPTY				1										6-0/8		140
FILE FULL	H	B03M1		1-01 *			U02					1				141
FILE FULL	H	C03M2		1-02 *												141
FILE FULL				1										5-0/8		141
FIRST SEEK DONE	H	E01U2		1-01 *	H		U01					1	P	HAND WIRE		142
FIRST SEEK DONE	H	E02U2		1-02 *	H		U01						P	H TO WHERE		142
FIRST SEEK DONE				1										2-6/8		142
FMT (1)	H	C01N1		1-01 *	H		U01					2	P	HAND WIRE		143
FMT (1)	H	C02N1		1-02 *	H		U01					1	P	HAND WIRE		143
FMT (1)	H	C03N1		1-03 *	H		U01						P	H TO WHERE		143
FMT (1)				1										5-4/8		143
GATE DATA TO BUS D	L	C02A1		1-01 *	H		U01					2	P	HAND WIRE		144
GATE DATA TO BUS D	L	C03A1		1-02 *	H		U01					1	P	HAND WIRE		144
GATE DATA TO BUS D	L	C04A1		1-03 *	H		U01						P	H TO WHERE		144
GATE DATA TO BUS D				1										5-4/8		144
GEN CLR	L	E01K2	E02R2	1-01 *	H		U01					2	P	HAND WIRE		145
GEN CLR	L	E02K2		1-02 *			U01					1		H TO WHERE		145
GEN CLR	L	C03P2		1-03 *												145
GEN CLR				1										10-6/8		145
GEN DATA	H	F01E2		1-01 *	H		U01					1	P	HAND WIRE		146
GEN DATA	H	F02E2		1-02 *	H		U01						P	H TO WHERE		146
GEN DATA				1										2-6/8		146

01011000 CORPORATION

RK110.F RUN NAME	HND288.V22(22) 11/06/73 A/P PIN ORDER HAY - U DRAW KV PG 1 X Z	REMARKS	1-MAY-74 LENGTH	19:27 EXCEPTIONS	PAGE 16 RUN NUMBER
GND 01	C01A1 C01C2 1-01 * 1				147
GND 01	C01C2 1-02 * H D01			HAND WIRE	147
GND 01	A01B2 1-03 * H	U02		HAND WIRE	147
GND 01	A01C2 1-04 * H	U02		HAND WIRE	147
GND 01	A01D1 1-05 * H	U02		HAND WIRE	147
GND 01	A01E1 1-06 * H	U02		HAND WIRE	147
GND 01	A01F1 1-07 * H	U02		HAND WIRE	147
GND 01	A01G1 1-08 * H	U02		HAND WIRE	147
GND 01	A01H1 1-09 * H	U02		HAND WIRE	147
GND 01	A01I1 1-10 * H	U02		HAND WIRE	147
GND 01	B01B2 1-11 * H	U02		HAND WIRE	147
GND 01	B01C2 1-12 * H	U02		HAND WIRE	147
GND 01	B01D1 1-13 * H	U02		HAND WIRE	147
GND 01	B01E1 1-14 * H	U02		HAND WIRE	147
GND 01	B01F1 1-15 * H	U02		HAND WIRE	147
GND 01	B01V2 1-16 * H	U02		HAND WIRE	147
GND 01	C01I1 1-17 * H	U01		HAND WIRE	147
GND 01	D01C2 1-18 * H	U01		HAND WIRE	147
GND 01	D01I1 1-19 * H	U01		HAND WIRE	147
GND 01	E01C2 1-20 * H	U01		HAND WIRE	147
GND 01	E01I1 1-21 * H	U01		HAND WIRE	147
GND 01	F01C2 1-22 * H	U01		HAND WIRE	147
GND 01	F01I1 1-23 * H	U01		H TO WHERE	147
GND 01			73-2/8		147

GND 02	A02B2 1-01 * H	U02		HAND WIRE	148
GND 02	A02C2 1-02 * H	U02		HAND WIRE	148
GND 02	A02N1 1-03 * H	U02		HAND WIRE	148
GND 02	A02P1 1-04 * H	U02		HAND WIRE	148
GND 02	A02K1 1-05 * H	U02		HAND WIRE	148
GND 02	A02S1 1-06 * H	U02		HAND WIRE	148
GND 02	A02T1 1-07 * H	U02		HAND WIRE	148
GND 02	A02V2 1-08 * H	U02		HAND WIRE	148
GND 02	A02U1 1-09 * H			HAND WIRE	148
GND 02	B02B2 1-10 * H	U02		HAND WIRE	148
GND 02	B02C2 1-11 * H	U02		HAND WIRE	148
GND 02	B02D1 1-12 * H	U02		HAND WIRE	148
GND 02	B02E1 1-13 * H	U02		HAND WIRE	148
GND 02	B02F1 1-14 * H	U02		HAND WIRE	148
GND 02	B02V2 1-15 * H	U02		HAND WIRE	148
GND 02	C02C2 1-16 * H	U01		HAND WIRE	148
GND 02	C02T1 1-17 * H	U01		HAND WIRE	148
GND 02	D02C2 1-18 * H	U01		HAND WIRE	148
GND 02	D02T1 1-19 * H	U01		HAND WIRE	148
GND 02	E02C2 1-20 * H	U01		HAND WIRE	148
GND 02	E02T1 1-21 * H	U01		HAND WIRE	148
GND 02	F02C2 1-22 * H	U01		HAND WIRE	148
GND 02	F02I1 1-23 * H	U01		H TO WHERE	148
GND 02			68-2/8		148

01011000 CORPORATION

RK110.F RUN NAME	HND288.V22(22) 11/06/73 A/P PIN ORDER HAY - U DRAW KV PG 1 X Z	REMARKS	1-MAY-74 LENGTH	19:27 EXCEPTIONS	PAGE 17 RUN NUMBER
GND 03	A03C2 1-01 * H	U02		HAND WIRE	149
GND 03	A03D2 1-02 * H	U02		HAND WIRE	149
GND 03	A03E2 1-03 * H	U02		HAND WIRE	149
GND 03	A03F2 1-04 * H	U02		HAND WIRE	149
GND 03	A03N1 1-05 * H	U02		HAND WIRE	149
GND 03	A03P1 1-06 * H	U02		HAND WIRE	149
GND 03	A03R1 1-07 * H	U02		HAND WIRE	149
GND 03	A03S1 1-08 * H	U02		HAND WIRE	149
GND 03	A03T1 1-09 * H	U02		HAND WIRE	149
GND 03	A03U1 1-10 * H	U02		HAND WIRE	149
GND 03	A03V1 1-11 * H			HAND WIRE	149
GND 03	B03C2 1-12 * H	U02		HAND WIRE	149
GND 03	B03T1 1-13 * H	U02		HAND WIRE	149
GND 03	C03C2 1-14 * H	U01		HAND WIRE	149
GND 03	C03T1 1-15 * H	U01		HAND WIRE	149
GND 03	D03C2 1-16 * H	U01		HAND WIRE	149
GND 03	D03T1 1-17 * H	U01		HAND WIRE	149
GND 03	E03C2 1-18 * H	U01		HAND WIRE	149
GND 03	E03T1 1-19 * H	U01		HAND WIRE	149
GND 03	F03C2 1-20 * H	U01		HAND WIRE	149
GND 03	F03T1 1-21 * H	U01		H TO WHERE	149
GND 03			62-4/8		149

GND 04	A04B2 1-01 * H	U02		HAND WIRE	150
GND 04	A04C2 1-02 * H	U02		HAND WIRE	150
GND 04	A04N1 1-03 * H	U02		HAND WIRE	150
GND 04	A04P1 1-04 * H	U02		HAND WIRE	150
GND 04	A04R1 1-05 * H	U02		HAND WIRE	150
GND 04	A04S1 1-06 * H	U02		HAND WIRE	150
GND 04	A04T1 1-07 * H	U02		HAND WIRE	150
GND 04	A04V2 1-08 * H	U02		HAND WIRE	150
GND 04	B04B2 1-09 * H	U02		HAND WIRE	150
GND 04	B04C2 1-10 * H	U02		HAND WIRE	150
GND 04	B04D1 1-11 * H	U02		HAND WIRE	150
GND 04	B04E1 1-12 * H	U02		HAND WIRE	150
GND 04	B04T1 1-13 * H	U02		HAND WIRE	150
GND 04	B04V2 1-14 * H	U02		HAND WIRE	150
GND 04	C04C2 1-15 * H	U01		HAND WIRE	150
GND 04	C04T1 1-16 * H	U01		HAND WIRE	150
GND 04	D04C2 1-17 * H	U01		HAND WIRE	150
GND 04	D04T1 1-18 * H	U01		HAND WIRE	150
GND 04	E04C2 1-19 * H	U01		HAND WIRE	150
GND 04	E04T1 1-20 * H	U01		HAND WIRE	150
GND 04	F04C2 1-21 * H	U01		HAND WIRE	150
GND 04	F04T1 1-22 * H	U01		H TO WHERE	150
GND 04			65-0/8		150

RKIID.F	HND288.V22(22) 11/06/73				1-MAY-74	19:27	PAGE 18					
NAME	A/P	PIN NAME	ORDER PIN	BAY - ORDER	W	DRAN RV PG 1	X	Z	REMARKS	LENGTH	EXCEPTIONS	RUN NUMBER
HE (1)	H	F03E2	1-01 *	H	U02			1				151
HE (1)	H	F02T2	1-02 *	H	U01			2			HAND WIRE	151
HE (1)	H	F01T2	1-03 *	H	U01						H TU WHERE	151
HE (1)			1							11-2/8		151
HEAD + CHK SUM	H	F01P2	1-01 *	H	U01			1			HAND WIRE	152
HEAD + CHK SUM	H	F02P2	1-02 *	H	U01						H TU WHERE	152
HEAD + CHK SUM			1							2-6/8		152
HEAD OK (1)	L	F01U2	1-01 *	H	U01			1			HAND WIRE	153
HEAD OK (1)	L	F02U2	1-02 *	H	U01						H TU WHERE	153
HEAD OK (1)			1							2-6/8		153
HEADER (1)	H	C01U1	1-01 *	H	U01			1			HAND WIRE	154
HEADER (1)	H	C03U1	1-02 *	H	U01						H TU WHERE	154
HEADER (1)			1							3-2/8		154
IBA (0)	H	F01K2	1-01 *	H	U01			1			HAND WIRE	155
IBA (0)	H	F03K2	1-02 *	H	U01						H TU WHERE	155
IBA (0)			1							3-2/8		155
ID 0 (1)	H	F01E1	1-01 *	H	U01			1			HAND WIRE	156
ID 0 (1)	H	F02E1	1-02 *	H	U01						H TU WHERE	156
ID 0 (1)			1							2-6/8		156
ID 1 (1)	H	F01F1	1-01 *	H	U01			1			HAND WIRE	157
ID 1 (1)	H	F02F1	1-02 *	H	U01						H TU WHERE	157
ID 1 (1)			1							2-6/8		157
ID 2 (1)	L	F01H1	1-01 *	H	U01			1			HAND WIRE	158
ID 2 (1)	H	F02H1	1-02 *	H	U01						H TU WHERE	158
ID 2 (1)			1							2-6/8		158
IDF (1)	H	F01A1	1-01 *	H	U01			1			HAND WIRE	159
IDF (1)	H	D02V2	1-02 *	H	U01			2			HAND WIRE	159
IDF (1)	H	F04A1	1-03 *	H	U01						H TU WHERE	159
IDF (1)			1							6-6/8		159
ILLEGAL ADD	H	F01K1	1-01 *	H	U01			1			HAND WIRE	160
ILLEGAL ADD	H	F02K1	1-02 *	H	U01						H TU WHERE	160
ILLEGAL ADD			1							2-6/8		160
IN BUFF FULL (1)	H	B03J2	1-01 *		U02			1				161
IN BUFF FULL (1)	H	C03K2	1-02 *									161
IN BUFF FULL (1)			1							5-0/8		161

RKIID.F	HND288.V22(22) 11/06/73				1-MAY-74	19:27	PAGE 19					
NAME	A/P	PIN NAME	ORDER PIN	BAY - ORDER	W	DRAN RV PG 1	X	Z	REMARKS	LENGTH	EXCEPTIONS	RUN NUMBER
INIT	H	F01T2	1-01 *	H	U01			2			HAND WIRE	162
INIT	H	F02T2	1-02 *	H	U01			1			HAND WIRE	162
INIT	H	F03T2	1-03 *	H	U01						H TU WHERE	162
INIT			1							5-4/8		162
INIT	L	F01A1	1-01 *	H	U01			2			HAND WIRE	163
INIT	L	F02A1	1-02 *	H	U01			1			HAND WIRE	163
INIT	L	F03A1	1-03 *	H	U01			2			HAND WIRE	163
INIT	L	F04A1	1-04 *	H	U01						H TU WHERE	163
INIT			1							8-2/8		163
INT BUS A01 (1)	H	D01A1	1-01 *	H	U01			1			HAND WIRE	164
INT BUS A01 (1)	H	D03A1	1-02 *	H	U01						H TU WHERE	164
INT BUS A01 (1)			1							3-2/8		164
INT BUS A01 (1)	H	D01B1	1-01 *	H	U01			1			HAND WIRE	165
INT BUS A01 (1)	H	D03B1	1-02 *	H	U01						H TU WHERE	165
INT BUS A01 (1)			1							3-2/8		165
INT BUS A02 (1)	H	D01C1	1-01 *	H	U01			1			HAND WIRE	166
INT BUS A02 (1)	H	D03C1	1-02 *	H	U01						H TU WHERE	166
INT BUS A02 (1)			1							3-2/8		166
INT BUS A03 (1)	H	D01D1	1-01 *	H	U01			1			HAND WIRE	167
INT BUS A03 (1)	H	D03D1	1-02 *	H	U01						H TU WHERE	167
INT BUS A03 (1)			1							3-2/8		167
INT BUS A04 (1)	H	D01E1	1-01 *	H	U01			1			HAND WIRE	168
INT BUS A04 (1)	H	D03E1	1-02 *	H	U01						H TU WHERE	168
INT BUS A04 (1)			1							3-2/8		168
INT BUS A05 (1)	H	D01F1	1-01 *	H	U01			1			HAND WIRE	169
INT BUS A05 (1)	H	D03F1	1-02 *	H	U01						H TU WHERE	169
INT BUS A05 (1)			1							3-2/8		169
INT BUS A06 (1)	H	D01G1	1-01 *	H	U01			1			HAND WIRE	170
INT BUS A06 (1)	H	D03G1	1-02 *	H	U01						H TU WHERE	170
INT BUS A06 (1)			1							3-2/8		170
INT BUS A07 (1)	H	D01J1	1-01 *	H	U01			1			HAND WIRE	171
INT BUS A07 (1)	H	D03J1	1-02 *	H	U01						H TU WHERE	171
INT BUS A07 (1)			1							3-2/8		171
INT BUS A08 (1)	H	D01K1	1-01 *	H	U01			1			HAND WIRE	172
INT BUS A08 (1)	H	D03K1	1-02 *	H	U01						H TU WHERE	172
INT BUS A08 (1)			1							3-2/8		172

RK110.F

HND288.V22(22) 11/06/73

1-NAT-74

19:27

PAGE 20

A/Z	PIN	ORDER	DAY -	Q	DRAG	BY	PG	1	2	REMARKS	1-NAT-74	19:27	PAGE 20
	NAME	PIN	ORDER								LENGTH	EXCEPTIONS	NUMBER
	INT BUS A09 (1)	H	D01L1	1-01 * H									
	INT BUS A09 (1)	H	D03L1	1-02 * H								HAND WIRE	173
	INT BUS A09 (1)			1								H TO WHERE	173
	INT BUS A10 (1)	H	D01P1	1-01 * H									
	INT BUS A10 (1)	H	D03P1	1-02 * H								HAND WIRE	174
	INT BUS A10 (1)			1								H TO WHERE	174
	INT BUS A11 (1)	H	D01R1	1-01 * H									
	INT BUS A11 (1)	H	D03R1	1-02 * H								HAND WIRE	175
	INT BUS A11 (1)			1								H TO WHERE	175
	INT BUS A12 (1)	H	D01S1	1-01 * H									
	INT BUS A12 (1)	H	D03S1	1-02 * H								HAND WIRE	176
	INT BUS A12 (1)			1								H TO WHERE	176
	INT BUS A13 (1)	H	D01T1	1-01 * H									
	INT BUS A13 (1)	H	D03T1	1-02 * H								HAND WIRE	177
	INT BUS A13 (1)			1								H TO WHERE	177
	INT BUS A14 (1)	H	D01U1	1-01 * H									
	INT BUS A14 (1)	H	D03U1	1-02 * H								HAND WIRE	178
	INT BUS A14 (1)			1								H TO WHERE	178
	INT BUS A15 (1)	H	D01V1	1-01 * H									
	INT BUS A15 (1)	H	D03V1	1-02 * H								HAND WIRE	179
	INT BUS A15 (1)			1								H TO WHERE	179
	INT BUS B00 (1)	H	F03V2	1-01 * H									
	INT BUS B00 (1)	H	F04V2	1-02 * H								HAND WIRE	180
	INT BUS B00 (1)			1								H TO WHERE	180
	INT BUS B01 (1)	H	F03W2	1-01 * H									
	INT BUS B01 (1)	H	F04W2	1-02 * H								HAND WIRE	181
	INT BUS B01 (1)			1								H TO WHERE	181
	INT BUS B02 (1)	H	F03X2	1-01 * H									
	INT BUS B02 (1)	H	F04X2	1-02 * H								HAND WIRE	182
	INT BUS B02 (1)			1								H TO WHERE	182
	INT BUS B03 (1)	H	F03Y2	1-01 * H									
	INT BUS B03 (1)	H	F04Y2	1-02 * H								HAND WIRE	183
	INT BUS B03 (1)			1								H TO WHERE	183
	INT BUS B04 (1)	H	F03Z2	1-01 * H									
	INT BUS B04 (1)	H	F04Z2	1-02 * H								HAND WIRE	184
	INT BUS B04 (1)			1								H TO WHERE	184

RK110.F

HND288.V22(22) 11/06/73

1-NAT-74

19:27

PAGE 21

A/Z	PIN	ORDER	DAY -	Q	DRAG	BY	PG	1	2	REMARKS	1-NAT-74	19:27	PAGE 21
	NAME	PIN	ORDER								LENGTH	EXCEPTIONS	NUMBER
	INT BUS B05 (1)	H	F03P2	1-01 * H									
	INT BUS B05 (1)	H	F04P2	1-02 * H								HAND WIRE	185
	INT BUS B05 (1)			1								H TO WHERE	185
	INT BUS B06 (1)	H	F03Q2	1-01 * H									
	INT BUS B06 (1)	H	F04Q2	1-02 * H								HAND WIRE	186
	INT BUS B06 (1)			1								H TO WHERE	186
	INT BUS B07 (1)	H	F03R2	1-01 * H									
	INT BUS B07 (1)	H	F04R2	1-02 * H								HAND WIRE	187
	INT BUS B07 (1)			1								H TO WHERE	187
	INT BUS B08 (1)	H	F03L2	1-01 * H									
	INT BUS B08 (1)	H	F04L2	1-02 * H								HAND WIRE	188
	INT BUS B08 (1)			1								H TO WHERE	188
	INT BUS B09 (1)	H	F03K2	1-01 * H									
	INT BUS B09 (1)	H	F04K2	1-02 * H								HAND WIRE	189
	INT BUS B09 (1)			1								H TO WHERE	189
	INT BUS B10 (1)	H	F03J2	1-01 * H									
	INT BUS B10 (1)	H	F04J2	1-02 * H								HAND WIRE	190
	INT BUS B10 (1)			1								H TO WHERE	190
	INT BUS B11 (1)	H	F03H2	1-01 * H									
	INT BUS B11 (1)	H	F04H2	1-02 * H								HAND WIRE	191
	INT BUS B11 (1)			1								H TO WHERE	191
	INT BUS B12 (1)	H	F03F2	1-01 * H									
	INT BUS B12 (1)	H	F04F2	1-02 * H								HAND WIRE	192
	INT BUS B12 (1)			1								H TO WHERE	192
	INT BUS B13 (1)	H	F03E2	1-01 * H									
	INT BUS B13 (1)	H	F04E2	1-02 * H								HAND WIRE	193
	INT BUS B13 (1)			1								H TO WHERE	193
	INT BUS B14 (1)	H	F03D2	1-01 * H									
	INT BUS B14 (1)	H	F04D2	1-02 * H								HAND WIRE	194
	INT BUS B14 (1)			1								H TO WHERE	194
	INT BUS B15 (1)	H	F03B1	1-01 * H									
	INT BUS B15 (1)	H	F04B1	1-02 * H								HAND WIRE	195
	INT BUS B15 (1)			1								H TO WHERE	195
	LASI B1F	H	F01D2	1-01 * H									
	LASI B1E	H	F02D2	1-02 * H								HAND WIRE	196
	LASI B1E			1								H TO WHERE	196

PART NO. BUY NAME	HND2RH.V22(22) 11/06/73				Q	DRAW	KV	PG	I	A	Z	REMARKS	1-MAY-74	19:27	PAGE 22
	A/P	PIN NAME	ORDER PIN	BAI - ORDER											
LAST SECTOR	L	C02U2		1-01 * H							1		P	HAND WIRE	197
LAST SECTOR	L	C03U2		1-02 * H									F	H TO WHERE	197
LAST SECTOR				1										2-6/8	197
LAST WORD DONE	L	C01L1		1-01 * H							1		P	HAND WIRE	198
LAST WORD DONE	L	C03L1		1-02 * H									F	H TO WHERE	198
LAST WORD DONE				1										3-2/8	198
LOAD RKBA HI	L	E03V2		1-01 * H							1		P	HAND WIRE	199
LOAD RKBA HI	L	E04V2		1-02 * H									F	H TO WHERE	199
LOAD RKBA HI				1										2-6/8	199
LOAD RKBA LO	L	E03H2		1-01 * H							1		P	HAND WIRE	200
LOAD RKBA LO	L	E04H2		1-02 * H									F	H TO WHERE	200
LOAD RKBA LO				1										2-6/8	200
LOAD RKCS HI	L	E01L1		1-01 * H							1		P	HAND WIRE	201
LOAD RKCS HI	L	E04L1		1-02 * H									F	H TO WHERE	201
LOAD RKCS HI				1										1-6/8	201
LOAD RKCS LO	L	E01M1		1-01 * H							1		P	HAND WIRE	202
LOAD RKCS LO	L	E04M1		1-02 * H									F	H TO WHERE	202
LOAD RKCS LO				1										3-6/8	202
LOAD RKDA HI	L	E03E2		1-01 * H							1		P	HAND WIRE	203
LOAD RKDA HI	L	E04E2		1-02 * H									F	H TO WHERE	203
LOAD RKDA HI				1										2-6/8	203
LOAD RKDA LO	L	E03F2		1-01 * H							1		P	HAND WIRE	204
LOAD RKDA LO	L	E04F2		1-02 * H									F	H TO WHERE	204
LOAD RKDA LO				1										2-6/8	204
LOAD RKAC HI	L	E01H1		1-01 * H							1		P	HAND WIRE	205
LOAD RKAC HI	L	E04H1		1-02 * H									F	H TO WHERE	205
LOAD RKAC HI				1										3-6/8	205
LOAD RKAC LO	L	E01F1		1-01 * H							1		P	HAND WIRE	206
LOAD RKAC LO	L	E04F1		1-02 * H									F	H TO WHERE	206
LOAD RKAC LO				1										3-6/8	206
M CLR	L	A02U2		1-01 *							1				207
M CLR	L	D02U2		1-02 *											207
M CLR				1										8-6/8	207

PART NO. BUY NAME	HND2RH.V22(22) 11/06/73				Q	DRAW	KV	PG	I	A	Z	REMARKS	1-MAY-74	19:27	PAGE 23
	A/P	PIN NAME	ORDER PIN	BAI - ORDER											
NEW FUN	L	C01R1		1-01 * H							2		P	HAND WIRE	208
NEW FUN	L	C02R1		1-02 * H							1		F	HAND WIRE	208
NEW FUN	L	C03R1		1-03 * H									F	H TO WHERE	208
NEW FUN				1										5-4/8	208
NPR EN (1)	H	E03V2		1-01 *							1				209
NPR EN (1)	H	E04M2		1-02 *										1-0/8	209
NPR EN (1)				1											209
NPR EN	H	E03J2		1-01 * H							1		P	HAND WIRE	210
NPR EN	H	E04J2		1-02 * H									F	H TO WHERE	210
NPR EN				1										2-6/8	210
NAM (1)	H	E01N1		1-01 * H							1		P	HAND WIRE	211
NAM (1)	H	E04N1		1-02 * H									F	H TO WHERE	211
NAM (1)				1										1-6/8	211
OUT BUFF FULL (1)	H	B03L2		1-01 *							1				212
OUT BUFF FULL (1)	H	C03L2		1-02 *											212
OUT BUFF FULL (1)				1										0-6/8	212
PULL DONE	L	F01U1		1-01 * H							1		F	HAND WIRE	213
PULL DONE	L	F02U1		1-02 * H									F	H TO WHERE	213
PULL DONE				1										2-6/8	213
PREAMBLE (1)	H	F01M2		1-01 * H							1		P	HAND WIRE	214
PREAMBLE (1)	H	F02M2		1-02 * H									F	H TO WHERE	214
PREAMBLE (1)				1										1-6/8	214
R/W/S RDY	H	F01P2		1-01 * H							1		P	HAND WIRE	215
R/W/S RDY	H	E02P2		1-02 * H									F	H TO WHERE	215
R/W/S RDY				1										2-6/8	215
RD DATA=WI DATA	H	F01M1		1-01 * H							1		F	HAND WIRE	216
RD DATA=VI DATA	H	F02M1		1-02 * H									F	H TO WHERE	216
RD DATA=SI DATA				1										1-6/8	216
RD GATE (1)	H	B03F2		1-01 *							1				217
RD GATE (1)	H	D0212		1-02 *											217
RD GATE (1)				1										0-6/8	217
RD GATE EN	H	F01J2		1-01 * H							1		P	HAND WIRE	218
RD GATE EN	H	F02J2		1-02 * H									F	H TO WHERE	218
RD GATE EN				1										2-6/8	218

RK110.F		HND288.V22(22) 11/06/73						1-MAY-74	19:27	PAGE 26					
RU#	RU#	A/P	EV NAME	ORDER PIN	BAY - ORDER	U	UKA#	KV	PG	1	2	REMARKS	LENGTH	PAGE	NO.
RKBA 13 (1)		H	F03S1		1-01 *	H		001			1				241
RKBA 13 (1)		H	F04S1		1-02 *	H		001							241
RKBA 13 (1)					1								2-6/8		241
RKBA 14 (1)		H	F03V		1-01 *	H		001			1				242
RKBA 14 (1)		H	F0401		1-02 *	H		001							242
RKBA 14 (1)					1								2-6/8		242
RKBA 15 (1)		H	F03V1		1-01 *	H		001			1				243
RKBA 15 (1)		H	F04V1		1-02 *	H		001							243
RKBA 15 (1)					1								2-6/8		243
RKBA 0VF		L	E01S1		1-01 *	H		001			1				244
RKBA 0VF		L	E01S2		1-02 *	H		001							244
RKBA 0VF					1								3-4/8		244
RKDA 00 (1)		H	E01P2		1-01 *			002			1				245
RKDA 00 (1)		H	E01A1		1-02 *	H		001			2				245
RKDA 00 (1)		H	E02A1		1-03 *	H		001							245
RKDA 00 (1)					1								11-4/8		245
RKDA 01 (1)		H	E01V1		1-01 *			002			1				246
RKDA 01 (1)		H	E01B1		1-02 *	H		001			2				246
RKDA 01 (1)		H	E02H1		1-03 *	H		001							246
RKDA 01 (1)					1								10-6/8		246
RKDA 02 (1)		H	E03N1		1-01 *			002			1				247
RKDA 02 (1)		H	E03C1		1-02 *	H		001			2				247
RKDA 02 (1)		H	E02C1		1-03 *	H		001			1				247
RKDA 02 (1)		H	E01C1		1-04 *	H		001							247
RKDA 02 (1)					1								14-4/8		247
RKDA 03 (1)		H	E03K2		1-01 *			002			1				248
RKDA 03 (1)		H	E0401		1-02 *	H		001			2				248
RKDA 03 (1)		H	E02F1		1-03 *	H		001			1				248
RKDA 03 (1)		H	E01D1		1-04 *	H		001							248
RKDA 03 (1)					1								15-0/8		248
RKDA 04 (1)		H	E03J2		1-01 *			002			1				249
RKDA 04 (1)		H	E03E1		1-02 *	H		001			2				249
RKDA 04 (1)		H	E02E1		1-03 *	H		001							249
RKDA 04 (1)					1								11-4/8		249
RKDA 05 (1)		H	E03T2		1-01 *			002			1				250
RKDA 05 (1)		H	E03F1		1-02 *	H		001			2				250
RKDA 05 (1)		H	E02F1		1-03 *	H		001							250
RKDA 05 (1)					1								11-6/8		250

RK110.F		HND288.V22(22) 11/06/73						1-MAY-74	19:27	PAGE 27					
RU#	RU#	A/P	EV NAME	ORDER PIN	BAY - ORDER	U	UKA#	KV	PG	1	2	REMARKS	LENGTH	PAGE	NO.
RKDA 06 (1)		H	E03C1		1-01 *			002			1				251
RKDA 06 (1)		H	E03H1		1-02 *	H		002			2				251
RKDA 06 (1)		H	E02H1		1-03 *	H		001							251
RKDA 06 (1)					1								13-2/8		251
RKDA 07 (1)		H	E03J1		1-01 *			001			1				252
RKDA 07 (1)		H	E03J1		1-02 *	H		001			2				252
RKDA 07 (1)		H	E02J1		1-03 *	H		001							252
RKDA 07 (1)					1								12-6/8		252
RKDA 08 (1)		H	E03F1		1-01 *			002			1				253
RKDA 08 (1)		H	E03K1		1-02 *	H		001			2				253
RKDA 08 (1)		H	E02K1		1-03 *	H		001							253
RKDA 08 (1)					1								13-2/8		253
RKDA 09 (1)		H	E03L1		1-01 *			002			1				254
RKDA 09 (1)		H	E03L1		1-02 *	H		001			2				254
RKDA 09 (1)		H	E02L1		1-03 *	H		001							254
RKDA 09 (1)					1								12-6/8		254
RKDA 10 (1)		H	E03P1		1-01 *			002			1				255
RKDA 10 (1)		H	E03M1		1-02 *	H		001			2				255
RKDA 10 (1)		H	E02M1		1-03 *	H		001							255
RKDA 10 (1)					1								12-4/8		255
RKDA 11 (1)		H	E03S2		1-01 *			002			1				256
RKDA 11 (1)		H	E03N1		1-02 *	H		001			2				256
RKDA 11 (1)		H	E02N1		1-03 *	H		001							256
RKDA 11 (1)					1								12-4/8		256
RKDA 12 (1)		H	E03K1		1-01 *			002			1				257
RKDA 12 (1)		H	E03P1		1-02 *	H		001			2				257
RKDA 12 (1)		H	E02P1		1-03 *	H		001							257
RKDA 12 (1)					1								13-2/8		257
RKDA 13 (1)		H	E02R1		1-01 *	H		001			1				258
RKDA 13 (1)		H	E03R1		1-02 *	H		001							258
RKDA 13 (1)					1								2-6/8		258
RKDA 14 (1)		H	E02S1		1-01 *	H		001			1				259
RKDA 14 (1)		H	E03S1		1-02 *	H		001							259
RKDA 14 (1)					1								2-6/8		259
RKDA 15 (1)		H	E0201		1-01 *	H		001			1				260
RKDA 15 (1)		H	E0301		1-02 *	H		001							260
RKDA 15 (1)					1								2-6/8		260

RK110.F		HND288.V22(22) 11/06/73										1-MAY-74	19:27	PAGE 28		
RUN NAME		A/P	PIN NAME	ORDER PIN	RAI - ORDER	Q	UN	BY	LG	I	A	Z	REMARKS	LENGTH	EXCEPTIONS	RUN NUMBER
RRDS 01 (1)	H		E02E2		1-01 *	H									HAND WIRE	261
RRDS 01 (1)	H		E02E2		1-02 *	H									H TO WHERE	261
RRDS 01 (1)					1									2-6/8		261
RRDS 01 (1)	H		E01E1		1-01 *	H									HAND WIRE	262
RRDS 01 (1)	H		E02E1		1-02 *	H									H TO WHERE	262
RRDS 01 (1)					1									2-6/8		262
RRDS 01 (1)	H		E01E2		1-01 *	H									HAND WIRE	263
RRDS 01 (1)	H		E02E2		1-02 *	H									H TO WHERE	263
RRDS 01 (1)					1									2-6/8		263
RRDS 02 (1)	H		E01E2		1-01 *	H									HAND WIRE	264
RRDS 02 (1)	H		E02E2		1-02 *	H									H TO WHERE	264
RRDS 02 (1)					1									2-6/8		264
RRDS 01 (1)	H		E01E2		1-01 *	H									HAND WIRE	265
RRDS 01 (1)	H		E02E2		1-02 *	H									H TO WHERE	265
RRDS 01 (1)					1									2-6/8		265
SC=SA	H		E01E2		1-01 *	H									HAND WIRE	266
SC=SA	H		E02E2		1-02 *	H									H TO WHERE	266
SC=SA					1									2-6/8		266
SCH CAP (1)	H		E01S1		1-01 *	H									HAND WIRE	267
SCH CAP (1)	H		E02S1		1-02 *	H									H TO WHERE	267
SCH CAP (1)					1									2-6/8		267
SECTION END	L		E02S2		1-01 *	H									HAND WIRE	268
SECTION END	L		E03E2		1-02 *	H									H TO WHERE	268
SECTION END					1									2-6/8		268
SECTION END	H		E01E2		1-01 *	H									HAND WIRE	269
SECTION END	H		E02E2		1-02 *	H									H TO WHERE	269
SECTION END					1									2-6/8		269
SEFK ON RESET	H		E03N2		1-01 *	H										270
SEFK OF RESET	H		E02E2		1-02 *	H									HAND WIRE	270
SEFK W RESET	H		E01E2		1-03 *	H									H TO WHERE	270
SEFK OF RESET					1									15-4/8		270
SER NO DATA (1)	H		E01V1		1-01 *	H									HAND WIRE	271
SER NO DATA (1)	H		E02V1		1-02 *	H									HAND WIRE	271
SER NO DATA (1)	H		E03V1		1-03 *	H									H TO WHERE	271
SER NO DATA (1)					1									5-4/8		271

RK110.F		HND288.V22(22) 11/06/73										1-MAY-74	19:27	PAGE 29		
RUN NAME		A/P	PIN NAME	ORDER PIN	RAI - ORDER	Q	UN	BY	LG	I	A	Z	REMARKS	LENGTH	EXCEPTIONS	RUN NUMBER
SIN	H		E01N2		1-01 *	H									HAND WIRE	272
SIN	H		E02N2		1-02 *	H									H TO WHERE	272
SIN					1									2-6/8		272
STOP NPKS	L		E01H1		1-01 *	H									HAND WIRE	273
STOP NPKS	L		E03H1		1-02 *	H									H TO WHERE	273
STOP NPKS					1									3-2/8		273
STOP POLL	L		E01N2		1-01 *	H									HAND WIRE	274
STOP POLL	L		E02N2		1-02 *	H									H TO WHERE	274
STOP POLL					1									2-6/8		274
WC OVF (1)	H		E01S1		1-01 *	H										275
WC OVF (1)	H		E03J1		1-02 *	H									HAND WIRE	275
WC OVF (1)	H		E01J1		1-03 *	H									H TO WHERE	275
WC OVF (1)					1									1-2/8		275
WRIF	H		E01E2		1-01 *	H									HAND WIRE	276
WRIF	H		E02E2		1-02 *	H									H TO WHERE	276
WRIF					1									2-6/8		276
WI GATE (1)	H		E01E2		1-01 *	H										277
WI GATE (1)	H		E02E1		1-02 *	H									HAND WIRE	277
WI GATE (1)	H		E01E1		1-03 *	H									H TO WHERE	277
WI GATE (1)					1									16-2/8		277
WI LOCK	H		E01S2		1-01 *	H									HAND WIRE	278
WI LOCK	H		E02S2		1-02 *	H									H TO WHERE	278
WI LOCK					1									2-6/8		278
WI PRCT STATUS	H		E01J2		1-01 *	H									HAND WIRE	279
WI PRCT STATUS	H		E02J2		1-02 *	H									H TO WHERE	279
WI PRCT STATUS					1									2-6/8		279
WI+WT CHK	H		E03H2		1-01 *	H										280
WI+WT CHK	H		E03P1		1-02 *	H									HAND WIRE	280
WI+WT CHK	H		E02P1		1-03 *	H									HAND WIRE	280
WI+WT CHK	H		E01P1		1-04 *	H									H TO WHERE	280
WI+WT CHK					1									11-2/8		280
XFER FUNCTION	H		E01V2		1-01 *	H									HAND WIRE	281
XFER FUNCTION	H		E02V2		1-02 *	H									H TO WHERE	281
XFER FUNCTION					1									2-6/8		281