

**H720**  
**power supply and**  
**mounting box**  
**engineering drawings**

1st Edition March 1971

### H720 Power Supply & Mounting Box

|                  |   |   |
|------------------|---|---|
| D-UA-H720-0-0    | 4 | H720 Power Supply                             |
| A-PL-H720-0-0    | 3 | H720 Power Supply (parts list)                |
| D-CS-H720-0-1    | 1 | H720 Circuit Schematic                        |
| D-CS-5408475-0-1 | 1 | Power Regulator Board Assembly (A & B Models) |
| D-CS-5409267-0-1 | 1 | Power Regulator Board Assembly (E & F Models) |
| D-UA-11/20-0-0   | 2 | Basic Assy/Configuration (PDP-11)             |
| D-UA-H960-CA-0   | 1 | Cabinet Assembly (PDP-11)                     |
| D-UA-KY11-A-0    | 1 | Console Assembly KY11-A                       |
| D-UA-KY11-B-0    | 1 | Console Assembly KY11-B                       |
| D-UA-KY11-C-0    | 1 | Console Assembly KY11-C                       |
| E-UA-H952-HA-0   | 1 | Table Assembly                                |
| E-UA-BA11-0-0    | 1 | Chassis Assembly (BA11)                       |

Copyright © by Digital Equipment Corporation

The material in this manual is for information purposes and is subject to change without notice.

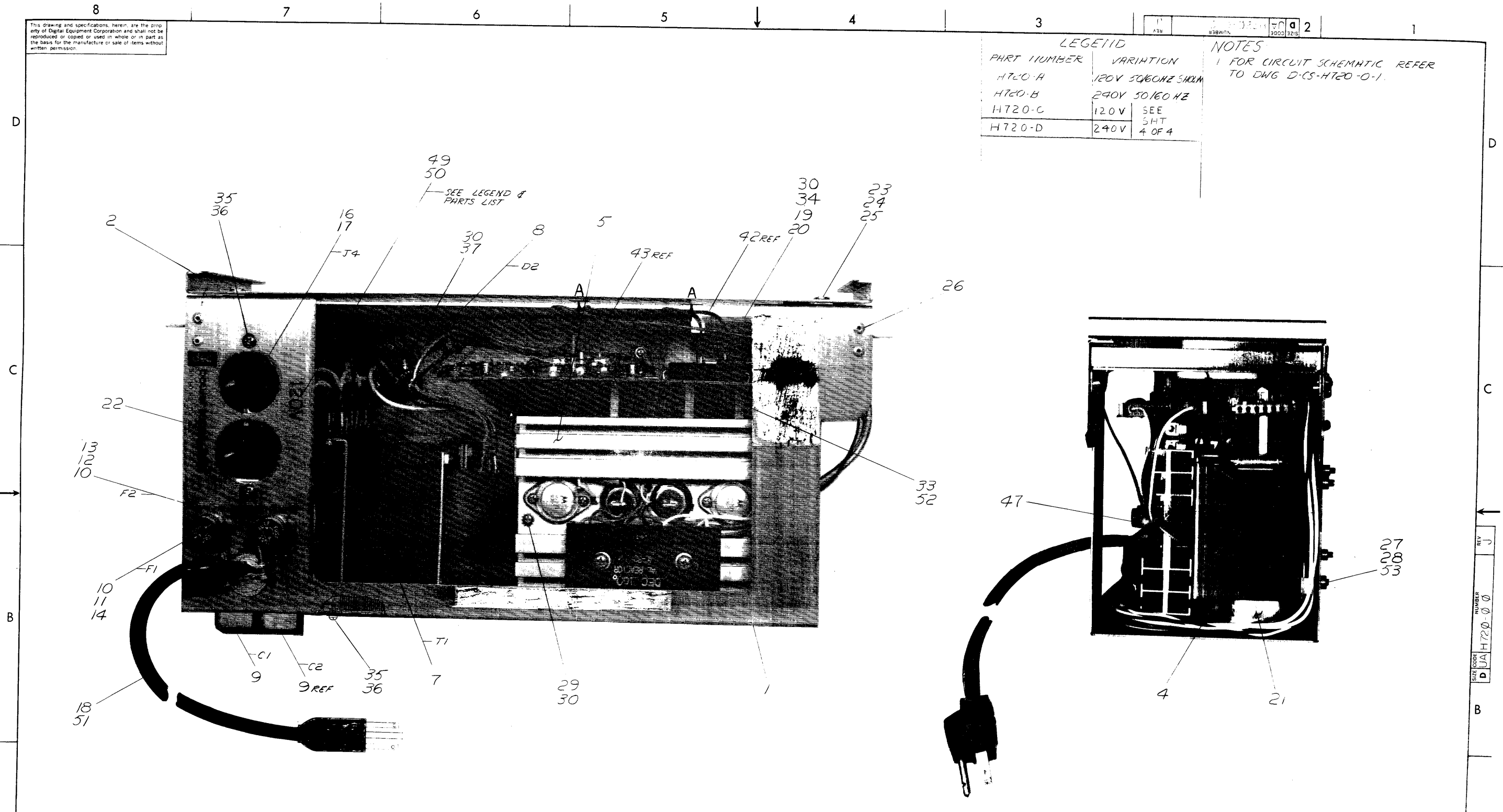
The following are trademarks of Digital Equipment Corporation, Maynard, Massachusetts:

FLIP CHIP      FOCAL  
DIGITAL        COMPUTER LAB  
UNIBUS

This drawing and specifications, herein, are the property of Digital Equipment Corporation and shall not be reproduced or copied or used in whole or in part as the basis for the manufacture or sale of items without written permission.

| LEGEND      |                    |
|-------------|--------------------|
| PART NUMBER | VARIATION          |
| H720-A      | 120V 50/60HZ SHOWN |
| H720-B      | 240V 50/60 HZ      |
| H720-C      | 120V SEE 3HT       |
| H720-D      | 240V 4 OF 4        |

NOTES  
 1 FOR CIRCUIT SCHEMATIC REFER TO DWG D-CS-H720-0-1.



| REV | DATE     | BY      | CHK'D | DESCRIPTION |
|-----|----------|---------|-------|-------------|
| 1   | 11-10-70 | W.F. 71 |       | REVISED     |
| 2   | 11-10-70 | W.F. 71 |       | REVISED     |
| 3   | 11-10-70 | W.F. 71 |       | REVISED     |
| 4   | 11-10-70 | W.F. 71 |       | REVISED     |
| 5   | 11-10-70 | W.F. 71 |       | REVISED     |
| 6   | 11-10-70 | W.F. 71 |       | REVISED     |
| 7   | 11-10-70 | W.F. 71 |       | REVISED     |
| 8   | 11-10-70 | W.F. 71 |       | REVISED     |

FIRST USED ON OPTION / MODEL  
 PDP 1120

| DO NOT SCALE DRAWING   | UNLESS OTHERWISE SPECIFIED DIMENSION IN INCHES | TOLERANCES | DECIMALS | FRACTIONS | ANGLES |
|--|--|------------|----------|-----------|--------|
| REMOVE BURRS AND BREAK SHARP CORNERS <td></td> <td></td> <td></td> <td></td> <td></td> |  |            |          |           |        |
| MATERIAL   |  |            |          |           |        |
| FINISH   |  |            |          |           |        |

| DRN. | DATE | CHK'D. | DATE | ENG. | DATE |
|------|------|--------|------|------|------|
|      |      |        |      |      |      |

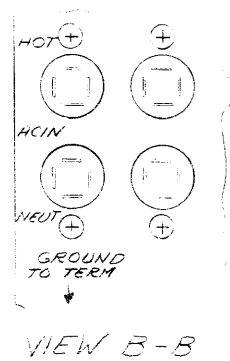
| QTY. | DESCRIPTION | PART NO. | ITEM NO. |
|------|-------------|----------|----------|
|      |             |          |          |

digital EQUIPMENT CORPORATION  
 MAYNARD, MASSACHUSETTS

| SIZE CODE | NUMBER   | REV |
|-----------|----------|-----|
| DUA       | H720 0 0 | J   |

SCALE: SHEET 1 OF 4

This drawing and specifications herein are the property of Digital Equipment Corporation and shall not be reproduced or copied or used in whole or in part as the basis for the manufacture or sale of items without written permission.

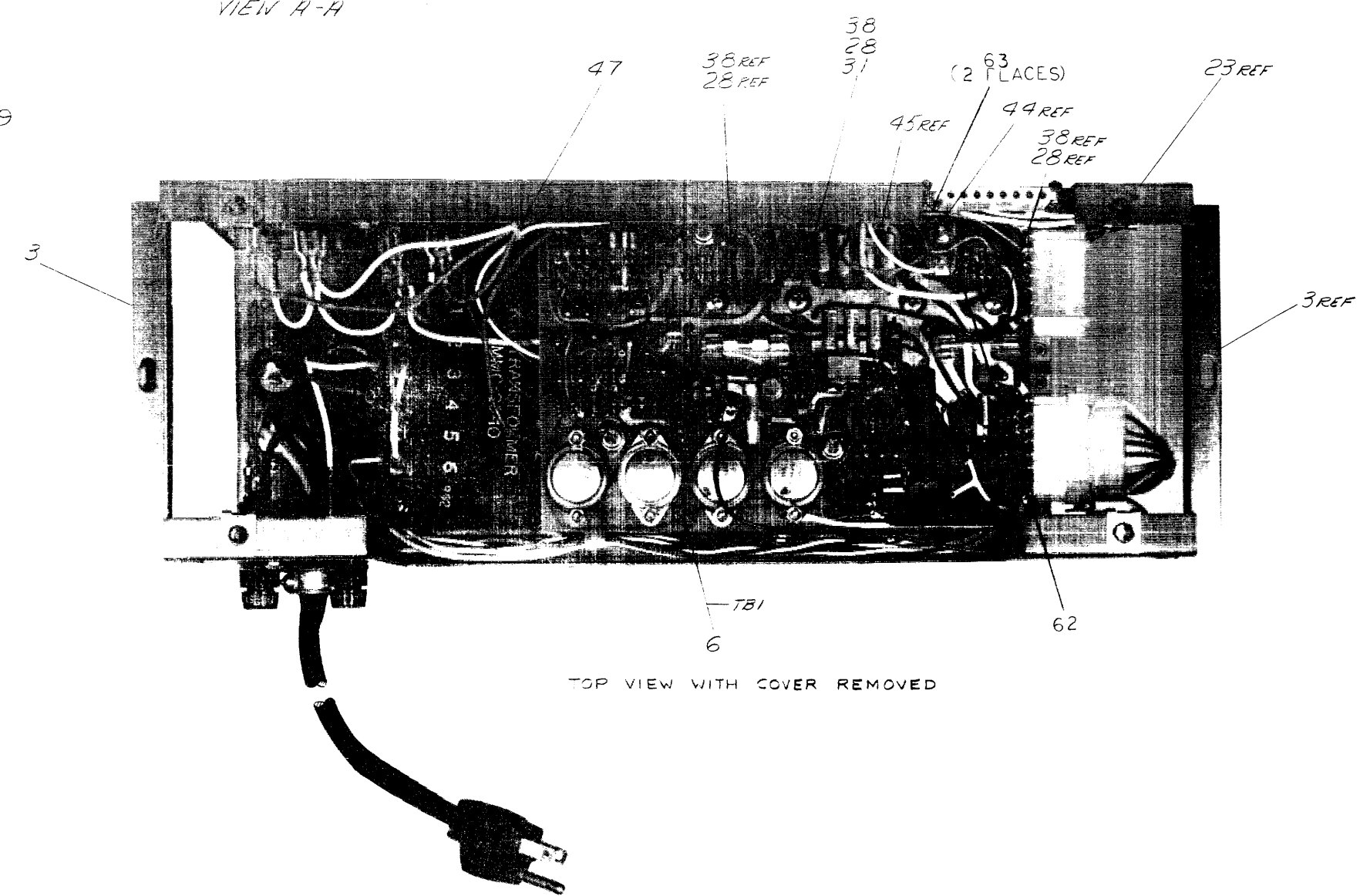
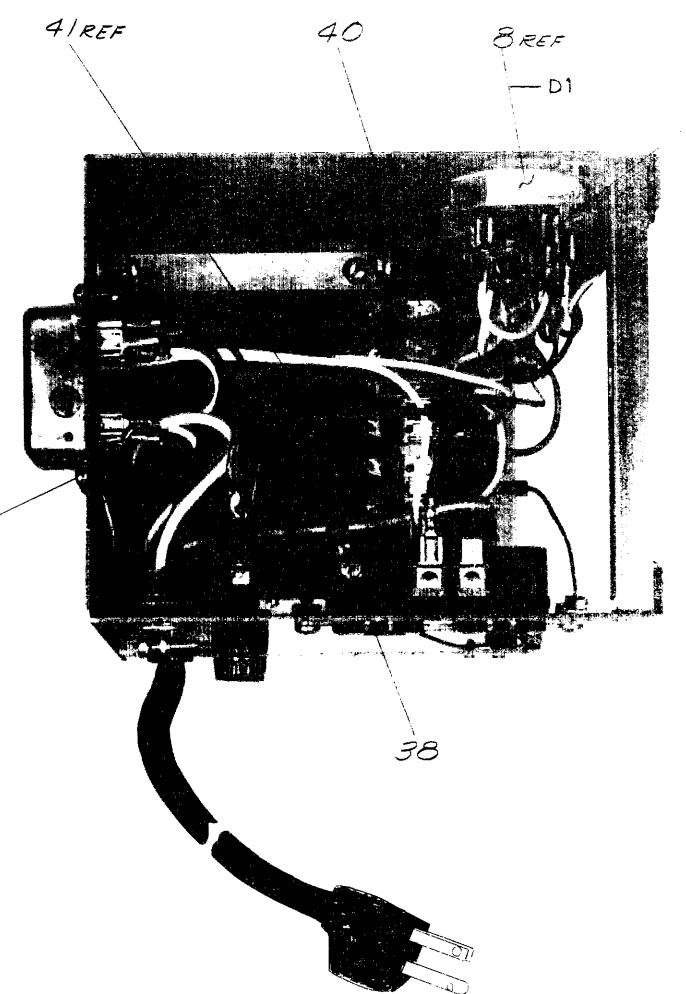


22 REF

| CAUTION<br>CHECK TRANSFORMER<br>TAPS BEFORE USING |          |      |
|---|----------|------|
| INPUT<br>VOLTAGE                                  | JUMPER   | LINE |
| 120 10%   | 3-6, 1-4 | 3, 4 |
| 218 10%   | 2-5      | 3, 4 |
| 225 10%   | 2-6      | 3, 4 |
| 233 10%   | 1-5      | 3, 4 |
| 240 10%   | 1-6      | 3, 4 |

2 REF

VIEW H-H



TOP VIEW WITH COVER REMOVED

| REV | CHANGE NO. |
|-----|------------|
|     |            |
|     |            |

FIRST USED ON OPTION / MODEL  
PDF 11/20

DO NOT SCALE DRAWING  
UNLESS OTHERWISE SPECIFIED  
DIMENSION IN INCHES  
TOLERANCES  
DECIMALS FRACTIONS ANGLES  
± .005 ± 1/64 ± 0°30'  
FINAL SURFACE QUALITY  
REMOVE BURRS AND BREAK SHARP  
EDGES

| QTY.           | DESCRIPTION | PART NO.  | ITEM NO. |
|----------------|-------------|-----------|----------|
| PARTS LIST     |             |           |          |
| DRN            | MARCOTTE    | DATE      | -28-70   |
| CHK'D          | RUSS        | DATE      | 2-3-70   |
| ENG            | BLUM        | DATE      | 2-4-70   |
| PROJ. ENG.     | CADY        | DATE      | 2-5-70   |
| PROD.          | MAX DANA D  | DATE      | 2-4-70   |
| MATERIAL       |             |           |          |
| FINISH         |             |           |          |
| D-UA-11/20-0-0 |             | SIZE CODE | DUA      |
| SCALE          |             | NUMBER    | H720 0 0 |
| SHEET 2 OF 4   |             | DIST.     |          |

**digital** CORPORATION  
MAYNARD MASSACHUSETTS  
TITLE  
H720 POWER  
SERIES ASSEMBLY

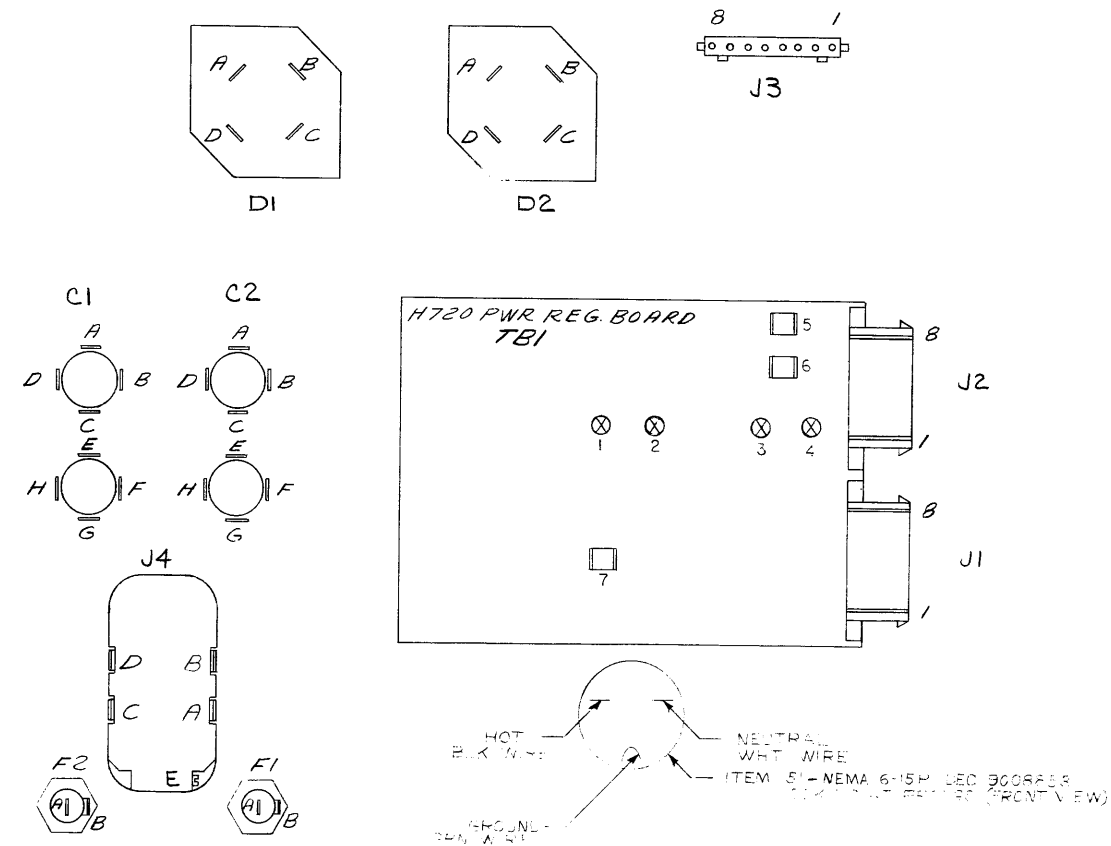
SIZE CODE  
DUA  
H720-0-0  
NUMBER  
H720-0-0  
REV  
J

This drawing and specifications, herein, are the property of Digital Equipment Corporation and shall not be reproduced or copied or used in whole or in part as the basis for the manufacture or sale of items without written permission.

0-0-022471 2  
338 3387111 3002 3215

| WIRED TABLE |             |      |       |          |             | WIRED TABLE |       |  |  |  |  |
|-------------|-------------|------|-------|----------|-------------|-------------|-------|--|--|--|--|
| ITEM NO.    | DESCRIPTION | FROM | TO    | ITEM NO. | DESCRIPTION | FROM        | TO    |  |  |  |  |
| 5           | EE          | FAH  | TBI-7 | 42       | 14          | WHT         | T1-3  |  |  |  |  |
| 18          | 14          | BLK  | C1-A  | 42       | 14          | WHT         | T1-3  |  |  |  |  |
| 18          | 14          | WHT  | C1-E  | 42       | 14          | WHT         | T1-11 |  |  |  |  |
| 18          | 14          | GRN  | J4-E  | 42       | 14          | WHT         | C2-C  |  |  |  |  |
| *41         | 14          | RED  | T1-1  | 42       | 14          | WHT         | C2-D  |  |  |  |  |
| 41          | 14          | RED  | T1-7  | 42       | 14          | WHT         | CI-F  |  |  |  |  |
| 41          | 14          | RED  | C2-E  | 42       | 14          | WHT         | DI-B  |  |  |  |  |
| 41          | 14          | RED  | C2-F  | 42       | 14          | WHT         | DI-B  |  |  |  |  |
| 41          | 14          | RED  | C2-H  | 42       | 14          | WHT         | DI-C  |  |  |  |  |
| 41          | 14          | RED  | CI-B  | 43       | 14          | BLK         | T1-9  |  |  |  |  |
| 41          | 14          | RED  | F1-B  | 45       | 18          | WHT         | T1-10 |  |  |  |  |
| 41          | 14          | RED  | T1-4  | 46       | 18TWP       | WHT         | T1-6  |  |  |  |  |
| 41          | 14          | RED  | DI-A  |          |             | BLK         | F2-B  |  |  |  |  |
| 41          | 14          | RED  | D2-A  | 46       | 18TWP       | WHT         | C2-A  |  |  |  |  |
| 41          | 14          | RED  | D2-A  | 44       | 18          | RED         | T1-8  |  |  |  |  |
|             |             |      |       | 63       | CAP         |             | TBI-3 |  |  |  |  |

NOTES:  
 1. WIRING IN CHART IS FOR H720-A P/S TO CONVERT TO H720-B P/S DELETE WIRING FROM T1-3 TO T1-6 & T1-1 TO T1-9, SHOWN BY ASTERISK (\*), ADD WIRE FROM T1-1 TO T1-6  
 2. ITEM 51 SHOWN FOR PROPER COWLING OF 240 VOLT PLUG



| QTY. | DESCRIPTION   | PART NO. | ITEM NO. |
|------|---|----------|----------|
|      | PARTS LIST  |          |          |
|      | digital EQUIPMENT CORPORATION<br>MAYNARD, MASSACHUSETTS |          |          |
|      | TITLE: H720 POWER SUPPLY ASSEMBLY                       |          |          |
|      | DATE: 2-3-70  |          |          |
|      | SCALE: 1:1  |          |          |
|      | SHEET 3 OF 4  |          |          |

|     |     |
|-----|-----|
| REV | NO. |
|     |     |
| CHK |     |
|     |     |

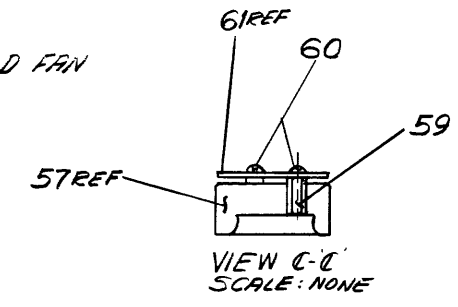
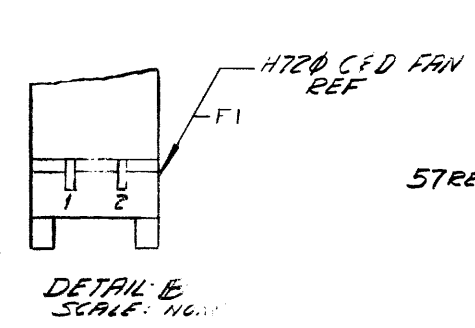
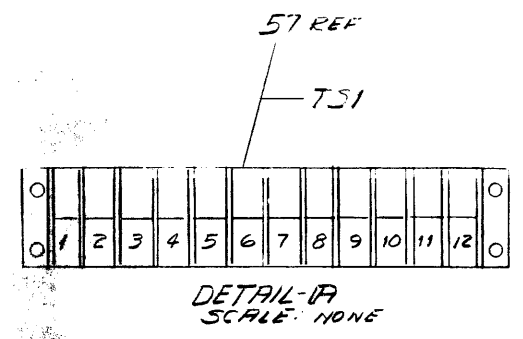
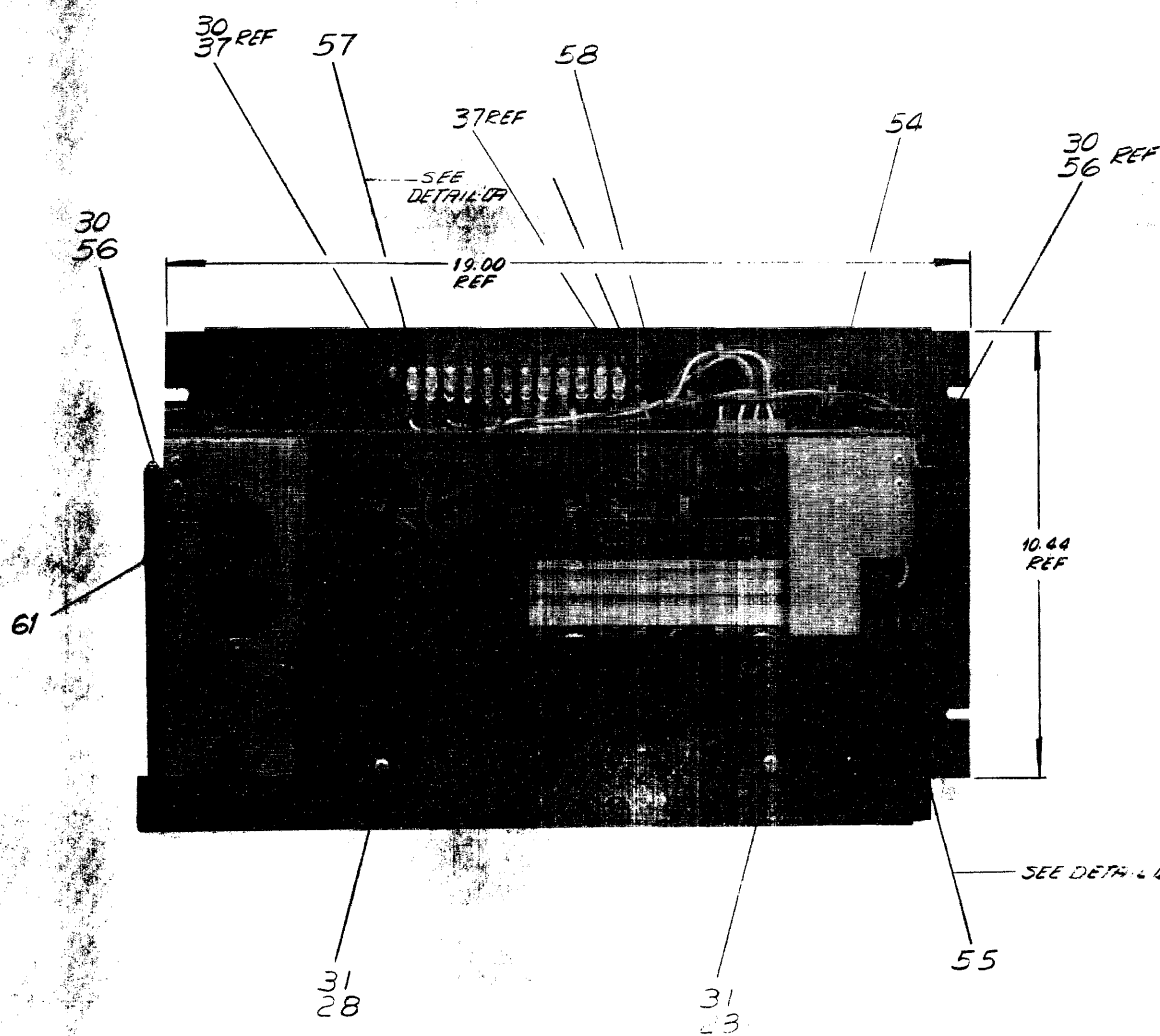
DEC FORM NO. 190-100

REV. J  
 NUMBER 1  
 PART NO. H720-0-0

This drawing and specifications, herein, are the property of Digital Equipment Corporation and shall not be reproduced or copied or used in whole or in part as the basis for the manufacture or sale of items without written permission.

| WIRE TABLE |             |              |           |          |  |
|------------|-------------|--------------|-----------|----------|--|
| ITEM NO.   | DESCRIPTION | FROM HARNESS | TO P.S.   | REMARKS  |  |
|            | AWG         | COLOR        | POINT NO. | LOCATION |  |
| 58         | 14          | WHT          | 1         | T51-1    |  |
|            | 14          | RED          | 2         | T51-2    |  |
|            | 14          | WHT          | 3         | T51-3    |  |
|            | 14          | RED          | 4         | T51-4    |  |
|            | 14          | WHT          | 5         | T51-5    |  |
|            | 14          | RED          | 6         | T51-4    |  |
| 58         | 22          | YEL          | 7         | T51-5    |  |

| WIRE TABLE |             |              |           |          |           |
|------------|-------------|--------------|-----------|----------|-----------|
| ITEM NO.   | DESCRIPTION | FROM HARNESS | TO P.S.   | REMARKS  |           |
|            | AWG         | COLOR        | POINT NO. | LOCATION |           |
| 58         | 22          | VIO          | 8         | T51-6    |           |
|            | 11          | BLU          | 9         | T51-7    |           |
|            | 22          | ORN          | 10        | T51-8    |           |
|            | 22          | BRN          | 11        | T51-9    |           |
|            | 22          | GRN          | 12        | T51-10   |           |
|            | 14          | BLK          | 13        | T51-11   |           |
| 58         | 14          | RED          | 14        | T51-12   |           |
| 58         | 14          | RED          | 15        | F1-2     | SOLDER-55 |
| 58         | 14          | WHT          | 16        | F1-1     | SOLDER-55 |



|            |     |
|------------|-----|
| REVISIONS  | REV |
| CHANGE NO. |     |
| CHK        |     |

FIRST USED ON OPTION/MODEL  
PDP11/20

DO NOT SCALE DRAWING  
UNLESS OTHERWISE SPECIFIED  
DIMENSION IN INCHES  
TOLERANCES  
DECIMALS FRACTIONS ANGLES  
± .005 ± 1/64 ± 0°30'  
FINAL SURFACE QUALITY  
REMOVE BURRS AND BREAK SHARP CORNERS

| QTY.       | DESCRIPTION   | PART NO.         | ITEM NO.           |
|------------|---|------------------|--------------------|
| PARTS LIST |   |                  |                    |
|            | digital EQUIPMENT CORPORATION<br>MAYNARD, MASSACHUSETTS |                  |                    |
|            | TITLE<br>H720 POWER SUPPLY ASSEMBLY                     |                  |                    |
|            | NEXT HIGHER ASSY<br>D-UA-11/20-0-0                      | SIZE CODE<br>DUA | NUMBER<br>H720-0-0 |
|            | SCALE NONE  |                  | REV<br>J           |
|            | SHEET 4 OF 4  | DIST.            |                    |

| DIGITAL EQUIPMENT CORPORATION<br>MAYNARD, MASSACHUSETTS |                                   |                              |                        |                           | QTY/VAR      |            |                    |        |           |               |                       |
|---|-----------------------------------|------------------------------|------------------------|---------------------------|--------------|------------|--------------------|--------|-----------|---------------|-----------------------|
| MADE BY P. MARCOTTE                                     |                                   |                              | CHECKED K. RUSS        |                           | SECTION      |            |                    |        |           |               |                       |
| DATE 1/26/70  |                                   |                              | DATE 1/29/70           |                           | 1            |            |                    |        |           |               |                       |
| ENG <i>C.P. Blasi</i>                                   |                                   |                              | PROD <i>Mac Donald</i> |                           | ISSUED SECT. |            |                    |        |           |               |                       |
| DATE 2/4/70   |                                   |                              | DATE 2/4/70            |                           | 1            |            |                    |        |           |               |                       |
| ITEM NO.  | DWG NO./PART NO.<br>CL BASIC VAR. | DESCRIPTION                  |                        |                           | H720-A       | H720-B     | H720-C             | H720-D | UNIT COST | UNIT QUANTITY | QUANTITY ISSUED       |
| 1   | E-IA-5308519-0-0                  | PWR SUPPLY CHASSIS           |                        |                           | 1            | 1          | 1                  | 1      |           |               |                       |
| 2   | C-MD-5308518-0-0                  | PWR SUPPLY COVER             |                        |                           | 1            | 1          | 1                  | 1      |           |               |                       |
| 3   | C-MD-5308521-0-0                  | BRKT SUPPORT                 |                        |                           | 2            | 2          | 2                  | 2      |           |               |                       |
| 4   | D-MD-5308520-0-0                  | CAPACITOR BRKT               |                        |                           | 1            | 1          | 1                  | 1      |           |               |                       |
| 5   | D-AD-5408525-0-0                  | HEAT SINK ASSY               |                        |                           | 1            | 1          | 1                  | 1      |           |               |                       |
| 6   | D-AD-5408475-0-0                  | PWR REGULATOR BD ASSY        |                        |                           | 1            | 1          | 1                  | 1      |           |               |                       |
| 7   | 1609810                           | TRANSFORMER MMC 2940         |                        |                           | 1            | 1          | 1                  | 1      |           |               |                       |
| 8   | 1105799                           | DIODE BRIDGE DM15            |                        |                           | 2            | 2          | 2                  | 2      |           |               |                       |
| 9   | 1002153                           | CAPACITOR 2 X .1 MFD 1000V   |                        |                           | 2            | 2          | 2                  | 2      |           |               |                       |
| 10  | 9007242                           | FUSEHOLDER 15 AMP 250 V      |                        |                           | 2            | 2          | 2                  | 2      |           |               |                       |
| 11  | 9007227                           | FUSE AGC 15 AMP SLO-BLO      |                        |                           | 1            |            | 1                  |        |           |               |                       |
| 12  | 9007222                           | FUSE AGC 5 AMP-SLO-BLO       |                        |                           | 1            |            | 1                  |        |           |               |                       |
| 13  | 9007220                           | FUSE AGC 4 AMP SLO-BLO       |                        |                           |              | 1          |                    | 1      |           |               |                       |
| 14  | 9007225                           | FUSE AGC 10 AMP SLO-BLO      |                        |                           |              | 1          |                    | 1      |           |               |                       |
| 15  | 1809668                           | ROME X 3/8 CONN              |                        |                           | 1            | 1          | 1                  | 1      |           |               |                       |
| 16  | 1205351                           | AC DUPLEX OUTLET             |                        |                           | 1            |            | 1                  |        |           |               |                       |
| 17  | 9008856                           | OUTLET DUPEX NEMA 6-15R      |                        |                           |              | 1          |                    | 1      |           |               |                       |
| 18  | 9107673-15                        | #14/3 600V PWR CORD 15 FT LG |                        |                           | 1            | 1          | 1                  | 1      |           |               |                       |
| 19  | 1209340-00                        | AMP CONN #1-480459-0         |                        |                           | 1            | 1          | 1                  | 1      |           |               |                       |
| 20  | 1209379-01                        | CONTACT AMP #60619-4         |                        |                           | 8            | 8          | 8                  | 8      |           |               |                       |
| 21  | 1009189                           | CAPACITOR 22,000 MFD 50V     |                        |                           | 2            | 2          | 2                  | 2      |           |               |                       |
| 22  | B-DC-5308524-0-0                  | P/S DECALS                   |                        |                           | A            | BA         | BAR                | AR     |           |               |                       |
| TITLE<br>H720 POWER SUPPLY                              |                                   |                              |                        | ASSY NO.<br>D-UA-H720-0-0 | SIZE<br>A    | CODE<br>PL | NUMBER<br>H720-0-0 |        |           | REV.<br>J     | ECO NO.<br>H720-00013 |
| SHEET 1 OF 3  |                                   |                              |                        | DIST. 6                   |              |            |                    |        |           |               |                       |

DEC FORM NO. 16-1027  
DRA 123

| DIGITAL EQUIPMENT CORPORATION<br>MAYNARD, MASSACHUSETTS<br><b>PARTS LIST</b> |                                   |  |  | QTY/VAR                   |              |                   |        |                    |               |                 |         |
|--|-----------------------------------|--|--|---------------------------|--------------|-------------------|--------|--------------------|---------------|-----------------|---------|
| MADE BY P. MARCOTTE  |                                   | CHECKED K. RUSS                              |  | SECTION                   |              |                   |        |                    |               |                 |         |
| DATE 1/27/70   |                                   | DATE 1/29/70                                 |  | 1                         |              |                   |        |                    |               |                 |         |
| ENG <i>CRB</i>   |                                   | PROD <i>Thom Donald</i>                      |  | ISSUED SECT.              |              |                   |        |                    |               |                 |         |
| DATE 2/4/70  |                                   | DATE 2/4/70                                  |  | 1                         |              |                   |        |                    |               |                 |         |
| ITEM NO.   | DWG NO./PART NO.<br>CL BASIC VAR. | DESCRIPTION                                  |  | H720-A                    | H720-B       | H720-C            | H720-D | UNIT COST          | UNIT QUANTITY | QUANTITY ISSUED |         |
| 23   | 9008196                           | CLIP ON RECEP #82-47-104-15 SOUTHCO          |  | 4                         | 4            | 4                 | 4      |                    |               |                 |         |
| 24   | 9008198                           | 1/4 TURN FASTENER #82-11-160-16 SOUTHCO      |  | 4                         | 4            | 4                 | 4      |                    |               |                 |         |
| 25   | 9008200                           | 1/4 TURN FAST RET RING #82-32-101-17 SOUTHCO |  | 4                         | 4            | 4                 | 4      |                    |               |                 |         |
| 26   | 9009054                           | POP RIVET SD43BS                             |  | 8                         | 8            | 8                 | 8      |                    |               |                 |         |
| 27   | 9006072-1                         | SCR PHL PAN PD #10-32 X 7/16 LG              |  | 4                         | 4            | 4                 | 4      |                    |               |                 |         |
| 28   | 9006635                           | LOCK WASHER, INT TOOTH #10                   |  | 10                        | 10           | 12                | 12     |                    |               |                 |         |
| 29   | 9006028-1                         | SCR PHL PAN HD #6-32 X 1" LG                 |  | 2                         | 2            | 2                 | 2      |                    |               |                 |         |
| 30   | 9007649                           | LOCKWASHER EXT TOOTH #6                      |  | 12                        | 12           | 16                | 16     |                    |               |                 |         |
| 31   | 9006071                           | SCR PHL TRUSS HD #10-32 X 3/8 LG             |  | 4                         | 4            | 2                 | 2      |                    |               |                 |         |
| <del>32</del>  | <del>9007596</del>                | <del>CONN, ARKLESS #3000 M446</del>          |  | <del>3</del>              | <del>3</del> |                   |        |                    |               |                 |         |
| 33   | 9007871                           | SPACER, 3/8 AF X 1" LG #10-32                |  | 4                         | 4            | 6                 | 6      |                    |               |                 |         |
| 34   | 9006021-1                         | SCR, PHL PAN HD #6-32 X 5/16 LG              |  | 6                         | 6            | 6                 | 6      |                    |               |                 |         |
| 35   | 9006037-1                         | SCR, PHL PAN HD #8-32 X 3/8 LG               |  | 6                         | 6            | 6                 | 6      |                    |               |                 |         |
| 36   | 9006563                           | NUT, KEPS #8-32                              |  | 6                         | 6            | 6                 | 6      |                    |               |                 |         |
| 37   | 9006026-1                         | SCR, PHL PAN HD #6-32 X 3/4 LG               |  | 4                         | 4            | 8                 | 8      |                    |               |                 |         |
| 38   | 9007928                           | CONN, ARKLESS #50364                         |  | 4                         | 4            | 4                 | 4      |                    |               |                 |         |
| 39   | 9007925                           | CONN, ARKLESS #3000-H21A                     |  | 4                         | 4            | 4                 | 4      |                    |               |                 |         |
| 40   | 9007917                           | CONN, ARKLESS #50902                         |  | 36                        | 36           | 36                | 36     |                    |               |                 |         |
| 41   | 9107370-22                        | WIRE #14 AWG STRD TEF INS (RED)              |  | A/RA                      | BA/R         | A/R               | A/R    |                    |               |                 |         |
| 42   | 9107370-99                        | WIRE #14 AWG STRD TEF INS (WHT)              |  | A/RA                      | BA/R         | A/R               | A/R    |                    |               |                 |         |
| 43   | 9107370-00                        | WIRE #14 AWG STRD TEF INS (BLK)              |  | A/RA                      | BA/R         | A/R               | A/R    |                    |               |                 |         |
| 44   | 9107360-22                        | WIRE #18 AWG STRD TEF INS (RED)              |  | A/RA                      | BA/R         | A/R               | A/R    |                    |               |                 |         |
| TITLE<br>H720 POWER SUPPLY   |                                   |  |  | ASSY NO.<br>D-UA-H720-0-0 |              | SIZE CODE<br>A PL |        | NUMBER<br>H720-0-0 |               | REV.<br>J       | ECO NO. |
| SHEET 2 OF 3   |                                   |  |  | DIST.                     |              |                   |        |                    |               |                 |         |

DEC FORM NO. 16-1027  
DRA 123



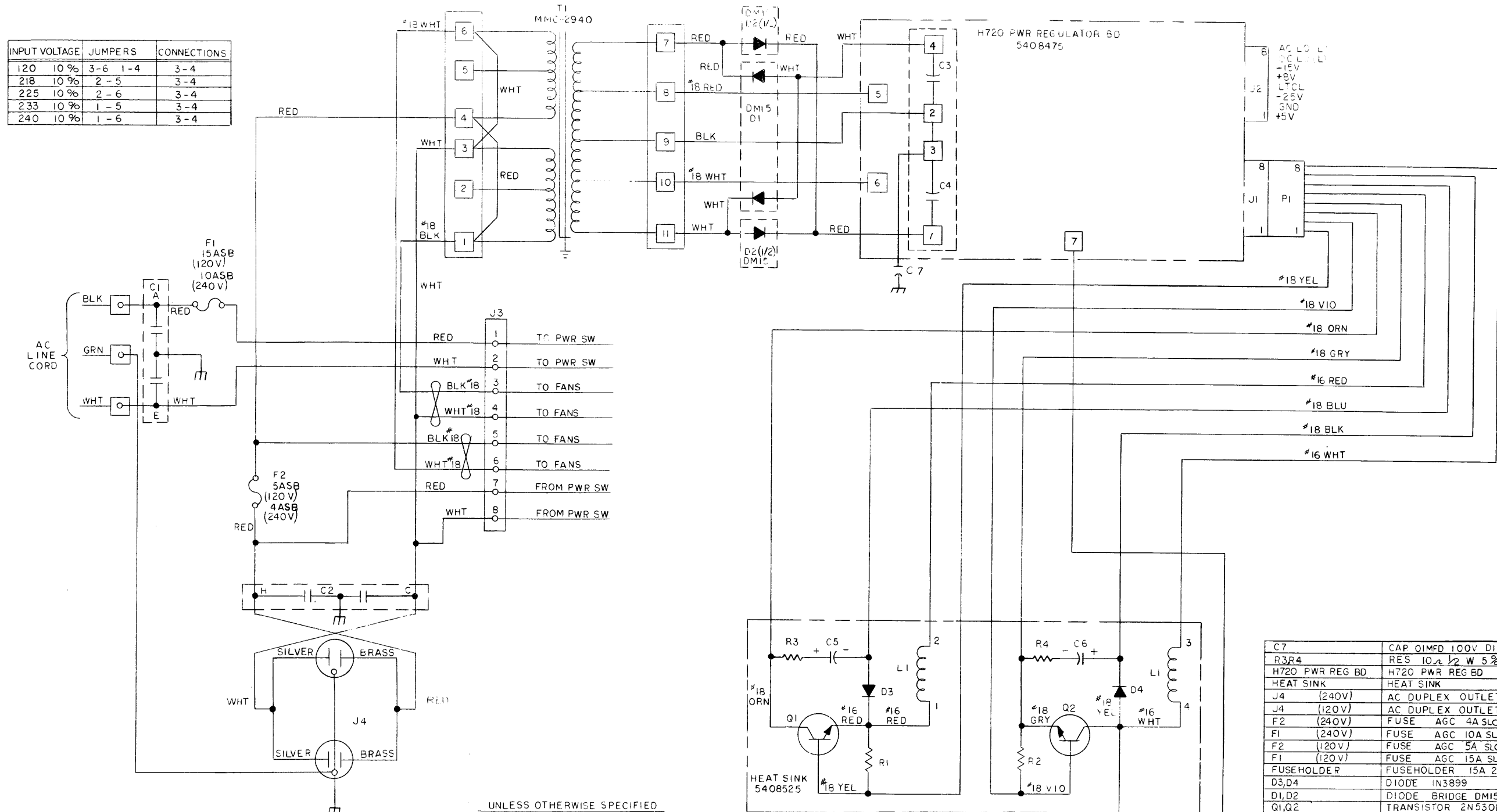
| DIGITAL EQUIPMENT CORPORATION<br>MAYNARD, MASSACHUSETTS |                                   |                                     |  | PARTS LIST                |        |                   |        | QTY/VAR            |               |                 |         |        |  |
|---|-----------------------------------|-------------------------------------|--|---------------------------|--------|-------------------|--------|--------------------|---------------|-----------------|---------|--------|--|
| MADE BY P. MARCOTTE                                     |                                   | CHECKED K. RUSS                     |  | SECTION                   |        | H720-A            |        | H720-B             |               | H720-C          |         | H720-D |  |
| DATE 1/27/70  |                                   | DATE 1/29/70                        |  | 1                         |        |                   |        |                    |               |                 |         |        |  |
| ENG C. P. Chase 3/4/70                                  |                                   | PROD <i>thru</i>                    |  | ISSUED SECT.              |        |                   |        |                    |               |                 |         |        |  |
| DATE  |                                   | DATE 2/4/70                         |  | 1                         |        |                   |        |                    |               |                 |         |        |  |
| ITEM NO.  | DWG NO./PART NO.<br>CL BASIC VAR. | DESCRIPTION                         |  | H720-A                    | H720-B | H720-C            | H720-D | UNIT COST          | UNIT QUANTITY | QUANTITY ISSUED |         |        |  |
| 45  | 9107360-99                        | WIRE #18 AWG STRD TEF INS (WHT)     |  | A/RA/BA/RA/R              |        |                   |        |                    |               |                 |         |        |  |
| 46  | 9107430-09                        | WIRE #18 AWG TWP TEF INS (BLK/WHT)  |  | A/RA/BA/RA/R              |        |                   |        |                    |               |                 |         |        |  |
| 47  | 9007031                           | TIE WRAP SST-1-B PANDUIT            |  | A/RA/BA/RA/R              |        |                   |        |                    |               |                 |         |        |  |
| 48  | 9107254                           | TUBING, SHRINK WHT 3/16 DIA         |  | A/RA/BA/RA/R              |        |                   |        |                    |               |                 |         |        |  |
| 49  | A-DC-5308771-0-0                  | P/S DECALS (120V)                   |  | A/R                       | A/R    |                   |        |                    |               |                 |         |        |  |
| 50  | A-DC-5308772-0-0                  | P/S DECALS (240V)                   |  |                           | A/R    | A/R               |        |                    |               |                 |         |        |  |
| 51  | 9008853                           | PLUG Male #566 A.H.                 |  |                           | 1      | 1                 |        |                    |               |                 |         |        |  |
| 52  | 9006314                           | 10-32 x 1/2 Set Scr                 |  | 4                         | 4      | 4                 | 4      |                    |               |                 |         |        |  |
| 53  | 9007081                           | CLAMP, 1/4" HOLUB                   |  | 2                         | 2      | 2                 | 2      |                    |               |                 |         |        |  |
| REF   | D-CS-H720-0-1                     | CIRCUIT SCHEMATIC                   |  |                           |        |                   |        |                    |               |                 |         |        |  |
| REF   | A-SP-H720-0-7                     | ADJUSTMENT PROCEDURE                |  |                           |        |                   |        |                    |               |                 |         |        |  |
| 54  | D-AD-7007110-0-0                  | FRAME ASSY                          |  |                           |        | 1                 | 1      |                    |               |                 |         |        |  |
| 55  | 9107305                           | TUBING SHRINCABLE 3/16 O.D.         |  |                           |        | 2                 | 2      |                    |               |                 |         |        |  |
| 56  | 9006022-1                         | SCR PHL HD PAN 6-32X 3/8 SST        |  |                           |        | 2                 | 2      |                    |               |                 |         |        |  |
| 57  | 9006917                           | TERMINAL STRIP # 12-541 CINCH JONES |  |                           |        | 1                 | 1      |                    |               |                 |         |        |  |
| 58  | D-IA-7007115-0-0                  | WIRE HARNESS H720 C&D               |  |                           |        | 1                 | 1      |                    |               |                 |         |        |  |
| 59  | 9006807                           | SPACER, 1/2 A.F.X 3/4 LG # 6        |  |                           |        | 2                 | 2      |                    |               |                 |         |        |  |
| 60  | 9007853-1                         | SCR, PHL, PAN HD # 6-32X 1-1/8 LG   |  |                           |        | 2                 | 2      |                    |               |                 |         |        |  |
| 61  | B-MD-100156-12                    | PROTECTION, COVER (541 TERMSTRIP)   |  |                           |        | 1                 | 1      |                    |               |                 |         |        |  |
| 62  | 1Ø-Ø161Ø                          | CAP .01 MFD 100V DISC CERAMIC       |  | 1                         | 1      | 1                 | 1      |                    |               |                 |         |        |  |
| 63  | 9Ø-Ø793Ø                          | ARKLESS #50360                      |  | 2                         | 2      | 2                 | 2      |                    |               |                 |         |        |  |
| TITLE<br>H720 POWER SUPPLY                              |                                   |                                     |  | ASSY NO.<br>D-UA-H72Ø-Ø-Ø |        | SIZE CODE<br>A PL |        | NUMBER<br>H72Ø-Ø-Ø |               | REV.<br>J       | ECO NO. |        |  |
|   |                                   |                                     |  | SHEET 3 OF 3              |        | DIST. G           |        |                    |               |                 |         |        |  |

DEC FORM NO. 16-1027  
DRA 123

THIS SCHEMATIC IS FURNISHED ONLY FOR TEST AND MAINTENANCE PURPOSES. THE CIRCUITS ARE PROPRIETARY IN NATURE AND SHOULD BE TREATED ACCORDINGLY. COPYRIGHT 1969 BY DIGITAL EQUIPMENT CORPORATION.

1-2-022H SO 1 d  
3887N 3001 3/25

| INPUT VOLTAGE | JUMPERS | CONNECTIONS |
|---------------|---------|-------------|
| 120 10%       | 3-6 1-4 | 3-4         |
| 218 10%       | 2-5     | 3-4         |
| 225 10%       | 2-6     | 3-4         |
| 233 10%       | 1-5     | 3-4         |
| 240 10%       | 1-6     | 3-4         |



| REF DESIGNATION | DESCRIPTION           | PART NO     |
|-----------------|-----------------------|-------------|
| C7              | CAP OIMFD 100V DISC.  | 1001610     |
| R3,R4           | RES 10.2 1/2 W 5%     | 1300168     |
| H720 PWR REG BD | H720 PWR REG BD       | 5408475-0-0 |
| HEAT SINK       | HEAT SINK             | 1209685     |
| J4 (240V)       | AC DUPLEX OUTLET      | 9008856     |
| J4 (120V)       | AC DUPLEX OUTLET      | 1205351     |
| F2 (240V)       | FUSE AGC 4A SLO-BLO   | 9007220     |
| F1 (240V)       | FUSE AGC 10A SLO-BLO  | 9007225     |
| F2 (120V)       | FUSE AGC 5A SLO-BLO   | 9007222     |
| F1 (120V)       | FUSE AGC 15A SLO-BLO  | 9007227     |
| FUSEHOLDER      | FUSEHOLDER 15A 250V   | 9007242     |
| D3,D4           | DIODE IN3899          | 1109781     |
| D1,D2           | DIODE BRIDGE DM15     | 1105799     |
| Q1,Q2           | TRANSISTOR 2N5301     | 1509737     |
| R1,R2           | RES 27 1/4 W 5% CC    | 1302558     |
| C5,C6           | CAP 1MFD 150V         | 1000063     |
| C3,C4           | CAP. 22000 MFD 50V    | 1009189     |
| C1,C2           | CAP 2 X 1MFD 1000V    | 1002153     |
| P1              | CONNECTOR 1 480460 0  | 1209340-01  |
| J1,J2,J3        | RECEPTACLE 1-480459-0 | 1209340-00  |
| L1              | TRANSFORMER COIL      | 1609762     |
| T1              | TRANSFORMER MMC 2940  | 1609810     |

UNLESS OTHERWISE SPECIFIED  
WIRE IS #14 GAUGE (STRANDED)

CIRCUIT SHOWN WIRED FOR 120V.  
FOR DIFFERENT VOLTAGE REFER TO JUMPER TABLE.

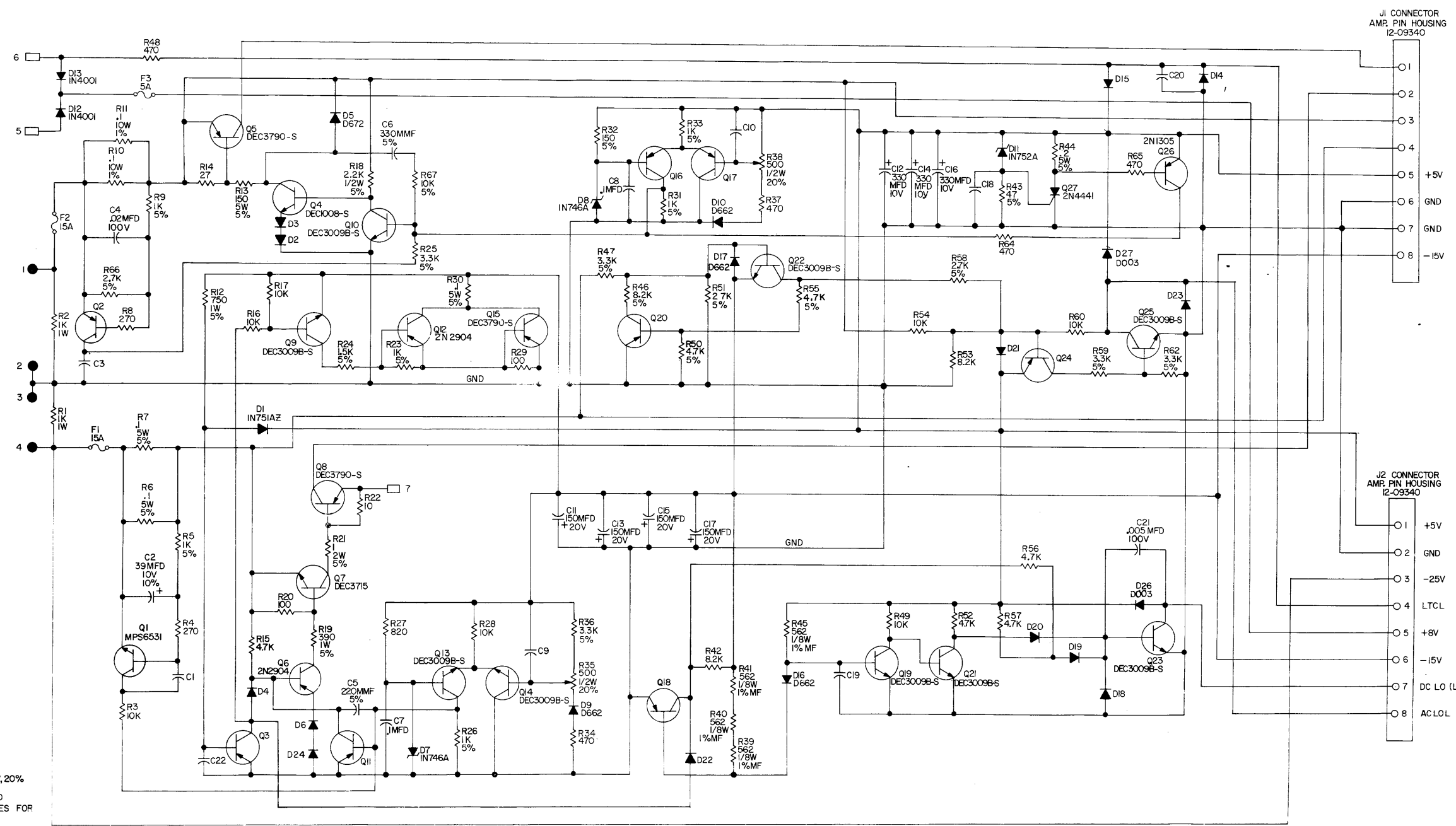
| REV | DATE     | BY  | CHKD |
|-----|----------|-----|------|
| 1   | 12/10/69 | ... | ...  |
| 2   | 2/16/70  | ... | ...  |
| 3   | 3/17/70  | ... | ...  |

| TRANSISTOR & DIODE CONVERSION CHART |        |      |          |
|-------------------------------------|--------|------|----------|
| DATE                                | DEC    | EIA  | DATE     |
| 12/10/69                            | 2N5301 | SAME | 12/10/69 |
| 2/16/70                             | IN3899 | SAME | 2/16/70  |

**digital** POWER SUPPLY H720  
EQUIPMENT CORPORATION  
MAYNARD, MASSACHUSETTS  
PRINTED CIRCUIT REV

THIS SCHEMATIC IS FURNISHED ONLY FOR TEST AND MAINTENANCE PURPOSES. THE CIRCUITS ARE PROPRIETARY IN NATURE AND SHOULD BE TREATED ACCORDINGLY. COPYRIGHT 1969 BY DIGITAL EQUIPMENT CORPORATION

5408475-0-1  
D CS  
REV. F



UNLESS OTHERWISE INDICATED:  
RESISTORS ARE 1/4W, 10%  
CAPACITORS ARE 0.1MFD, 100V, 20%  
DIODES ARE D664  
TRANSISTORS ARE DEC6534D  
● INDICATES 1/16 DIA HOLES FOR MOUNTING CAPACITORS  
□ INDICATES FAST ON TABS

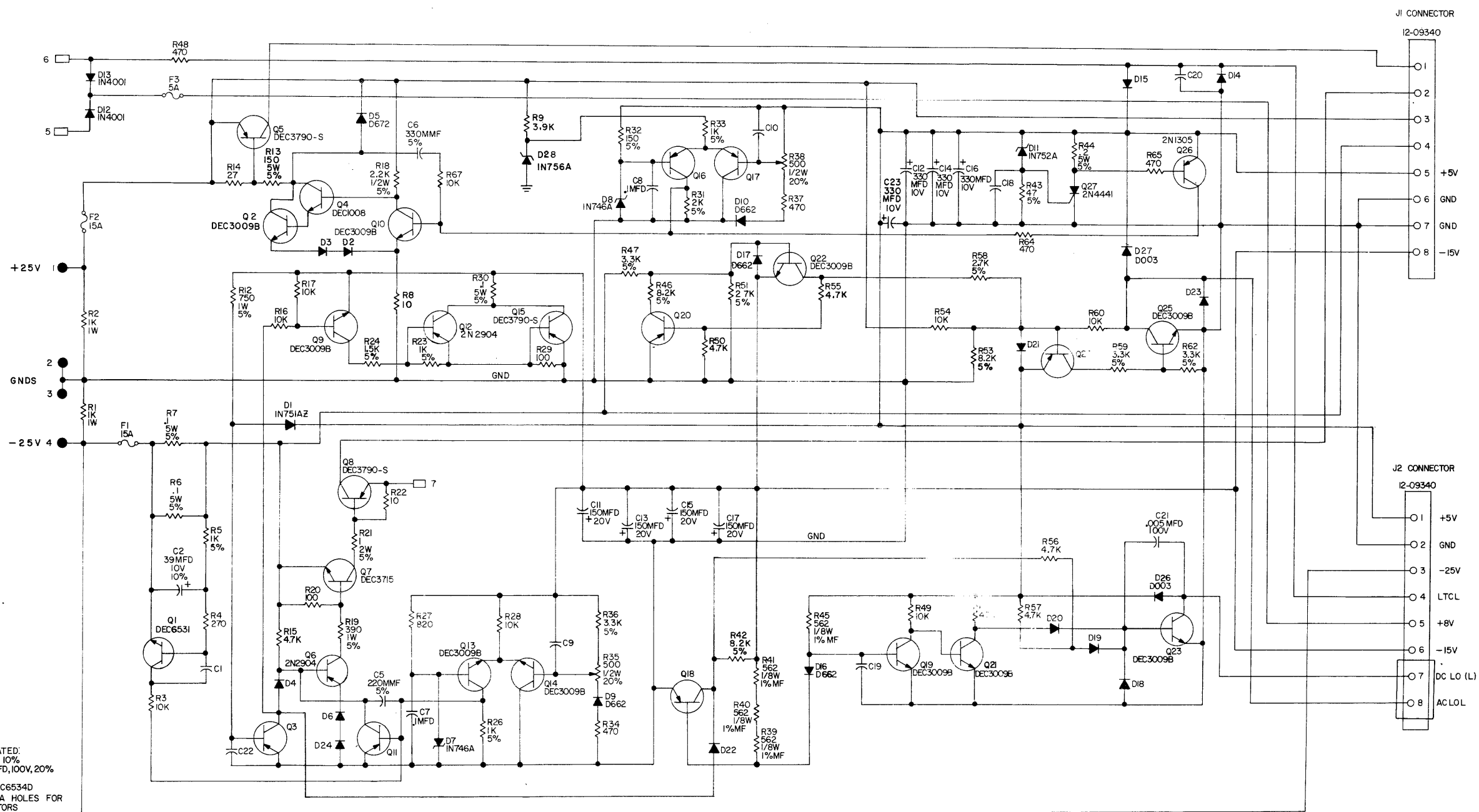
NOTE: "A" BOARDS HAVE BEEN RETRO-FITTED TO "B" BOARD EXCEPT FUSE (F3-5AMP)  
NOTE: GROUND JUMPER WILL NOT SHOW ON CKT. SCHEM.

| REV   | DATE | BY | CHKD | DATE | BY | CHKD | DATE | BY |
|-------|------|----|------|------|----|------|------|----|
| 00001 |      |    |      |      |    |      |      |    |
| 00002 |      |    |      |      |    |      |      |    |
| 00003 |      |    |      |      |    |      |      |    |
| 00004 |      |    |      |      |    |      |      |    |
| 00005 |      |    |      |      |    |      |      |    |
| 00006 |      |    |      |      |    |      |      |    |
| 00007 |      |    |      |      |    |      |      |    |
| 00008 |      |    |      |      |    |      |      |    |

| TRANSISTOR & DIODE CONVERSION CHART |        |            |         |
|-------------------------------------|--------|------------|---------|
| DEC                                 | EIA    | DEC        | EIA     |
| MPS6531                             | SAME   |            |         |
| 2N4441                              | SAME   |            |         |
| D672                                | IN3653 |            |         |
| DEC3715                             | 2N217  |            |         |
| 2N2904                              | SAME   | D003       | IN994   |
| D662                                | IN645  | IN752A     | SAME    |
| D664                                | IN5606 | DEC6534D   | MPS6534 |
| IN4001                              | SAME   | DEC3790-S  | 2N3790  |
| IN746A                              | SAME   | DEC3009B-S | 2N3009B |
| IN751A2                             | SAME   | DEC1008-S  | MM1008  |

digital EQUIPMENT CORPORATION  
 TITLE: 740 PWR SUP  
 BOARD: 5408475  
 NUMBER: 5408475-0-1  
 REV: F  
 PRINTED CIRCUIT REV: 10

THIS SCHEMATIC IS FURNISHED ONLY FOR TEST AND MAINTENANCE PURPOSES. THE CIRCUITS ARE PROPRIETARY IN NATURE AND SHOULD BE TREATED ACCORDINGLY. COPYRIGHT 1971 BY DIGITAL EQUIPMENT CORPORATION.



UNLESS OTHERWISE INDICATED:  
 RESISTORS ARE 1/4W, 10%  
 CAPACITORS ARE .01MFD, 100V, 20%  
 DIODES ARE D664  
 TRANSISTORS ARE DEC6534D  
 ● INDICATES 1/16 DIA HOLES FOR MOUNTING CAPACITORS  
 □ INDICATES FAST ON TABS

| TRANSISTOR & DIODE CONVERSION CHART |        |           |         |
|-------------------------------------|--------|-----------|---------|
| DEC                                 | EIA    | DEC       | EIA     |
| 2N1305                              | SAME   |           |         |
| DEC6531                             | MP6531 |           |         |
| 2N4441                              | SAME   |           |         |
| D672                                | 1N3653 | 1N756A    |         |
| DEC3715                             | 2N3715 |           | 1N994   |
| 2N2904                              | SAME   | DOO3      |         |
| D662                                | 1N645  | 1N752A    | SAME    |
| D664                                | 1N3606 | DEC634D   | MP6534  |
| 1N4001                              | SAME   | DEC3790 S | 2N3790  |
| 1N746A                              | SAME   | DEC3009B  | 2N3009B |
| 1N751A                              | SAME   | DEC1008   | MM1008  |

| REVISIONS | DATE    | BY        | CHKD | APP'D |
|-----------|---------|-----------|------|-------|
| 1         | 2/22/71 | J. COOPER |      |       |
| 2         | 3/1/71  |           |      |       |
| 3         | 3/1/71  |           |      |       |

**digital** TITLE REGULATOR BOARD  
 5409267  
 EQUIPMENT CORPORATION  
 MAYNARD, MASSACHUSETTS  
 SIZE D CODE CS NUMBER 5409267-0-1 REV A  
 PRINTED CIRCUIT REV B

SHEET NO. 1  
 NUMBER 5409267-0-1  
 REV. A  
 D CS

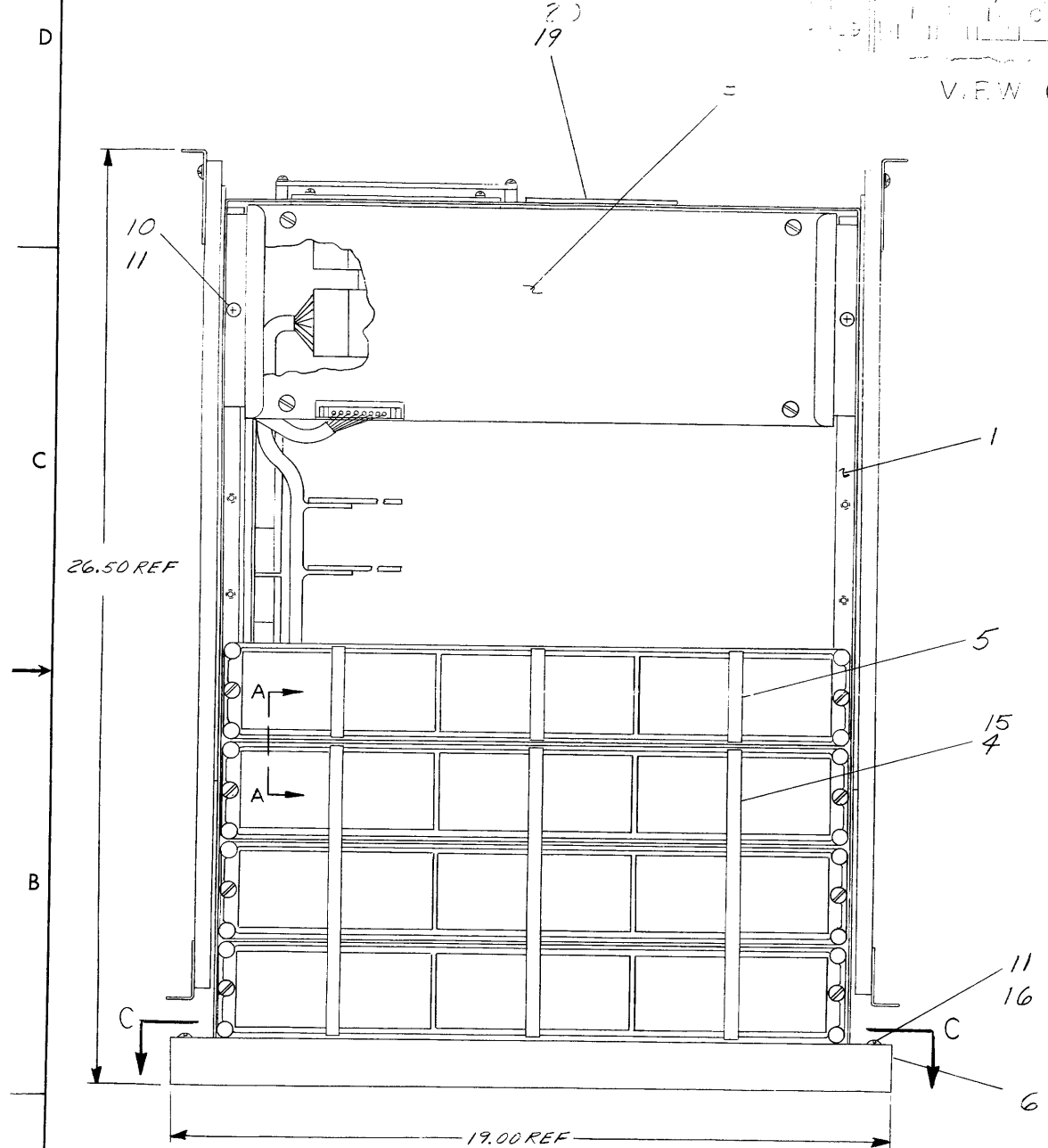
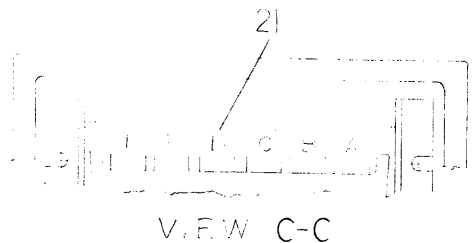
Pink

This drawing and specifications herein are the property of Digital Equipment Corporation and shall not be reproduced or copied or used in whole or in part as the basis for the manufacture or sale of items without written permission.

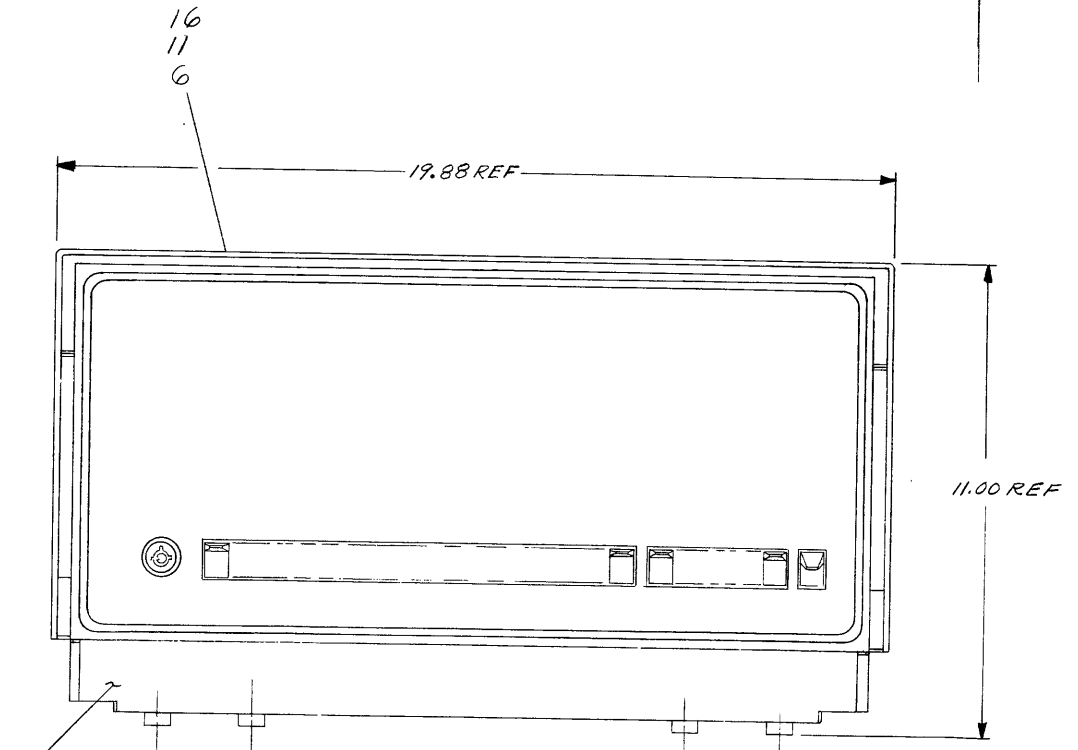
0-0-03/11/20-0-0 2

| NUMBER   | VARIATION                   |              |
|----------|-----------------------------|--------------|
| 11/20-AB | RACK MOUNTED, TTY           | 115V 60HZ    |
| 11/20-AB | RACK MOUNTED, TTY           | 230V 50HZ    |
| 11/20-BA | TABLE MODEL, TTY            | 115V 60HZ    |
| 11/20-BA | TABLE MODEL, TTY            | 230V 50HZ    |
| 11/20-CB | CAB. MODEL, TTY             | 115V 60HZ    |
| 11/20-CB | CAB. MODEL, TTY             | 230V 50HZ    |
| 11/20-DB | RACK MOUNTED, TTY - (OEM)   | 115V 60HZ    |
| 11/20-DB | RACK MOUNTED, TTY - (OEM)   | 230V 50HZ    |
| 11/20-EA | TABLE MODEL, TTY - (OEM)    | 115V 60HZ    |
| 11/20-EA | TABLE MODEL, TTY - (OEM)    | 230V 50HZ    |
| 11/20-FA | CAB. MODEL, TTY - (OEM)     | 115V 60HZ    |
| 11/20-FA | CAB. MODEL, TTY - (OEM)     | 230V 50HZ    |
| 11/20-HA | RACK MOUNTED, NOTTY - (OEM) | 115V 50/60HZ |
| 11/20-HA | RACK MOUNTED, NOTTY - (OEM) | 230V 50/60HZ |
| 11/20-JA | TABLE MODEL, NOTTY - (OEM)  | 115V 50/60HZ |
| 11/20-JA | TABLE MODEL, NOTTY - (OEM)  | 230V 50/60HZ |
| 11/20-KA | CAB. MODEL, NO TTY - (OEM)  | 115V 50/60HZ |
| 11/20-KA | CAB. MODEL, NO TTY - (OEM)  | 230V 50/60HZ |

- NOTES**
- FOR LOG INDEX LIST REFER TO D-DI-11/20-0-1.
  - HOLES #A9 & #A50 ARE USED TO MOUNT CHASSIS SLIDE (PART OF ITEM #1) FOR CAB MODEL.
  - ITEMS #7, #9 FOR SHIPMENT ONLY, TO BE REMOVED AFTER FINAL SHIPMENT. REAR SCREW OF BRKT TO BE INSTALLED BACK INTO TRACK.
  - WHEN 6 UNIT SPACES ARE FILLED SYSTEM WILL REQUIRE ADDITIONAL EXPANDER UNIT (ITEM #18) & H720 P/S (ITEM #3).
  - M920 INTERNAL BUS CONN SUPPLIED WITH EACH ADDITIONAL LOGIC OPTION. FOR CONNECTING OPTIONS IN BASIC UNIT WITHOUT OPTIONS IN EXPANDER UNIT (ITEM #18) USE CABLE BC11A-8F-0 (PART OF ITEM #18).



VIEW OF BASIC UNIT WITH TOP COVER REMOVED (RACK MTD)



FRONT VIEW (TABLE MODEL) OF BASIC UNIT WITH SUPER COVER. EXPANDER UNIT THE SAME EXCEPT IN PLACE OF ITEM #1, 6, 11 & 16 USE ITEM #18

| REV | CHK | DATE | BY |
|-----|-----|------|----|
| 1   |     |      |    |
| 2   |     |      |    |

FIRST USED ON OPTION/MODEL  
PCPII

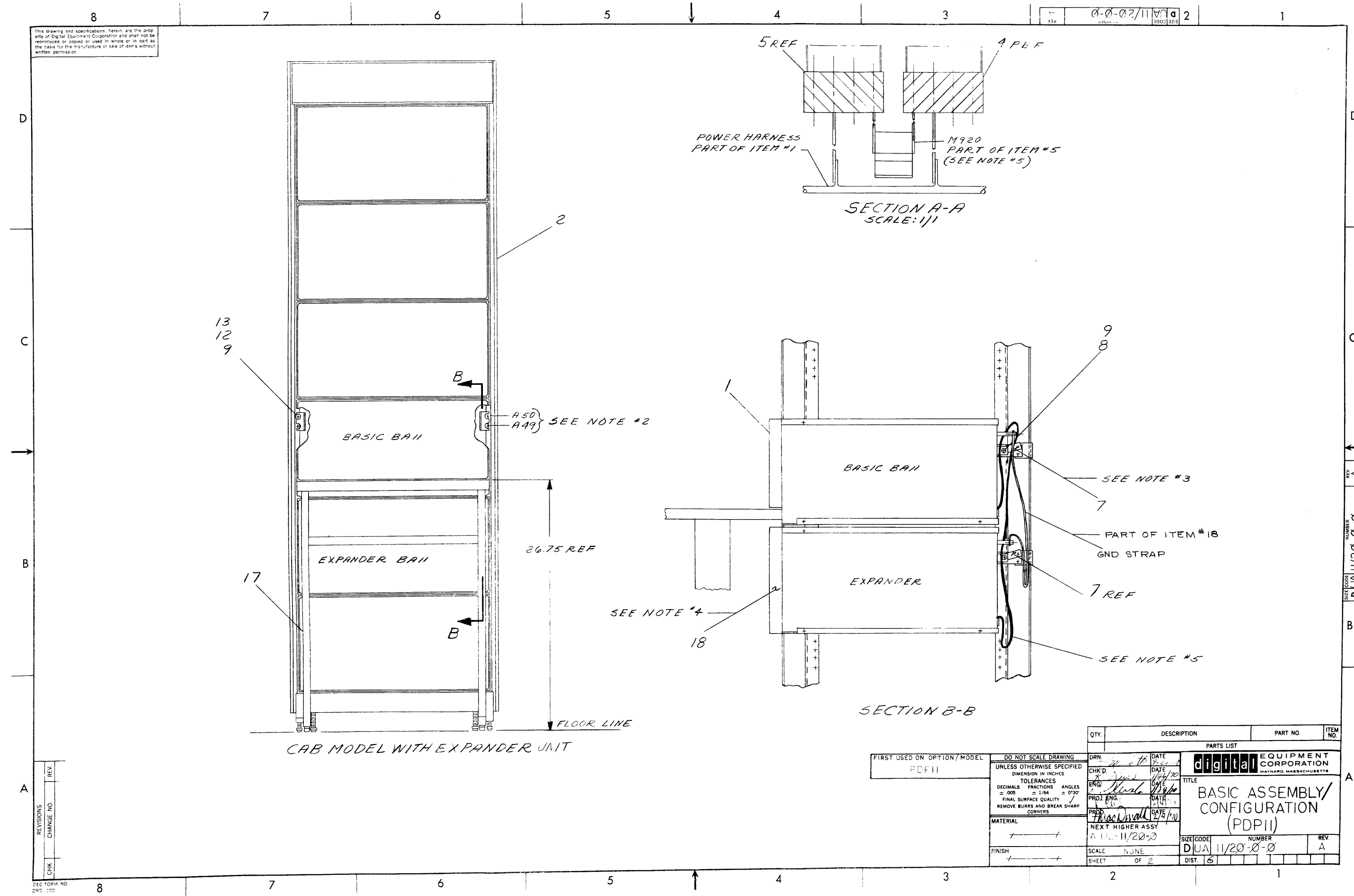
DO NOT SCALE DRAWING  
UNLESS OTHERWISE SPECIFIED  
DIMENSION IN INCHES  
TOLERANCES  
DECIMALS FRACTIONS ANGLES  
REMOVE BURRS AND BREAK SHARP CORNERS  
MATERIAL  
FINISH

| QTY. | DESCRIPTION   | PART NO.      | ITEM NO. |
|------|---|---------------|----------|
|      | PARTS LIST  |               |          |
|      | digital EQUIPMENT CORPORATION<br>MAYNARD, MASSACHUSETTS |               |          |
|      | TITLE: BASIC ASSY                                       |               |          |
|      | CONFIGURATION (PCPII)                                   |               |          |
|      | SCALE: 1/2  | SHEET: 1 OF 2 | DIST.:   |

REV A  
NUMBER  
DUA 11/20-0-0

This drawing and specifications herein are the property of Digital Equipment Corporation and shall not be reproduced or copied or used in whole or in part as the basis for the manufacture or sale of items without written permission.

0-0-02/11/70 a 2



CAB MODEL WITH EXPANDER UNIT

SECTION B-B

SECTION A-A  
SCALE: 1/1

FIRST USED ON OPTION/MODEL  
PDII

DO NOT SCALE DRAWING  
UNLESS OTHERWISE SPECIFIED  
DIMENSION IN INCHES  
TOLERANCES  
DECIMALS FRACTIONS ANGLES  
± .005 ± .1/64 ± 0°30'

MATERIAL  
FINISH

DRN. DATE 7-22-70  
CHK'D. DATE 7/24/70  
ENG. DATE 7/24/70  
PROJ. ENG. DATE 7/24/70  
PROD. DATE 7/24/70  
NEXT HIGHER ASSY  
A 11-11/20-0

digital EQUIPMENT CORPORATION  
MAYNARD, MASSACHUSETTS  
TITLE  
BASIC ASSEMBLY/  
CONFIGURATION  
(PDII)  
SIZE CODE NUMBER REV  
DUA 11/20-0-0 A  
SCALE NONE  
SHEET OF 2  
DIST. 5

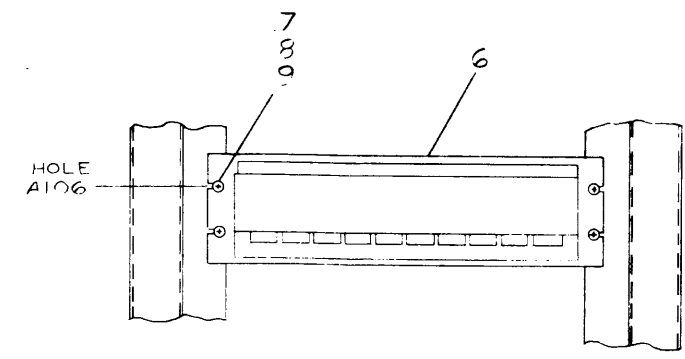
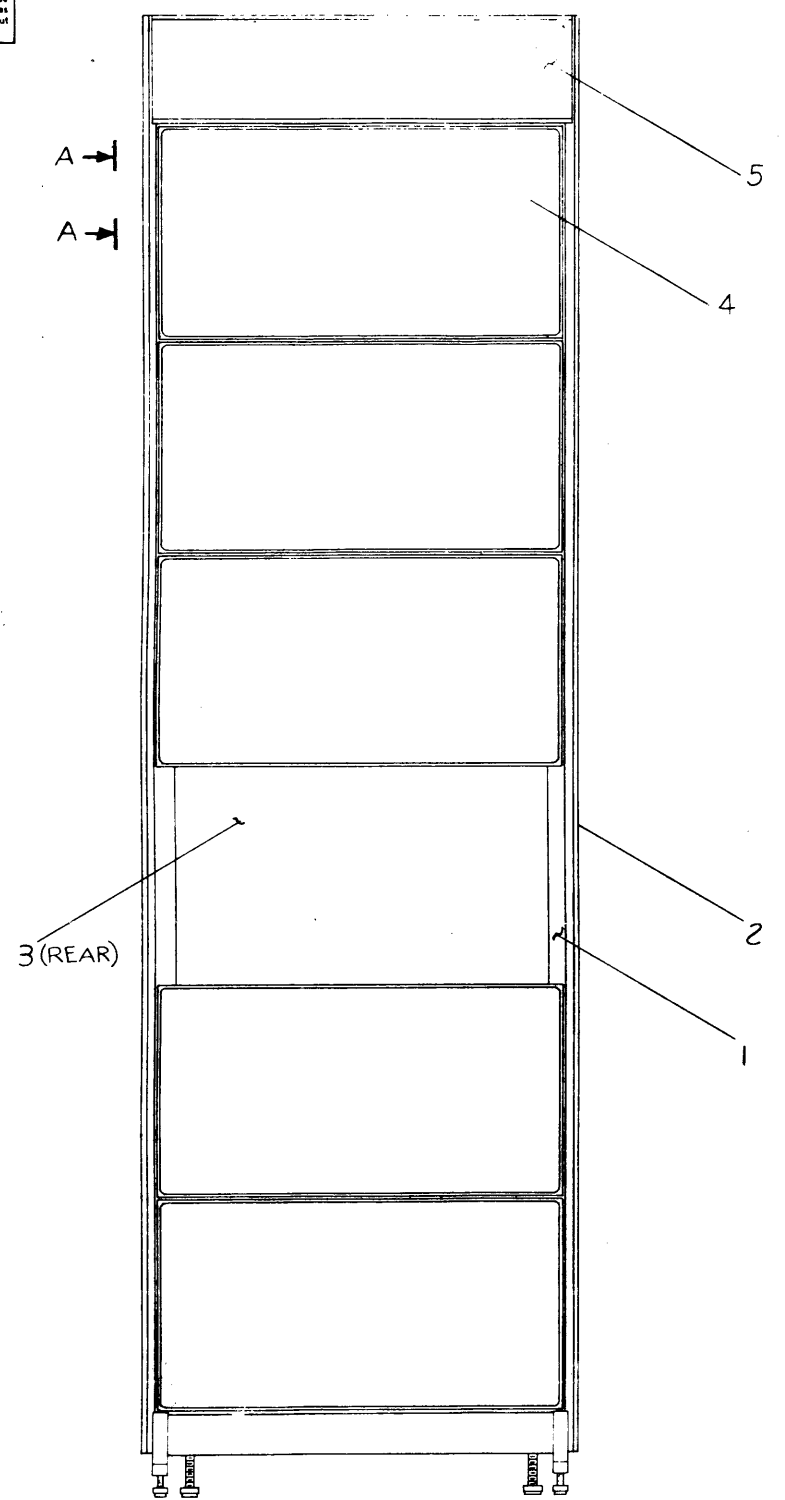
|            |
|------------|
| REVISIONS  |
| CHANGE NO. |
| REV.       |
| CHK.       |

|           |               |
|-----------|---------------|
| REV.      | A             |
| NUMBER    | DUA 11/20-0-0 |
| SIZE CODE | DUA 11/20-0-0 |

DEC FORM NO  
DQP 100

This drawing and specifications, herein, are the property of Digital Equipment Corporation and shall not be reproduced or copied or used in whole or in part as a basis for the manufacture or sale of items without their permission.

NOTES:  
 1. FOR DWG INDEX LIST REFER TO D-DI-H960-CA-1  
 2. FOR ASSEMBLY INSTRUCTIONS SEE DWG. D-OC-H950-0-0 & D-OC-H952-0-0.  
 3. FOR INSTALLATION IN PDP11 SYSTEM REFER TO DWG D-UA-PDP11-20-0.



VIEW A-A  
 SCALE: NONE  
 VIEW SHOWN MINUS ITEMS 2 & 4

|      |       |
|------|-------|
| REV  | A     |
| DATE | 11-28 |
| BY   | EVAN  |
| CHKD |       |
| ENGR |       |
| PROJ |       |

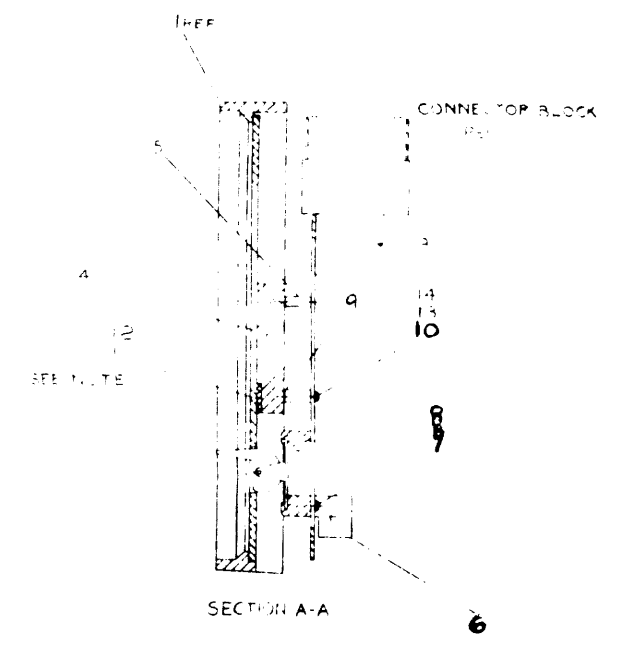
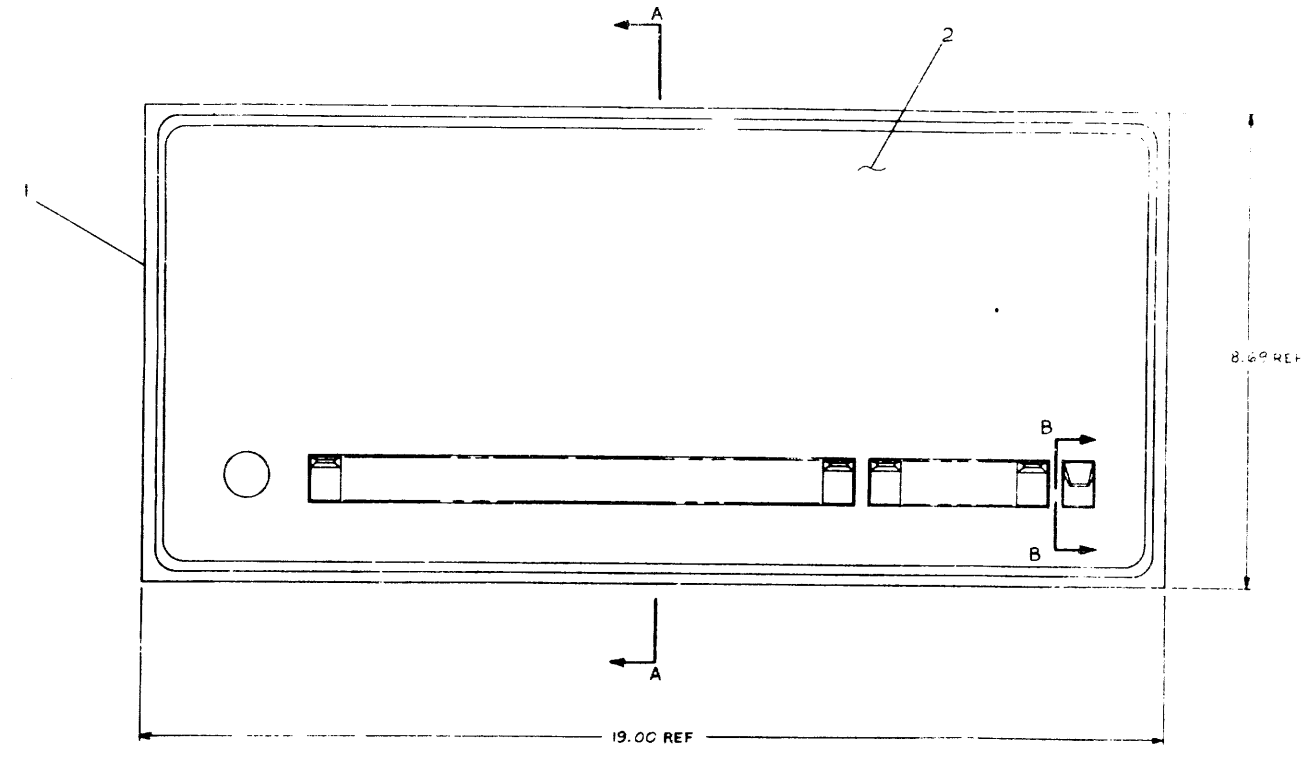
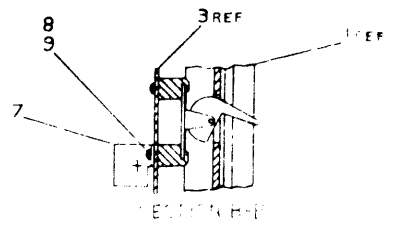
|                                     |  |  |  |   |                               |     |   |
|-------------------------------------|--|--|--|---|-------------------------------|-----|---|
| FIRST USED ON OPTION/MODEL<br>PDP11 | DO NOT SCALE DRAWING<br>UNLESS OTHERWISE SPECIFIED<br>DIMENSION IN INCHES<br>TOLERANCES<br>DECIMALS FRACTIONS ANGLES<br>± .005 ± 1/64 ± 0'30"<br>FINAL SURFACE QUALITY<br>REMOVE BURRS AND BREAK SHARP CORNERS | DATE<br>9/2/69<br>DATE<br>3/20/69<br>DATE<br>1/16/69<br>DATE<br>1/16/69<br>DATE<br>1/16/69 | DATE<br>9/2/69<br>DATE<br>3/20/69<br>DATE<br>1/16/69<br>DATE<br>1/16/69<br>DATE<br>1/16/69 | digital EQUIPMENT CORPORATION<br>MAYNARD, MASSACHUSETTS | TITLE<br>CABINET ASSY (PDP11) |     |   |
| FINISH                              | D-UA-PDP11-20-0  | SCALE  | NONE   | SIZE/CODE   | NUMBER                        | REV | A |
| SHEET                               | OF   | DIST.  |  |   |                               |     |   |

REV A  
DUA H960-CA-0

REVISIONS

|    |         |      |
|----|---------|------|
| 1  | REVISED | DATE |
| 2  | REVISED | DATE |
| 3  | REVISED | DATE |
| 4  | REVISED | DATE |
| 5  | REVISED | DATE |
| 6  | REVISED | DATE |
| 7  | REVISED | DATE |
| 8  | REVISED | DATE |
| 9  | REVISED | DATE |
| 10 | REVISED | DATE |

NOTES:  
 VELCRO TO BE CUT TO FIT SLOT ON PLEXIGLASS SUPPORT. ITEM 1 ATTACH PILE TAPE TO ITEM 4 AND HOLES ARE TO ITEM 2



REVISIONS

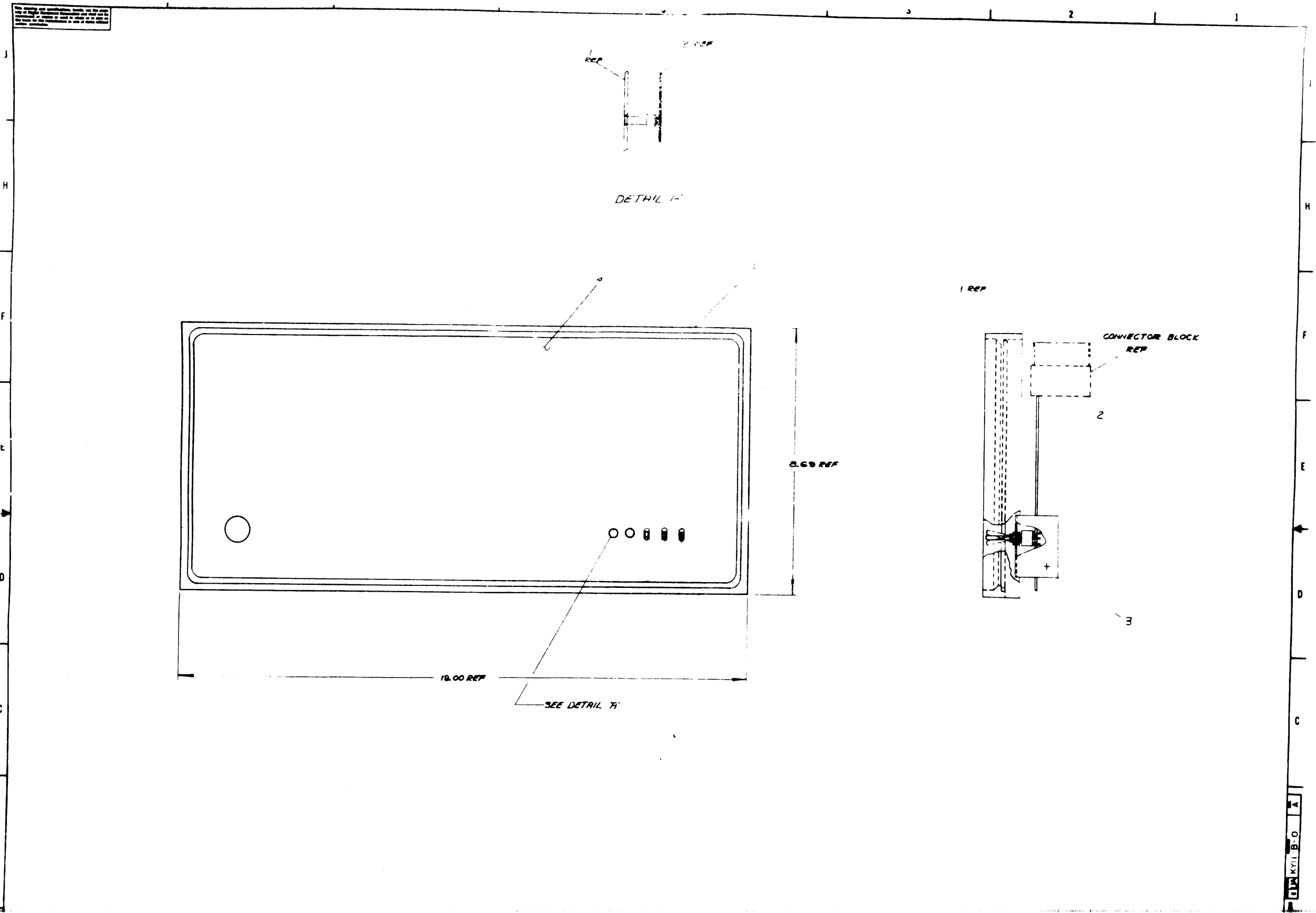
|    |         |      |
|----|---------|------|
| 1  | REVISED | DATE |
| 2  | REVISED | DATE |
| 3  | REVISED | DATE |
| 4  | REVISED | DATE |
| 5  | REVISED | DATE |
| 6  | REVISED | DATE |
| 7  | REVISED | DATE |
| 8  | REVISED | DATE |
| 9  | REVISED | DATE |
| 10 | REVISED | DATE |

TOLERANCES  
 DECIMALS  
 UNLESS SPECIFIED  
 FRACTIONS  
 UNLESS SPECIFIED

| PART NUMBER    | QTY | DESCRIPTION  | PART NO. | REV.     |
|----------------|-----|--------------|----------|----------|
| 0-UM-POP11-3-0 |     | CONSOLE ASSY |          |          |
|                |     |              | UA       | KY11-A-0 |
|                |     |              |          |          |
|                |     |              |          |          |
|                |     |              |          |          |
|                |     |              |          |          |
|                |     |              |          |          |
|                |     |              |          |          |
|                |     |              |          |          |
|                |     |              |          |          |

0-UM-KY11-A-0





| REV | DATE | BY | CHKD | DESCRIPTION |
|-----|------|----|------|-------------|
| 1   |      |    |      |             |
| 2   |      |    |      |             |
| 3   |      |    |      |             |

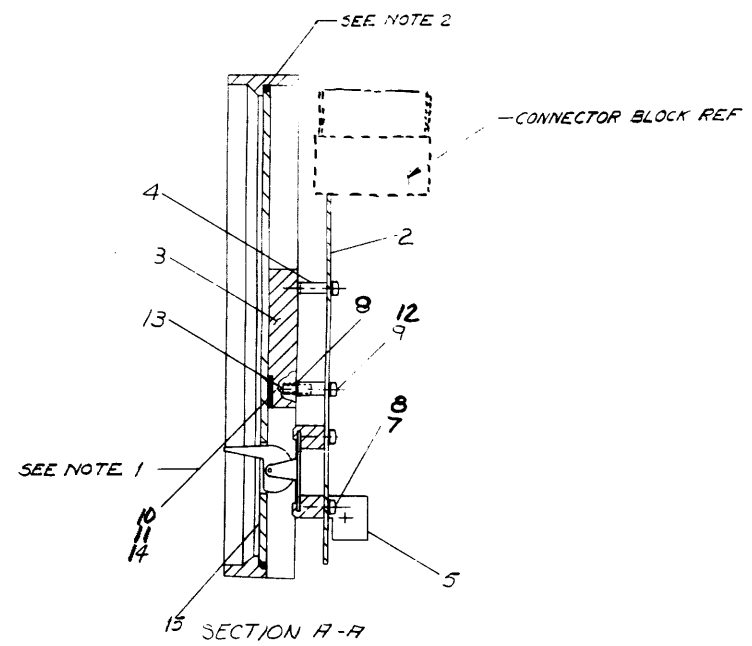
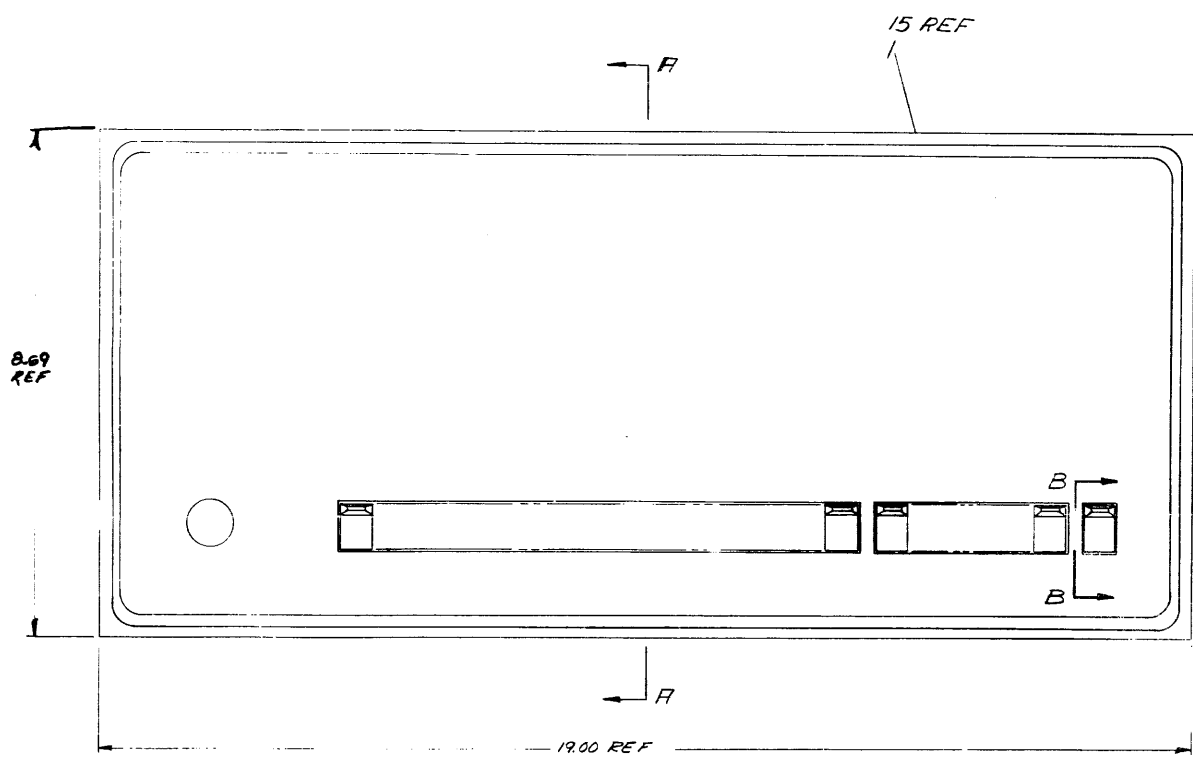
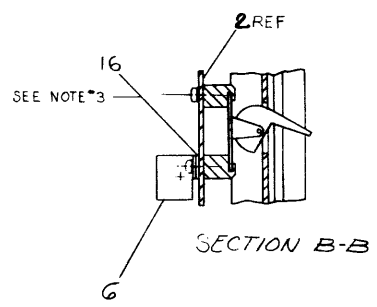
| PDP-11/40 |  | EQUIPMENT CORPORATION |  |
|-----------|--|-----------------------|--|
| TITLE     |  | CONSOLE ASSY          |  |
| PART NO.  |  | KY11-B-0              |  |
| REV       |  | A                     |  |

1000  
1100  
1200  
1300  
1400  
1500  
1600  
1700  
1800  
1900  
2000  
2100  
2200  
2300  
2400  
2500  
2600  
2700  
2800  
2900  
3000  
3100  
3200  
3300  
3400  
3500  
3600  
3700  
3800  
3900  
4000  
4100  
4200  
4300  
4400  
4500  
4600  
4700  
4800  
4900  
5000  
5100  
5200  
5300  
5400  
5500  
5600  
5700  
5800  
5900  
6000  
6100  
6200  
6300  
6400  
6500  
6600  
6700  
6800  
6900  
7000  
7100  
7200  
7300  
7400  
7500  
7600  
7700  
7800  
7900  
8000  
8100  
8200  
8300  
8400  
8500  
8600  
8700  
8800  
8900  
9000  
9100  
9200  
9300  
9400  
9500  
9600  
9700  
9800  
9900  
10000

The drawing and specifications herein, and the design of the equipment, are the property of the manufacturer and shall not be reproduced or copied in whole or in part without the written permission of the manufacturer.

NOTES:

1. VELCRO TO BE CUT TO FIT SLOT ON PLEXIGLAS SUPPORT (ITEM #3). ATTACH PALE TAPE TO (ITEM #3) AND HOOK TAPE TO ITEM #1.
2. ADHESIVE BOND ITEM #5 TO ITEM #1 WITH SCOTCH #2216 B/A ADHESIVE & CURE 12 HOURS AT ROOM TEMPERATURE WHILE ON FACE. BOND AREA TO BE AS SHOWN ALL AROUND.
3. NYLON WASHER (ITEM #16) MUST BE INSERTED BETWEEN BRACKET (ITEM #6) AND CONSOLE BD ASSY (ITEM #2).

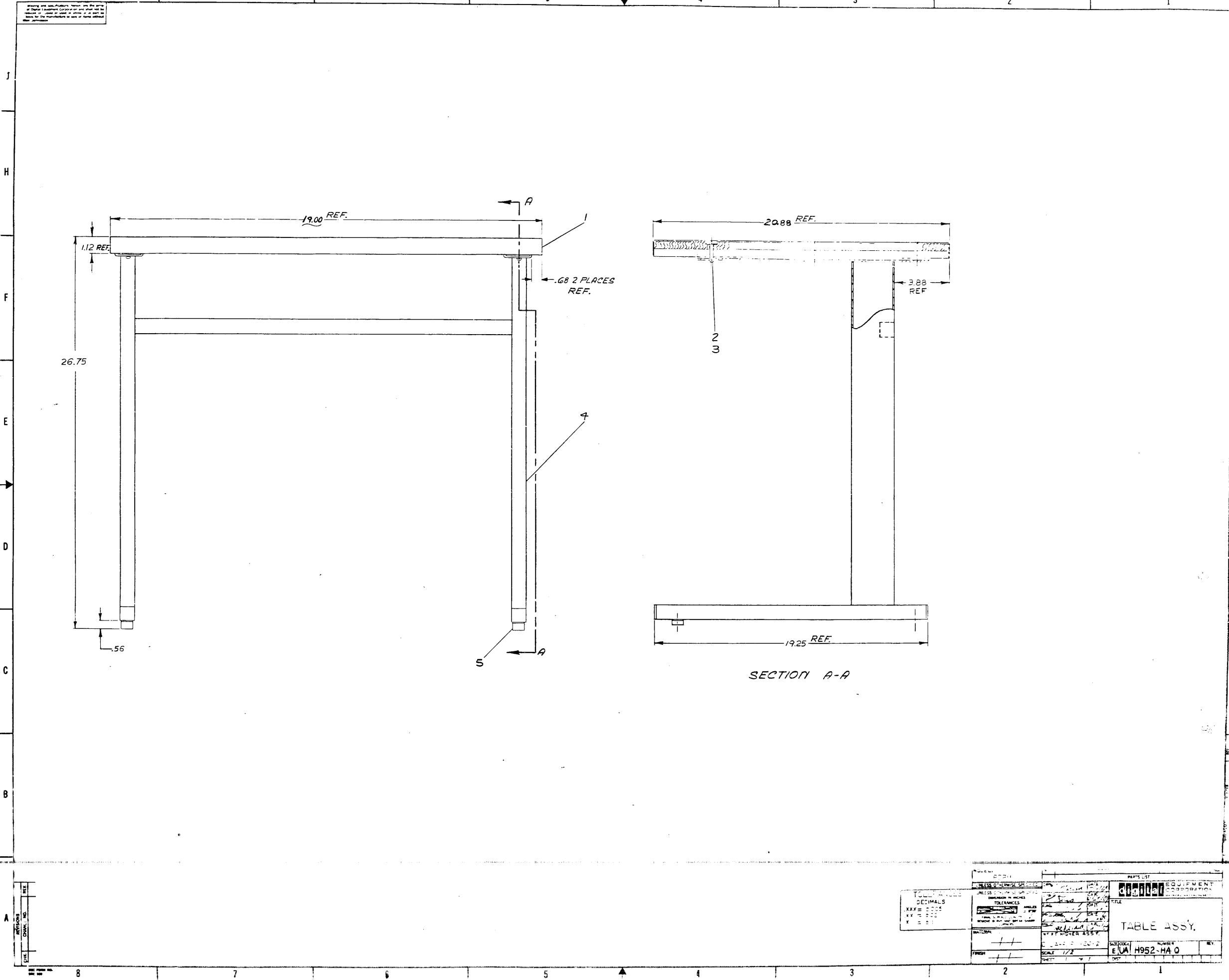


DRAWN BY: M. J. GAGNON  
 CHECKED BY: C. DEWEY  
 DATE: 6-1-71  
 EQUIPMENT CORPORATION

| QTY. | DESCRIPTION           | PART NO. | UNIT |
|------|-----------------------|----------|------|
| 1    | CONSOLE ASSY (KYII-C) |          |      |

EQUIPMENT CORPORATION  
 KYII-C-0

Showing and specifications herein are the property of Charles Equipment Corporation and shall not be reprinted or used in whole or in part without the permission of Charles Equipment Corporation.



SECTION A-A

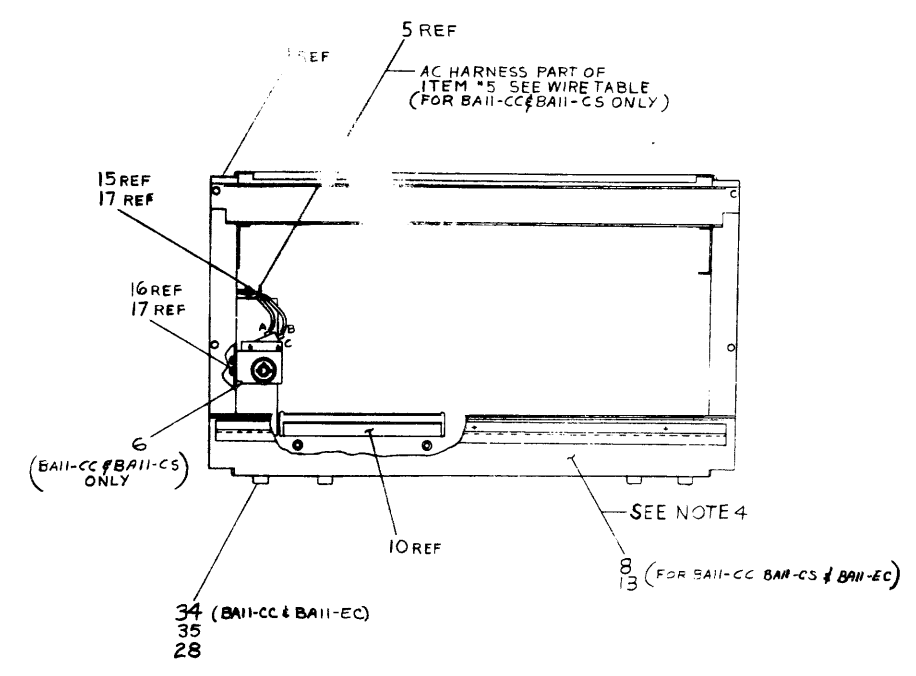
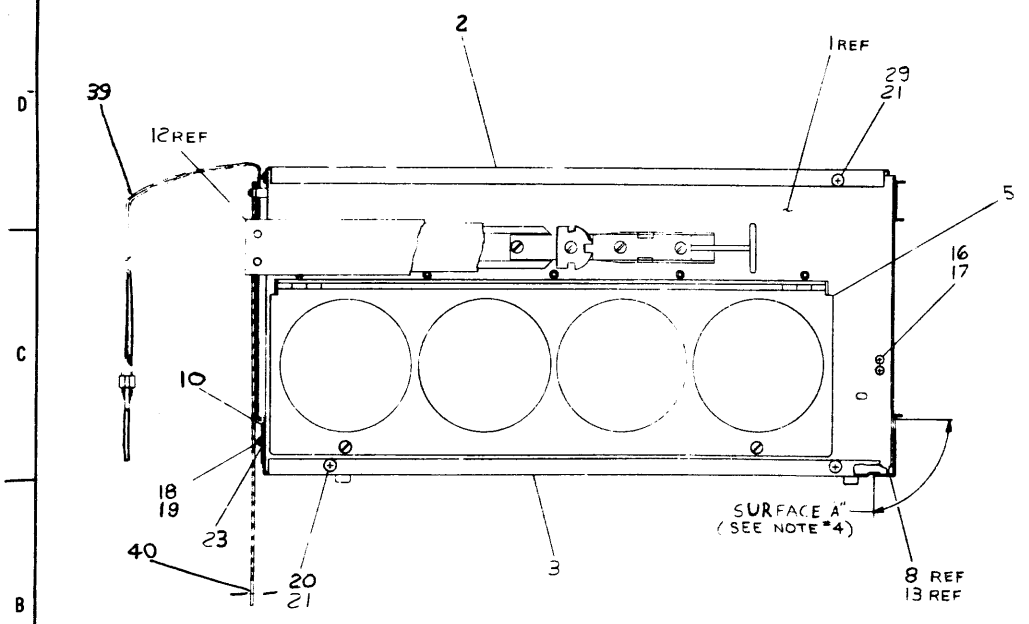
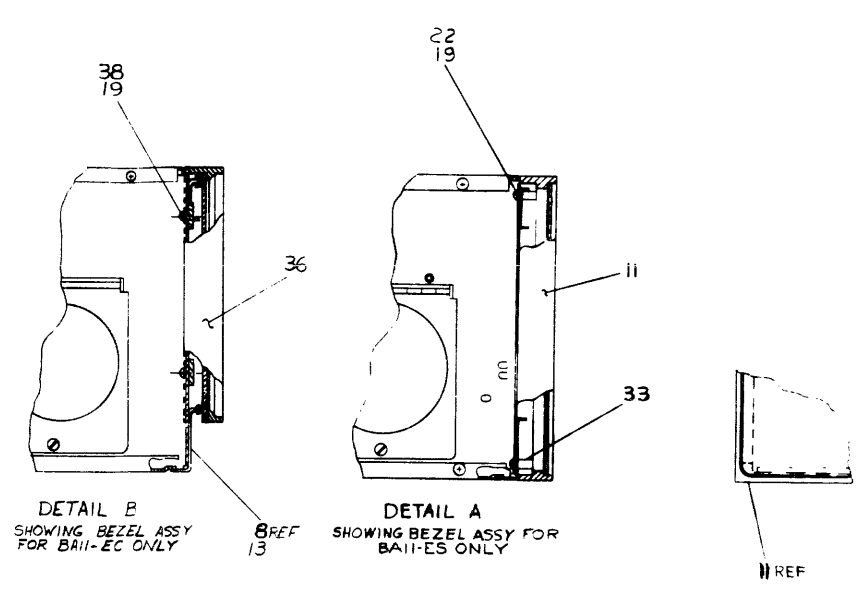
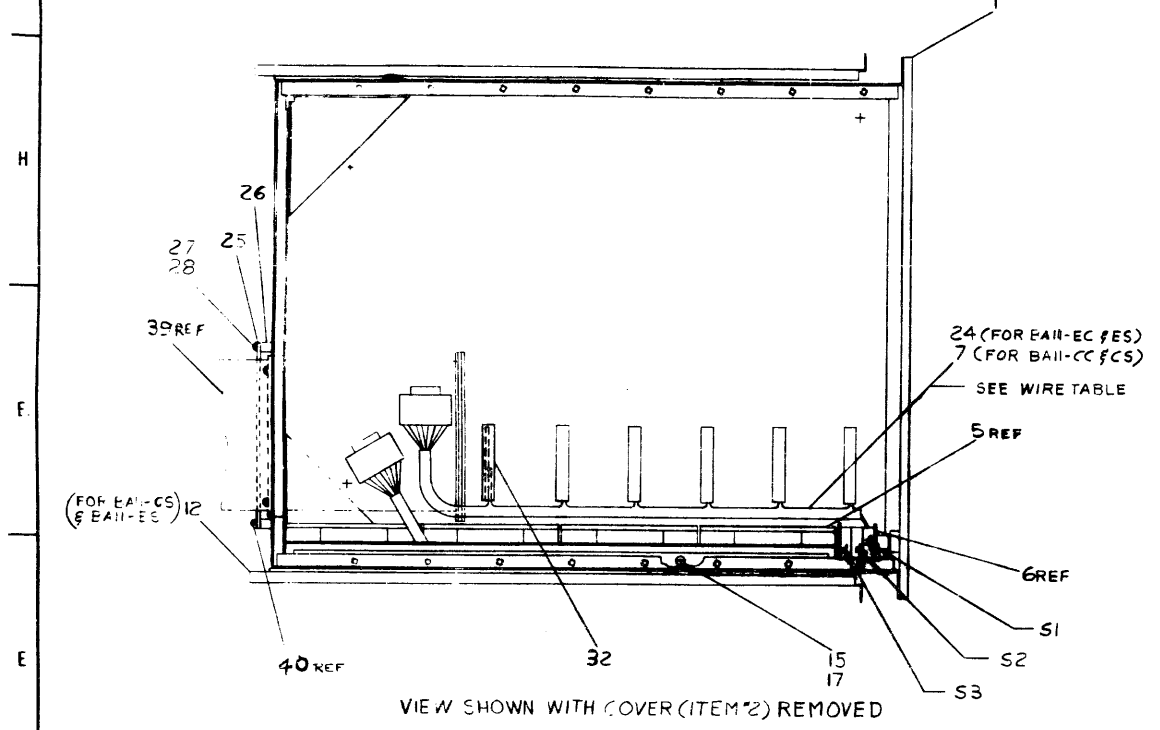
REV  
DATE  
BY  
CHKD  
APP'D

|                                       |                            |                       |      |
|---------------------------------------|----------------------------|-----------------------|------|
| TOLERANCES UNLESS OTHERWISE SPECIFIED |                            | PARTS LIST            |      |
| XXX DECIMALS                          | UNLESS OTHERWISE SPECIFIED | EQUIPMENT CORPORATION |      |
| XX DECIMALS                           | TOLERANCES                 | TITLE                 |      |
| XY DECIMALS                           | FINISH                     | TABLE ASSY.           |      |
| Y DECIMALS                            | FINISH                     | EQUIPMENT ASSY.       |      |
|                                       | FINISH                     | SCALE                 | 1/2" |
|                                       | FINISH                     | DATE                  | 1/1  |
|                                       | FINISH                     | REV                   | 0    |
|                                       | FINISH                     | REV                   | 0    |

| WIRE TABLE |     |       |                 |               |         |
|------------|-----|-------|-----------------|---------------|---------|
| ITEM NO.   | AWG | COLOR | FROM CONNECTION | TO CONNECTION | REMARKS |
| 1          | 14  | RED   | 1               | S2-B          | SOLDER  |
| 2          | 14  | WHITE | 2               | S2-B          |         |
| 3          | 14  | RED   | 3               | S1-A          |         |
| 4          | 14  | WHITE | 4               | S2-A          |         |
| 5          | 14  | RED   | 5               | S2-A          |         |
| 6          | 14  | BLUE  | 6               | S3-B          |         |
| 7          | 14  | BLUE  | 7               | S3-A          | SOLDER  |

| LEGEND  |                          |
|---------|--------------------------|
| NUMBER  | VARIATION                |
| BAIL-CC | CABINET MODEL (BASIC)    |
| BAIL-CS | CABINET MODEL (BASIC)    |
| BAIL-EC | CABINET MODEL (EXPANDER) |
| BAIL-ES | CABINET MODEL (EXPANDER) |

**NOTES:**  
 1 FOR DWG INDEX LIST SEE D-L-BAIL-0-1.  
 2 FOR BASIC CONFIGURATION DWG SHOWING BAIL INSTALLED IN CAB REFER TO DWG D-UA-11/20-0-0 & D-UA-11/10-0-0.  
 3 FOR BREAKDOWN OF VARIATIONS SEE DWG AND PARTS LIST.  
 4 COVER SURFACE A AS INDICATED WITH ITEM \*9 (COVER STRIP) ENTIRE WIDTH, USING ITEM \*13 FOR BAIL-CC, CS & EC.  
 5 APPLY TAPE ITEM \*20 & \*31 TO SMOOTH SIDE OF INLAY (ITEM \*4) AROUND EDGES AS SHOWN. THEN PLACE INLAY INTO BEZEL WITH TAPE SIDE DOWN. PRESS DOWN AROUND EDGES TO INSURE GOOD BOND.  
 6 FOR SUPER COVER (ITEM \*4) INSTALLATION REFER TO DWG D-AD-7006524-0-0



| REV | DATE     | DESCRIPTION                         |
|-----|----------|-------------------------------------|
| 1   | 11/10/53 | REVISED TO SHOW CHANGES TO BAIL-0-0 |
| 2   | 11/10/53 | REVISED TO SHOW CHANGES TO BAIL-0-0 |
| 3   | 11/10/53 | REVISED TO SHOW CHANGES TO BAIL-0-0 |
| 4   | 11/10/53 | REVISED TO SHOW CHANGES TO BAIL-0-0 |
| 5   | 11/10/53 | REVISED TO SHOW CHANGES TO BAIL-0-0 |
| 6   | 11/10/53 | REVISED TO SHOW CHANGES TO BAIL-0-0 |
| 7   | 11/10/53 | REVISED TO SHOW CHANGES TO BAIL-0-0 |

| REV | DATE     | DESCRIPTION                         |
|-----|----------|-------------------------------------|
| 1   | 11/10/53 | REVISED TO SHOW CHANGES TO BAIL-0-0 |
| 2   | 11/10/53 | REVISED TO SHOW CHANGES TO BAIL-0-0 |
| 3   | 11/10/53 | REVISED TO SHOW CHANGES TO BAIL-0-0 |
| 4   | 11/10/53 | REVISED TO SHOW CHANGES TO BAIL-0-0 |
| 5   | 11/10/53 | REVISED TO SHOW CHANGES TO BAIL-0-0 |
| 6   | 11/10/53 | REVISED TO SHOW CHANGES TO BAIL-0-0 |
| 7   | 11/10/53 | REVISED TO SHOW CHANGES TO BAIL-0-0 |

BAIL-0-0