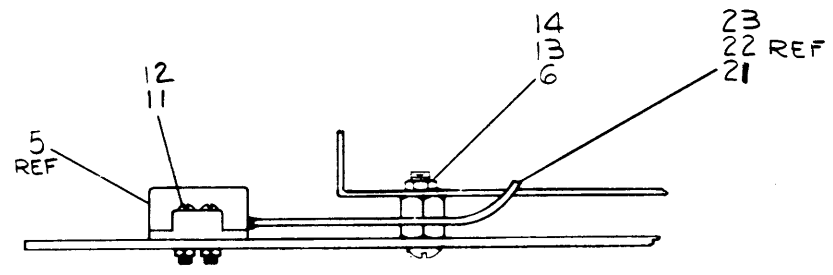
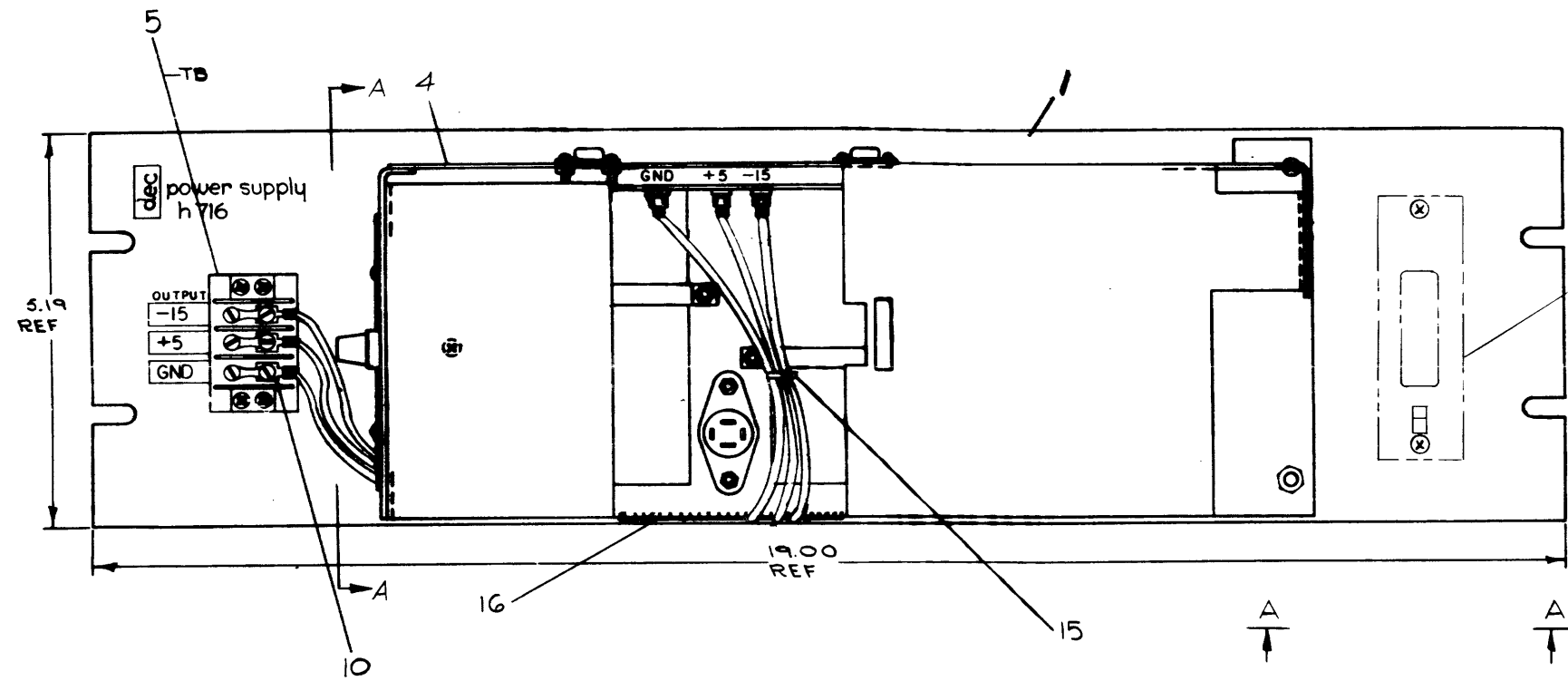


Observe and specifications, herein, are the property of Digital Equipment Corporation and shall not be reproduced or copied in whole or in part for the use of any manufacturer or user of items without written permission.

LEGEND	
NUMBER	VARIATION
H716-0	W/ANLESS P.S WITH 110V RECEPTACLE
H716-A	H716 WITH 230V RECEPTACLE
H716-B	19" H716 (115V RECEPTACLE)
H716-C	H716-B WITH OUTPLT RELAY SWITCHED FROM +5V (115V)
H716-D	H716-B WITH 230V RECEPTACLE

NOTES:
 1. FOR H716 A OR H716-D (230V) REMOVE EXISTING DECAL AND ADD NEW DECAL (ITEM #25).



SEE VIEW A-A SHEET #2.

REV.	
CHANGE NO.	
DATE	

FIRST USED ON OPTION/MODEL
AD01

UNLESS OTHERWISE SPECIFIED	DATE
DESIGNED BY	DATE
APPROVED BY	DATE
FINAL CHECKED BY	DATE
ISSUED BY	DATE
SCALE	
SHEET	OF 2

QTY.	DESCRIPTION	PART NO.	REF.
	EQUIPMENT CORPORATION		
	TITLE		
	POWER SUPPLY H716		
	DUA H716-0-0		
	REV. 1G		

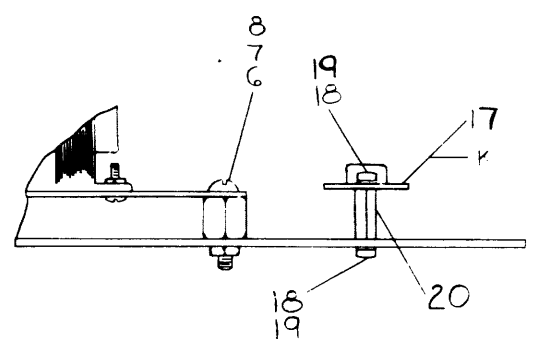
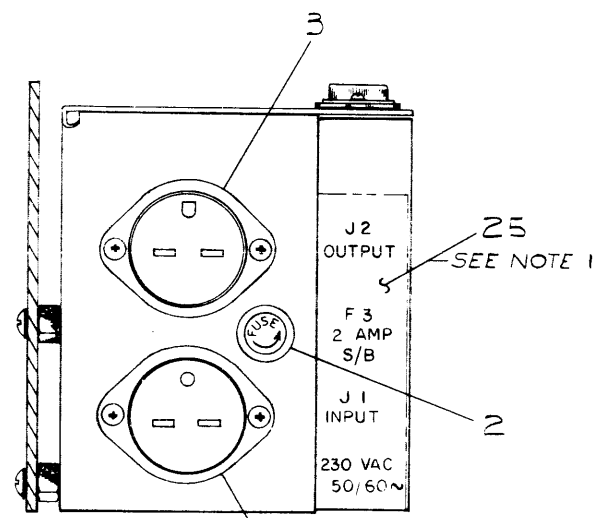
This drawing and specifications, herein, are the property of Digital Equipment Corporation and shall not be reproduced or copied or used in whole or in part as the basis for the manufacture or sale of items without written permission.

WIRE TABLE H716-B&D

ITEM NO.	DESCRIPTION	FROM CONNECTION	WITH	TO CONNECTION	WITH
23	18 BLK	PS-GND	9	TB-GND	0
21	18 RED	PS-+5	0	TB-+5	10
22	18 BLU	PS--15	9	TB--15	0

WIRE TABLE H716-C

ITEM NO.	DESCRIPTION	FROM CONNECTION	WITH	TO CONNECTION	WITH
23	18 BLK	PS-GND	26	TB-GND	10
23	18 BLK	PS-GND	26	K-GND	SOLDER
21	18 RED	PS-+5	26	TB-+5	10
21	18 RED	PS-+5	26	K-+5	SOLDER
22	18 BLU	PS--15	9	K--15	SOLDER
22	18 BLU	K--15	9	TB--15	10



VIEW A-A
FOR H716-C

FIRST USED ON OPTION/MODEL	QTY	DESCRIPTION	PART NO	ITEM NO.
PARTS LIST				
UNLESS OTHERWISE SPECIFIED DIMENSION IN INCHES	DRN CHK'D	DATE DATE	digital EQUIPMENT CORPORATION MAYNARD, MASSACHUSETTS POWER SUPPLY H716	
DECIMALS	ANGLES	DATE		
xxx 005	10' 30'	DATE		
xx 02		DATE		
REMOVE BURRS AND BREAK SHARP CORNERS SURFACE QUALITY	PROJ	DATE	TITLE	
MATERIAL	NEXT HIGHER ASSY.	DATE	SIZE CODE	NUMBER
FINISH	SCALE	DATE	DUA H716-0-0	
	SHEET 2 OF 2	DIST		

REV	CHANGE NO

11C FORM NO 100-A

NUMBER
 DUA H716-0-0
 SIZE CODE
 30003295

DIGITAL EQUIPMENT CORPORATION MAYNARD, MASSACHUSETTS					QUANTITY / VARIATION													
PARTS LIST					H716-Ø	H716-A	H716-B	H716-C	H716-D									
MADE BY	G. FLANDERS	CHECKED	J. Fleming	SECTION														
DATE	7-22-71	DATE	8-22-71	1														
ENG	Sever	PROD	H. Strong	ISSUED SECT.														
DATE	8/27/71	DATE		1														
ITEM NO.	DWG NO. / PART NO.	DESCRIPTION																
1	D-IA-7408142-0-0	MOUNTING PANEL H716			-	-	1	-	-									
1	D-IA-7408142-1-0	MOUNTING PANEL H716			-	-	-	1	-									
1	D-IA-7408142-2-0	MOUNTING PANEL H716			-	-	-	-	1									
2	9007216	2 AMP S.B. FUSE			-	1	-	-	1									
3	9008470	FEMALE A.C. CONN			-	1	1	1	1									
4	3009282	H716 POWER SUPPLY			1	1	-	-	1									
5	9007631	TERM STRIP #3-541 JONES			-	-	1	1	1									
6	9006829	SPACER 1/2 AF X 3/8 LG #10 HOLE			-	-	3	3	3									
7	9006027-1	SCR PHL HD PAN 6-32 X 7/8 LG			-	-	2	2	2									
8	9006560	NUT KEPS #6-32			-	-	2	2	2									
9	9007917	CONN SLDS ARK. #50902			-	-	3	3	3									
10	9007929	CONN SLDS ARK. #50321			-	-	3	3	3									
11	9006041-1	SCR PHL HD 8-32 X 3/4 LG			-	-	4	4	4									
12	9006563	NUT KEPS 8-32			-	-	4	4	4									
13	9006076-1	SCR PH HD 10-32 X 7/8 LG			-	-	1	1	1									
14	9006565	NUT KEPS #10-32			-	-	1	1	1									
15	9007031	TIE WRAP #SST-1-B			-	-	A/RA/RA/R	A/RA/RA/R	A/RA/RA/R									
16	9007622	CATAPILLAR GROMMET			-	-	A/RA/RA/R	A/RA/RA/R	A/RA/RA/R									
17	C-IA-5408857-0-0	+15V POWER SEQUENCING BD			-	-	-	1	-									
18	9006022-1	SCR PHL HD 6-32 X 3/8 LG			-	-	-	4	-									
19	9006633	WASHER INT TOOTH #6			-	-	-	4	-									
20	9006857	SPACER 1/4 AF X 5/8 LG 6-32			-	-	-	2	-									
TITLE				ASSY NO.		SIZE		CODE		NUMBER				REV.		ECO NO.		
H716 POWER SUPPLY				D-UA-H716-Ø-Ø		A		PL		H716-Ø-Ø								
SHEET				1 OF 2		DIST.		6										

DEC FORM DEC 16 (325) 1031 N870
DRA 110

DIGITAL EQUIPMENT CORPORATION MAYNARD, MASSACHUSETTS					QUANTITY / VARIATION													
PARTS LIST					H716-Ø	H716-A	H716-B	H716-C	H716-D									
MADE BY	G. FLANDERS	CHECKED	J. Fleming	SECTION														
DATE	7-22-71	DATE	8-22-71	1														
ENG	Pat Sever	PROD	H. Strong	ISSUED SECT.														
DATE	8/27/71	DATE	11/2	1														
ITEM NO.	DWG NO. / PART NO.	DESCRIPTION																
21	9107360-22	18 AWG WIRE INSULATED RED			-	-	A/RA/RA/R	A/RA/RA/R	A/RA/RA/R									
22	9107360-66	18 AWG WIRE INSULATED BLU			-	-	A/RA/RA/R	A/RA/RA/R	A/RA/RA/R									
23	9107360-00	18 AWG WIRE INSULATED BLK			-	-	A/RA/RA/R	A/RA/RA/R	A/RA/RA/R									
24	9008854	MALE AC CONNECTOR INLET FLG'D			-	1	-	-	1									
25	A-DC-5309717-0-0	DECAL, POWER H716 (230V)			-	1	-	-	1									
26	9007919	CONN SLDS ARK 50906			-	-	-	2	-									
TITLE				ASSY NO.		SIZE		CODE		NUMBER				REV.		ECO NO.		
H716 POWER SUPPLY				D-UA-H716-Ø-Ø		A		PL		H716-Ø-Ø								
SHEET				2 OF 2		DIST.												

DEC FORM DEC 16 (325) 1031 N870
DRA 110

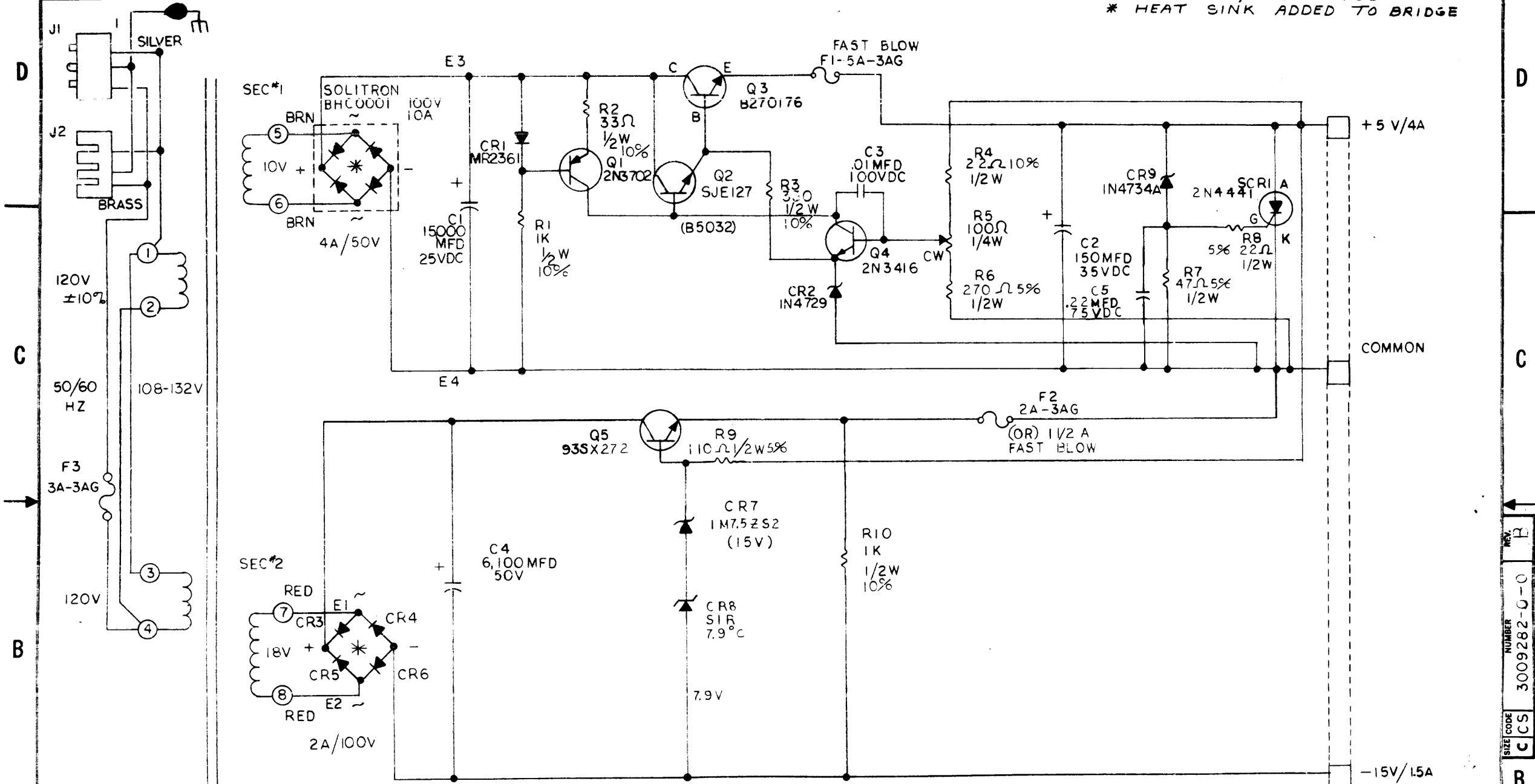
This drawing and specifications herein are the property of Digital Equipment Corporation and shall not be reproduced or copied or used in whole or in part as the basis for the manufacture or sale of items without written permission.

DIGITAL EQUIPMENT CORPORATION						
MAYNARD, MASSACHUSETTS						
						DATE 2/18/71
TITLE Modification Procedure for H716						
REVISIONS						
REV	DESCRIPTION	CHG NO	ORIG	DATE	APPD BY	DATE
ENG	<i>[Signature]</i>	APR	APR	APR	APR	APR

ENGINEERING SPECIFICATION	CONTINUATION SHEET						
TITLE Modification Procedure for H716							
Incorporate the following modifications to change an H716 power supply to an H716-A or an H716-D power supply.							
<ol style="list-style-type: none"> 1) Replace the male AC power connector with DEC Part #90-8854 2) Replace the female AC power connector with DEC Part #90-8470 3) Replace the 3 amp S/B AC input fuse with DEC Part #90-7216 4) Replace existing decal with new decal DEC Part # 5309717 5) Change the following jumpers on the transformer: 							
Delete	<table style="width: 100%; border: none;"> <tr> <td style="text-align: center;"><u>From</u></td> <td style="text-align: center;"><u>To</u></td> </tr> <tr> <td>Terminal 1</td> <td>Terminal 3</td> </tr> <tr> <td>Terminal 2</td> <td>Terminal 4</td> </tr> </table>	<u>From</u>	<u>To</u>	Terminal 1	Terminal 3	Terminal 2	Terminal 4
<u>From</u>	<u>To</u>						
Terminal 1	Terminal 3						
Terminal 2	Terminal 4						
Add 18 AWG	<table style="width: 100%; border: none;"> <tr> <td style="text-align: center;"><u>From</u></td> <td style="text-align: center;"><u>To</u></td> </tr> <tr> <td>Terminal 2</td> <td>Terminal 3</td> </tr> </table>	<u>From</u>	<u>To</u>	Terminal 2	Terminal 3		
<u>From</u>	<u>To</u>						
Terminal 2	Terminal 3						
ENG	<i>[Signature]</i>	APR	APR	APR	APR	APR	

This drawing and specifications, herein, are the property of Digital Equipment Corporation and shall not be reproduced or copied or used in whole or in part as the basis for the manufacture or sale of items without written permission.

R5= POT= + 1377019, BD91038
 CR3, CR4, CR5, CR6= IN5392
 T1= 101748, - 9966936
 * HEAT SINK ADDED TO BRIDGE



T1
SK-820-WM

REV.	CHANGE NO.	DATE	BY
A	H716-00001	4-21-70	M. ARSENAULT
B	H716-00002	5/24/71	K. PIERCE

NOTE:
 THIS CIRCUIT SCHEMATIC
 HAS BEEN REDRAWN WITH
 THE PERMISSION OF
 WANLESS ELECTRIC CO.
 SEE WANLESS DRAWING
 NUMBER C-101418, MODEL
 C-148

UNLESS OTHERWISE SPECIFIED		
DIMENSION IN INCHES		
DECIMALS	FRACTIONS	ANGLES
± .005	± 1/64	± 0°30'
FINAL SURFACE QUALITY		
REMOVE BURRS AND BREAK SHARP CORNERS		
MATERIAL	//	
FINISH	//	

QTY.	DESCRIPTION	PART NO.	ITEM NO.
PARTS LIST			
TITLE			
H-716.P.S.			
SCALE		SIZE/CODE	NUMBER
SHEET 1 OF 1		C CS	3009282-0-0
DATE		REV.	
4-4-69		B	

SIZE/CODE NUMBER REV.
 C CS 3009282-0-0 B