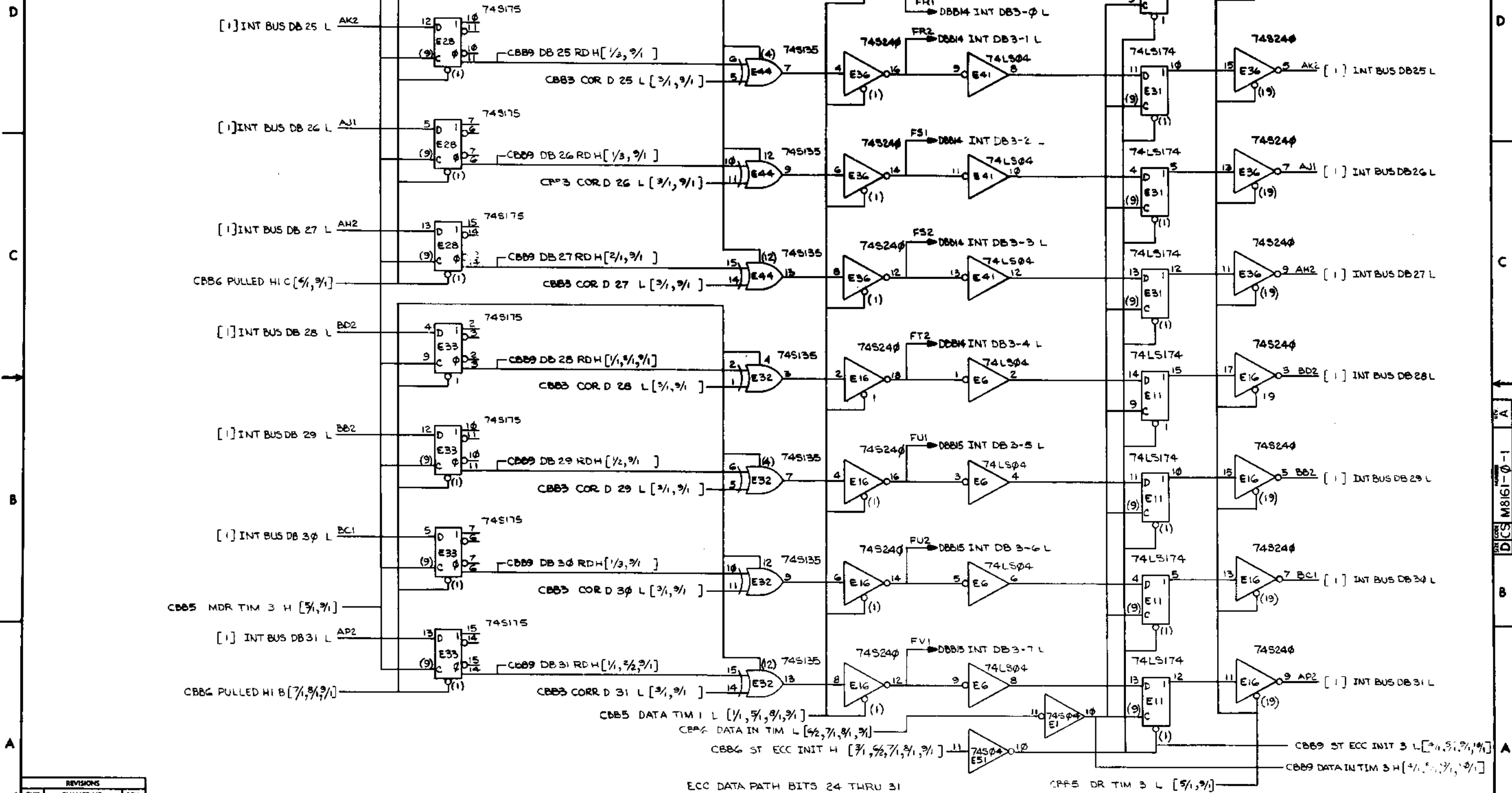


"THE DRAWING AND SPECIFICATIONS HEREIN ARE THE PROPERTY OF DIGITAL EQUIPMENT CORPORATION AND SHALL NOT BE REPRODUCED OR COPIED OR USED IN WHOLE OR IN PART AS THE BASIS FOR THE MANUFACTURE OR SALE OF ITEMS WITHOUT WRITTEN PERMISSION. COPYRIGHT © 1977 DIGITAL EQUIPMENT CORPORATION"



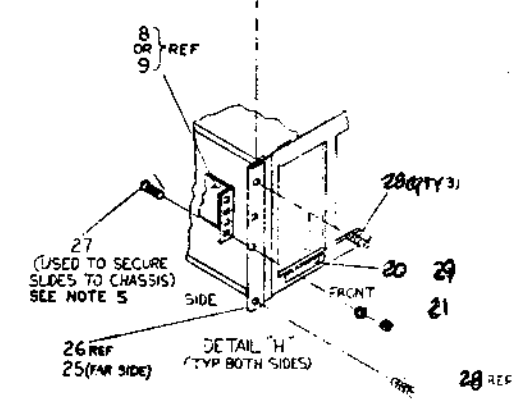
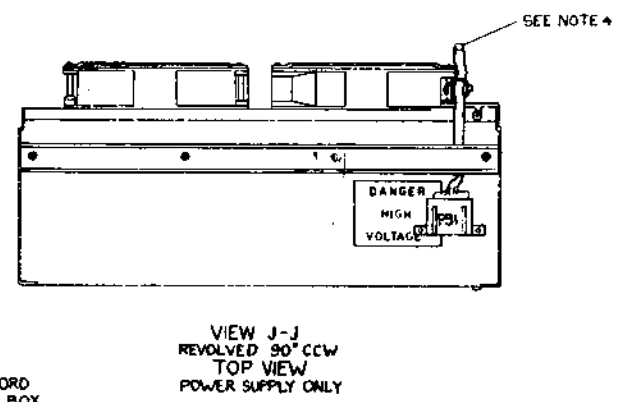
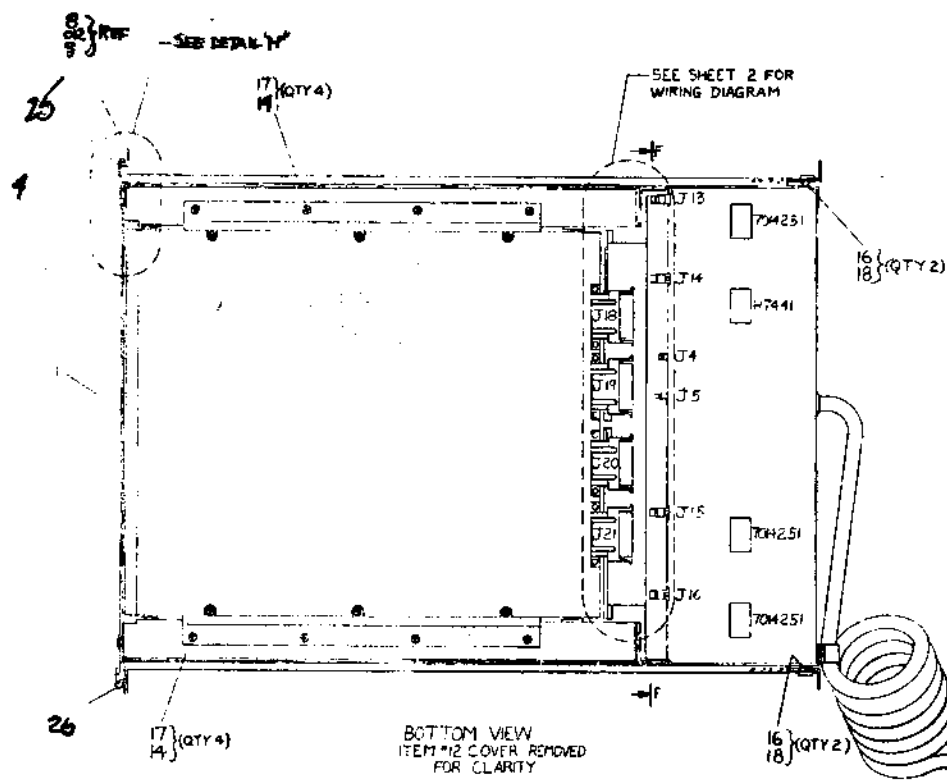
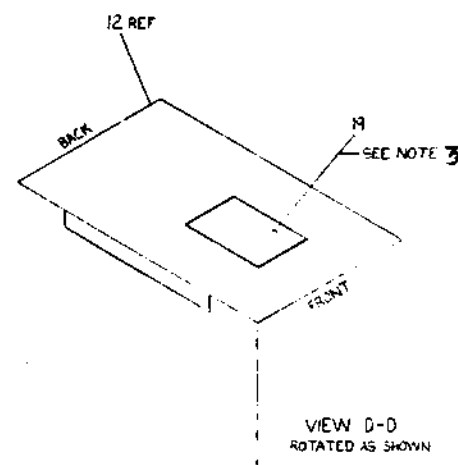
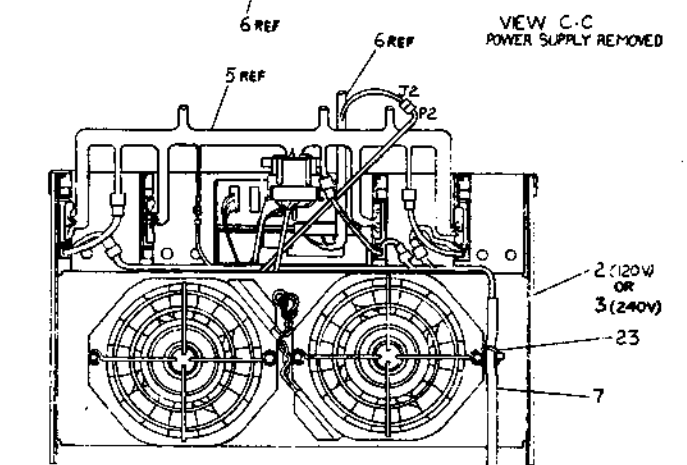
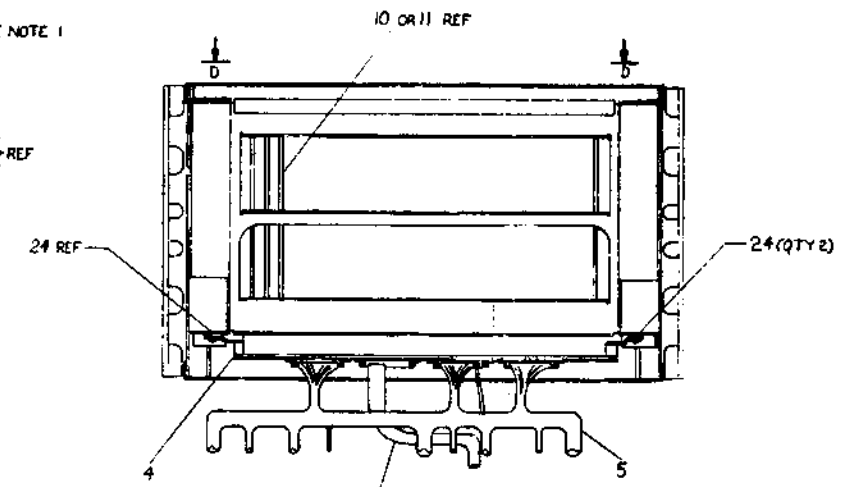
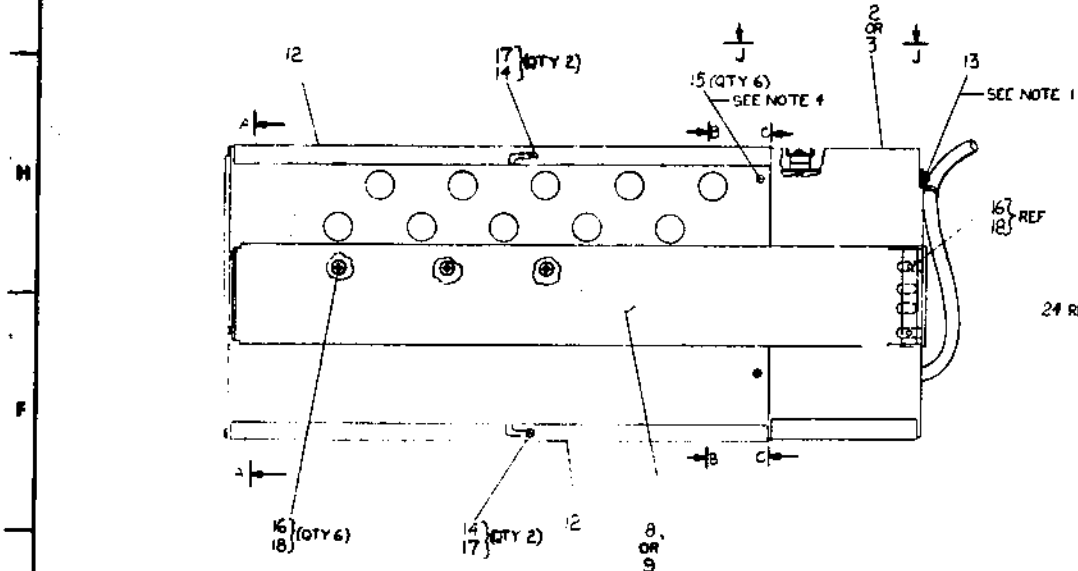
REVISIONS		
CHK	CHANGE NO.	REV.

TITLE	MKII CONTROL B (CBB9)	SIZE CODE	D CS	NUMBER	M8161-0-1	REV.	A
SCALE		SHEET	9 OF 10	DIST.			

D CS M8161-0-1

LEGEND	
NUMBER	VARIATION
7014614-00	120V 50/60 HZ
7014614-01	240V 50/60 HZ

- NOTES:**
1. USE EXISTING HARDWARE TO MOUNT ITEM #13.
 2. INSTALL CARD GUIDES ITEM #10+11 USING TOOL NO 94-1260-2.
 3. LOCATE ITEM #14 APPROXIMATELY AS SHOWN.
 4. INSTALL ITEM #7-23 BEFORE CHASSIS AND POWER SUPPLY SECTIONS ARE SCREWED TOGETHER WITH ITEM #15.
 5. ITEMS #27, 29 (21) ARE USED FOR HOLDING SLIDES TO BOX (FOR SHIPPING ONLY). DISCARD AT UNIT ASSEMBLY D-UA-MKII-0-0.

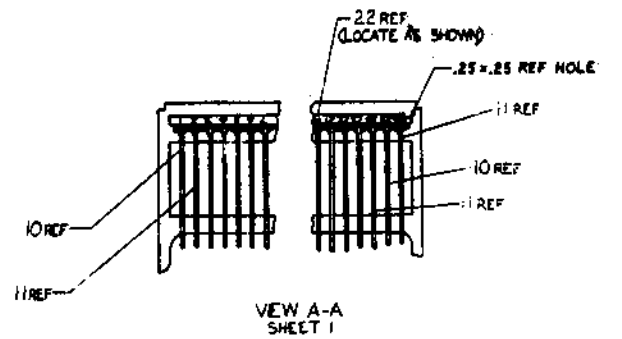
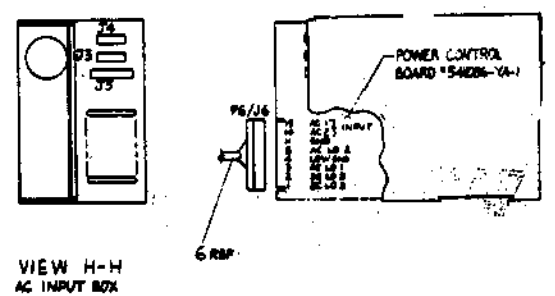
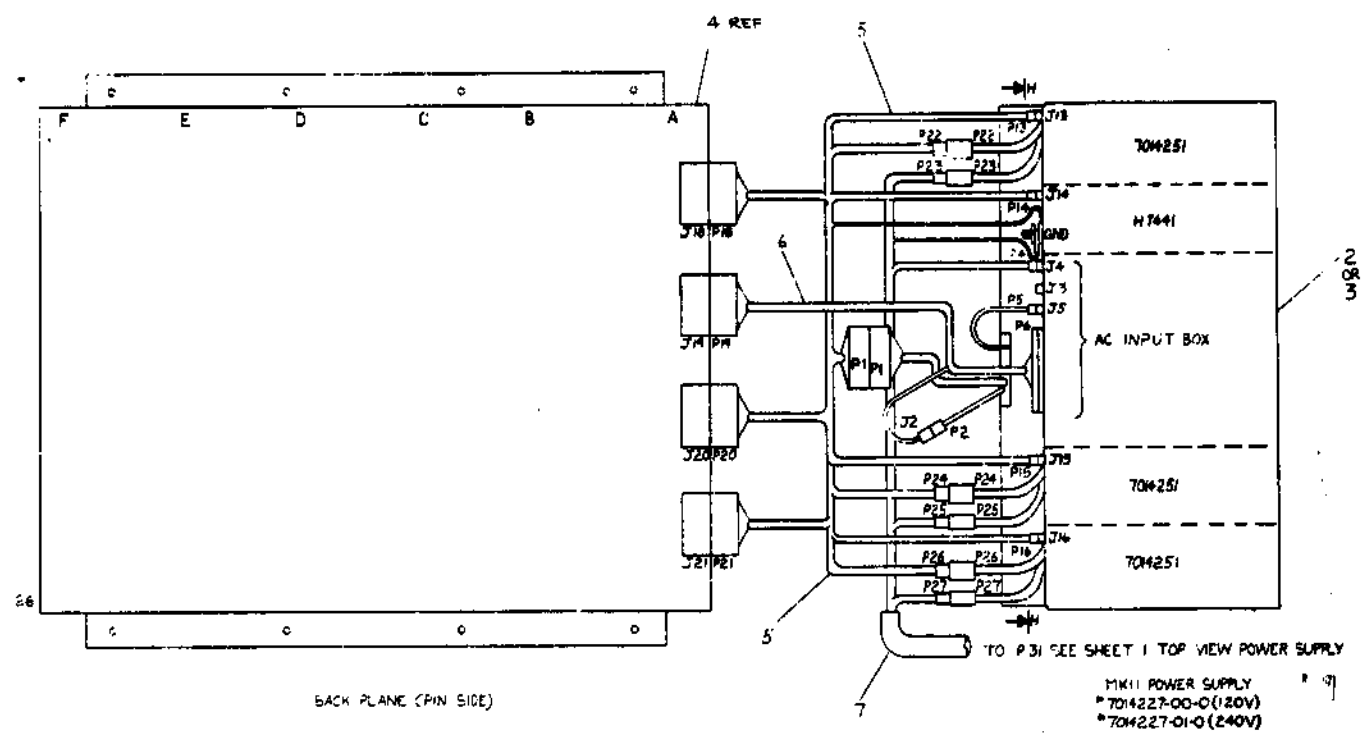
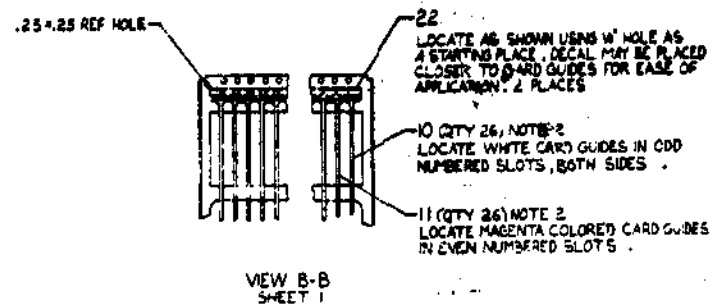


OFF SHEET PARTS LIST EXISTS SEE A-PL-7014614-0-0

REV	DESCRIPTION	DATE	BY	CHKD
1	ISSUED FOR PRODUCTION			
2	REVISED TO ADD PARTS LIST			

PROJECT NO.	7014614-0-0
REV	1
DATE	
BY	
CHKD	
TITLE	MKII MEMORY BOX ASSY
PROJ. NO.	7014614-0-0
SHEET	1 OF 2

WIRE TABLE			
FROM	TO	REMARKS	
ITEM NO	CONN	ITEM NO	CONN
5	P17	2 OR 3	PS-P1
	P13		PS-373
	P14		PS-374
	P15		PS-375
	P16		PS-376
	P22		PS-P22
	P24		PS-P24
	P26	2 OR 3	PS-P26
	F18	4	BP-718
	F20	4	BP-720
	F21	4	BP-721
	F24	4	BP-719
	F25	2 OR 3	J6
	F26		PS-P26
	F27		PS-P27
	F28		PS-P28
	F29		PS-P29
	F30		PS-P30
	F31	2 OR 3	TOP-PS
	GND L10		PS-GND
	GND L11		PS-GND
	F31	2 OR 3	TOP-PS



DIGITAL EQUIPMENT CORPORATION PARTS LIST

QUANTITY / VARIATION

NOTES:

MADE BY Pedro Ortiz	CHECKED <i>D. Walsh</i>	SECTION 1
DATE 6/24/77	DATE 9 SEP 77	
ENG W. H. Angell	PROD RA Hill	ISSUED SECTION 1
DATE 27 SEP 77	DATE 27 SEP 77	

7014614-00	7014614-01																	
------------	------------	--	--	--	--	--	--	--	--	--	--	--	--	--	--	--	--	--

ITEM NO.	DRAWING NO.	PART NO.	DESCRIPTION	7014614-00	7014614-01														REF DESIGNATION
1	E-IA-7009769-0-0		CHASSIS 10.5"	1	1														
2	E-AD-7014227-0-0		POWER SUPPLY, MK11 120V	1	1														
3	E-AD-7014227-1-0		POWER SUPPLY, MK11 240V	1	1														
4	E-AD-7014226-0-0		BACK PLANE, (MK11 MEMORY)	1	1														
5	D-IA-7014228-0-0		HARNESS, POWER MK11	1	1														
6	D-IA-7010581-0-0		HARNESS, AC/DC LO	1	1														
7	D-IA-7014312-0-0		HARNESS, BOX CONTROLLER, INTERNAL	1	1														
8	D-PS-1211825-1-0		SLIDE, 3 POSITION, TILT	LPR	LPR														
9																			
10	D-PS-1212405-0-0		CARD GUIDE, SINGLE, WHITE	26	26														
11	D-PS-1212405-1		CARD GUIDE, SINGLE, MAGENTA	26	26														
12	D-IA-7009768-0-0		COVER, CHASSIS	2	2														
13		9007086-00	CLAMP, CABLE	1	1														
14		9006022-03	SCR, PHL TRUSS HD #6-32 X .38	12	12														
15		9006073-02	SCR, PHL FLAT HD #10-32 X .50	6	6														
16		9006071-03	SCR, PHL TRUSS HD #10-32 X .38	10	10														
17		9006633-00	WASHER INT. TOOTH LOCK #6	8	8														
18		9007651-00	WASHER EXT. TOOTH LOCK #10	12	12														
19		3614422-00	MK11 MEMORY STICKER	1	1														
20		3612493-00	DECAL, WARNING, (DRAWER)	1	1														
21		9009005-00	NUT, HEX #10-32	2	2														
22		3613281-01	DECAL, (SLOT LOCATION)	2	2														

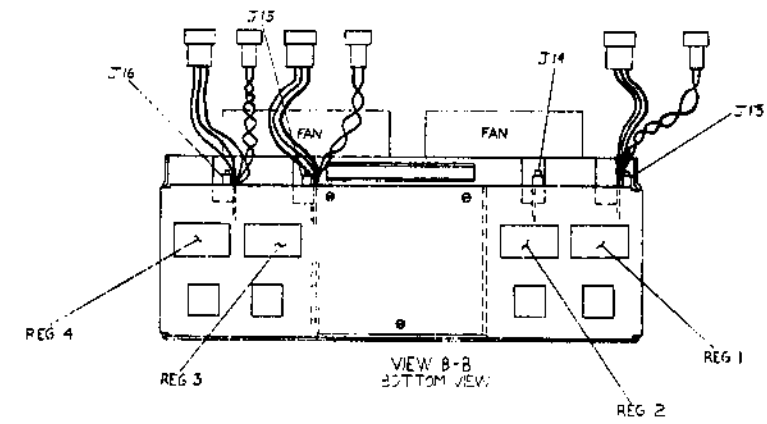
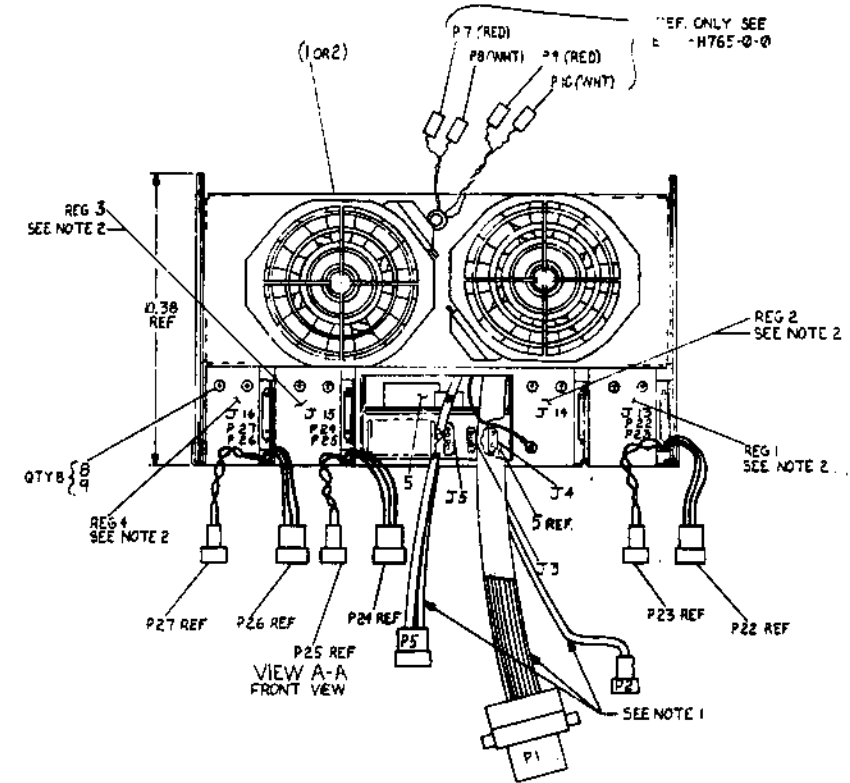
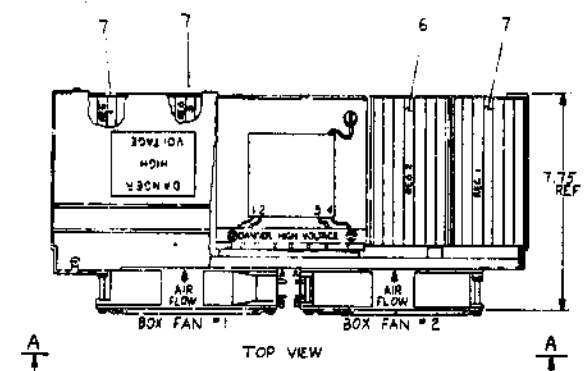
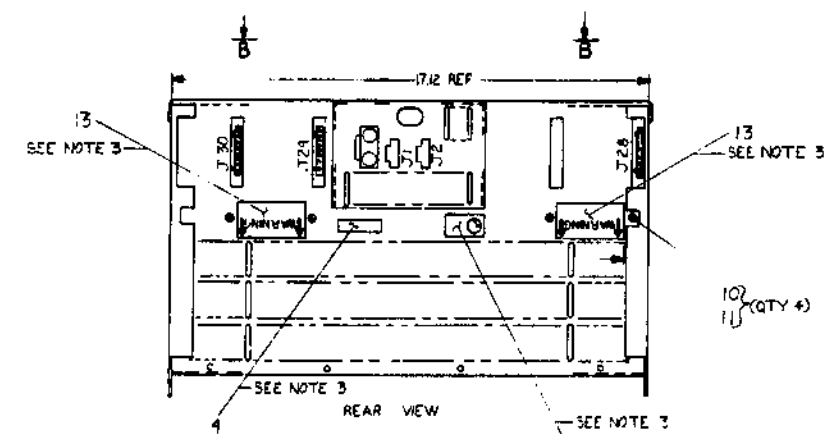
E.C.O. NO. _____

"THIS DRAWING AND SPECIFICATIONS, HEREIN, ARE THE PROPERTY OF DIGITAL EQUIPMENT CORPORATION AND SHALL NOT BE REPRODUCED OR COPIED OR USED IN WHOLE OR IN PART AS THE BASIS FOR THE MANUFACTURE OR SALE OF ITEMS WITHOUT WRITTEN PERMISSION. COPYRIGHT © 1977 DIGITAL EQUIPMENT CORPORATION"	TITLE MK11 MEMORY BOX ASSY	ASSY NO. E-AD-7014614-0-0	SIZE B	CODE PL	NUMBER 7014614-0-0	REV.
		SHEET 1 OF 2	INSERTION PARTS LIST DATA BASE REV			

701227-00
701227-01

LEGEND	
NUMBER	VARIATION
701227-00	180V 50/60 HZ
701227-01	240V 50/60 HZ

NOTES:
 1-LEADS FROM TRANSFORMER ASSEMBLY
 2-LABEL CHASSIS ADJACENT TO REGULATOR OR CONNECTORS APPROXIMATELY AS SHOWN USING ITEM #12 #14
 3-LOCATE LABELS (ITEM #3 #4 #13) APPROXIMATELY AS SHOWN.



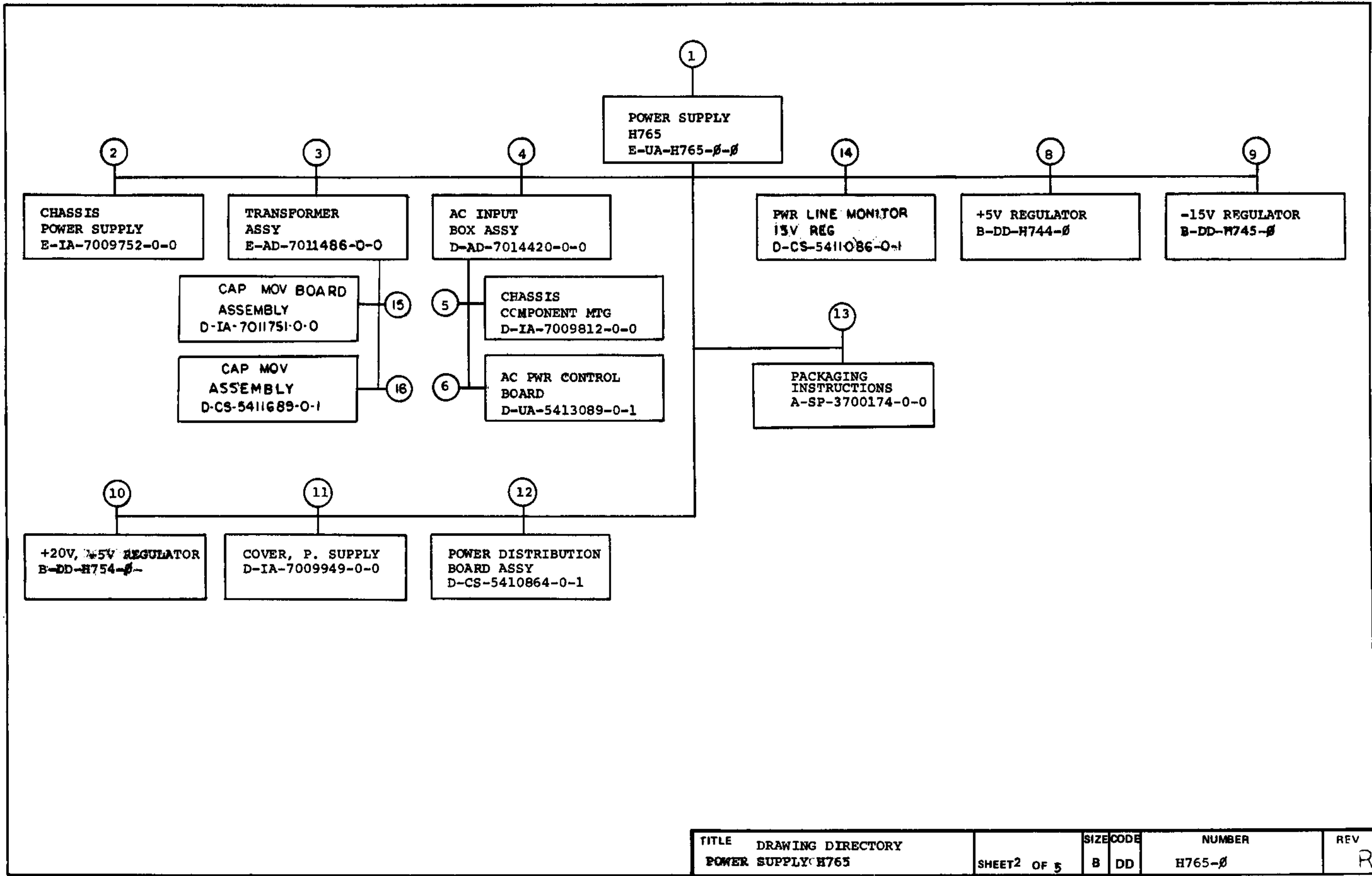
1	PACKAGING INSTRUCTION	A-88-50074-0-0	15
2	DECAL (P)	A-88-704872-1-0	14
3	DECAL WARNING	744228-00	15
4	DECAL (3)	A-88-704872-1-0	14
4	WRENCH, INT TOOTH #6	1006635	11
4	SCR, PHL HD, T/85 9-32-25	1006280-5	10
8	WRENCH, INT TOOTH #10	1006635	7
8	SCR, PHL HD, T/35 9-32-25	1006027-3	5
3	BATTERY BACKUP REGULATOR	AD-704851-0-0	7
1	RV REGULATOR	D-18-H7441-0-0	5
1	POWER LINE MONITOR	D-18-341086-1-0	5
1	DECAL, WFR	A-88-530913-0-0	3
1	DECAL, JL	A-88-530913-0-0	3
1	POWER SUPPLY CHASSIS 240V	701227-0-0	1
1	POWER SUPPLY CHASSIS 180V	701227-0-0	1

701227-00
701227-01

POWER SUPPLY, MKII

SEE PARTS LIST

AD 701227-0-0



TITLE	DRAWING DIRECTORY	SIZE CODE	NUMBER	REV
POWER SUPPLY H765	SHEET 2 OF 5	B DD	H765-β	R

CUSTOMER PRINT SET		ELECTRICAL					CUSTOMER PRINT SET		ELECTRICAL							
1	MFG. SET	FIND NO.	DRAWING NO.	REV	NO OF SHT	DESCRIPTION	OPTION NO./FILE DATE	1	MFG. SET	FIND NO.	DRAWING NO.	REV	NO OF SHT	DESCRIPTION	OPTION NO./FILE DATE	
X		1	E-UA-H765-0-0 A-SP-H765-0-9	T	2	POWER SUPPLY H765 H765 POWER SUPPLY ASSEMBLY PROCEDURE		X		12	D-CS-5410864-0-1 D-IA-5010863-0-0 A-SP-5410864-0-8 A-SP-5410864-0-9	#	3 1	POWER DIST. BD. ASSY ETCHED CIRCUIT BOARD TEST PROCEDURE ASSEMBLY PROCEDURE		
X		3	E-AD-7011486-0-0 A-SP-7010014-0-8 A-CS-7010014-TA-1 A-UA-7010014-TA-0 A-PL-7010014-TA-0 A-SP-7011486-0-9	# A A A A		TRANSFORMER ASSY TEST PROCEDURE TESTER C.S. TESTER U.A. TESTER P.L. TRANSFORMER ASSY PROCEDURE		X		14	D-CS-5411086-0-1 A-SP-11/45-TA-2 A-SP-5411086-0-3 D-IA-7010138-0-0	#	4	PWR LINE MONITOR/15V REG TEST PROCEDURE ENGINEERING SPECIFICATION HARNESS INTERCONNECTION		
X		4	D-AD-7014420-0-0 A-SP-7009811-0-8 A-CS-7009811-TA-1 A-UA-7009811-TA-0 A-PL-7009811-TA-0 A-SP-7009811-0-9	#	2	AC INPUT BOX ASSY TEST PROCEDURE TESTER C.S. TESTER U. A. TESTER P.L. AC INPUT BOX ASSY PROCEDURE				15	D-IA-7011751-0-0			CAP MOV BOARD ASSY		
X		6	D-UA-5413089-0-0			PILOT CONTROL BOARD				16	D-CS-5411689-0-1			CAP MOV ASSY		
C		8	B-DD-H744-0	#	2	DRAWING DIRECTORY H744										
C		9	B-DD-H745-0	#	2	DRAWING DIRECTORY H745										
C		10	B-DD-H754-0	#	3	DRAWING DIRECTORY H754										
CUSTOMER PRINT SET CODES		X = PRINT OF DOCUMENT INCLUDED IN PRINT SET C = INCLUDES ALL PRINTS INDICATED ON DOCUMENT S = CONFIDENTIAL AUTHORIZED SIGNATURE REQUIRED					TITLE		DRAWING DIRECTORY POWER SUPPLY H765		SIZE CODE		NUMBER		REV	
									SHEET 3 OF 5		B DD		H765-0		R	

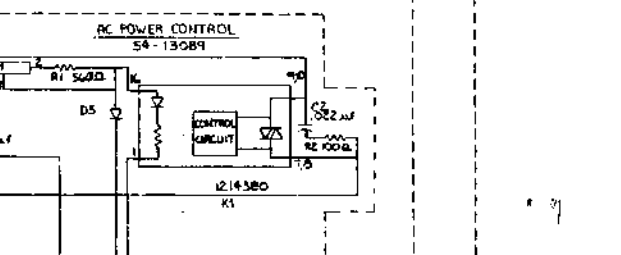
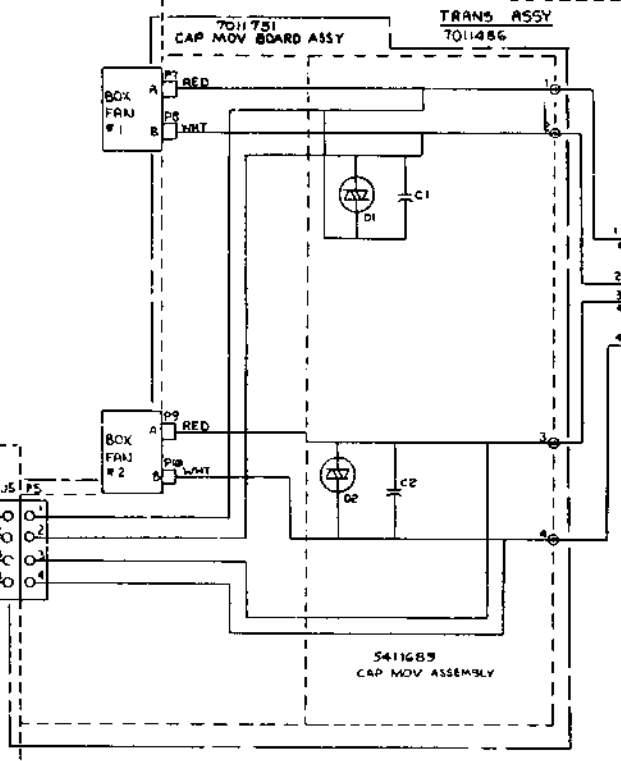
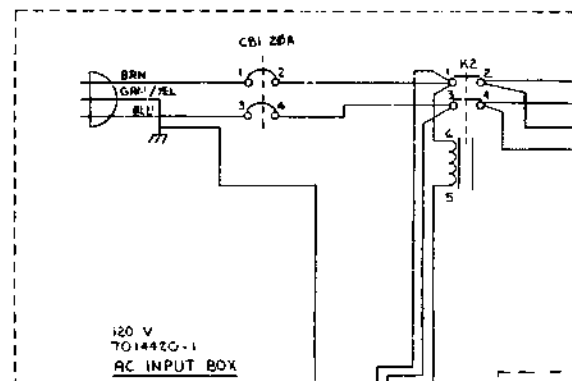
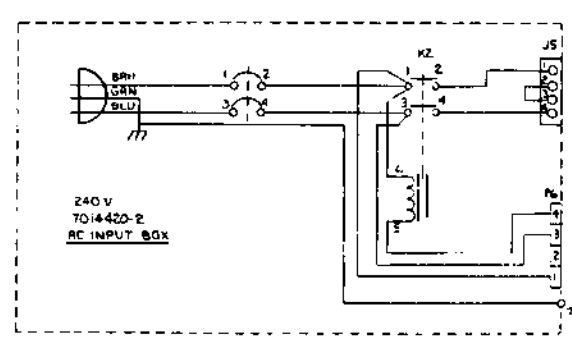
CUSTOMER PRINT SET		MECHANICAL					CUSTOMER PRINT SET										
1	1	INFO. SET	FIND NO.	DRAWING NO.	REV	NO OF SHT	DESCRIPTION	OPTION NO./FILE DATE	1	1	INFO. SET	FIND NO.	DRAWING NO.	REV	NO OF SHT	DESCRIPTION	OPTION NO./FILE DATE
			12	D-CS-5410864-0-1		3	POWER DIST. BD. ASSY										
				C-MD-7412192-0-0		1	SHIELD										
				D-MD-7411704-0-0		1	BRACKET, CONN. MTG.										
				C-IA-9305937-0-0			MATE-N-LOK FIXTURES										
				D-IA-5010863-0-0		1	ETCHED CIRCUIT BD.										
				K-CO-5410864-0-4			X-Y COORDINATE HOLE LOC.										
				D-AH-5410864-0-5		1	ASSY DRILLING HOLE LAYOUT										
				B-MH-5410864-0-6		1	MODULE ECO HISTORY										
				5010863		REV	ETCH CIRCUIT BOARD										
			K	13	A-SP-3700174-0-0	-	2	PACKAGING INSTRUCTIONS									
					A-PS-9905664-0-0	-	2	REGULAR SLOTTED CARTON									
					A-PS-9905665-0-0	-	2	LAMINATED BUILDUP									
				14	D-AH-5411086-0-5		1	ASSY DRILLING HOLE LAYOUT									
					B-MH-5411086-0-6		1	MODULE ECO HISTORY									
				15	D-AD-7011486-0-0		1	ASSEMBLY DRAWING									
				16	D-AH-5411689-0-5		1	ASSY DRILLING HOLE LAYOUT									
					D-MH-5411689-0-6		1	MODULE ECO HISTORY									

CUSTOMER PRINT SET CODES
X = PRINT OF DOCUMENT INCLUDED IN PRINT SET
C = INCLUDES ALL PRINTS INDICATED ON DOCUMENT
S = CONFIDENTIAL AUTHORIZED SIGNATURE REQUIRED

TITLE DRAWING DIRECTORY
POWER SUPPLY H765
SHEET 5 OF 5
SIZE CODE B DD
NUMBER H765-Ø
REV R

REVISIONS
 1 - ORIGINAL DESIGN
 2 - REVISED DESIGN
 3 - REVISED DESIGN
 4 - REVISED DESIGN
 5 - REVISED DESIGN
 6 - REVISED DESIGN
 7 - REVISED DESIGN
 8 - REVISED DESIGN
 9 - REVISED DESIGN
 10 - REVISED DESIGN
 11 - REVISED DESIGN
 12 - REVISED DESIGN
 13 - REVISED DESIGN
 14 - REVISED DESIGN
 15 - REVISED DESIGN

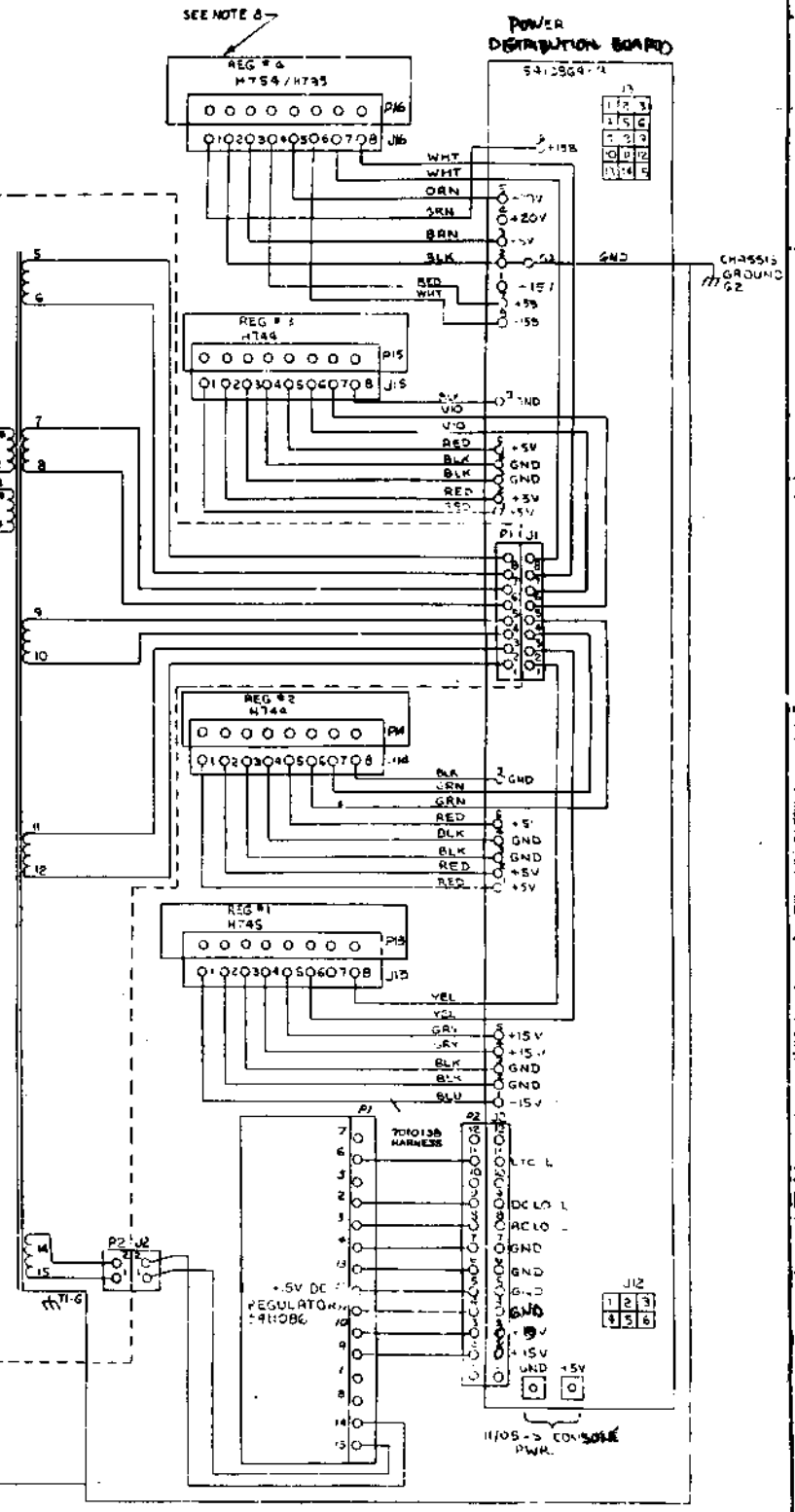
CONNECTION TABLE			CONNECTION TABLE		
FROM CONNECTION	TO CONNECTION	SIGNALS	FROM CONNECTION	TO CONNECTION	SIGNALS
P2 FROM TRANS. ASSY	J2 FROM +15V REG.	2B VAC	P4 FROM +15V REG.	J2 LOCATED ON PWR. DIST. BD	-15V, LTC L, AC LO L, DC LO L, GND
J16 FROM PWR. DIST. BD	P16 LOCATED ON REG. #1 (H754)	GND, -5V, +20V, 2B VAC			
J15 FROM PWR. DIST. BD	P15 LOCATED ON REG. #3 (H744)	GND, +5V, 2B VAC	P5 FROM TRANS. ASSY	J5 LOCATED ON AC INPUT BOX	120/240 VAC
J14 FROM PWR. DIST. BD	P14 LOCATED ON REG. #2 (H744)	GND, +15V, 2B VAC	P7 (RED)	FAN #1 - A	120 VAC - HOT
J13 FROM PWR. DIST. BD	P13 LOCATED ON REG. #1 (H745)	GND, +15V, -15V, 2B VAC	P8 (WHT)	FAN #1 - B	120 VAC - NEUTRAL
GND LUG LOCATED ON PWR. DIST. BD, G3	G1 YEL LUG	SAFETY GROUND	P9 (RED)	FAN #2 - A	120 VAC - HOT
P1 FROM TRANS. ASSY	J1 LOCATED ON PWR. DIST. BD	2B VAC	P10 (WHT)	FAN #2 - B	120 VAC - NEUTRAL
			T1 G	G1	SAFETY GROUND
			G1	G2	ITEM 55



- COMMON SIGNAL NAMES FOR 6PIN AND 15-PIN MATE-N-LOKS ON POWER DISTRIBUTION BOARD
- | | |
|-------------|--------------|
| 6-PIN | 15-PIN |
| 1 - GND | 1 - +5V |
| 2 - LTC L | 2 - +15V |
| 3 - DC LO L | 3 - +20V |
| 4 - AC LO L | 4 - +5V |
| 5 - SPARE 4 | 5 - GND |
| 6 - SPARE 5 | 6 - SPARE 1 |
| | 7 - GND |
| | 8 - GND |
| | 9 - GND |
| | 10 - SPARE 2 |
| | 11 - GND |
| | 12 - SPARE 3 |
| | 13 - -15V |
| | 14 - -5V |
| | 15 - SPARE 3 |

REMOTE POWER CONTROL
 1-3 : ON
 2-3 : OFF

CPU CONSOLE POWER SWITCH
 1-3 : ON

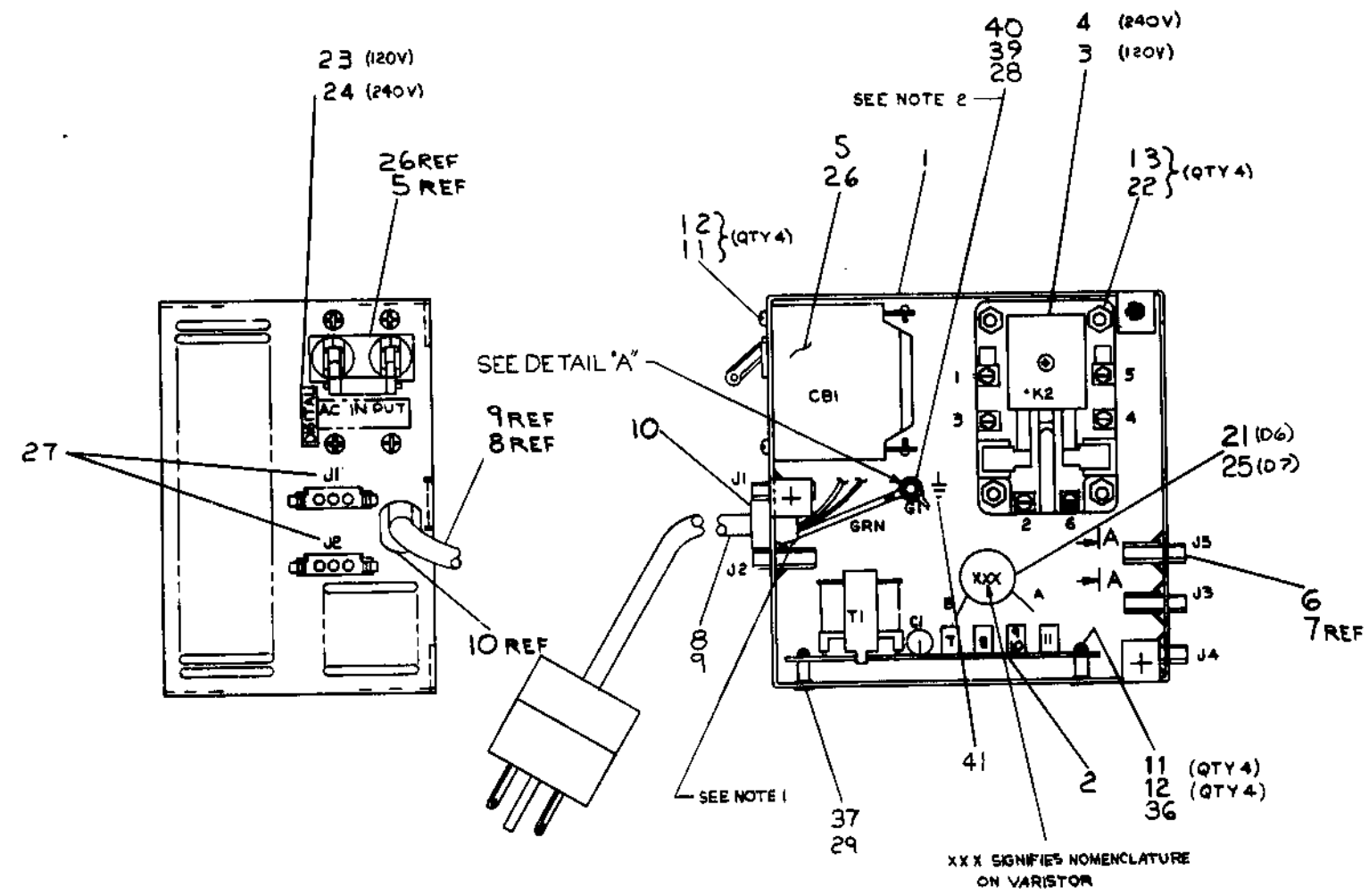
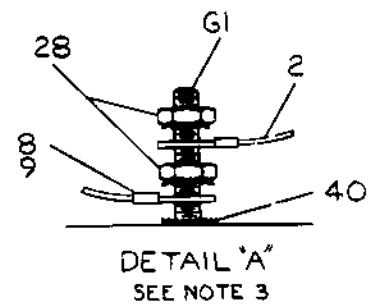


THE DRAWING AND SPECIFICATIONS HEREIN ARE THE PROPERTY OF DIGITAL EQUIPMENT CORPORATION AND SHALL NOT BE REPRODUCED OR COPIED OR USED IN WHOLE OR IN PART AS THE BASIS FOR THE MANUFACTURE OR SALE OF ITEMS WITHOUT WRITTEN PERMISSION. COPYRIGHT © 1974, DIGITAL EQUIPMENT CORPORATION

NOTES:

1. LEAVE .5 IN ±.2 IN OF OUTER INSULATION OF LINE CORD INSIDE BOX.
2. REMOVE PAINT MASK FROM G1 ONLY AND APPLY CONDUCTIVE GREASE TO AREA AROUND STUD G1 BEFORE INSTALLING ITEMS 40 (LOCKWASHER), LUG ON GRN/YEL WIRE, AND 28 (KEPNUT).
3. ENSURE THAT LUG CONNECTED TO GRN/YEL WIRE FROM LINE CORD, WASHER ITEM 40, AND KEPNUT ITEM 28 ARE THE FIRST ITEMS INSTALLED ON G1. SEE DETAIL A.

LEGEND	
NUMBER	VARIATION
7009811-1	120V47-63HZ 12A
7009811-2	240V47-63HZ 6A



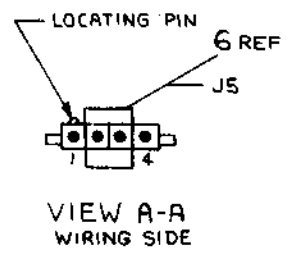
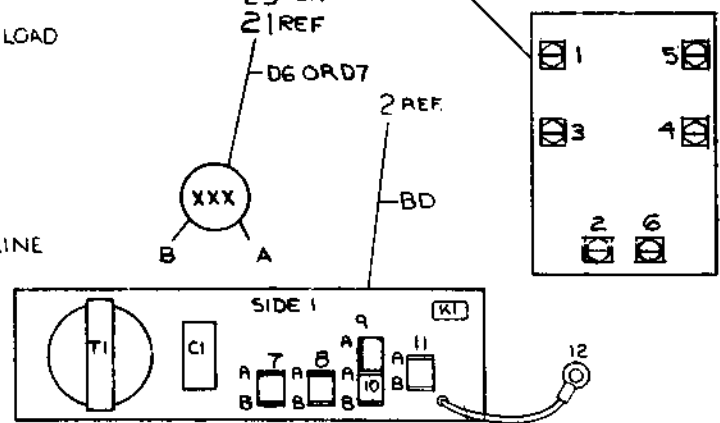
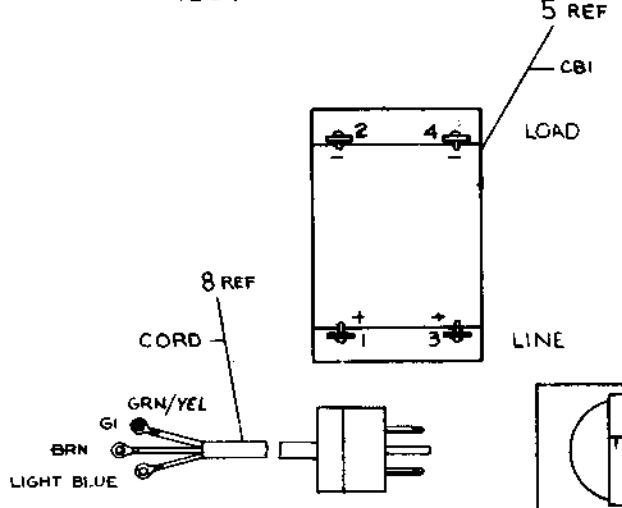
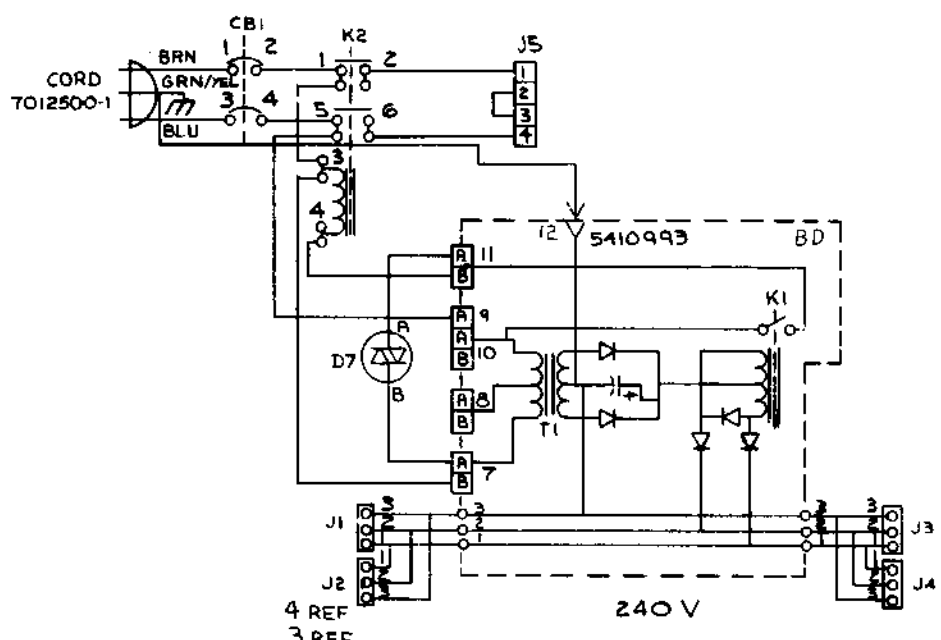
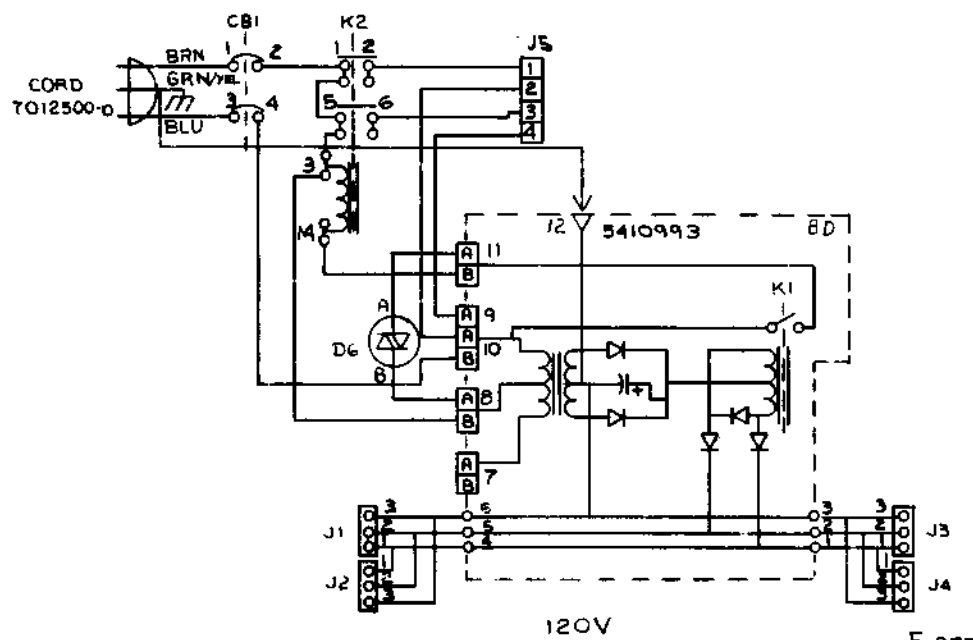
XXX SIGNIFIES NOMENCLATURE ON VARIATOR

QTY	DESCRIPTION	PART NO.	REV
1	DECAL, SAFTY GROUND	A-DC-3612680-01	41
1	WASHER, EXT TOOTH #8	9008072	40
A/R	A/R GREASE, CONDUCTIVE	4901173-01	39
1	JUMPER, POWER (WHT)	7010301-8	38
4	SCR PH FL HD 6-32X1/4	9006020-02	37
4	WASHER, FLAT	9006653	36
REF	REF A.C. INPUT BOX ASSEMBLY PROCEDURE	A-5P-7009811-0-9	35
REF	REF TESTER PARTS LIST	A-PL-7009811-0-0	34
REF	REF TESTER TEST PROCEDURE	A-5P-7009811-0-8	33
REF	REF TESTER U.A.	A-UA-7009811-0-8	32
REF	REF TESTER C.S.	A-CS-7009811-0-8	31
4	SPACER 6-32X 3/8"	9006844	29
3	NUT, KEPS #8-32	9006563	28
1	DECAL	A-DC-7429873-0-0	27
1	CIRCUIT BRK 10 A	1212124-03	26
1	VARIATOR (D7) ASSY	C-IA-7010300-2-0	25
1	DECAL 230V47-63 HZ 6A	A-DC-7412300-0-0	24
1	DECAL 115V 47-63 HZ 12A	A-DC-7412303-0-0	23
4	SCR PH FL HD #6-32 X50	9006024-2	22
1	VARIATOR (D6) ASSY	C-IA-7010300-1-0	21
2	POWER JUMPER (BLK)	D-IA-7010301-8-0	20
1	POWER JUMPER (BLK)	D-IA-7010301-3-0	19
2	POWER JUMPER (BLK)	D-IA-7010301-4-0	18
1	POWER JUMPER (WHT)	D-IA-7010301-5-0	17
2	POWER JUMPER (WHT)	D-IA-7010301-6-0	16
1	POWER JUMPER (BRN)	D-IA-7010301-7-0	15
1	POWER JUMPER (BLK)	D-IA-7010301-1-0	14
4	NUT KEPS #6-32	9008185	13
8	WASHER, INT TOOTH #6	9006653	12
8	SCR PH FL HD #6-32X25	9006020-1	11
1	STRAIN RELIEF	9008509	10
1	POWER CORD 240	D-AD-7012500-1	9
1	POWER CORD 120V	D-AD-7012500-0	8
1	PWR CONTROL HARN. 240V	D-IA-7010302-2-0	7
1	PWR CONTROL HARN 120V	D-IA-7010302-1-0	6
1	CIRCUIT BREAK 20A	1212124-05	5
1	RELAY 240V	1211222-02	4
1	RELAY 120V	1211222-01	3
1	AC PWR CONTR BOARD	D-CS-5410993-0-1	2
1	CHASSIS, COMP MTG	D-IA-7009812-0-0	1

FIRST USED ON OPTION/MODEL		QTY.	DESCRIPTION	PART NO.	REV
B-11-K					
DIMENSIONAL TOLERANCE		DATE 6-26-79			
DIMENSIONS ARE UNLESS OTHERWISE SPECIFIED		DATE 1-27-78			
MILLIMETERS	INCHES	DATE 7-11-74			
XXX ±.010	.XXX ±.005	DATE 9-11-74			
XX ±.005	.XX ±.002	DATE 9-11-74			
X ±.002	.X ±.001	DATE 9-11-74			
THIRD ANGLE PROJECTION		NEXT HIGHER ASSY.			
REMOVE BURRS AND BREAK SHARP CORNERS SURFACE QUALITY		SCALE NONE			
MATERIAL SEE PARTS LIST		E-UA-H 765-0-0			
FINISH		DAD 7009810-0			
		SHEET 1 OF 3			

REV	CHANGE NO.	REV
1	H765-00003	A
2	H765-00004	B
3	H765-00005	C
4	H765-00006	D
5	H765-00007	E
6	H765-00008	F
7	H765-00009	G
8	H765-00010	H
9	H765-00011	I
10	H765-00012	J
11	H765-00013	K
12	H765-00014	L
13	H765-00015	M
14	H765-00016	N
15	H765-00017	O
16	H765-00018	P
17	H765-00019	Q
18	H765-00020	R
19	H765-00021	S
20	H765-00022	T
21	H765-00023	U
22	H765-00024	V
23	H765-00025	W
24	H765-00026	X
25	H765-00027	Y
26	H765-00028	Z
27	H765-00029	AA
28	H765-00030	AB
29	H765-00031	AC
30	H765-00032	AD
31	H765-00033	AE
32	H765-00034	AF
33	H765-00035	AG
34	H765-00036	AH
35	H765-00037	AI
36	H765-00038	AJ
37	H765-00039	AK
38	H765-00040	AL
39	H765-00041	AM
40	H765-00042	AN
41	H765-00043	AO
42	H765-00044	AP
43	H765-00045	AQ
44	H765-00046	AR
45	H765-00047	AS
46	H765-00048	AT
47	H765-00049	AU
48	H765-00050	AV
49	H765-00051	AW
50	H765-00052	AX
51	H765-00053	AY
52	H765-00054	AZ
53	H765-00055	BA
54	H765-00056	BB
55	H765-00057	BC
56	H765-00058	BD
57	H765-00059	BE
58	H765-00060	BF
59	H765-00061	BG
60	H765-00062	BH
61	H765-00063	BI
62	H765-00064	BJ
63	H765-00065	BK
64	H765-00066	BL
65	H765-00067	BM
66	H765-00068	BN
67	H765-00069	BO
68	H765-00070	BP
69	H765-00071	BQ
70	H765-00072	BR
71	H765-00073	BS
72	H765-00074	BT
73	H765-00075	BU
74	H765-00076	BV
75	H765-00077	BW
76	H765-00078	BX
77	H765-00079	BY
78	H765-00080	BZ
79	H765-00081	CA
80	H765-00082	CB
81	H765-00083	CC
82	H765-00084	CD
83	H765-00085	CE
84	H765-00086	CF
85	H765-00087	CG
86	H765-00088	CH
87	H765-00089	CI
88	H765-00090	CJ
89	H765-00091	CK
90	H765-00092	CL
91	H765-00093	CM
92	H765-00094	CN
93	H765-00095	CO
94	H765-00096	CP
95	H765-00097	CQ
96	H765-00098	CR
97	H765-00099	CS
98	H765-00100	CT
99	H765-00101	CU
100	H765-00102	CV
101	H765-00103	CW
102	H765-00104	CX
103	H765-00105	CY
104	H765-00106	CZ
105	H765-00107	DA
106	H765-00108	DB
107	H765-00109	DC
108	H765-00110	DD
109	H765-00111	DE
110	H765-00112	DF
111	H765-00113	DG
112	H765-00114	DH
113	H765-00115	DI
114	H765-00116	DJ
115	H765-00117	DK
116	H765-00118	DL
117	H765-00119	DM
118	H765-00120	DN
119	H765-00121	DO
120	H765-00122	DP
121	H765-00123	DQ
122	H765-00124	DR
123	H765-00125	DS
124	H765-00126	DT
125	H765-00127	DU
126	H765-00128	DV
127	H765-00129	DW
128	H765-00130	DX
129	H765-00131	DY
130	H765-00132	DZ
131	H765-00133	EA
132	H765-00134	EB
133	H765-00135	EC
134	H765-00136	ED
135	H765-00137	EE
136	H765-00138	EF
137	H765-00139	EG
138	H765-00140	EH
139	H765-00141	EI
140	H765-00142	EJ
141	H765-00143	EK
142	H765-00144	EL
143	H765-00145	EM
144	H765-00146	EN
145	H765-00147	EO
146	H765-00148	EP
147	H765-00149	EQ
148	H765-00150	ER
149	H765-00151	ES
150	H765-00152	ET
151	H765-00153	EU
152	H765-00154	EV
153	H765-00155	EW
154	H765-00156	EX
155	H765-00157	EY
156	H765-00158	EZ
157	H765-00159	FA
158	H765-00160	FB
159	H765-00161	FC
160	H765-00162	FD
161	H765-00163	FE
162	H765-00164	FF
163	H765-00165	FG
164	H765-00166	FH
165	H765-00167	FI
166	H765-00168	FJ
167	H765-00169	FK
168	H765-00170	FL
169	H765-00171	FM
170	H765-00172	FN
171	H765-00173	FO
172	H765-00174	FP
173	H765-00175	FQ
174	H765-00176	FR
175	H765-00177	FS
176	H765-00178	FT
177	H765-00179	FU
178	H765-00180	FV
179	H765-00181	FW
180	H765-00182	FX
181	H765-00183	FY
182	H765-00184	FZ
183	H765-00185	GA
184	H765-00186	GB
185	H765-00187	GC
186	H765-00188	GD
187	H765-00189	GE
188	H765-00190	GF
189	H765-00191	GG
190	H765-00192	GH
191	H765-00193	GI
192	H765-00194	GJ
193	H765-00195	GK
194	H765-00196	GL
195	H765-00197	GM
196	H765-00198	GN
197	H765-00199	GO
198	H765-00200	GP
199	H765-00201	GQ
200	H765-00202	GR

THIS DRAWING AND SPECIFICATIONS HEREIN ARE THE PROPERTY OF DIGITAL EQUIPMENT CORPORATION AND SHALL NOT BE REPRODUCED OR COPIED OR USED IN WHOLE OR IN PART AS THE BASIS FOR THE MANUFACTURE OR SALE OF ITEMS WITHOUT WRITTEN PERMISSION. COPYRIGHT © 1974, DIGITAL EQUIPMENT CORPORATION.



REVISIONS		
CHK	CHANGE NO.	REV

TITLE	AC INPUT BOX ASS'Y.	SIZE/CODE	DAD	NUMBER	7009811-0-0	REV.	K
SCALE	NONE	SHEET	2	OF	3		

THIS DRAWING AND SPECIFICATIONS HEREON ARE THE PROPERTY OF DIGITAL EQUIPMENT CORPORATION AND SHALL NOT BE REPRODUCED OR COPIED OR USED IN WHOLE OR IN PART AS THE BASIS FOR THE MANUFACTURE OR SALE OF OTHER EQUIPMENT WITHOUT THE WRITTEN PERMISSION OF DIGITAL EQUIPMENT CORPORATION.

WIRE TABLE (120V)							
ITEM NO.	DESCRIPTION		CONNECTION		CONNECTION		REMARKS
	AWG	COLOR	FROM	WITH	TO	WITH	
8	14	BRN	CORD	---	CBI-1(+)	---	
8	14	BLU	CORD	---	CBI-3(+)	---	
14		BLK	CBI-2(-)	---	K2-1	---	
18		BLK	K2-5	---	K2-3	---	
18		BLK	BD-8B	---	K2-3	---	
19		BLK	BD-8B	---	K2-3	---	
17		WHT	CBI-4(-)	---	BD-10B	---	
6		WHT	BD-10A	---	J5-2(REF)	---	
6		WHT	BD-9A	---	J5-4(REF)	---	
15		BRN	K2-4	---	BD-11B	---	
6	14	BLK	K2-4	---	J5-3(REF)	---	
6	14	BLK	K2-2	---	J5-1(REF)	---	
21	22	RED	D6-A	---	BD-11A	---	
21	22	RED	D6-B	---	BD-8A	---	
8	14	GRN/YEL	CORD	---	G1	---	SEE NOTE 2
2	14	GRN/YEL	BD-12	---	G1	---	SEE DETAIL A AND NOTE 2

WIRE TABLE (240V)							
ITEM NO.	DESCRIPTION		CONNECTION		CONNECTION		REMARKS
	AWG	COLOR	FROM	WITH	TO	WITH	
8	14	BRN	CORD	---	CBI-1(+)	---	
8	14	BLU	CORD	---	CBI-3(+)	---	
14		BLK	CBI-2	---	K2-1	---	
20		BLK	K2-3	---	BD-7B	---	
19		BLK	K2-3	---	BD-7B	---	
38		WHT	K2-5	---	CBI-4(-)	---	
16		WHT	K2-5	---	BD-9A	---	
15		BRN	K2-4	---	BD-11B	---	
7		BLK	K2-2	---	J5-1(REF)	---	
7		BLK	J5-2(REF)	---	J5-3(REF)	---	
7	14	WHT	K2-6	---	J5-4(REF)	---	
25	22	RED	D7-A	---	BD-11A	---	
25	22	RED	D7-B	---	BD-7A	---	
8	14	GRN/YEL	CORD	---	G1	---	SEE NOTE 2
2	14	GRN/YEL	BD-12	---	G1	---	SEE DETAIL A AND NOTE 2

REVISIONS		
CHK	CHANGE NO.	REV.

TITLE	AC INPUT BOX ASSY	SIZE CODE	D AD	NUMBER	7009811 0-0	REV.	K
SCALE	NONE	SHEET	3	OF	3	DIST.	

THE DRAWING AND SPECIFICATIONS HEREON ARE THE PROPERTY OF BUNTA ELECTRIC CORPORATION AND SHALL NOT BE REPRODUCED OR USED IN WHOLE OR IN PART AS THE BASIS FOR THE MANUFACTURE OR SALE OF THIS PRODUCT WITHOUT THE WRITTEN PERMISSION OF BUNTA ELECTRIC CORPORATION

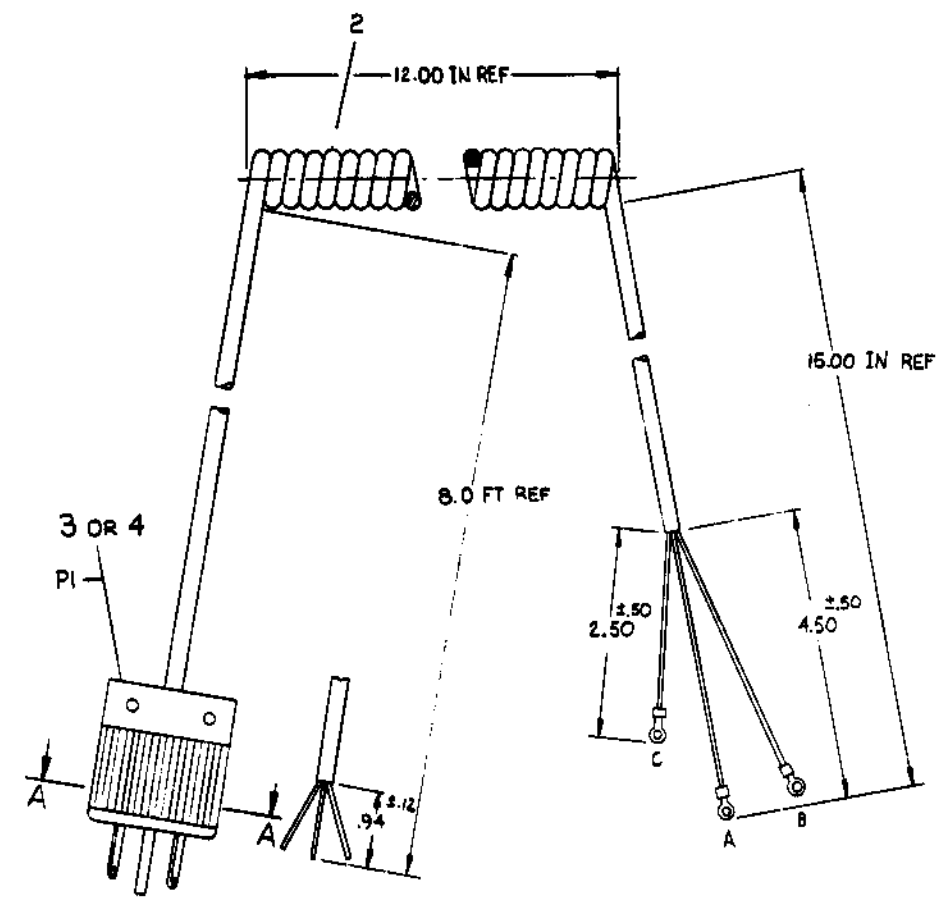
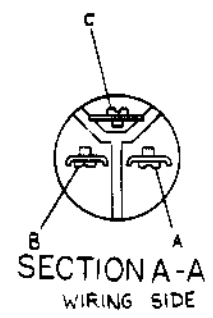
WIRE TABLE (7012500-0)

WIRE TABLE (7012500-1)

ITEM NO.	DESCRIPTION		FROM		TO		REMARKS	ITEM NO.	DESCRIPTION		FROM		TO		REMARKS
	AWG	COLOR	CONNECTION	WITH	CONNECTION	WITH			AWG	COLOR	CONNECTION	WITH	CONNECTION	WITH	
2	14	BRN	P1-B	—	B	G	AC LINE	2	14	BRN	P1-B	—	B	G	LINE
2	14	LT BLU	P1-A	—	A	G	AC NEUTRAL	2	14	LT BLU	P1-A	—	A	G	NEUTRAL
2	14	BRN/YEL	P1-C	—	C	G	AC SAFETY GND	2	14	GRN/YEL	P1-C	—	C	G	AC SAFETY GND

LEGEND

NUMBER	VARIATION
7012500-0	12CV
7012500-1	240V

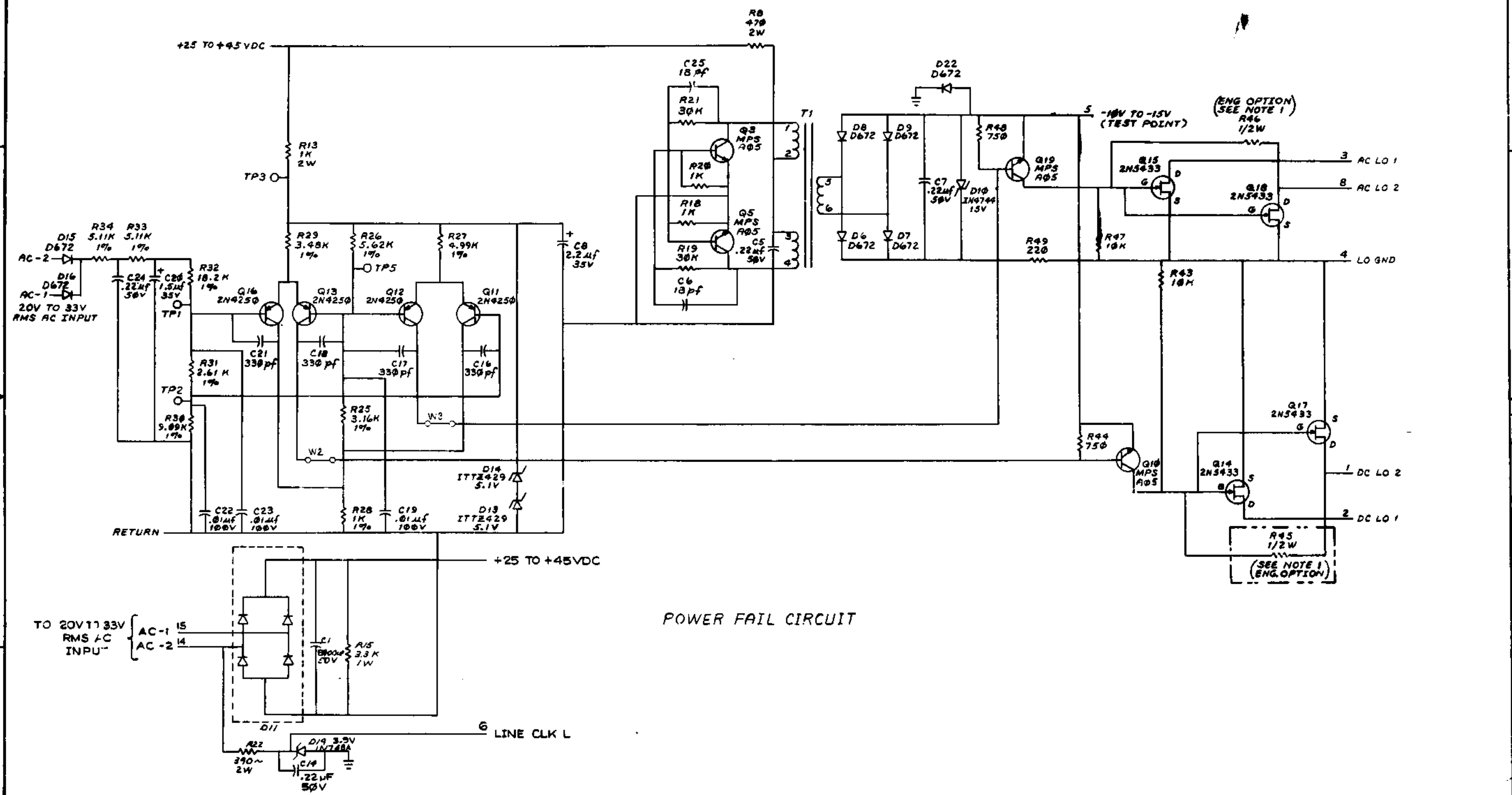


QTY	DESCRIPTION	QTY	DESCRIPTION
3	TERMINAL RING TONGUE	9007929	6
1	PLUG, 240 V	9008853	4
1	PLUG, 120 V	9008938	3
1	POWER CORD	1700065-0	2
1	POWER CORD	1700065-0	2

7012500-1	7012500-0	DESCRIPTION	QTY/PART NO.	ITEM NO.								
UNLESS OTHERWISE SPECIFIED DIMENSIONS ARE IN INCHES												
<table border="1"> <tr> <td>FINISH</td> <td>CLASS OF SURFACE</td> <td>FINISH</td> <td>CLASS OF SURFACE</td> </tr> <tr> <td>ASSEMBLY</td> <td>FINISH</td> <td>ASSEMBLY</td> <td>FINISH</td> </tr> </table>					FINISH	CLASS OF SURFACE	FINISH	CLASS OF SURFACE	ASSEMBLY	FINISH	ASSEMBLY	FINISH
FINISH	CLASS OF SURFACE	FINISH	CLASS OF SURFACE									
ASSEMBLY	FINISH	ASSEMBLY	FINISH									
QUANTITY & VARIATION		FIRST USED ON										
		BA11-K										
		TITLE										
REMOVE BURRS AND BREAK SHARP EDGES		POWER CORD										
DO NOT SCALE DIMS		120V 240V										
SEE PARTS LIST		NEXT HIGHER ASSY.										
FINISH		MATERIAL										
		7012500-0-0										
		DIA 7012500-0-0										
		REV.										
		B										

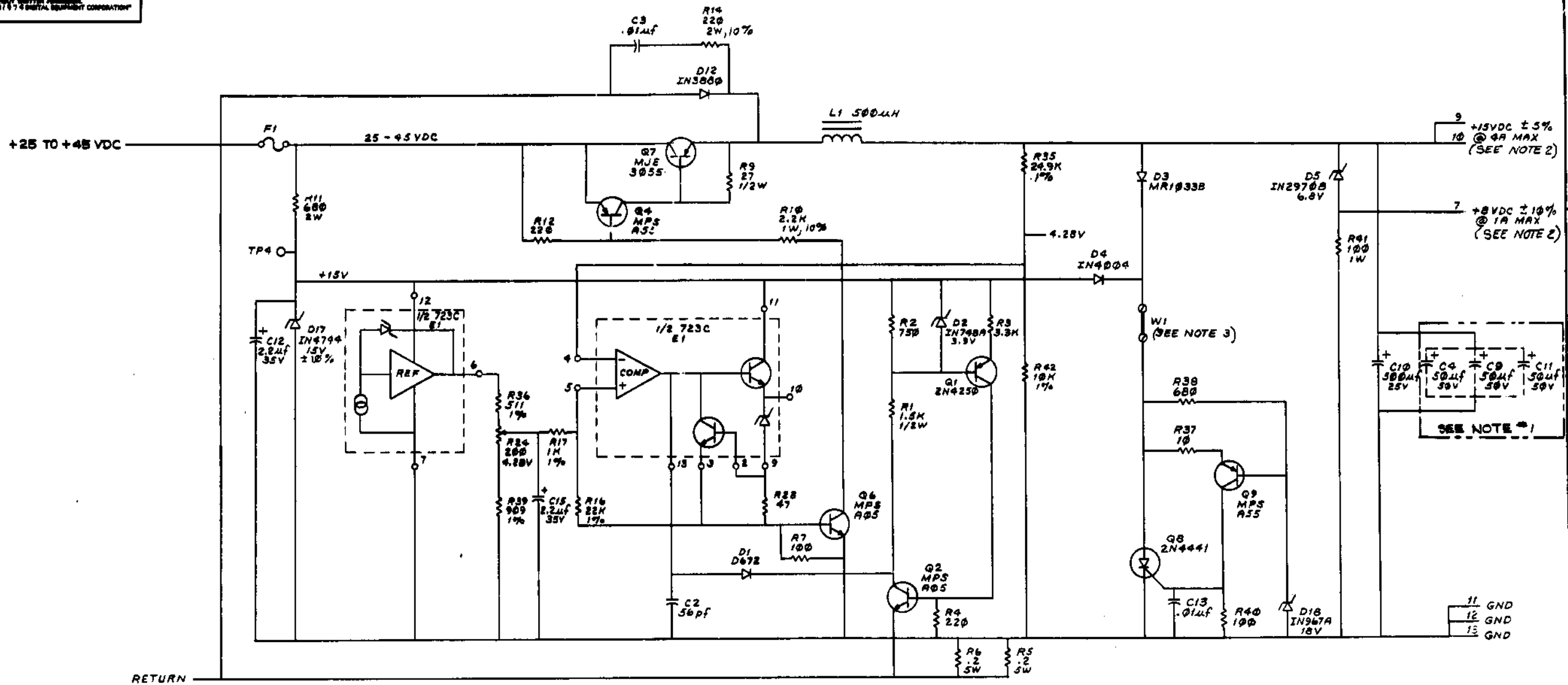
REV.	DATE	BY	CHKD.
1	10/11/54	A	
2	10/11/54	A	
3	10/11/54	A	
4	10/11/54	A	
5	10/11/54	A	
6	10/11/54	A	
7	10/11/54	A	
8	10/11/54	A	
9	10/11/54	A	
10	10/11/54	A	

THE SCHEMATIC AND SPECIFICATIONS HEREIN ARE THE PROPERTY OF GEACAL EQUIPMENT CORPORATION AND SHALL NOT BE REPRODUCED OR COPIED IN WHOLE OR IN PART AS THE BASIS FOR THE REPRODUCTION OR SALE OF OTHER EQUIPMENT WITHOUT PERMISSION. COPYRIGHT © 1974 GEACAL EQUIPMENT CORPORATION



REVISIONS		
CHK	CHANGE NO.	REV.

THIS DRAWING AND SPECIFICATIONS HEREIN ARE THE PROPERTY OF DIGITAL EQUIPMENT CORPORATION AND SHALL NOT BE REPRODUCED OR COPIED OR USED IN WHOLE OR IN PART AS THE BASIS FOR THE CONSTRUCTION OR SALE OF ITEMS UNLESS WRITTEN PERMISSION IS OBTAINED FROM DIGITAL EQUIPMENT CORPORATION.

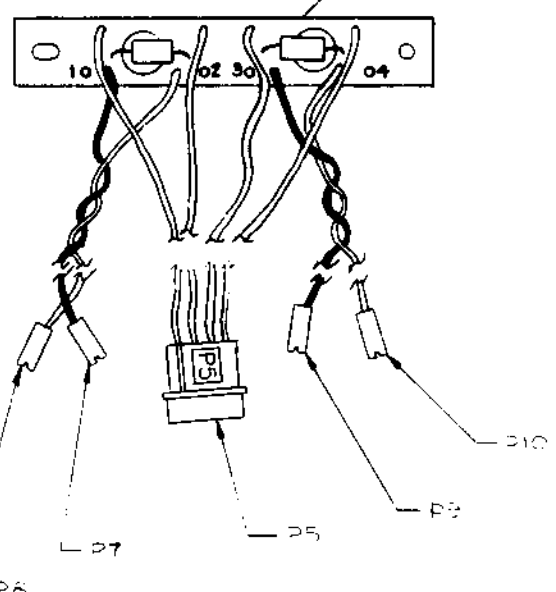
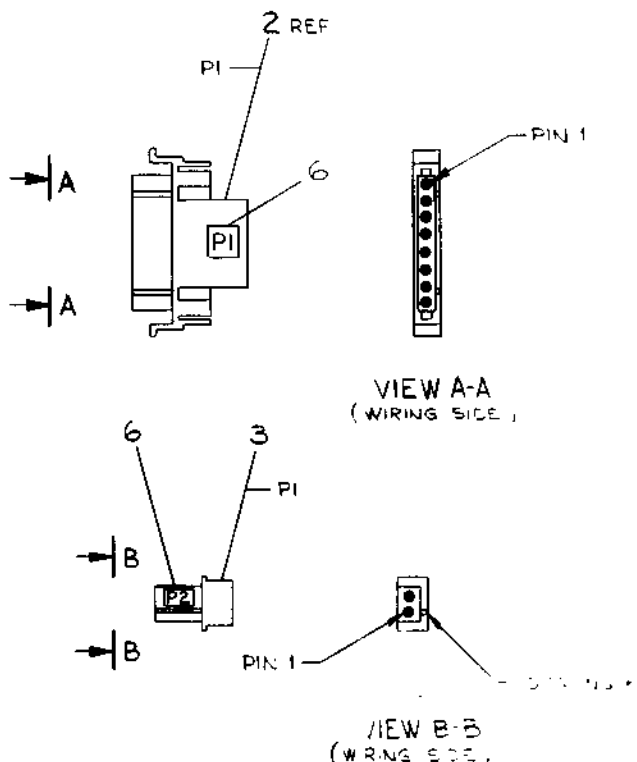
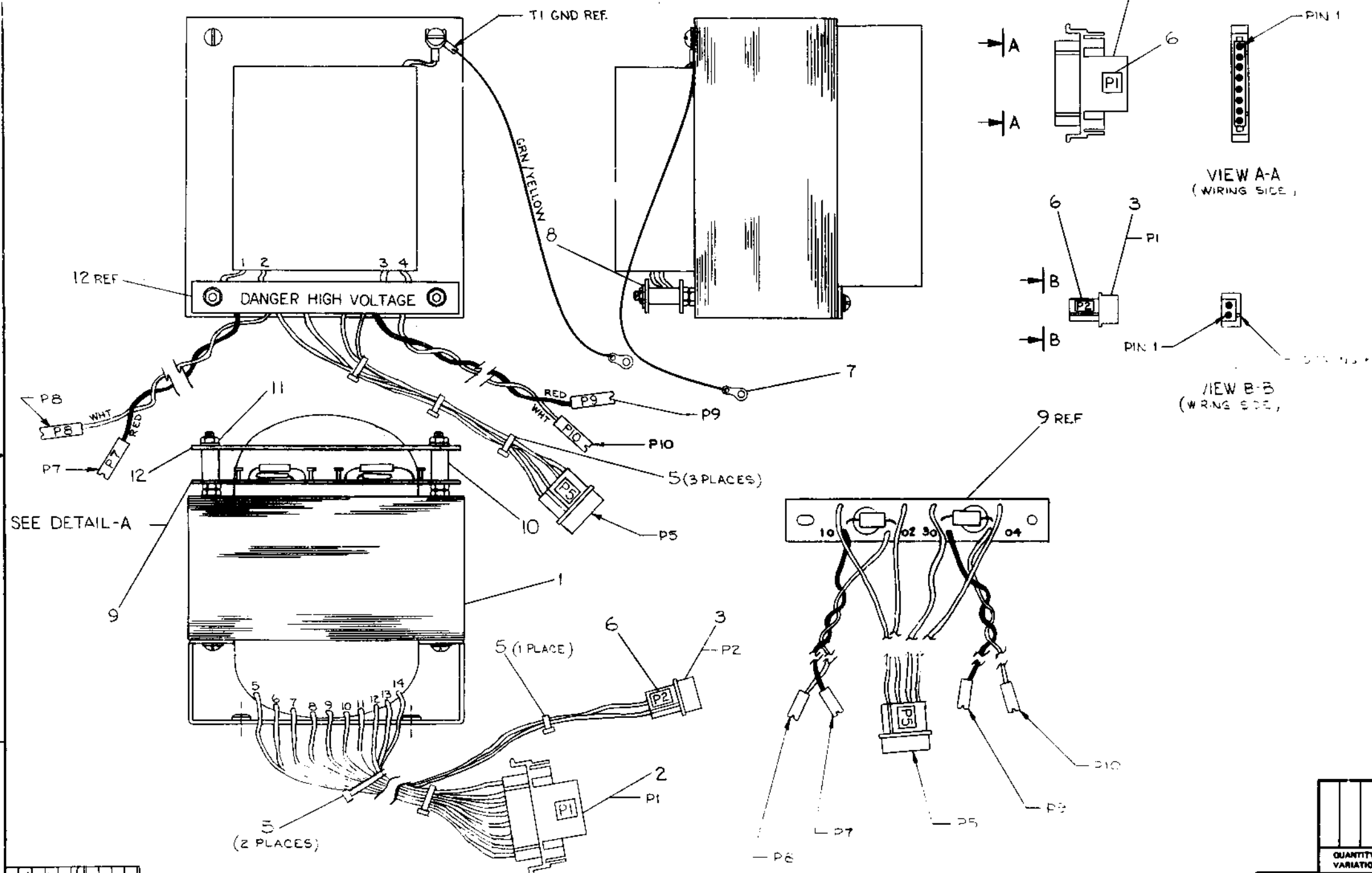


15V REGULATOR
(SEE NOTE #4)

REVISIONS		
CHK	CHANGE NO.	REV.

TITLE	PWR. LINE MONITOR/15V REG.	SIZE CODE	NUMBER	REV.
SCALE		SHEET	OF 4	DIST.

THIS DRAWING AND SPECIFICATIONS HEREIN ARE THE PROPERTY OF DIGITAL EQUIPMENT CORPORATION AND SHALL NOT BE REPRODUCED OR COPIED OR USED IN WHOLE OR IN PART AS THE BASIS FOR THE MANUFACTURE OR SALE OF ITEMS WITHOUT WRITTEN PERMISSION. COPYRIGHT © 1975, DIGITAL EQUIPMENT CORPORATION.



REF	DESCRIPTION	QTY	PART NO.
1	TRANSFORMER ASSY	1	7011486-0-9
1	COVER	1	0-1A-7414301-0-0
2	NUT, REF #10 32	11	9006565
2	SPACER, 3/8 O.D. X 1/2 LG	10	9007831
1	CAP MOV BOARD ASSY	1	D-1A-7017510-0
2	WASHER, FLAT #37 X .218 ID	8	9006664
1	GROUND LUG	7	9008150
1	DECAL	1	A-DC-7409872-0-0
1	CABLE TIES 5/16 X 1/3 W	3	1007880
10	PIN, MALE	4	1209378-1
1	CONN., 2 PIN	3	1210822-2
1	CONN., 8 PIN	2	1209340-01
1	TRANSFORMER	1	1612824

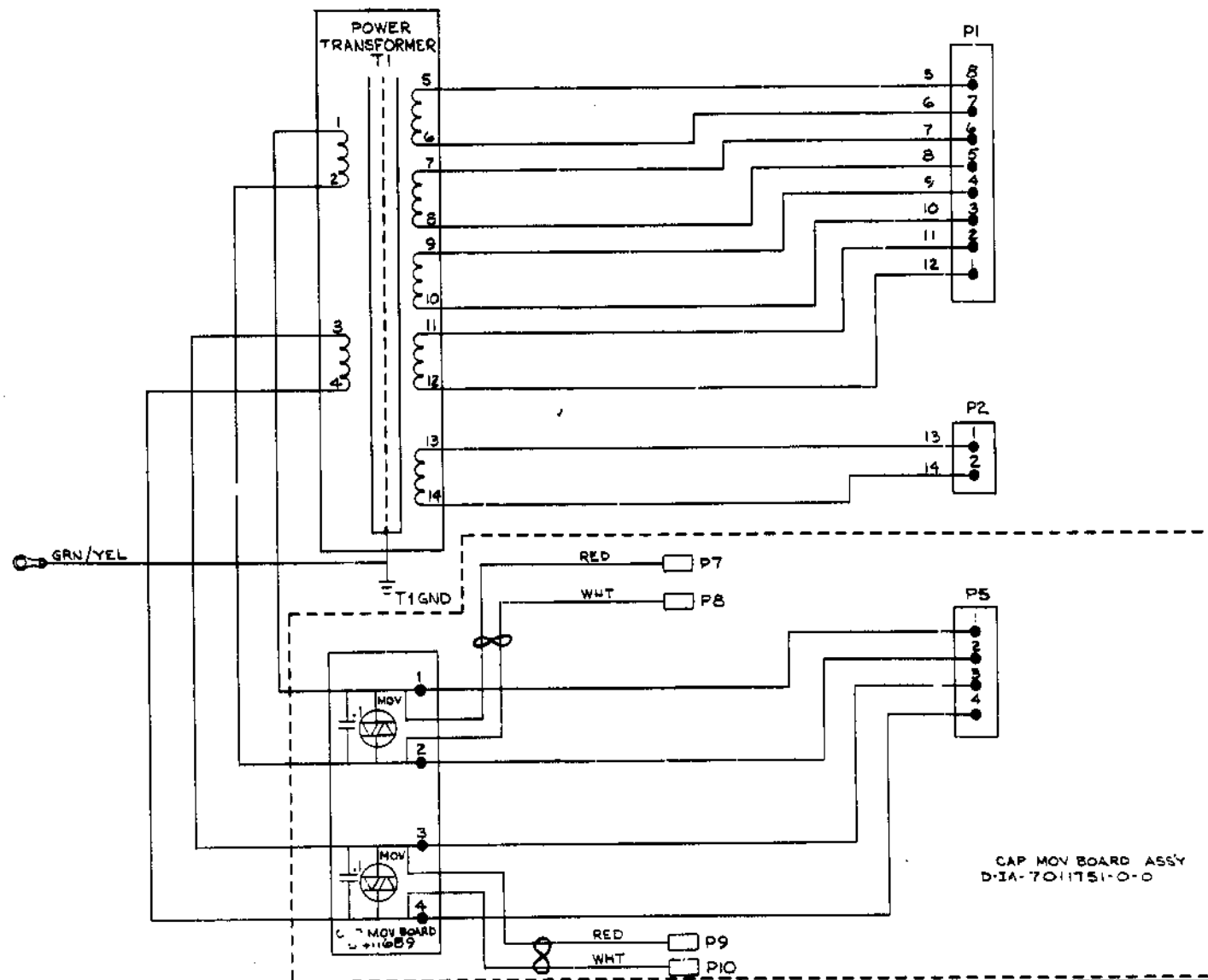
QUANTITY & VARIATION		DESCRIPTION		ENGR. PART NO.		REV. NO.	
1		TRANSFORMER ASSY		7011486-0-9		1	
UNLESS OTHERWISE SPECIFIED DIMENSIONS ARE IN INCHES							
ANGLE OF 20°	CLASS OF ACCURACY	MICROMETERS					
SURFACE QUALITY IN	CHECK ONE	1.00	0.50	0.25	0.125	0.0625	0.03125
	PREFERRED	<input checked="" type="checkbox"/>	<input type="checkbox"/>	<input type="checkbox"/>	<input type="checkbox"/>	<input type="checkbox"/>	<input type="checkbox"/>
THIRD ANGLE PROJECTION	DRILL-T. 0.0001	FIRST USED ON H782					
REMOVE BURRS AND BREAK SHARP CORNERS	CHK'D. [Signature]	TITLE TRANSFORMER ASSY					
DO NOT SCALE DWG	ENGR. [Signature]	SCALE 1/1					
MATERIAL	PROJ. ENGR. [Signature]	Dwg. No. AD 7011486-0-0					
SEP. PLATS LIST	PROD. [Signature]	SHEET 1 OF 2					
FINISH	NEXT HIGHER ASSEMBLY	ENGR.					

REV.	CHG.	BY	DATE
1	A	B. WOLF	1-10-75
2	B	R. KENNEDY	1-10-75

THIS DRAWING AND SPECIFICATIONS HEREIN ARE THE PROPERTY OF DIGITAL EQUIPMENT CORPORATION AND SHALL NOT BE REPRODUCED OR COPIED OR USED IN WHOLE OR IN PART AS THE BASIS FOR THE MANUFACTURE OR SALE OF ITEMS WITHOUT WRITTEN PERMISSION. COPYRIGHT © 1975 DIGITAL EQUIPMENT CORPORATION

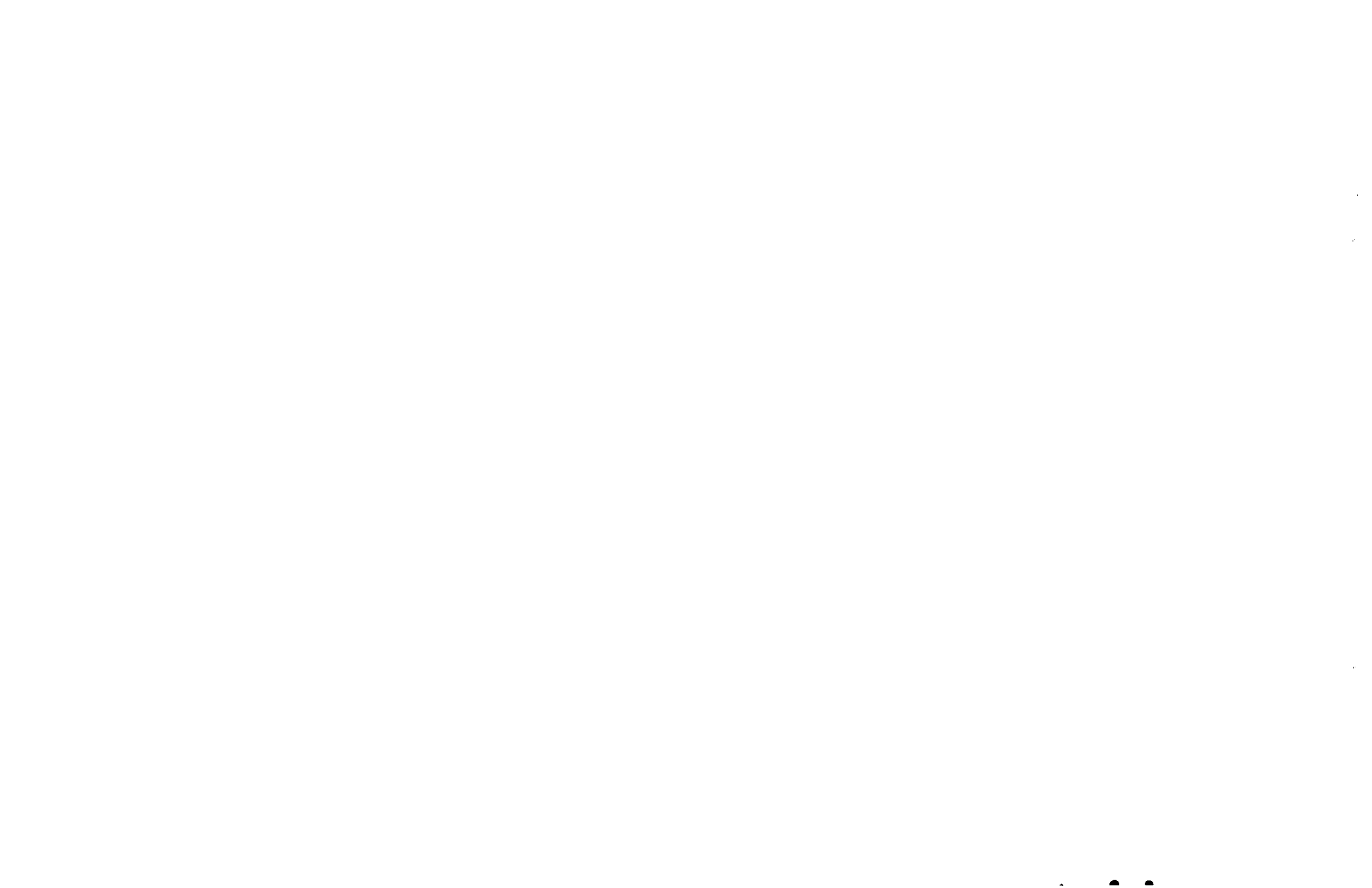
WIRE TABLE

ITEM NO.	DESCRIPTION		FROM		TO		WIRE LENGTH
	AWG	COLOR	CONNECTION	WITH	CONNECTION	WITH	
1	14	BLK	T1-1	---	CAP MOV BD-1	SOLDER	1.5 IN
			T1-2	---	CAP MOV BD-2	SOLDER	2.0 IN
			T1-3	---	CAP MOV BD-3	SOLDER	2.0 IN
			T1-4	---	CAP MOV BD-4	SOLDER	1.5 IN
			T1-5	---	PI-8	ITEM 4	12.0 IN
			T1-6	---	PI-7		
			T1-7	---	PI-6		
			T1-8	---	PI-5		
			T1-9	---	PI-4		
			T1-10	---	PI-3		
			T1-11	---	PI-2		
			T1-12	---	PI-1	ITEM 4	
			T1-13	---	P2-1	ITEM 4	
1	14	BLK	T1-14	---	P2-2	ITEM 4	12.0 IN
1	14	GRN/YEL	T1-GND	---	GND LUG (ITEM 7)	SOLDER	16.0 IN



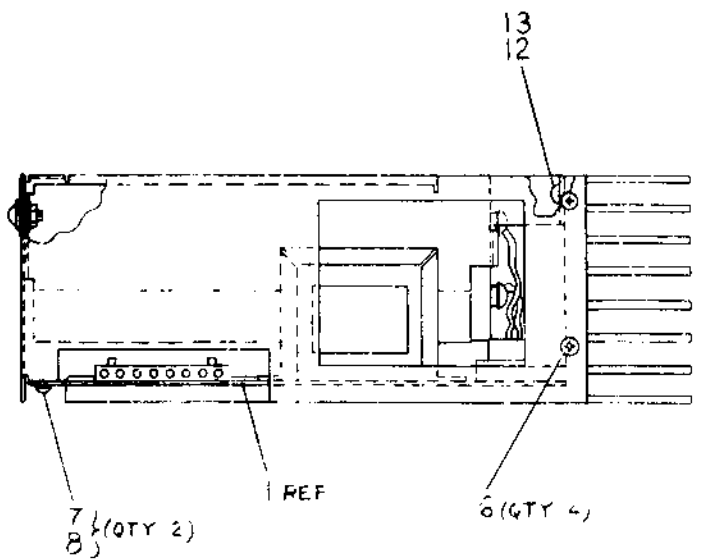
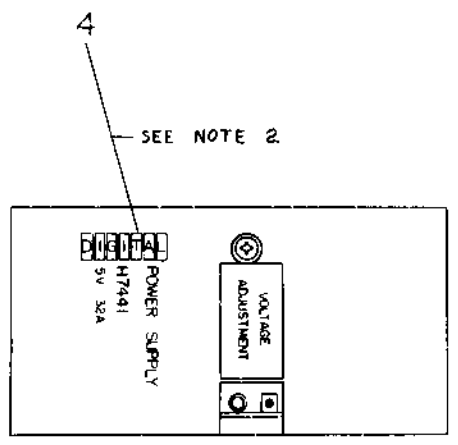
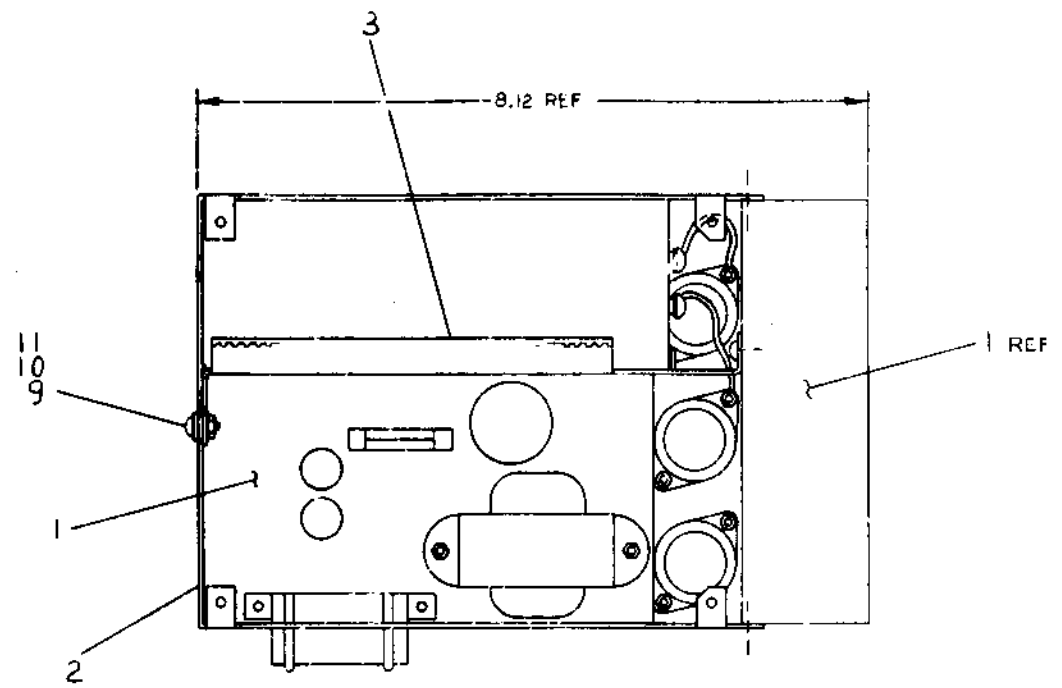
REVISIONS		
CHK	CHANGE NO	REV.

TITLE: TRANSFORMER ASSY
 SCALE: / / SHEET 2 OF 2
 SIZE CODE: D
 NUMBER: 7011486-0-0
 REV. B



THIS DRAWING AND SPECIFICATIONS HEREIN ARE THE PROPERTY OF DIGITAL EQUIPMENT CORPORATION AND SHALL NOT BE REPRODUCED OR COPIED OR USED IN WHOLE OR IN PART AS THE BASIS FOR THE MANUFACTURE OR SALE OF ITEMS WITHOUT WRITTEN PERMISSION. COPYRIGHT © 1976, DIGITAL EQUIPMENT CORPORATION.

NOTES:
 1. ATTACH (RED) WIRE FROM ITEM (#1) REG TO POSITIVE (+) TERM OF CAPACITOR ITEM (#5).
 2. ATTACH REMAINING (BLACK) WIRE TO THE (-) TERMINAL OF THE CAP (ITEM #5).
 3. PEEL AND ATTACH ITEM 4 TO ITEM # AS SHOWN.



QTY	DESCRIPTION	DWG. PART NO.	ITEM NO.
1	WASHER, LOCK INT. TOOTH #6	9006633	13
1	SCR, PHL PAN HD. #6-32X.38	9006022-01	12
1	NUT, KEPS #6-32X.31	9006560	11
1	WASHER, FLAT #6	9006659	10
1	SCR, PHL PAN HD. #6-32X.31	9006021-01	9
2	WASHER FLAT #4	9008172	8
2	SCR, PHL PAN HD #4-40X.25	9008301-01	7
4	SCR, SELF TAPPING #4-40X.31	9009142-2	6
1	CAPACITOR, 24K, 50 VDC	010708-00	5
1	DECAL	B-1A-7416945-10	4
1	BRACKET, CAPACITOR	D-1A-7417543-0-0	3
1	BRACKET, REGULATOR	D-1A-5309756-0-0	2
1	REGULATOR, +5V, 32 A	D-1A-5412441-0-0	1

REV.	CHG	NO.	DATE	BY	APP	DESCRIPTION
1		A	31 JAN 77	R. DAY		REVISED TO 31 JAN 77
2		B	12 FEB 77	R. DAY		REVISED TO 12 FEB 77
3		C	19 MAR 77	R. DAY		REVISED TO 19 MAR 77
4		D	19 MAR 77	R. DAY		REVISED TO 19 MAR 77
5		E	19 MAR 77	R. DAY		REVISED TO 19 MAR 77

THIRD ANGLE PROJECTION	DRN. <i>[Signature]</i>	DATE 11/76	FIRST USED ON 1134A
REMOVE BURRS AND BREAK SHARP CORNERS	CHK'D. <i>[Signature]</i>	DATE 11/76	TITLE H7441 UNIT ASSY
DO NOT SCALE DWG	ENG. <i>[Signature]</i>	PROJ. ENG. <i>[Signature]</i>	PROJ. <i>[Signature]</i>
MATERIAL SEE PARTS LIST	DO NOT SCALE DWG	SCALE NONE	SIZE CODE DUA
FINISH <i>[Signature]</i>	SHEET 1 OF 1	DIST.	NUMBER H7441-0-0

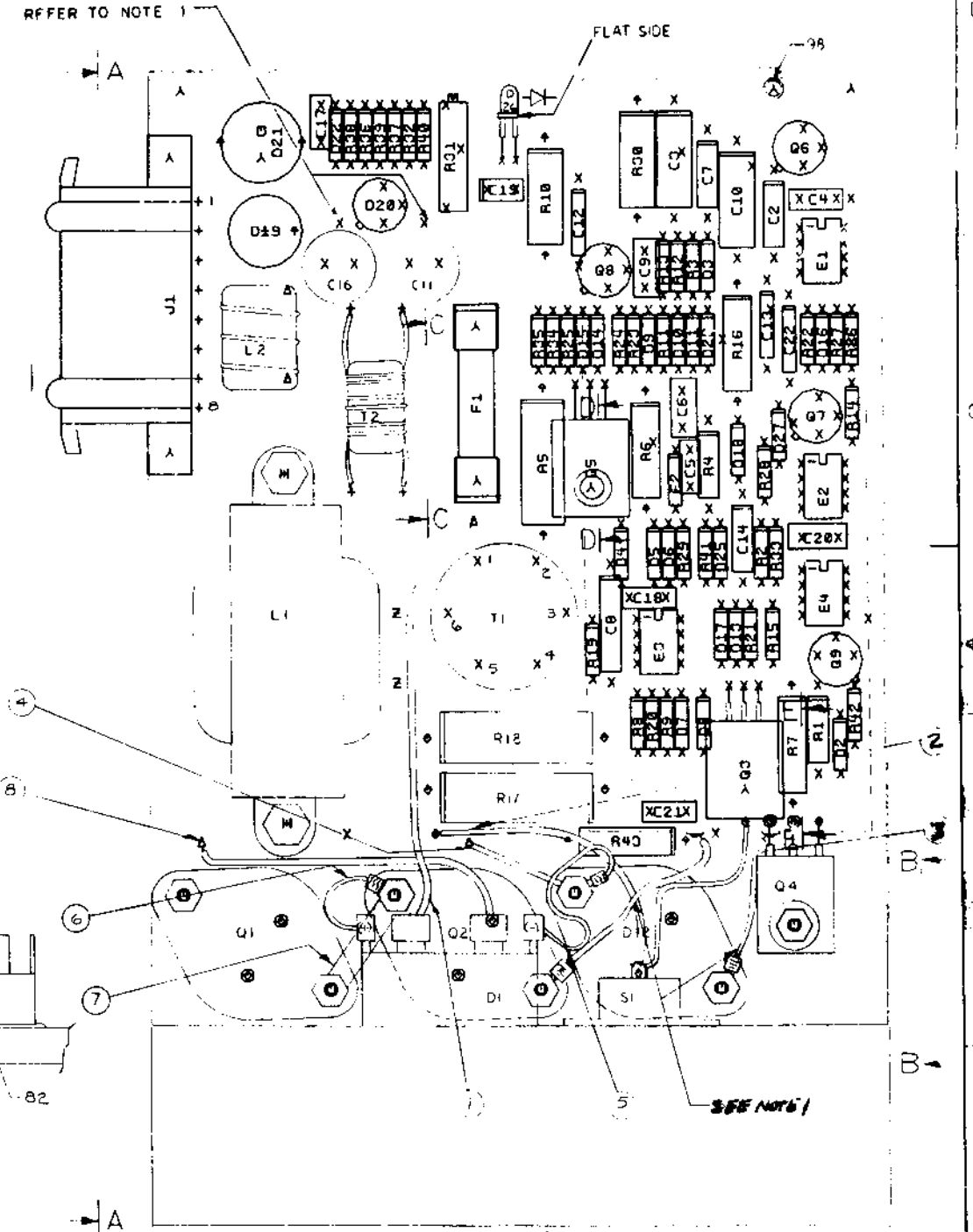
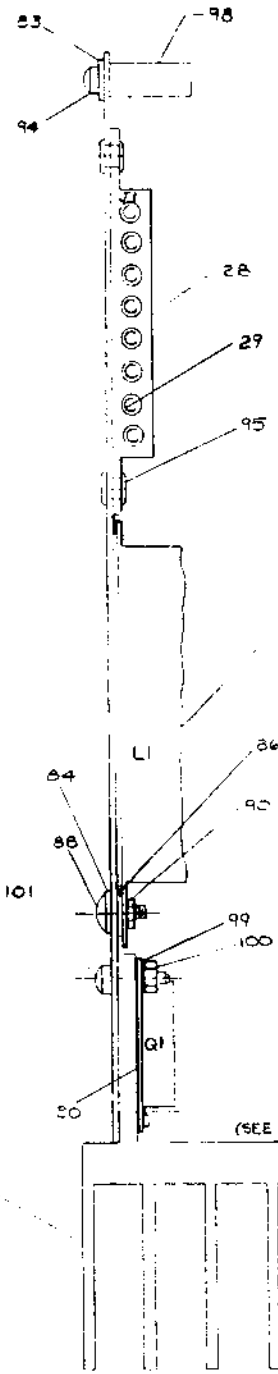
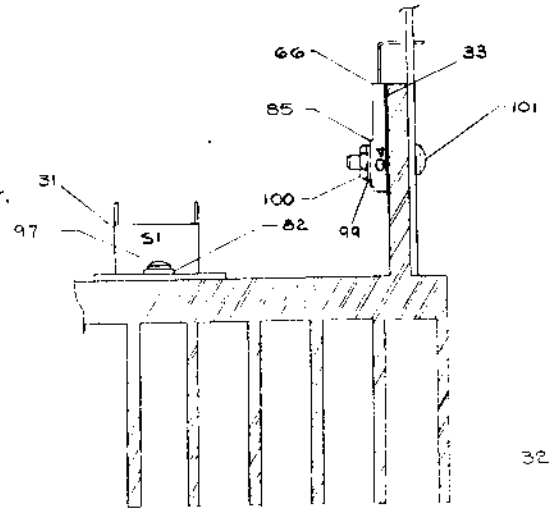
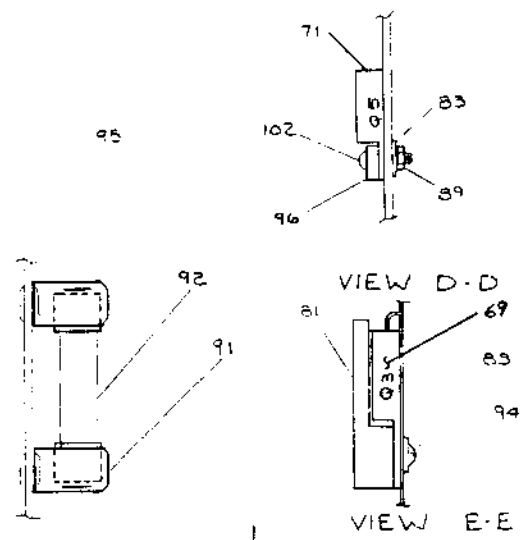
THIS DRAWING AND SPECIFICATIONS, HEREIN, ARE THE PROPERTY OF ORSITA ELECTRONIC CORPORATION AND SHALL NOT BE REPRODUCED OR TRANSMITTED IN ANY FORM OR BY ANY MEANS, ELECTRONIC, MECHANICAL, PHOTOCOPYING, RECORDING, OR BY ANY INFORMATION STORAGE AND RETRIEVAL SYSTEM, WITHOUT THE WRITTEN PERMISSION OF ORSITA ELECTRONIC CORPORATION.

COMPONENT SIDE VIEW

WIRE & BUS STRAP RUNS

NO	FROM	TO	WIRE OR BUS LENGTH
①	FEEDTHRU AT F1	TERMINAL D1	#14 AWG 4" SEE NOTE 3
②	S1	FEEDTHRU SHOWN	#18 AWG 3"
③	S1	FEEDTHRU SHOWN	#18 AWG 2.5"
④	D12	FEEDTHRU SHOWN	DEC. PT. #1214074-09 SEE NOTE 4
⑤	TERMINAL D1	D12	#14 AWG 5" SEE NOTE 5
⑥	TERMINAL D1	Q2	#14 AWG 2" SEE NOTE 6
⑦	Q2	Q1	DEC. PT. #1214074-09 SEE NOTE 7
⑧	TERMINAL D1	FEEDTHRU SHOWN	#14 AWG 2.75" SEE NOTE 2

NOTES:
 1. MOUNT WIRES PER I.A. DRAWING NO. IA 701B274. RED WIRE TO CASE Q2 AND POSITIVE TERMINAL C1 & BLACK WIRE TO CASE D12 AND NEGATIVE TERMINAL C1.
 2. WIRE RUN ② IS SOLDERED AT D1.
 3. WIRE RUN ③ IS SOLDERED AT D1.
 4. STRAP ④ (ITEM #26) IS SOLDERED AT FEEDTHROUGH SHOWN AND MOUNTED UNDER RING LUG OF D12.
 5. WIRE RUN ⑤ IS SOLDERED AT D1 AND CRIMPED TO RING LUG ITEM #87 OF D12.
 6. WIRE RUN ⑥ IS SOLDERED AT D1 AND CRIMPED TO RING LUG ITEM #87 OF Q2.
 7. BUS STRAP ⑦ (ITEM #25) IS MOUNTED UNDER RING LUG OF Q2 AND ON CASE OF Q1.
 8. TORQUE HARDWARE ON Q1, Q2, Q4 AND D12 TO 5 INCH-LBS. FROM NUT SIDE ONLY. TORQUE OTHER HARDWARE TO DEC. STD. VALUES.
 9. APPLY THERMAL COMPOUND TO D1 (ITEM #19) ONLY.



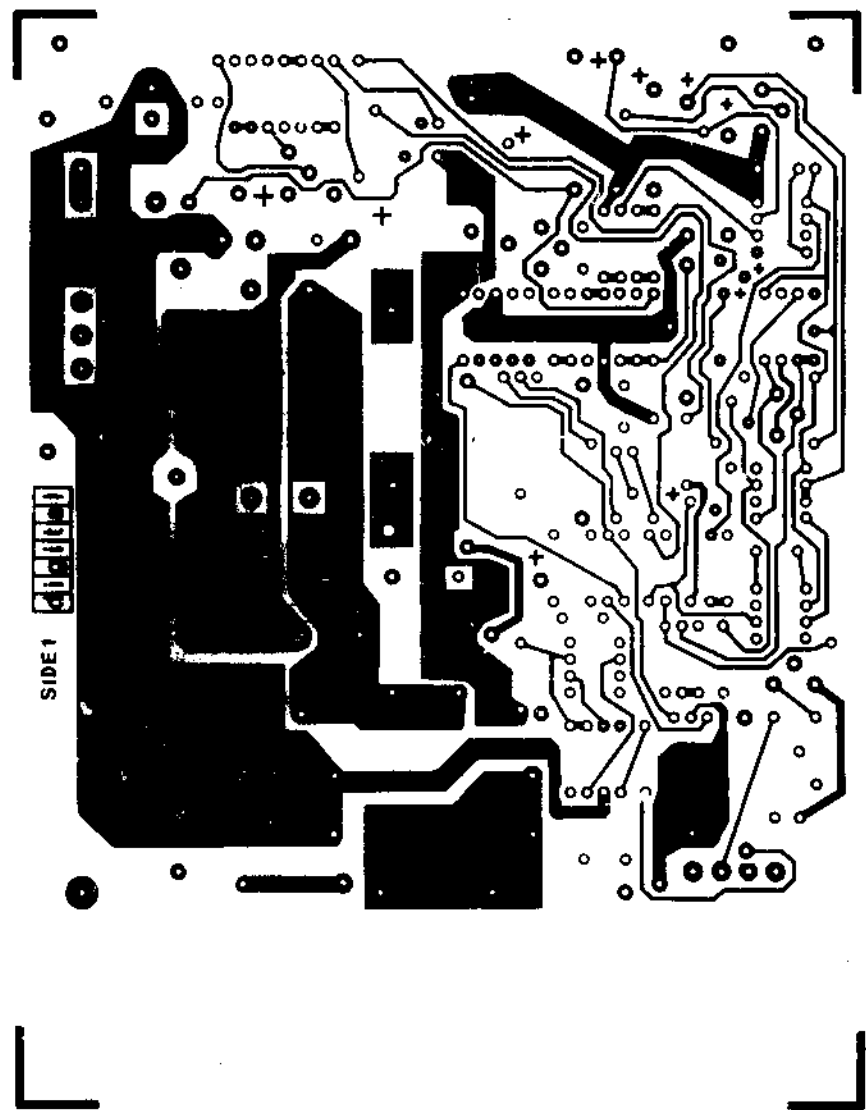
NOTES:
 1. INDICATED DRILL POINTS AT C11 AND C16 SHOULD NOT BE USED FOR DRILL ALIGNMENT DURING MANUFACTURE. THESE OVERSIZED PADS WILL NOT CENTER WITH DRILL BORING.

CHANGE NO	REV	DATE	BY	CHK'D	APP'D
1	1	11/20/77

ETCH REV. F	P.C. DESIGN DATA BRSE REV. B-4
-------------	--------------------------------

SIGNATURES	DATE	digital
DRN. B...	11/20/77	
CHK'D. ...	11/20/77	TITLE +5V, 32 AMP REGULATOR
ENG. ...	11/20/77	
PROJ. ENG. ...	11/20/77	
PROD. ...	11/20/77	
SCALE 3/1	SIZE CODE D	NUMBER UA
SHT. 1 OF 3	REV	5412441-2-0
NEXT HIGHER ASSY. B-00-74 2441-0		

1. THIS DRAWING IS THE PROPERTY OF THE AIR FORCE AND IS NOT TO BE REPRODUCED OR TRANSMITTED IN ANY FORM OR BY ANY MEANS, ELECTRONIC OR MECHANICAL, INCLUDING PHOTOCOPYING, RECORDING, OR BY ANY INFORMATION STORAGE AND RETRIEVAL SYSTEM.



DIVISION		
CHK	ISSUE NO.	REV.

+5V, 32AMP, REGULATOR

D JA 5412441-0-0 J

2/1 2 3

LINE	ITEM	DOCUMENT NO.	PART NO.	DESCRIPTION	QTY	REFERENCE DESIGNATORS
1	1	D-MD-5012440-0-0	5012440-00	5412441	1	
2	2		1000009-00	33.0 MMF 100V 5X200PPM DM15S (10-00	1	C20
3	3		1000021-00	220.0 MMF 100V 5X200PPM DM15S (10-00	1	C9
4	4		1001610-01	.01 MFD 100V OR 50V Z5U DISC/800PF MIN	5	C4,C5,C17,C18,C21
5	5		1002627-00	2.2MFD 20V 10% 150D S.TA (10	2	C2,C7
6	6		1004813-00	10 MFD 20V 10% 150D S.TA (10-00	1	C8
7	7		1010279-00	.47 MFD 25V 20% 2C023 CER.	1	C19
8	8		1010646-00	.015 MFD 50V 2% M.POLYCARB	2	C3,C10
9	9		1010702-00	24,000 MFD 50V GX 36D AL EL	1	C1
10	10		1012607-00	560 MFD 20V HX 672D AL EL	1	C11
11	11		1012607-01	1200 MFD 6.3V HX 672D AL EL	1	C16
12	12		1009964-00	.68 MFD 35V 10% 150D S.TA	1	C12
13	13		1001776-00	1 MFD 35V 10% 150D S.TA (10-00	3	C13,C14,C22
14	14		1000024-00	470.0 MMF 100V 5X200PPM DM15S (10-00	1	C6
15	15		1105508-00	1N 823 VZ= 6.2 5% .40W Y	1	D18
16	16		1102808-00	1N 752A VZ= 5.6 5% .40W P	1	D22
17	17		1103341-00	MR1033B PIV=300 I= 3A Z44 SM	1	D19
18	18		1105275-00	D 672 TR= 15NS FIV= 60V SP	15	D3-D6,D9-D11,D13-D17,D23,D25, CONT D27
19	19		1110051-00	DM 16 ASSY@200V & 25A @990-3	1	D1
20	20		1110324-00	LED 1MCD@10MA @MV5054-1@HP4882	1	D26
21	21		1110836-00	1N 759A VZ= 12.0 5% .40W P	1	D2
22	22		1110968-00	2N 5062 SCR@100V I=.8A T092	1	D20
23	23		1112595-01	A114B PIV=200 I= 1A	2	D7,D8
24	24		1113496-00	UES602R PIV=100 I=30A T03	1	D12
25	25		1214074-04	STRAP,THERMAL 2 HOLE	1	
26	26		1214074-05	STRAP,THERMAL LUG .815	1	
27	27		1209070-00	FUSE, SUB-MINI, 5.000A, 125V, RADIAL LEAD	1	F2
28	28		1209340-00	MATE-N-LOK 8PIN,HOUSING,8KT	1	J1
29	29		1209456-01	MATE-N-LOK SKT PCB TAB LOOSE	8	

REVISION HISTORY			VARIATIONS FOR THIS ASSY.		FIRST USED ON:		DIGITAL EQUIPMENT CORPORATION MAYNARD, MASSACHUSETTS		
CHK	ECO NO	REV			MADE BY:	DATE:	TITLE		
SC	00008	J	00		D.SIREEN	10-MAR-78	PARTS LIST		
					F.GAROFALO	10-MAR-78	+5V 32 AMP REGULATOR		
					R.DAY	10-MAR-78		SIZE:CODE:	DOCUMENT NUMBER
					R.B.KING	10-MAR-78		K PL	5412441-0-0
					R.DAY	10-MAR-78		ASSY.NO.:	D-UA-5412441-0-0
								EDIT#:	6

THIS DRAWING AND SPECIFICATIONS HEREIN, ARE THE PROPERTY OF DIGITAL EQUIPMENT CORPORATION AND SHALL NOT BE REPRODUCED OR COPIED OR USED IN WHOLE OR IN PART AS THE BASIS FOR THE MANUFACTURE OR SALE OF ITEMS WITHOUT WRITTEN PERMISSION.
COPYRIGHT 1978. DIGITAL EQUIPMENT CORP OFATION

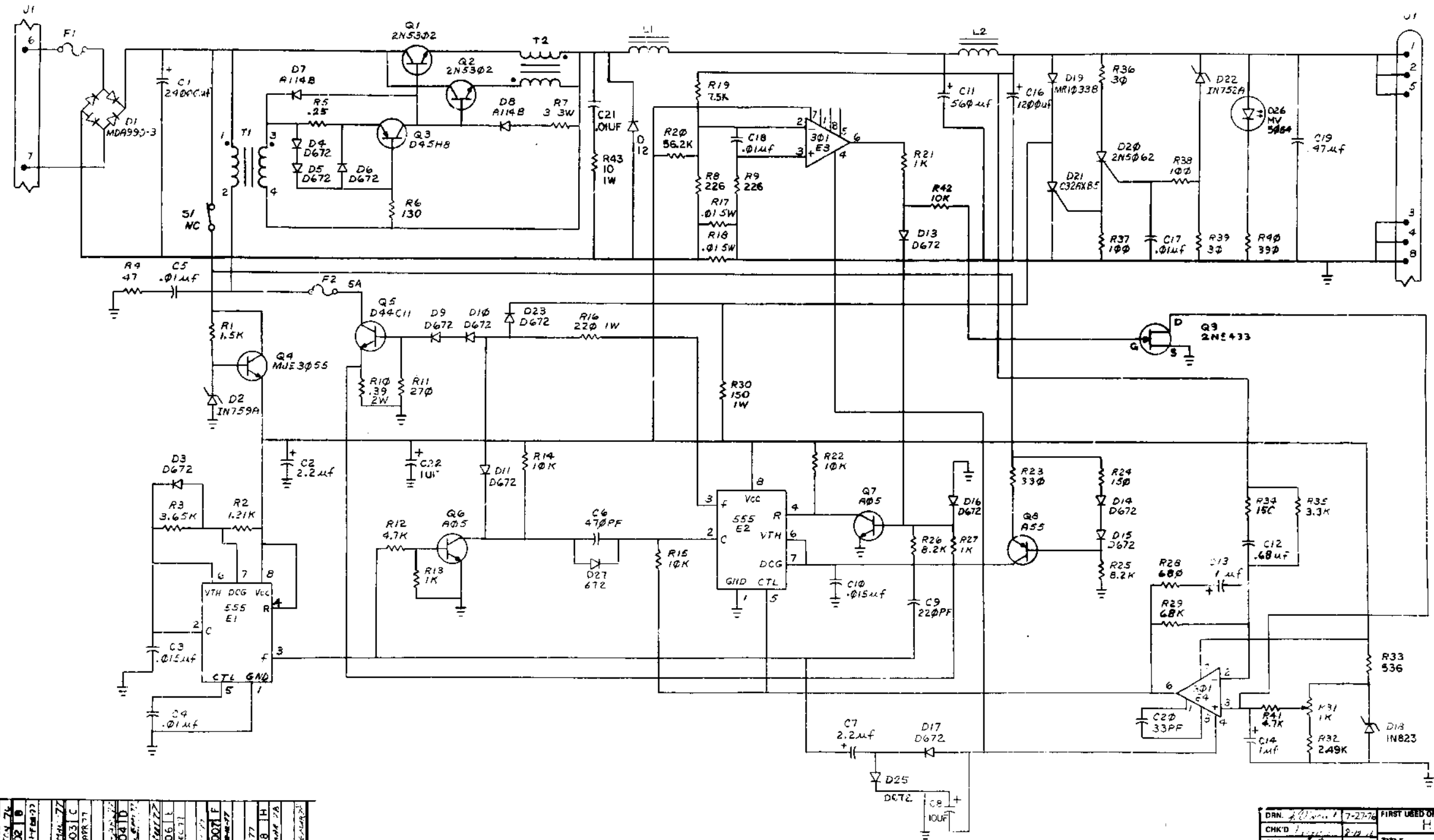
LINE	ITEM	DOCUMENT NO.	PART NO.	DESCRIPTION	QTY	REFERENCE DESIGNATORS
30	30		1213071-02	INSULATOR,RUBBER SILICONE SM	3	
31	31		1212787-00	THERMOSTAT,00212,C0182,NC	1	S1
32	32		1210737-02	HEAT SINK,REGULATOR	1	
33	33		1213071-06	INSULATOR,RUBBER SILICONE	1	
34	34		1312626-00	2.49 K 1/4W 1% RN55D-F 100PPM	(13-00)	1 R32
35	35		1300229-00	100 1/4W 5% CC	(13-00)	2 R37,R38
36	36		1300250-00	150 1/4W 5% CC	(13-00)	2 R24,R34
37	37		1305322-00	7.5 K 1/4W 1% RN55D-F 100PPM	(13-00)	1 R19
38	38		1300295-00	330 1/4W 5% CC	(13-00)	1 R23
39	39		1301424-00	680 1/4W 5% CC	(13-00)	1 R28
40	40		1301327-00	68 K 1/4W 5% CC	(13-00)	1 R29
41	41		1300439-00	3.3 K 1/4W 5% CC	(13-00)	1 R35
42	42		1310219-00	.25 3W 1% WW	(13-00)	1 R5
43	43		1300248-00	130 1W 5% CC	(13-00)	1 R6
44	44		1302644-00	226 1/4W 1% RN55D-F 100PPM	(13-00)	2 R8,R9
45	45		1300277-00	220 1W 10% CC	(13-00)	1 R16
46	46		1300309-00	390 1/4W 5% CC	(13-00)	1 R40
47	47		1312922-00	536 1/4W 1% RN55D-F 100PPM	(13-00)	1 R33
48	48		1300365-00	1 K 1/4W 5% CC	(13-00)	3 R13,R21,R27
49	49		1300394-00	1.5 K 1/2W 5% CC	(13-00)	1 R1
50	50		1300447-00	4.7 K 1/4W 5% CC	(13-00)	2 R12,R41
51	51		1300479-00	10 K 1/4W 5% CC	(13-00)	4 R14,R15,R22,R42
52	52		1301695-00	47 1/2W 5% CC	(13-00)	1 R4
53	53		1301972-00	270 1/4W 5% CC	(13-00)	1 R11
54	54		1312747-00	56.2 K 1/4W 1% RN55D-F 100PPM	(13-00)	1 R20
55	55		1302751-00	30 1/4W 5% CC	(13-00)	2 R36,R39
56	56		1302871-00	1.21 K 1/4W 1% RN55D-F 100PPM	(13-00)	1 R2
57	57		1303179-00	8.2 K 1/4W 5% CC	(13-00)	2 R25,R26
58	58		1305337-00	3.65 K 1/4W 1% RN55D-F 100PPM	(13-00)	1 R3
59	59		1309143-07	1 K 3/4W10% POT 100PPM		1 R31
60	60		1310868-00	.39 2W 5% WW	(13-00)	1 R10
61	61		1313712-00	.01 5W 3% WW	(13-00)	2 R17,R18
62	62		1312682-00	3 3W 5%	(13-00)	1 R7
63	63		1300256-00	150 1W 10% CC	(13-00)	1 R30
64	64		1300171-00	10 1W 5% CC	(13-00)	1 R43
65	65		1510196-00	2N 5302/HSNPN 200WC SI 60 40 M		2 Q1,Q2
66	66		1510555-00	MJE3055 NPN 90WC SI 60 20 Y		1 Q4
67	67		1510705-00	XA 05 NPN 500MW SI 60 50 P		2 Q6,Q7
68	68		1510706-00	XA 55 PNP 500MW SI 60 50 P		1 Q8
69	69		1510708-00	D 45H8 PNP 50WT SI 60 60 Y		1 Q3
70	70		1510928-00	C32AX135 SCR@100V I=25A		1 D21
71	71		1512790-00	D 44C11 NPN 30W SI 80 40		1 Q5
72	72		1511686-00	DECS433 FET N 350MW 10 25 1A 20U		1 Q9
73	73		1612584-00	50 UH 30A		1 L1
74	74		1612592-00	PULSE XFMR,RATIO 4:1		1 T1
75	75		1613713-00	CHOKE, 5 UH 32A		1 L2
76	76		1613714-00	2 UH 20A		1 T2
77	77		1910282-00	301AN OP AMP		2 E3,E4

DIGITAL EQUIPMENT CORPORATION MAYNARD, MASSACHUSETTS	TITLE PARTS LIST +5V 32 AMP REGULATOR	SIZE K	CODE PL	DOCUMENT NUMBER 5412441-0-0	REV J
---	---	-----------	------------	--------------------------------	----------

LINE ITEM	DOCUMENT NO.	PART NO.	DESCRIPTION	QTY	REFERENCE DESIGNATORS
78	78	1911944-00	555CN TIMER,FUNCT.BLOCK	2	E1,E2
79	79	7013274-00	JUMPER CAP TRAWS	1	
80	80	7013274-01	JUMPER CAP TRAWS	1	
81	81	7414765-00	HEATSINK	1	
82	82	9006633-00	WASHER,LOCK,INT,.2800D X .146ID X .018 THK	3	
83	83	9008172-00	WASHER, FLAT,SS .250 OD X .125 ID X .022 T	3	
84	84	9006660-00	WASHER, FLAT, .375 O.D. X .187 I.D. X .036	2	
85	85	9006653-00	WASHER, FLAT, .375 O.D. X .156 I.D. X .036	1	
86	86	9008082-00	WASHER, FLAT, FIBER OD: 1/2	2	
87	87	9007927-00	TERM RING 1POS INSULATED,16-14AWG,ROLL	2	
88	88	9006037-03	SCREW,TRUS,PHIL, 8-32X 3/8 SS/PAS	2	
89	89	9006557-00	NUT,KEP , 4-40X 1/4 AF CS	1	
90	90	9006563-00	NUT,KEP , 8-32 X11/32AF CS	2	
91	91	9007203-00	CLIP, FUSE, WITH STOP, SCREW MOUNTED	2	
92	92	9007226-00	FUSE, REG BLOW, 15.000A, 32V, GLASS	1	F1
93	93	9008268-00	COMPOUND, THERMAL JOINT	A/R	
94	94	9006012-01	SCREW,PAN ,PHIL, 4-40X 7/16 SS/PAS	2	
95	95	9009000-00	EYELET, ROLLED FLANGE, .121 OD X .156 LG	4	
96	96	9009769-00	WASHER, RECTANGULAR .405X.225X.060	1	
97	97	9006021-01	SCREW,PAN ,PHIL, 6-32X 5/16 SS/PAS	2	
98	98	9007660-00	SPACER, FIBER, RND, 4-40, .250 X .500 LG	1	
99	99	9007801-00	WASHER, LOCK, S.S. #6	7	
100	100	9008957-00	NUT,HEX , 6-32X 1/4 AF X 3/32 THK SS	7	
101	101	9007793-01	SCREW,PAN ,PHIL, 6-32X 9/16 SS/PAS	8	
102	102	9006010-01	SCREW,PAN ,PHIL, 4-40X 5/16 SS/PAS	1	
103	103	9107360-99	WIRE,STRND,18AWG,IPVC UL1429 (91-00 A/R		
104	104	9107370-00	WIRE,STRND,14AWG,IPVC UL1534 (91-00 A/R		

DIGITAL EQUIPMENT CORPORATION MAYNARD, MASSACHUSETTS	TITLE PARTS LIST +5V 32 AMP REGULATOR	SIZE K	CODE PL	DOCUMENT NUMBER 5412441-0-0	REV J
---	---	-----------	------------	--------------------------------	----------

THIS DRAWING AND SPECIFICATIONS HEREIN ARE THE PROPERTY OF DIGITAL EQUIPMENT CORPORATION AND SHALL NOT BE REPRODUCED OR COPIED OR USED IN WHOLE OR IN PART AS THE BASIS FOR THE MANUFACTURE OR SALE OF ITEMS WITHOUT WRITTEN PERMISSION. COPYRIGHT © 1974, DIGITAL EQUIPMENT CORPORATION.



REV.	DATE	BY	CHK'D
1	7-27-76	R. DAY	R. DAY
2	8-10-77	R. DAY	R. DAY
3	8-10-77	R. DAY	R. DAY
4	8-10-77	R. DAY	R. DAY
5	8-10-77	R. DAY	R. DAY
6	8-10-77	R. DAY	R. DAY
7	8-10-77	R. DAY	R. DAY
8	8-10-77	R. DAY	R. DAY
9	8-10-77	R. DAY	R. DAY
10	8-10-77	R. DAY	R. DAY
11	8-10-77	R. DAY	R. DAY
12	8-10-77	R. DAY	R. DAY
13	8-10-77	R. DAY	R. DAY
14	8-10-77	R. DAY	R. DAY
15	8-10-77	R. DAY	R. DAY
16	8-10-77	R. DAY	R. DAY
17	8-10-77	R. DAY	R. DAY
18	8-10-77	R. DAY	R. DAY
19	8-10-77	R. DAY	R. DAY
20	8-10-77	R. DAY	R. DAY
21	8-10-77	R. DAY	R. DAY
22	8-10-77	R. DAY	R. DAY
23	8-10-77	R. DAY	R. DAY
24	8-10-77	R. DAY	R. DAY
25	8-10-77	R. DAY	R. DAY
26	8-10-77	R. DAY	R. DAY
27	8-10-77	R. DAY	R. DAY
28	8-10-77	R. DAY	R. DAY
29	8-10-77	R. DAY	R. DAY
30	8-10-77	R. DAY	R. DAY
31	8-10-77	R. DAY	R. DAY
32	8-10-77	R. DAY	R. DAY
33	8-10-77	R. DAY	R. DAY
34	8-10-77	R. DAY	R. DAY
35	8-10-77	R. DAY	R. DAY
36	8-10-77	R. DAY	R. DAY
37	8-10-77	R. DAY	R. DAY
38	8-10-77	R. DAY	R. DAY
39	8-10-77	R. DAY	R. DAY
40	8-10-77	R. DAY	R. DAY
41	8-10-77	R. DAY	R. DAY
42	8-10-77	R. DAY	R. DAY
43	8-10-77	R. DAY	R. DAY
44	8-10-77	R. DAY	R. DAY
45	8-10-77	R. DAY	R. DAY
46	8-10-77	R. DAY	R. DAY
47	8-10-77	R. DAY	R. DAY
48	8-10-77	R. DAY	R. DAY
49	8-10-77	R. DAY	R. DAY
50	8-10-77	R. DAY	R. DAY

DRN.	DATE	BY	CHK'D	FIRST USED ON
CS 5412441-0-1	7-27-76	R. DAY	R. DAY	H7441
ENG.	8-10-77	R. DAY	R. DAY	
PROJ. ENG.	8-10-77	R. DAY	R. DAY	
PROD. ENG.	8-10-77	R. DAY	R. DAY	
NEXT HIGHER ASSY.				
SCALE				
SHEET	1	OF	1	
TITLE	+5V 32 AMF REGULATOR			
SIZE	CODE	NUMBER	REV.	
D	CS	5412441-0-1	H	

"THE MATERIAL HEREIN IS FOR INFORMATION PURPOSES ONLY AND IS SUBJECT TO CHANGE WITHOUT NOTICE. DIGITAL EQUIPMENT CORPORATION ASSUMES NO RESPONSIBILITY FOR ANY ERRORS WHICH MAY APPEAR HEREIN."

FIELD MAINTENANCE PRINT SET

"THIS DRAWING AND SPECIFICATIONS, HEREIN, ARE THE PROPERTY OF DIGITAL EQUIPMENT CORPORATION AND SHALL NOT BE REPRODUCED OR COPIED OR USED IN WHOLE OR IN PART AS THE BASIS FOR THE MANUFACTURE OR SALE OF ITEMS WITHOUT WRITTEN PERMISSION. COPYRIGHT © 1977, DIGITAL EQUIPMENT CORPORATION."

TABLE OF CONTENTS

B-TC-7014251-0-1	7014251 REGULATOR BATTERY BACK UP (TC)
E-UA-7014251-0-0	7014251 REGULATOR BATTERY BACK UP
E-UA-5413075-0-0	MK11 POWER SUPPLY BATTERY BACK UP REGULATOR
B-PL-5413075-0-0	MK11 POWER SUPPLY BATTERY BACK UP REGULATOR (PL)
D-CS-5413075-0-1	MK11 POWER SUPPLY BATTERY BACK UP REGULATOR (CS)
E-UA-5413073-0-0	MK11 POWER SUPPLY CONTROL
B-PL-5413073-0-0	MK11 POWER SUPPLY CONTROL (PL)
D-CS-5413073-0-0	MK11 POWER SUPPLY CONTROL (CS)
D-UA-5412411-0-0	INPUT RECTIFIER BOARD
B-PL-5412411-0-0	INPUT RECTIFIER BOARD (PL)
D-CS-5412411-0-1	INPUT RECTIFIER BOARD (CS)


UNIT VARIATIONS COVERED BY THIS PRINT SET

MK11

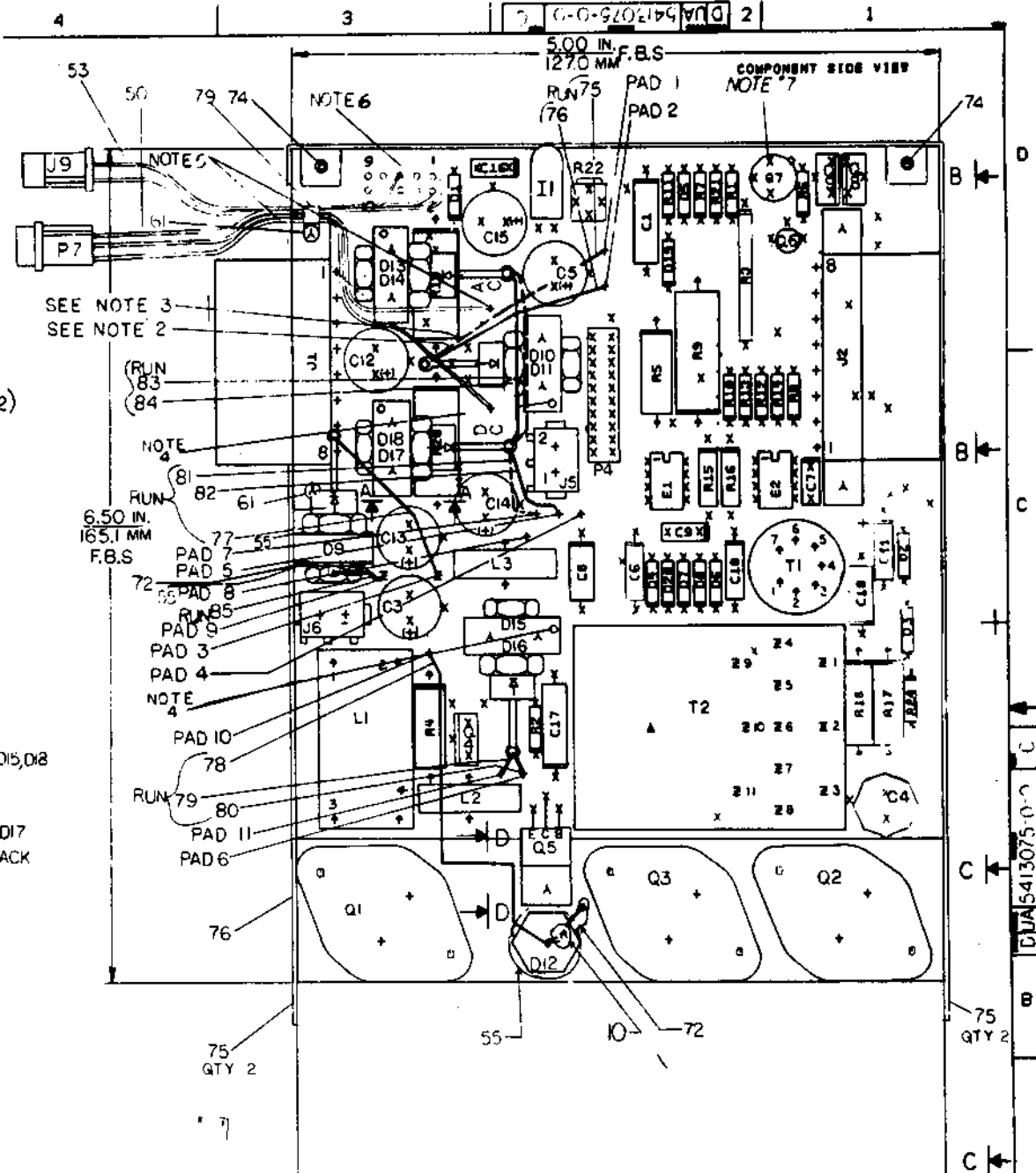
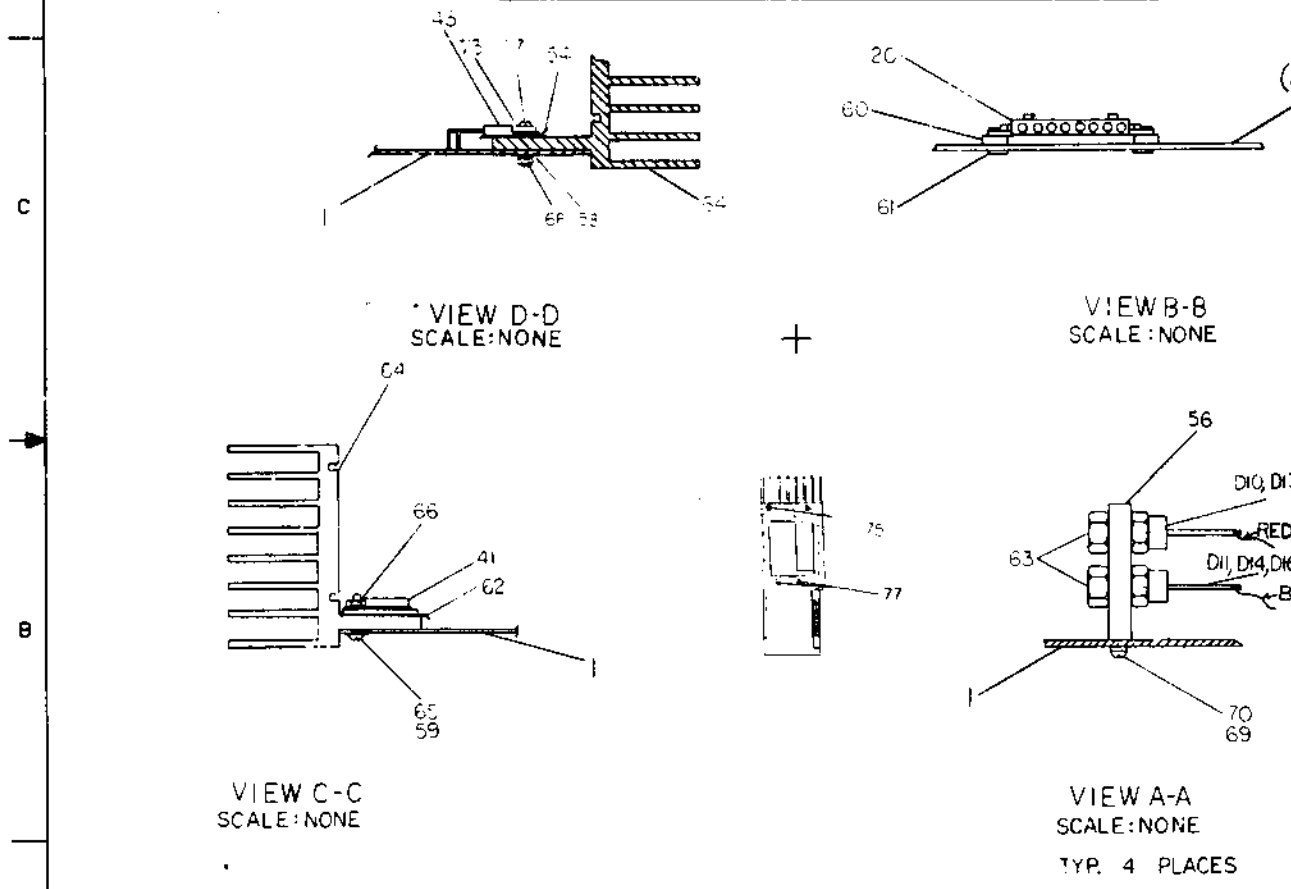
7014251-0
**Field Maintenance
 Print Set**

**Digital Equipment
 Corporation**

PRINT SET ORDER NO.
 MP00555

REVISIONS	REV.		USED ON OPTION/MODEL	DRN.	DATE	 TITLE: 7014251 REGULATOR BATTERY BACK UP					
	CHG. NO.		MK11	D. HEALY	DEC 77		SIZE	CODE	NUMBER	REV.	
	DATE			CHK'D	D. HEALY		DEC 77	B	TC	7014251-0-1	
				PROJ. ENG.	<i>Joe Mercanti</i>		Dec 77				
				FIELD SERV.	<i>Dwight</i>		21 Dec 77				
			SHEET I OF 1								

WIRE TABLE									
ITEM NO	RUN NO	DESCRIPT	FROM	TO	7014251	LENGTH			
71	75	18TWP	BLK	D11 ANODE	PAD 1	450			
	76	18	RED	D10 ANODE	PAD 2	450			
	77	18	RED	D9 CATHODE	PAD 3	300			
	78	18	RED	D12 CATHODE	PAD 10	375			
71	79	18TWP	BLK	D16 ANODE	PAD 11	150			
	80	18	RED	D15 ANODE	PAD 6	200			
71	81	18TWP	BLK	D7 CATHODE	PAD 7	275			
	82	18TWP	RED	8 CATHODE	PAD 5	275			
71	83	18TWP	RED	D13 ANODE	D18 CAT	350			
	84	18TWP	BLK	D14 ANODE	D17 CAT	350			
	85	18	BLK	D9 ANODE	PAD 9	300			



NOTES:

- SEE SHEET 4 OF 4 FOR DIODE WIRING.
- SOLID LINE INDICATES WIRE FROM THE TOP DIODE.
- DASHED LINE INDICATES WIRE FROM BOTTOM DIODE.
- TYPED HOLE AT TOP OF HEATSINKS MUST FACE PROPER WAY TO ALLOW INSERTION OF CARD GUIDE.

5. CABLE # 7014303 SOLDER TYPUM WIRE TO PTH MARKED AC, SOLDER PLUM WIRE TO PTH MARKED DC, SOLDER WHITE WIRE TO PTH (SEE NOTE 6 FOR LOCATION OF PTH #2)

6. SOLDER TO PTH HOLE #5 RED WIRE. SOLDER TO PTH HOLE #8 BLACK WIRE OF CABLE # 7014301 ITEM #53

7. ADD TURNS PER 90-01201 ITEM #13

8. REV W/IN PAGES NOT MARK THE CAPACT IS IDENTICAL TO REV # 10.

9. TORQUE SPECIFICATIONS

Q1-Q3 10 IN-LBS INSPECT TO MIN OF 6 TORQUE FROM WREN HEAD

35 8 IN-LBS INSPECT TO MIN OF 5 TORQUE FROM WREN HEAD

D1-D18 16 IN-LBS INSPECT TO MIN OF 12 TORQUE FROM NUT SLUG

REV	DATE	BY	CHK'D
1	10/10/75	J. MERCURI	
2	10/10/75	J. MERCURI	
3	10/10/75	J. MERCURI	
4	10/10/75	J. MERCURI	

REV	DATE	BY	CHK'D
1	10/10/75	J. MERCURI	
2	10/10/75	J. MERCURI	
3	10/10/75	J. MERCURI	
4	10/10/75	J. MERCURI	

SIGNATURES	DATE
DRN. STEVE L. [Signature]	10/10/75
CHK'D. J. GARRISON [Signature]	10/10/75
ENG. [Signature]	10/10/75
PROJ. ENG. [Signature]	10/10/75
PROD. [Signature]	10/10/75
SHT 1 OF 4	
NEXT HIGHER REV. # 00-5413075-0	

digital

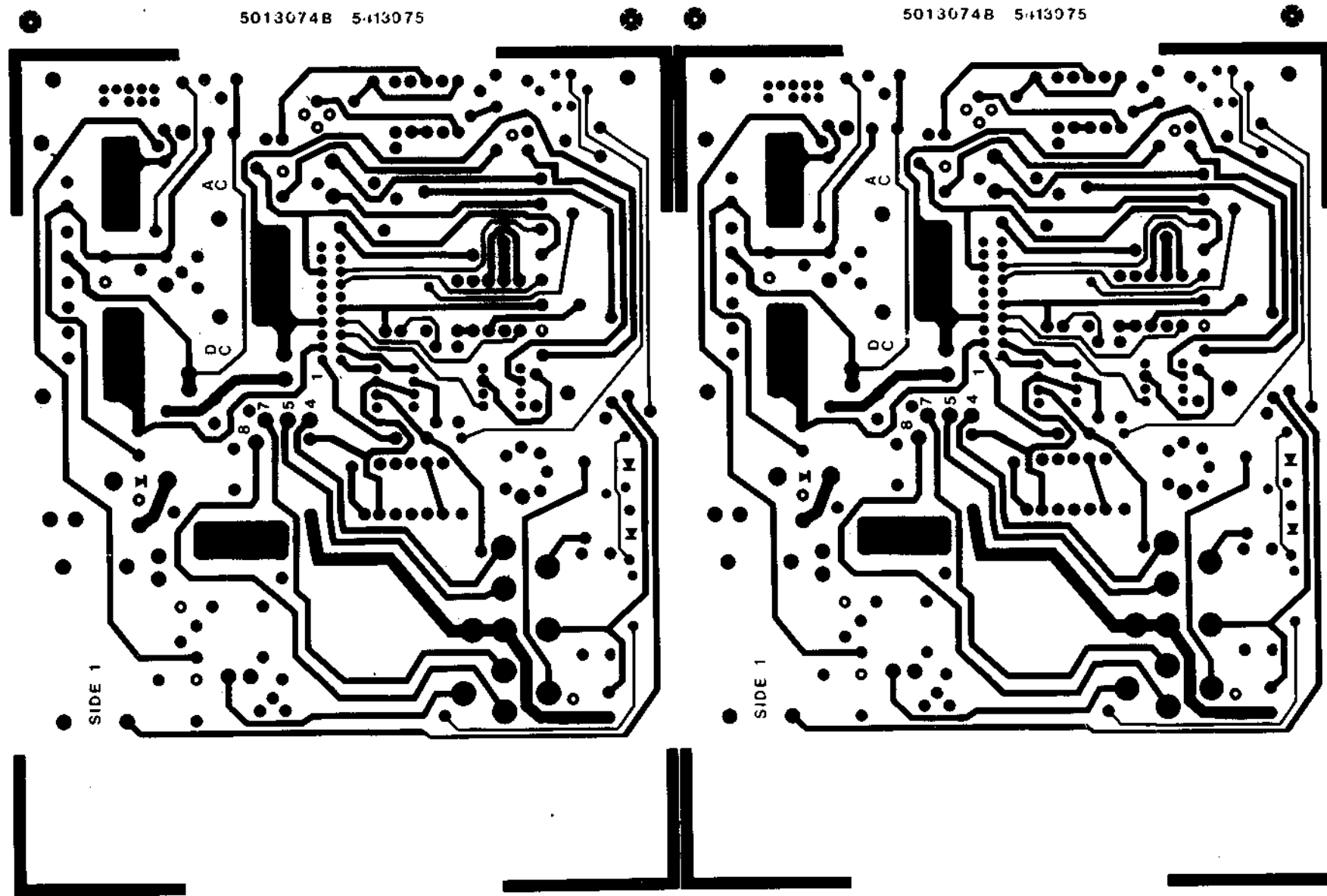
TITLE MK-II F.S. BATTERY BACKUP REGULATOR

SIZE CODE NUMBER

D UA 5413075-0-01C

THIS DRAWING AND SPECIFICATIONS HEREIN ARE THE PROPERTY OF DIGITAL EQUIPMENT CORPORATION AND SHALL NOT BE REPRODUCED OR COPIED OR USED IN WHOLE OR IN PART AS THE BASIS FOR THE MANUFACTURE OR SALE OF ITEMS WITHOUT WRITTEN PERMISSION. COPYRIGHT © DIGITAL EQUIPMENT CORPORATION.

DUAL5413075-0 2

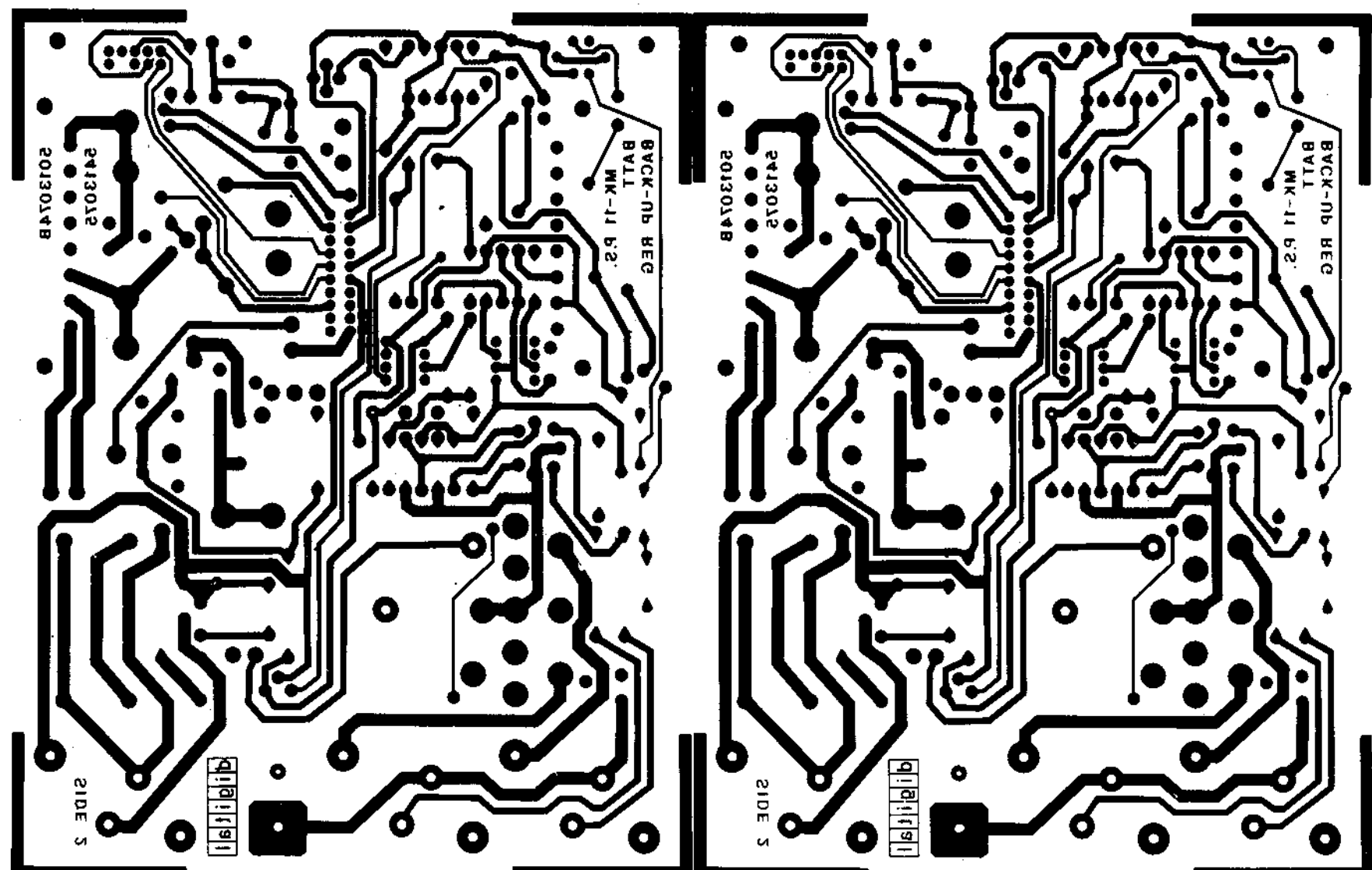


REVISIONS		
CHK	CHANGE NO	REV

TITLE MK-11 BATTERY BACKUP REGULATOR
 SIZE CODE NUMBER DUAL5413075-0-0
 SCALE 2-1 SHEET 2 OF 4 DIST.

DUAL5413075-0-0

"THIS DRAWING AND SPECIFICATIONS HEREIN ARE THE PROPERTY OF DIGITAL EQUIPMENT CORPORATION AND SHALL NOT BE REPRODUCED OR COPIED OR USED IN WHOLE OR IN PART AS THE BASIS FOR THE MANUFACTURE OR SALE OF ITEMS WITHOUT WRITTEN PERMISSION. COPYRIGHT © DIGITAL EQUIPMENT CORPORATION."



REVISIONS		
CHK	CHANGE NO	REV

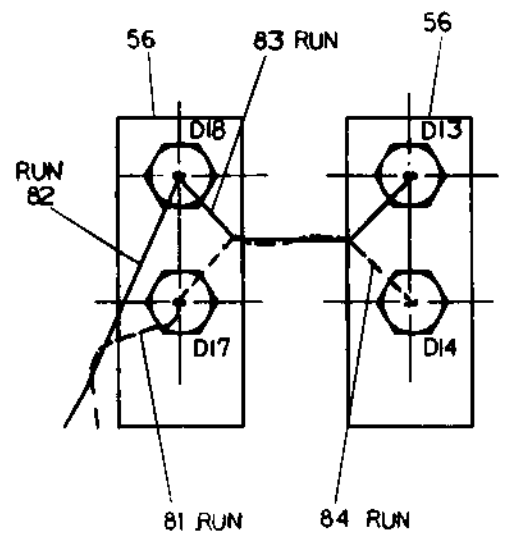
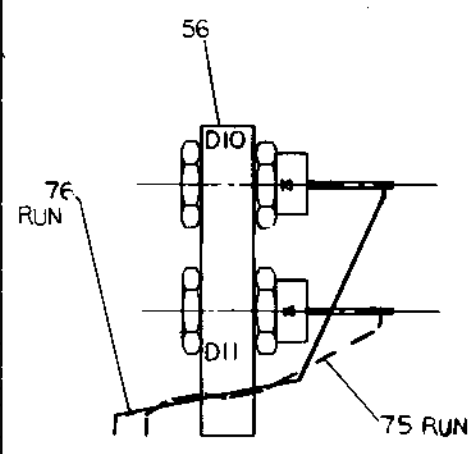
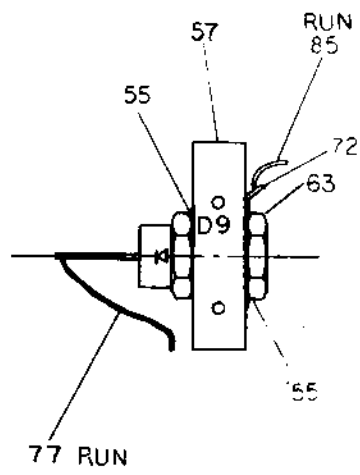
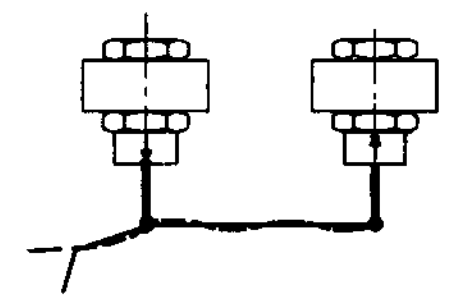
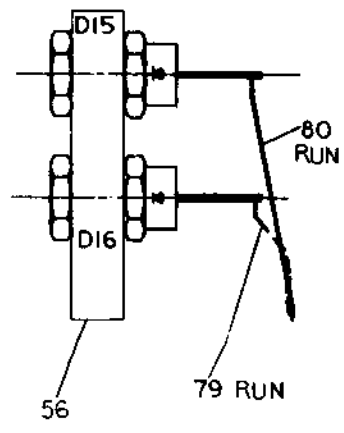
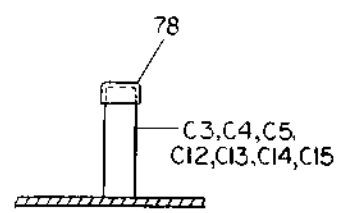
TITLE	MK-11 BATTERY BACKUP REGULATOR	SIZE CODE	NUMBER	REV.
SCALE	2-1	SHEET	3 OF 4	C
DIST.				

DUA 5413075-0-0
 NUMBER
 REV. C

THE DRAWING AND SPECIFICATIONS HEREIN ARE THE PROPERTY OF DIGITAL EQUIPMENT CORPORATION AND SHALL NOT BE REPRODUCED OR COPIED OR USED IN WHOLE OR IN PART AS THE BASIS FOR THE MANUFACTURE OR SALE OF ITEMS WITHOUT WRITTEN PERMISSION. COPYRIGHT © 1977 DIGITAL EQUIPMENT CORPORATION

NOTES:
1. WIRING INFORMATION IS ON SHEET 1 OF 4.

2. DIODES TO BE ASSEMBLED TO HEAT-SINKS AND WIRED AS SHOWN BEFORE INSTALLING TO BOARD.



REVISIONS		
CHK	CHANGE NO.	REV.

TITLE	MK-11 P.S. BATTERY BACKUP REGULATOR	SIZE CODE	DJA	NUMBER	5413075-0-0	REV.	C
SCALE	2/1	SHEET	4 OF 4	DIST.			

LINE	ITEM	DOCUMENT NO.	PART NO.	DESCRIPTION	QTY	REFERENCE DESIGNATORS
1	1	D-ND-5013074-0-0	5013074-00	MK11 PS BATTERY BACKUP REGULATOR	1	
2	2		1002431-00	2.2MFD 35V 10% 1500 S.TA (10-00)	1	C10
3	3		1012607-02	100 MFD 50V HQ 672D AL EL	3	C3-C5
4	4		1000042-00	1000.0 MMF 100V 50200PPM DM158 (10-00)	1	C7
5	5		1010646-00	.015 MFD 50V 2% M.POLYCARB	1	C8
6	6		1000024-00	470.0 MMF 100V 50200PPM DM158 (10-00)	1	C9
7	7		1001776-00	1 MFD 35V 10% 1500 S.TA (10-00)	2	C6,C11
8	8		1012607-00	560 MFD 20V HQ 672D AL EL	3	C12,C13,C14
9	9		1012607-01	1200 MFD 6.3V HQ 672D AL EL	1	C15
10	10		1010621-00	.1 MFD 50V 20% Z5U DISC	2	C16,C19
11	11		1004013-00	10 MFD 20V 10% 1500 S.TA (10-00)	2	C1,C17
12	12		1000030-00	.1 MFD 100V 20% Z5U DISC	1	C18
13	13		9007201-00	TRANSIPADS #10253	1	
14	14		1100125-00	1N 758A VZ= 10.0 S0 .40W PPER S.A.V.E.C	2	D2,D3
15	15		1105275-00	D 672 TR= 15NS PIV= 60V SP	7	D1,D4-D8,D20
16	16		1109444-00	1N 3800 PIV=100 Im 6A D04 SM	6	D10,D11,D13,D14,C15,D16
17	17		1113306-00	1N 3800R PIV=100 Im 6A S	4	D17,D18,D9,D12
18	18		1105648-00	1N 4744 VZ= 15.0 10% 1W Y	1	D19
19	19		1211004-02	SOCKET,100 20POS EDGE MOUNT	1	P4
20	20		1209340-00	MATE-N-LOK 8PIN,HOUSING,SKT	2	J1,J2
21	21		1209456-01	MATE-N-LOK SKT PCB TAB LOOSE	16	
22	22		1211342-02	MATE-N-LOK 2PIN PC TYPE	2	J5,J6
23	23		1209219-01	LAMP 6V0200MA,T1-3/4PINS02310	1	L1
24	24		1300202-00	47 1/4W 50 CC (13-00)	1	R2
25	25		1309639-00	200 5W 50 WW (13-00)	1	R3
26	26		1312682-00	3 3W 50 (13-00)	1	R4
27	27		1302950-00	1.2 K 1W 100 CC (13-00)	1	R5
28	28		1300426-00	2.7 K 1/4W 50 CC (13-00)	2	R6,R7
29	29		1309600-00	2.7 M 1/4W 50 CC (13-00)	1	RR
30	30		1313712-00	.01 5W 30 WW (13-00)	1	R9

REVISION HISTORY			VARIATIONS FOR THIS ASSY.		FIRST USED ON: 5413075		DIGITAL EQUIPMENT CORPORATION MAYNARD, MASSACHUSETTS		
CHK	ECO NO	REV			MADE BY:	DATE:	TITLE		
---	INIT	A			S KITTLE	18-NOV-77	PARTS LIST		
S.C	00001	B							
---	ML002	C			CHECKED:	18-NOV-77	MK-11 BATTERY		
BN	ML002	C					BACKUP REGULATOR		
					DSN,ENG.:	18-NOV-77		SIZE CODE	DOCUMENT NUMBER REV
					PROD.:	18-NOV-77		K PL	5413075-0-DRP C
					RESP.ENG.:	18-NOV-77		ASSY.NO.:	D-UA-5413075-0-0 EDIT#
									19

"THIS DRAWING AND SPECIFICATIONS HEREIN, ARE THE PROPERTY OF DIGITAL EQUIPMENT CORPORATION AND SHALL NOT BE REPRODUCED OR COPIED OR USED IN WHOLE OR IN PART AS THE BASIS FOR THE MANUFACTURE OR SALE OF ITEMS WITHOUT WRITTEN PERMISSION. COPYRIGHT 1978, DIGITAL EQUIPMENT CORPORATION"

LINE	ITEM	DOCUMENT NO.	PART NO.	DESCRIPTION	QTY	REFERENCE DESIGNATORS
31	31		1300365-00	1 K 1/4W 5% CC (13-00)	2	R1,R11
32	32		1300229-00	100 1/4W 5% CC (13-00)	1	R12
33	33		1302466-00	100 K 1/4W 5% CC (13-00)	2	R13,R14
34	34		1312404-00	2.21 K 1/2W 1% RN60D-F 100PPM (13-00)	2	R15,R16
35	35		1313579-00	1.5 3W 5% WW (13-00)	2	R17,R18
36	36		1309055-00	300 2W 5% CC (13-00)	2	R19,R20
37	37		1300479-00	10 K 1/4W 5% CC (13-00)	1	R21
38	38		1310852-00	200 20% POT	1	R22
39	39		1300391-00	1.5 K 1/4W 5% CC (13-00)	1	R10
40	40		1300316-00	470 1/4W 5% CC (13-00)	1	R24
41	41		1510969-00	2N 5038 NPN 140WC 81 90 50 Y	3	Q1-Q3
42	42		1510708-00	D 45H8 PNP 50WT 81 60 60 Y	2	Q4,Q8
43	43		1512790-00	D 44C11 NPN 30W 81 00 40	2	Q5,Q9
44	44		1511686-00	DEC5433 FET N 350MW 10 25 1A 20U	1	Q6
45	45		1510959-00	2N 3725 NPN 3.5WC 81 50 60 P	1	Q7
46	46		1612593-00	500 UH 6A	1	L1
47	47		1613874-00	CHOKER, 15UH 4A	2	L2,L3
48	48		1613876-00	XFMR, POWER, RATIO 112 7PIN	1	T1
49	49		1613875-00	XFMR, POWER, RATIO 11213 100UH	1	T2
50	50		7014303-00	AC/DC LOW BOOT ENABLE CABLE	1	
51	51		1911944-00	555CN TIMER, FUNCT, BLOCK	1	E1
52	52		1910282-00	3P1A4 OP AMP	1	E2
53	53		7014301-00	DC CABLE	1	
54	54		1213071-06	INSULATOR, RUBBER SILICONE	1	
55	55		1213071-05	INSULATOR, RUBBER THERMAL	3	
56	56		7417414-00	HEAT SINK (DUAL)	4	
57	57		7417413-00	HEAT SINK (SINGLE)	1	
58	58		9006655-00	WASHER, FLAT, .312 O.D. X .125 ID X .025 T	1	
59	59		9006656-00	WASHER, FLAT, .312 O.D. X .156 I.D. X .027	6	
60	60		9006706-00	WASHER, NYLON, FLAT 04 .375 OD X .031 THK	2	
61	61		9006745-00	EYFLET, ROLLED FLANGE, .120 OD X .260 LG	4	
62	62		1213071-02	INSULATOR, RUBBER SILICONE 8M	3	
63	63		9006565-00	NUT, KEP , 10-32X 3/8 AF CS/	10	
64	64		1210737-04	HEAT SINK, REGULATOR	1	
65	65		9007793-04	SCREW, BIND, SLOT, 6-32X 9/16 SS/PAS	6	
66	66		9008185-00	NUT, KEP , 6-32X 1/4 AF CS/	6	
67	67		9008033-01	SCREW, PAN , PHIL, 4-40X 9/16 SS/PAS	1	
68	68		9006557-00	NUT, KEP , 4-40X 1/4 AF CS	1	
69	69		9006632-00	WASHER, LOCK, INT, .260OD X .120ID X .015 THK	8	
70	70		9006610-04	SCREW, BIND, SLOT, 4-40X 5/16 SS/PAS	8	
71	71		9107430-02	WIRE, STRND, 18AWG, IPVC (UL1429) (91-00) A/R		
72	72		9009909-00	TERM LUG 1POS SOLDER, FLAT .196 HOLE	2	
73	73		9009769-00	WASHER, RECTANGULAR .405X.225X.060	1	
74	74		9006010-01	SCREW, PAN , PHIL, 4-40X 5/16 SS/PAS	2	
75	75		9009142-02	SCREW, PHILLIPS FLAT HEAD, SELF TAP, 4-40	4	
76	76		7417410-00	REGULATOR BRACKET	1	
77	77		9008404-02	SCREW, FLAT, PHIL, 6-32X 5/16 SS/PAS 100D	2	
78	78		9009731-03	CAP, PLASTIC	7	

DIGITAL EQUIPMENT CORPORATION MAYNARD, MASSACHUSETTS	TITLE MK-11 BATTERY BACKUP REGULATOR	PARTS LIST	SIZE CODE K PL	DOCUMENT NUMBER 5413075-0-DBP	REV 1C
---	--	------------	-------------------------	----------------------------------	-----------

AUTOMATED BY PRTLST 1C(4)

PARTS LIST

SHEET 3 OF 3

LINE ITEM DOCUMENT NO.

PART NO.

DESCRIPTION

QTY REFERENCE DESIGNATORS

79 79

9007031-00

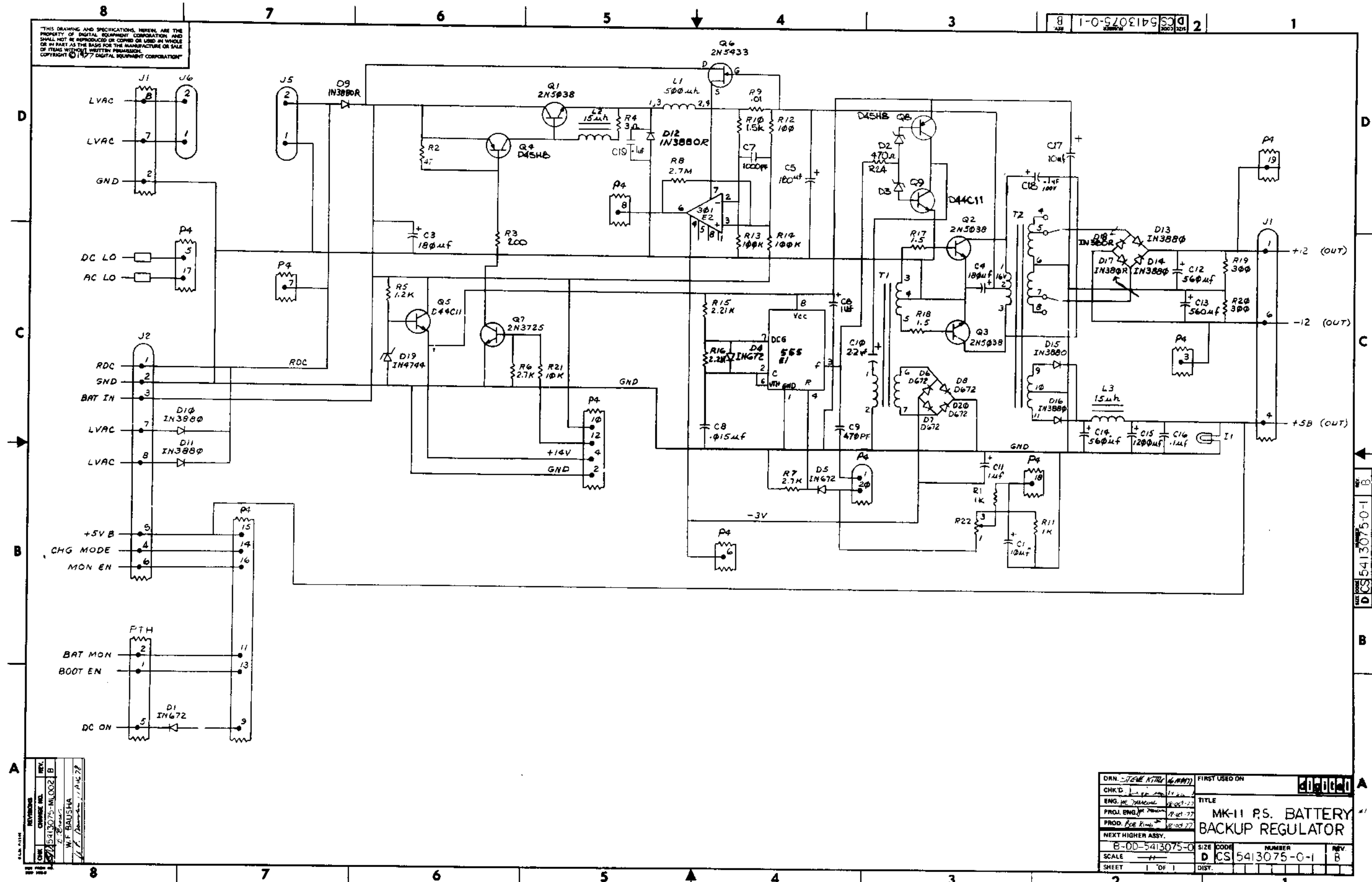
TIE, CABLE, SST1 M

8

1

DIGITAL EQUIPMENT CORPORATION MAYNARD, MASSACHUSETTS		TITLE	PARTS LIST	SIZE	CODE	DOCUMENT NUMBER	REV
			MK-11 BATTERY BACKUP REGULATOR	K	PL	5413075-0-DBP	C

THIS DRAWING AND SPECIFICATIONS HEREIN ARE THE PROPERTY OF DIGITAL EQUIPMENT CORPORATION AND SHALL NOT BE REPRODUCED OR COPIED OR USED IN WHOLE OR IN PART AS THE BASIS FOR THE MANUFACTURE OR SALE OF ITEMS WITHOUT WRITTEN PERMISSION. COPYRIGHT © 1977 DIGITAL EQUIPMENT CORPORATION

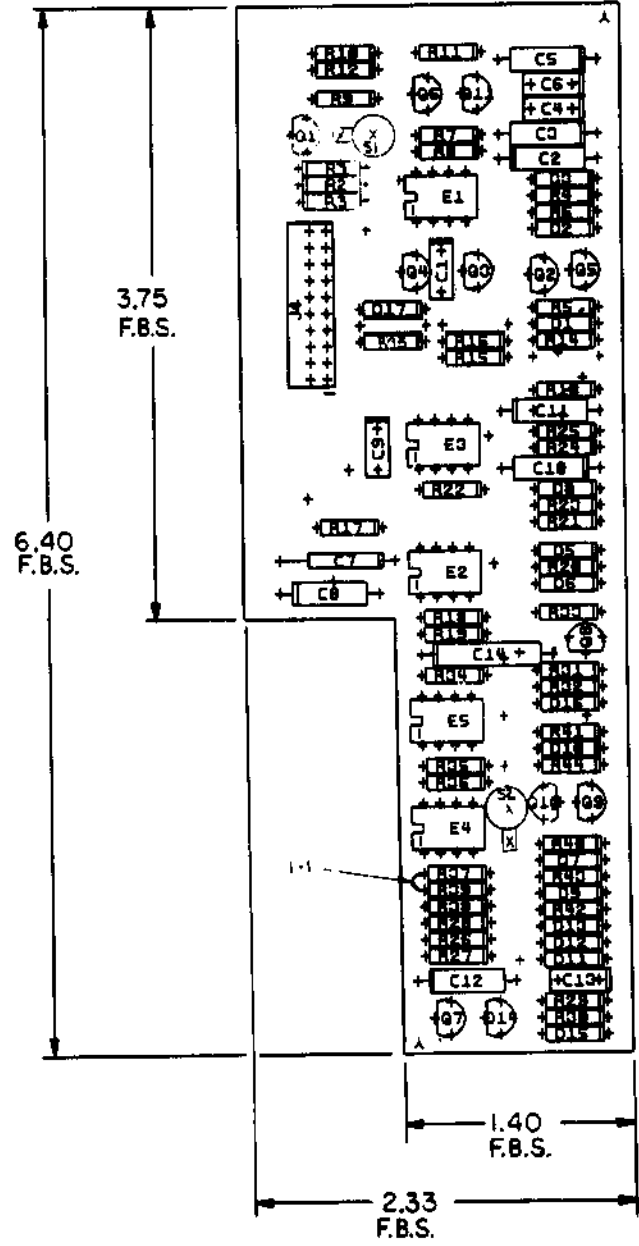


DRN: JENSEN, KTR (6/6/77)	FIRST USED ON	DIGITAL
CHK'D: [Signature]	TITLE	
ENG. BY: [Signature]	PROJECT: 8-007-77	MK-11 P.S. BATTERY BACKUP REGULATOR
PROJ. ENG. BY: [Signature]	PROD. BY: [Signature]	
NEXT HIGHER ASSY.	SCALE: --	SIZE: D
B-DD-5413075-0	NUMBER: 5413075-0-1	REV: B
SHEET 1 OF 1	DIST.	

REV. 1	DATE	BY
1	5/13/75	W.F. BAUSHA
2	8/2/77	W.F. BAUSHA
3	11/16/78	W.F. BAUSHA

COMPONENT SIDE VIEW

REWORK INSTRUCTIONS
 ECO #1
 WIRE ADDS SIDE 1:
 1-1, BETWEEN R37 AND R39 AT THE R37
 END THAT CONNECTS TO E4-3.



NOTES:
 1. REV "B" UA DOES NOT EXIST. THE LAYOUT IS IDENTICAL TO REV "A" UA.
 2. C1, C2, C12, C13 TO BE HAND INSERTED.
 3. C15, D1, D2 NOT USED.

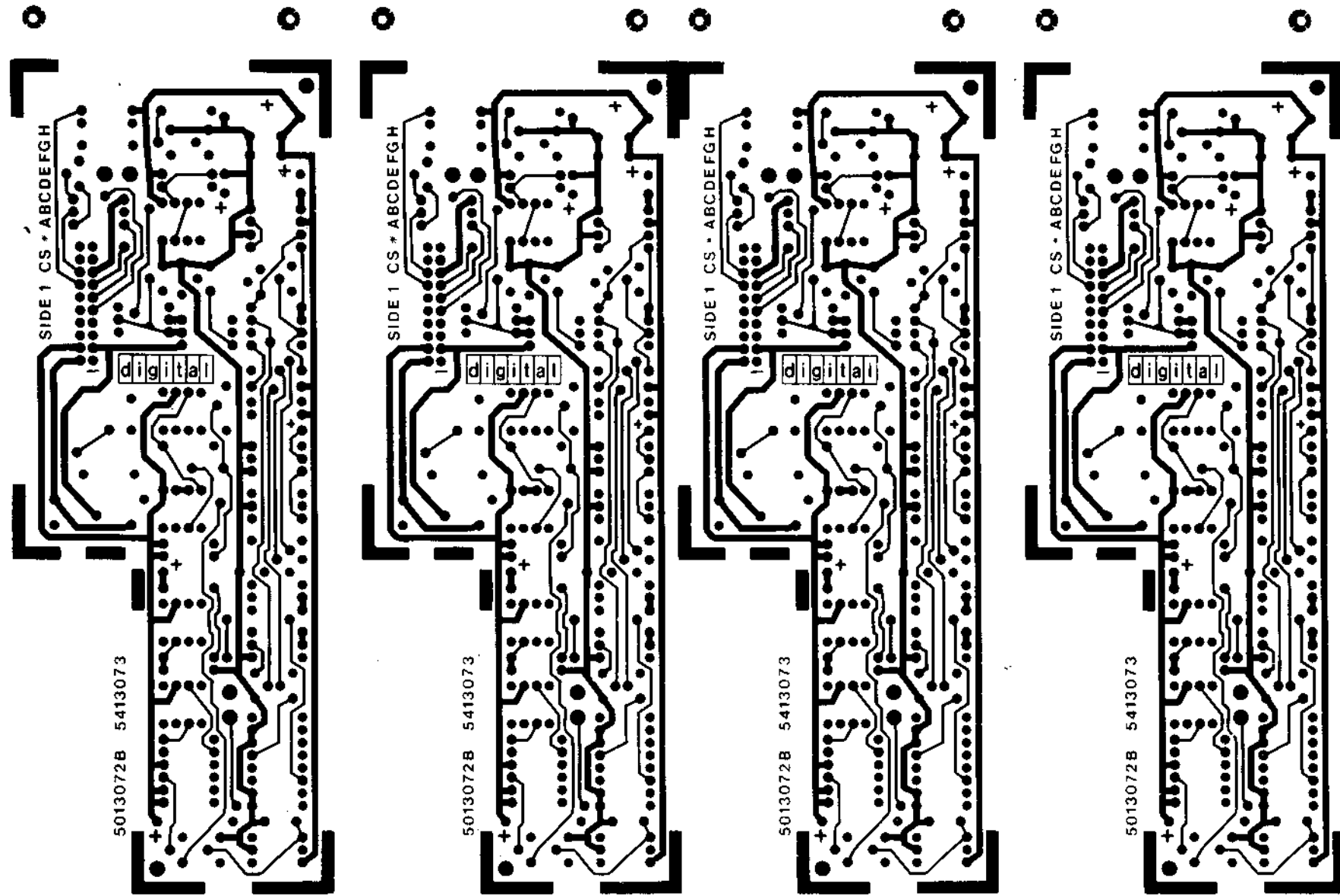
CHANGE NO	REV	DATE	BY	CHK'D
5413073-1	B			

ETCH REV.	REV.
P.C. DESIGN DATA BASE REV.	B

SIGNATURES	DATE
DRAWN BY: J. K. GILLES	12/14/72
CHK'D BY: G. J. GARDNER	12/14/72
ENG. BY: J. M. GARDNER	12/14/72
PROJ. ENG. BY: J. M. GARDNER	12/14/72

digital	
TITLE MK-II P.S. CONTROL BD.	
SIZE CODE	NUMBER
0 UA	5413073-0-0

THIS DRAWING AND SPECIFICATIONS HEREIN ARE THE PROPERTY OF DIGITAL EQUIPMENT CORPORATION AND SHALL NOT BE REPRODUCED OR COPIED OR USED IN WHOLE OR IN PART AS THE BASIS FOR THE MANUFACTURE OR SALE OF ITEMS WITHOUT WRITTEN PERMISSION. COPYRIGHT © DIGITAL EQUIPMENT CORPORATION



REVISIONS		
CHK	CHANGE NO.	REV.

TITLE	MK-II P.S.	SIZE CODE	NUMBER	REV.
	CONTROL BOARD	D	JA5413073-0-0	C
SCALE	2 -	SHEET	2 OF 3	DIST.

LINE	ITEM	DOCUMENT NO.	PART NO.	DESCRIPTION	QTY	REFERENCE DESIGNATORS
1	1	D-MD-5013072-0-0	5013072-00	5413073	1	
2	2		1001610-01	.01 MFD 100V OR 50V Z5U DISC/BOOPF MIN	4	C1,C4,C6,C13
3	3		1004813-00	10 MFD 20V 10% 150D S.TA (10-00)	1	C2
4	4		1001776-00	1 MFD 35V 10% 150D S.TA (10-00)	3	C5,C11,C3
5	5		1000061-00	8200.0 MMF 100V 10% 663UM MYLR (10-00)	1	C7
6	6		1005965-00	.47 MFD 35V 10% 150D S.TA (10-00)	3	C8,C10,C12
7	7		1000009-00	33.0 MMF 100V 5%200PPM DM15S (10-00)	1	C9
8	8		1005306-00	6.8MFD 35V 10% 150D S.TA (10-00)	1	C14
9	9		1105275-00	D 672 TR= 15NS RIU= 40V SF	9	D1,D2,D3,D5,D6,D9,D10,D12,D13
10	10		1109990-00	1N 757A VZ= 9.1 5% .40W P	1	D8
11	11		1102808-00	1N 752A VZ= 5.6 5% .40W P	2	D11,D15
12	12		1110968-00	2N 5062 SCR@100V I=.8A T092	1	D14
13	13		1110713-00	SZ710910 VZ= 5.1 2% M	1	D7
14	14		1114913-00	VZ= 18.0 10% 1W	1	D16
15	15		1100125-00	1N 758A VZ= 10.0 5% .40W PPER S.A.U.E/	1	D17
16	16		1300398-00	1.8 K 1/4W 5% CC (13-00)	1	R38
17	17		1300479-00	10 K 1/4W 5% CC (13-00)	11	R1,R13,R18,R19,R20,R21,R28, CONT R31,R42-R44
18	18		1300229-00	100 1/4W 5% CC (13-00)	5	R3,R5,R25,R29,R45
19	19		1300432-00	3 K 1/4W 5% CC (13-00)	1	R23
20	20		1301322-00	180 1/4W 5% CC (13-00)	1	R4
21	21		1302177-00	47 K 1/4W 5% CC (13-00)	1	R6
22	22		1302394-00	30 K 1/4W 5% CC (13-00)	1	R7
23	23		1302091-00	330 K 1/4W 5% CC (13-00)	1	R8
24	24		1300365-00	1 K 1/4W 5% CC (13-00)	6	R9,R12,R14,R37,R40,R2
25	25		1300426-00	2.7 K 1/4W 5% CC (13-00)	1	R16
26	26		1302092-00	220 K 1/4W 5% CC (13-00)	1	R15
27	27		1301423-00	6.8 K 1/4W 5% CC (13-00)	1	R17
28	28		1302871-00	1.21 K 1/4W 1% RN55D-F 100PPM (13-00)	1	R35
29	29		1302955-00	750 1/4W 1% RN55D-F 100PPM (13-00)	1	R34

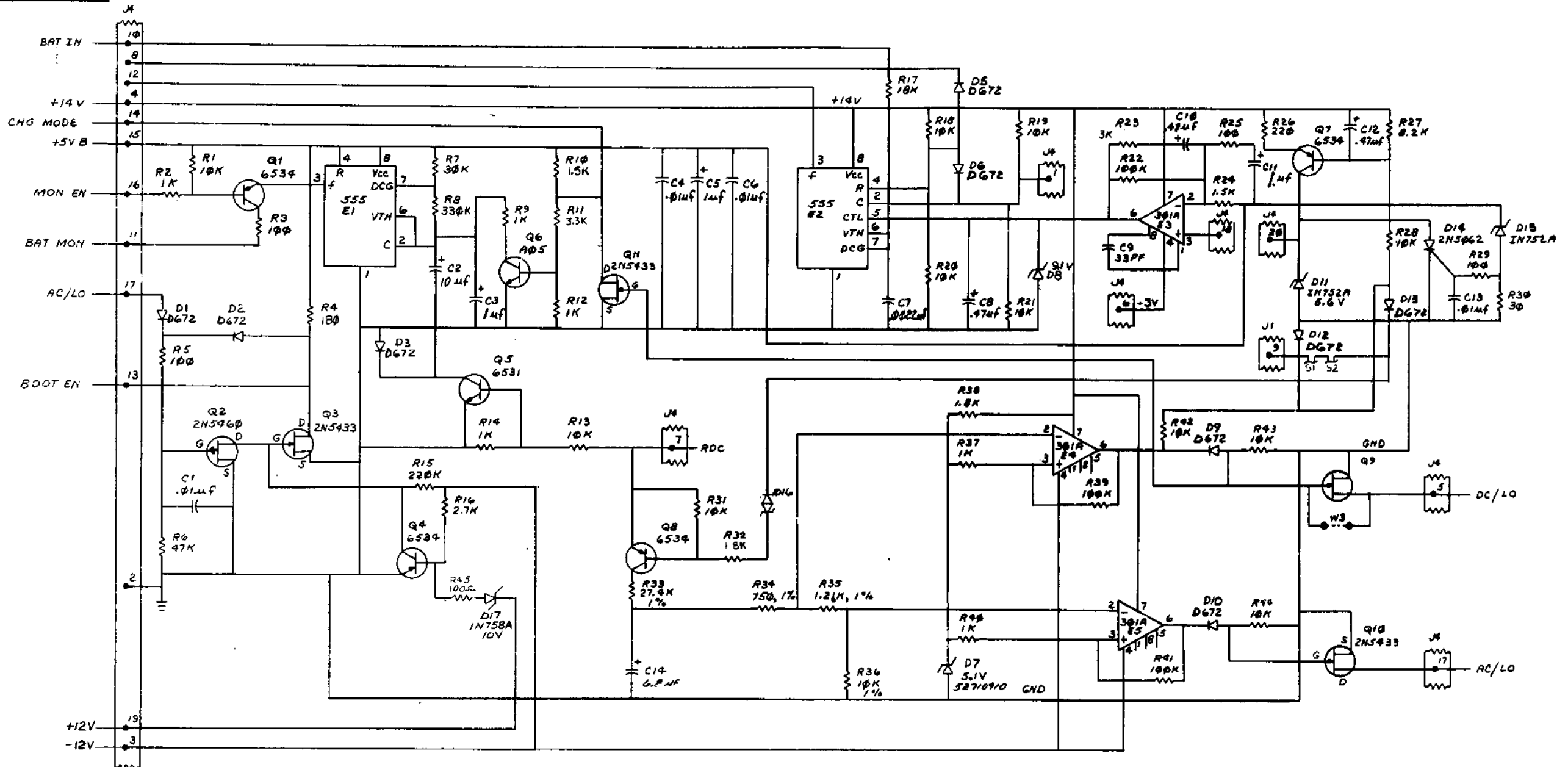
REVISION HISTORY			VARIATIONS FOR THIS ASSY.		DIGITAL EQUIPMENT CORPORATION MAYNARD, MASSACHUSETTS	
CHK	ECO NO	REV	FIRST USED ON: 5413073		TITLE	
---	INIT	A	MADE BY: S KITTLE		PARTS LIST	
F.S	00001	B	DATE: 24-OCT-77		MK11-PS CONTROL BOARD	
PG	00002	C	CHECKED: F SMART		DATE: 24-OCT-77	
			DSN.ENG.: JOE MERCURI		DATE: 24-OCT-77	
			PROD.: BOB KING		DATE: 24-OCT-77	
			RESP.ENG.: JOE MERCURI		DATE: 24-OCT-77	
			ASSY.NO.: D-UA-5413073-0-0		SIZE CODE	DOCUMENT NUMBER REV
					K PL	5413073-0-0 C
						EDIT#
						11

THIS DRAWING AND SPECIFICATIONS HEREIN, ARE THE PROPERTY OF DIGITAL EQUIPMENT CORPORATION AND SHALL NOT BE REPRODUCED OR COPIED OR USED IN WHOLE OR IN PART AS THE BASIS FOR THE MANUFACTURE OR SALE OF ITEMS WITHOUT WRITTEN PERMISSION.
 COPYRIGHT 1978, DIGITAL EQUIPMENT CORPORATION

LINE	ITEM	DOCUMENT NO.	PART NO.	DESCRIPTION	QTY	REFERENCE DESIGNATORS
30	30		1303312-00	10.0 K 1/4W 1% RN55D-F 100PPM (13-00	1	R34
31	31		1302466-00	100 K 1/4W 5% CC (13-00	3	R22,R39,R41
32	32		1300271-00	220 1/4W 5% CC (13-00	1	R24
33	33		1302751-00	30 1/4W 5% CC (13-00	1	R30
34	34		1309417-00	27.4 K 1/4W 1% RN55D-F 100PPM (13-00	1	R33
35	35		1503409-00	DEC6534D PNP 310MW BI 40 90 P	4	Q1,Q4,Q7,Q8
36	36		1510233-00	2N 5460 FET 310MW BIP CHNMI	1	Q2
37	37		1511686-00	DEC5433 FET N 350MW 10 25 1A 20U	4	Q3,Q9,Q10,Q11
38	38		1509378-00	DEC6531D NPN 310MW BI 40 90 P	1	Q5
39	39		1510705-00	XA 05 NPN 500MW BI 60 50 P	1	Q6
40	40		1911944-00	S55CN TIMER,FUNCT.BLOCK	2	E1,E2
41	41		1910282-00	DEC 301AN OP AMP	3	E3,E4,E5
42	42		1300398-00	1.8 K 1/4W 5% CC (13-00	1	R32
43	43		1300391-00	1.5 K 1/4W 5% CC (13-00	2	R10,R24
44	44		1213335-00	HEADER 20POS RT ANGLE FOR 12-1333A	1	J4
45	45		9009185-00	***** THIS ITEM IS NOT USED *****	0	
46	46		1300439-00	3.3 K 1/4W 5% CC (13-00	1	R11
47	47		1212416-03	THERMOSTAT,00170,140,SPST	2	S1,S2
48	48		1303179-00	8.2 K 1/4W 5% CC (13-00	1	R27
49	49		9107560-01	WIRE,BUSS,22AWG	A/R	

DIGITAL EQUIPMENT CORPORATION MAYNARD, MASSACHUSETTS	TITLE PARTS LIST MK11-PS CONTROL BOARD	SIZE CODE K PL	DOCUMENT NUMBER 5413073-0-0	REV C
---	--	-------------------	--------------------------------	----------

"THIS DRAWING AND SPECIFICATIONS HEREIN ARE THE PROPERTY OF DIGITAL EQUIPMENT CORPORATION AND SHALL NOT BE REPRODUCED OR COPIED OR USED IN WHOLE OR IN PART AS THE BASIS FOR THE MANUFACTURE OR SALE OF ITEMS WITHOUT WRITTEN PERMISSION. COPYRIGHT © 1977, DIGITAL EQUIPMENT CORPORATION"



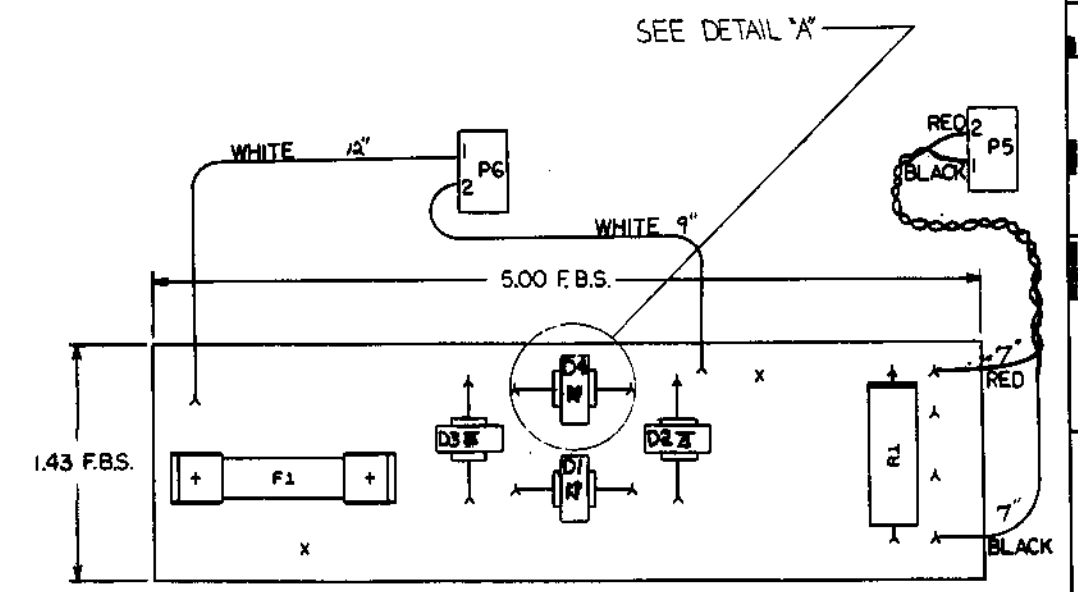
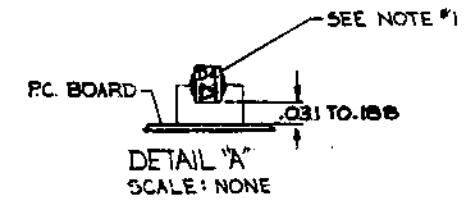
NOTES:
 1. W3 IS AN ENGINEERING OPTION TO BE DETERMINED AT A LATER DATE.
 2. C15, D4 & W1 NOT USED.

REV.	DATE	BY	CHKD.
1	5-27-78	J. MERCURI	
2	5-27-78	J. MERCURI	

DRN: EWE/TLE	DATE: 4-24-77	FIRST USED ON: 4-24-77
CHK'D BY: THOMAS	DATE: 4-23-77	TITLE: MK-II P.S. CONTROL BOARD
ENG. BY: THOMAS	DATE: 4-23-77	SIZE: D
PROJ. ENG. BY: THOMAS	DATE: 4-23-77	CODE: CS
PROD. FOR: KING	DATE: 4-23-77	NUMBER: 5413073-01
NEXT HIGHER ASSY:		REV.:
B-DD-5413073-0		DIST.:
SCALE: --		
SHEET: 1 OF 1		

COMPONENT SIDE VIEW

NOTES:
 1. DIODES D1 THRU D4 MUST BE RAISED FROM THE P.C. BOARD .031 TO .100



NOTES:

CHANGE NO	REV	DATE	BY	CHK'D
1	C			
2	D			
3	E			
4	F			
5	G			

ETCH REV. C
P.C. DESIGN DATA BASE REV. C

SIGNATURES	DATE
DRN. <i>[Signature]</i>	9-21-71
CHK'D. <i>[Signature]</i>	9-21-71
ENG. <i>[Signature]</i>	11-5-76
PROJ. ENG. <i>[Signature]</i>	11-5-76
PROD. <i>[Signature]</i>	10-76
SCALE 2/1	
SHT. 2 OF 3	
NEXT HIGHER ASSY.	

digital	TITLE INPUT
RECTIFIER BOARD	NUMBER
SIZE CODE	NUMBER
01UA 5412411-0-0	5

5412411-0-0
 DUA
 5412411-0-0
 E
 5412411-0-0
 A

8

7

6

5

4

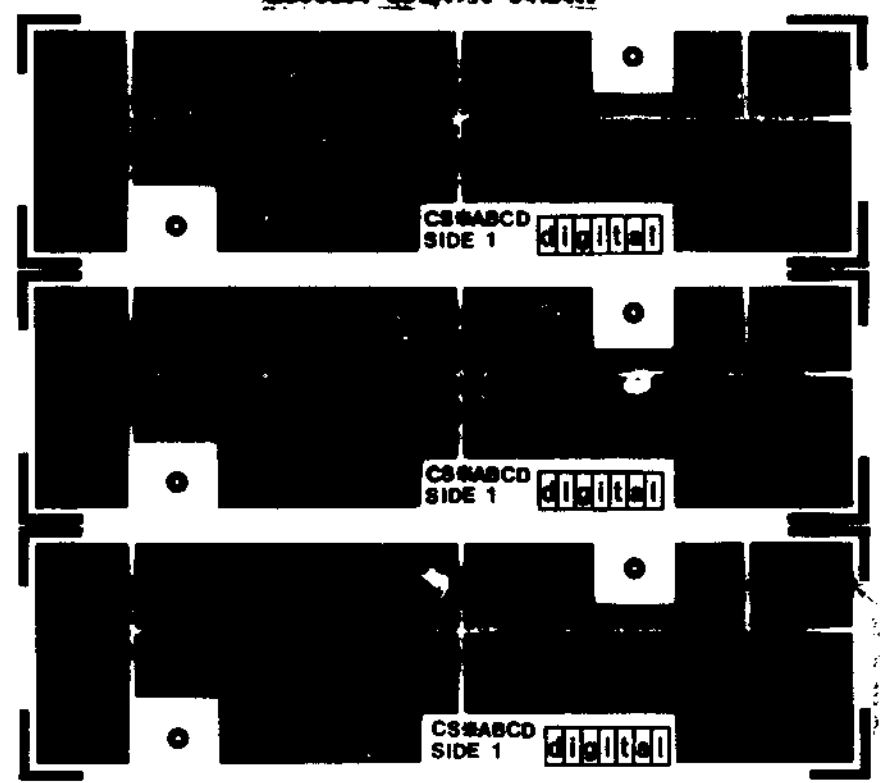
3

1

3 0 0 110 1 0 2

THIS DRAWING AND SPECIFICATION HEREIN ARE THE PROPERTY OF DIGITAL EQUIPMENT CORPORATION AND SHALL NOT BE REPRODUCED OR COPIED OR USED IN WHOLE OR IN PART AS THE BASIS FOR THE MANUFACTURE OR SALE OF ITEMS WITHOUT WRITTEN PERMISSION. SHOWN COPYRIGHT © 1976 DIGITAL EQUIPMENT CORPORATION

8000004 (2) 1473C 5412411



D

C

E

B

A



D.E. 5412411-0-0

REVISIONS		
CHK	CHANGE NO.	REV.

TITLE	SIZE/CODE	NUMBER	REV.
INPUT RECTIFIER BOARD	D 1/A	5412411-0-0	E
SCALE 2/1	SHEET 2 OF 3	DIST	



THIS DRAWING AND SPECIFICATIONS HEREIN ARE THE PROPERTY OF DIGITAL EQUIPMENT CORPORATION AND SHALL NOT BE REPRODUCED OR COPIED OR USED IN WHOLE OR IN PART AS THE BASIS FOR THE MANUFACTURE OR SALE OF ITEMS WITHOUT WRITTEN PERMISSION. COPYRIGHT © 1972 DIGITAL EQUIPMENT CORPORATION.

REVISIONS		
CHK	CHANGE NO	REV

TITLE	SIZE CODE	NUMBER	REV.
INPUT RECTIFIER BOARD	D UA	5412411-0-0	E
SCALE 2/1	SHEET 3 OF 3	DIST.	

LINE	ITEM	DOCUMENT NO.	PART NO.	DESCRIPTION	QTY	REFERENCE DESIGNATORS
1	1	D-MD-5012410-0-0	5012410-00	5412411	1	
2	2		1110615-00	MR 752 PIV=200 I=22A A264 SM	4	D1-D4
3	3		1210821-02	MATE-N-LOK 2PIN,HOUSING,SKT	2	P5,P6
4	4		1209379-01	MATE-N-LOK PIN 20-14AWG LOOSE	4	
5	5		1302609-00	4.7 K 2W 10% CC (13-00	1	R1
6	6		9009000-00	EYELET, ROLLED FLANGE, .121 OD X .156 LG	2	
7	7		9008390-00	FUSE, REG BLOW, 10.000A, 250V, CERAMIC	1	
8	8		9007203-00	CLIP, FUSE, WITH STOP, SCREW MOUNTED	2	
9	9		9107360-99	WIRE,STRND,18AWG,IPVC UL1429 (91-00 A/R		
10	10		9107430-02	WIRE,STRND,18AWG,IPVC (UL1429) (91-00 A/R		

11 NOTE: MS60954 ETCH REV C CS REV B

REVISION HISTORY			VARIATIONS FOR THIS ASSY.		FIRST USED ON:		DIGITAL EQUIPMENT CORPORATION MAYNARD, MASSACHUSETTS	
CHK	ECO NO	REV			MADE BY:	DATE:	TITLE	
---	00003	E	00		D.BILODEAU	08-MAR-78	PARTS LIST	
					F.GAROFALO	08-MAR-78	INPUT RECTIFIER BOARD	
					J.MERCURI	08-MAR-78		
					R.B.KING	08-MAR-78		
					J.MERCURI	08-MAR-78		
							SIZE CODE	DOCUMENT NUMBER
							K PL	5412411-0-0
							ASSY.NO.:	D-UA-5412411-0-0
								REV
								EDIT#
								3

THIS DRAWING AND SPECIFICATIONS HEREIN, ARE THE PROPERTY OF DIGITAL EQUIPMENT CORPORATION AND SHALL NOT BE REPRODUCED OR COPIED OR USED IN WHOLE OR IN PART AS THE BASIS FOR THE MANUFACTURE OR SALE OF ITEMS WITHOUT WRITTEN PERMISSION.
COPYRIGHT 1978. DIGITAL EQUIPMENT CORPORATION

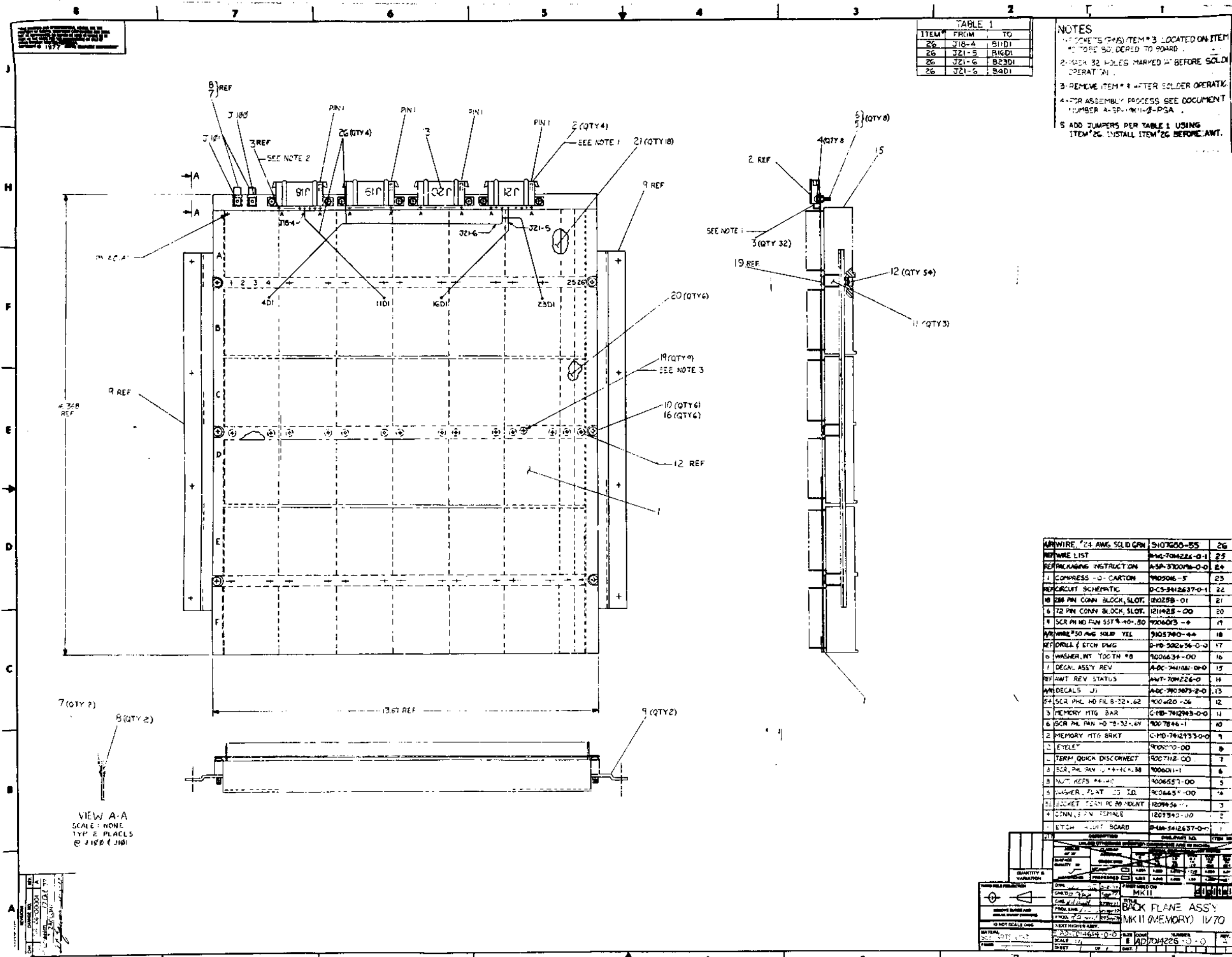


TABLE 1

ITEM	FROM	TO
26	J18-4	B1D1
26	J21-5	B1D1
26	J21-6	B2D1
26	J21-6	B4D1

NOTES

- 1- SOCKETS (QTY) ITEM # 3 LOCATED ON ITEM # 4 TO BE SOLDERED TO BOARD.
- 2- MARK 32 HOLES MARKED AT BEFORE SOLDER OPERATION.
- 3- REMOVE ITEM # 4 AFTER SOLDER OPERATION.
- 4- FOR ASSEMBLY PROCESS SEE DOCUMENT NUMBER A-SP-70078-0-0-PSA.
- 5- ADD JUMPERS PER TABLE 1 USING ITEM # 26. INSTALL ITEM # 26 BEFORE AWT.

VIEW A-A
SCALE: NONE
TYP. & PLACED
@ 1/16" & 1/8"

ITEM	DESCRIPTION	QTY	REF
1	WIRE, #24 AWG SOLID GRN	510700-55	26
2	WIRE LIST	AWG-704224-0-1	25
3	REPACKAGING INSTRUCTION	A-SP-70078-0-0	24
4	COMPRESS - O - CARTON	710506-5	23
5	REF CIRCUIT SCHEMATIC	D-C-3412637-0-1	22
6	28 PIN CONN BLOCK, SLOT	120228-01	21
7	72 PIN CONN BLOCK, SLOT	121125-00	20
8	SCR PH HD PAN SST #4-40-.50	9206013-9	19
9	WIRE #30 AWG SOLID YEL	9105740-44	18
10	REF DRILL & ETCH DWG	D-PD-502436-0-0	17
11	WASHER, NY TOOTH #8	1006634-00	16
12	DECAL ASSY REV	A-DC-741181-0-0	15
13	REF AWT REV STATUS	AWT-704224-0	14
14	AWT DECALS J1	A-DC-7405873-2-0	13
15	SCR PHL HD FIL B-32+.62	100420-06	12
16	MEMORY MTG BAR	C-MB-7412943-0-0	11
17	SCR PHL PAN #2-32+.61	1007846-1	10
18	MEMORY MTG BRKT	C-MB-7412933-0-0	9
19	EYELET	910510-00	8
20	TERM QUICK DISCONNECT	900712-00	7
21	SCR PHL PAN #4-40+.50	1006011-1	6
22	NUT KEYS #4-40	1006857-00	5
23	WASHER, PLAT SS 316	9006635-00	4
24	SOCKET TERM PC 20 MOUNT	12019456-1	3
25	CONN, SPN FEMALE	1201940-00	2
26	ETCH ADAPT BOARD	D-UM-3412637-0-0	1

QUANTITY & VARIATION

DATE: 10/1/70

BY: [Signature]

CHKD: [Signature]

APP'D: [Signature]

BACK PLANE ASSY
MK II (MEMORY) IV70

SCALE: 1/4"

SHEET 1 OF 1

DIGITAL EQUIPMENT CORPORATION PARTS LIST

QUANTITY / VARIATION

NOTES:

*USED ON: OPTION/MODEL
MK11*

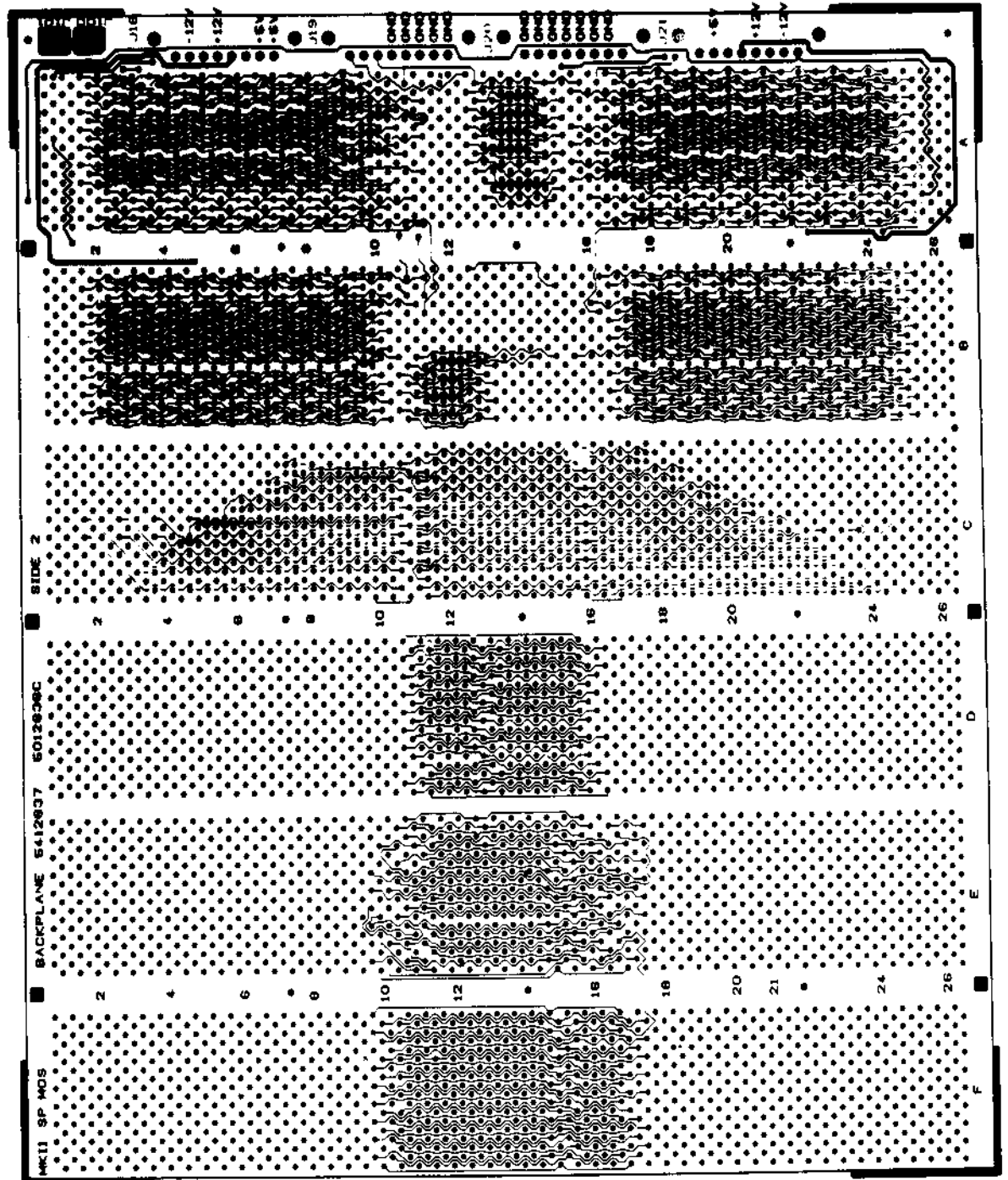
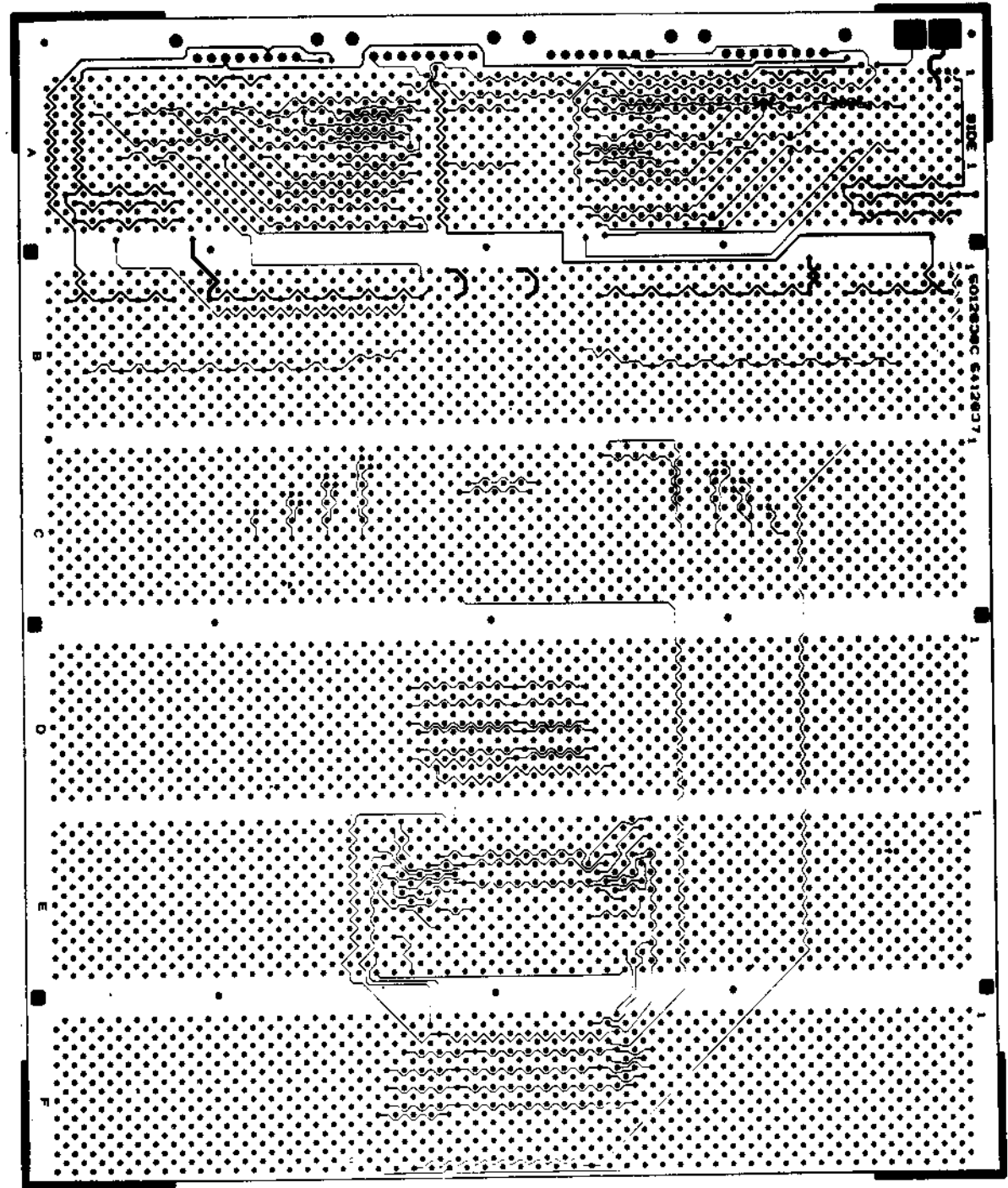
MADE BY DATE	H. WEINBRENNER 6/24/77	CHECKED DATE	W. ANGELL 6/30/77
SECTION	1		
ENG DATE	W. Angell 9/13/77	PROD DATE	RA Hill 8/10/77
ISSUED SECTION	1		

ITEM NO.	DRAWING NO.	PART NO.	DESCRIPTION	REF	QTY	VAR	UNIT	MATERIAL	REMARKS	REF DESIGNATION
1	D-CS-5412637-0-1	5012636	CIRCUIT SCHEMATIC	REF						
	E-UA-5412637-0-0		UNIT ASSEMBLY	REF						
	B-DD-5412637-0		DRAWING DIRECTORY	REF						
	E-MD-5012636-0-0		DRILL & ETCH DRAWING	REF						
			ETCHED BOARD	1						

E.C.O. NO. _____

THIS DRAWING AND SPECIFICATIONS, HEREIN, ARE THE PROPERTY OF DIGITAL EQUIPMENT CORPORATION AND SHALL NOT BE REPRODUCED OR COPIED OR USED IN WHOLE OR IN PART AS THE BASIS FOR THE MANUFACTURE OR SALE OF ITEMS WITHOUT WRITTEN PERMISSION. COPYRIGHT © 1977 DIGITAL EQUIPMENT CORPORATION	TITLE MK11 SP. MOS BACKPLANE	ASSY NO. E-UA-5412637-0-0	SIZE B	CODE PL	NUMBER 5412637-0-0	REV. B
		SHEET 1 OF 1	INSERTION PARTS LIST DATA BASE REV			

THIS DRAWING AND APPROPRIATE PORTIONS, AND THE PROPERTY OF DIGITAL EQUIPMENT CORPORATION AND SHALL NOT BE REPRODUCED OR TRANSMITTED IN ANY FORM OR BY ANY MEANS, WITHOUT WRITTEN PERMISSION. DIGITAL EQUIPMENT CORPORATION



NOTES:

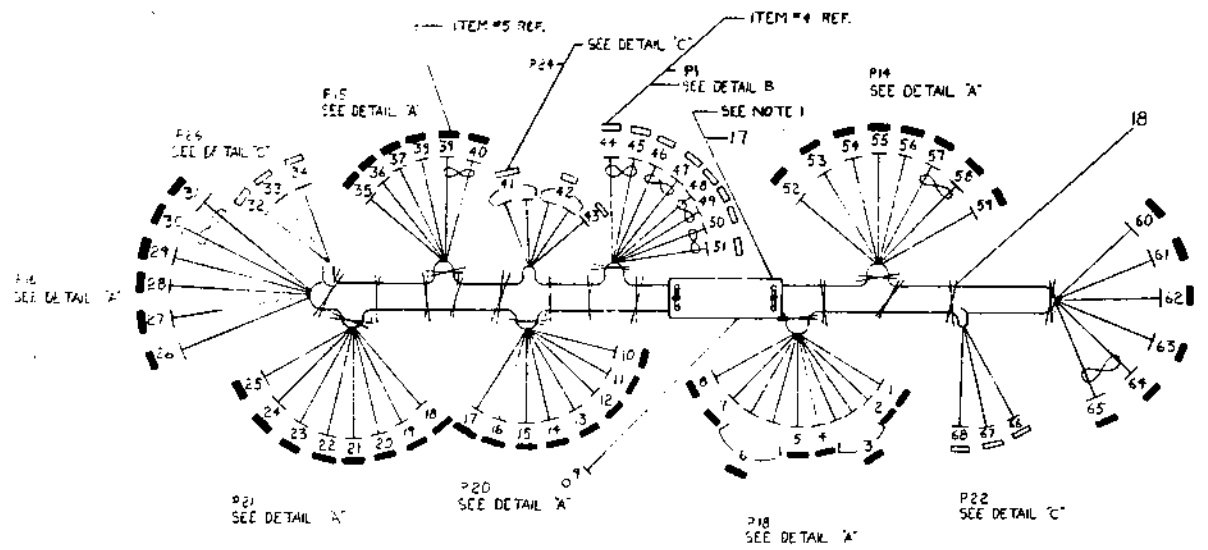
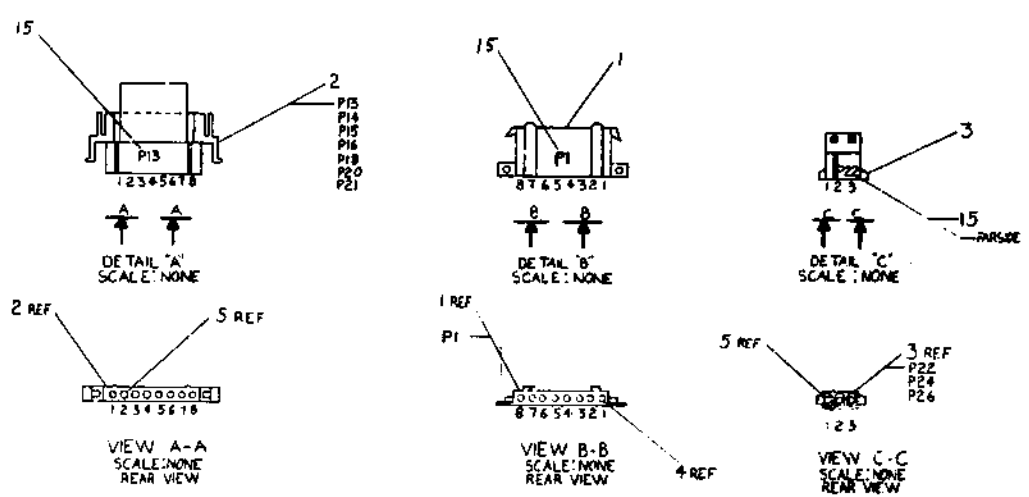
CHANGE NO	REV

SIGNATURES		DATE	digital
DRN. <i>C. Brown</i>		7/28/77	
CHK'D. <i>C. Brown</i>		7/29/77	TITLE MKII SP MOS BACKPLANE
ENG. <i>W. Angell</i>		8/10/77	
PROJ. ENG. <i>W. Angell</i>		8/10/77	SCALE 1-1
PROD. RD. <i>Hill</i>		9/10/77	
SHT. 1 OF 1		SIZE CODE D	NUMBER 542637-0-1 B
ETCH REV C		FIRST USED ON MKII	

D5 542637-0-1 B

WIRE TABLE								
ITEM NO.	AWG	COLOR	POINT	CONNECTION	WTH	POINT	CONNECTION	WTH
10	14	RED	1	P18-1	5	54	P14-5	5
10		RED	2	P18-2	5	53	P14-2	5
10		RED	24	P21-7	5	52	P14-1	5
11		GRAY	4	P18-4	5	42	P15-4	5
11		GRAY	22	P21-3	5	37	P15-4	5
11		GRAY	23	P21-6	5	28	P16-4	5
9		ORN	5	P18-3	5	40	P15-1	5
9		ORN	20	P21-3	5	26	P16-1	5
9		ORN	21	P21-4	5	35	P15-1	5
8		BRN	7	P18-7	5	63	P13-6	5
8		BRN	18	P21-1	5	29	P16-6	5
8		BRN	19	P21-2	5	38	P15-6	5
11		BLK	12	P20-3	5	61	P13-2	5
11		BLK	13	P20-4	5	55	P14-4	5
11		BLK	14	P20-5	5	54	P14-3	5
11		BLK	15	P20-6	5	27	P16-2	5
11		BLK	16	P20-7	5	36	P15-2	5
14		BLK	17	P20-8	5	59	P14-8	5
12	TWP	WHT	31	P16-8	5	44	P1-8	5
12		RED	39	P15-7	5	46	P1-6	5
12	TWP	WHT	45	P15-8	5	47	P1-5	5
12	TWP	WHT	58	P14-7	5	49	P1-3	5
12	TWP	WHT	43	P15-8	5	51	P1-2	5
14		WHT	34	P24-3	4	25	P21-8	5
14		WHT	43	P24-3	4	10	P20-1	5
14		WHT	66	P22-3	4	8	P18-8	5
7		BLK	11	P20-2	5	4	LUG	6
6		VIO	32	P24-2	4	41	P24-2	4
6		VIO	3	P18-3	5	48	P22-2	5
13		VEL	33	P24-1	4	42	P24-1	4
12		VEL	6	P18-6	5	27	P22-1	4

NOTES:
 1-MOUNT LABEL W/ITEM #17 APPROX. AS SHOWN IN CABLE TIES (ITEM #26)
 2-STRIP + CRIMP PER DWG # 7665267-0-0



DO NOT REDUCE SCALE
 6IN 12IN
 FOR MANUFACTURING PURPOSES ONLY

ITEM NO.	DESCRIPTION	QTY	UNIT
1	WIRE #18 STRD. NS VIO	20	FT360-77
2	WIRE #18 STRD. NS BLK	20	FT370-00
3	WIRE #18 STRD. NS GRAY	20	FT370-00
4	WIRE #18 STRD. NS WHT	20	FT360-77
5	WIRE #18 STRD. NS RED	20	FT360-77
6	WIRE #18 STRD. NS ORN	20	FT370-00
7	WIRE #18 STRD. NS BRN	20	FT370-00
8	WIRE #18 STRD. NS VEL	20	FT370-00
9	WIRE #18 STRD. NS BLK	20	FT360-77
10	TERMINAL (FEMALE)	20	FT370-00
11	TERMINAL (MALE)	20	FT370-00
12	CONNECTOR (TERMINAL) PIN	20	FT370-00
13	CONNECTOR (TERMINAL) PIN	20	FT370-00
14	CONNECTOR (TERMINAL) PIN	20	FT370-00

STAMP: 20-0-00

DATE: 7-14-67

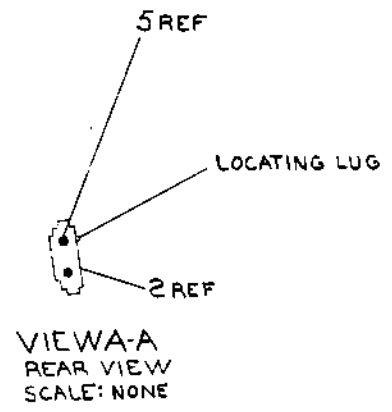
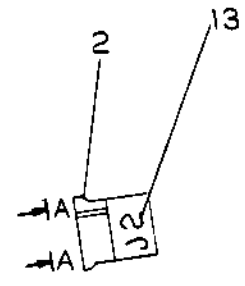
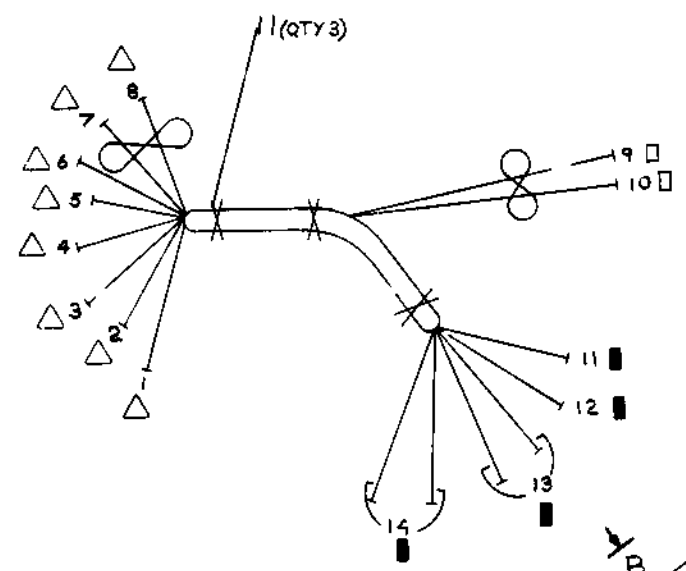
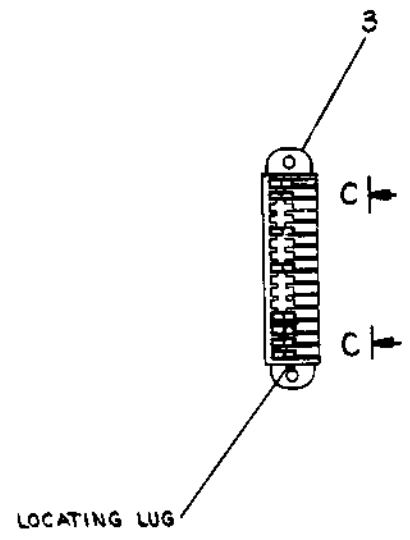
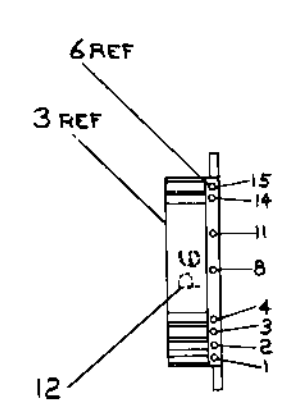
BY: [Signature]

REV: 1

WIRING HARNESS
 MKII

SEE PARTS LIST

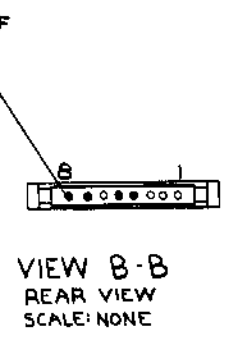
WIRE TABLE								
ITEM NO	DESCRIPTION	FROM			TO			
		AWG	COLOR	POINT	CONNECTION	TERM	POINT	CONNECTION
10	18	VIO	1	P6-1	6	13	P19-7	4
10		VIO	2	P6-2				
9		YEL	3	P6-3		14	P19-8	
9		YEL	5	P6-8				
8		BLK	4	P6-4		12	P19-5	
8		BLK	6	P6-11		11	P19-4	4
7		WHT	7	P6-14		10	J2-1	5
TWP	18	RED	8	P6-15	6	9	J2-2	5



DO NOT REDUCE SCALE



FOR MANUFACTURING PURPOSES ONLY



A/R	DESCRIPTION	PART NO.	QTY
A/R	PWR HARN. DECAL (J)	ADC7409873-00	13
A/R	PWR HARN. DECAL (P)	ADC7409872-00	12
3	TIE, CABLE	9007880	11
70"	WIRE, #18AWG, VIOLET	9107360-77	10
70"	WIRE, #18AWG, YEL	9107360-44	9
70"	WIRE, #18AWG, BLK	9107360-00	8
70"	WIRE, TWP #18AWG, RED/WHT	9107430-29	7
△	TERMINAL, RIGHT ANGLE	1210381	4
□	TERMINAL, FEMALE	1209379-01	5
■	TERMINAL, MALE	1209378-01	4
1	HOUSING, TERMINAL	1210380-07	3
1	CONN. 2PIN FEMALE	1210821-2	2
1	CONN. 8PIN MALE	1209340-01	1

OPTION / MODEL	SYM	QTY	DESCRIPTION	PART NO.	REV
MJ11-A					

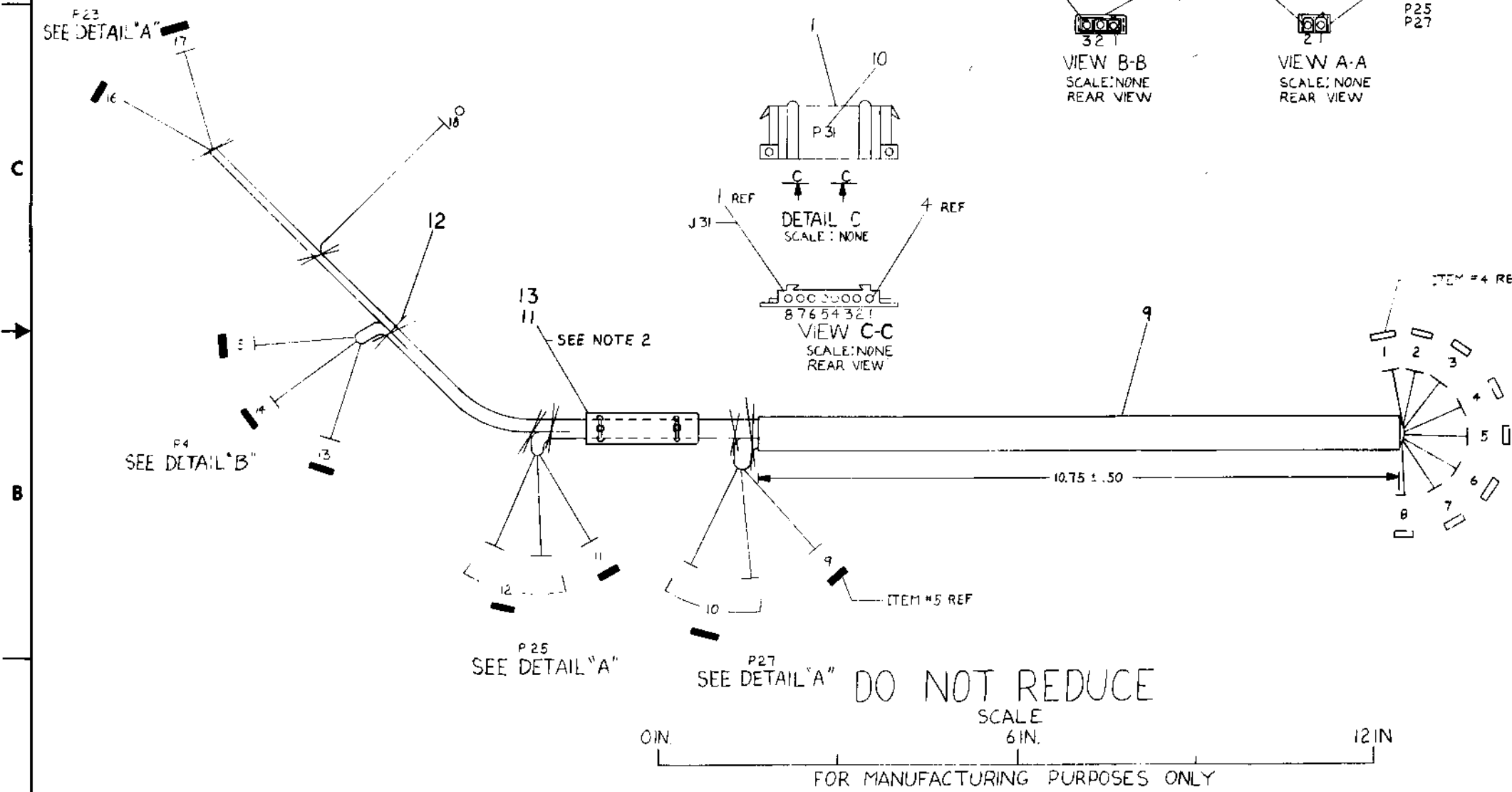
UNLESS OTHERWISE SPECIFIED DIMENSION IN INCHES. TOLERANCES	DRN	DATE	EQUIPMENT CORPORATION TITLE WIRE HARNESS A.C./D.C. LOW (MJ11-A)
DECIMALS	CHK'D	DATE	
ANGLES	APP'D	DATE	
XXX - 00 XX - 02 X - 1	PROJ. ENGR.	DATE	
REMOVE BURRS AND BREAK SHARP CORNERS. SURFACE QUALITY	PROG.	DATE	NUMBER 7010581-0-0
MATERIAL	NEXT HIGHER ASSY.		REV.
SEE PARTS LIST	D-UA-MJ11-A-0		
FINISH	SCALE 1/1	SHEET 1 OF 1	DIST.

REV	CHANGE NO.

THIS DRAWING AND SPECIFICATIONS HEREIN ARE THE PROPERTY OF DIGITAL EQUIPMENT CORPORATION AND SHALL NOT BE REPRODUCED OR COPIED IN WHOLE OR IN PART AS THE BASIS FOR THE MANUFACTURE OR SALE OF ITEMS WITHOUT WRITTEN PERMISSION. COPYRIGHT © 1977, DIGITAL EQUIPMENT CORPORATION.

WIRE TABLE									
ITEM NO	DESCRIPTION	FROM	TO	REMARKS					
	AWG	COLOR	POINT	CONNECTOR	WITH	POINT	CONNECTOR	WITH	
7	18	RED	17	P23-1	5	12	P25-1	5	
		RED	10	P27-1	5	8	P31-1	4	
7		RED	15	P4-2		6	P31-4		
6		BLK	16	P23-2		2	P31-7		
		BLK	13	P4-3		7	P31-2		
		BLK	11	P25-2		3	P31-6		
		BLK	9	P27-2		4	P31-5		
6		BLK	1	P31-8	4	18	LUG	13	
8	18	WHT	14	P4-1	5	5	P31-3	4	

- NOTES
1. STRIP+CRIMP PER DWG 765267-0-C
 2. MOUNT SERIAL TAG (ITEM#11) APPROX. AS SHOWN USING CABLE TIES (ITEM#12) CABLE TIES TO BE SNUG, DO NOT CRUSH CABLE.



ITEM NO	DESCRIPTION	DWG. PART NO.	ITEM NO.
1	TERMINAL (MALE)	1259376-01	5
2	TERMINAL (FEMALE)	1259379-01	4
3	CONNECTOR (MALE) 2 PIN	1259382-02	3
4	CONNECTOR (MALE) 3 PIN	1259381-03	2
5	CONNECTOR (FEMALE) 6 PIN	1259345-00	1
6	WIRE, #18 STRD, NS WHT	9107765-22	7
7	WIRE, #18 STRD, NS PED	9107765-22	7
8	WIRE, #18 STRD, NS BLK	9107765-22	7
9	WIRE, #18 STRD, NS WHT	9107765-22	7
10	DECALS (CP)	A-DC 7439472-2-0	10
11	LABEL, HARNESS IDENT	9007031-00	12
12	TIE, CABLE	9007031-00	12
13	TERMINAL, #10 HOLE	9007935-00	13

QUANTITY & VARIATION	SYMBOLS	DESCRIPTION	DWG. PART NO.	ITEM NO.
UNLESS OTHERWISE SPECIFIED DIMENSIONS ARE IN INCHES				
ANGLES 90° 20°	ACQUICKEN	CHECK ONE	MICROMETERS	
SURFACE QUALITY	MEDIUM	PERFECTED	1.012	1.018
DO NOT SCALE DWG	THIRD ANGLE PROJECTION	DRN. P. [Signature]	15 MAY 77	FIRST USED ON MK II
MATERIAL SEE PARTS LIST	FINISH	CHK'D [Signature]	20 MAR 77	TITLE HARNESS, BOX CONTROL, INTERNAL (MK II)
FINISH	SCALE 1/1	ENG. [Signature]	27 MAR 77	PROL. ENG. [Signature]
	SIZE D	PROD. Q. [Signature]	17 SEP 77	NUMBER 7014614-0-0
	SHEET 1 OF 1			REV.

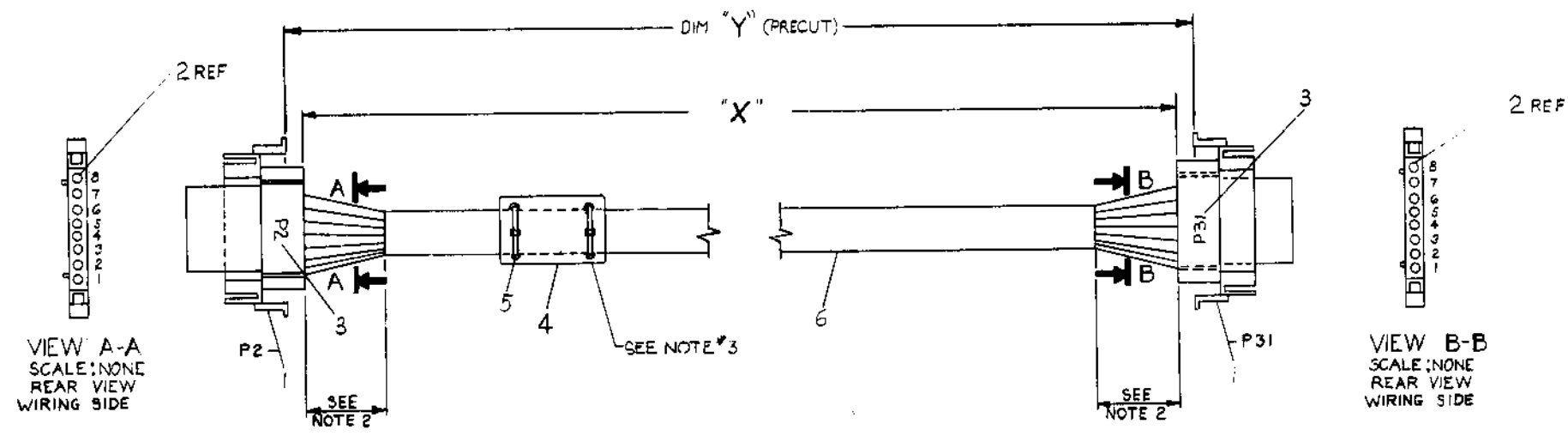
REVISIONS
 CHANGE NO.
 DATE

THIS DRAWING AND SPECIFICATIONS HEREON ARE THE PROPERTY OF DIGITAL EQUIPMENT CORPORATION AND SHALL NOT BE REPRODUCED OR COPIED IN WHOLE OR IN PART AS THE BASIS FOR THE MANUFACTURE OR SALE OF ITEMS WITHOUT WRITTEN PERMISSION. COPYRIGHT © 1977, DIGITAL EQUIPMENT CORPORATION

WIRE TABLE						
ITEM NO.	DESCRIPTION	FROM	TO	WITH	CONNECTION	WITH
6	18	BROWN	P2-1	2	P31-1	2
	↑	RED	P2-2	↑	P31-2	↑
		ORN	P2-3		P31-3	
		YEL	P2-4		P31-4	
		GRN	P2-5		P31-5	
		BLUE	P2-6		P31-6	
	↓	VIO	P2-7	↓	P31-7	↓
	18	GREY	P2-8	2	P31-8	2

LEGEND		
NUMBER	DIM "X" VARIATION	DIM "Y" (PRECUT) REF
7014311-9F	9 FT 6IN±2IN	9 FT 6.5 IN
7014311-1F	1 FT 6IN±2IN	1 FT 6.5 IN
7014311-4F	4 FT 6IN±2IN	4 FT 6.5 IN

- NOTES:
- STRIP # CRIMP PER DWG NO 7665267-0-0
 - LENGTH OF SLIT 1.25 INCHES
 - MOUNT LABEL, CABLE APPRX AS SHOWN USING CABLE TIES ITEM #5. CABLE TIES TO BE SNUZ, DO NOT CRUSH CABLE



QTY	DESCRIPTION	DWG. PART NO.	ITEM NO.
6	CABLE FLAT 8 COND. STRD #18AWG	1700098-01	6
2	TIE, CABLE	9:07091-00	5
1	LABEL, CABLE IDENT	000932-00	4
1	DECAL (P)	A DC-7409372-2-0	3
1	TERMINAL (MALE)	1209378-01	
2	CONNECTOR, MALE	1209340-01	1

UNLESS OTHERWISE SPECIFIED DIMENSIONS ARE IN INCHES	
ANGLE 90° ±30'	CLASS OF ACCURACY
SURFACE QUALITY IN	CHECK ONE
QUANTITY & VARIATION	PREFERRED
THIRD ANGLE PROJECTION	REMOVE BURRS AND BREAK SHARP CORNERS
MATERIAL SEE PARTS LIST	DO NOT SCALE DWG
FINISH	

DRAWN BY	6-10-77	FIRST USED ON	MKII
CHK'D BY	9-28-77	TITLE	CABLE, BOX CONTROLLER EXT
ENG. BY	1-22-78	SIZE	D
PROJ. ENG.		CODE	IA
PROD. BY		NUMBER	7014311-0-0
NEAT HIGHER ASSY.		REV	
SHEET 1	OF 1	DWG.	

REV.	DESCRIPTION	DATE
A	7014311-1W001	5/21/78
B	8 1/2 x 11 1/2	

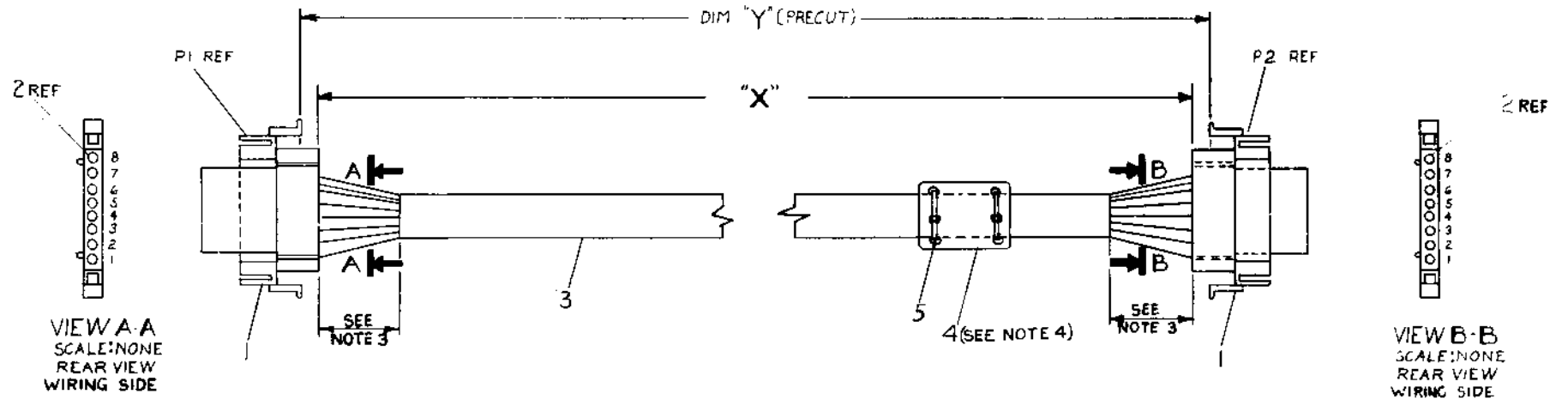
7014311-0-0 1A

"THIS DRAWING AND SPECIFICATIONS HEREIN ARE THE PROPERTY OF DIGITAL EQUIPMENT CORPORATION AND SHALL NOT BE REPRODUCED OR COPIED IN WHOLE OR IN PART AS THE BASIS FOR THE MANUFACTURE OR SALE OF ITEMS WITHOUT WRITTEN PERMISSION. COPYRIGHT © 1977, DIGITAL EQUIPMENT CORPORATION"

WIRE TABLE						
ITEM NO.	DESCRIPTION	FROM	TO	WITH	CONNECTION	WITH
5	14	BROWN	P1-1	2	P2-1	2
		RED	-2		-2	
		ORN	-3		-3	
		YEL	-4		-4	
		GRN	-5		-5	
		BLUE	-6		-6	
		VIO	-7		-7	
5	14	GREY	P1-8	2	P2-8	2

LEGEND		
NUMBER	DIM "X" VARIATION	DIM "Y" (PRECUT) REF.
7014520-08	8 FT 0 IN ± 2 IN	8 FT.5 IN
7014520-05	5 FT 0 IN ± 2 IN	5 FT.5 IN

- NOTES:
1. STRIP & CRIMP PER DWG NO 7665267-0-0
 2. SLITTING FIXTURE
 3. LENGTH OF SLIT 1.25 INCHES
 4. MOUNT LABEL, CABLE APPROX AS SHOWN USING CABLE TIES ITEM #5. CABLE TIES TO BE SNUG, DO NOT CRUSH CABLE.



VIEW A-A
SCALE: NONE
REAR VIEW
WIRING SIDE

VIEW B-B
SCALE: NONE
REAR VIEW
WIRING SIDE

QTY	DESCRIPTION	DWG. PART NO.	ITEM NO.
2	THE CABLE	9007-31-00	5
1	LABEL, CABLE IDENT.	9009532-00	4
1	CABLE, FLAT SCOND #14 AWG	1700098-00	3
1	TERMINAL (MALE)	1209378-01	2
2	CONNECTOR (MALE)	1209340-01	1

UNLESS OTHERWISE SPECIFIED DIMENSIONS ARE IN INCHES	
ANGLES	CLASS OF ACCURACY
20° 30'	AS SHOWN
SURFACE QUALITY	CHECK OVER
IN	MEDIUM
MICROINCHES	PREFERRED
	1.012 1.018 1.024 1.030 1.036 1.042

THIRD ANGLE PROJECTION

REMOVE BURRS AND BREAK SHARP CORNERS

DO NOT SCALE DWG

MATERIAL SEE PARTS LIST

FINISH

DRN: *W. Dean* 6-10-77
 CHK'D: *W. Dean* 7-5-77
 ENG: *W. Dean* 7-20-77
 PROJ. ENG: *W. Dean* 7-20-77
 PROD: *W. Dean* 7-20-77

FIRST USED ON MKII

TITLE: CABLE, POWER BATTERY BACKUP

SIZE: D CODE: TA NUMBER: 7014520-0-0 REV: A

SHEET 1 OF 1

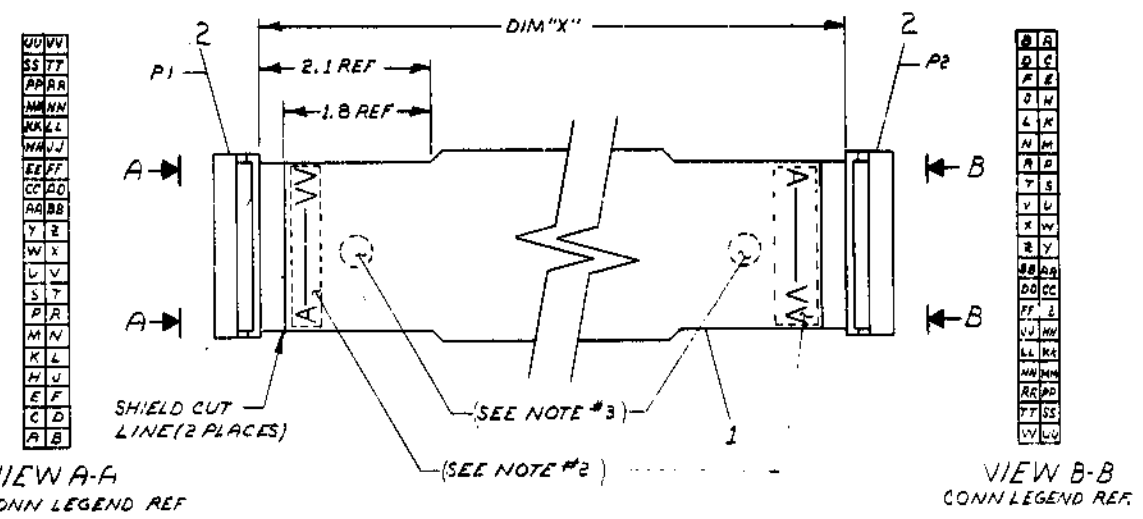
REV.	CHANGE NO.	DESCRIPTION
1	1	7014520-TW001-A
2	2	1/1/78
3	3	R. WOLF
4	4	R. Wolf / P. K... 5/22/78

THIS DRAWING AND SPECIFICATIONS HEREIN ARE THE PROPERTY OF DIGITAL EQUIPMENT CORPORATION AND SHALL NOT BE REPRODUCED OR COPIED OR USED IN WHOLE OR IN PART AS THE BASIS FOR THE MANUFACTURE OR SALE OF ITEMS WITHOUT WRITTEN PERMISSION. COPYRIGHT © 1976 DIGITAL EQUIPMENT CORPORATION.

WIRE TABLE			
FROM	TO	FROM	TO
P1-A	P2-VV	P1-Y	P2-X
P1-B	P2-UU	P1-Z	P2-W
P1-C	P2-TT	P1-AA	P2-V
P1-D	P2-SS	P1-BB	P2-U
P1-E	P2-RR	P1-CC	P2-T
P1-F	P2-PP	P1-DD	P2-S
P1-H	P2-NN	P1-EE	P2-R
P1-J	P2-MM	P1-FF	P2-P
P1-K	P2-LL	P1-HH	P2-N
P1-L	P2-KK	P1-JJ	P2-M
P1-M	P2-JJ	P1-KK	P2-L
P1-N	P2-IH	P1-LL	P2-K
P1-P	P2-FF	P1-MM	P2-J
P1-R	P2-EE	P1-NN	P2-H
P1-S	P2-DD	P1-PP	P2-F
P1-T	P2-CC	P1-RR	P2-E
P1-U	P2-BB	P1-SS	P2-D
P1-V	P2-AA	P1-TT	P2-C
P1-W	P2-Z	P1-UU	P2-B
P1-X	P2-Y	P1-VV	P2-A

LEGEND		
NUMBER	DIM "X"	PRECUT LENGTH
BC0BR-01	1.00 FT.	1.00 FT. 1.5 IN. 1.00 IN.
BC0BR-02	2.00 FT.	2.00 FT. 1.5 IN. 1.00 IN.
BC0BR-03	3.00 FT.	3.00 FT. 1.5 IN. 1.00 IN.
BC0BR-04	4.00 FT.	4.00 FT. 1.5 IN. 1.00 IN.
BC0BR-05	5.00 FT.	5.00 FT. 1.5 IN. 1.00 IN.
BC0BR-06	6.00 FT.	6.00 FT. 1.5 IN. 1.00 IN.
BC0BR-07	7.00 FT.	7.00 FT. 1.5 IN. 1.00 IN.
BC0BR-08	8.00 FT.	8.00 FT. 1.5 IN. 1.00 IN.
BC0BR-09	9.00 FT.	9.00 FT. 1.5 IN. 1.00 IN.
BC0BR-10	10.00 FT.	10.00 FT. 1.5 IN. 1.00 IN.
BC0BR-11	11.00 FT.	11.00 FT. 1.5 IN. 1.00 IN.
BC0BR-12	12.00 FT.	12.00 FT. 1.5 IN. 1.00 IN.
BC0BR-13	13.00 FT.	13.00 FT. 1.5 IN. 1.00 IN.
BC0BR-14	14.00 FT.	14.00 FT. 1.5 IN. 1.00 IN.
BC0BR-15	15.00 FT.	15.00 FT. 1.5 IN. 1.00 IN.
BC0BR-16	16.00 FT.	16.00 FT. 1.5 IN. 1.00 IN.
BC0BR-17	17.00 FT.	17.00 FT. 1.5 IN. 1.00 IN.
BC0BR-18	18.00 FT.	18.00 FT. 1.5 IN. 1.00 IN.
BC0BR-19	19.00 FT.	19.00 FT. 1.5 IN. 1.00 IN.
BC0BR-20	20.00 FT.	20.00 FT. 1.5 IN. 1.00 IN.
BC0BR-25	25.00 FT.	25.00 FT. 1.5 IN. 1.00 IN.
BC0BR-30	30.00 FT.	30.00 FT. 1.5 IN. 1.00 IN.
BC0BR-35	35.00 FT.	35.00 FT. 1.5 IN. 1.00 IN.
BC0BR-50	50.00 FT.	50.00 FT. 1.5 IN. 1.00 IN.
BC0BR-60	60.00 FT.	60.00 FT. 1.5 IN. 1.00 IN.
BC0BR-75	75.00 FT.	75.00 FT. 1.5 IN. 1.00 IN.
BC0BR-100	100.00 FT.	100.00 FT. 1.5 IN. 1.00 IN.
BC0BR-130	130.00 FT.	130.00 FT. 1.5 IN. 1.00 IN.
BC0BR-160	160.00 FT.	160.00 FT. 1.5 IN. 1.00 IN.

1. ASSEMBLE THIS CABLE PER PROCESS SPEC #7606485-0-0.
2. CONNECTOR LEGEND IDENTIFICATION TO BE PLACED ON SHIELD SIDE OF CABLE IN THIS AREA AS SHOWN.
3. INSPECTION & TEST STAMPS TO BE PLACED AT EACH END OF THE CABLE ASSY.
4. STRIP LENGTH SHOULD BE .62 ± .032.



VIEW A-A
CONN LEGEND REF

VIEW B-B
CONN LEGEND REF

REV	DATE	BY	CHK	DESCRIPTION
1				REVISED REPAIRS
2				S. HOLMES
3				P. GARDNER

2	CONNECTOR, 4x SOCKET	1211206	2
1	AIR CABLE, 40 COND. FLAT W/SHIELD	1700004	1
UNLESS OTHERWISE SPECIFIED DIMENSIONS ARE IN INCHES			
ANGLES 40° 30'	CLASS OF ACCURACY	NOMINAL DIMENSION RANGE INCHES	
SURFACE QUALITY IN	(CHECK ONE)	OVER 0	OVER 0.5
		0.5	0.5
QUANTITY & VARIATION	MICROINCHES	1.004	1.008
		1.012	1.016
THIRD ANGLE PROJECTION		ORNDORFF	FIRST USED ON
REMOVE BURRS AND BREAK SHARP CORNERS		CHKO FLEMING	
DO NOT SCALE DWG		ENGP GARDNER	
MATERIAL		PROJ. ENG. GARDNER	
FINISH		PROD. DONALL	
NEXT HIGHER ASSY.		TITLE BC0BR TO CABLE	
SCALE	SIZE 0000	NUMBER	REV.
SHEET OF	DIA BC0BR-0-0	M	