

**digital**

**BAI-K**

**Engineering Drawings**

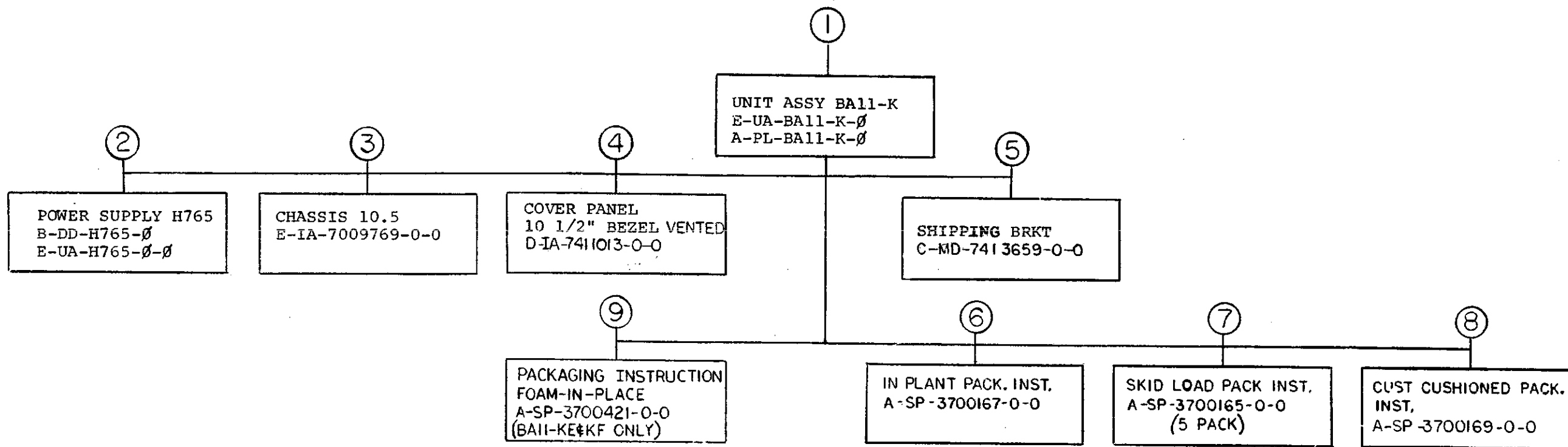
**Digital Equipment Corporation**

The material herein is for information purposes only and is subject to change without notice. Digital Equipment Corporation assumes no responsibility for any errors which may appear herein.

These drawings and specifications herein are the property of Digital Equipment Corporation and shall not be reproduced or copied or used in whole or in part as the basis for the manufacture or sale of items without written permission.

Copyright © 1975, Digital Equipment Corporation





TITLE	SIZE	CODE	NUMBER	REV
DRAWING DIRECTORY BALL-K	B	DD	BALL-K	P
SHEET 2 OF 4				



FIND NO.	DRAWING NO.	DESCRIPTION	TYPE	FIND NO.	DRAWING NO.	DESCRIPTION	TYPE					
1	E-UA-Ball-K-Ø	UNIT ASSY Ball-K	E/M	6	A-SP-3700167-0-0	IN PLANT PACK. INST.	M					
	A-PL-Ball-K-Ø	UNIT ASSY Ball-K PL	E/M									
	D-IA-7009768-0-0	COVER, CHASSIS	M									
	D-PS-1211825-0-0	SLIDE, 3 POS TILT	M									
	D-MD-7412184	CABLE, TROUGH CHASSIS	E/M									
	D-UA-BC11A-1Ø-Ø	UNIBUS, CABLE, 10 FT	E/M									
	B-CS-M919-Ø-1	BUS CONNECTOR M919	E									
	B-CS-M929-Ø-1	BUS CONNECTOR M929	E									
	D-PS-1212405-ØØ	CARD GUIDE	M									
	A-DC-5309414-Ø	DECAL UL	M									
	A-PS-3613281-Ø-Ø	DECAL	M									
	A-DC-5309413-Ø	DECAL NFPA	M									
	2	B-DD-H765-Ø	DWG DIRECTORY H765					E/M	8	A-SP-3700169-0-0	CUST. CUSHIONED PACK. INST.	M
		E-UA-H765-Ø-Ø	POWER SUPPLY H765					M				
3	E-IA-7009769-Ø-Ø	CHASSIS, 10.5	M	9	A-SP-3700421-0-0	PACKAGING INSTRUCTIONS (FOAM-IN-PLACE) (Ball-KE & KF VARIATIONS ONLY)	M					
	E-IA-7411703-Ø-Ø	CHASSIS, FRONT	M									
	E-IA-7411707-Ø-Ø	CHASSIS, SIDE	M									
	D-MD-7411706-Ø-Ø	BRACKET, HAT	M									
	D-MD-7411705-Ø-Ø	BRACKET, CARD GUIDE	M									
	C-MD-7412185-Ø-Ø	PLATE CABLE	M									
4	D-IA-7411013-Ø-Ø	COVER PANEL 10 1/2 BEZEL	M									
5	C-MD-7413659-Ø-Ø	SHIPPING BRKT	M									

TYPE: E ELECTRICAL  
M MECHANICAL  
E/M ELECTRO/MECHANICAL



TITLE DRAWING DIRECTORY Ball-K

SHEET 4 OF 4

SIZE CODE B DD

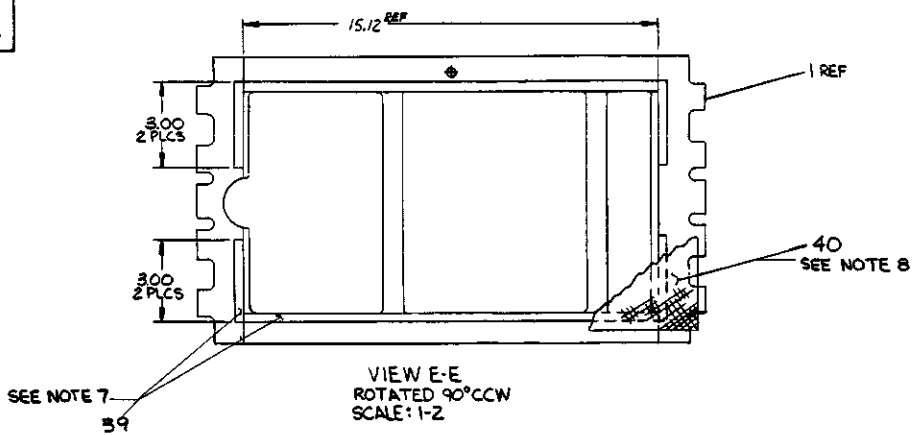
NUMBER Ball-K

REV P



8 7 6 5 4 3 2 1

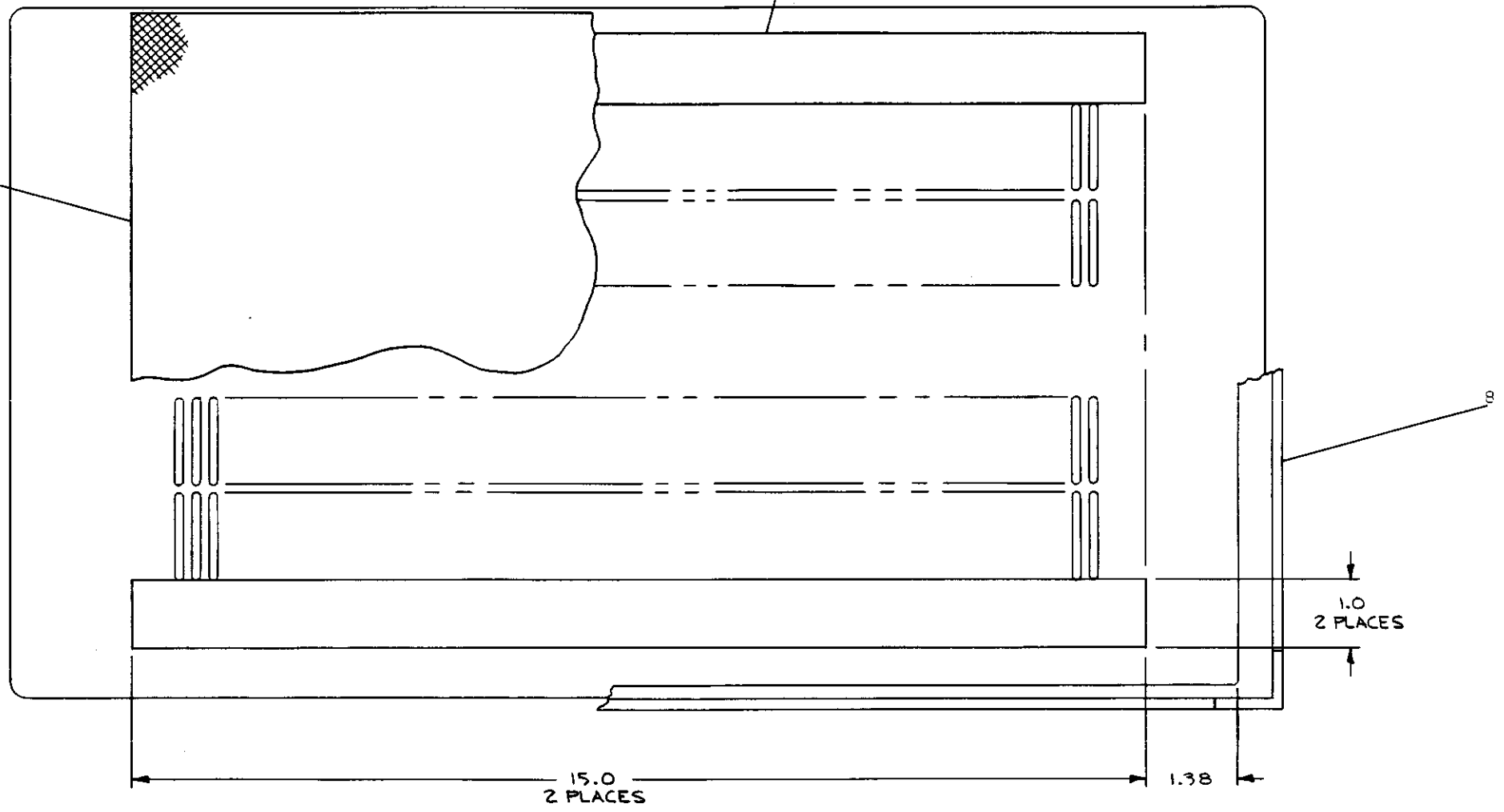
THIS DRAWING AND ANY INFORMATION CONTAINED HEREIN IS UNCLASSIFIED EXCEPT WHERE SHOWN OTHERWISE. DATE OF DECLASSIFICATION IS INDEFINITE.



SEE NOTE 7  
39

30

31



REVISIONS

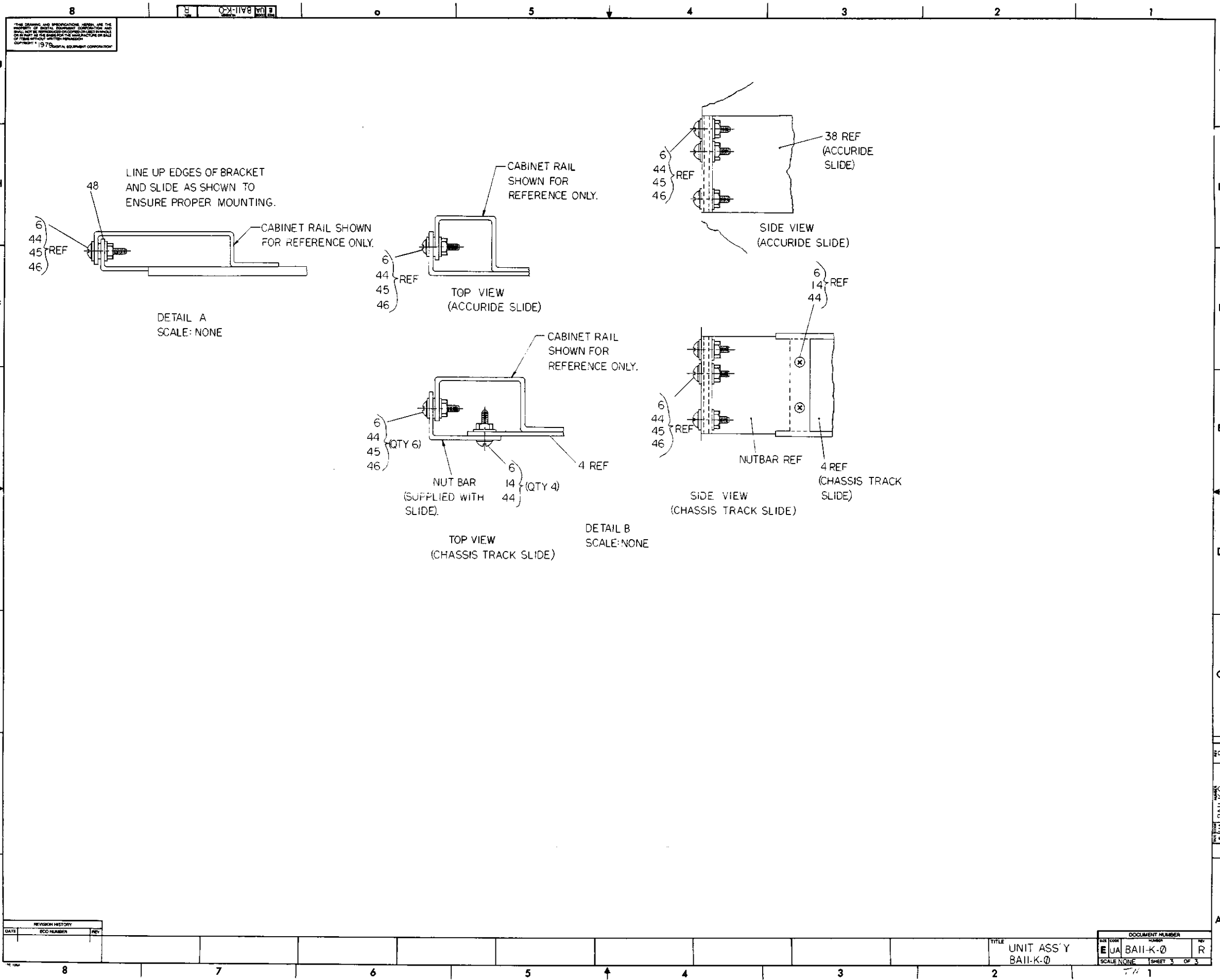
CHK	CHANGE NO.	REV.

8 7 6 5 4 3 2 1

TITLE	UNIT ASSY BAI1K-0	DESIGNER	EUA	NUMBER	BAI1K-0	REV.	R
SCALE	2	SHEET	2 OF 3	DIST.			

7/1 1

BAI1K-0



REVISION HISTORY		
DATE	ECO NUMBER	REV

TITLE	UNIT ASS'Y BAIL-K-Ø	DOCUMENT NUMBER	EUA BAIL-K-Ø	REV	R
SCALE	NONE	SHEET	3	OF	3



DIGITAL EQUIPMENT CORPORATION MAYNARD, MASSACHUSETTS			QUANTITY / VARIATION									
PARTS LIST			BALL-KE	BALL-KF	BALL-KH	BALL-KJ	BALL-KK	BALL-KL	BALL-KA	BALL-KS	BALL-KT	
MADE BY	DATE	CHECKED	DATE	SECTION								
BILL BLODGET	6/26/74	D. HEALY	6/27/74	1								
ENG	DATE	PROD	DATE	ISSUED SECT.								
P. E. JAKSON	8-23-74	W. LUCAS	8-23-74	1								
ITEM NO.	DWG NO. / PART NO.	DESCRIPTION	BALL-KE	BALL-KF	BALL-KH	BALL-KJ	BALL-KK	BALL-KL	BALL-KA	BALL-KS	BALL-KT	
1	E-IA-7009769-0-0	CHASSIS 10.5	1	1	1	1	1	1	1	1		
2	D-IA-7009768-0-0	COVER, CHASSIS	2	2						2	2	
3	D-CS-5410864-0-1	POWER DISTRIBUTION BOARD	REF	REF	REF	REF	REF	REF	REF	REF	REF	
4	D-PS-1211825-0-0	SLIDE, 3 POS TILT	1pr	1pr								
5	D-PS-1212405-0	CARD GUIDE, SINGLE	24	24	24	24	24	24	24	24	24	
6	9006071-3	SCREW, PHL TRUSS HD #10-32 X .38 *	16	16						16	16	
7	9006020-2	SCREW, PHL FLAT HD #6-32 X .25	4	4	4	4	4	4	4	4	4	
8	D-IA-7411013-0-0	COVER, PANEL 10 1/2 BEZEL (SNAP-ON/VENTED)	1	1								
9	B-DD-H765-A	POWER SUPPLY H765-A 120V 50/60 HZ	1		1					1		
10	9006020-3	SCREW, PHL TRUSS HD #6-32 X .25	4	4	8	8	8	8	4	4	4	
11	9006035	WASHER EXTERNAL TOOTH LOCK #6 *	4	4								
12	9007651	WASHER EXTERNAL TOOTH #10 *	6	6						6	6	
13	9009599	SCREW, PHL FLAT HD (SPECIAL)	6	6	6	6	6	6	6	6	6	
14	9006565	NUT, KEPS, #10-32	6	6						6	6	
15	DEC-3-(374)-1825-NH74	STICKER, "CONFIGURATION"	1	1						1	1	
16	D-IA-7010059-0-0	SHIPPING BRKT, ASSY	1	1								
17	B-DD-H765-B	POWER SUPPLY H765-B, 240V 50/60 HZ	1		1					1		
18	D-MD-7412184-0-0	CABLE TROUGH CHASSIS	1		1	1	1	1				
19	9006020-1	SCREW, PHL FLAT HD #6-32 X .25	1	1	5	5	5	5				
20	D-UA-BC11A-10-0	UNIBUS CABLE, 10 FT	1	1						1	1	
21	9007224	LATCH MOLDING	4	4								
22	9006020-2	SCREW, PHL FLAT HD #6-32 X .25	4	4								
TITLE UNIT ASSY BALL-K			ASSY NO. E-UA-BALL-K-0	SIZE CODE A PL	NUMBER BALL-K-0			REV R	ECO NO. 0000			
SHEET 1 OF 3			DIST.									

DEC FORM DEC 16 (325) 1031-N870  
DRA 110

TW

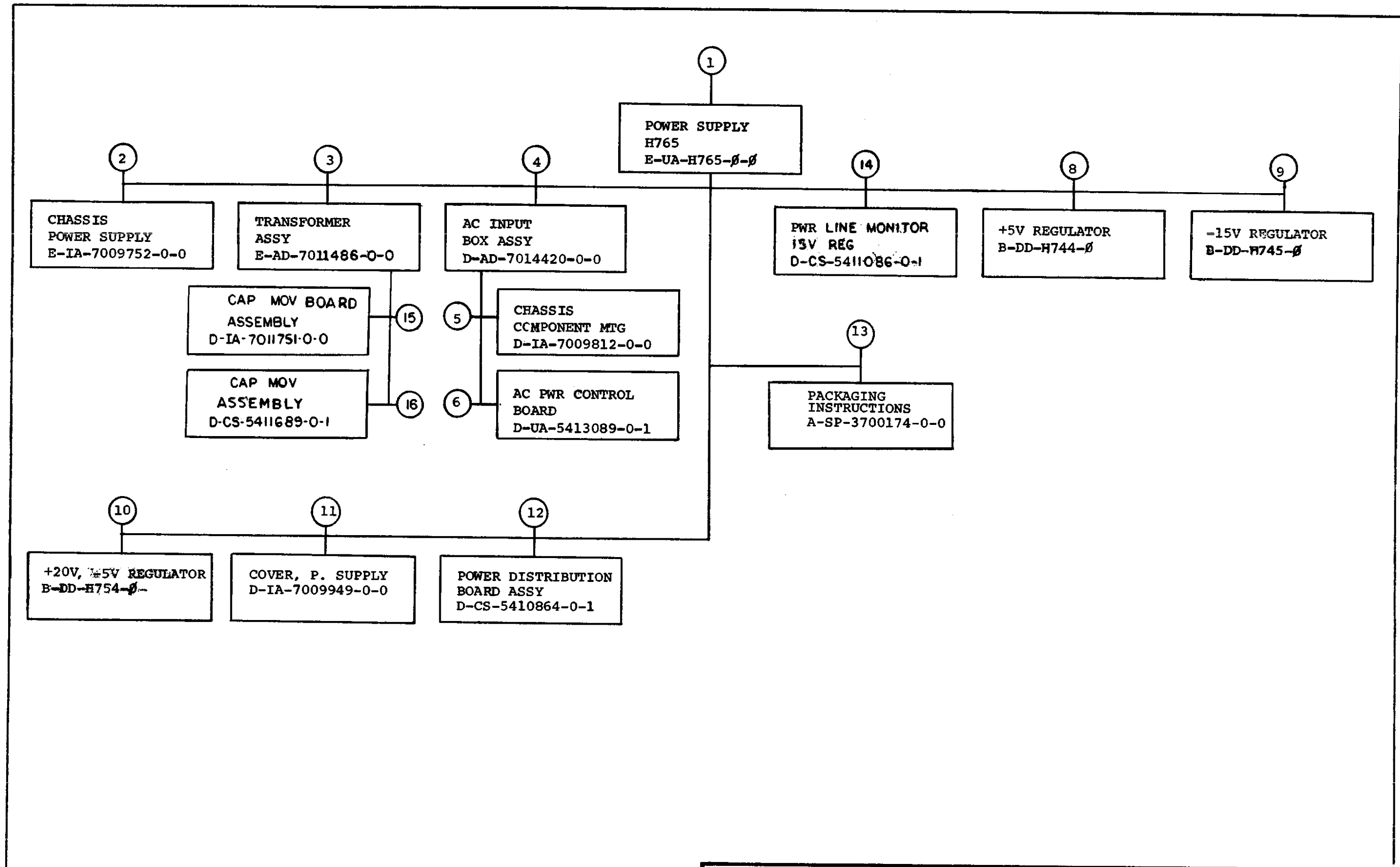
DIGITAL EQUIPMENT CORPORATION MAYNARD, MASSACHUSETTS			QUANTITY VARIATION									
PARTS LIST			BALL-KE	BALL-KF	BALL-KH	BALL-KJ	BALL-KK	BALL-KL	BALL-KA	BALL-KS	BALL-KT	
MADE BY	DATE	CHECKED	DATE	SECTION								
BILL BLODGET	6/26/74	D. HEALY	6/27/74	1								
ENG	DATE	PROD	DATE	ISSUED SECT.								
P. E. JAKSON	8-23-74	W. LUCAS	8-23-74	1								
ITEM NO.	DWG NO. / PART NO.	DESCRIPTION	BALL-KE	BALL-KF	BALL-KH	BALL-KJ	BALL-KK	BALL-KL	BALL-KA	BALL-KS	BALL-KT	
44	90-06636	Washer, internal tooth #10*	18	18						18	18	
45	90-07786-00	Nut, Tinnerman	14	14						14	14	
46	90-06664-00	Washer, flat #10*	14	14						14	14	
47	90-06073-03	Screw, Phil Truss hd #10-32.5*	8	8						8	8	
48	A-SP-3700421-0-0	Packaging Instructions (foam in place)	Ref	Ref								
49	90-06070-02	Ph. Flat hd screw, #10-32 X 5/16	8	8								
50	A-PS-3613209-00	Serial Number Label	A/R	A/R	A/R	A/R	A/R	A/R	A/R	A/R	A/R	
51	9009700	Sems screw, #10-32X.5	6	6						6	6	
* Item 51 is an allowable substitute for the combination of these parts when used on items 38 or 4.												
TITLE Unit Assy Ball-K			ASSY NO. E-UA-BALL-K-0	SIZE CODE A PL	NUMBER BALL-K-0			REV R	ECO NO. 0000			
SHEET 3 OF 3			DIST.									

DEC FORM DEC 16 (325) 1031-N870  
DRA 110

DIGITAL EQUIPMENT CORPORATION MAYNARD, MASSACHUSETTS			QUANTITY / VARIATION									
PARTS LIST			BALL-KE	BALL-KF	BALL-KH	BALL-KJ	BALL-KK	BALL-KL	BALL-KA	BALL-KS	BALL-KT	
MADE BY	DATE	CHECKED	DATE	SECTION								
BILL BLODGET	6/26/74	D. HEALY	6/27/74	1								
ENG	DATE	PROD	DATE	ISSUED SECT.								
P. E. JAKSON	8-23-74	W. LUCAS	8-23-74	1								
ITEM NO.	DWG NO. / PART NO.	DESCRIPTION	BALL-KE	BALL-KF	BALL-KH	BALL-KJ	BALL-KK	BALL-KL	BALL-KA	BALL-KS	BALL-KT	
23	A-SP-3700167-0-0	IN PLANT PACK, INST.				REF	REF	REF	REF	REF	REF	
24	A-SP-3700165-0-0	SKID LOAD PACK INST. (5 PACK)				REF	REF	REF	REF	REF	REF	
25	A-SP-3700169-0-0	CUST. CUSHIONED PACK, INST. (SINGLE)				REF	REF	REF	REF	REF	REF	
26	A-SP-BALL-K-6	BALL-K BASIC CHECKOUT AND ACCEPTANCE PROCEDURE	REF	REF	REF	REF	REF	REF	REF	REF	REF	
27	A-SP-BALL-K-7	BALL-K BASIC ASSEMBLY PROCEDURE	REF	REF	REF	REF	REF	REF	REF	REF	REF	
28	A-DC-5309414-0	DECAL, UL	1	1						1	1	
29	A-DC-5309413-0	DECAL, NTPA										
30	121336-02	TAPE	2	2								
31	1211255-0-0	PRE FILTER	1	1								
32	C-MD-7413659-0-0	SHIPPING BRACKET	2	2						2	2	
33	B-DD-H765-C	POWER SUPPLY H765-C (24VAC 50/60HZ NO H754)				1						
34	B-DD-H765-D	POWER SUPPLY H765-D (24VAC 50/60HZ NO H754)				1						
35	A-PS-3613281-00	DECAL, ADHESIVE BACKED, BALL-K	2	2	1	1	1	1	1	2	2	
36	D-PS-1212405-1	CARD GUIDE, SINGLE	24	24	24	24	24	24	24	24	24	
37	9007036-00	CLAMP, CABLE	1	1	1	1	1	1		1	1	
38	D-PS-1211825-01	SLIDE, 3 POS. TILT								1pr	1pr	
39	A-PS-1212431-00	TAPE, HOOK, MOLDED								A/L	A/L	
40	A-PS-1212392-01	FILTER, FOAM								1	1	
41	9006035	WASHER, INTERNAL TOOTH LOCK #10	1	1	1	1	1	1	1	1	1	
42	9006020-2	SCREW, PHL FLAT HD #6-32 X .25	1	1	1	1	1	1	1	1	1	
43	9007032	TIE, CABLE CLAMP SST2-M	2	2	2	2	2	2	2	2	2	
TITLE UNIT ASSY BALL-K			ASSY NO. E-UA-BALL-K-0	SIZE CODE A PL	NUMBER BALL-K-0			REV R	ECO NO. 0000			
SHEET 2 OF 3			DIST.									

DEC FORM DEC 16 (325) 1031-N870  
DRA 110





TITLE	DRAWING DIRECTORY	SHEET	OF	SIZE	CODE	NUMBER	REV
POWER SUPPLY H765		2	OF	5	B DD	H765-β	R

CUSTOMER PRINT SET		ELECTRICAL					CUSTOMER PRINT SET		ELECTRICAL							
		MFG. SET	FIND NO.	REV	NO OF SHT	DESCRIPTION	OPTION NO./FILE DATE			MFG. SET	FIND NO.	REV	NO OF SHT	DESCRIPTION	OPTION NO./FILE DATE	
1																
X			1	E-UA-H765-0-0	T	2	POWER SUPPLY H765	X			12	D-CS-5410864-0-1	#	3	POWER DIST. BD. ASSY	
				A-SP-H765-0-9			H765 POWER SUPPLY ASSEMBLY PROCEDURE					D-IA-5010863-0-0	#	1	ETCHED CIRCUIT BOARD	
												A-SP-5410864-0-8			TEST PROCEDURE	
												A-SP-5410864-0-9			ASSEMBLY PROCEDURE	
X			3	E-AD-7011486-0-0	#		TRANSFORMER ASSY									
				A-SP-7010014-0-8	A		TEST PROCEDURE									
				A-CS-7010014-TA-1	A		TESTER C.S.									
				A-UA-7010014-TA-0			TESTER U.A.									
				A-PL-7010014-TA-0	A		TESTER P.L.	X			14	D-CS-5411086-0-1	#	4	PWR LINE MONITOR/15V REG	
				A-SP-7011486-0-9			TRANSFORMER ASSY PROCEDURE					A-SP-11/45-TA-2			TEST PROCEDURE	
X			4	D-AD-7014420-0-0	#	2	AC INPUT BOX ASSY					A-SP-5411086-0-3			ENGINEERING SPECIFICATION	
				A-SP-7009811-0-8			TEST PROCEDURE					D-IA-7010138-0-0			HARNESS INTERCONNECTION	
				A-CS-7009811-TA-1			TESTER C.S.									
				A-UA-7009811-TA-0			TESTER U. A.									
				A-PL-7009811-TA-0			TESTER P.L.									
				A-SP-7009811-0-9			AC INPUT BOX ASSY PROCEDURE									
X			6	D-UA-5413089-0-0			PILOT CONTROL BOARD									
C			8	B-DD-H744-0	#	2	DRAWING DIRECTORY H744									
C			9	B-DD-H745-0	#	2	DRAWING DIRECTORY H745									
C			10	B-DD-H754-0	#	3	DRAWING DIRECTORY H754									
CUSTOMER PRINT SET CODES		X = PRINT OF DOCUMENT INCLUDED IN PRINT SET					TITLE		DRAWING DIRECTORY		SIZE CODE		NUMBER		REV	
		C = INCLUDES ALL PRINTS INDICATED ON DOCUMENT					POWER SUPPLY H765		SHEET 3 OF 5		B DD		H765-0		R	
		S = CONFIDENTIAL AUTHORIZED SIGNATURE REQUIRED														

DRB 108

DEC 16 (325)-1062-28-R972

CUSTOMER PRINT SET		MECHANICAL					CUSTOMER PRINT SET		MECHANICAL									
1	MFG. SET	FIND NO.	DRAWING NO.	REV	NO OF SHT	DESCRIPTION	OPTION NO./FILE DATE	1	MFG. SET	FIND NO.	DRAWING NO.	REV	NO OF SHT	DESCRIPTION	OPTION NO./FILE DATE			
		1	E-UA-H765-Ø-Ø	R	2	POWER SUPPLY H765				6	D-UA-5413089-0-0			PILOT CONTROL BOARD				
			D-IA-7009950-0-0		1	THROUGH WIRE												
		2	E-IA-7009752-0-0		1	CHASSIS, POWER SUPPLY												
			E-IA-7411682-0-0		1	CHASSIS, POWER SUPPLY												
			D-MD-7411685-0-0		1	SIDE, POWER SUPPLY												
			D-MD-7411684-0-0		1	HOUSING COMP. CHASSIS												
		3	E-AD-7011486-0-0		2	TRANSFORMER ASSY				8	B-DD-H744-Ø		2	DRAWING DIRECTORY H744				
			C-MD-7414301-0-0		1	COVER												
		4	D-AD-7014420-0-0		2	AC INPUT BOX ASSY				9	B-DD-H745-Ø		2	DRAWING DIRECTORY H745				
			A-DC-7412303-0-1		1	DECAL 115V												
X			D-AD-7012500-0-0		1	POWER CORD				10	B-DD-H754-Ø		3	DRAWING DIRECTORY H754				
			A-DC-7412380-0-1		1	DECAL 230V												
										11	D-IA-7009949-0-0		1	COVER, POWER SUPPLY				
											C-MD-7412473-0-0		1	STRIP, CLAMP				
		5	D-IA-7009812-0-0	A	1	CHASSIS COMPONENT MTG.												
			D-IA-7411765-0-0		1	PLATE SWITCH												
			D-IA-7411766-0-0	B	1	PLATE COMPONENT MTG.												
CUSTOMER PRINT SET CODES	X = PRINT OF DOCUMENT INCLUDED IN PRINT SET C = INCLUDES ALL PRINTS INDICATED ON DOCUMENT S = CONFIDENTIAL AUTHORIZED SIGNATURE REQUIRED						TITLE	DRAWING DIRECTORY POWER SUPPLY H765		SHEET 4 OF 5	SIZE CODE	B DD		NUMBER	H765-Ø		P-V	R

CUSTOMER PRINT SET				MECHANICAL					CUSTOMER PRINT SET						
1	MFG. SET	FIND NO.	DRAWING NO.	REV	NO OF SHT	DESCRIPTION	OPTION NO./FILE DATE		MFG. SET	FIND NO.	DRAWING NO.	REV	NO OF SHT	DESCRIPTION	OPTION NO./FILE DATE
		12	D-CS-5410864-0-1		3	POWER DIST. BD. ASSY									
			C-MD-7412192-0-0		1	SHIELD									
			D-MD-7411704-0-0		1	BRACKET, CONN. MTG.									
			C-IA-9305937-0-0			MATE-N-LOK FIXTURES									
			D-IA-5010863-0-0		1	ETCHED CIRCUIT BD.									
			K-CO-5410864-0-4			X-Y COORDINATE HOLE LOC.									
			D-AH-5410864-0-5		1	ASSY DRILLING HOLE LAYOUT									
			B-MH-5410864-0-6		1	MODULE ECO HISTORY									
			5010863		REF	ETCH CIRCUIT BOARD									
		K 13	A-SP-3700174-0-0	-	2	PACKAGING INSTRUCTIONS									
			A-PS-9905664-0-0	-	2	REGULAR SLOTTED CARTON									
			A-PS-9905665-0-0	-	2	LAMINATED BUILDUP									
		14	D-AH-5411086-0-5		1	ASSY DRILLING HOLE LAYOUT									
			B-MH-5411086-0-6		1	MODULE ECO HISTORY									
		15	D-AD-7011486-0-0		1	ASSEMBLY DRAWING									
		16	D-AH-5411689-0-5		1	ASSY DRILLING HOLE LAYOUT									
			D-MH-5411689-0-6		1	MODULE ECO HISTORY									

CUSTOMER PRINT SET CODES  
 X = PRINT OF DOCUMENT INCLUDED IN PRINT SET  
 C = INCLUDES ALL PRINTS INDICATED ON DOCUMENT  
 S = CONFIDENTIAL AUTHORIZED SIGNATURE REQUIRED

TITLE  
 DRAWING DIRECTORY  
 POWER SUPPLY H765

SHEET 5 OF 5  
 SIZE CODE  
 B DD

NUMBER  
 H765-Ø

REV  
 R

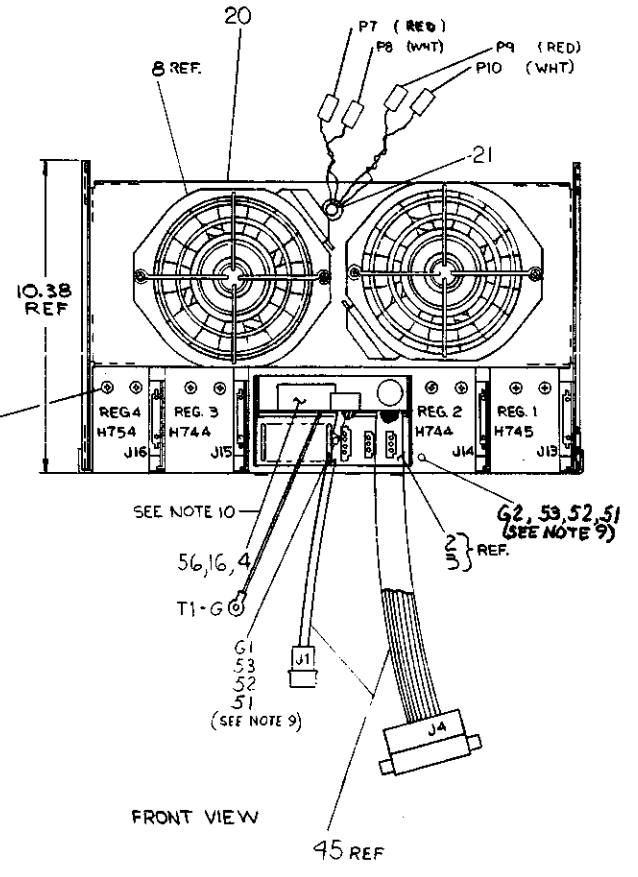
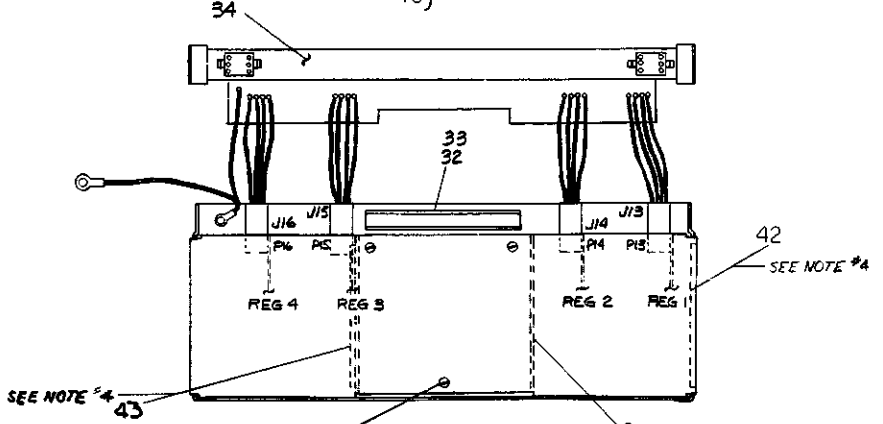
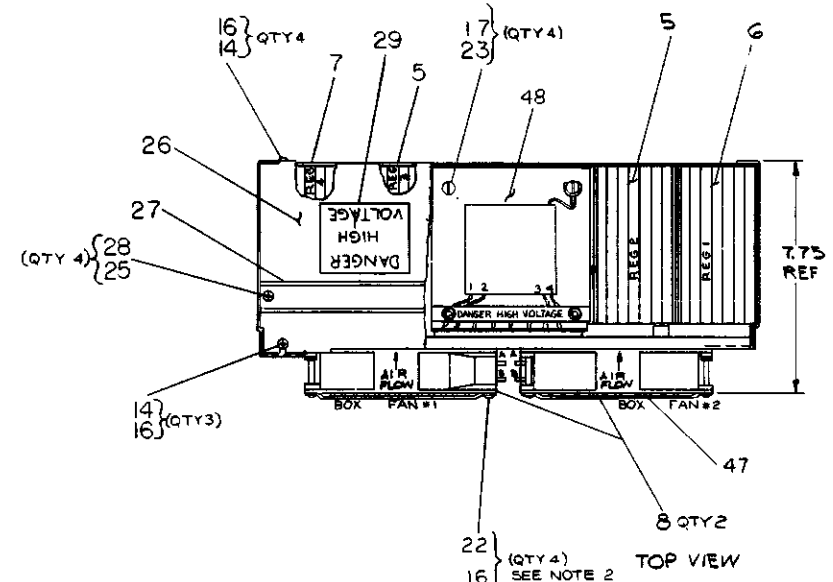
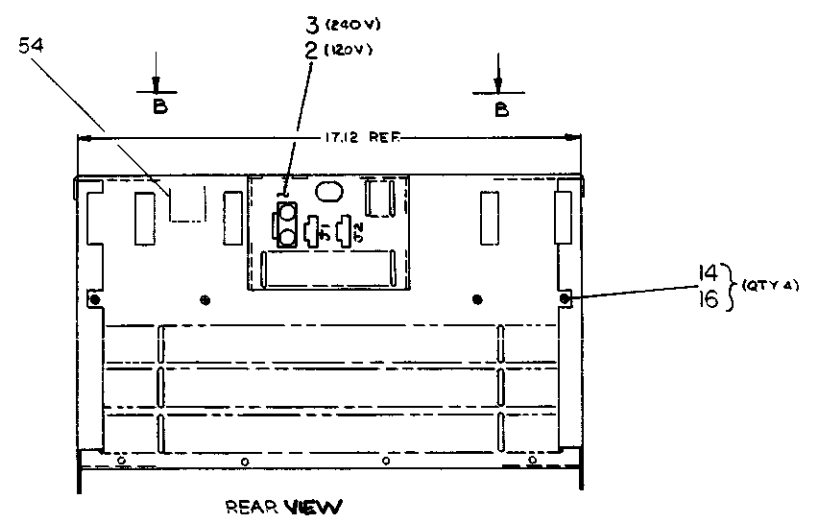
THIS DRAWING IS THE PROPERTY OF THE COMPANY AND IS NOT TO BE REPRODUCED OR TRANSMITTED IN ANY FORM OR BY ANY MEANS, ELECTRONIC OR MECHANICAL, INCLUDING PHOTOCOPYING, RECORDING, OR BY ANY INFORMATION STORAGE AND RETRIEVAL SYSTEM.

NUMBER	VARIATION
H765-A	120V 50/60 HZ
H765-B	240V 50/60 HZ
H765-C	120V 50/60 HZ NO H754
H765-D	240V 50/60 HZ NO H754
H765-P	120V 50/60 HZ NO REG
H765-R	240V 50/60 HZ NO REG

- NOTES**
1. TRANSFORMER ASSEMBLY TO BE MOUNTED ON THE REAR OF THE CHASSIS. ORIENT THE TRANSFORMER ASSEMBLY TO THE RIGHT OF THE CHASSIS.
  2. TIGHTEN FAN SCREWS TO 10 IN-LBS WITH A TORQUE SCREW DRIVER.
  3. USE THE 1/8" DIA. HOLES OF THE TRANSFORMER ASSEMBLY TO BE FASTENED UNDER REGULATOR MOUNTING SCREW.
  4. INSTALL ABS VINYL, VIEW B-B ITEM #42 AND #43, CENTER 1/4 INCH FROM BOTTOM AND SIDES ON INSIDE WALL.
  5. USE OF THE 1/8" DIA. HOLES UNDER MOUNTING SCREW OF TRANSFORMER ASSEMBLY TO BE FASTENED UNDER REGULATOR MOUNTING SCREW.
  6. ITEM 7 - H754 IS NOT USED IN VARIATIONS C & D.
  7. ITEM 53 IS TO BE USED TO PREVENT CORROSION OF CHASSIS AT GROUND STUD.

**NOTES CONT**

10. ITEM 16 (SCREW & WASHER) TO BE USED TO MOUNT 541086 (ITEM 4) IN AC INPUT BOX (ITEM 2 OR 3) IN A, B, C, D VERSION. IN PER VERSION, INSTALL SCREW & WASHER IN MOUNTING HOLES. THEY WILL BE USED ON A HIGHER ASSEMBLY.



REV	DATE	DESCRIPTION
1	11/17/74	ISSUED FOR PRODUCTION
2	11/17/74	REVISED TO ADD DIMENSIONS
3	11/17/74	REVISED TO ADD DIMENSIONS
4	11/17/74	REVISED TO ADD DIMENSIONS
5	11/17/74	REVISED TO ADD DIMENSIONS
6	11/17/74	REVISED TO ADD DIMENSIONS
7	11/17/74	REVISED TO ADD DIMENSIONS
8	11/17/74	REVISED TO ADD DIMENSIONS
9	11/17/74	REVISED TO ADD DIMENSIONS
10	11/17/74	REVISED TO ADD DIMENSIONS
11	11/17/74	REVISED TO ADD DIMENSIONS
12	11/17/74	REVISED TO ADD DIMENSIONS
13	11/17/74	REVISED TO ADD DIMENSIONS
14	11/17/74	REVISED TO ADD DIMENSIONS
15	11/17/74	REVISED TO ADD DIMENSIONS
16	11/17/74	REVISED TO ADD DIMENSIONS
17	11/17/74	REVISED TO ADD DIMENSIONS
18	11/17/74	REVISED TO ADD DIMENSIONS
19	11/17/74	REVISED TO ADD DIMENSIONS
20	11/17/74	REVISED TO ADD DIMENSIONS
21	11/17/74	REVISED TO ADD DIMENSIONS
22	11/17/74	REVISED TO ADD DIMENSIONS
23	11/17/74	REVISED TO ADD DIMENSIONS
24	11/17/74	REVISED TO ADD DIMENSIONS
25	11/17/74	REVISED TO ADD DIMENSIONS
26	11/17/74	REVISED TO ADD DIMENSIONS
27	11/17/74	REVISED TO ADD DIMENSIONS
28	11/17/74	REVISED TO ADD DIMENSIONS
29	11/17/74	REVISED TO ADD DIMENSIONS
30	11/17/74	REVISED TO ADD DIMENSIONS
31	11/17/74	REVISED TO ADD DIMENSIONS
32	11/17/74	REVISED TO ADD DIMENSIONS
33	11/17/74	REVISED TO ADD DIMENSIONS
34	11/17/74	REVISED TO ADD DIMENSIONS
35	11/17/74	REVISED TO ADD DIMENSIONS
36	11/17/74	REVISED TO ADD DIMENSIONS
37	11/17/74	REVISED TO ADD DIMENSIONS
38	11/17/74	REVISED TO ADD DIMENSIONS
39	11/17/74	REVISED TO ADD DIMENSIONS
40	11/17/74	REVISED TO ADD DIMENSIONS
41	11/17/74	REVISED TO ADD DIMENSIONS
42	11/17/74	REVISED TO ADD DIMENSIONS
43	11/17/74	REVISED TO ADD DIMENSIONS
44	11/17/74	REVISED TO ADD DIMENSIONS
45	11/17/74	REVISED TO ADD DIMENSIONS
46	11/17/74	REVISED TO ADD DIMENSIONS
47	11/17/74	REVISED TO ADD DIMENSIONS
48	11/17/74	REVISED TO ADD DIMENSIONS
49	11/17/74	REVISED TO ADD DIMENSIONS
50	11/17/74	REVISED TO ADD DIMENSIONS
51	11/17/74	REVISED TO ADD DIMENSIONS
52	11/17/74	REVISED TO ADD DIMENSIONS
53	11/17/74	REVISED TO ADD DIMENSIONS
54	11/17/74	REVISED TO ADD DIMENSIONS
55	11/17/74	REVISED TO ADD DIMENSIONS
56	11/17/74	REVISED TO ADD DIMENSIONS
57	11/17/74	REVISED TO ADD DIMENSIONS
58	11/17/74	REVISED TO ADD DIMENSIONS
59	11/17/74	REVISED TO ADD DIMENSIONS
60	11/17/74	REVISED TO ADD DIMENSIONS
61	11/17/74	REVISED TO ADD DIMENSIONS
62	11/17/74	REVISED TO ADD DIMENSIONS
63	11/17/74	REVISED TO ADD DIMENSIONS
64	11/17/74	REVISED TO ADD DIMENSIONS
65	11/17/74	REVISED TO ADD DIMENSIONS
66	11/17/74	REVISED TO ADD DIMENSIONS
67	11/17/74	REVISED TO ADD DIMENSIONS
68	11/17/74	REVISED TO ADD DIMENSIONS
69	11/17/74	REVISED TO ADD DIMENSIONS
70	11/17/74	REVISED TO ADD DIMENSIONS
71	11/17/74	REVISED TO ADD DIMENSIONS
72	11/17/74	REVISED TO ADD DIMENSIONS
73	11/17/74	REVISED TO ADD DIMENSIONS
74	11/17/74	REVISED TO ADD DIMENSIONS
75	11/17/74	REVISED TO ADD DIMENSIONS
76	11/17/74	REVISED TO ADD DIMENSIONS
77	11/17/74	REVISED TO ADD DIMENSIONS
78	11/17/74	REVISED TO ADD DIMENSIONS
79	11/17/74	REVISED TO ADD DIMENSIONS
80	11/17/74	REVISED TO ADD DIMENSIONS
81	11/17/74	REVISED TO ADD DIMENSIONS
82	11/17/74	REVISED TO ADD DIMENSIONS
83	11/17/74	REVISED TO ADD DIMENSIONS
84	11/17/74	REVISED TO ADD DIMENSIONS
85	11/17/74	REVISED TO ADD DIMENSIONS
86	11/17/74	REVISED TO ADD DIMENSIONS
87	11/17/74	REVISED TO ADD DIMENSIONS
88	11/17/74	REVISED TO ADD DIMENSIONS
89	11/17/74	REVISED TO ADD DIMENSIONS
90	11/17/74	REVISED TO ADD DIMENSIONS
91	11/17/74	REVISED TO ADD DIMENSIONS
92	11/17/74	REVISED TO ADD DIMENSIONS
93	11/17/74	REVISED TO ADD DIMENSIONS
94	11/17/74	REVISED TO ADD DIMENSIONS
95	11/17/74	REVISED TO ADD DIMENSIONS
96	11/17/74	REVISED TO ADD DIMENSIONS
97	11/17/74	REVISED TO ADD DIMENSIONS
98	11/17/74	REVISED TO ADD DIMENSIONS
99	11/17/74	REVISED TO ADD DIMENSIONS
100	11/17/74	REVISED TO ADD DIMENSIONS

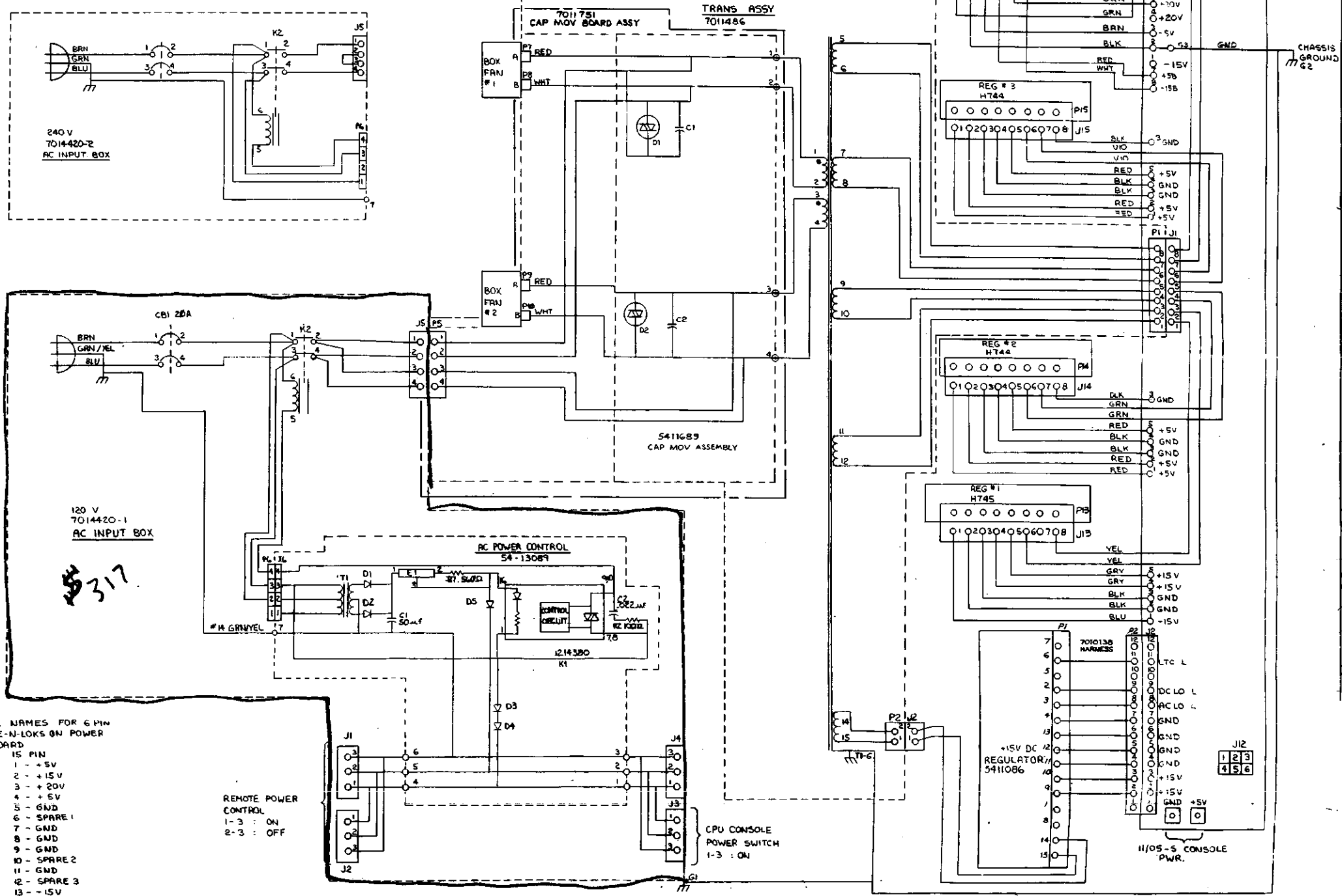
QTY	DESCRIPTION	PART NO.	REV
4	SCR PH HD 6-32 X 1/4	9006020-1	36
1	CABLE GND	7013825-02	55
1	DECAL	A-DC-701824-00	54
A/R	A/R	A/R	A/R
2	GREASE CONDUCTOR	480173-01	53
2	WASHER LOCK INT TOOTH #32	9008072	52
2	NUT KEP #8-32	9006563	51
2	TERMINAL BUSH	9006008	50
1	TRANSFORMER ASSEMBLY	E-AD-20M46-0-0	48
2	FAN GUARD	1212561	47
1	HARNESS INTERCONN.	D-IA-70139-0-0	45
1	ABS VINYL 4.75 X 3.5	1210984-03	43
1	ABS VINYL 4.75 X 6	1210984-04	42
REF	TEST PROCEDURE	A-SP-H765-0-1	40
REF	TESTER C.S.	A-CS-H765-TA-1	39
REF	TESTER U.A.	E-UA-H765-TA-1	38
REF	TESTER P.L.	A-PL-H765-TA-0	37
REF	H765 POWER SUPPLY ASSEMBLY PROCEDURE	A-SP-H765-0-9	36
REF	PACKAGING INSTRUCTIONS	A-SP-3007400	35
1	PWR DISTRIBUTION BD	D-CS-51024-0-1	34
A/R	A/R	A/R	A/R
1	PERMA BOND	9009157	33
A/R	A/R	A/R	A/R
1	GROMMET STRIP	9009297	32
4	TE WIPAP 1/8 W	9007680	31
3	WASH C'SK #6	9008270	30
1	STICKER DANGER HIGH VOLTAGE	3610267	29
4	WASH INT TOOTHLOCK #8	9006634	28
1	TROUGH WIRE	D-IA-7009450-0-0	27
1	COVER (POWER SUPPLY)	D-IA-7009449-0-0	26
4	SCR PH HD TRUSS 6-32 X 1/2	9008040-3	25
4	SCR PH HD TRUSS 10-32 X 3/8	9006073-3	23
4	SCR PH HD TRUSS 6-32 X 1/2	9006031-3	22
1	GROMMET SOID	9007016	21
1	CHASSIS POWER SUPPLY	E-IA-7009520-0-0	20
1	CHASSIS GND	9006008	19
10	WASH INT TOOTH #10	9006635	17
11	WASH INT TOOTH #6	9006633	16
6	SCR PH HD TRUSS 10-32 X 3/8	9008007-3	15
7	SCR PH HD TRUSS 6-32 X 1/2	9006020-3	14
3	SCR PH HD TRUSS 6-32 X 1/2	9008404-2	10
2	FAN 115V AC 30/60HZ	1211714	8
1	+20V REGULATOR (H784)	B-DD-H754-0	7
1	-15V REGULATOR (H745)	B-DD-H745-0	6
2	+5V REGULATOR (H744)	B-DD-H744-0	5
1	PWR BD (+15V REG)	E-IA-5411086	4
1	AC INPUT BOX ASSY 230V	D-AD-70M420-2-0	3
1	AC INPUT BOX ASSY 115V	D-AD-70M420-1-0	2

**PARTS LIST**

DATE: 11/17/74  
 TITLE: POWER SUPPLY, H765  
 NUMBER: B-DD-H765-0  
 REV: U

SCALE: NONE  
 SHEET: 1 OF 2

CONNECTION TABLE			CONNECTION TABLE		
FROM CONNECTION	TO CONNECTION	SIGNALS	FROM CONNECTION	TO CONNECTION	SIGNALS
P2 FROM TRANS. ASSY	J2 FROM +15V REG.	28 VAC	P4 FROM +15V REG.	J2 LOCATED ON PWR. DIST. BD	-15V, LTC L, AC LO L, DC LO L, GND
J16 FROM PWR. DIST. BD	P16 LOCATED ON REG. #4 (HTS4)	GND, -5V, +20V, 28 VAC			
J15 FROM PWR. DIST. BD	P15 LOCATED ON REG. #3 (HT44)	GND, +5V, 28VAC	P5 FROM TRANS. ASSY	J5 LOCATED ON AC INPUT BOX	120/240 VAC
J14 FROM PWR. DIST. BD	P14 LOCATED ON REG. #2 (HT44)	GND, +5V, 28VAC	P7 (RED)	FAN #1 - A	120 VAC - HOT
J13 FROM PWR. DIST. BD	P13 LOCATED ON REG. #1 (HT45)	GND, +15V, -15V, 28 VAC	P8 (WHT)	FAN #1 - B	120 VAC - NEUTRAL
GND LUG LOCATED ON PWR. DIST. BD, G3	G1 YEL LUG.	SAFFY GROUND	P9 (RED)	FAN #2 - A	120 VAC - HOT
P1 FROM TRANS. ASSY	J1 LOCATED ON PWR. DIST. BD	28 VAC	P10 (WHT)	FAN #2 - B	120 VAC - NEUTRAL
			T1-G	G1	SAFFY GROUND
			G1	G2	ITEM 55



- COMMON SIGNAL NAMES FOR 6 PIN AND 15-PIN MATE-N-LOKS ON POWER DISTRIBUTION BOARD
- |             |              |
|-------------|--------------|
| 6-PIN       | 15-PIN       |
| 1 - GND     | 1 - +5V      |
| 2 - LTC L   | 2 - +15V     |
| 3 - DC LO L | 3 - +20V     |
| 4 - AC LO L | 4 - +5V      |
| 5 - SPARE 4 | 5 - GND      |
| 6 - SPARE 5 | 6 - SPARE 1  |
|             | 7 - GND      |
|             | 8 - GND      |
|             | 9 - GND      |
|             | 10 - SPARE 2 |
|             | 11 - GND     |
|             | 12 - SPARE 3 |
|             | 13 - -15V    |
|             | 14 - -5V     |
|             | 15 - SPARE 3 |

REMOTE POWER CONTROL  
1-3 : ON  
2-3 : OFF

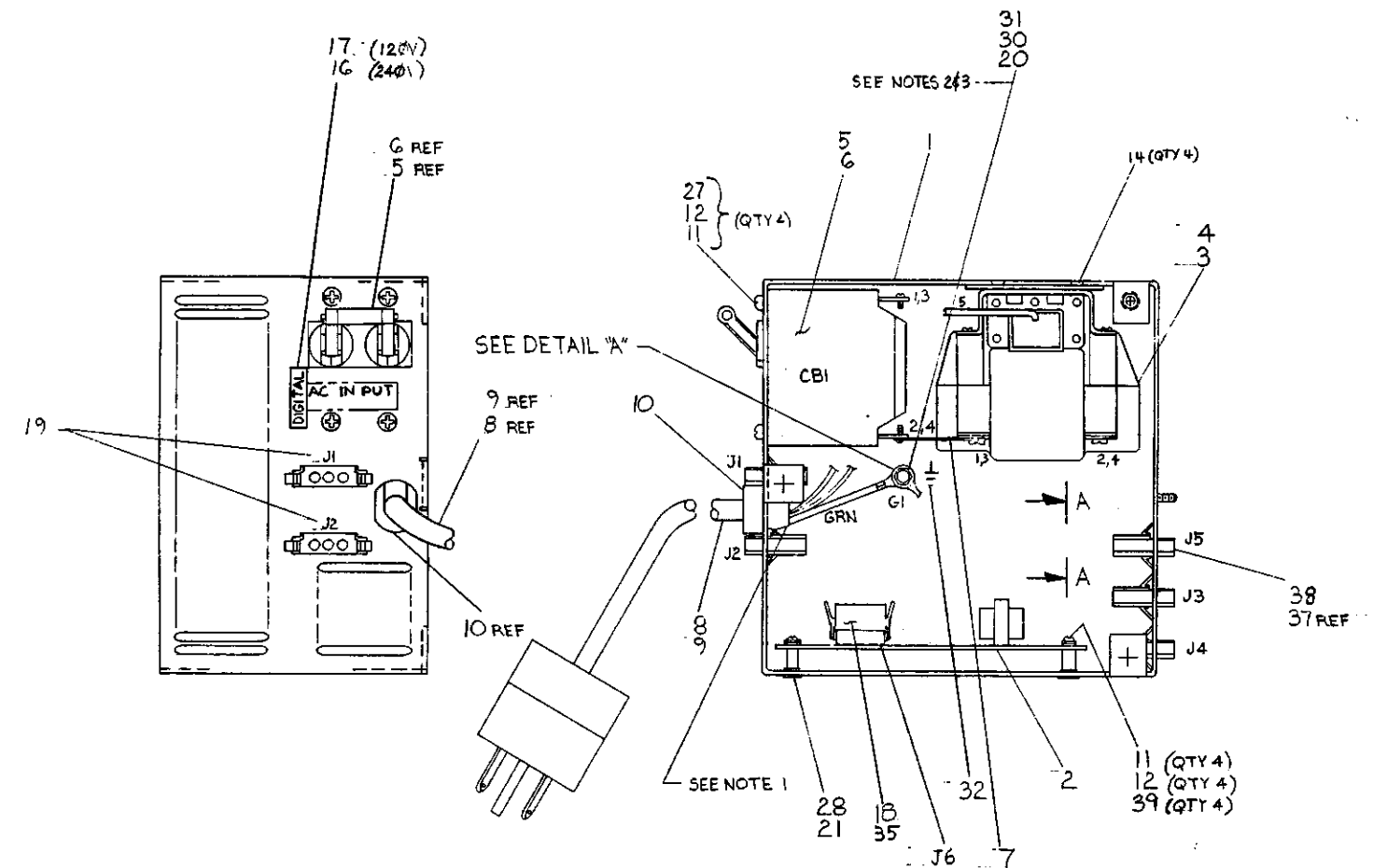
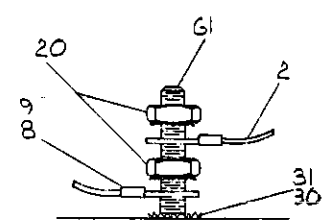
CPU CONSOLE POWER SWITCH  
1-3 : ON



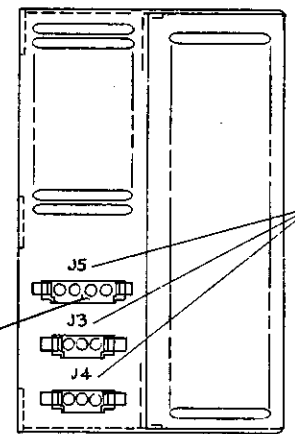
THIS DRAWING AND SPECIFICATIONS HEREAFTER ARE THE PROPERTY OF DIGITAL EQUIPMENT CORPORATION AND SHALL NOT BE REPRODUCED OR COPIED OR USED IN WHOLE OR IN PART AS THE BASIS FOR THE MANUFACTURE OR SALE OF THIS WITHOUT WRITTEN PERMISSION.  
COPYRIGHT © 1977, DIGITAL EQUIPMENT CORPORATION

- NOTES:
- LEAVE .5IN ±.2IN CF OUTER INSULATION OF LINE CORD INSIDE BOX.
  - REMOVE PAINT MASK FROM G1 ONLY AND APPLY CONDUCTIVE GREASE TO AREA AROUND STUD G1 BEFORE INSTALLING ITEMS\*31 (LOCKWASHER), LUG ON GRN/YEL WIRE AND\*20 (KEPNUT).
  - ENSURE THAT LUG CONNECTED TO GRN/YEL WIRE FROM LINE CORD, WASHER ITEM\*31, AND KEPNUT ITEM\*20 ARE THE FIRST ITEMS INSTALLED ON G1. SEE DETAIL "A".
  - STRIP LENGTH FOR ITEM\*36 AND ITEM\*29 SHALL BE .250 ±.015.
  - STRIP LENGTH FOR ITEM\*37
    - HAND CRIMP .187 ±.015
    - AUTOMATIC STRIP .156 ±.015
  - STRIP LENGTH FOR ITEM\*35
    - HAND CRIMP .203 ±.015
    - AUTOMATIC STRIP .182 ±.015

LEGEND	
NUMBER	VARIATION
7014420-1	120V 47-63HZ 12A
7014420-2	240V 47-63HZ 6A



QTY	DESCRIPTION	DWG. PART NO.	ITEM NO.
4	WASHER, FLAT NYLON	9006707-00	39
1	CONN 4 PIN	1209350-04	38
4	SOCKET, MATE-N-LOCK	1209379	37
1	TERM BLUE RING	9007928	36
4	CONNECTOR, SOCKET	1212170-00	35
A/R/A/R	WIRE #18 BRN	9107360-11	34
A/R/A/R	WIRE #18 BLU	9107360-66	33
1	DECAL SAFETY GROUND	A-DC-3612680-01	32
1	WASHER, EXT TOOTH #8	9008072	31
A/R/A/R	GREASE, CONDUCTIVE	4901173-01	30
2	TERMINAL, RED RING	9007930	29
4	SCR PH FL HD, 6-32 X 1/4	9006020-02	28
4	WASHER, FLAT #6	9006256	27
REF/REF	A.C. INPUT BOX ASSEMBLY PROCEDURE	I-SP-7014420-09	26
REF/REF	TESTER PARTS LIST	A-PL-7009811-7A-0	25
REF/REF	TESTER TEST PROCEDURE	A-SP-7009811-0-8	24
REF/REF	TESTER U.A.	A-UA-7009811-0-8	23
REF/REF	TESTER C.S.	A-CS-7009811-0-8	22
4	SPACER 6-32 X 3/8"	9008844	21
2	NUT, KEPS #8-32	9006563	20
1	DECAL	A-DC-7409373-1-3	19
7	CONNECTOR, 4 PIN	1212167-01	18
1	DECAL 120V 47-63 HZ 12A	A-DC-7412303-1	17
7	DECAL 240V 47-63 HZ 6A	A-DC-7412300-1	16
4	SCR PH FL HD, 4-40 X 1/4	9006020-02	15
4	SCR PH FL HD, 4-40 X 1/4	9006020-02	14
4	NUT, KEPS #6-32	9006185	13
8	WASHER, INT TOOTH #6	9006633	12
8	SCR PHL FAN HD #6-32 X .25	9006020-1	11
1	STRAIN RELIEF	9008509	10
1	POWER CORD 240V	D-AD-7012500-1	9
1	POWER CORD 120V	D-AD-7012500-0	8
2	JUMPER STRAP	1214074-02	7
1	CIRCUIT BREAKER 10A	1212124-03	6
1	CIRCUIT BREAKER 20A	1212124-05	5
1	CONTACTOR 240V	1214283-01	4
1	CONTACTOR 120V	1214283-00	3
1	AC PWR. CONTR BOARD	D-CS-5413089-01	2
1	CHASSIS, COMP. MFG.	D-IA-7009811-0-0	1



QTY	DESCRIPTION	DWG. PART NO.	ITEM NO.
4	WASHER, INT TOOTH #6	9006633	12
8	SCR PHL FAN HD #6-32 X .25	9006020-1	11
1	STRAIN RELIEF	9008509	10
1	POWER CORD 240V	D-AD-7012500-1	9
1	POWER CORD 120V	D-AD-7012500-0	8
2	JUMPER STRAP	1214074-02	7
1	CIRCUIT BREAKER 10A	1212124-03	6
1	CIRCUIT BREAKER 20A	1212124-05	5
1	CONTACTOR 240V	1214283-01	4
1	CONTACTOR 120V	1214283-00	3
1	AC PWR. CONTR BOARD	D-CS-5413089-01	2
1	CHASSIS, COMP. MFG.	D-IA-7009811-0-0	1

QUANTITY & VARIATION	DESCRIPTION	DWG. PART NO.	ITEM NO.	UNLESS OTHERWISE SPECIFIED DIMENSIONS ARE IN INCHES										
				ANGLES 90°/30°		CLASS OF ACCURACY		NOMINAL DIMENSION RANGE INCHES						
				(CHECK ONE)		OVER 0 TO 0.2	OVER 0.2 TO 0.5	OVER 0.5 TO 1.2	OVER 1.2 TO 4.0	OVER 4.0 TO 12.0	OVER 12.0 TO 40.0	OVER 40.0 TO 80.0		
				MEDIUM		±.004	±.008	±.012	±.018	±.024	±.04			
				MICROINCHES	PREFERRED	±.012	±.016	±.025	±.04	±.063	±.1			

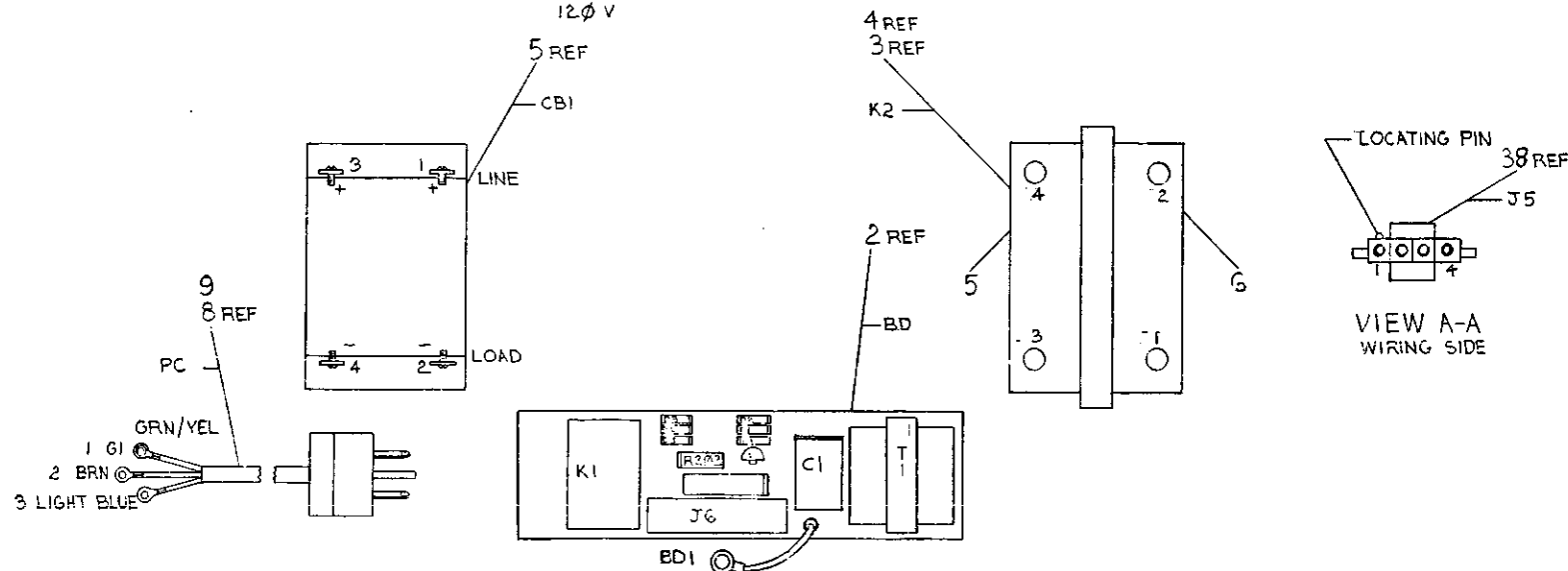
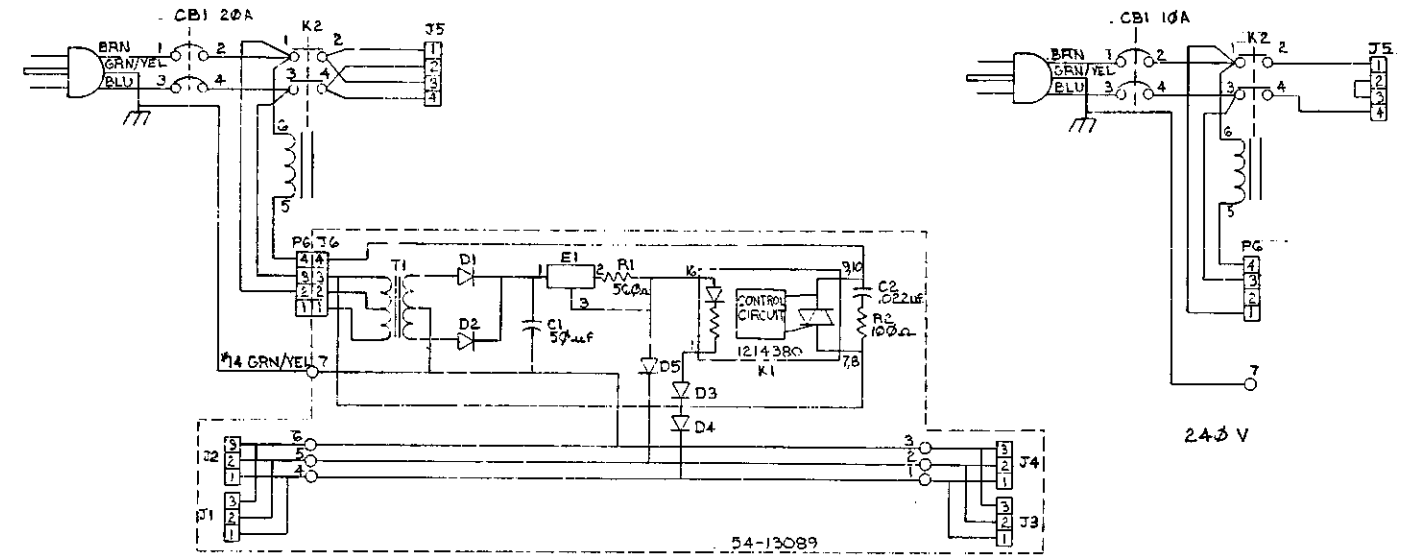
THIRD ANGLE PROJECTION	DRN: [Signature]	6-23-77	FIRST USED ON H735	<b>digital</b>
REMOVE BURRS AND BREAK SHARP CORNERS	CHK'D: [Signature]	7-26-77	TITLE AC INPUT BOX ASSY	
DO NOT SCALE DWG	ENG: [Signature]	9-22-77		
MATERIAL SEE PARTS LIST	PROJ. ENG: [Signature]	12-2-77		
FINISH	PROD. [Signature]	12-2-77		
	NEXT HIGHER ASSY.			
	E-UA-H735-C-C		SIZE CODE NUMBER REV.	
	SCALE		D AD 7014420-0-0 B	
	SHEET OF 2		DIST.	

REV.	CHANGE NO.	DATE	BY	CHKD.
1	7014420-0001	7/20/77	A	
2	7014420-0002	7/20/77	A	
3	7014420-0003	7/20/77	A	
4	7014420-0004	7/20/77	A	
5	7014420-0005	7/20/77	A	
6	7014420-0006	7/20/77	A	
7	7014420-0007	7/20/77	A	
8	7014420-0008	7/20/77	A	
9	7014420-0009	7/20/77	A	
10	7014420-0010	7/20/77	A	

THIS DRAWING AND SPECIFICATIONS HEREIN ARE THE PROPERTY OF DIGITAL EQUIPMENT CORPORATION AND SHALL NOT BE REPRODUCED OR COPIED OR USED IN WHOLE OR IN PART AS THE BASIS FOR THE MANUFACTURE OR SALE OF ITEMS WITHOUT WRITTEN PERMISSION. COPYRIGHT © 1977, DIGITAL EQUIPMENT CORPORATION.

WIRE TABLE-1 VAR 120V									
ITEM NO	DESCRIPTION	FROM	TO	PRECUT WIRE					
NO	AWG	COLOR	STRIP LENGTH	CONN	WITH	STRIP LENGTH	CONN	WITH	WIRE LENGTH
5	14	GRN/YEL	SEE NOTE 3	PC-1			G1		
8	14	BRN		PC-2			CBI-1		
8	14	BLU		PC-3			CBI-3		
33	18	BLU	SEE NOTE 4	K2-4	36	SEE NOTE 5	J5-2	37	3.0 ± 0.25
							J5-4	37	3.0 ± 0.25
34	18	BRN	SEE NOTE 4	K2-2	36	SEE NOTE 5	J5-1	37	3.0 ± 0.25
34	18	BRN	SEE NOTE 4	K2-1	36	SEE NOTE 6	PG-2	35	3.5 ± 0.25
3	18	YEL	SEE NOTE 4	K2-5			K2-6		3.5 ± 0.25
7				K2-1			CBI-2		STRAP
33	18	BLU	SEE NOTE 4	K2-3	29	SEE NOTE 6	PG-3	35	3.0 ± 0.25
7				K2-3			CBI-4		STRAP
3	18	YEL	SEE NOTE 4	K2-5		SEE NOTE 6	PG-4	35	4.75 ± 0.25
2	18	GRN/YEL	SEE NOTE 6	BD-1			G1		

WIRE TABLE-2VAR 240V									
ITEM NO	DESCRIPTION	FROM	TO	PRECUT WIRE					
NO	AWG	COLOR	STRIP LENGTH	CONN	WITH	STRIP LENGTH	CONN	WITH	WIRE LENGTH
9	14	GRN/YEL	SEE NOTE 3	PC-1			G1		
9	14	BRN		PC-2			CBI-1		
9	14	BLU		PC-3			CBI-3		
33	18	BLU	SEE NOTE 4	K2-4	29	SEE NOTE 5	J5-4	37	3.0 ± 0.25
34	18	BRN	SEE NOTE 4	K2-2	29	SEE NOTE 5	J5-1	37	3.0 ± 0.25
34	18	BRN	SEE NOTE 5	J5-2	37	SEE NOTE 5	J5-3	37	2.0 ± 0.25
4	18	YEL	SEE NOTE 4	K2-1	36	SEE NOTE 6	PG-1	35	3.5 ± 0.25
7				K2-1			CBI-2		STRAP
33	18	BLU	SEE NOTE 4	K2-3	29	SEE NOTE 6	PG-3	35	3.0 ± 0.25
7				K2-3			CBI-4		STRAP
4	18	YEL	SEE NOTE 4	K2-5		SEE NOTE 6	PG-4	35	4.75 ± 0.25
2	18	GRN/YEL	SEE NOTE 6	BD-1			G1		

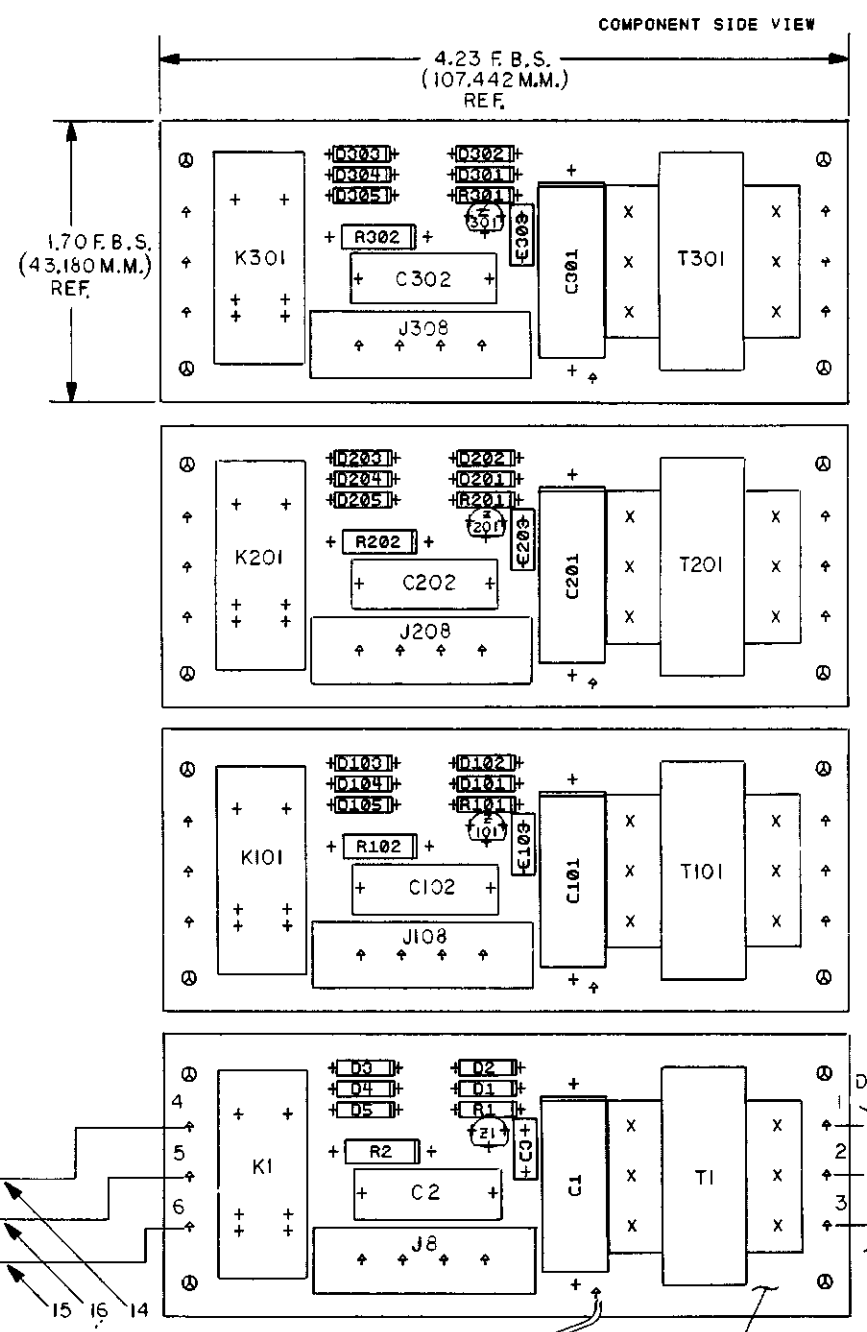


REVISIONS		
CHK	CHANGE NO	REV.

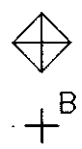
TITLE	AC INPUT BOX ASSY.	SIZE	COL.	NUMBER	REV.
SCALE		SHEET	2	OF	2
DIST.					

D AD 7014420-0-0 B  
 NUMBER  
 REV.

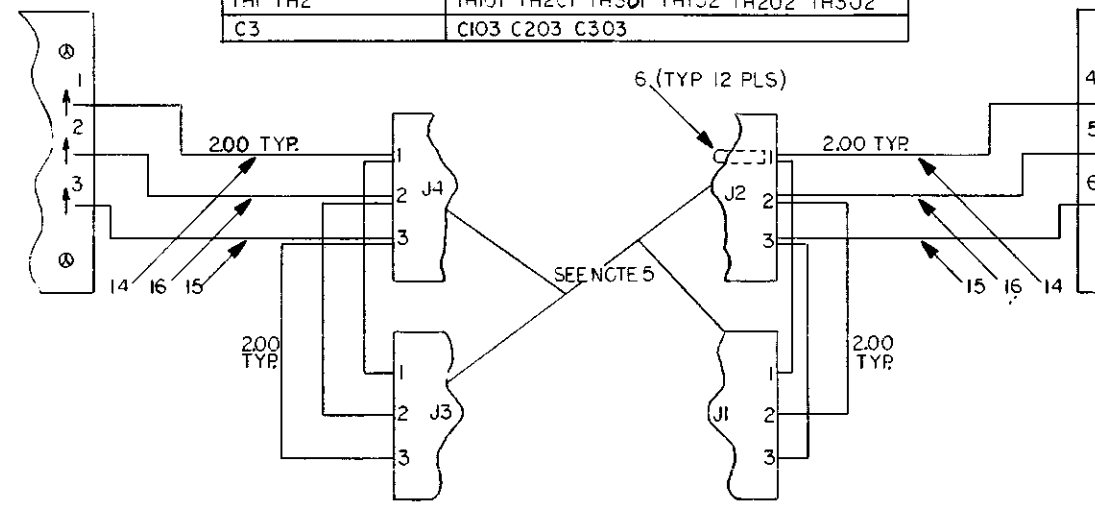
THIS DRAWING AND SPECIFICATIONS, HEREIN, ARE THE PROPERTY OF DIGITAL EQUIPMENT CORPORATION AND SHALL NOT BE REPRODUCED OR COPIED IN WHOLE OR IN PART ON THE BASIS FOR THE MANUFACTURE OR SALE OF ITEMS WITHOUT WRITTEN PERMISSION.  
 COPYRIGHT © 1978 DIGITAL EQUIPMENT CORPORATION



REFERENCE	DESIGNATION	CHART
ACTUAL REF DES	SUPERFICIAL REF DES	
C1 C2	C101 C201 C301 C102 C202 C302	
D1 D2	D101 D201 D301 D102 D202 D302	
D3 D4	D103 D203 D303 D104 D204 D304	
D5	D105 D205 D305	
J8	J108 J208 J308	
K1	K101 K201 K301	
R1 R2	R101 R201 R301 R102 R202 R302	
T1	T101 T201 T301	
Z1	Z101 Z201 Z301	
TH1 TH2	TH101 TH201 TH301 TH102 TH202 TH302	
C3	C103 C203 C303	



DETAIL "A"



NOTES: 1. THIS BOARD REQUIRES U/L APPROVAL.  
 2. DO NOT SLIT BOARD MUST BE SHEARED.  
 3. REFER TO PARTS LIST FOR IDENTIFICATION OF NUMBERED ITEMS.  
 4. MULTI-REF DESIGNATIONS ARE USED TO ACCOMMODATE PNL INS TECHNIQUES-SEE CHART FOR REF.  
 5. J1 J2 J3 J4 ARE NOT USED ON YA VARIATION.

CHANGE NO	REV	DATE	BY	CHK'D
1	ML004		W. BAUSHA	
2	EVANS			
3	W. BAUSHA			

ETCH REV. C-PI
P.C. DESIGN DATA BASE REV. C

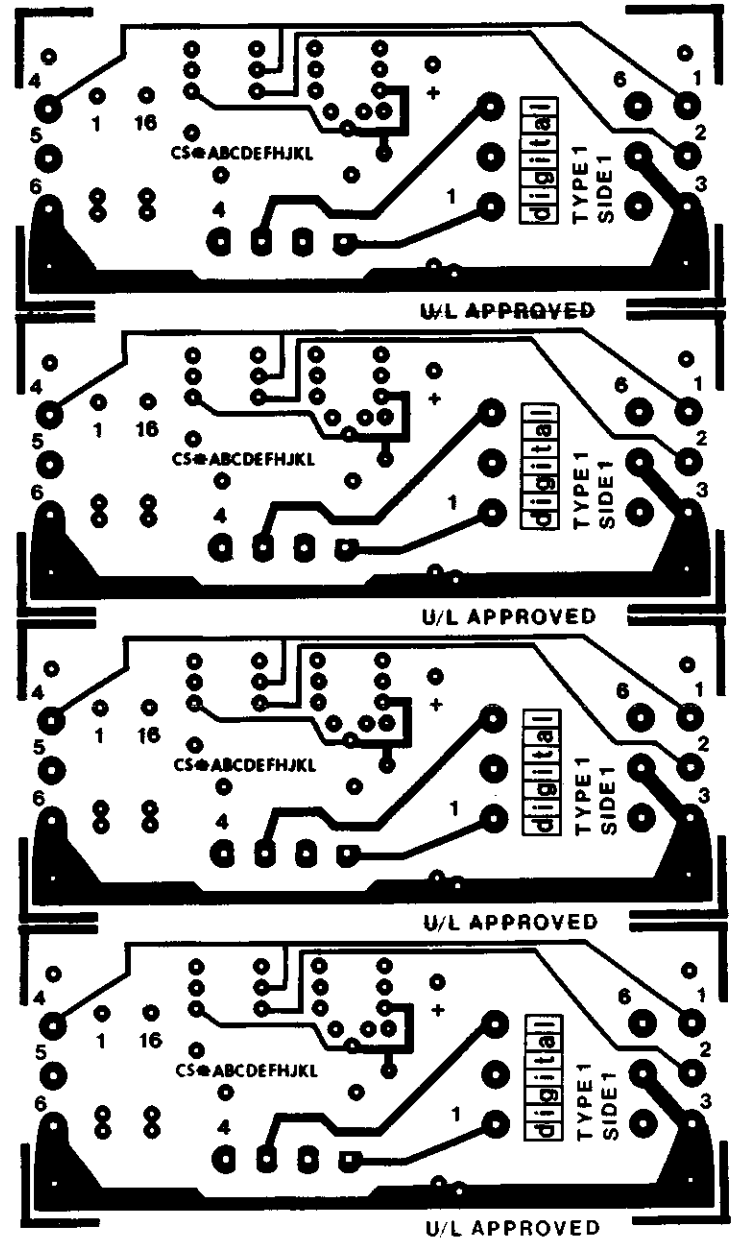
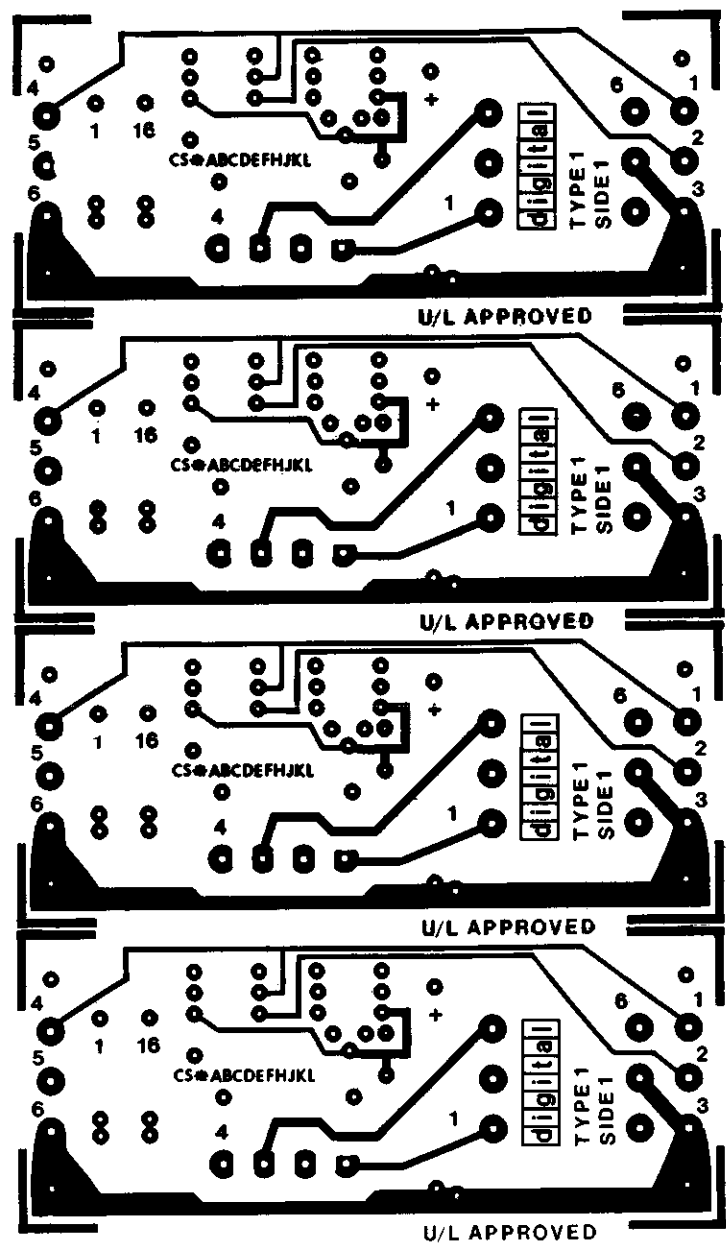
SIGNATURES	DATE
DRN. STU EVANS	7-27-78
CHK'D. <i>[Signature]</i>	1-2-79
ENG. <i>[Signature]</i>	11/3/79
PROJ. ENG. <i>[Signature]</i>	11/3/79
PROD. <i>[Signature]</i>	11/3/79

digital	
TITLE	
A.C. CONTROL BOARD	
SCALE 2/1	SIZE CODE NUMBER
SHT. 1 OF 3	d UA 5413089-0-0
NEXT HIGHER ASSY. B-D0-5413089-0-0	REV E

5413089-0-0

THIS DRAWING AND SPECIFICATIONS HEREIN ARE THE PROPERTY OF DIGITAL EQUIPMENT CORPORATION AND SHALL NOT BE REPRODUCED OR COPIED OR USED IN WHOLE OR IN PART AS THE BASIS FOR THE MANUFACTURE OR SALE OF ITEMS WITHOUT WRITTEN PERMISSION OF DIGITAL EQUIPMENT CORPORATION.  
 1979

L1 5413089 5013088C-P1



REV	DATE	BY	CHKD

TITLE	AC. CONTROL BOARD	SIZE CODE	D UA	NUMBER	5413089-0-0	REV	E
SCALE	2:1	SHEET	2	OF	3	DIST.	

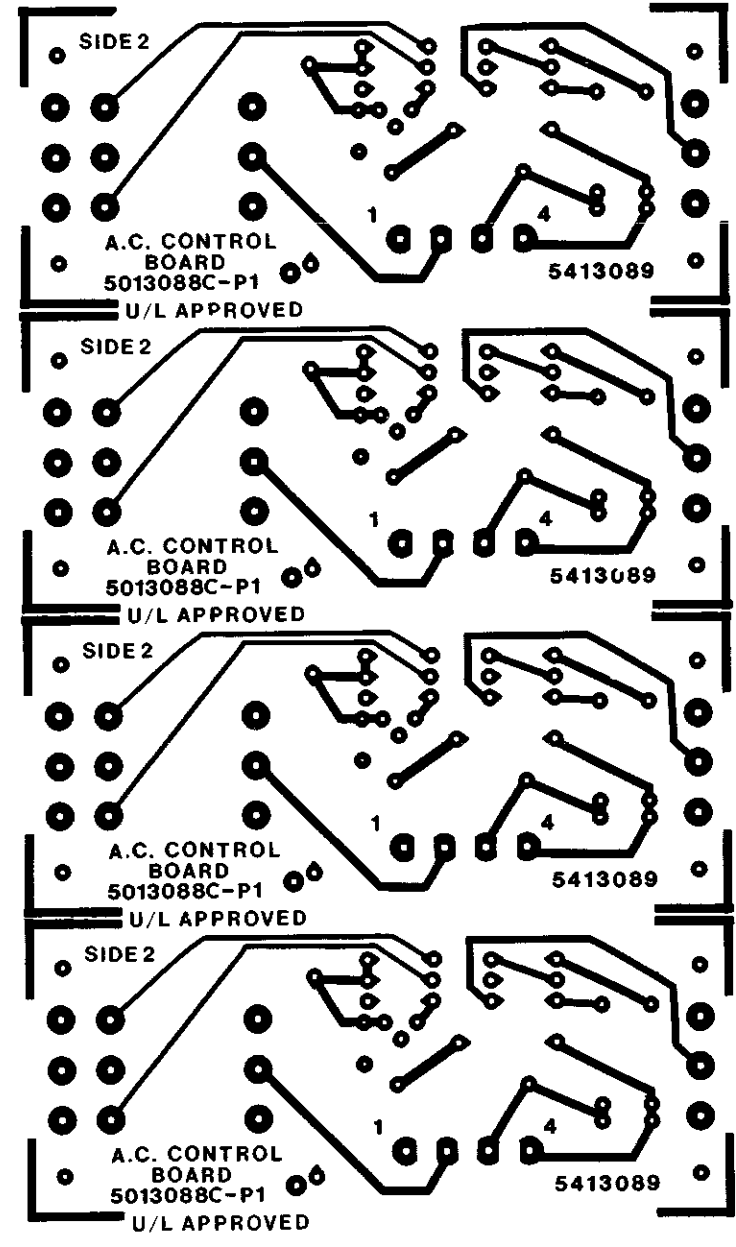
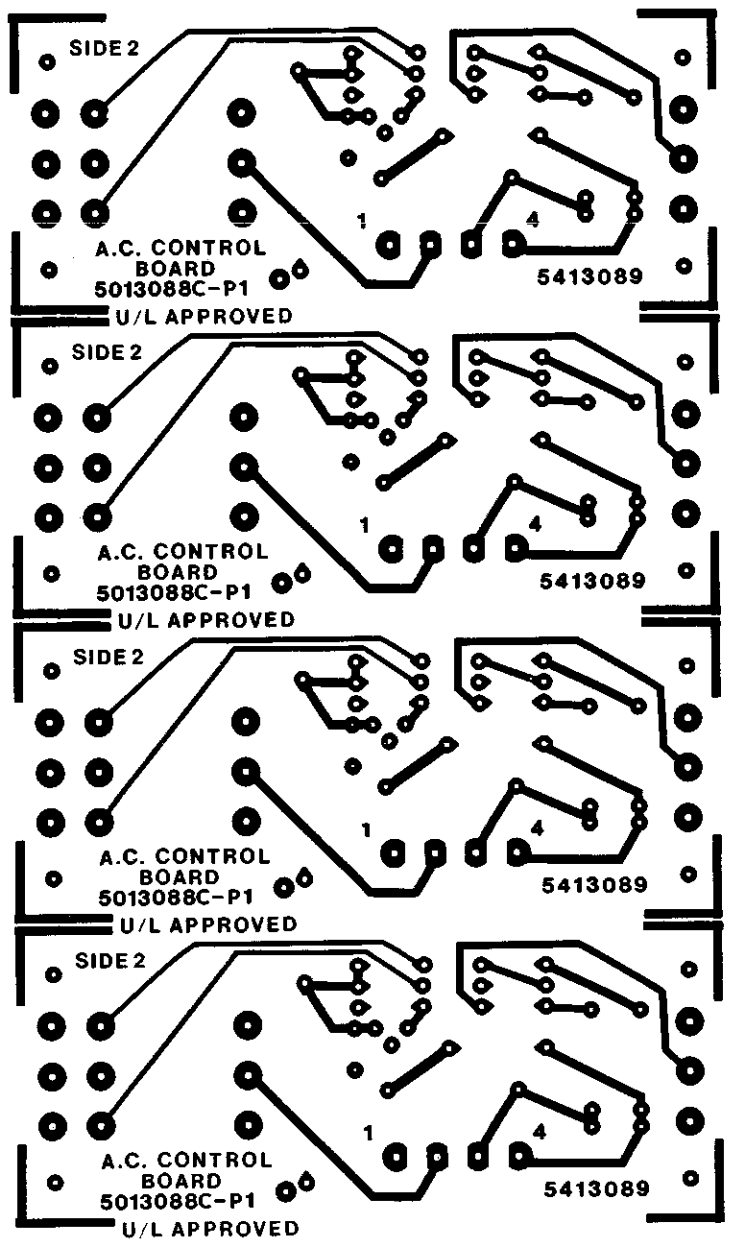
DUA5413089-0-0 2 E

DUA5413089-0-0 E

THIS DRAWING AND SPECIFICATIONS HEREIN ARE THE PROPERTY OF DIGITAL EQUIPMENT CORPORATION AND SHALL NOT BE REPRODUCED OR COPIED OR USED IN WHOLE OR IN PART AS THE BASIS FOR THE MANUFACTURE OR SALE OF ITEMS WITHOUT WRITTEN PERMISSION.  
© EIGHT 1979 DIGITAL EQUIPMENT CORPORATION

D  
C  
B  
A

D  
C  
B  
A



CHK	CHANGE	BY

TITLE	A.C. CONTROL BOARD	SIZE CODE	DUA	NUMBER	5413089-0-0	REV.	E
SCALE	2:1	SHEET	3	OF	3	DIST.	

DUA 5413089-0-0 E





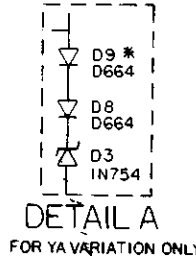
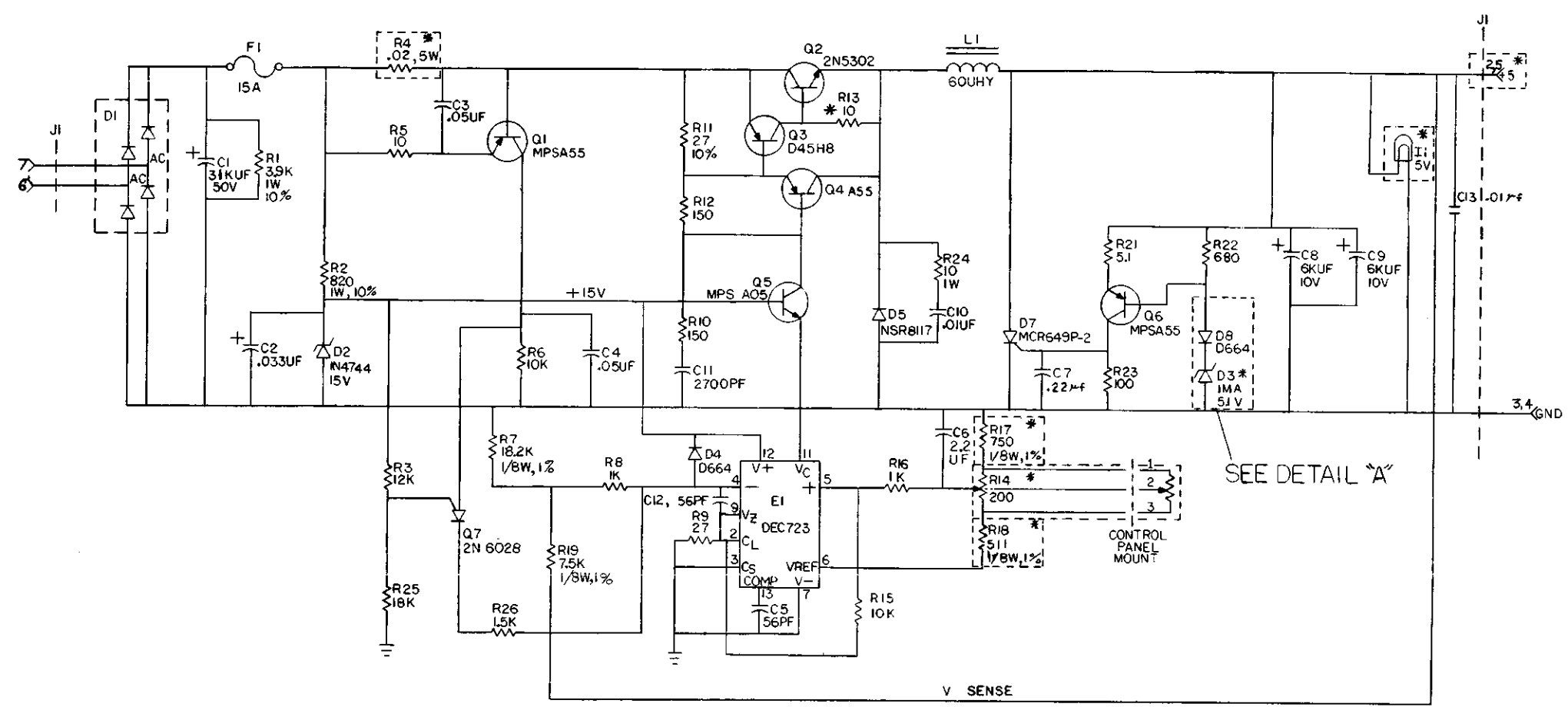






This drawing and specifications, herein, are the property of Digital Equipment Corporation and shall not be reproduced or copied or used in whole or in part as the basis for the manufacture or sale of items without written permission. © 1975 DIGITAL EQUIPMENT CORPORATION

1-0-742H 3000 2



\*FUSIBLE RESISTOR

FOR YA VARIATION COMPONENT VALUES ARE AS FOLLOWS:  
 R4 - .06 5W  
 R14 - 1K 10 TURN  
 R17 - 300 1/8W 1%  
 R19 - 150 1/4W 5%  
 D3 - IN754  
 I1 - 15V  
 J1-2,5 - +2.0-8.0V  
 \* D9 - D664 ADDED FOR YA VARIATION ONLY

UNLESS OTHERWISE INDICATED:  
 RESISTORS ARE 1/4W, 5%

1	D. MARTEL	11-2-74	Y
2	H744-00018	11-2-74	Y
3	A. BARON	5-20-76	5S
4	H744-00016	5-20-76	W
5	H744-00017	5-20-76	W
6	A. BARON	2-3-76	V
7	H744-00015	2-3-76	V
8	A. BARON	9-18-71	Y
9	H744-00014	9-18-71	U
10	A. BARON	7-2-75	Y
11	H744-00013	7-2-75	T
12	KISARGENT	6-5-76	S
13	H744-00012	6-5-76	S
14	A. BARON	4/27/74	R
15	H744-00011	4/27/74	R
16	D. MARTEL	11-11-74	N
17	H744-00009	11-11-74	N
18	H744-00018	1-7-75	P
19	D. MARTEL	1-7-75	P
20	H744-00017	1-7-75	M
21	R. WOLF	8-24-73	F
22	H744-00005	8-24-73	F
23	H744-00006	8-24-73	F
24	L. W. LAWRENCE	1/6/72	F
25	H744-00005	10-5-72	K
26	H744-00005	8-8-72	R
27	G. POTTER	5/17/72	F
28	H744-00004	5/17/72	F
29	G. POTTER	5-24-72	F
30	H744-00002	5-24-72	F
31	H744-00002	1-14-72	F
32	H744-00001	1-14-72	F
33	H744-00001	1-14-72	F
34	H744-00001	1-14-72	F
35	H744-00001	1-14-72	F
36	H744-00001	1-14-72	F
37	H744-00001	1-14-72	F
38	H744-00001	1-14-72	F
39	H744-00001	1-14-72	F
40	H744-00001	1-14-72	F

QTY	REF DESIGNATION	DESCRIPTION	PART NO.	ITEM NO.
PARTS LIST				
ETCH BOARD REV F H				
	IN964A	SAME	MPSA55	
	D664	IN3606	2N5302	
	MCR649P-2		D45H8	
	IN751A	SAME	MPSA05	
	IN4744	SAME		
	NSR8117			
	2N6028			
	DEC NO.	EIA NO.	DEC NO.	EIA NO.
SEMICONDUCTOR CONVERSION CHART				
DRN	DATE	DATE	DATE	DATE
CHD	DATE	DATE	DATE	DATE
ENG	DATE	DATE	DATE	DATE
PROJ	DATE	DATE	DATE	DATE
PROG	DATE	DATE	DATE	DATE
NEXT HIGHER ASSY				
TITLE		5V REGULATOR		
SIZE CODE	NUMBER	DICS H744-0-1		
SHEET	OF	1 OF 1		

DATE CODE DICS H744-0-1

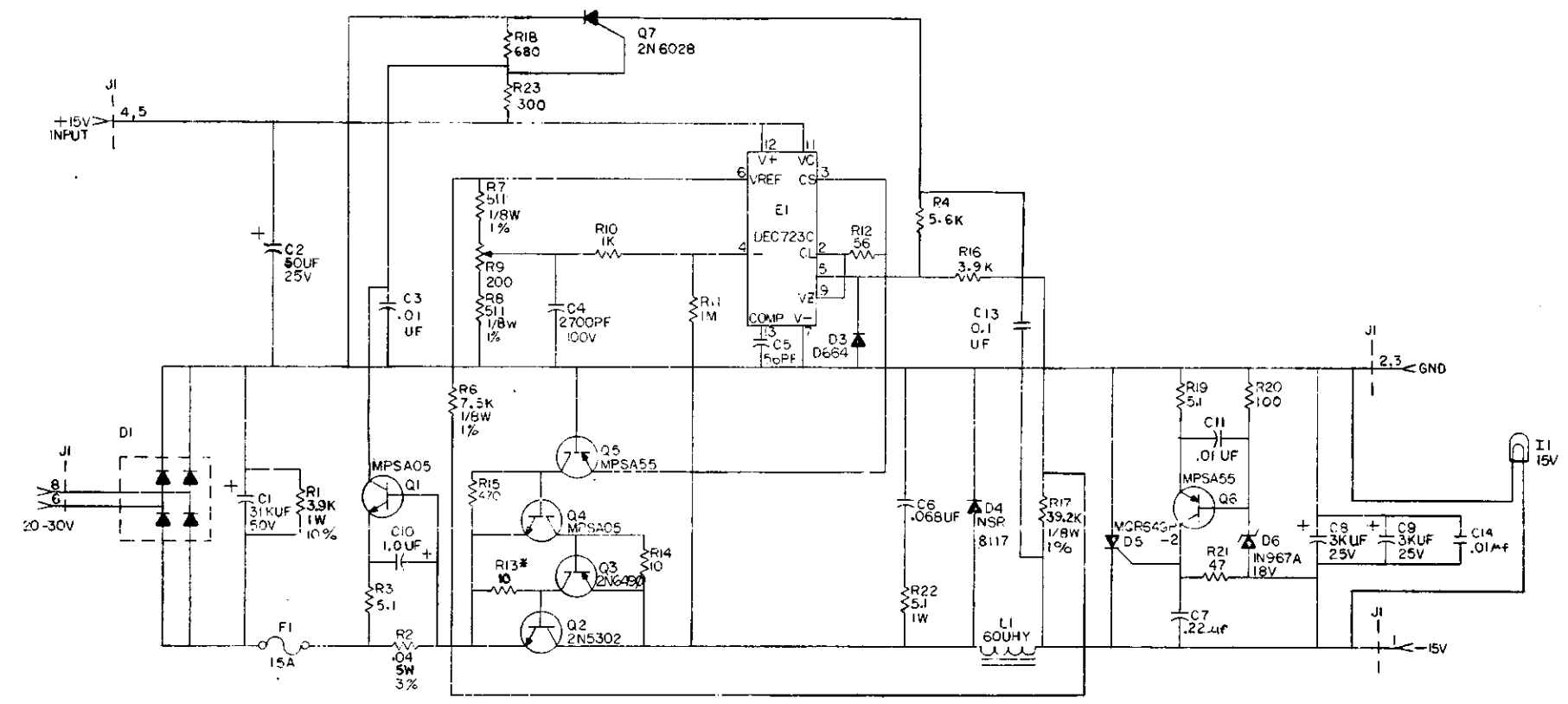
A







This drawing and specifications, herein, are the property of Digital Equipment Corporation and shall not be reproduced or copied or used in whole or in part as the basis for the manufacture or sale of parts without written permission (COPYRIGHT © 1976).  
DIGITAL EQUIPMENT CORPORATION, MAYNARD, MASS.



\* FUSIBLE  
UNLESS OTHERWISE INDICATED:  
RESISTORS = 1/4W, 5%

QTY	REF DESIGNATION	DESCRIPTION	PART NO.	ITEM NO.
PARTS LIST				
	ETCH BOARD REV	E		
	D664	IN 3606	D45H 8	
	NSR 8117	2N 6028		
	MCR4CP - 2			
	IN967A	SAME		
	2N 5302			
	MPS A05			
	MPS A55			
	D664	EIA #3	DSC #3	EIA #3
SEMICONDUCTOR CONVERSIONS LIST				
			DICS	H745-0-1
			AA	

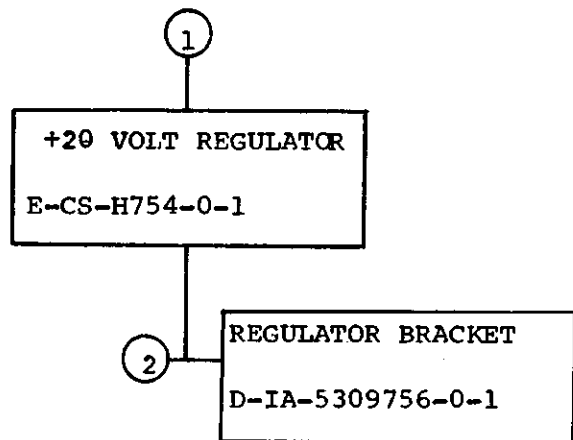
EQUIPMENT CORPORATION  
MAYNARD MASSACHUSETTS  
TITLE  
-15V REG  
DICS H745-0-1 AA









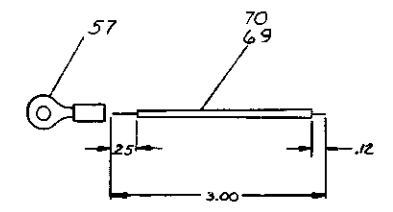
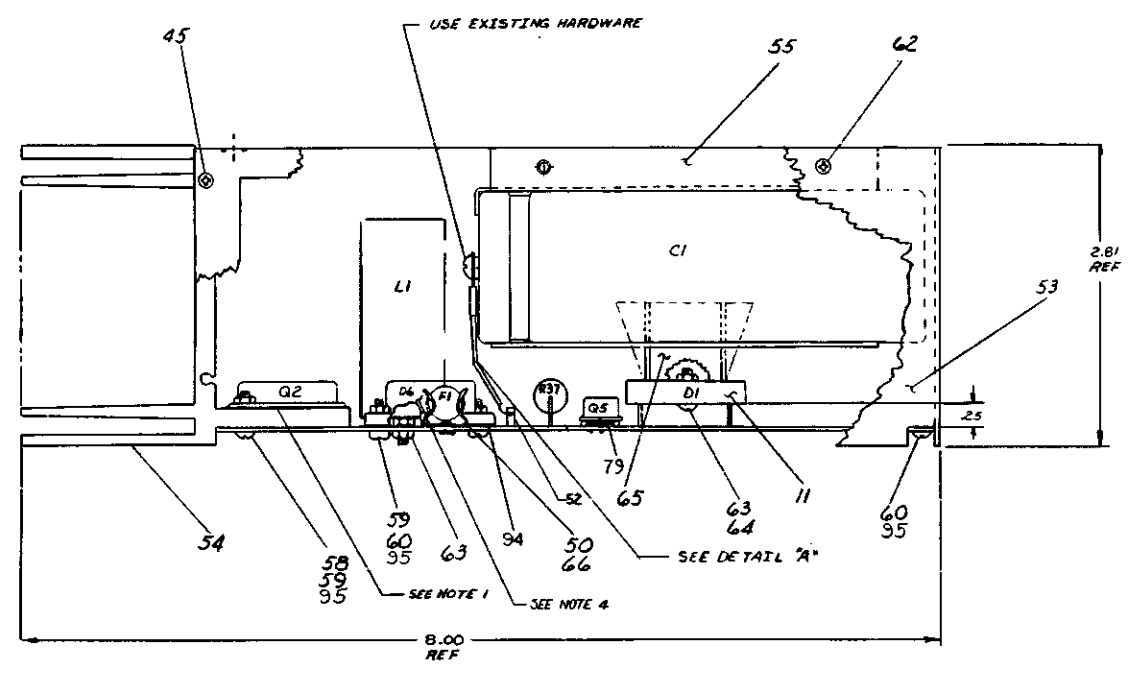
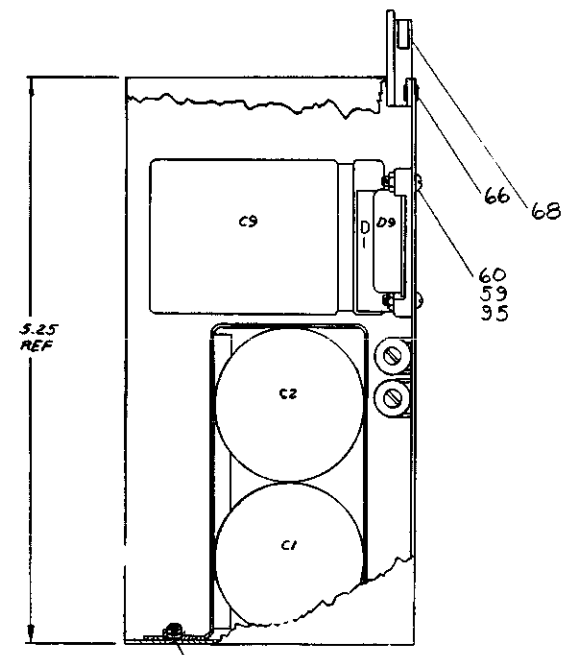
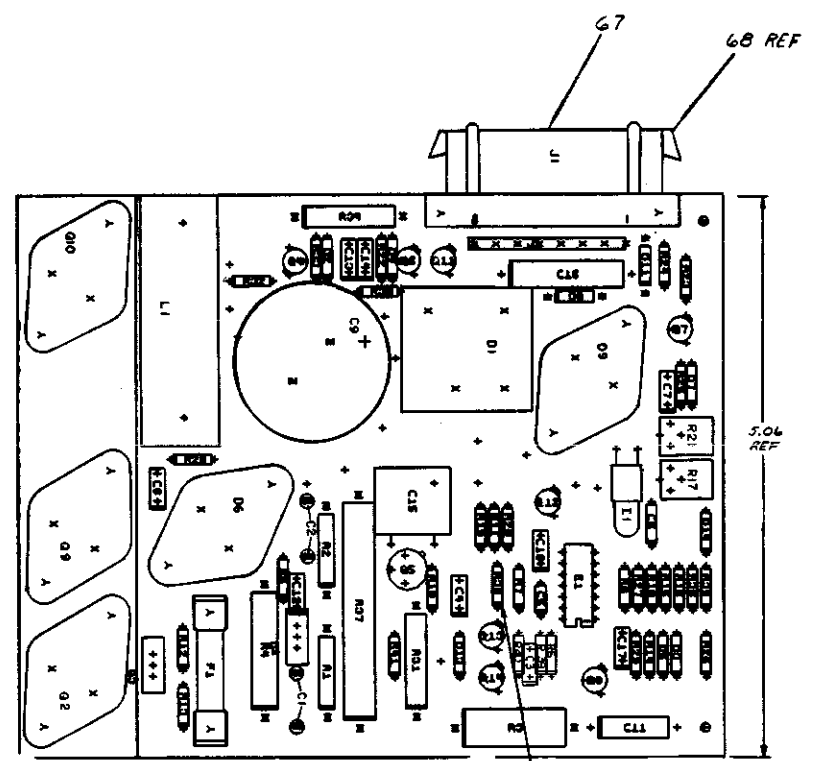


TITLE	SHEET OF	SIZE CODE	NUMBER	REV
+20 VOLT REGULATOR	3 OF 3	B DD	H754-Ø	B

COMPONENTS ARE SHOWN IN THEIR ORIGINAL POSITION.  
 COPYRIGHT © 1975 DIGITAL EQUIPMENT CORPORATION

5. APPLY 8 INCH LBS OF TORQUE TO ALL \*\* HARDWARE USED TO SECURE TRANSISTORS TO CIRCUIT BOARD. APPLY 16 INCH LBS OF TORQUE TO ALL \* TO HARDWARE.

NOTES:  
 1. APPLY ITEM #71 (COMPOUND) ON BOTH SIDES OF ITEM #2 (INSULATOR WASHER) FOR Q2, Q3. Q10. ALSO APPLY BETWEEN ITEM #11 (DIODE BRIDGE D1) AND ITEM #65 (HEAT SINK, BRIDGE D1).  
 2. UNLESS OTHERWISE INDICATED: RESISTORS ARE 1/4W, 5%. CAPACITORS ARE 100V, 25%.  
 3. ADD INSULATION (9107256-11) TO BOTH LEADS OF R38 TO AVOID SHORT TO ETCH.  
 4. APPLY ITEM #71 (COMPOUND) ON BOTH SIDES OF ITEM #34 (MICA WASHER) FOR D6.



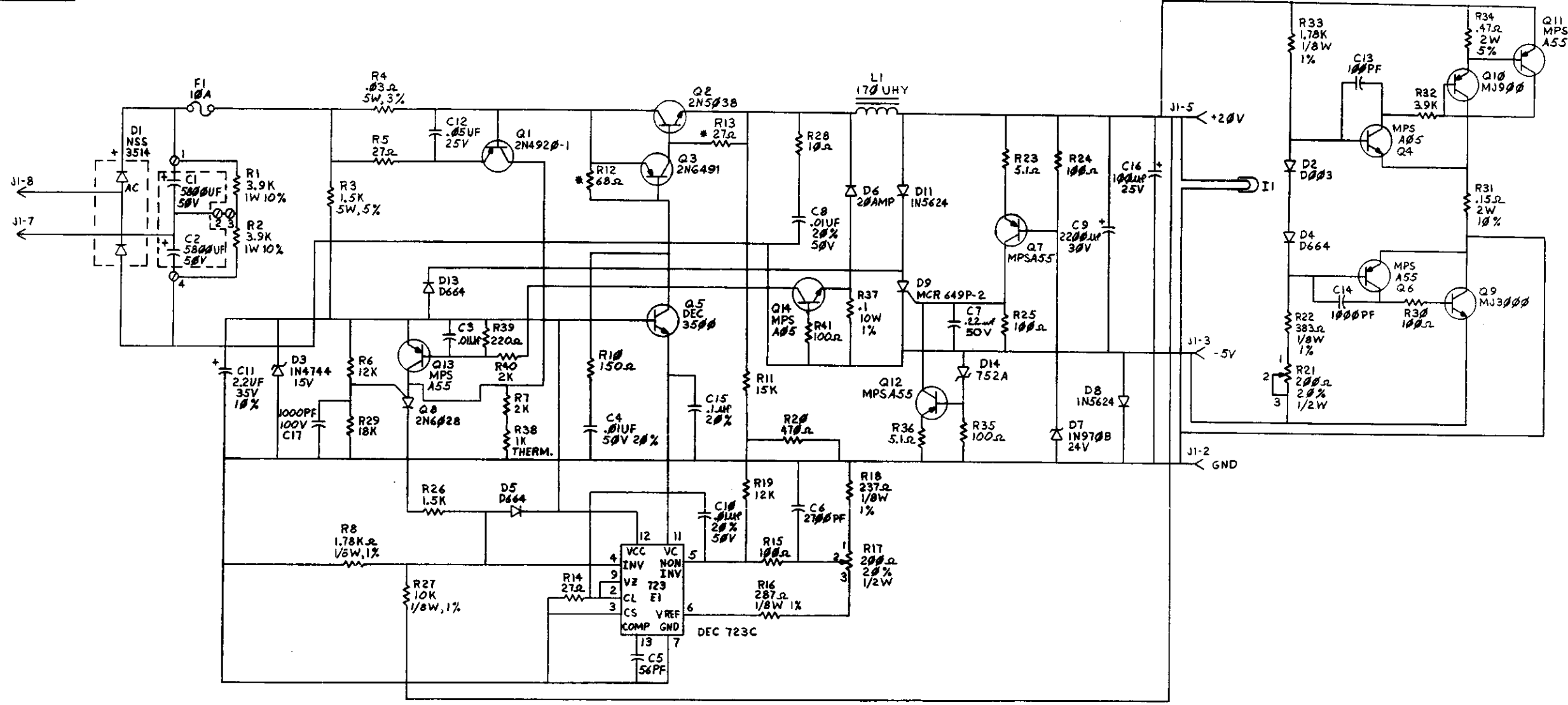
DETAIL 'A'  
 SCALE: NONE  
 RED WIRE GOES TO POSITIVE TERMINAL  
 BLK WIRE GOES TO NEGATIVE TERMINAL

DELETED COMPONENTS	
RESISTORS	R9
DIODES	D10, D2

QTY	REF DESIGNATION	DESCRIPTION	PART NO.	ITEM NO.
2	D4	DIODE 752A ZENER	1102806	11
1	D5	DIODE 1N4148	11-4000	12
1	D6	DIODE 1N4001	11-4001	13
1	D7	DIODE 1N4002	11-4002	14
1	D8	DIODE 1N4003	11-4003	15
1	D9	DIODE 1N4004	11-4004	16
1	D10	DIODE 1N4005	11-4005	17
1	D11	DIODE 1N4006	11-4006	18
1	D12	DIODE 1N4007	11-4007	19
1	D13	DIODE 1N4008	11-4008	20
1	D14	DIODE 1N4009	11-4009	21
1	D15	DIODE 1N4010	11-4010	22
1	D16	DIODE 1N4011	11-4011	23
1	D17	DIODE 1N4012	11-4012	24
1	D18	DIODE 1N4013	11-4013	25
1	D19	DIODE 1N4014	11-4014	26
1	D20	DIODE 1N4015	11-4015	27
1	D21	DIODE 1N4016	11-4016	28
1	D22	DIODE 1N4017	11-4017	29
1	D23	DIODE 1N4018	11-4018	30
1	D24	DIODE 1N4019	11-4019	31
1	D25	DIODE 1N4020	11-4020	32
1	D26	DIODE 1N4021	11-4021	33
1	D27	DIODE 1N4022	11-4022	34
1	D28	DIODE 1N4023	11-4023	35
1	D29	DIODE 1N4024	11-4024	36
1	D30	DIODE 1N4025	11-4025	37
1	D31	DIODE 1N4026	11-4026	38
1	D32	DIODE 1N4027	11-4027	39
1	D33	DIODE 1N4028	11-4028	40
1	D34	DIODE 1N4029	11-4029	41
1	D35	DIODE 1N4030	11-4030	42
1	D36	DIODE 1N4031	11-4031	43
1	D37	DIODE 1N4032	11-4032	44
1	D38	DIODE 1N4033	11-4033	45
1	D39	DIODE 1N4034	11-4034	46
1	D40	DIODE 1N4035	11-4035	47
1	D41	DIODE 1N4036	11-4036	48
1	D42	DIODE 1N4037	11-4037	49
1	D43	DIODE 1N4038	11-4038	50
1	D44	DIODE 1N4039	11-4039	51
1	D45	DIODE 1N4040	11-4040	52
1	D46	DIODE 1N4041	11-4041	53
1	D47	DIODE 1N4042	11-4042	54
1	D48	DIODE 1N4043	11-4043	55
1	D49	DIODE 1N4044	11-4044	56
1	D50	DIODE 1N4045	11-4045	57
1	D51	DIODE 1N4046	11-4046	58
1	D52	DIODE 1N4047	11-4047	59
1	D53	DIODE 1N4048	11-4048	60
1	D54	DIODE 1N4049	11-4049	61
1	D55	DIODE 1N4050	11-4050	62
1	D56	DIODE 1N4051	11-4051	63
1	D57	DIODE 1N4052	11-4052	64
1	D58	DIODE 1N4053	11-4053	65
1	D59	DIODE 1N4054	11-4054	66
1	D60	DIODE 1N4055	11-4055	67
1	D61	DIODE 1N4056	11-4056	68
1	D62	DIODE 1N4057	11-4057	69
1	D63	DIODE 1N4058	11-4058	70
1	D64	DIODE 1N4059	11-4059	71
1	D65	DIODE 1N4060	11-4060	72
1	D66	DIODE 1N4061	11-4061	73
1	D67	DIODE 1N4062	11-4062	74
1	D68	DIODE 1N4063	11-4063	75
1	D69	DIODE 1N4064	11-4064	76
1	D70	DIODE 1N4065	11-4065	77
1	D71	DIODE 1N4066	11-4066	78
1	D72	DIODE 1N4067	11-4067	79
1	D73	DIODE 1N4068	11-4068	80
1	D74	DIODE 1N4069	11-4069	81
1	D75	DIODE 1N4070	11-4070	82
1	D76	DIODE 1N4071	11-4071	83
1	D77	DIODE 1N4072	11-4072	84
1	D78	DIODE 1N4073	11-4073	85
1	D79	DIODE 1N4074	11-4074	86
1	D80	DIODE 1N4075	11-4075	87
1	D81	DIODE 1N4076	11-4076	88
1	D82	DIODE 1N4077	11-4077	89
1	D83	DIODE 1N4078	11-4078	90
1	D84	DIODE 1N4079	11-4079	91
1	D85	DIODE 1N4080	11-4080	92
1	D86	DIODE 1N4081	11-4081	93
1	D87	DIODE 1N4082	11-4082	94
1	D88	DIODE 1N4083	11-4083	95
1	D89	DIODE 1N4084	11-4084	96
1	D90	DIODE 1N4085	11-4085	97
1	D91	DIODE 1N4086	11-4086	98
1	D92	DIODE 1N4087	11-4087	99
1	D93	DIODE 1N4088	11-4088	100
1	D94	DIODE 1N4089	11-4089	101
1	D95	DIODE 1N4090	11-4090	102
1	D96	DIODE 1N4091	11-4091	103
1	D97	DIODE 1N4092	11-4092	104
1	D98	DIODE 1N4093	11-4093	105
1	D99	DIODE 1N4094	11-4094	106
1	D100	DIODE 1N4095	11-4095	107
1	D101	DIODE 1N4096	11-4096	108
1	D102	DIODE 1N4097	11-4097	109
1	D103	DIODE 1N4098	11-4098	110
1	D104	DIODE 1N4099	11-4099	111
1	D105	DIODE 1N4100	11-4100	112
1	D106	DIODE 1N4101	11-4101	113
1	D107	DIODE 1N4102	11-4102	114
1	D108	DIODE 1N4103	11-4103	115
1	D109	DIODE 1N4104	11-4104	116
1	D110	DIODE 1N4105	11-4105	117
1	D111	DIODE 1N4106	11-4106	118
1	D112	DIODE 1N4107	11-4107	119
1	D113	DIODE 1N4108	11-4108	120
1	D114	DIODE 1N4109	11-4109	121
1	D115	DIODE 1N4110	11-4110	122
1	D116	DIODE 1N4111	11-4111	123
1	D117	DIODE 1N4112	11-4112	124
1	D118	DIODE 1N4113	11-4113	125
1	D119	DIODE 1N4114	11-4114	126
1	D120	DIODE 1N4115	11-4115	127
1	D121	DIODE 1N4116	11-4116	128
1	D122	DIODE 1N4117	11-4117	129
1	D123	DIODE 1N4118	11-4118	130
1	D124	DIODE 1N4119	11-4119	131
1	D125	DIODE 1N4120	11-4120	132
1	D126	DIODE 1N4121	11-4121	133
1	D127	DIODE 1N4122	11-4122	134
1	D128	DIODE 1N4123	11-4123	135
1	D129	DIODE 1N4124	11-4124	136
1	D130	DIODE 1N4125	11-4125	137
1	D131	DIODE 1N4126	11-4126	138
1	D132	DIODE 1N4127	11-4127	139
1	D133	DIODE 1N4128	11-4128	140
1	D134	DIODE 1N4129	11-4129	141
1	D135	DIODE 1N4130	11-4130	142
1	D136	DIODE 1N4131	11-4131	143
1	D137	DIODE 1N4132	11-4132	144
1	D138	DIODE 1N4133	11-4133	145
1	D139	DIODE 1N4134	11-4134	146
1	D140	DIODE 1N4135	11-4135	147
1	D141	DIODE 1N4136	11-4136	148
1	D142	DIODE 1N4137	11-4137	149
1	D143	DIODE 1N4138	11-4138	150
1	D144	DIODE 1N4139	11-4139	151
1	D145	DIODE 1N4140	11-4140	152
1	D146	DIODE 1N4141	11-4141	153
1	D147	DIODE 1N4142	11-4142	154
1	D148	DIODE 1N4143	11-4143	155
1	D149	DIODE 1N4144	11-4144	156
1	D150	DIODE 1N4145	11-4145	157
1	D151	DIODE 1N4146	11-4146	158
1	D152	DIODE 1N4147	11-4147	159
1	D153	DIODE 1N4148	11-4148	160
1	D154	DIODE 1N4149	11-4149	161
1	D155	DIODE 1N4150	11-4150	162
1	D156	DIODE 1N4151	11-4151	163
1	D157	DIODE 1N4152	11-4152	164
1	D158	DIODE 1N4153	11-4153	165
1	D159	DIODE 1N4154	11-4154	166
1	D160	DIODE 1N4155	11-4155	167
1	D161	DIODE 1N4156	11-4156	168
1	D162	DIODE 1N4157	11-4157	169
1	D163	DIODE 1N4158	11-4158	170
1	D164	DIODE 1N4159	11-4159	171
1	D165	DIODE 1N4160	11-4160	172
1	D166	DIODE 1N4161	11-4161	173
1	D167	DIODE 1N4162	11-4162	174
1	D168	DIODE 1N4163	11-4163	175
1	D169	DIODE 1N4164	11-4164	176
1	D170	DIODE 1N4165	11-4165	177
1	D171	DIODE 1N4166	11-4166	178
1	D172	DIODE 1N4167	11-4167	179
1	D173	DIODE 1N4168	11-4168	180
1	D174	DIODE 1N4169	11-4169	181
1	D175	DIODE 1N4170	11-4170	182
1	D176	DIODE 1N4171	11-4171	183
1	D177	DIODE 1N4172	11-4172	184
1	D178	DIODE 1N4173	11-4173	185
1	D179	DIODE 1N4174	11-4174	186
1	D180	DIODE 1N4175	11-4175	187
1	D181	DIODE 1N4176	11-4176	188
1	D182	DIODE 1N4177	11-4177	189
1	D183	DIODE 1N4178	11-4178	190
1	D184	DIODE 1N4179	11-4179	191
1	D185	DIODE 1N4180	11-4180	192
1	D186	DIODE 1N4181	11-4181	193
1	D187	DIODE 1N4182	11-4182	194
1	D188	DIODE 1N4183	11-4183	195
1	D189	DIODE 1N4184	11-4184	196
1	D190	DIODE 1N4185	11-4185	197
1	D191	DIODE 1N4186	11-4186	198
1	D192	DIODE 1N4187	11-4187	199
1	D193	DIODE 1N4188	11-4188	200
1	D194	DIODE 1N4189	11-4189	201
1	D195	DIODE 1N4190	11-4190	202
1	D196	DIODE 1N4191	11-4191	203
1	D197	DIODE 1N4192	11-4192	204
1	D198	DIODE 1N4193	11-4193	205
1	D199	DIODE 1N4194	11-4194	206
1	D200	DIODE 1N4195	11-4195	207
1	D201	DIODE 1N4196	11-4196	208
1	D202	DIODE 1N4197	11-4197	209
1	D203	DIODE 1N4198	11-4198	210
1	D204	DIODE 1N4199	11-4199	211
1	D205	DIODE 1N4200	11-4200	212
1	D206	DIODE 1N4201	11-4201	213
1	D207	DIODE 1N4202	11-4202	214
1	D208	DIODE 1N4203	11-4203	215
1	D209	DIODE 1N4204	11-4204	216
1	D210	DIODE 1N4205	11-4205	217
1	D211	DIODE 1N4206	11-4206	218
1	D212	DIODE 1N4207	11-4207	219
1	D213	DIODE 1N4208	11-4208	220
1	D214	DIODE 1N4209	11-4209	221
1	D215	DIODE 1N4210	11-4210	222
1	D216	DIODE 1N4211	11-4211	223
1	D217	DIODE 1N4212	11-4212	224
1	D218	DIODE 1N4213	11-4213	225
1	D219	DIODE 1N4214	11-4214	226
1	D220	DIODE 1N4215	11-4215	227
1	D221</			

THIS DRAWING AND SPECIFICATIONS HEREIN ARE THE PROPERTY OF DIGITAL EQUIPMENT CORPORATION AND SHALL NOT BE REPRODUCED OR COPIED OR USED IN WHOLE OR IN PART AS THE BASIS FOR THE MANUFACTURE OR SALE OF ITEMS WITHOUT WRITTEN PERMISSION.  
 COPYRIGHT © 1972, DIGITAL EQUIPMENT CORPORATION

DIGITAL EQUIPMENT CORPORATION  
 H754-0-1 2

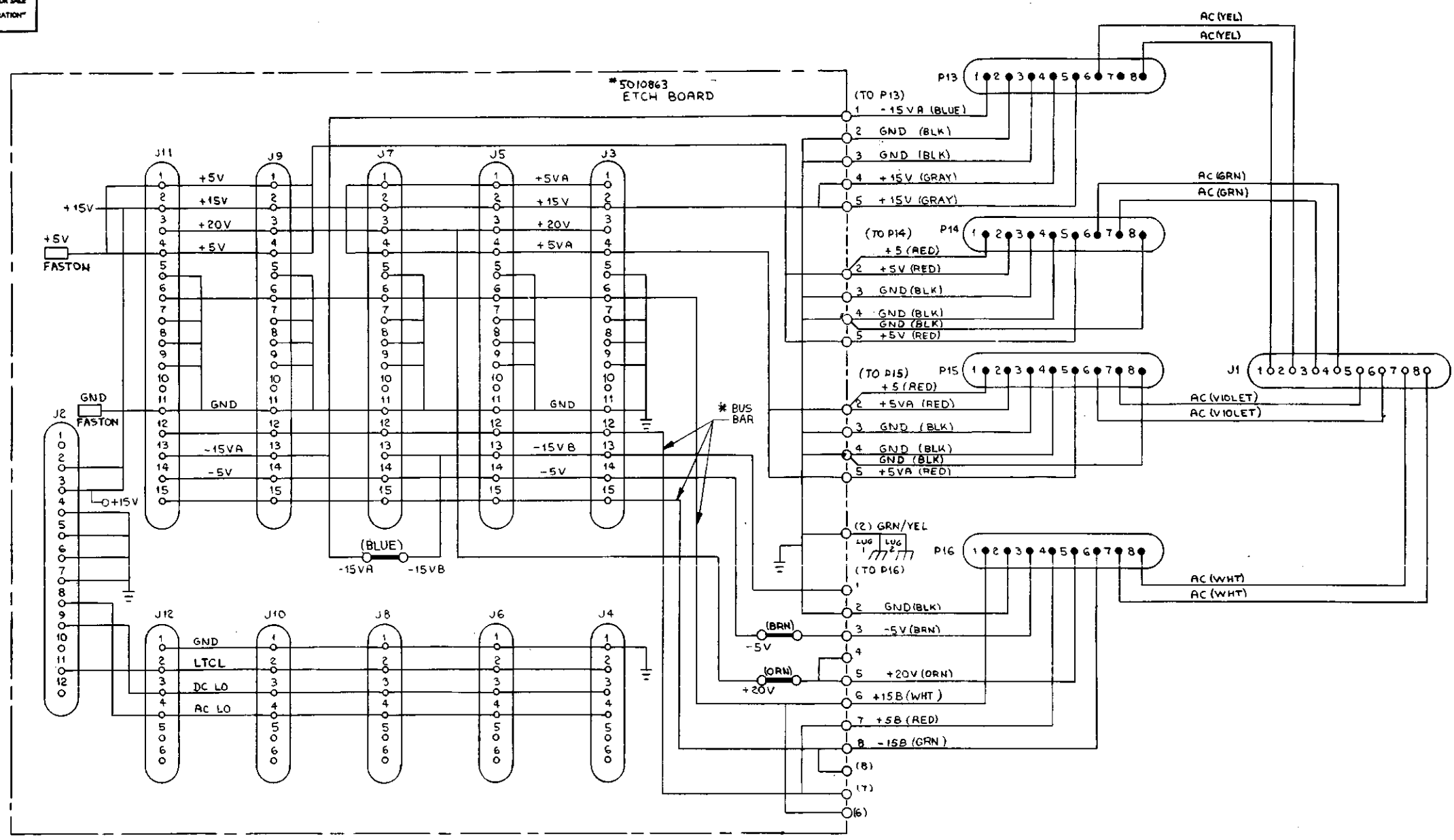


\* FUSIBLE RESISTOR

DRN: BISSONNETTE 2-20-72	FIRST USED ON: H754	digital
CHK'D R. VOWLES 2-17-72	ENG. R. BURTON 5-7-73	
PROJ. ENG. R. BURTON 5-7-73	PROD. L. BAPTISTE 5-9-73	TITLE: +20 VOLT REGULATOR
NEXT HIGHER ASSY.	SIZE CODE: DCS	NUMBER: H754-0-1
SCALE: 2 OF 2	DIST.	REV. V



THIS DRAWING AND SPECIFICATIONS HEREIN ARE THE PROPERTY OF DIGITAL EQUIPMENT CORPORATION AND SHALL NOT BE REPRODUCED OR COPIED OR USED IN WHOLE OR IN PART AS THE BASIS FOR THE MANUFACTURE OR SALE OF ITEMS WITHOUT WRITTEN PERMISSION. COPYRIGHT © 1974 DIGITAL EQUIPMENT CORPORATION



\* BUS BAR USED IN THE YA VARIATION ONLY

REVISIONS		
CHK	CHANGE NO	REV.

TITLE	SIZE CODE	NUMBER	REV.
PWR DIST BOARD	D CS	5410864-0-1	L
SCALE NONE	SHEET 2 OF 3	DIST.	

THIS DRAWING AND SPECIFICATIONS HEREIN ARE THE PROPERTY OF DIGITAL EQUIPMENT CORPORATION AND SHALL NOT BE REPRODUCED OR COPIED OR USED IN WHOLE OR IN PART AS THE BASIS FOR THE MANUFACTURE OR SALE OF ITEMS WITHOUT WRITTEN PERMISSION. COPYRIGHT © 1974, DIGITAL EQUIPMENT CORPORATION.

WIRE TABLE

ITEM NO	DESCRIPTION	FROM		TO		LENGTH	SIGNAL NAME
		CONNECTION	WITH	CONNECTION	WITH		
24	14 YEL	J1-1	8	P13-8	7	12.5"	AC/H745
24	▲ YEL	J1-2	▲	P13-6	▲	12.5"	AC/H745
25	GRN	J1-3		P14-7		11"	AC/H744-1
25	GRN	J1-4		P14-6		11"	AC/H744-1
26	VIO	J1-5		P15-7		8.75"	AC/H744-2
26	VIO	J1-6		P15-6		8.75"	AC/H744-2
27	WHT	J1-7	▼	P16-8		11.25"	AC/H754
27	WHT	J1-8	8	P16-7		11.25"	AC/H754
23	BLU	PDBP13-1	SOLDER	P13-1		5"	-15V
22	BLK	PDBP13-2	▲	P13-2		▲	GND
22	BLK	PDBP13-3		P13-3			GND
21	GRY	PDBP13-4		P13-4			+15V
21	GRY	PDBP13-5		P13-5			+15V
20	RED	PDBP14-2		P14-2			+5V
22	BLK	PDBP14-3		P14-3			GND
22	BLK	PDBP14-4		P14-4			GND
20	RED	PDBP14-5		P14-5			+5V
20	RED	PDBP15-2		P15-2			+5V
22	BLK	PDBP15-3		P15-3			GND
22	BLK	PDBP15-4		P15-4			GND
20	RED	PDBP15-5		P15-5			+5V
22	BLK	PDBP16-2		P16-2			GND
19	BRN	PDBP16-3		P16-3			-5V
18	ORN	PDBP16-5		P16-5	7	5"	+20V
23	BLU	PDP-15A		PDB-15B	SOLDER	1.75"	-15V
18	ORN	PDBP16-5	▼	PDB+20V	▲	5"	+20V
19	BRN	PDBP16-3	SOLDER	PDB-5V	▼	2"	-5V
33		LUG 1	35	PDBP16-2	SOLDER	11"	SAFETY GND
33	GRN/YEL			LUG 2	34	15"	SAFETY GND
20	RED	PDBP16-7	SOLDER	P16-4	7	5.5"	+5V
20	RED	PDBP15-1	▲	P15-1	▲	5"	+5V
20	RED	PDBP14-1		P14-1		5"	+5V
22	BLK	PDBP15-4		P15-8		5.5"	GND
22	BLK	PDBP14-4		P14-8		▲	GND
27	▼ WHT	PDBP16-6	▼	P16-1	▼	▼	+15V
25	14 GRN	PDBP16-8	SOLDER	P16-6	7	5.5"	-15V

YA VARIATION ONLY.

SEE NOTE 1

BUS BAR CONNECTIONS FOR YA VARIATION

LEVEL A	PDBP16-6 J11,J9,J7,J5,J3 ALL PIN#6	+15V.B
LEVEL B	PDBP16-7 J11,J9,J7,J5,J3 ALL PIN#12	+5V
LEVEL C	PDBP16-8 J11,J9,J7,J5,J3 ALL PIN#15	-15V.B

NOTES:

1. CS REV. K AND EARLIER PWR DISTRIBUTION BOARDS HAD THE GREEN AND WHITE WIRES REVERSED IN COLOR ONLY. THE POINT-TO-POINT CONNECTIONS REMAIN THE SAME.

REVISIONS		
CHK	CHANGE NO	REV

TITLE	SIZE CODE	NUMBER	REV.
PWR DIST BOARD	DCS	5410864-0-1	L
SCALE NONE	SHEET 3 OF 3	DIST.	

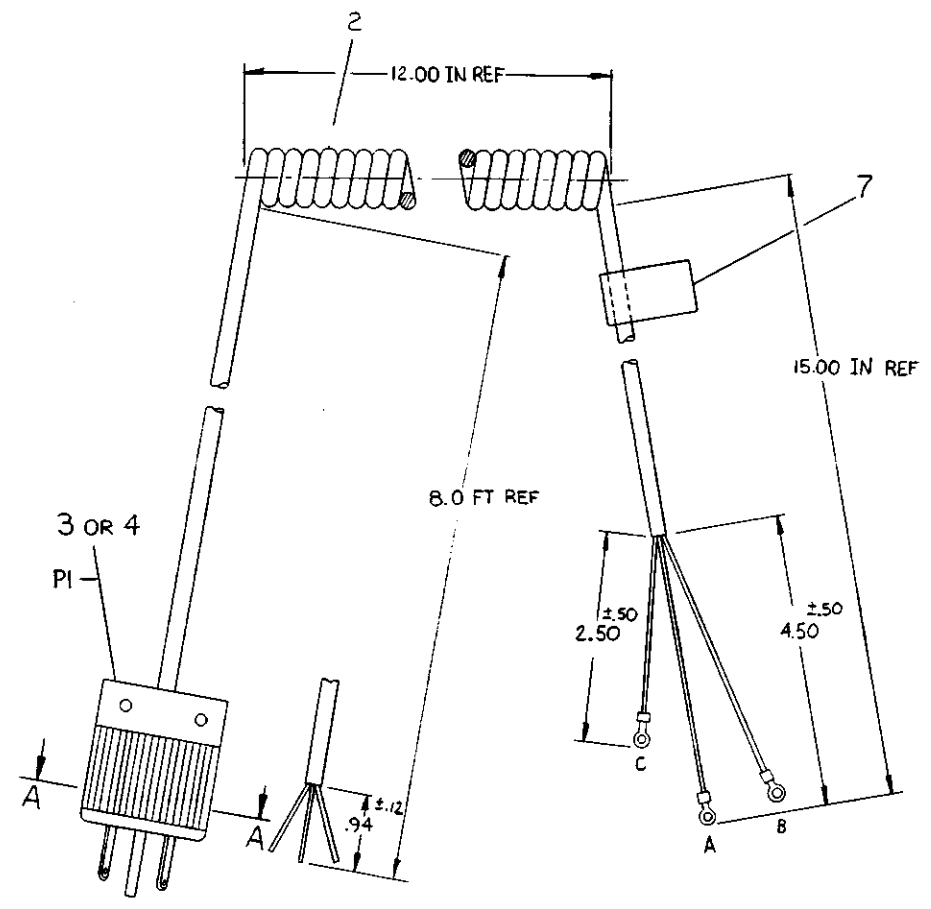
DCS 5410864-0-1 L

WIRE TABLE (7012500-0)								WIRE TABLE (7012500-1)							
ITEM NO.	DESCRIPTION	FROM	TO	REMARKS	ITEM NO.	DESCRIPTION	FROM	TO	REMARKS						
	AWG	COLOR	CONNECTION	WITH		AWG	COLOR	CONNECTION	WITH						
2	14	BRN	PI-B	---	6	AC LINE									
2	14	LT BLU	PI-A	---	6	AC NEUTRAL									
2	14	GRN/YEL	PI-C	---	6	AC SAFETY GND									

NUMBER	VARIATION
7012500-0	120V
7012500-1	240V

THIS DRAWING AND SPECIFICATIONS HEREIN ARE THE PROPERTY OF DIGITAL EQUIPMENT CORPORATION AND SHALL NOT BE REPRODUCED OR COPIED OR USED IN WHOLE OR IN PART AS THE BASIS FOR THE MANUFACTURE OR SALE OF ITEMS WITHOUT WRITTEN PERMISSION. COPYRIGHT © 1976, DIGITAL EQUIPMENT CORPORATION

**LEGEND**



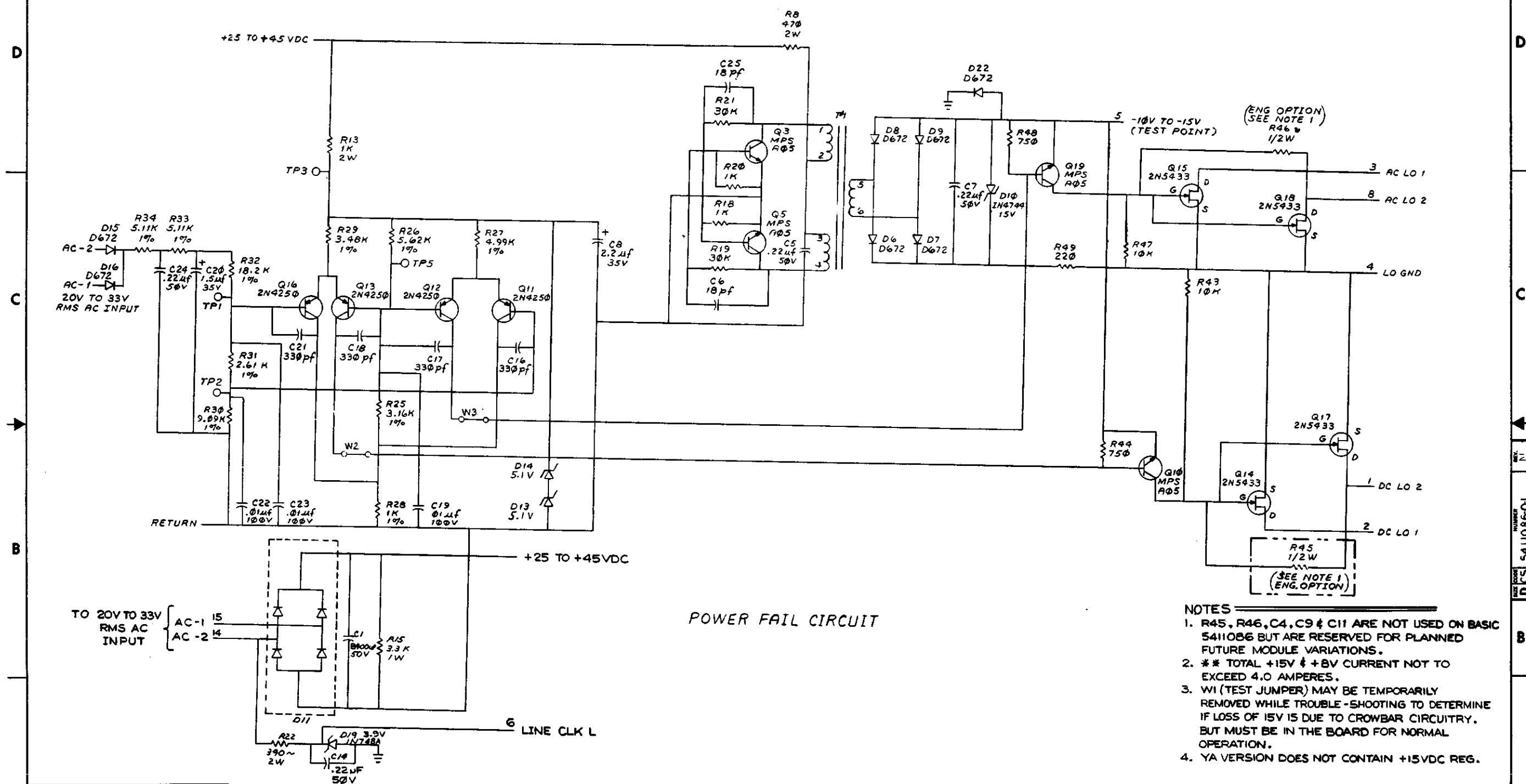
QTY	DESCRIPTION	DWG. PART NO.	ITEM NO.
1	TABLE, I.D.	3416073-00	7
3	TERMINAL, RING TONGUE	9007923	6
2	TERMINAL, QUICK CONNECT	9007919-0	5
1	PLUG, 240 V	9008853	4
1	PLUG, 120 V	9008938	3
1	POWER CORD	1700065-0	2
1	POWER CORD	1700065-1	1

REV.	CHANGE NO.	DESCRIPTION
1	7009811-00000	A
2	7009811-00000	B
3	7009811-00000	C

THIRD ANGLE PROJECTION	DRN. P. [Signature] 2-27-76	FIRST USED ON	BAIL-K
REMOVE BURRS AND BREAK SHARP CORNERS	CHKD. [Signature] 3 MAR 76	TITLE	POWER CORD
DO NOT SCALE DWG	ENG. [Signature] 3 MAR 76	NUMBER	120V 240V
MATERIAL SEE PARTS LIST	PROJ. ENG. [Signature] 5 MAR 76	SCALE	NONE
FINISH	PROD. [Signature] 14/76	SIZE	D IA
		NUMBER	7012500-0-0
		REV.	C



THIS DRAWING AND SPECIFICATIONS, HEREIN, ARE THE PROPERTY OF DIGITAL EQUIPMENT CORPORATION AND SHALL NOT BE REPRODUCED OR COPIED OR USED IN WHOLE OR IN PART AS THE BASIS FOR THE MANUFACTURE OR SALE OF ITEMS WITHOUT WRITTEN PERMISSION. COPYRIGHT © 1979 DIGITAL EQUIPMENT CORPORATION



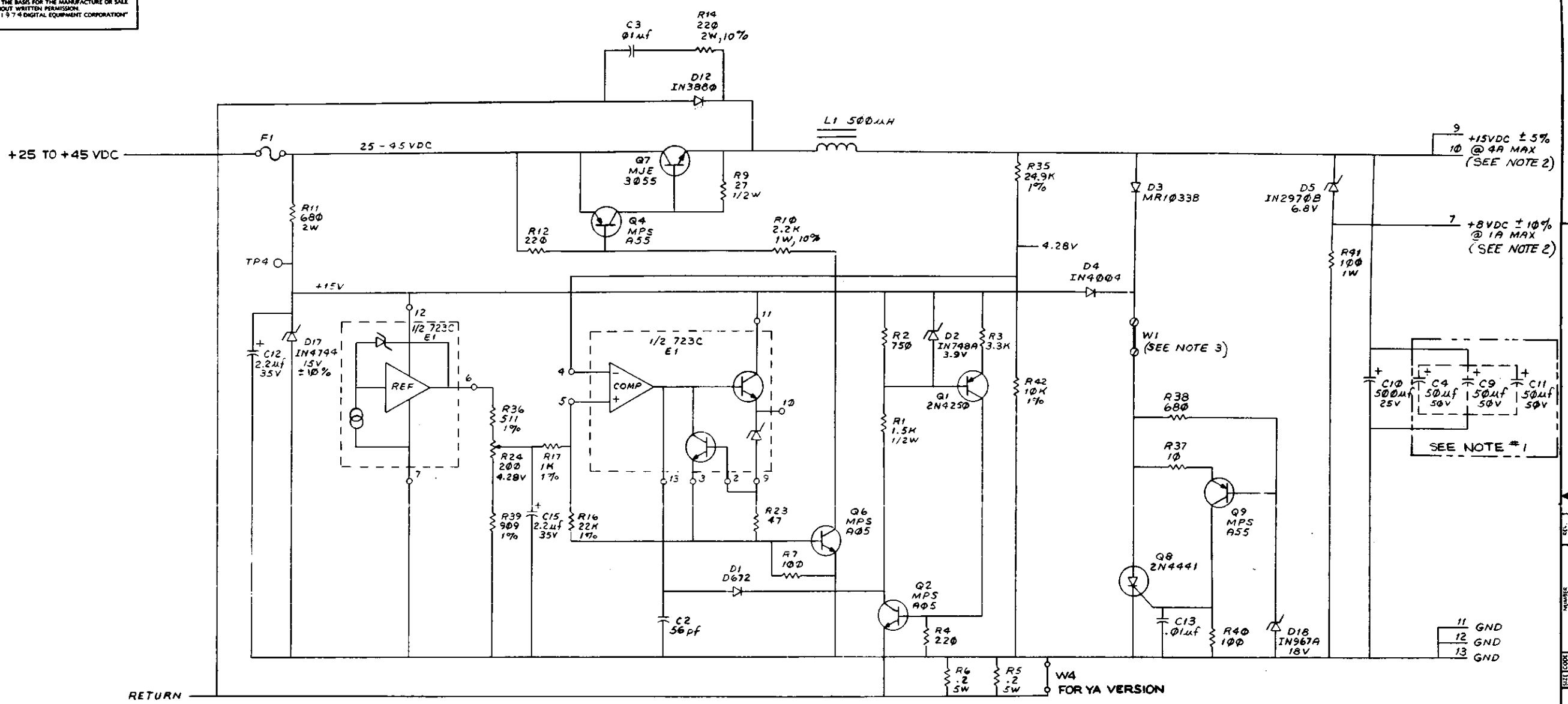
- NOTES**
1. R45, R46, C4, C9 & C11 ARE NOT USED ON BASIC 5411086 BUT ARE RESERVED FOR PLANNED FUTURE MODULE VARIATIONS.
  2. \*\* TOTAL +15V & +8V CURRENT NOT TO EXCEED 4.0 AMPERES.
  3. W1 (TEST JUMPER) MAY BE TEMPORARILY REMOVED WHILE TROUBLE-SHOOTING TO DETERMINE IF LOSS OF 15V IS DUE TO CROWBAR CIRCUITRY. BUT MUST BE IN THE BOARD FOR NORMAL OPERATION.
  4. YA VERSION DOES NOT CONTAIN +15VDC REG.

REV.	M
CHANGE NO.	
ML008	
CARTER	
R. KENNEDY	
G. BARN	
5411086-01003 B	
J.M. Collins	
A. BARON	
1/28/79	

DRN POWERS	1-17-79	FIRST USED ON	digital
CHK'D	2-15-79	TITLE	POWER LINE MONITOR 15V REG
ENG. G. BARN	2-6-79	PROJ. ENG. G. BARN	2-6-79
PROD. G. BARN	2-15-79	NEXT HIGHER ASSY.	
B-DD-5411086-0	SIZE CODE	NUMBER	REV
SCALE NONE	D	CS 5411086-0-1	N
SHEET	OF 2	DIST.	

REV. 2  
NUMBER  
D 5411086-01

"THIS DRAWING AND SPECIFICATIONS, HEREIN, ARE THE PROPERTY OF DIGITAL EQUIPMENT CORPORATION AND SHALL NOT BE REPRODUCED OR COPIED OR USED IN WHOLE OR IN PART AS THE BASIS FOR THE MANUFACTURE OR SALE OF ITEMS WITHOUT WRITTEN PERMISSION. COPYRIGHT © 1974 DIGITAL EQUIPMENT CORPORATION"



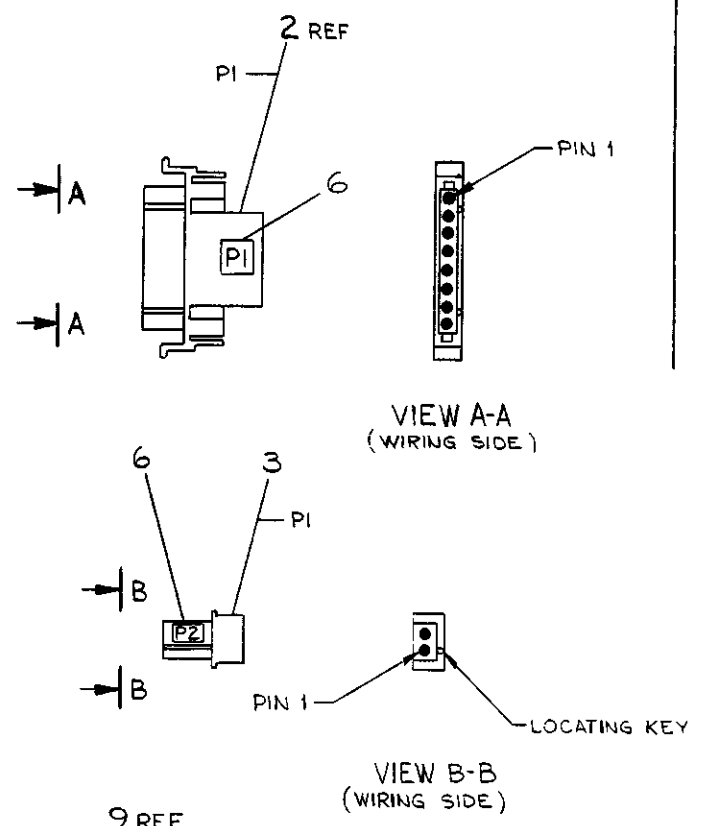
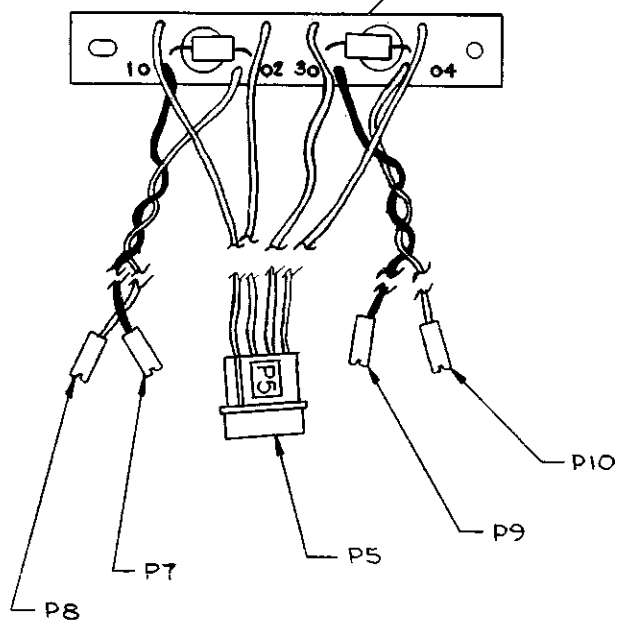
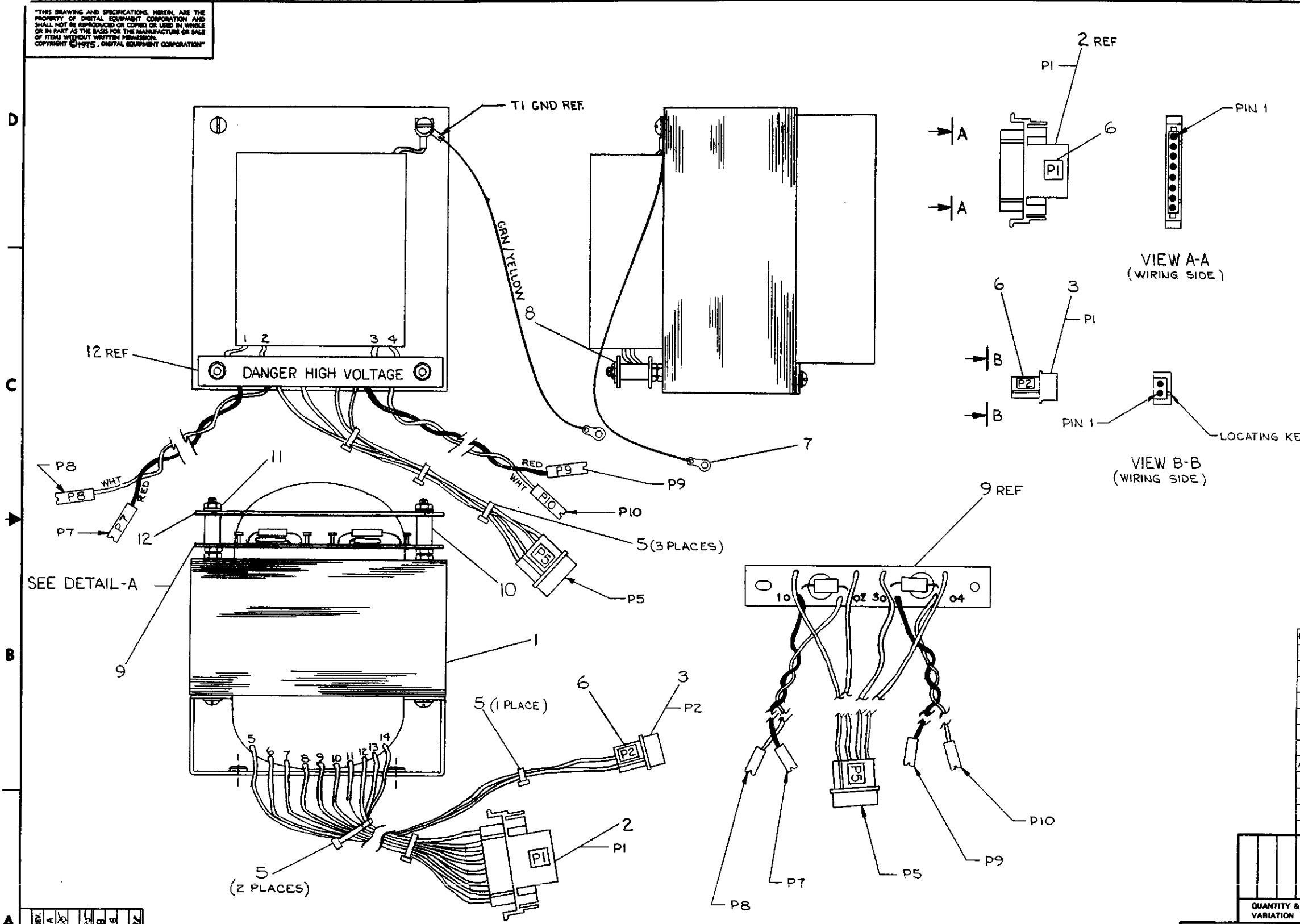
15V REGULATOR  
(SEE NOTE #4)

REVISIONS		
CHK	CHANGE NO	REV.

TITLE	PWR. LINE MONITOR/15V REG.	SIZE CODE	NUMBER	REV.
SCALE	SHEET 2 OF 2	DIST.	DCS 5411086-0-1	N

THIS DRAWING AND SPECIFICATIONS HEREIN ARE THE PROPERTY OF DIGITAL EQUIPMENT CORPORATION AND SHALL NOT BE REPRODUCED OR COPIED OR USED IN WHOLE OR IN PART AS THE BASIS FOR THE MANUFACTURE OR SALE OF ITEMS WITHOUT WRITTEN PERMISSION. COPYRIGHT © 1975, DIGITAL EQUIPMENT CORPORATION.

DAD 7011486-0-0 2



DESCRIPTION	DWG./PART NO.	ITEM NO.
REF TRANSFORMER ASSY PROCEDURE	A-SP-7011486-0-0	13
1 COVER	C-IA-7414301-0-0	12
2 NUT, KEP*10-32	9006565	11
2 SPACER, 3/8 OD X 1/2 LG	9007831	10
1 CAP MOV BOARD ASSY	D-IA-7011751-0-0	9
2 WASHER, FLAT .437 X .218 ID	9006664	8
1 GROUND LUG	9005150	7
1 DECAL	A-DC-7409872-0-0	6
A/R CABLE TIES 5/4 L X 1/3 W	9007880	5
10 PIN, MALE	1209378-1	4
1 CONN., 2 PIN	1210822-2	3
1 CONN., 8 PIN	1209340-01	2
1 TRANSFORMER	1612524	1

ANGLES	CLASS OF ACCURACY	NOMINAL DIMENSION RANGE INCHES					
		OVER 0 TO .25	OVER .25 TO .40	OVER .40 TO .60	OVER .60 TO 1.00	OVER 1.00 TO 2.00	OVER 2.00 TO 4.00
30°	CHECK ONE	0.004	0.008	0.012	0.016	0.024	0.04
SURFACE QUALITY IN	MEDIUM						
MICRONCHES	PREFERRED	0.012	0.016	0.025	0.04	0.063	0.1

REV.	DATE	BY	CHKD.
1	10/15/75	B. WOLF	
2	11/10/75	R. KENNEDY	

THIRD ANGLE PROJECTION

DRN: *[Signature]* 12/17/75

CHK'D: *[Signature]* 12/17/75

ENG: *[Signature]* 12/17/75

PROJ. ENG. *[Signature]* 12/17/75

PROD. *[Signature]* 12/17/75

REMOVE BURRS AND BREAK SHARP CORNERS

DO NOT SCALE DWG

MATERIAL SEE PARTS LIST

FINISH: / /

FIRST USED ON H782

TITLE TRANSFORMER ASSY

SIZE CODE D AD 7011486-0-0

NUMBER 2

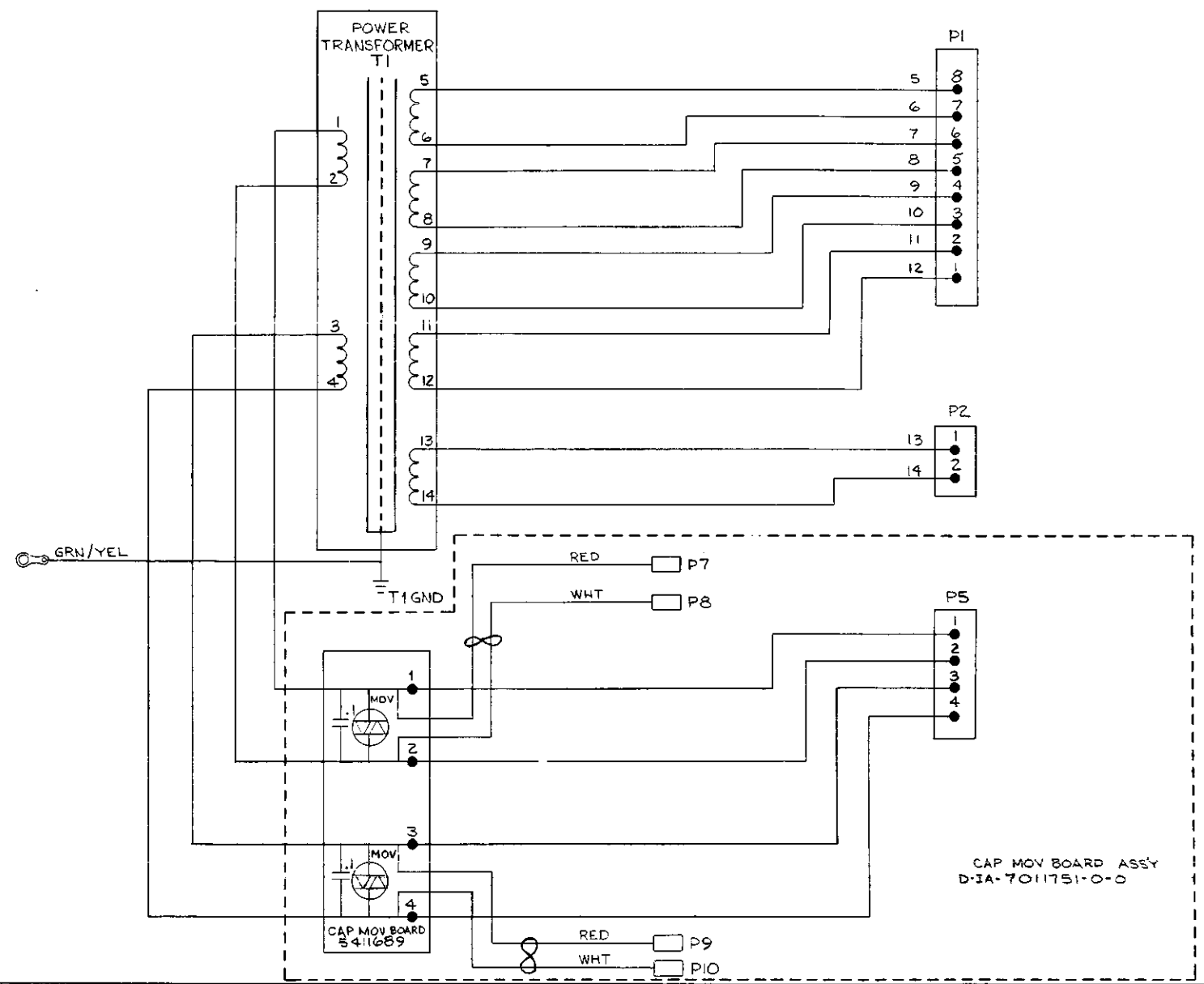
REV. B

SHEET 1 OF 2

REV. B  
DAD 7011486-0-0

"THIS DRAWING AND SPECIFICATIONS HEREIN ARE THE PROPERTY OF DIGITAL EQUIPMENT CORPORATION AND SHALL NOT BE REPRODUCED OR COPIED OR USED IN WHOLE OR IN PART AS THE BASIS FOR THE MANUFACTURE OR SALE OF ITEMS WITHOUT WRITTEN PERMISSION. COPYRIGHT © 1975 DIGITAL EQUIPMENT CORPORATION"

WIRE TABLE							
ITEM NO.	AWG	COLOR	FROM		TO		WIRE LENGTH
			CONNECTION	WITH	CONNECTION	WITH	
1	14	BLK	T1-1	---	CAP MOV BD-1	SOLDER	1.5 IN
			T1-2	---	CAP MOV BD-2	SOLDER	2.0 IN
			T1-3	---	CAP MOV BD-3	SOLDER	2.0 IN
			T1-4	---	CAP MOV BD-4	SOLDER	1.5 IN
			T1-5	---	PI-8	ITEM 4	12.0 IN
			T1-6	---	PI-7		
			T1-7	---	PI-6		
			T1-8	---	PI-5		
			T1-9	---	PI-4		
			T1-10	---	PI-3		
			T1-11	---	PI-2		
			T1-12	---	PI-1	ITEM 4	
			T1-13	---	P2-1	ITEM 4	
1	14	BLK	T1-14	---	P2-2	ITEM 4	12.0 IN
1	14	GRN/YEL	T1-GND	---	GND LUG (ITEM 7)	SOLDER	16.0 IN

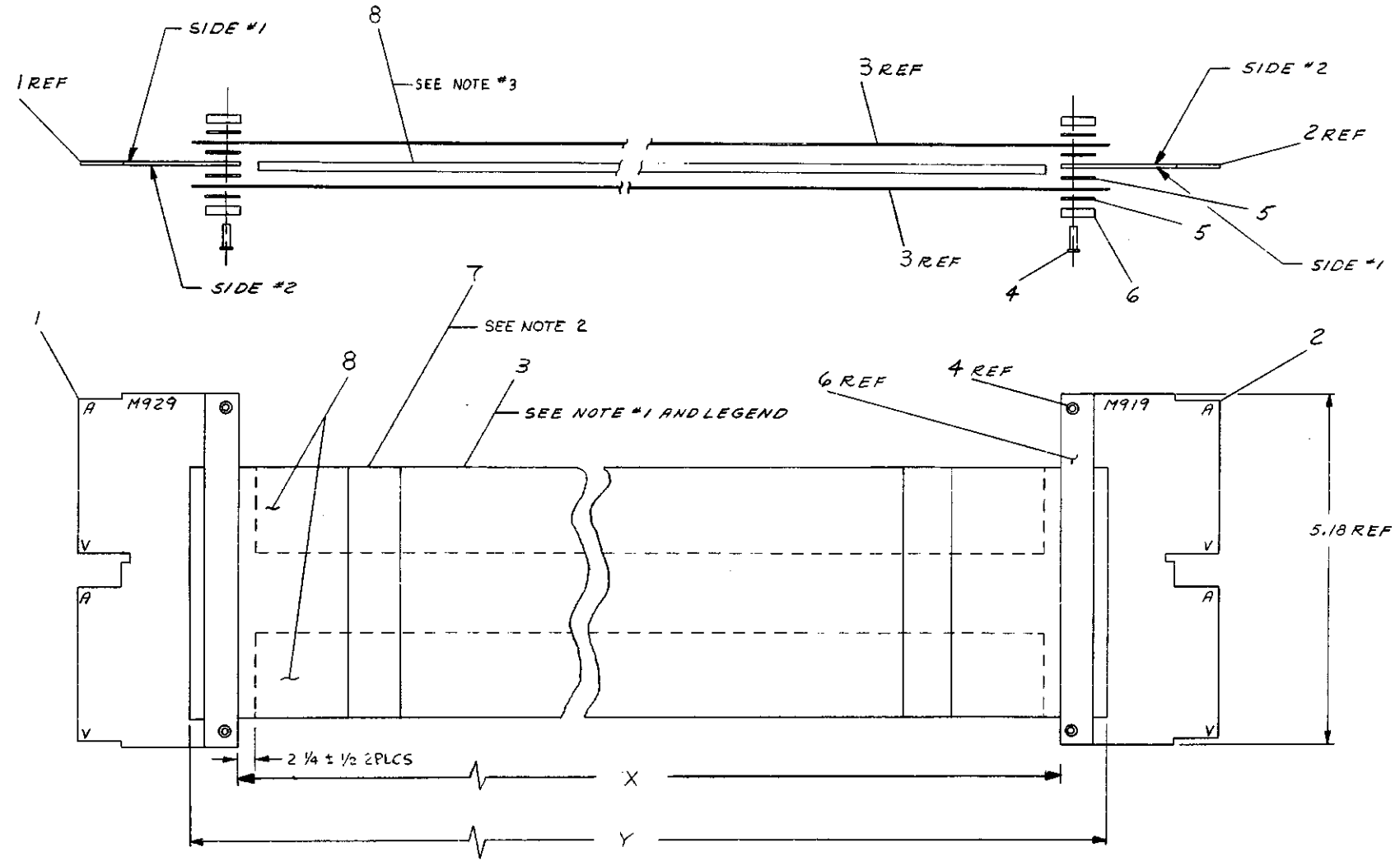


REVISIONS		
CHK	CHANGE NO	REV

The drawing and specifications herein are the property of Digital Equipment Corporation and shall not be reproduced or copied or used in whole or in part as the basis for the manufacture of any items without written permission.

**NOTES:**

- VARIATIONS AND LENGTHS SHOWN IN LEGEND ARE STANDARD. OTHER THAN STANDARD VARIATIONS WILL BE SPECIFIED BY ALPHANUMERIC DESIGNATION. FOR LENGTHS OTHER THAN FOOT INCREMENTS FROM ONE (1) FOOT THROUGH NINE (9) FEET, ELEVEN (11) INCHES.  
 A=1" G=7"  
 B=2" H=8"  
 C=3" J=9"  
 D=4" K=10"  
 E=5" L=11"  
 F=6"  
 EXAMPLE: BC11A-3D=3'4". LENGTHS WILL BE IN FOOT INCREMENTS FROM TEN (10) FEET ON, AND WILL BE SPECIFIED BY THE CORRESPONDING NUMERICAL DESIGNATION. EXAMPLE: BC11A-11=11 FEET. THE TOLERANCE ON DIMENSION "A" WILL BE 2% OF THE FOOT INCREMENT.
- FLEXPRINTS TO BE BOUND TOGETHER BY WRAPPING WITH ELECTRICAL TAPE (ITEM 7) EVERY 18 INCHES.
- INSTALL 2 PIECES OF FOAM TAPE (ITEM 8) BETWEEN FLEX PRINT CABLES AS SHOWN.



QTY.	DESCRIPTION	PART NO.	ITEM NO.
	GRAY FOAM - 3" WIDE	9009551-01	8
	ELECTRICAL TAPE	9009260	7
4	CLAMP, CABLE	C-SC-1209764-00	6
1/2	TAPE #4032 1/4 W X 3 11/16 LG	9007834-01	5
4	EYELET GS-4-11 STIRSON	9006750	4
2	CABLE, FLEXPRINT	1700002-01	3
1	EXT. BUS CONN	A-PL-M919-0-0	2
1	BUS CONN	A-PL-M929-0-0	1

REV.	DESCRIPTION	DATE
1	ASSEMBLED	11/19/69
2	REVISED	11/19/69
3	REVISED	11/19/69
4	REVISED	11/19/69
5	REVISED	11/19/69
6	REVISED	11/19/69
7	REVISED	11/19/69
8	REVISED	11/19/69

FIRST USED ON OPTION/MODEL: PDP11  
 DO NOT SCALE DRAWING  
 UNLESS OTHERWISE SPECIFIED DIMENSIONS IN INCHES  
 TOLERANCES: DECIMALS FRACTIONS ANGLES  
 ±.005 ±.001 ±.020  
 FINISH SURFACE QUALITY: REMOVE BURRS AND BREAK SHARP CORNERS  
 MATERIAL: + +  
 FINISH: + +  
 NEXT HIGHER ASSY: D-UA-11/20-0-0  
 SCALE: 1/1  
 SHEET: 2 OF 2

**digital EQUIPMENT CORPORATION**  
 MATINEAU MASSACHUSETTS  
**CABLE ASSY (BC11A)**  
 SIZE CODE: D|UA|BC11A-0-0 NUMBER: H

REV.	DESCRIPTION	DATE
1	ASSEMBLED	11/19/69
2	REVISED	11/19/69
3	REVISED	11/19/69
4	REVISED	11/19/69
5	REVISED	11/19/69
6	REVISED	11/19/69
7	REVISED	11/19/69
8	REVISED	11/19/69

MP-BC11A-00

8

7

6

5

4

3

H 0-0-VI08 2

1

"THIS DRAWING AND SPECIFICATIONS HEREIN ARE THE PROPERTY OF DIGITAL EQUIPMENT CORPORATION AND SHALL NOT BE REPRODUCED OR COPIED OR USED IN WHOLE OR IN PART AS THE BASIS FOR THE MANUFACTURE OR SALE OF ITEMS WITHOUT WRITTEN PERMISSION. COPYRIGHT © 1975 DIGITAL EQUIPMENT CORPORATION"

LEGEND

NUMBER	DIM" X" VARIATION	DIM" Y" (PRECUT) REF.
BC11A-02	2'0"±0.5"	2'1.5"
BC11A-03	3'0"±1.0"	3'1.5"
BC11A-04	4'0"±1.0"	4'1.5"
BC11A-05	5'0"±1.0"	5'1.5"
BC11A-06	6'0"±1.0"	6'1.5"
BC11A-07	7'0"±2.0"	7'1.5"
BC11A-08	8'0"±2.0"	8'1.5"
BC11A-09	9'0"±2.0"	9'1.5"
BC11A-10	10'0"±2.0"	10'1.5"
BC11A-11	11'0"±3.0"	11'1.5"
BC11A-12	12'0"±3.0"	12'1.5"
BC11A-13	13'0"±3.0"	13'1.5"
BC11A-14	14'0"±3.0"	14'1.5"
BC11A-15	15'0"±4.0"	15'1.5"
BC11A-16	16'0"±4.0"	16'1.5"
BC11A-17	17'0"±4.0"	17'1.5"
BC11A-18	18'0"±4.0"	18'1.5"
BC11A-19	19'0"±5.0"	19'1.5"
BC11A-20	20'0"±5.0"	20'1.5"
BC11A-21	21'0"±5.0"	21'1.5"
BC11A-22	22'0"±5.0"	22'1.5"
BC11A-23	23'0"±6.0"	23'1.5"
BC11A-24	24'0"±6.0"	24'1.5"
BC11A-25	25'0"±6.0"	25'1.5"
BC11A-0F	0'6"±0.5"	0'7.5"
BC11A-8F	8'6"±2.0"	8'7.5"

D

D

C

C

B

B

A

A

H

BC11A-0-0

DUA

B

A

REVISIONS

CHK	CHANGE NO	REV

TITLE CABLE ASSY (BC11A)	SIZE CODE DUA	NUMBER BC11A-0-0	REV. H
SCALE	SHEET 2 OF 2	DIST.	

8

7

6

5

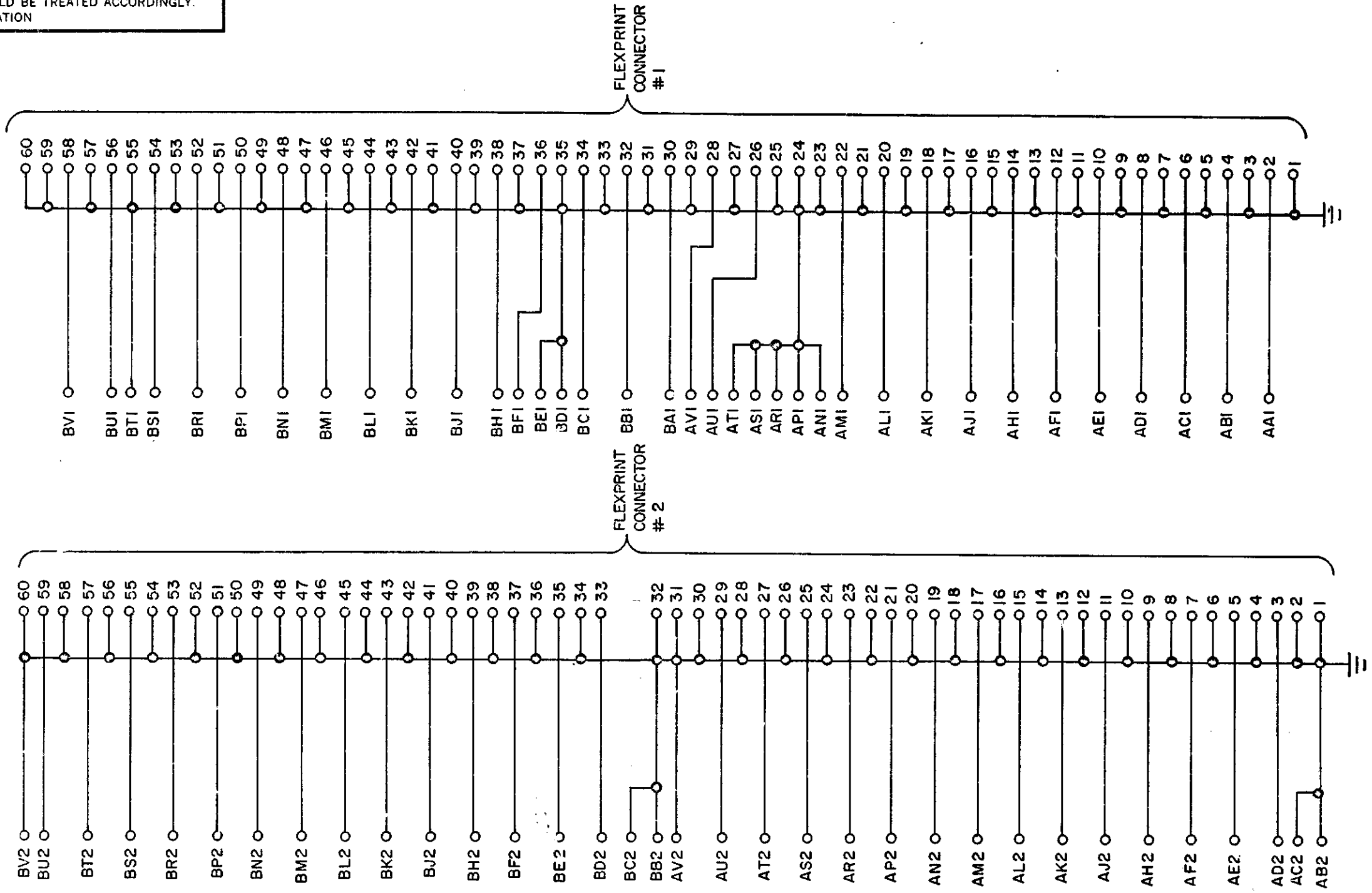
4

3

2

1

THIS SCHEMATIC IS FURNISHED ONLY FOR TEST AND MAINTENANCE PURPOSES. THE CIRCUITS ARE PROPRIETARY IN NATURE AND SHOULD BE TREATED ACCORDINGLY. COPYRIGHT 1969 BY DIGITAL EQUIPMENT CORPORATION



REVISIONS	
CHK	REV.
00001	A
ML002	B

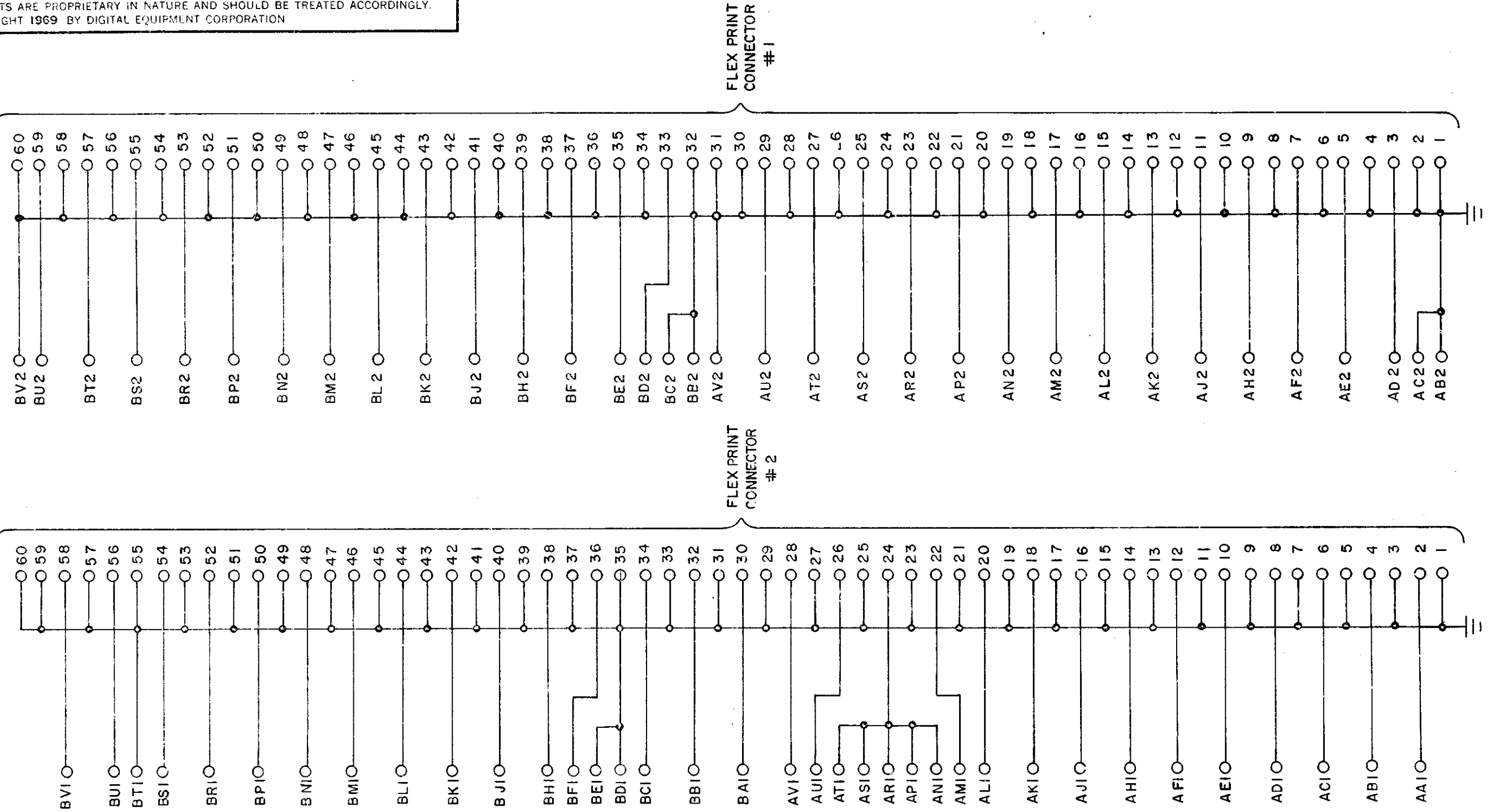
DRN.	BUTLER	DATE	10/17/69
CHK'D	G. Young	DATE	12-20-69
ENG.	C. B. ...	DATE	11-7-69
PROD.		DATE	

TRANSISTOR & DIODE CONVERSION CHART			
DEC		EIA	

EQUIPMENT CORPORATION  
MAYNARD, MASSACHUSETTS

TITLE			
BUS CONNECTOR M919			
SIZE	CODE	NUMBER	REV.
B	CS	M919-0-1	B
PRINTED CIRCUIT REV.			
BC			

THIS SCHEMATIC IS FURNISHED ONLY FOR TEST AND MAINTENANCE PURPOSES. THE CIRCUITS ARE PROPRIETARY IN NATURE AND SHOULD BE TREATED ACCORDINGLY. COPYRIGHT 1969 BY DIGITAL EQUIPMENT CORPORATION



REVISIONS	
CHK	CHG NO REV
	71

DRN.	DATE
<i>P. Clement</i>	10-17-69
CHK'D	DATE
<i>C. Y. George</i>	10-20-69
ENG.	DATE
<i>C. Blaser</i>	11/13/69
PROD.	DATE

TRANSISTOR & DIODE CONVERSION CHART			
DEC		EIA	

EQUIPMENT CORPORATION	
MAYNARD, MASSACHUSETTS	

TITLE	
BUS CONNECTOR M929	
SIZE	CODE
B	CS
NUMBER	
M929-0-1	
PRINTED CIRCUIT REV.	
C	

REV.	A
------	---