

TITLE	SHEET	SIZE	CODE	NUMBER	REV.
DRAWING DIRECTORY BALL-K	2 OF 4	B	DD	BALL-K	T

FIND NO.	DRAWING NO.	DESCRIPTION	TYPE	FIND NO.	DRAWING NO.	DESCRIPTION	TYPE
1	E-UA-Ball-K-Ø	UNIT ASSY Ball-K	E/M	6	A-SP-3700167-0-0	IN PLANT PACK. INST.	M
	K-PL-Ball-K-DBP	UNIT ASSY Ball-K PL	E/M				
	D-IA-7009768-0-0	COVER, CHASSIS	M				
	D-PS-1211825-0-0	SLIDE, 3 POS TILT	M				
	D-MD-7412184	CABLE, TROUGH CHASSIS	E/M				
	D-UA-BC11A-1Ø-Ø	UNIBUS, CABLE, 10 FT	E/M				
	B-CS-M919-Ø-1	BUS CONNECTOR M919	E				
	B-CS-M929-Ø-1	BUS CONNECTOR M929	E				
	D-PS-1212405-ØØ	CARD GUIDE	M	7	A-SP-3700165-0-0	SKID LOAD PACK. INST. (5 PACK)	M
	A-DC-5309414-Ø	DECAL UL	M				
	A-PS-3613281-Ø-Ø	DECAL	M				
	B-PL-Ball-K-1	SHIPPING LIST Ball-K	E/M				
	B-PL-Ball-K-2	INSTALLATION KIT Ball-K	E/M				
	A-PS-3617880-01	DECAL FCC NON-COMPLIANCE	E/M	8	A-SP-3700169-0-0	CUST. CUSHIONED PACK. INST.	M
2	B-DD-H765-Ø	DWG DIRECTORY H765	E/M				
	E-UA-H765-Ø-Ø	POWER SUPPLY H765	M				
3	E-IA-7009769-Ø-Ø	CHASSIS, 10.5	M				
	E-IA-7411703-Ø-Ø	CHASSIS, FRONT	M				
	E-IA-7411707-Ø-Ø	CHASSIS, SIDE	M				
	D-MD-7411706-Ø-Ø	BRACKET, HAT	M	9	A-SP-3700421-0-0	PACKAGING INSTRUCTIONS (FOAM-IN-PLACE) (Ball-KE & KF VARIATIONS ONLY)	M
	D-MD-7411705-Ø-Ø	BRACKET, CARD GUIDE	M				
	C-MD-7412185-Ø-Ø	PLATE CABLE	M				
4	D-IA-7411013-Ø-Ø	COVER PANEL 10 1/2 BEZEL	M	10	E-AD-7012399-0-0	AIR INTAKE BEZEL ASSY	
					E-MD-7414506-0-0	BEZEL, RX01 (ONE CAST)	
					D-MD-7415744-0-0	BRKT, BEZEL MTG	
					D-IA-7415743-0-0	PANEL, AIR INTAKE	
5	C-MD-7413659-Ø-Ø	SHIPPING BRKT	M	11	E-UA-7013323-0-0	POWER SUPPLY ASSY	E/M
					A-PL-7013323-0-0	POWER SUPPLY ASSY	E/M

TYPE: E ELECTRICAL
M MECHANICAL
E/M ELECTRO/MECHANICAL

digital

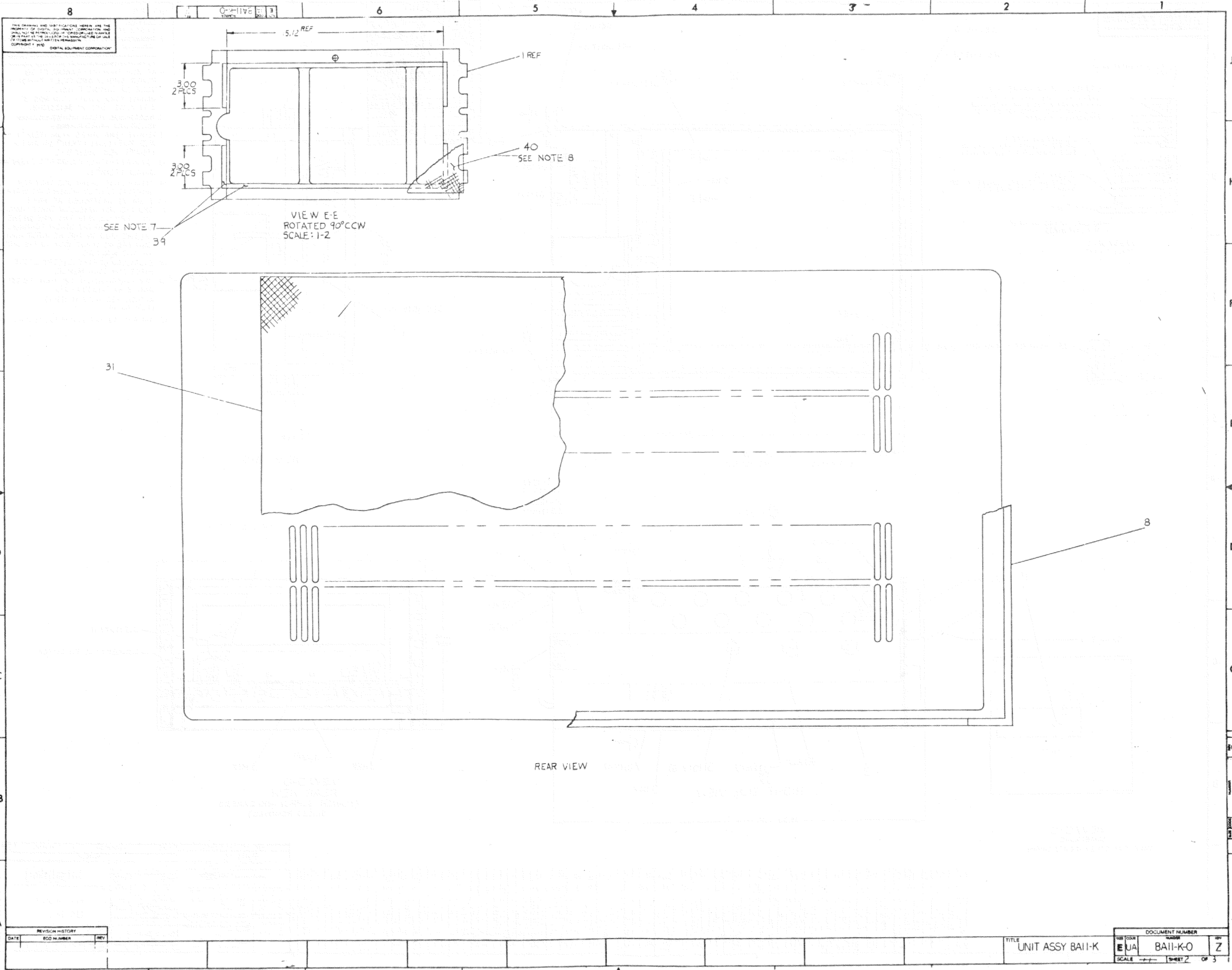
TITLE
DRAWING DIRECTORY Ball-K

SHEET 4 OF 4

SIZE CODE
B DD

NUMBER
Ball-K

REV
T



THIS DRAWING AND SPECIFICATIONS HEREBY USE THE PROPERTY OF DIGITAL EQUIPMENT CORPORATION AND SHALL NOT BE REPRODUCED OR TRANSMITTED IN ANY FORM OR BY ANY MEANS, ELECTRONIC OR MECHANICAL, INCLUDING PHOTOCOPYING, RECORDING, OR BY ANY INFORMATION STORAGE AND RETRIEVAL SYSTEM, WITHOUT THE WRITTEN PERMISSION OF DIGITAL EQUIPMENT CORPORATION. COPYRIGHT © 1970 DIGITAL EQUIPMENT CORPORATION.

VIEW E-E
ROTATED 90°CCW
SCALE: 1-2

REAR VIEW

REVISION HISTORY		
DATE	ECO NUMBER	REV

TITLE
UNIT ASSY BAI1-K

DOCUMENT NUMBER		
ORG CODE	NUMBER	REV
EUA	BAI1-K-O	Z

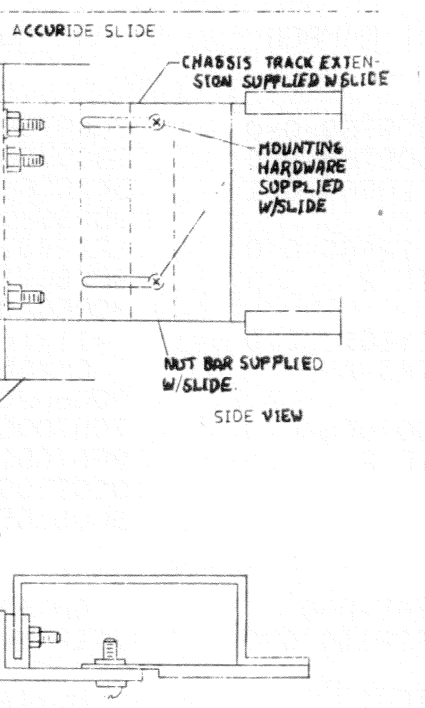
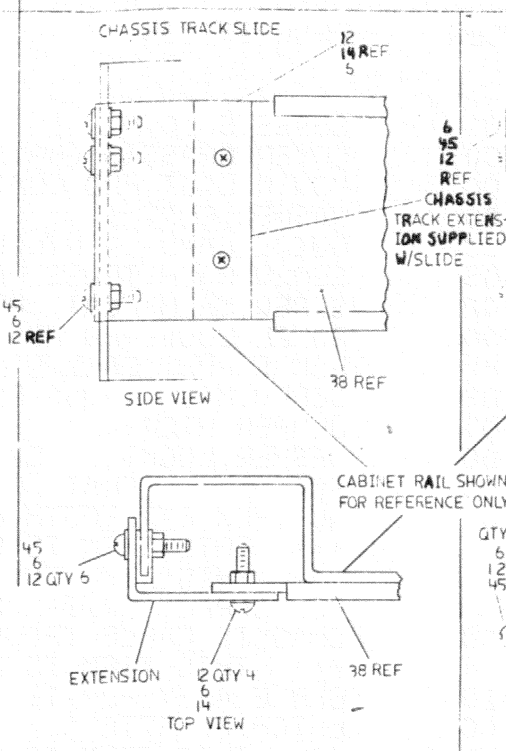
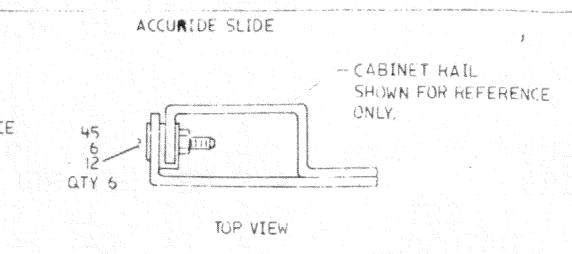
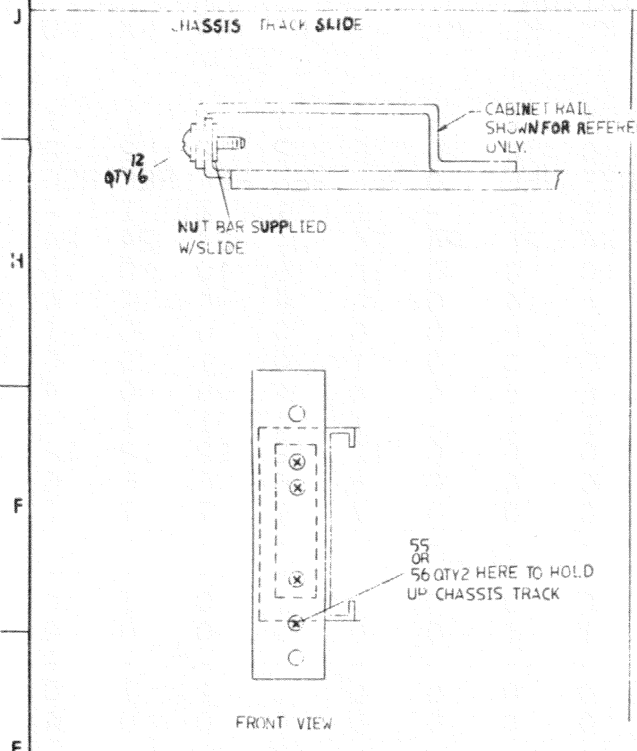
SCALE: 1-1 SHEET 2 OF 3

THIS DRAWING AND SPECIFICATIONS ARE THE PROPERTY OF DIGITAL EQUIPMENT CORPORATION AND SHALL NOT BE REPRODUCED, COPIED, TRANSMITTED OR IN ANY MANNER DISCLOSED TO THE PUBLIC WITHOUT THE WRITTEN PERMISSION OF DIGITAL EQUIPMENT CORPORATION.

DETAIL A
SCALE: NONE

DETAIL B
SCALE: NONE

NOTES:



REVISION HISTORY		
DATE	ECO NUMBER	REV

TITLE UNIT ASS'Y
BAIL-K

DOCUMENT NUMBER	
REV	CLASS
EUA	BAIL-K-C
SCALE 1:1	SHEET 3 OF 3

EUA BAIL-K-C 2

LINE	ITEM	DOCUMENT NUMBER	PART NUMBER	DESCRIPTION	QUANTITY PER VARIATION											
					KE	KF	KH	KJ	KK	KL	KA	KS	KT	KW	KX	KU
1	1	E-IA-7009769-0-0	7009769-00	CHASSIS 10.5	1	1	1	1	1	1	1	1	1	1	1	1
2	2	D-IA-7009768-0-0	7009768-00	COVER CHASSIS (BA11-K)	2	2	0	0	0	0	0	2	2	2	2	2
3	3	D-CS-5410864-0-1	5410864-00	POWER DIST BRD (BA11K)	REF	REF	REF	REF	REF	REF	0	REF	REF	REF	REF	REF
4	4		9006660-00	WASHER,FLAT SST	1	1	1	1	1	1	-	1	1	1	1	-
5	5	D-PS-1212405-0-0	1212405-00	GUIDE,CARD ,NYLON ,NATURAL	24	24	24	24	24	24	24	24	24	24	24	24
6	6	SEE NOTE 2	9006071-03	SCREW,MACH TRUSS PHIL 10-	16	16	0	0	0	0	0	16	16	10	10	16
7	7		9006020-02	SCREW,MACH FLAT PHIL 6-	4	4	4	4	4	4	0	4	4	4	4	4
8	8	D-IA-7411013-0-0	7411013-00	PANEL LOUVERED ASSY-RS03	1	1	0	0	0	0	0	0	0	0	0	1
9	9	B-DD-H765-A-0	OH765-A	POW SUPPLY BA11-K 115V	1	0	1	0	0	0	0	1	0	1	0	0
10	10		9006020-03	SCREW,MACH TRUSS PHIL 6-	4	4	8	8	8	8	4	4	4	9	0	4
11	11	B-IA-7007006-0-0	7007006-03	JUMPER H724	1	1	1	1	1	1	-	1	1	1	1	-
12	12	SEE NOTE 2	9007651-00	WASHER,LOCK EXTERNAL STEEL	12	12	0	0	0	0	0	12	12	12	12	12
13	13		9009599-00	SCREW, FLAT PHIL 10-	6	6	6	6	6	6	0	6	6	6	6	6
14	14		9006565-00	NUT,HEX EXT TOOTH LCKWSHR 10-32	7	7	0	0	0	0	0	7	7	7	7	7
15	15	BLANK		*** THIS ITEM IS NOT USED ***	-	-	-	-	-	-	-	-	-	-	-	-
16	16	BLANK		*** THIS ITEM IS NOT USED ***	-	-	-	-	-	-	-	-	-	-	-	-
17	17	B-DD-H765-B-0	OH765-B	POW SUPPLY BA11-K 230V	0	1	0	1	0	0	0	0	1	0	1	0
18	18	D-MD-7412184-0-0	7412184-00	CHASSIS CABLE TROUGH (BA11-K)	0	0	1	1	1	1	0	0	0	0	0	0
19	19	BLANK		*** THIS ITEM IS NOT USED ***	-	-	-	-	-	-	-	-	-	-	-	-
20	20	SEE NOTE 1	BC11A-10	CABLE ASSY PDP-11 M919 M929	1	1	0	0	0	0	0	1	1	1	1	0
21	21		1209224-00	LATCH,PLASTIC	4	4	0	0	0	0	0	0	0	0	0	4
22	22	BLANK		*** THIS ITEM IS NOT USED ***	-	-	-	-	-	-	-	-	-	-	-	-
23	23	A-SP-3700167-0-0	3700167-00	INSTR PKG COMPUTER INPLANT BA11K	0	0	0	REF	REF	REF	REF	REF	REF	REF	REF	0
24	24	A-SP-3700165-0-0	3700165-00	INSTR PKG-COMPUTER CONSOLIDATED	0	0	REF	REF	REF	REF	REF	REF	REF	REF	REF	0
25	25	A-SP-3700169-0-0	3700169-00	INSTR PKG COMPUTER CUSHIONED 11/	0	0	REF	REF	REF	REF	REF	REF	REF	REF	REF	0
26	26	A-SP-BA11-K-6		BA11-K BASIC CHECKOUT AND ACCEPT	REF	REF	REF	REF	REF	REF	REF	REF	REF	REF	REF	0
27	27	A-SP-BA11-K-7		BA11-K BASIC ASSEMBLY PROCEDURE	REF	REF	REF	REF	REF	REF	REF	REF	REF	REF	REF	REF
28	28	A-DC-5309414-0-0	5309414-00	DECAL UL INSIGNIA (VT14)	1	1	0	0	0	0	0	1	1	1	1	1
29	29	BLANK		*** THIS ITEM IS NOT USED ***	-	-	-	-	-	-	-	-	-	-	-	-
30	30	BLANK		*** THIS ITEM IS NOT USED ***	-	-	-	-	-	-	-	-	-	-	-	-

REVISION HISTORY			BASIC PART NO: OBA11			DRN: B. BLODGET			DATE: 26-JUN-74			D I G I T A L		
ENG	ECO NUMBER	REV	SECTION A OF B	CHK'D:	D. HEALY	DATE:	27-JUN-74	TITLE PARTS LIST						
	INITIAL	V	SECTION. VARIATION INDEX:	DES.ENG.:	P. E. JANSON	DATE:	23-AUG-74	DOCUMENT NUMBER						
BC	BA11-K-ML024	W	[A] KE,KF,KH,KJ,KK,KL,	RESP.ENG.:	W. LUCAS	DATE:	23-AUG-74	SIZE:	CODE:	NUMBER	REV			
RN	BA11K-ML025	Y	KA,KS,KT,KW,KX,KU	MFG.ENG.:	W. LUCAS	DATE:	23-AUG-74	K	PL	BA11-K-DBP	Z			
DE	BA11-K-ML027	Z	[B] KV	ASSEMBLY NUMBER:	E-UA-BA11-K-0	TOP DOCUMENT NUMBER:	B-TC-BA11-K-3	FILE NAME:	Z3017Z.PLS	EDIT #:	6			
			[C]											
			[D]											
			[E]											
			[F]											

"THIS DRAWING AND SPECIFICATIONS HEREIN, ARE THE PROPERTY OF DIGITAL EQUIPMENT CORPORATION AND SHALL NOT BE REPRODUCED OR COPIED OR USED IN WHOLE OR IN PART AS THE BASIS FOR THE MANUFACTURE OR SALE OF ITEMS WITHOUT WRITTEN PERMISSION. COPYRIGHT (C) 1983. DIGITAL EQUIPMENT CORPORATION "

LINE	ITEM	DOCUMENT NUMBER	PART NUMBER	DESCRIPTION	QUANTITY PER VARIATION												
					KE	KF	KH	KJ	KK	KL	KA	KS	KT	KW	KX	KU	
31	31		1211255-00	FILTER,AIR FOAM 030PPI 1	1	1	0	0	0	0	0	0	0	0	1	1	1
32	32	C-MD-7413659-0-0	7413659-00	BRACKET SHIPPING	1	1	0	0	0	0	0	0	1	1	1	1	1
33	33	B-DD-H765-C-0	0H765-C	POWER SUPPLY BA11-K MOS 115V	0	0	0	0	1	0	0	0	0	0	0	0	0
34	34	B-DD-H765-D-0	0H765-D	POWER SUPPLY BA11-K MOS 230V	0	0	0	0	0	1	0	0	0	0	0	0	0
35	35	A-PS-3613281-0-0	3613281-00	DECAL FOR BA11K MOD. SLOT	2	2	1	1	1	1	1	2	2	2	2	2	2
36	36	D-PS-1212405-1-0	1212405-01	GUIDE,CARD ,NYLON ,MAGNETA	24	24	24	24	24	24	24	24	24	24	24	24	24
37	37		9007086-00	CLAMP,CABLE,SCREW MTD. 9/16"	1	1	1	1	1	1	0	1	1	1	1	1	1
38	38	SEE NOTE 3, 6	1211825-01	SLIDE,CHASSIS TITLT 3POSITION	1	1	0	0	0	0	0	1	1	1	1	1	1
39	39	A-PS-1212431-0-0	1212431-00	TAPE,FOAM ADH .33 WDX	0	0	0	0	0	0	0	A/R	A/R	0	0	0	0
40	40	A-PS-1212392-0-1	1212392-01	FILTER,AIR FOAM 030PPI	0	0	0	0	0	0	0	1	1	0	0	0	0
41	41		9006635-00	WASHER,LOCK INTERNAL STEEL	1	1	1	1	1	1	1	1	1	1	1	1	1
42	42		9006231-09	SCREW,MACH HEX PLN 10-	1	1	1	1	1	1	1	1	1	1	1	1	1
43	43		9007032-00	TIE,CABLE BUNDL.DIA 0-1-3/4"=101	2	2	2	2	2	2	2	2	2	2	2	2	2
44	44	BLANK		*** THIS ITEM IS NOT USED ***	-	-	-	-	-	-	-	-	-	-	-	-	-
45	45		9007786-00	RETAINER,U-NUT 10-32X	12	12	0	0	0	0	0	12	12	12	12	12	12
46	46		9006664-00	WASHER,FLAT SST	1	1	0	0	0	0	0	1	1	1	1	1	1
47	47		9006073-03	SCREW,MACH TRUSS PHIL 10-	8	8	0	0	0	0	0	8	8	8	8	8	8
48	48	A-SP-3700421-0-0	3700421-00	INSTR PKG COMPUTER BA11-KE	REF	REF	0	0	0	0	0	0	0	0	0	0	REF
49	49		9006070-02	SCREW,MACH FLAT PHIL 10-	8	8	0	0	0	0	0	0	0	0	0	0	8
50	50	A-PS-3613209-0-0	3613209-00	LABEL,ADH BACK,ELC.DATA	REF	REF	REF	REF	REF	REF	REF	REF	REF	REF	REF	REF	REF
51	51		9009700-00	SCREW,SEMS TRUSS PHIL 10-	18	18	0	0	0	0	0	18	18	18	18	18	18
52	52	E-AD-7012399-0-0	7012399-00	AIR INTAKE BEZEL ASSY (10-24) SC	0	0	0	0	0	0	0	0	0	1	1	0	0
53	53	BLANK		*** THIS ITEM IS NOT USED ***	-	-	-	-	-	-	-	-	-	-	-	-	-
54	54		9000049-11	SCREW,SEMS TRUSS PHIL 6-	1	1	1	1	1	1	1	1	1	1	1	1	1
55	55	SEE NOTE 4	9000049-12	SCREW,SEMS TRUSS PHIL 8-	2	2	0	0	0	0	0	2	2	2	2	2	2
56	56		9000049-13	SCREW,SEMS TRUSS PHIL 6-	2	2	0	0	0	0	0	2	2	2	2	2	2
57	57	A-PS-3618500-0-1	3618500-01	LABEL,BOX EXPAND OPT/MODULE PLAC	1	1	0	0	0	0	0	1	1	1	1	1	1
58	58	SEE NOTE 5	3617880-01	LABEL,FCC,NON-COMLIANT	A/R	A/R	A/R	A/R	A/R	A/R	A/R	A/R	A/R	A/R	A/R	A/R	0
59	59		9000049-30	SCREW,SEMS TRUSS PHIL 6-	4	4	8	8	8	8	4	4	4	9	0	4	4
60	60		3617674-01	LABEL,SERIAL/POWER W UL & CSA	A/R	A/R	A/R	A/R	A/R	A/R	A/R	A/R	A/R	A/R	A/R	A/R	A/R
61	61	E-UA-7013323-0-0	7013323-00	MOSS POWER SUPPLY 115V W/O BATTE	0	0	0	0	0	0	0	0	0	0	0	0	1
62	62	E-UA-7013323-0-0	7013323-03	MOSS POWER SUPPLY 230V W/O BATTE	0	0	0	0	0	0	0	0	0	0	0	0	0
63	63	D-UA-BC11A-0-0	BC11A-15	CABLE ASSY PDP-11 M919 M929	0	0	0	0	0	0	0	0	0	0	0	0	1
64	64		3617880-09	LABEL,FCC,NON-COMPLIANT	0	0	0	0	0	0	0	0	0	0	0	0	1

- 65 NOTE: 1. FINAL CABLE LENGTH WILL BE DETERMINED BY THE SYSTEM.
- 66 NOTE: 2. ITEM 51 IS AN ALLOWABLE SUBSTITUTE FOR THE COMBINATION OF THESE PARTS WHEN USED ON ITEM 38.
- 67 NOTE: 3. 1211825-02 IS AN ALLOWABLE SUBSTITUTE.
- 68 NOTE: 4. REQUIRED ONLY IF 1211825-02 IS USED.
- 69 NOTE: 5. FCC LABEL WILL NOT BE PUT ON ANY 50 HERTZ MACHINES.
- 70 NOTE: 6. ITEM 38, KE,KF.KS,KT,KW AND KX ARE IN PRS.

D	I	G	I	T	A	L	TITLE	UNIT ASSY BA11-K	SECTION A	OF B	SIZE	CODE	DOCUMENT NUMBER	REV
											K	PL	BA11-K-DBP	Z

AUTOMATED BY PRTLST.3P(44)

PARTS LIST

SHEET B1 OF B2

LINE	ITEM	DOCUMENT NUMBER	PART NUMBER	DESCRIPTION	QUANTITY	PER VARIATION
1	1	E-IA-7009769-0-0	7009769-00	CHASSIS 10.5	1	
2	2	D-IA-7009768-0-0	7009768-00	COVER CHASSIS (BA11-K)	2	
3	3	D-CS-5410864-0-1	5410864-00	POWER DIST BRD (BA11K)	REF	
4	4		9006660-00	*** THIS ITEM IS NOT USED ***	-	
5	5	D-PS-1212405-0-0	1212405-00	GUIDE,CARD ,NYLON ,NATURAL	24	
6	6	SEE NOTE 2	9006071-03	SCREW,MACH TRUSS PHIL	10-	16
7	7		9006020-02	SCREW,MACH FLAT PHIL	6-	4
8	8	D-IA-7411013-0-0	7411013-00	PANEL LOUVERED ASSY-RS03		1
9	9	B-DD-H765-A-0	OH765-A	POW SUPPLY BA11-K 115V		0
10	10		9006020-03	SCREW,MACH TRUSS PHIL	6-	4
11	11	B-IA-7007006-0-0	7007006-03	*** THIS ITEM IS NOT USED ***	-	
12	12	SEE NOTE 2	9007651-00	WASHER,LOCK EXTERNAL STEEL		12
13	13		9009599-00	SCREW, FLAT PHIL	10-	6
14	14		9006565-00	NUT,HEX EXT TOOTH LCKWSHR	10-32	7
15	15	BLANK		*** THIS ITEM IS NOT USED ***	-	
16	16	BLANK		*** THIS ITEM IS NOT USED ***	-	
17	17	B-DD-H765-B-0	OH765-B	POW SUPPLY BA11-K 230V		0
18	18	D-MD-7412184-0-0	7412184-00	CHASSIS CABLE TROUGH (BA11-K)		0
19	19	BLANK		*** THIS ITEM IS NOT USED ***	-	
20	20	SEE NOTE 1	BC11A-10	CABLE ASSY PDP-11 M919 M929		0
21	21		1209224-00	LATCH,PLASTIC		4
22	22	BLANK		*** THIS ITEM IS NOT USED ***	-	
23	23	A-SP-3700167-0-0	3700167-00	INSTR PKG COMPUTER INPLANT BA11K		0
24	24	A-SP-3700165-0-0	3700165-00	INSTR PKG-COMPUTER CONSOLIDATED		0
25	25	A-SP-3700169-0-0	3700169-00	INSTR PKG COMPUTER CUSHIONED 11/		0
26	26	A-SP-BA11-K-6		BA11-K BASIC CHECKOUT AND ACCEPT		0
27	27	A-SP-BA11-K-7		BA11-K BASIC ASSEMBLY PROCEDURE	REF	
28	28	A-DC-5309414-0-0	5309414-00	DECAL UL INSIGNIA (VT14)		1
29	29	BLANK		*** THIS ITEM IS NOT USED ***	-	
30	30	BLANK		*** THIS ITEM IS NOT USED ***	-	

REVISION HISTORY			BASIC PART NO: OBA11		DRN:	B. BLODGET	DATE:	DIGITAL							
ENG	ECO NUMBER	REV	SECTION B OF B	CHK'D:	D. HEALY	DATE:	27-JUN-74					TITLE	PARTS LIST		
	INITIAL	V	SECTION VARIATION INDEX	DES.ENG.:	P. E. JANSON	DATE:	23-AUG-74					DOCUMENT NUMBER			
BC	BA11-K-ML024	W	[A] KE,KF,KH,KJ,KK,KL,	RESP.ENG.:	W. LUCAS	DATE:	23-AUG-74					SIZE	CODE	NUMBER	REV
RN	BA11K-ML025	Y	KA,KS,KT,KW,KX,KU	MFG.ENG.:	W. LUCAS	DATE:	23-AUG-74					K	PL	BA11-K-DBP	Z
DE	BA11-K-ML027	Z	[B] KV	ASSEMBLY NUMBER:	E-UA-BA11-K-0	TOP DOCUMENT NUMBER:	B-TC-BA11-K-3					FILE NAME:	EDIT #		
			[C]									Z3017Z.PLS	6		
			[D]												
			[E]												
			[F]												

"THIS DRAWING AND SPECIFICATIONS HEREIN, ARE THE PROPERTY OF DIGITAL EQUIPMENT CORPORATION AND SHALL NOT BE REPRODUCED OR COPIED OR USED IN WHOLE OR IN PART AS THE BASIS FOR THE MANUFACTURE OR SALE OF ITEMS WITHOUT WRITTEN PERMISSION. COPYRIGHT (C) 1983. DIGITAL EQUIPMENT CORPORATION"

AUTOMATED BY PRTLST.3P(44)

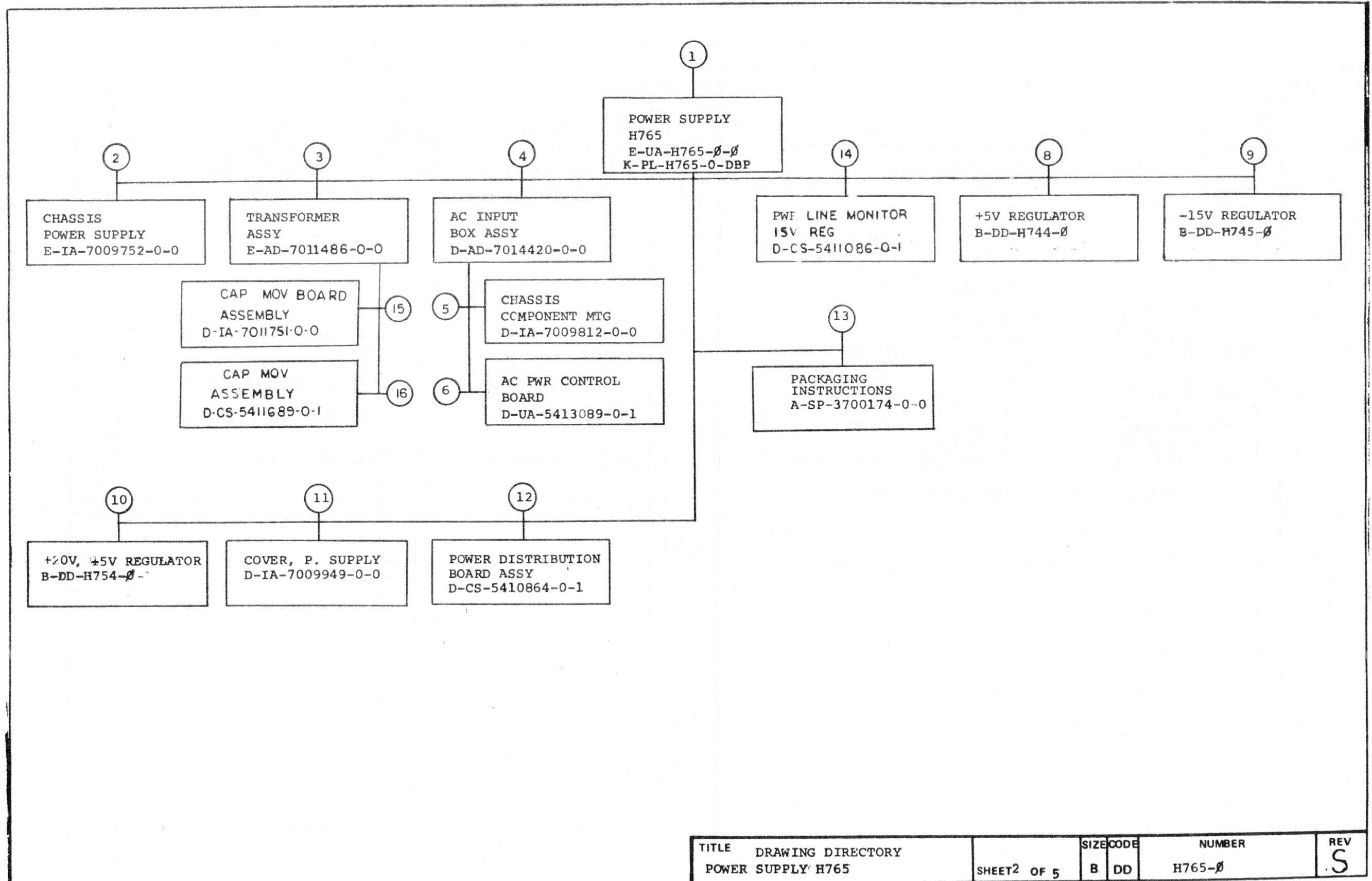
PARTS LIST

SHEET B2 OF B2

LINE	ITEM	DOCUMENT NUMBER	PART NUMBER	DESCRIPTION	QUANTITY	PER VARIATION
					KV	
31	31		1211255-00	FILTER,AIR FOAM	030PPI	1
32	32	C-MD-7413659-0-0	7413659-00	BRACKET SHIPPING		1
33	33	R-DD-H765-C-0	OH765-C	POWER SUPPLY BA11-K MOS 115V		0
34	34	B-DD-H765-D-0	OH765-D	POWER SUPPLY BA11-K MOS 230V		0
35	35	A-PS-3613281-0-0	3613281-00	DECAL FOR BA11K MOD. SLOT		2
36	36	D-PS-1212405-1-0	1212405-01	GUIDE,CARD ,NYLON ,MAGNETA		24
37	37		9007086-00	CLAMP,CABLE,SCREW MTD. 9/16"		1
38	38	SEE NOTE 3, 6	1211825-01	SLIDE,CHASSIS TITLT 3POSITION		1
39	39	A-PS-1212431-0-0	1212431-00	TAPE,FOAM ADH .33 WDX		0
40	40	A-PS-1212392-0-1	1212392-01	FILTER,AIR FOAM	030PPI	0
41	41		9006635-00	WASHER,LOCK INTERNAL STEEL		1
42	42		9006231-09	SCREW,MACH HEX PLN 10-		1
43	43		9007032-00	TIE,CABLE BUNDL.DIA 0-1-3/4"=101		2
44	44	BLANK		*** THIS ITEM IS NOT USED ***		-
45	45		9007786-00	RETAINER,U-NUT 10-32X		12
46	46		9006664-00	WASHER,FLAT SST		1
47	47		9006073-03	SCREW,MACH TRUSS PHIL 10-		8
48	48	A-SP-3700421-0-0	3700421-00	INSTR PKG COMPUTER BA11-KE		REF
49	49		9006070-02	SCREW,MACH FLAT PHIL 10-		8
50	50	A-PS-3613209-0-0	3613209-00	LABEL,ADH BACK,ELC.DATA		REF
51	51		9009700-00	SCREW,SEMS TRUSS PHIL 10-		18
52	52	E-AD-7012399-0-0	7012399-00	AIR INTAKE BEZEL ASSY (10-24) SC		0
53	53	BLANK		*** THIS ITEM IS NOT USED ***		-
54	54		9000049-11	*** THIS ITEM IS NOT USED ***		-
55	55	SEE NOTE 4	9000049-12	SCREW,SEMS TRUSS PHIL 8-		2
56	56		9000049-13	SCREW,SEMS TRUSS PHIL 6-		2
57	57	A-PS-3618500-0-1	3618500-01	LABEL,BOX EXPAND OPT/MODULE PLAC		1
58	58	SEE NOTE 5	3617880-01	LABEL,FCC,NON-COMLIANT		0
59	59		9000049-30	SCREW,SEMS TRUSS PHIL 6-		4
60	60		3617674-01	LABEL,SERIAL/POWER W UL & CSA		A/R
61	61	E-UA-7013323-0-0	7013323-00	MOSS POWER SUPPLY 115V W/O BATTE		0
62	62	E-UA-7013323-0-0	7013323-03	MOSS POWER SUPPLY 230V W/O BATTE		1
63	63	D-UA-BC11A-0-0	BC11A-15	CABLE ASSY PDP-11 M919 M929		1
64	64		3617880-09	LABEL,FCC,NON-COMPLIANT		1

- 65 NOTE: 1. FINAL CABLE LENGTH WILL BE DETERMINED BY THE SYSTEM.
- 66 NOTE: 2. ITEM 51 IS AN ALLOWABLE SUBSTITUTE FOR THE COMBINATION OF THESE PARTS WHEN USED ON ITEM 38.
- 67 NOTE: 3. 1211825-02 IS AN ALLOWABLE SUBSTITUTE.
- 68 NOTE: 4. REQUIRED ONLY IF 1211825-02 IS USED.
- 69 NOTE: 5. FCC LABEL WILL NOT BE PUT ON ANY 50 HERTZ MACHINES.
- 70 NOTE: 6. ITEM 38, KE,KF.KS,KT,KW AND KX ARE IN PRS.

D	I	G	I	T	A	L	TITLE	UNIT ASSY BA11-K	SECTION B	OF B	SIZE	CODE	DOCUMENT NUMSER	REV
											K	PL	BA11-K-DBP	Z



TITLE	DRAWING DIRECTORY POWER SUPPLY H765	SHEET 2 OF 5	SIZE CODE B DD	NUMBER H765-Ø	REV S
-------	--	--------------	-------------------	------------------	----------

CUSTOMER PRINT SET		ELECTRICAL					CUSTOMER PRINT SET		ELECTRICAL									
	MFG. SET	FIND NO.	DRAWING NO.	REV	NO OF SHT	DESCRIPTION	OPTION NO./FILE DATE		MFG. SET	FIND NO.	DRAWING NO.	REV	NO OF SHT	DESCRIPTION	OPTION NO./FILE DATE			
X		1	E-JA-H765-0-0 A-SP-H765-0-9	C	2	POWER SUPPLY H765 H765 POWER SUPPLY ASSEMBLY PROCEDURE		X		2	D-CS-5410864-0-1 D-IA-5410863-0-0 A-SP-5410864-0-8 A-SP-5410864-0-9	#	3 # 1	POWER DIST. BD. ASSY ETCHED CIRCUIT BOARD TEST PROCEDURE ASSEMBLY PROCEDURE				
			K-PL-H765-0-DBP	V		PARTS LIST (Release at Rev. V)												
X		3	E-AD-7011486-0-0 A-SP-7010014-0-8 A-CS-7010014-TA-1 A-UA-7010014-TA-0 A-PL-7010014-TA-0 A-SP-7011486-0-9	# A A A A		TRANSFORMER ASSY TEST PROCEDURE TESTER C.S. TESTER U.A. TESTER P.L. TRANSFORMER ASSY PROCEDURE		X		14	D-CS-5411086-0-1 A-SP-11/45-TA-2 A-SP-5411086-0-3 D-IA-7010138-0-0	#	4	PWR LINE MONITOR/15V REG TEST PROCEDURE ENGINEERING SPECIFICATION HARNESS INTERCONNECTION				
X		4	D-AD-7014420-0-0 A-SP-7009811-0-8 A-CS-7009811-TA-1 A-UA-7009811-TA-0 A-PL-7009811-TA-0 A-SP-7009811-0-9	#	2	AC INPUT BOX ASSY TEST PROCEDURE TESTER C.S. TESTER U. A. TESTER P.L. AC INPUT BOX ASSY PROCEDURE				15	D-IA-7011751-0-0			CAP MOV BOARD ASSY				
X		6	D-UA-5413089-0-0	#		PILOT CONTROL BOARD				16	D-CS-5411689-0-1			CAP MOV ASSY				
C		8	B-DD-H744-0	#	2	DRAWING DIRECTORY H744												
C		9	B-DD-H745-0	#	2	DRAWING DIRECTORY H745												
C		10	B-DD-H754-0	#	3	DRAWING DIRECTORY H754												
CUSTOMER PRINT SET CODES		X = PRINT OF DOCUMENT INCLUDED IN PRINT SET C = INCLUDES ALL PRINTS INDICATED ON DOCUMENT S = CONFIDENTIAL AUTHORIZED SIGNATURE REQUIRED					TITLE		DRAWING DIRECTORY POWER SUPPLY H765		SHEET 3 OF 5		SIZE CODE B DD		NUMBER H765-0		REV S	

DRB 108

DEC 16 (325)-1062-2B-R972

CUSTOMER PRINT SET		MECHANICAL					CUSTOMER PRINT SET		MECHANICAL								
1	MFG. SET	FIND NO.	DRAWING NO.	REV	NO OF SHT	DESCRIPTION	OPTION NO./FILE DATE	1	MFG. SET	FIND NO.	DRAWING NO.	REV	NO OF SHT	DESCRIPTION	OPTION NO./FILE DATE		
		1	E-UA-H765- \emptyset - \emptyset K-PL-H765-0-DBP	S	2	POWER SUPPLY H765 UNIT ASSY (P.L.)				6	D-UA-5413089-0-0			PILOT CONTROL BOARD			
			D-IA-7009950-0-0		1	THROUGH WIRE											
		2	E-IA-7009752-0-0 E-IA-7411682-0-0 D-MD-7411685-0-0 D-MD-7411684-0-0		1 1 1 1	CHASSIS, POWER SUPPLY CHASSIS, POWER SUPPLY SIDE, POWER SUPPLY HOUSING COMP. CHASSIS											
		3	E-AD-7011486-0-0 C-MD-7414301-0-0		2 1	TRANSFORMER ASSY COVER				8	B-DD-H744- \emptyset		2	DRAWING DIRECTORY H744			
										9	B-DD-H745- \emptyset		2	DRAWING DIRECTORY H745			
		4	D-AD-7014420-0-0 A-DC-7412303-0-1 D-AD-7012500-0-0 A-DC-7412380-0-1		2 1 1 1	AC INPUT BOX ASSY DECAL 115V POWER CORD DECAL 230V				10	B-DD-H754- \emptyset		3	DRAWING DIRECTORY H754			
										11	D-IA-7009949-0-0 C-MD-7412473-0-0		1 1	COVER, POWER SUPPLY STRIP, CLAMP			
		5	D-IA-7009812-0-0 D-IA-7411765-0-0 D-IA-7411766-0-0		1 1 1	CHASSIS COMPONENT MTG. PLATE SWITCH PLATE COMPONENT MTG.											
CUSTOMER PRINT SET CODES	X = PRINT OF DOCUMENT INCLUDED IN PRINT SET C = INCLUDES ALL PRINTS INDICATED ON DOCUMENT S = CONFIDENTIAL AUTHORIZED SIGNATURE REQUIRED						TITLE	DRAWING DIRECTORY POWER SUPPLY H765		SHEET 4 OF 5	SIZE CODE	B DD	NUMBER	H765- \emptyset		REV	S

DRB 108

DEC 16 (325)-1062-28-R972

17

CUSTOMER PRINT SET		MECHANICAL					CUSTOMER PRINT SET								
1	MFG. SET	FIND NO.	DRAWING NO.	REV	NO OF SHT	DESCRIPTION	OPTION NO./FILE DATE		MFG. SET	FIND NO.	DRAWING NO.	REV	NO OF SHT	DESCRIPTION	OPTION NO./FILE DATE
		12	D-CS-5410864-0-1		3	POWER DIST. BD. ASSY									
			C-MD-7412192-0-0		1	SHIELD									
			D-MD-7411704-0-0		1	BRACKET, CONN. MTG.									
			C-IA-9305937-0-0			MATE-N-LOK FIXTURES									
			D-IA-5010863-0-0		1	ETCHED CIRCUIT BD.									
			K-CO-5410864-0-4			X-Y COORDINATE HOLE LOC.									
			D-AH-5410864-0-5		1	ASSY DRILLING HOLE LAYOUT									
			B-MH-5410864-0-6		1	MODULE ECO HISTORY									
			5010863		REP	ETCH CIRCUIT BOARD									
	X	13	A-SP-3700174-0-0	-	2	PACKAGING INSTRUCTIONS									
			A-PS-9905664-0-0	-	2	REGULAR SLOTTED CARTON									
			A-PS-9905665-0-0	-	2	LAMINATED BUILDUP									
		14	D-AH-5411086-0-5		1	ASSY DRILLING HOLE LAYOUT									
			B-MH-5411086-0-6		1	MODULE ECO HISTORY									
		15	D-AD-7011486-0-0		1	ASSEMBLY DRAWING									
		16	D-AH-5411689-0-5		1	ASSY DRILLING HOLE LAYOUT									
			D-MH-5411689-0-6		1	MODULE ECO HISTORY									

CUSTOMER PRINT SET CODES
X = PRINT OF DOCUMENT INCLUDED IN PRINT SET
C = INCLUDES ALL PRINTS INDICATED ON DOCUMENT
S = CONFIDENTIAL AUTHORIZED SIGNATURE REQUIRED

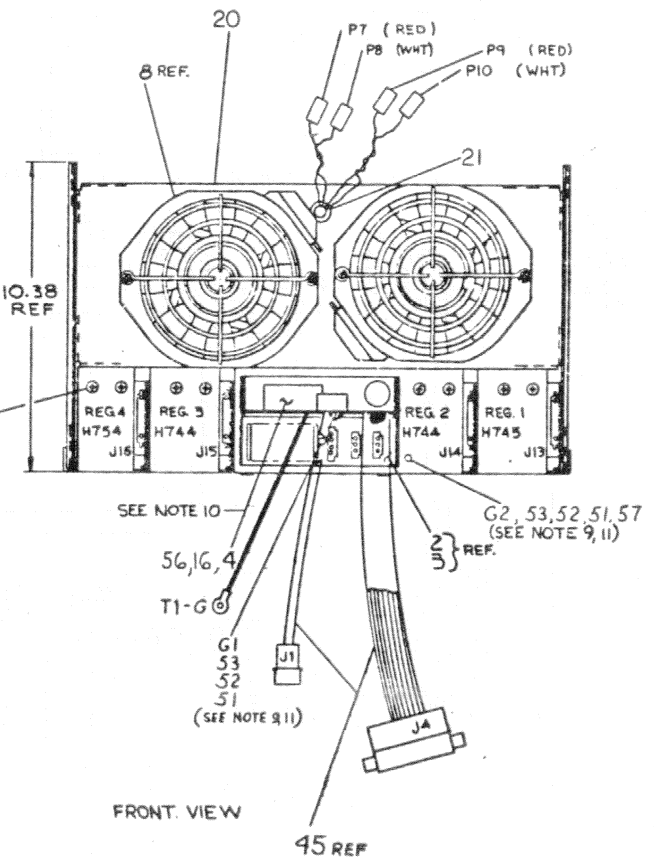
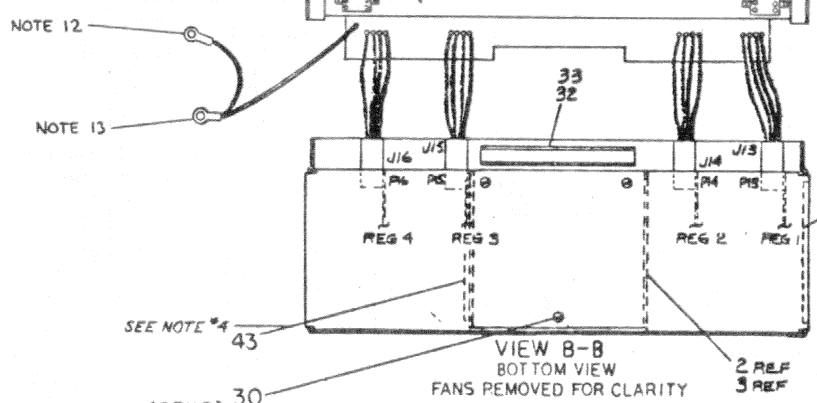
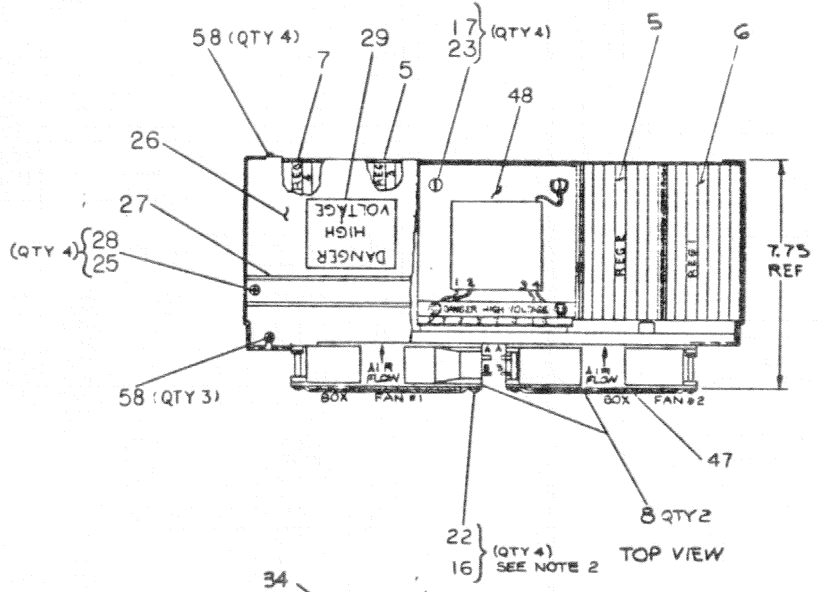
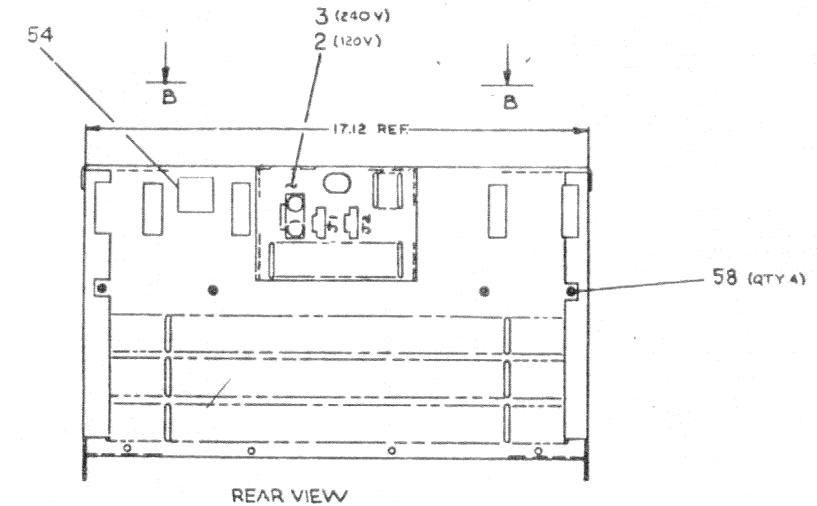
TITLE DRAWING DIRECTORY
POWER SUPPLY H765
SHEET 5 OF 5
SIZE CODE B DD
NUMBER H765-Ø
REV S

THIS DRAWING AND SPECIFICATIONS SHALL BE THE PROPERTY OF THE MANUFACTURER. IT IS TO BE USED ONLY FOR THE MANUFACTURE OR REPAIR OF THE EQUIPMENT SPECIFIED HEREON. IT IS TO BE KEPT IN CONFIDENCE AND NOT TO BE LOANED, REPRODUCED, COPIED, OR IN ANY MANNER DISCLOSED TO OTHERS WITHOUT THE WRITTEN PERMISSION OF THE MANUFACTURER.

LEGEND	
NUMBER	VARIATION
H765-A	120V 50/60 HZ
H765-B	240V 50/60 HZ
H765-C	120V 50/60 HZ NO H754
H765-D	240V 50/60 HZ NO H754
H765-P	120V 50/60 HZ NO REG
H765-R	240V 50/60 HZ NO REG

- NOTES**
- SEE TRANSFORMER ASSEMBLY DRAWING SHEET 2 FOR ISOMETRIC ORIENTATION OF CLAMPED WIRES.
 - TIGHTEN FAN SCREWS TO 10 IN-LBS WITH A TORQUE SCREW DRIVER.
 - USE THE ORIGINAL PLACE OF WIRE AS SHOWN IN THE DRAWING.
 - INSTALL A.B.S VINYL VIEW B-B ITEM #42 AND #43, CENTER 1/4 INCH FROM BOTTOM AND SIDES ON INSIDE WALL.
 - USE EXTERNAL TOOTH WASHER UNDER MOUNTING SCREW HEAD OF REG TRANSFORMERS ONLY.
 - GREEN HEAT SHIELDING FROM TRANSFORMERS TO BE FASTENED UNDER RECEIVER MOUNTING SCREW.
 - IN EARLIER VERSIONS OF THE TRANSFORMER ASSEMBLY A CABLE CLAMP WAS USED IN PLACE OF THE TIE WIRE TO DRESS THE TRANSFORMER WIRE ALONG THE TRANSFORMER BODY.
 - ITEM 7 - H754 IS NOT USED IN VARIATIONS C & D.
 - ITEM 53 IS TO BE USED TO PREVENT CORROSION OF CHASSIS AT GROUND STUD.

- NOTES CON'T.**
- ITEM 16 & 56 (SCREW & WASHER) TO BE USED TO MOUNT 54100L (ITEM 4) IN AC INPUT BOX (ITEM 2 OR 3) IN A.B.C.D VERSION. IN P&R VERSION INSTALL SCREW & WASHER IN MOUNTING HOLES. THEY WILL BE USED ON A HIGHER ASSEMBLY.
 - ITEM NO. 57 NOT SHOWN CONNECTS G1 TO G2.
 - CONNECTS TO G1 ON AC INPUT ASSY.
 - NO CONNECTION MADE AT THIS ASSY. LEVEL.

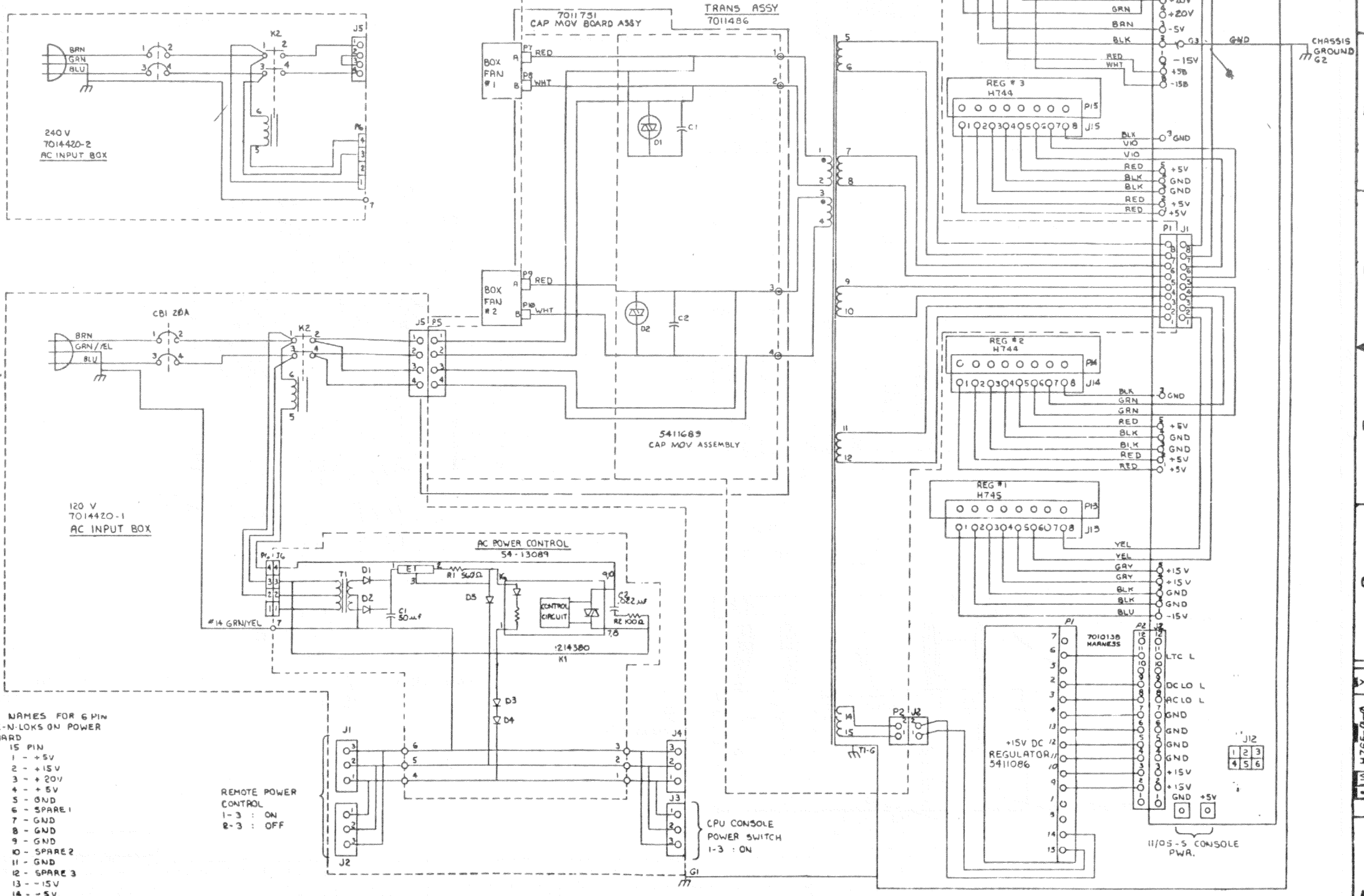


CAUTION: OFF SHEET PARTS EXISTS
SEE K-PL-H765-0-DBP
Z 7590

REV	DATE	BY	CHKD	DESCRIPTION
1	10/10/50
2
3
4
5
6
7
8
9
10
11
12
13
14
15
16
17
18
19
20
21
22
23
24
25
26
27
28
29
30
31
32
33
34
35
36
37
38
39
40
41
42
43
44
45
46
47
48
49
50

REV	DATE	BY	CHKD	DESCRIPTION
1
2
3
4
5
6
7
8
9
10
11
12
13
14
15
16
17
18
19
20
21
22
23
24
25
26
27
28
29
30
31
32
33
34
35
36
37
38
39
40
41
42
43
44
45
46
47
48
49
50

CONNECTION TABLE			CONNECTION TABLE		
FROM CONNECTION	TO CONNECTION	SIGNALS	FROM CONNECTION	TO CONNECTION	SIGNALS
P2 FROM TRANS. ASSY	J2 FROM +15V REG.	28 VAC	P4 FROM +15V REG.	J2 LOCATED ON PWR DIST BD	-15V, LTC L, AC LO L, DC LO L, GND
J16 FROM PWR. DIST. BD.	P16 LOCATED ON REG. #4 (H754)	GND, -5V, +20V, 28 VAC			
J15 FROM PWR. DIST. BD.	P15 LOCATED ON REG. #3 (H744)	GND, +5V, 28VAC	P5 FROM TRANS. ASSY	J5 LOCATED ON AC INPUT BOX	120/240 VAC
J14 FROM PWR. DIST. BD.	P14 LOCATED ON REG. #2 (H744)	GND, +5V, 28VAC	P7 (RED)	FAN #1 - A	120 VAC - HOT
J13 FROM PWR. DIST. BD.	P13 LOCATED ON REG. #1 (H745)	GND, +15V, -15V, 28 VAC	P8 (WHT)	FAN #1 - B	120 VAC - NEUTRAL
GND LUG LOCATED ON PWR. DIST. BD. G3	G1 YEL LUG	SAFETY GROUND	P9 (RED)	FAN #2 - A	120 VAC - HOT
P1 FROM TRANS. ASSY	J1 LOCATED ON PWR. DIST. BD.	28 VAC	P10 (WHT)	FAN #2 - B	120 VAC - NEUTRAL
			T1 - G	G1	SAFETY GROUND
			G1	G2	ITEM 55



- COMMON SIGNAL NAMES FOR 6-PIN AND 15-PIN MATE-N-LOKS ON POWER DISTRIBUTION BOARD
- | | |
|-------------|--------------|
| 6-PIN | 15-PIN |
| 1 - GND | 1 - +5V |
| 2 - LTC L | 2 - +15V |
| 3 - DC LO L | 3 - +20V |
| 4 - AC LO L | 4 - +5V |
| 5 - SPARE 4 | 5 - GND |
| 6 - SPARE 5 | 6 - SPARE 1 |
| | 7 - GND |
| | 8 - GND |
| | 9 - GND |
| | 10 - SPARE 2 |
| | 11 - GND |
| | 12 - SPARE 3 |
| | 13 - -15V |
| | 14 - -5V |
| | 15 - SPARE 3 |

REMOTE POWER CONTROL
1-3 : ON
2-3 : OFF

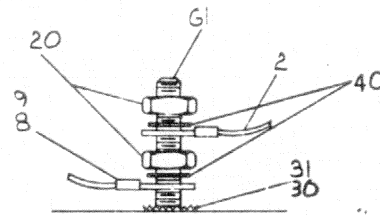
CPU CONSOLE POWER SWITCH
1-3 : ON

"THIS DRAWING AND SPECIFICATIONS, HEREIN ARE THE PROPERTY OF DIGITAL EQUIPMENT CORPORATION AND SHALL NOT BE REPRODUCED OR COPIED OR USED IN WHOLE OR IN PART AS THE BASIS FOR THE MANUFACTURE OR SALE OF ITEMS WITHOUT WRITTEN PERMISSIONS."
 COPYRIGHT © 1977, DIGITAL EQUIPMENT CORPORATION

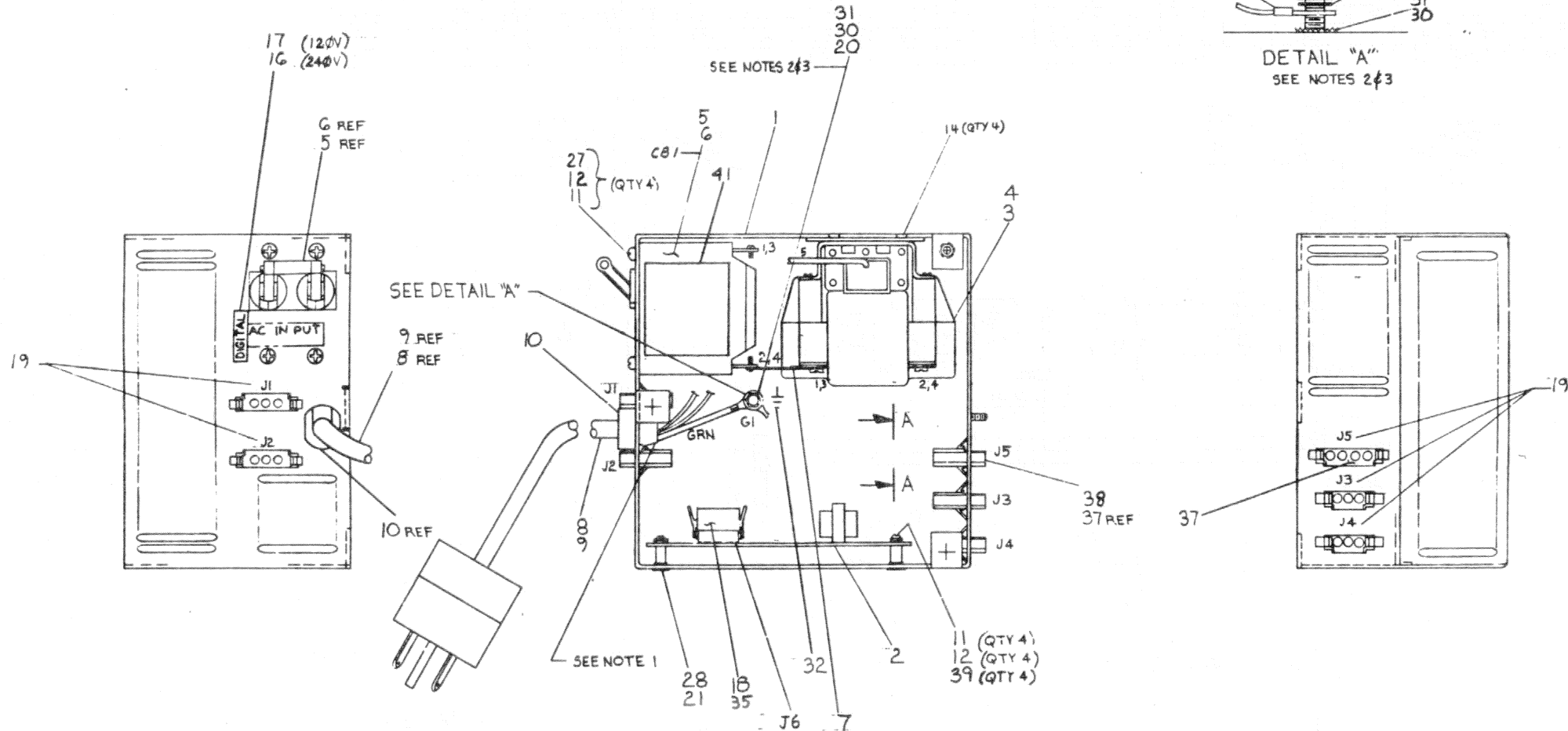
NOTES:

1. LEAVE .5IN ±.2IN OF OUTER INSULATION OF LINE CORD INSIDE BOX.
2. REMOVE PAINT MASK FROM G1 ONLY AND APPLY CONDUCTIVE GREASE TO AREA AROUND STUD G1 BEFORE INSTALLING ITEMS #31 (LOCKWASHER), LUG ON GRN/YEL WIRE AND #20 (HEXNUT).
3. ENSURE THAT LUG CONNECTED TO GRN/YEL WIRE FROM LINE CORD, WASHER ITEM #31, AND HEXNUT ITEM #20 ARE THE FIRST ITEMS INSTALLED ON G1. SEE DETAIL "A". APPLY 22 ±1 IN LBS. OF TORQUE TO BOTH HEX NUTS ON GROUND STUD.
4. STRIP LENGTH FOR ITEM #36 AND ITEM #29 SHALL BE .250 ±.015.
5. STRIP LENGTH FOR ITEM #37
 - A. HAND CRIMP .187 ±.015
 - B. AUTOMATIC STRIP .156 ±.015
6. STRIP LENGTH FOR ITEM #35
 - A. HAND CRIMP .203 ±.015
 - B. AUTOMATIC STRIP .182 ±.015

LEGEND	
NUMBER	VARIATION
7014420-1	120V 47-63HZ 12A
7014420-2	240V 47-63HZ 6A



DETAIL "A"
SEE NOTES 2 & 3



CAUTION:
OFF SHEET PARTS LIST EXIST
K-PL-7014420-0-DBP

REV	DATE	BY	CHK	DESCRIPTION
1	10/1/77	R. KENNEDY	W.F. BAUSHA	7014420-0-DBP
2	10/1/77	R. KENNEDY	W.F. BAUSHA	7014420-0-DBP
3	10/1/77	R. KENNEDY	W.F. BAUSHA	7014420-0-DBP
4	10/1/77	R. KENNEDY	W.F. BAUSHA	7014420-0-DBP
5	10/1/77	R. KENNEDY	W.F. BAUSHA	7014420-0-DBP
6	10/1/77	R. KENNEDY	W.F. BAUSHA	7014420-0-DBP
7	10/1/77	R. KENNEDY	W.F. BAUSHA	7014420-0-DBP
8	10/1/77	R. KENNEDY	W.F. BAUSHA	7014420-0-DBP

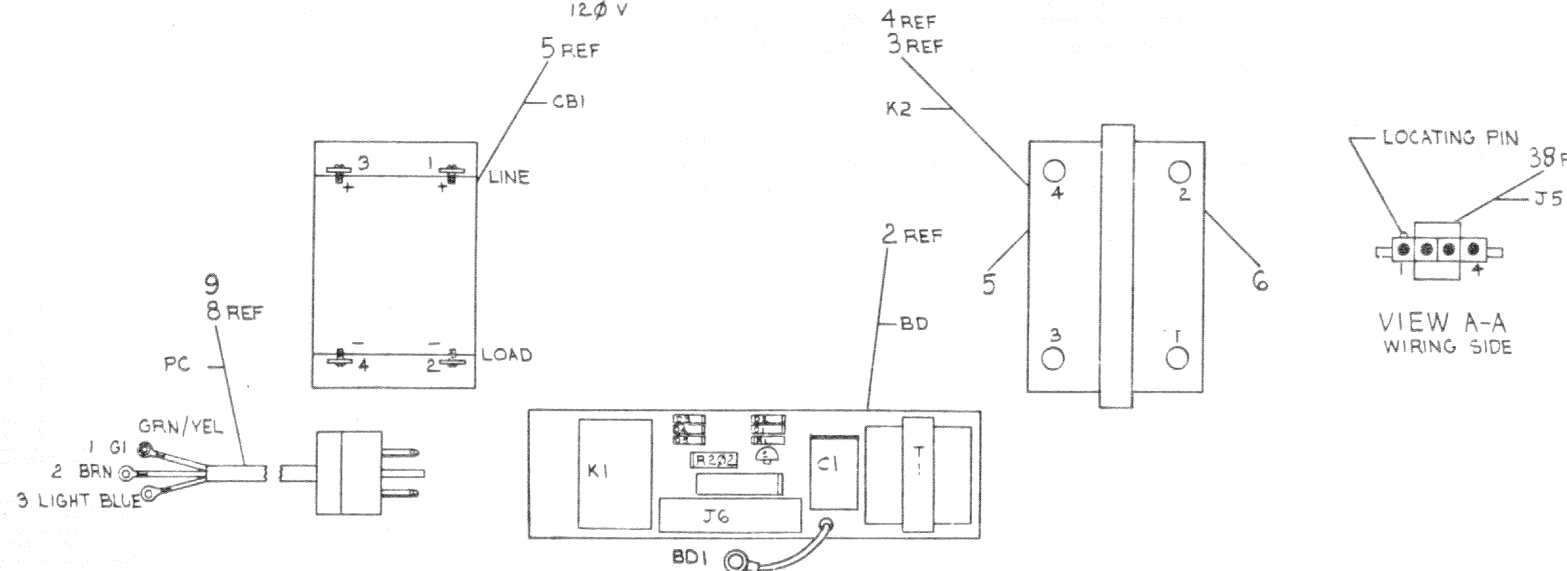
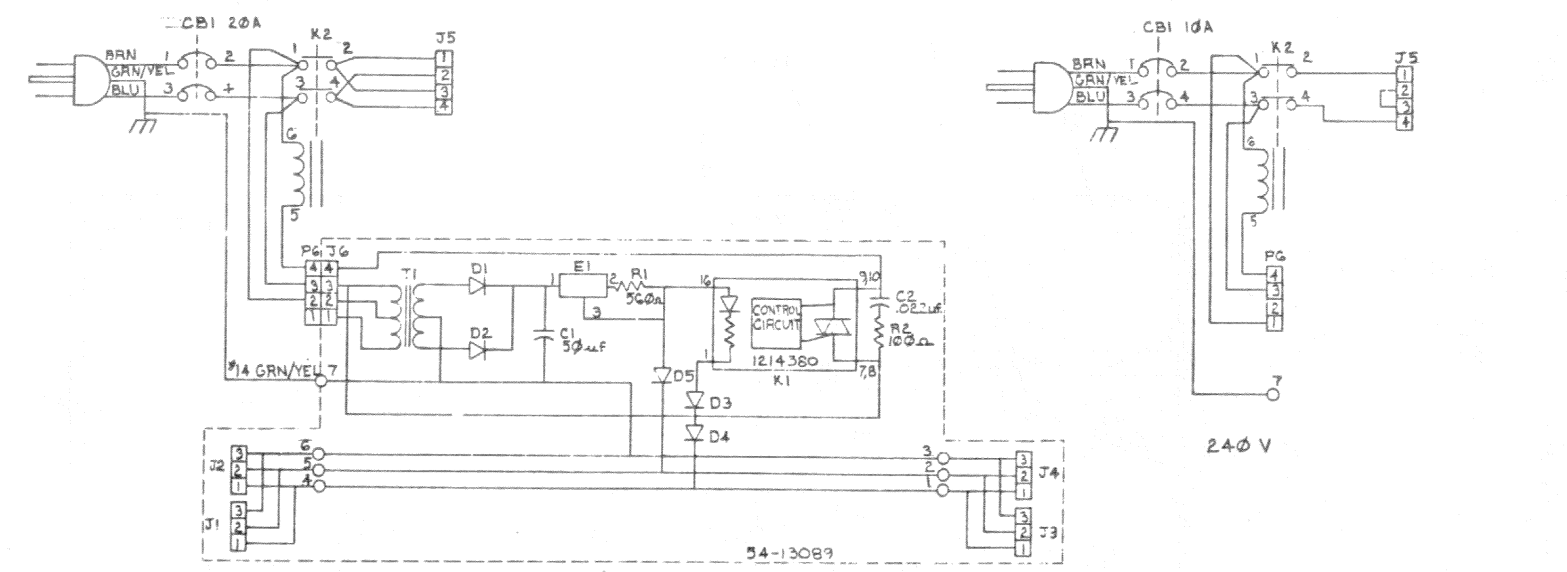
THIRD ANGLE PROJECTION		DESCRIPTION		QTY	DWG. PART NO.	ITEM NO.
REMOVE BURS AND BREAK SHARP CORNERS	DO NOT SCALE DWG	UNLESS OTHERWISE SPECIFIED DIMENSIONS ARE IN INCHES	ANGLES 90° 30'	CLASS OF ACCURACY	CLAS	UNLESS OTHERWISE SPECIFIED DIMENSIONS ARE IN INCHES
MATERIAL SEE: K-PL-7014420-0-DBP	SCALE	SURFACE QUALITY	FIN	FIN	FIN	FIN
FINISH	SHEET 1 OF 2	QUANTITY & VARIATION	MICROINCHES	PREFERRED	1.012	1.016
					1.020	1.024
					1.028	1.032
					1.036	1.040
					1.044	1.048
					1.052	1.056
					1.060	1.064
					1.068	1.072
					1.076	1.080
					1.084	1.088
					1.092	1.096
					1.100	1.104
					1.108	1.112
					1.116	1.120
					1.124	1.128
					1.132	1.136
					1.140	1.144
					1.148	1.152
					1.156	1.160
					1.164	1.168
					1.172	1.176
					1.180	1.184
					1.188	1.192
					1.196	1.200
					1.208	1.212
					1.216	1.220
					1.224	1.228
					1.232	1.236
					1.240	1.244
					1.248	1.252
					1.256	1.260
					1.264	1.268
					1.272	1.276
					1.280	1.284
					1.288	1.292
					1.296	1.300
					1.308	1.312
					1.316	1.320
					1.324	1.328
					1.332	1.336
					1.340	1.344
					1.348	1.352
					1.356	1.360
					1.364	1.368
					1.372	1.376
					1.380	1.384
					1.388	1.392
					1.396	1.400
					1.408	1.412
					1.416	1.420
					1.424	1.428
					1.432	1.436
					1.440	1.444
					1.448	1.452
					1.456	1.460
					1.464	1.468
					1.472	1.476
					1.480	1.484
					1.488	1.492
					1.496	1.500
					1.508	1.512
					1.516	1.520
					1.524	1.528
					1.532	1.536
					1.540	1.544
					1.548	1.552
					1.556	1.560
					1.564	1.568
					1.572	1.576
					1.580	1.584
					1.588	1.592
					1.596	1.600
					1.608	1.612
					1.616	1.620
					1.624	1.628
					1.632	1.636
					1.640	1.644
					1.648	1.652
					1.656	1.660
					1.664	1.668
					1.672	1.676
					1.680	1.684
					1.688	1.692
					1.696	1.700
					1.708	1.712
					1.716	1.720
					1.724	1.728
					1.732	1.736
					1.740	1.744
					1.748	1.752
					1.756	1.760
					1.764	1.768
					1.772	1.776
					1.780	1.784
					1.788	1.792
					1.796	1.800
					1.808	1.812
					1.816	1.820
					1.824	1.828
					1.832	1.836
					1.840	1.844
					1.848	1.852
					1.856	1.860
					1.864	1.868
					1.872	1.876
					1.880	1.884
					1.888	1.892
					1.896	1.900
					1.908	1.912
					1.916	1.920
					1.924	1.928
					1.932	1.936
					1.940	1.944
					1.948	1.952
					1.956	1.960
					1.964	1.968
					1.972	1.976
					1.980	1.984
					1.988	1.992
					1.996	2.000

ML-1

"THIS DRAWING AND SPECIFICATIONS HEREIN ARE THE PROPERTY OF DIGITAL EQUIPMENT CORPORATION AND SHALL NOT BE REPRODUCED OR COPIED OR USED IN WHOLE OR IN PART AS THE BASIS FOR THE MANUFACTURE OR SALE OF ITEMS WITHOUT WRITTEN PERMISSION. COPYRIGHT © 1977 DIGITAL EQUIPMENT CORPORATION"

WIRE TABLE-1 VAR 120V										
ITEM NO	DESCRIPTION	FROM	TO	PRECUT WIRE LENGTH						
NO	AWG	COLOR	STRIP LENGTH	CONN	WITH	STRIP LENGTH	CONN	WITH	WIRE LENGTH	
8	14	GRN/YEL	SEE NOTE 3	PC-1			G1			
8	14	BRN		PC-2			CBI-1			
8	14	BLU		PC-3			CBI-3			
33	18	BLU	SEE NOTE 4	K2-4	36	SEE NOTE 5	J5-2	37	3.0 ± 0.25	
							J5-4	37	3.0 ± 0.25	
34	18	BRN	SEE NOTE 4	K2-2	36		J5-1	37	3.0 ± 0.25	
						SEE NOTE 5	J5-3	37	3.0 ± 0.25	
34	18	BRN	SEE NOTE 4	K2-1	36	SEE NOTE 6	P6-2	35	3.5 ± 0.25	
3	18	YEL					K2-6		3.5 ± 0.25	
7				K2-1			CBI-2		STRAP	
33	18	BLU	SEE NOTE 4	K2-3	29	SEE NOTE 6	P6-3	35	3.0 ± 0.25	
7							CBI-4		STRAP	
3	18	YEL	SEE NOTE 4	K2-5		SEE NOTE 6	P6-4	35	4.75 ± 0.25	
2	18	GRN/YEL	SEE NOTE 6	BD-1			G1			

WIRE TABLE-2 VAR 240V										
ITEM NO	DESCRIPTION	FROM	TO	PRECUT WIRE LENGTH						
NO	AWG	COLOR	STRIP LENGTH	CONN	WITH	STRIP LENGTH	CONN	WITH	WIRE LENGTH	
9	14	GRN/YEL	SEE NOTE 3	PC-1			G1			
9	14	BRN		PC-2			CBI-1			
9	14	BLU		PC-3			CBI-3			
33	18	BLU	SEE NOTE 4	K2-4	29	SEE NOTE 5	J5-4	37	3.0 ± 0.25	
34	18	BRN	SEE NOTE 4	K2-2	29	SEE NOTE 5	J5-1	37	3.0 ± 0.25	
34	18	BRN	SEE NOTE 5	J5-2	37	SEE NOTE 5	J5-3	37	2.0 ± 0.25	
4	18	YEL	SEE NOTE 4	K2-1	36	SEE NOTE 6	P6-1	35	3.5 ± 0.25	
7				K2-1			CBI-2		STRAP	
33	18	BLU	SEE NOTE 4	K2-3	29	SEE NOTE 6	P6-3	35	3.0 ± 0.25	
7							CBI-4		STRAP	
4	18	YEL				SEE NOTE 6	P6-4	35	4.75 ± 0.25	
2	18	GRN/YEL	SEE NOTE 6	BD-1			G1			

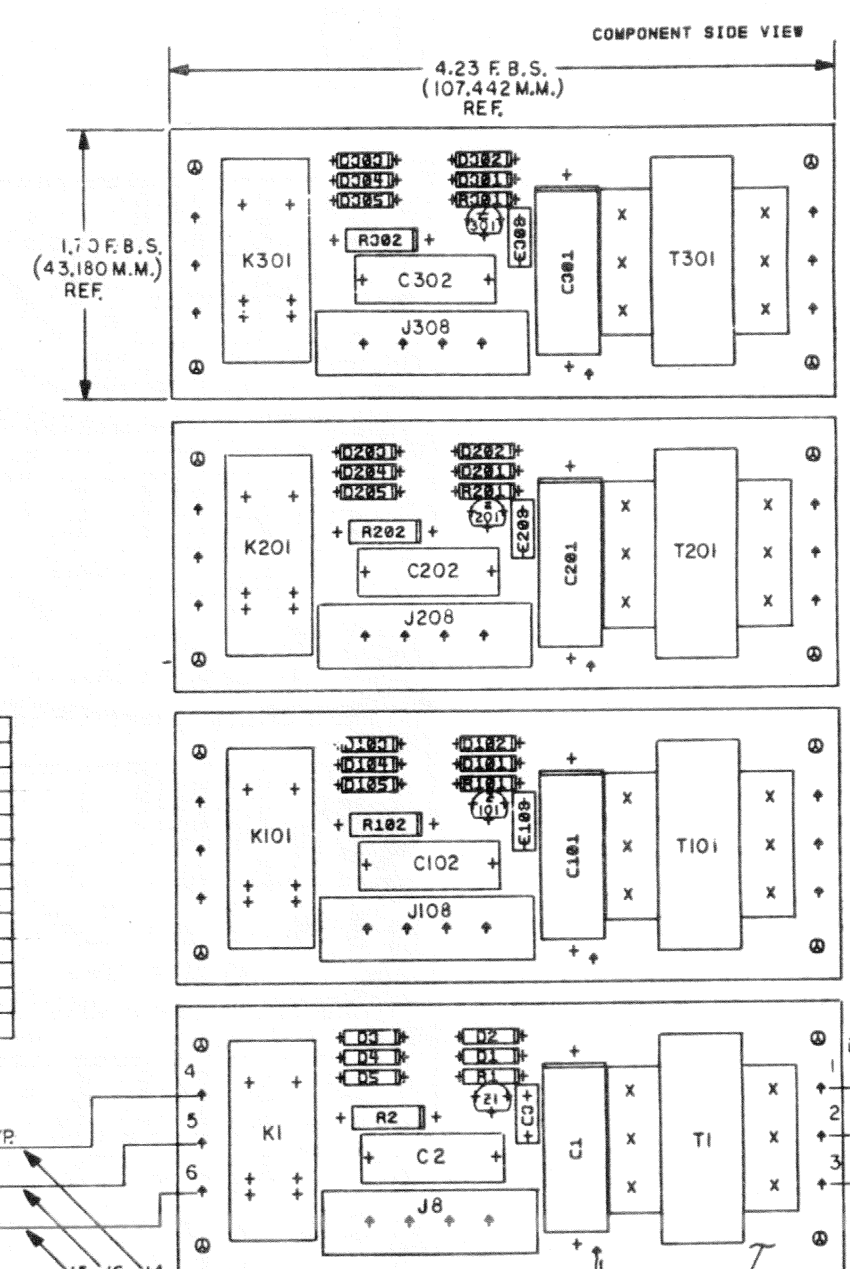


REVISIONS		
CHK.	CHANGE NO.	REV.

TITLE	AC INPUT BOX ASSY.	SIZE CODE	D 14	NUMBER	701442C-0-0	REV.	E
SCALE		SHEET	2	OF	2	DIST.	
						ML-1	

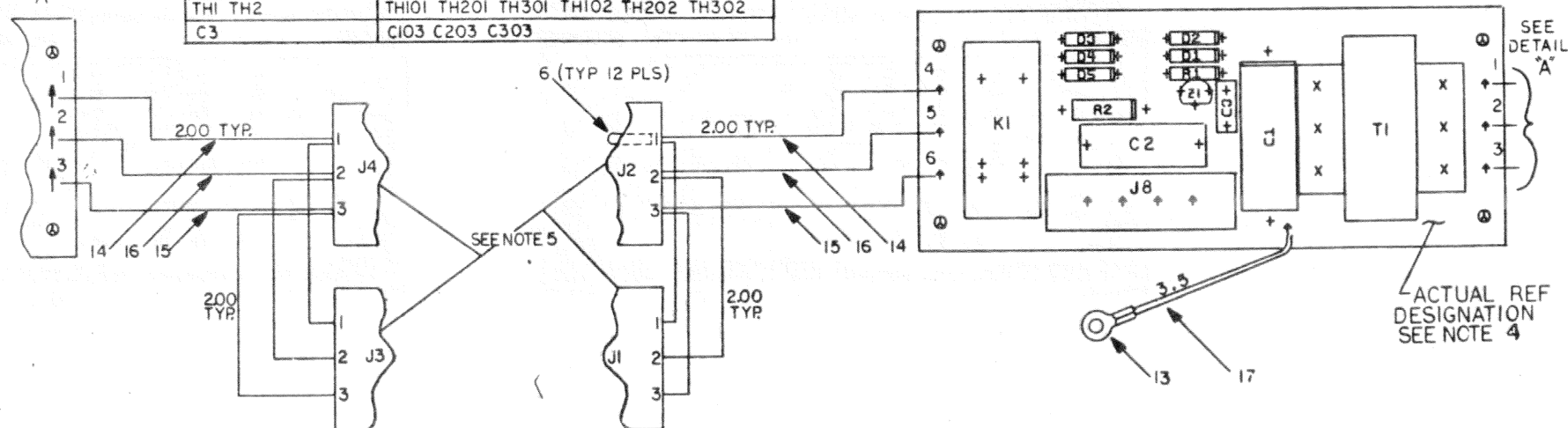
THIS DRAWING AND SPECIFICATIONS HEREBY ARE THE PROPERTY OF GENERAL EQUIPMENT CORPORATION AND SHALL NOT BE REPRODUCED OR COPIED OR USED IN WHOLE OR IN PART AS THE BASIS FOR THE CONSTRUCTION OR SALE OF LIKE ITEMS WITHOUT PERMISSION. GENERAL EQUIPMENT CORPORATION 1978

8 7 6 5 4 3 2 1
E D U A 5413089-0-0



REFERENCE	DESIGNATION	CHART
ACTUAL REF DES	SUPERFICIAL	REF DES
C1 C2	C101 C201 C301	C102 C202 C302
D1 D2	D101 D201 D301	D102 D202 D302
D3 D4	D103 D203 D303	D104 D204 D304
D5	D105 D205 D305	
J8	J108 J208 J308	
K1	K101 K201 K301	
R1 R2	R101 R201 R301	R102 R202 R302
T1	T101 T201 T301	
Z1	Z101 Z201 Z301	
TH1 TH2	TH101 TH201 TH301	TH102 TH202 TH302
C3	C103 C203 C303	

DETAIL "A"



- 1. THIS BOARD REQUIRES U/L APPROVAL.
- 2. DO NOT SLIT BOARD MUST BE SHEARED.
- 3. REFER TO PARTS LIST FOR IDENTIFICATION OF NUMBERED ITEMS.
- 4. MULTI-REF DESIGNATIONS ARE USED TO ACCOMMODATE PNL INS TECHNIQUES—SEE CHART FOR REF.
- 5. J1, J2, J3, J4 ARE NOT USED ON YA VARIATION.

CHANGE NO	REV	DATE	BY	CHK'D
ML004	E		EVANS	W. BAUSHA

ETCH REV. C-PI
P.C. DESIGN DATA BASE REV. C

SIGNATURES	DATE	TITLE
DRN. STU EVANS	7-27-78	digital
CHK'D. <i>[Signature]</i>	11-8-79	
ENG. <i>[Signature]</i>	11/1/79	A.C. CONTROL BOARD
PROJ. ENG. <i>[Signature]</i>	11/1/79	
PROD. <i>[Signature]</i>	11/1/79	
SCALE 2/1		SIZE CODE NUMBER
SHT. 1 OF 3		D U A 5413089-0-0
NEXT HIGHER ASSY. B-DD-5413089-0-0		REV E

3

7

6

5

4

3

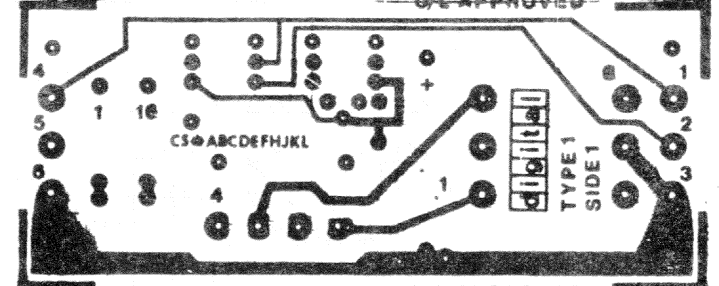
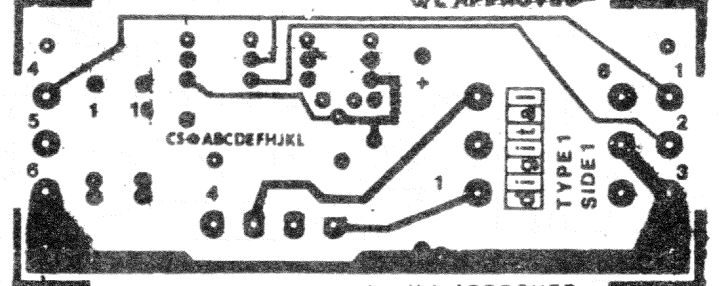
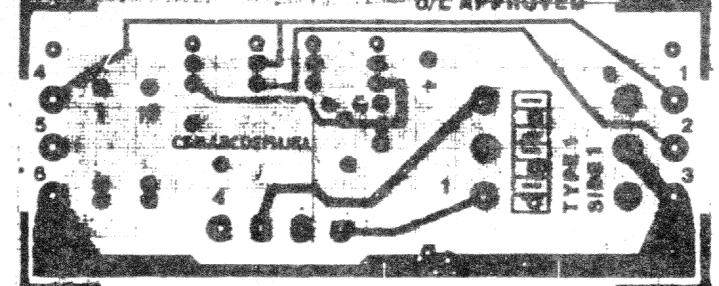
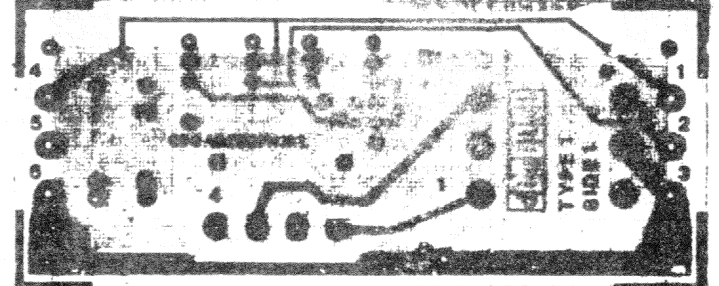
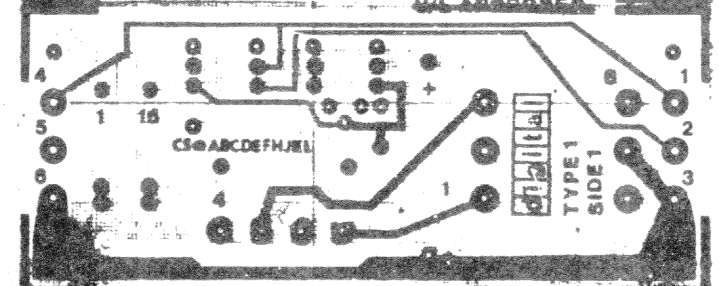
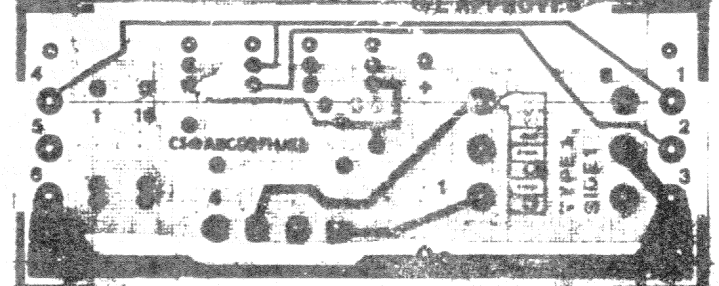
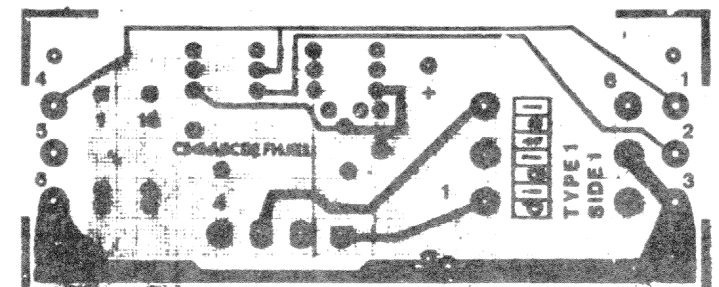
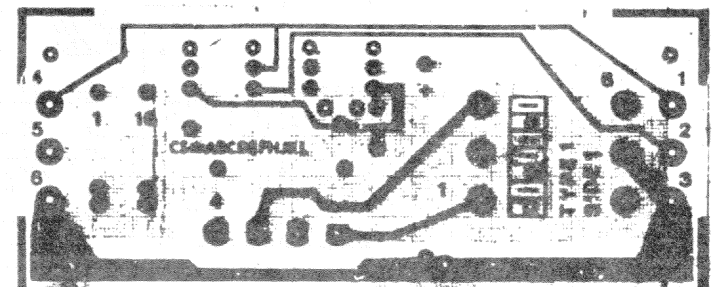
2 DUA 5413089-00 E

1

1979

L1

5413089 5013088C-P1



U/L APPROVED

U/L APPROVED

TITLE AC. CONTROL BOARD DUA 5413089-00 E
 SCALE 2: SHEET 2 3

8

7

6

5

4

3

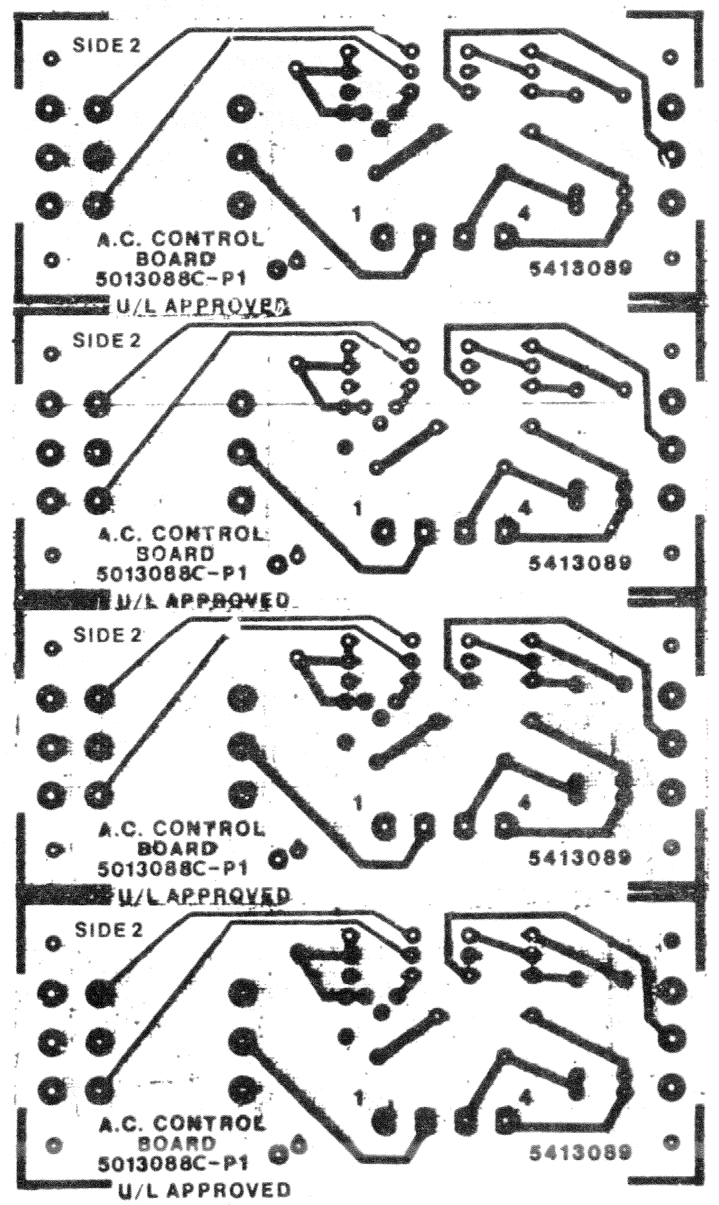
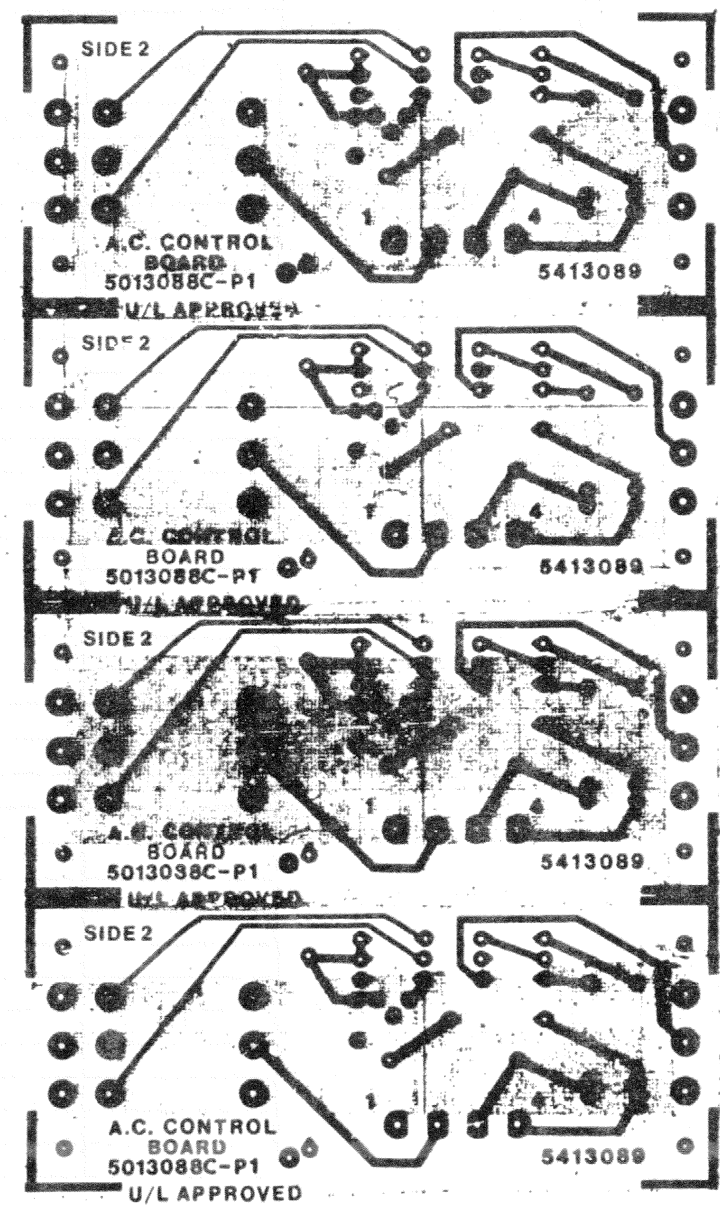
2

1

24

1979

L2



--	--	--	--	--	--	--	--	--	--

TITLE	SIZE CODE	NUMBER	REV
A.C. CONTROL BOARD	D UA	5413089-00	E
SCALE 2:1	SHEET 3	OF 3	DIST

25

DUA 5413089-00 E

A

B

E

C

D

DRAWING NO.	NO. OF SHTS	PART NO.	DESCRIPTION	REVISIONS															
				Y	Y	Y	Z												
D-AH-H744-0-5			ASSY DRILLING/HOLE LAYOUT	Y	Y	Y	Z												
E-UA-H744-0-0	1		UNIT ASSY	Y	Z	AA	AB												
D-CS-H744-0-1	1		CIRCUIT SCHEMATIC	Y	Y	Y	Z												
B-MH-H744-0-6	4		MODULE ECO HISTORY	AD	AE	AE	AF												
		5009725	ETCHED BOARD	H	H	H	H												
A-SP-H744-0-3			TEST PROCEDURE	REF	REF	REF	REF												
A-SP-H744-0-8			MFG SPEC	REF	REF	REF	REF												
D-PS-1210737-0-0	1		HEAT SINK	REF	REF	REF	REF												
D-IA-5309756-0-0	1		REGULATOR BRK'T	REF	REF	REF	REF												
C-MD-5309760-0-0	1		COMPONENT COVER	REF	REF	REF	REF												
C-MD-5309759-0-0	1		CAPACITOR STRAP	REF	REF	REF	REF												
A-PI-3700074-0-0	2		PACKAGING INSTRUCTION	REF	REF	REF	REF												
A-PS-9905211-0-0	2		OUTER CARTON	REF	REF	REF	REF												
A-PS-9905212-0-0	2		INNER PACKAGING	REF	REF	REF	REF												
C-IA-7412388-0-0			2.5 CAP HOLDER	REF	REF	REF	REF												
C-MD-7419952-0-0			COMPONENT COVER	REF		REF													
K-PL-H744-0-DBP	3		PARTS LIST	-	-	-	AB												

NOTES:

REVISIONS	DATE	CHG NO.	REV.	R	S	T																
		00018																				
	2-77	00019																				
	3-78	00020																				
	3-81	H744-1021																				

"THIS DRAWING AND SPECIFICATIONS, HEREIN, ARE THE PROPERTY OF DIGITAL EQUIPMENT CORPORATION AND SHALL NOT BE REPRODUCED OR COPIED OR USED IN WHOLE OR IN PART AS THE BASIS FOR THE MANUFACTURE OR SALE OF ITEMS WITHOUT WRITTEN PERMISSION. COPYRIGHT © 1977, DIGITAL EQUIPMENT CORPORATION"



USED ON OPTION/MODEL	DRN.	TITLE
11/45	D. FONTAINE	2-4-72
	CHK'D	
	D. FONTAINE	2-4-72
	ENG.	
	G. POTTER	2-24-72
	PROD.	
	A. HIRSCH	2-24-72

SIZE CODE	NUMBER	REV.
BDD	H744-0	T

SHEET 2 OF 4

DRAWING NO.	NO. OF SHTS	PART NO.	DESCRIPTION	REVISIONS															
				Y	Y	Z													
D-AH-H744-Ø-5			ASSY DRILLING/HOLE LAYOUT	Y	Y	Z													
E-UA-H744-Ø-Ø	1		UNIT ASSY	V	V1	AB													
D-CS-H744-Ø-1	1		CIRCUIT SCHEMATIC	W	W1	Z													
B-MH-H744-Ø-6	4		MODULE ECO HISTORY	AB	AE	AF													
		5009725	ETCHED BOARD	H	H	H													
A-SP-H744-Ø-3			TEST PROCEDURE	REF	REF														
A-SP-H744-Ø-8			MFG SPEC	REF															
D-PS-1210737-Ø-Ø	1		HEAT SINK	REF															
D-IA-5309756-Ø-Ø	1		REGULATOR BRK'T	REF															
C-MD-5309760-Ø-Ø	1		COMPONENT COVER	REF															
C-MD-5309759-Ø-Ø	1		CAPACITOR STRAP	REF															
A-PI-3700074-Ø-Ø	2		PACKAGING INSTRUCTION	REF															
A-PS-9905211-Ø-Ø	2		OUTER CARTON	REF															
A-PS-9905212-Ø-Ø	2		INNER PACKAGING	REF															
C-IA-7412388-Ø-Ø			2.5 CAP HOLDER	REF															
C-MD-7419952-Ø-Ø			COMPONENT COVER	REF	REF														
K-PL-H744-Ø-DBP	3		PARTS LIST			AB													

NOTES:

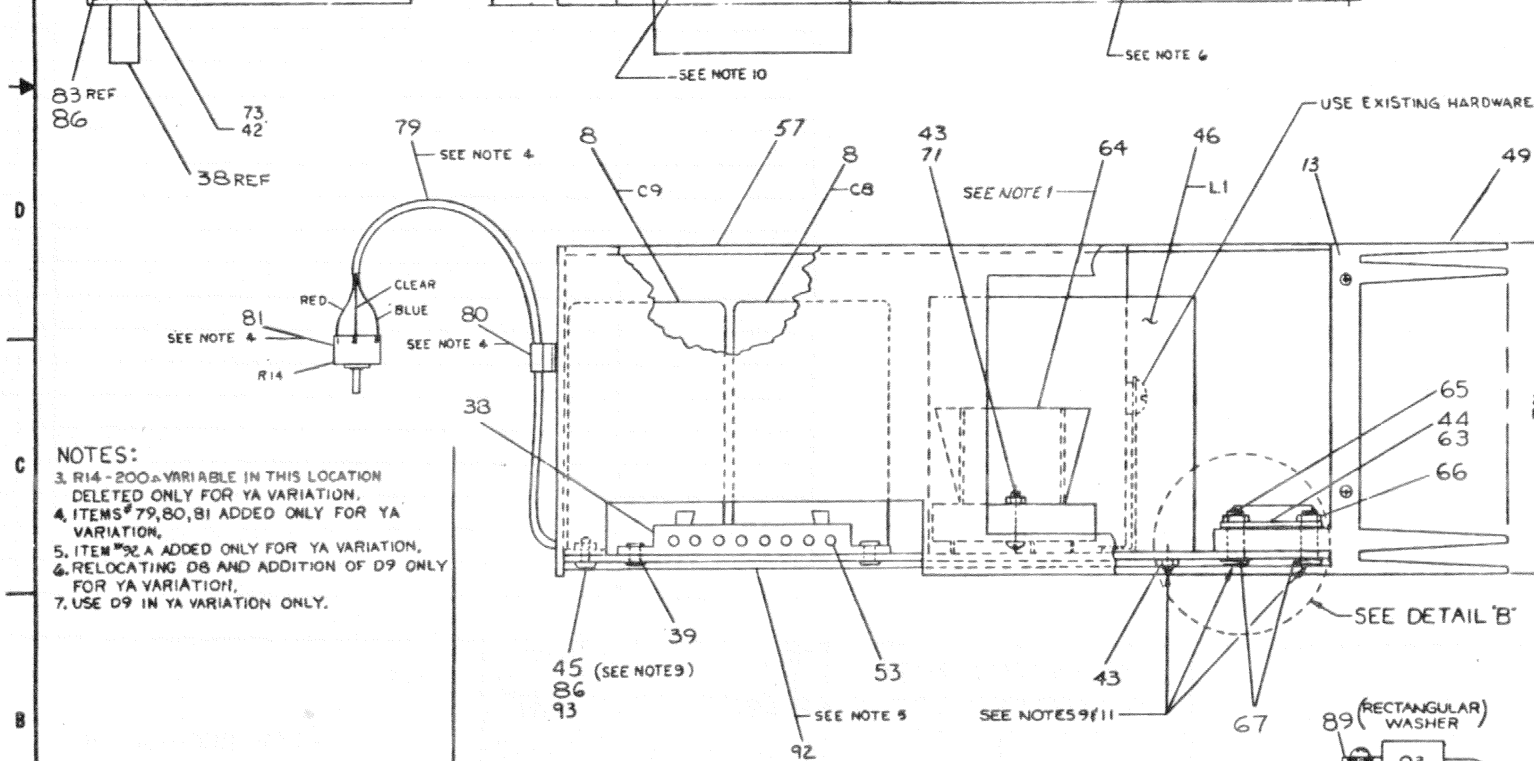
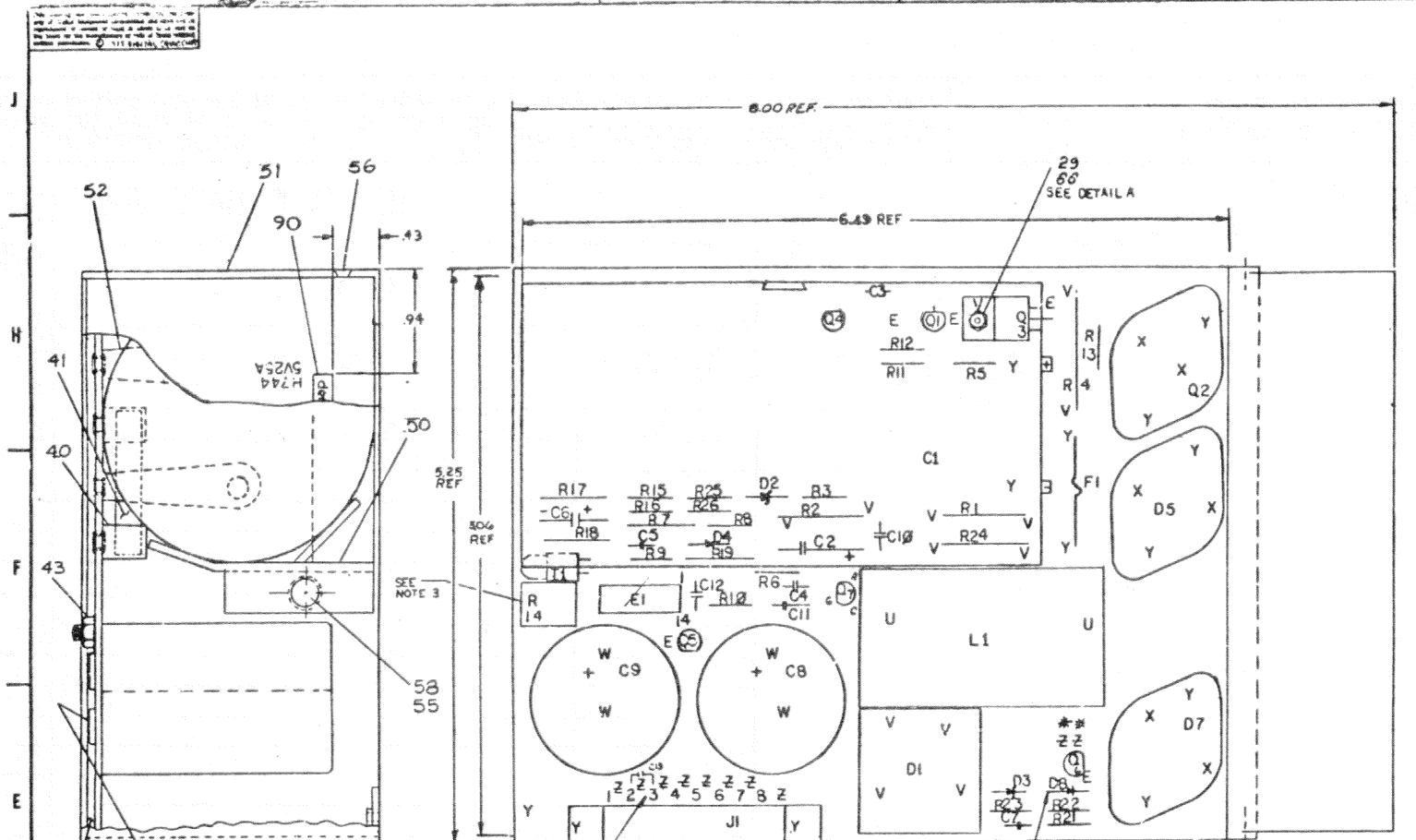
REVISIONS		DATE	CHG NO.	REV.
		2-77	00016	R
		3-81	H744-MLO21	T

"THIS DRAWING AND SPECIFICATIONS, HEREIN, ARE THE PROPERTY OF DIGITAL EQUIPMENT CORPORATION AND SHALL NOT BE REPRODUCED OR COPIED OR USED IN WHOLE OR IN PART AS THE BASIS FOR THE MANUFACTURE OR SALE OF ITEMS WITHOUT WRITTEN PERMISSION. COPYRIGHT © 1977 DIGITAL EQUIPMENT CORPORATION"



USED ON OPTION/MODEL	11/45	DRN. D. FONTAINE	2-4-72	TITLE	+5V REGULATOR
		CHK'D D. FONTAINE	2-4-72	SIZE CODE	B DD
		ENG. G. POTTER	2-24-72	NUMBER	H744-Ø
		PROD. A. HIRSCH	2-24-72	REV.	T
				SHEET 4 OF 4	

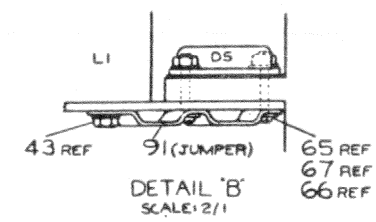
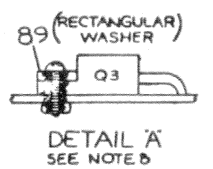
NOTES:
 1. APPLY ITEM #63 (COMPOUND) BETWEEN TRANSISTOR (Q2), DIODES (D5, D7) AND ITEM #44 (WASHER) ALSO BETWEEN ITEM #44 (WASHER) AND HEAT SINK (ITEM #49). ALSO APPLY ITEM #63 (COMPOUND) BETWEEN ITEM #9 (DIODE BRIDGE) AND ITEM #64 (HEAT SINK BRIDGE).



NOTES:
 3. R14 - 200Ω VARIABLE IN THIS LOCATION DELETED ONLY FOR YA VARIATION.
 4. ITEMS #79, 80, 81 ADDED ONLY FOR YA VARIATION.
 5. ITEM #32A ADDED ONLY FOR YA VARIATION.
 6. RELOCATING D8 AND ADDITION OF D9 ONLY FOR YA VARIATION.
 7. USE D9 IN YA VARIATION ONLY.

NOTES CONT:

- NOTE 8:
 (1) Q3 SCREW HEAD SHOULD BE ON TOP OF FLAT RECTANGULAR WASHER AS SHOWN. APPLY 6 INCH LBS. OF TORQUE WHEN SECURING Q3 TO CKT. BOARD BEFORE SOLDERING.
- NOTE 9: TORQUE APPLICATION
 (1) APPLY 12 INCH LBS. OF TORQUE TO THE SCREWHEAD OF #4 HARDWARE EXCEPT Q3.
 (2) APPLY 12 INCH LBS. OF TORQUE TO #6 HARDWARE ON L1.
 (3) APPLY 16 INCH LBS. OF TORQUE TO ALL #6 AND #10 HARDWARE EXCEPT ON L1.
 (4) ALL HARDWARE TO BE TORQUED BEFORE SOLDERING.
- NOTE 10:
 INSERT C13 INTO ETCH PAD HOLES CONNECTED TO J1 TERMINALS, 2-3.
- NOTE 11:
 MIN TORQUE REQUIRED FOR QC INSPECTION:
 8 INCH LBS FOR #4 HARDWARE;
 12 INCH LBS FOR #6 AND #10 HARDWARE
 * SEE NOTE 7



CAUTION:
 OFF SHEET PARTS LIST REF TO K-PL-H744-0-DBP

IC TYPE	QND	REV	ITEM NO	AMNG	FROM	TO
7423C	7	12				

QTY	DESCRIPTION	REV	DATE	BY	CHKD
1	RESISTOR 10K				
1	RESISTOR 100K				
1	RESISTOR 100Ω				
1	RESISTOR 1K				
1	RESISTOR 10K				
1	RESISTOR 100K				
1	RESISTOR 100Ω				
1	RESISTOR 1K				
1	RESISTOR 10K				
1	RESISTOR 100K				
1	RESISTOR 100Ω				
1	RESISTOR 1K				
1	RESISTOR 10K				
1	RESISTOR 100K				
1	RESISTOR 100Ω				
1	RESISTOR 1K				
1	RESISTOR 10K				
1	RESISTOR 100K				
1	RESISTOR 100Ω				
1	RESISTOR 1K				
1	RESISTOR 10K				
1	RESISTOR 100K				
1	RESISTOR 100Ω				
1	RESISTOR 1K				
1	RESISTOR 10K				
1	RESISTOR 100K				
1	RESISTOR 100Ω				
1	RESISTOR 1K				
1	RESISTOR 10K				
1	RESISTOR 100K				
1	RESISTOR 100Ω				
1	RESISTOR 1K				
1	RESISTOR 10K				
1	RESISTOR 100K				
1	RESISTOR 100Ω				
1	RESISTOR 1K				
1	RESISTOR 10K				
1	RESISTOR 100K				
1	RESISTOR 100Ω				
1	RESISTOR 1K				
1	RESISTOR 10K				
1	RESISTOR 100K				
1	RESISTOR 100Ω				
1	RESISTOR 1K				
1	RESISTOR 10K				
1	RESISTOR 100K				
1	RESISTOR 100Ω				
1	RESISTOR 1K				
1	RESISTOR 10K				
1	RESISTOR 100K				
1	RESISTOR 100Ω				
1	RESISTOR 1K				
1	RESISTOR 10K				
1	RESISTOR 100K				
1	RESISTOR 100Ω				
1	RESISTOR 1K				
1	RESISTOR 10K				
1	RESISTOR 100K				
1	RESISTOR 100Ω				
1	RESISTOR 1K				
1	RESISTOR 10K				
1	RESISTOR 100K				
1	RESISTOR 100Ω				
1	RESISTOR 1K				
1	RESISTOR 10K				
1	RESISTOR 100K				
1	RESISTOR 100Ω				
1	RESISTOR 1K				
1	RESISTOR 10K				
1	RESISTOR 100K				
1	RESISTOR 100Ω				
1	RESISTOR 1K				
1	RESISTOR 10K				
1	RESISTOR 100K				
1	RESISTOR 100Ω				
1	RESISTOR 1K				
1	RESISTOR 10K				
1	RESISTOR 100K				
1	RESISTOR 100Ω				
1	RESISTOR 1K				
1	RESISTOR 10K				
1	RESISTOR 100K				
1	RESISTOR 100Ω				
1	RESISTOR 1K				
1	RESISTOR 10K				
1	RESISTOR 100K				
1	RESISTOR 100Ω				
1	RESISTOR 1K				
1	RESISTOR 10K				
1	RESISTOR 100K				
1	RESISTOR 100Ω				
1	RESISTOR 1K				
1	RESISTOR 10K				
1	RESISTOR 100K				
1	RESISTOR 100Ω				
1	RESISTOR 1K				
1	RESISTOR 10K				
1	RESISTOR 100K				
1	RESISTOR 100Ω				
1	RESISTOR 1K				
1	RESISTOR 10K				
1	RESISTOR 100K				
1	RESISTOR 100Ω				
1	RESISTOR 1K				
1	RESISTOR 10K				
1	RESISTOR 100K				
1	RESISTOR 100Ω				
1	RESISTOR 1K				
1	RESISTOR 10K				
1	RESISTOR 100K				
1	RESISTOR 100Ω				
1	RESISTOR 1K				
1	RESISTOR 10K				
1	RESISTOR 100K				
1	RESISTOR 100Ω				
1	RESISTOR 1K				
1	RESISTOR 10K				
1	RESISTOR 100K				
1	RESISTOR 100Ω				
1	RESISTOR 1K				
1	RESISTOR 10K				
1	RESISTOR 100K				
1	RESISTOR 100Ω				
1	RESISTOR 1K				
1	RESISTOR 10K				
1	RESISTOR 100K				
1	RESISTOR 100Ω				
1	RESISTOR 1K				
1	RESISTOR 10K				
1	RESISTOR 100K				
1	RESISTOR 100Ω				
1	RESISTOR 1K				
1	RESISTOR 10K				
1	RESISTOR 100K				
1	RESISTOR 100Ω				
1	RESISTOR 1K				
1	RESISTOR 10K				
1	RESISTOR 100K				
1	RESISTOR 100Ω				
1	RESISTOR 1K				
1	RESISTOR 10K				
1	RESISTOR 100K				
1	RESISTOR 100Ω				
1	RESISTOR 1K				
1	RESISTOR 10K				
1	RESISTOR 100K				
1	RESISTOR 100Ω				
1	RESISTOR 1K				
1	RESISTOR 10K				
1	RESISTOR 100K				
1	RESISTOR 100Ω				
1	RESISTOR 1K				
1	RESISTOR 10K				
1	RESISTOR 100K				
1	RESISTOR 100Ω				
1	RESISTOR 1K				
1	RESISTOR 10K				
1	RESISTOR 100K				
1	RESISTOR 100Ω				
1	RESISTOR 1K				
1	RESISTOR 10K				
1	RESISTOR 100K				
1	RESISTOR 100Ω				
1	RESISTOR 1K				
1	RESISTOR 10K				
1	RESISTOR 100K				
1	RESISTOR 100Ω				
1	RESISTOR 1K				
1	RESISTOR 10K				
1	RESISTOR 100K				
1	RESISTOR 100Ω				
1	RESISTOR 1K				
1	RESISTOR 10K				
1	RESISTOR 100K				
1	RESISTOR 100Ω				
1	RESISTOR 1K				
1	RESISTOR 10K				
1	RESISTOR 100K				
1	RESISTOR 100Ω				
1	RESISTOR 1K				
1	RESISTOR 10K				
1	RESISTOR 100K				
1	RESISTOR 100Ω				
1	RESISTOR 1K				
1	RESISTOR 10K				
1	RESISTOR 100K				
1	RESISTOR 100Ω				
1	RESISTOR 1K				
1	RESISTOR 10K				
1	RESISTOR 100K				
1	RESISTOR 100Ω				
1	RESISTOR 1K				
1	RESISTOR 10K				
1	RESISTOR 100K				
1	RESISTOR 100Ω				
1	RESISTOR 1K				
1	RESISTOR 10K				
1	RESISTOR 100K				
1	RESISTOR 100Ω				
1	RESISTOR 1K				
1	RESISTOR 10K				
1	RESISTOR 100K				
1	RESISTOR 100Ω				
1	RESISTOR 1K				
1	RESISTOR 10K				
1	RESISTOR 100K				
1	RESISTOR 100Ω				
1	RESISTOR 1K				
1	RESISTOR 10K				
1	RESISTOR 100K				
1	RESISTOR 100Ω				
1	RESISTOR 1K				
1	RESISTOR 10K				
1	RESISTOR 100K				
1	RESISTOR 100Ω				
1	RESISTOR 1K				
1	RESISTOR 10K				
1	RESISTOR 100K				
1	RESISTOR 100Ω				
1	RESISTOR 1K				
1	RESISTOR 10K				
1	RESISTOR 100K				
1	RESISTOR 100Ω				
1	RESISTOR 1K				
1	RESISTOR 10K				
1	RESISTOR 100K				
1	RESISTOR 100Ω				
1	RESISTOR 1K				
1	RESISTOR 10K				
1	RESISTOR 100K				
1	RESISTOR 100Ω				
1	RESISTOR 1K				
1</					

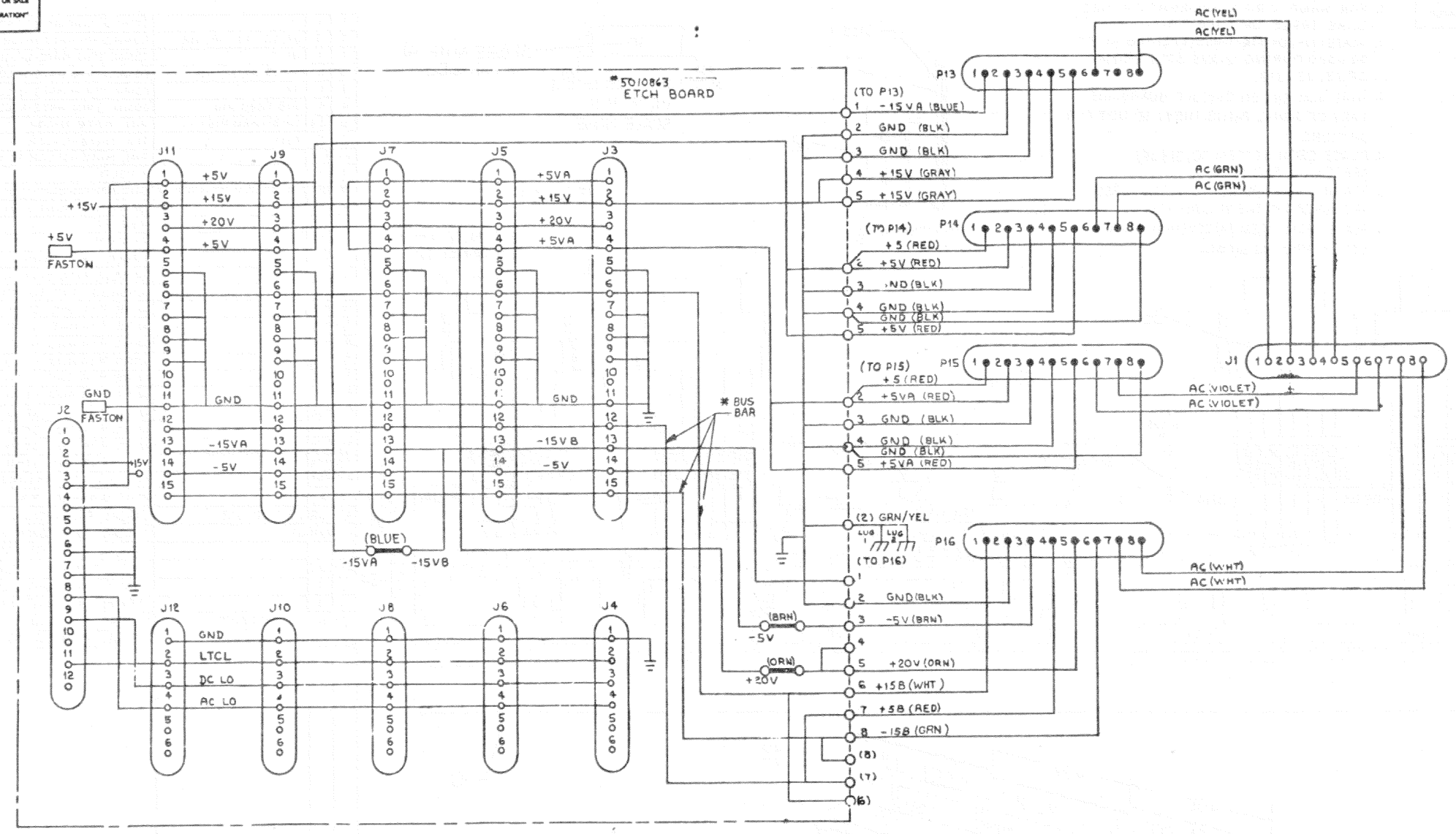
①
+20 VOLT REGULATOR
E-CS-H754-0-1
K-PL-H754-0-DBP

②
REGULATOR BRACKET
D-IA-5309756-0-1

TITLE	SHEET	OF	SIZE	CODE	NUMBER	REV
+20 VOLT REGULATOR	3	3	B	DD	H754-Ø	C

THIS DRAWING AND SPECIFICATIONS HEREIN ARE THE PROPERTY OF DIGITAL EQUIPMENT CORPORATION AND SHALL NOT BE REPRODUCED OR COPIED OR USED IN WHOLE OR IN PART AS THE BASIS FOR THE MANUFACTURE OR SALE OF ITEMS WITHOUT WRITTEN PERMISSION. COPYRIGHT © 1974 DIGITAL EQUIPMENT CORPORATION

D/CS 5410864-0-1



* BUS BAR USED IN THE YA VARIATION ONLY

REVISIONS		
CHK	CHANGE NO.	REV.

TITLE		SIZE CODE	NUMBER	REV.
PWR DIST BOARD		D/CS	5410864-0-1	L
SCALE	NONE	SHEET	2 OF 3	DIST.

57

THIS DRAWING AND SPECIFICATIONS HEREIN ARE THE PROPERTY OF DIGITAL EQUIPMENT CORPORATION AND SHALL NOT BE REPRODUCED OR COPIED OR USED IN WHOLE OR IN PART AS THE BASIS FOR THE MANUFACTURE OR SALE OF ITEMS WITHOUT WRITTEN PERMISSION. COPYRIGHT © 1974 DIGITAL EQUIPMENT CORPORATION.

WIRE TABLE

ITEM NO	DESCRIPTION		FROM		TO		LENGTH	SIGNAL NAME
	AWG	COLOR	CONNECTION	WITH	CONNECTION	WITH		
24	14	YEL	J1-1	8	P13-8	7	12.5"	AC/H745
24		YEL	J1-2		P13-6		12.5"	AC/H745
25		GRN	J1-3		P14-7		11"	AC/H744-1
25		GRN	J1-4		P14-6		11"	AC/H744-1
26		VIO	J1-5		P15-7		8.75"	AC/H744-2
26		VIO	J1-6		P15-6		8.75"	AC/H744-2
27		WHT	J1-7		P16-8		11.25"	AC/H754
27		WHT	J1-8	8	P16-7		11.25"	AC/H754
23		BLU	PDBP13-1	SOLDER	P13-1		5"	-15V
22		BLK	PDBP13-2		P13-2			GND
22		BLK	PDBP13-3		P13-3			GND
21		GRY	PDBP13-4		P13-4			+15V
21		GRY	PDBP13-5		P13-5			+15V
20		RED	PDBP14-2		P14-2			+5V
22		BLK	PDBP14-3		P14-3			GND
22		BLK	PDBP14-4		P14-4			GND
20		RED	PDBP14-5		P14-5			+5V
20		RED	PDBP15-2		P15-2			+5V
22		BLK	PDBP15-3		P15-3			GND
22		BLK	PDBP15-4		P15-4			GND
20		RED	PDBP15-5		P15-5			+5V
22		BLK	PDBP16-2		P16-2			GND
19		BRN	PDBP16-3		P16-3			-5V
18		ORN	PDBP16-5		P16-5	7	5"	+20V
23		BLU	PDBP16-5A		PDB-15B	SOLDER	1.75	-15V
18		ORN	PDBP16-5		PDB + 20V		5"	+20V
19		BRN	PDBP16-3	SOLDER	PDB - 5V		2"	-5V
33		GRN/YEL	LUG 1	35	PDBP16-2	SOLDER	11"	SAFETY GND
33					LUG 2	34	15"	SAFETY GND
20		RED	PDBP16-7	SOLDER	P16-4	7	5.5"	+5B
20		RED	PDBP15-1		P15-1		5"	+5V
20		RED	PDBP14-1		P14-1		5"	+5V
22		BLK	PDBP15-4		P15-8		5.5"	GND
22		BLK	PDBP14-4		P14-8			GND
27		WHT	PDBP16-6		P16-1			+15B
25	14	GRN	PDBP16-8	SOLDER	P16-6	7	5.5"	-15B

YA VARIATION ONLY.

SEE NOTE 1

BUS BAR CONNECTIONS FOR YA VARIATION		
LEVEL A	PDBP16-6 J11,J3,J7,J5,J3 ALL PIN#6	+15V B
LEVEL B	PDBP16-7 J11,J3,J7,J5,J3 ALL PIN#12	+5V
LEVEL C	PDBP16-8 J11,J3,J7,J5,J3 ALL PIN#15	-15V B

NOTES:
 1. CS REV. K AND EARLIER PWR DISTRIBUTION BOARDS HAD THE GREEN AND WHITE WIRES REVERSED IN COLOR ONLY. THE POINT-TO-POINT CONNECTIONS REMAIN THE SAME.

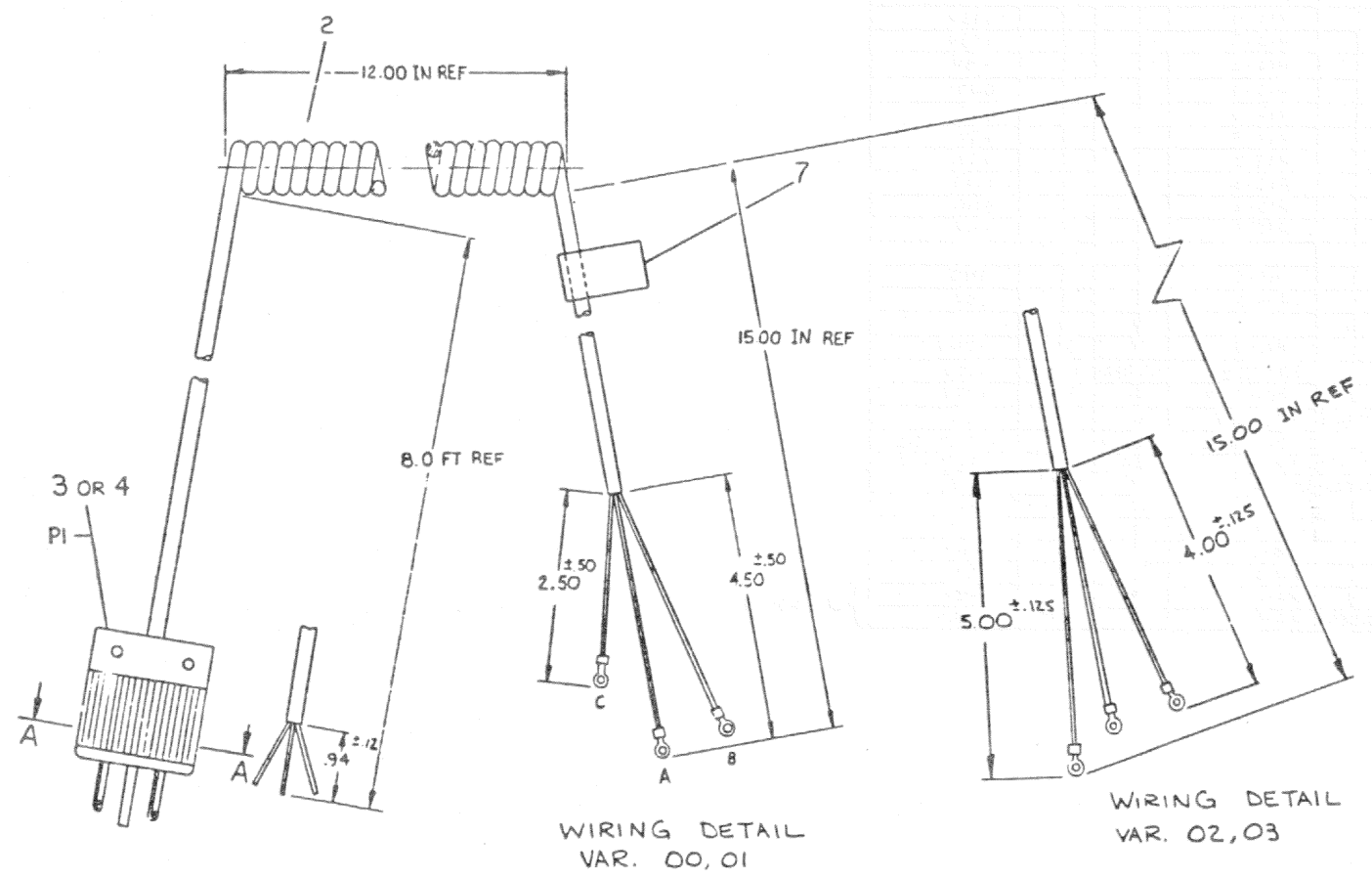
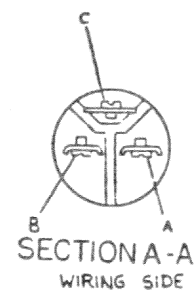
REVISIONS		
CHK	CHANGE NO	REV

TITLE	SIZE CODE	NUMBER	REV.
PWR DIST BOARD	D CS	5410864-0-1	L
SCALE NONE	SHEET 3 OF 3	DIST.	

7012500-0-0

WIRE TABLE (7012500)								
ITEM NO.	DESCRIPTION	FROM		TO		REMARKS		
		AWG	COLOR	CONNECTION	WITH		CONNECTION	WITH
2	14 BRN			PI-B	---	B	6	AC LINE
2	14 LTELU			PI-A	---	A	6	AC NEUTRAL
2	14 BRN/YEL			PI-C	---	C	6	AC SAFETY GND

LEGEND	
NUMBER	VARIATION
7012500-00	120V
7012500-01	240V
7012500-02	120V
7012500-03	220-240V



WIRING DETAIL VAR. 00, 01

WIRING DETAIL VAR. 02, 03

CAUTION: OFF SHEET PARTS LIST EXIST
SEE K-PL-7012500-0-DBP

ITEM NO.	DESCRIPTION	DWG. PART NO.	ITEM NO.
1	PLUG 240 V	9008853	4
1	PLUG 120 V	9008938	3
1	POWER CORD	1700064-0	2

UNLESS OTHERWISE SPECIFIED DIMENSIONS ARE IN INCHES	CLASS OF ACCURACY	MIN. DIMENSION	RANGE	INCHES
ANGLES 10' 30'	0.004	0.125	1.125	10.000
SURFACE QUALITY IN	0.7	1.5	2.5	12.5
QUANTITY & VARIATION	1.000	1.000	1.010	1.020
MICROINCHES	PREFERRE	1.012	1.018	1.024

THIRD ANGLE PROJECTION

REMOVE BURRS AND BREAK SHARP CORNERS

DO NOT SCALE DWG

MATERIAL SEE PARTS LIST

FINISH

DRN: S. J. U. 10/76

CHK: J. G. 10/76

ENG: J. G. 10/76

PROJ ENG: S. J. U.

PROD EXP: J. G.

NEAT HIGH R ASSY.

7012500-0-0

SCALE NONE

SHEET 1 OF 1

FIRST USED ON 3A-1-K

TITLE POWER CORD 120V 240V

SIZE CODE D IA

NUMBER 7012500-0-0

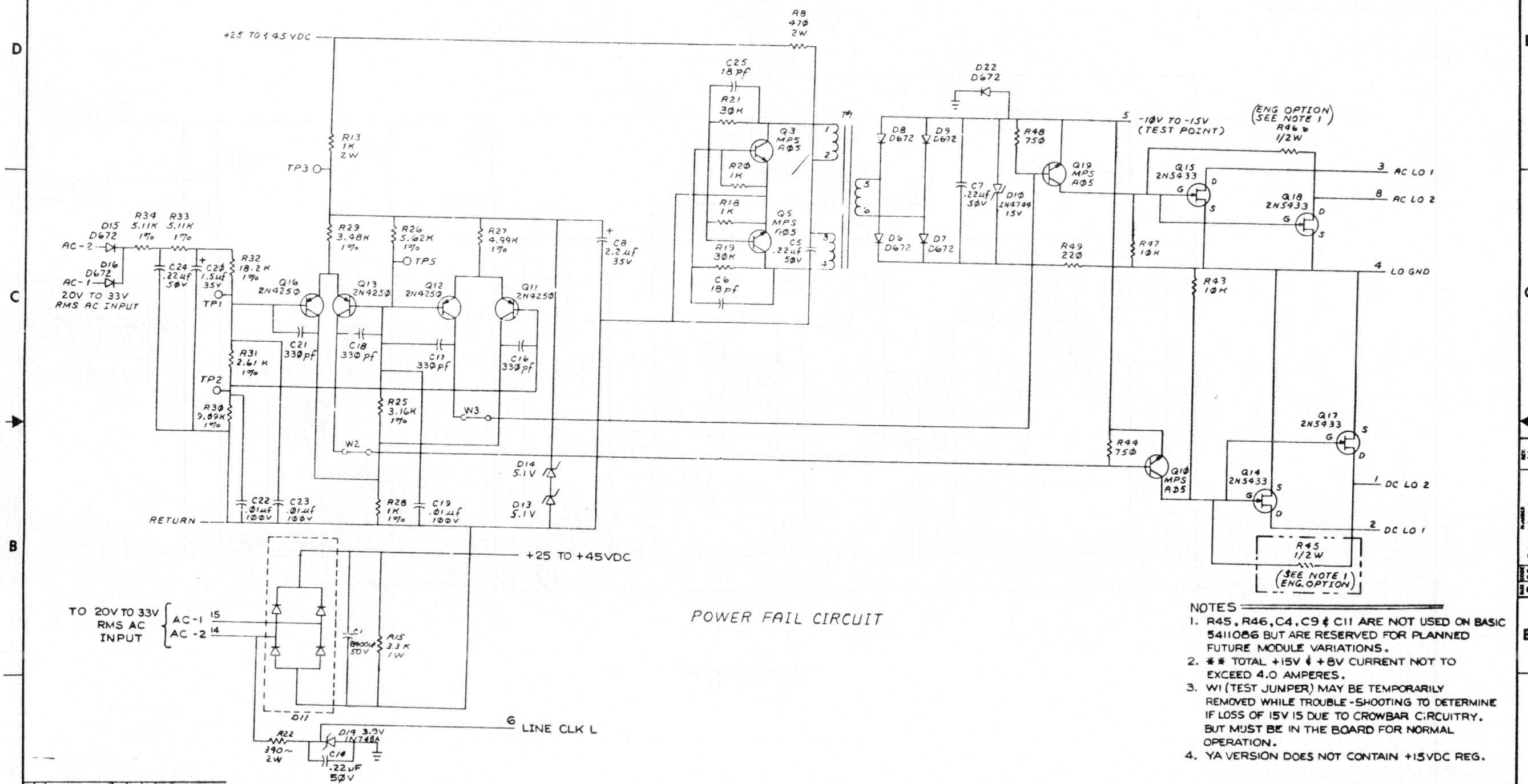
REV D

digital

REV	CHANGE NO	DATE	BY	DESCRIPTION
1	1	10/76	S. J. U.	INITIAL DESIGN
2	2	10/76	J. G.	REVISED TO 240V
3	3	10/76	J. G.	REVISED TO 120V
4	4	10/76	J. G.	REVISED TO 220-240V

THIS DRAWING AND SPECIFICATIONS HEREIN ARE THE PROPERTY OF DIGITAL EQUIPMENT CORPORATION AND SHALL NOT BE REPRODUCED OR COPIED OR USED IN WHOLE OR IN PART AS THE BASIS FOR THE MANUFACTURE OR SALE OF ITEMS WITHOUT WRITTEN PERMISSION OF DIGITAL EQUIPMENT CORPORATION
 1979

N 10-9801195 S.D. 2



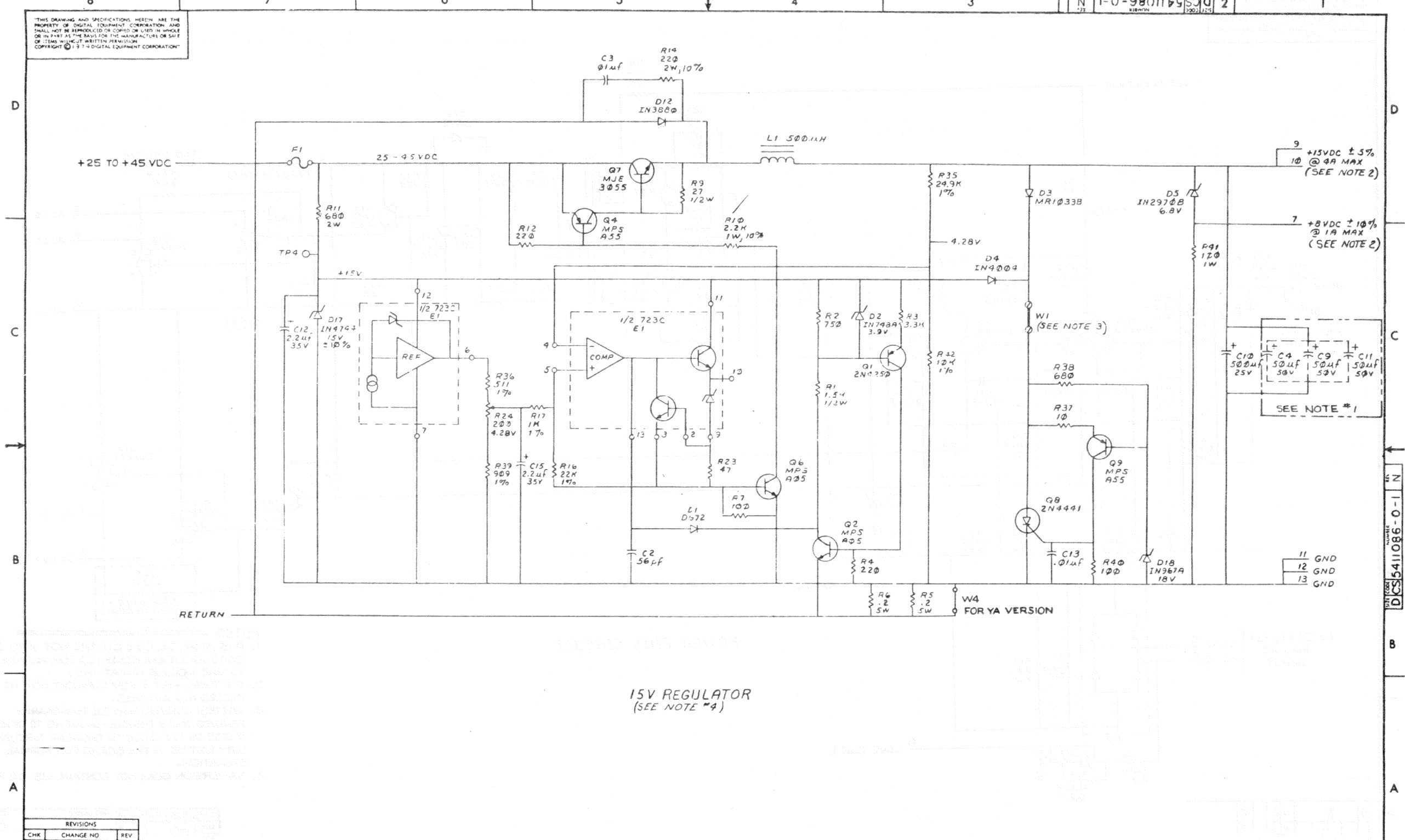
- NOTES**
1. R45, R46, C4, C9 & C11 ARE NOT USED ON BASIC 5411086 BUT ARE RESERVED FOR PLANNED FUTURE MODULE VARIATIONS.
 2. ** TOTAL +15V & +8V CURRENT NOT TO EXCEED 4.0 AMPERES.
 3. W1 (TEST JUMPER) MAY BE TEMPORARILY REMOVED WHILE TROUBLE-SHOOTING TO DETERMINE IF LOSS OF 15V IS DUE TO CROWBAR CIRCUITRY. BUT MUST BE IN THE BOARD FOR NORMAL OPERATION.
 4. YA VERSION DOES NOT CONTAIN +15VDC REG.

REV.	REV.	REV.
1	M	
2	M	
3	M	
4	M	
5	M	
6	M	
7	M	
8	M	

DRN: POWERS	1-17-79	FIRST USED ON	5411086
CHK: [Signature]	2-15-79	TITLE	POWER LINE MONITOR 15V REG
ENG: [Signature]	2-6-79	PROJ. ENG.:	[Signature]
PROJ. ENG.:	2-6-79	PROD.:	[Signature]
NEXT HIGHER ASSY.		SIZE	CODE
B-DD-5411086-0		D	CS
SCALE NONE		NUMBER	5411086-0-1
SHEET 1	OF 2	DIST.	

THIS DRAWING AND SPECIFICATIONS HEREIN ARE THE PROPERTY OF DIGITAL EQUIPMENT CORPORATION AND SHALL NOT BE REPRODUCED OR COPIED OR USED IN WHOLE OR IN PART AS THE BASIS FOR THE MANUFACTURE OR SALE OF ITEMS WITHOUT WRITTEN PERMISSION. COPYRIGHT © 1974 DIGITAL EQUIPMENT CORPORATION

DCS 5411086-0-1 2



15V REGULATOR
(SEE NOTE #4)

9 +15VDC ± 5%
10 @ 4A MAX
(SEE NOTE 2)

7 +8VDC ± 10%
@ 1A MAX
(SEE NOTE 2)

SEE NOTE #1

11 GND
12 GND
13 GND

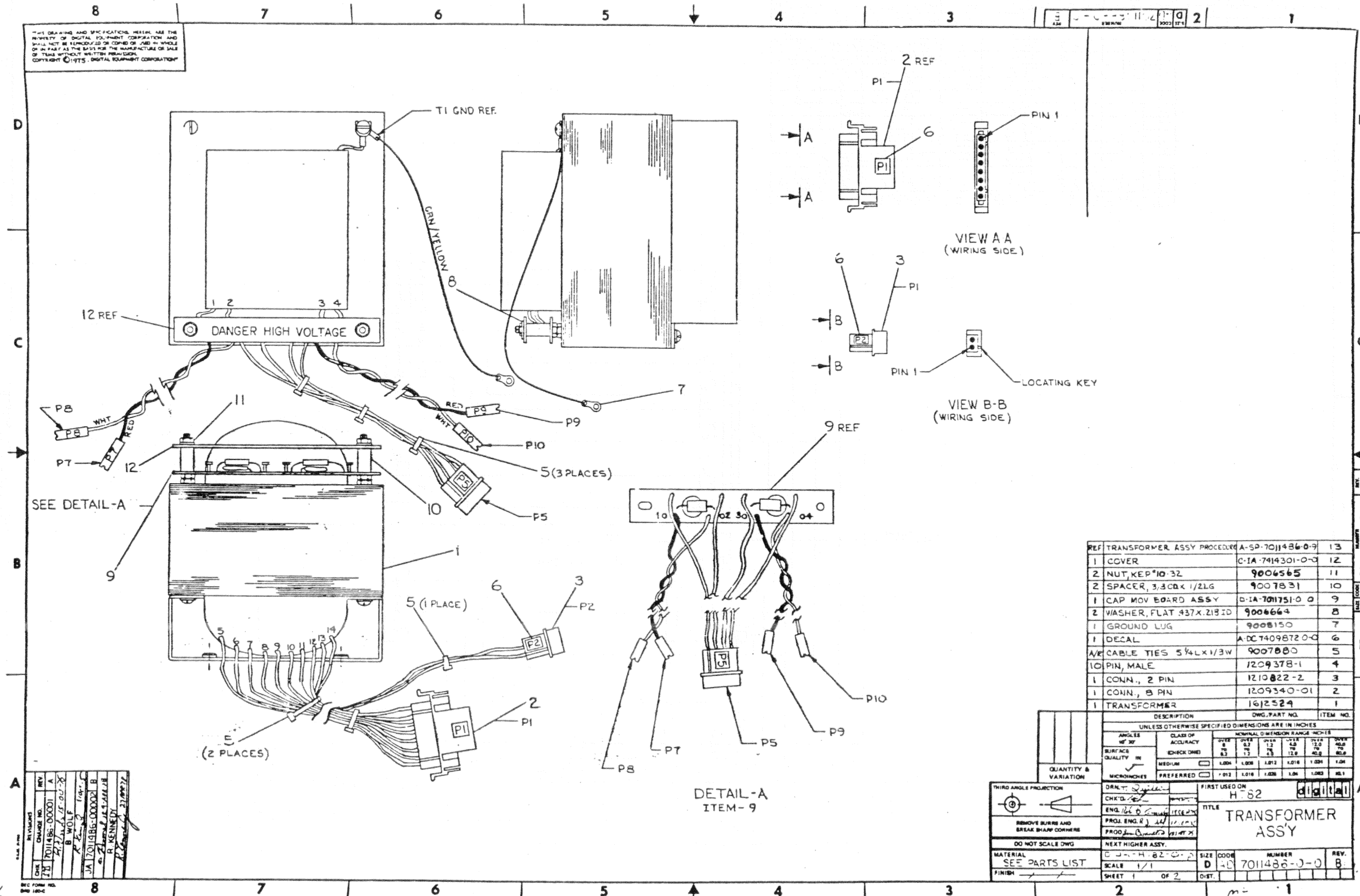
REVISIONS		
CHK	CHANGE NO	REV

TITLE	PWR. LINE MONITOR/15V REG.	SIZE CODE	NUMBER	REV.
SCALE	---	SHEET	2 OF 2	N

TW

h7

THIS DRAWING AND SPECIFICATIONS HEREBY ARE THE PROPERTY OF DIGITAL EQUIPMENT CORPORATION AND SHALL NOT BE REPRODUCED OR COPIED IN WHOLE OR IN PART AS THE BASIS FOR THE MANUFACTURE OR SALE OF THIS WITHOUT WRITTEN PERMISSION. COPYRIGHT © 1975, DIGITAL EQUIPMENT CORPORATION



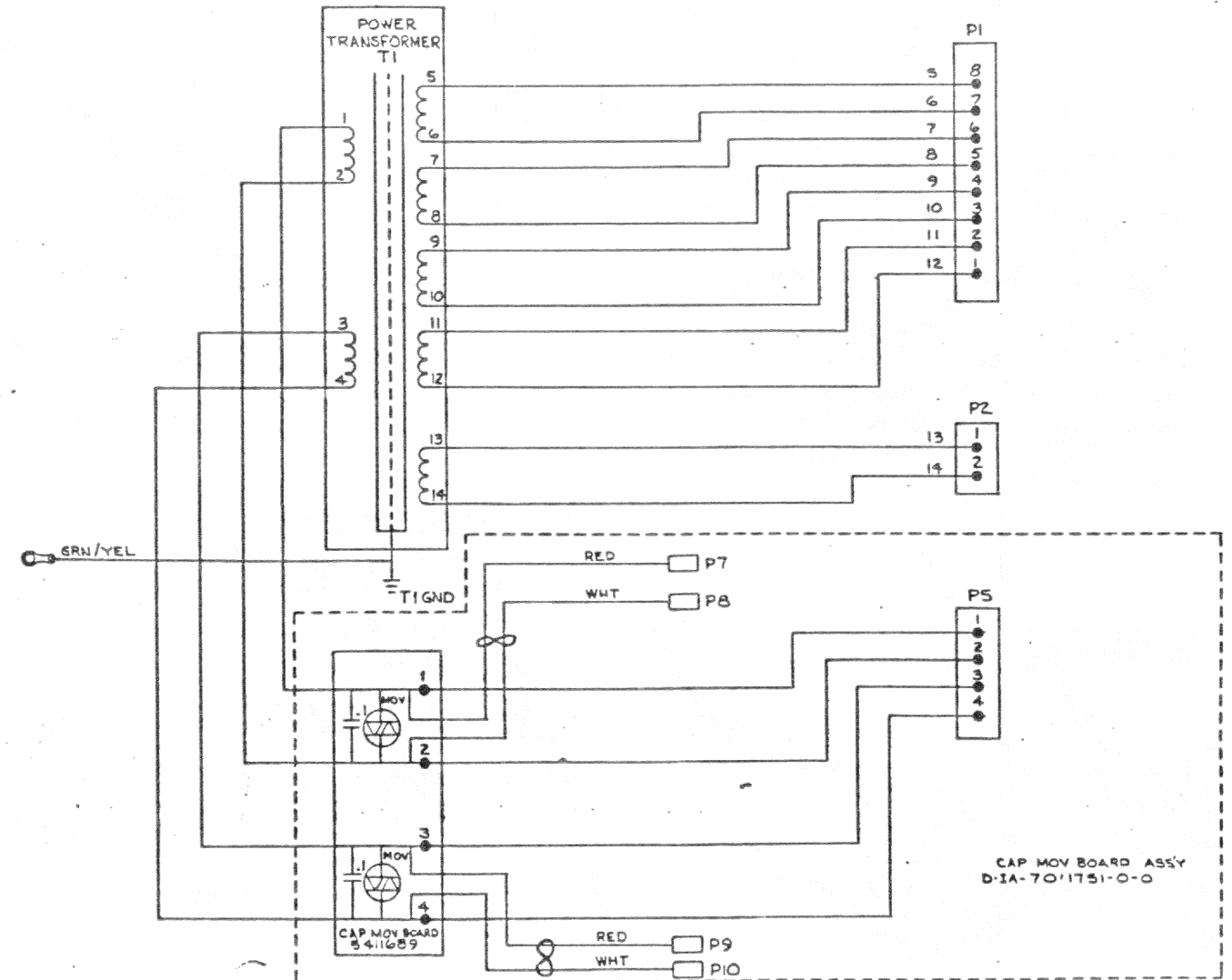
DESCRIPTION	DWG. PART NO.	ITEM NO.
REF TRANSFORMER ASSY PROCEDURE	A-SP-7011486-0-9	13
1 COVER	C-1A-7414301-0-3	12
2 NUT, KEP #10-32	9006565	11
2 SPACER, 3/32X 1/2LG	9007831	10
1 CAP MOV BOARD ASSY	D-1A-701751-0-0	9
2 WASHER, FLAT .437X.219ID	9006664	8
1 GROUND LUG	9008150	7
1 DECAL	A-DC-7409872-0-0	6
A/C CABLE TIES 5/4LX1/3W	9007880	5
10 PIN, MALE	1209378-1	4
1 CONN., 2 PIN	1210822-2	3
1 CONN., 8 PIN	1209340-01	2
1 TRANSFORMER	162524	1

ANGLES REF. SURF.	CLASS OF ACCURACY	NORMAL DIMENSION RANGE INCHES					
		0.001	0.002	0.003	0.004	0.005	0.006
SURFACE	CHECK ONE	0.001	0.002	0.003	0.004	0.005	0.006
QUALITY	IN	0.001	0.002	0.003	0.004	0.005	0.006
MICROINCHES	PREFERRED	0.001	0.002	0.003	0.004	0.005	0.006

THIRD ANGLE PROJECTION	DRN. T. [Signature]	FIRST USED ON	H-82
REMOVE SURFS AND BREAK SHARP CORNERS	CHK'D BY [Signature]	TITLE	TRANSFORMER ASSY
DO NOT SCALE DWG.	PROL. ENG. R. [Signature]	SIZE	D
MATERIAL SEE PARTS LIST	PROD. [Signature]	NUMBER	7011486-0-0
FINISH	SHEET 1 OF 2	REV.	B

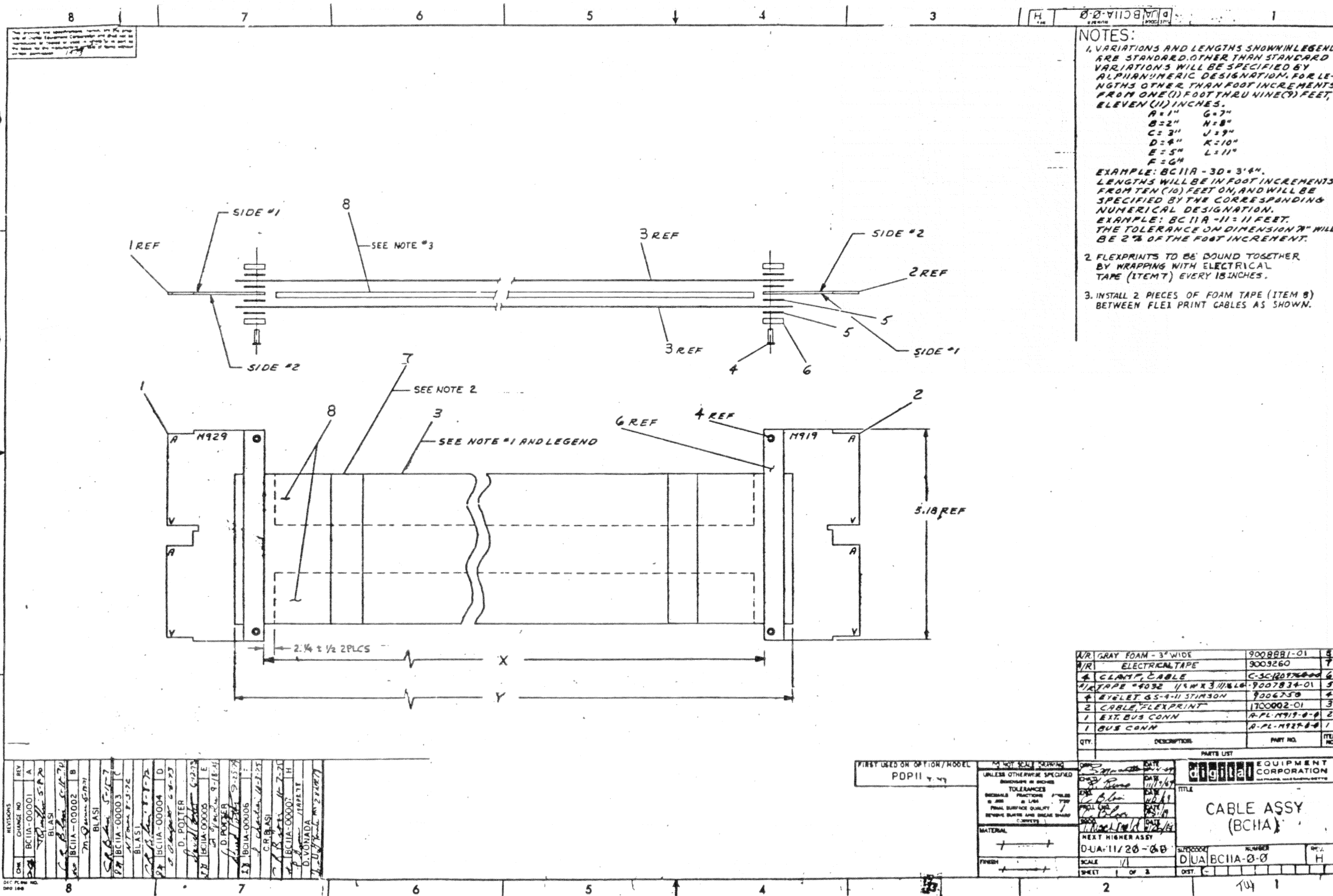
REV.	DATE	BY	APP.	DESCRIPTION
1	11/11/75	J. WOLF	[Signature]	REVISED
2	11/11/75	[Signature]	[Signature]	REVISED
3	11/11/75	[Signature]	[Signature]	REVISED
4	11/11/75	[Signature]	[Signature]	REVISED
5	11/11/75	[Signature]	[Signature]	REVISED
6	11/11/75	[Signature]	[Signature]	REVISED
7	11/11/75	[Signature]	[Signature]	REVISED
8	11/11/75	[Signature]	[Signature]	REVISED

ITEM NO.	DESCRIPTION	AWG	COLOR	FROM		TO		WIRE LENGTH
				CONNECTION	WITH	CONNECTION	WITH	
1	14	BLK	T1-1	---	CAP MOV BD-1	SOLDER	1.5 IN	
			T1-2	---	CAP MOV BD-2	SOLDER	2.0 IN	
			T1-3	---	CAP MOV BD-3	SOLDER	2.0 IN	
			T1-4	---	CAP MOV BD-4	SOLDER	1.5 IN	
			T1-5	---	PI-8	ITEM 4	12.0 IN	
			T1-6	---	PI-7			
			T1-7	---	PI-6			
			T1-8	---	PI-5			
			T1-9	---	PI-4			
			T1-10	---	PI-3			
			T1-11	---	PI-2			
			T1-12	---	PI-1	ITEM 4		
			T1-13	---	P2-1	ITEM 4		
1	14	BLK	T1-14	---	P2-2	ITEM 4	12.0 IN	
1	14	GRN/YEL	T1-GND	---	GND LUG (ITEM 7)	SOLDER	16.0 IN	



REVISIONS		
CHK	CHANGE NO.	REV

TITLE TRANSFORMER ASSY SIZE CODE NUMBER REV
 DAD 7011486-0-0 8
 SCALE SHEET 2 OF 2 DIST ML 1



NOTES:

1. VARIATIONS AND LENGTHS SHOWN IN LEGEND ARE STANDARD. OTHER THAN STANDARD VARIATIONS WILL BE SPECIFIED BY ALPHANUMERIC DESIGNATION. FOR LENGTHS OTHER THAN FOOT INCREMENTS FROM ONE (1) FOOT THRU NINE (9) FEET, ELEVEN (11) INCHES.
 A=1" G=7"
 B=2" H=8"
 C=3" J=9"
 D=4" K=10"
 E=5" L=11"
 F=6"

EXAMPLE: BC11A-3D=3'4". LENGTHS WILL BE IN FOOT INCREMENTS FROM TEN (10) FEET ON, AND WILL BE SPECIFIED BY THE CORRESPONDING NUMERICAL DESIGNATION.
 EXAMPLE: BC11A-11=11 FEET. THE TOLERANCE ON DIMENSION "N" WILL BE 2% OF THE FOOT INCREMENT.

2. FLEXPRINTS TO BE BOUND TOGETHER BY WRAPPING WITH ELECTRICAL TAPE (ITEM 7) EVERY 18 INCHES.

3. INSTALL 2 PIECES OF FOAM TAPE (ITEM 8) BETWEEN FLEXPRINT CABLES AS SHOWN.

QTY.	DESCRIPTION	PART NO.	ITEM NO.
1/R	GRAY FOAM - 3" WIDE	9008881-01	8
1/R	ELECTRICAL TAPE	9009260	7
4	CLAMP, CABLE	C-3C1207500	4
1/R	TAPE #4032 1/4" X 3 1/4" X 1/16"	9007834-01	5
4	SOLETS 65-A-11 STIMPSON	9006750	6
2	CABLE FLEXPRINT	1700002-01	3
1	EXT. BUS CONN	A-PL-M919-0-0	2
1	BUS CONN	A-PL-M929-0-0	1

REV	CHANGE NO	REV	DATE
A	BC11A-00001	A	11/7/67
B	BC11A-00002	B	11/7/67
C	BC11A-00003	C	11/7/67
D	BC11A-00004	D	11/7/67
E	BC11A-00005	E	11/7/67
F	BC11A-00006	F	11/7/67
G	BC11A-00007	G	11/7/67
H	BC11A-00008	H	11/7/67

FIRST USED ON OPTION/MODEL: POPII v. 1

UNLESS OTHERWISE SPECIFIED
 DIMENSIONS IN INCHES
 TOLERANCES
 DECIMALS FRACTIONS
 .0005 .0010
 .0015 .0020
 .0025 .0030
 .0035 .0040
 .0045 .0050
 .0055 .0060
 .0065 .0070
 .0075 .0080
 .0085 .0090
 .0095 .0100

MATERIAL:

FINISH:

DATE: 11/7/67
 DRAWN: J. Blum
 CHECKED: J. Blum
 DATE: 11/7/67

digital CORPORATION
 TITLE: CABLE ASSY (BC11A)
 DUA-11/20-00
 SCALE: 1/1
 SHEET 1 OF 3
 PARTS LIST
 PART NO. ITEM NO.

THIS DRAWING AND SPECIFICATIONS HEREAFTER ARE THE PROPERTY OF DIGITAL EQUIPMENT CORPORATION AND SHALL NOT BE REPRODUCED OR COPIED OR USED IN WHOLE OR IN PART AS THE BASIS FOR THE MANUFACTURE OR SALE OF ITEMS WITHOUT THE WRITTEN PERMISSION OF DIGITAL EQUIPMENT CORPORATION.

LEGEND

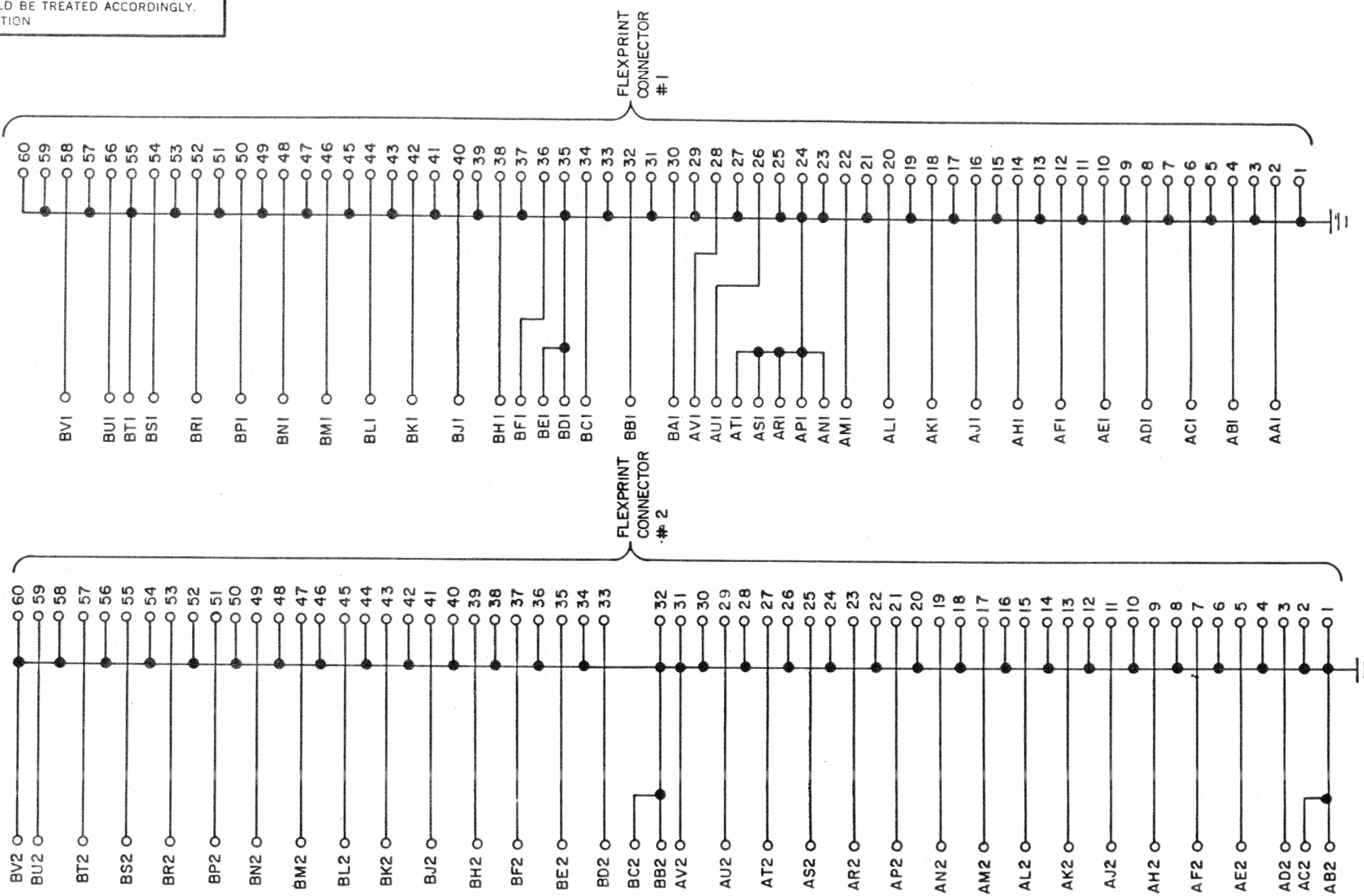
NUMBER	DIM X VARIATION	DIM Y (PRECUT) REF.
BC11A-02	2'0" ± 0.5"	2'1.5"
BC11A-03	3'0" ± 1.0"	3'1.5"
BC11A-04	4'0" ± 1.0"	4'1.5"
BC11A-05	5'0" ± 1.0"	5'1.5"
BC11A-06	6'0" ± 1.0"	6'1.5"
BC11A-07	7'0" ± 2.0"	7'1.5"
BC11A-08	8'0" ± 2.0"	8'1.5"
BC11A-09	9'0" ± 2.0"	9'1.5"
BC11A-10	10'0" ± 2.0"	10'1.5"
BC11A-11	11'0" ± 3.0"	11'1.5"
BC11A-12	12'0" ± 3.0"	12'1.5"
BC11A-13	13'0" ± 3.0"	13'1.5"
BC11A-14	14'0" ± 3.0"	14'1.5"
BC11A-15	15'0" ± 4.0"	15'1.5"
BC11A-16	16'0" ± 4.0"	16'1.5"
BC11A-17	17'0" ± 4.0"	17'1.5"
BC11A-18	18'0" ± 4.0"	18'1.5"
BC11A-19	19'0" ± 5.0"	19'1.5"
BC11A-20	20'0" ± 5.0"	20'1.5"
BC11A-21	21'0" ± 5.0"	21'1.5"
BC11A-22	22'0" ± 5.0"	22'1.5"
BC11A-23	23'0" ± 6.0"	23'1.5"
BC11A-24	24'0" ± 6.0"	24'1.5"
BC11A-25	25'0" ± 6.0"	25'1.5"
BC11A-0F	0'6" ± 0.5"	0'7.5"
BC11A-8F	8'6" ± 2.0"	8'7.5"

REVISIONS		
CHK	CHANGE NO	REV

TITLE	SIZE/COO	NUMBER	REV
CABLE ASSY (BC11A)	DUA	BC11A-0-0	H
SCALE	SHEET 2 OF 2	DIST	

84

THIS SCHEMATIC IS FURNISHED ONLY FOR TEST AND MAINTENANCE PURPOSES. THE CIRCUITS ARE PROPRIETARY IN NATURE AND SHOULD BE TREATED ACCORDINGLY. COPYRIGHT 1969 BY DIGITAL EQUIPMENT CORPORATION



REVISIONS	
CHK	CHG NO. REV.
ML	00001 A
ML	002 B

DRN.	DATE
BUTLER	10/17/69
CHK'D	DATE
G. H. G.	10-20-69
ENG.	DATE
B. L.	11-7-69
PROD.	DATE

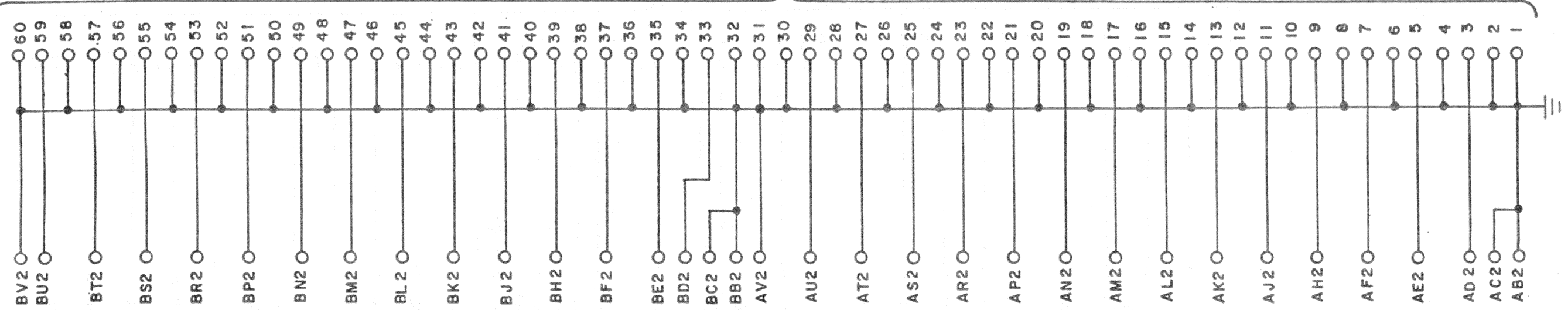
TRANSISTOR & DIODE CONVERSION CHART			
DEC	EIA	DEC	EIA

digital
 EQUIPMENT CORPORATION
 MAYNARD, MASSACHUSETTS

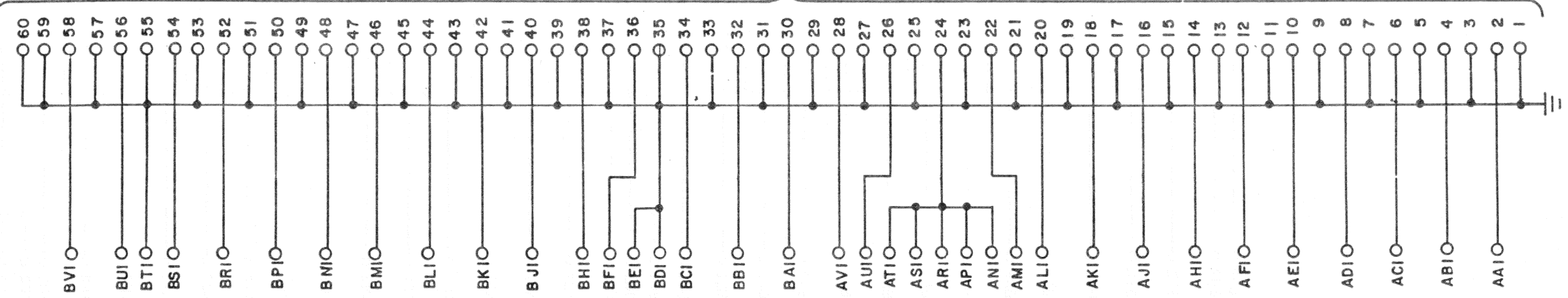
TITLE			
BUS CONNECTOR M919			
SIZE	CODE	NUMBER	REV.
B	CS	M919-0-1	B
PRINTED CIRCUIT REV.			BC

THIS SCHEMATIC IS FURNISHED ONLY FOR TEST AND MAINTENANCE PURPOSES. THE CIRCUITS ARE PROPRIETARY IN NATURE AND SHOULD BE TREATED ACCORDINGLY. COPYRIGHT 1969 BY DIGITAL EQUIPMENT CORPORATION

REV. A
 NUMBER M929-0-1
 SIZE B
 CODE CS



FLEX PRINT CONNECTOR #1



FLEX PRINT CONNECTOR #2

REVISIONS		DRN. <i>A. Blomquist</i>	DATE 10-17-69	TRANSISTOR & DIODE CONVERSION CHART					TITLE BUS CONNECTOR M929		
CHK	CHG NO.	REV.		DEC	EIA	DEC	EIA		SIZE	CODE	NUMBER
								B	CS	M929-0-1	A
EQUIPMENT CORPORATION MAYNARD, MASSACHUSETTS								PRINTED CIRCUIT REV.			

DIGITAL EQUIPMENT CORPORATION PARTS LIST

MADE BY A. RJSZCZYK	CHECKED B. CRAMM	SECTION
DATE 1-OCT-81	DATE 29-JAN-81	1
ENG B. CRAMM	PROD B. SAULNIERS	ISSUED SECTION
DATE 29-JAN-81	DATE 29-JAN-81	

QUANTITY / VARIATION

NOTES:
 1. IF BOX IS CAB MOUNTED NO INSTALLATION KIT NEED BE SHIPPED.
 2. VOLUME ANY VARIATION THAT IS DOCK MERGE MUST INCLUDE ALL ITEMS INDICATED EXCEPT PRINTS AND MANUAL.

ITEM NO.	DRAWING NO.	PART NO.	DESCRIPTION	BAIL-KA	BAIL-KE	BAIL-KF	BAIL-KH	BAIL-KJ	BAIL-KK	BAIL-KL	BAIL-KS	BAIL-KT	BAIL-KW	BAIL-KX	BAIL-KU
1	B-PL-BAIL-K-2		INSTALLATION KIT (NOTE 1)	-	-	-	-	-	-	-	-	-	-	-	-
2	E-IA-7009769-0-0	7009769-00	CHASSIS 10.5"	-	-	-	-	-	-	-	-	-	-	-	-
3	D-UA-BC11A-0-0	BC11A-10	CABLE, UNIBUS 10FT	-	-	-	-	-	-	-	-	-	-	-	-
4	D-PS-1211825-0-0	12011825-00	CHASSIS TRACKS	-	-	-	-	-	-	-	-	-	-	-	-
5	D-IA-7411013-0-0	7411013-00	VENTED POP PANEL	-	-	-	-	-	-	-	-	-	-	-	-
6	B-DD-H765-A	H765-A	POWER SUPPLY	-	-	-	-	-	-	-	-	-	-	-	-
7	B-DD-H765-B	H765-B	POWER SUPPLY	-	-	-	-	-	-	-	-	-	-	-	-
8	B-DD-H765-C	H765-C	POWER SUPPLY	-	-	-	-	-	-	-	-	-	-	-	-
9	B-DD-H765-D	H765-D	POWER SUPPLY	-	-	-	-	-	-	-	-	-	-	-	-
10	C-MD-7413659-0-0	7413659-00	BRKT, SHIPPING	-	-	-	-	-	-	-	-	-	-	-	-
11	A-PS-3618500-0-1	3618500-01	LABEL, CONFIGURATION	-	-	-	-	-	-	-	-	-	-	-	-
12	E-AD-7012399-0-0	7012399-00	AIR INTAKE BEZEL ASSY	-	-	-	-	-	-	-	-	-	-	-	-
13	B-IA-7007006-0-0	7007006-03	JUMPER, POWER SEQUENCE	-	-	-	-	-	-	-	-	-	-	-	-
14	D-UA-BC11A-0-0	BC11A-15	CABLE, UNIBUS 15 FT	-	-	-	-	-	-	-	-	-	-	-	-
15	E-UA-7013323-0-0	7013323-00	POWER SUPPLY	-	-	-	-	-	-	-	-	-	-	-	-
16	E-UA-7013323-0-0	7013323-03	POWER SUPPLY	-	-	-	-	-	-	-	-	-	-	-	-
17															
18															
19															
20															
21															
22															
23															
24															
25															
26	EK-BAILK-OP		USER MANUAL BAIL-K	-	-	-	-	-	-	-	-	-	-	-	-
27	MP-BAIL-K	MP-00311-00	PRINT SET BAIL-K	-	-	-	-	-	-	-	-	-	-	-	-

REF DESIGNATION

E.C.O. NO. BAIL-TWO23	BAIL-K- MLO24	BAIL-K- MLO25
--------------------------	------------------	------------------

"THIS DRAWING AND SPECIFICATIONS, HEREIN, ARE THE PROPERTY OF DIGITAL EQUIPMENT CORPORATION AND SHALL NOT BE REPRODUCED OR COPIED OR USED IN WHOLE OR IN PART AS THE BASIS FOR THE MANUFACTURE OR SALE OF ITEMS WITHOUT WRITTEN PERMISSION. COPYRIGHT © 1981 DIGITAL EQUIPMENT CORPORATION"	TITLE <h3 style="text-align: center;">SHIPPING LIST</h3>	ASSY NO. E-UA-BAIL-K-0	SIZE B	CODE PL	NUMBER BAIL-K-1	REV. D
		SHEET 1 OF 2	INSERTION PARTS LIST DATA BASE REV			

digital

PARTS LIST

QUANTITY / VARIATION

NOTES:

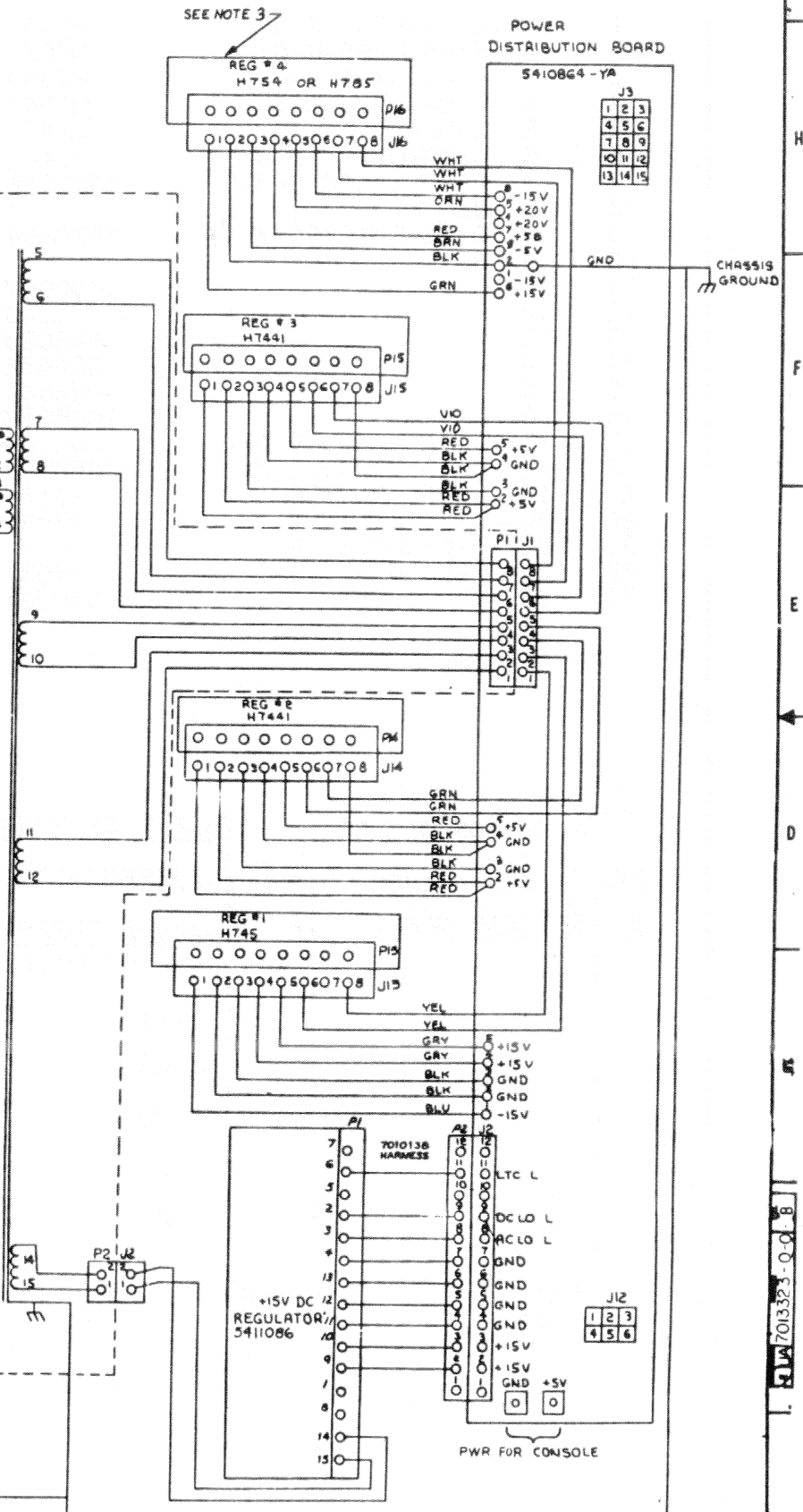
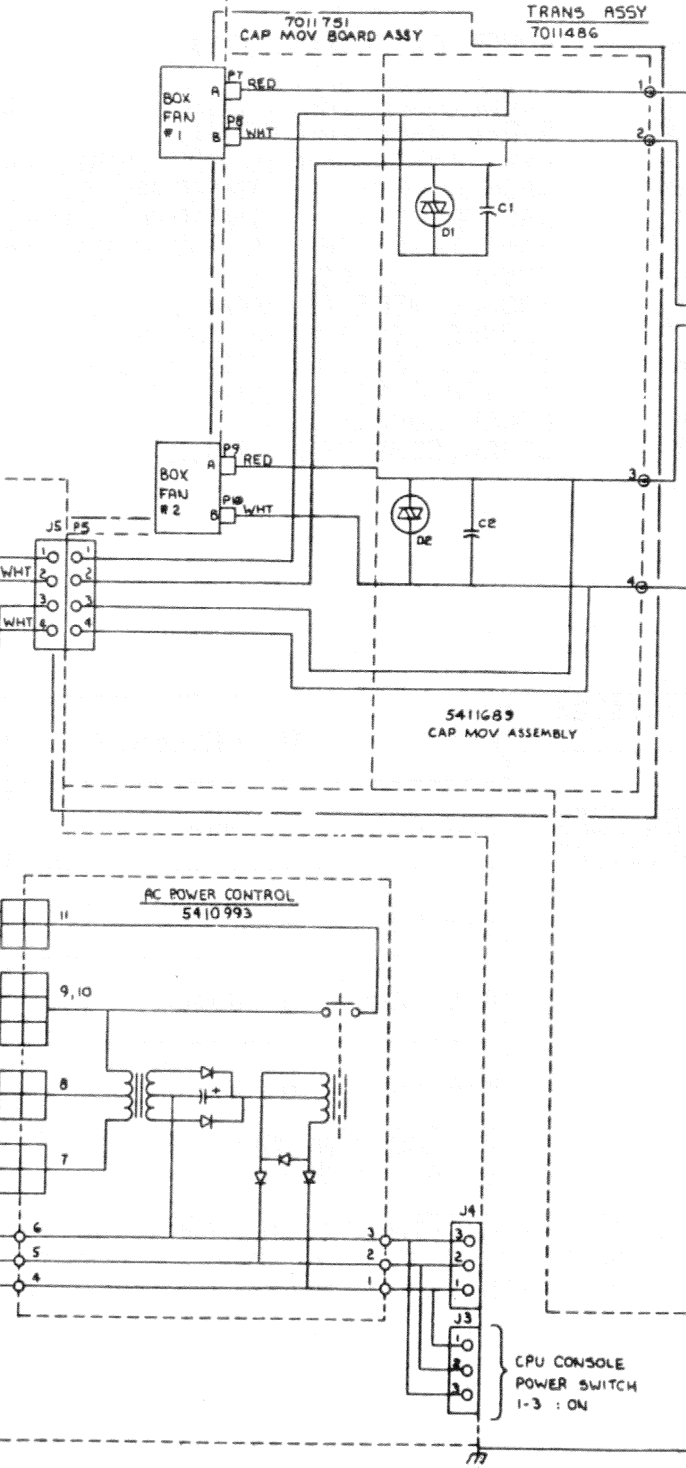
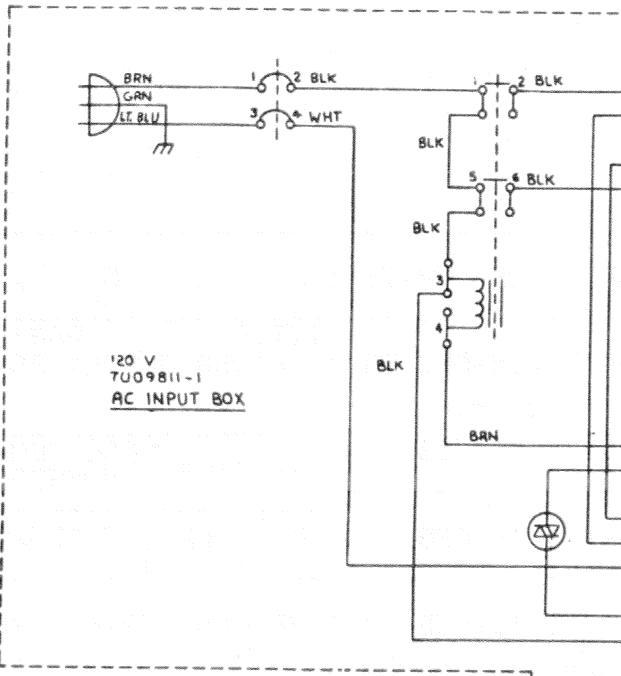
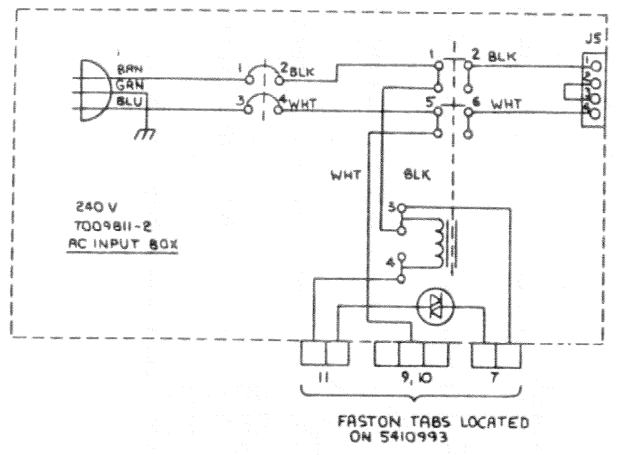
DRN. A. RUSZCZYK	DES. ENG. B. CRAMM	MFG. ENG.
DATE 1-OCT-81	DATE 29-JAN-81	
CHK'D. B. CRAMM	RESP. ENG. B. SAULNIERS	NEXT HIGHER DOC.
DATE 29-JAN-81	DATE 29-JAN-81	

ITEM NO.	DRAWING NO.	PART NO.	DESCRIPTION	BALL-KV															REFERENCE DESIGNATORS
1	K-PL-Ball-K-2		INSTALLATION KIT (NOTE 1)	1															
2	E-IA-7009769-0-0	7009769-00	CHASSIS 10.5"	1															
3	D-UA-BC11A-0-0	BC11A-10	CABLE, UNIBUS 10FT	1															
4	D-PS-1211825-0-0	12011825-00	CHASSIS TRACKS	1															
5	D-IA-7411013-0-0	7411013-00	VENTED POP PANEL	1															
6	B-DD-H765-A	H765-A	POWER SUPPLY	1															
7	B-DD-H765-B	H765-B	POWER SUPPLY	1															
8	B-DD-H765-C	H765-C	POWER SUPPLY	1															
9	B-DD-H765-D	H765-D	POWER SUPPLY	1															
10	C-MD-7413659-0-0	7413659-00	BRKT, SHIPPING	1															
11	A-PS-3618500-0-1	3618500-01	LABEL, CONFIGURATION	1															
12	E-AD-7012399-0-0	7012399-00	AIR INTAKE BEZEL ASSY	1															
13	B-IA-7007006-0-0	7007006-03	JUMPER, POWER SEQUENCE	1															
14	D-UA-BC11A-0-0	BC11A-15	CABLE, UNIBUS 15FT	1															
15	E-UA-7013323-0-0	7013323-00	POWER SUPPLY	1															
16	E-UA-7013323-0-0	7013323-03	POWER SUPPLY	1															
17																			
18																			
19																			
20																			
21																			
22																			
23																			
24																			
25																			
26	EK-BallK-OP		USER MANUAL Ball-K	1															
27	MP-Ball-K	MP00311-00	PRINT SET Ball-K	1															

"THIS DRAWING AND SPECIFICATIONS, HEREIN, ARE THE PROPERTY OF DIGITAL EQUIPMENT CORPORATION AND SHALL NOT BE REPRODUCED OR COPIED OR USED IN WHOLE OR IN PART AS THE BASIS FOR THE MANUFACTURE OR SALE OF ITEMS WITHOUT WRITTEN PERMISSION. COPYRIGHT © 1983 DIGITAL EQUIPMENT CORPORATION"	TITLE	ASSY. NO.	SIZE	CODE	NUMBER	REV.
	SHIPPING LIST	E-UA-Ball-K-0	B	PL	Ball-K-1	D
		SECTION 1 OF 1			SHEET 2 OF 2	

THIS DRAWING AND ALL INFORMATION HEREON ARE THE PROPERTY OF DIGITAL EQUIPMENT CORPORATION AND SHALL NOT BE REPRODUCED OR COPIED IN ANY MANNER OR IN ANY MANNER FOR THE PURPOSE OF REPRODUCTION OR SALE OF THIS EQUIPMENT WITHOUT THE WRITTEN PERMISSION OF DIGITAL EQUIPMENT CORPORATION.

CONNECTION TABLE			CONNECTION TABLE		
FROM CONNECTION	TO CONNECTION	SIGNALS	FROM CONNECTION	TO CONNECTION	SIGNALS
P2 FROM TRANS. ASSY	J2 FROM +15V REG.	28 VAC	P4 FROM +15V REG.	J2 LOCATED ON PWR DIST BD	-15V, LTC L, AC LO L, DC LO L, GND
J16 FROM PWR. DIST. BD.	P16 LOCATED ON REG. #4 (H754) OR (H785)	GND, -5V, +20V, 28 VAC*5V8, -15V, H9			
J15 FROM PWR. DIST. BD.	P15 LOCATED ON REG. #3 (H7441)	GND, +5V, 28VAC	P5 FROM TRANS. ASSY	J5 LOCATED ON AC INPUT BOX	120/240 VAC
J14 FROM PWR. DIST. BD.	P14 LOCATED ON REG. #2 (H7441)	GND, +5V, 28VAC	P7 (RED)	FAN #1 - A	120 VAC - HOT
J13 FROM PWR. DIST. BD.	P13 LOCATED ON REG. #1 (H745)	GND, +15V, -15V, -28 VAC	P8 (WHT)	FAN #1 - B	120 VAC - NEUTRAL
GND LUG LOCATED ON PWR. DIST. BD.	REG. #4 MOUNTING SCREW	GROUND CHASSIS	P9 (RED)	FAN #2 - A	120 VAC - HOT
P1 FROM TRANS. ASSY	J1 LOCATED ON PWR. DIST. BD.	28 VAC	P10 (WHT)	FAN #2 - B	120 VAC - NEUTRAL
			+1#14 GRN/YEL WIRE	SEE NOTE 5	CHASSIS GROUND



- COMMON SIGNAL NAMES FOR 6-PIN AND 15-PIN MATE-N-LOKS ON POWER DISTRIBUTION BOARD
- | | |
|-------------|--------------|
| 6-PIN | 15-PIN |
| 1 - GND | 1 - +5V |
| 2 - LTC L | 2 - +15V |
| 3 - DC LO L | 3 - +20V |
| 4 - AC LO L | 4 - +5V |
| 5 - SPARE 4 | 5 - GND |
| 6 - SPARE 5 | 6 - SPARE 1 |
| | 7 - GND |
| | 8 - GND |
| | 9 - GND |
| | 10 - SPARE 2 |
| | 11 - GND |
| | 12 - SPARE 3 |
| | 13 - -15V |
| | 14 - -5V |
| | 15 - SPARE 3 |

REMOTE POWER CONTROL
1-3 : ON
2-3 : OFF

CPU CONSOLE POWER SWITCH
1-3 : ON

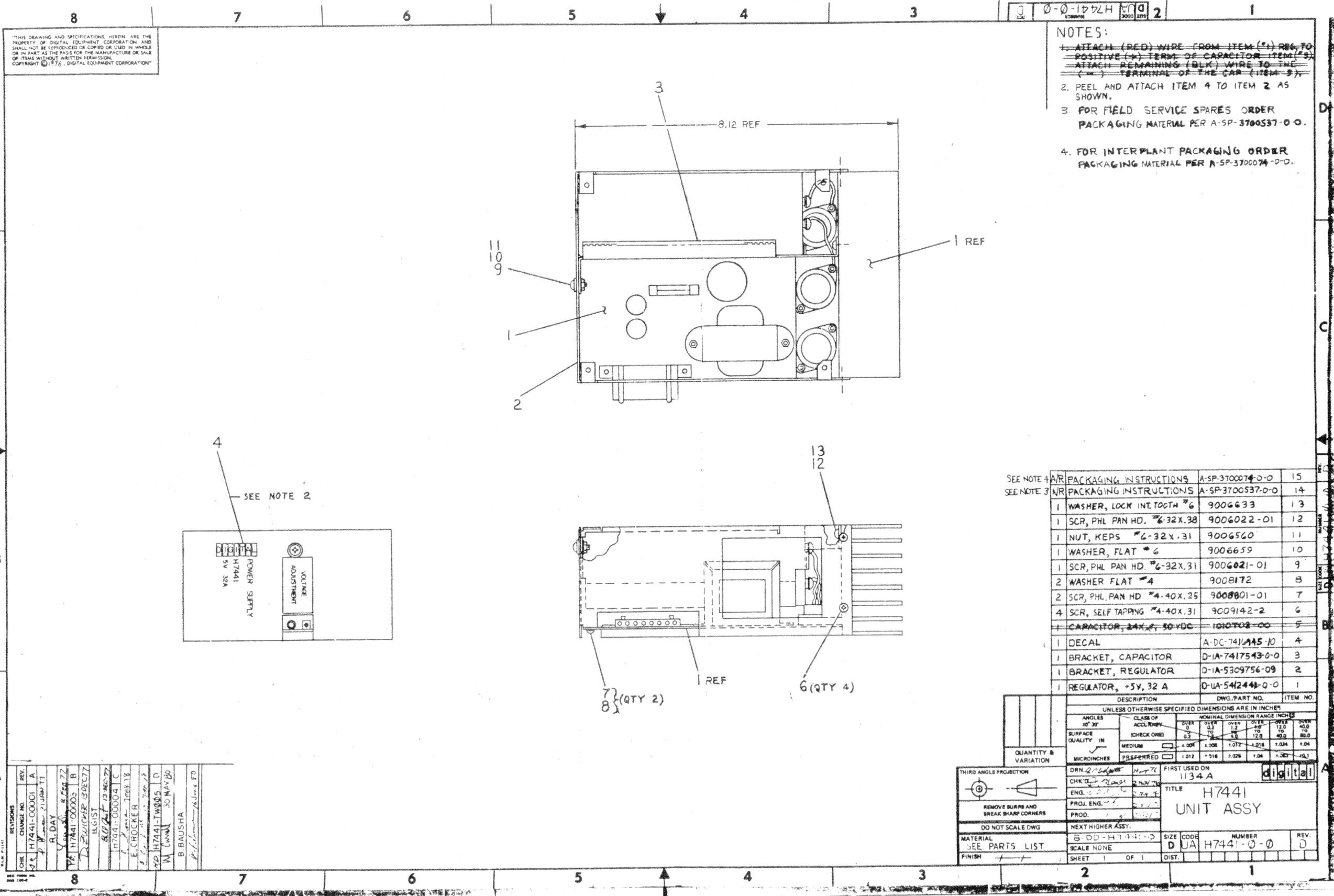
PARTS LIST

LINE	ITEM	TOP DOCUMENT	PART NUMBER	MIN REV	DESCRIPTION	QTY PER VARIATION					
						00 A1	01 A1	02 A1	03 A1	04 A1	05 A1
1	1	E-UA-H765-P-0	H765 -P		PS CHASSIS 1134A 4 30VAC 12A EA	1	1	1	-	-	-
2	2	E-UA-H765-R-0	H765 -R		PS CHASSIS 1134A 4 30VC 12A EA 2	-	-	-	1	1	1
3	3	D-UA-H785-0-0	H7850-00		BATTERY BACK-UP REG	-	1	-	-	1	-
4	4	D-UA-H754-0-0	H754 -00		+ 20 VOLT REGULATOR	-	-	1	-	-	1
5	5	D-UA-H745-0-0	H745 -00		POWER REGULATOR	1	1	1	1	1	1
6	6	D-UA-H7441-0-0	H7441-00		+5V 32A REGULATOR FOR H7420,H765	2	2	2	2	2	2
7	7	E-IA-5411086-0-0	5411086-00		+15V REGULATOR (BA11-K)	1	1	1	1	1	1
8	8	BLANK				0	0	0	0	0	0
9	9	D-CS-5410864-YA-1	5410864-YA		POWER DISTRIBUTE BRD	1	1	1	1	1	1
10	10	BLANK				0	0	0	0	0	0
11	11		9008007-03		SCREW,MACH TRUSS PHIL 10-	6	8	8	6	8	8
12	12		9006040-03		SCREW,MACH TRUSS PHIL 8-	6	6	6	6	6	6
13	13		9006020-03		*** THIS ITEM IS NOT USED ***	-	-	-	-	-	-
14	14		9006635-00		WASHER,LOCK INTERNAL STEEL	6	8	8	6	8	8
15	15		9006634-00		WASHER,LOCK INTERNAL STEEL	4	4	4	4	4	4
16	16		9006633-00		*** THIS ITEM IS NOT USED ***	-	-	-	-	-	-
17	17	D-IA-7009949-0-0	7009949-00		COVER P.S. (11/05-S)	1	1	1	1	1	1
18	18	D-IA-7009950-0-0	7009950-00		TROUGH WIRE (11/05-S)	1	1	1	1	1	1
19	19	D-IA-7010138-0-0	7010138-00		HARNESS INTERCONN (H765)	1	1	1	1	1	1
20	20		9007880-00		TIE,CABLE BUNDL DIA 0-1.14"=101	4	4	4	4	4	4
21	21	A-CS-H765-TA-1			TESTER CIRCUIT SCHEMATIC	REF	REF	REF	REF	REF	REF
22	22	A-SP-H765-0-1	H765 -00		POWER SUPPLY	REF	REF	REF	REF	REF	REF
23	23		9009984-00		SCREW,SEMS PAN PHIL 6-	10	11	11	10	11	11

REVISION HISTORY		BASIC PART NO: 7013323		DRN: R. PELLERIN	DATE: 23-NOV-76	DIGITAL	
ENG:	ECO NUMBER	REV	SECTION A OF A	CHK'D: D. HEALY	DATE: 15-DEC-76	TITLE PARTS LIST POWER SUPPLY ASSY	
HC	7013323-ML001	B	SECTION VARIATION INDEX [A]00,01,02,03,04,05	DES.ENG: D. KING	DATE: 16-FEB-77	DOCUMENT NUMBER	
			[B]	RESP.ENG.: R. KING	DATE: 16-FEB-77	SIZE: K	CODE: PL
			[C]	MFG.ENG.: R. KING	DATE: 16-FEB-77	NUMBER: 7013323-0-DBP	REV: B
			[D]	ASSEMBLY NUMBER: E-UA-7013323-0-0	TOP DOCUMENT NUMBER:	FILE NAME: Z86678.PLS	EDIT #: 5
			[E]				
			[F]				
<p>"THIS DRAWING AND THE SPECIFICATIONS CONTAINED HEREIN ARE CONFIDENTIAL AND PROPRIETARY. THEY ARE THE PROPERTY OF DIGITAL EQUIPMENT CORPORATION AND SHALL NOT BE REPRODUCED OR COPIED OR USED IN WHOLE OR IN PART AS THE BASIS FOR THE MANUFACTURE OR SALE OF ITEMS WITHOUT WRITTEN PERMISSION. THIS IS AN UNPUBLISHED WORK PROTECTED UNDER THE FEDERAL COPYRIGHT LAWS."</p>							

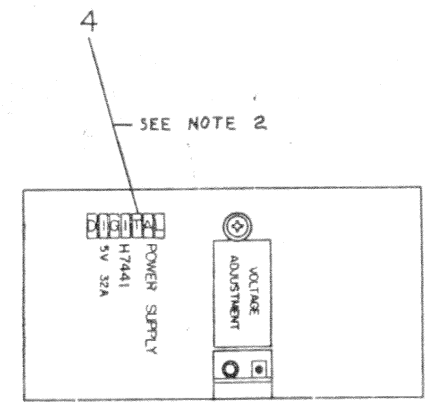
FIND NO.	DRAWING NO.	DESCRIPTION	TYPE	FIND NO.	DRAWING NO.	DESCRIPTION	TYPE			
1	B-TC-H7441-Ø-1	H7441 UNIT ASSY (FIELD MAINT PR SET)	-							
	MPØØ271	H7441 UNIT ASSY (PRINT SET ORDER NO.)	-							
	D-UA-H7441-Ø-Ø	H7441 UNIT ASSY	M/E							
	D-IA-5309756-0-0	BRACKET REGULATOR	M							
	D-IA-74117543-0-0	BRACKET, CAPACITOR	M							
	A-DC-7416945-10	DECAL	M							
	A-SP-H7441-Ø-2	H7441 5 VOLT 32 AMP REGULATOR MODULE	E/M							
2	B-DD-5412441-0	REGULATOR +5V. 32A	M/E							
3	A-SP-3700537-0-0	PACKAGING INSTRUCTIONS (FIELD SERVICE)	-							
4	A-SP-3700074-0-0	PACKAGING INSTRUCTIONS (INTER PLANT)	-							
TYPE: E ELECTRICAL M MECHANICAL E/M ELECTRO/MECHANICAL				TITLE H7441 UNMT ASSY		SHEET 2 OF 2		SIZE CODE B DD	NUMBER H7441-Ø	REV B

digital



THIS DRAWING AND SPECIFICATIONS, HEREIN ARE THE PROPERTY OF DIGITAL EQUIPMENT CORPORATION AND SHALL NOT BE REPRODUCED OR COPIED OR USED IN WHOLE OR IN PART AS THE BASIS FOR THE MANUFACTURE OR SALE OF ITEMS WITHOUT WRITTEN PERMISSION. COPYRIGHT © 1976, DIGITAL EQUIPMENT CORPORATION

- NOTES:
- ATTACH (RED) WIRE FROM ITEM (#1) REG. TO POSITIVE (+) TERMINAL OF CAPACITOR ITEM (#8). ATTACH REMAINING (BLK) WIRE TO THE (-) TERMINAL OF THE CAP (ITEM #8).
 - PEEL AND ATTACH ITEM 4 TO ITEM 2 AS SHOWN.
 - FOR FIELD SERVICE SPARES ORDER PACKAGING MATERIAL PER A-SP-3700537-0-0.
 - FOR INTERPLANT PACKAGING ORDER PACKAGING MATERIAL PER A-SP-3700074-0-0.



DESCRIPTION	DWG. PART NO.	ITEM NO.
PACKAGING INSTRUCTIONS	A-SP-3700074-0-0	15
PACKAGING INSTRUCTIONS	A-SP-3700537-0-0	14
WASHER, LOCK INT. TOOTH #6	9006633	13
SCR, PHL PAN HD. #6-32X.38	9006022-01	12
NUT, KEPS #6-32X.31	9006560	11
WASHER, FLAT #6	9006659	10
SCR, PHL PAN HD. #6-32X.31	9006021-01	9
WASHER FLAT #4	9008172	8
SCR, PHL PAN HD #4-40X.25	9008801-01	7
SCR, SELF TAPPING #4-40X.31	9009142-2	6
CAPACITOR, 24K, 50 VDC	1010702-00	5
DECAL	A-DC-741415-10	4
BRACKET, CAPACITOR	D-1A-7417543-0-0	3
BRACKET, REGULATOR	D-1A-5309756-09	2
REGULATOR, +5V, 32 A	D-1A-542448-0-0	1

QUANTITY & VARIATION	DESCRIPTION	DWG. PART NO.	ITEM NO.
1	REGULATOR, +5V, 32 A	D-1A-542448-0-0	1
2	BRACKET, REGULATOR	D-1A-5309756-09	2
3	BRACKET, CAPACITOR	D-1A-7417543-0-0	3
4	DECAL	A-DC-741415-10	4
5	CAPACITOR, 24K, 50 VDC	1010702-00	5
6	SCR, SELF TAPPING #4-40X.31	9009142-2	6
7	SCR, PHL PAN HD #4-40X.25	9008801-01	7
8	WASHER FLAT #4	9008172	8
9	SCR, PHL PAN HD. #6-32X.31	9006021-01	9
10	WASHER, FLAT #6	9006659	10
11	NUT, KEPS #6-32X.31	9006560	11
12	SCR, PHL PAN HD. #6-32X.38	9006022-01	12
13	WASHER, LOCK INT. TOOTH #6	9006633	13
14	PACKAGING INSTRUCTIONS	A-SP-3700537-0-0	14
15	PACKAGING INSTRUCTIONS	A-SP-3700074-0-0	15

REV.	CHANGE NO.	DATE	BY	CHKD.
A	H7441-00001	21 JAN 77	R. DAY	
B	H7441-00003	8 FEB 77	R. DAY	
C	H7441-00004	13 MAR 77	R. DAY	
D	H7441-TW005	30 MAY 80	M. LANN	

THIRD ANGLE PROJECTION

REMOVE BURRS AND BREAK SHARP CORNERS

DO NOT SCALE DWG

MATERIAL SEE PARTS LIST

FINISH

DRN. 2/1/77

CHKD. 2/1/77

ENG. 2/1/77

PROJ. ENG. 2/1/77

PROD. 2/1/77

NEXT HIGHER ASSY.

SCALE NONE

SHEET 1 OF 1

FIRST USED ON 1134 A

TITLE H7441 UNIT ASSY

SIZE CODE D UA

NUMBER H7441-0-0

REV. D

