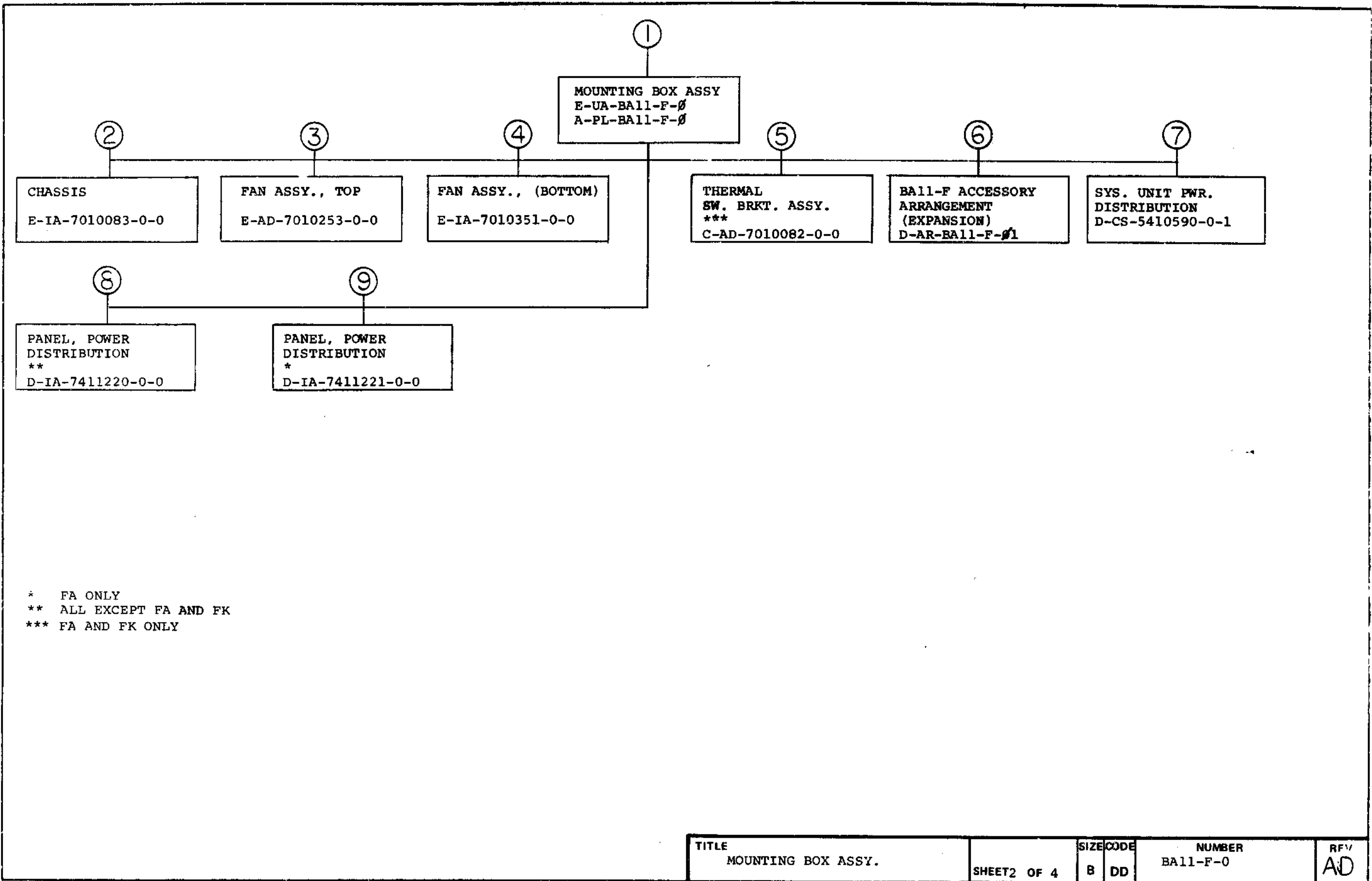


TITLE	SHEET	SIZE	CODE	NUMBER	REV
CABINET ASSY	2 OF 4	B	DD	H960-0	N

CUSTOMER PRINT SET		ELECTRICAL					CUSTOMER PRINT SET		MECHANICAL						
H960-D	MFG. SET	FIND NO.	DRAWING NO.	REV	NO OF SHT	DESCRIPTION	OPTION NO./FILE DATE	H960-D	MFG. SET	FIND NO.	DRAWING NO.	REV	NO OF SHT	DESCRIPTION	OPTION NO./FILE DATE
		1	D-UA-H960-D-0	L	4	CABINET ASSY				1	D-UA-H960-D-0	L	4	CABINET ASSY	
			A-PL-H960-D-0	L	3	CABINET ASSY					A-PL-H960-D-0	L	3	CABINET ASSY (PL)	
X			D-IC-7009566-0-1		1	EXPANDER BOX POWER HARNESS					D-IA-7409718-0-0		1	MTG BRACKET 10 1/2 PANEL (EXP)	
			K-WL-7009566-0-2			WIRELIST					E-MD-7409447-0-0		1	PLATE SUPPORT	
X			D-IC-7008754-0-3			EXPANDER POWER HARNESS (OLD)					D-MD-7409445-0-0		1	BRACKET, HARNESS SUPPORT	
C		2	B-DD-BA11-F	#	3	DRAWING DIRECTORY					A-PL-7010865-0-0		1	BRACKET, SHIPPING	
											D-IA-7409446-0-0		1	SUPPORT, HARNESS	
											A-PS-1209224-0-0		1	LATCH, MOLDING	
											D-IA-7008909-0-0		1	CABLE, POWER EXPANDER BOX 11/45	
											C-MD-7407607-0-0		1	JONES STRIP PLATE	
								X			D-IA-7009573-0-0			6-PIN JUMPER HARNESS	
								X			D-IA-7009562-0-0			G772 SYSTEM UNIT PWR HARNESS	
								X			E-IA-7009566-0-0			EXPANDER BOX POWER HARNESS	
											A-DC-7409873-0		1	DECAL J1-J40	
										2	B-DD-BA11-F		3	DRAWING DIRECTORY	
C		12	B-DD-H742Q-0	#	3	DRAWING DIRECTORY				3	C-PL-7006501-43-0		1	BASIC CABINET ASSY 19"	
C		17	B-DD-H744-0	#	3	DRAWING DIRECTORY					D-PS-1210568-1-0			SHIPPING SKID CUSHIONED	
C		18	B-DD-H745-0	#	3	DRAWING DIRECTORY									
C		19	B-DD-861-0	#	2	DRAWING DIRECTORY									
X		21	E-C5-H754-0-1	#		+20, -5V REGULATOR				4	E-UA-H950-AA-0			BASIC CABINET ASSY 19"	
											D-DI-H950-0-1			DWG. INDEX H950	
										5	A-PL-H952-E-0		1	CASTER SET	
											D-DI-H952-0-1		1	DRAWING INDEX	
										6	A-PL-H952-F-0		1	LEVELER SET	
											D-DI-H952-0-1		1	DRAWING INDEX	
										7	A-PL-H950-S-0		1	H950-S FILTER	
											D-DI-H950-0-1		1	DRAWING INDEX	
										8	A-PL-H952-B-C		1	H952-C STAB(LIZER FEET)	
											D-DI-H952-0-1		1	DRAWING INDEX	

CUSTOMER PRINT SET CODES	X = PRINT OF DOCUMENT INCLUDED IN PRINT SET C = INCLUDES ALL PRINTS INDICATED ON DOCUMENT S = CONFIDENTIAL AUTHORIZED SIGNATURE REQUIRED	TITLE	CABINET ASSY	SIZE CODE	B DD	NUMBER	H960-D	REV	N
--------------------------	--	-------	--------------	-----------	------	--------	--------	-----	---

CUSTOMER PRINT SET		MECHANICAL					CUSTOMER PRINT SET		MECHANICAL					
H960-D	MFG. SET	FIND NO.	DRAWING NO.	REV	NO OF SHT	OPTION NO./FILE DATE	H960-D	MFG. SET	FIND NO.	DRAWING NO.	REV	NO OF SHT	DESCRIPTION	OPTION NO./FILE DATE
		9	A-PL-H952-C-0 D-DI-H952-0-1		1 1	H952-C FAN (FRONT MOUNTED) DRAWING INDEX								
		10	D-UA-H950-B-0 D-DI-H950-0-1		1 1	FULL LENGTH DOOR 19" (RH) DRAWING INDEX								
		12	B-DD-H7420-0		3	DRAWING DIRECTORY								
		13	D-UA-H950-Q-0 D-DI-H950-0-1		1 1	H950-Q COVER PANEL 10 1/2 DRAWING INDEX								
		14	D-IA-7407936-0-0		1	PANEL, LOGO								
		15	D-UA-H950-L-0 D-DI-H950-0-1			PANEL FRAME H950-LB DRAWING INDEX								
		16	D-IA-7407926-0-0 C-SS-7407926-0-1 C-SS-7407926-0-2 C-SS-7407926-0-3		1 1 1 1	PANEL, INLAY SILK SCREEN SILK SCREEN SILK SCREEN								
		17	B-DD-H744-0		3	DRAWING DIRECTORY								
		18	B-DD-H745-0		3	DRAWING DIRECTORY								
		19	B-DD-861-0		2	DRAWING DIRECTORY								
		20	A-PL-H952-GA-0 D-DI-H952-0-1		1 1	H952-GA-FILLER STRIP DRAWING INDEX								
CUSTOMER PRINT SET CODES		X = PRINT OF DOCUMENT INCLUDED IN PRINT SET C = INCLUDES ALL PRINTS INDICATED ON DOCUMENT S = CONFIDENTIAL AUTHORIZED SIGNATURE REQUIRED					TITLE		SIZE CODE		NUMBER		REV	
							CABINET ASSY		B DD		H960-D		SHEET 4 OF 4 N	

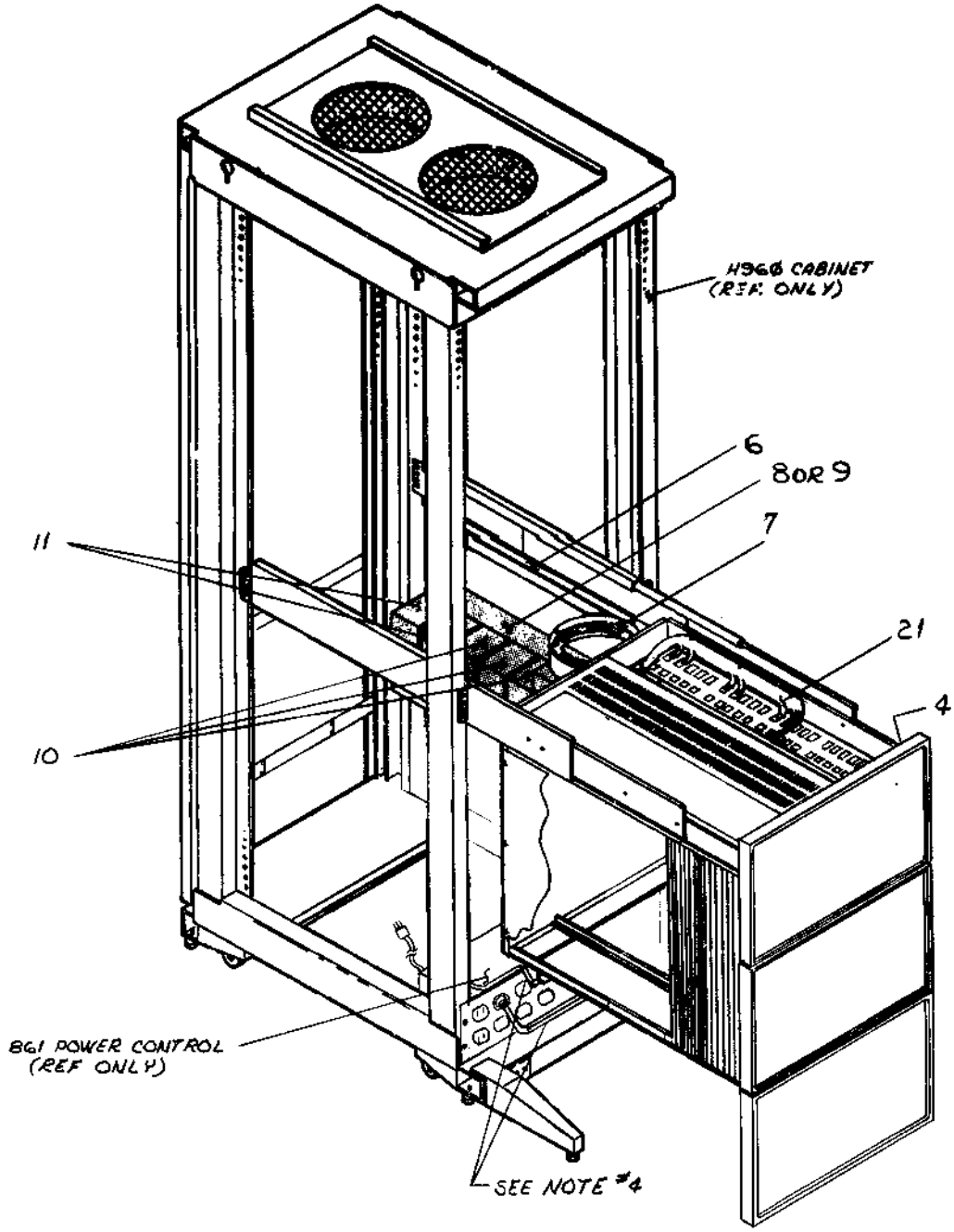


* FA ONLY
 ** ALL EXCEPT FA AND FK
 *** FA AND FK ONLY

TITLE	SIZE CODE	NUMBER	REV
MOUNTING BOX ASSY.	B DD	BALL-F-0	AD
SHEET 2 OF 4			

This drawing and specifications, herein, are the property of Digital Equipment Corporation and shall not be reproduced or copied or used in whole or in part as the basis for the manufacture or sale of items without written permission. COPYRIGHT © 1973

- NOTES:**
1. AC CONNECTION FOR CABINET FAN MAY BE ON BRACKET OR ON JONES STRIP ON INTERIOR OF REAR SIDE OF CABINET MOUNTING CHANNEL.
 2. BEHIND EACH 10 1/2" BLANK PANEL INSTALL (4) 3/16" SPACERS.
 3. OLDER SYSTEMS USED ITEMS 1, 3 & 12 FOR POWER DISTRIBUTION, THESE PARTS ARE AVAILABLE FOR REFERENCE OR REPAIR PURPOSES.
 4. H742 POWER SUPPLY AND ... OF CABINET FANS MUST BE PLUGGED INTO LINE 1 ON B61 POWER CONTROL.
 5. MAIN HARNESS (ITEM #21) HAS TWO (2) UNUSED 8-PIN PLUGS (PA OR P16 AND P15 OR P17), TO PREVENT DAMAGE TO REGULATORS, INSERT AN EMPTY MATING CONNECTOR (ITEM #24) INTO THEM AND TIE THEM OUT OF THE WAY. ALSO ADD OR REMOVE JUMPERS PER D-IC-7009566-0-1.



1	1	-	-	-	-	-	-	+20V REGULATOR	E-UA-H754-0-0	25
2	2	2	2	-	-	-	-	8-PIN MATE-N-LOCK (FEMALE)	1209340-0	24
18	8	18	18	-	-	-	-	ADHESIVE BACKED MOUNT	9008264	23
-	-	-	-	-	9	3	-	OPTION CABLE G772	7009562-0-0	22
1	1	1	1	-	-	-	-	BAII-FWR HARNESS	7009566-0-0	21
6	3	6	3	-	-	-	-	NUT TINNEMAN	9007786	20
6	3	6	3	-	-	-	-	LOCK WASHER, EXT TOOTH	9007651	19
6	3	6	3	-	-	-	-	SCR. PHL. HD PAN #10-32x5/16	9006074-1	18
4	4	4	4	-	-	-	-	NUT KEPS #10-32	9006565	17
4	4	4	4	-	-	-	-	SCR. PHL. HD PAN #10-32x1/2 LG	9006073-1	16
4	4	4	4	-	-	-	-	NUT, KEPS #8-32	9006563	15
4	4	4	4	-	-	-	-	SCR. PHL. HD PAN #8-32x1/8 LG	9006037-1	14
1	1	1	1	-	-	-	-	REGULATOR BOARD (PS)	5409730-0-0	13
-	-	-	-	-	-	-	-	POWER HARNESS (EXP)	7008154-0-0	12
1	1	2	2	-	-	-	-	-15V REGULATOR	E-UA-H745-0-0	11
3	3	3	3	-	-	-	-	+15V REGULATOR	E-UA-H744-0-0	10
1	-	1	-	-	-	-	-	POWER SUPPLY H742-B	E-UA-H742-B-0	9
-	1	-	1	-	-	-	-	POWER SUPPLY H742-A	E-UA-H742-A-0	8
1	1	1	1	-	-	-	-	SUPPORT HARNESS	D-1A-74094460-0	7
1	1	1	1	-	-	-	-	BRKT, HARNESS SUPPORT	D-MD-74094450-0	6
1	1	1	1	-	-	-	-	PLATE SUPPORT	B-MD-74094470-0	5
2	2	2	2	-	-	-	-	MTG BRKT 10 1/2 PANEL	D-1A-74097180-0	4
-	-	-	-	-	-	-	3	POWER CABLE	7008855-15	3
3	3	3	3	-	-	-	-	TIE WRAP	9007880	2
-	-	-	-	-	-	-	9	POWER CABLE	7008908-17	1

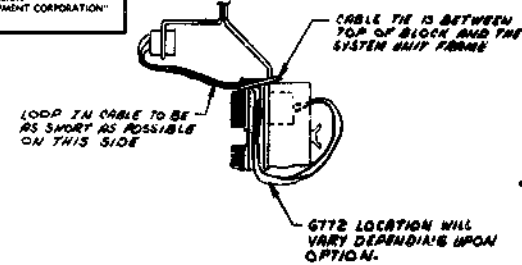
QTY	VARIATION	DESCRIPTION	PART NO.	ITEM NO.
		ACCESSORY LIST		
		PDPI/45		
		UNLESS OTHERWISE SPECIFIED DIMENSION IN INCHES TOLERANCES		
		DECIMALS	ANGLES	
		XXX - .005	± 30°	
		.XX - .02		
		.X - .1		
		REMOVE BURRS AND BREAK SHARP CORNERS SURFACE QUALITY		
		MATERIAL	NEXT HIGHER ASSY.	
			E-UA-BAII-F-0	
		FINISH	SCALE	
			SHEET 7 OF 2	

REV	CHANGE NO	REASON
1		OLD NUMBER WAS A-AL-BAII-F-01
2		BAII-F-00015
3		BAII-F-00020
4		MINOR

SEE FORM 100-4

THIS DRAWING AND SPECIFICATIONS, HEREIN, ARE THE PROPERTY OF DIGITAL EQUIPMENT CORPORATION AND SHALL NOT BE REPRODUCED OR COPIED OR USED IN WHOLE OR IN PART AS THE BASIS FOR THE MANUFACTURE OR SALE OF ITEMS WITHOUT WRITTEN PERMISSION. COPYRIGHT © 1973 DIGITAL EQUIPMENT CORPORATION.

NOTE:
 1. THIS PRINT SHOWS HARNESS ARRANGEMENTS FOR BAI1-FD/FE ONLY.
 2. OPTION BACKPLANES AND HARNESSES REPRESENT TYPICAL INSTALLATION.

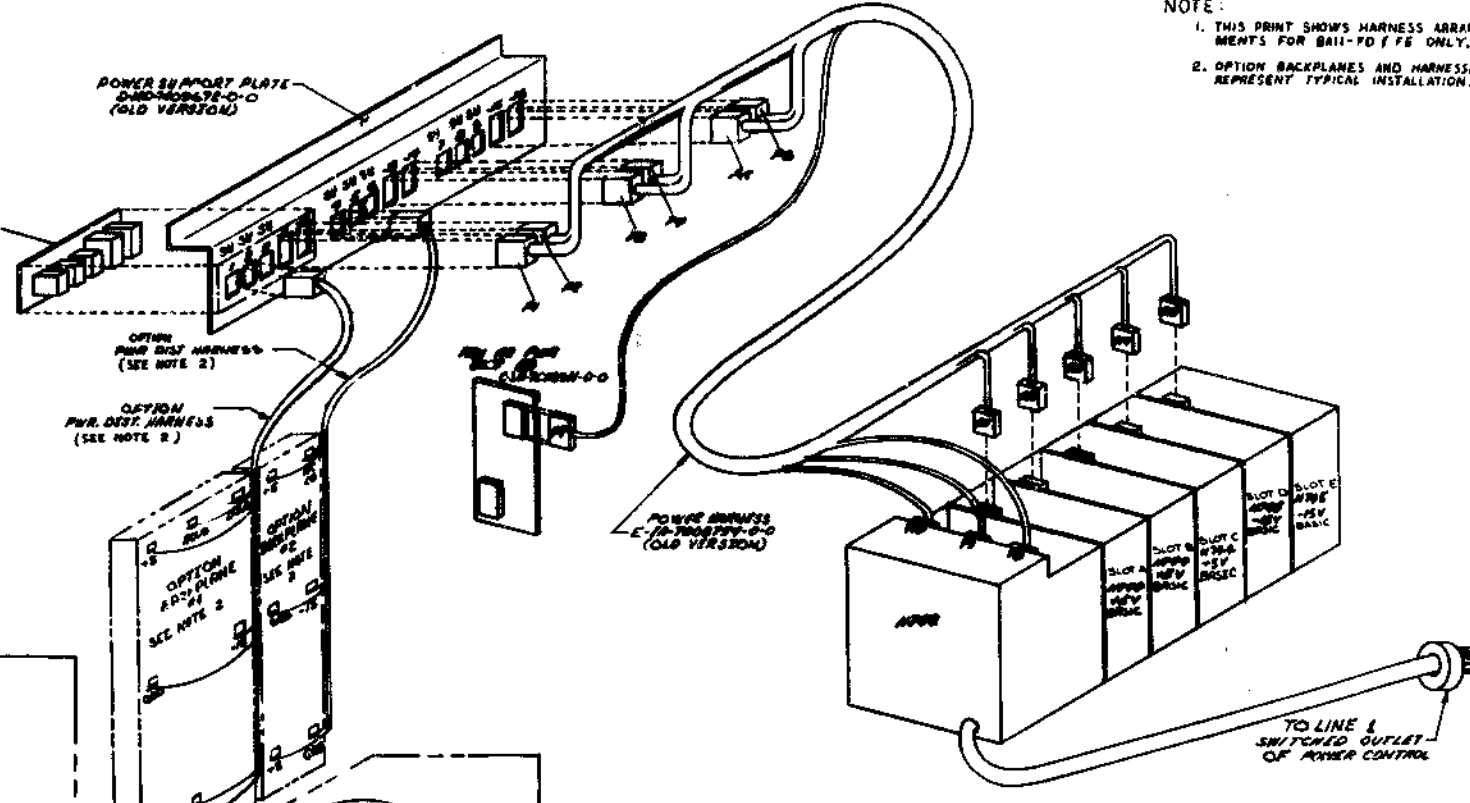


WIRING SIDE

LOCATING PIN	OPTION POWER CONNECTOR PIN ASSIGNMENTS
1	DC LO - #18 AWG VIO
2	DC LO - #18 AWG YEL
3	-15V TO 15V - #18 AWG BLK
4	GND - #18 AWG BLK
5	GND - #18 AWG BLK
6	GND - #18 AWG BLK
7	LINE CLOCK - #18 AWG BRN
8	-15V TO 15V - #18 AWG GRN
9	-15V TO 15V - #18 AWG RED

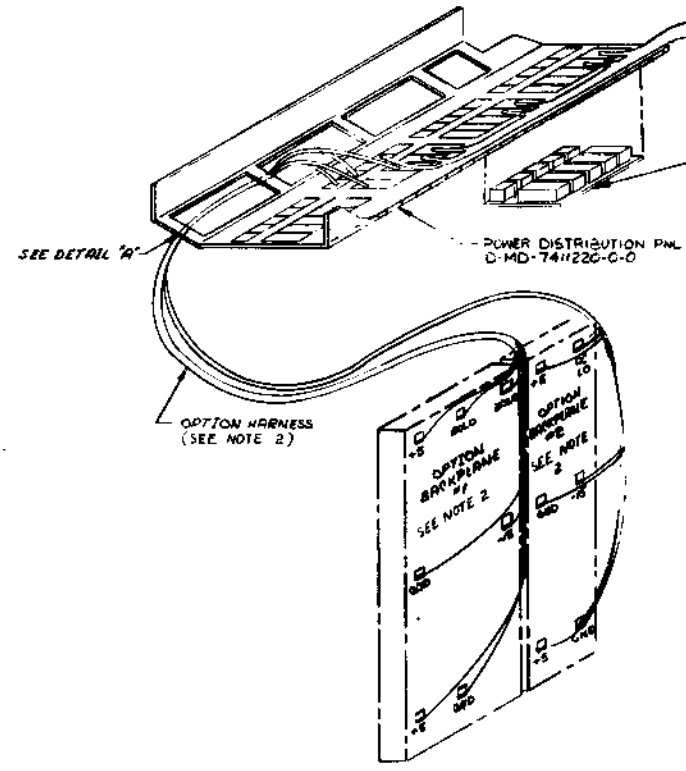
POWER DISTRIBUTION (OLD VERSION)

NOTE:
 1. THIS PRINT SHOWS HARNESS ARRANGEMENTS FOR BAI1-FD/FE ONLY.
 2. OPTION BACKPLANES AND HARNESSES REPRESENT TYPICAL INSTALLATION.

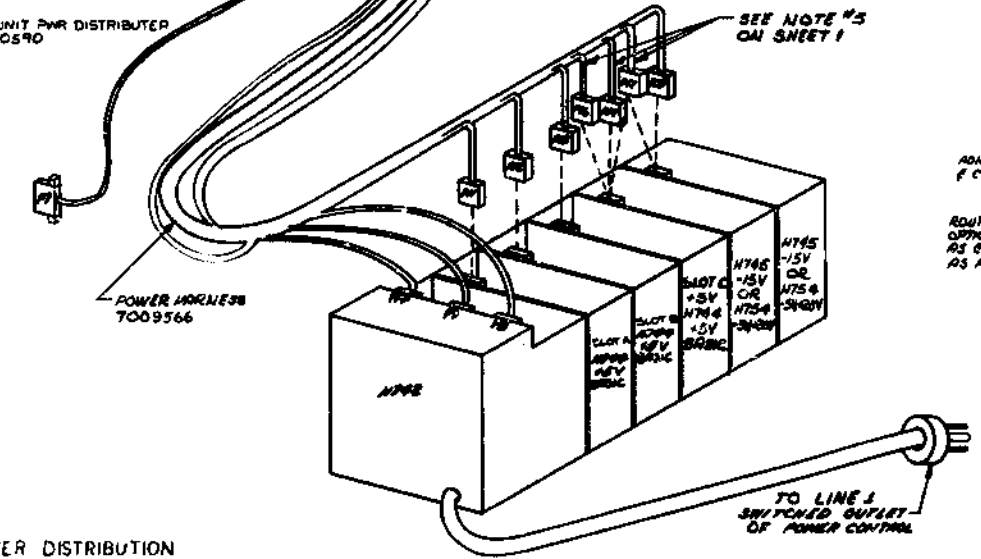


WIRING SIDE

LOCATING PIN	OPTION POWER CONNECTOR PIN ASSIGNMENTS
1	LO GND - #18 AWG BLK
2	LINE CLOCK - #18 AWG BRN
3	DC LO 1 - #18 AWG VIO
4	DC LO 2 - #18 AWG YEL
5	SPARE #4
6	SPARE #5
7	+5V - #18 AWG RED
8	-15V - #18 AWG GRN
9	+5V - #18 AWG ORN
10	+5V - #18 AWG RED
11	GND - #18 AWG BLK
12	SPARE #1
13	-15V - #18 AWG BLK
14	-15V - #18 AWG BRN
15	SPARE #2
16	SPARE #3



POWER DISTRIBUTION (NEW VERSION) BAI1-F

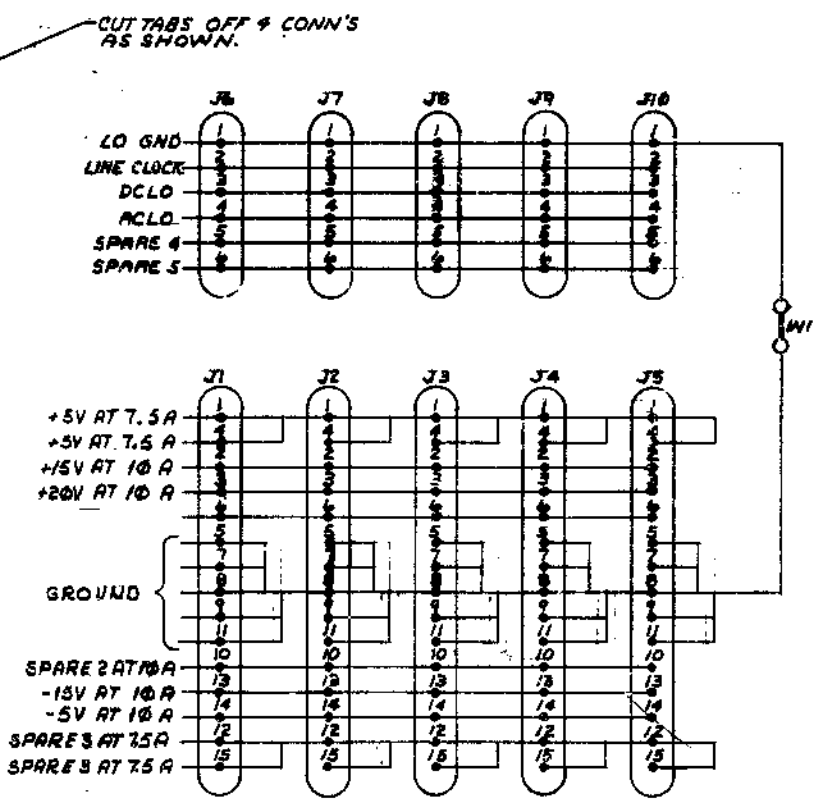
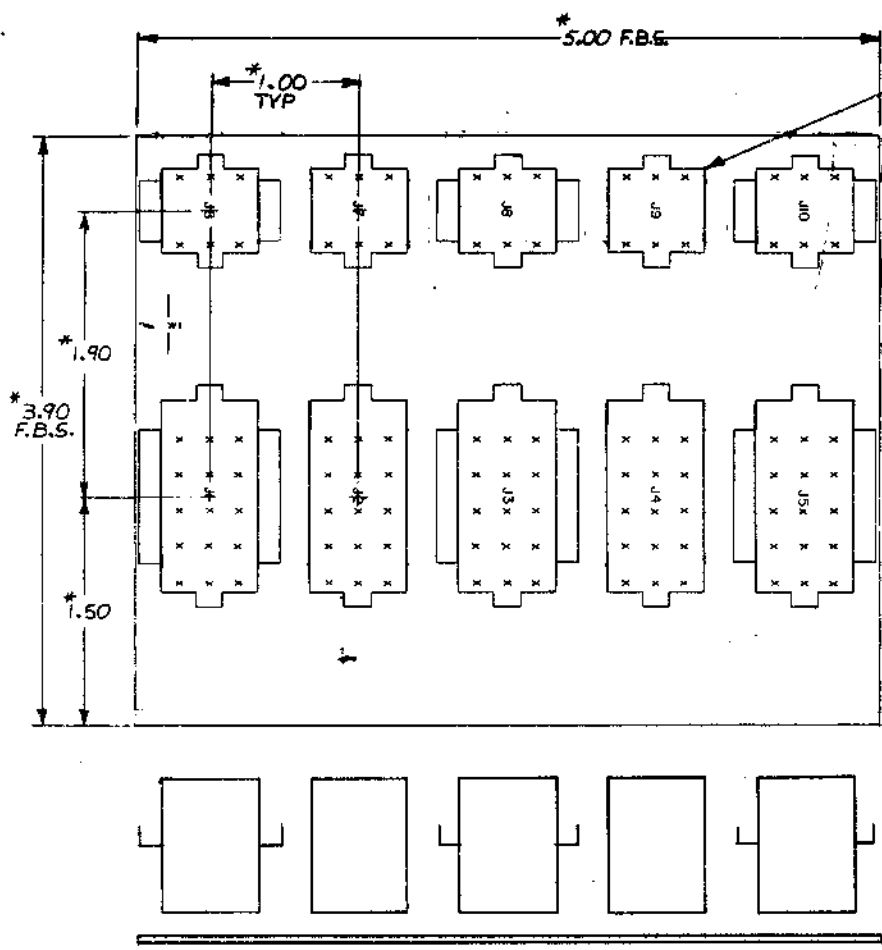


FIRST USED ON OPTION/MODEL	QTY.	DESCRIPTION	PART NO.	ITEM NO.
PDP11/45				
PARTS LIST				
UNLESS OTHERWISE SPECIFIED DIMENSION IN INCHES	DRN. I. GILBERT	DATE 11-9-72	digital EQUIPMENT CORPORATION	
TOLERANCES	ENG. L. GILBERT	DATE 11-9-72		
DECIMALS	ENG. I. MORRIS	DATE 11-9-72	TITLE BAI1-F ACCESSORY ARRANGEMENT	
ANGLES	PROJ. ENG. I. MORRIS	DATE 11-9-72		
REMOVE BURRS AND BREAK SHARP CORNERS SURFACE QUALITY 7	PROD. J. SWANSON	DATE 11-27-72	MATERIAL	
	NEXT HIGHER ASSY.		REV. C	
	E-UA BAI1-F-0		SIZE CODE	NUMBER
	FINISH		SCALE	DAR BAI1-F-01
	SHEET 2 OF 2		QST.	

8 7 6 5 4 3 2 1

NOTES:

1. ALL DIM. SHOWN ARE FOR REF. ONLY INDICATED BY ASTERISKS (*)
2. ETCH CURRENT SHOWN IS MAXIMUM ALLOWABLE FOR THIS BOARD. ETCH FOR J1 THRU J10 WILL SUPPORT 100mA MAXIMUM CURRENT.
3. IF ETCH IS CHANGED IN FUTURE, "DO NOT" CHANGE POSITIONS OF J1 THRU J10, AS THEY MUST FIT IN PUNCHED PANELS AT NEXT HIGHER ASSY.
4. FIXTURE 9606076 MUST BE USED TO ALIGN J1-J10 DURING SOLDERING.



CUT TABS OFF 4 CONN'S AS SHOWN.

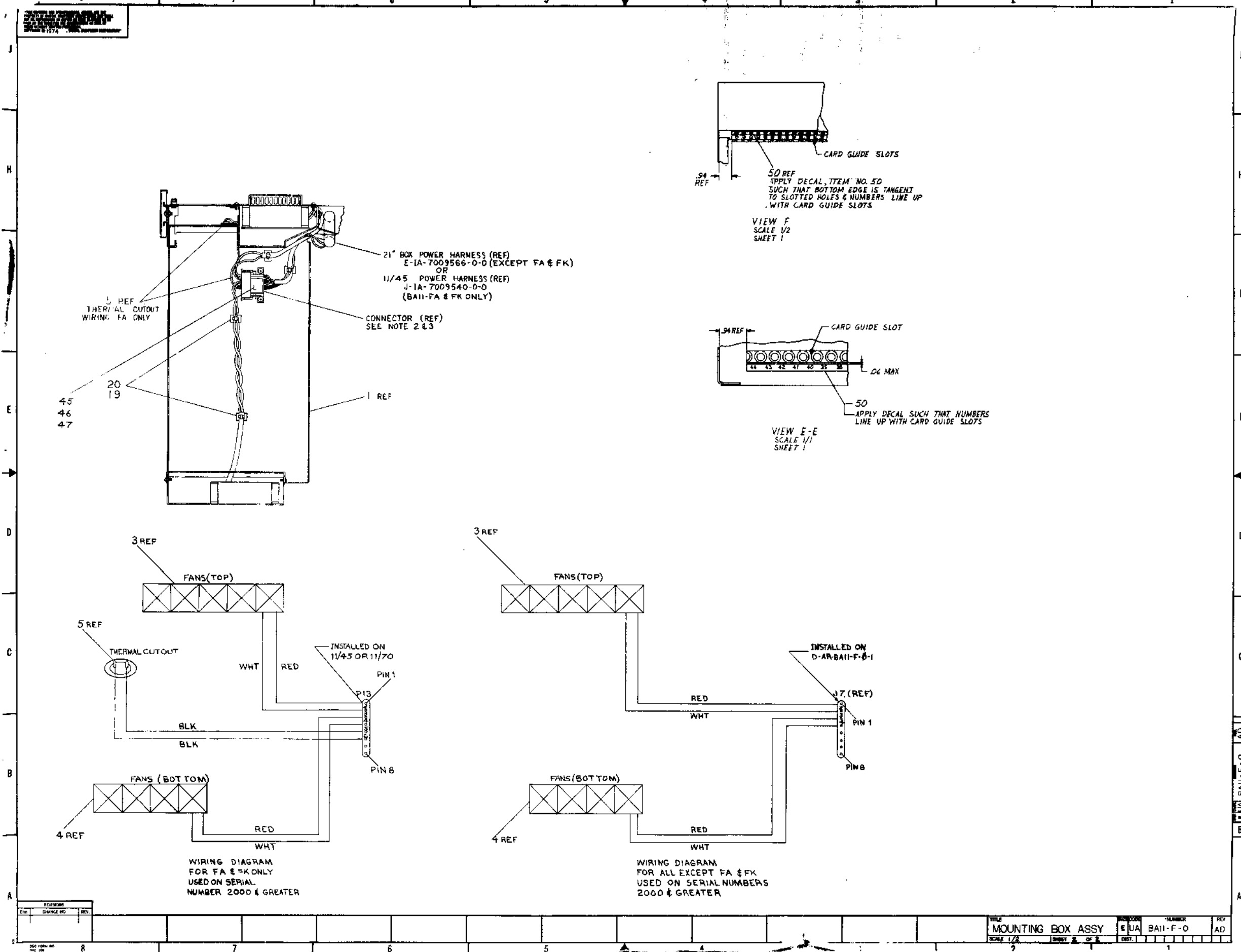
REF.	X-Y COORD. HATE HOLE LOCATION	K-CO-5410590-0-4	1
REF.	ASSY/DRILLING HOLE LAYOUT	E-MH-5410590-0-5	2
REF.	MODULE ECO HISTORY	B-MH-5410590-0-6	3
1	ETCHED CIRCUIT BOARD	5010589	4
5	J6 THRU J10	CONNECTOR (6 CIRCUIT) SOCKET	1209350-06
5	J1 THRU J5	CONNECTOR (15 CIRCUIT) SOCKET	1209350-15
10S	PIN, FEMALE	1209456	7
11A	WIRE #22 AWG	9107560-01	8
REF.	ALIGNMENT FIXTURE	9606076	9

QTY	REF DESIGNATION	DESCRIPTION	PART NO.	ITEM NO.											
PARTS LIST															
11/45	ETCH BOARD REV	B													
<table border="1"> <tr> <td>ORIG. DATE</td> <td>10-17-73</td> <td rowspan="5"> </td> </tr> <tr> <td>DATE</td> <td></td> </tr> <tr> <td>DATE</td> <td></td> </tr> <tr> <td>DATE</td> <td></td> </tr> <tr> <td>DATE</td> <td></td> </tr> </table>					ORIG. DATE	10-17-73		DATE		DATE		DATE		DATE	
ORIG. DATE	10-17-73														
DATE															
DATE															
DATE															
DATE															
TITLE			SYSTEM UNIT POWER DISTRIBUTOR												
NEXT HIGHER ASSY			SCALE												
DEC NO.			EIA NO.												
SEMICONDUCTOR CONVERSION CHART			SHEET OF												
SUPERCODE			NUMBER												
DCS			5410590-0-1												
DIST			REV.												
			B												

IC TYPE	GND	+5V
GND AND 5V ARE USUALLY PIN 7 AND 14 RESPECTIVELY. EXCEPTIONS ARE STATED ABOVE.		
IC PIN LOCATIONS		

5410590-0-1

1974



REV	CHANGE NO	REV

TITLE	REV	NUMBER	REV
MOUNTING BOX ASSY	EUA	BAIL-F-0	AD
SCALE 1/2	SHEET 2	OF 2	

DIGITAL EQUIPMENT CORPORATION MAYNARD, MASSACHUSETTS			QUANTITY/VARIATION							
PARTS LIST			BALL-FA	BALL-FB	BALL-FC	BALL-FD	BALL-FE	BALL-FH	BALL-FJ	BALL-FK
MADE BY B. BLODGETT	CHECKED D. HEALY	SECTION								
DATE 5/30/74	DATE 9/18/74	ISSUED SECT.								
ENG J. W. K...	PROD J. B...	ISSUED SECT.								
DATE 12/10/74	DATE 12/10/74	ISSUED SECT.								
ITEM NO.	DWG NO. / PART NO.	DESCRIPTION	BALL-FA	BALL-FB	BALL-FC	BALL-FD	BALL-FE	BALL-FH	BALL-FJ	BALL-FK
1	E-IA-7010083-0-0	CHASSIS	1	1	1	1	1	1	1	1
2	1209152-2	SLIDE CHASSIS 23" TRAVEL	1	1	1	1	1	1	1	1
3	E-IA-7010253-0-0	FAN ASSY (TOP)	1	1	1	1	1	1	1	1
4	E-IA-7010351-0-0	FAN ASSY (BOTTOM)	1	1	1	1	1	1	1	1
5	C-AD-7010082-0-0	THERMAL SWITCH BRKT ASSY	1	-	-	-	-	-	1	-
6	E-IA-7409272-0-0	BRKT. BEZEL MTG.	1	-	1	-	-	-	1	-
7	9006634	WASHER INT. TOOTH #8	16	15	16	15	15	15	15	10
8	9006816	SPACER .38 AF. X .25 LG. AL. #8	2	2	2	2	2	2	2	2
9	9006041-1	SCR. PHL. PAN HD #8-32 X .75 LG.	2	2	2	2	2	2	2	2
10	9006565	NUT KEPS #10-32	10	10	10	10	10	10	10	10
11	9006037-1	SCR. PHL. PAN HD #8-32 X .38	7	6	10	6	6	6	6	2
12	9006418-1	SCR. SELF TAP. 8-32 X .38	12	12	12	12	12	12	12	12
13	9006071-3	SCR. PH. TRUSSHD #10-32 X .38 LG.	10	10	10	10	10	10	10	10
14	9006022-1	SCR. PH. PAN HD #6-32 X .38 LG.	7	7	7	7	7	7	7	7
15	9006633	WASHER INT. TOOTH #6	10	14	14	14	14	14	14	2
16	9009537	SQEEZE RELEASE	2	2	2	2	2	2	2	2
17	C-MD-7413130-0-0	CLAMP, CABLE	1	1	1	1	1	1	1	1
18	9006571	NUT, WING #8-32	2	2	2	2	2	2	2	2
19	9007880	TIE WRAPS	6	3	3	3	3	3	3	3
20	9008264	MOUNT ADH. BACK	6	3	3	3	3	3	3	3
21	D-AR-BALL-F-01	BALL-F ACCESSORY ARRANGEMENT	-	-	-	1	1	1	1	1
22	A-DC-5309413-0-0	DECAL, NFPA TYPE (UL)	1	1	1	1	1	1	1	1

TITLE MOUNTING BOX ASSY ASSY NO. D-UA-BALL-F-0 SIZE CODE A PL NUMBER BALL-F-0 REV. ECO NO. AD BALL-F-00028 SHEET 1 OF 3 DIST.

DEC FORM DEC 16 (325) 1031-N870 DRA 110

DIGITAL EQUIPMENT CORPORATION MAYNARD, MASSACHUSETTS			QUANTITY/VARIATION							
PARTS LIST			BALL-FA	BALL-FB	BALL-FC	BALL-FD	BALL-FE	BALL-FH	BALL-FJ	BALL-FK
MADE BY B. BLODGETT	CHECKED D. HEALY	SECTION								
DATE 5/30/74	DATE 9/18/74	ISSUED SECT.								
ENG J. W. K...	PROD J. B...	ISSUED SECT.								
DATE 12/10/74	DATE 12/10/74	ISSUED SECT.								
ITEM NO.	DWG NO. / PART NO.	DESCRIPTION	BALL-FA	BALL-FB	BALL-FC	BALL-FD	BALL-FE	BALL-FH	BALL-FJ	BALL-FK
45	A-DC-7406960-0-0	DECAL, 115V, 60 CYCLES	A/R	-	A/R	1	-	1	-	-
46	A-DC-7406789-0-0	DECAL, 115V, 60 CYCLES	A/R	-	A/R	-	1	-	1	A/R
47	A-DC-7400972-0-0	DECAL, P7	A/R	A/R	A/R	A/R	A/R	A/R	A/R	A/R
48	D-MD-741425-0-0	VERTICAL CARD GUIDE	1	1	1	1	1	1	1	1
49	B-7A-701033-0-0	CLAMP UNIBUS CABLE ASSY	1	1	1	1	1	1	1	1
50	A-PS-3613281-02	DECAL, ADHESIVE BACKED, BALL-F	2	2	2	2	2	2	2	2

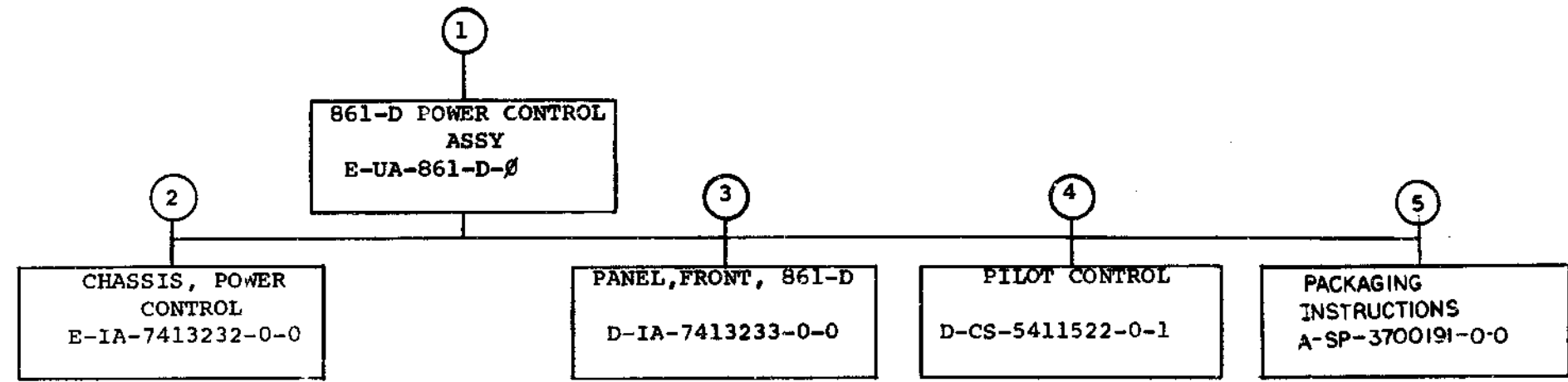
TITLE MOUNTING BOX ASSY ASSY NO. D-UA-BALL-F-0 SIZE CODE A PL NUMBER BALL-F-0 REV. ECO NO. AD BALL-F-00028 SHEET 3 OF 3 DIST.

DEC FORM DEC 16 (325) 1031-N870 DRA 110

DIGITAL EQUIPMENT CORPORATION MAYNARD, MASSACHUSETTS			QUANTITY/VARIATION							
PARTS LIST			BALL-FA	BALL-FB	BALL-FC	BALL-FD	BALL-FE	BALL-FH	BALL-FJ	BALL-FK
MADE BY B. BLODGETT	CHECKED D. HEALY	SECTION								
DATE 5/30/74	DATE 9/18/74	ISSUED SECT.								
ENG J. W. K...	PROD J. B...	ISSUED SECT.								
DATE 12/10/74	DATE 12/10/74	ISSUED SECT.								
ITEM NO.	DWG NO. / PART NO.	DESCRIPTION	BALL-FA	BALL-FB	BALL-FC	BALL-FD	BALL-FE	BALL-FH	BALL-FJ	BALL-FK
23	A-DC-5309414-0-0	DECAL, EDP, EQUIP. (UL)	1	1	1	1	1	1	1	1
24	D-IA-7411220-0-0	PANEL, POWER DISTRIBUTION	-	1	1	1	1	1	1	-
25	D-IA-7411221-0-0	PANEL, POWER DISTRIBUTION	1	-	-	-	-	-	-	-
26	D-CS-5410590-0-1	PWR. DISTRIBUTION BOARD	1	3	3	3	3	3	3	1
27	A-DC-7411325-0-0	DECAL MECHANICAL STATUS	1	1	1	1	1	1	1	1
28	9008072	WASH EXT. TOOTH #8	2	2	2	2	2	2	2	2
29	9007622	GROMMET, NYLON	12	60	60	60	60	60	60	60
30	C-MD-7411363-0-0	KNUCKLE GUARD	-	1	1	1	1	1	1	-
31	B-MD-7411364-0-0	KNUCKLE GUARD (11/45)	1	-	-	-	-	-	-	-
32	9006859	SPACER .25 AF X .75 LG. #6-32	4	6	6	6	6	6	6	-
33	A-DC-7411324-0-0	EXPANDER BOX DECAL	-	1	-	1	1	1	1	1
34	9006662	WASH. FLAT .500 O.D. X .187 I.D.	2	2	2	2	2	2	2	2
35	9006071-1	SCR. PH. HD PAN 10-32 X .38	2	2	2	2	2	2	2	2
36	9007867	CABLE TIE MOUNT	1	4	4	4	4	4	4	1
37	E-MD-7412587-0-0	COVER, TABLE TROUGH	1	1	1	1	1	1	1	1
38	E-MD-7412585-0-0	COVER, LEFT SIDE	1	1	1	1	1	1	1	1
39	E-MD-7412297-0-0	TROUGH, SUPPORT (CHASSIS)	4	4	4	4	4	4	4	4
40	D-PS-1211630-0-0	CARD GUIDE	32	32	32	32	32	32	32	32
41	9006020-1	SCR. PHL HD PAN #6-32 X .25	2	-	-	-	-	-	-	2
42	C-MD-7413105-0-0	CLAMP, CABLE	1	1	1	1	1	1	1	1
43	C-MD-7413107-0-0	BAR, CABLE	1	1	1	1	1	1	1	1
44	C-MD-7413108-0-0	U/BOLT CABLE	1	1	1	1	1	1	1	1

TITLE MOUNTING BOX ASSY ASSY NO. D-UA-BALL-F-0 SIZE CODE A PL NUMBER BALL-F-0 REV. ECO NO. AD BALL-F-00028 SHEET 2 OF 3 DIST.

DEC FORM DEC 16 (325) 1031-N870 DRA 110



TITLE	SHEET	OF	SIZE	CODE	NUMBER	REV
861-D POWER CONTROL	2	3	B	DD	861-D	B

CUSTOMER PRINT SET		MECHANICAL					CUSTOMER PRINT SET		ELECTRICAL								
		MFG. SET	FIND NO.	DRAWING NO.	REV	NO OF SHT	DESCRIPTION	OPTION NO./FILE DATE			MFG. SET	FIND NO.	DRAWING NO.	REV	NO OF SHT	DESCRIPTION	OPTION NO./FILE DATE
X			1	E-UA-861-D-0	*	2	861-D POWER CONTROL ASSY		X		1	B-DD-861-D	*	2	861-D POWER CONTROL ASSY		
X				A-PL-861-D-0	*	3	861-D POWER CONTROL ASSY P.L.		X				D-CS-861-D-1	*	1	861-D POWER CONTROL SCHEMATIC	
				C-MD-7413234-0-0		1	COVER, POWER CONTROL						A-SP-861-D-2		4	861-D TEST PROCEDURE	
				D-MD-7413419-0-0		1	BRACKET, STRAIN RELIEF										
				C-IA-7011052-0-0		1	MOV ASSY										
				C-IA-7011053-0-0		1	PILOT LAMP ASSY										
				D-IA-7010966-0-0		1	HARNESS #1, POWER CONTROL										
				D-IA-7010967-0-0		1	HARNESS #3, POWER CONTROL										
				D-IA-7010969-0-0		1	HARNESS #5, POWER CONTROL										
				D-IA-7010970-0-0		1	HARNESS #6, POWER CONTROL										
				C-IA-7010968-0-0		1	HARNESS #8, POWER CONTROL		X		4	D-CS-5411522-0-1	*	1	PILOT CONTROL		
				D-IA-7010972-0-0		1	JUMPER, WIRE						K-CO-5411522-0-4			DRILL TAPE	
				A-DC-7416582-0-1		1	DECAL (NOT FOR EXTERNAL LOADS)						B-MH-5411522-0-6			MODULE ECO HISTORY	
													A-SP-5411522-0-7			PILOT CONTROL TEST PROCEDURE	
													D-MH-5411522-0-5			ASSY DRILL HOLE LAYOUT	
			2	E-IA-7413232-0-0		2	CHASSIS, POWER CONTROL										
				B-SS-7413232-0-1		1	SILK SCREEN, CHASSIS										
			3	D-IA-7413233-0-0		2	PANEL, FRONT, 861-D										
				B-SS-7413233-0-1		1	SILK SCREEN, FRONT PANEL, 861-D										
X			5	A-SP-3700191-0-0	-	2	PACKAGING INSTRUCTIONS, 861-D										
				A-PS-9905726-0-0	-	2	FULL OVERLAP CARTON										
				A-PS-9905727-0-0	-	2	LAMINATED BUILDUP										
				A-PS-9905729-0-0	-	1	TAPE - GLASFLEX										

CUSTOMER PRINT SET CODES
X = PRINT OF DOCUMENT INCLUDED IN PRINT SET
C = INCLUDES ALL PRINTS INDICATED ON DOCUMENT
S = CONFIDENTIAL AUTHORIZED SIGNATURE REQUIRED

TITLE
861-D POWER CONTROL

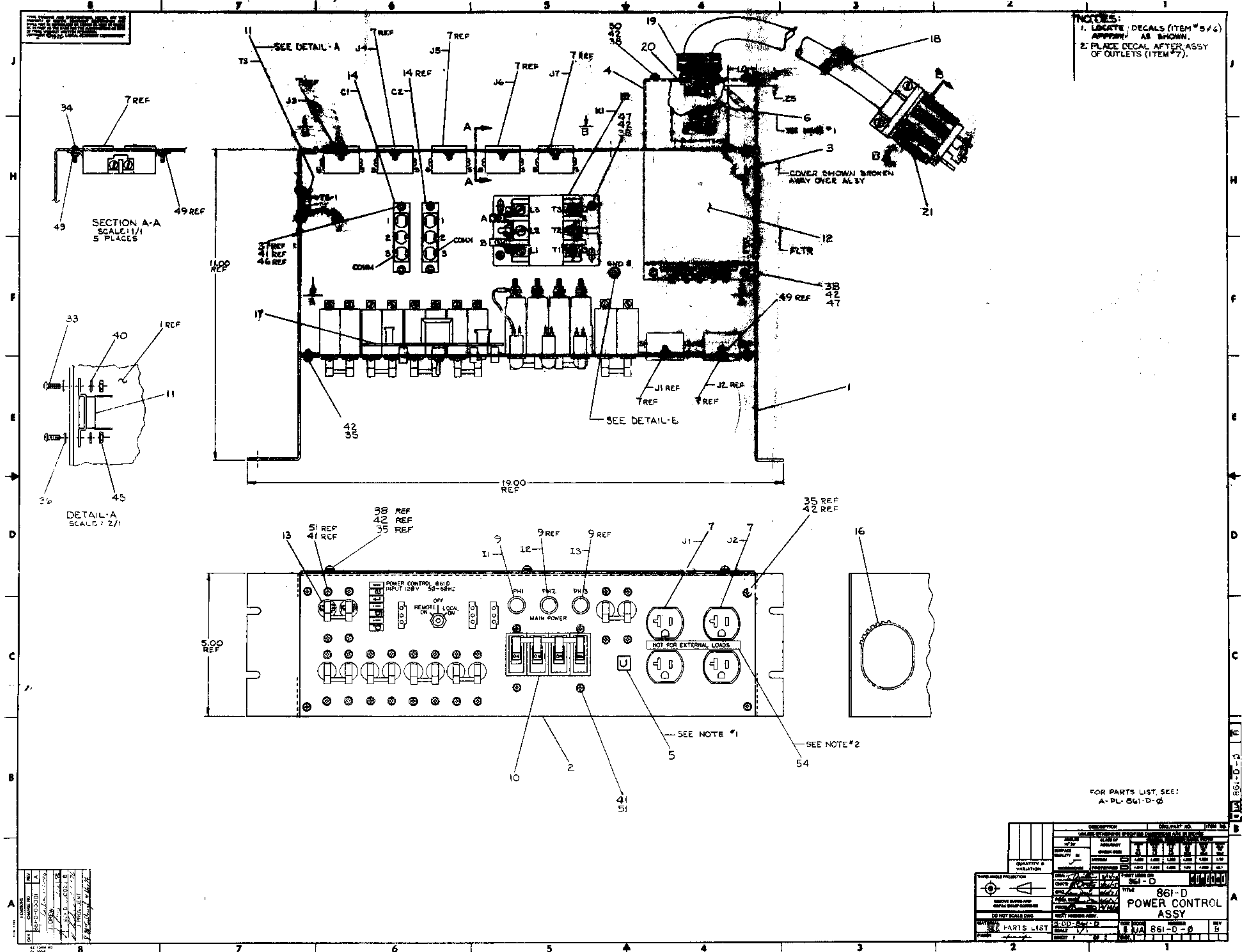
SHEET 3 OF 3
SIZE CODE B DD

NUMBER
861-D

REV
B

THIS DRAWING IS THE PROPERTY OF THE U.S. GOVERNMENT AND IS LOANED TO YOUR ORGANIZATION. IT AND ITS CONTENTS ARE NOT TO BE DISTRIBUTED OUTSIDE YOUR ORGANIZATION.

NOTES:
 1. LOCATE DECALS (ITEM #54) APPROX. AS SHOWN.
 2. PLACE DECAL AFTER ASSY OF OUTLETS (ITEM #7).



FOR PARTS LIST, SEE:
 A-PL-861-D-8

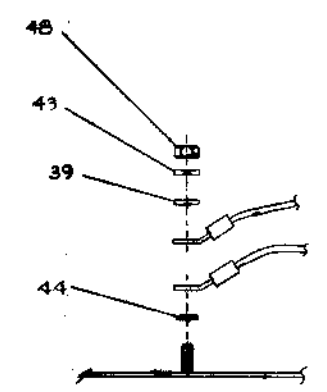
ITEM NO.	DESCRIPTION	QUANTITY	UNIT
1	POWER CONTROL 861-D	1	PC
2	FLTR	1	FLTR
3	COVER SHOWN BROKEN AWAY OVER ALSY	1	COVER
4	CONNECTOR	1	CONN
5	DECAL	1	DECAL
6	CONNECTOR	1	CONN
7	OUTLET	2	OUTLET
8	CONNECTOR	1	CONN
9	CONNECTOR	1	CONN
10	CONNECTOR	1	CONN
11	CONNECTOR	1	CONN
12	FLTR	1	FLTR
13	POWER CONTROL 861-D	1	PC
14	CONNECTOR	1	CONN
15	CONNECTOR	1	CONN
16	DECAL	1	DECAL
17	CONNECTOR	1	CONN
18	CONNECTOR	1	CONN
19	CONNECTOR	1	CONN
20	CONNECTOR	1	CONN
21	CONNECTOR	1	CONN
22	CONNECTOR	1	CONN
23	CONNECTOR	1	CONN
24	CONNECTOR	1	CONN
25	CONNECTOR	1	CONN
26	CONNECTOR	1	CONN
27	CONNECTOR	1	CONN
28	CONNECTOR	1	CONN
29	CONNECTOR	1	CONN
30	CONNECTOR	1	CONN
31	CONNECTOR	1	CONN
32	CONNECTOR	1	CONN
33	CONNECTOR	1	CONN
34	CONNECTOR	1	CONN
35	CONNECTOR	1	CONN
36	CONNECTOR	1	CONN
37	CONNECTOR	1	CONN
38	CONNECTOR	1	CONN
39	CONNECTOR	1	CONN
40	CONNECTOR	1	CONN
41	CONNECTOR	1	CONN
42	CONNECTOR	1	CONN
43	CONNECTOR	1	CONN
44	CONNECTOR	1	CONN
45	CONNECTOR	1	CONN
46	CONNECTOR	1	CONN
47	CONNECTOR	1	CONN
48	CONNECTOR	1	CONN
49	CONNECTOR	1	CONN
50	CONNECTOR	1	CONN
51	CONNECTOR	1	CONN
52	CONNECTOR	1	CONN
53	CONNECTOR	1	CONN
54	DECAL	1	DECAL

REV	DESCRIPTION	DATE
1	ASSEMBLY	10/1/50
2	REVISION	10/1/50
3	REVISION	10/1/50
4	REVISION	10/1/50
5	REVISION	10/1/50

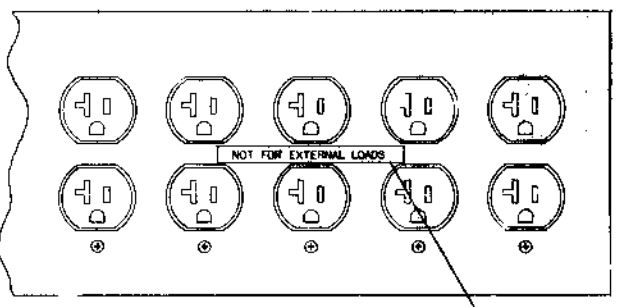
ITEM NO.	DESCRIPTION	FROM		TO		REMARKS
		COLOR	AWG	CONNECTION WITH	CONNECTION WITH	
22	BLU	10	HARNES 1-1	K1-T3		
	BLK		-2	K1-T1		
	RED		-3	K1-T2		
	RED		-4	CB7-C-LOAD		
	BLK		-5	CB7-D-LOAD		
23	BLU	10	HARNES 1-2	CB7-B-LOAD		
	RED	10	HARNES 3-1	CB7-C-LINE		
	BLK		-2	CB7-D-LINE		
	BLU		-3	CB7-B-LINE		
	WHT		-4	CB7-A-LINE		
	GRN		-5	GND #2		
	WHT		-6	FLTR-LOAD-NEUT		
	GRN		-7	FLTR-LOAD-GND		
	BLK		-8	FLTR-LOAD-PH1		
	BLU		-9	FLTR-LOAD-PH2		
24	RED	10	HARNES 3-10	FLTR-LOAD-PH2		
	BLK	14	HARNES 5-1	CB2-B-LINE		
	BLK		-2	CB7-D-LOAD		
	WHT		-3	CB2-A-LINE		
	WHT		-4	CB7-A-LOAD		
	BLU		-11	FLT CONT-J6		
	WHT		-12	CB7-A-LOAD		
	WHT		-9	CB2-A-LINE		
	RED		-10	CB5-B-LINE		
	WHT		-11	CB5-A-LINE		
	WHT/BLU		-12	FLT CONT-J5		
	RED		-14	CB4-B-LINE		
	WHT		-15	CB2-A-LINE		
	BLU		-16	CB1-B-LINE		
	WHT		-17	CB1-A-LINE		
9	WHT		-18	CB3-B-LINE		
	WHT		-19	CB3-A-LINE		
	WHT		-20	CB7-A-LOAD		
	WHT		-22	CB7-A-LOAD		
	BLU		-24	C1-1		
	BLU		-25			
	BLU		-26	K1-L3		
	BLU		-27			
	RED		-28	C2-1		
	RED		-29			
	RED		-30	K1-L2		
	RED		-31			
	BLK		-32	C1-2		
	BLK		-33	K1-L1		
	BLK		-34			
WHT		-35	C2-3			
BLU		-36	K1-B			
RED		-37	K1-A			
WHT		-38	CB7-A-LOAD			
BLK		-39	CB2-B-LINE			
BLU		-40	CB7-B-LOAD			
RED	14	HARNES 5-42	CB7-C-LOAD			
BLK	22	I-1-BLK	CB7-A-LINE			
RED	22	I-1-RED	CB7-D-LINE			
BLK	22	I-2-BLK	CB7-A-LINE			
RED	22	I-2-RED	CB7-C-LINE			
BLK	22	I-3-BLK	CB7-A-LINE			
RED	22	I-3-RED	CB7-B-LINE			

ITEM NO.	DESCRIPTION	FROM		TO		REMARKS
		COLOR	AWG	CONNECTION WITH	CONNECTION WITH	
25	WHT	14	HARNES 6-1	J7-5		
	BLK		-2	J7-B		
	WHT		-3	J6-5		
	RED		-4	J6-B		
	WHT		-5	J5-B		
	RED		-6	J5-B		
	WHT		-7	J4-3		
	BLU		-8	J4-B		
	WHT		-9	J3-3		
	BLU		-10	J3-B		
	WHT		-11	CB4-A-LOAD		
	BLU		-12	CB4-B-LOAD		
	WHT		-13	CB4-A-LOAD		
	BLU		-14	CB4-B-LOAD		
	WHT		-15	CB4-A-LOAD		
26	RED		-16	CB4-B-LOAD		
	WHT		-17	CB4-A-LOAD		
	RED		-18	CB4-B-LOAD		
	WHT		-19	CB4-A-LOAD		
	BLK	14	HARNES 4-20	CB6-B-LOAD		
	WHT	14	HARNES 4-21	FLT CONT-J4		
	WHT	14	HARNES 8-3	T5-1		
	WHT	14	HARNES 8-4	T5-2		
	GRN	10	GND #1	GND #2		
	WHT	16	C1-3	C2-2		
	WHT	14	J1-3	J2-3		
	GRN	10	FLT CONT-J7	GND #1		
	BLK	14	J1-3	J2-3		
	RED		-10	FLTR-LINE-PH1	PLUG-X	
	ORN		-11	FLTR-LINE-PH2	PLUG-Y	
WHT		-12	FLTR-LINE-PH3	PLUG-Z		
GRN	10	FLTR-LINE-GND	PLUG-G			
8			K1-A	52	K1-B	52

NOTES FOR WIRING:
1. FOR HARNESS POINT NUMBERS, REFER TO HARNESS DWG.

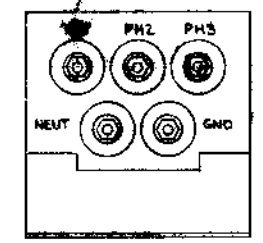


DETAIL B
TYPICAL FOR "GND 1" & "GND 2"

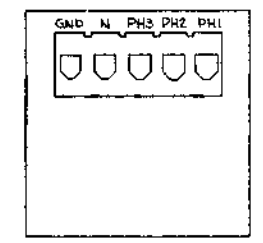


VIEW B-B

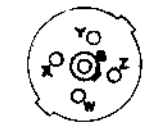
SEE NOTE #2 SHT #1



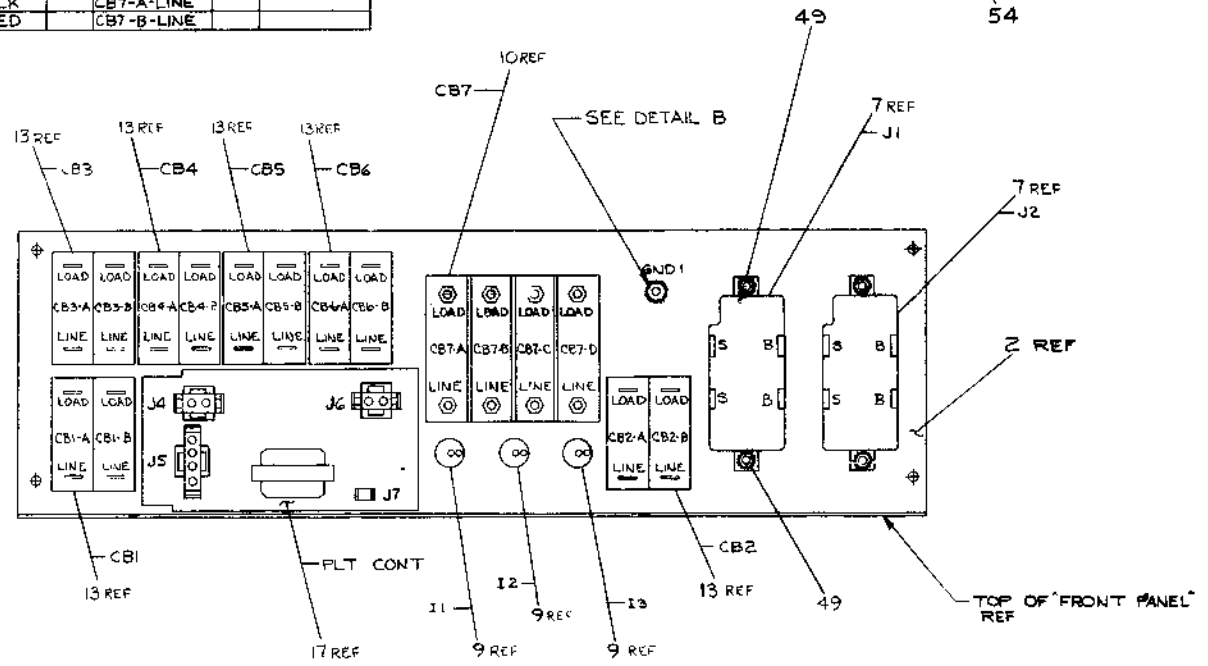
FILTER
(ITEM 12)
LOAD SIDE



FILTER
(ITEM 12)
LINE SIDE



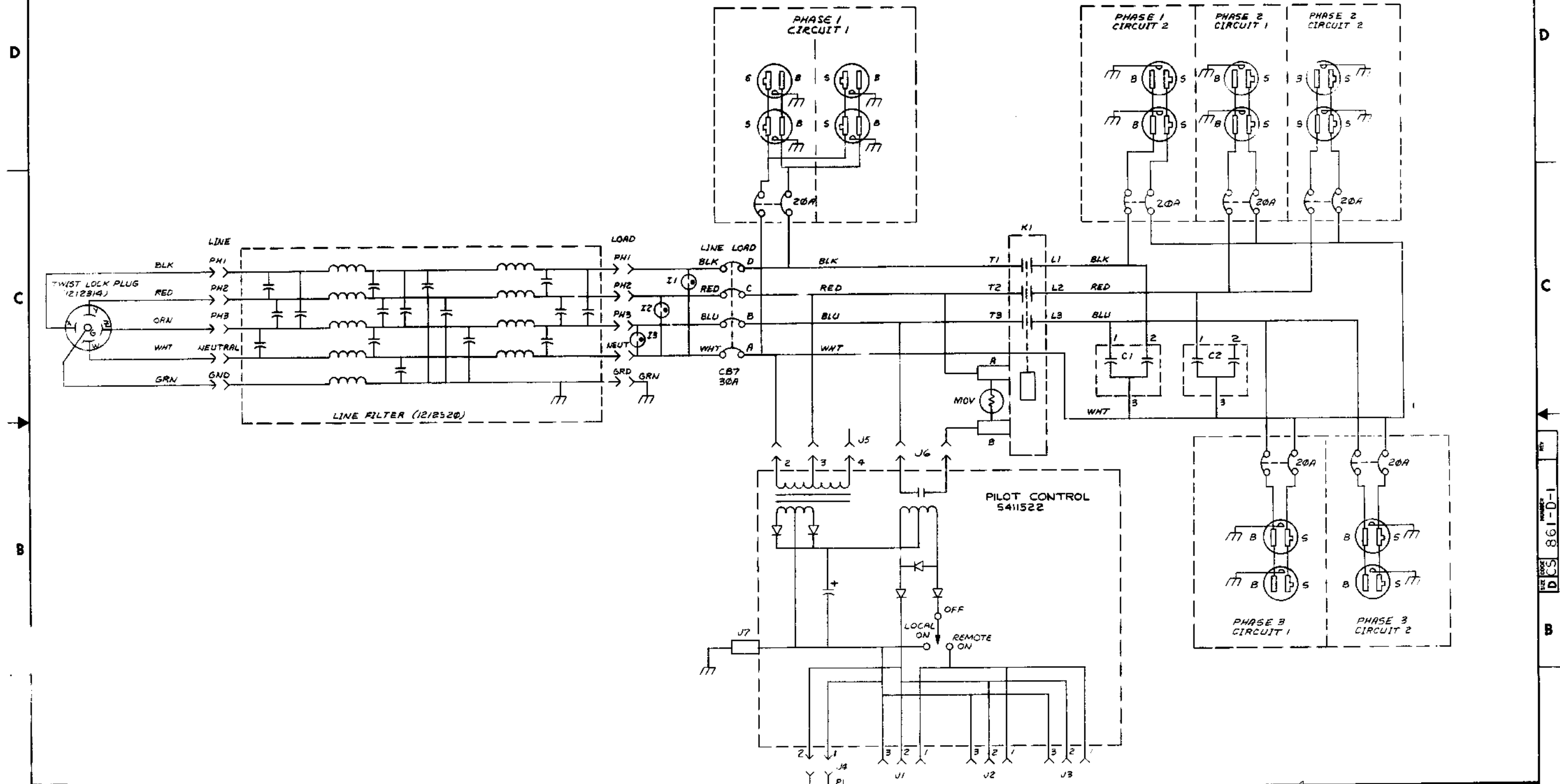
SECTION B-B
SCALE: NONE
TWIST LOCK PLUG (ITEM 21)



VIEW A-A

DESCRIPTION	QTY	UNIT	REVISION
POWER CONTROL AS-7	1	PCB	1
861-D			
861-D-0			

THIS DRAWING AND SPECIFICATIONS HEREIN, ARE THE PROPERTY OF DIGITAL EQUIPMENT CORPORATION AND SHALL NOT BE REPRODUCED OR COPIED OR USED IN WHOLE OR IN PART AS THE BASIS FOR THE MANUFACTURE OR SALE OF ITEMS WITHOUT WRITTEN PERMISSION. COPYRIGHT © 1972 DIGITAL EQUIPMENT CORPORATION



DRN. <i>[Signature]</i> 4/20/75	FIRST USED ON	digital
CHK'D. <i>[Signature]</i> 5/1/75	861-D	
ENG. <i>[Signature]</i> 5/1/75	TITLE	POWER CONTROL,
PROG. <i>[Signature]</i> 5/1/75		861-D
PHOD. <i>[Signature]</i> 5/21/75		
NEXT HIGHER ASSY		
B-DD-861-D	SIZE CODE	NUMBER
SCALE	D CS	861-D-1
SHEET 1 OF 1	DIST.	

REVISIONS	REV. NO.	DATE

DIGITAL EQUIPMENT CORPORATION MAYNARD, MASSACHUSETTS				QUANTITY/VARIATION			
PARTS LIST				861-D			
MADE BY Tyrone Quillin		CHECKED <i>R. Carthy</i>		SECTION 1			
DATE 3/11/75		DATE 4/9/75		ISSUED SECT. 1			
ENG <i>Jim Drees</i>		PROD <i>Jim Drees</i>					
DATE 4/11/75		DATE 4/11/75					
ITEM NO.	DWG NO. / PART NO.	DESCRIPTION	QTY	UNIT	REV	ECO NO.	
1	E-IA-7413232-0-0	CHASSIS, POWER CONTROL	1				
2	D-IA-7413233-0-0	PANEL, FRONT, 861-D	1				
3	C-MD-7413234-0-0	COVER, POWER CONTROL	1				
4	D-MD-7413419-0-0	BRACKET, STRAIN RELIEF	1				
5	3612063-00	DECAL, ON	1				
6	3610267-0-0	DECAL, "DANGER HIGH VOLTAGE"	1				
7	1212265-00	POWER CONN RECEPTACLE, 2#A, 125VAC	7				
8	C-IA-7011052-0-0	MOV ASSY	1				
9	C-IA-7011053-0-0	PILOT LAMP ASSY	3				
10	1211037-02	CIRCUIT BREAKER, 4 POLE, 3#A, 240 VAC	1				
11	1211158-00	THERMOSTAT, SPST, FIXED TEMP	1				
12	1212320-00	FILTER	1				
13	1212124-01	CIRCUIT BREAKER, 2 POLE, 2# AMP	6				
14	1000034-00	DC PAPER CAPACITOR, 1000 VDC	2				
15	1212266-00	CONTACTOR, 3 POLE, 4#A, 6#B VAC	1				
16	9007035-00	GROMMET, CATERPILLAR	A/R				
17	D-CS-5411522-0-1	PILOT CONTROL	1				
18	1700028-00	POWER CORD, 5 WIRE, 1# AWG, (15FF)	A/R				
19	1212410-00	STRAIN RELIEF	1				
20	9009309-00	LOCKWRT, 1/2" PIPE THREAD	1				
21	1212314-00	PLUG, TWIST LOCK, 4 POLE/5 WIRE	1				
22	D-IA-7010966-0-0	HARNESS #1, POWER CONTROL	1				
TITLE 861-D POWER CONTROL ASSY		ASSY NO. E-UA-861-D- <i>2</i>	SIZE CODE A PL	NUMBER 861-D- <i>2</i>	REV B	ECO NO. 861-D-00002	
SHEET 1 OF 3		DIST.					

DEC FORM DEC 16-(325)-1031-N870
DRA 110

DIGITAL EQUIPMENT CORPORATION MAYNARD, MASSACHUSETTS				QUANTITY/VARIATION			
PARTS LIST				861-D			
MADE BY Tyrone Quillin		CHECKED <i>R. Carthy</i>		SECTION 1			
DATE 3/11/75		DATE 4/9/75		ISSUED SECT. 1			
ENG <i>Jim Drees</i>		PROD <i>Jim Drees</i>					
DATE 4/11/75		DATE 4/11/75					
ITEM NO.	DWG NO. / PART NO.	DESCRIPTION	QTY	UNIT	REV	ECO NO.	
45	9006556-00	NUT, HEX, #4-40	2				
46	9006558-00	NUT, HEX, #6-32	4				
47	9006561-00	NUT, HEX, #8-32	4				
48	9006564-00	NUT, HEX, #10-32	2				
49	9008185-00	NUT, KEPS, #8-32	14				
50	9006821-1	SCR, PHL PAN HD, #8-32 x 3.00 LG	2				
51	9006822-1	SCR, PHL PAN HD, #6-32 x .25 LG	28				
52	9006823-00	WASHER, EXT TOOTH, #6	2				
53	A-IP-370091-0-0	PACKAGING INSTRUCTIONS 861-D	1				
54	A-DC-7415582-0-1	DECAL (NOT FOR EXTENSIVE LOADS)	2				
TITLE 861-D POWER CONTROL ASSY		ASSY NO. E-UA-861-D- <i>2</i>	SIZE CODE A PL	NUMBER 861-D- <i>2</i>	REV B	ECO NO. 861-D-00002	
SHEET 3 OF 3		DIST.					

DEC FORM DEC 16-(325)-1031-N870
DRA 110

DIGITAL EQUIPMENT CORPORATION MAYNARD, MASSACHUSETTS				QUANTITY/VARIATION			
PARTS LIST				861-D			
MADE BY Tyrone Quillin		CHECKED <i>R. Carthy</i>		SECTION 1			
DATE 3/11/75		DATE 4/9/75		ISSUED SECT. 1			
ENG <i>Jim Drees</i>		PROD <i>Jim Drees</i>					
DATE 4/11/75		DATE 4/11/75					
ITEM NO.	DWG NO. / PART NO.	DESCRIPTION	QTY	UNIT	REV	ECO NO.	
23	D-IA-7010967-0-0	HARNESS #3, POWER CONTROL	1				
24	D-IA-7010969-0-0	HARNESS #5, POWER CONTROL	1				
25	D-IA-7010970-0-0	HARNESS #6, POWER CONTROL	1				
26	C-IA-7010968-0-0	HARNESS #8, POWER CONTROL	1				
27							
28	D-IA-7010972-0-0	JUMPER, WIRE (GRN #10-AWG)	1				
29	D-IA-7010972-1-0	JUMPER, WIRE (WHT, #14AWG)	1				
30	D-IA-7010972-2-0	JUMPER, WIRE (WHT, #14AWG)	2				
31	D-IA-7010972-3-0	JUMPER, WIRE (BLN, #14AWG)	1				
32	D-IA-7010972-4-0	JUMPER, WIRE (BLK, #14AWG)	2				
33	9006010-01	SCR, PHL PAN HD, #4-40 x .31 LG	2				
34	9006021-01	SCR, PHL PAN HD, #6-32 x .31 LG	5				
35	9006037-01	SCR, PHL PAN HD, #8-32 x .38 LG	10				
36	9006655-00	WASHER, FLAT, #4	2				
37	9006653-00	WASHER, FLAT, #6	4				
38	9006660-00	WASHER, FLAT, #8	12				
39	9006664-00	WASHER, FLAT, #10	2				
40	9006688-00	WASHER, SPLIT LOCK, #4	2				
41	9007801-00	WASHER, SPLIT LOCK, #6	32				
42	9006690-00	WASHER, SPLIT LOCK, #8	16				
43	9007906-00	WASHER, SPLIT LOCK, #10	2				
44	9007651-00	WASHER, EXT TOOTH LOCK, #10	2				
TITLE 861-D POWER CONTROL ASSY		ASSY NO. E-UA-861-D- <i>2</i>	SIZE CODE A PL	NUMBER 861-D- <i>2</i>	REV B	ECO NO. 861-D-00002	
SHEET 2 OF 3		DIST.					

DEC FORM DEC 16-(325)-1031-N870
DRA 110

This drawing and specifications, herein, are the property of Digital Equipment Corporation and shall not be reproduced or copied or used in whole or in part as the basis for the manufacture or sale of items without written permission.

DIGITAL EQUIPMENT CORPORATION MAYNARD MASSACHUSETTS				
PACKAGING INSTRUCTION			REV: _____	DATE: _____
TITLE		861-D-E POWER CONTROL		
MATERIAL REQUIREMENTS				
Quantity	Purchase Specification No.	Description		
1	9905726	Full-Overlap Carton		
1	9905727	Laminated Buildup		
5 ft.	9905729	Glasflex Tape		
PACKAGING INSTRUCTIONS				
Step	Procedure			
1	Set up and tape Full-Overlap Carton (9905726) using one strip of Glasflex tape.			
2	Place 861 Power Control into Laminated Buildup (9905727) as shown in Figure 1. Make sure that the slots in the Laminated Buildup align with the power control chassis.			
3	Pick up Laminated Buildup from both sides and slide it into the Full-Overlap Carton (front end first).			
4	Coil the cable on the rear of the power control so that it will fit into the carton.			
5.	Close and seal carton with Glasflex tape.			
ENG <i>Bob Guest</i>	APPD <i>Ken Mearns</i>	DATE <i>5/14/75</i>	SIZE <i>A</i>	CODE <i>SP</i>
NUMBER	3700191-0-0	REV		

This drawing and specifications, herein, are the property of Digital Equipment Corporation and shall not be reproduced or copied or used in whole or in part as the basis for the manufacture or sale of items without written permission.

PACKAGING INSTRUCTION		REV: _____	DATE: _____
TITLE		861-D-E POWER CONTROL PACKAGING INSTRUCTION	
<p>NOTE Make changes to "C" size original only and rephotograph.</p>			
ENG <i>Bob Guest</i>	APPD <i>Ken Mearns</i>	DATE <i>5/14/75</i>	SIZE <i>A</i>
CODE <i>SP</i>	NUMBER	3700191-0-0	REV

CUSTOMER PRINT SET INDEX

THIS IS PRINT SET

SEQUENCE

SEQUENCE

DRAWING DIRECTORY
WIRING DIAGRAM
POWER LINE MONITOR
H7420 POWER SUPPLY
H7420 POWER SUPPLY (P.L.)

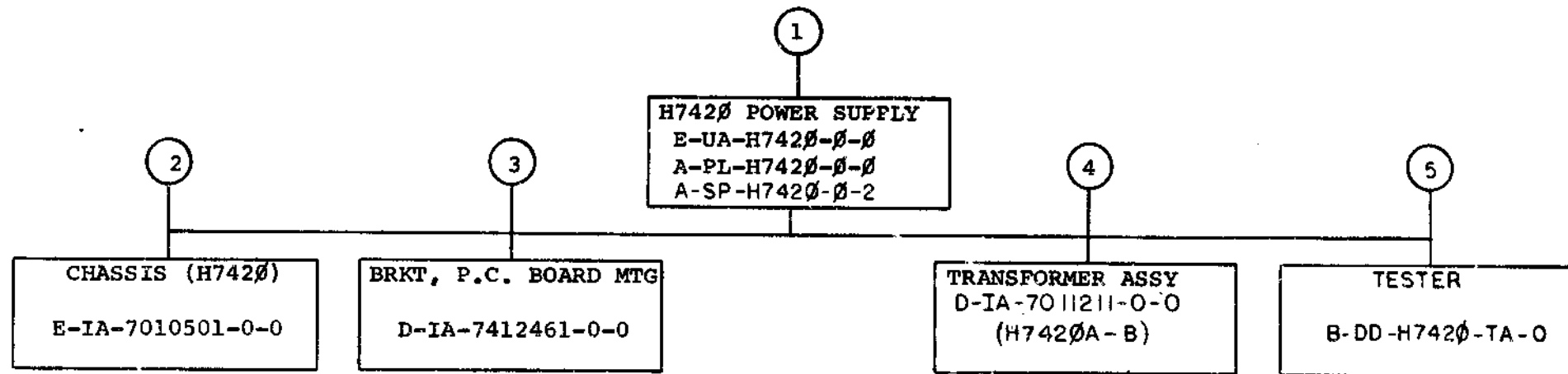
B-DD-H7420-0
D-CS-H7420-0-0
D-CS-5411086-0-1
E-UA-H7420-0-0
A-PL-H7420-0-0

UNIT VARIATIONS		PRINT SET	
VAR	TITLE	1	
H7420A	H7420 POWER SUPPLY (120V)		
H7420B	H7420 POWER SUPPLY (240V)		

DEC 16 11:25:1062-1A-M972

REVISIONS	DATE	CHG. NO.	REV
	6-75	H7420-1	A
	7-75	H7420-2	B
	3-76	H7420-3	C
	4-76	H7420-4	D
	9-76	H7420-5	E

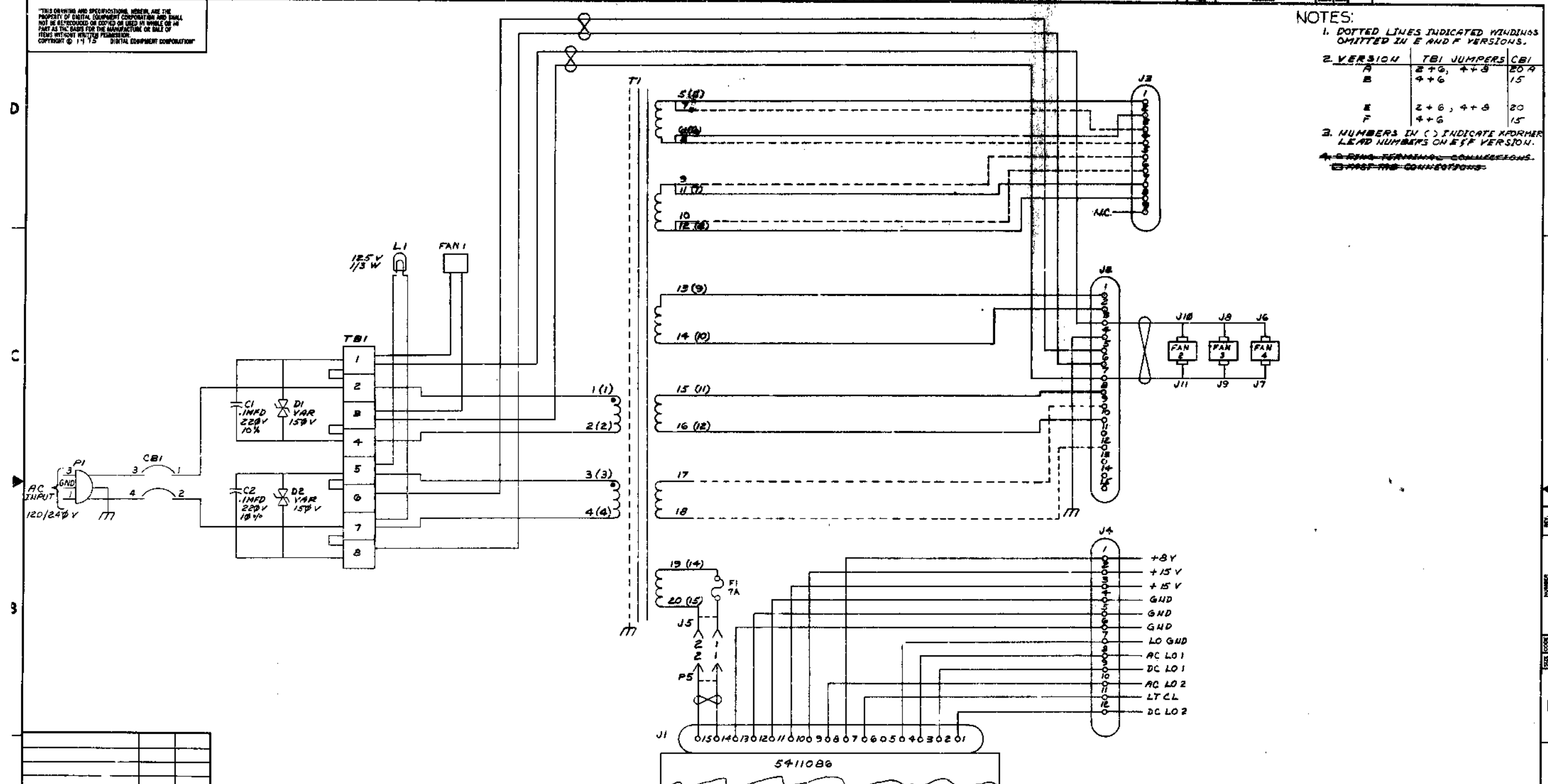
USED ON OPTION/MODEL	DRM.	DATE	TITLE	SIZE	CODE	NUMBER	REV
	R. E. Thellen	1/29/75	H7420 POWER SUPPLY	B	DD	H7420-0	E
	CHK'D. P. Capobianco	2/3/75					
	PROJ ENG. E. J. Kelly	2/3/75					
	PROD. P. Capobianco	2/3/75					
	FIELD SERV. P. Capobianco	2-19-75					
SHEET 1 OF 3			DIST				



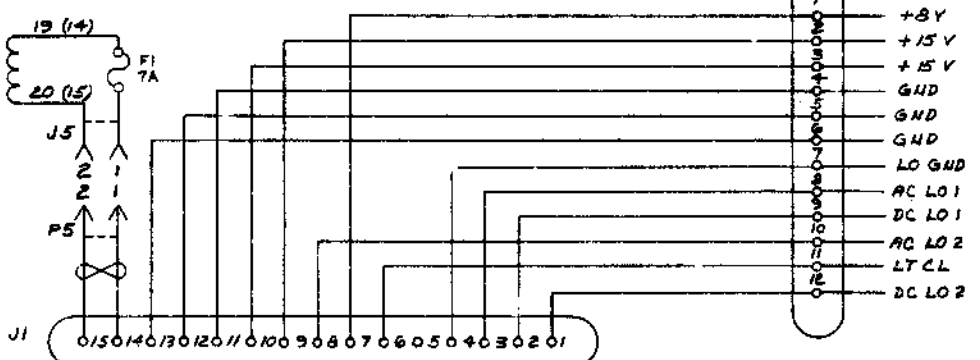
TITLE	SHEET 2 OF 3	SIZE CODE	NUMBER	REV
H7420 POWER SUPPLY	B DD	H7420-0	E	

THIS DRAWING AND SPECIFICATIONS HEREON ARE THE PROPERTY OF DIGITAL EQUIPMENT CORPORATION AND SHALL NOT BE REPRODUCED OR COPIED OR USED IN WHOLE OR IN PART AS THE BASIS FOR THE MANUFACTURE OR SALE OF ITEMS WITHOUT WRITTEN PERMISSION.
 COPYRIGHT © 1975 DIGITAL EQUIPMENT CORPORATION

NOTES:
 1. DOTTED LINES INDICATED WINDINGS OMITTED IN E AND F VERSIONS.
 2. VERSION TBI JUMPERS CBI
 A 2+6, 4+8 20 A
 B 4+6 15
 E 2+6, 4+8 20
 F 4+6 15
 3. NUMBERS IN () INDICATE XFORMER LEAD NUMBERS ON E/F VERSIONS.
 * - RING-TERMINAL CONNECTIONS.
 @ - WIRE CONNECTIONS.



IC TYPE	GND	+5V
GND AND 5V ARE USUALLY PIN 7 AND 14 RESPECTIVELY EXCEPTIONS ARE STATED ABOVE		
IC PIN LOCATIONS		

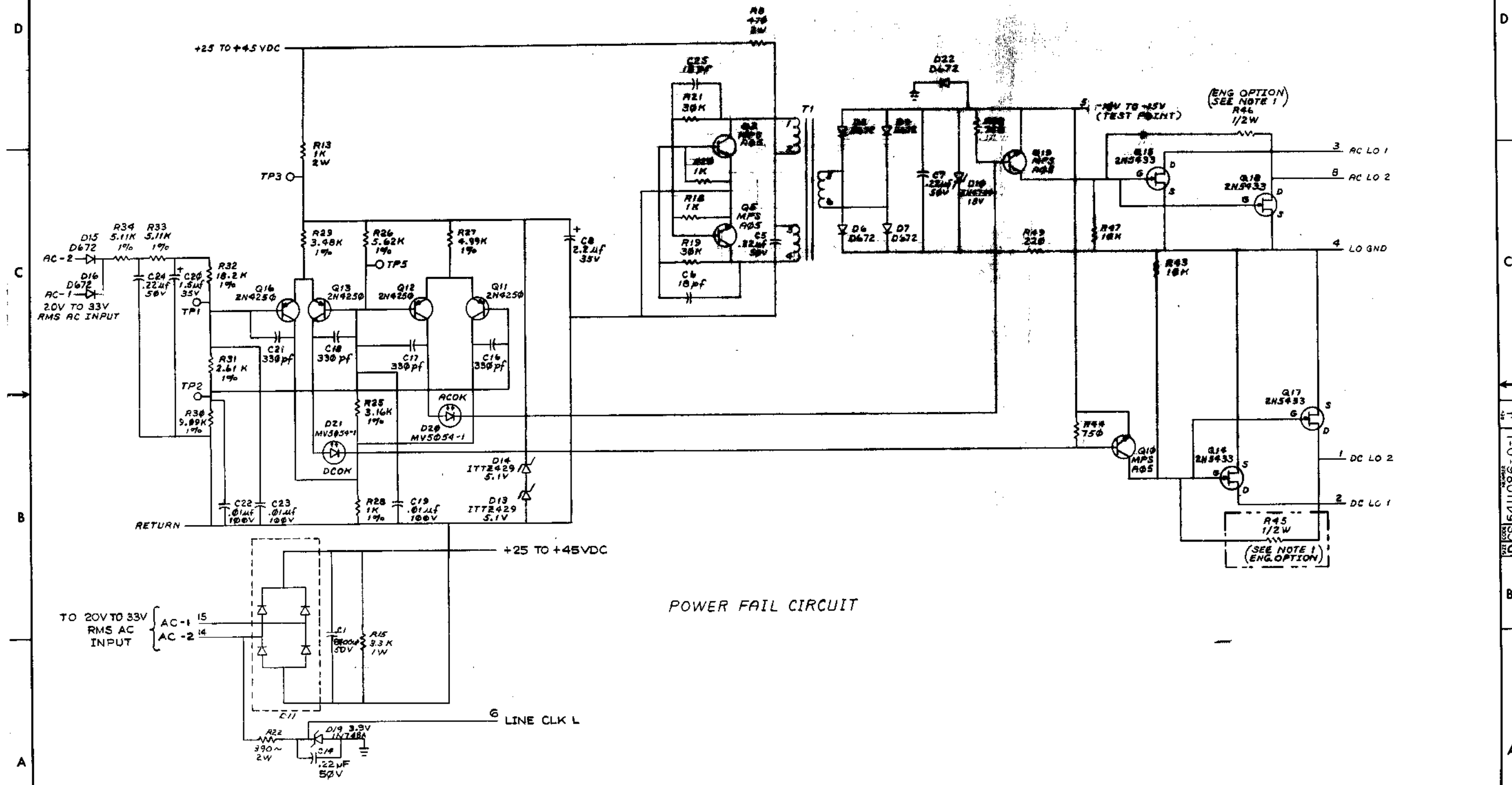


QTY	REF. DESIGNATION	DESCRIPTION	PART NO.	ITEM NO.
	H7420	SEMICONDUCTOR CONVERSION CHART		

DRN. <i>M. Arner</i>	DATE 1-17-75	
CHG. <i>R. Johnson</i>	DATE 2-27-75	
ENG. <i>R. Johnson</i>	DATE 2/27/75	
PRD. ENG. <i>R. Johnson</i>	DATE 2/27/75	
PROG. <i>R. Johnson</i>	DATE 2/27/75	
NEXT HIGHER ASSY		
SCALE		
SHEET 1 OF 1		

DEC. NO.	EIA NO.	DEC. NO.	FIA NO.
SEMICONDUCTOR CONVERSION CHART			

"THIS DRAWING AND SPECIFICATIONS HEREAFTER ARE THE PROPERTY OF DIGITAL EQUIPMENT CORPORATION AND SHALL NOT BE REPRODUCED OR COPIED IN WHOLE OR IN PART AS THE BASIS FOR THE MANUFACTURE OR SALE OF ITEMS WITHOUT WRITTEN PERMISSION. COPYRIGHT © 1974 DIGITAL EQUIPMENT CORPORATION"



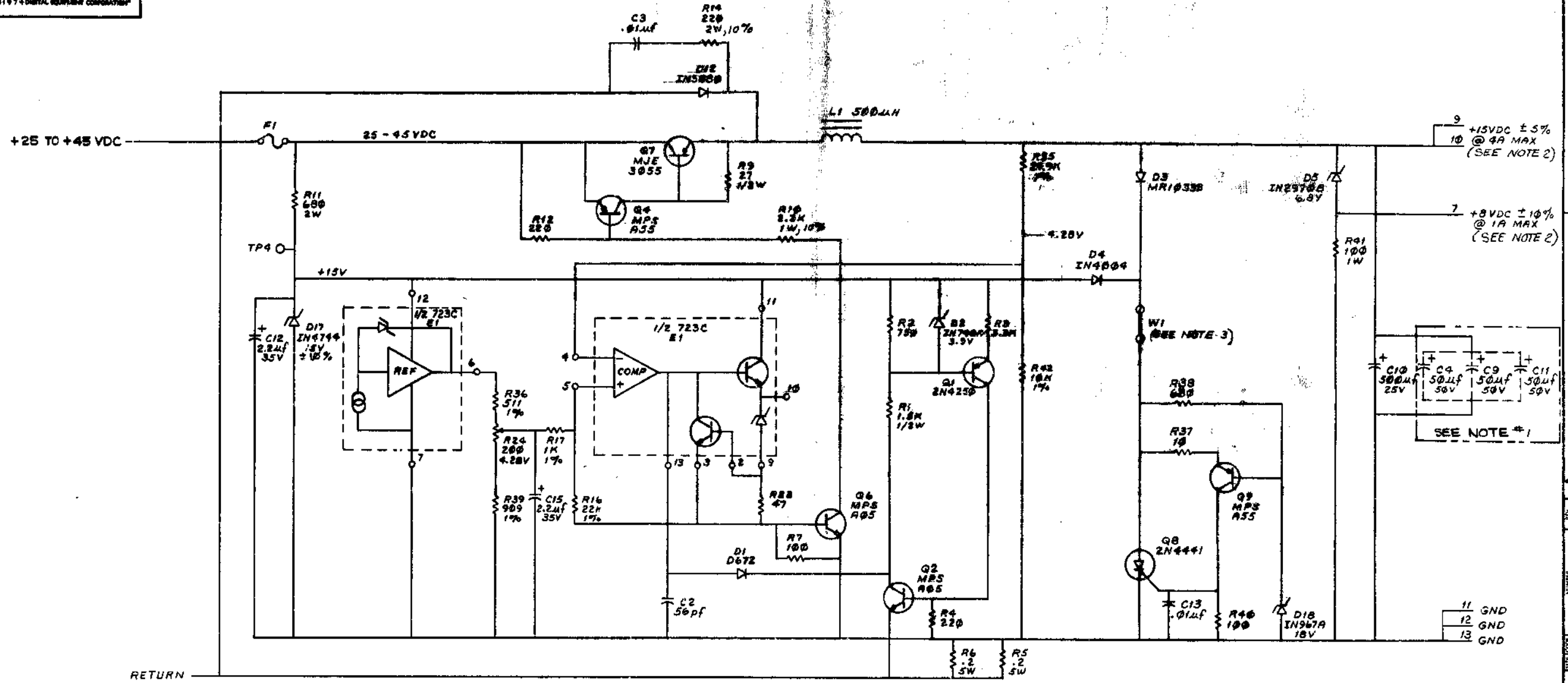
POWER FAIL CIRCUIT

REVISIONS		
CHK	CHANGE NO.	REV.

TITLE	FWR. LINE MONITOR/15V REG.	SIZE/CODE	NUMBER	REV.
SCALE	SHEET 3 OF 4	DIST.	DCS 5411086-0-1	J

"THE DRAWING AND INFORMATION HEREON ARE THE PROPERTY OF DIGITAL EQUIPMENT CORPORATION AND SHALL NOT BE REPRODUCED OR TRANSMITTED IN ANY FORM OR BY ANY MEANS, ELECTRONIC OR MECHANICAL, INCLUDING PHOTOCOPYING, RECORDING, OR BY ANY INFORMATION STORAGE AND RETRIEVAL SYSTEM, WITHOUT THE WRITTEN PERMISSION OF DIGITAL EQUIPMENT CORPORATION."

D/CS 5411086-0-1 2

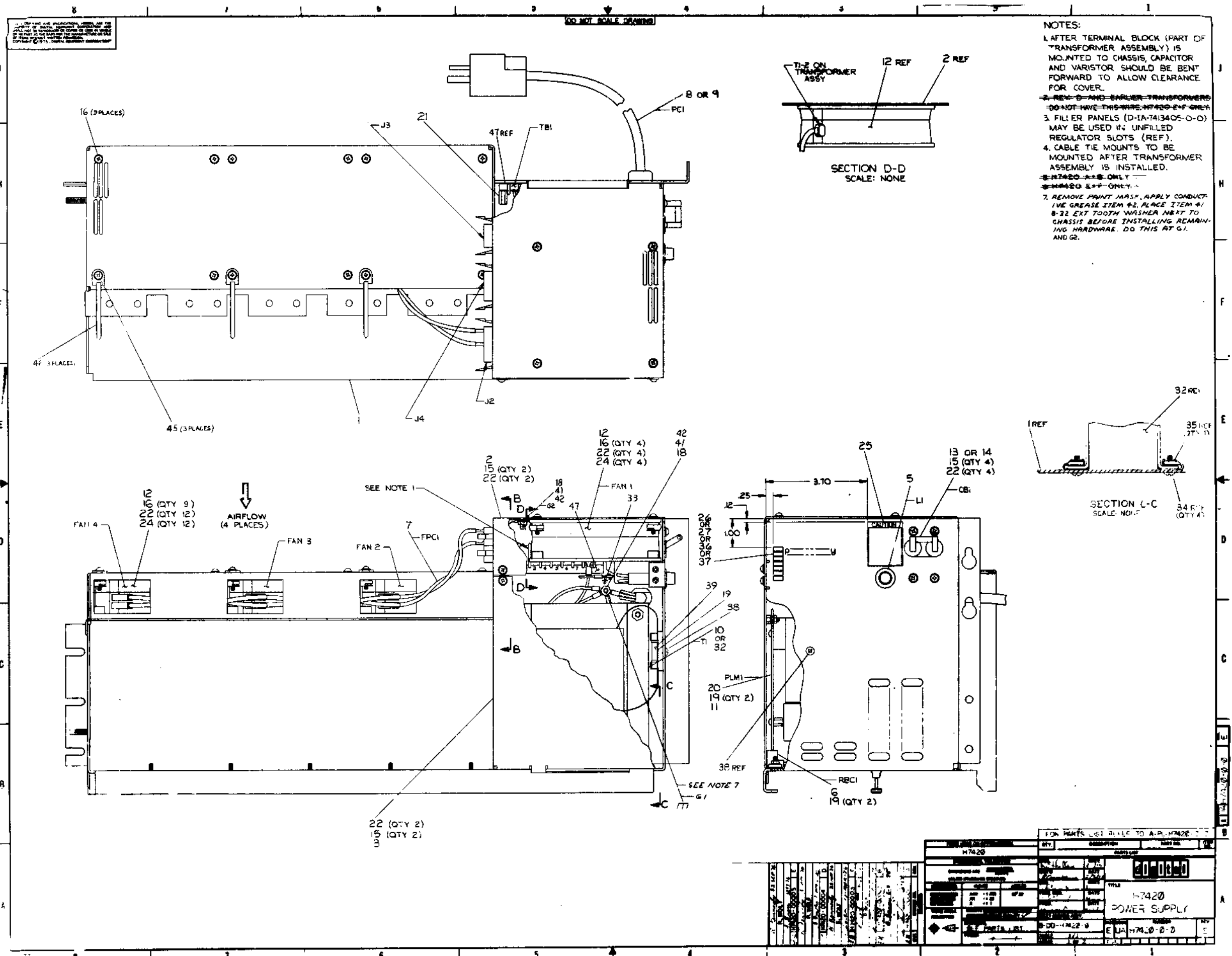


15V REGULATOR
(SEE NOTE #4)

REVISIONS		
CHK	CHANGE NO.	REV.

TITLE	PWR. LINE MONITOR/15V REG.	SIZE CODE	NUMBER	REV.
SCALE	1/1	SHEET	4 OF 4	D

D/CS 5411086-0-1 J



DO NOT SCALE DRAWING

- NOTES:
- AFTER TERMINAL BLOCK (PART OF TRANSFORMER ASSEMBLY) IS MOUNTED TO CHASSIS, CAPACITOR AND VARISTOR SHOULD BE BENT FORWARD TO ALLOW CLEARANCE FOR COVER.
 - REV B AND EARLIER TRANSFORMERS DO NOT HAVE THIS WIRE. REV C+ ONLY.
 - FILTER PANELS (D-1A-7413405-0-0) MAY BE USED IF UNFILLED REGULATOR SLOTS (REF).
 - CABLE TIE MOUNTS TO BE MOUNTED AFTER TRANSFORMER ASSEMBLY IS INSTALLED.
 - REV C+ ONLY.
 - REV C+ ONLY.
 - REMOVE PAINT MASK, APPLY CONDUCTIVE GREASE ITEM #2, PLACE ITEM #1 8-32 EXT TOOTH WASHER NEXT TO CHASSIS BEFORE INSTALLING REMAINING HARDWARE. DO THIS AT G1 AND G2.

SECTION D-D
SCALE: NONE

SECTION C-C
SCALE: NONE

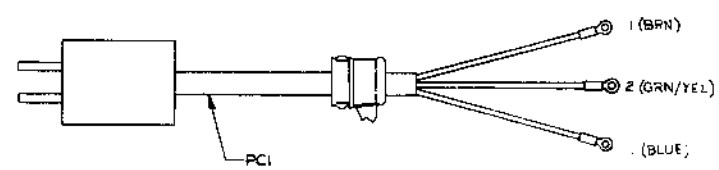
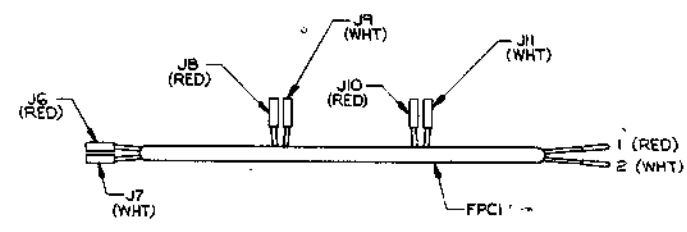
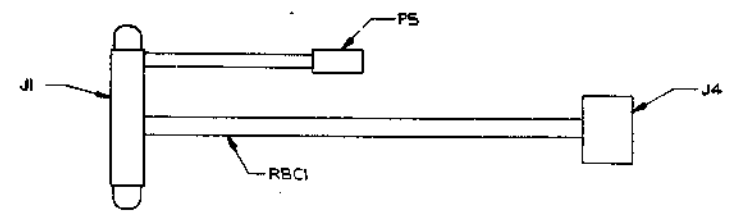
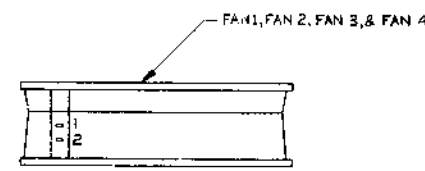
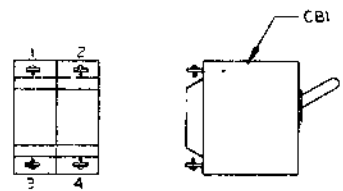
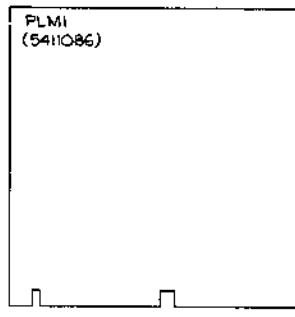
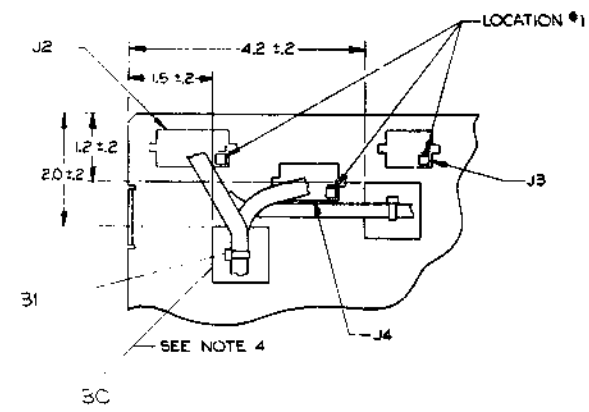
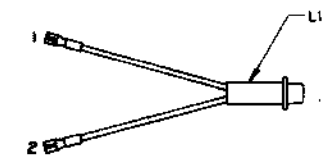
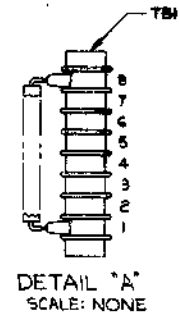
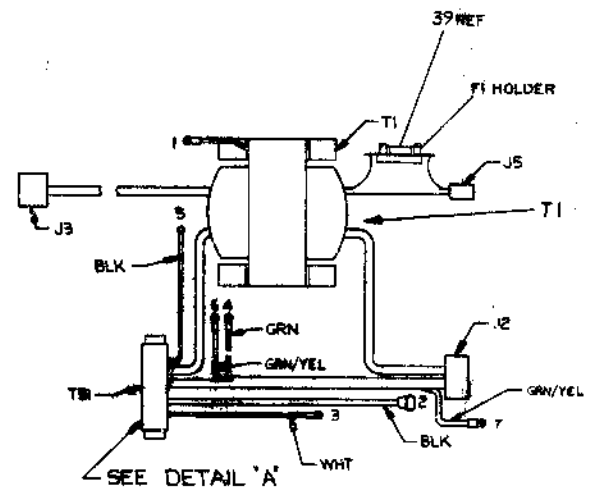
FOR PARTS LIST REFER TO A-PL-M7420-01		QTY.	DESCRIPTION	REV. NO.	REV.
M7420					
POWER SUPPLY					
EUA-M7420-0-0					

THIS DRAWING AND SPECIFICATIONS HEREOF ARE THE PROPERTY OF THE AIR FORCE. IT IS TO BE KEPT IN CONFIDENCE AND NOT TO BE REPRODUCED OR TRANSMITTED IN ANY FORM OR BY ANY MEANS, ELECTRONIC OR MECHANICAL, INCLUDING PHOTOCOPYING, RECORDING, OR BY ANY INFORMATION STORAGE AND RETRIEVAL SYSTEM.

DO NOT SCALE DRAWING

WIRE TABLE				
ITEM NO	DESCRIPTION	FROM CONNECTION	TO CONNECTION	REMARKS
1	14 GRN	T1-1	RBC1-PS	SEE NOTE 2, 7
2	14 BLK	T1-2	FAN1-1 E 2	
3	14 WHT	T1-3	CBI-1	
4	14 GRN	T1-4	61	SEE NOTE 7
10	14 BLK	T1-5	CBI-2	
5	22 BLK	L1-1	TBI-5	
6	22 BLK	L1-2	TBI-7	
7	16 RED	FPC1-J6	FAN 4-1	
8	16 WHT	FPC1-J7	FAN 4-2	
9	16 RED	FPC1-J8	FAN 3-1	
10	16 WHT	FPC1-J9	FAN 3-2	
11	16 RED	FPC1-J10	FAN 2-1	
12	16 WHT	FPC1-J11	FAN 2-2	
13	16 RED	FPC1-1	J2-3	
14	16 WHT	FPC1-2	J2-7	
15	14 BRN	PCI-1	CBI-4	
16	14 GRN/YEL	PCI-2	61	SEE NOTE 7
17	14 BLU	PCI-3	CBI-3	
18	14 GRN/YEL	PLM1	RBC1-J1	SEE NOTE 7
19	14 GRN/YEL	T1-6	G1	SEE NOTE 7
20	14 GRN/YEL	T1-7	G2	SEE NOTE 7

JUMPER TABLE					
ITEM NO	DESCRIPTION	FROM CONNECTION WITH	TO CONNECTION WITH	PRECUT LENGTH	VARIATION
21	J4	TBI-2	TBI-5	3.0	H7420E1A
22	J4	TBI-4	TBI-8	3.0	H7420F1B
23	J4	TBI-4	TBI-5	3.0	H7420F1B



REVISIONS	CHANGE NO.	REV.

TITLE: H7420 POWER SUPPLY
 NUMBER: EJA H7420-2-2
 SCALE: NONE
 SHEET: 2 of 2
 DATE:

DIGITAL EQUIPMENT CORPORATION MAYNARD, MASSACHUSETTS				QUANTITY/VARIATION																	
PARTS LIST				H7420A		H7420B															
MADE BY	R. THELLEN	CHECKED	P. CAPPABIANCA	SECTION																	
DATE	1/17/75	DATE	2/3/75	1																	
ENG	R. WOLF	PROD	J. BORNSTEIN	ISSUED SECT.																	
DATE	2/3/75	DATE	2/3/75	1																	
ITEM NO.	DWG NO. / PART NO.	DESCRIPTION			H7420A	H7420B															
1	E-IA-7010501-0-0	CHASSIS (H7420)			1	1															
2	D-MD-7412459-0-0	COVER, CONTROL BOX			1	1															
3	D-IA-7412461-0-0	BRKT, P.C. BOARD MTG.			1	1															
4	C-IA-7413125-0-0	PLATE, ADAPTER (H7420)																			
5	C-IA-7010730-0-0	POWER INDICATOR ASSEMBLY			1	1															
6	D-IA-7010729-0-0	CABLE, REGULATOR BOARD			1	1															
7	D-IA-7010728-0-0	CABLE, FAN POWER			1	1															
8	C-IA-7010727-1-0	POWER CORD ASSY (120V)			1	-															
9	C-IA-7010727-2-0	POWER CORD ASSY (240V)			-	1															
10	D-IA-7010814-0-0	TRANSFORMER ASSY																			
11	D-CS-5411086-0-1	POWER LINE MONITOR			1	1															
12	1209403-01	FAN			4	4															
13	1210191-06	CIRCUIT BREAKER (20A)																			
14	1210191-03	CIRCUIT BREAKER (15A)																			
15	9006020-01	SCR, PHL PAN HD #6-32 x .25			8	8															
16	9006025-01	SCR, PHL PAN HD #6-32 x .62			13	13															
17	9006565-00	NUT, KEP #10-32																			
18	9006563-00	NUT, KEP #8-32			2	2															
19	9008185-00	NUT, KEP #6-32			5	5															
20	9006840-00	SPACER, #6-32 x .19			2	2															
21	9006851-00	SPACER, #6-32 x .50			2	2															
22	9006633-00	WASHER, INT. TOOTH LOCK #6			24	24															
TITLE		POWER SUPPLY H7420		ASSY NO.	E-UA-H7420-0-0	SIZE CODE	A PL	NUMBER	H7420-0-0	REV.	E	ECO NO.	H7420-00005								
SHEET		1 OF 3		DIST.																	

DEC FORM DEC 16 (325)-1031-N870
DRA 110

DIGITAL EQUIPMENT CORPORATION MAYNARD, MASSACHUSETTS				QUANTITY/VARIATION																	
PARTS LIST				H7420A		H7420B															
MADE BY	R. THELLEN	CHECKED	P. CAPPABIANCA	SECTION																	
DATE	17-JAN-75	DATE	3-FEB-75	1																	
ENG	R. WOLF	PROD	J. BORNSTEIN	ISSUED SECT.																	
DATE	3-FEB-75	DATE	3-FEB-75	1																	
ITEM NO.	DWG NO. / PART NO.	DESCRIPTION			H7420A	H7420B															
45	9006026-1	SCR PH PAN HD #6-32 x 3/4			3	3															
46	9007033	TIE CABLE			3	3															
47	9006933	BLOCK, TERM MARKER STRIP			1	1															
TITLE		POWER SUPPLY H7420		ASSY NO.	E-UA-H7420-0-0	SIZE CODE	A PL	NUMBER	H7420-0-0	REV.	E	ECO NO.	H7420-00005								
SHEET		3 OF 3		DIST.																	

DEC FORM DEC 16 (325)-1031-N870
DRA 110

DIGITAL EQUIPMENT CORPORATION MAYNARD, MASSACHUSETTS				QUANTITY/VARIATION																	
PARTS LIST				H7420A		H7420B															
MADE BY	R. THELLEN	CHECKED	P. CAPPABIANCA	SECTION																	
DATE	1/17/75	DATE	2/3/75	1																	
ENG	R. WOLF	PROD	J. BORNSTEIN	ISSUED SECT.																	
DATE	2/3/75	DATE	2/3/75	1																	
ITEM NO.	DWG NO. / PART NO.	DESCRIPTION			H7420A	H7420B															
23	9008509-00	RELIEF, STRAIN																			
24	9009165-00	CLIP, FAN MOUNTING			16	16															
25	A-DC-7413184-0-0	POWER SUPPLY DECAL (H7420)			1	1															
26	A-DC-7413186-0-0	POWER SUPPLY DECAL (H7420)																			
27	A-DC-7413188-0-0	POWER SUPPLY DECAL (H7420)																			
28	9007969-00	TERMINAL, QUICK CONNECT			4	2															
29	9107370-00	WIRE, #14 AWG, 1' VC			5	5															
30	900826-00	MOUNT, CABLE TIE ADHESIVE			2	2															
31	9007880-00	TIE, CABLE			2	2															
32	D-IA-7011211-0-0	TRANSFORMER ASSY			1	1															
33	3612680-01	SAFETY GROUND DECAL			1	1															
34	9006074-3	SCR, PF. HD. TRUSS 10x52x5/8			4	4															
35	9006586	TINNERMAN SPEED NUT 10-32			4	4															
36	A-DC-7413966-0-0	POWER SUPPLY DECAL (H7420A)																			
37	A-DC-7413967-0-0	POWER SUPPLY DECAL (H7420B)			-	1															
38	9006021-1	SCR, PAN HD. 6-32x5/16			1	1															
39	9007224	FUSE 7 AMP SLOW BLOW			1	1															
40	9009244-01	RELIEF, STRAIN																			
41	9008072	8-32 WASHER EXT. TOOTH			1	1															
42	4901173-01	CONDUCTIVE GREASE			5	5															
43	1212124-01	CIRCUIT BREAKER (20A) SCREW TERM.			1	-															
44	1212124-02	CIRCUIT BREAKER (15A) SCREW TERM.			-	1															
TITLE		POWER SUPPLY H7420		ASSY NO.	E-UA-H7420-0-0	SIZE CODE	A PL	NUMBER	H7420-0-0	REV.	E	ECO NO.	H7420-00005								
SHEET		2 OF 3		DIST.																	

DEC FORM DEC 16 (325)-1031-N870
DRA 110

CUSTOMER PRINT SET		ELECTRICAL					CUSTOMER PRINT SET		MECHANICAL						
H744-1		MFG. SET	FIND NO.	REV	NO OF SHT	DESCRIPTION	OPTION NO./FILE DATE	H744-1		MFG. SET	FIND NO.	REV	NO OF SHT	DESCRIPTION	OPTION NO./FILE DATE
X			1	Y	1	CIRCUIT SCHEMATIC	H744	X			1	V	1	UNIT ASSY	H744
		X	A-SP-H744-0-3			TEST PROCEDURE	H744				D-PS-1210737-0-0		1	HEAT SINK	H744
		X	A-SP-H744-0-8			MFG. SPEC	H744				D-IA-5309756-0-0		1	REGULATOR BRK'T	H744
											C-IA-5309760-0-0		1	COMPONENT COVER	H744
											C-MD-5309759-0-0		1	CAPACITOR STRAP	H744
											2 A-PI-3700074-0-0	-	2	PACKAGING INSTRUCTION	H744
											A-PS-9905211-0-0	-	2	OUTER CARTON	
											A-PS-9905212-0-0	-	2	INNER PACKAGING	
											C-IA-7412388-0-0			2.5 CAP HOLDER	H744

CUSTOMER PRINT SET CODES

X = PRINT OF DOCUMENT INCLUDED IN PRINT SET
 C = INCLUDES ALL PRINTS INDICATED ON DOCUMENT
 S = CONFIDENTIAL AUTHORIZED SIGNATURE REQUIRED

TITLE

+5v REGULATOR

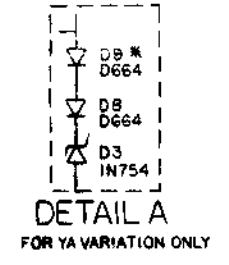
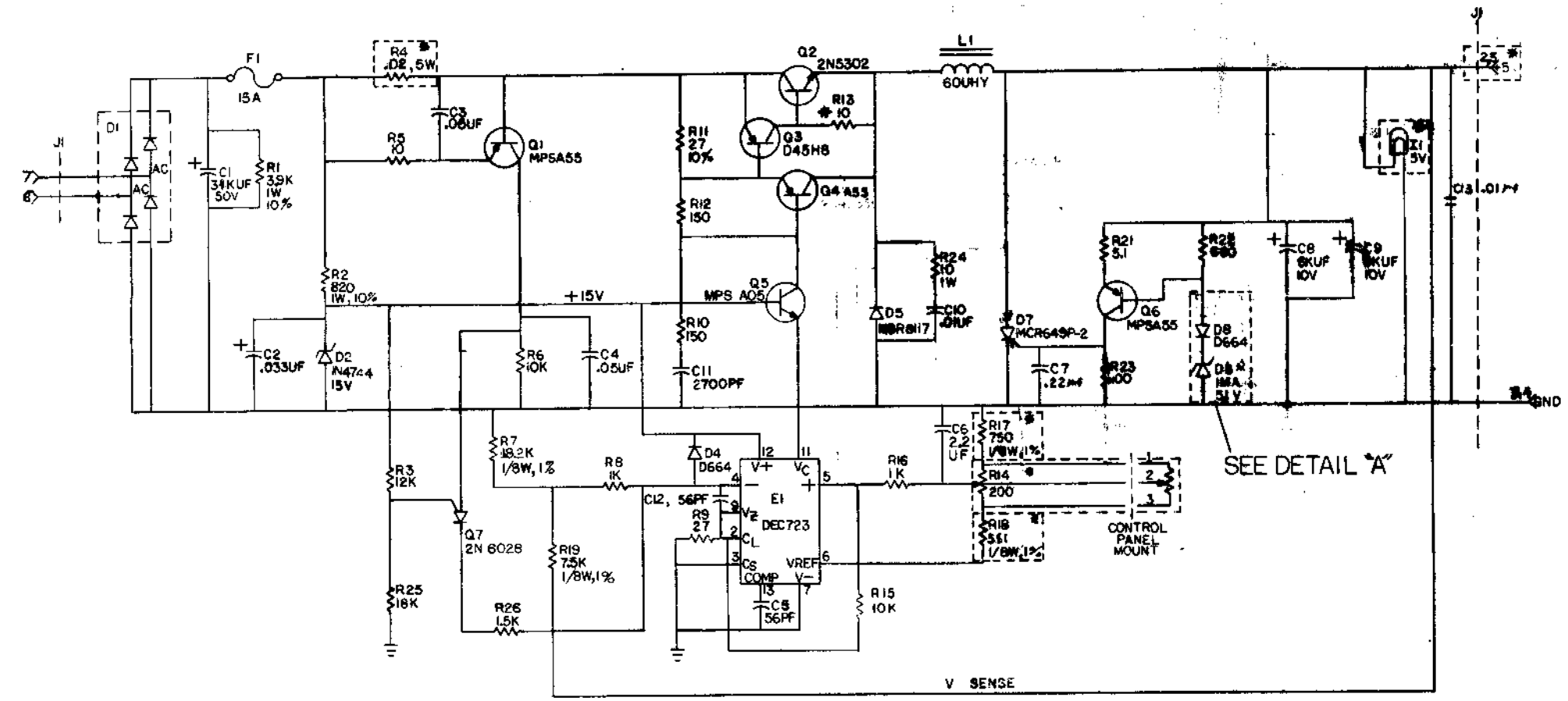
SHEET 2 OF 2

SIZE COL: B DD

NUMBER H744-0

REV P

The drawings and specifications herein are the property of Digital Equipment Corporation and shall not be reproduced or used in whole or in part as the basis for the manufacture of items without written permission. © 1975 Digital Equipment Corporation



* FUSIBLE RESISTOR

FOR YA VARIATION COMPONENT VALUES ARE AS FOLLOWS:
 R4 - .06 5W
 R14 - 1K 10 TURN
 R17 - 300 1/8W 1%
 R18 - 150 1/4W 5%
 D3 - IN754
 I1 - 15V
 J1-2,5 - +20-8.0V

* D9 - D664 ADDED FOR YA VARIATION ONLY

UNLESS OTHERWISE INDICATED:
 RESISTORS ARE 1/4W, 5%

SEE DETAIL "A"

1	D. MARTEL	1-7-75
2	H744-00013	1-7-75
3	A. BARON	1-7-75
4	H744-00015	1-7-75
5	H744-00016	1-7-75
6	H744-00017	1-7-75
7	H744-00018	1-7-75
8	H744-00019	1-7-75
9	H744-00020	1-7-75
10	H744-00021	1-7-75
11	H744-00022	1-7-75
12	H744-00023	1-7-75
13	H744-00024	1-7-75
14	H744-00025	1-7-75
15	H744-00026	1-7-75
16	H744-00027	1-7-75
17	H744-00028	1-7-75
18	H744-00029	1-7-75
19	H744-00030	1-7-75
20	H744-00031	1-7-75
21	H744-00032	1-7-75
22	H744-00033	1-7-75
23	H744-00034	1-7-75
24	H744-00035	1-7-75
25	H744-00036	1-7-75
26	H744-00037	1-7-75
27	H744-00038	1-7-75
28	H744-00039	1-7-75
29	H744-00040	1-7-75
30	H744-00041	1-7-75
31	H744-00042	1-7-75
32	H744-00043	1-7-75
33	H744-00044	1-7-75
34	H744-00045	1-7-75
35	H744-00046	1-7-75
36	H744-00047	1-7-75
37	H744-00048	1-7-75
38	H744-00049	1-7-75
39	H744-00050	1-7-75
40	H744-00051	1-7-75
41	H744-00052	1-7-75
42	H744-00053	1-7-75
43	H744-00054	1-7-75
44	H744-00055	1-7-75
45	H744-00056	1-7-75
46	H744-00057	1-7-75
47	H744-00058	1-7-75
48	H744-00059	1-7-75
49	H744-00060	1-7-75
50	H744-00061	1-7-75
51	H744-00062	1-7-75
52	H744-00063	1-7-75
53	H744-00064	1-7-75
54	H744-00065	1-7-75
55	H744-00066	1-7-75
56	H744-00067	1-7-75
57	H744-00068	1-7-75
58	H744-00069	1-7-75
59	H744-00070	1-7-75
60	H744-00071	1-7-75
61	H744-00072	1-7-75
62	H744-00073	1-7-75
63	H744-00074	1-7-75
64	H744-00075	1-7-75
65	H744-00076	1-7-75
66	H744-00077	1-7-75
67	H744-00078	1-7-75
68	H744-00079	1-7-75
69	H744-00080	1-7-75
70	H744-00081	1-7-75
71	H744-00082	1-7-75
72	H744-00083	1-7-75
73	H744-00084	1-7-75
74	H744-00085	1-7-75
75	H744-00086	1-7-75
76	H744-00087	1-7-75
77	H744-00088	1-7-75
78	H744-00089	1-7-75
79	H744-00090	1-7-75
80	H744-00091	1-7-75
81	H744-00092	1-7-75
82	H744-00093	1-7-75
83	H744-00094	1-7-75
84	H744-00095	1-7-75
85	H744-00096	1-7-75
86	H744-00097	1-7-75
87	H744-00098	1-7-75
88	H744-00099	1-7-75
89	H744-00100	1-7-75

QTY	REF DESIGNATION	DESCRIPTION	PART NO.	ITEM NO.
PARTS LIST				
ETCH BOARD REV F H				
1	IN664A	SAME	MPSA55	
1	D664	IN3606	2N5302	
1	MCR649P-2		D45H8	
1	IN754A	SAME	MPSA05	
1	IN4744	SAME		
1	NSR8117			
1	2N6028			
DEC NO.		EIA NO.		SCALE
SEMICONDUCTOR CONVERSION CHART		DIST.		OF

EQUIPMENT CORPORATION
MAYFIELD, MASSACHUSETTS

5V REGULATOR

REVISIONS: 1-7-75

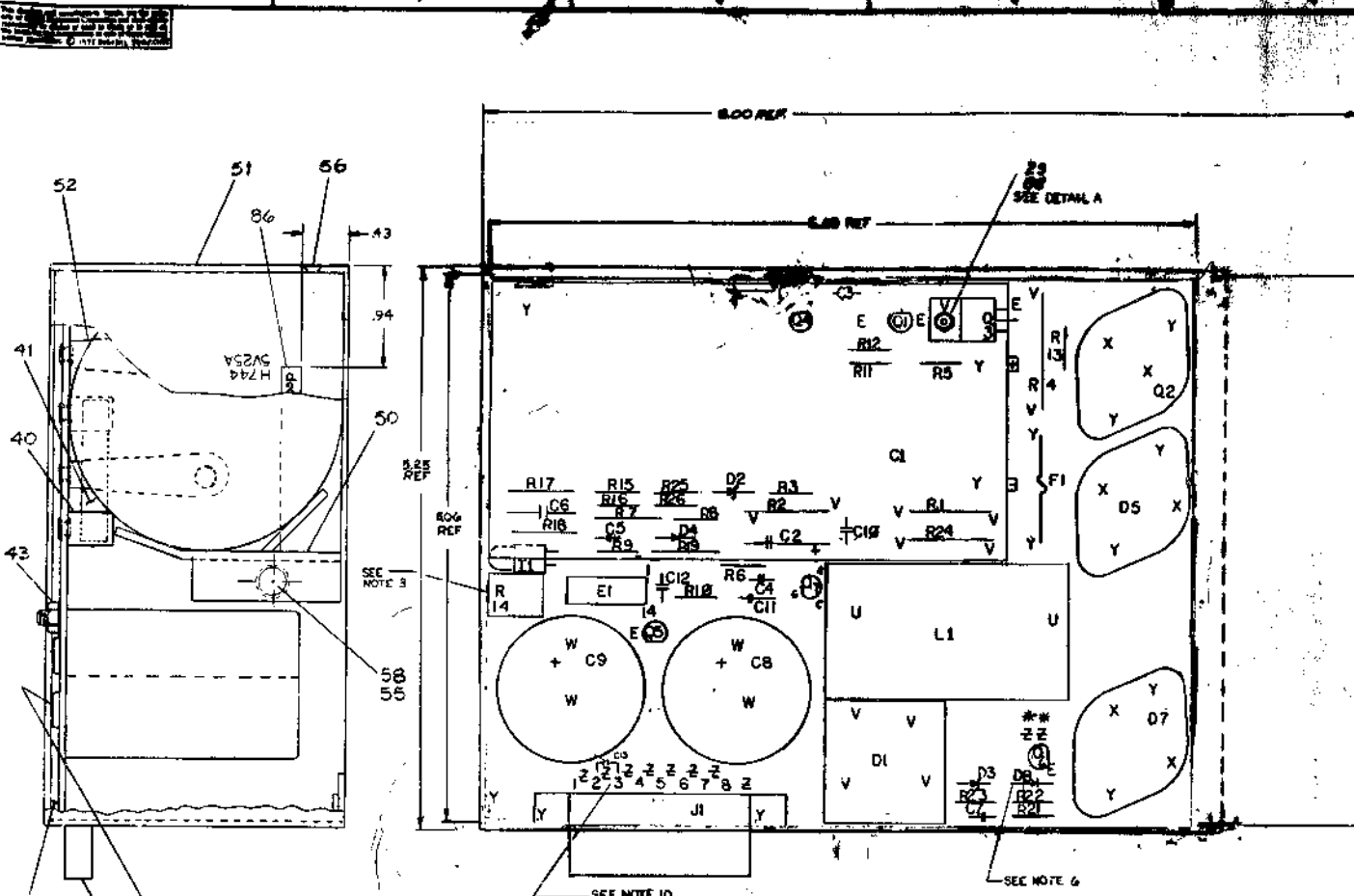
DATE: 1-7-75

BY: [Signature]

CHK: [Signature]

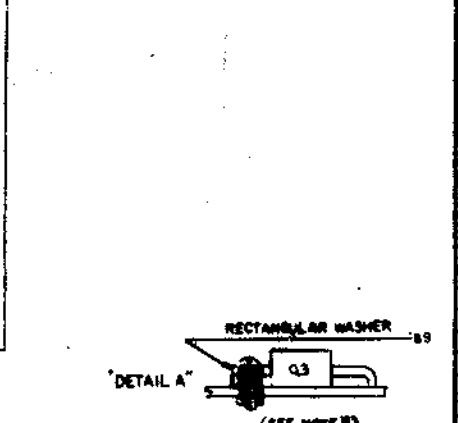
REV. 1

NUMBER: H744-0-1



QTY	REF	DESIGNATION	DESCRIPTION	PART NO.
1	R1	RES 100 OHM 5%	RES 100 OHM 5%	1300224
1	R2	RES 220 OHM 10%	RES 220 OHM 10%	1300358
1	R3	RES 3.9K OHM 10%	RES 3.9K OHM 10%	1302927
1	R4	RES 10 OHM 5%	RES 10 OHM 5%	1301317
2	R5, R10	RES 150 OHM 5%	RES 150 OHM 5%	1300230
1	R6	RES 27 OHM 5%	RES 27 OHM 5%	1301420
1	R7	RES 18.2K OHM 1%	RES 18.2K OHM 1%	1303912
2	R8, R16	RES 1K OHM 5%	RES 1K OHM 5%	1300505
1	R9	RES 511 OHM 1%	RES 511 OHM 1%	1302411
1	R25	RES 10 OHM 5%	RES 10 OHM 5%	1302465
2	R6, R15	RES 10 K OHM 5%	RES 10 K OHM 5%	1300471
2	R4	RES 10 OHM 5%	RES 10 OHM 5%	1310376
1	R2	RES 220 OHM 10%	RES 220 OHM 10%	1300358
1	R1	RES 3.9K OHM 10%	RES 3.9K OHM 10%	1302927
1	R5	RES 10 OHM 5%	RES 10 OHM 5%	1301317
2	R8, R10	RES 150 OHM 5%	RES 150 OHM 5%	1300230
1	D3	DIODE ZENER 1.5V 5W	DIODE ZENER 1.5V 5W	1110945
1	D7	SCR NCR 5A4P-E	SCR NCR 5A4P-E	1109405
4	D4	SCR PFN 1A 1/4 1/4 1/4	SCR PFN 1A 1/4 1/4 1/4	8002942
1	D5	DIODE PWR NER 50V	DIODE PWR NER 50V	1110715
3	D2, D3, D4	DIODE PWR DGG-4	DIODE PWR DGG-4	1100114
1	D2	DIODE ZENER 1N4744	DIODE ZENER 1N4744	1105448
1	D1	DIODE BRIDGE	DIODE BRIDGE	110714
2	C6, C9	CAP 5K1/4 10V	CAP 5K1/4 10V	100704
1	C1	CAP 5K1/4 50V	CAP 5K1/4 50V	1010888
2	C4, C3	CAP 5V 100 17V	CAP 5V 100 17V	1001774
1	C5	CAP 0.58UF 100V 10%	CAP 0.58UF 100V 10%	1000030
1	C7	CAP 500PF 100V 5% DM	CAP 500PF 100V 5% DM	1001087
2	C10, C13	CAP 0.1UF 100V 20% DISC	CAP 0.1UF 100V 20% DISC	1001010
1	C8	CAP 2.2UF 20V 10%	CAP 2.2UF 20V 10%	1002827
1	IC1	ETCHED CIRCUIT BOARD	ETCHED CIRCUIT BOARD	5009728
1	ASSEMBLY	ASSEMBLY	ASSEMBLY	5009728

NOTES:
 1. APPLY ITEM #63 (COMPOUND) BETWEEN TRANSISTOR (Q2, Q3, Q4, Q5) AND HEAT SINK (ITEM #9) ALSO APPLY ITEM #63 (COMPOUND) BETWEEN ITEM #9 (DIODE BRIDGE) AND ITEM #64 (HEAT SINK BRIDGE).



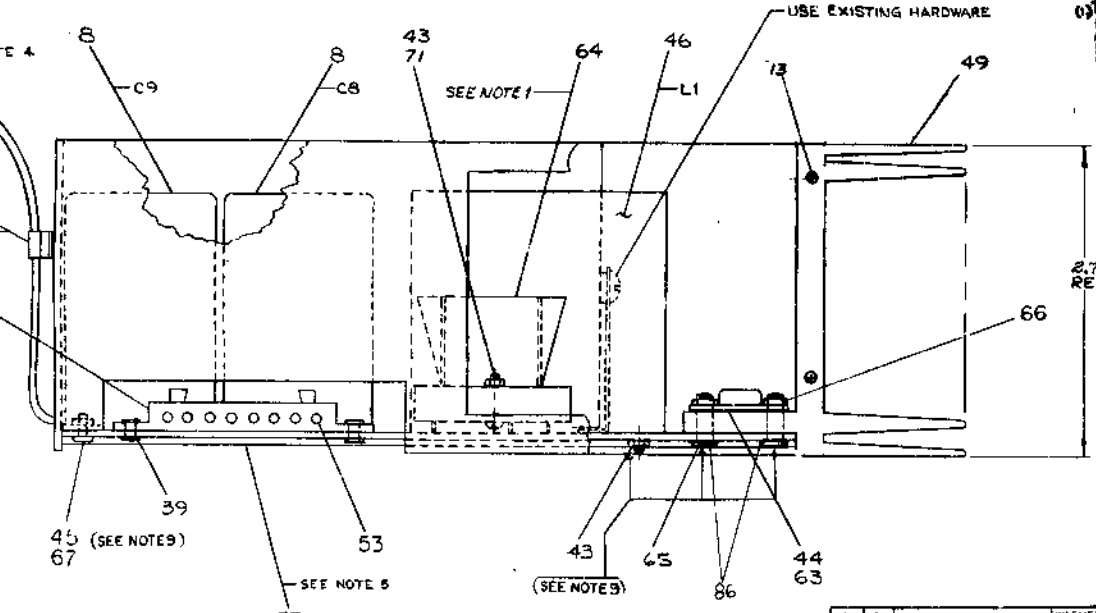
NOTE 8:
 (1) THE SCREW HEAD SHOULD BE ON TOP OF THE RECTANGULAR WASHER AS SHOWN. APPLY 16 INCH LBS. OF TORQUE BEFORE SECURING TO THE BOARD BEFORE SOLDERING.

NOTE 9: TORQUE APPLICATION
 (1) APPLY 12 INCH LBS. OF TORQUE TO ALL #4 HARDWARE EXCEPT Q3.
 (2) APPLY 16 INCH LBS. OF TORQUE TO ALL #6 AND #10 HARDWARE.
 (3) ALL HARDWARE TO BE TORQUED BEFORE SOLDERING.

NOTE 10:
 INSERT C13 INTO ETCH PAD HOLES CONNECTED TO J1 TERMINALS, 2-3.

QTY	REF	DESIGNATION	DESCRIPTION	PART NO.
1	W1	WASHER RECTANGULAR	WASHER RECTANGULAR	5009728
1	R13	RES 10 OHM 5% FUSIBLE	RES 10 OHM 5% FUSIBLE	1312436
1	C7	CAP 500 PF 100V	CAP 500 PF 100V	1010274
1	W2	WASHER INT TOOTH #4	WASHER INT TOOTH #4	9006632
1	W3	WASHER RECTANGULAR	WASHER RECTANGULAR	5009728
1	W4	WASHER INT TOOTH #4	WASHER INT TOOTH #4	9006632
1	C4	CAP 5V 100 17V	CAP 5V 100 17V	1001774
1	C5	CAP 0.58UF 100V 10%	CAP 0.58UF 100V 10%	1000030
1	C7	CAP 500PF 100V 5% DM	CAP 500PF 100V 5% DM	1001087
2	C10, C13	CAP 0.1UF 100V 20% DISC	CAP 0.1UF 100V 20% DISC	1001010
1	C8	CAP 2.2UF 20V 10%	CAP 2.2UF 20V 10%	1002827
1	IC1	ETCHED CIRCUIT BOARD	ETCHED CIRCUIT BOARD	5009728
1	ASSEMBLY	ASSEMBLY	ASSEMBLY	5009728

NOTES:
 3. R14 - 200 OHM VARIABLE IN THIS LOCATION DELETED ONLY FOR YA VARIATION.
 4. ITEMS #79, 80, 81 ADDED ONLY FOR YA VARIATION.
 5. ITEM #57A ADDED ONLY FOR YA VARIATION.
 6. RELOCATING D8 AND ADDITION OF D9 ONLY FOR YA VARIATION.
 7. USE D9 IN YA VARIATION ONLY.



QTY	REF	DESIGNATION	DESCRIPTION	PART NO.
1	R13	WASHER RECTANGULAR	WASHER RECTANGULAR	5009728
1	R13	RES 10 OHM 5% FUSIBLE	RES 10 OHM 5% FUSIBLE	1312436
1	C7	CAP 500 PF 100V	CAP 500 PF 100V	1010274
1	W2	WASHER INT TOOTH #4	WASHER INT TOOTH #4	9006632
1	W3	WASHER RECTANGULAR	WASHER RECTANGULAR	5009728
1	W4	WASHER INT TOOTH #4	WASHER INT TOOTH #4	9006632

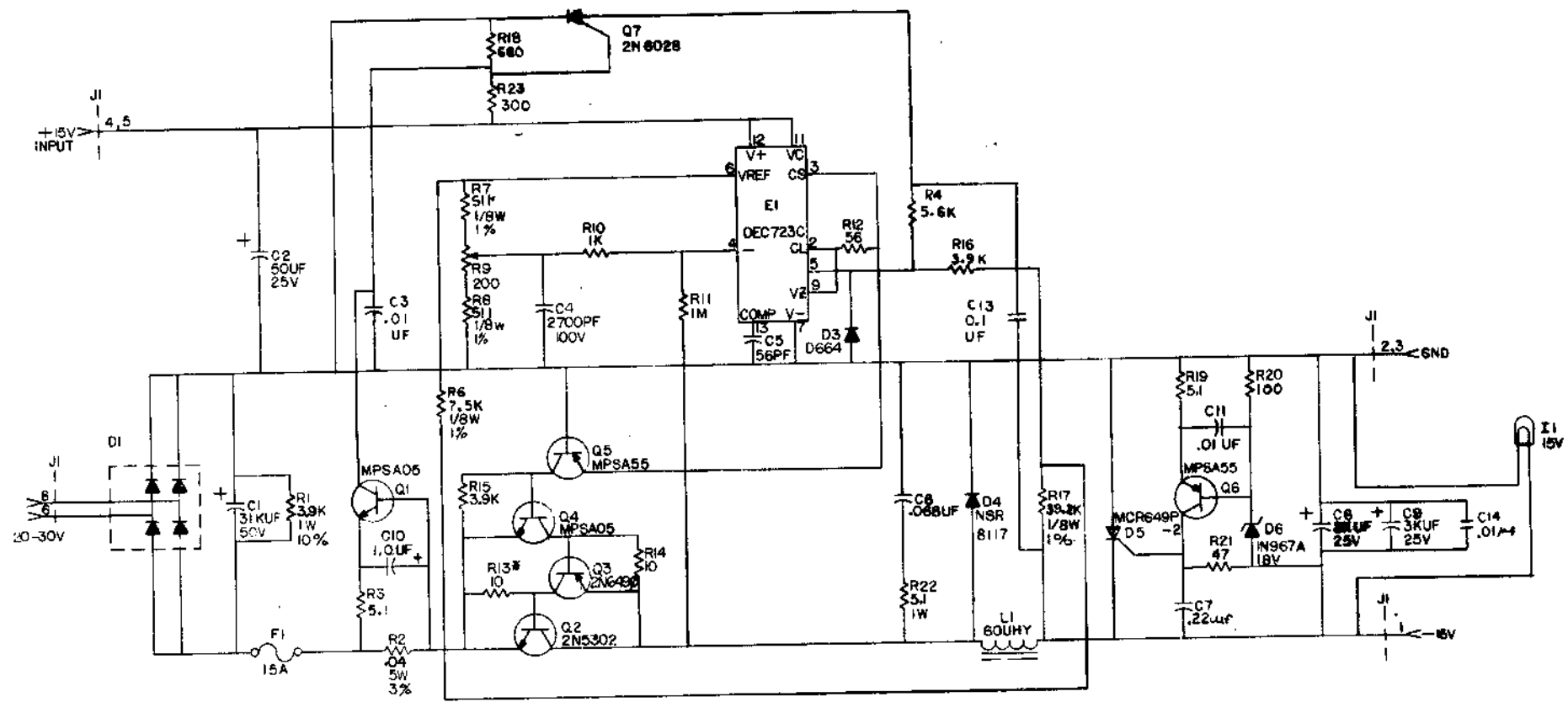
REV	DATE	BY	CHKD	APP	DESCRIPTION

REV	DATE	BY	CHKD	APP	DESCRIPTION

5V REGULATOR

CUSTOMER PRINT SET					ELECTRICAL					CUSTOMER PRINT SET					MECHANICAL							
H745-1					FIND NO.	DRAWING NO.	REV	NO OF SHT	DESCRIPTION	OPTION NO.	H745-1					FIND NO.	DRAWING NO.	REV	NO OF SHT	DESCRIPTION	OPTION NO.	
X					1	D-CS-H745-0-1		1	CIRCUIT SCHEMATIC	H745	X					1	E-UA-H745-0-0		1	UNIT ASS'Y	H745	
			X			A-SP-11/45-TA-2			TEST PROCEDURE	H745							D-PS-1210737-0-0		1	HEAT SINK	H745	
			X			A-SP-H745-0-8			MFG SPEC	H745							D-1A-2208756-0-0		1	REGULATOR BRKT	H745	
						D-AH-H745-0-5											D-1A-5309761-0-0		1	2 - 5 CAP BRKT	H745	
						B-MH-H745-0-6											C-MD-5309759-0-0		1	CAPACITOR STRAP	H745	
																	2	A-PI-3100074-0-0	-	2	PACKAGING INSTRUCTIONS	H745
																		A-PS-9905211-0-0	-	2	OUTER CARTON	H745
																		A-PS-9905212-0-0	-	2	INNER PACKAGE	H745

The drawing and specifications herein are the property of Digital Equipment Corporation and shall not be reproduced or used in whole or in part as the basis for the manufacture or sale of items without written permission. COPYRIGHT © 1972. DIGITAL EQUIP. CORP., MAYNARD, MASS.



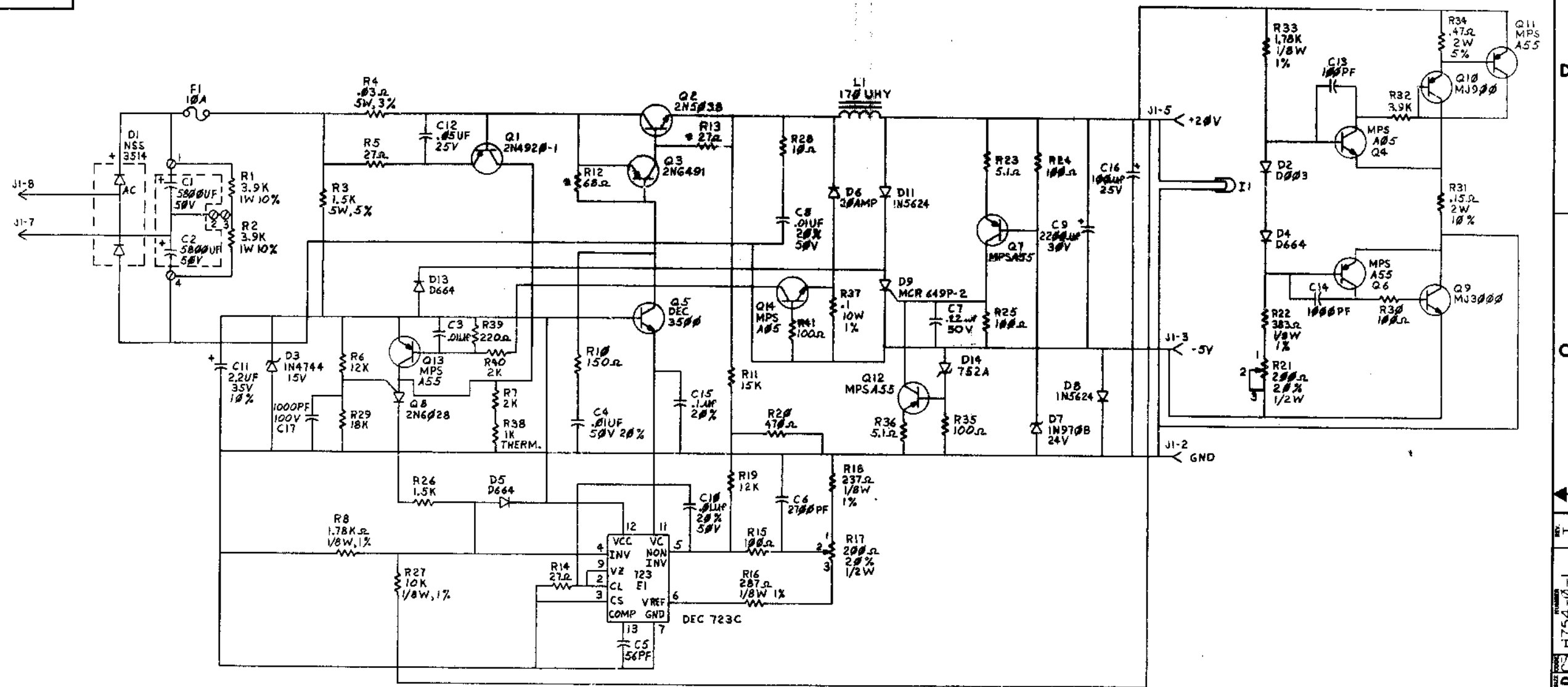
* FUSIBLE
UNLESS OTHERWISE INDICATED:
RESISTORS = 1/4W, 5%

QTY	REF DESIGNATION	DESCRIPTION	PART NO	ITEM NO
PARTS LIST				
	ETCH BOARD REV	E		
	D664	IN 3606	D45H8	
	NSR 8117		2N 6028	
	MCR 649P - 2			
	IN 967A	SAME		
	2N 5302			
	MPS A05			
	MPS A55			
	DEC NO.	EIA NO.	DEC NO.	EIA NO.
SEMICONDUCTOR CONVERSION CHART				
SCALE		SHEET		OF
DIST		DIST		

DRN *W. J. ...* DATE *11-4-71*
 CHK'D. *ALAN I. MOORE* DATE *1-4-71*
 ENG. *...* DATE *1/72*
 PROJ. *...* DATE *1/72*
 PRG. *...* DATE *1/13/72*

digital EQUIPMENT CORPORATION
 MAYNARD MASS. 01901
 TITLE: **-15V REG.**
 SIZE/ CODE: **D/CS** NUMBER: **H745-0-1**

THE DRAWINGS AND SPECIFICATIONS HEREIN ARE THE PROPERTY OF DIGITAL EQUIPMENT CORPORATION AND SHALL NOT BE REPRODUCED OR COPIED OR USED IN WHOLE OR IN PART AS THE BASIS FOR THE MANUFACTURE OF SALE OF ITEMS WITHOUT WRITTEN PERMISSION. COPYRIGHT © 1972, DIGITAL EQUIPMENT CORPORATION

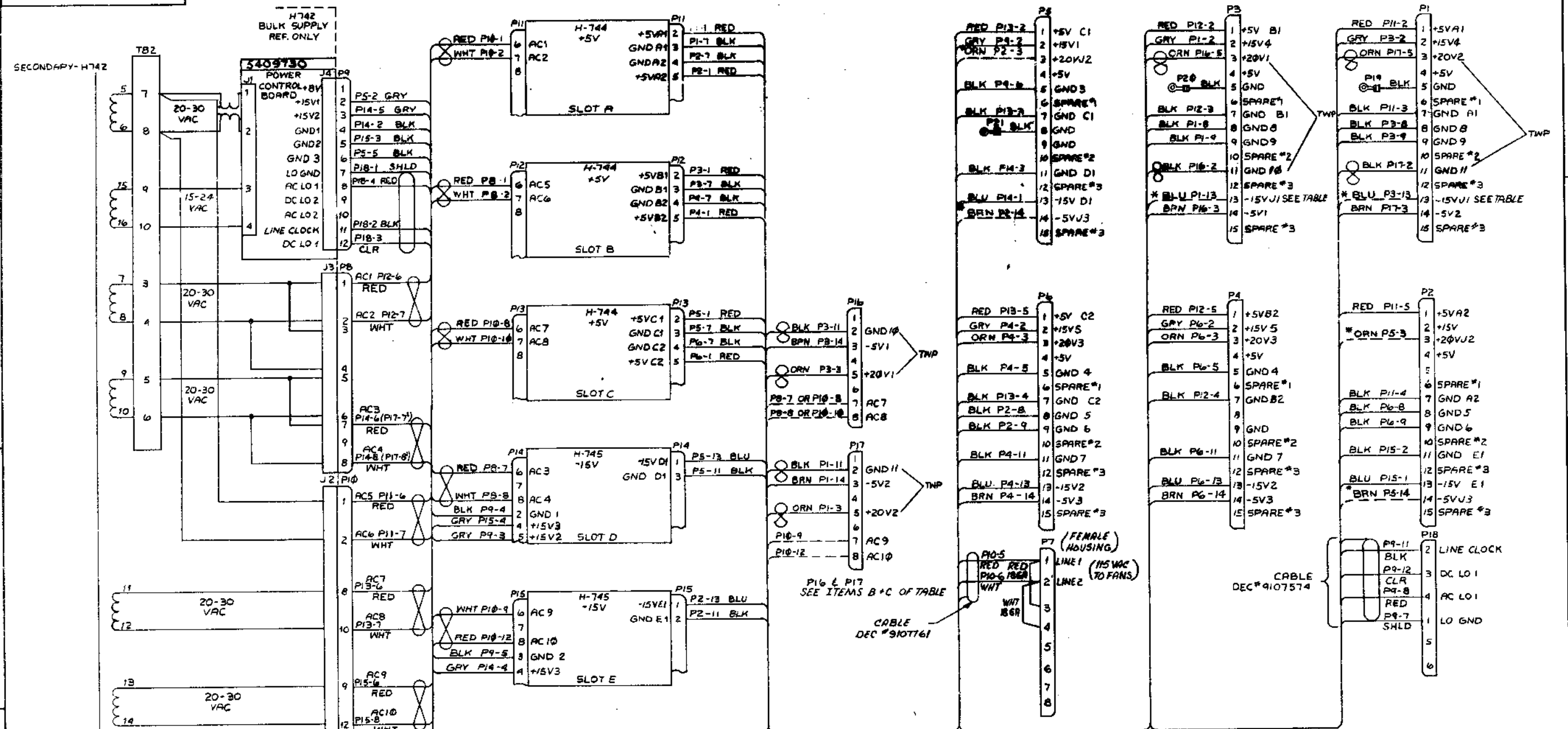


* FUSIBLE RESISTOR

REV.	
CHANGE NO.	
CHK	
REVISIONS	

DRN: BISSONNETTE 8-29-72	FIRST USED ON	H754	DIGITAL
CHK'D: R. VOWLES 12-17-72	TITLE	+20 VOLT REGULATOR	
ENG. R. BURTON 5-7-73	PROJ. ENGR. R. BURTON 5-7-73	PROJ. L. BAPTISTE 5-9-73	
NEXT HIGHER ASSY.			
SCALE	SIZE	CODE	NUMBER
	D	CS	H754-0-1
SHEET 2 OF 2	DIST.		REV. T

THIS DRAWING AND SPECIFICATIONS HEREIN ARE THE PROPERTY OF DIGITAL EQUIPMENT CORPORATION AND SHALL NOT BE REPRODUCED OR COPIED OR USED IN WHOLE OR IN PART AS THE BASIS FOR THE MANUFACTURE OF SALE OF ITEMS WITHOUT WRITTEN PERMISSION. COPYRIGHT © 1973 DIGITAL EQUIPMENT CORPORATION



NOTES: 1. ALL WIRES ARE 14 AWG UNLESS OTHERWISE SPECIFIED.
 2. TO DETERMINE POWER SUPPLY CONFIGURATION REQUIREMENTS, REFER TO TABLE BELOW.
 WARNING: TABLE MUST BE FOLLOWED TO PREVENT REGULATOR DAMAGE.

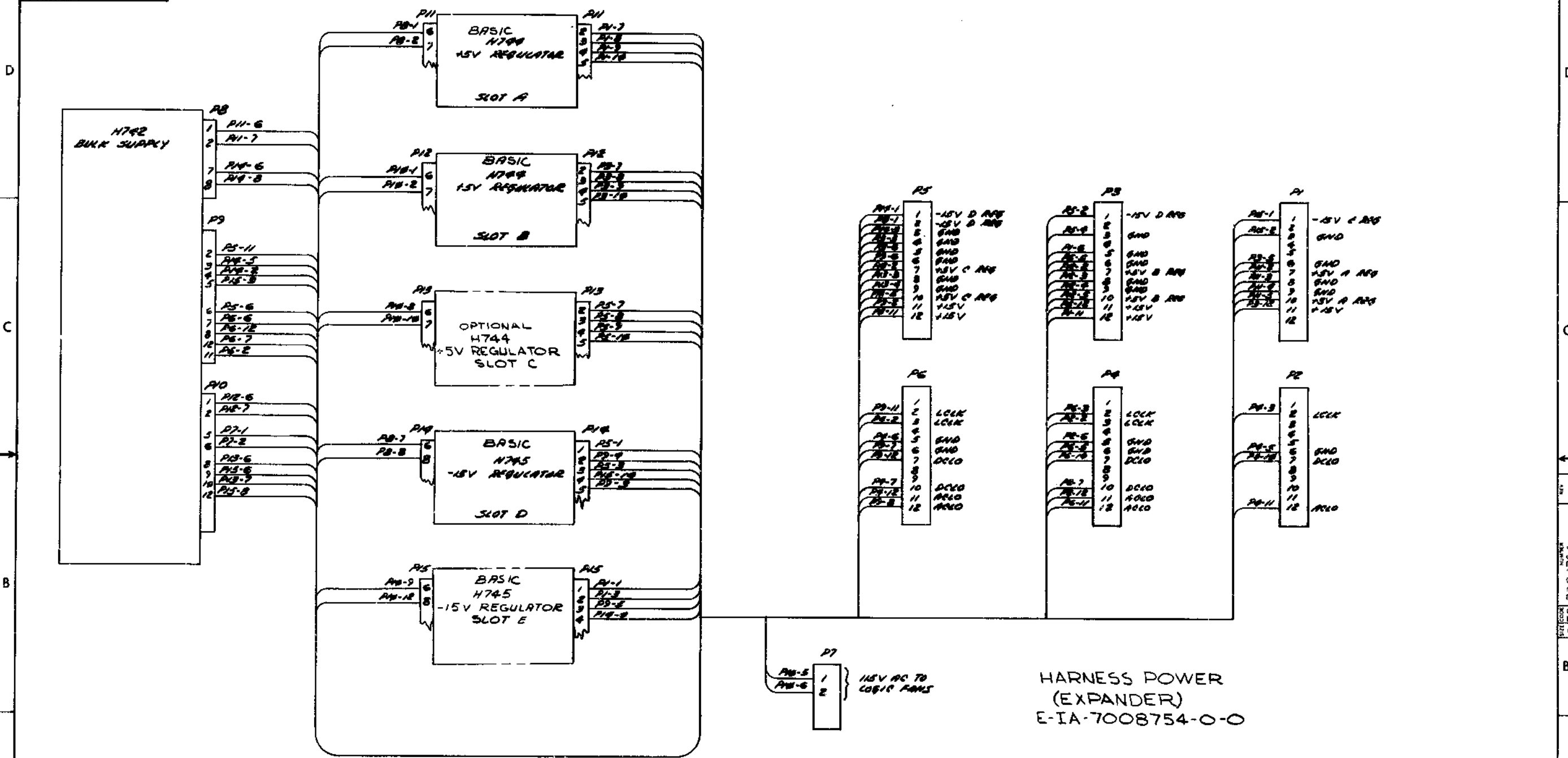
MEMORY	REGULATORS	JUMPERS	WHEN REMOVING JUMPERS, REMOVE MALE PINS AT EACH END AND COVER WITH SHRINK TUBING. FOLD THE WIRE BACK AT LEAST AN INCH AND THEN TIE WRAP IT TO THE HARNESS.
A	H745	P4-13 P3-13 P2-3 P5-3 P2-14 P5-14	OUT
B	H745	P1-13 P3-13 P2-3 P5-3 P2-14 P5-14	IN
C	H754	P1-13 P3-13 P2-3 P5-3 P2-14 P5-14	OUT

3. CAUTION: IF 2 H754 REGULATORS ARE INSTALLED THERE IS NO -15V. AVAILABLE FOR OPTIONS THAT MAY REQUIRE IT.

REV.	CHG.	NO.	DATE	BY	DESCRIPTION
1		1	11-13-73	J. BOLEN	INITIAL DESIGN
2		2	11-13-73	J. BOLEN	REVISED TO ADD OPTION
3		3	11-13-73	J. BOLEN	REVISED TO ADD OPTION
4		4	11-13-73	J. BOLEN	REVISED TO ADD OPTION
5		5	11-13-73	J. BOLEN	REVISED TO ADD OPTION
6		6	11-13-73	J. BOLEN	REVISED TO ADD OPTION
7		7	11-13-73	J. BOLEN	REVISED TO ADD OPTION
8		8	11-13-73	J. BOLEN	REVISED TO ADD OPTION

FIRST USED ON OPTION/MODEL	QTY.	DESCRIPTION	PART NO.	ITEM NO.
H960-D/E		21" BOX POWER HARNESS	DIC 7009566-0-1	D

This drawing and specifications, herein, are the property of Digital Equipment Corporation and shall not be reproduced or copied in whole or in part in any form without the written permission of Digital Equipment Corporation © 1973



HARNESS POWER (EXPANDER) E-IA-7008754-0-0

OLD STYLE HARNESS FOR SYSTEMS WITH SERIAL NUMBERS 5999 AND LOWER

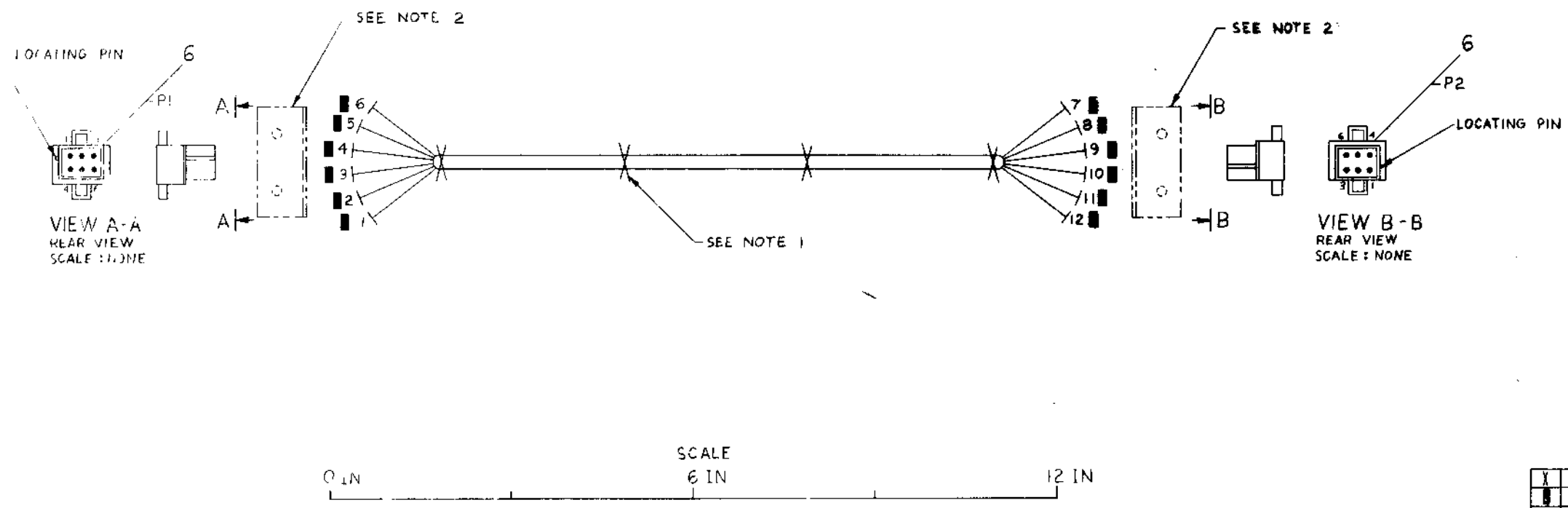
FIRST USED ON OPTION/MODEL	QTY.	DESCRIPTION	PART NO.	ITEM NO.
11/40		PARTS LIST		
UNLESS OTHERWISE SPECIFIED DIMENSION IN INCHES TOLERANCES		DATE	DIGITAL EQUIPMENT CORPORATION	
DECIMALS	ANGLES	DATE	TITLE	
XXX - .008	10' 30'	DATE	POWER HARNESS	
XX - .00		DATE		
X - .01		DATE		
REMOVE BURRS AND BREAK SHARP CORNERS SURFACE QUALITY		DATE		
MATERIAL		DATE		
NEXT HIGHER ASSY.		DATE		
FINISH		DATE		
SCALE		DATE		
SHEET 1 OF 1		DATE		
SIZE CODE		NUMBER	REV	
E-DD-11/40-0		DIC	7008754-0-3	

REVISIONS	CHANGE NO.	REV.
1	1/40-00010	1
2	ILLUMINATED	

DC FORM NO. 100 12-64

WIRE TABLE										
ITEM NO.	DESCRIPTION	FROM			TO			SIGNAL	LENGTH	
		AWG	COLOR	POINT	CONNECTION	TERM	POINT			CONNECTION
1	18	WHT	1	P1-6	7	7	P2-6	7	SPARE-2	12 IN
1	↑	WHT	2	P1-5	↑	8	P2-5	↑	SPARE-1	↑
3	↑	YEL	3	P1-4	↑	9	P2-4	↑	AC LO	↑
2	↑	VIO	4	P1-3	↑	10	P2-3	↑	DC LO	↑
4	↓	BRN	5	P1-2	↓	11	P2-2	↓	LINE CLOCK	↓
5	18	BLK	6	P1-1	7	12	P2-1	7	LO GND	12 IN

- NOTES:
- USE TIE WRAPS ITEM 8 APPROXIMATELY EVERY THREE (3) INCHES WHEN NECESSARY AND AT EVERY BREAKOUT POINT.
 - USE CONN. BRKT. C-MD-9305761-H6-0. MOUNT WITH WOOD SCREWS. USE MATING CONN. 1209350-06.



DO NOT REDUCE
DO NOT BUILD FROM REDUCED PRINT

CAUTION - DRAWING SIZE AND SCALE REDUCED FOR MICROFILM NOT TO BE USED FOR PRODUCTION

QTY.	DESCRIPTION	PART NO.	ITEM NO.
4	WRAP, TIE	9007031	8
12	PIN, MALE	1209379-00	7
2	HOUSING, CONN. 6 PIN	1209351-06	6
12 IN	WIRE #18 AWG BLK	9107360-00	5
12 IN	WIRE #18 AWG BRN	9107360-11	4
12 IN	WIRE #18 AWG YEL	9107360-44	3
12 IN	WIRE #18 AWG VIO	9107360-77	2
24 IN	WIRE #18 AWG WHT	9107360-99	1

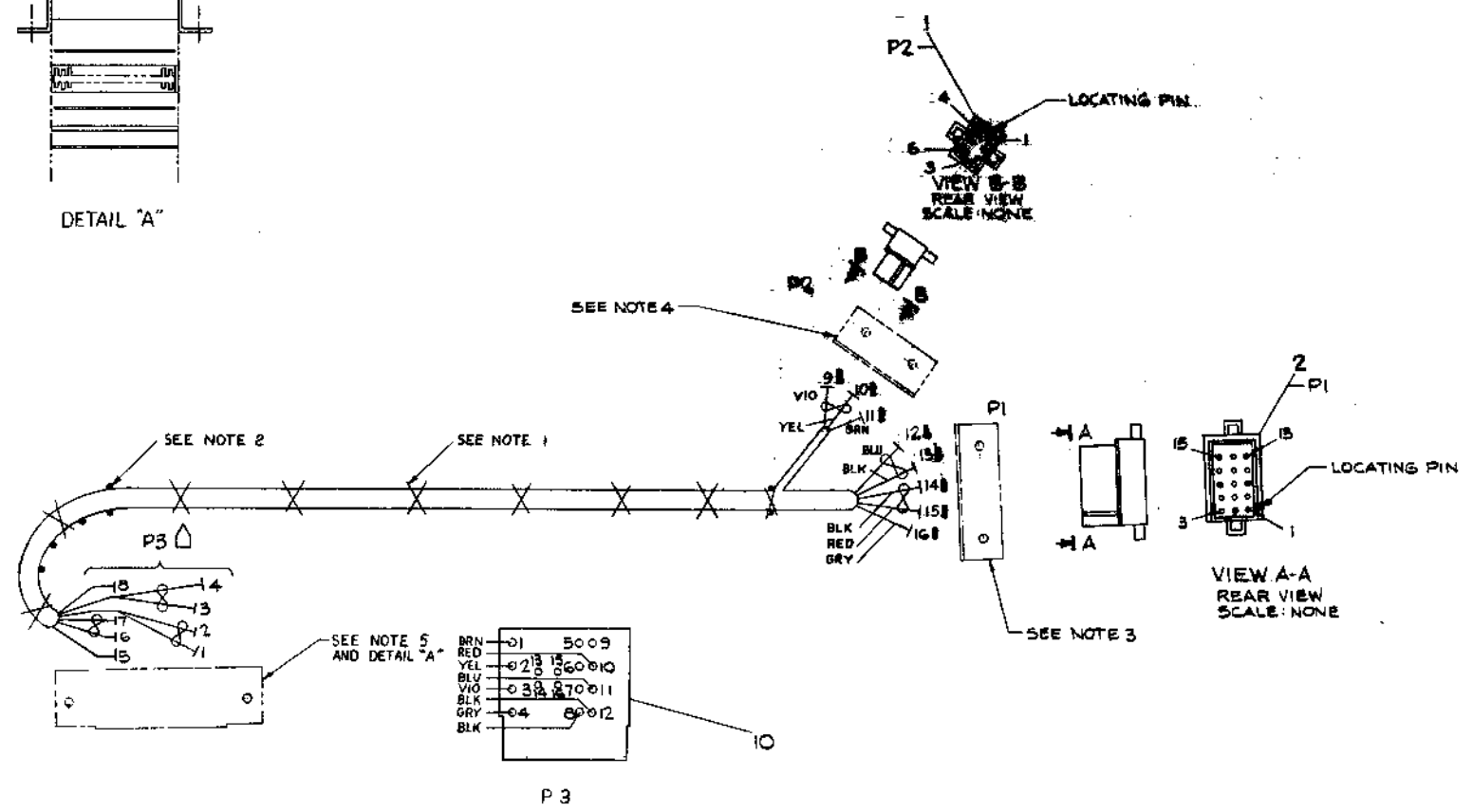
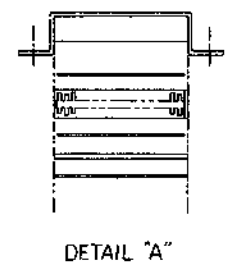
FIRST USED ON QPT/ MOD	SYM	QTY.	DESCRIPTION	PART NO.	ITEM NO.
PARTS LIST					
UNLESS OTHERWISE SPECIFIED DIMENSION IN INCHES		DRN. 10/15/73	DATE 10/15/73	digital EQUIPMENT CORPORATION	
TOLERANCES		CHK'D. E. J.	DATE 10/11/73		
DECIMALS	ANGLES	ENG. J. B. R.	DATE 10/10/73	TITLE 6 PIN JUMPER HARNESS	
XXX = .005	+0° 30'	PROJ. ENG. J. B. R.	DATE 10/10/73		
REMOVE BURRS AND BREAK SHARP CORNERS SURFACE QUALITY Y		PROD. J. B. R.	DATE 10/11/73	SIZE CODE NUMBER DIA 7009573-0-0	
MATERIAL		NEXT HIGHER ASSY.	SCALE 1:1		
SEE PARTS LIST		SHEET 1 OF 1		REV	
FINISH		DIST.			

REV	CHANGE NO.

DIA 7009573-0-0

WIRE TABLE									
ITEM NO.	AWG	COLOR	POINT	CONNECTION	TERM	POINT	CONNECTION	TERM	SIGNAL
5	14	RED	3	P8-10	SOLD	15	P1-1	3	+5V
	TWP	BLK	4	P8-8	SOLD	14	P1-7	3	GND
9	14	GRY	5	P8-4	SOLD	16	P1-2	3	+15V
6	14	BLK	1	P8-12	SOLD	13	P1-9	3	GND
	TWP	BLU	2	P8-11	SOLD	12	P1-13	3	-15V
5	18	BRN	8	P8-1	SOLD	11	P2-2	3	LTc
7	18	VIO	6	P8-3	SOLD	9	P2-3	3	DeLo
	TWP	YEL	7	P8-2	SOLD	10	P2-4	3	AsLo
11	22	-	-	P8-13	SOLD	-	P8-14	SOLD	DeLo
11	22	-	-	P8-15	SOLD	-	P8-16	SOLD	AsLo

- NOTES:**
- USE TIE WRAPS (X) ITEM #4 APPROXIMATELY EVERY THREE (3) INCHES WHEN NECESSARY AND AT EVERY BREAKOUT POINT.
 - DOT (•) INDICATES NAIL LOCATIONS FOR ASSEMBLY USE ONLY. COVER NAILS WITH SHRINK TUBING TO PREVENT CUTTING HARNESS.
 - USE CONN BRKT C-MD-930576-H13-0 MOUNT WITH WOOD SCREWS. USE MATING CONN 1209350-3.
 - USE CONN BRKT C-MD-930576-H6-0 MOUNT WITH WOOD SCREWS. USE MATING CONN 1209350-06.
 - USE CONN. HOLD DOWN B-MD-9305767-0-0 WITH PLATE B-MD-9305767-0-1. USE TAPE DEC #9008734 & CONN H897 DEC #1209123 REMOVE PINS & FLANGES AS SHOWN IN DETAIL "A". MOUNT WITH WOOD SCREWS.



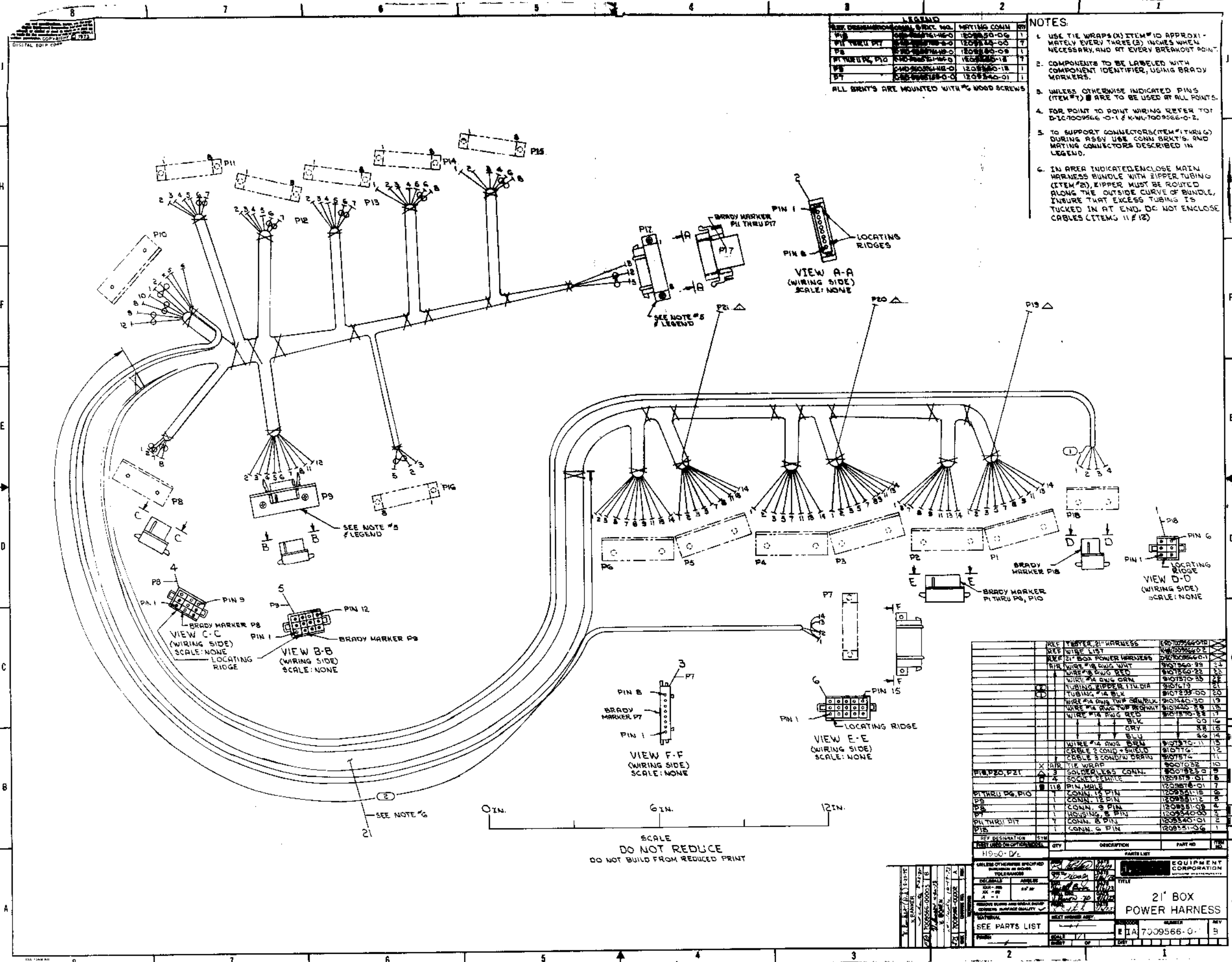
0 IN. SCALE 6 IN. 12 IN.

DO NOT REDUCE
DO NOT BUILD FROM REDUCED PRINT

CAUTION - DRAWING SIZE AND SCALE REDUCED FOR MICROFILM NOT TO BE USED FOR PRODUCTION

SYMBOL	DESCRIPTION	PART NO.	QTY.
NR	BUSS WIRE #22AWG	91075600	11
1	POWER CONN.	6772	10
A/R	WIRE #14AWG GRY	9107370-08	9
A/R	WIRE #18AWG BRN	9107360-11	8
A/R	WIRE #18TWP YEL/VIO	9107430-47	7
A/R	WIRE #14TWP BLK/BLU	9107440-06	6
A/R	WIRE #14TWP BLK/RED	9107440-02	5
X	WRAP TIE	9007031	4
8	DIN MALE	1209378-00	3
1	HOUSING CONN. 5PIN	1209351-15	2
1	HOUSING CONN. 6PIN	1209351-06	2

UNLESS OTHERWISE SPECIFIED DIMENSIONS IN INCHES TOLERANCES		EQUIPMENT CORPORATION	
SYMBOLS	REVISED	TITLE	DATE
SYMBOLS	REVISED	G772 SYSTEM	
SYMBOLS	REVISED	UNIT HARNESS	
SYMBOLS	REVISED	7009562 J 0	



LEGEND

REF. DESIGNATION	SYMBOL	DESCRIPTION	PART NO.	QTY
P1		CONN. 15 PIN	120955-01	1
P2		CONN. 12 PIN	120955-02	1
P3		CONN. 9 PIN	120955-03	1
P4		CONN. 6 PIN	120955-04	1
P5		CONN. 3 PIN	120955-05	1
P6		CONN. 2 PIN	120955-06	1
P7		CONN. 1 PIN	120955-07	1

ALL BRADY'S ARE MOUNTED WITH #6 WOOD SCREWS

- NOTES**
- USE TIE WRAPS (ITEM #10 APPROXIMATELY EVERY THREE (3) INCHES WHEN NECESSARY, AND AT EVERY BREAKOUT POINT.
 - COMPONENTS TO BE LABELED WITH COMPONENT IDENTIFIER, USING BRADY MARKERS.
 - UNLESS OTHERWISE INDICATED PINS (ITEM #7) ARE TO BE USED AT ALL POINTS.
 - FOR POINT TO POINT WIRING REFER TO: D-127009566-0-1 & K-WL-7009566-0-2.
 - TO SUPPORT CONNECTORS (ITEM #1 THROUGH 6) DURING ASSEMBLY USE CONN. BRADY'S AND WIRING CONNECTORS DESCRIBED IN LEGEND.
 - IN AREA INDICATED ENCLOSE MAIN HARNESS BUNDLE WITH ZIPPER TUBING (ITEM #2), ZIPPER MUST BE ROUTED ALONG THE OUTSIDE CURVE OF BUNDLE, INSURE THAT EXCESS TUBING IS TUCKED IN AT END. DO NOT ENCLOSE CABLES (ITEM #1 & 12).

REF. DESIGNATION	SYMBOL	DESCRIPTION	PART NO.	QTY
REF. WIRE #14 HARNESS			60109566-0-1	1
REF. WIRE #15 HARNESS			60109566-0-2	1
REF. 21" BOX POWER HARNESS			60109566-0-1	1
WIRE #14 AWG. BLK.			60109566-0-1	1
WIRE #14 AWG. GRN.			60109566-0-2	1
WIRE #14 AWG. BRN.			60109566-0-3	1
WIRE #14 AWG. WTP. ORN/BLK.			60109566-0-4	1
WIRE #14 AWG. WTP. GRN/WHI.			60109566-0-5	1
WIRE #14 AWG. WTP. BRN/WHI.			60109566-0-6	1
WIRE #14 AWG. WTP. BLK/WHI.			60109566-0-7	1
WIRE #14 AWG. WTP. GRN/WHI.			60109566-0-8	1
WIRE #14 AWG. WTP. BRN/WHI.			60109566-0-9	1
WIRE #14 AWG. WTP. BLK/WHI.			60109566-0-10	1
WIRE #14 AWG. WTP. GRN/WHI.			60109566-0-11	1
WIRE #14 AWG. WTP. BRN/WHI.			60109566-0-12	1
WIRE #14 AWG. WTP. BLK/WHI.			60109566-0-13	1
WIRE #14 AWG. WTP. GRN/WHI.			60109566-0-14	1
WIRE #14 AWG. WTP. BRN/WHI.			60109566-0-15	1
WIRE #14 AWG. WTP. BLK/WHI.			60109566-0-16	1
WIRE #14 AWG. WTP. GRN/WHI.			60109566-0-17	1
WIRE #14 AWG. WTP. BRN/WHI.			60109566-0-18	1
WIRE #14 AWG. WTP. BLK/WHI.			60109566-0-19	1
WIRE #14 AWG. WTP. GRN/WHI.			60109566-0-20	1
WIRE #14 AWG. WTP. BRN/WHI.			60109566-0-21	1
WIRE #14 AWG. WTP. BLK/WHI.			60109566-0-22	1
WIRE #14 AWG. WTP. GRN/WHI.			60109566-0-23	1
WIRE #14 AWG. WTP. BRN/WHI.			60109566-0-24	1
WIRE #14 AWG. WTP. BLK/WHI.			60109566-0-25	1
WIRE #14 AWG. WTP. GRN/WHI.			60109566-0-26	1
WIRE #14 AWG. WTP. BRN/WHI.			60109566-0-27	1
WIRE #14 AWG. WTP. BLK/WHI.			60109566-0-28	1
WIRE #14 AWG. WTP. GRN/WHI.			60109566-0-29	1
WIRE #14 AWG. WTP. BRN/WHI.			60109566-0-30	1
WIRE #14 AWG. WTP. BLK/WHI.			60109566-0-31	1
WIRE #14 AWG. WTP. GRN/WHI.			60109566-0-32	1
WIRE #14 AWG. WTP. BRN/WHI.			60109566-0-33	1
WIRE #14 AWG. WTP. BLK/WHI.			60109566-0-34	1
WIRE #14 AWG. WTP. GRN/WHI.			60109566-0-35	1
WIRE #14 AWG. WTP. BRN/WHI.			60109566-0-36	1
WIRE #14 AWG. WTP. BLK/WHI.			60109566-0-37	1
WIRE #14 AWG. WTP. GRN/WHI.			60109566-0-38	1
WIRE #14 AWG. WTP. BRN/WHI.			60109566-0-39	1
WIRE #14 AWG. WTP. BLK/WHI.			60109566-0-40	1
WIRE #14 AWG. WTP. GRN/WHI.			60109566-0-41	1
WIRE #14 AWG. WTP. BRN/WHI.			60109566-0-42	1
WIRE #14 AWG. WTP. BLK/WHI.			60109566-0-43	1
WIRE #14 AWG. WTP. GRN/WHI.			60109566-0-44	1
WIRE #14 AWG. WTP. BRN/WHI.			60109566-0-45	1
WIRE #14 AWG. WTP. BLK/WHI.			60109566-0-46	1
WIRE #14 AWG. WTP. GRN/WHI.			60109566-0-47	1
WIRE #14 AWG. WTP. BRN/WHI.			60109566-0-48	1
WIRE #14 AWG. WTP. BLK/WHI.			60109566-0-49	1
WIRE #14 AWG. WTP. GRN/WHI.			60109566-0-50	1
WIRE #14 AWG. WTP. BRN/WHI.			60109566-0-51	1
WIRE #14 AWG. WTP. BLK/WHI.			60109566-0-52	1
WIRE #14 AWG. WTP. GRN/WHI.			60109566-0-53	1
WIRE #14 AWG. WTP. BRN/WHI.			60109566-0-54	1
WIRE #14 AWG. WTP. BLK/WHI.			60109566-0-55	1
WIRE #14 AWG. WTP. GRN/WHI.			60109566-0-56	1
WIRE #14 AWG. WTP. BRN/WHI.			60109566-0-57	1
WIRE #14 AWG. WTP. BLK/WHI.			60109566-0-58	1
WIRE #14 AWG. WTP. GRN/WHI.			60109566-0-59	1
WIRE #14 AWG. WTP. BRN/WHI.			60109566-0-60	1
WIRE #14 AWG. WTP. BLK/WHI.			60109566-0-61	1
WIRE #14 AWG. WTP. GRN/WHI.			60109566-0-62	1
WIRE #14 AWG. WTP. BRN/WHI.			60109566-0-63	1
WIRE #14 AWG. WTP. BLK/WHI.			60109566-0-64	1
WIRE #14 AWG. WTP. GRN/WHI.			60109566-0-65	1
WIRE #14 AWG. WTP. BRN/WHI.			60109566-0-66	1
WIRE #14 AWG. WTP. BLK/WHI.			60109566-0-67	1
WIRE #14 AWG. WTP. GRN/WHI.			60109566-0-68	1
WIRE #14 AWG. WTP. BRN/WHI.			60109566-0-69	1
WIRE #14 AWG. WTP. BLK/WHI.			60109566-0-70	1
WIRE #14 AWG. WTP. GRN/WHI.			60109566-0-71	1
WIRE #14 AWG. WTP. BRN/WHI.			60109566-0-72	1
WIRE #14 AWG. WTP. BLK/WHI.			60109566-0-73	1
WIRE #14 AWG. WTP. GRN/WHI.			60109566-0-74	1
WIRE #14 AWG. WTP. BRN/WHI.			60109566-0-75	1
WIRE #14 AWG. WTP. BLK/WHI.			60109566-0-76	1
WIRE #14 AWG. WTP. GRN/WHI.			60109566-0-77	1
WIRE #14 AWG. WTP. BRN/WHI.			60109566-0-78	1
WIRE #14 AWG. WTP. BLK/WHI.			60109566-0-79	1
WIRE #14 AWG. WTP. GRN/WHI.			60109566-0-80	1
WIRE #14 AWG. WTP. BRN/WHI.			60109566-0-81	1
WIRE #14 AWG. WTP. BLK/WHI.			60109566-0-82	1
WIRE #14 AWG. WTP. GRN/WHI.			60109566-0-83	1
WIRE #14 AWG. WTP. BRN/WHI.			60109566-0-84	1
WIRE #14 AWG. WTP. BLK/WHI.			60109566-0-85	1
WIRE #14 AWG. WTP. GRN/WHI.			60109566-0-86	1
WIRE #14 AWG. WTP. BRN/WHI.			60109566-0-87	1
WIRE #14 AWG. WTP. BLK/WHI.			60109566-0-88	1
WIRE #14 AWG. WTP. GRN/WHI.			60109566-0-89	1
WIRE #14 AWG. WTP. BRN/WHI.			60109566-0-90	1
WIRE #14 AWG. WTP. BLK/WHI.			60109566-0-91	1
WIRE #14 AWG. WTP. GRN/WHI.			60109566-0-92	1
WIRE #14 AWG. WTP. BRN/WHI.			60109566-0-93	1
WIRE #14 AWG. WTP. BLK/WHI.			60109566-0-94	1
WIRE #14 AWG. WTP. GRN/WHI.			60109566-0-95	1
WIRE #14 AWG. WTP. BRN/WHI.			60109566-0-96	1
WIRE #14 AWG. WTP. BLK/WHI.			60109566-0-97	1
WIRE #14 AWG. WTP. GRN/WHI.			60109566-0-98	1
WIRE #14 AWG. WTP. BRN/WHI.			60109566-0-99	1
WIRE #14 AWG. WTP. BLK/WHI.			60109566-0-100	1

SCALE: NONE
DO NOT REDUCE
DO NOT BUILD FROM REDUCED PRINT

21" BOX POWER HARNESS

IA 7009566-0-1

REVISIONS

NO.	DATE	DESCRIPTION
1		

UNLESS OTHERWISE SPECIFIED TOLERANCES ARE AS SHOWN

DECIMALS ANGLES

FRONT VIEW

SEE PARTS LIST

EQUIPMENT CORPORATION