

RK11-C
moving head
disk drive controller
engineering drawings

DIGITAL EQUIPMENT CORPORATION • MAYNARD, MASSACHUSETTS

ENGINEERING DRAWINGS

| Drawing No. | Title | Drawing No. | Title |
|------------------|------------------------------|----------------|------------------------------|
| D-UA-RK11-C-0 | Disk Control | D-IC-RK11-C-22 | Unibus Connectors |
| A-PL-RK11-C-0 | Disk Control | D-IC-RK11-C-23 | RK11-C Indicator Connections |
| D-DI-RK11-C-25 | Drawing Index List (RK11-C) | K-WL-RK11-C-24 | Wire List (complete) |
| D-AD-7008305-0-0 | Wired Assy | B-CS-G736-0-1 | Circuit Schematic |
| A-PL-7008305-0-0 | Wired Assy | C-CS-G740-0-1 | Circuit Schematic |
| D-MU-RK11-C-01 | Module Utilization | B-CS-M116-0-1 | Circuit Schematic |
| A-PL-RK11-C-01 | Module Utilization | B-CS-M149-0-1 | Circuit Schematic |
| D-BS-RK11-C-02 | Basic Timing | B-CS-M163-0-1 | Circuit Schematic |
| D-BS-RK11-C-03 | RKCS and Control | B-CS-M205-0-1 | Circuit Schematic |
| D-BS-RK11-C-04 | Major States | C-CS-M214-0-1 | Circuit Schematic |
| D-BS-RK11-C-05 | MSR Control | B-CS-M216-0-1 | Circuit Schematic |
| D-BS-RK11-C-06 | DSB and Disk Selection | B-CS-M238-0-1 | Circuit Schematic |
| D-BS-RK11-C-07 | Drive RD WR and Seek Control | B-CS-M239-0-1 | Circuit Schematic |
| D-BS-RK11-C-08 | RKDA and Control | C-CS-M304-0-1 | Circuit Schematic |
| D-BS-RK11-C-09 | Bit Counter and Internal WC | B-CS-M307-0-1 | Circuit Schematic |
| D-BS-RK11-C-10 | RKDB and Control | B-CS-M611-0-1 | Circuit Schematic |
| D-BS-RK11-C-11 | Reg Sel, NPR & INT Control | D-CS-M797-0-1 | Circuit Schematic |
| D-BS-RK11-C-12 | Hardware Pole | B-CS-H734-0-1 | Circuit Schematic |
| D-BS-RK11-C-13 | Adder Control | D-CS-W130-0-1 | Circuit Schematic |
| D-BS-RK11-C-14 | Adders | D-CS-W131-0-1 | Circuit Schematic |
| D-BS-RK11-C-15 | RKBA RKWC RKMR | C-CS-M161-0-1 | Circuit Schematic |
| D-BS-RK11-C-16 | Errors | C-CS-M208-0-1 | Circuit Schematic |
| D-BS-RK11-C-17 | Cable Drivers and Receivers | C-CS-M236-0-1 | Circuit Schematic |
| D-BS-RK11-C-18 | Disk Cable and Termination | C-CS-M105-0-1 | Circuit Schematic |
| D-BS-RK11-C-19 | Bus "D" RCVRS and RDVRS | C-CS-M782-0-1 | Circuit Schematic |
| D-BS-RK11-C-20 | Internal Bus 00→07, 08→15 | D-CS-M796-0-1 | Circuit Schematic |
| D-BS-RK11-C-21 | RKDB Data Paths | D-CS-M795-0-0 | Circuit Schematic |

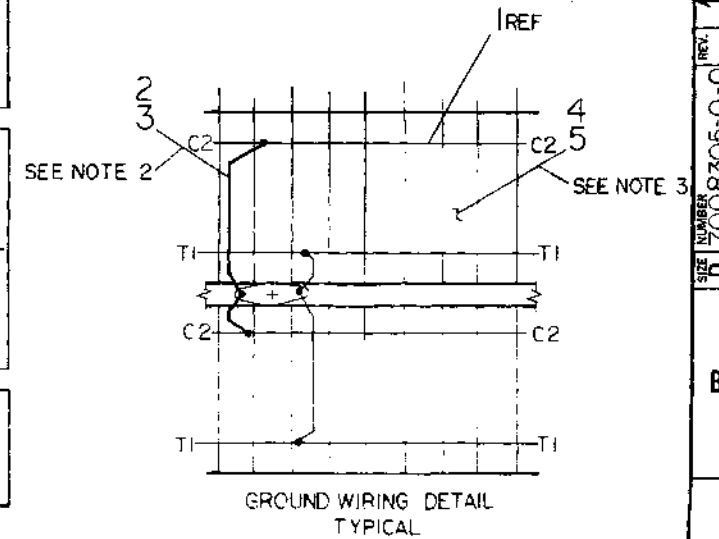
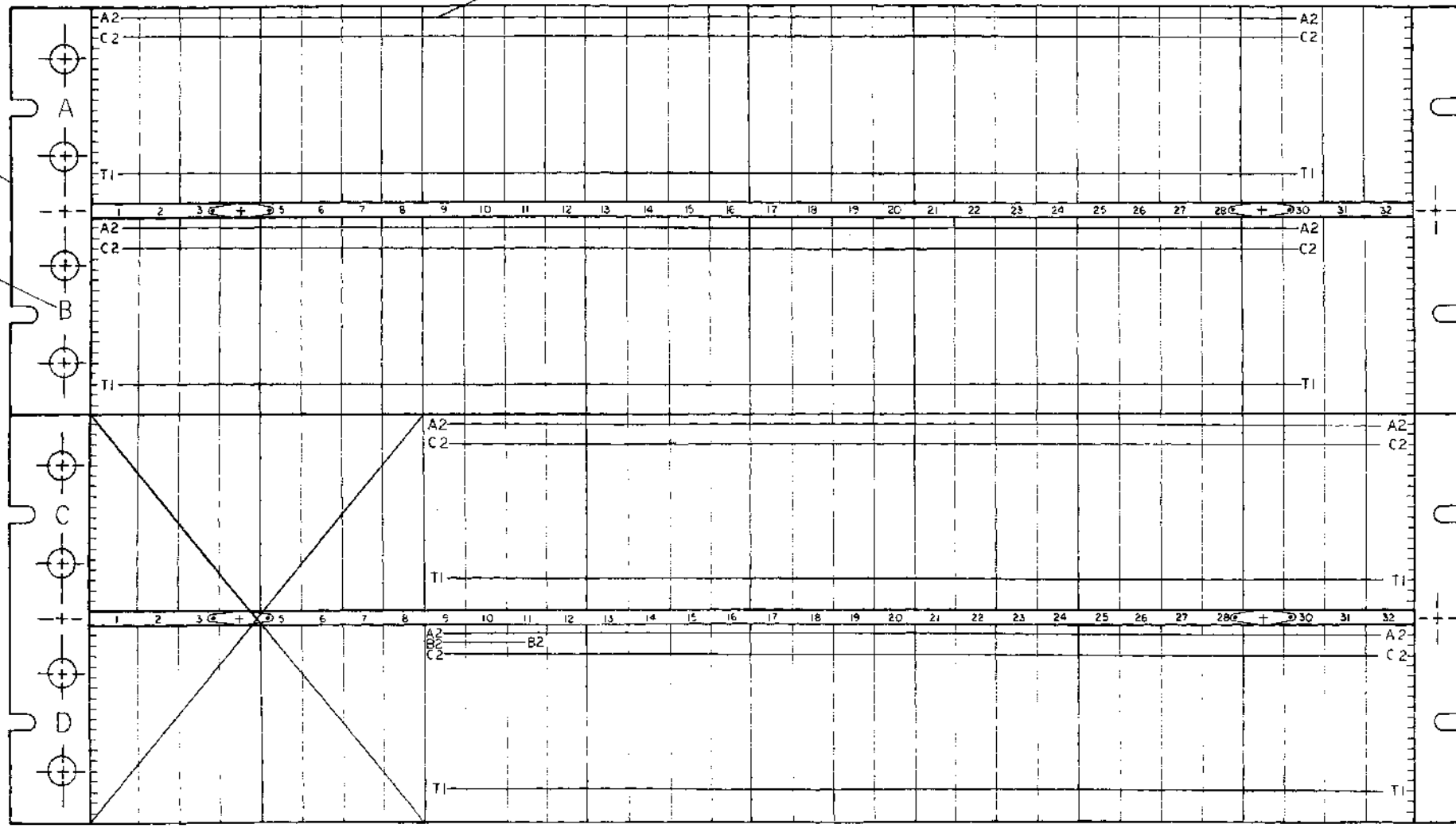
| DIGITAL EQUIPMENT CORPORATION MAYNARD, MASSACHUSETTS | | | | | QUANTITY / VARIATION | | | | | | | | | | | | | | | | |
|---|--------------------|-------------------------------------|--|--------------|----------------------|-------|------|-------------|--|--|--|------|---------|--|--|--|--|--|--|--|--|
| PARTS LIST | | | | | | | | | | | | | | | | | | | | | |
| MADE BY M. MACKENZIE | | CHECKED M. MACKENZIE | | SECTION | | | | | | | | | | | | | | | | | |
| DATE 2-19-71 | | DATE 2-19-71 | | 1 | | | | | | | | | | | | | | | | | |
| ENG <i>T. Don</i> | | PROD <i>D. Call</i> | | ISSUED SECT. | | | | | | | | | | | | | | | | | |
| DATE 2/19/71 | | DATE 2/23/71 | | 1 | | | | | | | | | | | | | | | | | |
| ITEM NO. | DWG NO. / PART NO. | DESCRIPTION | | | | | | | | | | | | | | | | | | | |
| 1 | 1205541 | BUS STRIP | | | | A/R | | | | | | | | | | | | | | | |
| 2 | 9107560-1 | 22 AWG BUS WIRE | | | | A/R | | | | | | | | | | | | | | | |
| 3 | 9107265 | #22 TUBING, TEFLON, WHITE | | | | A/R | | | | | | | | | | | | | | | |
| 4 | 9105740-5 | 30 AWG SOLID TEF INS. WIRE, YELLOW | | | | A/R | | | | | | | | | | | | | | | |
| 5 | 9105740-7 | 30 AWG SOLID TEF INS. WIRE, BLUE | | | | A/R | | | | | | | | | | | | | | | |
| 6 | A-DC-7406371-0-0 | LOGIC FRAME DECALS | | | | A/R | | | | | | | | | | | | | | | |
| 7 | D-AD-5404491-0-0 | H911 MTG PANEL | | | | 1 | | | | | | | | | | | | | | | |
| 8 | D-AD-5302483-0-0 | CASTING ASSY (1943) | | | | 1 | | | | | | | | | | | | | | | |
| 9 | E-SC-1205348-0-0 | 288 PIN BLOCK TYPE H803 | | | | 6 | | | | | | | | | | | | | | | |
| 10 | 9006120 | SCR FIL HD POZIDRIVE #8-32 X 5/8 LG | | | | 2 | | | | | | | | | | | | | | | |
| 11 | 9006035-1 | SCF PHL HD PAN #8-32 X 1/4 LG | | | | 2 | | | | | | | | | | | | | | | |
| 12 | 9008072 | WASH EXT TOOTH LOCK #8 | | | | 2 | | | | | | | | | | | | | | | |
| 13 | 9007597 | TERM #2116-08-00 SHAKEPROOF | | | | 2 | | | | | | | | | | | | | | | |
| REF | K-WL-RK11-C-24 | WIRE LIST | | | | 1 | | | | | | | | | | | | | | | |
| TITLE | | | | | ASSY NO. | SIZE | CODE | NUMBER | | | | REV. | ECO NO. | | | | | | | | |
| WIRED ASSY | | | | | D-AD-7008305-0-0 | A | PL | 7008305-0-0 | | | | | | | | | | | | | |
| | | | | | SHEET 1 OF 1 | DIST. | | | | | | | | | | | | | | | |

DEC FORM NO.
DRA 110A

This drawing and specifications, herein, are the property of Digital Equipment Corporation and shall not be reproduced or copied in whole or in part as the basis for the manufacture or sale of items without written permission.

| WIRE TABLE | | | | | | |
|------------|-------------|-----|-------|-----------------|---------------|--|
| ITEM NO | DESCRIPTION | AWG | COLOR | FROM CONNECTION | TO CONNECTION | |
| 8 | 18 RED | | | A01A2 | B01A2 | |
| 8 | 18 RED | | | C09A2 | D09A2 | |
| 9 | 18 BLACK | | | A01C2 | B01C2 | |
| 9 | 18 BLACK | | | C09C2 | D09C2 | |
| 10 | 22 ORANGE | | | A30B1 | B30B1 | |

- NOTES:
- CONNECTIONS ON ITEM NUMBER 1#2 TO BE LOCATED AND SOLDERED AT MINIMUM PRACTICAL HEIGHT ABOVE BLOCKS.
 - ALL CONNECTOR BLOCKS TO BE GROUNDED TO GROUND LUGS AS SHOWN, 7 PLACES
 - USE YELLOW WIRE (ITEM#4) FOR MACHINE WRAPPED AND BLUE WIRE (ITEM#5) FOR HAND WRAPPED WIRING.



REV. STATION CHANGE NO. 1.1

| FIRST USED ON OPTION/MODEL | QTY. | DESCRIPTION | PART NO. | ITEM NO. |
|--|---------------------|---------------------|-------------------------------|----------|
| PDP-11 | | | | |
| PARTS LIST | | | | |
| DO NOT SCALE DRAWING | DRN | DATE | digital EQUIPMENT CORPORATION | |
| UNLESS OTHERWISE SPECIFIED DIMENSION IN INCHES | CHK'D. <i>Waher</i> | DATE <i>3/28/72</i> | TITLE | |
| DECIMALS FRACTIONS ANGLES | ENG. <i>Waher</i> | DATE <i>3/28/72</i> | WIRED ASSY | |
| DECIMALS FRACTIONS ANGLES | PROJ. ENGR. | DATE | MATERIAL | |
| TOTAL SURFACE QUALITY | PROD. <i>Waher</i> | DATE | NEXT HIGHER ASSY | |
| MINIMUM BURR AND EDGE RADIUS | | | C-UA-HK11-C-C | |
| FINISH | | | SCALE NONE | NUMBER |
| | | | SHEET | OF |
| | | | DIST | |

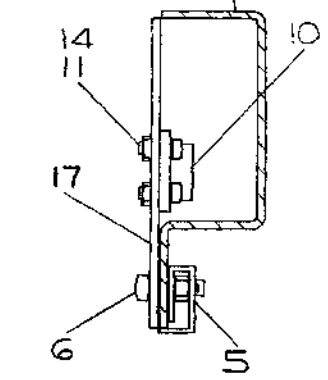
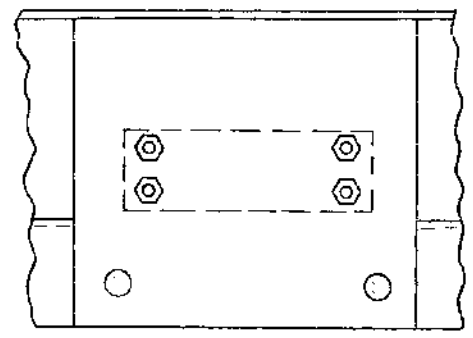
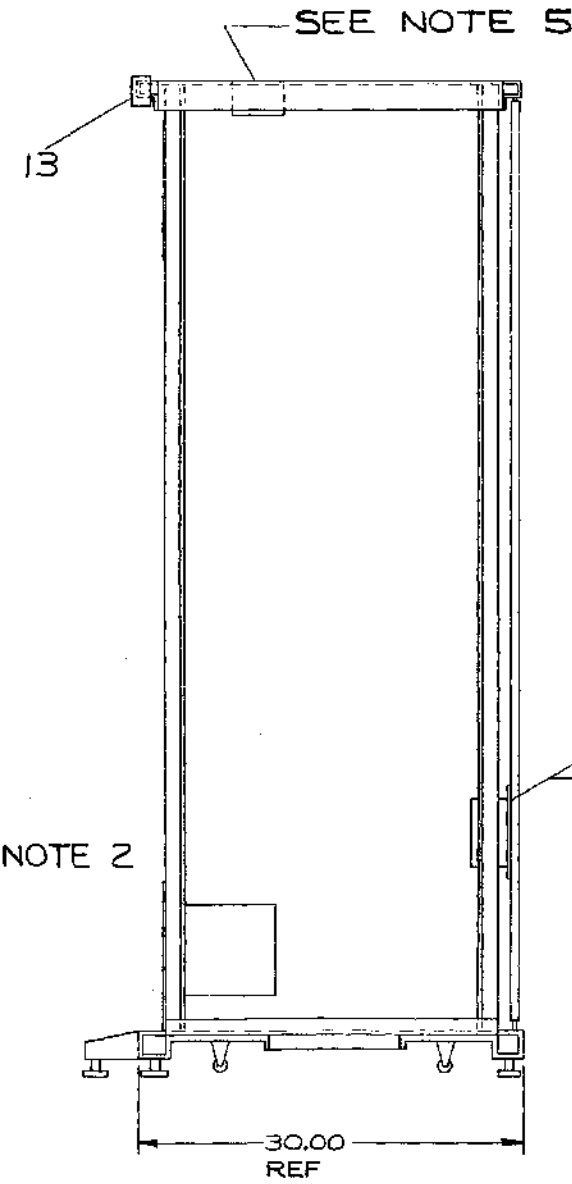
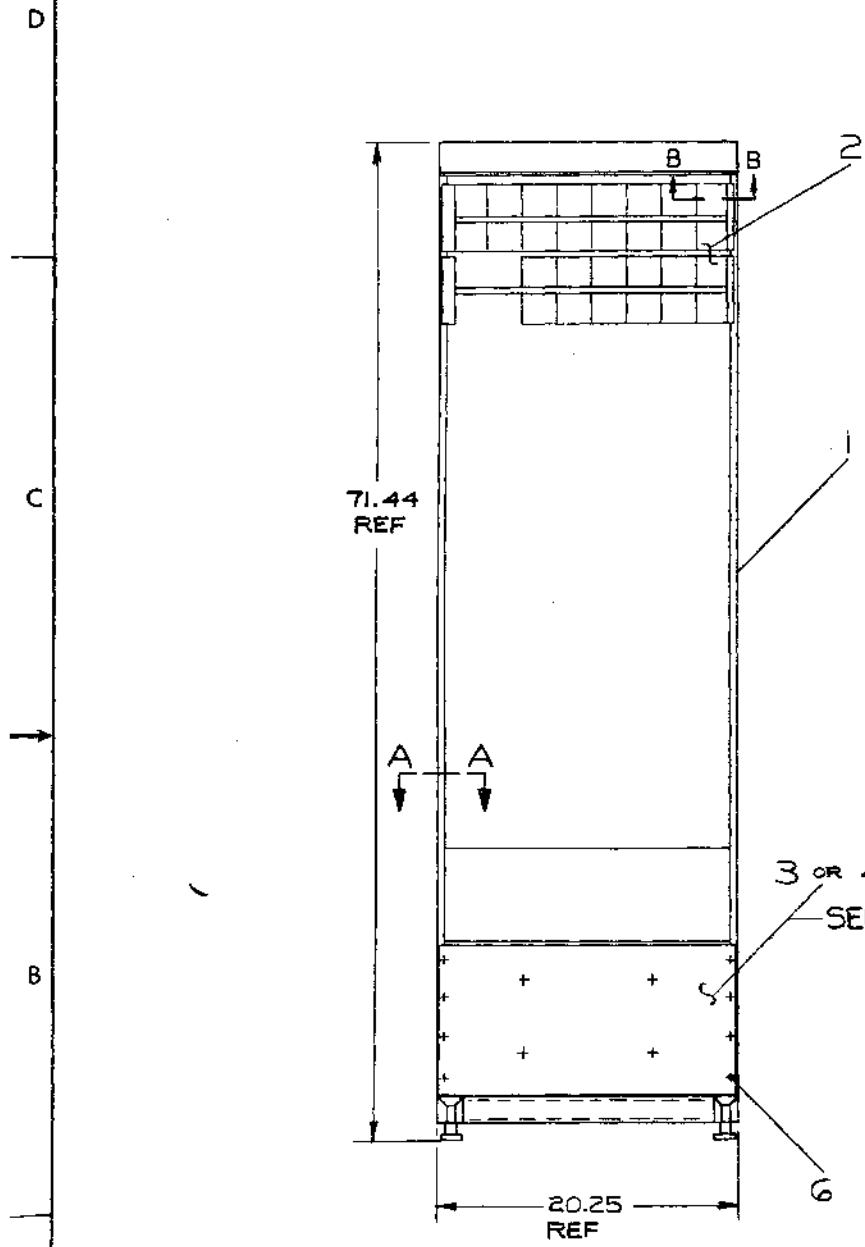
SIZE NUMBER D 7008305-0-0 REV.

This drawing and specifications, herein, are the property of Digital Equipment Corporation and shall not be reproduced or copied or used in whole or in part in any manner without the written permission of Digital Equipment Corporation.

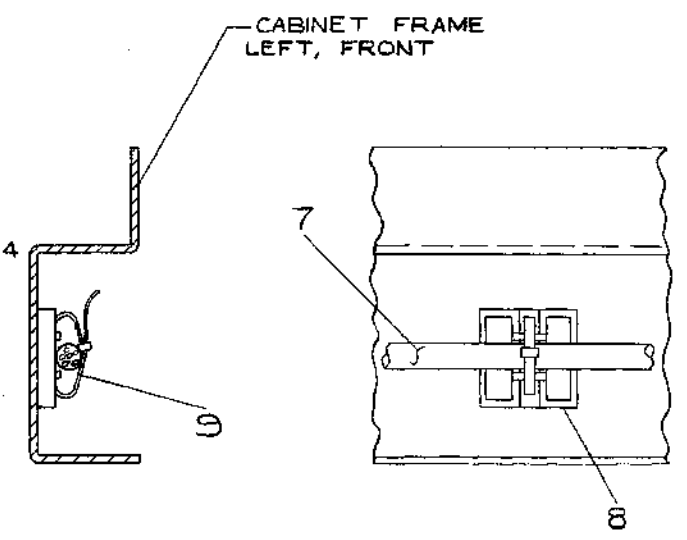
| LEGEND | |
|---------|-----------------|
| NUMBER | VARIATION |
| RKII-CA | 115 V, 50/60 HZ |
| RKII-CB | 230 V, 50/60 HZ |

NOTES:

- FOR DRAWING INDEX LIST REFER TO: D-DI-RKII-C-25.
- FOR 115 V SYSTEM USE H720-C POWER SUPPLY (ITEM *3). FOR 230 V SYSTEM USE H720-D POWER SUPPLY (ITEM *4).
- FOR MOUNTING RKII LOGIC (ITEM *2) AND H720 C OR D POWER SUPPLY (ITEM *3 OR 4) ON THE CABINET FRAME, INSTALL TINNERMAN NUTS (ITEM *5) IN FRONT RIGHT FRONT LEFT HOLES (COUNTING FROM BOTTOM UP) *3, 7, 12, 16, 23, 27, 102, & 106.
- THE H720-C (115 V) (ITEM *3) USING THE H720-A ELECTRONICS OR THE H720-D (230 V) (ITEM *4) USING THE H720-B ELECTRONICS REQUIRES THE USE OF AN 854 (115 V) (ITEM *18) OR AN 854-B (230 V) (ITEM *15) POWER CONTROL. THE H720-C USING THE H720-E ELECTRONICS OR THE H720-D USING THE H720-F ELECTRONICS DOES NOT REQUIRE A POWER CONTROL. WHEN MOUNTING AN 854 OR 854-B POWER CONTROL ON THE H950-DA MOUNTING PANEL DOOR, INSTALL WITH 4 TINNERMAN NUTS (ITEM *5) AND 4 #10 TRUSS HEAD SCREWS (ITEM *6) IN RIGHT FRONT LEFT HOLES (COUNTING FROM BOTTOM UP) *21 & 28. WHEN A POWER CONTROL IS USED, USE "WIRING DIAGRAM B". WHEN A POWER CONTROL IS NOT USED, USE "WIRING DIAGRAM A".
- THE H952-C FAN SHOULD BE LOCATED IN THE FRONT OF THE CABINET AS SHOWN.
- FOR MOUNTING JONES STRIP PLATE (ITEM *17) INSTALL TINNERMAN NUTS (ITEM *5) IN HOLES (COUNTING FROM BOTTOM UP) *103 & *108.
- REMOVE FEMALE END FROM POWER CORD (ITEM 24) AND REPLACE WITH SOLDERLESS CONN (ITEM 12) ON WHT AND BLK WIRES. GRN WIRE IS CUT BACK FLUSH WITH CORD JACKET.



SECTION B-B



SECTION A-A

| REV | CHG | NO | DATE | BY |
|-----|-----|----|------|----|
| A | | | | |
| B | | | | |
| C | | | | |

| REV | CHG | NO | DATE | BY |
|-----|-----|----|------|----|
| A | | | | |
| B | | | | |
| C | | | | |

| REV | CHG | NO | DATE | BY |
|-----|-----|----|------|----|
| A | | | | |
| B | | | | |
| C | | | | |

| REV | CHG | NO | DATE | BY |
|-----|-----|----|------|----|
| A | | | | |
| B | | | | |
| C | | | | |

| REV | CHG | NO | DATE | BY |
|-----|-----|----|------|----|
| A | | | | |
| B | | | | |
| C | | | | |

| REV | CHG | NO | DATE | BY |
|-----|-----|----|------|----|
| A | | | | |
| B | | | | |
| C | | | | |

| REV | CHG | NO | DATE | BY |
|-----|-----|----|------|----|
| A | | | | |
| B | | | | |
| C | | | | |

| REV | CHG | NO | DATE | BY |
|-----|-----|----|------|----|
| A | | | | |
| B | | | | |
| C | | | | |

| REV | CHG | NO | DATE | BY |
|-----|-----|----|------|----|
| A | | | | |
| B | | | | |
| C | | | | |

| REV | CHG | NO | DATE | BY |
|-----|-----|----|------|----|
| A | | | | |
| B | | | | |
| C | | | | |

| REV | CHG | NO | DATE | BY |
|-----|-----|----|------|----|
| A | | | | |
| B | | | | |
| C | | | | |

| REV | CHG | NO | DATE | BY |
|-----|-----|----|------|----|
| A | | | | |
| B | | | | |
| C | | | | |

| REV | CHG | NO | DATE | BY |
|-----|-----|----|------|----|
| A | | | | |
| B | | | | |
| C | | | | |

| REV | CHG | NO | DATE | BY |
|-----|-----|----|------|----|
| A | | | | |
| B | | | | |
| C | | | | |

| REV | CHG | NO | DATE | BY |
|-----|-----|----|------|----|
| A | | | | |
| B | | | | |
| C | | | | |

| REV | CHG | NO | DATE | BY |
|-----|-----|----|------|----|
| A | | | | |
| B | | | | |
| C | | | | |

| REV | CHG | NO | DATE | BY |
|-----|-----|----|------|----|
| A | | | | |
| B | | | | |
| C | | | | |

| REV | CHG | NO | DATE | BY |
|-----|-----|----|------|----|
| A | | | | |
| B | | | | |
| C | | | | |

| REV | CHG | NO | DATE | BY |
|-----|-----|----|------|----|
| A | | | | |
| B | | | | |
| C | | | | |

| REV | CHG | NO | DATE | BY |
|-----|-----|----|------|----|
| A | | | | |
| B | | | | |
| C | | | | |

| REV | CHG | NO | DATE | BY |
|-----|-----|----|------|----|
| A | | | | |
| B | | | | |
| C | | | | |

| REV | CHG | NO | DATE | BY |
|-----|-----|----|------|----|
| A | | | | |
| B | | | | |
| C | | | | |

| REV | CHG | NO | DATE | BY |
|-----|-----|----|------|----|
| A | | | | |
| B | | | | |
| C | | | | |

| REV | CHG | NO | DATE | BY |
|-----|-----|----|------|----|
| A | | | | |
| B | | | | |
| C | | | | |

| REV | CHG | NO | DATE | BY |
|-----|-----|----|------|----|
| A | | | | |
| B | | | | |
| C | | | | |

| REV | CHG | NO | DATE | BY |
|-----|-----|----|------|----|
| A | | | | |
| B | | | | |
| C | | | | |

| REV | CHG | NO | DATE | BY |
|-----|-----|----|------|----|
| A | | | | |
| B | | | | |
| C | | | | |

| REV | CHG | NO | DATE | BY |
|-----|-----|----|------|----|
| A | | | | |
| B | | | | |
| C | | | | |

| REV | CHG | NO | DATE | BY |
|-----|-----|----|------|----|
| A | | | | |
| B | | | | |
| C | | | | |

| REV | CHG | NO | DATE | BY |
|-----|-----|----|------|----|
| A | | | | |
| B | | | | |
| C | | | | |

| REV | CHG | NO | DATE | BY |
|-----|-----|----|------|----|
| A | | | | |
| B | | | | |
| C | | | | |

| REV | CHG | NO | DATE | BY |
|-----|-----|----|------|----|
| A | | | | |
| B | | | | |
| C | | | | |

| REV | CHG | NO | DATE | BY |
|-----|-----|----|------|----|
| A | | | | |
| B | | | | |
| C | | | | |

| REV | CHG | NO | DATE | BY |
|-----|-----|----|------|----|
| A | | | | |
| B | | | | |
| C | | | | |

| REV | CHG | NO | DATE | BY |
|-----|-----|----|------|----|
| A | | | | |
| B | | | | |
| C | | | | |

| REV | CHG | NO | DATE | BY |
|-----|-----|----|------|----|
| A | | | | |
| B | | | | |
| C | | | | |

| REV | CHG | NO | DATE | BY |
|-----|-----|----|------|----|
| A | | | | |
| B | | | | |
| C | | | | |

| REV | CHG | NO | DATE | BY |
|-----|-----|----|------|----|
| A | | | | |
| B | | | | |
| C | | | | |

| REV | CHG | NO | DATE | BY |
|-----|-----|----|------|----|
| A | | | | |
| B | | | | |
| C | | | | |

| REV | CHG | NO | DATE | BY |
|-----|-----|----|------|----|
| A | | | | |
| B | | | | |
| C | | | | |

| REV | CHG | NO | DATE | BY |
|-----|-----|----|------|----|
| A | | | | |
| B | | | | |
| C | | | | |

| REV | CHG | NO | DATE | BY |
|-----|-----|----|------|----|
| A | | | | |
| B | | | | |
| C | | | | |

| REV | CHG | NO | DATE | BY |
|-----|-----|----|------|----|
| A | | | | |
| B | | | | |
| C | | | | |

| REV | CHG | NO | DATE | BY |
|-----|-----|----|------|----|
| A | | | | |
| B | | | | |
| C | | | | |

| REV | CHG | NO | DATE | BY |
|-----|-----|----|------|----|
| A | | | | |
| B | | | | |
| C | | | | |

| REV | CHG | NO | DATE | BY |
|-----|-----|----|------|----|
| A | | | | |
| B | | | | |
| C | | | | |

| REV | CHG | NO | DATE | BY |
|-----|-----|----|------|----|
| A | | | | |
| B | | | | |
| C | | | | |

| REV | CHG | NO | DATE | BY |
|-----|-----|----|------|----|
| A | | | | |
| B | | | | |
| C | | | | |

| REV | CHG | NO | DATE | BY |
|-----|-----|----|------|----|
| A | | | | |
| B | | | | |
| C | | | | |

| REV | CHG | NO | DATE | BY |
|-----|-----|----|------|----|
| A | | | | |
| B | | | | |
| C | | | | |

| REV | CHG | NO | DATE | BY |
|-----|-----|----|------|----|
| A | | | | |
| B | | | | |
| C | | | | |

| REV | CHG | NO | DATE | BY |
|-----|-----|----|------|----|
| A | | | | |
| B | | | | |
| C | | | | |

| REV | CHG | NO | DATE | BY |
|-----|-----|----|------|----|
| A | | | | |
| B | | | | |
| C | | | | |

| REV | CHG | NO | DATE | BY |
|-----|-----|----|------|----|
| A | | | | |
| B | | | | |
| C | | | | |

| REV | CHG | NO | DATE | BY |
|-----|-----|----|------|----|
| A | | | | |
| B | | | | |
| C | | | | |

| REV | CHG | NO | DATE | BY |
|-----|-----|----|------|----|
| A | | | | |
| B | | | | |
| C | | | | |

| REV | CHG | NO | DATE | BY |
|-----|-----|----|------|----|
| A | | | | |
| B | | | | |
| C | | | | |

| REV | CHG | NO | DATE | BY |
|-----|-----|----|------|----|
| A | | | | |
| B | | | | |
| C | | | | |

| REV | CHG | NO | DATE | BY |
|-----|-----|----|------|----|
| A | | | | |
| B | | | | |
| C | | | | |

| REV | CHG | NO | DATE | BY |
|-----|-----|----|------|----|
| A | | | | |
| B | | | | |
| C | | | | |

| REV | CHG | NO | DATE | BY |
|-----|-----|----|------|----|
| A | | | | |
| B | | | | |
| C | | | | |

| REV | CHG | NO | DATE | BY |
|-----|-----|----|------|----|
| A | | | | |
| B | | | | |
| C | | | | |

| REV | CHG | NO | DATE | BY |
|-----|-----|----|------|----|
| A | | | | |
| B | | | | |
| C | | | | |

| REV | CHG | NO | DATE | BY |
|-----|-----|----|------|----|
| A | | | | |
| B | | | | |
| C | | | | |

| REV | CHG | NO | DATE | BY |
|-----|-----|----|------|----|
| A | | | | |
| B | | | | |
| C | | | | |

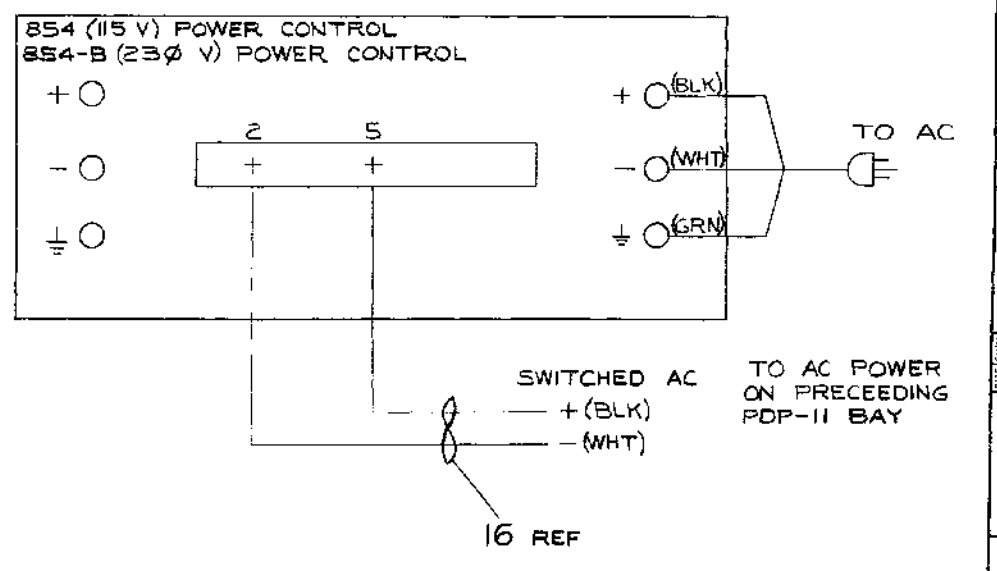
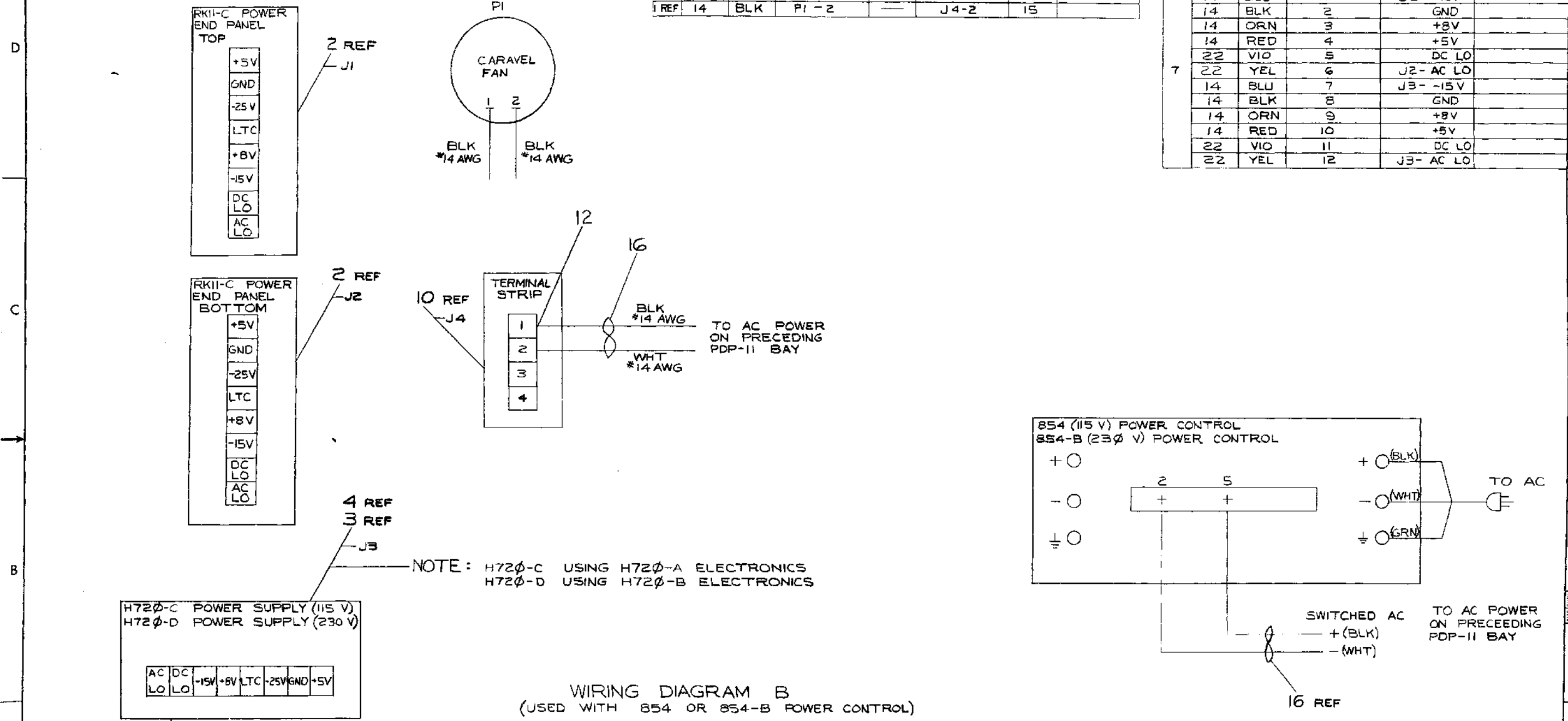
| REV | CHG | NO | DATE | BY |
|-----|-----|----|------|----|
| A | | | | |
| B | | | | |
| C | | | | |

| REV | CHG | NO |
|-----|-----|----|
|-----|-----|----|

The drawing and specifications herein are the property of Digital Equipment Corporation and shall not be reproduced or copied in whole or in part in the form for the manufacture or sale of items without written permission.

| WIRE TABLE | | | | | | |
|------------|-------------|--------|------|------------|------|---------|
| ITEM NO. | DESCRIPTION | FROM | TO | CONNECTION | TERM | REMARKS |
| REF 14 | BLK | PI - 1 | J4-1 | --- | 15 | |
| REF 14 | BLK | PI - 2 | J4-2 | --- | 15 | |

| WIRE TABLE | | | | | |
|------------|-------------|--------------|-----------|---------------|---------|
| ITEM NO. | DESCRIPTION | FROM HARNESS | TO RKII-C | UNIT LOCATION | REMARKS |
| 7 | 14 | BLU | 1 | J2 - -15V | |
| | 14 | BLK | 2 | GND | |
| | 14 | ORN | 3 | +8V | |
| | 14 | RED | 4 | +5V | |
| | 22 | VIO | 5 | DC LO | |
| | 22 | YEL | 6 | J2 - AC LO | |
| | 14 | BLU | 7 | J3 - -15V | |
| | 14 | BLK | 8 | GND | |
| | 14 | ORN | 9 | +8V | |
| | 14 | RED | 10 | +5V | |
| | 22 | VIO | 11 | DC LO | |
| | 22 | YEL | 12 | J3 - AC LO | |



| QTY. | DESCRIPTION | PART NO. | ITEM NO. |
|------|-----------------------|-------------|----------|
| | PARTS LIST | | |
| | | | |
| | DISK CONTROL (RKII-C) | | |
| | SIZE CODE | NUMBER | REV |
| | | DJARKII-C-0 | B |
| | SCALE | SHEET | 3 OF 3 |

| REV | REVISIONS |
|-----|-----------|
| | CHANGED |

DEF-100M NO 1074

DIGITAL EQUIPMENT CORPORATION
MAYNARD, MASSACHUSETTS
PARTS LIST

| | | | | | |
|---------|-----------------|---------|----------------|--------------|---|
| MADE BY | KAREN KRYSIAK | CHECKED | M. MACKENZIE | SECTION | 1 |
| DATE | 1/27/71 | DATE | 2/23/71 | ISSUED SECT. | 1 |
| ENG | <i>Tom Egan</i> | PROD | <i>W. Cull</i> | | |
| DATE | 3/12/71 | DATE | 3/18/71 | | |

| ITEM NO. | DWG NO. / PART NO. / CL / BASIC / VAR. | DESCRIPTION | QTY/VAR | | | UNIT COST | UNIT QUANTITY | QUANTITY ISSUED |
|----------|--|---|---------|--|--|-----------|---------------|-----------------|
| | | | | | | | | |
| | G730 | JUMPER MODULE | 1 | | | | | |
| | G740 | DISK SELECTION CARD | 1 | | | | | |
| | M000 | LOGIC 1 SOURCE | 1 | | | | | |
| | M100 | ADDRESS SELECTOR MODULE REV C OR BEYOND | 1 | | | | | |
| | M111 | INVERTER | 2 | | | | | |
| | M112 | NOR GATE | 5 | | | | | |
| | M113 | TEN 2-INPUT NAND GATES | 7 | | | | | |
| | M115 | EIGHT 3-INPUT NAND GATES | 3 | | | | | |
| | M116 | 4-INPUT NOR GATES | 3 | | | | | |
| | M117 | SIX 4-INPUT NAND GATES | 3 | | | | | |
| | M119 | THREE 8-INPUT NAND GATES | 2 | | | | | |
| | M121 | AND/NOR GATE | 3 | | | | | |
| | M141 | NAND/OR GATES | 2 | | | | | |
| | M149 | 9X2 NAND WIRED OR MATRIX | 10 | | | | | |
| | M161 | BINARY TO OCTAL/DECIMAL DECODER | 1 | | | | | |
| | M163 | DUAL BINARY TO DECIMAL DECODER | 1 | | | | | |
| | M203 | 8 R/S FLIP-FLOP | 4 | | | | | |
| | M205 | 5 "D" FLIP-FLOPS | 3 | | | | | |
| | M207 | GENERAL PURPOSE FLIP-FLOP | 1 | | | | | |
| | M208 | 8-BIT BOFFER/SHIFT REGISTER | 2 | | | | | |
| | M214 | DATA STORAGE REGISTER REV B OR BEYOND | 3 | | | | | |
| | M216 | SIX FLIP-FLOPS | 5 | | | | | |

| | | | | | | | | | | | |
|-------|--------------------|----------|----------------|-----------|------|--------|-----------|------|---|---------|-------------|
| TITLE | MODULE UTILIZATION | ASSY NO. | D-MU-RK11-C-01 | SIZE CODE | A PL | NUMBER | RK11-C-01 | REV. | B | ECO NO. | RK11C-00006 |
| | | SHEET | 1 | OF | 2 | DIST. | | | | | |

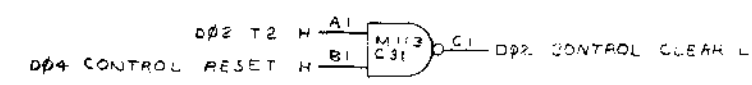
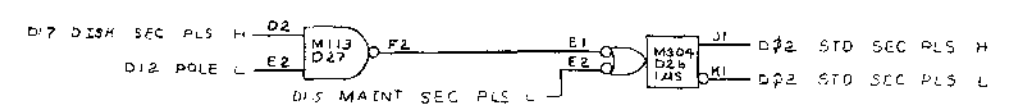
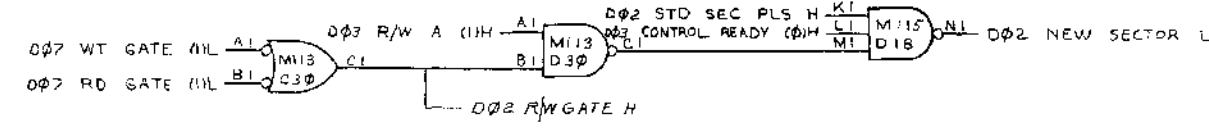
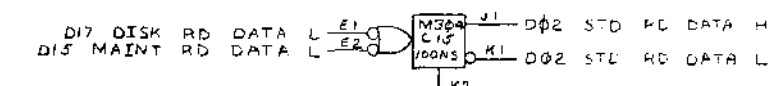
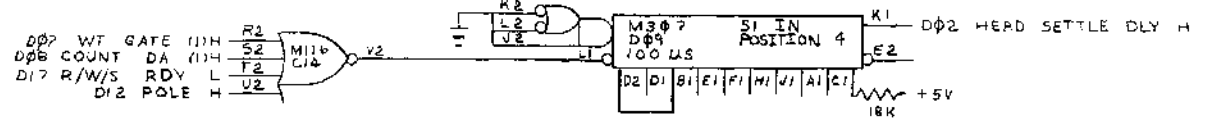
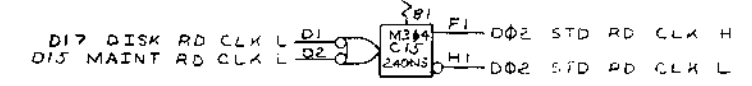
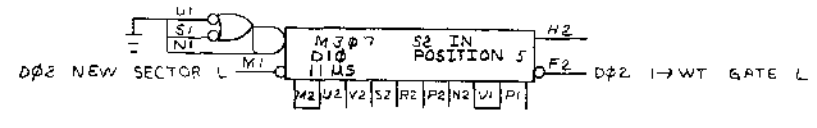
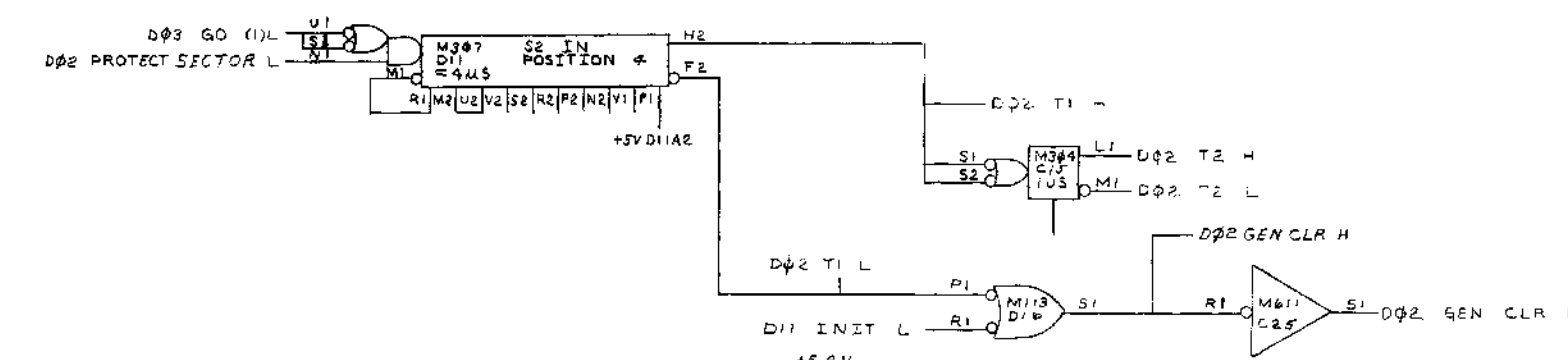
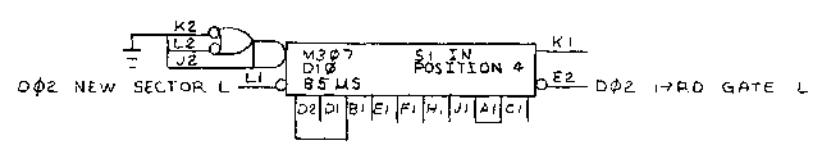
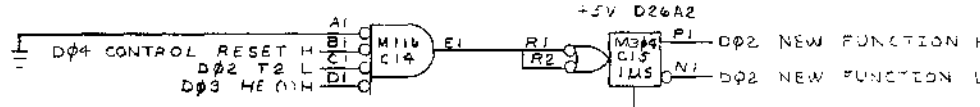
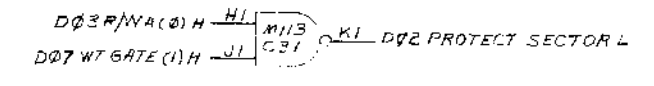
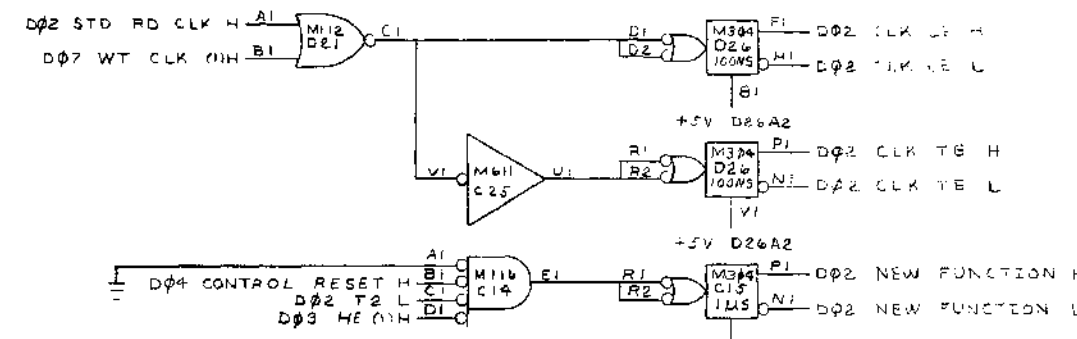
DIGITAL EQUIPMENT CORPORATION
MAYNARD, MASSACHUSETTS
PARTS LIST

| | | | | | |
|---------|-----------------|---------|----------------|--------------|---|
| MADE BY | KAREN KRYSIAK | CHECKED | M. MACKENZIE | SECTION | 1 |
| DATE | 1/27/71 | DATE | 2/23/71 | ISSUED SECT. | 1 |
| ENG | <i>Tom Egan</i> | PROD | <i>W. Cull</i> | | |
| DATE | 3/12/71 | DATE | 3/18/71 | | |

| ITEM NO. | DWG NO. / PART NO. / CL / BASIC / VAR. | DESCRIPTION | QTY/VAR | | | UNIT COST | UNIT QUANTITY | QUANTITY ISSUED |
|----------|--|------------------------------------|---------|--|--|-----------|---------------|-----------------|
| | | | | | | | | |
| | M230 | 12 BIT SYNCHRONOUS UP/DOWN COUNTER | 1 | | | | | |
| | M238 | UP/DOWN COUNTER | 1 | | | | | |
| | M239 | THREE 4-BIT COUNTER/REGISTER | 2 | | | | | |
| | M304 | ONE SHOT DELAY | 3 | | | | | |
| | M307 | INTERGRATING ONE SHOT | 3 | | | | | |
| | M405 | CRYSTAL CLOCK | 1 | | | | | |
| | M611 | DIODE INVERTER | 1 | | | | | |
| | M617 | FOUR INPUT POWER NAND GATE | 1 | | | | | |
| | M623 | BUS DRIVER | 3 | | | | | |
| | M782/M782C/M782I | INTERRUPT CONTROL MODULE | 1 | | | | | |
| | M784 | UNIBUS RECEIVER MODULE | 3 | | | | | |
| | M795 | WORD COUNT & CURRENT MEM ADDRESS | 1 | | | | | |
| | M796 | UNIBUS MASTER CONTROL | 1 | | | | | |
| | M797 | REGISTER SELECT MODULE | 1 | | | | | |
| | M798 | UNIBUS DRIVERS | 1 | | | | | |
| | M930 | BUS TERMINATORS | 2 | | | | | |
| | 5408778 | PRIORITY JUMPER LEVEL 5 | 1 | | | | | |

| | | | | | | | | | | | |
|-------|--------------------|----------|----------------|-----------|------|--------|-----------|------|---|---------|-------------|
| TITLE | MODULE UTILIZATION | ASSY NO. | D-MU-RK11-C-01 | SIZE CODE | A PL | NUMBER | RK11 C-01 | REV. | B | ECO NO. | RK11C-00006 |
| | | SHEET | 2 | OF | 2 | DIST. | | | | | |

This drawing and specifications, herein are the property of Digital Equipment Corporation and shall not be reproduced or copied or used in whole or in part as the basis for the manufacture or sale of items without written permission.



| REVISIONS | CHANGE NO. | REV |
|-----------|-------------|-----|
| CHK | RK11C-00002 | A |
| TOM ORR | | |

| FIRST USED ON OPTION/MODEL | QTY. | DESCRIPTION | PART NO. | ITEM NO. |
|--------------------------------------|------|-------------|-------------------------------|----------|
| PDP-11 | | | | |
| UNLESS OTHERWISE SPECIFIED | | | | |
| DIMENSION IN INCHES | | DATE | PARTS LIST | |
| TOLERANCES | | DATE | digital EQUIPMENT CORPORATION | |
| DECIMALS FRACTIONS ANGLES | | DATE | MAYNARD MASSACHUSETTS | |
| + .005 = 1/64 = 0°30' | | DATE | TITLE | |
| FINAL SURFACE QUALITY | | DATE | BASIC TIMING | |
| REMOVE BURRS AND BREAK SHARP CORNERS | | DATE | SIZE CODE NUMBER REV | |
| MATERIAL | | DATE | A-ML-RK11-C DBS RK11-C-02 A | |
| FINISH | | DATE | SCALE | |
| SHEET | | DATE | DIST. | |

This drawing and specifications, herein, are the property of Digital Equipment Corporation and shall not be reproduced or copied or used in whole or in part as the basis for the manufacture or sale of items without written permission.

D

C

B

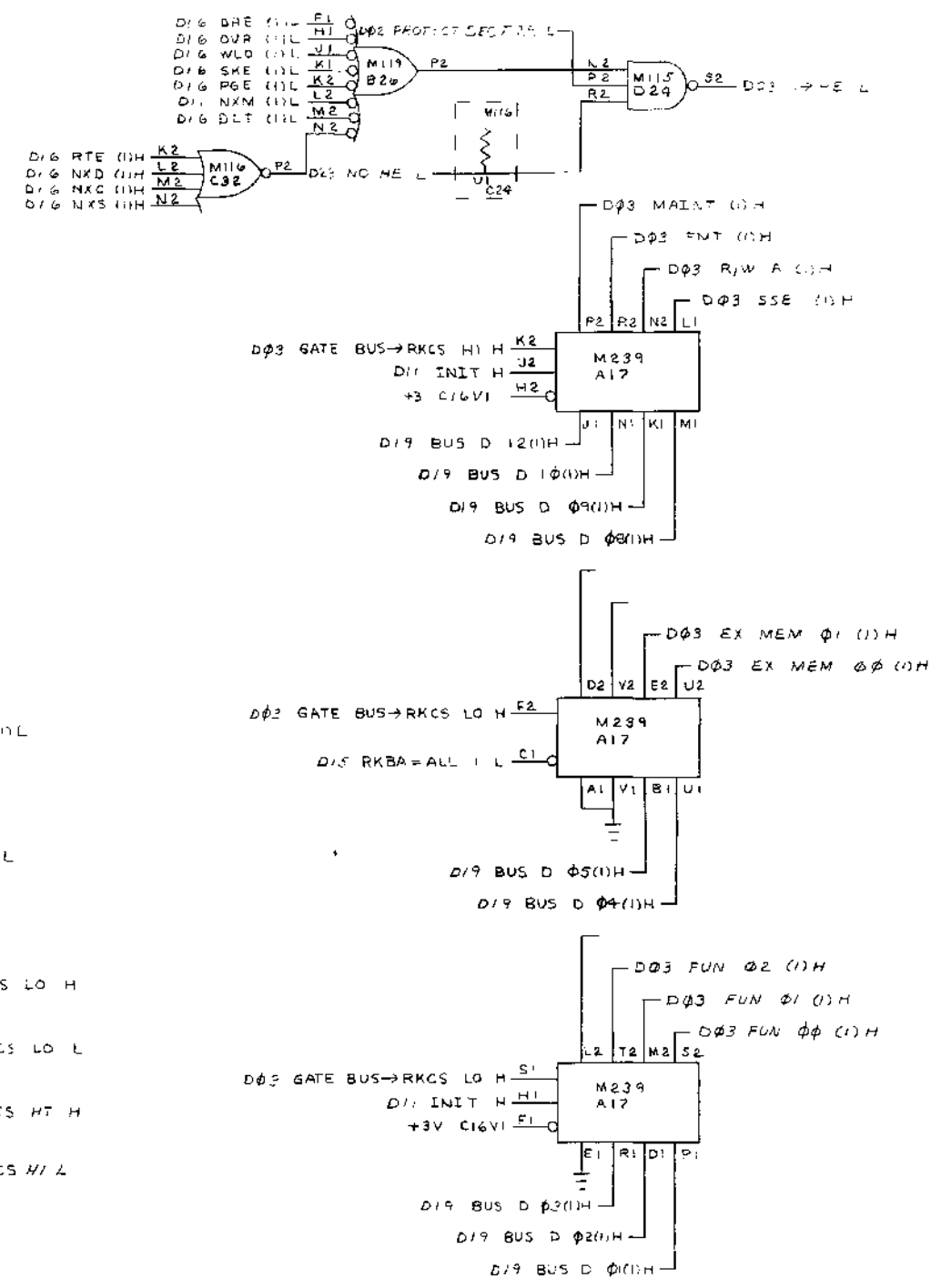
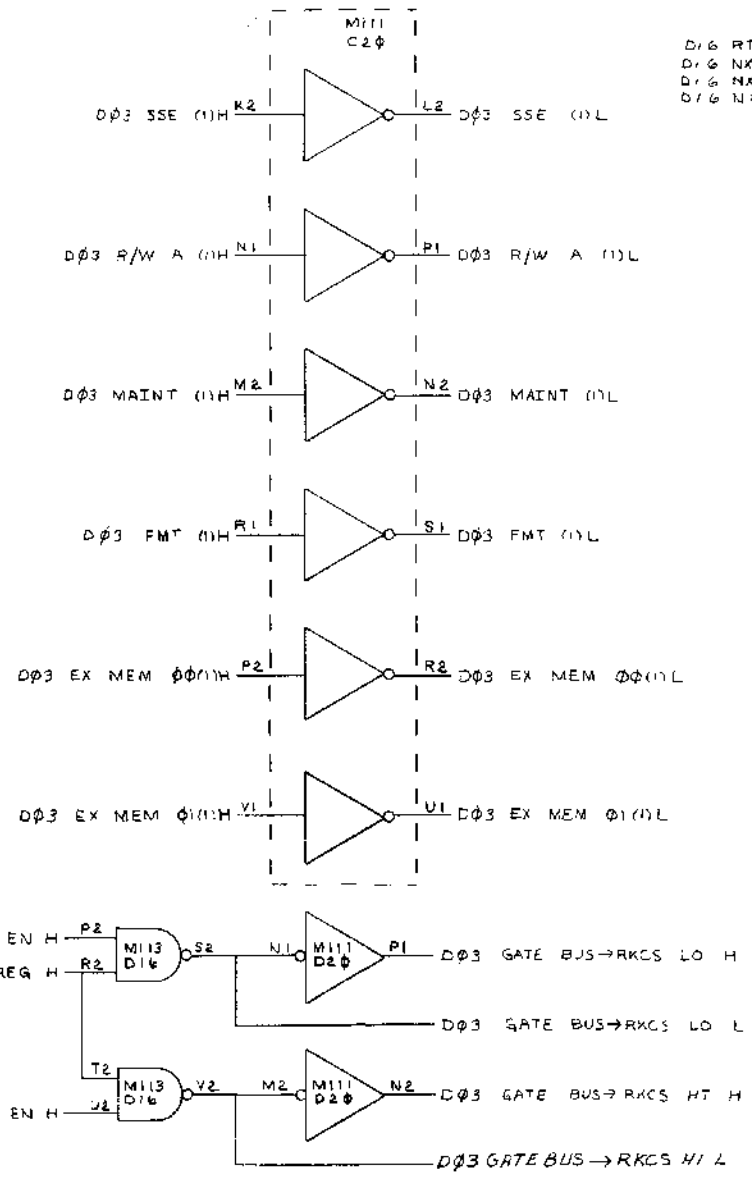
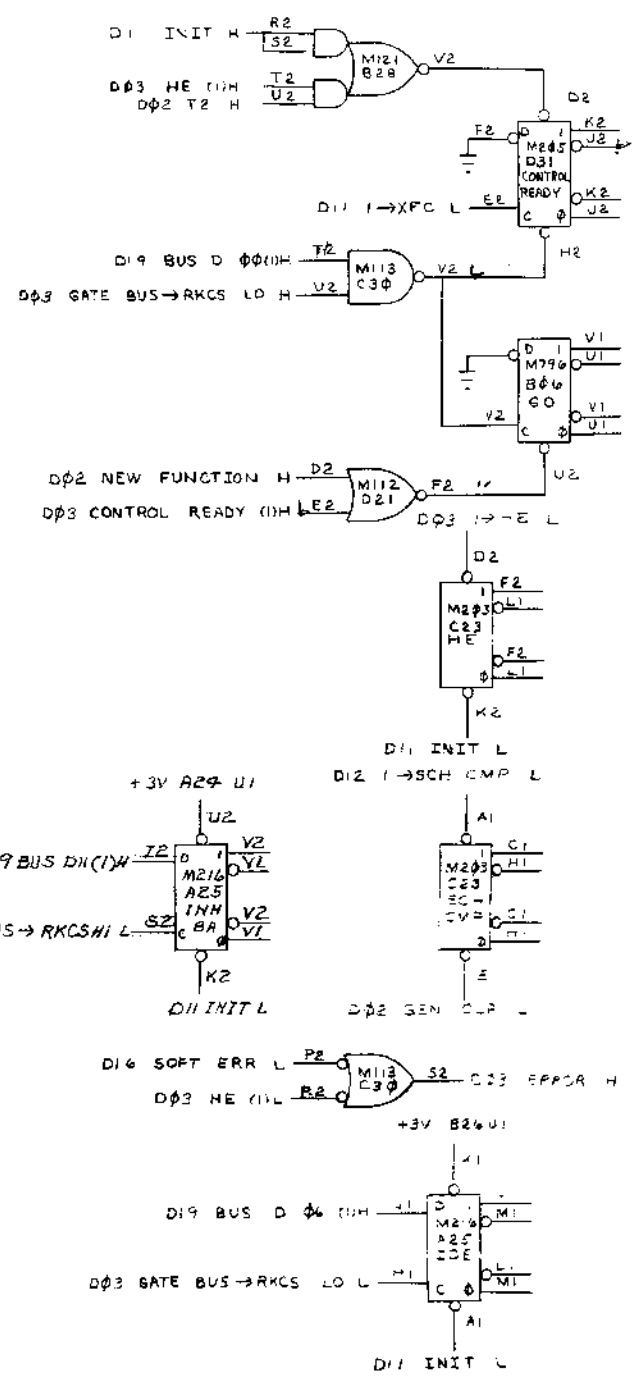
A

D

C

B

A

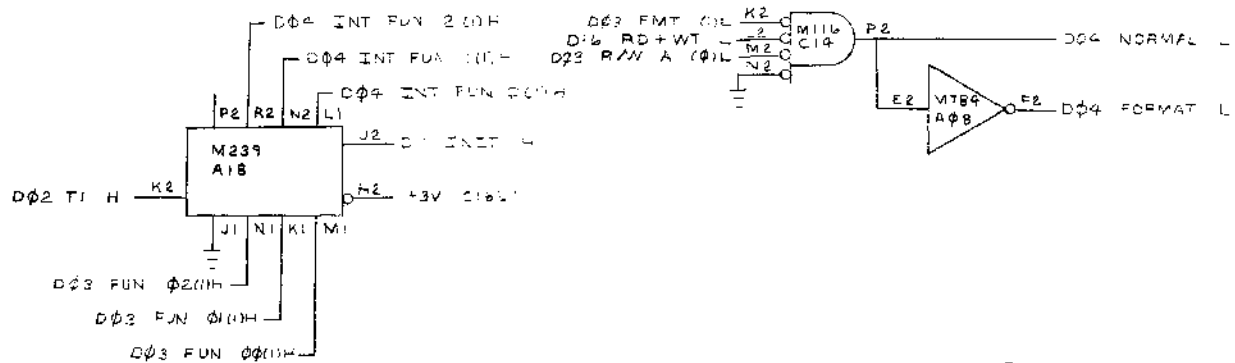
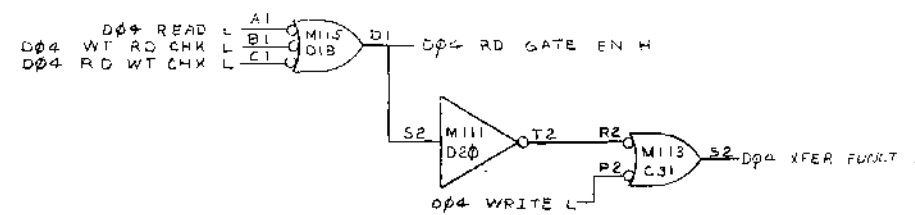
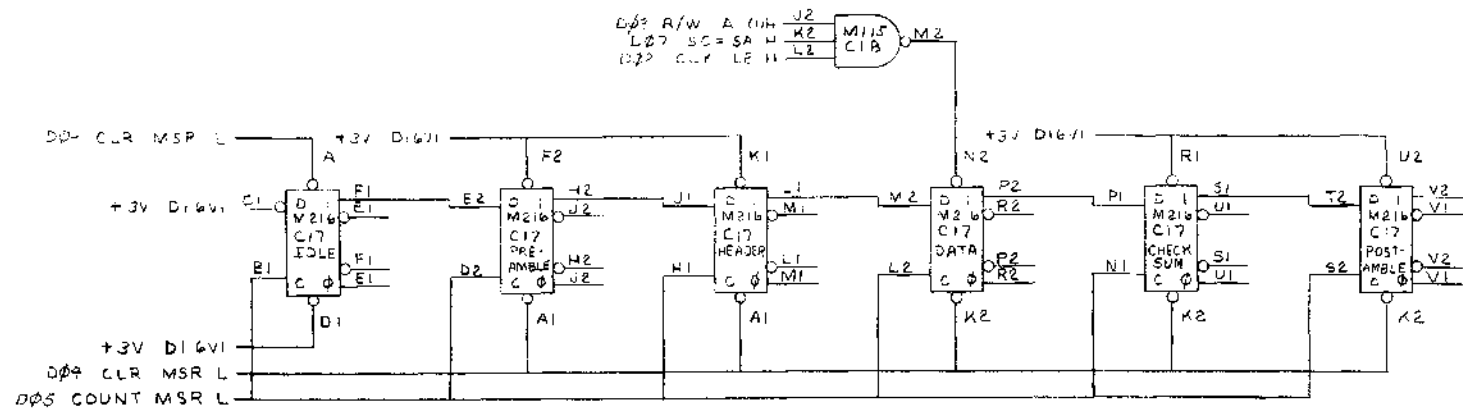


| REV | NO | DATE | BY | CHK |
|-----|----|----------|-----|-----|
| 1 | 1 | 11-19-70 | ... | ... |
| 2 | 1 | 3/10/71 | ... | ... |

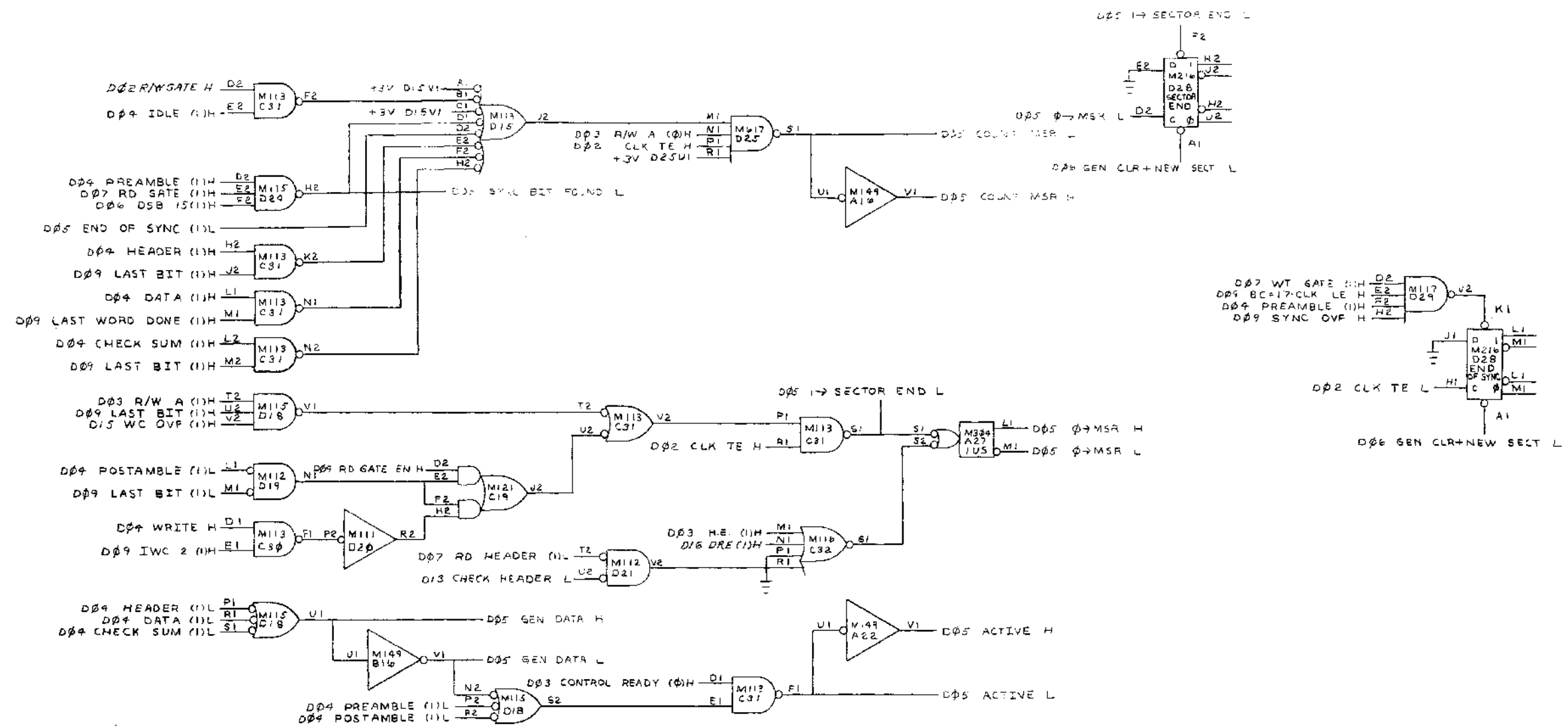
| FIRST USED ON OPTION/MODEL | QTY | DESCRIPTION | PART NO. | ITEM NO. |
|----------------------------|-----|-------------------------------|----------|----------|
| POP-11 | | | | |
| PARTS LIST | | | | |
| UNLESS OTHERWISE SPECIFIED | | DIGITAL EQUIPMENT CORPORATION | | |
| DIMENSION IN INCHES | | TITLE | | |
| TOLERANCES | | RKCS AND CONTROL | | |
| MATERIAL | | A-ML-RKII-C | | |
| FINISH | | SCALE | | |
| SHEET | | DIST. | | |

DBSRKII-C-03

This drawing and specifications, herein, are the property of Digital Equipment Corporation and shall not be reproduced or copied or used in whole or in part as the basis for the manufacture or sale of items without written permission.



This drawing and specifications, hereinafter the property of the Equipment Corporation of America, shall be reproduced or copied or used in whole or in part as the basis for the manufacture or sale of items without written permission.

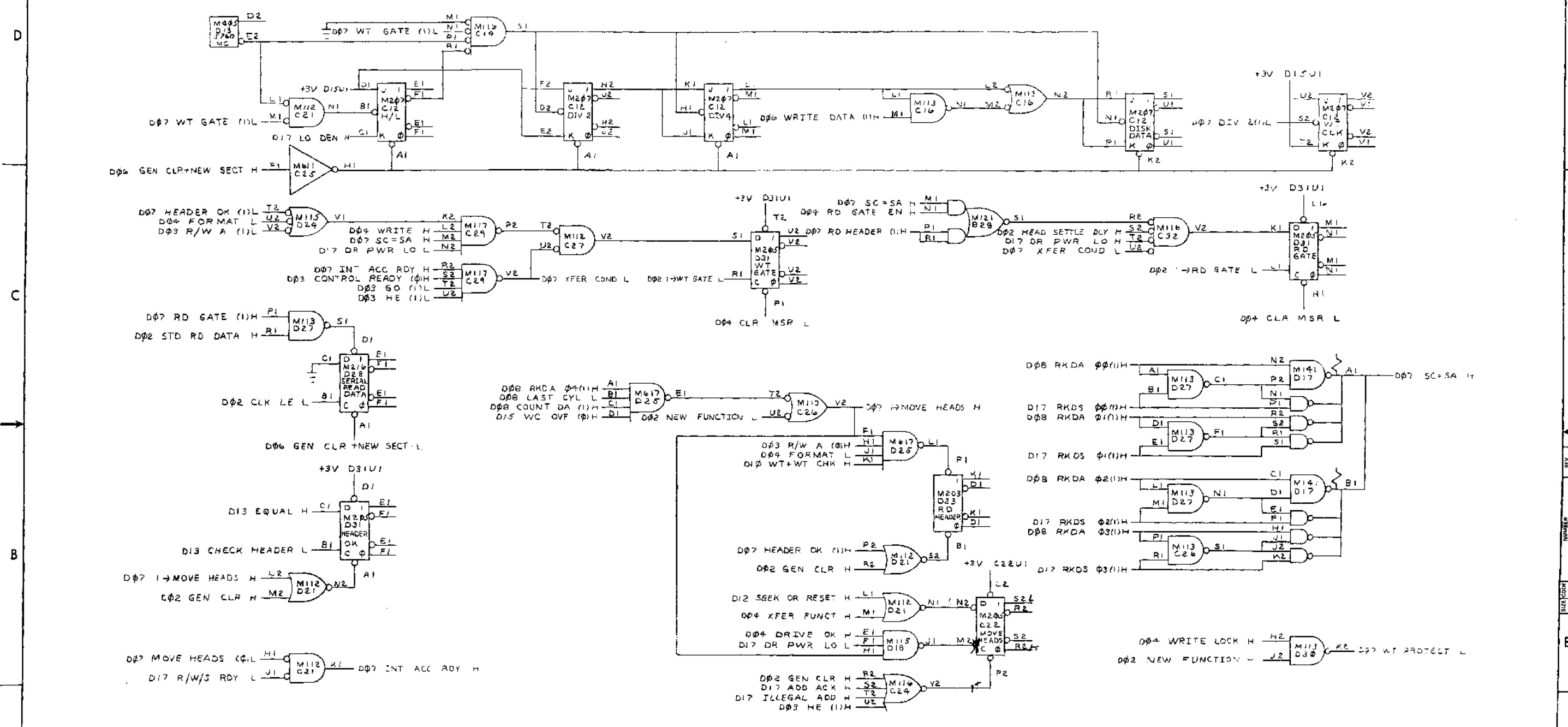


| QTY. | DESCRIPTION | PART NO. | ITEM NO. |
|----------------------------|-------------|--|----------|
| PARTS LIST | | | |
| UNLESS OTHERWISE SPECIFIED | DATE | digital CORPORATION MATERIALS MANAGEMENT | |
| UNLESS OTHERWISE SPECIFIED | DATE | | |
| DIMENSION IN INCHES | DATE | MSR CONTROL | |
| DECIMALS FRACTIONS ANGLES | DATE | | |
| FINISH | DATE | A-ML-RKII-C | |
| FINISH | DATE | | |
| MATERIAL | | SIZE CODE | NUMBER |
| NEXT HIGHER ASSY | | DBS RKII-C-05 | REV |
| SCALE | | 1 OF 1 | A |

| REV. | DATE | BY | CHKD. |
|------|----------|-----|-------|
| 1 | 12-22-72 | ... | ... |
| 2 | 1-11-73 | ... | ... |
| 3 | 1-11-73 | ... | ... |

DBS RKII-C-05

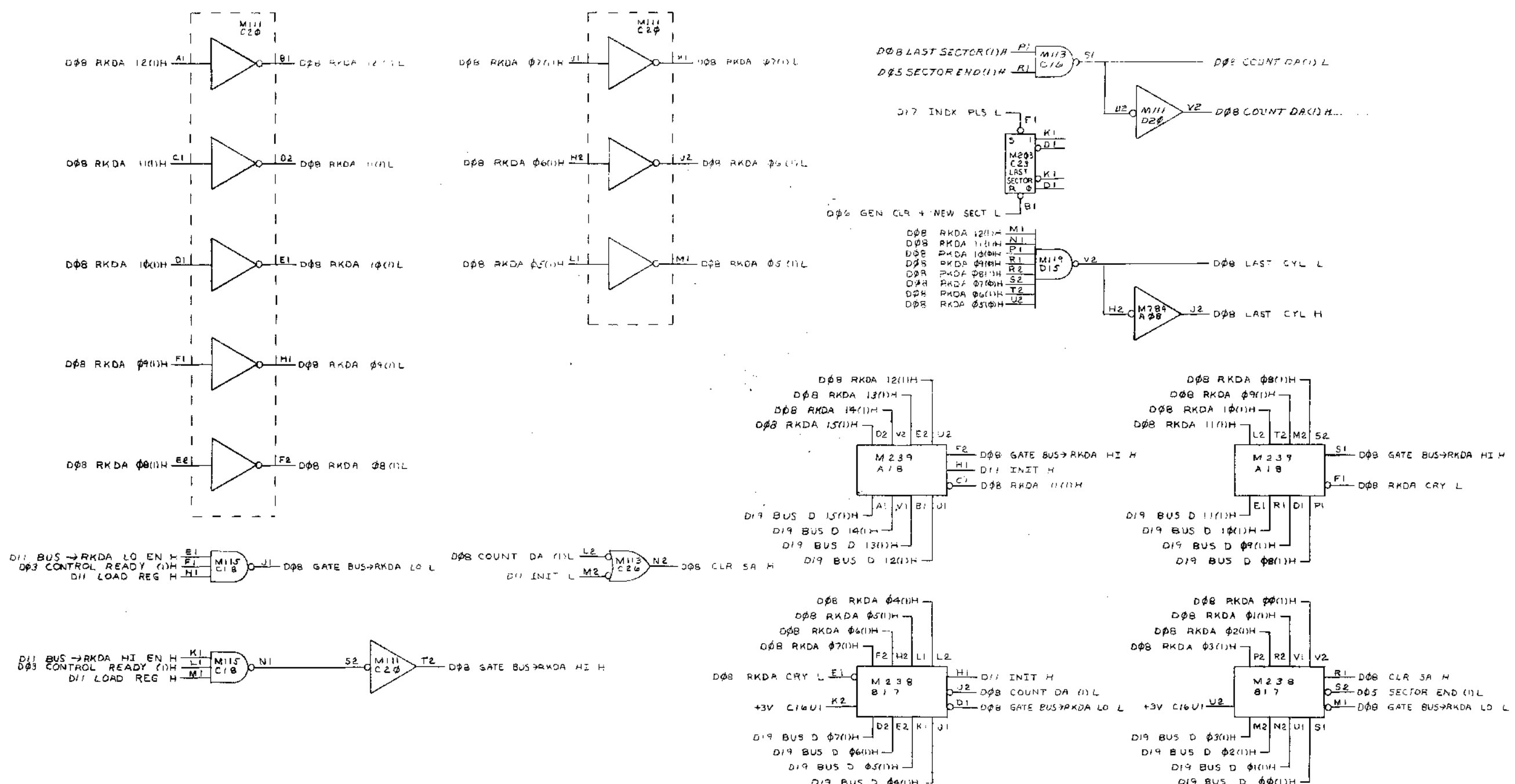
This drawing and specifications, herein are the property of Digital Equipment Corporation and shall not be reproduced or used in whole or in part as the basis for the manufacture or sale of items without written permission.



| FIRST USED ON OPTION/MODEL | QTY. | DESCRIPTION | DEPT. NO. | ITEM NO. |
|----------------------------|------|-------------------------------|-----------|----------|
| PDP-11 | | | | |
| UNLESS OTHERWISE SPECIFIED | | PARTS LIST | | |
| UNLESS OTHERWISE SPECIFIED | | digital EQUIPMENT CORPORATION | | |
| DIMENSIONS IN INCHES | | DATE | | |
| TOLERANCES | | DATE | | |
| DECIMALS FRACTIONS ANGLES | | DATE | | |
| ± .005 ± .001 ± .010 | | DATE | | |
| FINISH | | DATE | | |
| MATERIAL | | DATE | | |
| NEXT HIGHER ASSY | | DATE | | |
| SCALE | | DATE | | |
| SHEET | | DATE | | |
| A-ML-RKII-C | | SIZE/CODE NUMBER REV | | |
| | | DBS RKT-C-07 | | |

REV. NUMBER DBS RKT-C-07

This drawing and specifications, herein, are the property of Digital Equipment Corporation and shall not be reproduced or copied in whole or in part as the basis for the manufacture or sale of items without written permission.



| FIRST USED ON OPTION MODEL | QTY. | DESCRIPTION | PART NO. | ITEM NO. |
|--|------|-------------|---|----------|
| PDP-11 | | | | |
| UNLESS OTHERWISE SPECIFIED: DRN: <i>[Signature]</i> DATE: 11-11-70 | | | | |
| UNLESS OTHERWISE SPECIFIED: CHKD: <i>[Signature]</i> DATE: 3/10/71 | | | | |
| DIMENSION IN INCHES | | | | |
| TOLERANCES | | | | |
| DECIMALS FRACTIONS ANGLES | | | | |
| + .005 = 1:64 = 0.30° | | | | |
| FINAL SURFACE QUALITY | | | | |
| REMOVE BURRS AND BREAK SHARP CORNERS | | | | |
| MATERIAL | | | | |
| NEXT HIGHER ASSY | | | | |
| FINISH | | | | |
| SCALE | | | | |
| SHEET 1 OF 1 | | | | |
| PARTS LIST | | | digital EQUIPMENT CORPORATION MAYNARD, MASSACHUSETTS | |
| TITLE: RKDA AND CONTROL | | | | |
| SIZE CODE: DBS | | | NUMBER: RKII-C-08 | |
| REV: A | | | | |

REVISIONS

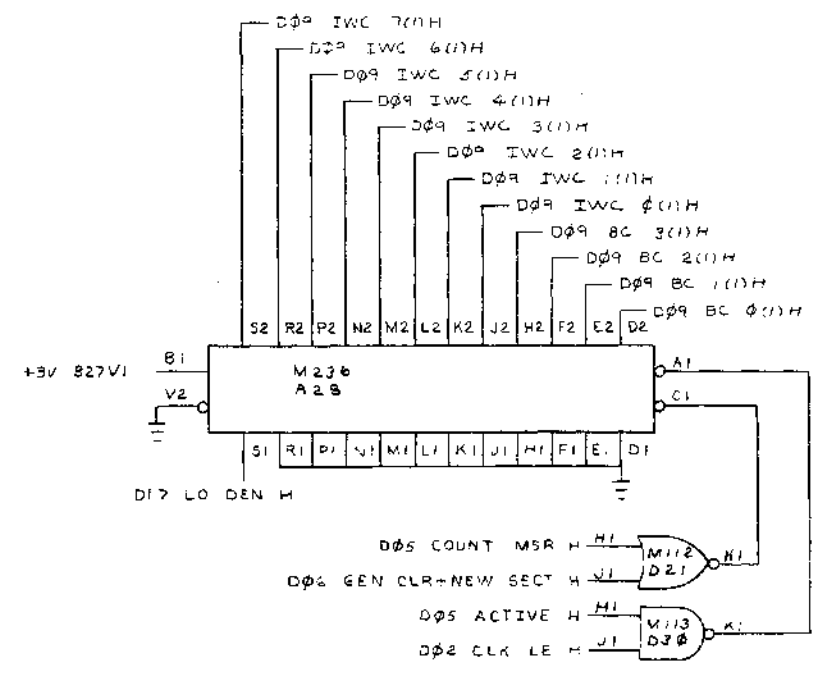
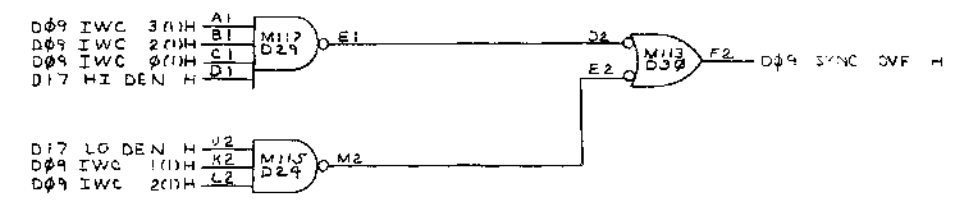
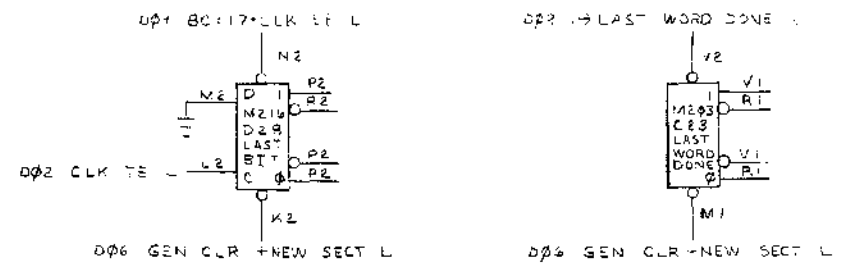
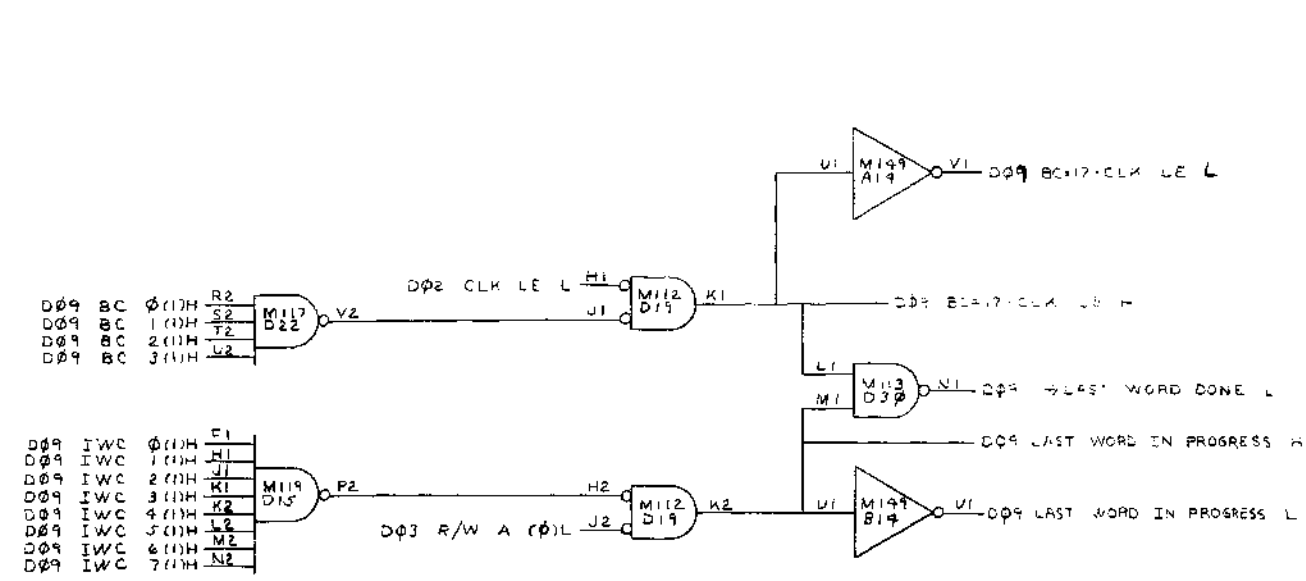
| CHK | CHANGE NO. | REV |
|-----|--------------|-----|
| | RKII-C-00202 | A |

TOM ORR

[Signature]

REV. A
DBS RKII-C-08

This drawing and specifications, herein, are the property of Digital Equipment Corporation and shall not be reproduced or copied or used in whole or in part as the basis for the manufacture or sale of items without written permission.

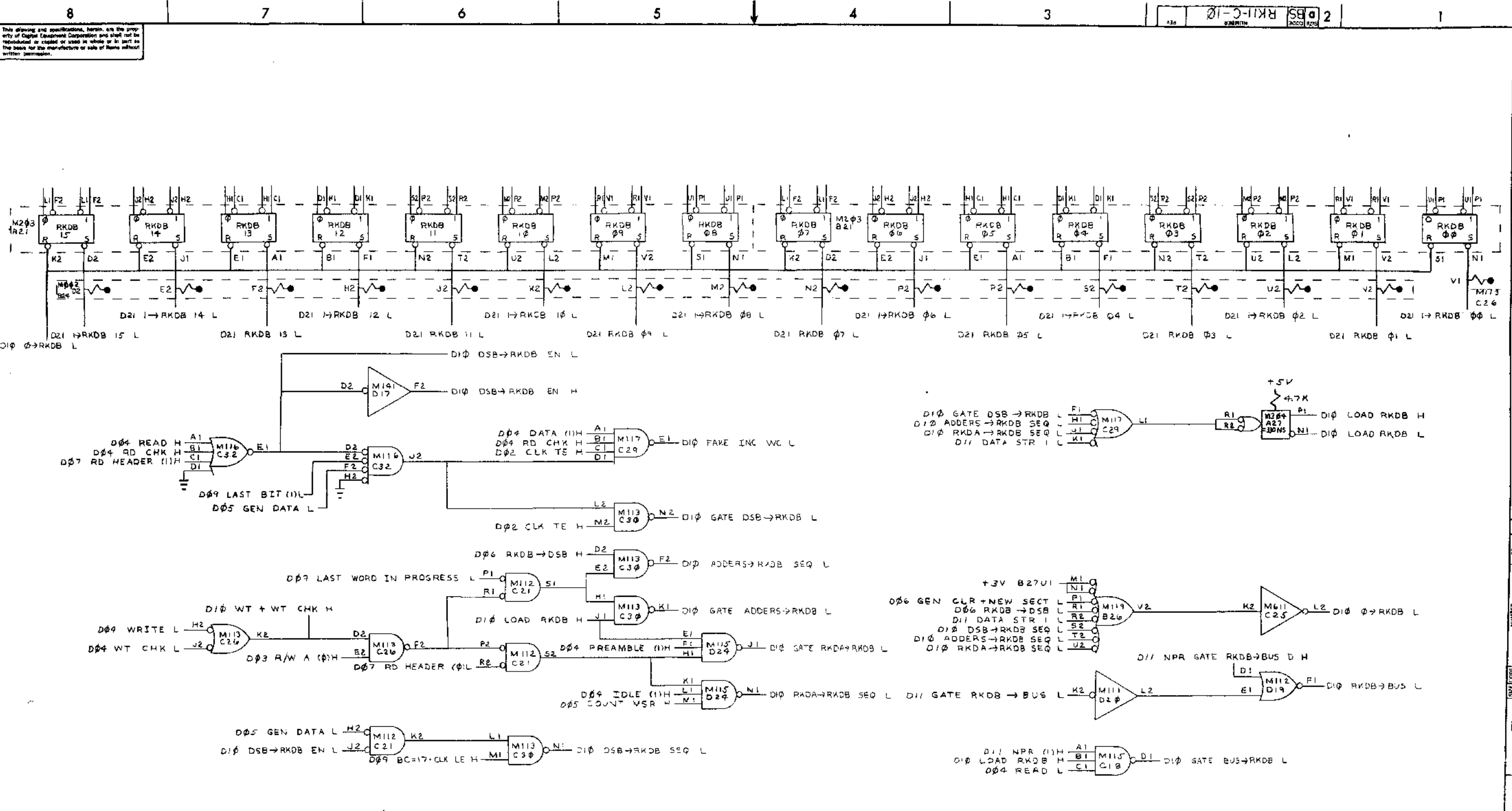


| FIRST USED ON OPTION MODEL | QTY | DESCRIPTION | PART NO | ITEM NO |
|--------------------------------------|------------------|-------------|--|-----------|
| PDP-11 | | | | |
| PARTS LIST | | | | |
| UNLESS OTHERWISE SPECIFIED | DRN | DATE | digital EQUIPMENT CORPORATION MAYNARD, MASSACHUSETTS | |
| UNLESS OTHERWISE SPECIFIED | CHK'D | DATE | | |
| TOLERANCES | ENGR | DATE | BIT COUNTER AND INTERNAL WC | |
| DECIMALS FRACTIONS INCHES | ENGR | DATE | | |
| REMOVE BURRS AND BREAK SHARP CORNERS | PROG | DATE | A-M-L-RK11-C | |
| | | | | |
| MATERIAL | NET: HIGHER ASSY | | SIZE CODE | NUMBER |
| FINISH | A-M-L-RK11-C | | DBS | RK11-C-09 |
| | SCALE | | DIST | |
| | SHEET | OF | | |

REV. 10/70
CHK. CHANGE IN
REV. 10/70

REV. 10/70
NUMBER
DBS/RK11-C-09

This drawing and specifications, herein, are the property of Digital Equipment Corporation and shall not be reproduced or copied or used in whole or in part as the basis for the manufacture or sale of items without written permission.

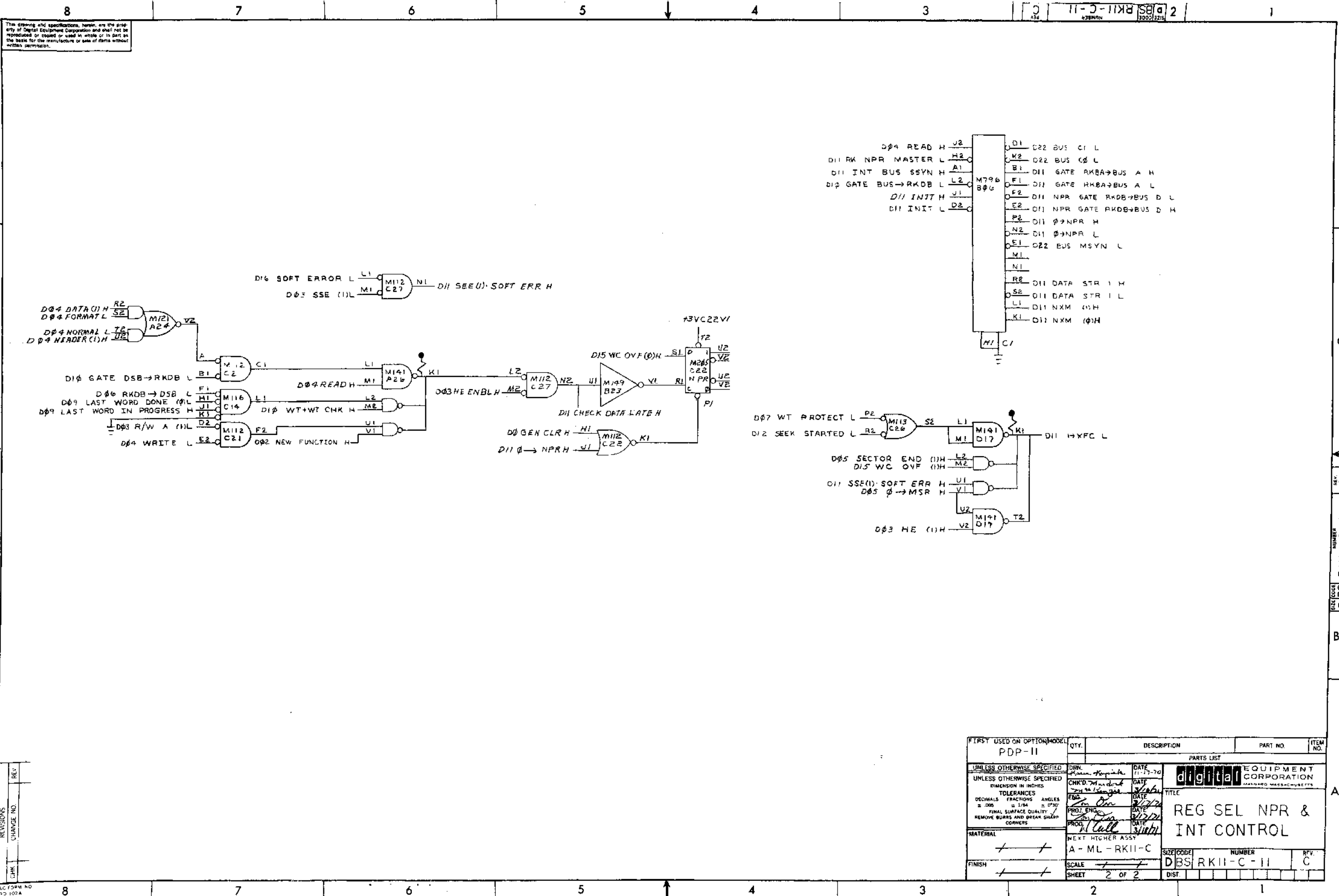


| | |
|------|--|
| REV. | |
| CHG | |
| NO. | |

| FIRST USED ON OPTION MODEL | QTY. | DESCRIPTION | PART NO. | ITEM NO. |
|---|------|-------------|----------|----------|
| PDP-11 | | | | |
| PARTS LIST | | | | |
| digital EQUIPMENT CORPORATION MAYNARD, MASSACHUSETTS | | | | |
| TITLE RKDB AND CONTROL | | | | |
| NEXT HIGHER ASSY A-ML-RK11-C | | | | |
| SCALE SHEET 1 OF 1 | | | | |
| SIZE CODE D18S RK11-C-10 | | | | |

REV. NUMBER D18S RK11-C-10

This drawing and specifications, herein, are the property of Digital Equipment Corporation and shall not be reproduced or copied or used in whole or in part as the basis for the manufacture or sale of items without written permission.

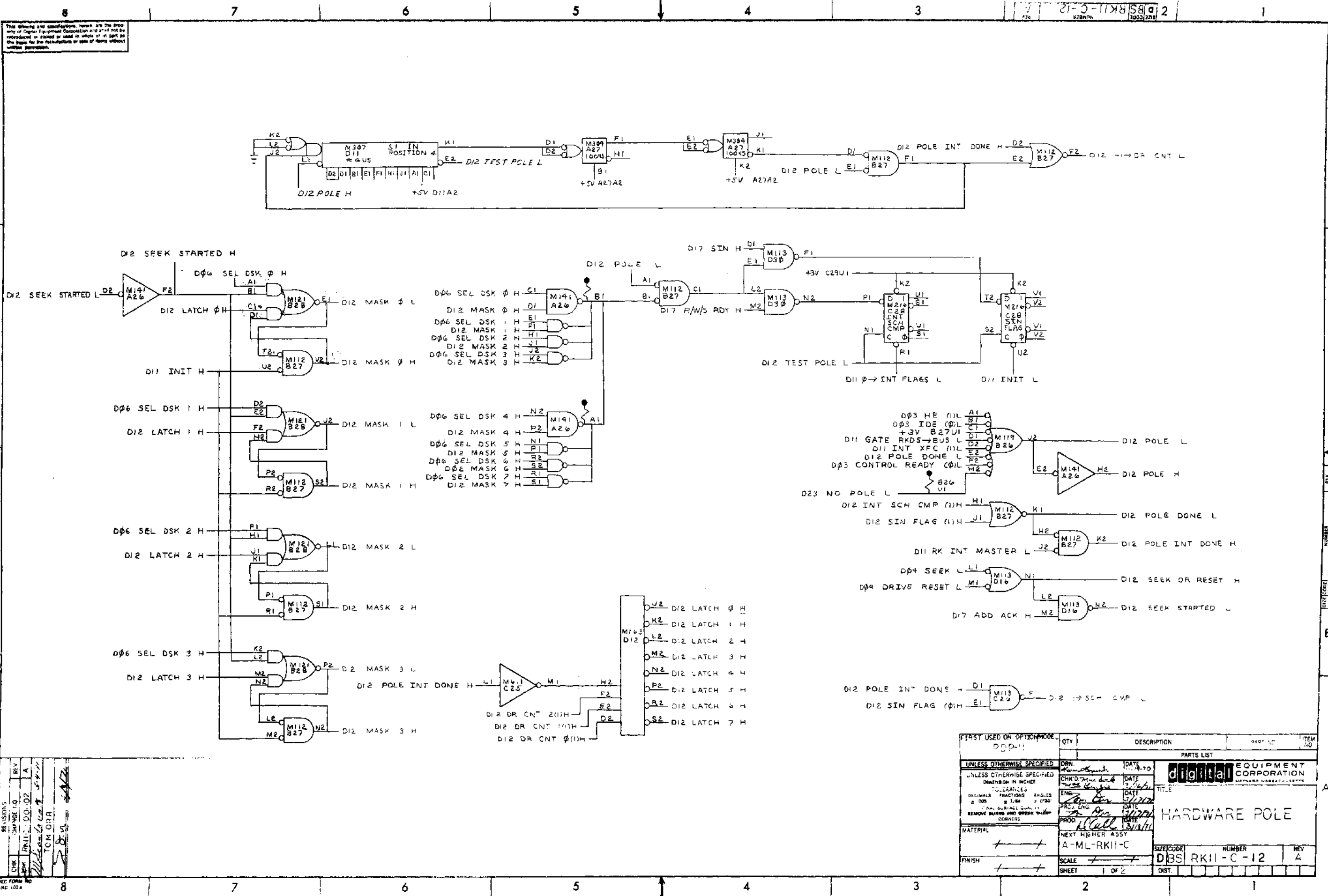


| | |
|------------|--|
| REV | |
| CHANGE NO. | |
| CHK | |

| | | | | |
|--|---|--------------------------------------|---|-------------|
| FIRST USED ON OPTION/MODEL PDP-11 | QTY. | DESCRIPTION | PART NO. | ITEM NO. |
| PARTS LIST | | | | |
| UNLESS OTHERWISE SPECIFIED DIMENSION IN INCHES TOLERANCES DECIMALS FRACTIONS ANGLES ± .005 ± 1/64 ± 0°30' FINAL SURFACE QUALITY REMOVE BURRS AND BREAK SHARP CORNERS | DRN. CHK'D. EDG. PROT. ENG. PROD. | DATE DATE DATE DATE DATE | | |
| MATERIAL | NEXT HIGHER ASSY | | TITLE REG SEL NPR & INT CONTROL | |
| FINISH | SCALE | SHEET | SIZE (CODE) D B S I R K I I - C - 11 | NUMBER C |
| | | 2 OF 2 | | |

REV. C
NUMBER
D B S I R K I I - C - 11

This drawing and specifications herein are the property of Digital Equipment Corporation and shall not be reproduced or copied or used in whole or in part as the basis for the manufacture or sale of items without written permission.



| REV | DATE | DESCRIPTION | BY | CHKD | DATE |
|-----|----------|---------------|-----------|------|------|
| 1 | 11/17/70 | HARDWARE POLE | W. J. ... | ... | ... |
| 2 | 11/17/70 | HARDWARE POLE | W. J. ... | ... | ... |
| 3 | 11/17/70 | HARDWARE POLE | W. J. ... | ... | ... |
| 4 | 11/17/70 | HARDWARE POLE | W. J. ... | ... | ... |

| REV | DATE | DESCRIPTION | BY | CHKD | DATE |
|-----|----------|---------------|-----------|------|------|
| 1 | 11/17/70 | HARDWARE POLE | W. J. ... | ... | ... |
| 2 | 11/17/70 | HARDWARE POLE | W. J. ... | ... | ... |
| 3 | 11/17/70 | HARDWARE POLE | W. J. ... | ... | ... |
| 4 | 11/17/70 | HARDWARE POLE | W. J. ... | ... | ... |

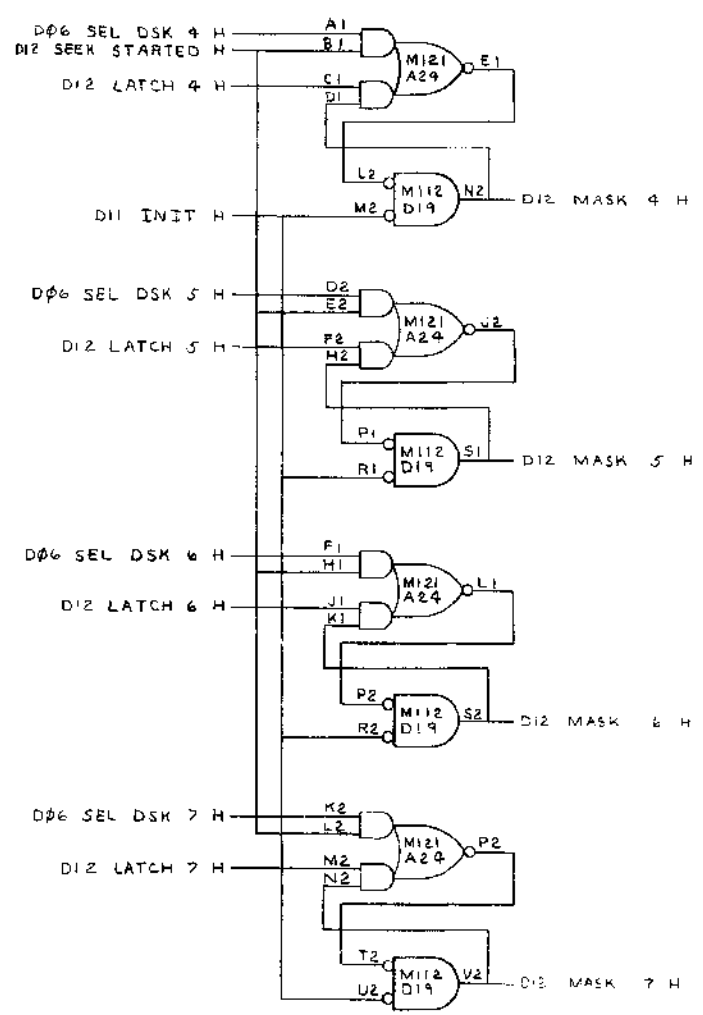
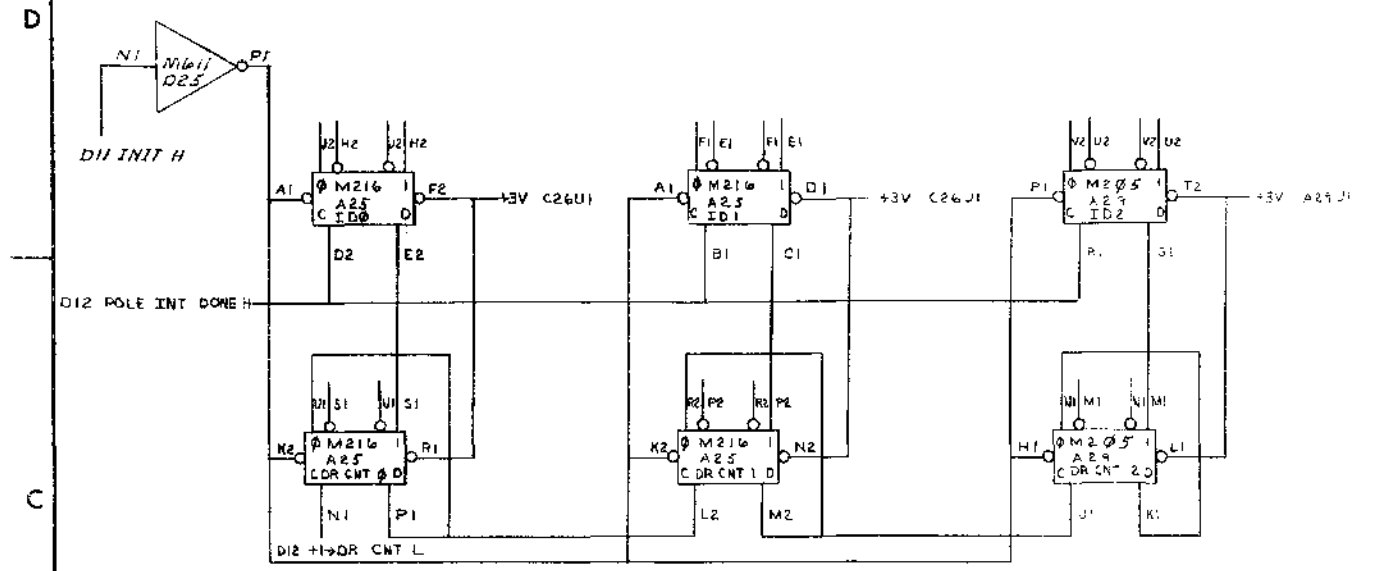
| REV | DATE | DESCRIPTION | BY | CHKD | DATE |
|-----|----------|---------------|-----------|------|------|
| 1 | 11/17/70 | HARDWARE POLE | W. J. ... | ... | ... |
| 2 | 11/17/70 | HARDWARE POLE | W. J. ... | ... | ... |
| 3 | 11/17/70 | HARDWARE POLE | W. J. ... | ... | ... |
| 4 | 11/17/70 | HARDWARE POLE | W. J. ... | ... | ... |

| REV | DATE | DESCRIPTION | BY | CHKD | DATE |
|-----|----------|---------------|-----------|------|------|
| 1 | 11/17/70 | HARDWARE POLE | W. J. ... | ... | ... |
| 2 | 11/17/70 | HARDWARE POLE | W. J. ... | ... | ... |
| 3 | 11/17/70 | HARDWARE POLE | W. J. ... | ... | ... |
| 4 | 11/17/70 | HARDWARE POLE | W. J. ... | ... | ... |

REVISIONS
 1. CHANGE TO ...
 2. ...
 3. ...
 4. ...

REV. NO. 4
 NUMBER DBSRK11-C-12
 SHEET 1 OF 2

This drawing and specifications, herein, are the property of Digital Equipment Corporation and shall not be reproduced or copied or used in whole or in part as the basis for the manufacture or sale of items without written permission.



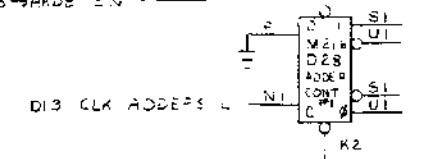
| REV | CHANGE NO |
|-----|-----------|
| | |
| | |

DEC FORM NO 1024

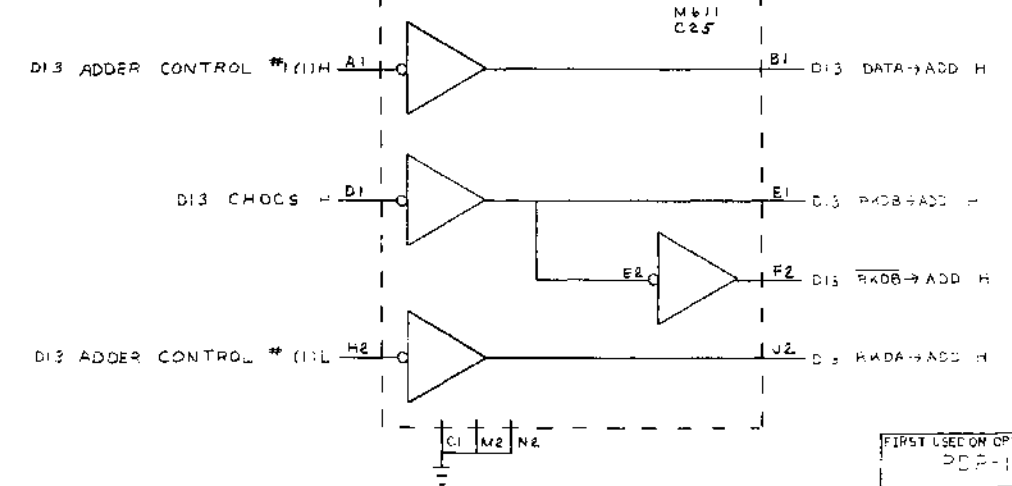
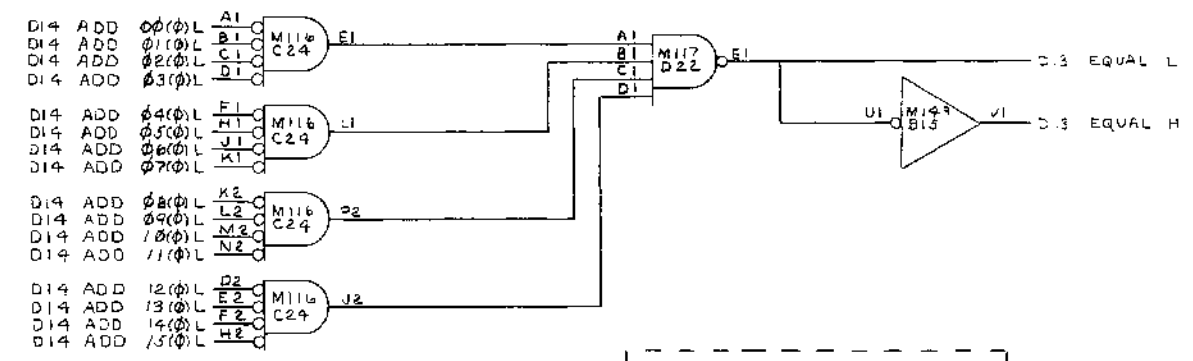
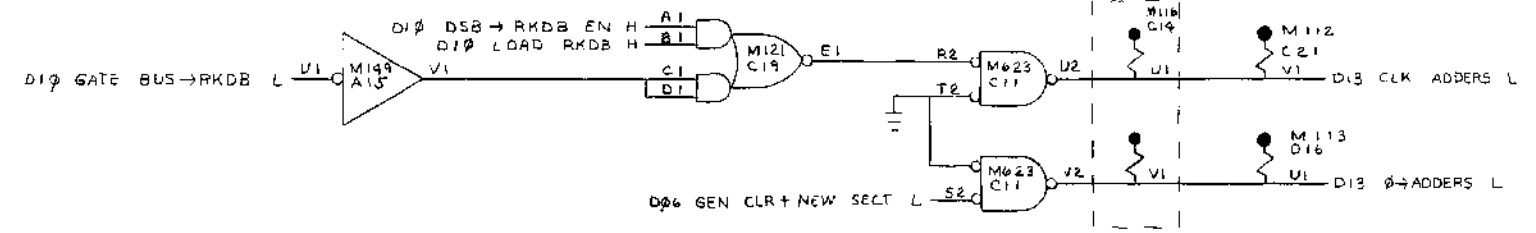
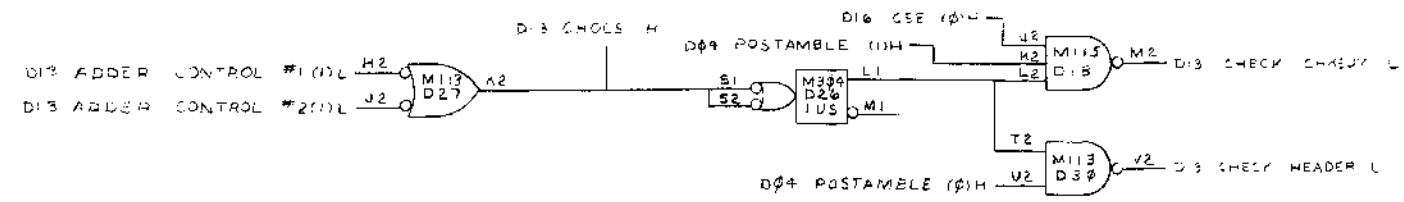
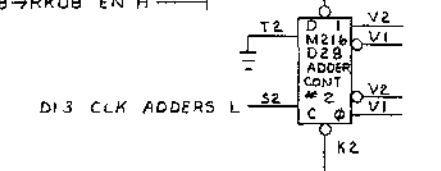
| | | | | |
|--------------------------------------|------------------|-------------|---|----------|
| FIRST USED ON OPTION/MODEL POP-11 | QTY. | DESCRIPTION | PART NO. | ITEM NO. |
| PARTS LIST | | | | |
| UNLESS OTHERWISE SPECIFIED | DRN | DATE | digital CORPORATION MAYNARD, MASSACHUSETTS | |
| UNLESS OTHERWISE SPECIFIED | CHK'D. | DATE | TITLE | |
| TOLERANCES | ENG. | DATE | HARDWARE POLE | |
| DECIMALS FRACTIONS ANGLES | PROJ. ENG. | DATE | SIZE CODE: NUMBER | |
| = 000 ± 1/64 ± 0°30' | PROD. | DATE | DBS RK11-C-12 | |
| FINAL SURFACE QUALITY | | | REV. A | |
| REMOVE BURRS AND BREAK SHARP CORNERS | | | SCALE | |
| MATERIAL | NEXT HIGHER ASSY | | SHEET 2 OF 2 | |
| FINISH | A-ML-RK11-C | | DIST. | |

This drawing and specifications, herein, are the property of Digital Equipment Corporation and shall not be reproduced or copied or used in whole or in part as the basis for the manufacture or sale of items without written permission.

D04 HEADER
 D09 BC=17-CLK LE H
 D04 FORMAT L
 D10 DSB→RKDB EN H



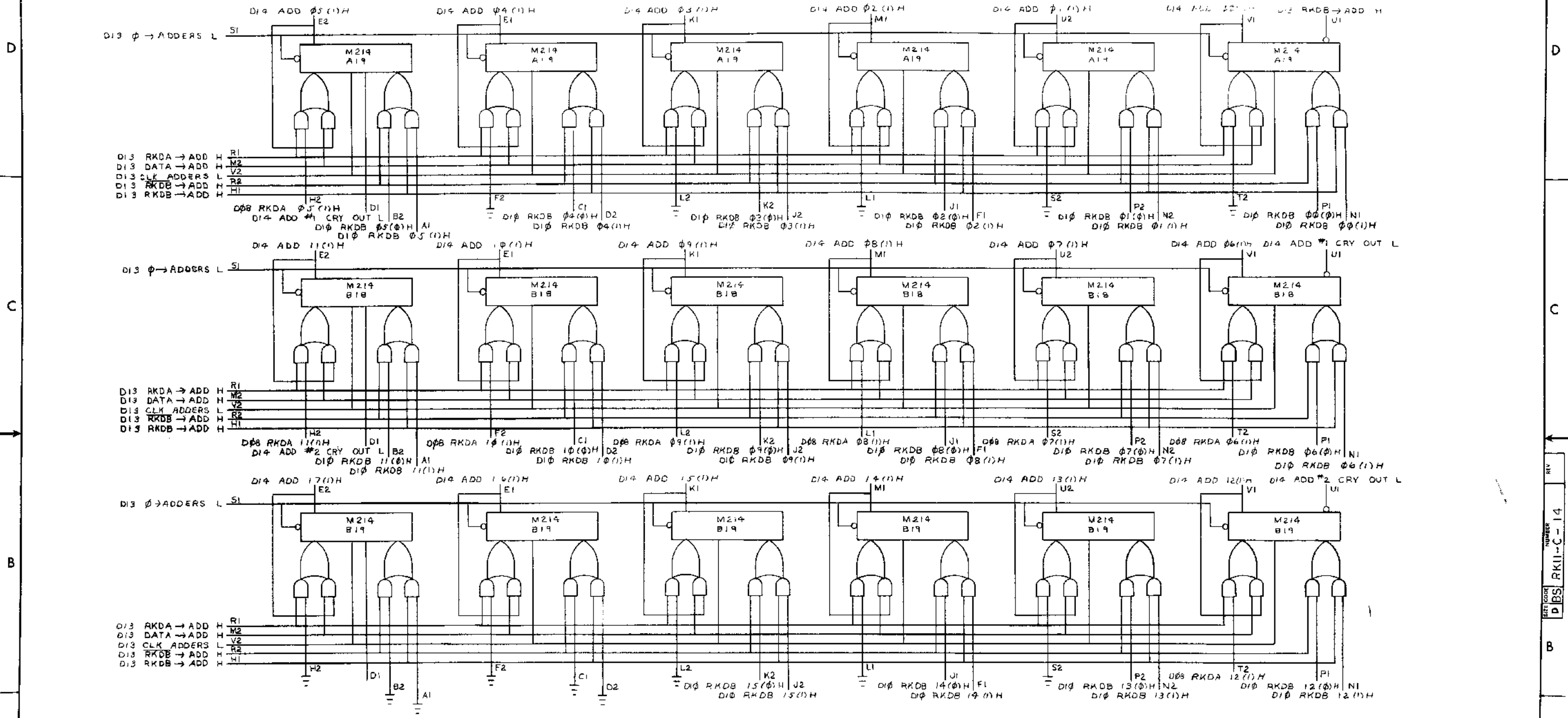
D04 CHECK SUM (11H)
 D09 BC=17-CLK LE H
 D04 FORMAT L
 D10 DSB→RKDB EN H



| FIRST USED ON OPTION/MODEL | QTY. | DESCRIPTION | PART NO. | ITEM NO. |
|----------------------------|------|------------------|-------------------------------|----------|
| UNLESS OTHERWISE SPECIFIED | | | | |
| DRAWN | | DATE | PARTS LIST | |
| CHECKED | | DATE | digital EQUIPMENT CORPORATION | |
| ENGINEER | | DATE | TITLE | |
| PROJ. ENG. | | DATE | ADDER CONTROL | |
| PROD. | | DATE | | |
| MATERIAL | | NEXT HIGHER ASSY | | |
| FINISH | | SCALE | | |
| | | SHEET | | |
| | | DIST. | | |

| REV. | CHG. | IND. |
|------|------|------|
| | | |

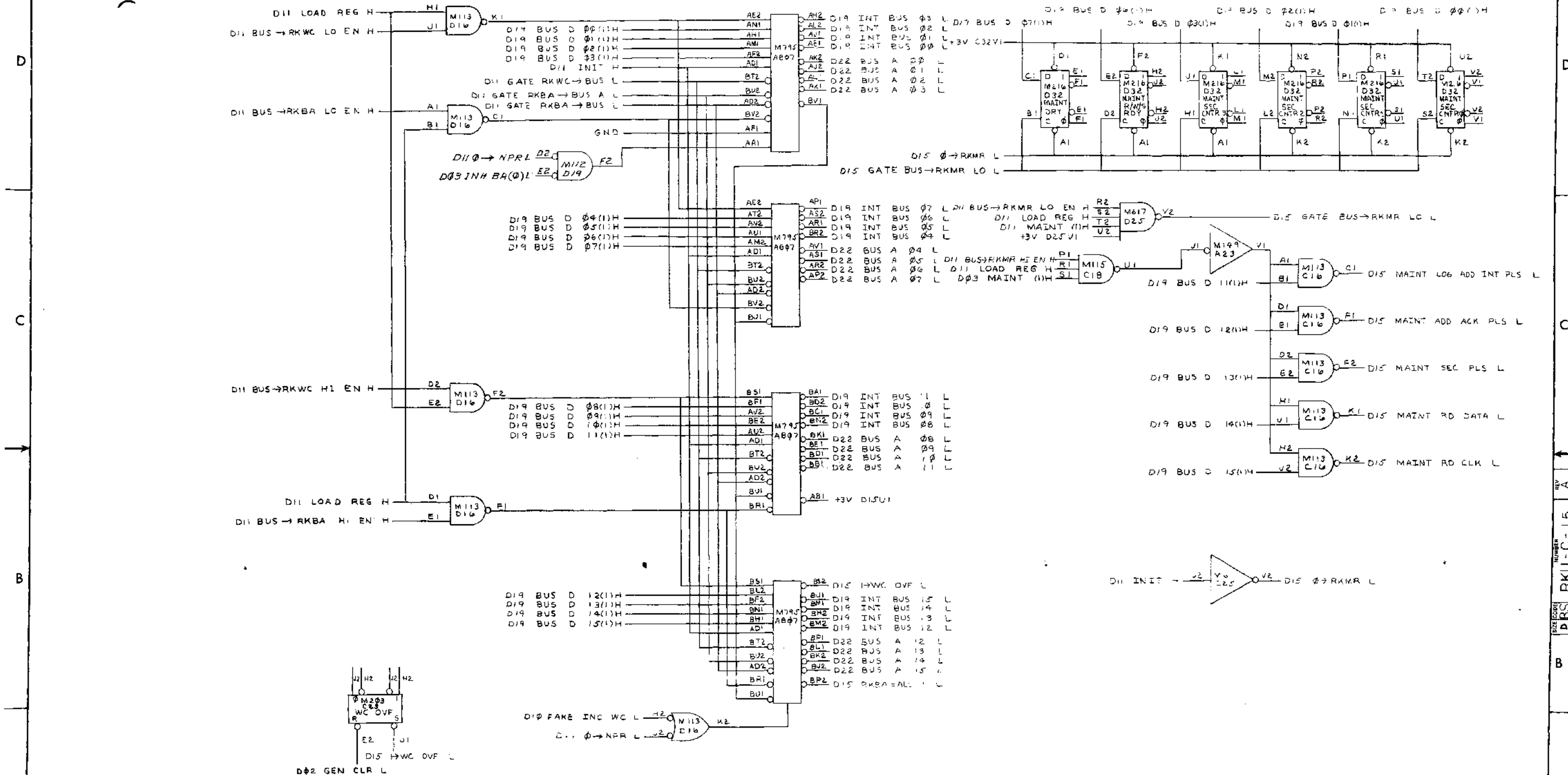
This drawing and specifications, herein, are the property of Digital Equipment Corporation and shall not be reproduced or copied or used in whole or in part as the basis for the manufacture or sale of items without written permission.



| REV. | CHG. | NO. |
|------|------|-----|
| | | |
| | | |

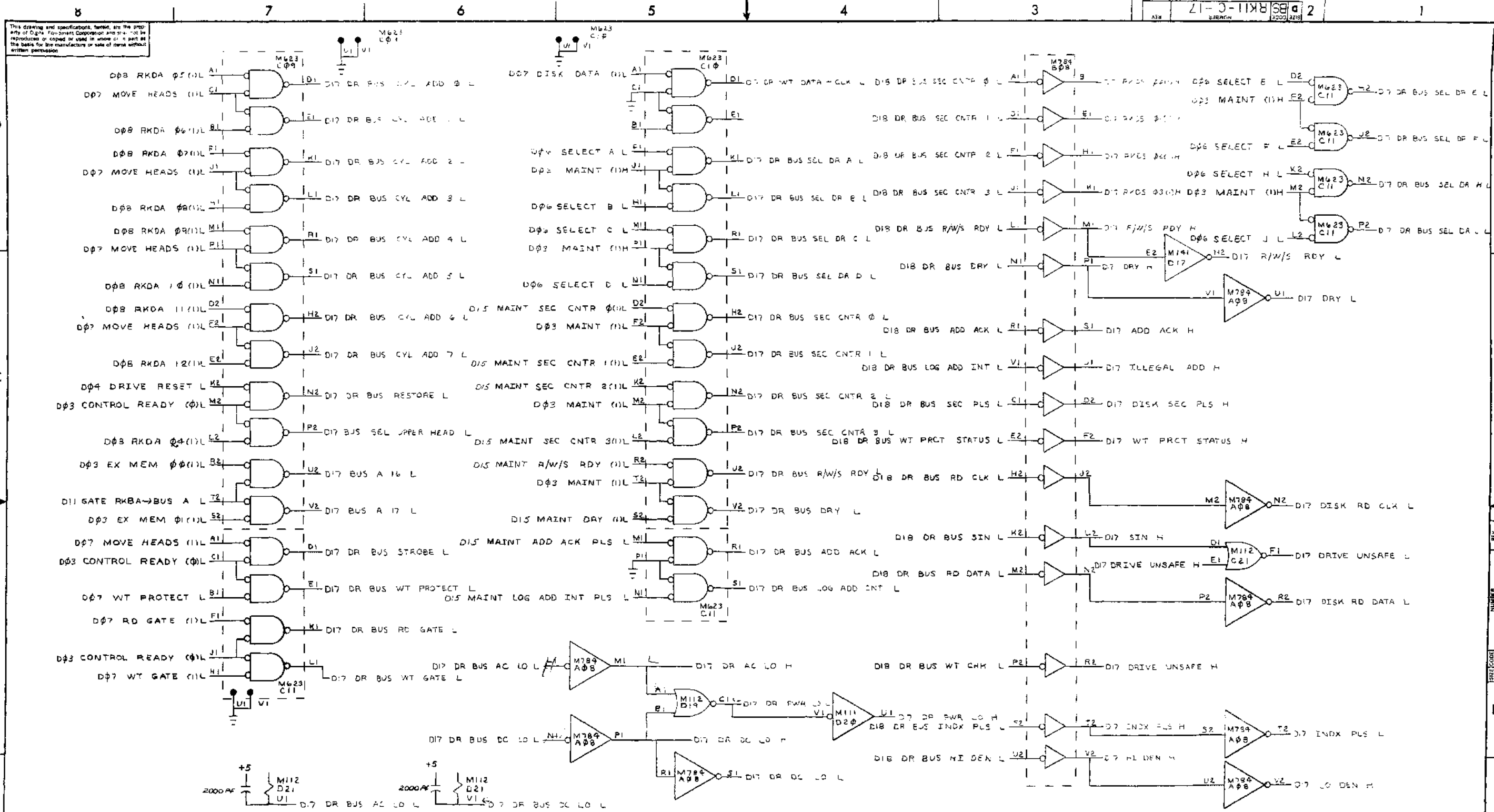
| FIRST USED ON OPTION/MODEL | QTY. | DESCRIPTION | PART NO. | ITEM NO. |
|--|-----------------------|-------------|---|----------|
| PDP-11 | | | | |
| PARTS LIST | | | | |
| UNLESS OTHERWISE SPECIFIED | DRN | DATE | digital EQUIPMENT CORPORATION MAYFORD, MASSACHUSETTS | |
| UNLESS OTHERWISE SPECIFIED | CHKD. <i>Mundak</i> | DATE | TITLE | |
| TOLERANCES | ENG. <i>Wong</i> | DATE | ADDERS | |
| DECIMALS FRACTIONS ANGLES | PROJ. ENG. <i>Jan</i> | DATE | SIZE/CODE NUMBER | |
| ± .005 ± 1/64 ± 0°30' | PROD. <i>Call</i> | DATE | DBS RKII-C-14 | |
| FINAL SURFACE QUALITY REMOVE BURRS AND BREAK SHARP CORNERS | | | REV | |
| MATERIAL | NEXT HIGHER ASSY | | SCALE | |
| FINISH | A-ML-RKII-C | | SHEET OF | |
| | | | DIST. | |

This drawing and specifications, herein, are the property of Digital Equipment Corporation and shall not be reproduced or copied or used in whole or in part as the basis for the manufacture or sale of items without written permission.



| REV | CHG | NO | DATE | BY |
|-----|-----|----|----------|----|
| 1 | | 1 | 11/17/77 | |
| 2 | | 2 | 11/17/77 | |
| 3 | | 3 | 11/17/77 | |
| 4 | | 4 | 11/17/77 | |
| 5 | | 5 | 11/17/77 | |
| 6 | | 6 | 11/17/77 | |
| 7 | | 7 | 11/17/77 | |
| 8 | | 8 | 11/17/77 | |

| FIRST USED CH | OPTION | MODEL | QTY | DESCRIPTION | PART NO | ITEM NO |
|--------------------------------------|--------|--------|---|-------------|---------|---------|
| | | POP-11 | | | | |
| UNLESS OTHERWISE SPECIFIED | | | PARTS LIST | | | |
| UNLESS OTHERWISE SPECIFIED | | | digital EQUIPMENT CORPORATION MAYNARD, MASSACHUSETTS | | | |
| DIMENSION IN INCHES | | | TITLE | | | |
| TOLERANCES | | | RKBA · RKWC · RKMR | | | |
| DECIMALS FRACTIONS ANGLES | | | MATERIAL | | | |
| .005 .010 .015 .030 | | | NEXT HIGHER ASSY | | | |
| REMOVE BURRS AND BREAK SHARP CORNERS | | | SCALE | | | |
| | | | SHEET OF | | | |
| | | | SIZE/CODE NUMBER REV | | | |
| | | | DBS RKII-C-15 A | | | |



This drawing and specifications herein are the property of Digital Equipment Corporation and shall not be reproduced or copied in whole or in part without written permission.

REVISIONS:
 CHANGE #1
 CHK

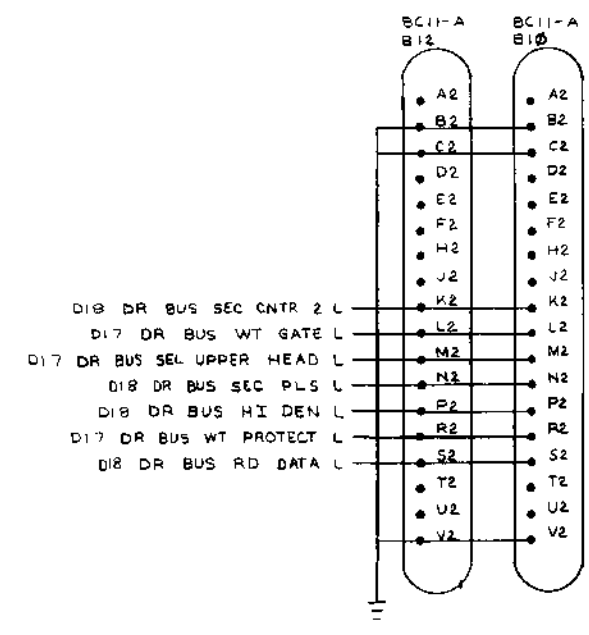
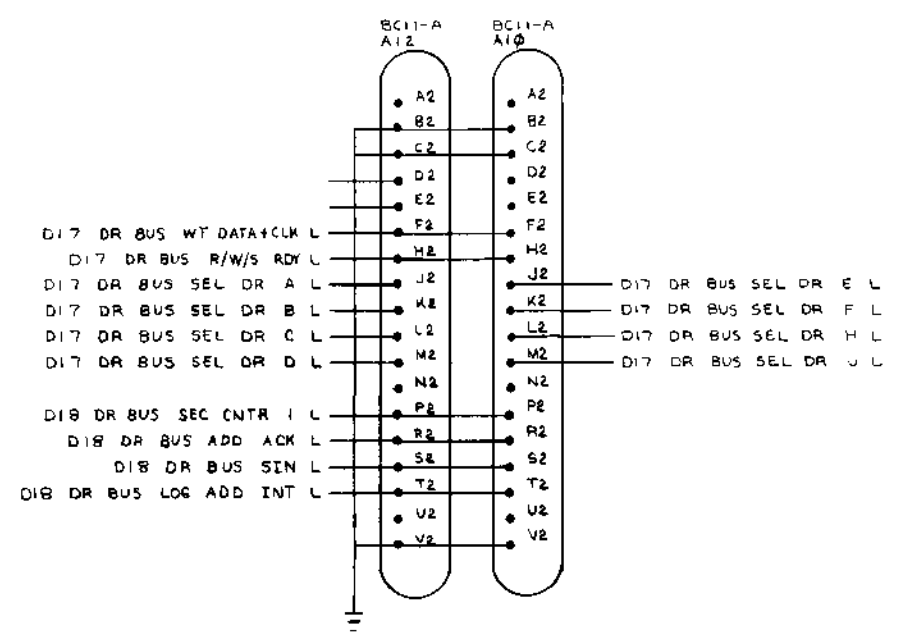
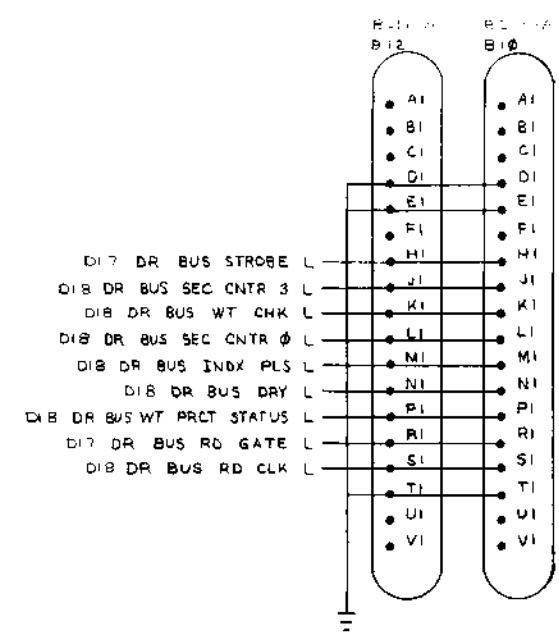
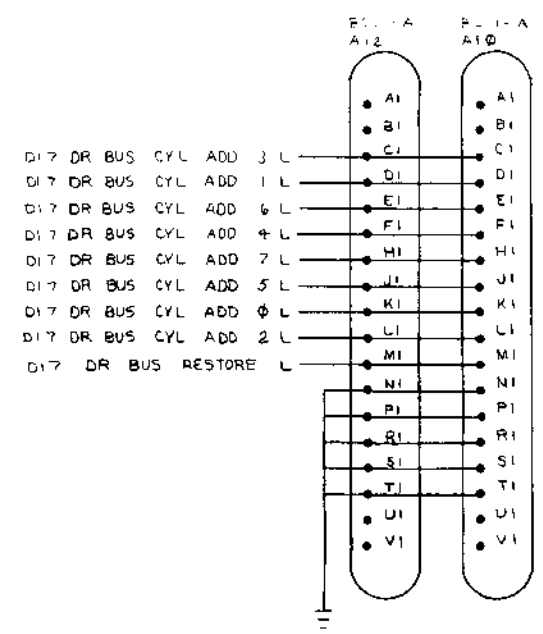
SEC FORM NO 107A

| FIRST USED ON OPTION/MODEL | QTY. | DESCRIPTION | PART NO. | ITEM NO. |
|----------------------------|------|---|-----------|----------|
| DDP-1 | | | | |
| PARTS LIST | | | | |
| UNLESS OTHERWISE SPECIFIED | | | | |
| DRN | DATE | digital EQUIPMENT CORPORATION MAYNARD, MASSACHUSETTS | | |
| CHKD. | DATE | | | |
| ENG. | DATE | | | |
| PROG. | DATE | | | |
| MATERIAL | | | | |
| NEXT HIGHER ASSY | | | | |
| FINISH | | | | |
| SCALE | | SIZE CODE | NUMBER | REV |
| SHEET | | DBS | RKII-C-17 | |
| OF | | DIST. | | |

REV. NUMBER DBS/RKII-C-17

This drawing and specifications herein are the property of Digital Equipment Corporation and shall not be reproduced or copied or used in whole or in part as the basis for the manufacture of parts without written permission.

NOTE:
BC11-A
IS A DOUBLE HEIGHT
MODULE.



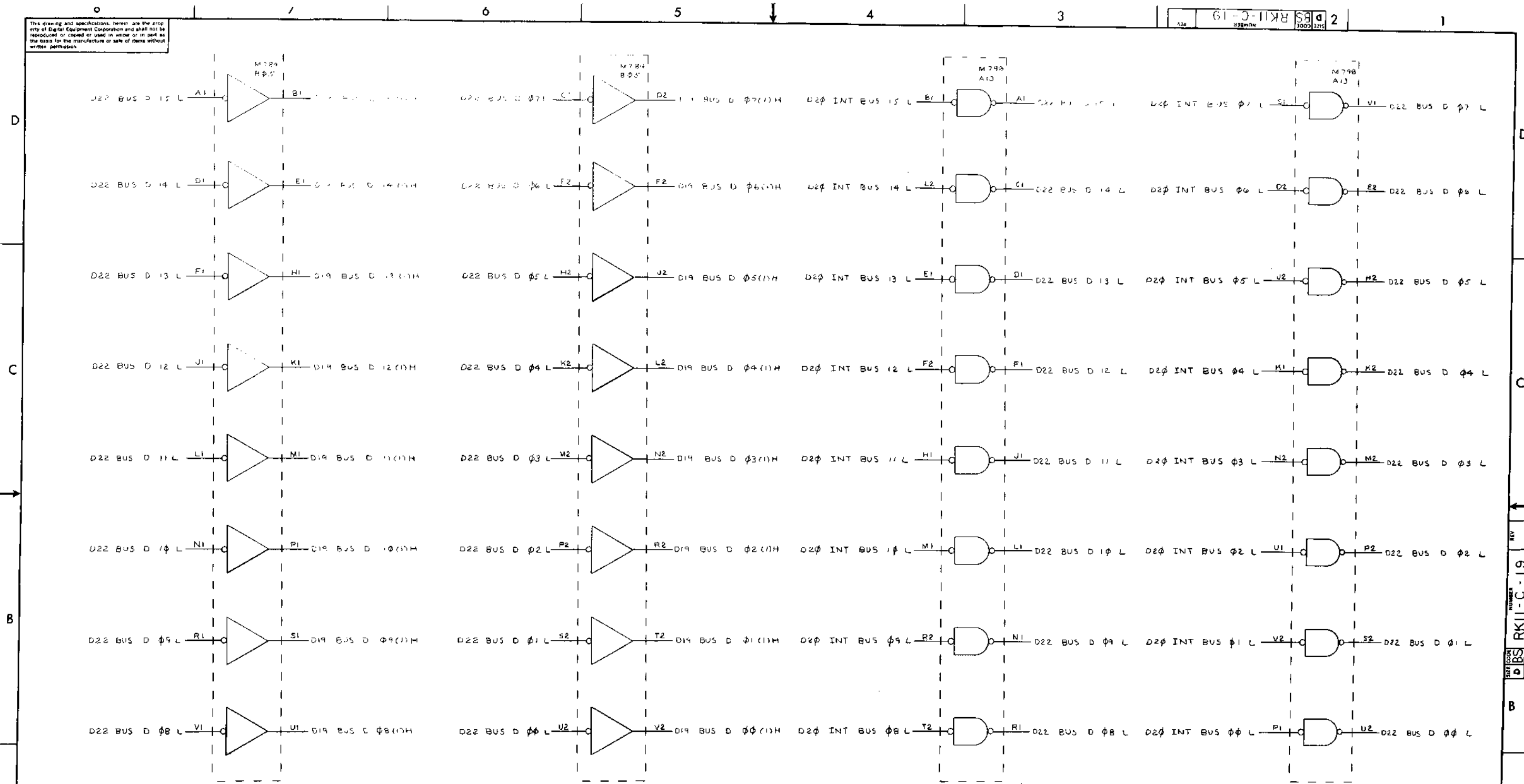
| | |
|------------|--|
| REV | |
| CHANGE NO. | |
| CHK | |

| | | | | |
|---|-----------------------------------|------------------|---|----------|
| FIRST USED ON OPTION MODEL PDP-11 | QTY. | DESCRIPTION | PART NO. | ITEM NO. |
| PARTS LIST | | | | |
| UNLESS OTHERWISE SPECIFIED DIMENSION IN INCHES | DRN <i>John Stupich</i> | DATE 11-28-70 | digital EQUIPMENT CORPORATION MAYNARD, MASSACHUSETTS | |
| UNLESS OTHERWISE SPECIFIED TOLERANCES | CHK'D <i>Michael</i> | DATE 3/16/71 | | |
| DECIMALS ± .005 | ENG <i>John Stupich</i> | DATE 11/27/70 | | |
| FRACTIONS ± 1/64 | PROJ. ENG. <i>John Stupich</i> | DATE 3/16/71 | | |
| ANGLES ± 0°30' | PROD. <i>John Stupich</i> | DATE 3/16/71 | TITLE DISK CABLE AND TERMINATION | |
| FINAL SURFACE QUALITY REMOVE BURRS AND BREAK SHARP CORNERS | NEXT HIGHER ASSY A-ML-RKII-C | | | |
| MATERIAL + / + | SCALE + / + | SHEET OF | | |
| FINISH + / + | SIZE CODE D | | NUMBER BS RKII-C-18 | REV. |

REV. NUMBER BS RKII-C-18

This drawing and specifications, herein are the property of Digital Equipment Corporation and shall not be reproduced or copied or used in whole or in part as the basis for the manufacture or sale of items without written permission.

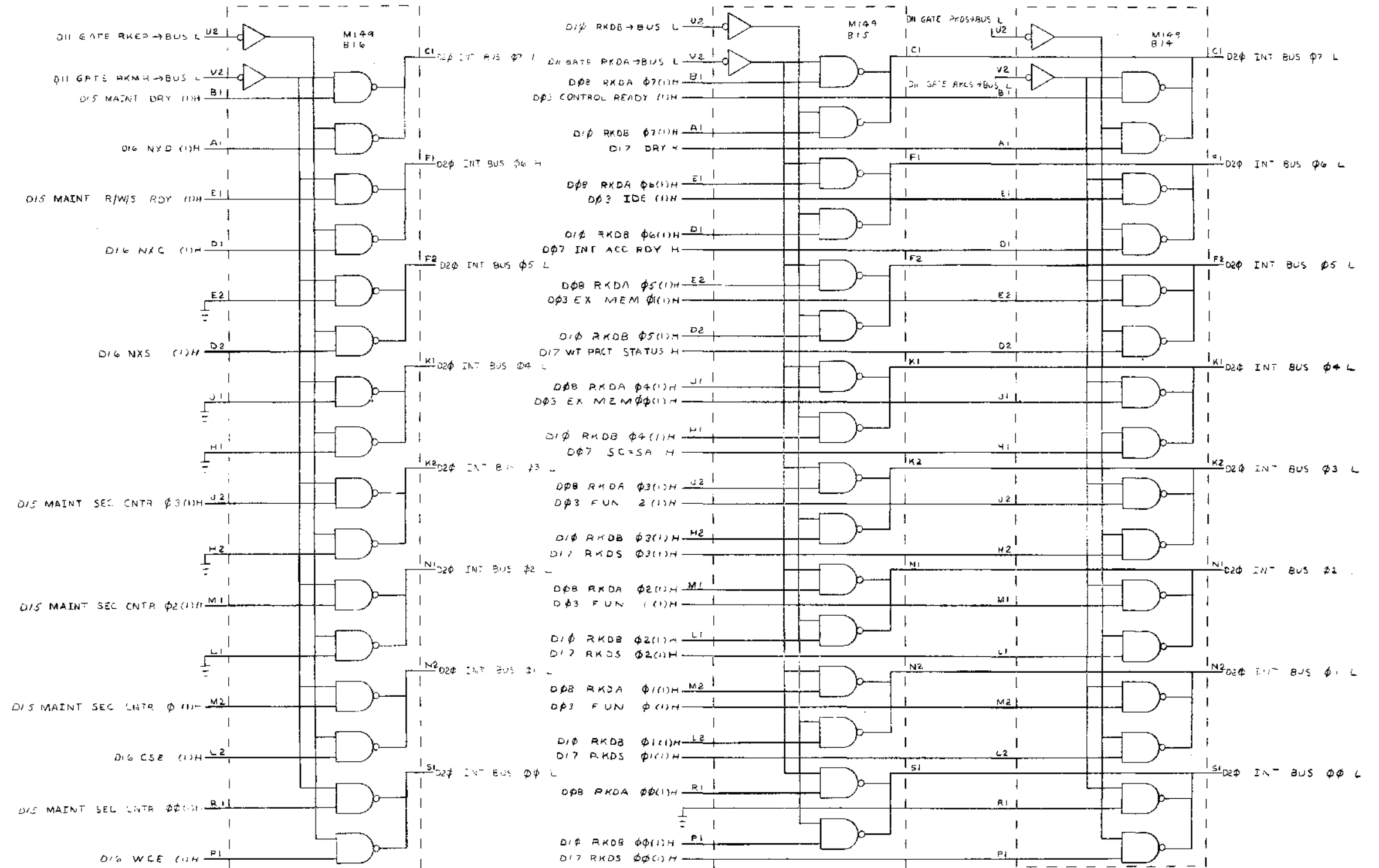
DBS RKII-C-19 2



| | |
|-----------|------------|
| REVISIONS | REV. |
| CHK | CHANGE NO. |

| | | | | |
|---|-----------|------------------|---|----------|
| FIRST USED ON OPTION MODEL PDP-11 | QTY. | DESCRIPTION | PART NO. | ITEM NO. |
| PARTS LIST | | | | |
| UNLESS OTHERWISE SPECIFIED DIMENSION IN INCHES | DRN | DATE | digital EQUIPMENT CORPORATION MAYNARD, MASSACHUSETTS | |
| TOLERANCES | CHKD. | DATE | TITLE | |
| DECIMALS FRACTIONS ANGLES | ENG. | DATE | BUS "D" RCVR'S AND DRVRS | |
| = .005 ± 1/64 ± 0°30' | PRD. ENG. | DATE | SIZE CODE NUMBER | |
| FINAL SURFACE QUALITY | PRD. | DATE | DBS RKII-C-19 | |
| REMOVE BURRS AND BREAK SHARP CORNERS | MATERIAL | NEXT HIGHER ASSY | REV. | |
| | FINISH | SCALE | DIST. | |
| | | SHEET | OF | |

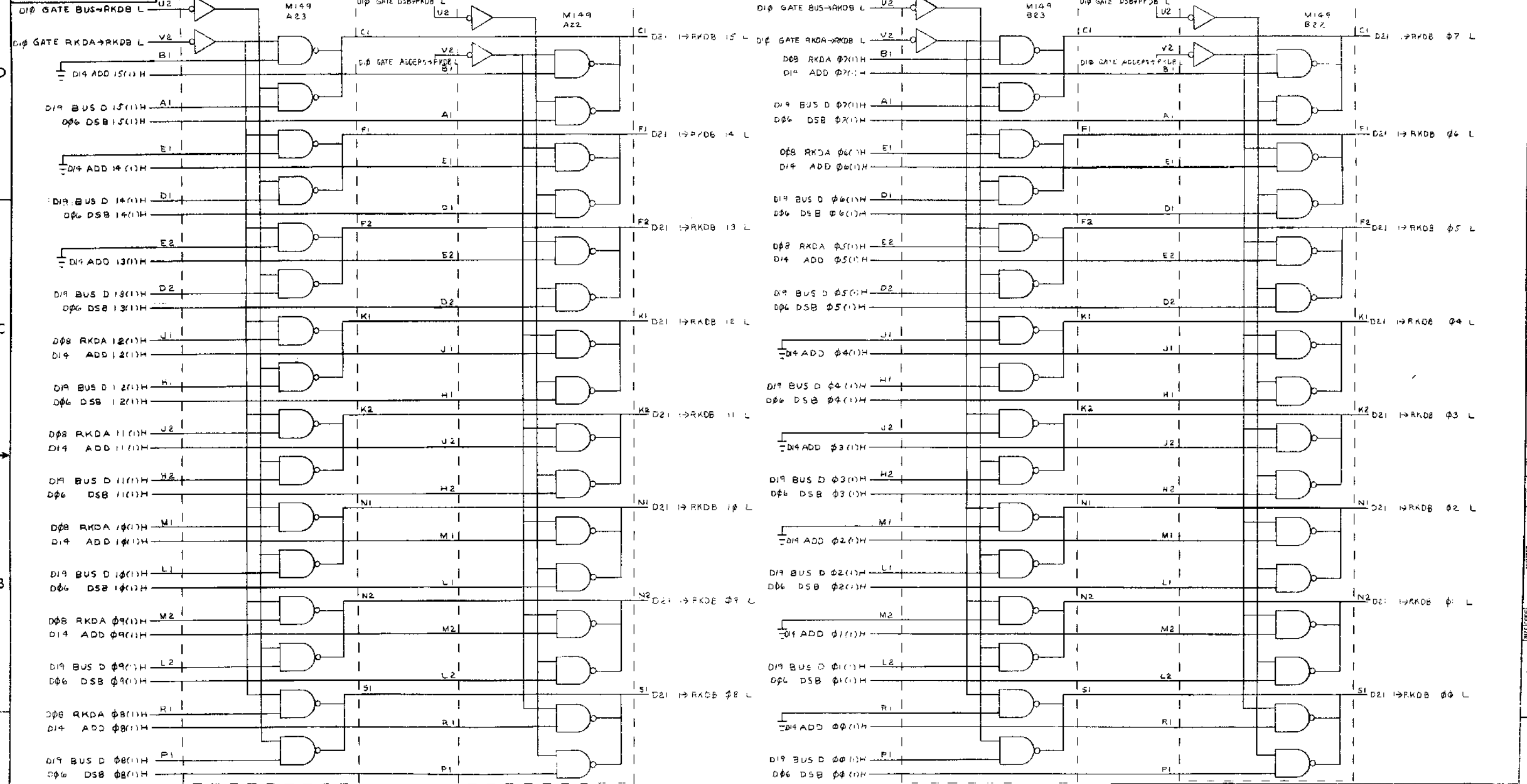
This drawing and specifications, herein, are the property of Digital Equipment Corporation and shall not be reproduced or copied or used in whole or in part as the basis for the manufacture of any parts without written permission.



| REV | NO | DATE | BY | CHK |
|-----|----|---------|---------|---------|
| A | 1 | 5-21-71 | TOM ORR | 5/21/71 |

| | | | | |
|--------------------------------------|------------|-------------|---|----------|
| FIRST USED ON OPTION MODEL PDP-11 | QTY. | DESCRIPTION | PART NO. | ITEM NO. |
| UNLESS OTHERWISE SPECIFIED | ORIGIN | DATE | PARTS LIST | |
| UNLESS OTHERWISE SPECIFIED | CHK'D | DATE | digital EQUIPMENT CORPORATION MAYNARD, MASSACHUSETTS | |
| DIMENSION IN INCHES | ENG. | DATE | TITLE | |
| TOLERANCES | PROJ. ENG. | DATE | INTERNAL BUS | |
| DECIMALS FRACTIONS ANGLES | PROD. | DATE | 00-07 | |
| ±.005 ±.010 ±.030 | MATERIAL | DATE | NEXT HIGHER ASSY | |
| FINAL SURFACE QUALITY | | | A ML RKII-C | |
| REMOVE BURRS AND BREAK SHARP CORNERS | FINISH | | SCALE | |
| | | | SHEET 1 OF 2 | |
| | | | SIZE CODE NUMBER | |
| | | | DBS RKII-C-20 | |
| | | | DIST. | |

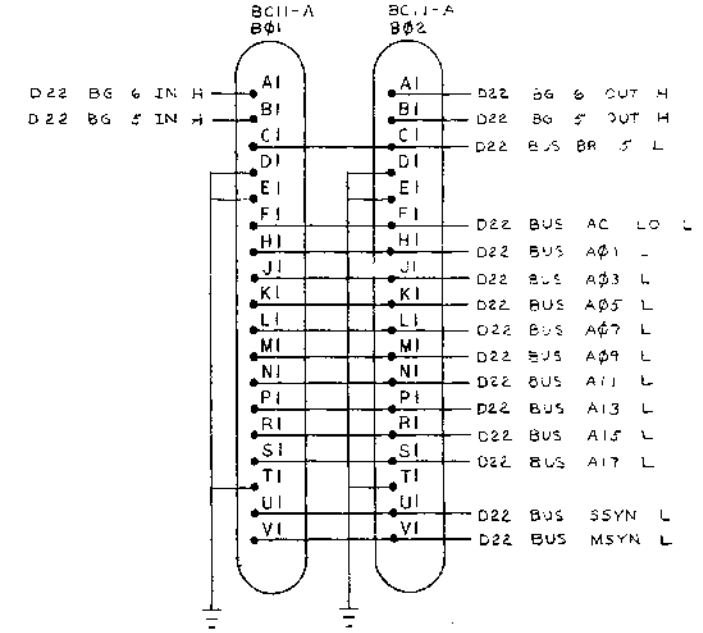
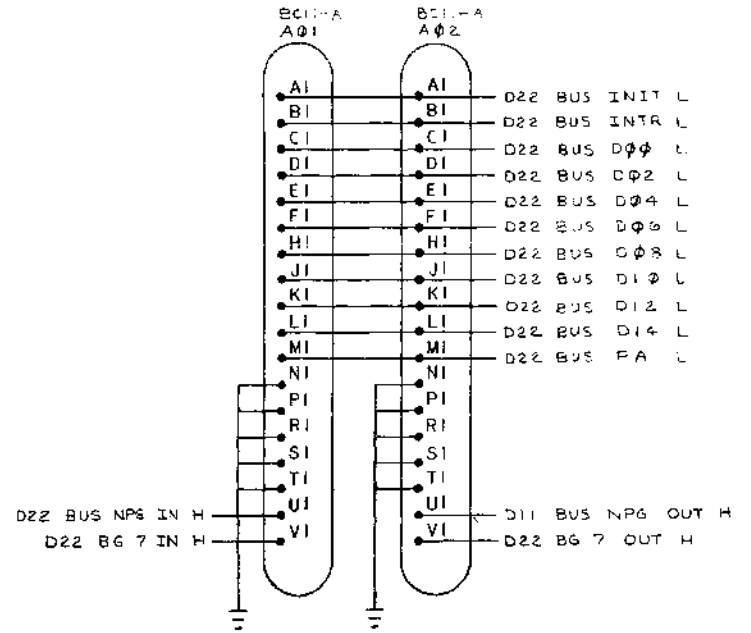
The drawing and specifications herein are the property of Digital Equipment Corporation and shall not be reproduced or copied in whole or in part as the basis for the manufacture or sale of parts without written permission.



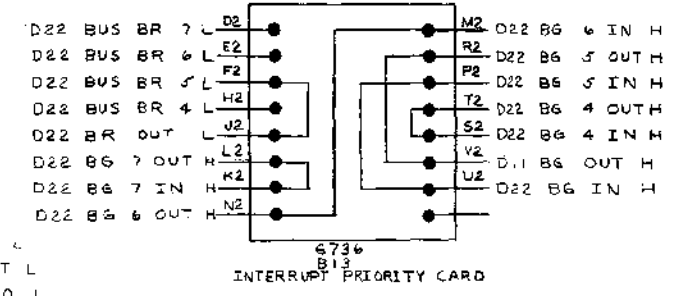
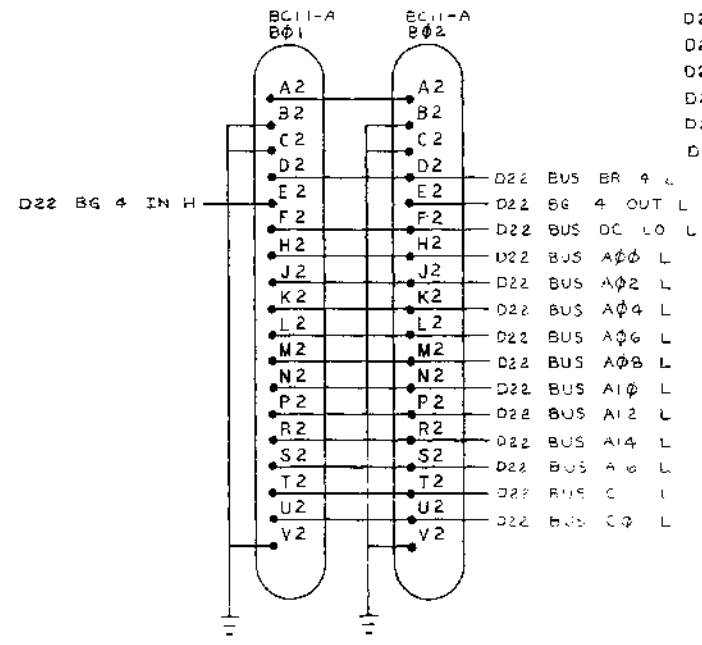
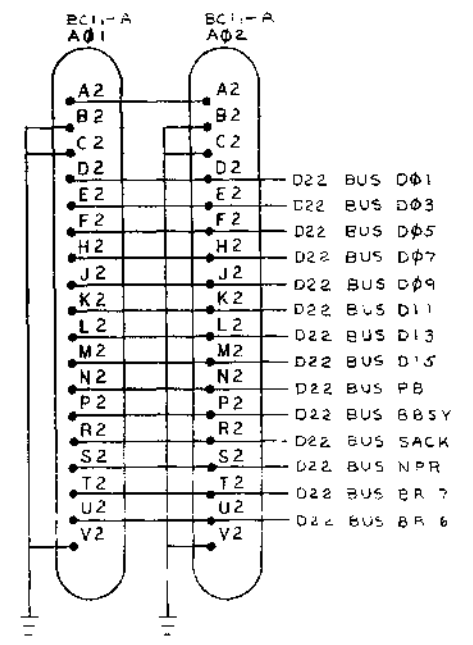
| REV | CHANGE NO. | REVISIONS |
|-----|------------|-----------|
| | | |
| | | |

| | | | | |
|---|------------------|-------------|-------------------------------|-----------|
| FIRST USED ON OPTION MODEL PDP-11 | QTY. | DESCRIPTION | PART NO. | ITEM NO. |
| PARTS LIST | | | | |
| UNLESS OTHERWISE SPECIFIED | DRN. | DATE | digital EQUIPMENT CORPORATION | |
| UNLESS OTHERWISE SPECIFIED | CHK'D. | DATE | WATFORD MANUFACTURING | |
| DIMENSION IN INCHES | ENG. | DATE | TITLE | |
| TOLERANCES | PROJ. ENG. | DATE | RKDB DATA PATHS | |
| DECIMALS FRACTIONS ANGLES | PROD. | DATE | SIZE CODE NUMBER REV. | |
| = .005 = 1/64 = 0°30' | al. Call | 3/15/71 | DBS | RK11-C-21 |
| FINAL SURFACE QUALITY | | | | |
| REMOVE BURRS AND BREAK SHARP CORNERS | | | | |
| MATERIAL | NEXT HIGHER ASSY | | | |
| FINISH | A-ML-RK11-C | | | |
| | SCALE | | | |
| | SHEET | OF | | |

This drawing and specifications, herein, are the property of Digital Equipment Corporation and shall not be reproduced or copied or used in whole or in part as the basis for the manufacture or sale of parts without written permission.



NOTES:
THE UNIBUS CONNECTOR IS A DOUBLE HEIGHT MODULE.




| | |
|-----------|--|
| REV. | |
| CHG. | |
| RELATIONS | |
| CHG. | |

| | | | | |
|---|---|--------------------------------------|---|-----------|
| FIRST USED ON OPTION MODEL PDP-11 | QTY | DESCRIPTION | PART NO. | TEMP. NO. |
| PARTS LIST | | | | |
| UNLESS OTHERWISE SPECIFIED DIMENSION IN INCHES TOLERANCES DECIMALS FRACTIONS ANGLES = .005 = 1/64 = 30° FINAL SURFACE QUALITY / REMOVE BURRS AND BREAK SHARP CORNERS | DRN CHK'D ENG PROJ. ENG PROD. | DATE DATE DATE DATE DATE | | |
| MATERIAL + + | NEXT HIGHER ASSY A-ML-RKII-C | SCALE + + | TITLE UNIBUS CONNECTORS SIZE CODE NUMBER REV D I C R K I I - C - 2 2 | |
| FINISH + + | SHEET 1 OF 1 | DIST. | | |

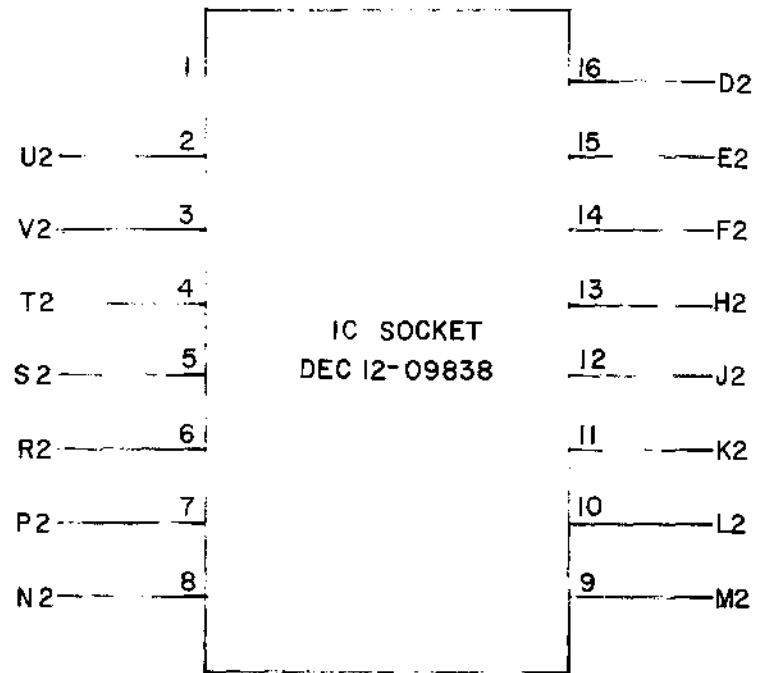
REV. 2 D I C R K I I - C - 2 2

| | |
|----------------|--------|
| DRWG NO | REVLTR |
| K-WL-RKII-C-24 | E |

| REVISIONS | | | |
|-----------|--------------|---------|-----|
| REV LTR | ECO NO | DATE | ENG |
| A | RKII-C-00001 | 4-3-71 | JD |
| B | RKII-C-00002 | 5-6-71 | JD |
| C | RKII-C-00004 | 6-4-71 | JD |
| D | RKII-C-00006 | 10-1-71 | JD |
| E | RKII-C-00008 | 3-28-72 | JD |

| | | | | | |
|-------------------------------|-----------------|---|--------------------|------------|-----------------------|
| DRAWN <i>[Signature]</i> | DATE 1-20-71 |  | TITLE WIRE LIST | | |
| CHECKED <i>[Signature]</i> | DATE 2/19/71 | | FOR TAPE* FILE* | | |
| ENG <i>[Signature]</i> | DATE 2/17/71 | | SIZE K | CODE WL | DWG. NO. RKII-C-24 |
| ASSY NO D-AD-7008305-0-0 | SCALE | | SHEET 1 OF 1 | DIST. | REV LTR E |

THIS SCHEMATIC IS FURNISHED ONLY FOR TEST AND MAINTENANCE PURPOSES. THE CIRCUITS ARE PROPRIETARY IN NATURE AND SHOULD BE TREATED ACCORDINGLY. COPYRIGHT 1970 BY DIGITAL EQUIPMENT CORPORATION



| | | | |
|----------|-----|--------|-----|
| REVISION | CHK | CHG NO | REV |
| | | | |

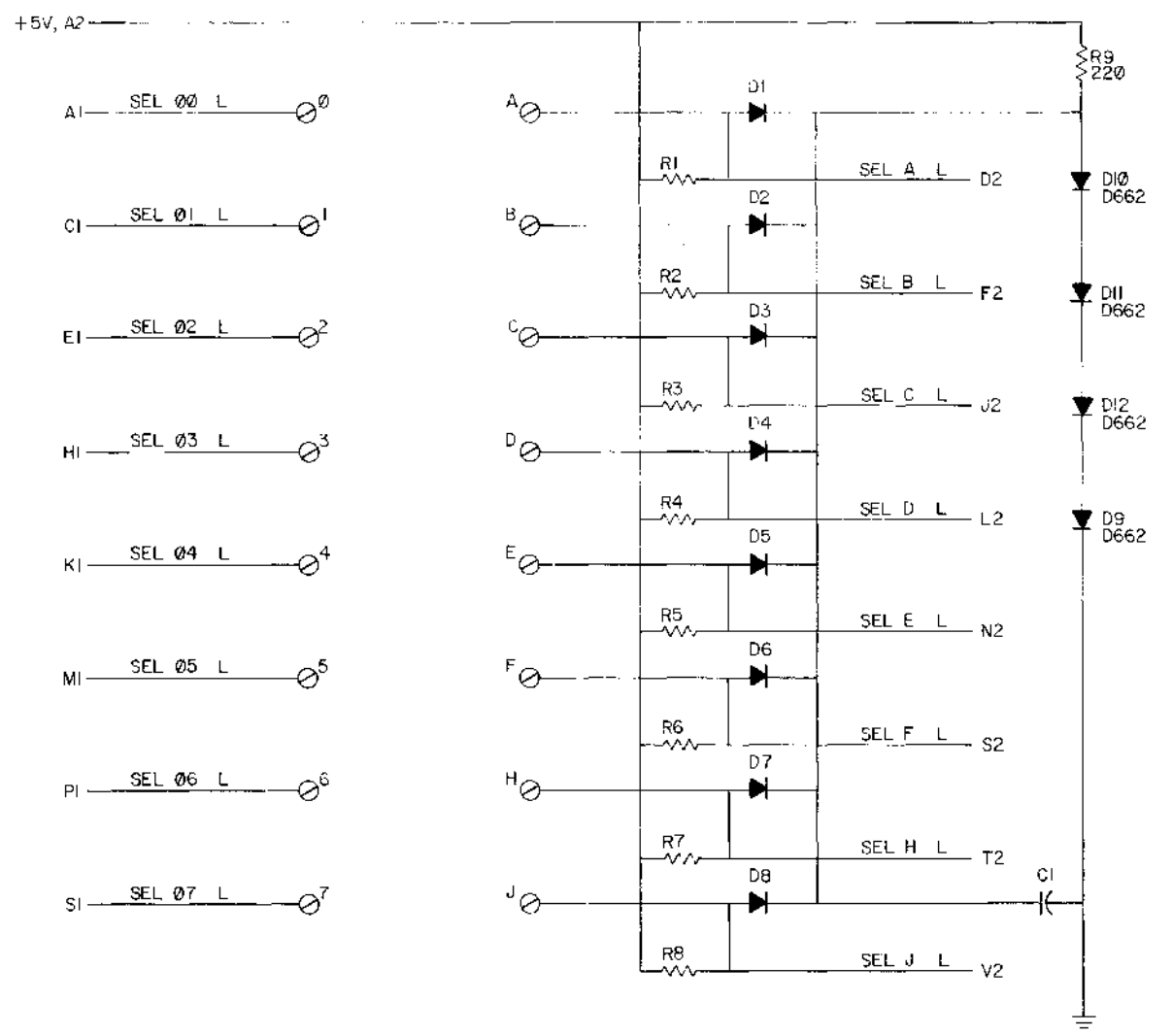
| | |
|----------------------|----------|
| DRN. | DATE |
| <i>Bobby C. Ryan</i> | 8/20/70 |
| CHK'D | DATE |
| <i>R. W. ...</i> | 8/24/70 |
| ENG. | DATE |
| | 9/11/70 |
| PROD | DATE |
| <i>R. ...</i> | 10/20/70 |

| TRANSISTOR & DIODE CONVERSION CHART | | | |
|-------------------------------------|-----|-----|-----|
| DEC | EIA | DEC | EIA |
| | | | |
| | | | |
| | | | |

digital
EQUIPMENT CORPORATION
MAYNARD, MASSACHUSETTS

| | | | |
|----------------------|------|----------|-----|
| TITLE | | | |
| JUMPER MODULE G736 | | | |
| SIZE | CODE | NUMBER | REV |
| B | CS | G736-0-1 | |
| PRINTED CIRCUIT REV. | | | A |

THIS SCHEMATIC IS UNCLASSIFIED AND IS NOT TO BE RELEASED TO THE PUBLIC. THE CIRCUITS ARE PROPRIETARY IN NATURE AND SHOULD BE TREATED ACCORDINGLY. COPYRIGHT 1970 BY DIGITAL EQUIPMENT CORPORATION.



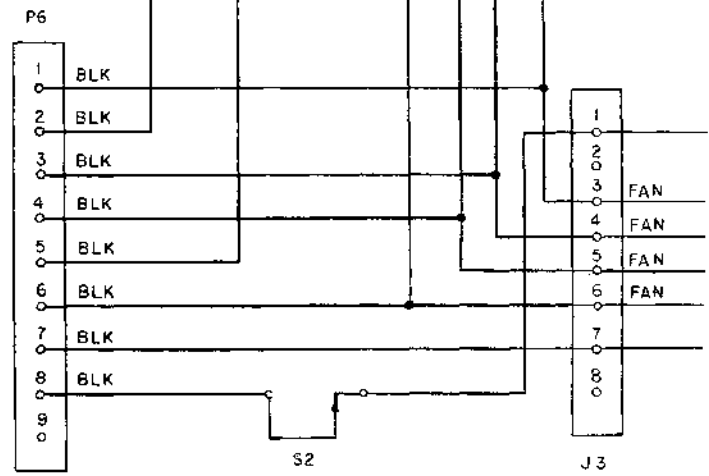
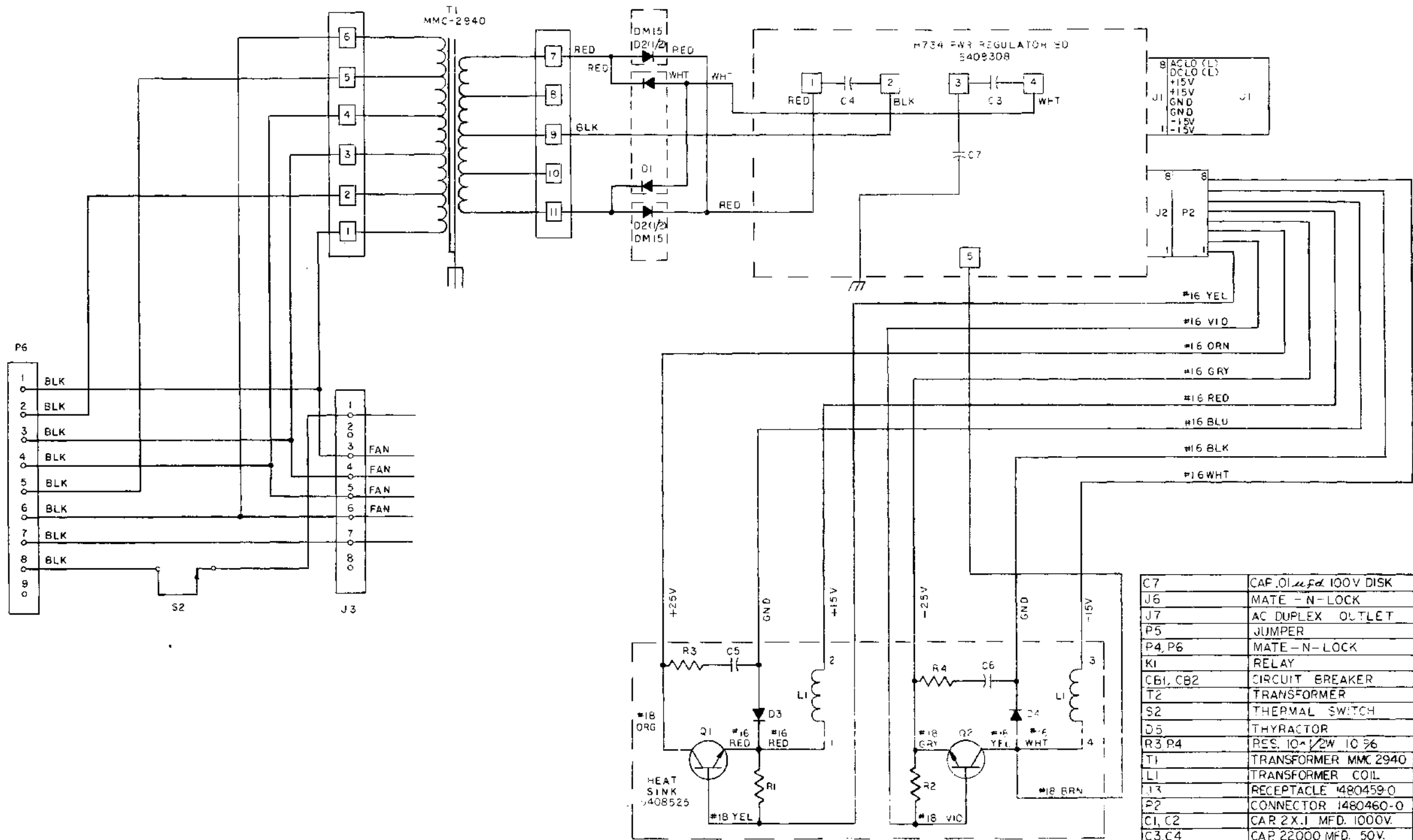
UNLESS OTHERWISE INDICATED:
 RESISTORS ARE 10K, 1/4W, 5%
 CAPACITORS ARE .01UF, 100V, 20%
 DIODES ARE D664
 ⊕ = SPLIT LUG
 GND= C2, T1

REV. NUMBER
 G740-0-1

| | | | | | | | | | |
|-----------|----|---------------|---------|-------------------------------------|--------|-----|-----|---------------------|------|
| REVISIONS | | DRN | DATE | TRANSISTOR & DIODE CONVERSION CHART | | | | TITLE | |
| CHK | NO | jeanne french | 8/27/70 | DEC | LIF | DEC | EIA | DISK SELECTION G740 | |
| | | Or... | 9/13/70 | D664 | IN38CG | | | SIZE | CODE |
| | | ... | ... | D662 | IN645 | | | C | CS |
| | | | | | | | | NUMBER | REV |
| | | | | | | | | G740-0-1 | |
| | | | | | | | | PRINTED CIRCUIT REV | |
| | | | | | | | | A | |

THIS SCHEMATIC IS FURNISHED ONLY FOR TEST AND MAINTENANCE PURPOSES. THE CIRCUITS ARE PROPRIETARY IN NATURE AND SHOULD BE TREATED ACCORDINGLY. COPYRIGHT 1962 BY DIGITAL EQUIPMENT CORPORATION.

POP CIRCUIT SCHEMATIC
SEE DWG. NO. D-05-1409308-01



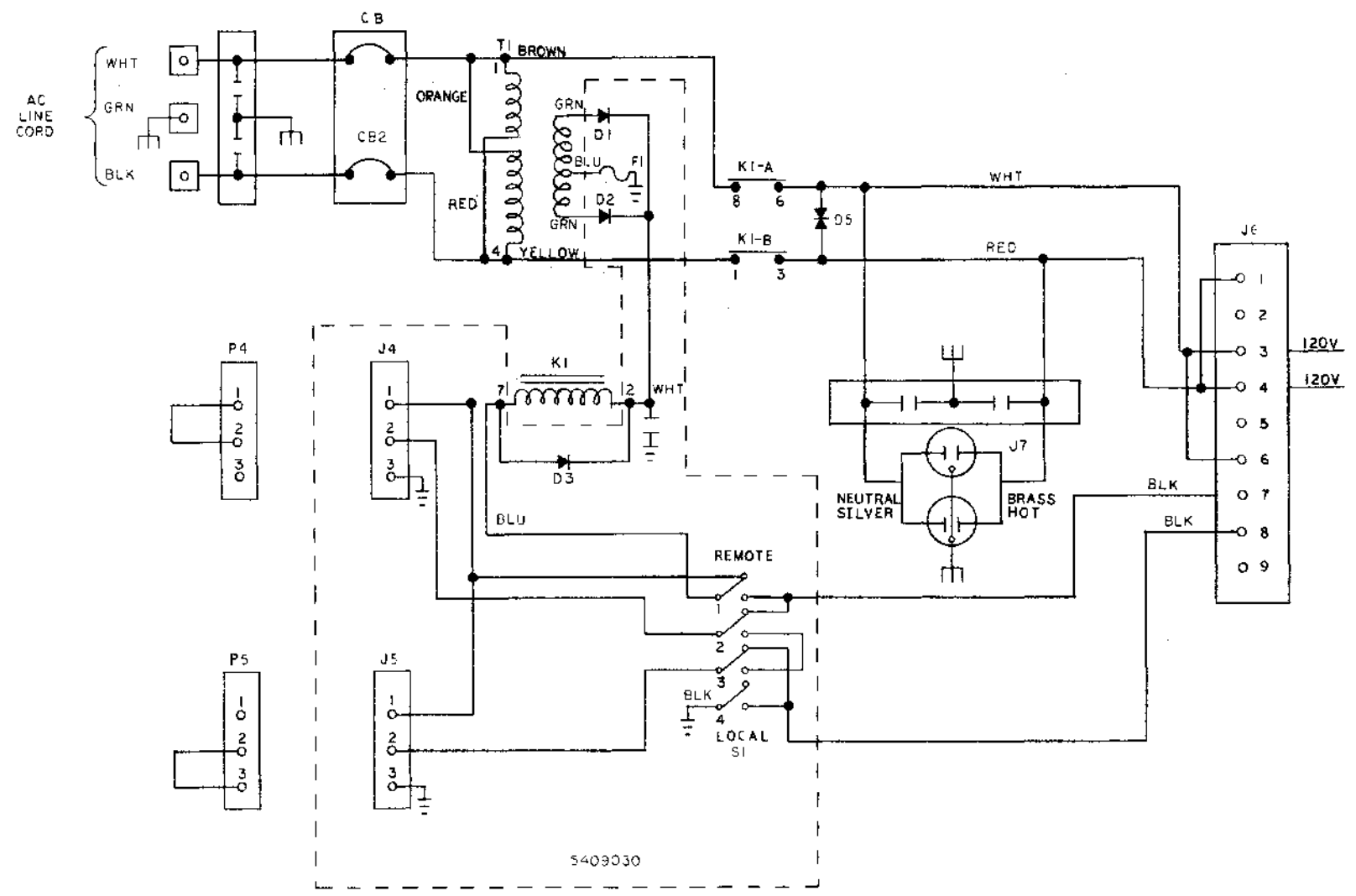
| REF. DESIGNATION | DESCRIPTION | PART NO. |
|------------------|-------------------------------------|-----------|
| C7 | CAF. 0.01 μ F 100V DISK | 1001610 |
| J6 | MATE - N - LOCK | 1209350-9 |
| J7 | AC DUPLEX OUTLET | 1205351-9 |
| P5 | JUMPER | 7007006-1 |
| P4, P6 | MATE - N - LOCK | 1209351-9 |
| K1 | RELAY | 1210277 |
| CB1, CB2 | CIRCUIT BREAKER | 1210191-0 |
| T2 | TRANSFORMER | 1610150-0 |
| S2 | THERMAL SWITCH | 1210199 |
| D5 | THYRACITOR | |
| R3, R4 | RES. 10 \times 1/2W 10 $\%$ | 1300168 |
| T1 | TRANSFORMER MMC 2940 | 1610284 |
| L1 | TRANSFORMER COIL | 1609762 |
| J3 | RECEPTACLE 1480459-0 | 120934000 |
| P2 | CONNECTOR 1480460-0 | 120934001 |
| C1, C2 | CAP 2X.1 MFD. 1000V. | 1002153 |
| C3, C4 | CAP 22000 MFD. 50V. | 1009189 |
| C5, C6 | CAP 1 MFD. 150V | 1000063 |
| R1, R2 | RES 27 \times 1/2W 5 $\%$ \pm C | 1302558 |
| Q1, Q2 | TRANSISTOR 2N5301 | 1509737 |
| D1, D2 | DIODE BRIDGE DM15 | 1105789 |
| D3, D4 | DIODE 1N3899 | 1109781 |
| HEAT SINK | HEAT SINK | 5408525 |
| H734PWR REG BD | H734 PWR. REG. BD. | 5409308 |

UNLESS OTHERWISE SPECIFIED
WIRE IS # 4 GAGE (STRANDED)

SHEET 1 OF 3

| | | | | | | |
|-----------|------|----|------|-------|-------------------------------------|-------------------------|
| REVISIONS | DATE | BY | CHKD | APP'D | TRANSISTOR & DIODE CONVERSION CHART | TITLE |
| | | | | | | digital PWR SUPPLY H734 |
| | | | | | | EQUIPMENT CORPORATION |
| | | | | | | MAINTENANCE DEPARTMENT |

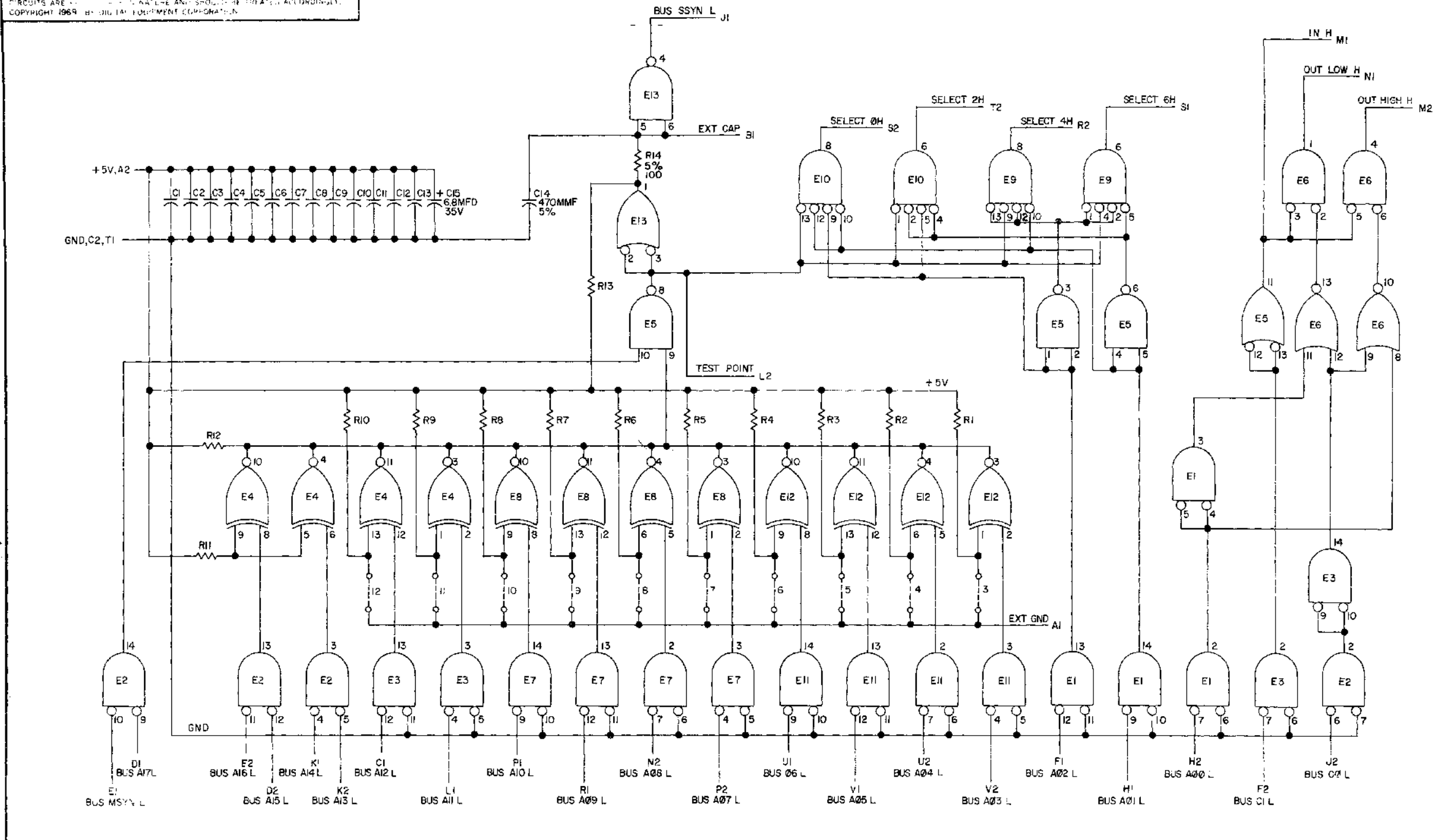
THIS SCHEMATIC IS FURNISHED ONLY FOR TEST AND MAINTENANCE PURPOSES. THE CIRCUITS ARE PROPRIETARY IN NATURE AND SHOULD BE TREATED ACCORDINGLY. COPYRIGHT 1988 BY DIGITAL EQUIPMENT CORPORATION.



FOR CIRCUIT SCHEMATIC
 SEE DWG B-CS-5409030-0-1

| | | | | | | |
|------------------------------|--|-------------------------------------|-------------|----------------|-----------------|---|
| REVISIONS CHANGE NO. REV. | DATE: 12-2-74 BY: J. G. [Signature] | TRANSISTOR & DIODE CONVERSION CHART | | | | TITLE: AC CONT POWER SUPPLY NUMBER: 1200 DATE: 12-2-74 BY: [Signature] |
| | DATE: 1-1-77 BY: R. G. [Signature] | DEC 74 IN 1979 | EIA SAME | DEC 74 SAME | DCS H734-0-1 | |
| | DATE: 7-11-77 BY: [Signature] | DEC 74 IN 1979 | EIA SAME | DEC 74 SAME | DCS H734-0-1 | |
| | DATE: 12-2-74 BY: [Signature] | DEC 74 IN 1979 | EIA SAME | DEC 74 SAME | DCS H734-0-1 | |

THIS SCHEMATIC IS FURNISHED ONLY FOR TEST AND TRAINING PURPOSES. THE CIRCUITS ARE NOT TO BE REPRODUCED OR COPIED IN ANY MANNER WITHOUT THE WRITTEN PERMISSION OF DIGITAL EQUIPMENT CORPORATION. COPYRIGHT 1969 BY DIGITAL EQUIPMENT CORPORATION.



UNLESS OTHERWISE INDICATED:
 ○---○ INDICATES JUMPERS
 RESISTORS ARE 1K, 1/4W, 5%
 CAPACITORS ARE 0.1MFD, 100V, 20%
 E1, E2, E3, E7, E11 ARE DEC380
 E4, E8, E12 ARE DEC8242
 E9, E10 ARE DEC8815
 E5 IS DEC74H00
 E6 IS DEC7402
 E13 IS DEC88B1
 PIN 1 ON E1, E2, E3, E7, E11 = GND
 PIN 8 ON E1, E2, E3, E7, E11 = +5V
 PIN 7 ON E4, E5, E8, E8, E9, E10, E12, E13 = GND
 PIN 14 ON E4, E5, E6, E6, E9, E10, E12, E13 = +5V

| REV | NO | DATE | BY |
|-----|-------|------|----|
| 1 | 00002 | | |

| | |
|-------|------|
| DRN | DATE |
| CHK'D | DATE |
| APP'D | DATE |

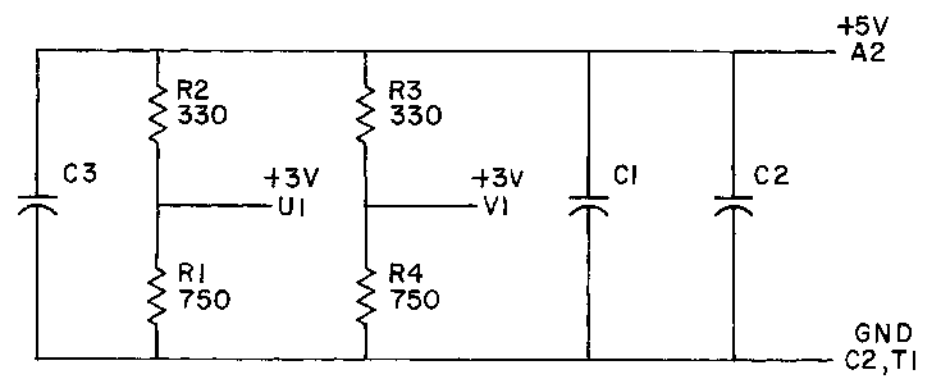
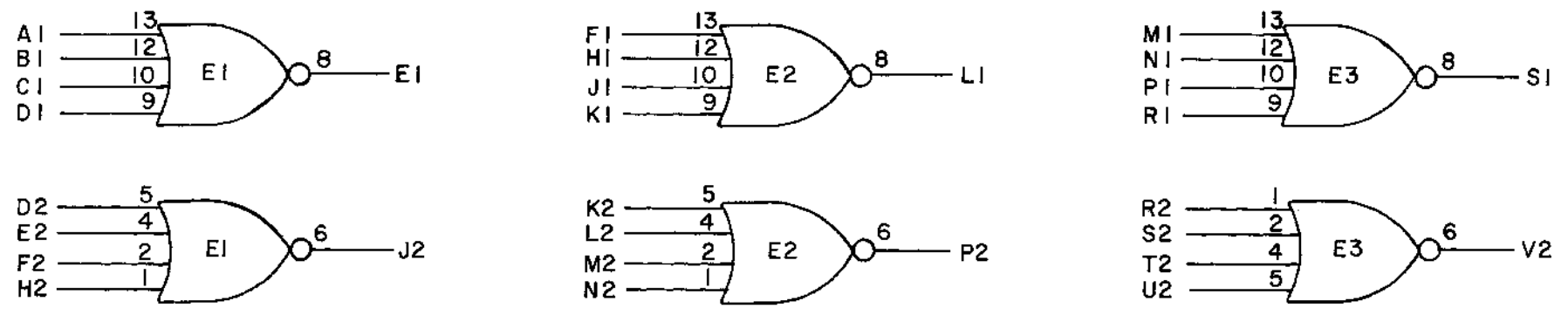
| TRANSISTOR & DIODE CONVERSION CHART | | | |
|-------------------------------------|-----|-----|-----|
| DEC | EIA | DEC | EIA |
| | | | |
| | | | |

digital
 EQUIPMENT CORPORATION
 MAYNARD, MASSACHUSETTS

| | | |
|-----------------------|-----------------|-------|
| ADDRESS SELECTOR M105 | | REV B |
| SIZE CODE C CS | NUMBER M105-0-1 | REV B |
| PRINTED CIRCUIT REV C | | |

REV B
 NUMBER M105-0-1
 SIZE CODE C CS

THIS SCHEMATIC IS FURNISHED ONLY FOR TEST AND MAINTENANCE PURPOSES. THE CIRCUITS ARE PROPRIETARY IN NATURE AND SHOULD BE TREATED ACCORDINGLY. COPYRIGHT 1970 BY DIGITAL EQUIPMENT CORPORATION



UNLESS OTHERWISE INDICATED:
 RESISTORS ARE 1/4W, 5%
 CAPACITORS ARE .01UF, 100V, 20%
 IC'S ARE DEC 8815
 PIN 7 = GND
 PIN 14 = +5V ON EACH IC

| | | | |
|---------------------|-----|--------|-----|
| REVISIONS | CHK | CHG NO | REV |
| | | 100001 | A |
| D.J. Diggle 9-20-72 | | | |
| D. BAKER | | | |

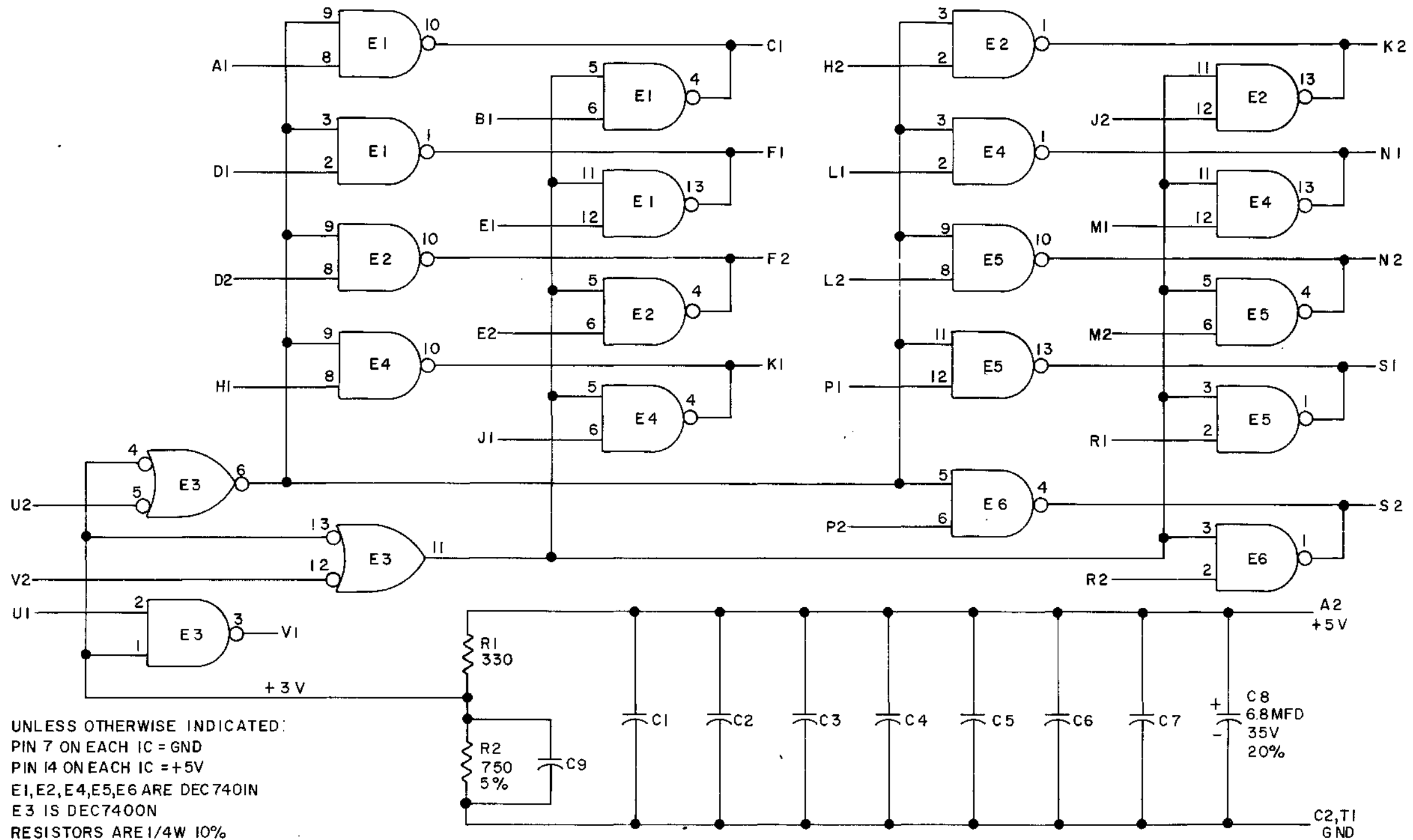
| | |
|--------------------|---------|
| DRN | DATE |
| S Cooper | 12-7-70 |
| CHK'D | DATE |
| <i>[Signature]</i> | 12-7-70 |
| ENG'D | DATE |
| <i>[Signature]</i> | 3-1-71 |
| PROD. | DATE |

| TRANSISTOR & DIODE CONVERSION CHART | | | |
|-------------------------------------|-----|-----|-----|
| DEC | EIA | DEC | EIA |
| | | | |
| | | | |
| | | | |

digital
 EQUIPMENT CORPORATION
 MAYNARD, MASSACHUSETTS

| | | | |
|---------------------|------|----------|-----|
| TITLE | | | |
| 6-QUAD NORGATE MI16 | | | |
| SIZE | CODE | NUMBER | REV |
| B | CS | MI16-0-1 | A |
| PRINTED CIRCUIT REV | | | A |

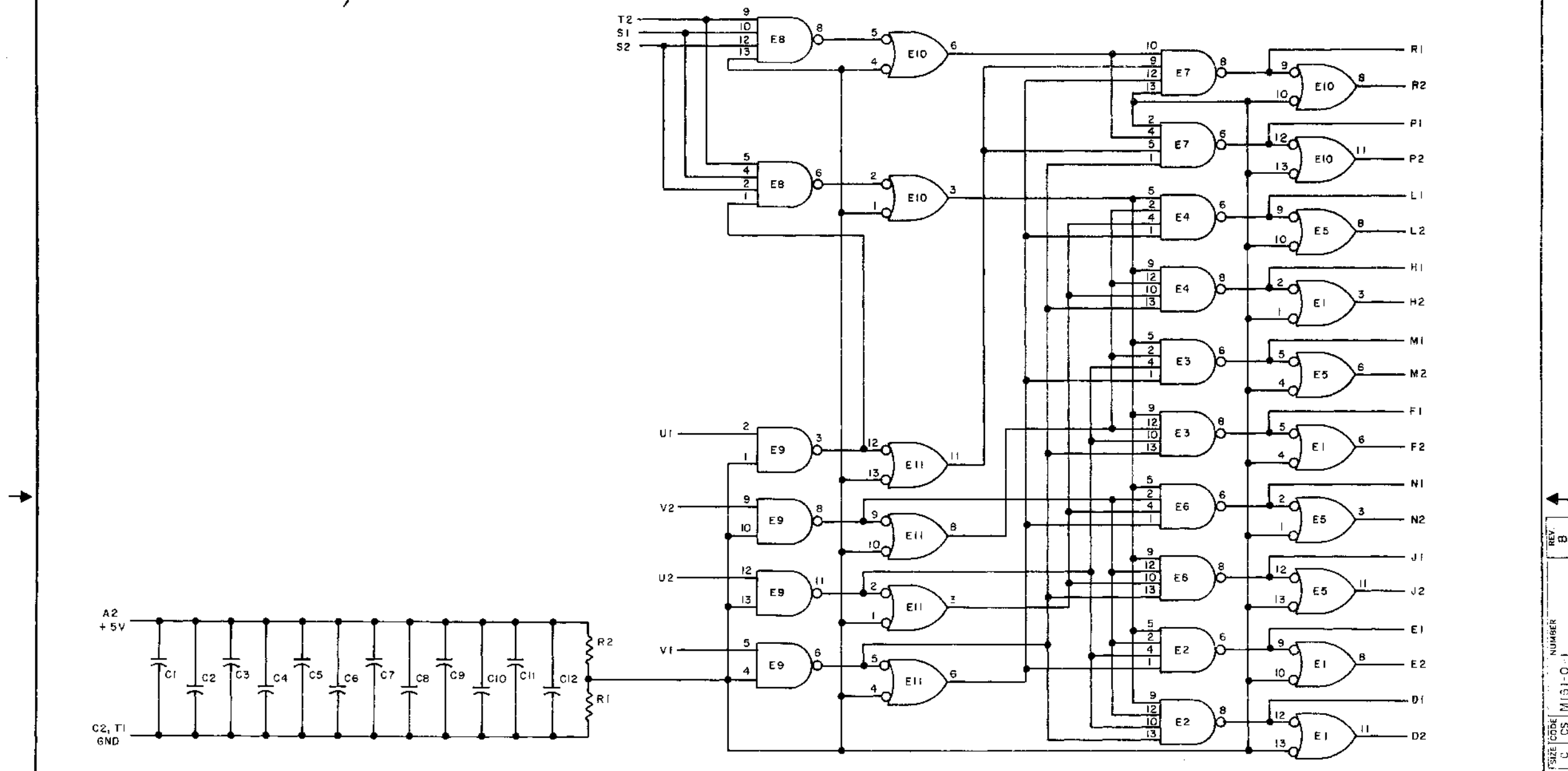
THIS SCHEMATIC IS FURNISHED ONLY FOR TEST AND MAINTENANCE PURPOSES. THE CIRCUITS ARE PROPRIETARY IN NATURE AND SHOULD BE TREATED ACCORDINGLY. COPYRIGHT 1969 BY DIGITAL EQUIPMENT CORPORATION



UNLESS OTHERWISE INDICATED:
 PIN 7 ON EACH IC = GND
 PIN 14 ON EACH IC = +5V
 E1, E2, E4, E5, E6 ARE DEC 7401N
 E3 IS DEC 7400N
 RESISTORS ARE 1/4W 10%
 CAPACITORS ARE .01MFD, 100V, 20%

| | | | | | | | |
|--|-------|------|--|-----|-----|-----|---|
| REVISIONS CHK CHG NO. REV. 00001 B | DRN. | DATE | TRANSISTOR & DIODE CONVERSION CHART | | | | TITLE 9X2 NAND WIRED OR MATRIX M149 SIZE CODE NUMBER REV. B CS M149-0-1 B |
| | CHK'D | DATE | DEC | EIA | DEC | EIA | |
| | ENG. | DATE | | | | | |
| | PROD. | DATE | | | | | |
| | | | digital EQUIPMENT CORPORATION MAYNARD, MASSACHUSETTS | | | | PRINTED CIRCUIT REV. C |

THIS SCHEMATIC IS FURNISHED ONLY FOR TEST AND MAINTENANCE PURPOSES. THE CIRCUITS ARE PROPRIETARY IN NATURE AND SHOULD BE TREATED ACCORDINGLY. COPYRIGHT 1967 BY DIGITAL EQUIPMENT CORPORATION.



PIN 7 ON EACH IC = GND
PIN 14 ON EACH IC = +5V

| | | |
|------------------------|---------------------------|---------------|
| E1, E5, E9, E10, E11 | INTEGRATED CKT. DEC7400N | 1905575 |
| E2, E3, E4, E6, E7, E8 | INTEGRATED CKT. DEC7420N | 1905577 |
| R2 | RES. 330 1/4W 10% CC | 1300293 |
| R1 | RES. 750 1/4W 5% CC | 1301401 |
| C1 THRU C12 | CAP. .01MFD 100V 20% DISC | 1001610 |
| PARTS LIST | | A-PL-M161-0-0 |
| REFERENCE DESIGNATION | DESCRIPTION | PART NO. |

| REV. | CHG. NO. | REV. |
|------|----------|------|
| 1 | 5576 | A |
| 2 | 00001 | B |

| | |
|-----------|--------|
| DRN. | DATE |
| M. Waller | 5/2/67 |
| CHK'D | DATE |
| | |
| ENG. | DATE |
| | |
| PROD. | DATE |
| | |

| TRANSISTOR & DIODE CONVERSION CHART | | | |
|-------------------------------------|-----|-----|-----|
| DEC | EIA | DEC | EIA |
| | | | |
| | | | |
| | | | |

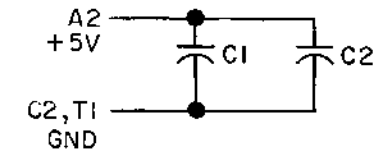
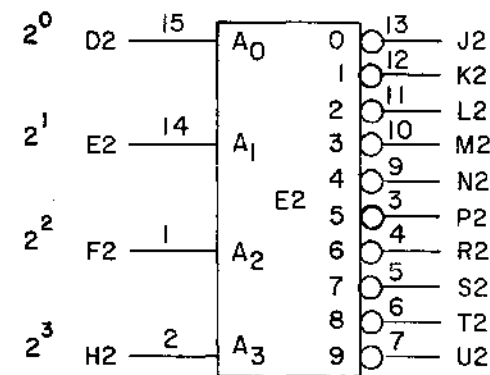
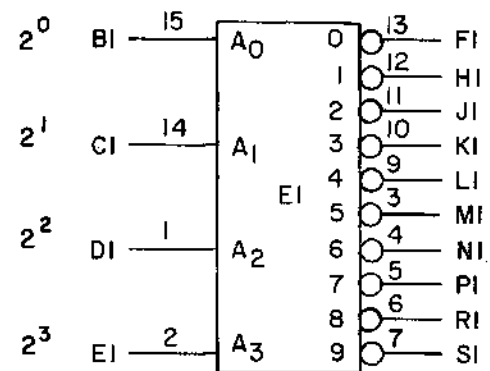
digital
EQUIPMENT CORPORATION
MAYNARD, MASSACHUSETTS

TITLE: BINARY TO OCTAL/DECIMAL DECODER M161

SIZE: C CODE: CS NUMBER: M161-0-1 REV: B

PRINTED CIRCUIT REV: C

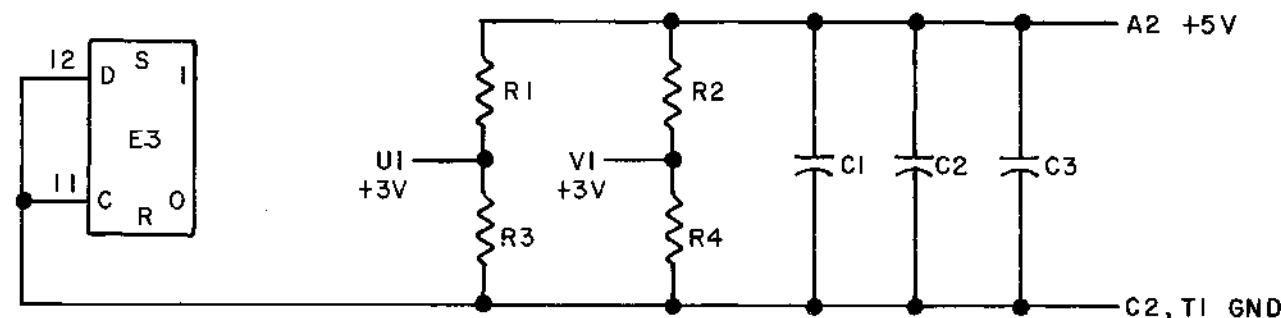
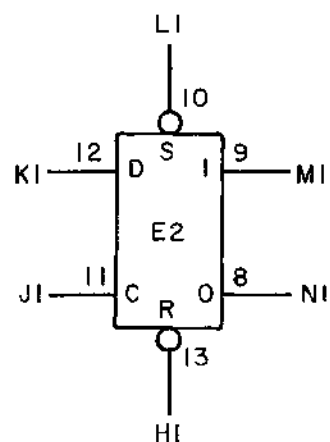
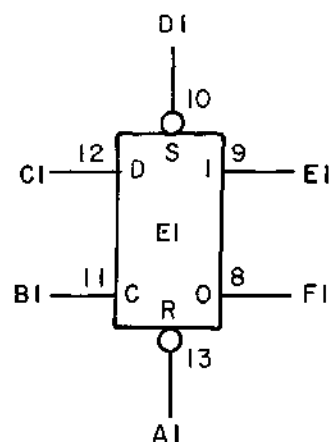
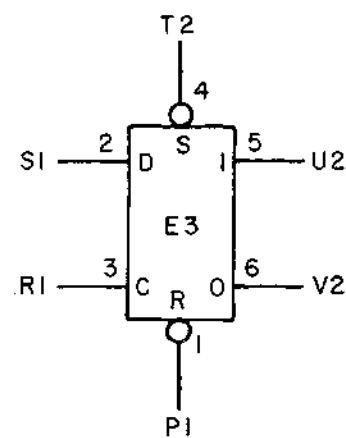
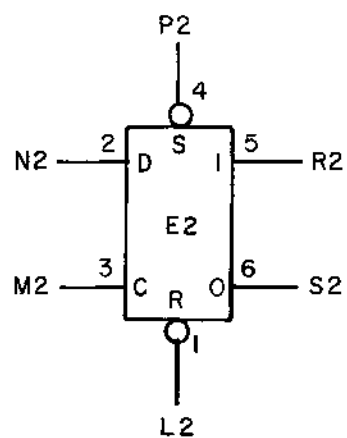
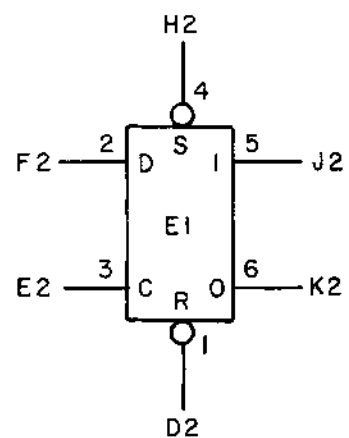
THIS SCHEMATIC IS FURNISHED ONLY FOR TEST AND MAINTENANCE PURPOSES. THE CIRCUITS ARE PROPRIETARY IN NATURE AND SHOULD BE TREATED ACCORDINGLY. COPYRIGHT 1969 BY DIGITAL EQUIPMENT CORPORATION



UNLESS OTHERWISE INDICATED:
 PIN 8 ON EACH IC = GND
 PIN 16 ON EACH IC = +5V
 E1 AND E2 ARE FAIRCHILD 9301
 CAPACITORS ARE .01MFD

| | | | | | | | | | | | |
|--|-----------------------------|------------------------|-------------------------------------|-----|-----|-----|---|-------------------------------------|------|----------|------|
| REVISIONS CHK CHG NO REV 00001 A | DPN <i>Britec</i> | DATE <i>7/29/69</i> | TRANSISTOR & DIODE CONVERSION CHART | | | | digital EQUIPMENT CORPORATION MAYNARD, MASSACHUSETTS | DUAL BINARY TO DECIMAL DECODER M163 | | | |
| | CHK'D <i>[Signature]</i> | DATE <i>7/29/69</i> | DEC | EIA | DEC | EIA | | SIZE | CODE | NUMBER | REV. |
| | ENG. <i>[Signature]</i> | DATE <i>6/27/69</i> | | | | | | B | CS | M163-0-1 | A |
| | PROD. | DATE | | | | | | PRINTED CIRCUIT REV. A | | | |

THIS SCHEMATIC IS FURNISHED ONLY FOR TEST AND MAINTENANCE PURPOSES. THE CIRCUITS ARE PROPRIETARY IN NATURE AND SHOULD BE TREATED ACCORDINGLY. COPYRIGHT 1969 BY DIGITAL EQUIPMENT CORPORATION



NOTES:
PIN 7 ON EACH IC = GND
PIN 14 ON EACH IC = +5V

| | | |
|-----------------------|---------------------------|---------------|
| E1, E2, E3 | INTEGRATED CKT. DEC7474N | 1905547 |
| R3, R4 | RES. 750 1/4W 5% CC | 1301401 |
| R1, R2 | RES. 330 1/4W 5% CC | 1300295 |
| C1, C2, C3 | CAP. .01MFD 100V 20% DISC | 1001610 |
| | PARTS LIST | A-PL-M205-0-0 |
| REFERENCE DESIGNATION | DESCRIPTION | PART NO. |

| | | | |
|-----------|-----|---------|-----|
| REVISIONS | CHK | CHG NO. | REV |
| | | 00001 | B |

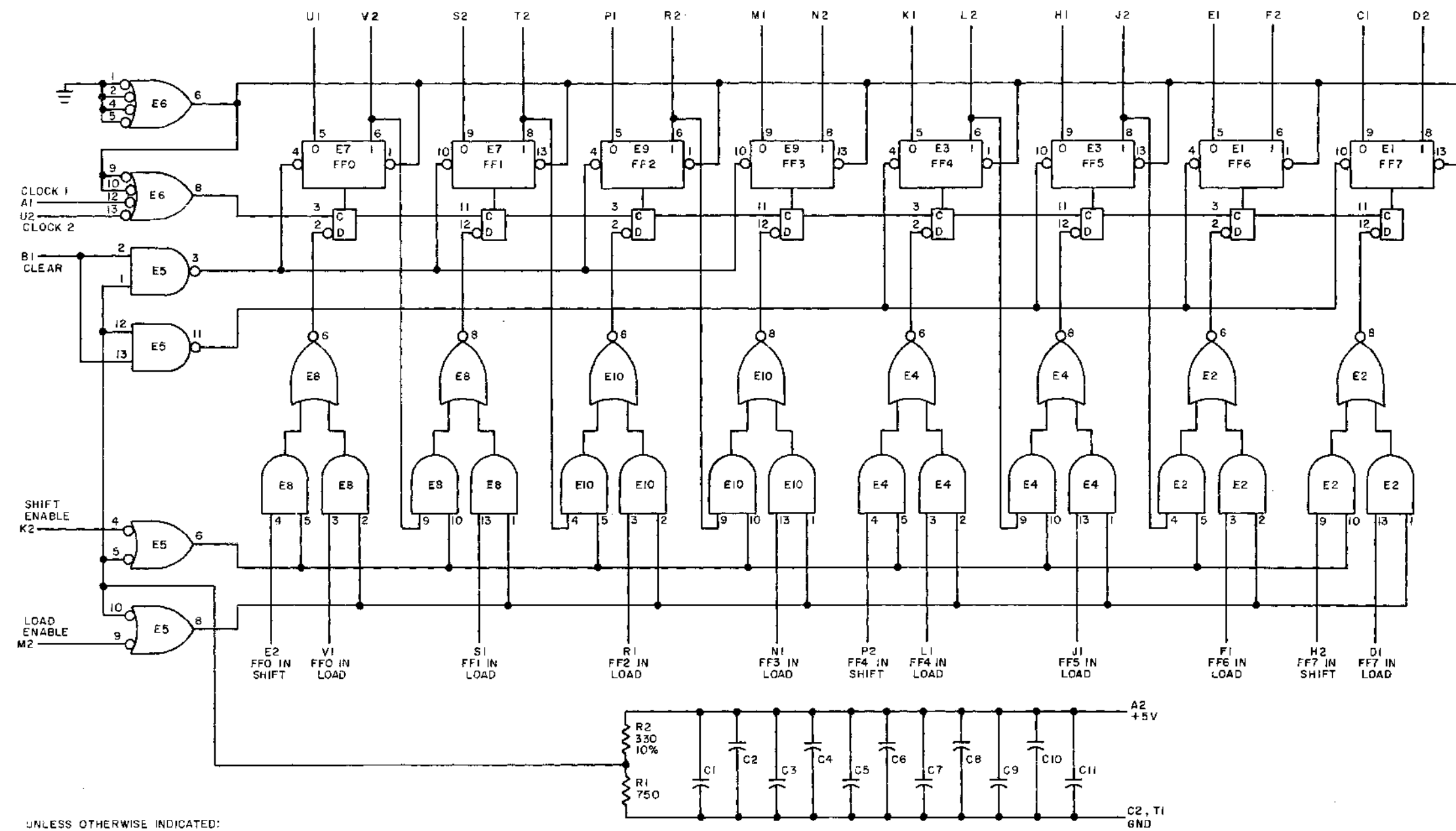
| | |
|--------------|---------|
| DRN. | DATE |
| M. Haller | 2-17-69 |
| CHK'D | DATE |
| K. Schreiner | 3/15/69 |
| ENGR | DATE |
| F. C. Ammann | 4/7/69 |
| PROD. | DATE |

| TRANSISTOR & DIODE CONVERSION CHART | | | |
|-------------------------------------|-----|-----|-----|
| DEC | EIA | DEC | EIA |
| | | | |
| | | | |
| | | | |

digital
EQUIPMENT CORPORATION
MAYNARD, MASSACHUSETTS

| | | | |
|-----------------------|------|----------|------|
| TITLE | | | |
| 5 "D" FLIP FLOPS M205 | | | |
| SIZE | CODE | NUMBER | REV. |
| B | CS | M205-0-1 | B |
| PRINTED CIRCUIT REV. | | | A |

THIS SCHEMATIC IS FURNISHED ONLY FOR TEST AND MAINTENANCE PURPOSES. THE EQUIPMENT IS THE PROPERTY OF DIGITAL EQUIPMENT CORPORATION AND SHOULD BE TREATED ACCORDINGLY. COPYRIGHT 1967 BY DIGITAL EQUIPMENT CORPORATION



UNLESS OTHERWISE INDICATED:
 CAPACITORS ARE .01MFD
 RESISTORS ARE 1/4 W, 5%
 E6 IS DEC74H40N
 E5 IS DEC7400N
 E2, E4, E8, & E10 ARE DEC7450N
 E1, E3, E7, & E9 ARE DEC7474N
 PIN 7 ON EACH IC = GND
 PIN 14 ON EACH IC = +5V

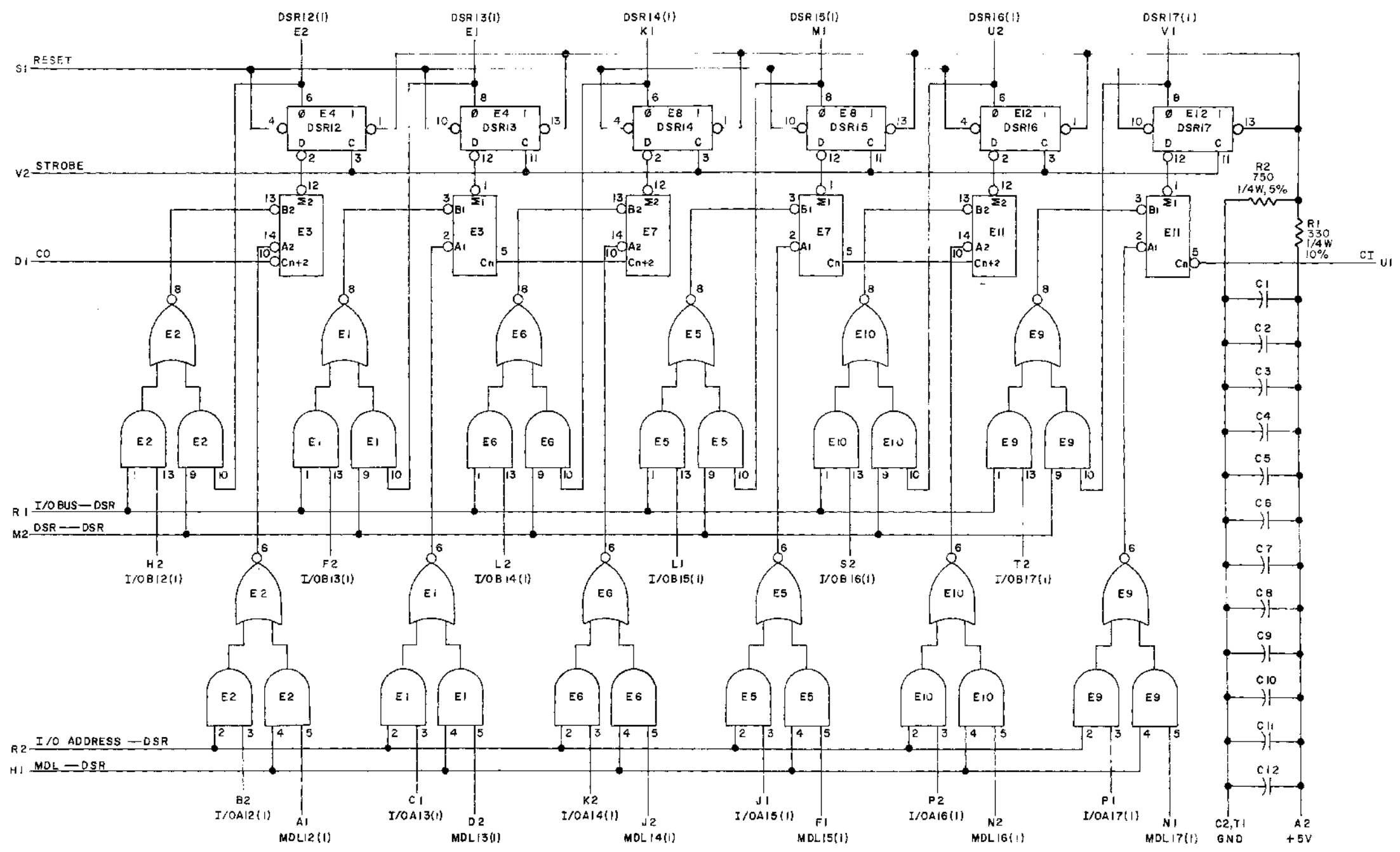
REV. B
 NUMBER
 CS M208-0-1
 SIZE CODE
 C

| | | |
|----------|---------|-----------|
| REVISION | DATE | BY |
| 1 | 5-11-67 | M. Waller |
| 2 | | |
| 3 | | |
| 4 | | |
| 5 | | |
| 6 | | |
| 7 | | |
| 8 | | |
| 9 | | |
| 10 | | |

| | |
|------|---------|
| DATE | 5-11-67 |
| DATE | |
| DATE | |
| DATE | |
| DATE | |

| | | | | |
|-------------------------------------|-----|---|----------------------------|----------|
| TRANSISTOR & DIODE CONVERSION CHART | | | TITLE | |
| DEC | EIA | | BUFFER-SHIFT REGISTER M208 | |
| DEC | EIA | EQUIPMENT CORPORATION MAYNARD, MASSACHUSETTS | SIZE | NUMBER |
| | | | C / CS | M208-0-1 |
| PRINTED CIRCUIT REV. | | | C | B |

THIS SCHEMATIC IS FURNISHED ONLY FOR TEST AND MAINTENANCE PURPOSES. THE CIRCUITS ARE PROPRIETARY IN NATURE AND SHOULD BE TREATED ACCORDINGLY. COPYRIGHT 1969 BY DIGITAL EQUIPMENT CORPORATION.



UNLESS OTHERWISE INDICATED:
 PIN 7 ON EACH IC (EXCEPT E3, E7, E11) = GND
 PIN 14 ON EACH IC (EXCEPT E3, E7, E11) = +5V
 PIN 4 ON E3, E7, E11 = +5V
 PIN 11 ON E3, E7, E11 = GND
 E4, E8, E12 ARE DEC7474
 E3, E7, E11 ARE DEC7482
 E1, E2, E5, E6, E9, E10 ARE DEC7450
 CAPACITORS ARE .01μF, 100V, 20%

REVISIONS

| NO. | DATE | DESCRIPTION |
|-----|----------|------------------------|
| 1 | 11-11-69 | INITIAL DESIGN |
| 2 | 12-22-69 | REVISED FOR PRODUCTION |

TRANSISTOR & DIODE CONVERSION CHART

| DEC | EIA | DEC | EIA |
|-----|-----|-----|-----|
| | | | |
| | | | |
| | | | |

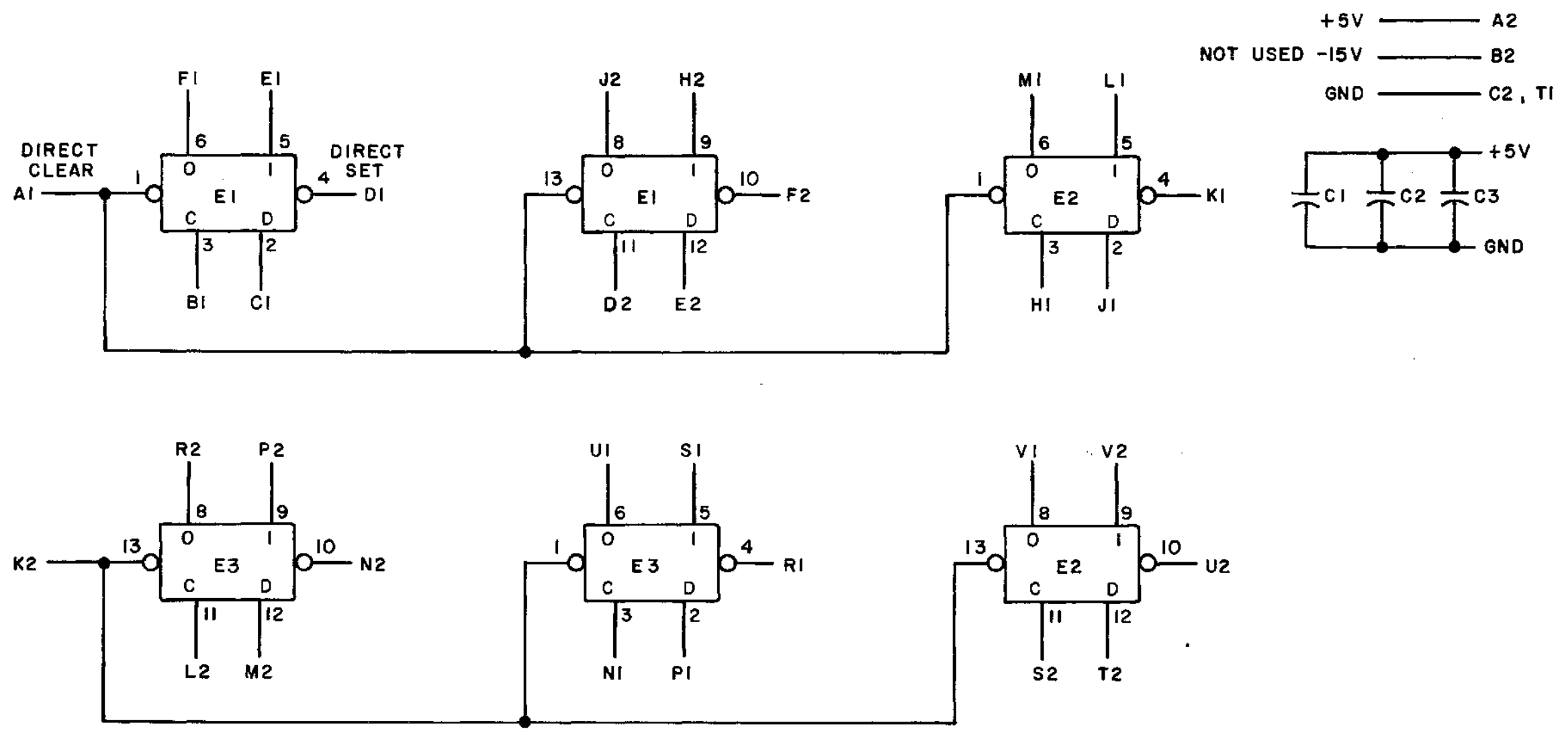
digital EQUIPMENT CORPORATION
 MAYNARD, MASSACHUSETTS

TITLE: DATA STORAGE REGISTER
 M214

REV. NUMBER: M214-0-1
 REV. B

REV. NUMBER: M214-0-1
 REV. B

THIS SCHEMATIC IS FURNISHED ONLY FOR TEST AND MAINTENANCE PURPOSES. THE CIRCUITS ARE PROPRIETARY IN NATURE AND SHOULD BE TREATED ACCORDINGLY. COPYRIGHT 1967 BY DIGITAL EQUIPMENT CORPORATION

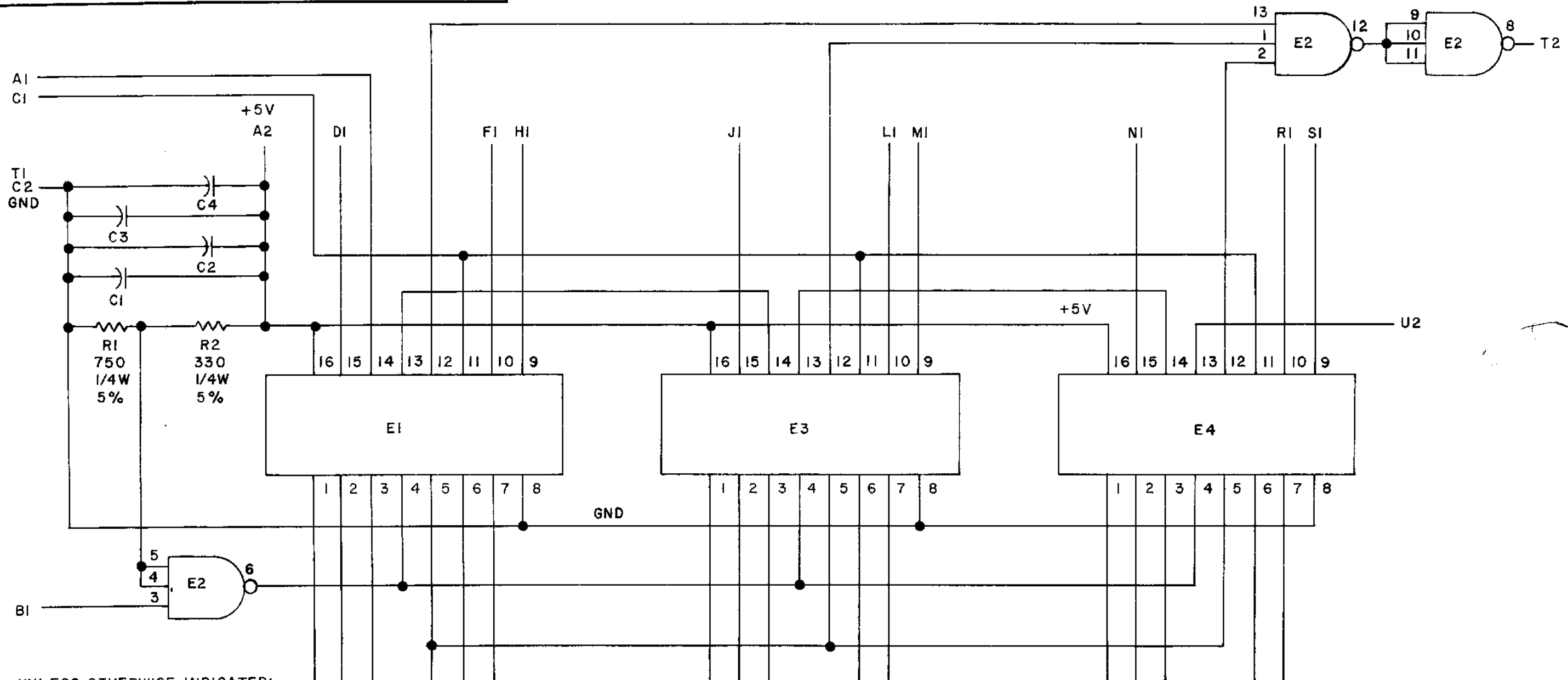


NOTES:
 PIN 7 ON EACH IC = GND
 PIN 14 ON EACH IC = +5V

| | | |
|-----------------------|----------------------------|---------------|
| E1 THRU E3 | INTEGRATED CKT. DEC7474N | 1905547 |
| C1 THRU C3 | CAP. .01 MFD 100V 20% DISC | 1001610 |
| | PARTS LIST | A-PL-M216-0-0 |
| REFERENCE DESIGNATION | DESCRIPTION | PART NO. |

| | | | | | | | | | | | | | | | | | | | | | | | | | | | | | | |
|----------------------|------------------|----------|------------|--------------------------|-----------------|---|-----|-----|-----|-----|--|--|--|--|--|--|--|--|--|--|--|--|--|--|--|--|---|-------------------------------------|--|--|
| REVISIONS | CHK CHG NO. REV. | 6806 A | M1 00001 B | DRN. <i>M. Waller</i> | DATE 4-15-67 | TRANSISTOR & DIODE CONVERSION CHART <table border="1" style="width: 100%; border-collapse: collapse;"> <tr> <td>DEC</td><td>EIA</td><td>DEC</td><td>EIA</td></tr> <tr><td> </td><td> </td><td> </td><td> </td></tr> <tr><td> </td><td> </td><td> </td><td> </td></tr> <tr><td> </td><td> </td><td> </td><td> </td></tr> <tr><td> </td><td> </td><td> </td><td> </td></tr> </table> | DEC | EIA | DEC | EIA | | | | | | | | | | | | | | | | | digital EQUIPMENT CORPORATION MAYNARD, MASSACHUSETTS | TITLE SIX FLIP-FLOPS M216 | | |
| | DEC | EIA | DEC | EIA | | | | | | | | | | | | | | | | | | | | | | | | | | |
| | | | | | | | | | | | | | | | | | | | | | | | | | | | | | | |
| | | | | | | | | | | | | | | | | | | | | | | | | | | | | | | |
| | | | | | | | | | | | | | | | | | | | | | | | | | | | | | | |
| | | | | | | | | | | | | | | | | | | | | | | | | | | | | | | |
| SIZE | CODE | NUMBER | REV. | | | | | | | | | | | | | | | | | | | | | | | | | | | |
| B | CS | M216-0-1 | B | | | | | | | | | | | | | | | | | | | | | | | | | | | |
| PRINTED CIRCUIT REV. | | | C | | | | | | | | | | | | | | | | | | | | | | | | | | | |

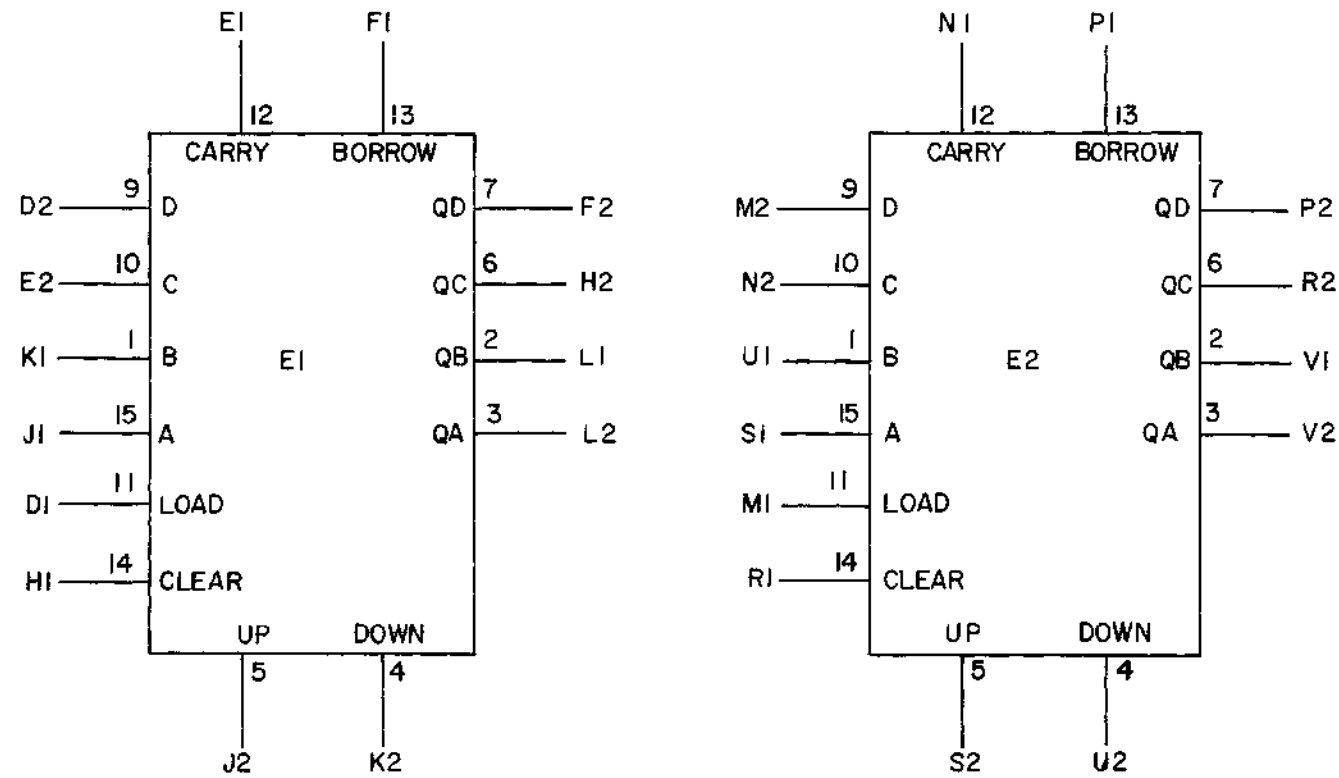
THIS SCHEMATIC IS FURNISHED ONLY FOR TEST AND MAINTENANCE PURPOSES. THE CIRCUITS ARE PROPRIETARY IN NATURE AND SHOULD BE TREATED ACCORDINGLY. COPYRIGHT 1970 BY DIGITAL EQUIPMENT CORPORATION



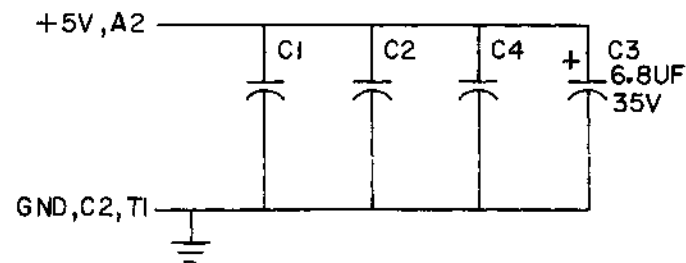
UNLESS OTHERWISE INDICATED:
 CAPACITORS ARE .01uF, 100V, 20%
 PIN 7 ON E2 = GND
 PIN 14 ON E2 = +5V
 E2 IS DEC7410
 E1, E3, E4, ARE DEC74191

| | | | | | | | | | | | |
|-------------------------------|------------------------------|------------------|-------------------------------------|-----|-----|-----|---|---|------------|--------------------|-----------|
| REVISIONS CHK CHG NO. REV. | DRN. <i>Nancy Moore</i> | DATE 2/20/70 | TRANSISTOR & DIODE CONVERSION CHART | | | | digital EQUIPMENT CORPORATION MAYNARD, MASSACHUSETTS | TITLE 12 BIT BINARY UP/DOWN COUNTER M236 | | | |
| | CHK'D <i>R. Walsh</i> | DATE 10/17/70 | DEC | EIA | DEC | EIA | | SIZE B | CODE CS | NUMBER M236-0-1 | REV. A |
| | ENG. <i>Joe O'Connell</i> | DATE 10/20/70 | | | | | | PRINTED CIRCUIT REV. B | | | |
| | PROD. | DATE | | | | | | | | | |

THIS SCHEMATIC IS FURNISHED ONLY FOR TEST AND MAINTENANCE PURPOSES. THE CIRCUITS ARE PROPRIETARY IN NATURE AND SHOULD BE TREATED ACCORDINGLY. COPYRIGHT 1970 BY DIGITAL EQUIPMENT CORPORATION

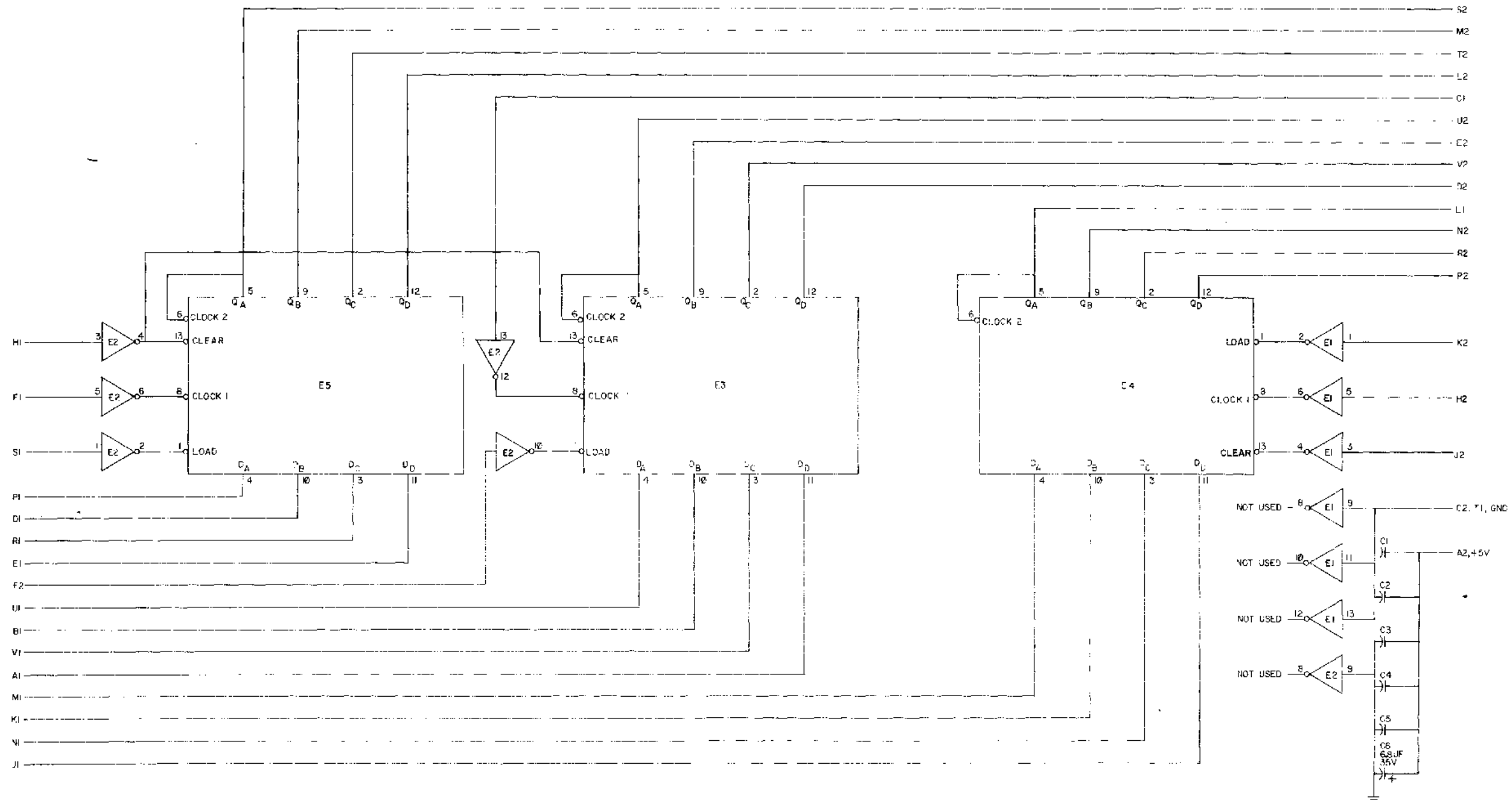


UNLESS OTHERWISE INDICATED:
 E1, E2 ARE DEC74193
 PIN 8 = GND ON E1, E2
 PIN 16 = +5V
 CAPACITORS ARE .01UF, 100V, 20%



| | | | | | | | | | | | |
|--|-------|------|-------------------------------------|-----|-----|-----|---|---|------|----------|-----|
| REVISIONS CHK CHG NO REV C 00001 C | DRN. | DATE | TRANSISTOR & DIODE CONVERSION CHART | | | | digital EQUIPMENT CORPORATION MAYNARD, MASSACHUSETTS | 2-SYNCHRONOUS 4 BIT UP/DOWN CONVERTERS M238 | | | |
| | CHK'D | DATE | DEC | EIA | DEC | EIA | | SIZE | CODE | NUMBER | REV |
| | ENG. | DATE | | | | | | B | CS | M238-0-1 | C |
| | PRGD. | DATE | | | | | | PRINTED CIRCUIT REV | | | |

THIS SCHEMATIC IS FURNISHED ONLY FOR TEST AND MAINTENANCE PURPOSES. THE CIRCUITS ARE PROPRIETARY IN NATURE AND SHOULD BE TREATED ACCORDINGLY. COPYRIGHT 1966 BY DIGITAL EQUIPMENT CORPORATION



UNLESS OTHERWISE INDICATED:
CAPACITORS ARE .01uF, 100V, 20%
E3, E4, E5 ARE DEC74197
E1, E2 ARE DEC74H04
ON ALL IC'S PIN 14 = +5V, PIN 7 = GND

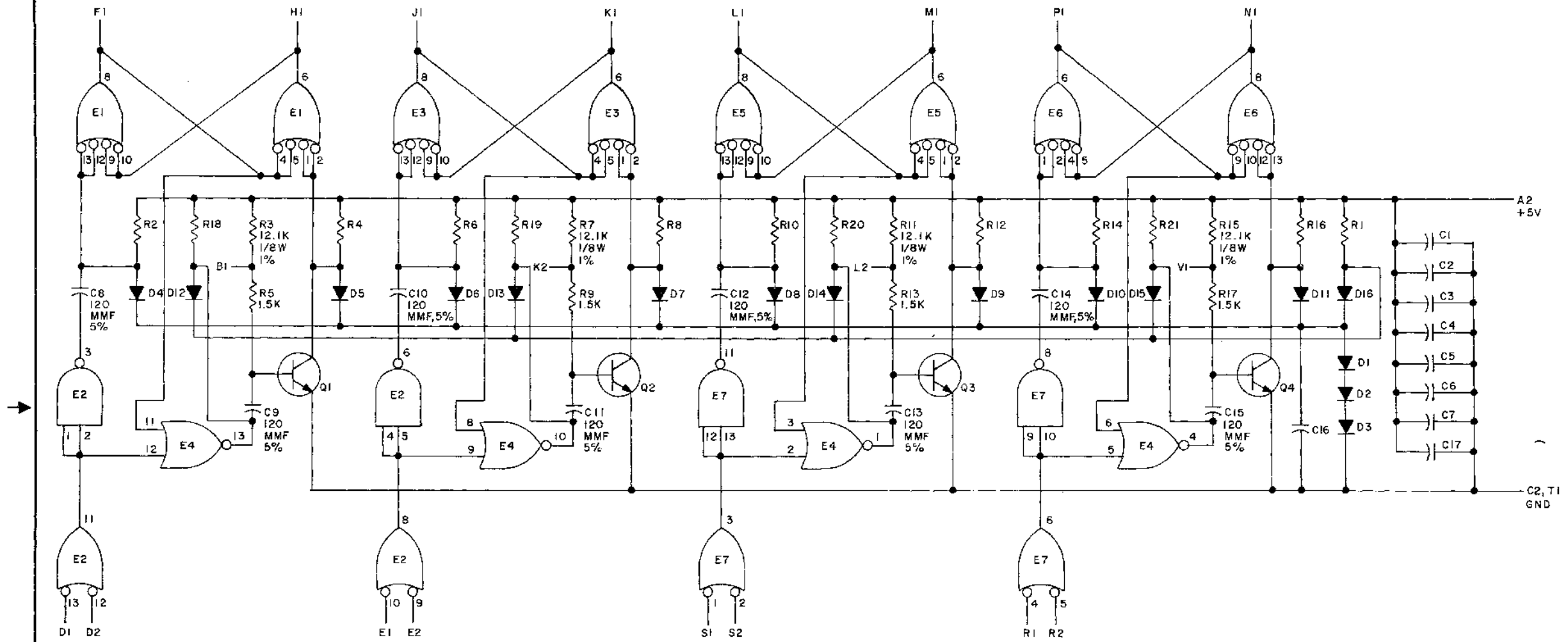
| REV | DATE | BY |
|-----|---------|---------------|
| 1 | 8/25/70 | JEANNE FRANCH |

| REV | DATE | BY | CHK'D | DATE | BY |
|-----|---------|---------------|-------|------|----|
| 1 | 8/25/70 | JEANNE FRANCH | | | |

| REV | DATE | BY | CHK'D | DATE | BY |
|-----|---------|---------------|-------|------|----|
| 1 | 8/25/70 | JEANNE FRANCH | | | |

| | | | |
|--|---------------------------------|--|--------------|
| | | TITLE THREE 4-BIT COUNTER/ REGISTER M239 | |
| EQUIPMENT CORPORATION MAYNARD, MASSACHUSETTS | SIZE D CODE CS | NUMBER M239-0-1 | REV A |
| PRINTED CIRCUIT REV | | A | |

THIS SCHEMATIC IS FURNISHED ONLY FOR TEST AND MAINTENANCE PURPOSES. THE CIRCUIT IS TO BE USED IN NATURAL AND SHOULD BE TREATED ACCORDINGLY. COPYRIGHT 1969 BY DIGITAL EQUIPMENT CORPORATION



UNLESS OTHERWISE INDICATED:
 RESISTORS ARE 1K
 RESISTORS ARE 1/4W, 5%
 TRANSISTORS ARE DEC3009B
 E1, E3, E5, E6 ARE DEC7440
 E2, E7 ARE DEC7400
 E4 IS DEC7402
 PIN 7 ON EACH IC = GND
 PIN 14 ON EACH IC = +5V
 DIODES ARE D664
 CAPACITORS ARE .01MFD, 100V, 20%

REV. B
 NUMBER
 CS M304-0-1
 SIZE CODE
 C

| | |
|------------|---------|
| REVISION: | 1 |
| CHK CHG NO | 00002 |
| DATE | 4-22-69 |

| | | | |
|-------|------------|------|---------|
| DRN | Dr. Haller | DATE | 4-22-69 |
| CHR'D | | DATE | |
| ENG. | | DATE | |
| PROD | | DATE | |

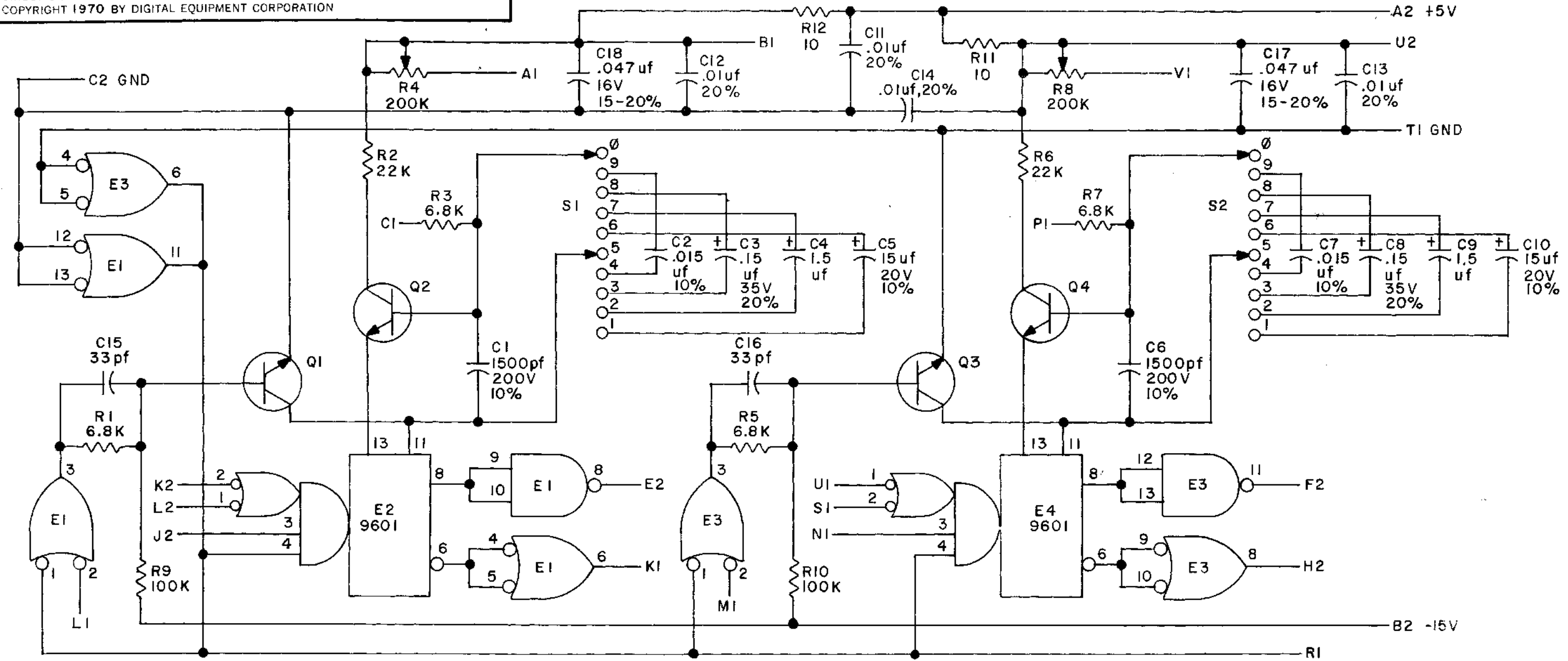
| TRANSISTOR & DIODE CONVERSION CHART | | | |
|-------------------------------------|--------|-----|-----|
| DEC | EIA | DEC | EIA |
| D664 | IN3606 | | |
| DEC3009B | 2N3009 | | |

digital ONE SHOT DELAY M304

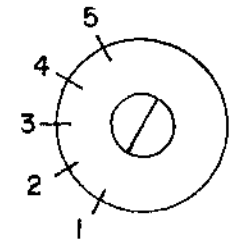
EQUIPMENT CORPORATION
 MAYNARD, MASSACHUSETTS

| | | | | | | |
|----------------------|---|----|--------|----------|------|---|
| SIZE CODE | C | CS | NUMBER | M304-0-1 | REV. | B |
| PRINTED CIRCUIT REV. | | | | | B | |

THIS SCHEMATIC IS FURNISHED ONLY FOR TEST AND MAINTENANCE PURPOSES. THE CIRCUITS ARE PROPRIETARY IN NATURE AND SHOULD BE TREATED ACCORDINGLY. COPYRIGHT 1970 BY DIGITAL EQUIPMENT CORPORATION



UNLESS OTHERWISE INDICATED:
 TRANSISTORS ARE DEC 3009B
 RESISTORS ARE 1/4W, 5%
 CAPACITORS ARE 100V, 5%
 R4 & R8 ARE 78PR POTS
 SWITCHES ARE 2 POLE, 5 POSITION SPECTROL
 E1, E3 ARE DEC7400
 PIN 7 ON EACH IC = GND
 PIN 14 ON E1, E3 = +5V
 PIN 14 ON E2 = VCC, PIN B1
 PIN 14 ON E4 = VCC, PIN U2



- RANGE 5 5 μsec. — 50 μsec.
- 4 50 μsec. — 500 μsec.
- 3 500 μsec. — 5 msec.
- 2 5 msec. — 50 msec.
- 1 50 msec. — 500 msec.

| REVISIONS | CHK | CHG NO. | REV. |
|-----------|--------|---------|------|
| | MH | 00001 | A |
| | REV. B | 00002 | B |
| | | 00003 | C |

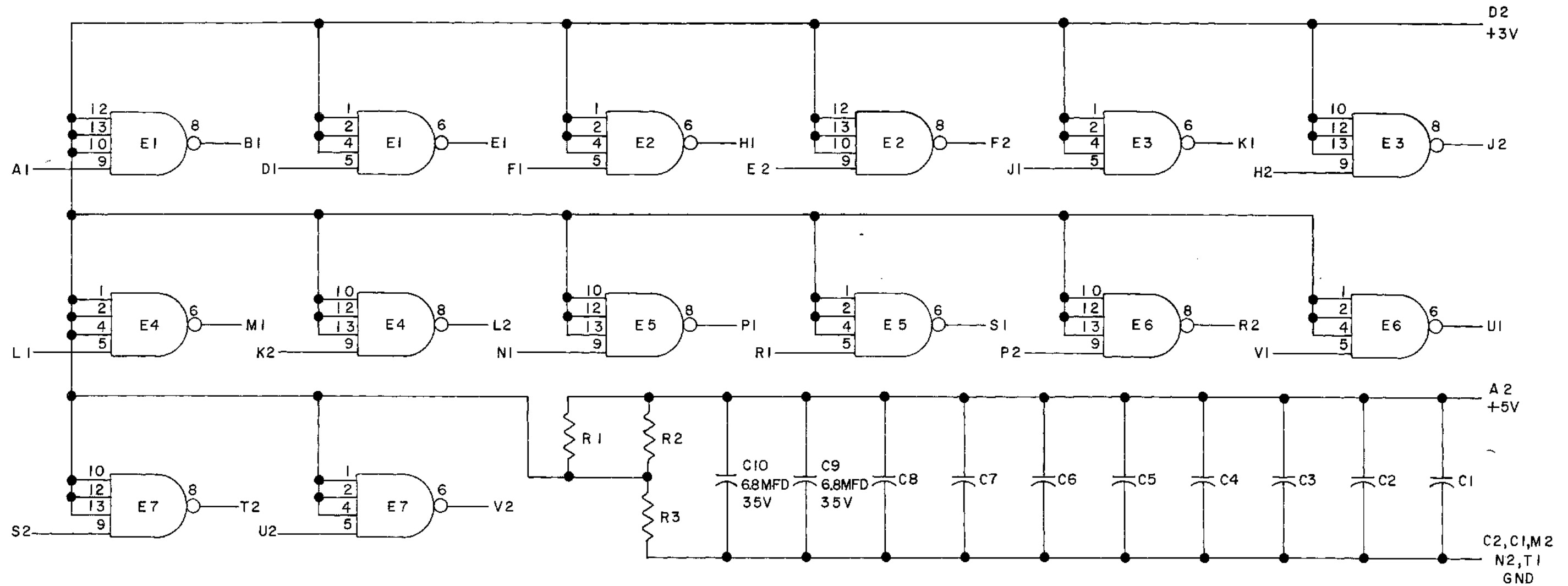
| | |
|-----------------------|----------------|
| DRN. M. HALLER | DATE 9-3-69 |
| CHK'D A. YAUGA | DATE 9-3-69 |
| ENG. R. SCHWEGLER | DATE 9-4-69 |
| PROD. R. SCHWEGLER | DATE 9-4-69 |

| TRANSISTOR & DIODE CONVERSION CHART | | | |
|-------------------------------------|--|--------|--|
| DEC | | EIA | |
| DEC 3009B | | 2N3009 | |

digital
 EQUIPMENT CORPORATION
 MAYNARD, MASSACHUSETTS

| | | | |
|---------------------------------------|------------|--------------------|-----------|
| TITLE INTEGRATING ONE SHOT M307 | | | |
| SIZE B | CODE CS | NUMBER M307-0-1 | REV. C |
| PRINTED CIRCUIT REV. B | | | |

THIS SCHEMATIC IS FURNISHED ONLY FOR TEST AND MAINTENANCE PURPOSES. THE CIRCUITS ARE PROPRIETARY IN NATURE AND SHOULD BE TREATED ACCORDINGLY. COPYRIGHT 1969 BY DIGITAL EQUIPMENT CORPORATION



UNLESS OTHERWISE INDICATED
 PIN 7 ON EACH IC = GND
 PIN 14 ON EACH IC = +5V
 IC'S ARE DEC74H40
 CAPACITORS ARE .01MFD 100V
 RESISTORS ARE 220 1/4W 10%

| | |
|-----------|--------|
| REVISIONS | REV. B |
| CHK'D | 00001 |

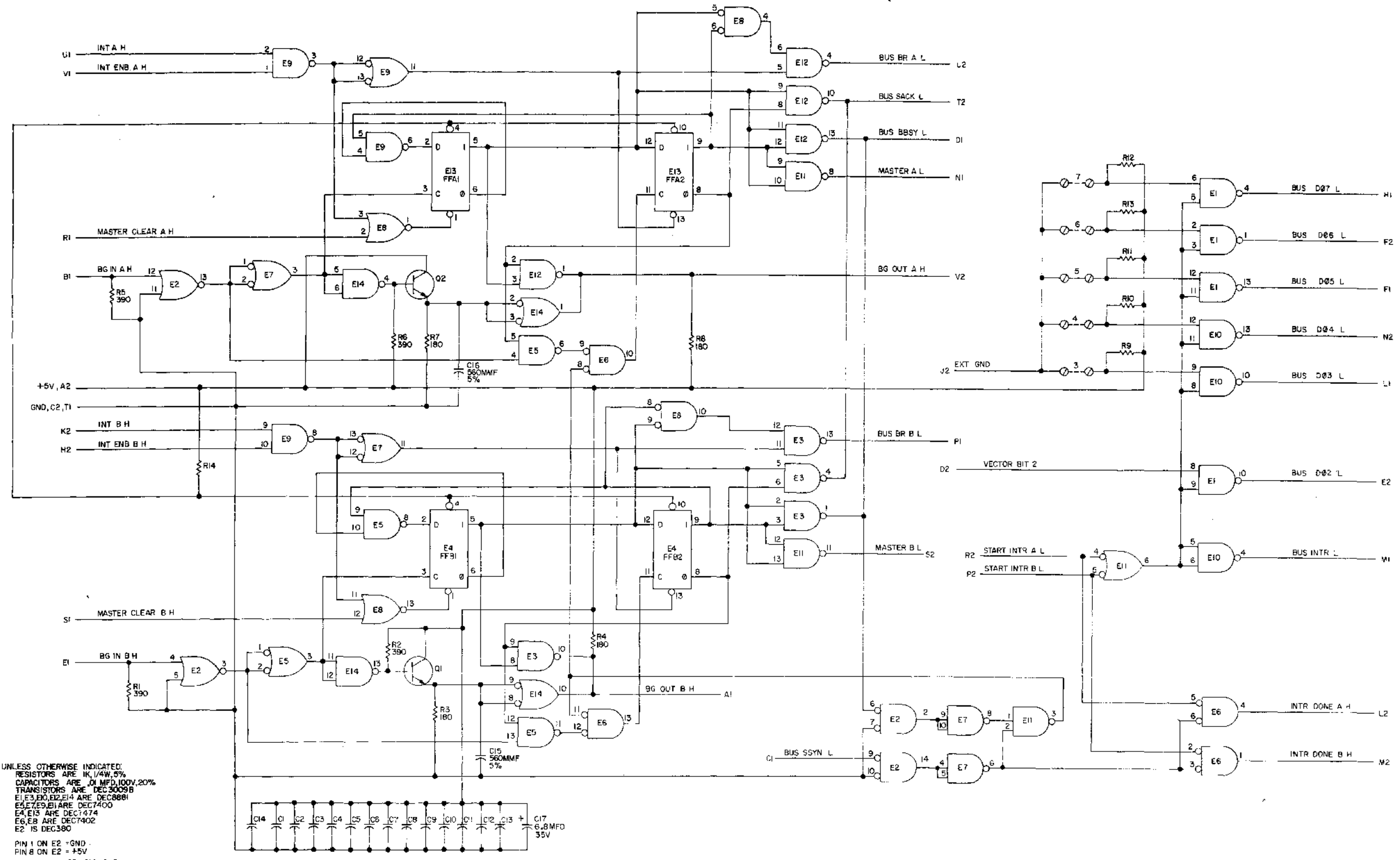
| | |
|--------------------|---------|
| DRN. | DATE |
| <i>R. G. Smith</i> | 5-1-69 |
| CHK'D | DATE |
| <i>R. G. Smith</i> | 5-8-69 |
| ENG. | DATE |
| <i>R. G. Smith</i> | 6-16-69 |
| PROD. | DATE |

| TRANSISTOR & DIODE CONVERSION CHART | | | |
|-------------------------------------|-----|-----|-----|
| DEC | EIA | DEC | EIA |
| | | | |
| | | | |
| | | | |

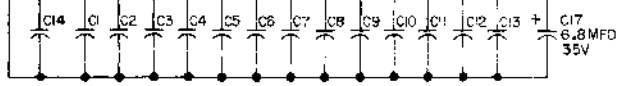
digital
 EQUIPMENT CORPORATION
 MAYNARD, MASSACHUSETTS

| | | | |
|---------------------------|------|----------|------|
| TITLE | | | |
| HIGH SPEED POWER INVERTER | | | |
| M611 | | | |
| SIZE | CODE | NUMBER | REV. |
| B | CS | M611-0-1 | B |
| PRINTED CIRCUIT REV | | | A |

THIS SCHEMATIC IS FURNISHED ONLY FOR TEST AND MAINTENANCE PURPOSES. THE CIRCUITS ARE PROPRIETARY IN NATURE AND SHOULD BE TREATED ACCORDINGLY. COPYRIGHT 1970 BY DIGITAL EQUIPMENT CORPORATION.



UNLESS OTHERWISE INDICATED:
 RESISTORS ARE 1K, 1/4W, 5%
 CAPACITORS ARE .01 MFD, 100V, 20%
 TRANSISTORS ARE DEC 3009 B
 E1, E3, E9, E12, E14 ARE DEC 8881
 E4, E7, E9, E11 ARE DEC 7400
 E4, E13 ARE DEC 1474
 E6, E8 ARE DEC 7402
 E2 IS DEC 380
 PIN 1 ON E2 = GND
 PIN 8 ON E2 = +5V
 PIN 7 ON E1, E3, E14 = GND
 PIN 14 ON E1, E3, E14 = +5V
 ⊗ = SPLIT LUGS
 --- = JUMPERS



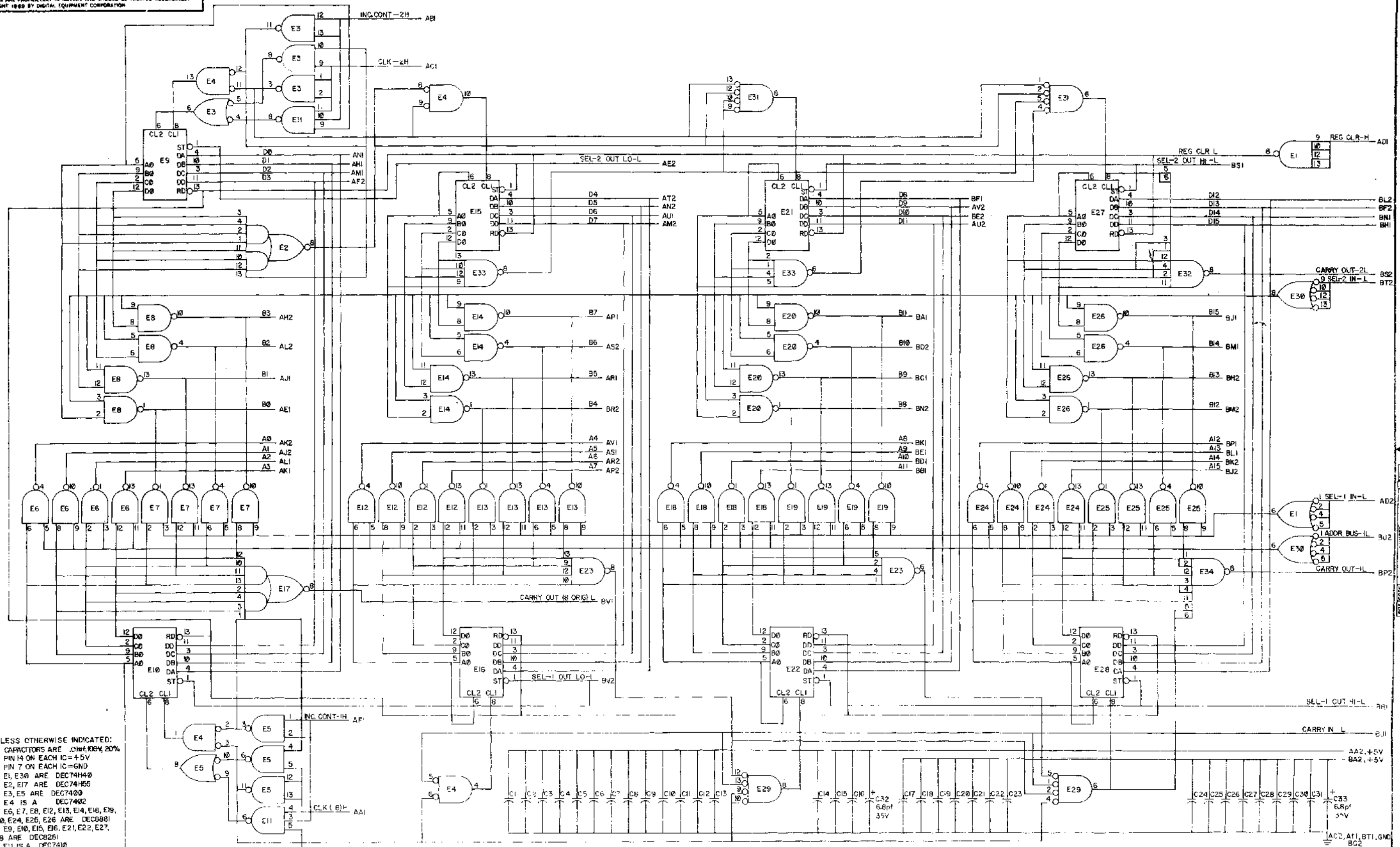
| REV | DATE | BY | CHKD |
|-----|----------|-----|------|
| 1 | DEC 1970 | ... | ... |
| 2 | ... | ... | ... |
| 3 | ... | ... | ... |
| 4 | ... | ... | ... |

| DATE | BY | CHKD | DATE | BY | CHKD |
|-------------|-----|------|------|-----|------|
| DEC 30 1970 | ... | ... | ... | ... | ... |

digital EQUIPMENT CORPORATION
 INTERRUPT CONTROL M782
 SIZE D CODE CS NUMBER M782-0-1 REV D

KEY D
 NUMBER M782-0-1
 REV D CS

THIS SCHEMATIC IS FURNISHED ONLY FOR TEST AND MAINTENANCE PURPOSES. THE CIRCUITS ARE PROPRIETARY IN NATURE AND SHOULD BE TREATED ACCORDINGLY. COPYRIGHT 1969 BY DIGITAL EQUIPMENT CORPORATION.



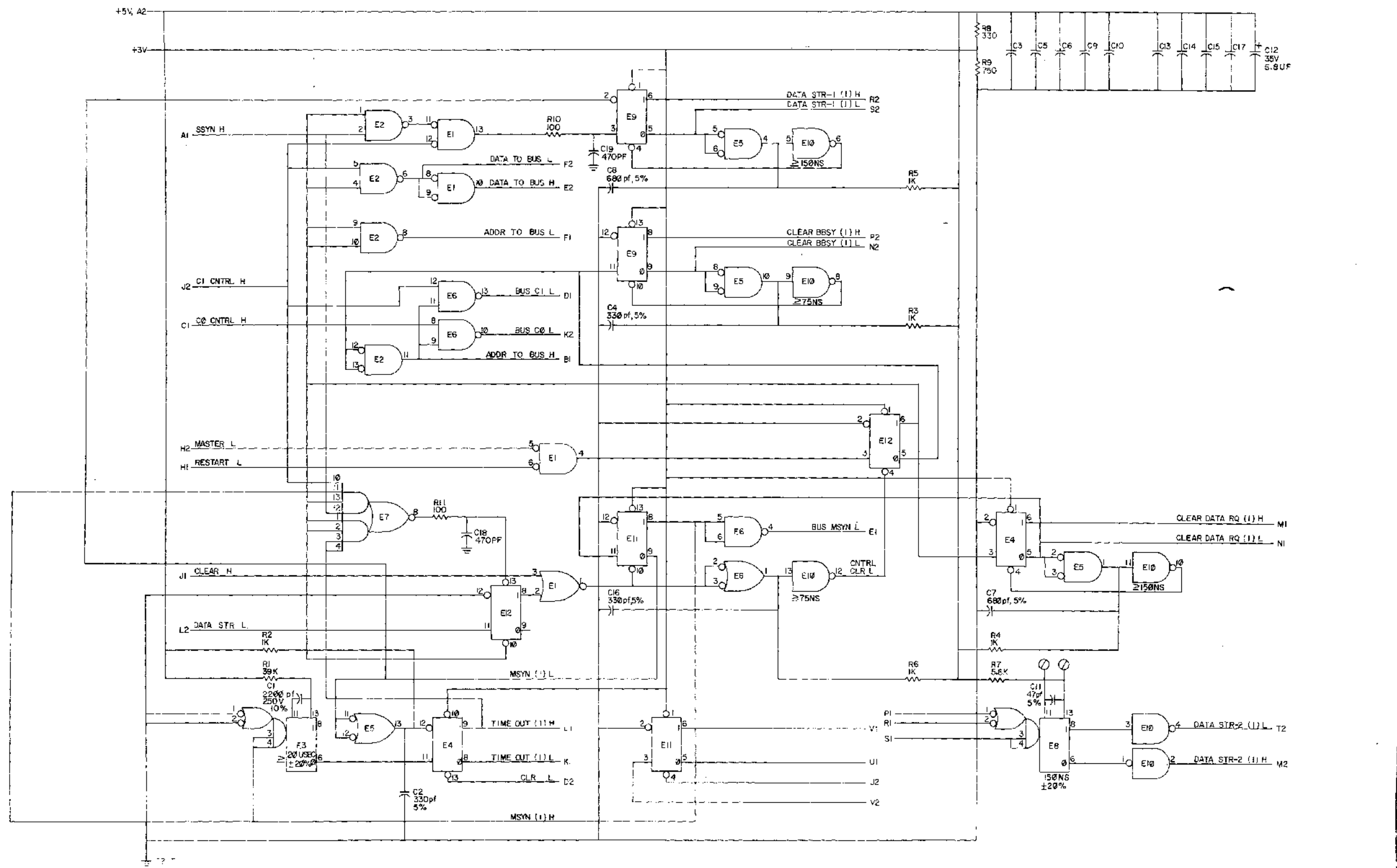
UNLESS OTHERWISE INDICATED:
 CAPACITORS ARE .01μF, 50V, 20%
 PIN 14 ON EACH IC = +5V
 PIN 7 ON EACH IC = GND
 E1, E30 ARE DEC74H40
 E2, E7 ARE DEC74H55
 E3, E5 ARE DEC7402
 E4 IS A DEC7402
 E6, E7, E8, E12, E13, E14, E18, E19,
 E20, E24, E25, E26 ARE DEC8881
 E9, E10, E15, E16, E21, E22, E27,
 E28 ARE DEC8251
 E11 IS A DEC7410
 E33, E23 ARE DEC7420
 E29, E31 ARE DEC8015
 E32, E34 ARE DEC7430

| REV | DATE | BY | CHKD |
|-----|---------|---------------|------|
| 1 | 17-9-70 | Jeanne French | |
| 2 | | | |
| 3 | | | |

| TRANSISTOR & DIODE CONVERSION CHART | | | |
|-------------------------------------|-----|-----|-----|
| DEC | EIA | DEC | EIA |
| | | | |
| | | | |
| | | | |

| | | | |
|-------------------------|------------|--|----------|
| | | TITLE: 16-BIT 2-INPUT ADDER AND CMA MODULE M795 | |
| PART NUMBER M795-0-1 | CODE CS | NUMBER M795-0-1 | REV B |
| PRINTED CIRCUIT REV. | | | |

THIS SCHEMATIC IS FURNISHED ONLY FOR TEST AND MAINTENANCE PURPOSES. THE
CIRCUITS ARE PROPRIETARY AND SHOULD BE KEPT SECRET UNLESS OTHERWISE
COPYRIGHT 1970 BY DIGITAL EQUIPMENT CORPORATION

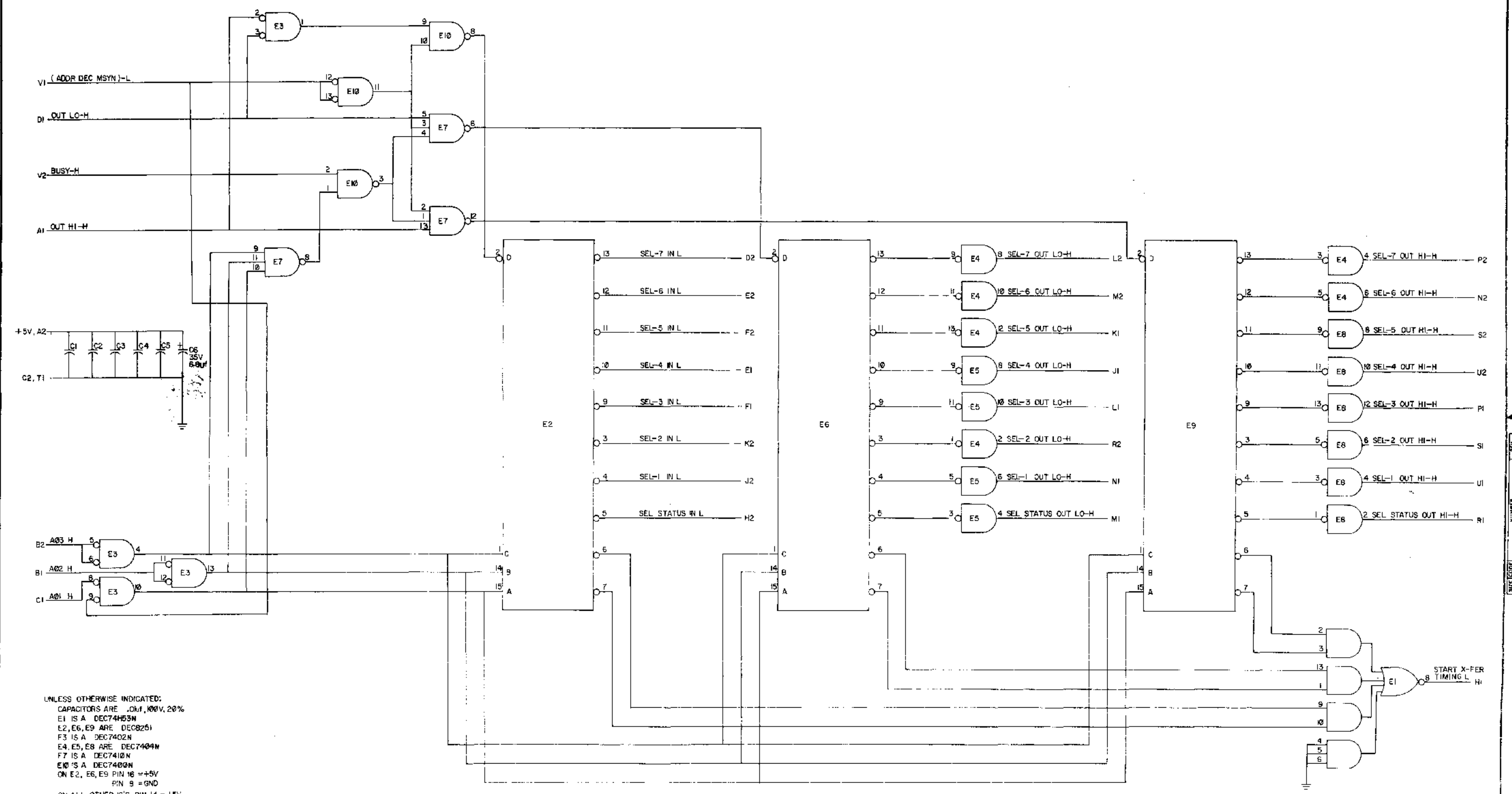


UNLESS OTHERWISE INDICATED:
RESISTORS ARE 1/4W, 5%
CAPACITORS ARE .01uf, 100V, 20%
E1 IS DEC7402
E2 IS DEC7400
E3, E8 ARE DEC9601
E4, E9, E11, E12 ARE DEC7474
E5 IS DEC7401
E6 IS DEC888
E7 IS DEC7445
E8 IS DEC7404
C1 - 2200 pf, 250V, 10%
C2 - 330 pf, 5%
C3 - 330 pf, 5%
C4 - 330 pf, 5%
C5 - 330 pf, 5%
C6 - 680 pf, 5%
C7 - 680 pf, 5%
C8 - 680 pf, 5%
C9 - 330 pf, 5%
C10 - 330 pf, 5%
C11 - 47 pf, 5%
C12 - 35V 5.0UF
C13 - 330 pf, 5%
C14 - 330 pf, 5%
C15 - 330 pf, 5%
C16 - 330 pf, 5%
C17 - 330 pf, 5%
C18 - 470 pf
C19 - 470 pf

REV C
NUMBER M796-0-1
SIZE CODE D CS

| | | | | | |
|---|------|-------------------------------------|-----|-----|--|
| REVISIONS CHECKED BY DATE APPROVED BY DATE DESIGNED BY DATE DRAWN BY DATE | DATE | TRANSISTOR & DIODE CONVERSION CHART | | | TITLE UNIBUS MASTER CONTROL M796 |
| | DATE | DEC | EIA | EIA | |
| EQUIPMENT CORPORATION MAYNARD, MASSACHUSETTS | | PRINTED CIRCUIT REV C | | | |

THIS SCHEMATIC IS FURNISHED ONLY FOR TEST AND MAINTENANCE PURPOSES. THE CIRCUITS ARE PROPRIETARY IN NATURE AND SHOULD BE TREATED ACCORDINGLY. COPYRIGHT 1970 BY DIGITAL EQUIPMENT CORPORATION.



UNLESS OTHERWISE INDICATED:
 CAPACITORS ARE .001, 100V, 20%
 E1 IS A DEC74H53N
 E2, E6, E9 ARE DEC8251
 E3 IS A DEC7402N
 E4, E5, E8 ARE DEC7404N
 E7 IS A DEC7410N
 E10 IS A DEC7400N
 ON E2, E6, E9 PIN 16 = +5V
 PIN 9 = GND
 ON ALL OTHER IC'S PIN 14 = +5V
 PIN 7 = GND

| REV | DATE | BY |
|-----|--------|----|
| 1 | 1/1/70 | SP |

| TRANSISTOR & DIODE CONVERSION CHART | | | |
|-------------------------------------|-------|------------|-------|
| TRANSISTOR | DIODE | TRANSISTOR | DIODE |
| | | | |

digital
EQUIPMENT CORPORATION
 MAYFIELD, MASSACHUSETTS

TITLE: REGISTER SELECT MODULE
 M797

SIZE: D CS NUMBER: M797-0-1 REV: A

PRINTED CIRCUIT REV: B

THIS SCHEMATIC IS FURNISHED ONLY FOR TEST AND MAINTENANCE PURPOSES. THE CIRCUITS ARE PROPRIETARY IN NATURE AND SHOULD BE TREATED ACCORDINGLY. COPYRIGHT 1988 BY DIGITAL EQUIPMENT CORPORATION.

V
A18
1-0-021M
50
3005 1/15



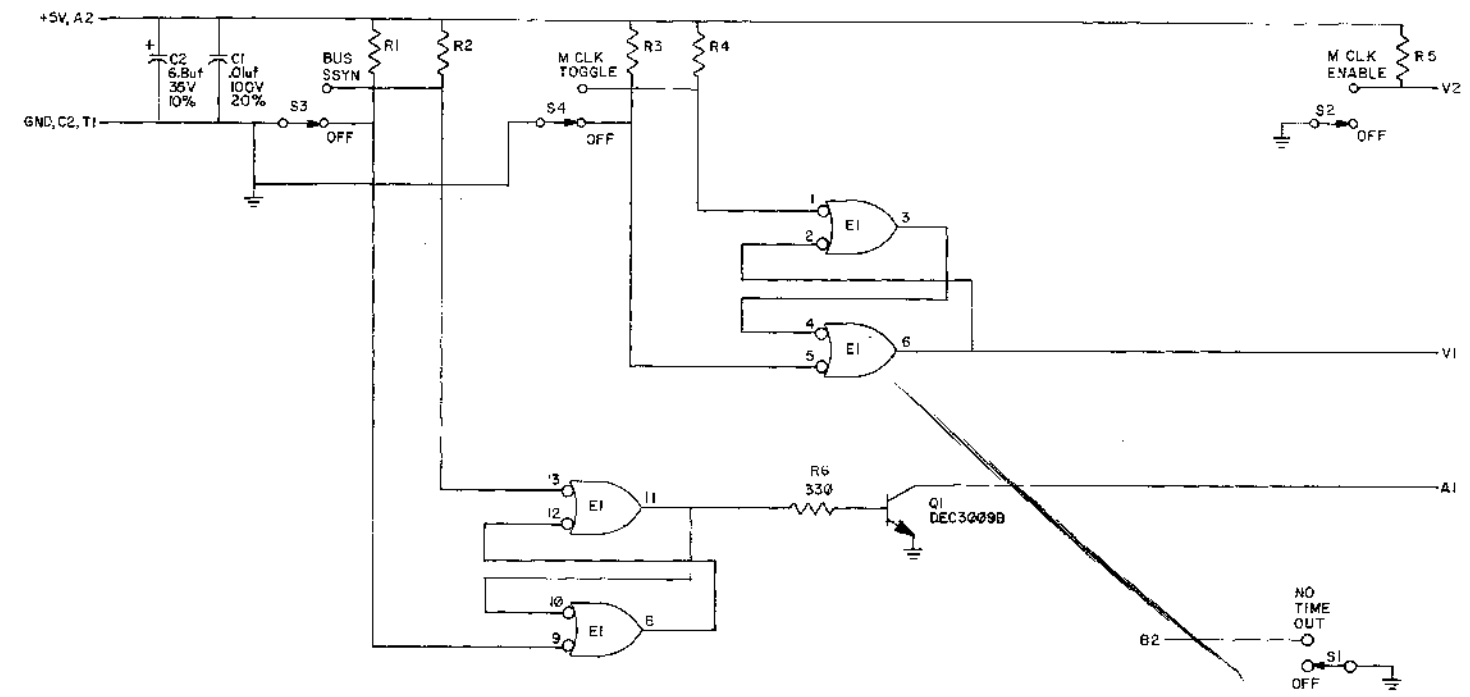
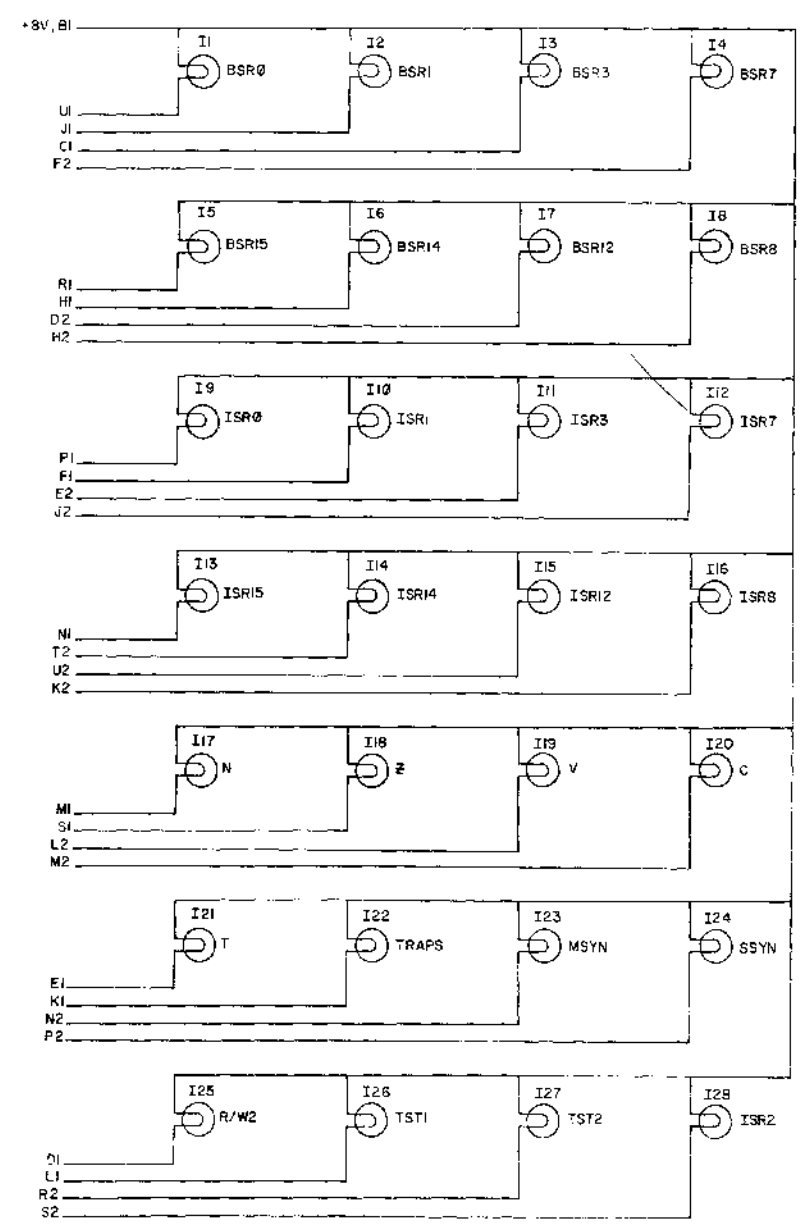
UNLESS OTHERWISE INDICATED:
TRANSISTORS ARE DEC3009B
RESISTORS ARE 1/4W, 10%

REV. A
NUMBER
W130-0-1
D CS

| | | | | |
|-------------|-------------|-------------|-------------------------------------|----------|
| REVISIONS | DATE | BY | TRANSISTOR & DIODE CONVERSION CHART | TITLE |
| | DEC 30 1988 | BUTLER | DEC 30 1988 | |
| DATE | BY | DATE | DATE | NUMBER |
| DEC 30 1988 | BUTLER | DEC 30 1988 | DEC 30 1988 | W130-0-1 |
| DATE | BY | DATE | DATE | REV. |
| DEC 30 1988 | BUTLER | DEC 30 1988 | DEC 30 1988 | A |

EQUIPMENT CORPORATION
 MAYNARD, MASSACHUSETTS
 PRINTED CIRCUIT REV. AB

THIS SCHEMATIC IS FURNISHED ONLY FOR TEST AND MAINTENANCE PURPOSES. THE CIRCUITS ARE PROPRIETARY IN NATURE AND SHOULD BE REPAIRED ACCORDINGLY. COPYRIGHT 1970 BY DIGITAL EQUIPMENT CORPORATION.



UNLESS OTHERWISE INDICATED
RESISTORS ARE 3K, 1/4W, 5%
E1 IS DEC7400
PIN 7- GND
PIN 14- +5v

| REV | DATE | BY | CHKD |
|-----|---------|----------|------|
| 1 | 10/1/70 | B. WELLS | |

| TRANSISTOR & DIODE CONVERSION CHART | | | |
|-------------------------------------|---------|-----|-----|
| DEC | EIA | DEC | EIA |
| DEC3009B | 2N3009B | | |

| | | | | | |
|---------|------|-----------------------|-----|-------------------------------------|--|
| digital | | EQUIPMENT CORPORATION | | TITLE: MAINTENANCE BOARD(2) W131 | |
| DATE | CODE | NUMBER | REV | | |
| 1/3/71 | D CS | W131-0-1 | C | | |

2 PINK

REV C
NUMBER
W131-0-1
D CS

| RK11C.E RUN NAME | HND288.V15(15) 01/28/72 | | | | Q | DRAW | RV | PG | Y | X | Z | REMARKS | 30-MAR-72 LENGTH | 18:25 EXCEPTIONS | PAGE 1 RUN NUMBER |
|---------------------|-------------------------|-------------|--------------|----------------|---|------|----|----|---|---|---|---------|---------------------|---------------------|-------------------------|
| | A/P | PIN NAME | ORDER PIN | BAY - ORDER | | | | | | | | | | | |
| +1 TO DR CNT | L | A25N1 | | 1-01 * | | | | | | | 1 | | | | 1 |
| +1 TO DR CNT | L | B27F2 | | 1-02 * | | | | | | | | | | | 1 |
| +1 TO DR CNT | | | | 1 | | | | | | | | | 5-0/8 | | 1 |
| +3V A24U1 | | A24U1 | | 1-01 * | | | | I | | | 1 | | | | 2 |
| +3V A24U1 | | A25U2 | | 1-02 * | | | | I | | | | | | | 2 |
| +3V A24U1 | | | | 1 | | | | | | | | | 3-0/8 | | 2 |
| +3V A29U1 | | A29L1 | | 1-01 * | | | | | | | 1 | | | | 3 |
| +3V A29U1 | | A29L2 | | 1-02 * | | | | | | | 2 | | | | 3 |
| +3V A29U1 | | A29T2 | | 1-03 * | | | | | | | 1 | | | | 3 |
| +3V A29U1 | | A29U1 | | 1-04 * | | | | | | | | | | | 3 |
| +3V A29U1 | | | | 1 | | | | | | | | | 8-2/8 | | 3 |
| +3V B26U1 | | A25K1 | | 1-01 * | | | | | | | 1 | | | | 4 |
| +3V B26U1 | | B26U1 | | 1-02 * | | | | | | | | | | | 4 |
| +3V B26U1 | | | | 1 | | | | | | | | | 6-2/8 | | 4 |
| +3V B27U1 | | B27U1 | | 1-01 * | | | | | | | 2 | | | | 5 |
| +3V B27U1 | | B26N1 | | 1-02 * | | | | | | | 1 | | | | 5 |
| +3V B27U1 | | B26M1 | | 1-03 * | | | | | | | 2 | | | | 5 |
| +3V B27U1 | | B26C1 | | 1-04 * | | | | | | | | | | | 5 |
| +3V B27U1 | | | | 1 | | | | | | | | | 9-0/8 | | 5 |
| +3V B27V1 | | A28B1 | | 1-01 * | | | | | | | 1 | | | | 6 |
| +3V B27V1 | | B27V1 | | 1-02 * | | | | | | | | | | | 6 |
| +3V B27V1 | | | | 1 | | | | | | | | | 7-2/8 | | 6 |
| +3V C16U1 | | A18H2 | | 1-01 * | | | | | | | 1 | | | | 7 |
| +3V C16U1 | | B17K2 | | 1-02 * | | | | | | | 2 | | | | 7 |
| +3V C16U1 | | B17U2 | | 1-03 * | | | | | | | 1 | | | | 7 |
| +3V C16U1 | | C16U1 | | 1-04 * | | | | | | | | | | | 7 |
| +3V C16U1 | | | | 1 | | | | | | | | | 14-0/8 | | 7 |
| +3V C16V1 | | A17F1 | | 1-01 * | | | | | | | 1 | | | | 8 |
| +3V C16V1 | | A17H2 | | 1-02 * | | | | | | | 2 | | | | 8 |
| +3V C16V1 | | C16V1 | | 1-03 * | | | | | | | | | | | 8 |
| +3V C16V1 | | | | 1 | | | | | | | | | 11-6/8 | | 8 |
| +3V C22U1 | | C22H2 | | 1-01 * | | | | | | | 1 | | | | 9 |
| +3V C22U1 | | C22L2 | | 1-02 * | | | | | | | 2 | | | | 9 |
| +3V C22U1 | | C22U1 | | 1-03 * | | | | | | | | | | | 9 |
| +3V C22U1 | | | | 1 | | | | | | | | | 6-2/8 | | 9 |
| +3V C22V1 | | C22T2 | | 1-01 * | | | | | | | 1 | | | | 10 |
| +3V C22V1 | | C22V1 | | 1-02 * | | | | | | | I | | | | 10 |
| +3V C22V1 | | | | 1 | | | | | | | | | 2-6/8 | | 10 |

| RK11C.E RUN NAME | HND288.V15(15) 01/28/72 | | | | Q | DRAW | RV | PG | Y | X | Z | REMARKS | 30-MAR-72 LENGTH | 18:25 EXCEPTIONS | PAGE 2 RUN NUMBER |
|---------------------|-------------------------|-------------|--------------|----------------|---|------|----|----|---|---|----|---------|---------------------|---------------------|-------------------------|
| | A/P | PIN NAME | ORDER PIN | BAY - ORDER | | | | | | | | | | | |
| +3V C26U1 | | A25D1 | | 1-01 * | | | | | | | 1 | | | | 11 |
| +3V C26U1 | | A25F2 | | 1-02 * | | | | | | | 2 | | | | 11 |
| +3V C26U1 | | A25H2 | | 1-03 * | | | | | | | 1 | | | | 11 |
| +3V C26U1 | | A25N1 | | 1-04 * | | | | | | | 2 | | | | 11 |
| +3V C26U1 | | C26U1 | | 1-05 * | | | | | | | | | | | 11 |
| +3V C26U1 | | | | 1 | | | | | | | | | 16-6/8 | | 11 |
| +3V C27V1 | | C28D1 | | 1-01 * | | | | | | | 2 | | | | 12 |
| +3V C27V1 | | C28F2 | | 1-02 * | | | | | | | 1 | | | | 12 |
| +3V C27V1 | | C28H1 | | 1-03 * | | | | | | | 2 | | | | 12 |
| +3V C27V1 | | C27V1 | | 1-04 * | | | | | | | | | | | 12 |
| +3V C27V1 | | | | 1 | | | | | | | | | 9-4/8 | | 12 |
| +3V C29U1 | | C28K2 | | 1-01 * | | | | | | | 1 | | | | 13 |
| +3V C29U1 | | C29U1 | | 1-02 * | | | | | | | | | | | 13 |
| +3V C29U1 | | | | 1 | | | | | | | | | 3-4/8 | | 13 |
| +3V C32V1 | | C32V1 | | 1-01 * | | | | | | | 2 | | | | 14 |
| +3V C32V1 | | D32D1 | | 1-02 * | | | | | | | 1 | | | | 14 |
| +3V C32V1 | | D32F2 | | 1-03 * | | | | | | | 2 | | | | 14 |
| +3V C32V1 | | D32K1 | | 1-04 * | | | | | | | 1 | | | | 14 |
| +3V C32V1 | | D32N2 | | 1-05 * | | | | | | | 2 | | | | 14 |
| +3V C32V1 | | D32R1 | | 1-06 * | | | | | | | 1 | | | | 14 |
| +3V C32V1 | | D32U2 | | 1-07 * | | | | | | | | | | | 14 |
| +3V C32V1 | | | | 1 | | | | | | | | | 17-4/8 | | 14 |
| +3V D15U1 | | A07B1 | | 1-01 * | | | | | | | 1 | | | | 15 |
| +3V D15U1 | | B06R1 | | 1-02 * | | | | | | | 1 | | | | 15 |
| +3V D15U1 | | B06S1 | | 1-03 * | | | | | | | 1 | | | | 15 |
| +3V D15U1 | | C12Q1 | | 1-04 * | | | | | | | 2 | | | | 15 |
| +3V D15U1 | | C12E2 | | 1-05 * | | | | | | | 1 | | | | 15 |
| +3V D15U1 | | C12F2 | | 1-06 * | | | | | | | 1 | | | | 15 |
| +3V D15U1 | | C12T2 | | 1-07 * | | | | | | | 1 | | | | 15 |
| +3V D15U1 | | C12U2 | | 1-08 * | | | | | | | 1 | | | | 15 |
| +3V D15U1 | | D14S1 | | 1-09 * | | | | | | | 1 | | | | 15 |
| +3V D15U1 | | D14S2 | | 1-10 * | | | | | | | 1 | | | | 15 |
| +3V D15U1 | | D14T2 | | 1-11 * | | | | | | | 1 | | | | 15 |
| +3V D15U1 | | D15U1 | | 1-12 * | | | | | | | | | | | 15 |
| +3V D15U1 | | | | 1 | | | | | | | | | 39-0/8 | | 15 |
| +3V D15V1 | | D15C1 | | 1-01 * | | | | | | | 1 | | | | 16 |
| +3V D15V1 | | D15A1 | | 1-02 * | | | | | | | R1 | | | | 16 |
| +3V D15V1 | | D15V1 | | 1-03 * | | | | | | | R1 | | | | 16 |
| +3V D15V1 | | | | 1 | | | | | | | | | 7-0/8 | | 16 |

| RK11C.E RUN NAME | A/P | HND288.V15(15) PIN NAME | ORDER PIN | 01/28/72 BAY - ORDER | Q | DRAW | RV | PG | Y | X | Z | REMARKS | 30-MAR-72 LENGTH | 18125 EXCEPTIONS | PAGE 3 RUN NUMBER |
|---------------------|-----|-------------------------------|--------------|----------------------------|---|------|----|----|----|---|---|---------|---------------------|---------------------|-------------------------|
| +3V D16V1 | | C17C1 | | 1-01 * | | | | | | | 1 | | | | 17 |
| +3V D16V1 | | C17D1 | | 1-02 * | | | | | | | 2 | | | | 17 |
| +3V D16V1 | | C17F2 | | 1-03 * | | | | | | | 1 | | | | 17 |
| +3V D16V1 | | C17K1 | | 1-04 * | | | | | | | 2 | | | | 17 |
| +3V D16V1 | | C17R1 | | 1-05 * | | | | | | | 1 | | | | 17 |
| +3V D16V1 | | C17U2 | | 1-06 * | | | | | | | 2 | | | | 17 |
| +3V D16V1 | | D16V1 | | 1-07 * | | | | | | | 1 | | | | 17 |
| +3V D16V1 | | | | 1 | | | | | | | | | 19-4/8 | | 17 |
| +3V D19V1 | | D19V1 | | | | | | | | | | | | 1-PIN RUN | 18 |
| +3V D25U1 | | D25F2 | | 1-01 * | | | | | | | 1 | | | | 19 |
| +3V D25U1 | | D25H2 | | 1-02 * | | | | | | | 2 | | | | 19 |
| +3V D25U1 | | D25M2 | | 1-03 * | | | | | | | 1 | | | | 19 |
| +3V D25U1 | | D25N2 | | 1-04 * | | | | | | | 2 | | | | 19 |
| +3V D25U1 | | D25U1 | | 1-05 * | | | | | | | 1 | | | | 19 |
| +3V D25U1 | | | | 1 | | | | | | | | | 11-0/8 | | 19 |
| +3V D25V1 | | D25V1 | | 1-01 * | | | | | | | 1 | | | | 20 |
| +3V D25V1 | | D25U2 | | 1-02 * | | | | | | | 2 | | | | 20 |
| +3V D25V1 | | D25R1 | | 1-03 * | | | | | | | 1 | | | | 20 |
| +3V D25V1 | | | | 1 | | | | | | | | | 5-2/8 | | 20 |
| +3V D31U1 | | D31U1 | | 1-01 * | | | | | R1 | | 1 | | | | 21 |
| +3V D31U1 | | D31T2 | | 1-02 * | | | | | R1 | | 2 | | | | 21 |
| +3V D31U1 | | D31P2 | | 1-03 * | | | | | R1 | | 1 | | | | 21 |
| +3V D31U1 | | D31L1 | | 1-04 * | | | | | R1 | | 2 | | | | 21 |
| +3V D31U1 | | D31D1 | | 1-05 * | | | | | I | | 1 | | | | 21 |
| +3V D31U1 | | | | 1 | | | | | | | | | 11-2/8 | | 21 |
| +5V A27A2 | | A27A2 | | 1-01 * | | | | | | | 1 | | | | 22 |
| +5V A27A2 | | A27B1 | | 1-02 * | | | | | | | 2 | | | | 22 |
| +5V A27A2 | | A27K2 | | 1-03 * | | | | | | | 1 | | | | 22 |
| +5V A27A2 | | | | 1 | | | | | | | | | 5-6/8 | | 22 |
| +5V C15A2 | | C15A2 | | 1-01 * | | | | | | | 1 | | | | 23 |
| +5V C15A2 | | C15K2 | | 1-02 * | | | | | | | 1 | | | | 23 |
| +5V C15A2 | | | | 1 | | | | | | | | | 3-2/8 | | 23 |
| +5V D11A2 | | D11A2 | | 1-01 * | | | | | | | 1 | | | | 24 |
| +5V D11A2 | | D11C1 | | 1-02 * | | | | | | | 2 | | | | 24 |
| +5V D11A2 | | D11P1 | | 1-03 * | | | | | | | 1 | | | | 24 |
| +5V D11A2 | | | | 1 | | | | | | | | | 6-2/8 | | 24 |

| RK11C.E RUN NAME | A/P | HND288.V15(15) PIN NAME | ORDER PIN | 01/28/72 BAY - ORDER | Q | DRAW | RV | PG | Y | X | Z | REMARKS | 30-MAR-72 LENGTH | 18125 EXCEPTIONS | PAGE 4 RUN NUMBER |
|---------------------|-----|-------------------------------|--------------|----------------------------|---|------|----|----|---|----|---|---------|---------------------|---------------------|-------------------------|
| +5V D26A2 | | D26A2 | | 1-01 * | | | | | | | 1 | | | | 25 |
| +5V D26A2 | | D26B1 | | 1-02 * | | | | | | | 2 | | | | 25 |
| +5V D26A2 | | D26V1 | | 1-03 * | | | | | | | 1 | | | | 25 |
| +5V D26A2 | | | | 1 | | | | | | | | | 6-6/8 | | 25 |
| 0 TO ADDERS | L | A19S1 | | 1-01 * | | | | | | | 1 | | | | 26 |
| 0 TO ADDERS | L | B19S1 | | 1-02 * | | | | | | | 2 | | | | 26 |
| 0 TO ADDERS | L | B18S1 | | 1-03 * | | | | | | | 1 | | | | 26 |
| 0 TO ADDERS | L | C11V2 | | 1-04 * | | | | | | | 2 | | | | 26 |
| 0 TO ADDERS | L | C14V1 | | 1-05 * | | | | | | | 1 | | | | 26 |
| 0 TO ADDERS | L | D16U1 | | 1-06 * | | | | | | | 1 | | | | 26 |
| 0 TO ADDERS | | | | 1 | | | | | | | | | 23-2/8 | | 26 |
| 0 TO INT FLAGS | L | C22A1 | | 1-01 * | | | | | | | 1 | | | | 27 |
| 0 TO INT FLAGS | L | C22D2 | | 1-02 * | | | | | | | 2 | | | | 27 |
| 0 TO INT FLAGS | L | C21N2 | | 1-03 * | | | | | | | 1 | | | | 27 |
| 0 TO INT FLAGS | L | C2BR1 | | 1-04 * | | | | | | | 1 | | | | 27 |
| 0 TO INT FLAGS | | | | 1 | | | | | | | | | 12-2/8 | | 27 |
| 0 TO MSR | H | A27L1 | | 1-01 * | | | | | | | 1 | | | | 28 |
| 0 TO MSR | H | D27P2 | | 1-02 * | | | | | | | 2 | | | | 28 |
| 0 TO MSR | H | D17U2 | | 1-03 * | | | | | | | 1 | | | | 28 |
| 0 TO MSR | H | D17V1 | | 1-04 * | | | | | | | 1 | | | | 28 |
| 0 TO MSR | | | | 1 | | | | | | | | | 20-6/8 | | 28 |
| 0 TO MSR | L | A27M1 | | 1-01 * | | | | | | | 1 | | | | 29 |
| 0 TO MSR | L | C26H1 | | 1-02 * | | | | | | | 2 | | | | 29 |
| 0 TO MSR | L | D28D2 | | 1-03 * | | | | | | | 1 | | | | 29 |
| 0 TO MSR | | | | 1 | | | | | | | | | 12-4/8 | | 29 |
| 0 TO NPR | H | B06P2 | | 1-01 * | | | | | | R1 | 1 | | | | 30 |
| 0 TO NPR | H | C27J1 | | 1-02 * | | | | | | R1 | 1 | | | | 30 |
| 0 TO NPR | | | | 1 | | | | | | | | | 13-4/8 | | 30 |
| 0 TO NPR | L | B06N2 | | 1-01 * | | | | | | R1 | 1 | | | | 31 |
| 0 TO NPR | L | D16U2 | | 1-02 * | | | | | | R1 | 2 | | | | 31 |
| 0 TO NPR | L | D19D2 | | 1-03 * | | | | | | I | 1 | | | | 31 |
| 0 TO NPR | | | | 1 | | | | | | | | | 13-2/8 | | 31 |

| PK11C.L RUN NAME | A/P | HND288.V15(15) 01/28/72 PIN NAME | ORDER PIN | BAY - ORDER | Q | DRAW | RV | PG | Y | X | Z | REMARKS | 30-MAR-72 LENGTH | 18125 EXCEPTIONS | PAGE 5 RUN NUMBER |
|---------------------|-----|--|--------------|----------------|---|------|----|----|---|---|---|---------|---------------------|---------------------|-------------------------|
| 0 TO RKDB | L | A21B1 | | 1-01 * | | | | | | | 2 | | | | 32 |
| 0 TO RKDB | L | A21E2 | | 1-02 * | | | | | | | 2 | | | | 32 |
| 0 TO RKDB | L | A21E1 | | 1-03 * | | | | | | | 2 | | | | 32 |
| 0 TO RKDB | L | A21K2 | | 1-04 * | | | | | | | 2 | | | | 32 |
| 0 TO RKDB | L | A21M1 | | 1-05 * | | | | | | | 2 | | | | 32 |
| 0 TO RKDB | L | A21N2 | | 1-06 * | | | | | | | 2 | | | | 32 |
| 0 TO RKDB | L | A21S1 | | 1-07 * | | | | | | | 2 | | | | 32 |
| 0 TO RKDB | L | A21U2 | | 1-08 * | | | | | | | 2 | | | | 32 |
| 0 TO RKDB | L | B21B1 | | 1-09 * | | | | | | | 2 | | | | 32 |
| 0 TO RKDB | L | B21E2 | | 1-10 * | | | | | | | 2 | | | | 32 |
| 0 TO RKDB | L | B21E1 | | 1-11 * | | | | | | | 2 | | | | 32 |
| 0 TO RKDB | L | B21K2 | | 1-12 * | | | | | | | 2 | | | | 32 |
| 0 TO RKDB | L | B21M1 | | 1-13 * | | | | | | | 2 | | | | 32 |
| 0 TO RKDB | L | B21N2 | | 1-14 * | | | | | | | 2 | | | | 32 |
| 0 TO RKDB | L | B21S1 | | 1-15 * | | | | | | | 2 | | | | 32 |
| 0 TO RKDB | L | B21U2 | | 1-16 * | | | | | | | 2 | | | | 32 |
| 0 TO RKDB | L | C23L2 | | 1-17 * | | | | | | | 2 | | | | 32 |
| | | | | 1 | | | | | | | | | 47-4/8 | | 32 |
| 0 TO RKMR | L | C23V2 | | 1-01 * | | | | | | | 2 | | | | 33 |
| 0 TO RKMR | L | D32A1 | | 1-02 * | | | | | | | 2 | | | | 33 |
| 0 TO RKMR | L | D32K2 | | 1-03 * | | | | | | | 2 | | | | 33 |
| | | | | 1 | | | | | | | | | 9-2/8 | | 33 |
| 1 TO HE | L | C23D2 | | 1-01 * | | | | | | | 2 | | | | 34 |
| 1 TO HE | L | D24S2 | | 1-02 * | | | | | | | 2 | | | | 34 |
| 1 TO HE | L | | | 1 | | | | | | | | | 6-6/8 | | 34 |
| 1 TO LAST WORD DONE | L | C23V2 | | 1-01 * | | | | | | | 2 | | | | 35 |
| 1 TO LAST WORD DONE | L | D30N1 | | 1-02 * | | | | | | | 2 | | | | 35 |
| 1 TO LAST WORD DONE | L | | | 1 | | | | | | | | | 6-4/8 | | 35 |
| 1 TO MOVE HEADS | H | C26V2 | | 1-01 * | | | | | | | 2 | | | | 36 |
| 1 TO MOVE HEADS | H | D25F1 | | 1-02 * | | | | | | | 2 | | | | 36 |
| 1 TO MOVE HEADS | H | D21L2 | | 1-03 * | | | | | | | 2 | | | | 36 |
| 1 TO MOVE HEADS | H | D18H1 | | 1-04 * | | | | | | | 2 | | | | 36 |
| 1 TO MOVE HEADS | H | C19L2 | | 1-05 * | | | | | | | 2 | | | | 36 |
| 1 TO MOVE HEADS | H | | | 1 | | | | | | | | | 17-6/8 | | 36 |
| 1 TO RD GATE | L | D10E2 | | 1-01 * | | | | | | | 2 | | | | 37 |
| 1 TO RD GATE | L | D31J1 | | 1-02 * | | | | | | | 2 | | | | 37 |
| 1 TO RD GATE | L | | | 1 | | | | | | | | | 13-0/8 | | 37 |

| PK11C.L RUN NAME | A/P | HND288.V15(15) 01/28/72 PIN NAME | ORDER PIN | BAY - ORDER | Q | DRAW | RV | PG | Y | X | Z | REMARKS | 30-MAR-72 LENGTH | 18125 EXCEPTIONS | PAGE 6 RUN NUMBER |
|---------------------|-----|--|--------------|----------------|---|------|----|----|---|---|---|---------|---------------------|---------------------|-------------------------|
| 1 TO RKDB 00 | L | B21N1 | | 1-01 * | | | | | | | 2 | | | | 38 |
| 1 TO RKDB 00 | L | B22S1 | | 1-02 * | | | | | | | 2 | | | | 38 |
| 1 TO RKDB 00 | L | B23S1 | | 1-03 * | | | | | | | 2 | | | | 38 |
| 1 TO RKDB 00 | L | C26V1 | | 1-04 * | | | | | | | 2 | | | | 38 |
| 1 TO RKDB 00 | L | | | 1 | | | | | | | | | 11-6/8 | | 38 |
| 1 TO RKDB 01 | L | B24V2 | | 1-01 * | | | | | | | 2 | | | | 39 |
| 1 TO RKDB 01 | L | B23N2 | | 1-02 * | | | | | | | 2 | | | | 39 |
| 1 TO RKDB 01 | L | B22N2 | | 1-03 * | | | | | | | 2 | | | | 39 |
| 1 TO RKDB 01 | L | B21V2 | | 1-04 * | | | | | | | 2 | | | | 39 |
| 1 TO RKDB 01 | L | | | 1 | | | | | | | | | 9-2/8 | | 39 |
| 1 TO RKDB 02 | L | B21L2 | | 1-01 * | | | | | | | 2 | | | | 40 |
| 1 TO RKDB 02 | L | B22N1 | | 1-02 * | | | | | | | 2 | | | | 40 |
| 1 TO RKDB 02 | L | B23N1 | | 1-03 * | | | | | | | 2 | | | | 40 |
| 1 TO RKDB 02 | L | B24U2 | | 1-04 * | | | | | | | 2 | | | | 40 |
| 1 TO RKDB 02 | L | | | 1 | | | | | | | | | 8-6/8 | | 40 |
| 1 TO RKDB 03 | L | B21Y2 | | 1-01 * | | | | | | | 2 | | | | 41 |
| 1 TO RKDB 03 | L | B23K2 | | 1-02 * | | | | | | | 2 | | | | 41 |
| 1 TO RKDB 03 | L | B22K2 | | 1-03 * | | | | | | | 2 | | | | 41 |
| 1 TO RKDB 03 | L | B24Y2 | | 1-04 * | | | | | | | 2 | | | | 41 |
| 1 TO RKDB 03 | L | | | 1 | | | | | | | | | 10-0/8 | | 41 |
| 1 TO RKDB 04 | L | B21F1 | | 1-01 * | | | | | | | 2 | | | | 42 |
| 1 TO RKDB 04 | L | B22K1 | | 1-02 * | | | | | | | 2 | | | | 42 |
| 1 TO RKDB 04 | L | B23K1 | | 1-03 * | | | | | | | 2 | | | | 42 |
| 1 TO RKDB 04 | L | B24S2 | | 1-04 * | | | | | | | 2 | | | | 42 |
| 1 TO RKDB 04 | L | | | 1 | | | | | | | | | 9-2/8 | | 42 |
| 1 TO RKDB 05 | L | B24R2 | | 1-01 * | | | | | | | 2 | | | | 43 |
| 1 TO RKDB 05 | L | B23F2 | | 1-02 * | | | | | | | 2 | | | | 43 |
| 1 TO RKDB 05 | L | B22F2 | | 1-03 * | | | | | | | 2 | | | | 43 |
| 1 TO RKDB 05 | L | B21A1 | | 1-04 * | | | | | | | 2 | | | | 43 |
| 1 TO RKDB 05 | L | | | 1 | | | | | | | | | 9-6/8 | | 43 |
| 1 TO RKDB 06 | L | B21J1 | | 1-01 * | | | | | | | 2 | | | | 44 |
| 1 TO RKDB 06 | L | B22F1 | | 1-02 * | | | | | | | 2 | | | | 44 |
| 1 TO RKDB 06 | L | B23F1 | | 1-03 * | | | | | | | 2 | | | | 44 |
| 1 TO RKDB 06 | L | B24P2 | | 1-04 * | | | | | | | 2 | | | | 44 |
| 1 TO RKDB 06 | L | | | 1 | | | | | | | | | 9-2/8 | | 44 |
| 1 TO RKDB 07 | L | B21D2 | | 1-01 * | | | | | | | 2 | | | | 45 |
| 1 TO RKDB 07 | L | B22C1 | | 1-02 * | | | | | | | 2 | | | | 45 |
| 1 TO RKDB 07 | L | B23C1 | | 1-03 * | | | | | | | 2 | | | | 45 |
| 1 TO RKDB 07 | L | B24N2 | | 1-04 * | | | | | | | 2 | | | | 45 |
| 1 TO RKDB 07 | L | | | 1 | | | | | | | | | 9-0/8 | | 45 |

| RK11C,E RUN NAME | A/P | HND288.V15(15) PIN NAME | 01/28/72 ORDER PIN | BAY - ORDER | Q | DRAW | RV | PG | Y | X | Z | REMARKS | 30-MAR-72 LENGTH | 18125 EXCEPTIONS | PAGE 7 RUN NUMBER |
|---------------------|-----|-------------------------------|--------------------------|----------------|---|------|----|----|---|---|---|---------|---------------------|---------------------|-------------------------|
| 1 TO RKDB 08 | L | A21N1 | | 1-01 * | | | | | | | 1 | | | | 46 |
| 1 TO RKDB 08 | L | A22S1 | | 1-02 * | | | | | | | 2 | | | | 46 |
| 1 TO RKDB 08 | L | A23S1 | | 1-03 * | | | | | | | 1 | | | | 46 |
| 1 TO RKDB 08 | L | B24H2 | | 1-04 * | | | | | | | | | | | 46 |
| 1 TO RKDB 08 | | | | 1 | | | | | | | | | 10-6/8 | | 46 |
| 1 TO RKDB 09 | L | A23N2 | | 1-01 * | | | | | | | 1 | | | | 47 |
| 1 TO RKDB 09 | L | A22N2 | | 1-02 * | | | | | | | 2 | | | | 47 |
| 1 TO RKDB 09 | L | A21V2 | | 1-03 * | | | | | | | 1 | | | | 47 |
| 1 TO RKDB 09 | L | B24L2 | | 1-04 * | | | | | | | | | | | 47 |
| 1 TO RKDB 09 | | | | 1 | | | | | | | | | 10-6/8 | | 47 |
| 1 TO RKDB 10 | L | A21L2 | | 1-01 * | | | | | | | 1 | | | | 48 |
| 1 TO RKDB 10 | L | A22N1 | | 1-02 * | | | | | | | 2 | | | | 48 |
| 1 TO RKDB 10 | L | A23N1 | | 1-03 * | | | | | | | 1 | | | | 48 |
| 1 TO RKDB 10 | L | B24K2 | | 1-04 * | | | | | | | | | | | 48 |
| 1 TO RKDB 10 | | | | 1 | | | | | | | | | 10-4/8 | | 48 |
| 1 TO RKDB 11 | L | A22K2 | | 1-01 * | | | | | | | 2 | | | | 49 |
| 1 TO RKDB 11 | L | A23K2 | | 1-02 * | | | | | | | 1 | | | | 49 |
| 1 TO RKDB 11 | L | A21T2 | | 1-03 * | | | | | | | 2 | | | | 49 |
| 1 TO RKDB 11 | L | B24J2 | | 1-04 * | | | | | | | | | | | 49 |
| 1 TO RKDB 11 | | | | 1 | | | | | | | | | 11-0/8 | | 49 |
| 1 TO RKDB 12 | L | A21F1 | | 1-01 * | | | | | | | 1 | | | | 50 |
| 1 TO RKDB 12 | L | A22K1 | | 1-02 * | | | | | | | 2 | | | | 50 |
| 1 TO RKDB 12 | L | A23K1 | | 1-03 * | | | | | | | 1 | | | | 50 |
| 1 TO RKDB 12 | L | B24H2 | | 1-04 * | | | | | | | | | | | 50 |
| 1 TO RKDB 12 | | | | 1 | | | | | | | | | 11-0/8 | | 50 |
| 1 TO RKDB 13 | L | A21A1 | | 1-01 * | | | | | | | 1 | | | | 51 |
| 1 TO RKDB 13 | L | A22F2 | | 1-02 * | | | | | | | 2 | | | | 51 |
| 1 TO RKDB 13 | L | A23F2 | | 1-03 * | | | | | | | 1 | | | | 51 |
| 1 TO RKDB 13 | L | B24F2 | | 1-04 * | | | | | | | | | | | 51 |
| 1 TO RKDB 13 | | | | 1 | | | | | | | | | 11-4/8 | | 51 |
| 1 TO RKDB 14 | L | A21J1 | | 1-01 * | | | | | | | 1 | | | | 52 |
| 1 TO RKDB 14 | L | A22F1 | | 1-02 * | | | | | | | 2 | | | | 52 |
| 1 TO RKDB 14 | L | A23F1 | | 1-03 * | | | | | | | 1 | | | | 52 |
| 1 TO RKDB 14 | L | B24E2 | | 1-04 * | | | | | | | | | | | 52 |
| 1 TO RKDB 14 | | | | 1 | | | | | | | | | 11-0/8 | | 52 |
| 1 TO RKDB 15 | L | A21O2 | | 1-01 * | | | | | | | 1 | | | | 53 |
| 1 TO RKDB 15 | L | A22C1 | | 1-02 * | | | | | | | 2 | | | | 53 |
| 1 TO RKDB 15 | L | A23C1 | | 1-03 * | | | | | | | 1 | | | | 53 |
| 1 TO RKDB 15 | L | B24O2 | | 1-04 * | | | | | | | | | | | 53 |
| 1 TO RKDB 15 | | | | 1 | | | | | | | | | 10-6/8 | | 53 |

| RK11C,E RUN NAME | A/P | HND288.V15(15) PIN NAME | 01/28/72 ORDER PIN | BAY - ORDER | Q | DRAW | RV | PG | Y | X | Z | REMARKS | 30-MAR-72 LENGTH | 18125 EXCEPTIONS | PAGE 8 RUN NUMBER |
|---------------------|-----|-------------------------------|--------------------------|----------------|---|------|----|----|---|---|---|---------|---------------------|---------------------|-------------------------|
| 1 TO SCH CMP | L | C23A1 | | 1-01 * | | | | | | | 1 | | | | 54 |
| 1 TO SCH CMP | L | C26F1 | | 1-02 * | | | | | | | | | | | 54 |
| 1 TO SCH CMP | | | | 1 | | | | | | | | | 4-2/8 | | 54 |
| 1 TO SECTOR END | L | A27S1 | | 1-01 * | | | | R1 | | | 1 | | | | 55 |
| 1 TO SECTOR END | L | C31S1 | | 1-02 * | | | | R1 | | | 2 | | | | 55 |
| 1 TO SECTOR END | L | D28F2 | | 1-03 * | | | | R1 | | | | | | | 55 |
| 1 TO SECTOR END | | | | 1 | | | | | | | | | 13-0/8 | | 55 |
| 1 TO WC OVF | L | B07S2 | | 1-01 * | | | | | | | 1 | | | | 56 |
| 1 TO WC OVF | L | C23J1 | | 1-02 * | | | | | | | | | | | 56 |
| 1 TO WC OVF | | | | 1 | | | | | | | | | 11-0/8 | | 56 |
| 1 TO WT GATE | L | D10F2 | | 1-01 * | | | | | | | 1 | | | | 57 |
| 1 TO WT GATE | L | D31R1 | | 1-02 * | | | | | | | | | | | 57 |
| 1 TO WT GATE | | | | 1 | | | | | | | | | 13-0/8 | | 57 |
| 1 TO XFC | L | D17T2 | | 1-01 * | | | | | | | 2 | | | | 58 |
| 1 TO XFC | L | D17K1 | | 1-02 * | | | | | | | 1 | | | | 58 |
| 1 TO XFC | L | C22B1 | | 1-03 * | | | | | | | 2 | | | | 58 |
| 1 TO XFC | L | D31E2 | | 1-04 * | | | | | | | | | | | 58 |
| 1 TO XFC | | | | 1 | | | | | | | | | 18-6/8 | | 58 |
| A07C1 | | A07C1 | | 1-01 * | | | | | | | 1 | | | | 59 |
| A07C1 | | D16K2 | | 1-02 * | | | | | | | | | | | 59 |
| A07C1 | | | | 1 | | | | | | | | | 13-0/8 | | 59 |
| A07E2 | | A07E2 | | 1-01 * | | | | | | | 1 | | | | 60 |
| A07E2 | | D16K1 | | 1-02 * | | | | | | | | | | | 60 |
| A07E2 | | | | 1 | | | | | | | | | 12-6/8 | | 60 |
| A08B1 | | A08B1 | | 1-01 * | | | | | | | 1 | | | | 61 |
| A08B1 | | B29C1 | | 1-02 * | | | | | | | | | | | 61 |
| A08B1 | | | | 1 | | | | | | | | | 12-0/8 | | 61 |
| A08D2 | | A08D2 | | 1-01 * | | | | R1 | | | 1 | | | | 62 |
| A08D2 | | D27L2 | | 1-02 * | | | | R1 | | | | | | | 62 |
| A08D2 | | | | 1 | | | | | | | | | 15-4/8 | | 62 |
| A08E1 | | A08E1 | | 1-01 * | | | | | | | 1 | | | | 63 |
| A08E1 | | B25B1 | | 1-02 * | | | | | | | | | | | 63 |
| A08E1 | | | | 1 | | | | | | | | | 12-0/8 | | 63 |
| A08H1 | | A08H1 | | 1-01 * | | | | | | | 1 | | | | 64 |
| A08H1 | | B25B2 | | 1-02 * | | | | | | | | | | | 64 |
| A08H1 | | | | 1 | | | | | | | | | 12-2/8 | | 64 |

| RK11C.E RUN NAME | HND288.V15(15) 01/28/72 | | | | Q | DRAW | RV | PG | Y | X | Z | REMARKS | 30-MAR-72 LENGTH | 18:25 EXCEPTIONS | PAGE 9 RUN NUMBER |
|---------------------|-------------------------|-------------|--------------|----------------|---|------|----|----|---|---|---|---------|---------------------|---------------------|-------------------------|
| | A/P | PIN NAME | ORDER PIN | BAY - ORDER | | | | | | | | | | | |
| A15V1 | | A15V1 | | 1-01 * | | | | | | 2 | | | | | 65 |
| A15V1 | | C19C1 | | 1-02 * | | | | | | 1 | | | | | 65 |
| A15V1 | | C1901 | | 1-03 * | | | | | | | | | | | 65 |
| A15V1 | | | | 1 | | | | | | | | | 9-0/8 | | 65 |
| A23V1 | | A23V1 | | 1-01 * | | | | | | 2 | | | | | 66 |
| A23V1 | | C16D1 | | 1-02 * | | | | | | 1 | | | | | 66 |
| A23V1 | | C16A1 | | 1-03 * | | | | | | 2 | | | | | 66 |
| A23V1 | | C16D2 | | 1-04 * | | | | | | 1 | | | | | 66 |
| A23V1 | | C16H1 | | 1-05 * | | | | | | 2 | | | | | 66 |
| A23V1 | | C16H2 | | 1-06 * | | | | | | | | | | | 66 |
| A23V1 | | | | 1 | | | | | | | | | 18-4/8 | | 66 |
| A24E1 | | A24E1 | | 1-01 * | | | | | | 1 | | | | | 67 |
| A24E1 | | D19L2 | | 1-02 * | | | | | | | | | | | 67 |
| A24E1 | | | | 1 | | | | | | | | | 12-0/8 | | 67 |
| A24J2 | | A24J2 | | 1-01 * | | | | | | 1 | | | | | 68 |
| A24J2 | | D19P1 | | 1-02 * | | | | | | | | | | | 68 |
| A24J2 | | | | 1 | | | | | | | | | 12-2/8 | | 68 |
| A24L1 | | A24L1 | | 1-01 * | | | | | | 1 | | | | | 69 |
| A24L1 | | D19P2 | | 1-02 * | | | | | | | | | | | 69 |
| A24L1 | | | | 1 | | | | | | | | | 11-6/8 | | 69 |
| A24P2 | | A24P2 | | 1-01 * | | | | | | 1 | | | | | 70 |
| A24P2 | | D19T2 | | 1-02 * | | | | | | | | | | | 70 |
| A24P2 | | | | 1 | | | | | | | | | 11-6/8 | | 70 |
| A24S1 | | A24S1 | | 1-01 * | | | | | | 1 | | | | | 71 |
| A24S1 | | D12D1 | | 1-02 * | | | | | | | | | | | 71 |
| A24S1 | | | | 1 | | | | | | | | | 11-4/8 | | 71 |
| A24V2 | | C21A1 | | 1-01 * | | | I | | | 1 | | | | | 72 |
| A24V2 | | A24V2 | | 1-02 * | | | I | | | | | | | | 72 |
| A24V2 | | | | 1 | | | | | | | | | 6-2/8 | | 72 |
| A26A1 | L | A26A1 | | 1-01 * | | | | | | 1 | | | | | 73 |
| A26A1 | L | A26B1 | | 1-02 * | | | | | | 2 | | | | | 73 |
| A26A1 | L | B27B1 | | 1-03 * | | | | | | | | | | | 73 |
| A26A1 | | | | 1 | | | | | | | | | 7-6/8 | | 73 |
| A26K1 | | C27L2 | | 1-01 * | | | I | | | 1 | | | | | 74 |
| A26K1 | | A26K1 | | 1-02 * | | | I | | | | | | | | 74 |
| A26K1 | | | | 1 | | | | | | | | | 8-0/8 | | 74 |

| RK11C.E RUN NAME | HND288.V15(15) 01/28/72 | | | | Q | DRAW | RV | PG | Y | X | Z | REMARKS | 30-MAR-72 LENGTH | 18:25 EXCEPTIONS | PAGE 10 RUN NUMBER |
|---------------------|-------------------------|-------------|--------------|----------------|---|------|----|----|---|---|---|---------|---------------------|---------------------|--------------------------|
| | A/P | PIN NAME | ORDER PIN | BAY - ORDER | | | | | | | | | | | |
| A27F1 | | A27E1 | | 1-01 * | | | | | | | 2 | | | | 75 |
| A27F1 | | A27F1 | | 1-02 * | | | | | | | 1 | | | | 75 |
| A27F1 | | A27E2 | | 1-03 * | | | | | | | | | | | 75 |
| A27F1 | | | | 1 | | | | | | | | | 5-0/8 | | 75 |
| A27K1 | | A27K1 | | 1-01 * | | | | | | | 1 | | | | 76 |
| A27K1 | | B27D1 | | 1-02 * | | | | | | | | | | | 76 |
| A27K1 | | | | 1 | | | | | | | | | 4-4/8 | | 76 |
| A28A1 | | A28A1 | | 1-01 * | | | | | | | 1 | | | | 77 |
| A28A1 | | D30K1 | | 1-02 * | | | | | | | | | | | 77 |
| A28A1 | | | | 1 | | | | | | | | | 11-6/8 | | 77 |
| A28C1 | | A28C1 | | 1-01 * | | | | | | | 1 | | | | 78 |
| A28C1 | | D21K1 | | 1-02 * | | | | | | | | | | | 78 |
| A28C1 | | | | 1 | | | | | | | | | 12-4/8 | | 78 |
| ACTIVE | H | A22V1 | | 1-01 * | | | | | | | 2 | | | | 79 |
| ACTIVE | H | C19M2 | | 1-02 * | | | | | | | 1 | | | | 79 |
| ACTIVE | H | D30H1 | | 1-03 * | | | | | | | | | | | 79 |
| ACTIVE | | | | 1 | | | | | | | | | 15-6/8 | | 79 |
| ACTIVE | L | A22U1 | | 1-01 * | | | | | | | 1 | | | | 80 |
| ACTIVE | L | C31F1 | | 1-02 * | | | | | | | | | | | 80 |
| ACTIVE | | | | 1 | | | | | | | | | 8-4/8 | | 80 |
| ADD 00 (1) | H | A19V1 | | 1-01 * | | | | | | | 1 | | | TERM HERE? | 81 |
| ADD 00 (1) | H | B22R1 | | 1-02 * | | | | | | | 2 | | | | 81 |
| ADD 00 (1) | H | C24A1 | | 1-03 * | | | | | | | 1 | | | | 81 |
| ADD 00 (1) | H | A32V1 | | 1-04 * | | C | | | | | | | | CABLE | 81 |
| ADD 00 (1) | | | | 1 | | | | | | | | | 16-4/8 | | 81 |
| ADD 01 (1) | H | A19U2 | | 1-01 * | | | | | | | 1 | | | TERM HERE? | 82 |
| ADD 01 (1) | H | B22M2 | | 1-02 * | | | | | | | 2 | | | | 82 |
| ADD 01 (1) | H | C24B1 | | 1-03 * | | | | | | | 1 | | | | 82 |
| ADD 01 (1) | H | A32U1 | | 1-04 * | | C | | | | | | | | CABLE | 82 |
| ADD 01 (1) | | | | 1 | | | | | | | | | 16-6/8 | | 82 |
| ADD 02 (1) | H | A32T1 | | 1-01 * | | C | | | | | 1 | | | CABLE | 83 |
| ADD 02 (1) | H | C24C1 | | 1-02 * | | | | | | | 2 | | | | 83 |
| ADD 02 (1) | H | B22M1 | | 1-03 * | | | | | | | 1 | | | | 83 |
| ADD 02 (1) | H | A19M1 | | 1-04 * | | | | | | | | | | TERM HERE? | 83 |
| ADD 02 (1) | | | | 1 | | | | | | | | | 18-0/8 | | 83 |

| RK11C.E RUN NAME | A/P | HND288.V15(15) PIN NAME | 01/28/72 ORDER PIN | BAY - ORDER | Q | DRAW | RV | PG | Y | X | Z | REMARKS | 30-MAR-72 LENGTH | 18125 EXCEPTIONS | PAGE 11 RUN NUMBER |
|---------------------|-----|-------------------------------|--------------------------|----------------|---|------|----|----|---|---|---|---------|---------------------|---------------------|--------------------------|
| ADD 03 (1) | H | A32S1 | | 1-01 * | | | | | | | 1 | | | | 84 |
| ADD 03 (1) | H | C24D1 | | 1-02 * | | | | | | | 2 | | | | 84 |
| ADD 03 (1) | H | B22J2 | | 1-03 * | | | | | | | 1 | | | | 84 |
| ADD 03 (1) | H | A19K1 | | 1-04 * | | | | | | | | | | | 84 |
| ADD 03 (1) | | | | 1 | | | | | | | | | 18-2/8 | | 84 |
| ADD 04 (1) | H | A32R1 | | 1-01 * | | | | | | | 1 | | | | 85 |
| ADD 04 (1) | H | C24F1 | | 1-02 * | | | | | | | 2 | | | | 85 |
| ADD 04 (1) | H | B22J1 | | 1-03 * | | | | | | | 1 | | | | 85 |
| ADD 04 (1) | H | A19E1 | | 1-04 * | | | | | | | | | | | 85 |
| ADD 04 (1) | | | | 1 | | | | | | | | | 19-4/8 | | 85 |
| ADD 05 (1) | H | A32P1 | | 1-01 * | C | | | | | | 1 | | | CABLE | 86 |
| ADD 05 (1) | H | C24H1 | | 1-02 * | | | | | | | 2 | | | | 86 |
| ADD 05 (1) | H | B22E2 | | 1-03 * | | | | | | | 1 | | | | 86 |
| ADD 05 (1) | H | A19E2 | | 1-04 * | | | | | | | | | | TERM HERE? | 86 |
| ADD 05 (1) | | | | 1 | | | | | | | | | 19-6/8 | | 86 |
| ADD 06 (1) | H | A32N1 | | 1-01 * | C | | | | | | 1 | | | CABLE | 87 |
| ADD 06 (1) | H | C24J1 | | 1-02 * | | | | | | | 2 | | | | 87 |
| ADD 06 (1) | H | B22E1 | | 1-03 * | | | | | | | 1 | | | | 87 |
| ADD 06 (1) | H | B18V1 | | 1-04 * | | | | | | | | | | TERM HERE? | 87 |
| ADD 06 (1) | | | | 1 | | | | | | | | | 19-4/8 | | 87 |
| ADD 07 (1) | H | A32M1 | | 1-01 * | C | | | | | | 1 | | | CABLE | 88 |
| ADD 07 (1) | H | B22B1 | | 1-02 * | | | | | | | 2 | | | | 88 |
| ADD 07 (1) | H | B18U2 | | 1-03 * | | | | | | | 1 | | | | 88 |
| ADD 07 (1) | H | C24K1 | | 1-04 * | | | | | | | | | | TERM HERE? | 88 |
| ADD 07 (1) | | | | 1 | | | | | | | | | 18-6/8 | | 88 |
| ADD 08 (1) | H | A32L1 | | 1-01 * | C | | | | | | 1 | | | CABLE | 89 |
| ADD 08 (1) | H | A22R1 | | 1-02 * | | | | | | | 2 | | | | 89 |
| ADD 08 (1) | H | B18M1 | | 1-03 * | | | | | | | 1 | | | | 89 |
| ADD 08 (1) | H | C24K2 | | 1-04 * | | | | | | | | | | TERM HERE? | 89 |
| ADD 08 (1) | | | | 1 | | | | | | | | | 19-6/8 | | 89 |
| ADD 09 (1) | H | A32K1 | | 1-01 * | C | | | | | | 1 | | | CABLE | 90 |
| ADD 09 (1) | H | A22M2 | | 1-02 * | | | | | | | 2 | | | | 90 |
| ADD 09 (1) | H | B18K1 | | 1-03 * | | | | | | | 1 | | | | 90 |
| ADD 09 (1) | H | C24L2 | | 1-04 * | | | | | | | | | | TERM HERE? | 90 |
| ADD 09 (1) | | | | 1 | | | | | | | | | 19-6/8 | | 90 |
| ADD 10 (1) | H | A32J1 | | 1-01 * | C | | | | | | 1 | | | CABLE | 91 |
| ADD 10 (1) | H | A22M1 | | 1-02 * | | | | | | | 2 | | | | 91 |
| ADD 10 (1) | H | B18E1 | | 1-03 * | | | | | | | 1 | | | | 91 |
| ADD 10 (1) | H | C24M2 | | 1-04 * | | | | | | | | | | TERM HERE? | 91 |
| ADD 10 (1) | | | | 1 | | | | | | | | | 20-0/8 | | 91 |

| RK11C.E RUN NAME | A/P | HND288.V15(15) PIN NAME | 01/28/72 ORDER PIN | BAY - ORDER | Q | DRAW | RV | PG | Y | X | Z | REMARKS | 30-MAR-72 LENGTH | 18125 EXCEPTIONS | PAGE 12 RUN NUMBER |
|---------------------|-----|-------------------------------|--------------------------|----------------|---|------|----|----|---|---|---|---------|---------------------|---------------------|--------------------------|
| ADD 11 (1) | H | A32H1 | | 1-01 * | C | | | | | | 1 | | | CABLE | 92 |
| ADD 11 (1) | H | A22J2 | | 1-02 * | | | | | | | 2 | | | | 92 |
| ADD 11 (1) | H | B18E2 | | 1-03 * | | | | | | | 1 | | | | 92 |
| ADD 11 (1) | H | C24N2 | | 1-04 * | | | | | | | | | | TERM HERE? | 92 |
| ADD 11 (1) | | | | 1 | | | | | | | | | 19-6/8 | | 92 |
| ADD 12 (1) | H | A32F1 | | 1-01 * | C | | | | | | 2 | | | CABLE | 93 |
| ADD 12 (1) | H | A22J1 | | 1-02 * | | | | | | | 1 | | | | 93 |
| ADD 12 (1) | H | B19V1 | | 1-03 * | | | | | | | 2 | | | | 93 |
| ADD 12 (1) | H | C24D2 | | 1-04 * | | | | | | | | | | TERM HERE? | 93 |
| ADD 12 (1) | | | | 1 | | | | | | | | | 20-0/8 | | 93 |
| ADD 13 (1) | H | A32E1 | | 1-01 * | C | | | | | | 2 | | | CABLE | 94 |
| ADD 13 (1) | H | A22E2 | | 1-02 * | | | | | | | 1 | | | | 94 |
| ADD 13 (1) | H | B19U2 | | 1-03 * | | | | | | | 2 | | | | 94 |
| ADD 13 (1) | H | C24E2 | | 1-04 * | | | | | | | | | | TERM HERE? | 94 |
| ADD 13 (1) | | | | 1 | | | | | | | | | 19-4/8 | | 94 |
| ADD 14 (1) | H | A32D1 | | 1-01 * | C | | | | | | 1 | | | CABLE | 95 |
| ADD 14 (1) | H | A22E1 | | 1-02 * | | | | | | | 2 | | | | 95 |
| ADD 14 (1) | H | B19M1 | | 1-03 * | | | | | | | 1 | | | | 95 |
| ADD 14 (1) | H | C24F2 | | 1-04 * | | | | | | | | | | TERM HERE? | 95 |
| ADD 14 (1) | | | | 1 | | | | | | | | | 20-0/8 | | 95 |
| ADD 15 (1) | H | A32C1 | | 1-01 * | C | | | | | | 2 | | | CABLE | 96 |
| ADD 15 (1) | H | A22B1 | | 1-02 * | | | | | | | 1 | | | | 96 |
| ADD 15 (1) | H | B19K1 | | 1-03 * | | | | | | | 2 | | | | 96 |
| ADD 15 (1) | H | C24H2 | | 1-04 * | | | | | | | | | | TERM HERE? | 96 |
| ADD 15 (1) | | | | 1 | | | | | | | | | 20-0/8 | | 96 |
| ADD 16 (1) | H | B19E1 | | | | | | | | | | | | 1-PIN RUN | 97 |
| ADD 17 (1) | H | B19E2 | | | | | | | | | | | | 1-PIN RUN | 98 |
| ADD #1 CRY OUT | L | A19D1 | | 1-01 * | | | | | | | 1 | | | | 99 |
| ADD #1 CRY OUT | L | B18U1 | | 1-02 * | | | | | | | | | | | 99 |
| ADD #1 CRY OUT | | | | 1 | | | | | | | | | 7-0/8 | | 99 |
| ADD #2 CRY OUT | L | B18D1 | | 1-01 * | | | | | | | 1 | | | | 100 |
| ADD #2 CRY OUT | L | B19U1 | | 1-02 * | | | | | | | | | | | 100 |
| ADD #2 CRY OUT | | | | 1 | | | | | | | | | 4-2/8 | | 100 |
| ADD ACK | H | B08S1 | | 1-01 * | | | | | | | 1 | | | | 101 |
| ADD ACK | H | D16M2 | | 1-02 * | | | | | | | 2 | | | | 101 |
| ADD ACK | H | C24S2 | | 1-03 * | | | | | | | | | | | 101 |
| ADD ACK | | | | 1 | | | | | | | | | 16-2/8 | | 101 |

| RK11C.F RUN NAME | A/P | HND288,V15(15) PIN NAME | 01/28/72 ORDER PIN | BAY - ORDER | Q | DRAW | RV | PG | Y | X | Z | REMARKS | 30-MAR-72 LENGTH | 18125 EXCEPTIONS | PAGE 13 RUN NUMBER |
|----------------------|-----|----------------------------|-----------------------|----------------|---|------|----|----|---|---|---|---------|---------------------|---------------------|--------------------------|
| ADD DEC MSYN | L | A05L2 | | 1-01 * | | | | | | | 1 | | | | 102 |
| ADD DEC MSYN | L | C14E2 | | 1-02 * | | | | | | | 2 | | | | 102 |
| ADD DEC MSYN | L | B25V1 | | 1-03 * | | | | | | | | | | | 102 |
| ADD DEC MSYN | | | | 1 | | | | | | | | | 16-6/8 | | 102 |
| ADDER CONTROL #1 (0) | H | C25H2 | | 1-01 * | | | | | | | 1 | | | | 103 |
| ADDER CONTROL #1 (0) | H | D27H2 | | 1-02 * | | | | | | | 2 | | | | 103 |
| ADDER CONTROL #1 (0) | H | D28J1 | | 1-03 * | | | | | | | | | | | 103 |
| ADDER CONTROL #1 (0) | | | | 1 | | | | | | | | | 9-2/8 | | 103 |
| ADDER CONTROL #1 (1) | H | C25A1 | | 1-01 * | | | | | | | 1 | | | | 104 |
| ADDER CONTROL #1 (1) | H | D28S1 | | 1-02 * | | | | | | | | | | | 104 |
| ADDER CONTROL #1 (1) | | | | 1 | | | | | | | | | 7-4/8 | | 104 |
| ADDER CONTROL #2 (0) | H | D27J2 | | 1-01 * | | | | | | | 1 | | | | 105 |
| ADDER CONTROL #2 (0) | H | D28V1 | | 1-02 * | | | | | | | | | | | 105 |
| ADDER CONTROL #2 (0) | | | | 1 | | | | | | | | | 3-6/8 | | 105 |
| ADDER CONTROL #2 (1) | H | D28V2 | | | | | | | | | | | | 1-PIN RUN | 106 |
| ADDERS TO RKDB SEQ | L | B26T2 | | 1-01 * | | | | | | | 1 | | | | 107 |
| ADDERS TO RKDB SEQ | L | C29H1 | | 1-02 * | | | | | | | 2 | | | | 107 |
| ADDERS TO RKDB SEQ | L | C30F2 | | 1-03 * | | | | | | | | | | | 107 |
| ADDERS TO RKDB SEQ | | | | 1 | | | | | | | | | 7-4/8 | | 107 |
| R06T2 | | B06T2 | | 1-01 * | | | | | | | 1 | | | | 108 |
| R06T2 | | D22K2 | | 1-02 * | | | | | | | | | | | 108 |
| R06T2 | | | | 1 | | | | | | | | | 12-0/8 | | 108 |
| R07R1 | | B07R1 | | 1-01 * | | | | | | | 1 | | | | 109 |
| R07R1 | | D16F1 | | 1-02 * | | | | | | | | | | | 109 |
| R07R1 | | | | 1 | | | | | | | | | 8-6/8 | | 109 |
| R07S1 | | B07S1 | | 1-01 * | | | | | | | 1 | | | | 110 |
| R07S1 | | D16F2 | | 1-02 * | | | | | | | | | | | 110 |
| R07S1 | | | | 1 | | | | | | | | | 9-0/8 | | 110 |
| R07V1 | | B07V1 | | 1-01 * | | | | | | | 1 | | | | 111 |
| R07V1 | | B07V1 | | 1-02 * | | | | | | | | | | | 111 |
| R07V1 | | | | 1 | | | | | | | | | 2-4/8 | | 111 |
| R07V2 | | B07V2 | | 1-01 * | | | | | | | 1 | | | | 112 |
| R07V2 | | D16C1 | | 1-02 * | | | | | | | | | | | 112 |
| R07V2 | | | | 1 | | | | | | | | | 8-0/8 | | 112 |

| RK11C.E RUN NAME | A/P | HND288,V15(15) PIN NAME | 01/28/72 ORDER PIN | BAY - ORDER | Q | DRAW | RV | PG | Y | X | Z | REMARKS | 30-MAR-72 LENGTH | 18125 EXCEPTIONS | PAGE 14 RUN NUMBER |
|---------------------|-----|----------------------------|-----------------------|----------------|---|------|----|----|---|---|---|---------|---------------------|---------------------|--------------------------|
| R08J2 | | A08M2 | | 1-01 * | | | | | | | 1 | | | | 113 |
| R08J2 | | B08J2 | | 1-02 * | | | | | | | | | | | 113 |
| R08J2 | | | | 1 | | | | | | | | | 4-6/8 | | 113 |
| R08N2 | | A08P2 | | 1-01 * | | | | | | | 1 | | | | 114 |
| R08N2 | | B08N2 | | 1-02 * | | | | | | | | | | | 114 |
| R08N2 | | | | 1 | | | | | | | | | 5-0/8 | | 114 |
| R22V1 | | B22V1 | | 1-01 * | | | | | | | 1 | | | | 115 |
| R22V1 | | C23T2 | | 1-02 * | | | | | | | | | | | 115 |
| R22V1 | | | | 1 | | | | | | | | | 5-0/8 | | 115 |
| R23V1 | | C22R1 | | 1-01 * | | | | | I | | 1 | | | | 116 |
| R23V1 | | B23V1 | | 1-02 * | | | | | I | | | | | | 116 |
| R23V1 | | | | 1 | | | | | | | | | 4-4/8 | | 116 |
| R26V2 | | B26V2 | | 1-01 * | | | | | | | 1 | | | | 117 |
| R26V2 | | C25K2 | | 1-02 * | | | | | | | | | | | 117 |
| R26V2 | | | | 1 | | | | | | | | | 4-0/8 | | 117 |
| R27C1 | | B27C1 | | 1-01 * | | | | | | | 1 | | | | 118 |
| R27C1 | | D30E1 | | 1-02 * | | | | | | | 2 | | | | 118 |
| R27C1 | | D30L2 | | 1-03 * | | | | | | | | | | | 118 |
| R27C1 | | | | 1 | | | | | | | | | 11-6/8 | | 118 |
| R27F1 | | B27E2 | | 1-01 * | | | | | | | 1 | | | | 119 |
| R27F1 | | B27F1 | | 1-02 * | | | | | | | 2 | | | | 119 |
| R27F1 | | D11J2 | | 1-03 * | | | | | | | | | | | 119 |
| R27F1 | | | | 1 | | | | | | | | | 15-0/8 | | 119 |
| R28E1 | | B27T2 | | 1-01 * | | | | | | | 1 | | | | 120 |
| R28E1 | | B28E1 | | 1-02 * | | | | | | | | | | | 120 |
| R28E1 | | | | 1 | | | | | | | | | 3-6/8 | | 120 |
| R28J2 | | B27P2 | | 1-01 * | | | | | | | 1 | | | | 121 |
| R28J2 | | B28J2 | | 1-02 * | | | | | | | | | | | 121 |
| R28J2 | | | | 1 | | | | | | | | | 3-2/8 | | 121 |
| R28L1 | | B27P1 | | 1-01 * | | | | | | | 1 | | | | 122 |
| R28L1 | | B28L1 | | 1-02 * | | | | | | | | | | | 122 |
| R28L1 | | | | 1 | | | | | | | | | 3-2/8 | | 122 |
| R28P2 | | B27L2 | | 1-01 * | | | | | | | 1 | | | | 123 |
| R28P2 | | B28P2 | | 1-02 * | | | | | | | | | | | 123 |
| R28P2 | | | | 1 | | | | | | | | | 3-0/8 | | 123 |

| PK110.F RUN NAME | HND288,V15(15) 01/28/72 A/P PIN ORDER BAY - NAME PIN ORDER | Q | DRAW RV PG Y X Z | REMARKS | 30-MAR-72 LENGTH | 18:25 EXCEPTIONS | PAGE 15 RUN NUMBER |
|---------------------|--|---|------------------|----------|---------------------|---------------------|--------------------------|
| R28S1 | B28S1 | | | 1-01 * | | | 124 |
| R28S1 | C32R2 | | | 1-02 * | | | 124 |
| R28S1 | | | | 1 | 5-6/8 | | 124 |
| BAD BIT (0) | D31S2 | H | | | | 1-PIN RUN | 125 |
| BAD BIT (1) | C27J2 | H | | 1-01 * | | | 126 |
| BAD BIT (1) | D27R2 | H | | 1-02 * | | | 126 |
| BAD BIT (1) | D31R2 | H | | 1-03 * | | | 126 |
| BAD BIT (1) | | | | 1 | 10-0/8 | | 126 |
| RC 00 (1) | A28D2 | H | | 1-01 * | | TERM HERE? | 127 |
| RC 00 (1) | A30L2 | H | | 1-02 * C | | CABLE | 127 |
| RC 00 (1) | B32V2 | H | | 1-03 * C | | CABLE | 127 |
| RC 00 (1) | D22R2 | H | | 1-04 * | | TERM HERE? | 127 |
| RC 00 (1) | | | | 1 | 19-4/8 | | 127 |
| RC 01 (1) | A28E2 | H | | 1-01 * | | TERM HERE? | 128 |
| RC 01 (1) | A30J2 | H | | 1-02 * C | | CABLE | 128 |
| RC 01 (1) | B32U2 | H | | 1-03 * C | | CABLE | 128 |
| RC 01 (1) | D22S2 | H | | 1-04 * | | TERM HERE? | 128 |
| RC 01 (1) | | | | 1 | 19-6/8 | | 128 |
| RC 02 (1) | A28F2 | H | | 1-01 * | | TERM HERE? | 129 |
| RC 02 (1) | A30E1 | H | | 1-02 * | | | 129 |
| RC 02 (1) | B32T2 | H | | 1-03 * C | | CABLE | 129 |
| RC 02 (1) | D22T2 | H | | 1-04 * | | TERM HERE? | 129 |
| RC 02 (1) | | | | 1 | 19-6/8 | | 129 |
| RC 03 (1) | A28H2 | H | | 1-01 * | | TERM HERE? | 130 |
| RC 03 (1) | A30M1 | H | | 1-02 * C | | CABLE | 130 |
| RC 03 (1) | B32S2 | H | | 1-03 * C | | CABLE | 130 |
| RC 03 (1) | D22U2 | H | | 1-04 * | | TERM HERE? | 130 |
| RC 03 (1) | | | | 1 | 19-4/8 | | 130 |
| RC EQ 17 CLK LE | A14U1 | H | | 1-01 * | | | 131 |
| RC EQ 17 CLK LE | D19K1 | H | | 1-02 * | | | 131 |
| RC EQ 17 CLK LE | D29H1 | H | | 1-03 * | | | 131 |
| RC EQ 17 CLK LE | D29E2 | H | | 1-04 * | | | 131 |
| RC EQ 17 CLK LE | D29N1 | H | | 1-05 * | | | 131 |
| RC EQ 17 CLK LE | D30L1 | H | | 1-06 * | | | 131 |
| RC EQ 17 CLK LE | C30M1 | H | | 1-07 * | | | 131 |
| RC EQ 17 CLK LE | | | | 1 | 32-0/8 | | 131 |
| RC EQ 17 CLK LE | A14V1 | L | | 1-01 * | | | 132 |
| RC EQ 17 CLK LE | D28N2 | L | | 1-02 * | | | 132 |
| RC EQ 17 CLK LE | | | | 1 | 12-6/8 | | 132 |

| PK110.F RUN NAME | HND288,V15(15) 01/28/72 A/P PIN ORDER BAY - NAME PIN ORDER | Q | DRAW RV PG Y X Z | REMARKS | 30-MAR-72 LENGTH | 18:25 EXCEPTIONS | PAGE 16 RUN NUMBER |
|---------------------|--|---|------------------|----------|---------------------|---------------------|--------------------------|
| RG IN | A06E1 | H | | 1-01 * | | | 133 |
| RG IN | B13U2 | H | | 1-02 * | | | 133 |
| RG IN | | | | 1 | 8-2/8 | | 133 |
| RG OUT | A06A1 | H | | 1-01 * | | | 134 |
| RG OUT | B13V2 | H | | 1-02 * | | | 134 |
| RG OUT | | | | 1 | 8-6/8 | | 134 |
| RG4 IN | B01E2 | H | | 1-01 * C | | CABLE | 135 |
| RG4 IN | B13S2 | H | | 1-02 * | | TERM HERE? | 135 |
| RG4 IN | | | | 1 | 9-0/8 | | 135 |
| RG4 OUT | B02E2 | H | | 1-01 * C | | CABLE | 136 |
| RG4 OUT | B13T2 | H | | 1-02 * | | TERM HERE? | 136 |
| RG4 OUT | | | | 1 | 8-4/8 | | 136 |
| RG5 IN | B01B1 | H | | 1-01 * C | | CABLE | 137 |
| RG5 IN | B13P2 | H | | 1-02 * | | TERM HERE? | 137 |
| RG5 IN | | | | 1 | 9-0/8 | | 137 |
| RG5 OUT | B02B1 | H | | 1-01 * C | | CABLE | 138 |
| RG5 OUT | B13R2 | H | | 1-02 * | | TERM HERE? | 138 |
| RG5 OUT | | | | 1 | 8-6/8 | | 138 |
| RG6 IN | B01A1 | H | | 1-01 * C | | CABLE | 139 |
| RG6 IN | B13M2 | H | | 1-02 * | | TERM HERE? | 139 |
| RG6 IN | | | | 1 | 9-2/8 | | 139 |
| RG6 OUT | B02A1 | H | | 1-01 * C | | CABLE | 140 |
| RG6 OUT | B13N2 | H | | 1-02 * | | TERM HERE? | 140 |
| RG6 OUT | | | | 1 | 8-6/8 | | 140 |
| RG7 IN | A01V1 | H | | 1-01 * C | | CABLE | 141 |
| RG7 IN | B13K2 | H | | 1-02 * | | TERM HERE? | 141 |
| RG7 IN | | | | 1 | 9-2/8 | | 141 |
| RG7 OUT | A02V1 | H | | 1-01 * C | | CABLE | 142 |
| RG7 OUT | B13L2 | H | | 1-02 * | | TERM HERE? | 142 |
| RG7 OUT | | | | 1 | 8-6/8 | | 142 |
| RR OUT | A06P1 | L | | 1-01 * | | | 143 |
| RR OUT | B13J2 | L | | 1-02 * | | | 143 |
| RR OUT | | | | 1 | 7-2/8 | | 143 |

| RK11C.F RUN NAME | A/P | MND288, V15(15) PIN NAME | 01/28/72 ORDER PIN | BAY - ORDER | Q | DRAW RV PG Y | X | Z | REMARKS | 30-MAR-72 LENGTH | 18125 EXCEPTIONS | PAGE 17 RUN NUMBER |
|---------------------|-----|-----------------------------|-----------------------|----------------|---|--------------|---|---|---------|---------------------|---------------------|--------------------------|
| BUS A00 | L | A05H2 | | 1-01 * | | | | 2 | | | TERM HERE? | 144 |
| BUS A00 | L | A07K2 | | 1-02 * | | | | 1 | | | | 144 |
| BUS A00 | L | B02H2 | | 1-03 * C | | | | 2 | | | CABLE | 144 |
| BUS A00 | L | B01H2 | | 1-04 * C | | | | | | | CABLE | 144 |
| BUS A00 | | | | 1 | | | | | | 12-2/8 | | 144 |
| BUS A01 | L | A08A1 | | 1-01 * | | | | 2 | | | TERM HERE? | 145 |
| BUS A01 | L | A07J2 | | 1-02 * | | | | 1 | | | | 145 |
| BUS A01 | L | B02H1 | | 1-03 * C | | | | 2 | | | CABLE | 145 |
| BUS A01 | L | B01H1 | | 1-04 * C | | | | | | | CABLE | 145 |
| BUS A01 | | | | 1 | | | | | | 12-2/8 | | 145 |
| BUS A02 | L | A08D1 | | 1-01 * | | | | 2 | | | TERM HERE? | 146 |
| BUS A02 | L | A07L1 | | 1-02 * | | | | 1 | | | | 146 |
| BUS A02 | L | B02J2 | | 1-03 * C | | | | 2 | | | CABLE | 146 |
| BUS A02 | L | B01J2 | | 1-04 * C | | | | | | | CABLE | 146 |
| BUS A02 | | | | 1 | | | | | | 11-6/8 | | 146 |
| BUS A03 | L | A08F1 | | 1-01 * | | | | 2 | | | TERM HERE? | 147 |
| BUS A03 | L | A07K1 | | 1-02 * | | | | 1 | | | | 147 |
| BUS A03 | L | B02J1 | | 1-03 * C | | | | 2 | | | CABLE | 147 |
| BUS A03 | L | B01J1 | | 1-04 * C | | | | | | | CABLE | 147 |
| BUS A03 | | | | 1 | | | | | | 12-0/8 | | 147 |
| BUS A04 | L | A07V1 | | 1-01 * | | | | 2 | | | TERM HERE? | 148 |
| BUS A04 | L | A05U2 | | 1-02 * | | | | 1 | | | | 148 |
| BUS A04 | L | B02K2 | | 1-03 * C | | | | 2 | | | CABLE | 148 |
| BUS A04 | L | B01K2 | | 1-04 * C | | | | | | | CABLE | 148 |
| BUS A04 | | | | 1 | | | | | | 10-6/8 | | 148 |
| BUS A05 | L | A07S1 | | 1-01 * | | | | 2 | | | TERM HERE? | 149 |
| BUS A05 | L | A05V1 | | 1-02 * | | | | 1 | | | | 149 |
| BUS A05 | L | B02K1 | | 1-03 * C | | | | 2 | | | CABLE | 149 |
| BUS A05 | L | B01K1 | | 1-04 * C | | | | | | | CABLE | 149 |
| BUS A05 | | | | 1 | | | | | | 11-0/8 | | 149 |
| BUS A06 | L | A07R2 | | 1-01 * | | | | 2 | | | TERM HERE? | 150 |
| BUS A06 | L | A05U1 | | 1-02 * | | | | 1 | | | | 150 |
| BUS A06 | L | B01L2 | | 1-03 * C | | | | 2 | | | CABLE | 150 |
| BUS A06 | L | B02L2 | | 1-04 * C | | | | | | | CABLE | 150 |
| BUS A06 | | | | 1 | | | | | | 11-6/8 | | 150 |
| BUS A07 | L | A07P2 | | 1-01 * | | | | 2 | | | TERM HERE? | 151 |
| BUS A07 | L | A05P2 | | 1-02 * | | | | 1 | | | | 151 |
| BUS A07 | L | B01L1 | | 1-03 * C | | | | 2 | | | CABLE | 151 |
| BUS A07 | L | B02L1 | | 1-04 * C | | | | | | | CABLE | 151 |
| BUS A07 | | | | 1 | | | | | | 11-6/8 | | 151 |

| RK11C.F RUN NAME | A/P | MND288, V15(15) PIN NAME | 01/28/72 ORDER PIN | BAY - ORDER | Q | DRAW RV PG Y | X | Z | REMARKS | 30-MAR-72 LENGTH | 18125 EXCEPTIONS | PAGE 18 RUN NUMBER |
|---------------------|-----|-----------------------------|-----------------------|----------------|---|--------------|---|---|---------|---------------------|---------------------|--------------------------|
| BUS A08 | L | A05N2 | | 1-01 * | | | | 2 | | | TERM HERE? | 152 |
| BUS A08 | L | B07K1 | | 1-02 * | | | | 1 | | | | 152 |
| BUS A08 | L | B02M2 | | 1-03 * C | | | | 2 | | | CABLE | 152 |
| BUS A08 | L | B01M2 | | 1-04 * C | | | | | | | CABLE | 152 |
| BUS A08 | | | | 1 | | | | | | 12-4/8 | | 152 |
| BUS A09 | L | A05R1 | | 1-01 * | | | | 2 | | | TERM HERE? | 153 |
| BUS A09 | L | B07E1 | | 1-02 * | | | | 1 | | | | 153 |
| BUS A09 | L | B02M1 | | 1-03 * C | | | | 2 | | | CABLE | 153 |
| BUS A09 | L | B01M1 | | 1-04 * C | | | | | | | CABLE | 153 |
| BUS A09 | | | | 1 | | | | | | 12-2/8 | | 153 |
| BUS A10 | L | A05P1 | | 1-01 * | | | | 2 | | | TERM HERE? | 154 |
| BUS A10 | L | B07D1 | | 1-02 * | | | | 1 | | | | 154 |
| BUS A10 | L | B02N2 | | 1-03 * C | | | | 2 | | | CABLE | 154 |
| BUS A10 | L | B01N2 | | 1-04 * C | | | | | | | CABLE | 154 |
| BUS A10 | | | | 1 | | | | | | 12-2/8 | | 154 |
| BUS A11 | L | A05L1 | | 1-01 * | | | | 2 | | | TERM HERE? | 155 |
| BUS A11 | L | B07B1 | | 1-02 * | | | | 1 | | | | 155 |
| BUS A11 | L | B02N1 | | 1-03 * C | | | | 2 | | | CABLE | 155 |
| BUS A11 | L | B01N1 | | 1-04 * C | | | | | | | CABLE | 155 |
| BUS A11 | | | | 1 | | | | | | 12-6/8 | | 155 |
| BUS A12 | L | A05C1 | | 1-01 * | | | | 1 | | | TERM HERE? | 156 |
| BUS A12 | L | B07P1 | | 1-02 * | | | | 2 | | | | 156 |
| BUS A12 | L | B02P2 | | 1-03 * C | | | | 1 | | | CABLE | 156 |
| BUS A12 | L | B01P2 | | 1-04 * C | | | | | | | CABLE | 156 |
| BUS A12 | | | | 1 | | | | | | 14-0/8 | | 156 |
| BUS A13 | L | A05K2 | | 1-01 * | | | | 2 | | | TERM HERE? | 157 |
| BUS A13 | L | B07L1 | | 1-02 * | | | | 1 | | | | 157 |
| BUS A13 | L | B02P1 | | 1-03 * C | | | | 2 | | | CABLE | 157 |
| BUS A13 | L | B01P1 | | 1-04 * C | | | | | | | CABLE | 157 |
| BUS A13 | | | | 1 | | | | | | 13-4/8 | | 157 |
| BUS A14 | L | A05K1 | | 1-01 * | | | | 2 | | | TERM HERE? | 158 |
| BUS A14 | L | B07K2 | | 1-02 * | | | | 1 | | | | 158 |
| BUS A14 | L | B02R2 | | 1-03 * C | | | | 2 | | | CABLE | 158 |
| BUS A14 | L | B01R2 | | 1-04 * C | | | | | | | CABLE | 158 |
| BUS A14 | | | | 1 | | | | | | 13-4/8 | | 158 |
| BUS A15 | L | A05D2 | | 1-01 * | | | | 2 | | | TERM HERE? | 159 |
| BUS A15 | L | B07J2 | | 1-02 * | | | | 1 | | | | 159 |
| BUS A15 | L | B02R1 | | 1-03 * C | | | | 2 | | | CABLE | 159 |
| BUS A15 | L | B01R1 | | 1-04 * C | | | | | | | CABLE | 159 |
| BUS A15 | | | | 1 | | | | | | 14-2/8 | | 159 |

| RK11C,F RUN NAME | A/P | HND288,V15(15) PIN NAME | 01/28/72 ORDER PIN | BAY - ORDER | Q | DRAN RV PG Y | X | Z | REMARKS | 30-MAR-72 LENGTH | 18:25 EXCEPTIONS | PAGE 19 RUN NUMBER |
|---------------------|-----|-------------------------------|--------------------------|----------------|---|--------------|---|---|---------|---------------------|---------------------|--------------------------|
| BUS A16 | L | A05E2 | | 1-01 * | | | | 1 | | | TERM HERE? | 160 |
| BUS A16 | L | B01S2 | | 1-02 * | C | | | 2 | | | CABLE | 160 |
| BUS A16 | L | B02S2 | | 1-03 * | C | | | 1 | | | CABLE | 160 |
| BUS A16 | L | C09U2 | | 1-04 * | | | | | | | TERM HERE? | 160 |
| BUS A16 | | | | 1 | | | | | | 17-0/8 | | 160 |
| BUS A17 | L | A05D1 | | 1-01 * | | | | 1 | | | TERM HERE? | 161 |
| BUS A17 | L | B01S1 | | 1-02 * | C | | | 2 | | | CABLE | 161 |
| BUS A17 | L | B02S1 | | 1-03 * | C | | | 1 | | | CABLE | 161 |
| BUS A17 | L | C09V2 | | 1-04 * | | | | | | | TERM HERE? | 161 |
| BUS A17 | | | | 1 | | | | | | 17-6/8 | | 161 |
| BUS AC LD | L | B01F1 | | 1-01 * | C | | | 1 | | | CABLE | 162 |
| BUS AC LD | L | B02F1 | | 1-02 * | C | | | | | | CABLE | 162 |
| BUS AC LD | | | | 1 | | | | | | 2-6/8 | | 162 |
| BUS BBSY | L | A01P2 | | 1-01 * | C | | | 2 | | | CABLE | 163 |
| BUS BBSY | L | A02P2 | | 1-02 * | C | | | 1 | | | CABLE | 163 |
| BUS BBSY | L | A06D1 | | 1-03 * | | | | | | | TERM HERE? | 163 |
| BUS BBSY | | | | 1 | | | | | | 7-4/8 | | 163 |
| BUS BR 04 | L | B01D2 | | 1-01 * | | | | 2 | | | | 164 |
| BUS BR 04 | L | B02D2 | | 1-02 * | | | | 1 | | | | 164 |
| BUS BR 04 | L | B13H2 | | 1-03 * | | | | | | | | 164 |
| BUS BR 04 | | | | 1 | | | | | | 10-6/8 | | 164 |
| BUS BR 05 | L | B01C1 | | 1-01 * | C | | | 2 | | | CABLE | 165 |
| BUS BR 05 | L | B02C1 | | 1-02 * | C | | | 1 | | | CABLE | 165 |
| BUS BR 05 | L | B13F2 | | 1-03 * | | | | | | | TERM HERE? | 165 |
| BUS BR 05 | | | | 1 | | | | | | 11-2/8 | | 165 |
| BUS BR 06 | L | A01U2 | | 1-01 * | C | | | 2 | | | CABLE | 166 |
| BUS BR 06 | L | A02U2 | | 1-02 * | C | | | 1 | | | CABLE | 166 |
| BUS BR 06 | L | B13E2 | | 1-03 * | | | | | | | TERM HERE? | 166 |
| BUS BR 06 | | | | 1 | | | | | | 11-2/8 | | 166 |
| BUS BR 07 | L | A01T2 | | 1-01 * | C | | | 2 | | | CABLE | 167 |
| BUS BR 07 | L | A02T2 | | 1-02 * | C | | | 1 | | | CABLE | 167 |
| BUS BR 07 | L | B13D2 | | 1-03 * | | | | | | | TERM HERE? | 167 |
| BUS BR 07 | | | | 1 | | | | | | 11-2/8 | | 167 |
| BUS CO | L | A05J2 | | 1-01 * | | | | 2 | | | TERM HERE? | 168 |
| BUS CO | L | B06K2 | | 1-02 * | | | | 1 | | | | 168 |
| BUS CO | L | B02U2 | | 1-03 * | C | | | 2 | | | CABLE | 168 |
| BUS CO | L | B01U2 | | 1-04 * | C | | | | | | CABLE | 168 |
| BUS CO | | | | 1 | | | | | | 13-0/8 | | 168 |

| RK11C,F RUN NAME | A/P | HND288,V15(15) PIN NAME | 01/28/72 ORDER PIN | BAY - ORDER | Q | DRAN RV PG Y | X | Z | REMARKS | 30-MAR-72 LENGTH | 18:25 EXCEPTIONS | PAGE 20 RUN NUMBER |
|---------------------|-----|-------------------------------|--------------------------|----------------|---|--------------|---|---|---------|---------------------|---------------------|--------------------------|
| BUS C1 | L | A05F2 | | 1-01 * | | | | 2 | | | TERM HERE? | 169 |
| BUS C1 | L | B06D1 | | 1-02 * | | | | 1 | | | | 169 |
| BUS C1 | L | B02T2 | | 1-03 * | C | | | 2 | | | CABLE | 169 |
| BUS C1 | L | B01T2 | | 1-04 * | C | | | | | | CABLE | 169 |
| BUS C1 | | | | 1 | | | | | | 12-4/8 | | 169 |
| BUS D00 | L | A01C1 | | 1-01 * | C | | | 2 | | | CABLE | 170 |
| BUS D00 | L | A02C1 | | 1-02 * | C | | | 1 | | | CABLE | 170 |
| BUS D00 | L | B05U2 | | 1-03 * | | | | 2 | | | | 170 |
| BUS D00 | L | A13U2 | | 1-04 * | | | | | | | TERM HERE? | 170 |
| BUS D00 | | | | 1 | | | | | | 17-6/8 | | 170 |
| BUS D00 (1) | H | A07N1 | | 1-01 * | | | | 2 | | | | 171 |
| BUS D00 (1) | H | B05V2 | | 1-02 * | | | | 1 | | | | 171 |
| BUS D00 (1) | H | B17S1 | | 1-03 * | | | | 2 | | | | 171 |
| BUS D00 (1) | H | B23P1 | | 1-04 * | | | | 1 | | | | 171 |
| BUS D00 (1) | H | C30T2 | | 1-05 * | | | | 2 | | | | 171 |
| BUS D00 (1) | H | D32T2 | | 1-06 * | | | | | | | | 171 |
| BUS D00 (1) | | | | 1 | | | | | | 33-0/8 | | 171 |
| BUS D01 | L | A01D2 | | 1-01 * | C | | | 2 | | | CABLE | 172 |
| BUS D01 | L | A02D2 | | 1-02 * | C | | | 1 | | | CABLE | 172 |
| BUS D01 | L | B05S2 | | 1-03 * | | | | 2 | | | | 172 |
| BUS D01 | L | A13S2 | | 1-04 * | | | | | | | TERM HERE? | 172 |
| BUS D01 | | | | 1 | | | | | | 17-2/8 | | 172 |
| BUS D01 (1) | H | B05T2 | | 1-01 * | | | | 1 | | | | 173 |
| BUS D01 (1) | H | A07H1 | | 1-02 * | | | | 2 | | | | 173 |
| BUS D01 (1) | H | A17P1 | | 1-03 * | | | | 1 | | | | 173 |
| BUS D01 (1) | H | B17U1 | | 1-04 * | | | | 2 | | | | 173 |
| BUS D01 (1) | H | B23L2 | | 1-05 * | | | | 1 | | | | 173 |
| BUS D01 (1) | H | D32P1 | | 1-06 * | | | | | | | | 173 |
| BUS D01 (1) | | | | 1 | | | | | | 35-4/8 | | 173 |
| BUS D02 | L | A13P2 | | 1-01 * | | | | 2 | | | TERM HERE? | 174 |
| BUS D02 | L | A06E2 | | 1-02 * | | | | 1 | | | | 174 |
| BUS D02 | L | A02D1 | | 1-03 * | C | | | 2 | | | CABLE | 174 |
| BUS D02 | L | A01D1 | | 1-04 * | C | | | 1 | | | CABLE | 174 |
| BUS D02 | L | B05P2 | | 1-05 * | | | | | | | TERM HERE? | 174 |
| BUS D02 | | | | 1 | | | | | | 20-6/8 | | 174 |

| RK11C.F RUN NAME | A/P | HND288.V15(15) PIN NAME | 01/28/72 ORDER PIN | SAY - ORDER | Q | DRAW | RV | PG | Y | X | Z | REMARKS | 30-MAR-72 LENGTH | 18:25 EXCEPTIONS | PAGE 21 RUN NUMBER |
|---------------------|-----|-------------------------------|--------------------------|----------------|---|------|----|----|---|---|---|---------|---------------------|---------------------|--------------------------|
| RUS D02 (1) | H | B05R2 | | 1-01 * | | | | | | | 1 | | | | 175 |
| RUS D02 (1) | H | A07M1 | | 1-02 * | | | | | | | 2 | | | | 175 |
| RUS D02 (1) | H | A17D1 | | 1-03 * | | | | | | | 1 | | | | 175 |
| RUS D02 (1) | H | B17N2 | | 1-04 * | | | | | | | 2 | | | | 175 |
| RUS D02 (1) | H | B23L1 | | 1-05 * | | | | | | | 1 | | | | 175 |
| RUS D02 (1) | H | D32H2 | | 1-06 * | | | | | | | 1 | | | | 175 |
| RUS D02 (1) | | | | 1 | | | | | | | | | 34-6/8 | | 175 |
| BUS D03 | L | A13H2 | | 1-01 * | | | | | | | 2 | | | TERM HERE? | 176 |
| RUS D03 | L | A06L1 | | 1-02 * | | | | | | | 1 | | | | 176 |
| RUS D03 | L | A02E2 | | 1-03 * | | | | | | | 2 | | | CABLE | 176 |
| BUS D03 | L | A01E2 | | 1-04 * | | | | | | | 1 | | | CABLE | 176 |
| BUS D03 | L | B05H2 | | 1-05 * | | | | | | | 1 | | | TERM HERE? | 176 |
| BUS D03 | | | | 1 | | | | | | | | | 20-0/8 | | 176 |
| RUS D03 (1) | H | B05N2 | | 1-01 * | | | | | | | 1 | | | | 177 |
| RUS D03 (1) | H | A07F2 | | 1-02 * | | | | | | | 2 | | | | 177 |
| RUS D03 (1) | H | A17R1 | | 1-03 * | | | | | | | 1 | | | | 177 |
| RUS D03 (1) | H | B17H2 | | 1-04 * | | | | | | | 2 | | | | 177 |
| RUS D03 (1) | H | B23H2 | | 1-05 * | | | | | | | 1 | | | | 177 |
| RUS D03 (1) | H | D32J1 | | 1-06 * | | | | | | | 1 | | | | 177 |
| RUS D03 (1) | | | | 1 | | | | | | | | | 33-4/8 | | 177 |
| RUS D04 | L | A01E1 | | 1-01 * | | | | | | | 2 | | | CABLE | 178 |
| RUS D04 | L | A02E1 | | 1-02 * | | | | | | | 1 | | | CABLE | 178 |
| RUS D04 | L | B05K2 | | 1-03 * | | | | | | | 2 | | | | 178 |
| RUS D04 | L | A06N2 | | 1-04 * | | | | | | | 1 | | | | 178 |
| RUS D04 | L | A13K2 | | 1-05 * | | | | | | | 1 | | | TERM HERE? | 178 |
| RUS D04 | | | | 1 | | | | | | | | | 20-0/8 | | 178 |
| RUS D04 (1) | H | B05L2 | | 1-01 * | | | | | | | 2 | | | | 179 |
| RUS D04 (1) | H | A07T2 | | 1-02 * | | | | | | | 1 | | | | 179 |
| RUS D04 (1) | H | A17U1 | | 1-03 * | | | | | | | 2 | | | | 179 |
| RUS D04 (1) | H | B17J1 | | 1-04 * | | | | | | | 1 | | | | 179 |
| RUS D04 (1) | H | B23H1 | | 1-05 * | | | | | | | 1 | | | | 179 |
| RUS D04 (1) | | | | 1 | | | | | | | | | 21-0/8 | | 179 |
| RUS D05 | L | A13H2 | | 1-01 * | | | | | | | 2 | | | TERM HERE? | 180 |
| RUS D05 | L | A06F1 | | 1-02 * | | | | | | | 1 | | | | 180 |
| RUS D05 | L | A02F2 | | 1-03 * | | | | | | | 2 | | | CABLE | 180 |
| RUS D05 | L | A01F2 | | 1-04 * | | | | | | | 1 | | | CABLE | 180 |
| RUS D05 | L | B05H2 | | 1-05 * | | | | | | | 1 | | | TERM HERE? | 180 |
| RUS D05 | | | | 1 | | | | | | | | | 18-6/8 | | 180 |

| RK11C.F RUN NAME | A/P | HND288.V15(15) PIN NAME | 01/28/72 ORDER PIN | SAY - ORDER | Q | DRAW | RV | PG | Y | X | Z | REMARKS | 30-MAR-72 LENGTH | 18:25 EXCEPTIONS | PAGE 22 RUN NUMBER |
|---------------------|-----|-------------------------------|--------------------------|----------------|---|------|----|----|---|---|---|---------|---------------------|---------------------|--------------------------|
| RUS D05 (1) | H | B05J2 | | 1-01 * | | | | | | | 2 | | | | 181 |
| RUS D05 (1) | H | A07N2 | | 1-02 * | | | | | | | 1 | | | | 181 |
| RUS D05 (1) | H | A17B1 | | 1-03 * | | | | | | | 2 | | | | 181 |
| RUS D05 (1) | H | B17K1 | | 1-04 * | | | | | | | 1 | | | | 181 |
| RUS D05 (1) | H | B23D2 | | 1-05 * | | | | | | | 1 | | | | 181 |
| RUS D05 (1) | | | | 1 | | | | | | | | | 24-6/8 | | 181 |
| RUS D06 | L | A13E2 | | 1-01 * | | | | | | | 2 | | | TERM HERE? | 182 |
| RUS D06 | L | A06F2 | | 1-02 * | | | | | | | 1 | | | | 182 |
| RUS D06 | L | A02F1 | | 1-03 * | | | | | | | 2 | | | CABLE | 182 |
| RUS D06 | L | A01F1 | | 1-04 * | | | | | | | 1 | | | CABLE | 182 |
| RUS D06 | L | B05E2 | | 1-05 * | | | | | | | 1 | | | TERM HERE? | 182 |
| RUS D06 | | | | 1 | | | | | | | | | 19-0/8 | | 182 |
| RUS D06 (1) | H | A07U1 | | 1-01 * | | | | | | | 1 | | | | 183 |
| RUS D06 (1) | H | B05F2 | | 1-02 * | | | | | | | 2 | | | | 183 |
| RUS D06 (1) | H | B17E2 | | 1-03 * | | | | | | | 1 | | | | 183 |
| RUS D06 (1) | H | A23J1 | | 1-04 * | | | | | | | 2 | | | | 183 |
| RUS D06 (1) | H | B23D1 | | 1-05 * | | | | | | | 1 | | | | 183 |
| RUS D06 (1) | H | D32E2 | | 1-06 * | | | | | | | 1 | | | | 183 |
| RUS D06 (1) | | | | 1 | | | | | | | | | 34-2/8 | | 183 |
| RUS D07 | L | A01H2 | | 1-01 * | | | | | | | 2 | | | CABLE | 184 |
| RUS D07 | L | A02H2 | | 1-02 * | | | | | | | 1 | | | CABLE | 184 |
| RUS D07 | L | A06H1 | | 1-03 * | | | | | | | 2 | | | | 184 |
| RUS D07 | L | B05C1 | | 1-04 * | | | | | | | 1 | | | | 184 |
| RUS D07 | L | A13V1 | | 1-05 * | | | | | | | 1 | | | TERM HERE? | 184 |
| RUS D07 | | | | 1 | | | | | | | | | 18-2/8 | | 184 |
| RUS D07 (1) | H | A07M2 | | 1-01 * | | | | | | | 2 | | | | 185 |
| RUS D07 (1) | H | B05D2 | | 1-02 * | | | | | | | 1 | | | | 185 |
| RUS D07 (1) | H | B17D2 | | 1-03 * | | | | | | | 2 | | | | 185 |
| RUS D07 (1) | H | B23A1 | | 1-04 * | | | | | | | 1 | | | | 185 |
| RUS D07 (1) | H | D32C1 | | 1-05 * | | | | | | | 1 | | | | 185 |
| RUS D07 (1) | | | | 1 | | | | | | | | | 27-6/8 | | 185 |
| RUS D08 | L | A01H1 | | 1-01 * | | | | | | | 2 | | | CABLE | 186 |
| RUS D08 | L | A02H1 | | 1-02 * | | | | | | | 1 | | | CABLE | 186 |
| RUS D08 | L | B05V1 | | 1-03 * | | | | | | | 2 | | | | 186 |
| RUS D08 | L | A13R1 | | 1-04 * | | | | | | | 1 | | | TERM HERE? | 186 |
| RUS D08 | | | | 1 | | | | | | | | | 17-6/8 | | 186 |

| RK11C.E RUN NAME | A/P | HND288.V15(15) PIN NAME | ORDER PIN | 01/28/72 DAY - ORDER | Q | DRAW RV PG Y | X | Z | REMARKS | 30-MAR-72 LENGTH | 18125 EXCEPTIONS | PAGE 23 RUN NUMBER |
|---------------------|-----|-------------------------------|--------------|----------------------------|---|--------------|---|---|---------|---------------------|---------------------|--------------------------|
| RUS D08 (1) | H | A23P1 | | 1-01 * | | | | 1 | | | | 187 |
| RUS D08 (1) | H | A18P1 | | 1-02 * | | | | 2 | | | | 187 |
| RUS D08 (1) | H | A17M1 | | 1-03 * | | | | 1 | | | | 187 |
| RUS D08 (1) | H | B07F1 | | 1-04 * | | | | 2 | | | | 187 |
| RUS D08 (1) | H | B05U1 | | 1-05 * | | | | 1 | | | | 187 |
| RUS D08 (1) | | | | 1 | | | | | | 20-2/8 | | 187 |
| RUS D09 | L | A01J2 | | 1-01 * | C | | | 1 | | | CABLE | 188 |
| RUS D09 | L | A02J2 | | 1-02 * | C | | | 2 | | | CABLE | 188 |
| RUS D09 | L | B05R1 | | 1-03 * | | | | 1 | | | | 188 |
| RUS D09 | L | A13N1 | | 1-04 * | | | | 1 | | | TERM HERE? | 188 |
| RUS D09 | | | | 1 | | | | | | 16-6/8 | | 188 |
| RUS D09 (1) | H | A23L2 | | 1-01 * | | | | 1 | | | | 189 |
| RUS D09 (1) | H | A18Q1 | | 1-02 * | | | | 2 | | | | 189 |
| RUS D09 (1) | H | A17K1 | | 1-03 * | | | | 1 | | | | 189 |
| RUS D09 (1) | H | A07V2 | | 1-04 * | | | | 2 | | | | 189 |
| RUS D09 (1) | H | B05S1 | | 1-05 * | | | | 1 | | | | 189 |
| RUS D09 (1) | | | | 1 | | | | | | 21-4/8 | | 189 |
| RUS D10 | L | A01J1 | | 1-01 * | C | | | 1 | | | CABLE | 190 |
| RUS D10 | L | A02J1 | | 1-02 * | C | | | 2 | | | CABLE | 190 |
| RUS D10 | L | B05N1 | | 1-03 * | | | | 1 | | | | 190 |
| RUS D10 | L | A13L1 | | 1-04 * | | | | 1 | | | TERM HERE? | 190 |
| RUS D10 | | | | 1 | | | | | | 16-4/8 | | 190 |
| RUS D10 (1) | H | A23L1 | | 1-01 * | | | | 1 | | | | 191 |
| RUS D10 (1) | H | A18R1 | | 1-02 * | | | | 2 | | | | 191 |
| RUS D10 (1) | H | A17N1 | | 1-03 * | | | | 1 | | | | 191 |
| RUS D10 (1) | H | B07E2 | | 1-04 * | | | | 2 | | | | 191 |
| RUS D10 (1) | H | B05P1 | | 1-05 * | | | | 1 | | | | 191 |
| RUS D10 (1) | | | | 1 | | | | | | 20-0/8 | | 191 |
| RUS D11 | L | A13J1 | | 1-01 * | | | | 1 | | | TERM HERE? | 192 |
| RUS D11 | L | A02K2 | | 1-02 * | C | | | 2 | | | CABLE | 192 |
| RUS D11 | L | A01K2 | | 1-03 * | C | | | 1 | | | CABLE | 192 |
| RUS D11 | L | B05L1 | | 1-04 * | | | | 1 | | | TERM HERE? | 192 |
| RUS D11 | | | | 1 | | | | | | 16-4/8 | | 192 |
| RUS D11 (1) | H | A07U2 | | 1-01 * | | R1 | | 2 | | | | 193 |
| RUS D11 (1) | H | B05M1 | | 1-02 * | | R1 | | 1 | | | | 193 |
| RUS D11 (1) | H | C16B1 | | 1-03 * | | R1 | | 2 | | | | 193 |
| RUS D11 (1) | H | A18E1 | | 1-04 * | | R1 | | 1 | | | | 193 |
| RUS D11 (1) | H | A23M2 | | 1-05 * | | R1 | | 2 | | | | 193 |
| RUS D11 (1) | H | A25T2 | | 1-06 * | | I | | 1 | | | | 193 |
| RUS D11 (1) | | | | 1 | | | | | | 30-2/8 | | 193 |

| RK11C.E RUN NAME | A/P | HND288.V15(15) PIN NAME | ORDER PIN | 01/28/72 DAY - ORDER | Q | DRAW RV PG Y | X | Z | REMARKS | 30-MAR-72 LENGTH | 18125 EXCEPTIONS | PAGE 24 RUN NUMBER |
|---------------------|-----|-------------------------------|--------------|----------------------------|---|--------------|---|---|---------|---------------------|---------------------|--------------------------|
| RUS D12 | L | A13F1 | | 1-01 * | | | | 1 | | | TERM HERE? | 194 |
| RUS D12 | L | A02K1 | | 1-02 * | C | | | 2 | | | CABLE | 194 |
| RUS D12 | L | A01K1 | | 1-03 * | C | | | 1 | | | CABLE | 194 |
| RUS D12 | L | B05J1 | | 1-04 * | | | | 1 | | | TERM HERE? | 194 |
| RUS D12 | | | | 1 | | | | | | 17-0/8 | | 194 |
| RUS D12 (1) | H | A23H1 | | 1-01 * | | | | 2 | | | | 195 |
| RUS D12 (1) | H | A17J1 | | 1-02 * | | | | 1 | | | | 195 |
| RUS D12 (1) | H | A18U1 | | 1-03 * | | | | 2 | | | | 195 |
| RUS D12 (1) | H | C16E1 | | 1-04 * | | | | 1 | | | | 195 |
| RUS D12 (1) | H | B07L2 | | 1-05 * | | | | 2 | | | | 195 |
| RUS D12 (1) | H | B05K1 | | 1-06 * | | | | 1 | | | | 195 |
| RUS D12 (1) | | | | 1 | | | | | | 26-4/8 | | 195 |
| RUS D13 | L | A13D1 | | 1-01 * | | | | 1 | | | TERM HERE? | 196 |
| RUS D13 | L | A02L2 | | 1-02 * | C | | | 2 | | | CABLE | 196 |
| RUS D13 | L | A01L2 | | 1-03 * | C | | | 1 | | | CABLE | 196 |
| RUS D13 | L | B05F1 | | 1-04 * | | | | 1 | | | TERM HERE? | 196 |
| RUS D13 | | | | 1 | | | | | | 16-0/8 | | 196 |
| RUS D13 (1) | H | A23D2 | | 1-01 * | | | | 1 | | | | 197 |
| RUS D13 (1) | H | A18B1 | | 1-02 * | | | | 2 | | | | 197 |
| RUS D13 (1) | H | C16E2 | | 1-03 * | | | | 1 | | | | 197 |
| RUS D13 (1) | H | B07F2 | | 1-04 * | | | | 2 | | | | 197 |
| RUS D13 (1) | H | B05H1 | | 1-05 * | | | | 1 | | | | 197 |
| RUS D13 (1) | | | | 1 | | | | | | 25-0/8 | | 197 |
| RUS D14 | L | A02L1 | | 1-01 * | C | | | 1 | | | CABLE | 198 |
| RUS D14 | L | A01L1 | | 1-02 * | C | | | 2 | | | CABLE | 198 |
| RUS D14 | L | B05D1 | | 1-03 * | | | | 1 | | | | 198 |
| RUS D14 | L | A13C1 | | 1-04 * | | | | 1 | | | TERM HERE? | 198 |
| RUS D14 | | | | 1 | | | | | | 15-4/8 | | 198 |
| RUS D14 (1) | H | A23D1 | | 1-01 * | | | | 1 | | | | 199 |
| RUS D14 (1) | H | A18V1 | | 1-02 * | | | | 2 | | | | 199 |
| RUS D14 (1) | H | C16J1 | | 1-03 * | | | | 1 | | | | 199 |
| RUS D14 (1) | H | B07N1 | | 1-04 * | | | | 2 | | | | 199 |
| RUS D14 (1) | H | B05E1 | | 1-05 * | | | | 1 | | | | 199 |
| RUS D14 (1) | | | | 1 | | | | | | 23-6/8 | | 199 |
| RUS D15 | L | A01M2 | | 1-01 * | C | | | 1 | | | CABLE | 200 |
| RUS D15 | L | A02M2 | | 1-02 * | C | | | 2 | | | CABLE | 200 |
| RUS D15 | L | B05A1 | | 1-03 * | | | | 1 | | | | 200 |
| RUS D15 | L | A13A1 | | 1-04 * | | | | 1 | | | TERM HERE? | 200 |
| RUS D15 | | | | 1 | | | | | | 14-6/8 | | 200 |

| RK11C.E RUN NAME | A/P | HND288.V15(15) PIN NAME | ORDER PIN | 01/28/72 BAY - ORDER | Q | DRAW | RV | PG | Y | X | Z | REMARKS | 30-MAR-72 LENGTH | 18125 EXCEPTIONS | PAGE 27 RUN NUMBER |
|---------------------|-----|-------------------------------|--------------|----------------------------|---|------|----|----|---|---|---|---------|---------------------|---------------------|--------------------------|
| BUS TO RKWC HI EN | H | B25P1 | | 1-01 * | | | | | | | 1 | | | | 221 |
| BUS TO RKWC HI EN | H | 016D2 | | 1-02 * | | | | | | | | | | | 221 |
| BUS TO RKWC HI EN | | | | 1 | | | | | | | | | 8-2/8 | | 221 |
| BUS TO RKWC LO EN | H | B25L1 | | 1-01 * | | | | | | | 1 | | | | 222 |
| BUS TO RKWC LO EN | H | 016J1 | | 1-02 * | | | | | | | | | | | 222 |
| BUS TO RKWC LO EN | | | | 1 | | | | | | | | | 9-2/8 | | 222 |
| C14E1 | | C15R1 | | 1-01 * | | | | | | | 1 | | | | 223 |
| C14E1 | | C15R2 | | 1-02 * | | | | | | | 2 | | | | 223 |
| C14E1 | | C14E1 | | 1-03 * | | | | | | | | | | | 223 |
| C14E1 | | | | 1 | | | | | | | | | 8-2/8 | | 223 |
| C14L1 | | A26L2 | | 1-01 * | | | | | | | 1 | | | | 224 |
| C14L1 | | C14L1 | | 1-02 * | | | | | | | | | | | 224 |
| C14L1 | | | | 1 | | | | | | | | | 10-6/8 | | 224 |
| C14S1 | | C12D2 | | 1-01 * | | | | | | | 1 | | | | 225 |
| C14S1 | | C12H1 | | 1-02 * | | | | | | | 2 | | | | 225 |
| C14S1 | | C12N1 | | 1-03 * | | | | | | | 1 | | | | 225 |
| C14S1 | | C14S1 | | 1-04 * | | | | | | | | | | | 225 |
| C14S1 | | | | 1 | | | | | | | | | 9-4/8 | | 225 |
| C14V2 | | C14V2 | | 1-01 * | | | | | | | 1 | | | | 226 |
| C14V2 | | D09L1 | | 1-02 * | | | | | | | | | | | 226 |
| C14V2 | | | | 1 | | | | | | | | | 5-6/8 | | 226 |
| C16N1 | | C16M2 | | 1-01 * | | | | | | | 1 | | | | 227 |
| C16N1 | | C16N1 | | 1-02 * | | | | | | | | | | | 227 |
| C16N1 | | | | 1 | | | | | | | | | 2-4/8 | | 227 |
| C16N2 | | C12P1 | | 1-01 * | | | | | | | 1 | | | | 228 |
| C16N2 | | C12R1 | | 1-02 * | | | | | | | 2 | | | | 228 |
| C16N2 | | C16N2 | | 1-03 * | | | | | | | | | | | 228 |
| C16N2 | | | | 1 | | | | | | | | | 7-2/8 | | 228 |
| C18H2 | | B22U1 | | 1-01 * | | | | | | | 1 | | | | 229 |
| C18H2 | | C18H2 | | 1-02 * | | | | | | | | | | | 229 |
| C18H2 | | | | 1 | | | | | | | | | 4-6/8 | | 229 |
| C18H2 | | C17N2 | | 1-01 * | | | | | | | 1 | | | | 230 |
| C18H2 | | C18M2 | | 1-02 * | | | | | | | | | | | 230 |
| C18H2 | | | | 1 | | | | | | | | | 2-6/8 | | 230 |
| C18N1 | | C18N1 | | 1-01 * | | | | | | | 1 | | | | 231 |
| C18N1 | | C20S2 | | 1-02 * | | | | | | | | | | | 231 |
| C18N1 | | | | 1 | | | | | | | | | 3-6/8 | | 231 |

| RK11C.E RUN NAME | A/P | HND288.V15(15) PIN NAME | ORDER PIN | 01/28/72 BAY - ORDER | Q | DRAW | RV | PG | Y | X | Z | REMARKS | 30-MAR-72 LENGTH | 18125 EXCEPTIONS | PAGE 28 RUN NUMBER |
|---------------------|-----|-------------------------------|--------------|----------------------------|---|------|----|----|---|---|---|---------|---------------------|---------------------|--------------------------|
| C18S2 | | C18S2 | | 1-01 * | | | | | | | 1 | | | | 232 |
| C18S2 | | C19K2 | | 1-02 * | | | | | | | | | | | 232 |
| C18S2 | | | | 1 | | | | | | | | | 3-2/8 | | 232 |
| C18U1 | | A23U1 | | 1-01 * | | | | | | | 1 | | | | 233 |
| C18U1 | | C18U1 | | 1-02 * | | | | | | | | | | | 233 |
| C18U1 | | | | 1 | | | | | | | | | 8-6/8 | | 233 |
| C18V1 | | C18V1 | | 1-01 * | | | | | | | 1 | | | | 234 |
| C18V1 | | C19N2 | | 1-02 * | | | | | | | | | | | 234 |
| C18V1 | | | | 1 | | | | | | | | | 3-4/8 | | 234 |
| C19E1 | | C11R2 | | 1-01 * | | | | | | | 1 | | | | 235 |
| C19E1 | | C19E1 | | 1-02 * | | | | | | | | | | | 235 |
| C19E1 | | | | 1 | | | | | | | | | 6-4/8 | | 235 |
| C19J2 | L | C19J2 | | 1-01 * | | | | | | | 1 | | | | 236 |
| C19J2 | L | C31U2 | | 1-02 * | | | | | | | | | | | 236 |
| C19J2 | | | | 1 | | | | | | | | | 8-6/8 | | 236 |
| C19L1 | | C19L1 | | 1-01 * | | | | | | | 1 | | | | 237 |
| C19L1 | | D12C1 | | 1-02 * | | | | | | | | | | | 237 |
| C19L1 | | | | 1 | | | | | | | | | 6-6/8 | | 237 |
| C19P2 | | C18F2 | | 1-01 * | | | | | | | 1 | | | | 238 |
| C19P2 | | C19P2 | | 1-02 * | | | | | | | | | | | 238 |
| C19P2 | | | | 1 | | | | | | | | | 3-4/8 | | 238 |
| C19S1 | | C19S1 | | 1-01 * | | | | | | | 1 | | | | 239 |
| C19S1 | | D12B1 | | 1-02 * | | | | | | | | | | | 239 |
| C19S1 | | | | 1 | | | | | | | | | 6-2/8 | | 239 |
| C19V2 | | C19V2 | | 1-01 * | | | | | | | 1 | | | | 240 |
| C19V2 | | D31N2 | | 1-02 * | | | | | | | | | | | 240 |
| C19V2 | | | | 1 | | | | | | | | | 9-2/8 | | 240 |
| C21C1 | | A26L1 | | 1-01 * | | | | | | | 1 | | | | 241 |
| C21C1 | | C21C1 | | 1-02 * | | | | | | | | | | | 241 |
| C21C1 | | | | 1 | | | | | | | | | 7-6/8 | | 241 |
| C21F2 | | A26U1 | | 1-01 * | | | | | | | 1 | | | | 242 |
| C21F2 | | C21F2 | | 1-02 * | | | | | | | | | | | 242 |
| C21F2 | | | | 1 | | | | | | | | | 7-2/8 | | 242 |
| C21K2 | | C21K2 | | 1-01 * | | | | | | | 1 | | | | 243 |
| C21K2 | | C30L1 | | 1-02 * | | | | | | | | | | | 243 |
| C21K2 | | | | 1 | | | | | | | | | 6-6/8 | | 243 |

| RK11C.E RUN NAME | HND288.V15(15) 01/28/72 A/P PIN ORDER BAY - NAME PIN ORDER | Q | DRAW | RV | PG | Y | X | Z | REMARKS | 30-MAR-72 LENGTH | 18125 EXCEPTIONS | PAGE 29 RUN NUMBER |
|---------------------|--|---|------|----|----|---|---|---|---------|---------------------|---------------------|--------------------------|
| C21N1 | C12B1 | | | | | | | 1 | | | | 244 |
| C21N1 | C21N1 | | | | | | | | | | | 244 |
| C21N1 | | | | | | | | | | 7-4/8 | | 244 |
| C21S1 | C30E2 | | | | | | | 1 | | | | 245 |
| C21S1 | C30H1 | | | | | | | 2 | | | | 245 |
| C21S1 | C21S1 | | | | | | | | | 10-0/8 | | 245 |
| C21S1 | | | | | | | | | | | | 245 |
| C21S2 | C21S2 | | | | | | | 2 | | | | 246 |
| C21S2 | D24M1 | | | | | | | 1 | | | | 246 |
| C21S2 | D24K1 | | | | | | | | | 7-2/8 | | 246 |
| C21S2 | | | | | | | | | | | | 246 |
| C22P1 | C22P1 | | | | | | | 1 | | | | 247 |
| C22P1 | C27K1 | | | | | | | | | | | 247 |
| C22P1 | | | | | | | | | | 5-0/8 | | 247 |
| C24E1 | C24E1 | | | | | | | 1 | | | | 248 |
| C24E1 | D22A1 | | | | | | | | | | | 248 |
| C24E1 | | | | | | | | | | 5-0/8 | | 248 |
| C24J2 | C24J2 | | | | | | | 1 | | | | 249 |
| C24J2 | D22D1 | | | | | | | | | | | 249 |
| C24J2 | | | | | | | | | | 5-2/8 | | 249 |
| C24L1 | C24L1 | | | | | | | 1 | | | | 250 |
| C24L1 | D22B1 | | | | | | | | | | | 250 |
| C24L1 | | | | | | | | | | 4-4/8 | | 250 |
| C24P2 | C24P2 | | | | | | | 1 | | | | 251 |
| C24P2 | D22C1 | | | | | | | | | | | 251 |
| C24P2 | | | | | | | | | | 4-4/8 | | 251 |
| C24V2 | C22P2 | | | | | | | 1 | | | | 252 |
| C24V2 | C24V2 | | | | | | | | | | | 252 |
| C24V2 | | | | | | | | | | 3-6/8 | | 252 |
| C25H1 | C12A1 | | | | | | | 2 | | | | 253 |
| C25H1 | C12K2 | | | | | | | 1 | | | | 253 |
| C25H1 | C25H1 | | | | | | | | | | | 253 |
| C25H1 | | | | | | | | | | 12-2/8 | | 253 |
| C25M1 | C25M1 | | | | | | | 1 | | | | 254 |
| C25M1 | D12H2 | | | | | | | | | | | 254 |
| C25M1 | | | | | | | | | | 9-4/8 | | 254 |

| RK11C.E RUN NAME | HND288.V15(15) 01/28/72 A/P PIN ORDER BAY - NAME PIN ORDER | Q | DRAW | RV | PG | Y | X | Z | REMARKS | 30-MAR-72 LENGTH | 18125 EXCEPTIONS | PAGE 30 RUN NUMBER |
|---------------------|--|---|------|----|----|---|---|---|---------|---------------------|---------------------|--------------------------|
| C25P1 | A25A1 | | | | | | | 2 | | | | 255 |
| C25P1 | A25K2 | | | | | | | 1 | | | | 255 |
| C25P1 | A29H1 | | | | | | | 2 | | | | 255 |
| C25P1 | A29P1 | | | | | | | 1 | | | | 255 |
| C25P1 | C25P1 | | | | | | | | | | | 255 |
| C25P1 | | | | | | | | | | 19-2/8 | | 255 |
| C25U1 | C25U1 | | | | | | | 2 | | | | 256 |
| C25U1 | D26R1 | | | | | | | 1 | | | | 256 |
| C25U1 | D26R2 | | | | | | | | | | | 256 |
| C25U1 | | | | | | | | | | 7-4/8 | | 256 |
| C26C1 | C23L2 | | | | | | | 1 | | | | 257 |
| C26C1 | C26C1 | | | | | | | | | | | 257 |
| C26C1 | | | | | | | | | | 3-6/8 | | 257 |
| C26F2 | C21R1 | | | | | | | 1 | | | | 258 |
| C26F2 | C21P2 | | | | | | | 2 | | | | 258 |
| C26F2 | C26F2 | | | | | | | | | | | 258 |
| C26F2 | | | | | | | | | | 7-6/8 | | 258 |
| C26K1 | C25J1 | | | | | | | 1 | | | | 259 |
| C26K1 | C26K1 | | | | | | | | | | | 259 |
| C26K1 | | | | | | | | | | 2-6/8 | | 259 |
| C26S1 | C26S1 | | | | | | | 2 | | | | 260 |
| C26S1 | D17J2 | | | | | | | 1 | | | | 260 |
| C26S1 | D17J1 | | | | | | | | | | | 260 |
| C26S1 | | | | | | | | | | 9-6/8 | | 260 |
| C26S2 | C26S2 | | | | | | | 2 | | | | 261 |
| C26S2 | D17L1 | | | | | | | 1 | | | | 261 |
| C26S2 | D17M1 | | | | | | | | | | | 261 |
| C26S2 | | | | | | | | | | 10-4/8 | | 261 |
| C27C1 | C27C1 | | | | | | | 1 | | | | 262 |
| C27C1 | C28H1 | | | | | | | | | | | 262 |
| C27C1 | | | | | | | | | | 3-0/8 | | 262 |
| C27F1 | C27B1 | | | | | | | 1 | | | | 263 |
| C27F1 | C27F1 | | | | | | | | | | | 263 |
| C27F1 | | | | | | | | | | 2-6/8 | | 263 |
| C27K2 | C27K2 | | | | | | | 1 | | | | 264 |
| C27K2 | D29R2 | | | | | | | | | | | 264 |
| C27K2 | | | | | | | | | | 6-2/8 | | 264 |

| PK110.E RUN NAME | HND288.V15(15) 01/28/72 A/P PIN ORDER PIN BAY - ORDER | Q | DRAW | RV | PG | Y | X | Z | REMARKS | 30-MAR-72 LENGTH | 18:25 EXCEPTIONS | PAGE 31 RUN NUMBER |
|---------------------|--|---|------|----|----|---|---|---|---------|---------------------|---------------------|--------------------------|
| C27S1 | C27R2 | | | | | | | 1 | | | | 265 |
| C27S1 | C27S1 | | | | | | | | | | | 265 |
| C27S1 | | | | | | | | | | 2-6/8 | | 265 |
| C27V2 | C27V2 | | | | | | | 1 | | | | 266 |
| C27V2 | D31S1 | | | | | | | | | 5-4/8 | | 266 |
| C27V2 | | | | | | | | 1 | | | | 266 |
| C29J2 | C29J2 | | | | | | | 1 | | | | 267 |
| C29J2 | D21J2 | | | | | | | | | 7-4/8 | | 267 |
| C29J2 | | | | | | | | 1 | | | | 267 |
| C29L1 | A27R1 | | | | | | | 1 | | | | 268 |
| C29L1 | A27R2 | | | | | | | 2 | | | | 268 |
| C29L1 | C29L1 | | | | | | | | | 10-0/8 | | 268 |
| C29L1 | | | | | | | | 1 | | | | 268 |
| C29P2 | C27T2 | | | | | | | 1 | | | | 269 |
| C29P2 | C29P2 | | | | | | | | | 3-4/8 | | 269 |
| C29P2 | | | | | | | | 1 | | | | 269 |
| C30F1 | C30F1 | | | | | | | 1 | | | | 270 |
| C30F1 | D20P2 | | | | | | | | | 8-6/8 | | 270 |
| C30F1 | | | | | | | | 1 | | | | 270 |
| C30K2 | C22K1 | | | | | | | 1 | | | | 271 |
| C30K2 | C30K2 | | | | | | | | | 6-4/8 | | 271 |
| C30K2 | | | | | | | | 1 | | | | 271 |
| C30V2 | B06V2 | | | | | | | 1 | | | | 272 |
| C30V2 | C30V2 | | | | | | | 2 | | | | 272 |
| C30V2 | D31H2 | | | | | | | | | 19-4/8 | | 272 |
| C30V2 | | | | | | | | 1 | | | | 272 |
| C31F2 | C31F2 | | | | | | | 1 | | | | 273 |
| C31F2 | D15B1 | | | | | | | | | 11-4/8 | | 273 |
| C31F2 | | | | | | | | 1 | | | | 273 |
| C31K2 | C31K2 | | | | | | | 1 | | | | 274 |
| C31K2 | D15E2 | | | | | | | | | 11-2/8 | | 274 |
| C31K2 | | | | | | | | 1 | | | | 274 |
| C31N1 | C31N1 | | | | | | | 1 | | | | 275 |
| C31N1 | D15F2 | | | | | | | | | 11-0/8 | | 275 |
| C31N1 | | | | | | | | 1 | | | | 275 |

| PK110.E RUN NAME | HND288.V15(15) 01/28/72 A/P PIN ORDER PIN BAY - ORDER | Q | DRAW | RV | PG | Y | X | Z | REMARKS | 30-MAR-72 LENGTH | 18:25 EXCEPTIONS | PAGE 32 RUN NUMBER |
|---------------------|--|---|------|----|----|---|---|---|---------|---------------------|---------------------|--------------------------|
| C31N2 | C31N2 | | | | | | | 1 | | | | 276 |
| C31N2 | D15H2 | | | | | | | | | 11-4/8 | | 276 |
| C31N2 | | | | | | | | 1 | | | | 276 |
| C31V2 | C31P1 | | | | | | | 1 | | | | 277 |
| C31V2 | C31V2 | | | | | | | | | 3-2/8 | | 277 |
| C31V2 | | | | | | | | 1 | | | | 277 |
| C32J2 | C29D1 | | | | | | | 2 | | | | 278 |
| C32J2 | C30L2 | | | | | | | 1 | | | | 278 |
| C32J2 | C32J2 | | | | | | | | | 7-0/8 | | 278 |
| C32J2 | | | | | | | | 1 | | | | 278 |
| C32L1 | C21T2 | | | | | | | 1 | | | | 279 |
| C32L1 | C32L1 | | | | | | | | | 8-0/8 | | 279 |
| C32L1 | | | | | | | | 1 | | | | 279 |
| C32P2 | B26N2 | | | | | | | 1 | | | | 280 |
| C32P2 | C32P2 | | | | | | | | | 6-2/8 | | 280 |
| C32P2 | | | | | | | | 1 | | | | 280 |
| C32S1 | A27S2 | | | | | | | 1 | | | | 281 |
| C32S1 | C32S1 | | | | | | | | | 8-4/8 | | 281 |
| C32S1 | | | | | | | | 1 | | | | 281 |
| C32V2 | C32V2 | | | | | | | 1 | | | | 282 |
| C32V2 | D31K1 | | | | | | | | | 4-2/8 | | 282 |
| C32V2 | | | | | | | | 1 | | | | 282 |
| CHECK CHK SUM | L C28L2 | | | | | | | 1 | | | | 283 |
| CHECK CHK SUM | L D18M2 | | | | | | | | | 8-6/8 | | 283 |
| CHECK CHK SUM | | | | | | | | 1 | | | | 283 |
| CHECK DATA LATE | H B23U1 | | | | | | | 1 | I | | | 284 |
| CHECK DATA LATE | H C27N2 | | | | | | | 2 | R1 | | | 284 |
| CHECK DATA LATE | H C28B1 | | | | | | | | R1 | | | 284 |
| CHECK DATA LATE | | | | | | | | 1 | | 9-2/8 | | 284 |
| CHECK HEADER | L C28D2 | | | | | | | 1 | | | | 285 |
| CHECK HEADER | L D31B1 | | | | | | | 2 | | | | 285 |
| CHECK HEADER | L D30V2 | | | | | | | 1 | | | | 285 |
| CHECK HEADER | L D21U2 | | | | | | | | | 17-0/8 | | 285 |
| CHECK HEADER | | | | | | | | 1 | | | | 285 |
| CHECK SUM (O) | H C17U1 | | | | | | | 1 | | | | 286 |
| CHECK SUM (O) | H D18S1 | | | | | | | | | 5-0/8 | | 286 |
| CHECK SUM (O) | | | | | | | | 1 | | | | 286 |

| RK11C.F RUN NAME | A/P | HND288, V15(15) PIN NAME | 01/28/72 ORDER PIN | BAY - ORDER | Q | DRAM | RV | PG | Y | X | Z | REMARKS | 30-MAR-72 LENGTH | 18125 EXCEPTIONS | PAGE 33 RUN NUMBER |
|---------------------|-----|-----------------------------|-----------------------|----------------|---|------|----|----|---|---|---|---------|---------------------|---------------------|--------------------------|
| CHECK SUM (1) | H | A30S1 | | 1-01 * | | | | | | | 1 | | | | 287 |
| CHECK SUM (1) | H | B3202 | | 1-02 * | | | | | | | 2 | | | CABLE | 287 |
| CHECK SUM (1) | H | C31L2 | | 1-03 * | | | | | | | 1 | | | CABLE | 287 |
| CHECK SUM (1) | H | D29M1 | | 1-04 * | | | | | | | 2 | | | | 287 |
| CHECK SUM (1) | H | C17T2 | | 1-05 * | | | | | | | 1 | | | | 287 |
| CHECK SUM (1) | H | C17S1 | | 1-06 * | | | | | | | | | | TERM HERE? | 287 |
| CHECK SUM (1) | | | | 1 | | | | | | | | | 27-4/8 | | 287 |
| CHDCS | H | C2501 | | 1-01 * | | | | | | | 1 | | | | 288 |
| CHDCS | H | D27K2 | | 1-02 * | | | | | | | 2 | | | | 288 |
| CHDCS | H | D26S1 | | 1-03 * | | | | | | | 1 | | | | 288 |
| CHDCS | H | D26S2 | | 1-04 * | | | | | | | | | | | 288 |
| CHDCS | | | | 1 | | | | | | | | | 12-2/8 | | 288 |
| CLK ADDERS | L | A19V2 | | 1-01 * | | | | | | | 1 | | | | 289 |
| CLK ADDERS | L | B19V2 | | 1-02 * | | | | | | | 2 | | | | 289 |
| CLK ADDERS | L | B18V2 | | 1-03 * | | | | | | | 1 | | | | 289 |
| CLK ADDERS | L | C14U1 | | 1-04 * | | | | | | | 2 | | | | 289 |
| CLK ADDERS | L | C11U2 | | 1-05 * | | | | | | | 1 | | | | 289 |
| CLK ADDERS | L | C21V1 | | 1-06 * | | | | | | | 2 | | | | 289 |
| CLK ADDERS | L | D28N1 | | 1-07 * | | | | | | | 1 | | | | 289 |
| CLK ADDERS | L | D28S2 | | 1-08 * | | | | | | | | | | | 289 |
| CLK ADDERS | | | | 1 | | | | | | | | | 33-6/8 | | 289 |
| CLK LE | H | C18L2 | | 1-01 * | | | | | | | 2 | | | | 290 |
| CLK LE | H | C22J1 | | 1-02 * | | | | | | | 1 | | | | 290 |
| CLK LE | H | D26F1 | | 1-03 * | | | | | | | 2 | | | | 290 |
| CLK LE | H | D29U2 | | 1-04 * | | | | | | | 1 | | | | 290 |
| CLK LE | H | D30J1 | | 1-05 * | | | | | | | | | | | 290 |
| CLK LE | | | | 1 | | | | | | | | | 18-2/8 | | 290 |
| CLK LE | L | B06P1 | | 1-01 * | | | | | | | 1 | | | | 291 |
| CLK LE | L | A20A1 | | 1-02 * | | | | | | | 2 | | | | 291 |
| CLK LE | L | B20A1 | | 1-03 * | | | | | | | 1 | | | | 291 |
| CLK LE | L | D19H1 | | 1-04 * | | | | | | | 2 | | | | 291 |
| CLK LE | L | D26H1 | | 1-05 * | | | | | | | 1 | | | | 291 |
| CLK LE | L | D28B1 | | 1-06 * | | | | | | | | | | | 291 |
| CLK LE | | | | 1 | | | | | | | | | 34-2/8 | | 291 |
| CLK TE | H | C29C1 | | 1-01 * | | | | | | | 2 | | | | 292 |
| CLK TE | H | C30P1 | | 1-02 * | | | | | | | 1 | | | | 292 |
| CLK TE | H | C30M2 | | 1-03 * | | | | | | | 2 | | | | 292 |
| CLK TE | H | C31R1 | | 1-04 * | | | | | | | 1 | | | | 292 |
| CLK TE | H | D26P1 | | 1-05 * | | | | | | | 2 | | | | 292 |
| CLK TE | H | D25P1 | | 1-06 * | | | | | | | | | | | 292 |
| CLK TE | | | | 1 | | | | | | | | | 18-2/8 | | 292 |

| RK11C.F RUN NAME | A/P | HND288, V15(15) PIN NAME | 01/28/72 ORDER PIN | BAY - ORDER | Q | DRAM | RV | PG | Y | X | Z | REMARKS | 30-MAR-72 LENGTH | 18125 EXCEPTIONS | PAGE 34 RUN NUMBER |
|---------------------|-----|-----------------------------|-----------------------|----------------|---|------|----|----|---|---|---|---------|---------------------|---------------------|--------------------------|
| CLK TE | L | D28L2 | | 1-01 * | | | | | | | 1 | | | | 293 |
| CLK TE | L | D28H1 | | 1-02 * | | | | | | | 2 | | | | 293 |
| CLK TE | L | D26N1 | | 1-03 * | | | | | | | | | | | 293 |
| CLK TE | | | | 1 | | | | | | | | | 6-4/8 | | 293 |
| CLR MSP | L | C17A1 | | 1-01 * | | | | | | | 1 | | | | 294 |
| CLR MSP | L | C17K2 | | 1-02 * | | | | | | | 2 | | | | 294 |
| CLR MSP | L | C25K1 | | 1-03 * | | | | | | | 1 | | | | 294 |
| CLR MSP | L | D31P1 | | 1-04 * | | | | | | | 2 | | | | 294 |
| CLR MSP | L | D31H1 | | 1-05 * | | | | | | | | | | | 294 |
| CLR MSP | | | | 1 | | | | | | | | | 19-2/8 | | 294 |
| CLR SA | H | B17R1 | | 1-01 * | | | | | | | 1 | | | | 295 |
| CLR SA | H | C26N2 | | 1-02 * | | | | | | | | | | | 295 |
| CLR SA | | | | 1 | | | | | | | | | 8-0/8 | | 295 |
| CONTROL CLEAR | L | C31C1 | | 1-01 * | | | | | | | 1 | | | | 296 |
| CONTROL CLEAR | L | D25E2 | | 1-02 * | | | | | | | | | | | 296 |
| CONTROL CLEAR | | | | 1 | | | | | | | | | 6-4/8 | | 296 |
| CONTROL READY (0) | H | C29S2 | | 1-01 * | | | | | | | 2 | | | | 297 |
| CONTROL READY (0) | H | C31D1 | | 1-02 * | | | | | | | 1 | | | | 297 |
| CONTROL READY (0) | H | D31J2 | | 1-03 * | | | | | | | 2 | | | | 297 |
| CONTROL READY (0) | H | D27J1 | | 1-04 * | | | | | | | 1 | | | | 297 |
| CONTROL READY (0) | H | D23S1 | | 1-05 * | | | | | | | 2 | | | | 297 |
| CONTROL READY (0) | H | D18L1 | | 1-06 * | | | | | | | | | | | 297 |
| CONTROL READY (0) | | | | 1 | | | | | | | | | 24-0/8 | | 297 |
| CONTROL READY (1) | H | A31K1 | | 1-01 * | | | | | | | 2 | | | CABLE | 298 |
| CONTROL READY (1) | H | B26F2 | | 1-02 * | | | | | | | 1 | | | | 298 |
| CONTROL READY (1) | H | B30L1 | | 1-03 * | | | | | | | 2 | | | CABLE | 298 |
| CONTROL READY (1) | H | D31K2 | | 1-04 * | | | | | | | 1 | | | | 298 |
| CONTROL READY (1) | H | D21E2 | | 1-05 * | | | | | | | 2 | | | | 298 |
| CONTROL READY (1) | H | C22F2 | | 1-06 * | | | | | | | 1 | | | | 298 |
| CONTROL READY (1) | H | C18F1 | | 1-07 * | | | | | | | 2 | | | | 298 |
| CONTROL READY (1) | H | C18L1 | | 1-08 * | | | | | | | 1 | | | | 298 |
| CONTROL READY (1) | H | C11J1 | | 1-09 * | | | | | | | 2 | | | | 298 |
| CONTROL READY (1) | H | C09M2 | | 1-10 * | | | | | | | 1 | | | | 298 |
| CONTROL READY (1) | H | C11C1 | | 1-11 * | | | | | | | 2 | | | | 298 |
| CONTROL READY (1) | H | B14B1 | | 1-12 * | | | | | | | | | | TERM HERE? | 298 |
| CONTROL READY (1) | | | | 1 | | | | | | | | | 56-6/8 | | 298 |
| CONTROL RESET | H | C31B1 | | 1-01 * | | | | | | | 1 | | | | 299 |
| CONTROL RESET | H | C14B1 | | 1-02 * | | | | | | | 2 | | | | 299 |
| CONTROL RESET | H | D14D2 | | 1-03 * | | | | | | | | | | | 299 |
| CONTROL RESET | | | | 1 | | | | | | | | | 16-2/8 | | 299 |

| PK110.E RUN NAME | A/P | HND288.V15(15) PIN NAME | 01/28/72 ORDER PIN | BAY - ORDER | Q | DRAW | RV | PG | Y | X | Z | REMARKS | 30-MAR-72 LENGTH | 18125 EXCEPTIONS | PAGE 35 RUN NUMBER |
|---------------------|-----|-------------------------------|--------------------------|----------------|---|------|----|----|---|---|---|---------|---------------------|---------------------|--------------------------|
| CONTRDL RESET | L | D1401 | | | | | | | | | | | | 1-PIN RUN | 300 |
| COUNT DA (0) | H | B17J2 | | 1-01 * | | | | | | | | R1 | | | 301 |
| COUNT DA (0) | H | C16S1 | | 1-02 * | | | | | | | | R1 | | | 301 |
| COUNT DA (0) | H | D20U2 | | 1-03 * | | | | | | | | R1 | | | 301 |
| COUNT DA (0) | H | C26L2 | | 1-04 * | | | | | | | | I | | | 301 |
| COUNT DA (0) | | | | 1 | | | | | | | | | 19-4/8 | | 301 |
| COUNT DA (1) | H | D20V2 | | 1-01 * | | | | | | | | R1 | | | 302 |
| COUNT DA (1) | H | D29C1 | | 1-02 * | | | | | | | | R1 | | | 302 |
| COUNT DA (1) | H | D22H2 | | 1-03 * | | | | | | | | R1 | | | 302 |
| COUNT DA (1) | H | C14S2 | | 1-04 * | | | | | | | | R1 | | | 302 |
| COUNT DA (1) | | | | 1 | | | | | | | | | 16-0/8 | | 302 |
| COUNT MSR | H | A16V1 | | 1-01 * | | | | | | | | | | | 303 |
| COUNT MSR | H | D21H1 | | 1-02 * | | | | | | | | | | | 303 |
| COUNT MSR | H | D24H1 | | 1-03 * | | | | | | | | | | | 303 |
| COUNT MSR | | | | 1 | | | | | | | | | 14-0/8 | | 303 |
| COUNT MSR | L | A16U1 | | 1-01 * | | | | | | | | | | | 304 |
| COUNT MSR | L | C17B1 | | 1-02 * | | | | | | | | | | | 304 |
| COUNT MSR | L | C17D2 | | 1-03 * | | | | | | | | | | | 304 |
| COUNT MSR | L | C17H1 | | 1-04 * | | | | | | | | | | | 304 |
| COUNT MSR | L | C17L2 | | 1-05 * | | | | | | | | | | | 304 |
| COUNT MSR | L | C17N1 | | 1-06 * | | | | | | | | | | | 304 |
| COUNT MSR | L | C17S2 | | 1-07 * | | | | | | | | | | | 304 |
| COUNT MSR | L | D25S1 | | 1-08 * | | | | | | | | | | | 304 |
| COUNT MSR | | | | 1 | | | | | | | | | 27-4/8 | | 304 |
| CSE (0) | H | C28P2 | | 1-01 * | | | | | | | | | | | 305 |
| CSE (0) | H | D18J2 | | 1-02 * | | | | | | | | | | | 305 |
| CSE (0) | | | | 1 | | | | | | | | | 8-2/8 | | 305 |
| CSE (1) | H | B16L2 | | 1-01 * | | | | | | | | | | TERM HERE? | 306 |
| CSE (1) | H | B27H1 | | 1-02 * | | | | | | | | | | | 306 |
| CSE (1) | H | B32U1 | | 1-03 * | | | | | | | | | | CABLE | 306 |
| CSE (1) | H | C28R2 | | 1-04 * | | | | | | | | | | TERM HERE? | 306 |
| CSE (1) | | | | 1 | | | | | | | | | 18-0/8 | | 306 |
| D09B1 | | D09B1 | | 1-01 * | | | | | | | | | | | 307 |
| D09B1 | | D09D2 | | 1-02 * | | | | | | | | | | | 307 |
| D09B1 | | | | 1 | | | | | | | | | 2-6/8 | | 307 |
| D10B1 | | D10B1 | | 1-01 * | | | | | | | | | | | 308 |
| D10B1 | | D10Q2 | | 1-02 * | | | | | | | | | | | 308 |
| D10B1 | | | | 1 | | | | | | | | | 2-6/8 | | 308 |

| PK110.F RUN NAME | A/P | HND288.V15(15) PIN NAME | 01/28/72 ORDER PIN | BAY - ORDER | Q | DRAW | RV | PG | Y | X | Z | REMARKS | 30-MAR-72 LENGTH | 18125 EXCEPTIONS | PAGE 36 RUN NUMBER |
|---------------------|-----|-------------------------------|--------------------------|----------------|---|------|----|----|---|---|---|---------|---------------------|---------------------|--------------------------|
| D10C1 | | D10A1 | | 1-01 * | | | | | | | | | | | 309 |
| D10C1 | | D10C1 | | 1-02 * | | | | | | | | | | | 309 |
| D10C1 | | | | 1 | | | | | | | | | 2-4/8 | | 309 |
| D10P1 | | D10P1 | | 1-01 * | | | | | | | | | | | 310 |
| D10P1 | | D10V1 | | 1-02 * | | | | | | | | | | | 310 |
| D10P1 | | | | 1 | | | | | | | | | 3-0/8 | | 310 |
| D10U2 | | D10H2 | | 1-01 * | | | | | | | | | | | 311 |
| D10U2 | | D10U2 | | 1-02 * | | | | | | | | | | | 311 |
| D10U2 | | | | 1 | | | | | | | | | 3-0/8 | | 311 |
| D11D1 | | D11D1 | | 1-01 * | | | | | | | | | | | 312 |
| D11D1 | | D11D2 | | 1-02 * | | | | | | | | | | | 312 |
| D11D1 | | | | 1 | | | | | | | | | 2-4/8 | | 312 |
| D11K1 | | A27D1 | | 1-01 * | | | | | | | | | | | 313 |
| D11K1 | | A27D2 | | 1-02 * | | | | | | | | | | | 313 |
| D11K1 | | D11K1 | | 1-03 * | | | | | | | | | | | 313 |
| D11K1 | | | | 1 | | | | | | | | | 17-0/8 | | 313 |
| D11M2 | | D11M2 | | 1-01 * | | | | | | | | | | | 314 |
| D11M2 | | D11U2 | | 1-02 * | | | | | | | | | | | 314 |
| D11M2 | | | | 1 | | | | | | | | | 3-0/8 | | 314 |
| D11R1 | | D11M1 | | 1-01 * | | | | | | | | | | | 315 |
| D11R1 | | D11R1 | | 1-02 * | | | | | | | | | | | 315 |
| D11R1 | | | | 1 | | | | | | | | | 2-6/8 | | 315 |
| D13E2 | | C21L1 | | 1-01 * | | | | | | | | | | | 316 |
| D13E2 | | C14P1 | | 1-02 * | | | | | | | | | | | 316 |
| D13E2 | | D13E2 | | 1-03 * | | | | | | | | | | | 316 |
| D13E2 | | | | 1 | | | | | | | | | 10-4/8 | | 316 |
| D15J2 | | D15J2 | | 1-01 * | | | | | | | | | | | 317 |
| D15J2 | | D25M1 | | 1-02 * | | | | | | | | | | | 317 |
| D15J2 | | | | 1 | | | | | | | | | 7-2/8 | | 317 |
| D15P2 | | D15P2 | | 1-01 * | | | | | | | | | | | 318 |
| D15P2 | | D19H2 | | 1-02 * | | | | | | | | | | | 318 |
| D15P2 | | | | 1 | | | | | | | | | 4-6/8 | | 318 |
| D18H2 | | D24P1 | | 1-01 * | | | | | | | | | | | 319 |
| D18H2 | | D18H2 | | 1-02 * | | | | | | | | | | | 319 |
| D18H2 | | | | 1 | | | | | | | | | 5-4/8 | | 319 |

| RK110.E RUN NAME | HND288.V15(15) 01/28/72 A/P PIN ORDER BAY - NAME PIN ORDER | Q | DRAW | RV | PG | Y | X | Z | REMARKS | 30-MAR-72 LENGTH | 18125 EXCEPTIONS | PAGE 37 RUN NUMBER |
|---------------------|--|---|------|----|----|---|---|---|---------|---------------------|---------------------|--------------------------|
| D18J1 | C22M2 | | | | | | | 1 | | | | 320 |
| D18J1 | D18J1 | | | | | | | | | | | 320 |
| D18J1 | | | | | | | | 1 | | 5-6/8 | | 320 |
| D18S2 | C31E1 | | | | | | | 1 | | | | 321 |
| D18S2 | D18S2 | | | | | | | | | | | 321 |
| D18S2 | | | | | | | | 1 | | 10-2/8 | | 321 |
| D18V1 | C31Y2 | | | | | | | 1 | | | | 322 |
| D18V1 | D18V1 | | | | | | | | | | | 322 |
| D18V1 | | | | | | | | 1 | | 10-2/8 | | 322 |
| D19F2 | A07A1 | | | | | | | 1 | | | | 323 |
| D19F2 | D19F2 | | | | | | | | | | | 323 |
| D19F2 | | | | | | | | 1 | | 13-6/8 | | 323 |
| D19N1 | C19E2 | | | | | | | 1 | | | | 324 |
| D19N1 | C19F2 | | | | | | | 2 | | | | 324 |
| D19N1 | D19N1 | | | | | | | | | | | 324 |
| D19N1 | | | | | | | | 1 | | 8-4/8 | | 324 |
| D20L2 | D19E1 | | | | | | | 1 | | | | 325 |
| D20L2 | D20L2 | | | | | | | | | | | 325 |
| D20L2 | | | | | | | | 1 | | 3-4/8 | | 325 |
| D20R2 | C19W2 | | | | | | | 1 | | | | 326 |
| D20R2 | D20R2 | | | | | | | | | | | 326 |
| D20R2 | | | | | | | | 1 | | 6-2/8 | | 326 |
| D20T2 | C31R2 | | | | | | | 1 | | | | 327 |
| D20T2 | D20T2 | | | | | | | | | | | 327 |
| D20T2 | | | | | | | | 1 | | 9-0/8 | | 327 |
| D21C1 | C25V1 | | | | | | | 2 | | | | 328 |
| D21C1 | D24D2 | | | | | | | 1 | | | | 328 |
| D21C1 | D24D1 | | | | | | | 2 | | | | 328 |
| D21C1 | D21C1 | | | | | | | | | | | 328 |
| D21C1 | | | | | | | | 1 | | 11-2/8 | | 328 |
| D21F1 | D21F1 | | | | | | | 1 | | | | 329 |
| D21F1 | C18P2 | | | | | | | | | | | 329 |
| D21F1 | | | | | | | | 1 | | 4-6/8 | | 329 |
| D21F2 | B06U2 | | | | | | | 1 | | | | 330 |
| D21F2 | D21F2 | | | | | | | | | | | 330 |
| D21F2 | | | | | | | | 1 | | 11-4/8 | | 330 |

| RK110.E RUN NAME | HND288.V15(15) 01/28/72 A/P PIN ORDER BAY - NAME PIN ORDER | Q | DRAW | RV | PG | Y | X | Z | REMARKS | 30-MAR-72 LENGTH | 18125 EXCEPTIONS | PAGE 38 RUN NUMBER |
|---------------------|--|---|------|----|----|---|---|---|---------|---------------------|---------------------|--------------------------|
| D21N1 | C22N2 | | | | | | | 1 | | | | 331 |
| D21N1 | D21N1 | | | | | | | | | | | 331 |
| D21N1 | | | | | | | | 1 | | 5-4/8 | | 331 |
| D21N2 | D21N2 | | | | | | | 1 | | | | 332 |
| D21N2 | D31A1 | | | | | | | | | | | 332 |
| D21N2 | | | | | | | | 1 | | 7-4/8 | | 332 |
| D21S1 | D21S1 | | | | | | | 1 | | | | 333 |
| D21S1 | D22M2 | | | | | | | | | | | 333 |
| D21S1 | | | | | | | | 1 | | 3-2/8 | | 333 |
| D21S2 | D21S2 | | | | | | | 1 | | | | 334 |
| D21S2 | D23B1 | | | | | | | | | | | 334 |
| D21S2 | | | | | | | | 1 | | 4-2/8 | | 334 |
| D21V2 | C32R1 | | | | | | | 1 | | | | 335 |
| D21V2 | D21V2 | | | | | | | | | | | 335 |
| D21V2 | | | | | | | | 1 | | 9-0/8 | | 335 |
| D22L1 | A29N2 | | | | | | | 1 | | | | 336 |
| D22L1 | D22L1 | | | | | | | | | | | 336 |
| D22L1 | | | | | | | | 1 | | 11-6/8 | | 336 |
| D22P2 | D22P2 | | | | | | | 1 | | | | 337 |
| D22P2 | D23A1 | | | | | | | | | | | 337 |
| D22P2 | | | | | | | | 1 | | 4-0/8 | | 337 |
| D22S1 | D21W2 | | | | | | | 1 | | | | 338 |
| D22S1 | D22S1 | | | | | | | | | | | 338 |
| D22S1 | | | | | | | | 1 | | 3-4/8 | | 338 |
| D22V2 | D19J1 | | | | | | | 1 | | | | 339 |
| D22V2 | D22V2 | | | | | | | | | | | 339 |
| D22V2 | | | | | | | | 1 | | 4-6/8 | | 339 |
| D23D2 | D23D2 | | | | | | | 1 | | | | 340 |
| D23D2 | D24D1 | | | | | | | | | | | 340 |
| D23D2 | | | | | | | | 1 | | 2-4/8 | | 340 |
| D23F1 | D23F1 | | | | | | | 1 | | | | 341 |
| D23F1 | D25L1 | | | | | | | | | | | 341 |
| D23F1 | | | | | | | | 1 | | 3-4/8 | | 341 |
| D23J1 | D22J2 | | | | | | | 1 | | | | 342 |
| D23J1 | D23J1 | | | | | | | | | | | 342 |
| D23J1 | | | | | | | | 1 | | 2-4/8 | | 342 |

| PK110.E RUN NAME | HND288.V15(15) 01/28/72 A/P PIN ORDER BAY - NAME PIN ORDER | Q | DRAW | RV | PG | Y | X | Z | REMARKS | 30-MAR-72 LENGTH | 18125 EXCEPTIONS | PAGE 39 RUN NUMBER |
|---------------------|--|---|------|----|----|---|---|---|---------|---------------------|---------------------|--------------------------|
| D23T2 | D23T2 | | | | | | | 1 | | | | 343 |
| D23T2 | D27S2 | | | | | | | | | | | 343 |
| D23T2 | | | | | | | | 1 | | 4-2/8 | | 343 |
| D24M2 | D24M2 | | | | | | | 1 | | | | 344 |
| D24M2 | D30E2 | | | | | | | | | | | 344 |
| D24M2 | | | | | | | | 1 | | 5-6/8 | | 344 |
| D24U1 | C18E2 | | | | | | | 1 | | | | 345 |
| D24U1 | D24U1 | | | | | | | | | | | 345 |
| D24U1 | | | | | | | | 1 | | 7-6/8 | | 345 |
| D24V1 | C29K2 | | | | | | | 1 | | | | 346 |
| D24V1 | D24V1 | | | | | | | | | | | 346 |
| D24V1 | | | | | | | | 1 | | 7-2/8 | | 346 |
| D25E1 | C26T2 | | | | | | | 1 | | | | 347 |
| D25E1 | D25E1 | | | | | | | | | | | 347 |
| D25E1 | | | | | | | | 1 | | 4-0/8 | | 347 |
| D26L1 | D30T2 | | | | | | | 2 | | | | 348 |
| D26L1 | D26L1 | | | | | | | 1 | | | | 348 |
| D26L1 | D18L2 | | | | | | | | | | | 348 |
| D26L1 | | | | | | | | 1 | | 11-0/8 | | 348 |
| D27C1 | D17N1 | | | | | | | 1 | | | | 349 |
| D27C1 | D17P2 | | | | | | | 2 | | | | 349 |
| D27C1 | D27C1 | | | | | | | | | | | 349 |
| D27C1 | | | | | | | | 1 | | 10-2/8 | | 349 |
| D27F1 | D17R1 | | | | | | | 1 | | | | 350 |
| D27F1 | D17S2 | | | | | | | 2 | | | | 350 |
| D27F1 | D27F1 | | | | | | | | | | | 350 |
| D27F1 | | | | | | | | 1 | | 10-2/8 | | 350 |
| D27F2 | D26E1 | | | | | | | 1 | | | | 351 |
| D27F2 | D27F2 | | | | | | | | | | | 351 |
| D27F2 | | | | | | | | 1 | | 3-2/8 | | 351 |
| D27K1 | D23V2 | | | | | | | 1 | | | | 352 |
| D27K1 | D27K1 | | | | | | | | | | | 352 |
| D27K1 | | | | | | | | 1 | | 4-4/8 | | 352 |
| D27N1 | D17D1 | | | | | | | 1 | | | | 353 |
| D27N1 | D17E1 | | | | | | | 2 | | | | 353 |
| D27N1 | D27N1 | | | | | | | | | | | 353 |
| D27N1 | | | | | | | | 1 | | 10-2/8 | | 353 |

| PK110.E RUN NAME | HND288.V15(15) 01/28/72 A/P PIN ORDER BAY - NAME PIN ORDER | Q | DRAW | RV | PG | Y | X | Z | REMARKS | 30-MAR-72 LENGTH | 18125 EXCEPTIONS | PAGE 40 RUN NUMBER |
|---------------------|--|---|------|----|----|---|---|---|---------|---------------------|---------------------|--------------------------|
| D27N2 | D25D2 | | | | | | | 1 | | | | 354 |
| D27N2 | D27N2 | | | | | | | | | | | 354 |
| D27N2 | | | | | | | | 1 | | 3-6/8 | | 354 |
| D27S1 | D27S1 | | | | | | | 1 | | | | 355 |
| D27S1 | D28D1 | | | | | | | | | | | 355 |
| D27S1 | | | | | | | | 1 | | 4-0/8 | | 355 |
| D27V2 | D23L2 | | | | | | | 1 | | | | 356 |
| D27V2 | D27V2 | | | | | | | | | | | 356 |
| D27V2 | | | | | | | | 1 | | 4-6/8 | | 356 |
| D28K1 | D28K1 | | | | | | | 1 | | | | 357 |
| D28K1 | D29J2 | | | | | | | | | | | 357 |
| D28K1 | | | | | | | | 1 | | 3-2/8 | | 357 |
| D29E1 | D29E1 | | | | | | | 1 | | | | 358 |
| D29E1 | D30D2 | | | | | | | | | | | 358 |
| D29E1 | | | | | | | | 1 | | 3-2/8 | | 358 |
| D29L1 | D28R1 | | | | | | | 1 | | | | 359 |
| D29L1 | D29L1 | | | | | | | | | | | 359 |
| D29L1 | | | | | | | | 1 | | 3-0/8 | | 359 |
| D29P2 | D29P2 | | | | | | | 1 | | | | 360 |
| D29P2 | D30P2 | | | | | | | | | | | 360 |
| D29P2 | | | | | | | | 1 | | 2-6/8 | | 360 |
| D29S1 | D28Q2 | | | | | | | 1 | | | | 361 |
| D29S1 | D29S1 | | | | | | | | | | | 361 |
| D29S1 | | | | | | | | 1 | | 2-6/8 | | 361 |
| D29V2 | D29V2 | | | | | | | 1 | | | | 362 |
| D29V2 | D31M2 | | | | | | | | | | | 362 |
| D29V2 | | | | | | | | 1 | | 3-4/8 | | 362 |
| D30C1 | D18M1 | | | | | | | 1 | | | | 363 |
| D30C1 | D30C1 | | | | | | | | | | | 363 |
| D30C1 | | | | | | | | 1 | | 8-6/8 | | 363 |
| D30F1 | C28T2 | | | | | | | 1 | | | | 364 |
| D30F1 | D30F1 | | | | | | | | | | | 364 |
| D30F1 | | | | | | | | 1 | | 4-2/8 | | 364 |
| D30N2 | C28P1 | | | | | | | 1 | | | | 365 |
| D30N2 | D30N2 | | | | | | | | | | | 365 |
| D30N2 | | | | | | | | 1 | | 5-4/8 | | 365 |

| PK11C,E RUN NAME | A/P | HND288.V15(15) PIN NAME | 01/28/72 ORDER PIN | BAY - ORDER | Q | DRAW | RV | PG | Y | X | Z | REMARKS | 30-MAR-72 LENGTH | 18125 EXCEPTIONS | PAGE 41 RUN NUMBER |
|---------------------|-----|-------------------------------|--------------------------|----------------|---|------|----|----|---|---|---|---------|---------------------|---------------------|--------------------------|
| D30S1 | | D29N2 | | 1-01 * | | | | | | | 1 | | | | 366 |
| D30S1 | | D30S1 | | 1-02 * | | | | | | | | | | | 366 |
| D30S1 | | | | 1 | | | | | | | | | 2-6/8 | | 366 |
| D30S2 | | C21U2 | | 1-01 * | | | | | | | 1 | | | | 367 |
| D30S2 | | D30S2 | | 1-02 * | | | | | | | | | | | 367 |
| D30S2 | | | | 1 | | | | | | | | | 8-0/8 | | 367 |
| D31D2 | | B28Y2 | | 1-01 * | | | | | | | 1 | | | | 368 |
| D31D2 | | D31D2 | | 1-02 * | | | | | | | | | | | 368 |
| D31D2 | | | | 1 | | | | | | | | | 6-4/8 | | 368 |
| DATA (0) | H | D18R1 | | 1-01 * | | | | R1 | | | 2 | | | | 369 |
| DATA (0) | H | C17R2 | | 1-02 * | | | | R1 | | | 1 | | | | 369 |
| DATA (0) | H | D30P1 | | 1-03 * | | | | R1 | | | | | | | 369 |
| DATA (0) | | | | 1 | | | | | | | | | 14-6/8 | | 369 |
| DATA (1) | H | A24R2 | | 1-01 * | | | | R1 | | | 2 | | | TERM HERE? | 370 |
| DATA (1) | H | A30R1 | | 1-02 * | C | | | R1 | | | 1 | | | CABLE | 370 |
| DATA (1) | H | B32C2 | | 1-03 * | C | | | R1 | | | 2 | | | CABLE | 370 |
| DATA (1) | H | C31L1 | | 1-04 * | | | | R1 | | | 1 | | | | 370 |
| DATA (1) | H | C29A1 | | 1-05 * | | | | R1 | | | 2 | | | | 370 |
| DATA (1) | H | C17P2 | | 1-06 * | | | | R1 | | | 1 | | | | 370 |
| DATA (1) | H | C17P1 | | 1-07 * | | | | 1 | | | | | | TERM HERE? | 370 |
| DATA (1) | | | | 1 | | | | | | | | | 30-4/8 | | 370 |
| DATA STR 01 | H | B06R2 | | | | | | | | | | | | 1-PIN RUN | 371 |
| DATA STR 01 | L | B06S2 | | 1-01 * | | | | | | | 1 | | | | 372 |
| DATA STR 01 | L | B26R2 | | 1-02 * | | | | | | | 2 | | | | 372 |
| DATA STR 01 | L | C29K1 | | 1-03 * | | | | | | | | | | | 372 |
| DATA STR 01 | | | | 1 | | | | | | | | | 17-2/8 | | 372 |
| DATA TO ADD | H | A19H2 | | 1-01 * | | | | | | | 1 | | | | 373 |
| DATA TO ADD | H | B19H2 | | 1-02 * | | | | | | | 2 | | | | 373 |
| DATA TO ADD | H | B18H2 | | 1-03 * | | | | | | | 1 | | | | 373 |
| DATA TO ADD | H | C25B1 | | 1-04 * | | | | | | | | | | | 373 |
| DATA TO ADD | | | | 1 | | | | | | | | | 14-0/8 | | 373 |
| DISK DATA (0) | H | C10A1 | | 1-01 * | | | | | | | 1 | | | | 374 |
| DISK DATA (0) | H | C12U1 | | 1-02 * | | | | | | | | | | | 374 |
| DISK DATA (0) | | | | 1 | | | | | | | | | 4-6/8 | | 374 |
| DISK DATA (1) | H | B30H1 | | 1-01 * | C | | | | | | 1 | | | CABLE | 375 |
| DISK DATA (1) | H | C12S1 | | 1-02 * | | | | | | | | | | TERM HERE? | 375 |
| DISK DATA (1) | | | | 1 | | | | | | | | | 12-6/8 | | 375 |

| PK11C,E RUN NAME | A/P | HND288.V15(15) PIN NAME | 01/28/72 ORDER PIN | BAY - ORDER | Q | DRAW | RV | PG | Y | X | Z | REMARKS | 30-MAR-72 LENGTH | 18125 EXCEPTIONS | PAGE 42 RUN NUMBER |
|---------------------|-----|-------------------------------|--------------------------|----------------|---|------|----|----|---|---|---|---------|---------------------|---------------------|--------------------------|
| DISK IN USE (1) | H | D23P1 | | 1-01 * | | | | | | | 1 | | | | 376 |
| DISK IN USE (1) | H | D24S1 | | 1-02 * | | | | | | | | | | | 376 |
| DISK IN USE (1) | | | | 1 | | | | | | | | | 3-0/8 | | 376 |
| DISK RD CLK | L | A08N2 | | 1-01 * | | | | | | | 1 | | | | 377 |
| DISK RD CLK | L | C15D1 | | 1-02 * | | | | | | | | | | | 377 |
| DISK RD CLK | | | | 1 | | | | | | | | | 8-0/8 | | 377 |
| DISK RD DATA | L | A08R2 | | 1-01 * | | | | | | | 1 | | | | 378 |
| DISK RD DATA | L | C15E1 | | 1-02 * | | | | | | | | | | | 378 |
| DISK RD DATA | | | | 1 | | | | | | | | | 7-6/8 | | 378 |
| DISK SEC PLS | H | B08D2 | | 1-01 * | | | | | | | 1 | | | | 379 |
| DISK SEC PLS | H | D27D2 | | 1-02 * | | | | | | | | | | | 379 |
| DISK SEC PLS | | | | 1 | | | | | | | | | 14-0/8 | | 379 |
| DIV 02 (0) | H | C12J2 | | 1-01 * | | | | | | | 1 | | | | 380 |
| DIV 02 (0) | H | C12S2 | | 1-02 * | | | | | | | | | | | 380 |
| DIV 02 (0) | | | | 1 | | | | | | | | | 3-2/8 | | 380 |
| DIV 02 (1) | H | C12H2 | | 1-01 * | | | | | | | 2 | | | | 381 |
| DIV 02 (1) | H | C12J1 | | 1-02 * | | | | | | | 1 | | | | 381 |
| DIV 02 (1) | H | C12K1 | | 1-03 * | | | | | | | | | | | 381 |
| DIV 02 (1) | | | | 1 | | | | | | | | | 5-0/8 | | 381 |
| DIV 04 (0) | H | C12H1 | | | | | | | | | | | | 1-PIN RUN | 382 |
| DIV 04 (1) | H | C16L2 | | 1-01 * | | | | | | | 1 | | | | 383 |
| DIV 04 (1) | H | C16L1 | | 1-02 * | | | | | | | 2 | | | | 383 |
| DIV 04 (1) | H | C12L1 | | 1-03 * | | | | | | | | | | | 383 |
| DIV 04 (1) | | | | 1 | | | | | | | | | 6-6/8 | | 383 |
| DLT (0) | H | C28F1 | | 1-01 * | | | | R1 | | | 1 | | | | 384 |
| DLT (0) | H | B26H2 | | 1-02 * | | | | R1 | | | | | | | 384 |
| DLT (0) | | | | 1 | | | | | | | | | 4-4/8 | | 384 |
| DLT (1) | H | A16L2 | | 1-01 * | | | | R1 | | | 1 | | | | 385 |
| DLT (1) | H | C28E1 | | 1-02 * | | | | R1 | | | 2 | | | | 385 |
| DLT (1) | H | B32K1 | | 1-03 * | | | | R1 | | | | | | | 385 |
| DLT (1) | | | | 1 | | | | | | | | | 15-2/8 | | 385 |
| DPL (0) | H | C23M2 | | | | | | | | | | | | 1-PIN RUN | 386 |

| RK11C,E RUN NAME | A/P | HND288.V15(15) PIN NAME | 01/28/72 ORDER PIN | BAY - ORDER | Q | DRAW RV PG Y | X | Z | REMARKS | 30-MAR-72 LENGTH | 18125 EXCEPTIONS | PAGE 43 RUN NUMBER |
|---------------------|-----|-------------------------------|--------------------------|----------------|---|--------------|---|---|---------|---------------------|---------------------|--------------------------|
| DPL (1) | H | A32F2 | | 1-01 * | C | | | 1 | | | CABLE | 387 |
| DPL (1) | H | B30D1 | | 1-02 * | C | | | 2 | | | CABLE | 387 |
| DPL (1) | H | C23P2 | | 1-03 * | | | | 1 | | | | 387 |
| DPL (1) | H | A14H1 | | 1-04 * | | | | | | | TERM HERE? | 387 |
| DPL (1) | | | | 1 | | | | | | 23-2/8 | | 387 |
| DR AC LO | H | A08M1 | | 1-01 * | | | | 1 | | | TERM HERE? | 388 |
| DR AC LO | H | D19A1 | | 1-02 * | | | | 2 | | | | 388 |
| DR AC LO | H | B30V1 | | 1-03 * | C | | | | | | CABLE | 388 |
| DR AC LO | | | | 1 | | | | | | 20-6/8 | | 388 |
| DR BUS AC LO | L | B12F1 | B10F1 | 1-01 * | | | | 1 | | | | 389 |
| DR BUS AC LO | L | B10F1 | | 1-02 * | | | | 2 | | | | 389 |
| DR BUS AC LO | L | A08L1 | | 1-03 * | | | | 1 | | | | 389 |
| DR BUS AC LO | L | D21U1 | | 1-04 * | | | | | | | | 389 |
| DR BUS AC LO | | | | 1 | | | | | | 22-2/8 | | 389 |
| DR BUS ADD ACK | L | A10R2 | | 1-01 * | | | | 2 | | | TERM HERE? | 390 |
| DR BUS ADD ACK | L | A12R2 | | 1-02 * | C | | | 1 | | | CABLE | 390 |
| DR BUS ADD ACK | L | B08R1 | | 1-03 * | | | | 2 | | | | 390 |
| DR BUS ADD ACK | L | C11R1 | | 1-04 * | | | | | | | TERM HERE? | 390 |
| DR BUS ADD ACK | | | | 1 | | | | | | 14-6/8 | | 390 |
| DR BUS CYL ADD 00 | L | A12K1 | | 1-01 * | C | | | 2 | | | CABLE | 391 |
| DR BUS CYL ADD 00 | L | A10K1 | | 1-02 * | | | | 1 | | | | 391 |
| DR BUS CYL ADD 00 | L | C09D1 | | 1-03 * | | | | | | | TERM HERE? | 391 |
| DR BUS CYL ADD 00 | | | | 1 | | | | | | 10-4/8 | | 391 |
| DR BUS CYL ADD 01 | L | A12D1 | | 1-01 * | | | | 2 | | | | 392 |
| DR BUS CYL ADD 01 | L | A10D1 | | 1-02 * | | | | 1 | | | | 392 |
| DR BUS CYL ADD 01 | L | C09E1 | | 1-03 * | | | | | | | | 392 |
| DR BUS CYL ADD 01 | | | | 1 | | | | | | 11-2/8 | | 392 |
| DR BUS CYL ADD 02 | L | A12L1 | | 1-01 * | C | | | 2 | | | CABLE | 393 |
| DR BUS CYL ADD 02 | L | A10L1 | | 1-02 * | | | | 1 | | | | 393 |
| DR BUS CYL ADD 02 | L | C09K1 | | 1-03 * | | | | | | | TERM HERE? | 393 |
| DR BUS CYL ADD 02 | | | | 1 | | | | | | 11-0/8 | | 393 |
| DR BUS CYL ADD 03 | L | A12C1 | | 1-01 * | C | | | 2 | | | CABLE | 394 |
| DR BUS CYL ADD 03 | L | A10C1 | | 1-02 * | | | | 1 | | | | 394 |
| DR BUS CYL ADD 03 | L | C09L1 | | 1-03 * | | | | | | | TERM HERE? | 394 |
| DR BUS CYL ADD 03 | | | | 1 | | | | | | 12-0/8 | | 394 |
| DR BUS CYL ADD 04 | L | A12F1 | | 1-01 * | C | | | 2 | | | CABLE | 395 |
| DR BUS CYL ADD 04 | L | A10F1 | | 1-02 * | | | | 1 | | | | 395 |
| DR BUS CYL ADD 04 | L | C09R1 | | 1-03 * | | | | | | | TERM HERE? | 395 |
| DR BUS CYL ADD 04 | | | | 1 | | | | | | 12-0/8 | | 395 |

| RK11C,E RUN NAME | A/P | HND288.V15(15) PIN NAME | 01/28/72 ORDER PIN | BAY - ORDER | Q | DRAW RV PG Y | X | Z | REMARKS | 30-MAR-72 LENGTH | 18125 EXCEPTIONS | PAGE 44 RUN NUMBER |
|---------------------|-----|-------------------------------|--------------------------|----------------|---|--------------|---|---|---------|---------------------|---------------------|--------------------------|
| DR BUS CYL ADD 05 | L | A12J1 | | 1-01 * | C | | | 2 | | | CABLE | 396 |
| DR BUS CYL ADD 05 | L | A10J1 | | 1-02 * | | | | 1 | | | | 396 |
| DR BUS CYL ADD 05 | L | C09S1 | | 1-03 * | | | | | | | TERM HERE? | 396 |
| DR BUS CYL ADD 05 | | | | 1 | | | | | | 12-0/8 | | 396 |
| DR BUS CYL ADD 06 | L | A12E1 | | 1-01 * | | | | 2 | | | | 397 |
| DR BUS CYL ADD 06 | L | A10E1 | | 1-02 * | | | | 1 | | | | 397 |
| DR BUS CYL ADD 06 | L | C09H2 | | 1-03 * | | | | | | | | 397 |
| DR BUS CYL ADD 06 | | | | 1 | | | | | | 11-2/8 | | 397 |
| DR BUS CYL ADD 07 | L | A12H1 | | 1-01 * | C | | | 2 | | | CABLE | 398 |
| DR BUS CYL ADD 07 | L | A10H1 | | 1-02 * | | | | 1 | | | | 398 |
| DR BUS CYL ADD 07 | L | C09J2 | | 1-03 * | | | | | | | TERM HERE? | 398 |
| DR BUS CYL ADD 07 | | | | 1 | | | | | | 11-0/8 | | 398 |
| DR BUS DC LO | L | B12F2 | B10F2 | 1-01 * | | | | 1 | | | | 399 |
| DR BUS DC LO | L | B10F2 | | 1-02 * | | | | 2 | | | | 399 |
| DR BUS DC LO | L | A08N1 | | 1-03 * | | | | 1 | | | | 399 |
| DR BUS DC LO | L | D21V1 | | 1-04 * | | | | | | | | 399 |
| DR BUS DC LO | | | | 1 | | | | | | 22-0/8 | | 399 |
| DR BUS DRY | L | B08N1 | | 1-01 * | | | | 1 | | | TERM HERE? | 400 |
| DR BUS DRY | L | B10N1 | | 1-02 * | | | | 2 | | | | 400 |
| DR BUS DRY | L | B12N1 | | 1-03 * | C | | | 1 | | | CABLE | 400 |
| DR BUS DRY | L | C10V2 | | 1-04 * | | | | | | | TERM HERE? | 400 |
| DR BUS DRY | | | | 1 | | | | | | 12-4/8 | | 400 |
| DR BUS HI DEN | L | B12P2 | | 1-01 * | | | | 2 | | | | 401 |
| DR BUS HI DEN | L | B10P2 | | 1-02 * | | | | 1 | | | | 401 |
| DR BUS HI DEN | L | B08U2 | | 1-03 * | | | | | | | | 401 |
| DR BUS HI DEN | | | | 1 | | | | | | 6-6/8 | | 401 |
| DR BUS INDX PLS | L | B08S2 | | 1-01 * | | | | 2 | | | TERM HERE? | 402 |
| DR BUS INDX PLS | L | B10M1 | | 1-02 * | | | | 1 | | | | 402 |
| DR BUS INDX PLS | L | B12M1 | | 1-03 * | C | | | | | | CABLE | 402 |
| DR BUS INDX PLS | | | | 1 | | | | | | 6-4/8 | | 402 |
| DR BUS LOG ADD INT | L | A12T2 | | 1-01 * | C | | | 2 | | | CABLE | 403 |
| DR BUS LOG ADD INT | L | A10T2 | | 1-02 * | | | | 1 | | | | 403 |
| DR BUS LOG ADD INT | L | B08V1 | | 1-03 * | | | | 2 | | | | 403 |
| DR BUS LOG ADD INT | L | C11S1 | | 1-04 * | | | | | | | TERM HERE? | 403 |
| DR BUS LOG ADD INT | | | | 1 | | | | | | 14-2/8 | | 403 |

| RK11C, F RUN NAME | A/P | HND288, V15(15) PIN NAME | 01/28/72 ORDER PIN | BAY - ORDER | Q | DRAW RV PG Y | X | Z | REMARKS | 30-MAR-72 LENGTH | 18:25 EXCEPTIONS | PAGE 45 RUN NUMBER |
|----------------------|-----|-----------------------------|-----------------------|----------------|---|--------------|---|---|---------|---------------------|---------------------|--------------------------|
| DR BUS R/W/S RDY | L | A12H2 | | 1-01 * | C | | | 2 | | | CABLE | 404 |
| DR BUS R/W/S RDY | L | A10H2 | | 1-02 * | | | | 1 | | | | 404 |
| DR BUS R/W/S RDY | L | B0BL1 | | 1-03 * | | | | 2 | | | | 404 |
| DR BUS R/W/S RDY | L | C10U2 | | 1-04 * | | | | 1 | | | TERM HERE? | 404 |
| DR BUS R/W/S RDY | | | | 1 | | | | | | 15-4/8 | | 404 |
| DR BUS RD CLK | L | B12S1 | | 1-01 * | C | | | 2 | | | CABLE | 405 |
| DR BUS RD CLK | L | B10S1 | | 1-02 * | | | | 1 | | | | 405 |
| DR BUS RD CLK | L | B0BH2 | | 1-03 * | | | | 1 | | | TERM HERE? | 405 |
| DR BUS RD CLK | | | | 1 | | | | | | 7-0/8 | | 405 |
| DR BUS RD DATA | L | B12S2 | | 1-01 * | C | | | 2 | | | CABLE | 406 |
| DR BUS RD DATA | L | B10S2 | | 1-02 * | | | | 1 | | | | 406 |
| DR BUS RD DATA | L | B0BH2 | | 1-03 * | | | | 1 | | | TERM HERE? | 406 |
| DR BUS RD DATA | | | | 1 | | | | | | 6-6/8 | | 406 |
| DR BUS RD GATE | L | B12R1 | | 1-01 * | C | | | 2 | | | CABLE | 407 |
| DR BUS RD GATE | L | B10R1 | | 1-02 * | | | | 1 | | | | 407 |
| DR BUS RD GATE | L | C11K1 | | 1-03 * | | | | 1 | | | TERM HERE? | 407 |
| DR BUS RD GATE | | | | 1 | | | | | | 7-6/8 | | 407 |
| DR BUS RESTORE | L | A12M1 | | 1-01 * | C | | | 2 | | | CABLE | 408 |
| DR BUS RESTORE | L | A10M1 | | 1-02 * | | | | 1 | | | | 408 |
| DR BUS RESTORE | L | C09N2 | | 1-03 * | | | | 1 | | | TERM HERE? | 408 |
| DR BUS RESTORE | | | | 1 | | | | | | 11-0/8 | | 408 |
| DR BUS SEC CNTR 00 | L | B0BA1 | | 1-01 * | | | | 1 | | | | 409 |
| DR BUS SEC CNTR 00 | L | B10L1 | | 1-02 * | | | | 2 | | | | 409 |
| DR BUS SEC CNTR 00 | L | B12L1 | | 1-03 * | | | | 1 | | | | 409 |
| DR BUS SEC CNTR 00 | L | C10H2 | | 1-04 * | | | | 1 | | | | 409 |
| DR BUS SEC CNTR 00 | | | | 1 | | | | | | 12-0/8 | | 409 |
| DR BUS SEC CNTR 01 | L | A12P2 | | 1-01 * | C | | | 1 | | | CABLE | 410 |
| DR BUS SEC CNTR 01 | L | A10P2 | | 1-02 * | | | | 2 | | | | 410 |
| DR BUS SEC CNTR 01 | L | B0BD1 | | 1-03 * | | | | 1 | | | | 410 |
| DR BUS SEC CNTR 01 | L | C10J2 | | 1-04 * | | | | 1 | | | TERM HERE? | 410 |
| DR BUS SEC CNTR 01 | | | | 1 | | | | | | 13-6/8 | | 410 |
| DR BUS SEC CNTR 02 | L | B0BF1 | | 1-01 * | | | | 1 | | | TERM HERE? | 411 |
| DR BUS SEC CNTR 02 | L | B10K2 | | 1-02 * | | | | 2 | | | | 411 |
| DR BUS SEC CNTR 02 | L | B12K2 | | 1-03 * | C | | | 1 | | | CABLE | 411 |
| DR BUS SEC CNTR 02 | L | C10N2 | | 1-04 * | | | | 1 | | | TERM HERE? | 411 |
| DR BUS SEC CNTR 02 | | | | 1 | | | | | | 12-4/8 | | 411 |

| RK11C, E RUN NAME | A/P | HND288, V15(15) PIN NAME | 01/28/72 ORDER PIN | BAY - ORDER | Q | DRAW RV PG Y | X | Z | REMARKS | 30-MAR-72 LENGTH | 18:25 EXCEPTIONS | PAGE 46 RUN NUMBER |
|-----------------------|-----|-----------------------------|-----------------------|----------------|---|--------------|---|---|---------|---------------------|---------------------|--------------------------|
| DR BUS SEC CNTR 03 | L | B0BJ1 | | 1-01 * | | | | 1 | | | TERM HERE? | 412 |
| DR BUS SEC CNTR 03 | L | B10J1 | | 1-02 * | | | | 2 | | | | 412 |
| DR BUS SEC CNTR 03 | L | B12J1 | | 1-03 * | C | | | 1 | | | CABLE | 412 |
| DR BUS SEC CNTR 03 | L | C10P2 | | 1-04 * | | | | 1 | | | TERM HERE? | 412 |
| DR BUS SEC CNTR 03 | | | | 1 | | | | | | 12-2/8 | | 412 |
| DR BUS SEC PLS | L | B12N2 | | 1-01 * | C | | | 2 | | | CABLE | 413 |
| DR BUS SEC PLS | L | B10N2 | | 1-02 * | | | | 1 | | | | 413 |
| DR BUS SEC PLS | L | B0BC1 | | 1-03 * | | | | 1 | | | TERM HERE? | 413 |
| DR BUS SEC PLS | | | | 1 | | | | | | 7-4/8 | | 413 |
| DR BUS SEL DR A | L | A12J2 | | 1-01 * | C | | | 1 | | | CABLE | 414 |
| DR BUS SEL DR A | L | C10K1 | | 1-02 * | | | | 1 | | | TERM HERE? | 414 |
| DR BUS SEL DR A | | | | 1 | | | | | | 8-2/8 | | 414 |
| DR BUS SEL DR B | L | A12K2 | | 1-01 * | C | | | 1 | | | CABLE | 415 |
| DR BUS SEL DR B | L | C10L1 | | 1-02 * | | | | 1 | | | TERM HERE? | 415 |
| DR BUS SEL DR B | | | | 1 | | | | | | 8-2/8 | | 415 |
| DR BUS SEL DR C | L | A12L2 | | 1-01 * | C | | | 1 | | | CABLE | 416 |
| DR BUS SEL DR C | L | C10R1 | | 1-02 * | | | | 1 | | | TERM HERE? | 416 |
| DR BUS SEL DR C | | | | 1 | | | | | | 8-6/8 | | 416 |
| DR BUS SEL DR D | L | A12M2 | | 1-01 * | C | | | 1 | | | CABLE | 417 |
| DR BUS SEL DR D | L | C10S1 | | 1-02 * | | | | 1 | | | TERM HERE? | 417 |
| DR BUS SEL DR D | | | | 1 | | | | | | 8-6/8 | | 417 |
| DR BUS SEL DR E | L | A10J2 | | 1-01 * | | | | 1 | | | | 418 |
| DR BUS SEL DR E | L | C11H2 | | 1-02 * | | | | 1 | | | | 418 |
| DR BUS SEL DR E | | | | 1 | | | | | | 7-6/8 | | 418 |
| DR BUS SEL DR F | L | A10K2 | | 1-01 * | | | | 1 | | | | 419 |
| DR BUS SEL DR F | L | C11J2 | | 1-02 * | | | | 1 | | | | 419 |
| DR BUS SEL DR F | | | | 1 | | | | | | 7-6/8 | | 419 |
| DR BUS SEL DR H | L | A10L2 | | 1-01 * | | | | 1 | | | | 420 |
| DR BUS SEL DR H | L | C11N2 | | 1-02 * | | | | 1 | | | | 420 |
| DR BUS SEL DR H | | | | 1 | | | | | | 8-0/8 | | 420 |
| DR BUS SEL DR J | L | A10M2 | | 1-01 * | | | | 1 | | | | 421 |
| DR BUS SEL DR J | L | C11P2 | | 1-02 * | | | | 1 | | | | 421 |
| DR BUS SEL DR J | | | | 1 | | | | | | 8-0/8 | | 421 |
| DR BUS SEL UPPER HEAD | L | B12M2 | | 1-01 * | C | | | 2 | | | CABLE | 422 |
| DR BUS SEL UPPER HEAD | L | B10M2 | | 1-02 * | | | | 1 | | | | 422 |
| DR BUS SEL UPPER HEAD | L | C09P2 | | 1-03 * | | | | 1 | | | TERM HERE? | 422 |
| DR BUS SEL UPPER HEAD | | | | 1 | | | | | | 8-4/8 | | 422 |

| PK110.E RUN NAME | A/P | HND288,V15(15) PIN NAME | ORDER PIN | 01/28/72 BAY - ORDER | Q | DRAW RV PG Y | X | Z | REMARKS | 30-MAR-72 LENGTH | 18125 EXCEPTIONS | PAGE 47 RUN NUMBER |
|-----------------------|-----|-------------------------------|--------------|----------------------------|---|--------------|---|---|---------|---------------------|---------------------|--------------------------|
| DR BUS SIN | L | A10S2 | | 1-01 * | | | | 2 | | | TERM HERE? | 423 |
| DR BUS SIN | L | A12S2 | | 1-02 * | C | | | 1 | | | CABLE | 423 |
| DR BUS SIN | L | B08K2 | | 1-03 * | | | | | | | TERM HERE? | 423 |
| DR BUS SIN | | | | 1 | | | | | | 8-4/8 | | 423 |
| DR BUS STROBE | L | B10H1 | | 1-01 * | | | | 2 | | | TERM HERE? | 424 |
| DR BUS STROBE | L | B12H1 | | 1-02 * | C | | | 1 | | | CABLE | 424 |
| DR BUS STROBE | L | C1101 | | 1-03 * | | | | | | | TERM HERE? | 424 |
| DR BUS STROBE | | | | 1 | | | | | | 8-0/8 | | 424 |
| DR BUS WT CHK | L | B08P2 | | 1-01 * | | | | 2 | | | TERM HERE? | 425 |
| DR BUS WT CHK | L | B10K1 | | 1-02 * | | | | 1 | | | | 425 |
| DR BUS WT CHK | L | B12K1 | | 1-03 * | C | | | | | | CABLE | 425 |
| DR BUS WT CHK | | | | 1 | | | | | | 6-4/8 | | 425 |
| DR BUS WT DATA + CLK | L | A12F2 | | 1-01 * | C | | | 2 | | | CABLE | 426 |
| DR BUS WT DATA + CLK | L | A10F2 | | 1-02 * | | | | 1 | | | | 426 |
| DR BUS WT DATA + CLK | L | C10D1 | | 1-03 * | | | | | | | TERM HERE? | 426 |
| DR BUS WT DATA + CLK | | | | 1 | | | | | | 10-6/8 | | 426 |
| DR BUS WT GATE | L | B12L2 | | 1-01 * | C | | | 2 | | | CABLE | 427 |
| DR BUS WT GATE | L | B10L2 | | 1-02 * | | | | 1 | | | | 427 |
| DR BUS WT GATE | L | C11L1 | | 1-03 * | | | | | | | TERM HERE? | 427 |
| DR BUS WT GATE | | | | 1 | | | | | | 8-2/8 | | 427 |
| DR BUS WT PRCT STATUS | L | B12P1 | | 1-01 * | C | | | 2 | | | CABLE | 428 |
| DR BUS WT PRCT STATUS | L | B10P1 | | 1-02 * | | | | 1 | | | | 428 |
| DR BUS WT PRCT STATUS | L | B08E2 | | 1-03 * | | | | | | | TERM HERE? | 428 |
| DR BUS WT PRCT STATUS | | | | 1 | | | | | | 7-0/8 | | 428 |
| DR BUS WT PROTECT | L | B12R2 | | 1-01 * | C | | | 2 | | | CABLE | 429 |
| DR BUS WT PROTECT | L | B10R2 | | 1-02 * | | | | 1 | | | | 429 |
| DR BUS WT PROTECT | L | C11E1 | | 1-03 * | | | | | | | TERM HERE? | 429 |
| DR BUS WT PROTECT | | | | 1 | | | | | | 7-0/8 | | 429 |
| DR CNT 00 (0) | H | A25L2 | | 1-01 * | | | | 1 | | | | 430 |
| DR CNT 00 (0) | H | A25P1 | | 1-02 * | | | | 2 | | | | 430 |
| DR CNT 00 (0) | H | A25U1 | | 1-03 * | | | | | | | | 430 |
| DR CNT 00 (0) | | | | 1 | | | | | | 5-6/8 | | 430 |
| DR CNT 00 (1) | H | A25E2 | | 1-01 * | | | | 2 | | | | 431 |
| DR CNT 00 (1) | H | A25S1 | | 1-02 * | | | | 1 | | | | 431 |
| DR CNT 00 (1) | H | C19N1 | | 1-03 * | | | | 2 | | | | 431 |
| DR CNT 00 (1) | H | D12D2 | | 1-04 * | | | | | | | | 431 |
| DR CNT 00 (1) | | | | 1 | | | | | | 18-4/8 | | 431 |

| PK110.E RUN NAME | A/P | HND288,V15(15) PIN NAME | ORDER PIN | 01/28/72 BAY - ORDER | Q | DRAW RV PG Y | X | Z | REMARKS | 30-MAR-72 LENGTH | 18125 EXCEPTIONS | PAGE 48 RUN NUMBER |
|---------------------|-----|-------------------------------|--------------|----------------------------|---|--------------|---|---|---------|---------------------|---------------------|--------------------------|
| DR CNT 01 (0) | H | A25R2 | | 1-01 * | | | | 1 | | | | 432 |
| DR CNT 01 (0) | H | A25M2 | | 1-02 * | | | | 2 | | | | 432 |
| DR CNT 01 (0) | H | A29J1 | | 1-03 * | | | | | | | | 432 |
| DR CNT 01 (0) | | | | 1 | | | | | | 7-2/8 | | 432 |
| DR CNT 01 (1) | H | A25C1 | | 1-01 * | | | | 2 | | | | 433 |
| DR CNT 01 (1) | H | A25P2 | | 1-02 * | | | | 1 | | | | 433 |
| DR CNT 01 (1) | H | C19H1 | | 1-03 * | | | | 2 | | | | 433 |
| DR CNT 01 (1) | H | D12E2 | | 1-04 * | | | | | | | | 433 |
| DR CNT 01 (1) | | | | 1 | | | | | | 18-6/8 | | 433 |
| DR CNT 02 (0) | H | A29K1 | | 1-01 * | | | | 1 | | | | 434 |
| DR CNT 02 (0) | H | A29N1 | | 1-02 * | | | | | | | | 434 |
| DR CNT 02 (0) | | | | 1 | | | | | | 2-6/8 | | 434 |
| DR CNT 02 (1) | H | A29S1 | | 1-01 * | | | | 1 | | | | 435 |
| DR CNT 02 (1) | H | A29M1 | | 1-02 * | | | | 2 | | | | 435 |
| DR CNT 02 (1) | H | A24N1 | | 1-03 * | | | | 1 | | | | 435 |
| DR CNT 02 (1) | H | D12F2 | | 1-04 * | | | | | | | | 435 |
| DR CNT 02 (1) | | | | 1 | | | | | | 19-4/8 | | 435 |
| DR DC LO | H | A08P1 | | 1-01 * | | | | 1 | | | TERM HERE? | 436 |
| DR DC LO | H | A08R1 | | 1-02 * | | | | 2 | | | | 436 |
| DR DC LO | H | D19B1 | | 1-03 * | | | | 1 | | | | 436 |
| DR DC LO | H | B30T2 | | 1-04 * | C | | | | | | CABLE | 436 |
| DR DC LO | | | | 1 | | | | | | 23-2/8 | | 436 |
| DR DC LO | L | A08S1 | | 1-01 * | | R1 | | 1 | | | | 437 |
| DR DC LO | L | C18T2 | | 1-02 * | | R1 | | 2 | | | | 437 |
| DR DC LO | L | D18D2 | | 1-03 * | | R1 | | | | | | 437 |
| DR DC LO | | | | 1 | | | | | | 13-4/8 | | 437 |
| DR PWR LO | H | C32T2 | | 1-01 * | | | | 2 | | | | 438 |
| DR PWR LO | H | C26A1 | | 1-02 * | | | | 1 | | | | 438 |
| DR PWR LO | H | D20U1 | | 1-03 * | | | | | | | | 438 |
| DR PWR LO | | | | 1 | | | | | | 14-6/8 | | 438 |
| DR PWR LO | L | C29N2 | | 1-01 * | | | | 1 | | | | 439 |
| DR PWR LO | L | C18N2 | | 1-02 * | | | | 2 | | | | 439 |
| DR PWR LO | L | D19C1 | | 1-03 * | | | | 1 | | | | 439 |
| DR PWR LO | L | D18F1 | | 1-04 * | | | | 2 | | | | 439 |
| DR PWR LO | L | D20V1 | | 1-05 * | | | | | | | | 439 |
| DR PWR LO | | | | 1 | | | | | | 19-0/8 | | 439 |
| DR E (0) | H | B26F1 | | 1-01 * | | | | 1 | | | | 440 |
| DR E (0) | H | C23S2 | | 1-02 * | | | | | | | | 440 |
| DR E (0) | | | | 1 | | | | | | 6-4/8 | | 440 |

| RK11C.E RUN NAME | A/P | HND288.V15(15) PIN NAME | 01/28/72 ORDER PIN | BAY - ORDER | Q | DRAM RV PG Y | X | Z | REMARKS | 30-MAR-72 LENGTH | 18125 EXCEPTIONS | PAGE 49 RUN NUMBER |
|---------------------|-----|-------------------------------|--------------------------|----------------|---|--------------|---|---|---------|---------------------|---------------------|--------------------------|
| DRE (1) | H | A16A1 | | 1-01 * | | | | 1 | | | | 441 |
| DRE (1) | H | C23R2 | | 1-02 * | | | | 2 | | | | 441 |
| DRE (1) | H | C26B1 | | 1-03 * | | | | 1 | | | | 441 |
| DRE (1) | H | B30N1 | | 1-04 * | | | | 2 | | | | 441 |
| DRE (1) | H | B32C1 | | 1-05 * | | | | 1 | | | | 441 |
| DRE (1) | H | C32N1 | | 1-06 * | | | | | | | | 441 |
| DRE (1) | | | | 1 | | | | | | 30-0/8 | | 441 |
| DRIVE OK | H | C27S2 | | 1-01 * | | | | 1 | | | | 442 |
| DRIVE OK | H | C18R2 | | 1-02 * | | | | 2 | | | | 442 |
| DRIVE OK | H | C18V2 | | 1-03 * | | | | 1 | | | | 442 |
| DRIVE OK | H | D18E1 | | 1-04 * | | | | | | 13-2/8 | | 442 |
| DRIVE OK | | | | 1 | | | | | | | | 442 |
| DRIVE RESET | H | C27R1 | | 1-01 * | | | | 1 | | | | 443 |
| DRIVE RESET | H | D14H2 | | 1-02 * | | | | | | | | 443 |
| DRIVE RESET | | | | 1 | | | | | | 9-4/8 | | 443 |
| DRIVE RESET | L | C09K2 | | 1-01 * | | | | 1 | | | | 444 |
| DRIVE RESET | L | D14M1 | | 1-02 * | | | | 2 | | | | 444 |
| DRIVE RESET | L | D16M1 | | 1-03 * | | | | | | 9-2/8 | | 444 |
| DRIVE RESET | | | | 1 | | | | | | | | 444 |
| DRIVE UNSAFE | H | A14L1 | | 1-01 * | | | | 2 | | | TERM HERE? | 445 |
| DRIVE UNSAFE | H | B08R2 | | 1-02 * | | | | 1 | | | | 445 |
| DRIVE UNSAFE | H | C21E1 | | 1-03 * | | | | 2 | | | | 445 |
| DRIVE UNSAFE | H | B30P1 | | 1-04 * | C | | | 1 | | | CABLE | 445 |
| DRIVE UNSAFE | H | A32J2 | | 1-05 * | C | | | 2 | | | CABLE | 445 |
| DRIVE UNSAFE | H | D21D1 | | 1-06 * | | | | 1 | | | | 445 |
| DRIVE UNSAFE | H | D21E1 | | 1-07 * | | | | | | 44-2/8 | TERM HERE? | 445 |
| DRIVE UNSAFE | | | | 1 | | | | | | | | 445 |
| DRIVE UNSAFE | L | D18F2 | | 1-01 * | | R1 | | 2 | | | | 446 |
| DRIVE UNSAFE | L | C18U2 | | 1-02 * | | R1 | | 1 | | | | 446 |
| DRIVE UNSAFE | L | C21F1 | | 1-03 * | | R1 | | | | 8-0/8 | | 446 |
| DRIVE UNSAFE | | | | 1 | | | | | | | | 446 |
| DRY | H | D18E2 | | 1-01 * | | R1 | | 1 | | | | 447 |
| DRY | H | A32M2 | | 1-02 * | | R1 | | 2 | | | | 447 |
| DRY | H | B30S1 | | 1-03 * | | R1 | | 1 | | | | 447 |
| DRY | H | B14A1 | | 1-04 * | | R1 | | 2 | | | | 447 |
| DRY | H | A08Y1 | | 1-05 * | | R1 | | 1 | | | | 447 |
| DRY | H | B08P1 | | 1-06 * | | I | | | | | | 447 |
| DRY | | | | 1 | | | | | | 39-6/8 | | 447 |

| RK11C.E RUN NAME | A/P | HND288.V15(15) PIN NAME | 01/28/72 ORDER PIN | BAY - ORDER | Q | DRAM RV PG Y | X | Z | REMARKS | 30-MAR-72 LENGTH | 18125 EXCEPTIONS | PAGE 50 RUN NUMBER |
|---------------------|-----|-------------------------------|--------------------------|----------------|---|--------------|---|---|---------|---------------------|---------------------|--------------------------|
| DRY | L | A08U1 | | 1-01 * | | | | 1 | | | | 448 |
| DRY | L | C27P2 | | 1-02 * | | | | | | | | 448 |
| DRY | | | | 1 | | | | | | 14-0/8 | | 448 |
| DSB 00 (1) | H | B20D2 | | 1-01 * | | | | 2 | | | TERM HERE? | 449 |
| DSB 00 (1) | H | B22P1 | | 1-02 * | | | | 1 | | | | 449 |
| DSB 00 (1) | H | B31T2 | | 1-03 * | C | | | 2 | | | CABLE | 449 |
| DSB 00 (1) | H | C30J2 | | 1-04 * | | | | | | | TERM HERE? | 449 |
| DSB 00 (1) | | | | 1 | | | | | | 15-2/8 | | 449 |
| DSB 01 (1) | H | B20F2 | | 1-01 * | | | | 1 | | | TERM HERE? | 450 |
| DSB 01 (1) | H | B20H2 | | 1-02 * | | | | 2 | | | | 450 |
| DSB 01 (1) | H | B22L2 | | 1-03 * | | | | 1 | | | | 450 |
| DSB 01 (1) | H | B31S2 | | 1-04 * | C | | | | | | CABLE | 450 |
| DSB 01 (1) | | | | 1 | | | | | | 13-2/8 | | 450 |
| DSB 02 (1) | H | B20J2 | | 1-01 * | | | | 2 | | | TERM HERE? | 451 |
| DSB 02 (1) | H | B22L1 | | 1-02 * | | | | 1 | | | | 451 |
| DSB 02 (1) | H | B31R2 | | 1-03 * | C | | | | | | CABLE | 451 |
| DSB 02 (1) | | | | 1 | | | | | | 10-4/8 | | 451 |
| DSB 03 (1) | H | B20L2 | | 1-01 * | | | | 2 | | | TERM HERE? | 452 |
| DSB 03 (1) | H | B22H2 | | 1-02 * | | | | 1 | | | | 452 |
| DSB 03 (1) | H | B31P2 | | 1-03 * | C | | | | | | CABLE | 452 |
| DSB 03 (1) | | | | 1 | | | | | | 10-6/8 | | 452 |
| DSB 04 (1) | H | B20P2 | | 1-01 * | | | | 1 | | | TERM HERE? | 453 |
| DSB 04 (1) | H | B20K2 | | 1-02 * | | | | 2 | | | | 453 |
| DSB 04 (1) | H | B27M1 | | 1-03 * | | | | 1 | | | | 453 |
| DSB 04 (1) | H | B31, 2 | | 1-04 * | C | | | | | | CABLE | 453 |
| DSB 04 (1) | | | | 1 | | | | | | 13-2/8 | | 453 |
| DSB 05 (1) | H | B20R2 | | 1-01 * | | | | 2 | | | TERM HERE? | 454 |
| DSB 05 (1) | H | B22D2 | | 1-02 * | | | | 1 | | | | 454 |
| DSB 05 (1) | H | B31M2 | | 1-03 * | C | | | | | | CABLE | 454 |
| DSB 05 (1) | | | | 1 | | | | | | 11-0/8 | | 454 |
| DSB 06 (1) | H | B20T2 | | 1-01 * | | | | 2 | | | TERM HERE? | 455 |
| DSB 06 (1) | H | B22D1 | | 1-02 * | | | | 1 | | | | 455 |
| DSB 06 (1) | H | B31L2 | | 1-03 * | C | | | | | | CABLE | 455 |
| DSB 06 (1) | | | | 1 | | | | | | 11-6/8 | | 455 |
| DSB 07 (1) | H | B20V2 | | 1-01 * | | | | 2 | | | TERM HERE? | 456 |
| DSB 07 (1) | H | B22A1 | | 1-02 * | | | | 1 | | | | 456 |
| DSB 07 (1) | H | B31K2 | | 1-03 * | C | | | | | | CABLE | 456 |
| DSB 07 (1) | | | | 1 | | | | | | 12-2/8 | | 456 |

| IN11C.F PLN NAME | A/P | HND288.V15(15) PIN NAME | 01/28/72 ORDER PIN | BAY - ORDER | Q | DRAW RV PG Y | X | Z | REMARKS | 30-MAR-72 LENGTH | 18:25 EXCEPTIONS | PAGE 51 RUN NUMBER |
|---------------------|-----|----------------------------|-----------------------|----------------|---|--------------|---|---|---------|---------------------|---------------------|--------------------------|
| DSB 08 (1) | H | A20D2 | | 1-01 * | | | | 1 | | | TERM HERE? | 457 |
| DSB 08 (1) | H | A22P1 | | 1-02 * | | | | 2 | | | | 457 |
| DSB 08 (1) | H | B20E2 | | 1-03 * | | | | 1 | | | | 457 |
| DSB 08 (1) | H | B31J2 | | 1-04 * | C | | | | | | CABLE | 457 |
| DSB 08 (1) | | | | 1 | | | | | | 16-4/8 | | 457 |
| DSB 09 (1) | H | A20F2 | | 1-01 * | | | | 1 | | | TERM HERE? | 458 |
| DSB 09 (1) | H | A20H2 | | 1-02 * | | | | 2 | | | | 458 |
| DSB 09 (1) | H | A22L2 | | 1-03 * | | | | 1 | | | | 458 |
| DSB 09 (1) | H | B31H2 | | 1-04 * | C | | | | | | CABLE | 458 |
| DSB 09 (1) | | | | 1 | | | | | | 14-0/8 | | 458 |
| DSB 10 (1) | H | A20J2 | | 1-01 * | | | | 2 | | | TERM HERE? | 459 |
| DSB 10 (1) | H | A22L1 | | 1-02 * | | | | 1 | | | | 459 |
| DSB 10 (1) | H | B31F2 | | 1-03 * | C | | | | | | CABLE | 459 |
| DSB 10 (1) | | | | 1 | | | | | | 11-2/8 | | 459 |
| DSB 11 (1) | H | A20L2 | | 1-01 * | | | | 2 | | | TERM HERE? | 460 |
| DSB 11 (1) | H | A22H2 | | 1-02 * | | | | 1 | | | | 460 |
| DSB 11 (1) | H | B31E2 | | 1-03 * | C | | | | | | CABLE | 460 |
| DSB 11 (1) | | | | 1 | | | | | | 11-4/8 | | 460 |
| DSB 12 (1) | H | A20P2 | | 1-01 * | | | | 1 | | | TERM HERE? | 461 |
| DSB 12 (1) | H | A20N2 | | 1-02 * | | | | 2 | | | | 461 |
| DSB 12 (1) | H | A22H1 | | 1-03 * | | | | 1 | | | | 461 |
| DSB 12 (1) | H | B31D2 | | 1-04 * | C | | | | | | CABLE | 461 |
| DSB 12 (1) | | | | 1 | | | | | | 14-0/8 | | 461 |
| DSB 13 (1) | H | A22D2 | | 1-01 * | | | | 2 | | | TERM HERE? | 462 |
| DSB 13 (1) | H | A20R2 | | 1-02 * | | | | 1 | | | | 462 |
| DSB 13 (1) | H | B31C2 | | 1-03 * | C | | | | | | CABLE | 462 |
| DSB 13 (1) | | | | 1 | | | | | | 12-2/8 | | 462 |
| DSB 14 (1) | H | A22D1 | | 1-01 * | | | | 2 | | | TERM HERE? | 463 |
| DSB 14 (1) | H | A20T2 | | 1-02 * | | | | 1 | | | | 463 |
| DSB 14 (1) | H | B31B2 | | 1-03 * | C | | | | | | CABLE | 463 |
| DSB 14 (1) | | | | 1 | | | | | | 12-4/8 | | 463 |
| DSB 15 (0) | H | A20U1 | | 1-01 * | | | | 1 | | | | 464 |
| DSB 15 (0) | H | C19T2 | | 1-02 * | | | | | | | | 464 |
| DSB 15 (0) | | | | 1 | | | | | | 7-4/8 | | 464 |

| IN11C.F PLN NAME | A/P | HND288.V15(15) PIN NAME | 01/28/72 ORDER PIN | BAY - ORDER | Q | DRAW RV PG Y | X | Z | REMARKS | 30-MAR-72 LENGTH | 18:25 EXCEPTIONS | PAGE 52 RUN NUMBER |
|---------------------|-----|----------------------------|-----------------------|----------------|---|--------------|---|---|---------|---------------------|---------------------|--------------------------|
| DSB 15 (1) | H | B31A2 | | 1-01 * | C | | | 1 | | | CABLE | 465 |
| DSB 15 (1) | H | A22A1 | | 1-02 * | | | | 2 | | | | 465 |
| DSB 15 (1) | H | A20V2 | | 1-03 * | | | | 1 | | | | 465 |
| DSB 15 (1) | H | C19R2 | | 1-04 * | | | | 2 | | | | 465 |
| DSB 15 (1) | H | D24F2 | | 1-05 * | | | | | | | TERM HERE? | 465 |
| DSB 15 (1) | | | | 1 | | | | | | 25-6/8 | | 465 |
| DSB TO RKDB EN | H | C19A1 | | 1-01 * | | | | 2 | | | | 466 |
| DSB TO RKDB EN | H | D17F2 | | 1-02 * | | | | 1 | | | | 466 |
| DSB TO RKDB EN | H | D29K1 | | 1-03 * | | | | 2 | | | | 466 |
| DSB TO RKDB EN | H | D29R1 | | 1-04 * | | | | | | | | 466 |
| DSB TO RKDB EN | | | | 1 | | | | | | 17-2/8 | | 466 |
| DSB TO RKDB EN | L | C32D2 | | 1-01 * | | | | 1 | | | | 467 |
| DSB TO RKDB EN | L | C32E1 | | 1-02 * | | | | 2 | | | | 467 |
| DSB TO RKDB EN | L | C21J2 | | 1-03 * | | | | 1 | | | | 467 |
| DSB TO RKDB EN | L | D17D2 | | 1-04 * | | | | | | | | 467 |
| DSB TO RKDB EN | | | | 1 | | | | | | 16-0/8 | | 467 |
| DSB TO RKDB SEQ | L | B26S2 | | 1-01 * | | | | 1 | | | | 468 |
| DSB TO RKDB SEQ | L | C30N1 | | 1-02 * | | | | | | | | 468 |
| DSB TO RKDB SEQ | | | | 1 | | | | | | 5-2/8 | | 468 |
| END OF SYNC (0) | H | D19D2 | | 1-01 * | | | | 2 | | | | 469 |
| END OF SYNC (0) | H | C22H1 | | 1-02 * | | | | 1 | | | | 469 |
| END OF SYNC (0) | H | D28H1 | | 1-03 * | | | | 2 | | | | 469 |
| END OF SYNC (0) | H | D30R2 | | 1-04 * | | | | | | | | 469 |
| END OF SYNC (0) | | | | 1 | | | | | | 17-2/8 | | 469 |
| END OF SYNC (1) | H | D28L1 | | | | | | | | | 1-PIN RUN | 470 |
| EQUAL | H | B19V1 | | 1-01 * | | | | 1 | | | TERM HERE? | 471 |
| EQUAL | H | B30F1 | | 1-02 * | C | | | 2 | | | CABLE | 471 |
| EQUAL | H | C28M2 | | 1-03 * | | | | 1 | | | | 471 |
| EQUAL | H | D31C1 | | 1-04 * | | | | | | | TERM HERE? | 471 |
| EQUAL | | | | 1 | | | | | | 21-0/8 | | 471 |
| EQUAL | L | B19U1 | | 1-01 * | | | | 1 | | | | 472 |
| EQUAL | L | D22E1 | | 1-02 * | | | | 2 | | | | 472 |
| EQUAL | L | C28E2 | | 1-03 * | | | | | | | | 472 |
| EQUAL | | | | 1 | | | | | | 14-2/8 | | 472 |
| ERR OR | H | A14B1 | | 1-01 * | | | | 1 | | | TERM HERE? | 473 |
| ERR OR | H | A31A1 | | 1-02 * | C | | | 2 | | | CABLE | 473 |
| ERR OR | H | A30T2 | | 1-03 * | C | | | 1 | | | CABLE | 473 |
| ERR OR | H | C30S2 | | 1-04 * | | | | | | | TERM HERE? | 473 |
| ERR OR | | | | 1 | | | | | | 22-4/8 | | 473 |

| PK110.E RUN NAME | A/P | HND288, V15(15) PIN NAME | 01/28/72 ORDER PIN | BAY - ORDER | Q | DRAW | RV | PG | Y | X | Z | REMARKS | 30-MAR-72 LENGTH | 18125 EXCEPTIONS | PAGE 55 RUN NUMBER |
|---------------------|-----|-----------------------------|-----------------------|----------------|---|------|----|----|---|---|---|---------|---------------------|---------------------|--------------------------|
| GATE BUS TO RKDA LO | L | B1701 | | 1-01 * | | | | | | | 2 | | | | 491 |
| GATE BUS TO RKDA LO | L | B17M1 | | 1-02 * | | | | | | | 1 | | | | 491 |
| GATE BUS TO RKDA LO | L | C18J1 | | 1-03 * | | | | | | | | | | | 491 |
| GATE BUS TO RKDA LO | L | | | 1 | | | | | | | | | 8-0/8 | | 491 |
| GATE BUS TO RKDB | L | B06L2 | | 1-01 * | | | | | | | 1 | | | | 492 |
| GATE BUS TO RKDB | L | A15U1 | | 1-02 * | | | | | | | 2 | | | | 492 |
| GATE BUS TO RKDB | L | A23U2 | | 1-03 * | | | | | | | 1 | | | | 492 |
| GATE BUS TO RKDB | L | B23U2 | | 1-04 * | | | | | | | 2 | | | | 492 |
| GATE BUS TO RKDB | L | C18D1 | | 1-05 * | | | | | | | | | 24-0/8 | | 492 |
| GATE BUS TO RKDB | L | | | 1 | | | | | | | | | | | 492 |
| GATE BUS TO RKMR LO | L | D32B1 | | 1-01 * | | | | | | | 1 | | | | 493 |
| GATE BUS TO RKMR LO | L | D32D2 | | 1-02 * | | | | | | | 2 | | | | 493 |
| GATE BUS TO RKMR LO | L | D32H1 | | 1-03 * | | | | | | | 1 | | | | 493 |
| GATE BUS TO RKMR LO | L | D32L2 | | 1-04 * | | | | | | | 2 | | | | 493 |
| GATE BUS TO RKMR LO | L | D32N1 | | 1-05 * | | | | | | | 1 | | | | 493 |
| GATE BUS TO RKMR LO | L | D32S2 | | 1-06 * | | | | | | | 2 | | | | 493 |
| GATE BUS TO RKMR LO | L | D25V2 | | 1-07 * | | | | | | | | | 20-2/8 | | 493 |
| GATE BUS TO RKMR LO | L | | | 1 | | | | | | | | | | | 493 |
| GATE DSB TO RKDB | L | A22U2 | | 1-01 * | | | | | | | 1 | | | | 494 |
| GATE DSB TO RKDB | L | B22U2 | | 1-02 * | | | | | | | 2 | | | | 494 |
| GATE DSB TO RKDB | L | C21B1 | | 1-03 * | | | | | | | 1 | | | | 494 |
| GATE DSB TO RKDB | L | C29F1 | | 1-04 * | | | | | | | 2 | | | | 494 |
| GATE DSB TO RKDB | L | C30N2 | | 1-05 * | | | | | | | | | 18-2/8 | | 494 |
| GATE DSB TO RKDB | L | | | 1 | | | | | | | | | | | 494 |
| GATE RKBA TO BUS | L | A07D2 | | 1-01 * | | | | | | | 1 | | | | 495 |
| GATE RKBA TO BUS | L | B25E1 | | 1-02 * | | | | | | | | | | | 495 |
| GATE RKBA TO BUS | L | | | 1 | | | | | | | | | 12-2/8 | | 495 |
| GATE RKBA TO BUS A | H | B06B1 | | | | | | | | | | | | 1-PIN RUN | 496 |
| GATE RKBA TO BUS A | L | B06F1 | | 1-01 * | | | | | | | 2 | | | | 497 |
| GATE RKBA TO BUS A | L | B07U2 | | 1-02 * | | | | | | | 1 | | | | 497 |
| GATE RKBA TO BUS A | L | C09T2 | | 1-03 * | | | | | | | | | | | 497 |
| GATE RKBA TO BUS A | L | | | 1 | | | | | | | | | 9-2/8 | | 497 |
| GATE RKCS TO BUS | L | A14V2 | | 1-01 * | | | | | | | 2 | | | | 498 |
| GATE RKCS TO BUS | L | B14V2 | | 1-02 * | | | | | | | 1 | | | | 498 |
| GATE RKCS TO BUS | L | B25K2 | | 1-03 * | | | | | | | | | | | 498 |
| GATE RKCS TO BUS | L | | | 1 | | | | | | | | | 13-2/8 | | 498 |

| PK110.E RUN NAME | A/P | HND288, V15(15) PIN NAME | 01/28/72 ORDER PIN | BAY - ORDER | Q | DRAW | RV | PG | Y | X | Z | REMARKS | 30-MAR-72 LENGTH | 18125 EXCEPTIONS | PAGE 56 RUN NUMBER |
|---------------------|-----|-----------------------------|-----------------------|----------------|---|------|----|----|---|---|---|---------|---------------------|---------------------|--------------------------|
| GATE RKDA TO BUS | L | B15V2 | | 1-01 * | | | | | | | 2 | | | | 499 |
| GATE RKDA TO BUS | L | A15V2 | | 1-02 * | | | | | | | 1 | | | | 499 |
| GATE RKDA TO BUS | L | B25F2 | | 1-03 * | | | | | | | | | | | 499 |
| GATE RKDA TO BUS | L | | | 1 | | | | | | | | | 13-0/8 | | 499 |
| GATE RKDA TO RKDB | L | A23V2 | | 1-01 * | | | | | | | 2 | | | | 500 |
| GATE RKDA TO RKDB | L | B23V2 | | 1-02 * | | | | | | | 1 | | | | 500 |
| GATE RKDA TO RKDB | L | D24J1 | | 1-03 * | | | | | | | | | | | 500 |
| GATE RKDA TO RKDB | L | | | 1 | | | | | | | | | 11-4/8 | | 500 |
| GATE RKDB TO BUS | L | B25D2 | | 1-01 * | | | | | | | 1 | | | | 501 |
| GATE RKDB TO BUS | L | D20K2 | | 1-02 * | | | | | | | | | | | 501 |
| GATE RKDB TO BUS | L | | | 1 | | | | | | | | | 9-2/8 | | 501 |
| GATE RKDS TO BUS | L | A14U2 | | 1-01 * | | | | | | | 1 | | | | 502 |
| GATE RKDS TO BUS | L | B14U2 | | 1-02 * | | | | | | | 2 | | | | 502 |
| GATE RKDS TO BUS | L | B25H2 | | 1-03 * | | | | | | | 1 | | | | 502 |
| GATE RKDS TO BUS | L | B26D1 | | 1-04 * | | | | | | | | | | | 502 |
| GATE RKDS TO BUS | L | | | 1 | | | | | | | | | 16-4/8 | | 502 |
| GATE RKER TO BUS | L | A16U2 | | 1-01 * | | | | | | | 2 | | | | 503 |
| GATE RKER TO BUS | L | B16U2 | | 1-02 * | | | | | | | 1 | | | | 503 |
| GATE RKER TO BUS | L | B25J2 | | 1-03 * | | | | | | | | | | | 503 |
| GATE RKER TO BUS | L | | | 1 | | | | | | | | | 12-4/8 | | 503 |
| GATE RKHR TO BUS | L | B16V2 | | 1-01 * | | | | | | | 2 | | | | 504 |
| GATE RKHR TO BUS | L | A16V2 | | 1-02 * | | | | | | | 1 | | | | 504 |
| GATE RKHR TO BUS | L | B25E2 | | 1-03 * | | | | | | | | | | | 504 |
| GATE RKHR TO BUS | L | | | 1 | | | | | | | | | 12-2/8 | | 504 |
| GATE RKWC TO BUS | L | B07T2 | | 1-01 * | | | | | | | 1 | | | | 505 |
| GATE RKWC TO BUS | L | B25F1 | | 1-02 * | | | | | | | | | | | 505 |
| GATE RKWC TO BUS | L | | | 1 | | | | | | | | | 11-6/8 | | 505 |
| GEN CLR | H | A06R1 | | 1-01 * | | | | | | | | | | | 506 |
| GEN CLR | H | A06S1 | | 1-02 * | | | | | | | | | | | 506 |
| GEN CLR | H | C27H1 | | 1-03 * | | | | | | | | | | | 506 |
| GEN CLR | H | C29R1 | | 1-04 * | | | | | | | | | | | 506 |
| GEN CLR | H | C24R2 | | 1-05 * | | | | | | | | | | | 506 |
| GEN CLR | H | C21L2 | | 1-06 * | | | | | | | | | | | 506 |
| GEN CLR | H | D21H2 | | 1-07 * | | | | | | | | | | | 506 |
| GEN CLR | H | D21R2 | | 1-08 * | | | | | | | | | | | 506 |
| GEN CLR | H | D16S1 | | 1-09 * | | | | | | | | | | | 506 |
| GEN CLR | H | | | 1 | | | | | | | | | 40-4/8 | | 506 |

| RK11C.E RUN NAME | A/P | HND288.V15(15) PIN NAME | ORDER PIN | 01/28/72 BAY - ORDER | Q | DRAW | RV | PG | Y | X | Z | REMARKS | 30-MAR-72 LENGTH | 18125 EXCEPTIONS | PAGE 57 RUN NUMBER |
|---------------------|-----|-------------------------------|--------------|----------------------------|---|------|----|----|---|---|---|---------|---------------------|---------------------|--------------------------|
| GEN CLR | L | C23E2 | | 1-01 * | | | | | | | 1 | | | | 507 |
| GEN CLR | L | C23E1 | | 1-02 * | | | | | | | 2 | | | | 507 |
| GEN CLR | L | C23S1 | | 1-03 * | | | | | | | 1 | | | | 507 |
| GEN CLR | L | C23N2 | | 1-04 * | | | | | | | 2 | | | | 507 |
| GEN CLR | L | D23N2 | | 1-05 * | | | | | | | 1 | | | | 507 |
| GEN CLR | L | D23K2 | | 1-06 * | | | | | | | 2 | | | | 507 |
| GEN CLR | L | D31L2 | | 1-07 * | | | | | | | | | | | 507 |
| GEN CLR | | | | 1 | | | | | | | | | 26-2/8 | | 507 |
| GEN CLR + NEW SECT | H | A20B1 | | 1-01 * | | | | | | | 2 | | | | 508 |
| GEN CLR + NEW SECT | H | B20B1 | | 1-02 * | | | | | | | 1 | | | | 508 |
| GEN CLR + NEW SECT | H | C23F1 | | 1-03 * | | | | | | | 2 | | | | 508 |
| GEN CLR + NEW SECT | H | C23P2 | | 1-04 * | | | | | | | 1 | | | | 508 |
| GEN CLR + NEW SECT | H | D23P2 | | 1-05 * | | | | | | | 2 | | | | 508 |
| GEN CLR + NEW SECT | H | D21J1 | | 1-06 * | | | | | | | | | | | 508 |
| GEN CLR + NEW SECT | | | | 1 | | | | | | | | | 24-4/8 | | 508 |
| GEN CLR + NEW SECT | L | C11S2 | | 1-01 * | | | | | | | 2 | | | | 509 |
| GEN CLR + NEW SECT | L | C22L1 | | 1-02 * | | | | | | | 1 | | | | 509 |
| GEN CLR + NEW SECT | L | C23M1 | | 1-03 * | | | | | | | 2 | | | | 509 |
| GEN CLR + NEW SECT | L | C23B1 | | 1-04 * | | | | | | | 1 | | | | 509 |
| GEN CLR + NEW SECT | L | B26P1 | | 1-05 * | | | | | | | 2 | | | | 509 |
| GEN CLR + NEW SECT | L | C26J1 | | 1-06 * | | | | | | | 1 | | | | 509 |
| GEN CLR + NEW SECT | L | C23R2 | | 1-07 * | | | | | | | 2 | | | | 509 |
| GEN CLR + NEW SECT | L | D28A1 | | 1-08 * | | | | | | | 1 | | | | 509 |
| GEN CLR + NEW SECT | L | D28K2 | | 1-09 * | | | | | | | | | | | 509 |
| GEN CLR + NEW SECT | | | | 1 | | | | | | | | | 33-4/8 | | 509 |
| GEN DATA | H | B16U1 | | 1-01 * | | | | | | | 2 | | | | 510 |
| GEN DATA | H | D18U1 | | 1-02 * | | | | | | | 1 | | | | 510 |
| GEN DATA | H | D23S2 | | 1-03 * | | | | | | | 2 | | | | 510 |
| GEN DATA | H | C30H2 | | 1-04 * | | | | | | | | | | | 510 |
| GEN DATA | | | | 1 | | | | | | | | | 22-4/8 | | 510 |
| GEN DATA | L | C32F2 | | 1-01 * | | | | | | | 1 | | | | 511 |
| GEN DATA | L | C21H2 | | 1-02 * | | | | | | | 2 | | | | 511 |
| GEN DATA | L | B16V1 | | 1-03 * | | | | | | | 1 | | | | 511 |
| GEN DATA | L | D18N2 | | 1-04 * | | | | | | | 2 | | | | 511 |
| GEN DATA | L | D21R1 | | 1-05 * | | | | | | | | | | | 511 |
| GEN DATA | | | | 1 | | | | | | | | | 24-6/8 | | 511 |

| RK11C.E RUN NAME | A/P | HND288.V15(15) PIN NAME | ORDER PIN | 01/28/72 BAY - ORDER | Q | DRAW | RV | PG | Y | X | Z | REMARKS | 30-MAR-72 LENGTH | 18125 EXCEPTIONS | PAGE 58 RUN NUMBER |
|---------------------|-----|-------------------------------|--------------|----------------------------|---|------|----|----|---|---|---|---------|---------------------|---------------------|--------------------------|
| GND 01 | | A01B2 | | 1-01 * | | | | | | | 1 | | | | 512 |
| GND 01 | | A01C2 | | 1-02 * | | | | | | | 2 | | | | 512 |
| GND 01 | | A01N1 | | 1-03 * | | | | | | | 1 | | | | 512 |
| GND 01 | | A01P1 | | 1-04 * | | | | | | | 2 | | | | 512 |
| GND 01 | | A01R1 | | 1-05 * | | | | | | | 1 | | | | 512 |
| GND 01 | | A01S1 | | 1-06 * | | | | | | | 2 | | | | 512 |
| GND 01 | | A01T1 | | 1-07 * | | | | | | | 1 | | | | 512 |
| GND 01 | | A01V2 | | 1-08 * | | | | | | | 2 | | | | 512 |
| GND 01 | | B01B2 | | 1-09 * | | | | | | | 1 | | | | 512 |
| GND 01 | | B01C2 | | 1-10 * | | | | | | | 2 | | | | 512 |
| GND 01 | | B01D1 | | 1-11 * | | | | | | | 1 | | | | 512 |
| GND 01 | | B01E1 | | 1-12 * | | | | | | | 2 | | | | 512 |
| GND 01 | | B01T1 | | 1-13 * | | | | | | | 1 | | | | 512 |
| GND 01 | | B01V2 | | 1-14 * | | | | | | | | | | | 512 |
| GND 01 | | | | 1 | | | | | | | | | 35-6/8 | | 512 |
| GND 02 | | A02B2 | | 1-01 * | | | | | | | 1 | | | | 513 |
| GND 02 | | A02C2 | | 1-02 * | | | | | | | 2 | | | | 513 |
| GND 02 | | A02N1 | | 1-03 * | | | | | | | 1 | | | | 513 |
| GND 02 | | A02P1 | | 1-04 * | | | | | | | 2 | | | | 513 |
| GND 02 | | A02R1 | | 1-05 * | | | | | | | 1 | | | | 513 |
| GND 02 | | A02S1 | | 1-06 * | | | | | | | 2 | | | | 513 |
| GND 02 | | A02T1 | | 1-07 * | | | | | | | 1 | | | | 513 |
| GND 02 | | A02V2 | | 1-08 * | | | | | | | 2 | | | | 513 |
| GND 02 | | B02B2 | | 1-09 * | | | | | | | 1 | | | | 513 |
| GND 02 | | B02C2 | | 1-10 * | | | | | | | 2 | | | | 513 |
| GND 02 | | B02D1 | | 1-11 * | | | | | | | 1 | | | | 513 |
| GND 02 | | B02E1 | | 1-12 * | | | | | | | 2 | | | | 513 |
| GND 02 | | B02T1 | | 1-13 * | | | | | | | 1 | | | | 513 |
| GND 02 | | B02V2 | | 1-14 * | | | | | | | | | | | 513 |
| GND 02 | | | | 1 | | | | | | | | | 35-6/8 | | 513 |
| GND 03 | | A03C2 | | 1-01 * | | | | | | | 1 | | | | 514 |
| GND 03 | | A03T1 | | 1-02 * | | | | | | | 2 | | | | 514 |
| GND 03 | | B03C2 | | 1-03 * | | | | | | | 1 | | | | 514 |
| GND 03 | | B03T1 | | 1-04 * | | | | | | | | | | | 514 |
| GND 03 | | | | 1 | | | | | | | | | 11-4/8 | | 514 |
| GND 04 | | A04C2 | | 1-01 * | | | | | | | 1 | | | | 515 |
| GND 04 | | A04T1 | | 1-02 * | | | | | | | 2 | | | | 515 |
| GND 04 | | B04C2 | | 1-03 * | | | | | | | 1 | | | | 515 |
| GND 04 | | B04T1 | | 1-04 * | | | | | | | | | | | 515 |
| GND 04 | | | | 1 | | | | | | | | | 11-4/8 | | 515 |

| RK11C.E RUN NAME | HND288.V15(15) 01/28/72 A/P PIN ORDER BAY - NAME PIN ORDER | Q | DRAW | RV | PG | Y | X | Z | REMARKS | 30-MAR-72 LENGTH | 18125 EXCEPTIONS | PAGE 63 RUN NUMBER |
|---------------------|--|---|------|----|----|---|---|---|---------|---------------------|---------------------|--------------------------|
| GND 18 | A18C2 | | | | | | | 2 | | | | 529 |
| GND 18 | A18J1 | | | | | | | 1 | | | | 529 |
| GND 18 | A18T1 | | | | | | | 2 | | | | 529 |
| GND 18 | B18C2 | | | | | | | 1 | | | | 529 |
| GND 18 | B18T1 | | | | | | | 2 | | | | 529 |
| GND 18 | C18C2 | | | | | | | 1 | | | | 529 |
| GND 18 | C18T1 | | | | | | | 2 | | | | 529 |
| GND 18 | D18C2 | | | | | | | 1 | | | | 529 |
| GND 18 | D18T1 | | | | | | | 1 | | | | 529 |
| GND 18 | | | | | | | | 1 | | 28-4/8 | | 529 |
| GND 19 | A19C2 | | | | | | | 1 | | | | 530 |
| GND 19 | A19F2 | | | | | | | 2 | | | | 530 |
| GND 19 | A19L2 | | | | | | | 1 | | | | 530 |
| GND 19 | A19L1 | | | | | | | 2 | | | | 530 |
| GND 19 | A19T1 | | | | | | | 1 | | | | 530 |
| GND 19 | A19S2 | | | | | | | 2 | | | | 530 |
| GND 19 | A19T2 | | | | | | | 1 | | | | 530 |
| GND 19 | B19A1 | | | | | | | 2 | | | | 530 |
| GND 19 | B19C1 | | | | | | | 1 | | | | 530 |
| GND 19 | B19B2 | | | | | | | 2 | | | | 530 |
| GND 19 | B19C2 | | | | | | | 1 | | | | 530 |
| GND 19 | B19D2 | | | | | | | 2 | | | | 530 |
| GND 19 | B19F2 | | | | | | | 1 | | | | 530 |
| GND 19 | B19M2 | | | | | | | 2 | | | | 530 |
| GND 19 | B19L2 | | | | | | | 1 | | | | 530 |
| GND 19 | B19L1 | | | | | | | 2 | | | | 530 |
| GND 19 | B19T1 | | | | | | | 1 | | | | 530 |
| GND 19 | B19S2 | | | | | | | 2 | | | | 530 |
| GND 19 | C19C2 | | | | | | | 1 | | | | 530 |
| GND 19 | C19T1 | | | | | | | 2 | | | | 530 |
| GND 19 | D19C2 | | | | | | | 1 | | | | 530 |
| GND 19 | D19T1 | | | | | | | 1 | | 60-2/8 | | 530 |
| GND 19 | | | | | | | | 1 | | | | 530 |
| GND 20 | A20C2 | | | | | | | 1 | | | | 531 |
| GND 20 | A20T1 | | | | | | | 2 | | | | 531 |
| GND 20 | B20C2 | | | | | | | 1 | | | | 531 |
| GND 20 | B20T1 | | | | | | | 2 | | | | 531 |
| GND 20 | C20C2 | | | | | | | 1 | | | | 531 |
| GND 20 | C20T1 | | | | | | | 2 | | | | 531 |
| GND 20 | D20C2 | | | | | | | 1 | | | | 531 |
| GND 20 | D20T1 | | | | | | | 1 | | 26-2/8 | | 531 |
| GND 20 | | | | | | | | 1 | | | | 531 |

| RK11C.E RUN NAME | HND288.V15(15) 01/28/72 A/P PIN ORDER BAY - NAME PIN ORDER | Q | DRAW | RV | PG | Y | X | Z | REMARKS | 30-MAR-72 LENGTH | 18125 EXCEPTIONS | PAGE 64 RUN NUMBER |
|---------------------|--|---|------|----|----|---|---|---|---------|---------------------|---------------------|--------------------------|
| GND 21 | A21C2 | | | | | | | 1 | | | | 532 |
| GND 21 | A21T1 | | | | | | | 2 | | | | 532 |
| GND 21 | B21C2 | | | | | | | 1 | | | | 532 |
| GND 21 | B21T1 | | | | | | | 2 | | | | 532 |
| GND 21 | C21C2 | | | | | | | 1 | | | | 532 |
| GND 21 | C21T1 | | | | | | | 2 | | | | 532 |
| GND 21 | D21C2 | | | | | | | 1 | | | | 532 |
| GND 21 | D21T1 | | | | | | | 1 | | | | 532 |
| GND 21 | | | | | | | | 1 | | 26-2/8 | | 532 |
| GND 22 | A22C2 | | | | | | | 1 | | | | 533 |
| GND 22 | A22T1 | | | | | | | 2 | | | | 533 |
| GND 22 | B22C2 | | | | | | | 1 | | | | 533 |
| GND 22 | B22T1 | | | | | | | 2 | | | | 533 |
| GND 22 | C22C2 | | | | | | | 1 | | | | 533 |
| GND 22 | C22T1 | | | | | | | 2 | | | | 533 |
| GND 22 | D22C2 | | | | | | | 1 | | | | 533 |
| GND 22 | D22T1 | | | | | | | 1 | | | | 533 |
| GND 22 | | | | | | | | 1 | | 26-2/8 | | 533 |
| GND 23 | A23B1 | | | | | | | 1 | | | | 534 |
| GND 23 | A23C2 | | | | | | | 2 | | | | 534 |
| GND 23 | A23E2 | | | | | | | 1 | | | | 534 |
| GND 23 | A23E1 | | | | | | | 2 | | | | 534 |
| GND 23 | A23T1 | | | | | | | 1 | | | | 534 |
| GND 23 | B23C2 | | | | | | | 2 | | | | 534 |
| GND 23 | B23J2 | | | | | | | 1 | | | | 534 |
| GND 23 | B23J1 | | | | | | | 2 | | | | 534 |
| GND 23 | B23M2 | | | | | | | 1 | | | | 534 |
| GND 23 | B23M1 | | | | | | | 2 | | | | 534 |
| GND 23 | B23R1 | | | | | | | 1 | | | | 534 |
| GND 23 | B23T1 | | | | | | | 2 | | | | 534 |
| GND 23 | C23C2 | | | | | | | 1 | | | | 534 |
| GND 23 | C23T1 | | | | | | | 2 | | | | 534 |
| GND 23 | D23C2 | | | | | | | 1 | | | | 534 |
| GND 23 | D23T1 | | | | | | | 1 | | | | 534 |
| GND 23 | | | | | | | | 1 | | 45-4/8 | | 534 |
| GND 24 | A24C2 | | | | | | | 1 | | | | 535 |
| GND 24 | A24T1 | | | | | | | 2 | | | | 535 |
| GND 24 | B24C2 | | | | | | | 1 | | | | 535 |
| GND 24 | B24T1 | | | | | | | 2 | | | | 535 |
| GND 24 | C24C2 | | | | | | | 1 | | | | 535 |
| GND 24 | C24T1 | | | | | | | 2 | | | | 535 |
| GND 24 | D24C2 | | | | | | | 1 | | | | 535 |
| GND 24 | D24T1 | | | | | | | 1 | | | | 535 |
| GND 24 | | | | | | | | 1 | | 26-2/8 | | 535 |

| RK110.F RUN NAME | HND288, v15 (15) 01/28/72 | | | | Q | DRAW | RV | PG | Y | X | Z | REMARKS | 30-MAR-72 LENGTH | 18125 EXCEPTIONS | PAGE 65 RUN NUMBER |
|---------------------|---------------------------|-------------|--------------|----------------|---|------|----|----|---|---|---|---------|---------------------|---------------------|--------------------------|
| | A/P | PIN NAME | ORDER PIN | BAY - ORDER | | | | | | | | | | | |
| GND 25 | | A25C2 | | 1-01 * | | | | | | | 2 | | | | 536 |
| GND 25 | | A25T1 | | 1-02 * | | | | | | | 1 | | | | 536 |
| GND 25 | | B25C2 | | 1-03 * | | | | | | | 2 | | | | 536 |
| GND 25 | | B25T1 | | 1-04 * | | | | | | | 1 | | | | 536 |
| GND 25 | | B25V2 | | 1-05 * | | | | | | | 2 | | | | 536 |
| GND 25 | | C25C1 | | 1-06 * | | | | | | | 1 | | | | 536 |
| GND 25 | | C25C2 | | 1-07 * | | | | | | | 2 | | | | 536 |
| GND 25 | | C25M2 | | 1-08 * | | | | | | | 1 | | | | 536 |
| GND 25 | | C25N2 | | 1-09 * | | | | | | | 2 | | | | 536 |
| GND 25 | | C25T1 | | 1-10 * | | | | | | | 1 | | | | 536 |
| GND 25 | | D25C2 | | 1-11 * | | | | | | | 2 | | | | 536 |
| GND 25 | | D25T1 | | 1-12 * | | | | | | | 1 | | | | 536 |
| GND 25 | | | | 1 | | | | | | | | | 36-2/8 | | 536 |
| GND 26 | | A26C2 | | 1-01 * | | | | | | | 1 | | | | 537 |
| GND 26 | | A26T1 | | 1-02 * | | | | | | | 2 | | | | 537 |
| GND 26 | | B26C2 | | 1-03 * | | | | | | | 1 | | | | 537 |
| GND 26 | | B26T1 | | 1-04 * | | | | | | | 2 | | | | 537 |
| GND 26 | | C26C2 | | 1-05 * | | | | | | | 1 | | | | 537 |
| GND 26 | | C26T1 | | 1-06 * | | | | | | | 2 | | | | 537 |
| GND 26 | | D26C2 | | 1-07 * | | | | | | | 1 | | | | 537 |
| GND 26 | | D26T1 | | 1-08 * | | | | | | | | | | | 537 |
| GND 26 | | | | 1 | | | | | | | | | 26-2/8 | | 537 |
| GND 27 | | A27C2 | | 1-01 * | | | | | | | 1 | | | | 538 |
| GND 27 | | A27T1 | | 1-02 * | | | | | | | 2 | | | | 538 |
| GND 27 | | B27C2 | | 1-03 * | | | | | | | 1 | | | | 538 |
| GND 27 | | B27T1 | | 1-04 * | | | | | | | 2 | | | | 538 |
| GND 27 | | C27C2 | | 1-05 * | | | | | | | 1 | | | | 538 |
| GND 27 | | C27T1 | | 1-06 * | | | | | | | 2 | | | | 538 |
| GND 27 | | D27C2 | | 1-07 * | | | | | | | 1 | | | | 538 |
| GND 27 | | D27T1 | | 1-08 * | | | | | | | | | | | 538 |
| GND 27 | | | | 1 | | | | | | | | | 26-2/8 | | 538 |

| RK110.F RUN NAME | HND288, v15 (15) 01/28/72 | | | | Q | DRAW | RV | PG | Y | X | Z | REMARKS | 30-MAR-72 LENGTH | 18125 EXCEPTIONS | PAGE 66 RUN NUMBER |
|---------------------|---------------------------|-------------|--------------|----------------|---|------|----|----|---|---|---|---------|---------------------|---------------------|--------------------------|
| | A/P | PIN NAME | ORDER PIN | BAY - ORDER | | | | | | | | | | | |
| GND 28 | | A28C2 | | 1-01 * | | | | | | | 1 | | | | 539 |
| GND 28 | | A28D1 | | 1-02 * | | | | | | | 2 | | | | 539 |
| GND 28 | | A28E1 | | 1-03 * | | | | | | | 1 | | | | 539 |
| GND 28 | | A28F1 | | 1-04 * | | | | | | | 2 | | | | 539 |
| GND 28 | | A28H1 | | 1-05 * | | | | | | | 1 | | | | 539 |
| GND 28 | | A28J1 | | 1-06 * | | | | | | | 2 | | | | 539 |
| GND 28 | | A28K1 | | 1-07 * | | | | | | | 1 | | | | 539 |
| GND 28 | | A28L1 | | 1-08 * | | | | | | | 2 | | | | 539 |
| GND 28 | | A28M1 | | 1-09 * | | | | | | | 1 | | | | 539 |
| GND 28 | | A28N1 | | 1-10 * | | | | | | | 2 | | | | 539 |
| GND 28 | | A28P1 | | 1-11 * | | | | | | | 1 | | | | 539 |
| GND 28 | | A28R1 | | 1-12 * | | | | | | | 2 | | | | 539 |
| GND 28 | | A28T1 | | 1-13 * | | | | | | | 1 | | | | 539 |
| GND 28 | | A28V2 | | 1-14 * | | | | | | | 2 | | | | 539 |
| GND 28 | | B28C2 | | 1-15 * | | | | | | | 1 | | | | 539 |
| GND 28 | | B28T1 | | 1-16 * | | | | | | | 2 | | | | 539 |
| GND 28 | | C28C2 | | 1-17 * | | | | | | | 1 | | | | 539 |
| GND 28 | | C28T1 | | 1-18 * | | | | | | | 2 | | | | 539 |
| GND 28 | | D28C2 | | 1-19 * | | | | | | | 1 | | | | 539 |
| GND 28 | | D28C1 | | 1-20 * | | | | | | | 2 | | | | 539 |
| GND 28 | | D28E2 | | 1-21 * | | | | | | | 1 | | | | 539 |
| GND 28 | | D28J1 | | 1-22 * | | | | | | | 2 | | | | 539 |
| GND 28 | | D28M2 | | 1-23 * | | | | | | | 1 | | | | 539 |
| GND 28 | | D28P1 | | 1-24 * | | | | | | | 2 | | | | 539 |
| GND 28 | | D28T2 | | 1-25 * | | | | | | | 1 | | | | 539 |
| GND 28 | | D28T1 | | 1-26 * | | | | | | | | | | | 539 |
| GND 28 | | | | 1 | | | | | | | | | 69-6/8 | | 539 |
| GND 29 | | A29C2 | | 1-01 * | | | | | | | 1 | | | | 540 |
| GND 29 | | A29T1 | | 1-02 * | | | | | | | 2 | | | | 540 |
| GND 29 | | B29C2 | | 1-03 * | | | | | | | 1 | | | | 540 |
| GND 29 | | B29T1 | | 1-04 * | | | | | | | 2 | | | | 540 |
| GND 29 | | C29C2 | | 1-05 * | | | | | | | 1 | | | | 540 |
| GND 29 | | C29T1 | | 1-06 * | | | | | | | 2 | | | | 540 |
| GND 29 | | D29C2 | | 1-07 * | | | | | | | 1 | | | | 540 |
| GND 29 | | D29T1 | | 1-08 * | | | | | | | | | | | 540 |
| GND 29 | | | | 1 | | | | | | | | | 26-2/8 | | 540 |
| GND 30 | | A30C2 | | 1-01 * | | | | | | | 1 | | | | 541 |
| GND 30 | | A30T1 | | 1-02 * | | | | | | | 2 | | | | 541 |
| GND 30 | | B30C2 | | 1-03 * | | | | | | | 1 | | | | 541 |
| GND 30 | | B30T1 | | 1-04 * | | | | | | | 2 | | | | 541 |
| GND 30 | | C30C2 | | 1-05 * | | | | | | | 1 | | | | 541 |
| GND 30 | | C30T1 | | 1-06 * | | | | | | | 2 | | | | 541 |
| GND 30 | | D30C2 | | 1-07 * | | | | | | | 1 | | | | 541 |
| GND 30 | | D30T1 | | 1-08 * | | | | | | | | | | | 541 |
| GND 30 | | | | 1 | | | | | | | | | 26-2/8 | | 541 |

| RK110.E RUN NAME | HND288.V15(15) 01/28/72 | | | | Q | DRAW | RV | PG | Y | X | Z | REMARKS | 30-MAR-72 LENGTH | 18125 EXCEPTIONS | PAGE 67 RUN NUMBER |
|---------------------|-------------------------|-------------|--------------|----------------|---|------|----|----|---|---|---|---------|---------------------|---------------------|--------------------------|
| | A/P | PIN NAME | ORDER PIN | BAY - ORDER | | | | | | | | | | | |
| GND 31 | | A31U1 | | 1-01 * | | | | | | | 2 | | | | 542 |
| GND 31 | | A31V1 | | 1-02 * | | | | | | | 1 | | | | 542 |
| GND 31 | | B31U2 | | 1-03 * | | | | | | | 2 | | | | 542 |
| GND 31 | | C31C2 | | 1-04 * | | | | | | | 1 | | | | 542 |
| GND 31 | | C31T1 | | 1-05 * | | | | | | | 2 | | | | 542 |
| GND 31 | | D31C2 | | 1-06 * | | | | | | | 1 | | | | 542 |
| GND 31 | | D31F2 | | 1-07 * | | | | | | | 2 | | | | 542 |
| GND 31 | | D31T1 | | 1-08 * | | | | | | | | | | | 542 |
| GND 31 | | | | 1 | | | | | | | | | 24-4/8 | | 542 |
| GND 32 | | A32B1 | | 1-01 * | | | | | | | 2 | | | TERM HERE? | 543 |
| GND 32 | | B32F2 | | 1-02 * | | | | | | | 1 | | | | 543 |
| GND 32 | | B32R1 | | 1-03 * | C | | | | | | 2 | | | CABLE | 543 |
| GND 32 | | B32S1 | | 1-04 * | | | | | | | 1 | | | | 543 |
| GND 32 | | B32T1 | | 1-05 * | | | | | | | 2 | | | | 543 |
| GND 32 | | C32C2 | | 1-06 * | | | | | | | 1 | | | | 543 |
| GND 32 | | C32D1 | | 1-07 * | | | | | | | 2 | | | | 543 |
| GND 32 | | C32H2 | | 1-08 * | | | | | | | 1 | | | | 543 |
| GND 32 | | C32K1 | | 1-09 * | | | | | | | 2 | | | | 543 |
| GND 32 | | C32P1 | | 1-10 * | | | | R1 | | | 1 | | | | 543 |
| GND 32 | | C32T1 | | 1-11 * | | | | | | | 2 | | | | 543 |
| GND 32 | | D32C2 | | 1-12 * | | | | | | | 1 | | | | 543 |
| GND 32 | | D32T1 | | 1-13 * | | | | | | | | | | TERM HERE? | 543 |
| GND 32 | | | | 1 | | | | | | | | | 38-4/8 | | 543 |
| GD (0) | H | B06U1 | | 1-01 * | | | | | | | 2 | | | | 544 |
| GD (0) | H | D11S1 | | 1-02 * | | | | | | | 1 | | | | 544 |
| GD (0) | H | D11U1 | | 1-03 * | | | | | | | 2 | | | | 544 |
| GD (0) | H | C29T2 | | 1-04 * | | | | | | | | | | | 544 |
| GD (0) | | | | 1 | | | | | | | | | 24-0/8 | | 544 |
| GD (1) | H | A31T1 | | 1-01 * | | | | R1 | | | 1 | | | | 545 |
| GD (1) | H | B06V1 | | 1-02 * | | | | R2 | | | | | | | 545 |
| GD (1) | | | | 1 | | | | | | | | | 16-0/8 | | 545 |
| H/L (0) | H | C12F1 | | 1-01 * | | | | | | | 1 | | | | 546 |
| H/L (0) | H | C14R1 | | 1-02 * | | | | | | | | | | | 546 |
| H/L (0) | | | | 1 | | | | | | | | | 3-6/8 | | 546 |
| H/L (1) | H | C12E1 | | | | | | | | | | | | 1-PIN RUN | 547 |
| HE (0) | H | B26A1 | | 1-01 * | | | | | | | 2 | | | | 548 |
| HE (0) | H | C23L1 | | 1-02 * | | | | | | | 1 | | | | 548 |
| HE (0) | H | C29U2 | | 1-03 * | | | | | | | 2 | | | | 548 |
| HE (0) | H | C30R2 | | 1-04 * | | | | | | | | | | | 548 |
| HE (0) | | | | 1 | | | | | | | | | 15-4/8 | | 548 |

| RK110.E RUN NAME | HND288.V15(15) 01/28/72 | | | | Q | DRAW | RV | PG | Y | X | Z | REMARKS | 30-MAR-72 LENGTH | 18125 EXCEPTIONS | PAGE 68 RUN NUMBER |
|---------------------|-------------------------|-------------|--------------|----------------|---|------|----|----|---|---|---|---------|---------------------|---------------------|--------------------------|
| | A/P | PIN NAME | ORDER PIN | BAY - ORDER | | | | | | | | | | | |
| HE (1) | H | A31B1 | | 1-01 * | | | | R1 | | | 1 | | | | 549 |
| HE (1) | H | A30F1 | | 1-02 * | | | | R1 | | | 2 | | | | 549 |
| HE (1) | H | B28T2 | | 1-03 * | | | | R1 | | | 1 | | | | 549 |
| HE (1) | H | C32M1 | | 1-04 * | | | | R1 | | | 2 | | | | 549 |
| HE (1) | H | C23F2 | | 1-05 * | | | | R1 | | | 1 | | | | 549 |
| HE (1) | H | C24U2 | | 1-06 * | | | | R1 | | | 2 | | | | 549 |
| HE (1) | H | D17V2 | | 1-07 * | | | | R1 | | | 1 | | | | 549 |
| HE (1) | H | C14D1 | | 1-08 * | | | | R1 | | | 2 | | | | 549 |
| HE (1) | H | A14E1 | | 1-09 * | | | | R1 | | | | | | | 549 |
| HE (1) | | | | 1 | | | | | | | | | 47-4/8 | | 549 |
| HE ENBL | H | C27M2 | | 1-01 * | | | | R1 | | | 2 | | | | 550 |
| HE ENBL | H | B26P2 | | 1-02 * | | | | I | | | 1 | | | | 550 |
| HE ENBL | H | D24N2 | | 1-03 * | | | | I | | | | | | | 550 |
| HE ENBL | | | | 1 | | | | | | | | | 12-4/8 | | 550 |
| HEAD SETTLE DLY | H | C32S2 | | 1-01 * | | | | | | | 1 | | | | 551 |
| HEAD SETTLE DLY | H | D09K1 | | 1-02 * | | | | | | | | | | | 551 |
| HEAD SETTLE DLY | | | | 1 | | | | | | | | | 15-0/8 | | 551 |
| HEADER (0) | H | C17M1 | | 1-01 * | | | | | | | 2 | | | | 552 |
| HEADER (0) | H | D18P1 | | 1-02 * | | | | | | | 1 | | | | 552 |
| HEADER (0) | H | D30R1 | | 1-03 * | | | | | | | | | | | 552 |
| HEADER (0) | | | | 1 | | | | | | | | | 14-0/8 | | 552 |
| HEADER (1) | H | A24U2 | | 1-01 * | | | | I | | | 2 | | | | 553 |
| HEADER (1) | H | A30P1 | | 1-02 * | | | | R1 | | | 1 | | | | 553 |
| HEADER (1) | H | B32B2 | | 1-03 * | | | | R1 | | | 2 | | | | 553 |
| HEADER (1) | H | C31H2 | | 1-04 * | | | | R1 | | | 1 | | | | 553 |
| HEADER (1) | H | D29F1 | | 1-05 * | | | | R1 | | | 2 | | | | 553 |
| HEADER (1) | H | C17M2 | | 1-06 * | | | | R1 | | | 1 | | | | 553 |
| HEADER (1) | H | C17L1 | | 1-07 * | | | | R1 | | | | | | | 553 |
| HEADER (1) | | | | 1 | | | | | | | | | 32-4/8 | | 553 |
| HEADER OK (0) | H | D24T2 | | 1-01 * | | | | | | | 1 | | | | 554 |
| HEADER OK (0) | H | D31F1 | | 1-02 * | | | | | | | | | | | 554 |
| HEADER OK (0) | | | | 1 | | | | | | | | | 6-2/8 | | 554 |
| HEADER OK (1) | H | A30U2 | | 1-01 * | C | | | | | | 2 | | | CABLE | 555 |
| HEADER OK (1) | H | A31V2 | | 1-02 * | C | | | | | | 1 | | | CABLE | 555 |
| HEADER OK (1) | H | D31E1 | | 1-03 * | | | | | | | 2 | | | | 555 |
| HEADER OK (1) | H | D21P2 | | 1-04 * | | | | | | | | | | TERM HERE? | 555 |
| HEADER OK (1) | | | | 1 | | | | | | | | | 19-4/8 | | 555 |

| RK110.8 RUN NAME | A/P | HND288.V15(15) PIN NAME | 01/28/72 ORDER PIN | BAY - ORDER | Q | DRAW | RV | PG | Y | X | Z | REMARKS | 30-MAR-72 LENGTH | 18125 EXCEPTIONS | PAGE 69 RUN NUMBER |
|---------------------|-----|-------------------------------|--------------------------|----------------|---|------|----|----|---|---|---|---------|---------------------|---------------------|--------------------------|
| HI (E4 | H | B08V2 | | 1-01 * | | | | | | | 2 | | | TERM HERE? | 556 |
| HI (E4 | H | A08U2 | | 1-02 * | | | | | | | 1 | | | | 556 |
| HI (E4 | H | A14H2 | | 1-03 * | | | | | | | 2 | | | | 556 |
| HI (E4 | H | A32H2 | | 1-04 * | C | | | | | | 1 | | | CABLE | 556 |
| HI (E4 | H | D29D1 | | 1-05 * | | | | | | | 1 | | | TERM HERE? | 556 |
| HI (E4 | | | | 1 | | | | | | | | | 33-2/8 | | 556 |
| ID 00 (0) | H | A25J2 | | | | | | | | | | | | 1-PIN RUN | 557 |
| ID 00 (1) | H | A32E2 | | 1-01 * | | | | | | | 2 | | | | 558 |
| ID 00 (1) | H | A25H2 | | 1-02 * | | | | | | | 1 | | | | 558 |
| ID 03 (1) | H | A14D2 | | 1-03 * | | | | | | | | | | | 558 |
| ID 03 (1) | | | | 1 | | | | | | | | | 14-0/8 | | 558 |
| ID 03 (0) | H | A25F1 | | | | | | | | | | | | 1-PIN RUN | 559 |
| ID 03 (1) | H | A32D2 | | 1-01 * | | | | | | | 2 | | | | 560 |
| ID 03 (1) | H | A25E1 | | 1-02 * | | | | | | | 1 | | | | 560 |
| ID 03 (1) | H | A14D1 | | 1-03 * | | | | | | | | | | | 560 |
| ID 03 (1) | | | | 1 | | | | | | | | | 14-0/8 | | 560 |
| ID 02 (0) | H | A29V2 | | | | | | | | | | | | 1-PIN RUN | 561 |
| ID 03 (1) | H | A29U2 | | 1-01 * | | | | | | | 2 | | | | 562 |
| ID 03 (1) | H | A32C2 | | 1-02 * | | | | | | | 1 | | | | 562 |
| ID 03 (1) | H | A14A1 | | 1-03 * | | | | | | | | | | | 562 |
| ID 03 (1) | | | | 1 | | | | | | | | | 16-4/8 | | 562 |
| IDE (0) | H | A25H1 | | | | | | | | | | | | 1-PIN RUN | 563 |
| IDE (1) | H | B30K1 | | 1-01 * | C | | | | | | 1 | | | CABLE | 564 |
| IDE (1) | H | A31L1 | | 1-02 * | C | | | | | | 2 | | | CABLE | 564 |
| IDE (1) | H | A29L1 | | 1-03 * | | | | | | | 1 | | | | 564 |
| IDE (1) | H | B26B1 | | 1-04 * | | | | | | | 2 | | | | 564 |
| IDE (1) | H | C22C1 | | 1-05 * | | | | | | | 1 | | | | 564 |
| IDE (1) | H | C22E2 | | 1-06 * | | | | | | | 2 | | | | 564 |
| IDE (1) | H | B14E1 | | 1-07 * | | | | | | | | | | TERM HERE? | 564 |
| IDE (1) | | | | 1 | | | | | | | | | 31-2/8 | | 564 |
| IDLE (0) | H | C17E1 | | | | | | | | | | | | 1-PIN RUN | 565 |

| RK110.8 RUN NAME | A/P | HND288.V15(15) PIN NAME | 01/28/72 ORDER PIN | BAY - ORDER | Q | DRAW | RV | PG | Y | X | Z | REMARKS | 30-MAR-72 LENGTH | 18125 EXCEPTIONS | PAGE 70 RUN NUMBER |
|---------------------|-----|-------------------------------|--------------------------|----------------|---|------|----|----|---|---|----|---------|---------------------|---------------------|--------------------------|
| IDLE (1) | H | A30K2 | | 1-01 * | C | | | | | | | | | CABLE | 566 |
| IDLE (1) | H | B31V2 | | 1-02 * | | | | | | | R1 | | | | 566 |
| IDLE (1) | H | C31E2 | | 1-03 * | | | | | | | R1 | | | | 566 |
| IDLE (1) | H | D24L1 | | 1-04 * | | | | | | | R1 | | | | 566 |
| IDLE (1) | H | C17F1 | | 1-05 * | | | | | | | R1 | | | | 566 |
| IDLE (1) | H | C17E2 | | 1-06 * | | | | | | | R1 | | | TERM HERE? | 566 |
| IDLE (1) | | | | 1 | | | | | | | | | 27-0/8 | | 566 |
| ILLEGAL ADD | H | B08U1 | | 1-01 * | | | | | | | I | | | | 567 |
| ILLEGAL ADD | H | C24T2 | | 1-02 * | | | | | | | | | | | 567 |
| ILLEGAL ADD | H | D27H1 | | 1-03 * | | | | | | | | | | | 567 |
| ILLEGAL ADD | | | | 1 | | | | | | | | | 16-2/8 | | 567 |
| IN | H | A05H1 | | 1-01 * | | | | | | | | | | | 568 |
| IN | H | C14H2 | | 1-02 * | | | | | | | | | | | 568 |
| IN | | | | 1 | | | | | | | | | 9-0/8 | | 568 |
| INDX PLS | H | A08S2 | | 1-01 * | | | | | | | | | | | 569 |
| INDX PLS | H | B08T2 | | 1-02 * | | | | | | | | | | | 569 |
| INDX PLS | | | | 1 | | | | | | | | | 5-2/8 | | 569 |
| INDX PLS | L | A08T2 | | 1-01 * | | | | | | | | | | | 570 |
| INDX PLS | L | C23F1 | | 1-02 * | | | | | | | | | | | 570 |
| INDX PLS | | | | 1 | | | | | | | | | 11-2/8 | | 570 |
| INH RA (1) | H | A31E1 | | 1-01 * | | | | | | | I | | | | 571 |
| INH RA (1) | H | A25V2 | | 1-02 * | | | | | | | I | | | | 571 |
| INH RA (1) | H | A14J2 | | 1-03 * | | | | | | | I | | | | 571 |
| INH RA (1) | H | D19E2 | | 1-04 * | | | | | | | I | | | | 571 |
| INH RA (1) | | | | 1 | | | | | | | | | 25-2/8 | | 571 |

| RK11C.F RUN NAME | A/P | HND288.V15(15) PIN NAME | 01/28/72 ORDER PIN | BAY - ORDER | Q | DRAW | RV | PG | Y | X | Z | REMARKS | 30-MAR-72 LENGTH | 18125 EXCEPTIONS | PAGE 71 RUN NUMBER |
|---------------------|-----|-------------------------------|--------------------------|----------------|---|------|----|----|---|---|---|---------|---------------------|---------------------|--------------------------|
| INIT | H | B06J1 | | 1-01 * | | | | | | | 2 | | | | 572 |
| INIT | H | A0701 | | 1-02 * | | | | | | | 1 | | | | 572 |
| INIT | H | A18J2 | | 1-03 * | | | | | | | 2 | | | | 572 |
| INIT | H | A18H1 | | 1-04 * | | | | | | | 1 | | | | 572 |
| INIT | H | A17J2 | | 1-05 * | | | | | | | 2 | | | | 572 |
| INIT | H | A17H1 | | 1-06 * | | | | | | | 1 | | | | 572 |
| INIT | H | B17H1 | | 1-07 * | | | | | | | 2 | | | | 572 |
| INIT | H | B27M2 | | 1-08 * | | | | | | | 1 | | | | 572 |
| INIT | H | B27R2 | | 1-09 * | | | | | | | 2 | | | | 572 |
| INIT | H | B28S2 | | 1-10 * | | | | | | | 1 | | | | 572 |
| INIT | H | B28R2 | | 1-11 * | | | | | | | 2 | | | | 572 |
| INIT | H | B27R1 | | 1-12 * | | | | | | | 1 | | | | 572 |
| INIT | H | B27U2 | | 1-13 * | | | | | | | 2 | | | | 572 |
| INIT | H | C25S2 | | 1-14 * | | | | | | | 1 | | | | 572 |
| INIT | H | C25U2 | | 1-15 * | | | | | | | 2 | | | | 572 |
| INIT | H | D25J2 | | 1-16 * | | | | | | | 1 | | | | 572 |
| INIT | H | C25N1 | | 1-17 * | | | | | | | 2 | | | | 572 |
| INIT | H | D19M2 | | 1-18 * | | | | | | | 1 | | | | 572 |
| INIT | H | D19R2 | | 1-19 * | | | | | | | 2 | | | | 572 |
| INIT | H | D19R1 | | 1-20 * | | | | | | | 1 | | | | 572 |
| INIT | H | D19U2 | | 1-21 * | | | | | | | | | | | 572 |
| INIT | | | | 1 | | | | | | | | | 79-0/8 | | 572 |
| INIT | L | A29P2 | | 1-01 * | | | | | | | 1 | | | | 573 |
| INIT | L | C28A1 | | 1-02 * | | | | | | | 2 | | | | 573 |
| INIT | L | C28U2 | | 1-03 * | | | | | | | 1 | | | | 573 |
| INIT | L | C25T2 | | 1-04 * | | | | | | | 2 | | | | 573 |
| INIT | L | C26M2 | | 1-05 * | | | | | | | 1 | | | | 573 |
| INIT | L | C23K2 | | 1-06 * | | | | | | | 2 | | | | 573 |
| INIT | L | C23N2 | | 1-07 * | | | | | | | 1 | | | | 573 |
| INIT | L | C23U2 | | 1-08 * | | | | | | | 2 | | | | 573 |
| INIT | L | D23E1 | | 1-09 * | | | | | | | 1 | | | | 573 |
| INIT | L | D23E2 | | 1-10 * | | | | | | | 2 | | | | 573 |
| INIT | L | D23K2 | | 1-11 * | | | | | | | 1 | | | | 573 |
| INIT | L | D23M1 | | 1-12 * | | | | | | | 2 | | | | 573 |
| INIT | L | D23U2 | | 1-13 * | | | | | | | 1 | | | | 573 |
| INIT | L | D16R1 | | 1-14 * | | | | | | | 2 | | | | 573 |
| INIT | L | B06Q2 | | 1-15 * | | | | | | | | | | | 573 |
| INIT | | | | 1 | | | | | | | | | 59-6/8 | | 573 |
| INT ACC RDY | H | C21K1 | | 1-01 * | | | | | | | 1 | | | | 574 |
| INT ACC RDY | H | C29R2 | | 1-02 * | | | | | | | | | | | 574 |
| INT ACC RDY | | | | 1 | | | | | | | | | 7-0/8 | | 574 |

| RK11C.F RUN NAME | A/P | HND288.V15(15) PIN NAME | 01/28/72 ORDER PIN | BAY - ORDER | Q | DRAW | RV | PG | Y | X | Z | REMARKS | 30-MAR-72 LENGTH | 18125 EXCEPTIONS | PAGE 72 RUN NUMBER |
|---------------------|-----|-------------------------------|--------------------------|----------------|---|------|----|----|---|---|---|---------|---------------------|---------------------|--------------------------|
| INT BUS 00 | L | A07E1 | | 1-01 * | | | | | | | 1 | | | | 575 |
| INT BUS 00 | L | A13P1 | | 1-02 * | | | | | | | 2 | | | | 575 |
| INT BUS 00 | L | B14S1 | | 1-03 * | | | | | | | 1 | | | | 575 |
| INT BUS 00 | L | B15S1 | | 1-04 * | | | | | | | 2 | | | | 575 |
| INT BUS 00 | L | B16S1 | | 1-05 * | | | | | | | | | | | 575 |
| INT BUS 00 | | | | 1 | | | | | | | | | 16-6/8 | | 575 |
| INT BUS 01 | L | A07J1 | | 1-01 * | | | | | | | 1 | | | | 576 |
| INT BUS 01 | L | A13V2 | | 1-02 * | | | | | | | 2 | | | | 576 |
| INT BUS 01 | L | B14N2 | | 1-03 * | | | | | | | 1 | | | | 576 |
| INT BUS 01 | L | B15N2 | | 1-04 * | | | | | | | 2 | | | | 576 |
| INT BUS 01 | L | B16N2 | | 1-05 * | | | | | | | | | | | 576 |
| INT BUS 01 | | | | 1 | | | | | | | | | 16-2/8 | | 576 |
| INT BUS 02 | L | A07L2 | | 1-01 * | | | | | | | 1 | | | | 577 |
| INT BUS 02 | L | A13U1 | | 1-02 * | | | | | | | 2 | | | | 577 |
| INT BUS 02 | L | B14N1 | | 1-03 * | | | | | | | 1 | | | | 577 |
| INT BUS 02 | L | B15N1 | | 1-04 * | | | | | | | 2 | | | | 577 |
| INT BUS 02 | L | B16N1 | | 1-05 * | | | | | | | | | | | 577 |
| INT BUS 02 | | | | 1 | | | | | | | | | 15-4/8 | | 577 |
| INT BUS 03 | L | A07H2 | | 1-01 * | | | | | | | 1 | | | | 578 |
| INT BUS 03 | L | A13N2 | | 1-02 * | | | | | | | 2 | | | | 578 |
| INT BUS 03 | L | B14K2 | | 1-03 * | | | | | | | 1 | | | | 578 |
| INT BUS 03 | L | B15K2 | | 1-04 * | | | | | | | 2 | | | | 578 |
| INT BUS 03 | L | B16K2 | | 1-05 * | | | | | | | | | | | 578 |
| INT BUS 03 | | | | 1 | | | | | | | | | 16-2/8 | | 578 |
| INT BUS 04 | L | A13K1 | | 1-01 * | | | | | | | 2 | | | | 579 |
| INT BUS 04 | L | B14K1 | | 1-02 * | | | | | | | 1 | | | | 579 |
| INT BUS 04 | L | B15K1 | | 1-03 * | | | | | | | 2 | | | | 579 |
| INT BUS 04 | L | B16K1 | | 1-04 * | | | | | | | 1 | | | | 579 |
| INT BUS 04 | L | B07R2 | | 1-05 * | | | | | | | | | | | 579 |
| INT BUS 04 | | | | 1 | | | | | | | | | 17-4/8 | | 579 |
| INT BUS 05 | L | A07R1 | | 1-01 * | | | | | | | 1 | | | | 580 |
| INT BUS 05 | L | A13J2 | | 1-02 * | | | | | | | 2 | | | | 580 |
| INT BUS 05 | L | B14F2 | | 1-03 * | | | | | | | 1 | | | | 580 |
| INT BUS 05 | L | B15F2 | | 1-04 * | | | | | | | 2 | | | | 580 |
| INT BUS 05 | L | B16F2 | | 1-05 * | | | | | | | | | | | 580 |
| INT BUS 05 | | | | 1 | | | | | | | | | 16-4/8 | | 580 |

| RK11C.E RUN NAME | A/P | HND288.V15(15) PIN NAME | 01/28/72 ORDER PIN | BAY - ORDER | Q | DRAW | RV | PG | Y | X | Z | REMARKS | 30-MAR-72 LENGTH | 18125 EXCEPTIONS | PAGE 73 RUN NUMBER |
|---------------------|-----|----------------------------|-----------------------|----------------|---|------|----|----|---|---|---|---------|---------------------|---------------------|--------------------------|
| INT BUS 06 | L | A07S2 | | 1-01 * | | | | | | | 1 | | | | 581 |
| INT BUS 06 | L | A13D2 | | 1-02 * | | | | | | | 2 | | | | 581 |
| INT BUS 06 | L | B14F1 | | 1-03 * | | | | | | | 1 | | | | 581 |
| INT BUS 06 | L | B15F1 | | 1-04 * | | | | | | | 2 | | | | 581 |
| INT BUS 06 | L | B16F1 | | 1-05 * | | | | | | | | | | | 581 |
| INT BUS 06 | | | | 1 | | | | | | | | | 17-0/8 | | 581 |
| INT BUS 07 | L | A07P1 | | 1-01 * | | | | | | | 1 | | | | 582 |
| INT BUS 07 | L | A13S1 | | 1-02 * | | | | | | | 2 | | | | 582 |
| INT BUS 07 | L | B14C1 | | 1-03 * | | | | | | | 1 | | | | 582 |
| INT BUS 07 | L | B15C1 | | 1-04 * | | | | | | | 2 | | | | 582 |
| INT BUS 07 | L | B16C1 | | 1-05 * | | | | | | | | | | | 582 |
| INT BUS 07 | | | | 1 | | | | | | | | | 14-6/8 | | 582 |
| INT BUS 08 | L | A16S1 | | 1-01 * | | | | | | | 1 | | | | 583 |
| INT BUS 08 | L | A15S1 | | 1-02 * | | | | | | | 2 | | | | 583 |
| INT BUS 08 | L | A14S1 | | 1-03 * | | | | | | | 1 | | | | 583 |
| INT BUS 08 | L | A13T2 | | 1-04 * | | | | | | | 2 | | | | 583 |
| INT BUS 08 | L | B07N2 | | 1-05 * | | | | | | | | | | | 583 |
| INT BUS 08 | | | | 1 | | | | | | | | | 14-2/8 | | 583 |
| INT BUS 09 | L | A16N2 | | 1-01 * | | | | | | | 2 | | | | 584 |
| INT BUS 09 | L | A15N2 | | 1-02 * | | | | | | | 1 | | | | 584 |
| INT BUS 09 | L | A14N2 | | 1-03 * | | | | | | | 2 | | | | 584 |
| INT BUS 09 | L | A13R2 | | 1-04 * | | | | | | | 1 | | | | 584 |
| INT BUS 09 | L | B07C1 | | 1-05 * | | | | | | | | | | | 584 |
| INT BUS 09 | | | | 1 | | | | | | | | | 14-6/8 | | 584 |
| INT BUS 10 | L | A16N1 | | 1-01 * | | | | | | | 2 | | | | 585 |
| INT BUS 10 | L | A15N1 | | 1-02 * | | | | | | | 1 | | | | 585 |
| INT BUS 10 | L | A14N1 | | 1-03 * | | | | | | | 2 | | | | 585 |
| INT BUS 10 | L | A13M1 | | 1-04 * | | | | | | | 1 | | | | 585 |
| INT BUS 10 | L | B07D2 | | 1-05 * | | | | | | | | | | | 585 |
| INT BUS 10 | | | | 1 | | | | | | | | | 14-2/8 | | 585 |
| INT BUS 11 | L | A16K2 | | 1-01 * | | | | | | | 2 | | | | 586 |
| INT BUS 11 | L | A15K2 | | 1-02 * | | | | | | | 1 | | | | 586 |
| INT BUS 11 | L | A14K2 | | 1-03 * | | | | | | | 2 | | | | 586 |
| INT BUS 11 | L | A13H1 | | 1-04 * | | | | | | | 1 | | | | 586 |
| INT BUS 11 | L | B07A1 | | 1-05 * | | | | | | | | | | | 586 |
| INT BUS 11 | | | | 1 | | | | | | | | | 15-0/8 | | 586 |

| RK11C.E RUN NAME | A/P | HND288.V15(15) PIN NAME | 01/28/72 ORDER PIN | BAY - ORDER | Q | DRAW | RV | PG | Y | X | Z | REMARKS | 30-MAR-72 LENGTH | 18125 EXCEPTIONS | PAGE 74 RUN NUMBER |
|---------------------|-----|----------------------------|-----------------------|----------------|---|------|----|----|---|---|---|---------|---------------------|---------------------|--------------------------|
| INT BUS 12 | L | A16K1 | | 1-01 * | | | | | | | 1 | | | | 587 |
| INT BUS 12 | L | A15K1 | | 1-02 * | | | | | | | 2 | | | | 587 |
| INT BUS 12 | L | A14K1 | | 1-03 * | | | | | | | 1 | | | | 587 |
| INT BUS 12 | L | A13F2 | | 1-04 * | | | | | | | 2 | | | | 587 |
| INT BUS 12 | L | B07M2 | | 1-05 * | | | | | | | | | | | 587 |
| INT BUS 12 | | | | 1 | | | | | | | | | 15-2/8 | | 587 |
| INT BUS 13 | L | A16F2 | | 1-01 * | | | | | | | 2 | | | | 588 |
| INT BUS 13 | L | A15F2 | | 1-02 * | | | | | | | 1 | | | | 588 |
| INT BUS 13 | L | A14F2 | | 1-03 * | | | | | | | 2 | | | | 588 |
| INT BUS 13 | L | A13E1 | | 1-04 * | | | | | | | 1 | | | | 588 |
| INT BUS 13 | L | B07H2 | | 1-05 * | | | | | | | | | | | 588 |
| INT BUS 13 | | | | 1 | | | | | | | | | 15-2/8 | | 588 |
| INT BUS 14 | L | A16F1 | | 1-01 * | | | | | | | 2 | | | | 589 |
| INT BUS 14 | L | A15F1 | | 1-02 * | | | | | | | 1 | | | | 589 |
| INT BUS 14 | L | A14F1 | | 1-03 * | | | | | | | 2 | | | | 589 |
| INT BUS 14 | L | A13L2 | | 1-04 * | | | | | | | 1 | | | | 589 |
| INT BUS 14 | L | B07M1 | | 1-05 * | | | | | | | | | | | 589 |
| INT BUS 14 | | | | 1 | | | | | | | | | 15-4/8 | | 589 |
| INT BUS 15 | L | A16C1 | | 1-01 * | | | | | | | 1 | | | | 590 |
| INT BUS 15 | L | A15C1 | | 1-02 * | | | | | | | 2 | | | | 590 |
| INT BUS 15 | L | A14C1 | | 1-03 * | | | | | | | 1 | | | | 590 |
| INT BUS 15 | L | A13B1 | | 1-04 * | | | | | | | 2 | | | | 590 |
| INT BUS 15 | L | B07J1 | | 1-05 * | | | | | | | | | | | 590 |
| INT BUS 15 | | | | 1 | | | | | | | | | 15-2/8 | | 590 |
| INT BUS SSYN | H | A08K1 | | 1-01 * | | | | | | | 1 | | | | 591 |
| INT BUS SSYN | H | A08K2 | | 1-02 * | | | | | | | 2 | | | | 591 |
| INT BUS SSYN | H | B06A1 | | 1-03 * | | | | | | | 1 | | | | 591 |
| INT BUS SSYN | H | C14F2 | | 1-04 * | | | | | | | | | | | 591 |
| INT BUS SSYN | | | | 1 | | | | | | | | | 15-2/8 | | 591 |
| INT BUS SSYN | L | A06C1 | | 1-01 * | | | | | | | 1 | | | | 592 |
| INT BUS SSYN | L | A08L2 | | 1-02 * | | | | | | | | | | | 592 |
| INT BUS SSYN | | | | 1 | | | | | | | | | 4-0/8 | | 592 |
| INT DONE | H | A06M2 | | 1-01 * | | | | | | | 1 | | | | 593 |
| INT DONE | H | C21M2 | | 1-02 * | | | | | | | | | | | 593 |
| INT DONE | | | | 1 | | | | | | | | | 12-0/8 | | 593 |
| INT FUN 00 (1) | H | B30E2 | | 1-01 * | C | | | | | | 2 | | | | 594 |
| INT FUN 00 (1) | H | A18L1 | | 1-02 * | | | | | | | 1 | | | CABLE | 594 |
| INT FUN 00 (1) | H | D14V1 | | 1-03 * | | | | | | | | | | TERM HERE? | 594 |
| INT FUN 00 (1) | | | | 1 | | | | | | | | | 21-6/8 | | 594 |

| RK11C,E RUN NAME | A/P | HND288,V15(15) PIN NAME | 01/28/72 ORDER PIN | BAY - ORDER | Q | DRAW | RV | PG | Y | X | Z | REMARKS | 30-MAR-72 LENGTH | 18125 EXCEPTIONS | PAGE 79 RUN NUMBER |
|---------------------|-----|-------------------------------|--------------------------|----------------|---|------|----|----|---|---|---|---------|---------------------|---------------------|--------------------------|
| LOAD REG | H | C14J2 | | 1-01 * | | | | | | | 1 | | | | 628 |
| LOAD REG | H | C18H1 | | 1-02 * | | | | | | | 2 | | | | 628 |
| LOAD REG | H | C18M1 | | 1-03 * | | | | | | | 1 | | | | 628 |
| LOAD REG | H | C18R1 | | 1-04 * | | | | | | | 2 | | | | 628 |
| LOAD REG | H | D16B1 | | 1-05 * | | | | | | | 1 | | | | 628 |
| LOAD REG | H | D16D1 | | 1-06 * | | | | | | | 2 | | | | 628 |
| LOAD REG | H | D16E2 | | 1-07 * | | | | | | | 1 | | | | 628 |
| LOAD REG | H | D16H1 | | 1-08 * | | | | | | | 2 | | | | 628 |
| LOAD REG | H | D16R2 | | 1-09 * | | | | | | | 1 | | | | 628 |
| LOAD REG | H | D16T2 | | 1-10 * | | | | | | | 2 | | | | 628 |
| LOAD REG | H | D25S2 | | 1-11 * | | | | | | | | | | | 628 |
| LOAD REG | | | | 1 | | | | | | | | | 34-0/8 | | 628 |
| LOAD RKDB | H | A27P1 | | 1-01 * | | | | | | | 1 | | | | 629 |
| LOAD RKDB | H | C19B1 | | 1-02 * | | | | | | | 2 | | | | 629 |
| LOAD RKDB | H | C18B1 | | 1-03 * | | | | | | | 1 | | | | 629 |
| LOAD RKDB | H | D24E1 | | 1-04 * | | | | | | | 2 | | | | 629 |
| LOAD RKDB | H | C30J1 | | 1-05 * | | | | | | | | | | | 629 |
| LOAD RKDB | | | | 1 | | | | | | | | | 23-6/8 | | 629 |
| LOAD RKDB | L | A27N1 | | | | | | | | | | | | 1-PIN RUN | 630 |
| MAINT (0) | H | C10F2 | | 1-01 * | | | | | | | 1 | | | | 631 |
| MAINT (0) | H | C10M2 | | 1-02 * | | | | | | | 2 | | | | 631 |
| MAINT (0) | H | C10T2 | | 1-03 * | | | | | | | 1 | | | | 631 |
| MAINT (0) | H | C20N2 | | 1-04 * | | | | | | | 2 | | | | 631 |
| MAINT (0) | H | D22L2 | | 1-05 * | | | | | | | | | | | 631 |
| MAINT (0) | | | | 1 | | | | | | | | | 18-6/8 | | 631 |
| MAINT (1) | H | A31D1 | | 1-01 * | C | | | | | | 1 | | | CABLE | 632 |
| MAINT (1) | H | A17P2 | | 1-02 * | | | | | | | 2 | | | | 632 |
| MAINT (1) | H | A14J1 | | 1-03 * | | | | | | | 1 | | | | 632 |
| MAINT (1) | H | C11F2 | | 1-04 * | | | | | | | 2 | | | | 632 |
| MAINT (1) | H | C10P1 | | 1-05 * | | | | | | | 1 | | | | 632 |
| MAINT (1) | H | C10J1 | | 1-06 * | | | | | | | 2 | | | | 632 |
| MAINT (1) | H | C11M2 | | 1-07 * | | | | | | | 1 | | | | 632 |
| MAINT (1) | H | C18S1 | | 1-08 * | | | | | | | 2 | | | | 632 |
| MAINT (1) | H | C20M2 | | 1-09 * | | | | | | | 1 | | | | 632 |
| MAINT (1) | H | D25T2 | | 1-10 * | | | | | | | | | | TERM HERE? | 632 |
| MAINT (1) | | | | 1 | | | | | | | | | 48-0/8 | | 632 |
| MAINT ADD ACK PLS | L | C11M1 | | 1-01 * | | | | | | | 1 | | | | 633 |
| MAINT ADD ACK PLS | L | C16F1 | | 1-02 * | | | | | | | | | | | 633 |
| MAINT ADD ACK PLS | | | | 1 | | | | | | | | | 5-2/8 | | 633 |

| RK11C,E RUN NAME | A/P | HND288,V15(15) PIN NAME | 01/28/72 ORDER PIN | BAY - ORDER | Q | DRAW | RV | PG | Y | X | Z | REMARKS | 30-MAR-72 LENGTH | 18125 EXCEPTIONS | PAGE 80 RUN NUMBER |
|-----------------------|-----|-------------------------------|--------------------------|----------------|---|------|----|----|---|---|---|---------|---------------------|---------------------|--------------------------|
| MAINT DRY (0) | H | C10S2 | | 1-01 * | | | | | | | 1 | | | | 634 |
| MAINT DRY (0) | H | D32F1 | | 1-02 * | | | | | | | | | | | 634 |
| MAINT DRY (0) | | | | 1 | | | | | | | | | 14-0/8 | | 634 |
| MAINT DRY (1) | H | B16B1 | | 1-01 * | | | | | | | 1 | | | | 635 |
| MAINT DRY (1) | H | D32E1 | | 1-02 * | | | | | | | | | | | 635 |
| MAINT DRY (1) | | | | 1 | | | | | | | | | 12-4/8 | | 635 |
| MAINT LOG ADD INT PLS | L | C11N1 | | 1-01 * | | | | | | | 1 | | | | 636 |
| MAINT LOG ADD INT PLS | L | C16C1 | | 1-02 * | | | | | | | | | | | 636 |
| MAINT LOG ADD INT PLS | | | | 1 | | | | | | | | | 5-2/8 | | 636 |
| MAINT R/W/S RDY (0) | H | C10R2 | | 1-01 * | | | | | | | 1 | | | | 637 |
| MAINT R/W/S RDY (0) | H | D32J2 | | 1-02 * | | | | | | | | | | | 637 |
| MAINT R/W/S RDY (0) | | | | 1 | | | | | | | | | 14-2/8 | | 637 |
| MAINT R/W/S RDY (1) | H | B16E1 | | 1-01 * | | | | | | | 1 | | | | 638 |
| MAINT R/W/S RDY (1) | H | D32H2 | | 1-02 * | | | | | | | | | | | 638 |
| MAINT R/W/S RDY (1) | | | | 1 | | | | | | | | | 13-0/8 | | 638 |
| MAINT RD CLK | L | C15D2 | | 1-01 * | | | | | | | 1 | | | | 639 |
| MAINT RD CLK | L | C16K2 | | 1-02 * | | | | | | | | | | | 639 |
| MAINT RD CLK | | | | 1 | | | | | | | | | 3-2/8 | | 639 |
| MAINT RD DATA | L | C15E2 | | 1-01 * | | | | | | | 1 | | | | 640 |
| MAINT RD DATA | L | C16K1 | | 1-02 * | | | | | | | | | | | 640 |
| MAINT RD DATA | | | | 1 | | | | | | | | | 3-0/8 | | 640 |
| MAINT SEC CNTR 00 (0) | H | C10D2 | | 1-01 * | | | | | | | 1 | | | | 641 |
| MAINT SEC CNTR 00 (0) | H | D32V1 | | 1-02 * | | | | | | | | | | | 641 |
| MAINT SEC CNTR 00 (0) | | | | 1 | | | | | | | | | 15-0/8 | | 641 |
| MAINT SEC CNTR 00 (1) | H | B16R1 | | 1-01 * | | | | | | | 1 | | | | 642 |
| MAINT SEC CNTR 00 (1) | H | D32V2 | | 1-02 * | | | | | | | | | | | 642 |
| MAINT SEC CNTR 00 (1) | | | | 1 | | | | | | | | | 13-0/8 | | 642 |
| MAINT SEC CNTR 01 (0) | H | C10E2 | | 1-01 * | | | | | | | 1 | | | | 643 |
| MAINT SEC CNTR 01 (0) | H | D32U1 | | 1-02 * | | | | | | | | | | | 643 |
| MAINT SEC CNTR 01 (0) | | | | 1 | | | | | | | | | 15-0/8 | | 643 |
| MAINT SEC CNTR 01 (1) | H | B16M2 | | 1-01 * | | | | | | | 1 | | | | 644 |
| MAINT SEC CNTR 01 (1) | H | D32S1 | | 1-02 * | | | | | | | | | | | 644 |
| MAINT SEC CNTR 01 (1) | | | | 1 | | | | | | | | | 12-4/8 | | 644 |
| MAINT SEC CNTR 02 (0) | H | C10K2 | | 1-01 * | | | | | | | 1 | | | | 645 |
| MAINT SEC CNTR 02 (0) | H | D32R2 | | 1-02 * | | | | | | | | | | | 645 |
| MAINT SEC CNTR 02 (0) | | | | 1 | | | | | | | | | 15-0/8 | | 645 |

| RK11C,E RUN NAME | A/P | HND288.V15(15) PIN NAME | 01/28/72 ORDER PIN | BAY - ORDER | Q | DRAW | RV | PG | Y | X | Z | REMARKS | 30-MAR-72 LENGTH | 18:25 EXCEPTIONS | PAGE 81 RUN NUMBER |
|-----------------------|-----|-------------------------------|--------------------------|----------------|---|------|----|----|---|---|---|---------|---------------------|---------------------|--------------------------|
| MAINT SEC CNTR 02 (1) | H | B16M1 | | 1-01 * | | | | | | | 1 | | | | 646 |
| MAINT SEC CNTR 02 (1) | H | D32P2 | | 1-02 * | | | | | | | | | | | 646 |
| MAINT SEC CNTR 02 (1) | | | | 1 | | | | | | | | | 13-0/8 | | 646 |
| MAINT SEC CNTR 03 (0) | H | C10L2 | | 1-01 * | | | | | | | 1 | | | | 647 |
| MAINT SEC CNTR 03 (0) | H | D32M1 | | 1-02 * | | | | | | | | | | | 647 |
| MAINT SEC CNTR 03 (0) | | | | 1 | | | | | | | | | 14-2/8 | | 647 |
| MAINT SEC CNTR 03 (1) | H | B16J2 | | 1-01 * | | | | | | | 1 | | | | 648 |
| MAINT SEC CNTR 03 (1) | H | D32L1 | | 1-02 * | | | | | | | | | | | 648 |
| MAINT SEC CNTR 03 (1) | | | | 1 | | | | | | | | | 12-4/8 | | 648 |
| MAINT SEC PLS | L | C16F2 | | 1-01 * | | | | | | | 1 | | | | 649 |
| MAINT SEC PLS | L | D26E2 | | 1-02 * | | | | | | | | | | | 649 |
| MAINT SEC PLS | | | | 1 | | | | | | | | | 8-2/8 | | 649 |
| MASK 00 | H | A26D1 | | 1-01 * | | | | | | | 1 | | | | 650 |
| MASK 00 | H | B28D1 | | 1-02 * | | | | | | | 2 | | | | 650 |
| MASK 00 | H | B27V2 | | 1-03 * | | | | | | | | | | | 650 |
| MASK 00 | | | | 1 | | | | | | | | | 9-6/8 | | 650 |
| MASK 01 | H | A26F1 | | 1-01 * | | | | | | | 1 | | | | 651 |
| MASK 01 | H | B28H2 | | 1-02 * | | | | | | | 2 | | | | 651 |
| MASK 01 | H | B27S2 | | 1-03 * | | | | | | | | | | | 651 |
| MASK 01 | | | | 1 | | | | | | | | | 9-2/8 | | 651 |
| MASK 02 | H | A26J1 | | 1-01 * | | | | | | | 1 | | | | 652 |
| MASK 02 | H | B28K1 | | 1-02 * | | | | | | | 2 | | | | 652 |
| MASK 02 | H | B27S1 | | 1-03 * | | | | | | | | | | | 652 |
| MASK 02 | | | | 1 | | | | | | | | | 8-6/8 | | 652 |
| MASK 03 | H | A26K2 | | 1-01 * | | | | | | | 1 | | | | 653 |
| MASK 03 | H | B27N2 | | 1-02 * | | | | | | | 2 | | | | 653 |
| MASK 03 | H | B28N2 | | 1-03 * | | | | | | | | | | | 653 |
| MASK 03 | | | | 1 | | | | | | | | | 8-4/8 | | 653 |
| MASK 04 | H | A24D1 | | 1-01 * | | | | | | | 2 | | | | 654 |
| MASK 04 | H | A26P2 | | 1-02 * | | | | | | | 1 | | | | 654 |
| MASK 04 | H | D19N2 | | 1-03 * | | | | | | | | | | | 654 |
| MASK 04 | | | | 1 | | | | | | | | | 15-6/8 | | 654 |
| MASK 05 | H | A24H2 | | 1-01 * | | | | | | | 2 | | | | 655 |
| MASK 05 | H | A26P1 | | 1-02 * | | | | | | | 1 | | | | 655 |
| MASK 05 | H | D19S1 | | 1-03 * | | | | | | | | | | | 655 |
| MASK 05 | | | | 1 | | | | | | | | | 15-4/8 | | 655 |

| RK11C,E RUN NAME | A/P | HND288.V15(15) PIN NAME | 01/28/72 ORDER PIN | BAY - ORDER | Q | DRAW | RV | PG | Y | X | Z | REMARKS | 30-MAR-72 LENGTH | 18:25 EXCEPTIONS | PAGE 82 RUN NUMBER |
|---------------------|-----|-------------------------------|--------------------------|----------------|---|------|----|----|----|---|---|---------|---------------------|---------------------|--------------------------|
| MASK 06 | H | A26S2 | | 1-01 * | | | | | | | 2 | | | | 656 |
| MASK 06 | H | A24K1 | | 1-02 * | | | | | | | 1 | | | | 656 |
| MASK 06 | H | D19S2 | | 1-03 * | | | | | | | | | | | 656 |
| MASK 06 | | | | 1 | | | | | | | | | 16-0/8 | | 656 |
| MASK 07 | H | A26S1 | | 1-01 * | | | | | | | 2 | | | | 657 |
| MASK 07 | H | A24N2 | | 1-02 * | | | | | | | 1 | | | | 657 |
| MASK 07 | H | D19V2 | | 1-03 * | | | | | | | | | | | 657 |
| MASK 07 | | | | 1 | | | | | | | | | 15-4/8 | | 657 |
| MOVE HEADS (0) | H | C11A1 | | 1-01 * | | | | | | | 2 | | | | 658 |
| MOVE HEADS (0) | H | C09F2 | | 1-02 * | | | | | | | 1 | | | | 658 |
| MOVE HEADS (0) | H | C09C1 | | 1-03 * | | | | | | | 2 | | | | 658 |
| MOVE HEADS (0) | H | C09J1 | | 1-04 * | | | | | | | 1 | | | | 658 |
| MOVE HEADS (0) | H | C09P1 | | 1-05 * | | | | | | | 2 | | | | 658 |
| MOVE HEADS (0) | H | C22R2 | | 1-06 * | | | | | | | 1 | | | | 658 |
| MOVE HEADS (0) | H | D23N1 | | 1-07 * | | | | | | | | | | | 658 |
| MOVE HEADS (0) | | | | 1 | | | | | | | | | 26-4/8 | | 658 |
| MOVE HEADS (1) | H | B30S2 | | 1-01 * | | | | | R1 | | 1 | | | | 659 |
| MOVE HEADS (1) | H | C22S2 | | 1-02 * | | | | | R1 | | 2 | | | | 659 |
| MOVE HEADS (1) | H | C21H1 | | 1-03 * | | | | | R2 | | | | | | 659 |
| MOVE HEADS (1) | | | | 1 | | | | | | | | | 11-2/8 | | 659 |
| NEW FUNCTION | H | A26V1 | | 1-01 * | | | | | | | 2 | | | | 660 |
| NEW FUNCTION | H | A29M2 | | 1-02 * | | | | | | | 1 | | | | 660 |
| NEW FUNCTION | H | D30J2 | | 1-03 * | | | | | | | 2 | | | | 660 |
| NEW FUNCTION | H | D27U2 | | 1-04 * | | | | | | | 1 | | | | 660 |
| NEW FUNCTION | H | D24A1 | | 1-05 * | | | | | | | 2 | | | | 660 |
| NEW FUNCTION | H | D21D2 | | 1-06 * | | | | | | | 1 | | | | 660 |
| NEW FUNCTION | H | C13P1 | | 1-07 * | | | | | | | | | | | 660 |
| NEW FUNCTION | | | | 1 | | | | | | | | | 34-2/8 | | 660 |
| NEW FUNCTION | L | C27A1 | | 1-01 * | | | | | | | 2 | | | | 661 |
| NEW FUNCTION | L | C26U2 | | 1-02 * | | | | | | | 1 | | | | 661 |
| NEW FUNCTION | L | C15N1 | | 1-03 * | | | | | | | | | | | 661 |
| NEW FUNCTION | | | | 1 | | | | | | | | | 12-6/8 | | 661 |
| NEW SECTOR | L | D10M1 | | 1-01 * | | | | | R1 | | 1 | | | | 662 |
| NEW SECTOR | L | D10L1 | | 1-02 * | | | | | R1 | | 2 | | | | 662 |
| NEW SECTOR | L | D18N1 | | 1-03 * | | | | | R1 | | 1 | | | | 662 |
| NEW SECTOR | L | D25L2 | | 1-04 * | | | | | R1 | | | | | | 662 |
| NEW SECTOR | | | | 1 | | | | | | | | | 15-2/8 | | 662 |

| RK11C,E RUN NAME | A/P | HND288.V15(15) PIN NAME | 01/28/72 ORDER PIN | BAY - ORDER | Q | DRAW RV PG Y | X | Z | REMARKS | 30-MAR-72 LENGTH | 18125 EXCEPTIONS | PAGE 83 RUN NUMBER |
|------------------------|-----|----------------------------|-----------------------|----------------|---|--------------|---|---|---------|---------------------|---------------------|--------------------------|
| NO HE | L | A30B2 | | 1-01 * | | | | 1 | | | | 663 |
| NO HE | L | C24U1 | | 1-02 * | | | | 2 | | | CABLE | 663 |
| NO HE | L | D24R2 | | 1-03 * | | | | | | | TERM HERE? | 663 |
| NO HE | | | | 1 | | | | | | 16-0/8 | | 663 |
| NO POLE | L | B26V1 | | 1-01 * | | | | 2 | | | TERM HERE? | 664 |
| NO POLE | L | B26M2 | | 1-02 * | | | | 1 | | | | 664 |
| NO POLE | L | B30B2 | | 1-03 * | | | | | | | CABLE | 664 |
| NO POLE | | | | 1 | | | | | | 8-4/8 | | 664 |
| NORMAL | L | A08E2 | | 1-01 * | | | | 1 | R1 | | | 665 |
| NORMAL | L | C14P2 | | 1-02 * | | | | 2 | R1 | | | 665 |
| NORMAL | L | A24T2 | | 1-03 * | | | | | R1 | | | 665 |
| NORMAL | | | | 1 | | | | | | 19-2/8 | | 665 |
| NPR (0) | H | C22V2 | | | | | | | | | 1-PIN RUN | 666 |
| NPR (1) | H | A30D1 | | 1-01 * | | | | 1 | R1 | | | 667 |
| NPR (1) | H | C28C1 | | 1-02 * | | | | 2 | R1 | | | 667 |
| NPR (1) | H | C22U2 | | 1-03 * | | | | 1 | R1 | | | 667 |
| NPR (1) | H | C18A1 | | 1-04 * | | | | 2 | R1 | | | 667 |
| NPR (1) | H | A06U1 | | 1-05 * | | | | 1 | R1 | | | 667 |
| NPR (1) | H | A06V1 | | 1-06 * | | | | | I | | | 667 |
| NPR (1) | | | | 1 | | | | | | 31-4/8 | | 667 |
| NPR GATE RKOB TO BUS D | H | B06E2 | | 1-01 * | | | | 1 | | | | 668 |
| NPR GATE RKOB TO BUS D | H | D19D1 | | 1-02 * | | | | | | | | 668 |
| NPR GATE RKOB TO BUS D | | | | 1 | | | | | | 10-6/8 | | 668 |
| NPR GATE RKOB TO BUS D | L | B06F2 | | | | | | | | | 1-PIN RUN | 669 |
| NXC (0) | H | D23R1 | | | | | | | | | 1-PIN RUN | 670 |
| NXC (1) | H | B16D1 | | 1-01 * | | | | 1 | | | TERM HERE? | 671 |
| NXC (1) | H | B32N1 | | 1-02 * | | | | 2 | C | | CABLE | 671 |
| NXC (1) | H | C32M2 | | 1-03 * | | | | 4 | | | | 671 |
| NXC (1) | H | D23V1 | | 1-04 * | | | | | | | TERM HERE? | 671 |
| NXC (1) | | | | 1 | | | | | | 24-0/8 | | 671 |
| NXD (0) | H | D23M2 | | | | | | | | | 1-PIN RUN | 672 |
| NXD (1) | H | B16A1 | | 1-01 * | | | | 1 | | | TERM HERE? | 673 |
| NXD (1) | H | B32M1 | | 1-02 * | | | | 2 | C | | CABLE | 673 |
| NXD (1) | H | C32L2 | | 1-03 * | | | | 1 | | | | 673 |
| NXD (1) | H | D23P2 | | 1-04 * | | | | | | | TERM HERE? | 673 |
| NXD (1) | | | | 1 | | | | | | 24-2/8 | | 673 |

| RK11C,E RUN NAME | A/P | HND288.V15(15) PIN NAME | 01/28/72 ORDER PIN | BAY - ORDER | Q | DRAW RV PG Y | X | Z | REMARKS | 30-MAR-72 LENGTH | 18125 EXCEPTIONS | PAGE 84 RUN NUMBER |
|---------------------|-----|----------------------------|-----------------------|----------------|---|--------------|---|---|---------|---------------------|---------------------|--------------------------|
| NXM (0) | H | B06K1 | | 1-01 * | | | | 1 | | | | 674 |
| NXM (0) | H | B26L2 | | 1-02 * | | | | | | | | 674 |
| NXM (0) | | | | 1 | | | | | | 12-6/8 | | 674 |
| NXM (1) | H | B06L1 | | 1-01 * | | | | 2 | | | TERM HERE? | 675 |
| NXM (1) | H | A16L1 | | 1-02 * | | | | 1 | | | | 675 |
| NXM (1) | H | B32J1 | | 1-03 * | | | | | C | | CABLE | 675 |
| NXM (1) | | | | 1 | | | | | | 20-0/8 | | 675 |
| NXS (1) | H | B16D2 | | 1-01 * | | | | 1 | | | TERM HERE? | 676 |
| NXS (1) | H | A29S2 | | 1-02 * | | | | 2 | | | | 676 |
| NXS (1) | H | B32P1 | | 1-03 * | | | | 1 | C | | CABLE | 676 |
| NXS (1) | H | C32N2 | | 1-04 * | | | | | | | TERM HERE? | 676 |
| NXS (1) | | | | 1 | | | | | | 19-6/8 | | 676 |
| OUT HI | H | A05M2 | | 1-01 * | | | | 1 | | | | 677 |
| OUT HI | H | B25A1 | | 1-02 * | | | | | | | | 677 |
| OUT HI | | | | 1 | | | | | | 12-6/8 | | 677 |
| OUT LO | H | A05N1 | | 1-01 * | | | | 1 | | | | 678 |
| OUT LO | H | B25D1 | | 1-02 * | | | | | | | | 678 |
| OUT LO | | | | 1 | | | | | | 13-0/8 | | 678 |
| OVR (0) | H | B26H1 | | 1-01 * | | | | 1 | | | | 679 |
| OVR (0) | H | D23J2 | | 1-02 * | | | | | | | | 679 |
| OVR (0) | | | | 1 | | | | | | 8-2/8 | | 679 |
| OVR (1) | H | A16D1 | | 1-01 * | | | | 1 | | | | 680 |
| OVR (1) | H | B32D1 | | 1-02 * | | | | 2 | | | | 680 |
| OVR (1) | H | D23H2 | | 1-03 * | | | | | | | | 680 |
| OVR (1) | | | | 1 | | | | | | 21-2/8 | | 680 |
| PGE (0) | H | B26K2 | | 1-01 * | | | | 1 | | | | 681 |
| PGE (0) | H | C28M1 | | 1-02 * | | | | | | | | 681 |
| PGE (0) | | | | 1 | | | | | | 5-4/8 | | 681 |
| PGE (1) | H | A16H2 | | 1-01 * | | | | 1 | | | TERM HERE? | 682 |
| PGE (1) | H | C28L1 | | 1-02 * | | | | 2 | | | | 682 |
| PGE (1) | H | B32H1 | | 1-03 * | | | | | C | | CABLE | 682 |
| PGE (1) | | | | 1 | | | | | | 16-4/8 | | 682 |

| PK110.1 RUN NAME | HND288.V15(15) 01/28/72 A/P PIN ORDER BAY - NAME PIN ORDER | Q | DRAW | RV | PG | Y | X | Z | REMARKS | 30-MAR-72 LENGTH | 18125 EXCEPTIONS | PAGE 85 RUN NUMBER |
|---------------------|--|---|------|----|----|---|---|---|---------|---------------------|---------------------|--------------------------|
| POLE | H B30R2 | | | | | | | 2 | | | CABLE | 683 |
| POLE | H A31U2 | | | | | | | 1 | | | | 683 |
| POLE | H A26H2 | | | | | | | 2 | | | | 683 |
| POLE | H A24M1 | | | | | | | 1 | | | | 683 |
| POLE | H C19F1 | | | | | | | 2 | | | | 683 |
| POLE | H C19M1 | | | | | | | 1 | | | | 683 |
| POLE | H C14U2 | | | | | | | 2 | | | | 683 |
| POLE | H O11L1 | | | | | | | 1 | | | TERM HERE? | 683 |
| | | | | | | | | | | 33-2/8 | | 683 |
| POLE | L A26E2 | | | | | | | 2 | | | | 684 |
| POLE | L A24P1 | | | | | | | 1 | | | | 684 |
| POLE | L B27A1 | | | | | | | 2 | | | | 684 |
| POLE | L B27E1 | | | | | | | 1 | | | | 684 |
| POLE | L B26J2 | | | | | | | 2 | | | | 684 |
| POLE | L D27E2 | | | | | | | 1 | | | | 684 |
| POLE | L C19P1 | | | | | | | 2 | | | | 684 |
| POLE | L C19J1 | | | | | | | 1 | | | | 684 |
| | | | | | | | | | | 31-6/8 | | 684 |
| POLE DONE | L B27H2 | | | | | | | 1 | | | | 685 |
| POLE DONE | L B27K1 | | | | | | | 2 | | | | 685 |
| POLE DONE | L B26E2 | | | | | | | 1 | | | | 685 |
| | | | | | | | | | | 5-6/8 | | 685 |
| POLE INT DONE | H A25B1 | | | | | | | 1 | | | | 686 |
| POLE INT DONE | H A25D2 | | | | | | | 2 | | | | 686 |
| POLE INT DONE | H A29R1 | | | | | | | 1 | | | | 686 |
| POLE INT DONE | H B27D2 | | | | | | | 2 | | | | 686 |
| POLE INT DONE | H B27K2 | | | | | | | 1 | | | | 686 |
| POLE INT DONE | H C26D1 | | | | | | | 2 | | | | 686 |
| POLE INT DONE | H C25L1 | | | | | | | 1 | | | | 686 |
| | | | | | | | | | | 22-4/8 | | 686 |
| POSTAMBLE (0) | H C17V1 | | | | | | | 1 | | | | 687 |
| POSTAMBLE (0) | H D19L1 | | | | | | | 2 | | | | 687 |
| POSTAMBLE (0) | H D18R2 | | | | | | | 1 | | | | 687 |
| POSTAMBLE (0) | H D30U2 | | | | | | | 1 | | | | 687 |
| | | | | | | | | | | 16-0/8 | | 687 |
| POSTAMBLE (1) | H B32E2 | | | | | | | 2 | | | CABLE | 688 |
| POSTAMBLE (1) | H A30N2 | | | | | | | 1 | | | CABLE | 688 |
| POSTAMBLE (1) | H C17V2 | | | | | | | 2 | | | | 688 |
| POSTAMBLE (1) | H D18K2 | | | | | | | 1 | | | TERM HERE? | 688 |
| | | | | | | | | | | 20-0/8 | | 688 |

| PK110.1 RUN NAME | HND288.V15(15) 01/28/72 A/P PIN ORDER BAY - NAME PIN ORDER | Q | DRAW | RV | PG | Y | X | Z | REMARKS | 30-MAR-72 LENGTH | 18125 EXCEPTIONS | PAGE 86 RUN NUMBER |
|---------------------|--|---|------|----|----|---|---|---|---------|---------------------|---------------------|--------------------------|
| PREAMBLE (0) | H C17J2 | | | | | | | 1 | | | | 689 |
| PREAMBLE (0) | H D18P2 | | | | | | | 1 | | | | 689 |
| | | | | | | | | | | 6-0/8 | | 689 |
| PREAMBLE (1) | H A30J1 | | | | | | | 2 | | | CABLE | 690 |
| PREAMBLE (1) | H B32A2 | | | | | | | 1 | | | CABLE | 690 |
| PREAMBLE (1) | H D29F2 | | | | | | | 2 | | | | 690 |
| PREAMBLE (1) | H D24D2 | | | | | | | 1 | | | | 690 |
| PREAMBLE (1) | H D24F1 | | | | | | | 2 | | | | 690 |
| PREAMBLE (1) | H C17H2 | | | | | | | 1 | | | | 690 |
| PREAMBLE (1) | H C17J1 | | | | | | | 1 | | | TERM HERE? | 690 |
| | | | | | | | | | | 30-4/8 | | 690 |
| PROTECT SECTOR | L D41N1 | | | | | | | 1 | | | | 691 |
| PROTECT SECTOR | L D24P2 | | | | | | | 2 | | | | 691 |
| PROTECT SECTOR | L D27N2 | | | | | | | 1 | | | | 691 |
| PROTECT SECTOR | L C31K1 | | | | | | | 1 | | | | 691 |
| | | | | | | | | | | 19-0/8 | | 691 |
| R/W A (0) | H C31H1 | | | | | | | 1 | | | | 692 |
| R/W A (0) | H C26E2 | | | | | | | 2 | | | | 692 |
| R/W A (0) | H C21D2 | | | | | | | 1 | | | | 692 |
| R/W A (0) | H C20P1 | | | | | | | 2 | | | | 692 |
| R/W A (0) | H D22K1 | | | | | | | 1 | | | | 692 |
| R/W A (0) | H D22N2 | | | | | | | 2 | | | | 692 |
| R/W A (0) | H D25H1 | | | | | | | 1 | | | | 692 |
| R/W A (0) | H D25N1 | | | | | | | 2 | | | | 692 |
| R/W A (0) | H D24V2 | | | | | | | 1 | | | | 692 |
| | | | | | | | | | | 31-2/8 | | 692 |
| R/W A (1) | H A31H1 | | | | | | | 1 | | | CABLE | 693 |
| R/W A (1) | H A17N2 | | | | | | | 2 | | | | 693 |
| R/W A (1) | H A14M2 | | | | | | | 1 | | | | 693 |
| R/W A (1) | H C14H2 | | | | | | | 2 | | | | 693 |
| R/W A (1) | H C18J2 | | | | | | | 1 | | | | 693 |
| R/W A (1) | H C20N1 | | | | | | | 2 | | | | 693 |
| R/W A (1) | H D19J2 | | | | | | | 1 | | | | 693 |
| R/W A (1) | H D18T2 | | | | | | | 2 | | | | 693 |
| R/W A (1) | H C27D1 | | | | | | | 1 | | | | 693 |
| R/W A (1) | H D30A1 | | | | | | | 1 | | | TERM HERE? | 693 |
| | | | | | | | | | | 50-6/8 | | 693 |
| R/W GATE | H C30C1 | | | | | | | 2 | | | | 694 |
| R/W GATE | H C31D2 | | | | | | | 1 | | | | 694 |
| R/W GATE | H D30B1 | | | | | | | 1 | | | | 694 |
| | | | | | | | | | | 8-4/8 | | 694 |

| RK11C.E RUN NAME | A/P | HND288.V15(15) PIN NAME | 01/28/72 ORDER PIN | BAY - ORDER | Q | DRAW | RV | PG | Y | X | Z | REMARKS | 30-MAR-72 LENGTH | 18:25 EXCEPTIONS | PAGE 87 RUN NUMBER |
|---------------------|-----|-------------------------------|--------------------------|----------------|---|------|----|----|----|---|---|---------|---------------------|---------------------|--------------------------|
| R/W/S RDY | H | A32N2 | | 1-01 * | | | | | | | 2 | | | | 695 |
| R/W/S RDY | H | B30N2 | | 1-02 * | | | | | | | 1 | | | CABLE | 695 |
| R/W/S RDY | H | C27P1 | | 1-03 * | | | | | | | 2 | | | CABLE | 695 |
| R/W/S RDY | H | D30M2 | | 1-04 * | | | | | | | 1 | | | | 695 |
| R/W/S RDY | H | D17E2 | | 1-05 * | | | | | | | 2 | | | | 695 |
| R/W/S RDY | H | B08M1 | | 1-06 * | | | | | | | 1 | | | | 695 |
| R/W/S RDY | H | B14D1 | | 1-07 * | | | | | | | | | | TERM HERE? | 695 |
| R/W/S RDY | | | | 1 | | | | | | | | | 40-6/8 | | 695 |
| R/W/S RDY | L | C14T2 | | 1-01 * | | | | | | | 2 | | | | 696 |
| R/W/S RDY | L | D17H2 | | 1-02 * | | | | | | | 1 | | | | 696 |
| R/W/S RDY | L | G21J1 | | 1-03 * | | | | | | | | | | | 696 |
| R/W/S RDY | | | | 1 | | | | | | | | | 10-2/8 | | 696 |
| RD + WT | L | C27F2 | | 1-01 * | | | | | | | 1 | | | | 697 |
| RD + WT | L | C28J1 | | 1-02 * | | | | | | | 2 | | | | 697 |
| RD + WT | L | C14L2 | | 1-03 * | | | | | | | | | | | 697 |
| RD + WT | | | | 1 | | | | | | | | | 12-0/8 | | 697 |
| RD CHK | H | C32B1 | | 1-01 * | | | | | | | 2 | | | | 698 |
| RD CHK | H | C29B1 | | 1-02 * | | | | | | | 1 | | | | 698 |
| RD CHK | H | D14M2 | | 1-03 * | | | | | | | | | | | 698 |
| RD CHK | | | | 1 | | | | | | | | | 15-0/8 | | 698 |
| RD CHK | L | D14M1 | | 1-01 * | | | | | | | 1 | | | | 699 |
| RD CHK | L | D18C1 | | 1-02 * | | | | | | | | | | | 699 |
| RD CHK | | | | 1 | | | | | | | | | 4-6/8 | | 699 |
| RD GATE (0) | H | C30B1 | | 1-01 * | | | | | | | 1 | | | | 700 |
| RD GATE (0) | H | D31N1 | | 1-02 * | | | | | | | 2 | | | | 700 |
| RD GATE (0) | H | D21P1 | | 1-03 * | | | | | | | 1 | | | | 700 |
| RD GATE (0) | H | C11F1 | | 1-04 * | | | | | | | | | | | 700 |
| RD GATE (0) | | | | 1 | | | | | | | | | 22-6/8 | | 700 |
| RD GATE (1) | H | B30K2 | | 1-01 * | | | | | R1 | | 2 | | | CABLE | 701 |
| RD GATE (1) | H | B31V1 | | 1-02 * | | | | | R1 | | 1 | | | CABLE | 701 |
| RD GATE (1) | H | D31M1 | | 1-03 * | | | | | R1 | | 2 | | | | 701 |
| RD GATE (1) | H | D27P1 | | 1-04 * | | | | | R1 | | 1 | | | | 701 |
| RD GATE (1) | H | D24E2 | | 1-05 * | | | | | R1 | | | | | TERM HERE? | 701 |
| RD GATE (1) | | | | 1 | | | | | | | | | 19-0/8 | | 701 |
| RD GATE EN | H | B28N1 | | 1-01 * | | | | | | | 1 | | | | 702 |
| RD GATE EN | H | C19D2 | | 1-02 * | | | | | | | 2 | | | | 702 |
| RD GATE EN | H | D18D1 | | 1-03 * | | | | | | | 1 | | | | 702 |
| RD GATE EN | H | D20S2 | | 1-04 * | | | | | | | | | | | 702 |
| RD GATE EN | | | | 1 | | | | | | | | | 17-0/8 | | 702 |

| RK11C.E RUN NAME | A/P | HND288.V15(15) PIN NAME | 01/28/72 ORDER PIN | BAY - ORDER | Q | DRAW | RV | PG | Y | X | Z | REMARKS | 30-MAR-72 LENGTH | 18:25 EXCEPTIONS | PAGE 88 RUN NUMBER |
|---------------------|-----|-------------------------------|--------------------------|----------------|---|------|----|----|----|---|---|---------|---------------------|---------------------|--------------------------|
| RD HEADER (0) | H | D21T2 | | 1-01 * | | | | | | | 2 | | | | 703 |
| RD HEADER (0) | H | D23D1 | | 1-02 * | | | | | | | 1 | | | | 703 |
| RD HEADER (0) | H | D29K2 | | 1-03 * | | | | | | | 2 | | | | 703 |
| RD HEADER (0) | H | D29T2 | | 1-04 * | | | | | | | | | | | 703 |
| RD HEADER (0) | | | | 1 | | | | | | | | | 13-2/8 | | 703 |
| RD HEADER (1) | H | A30P2 | | 1-01 * | | | | | | | 1 | | | CABLE | 704 |
| RD HEADER (1) | H | B32B1 | | 1-02 * | | | | | | | 2 | | | | 704 |
| RD HEADER (1) | H | C32C1 | | 1-03 * | | | | | | | 1 | | | | 704 |
| RD HEADER (1) | H | C32J1 | | 1-04 * | | | | | | | 2 | | | | 704 |
| RD HEADER (1) | H | B28R1 | | 1-05 * | | | | | | | 1 | | | | 704 |
| RD HEADER (1) | H | B28P1 | | 1-06 * | | | | | | | 2 | | | | 704 |
| RD HEADER (1) | H | C21R2 | | 1-07 * | | | | | | | 1 | | | | 704 |
| RD HEADER (1) | H | D23K1 | | 1-08 * | | | | | | | | | | TERM HERE? | 704 |
| RD HEADER (1) | | | | 1 | | | | | | | | | 30-6/8 | | 704 |
| RDY INT (0) | H | C22K2 | | 1-01 * | | | | | | | 1 | | | | 705 |
| RDY INT (0) | H | C22D1 | | 1-02 * | | | | | | | | | | | 705 |
| RDY INT (0) | | | | 1 | | | | | | | | | 3-0/8 | | 705 |
| RDY INT (1) | H | C22J2 | | | | | | | | | | | | 1-PIN RUN | 706 |
| READ | H | B06J2 | | 1-01 * | | | | | R1 | | 2 | | | | 707 |
| READ | H | D14J2 | | 1-02 * | | | | | R1 | | 1 | | | | 707 |
| READ | H | C27D2 | | 1-03 * | | | | | R1 | | 2 | | | | 707 |
| READ | H | C32A1 | | 1-04 * | | | | | R1 | | 1 | | | | 707 |
| READ | H | A26M1 | | 1-05 * | | | | | I | | | | | | 707 |
| READ | | | | 1 | | | | | | | | | 31-6/8 | | 707 |
| READ | L | C18C1 | | 1-01 * | | | | | R1 | | 2 | | | | 708 |
| READ | L | D18A1 | | 1-02 * | | | | | R1 | | 1 | | | | 708 |
| READ | L | D14J1 | | 1-03 * | | | | | R1 | | | | | | 708 |
| READ | | | | 1 | | | | | | | | | 9-2/8 | | 708 |
| RK BUS MASTER | H | A32A1 | | 1-01 * | | | | | | | 2 | | | CABLE | 709 |
| RK BUS MASTER | H | A30N1 | | 1-02 * | | | | | | | 1 | | | CABLE | 709 |
| RK BUS MASTER | H | C16V2 | | 1-03 * | | | | | | | | | | TERM HERE? | 709 |
| RK BUS MASTER | | | | 1 | | | | | | | | | 15-4/8 | | 709 |
| RK INT MASTER | L | A06P2 | | 1-01 * | | | | | | | 2 | | | | 710 |
| RK INT MASTER | L | A06R2 | | 1-02 * | | | | | | | 1 | | | | 710 |
| RK INT MASTER | L | A06S2 | | 1-03 * | | | | | | | 2 | | | | 710 |
| RK INT MASTER | L | C16T2 | | 1-04 * | | | | | | | 1 | | | | 710 |
| RK INT MASTER | L | B27J2 | | 1-05 * | | | | | | | | | | | 710 |
| RK INT MASTER | | | | 1 | | | | | | | | | 24-0/8 | | 710 |

| RK11C,E RUN NAME | A/P | HND288.V15(15) PIN NAME | 01/28/72 ORDER PIN | BAY - ORDER | Q | DRAM | RV | PG | Y | X | Z | REMARKS | 30-MAR-72 LENGTH | 18:25 EXCEPTIONS | PAGE 89 RUN NUMBER |
|---------------------|-----|-------------------------------|--------------------------|----------------|---|------|----|----|---|---|---|---------|---------------------|---------------------|--------------------------|
| RK NPR MASTER | L | A06N1 | | 1-01 * | | | | | | | 2 | | | | 711 |
| RK NPR MASTER | L | B06H2 | | 1-02 * | | | | | | | 1 | | | | 711 |
| RK NPR MASTER | L | C16U2 | | 1-03 * | | | | | | | | | | | 711 |
| RK NPR MASTER | | | | 1 | | | | | | | | | 13-4/8 | | 711 |
| RKBA EQ ALL 1 | L | A17C1 | | 1-01 * | | | | | | | 1 | | | | 712 |
| RKBA EQ ALL 1 | L | B07P2 | | 1-02 * | | | | | | | | | | | 712 |
| RKBA EQ ALL 1 | | | | 1 | | | | | | | | | 8-6/8 | | 712 |
| RKDA 00 (1) | H | A31T2 | | 1-01 * | D | | | | | | 1 | | | CABLE | 713 |
| RKDA 00 (1) | H | D27A1 | | 1-02 * | | | | | | | 2 | | | | 713 |
| RKDA 00 (1) | H | D17N2 | | 1-03 * | | | | | | | 1 | | | | 713 |
| RKDA 00 (1) | H | B17V2 | | 1-04 * | | | | | | | 2 | | | | 713 |
| RKDA 00 (1) | H | B15R1 | | 1-05 * | | | | | | | | | | TERM HERE? | 713 |
| RKDA 00 (1) | | | | 1 | | | | | | | | | 27-4/8 | | 713 |
| RKDA 01 (1) | H | A31S2 | | 1-01 * | C | | | | | | 1 | | | CABLE | 714 |
| RKDA 01 (1) | H | D27D1 | | 1-02 * | | | | | | | 2 | | | | 714 |
| RKDA 01 (1) | H | D17R2 | | 1-03 * | | | | | | | 1 | | | | 714 |
| RKDA 01 (1) | H | B17V1 | | 1-04 * | | | | | | | 2 | | | | 714 |
| RKDA 01 (1) | H | B15M2 | | 1-05 * | | | | | | | | | | TERM HERE? | 714 |
| RKDA 01 (1) | | | | 1 | | | | | | | | | 28-4/8 | | 714 |
| RKDA 02 (1) | H | A31R2 | | 1-01 * | C | | | | | | 1 | | | CABLE | 715 |
| RKDA 02 (1) | H | D27L1 | | 1-02 * | | | | | | | 2 | | | | 715 |
| RKDA 02 (1) | H | D22F1 | | 1-03 * | | | | | | | 1 | | | | 715 |
| RKDA 02 (1) | H | D17C1 | | 1-04 * | | | | | | | 2 | | | | 715 |
| RKDA 02 (1) | H | B17R2 | | 1-05 * | | | | | | | 1 | | | | 715 |
| RKDA 02 (1) | H | B15M1 | | 1-06 * | | | | | | | | | | TERM HERE? | 715 |
| RKDA 02 (1) | | | | 1 | | | | | | | | | 31-4/8 | | 715 |
| RKDA 03 (1) | H | A31P2 | | 1-01 * | C | | | | | | 1 | | | CABLE | 716 |
| RKDA 03 (1) | H | C26P1 | | 1-02 * | | | | | | | 2 | | | | 716 |
| RKDA 03 (1) | H | D22H1 | | 1-03 * | | | | | | | 1 | | | | 716 |
| RKDA 03 (1) | H | D17H1 | | 1-04 * | | | | | | | 2 | | | | 716 |
| RKDA 03 (1) | H | B17P2 | | 1-05 * | | | | | | | 1 | | | | 716 |
| RKDA 03 (1) | H | B15J2 | | 1-06 * | | | | | | | | | | TERM HERE? | 716 |
| RKDA 03 (1) | | | | 1 | | | | | | | | | 29-2/8 | | 716 |
| RKDA 04 (1) | H | A31N2 | | 1-01 * | C | | | | | | 1 | | | CABLE | 717 |
| RKDA 04 (1) | H | D25A1 | | 1-02 * | | | | | | | 2 | | | | 717 |
| RKDA 04 (1) | H | D22F2 | | 1-03 * | | | | | | | 1 | | | | 717 |
| RKDA 04 (1) | H | B17L2 | | 1-04 * | | | | | | | 2 | | | | 717 |
| RKDA 04 (1) | H | B15J1 | | 1-05 * | | | | | | | 1 | | | | 717 |
| RKDA 04 (1) | H | C09L2 | | 1-06 * | | | | | | | | | | TERM HERE? | 717 |
| RKDA 04 (1) | | | | 1 | | | | | | | | | 32-4/8 | | 717 |

| RK11C,E RUN NAME | A/P | HND288.V15(15) PIN NAME | 01/28/72 ORDER PIN | BAY - ORDER | Q | DRAM | RV | PG | Y | X | Z | REMARKS | 30-MAR-72 LENGTH | 18:25 EXCEPTIONS | PAGE 90 RUN NUMBER |
|---------------------|-----|-------------------------------|--------------------------|----------------|---|------|----|----|---|---|---|---------|---------------------|---------------------|--------------------------|
| RKDA 05 (0) | H | C09A1 | | 1-01 * | | | | | | | 1 | | | | 718 |
| RKDA 05 (0) | H | C20M1 | | 1-02 * | | | | | | | 2 | | | | 718 |
| RKDA 05 (0) | H | D15U2 | | 1-03 * | | | | | | | | | | | 718 |
| RKDA 05 (0) | | | | 1 | | | | | | | | | 15-2/8 | | 718 |
| RKDA 05 (1) | H | A31M2 | | 1-01 * | C | | | | | | 1 | | | CABLE | 719 |
| RKDA 05 (1) | H | B23E2 | | 1-02 * | | | | | | | 2 | | | | 719 |
| RKDA 05 (1) | H | A19H2 | | 1-03 * | | | | | | | 1 | | | | 719 |
| RKDA 05 (1) | H | B15E2 | | 1-04 * | | | | | | | 2 | | | | 719 |
| RKDA 05 (1) | H | B17L1 | | 1-05 * | | | | | | | 1 | | | | 719 |
| RKDA 05 (1) | H | C20L1 | | 1-06 * | | | | | | | | | | TERM HERE? | 719 |
| RKDA 05 (1) | | | | 1 | | | | | | | | | 27-6/8 | | 719 |
| RKDA 06 (0) | H | C09B1 | | 1-01 * | | | | | | | 1 | | | | 720 |
| RKDA 06 (0) | H | C20J2 | | 1-02 * | | | | | | | | | | | 720 |
| RKDA 06 (0) | | | | 1 | | | | | | | | | 8-4/8 | | 720 |
| RKDA 06 (1) | H | A31L2 | | 1-01 * | C | | | | | | 1 | | | CABLE | 721 |
| RKDA 06 (1) | H | B23E1 | | 1-02 * | | | | | | | 2 | | | | 721 |
| RKDA 06 (1) | H | B15E1 | | 1-03 * | | | | | | | 1 | | | | 721 |
| RKDA 06 (1) | H | B17H2 | | 1-04 * | | | | | | | 2 | | | | 721 |
| RKDA 06 (1) | H | B18T2 | | 1-05 * | | | | | | | 1 | | | | 721 |
| RKDA 06 (1) | H | C20M2 | | 1-06 * | | | | | | | 2 | | | | 721 |
| RKDA 06 (1) | H | D15T2 | | 1-07 * | | | | | | | | | | TERM HERE? | 721 |
| RKDA 06 (1) | | | | 1 | | | | | | | | | 32-6/8 | | 721 |
| RKDA 07 (0) | H | C09F1 | | 1-01 * | | | | | | | 2 | | | | 722 |
| RKDA 07 (0) | H | C20K1 | | 1-02 * | | | | | | | 1 | | | | 722 |
| RKDA 07 (0) | H | D15S2 | | 1-03 * | | | | | | | | | | | 722 |
| RKDA 07 (0) | | | | 1 | | | | | | | | | 14-6/8 | | 722 |
| RKDA 07 (1) | H | A31K2 | | 1-01 * | C | | | | | | 1 | | | CABLE | 723 |
| RKDA 07 (1) | H | B23B1 | | 1-02 * | | | | | | | 2 | | | | 723 |
| RKDA 07 (1) | H | B17F2 | | 1-03 * | | | | | | | 1 | | | | 723 |
| RKDA 07 (1) | H | B15B1 | | 1-04 * | | | | | | | 2 | | | | 723 |
| RKDA 07 (1) | H | B18S2 | | 1-05 * | | | | | | | 1 | | | | 723 |
| RKDA 07 (1) | H | C20J1 | | 1-06 * | | | | | | | | | | TERM HERE? | 723 |
| RKDA 07 (1) | | | | 1 | | | | | | | | | 25-2/8 | | 723 |
| RKDA 08 (0) | H | C09H1 | | 1-01 * | | | | | | | 1 | | | | 724 |
| RKDA 08 (0) | H | C20F2 | | 1-02 * | | | | | | | | | | | 724 |
| RKDA 08 (0) | | | | 1 | | | | | | | | | 8-2/8 | | 724 |

| RK11C.E RUN NAME | A/P | HND288.V15(15) PIN NAME | 01/28/72 ORDER PIN | BAY - ORDER | Q | DRAW RV PG Y | X | Z | REMARKS | 30-MAR-72 LENGTH | 18125 EXCEPTIONS | PAGE 91 RUN NUMBER |
|---------------------|-----|-------------------------------|--------------------------|----------------|---|--------------|---|---|---------|---------------------|---------------------|--------------------------|
| RKDA 08 (1) | H | A31J2 | | 1-01 * | C | | | 2 | | | CABLE | 725 |
| RKDA 08 (1) | H | A23R1 | | 1-02 * | | | | 1 | | | | 725 |
| RKDA 08 (1) | H | A18S2 | | 1-03 * | | | | 2 | | | | 725 |
| RKDA 08 (1) | H | A15R1 | | 1-04 * | | | | 1 | | | | 725 |
| RKDA 08 (1) | H | B18L1 | | 1-05 * | | | | 2 | | | | 725 |
| RKDA 08 (1) | H | C20E2 | | 1-06 * | | | | 1 | | | | 725 |
| RKDA 08 (1) | H | D15R2 | | 1-07 * | | | | 1 | | | TERM HERE? | 725 |
| RKDA 08 (1) | | | | 1 | | | | | | 33-0/8 | | 725 |
| RKDA 09 (0) | H | C09M1 | | 1-01 * | | | | 2 | | | | 726 |
| RKDA 09 (0) | H | D15R1 | | 1-02 * | | | | 1 | | | | 726 |
| RKDA 09 (0) | H | C20H1 | | 1-03 * | | | | 1 | | | | 726 |
| RKDA 09 (0) | | | | 1 | | | | | | 13-6/8 | | 726 |
| RKDA 09 (1) | H | A31H2 | | 1-01 * | C | | | 2 | | | CABLE | 727 |
| RKDA 09 (1) | H | A23M2 | | 1-02 * | | | | 1 | | | | 727 |
| RKDA 09 (1) | H | A15M2 | | 1-03 * | | | | 2 | | | | 727 |
| RKDA 09 (1) | H | A18M2 | | 1-04 * | | | | 1 | | | | 727 |
| RKDA 09 (1) | H | B18L2 | | 1-05 * | | | | 2 | | | | 727 |
| RKDA 09 (1) | H | C20F1 | | 1-06 * | | | | 1 | | | TERM HERE? | 727 |
| RKDA 09 (1) | | | | 1 | | | | | | 26-2/8 | | 727 |
| RKDA 10 (0) | H | C09N1 | | 1-01 * | | | | 2 | | | | 728 |
| RKDA 10 (0) | H | D15P1 | | 1-02 * | | | | 1 | | | | 728 |
| RKDA 10 (0) | H | C20E1 | | 1-03 * | | | | 1 | | | | 728 |
| RKDA 10 (0) | | | | 1 | | | | | | 13-6/8 | | 728 |
| RKDA 10 (1) | H | A31F2 | | 1-01 * | C | | | 1 | | | CABLE | 729 |
| RKDA 10 (1) | H | A23M1 | | 1-02 * | | | | 2 | | | | 729 |
| RKDA 10 (1) | H | A15M1 | | 1-03 * | | | | 1 | | | | 729 |
| RKDA 10 (1) | H | A18T2 | | 1-04 * | | | | 2 | | | | 729 |
| RKDA 10 (1) | H | B18F2 | | 1-05 * | | | | 1 | | | | 729 |
| RKDA 10 (1) | H | C20D1 | | 1-06 * | | | | 1 | | | TERM HERE? | 729 |
| RKDA 10 (1) | | | | 1 | | | | | | 26-4/8 | | 729 |
| RKDA 11 (0) | H | A18C1 | | 1-01 * | | | | 1 | | | | 730 |
| RKDA 11 (0) | H | C20D2 | | 1-02 * | | | | 2 | | | | 730 |
| RKDA 11 (0) | H | C09D2 | | 1-03 * | | | | 1 | | | | 730 |
| RKDA 11 (0) | | | | 1 | | | | | | 16-0/8 | | 730 |

| RK11C.E RUN NAME | A/P | HND288.V15(15) PIN NAME | 01/28/72 ORDER PIN | BAY - ORDER | Q | DRAW RV PG Y | X | Z | REMARKS | 30-MAR-72 LENGTH | 18125 EXCEPTIONS | PAGE 92 RUN NUMBER |
|---------------------|-----|-------------------------------|--------------------------|----------------|---|--------------|---|---|---------|---------------------|---------------------|--------------------------|
| RKDA 11 (1) | H | A31E2 | | 1-01 * | C | | | 2 | | | CABLE | 731 |
| RKDA 11 (1) | H | A23J2 | | 1-02 * | | | | 1 | | | | 731 |
| RKDA 11 (1) | H | A15J2 | | 1-03 * | | | | 2 | | | | 731 |
| RKDA 11 (1) | H | A18L2 | | 1-04 * | | | | 1 | | | | 731 |
| RKDA 11 (1) | H | B18H2 | | 1-05 * | | | | 2 | | | | 731 |
| RKDA 11 (1) | H | C20C1 | | 1-06 * | | | | 1 | | | | 731 |
| RKDA 11 (1) | H | D15N1 | | 1-07 * | | | | 1 | | | TERM HERE? | 731 |
| RKDA 11 (1) | | | | 1 | | | | | | 33-4/8 | | 731 |
| RKDA 12 (0) | H | C09E2 | | 1-01 * | | | | 1 | | | | 732 |
| RKDA 12 (0) | H | C20B1 | | 1-02 * | | | | 1 | | | | 732 |
| RKDA 12 (0) | | | | 1 | | | | | | 8-0/8 | | 732 |
| RKDA 12 (1) | H | A31D2 | | 1-01 * | C | | | 2 | | | CABLE | 733 |
| RKDA 12 (1) | H | A23J1 | | 1-02 * | | | | 1 | | | | 733 |
| RKDA 12 (1) | H | A15J1 | | 1-03 * | | | | 2 | | | | 733 |
| RKDA 12 (1) | H | A18U2 | | 1-04 * | | | | 1 | | | | 733 |
| RKDA 12 (1) | H | B19T2 | | 1-05 * | | | | 2 | | | | 733 |
| RKDA 12 (1) | H | C20A1 | | 1-06 * | | | | 1 | | | | 733 |
| RKDA 12 (1) | H | D15M1 | | 1-07 * | | | | 1 | | | TERM HERE? | 733 |
| RKDA 12 (1) | | | | 1 | | | | | | 33-2/8 | | 733 |
| RKDA 13 (1) | H | A31C2 | | 1-01 * | C | | | 1 | | | CABLE | 734 |
| RKDA 13 (1) | H | A15E2 | | 1-02 * | | | | 2 | | | | 734 |
| RKDA 13 (1) | H | A18E2 | | 1-03 * | | | | 1 | | | | 734 |
| RKDA 13 (1) | H | C19R1 | | 1-04 * | | | | 1 | | | TERM HERE? | 734 |
| RKDA 13 (1) | | | | 1 | | | | | | 23-2/8 | | 734 |
| RKDA 14 (1) | H | A31B2 | | 1-01 * | C | | | 1 | | | CABLE | 735 |
| RKDA 14 (1) | H | A15E1 | | 1-02 * | | | | 2 | | | | 735 |
| RKDA 14 (1) | H | A18V2 | | 1-03 * | | | | 1 | | | | 735 |
| RKDA 14 (1) | H | C19K1 | | 1-04 * | | | | 1 | | | TERM HERE? | 735 |
| RKDA 14 (1) | | | | 1 | | | | | | 22-4/8 | | 735 |
| RKDA 15 (1) | H | A15B1 | | 1-01 * | | | | 1 | | | TERM HERE? | 736 |
| RKDA 15 (1) | H | A18D2 | | 1-02 * | | | | 2 | | | | 736 |
| RKDA 15 (1) | H | A24R1 | | 1-03 * | | | | 1 | | | | 736 |
| RKDA 15 (1) | H | A31A2 | | 1-04 * | C | | | 1 | | | CABLE | 736 |
| RKDA 15 (1) | | | | 1 | | | | | | 16-6/8 | | 736 |
| RKDA CRY | L | A18F1 | | 1-01 * | | | | 1 | | | | 737 |
| RKDA CRY | L | B17E1 | | 1-02 * | | | | 1 | | | | 737 |
| RKDA CRY | | | | 1 | | | | | | 5-2/8 | | 737 |

| RK11C.E RUN NAME | A/P | HND288.V15(15) PIN NAME | ORDER PIN | 01/28/72 BAY - ORDER | Q | DRAW | RV | PG | Y | X | Z | REMARKS | 30-MAR-72 LENGTH | 18125 EXCEPTIONS | PAGE 93 RUN NUMBER |
|---------------------|-----|-------------------------------|--------------|----------------------------|---|------|----|----|---|---|---|---------|---------------------|---------------------|--------------------------|
| RKDA TO ADD | H | A19R1 | | 1-01 * | | | | | | | 1 | | | | 738 |
| RKDA TO ADD | H | B19R1 | | 1-02 * | | | | | | | 2 | | | | 738 |
| RKDA TO ADD | H | B18R1 | | 1-03 * | | | | | | | 1 | | | | 738 |
| RKDA TO ADD | H | C23J2 | | 1-04 * | | | | | | | 1 | | | | 738 |
| RKDA TO ADD | | | | 1 | | | | | | | | | 14-4/8 | | 738 |
| RKDA TO RKDB SEQ | L | B26U2 | | 1-01 * | | | | | | | 2 | | | | 739 |
| RKDA TO RKDB SEQ | L | C29J1 | | 1-02 * | | | | | | | 1 | | | | 739 |
| RKDA TO RKDB SEQ | L | D24N1 | | 1-03 * | | | | | | | 1 | | | | 739 |
| RKDA TO RKDB SEQ | | | | 1 | | | | | | | | | 11-0/8 | | 739 |
| RKDB 00 (0) | H | A19P1 | | 1-01 * | | | | | | | 1 | | | | 740 |
| RKDB 00 (0) | H | B21U1 | | 1-02 * | | | | | | | | | | | 740 |
| RKDB 00 (0) | | | | 1 | | | | | | | | | 6-0/8 | | 740 |
| RKDB 00 (1) | H | B15P1 | | 1-01 * | | | | | | | 2 | | | TERM HERE? | 741 |
| RKDB 00 (1) | H | A19N1 | | 1-02 * | | | | | | | 1 | | | | 741 |
| RKDB 00 (1) | H | B20D1 | | 1-03 * | | | | | | | 2 | | | | 741 |
| RKDB 00 (1) | H | B21P1 | | 1-04 * | | | | | | | 1 | | | | 741 |
| RKDB 00 (1) | H | B31T1 | | 1-05 * | C | | | | | | | | 22-0/8 | CABLE | 741 |
| RKDB 00 (1) | | | | 1 | | | | | | | | | | | 741 |
| RKDB 01 (0) | H | A19P2 | | 1-01 * | | | | | | | 1 | | | | 742 |
| RKDB 01 (0) | H | B21R1 | | 1-02 * | | | | | | | | | | | 742 |
| RKDB 01 (0) | | | | 1 | | | | | | | | | 5-4/8 | | 742 |
| RKDB 01 (1) | H | B15L2 | | 1-01 * | | | | | | | 2 | | | TERM HERE? | 743 |
| RKDB 01 (1) | H | A19N2 | | 1-02 * | | | | | | | 1 | | | | 743 |
| RKDB 01 (1) | H | B20F1 | | 1-03 * | | | | | | | 2 | | | | 743 |
| RKDB 01 (1) | H | B21V1 | | 1-04 * | | | | | | | 1 | | | | 743 |
| RKDB 01 (1) | H | B31S1 | | 1-05 * | C | | | | | | | | 21-6/8 | CABLE | 743 |
| RKDB 01 (1) | | | | 1 | | | | | | | | | | | 743 |
| RKDB 02 (0) | H | A19J1 | | 1-01 * | | | | | | | 1 | | | | 744 |
| RKDB 02 (0) | H | B21M2 | | 1-02 * | | | | | | | | | | | 744 |
| RKDB 02 (0) | | | | 1 | | | | | | | | | 6-0/8 | | 744 |
| RKDB 02 (1) | H | A19P1 | | 1-01 * | | | | | | | 1 | | | TERM HERE? | 745 |
| RKDB 02 (1) | H | B15L1 | | 1-02 * | | | | | | | 2 | | | | 745 |
| RKDB 02 (1) | H | B20J1 | | 1-03 * | | | | | | | 1 | | | | 745 |
| RKDB 02 (1) | H | B21P2 | | 1-04 * | | | | | | | 2 | | | | 745 |
| RKDB 02 (1) | H | B31R1 | | 1-05 * | C | | | | | | | | 22-0/8 | CABLE | 745 |
| RKDB 02 (1) | | | | 1 | | | | | | | | | | | 745 |
| RKDB 03 (0) | H | A19K2 | | 1-01 * | | | | | | | 1 | | | | 746 |
| RKDB 03 (0) | H | B21S2 | | 1-02 * | | | | | | | | | | | 746 |
| RKDB 03 (0) | | | | 1 | | | | | | | | | 6-2/8 | | 746 |

| RK11C.F RUN NAME | A/P | HND288.V15(15) PIN NAME | ORDER PIN | 01/28/72 BAY - ORDER | Q | DRAW | RV | PG | Y | X | Z | REMARKS | 30-MAR-72 LENGTH | 18125 EXCEPTIONS | PAGE 94 RUN NUMBER |
|---------------------|-----|-------------------------------|--------------|----------------------------|---|------|----|----|---|---|---|---------|---------------------|---------------------|--------------------------|
| RKDB 03 (1) | H | A19J2 | | 1-01 * | | | | | | | 2 | | | TERM HERE? | 747 |
| RKDB 03 (1) | H | B15H2 | | 1-02 * | | | | | | | 1 | | | | 747 |
| RKDB 03 (1) | H | B20L1 | | 1-03 * | | | | | | | 2 | | | | 747 |
| RKDB 03 (1) | H | B21R2 | | 1-04 * | | | | | | | 1 | | | | 747 |
| RKDB 03 (1) | H | B31P1 | | 1-05 * | C | | | | | | | | 21-2/8 | CABLE | 747 |
| RKDB 03 (1) | | | | 1 | | | | | | | | | | | 747 |
| RKDB 04 (0) | H | A19C1 | | 1-01 * | | | | | | | 1 | | | | 748 |
| RKDB 04 (0) | H | B21D1 | | 1-02 * | | | | | | | | | | | 748 |
| RKDB 04 (0) | | | | 1 | | | | | | | | | 5-6/8 | | 748 |
| RKDB 04 (1) | H | A19D2 | | 1-01 * | | | | | | | 1 | | | TERM HERE? | 749 |
| RKDB 04 (1) | H | B15H1 | | 1-02 * | | | | | | | 2 | | | | 749 |
| RKDB 04 (1) | H | B21K1 | | 1-03 * | | | | | | | 1 | | | | 749 |
| RKDB 04 (1) | H | B20N1 | | 1-04 * | | | | | | | 2 | | | | 749 |
| RKDB 04 (1) | H | B31N1 | | 1-05 * | C | | | | | | | | 22-6/8 | CABLE | 749 |
| RKDB 04 (1) | | | | 1 | | | | | | | | | | | 749 |
| RKDB 05 (0) | H | A19B2 | | 1-01 * | | | | | | | 1 | | | | 750 |
| RKDB 05 (0) | H | B21M1 | | 1-02 * | | | | | | | | | | | 750 |
| RKDB 05 (0) | | | | 1 | | | | | | | | | 6-0/8 | | 750 |
| RKDB 05 (1) | H | A19A1 | | 1-01 * | | | | | | | 2 | | | TERM HERE? | 751 |
| RKDB 05 (1) | H | B15D2 | | 1-02 * | | | | | | | 1 | | | | 751 |
| RKDB 05 (1) | H | B21C1 | | 1-03 * | | | | | | | 2 | | | | 751 |
| RKDB 05 (1) | H | B20R1 | | 1-04 * | | | | | | | 1 | | | | 751 |
| RKDB 05 (1) | H | B31M1 | | 1-05 * | C | | | | | | | | 23-2/8 | CABLE | 751 |
| RKDB 05 (1) | | | | 1 | | | | | | | | | | | 751 |
| RKDB 06 (0) | H | B18P1 | | 1-01 * | | | | | | | 1 | | | | 752 |
| RKDB 06 (0) | H | B21J2 | | 1-02 * | | | | | | | | | | | 752 |
| RKDB 06 (0) | | | | 1 | | | | | | | | | 4-4/8 | | 752 |
| RKDB 06 (1) | H | B15D1 | | 1-01 * | | | | | | | 2 | | | TERM HERE? | 753 |
| RKDB 06 (1) | H | B18N1 | | 1-02 * | | | | | | | 1 | | | | 753 |
| RKDB 06 (1) | H | B20S1 | | 1-03 * | | | | | | | 2 | | | | 753 |
| RKDB 06 (1) | H | B21H2 | | 1-04 * | | | | | | | 1 | | | | 753 |
| RKDB 06 (1) | H | B31L1 | | 1-05 * | C | | | | | | | | 19-0/8 | CABLE | 753 |
| RKDB 06 (1) | | | | 1 | | | | | | | | | | | 753 |
| RKDB 07 (0) | H | B18P2 | | 1-01 * | | | | | | | 1 | | | | 754 |
| RKDB 07 (0) | H | B21L1 | | 1-02 * | | | | | | | | | | | 754 |
| RKDB 07 (0) | | | | 1 | | | | | | | | | 4-0/8 | | 754 |

| RK11C:1 RUN NAME | A/P | HND288.V15(15) 01/28/72 PIN NAME | ORDER PIN | BAY - ORDER | Q | DRAW RV PG Y | X | Z | REMARKS | 30-MAR-72 LENGTH | 18125 EXCEPTIONS | PAGE 97 RUN NUMBER |
|---------------------|-----|--|--------------|----------------|---|--------------|---|---|---------|---------------------|---------------------|--------------------------|
| RKDB 15 (1) | H | A15A1 | | 1-01 * | | | | 2 | | | TERM HERE? | 771 |
| RKDB 15 (1) | H | A21F2 | | 1-02 * | | | | 1 | | | | 771 |
| RKDB 15 (1) | H | A20V1 | | 1-03 * | | | | 2 | | | | 771 |
| RKDB 15 (1) | H | B19J2 | | 1-04 * | | | | 1 | | | | 771 |
| RKDB 15 (1) | H | B31A1 | | 1-05 * | C | | | | | | CABLE | 771 |
| RKDB 15 (1) | | | | 1 | | | | | | 22-4/8 | | 771 |
| RKDB TO ADD | H | A19H1 | | 1-01 * | | | | 1 | | | | 772 |
| RKDB TO ADD | H | A19U1 | | 1-02 * | | | | 2 | | | | 772 |
| RKDB TO ADD | H | B18H1 | | 1-03 * | | | | 1 | | | | 772 |
| RKDB TO ADD | H | B19H1 | | 1-04 * | | | | 2 | | | | 772 |
| RKDB TO ADD | H | C29E1 | | 1-05 * | | | | 1 | | | | 772 |
| RKDB TO ADD | H | C29E2 | | 1-06 * | | | | | | | | 772 |
| RKDB TO ADD | | | | 1 | | | | | | 19-0/8 | | 772 |
| RKDB TO ADD | L | A19R2 | | 1-01 * | | | | 1 | | | | 773 |
| RKDB TO ADD | L | B19R2 | | 1-02 * | | | | 2 | | | | 773 |
| RKDB TO ADD | L | B18R2 | | 1-03 * | | | | 1 | | | | 773 |
| RKDB TO ADD | L | C29F2 | | 1-04 * | | | | | | | | 773 |
| RKDB TO ADD | | | | 1 | | | | | | 14-2/8 | | 773 |
| RKDB TO BUS | L | A19U2 | | 1-01 * | | | | 2 | | | | 774 |
| RKDB TO BUS | L | B19U2 | | 1-02 * | | | | 1 | | | | 774 |
| RKDB TO BUS | L | D19F1 | | 1-03 * | | | | | | | | 774 |
| RKDB TO BUS | | | | 1 | | | | | | 12-0/8 | | 774 |
| RKDB TO DSB | H | C30D2 | | 1-01 * | | | | 1 | | | | 775 |
| RKDB TO DSB | H | D20S1 | | 1-02 * | | | | | | | | 775 |
| RKDB TO DSB | | | | 1 | | | | | | 9-4/8 | | 775 |
| RKDB TO DSB | L | C30S1 | | 1-01 * | | | | 1 | | | | 776 |
| RKDB TO DSB | L | B26R1 | | 1-02 * | | | | 2 | | | | 776 |
| RKDB TO DSB | L | A20U2 | | 1-03 * | | | | 1 | | | | 776 |
| RKDB TO DSB | L | B20U2 | | 1-04 * | | | | 2 | | | | 776 |
| RKDB TO DSB | L | C14F1 | | 1-05 * | | | | 1 | | | | 776 |
| RKDB TO DSB | L | D20R1 | | 1-06 * | | | | | | | | 776 |
| RKDB TO DSB | | | | 1 | | | | | | 30-2/8 | | 776 |
| RKDS 00 (1) | H | A32V2 | | 1-01 * | C | | | 2 | | | CABLE | 777 |
| RKDS 00 (1) | H | B30L2 | | 1-02 * | C | | | 1 | | | CABLE | 777 |
| RKDS 00 (1) | H | D27B1 | | 1-03 * | | | | 2 | | | | 777 |
| RKDS 00 (1) | H | D17P1 | | 1-04 * | | | | 1 | | | | 777 |
| RKDS 00 (1) | H | B14P1 | | 1-05 * | | | | 2 | | | | 777 |
| RKDS 00 (1) | H | B08B1 | | 1-06 * | | | | | | | TERM HERE? | 777 |
| RKDS 00 (1) | | | | 1 | | | | | | 33-6/8 | | 777 |

| RK11C:1 RUN NAME | A/P | HND288.V15(15) 01/28/72 PIN NAME | ORDER PIN | BAY - ORDER | Q | DRAW RV PG Y | X | Z | REMARKS | 30-MAR-72 LENGTH | 18125 EXCEPTIONS | PAGE 98 RUN NUMBER |
|---------------------|-----|--|--------------|----------------|---|--------------|---|---|---------|---------------------|---------------------|--------------------------|
| RKDS 01 (1) | H | A32U2 | | 1-01 * | C | | | 2 | | | CABLE | 778 |
| RKDS 01 (1) | H | B30J2 | | 1-02 * | | | | 1 | | | | 778 |
| RKDS 01 (1) | H | D27E1 | | 1-03 * | | | | 2 | | | | 778 |
| RKDS 01 (1) | H | D17S1 | | 1-04 * | | | | 1 | | | | 778 |
| RKDS 01 (1) | H | B14L2 | | 1-05 * | | | | 2 | | | | 778 |
| RKDS 01 (1) | H | B08E1 | | 1-06 * | | | | | | | TERM HERE? | 778 |
| RKDS 01 (1) | | | | 1 | | | | | | 35-0/8 | | 778 |
| RKDS 02 (1) | H | A32T2 | | 1-01 * | C | | | 2 | | | CABLE | 779 |
| RKDS 02 (1) | H | B30E1 | | 1-02 * | C | | | 1 | | | CABLE | 779 |
| RKDS 02 (1) | H | D27M1 | | 1-03 * | | | | 2 | | | | 779 |
| RKDS 02 (1) | H | D17F1 | | 1-04 * | | | | 1 | | | | 779 |
| RKDS 02 (1) | H | B14L1 | | 1-05 * | | | | 2 | | | | 779 |
| RKDS 02 (1) | H | B08H1 | | 1-06 * | | | | | | | TERM HERE? | 779 |
| RKDS 02 (1) | | | | 1 | | | | | | 34-2/8 | | 779 |
| RKDS 03 (1) | H | A32S2 | | 1-01 * | C | | | 2 | | | CABLE | 780 |
| RKDS 03 (1) | H | B30M1 | | 1-02 * | C | | | 1 | | | CABLE | 780 |
| RKDS 03 (1) | H | C26R1 | | 1-03 * | | | | 2 | | | | 780 |
| RKDS 03 (1) | H | D17K2 | | 1-04 * | | | | 1 | | | | 780 |
| RKDS 03 (1) | H | B14H2 | | 1-05 * | | | | 2 | | | | 780 |
| RKDS 03 (1) | H | B08K1 | | 1-06 * | | | | | | | TERM HERE? | 780 |
| RKDS 03 (1) | | | | 1 | | | | | | 33-2/8 | | 780 |
| RTE (0) | H | D23H1 | | | | | | | | | 1-PIN RUN | 781 |
| RTE (1) | H | A16P1 | | 1-01 * | | | | 1 | | | TERM HERE? | 782 |
| RTE (1) | H | D23C1 | | 1-02 * | | | | 2 | | | | 782 |
| RTE (1) | H | B32L1 | | 1-03 * | C | | | 1 | | | CABLE | 782 |
| RTE (1) | H | C32K2 | | 1-04 * | | | | | | | TERM HERE? | 782 |
| RTE (1) | | | | 1 | | | | | | 24-0/8 | | 782 |
| SC EO SA | H | A32R2 | | 1-01 * | | | | 2 | | | TERM HERE? | 783 |
| SC EO SA | H | B28M1 | | 1-02 * | | | | 1 | | | | 783 |
| SC EO SA | H | B30P2 | | 1-03 * | C | | | 2 | | | CABLE | 783 |
| SC EO SA | H | C29M2 | | 1-04 * | | | | 1 | | | | 783 |
| SC EO SA | H | C18K2 | | 1-05 * | | | | 2 | | | | 783 |
| SC EO SA | H | D17B1 | | 1-06 * | | | | 1 | | | | 783 |
| SC EO SA | H | D17A1 | | 1-07 * | | | | 2 | | | | 783 |
| SC EO SA | H | B14M1 | | 1-08 * | | | | | | | TERM HERE? | 783 |
| SC EO SA | | | | 1 | | | | | | 36-6/8 | | 783 |
| SCH CMP (0) | H | C23M1 | | | | | | | | | 1-PIN RUN | 784 |

| RK11C.F RUN NAME | A/P | HND288.V15(15) PIN NAME | 01/28/72 ORDER PIN | BAY - ORDER | Q | DRAW | RV | PG | Y | X | Z | REMARKS | 30-MAR-72 LENGTH | 18125 EXCEPTIONS | PAGE 99 RUN NUMBER |
|---------------------|-----|-------------------------------|--------------------------|----------------|---|------|----|----|---|---|---|----------|---------------------|---------------------|--------------------------|
| SCH CMP (1) | H | A14E2 | | 1-01 * | | | | | | | 2 | | | TERM HERE? | 785 |
| SCH CMP (1) | H | C23C1 | | 1-02 * | | | | | | | 1 | | | | 785 |
| SCH CMP (1) | H | A31C1 | | 1-03 * | | | | | | | | | | CABLE | 785 |
| SCH CMP (1) | | | | 1 | | | | | | | | | 18-4/8 | | 785 |
| SECTOR END (0) | H | B17S2 | | 1-01 * | | | | | | | 1 | | | | 786 |
| SECTOR END (0) | H | D28J2 | | 1-02 * | | | | | | | | R1 R1 | | | 786 |
| SECTOR END (0) | | | | 1 | | | | | | | | | 9-6/8 | | 786 |
| SECTOR END (1) | H | B30U2 | | 1-01 * | | | | | | | 2 | R1 | | | 787 |
| SECTOR END (1) | H | D28H2 | | 1-02 * | | | | | | | 1 | R1 | | | 787 |
| SECTOR END (1) | H | D17L2 | | 1-03 * | | | | | | | 2 | R1 | | | 787 |
| SECTOR END (1) | H | C16R1 | | 1-04 * | | | | | | | | I | | | 787 |
| SECTOR END (1) | | | | 1 | | | | | | | | | 19-6/8 | | 787 |
| SEEK | L | D14F1 | | 1-01 * | | | | | | | 1 | | | | 788 |
| SEEK | L | D16L1 | | 1-02 * | | | | | | | | | | | 788 |
| SEEK | | | | 1 | | | | | | | | | 3-4/8 | | 788 |
| SEEK OR RESET | H | D16N1 | | 1-01 * | | | | | | | 1 | | | | 789 |
| SEEK OR RESET | H | D16L2 | | 1-02 * | | | | | | | 2 | | | | 789 |
| SEEK OR RESET | H | D21L1 | | 1-03 * | | | | | | | | | | | 789 |
| SEEK OR RESET | | | | 1 | | | | | | | | | 7-2/8 | | 789 |
| SEEK STARTED | H | A26F2 | | 1-01 * | | | | | | | 2 | | | | 790 |
| SEEK STARTED | H | A24B1 | | 1-02 * | | | | | | | 1 | | | | 790 |
| SEEK STARTED | H | A24E2 | | 1-03 * | | | | | | | 2 | | | | 790 |
| SEEK STARTED | H | A24H1 | | 1-04 * | | | | | | | 1 | | | | 790 |
| SEEK STARTED | H | A24L2 | | 1-05 * | | | | | | | 2 | | | | 790 |
| SEEK STARTED | H | B28G1 | | 1-06 * | | | | | | | 1 | | | | 790 |
| SEEK STARTED | H | B28E2 | | 1-07 * | | | | | | | 2 | | | | 790 |
| SEEK STARTED | H | B28H1 | | 1-08 * | | | | | | | 1 | | | | 790 |
| SEEK STARTED | H | B28L2 | | 1-09 * | | | | | | | | | | | 790 |
| SEEK STARTED | | | | 1 | | | | | | | | | 25-4/8 | | 790 |
| SEEK STARTED | L | A26D2 | | 1-01 * | | | | | | | 2 | | | | 791 |
| SEEK STARTED | L | C26R2 | | 1-02 * | | | | | | | 1 | | | | 791 |
| SEEK STARTED | L | D16N2 | | 1-03 * | | | | | | | | | | | 791 |
| SEEK STARTED | | | | 1 | | | | | | | | | 17-2/8 | | 791 |
| SEL DSK 00 | H | A26C1 | | 1-01 * | | | | | | | 2 | | | | 792 |
| SEL DSK 00 | H | B28A1 | | 1-02 * | | | | | | | 1 | | | | 792 |
| SEL DSK 00 | H | D20H1 | | 1-03 * | | | | | | | | | | | 792 |
| SEL DSK 00 | | | | 1 | | | | | | | | | 15-6/8 | | 792 |

| RK11C.F RUN NAME | A/P | HND288.V15(15) PIN NAME | 01/28/72 ORDER PIN | BAY - ORDER | Q | DRAW | RV | PG | Y | X | Z | REMARKS | 30-MAR-72 LENGTH | 18125 EXCEPTIONS | PAGE 100 RUN NUMBER |
|---------------------|-----|-------------------------------|--------------------------|----------------|---|------|----|----|---|---|---|---------|---------------------|---------------------|---------------------------|
| SEL DSK 00 | L | C13A1 | | 1-01 * | | | | | | | 1 | | | | 793 |
| SEL DSK 00 | L | D12P1 | | 1-02 * | | | | | | | 2 | | | | 793 |
| SEL DSK 00 | L | D20L1 | | 1-03 * | | | | | | | | | | | 793 |
| SEL DSK 00 | | | | 1 | | | | | | | | | 13-4/8 | | 793 |
| SEL DSK 01 | H | A26E1 | | 1-01 * | | | | | | | 2 | | | | 794 |
| SEL DSK 01 | H | B28D2 | | 1-02 * | | | | | | | 1 | | | | 794 |
| SEL DSK 01 | H | D20J2 | | 1-03 * | | | | | | | | | | | 794 |
| SEL DSK 01 | | | | 1 | | | | | | | | | 15-2/8 | | 794 |
| SEL DSK 01 | L | C13C1 | | 1-01 * | | | | | | | 2 | | | | 795 |
| SEL DSK 01 | L | D12N1 | | 1-02 * | | | | | | | 1 | | | | 795 |
| SEL DSK 01 | L | D20H2 | | 1-03 * | | | | | | | | | | | 795 |
| SEL DSK 01 | | | | 1 | | | | | | | | | 13-2/8 | | 795 |
| SEL DSK 02 | H | A26H1 | | 1-01 * | | | | | | | 2 | | | | 796 |
| SEL DSK 02 | H | B28F1 | | 1-02 * | | | | | | | 1 | | | | 796 |
| SEL DSK 02 | H | D20K1 | | 1-03 * | | | | | | | | | | | 796 |
| SEL DSK 02 | | | | 1 | | | | | | | | | 15-2/8 | | 796 |
| SEL DSK 02 | L | C13E1 | | 1-01 * | | | | | | | 2 | | | | 797 |
| SEL DSK 02 | L | D12M1 | | 1-02 * | | | | | | | 1 | | | | 797 |
| SEL DSK 02 | L | D20J1 | | 1-03 * | | | | | | | | | | | 797 |
| SEL DSK 02 | | | | 1 | | | | | | | | | 12-6/8 | | 797 |
| SEL DSK 03 | H | A26J2 | | 1-01 * | | | | | | | 2 | | | | 798 |
| SEL DSK 03 | H | B28K2 | | 1-02 * | | | | | | | 1 | | | | 798 |
| SEL DSK 03 | H | D20F2 | | 1-03 * | | | | | | | | | | | 798 |
| SEL DSK 03 | | | | 1 | | | | | | | | | 14-2/8 | | 798 |
| SEL DSK 03 | L | C13H1 | | 1-01 * | | | | | | | 2 | | | | 799 |
| SEL DSK 03 | L | D12L1 | | 1-02 * | | | | | | | 1 | | | | 799 |
| SEL DSK 03 | L | D20E2 | | 1-03 * | | | | | | | | | | | 799 |
| SEL DSK 03 | | | | 1 | | | | | | | | | 12-4/8 | | 799 |
| SEL DSK 04 | H | A24A1 | | 1-01 * | | | | | | | 2 | | | | 800 |
| SEL DSK 04 | H | A26N2 | | 1-02 * | | | | | | | 1 | | | | 800 |
| SEL DSK 04 | H | D20H1 | | 1-03 * | | | | | | | | | | | 800 |
| SEL DSK 04 | | | | 1 | | | | | | | | | 15-4/8 | | 800 |
| SEL DSK 04 | L | C13K1 | | 1-01 * | | | | | | | 2 | | | | 801 |
| SEL DSK 04 | L | D12K1 | | 1-02 * | | | | | | | 1 | | | | 801 |
| SEL DSK 04 | L | D20F1 | | 1-03 * | | | | | | | | | | | 801 |
| SEL DSK 04 | | | | 1 | | | | | | | | | 12-0/8 | | 801 |

| RK11C.E RUN NAME | A/P | HND288.V15(15) PIN NAME | 01/28/72 ORDER PIN | BAY - ORDER | Q | DRAW | RV | PG | Y | X | Z | REMARKS | 30-MAR-72 LENGTH | 18125 EXCEPTIONS | PAGE 101 RUN NUMBER |
|---------------------|-----|-------------------------------|--------------------------|----------------|---|------|----|----|---|---|---|---------|---------------------|---------------------|---------------------------|
| SEL DSK 05 | H | A24D2 | | 1-01 * | | | | | | | 2 | | | | 802 |
| SEL DSK 05 | H | A26N1 | | 1-02 * | | | | | | | 1 | | | | 802 |
| SEL DSK 05 | H | D20E1 | | 1-03 * | | | | | | | | | | | 802 |
| SEL DSK 05 | | | | 1 | | | | | | | | | 14-4/8 | | 802 |
| SEL DSK 05 | L | C13M1 | | 1-01 * | | | | | | | 2 | | | | 803 |
| SEL DSK 05 | L | D12J1 | | 1-02 * | | | | | | | 1 | | | | 803 |
| SEL DSK 05 | L | D20D1 | | 1-03 * | | | | | | | | | | | 803 |
| SEL DSK 05 | | | | 1 | | | | | | | | | 11-4/8 | | 803 |
| SEL DSK 06 | H | A26R2 | | 1-01 * | | | | | | | 2 | | | | 804 |
| SEL DSK 06 | H | A24F1 | | 1-02 * | | | | | | | 1 | | | | 804 |
| SEL DSK 06 | H | D20D2 | | 1-03 * | | | | | | | | | | | 804 |
| SEL DSK 06 | | | | 1 | | | | | | | | | 14-6/8 | | 804 |
| SEL DSK 06 | L | C13P1 | | 1-01 * | | | | | | | 2 | | | | 805 |
| SEL DSK 06 | L | D12H1 | | 1-02 * | | | | | | | 1 | | | | 805 |
| SEL DSK 06 | L | D20C1 | | 1-03 * | | | | | | | | | | | 805 |
| SEL DSK 06 | | | | 1 | | | | | | | | | 11-0/8 | | 805 |
| SEL DSK 07 | H | A26R1 | | 1-01 * | | | | | | | 2 | | | | 806 |
| SEL DSK 07 | H | A24K2 | | 1-02 * | | | | | | | 1 | | | | 806 |
| SEL DSK 07 | H | D20B1 | | 1-03 * | | | | | | | | | | | 806 |
| SEL DSK 07 | | | | 1 | | | | | | | | | 14-0/8 | | 806 |
| SEL DSK 07 | L | C13G1 | | 1-01 * | | | | | | | 2 | | | | 807 |
| SEL DSK 07 | L | D12F1 | | 1-02 * | | | | | | | 1 | | | | 807 |
| SEL DSK 07 | L | D20A1 | | 1-03 * | | | | | | | | | | | 807 |
| SEL DSK 07 | | | | 1 | | | | | | | | | 10-6/8 | | 807 |
| SEL ERR | H | D21K2 | | 1-01 * | | | | | | | 1 | | | | 808 |
| SEL ERR | H | D27T2 | | 1-02 * | | | | | | | | | | | 808 |
| SEL ERR | | | | 1 | | | | | | | | | 5-6/8 | | 808 |
| SELECT A | L | C10F1 | | 1-01 * | | | | | | | 2 | | | | 809 |
| SELECT A | L | C13D2 | | 1-02 * | | | | | | | 1 | | | | 809 |
| SELECT A | L | D22M1 | | 1-03 * | | | | | | | | | | | 809 |
| SELECT A | | | | 1 | | | | | | | | | 12-2/8 | | 809 |
| SELECT B | L | C10H1 | | 1-01 * | | | | | | | 2 | | | | 810 |
| SELECT B | L | C13F2 | | 1-02 * | | | | | | | 1 | | | | 810 |
| SELECT B | L | D22N1 | | 1-03 * | | | | | | | | | | | 810 |
| SELECT B | | | | 1 | | | | | | | | | 12-2/8 | | 810 |

| RK11C.E RUN NAME | A/P | HND288.V15(15) PIN NAME | 01/28/72 ORDER PIN | BAY - ORDER | Q | DRAW | RV | PG | Y | X | Z | REMARKS | 30-MAR-72 LENGTH | 18125 EXCEPTIONS | PAGE 102 RUN NUMBER |
|----------------------|-----|-------------------------------|--------------------------|----------------|---|------|----|----|---|---|---|---------|---------------------|---------------------|---------------------------|
| SELECT C | L | C10M1 | | 1-01 * | | | | | | | 2 | | | | 811 |
| SELECT C | L | C13J2 | | 1-02 * | | | | | | | 1 | | | | 811 |
| SELECT C | L | D22P1 | | 1-03 * | | | | | | | | | | | 811 |
| SELECT C | | | | 1 | | | | | | | | | 12-4/8 | | 811 |
| SELECT D | L | C10N1 | | 1-01 * | | | | | | | 2 | | | | 812 |
| SELECT D | L | C13L2 | | 1-02 * | | | | | | | 1 | | | | 812 |
| SELECT D | L | D22R1 | | 1-03 * | | | | | | | | | | | 812 |
| SELECT D | | | | 1 | | | | | | | | | 12-2/8 | | 812 |
| SELECT E | L | C11D2 | | 1-01 * | | | | | | | 2 | | | | 813 |
| SELECT E | L | C13N2 | | 1-02 * | | | | | | | 1 | | | | 813 |
| SELECT E | L | C29D2 | | 1-03 * | | | | | | | | | | | 813 |
| SELECT E | | | | 1 | | | | | | | | | 14-4/8 | | 813 |
| SELECT F | L | C13S2 | | 1-01 * | | | | | | | 2 | | | | 814 |
| SELECT F | L | C11E2 | | 1-02 * | | | | | | | 1 | | | | 814 |
| SELECT F | L | C29E2 | | 1-03 * | | | | | | | | | | | 814 |
| SELECT F | | | | 1 | | | | | | | | | 15-2/8 | | 814 |
| SELECT H | L | C11K2 | | 1-01 * | | | | | | | 2 | | | | 815 |
| SELECT H | L | C13T2 | | 1-02 * | | | | | | | 1 | | | | 815 |
| SELECT H | L | C29F2 | | 1-03 * | | | | | | | | | | | 815 |
| SELECT H | | | | 1 | | | | | | | | | 14-6/8 | | 815 |
| SELECT J | L | C11L2 | | 1-01 * | | | | | | | 2 | | | | 816 |
| SELECT J | L | C13V2 | | 1-02 * | | | | | | | 1 | | | | 816 |
| SELECT J | L | C29H2 | | 1-03 * | | | | | | | | | | | 816 |
| SELECT J | | | | 1 | | | | | | | | | 14-4/8 | | 816 |
| SERIAL READ DATA (1) | H | A20E2 | | 1-01 * | | | | | | | 1 | | | | 817 |
| SERIAL READ DATA (1) | H | D28E1 | | 1-02 * | | | | | | | | | | | 817 |
| SERIAL READ DATA (1) | | | | 1 | | | | | | | | | 12-0/8 | | 817 |
| SHIFT EN | H | A20M2 | | 1-01 * | | | | | | | 2 | | | | 818 |
| SHIFT EN | H | B20M2 | | 1-02 * | | | | | | | 1 | | | | 818 |
| SHIFT EN | H | C20U2 | | 1-03 * | | | | | | | 2 | | | | 818 |
| SHIFT EN | H | C21V2 | | 1-04 * | | | | | | | | | | | 818 |
| SHIFT EN | | | | 1 | | | | | | | | | 13-4/8 | | 818 |
| SIN | H | A32K2 | | 1-01 * | C | | | | | | 2 | | | CABLE | 819 |
| SIN | H | B30R1 | | 1-02 * | C | | | | | | 1 | | | CABLE | 819 |
| SIN | H | D30D1 | | 1-03 * | | | | | | | 2 | | | | 819 |
| SIN | H | C21D1 | | 1-04 * | | | | | | | 1 | | | | 819 |
| SIN | H | A14L2 | | 1-05 * | | | | | | | 2 | | | | 819 |
| SIN | H | B08L2 | | 1-06 * | | | | | | | | | | TERM HERE? | 819 |
| SIN | | | | 1 | | | | | | | | | 35-2/8 | | 819 |

| WT GATE (1) | A/P | PIN NAME | ORDER PIN | BAY - ORDER | 0 | DRAW | RV | PG | Y | X | Z | REMARKS | 30-MAR-72 LENGTH | 18125 EXCEPTIONS | PAGE 107 RUN NUMBER |
|----------------|-----|----------|-----------|-------------|---|------|----|----|---|---|---|---------|------------------|------------------|---------------------|
| WT GATE (1) | H | B32A1 | | 1-01 * | | | | | | | 1 | | | | 860 |
| WT GATE (1) | H | B30J1 | | 1-02 * | | | | | | | 2 | | | CABLE | 860 |
| WT GATE (1) | H | C31J1 | | 1-03 * | | | | | | | 1 | | | CABLE | 860 |
| WT GATE (1) | H | D31U2 | | 1-04 * | | | | | | | 2 | | | | 860 |
| WT GATE (1) | H | D29D2 | | 1-05 * | | | | | | | 1 | | | | 860 |
| WT GATE (1) | H | C14R2 | | 1-06 * | | | | | | | | | | TERM HERE? | 860 |
| WT GATE (1) | | | | 1 | | | | | | | | | 29-4/8 | | 860 |
| WT PRCT STATUS | H | A32P2 | | 1-01 * | | | | | | | 1 | | | | 861 |
| WT PRCT STATUS | H | D24C1 | | 1-02 * | | | | | | | 2 | | | | 861 |
| WT PRCT STATUS | H | B14D2 | | 1-03 * | | | | | | | 1 | | | | 861 |
| WT PRCT STATUS | H | B08F2 | | 1-04 * | | | | | | | | | | | 861 |
| WT PRCT STATUS | | | | 1 | | | | | | | | | 26-0/8 | | 861 |
| WT PROTECT | L | C11B1 | | 1-01 * | | | | | | | 1 | | | | 862 |
| WT PROTECT | L | C26P2 | | 1-02 * | | | | | | | 2 | | | | 862 |
| WT PROTECT | L | D30K2 | | 1-03 * | | | | | | | | | | | 862 |
| WT PROTECT | | | | 1 | | | | | | | | | 16-0/8 | | 862 |
| XFER COND | L | C27U2 | | 1-01 * | | | | | | | 2 | | | | 863 |
| XFER COND | L | C29V2 | | 1-02 * | | | | | | | 1 | | | | 863 |
| XFER COND | L | C32U2 | | 1-03 * | | | | | | | | | | | 863 |
| XFER COND | | | | 1 | | | | | | | | | 7-2/8 | | 863 |
| XFER FUNCT | H | C31S2 | | 1-01 * | | | | | | | 1 | | | | 864 |
| XFER FUNCT | H | D22J1 | | 1-02 * | | | | | | | 2 | | | | 864 |
| XFER FUNCT | H | D21M1 | | 1-03 * | | | | | | | 1 | | | | 864 |
| XFER FUNCT | H | D24R1 | | 1-04 * | | | | | | | | | | | 864 |
| XFER FUNCT | | | | 1 | | | | | | | | | 15-2/8 | | 864 |

ERROR LISTING

| WIRE WRAP RUN NAME | A/P | PIN NAME | ORDER PIN | BAY - ORDER | Q | DRAM | RV | PG | Y | X | Z | REMARKS | 30-MAR-72 LENGTH | 18125 EXCEPTIONS | PAGE 1 RUN NUMBER |
|------------------------|-----|-------------|--------------|----------------|---|------|----|----|---|---|---|---------|---------------------|---------------------|-------------------------|
| +3V D19V1 | | D19V1 | | | | | | | | | | | | 1-PIN RUN | 18 |
| ADD 16 (1) | H | B19E1 | | | | | | | | | | | | 1-PIN RUN | 97 |
| ADD 17 (1) | H | B19E2 | | | | | | | | | | | | 1-PIN RUN | 98 |
| ADDER CONTROL #2 (1) | H | D28V2 | | | | | | | | | | | | 1-PIN RUN | 106 |
| 9AD BIT (0) | H | D31S2 | | | | | | | | | | | | 1-PIN RUN | 125 |
| CONTROL RESET | L | 014D1 | | | | | | | | | | | | 1-PIN RUN | 300 |
| DATA STR 01 | H | B06R2 | | | | | | | | | | | | 1-PIN RUN | 371 |
| DIV 04 (0) | H | C12M1 | | | | | | | | | | | | 1-PIN RUN | 382 |
| DPL (0) | H | C23M2 | | | | | | | | | | | | 1-PIN RUN | 386 |
| END OF SYNC (.) | H | D28L1 | | | | | | | | | | | | 1-PIN RUN | 470 |
| GATE RKBA TO BUS A | H | B06B1 | | | | | | | | | | | | 1-PIN RUN | 496 |
| H/L (1) | H | C12E1 | | | | | | | | | | | | 1-PIN RUN | 547 |
| ID 00 (0) | H | A29J2 | | | | | | | | | | | | 1-PIN RUN | 557 |
| ID 01 (0) | H | A29F1 | | | | | | | | | | | | 1-PIN RUN | 559 |
| ID 02 (0) | H | A29V2 | | | | | | | | | | | | 1-PIN RUN | 561 |
| IDE (0) | H | A29M1 | | | | | | | | | | | | 1-PIN RUN | 563 |
| IDLE (0) | H | C17E1 | | | | | | | | | | | | 1-PIN RUN | 565 |
| INT XFC (1) | H | D22E1 | | | | | | | | | | | | 1-PIN RUN | 601 |
| LOAD RKDR | L | A27N1 | | | | | | | | | | | | 1-PIN RUN | 630 |
| NPR (0) | H | C22V2 | | | | | | | | | | | | 1-PIN RUN | 666 |
| NPR GATE RKDB TO BUS D | L | B06F2 | | | | | | | | | | | | 1-PIN RUN | 669 |
| NXC (0) | H | D23R1 | | | | | | | | | | | | 1-PIN RUN | 670 |
| NXD (0) | H | D23M2 | | | | | | | | | | | | 1-PIN RUN | 672 |
| ROY INT (1) | H | C22J2 | | | | | | | | | | | | 1-PIN RUN | 706 |
| RTE (0) | H | D23M1 | | | | | | | | | | | | 1-PIN RUN | 781 |
| SCH CMP (0) | H | C23M1 | | | | | | | | | | | | 1-PIN RUN | 784 |
| STD RD CLK | L | C13M1 | | | | | | | | | | | | 1-PIN RUN | 830 |
| STD RD DATA | L | C13K1 | | | | | | | | | | | | 1-PIN RUN | 832 |
| WCE (0) | H | D23E2 | | | | | | | | | | | | 1-PIN RUN | 844 |
| WRITE LOCK | L | D14L1 | | | | | | | | | | | | 1-PIN RUN | 853 |
| WT CHK | H | D14N2 | | | | | | | | | | | | 1-PIN RUN | 855 |
| WT CLK (0) | H | C12V1 | | | | | | | | | | | | 1-PIN RUN | 857 |