

digital

RH11-Ø

Engineering Drawings

Digital Equipment Corporation

The material herein is for information purposes only and is subject to change without notice. Digital Equipment Corporation assumes no responsibility for any errors which may appear herein.

These drawings and specifications herein are the property of Digital Equipment Corporation and shall not be reproduced or copied or used in whole or in part as the basis for the manufacture or sale of items without written permission.

Copyright © 1975, Digital Equipment Corporation

CUSTOMER PRINT SET		ELECTRICAL					CUSTOMER PRINT SET		MECHANICAL						
RH11-Ø	MFG. SET	FIND NO.	DRAWING NO.	REV	NO OF SHT	DESCRIPTION	OPTION NO./FILE DATE	RH11-Ø	MFG. SET	FIND NO.	DRAWING NO.	REV	NO OF SHT	DESCRIPTION	OPTION NO./FILE DATE
X		1	D-UA-RH11-Ø-Ø	B	1	RH11 UNIT ASSEMBLY		X		1	D-UA-RH11-Ø-Ø	A	1	RH11 UNIT ASSEMBLY	
X			D-MU-RH11-Ø-Ø1	B	1	MODULE UTILIZATION		X			D-IA-7009570-0-0	#	1	RH11 POWER HARNESS (15 PIN)	
X			D-BS-RH11-Ø-Ø2	B	3	MASSBUS TRANSCEIVER		X			D-IA-7009563-0-0	#	1	POWER HARNESS (15 PIN)	
X			D-IC-RH11-Ø-Ø3	*	1	UNIBUS A CABLE DIAGRAM					A-PL-H85Ø-Ø-Ø		1	HANDLE EXTENDER	
X			D-IC-RH11-Ø-Ø4	*	1	UNABUS B CABLE DIAGRAM					D-IA-7009571-0-0		1	RH11 POWER HARNESS (9 PIN)	
X			D-TD-RH11-Ø-Ø5	A	1	WRITE UNIBUS (TIMING DIAGRAM)					D-IA-7009099-0-0		1	POWER HARNESS (9 PIN)	
X			D-TD-RH11-Ø-Ø6	A	1	READ + WRITE CHECK UNIBUS (TIMING DIAGRAM)									
X			D-TD-RH11-Ø-Ø7	*	1	WRITE MASSBUS (TIMING DIAGRAM)									
X			D-TD-RH11-Ø-Ø8	*	1	READ + WRITE CHECK MASSBUS (TIMING DIAGRAM)									
X			D-FD-RH11-Ø-Ø9	A	1	WRITE COMMAND FLOW DIAGRAM									
X			D-FD-RH11-Ø-1Ø	A	1	READ COMMAND FLOW DIAGRAM									
X			D-FD-RH11-Ø-11	A	1	WRITE CHECK COMMAND FLOW DIAGRAM									
X			D-CS-M7295-Ø-1	#	10	BUS CONTROL									
X			D-CS-M7296-Ø-1	#	3	CONTROL & STATUS REG									
X			D-CS-M7294-Ø-1	#	9	DATA BUFFER & CONTROL									
X			D-CS-M7297-Ø-1	#	2	PARITY CONTROL									
X			D-CS-M93ØØ-Ø-1	#	2	UNIBUS TERMINATOR (BUS B)									
X			D-CS-M59Ø4-Ø-1	#	2	CONTROLLER TRANSCEIVER									
X			B-CS-G727-Ø-1	#	1	GRANT CONTINUITY									
X			D-CS-H87Ø-Ø-1	#	2	MASSBUS TERMINATOR									
X			C-CS-M92Ø-Ø-1	#	1	UNIBUS CONNECTOR				2	D-AD-7009397-0-0	F	1	WIRED ASSEMBLY (RH11)	
X			D-CS-M688-Ø-1	#	2	POWER FAIL DRIVER					D-SC-1210258-0-0		1	CONN. BLOCK 288 PIN	
											A/D-PS-1211425-Ø		3	CONN. BLOCK 72 PIN	
											E-PS-1211439-0		1	11/05 LOGIC FRAME	
											A-SS-7407846-0-0		1	LOGIC SERIAL NO. LABELS	
											A-DC-7411881-0-1		1	DECAL LOGIC ASSY	
											A-PI-3700040-0-0			PACKAGING INSTRUCTION	
X		2	D-AD-7009397-0-0	H	1	WIRED ASSEMBLY (RH11)				3	D-CS-5410506-0-1	#	1	CIRCUIT SCHEMATIC	
X			K-WL-RH11-Ø-12	C	1	WIRE LIST					K-CO-5410506-0-4		1	X-Y COORDINATE HOLE LOCATION	
X			A-WT-7009397-Ø	E	1	AWT REVISION STATUS					D-AH-5410506-0-5		1	ASSY DRILLING HOLE LAYOUT	
											B-MH-5410506-0-6		1	MODULE ECO HISTORY	
											5010505		1	ETCHED CIRCUIT BOARD	
X		3	D-CS-5410506-0-1	#	1	CIRCUIT SCHEMATIC									

CUSTOMER PRINT SET
 X = PRINT OF DOCUMENT INCLUDED IN PRINT SET
 C = INCLUDES ALL PRINTS INDICATED ON DOCUMENT
 S = CONFIDENTIAL AUTHORIZED SIGNATURE REQUIRED

TITLE
 DRAWING DIRECTORY
 (RH11)

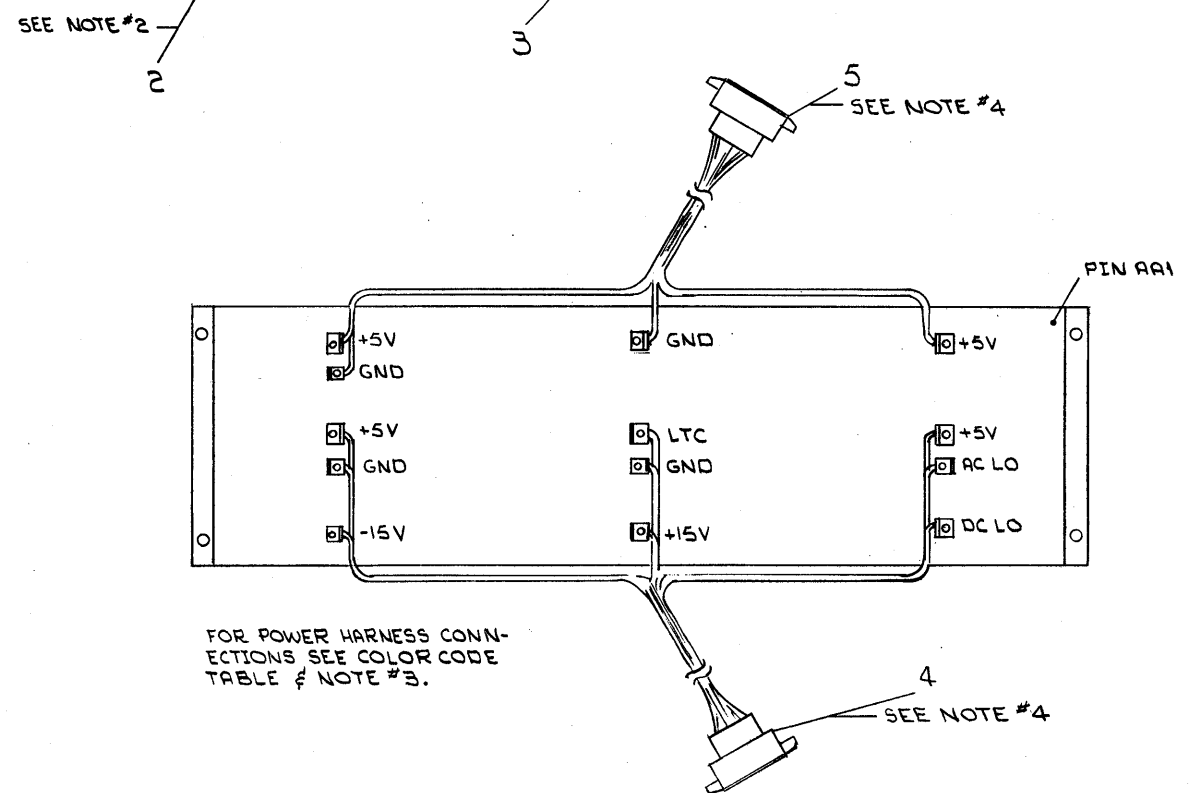
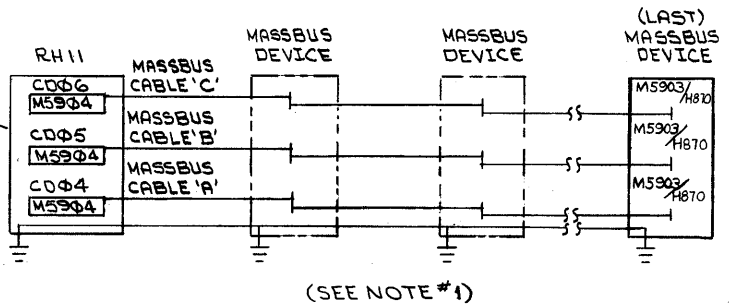
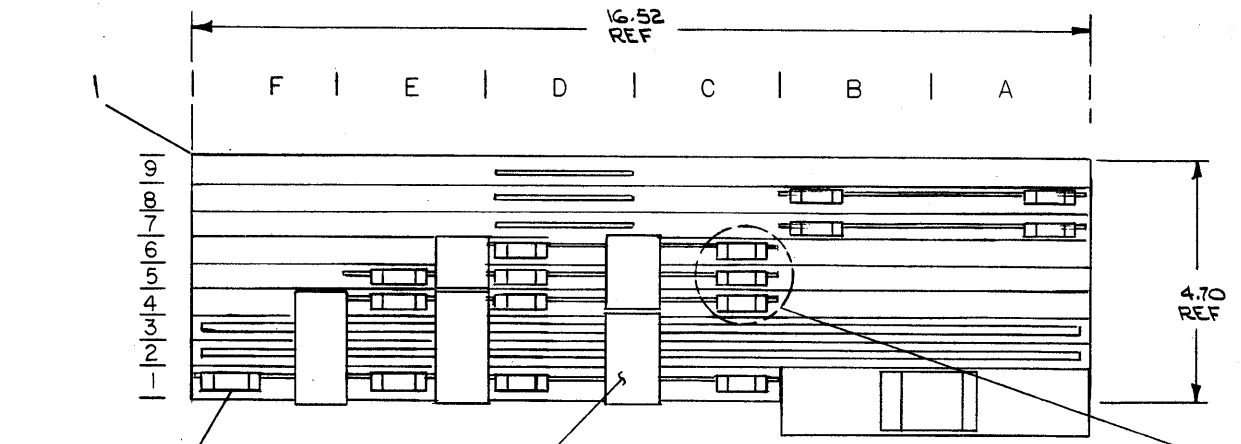
SHEET 2 OF 2 B DD RH11-Ø REV J

"THIS DRAWING AND SPECIFICATIONS, HEREIN, ARE THE PROPERTY OF DIGITAL EQUIPMENT CORPORATION AND SHALL NOT BE REPRODUCED OR COPIED OR USED IN WHOLE OR IN PART AS THE BASIS FOR THE MANUFACTURE OR SALE OF ITEMS WITHOUT WRITTEN PERMISSION. COPYRIGHT © 1975, DIGITAL EQUIPMENT CORPORATION"

VARIATION	DESCRIPTION
RH11-AB	DUAL UNIBUS PORT CONTROLLER FOR MASSBUS

POWER HARNESS COLOR CODE TABLE	
WIRE COLOR	TAB CONN.
RED	+5V
BLK	GND
BLU	-15V
YEL	AC LO
VIO	DC LO
GRY	+15V
BRN	LTC

- NOTES:**
1. INSERT ONE H870 MASSBUS TERMINATOR MODULE IN J2 (ETCH SIDE OF H870 TO COMPONENT SIDE OF M5903) OF EACH OF THE M5903 MASSBUS TRANSDUCER MODULES IN THE LAST MASSBUS DRIVE.
 2. FOR MODULE LOCATION REFER TO: D-MU-RH11-0-01.
 3. USE CAUTION WHEN ATTACHING POWER HARNESS CABLES AS NOT TO PINCH WIRES ON THE WIRED ASSY. OR SHORT POWER TABS TO WIRE WRAP PINS.
 4. FOR 9 PIN POWER DISTRIBUTION SYSTEMS USE POWER HARNESSES DIA-7009571-0-0 & DIA-7009099-0-0 IN PLACE OF ITEMS #4 & 5.
 5. COLORED EDGE OF MASSBUS CABLES SHOULD BE FACING MODULE HANDLE OF M5904 & M5903-YA.



FOR POWER HARNESS CONNECTIONS SEE COLOR CODE TABLE & NOTE #3.

QTY.	DESCRIPTION	PART NO.	ITEM NO.
1	POWER HARNESS (9 PIN)	DIA-7009099-0-0	REF
1	RH11 POWER HARN. (9 PIN)	DIA-7009571-0-0	REF
1	RH11 POWER HARN. (15 PIN)	DIA-7009570-0-0	5
1	POWER HARNESS (15 PIN)	DIA-7009563-0-0	4
5	MODULE HOLDER	1209856	3
1	MODULE UTILIZATION	D-MU-RH11-0-01	2
1	WIRED ASSY (RH11)	D-AD-7009397-0-0	1

REV.	DATE	BY	CHKD.
A	1-6-75	S. JENKINS	
B	1-7-77	S. JENKINS	
	1-28-76	S. JENKINS	
	1-25-77	S. JENKINS	

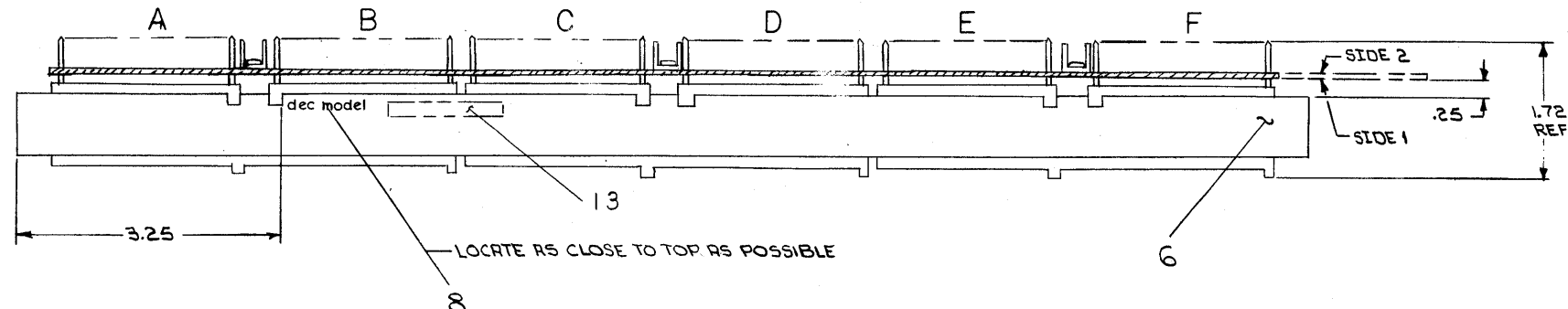
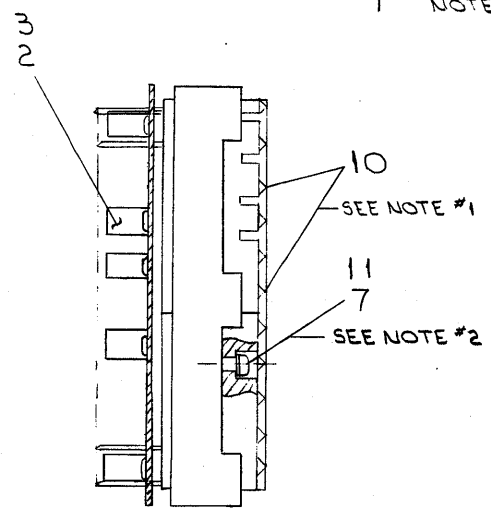
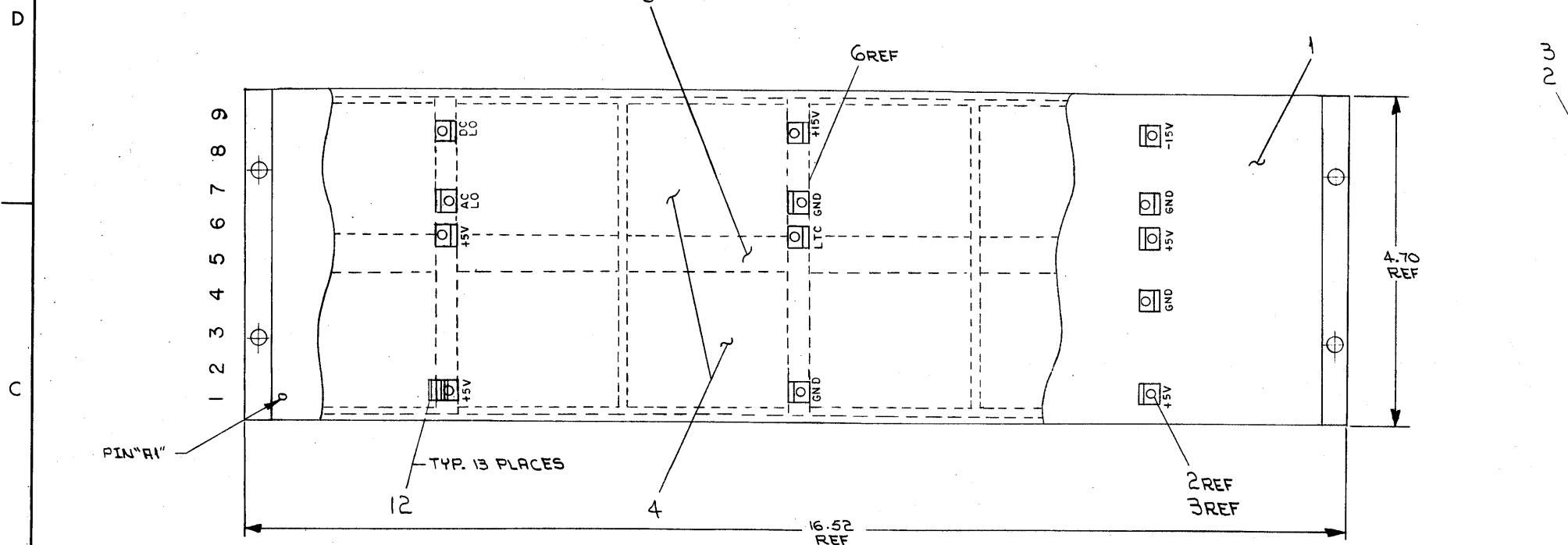
REV. B
NUMBER
DUA RH11-0-0

FIRST USED ON OPTION/MODEL		QTY.		DESCRIPTION		PART NO.		ITEM NO.	
RH11									
UNLESS OTHERWISE SPECIFIED DIMENSION IN INCHES									
TOLERANCES									
DECIMALS		ANGLES		DATE		DATE		DATE	
.xxx = .005		'0 30'		1/12/75		1/12/75		1/12/75	
.xx = .02				1/12/75		1/12/75		1/12/75	
.x = .1				1/12/75		1/12/75		1/12/75	
REMOVE BURRS AND BREAK SHARP CORNERS SURFACE QUALITY V									
MATERIAL									
NEXT HIGHER ASSY.									
B-DD RH11-0									
FINISH									
SCALE NONE									
SHEET 1 OF 1									
TITLE		SIZE CODE		NUMBER		REV.			
RH11 UNIT ASSEMBLY		DUA RH11-0-0		1		B			
digital EQUIPMENT CORPORATION MAYNARD MASSACHUSETTS									

THIS DRAWING AND SPECIFICATIONS, HEREIN, ARE THE PROPERTY OF DIGITAL EQUIPMENT CORPORATION, AND SHALL NOT BE REPRODUCED OR COPIED OR USED IN WHOLE OR IN PART AS THE BASIS FOR THE MANUFACTURE OR SALE OF ITEMS WITHOUT WRITTEN PERMISSION. COPYRIGHT © 1973, DIGITAL EQUIPMENT CORPORATION.

DAD 7009397-0-0 2

NOTES:
 1. CUT ITEM #10 (CARD GUIDE), ON 6 SLOTS, DOWN TO 3 WITH 4 SLOTS & 3 WITH 5 SLOTS.
 2. AFTER WAVE SOLDER PROCEDURE, REPLACE ITEM #7 (SCREWS) WITH ITEM #11 (SPECIAL SCREWS) WHEN INSTALLING ITEM #10 (CARD GUIDES) CUT TO SPECIFICATIONS IN NOTE #1.



A/R	WIRE #30 TWP BLK & WHT	9107720-09	16
A/R	COMPRESS-O-CARTON	9905016-4	15
REF	PACKAGING INSTRUCTIONS	A-PI-3700040-00	14
1	DECAL LOGIC ASSY	A-DC-7411881-0-1	13
X	AWT REVISION STATUS	A-WT-7009397-0	REF
X	RHII BACK PANEL	D-CS-5410506-0-1	REF
X	WIRE LIST	KWL-RHII-0-12	REF
13	WIRE SHIELD	9009526	12
12	SCR, SELF TAPPING PHL SPECIAL HD. #8-32x.810 LG	9009070-2	11
6	CARD GUIDE CENTER	1210698	10
A/R	WIRE #30 WAVE SOLDER KYNAR, VEL	9105740-44	9
1	LOGIC SERIAL NO, LABELS	ASS7407846-0-0	8
15	SCR, PHL HD POSITIVE #8-32x5/8 LG	9006120-06	7
1	11/05 FRAME	1211439-0	6
3	CONN. BLOCK 72 PIN	1211425-0	5
6	CONN. BLOCK 288 PIN	D-SC-1210258-0-0	4
13	EYELET	9009000	3
13	TRB, RIGHT ANGLE	9008219	2
1	ETCH CKT BOARD	5010505	1

FIRST USED ON OPTION/MODEL	QTY.	DESCRIPTION	PART NO.	ITEM NO.
RHII PARTS LIST				
UNLESS OTHERWISE SPECIFIED DIMENSION IN INCHES				
TOLERANCES ANGLES				
DECIMALS	ANGLES			
.xxx = .005	° 30'			
.xx = .02				
.x = .1				
REMOVE BURRS AND BREAK SHARP CORNERS SURFACE QUALITY 1				
MATERIAL				
NEXT HIGHER ASSY.				
FINISH				

DATE	DATE	DATE	DATE
DRG	CHK'D	ENG.	PROJ. ENG.
11-13-73	11-13-73	5-13-73	7-13-73
TITLE			
WIRED ASSY (RHII)			
SCALE	SIZE CODE	NUMBER	REV.
1/8" = 1"	D	AD 7009397-0-0	H
SHEET	OF	DIST.	
1	1		

REV.	CHK.	CHG.	DATE
A	S. JENKINS	11-20-73	
B	S. JENKINS	11-20-73	
C	S. JENKINS	11-20-73	
D	S. JENKINS	11-20-73	
E	S. JENKINS	11-20-73	
F	S. JENKINS	11-20-73	
G	S. JENKINS	11-20-73	
H	S. JENKINS	11-20-73	

"THIS DRAWING AND SPECIFICATIONS, HEREIN, ARE THE PROPERTY OF DIGITAL EQUIPMENT CORPORATION AND SHALL NOT BE REPRODUCED OR COPIED OR USED IN WHOLE OR IN PART AS THE BASIS FOR THE MANUFACTURE OR SALE OF ITEMS WITHOUT WRITTEN PERMISSION. COPYRIGHT © 1973, DIGITAL EQUIPMENT CORPORATION"

- NOTES:**
- VIEW OF LOGIC PANEL IS FROM WIRING SIDE.
 - THE SMALL PERIPHERAL CONTROLLER SLOTS MAY CONTAIN A VARIETY OF POP 11 OPTIONS. THE OPTION MAY CONSIST OF A SINGLE QUAD MODULE BOARD (SLOTS C, D, E, & F) OR A DOUBLE HEIGHT CONTROLLER BOARD (SLOTS C & D) WITH AN M105 ADDRESS SELECTOR MODULE (SLOT E) AND AN M7821 INTERRUPT CONTROL MODULE (SLOT F).
 - IF NO OPTION IS PRESENT IN THE SMALL PERIPHERAL CONTROLLER SLOTS, G727 GRANT CONTINUITY MODULE(S) MUST BE INSERTED IN SLOTS D.
 - MAY BE EITHER M920 (CONNECTION FROM ADJACENT DEVICE) OR BC11A CABLE (CONNECTION FROM ANOTHER BOX OR NON-ADJACENT DEVICE).
 - MAY BE M920 (CONNECTION TO ADJACENT DEVICE), M930 (TERMINATION AT END OF UNIBUS A), OR BC11A CABLE (CONNECTION TO NEXT BOX OR NON-ADJACENT DEVICE).
 - MAY BE M930B (TERMINATION AT BEGINNING OR END OF UNIBUS B) OR BC11A CABLE (CONNECTION TO OTHER BUS B DEVICES).
 - FOR DIAGNOSTIC CHECKOUT AN M920B CONNECTOR MODULE MAY BE PLACED IN SLOTS A, B, BB & BS, AN M930 OR BC11A CABLE IS THEN USED IN SLOT A, B, BT.
 - ONE H870 MODULE WILL BE INSERTED IN J2 OF EACH OF THE M5903 MODULES IN THE LAST DRIVE UNIT ATTACHED TO THE MASSBUS CARLES ORIGINATING FROM THE M5904(S) IN THE RH11 CONTROLLER BACKPLANE, WHEN BUILDING A MASSBUS SYSTEM.
 - IF NO UNIBUS B CABLE IS CONNECTED TO THE RH11 ONLY ONE M930B MODULE SHOULD BE USED IN SLOT A808.
 - IF ANOTHER DEVICE ATTACHED TO THE SAME POWER SUPPLY AS THE RH11 HAS UNIBUS POWER FAIL SIGNALS WIRED TO THE UNIBUS REMOVE THE M688 MODULE FOR THAT BUS.
 - SMALL PER CONTROL SLOTS FOR MANUFACTURING USE ONLY
 - ONE H870 MODULE WILL BE INSERTED IN J1 (COMPONENT SIDE OUT) OF EACH OF THE 3 M5904 MODULES FOR SHIPMENT ONLY!

9	(M920) CABLE	UNIBUS A OUT (BUS A)	SEE NOTE 5				SMALL PER CONTROL (DEV 3) (OPTIONAL)	SEE NOTES 2 & 3 & 11	(G727)
8	(M930B) CABLE	UNIBUS B IN (BUS B)	SEE NOTE 6, 9				SMALL PER CONTROL (DEV 2) (OPTIONAL)	SEE NOTES 2 & 3 & 11	(G727)
7	(M930B) CABLE	UNIBUS B OUT (BUS B)	SEE NOTE 6, 9				SMALL PER CONTROL (DEV 1) (OPTIONAL)	SEE NOTES 2 & 3 & 11	(G727)
6				M5904			CONTROLLER TRANS (M920)		
5				M5904			CONTROLLER TRANS (M930)	M688	UNIBUS POWER FAIL DRIVER (BUS A) SEE NOTE 10
4				M5904			CONTROLLER TRANS (M920)	M688	UNIBUS POWER FAIL DRIVER (BUS B) SEE NOTE 10
3	M7294	DATA BUFFER & CNTL (DBC)							
2	M7295	BUS CNTL (BCT)							
1	(M920) CABLE	UNIBUS A IN (BUS A)	SEE NOTE 4	M7297			PARITY CNTL (PAC)	M7296	CNTL & STATUS REGS (CSR)

VIEW FROM WIRING SIDE

REVISIONS

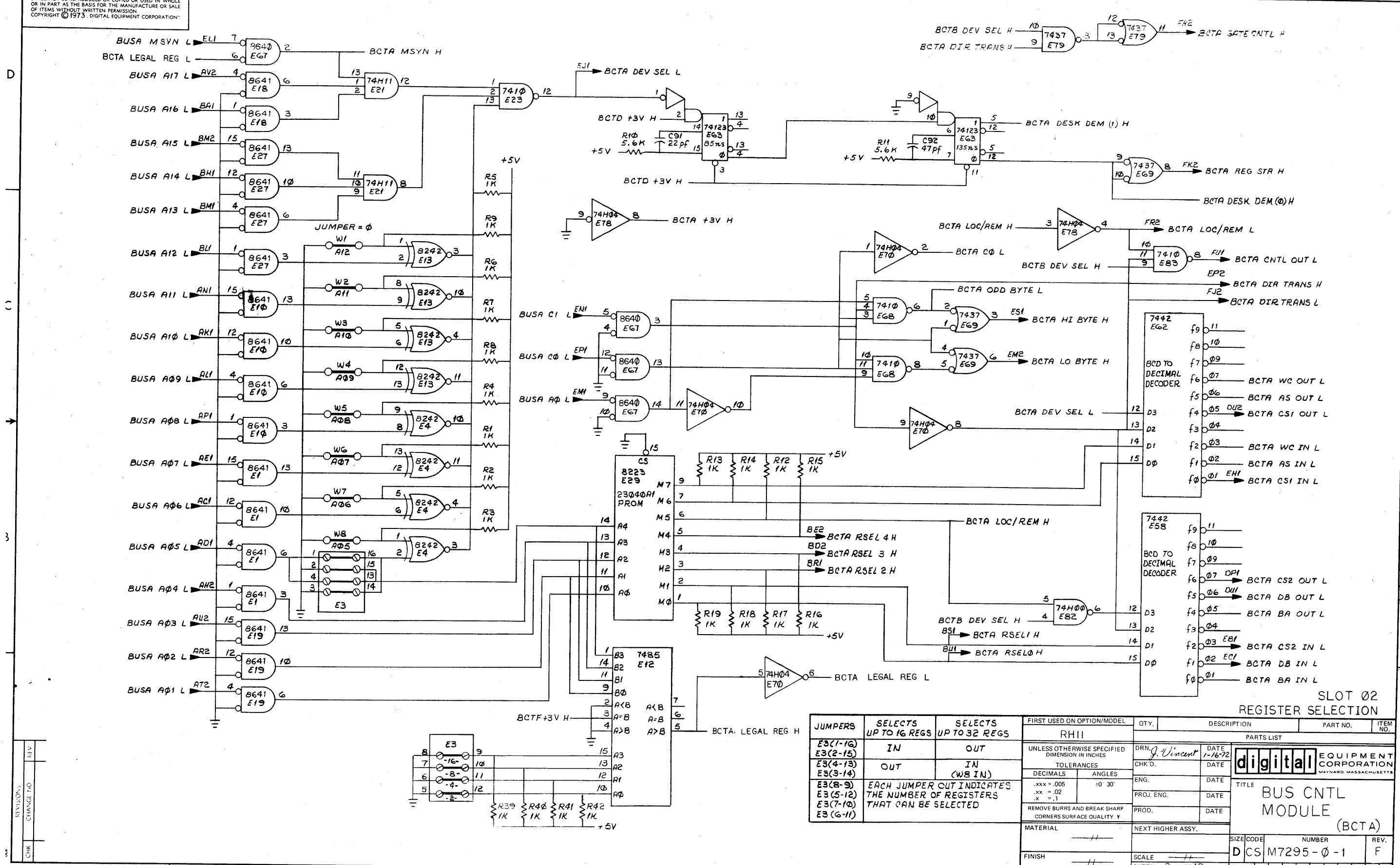
CHK	CHANGE TO	REV
1	RH11-0004	A
2	1-6-75	B
3	1-7-75	C
4	1-28-75	D
5	1-27-75	E

FIRST USED ON OPTION/MODEL	QTY.	DESCRIPTION	PART NO.	ITEM NO.
RH11				
PARTS LIST				
UNLESS OTHERWISE SPECIFIED DIMENSION IN INCHES	DATE	digital EQUIPMENT CORPORATION		
TOLERANCES	DATE	MAYNARD MASSACHUSETTS		
DECIMALS .xxx = .006	DATE	MODULE UTILIZATION		
ANGLES '0 30'	DATE			
PROJ. ENG. DATE	DATE	B-DU-RH11-0		
REMOVE BURRS AND BREAK SHARP CORNERS SURFACE QUALITY 1	DATE	SCALE NONE		
MATERIAL	NEXT HIGHER ASSY.	SHEET OF 1		
FINISH	SCALE NONE	DIST.		

1	BUS CNTL	D-CS-M7295-0-1	1
3	GRANT CONTINUITY	B-CS-G727-0-1	2
3	MASS BUS TERMINATOR	D-CS-H870-0-1	3
1	PARITY CNTL	D-CS-M7297-0-1	4
1	CNTL & STATUS REG	D-CS-M7296-0-1	5
1	DATA BUFFER & CONTROL	D-CS-M7294-0-4	6
3	CONTROLLER TRANSCEIVER	D-CS-M5904-0-1	7
2	UNIBUS TERMINATOR (BUS B)	D-CS-M930B-0-1	8
1	UNIBUS CONNECTOR	C-CS-M920-0-1	9
2	POWER FAIL DRIVER	D-CS-M688-0-1	10
2	HANDLE EXTENDER	A-PL-H850-0-0	11

"THIS DRAWING AND SPECIFICATIONS HEREIN ARE THE PROPERTY OF DIGITAL EQUIPMENT CORPORATION AND SHALL NOT BE REPRODUCED OR COPIED OR USED IN WHOLE OR IN PART AS THE BASIS FOR THE MANUFACTURE OR SALE OF ITEMS WITHOUT WRITTEN PERMISSION. COPYRIGHT © 1973, DIGITAL EQUIPMENT CORPORATION."

1-0-5622LW DCS 2 1



REVISIONS

NO.	DATE	BY	DESCRIPTION
1			INITIAL DESIGN
2			REVISED FOR MANUFACTURE

JUMPERS	SELECTS UP TO 16 REGS	SELECTS UP TO 32 REGS
E3(1-16)	IN	OUT
E3(2-15)		
E3(4-13)	OUT	IN (WS IN)
E3(3-14)		
E3(8-9)	EACH JUMPER OUT INDICATES THE NUMBER OF REGISTERS THAT CAN BE SELECTED	
E3(5-12)		
E3(7-10)		
E3(6-11)		

FIRST USED ON OPTION/MODEL	QTY.	DESCRIPTION	PART NO.	ITEM NO.
RH11				
UNLESS OTHERWISE SPECIFIED DIMENSION IN INCHES				
TOLERANCES		PARTS LIST		
DECIMALS	ANGLES	DRN. <i>J. Vincent</i>	DATE 1-16-72	
.xxx = .005	+0° 30'	CHK'D.	DATE	
.xx = .02		ENG.	DATE	
.x = .1		PROJ. ENG.	DATE	
REMOVE BURRS AND BREAK SHARP CORNERS SURFACE QUALITY Y				
MATERIAL		NEXT HIGHER ASSY.		
FINISH		SCALE		
		SHEET 2 OF 17		
		SIZE CODE	NUMBER	REV.
		DCS	M7295-0-1	F

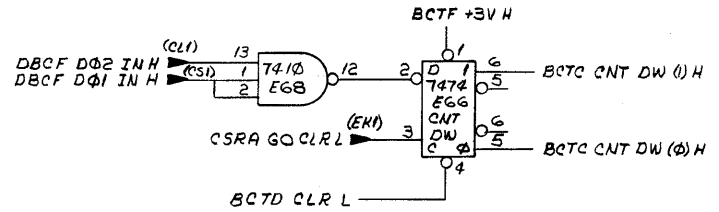
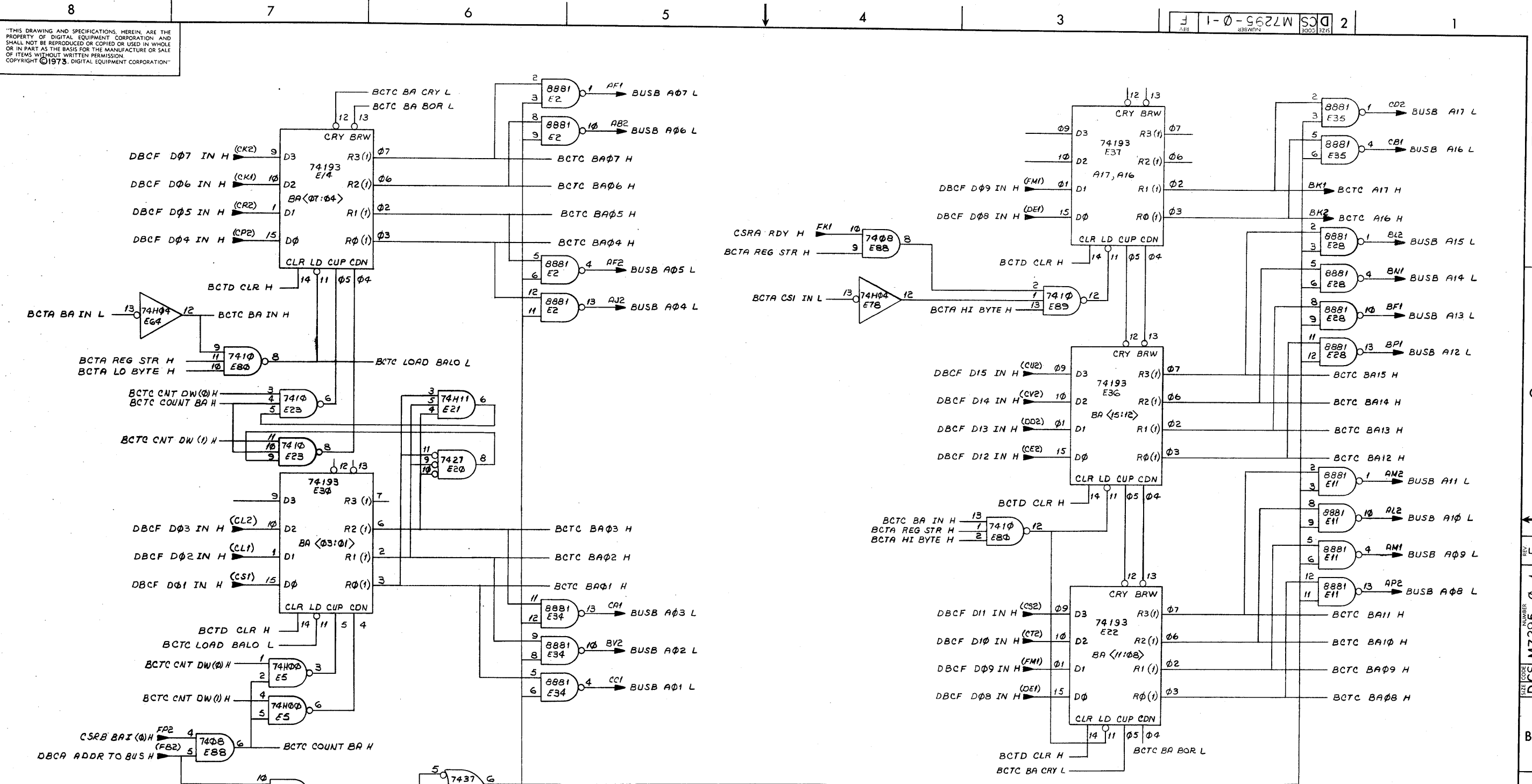
SLOT 02 REGISTER SELECTION

TITLE BUS CNTL MODULE (BCTA)

REV. 1-16-72

DCS M7295-0-1

"THIS DRAWING AND SPECIFICATIONS, HEREIN, ARE THE PROPERTY OF DIGITAL EQUIPMENT CORPORATION AND SHALL NOT BE REPRODUCED OR COPIED OR USED IN WHOLE OR IN PART AS THE BASIS FOR THE MANUFACTURE OR SALE OF ITEMS WITHOUT WRITTEN PERMISSION. COPYRIGHT © 1973, DIGITAL EQUIPMENT CORPORATION"



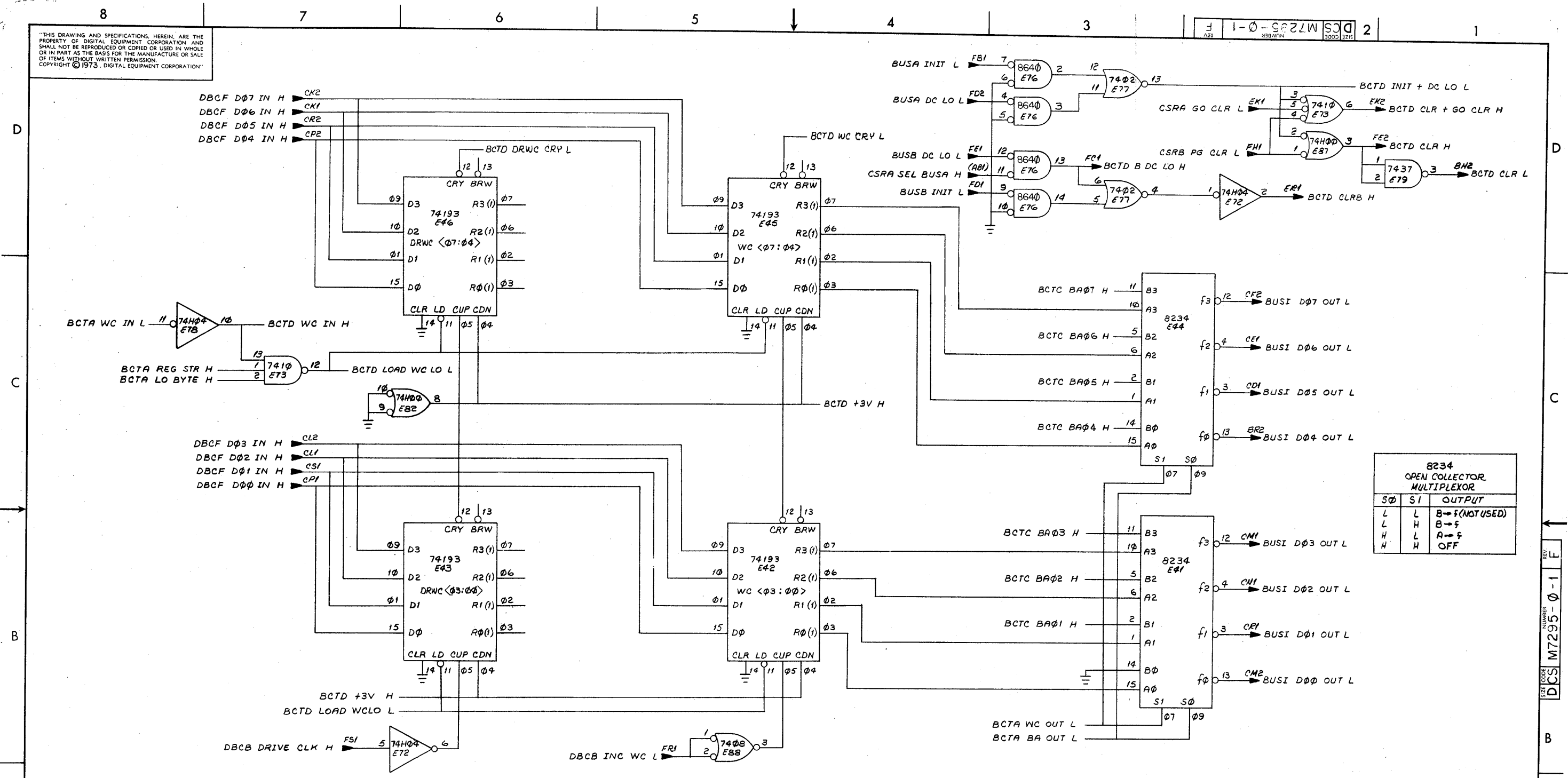
SLOT 02
BUS ADDR REG

FIRST USED ON OPTION/MODEL	QTY.	DESCRIPTION	PART NO.	ITEM NO.
RH11				
UNLESS OTHERWISE SPECIFIED DIMENSION IN INCHES				
TOLERANCES				
DECIMALS	ANGLES	DATE		
.xxx = .005	.0 30'	DRN. J. Winer	1-19-73	
REMOVE BURRS AND BREAK SHARP CORNERS SURFACE QUALITY 1		CHK'D.	DATE	
MATERIAL		ENG.	DATE	
FINISH		PROJ. ENG.	DATE	
		PROD.	DATE	
		NEXT HIGHER ASSY.		
		TITLE		
		BUS CNTL MODULE (BCTC)		
		SIZE CODE	NUMBER	REV.
		DCS	M7295-0-1	F
		SCALE	SHEET 4 OF 10	
		DIST.		

REV.	CHANGE	NO.

"THIS DRAWING AND SPECIFICATIONS HEREIN ARE THE PROPERTY OF DIGITAL EQUIPMENT CORPORATION AND SHALL NOT BE REPRODUCED OR COPIED OR USED IN WHOLE OR IN PART AS THE BASIS FOR THE MANUFACTURE OR SALE OF ITEMS WITHOUT WRITTEN PERMISSION. COPYRIGHT © 1973, DIGITAL EQUIPMENT CORPORATION"

REV. 1-0-0021W DCS M7295-0-1 2



S0	S1	OUTPUT
L	L	B=f (NOT USED)
L	H	B=f
H	L	A=f
H	H	OFF

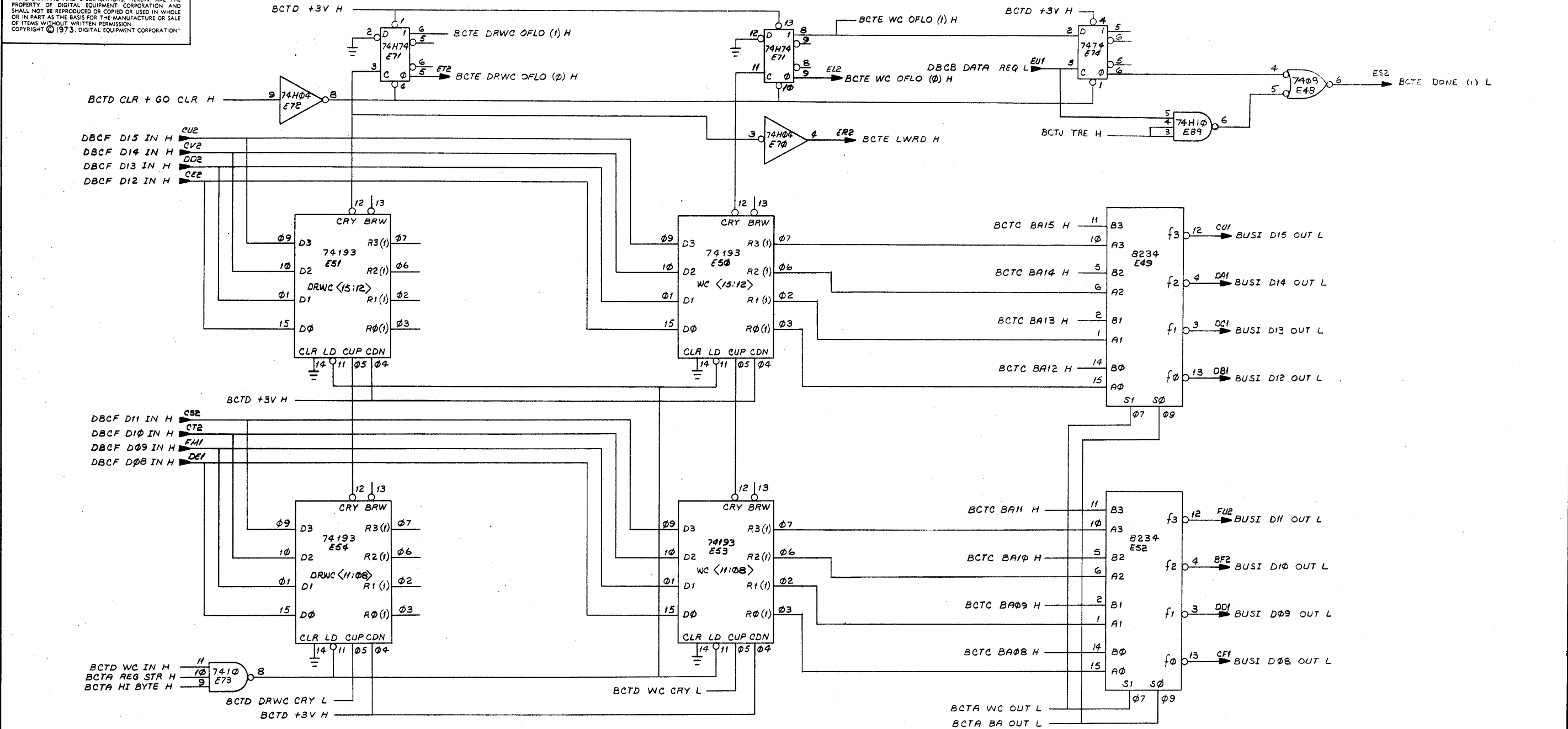
SLOT 02
WORD COUNT REGS. <08:00> & CLR LOGIC

FIRST USED ON OPTION/MODEL	QTY.	DESCRIPTION	PART NO.	ITEM NO.
RHII				
PARTS LIST				
UNLESS OTHERWISE SPECIFIED DIMENSION IN INCHES		DRN. J. Licent	DATE 1-22-73	
TOLERANCES		CHK'D.	DATE	
DECIMALS	ANGLES	ENG.	DATE	
.xxx = .005	±0 30'	PROJ. ENG.	DATE	
REMOVE BURRS AND BREAK SHARP CORNERS SURFACE QUALITY Y		PROD.	DATE	TITLE BUS CNTL MODULE (BCTD)
MATERIAL	NEXT HIGHER ASSY.		SIZE/CODE	
FINISH	SCALE		NUMBER	REV.
	SHEET 5 OF 10		DCS M7295-0-1	F

REV. 1-0-0021W
CHANGE F-0
CHK

REV. 1-0-0021W
NUMBER
DCS M7295-0-1

"THIS DRAWING AND SPECIFICATIONS HEREIN ARE THE PROPERTY OF DIGITAL EQUIPMENT CORPORATION AND SHALL NOT BE REPRODUCED OR COPIED OR USED IN WHOLE OR IN PART AS THE BASIS FOR THE MANUFACTURE OR SALE OF ITEMS WITHOUT WRITTEN PERMISSION. COPYRIGHT © 1973, DIGITAL EQUIPMENT CORPORATION"



REV.	CHANGE NO.

DEC FORM NO. 000 102-C

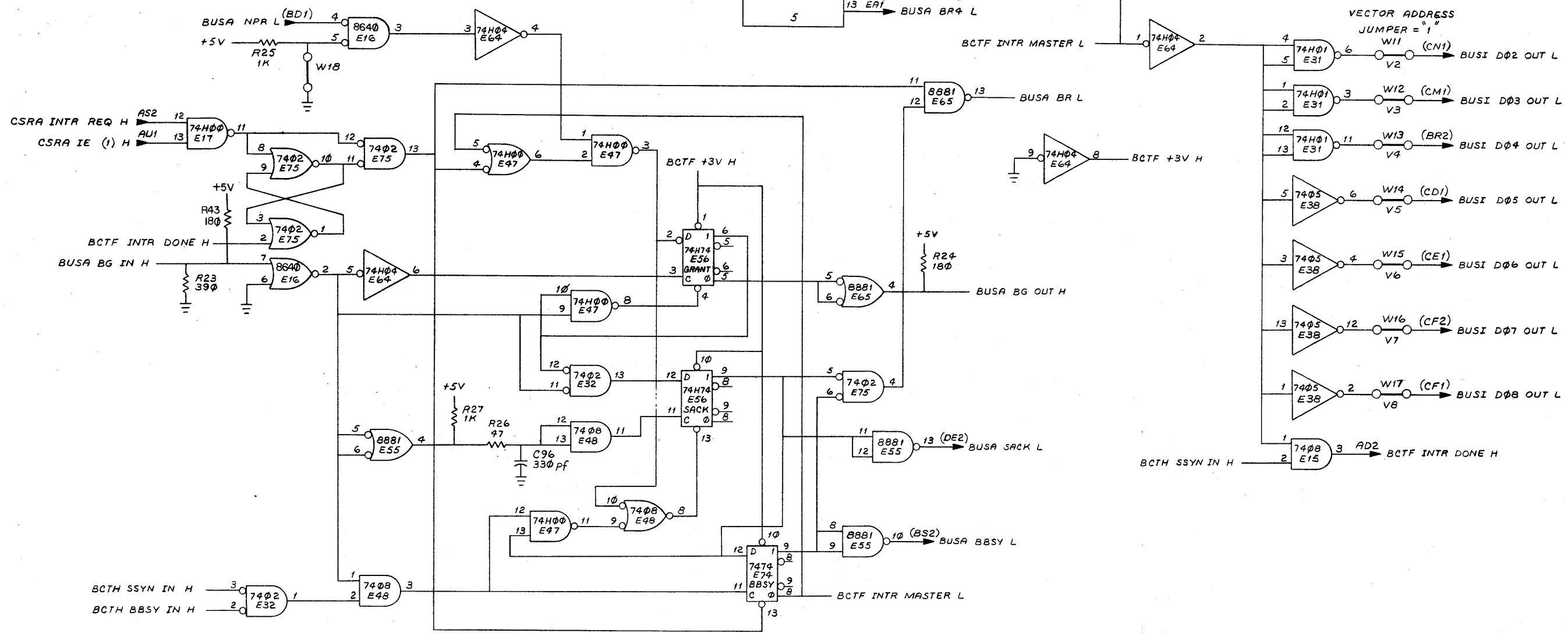
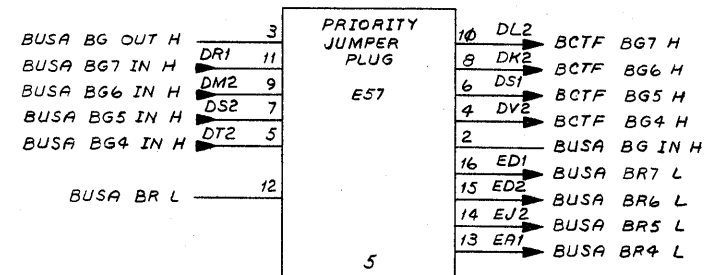
SLOT 02
WORD COUNT REGS. <15:08>

FIRST USED ON OPTION/MODEL	QTY.	DESCRIPTION	PART NO.	ITEM NO.
RH11				
PARTS LIST				
UNLESS OTHERWISE SPECIFIED DIMENSION IN INCHES		DRN. J. Dineen	DATE 1-23-73	
TOLERANCES		CHK'D.	DATE	
DECIMALS	ANGLES	ENG.	DATE	
.xx = .005 .xx = .02 .x = .1	'0 30'	PROJ. ENG.	DATE	
REMOVE BURRS AND BREAK SHARP CORNERS SURFACE QUALITY 1		PROD.	DATE	TITLE BUS CNTL MODULE (BCTE)
MATERIAL	NEXT HIGHER ASSY.		SIZE CODE	
FINISH	SCALE		NUMBER	
	SHEET 6 OF 10		DIST.	DCS M7295-0-1 REV. F

REV. F NUMBER M7295-0-1 SIZE CODE DCS

"THIS DRAWING AND SPECIFICATIONS, HEREIN, ARE THE PROPERTY OF DIGITAL EQUIPMENT CORPORATION, AND SHALL NOT BE REPRODUCED OR COPIED OR USED IN WHOLE OR IN PART AS THE BASIS FOR THE MANUFACTURE OR SALE OF ITEMS WITHOUT WRITTEN PERMISSION. COPYRIGHT © 1973, DIGITAL EQUIPMENT CORPORATION"

DCS M7295-0-1 2



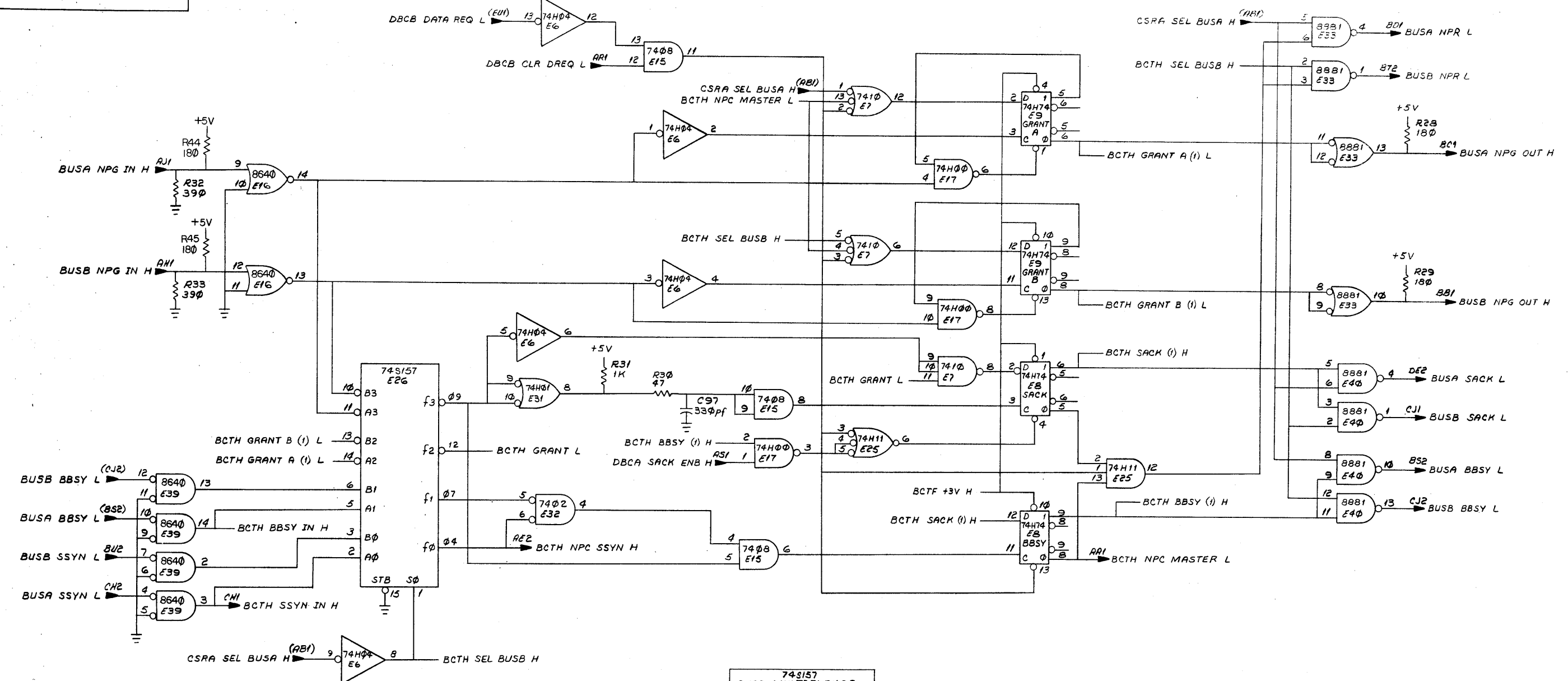
SLOT 02
INTERRUPT CNTL

FIRST USED ON OPTION/MODEL	QTY.	DESCRIPTION	PART NO.	ITEM NO.
RH11				
PARTS LIST				
UNLESS OTHERWISE SPECIFIED DIMENSION IN INCHES	DRN. J. Vincer	DATE 1-24-73		
TOLERANCES	CHK'D.	DATE		
DECIMALS ANGLES	ENG.	DATE		
.xxx = .005 .xx = .02 .x = .1	PROJ. ENG.	DATE		
REMOVE BURRS AND BREAK SHARP CORNERS SURFACE QUALITY 1	PROD.	DATE	TITLE BUS CNTL MODULE (BCTF)	
MATERIAL	NEXT HIGHER ASSY.		SIZE CODE	NUMBER
FINISH	SCALE		DCS	M7295-0-1
	SHEET	7 OF 10	DIST.	REV. F

REVISIONS
CHK. DATE REV.

DCS M7295-0-1 F

THIS DRAWING AND SPECIFICATIONS HEREIN ARE THE PROPERTY OF DIGITAL EQUIPMENT CORPORATION AND SHALL NOT BE REPRODUCED OR COPIED OR USED IN WHOLE OR IN PART AS THE BASIS FOR THE MANUFACTURE OR SALE OF ITEMS WITHOUT WRITTEN PERMISSION. COPYRIGHT © 1973, DIGITAL EQUIPMENT CORPORATION



74S157 QUAD MULTIPLEXOR	
S0	OUTPUT
L	A → F
H	B → F

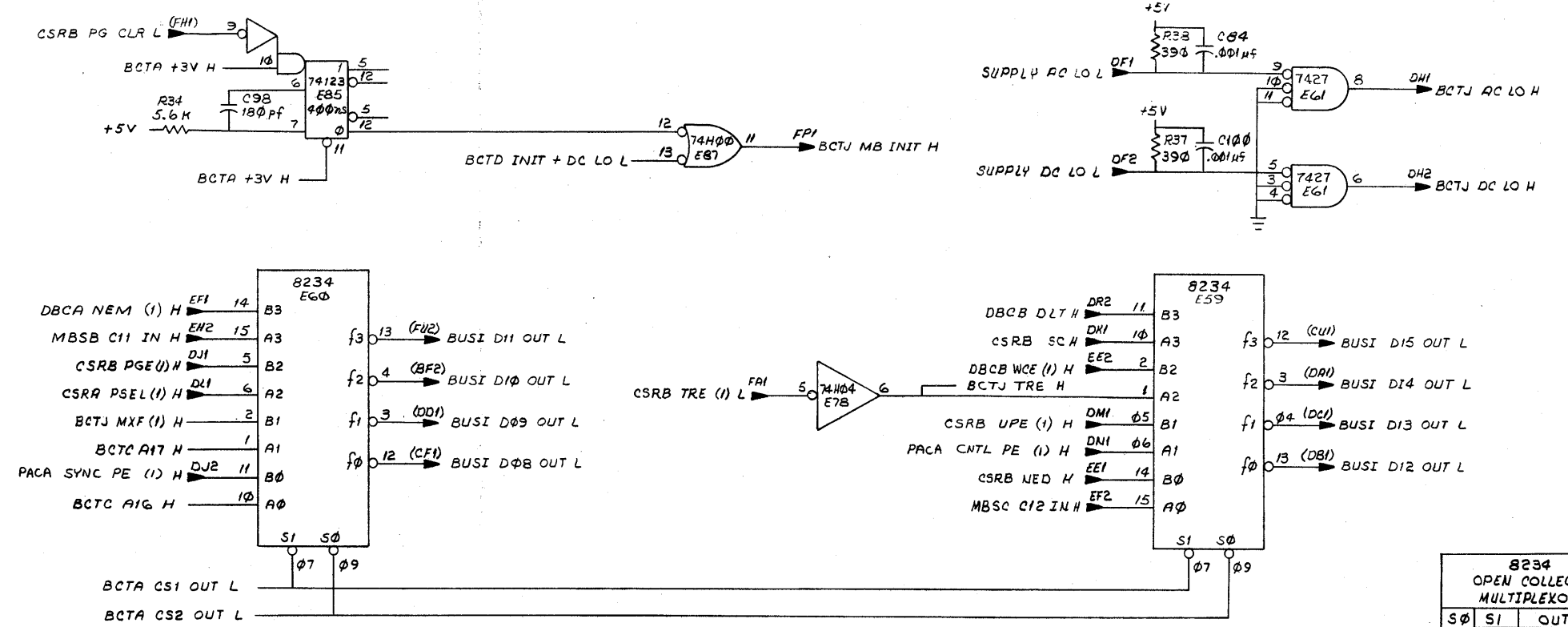
SLOT 02
NPR CNTL

FIRST USED ON OPTION/MODEL	QTY.	DESCRIPTION	PART NO.	ITEM NO.
RH11				
PARTS LIST				
UNLESS OTHERWISE SPECIFIED DIMENSION IN INCHES	DRN. <i>[Signature]</i>	DATE 1-29-73	<div style="display: flex; align-items: center;"> DIGITAL EQUIPMENT CORPORATION MAYNARD, MASSACHUSETTS </div>	
TOLERANCES	CHK'D.	DATE		
DECIMALS .xxx = .005 .xx = .02 .x = .1	ENG.	DATE		
ANGLES '0 30'	PROJ. ENG.	DATE		
REMOVE BURRS AND BREAK SHARP CORNERS SURFACE QUALITY 1	PROD.	DATE	TITLE BUS CNTL MODULE (BCTH)	
MATERIAL	NEXT HIGHER ASSY.		SIZE CODE	NUMBER
FINISH	SCALE		D C S	M7295-0-1
	SHEET	OF 10	DIST.	REV. F

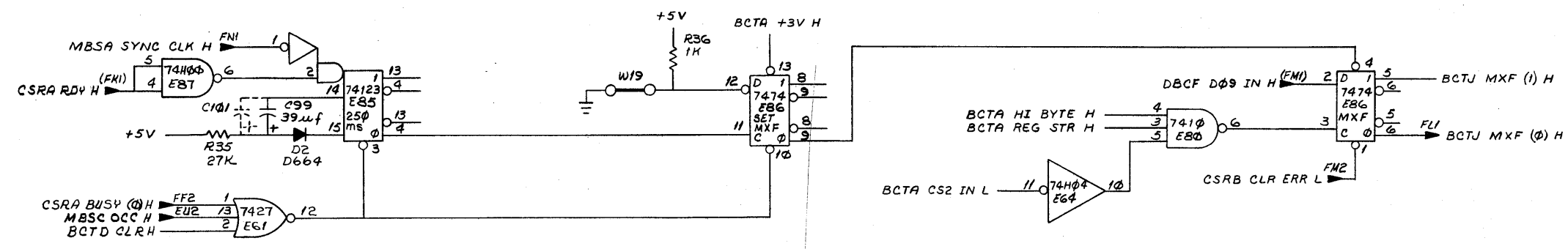
REVISIONS	REV.
CHK	CHANGE NO.

THIS DRAWING AND SPECIFICATIONS HEREIN ARE THE PROPERTY OF DIGITAL EQUIPMENT CORPORATION AND SHALL NOT BE REPRODUCED OR COPIED OR USED IN WHOLE OR IN PART AS THE BASIS FOR THE MANUFACTURE OR SALE OF ITEMS WITHOUT WRITTEN PERMISSION. COPYRIGHT © 1973, DIGITAL EQUIPMENT CORPORATION

REV 1-0-1 DCS M7295-0-1



8234 OPEN COLLECTOR MULTIPLEXOR		
SΦ	SI	OUTPUT
L	L	B → f (NOT USED)
L	H	B → f
H	L	A → f
H	H	OFF



SLOT 02
MXF; DATA OUT MPX; MB INIT

FIRST USED ON OPTION/MODEL	QTY.	DESCRIPTION	PART NO.	ITEM NO.
RH11				
PARTS LIST				
UNLESS OTHERWISE SPECIFIED DIMENSION IN INCHES	DRN. J. Vincent	DATE 1-30-73	digital EQUIPMENT CORPORATION MAYNARD MASSACHUSETTS	
TOLERANCES	CHK'D.	DATE	TITLE BUS CNTL MODULE (BCTJ)	
DECIMALS .xxx = .005	ENG.	DATE	SIZE CODE NUMBER REV. DCS M7295-0-1 F	
ANGLES ° 30'	PROJ. ENG.	DATE	SCALE	
REMOVE BURRS AND BREAK SHARP CORNERS SURFACE QUALITY 1	PROD.	DATE	SHEET 9 OF 10	
MATERIAL	NEXT HIGHER ASSY.		DIST.	
FINISH				

REV 1-0-1 DCS M7295-0-1

THIS DRAWING AND SPECIFICATIONS, HEREIN, ARE THE PROPERTY OF DIGITAL EQUIPMENT CORPORATION AND SHALL NOT BE REPRODUCED OR COPIED OR USED IN WHOLE OR IN PART AS THE BASIS FOR THE MANUFACTURE OR SALE OF ITEMS WITHOUT WRITTEN PERMISSION. COPYRIGHT ©1973, DIGITAL EQUIPMENT CORPORATION.

SIZE CODE NUMBER DCS M7295-0-1

REGISTER SELECT PROM - 23040A1 (8223)

OCTAL ADDR	M7	M6	LOC / REM	RSEL4	RSEL3	RSEL2	RSEL1	RSEL 0
00	L	L	L	L	L	L	L	L
01	H	L	H	L	L	L	H	H
02	H	H	H	L	L	L	L	L
03	H	H	L	L	L	H	L	H
04	H	H	H	L	L	L	H	L
05	H	H	L	L	L	L	L	H
06	H	H	L	L	L	L	H	L
07	L	H	L	L	L	H	L	L
10	H	H	L	L	L	H	H	H
11	H	H	H	L	L	L	L	H
12	H	H	L	L	L	L	H	H
13	H	H	L	L	L	H	H	L
14	H	H	L	L	H	L	L	L
15	H	H	L	L	H	L	L	H
16	H	H	L	L	H	L	H	L
17	H	H	L	L	H	L	H	H
20	H	H	L	L	H	H	L	L
21	H	H	L	L	H	H	L	H
22	H	H	L	L	H	H	H	L
23	H	H	L	L	H	H	H	H
24	H	H	L	H	L	L	L	L
25	H	H	L	H	L	L	L	H
26	H	H	L	H	L	L	H	L
27	H	H	L	H	L	L	H	H
30	H	H	L	H	L	H	L	L
31	H	H	L	H	L	H	L	H
32	H	H	L	H	L	H	H	L
33	H	H	L	H	L	H	H	H
34	H	H	L	H	H	L	L	L
35	H	H	L	H	H	L	L	H
36	H	H	L	H	H	L	H	L
37	H	H	L	H	H	L	H	H

- REGISTER SELECTED
- RHCS1 & MASSBUS (00)
 - RHWC
 - RHBA
 - MASSBUS (05)
 - RHCS2
 - MASSBUS (01)
 - MASSBUS (02)
 - MASSBUS (04)
 - MASSBUS (07)
 - RHOB
 - MASSBUS (03)
 - MASSBUS (06)
 - MASSBUS (10)
 - MASSBUS (11)
 - MASSBUS (12)
 - MASSBUS (13)
 - MASSBUS (14)
 - MASSBUS (15)
 - MASSBUS (16)
 - MASSBUS (17)
 - MASSBUS (20)
 - MASSBUS (21)
 - MASSBUS (22)
 - MASSBUS (23)
 - MASSBUS (24)
 - MASSBUS (25)
 - MASSBUS (26)
 - MASSBUS (27)
 - MASSBUS (30)
 - MASSBUS (31)
 - MASSBUS (32)
 - MASSBUS (33)

REV. NO. CHANGE NO. CHK

PROM TRUTH TABLE

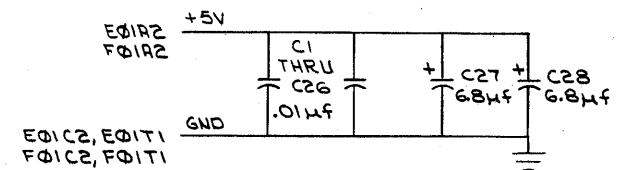
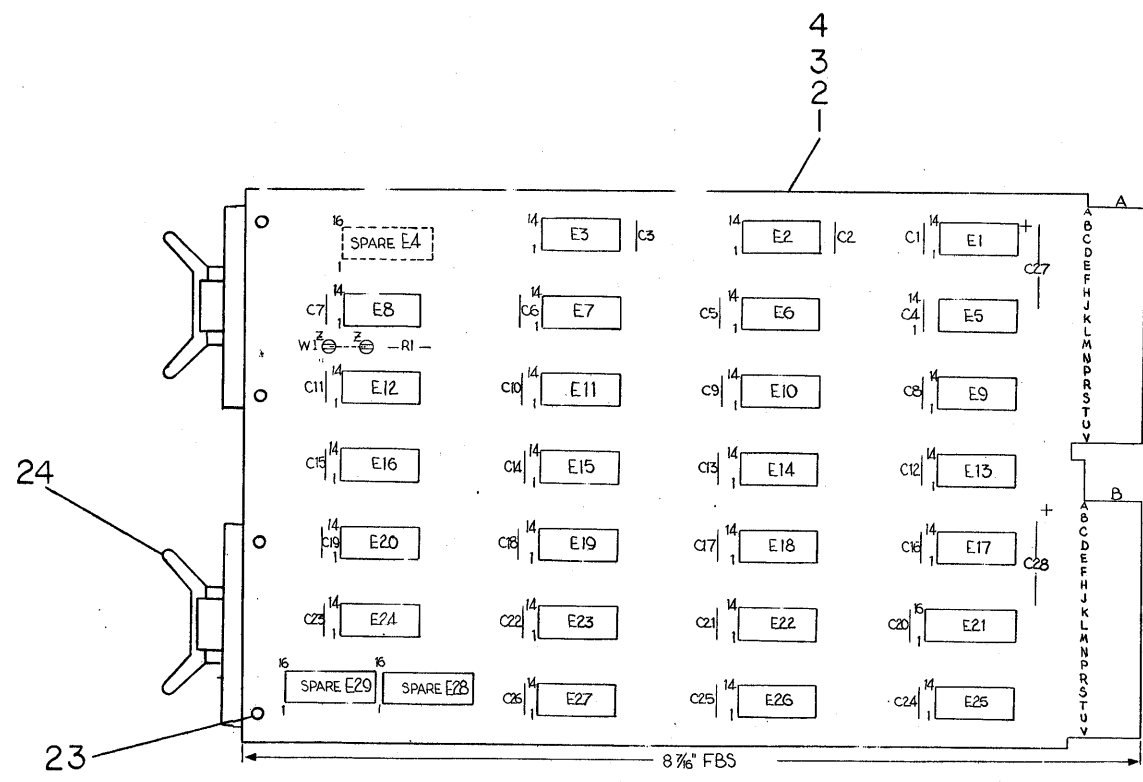
FIRST USED ON OPTION/MODEL	QTY.	DESCRIPTION	PART NO.	ITEM NO.
RH11				
PARTS LIST				
UNLESS OTHERWISE SPECIFIED DIMENSION IN INCHES	DATE	DATE	digital EQUIPMENT CORPORATION MAYNARD, MASSACHUSETTS	
TOLERANCES	CHK'D.	DATE		
DECIMALS .xxx = .005 .xx = .02 .x = .1	ENG.	DATE	TITLE BUS CNTL MODULE (BCTK)	
ANGLES 10' 30'	PROJ. ENG.	DATE		
REMOVE BURRS AND BREAK SHARP CORNERS SURFACE QUALITY Y	PROD.	DATE	SIZE CODE NUMBER REV. D CS M7295-0-1 F	
MATERIAL	NEXT HIGHER ASSY.			
FINISH	SCALE NONE	SHEET 10 OF 10	DIST.	

This drawing and specifications, herein, are the property of Digital Equipment Corporation and shall not be reproduced or copied or used in whole or in part as the basis for the manufacture or sale of items without written permission. **COPY RIGHT © 1973**

DIGITAL EQUIP CORP

NOTES:

1. PIN NOTATION THROUGHOUT IS ORDERED UPON MODULE PLACEMENT IN THE RHII. MODULE PIN REFERENCE ALONE IS OBTAINED BY DELETING THE NUMBER (SLOT LOCATION) AFTER THE FIRST LETTER AND CONVERTING THE FIRST LETTER ACCORDING TO THE PIN NOMENCLATURE CHART AT RIGHT.



PIN NOMENCLATURE

MODULE	RHII
A	E
B	F

QTY	REF DESIGNATION	DESCRIPTION	PART NO.	ITEM NO.
2		HANDLE, FLIP CHIP	9008337-6	24
4		EYELET	9006732	23
2		SPLIT LUG	9006735	22
1	E21	IC DEC 74175	1910651	21
2	E8, E11	IC DEC 7408	1910155	20
1	E5	IC DEC 7437	1910091	19
3	E10, E13, E26	IC DEC 74H04	1909931	18
3	E3, E24, E25	IC DEC 74H74	1909667	17
3	E16, E23, E27	IC DEC 74H11	1909267	16
1	E22	IC DEC 74H30	1909059	15
1	E6	IC DEC 74H10	1909057	14
1	E9	IC DEC 74H00	1909056	13
1	E20	IC DEC 7402	1909004	12
1	E19	IC DEC 7420	1905577	11
1	E14	IC DEC 7410	1905576	10
3	E1, E2, E17	IC DEC 7400	1905575	9
4	E12, E15, E7, E18	IC DEC 7474	1905547	8
1	R1	RESISTOR 1K 1/4W 5%	1300365	7
2	C27, C28	CAP 6.8µf 35V 10% TANT	1005306	6
26	C1 THRU C26	CAP .01µf 50V 20% AXIAL CER	1001610	5
1		ETCHED CIRCUIT BOARD	5010429	4
REF.		MODULE ECO HISTORY	B-MM-M7296-0-6	3
REF.		ASSY/DRILLING HOLE LAYOUT	D-AH-M7296-0-5	2
REF.		X-Y COORDINATE HOLE LOCATION	K-CO-M7296-0-4	1

IC TYPE	GND	+5V
DEC 74175	8	16

GND AND 5V ARE USUALLY PIN 7 AND 14 RESPECTIVELY. EXCEPTIONS ARE STATED ABOVE.

IC PIN LOCATIONS

FIRST USED ON OPTION MODEL: RHII

ETCH BOARD REV: C

REVISIONS:

CHK	CHANGE NO.	REV

DATE: 12-17-73

DRN. Counter, D DATE 3-15-73

CHK'D. DATE 7/20/73

ENG. DATE 7/20/73

PROJ. ENG. DATE 7/20/73

PROD. DATE 7/26/73

NEXT HIGHER ASSY: /

SCALE: NONE

SHEET: OF 3

digital EQUIPMENT CORPORATION
MAYNARD, MASSACHUSETTS

TITLE: CONTROL & STATUS REGS (CSR)

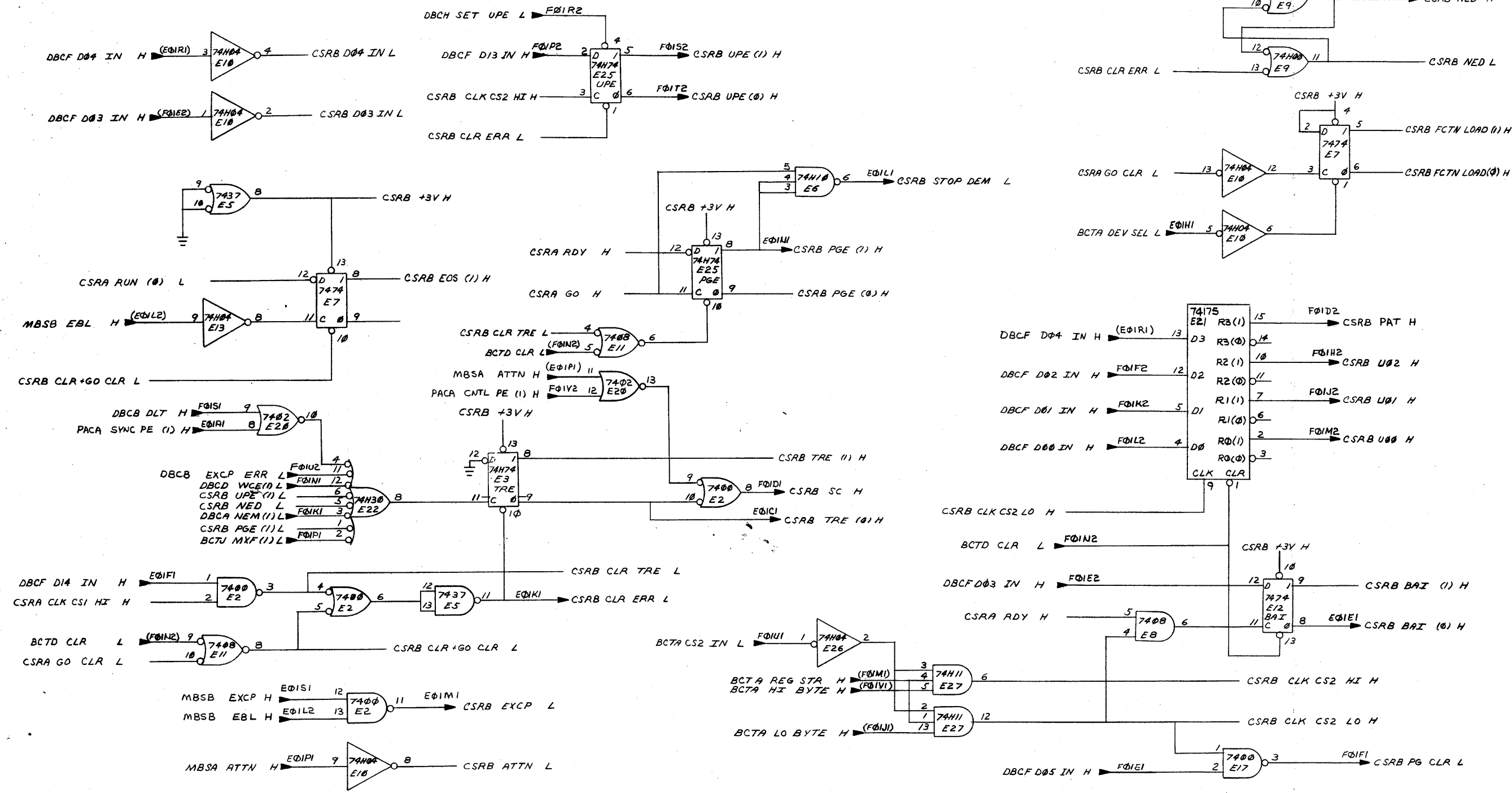
SIZE CODE: DCS NUMBER: M7296-0-1 REV: B

SEMICONDUCTOR CONVERSION CHART

"THIS DRAWING AND SPECIFICATIONS, HEREIN, ARE THE PROPERTY OF DIGITAL EQUIPMENT CORPORATION AND SHALL NOT BE REPRODUCED OR COPIED OR USED IN WHOLE OR IN PART AS THE BASIS FOR THE MANUFACTURE OR SALE OF ITEMS WITHOUT WRITTEN PERMISSION. COPYRIGHT © 1973, DIGITAL EQUIPMENT CORPORATION"

D
C
B
A

D
C
B
A

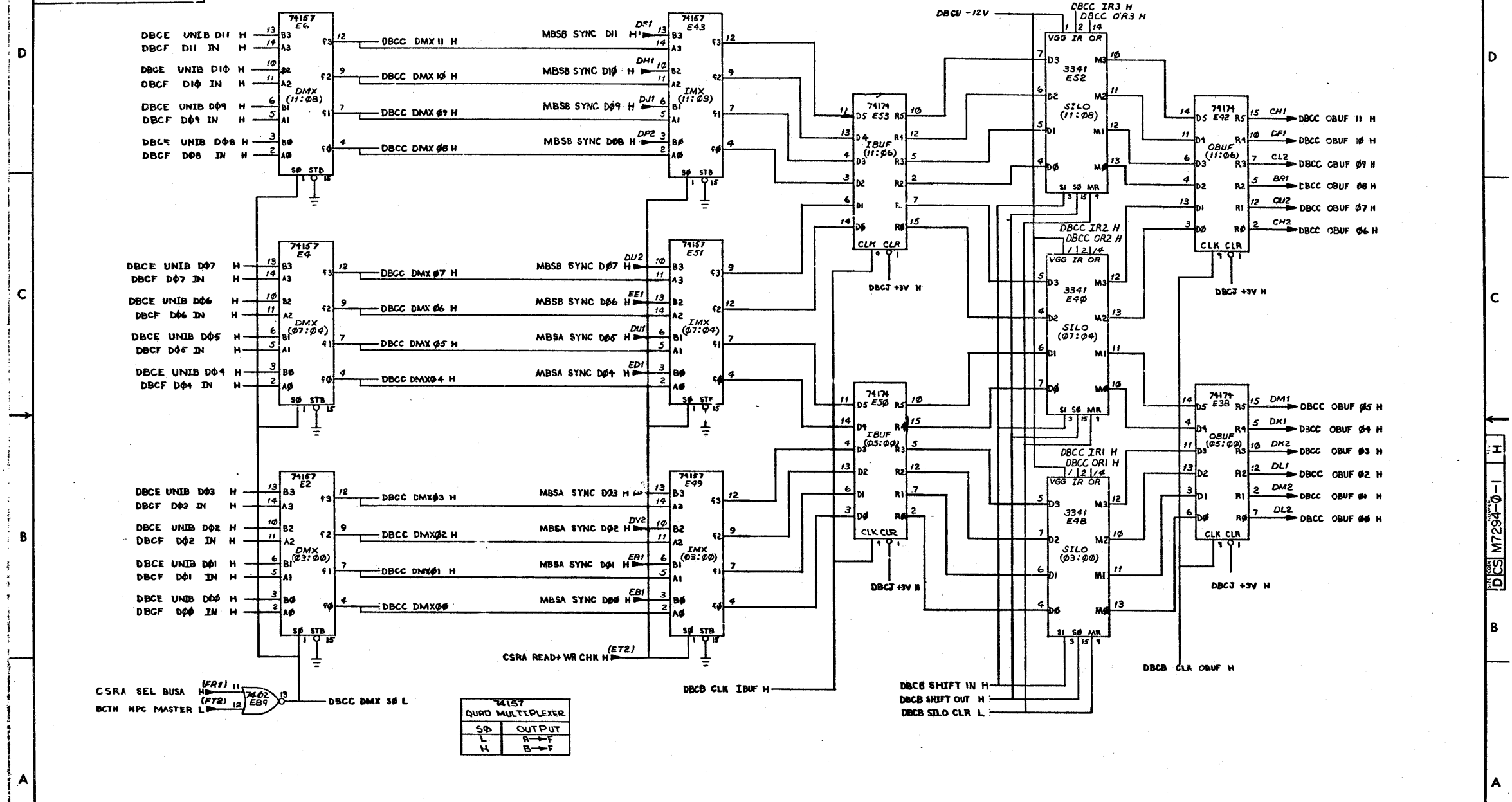


REVISIONS		
CHK	CHANGE NO.	REV.

ERROR STATUS & CS2 REG

TITLE	CONTROL & STATUS REGS (CSRB)	SIZE	CODE	NUMBER	REV.
				DCS M7296-0-1	B
SCALE	#	SHEET	3	OF	3
DIST.					

"THIS DRAWING AND SPECIFICATIONS HEREIN ARE THE PROPERTY OF DIGITAL EQUIPMENT CORPORATION AND SHALL NOT BE REPRODUCED, COPIED OR USED IN WHOLE OR IN PART AS THE BASIS FOR THE MANUFACTURE OR SALE OF ITEMS WITHOUT WRITTEN PERMISSION. COPYRIGHT © 1973 DIGITAL EQUIPMENT CORPORATION"

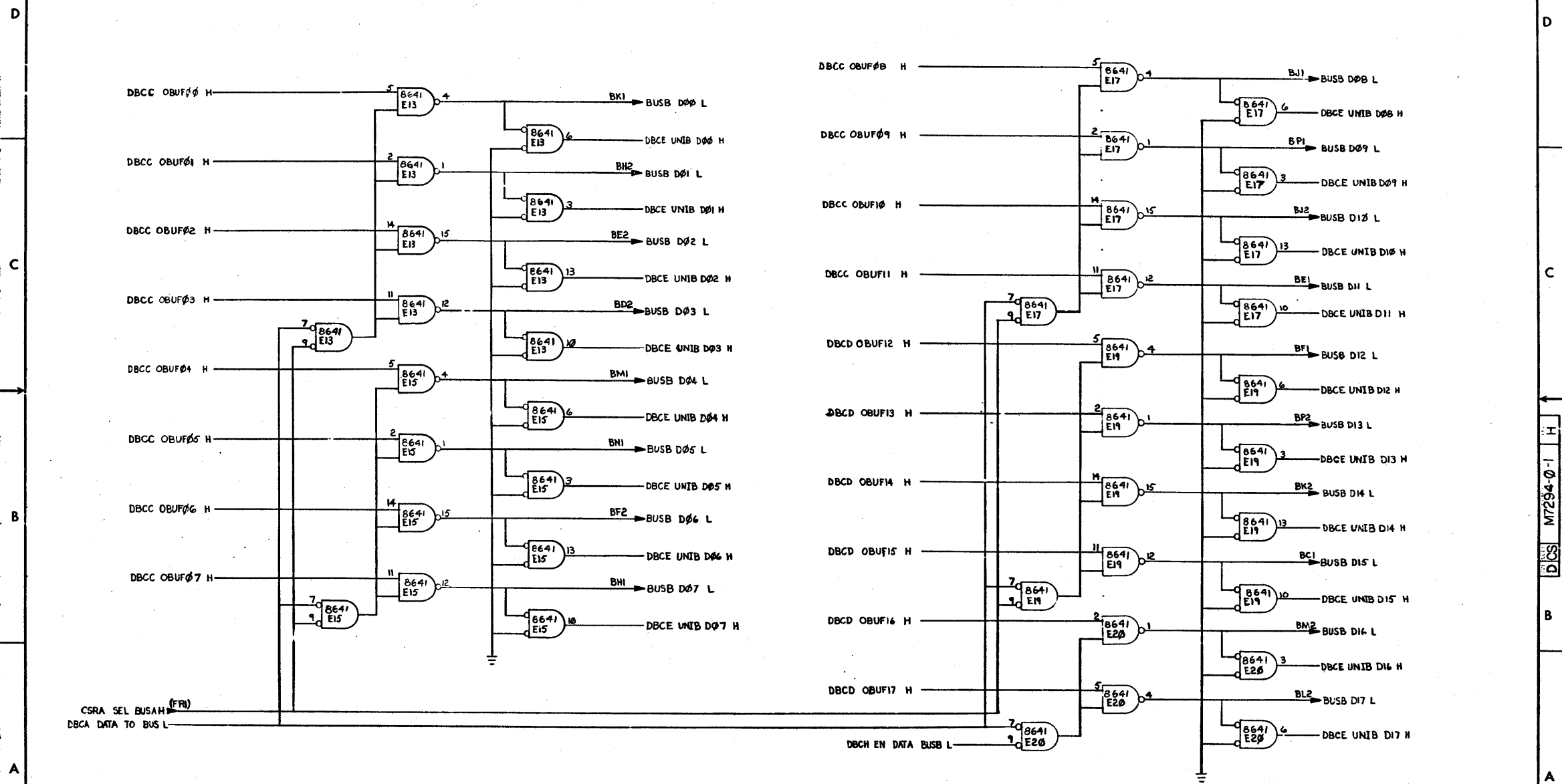


74157 QUAD MULTIPLEXER	
S0	OUTPUT
L	R ← F
H	B → T

REVISIONS		
CHK	CHANGE NO	REV

SLOT 03
SILO DATA PATH <11:00>
TITLE DATA BUFFER & CONTROL (DBCC)
SCALE NONE SHEET 4 OF 9
SIZE CODE DCS NUMBER M7294-0-1 REV. H

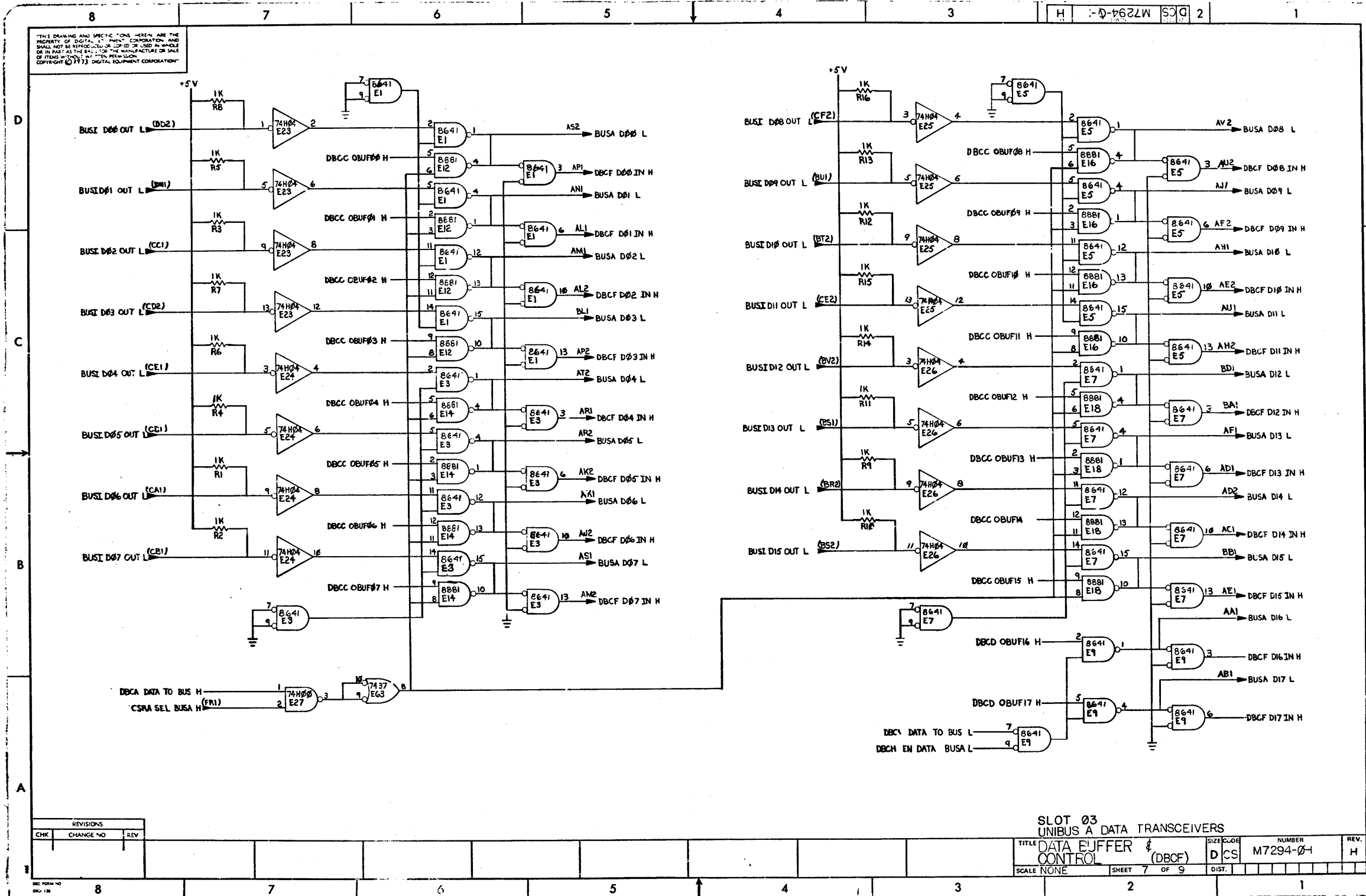
"THIS DRAWING AND SPECIFICATIONS HEREIN ARE THE PROPERTY OF DIGITAL EQUIPMENT CORPORATION AND SHALL NOT BE REPRODUCED OR USED IN WHOLE OR IN PART AS THE BASIS FOR THE MANUFACTURE OR SALE OF ITEMS WITHOUT THE WRITTEN PERMISSION OF DIGITAL EQUIPMENT CORPORATION."



REVISIONS		
CHK	CHANGE NO.	REV.

SLOT 03
 BUS B DATA TRANSCIVERS
 TITLE DATA BUFFER & (DBCE) CONTROL
 SCALE NONE SHEET 6 OF 9

THIS DRAWING AND SPECIFICATIONS HEREIN ARE THE PROPERTY OF DIGITAL EQUIPMENT CORPORATION AND SHALL NOT BE REPRODUCED OR COPIED OR USED IN WHOLE OR IN PART AS THE BASIS FOR THE MANUFACTURE OR SALE OF ITEMS WITHOUT THE WRITTEN PERMISSION OF DIGITAL EQUIPMENT CORPORATION.

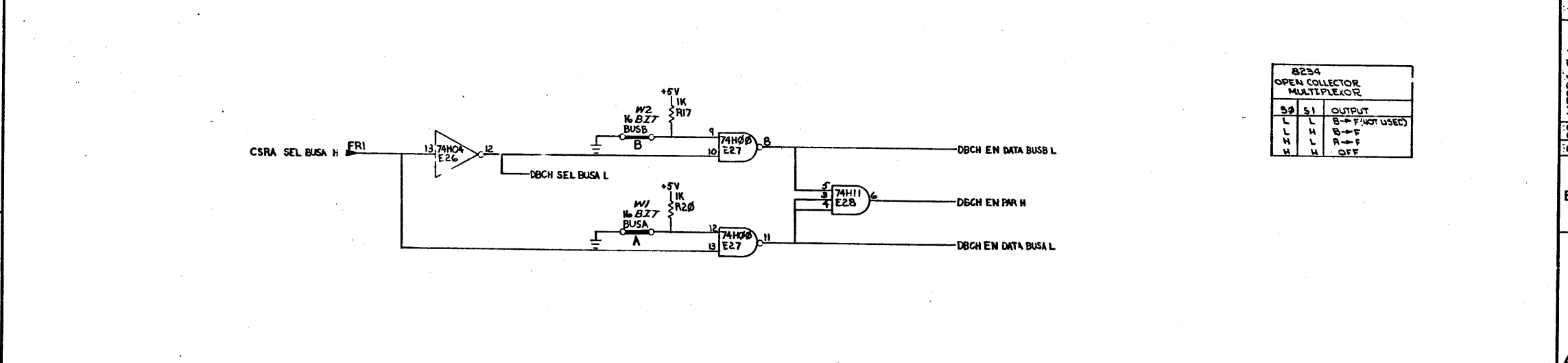
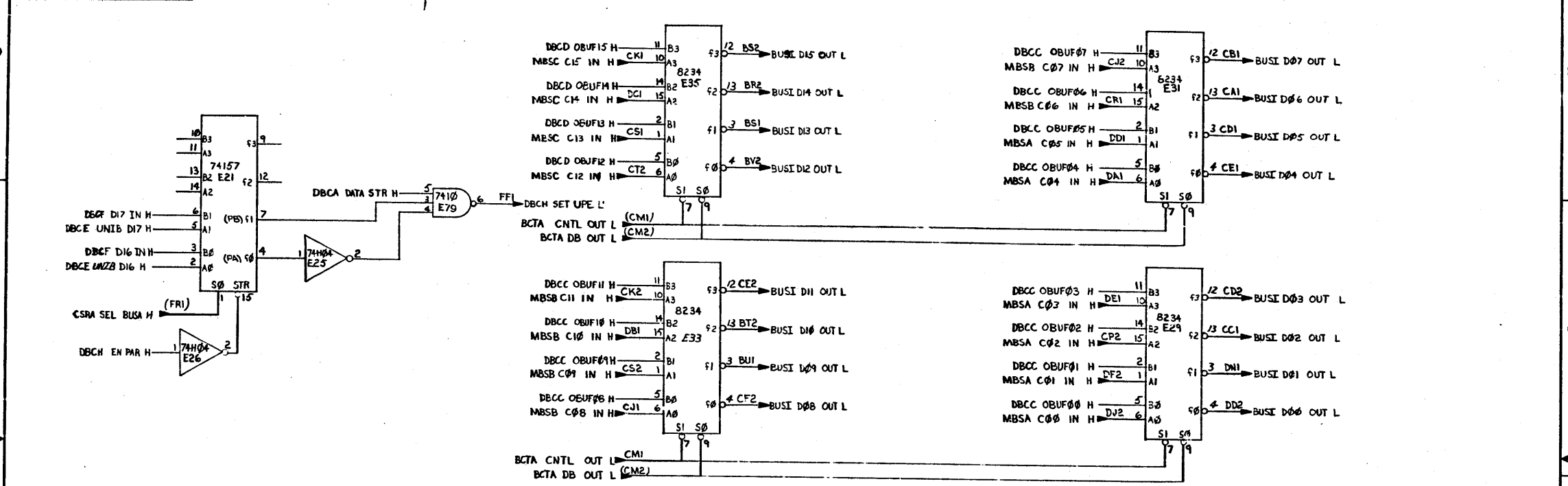


REVISIONS		
CHK	CHANGE NO	REV

SLOT 03
UNIBUS A DATA TRANSCEIVERS

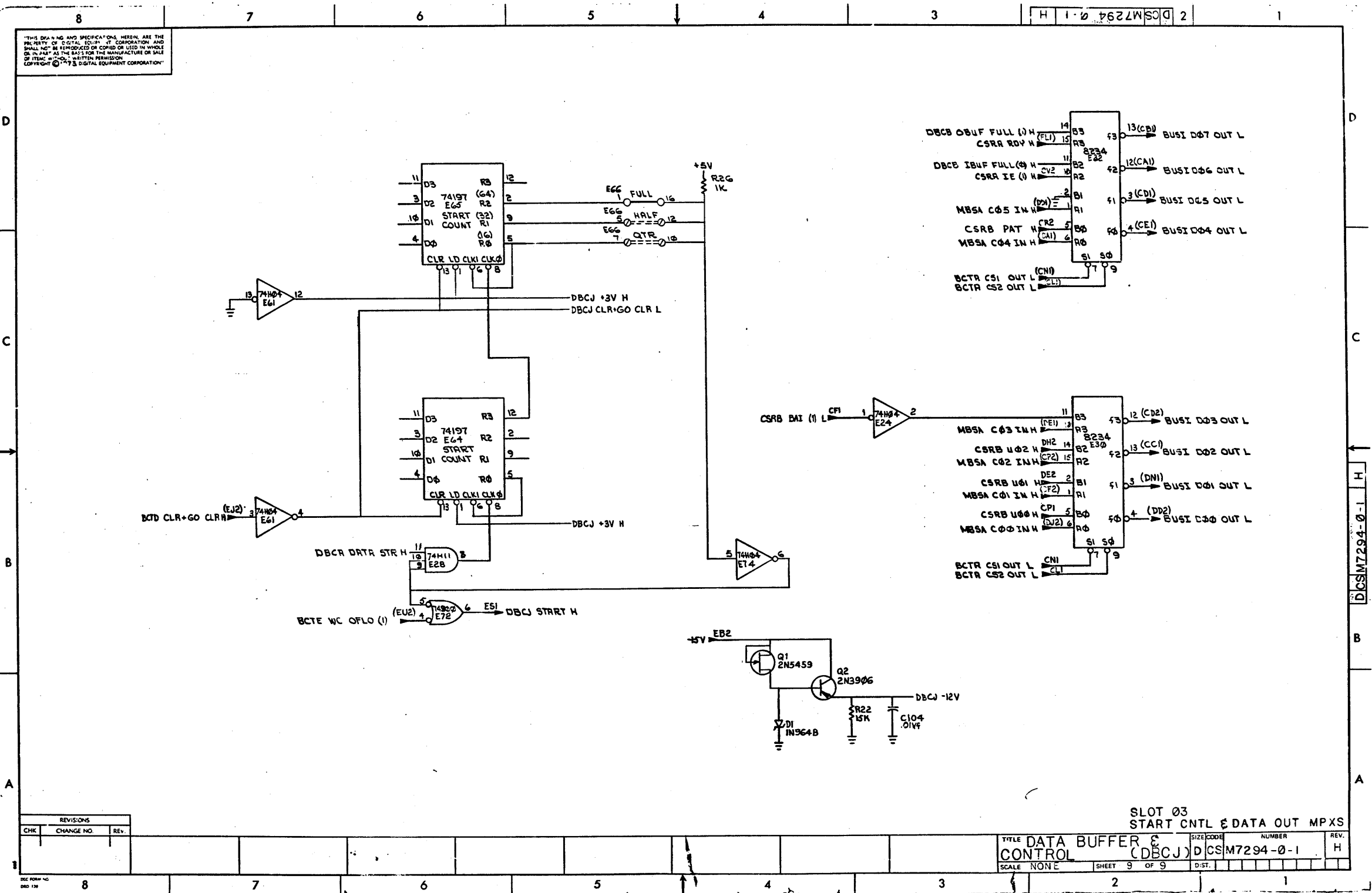
TITLE	DATA BUFFER & CONTROL (DBCF)	SIZE CODE	DCS	NUMBER	M7294-01	REV.	H
SCALE	NONE	SHEET	7	OF	9	DIST.	

THIS DRAWING AND SPECIFICATIONS HEREIN ARE THE PROPERTY OF DIGITAL EQUIPMENT CORPORATION AND SHALL NOT BE REPRODUCED, COPIED OR USED IN WHOLE OR IN PART AS THE BASIS FOR THE MANUFACTURE OR SALE OF ITEMS WITHOUT THE WRITTEN PERMISSION OF DIGITAL EQUIPMENT CORPORATION. COPYRIGHT © 1973



8234 OPEN COLLECTOR MULTIPLEXOR		
S0	S1	OUTPUT
L	L	B → F (NOT USED)
L	H	B → F
H	L	A → F
H	H	OFF

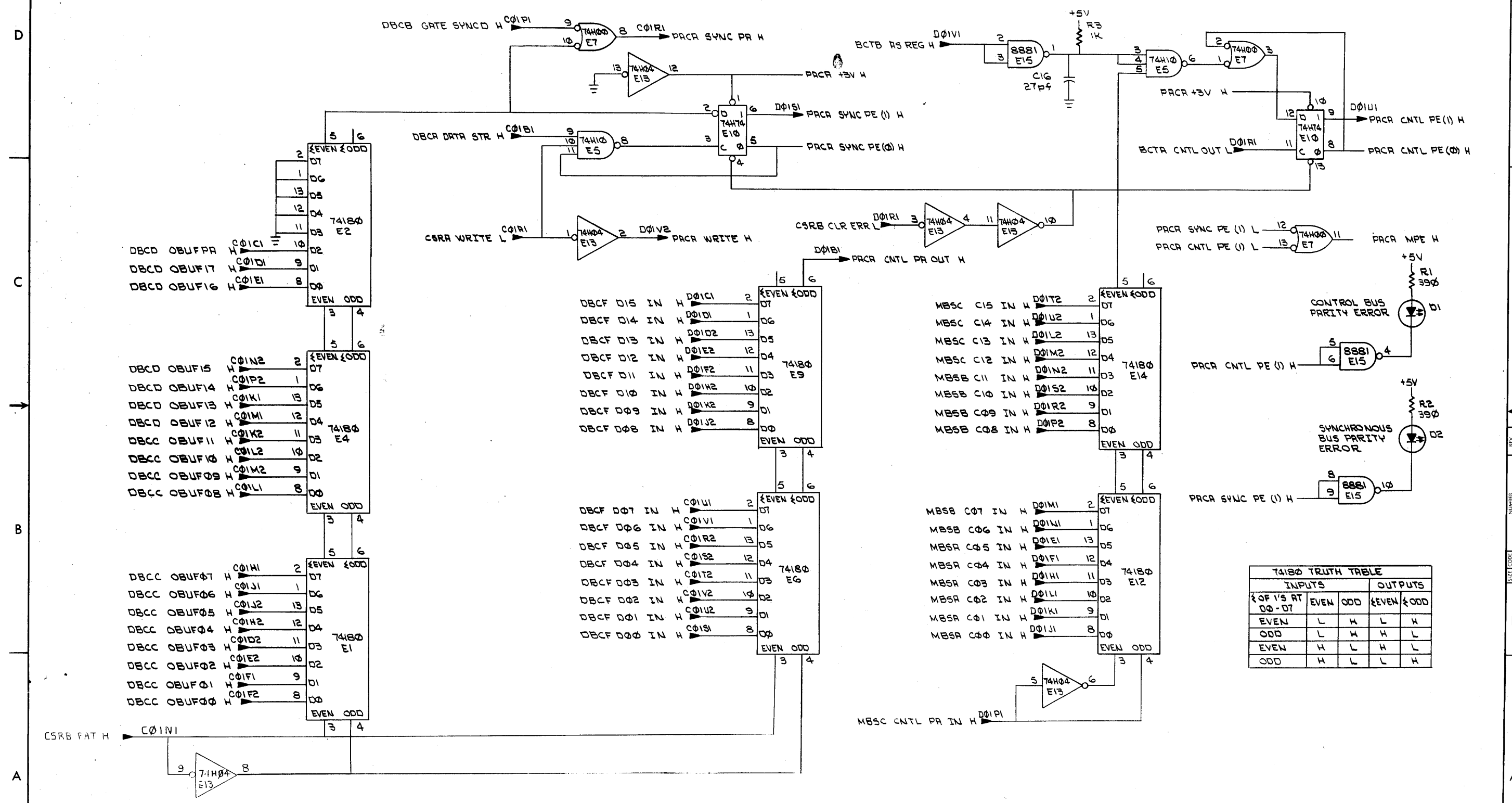
THIS DRAWING AND SPECIFICATIONS HEREIN ARE THE PROPERTY OF DIGITAL EQUIPMENT CORPORATION AND SHALL NOT BE REPRODUCED OR COPIED OR USED IN WHOLE OR IN PART AS THE BASIS FOR THE MANUFACTURE OR SALE OF ITEMS WITHOUT WRITTEN PERMISSION. COPYRIGHT © 1973 DIGITAL EQUIPMENT CORPORATION.



REVISIONS		
CHK	CHANGE NO.	REV.

SLOT 03
 START CNTL & DATA OUT MPXS
 TITLE DATA BUFFER CONTROL (DBCJ)
 SIZE CODE NUMBER REV.
 DCSM7294-0-1 H
 SCALE NONE SHEET 9 OF 9 D.ST.

"THIS DRAWING AND SPECIFICATIONS, HEREIN, ARE THE PROPERTY OF DIGITAL EQUIPMENT CORPORATION AND SHALL NOT BE REPRODUCED OR COPIED OR USED IN WHOLE OR IN PART AS THE BASIS FOR THE MANUFACTURE OR SALE OF ITEMS WITHOUT WRITTEN PERMISSION. COPYRIGHT © 1975, DIGITAL EQUIPMENT CORPORATION"



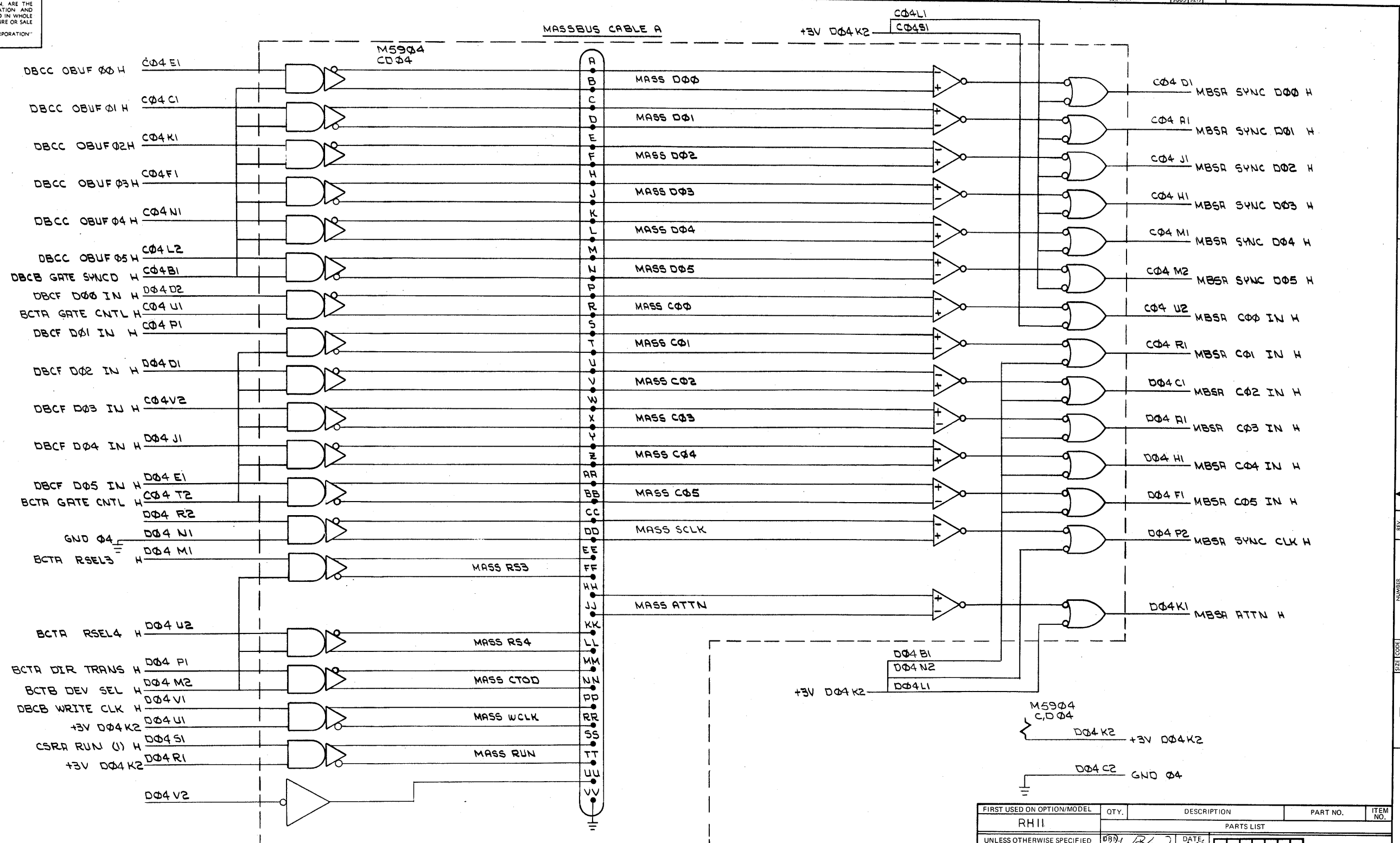
74180 TRUTH TABLE

INPUTS		OUTPUTS	
# OF 1'S AT 00-07	EVEN	ODD	ΣEVEN ΣODD
EVEN	L	H	L
ODD	L	H	L
EVEN	H	L	L
ODD	H	L	H

REVISIONS

CHK	CHANGE NO.	REV.

"THIS DRAWING AND SPECIFICATIONS, HEREIN, ARE THE PROPERTY OF DIGITAL EQUIPMENT CORPORATION, AND SHALL NOT BE REPRODUCED OR COPIED OR USED IN WHOLE OR IN PART AS THE BASIS FOR THE MANUFACTURE OR SALE OF ITEMS WITHOUT WRITTEN PERMISSION. COPYRIGHT © 1973, DIGITAL EQUIPMENT CORPORATION"



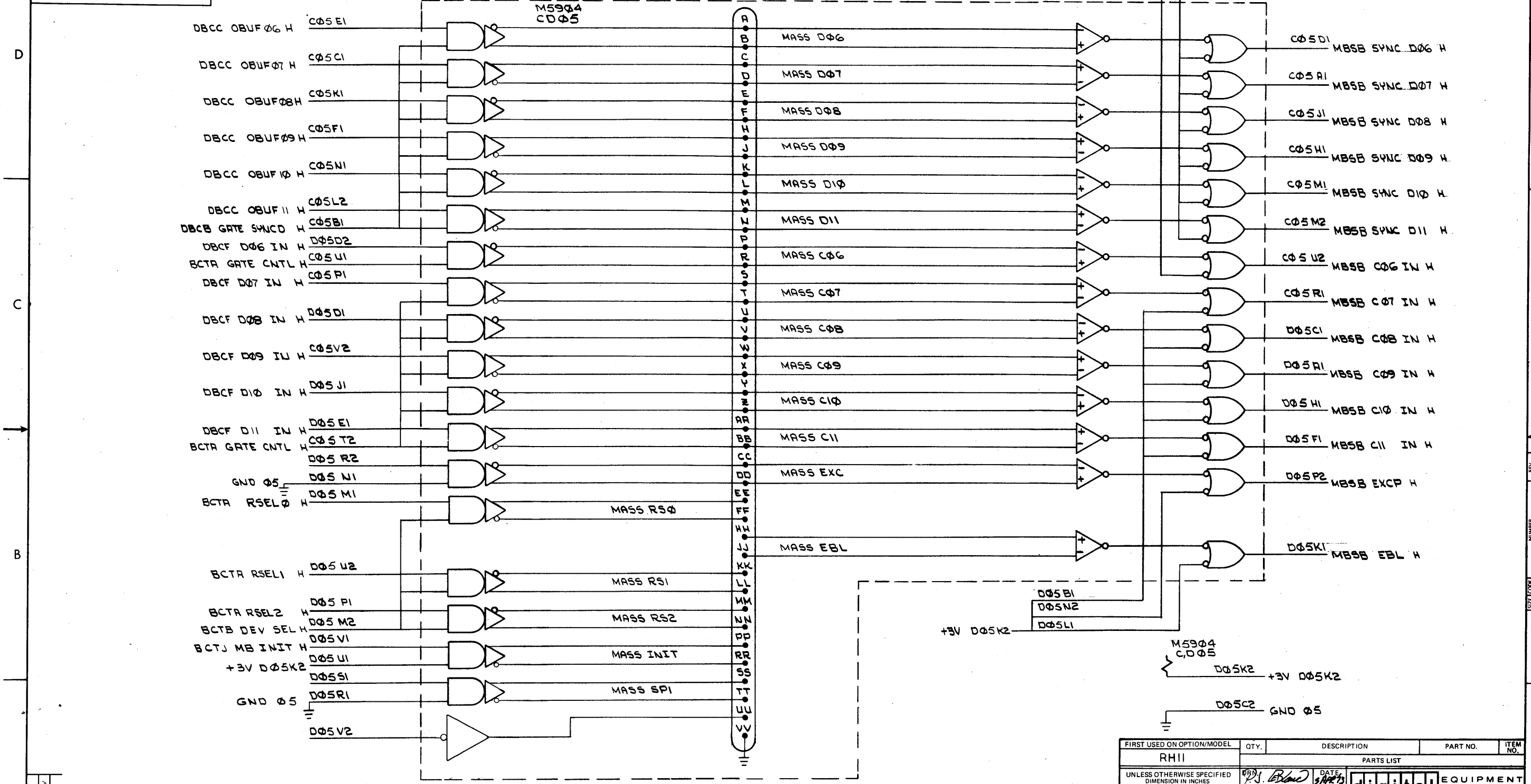
REV.	CHANGE NO.	DATE
A		
B		

REVISIONS:

CHK	DATE	BY
P/h	11-16-73	J. Jenkins
	11-20-73	S. Jenkins
	2-11-74	S. Jenkins
	2-15-74	S. Jenkins

FIRST USED ON OPTION/MODEL RH11	QTY.	DESCRIPTION	PART NO.	ITEM NO.
PARTS LIST				
UNLESS OTHERWISE SPECIFIED DIMENSION IN INCHES	DATE: 5/12/73	digital EQUIPMENT CORPORATION MAYNARD MASSACHUSETTS		
TOLERANCES	DATE: 1-3-73	TITLE		
DECIMALS .xxx = .005	ENG. DATE: 1-15-73	MASSBUS TRANSCEIVER (MBSA)		
ANGLES ' 0 30'	PROJ. ENG. DATE: 1-15-73	SIZE CODE	NUMBER	REV.
REMOVE BURRS AND BREAK SHARP CORNERS SURFACE QUALITY 1	PROD. DATE: 1-15-73	B-00-RH11-0	DBS RH11-0-02	B
MATERIAL	NEXT HIGHER ASSY.	SCALE NONE	SHEET OF 3	DIST.
FINISH				

"THIS DRAWING AND SPECIFICATIONS, HEREIN, ARE THE PROPERTY OF DIGITAL EQUIPMENT CORPORATION AND SHALL NOT BE REPRODUCED OR COPIED OR USED IN WHOLE OR IN PART AS THE BASIS FOR THE MANUFACTURE OR SALE OF ITEMS WITHOUT WRITTEN PERMISSION. COPYRIGHT © 1973, DIGITAL EQUIPMENT CORPORATION"



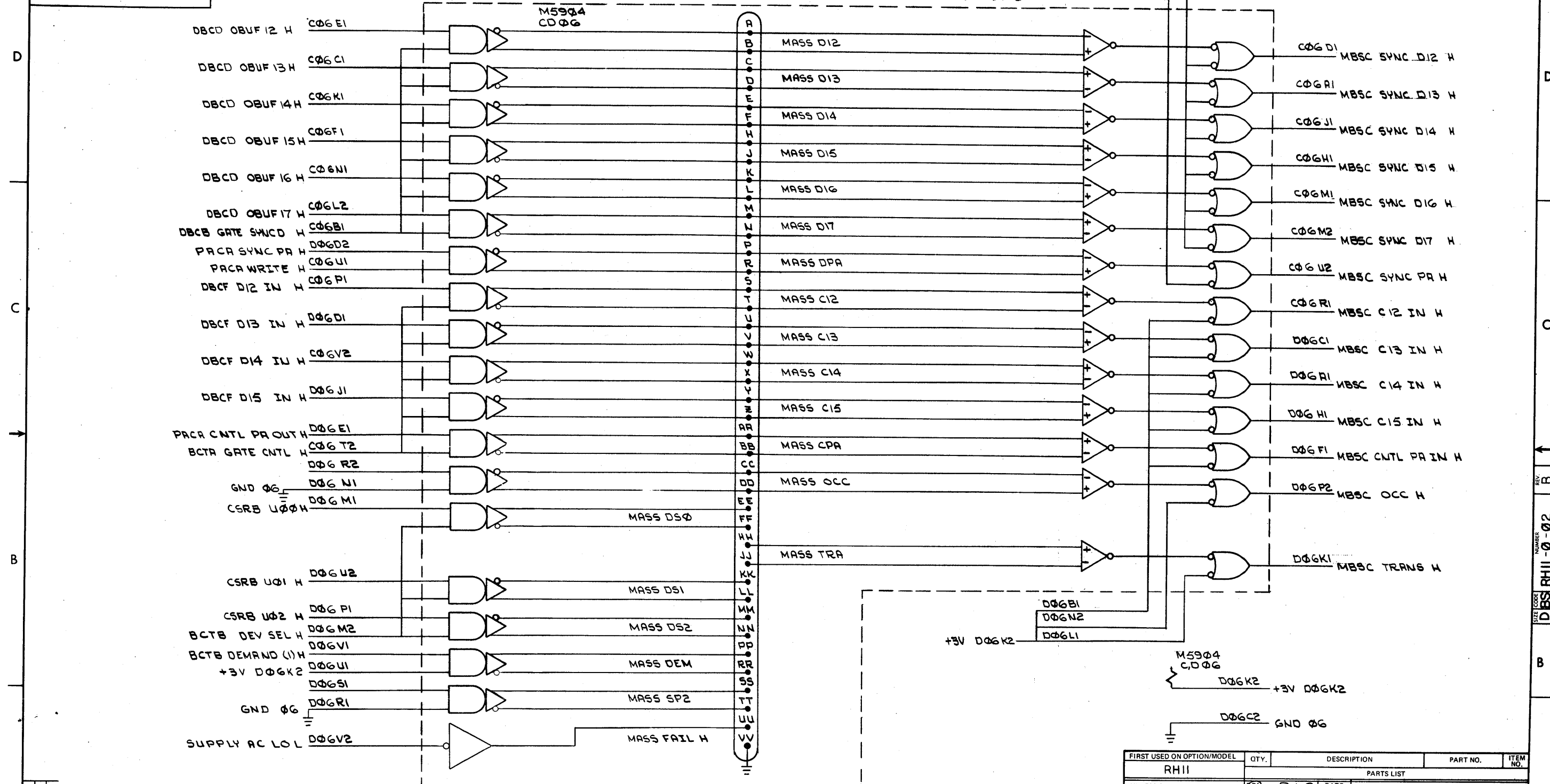
FIRST USED ON OPTION/MODEL	QTY.	DESCRIPTION	PART NO.	ITEM NO.
RH11				
PARTS LIST				
UNLESS OTHERWISE SPECIFIED DIMENSION IN INCHES				
TOLERANCES				
DECIMALS	ANGLES	DATE		
.xxx = .005	±0° 30'	8/23/73		
.xx = .02		DATE		
.x = .1		8/23/73		
REMOVE BURRS AND BREAK SHARP CORNERS SURFACE QUALITY 1				
NEXT HIGHER ASSY.				
MATERIAL		B-DD-RH11-0		
FINISH		SCALE NONE		
		SHEET 2 OF 3		
		SIZE CODE	NUMBER	REV.
		D BS	RH11-0-02	B

REV	CHANGE NO

THIS DRAWING AND SPECIFICATIONS HEREIN ARE THE PROPERTY OF DIGITAL EQUIPMENT CORPORATION AND SHALL NOT BE REPRODUCED OR COPIED OR USED IN WHOLE OR IN PART AS THE BASIS FOR THE MANUFACTURE OR SALE OF ITEMS WITHOUT WRITTEN PERMISSION. COPYRIGHT © 1973, DIGITAL EQUIPMENT CORPORATION.

REV. B 20-0-1111Y BS D 2

MASSBUS CABLE C



REV.	CHANGE NO.

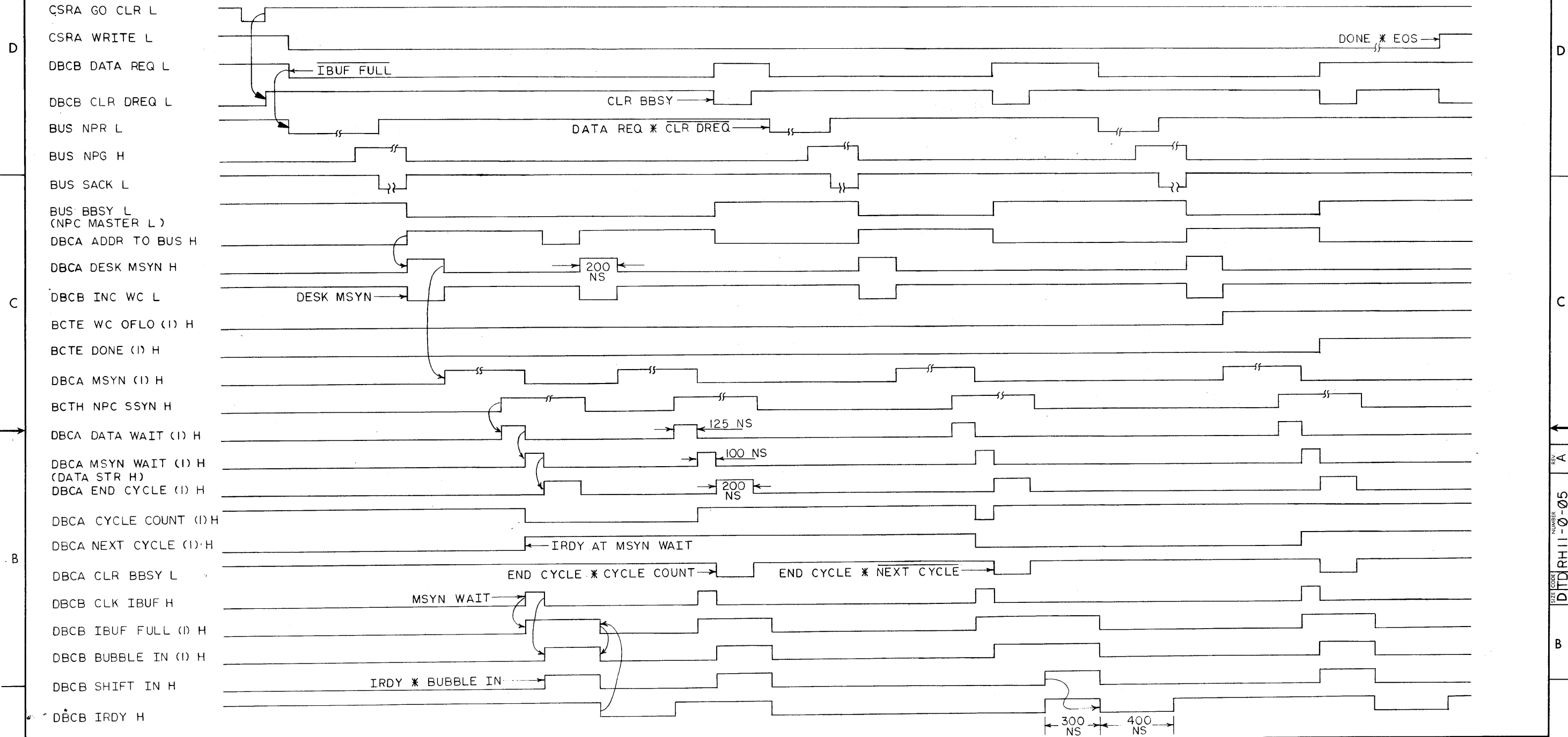
FIRST USED ON OPTION/MODEL RH11	QTY.	DESCRIPTION	PART NO.	ITEM NO.
PARTS LIST				
UNLESS OTHERWISE SPECIFIED DIMENSION IN INCHES		DATE 8-3-73	digital EQUIPMENT CORPORATION MAYNARD MASSACHUSETTS	
TOLERANCES	ANGLES	DATE 8-3-73	TITLE	
.xxx = .005	±0° 30'	ENG. 8-3-73	MASSBUS TRANSCIEVER (MBSC)	
.xx = .02		PROD. ENG. 8-3-73	SIZE CODE NUMBER REV.	
.x = .1		PROD. 8-3-73	B-DD-RH11-0 D BS RH11-0-02 B	
REMOVE BURRS AND BREAK SHARP CORNERS SURFACE QUALITY V			SCALE NONE	
MATERIAL	NEXT HIGHER ASSY.		SHEET 3 OF 3	
FINISH			DIST.	

"THIS DRAWING AND SPECIFICATIONS, HEREIN, ARE THE PROPERTY OF DIGITAL EQUIPMENT CORPORATION AND SHALL NOT BE REPRODUCED OR COPIED OR USED IN WHOLE OR IN PART AS THE BASIS FOR THE MANUFACTURE OR SALE OF ITEMS WITHOUT WRITTEN PERMISSION. COPYRIGHT © 1973, DIGITAL EQUIPMENT CORPORATION"

WRITE COMMAND UNIBUS TIMING DIAGRAM (DATI)

REV. A
 SIZE CODE DITDRH11-0-05
 NUMBER 2

← BACK TO BACK CYCLE → ← SINGLE CYCLE SILO NOT READY → ← SINGLE CYCLE WC OVERFLOW →



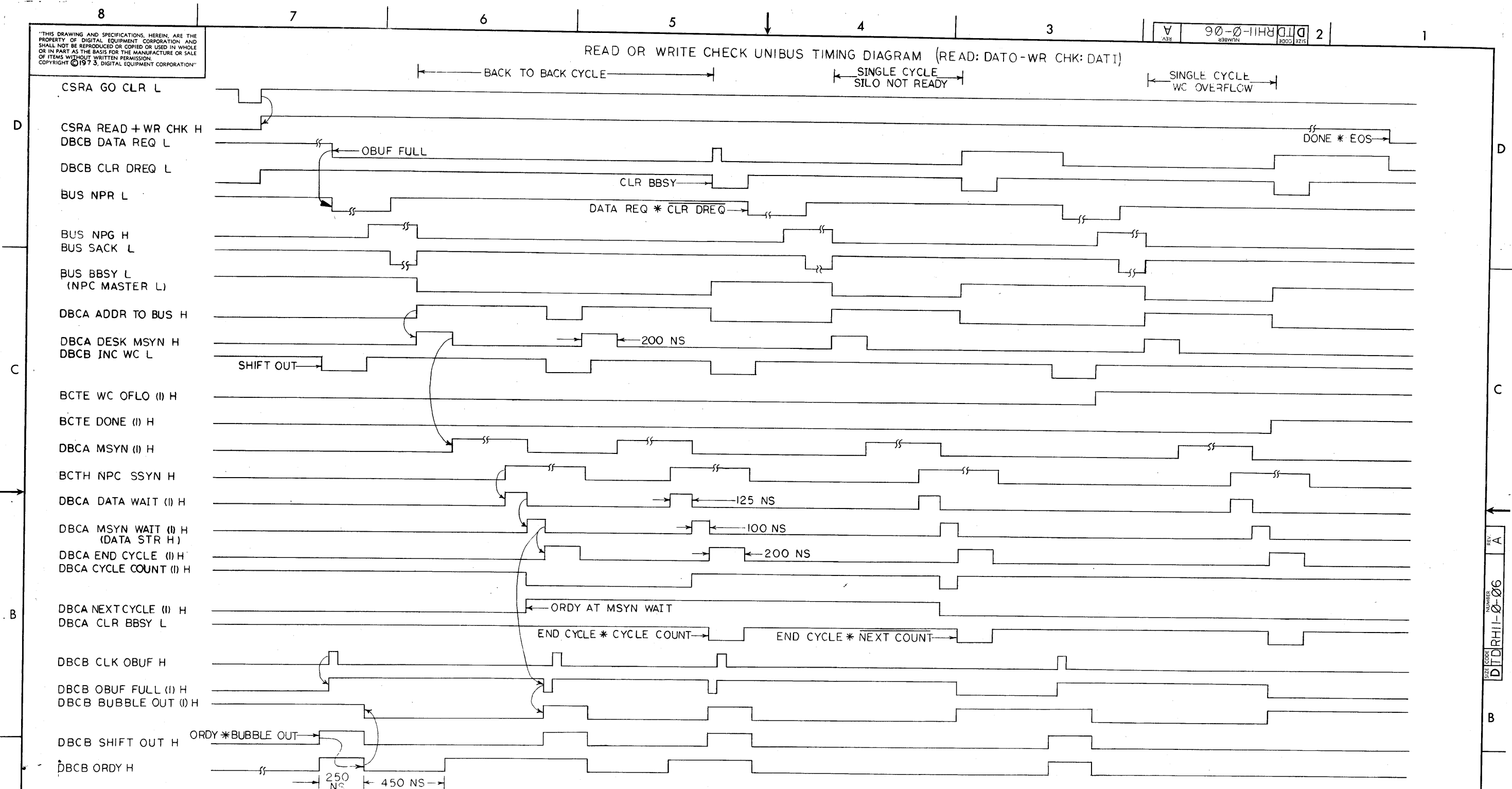
REV.	CHANGE NO.	DATE
A	0001	11-16-73
		11-20-73

FIRST USED ON OPTION/MODEL	QTY.	DESCRIPTION	PART NO.	ITEM NO.
RH11				
PARTS LIST				
UNLESS OTHERWISE SPECIFIED DIMENSION IN INCHES		DATE	digital EQUIPMENT CORPORATION MAYNARD MASSACHUSETTS	
TOLERANCES		DATE	TITLE	
DECIMALS	ANGLES	8-3-77	WRITE UNIBUS (TIMING DIAGRAM)	
.xxx = .005	±0° 30'	8-3-77	SIZE CODE NUMBER REV.	
.xx = .02		8-3-77	DITDRH11-0-05 A	
.x = .1		8-3-77		
REMOVE BURRS AND BREAK SHARP CORNERS SURFACE QUALITY V		DATE		
		8-3-77		
MATERIAL	NEXT HIGHER ASSY.			
	B-DD-RH11-0			
FINISH	SCALE NONE			
	SHEET OF			

"THIS DRAWING AND SPECIFICATIONS HEREIN ARE THE PROPERTY OF DIGITAL EQUIPMENT CORPORATION AND SHALL NOT BE REPRODUCED OR COPIED OR USED IN WHOLE OR IN PART AS THE BASIS FOR THE MANUFACTURE OR SALE OF ITEMS WITHOUT WRITTEN PERMISSION. COPYRIGHT © 1973, DIGITAL EQUIPMENT CORPORATION"

REV. A 90-0-11RH1-0-06 2

READ OR WRITE CHECK UNIBUS TIMING DIAGRAM (READ: DATO-WR CHK: DATI)

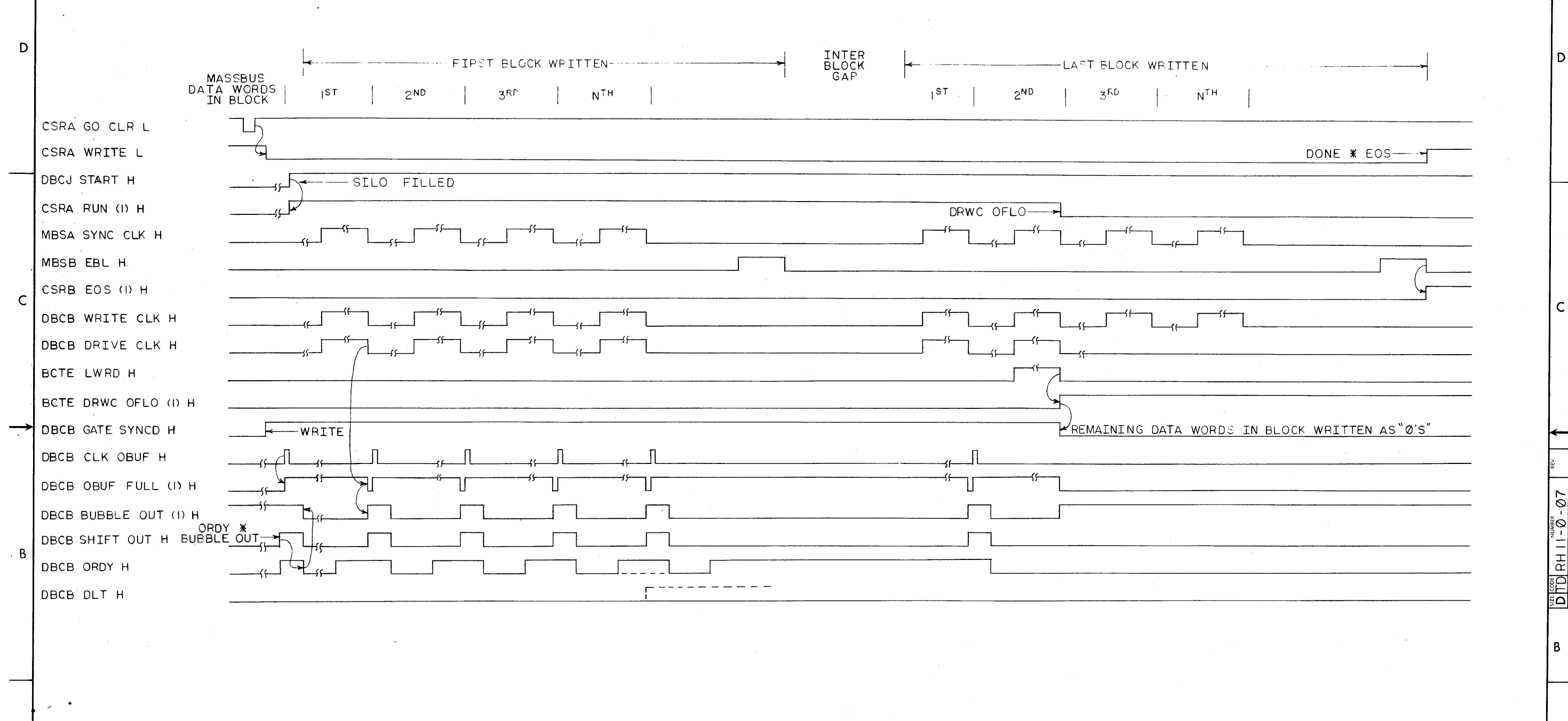


REV	CHANGE NO	DATE
A	0001	11-16-73
S. JENKINS 11-28-73		

FIRST USED ON OPTION/MODEL RH11	QTY.	DESCRIPTION	PART NO.	ITEM NO.
PARTS LIST				
UNLESS OTHERWISE SPECIFIED DIMENSION IN INCHES	DRN. E. Nichols	DATE 6-22-73	digital EQUIPMENT CORPORATION MAYNARD MASSACHUSETTS	
TOLERANCES	ENG. P.S. (EEL/m)	DATE 8-2-73	TITLE READ+WRITE CHECK UNIBUS (TIMING DIAG)	
DECIMALS .xxx = .005	PROJ. ENG. S. Jenkins	DATE 8-2-73	NEXT HIGHER ASSY. B-DD-RH11-0	
ANGLES +0° 30'	PROD. S. Jenkins	DATE 8-2-73	SIZE CODE D TD RH11-0-06	NUMBER A
REMOVE BURRS AND BREAK SHARP CORNERS SURFACE QUALITY Y	SCALE NONE			
MATERIAL	SHEET 1 OF 1			
FINISH	DIST.			

"THIS DRAWING AND SPECIFICATIONS, HEREIN, ARE THE PROPERTY OF DIGITAL EQUIPMENT CORPORATION AND SHALL NOT BE REPRODUCED OR COPIED OR USED IN WHOLE OR IN PART AS THE BASIS FOR THE MANUFACTURE OR SALE OF ITEMS WITHOUT WRITTEN PERMISSION. COPYRIGHT © 1973, DIGITAL EQUIPMENT CORPORATION"

WRITE COMMAND MASSBUS TIMING DIAGRAM



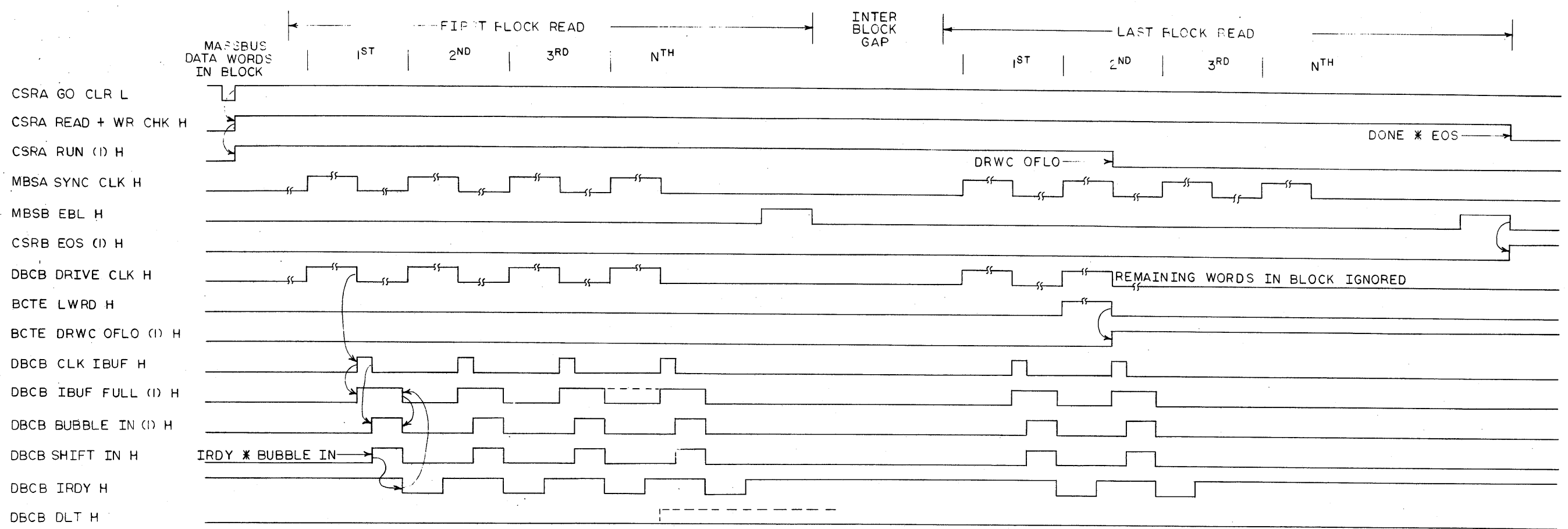
FIRST USED ON OPTION/MODEL	QTY.	DESCRIPTION	PART NO.	ITEM NO.
RH 11				
PARTS LIST				
UNLESS OTHERWISE SPECIFIED DIMENSION IN INCHES		DATE	digital EQUIPMENT CORPORATION MAYNARD MASSACHUSETTS	
TOLERANCES		CHK'D.	DATE	
DECIMALS	ANGLES	ENG.	DATE	
.xxx = .005	'0 30'	PROJ. ENG.	DATE	
.xx = .02		PROD.	DATE	
.x = .1				
REMOVE BURRS AND BREAK SHARP CORNERS SURFACE QUALITY 1				
MATERIAL	NEXT HIGHER ASSY.		SIZE CODE	NUMBER
	F-DC-RH11-2		D T D R H 1 1 - 2 - 0 7	
FINISH	SCALE	SHEET		REV.
	NONE	OF 1		

REV. NO. 2
CHK. CHANGE T.O. RIV.

"THIS DRAWING AND SPECIFICATIONS, HEREIN, ARE THE PROPERTY OF DIGITAL EQUIPMENT CORPORATION, AND SHALL NOT BE REPRODUCED OR COPIED OR USED IN WHOLE OR IN PART AS THE BASIS FOR THE MANUFACTURE OR SALE OF ITEMS WITHOUT WRITTEN PERMISSION. COPYRIGHT © 1975, DIGITAL EQUIPMENT CORPORATION"

REV. 2
DITD RH11-0-08

READ OR WRITE CHECK MASSBUS TIMING DIAGRAM

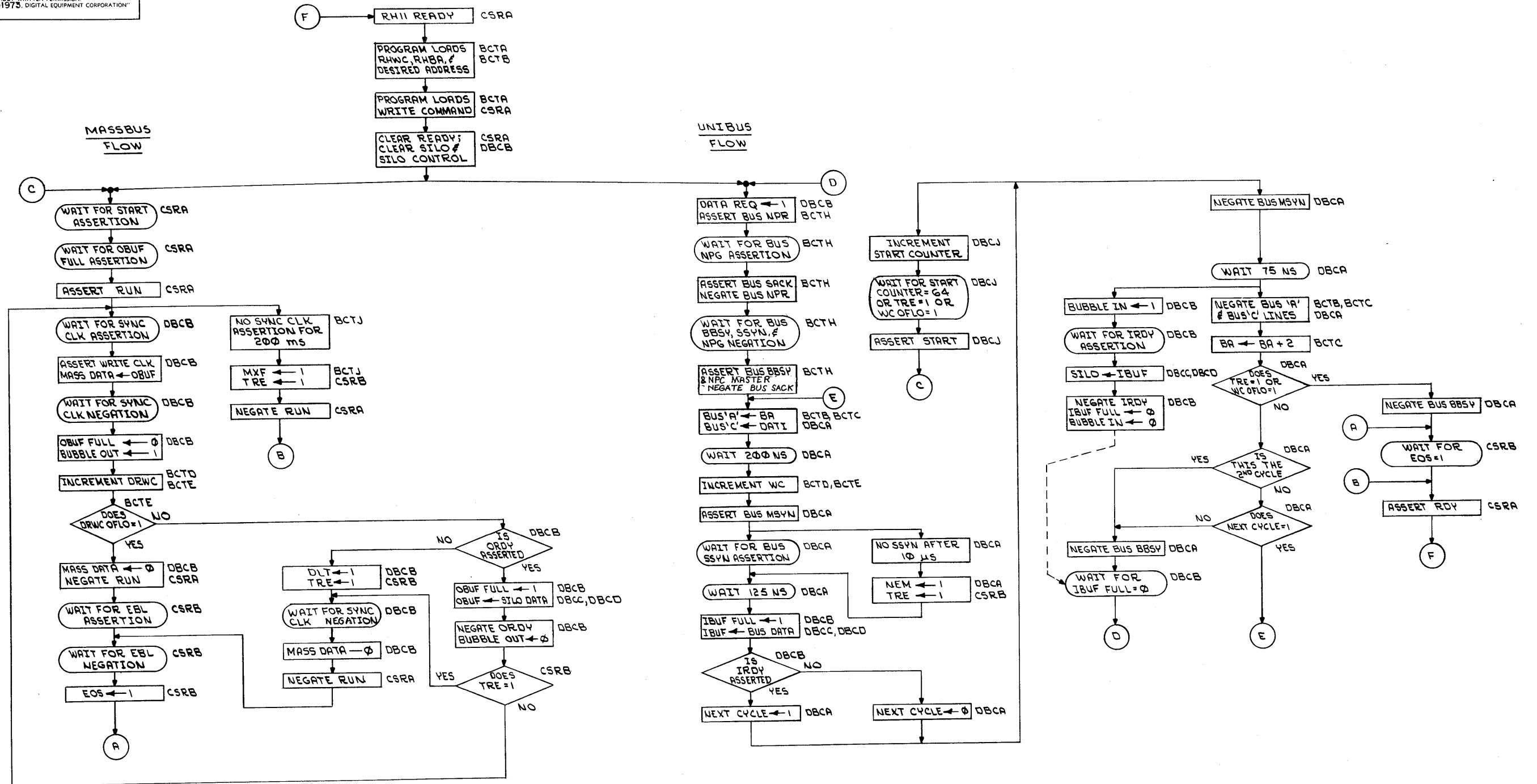


REVISION:	REV.
CHG.	
CHK.	

FIRST USED ON OPTION/MODEL	QTY.	DESCRIPTION	PART NO.	ITEM NO.
RH11				
PARTS LIST				
UNLESS OTHERWISE SPECIFIED DIMENSION IN INCHES		DRN. <i>P. J. [Signature]</i>	DATE: <i>2/10/75</i>	digital EQUIPMENT CORPORATION MAYNARD, MASSACHUSETTS
TOLERANCES		CHKD. <i>P. J. [Signature]</i>	DATE: <i>8/3/75</i>	
DECIMALS	ANGLES	ENG. <i>[Signature]</i>	DATE: <i>5/3/75</i>	TITLE READ + WRITE CHECK MASSBUS (TIMING DIAGRAM)
.xxx = .005	.0 30'	PROJ. ENG. <i>[Signature]</i>	DATE: <i>[Signature]</i>	
REMOVE BURRS AND BREAK SHARP CORNERS SURFACE QUALITY 1		PROD. <i>[Signature]</i>	DATE: <i>[Signature]</i>	SIZE CODE DITDRH11-0-08
MATERIAL	NEXT HIGHER ASSY.	R-CL-RH11-0		
FINISH	SCALE NONE	SHEET OF		REV.

REV. 2
DITD RH11-0-08

"THIS DRAWING AND SPECIFICATIONS, HEREIN, ARE THE PROPERTY OF DIGITAL EQUIPMENT CORPORATION AND SHALL NOT BE REPRODUCED OR COPIED OR USED IN WHOLE OR IN PART AS THE BASIS FOR THE MANUFACTURE OR SALE OF ITEMS WITHOUT WRITTEN PERMISSION. COPYRIGHT ©1973, DIGITAL EQUIPMENT CORPORATION"



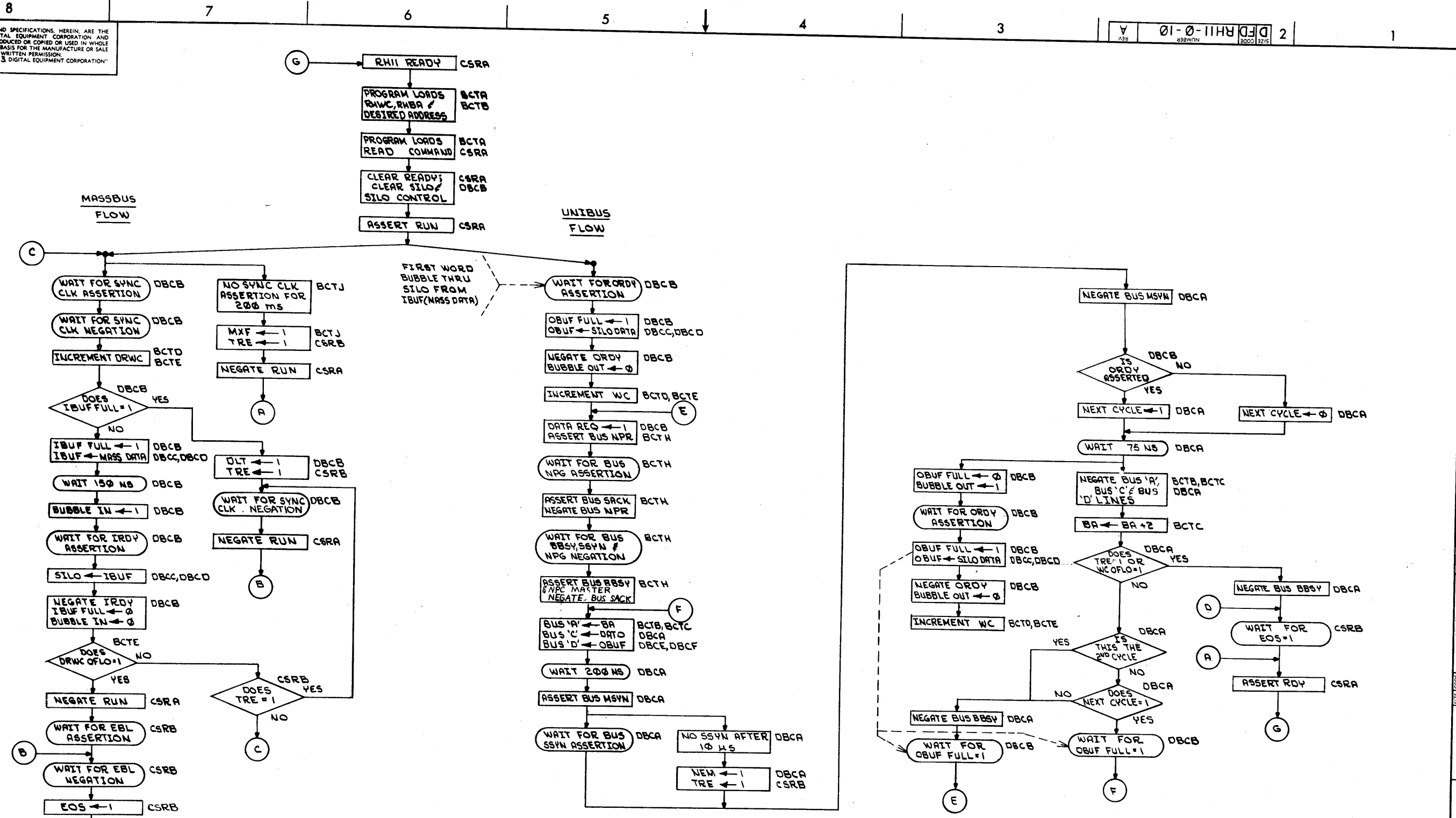
REV. NO.	8
CHANGE NO.	A
CHK	97
BY	S. JENKINS
DATE	11-20-73

FIRST USED ON OPTION/MODEL	QTY.	DESCRIPTION	PART NO.	ITEM NO.
RHII				
PARTS LIST				
UNLESS OTHERWISE SPECIFIED DIMENSION IN INCHES		DATE	25 JUNE 73	
TOLERANCES		DATE	8-3-73	
DECIMALS	ANGLES	DATE	8-3-73	
.xxx = .005	'0' 30'	DATE	8-3-73	
.xx = .02		DATE	8-3-73	
.x = .1		DATE	8-3-73	
REMOVE BURRS AND BREAK SHARP CORNERS SURFACE QUALITY				
MATERIAL		NEXT HIGHER ASSY.		
		B-DD-RHII-0		
FINISH		SCALE	NONE	
		SHEET	OF	
		DIST.		
		SIZE CODE	NUMBER	
		DFDRHII-0-09	REV. A	
			1	

REV. NUMBER DFDRHII-0-09

"THIS DRAWING AND SPECIFICATIONS, HEREIN, ARE THE PROPERTY OF DIGITAL EQUIPMENT CORPORATION AND SHALL NOT BE REPRODUCED OR COPIED OR USED IN WHOLE OR IN PART AS THE BASIS FOR THE MANUFACTURE OR SALE OF ITEMS WITHOUT WRITTEN PERMISSION. COPYRIGHT © 1973 DIGITAL EQUIPMENT CORPORATION"

REV. 2 DFD RHII-0-10



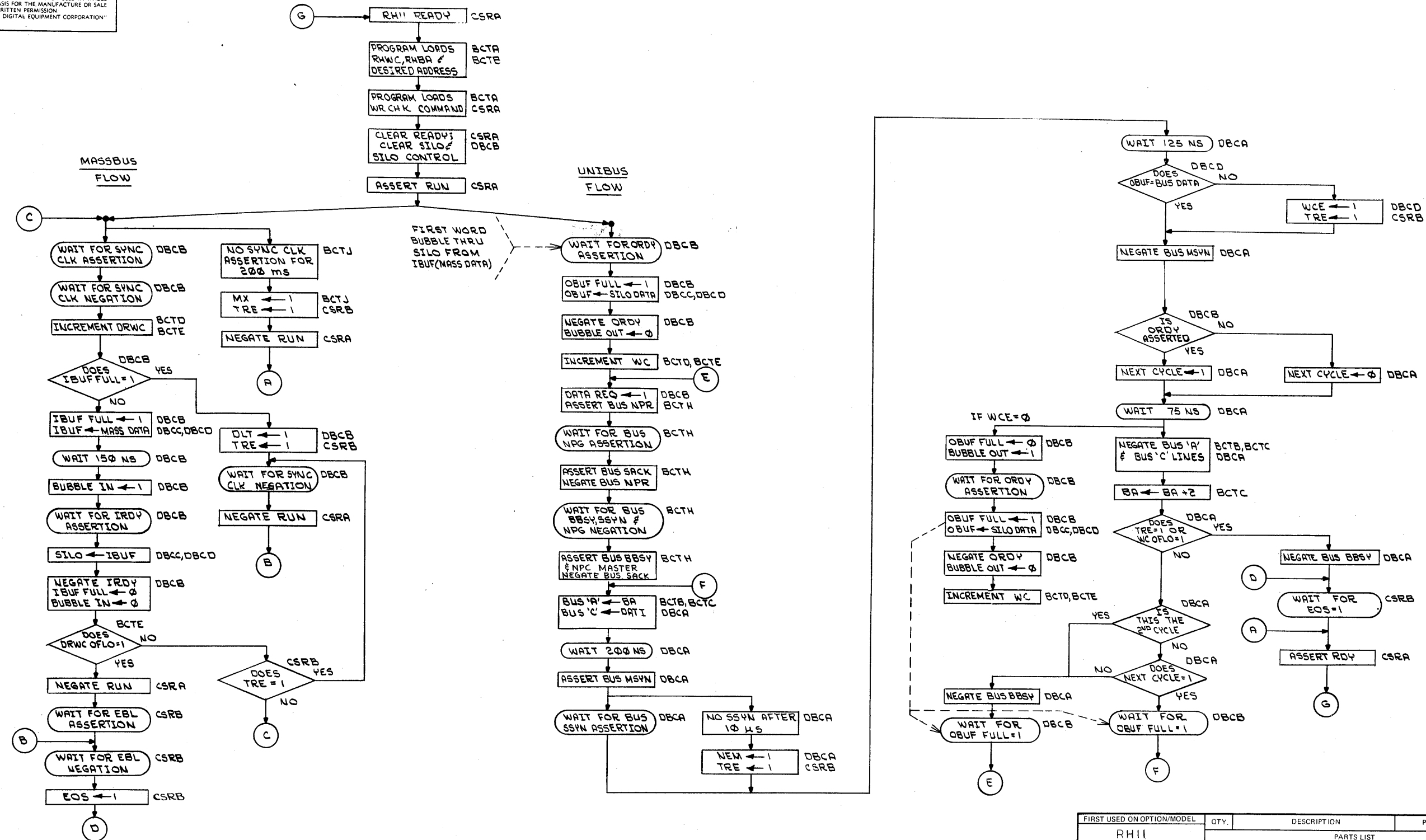
REV.	CHANGE NO.	DATE
A	0001	11-20-73

REVISIONS
CHK
S. JENKINS
11-20-73

FIRST USED ON OPTION/MODEL	QTY.	DESCRIPTION	PART NO.	ITEM NO.
RHII				

UNLESS OTHERWISE SPECIFIED DIMENSION IN INCHES		DATE 26-JUNE-73	
TOLERANCES		DATE 8-3-73	
DECIMALS .xxx = .005	ANGLES +0° 30'	DATE 8-3-73	
.xx = .02		DATE 8-3-73	
REMOVE BURRS AND BREAK SHARP CORNERS SURFACE QUALITY Y		DATE 8-3-73	
MATERIAL		TITLE	
NEXT HIGHER ASSY.		READ COMMAND FLOW DIAGRAM	
FINISH		SIZE CODE B-DD-RHII-0	NUMBER
		SCALE NONE	DFDRHII-0-10
		SHEET OF	REV. A

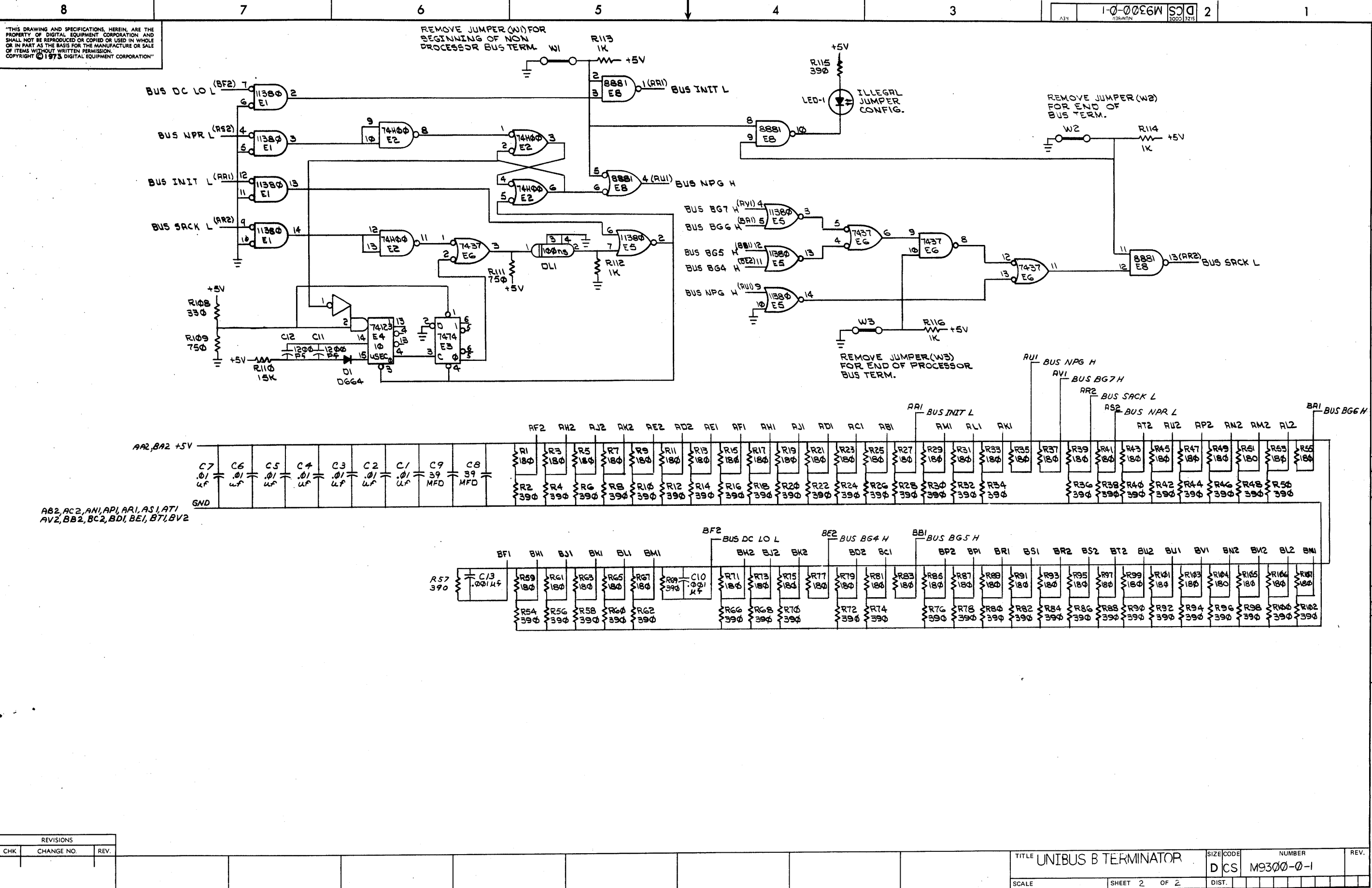
"THIS DRAWING AND SPECIFICATIONS HEREIN ARE THE PROPERTY OF DIGITAL EQUIPMENT CORPORATION AND SHALL NOT BE REPRODUCED OR COPIED OR USED IN WHOLE OR IN PART AS THE BASIS FOR THE MANUFACTURE OR SALE OF ITEMS WITHOUT WRITTEN PERMISSION. COPYRIGHT © 1973 DIGITAL EQUIPMENT CORPORATION"



REV. NO.	1
DATE	11-15-73
BY	S. JENKINS
CHK	RHI1-00001
CHG	7-0
REV	A

FIRST USED ON OPTION/MODEL	QTY.	DESCRIPTION	PART NO.	ITEM NO.
RHI1				
PARTS LIST				
UNLESS OTHERWISE SPECIFIED DIMENSION IN INCHES		DATE	DATE	
TOLERANCES		DATE	DATE	
DECIMALS	ANGLES	ENG.	DATE	
.xxx = .005	∠ 0 30'	PROJ. / ENG.	DATE	
.xx = .02		PROD.	DATE	
.x = .1				
REMOVE BURRS AND BREAK SHARP CORNERS SURFACE QUALITY 1				
MATERIAL	NEXT HIGHER ASSY.	TITLE		
FINISH		WRITE CHECK COMMAND FLOW DIAGRAM		
SCALE NONE		SIZE CODE	NUMBER	REV.
SHEET 1 OF 1		D FDRH11-0-11	A	

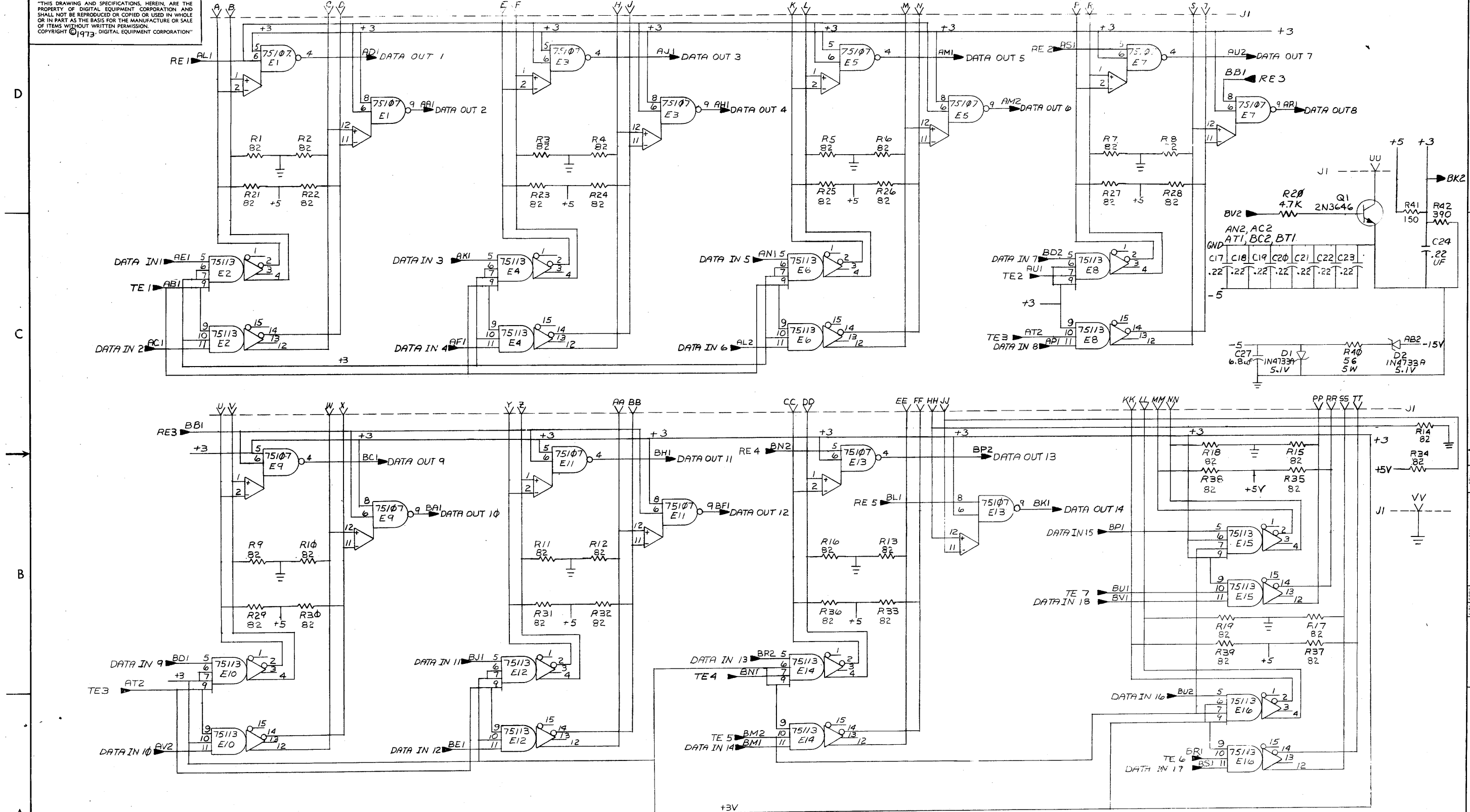
"THIS DRAWING AND SPECIFICATIONS, HEREIN, ARE THE PROPERTY OF DIGITAL EQUIPMENT CORPORATION AND SHALL NOT BE REPRODUCED OR COPIED OR USED IN WHOLE OR IN PART AS THE BASIS FOR THE MANUFACTURE OR SALE OF ITEMS WITHOUT WRITTEN PERMISSION. COPYRIGHT © 1973 DIGITAL EQUIPMENT CORPORATION"



REVISIONS		
CHK	CHANGE NO.	REV.

TITLE UNIBUS B TERMINATOR		SIZE CODE D CS	NUMBER M9300-0-1	REV.
SCALE	SHEET 2 OF 2	DIST.		

"THIS DRAWING AND SPECIFICATIONS, HEREIN, ARE THE PROPERTY OF DIGITAL EQUIPMENT CORPORATION AND SHALL NOT BE REPRODUCED OR COPIED OR USED IN WHOLE OR IN PART AS THE BASIS FOR THE MANUFACTURE OR SALE OF ITEMS WITHOUT WRITTEN PERMISSION. COPYRIGHT © 1973, DIGITAL EQUIPMENT CORPORATION"



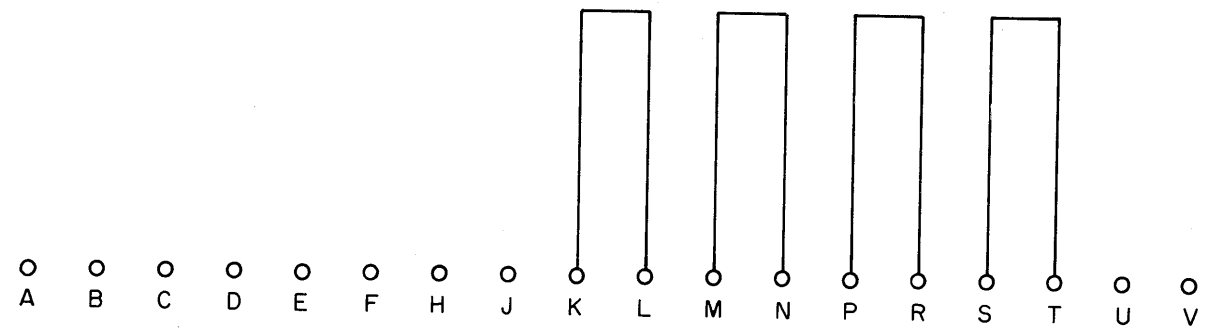
REVISIONS		
CHK	CHANGE NO.	REV.

TITLE	SIZE/CODE	NUMBER	REV.
CONTROLLER TRANSCEIVER	DCS	M5904-01	F
SCALE	SHEET 2 OF 2	DIST.	

NUMBER M5904-01 DCS

REV.	NUMBER	CODE	SIZE
	G727-0-1	B CS	B

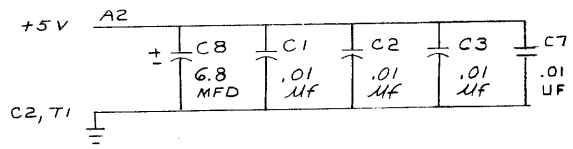
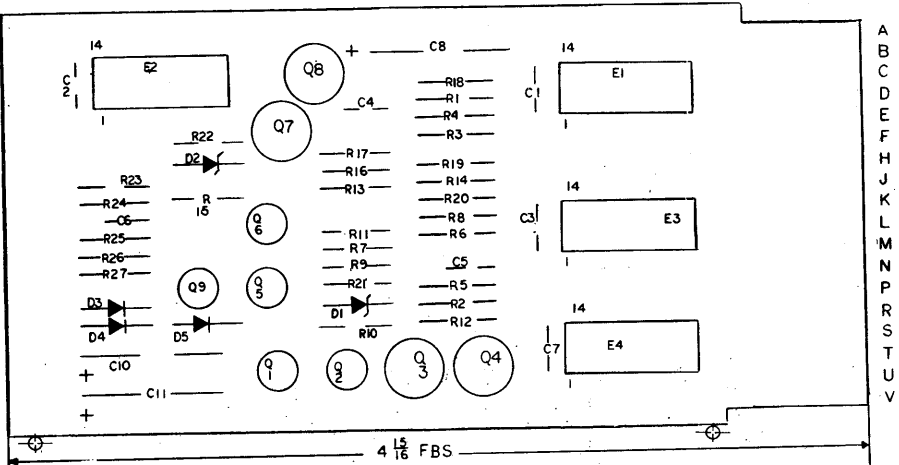
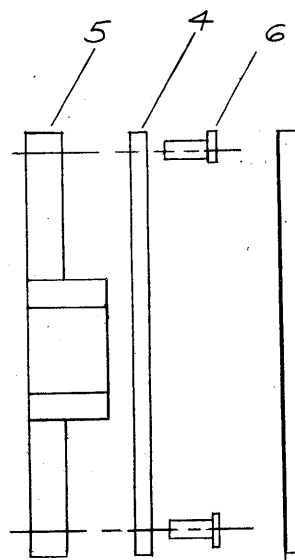
THIS SCHEMATIC IS FURNISHED ONLY FOR TEST AND MAINTENANCE PURPOSES. THE CIRCUITS ARE PROPRIETARY IN NATURE AND SHOULD BE TREATED ACCORDINGLY. COPYRIGHT 1969 BY DIGITAL EQUIPMENT CORPORATION.



REVISIONS CHK NO REV	DRN. <i>BUTLER</i>	DATE <i>11-19-69</i>	TRANSISTOR & DIODE CONVERSION CHART				digital EQUIPMENT CORPORATION MAYNARD, MASSACHUSETTS	TITLE GRANT CONTINUITY G727			
	CHK'D	DATE	DEC	EIA	DEC	EIA		SIZE	CODE	NUMBER	REV.
	ENG.	DATE						B	CS	G727-0-1	
	PROD.	DATE						PRINTED CIRCUIT REV.		A	

This drawing and specifications, herein, are the property of Digital Equipment Corporation and shall not be reproduced or copied or used in whole or in part as the basis for the manufacture or sale of items without written permission.

NOTES:



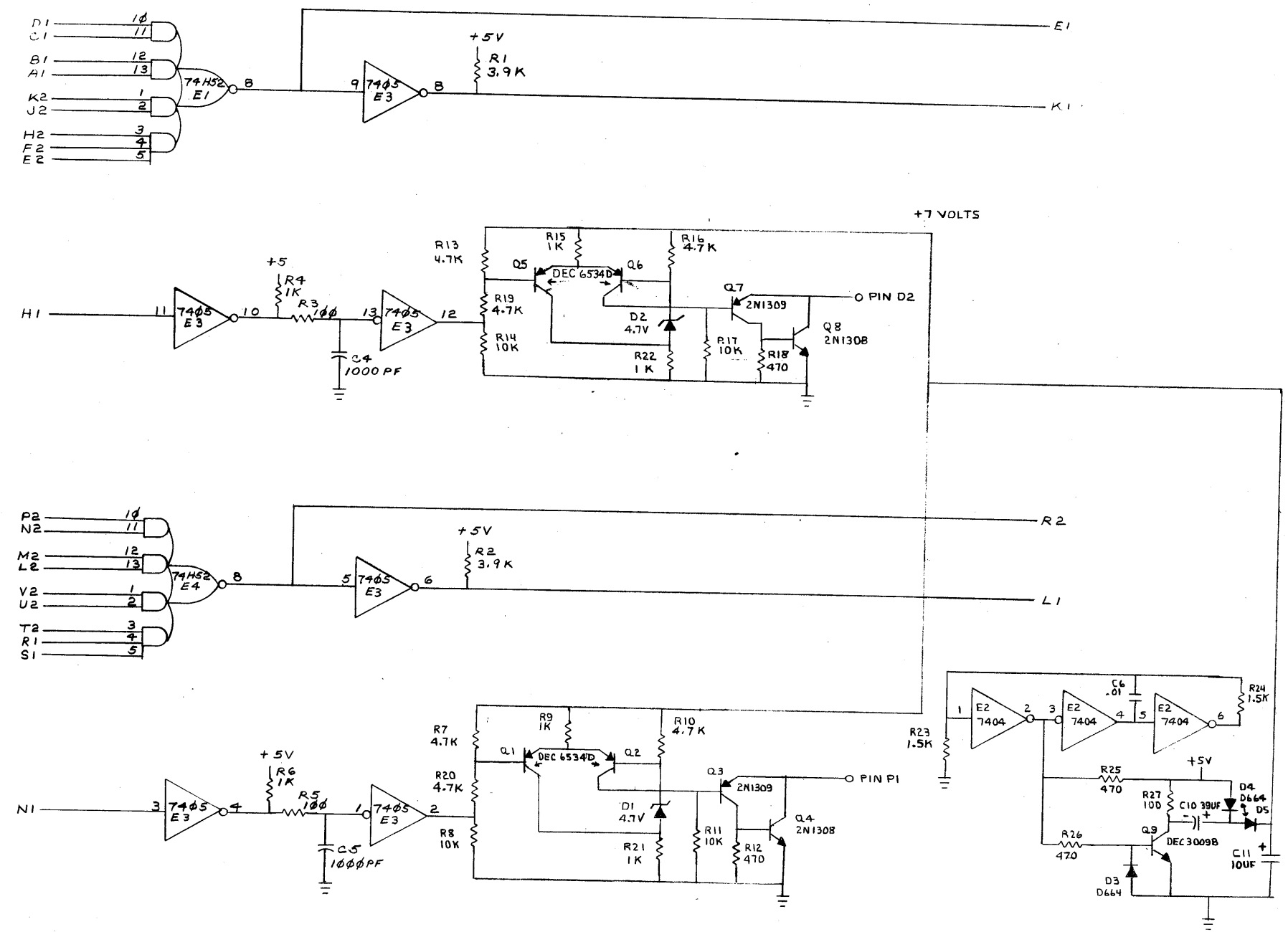
IC TYPE	GND	+ 5V
GND AND 5V ARE USUALLY PIN 7 AND 14 RESPECTIVELY. EXCEPTIONS ARE STATED ABOVE.		
IC PIN LOCATIONS		

REV	CHG	DATE	BY
A	1	12-5-73	S. ROTHMAN
B	1	1-16-74	S. ROTHMAN
C	1	1-16-74	S. ROTHMAN
D	1	1-16-74	S. ROTHMAN
E	1	1-16-74	S. ROTHMAN

QTY	REF DESIGNATION	DESCRIPTION	PART NO.	ITEM NO.
4	Q3, Q4, Q7, Q8	TRANSIPADS	9007200	32
1	C11	CAP. 10UF 20V 10%	1004813	30
1	C10	CAP. 39UF 10V 10%	1000076	29
6	R7, R13, R19, R20, R10, R16	RES. 4.7K 1/4W 5%	1300447	28
2	R23, R24	RES. 1.5K 1/4W 5%	1300391	27
4	R12, R18, R25, R26	RES. 470 1/4W 5%	1300316	26
1	Q9	TRANSISTOR DEC 3009B	1503100	24
3	D3, D4, D5	DIODE D664	1100114	23
1	E2	IC DEC 7404	1909686	22
5	C1, C2, C3, C6, C7	CAP. .01UF 100V 20% DISC	1001610	21
1	C8	CAP. 6.8UF. 35V, 5% TANT	1000067	20
2	C4, C5	CAP. 1000PF, 100V, 5% MICA	1000042	19
2	D1, D2	DIODE IN750A 4.7V ZENER	1100124	18
4	R8, R11, R14, R17,	RES. 10K 1/4 5%	1300479	16
2	R1, R2	RES. 3.7K 1/4, 5%	1300444	15
6	R4, R6, R15, R9, R21, R22	RES. 1K 1/4, 5%	1300365	14
3	R3, R5, R27	RES. 100 1/4, 5%	1300229	13
4	Q1, Q2, Q5, Q6	TRANS. DEC 6534D	1503409	12
2	Q3, Q7	TRANS. 2N1309	1501311	11
2	Q4, Q8	TRANS. 2N1308	1500583	10
1	E3	IC DEC 7405	1909930	9
2	E1, E4	IC DEC 74H52	1909061	8
2		EYELET	9006732	7
1		HANDLE, FLIP CHIP-MAGENTA	9008337-06	6
1		ETCHED CKT BD	5010035	5
REF		MODULE ECO HISTORY	B-MH-M688-06	3
REF		ASSY/DRILLING HOLE LAYOUT	D-AH-M688-05	2
REF		X-Y COORDINATE HOLE LOCATION	K-CO-M688-04	1

DEC NO.	EIA NO.	DEC NO.	EIA NO.
SEMICONDUCTOR CONVERSION CHART			
SHEET 1 OF 2			

This drawing and specifications, herein, are the property of Digital Equipment Corporation and shall not be reproduced or copied or used in whole or in part as the basis for the manufacture or sale of items without written permission.



BRUNING 40-542 1284U
DEC FORM NO
DRD 102-B

REV	CHANGE NO.
CHK	

FIRST USED ON OPTION/MODEL	QTY.	DESCRIPTION	PART NO.	ITEM NO.
PDP 11				
PARTS LIST				
UNLESS OTHERWISE SPECIFIED DIMENSION IN INCHES. TOLERANCES	DRN. 5/18/72	DATE	digital EQUIPMENT CORPORATION MAYNARD MASSACHUSETTS TITLE UNIBUS POWER FAIL DRIVERS	
DECIMALS .XXX = .005	CHK'D 6/1/72	DATE		
ANGLES ±0° 30'	ENG 6/1/72	DATE		
REMOVE BURRS AND BREAK SHARP CORNERS SURFACE QUALITY	PROJ. ENG 6-1-72	DATE		
MATERIAL	PRQA 6/1/72	DATE	NEXT HIGHER ASSY.	
FINISH	SCALE NONE	SHEET	SIZE CODE	NUMBER
	OF 2	DIST.	DCS	M688-0-1
				REV. E

This drawing and specifications, herein, are the property of Digital Equipment Corporation and shall not be reproduced or copied or used in whole or in part as the basis for the manufacture or sale of items without written permission. COPYRIGHT © 1973

DIGITAL EQUIP. CORP.

REV. C | NUMBER | K WL RH11-0-12 | 2 | 1

FIRST USED ON OPTION MODEL	QTY.	DESCRIPTION	PART NO.	ITEM NO.
RH11				
PARTS LIST				
DRN. <i>F. J. (E) Blane</i>	DATE <i>19 JUNE '73</i>	digital EQUIPMENT CORPORATION <small>MAYNARD, MASSACHUSETTS</small>		
CHK'D. <i>G. Robinson</i>	DATE <i>8/6/73</i>			
ENG. <i>J. Jenkins</i>	DATE <i>8-13-73</i>			
PROJ. ENG. <i>J. Jenkins</i>	DATE <i>8-13-73</i>			
PROB. <i>A. Hallock</i>	DATE <i>8-13-73</i>			
NEXT HIGHER ASSEMBLY		TITLE WIRE LIST		
D-AD-700939700				
SCALE	NONE			
SHEET	OF	SIZE CODE	NUMBER	REV.
		K WL	RH11-0-12	C
		DIST.		

REVISIONS		REV.
CHK	CHANGE NO.	A
<i>RR</i>	RH11-00003	
<i>A. Chastain 7-19-74</i>		
JENKINS		
<i>J. Jenkins 7-30-74</i>		
<i>RR</i>	RH11-00007	B
<i>J</i>	RH11-00008	C

DEC FORM NO. DRB 109

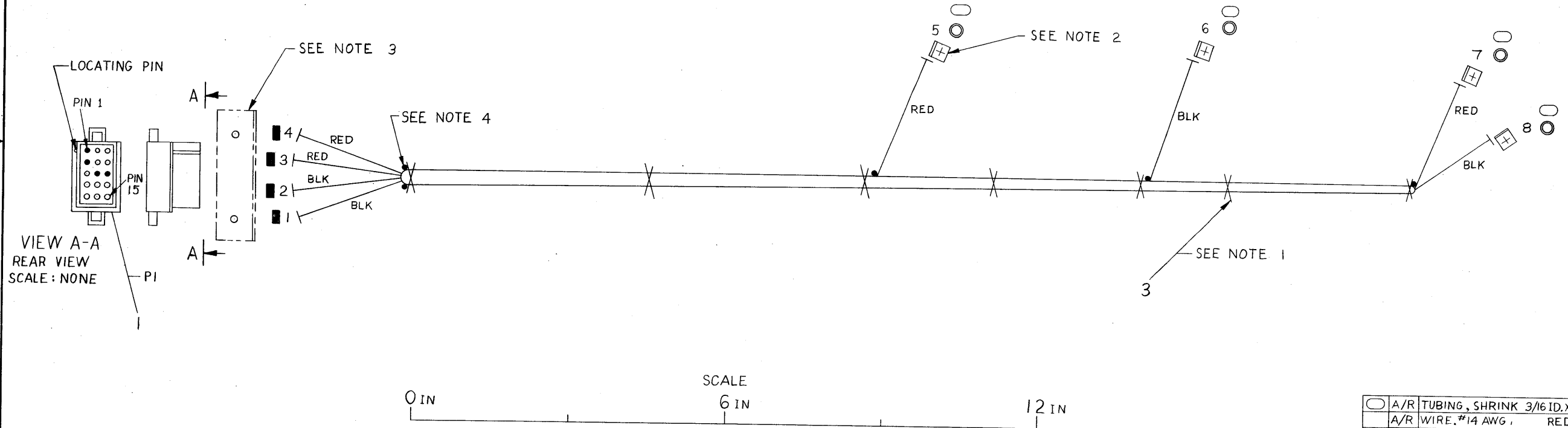
4 3 2 1

"THIS DRAWING AND SPECIFICATIONS, HEREIN, ARE THE PROPERTY OF DIGITAL EQUIPMENT CORPORATION AND SHALL NOT BE REPRODUCED OR COPIED OR USED IN WHOLE OR IN PART AS THE BASIS FOR THE MANUFACTURE OR SALE OF ITEMS WITHOUT WRITTEN PERMISSION. COPYRIGHT © 1973, DIGITAL EQUIPMENT CORPORATION"

WIRE TABLE										
ITEM NO.	DESCRIPTION			FROM			TO			SIGNAL
	AWG	COLOR	POINT	CONNECTION	TERM	POINT	CONNECTION	TERM		
5	14	BLK	1	PI-9	2	8		4	GND	
5	14	BLK	2	PI-8	2	6		4	GND	
6	14	RED	3	PI-4	2	5		4	+5V	
6	14	RED	4	PI-1	2	7		4	+5V	

0-0-029600Z [REV] 2

- NOTES:
- USE TIE WRAPS (X) ITEM #3 APPROXIMATELY EVERY THREE (3) INCHES WHEN NECESSARY, AND AT EVERY BREAKOUT POINT.
 - ATTACH MALE FASTON DEC # 9008219-0 WITH WOOD SCREWS (4 PLACES).
 - USE CONN. BRKT. C-MD-9305761-H15-0. MOUNT WITH WOOD SCREWS. USE MATING CONN. 1209350-15.
 - DOT (•) INDICATES NAIL LOCATIONS FOR ASSEMBLY USE ONLY. COVER NAILS WITH SHRINK TUBING TO PREVENT CUTTING HARNESS.



DO NOT REDUCE
DO NOT BUILD FROM REDUCED PRINT

QTY.	DESCRIPTION	PART NO.	ITEM NO.
4	A/R TUBING, SHRINK 3/16 ID, X9/16	9107305-02	7
4	A/R WIRE, #14 AWG, RED	9107370-22	6
4	A/R WIRE, #14 AWG, BLK	9107370-00	5
4	CONN, SOLDERLESS	9009262-0	4
4	A/R WRAP, TIE	9007031	3
4	PIN, MALE	1209378-00	2
1	HOUSING, CONN 15 PIN	1209351-15	1

FIRST USED ON OPT/MO: 1/74	QTY.	DESCRIPTION	PART NO.	ITEM NO.
PARTS LIST				
UNLESS OTHERWISE SPECIFIED DIMENSION IN INCHES		DRN. [Signature]	DATE 10-8-73	digital EQUIPMENT CORPORATION MAYNARD, MASSACHUSETTS
TOLERANCES		CHKD. [Signature]	DATE 12/1/73	
DECIMALS .xxx = .005	ANGLES ±0° 30'	ENG. [Signature]	DATE 12/1/73	TITLE OPTION HARNESS RH11 15 PIN
.xx = .02		PROJ. ENG. [Signature]	DATE 10/25/73	
REMOVE BURRS AND BREAK SHARP CORNERS SURFACE QUALITY V		PROD. [Signature]	DATE 10/25/73	
MATERIAL	NEXT HIGHER ASSY.	SIZE CODE NUMBER REV.		
SEE PARTS LIST		D IA 7009570-0-0		
FINISH	SCALE 1/1	SHEET OF DIST.		

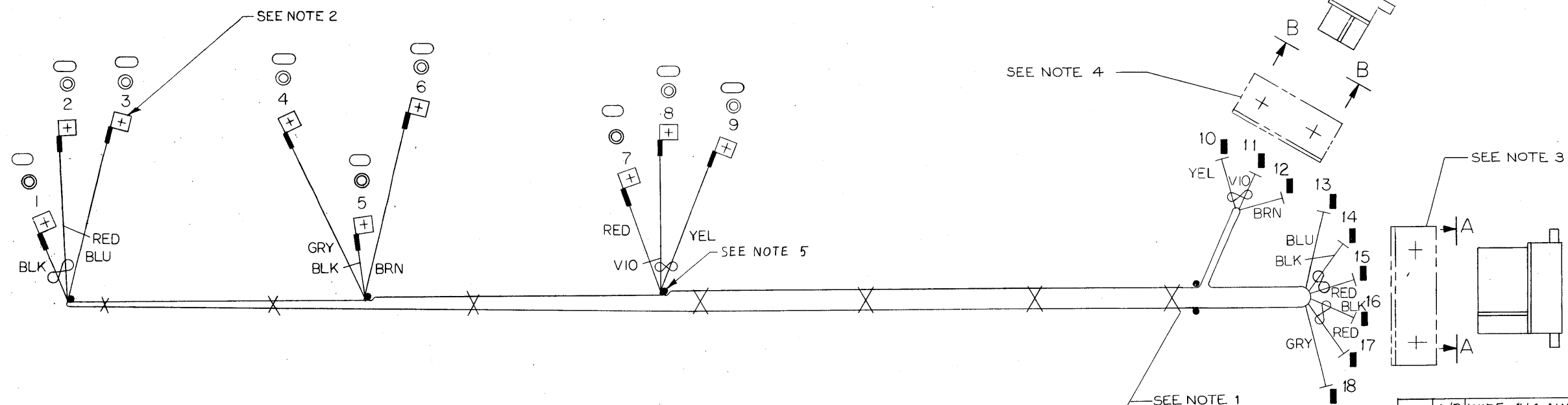
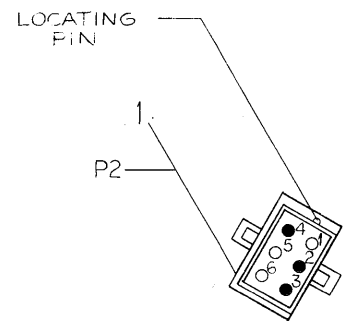
REV.	CHANGE NO.
CHK	

REV. 1
D IA 7009570-0-0

This drawing and specifications, herein, are the property of Digital Equipment Corporation and shall not be reproduced or copied or used in whole or in part as the basis for the manufacture or sale of items without written permission. COPYRIGHT © 1973 DIGITAL EQUIP. CORP.

ITEM NO	DESCRIPTION	FROM			TO			REMARKS	
		AWG	COLOR	POINT	CONNECTION	TERM	POINT		CONNECTION
7	14 TWP	RED	7		5,6	17	P1-1	3	+5V
		BLK	5			16	P1-7		GND
9	18 AWG	GRY	4			18	P1-2		+15
7	14 TWP	RED	2			15	P1-4		+5
		BLK	1			14	P1-9		GND
11	14 AWG	BLU	3			13	P1-13		-15
10	18 AWG	BRN	6			12	P2-2		LINE CLOCK
8	18 TWP	VIO	8			11	P2-3		DC LO
		YEL	9		5,6	10	P2-4	3	AC LO

- NOTES:
- USE TIE WRAPS (X) ITEM 4 APPROXIMATELY EVERY THREE (3) INCHES WHEN NECESSARY AND AT EVERY BREAK-OUT POINT.
 - ATTACH MALE FASTON DEC 9008219-0 WITH #4 WOOD SCREWS (3 PLACES).
 - USE CONN. BRKT C-MD-9305761-H15-0 MOUNT WITH #6 WOOD SCREWS. USE MATING CONN. 1209350-15.
 - USE CONN. BRKT C-MD-9305761-H6-0 MOUNT WITH #6 WOOD SCREWS. USE MATING CONN. 1209350-06.
 - DOT (•) INDICATES NAIL LOCATIONS FOR ASSEMBLY USE ONLY. COVER NAILS WITH SHRINK TUBING TO PREVENT CUTTING HARNESS.



DO NOT REDUCE SCALE 6 IN. 12 IN.

DO NOT BUILD FROM REDUCED PRINT

QTY.	DESCRIPTION	PART NO.	ITEM NO.
A/R	WIRE, #14 AWG BLU	9107370-66	11
A/R	WIRE, #18 AWG BRN	9107360-11	10
A/R	WIRE, #18 AWG GRY	9107360-88	9
A/R	WIRE, #18 TWP YEL/VIO	9107430-47	8
A/R	WIRE, #14 TWP BLK/RED	9107440-02	7
○	TUBING, SHRINK	9107305-02	6
⊙	CONN., SOLDERLESS	9009262-0	5
X	WRAP, TIE	9007031	4
■	PIN, MALE	1209378-01	3
1	HOUSING, CONN. 15 PIN	1209351-15	2
1	HOUSING, CONN. 6 PIN	1209351-06	1

FIRST USED ON OPT/400	QTY.	DESCRIPTION	PART NO.	ITEM NO.
PARTS LIST				
UNLESS OTHERWISE SPECIFIED DIMENSION IN INCHES. TOLERANCES	DRN. Carl M. G. 7-26-73	DATE	digital EQUIPMENT CORPORATION MAYNARD, MASSACHUSETTS	
DECIMALS .XXX = .005 .XX = .02 .X = .1	CHKD. E.S. 10/1/73	DATE	TITLE POWER HARNESS DA11-F/DD11-B	
ANGLES ±0° 30'	ENG. DATE	DATE		
REMOVE BURRS AND BREAK SHARP CORNERS SURFACE QUALITY ✓	PROJ. ENG. DATE	DATE	SIZE CODE DIA 7009563-0-0	
MATERIAL	PROD. DATE	DATE	NUMBER A	
SEE PARTS LIST	NEXT HIGHER ASSY.	DATE	REV. A	
FINISH	SCALE	SHEET OF	DIST.	

BRUNING 40-107 15968	REVISIONS
CHK. CHANGE NO. REV.	
7009563-00001 A	
H. KWAN	
17 Oct 76	