







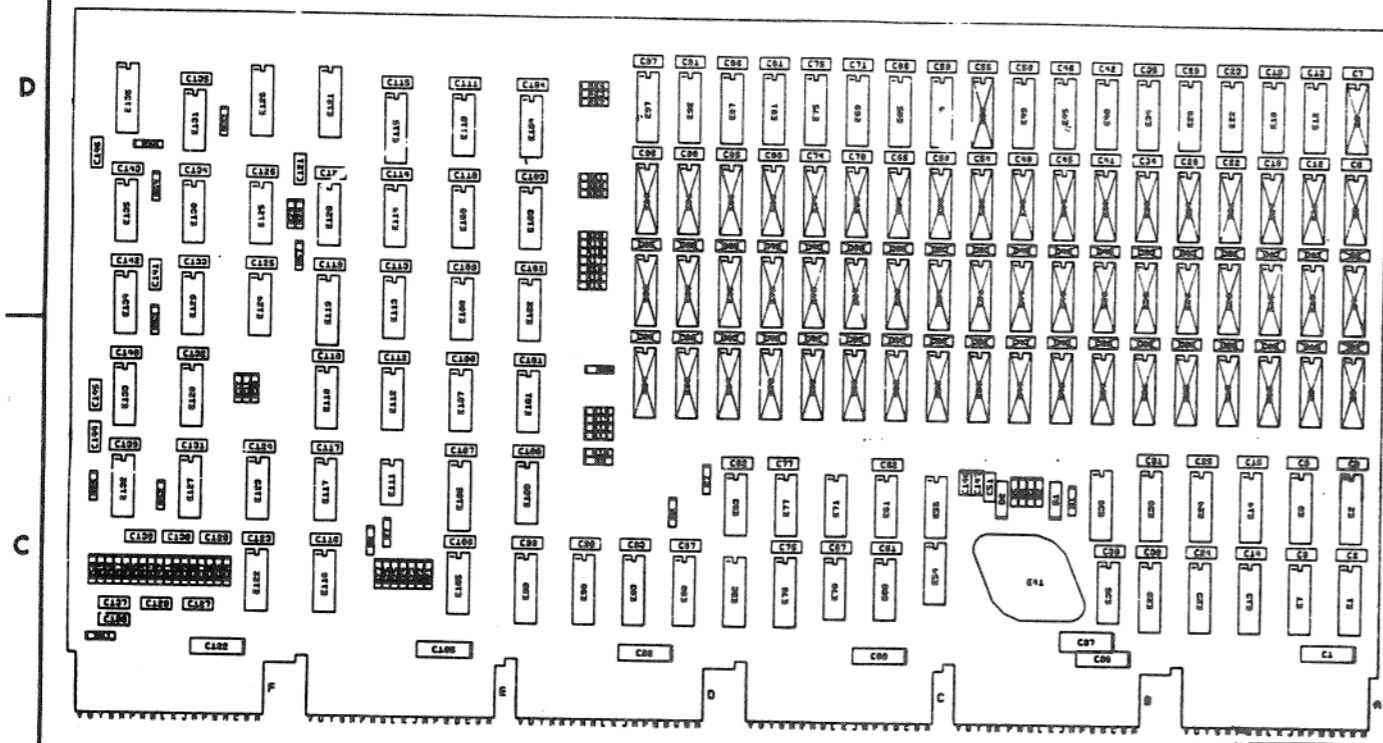




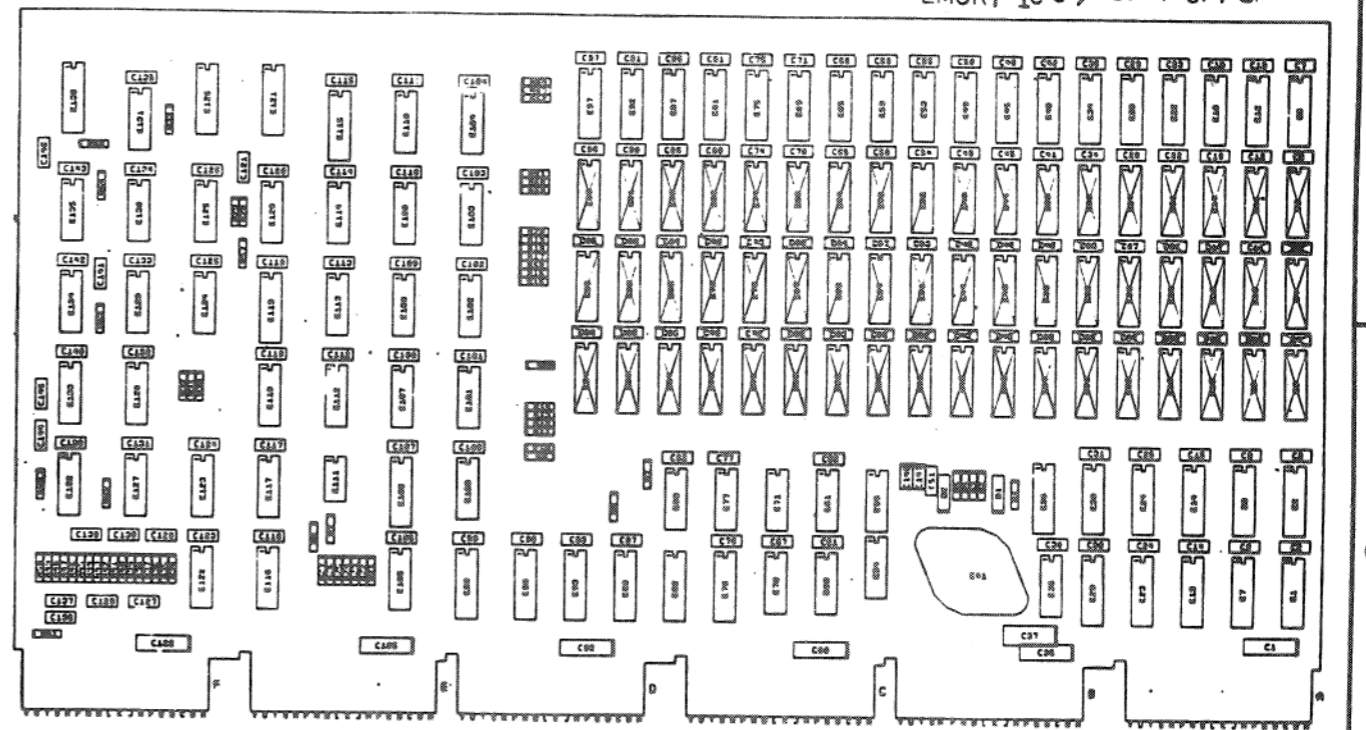
THIS DRAWING AND SPECIFICATIONS HEREIN ARE THE PROPERTY OF DIGITAL EQUIPMENT CORPORATION AND SHALL NOT BE REPRODUCED OR COPIED OR USED IN WHOLE OR IN PART AS THE BASIS FOR THE MANUFACTURE OR SALE OF ITEMS WITHOUT WRITTEN PERMISSION.  
 COPYRIGHT © 1978 DIGITAL EQUIPMENT CORPORATION

DCSM7847-0-1 K 2

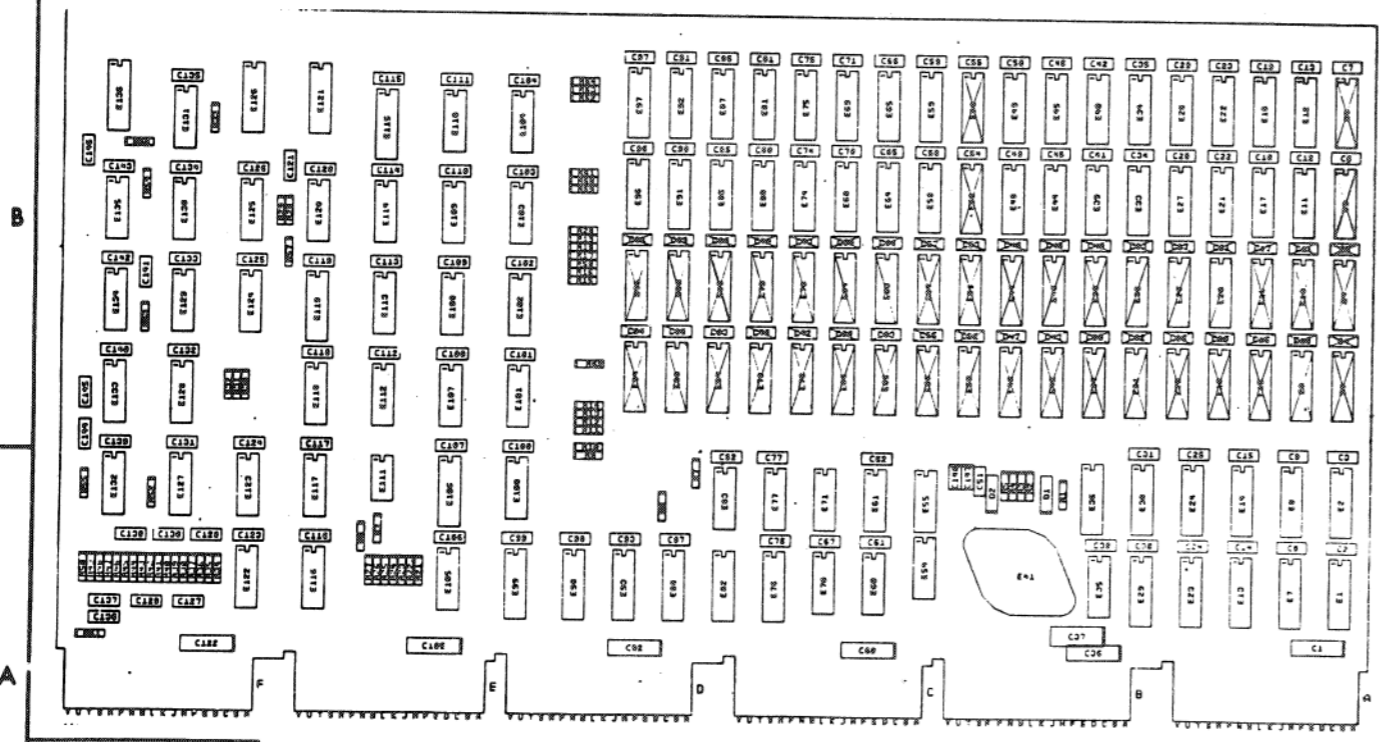
NOTE:  
 THESE OVERLAYS ONLY TO INDICATE POSITIONS FOR 4K MOS MEMORY IC'S & .22 UF CAPS.



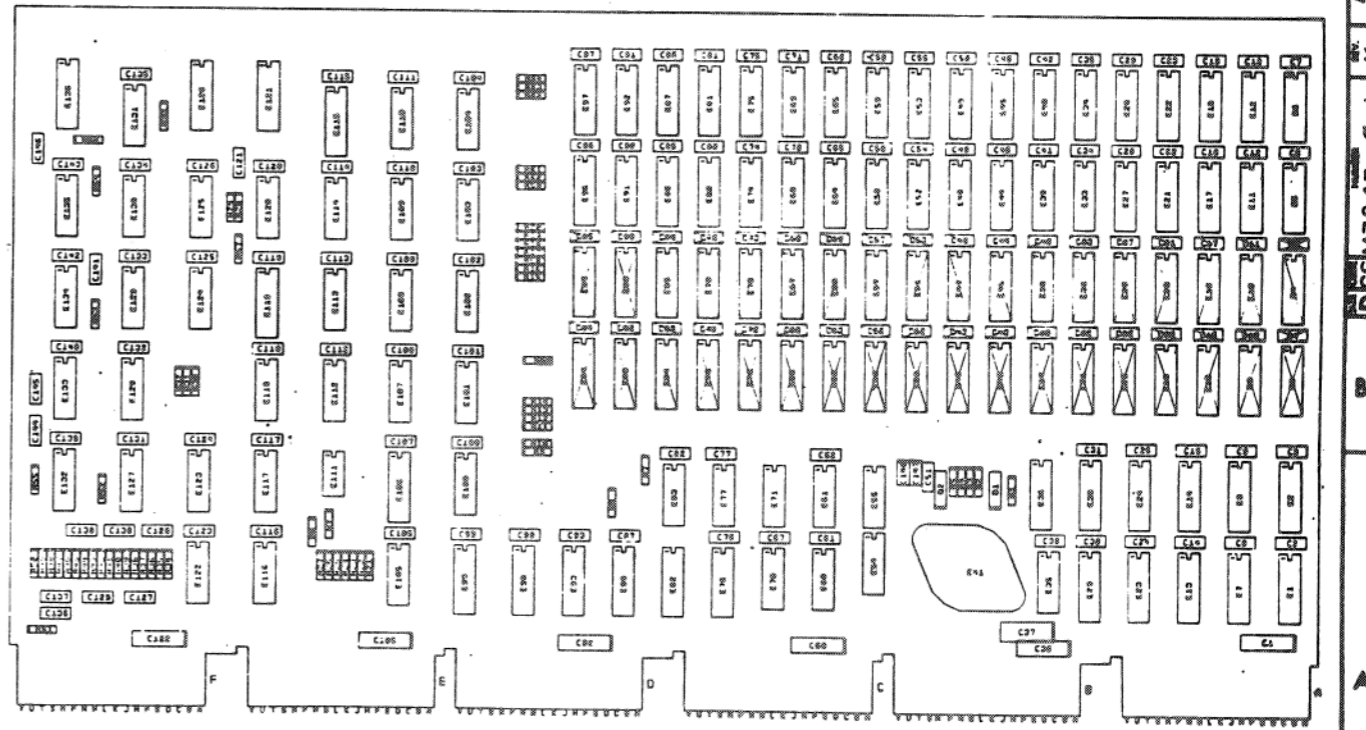
-YA:BA;CA;DA, -EA;FA;HA;JA.



-YB;BB;CB;DB, -EB;FB;JB;HB.



-YC;-BC;-CC;DC, -EC;-FC;-HC;-JC.



-YD;-BD;-CD;-DD, -ED;-FD;-HD;-JD.

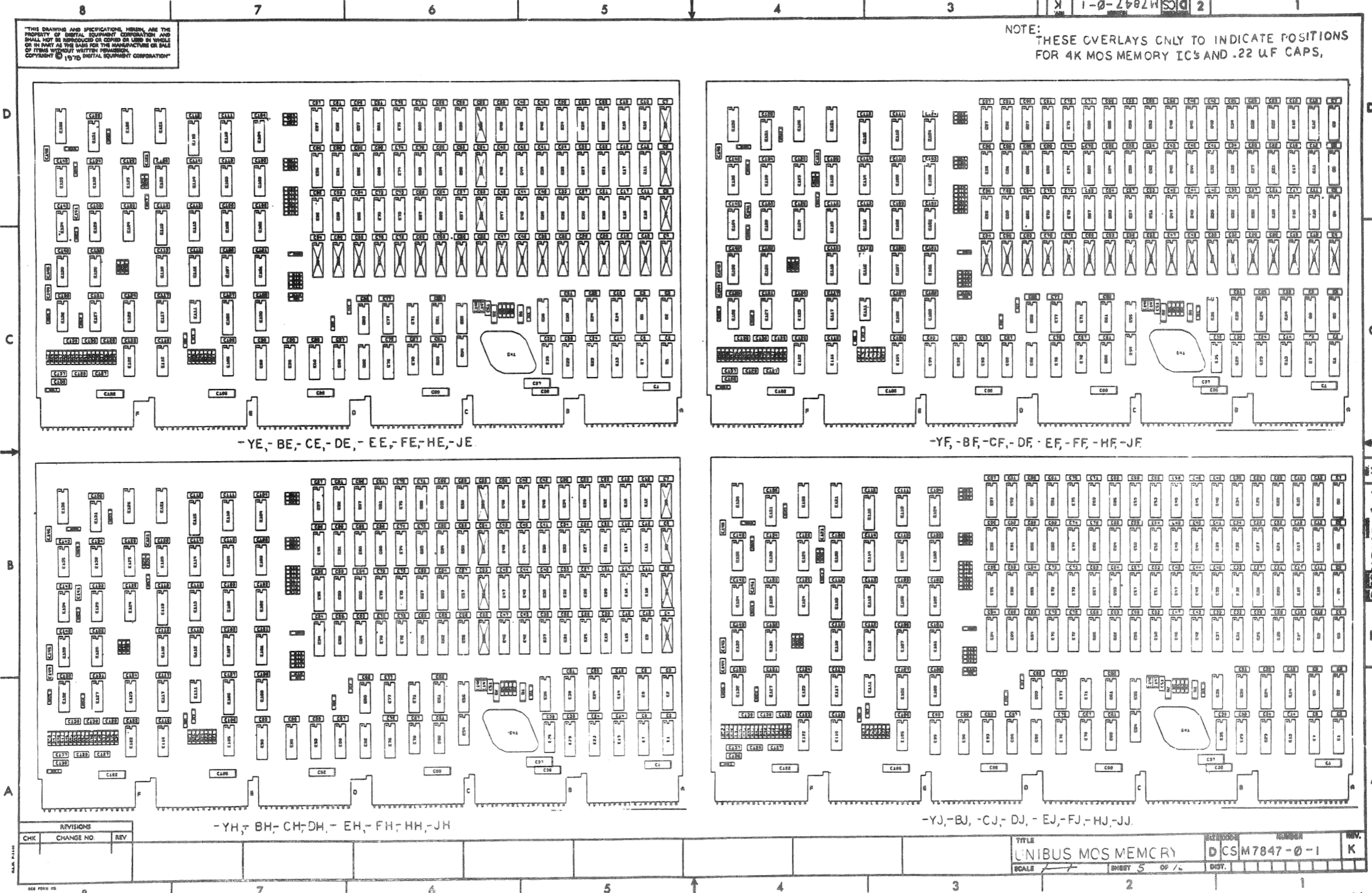
REVISIONS		
CHK	CHANGE NO.	REV.

TITLE	DCSM7847-0-1	NUMBER	K
UNIBUS MOS MEMORY			
SCALE		SHEET	OF 14
DWT.			

DCSM7847-0-1 K

"THIS DRAWING AND SPECIFICATIONS HEREIN ARE THE PROPERTY OF DIGITAL EQUIPMENT CORPORATION AND SHALL NOT BE REPRODUCED OR COPIED IN WHOLE OR IN PART AS THE BASIS FOR THE MANUFACTURE OR SALE OF ITEMS WITHOUT WRITTEN PERMISSION. COPYRIGHT © 1976 DIGITAL EQUIPMENT CORPORATION"

NOTE:  
THESE OVERLAYS ONLY TO INDICATE POSITIONS  
FOR 4K MOS MEMORY IC'S AND .22 U.F CAPS.



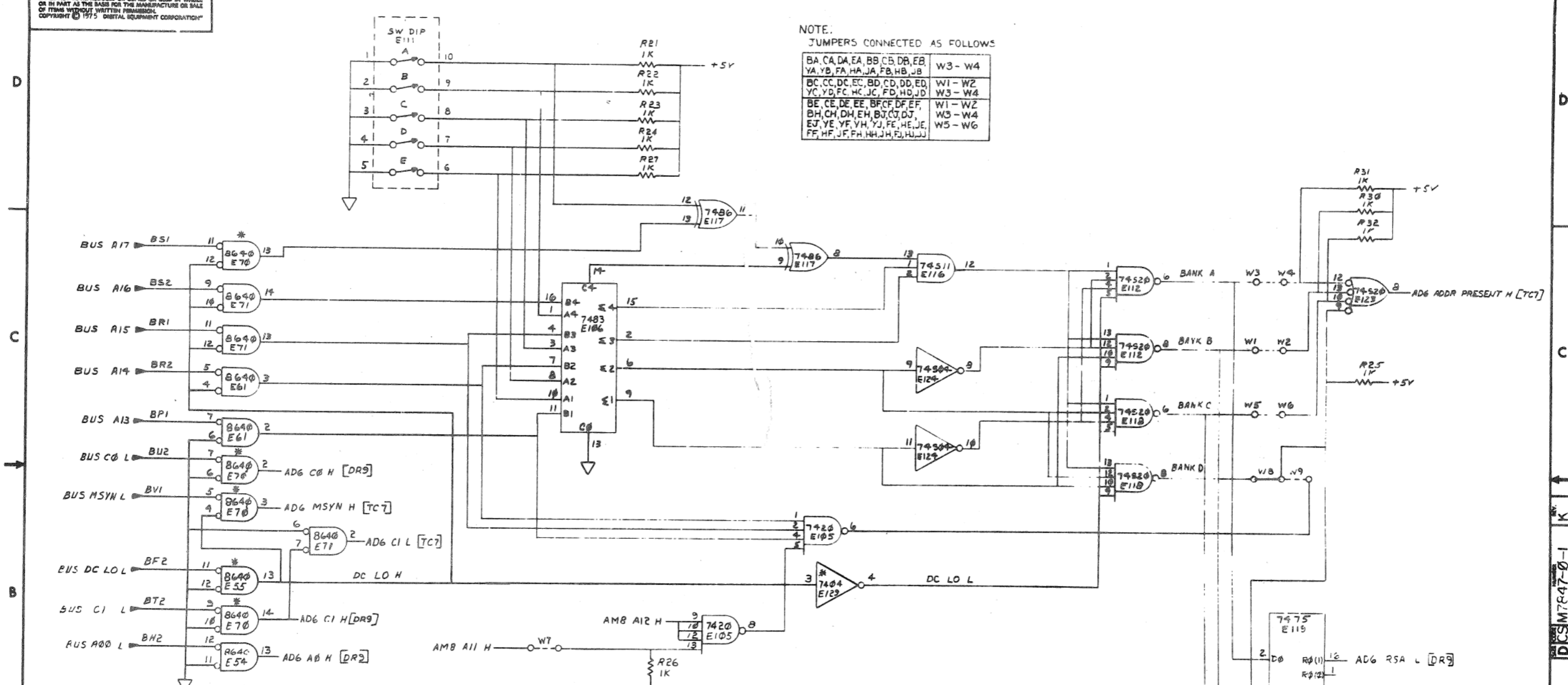
REVISIONS		
CHK	CHANGE NO.	REV

TITLE	UNIBUS MOS MEMORY	NUMBER	DCS M7847-0-1	REV.	K
SCALE	1/8" = 1"	SHEET	5 OF 16	DIST.	

THIS DRAWING AND SPECIFICATIONS HEREIN ARE THE PROPERTY OF DIGITAL EQUIPMENT CORPORATION AND SHALL NOT BE REPRODUCED OR COPIED OR USED IN WHOLE OR IN PART AS THE BASIS FOR THE MANUFACTURE OR SALE OF ITEMS WITHOUT WRITTEN PERMISSION. COPYRIGHT © 1975 DIGITAL EQUIPMENT CORPORATION

NOTE:  
JUMPERS CONNECTED AS FOLLOWS

BA, CA, DA, EA, BB, CB, DB, EB, YA, YB, FA, HA, JA, FB, HB, JB	W3 - W4
BC, CC, DC, EC, BD, CD, DD, ED, YC, YD, FC, HC, JC, FD, HD, JD	W1 - W2 W3 - W4
BE, CE, DE, EE, BF, CF, DF, EF, BH, CH, DH, EH, BJ, CJ, DJ, EJ, YE, YF, YH, YJ, FE, HE, JE, FF, HF, JF, FH, HH, JH, FJ, HJ, JJ	W1 - W2 W3 - W4 W5 - W6



ASSEMBLY	VARIATION	W7	W8	W9
FA, HA, JA, FB, HB, JB, FC, HC, JCA, CA, DA, EA, BB, CB, DB, EB, BC, CC, DC, EC, BD, FD, HD, JD, FE, HE, JE, FF, HF, JF, CD, DD, ED, BE, CE, DE, EE, BF, CF, DF, EF		OUT	OUT	OUT
FH, HH, JH, FJ, HJ, JJ, BH, CH, DH, EH, BJ, CJ, DJ, EJ	NORMAL OPERATION	OUT	IN	OUT
FH, HH, JH, FJ, HJ, JJ, BH, CH, DH, EH, BJ, CJ, DJ, EJ	AK 1/0 PAGE	OUT	OUT	IN
FH, HH, JH, FJ, HJ, JJ, BH, CH, DH, EH, BJ, CJ, DJ, EJ	AK 3/0 PAGE	IN	OUT	IN

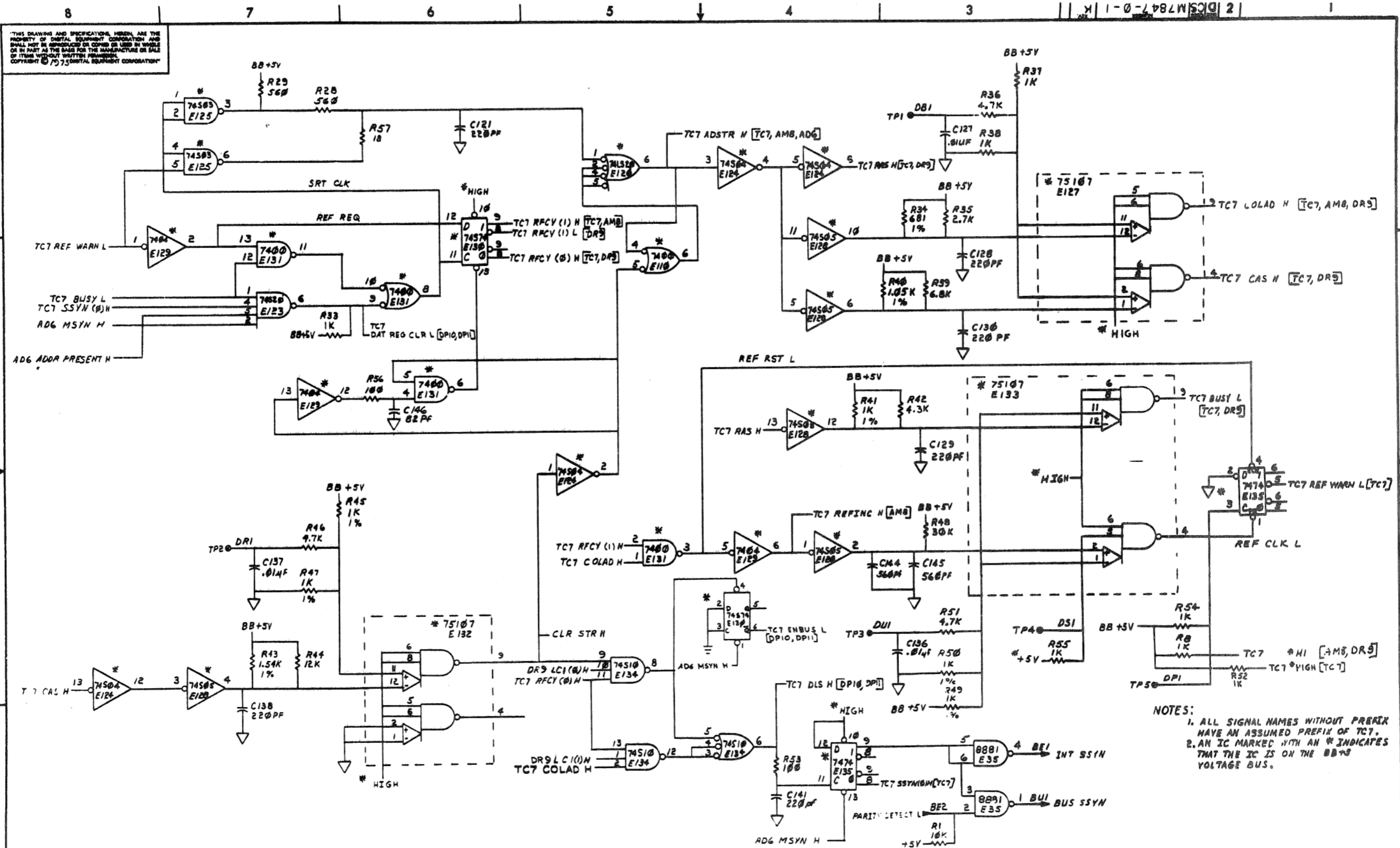
\* A-E MUST BE SET FOR STARTING ADDRESS OF 100,000.

STARTING ADDRESS	SWITCH					STARTING ADDRESS	SWITCH					STARTING ADDRESS	SWITCH					STARTING ADDRESS	SWITCH										
	A	B	C	D	E		A	B	C	D	E		A	B	C	D	E		A	B	C	D	E						
0	1	1	1	0	0	200,000	1	0	1	0	0	400,000	0	1	1	0	0	600,000	0	0	1	0	0	800,000	0	0	0	1	0
20,000	1	1	0	1	1	220,000	1	0	0	1	1	420,000	0	1	0	1	1	620,000	0	0	0	1	1	820,000	0	0	0	1	1
40,000	1	1	0	1	0	240,000	1	0	0	1	0	440,000	0	1	0	1	0	640,000	0	0	0	1	0	840,000	0	0	0	1	0
60,000	1	1	0	0	1	260,000	1	0	0	0	1	460,000	0	1	0	0	1	660,000	0	0	0	0	1	860,000	0	0	0	0	1
100,000	1	1	0	0	0	300,000	1	0	0	0	0	500,000	0	1	0	0	0	700,000	0	0	0	0	0	900,000	0	0	0	0	0
120,000	1	0	1	1	1	320,000	0	1	1	1	1	520,000	0	0	1	1	1	720,000	1	1	1	1	1	920,000	1	1	1	1	1
140,000	1	0	1	1	0	340,000	0	1	1	1	0	540,000	0	0	1	1	0	740,000	1	1	1	1	0	940,000	1	1	1	1	0
160,000	1	0	1	0	1	360,000	0	1	1	0	1	560,000	0	0	1	0	1	760,000	1	1	1	0	1	960,000	1	1	1	0	1

C = ON  
I = OFF

REVISIONS	CHK	CHANGE NO.	REV.





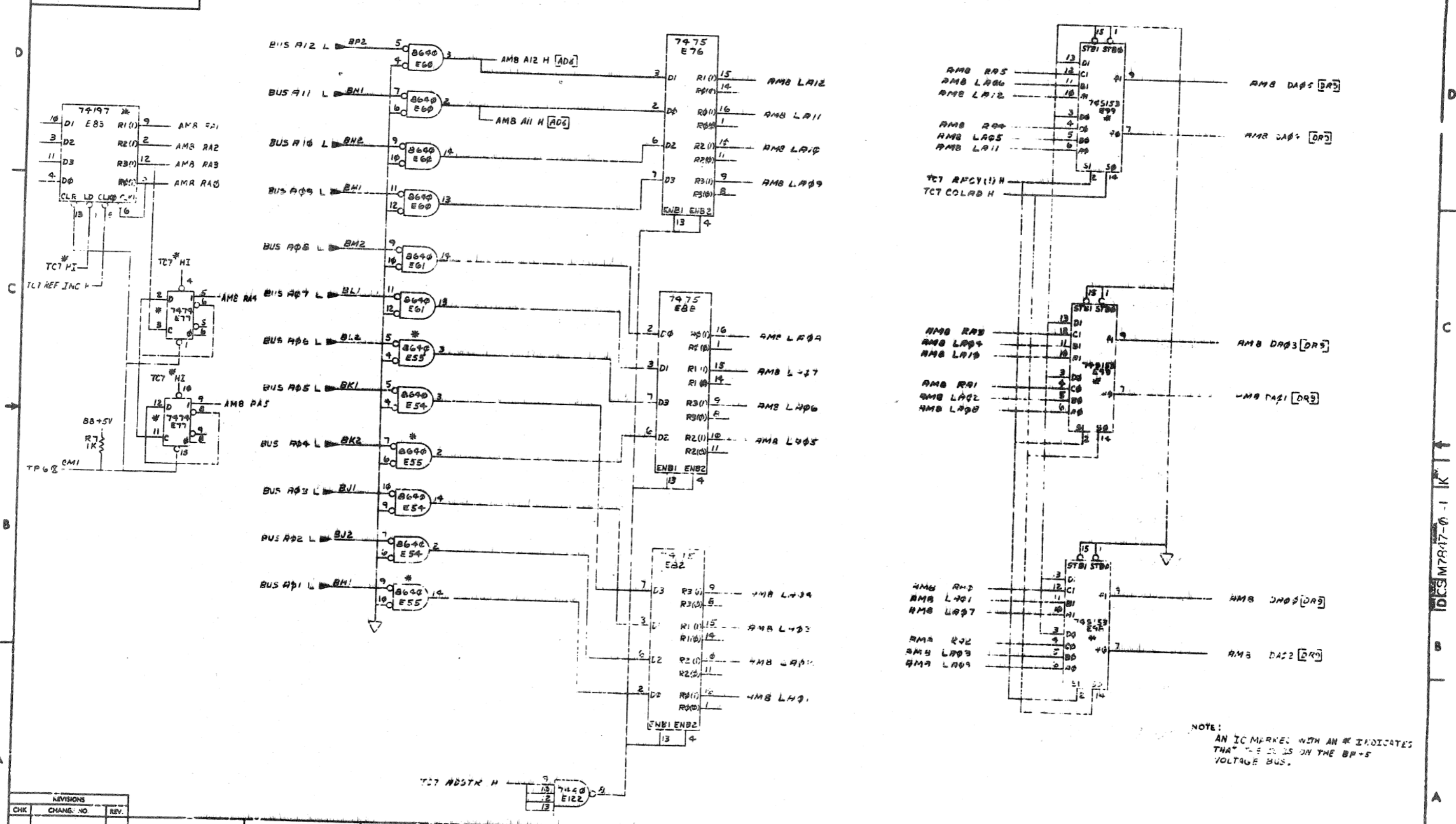
NOTES:  
 1. ALL SIGNAL NAMES WITHOUT PREFIX HAVE AN ASSUMED PREFIX OF TC7.  
 2. AN IC MARKED WITH AN \* INDICATES THAT THE IC IS ON THE BB+5V VOLTAGE BUS.

REVISIONS		
CHK	CHANGE NO	REV.

(TIMING CHAIN)		TITLE	UNIBUS MOS (TC7)	MEMBER NUMBER	D CS M7847-0-1	REV.	K
SCALE	1/16	DATE					

THIS DRAWING AND SPECIFICATIONS HEREIN ARE THE PROPERTY OF DIGITAL EQUIPMENT CORPORATION AND SHALL NOT BE REPRODUCED OR COPIED OR USED IN WHOLE OR IN PART AS THE BASIS FOR THE MANUFACTURE OR SALE OF ITEMS WITHOUT WRITTEN PERMISSION. COPYRIGHT © 1975 DIGITAL EQUIPMENT CORPORATION.

DCS M7847-0-1 K



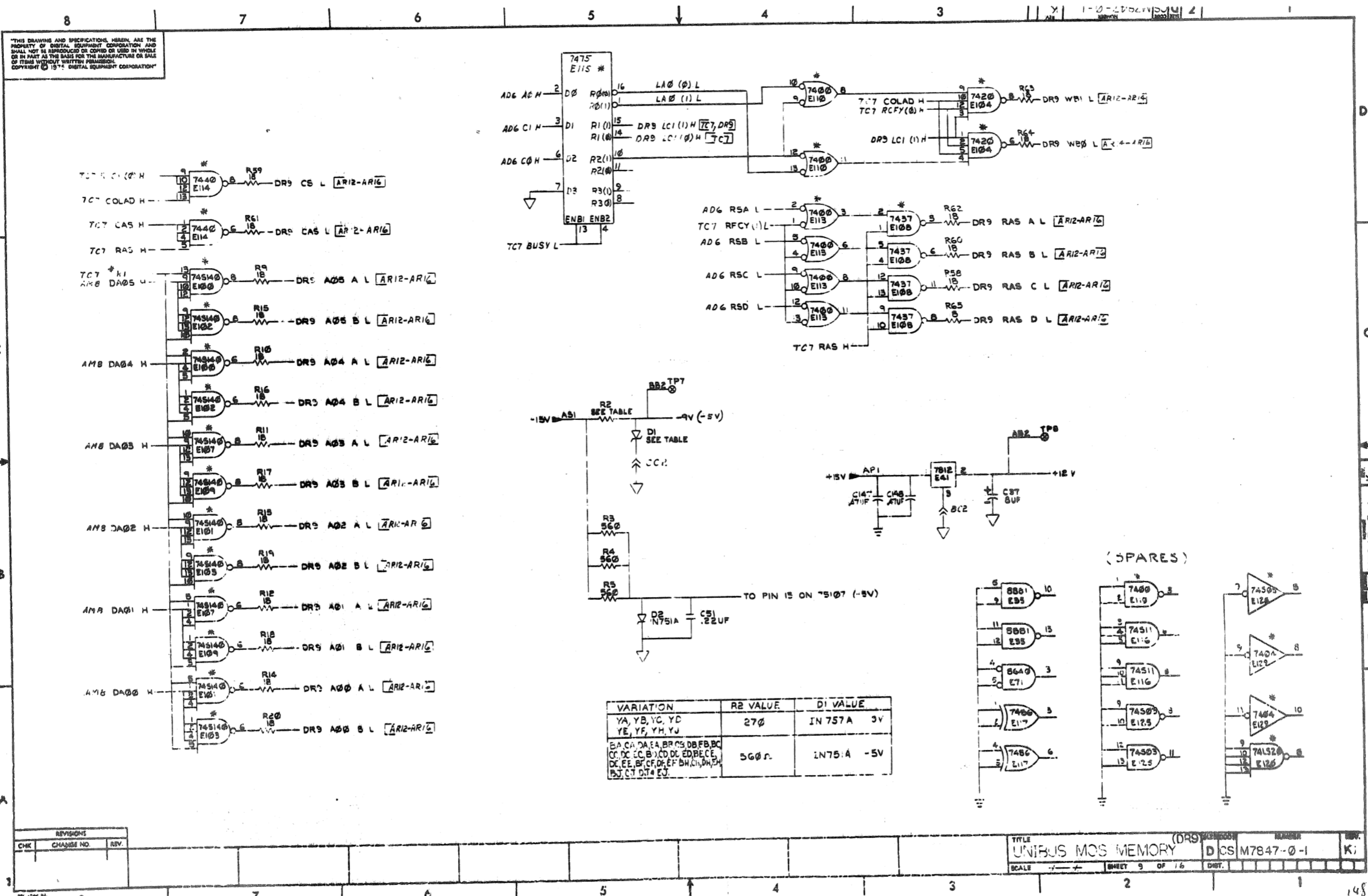
NOTE:  
AN IC MARKED WITH AN \* INDICATES THAT THE IC IS ON THE BR+5 VOLTAGE BUS.

REVISIONS		
CHK	CHANG. NO.	REV.

(ADDRESS MULTIPLEX)

TITLE	UNIBUS MCS MEMORY (AMB)	DCS M7847-0-1 K
SCALE	1:1	SHEET 8 OF 16

THIS DRAWING AND SPECIFICATIONS HEREIN ARE THE PROPERTY OF DIGITAL EQUIPMENT CORPORATION AND SHALL NOT BE REPRODUCED OR COPIED OR USED IN WHOLE OR IN PART AS THE BASIS FOR THE MANUFACTURE OR SALE OF ITEMS WITHOUT WRITTEN PERMISSION. COPYRIGHT © 1975 DIGITAL EQUIPMENT CORPORATION



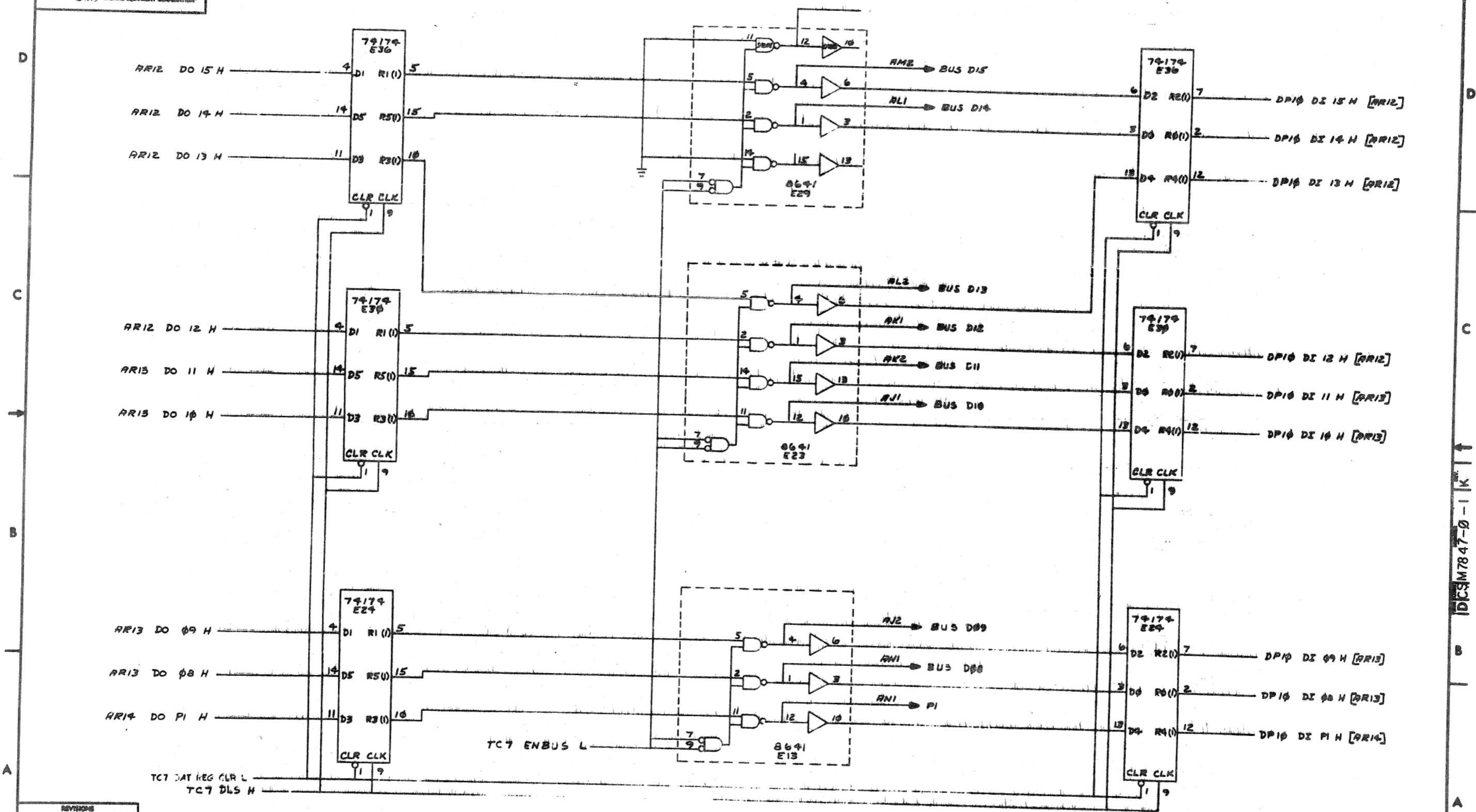
VARIATION	R2 VALUE	D1 VALUE
YA, YB, YC, YD YE, YF, YH, YJ	270	IN 757 A 3V
EA, CA, DA, EA, BR, CS, DB, FB, BC CC, DC, EC, B, CD, DD, ED, BE, CE, DE, EE, BF, CF, DF, BF, BH, CH, DH, EH, BJ, CJ, DJ, EJ	560Ω	IN 757 A -5V

TITLE: UNIBUS MOS MEMORY (DRS) NUMBER: DCS M7847-0-1 REV. K  
SCALE: SHEET 5 OF 16 DWT.

DFSIM7947-0-1 K

THIS DRAWING AND SPECIFICATIONS HEREIN ARE THE PROPERTY OF DIGITAL EQUIPMENT CORPORATION AND SHALL NOT BE REPRODUCED OR COPIED OR USED IN WHOLE OR IN PART AS THE BASIS FOR THE MANUFACTURE OR SALE OF ITEMS WITHOUT WRITTEN PERMISSION OF DIGITAL EQUIPMENT CORPORATION.  
 COPYRIGHT © 1975 DIGITAL EQUIPMENT CORPORATION

DCS M7847-0-1 K



REVISIONS		
CHK	CHANGE NO.	REV.

(DATA PATH)

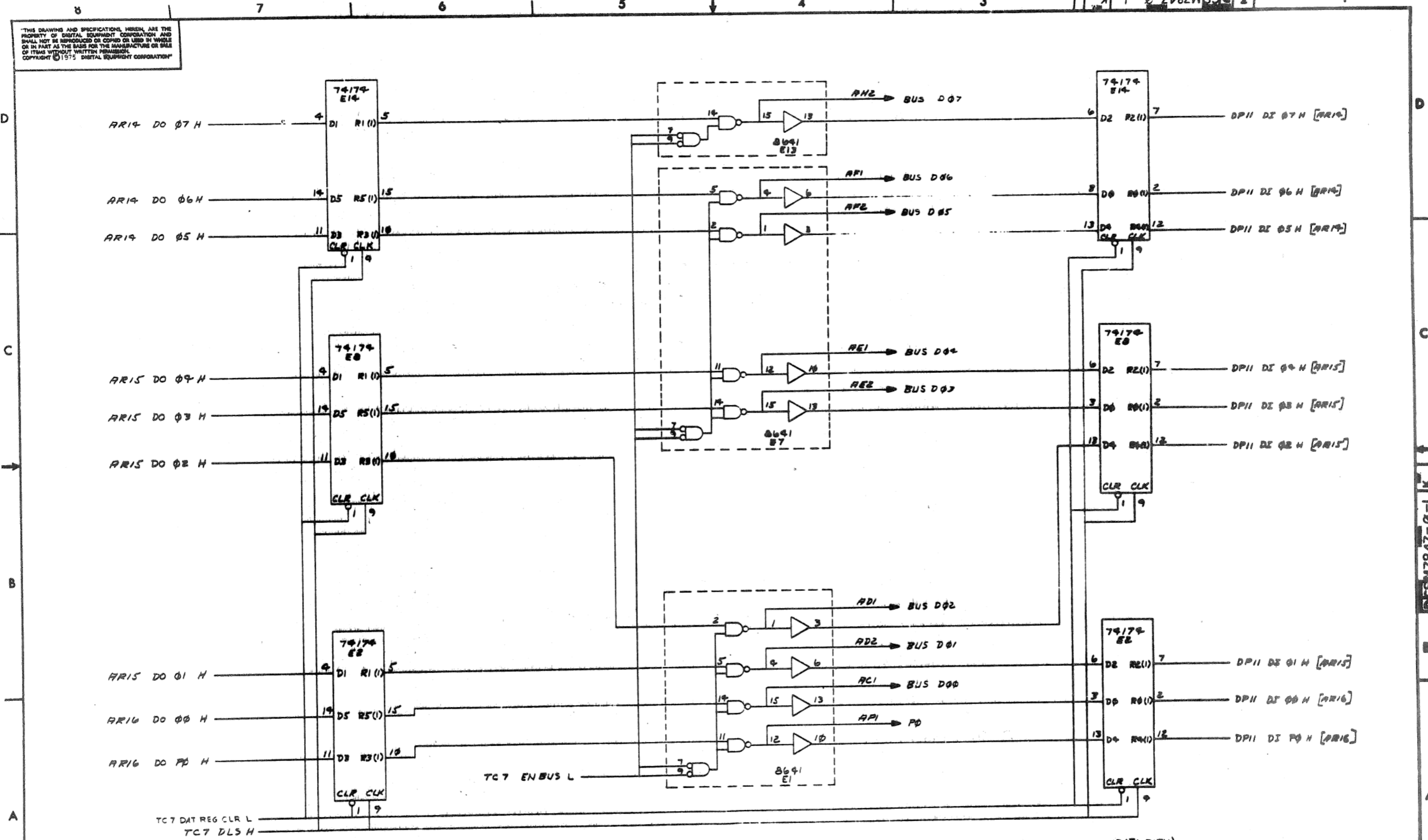
TITLE: UNIBUS MOS MEMORY (DP10)

SCALE: 1/16

DCS M7847-0-1 K

147

THIS DRAWING AND SPECIFICATIONS HEREIN ARE THE PROPERTY OF DIGITAL EQUIPMENT CORPORATION AND SHALL NOT BE REPRODUCED OR COPIED OR USED IN WHOLE OR IN PART AS THE BASIS FOR THE MANUFACTURE OR SALE OF ITEMS WITHOUT WRITTEN PERMISSION. COPYRIGHT © 1975 DIGITAL EQUIPMENT CORPORATION



REVISIONS		
CHK	CHANGE NO.	REV.

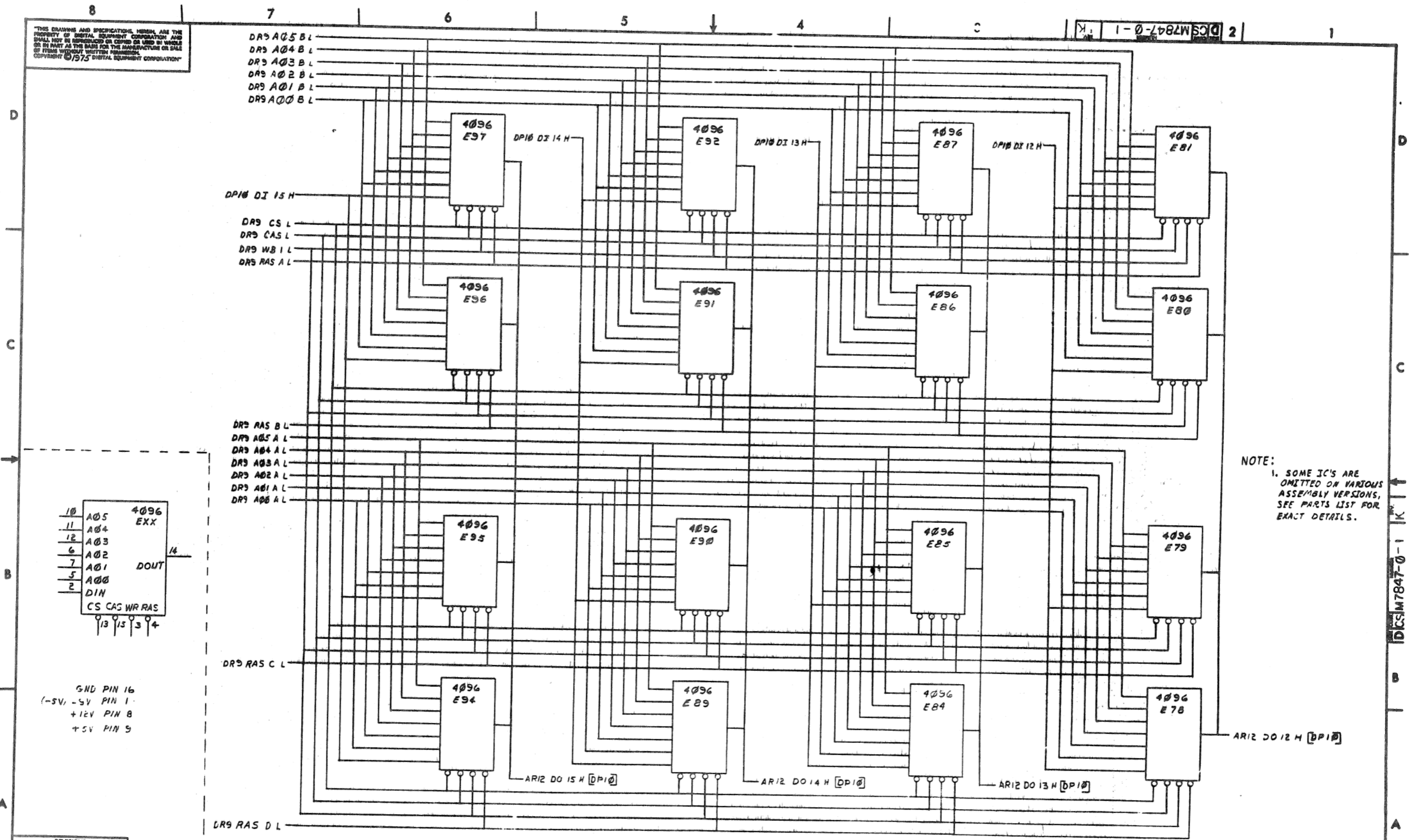
(DATA PATH)

TITLE	UNIBUS MOS MEMORY (OPT1)	DCS M7847-0-1
SCALE	11	SHEET 11 OF 16

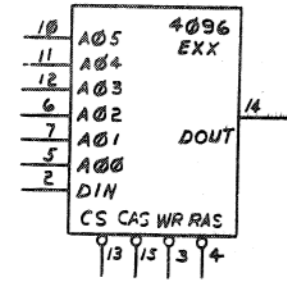
DCS M7847-0-1 K

THIS DRAWING AND SPECIFICATIONS HEREIN ARE THE PROPERTY OF DIGITAL EQUIPMENT CORPORATION AND SHALL NOT BE REPRODUCED OR COPIED OR USED IN WHOLE OR IN PART AS THE BASIS FOR THE MANUFACTURE OR SALE OF ITEMS WITHOUT WRITTEN PERMISSION. COPYRIGHT © 1975 DIGITAL EQUIPMENT CORPORATION

DCS M7847-0-1 K 2



NOTE:  
1. SOME IC'S ARE OMITTED ON VARIOUS ASSEMBLY VERSIONS, SEE PARTS LIST FOR EXACT DETAILS.



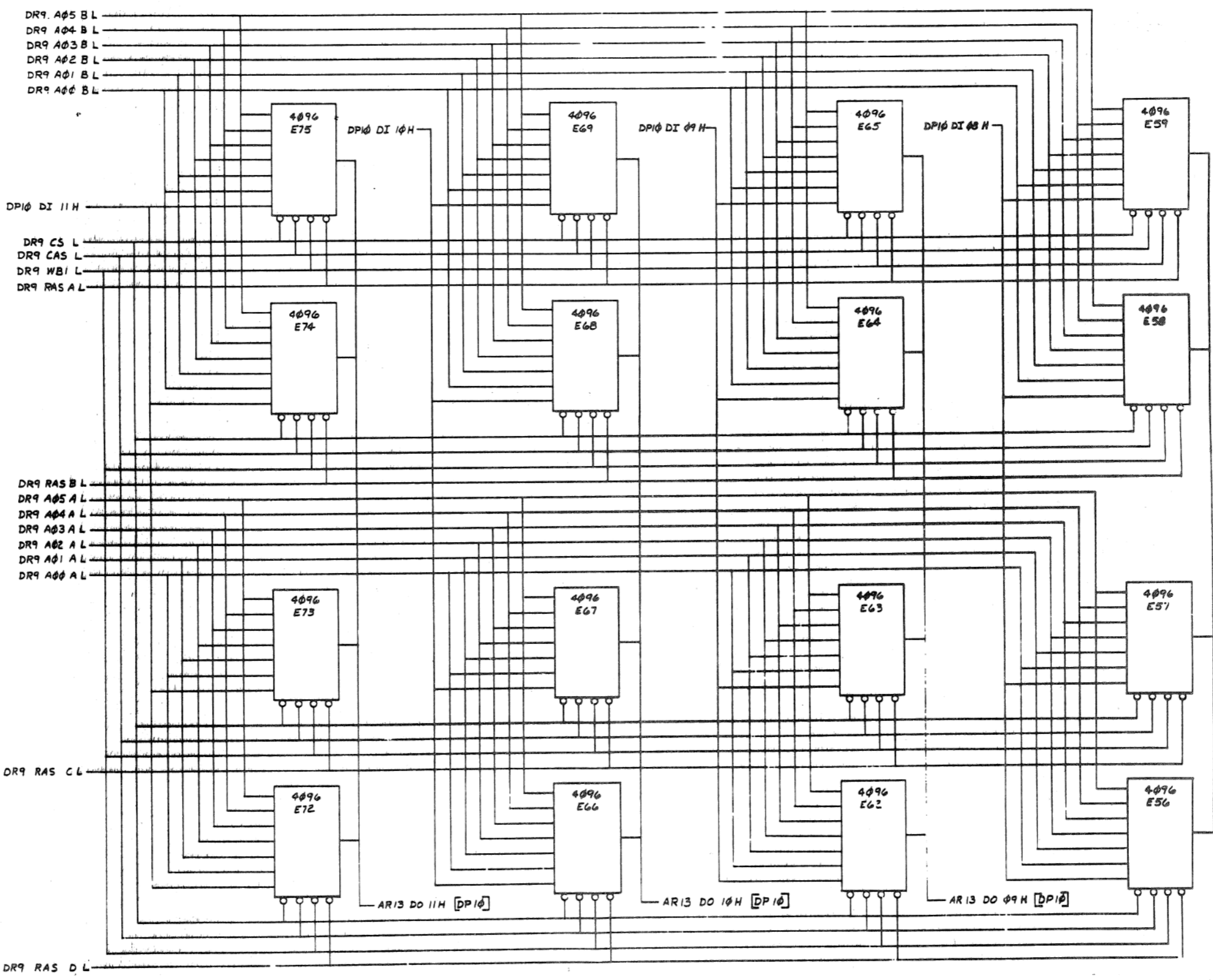
GND PIN 16  
-5V PIN 1  
+12V PIN 8  
+5V PIN 9

REVISIONS		
CHK	CHANGE NO.	REV.

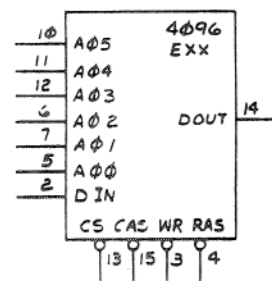
(ARRAY)

TITLE	UNIBUS MOS MEMORY (AR12)	REV.	K
SCALE	---	SHEET	12 OF 16
DCS M7847-0-1		DST.	

THIS DRAWING AND SPECIFICATIONS HEREIN ARE THE PROPERTY OF DIGITAL EQUIPMENT CORPORATION AND SHALL NOT BE REPRODUCED OR COPIED IN WHOLE OR IN PART AS THE BASIS FOR THE MANUFACTURE OR SALE OF ITEMS WITHOUT WRITTEN PERMISSION. COPYRIGHT © 1975 DIGITAL EQUIPMENT CORPORATION



NOTES:  
1. SOME IC'S ARE OMITTED ON VARIOUS ASSEMBLY VERSIONS. SEE PARTS LIST FOR EXACT DETAILS.



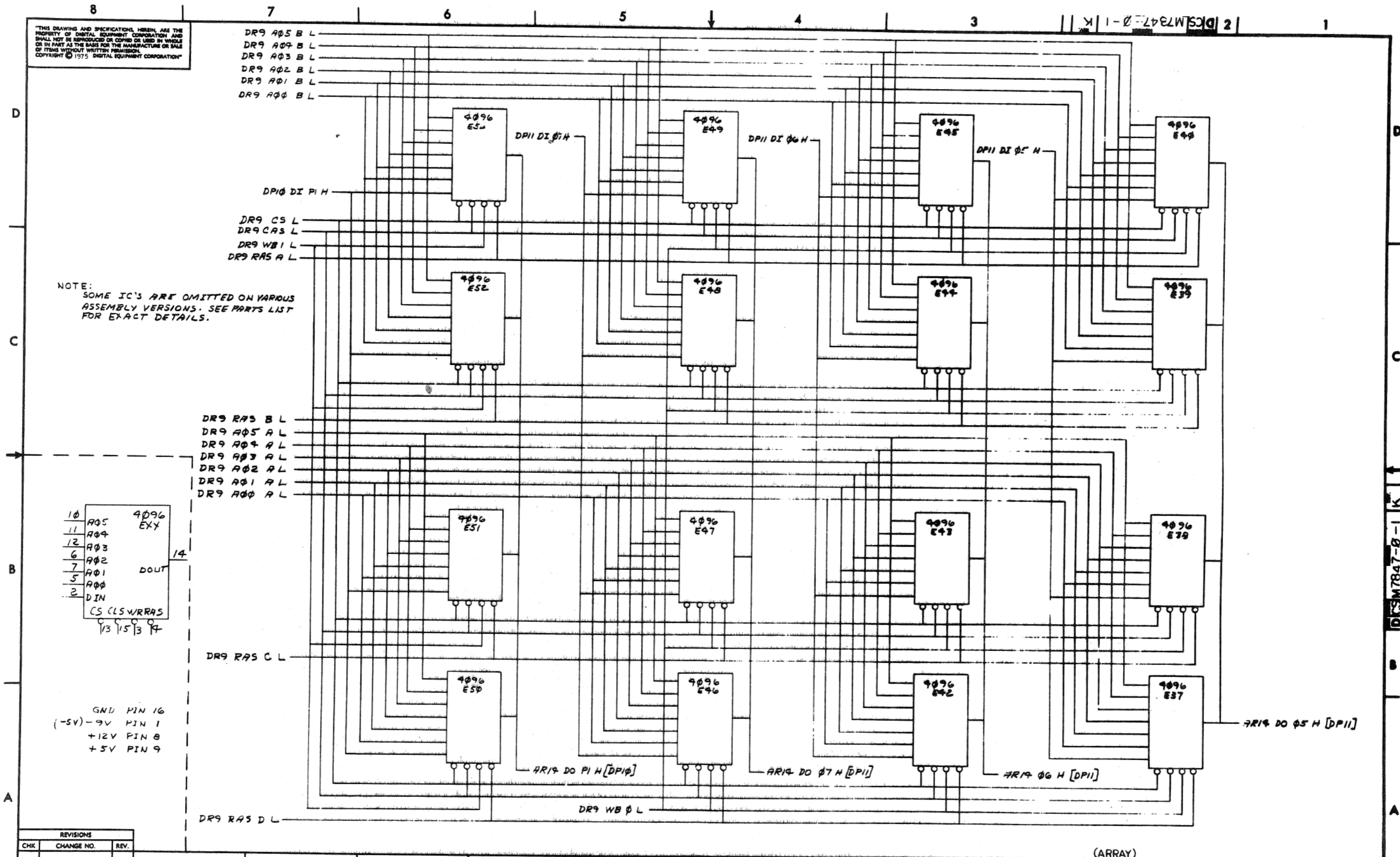
PIN 16 GND  
PIN 1 -9V (-5V)  
PIN 8 +12V  
PIN 9 +5V

REVISIONS		
CHK	CHANGE NO.	REV.

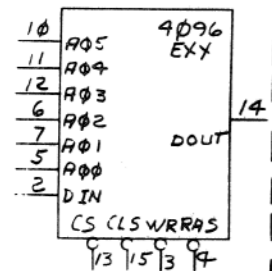
(ARRAY)  
TITLE UNIBUS MOS (AR13) MEMORY  
DCS M7847-0-1 K  
SCALE: + - - - - -  
SHEET 13 OF 16  
DWT.

"THIS DRAWING AND SPECIFICATIONS HEREIN ARE THE PROPERTY OF DIGITAL EQUIPMENT CORPORATION AND SHALL NOT BE REPRODUCED OR COPIED OR USED IN WHOLE OR IN PART AS THE BASIS FOR THE MANUFACTURE OR SALE OF ITEMS WITHOUT WRITTEN PERMISSION. COPYRIGHT © 1975 DIGITAL EQUIPMENT CORPORATION"

DCS M7847-0-1 K 2



NOTE:  
SOME IC'S ARE OMITTED ON VARIOUS  
ASSEMBLY VERSIONS. SEE PARTS LIST  
FOR EXACT DETAILS.



GROUND PIN 16  
(-5V) -9V PIN 1  
+12V PIN 8  
+5V PIN 9

REVISIONS		
CHK	CHANGE NO.	REV.

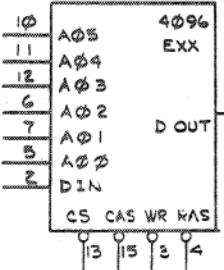
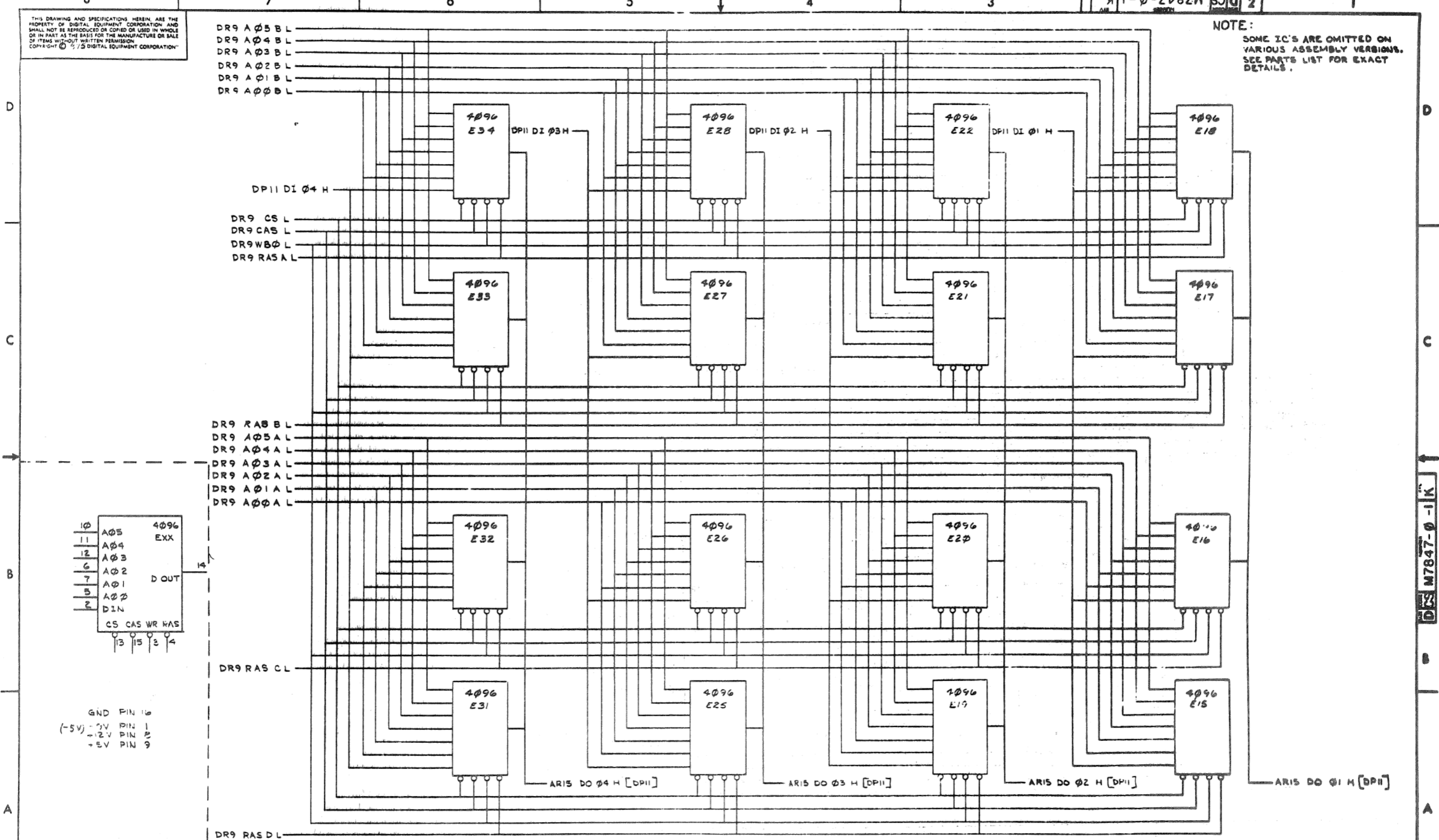
(ARRAY)  
TITLE UNIBUS MOS MEMORY (ARI4)  
DCS M7847-0-1 K  
SCALE 1/4 OF 16 SHEET 14 OF 16



THIS DRAWING AND SPECIFICATIONS HEREIN ARE THE PROPERTY OF DIGITAL EQUIPMENT CORPORATION AND SHALL NOT BE REPRODUCED OR COPIED OR USED IN WHOLE OR IN PART AS THE BASIS FOR THE MANUFACTURE OR SALE OF ITEMS WITHOUT WRITTEN PERMISSION. COPYRIGHT © 1975 DIGITAL EQUIPMENT CORPORATION.

DCS M7847-0-1K 2

NOTE:  
SOME IC'S ARE OMITTED ON VARIOUS ASSEMBLY VERSIONS. SEE PARTS LIST FOR EXACT DETAILS.

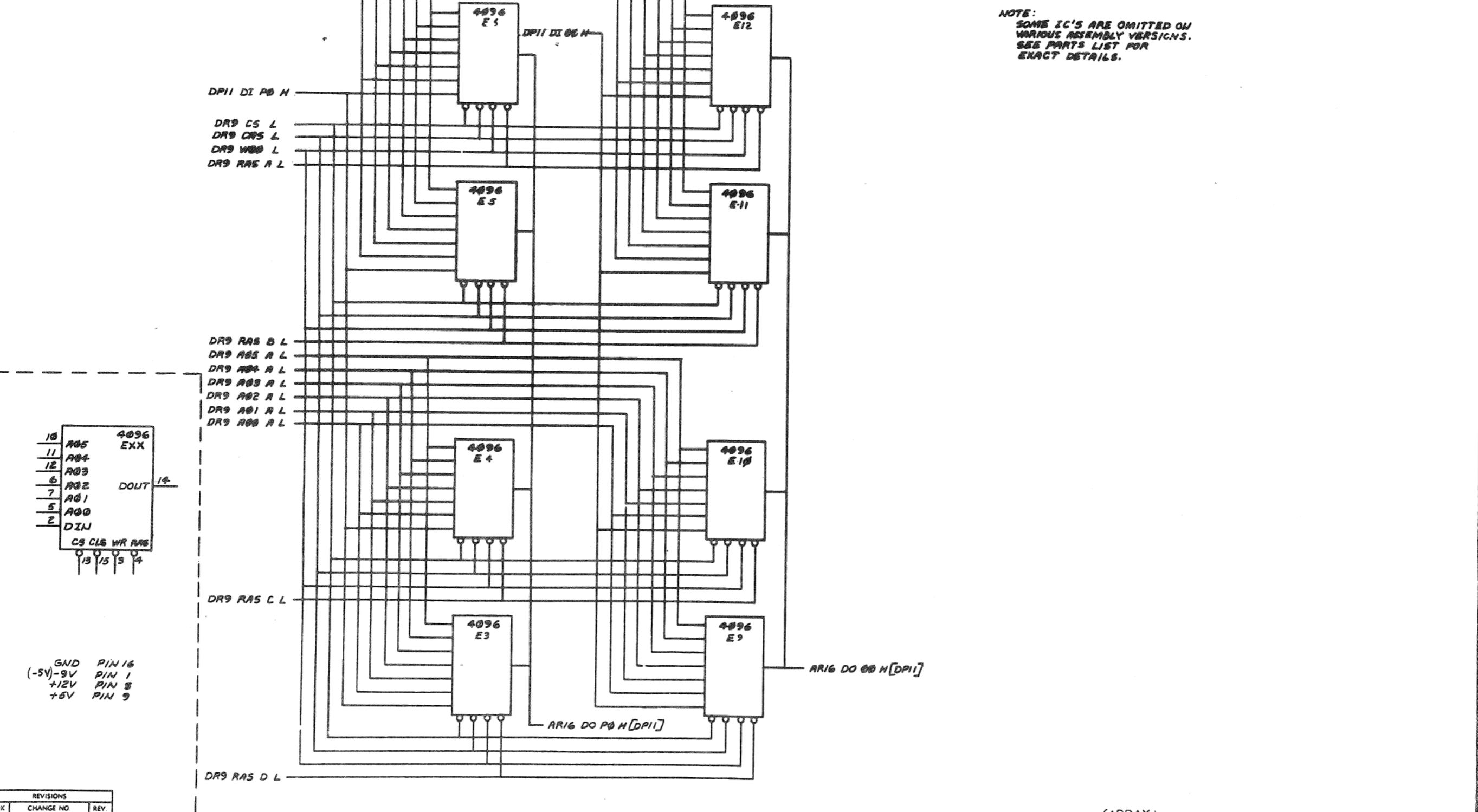


GND PIN 16  
(-5V) -2V PIN 1  
-12V PIN 2  
+5V PIN 9

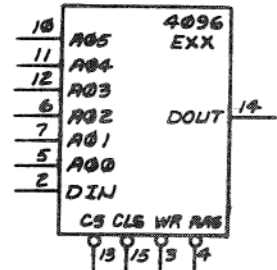
REVISIONS		
CHK	CHANGE NO	REV

(ARRAY)		(ARIS)		DCS	M7847-0-1K	REV.
TITLE		UNIBUS MOS MEMORY		DCS	M7847-0-1K	REV.
SCALE		SHEET 15 OF 16		DWT.		

THIS DRAWING AND SPECIFICATIONS HEREIN ARE THE PROPERTY OF DIGITAL EQUIPMENT CORPORATION AND SHALL NOT BE REPRODUCED OR COPIED OR USED IN WHOLE OR IN PART AS THE BASIS FOR THE MANUFACTURE OR SALE OF ITEMS WITHOUT WRITTEN PERMISSION. COPYRIGHT © 1976, DIGITAL EQUIPMENT CORPORATION.



NOTE:  
SOME IC'S ARE OMITTED ON  
VARIOUS ASSEMBLY VERSIONS.  
SEE PARTS LIST FOR  
EXACT DETAILS.



GND PIN 16  
(-5V) PIN 1  
+12V PIN 8  
+5V PIN 9

REVISIONS		
CHK	CHANGE NO	REV

(ARRAY)

TITLE	(AR16)	DCS M7047-0-1
UNIBUS MOS MEMORY		DCS M7047-0-1
SCALE	1:1	SHEET 16 OF 16