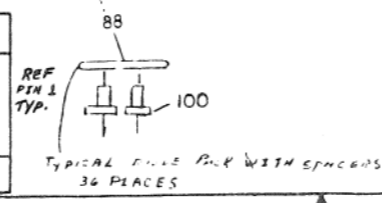


DUA 6657-0-0

NOTES: THE FOLLOWING COMPONENTS ARE NOT USED: R45, R47, R16, R31, R24, R34, R42, R49, R50, R54, D14, D58, D122, C101, C125.

| CHANGE NO | REV |
|-----------|------|
| 22 | 0001 |
| W. COATES | |

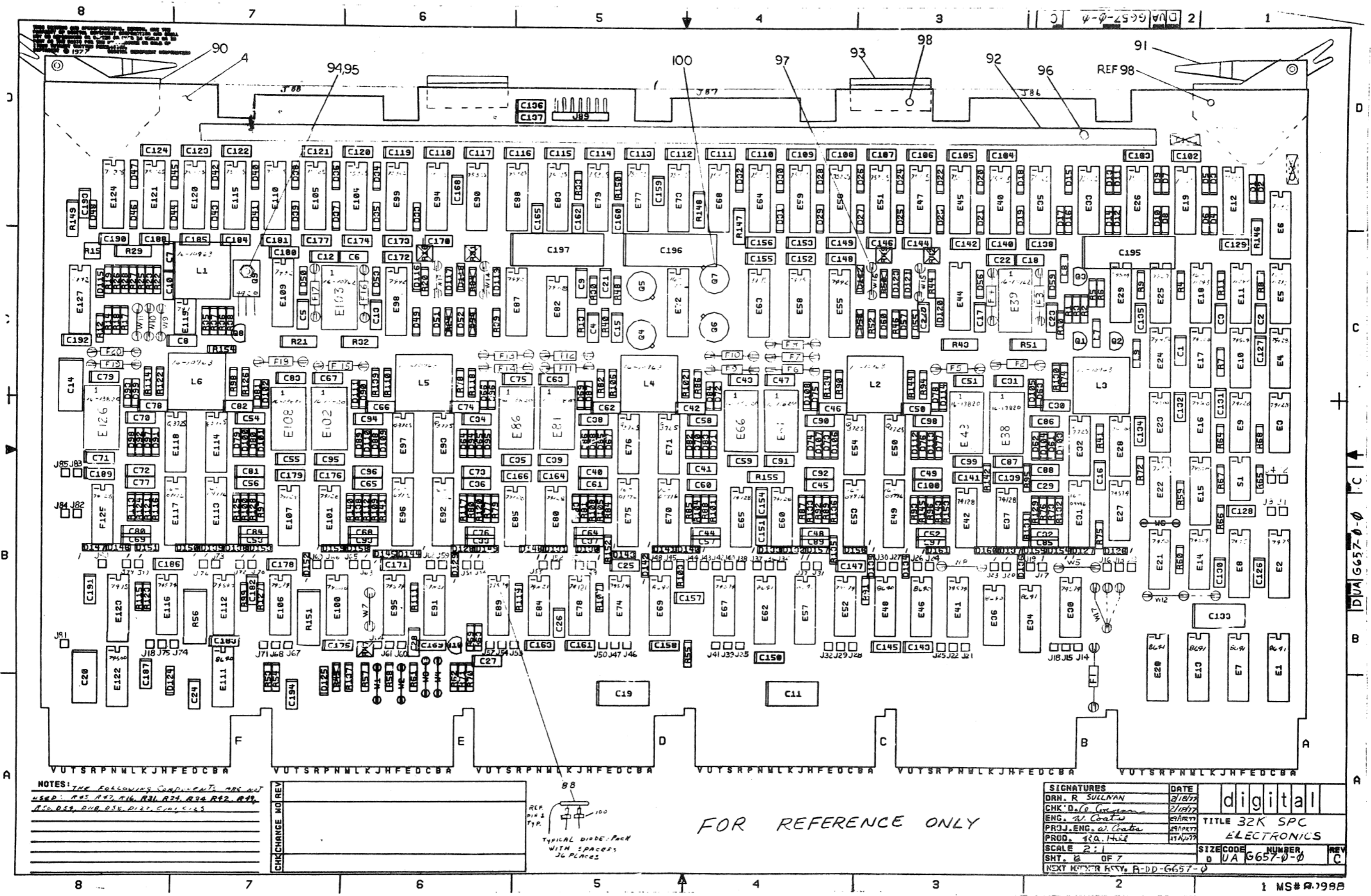


| SIGNATURES | DATE |
|-------------------------|---------|
| DRN. R. SULLIVAN | 2/18/77 |
| CHK'D. D. [Signature] | 2/18/77 |
| ENG. W. Coates | 2/24/77 |
| PROJ. ENG. W. Coates | 2/24/77 |
| PROD. R. A. [Signature] | 2/24/77 |

ETCH REV. 0
P.C. DESIGN DATA BASE REV. 01

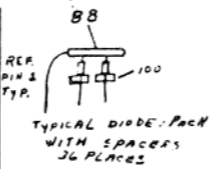
| | |
|---------------------------|-----------------|
| digital | |
| TITLE 321 SPC ELECTRONICS | |
| SIZE CODE 0 | NUMBER 6657-0-0 |
| SHT. 1 OF 7 | REV C |

MS#80988



NOTES: THE FOLLOWING COMPONENTS ARE NOT USED: R23, R27, R16, R31, R34, R38, R42, R45, R56, R58, R59, D22, C101, C15

| CHECK | CHANGE | NO | REV |
|-------|--------|----|-----|
| | | | |
| | | | |
| | | | |

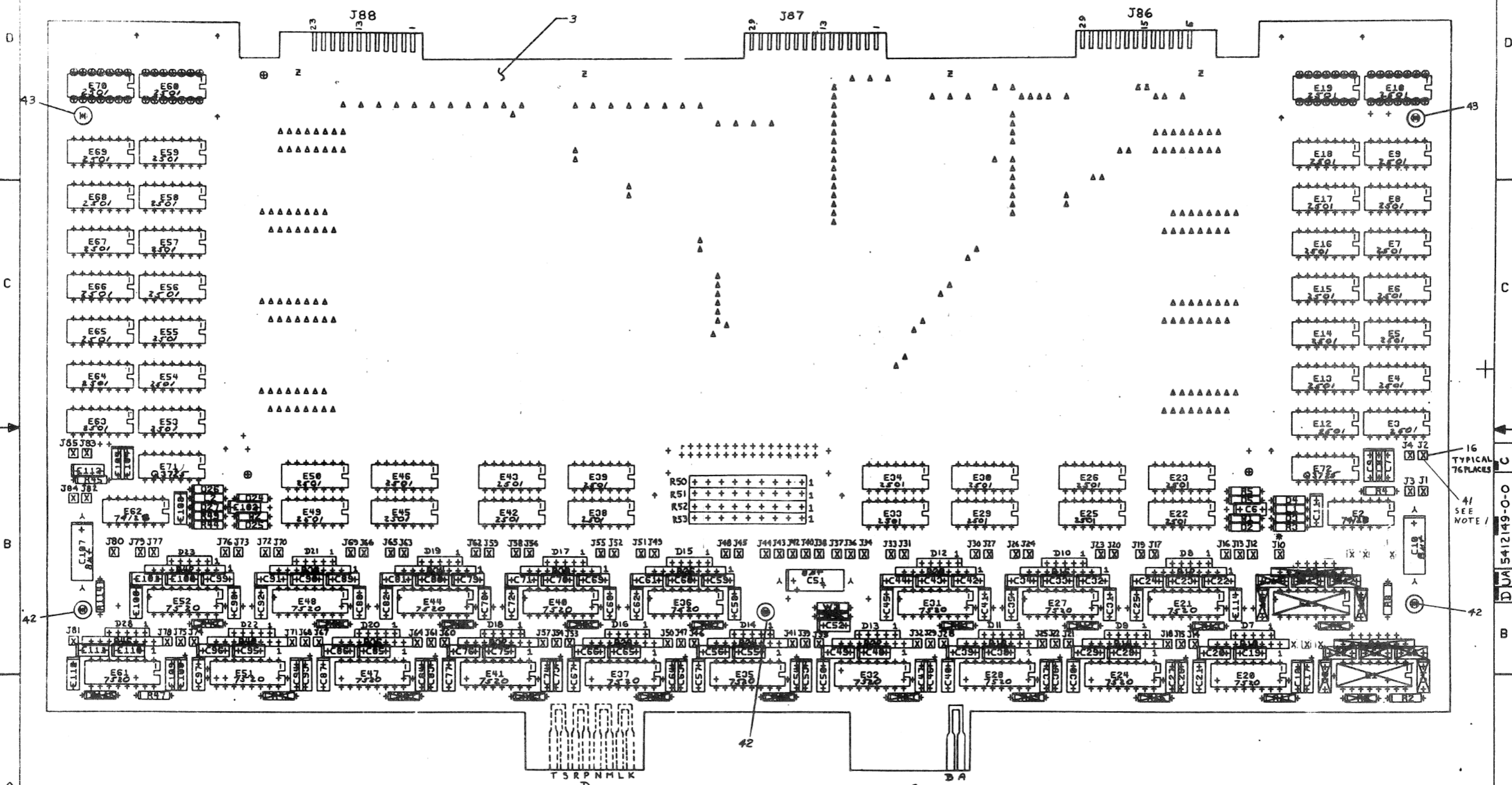


FOR REFERENCE ONLY

| SIGNATURES | DATE | digital | TITLE 32K SPC ELECTRONICS | SIZE CODE | NUMBER | REV |
|-------------------------|---------|---------|---------------------------|-----------|--------|-----|
| DRN. R SULLIVAN | 2/18/77 | | | | | |
| CHK. D. G. GUNSON | 2/18/77 | | | | | |
| ENG. W. COATS | 2/18/77 | | | | | |
| PRJ. ENG. W. COATS | 2/18/77 | | | | | |
| PRD. R. A. HILL | 2/18/77 | | | | | |
| SCALE 2:1 | | | | | | |
| SHT. 6 OF 7 | | | | | | |
| NEXT NUMBER R-DD-G657-0 | | | | | | |

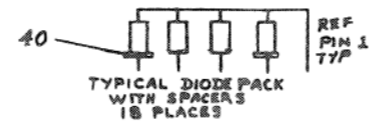
COMPONENT SIDE VIEW

THIS DRAWING AND COMPONENTS THEREON, ARE THE PROPERTY OF SPECTRA COMPUTER CORPORATION AND SHALL NOT BE REPRODUCED OR COPIED IN ANY MANNER OR FOR ANY PURPOSE WITHOUT THE WRITTEN PERMISSION OF SPECTRA COMPUTER CORPORATION. COPYRIGHT © 1976



NOTES:
 1. PINS THAT HAVE AMP POST SPACERS ARE (11 PLACES)
 J2, 14, 21, 28, 35, 50, 57, 64, 71, 78, 85.
 AMP POST SPACERS MUST BE PUT ON BEFORE ELECTRONIC COMPONENTS ARE INSTALLED.

| CHK | CHANGE NO | REV |
|-----|-----------|-----|
| | | |
| | | |



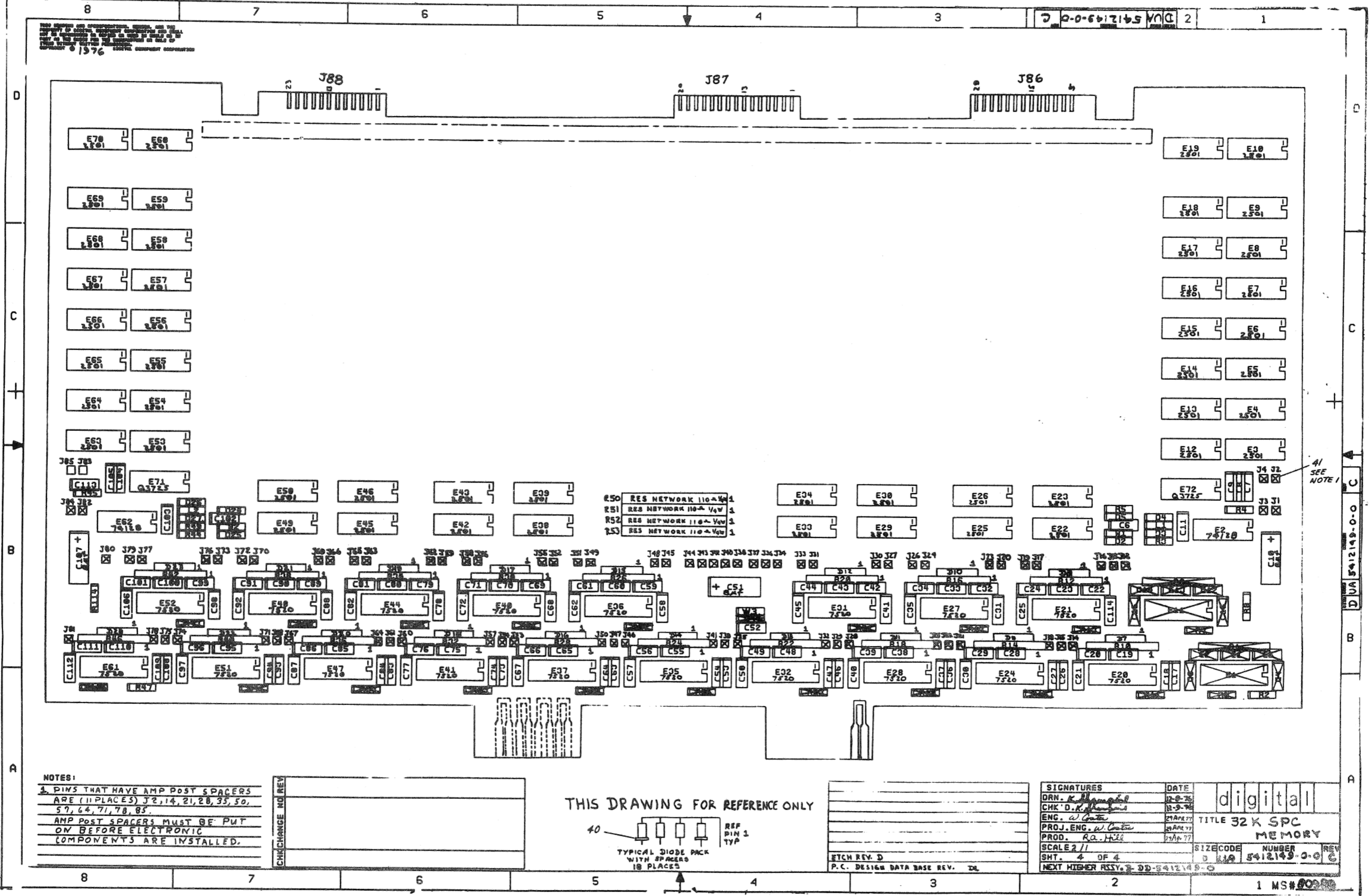
| | |
|----------------------------|----|
| ETCH REV. D | PL |
| P.C. DESIGN DATA BASE REV. | PL |

| SIGNATURES | | DATE | digital | TITLE 32 K SPC MEMORY |
|-------------------|-------------------|-----------|-----------|-----------------------|
| DRAWN: K. Shapton | CHK'D: K. Shapton | 2-8-76 | | |
| ENG. W. Coates | PROD. R. Coates | 29 APR 77 | | |
| SCALE 2/1 | SHT. 1 OF 4 | | SIZE CODE | NUMBER |
| | | | D UA | 5412149-0 C |
| | | | | REV |
| | | | | |

16 TYPICAL 76 PLACES
 41 SEE NOTE 1

D UA 5412149-0-0

THIS DRAWING AND COMPONENTS THEREON ARE THE PROPERTY OF THE GOVERNMENT AND ARE LOANED TO YOU BY THE GOVERNMENT. IT IS TO BE USED IN ACCORDANCE WITH THE TERMS AND CONDITIONS OF THE GOVERNMENT CONTRACT UNDER WHICH IT WAS ACQUIRED. EXCESS COMPONENTS SHOULD BE RETURNED TO THE GOVERNMENT.

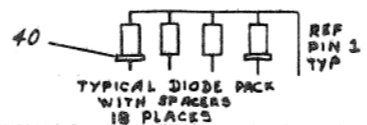


41
SEE NOTE 1

NOTES:
 1. PINS THAT HAVE AMP POST SPACERS ARE (IN PLACES) J2, 14, 21, 28, 35, 50, 57, 64, 71, 78, 85.
 AMP POST SPACERS MUST BE PUT ON BEFORE ELECTRONIC COMPONENTS ARE INSTALLED.

| CHECK | CHANGE NO | REV |
|-------|-----------|-----|
| | | |
| | | |

THIS DRAWING FOR REFERENCE ONLY



| |
|-------------------------------|
| ETCH REV. D |
| P.C. DESIGN DATA BASE REV. DL |

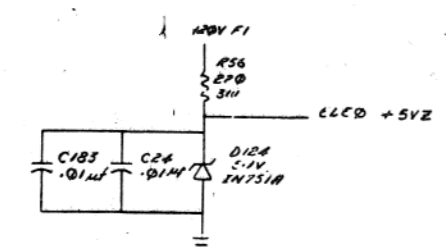
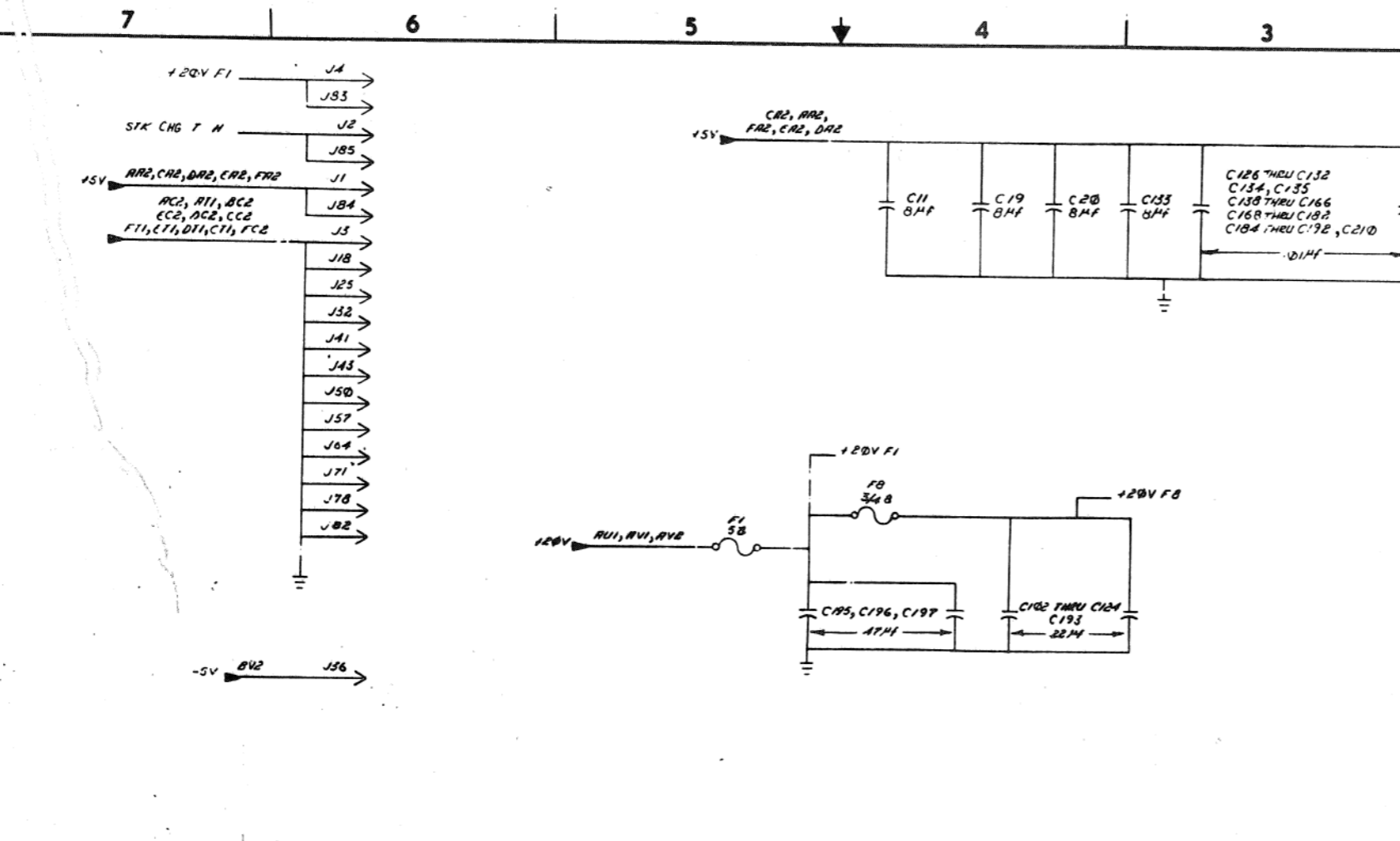
| SIGNATURES | DATE | REV |
|-------------------------------|-----------|-----|
| DRN. <i>K. Thompson</i> | 12-8-76 | 1 |
| CHK'D. <i>D.K. Thompson</i> | 12-9-76 | 2 |
| ENG. <i>A. G. G. G.</i> | 21 APR 77 | 3 |
| PROJ. ENG. <i>A. G. G. G.</i> | 25 APR 77 | 4 |
| PROD. <i>R.A. Hill</i> | 01 APR 77 | 5 |

digital
 TITLE 32K SPC MEMORY
 SCALE 2/1
 SHT. 4 OF 4
 NEXT HIGHER ASSY. DD-5412149-00

THIS DRAWING AND SPECIFICATIONS HEREIN ARE THE PROPERTY OF DIGITAL EQUIPMENT CORPORATION AND SHALL NOT BE REPRODUCED OR COPIED OR USED IN WHOLE OR IN PART AS THE BASIS FOR THE MANUFACTURE OR SALE OF ITEMS WITHOUT WRITTEN PERMISSION. COPYRIGHT © 1976 DIGITAL EQUIPMENT CORPORATION.

BANK SELECTION

| NO. INTER LEAVED | INTER LEAVED | A17 | A16 | A15 | A14 | A13 | |
|------------------|--------------|------|-----|-----|-----|-----|-----|
| W | EAH | EAH | SA1 | SA2 | SA3 | SA4 | SA5 |
| 3 | 52K | 64K | ON | ON | ON | ON | ON |
| 4K | 56K | 68K | ON | ON | ON | ON | ON |
| 8K | 10K | 72K | ON | ON | ON | ON | ON |
| 12K | 14K | 76K | ON | ON | ON | ON | ON |
| 16K | 18K | 80K | ON | ON | OFF | ON | ON |
| 20K | 22K | 84K | ON | ON | OFF | ON | ON |
| 24K | 26K | 88K | ON | ON | OFF | ON | ON |
| 28K | 30K | 92K | ON | ON | OFF | ON | ON |
| 32K | 34K | 96K | ON | OFF | ON | ON | ON |
| 36K | 38K | 100K | ON | OFF | ON | ON | ON |
| 40K | 42K | 104K | ON | OFF | ON | ON | ON |
| 44K | 46K | 108K | ON | OFF | ON | ON | ON |
| 48K | 50K | 112K | ON | OFF | ON | ON | ON |
| 52K | 54K | 116K | ON | OFF | ON | ON | ON |
| 56K | 58K | 120K | ON | OFF | ON | ON | ON |
| 60K | 62K | 124K | ON | OFF | ON | ON | ON |
| 64K | 66K | 128K | ON | ON | ON | ON | ON |
| 68K | 70K | 132K | ON | ON | ON | ON | ON |
| 72K | 74K | 136K | ON | ON | ON | ON | ON |
| 76K | 78K | 140K | ON | ON | ON | ON | ON |
| 80K | 82K | 144K | ON | ON | ON | ON | ON |
| 84K | 86K | 148K | ON | ON | ON | ON | ON |
| 88K | 90K | 152K | ON | ON | ON | ON | ON |
| 92K | 94K | 156K | ON | ON | ON | ON | ON |
| 96K | 98K | 160K | ON | ON | ON | ON | ON |
| 100K | 102K | 164K | ON | ON | ON | ON | ON |
| 104K | 106K | 168K | ON | ON | ON | ON | ON |
| 108K | 110K | 172K | ON | ON | ON | ON | ON |
| 112K | 114K | 176K | ON | ON | ON | ON | ON |
| 116K | 118K | 180K | ON | ON | ON | ON | ON |
| 120K | 122K | 184K | ON | ON | ON | ON | ON |



NOTES:

- INTERLEAVE CONTROL IS ACHIEVED AS FOLLOWS:
 - (A) NON-INTERLEAVED.
 - (B) INTERLEAVED
 - (C) THE BANK SELECTION SWITCH MUST BE SET THE SAME ON BOTH MEMORIES.
- UNDER NORMAL CONDITIONS (W5, W6, OUT) THE MEMORY WILL NOT RESPOND TO ADDRESS BETWEEN 124K AND 126K, BECAUSE THESE ADDRESSES ARE RESERVED FOR PERIPHERAL DEVICES ON THE UNIBUS. FOR SPECIAL APPLICATIONS WHERE THE RANGE OF PERIPHERAL ADDRESS IS MORE RESTRICTED THAN THIS OR RANGE THE MEMORY CAN BE CONFIGURED TO INCLUDE THE ADDITIONAL UNIBUS ADDRESSES AS FOLLOWS:
 - W5 IN } 124K TO 126K
 - W6 OUT }
 - W5 IN } 124K TO 127K
 - W6 IN }
- NOTE THAT FOR SYSTEMS WITHOUT MEMORY MANAGEMENT, THIS MEANS THE USEFUL VIRTUAL ADDRESS SPACE FOR MEMORY CAN BE CALCULATED FROM 28K TO 50K OR 51K BY SACRIFICING SOME PERIPHERAL SPACE.
- CAUTION: SOME DIGITAL SOFTWARE MAY NOT BE COMPATIBLE WITH THE REDUCED PERIPHERAL ADDRESS SPACE. TO ASSURE COMPATIBILITY W5 AND W6 MUST BE OUT.
- SCHEMATIC FOR 1625 MEMORY STACK IS SHOWN ON CS-5410M9-D-1.

4.

| MODE | WR BYTE 0 L WR BYTE 1 L | CLOCK 0 H CLOCK 1 H | CLEAR 0 L CLEAR 1 L | STRAP UNIBUS UNIBUS STROBE LAMBDA UNIBUS | OUT EN L |
|------|----------------------------|------------------------|------------------------|---|----------|
| DATA | H | L | L | L | L |
| DATA | L | L | H | L | H |
| DATA | L | L | H | L | H |
| DATA | H | L | L | L | L |
| DATA | H | L | L | L | H |

5. W1, W2, W3, W4, W9, W10, W11, MUST BE INSTALLED BEFORE MEMORY TEST.

6. W5 AND W6 CONTROL BITS 16 AND 17. (A) FOR 16 BIT SYSTEM W5 AND W6 OUT. (B) FOR 18 BIT SYSTEM W5 AND W6 IN.

| | | | |
|---------|-----|-----|-----|
| 75325 | 8 | 9 | 16 |
| 8640 | 1 | 8 | |
| 8641 | 8 | 16 | |
| 7483R | 12 | 5 | |
| 747C | 12 | 5 | |
| 7447 | 8 | 16 | |
| IC TYPE | END | +5V | +20 |

| | |
|-------------------|---------|
| REV | C |
| DATE | 1/23/77 |
| BY | RAH |
| CHKD | RAH |
| PROJ. ENGR. | RAH |
| PROD. RA | RAH |
| NEXT HIGHER ASSY. | |

DRN. 1/23/77

CHKD. RAH

ENG. RAH

PROJ. ENGR. RAH

PROD. RAH

NEXT HIGHER ASSY.

B-DD-G657-0

SCALE NONE

SHEET 1 OF 18

FIRST USED ON MM11-YP

TITLE (ELE0) 32K SPEC ELECTRONICS

SIZE CODE D CS

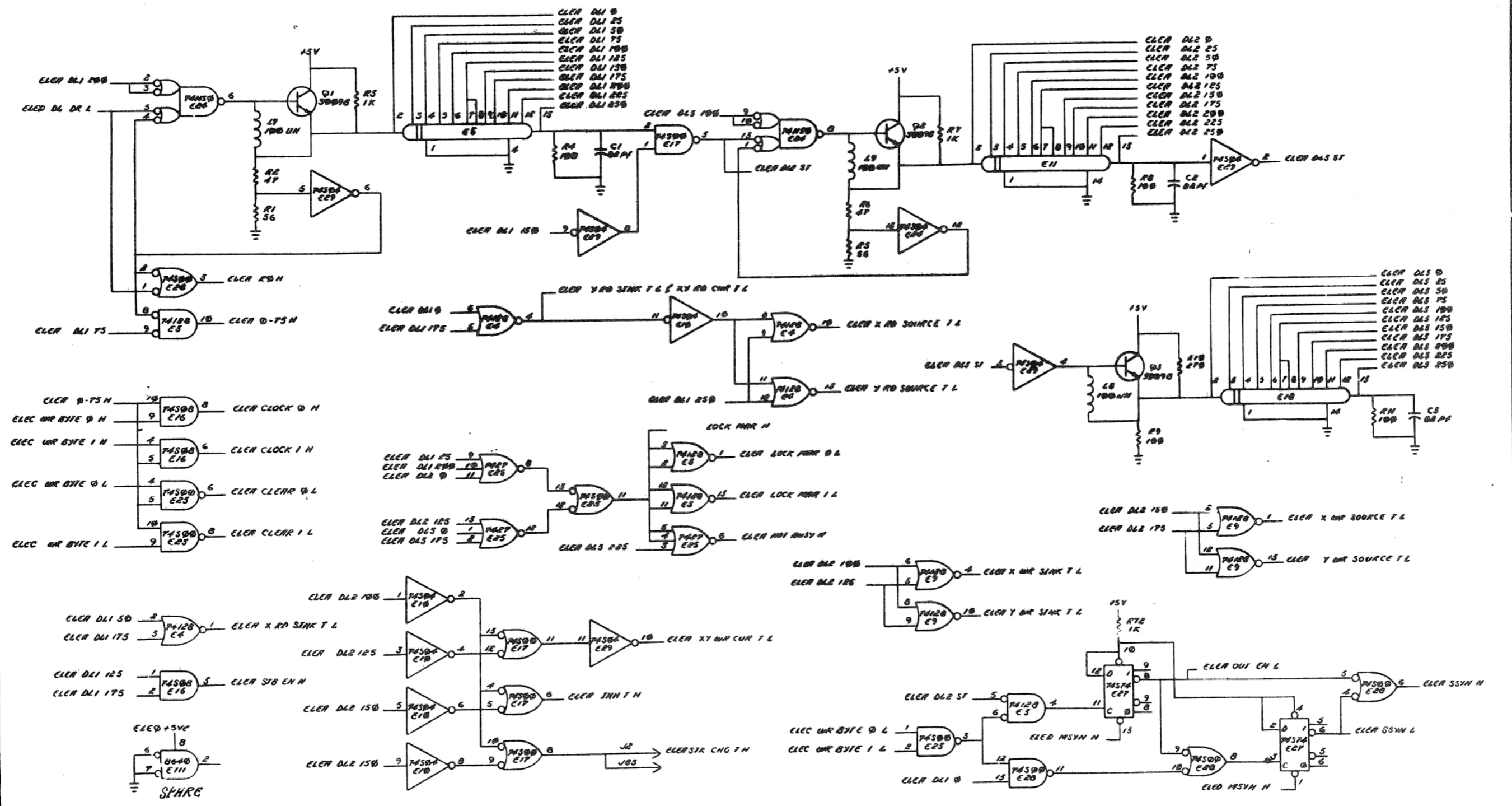
NUMBER G657-0-1

REV. C

THESE SPECIFICATIONS, HERETO, ARE THE PROPERTY OF DIGITAL EQUIPMENT CORPORATION AND SHALL REMAIN CONFIDENTIAL AND NOT BE REPRODUCED OR IN PART OR THE WHOLE OR IN ANY MANNER WITHOUT PERMISSION OF DIGITAL EQUIPMENT CORPORATION. COPYRIGHT © 1977 DIGITAL EQUIPMENT CORPORATION.

NOTE: ALL DIODES D672 UNLESS OTHERWISE SPECIFIED

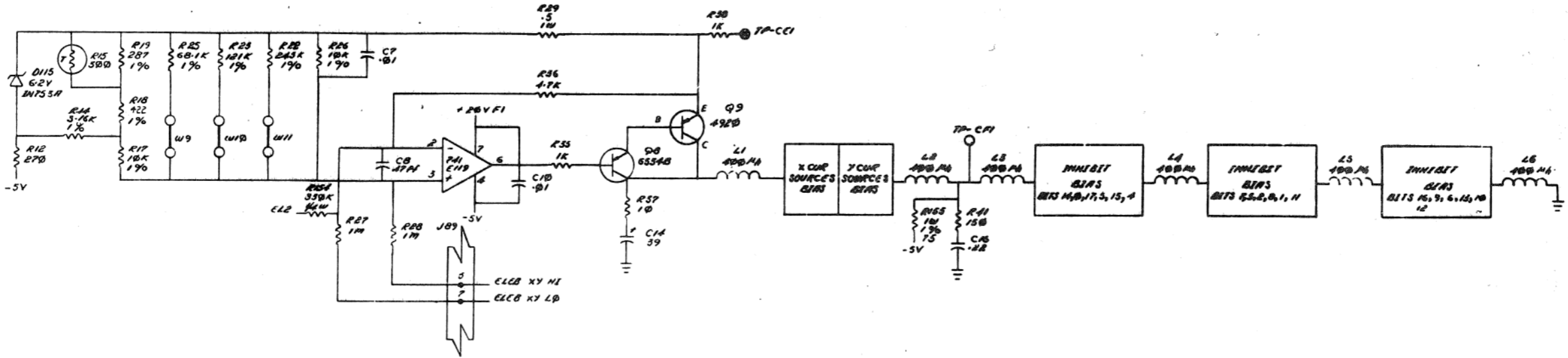
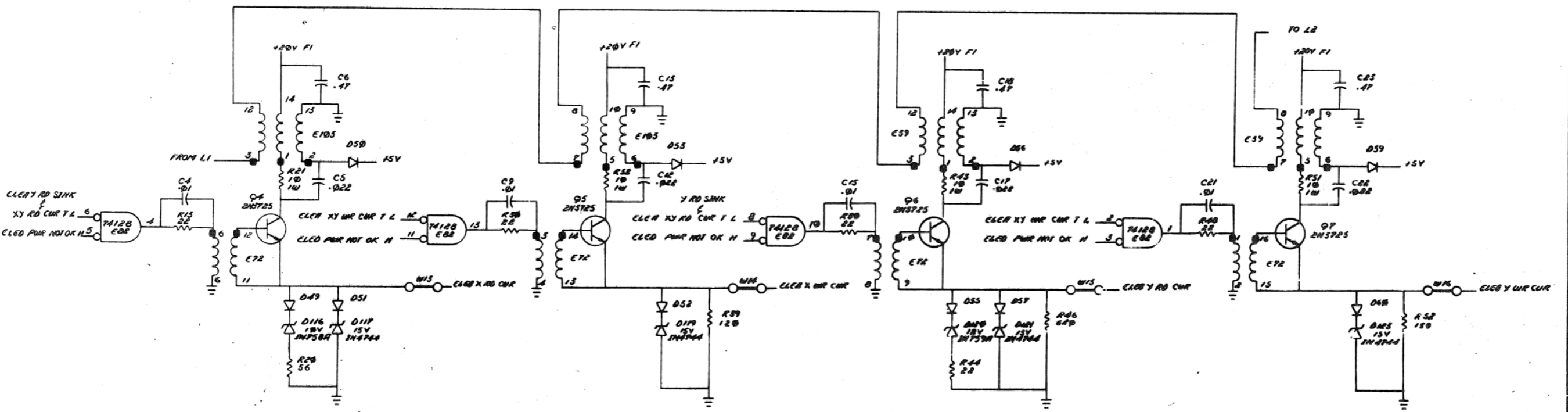
BUS GRANT LINES
 D12-D12
 D12-D12
 D12-D12
 D12-D12
 C11-C11



| REVISIONS | | |
|-----------|------------|------|
| CHK | CHANGE NO. | REV. |
| | | |

| | | | | |
|-------|--------|-------|----------|-------|
| TITLE | (ELEC) | DCS | G657-0-1 | C |
| SCALE | NONE | SHEET | 2 OF 18 | DIST. |

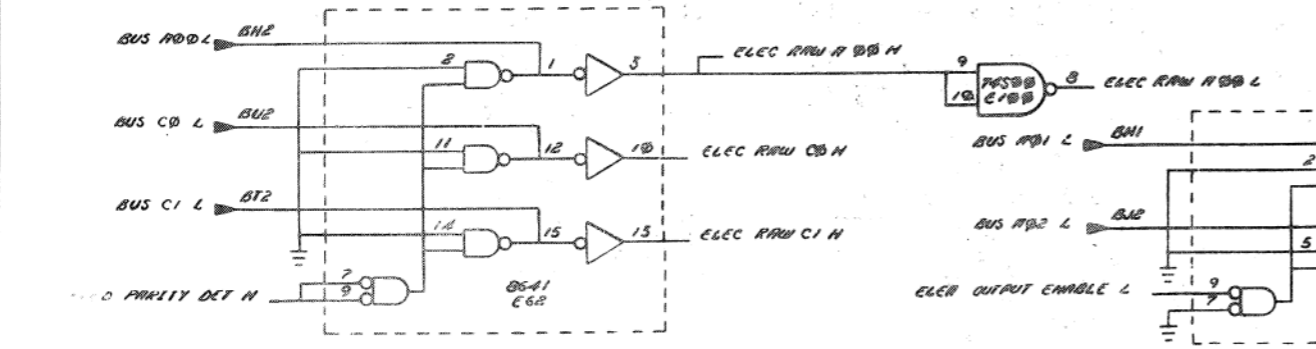
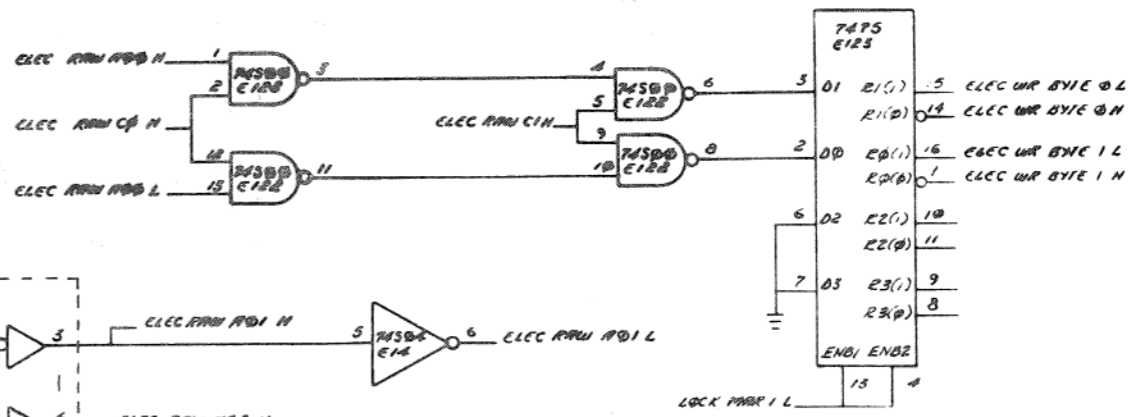
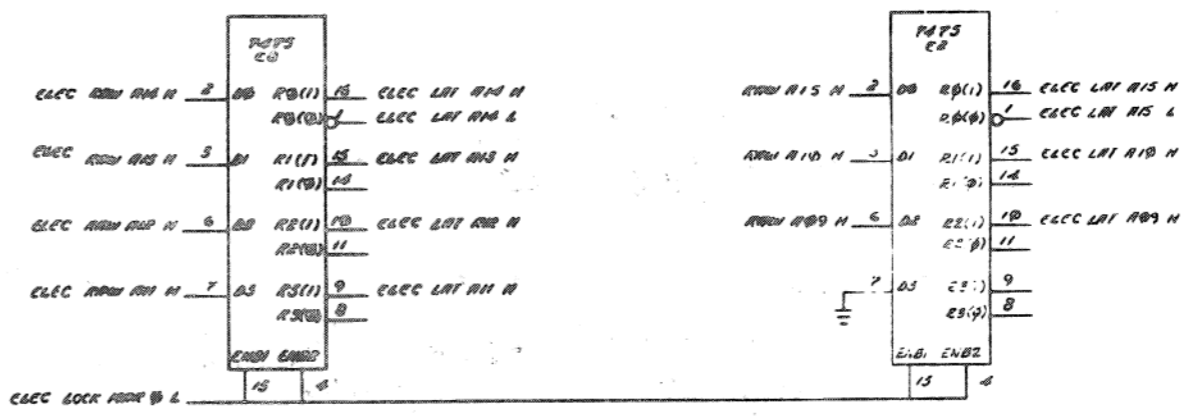
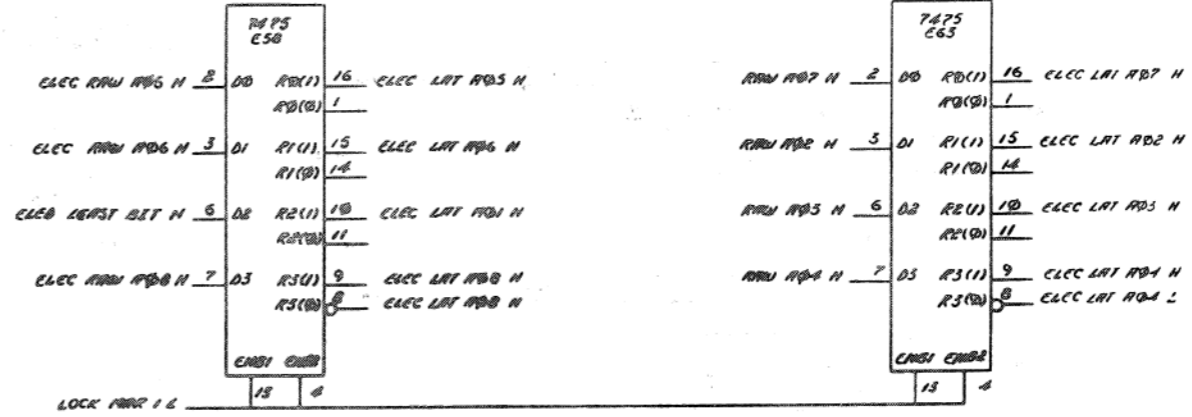
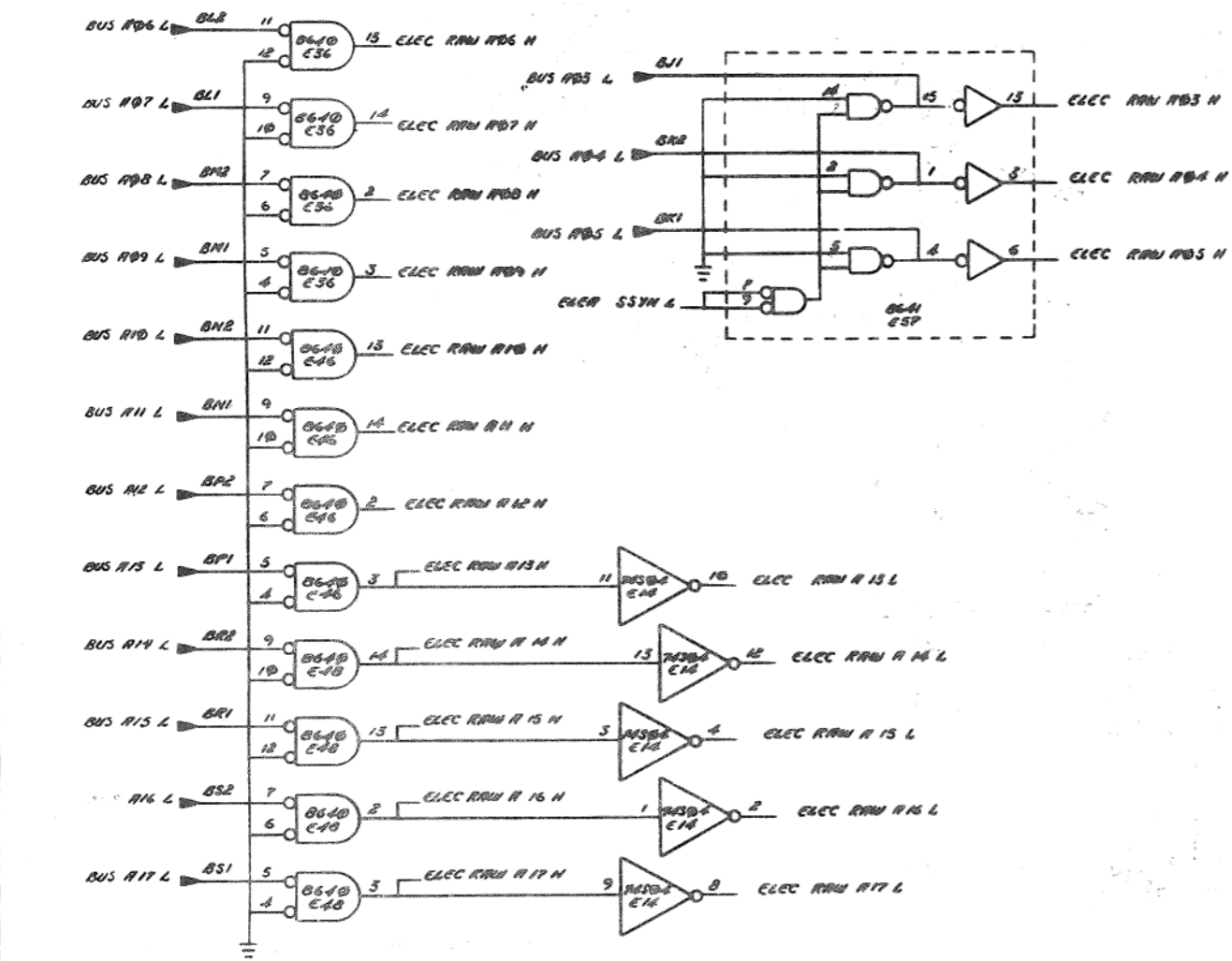
THIS DRAWING AND SPECIFICATIONS HEREIN ARE THE PROPERTY OF BUSH, BERNHART CORPORATION AND SHALL NOT BE REPRODUCED OR COPIED OR USED IN WHOLE OR IN PART AS THE BASIS FOR THE MANUFACTURE OR SALE OF ITEMS WITHOUT WRITTEN PERMISSION. COPYRIGHT © 1965 BUSH BERNHART CORPORATION



| REV. | CHANGE NO. | REV. |
|------|------------|------|
| | | |

| | | | | |
|--------------------|--------|---------------|--------|------|
| TITLE | (ELEB) | SIZE CODE | NUMBER | REV. |
| 32KSPC ELECTRONICS | DCS | G657-0-1 | C | |
| SCALE | NONE | SHEET 3 OF 18 | DWT. | |

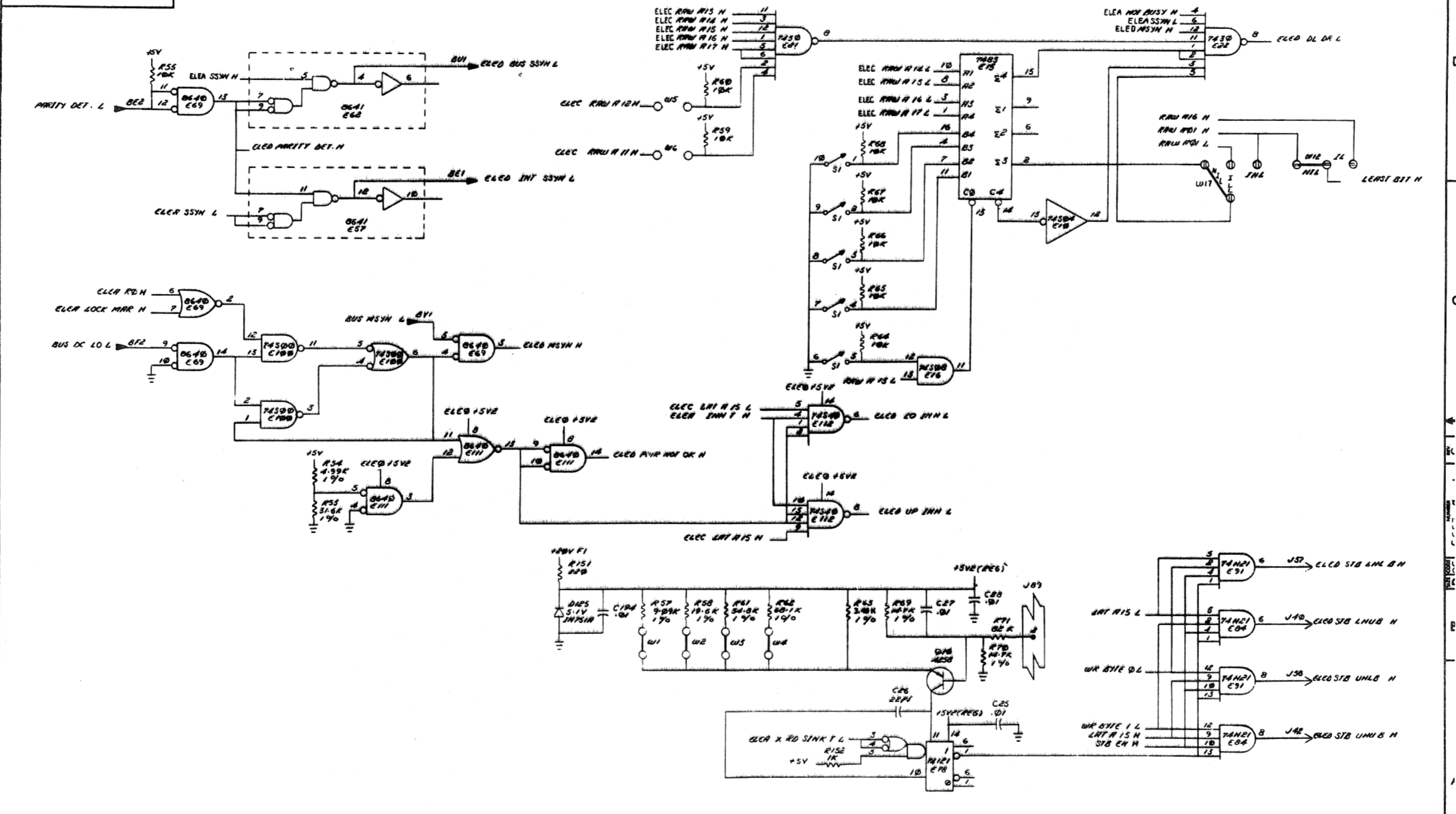
THE SYMBOLS AND INDICATIONS HEREIN ARE THE PROPERTY OF DIGITAL EQUIPMENT CORPORATION AND SHALL NOT BE REPRODUCED OR COPIED OR USED IN WHOLE OR IN PART AS THE BASIS FOR THE MANUFACTURE OR SALE OF PRODUCTS WITHOUT PERMISSION. COPYRIGHT © 1975 DIGITAL EQUIPMENT CORPORATION



| REV |
|-----|
| |

| | | | | |
|---------------------|--------|---------------|--------|------|
| TITLE | (ELEC) | SIZE CODE | NUMBER | REV. |
| 32K SPC ELECTRONICS | DCS | G657-0-1 | | |
| SCALE | NONE | SHEET 4 OF 18 | DIST. | |

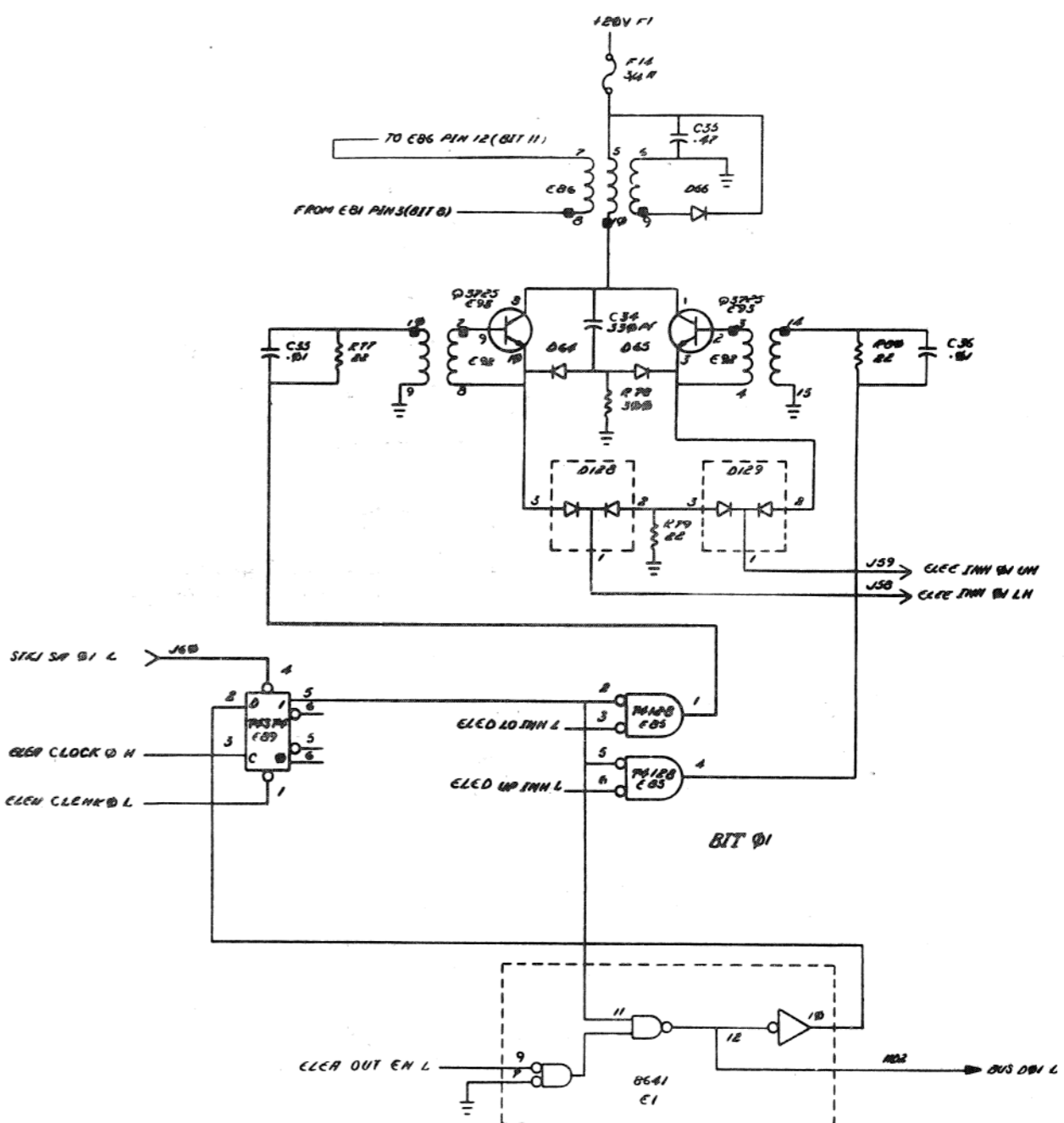
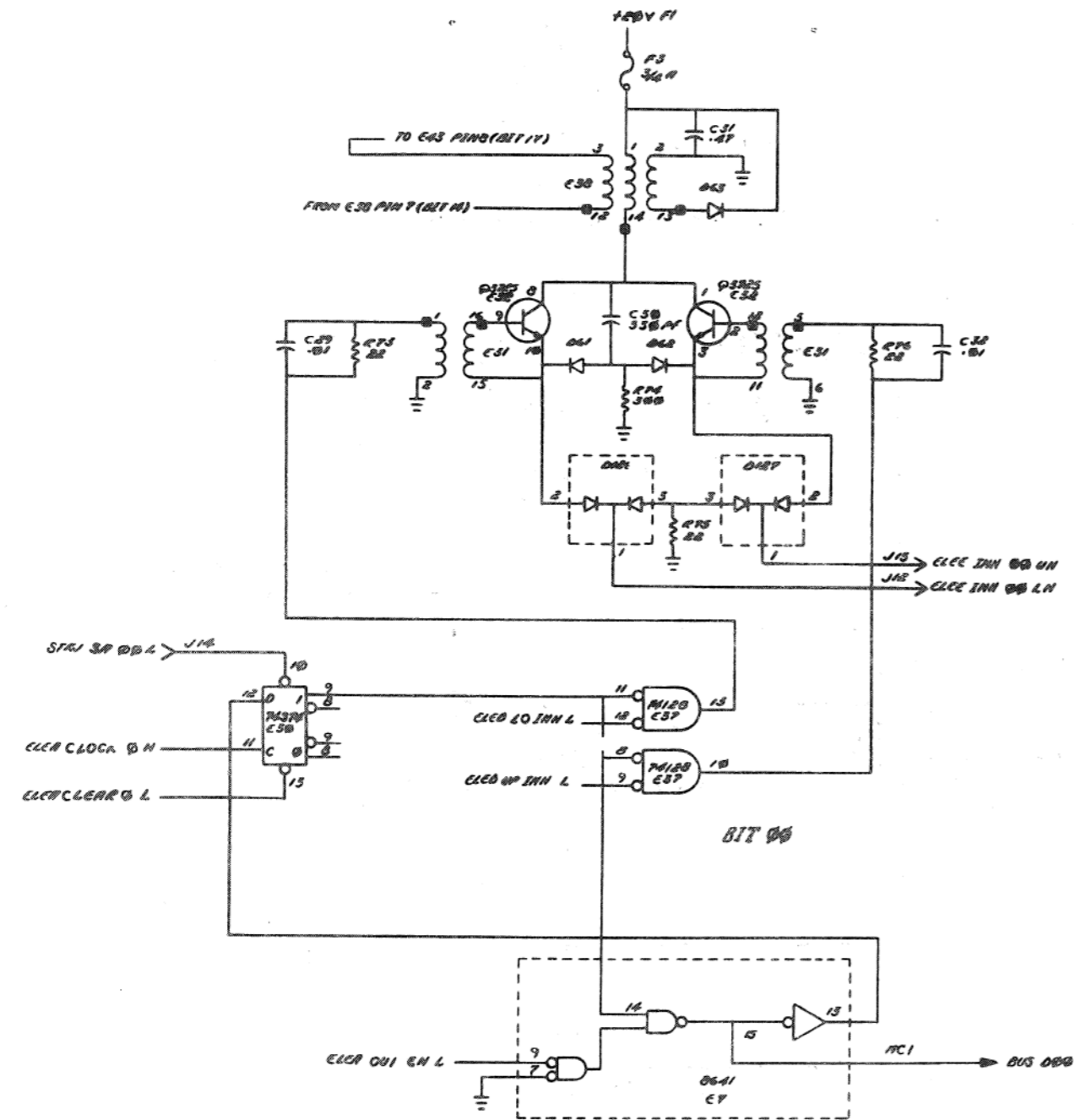
THE DESIGN AND SPECIFICATIONS HEREIN ARE THE PROPERTY OF DIGITAL EQUIPMENT CORPORATION AND SHALL NOT BE REPRODUCED OR COPIED OR USED IN WHOLE OR IN PART AS THE BASIS FOR THE REPRODUCTION OR SALE OF ITEMS WITHOUT THE WRITTEN PERMISSION OF DIGITAL EQUIPMENT CORPORATION.



| REVISIONS | |
|------------|------|
| CHANGE NO. | REV. |
| | |

| | | | | |
|---------------------|--------|-----------|---------|-------|
| TITLE | (ELED) | SIZE CODE | NUMBER | REV. |
| 32K SPC ELECTRONICS | DCS | G657-0-1 | C | |
| SCALE | NONE | SHEET | 5 OF 18 | DIST. |

THIS SCHEMATIC AND ASSOCIATED PARTS ARE THE PROPERTY OF DCS. IT IS TO BE KEPT IN CONFIDENTIALITY AND NOT TO BE REPRODUCED OR DISCLOSED TO ANY OTHER PERSON OR ORGANIZATION WITHOUT THE WRITTEN PERMISSION OF DCS. © 1976 DCS. CONTROL NUMBER 6657-0-1

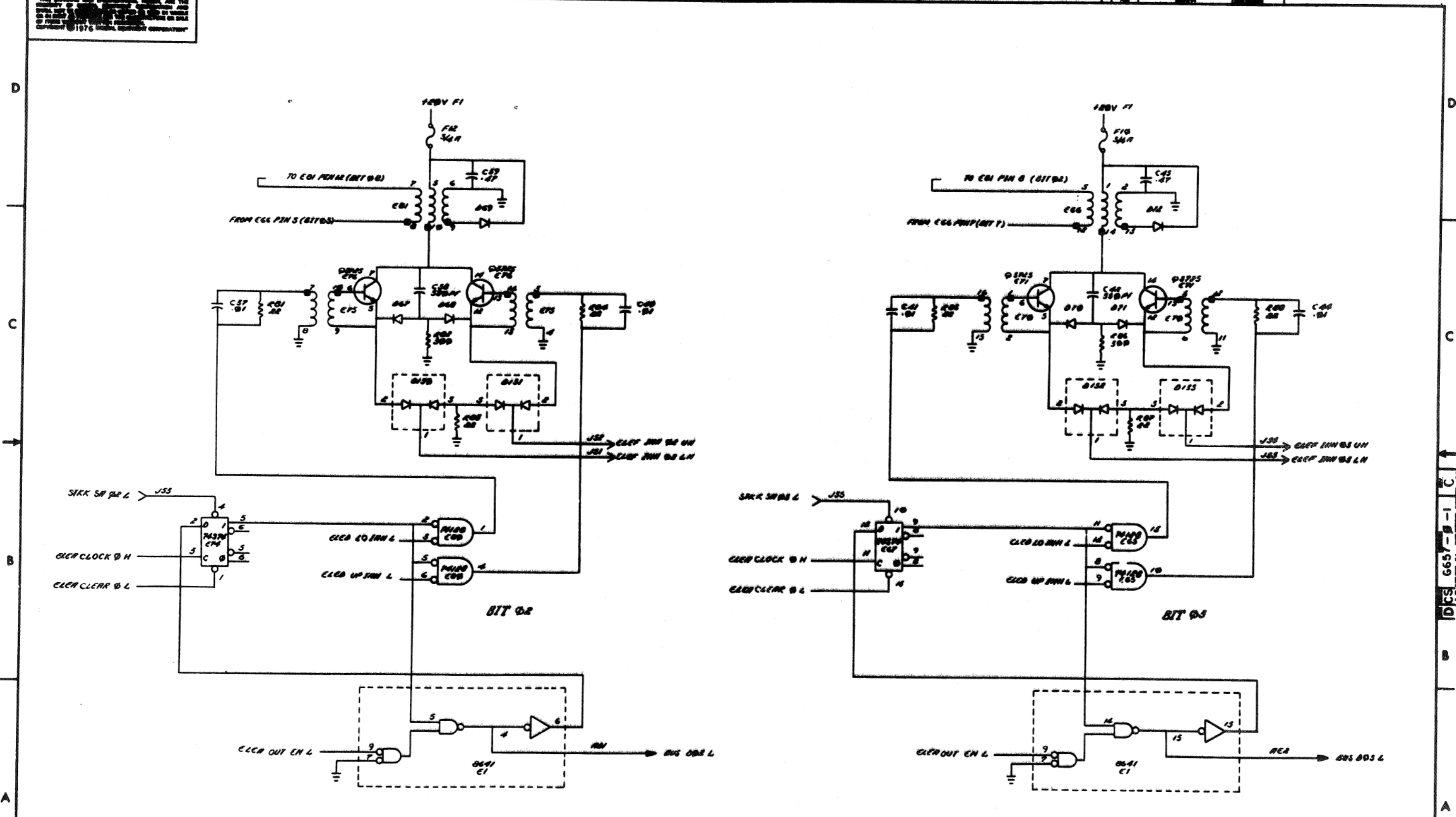


| REV. | CHANGE NO. | REV. |
|------|------------|------|
| | | |

TITLE: 32K SPC ELECTRONICS (ELEC)
 SCALE: NONE
 SHEET: 6 OF 16
 DCS G657-0-1
 NUMBER: 6657-0-1
 REV: C

THIS DRAWING AND INFORMATION HEREON ARE THE PROPERTY OF THE UNITED STATES GOVERNMENT AND ARE TO BE RELEASED TO THE PUBLIC ON THE DATE OF THIS DRAWING'S PUBLICATION.
 COPYRIGHT © 1976 MILITARY ELECTRONICS CORPORATION

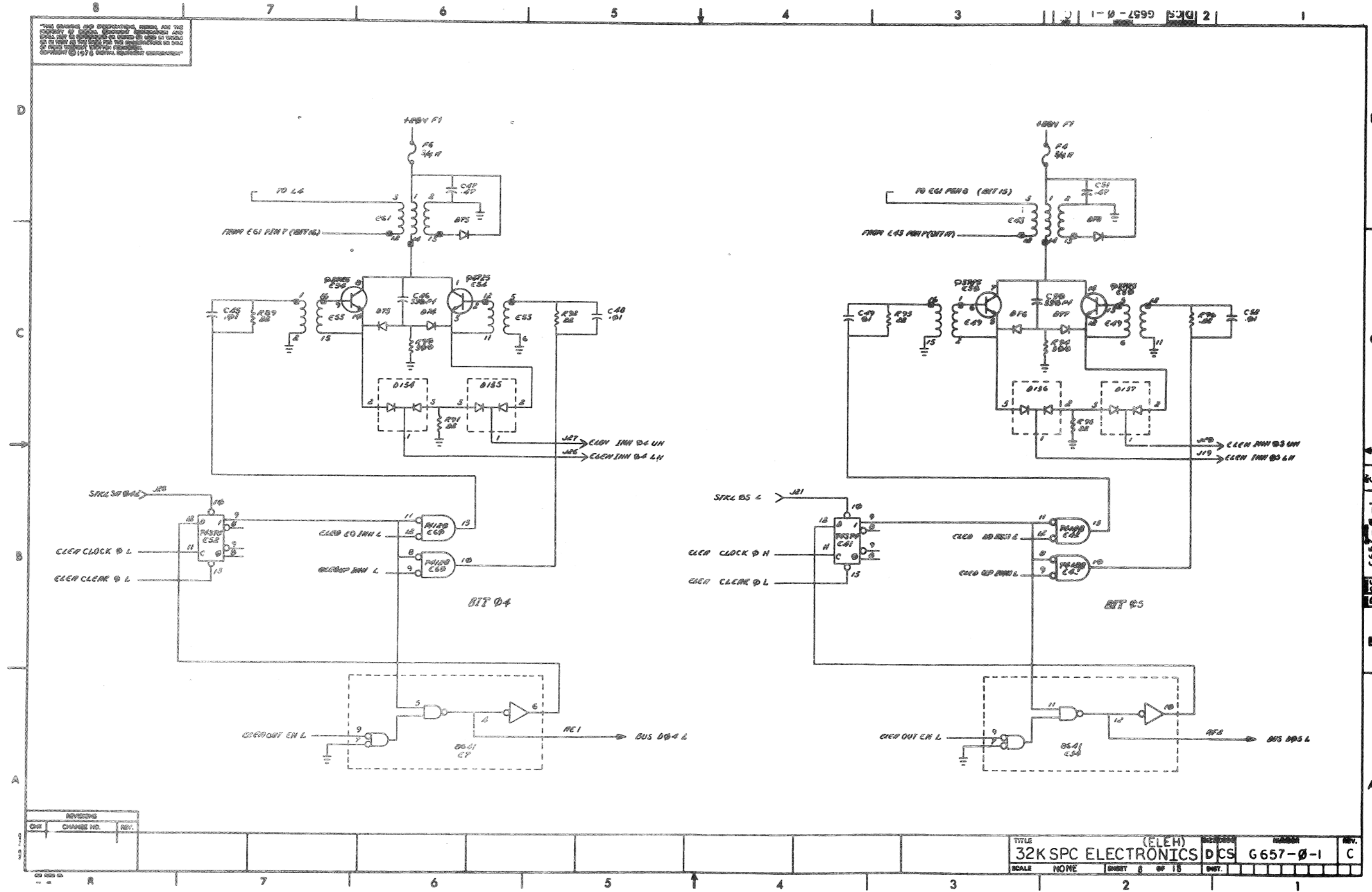
1-0-1999 SC/D 2



| REVISIONS | | |
|-----------|------------|------|
| CHK | CHANGE NO. | REV. |
| | | |

TITLE (ELEF) 32K SPC ELECTRONICS DCS G657-0-1
 SCALE NONE SHEET 7 OF 18

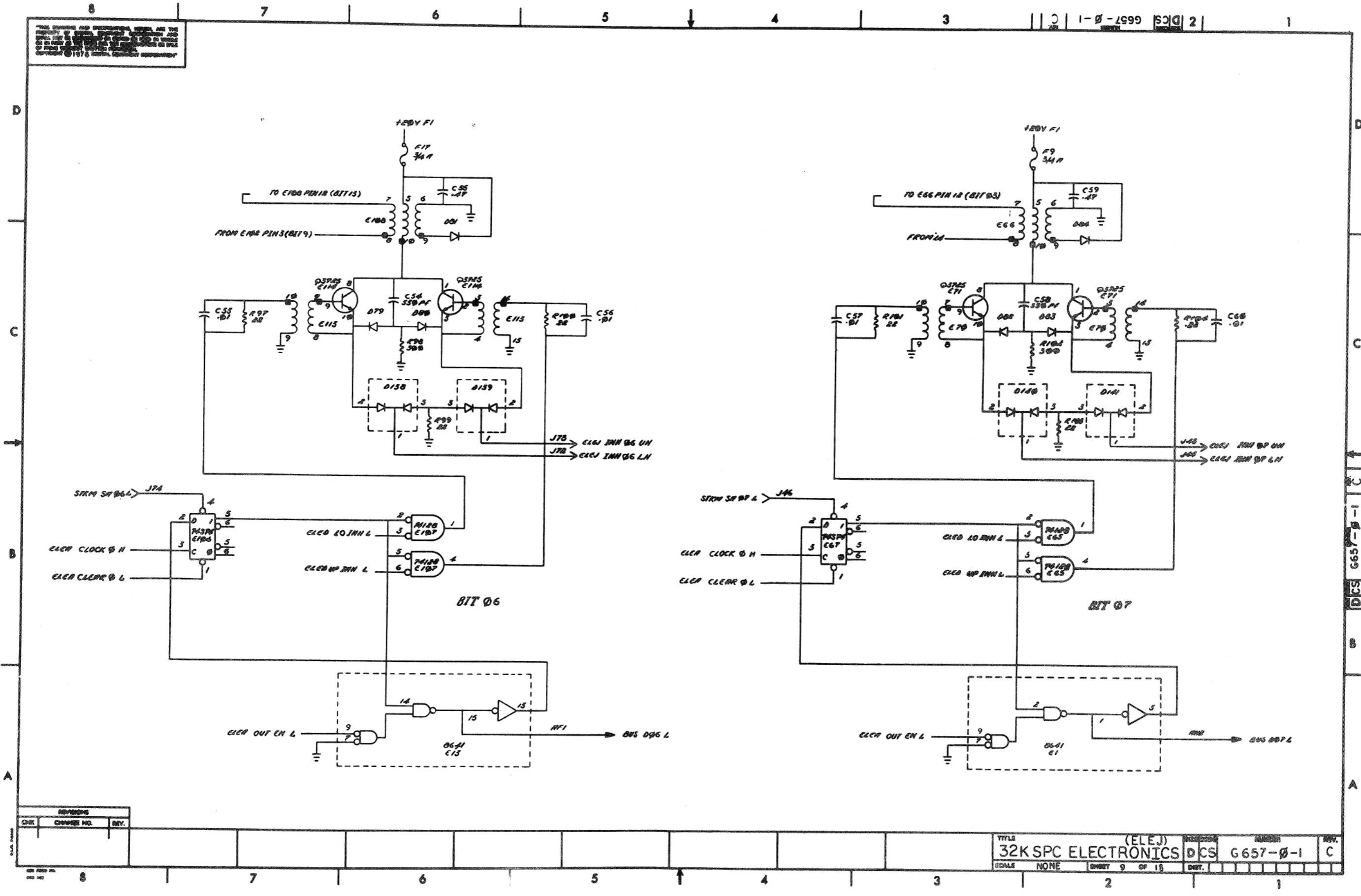
THIS DRAWING AND SPECIFICATIONS HEREBY ARE THE PROPERTY OF THE UNITED STATES GOVERNMENT AND SHALL NOT BE REPRODUCED OR TRANSMITTED IN ANY FORM OR BY ANY MEANS, ELECTRONIC OR MECHANICAL, INCLUDING PHOTOCOPYING, RECORDING, OR BY ANY INFORMATION STORAGE AND RETRIEVAL SYSTEM, WITHOUT PERMISSION IN WRITING FROM THE UNITED STATES GOVERNMENT.



| REVISIONS | | |
|-----------|------------|------|
| NO. | CHANGE NO. | REV. |
| | | |

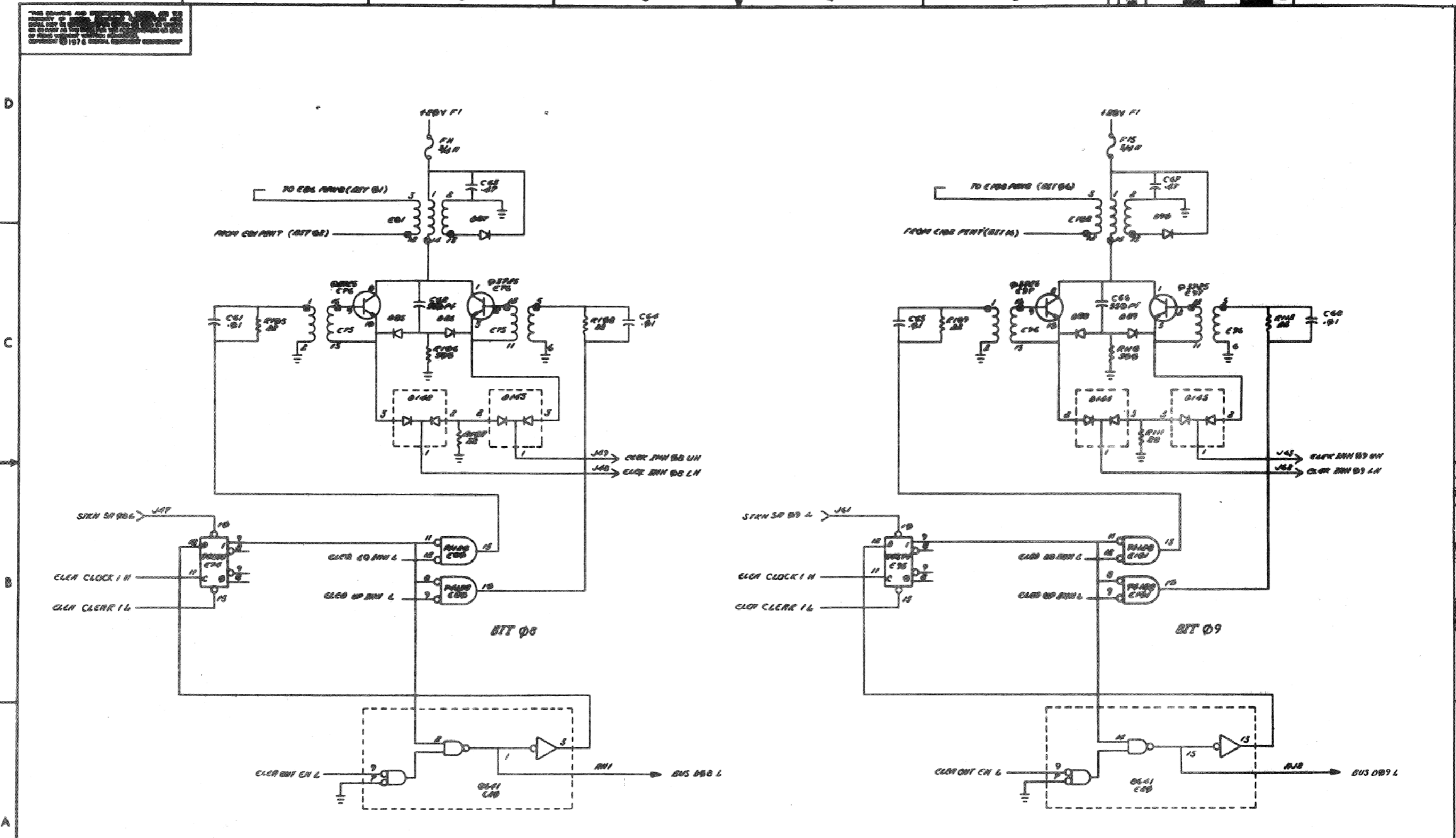
TITLE: 32K SPC ELECTRONICS DCS (ELEH)
 SCALE: NONE
 SHEET: 8 OF 18
 NUMBER: G657-0-1
 REV.: C

THIS DRAWING AND INFORMATION HEREON ARE THE PROPERTY OF THE UNITED STATES GOVERNMENT AND ARE LOANED TO YOU BY THE NATIONAL BUREAU OF STANDARDS. IT IS TO BE USED ONLY FOR THE PURPOSES AND IN THE MANNER SPECIFIED BY THE TERMS OF THE LOAN AGREEMENT. IT IS TO BE RETURNED TO THE NATIONAL BUREAU OF STANDARDS UPON THE COMPLETION OF YOUR PROJECT. © 1976 NBS, SP-700-100-1000



| REVISIONS | | |
|-----------|------------|------|
| CHK | CHANGE NO. | REV. |
| | | |

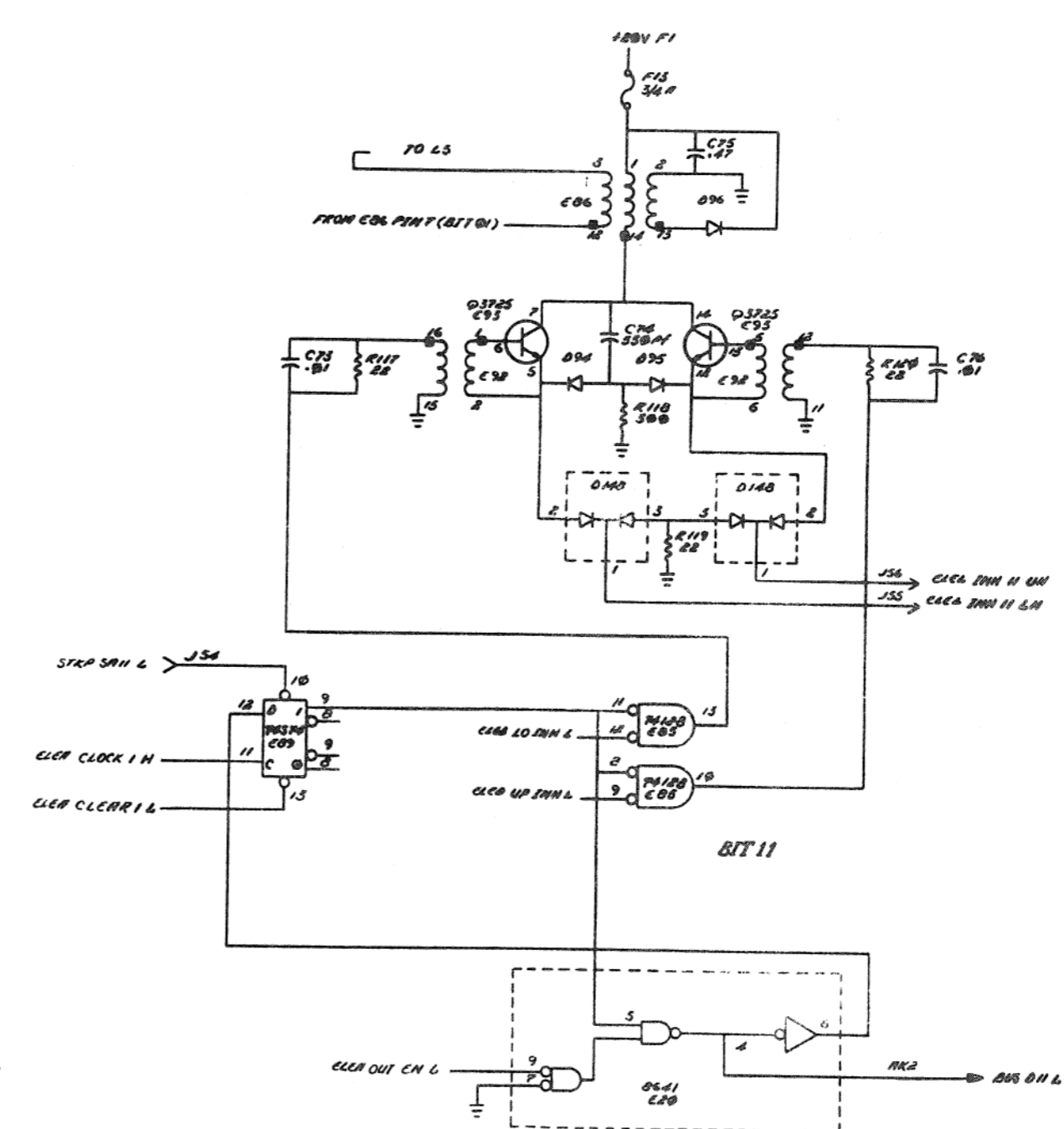
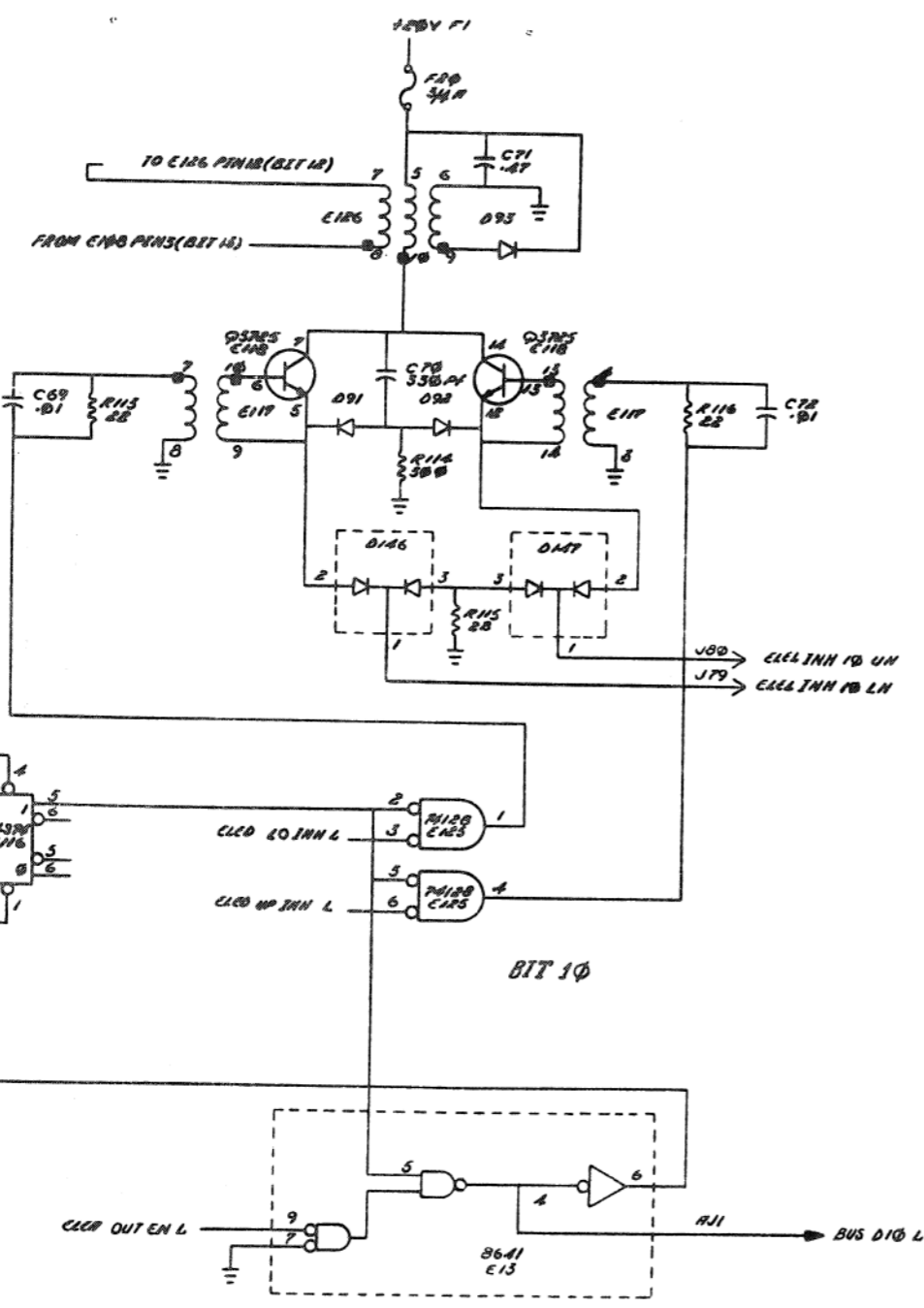
THIS DRAWING AND THE INFORMATION CONTAINED HEREIN IS UNCLASSIFIED EXCEPT WHERE SHOWN OTHERWISE. DATE 08-14-2013 BY 60322 UCBAW/SJS/STP



| REVISIONS | | |
|-----------|------------|------|
| CHK | CHANGE NO. | REV. |
| | | |

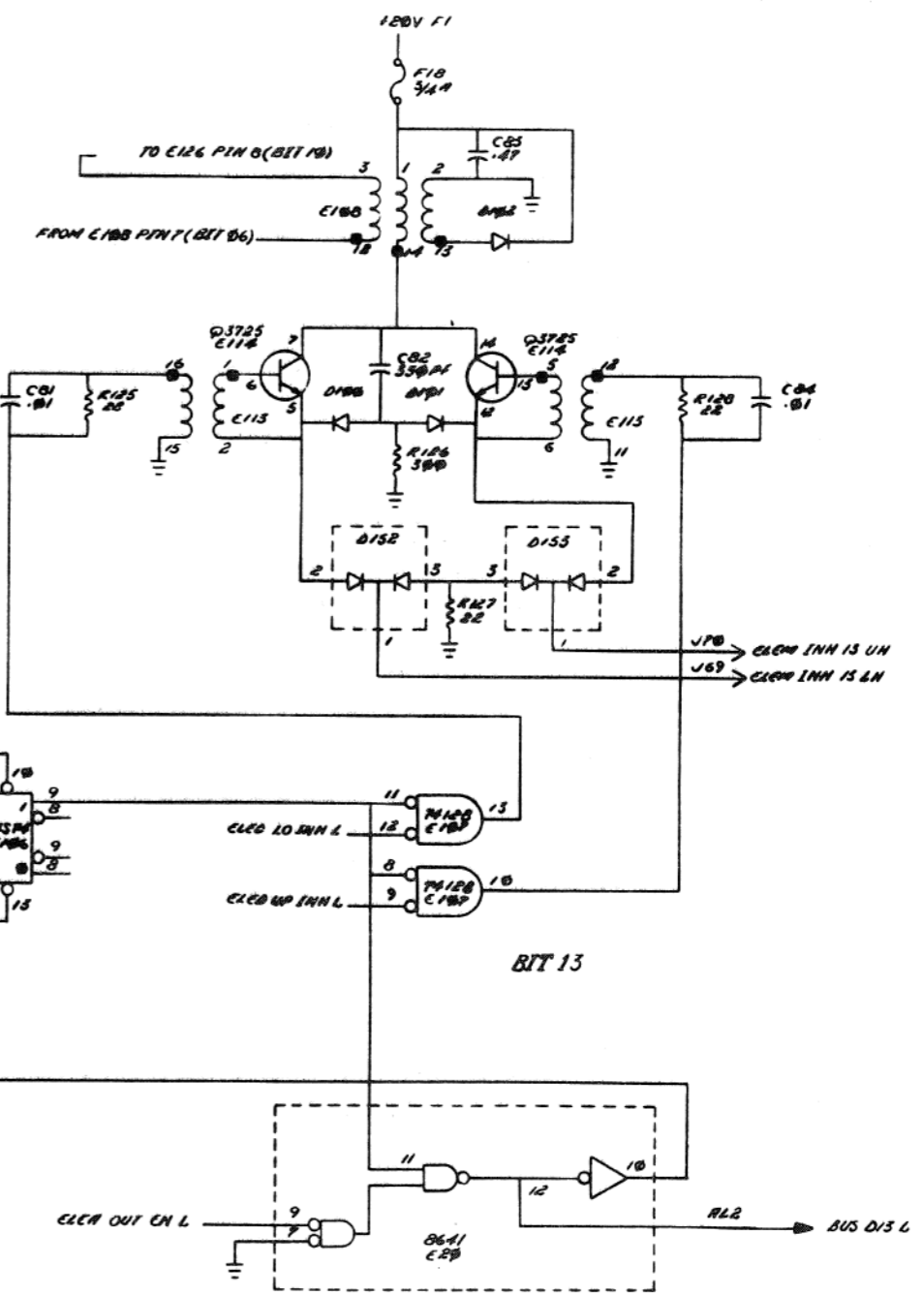
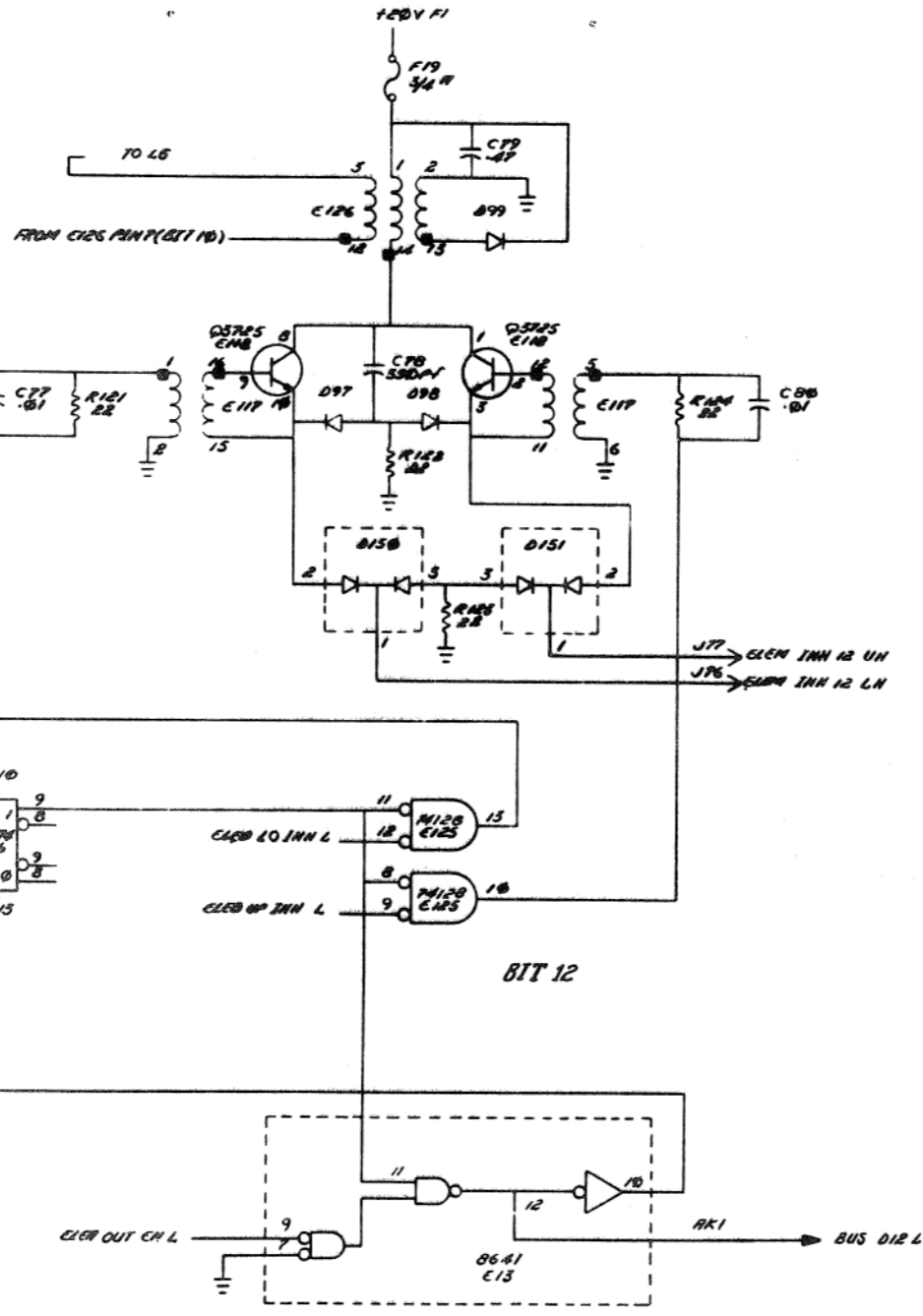
DCS 6657-0-1

THIS DRAWING AND OPERATING MANUAL ARE THE PROPERTY OF DIGITAL EQUIPMENT CORPORATION AND SHALL NOT BE REPRODUCED OR COPIED OR USED IN WHOLE OR IN PART AS THE BASIS FOR THE MANUFACTURE OR SALE OF THIS EQUIPMENT WITHOUT PERMISSION. COPYRIGHT © 1970 DIGITAL EQUIPMENT CORPORATION



| REVISIONS | | |
|-----------|-----------|------|
| CHK | CHANGE NO | REV. |
| | | |

THIS DRAWING AND SPECIFICATIONS HEREAFTER ARE THE PROPERTY OF DIGITAL EQUIPMENT CORPORATION AND SHALL NOT BE REPRODUCED OR COPIED OR USED IN WHOLE OR IN PART AS THE BASIS FOR THE CONSTRUCTION OR SALE OF THIS EQUIPMENT WITHOUT THE WRITTEN CONSENT OF DIGITAL EQUIPMENT CORPORATION.

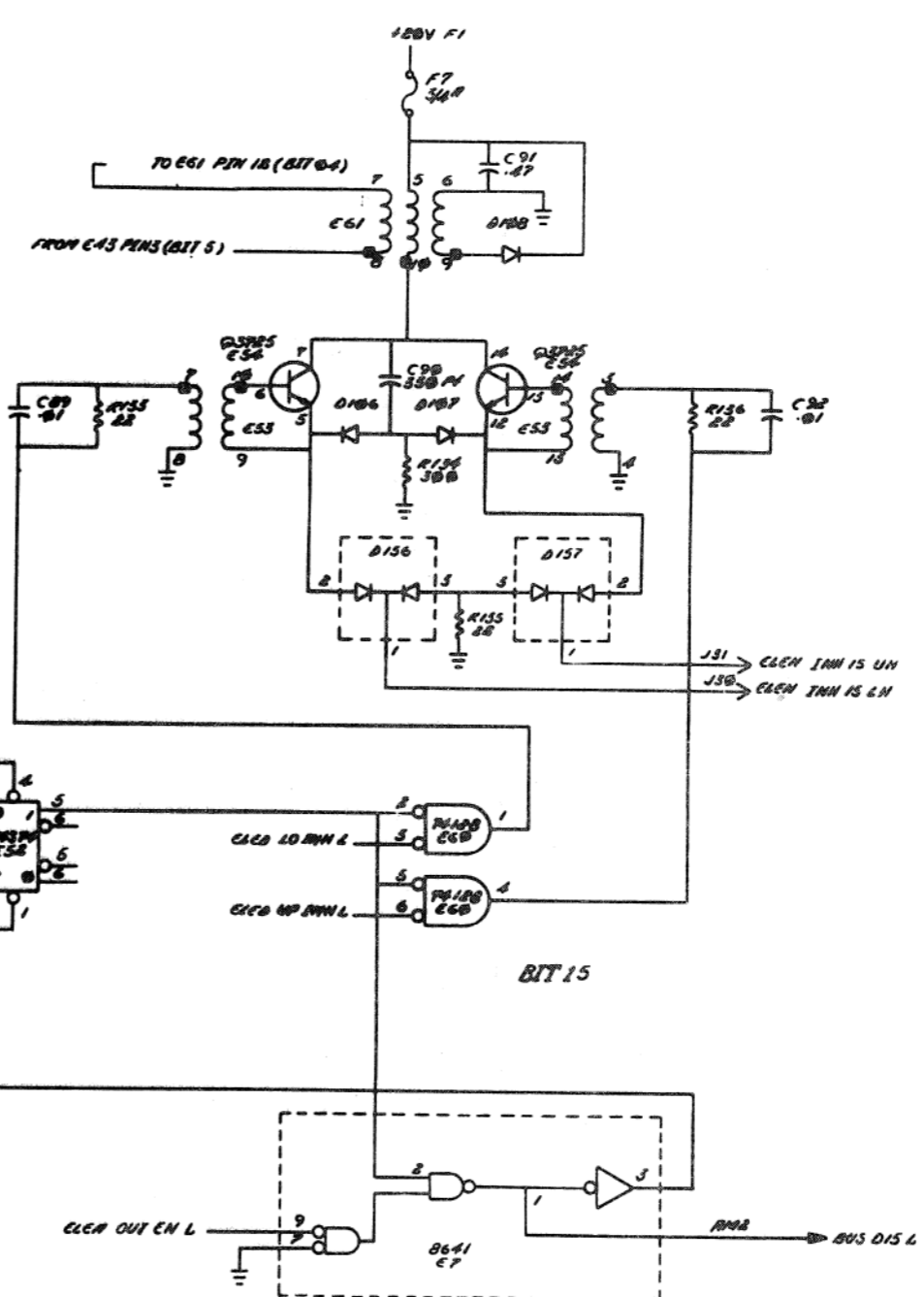
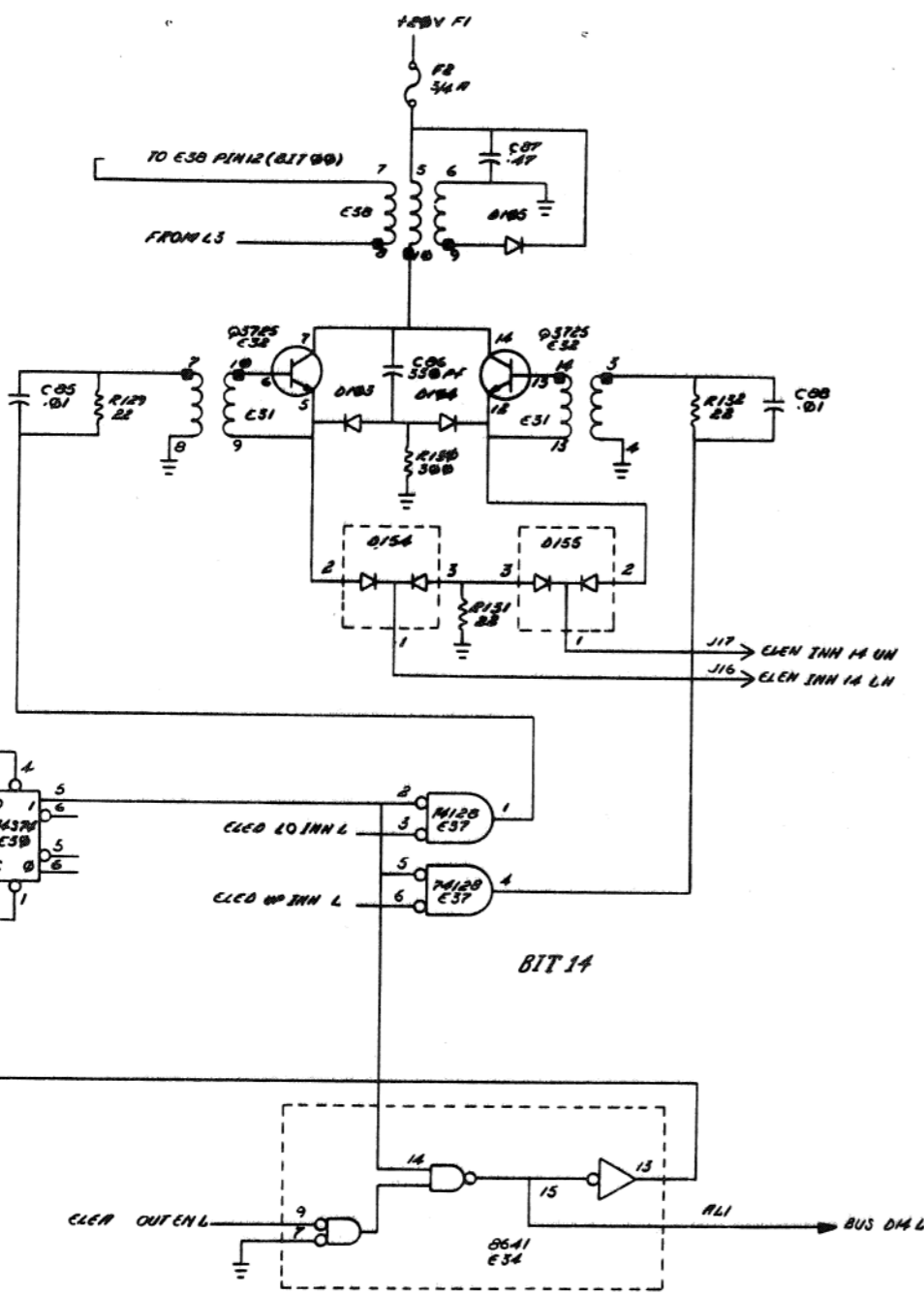


| REVISIONS | |
|------------|------|
| CHANGE NO. | REV. |
| | |

TITLE: 32KSPC ELECTRONICS (ELEM) DCS G657-0-1 C
SCALE: NONE SHEET 12 OF 18 DET.

THE DESIGN AND SPECIFICATIONS HEREIN ARE THE PROPERTY OF SIGNAL EQUIPMENT COMPANY AND SHALL NOT BE REPRODUCED OR USED IN WHOLE OR IN PART AS THE BASIS FOR THE MANUFACTURE OR SALE OF ANY EQUIPMENT WITHOUT PERMISSION OF SIGNAL EQUIPMENT COMPANY © 1975 SIGNAL EQUIPMENT COMPANY

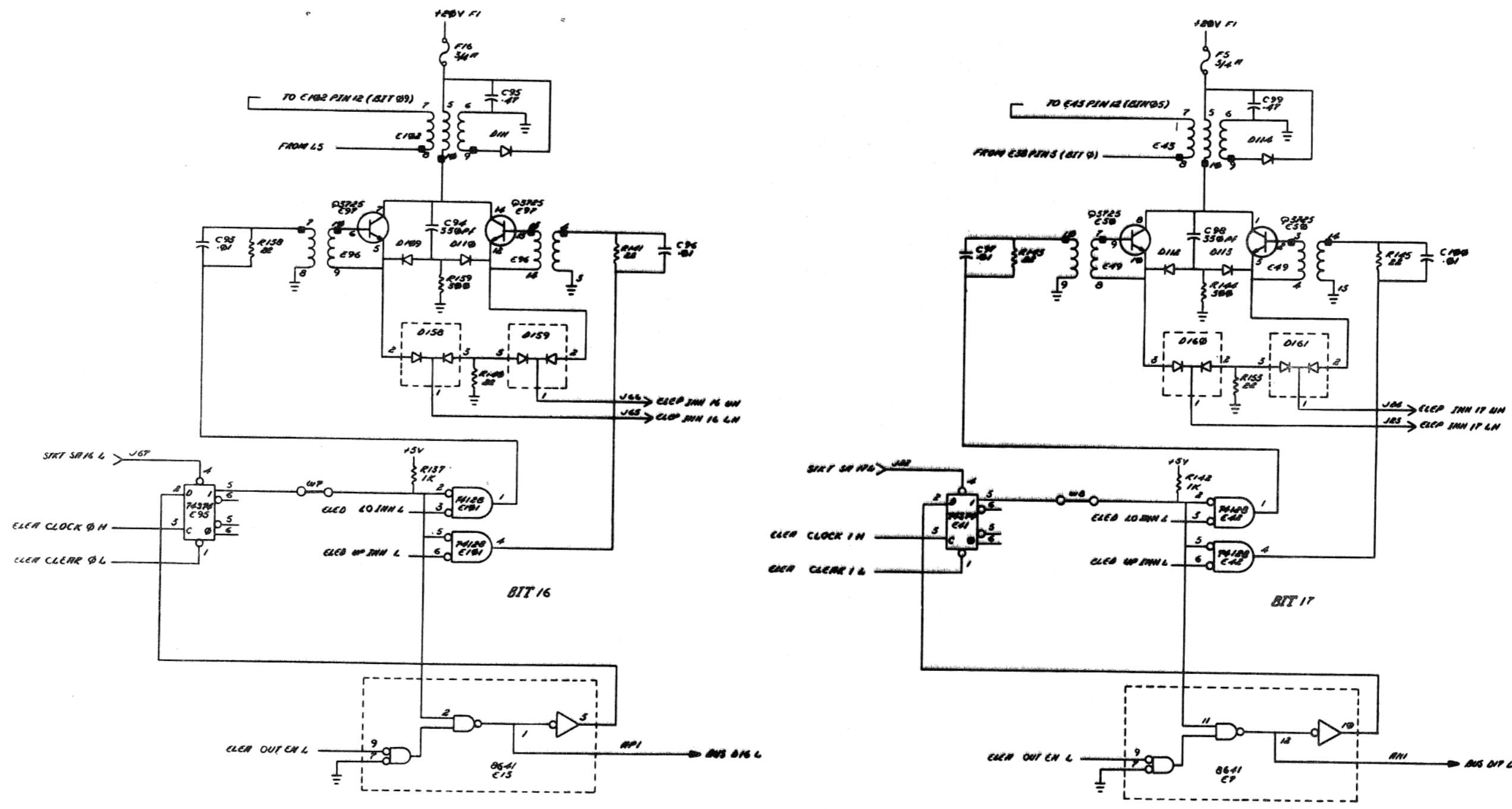
1-0-2999 SCS 2



| REVISIONS | | |
|-----------|-----------|-----|
| CHG | CHANGE NO | REV |
| | | |

TITLE (ELEN) 32K SPC ELECTRONICS DCS G 657-0-1 REV. C
 SCALE NONE SHEET 13 OF 18 DATE

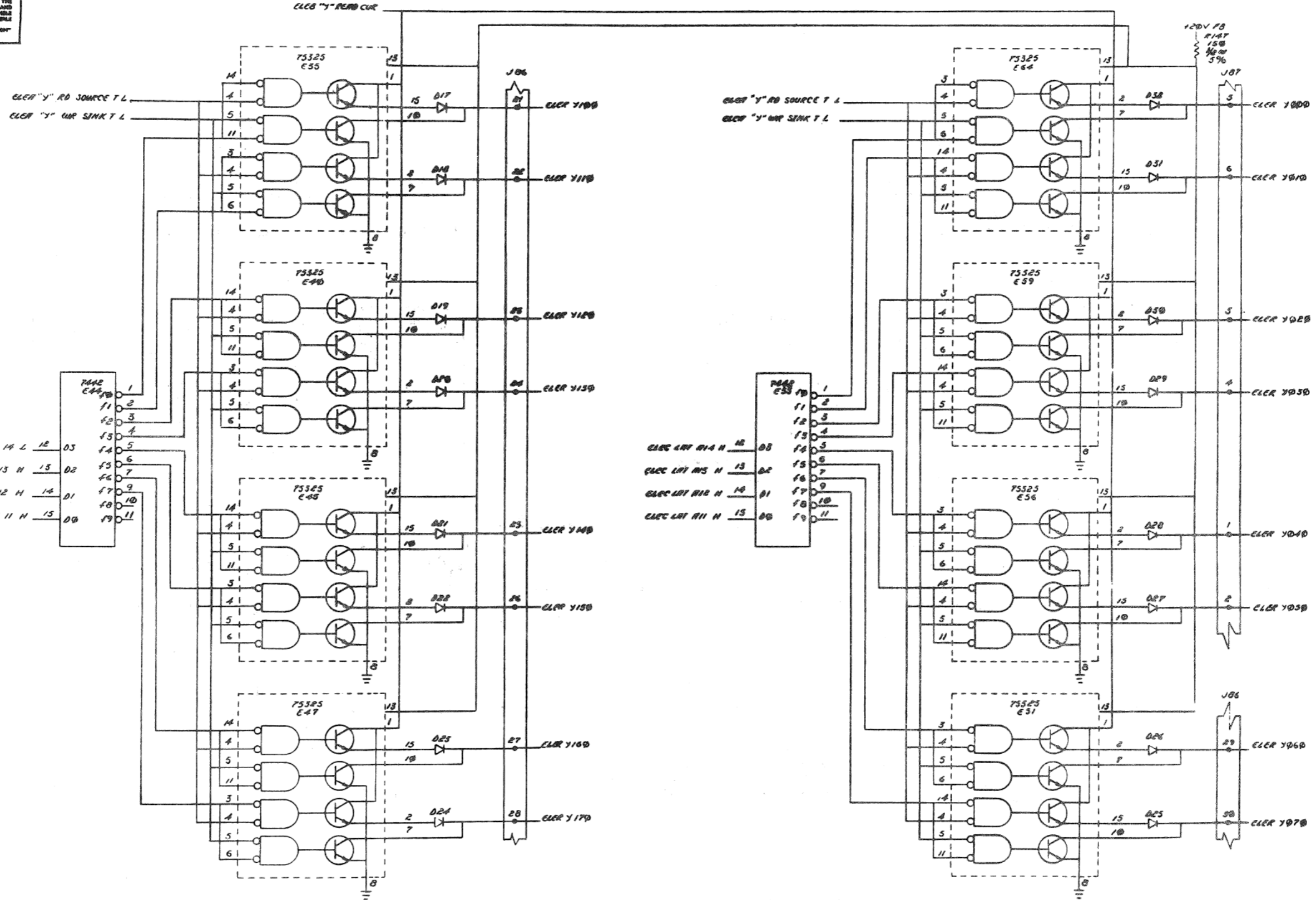
ALL DIMENSIONS AND SPECIFICATIONS UNLESS OTHERWISE NOTED ARE THE PROPERTY OF CONTROL ELECTRONICS CORPORATION AND SHALL NOT BE REPRODUCED OR TRANSMITTED IN ANY FORM OR BY ANY MEANS, ELECTRONIC OR MECHANICAL, INCLUDING PHOTOCOPYING, RECORDING, OR BY ANY INFORMATION STORAGE AND RETRIEVAL SYSTEM. CONTROL ELECTRONICS CORPORATION © 1976



| REV | REASON | DATE |
|-----|--------|------|
| | | |

| | | | | |
|---------------------|--------|-----------|----------|-------|
| TITLE | (ELEP) | INTERLOCK | NUMBER | REV. |
| 32K SPC ELECTRONICS | DCS | G 657-0-1 | C | |
| SCALE | NONE | SHEET | 14 OF 18 | DIST. |

THIS DRAWING AND SPECIFICATIONS HEREAFTER ARE THE PROPERTY OF 32K SPC ELECTRONICS CORPORATION AND SHALL NOT BE REPRODUCED OR COPIED OR USED IN WHOLE OR IN PART AS THE BASIS FOR THE MANUFACTURE OR SALE OF ITEMS WITHOUT WRITTEN PERMISSION. APPROVED BY 32K SPC ELECTRONICS CORPORATION



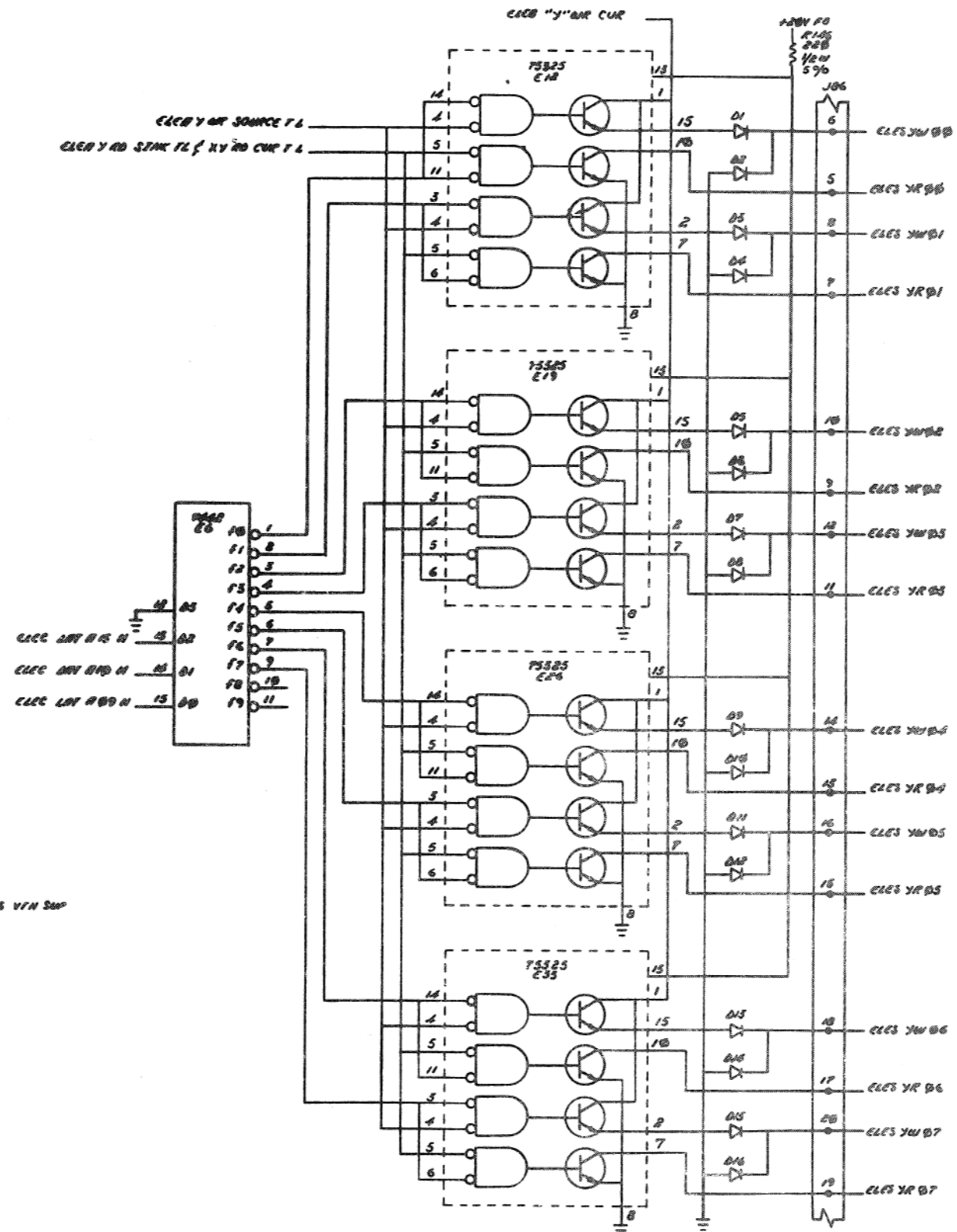
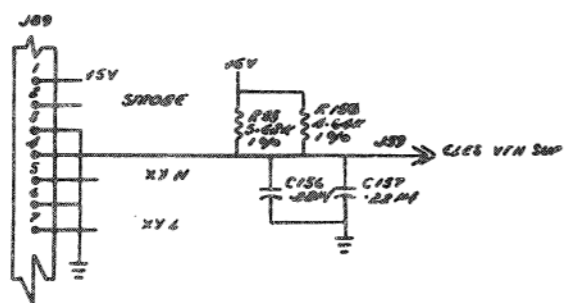
- ELER LAT R 14 L 12 D3
- ELER LAT R 13 H 13 D2
- ELER LAT R 12 H 14 D1
- ELER LAT R 11 H 15 D0

- ELER LAT R 14 H 12 D3
- ELER LAT R 13 H 13 D2
- ELER LAT R 12 H 14 D1
- ELER LAT R 11 H 15 D0

| NO. | REV. |
|-----|------|
| | |

TITLE: 32K SPC ELECTRONICS (ELER) DCS NUMBER: G657-0-1 REV: C
 SCALE: NON SHEET: 15 OF 18 DIST: 1

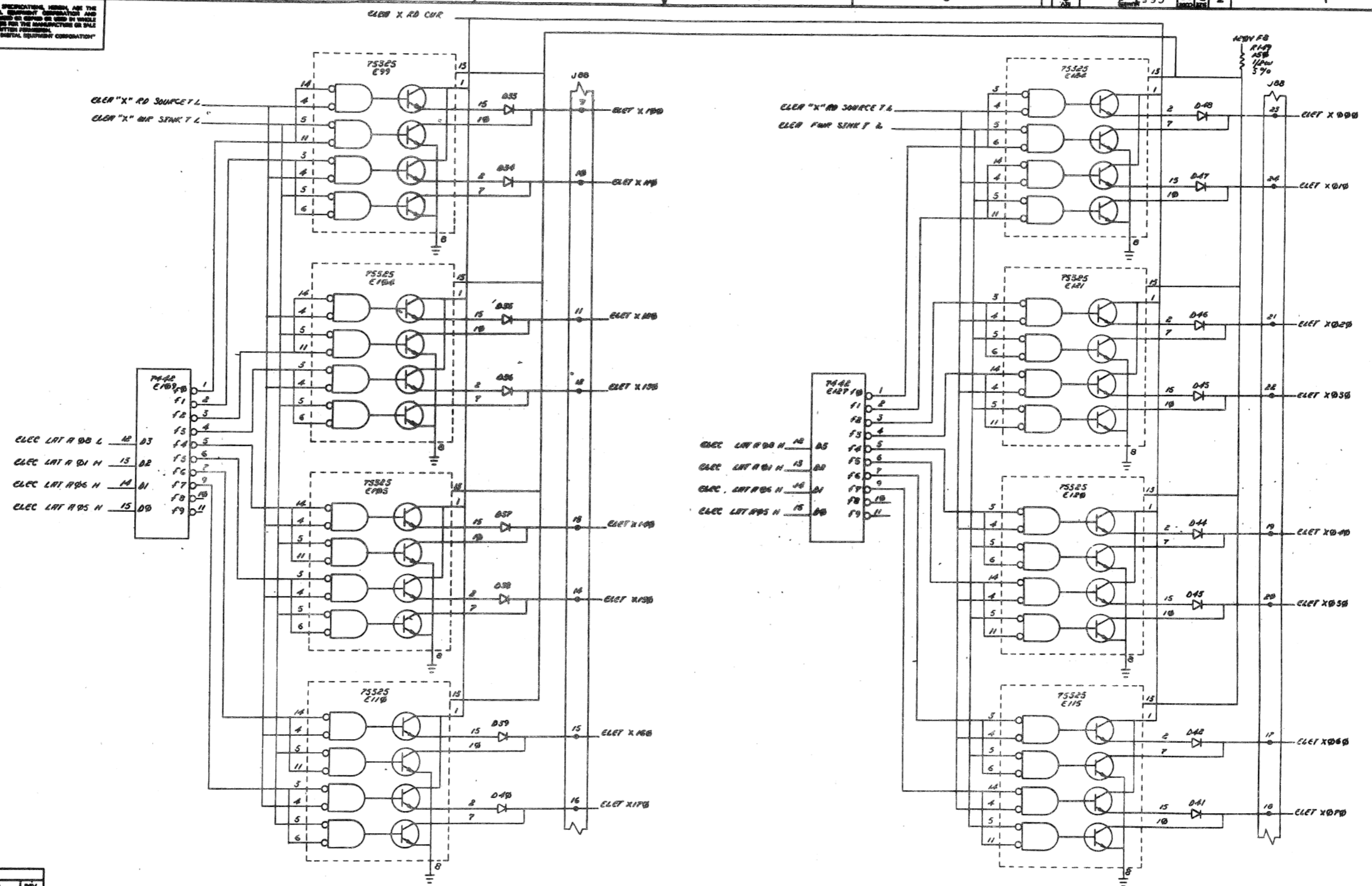
THIS DRAWING AND CONTAINING HEREIN ARE THE PROPERTY OF THE UNITED STATES GOVERNMENT AND ARE TO BE REPRODUCED AND TRANSMITTED IN ANY FORM AND BY ANY MEANS, ELECTRONIC OR MECHANICAL, INCLUDING PHOTOCOPYING, RECORDING, OR BY ANY INFORMATION STORAGE AND RETRIEVAL SYSTEM, WITHOUT PERMISSION IN WRITING FROM THE DIRECTOR, ARPA, WASH. DC 20304.



| REVISIONS | | |
|-----------|------------|------|
| CHK | CHANGE NO. | REV. |
| | | |

TITLE (ELES) 32K SPC ELECTRONICS DCS NUMBER G657-0-1 REV. C
 SCALE NONE SHEET 16 OF 18 DWT.

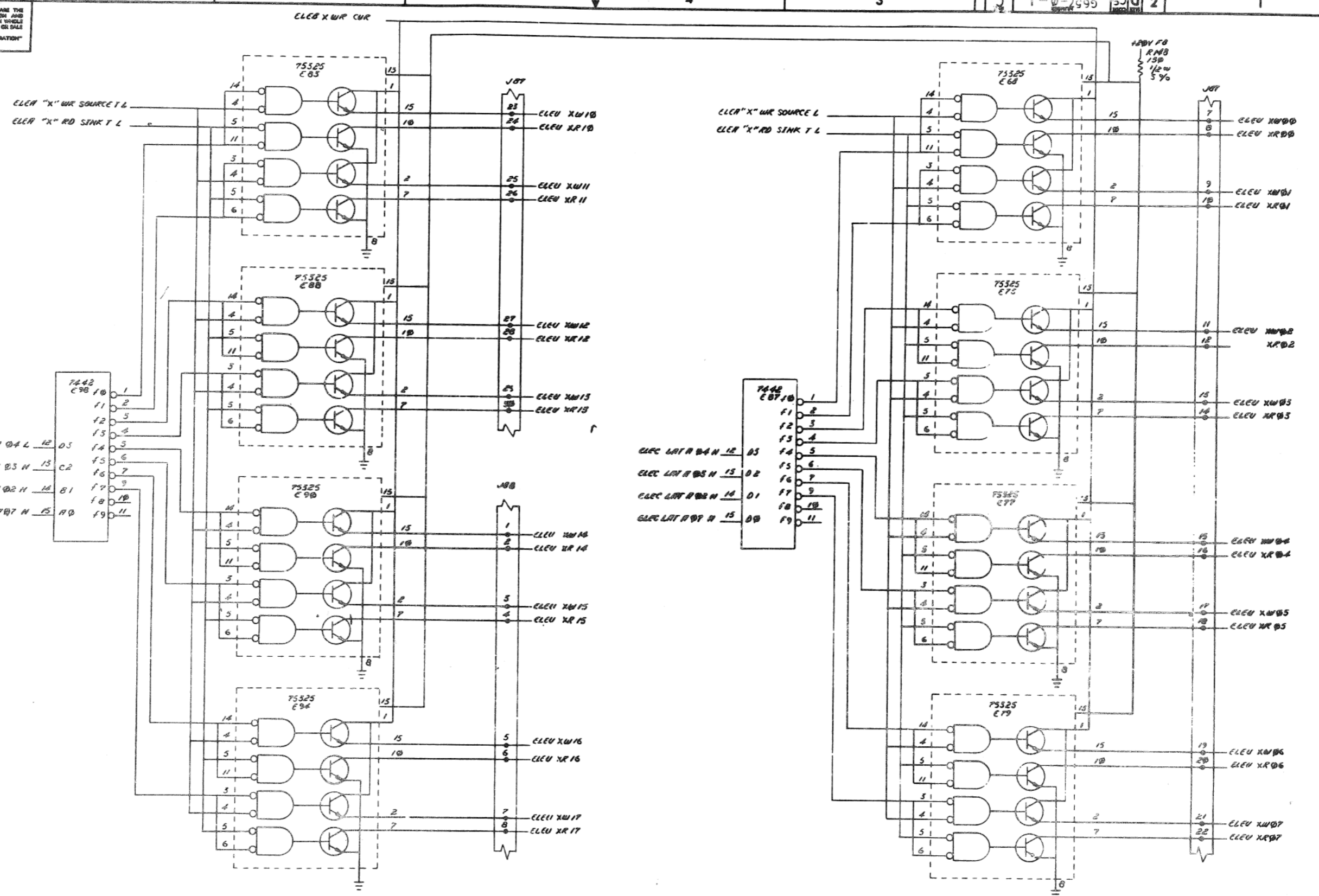
THIS DRAWING AND SPECIFICATIONS HEREON ARE THE PROPERTY OF DIGITAL EQUIPMENT CORPORATION AND SHALL NOT BE REPRODUCED OR COPIED OR USED IN WHOLE OR IN PART AS THE BASIS FOR THE MANUFACTURE OR SALE OF ITEMS UNLESS THE WRITTEN PERMISSION OF DIGITAL EQUIPMENT CORPORATION IS OBTAINED.



| REVISIONS | | |
|-----------|------------|------|
| CHK | CHANGE NO. | REV. |
| | | |

| | | | | |
|--------------------|--------|----------|--------|-------|
| TITLE | (ELET) | SECTION | NUMBER | REV. |
| 32KSPC ELECTRONICS | DCS | G657-0-1 | C | |
| SCALE | NONE | SHEET | 17 | OF 18 |
| | | DIST. | | |

"THIS DRAWING AND SPECIFICATIONS HEREIN ARE THE PROPERTY OF DIGITAL EQUIPMENT CORPORATION AND SHALL NOT BE REPRODUCED OR COPIED OR USED IN WHOLE OR IN PART AS THE BASIS FOR THE MANUFACTURE OR SALE OF ITEMS WITHOUT WRITTEN PERMISSION. COPYRIGHT © 1975 DIGITAL EQUIPMENT CORPORATION"



| REVISIONS | | |
|-----------|------------|-----|
| CHK | CHANGE NO. | REV |
| | | |

TITLE (ELEV) 32K SPC ELECTRONICS DCS NUMBER G657-0-1 REV. C
 SCALE NONE SHEET 18 OF 18 DIST.