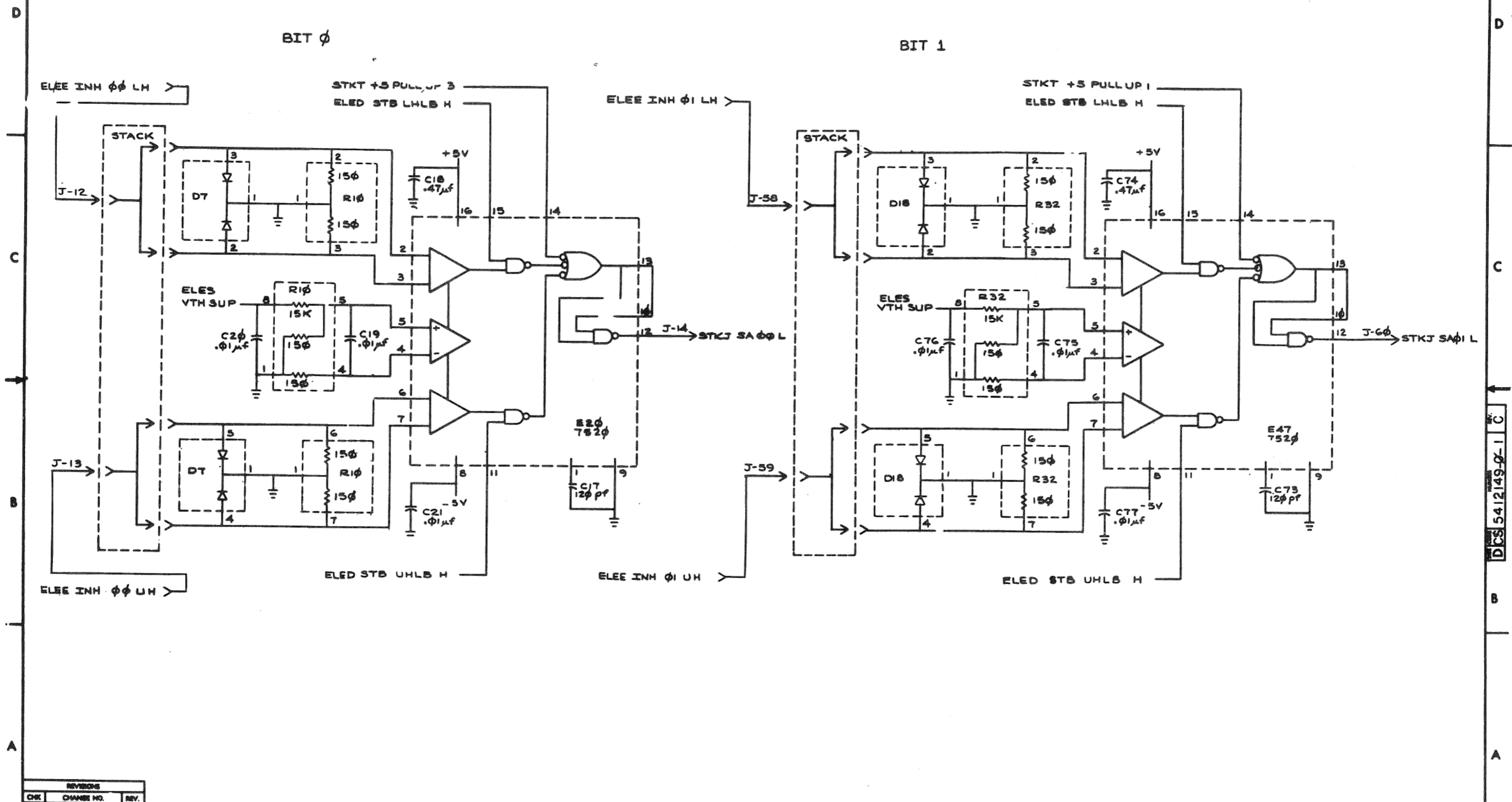


7) DIMENSIONS AND SPECIFICATIONS HEREIN ARE TO BE USED IN CONNECTION WITH THE DRAWINGS AND SHALL NOT BE CONSIDERED AS A BASIS FOR DESIGN OR CONSTRUCTION OF THIS EQUIPMENT WITHOUT THE WRITTEN PERMISSION OF THE DESIGNING OFFICE.
 © 1976

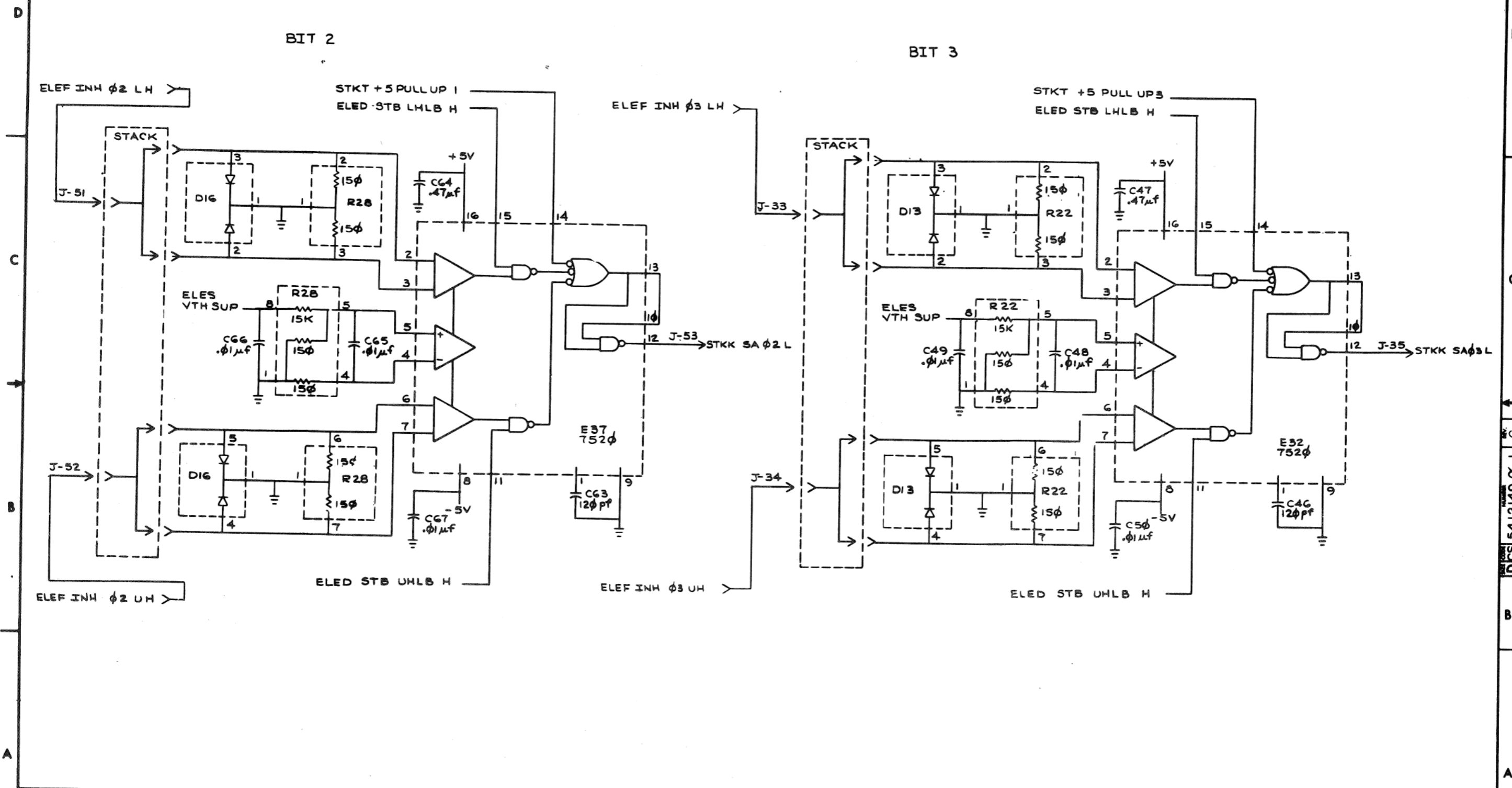


REVISIONS		
CHK	CHANGE NO.	REV.

TITLE	32K (STKJ)	SIZE CODE	NUMBER	REV.
SPC	MEMORY	DCS	5412149-0-1	C
SCALE	1/1	SHEET	8 OF 16	DIST.

207

THE DRAWING AND SPECIFICATIONS HEREIN ARE THE PROPERTY OF DIGITAL EQUIPMENT CORPORATION AND SHALL NOT BE REPRODUCED OR COPIED OR USED IN WHOLE OR IN PART AS THE BASIS FOR THE MANUFACTURE OR SALE OF ITEMS WITHOUT WRITTEN PERMISSION. COPYRIGHT © 1976 DIGITAL EQUIPMENT CORPORATION



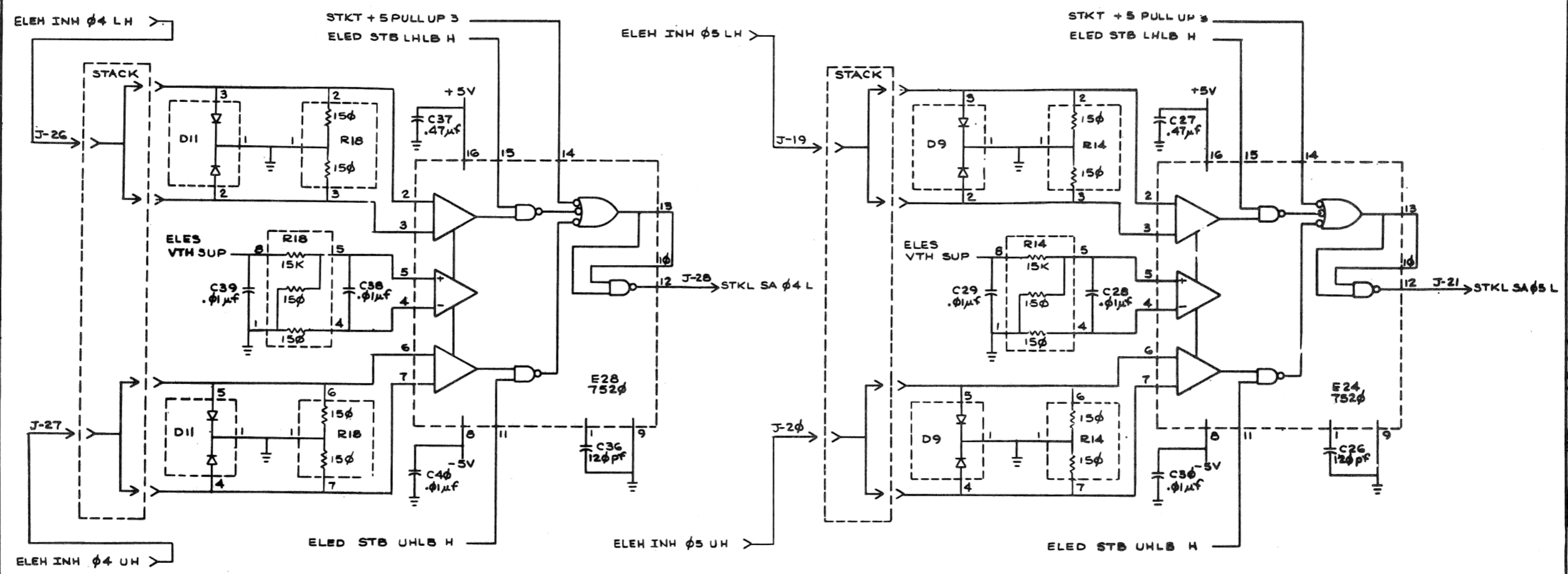
REVISIONS		
CHK	CHANGE NO.	REV.

208

THE SCHEMATIC AND SPECIFICATIONS HEREIN ARE THE PROPERTY OF GENERAL ELECTRIC COMPANY AND SHALL NOT BE REPRODUCED OR USED IN WHOLE OR IN PART AS THE BASIS FOR THE MANUFACTURE OR SALE OF ITEMS WITHOUT WRITTEN PERMISSION. COPYRIGHT © 1976, GENERAL ELECTRIC COMPANY

BIT 4

BIT 5

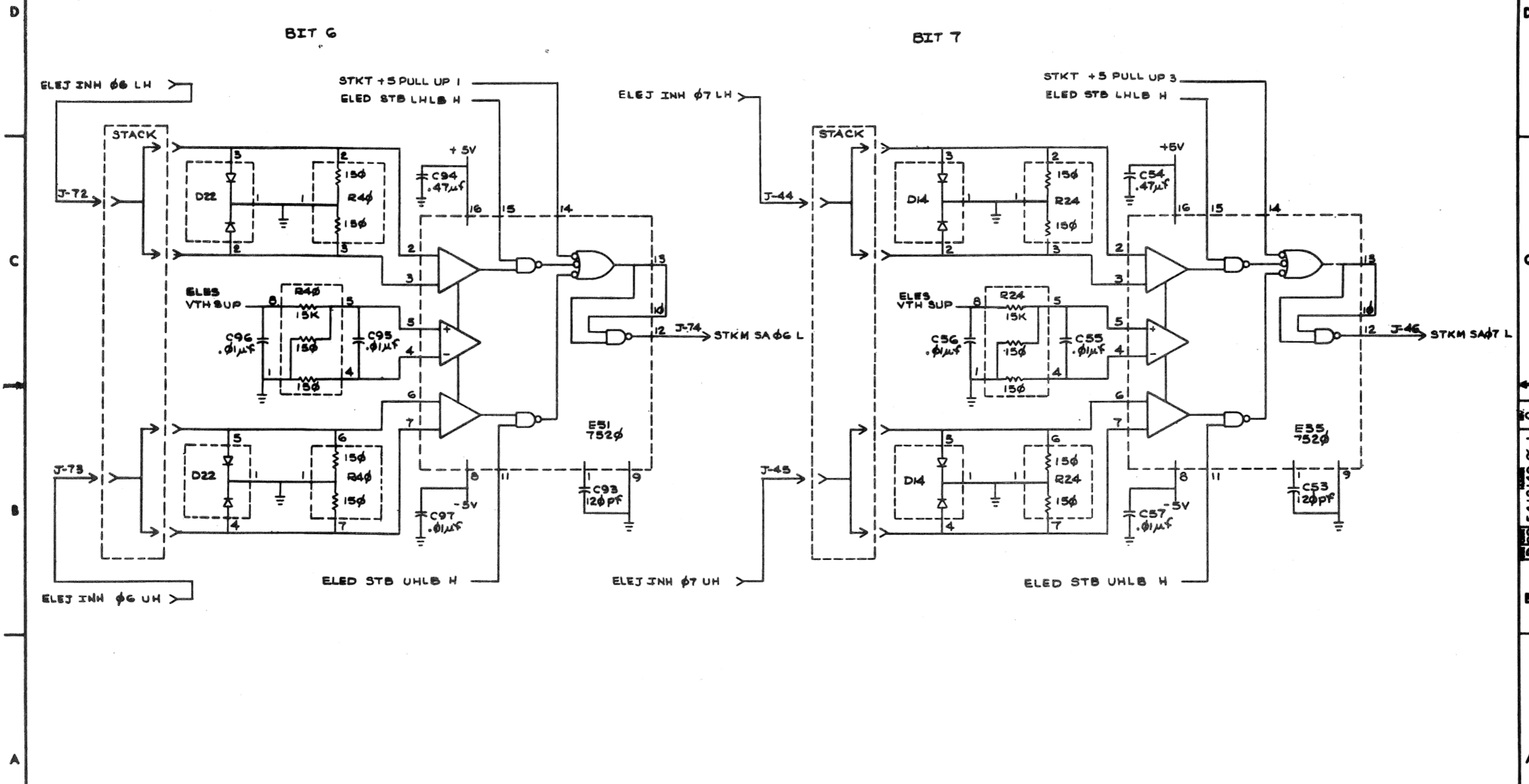


REVISIONS		
CHK	CHANGE NO.	REV.

TITLE	32K (STKL)	NUMBER	DCS 5412149-0-1 C	REV.	
SCALE		SHEET	10	OF	16

209

THIS DRAWING AND THE INFORMATION CONTAINED HEREIN IS UNCLASSIFIED EXCEPT WHERE SHOWN OTHERWISE BY A CONTROLLED UNCLASSIFICATION GUIDE. DATE 12/15/99 BY 60322 UCBAW/BJS

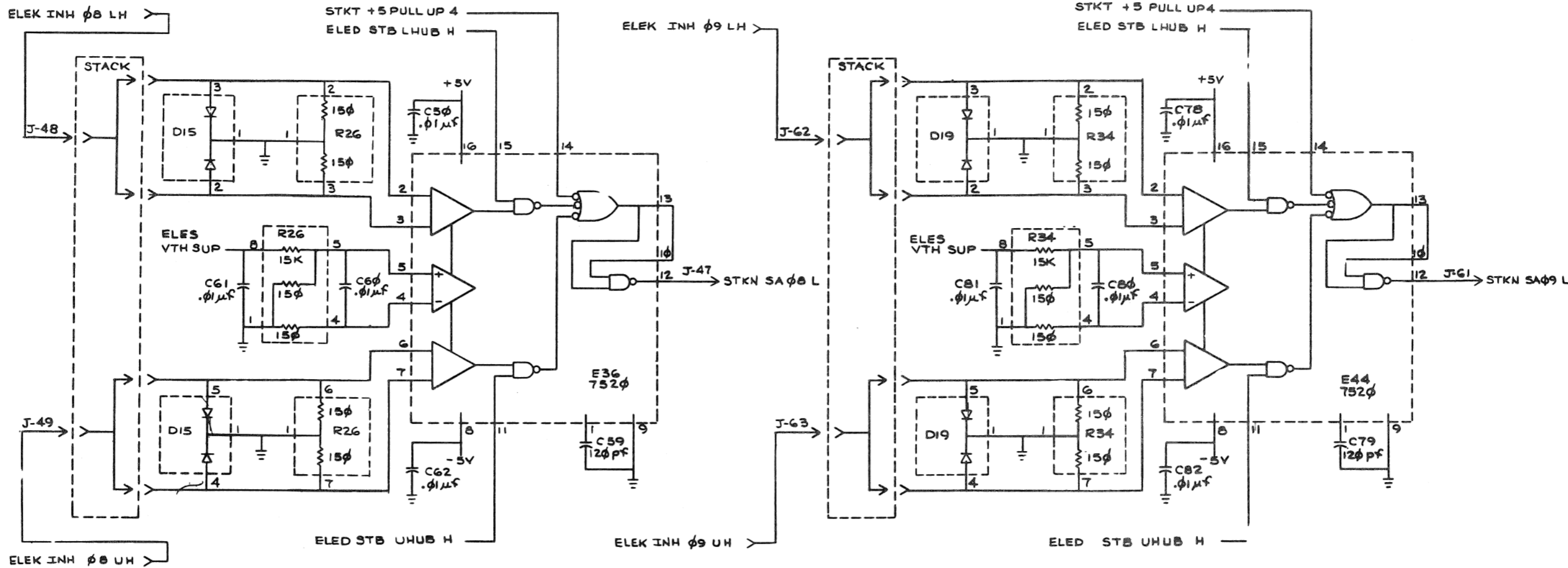


REVISIONS		
CHK	CHANGE NO.	REV.

THIS DRAWING AND SPECIFICATIONS HEREBY ARE THE PROPERTY OF DIGITAL EQUIPMENT CORPORATION AND SHALL NOT BE REPRODUCED OR COPIED OR USED IN WHOLE OR IN PART AS THE BASIS FOR THE MANUFACTURE OR SALE OF THIS EQUIPMENT WITHOUT PERMISSION. COPYRIGHT © 1970 DIGITAL EQUIPMENT CORPORATION

BIT 8

BIT 9



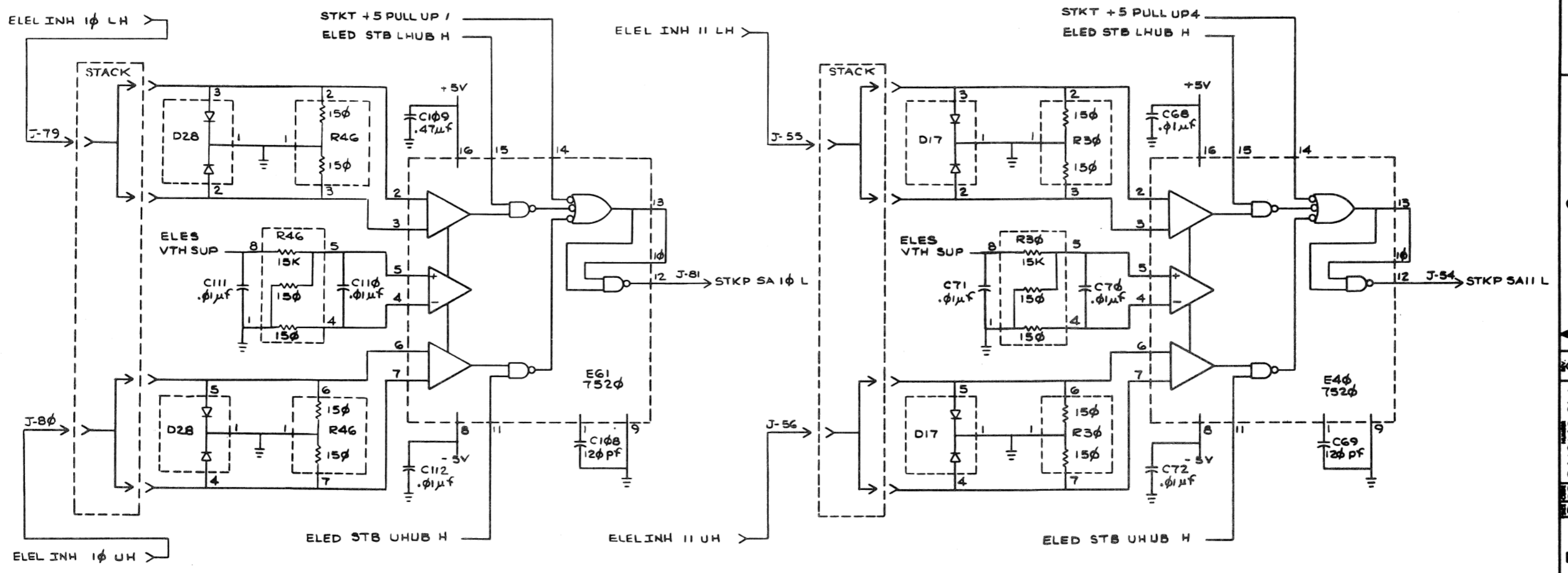
REVISIONS		
CHK	CHANGE NO.	REV.

TITLE	32K (STKN) MEMORY	SIZE/CODE	NUMBER	REV.
SCALE	SHEET 12 OF 16	DWT.	DCS 5412149-0-1	C

THE DRAWING AND SPECIFICATIONS HEREIN ARE THE PROPERTY OF DIGITAL EQUIPMENT CORPORATION AND SHALL NOT BE REPRODUCED OR COPIED OR USED IN WHOLE OR IN PART AS THE BASIS FOR THE MANUFACTURE OR SALE OF ITEMS WITHOUT WRITTEN PERMISSION. COPYRIGHT © 1971, DIGITAL EQUIPMENT CORPORATION

BIT 10

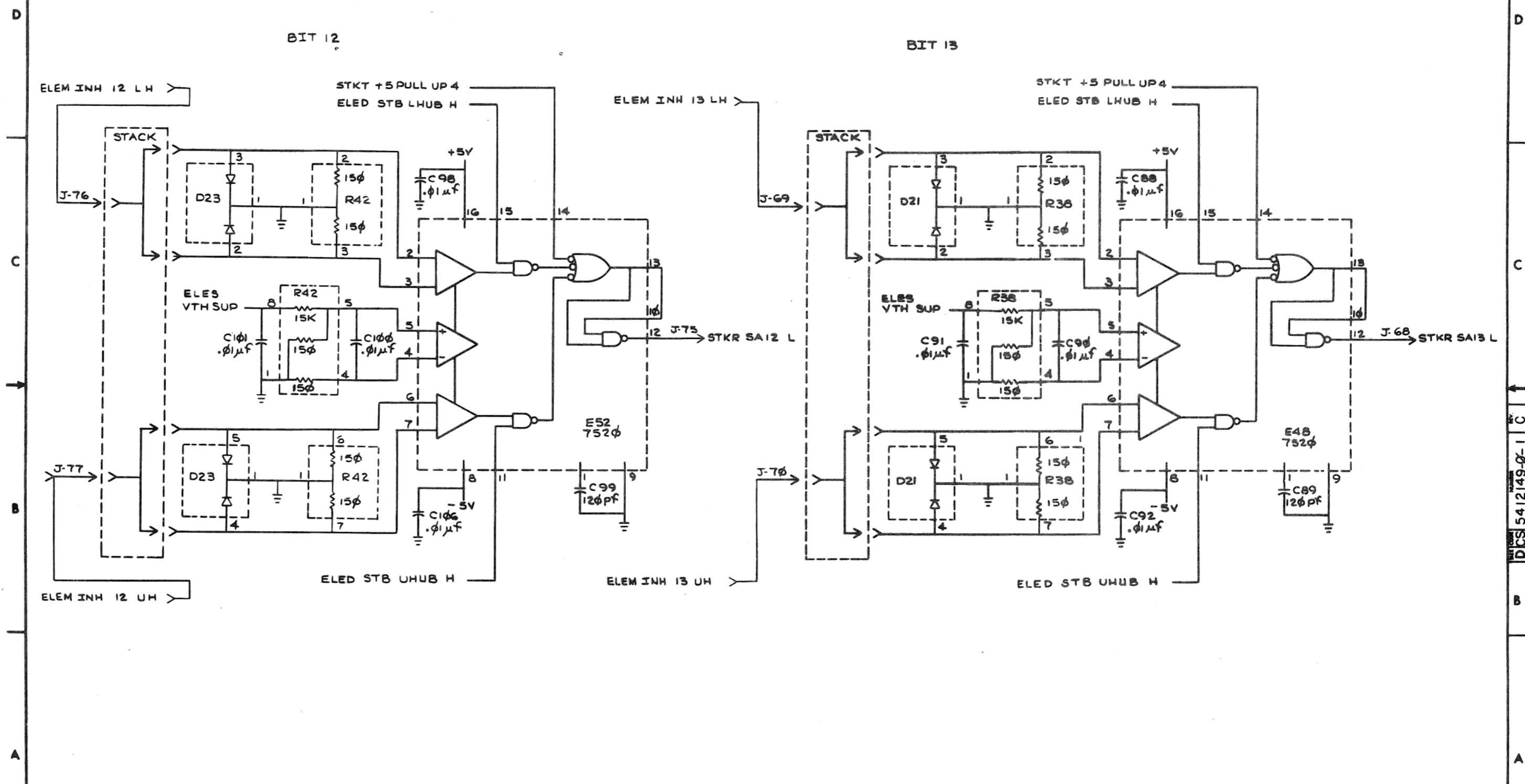
BIT 11



REVISIONS		
CHK	CHANGE NO	REV

TITLE	32K (STKP)	SIZE CODE	NUMBER	REV.
SPC	MEMORY	DCS	5412149-0-1	C
SCALE	SHEET 13 OF 16	DIST.		

THIS DRAWING AND SPECIFICATIONS HEREAFTER ARE THE PROPERTY OF DIGITAL EQUIPMENT CORPORATION AND SHALL NOT BE REPRODUCED OR COPIED OR USED IN WHOLE OR IN PART AS THE BASIS FOR THE MANUFACTURE OR SALE OF ITEMS WITHOUT WRITTEN PERMISSION OF DIGITAL EQUIPMENT CORPORATION. COPYRIGHT © 1976



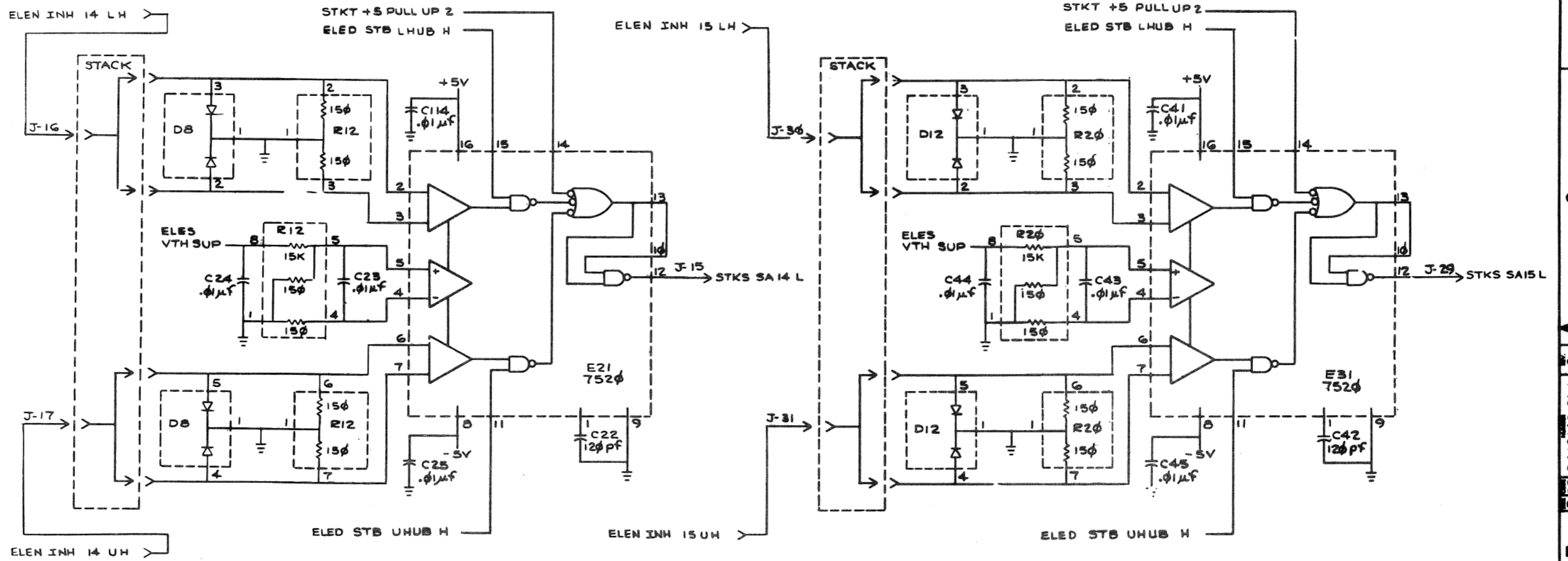
REVISIONS		
CHK	CHANGE NO.	REV.

TITLE	32K (STKR)	SIZE CODE	NUMBER	REV.
SPC	MEMORY	DCS	5412149-0-1	C
SCALE	SHEET 14 OF 16	DIST.		

THIS DRAWING AND SPECIFICATIONS HEREIN ARE THE PROPERTY OF DIGITAL EQUIPMENT CORPORATION AND SHALL NOT BE REPRODUCED OR COPIED OR USED IN WHOLE OR IN PART AS THE BASIS FOR THE MANUFACTURE OR SALE OF ITEMS WITHOUT WRITTEN PERMISSION. COPYRIGHT © 1970 DIGITAL EQUIPMENT CORPORATION

BIT 14

BIT 15



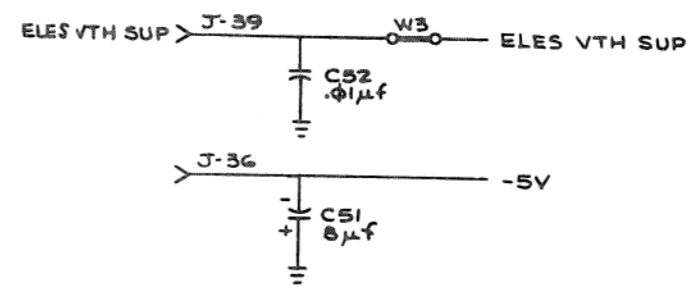
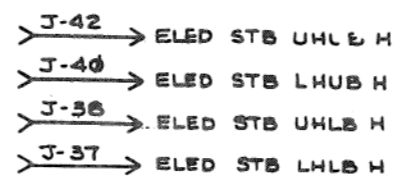
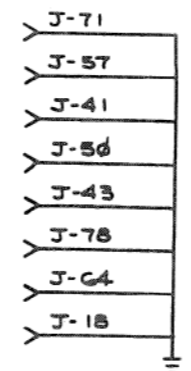
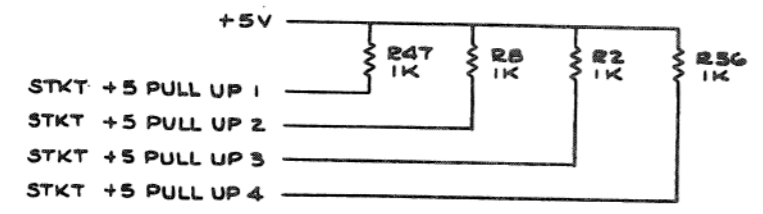
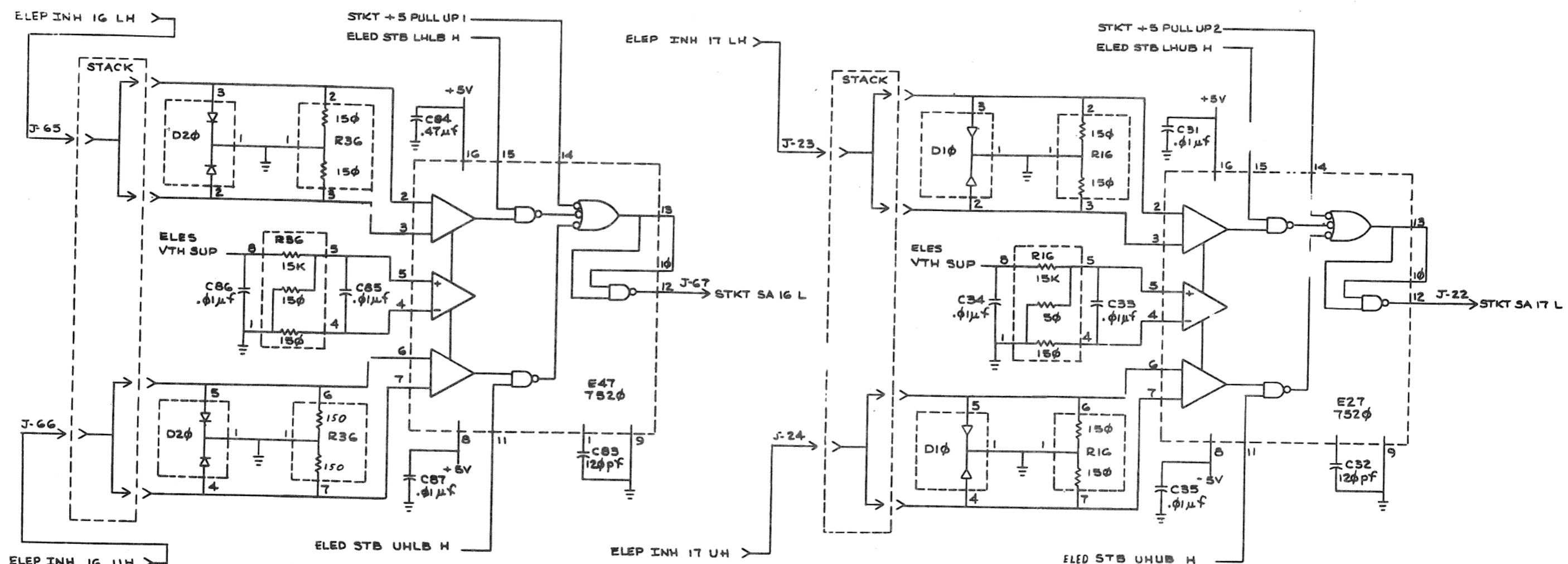
REVISIONS		
CHK	CHANGE NO.	REV.

TITLE	32K (STKS) MEMORY	SIZE CODE	NUMBER	REV.
SPC		DCS	5412149-0-1	C
SCALE		SHEET	15 OF 16	DWG.

THIS DRAWING AND SPECIFICATIONS HEREIN ARE THE PROPERTY OF DIGITAL EQUIPMENT CORPORATION AND SHALL NOT BE REPRODUCED OR COPIED OR USED IN WHOLE OR IN PART AS THE BASIS FOR THE MANUFACTURE OR SALE OF ITEMS WITHOUT WRITTEN PERMISSION. COPYRIGHT © 1970 DIGITAL EQUIPMENT CORPORATION

BIT 16

BIT 17

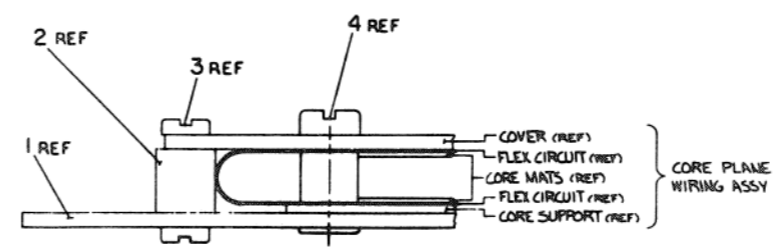
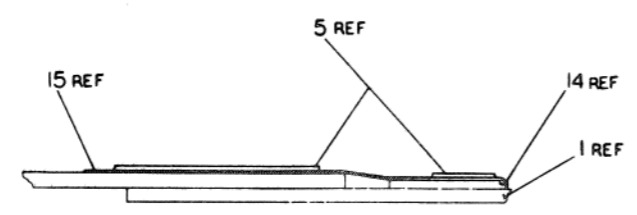
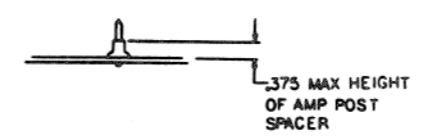
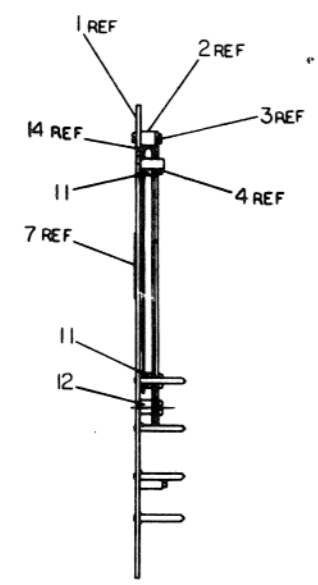
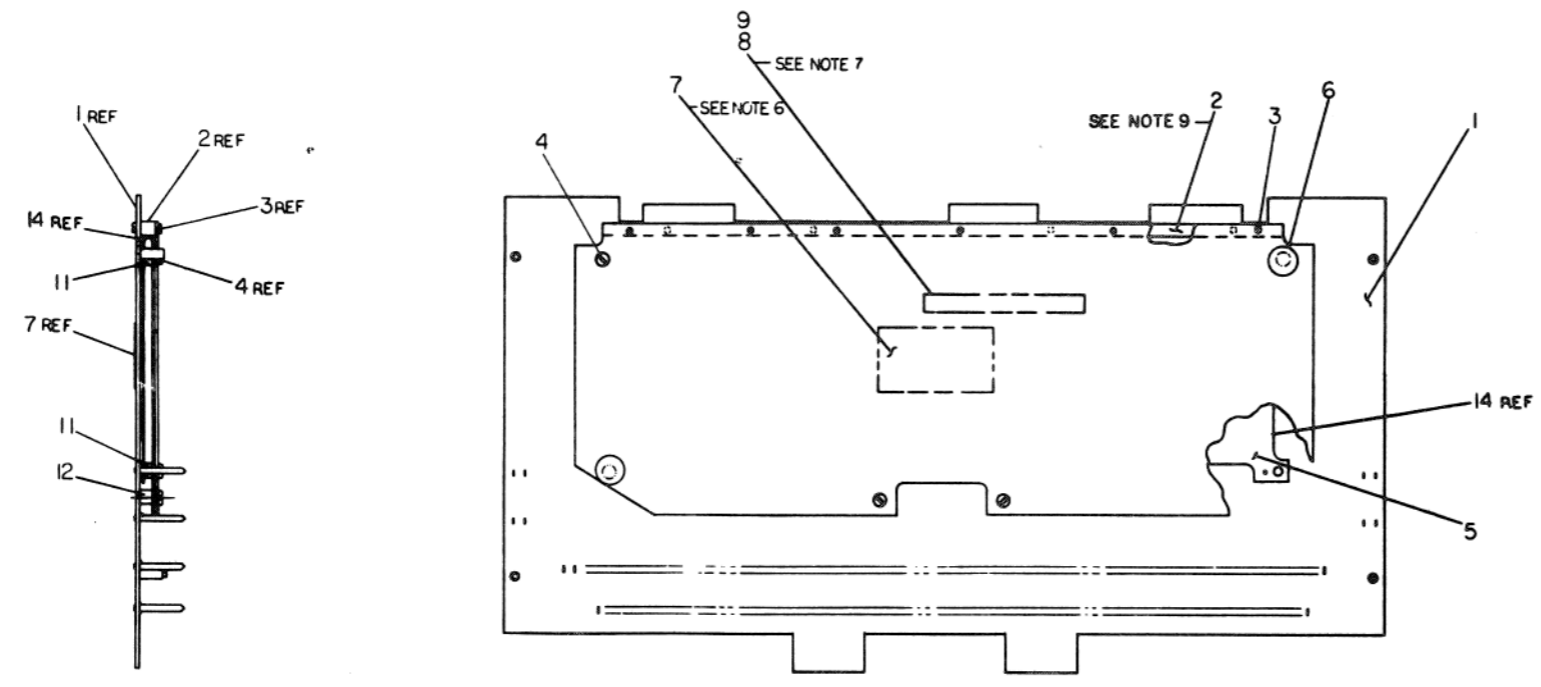


REVISIONS		
CHK	CHANGE NO.	REV.

THIS DRAWING IS THE PROPERTY OF THE GOVERNMENT AND IS TO BE REPRODUCED OR TRANSMITTED IN ANY FORM OR BY ANY MEANS, ELECTRONIC OR MECHANICAL, INCLUDING PHOTOCOPYING, RECORDING, OR BY ANY INFORMATION STORAGE AND RETRIEVAL SYSTEM, WITHOUT PERMISSION IN WRITING FROM THE GOVERNMENT.

NOTES:

1. BOND CORE PLANE ASSY (ITEM NO. 5) TO THE STACK BD. (ITEM NO. 1) WITH ADHESIVE (ITEM NO. 10).
2. INSTALL THREADED CAMBION SPACERS (ITEM NOS. 11 AND 12) THRU STACK BOARD (ITEM NO. 1) AND CLINCH IN PLACE.
3. USE PROTECTIVE COATING (ITEM NO. 13) TO COAT ALL MAGNETIC WIRE TERMINATIONS AFTER ELECTRICAL TEST. REF DWG. E-1A-7013707-0-0
4. CLOSE COVER (PARTS OF ITEM NO. 5) AND SECURE STIFFENER SPACER (ITEM NO. 2) TO STACK BOARD (ITEM NO. 1) WITH FOUR #2-56 SCREWS (ITEM NO. 3).
5. SECURE COVER TO STIFFENER SPACER (ITEM NO. 2) WITH SIX #2-56 SCREWS (ITEM NO. 3) AND TO CAMBION SPACERS (ITEM NO. 11 & 12) WITH 6 #4-40 SCREWS (ITEM NO. 4).
6. APPLY NAME PLATE (ITEM NO. 7) TO SIDE 2 OF STACK BOARD (ITEM NO. 1) APPROXIMATELY WHERE SHOWN.
7. LABEL STACK BOARD (ITEM NO. 1) ON SIDE 2 WITH THE DEC PART NUMBER SEQUENTIAL SERIAL NUMBER, C/S REVISION USING INK (ITEM NO. 9) AND EPOXY (ITEM NO. 8) EXAMPLE H228-B-001.
8. PLACE WARRANTY SEALS (ITEM NO. 6) OVER SCREW HEADS AS SHOWN.
9. STIFFENER SPACER (ITEM NO. 2) ORIENTATION MARK SHOULD BE PLACED ON THIS END.



QTY	DESCRIPTION	QTY	DESCRIPTION	QTY	DESCRIPTION
15	FLEX CIRCUIT ASSY (32K-SPC)	D-PS-1700091-0-0	15		
REF	SUPPORT CORE (32K-SPC)	D-MD-70E245-0-0	14		
1	PROTECTIVE COATING, RED (F143)	4901083	13		
2	STANDOFFS, .250 DIA X .250 LONG	3009677-01	12		
4	STANDOFFS, .250 DIA X .88 LONG	3009677-00	11		
1	ADHESIVE (RTV 3145)	4901086-00	10		
1	INK, BLACK	4901084-00	9		
1	EPOXY	4901082-00	8		
1	NAME PLATE	3614053-00	7		
2	WARRANTY SEAL	3813970-00	6		
1	CORE PLANE WIRING ASSY	E-1A-7013707-0-0	5		
6	SCR SLT BDR HD NYLON #40	3009233-4	4		
10	SCR SLT BDR HD NYLON #2-56	3000008-01	3		
1	STIFFENER SPACER (32K-SPC)	D-PS-1700091-0-0	2		
1	STACK BOARD (32K-SPC)	D-UA-541249-0-0	1		

MMII-YP
H228-B
CORE MEMORY
STACK ASSEMBLY

15-DO-H228-B
REV. 1/71
EUA H228-B-0

SEE PARTS LIST