

"THE MATERIAL HEREIN IS FOR INFORMATION PURPOSES ONLY AND IS SUBJECT TO CHANGE WITHOUT NOTICE. DIGITAL EQUIPMENT CORPORATION ASSUMES NO RESPONSIBILITY FOR ANY ERRORS WHICH MAY APPEAR HEREIN."

DRAWING DIRECTORY

"THIS DRAWING AND SPECIFICATIONS, HEREIN, ARE THE PROPERTY OF DIGITAL EQUIPMENT CORPORATION AND SHALL NOT BE REPRODUCED OR COPIED OR USED IN WHOLE OR IN PART AS THE BASIS FOR THE MANUFACTURE OR SALE OF ITEMS WITHOUT WRITTEN PERMISSION. COPYRIGHT © DIGITAL EQUIPMENT CORPORATION."

NOTE: FIELD MAINTENANCE PRINT SET SEE: MP00317

UNIT VARIATIONS	
VAR	TITLE
MM11-YP	32K X 18 BIT MEMORY/MODULE

REVISIONS	REV.	A	USED ON OPTION/MODEL	DRN.	<i>E. DeVerao</i>	DATE	18 May 77	TITLE	digital	MM11-YP MEMORY MODULE					
	CHANGE NO.	MM11YP-2		CHK'D.	<i>R. Ludelke</i>	DATE	18 MAY 77								
	CHK	<i>R</i>		PROJ. ENG.	<i>W. Coates</i>	DATE	20 APR 77	SIZE	B	CODE	DD	NUMBER	MM11-YP	REV	A
				PROD.	<i>Pa Hill</i>	DATE	21 MAY 77	DIST.							

DRAWING NO.	NO. OF SHTS	PART NO.	DESCRIPTION	REVISIONS																
B-DD-G657-0	1		32K SPC ELECTRONICS	*	A															
D-UA-G657-0-0	6		32K SPC ELECTRONICS	B	C															
K-PL-G657-0-DBP	4		32K SPC ELECTRONICS	B	C															
D-CS-G657-0-1	18		32K SPC ELECTRONICS	B	C															
D-MD-5012147-0-0	8		DRILL & ETCH DRAWING	B	B															
		5012147	ETCHED BOARD	C	C															
G657-0-L			P.C. DESIGN DATA BASE	REF	-															
G657-0-PL			INSERTION P/L DATA BASE	REF	-															

NOTES:

REVISIONS	DATE	CHG NO.	REV.
	7-78	00001	A

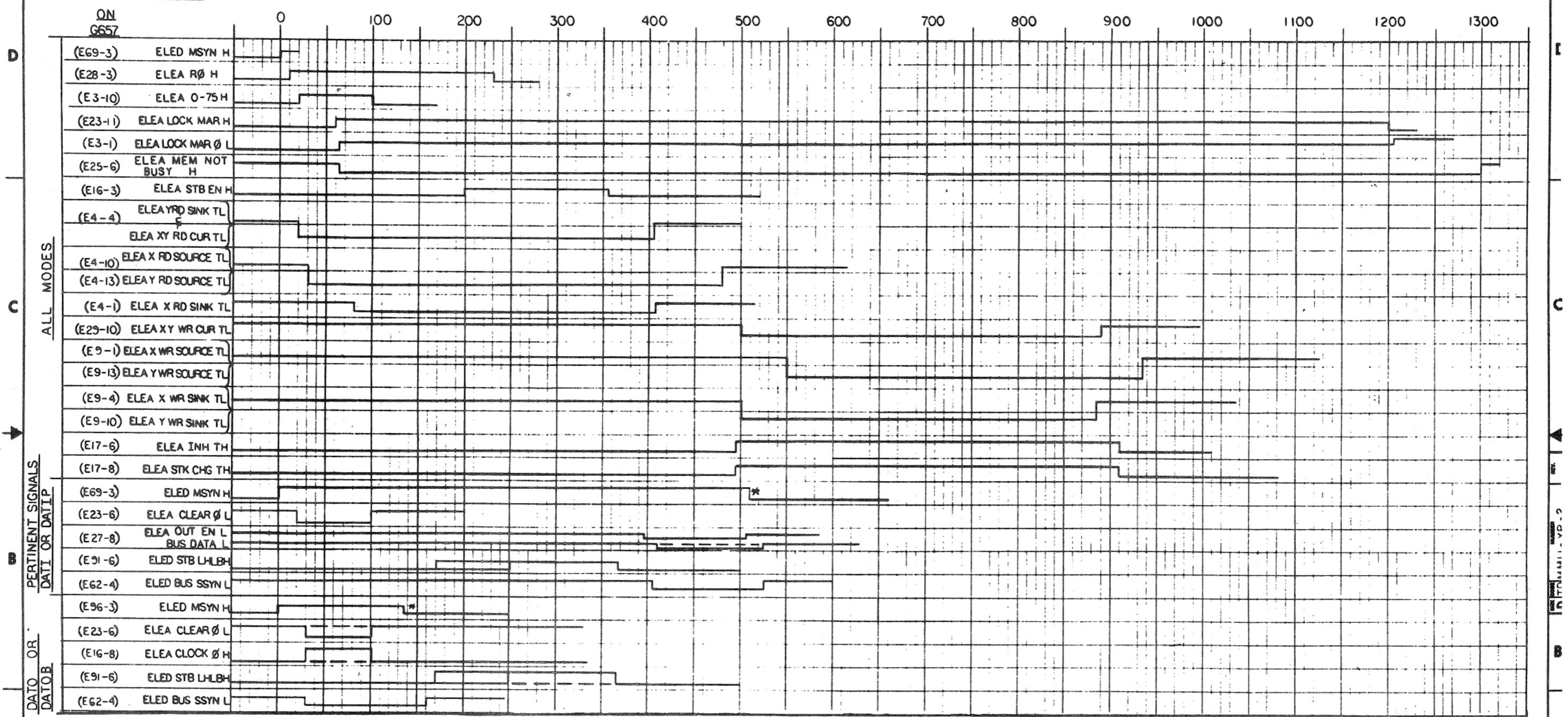
"THIS DRAWING AND SPECIFICATIONS, HEREIN, ARE THE PROPERTY OF DIGITAL EQUIPMENT CORPORATION AND SHALL NOT BE REPRODUCED OR COPIED OR USED IN WHOLE OR IN PART AS THE BASIS FOR THE MANUFACTURE OR SALE OF ITEMS WITHOUT WRITTEN PERMISSION. COPYRIGHT © 1977, DIGITAL EQUIPMENT CORPORATION"



USED ON OPTION/MODEL	DRN. LORA METZGER	28 APR 77	TITLE	32K SPC ELECTRONIC
MM11-YP	CHK'D R. Morrison	29 APR 77	SIZE CODE	B DD
	ENG. W. Coates	29 APR 77	NUMBER	G657-0
	PROD. Ra Hill	29 Apr 77	REV.	A
			SHEET 1 OF 1	

THIS DRAWING AND SPECIFICATIONS HEREAFTER ARE THE PROPERTY OF DIGITAL EQUIPMENT CORPORATION AND SHALL NOT BE REPRODUCED OR COPIED OR USED IN WHOLE OR IN PART AS THE BASIS FOR THE MANUFACTURE OR SALE OF ITEMS WITHOUT WRITTEN PERMISSION. COPYRIGHT © 1977, DIGITAL EQUIPMENT CORPORATION

MMII-YP TIMING
TIME (N.SEC.)



NOTES
 1. TIMES ARE TYPICAL.
 2. * BUS MSYN ↑ ≥ 75 NS AFTER BUS SSYN ↓

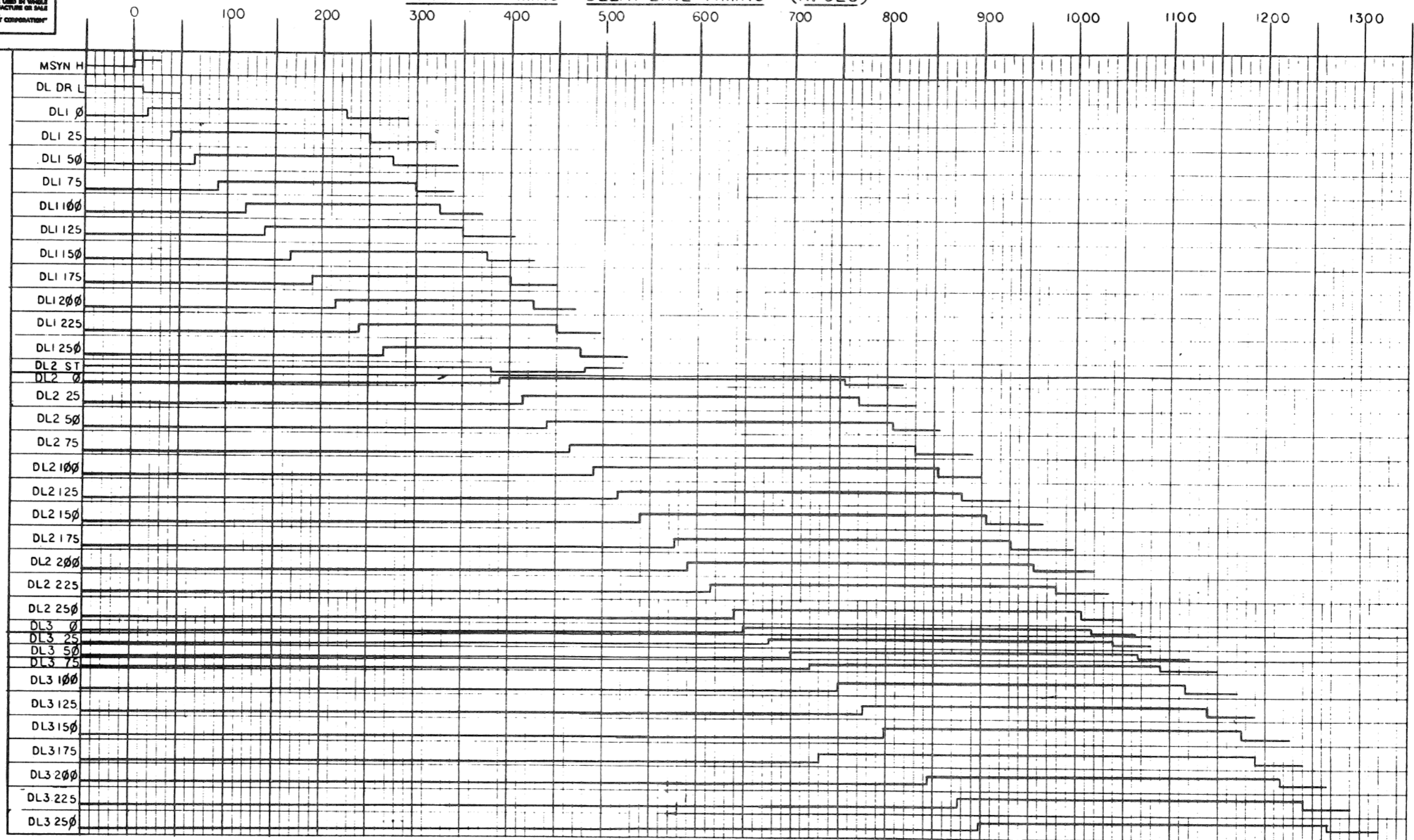
REV.	
CHG	
CHG	
CHG	

DRN. E. DeVito	28 Jun 77	FIRST USED ON	MMII-YP
CHK'D R. Brown	29 Apr 77	TITLE	MMII-YP
ENR. W. Carter	29 Apr 77		
PROJ. ENG. W. Carter	29 Apr 77		
PROD. RA. Hill	29 Apr 77		
NEXT HIGHER ASSY.			
B-DD-MMII-YP	SIZE	CODE	NUMBER
SCALE NONE	D	TD	MMII-YP-2
SHEET 1 OF 2	DIST.		

THE DRAWING AND SPECIFICATIONS HEREIN ARE THE PROPERTY OF DIGITAL EQUIPMENT CORPORATION AND SHALL NOT BE REPRODUCED OR COPIED OR USED IN WHOLE OR IN PART AS THE BASIS FOR THE MANUFACTURE OR SALE OF ITEMS WITHOUT WRITTEN PERMISSION. COPYRIGHT © 1977 DIGITAL EQUIPMENT CORPORATION

MMII-YP-2
D TD

MMII-YP TIMING DELAY LINE TIMING (N. SEC)



DELAY LINE TAPS

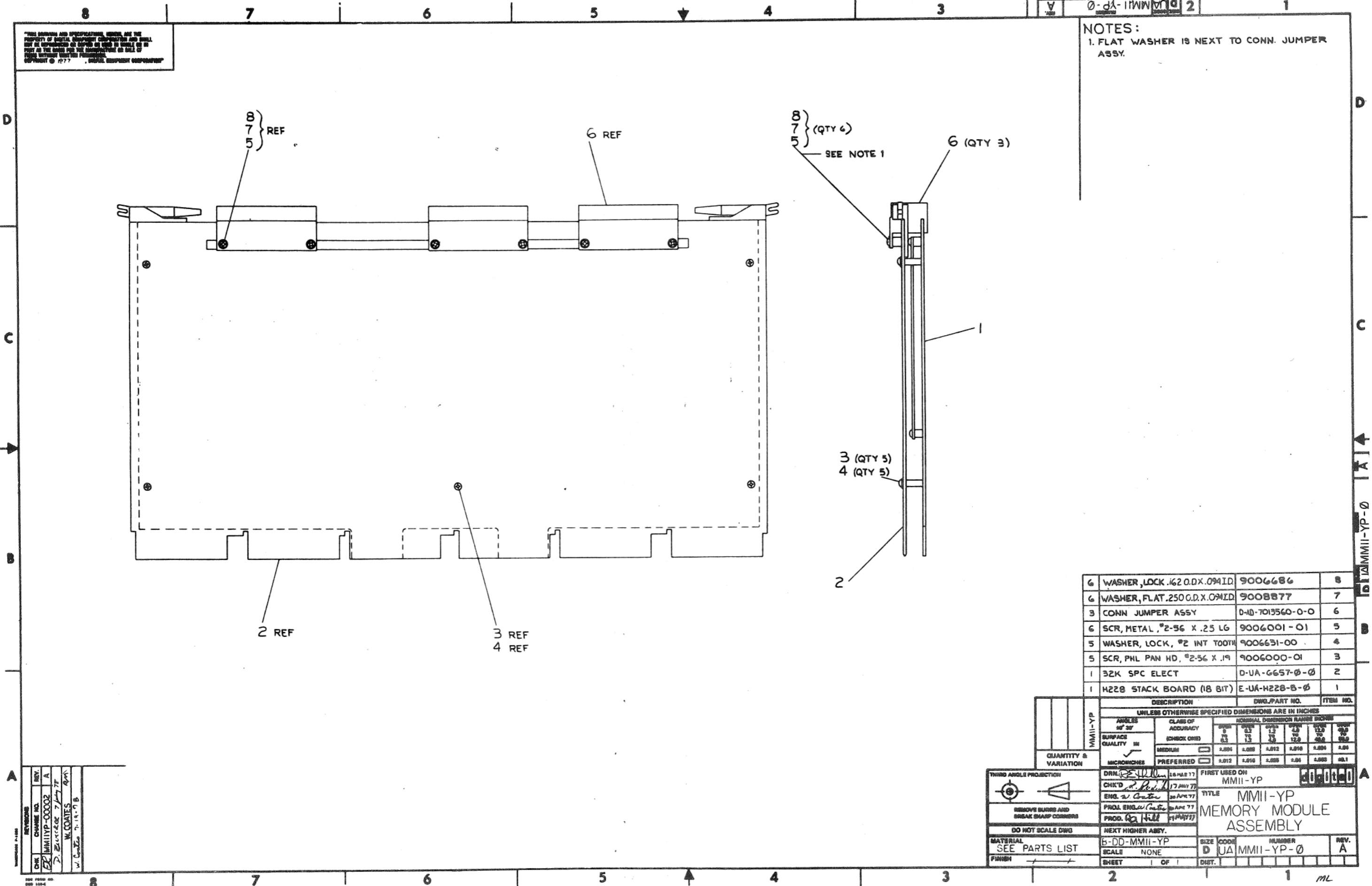
DRN. <i>deVries</i>	20 Jun 77	FIRST USED ON	MMII-YP
CHK'DR. <i>deVries</i>	21 Apr 77	TITLE	MMII-YP
ENG. <i>W. Coates</i>	29 Apr 77	TITLE	MMII-YP
PROJ. ENG. <i>W. Coates</i>	29 Apr 77	TITLE	TIMING DIAGRAM
PROD. <i>R.A. Hill</i>	29 Apr 77	NEXT HIGHER ASSEMBLY	
		SIZE CODE	NUMBER
		D TD	MMII-YP-2
		SCALE	NONE
		SHEET	2 OF 2
		DIST.	

REV. 1
REV. 2
REV. 3
REV. 4
REV. 5
REV. 6
REV. 7
REV. 8

REV. 1
REV. 2
REV. 3
REV. 4
REV. 5
REV. 6
REV. 7
REV. 8

THIS DRAWING AND SPECIFICATIONS, HEREIN, ARE THE PROPERTY OF DIGITAL EQUIPMENT CORPORATION AND SHALL NOT BE REPRODUCED OR COPIED IN WHOLE OR IN PART BY ANY OTHER PERSON OR ORGANIZATION WITHOUT WRITTEN PERMISSION OF DIGITAL EQUIPMENT CORPORATION.

NOTES:
1. FLAT WASHER IS NEXT TO CONN. JUMPER ASSY.



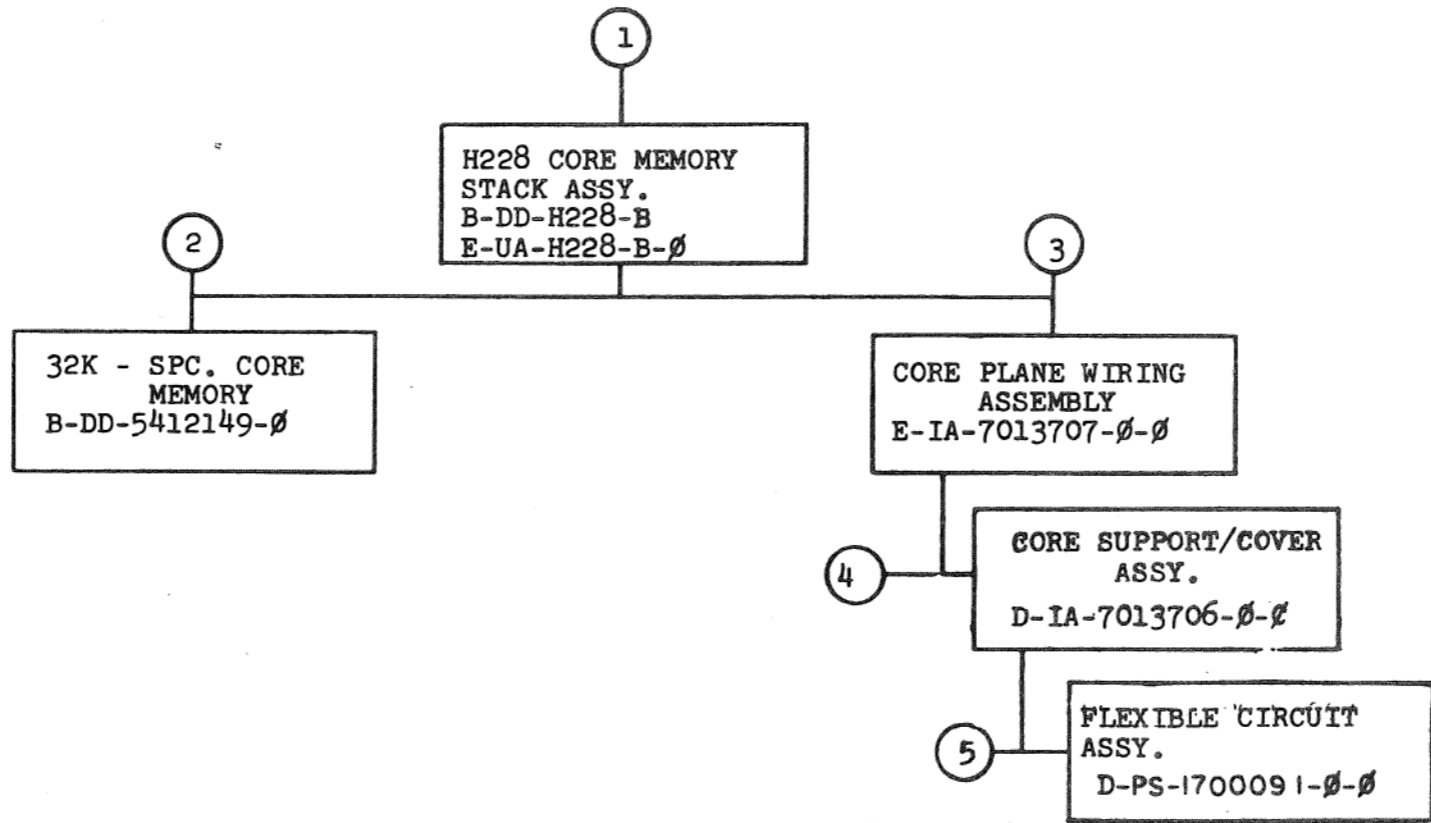
QTY	DESCRIPTION	DWG. PART NO.	ITEM NO.
6	WASHER, LOCK .162 O.D.X.094 I.D.	9006686	8
6	WASHER, FLAT .250 O.D.X.094 I.D.	9008877	7
3	CONN JUMPER ASSY	D-10-7013560-0-0	6
6	SCR, METAL, #2-56 X .25 LG	9006001-01	5
5	WASHER, LOCK, #2 INT TOOTH	9006631-00	4
5	SCR, PHL PAN HD, #2-56 X .19	9006000-01	3
1	32K SPC ELECT	D-UA-6657-0-0	2
1	H228 STACK BOARD (18 BIT)	E-UA-H228-B-0	1

UNLESS OTHERWISE SPECIFIED DIMENSIONS ARE IN INCHES	
ANGLES 30° 30'	CLASS OF ACCURACY (CHECK ONE)
SURFACE QUALITY IN	MEDIUM
MICROFINISH	PREFERRED
NOMINAL DIMENSION RANGE BONES	
OVER 9	OVER 1.2
9	1.2
1.2	12.0
12.0	25.0
25.0	50.0
50.0	100.0
100.0	200.0
200.0	500.0
500.0	1000.0

THIRD ANGLE PROJECTION	DRN. <i>[Signature]</i> 16 MAR 77	FIRST USED ON	MMII-YP
REMOVE BURRS AND BREAK SHARP CORNERS	CHK'D <i>[Signature]</i> 17 MAY 77	TITLE	MMII-YP MEMORY MODULE ASSEMBLY
DO NOT SCALE DWG	ENGR. <i>[Signature]</i> 20 APR 77	SIZE	D
MATERIAL SEE PARTS LIST	PROL. ENGR. <i>[Signature]</i> 21 APR 77	SCALE	NONE
FINISH	PROD. <i>[Signature]</i> 21 APR 77	NUMBER	MMII-YP-0
	NEXT HIGHER ASSY.	REV.	A
	B-DD-MMII-YP		
	SHEET OF 1		

REV. A	DATE 7/17/77	BY W. COATES
REV. B	DATE 7/18/77	BY W. COATES
REV. C	DATE 7/18/77	BY W. COATES
REV. D	DATE 7/18/77	BY W. COATES
REV. E	DATE 7/18/77	BY W. COATES
REV. F	DATE 7/18/77	BY W. COATES
REV. G	DATE 7/18/77	BY W. COATES
REV. H	DATE 7/18/77	BY W. COATES
REV. I	DATE 7/18/77	BY W. COATES
REV. J	DATE 7/18/77	BY W. COATES
REV. K	DATE 7/18/77	BY W. COATES
REV. L	DATE 7/18/77	BY W. COATES
REV. M	DATE 7/18/77	BY W. COATES
REV. N	DATE 7/18/77	BY W. COATES
REV. O	DATE 7/18/77	BY W. COATES
REV. P	DATE 7/18/77	BY W. COATES
REV. Q	DATE 7/18/77	BY W. COATES
REV. R	DATE 7/18/77	BY W. COATES
REV. S	DATE 7/18/77	BY W. COATES
REV. T	DATE 7/18/77	BY W. COATES
REV. U	DATE 7/18/77	BY W. COATES
REV. V	DATE 7/18/77	BY W. COATES
REV. W	DATE 7/18/77	BY W. COATES
REV. X	DATE 7/18/77	BY W. COATES
REV. Y	DATE 7/18/77	BY W. COATES
REV. Z	DATE 7/18/77	BY W. COATES

"THIS DRAWING AND SPECIFICATIONS, HEREIN, ARE THE PROPERTY OF DIGITAL EQUIPMENT CORPORATION AND SHALL NOT BE REPRODUCED OR COPIED OR USED IN WHOLE OR IN PART AS THE BASIS FOR THE MANUFACTURE OR SALE OF ITEMS WITHOUT WRITTEN PERMISSION.
 COPYRIGHT © 1977 DIGITAL EQUIPMENT CORPORATION"



FIND NO.	DRAWING NO.	DESCRIPTION	TYPE	FIND NO.	DRAWING NO.	DESCRIPTION	TYPE
1	MPO0317	FIELD MAINTENANCE PRINT SET (MP)	-				
	B-TC-H228-B-1	FIELD MAINTENANCE PRINT SET (TC)	-				
	B-DD-H228-B	H228 CORE MEMORY STACK (DD)	M				
	E-UA-H228-B-Ø	H228 CORE MEMORY STACK ASSY.	M				
	D-PS-1214257-Ø-Ø	STIFFENER, SPACER (32K SPC)	M				
2	B-DD-5412149-Ø	32K - SPC CORE MEMORY (DD)	E				
3	E-IA-7013707-Ø-Ø	CORE PLANE WIRING ASSY.	E				
4	D-PS-1700091-Ø-Ø	FLEXIBLE CIRCUIT ASSY.	E				
	D-CS-5412743-Ø-1	FLEXIBLE CIRCUIT SCHEMATIC	E				
5	D-IA-7013706-Ø-Ø	CORE SUPPORT/COVER ASSY.	M				
	D-MD-7418246-Ø-Ø	COVER (32K - SPC.)	M				
	D-MD-7418245-Ø-Ø	CORE SUPPORT (32K - SPC.)	M				

TYPE: E ELECTRICAL
M MECHANICAL
E/M ELECTRO/MECHANICAL



TITLE H228 CORE MEMORY STACK

SHEET 3 OF 3

SIZE CODE B DD

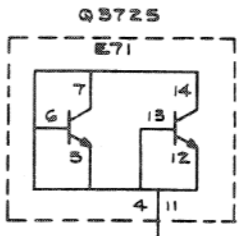
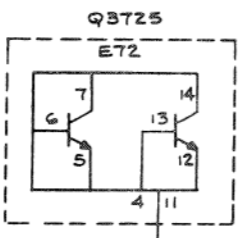
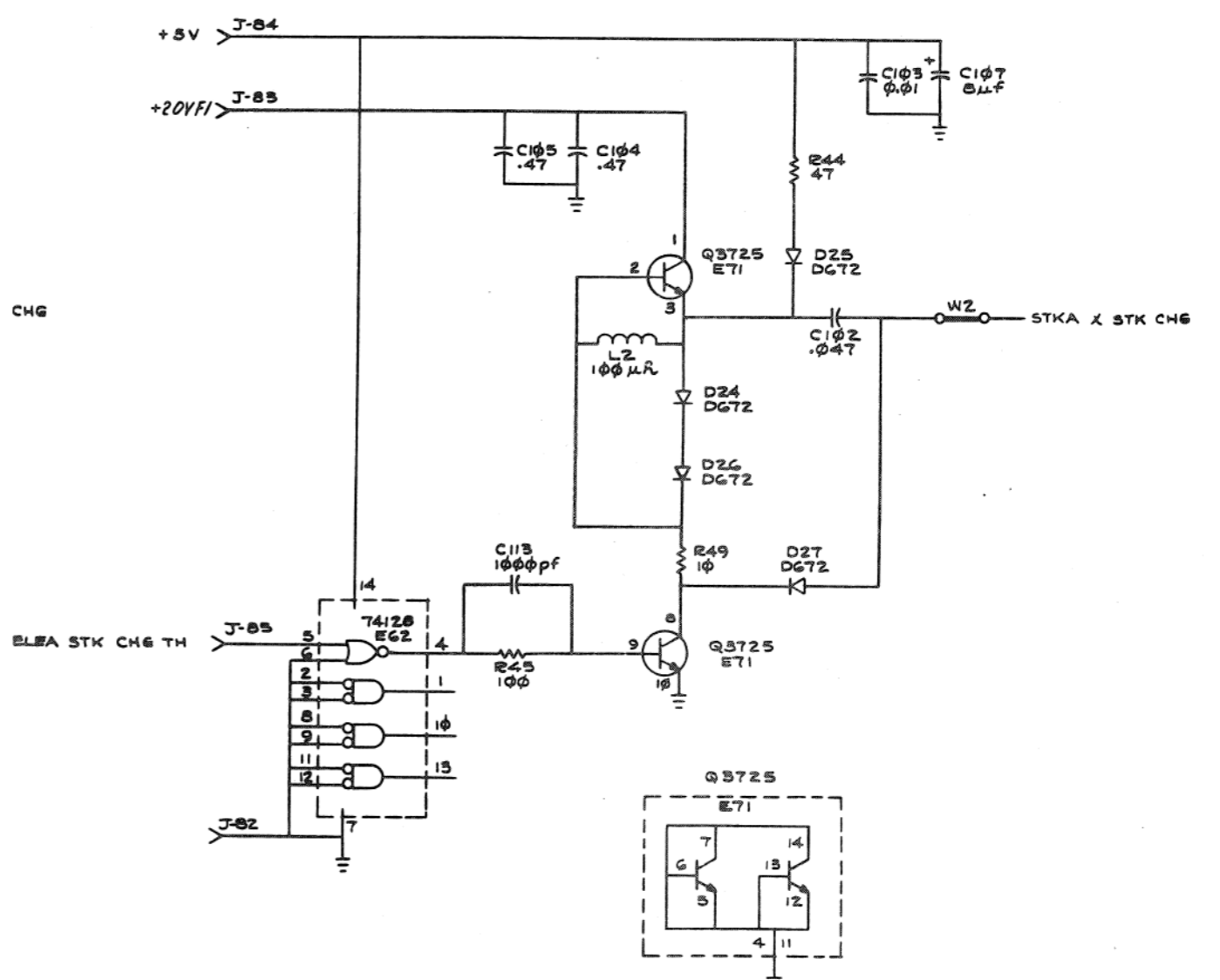
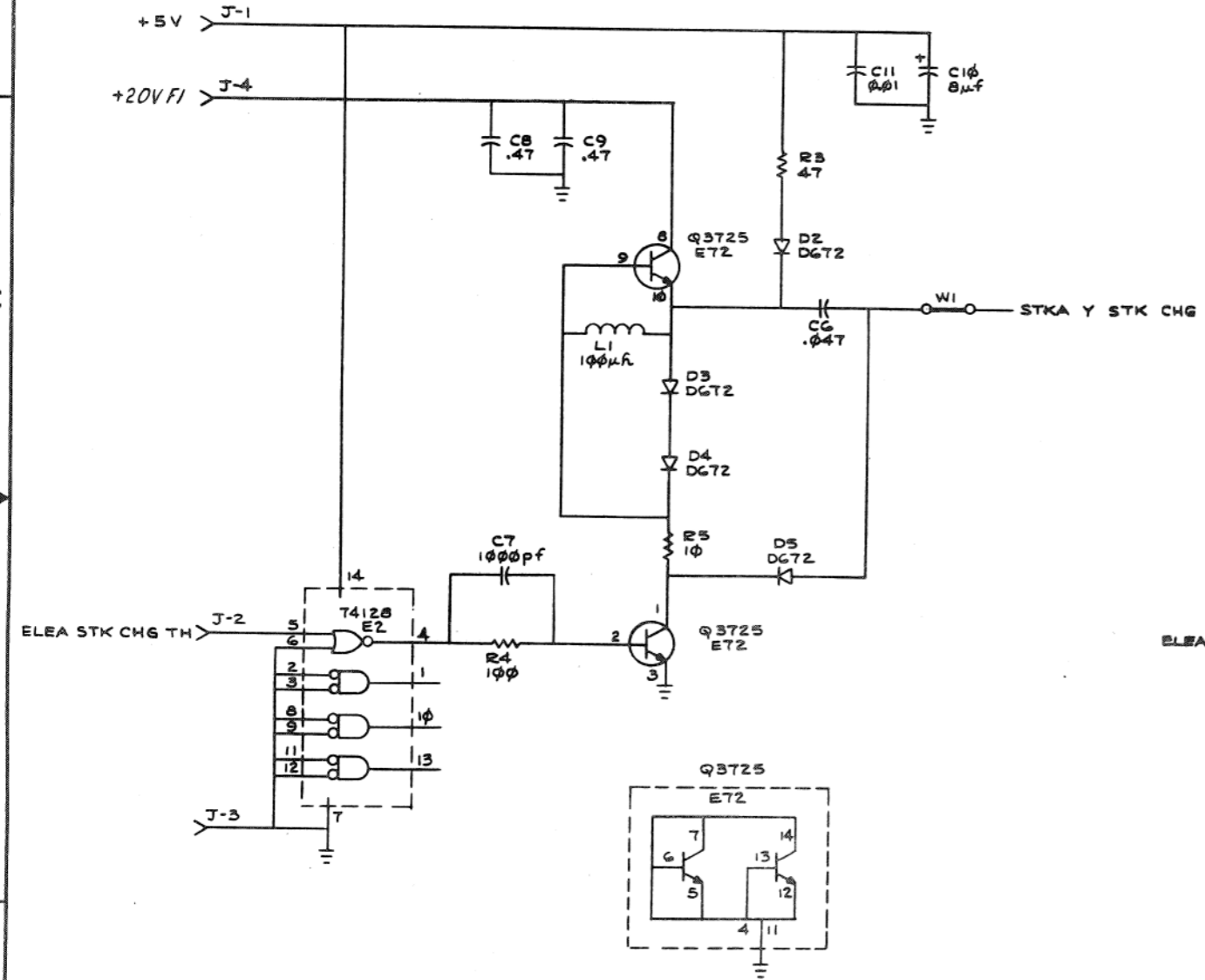
NUMBER H228-B

REV

DRB 108A

"THIS DRAWING AND SPECIFICATIONS HEREIN ARE THE PROPERTY OF DIGITAL EQUIPMENT CORPORATION AND SHALL NOT BE REPRODUCED OR COPIED OR USED IN WHOLE OR IN PART AS THE BASIS FOR THE MANUFACTURE OR SALE OF ITEMS WITHOUT WRITTEN PERMISSION. COPYRIGHT © 1977, DIGITAL EQUIPMENT CORPORATION"

NOTE:
IC 7520
GND PIN-9
+5V PIN-16

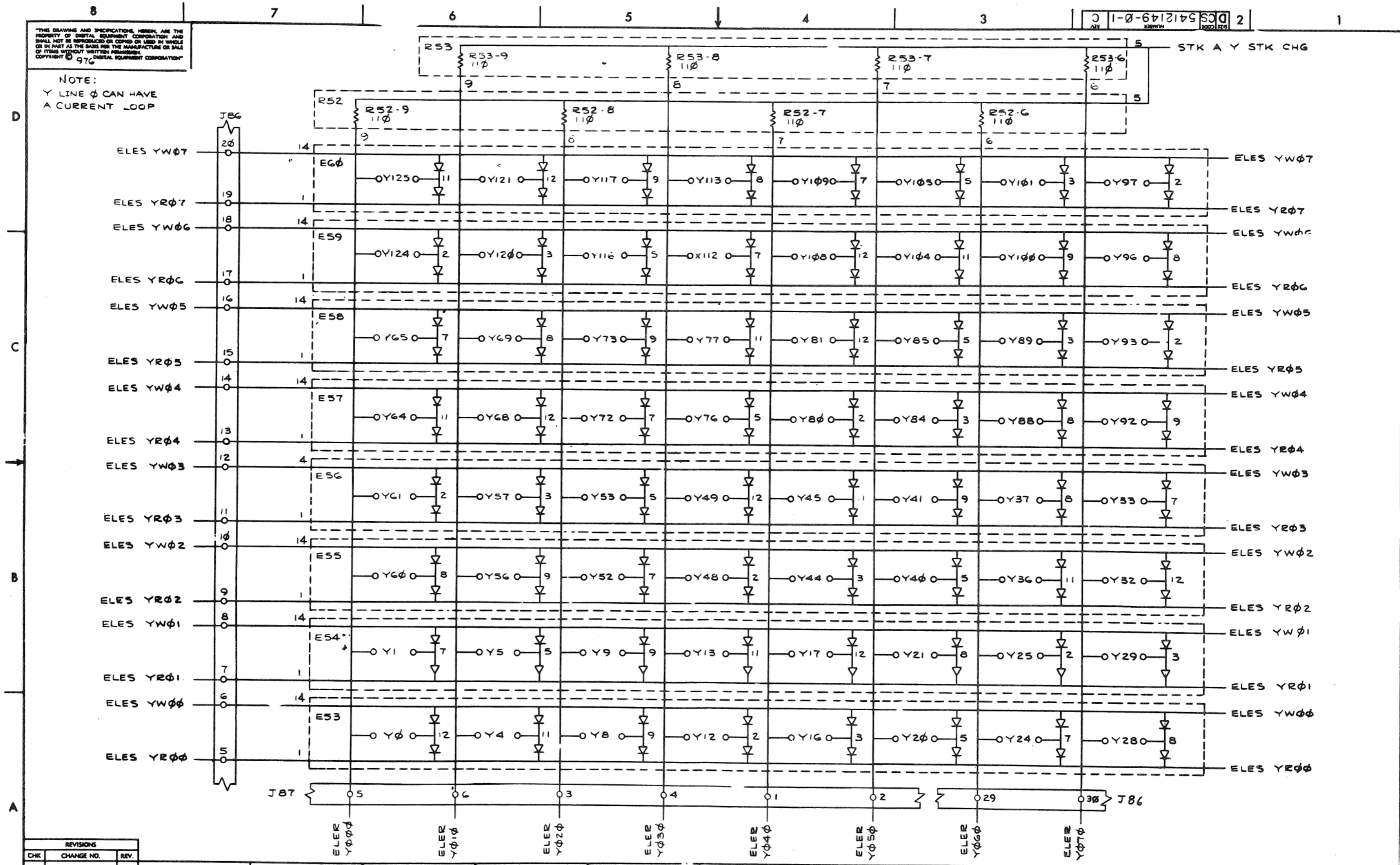


REV.	
CHG	
CHK	
REVISE	
CHANGE NO.	

DRN	12/80	FIRST USED ON	H228B
CHK'D	1/1/81	TITLE	32K SPC MEMORY (STKA)
ENG. W. [Signature]	1/1/81	SIZE	D
PROJ. ENGR. [Signature]	1/1/81	NUMBER	CS 5412149-0-1
PROD. F. J. Hill	1/1/81	REV.	C
NEXT HIGHER ASSY.		SCALE	
B-DD-5412-49-0		SHEET	1 OF 10
DIST.			

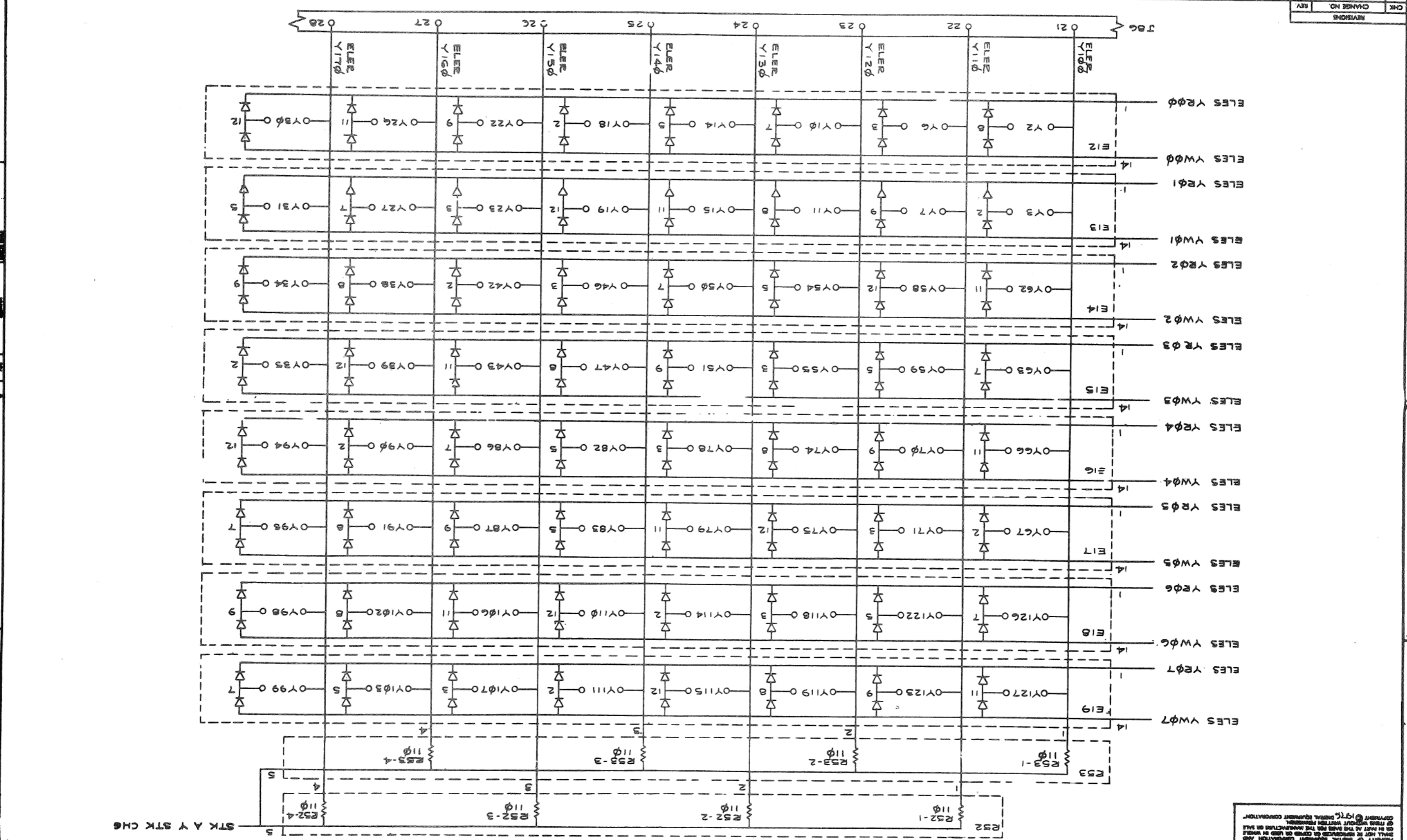
THIS DRAWING AND SPECIFICATIONS HEREIN ARE THE PROPERTY OF DIGITAL EQUIPMENT CORPORATION AND SHALL NOT BE REPRODUCED OR COPIED OR USED IN WHOLE OR IN PART AS THE BASIS FOR THE MANUFACTURE OR SALE OF ITEMS WITHOUT WRITTEN PERMISSION. COPYRIGHT © 1970 DIGITAL EQUIPMENT CORPORATION

NOTE:
Y LINE φ CAN HAVE A CURRENT LOOP



REVISIONS		
CHK	CHANGE NO.	REV.

TITLE	32K SPC MEMORY (STKB)	SIZE/CODE	D CS	NUMBER	5412149-0-1	REV.	C
SCALE		SHEET	2	OF	16	DIST.	



THIS DRAWING AND REVISIONS HEREON ARE THE PROPERTY OF THE UNITED STATES GOVERNMENT AND SHALL BE REPRODUCED OR TRANSMITTED IN ANY FORM OR BY ANY MEANS WITHOUT WRITTEN PERMISSION.

STK A Y STK CHG

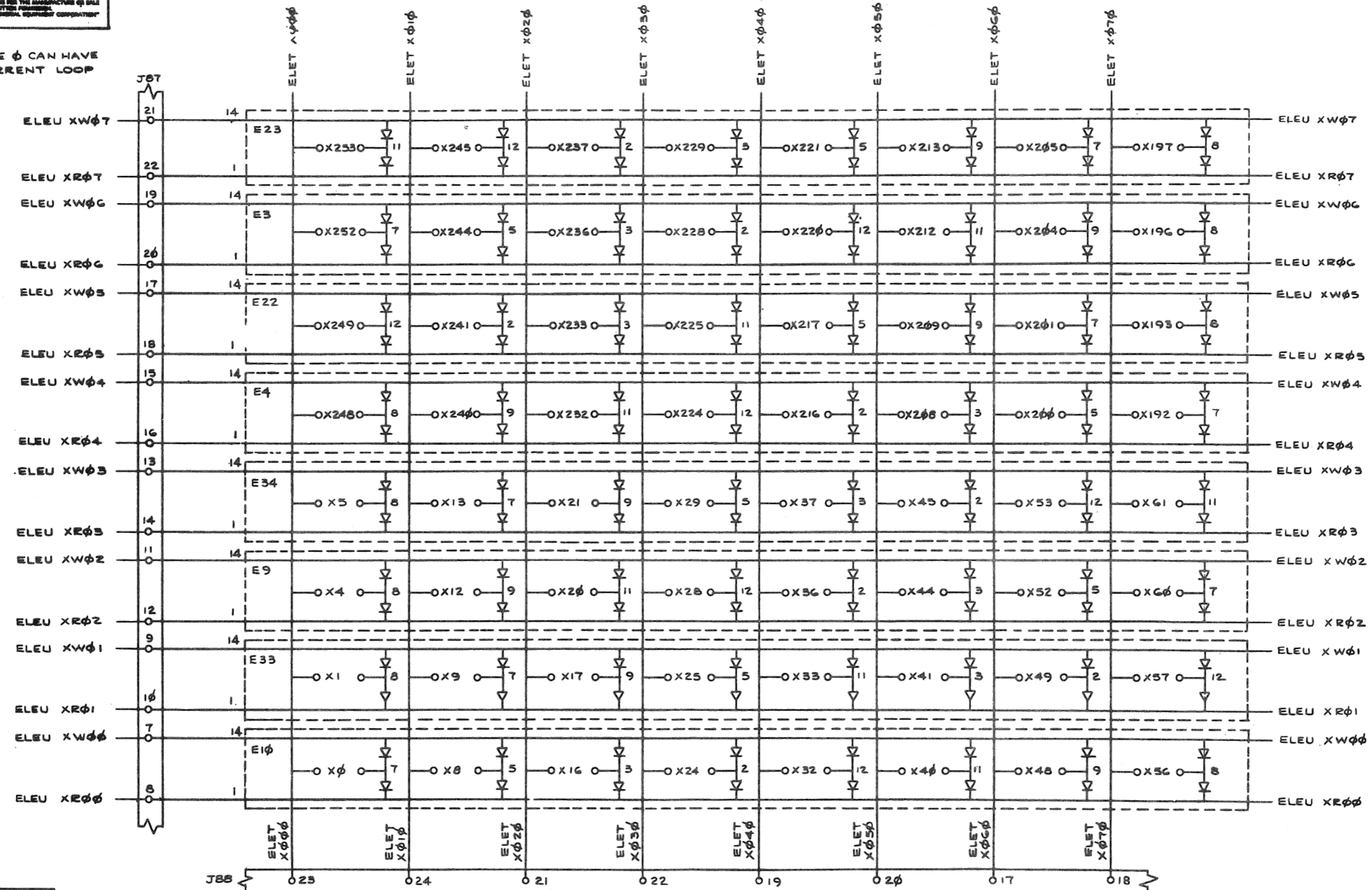
3 1-0-64/2145 SCQ 2

DCS 5412149-0-1 C

202

THE DRAWING AND SPECIFICATIONS HEREIN ARE THE PROPERTY OF DIGITAL EQUIPMENT CORPORATION AND SHALL NOT BE REPRODUCED OR COPIED OR USED IN WHOLE OR IN PART AS THE BASIS FOR THE MANUFACTURE OF ANY EQUIPMENT WITHOUT WRITTEN PERMISSION. COPYRIGHT © 1976, DIGITAL EQUIPMENT CORPORATION

NOTE:
X LINE ϕ CAN HAVE
A CURRENT LOOP



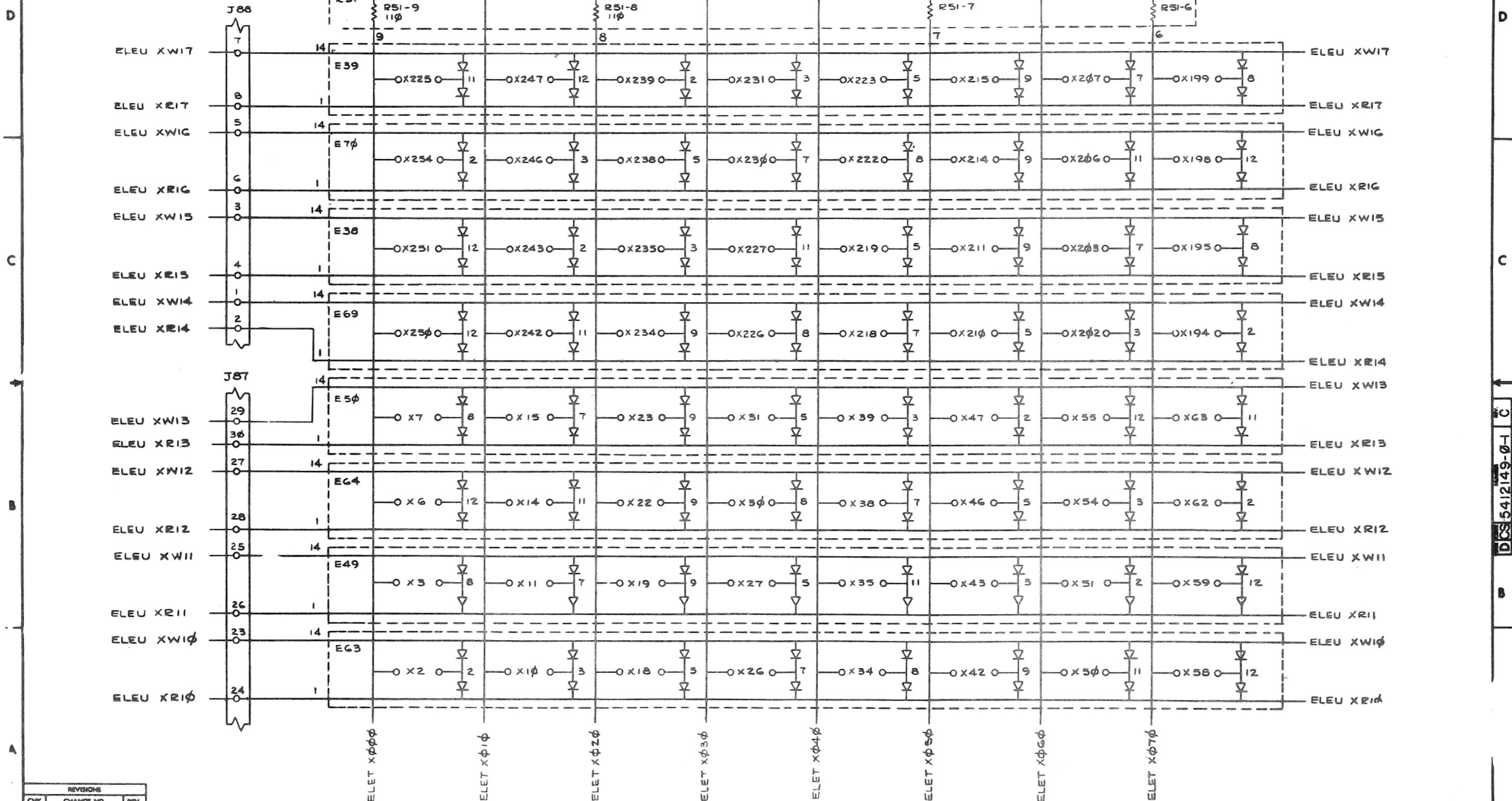
REVISIONS		
CHK	CHANGE NO.	REV.

TITLE	32K SPC MEMORY (STKD)	SIZE/CODE	D CS 5412149-0-1	NUMBER	C
SCALE	1/1	SHEET	4 OF 16	DIST.	

203

THIS DRAWING AND SPECIFICATIONS HEREIN ARE THE PROPERTY OF SPINA EQUIPMENT CORPORATION AND SHALL NOT BE REPRODUCED OR COPIED OR USED IN WHOLE OR IN PART AS THE BASIS FOR THE MANUFACTURE OR SALE OF ITEMS WITHOUT WRITTEN PERMISSION. SPINA EQUIPMENT CORPORATION © 1974

DCS 5412149-0-1 2



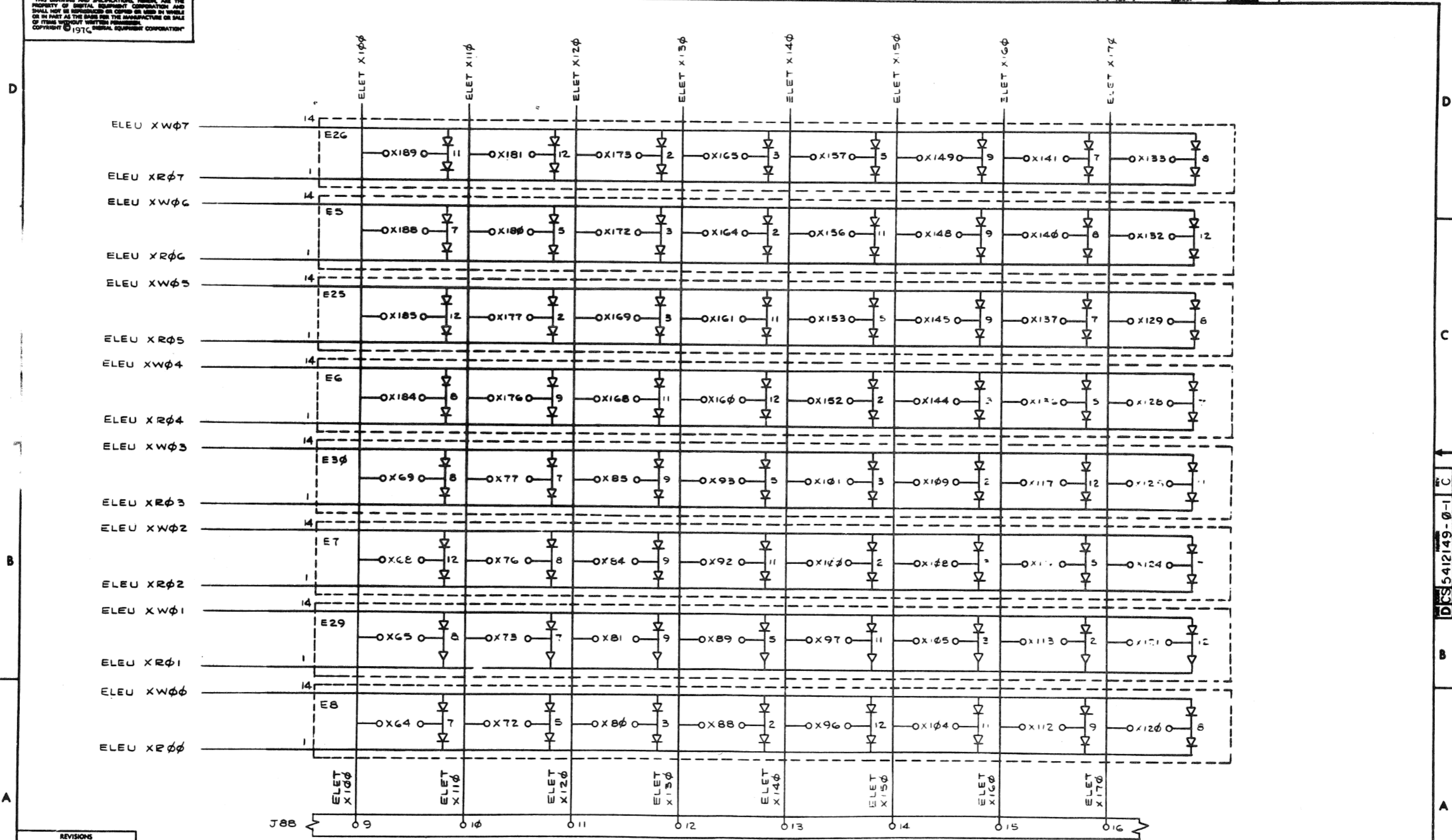
REVISIONS		
CHK	CHANGE NO	REV

TITLE 32K SPC MEMORY (STKE) SIZE CODE DCS 5412149-0-1 NUMBER 1 REV. C
 SCALE 1:1 SHEET 5 OF 16 DIST.

DCS 5412149-0-1 C

THIS DRAWING AND SPECIFICATIONS, HEREIN ARE THE PROPERTY OF SPITAL EQUIPMENT CORPORATION AND SHALL NOT BE REPRODUCED OR COPIED OR USED IN WHOLE OR IN PART AS THE BASIS FOR THE MANUFACTURE OR SALE OF ITEMS WITHOUT WRITTEN PERMISSION. COPYRIGHT © 1970 SPITAL EQUIPMENT CORPORATION

DCS 5412149-0-1 2



REVISIONS		
CHK	CHANGE NO.	REV.

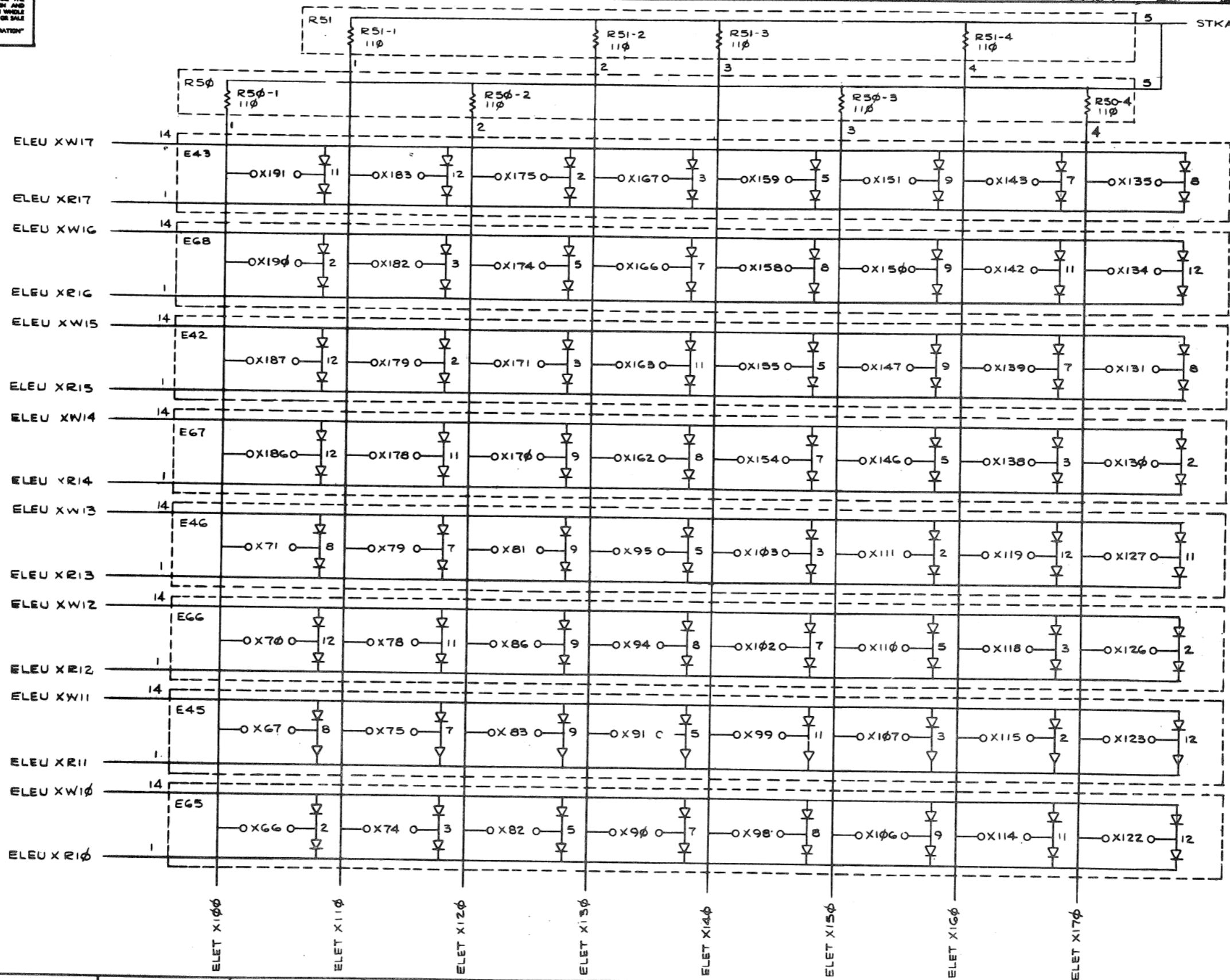
TITLE 32K SPC MEMORY (STKF) NUMBER DCS 5412149-0-1 REV. C
 SCALE SHEET 6 OF 16 DMT.

205

THIS DRAWING AND SPECIFICATIONS HEREIN ARE THE PROPERTY OF DIGITAL EQUIPMENT CORPORATION AND SHALL NOT BE REPRODUCED OR COPIED OR USED IN WHOLE OR IN PART AS THE BASIS FOR THE MANUFACTURE OR SALE OF ITEMS WITHOUT WRITTEN PERMISSION. COPYRIGHT © 1970 DIGITAL EQUIPMENT CORPORATION

DCS 5412149-0-1

STKA XSTK CH6



REVISIONS		
CHK	CHANGE NO.	REV.

8	7	6	5	4	3	2	1		
TITLE 32K SPC MEMORY (STKH)							SIZE CODE	NUMBER	REV.
SCALE							SHEET 7 OF 16	DIST.	
DCS 5412149-0-1									C

206