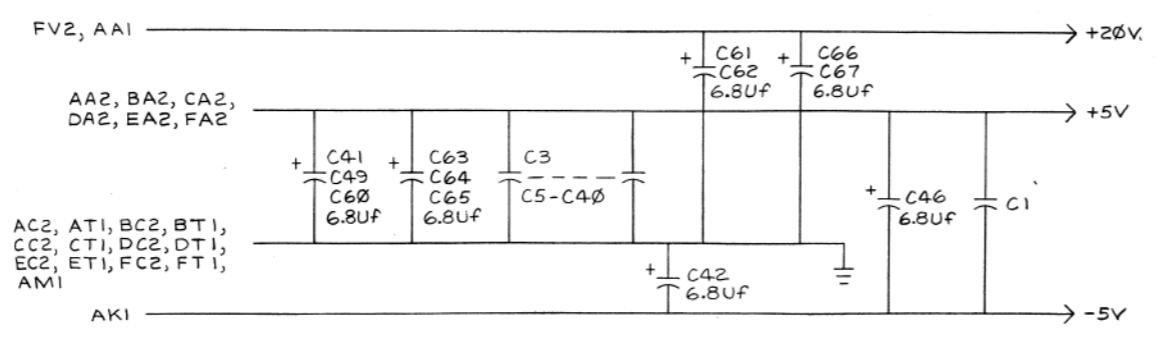
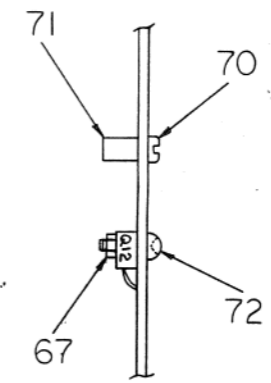
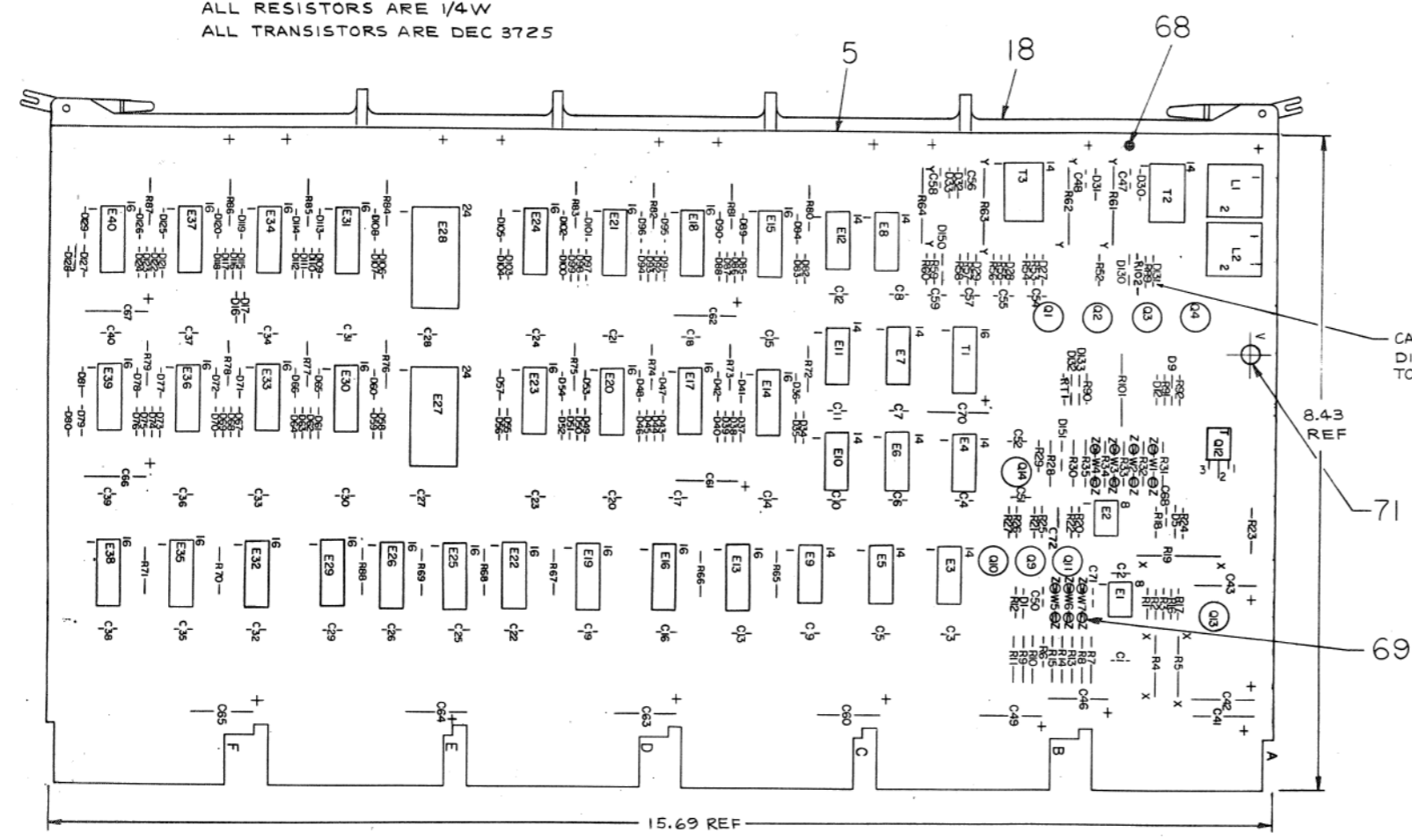


This drawing and specifications, herein, are the property of Digital Equipment Corporation and shall not be reproduced or copied or used in whole or in part as the basis for the manufacture or sale of items without written permission.

NOTES:

1. * INDICATES NOT USED ON MF11-U & MF11-UP (2 PLACES).
2. ** INDICATES NOT USED ON MF11-U & MF11-UP, BUT ARE TIED TO UNUSED TERMINATORS ON THE G114 MODULE, WHICH FORCES THEM TO +3V (5 PLACES).
3. 1 THERMISTOR LOCATED ON H217 STACK MODULE, 1 ON 6235
4. UNLESS OTHERWISE INDICATED;
 ALL DIODES ARE D672
 ALL CAPACITORS ARE .01 UF
 ALL RESISTORS ARE 1/4W
 ALL TRANSISTORS ARE DEC 3725



IC TYPE	GND	+5V	+20V
74121	7	-	-
741	-	-	-
75325	-	9	16
7442	8	16	-
74154	12	24	-

GND AND 5V ARE USUALLY PIN 7 AND 14 RESPECTIVELY EXCEPTIONS ARE STATED ABOVE

QTY	REF DESIGNATION	DESCRIPTION	PART NO.	ITEM NO.
PARTS LIST				
FIRST USED ON OPTION MODEL MF11-U & MF11-UP				
ETCH BOARD REV D				
DRN K. Lamborn		DATE 4-4-73	digital EQUIPMENT CORPORATION MAYNARD, MASSACHUSETTS	
CHK'D MACHALD		DATE 4-4-73		
ENG W. Sander		DATE 4/4/73		
PROJ. ENG. W. Sander		DATE 4/4/73		
PROD. R. Sander		DATE 4/4/73		
NEXT HIGHER ASSY			TITLE 16K X-Y DF VE	
DEC NO.		EIA NO.	DEC NO.	EIA NO.
SEMICONDUCTOR CONVERSION CHART				
SCALE		SIZE CODE		NUMBER
SHEET 2		DCS		G235-0-
		DIST.		REV. M.

DRAWING 40-522 16699

SIZE CODE NUMBER REV
DCS G235-0-1 M

"THIS DRAWING AND SPECIFICATIONS, HEREIN, ARE THE PROPERTY OF DIGITAL EQUIPMENT CORPORATION AND SHALL NOT BE REPRODUCED OR COPIED OR USED IN WHOLE OR IN PART AS THE BASIS FOR THE MANUFACTURE OR SALE OF ITEMS WITHOUT WRITTEN PERMISSION. COPYRIGHT © 1973, DIGITAL EQUIPMENT CORPORATION"

W 1-0-9279 2 1

QTY	REF	DESIGNATION	DESCRIPTION	PART NO.	ITEM NO.	QTY	REF	DESIGNATION	DESCRIPTION	PART NO.	ITEM NO.
1	E6	ICDEC 74H04		1909931	62						1
1	E10	ICDEC 74H10		1909057	63	REF		X-Y COORDINATE HOLE LOCATION		K-CO-G235-0-4	2
2	E7,E11	ICDEC 74H40		1905586	64	REF		ASSY/DRILLING HOLE LAYOUT		D-AH-G235-0-5	3
24	E13-E18, E20-E26, E29-E31, E33-E40	IC DEC 75325		1910960	65	REF		ECO MODULE HISTORY		B-MH-G235-0-6	4
2	E9,E12	ICDEC 74H50		1909060	66	1	C71	ETCHED CIRCUIT BD.		5010145	5
1		KEPNUT 4-40		9006557	67	46	C1-C40, C48, C50, C52, C58, C68, C72	CAP 47 PF 100V 5% D.M.		1000011	6
12		EYELET HANDLE		9006732	68	4	C59, C54, C55, C57	CAP .01UF 50V 20%		1001610	7
14		SPLIT LUGS		9006735	69	1	C51	CAP .005 UF 100V 20% DISC		1001765	8
1		SCREW NYLON 6-32		9008212-1	70	1	C43,	CAP 18 PF 100V 5% D.M.		1002608	9
1		STAND OFF 1/4 X 3/8		9008213	71	13	C41, C42, C46, C49, C60-C67, C70	CAP 47 UF 20V 10% S. TANT		1004814	10
1		SCREW (PHILLIPS PAN HEAD) 4-40 X 5/16		9006010-1	72	1	D1	CAP 6.8UF 35V 10% S. TANT		1005306	11
1	R31	RES 19.6K 1/8 W 1%		1309419	73	109	D9, D12, D17, D27-D130, D132, D150	DIODE ZENER IN753A 6.2V ± 5%		1102421	12
AR	WI-W7	WIRE #22 AWG (SOLID)		9107560-1	74			DIODE D872		1105275	13
1	R91,	RES 180Ω 1/4W 5%		1301322	75	1	D16	DIODE ZENER IN5248B 18V ± 10%		1110766	14
1	D133	DIODE ZENER IN752A 5.6V ± 5%		1102808	76	1	D5	DIODE ZENER IN749A 4.3V ± 5%		1109977	15
1	R92	RES 150Ω 1/4W 5%		1300250	77	1	D131,	DIODE ZENER IN754A 6.8V ± 5%		1109991	16
2	C47, C56	CAP. .022UF 50V		1011683	78	1	D151	DIODE ZENER IN750A 4.7V ± 5%		1100124	17
1	RT1	THERMISTOR 300 Ω 2%		1309785	79	2	R18, R24	HANDLE ASSY		1210711-2	18
1	R102	RES 330Ω 1/4W 5%		1300295	80	12	R69-R71, R76-R79, R84-R88	RES 100 1/4W 5%		1300229	19
1	Q11	TRANS. DEC 4258		1505321	81	1	R101	RES 220 1/2W 5%		1300274	20
1	E3	IC. DEC 74H2Φ		1905635	82	12	R65-R68, R72-R75, R80-R83	RES 220 2W 10%		1300278	21
1	R7	RES. 9.09K 1/8W 1%		1304855	83	2	R21, R27	RES 270 1/2W 5%		1300285	22
						2	R21, R27	RES 470 1/4W 5%		1300316	23
						2	R3, R16,	RES 1K 1/4W 5%		1300365	24
						1	R23	RES .1K 1/2W 5%		1300364	25
						1	R2	RES 4.7K 1/4W 5%		1300447	26
						1	R17	RES 10 1/4W 5%		1301317	27
						1	R89	RES 82Ω 1/4W 5%		1301477	28
						4	R61-R64	RES 10Ω 2W 10%		1300172	29
						1	R22	RES 22K 1/4W 5%		1301808	30
						1	R12	RES 270 1/4W 5%		1301808	30
						4	R54, R56, R58, R60	RES 18 1/4W 5%		1301972	31
						4	R53, R55, R57, R59	RES 75 1/4W 5%		1302124	32
						4	R25, R26, R52, R20	RES 2K 1/4W 5%		1302379	33
						2	R1, R6	RES 2K 1/4W 5%		1302388	34
						1	R29	RES 470K 1/4W 5%		1302398	35
						2	R32, R8	RES 120K 1/4W 5%		1300539	36
						2	R28, R30	RES 10K 1/8W 1%		1302886	37
						1	R9	RES 14.7K 1/8W 1%		1302941	38
						1	R10	RES 287 1/8W 1%		1305124	39
						1	R10	RES 196 1/8W 1%		1302956	40
						1	R35	RES 3.16K 1/8W 1%		1300045	41
						1	R34	RES 34.8K 1/8W 1%		1303156	42
						1	R14,	RES 243K 1/8W 1%		1304843	43
						1	R11	RES 2.61K 1/8W 1%		1300308	44
						2	R15, R33,	RES 68.1K 1/8W 1%		1305252	45
						1	R13	RES 121K 1/8W 1%		1305255	46
						2	R4, R5	RES .25 3W 1%		1310219	47
						1	R19	RES .08 5W 3%		1310983	48
						1	R90	RES 56Ω 1/4W 5%		1302602	49
						1	Q14	TRANS DEC 2904A		1501913	50
						1	Q13	TRANS DEC 6534B		1503409-1	51
						1	Q12	TRANS DEC 4920		1509605	52
						6	Q1-Q4, Q9, Q10	TRANS DEC 3725		1510959	53
						1	T1	PULSE TRANSFORMER (DIP)		1609651	54
						2	T2, T3	SATURATING TRANSFORMER-XY		1610962	55
						2	L1, L2	CHOKE 400 UH		1610963	56
						2	E27, E28	IC DEC 74154		1909701	57
						2	E19, E32	IC DEC 7442		1910046	58
						1	E4	IC DEC 74121		1910230	59
						2	E1, E2	IC DEC 741		1910298	60
						2	E5, E8	IC DEC 74H00		1909056	61

REVISIONS		
CHK	CHANGE NO.	REV.

DEC FORM NO. 080 137

TITLE: 16K X-Y DRIVE
 SIZE CODE: DCS
 NUMBER: G235-0-1
 SCALE: / / /
 SHEET 3 OF 6
 DIST.:

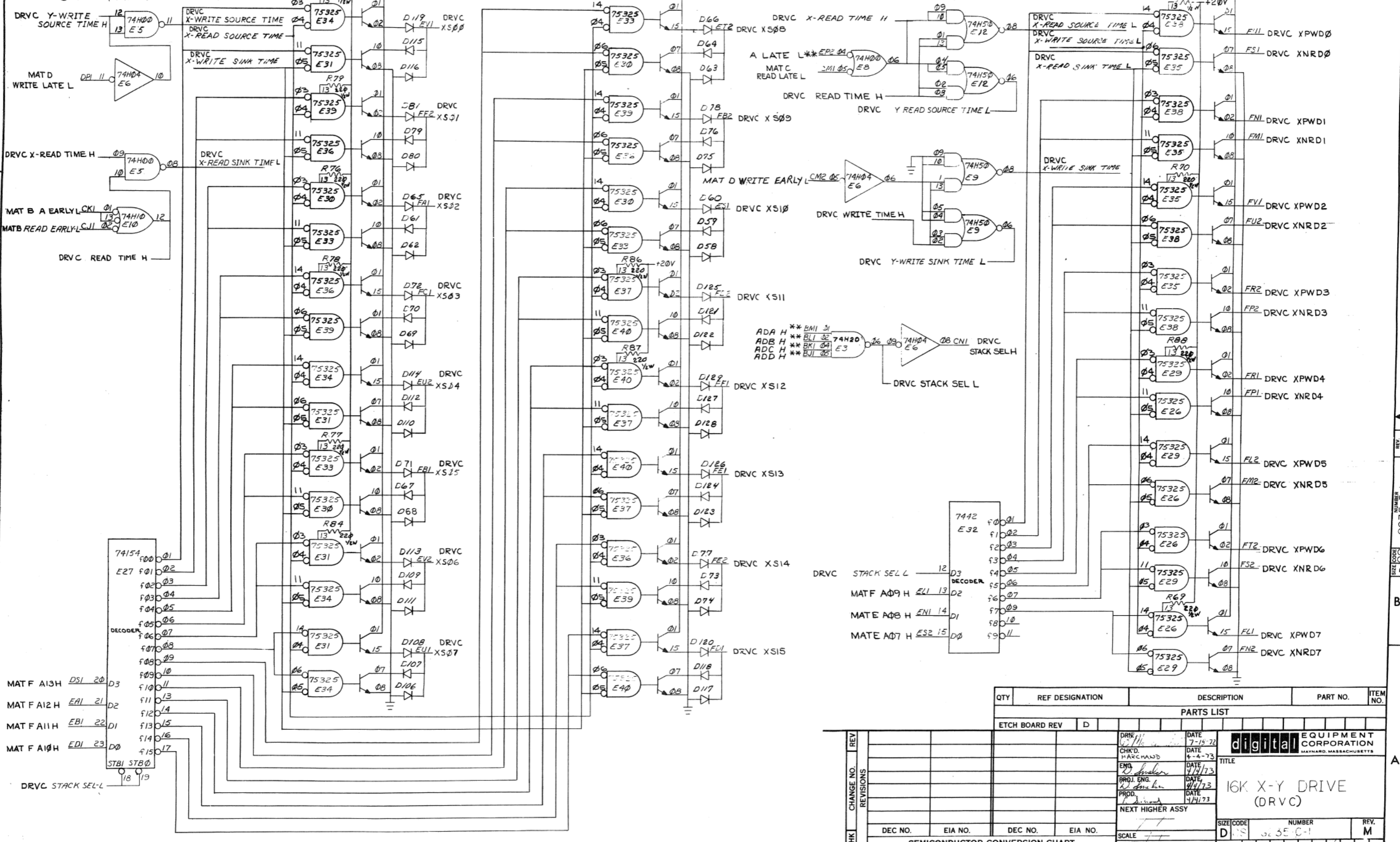
D
C
B
A

D
C
B
A

8 7 6 5 4 3 2 1

This drawing and specifications, herein, are the property of Digital Equipment Corporation and shall not be reproduced or copied or used in whole or in part as the basis for the manufacture or sale of items without written permission.

COPYRIGHT © 1973 DIGITAL EQUIPMENT CORP



QTY	REF DESIGNATION	DESCRIPTION	PART NO.	ITEM NO.
PARTS LIST				
ETCH BOARD REV D				
DRVA	75325	75325		
DRVA	D119	DRVC XS00		
DRVA	D115	DRVC XS01		
DRVA	D116	DRVC XS02		
DRVA	D117	DRVC XS03		
DRVA	D118	DRVC XS04		
DRVA	D119	DRVC XS05		
DRVA	D120	DRVC XS06		
DRVA	D121	DRVC XS07		
DRVA	D122	DRVC XS08		
DRVA	D123	DRVC XS09		
DRVA	D124	DRVC XS10		
DRVA	D125	DRVC XS11		
DRVA	D126	DRVC XS12		
DRVA	D127	DRVC XS13		
DRVA	D128	DRVC XS14		
DRVA	D129	DRVC XS15		
DRVA	D130	DRVC XS16		
DRVA	D131	DRVC XS17		
DRVA	D132	DRVC XS18		
DRVA	D133	DRVC XS19		
DRVA	D134	DRVC XS20		
DRVA	D135	DRVC XS21		
DRVA	D136	DRVC XS22		
DRVA	D137	DRVC XS23		
DRVA	D138	DRVC XS24		
DRVA	D139	DRVC XS25		
DRVA	D140	DRVC XS26		
DRVA	D141	DRVC XS27		
DRVA	D142	DRVC XS28		
DRVA	D143	DRVC XS29		
DRVA	D144	DRVC XS30		
DRVA	D145	DRVC XS31		
DRVA	D146	DRVC XS32		
DRVA	D147	DRVC XS33		
DRVA	D148	DRVC XS34		
DRVA	D149	DRVC XS35		
DRVA	D150	DRVC XS36		
DRVA	D151	DRVC XS37		
DRVA	D152	DRVC XS38		
DRVA	D153	DRVC XS39		
DRVA	D154	DRVC XS40		
DRVA	D155	DRVC XS41		
DRVA	D156	DRVC XS42		
DRVA	D157	DRVC XS43		
DRVA	D158	DRVC XS44		
DRVA	D159	DRVC XS45		
DRVA	D160	DRVC XS46		
DRVA	D161	DRVC XS47		
DRVA	D162	DRVC XS48		
DRVA	D163	DRVC XS49		
DRVA	D164	DRVC XS50		
DRVA	D165	DRVC XS51		
DRVA	D166	DRVC XS52		
DRVA	D167	DRVC XS53		
DRVA	D168	DRVC XS54		
DRVA	D169	DRVC XS55		
DRVA	D170	DRVC XS56		
DRVA	D171	DRVC XS57		
DRVA	D172	DRVC XS58		
DRVA	D173	DRVC XS59		
DRVA	D174	DRVC XS60		
DRVA	D175	DRVC XS61		
DRVA	D176	DRVC XS62		
DRVA	D177	DRVC XS63		
DRVA	D178	DRVC XS64		
DRVA	D179	DRVC XS65		
DRVA	D180	DRVC XS66		
DRVA	D181	DRVC XS67		
DRVA	D182	DRVC XS68		
DRVA	D183	DRVC XS69		
DRVA	D184	DRVC XS70		
DRVA	D185	DRVC XS71		
DRVA	D186	DRVC XS72		
DRVA	D187	DRVC XS73		
DRVA	D188	DRVC XS74		
DRVA	D189	DRVC XS75		
DRVA	D190	DRVC XS76		
DRVA	D191	DRVC XS77		
DRVA	D192	DRVC XS78		
DRVA	D193	DRVC XS79		
DRVA	D194	DRVC XS80		
DRVA	D195	DRVC XS81		
DRVA	D196	DRVC XS82		
DRVA	D197	DRVC XS83		
DRVA	D198	DRVC XS84		
DRVA	D199	DRVC XS85		
DRVA	D200	DRVC XS86		
DRVA	D201	DRVC XS87		
DRVA	D202	DRVC XS88		
DRVA	D203	DRVC XS89		
DRVA	D204	DRVC XS90		
DRVA	D205	DRVC XS91		
DRVA	D206	DRVC XS92		
DRVA	D207	DRVC XS93		
DRVA	D208	DRVC XS94		
DRVA	D209	DRVC XS95		
DRVA	D210	DRVC XS96		
DRVA	D211	DRVC XS97		
DRVA	D212	DRVC XS98		
DRVA	D213	DRVC XS99		
DRVA	D214	DRVC XS00		

REV. M. 62350-1

digital EQUIPMENT CORPORATION
MAYNARD, MASSACHUSETTS

TITLE
16K X-Y DRIVE (DRVC)

SIZE CODE NUMBER REV.
D 15 32 35 C-1 M

CHG	NO.	REV	DESCRIPTION	DATE

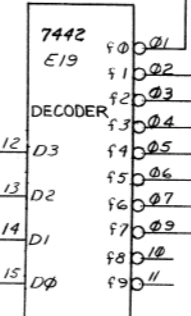
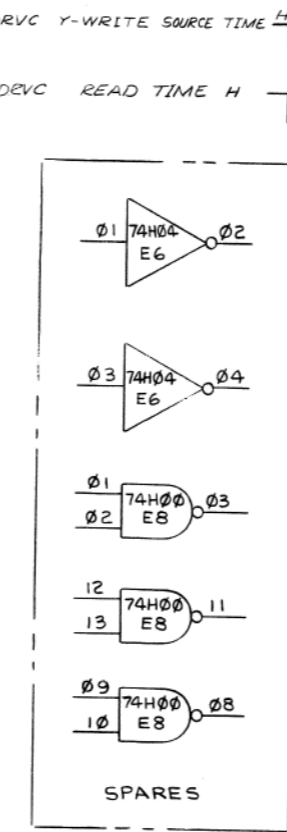
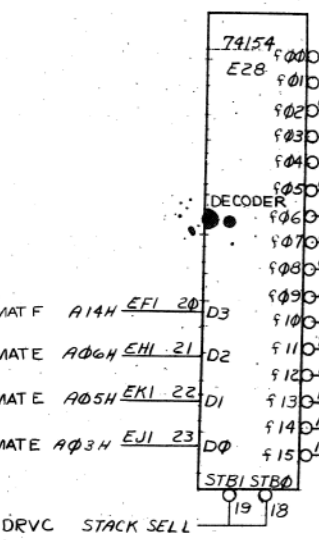
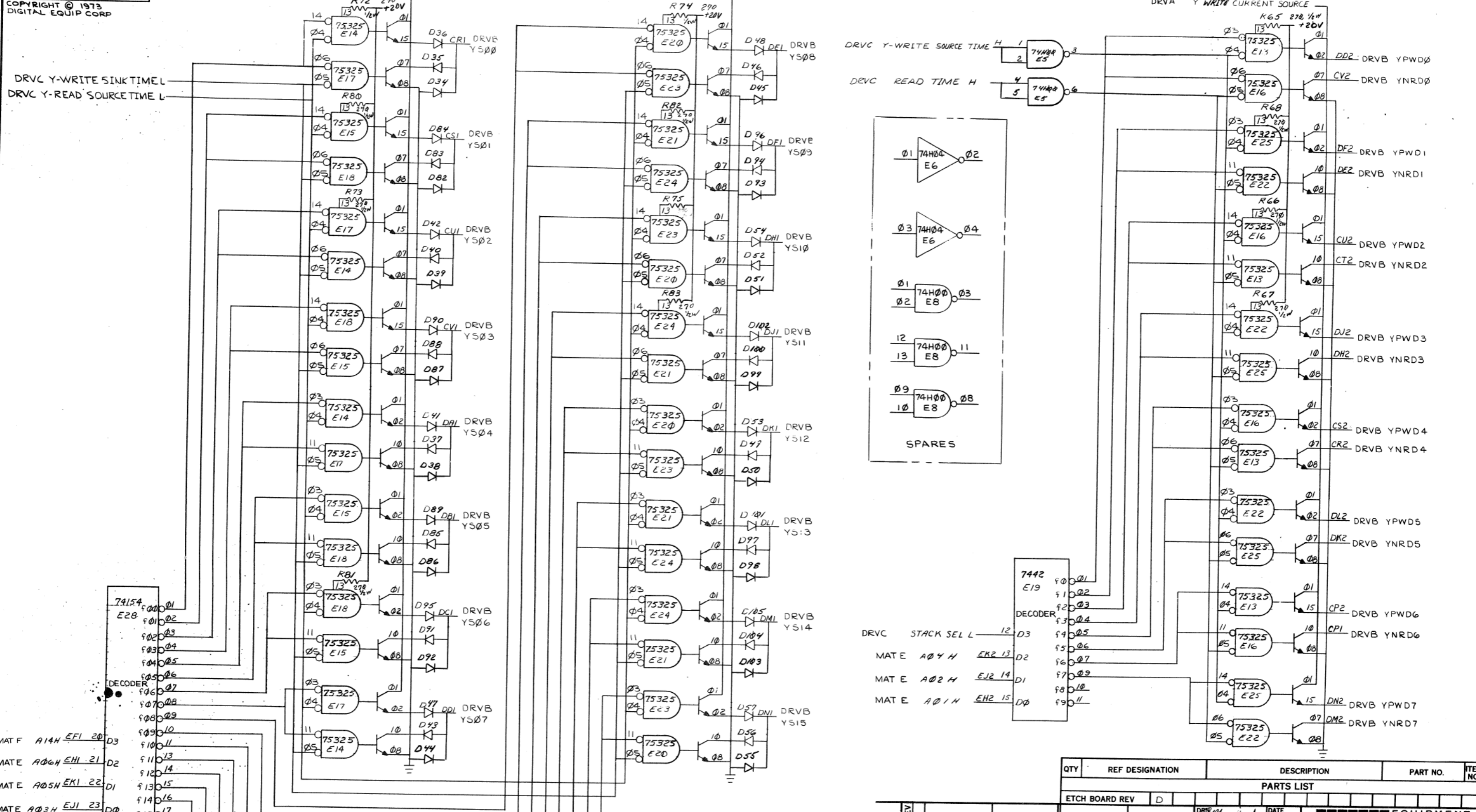
DEC NO.	EIA NO.	DEC NO.	EIA NO.

SEMICONDUCTOR CONVERSION CHART
SHEET 4 OF 6

This drawing and specifications, herein, are the property of Digital Equipment Corporation and shall not be reproduced or copied or used in whole or in part as the basis for the manufacture or sale of items without written permission.
 COPYRIGHT © 1973 DIGITAL EQUIP CORP

DRVA Y-READ CURRENT SOURCE

DRVA Y-WRITE CURRENT SOURCE

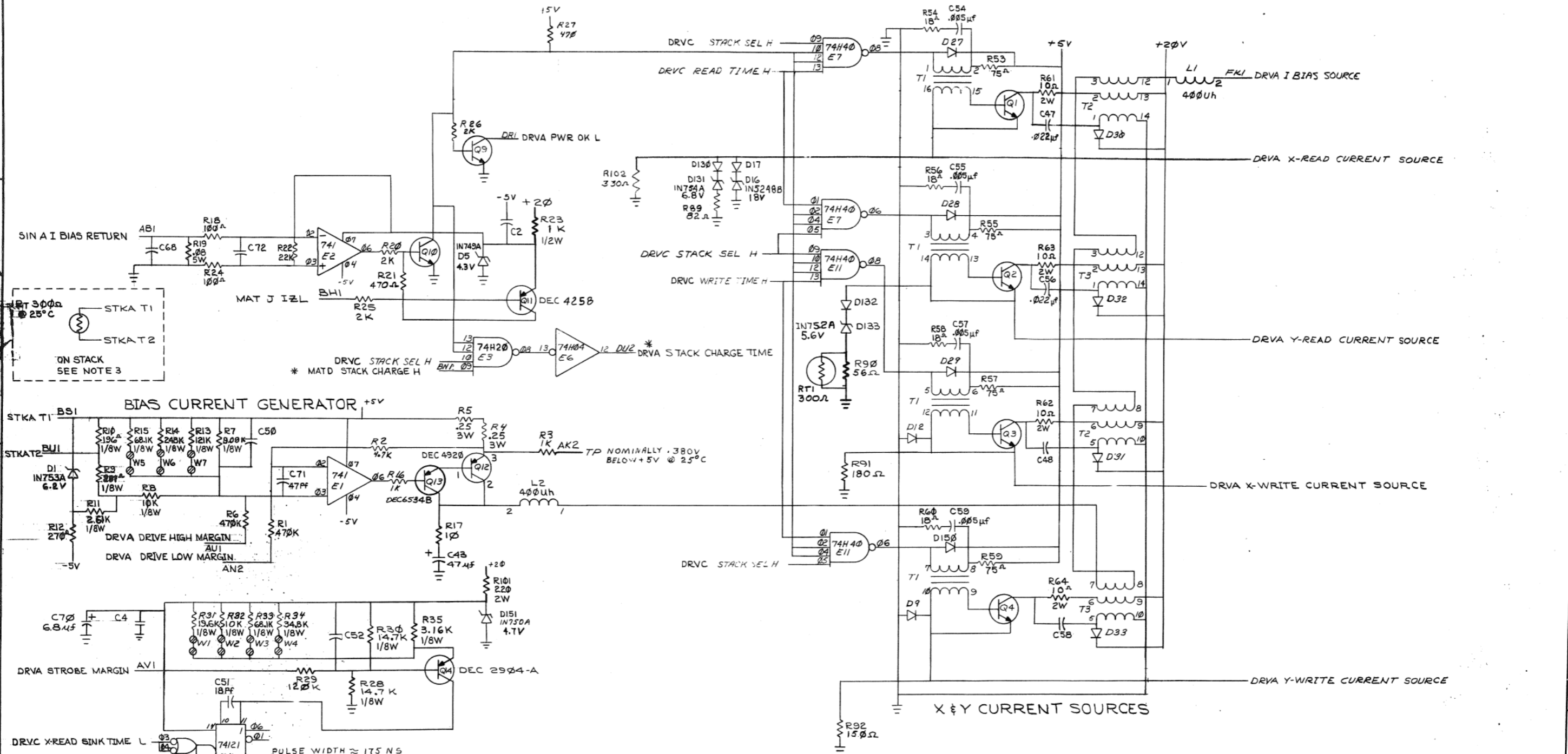


DRVC STACK SEL L — 12 D3
 MATE A04H EKR 13 D2
 MATE A02H EJ2 14 D1
 MATE A01H EHZ 15 D0

QTY	REF DESIGNATION	DESCRIPTION	PART NO.	ITEM NO.
PARTS LIST				
ETCH BOARD REV D				
REV	CHANGE NO.	REVISIONS	DATE	TITLE
			7-24-72	digital EQUIPMENT CORPORATION MAYNARD, MASSACHUSETTS 16K X-Y DRIVE (DRVB)
			4-4-73	
			4/4/73	
			4/4/73	
			4/4/73	
DEC NO.		EIA NO.	DEC NO.	EIA NO.
SCALE		NEXT HIGHER ASSY		SIZE CODE
SHEET 5 OF 6		D/C/S		NUMBER G235-0-1
				REV. M

This drawing and specifications, herein, are the property of Digital Equipment Corporation and shall not be reproduced or copied or used in whole or in part as the basis for the manufacture or sale of items without written permission.

COPYRIGHT © 1973
DIGITAL EQUIP CORP



QTY	REF DESIGNATION	DESCRIPTION	PART NO.	ITEM NO.
PARTS LIST				
ETCH BOARD REV D				
REV	CHANGE NO.	REVISIONS	DATE	BY
			7-21-73	W. Marchand
			8-4-73	W. Marchand
			9/17/73	R. Schuler
			4/1/73	R. Schuler
			4/19/73	R. Schuler
NEXT HIGHER ASSY				
DEC NO.		EIA NO.		SCALE
				SHEET 2 OF 6
SEMICONDUCTOR CONVERSION CHART			DIST.	

digital EQUIPMENT CORPORATION
MAYNARD, MASSACHUSETTS

TITLE
16K X-Y DRIVE (DRVA)

SIZE CODE DCS NUMBER 235-0-1 REV. M