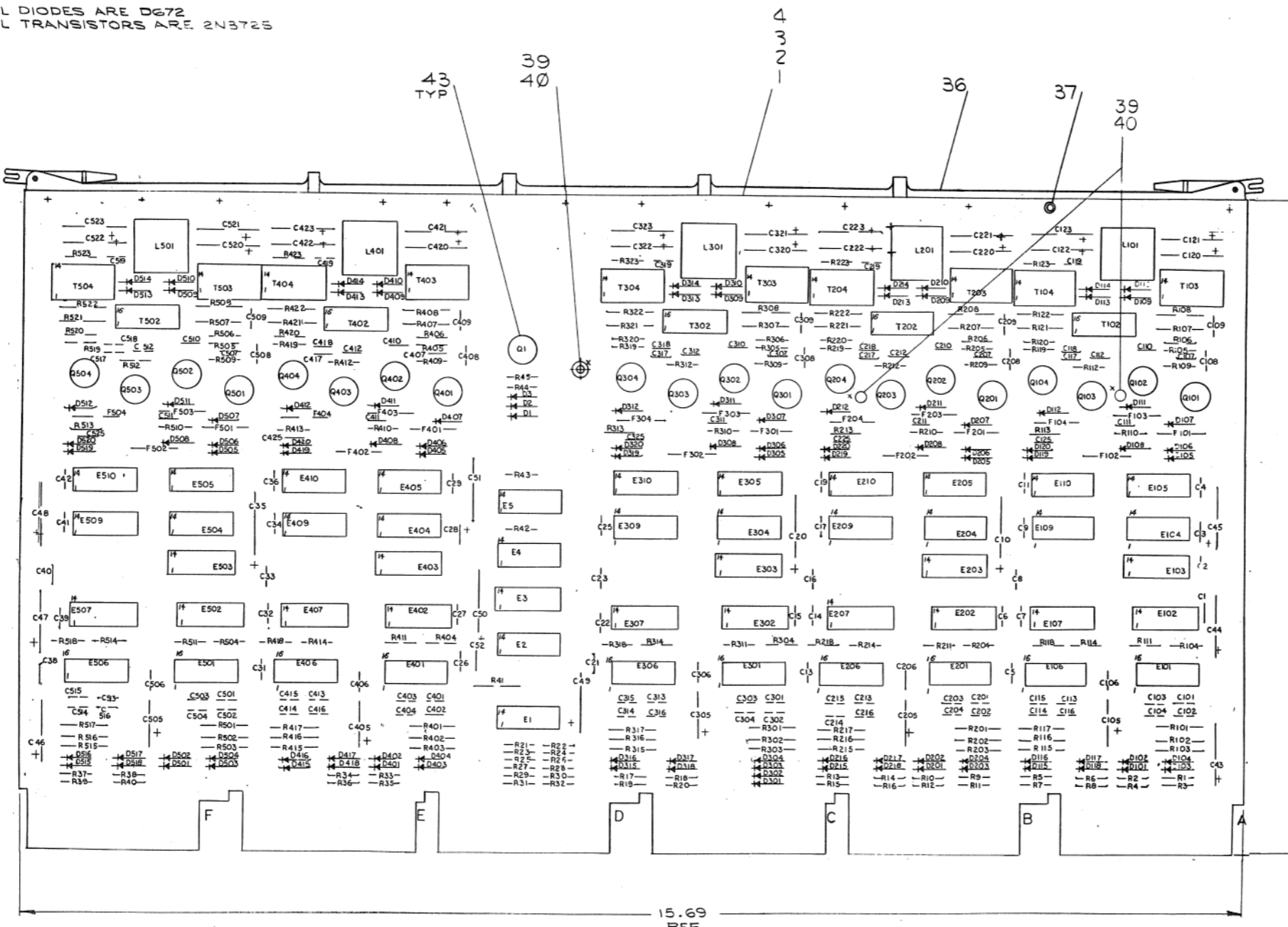


This drawing and specifications herein are the property of Digital Equipment Corporation and shall not be reproduced or copied or used in whole or in part as the basis for the manufacture or sale of items without written permission.

COPYRIGHT © 1973 DIGITAL EQUIPMENT CORPORATION

- NOTES: UNLESS OTHERWISE SPECIFIED**
1. ALL RESISTORS ARE IN OHMS 1/4W
 2. ALL CAPACITANCE IS IN MICROFARADS
 3. DATA BITS 17 & 18 ARE NOT USED IN 18 BIT SYSTEMS
 4. DATA BIT 18 IS NOT USED IN 19 BIT SYSTEMS
 5. DATA BITS 16, 17, 18 & 19 ARE NOT USED IN 16 BIT SYSTEMS
 6. ALL DIODES ARE DG72
 7. ALL TRANSISTORS ARE 2N3725



IC TYPE	GND	+5V	-5V
IC DEC 7380	1	8	-
IC DEC 8640	1	8	-
IC DEC 7528	9	16	8

GND AND 5V ARE USUALLY PIN 7 AND 14 RESPECTIVELY EXCEPTIONS ARE STATED ABOVE

IC PIN LOCATIONS

REV	CHANGE NO.	REVISIONS	QTY	REF DESIGNATION	DESCRIPTION	PART NO.	ITEM NO.

DEC NO.	EIA NO.	DEC NO.	EIA NO.

SCALE	SHEET	OF	TOTAL SHEETS
	2	OF	9

DATE	BY	TITLE
4-3-73		16 K SENSE/INHIBIT
4-13-73		
7-13-73		
7-13-73		
7-13-73		

digital EQUIPMENT CORPORATION
MAYNARD, MASSACHUSETTS

SIZE CODE: DCS NUMBER: G114-0-1 REV: F

SEMICONDUCTOR CONVERSION CHART

REV. F
NUMBER G114-0-1
SIZE CODE DCS

"THIS DRAWING AND SPECIFICATIONS, HEREIN, ARE THE PROPERTY OF DIGITAL EQUIPMENT CORPORATION AND SHALL NOT BE REPRODUCED OR COPIED OR USED IN WHOLE OR IN PART AS THE BASIS FOR THE MANUFACTURE OR SALE OF ITEMS WITHOUT WRITTEN PERMISSION. COPYRIGHT © 1973, DIGITAL EQUIPMENT CORPORATION"

1-0-7119 2 1

D

C

B

A

D

C

B

A

1	E1	IC DEC 74H00	1909056	30	REF		
14	E2 THRU E5, E105, E110, E205, E210, E305, E310, E405, E410, E505, E510	IC DEC 74H40	1905586	31	REF		
10	E101, E106, E201, E206, E301, E306, E401, E406, E501, E506	IC DEC 7528 SENSE AMP	1910687	32	REF		
5	E107, E207, E307, E407, E507	IC DEC 8881	1909705	33	REF		
10	E104, E109, E204, E209, E304, E309, E404, E409, E504, E509	IC DEC 74H74	1909667	34	REF		
5	L101, L201, L301, L401, L501	CHOKE 400 UH	1610963	35	REF		
1		HANDLE ASS'Y	1210711-2	36	REF		
12		EYELET GS-4-7	9006732	37	REF		
20	F101 THRU F104, F201 THRU F204, F301 THRU F304, F401 THRU F404, F501 THRU F504	FUSE PICO FUSE 3/4A	1210929-3	38	REF		
3		STANDOFF 1/4 X 3/8 #6-32 THRU	9008213	39	REF		
3		SCREW, NYLON 6/32 X 1/4 LG	9009041-1	40	REF		
5	E103, E203, E303, E403, E503	I.C. DEC 74H04	1909931	41	REF		
5	E102, E202, E302, E402, E502	I.C. DEC 8640	1911469	42	REF		
21		TRANSIPAD	9007201	43	REF		
A/R		24 AWG WIRE	9107470	44	REF		
				45	REF		

1	ETCHED CIRCUIT BOARD	5010478	1	
2	X-Y COORDINATE HOLE LOCATION	K-CO-G114-O-4	2	
3	ASSY/DRILLING HOLE LAYOUT	D-AH-G114-O-5	3	
4	MODULE ECO HISTORY	B-MH-G114-O-6	4	
5	C1 THRU C9, C11, C13 THRU C17, C19, C21, C22, C23, C25 THRU C29, C31, C32, C33, C34, C36, C38 THRU C42, C52, C104, C106, C108, C114, C204, C206, C208, C214, C304, C306, C308, C314, C404, C406, C408, C414, C504, C506, C508, C514	CAP. 0.1UF 50V, 20% CER	1001610	5
29	C10, C20, C35, C120 THRU C123, C220 THRU C223, C320 THRU C323, C420 THRU C423, C520 THRU C523, C49, C45, C47, C48, C50, C51	CAP 6.8UF, 35V, 10% TANT	1005306	6
30	C101, C103, C113, C115, C201, C203, C213, C215, C301, C303, C313, C315, C401, C403, C413, C415, C501, C503, C513, C515, C102, C116, C202, C216, C302, C316, C402, C416, C502, C516	CAP 82 PF, 100V, 5% D.M.	1000015	7
5	C105, C205, C305, C405, C505	CAP 3.9UF 10V, ±10% TANT	1000064	8
3	C43, C46, C49	CAP 39UF 10V ±10% TANT	1000076	9
20	C107, C111, C112, C125, C207, C211, C212, C225, C307, C311, C312, C325, C407, C411, C412, C425, C507, C511, C512, C525	CAP 560 PF, 100V, 5% D.M.	1000025	10
20	C109, C110, C117, C118, C209, C210, C217, C218, C309, C310, C317, C318, C409, C410, C417, C418, C509, C510, C517, C518	CAP .005UF 100V, 20%, DISC	1001765	11
5	C119, C219, C319, C419, C519	CAP .22UF 50V +80% -20% CER	1010274-0	12
103	D1, D2, D3, D101 THRU D120, D201 THRU D220, D301 THRU D320, D401 THRU D420, D501 THRU D520	DIODE D672	1105275	13
20	R1, R3, R5, R7, R9, R11, R13, R15, R17, R19, R21, R23, R25, R27, R29, R31, R33, R35, R37, R39	RES. 180 1/4W, 5%	1301322	14
1	R41	RES. 196 1/8W, 1% MF	1302956	15
20	R2, R4, R6, R8, R10, R12, R14, R16, R18, R20, R22, R24, R26, R28, R30, R32, R34, R36, R38, R40	RES. 390 1/4W, 5%	1300309	16
2	R42, R43	RES. 330 1/4W, 5%	1300295	17
1	R44	RES. 4.7K 1/4W, 5%	1300447	18
20	R101, R102, R16, R117, R201, R202, R216, R217, R301, R302, R316, R317, R401, R402, R416, R417, R501, R502, R516, R517	RES. 19.6, 1/8W, 1% MF	1303110	19
10	R103, R115, R203, R215, R303, R315, R403, R415, R503, R515	RES. 1K 1/8W 1% MF	1303114	20
20	R104, R111, R114, R118, R204, R211, R214, R218, R304, R311, R314, R318, R404, R411, R414, R418, R504, R511, R514, R518	RES. 1K, 1/4W, 5%	1300365	21
20	R109, R110, R112, R113, R209, R210, R212, R213, R309, R310, R312, R313, R409, R410, R412, R413, R509, R510, R512, R513	RES 100 1/4W 5%	1300229	22
20	R105, R106, R119, R120, R205, R206, R219, R220, R305, R306, R319, R320, R405, R406, R419, R420, R505, R506, R519, R520	RES 5.1 1/4W 5%	1309422	23
1	R45	RES 470 1/4W 5%	1300316	24
5	R123, R223, R323, R423, R523	RES 150 1/4W 5%	1300250	25
20	R107, R108, R121, R122, R207, R208, R221, R222, R307, R308, R321, R322, R407, R408, R421, R422, R507, R508, R521, R522	RES 56 1/2W 5%	1309995	26
21	Q1, Q101 THRU Q104, Q201 THRU Q204, Q301 THRU Q304, Q401 THRU Q404, Q501 THRU Q504	TRANS 2N3725 (Tps)	1510959	27
10	T103, T104, T203, T204, T303, T304, T403, T404, T503, T504	TRANSFORMER SATURATING INHIBIT	1610961	28
5	T102, T202, T302, T402, T502	TRANSFORMER, PULSE (DIP)	1609996	29

REVISIONS		
CHK	CHANGE NO.	REV.

TITLE	16K SENSE/INHIBIT	SIZE CODE	D CS	NUMBER	G114-O-1	REV.	F
SCALE	1/1	SHEET	3 OF 9	DIST.			

DEC FORM NO. DED 138

8

7

6

5

4

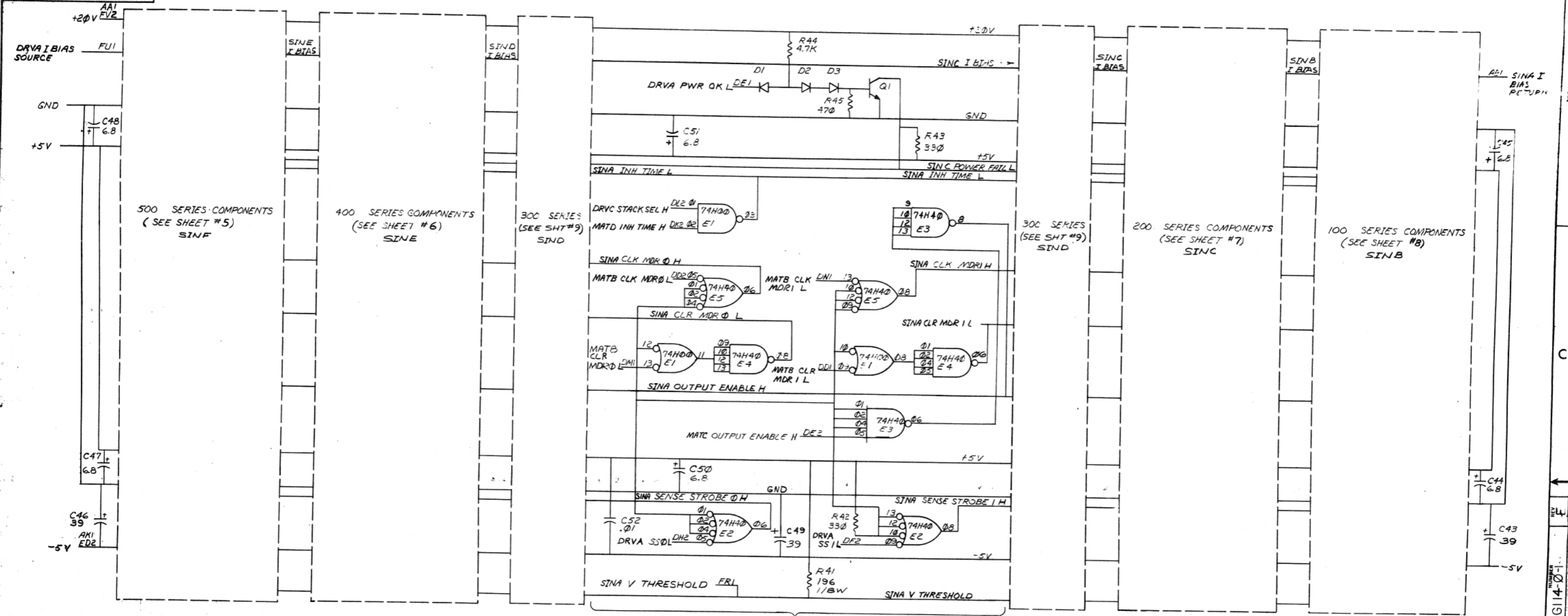
3

2

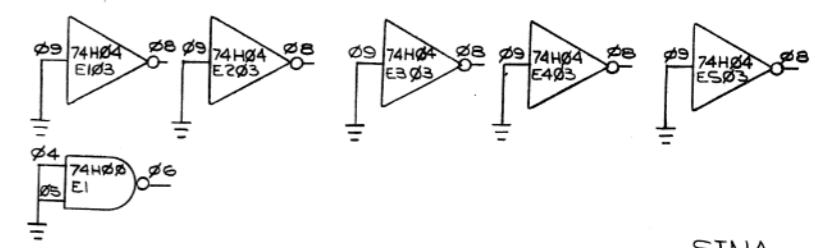
1

This drawing and specifications, herein, are the property of Digital Equipment Corporation and shall not be reproduced or copied or used in whole or in part as the basis for the manufacture or sale of items without written permission.

COPYRIGHT © 1973 DIGITAL EQUIPMENT CORPORATION



C1 - C9	C10	C11	C13-C17	C19	C20	C21-C23	C25-C29	C31-C34	C35	C36	C38-C42	E1 CTI DT1 BC2 AC2 FC2 AT1 BT1 CC2 DC2 FT1 EC2 +5V GND							
R1	R3	R5	R7	R9	R11	R13	R15	R17	R19	R21	R23	R25	R27	R29	R31	R33	R35	R37	R39
AM1	BB1	BA1	BN1	BM1	CB1	CA1	DB1	DA1	DF1	DL1	DK1	DJ1	DH1	DJ2	EA1	EB1	FP2	FN2	RA4
R2	R4	R6	R8	R10	R12	R14	R16	R18	R20	R22	R24	R26	R28	R30	R32	R34	R36	R38	R40

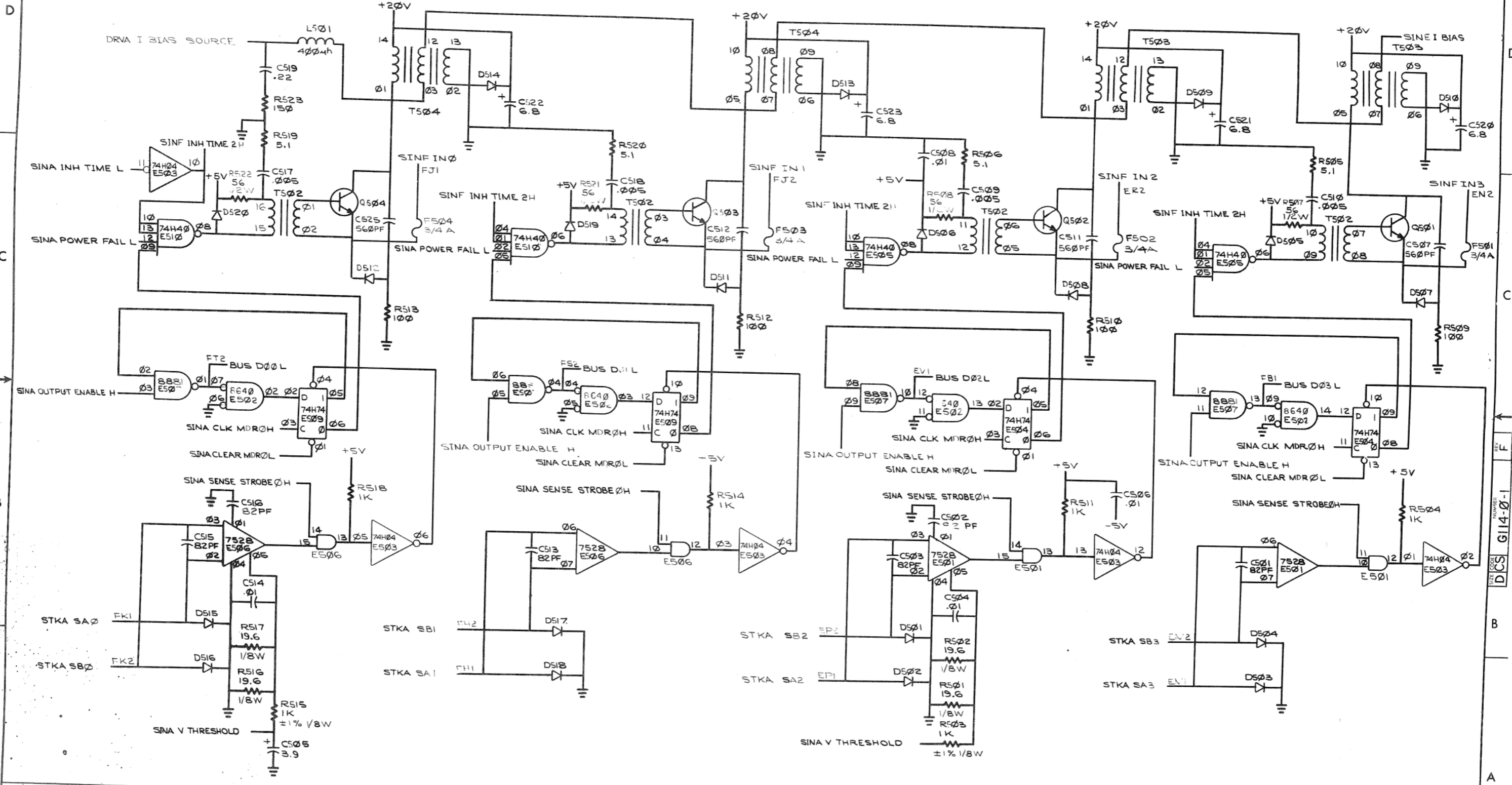


FIRST USED ON OPTION/MODEL	QTY.	DESCRIPTION	PART NO.	ITEM NO.
MF11-U & MF11-UP				
PARTS LIST				
UNLESS OTHERWISE SPECIFIED DIMENSION IN INCHES. TOLERANCES		DRN: <i>CS</i>	DATE: <i>6-20-73</i>	 digital EQUIPMENT CORPORATION <small>MAYNARD MASSACHUSETTS</small>
DECIMALS	ANGLES	CHK'D: <i>CS</i>	DATE: <i>4-13-73</i>	
.XXX - .005	±0° 30'	ENG: <i>CS</i>	DATE: <i>4/13/73</i>	
.XX - .02		PROJ. ENG: <i>CS</i>	DATE: <i>4/13/73</i>	
REMOVE BURRS AND BREAK SHARP CORNERS SURFACE QUALITY		PROD: <i>CS</i>	DATE: <i>4/13/73</i>	
MATERIAL		NEXT HIGHER ASSY.		
FINISH		SCALE: <i>1/8"</i>	SHEET: <i>4 OF 9</i>	
		SIZE CODE: <i>DCS</i>	NUMBER: <i>G114-0-1</i>	REV. <i>F</i>
		DIST.:		

REV.	
CHANGE NO.	
REVISIONS	
CHK	

DEC FORM NO DRD 102-B

"THIS DRAWING AND SPECIFICATIONS, HEREIN, ARE THE PROPERTY OF DIGITAL EQUIPMENT CORPORATION AND SHALL NOT BE REPRODUCED OR COPIED OR USED IN WHOLE OR IN PART AS THE BASIS FOR THE MANUFACTURE OR SALE OF ITEMS WITHOUT WRITTEN PERMISSION. COPYRIGHT © 1973, DIGITAL EQUIPMENT CORPORATION"

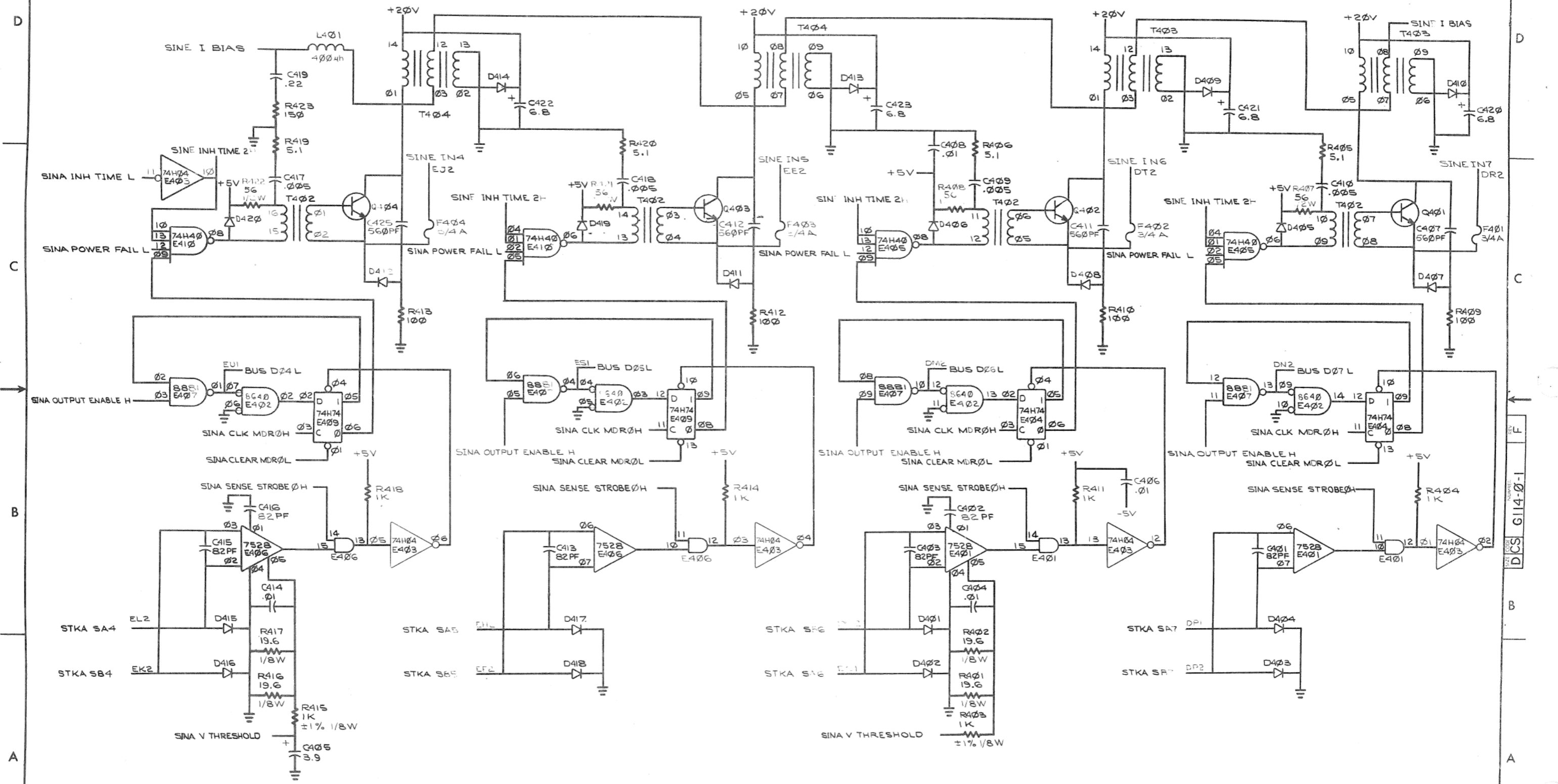


REVISIONS		
CHK	CHANGE NO.	REV.

500 SERIES SINF

TITLE	16K SENSE/INHIBIT (SINF)	SIZE CODE	DCS	NUMBER	G114-0-1	REV.	F
SCALE		SHEET	5	OF	9	DIST.	

"THIS DRAWING AND SPECIFICATIONS, HEREIN, ARE THE PROPERTY OF DIGITAL EQUIPMENT CORPORATION AND SHALL NOT BE REPRODUCED OR COPIED OR USED IN WHOLE OR IN PART AS THE BASIS FOR THE MANUFACTURE OR SALE OF ITEMS WITHOUT WRITTEN PERMISSION. COPYRIGHT © 1973, DIGITAL EQUIPMENT CORPORATION"

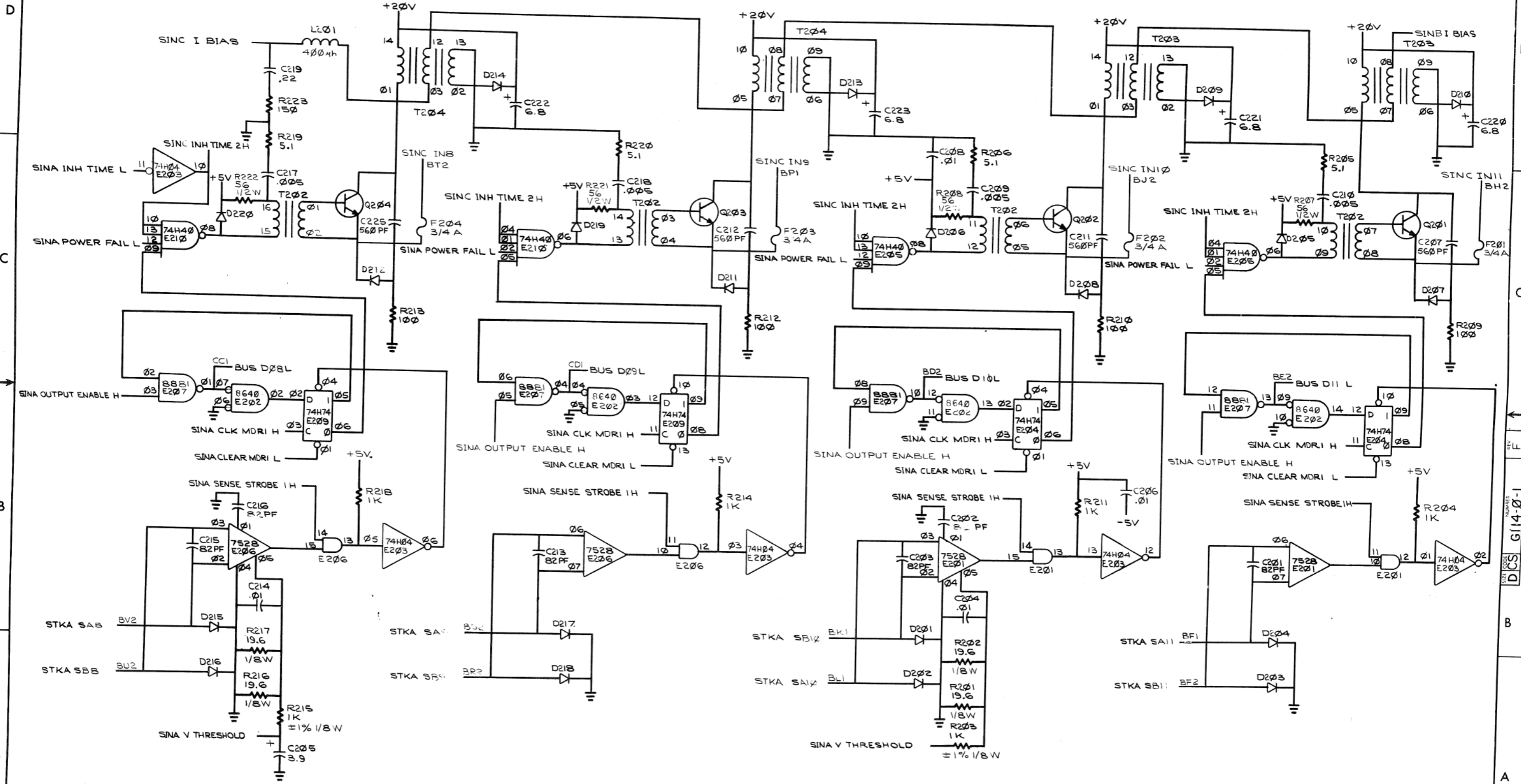


REVISIONS		
CHK	CHANGE NO.	REV.

400 SERIES SINE

TITLE	16K SENSE/INHIBIT (SINE)	SIZE CODE	D CS	NUMBER	G114-0-1	REV.	F
SCALE		SHEET	6	OF	9	DIST.	

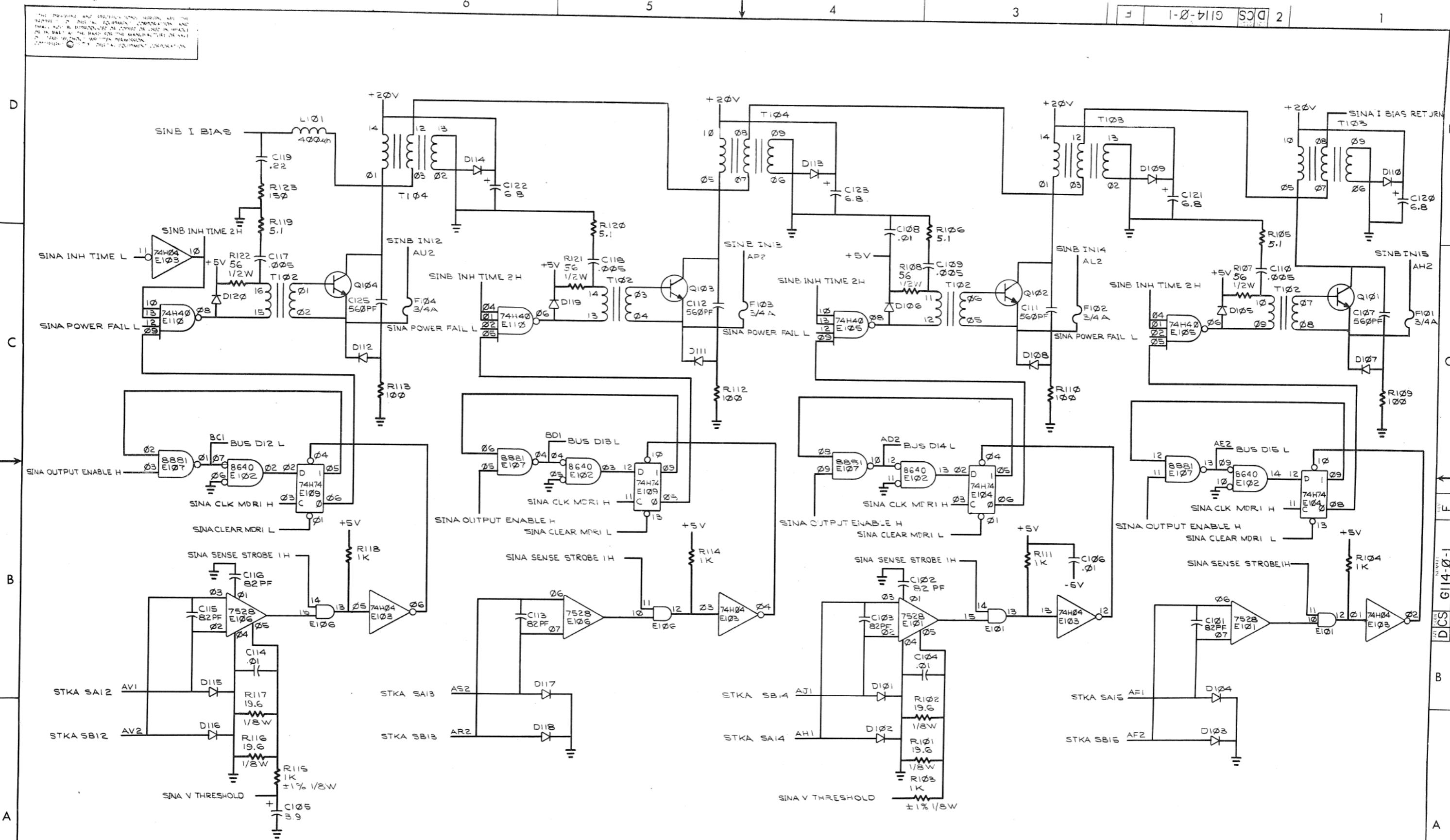
"THIS DRAWING AND SPECIFICATIONS, HEREIN, ARE THE PROPERTY OF DIGITAL EQUIPMENT CORPORATION AND SHALL NOT BE REPRODUCED OR COPIED OR USED IN WHOLE OR IN PART AS THE BASIS FOR THE MANUFACTURE OR SALE OF ITEMS WITHOUT WRITTEN PERMISSION. COPYRIGHT © 1973, DIGITAL EQUIPMENT CORPORATION"



REVISIONS		
CHK	CHANGE NO.	REV.

200 SERIES SINC

TITLE	16K SENSE/INHIBIT (SINC)	SIZE/CODE	DCS	NUMBER	G114-0-1	REV.	F
SCALE	1	SHEET	7	OF	9	DIST.	

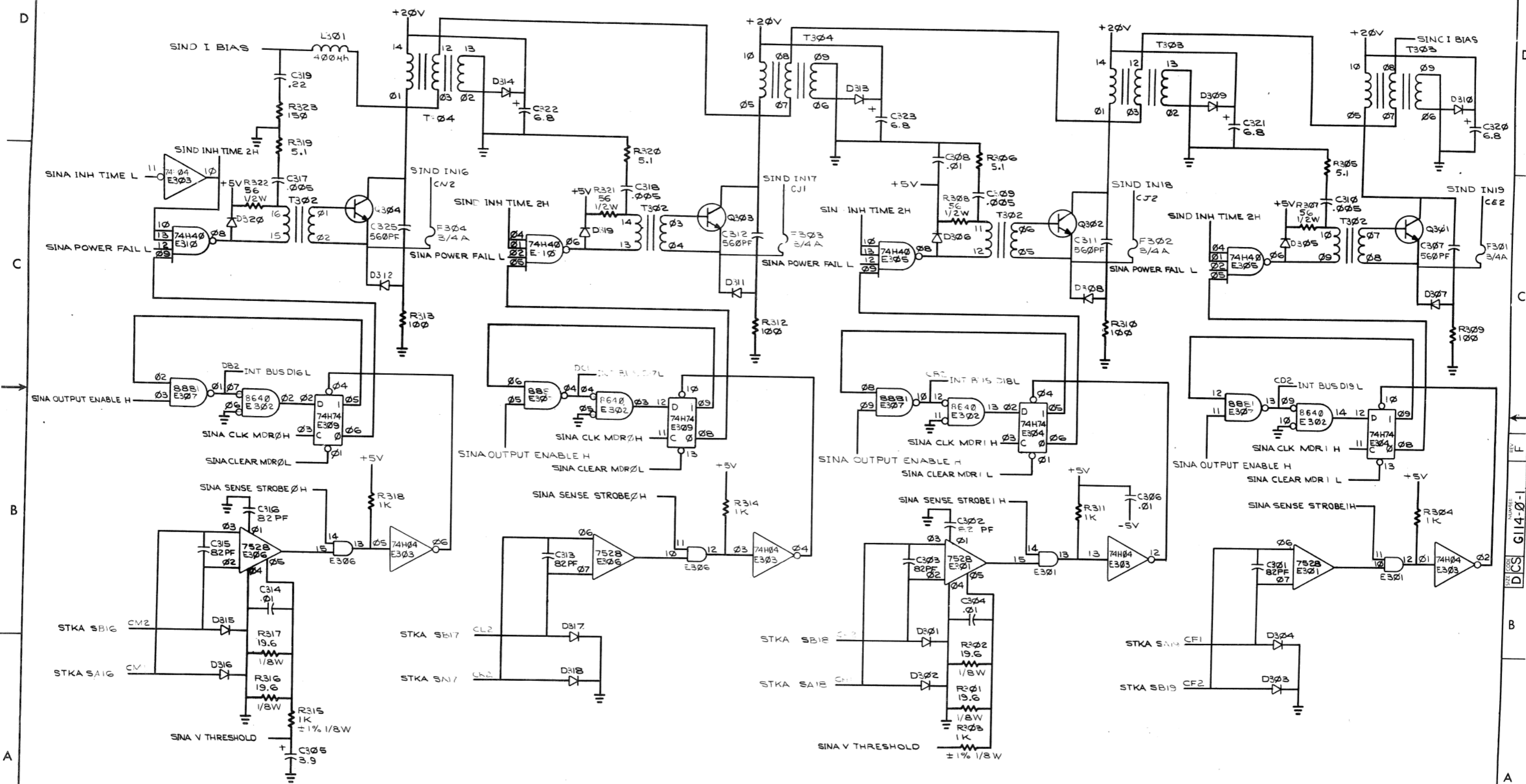


REVISIONS		
CHK	CHANGE NO.	REV.

16K SENSE/INHIBIT (SINB)

TITLE	DCS	NUMBER	REV.
16K SENSE/INHIBIT (SINB)	6114-0-1	F	
SCALE	SHEET 5 OF 9	DIST.	

"THIS DRAWING AND SPECIFICATIONS, HEREIN, ARE THE PROPERTY OF DIGITAL EQUIPMENT CORPORATION AND SHALL NOT BE REPRODUCED OR COPIED OR USED IN WHOLE OR IN PART AS THE BASIS FOR THE MANUFACTURE OR SALE OF ITEMS WITHOUT WRITTEN PERMISSION. COPYRIGHT © 1973, DIGITAL EQUIPMENT CORPORATION"



300 SERIES SIND

TITLE	16K SENSE/INHIBIT (SIND)	SIZE CODE	DCS	NUMBER	G114-0-1	REV.	F
SCALE		SHEET	9	OF	9	DIST.	