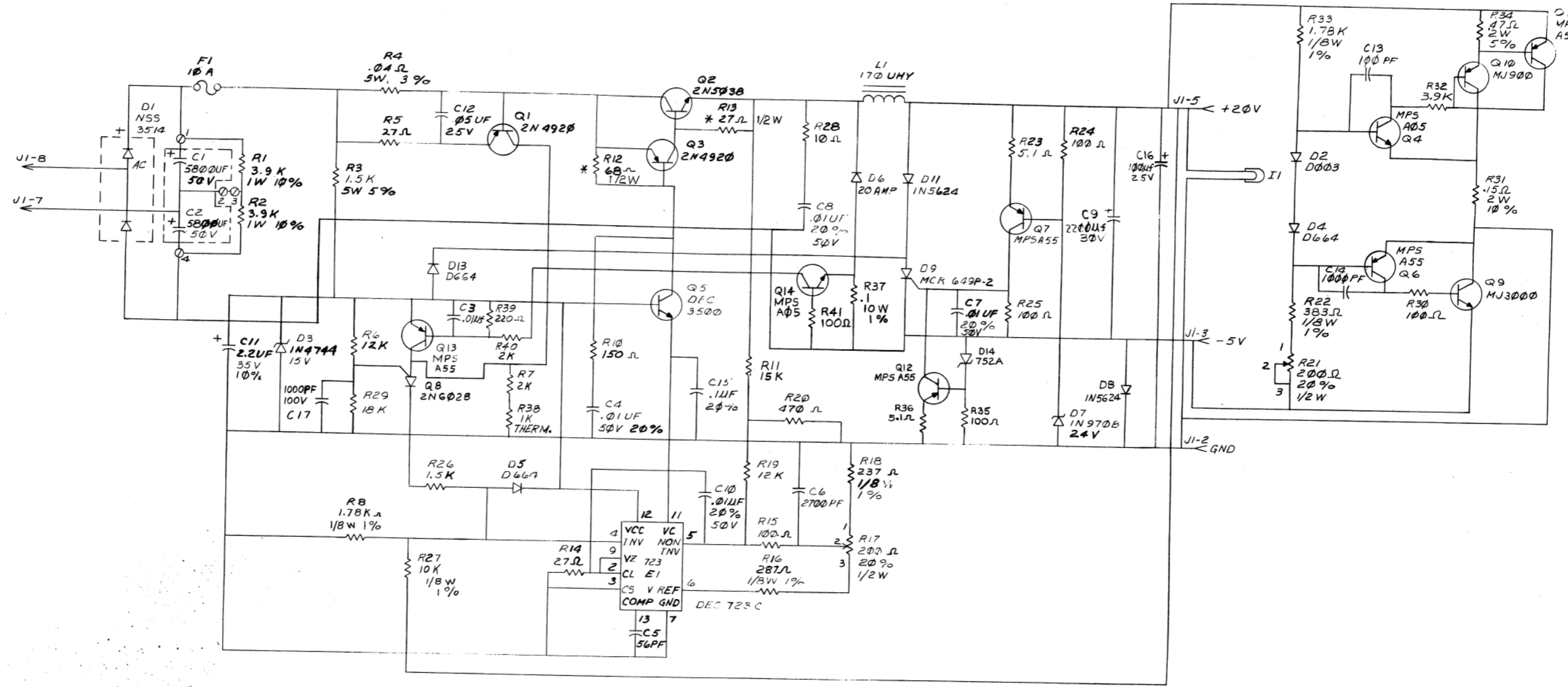


TITLE	SHEET OF	SIZE CODE	NUMBER	REV
+20 VOLT REGULATOR	3 OF 3	B DD	H754-Ø	B



This drawing and specifications herein are the property of Digital Equipment Corporation and shall not be reproduced or copied or used in whole or in part as the basis for the manufacture or sale of items without written permission.

COPYRIGHT © 1972 DIGITAL EQUIPMENT CORPORATION



\* FUSIBLE RESISTOR

REV	CHANGE NO.	REVISIONS

DEC FORM NO. DRD 102-B

FIRST USED ON OPTION/MODEL	QTY.	DESCRIPTION	PART NO.	ITEM NO.
H754				
PARTS LIST				
UNLESS OTHERWISE SPECIFIED DIMENSION IN INCHES TOLERANCES		DRN. <i>V. K...</i>	DATE 8-21-72	 digital EQUIPMENT CORPORATION MAYNARD, MASSACHUSETTS
DECIMALS	ANGLES	CHK'D <i>J...</i>	DATE 10-11-72	
.XXX = .005	± 0° 30'	ENG. <i>R...</i>	DATE 5-7-73	
.XX = .02		PROJ. ENG. <i>R...</i>	DATE 5-7-73	
REMOVE BURRS AND BREAK SHARP CORNERS SURFACE QUALITY ✓		PROD. <i>R...</i>	DATE 5-7-73	TITLE <b>+20 VOLT REGULATOR</b>
MATERIAL		NEXT HIGHER ASSY.		
FINISH		SCALE		SIZE CODE
SHEET 2 OF 2		DIST.		NUMBER
				REV
				L