

# DRAWING DIRECTORY

## CUSTOMER PRINT SET INDEX

DRAWING DIRECTORY  
CIRCUIT SCHEMATIC  
UNIT ASS'Y

SEQUENCE  
T B-DD-H744-β  
D-CS-H744-β-1  
E-UA-H744-0-0

SEQUENCE  
A-SP-H744-β-3  
A-SP-H744-β-0  
A-PI-3700074-0-0

MFG. SET  
TEST PROCEDURE  
MFG. SPE  
PACKAGING INSTRUCTIONS

THIS IS PRINT SET

VARIATION	TITLE	PRINT SET TYPE				
		H744-1				
H744	+5V REGULATOR	X				

REVISIONS	CHG. NO.	REV
	00005	A
S. Blake 10-6-72		
J.W. LAWRENCE		
<i>f.w.l.</i>		
	00007	B
G. Voulas 4-11-74		
R. WOLF		
R. Wolf 4-24-74		
	00008	C
Ray Denny 9/21/74		
D. MARTEL		
D. Martel 10/14/74		
	00009	D
Dr. Richard 11-13-74		
D. MARTEL		
	00010	E
H. Denny 11-17-75		
D. MARTEL		
	00011	F
	00012	H
	00013	J
H. Denny 7-16-75		
A. BARON		
	00014	K

USED ON OPTION/MODEL		DRN.	DATE	TITLE +5V REGULATOR	SIZE	CODE	NUMBER	REV
11/45		D FONTAINE	2-4-72					
		CHK'D.	DATE					
		D FONTAINE	2-4-72					
		PROJ ENG	DATE					
		<i>W. Falter</i>	<i>2-25-72</i>					
		PROD	DATE					
		<i>C. Doherty</i>	<i>2-24-72</i>					
		FIELD SERV	DATE					
		<i>W. Falter</i>	<i>2-25-72</i>					
SHEET 1 OF 2					DIST			

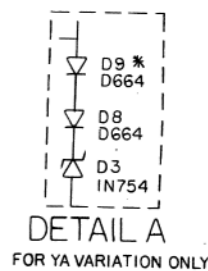
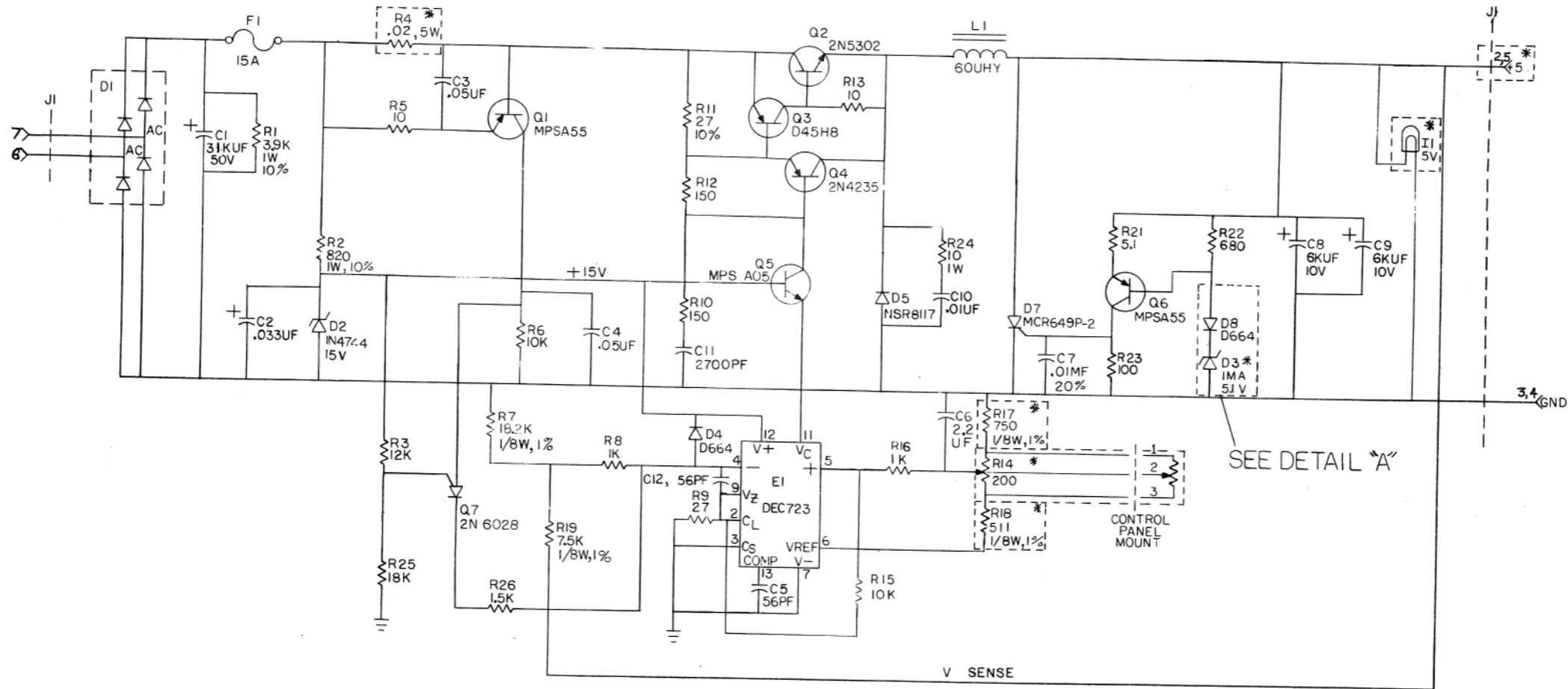
CUSTOMER PRINT SET					ELECTRICAL					CUSTOMER PRINT SET					MECHANICAL							
H744-1					FIND NO.	DRAWING NO.	REV	NO OF SHT	DESCRIPTION	OPTION NO.	H744-1					FIND NO.	DRAWING NO.	REV	NO OF SHT	DESCRIPTION	OPTION NO.	
X					1	D-CS-H744-0-1	1	1	CIRCUIT SCHEMATIC	H744	X					1	E-UA-H744-0-0	1	1	UNIT ASSY	H744	
						A-SP-H744-0-3			TEST PROCEDURE	H744							D-PS-1210737-0-0		1	HEAT SINK	H744	
						A-SP-H744-0-8			MFG. SPEC	H744							D-IA-5309756-0-0		1	REGULATOR BRKIT	H744	
																	<del>C-IA-5309760-0-0</del>			<del>COMPONENT COVER</del>	<del>H744</del>	
																	C-IA-5309760-0-0		1	COMPONENT COVER	H744	
																	C-MD-5309759-0-0		1	CAPACITOR STRAP	H744	
																	2	A-PI-3700074-0-0	-	2	PACKAGING INSTRUCTION	H744
																		A-PS-9905211-0-0	-	2	OUTER CARTON	
																		A-PS-9905212-0-0	-	2	INNER PACKAGE	
																		C-IA-7412388-0			2.5 CAP HOLDER	H744

TITLE	SIZE CODE	NUMBER	REV
+5V REGULATOR	B DD	H744-0	K

SHEET 2 OF 2

This drawing and specifications, herein, are the property of Digital Equipment Corporation and shall not be reproduced or copied or used in whole or in part as the basis for the manufacture or sale of items without written permission. © 1975 DIGITAL EQUIP CORP

SIZE CODE DCS H744-0-1 2



\* FOR YA VARIATION COMPONENT VALUES ARE AS FOLLOWS:  
 R4 - .06 5W  
 R14 - 1K 10 TURN  
 R17 - 300 1/8W 1%  
 R18 - 150 1/4W 5%  
 D3 - IN754  
 I1 - 15V  
 J1-2,5 - +2.0 - 8.0V  
 \* D9 - D664 ADDED FOR YA VARIATION ONLY

UNLESS OTHERWISE INDICATED:  
 RESISTORS ARE 1/4W, 5%

9-19-71	ABARON	H744-00014	U
7-16-75	ABARON	H744-00013	T
7-7-75	ARGENT	H744-00012	S
7-14-75	ABARON	H744-00011	R
1-7-75	MARTEL	H744-00010	P
10-17-74	MARTEL	H744-00009	N
10-17-74	MARTEL	H744-00008	M
8-24-73	WOLF	H744-00006	L
10-17-72	LAWRENCE	H744-00005	K
8-27-72	POTTER	H744-00004	J
5-17-72	POTTER	H744-00003	H
1-14-72	POTTER	H744-00002	F
1-14-72	POTTER	H744-00001	E

QTY	REF DESIGNATION	DESCRIPTION	PART NO.	ITEM NO.
PARTS LIST				
	ETCH BOARD REV	F H		
	IN964A	SAME	MPSA55	
	D664	IN3606	2N5302	
	MCR649P-2		D45H5	
	IN754	SAME	MPSA05	
	IN4744	SAME		
	NSR8117			
	2N6028			

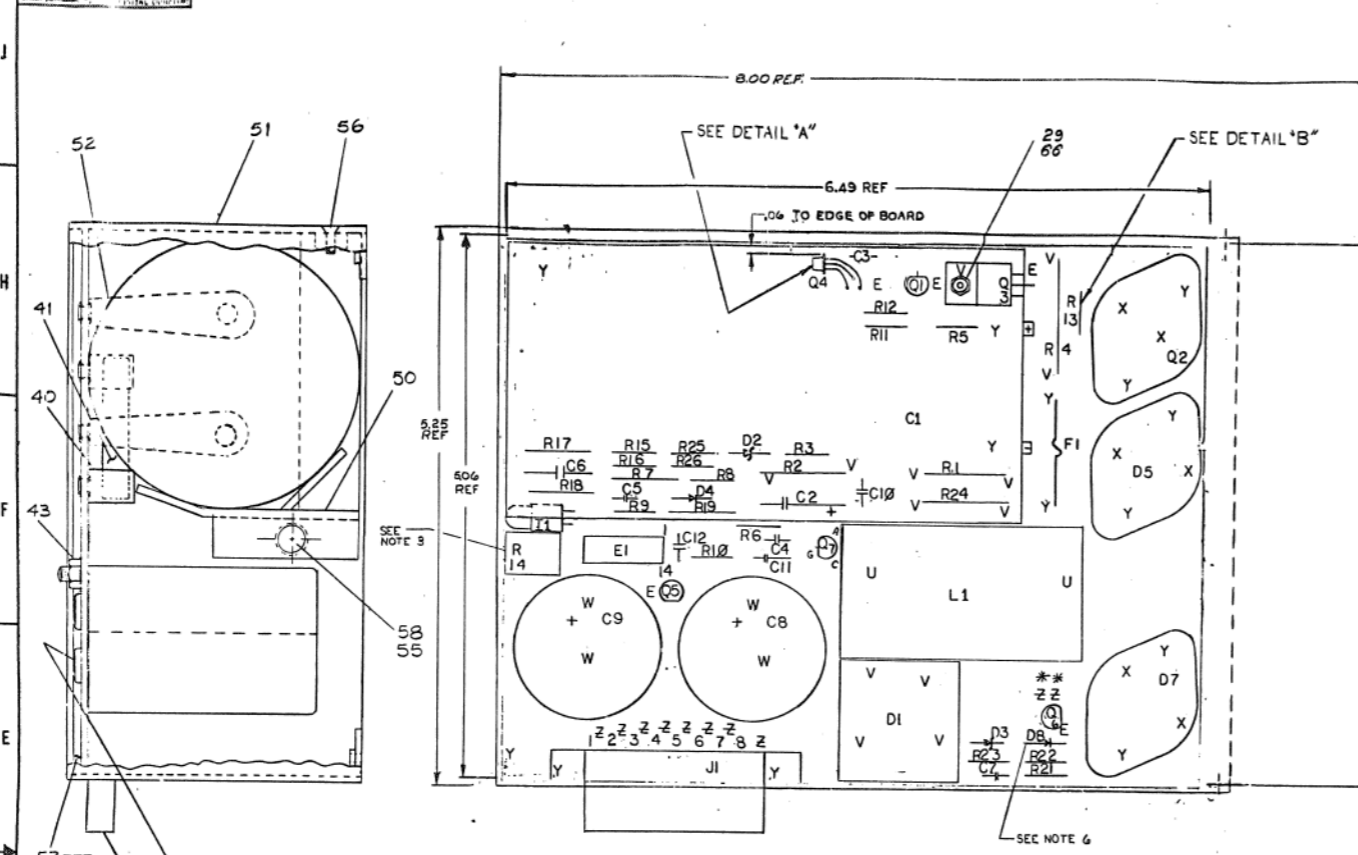
digital EQUIPMENT CORPORATION  
 MAYNARD, MASSACHUSETTS

TITLE  
 5V REGULATOR

SIZE CODE DCS NUMBER H744-0-1 REV. UT

SEMICONDUCTOR CONVERSION CHART

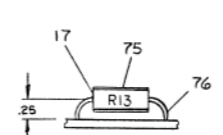
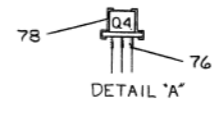
REV. 10  
 NUMBER H744-0-1  
 SIZE CODE DCS



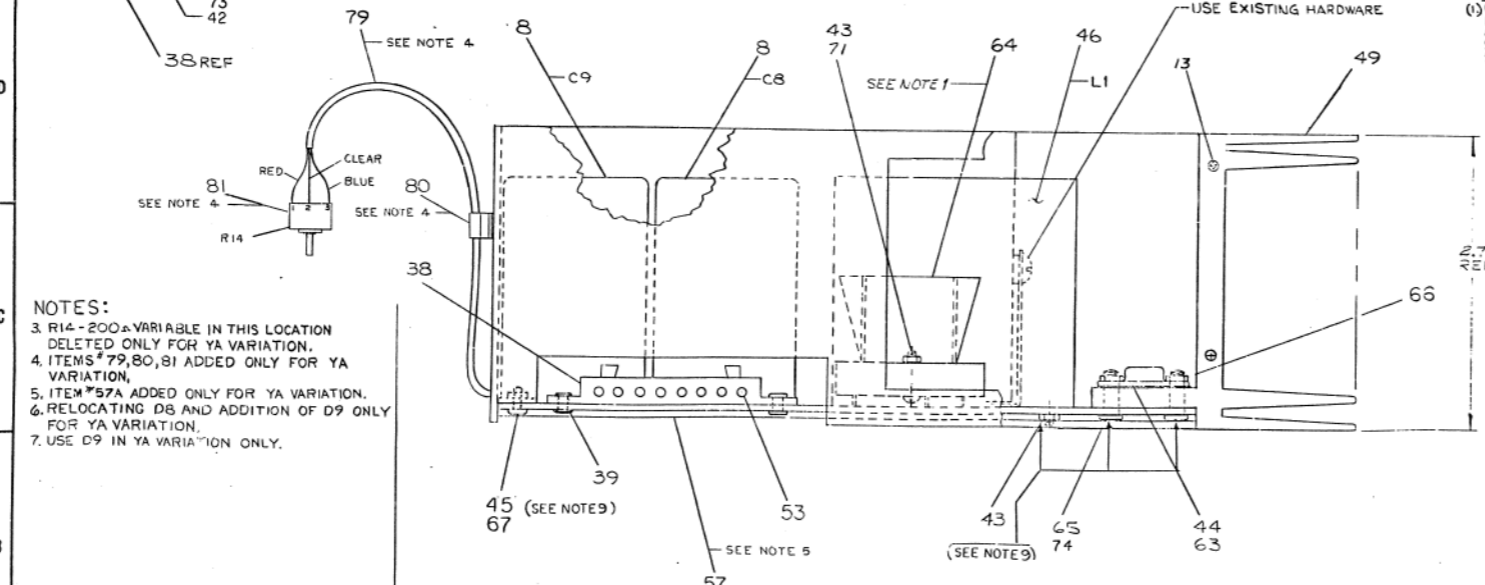
2 SECURE Q4 TO CKT BOARD WITH PERMABOND 101 CONTACT CEMENT- THEN CONNECT LEADS AS SHOWN.

NOTES:  
1. APPLY ITEM #63 (COMPOUND) BETWEEN TRANSISTOR (Q2), DIODES (D5, D7) AND ITEM #44 (WASHER) ALSO BETWEEN ITEM #44 (WASHER) AND HEAT SINK (ITEM #49). ALSO APPLY ITEM #63 (COMPOUND) BETWEEN ITEM #9 (DIODE BRIDGE) AND ITEM #64 (HEAT SINK BRIDGE).

QTY	REF	DESIGNATION	DESCRIPTION	PART NO.	ITEM NO.
1	R1	R1	RES 680 1/4W 5%	1301424	69
1	I	I	PACKING INSTRUCTIONS	API-3700074-00	70
1	I	I	SCR, PHL PAN HD 7-32 X 5/8 LG	9006022-1	71
1	I	I	15 VOLT LAMP	1209169	72
4	A	A	LOCKWASHER #10 INT	9006035	73
AR/AR	AR/AR	AR/AR	PERMABOND 101 CEMENT	9009157	74
AR/AR	AR/AR	AR/AR	TEF TUBING	9107302-11	75
AR/AR	AR/AR	AR/AR	TEF TUBING	9107275-11	76
1	I	I	TRANSISTOR 2N4235	1505525	77
AR/AR	AR/AR	AR/AR	SHRINK SLEEVING	9107252-09	78
1	I	I	WIRE, MICRODOT	1700014	79
1	I	I	CLAMP, CABLE	9007079	80
1	I	I	POT, 10 TURN, 1K	1309532-04	81
1	I	I	RES, 300 1/4W 5%	1301425	82
1	I	I	RES, 150 1/4W 5%	1300250	83
1	I	I	RES, 0.6 1/4W 3%	1310876-02	84
1	I	I	DIODE ZENER 1N754	1109991	85



NOTE 8:  
(1) Q3 SCREW HEAD SHOULD BE ON TOP OF FLAT RECTANGULAR WASHER AS SHOWN. APPLY 6 INCH LBS. OF TORQUE WHEN SECURING Q3 TO CKT. BOARD BEFORE SOLDERING.  
NOTE 9: TORQUE APPLICATION  
(1) APPLY 12 INCH LBS. OF TORQUE TO ALL #4 HARDWARE EXCEPT Q3.  
(2) APPLY 16 INCH LBS. OF TORQUE TO ALL #6 AND #10 HARDWARE.  
(3) ALL HARDWARE TO BE TORQUED BEFORE SOLDERING.



NOTES:  
3. R14 - 200Ω VARIABLE IN THIS LOCATION DELETED ONLY FOR YA VARIATION.  
4. ITEMS #79, 80, 81 ADDED ONLY FOR YA VARIATION.  
5. ITEM #57A ADDED ONLY FOR YA VARIATION.  
6. RELOCATING D8 AND ADDITION OF D9 ONLY FOR YA VARIATION.  
7. USE D9 IN YA VARIATION ONLY.

IC TYPE	GN	5V	ITEM NO	AWG	FROM	TO
74A 723C	7	12				

QTY	QTY	REF	DESIGNATION	DESCRIPTION	PART NO.	ITEM NO.
6	6		FLAT WASHER #4		9006655	86

QTY	QTY	REF	DESIGNATION	DESCRIPTION	PART NO.	ITEM NO.
1	1		RECTANGULAR WASHER		Q3	

QTY	QTY	REF	DESIGNATION	DESCRIPTION	PART NO.	ITEM NO.
1	1		ETCHED CIRCUIT BOARD			

EQUIPMENT CORPORATION  
5V REGULATOR  
EUA H744-0-0