

TITLE	DRAWING DIRECTORY POWER SUPPLY MJ11	SHEET 2 OF 4	SIZE CODE B DD	NUMBER 7010694-0	REV A
-------	--	--------------	-------------------	---------------------	----------

CUSTOMER PRINT SET		ELECTRICAL					CUSTOMER PRINT SET		ELECTRICAL								
		MFG. SET	FIND NO.	DRAWING NO.	REV	NO OF SHT	DESCRIPTION	OPTION NO./FILE DATE			MFG. SET	FIND NO.	DRAWING NO.	REV	NO OF SHT	DESCRIPTION	OPTION NO./FILE DATE
X			1	E-AD-7010694-0-0	#	2	POWER SUPPLY MJ11										
X			3	E-AD-7011486-0-0 A-SP-7011486-0-9 A-CS-7010014-TA-1 A-SP-7010014-0-8	#	2	TRANSFORMER ASSY ASSEMBLY PROCEDURE TESTER CS TEST PROCEDURE										
X			4	D-AD-7009811-0-0	#	2	AC INPUT BOX ASSY										
X			6	D-CS-5410993-0-1	#	1	AC POWER CONTROL BD.										
X			7	D-CS-5411086-0-1	#	4	PWR. LINE MONITOR/ 15V REG										
C			8	B-DD-H744-0	#	2	DRAWING DIRECTORY H744										
C			9	B-DD-H754-0	#	3	DRAWING DIRECTORY H754										
			11	D-IA-7011751-0-0		1	CAP MOV BOARD ASSEMBLY										
			12	D-CS-5411689-0-1		1	CAP MOV ASSEMBLY										

CUSTOMER PRINT SET CODES
X = PRINT OF DOCUMENT INCLUDED IN PRINT SET
C = INCLUDES ALL PRINTS INDICATED ON DOCUMENT
S = CONFIDENTIAL AUTHORIZED SIGNATURE REQUIRED

TITLE DRAWING DIRECTORY
POWER SUPPLY MJ11

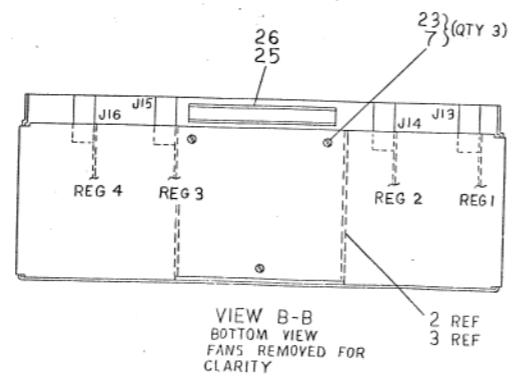
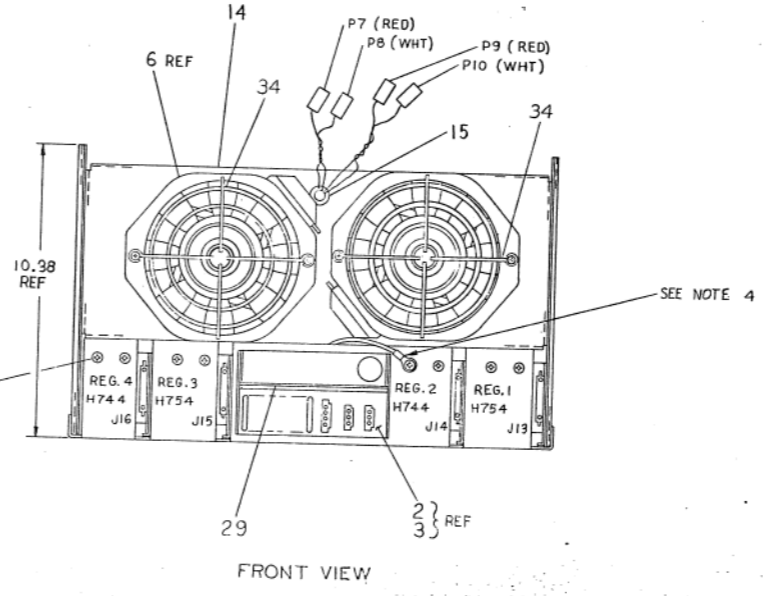
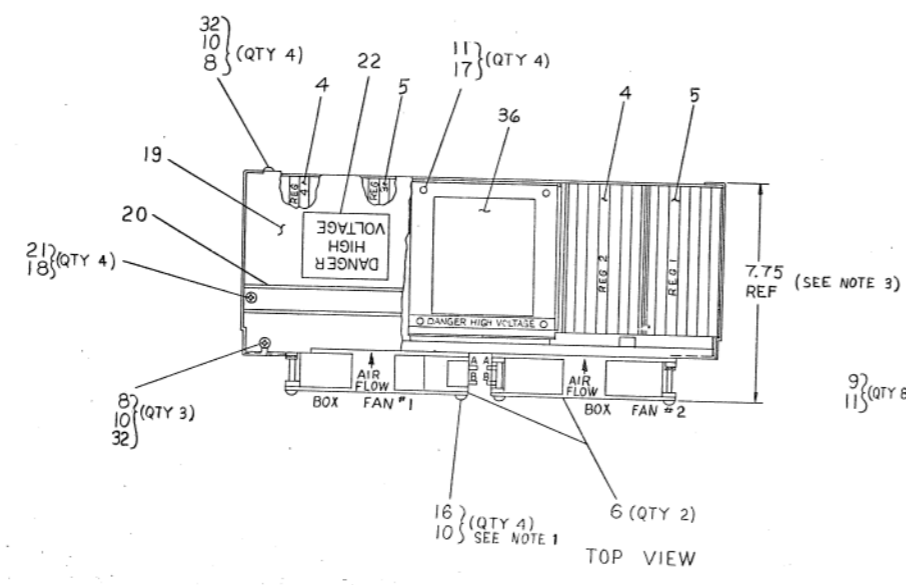
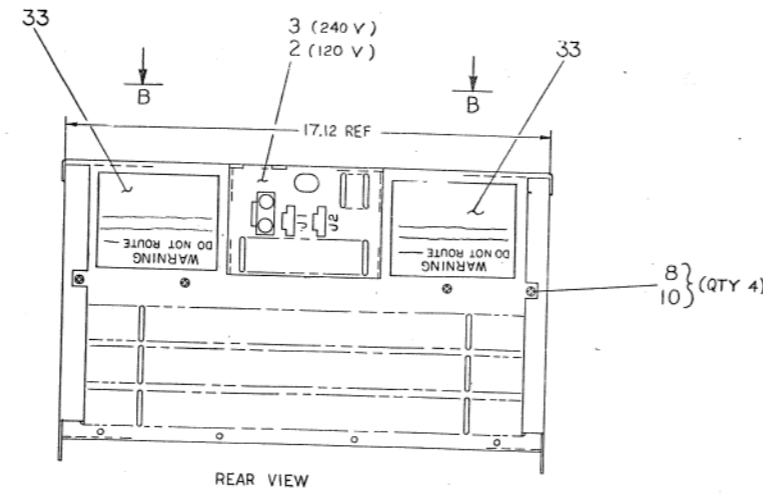
SHEET 3 OF 4
SIZE CODE B DD
NUMBER 7010694-0

REV A

THIS DRAWING IS A SPECIFICATION DRAWING. IT IS THE PROPERTY OF THE COMPANY AND SHALL NOT BE REPRODUCED OR COPIED IN WHOLE OR IN PART WITHOUT THE WRITTEN PERMISSION OF THE COMPANY. COPYRIGHT © 1974 BY "METAL EQUIPMENT CORPORATION"

LEGEND	
NUMBER	VARIATION
7010694-0	120V 50/60 HZ
7010694-1	240V 50/60 HZ

- NOTES:
- TIGHTEN FAN SCREWS TO 10 IN-LBS WITH A TORQUE SCREW DRIVER.
 - USE ITEM #27 IN PLACE OF ITEM #16 WHEN USING ROTRON FANS.
 - FOR ITEM #6 (DEC SPEC #1211714-00) USE ONLY 1-1/2" HIGH FAN IN THIS ASSY. DO NOT USE 2" HIGH FAN.
 - ATTACH GROUND WIRE FROM TRANSFORMER (GRN/YEL WIRE) USING EXISTING HARDWARE.



QTY	DESCRIPTION	DWG PART NO.	ITEM NO.
1	TRANSFORMER ASSY	E-1A-7011486-0-0	36
4	WASHER, LOCK W/ TORQUE	9009599	35
2	FAN GUARD	1212561-0-0	34
2	DECAL, MUII POWER SUPPLY	3612422-00	33
7	WASHER, FLAT #6	9006658	32
1	DECAL, WPPA	D-DC-5509413-0-0	31
1	DECAL, JUL	D-DC-5509414-0-0	30
1	PWR. LINE MONITOR/5V REG	D-CS-5411086-0-1	29
4	WASHER, FLAT, COO X 200 L0	9006666	28
REF	SCR, PHL, HD, TRUSS #6-32 X 0.25	9007618-1	27
AR/R	PERMA BOND	9009157	26
10	GROMMET STRIP	9008291	25
4	WRAP, TIE 1/8 W	9007880	24
3	WASH, CSK #6	9008270	23
1	STICKER, DANGER HIGH VOLTAGE	3610287	22
4	WASH, INT. TOOTH LOCK #B	9006634	21
1	TROUGH, WIRE	D-1A-7009350-0-0	20
1	COVER, POWER SUPPLY	D-1A-7009349-0-0	19
4	SCR, PHL, HD, TRUSS #8-32 X 0.62	9006040-3	18
4	SCR, PHL, HD, TRUSS #10-32 X 1.50	9006073-03	17
4	SCR, PHL, HD, TRUSS #6-32 X 1.75	9006031-3	16
1	GROMMET .50 I.D.	9007016	15
1	CHASSIS, POWER SUPPLY	E-1A-7009752-D-0	14
REF	AMP. CABLE	B-1A-7009752-D-0	13
2	SCR, PHL, FLT, HD #4-40 X 0.5	9008013-2	12
12	WASH, INT TOOTH #10	9008835	11
13	WASH, INT TOOTH #6	9008833	10
8	SCR, PHL, HD, TRUSS #10-32 X 0.25	9008007-3	9
11	SCR, PHL, HD, TRUSS #6-32 X 0.30	9008022-3	8
3	SCR, PHL, FLT, HD, #6-32 X 0.31	9008404-2	7
2	FAN, 115VAC 50/60 HZ (H74)	1211714-00	6
2	-20V REGULATOR (H754)	B-DD-H754-0	5
2	+5V REGULATOR (H744)	B-DD-H744-0	4
1	AC INPUT BOX ASSY 240V	D-AD-7009811-2-0	3
1	AC INPUT BOX ASSY 120V	D-AD-7009811-1-0	2
1	TRANSFORMER ASSY	E-AD-7010694-0-0	1

(SEE NOTE 3)

REV.	DATE	BY	CHKD	DESCRIPTION
1	10/23/74	WJ	WJ	ISSUED FOR PRODUCTION
2	11/13/74	WJ	WJ	REVISED TO ADD PARTS LIST
3	11/13/74	WJ	WJ	REVISED TO ADD PARTS LIST
4	11/13/74	WJ	WJ	REVISED TO ADD PARTS LIST
5	11/13/74	WJ	WJ	REVISED TO ADD PARTS LIST
6	11/13/74	WJ	WJ	REVISED TO ADD PARTS LIST
7	11/13/74	WJ	WJ	REVISED TO ADD PARTS LIST
8	11/13/74	WJ	WJ	REVISED TO ADD PARTS LIST

UNLESS OTHERWISE SPECIFIED DIMENSIONS ARE IN INCHES

QUANTITY & VARIATION	7010694-0
ANGLES	45°
ACCURACY	±.005
CHECK ONE	<input checked="" type="checkbox"/> DIMENSIONS
QUALITY	<input checked="" type="checkbox"/> MEDIUM
PREFERRED	<input checked="" type="checkbox"/> DIMENSIONS
FINISH	<input checked="" type="checkbox"/> UNFINISHED
PROJ. ENG.	WJ
PROJ. DATE	11/13/74
PROJ. NO.	7010694-0
PROJ. NAME	POWER SUPPLY MUII
SCALE	1:1
SHEET	1 OF 2

7010694-0-0

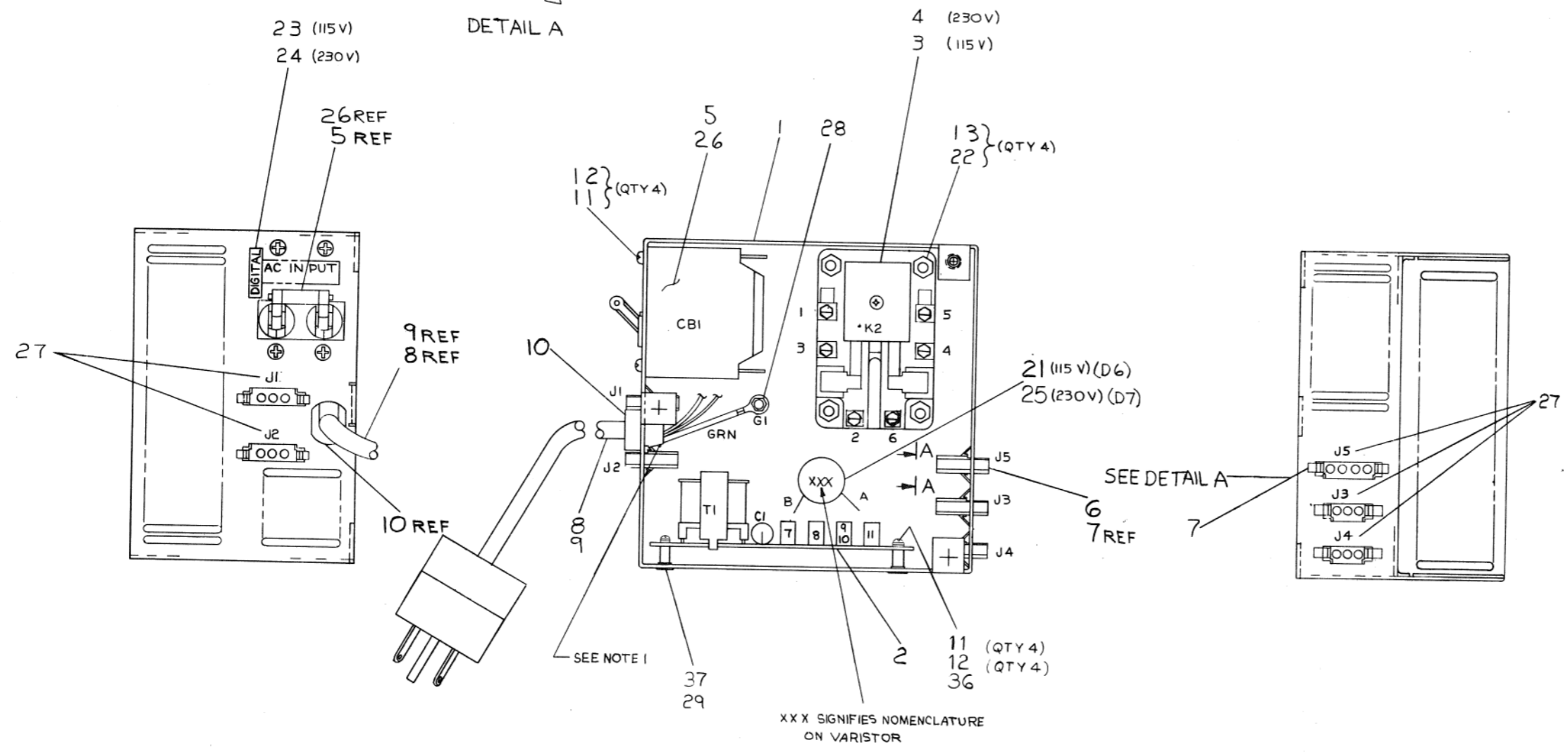
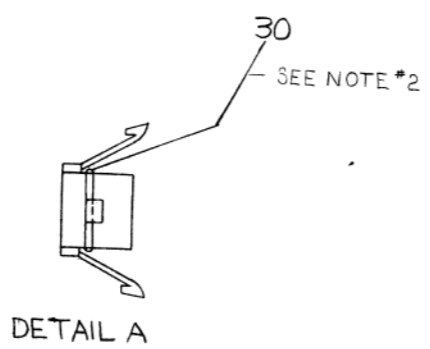
"THIS DRAWING AND SPECIFICATIONS HEREIN ARE THE PROPERTY OF DIGITAL EQUIPMENT CORPORATION AND SHALL NOT BE REPRODUCED OR COPIED OR USED IN WHOLE OR IN PART AS THE BASIS FOR THE MANUFACTURE OR SALE OF ITEMS WITHOUT WRITTEN PERMISSION. COPYRIGHT © 1974, DIGITAL EQUIPMENT CORPORATION"

0-0-186002 2 1

LEGEND	
NUMBER	VARIATION
7009811-1	115V 47-63HZ 12A
7009811-2	230V 47-63HZ 6A

NOTES:
 1. LEAVE .5 IN. ±.2 IN. OF OUTER INSULATION OF LINE CORD INSIDE BOX.
 2. USE O-RINGS (ITEM 30) ONLY AS REQUIRED TO KEEP MATE-N-LOCK CONNECTORS SECURED INTO SHEET METAL.

QTY.	DESCRIPTION	PART NO.	ITEM NO.
4	SCR. PH. FL HD. 6-32X3/16	9008020-02	37
4	WASHER, FLAT	9006653	36
REF	A.C. INPUT BOX ASSEMBLY PROCEDURE	A-SP-7009811-0-9	35
REF	TESTER PARTS LIST	A-PL-7009811-7A-0	34
REF	TESTER TEST PROCEDURE	A-SP-7009811-0-8	33
REF	TESTER U.A.	A-UA-7009811-0-8	32
REF	TESTER C.S.	A-CS-7009811-0-8	31
5	O-RING .62	9009640	30
4	SPACER 6-32X 3/8"	9006844	29
1	NUT, KEPS #8-32	9006563	28
1	DECAL	A-DC-7409873-0-0	27
1	CIRCUIT BRK 10 A	1210191-0	26
1	VARISTOR (D7) ASSY	C-IA-7010300-2-0	25
1	DECAL 230V 47-63 HZ 6A	A-DC-7412303-0-0	24
1	DECAL 115V 47-63 HZ 12A	A-DC-7412303-0-0	23
4	SCR PH FL HD #6-32 X50	9006024-2	22
1	VARISTOR (D6) ASSY	C-IA-7010300-1-0	21
2	POWER JUMPER (BLK)	D-IA-7010301-2-0	20
1	POWER JUMPER (BLK)	D-IA-7010301-3-0	19
2	POWER JUMPER (BLK)	D-IA-7010301-4-0	18
1	POWER JUMPER (WHT)	D-IA-7010301-5-0	17
2	POWER JUMPER (WHT)	D-IA-7010301-6-0	16
1	POWER JUMPER (BRN)	D-IA-7010301-7-0	15
1	POWER JUMPER (BLK)	D-IA-7010301-1-0	14
4	NUT KEPS #6-32	9008185	13
8	WASHER, INT TOOTH #6	9006633	12
8	SCR PHL PAN HD #6-32X25	9006020-1	11
1	STRAIN RELIEF	9008509	10
1	POWER CORD 230V	D-AD-7010131-2-0	9
1	POWER CORD 115V	D-AD-7010131-1-0	8
1	PWR CONTROL HARN. 230V	D-IA-7010302-2-0	7
1	PWR CONTROL HARN 110V	D-IA-7010302-1-0	6
1	CIRCUIT BREAK 20A	1210191-06	5
1	RELAY 230V	1211222-02	4
1	RELAY 115V	1211222-01	3
1	AC PWR CONTR BOARD	D-C5-5410993-0-1	2
1	CHASSIS, COMP. MTG.	D-IA-7009812-0-0	1



REV.	CHG	NO.	BY	DATE
A		0003	E. REMONDINI	12-17-71
B		0001	C. NAVEDONSKY	1-10-72
C		0002	R. WOLF	1-10-72
		0000	E. REMONDINI	2-6-75
		0001	R. WOLF	2-10-75

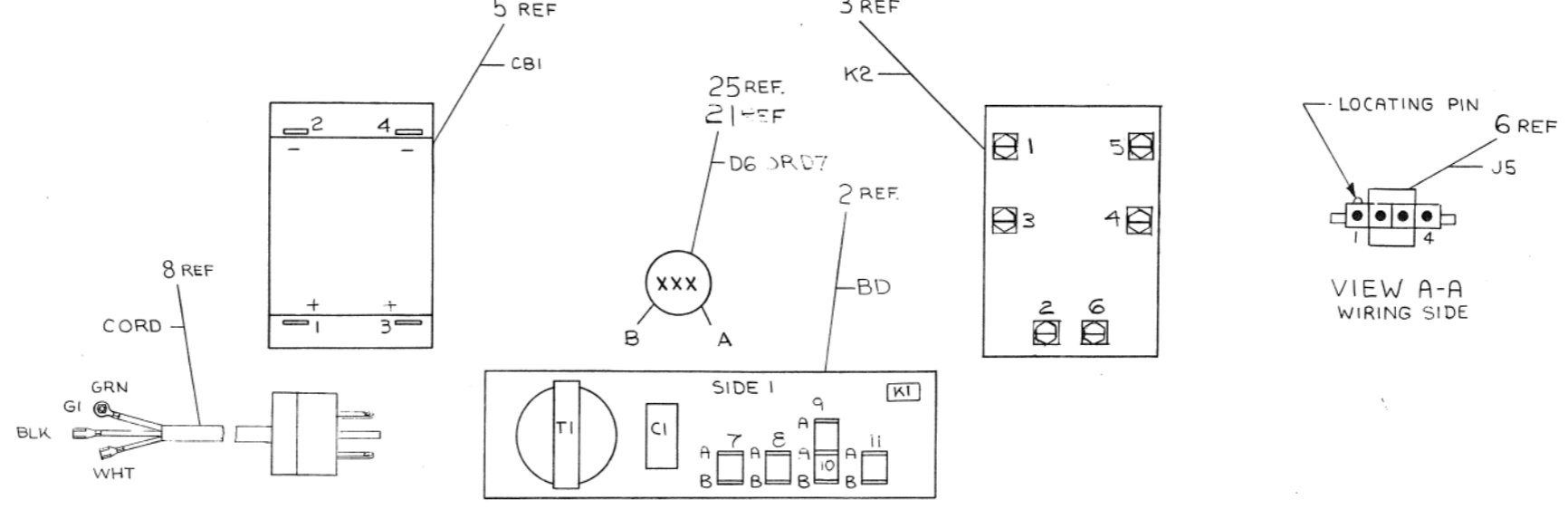
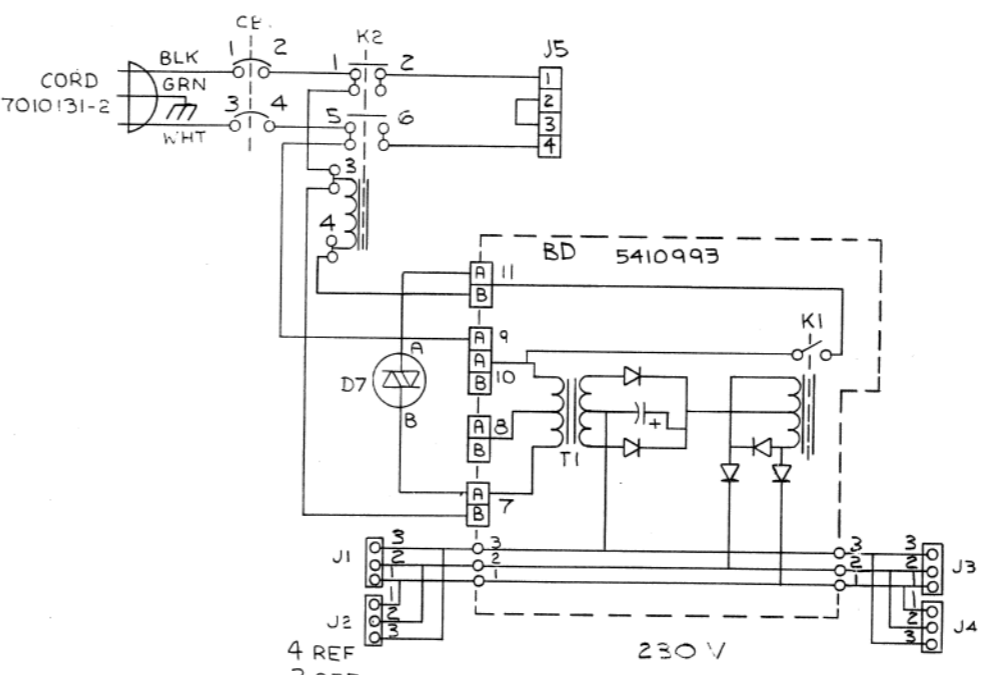
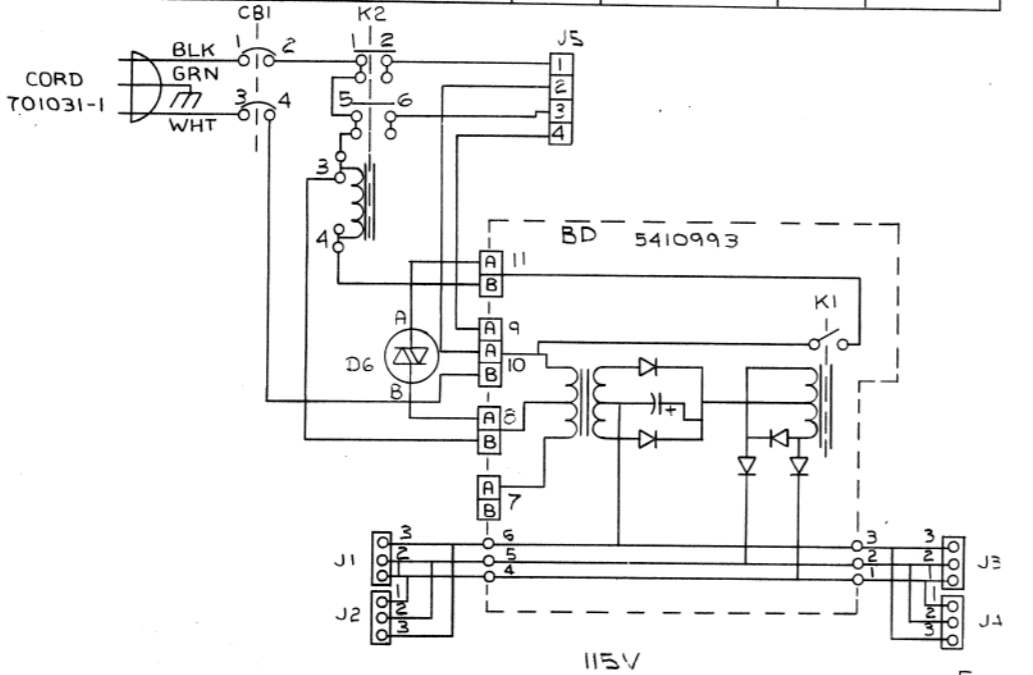
FIRST USED ON OPTION/MODEL		QTY.	DESCRIPTION	PART NO.	ITEM NO.
B11-K					
PARTS LIST					
DIMENSIONAL TOLERANCE		DRN	DATE	digital	
DIMENSIONS ARE INCHES UNLESS OTHERWISE SPECIFIED		CHKD	DATE	AC INPUT BOX ASS'Y	
MILLIMETERS	INCHES	ENG	DATE	TITLE	
XXX ±0.10	JXX ±.005	PROJ. ENG.	DATE	AC INPUT BOX ASS'Y	
XX ±0.5	JX ±.02	PROD. ENG.	DATE	AC INPUT BOX ASS'Y	
X ±.2	J ±.1	DATE	DATE	AC INPUT BOX ASS'Y	
THIRD ANGLE PROJECTION	REMOVE BURRS AND BREAK SHARP CORNERS SURFACE QUALITY	NEXT HIGHER ASSY.	MATERIAL SEE PARTS LIST		
FINISH	SCALE NONE	SHEET 1 OF 2	SIZE CODE D AD	NUMBER 7009811-0-0	REV. C

WIRE TABLE (115V)

ITEM NO.	DESCRIPTION	CONNECTION	CONNECTION		REMARKS
			FROM	TO	
8	14	BLK	CORD	CBI-1(+)	
8	14	WHT	CORD	CBI-3(+)	
14		BLK	CBI-2(-)		
18		BLK	K2-5	K2-1	
18		BLK			
19		BLK	BD-8B	K2-3	
17		WHT	CBI-4(-)	BD-10F	
6		WHT	BD-10A	J5-2(REF)	
6		WHT	BD-9A	J5-4(REF)	
15		BRN	K2-4	BD-11B	
6		BLK	K2-6	J5-3(REF)	
6	14	BLK	K2-2	J5-1(REF)	
21	22	RED	D6-A	BD-11A	
21	22	RED	D6-B	BD-8A	
8	14	GRN	CORD	G1	

WIRE TABLE 230V

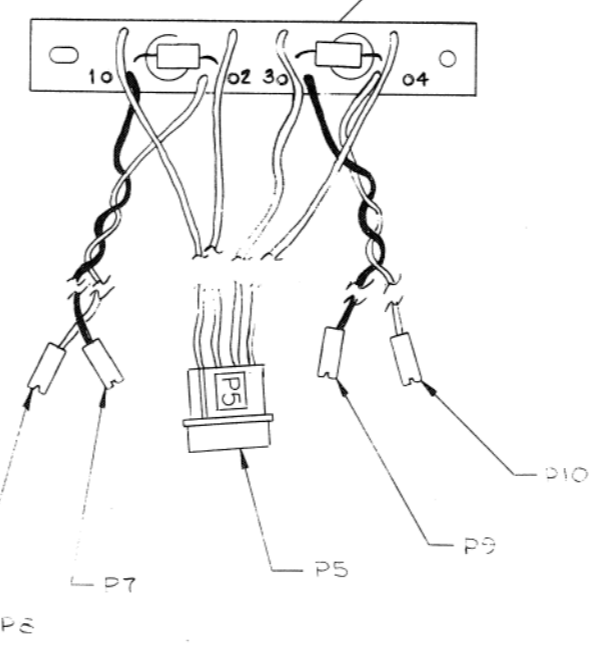
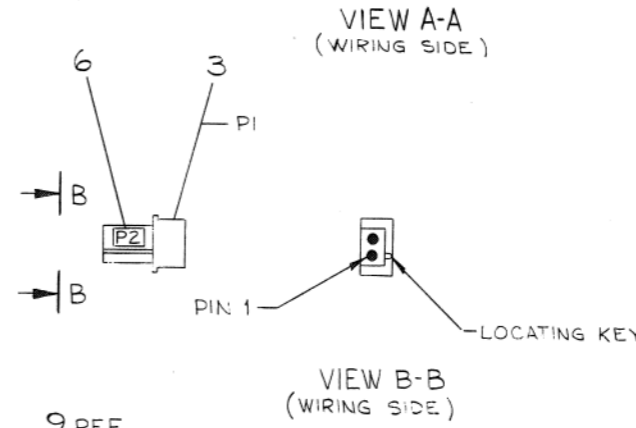
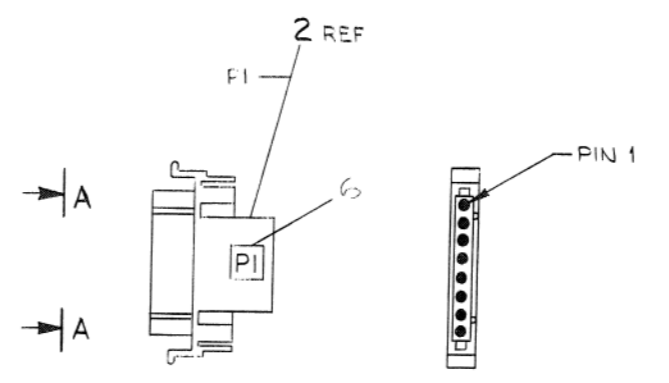
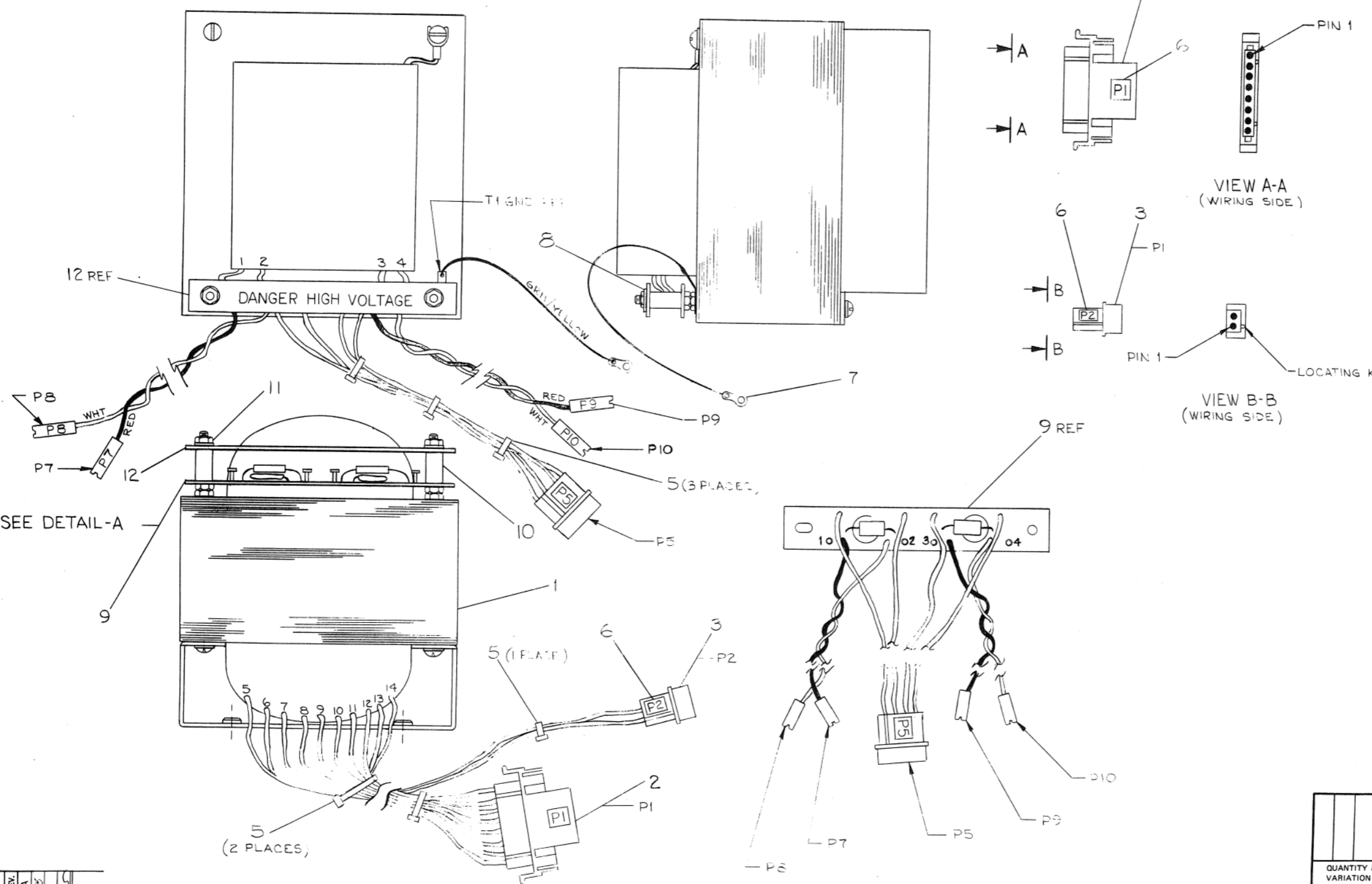
ITEM NO.	DESCRIPTION	CONNECTION	CONNECTION		REMARKS
			FROM	TO	
8	14	BLK	CORD	CBI-1(+)	
8	14	WHT	CORD	CBI-3(+)	
14		BLK	CBI-2		
20		BLK	K2-3	K2-1	
19		BLK		BD-7B	
16		WHT	K2-5	CBI-4(-)	
16		WHT		BD-9A	
15		BRN	K2-4	BD-11B	
7		BLK	K2-2	J5-1(REF)	
7	14	WHT	J5-2(REF)	J5-3(REF)	
7	14	WHT	K2-6	J5-4(REF)	
25	22	RED	D7-A	BD-11A	
25	22	RED	D7-B	BD-7A	
8	14	GRN	CORD	G1	



"THIS DRAWING AND SPECIFICATIONS, HEREIN, ARE THE PROPERTY OF DIGITAL EQUIPMENT CORPORATION AND SHALL NOT BE REPRODUCED OR COPIED OR USED IN WHOLE OR IN PART AS THE BASIS FOR THE MANUFACTURE OR SALE OF ITEMS WITHOUT WRITTEN PERMISSION. COPYRIGHT © 1974, DIGITAL EQUIPMENT CORPORATION"

REVISIONS		
CHK	CHANGE NO.	REV.

"THIS DRAWING AND SPECIFICATIONS, HEREIN, ARE THE PROPERTY OF DIGITAL EQUIPMENT CORPORATION AND SHALL NOT BE REPRODUCED OR COPIED OR USED IN WHOLE OR IN PART AS THE BASIS FOR THE MANUFACTURE OR SALE OF ITEMS WITHOUT WRITTEN PERMISSION. COPYRIGHT © 1975, DIGITAL EQUIPMENT CORPORATION"



REF	DESCRIPTION	DWG./PART NO.	ITEM NO.
	UNLESS OTHERWISE SPECIFIED DIMENSIONS ARE IN INCHES		
	ANGLES 90° 30'		
	CLASS OF ACCURACY (CHECK ONE)		
	SURFACE QUALITY IN MICROINCHES		
	MEDIUM		
	PREFERRED		
	QUANTITY & VARIATION		
	THIRD ANGLE PROJECTION		
	REMOVE BURRS AND BREAK SHARP CORNERS		
	DO NOT SCALE DWG		
	MATERIAL SET PARTS LIST		
	FINISH		
	DRN. T. C. 10/75		
	CHK'D. 10/75		
	ENG. 10/75		
	PROJ. ENG. R. 10/75		
	PROD. 10/75		
	FIRST USED ON H782		
	TITLE TRANSFORMER ASSY		
	SIZE D		
	SCALE 1:1		
	SHEET 1 OF 2		
	DIST.		
	REV. A		

REF	TRANSFORMER ASSY PROCEDURE	A-SP-7011486-0-9	13
1	COVER	C-IA-7914301-0-0	12
2	NUT, KEP#10-32	9006565	11
2	SPACER, 3/8ODX 1/2LG	9007831	10
1	CAP MOV BOARD ASSY	D-IA-7011751-0-0	9
2	WASHER FLAT #37X.218ID	9006664	8
1	GROUND LUG	9008150	7
1	DECAL	A-DC-7409872-0-0	6
1	CABLE T.W.C. 5/4LX1/8W	9007820	5
10	PIN, MALE	1209378-1	4
1	CONN., 2 PIN	1210822-2	3
1	CONN., 8 PIN	1209340-01	2
1	TRANSFORMER	1612524	1

REV.	DATE	BY	CHK
1	10/75	B. WOLF	
2	10/75		

DEC FORM NO. DRD 100-C

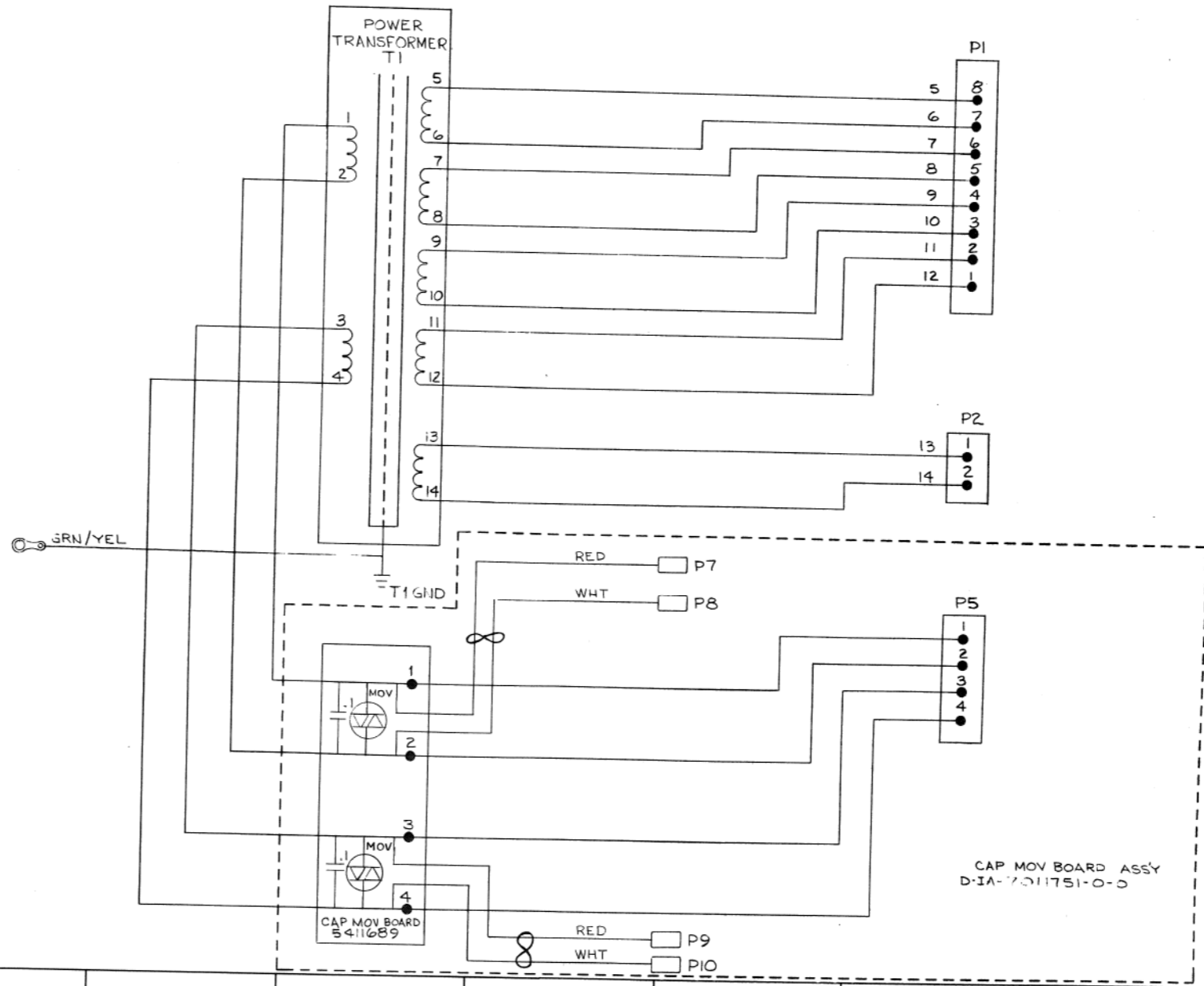
REV. A
NUMBER 7011486-0-0
SIZE CODE D

digital

"THIS DRAWING AND SPECIFICATIONS HEREIN ARE THE PROPERTY OF DIGITAL EQUIPMENT CORPORATION AND SHALL NOT BE REPRODUCED OR COPIED OR USED IN WHOLE OR IN PART AS THE BASIS FOR THE MANUFACTURE OR SALE OF ITEMS WITHOUT WRITTEN PERMISSION. COPYRIGHT © 1975 DIGITAL EQUIPMENT CORPORATION"

WIRE TABLE

ITEM NO.	AWG	COLOR	FROM		TO		WIRE LENGTH
			CONNECTION	WITH	CONNECTION	WITH	
1	14	BLK	TI-1	---	CAP MOV BD-1	SOLDER	1.5 IN
			TI-2	---	CAP MOV BD-2	SOLDER	2.0 IN
			TI-3	---	CAP MOV BD-3	SOLDER	2.0 IN
			TI-4	---	CAP MOV BD-4	SOLDER	1.5 IN
			TI-5	---	PI-8	ITEM 4	12.0 IN
			TI-6	---	PI-7		
			TI-7	---	PI-6		
			TI-8	---	PI-5		
			TI-9	---	PI-4		
			TI-10	---	PI-3		
			TI-11	---	PI-2		
			TI-12	---	PI-1	ITEM 4	
			TI-13	---	P2-1	ITEM 4	
1	14	BLK	TI-14	---	P2-2	ITEM 4	12.0 IN
1	14	GRN/YEL	TI-GND	---	GND LUG (ITEM 7)	SOLDER	14.0 IN



REVISIONS		
CHK	CHANGE NO.	REV.

DEC FORM NO. DRD 132

TITLE: TRANSFORMER ASSY
 SCALE: / /
 SHEET 2 OF 2
 SIZE CODE: D
 NUMBER: AD7011486-0-0
 REV: A

SIZE CODE NUMBER
 D AD 7011486-0-0
 REV A