

digital

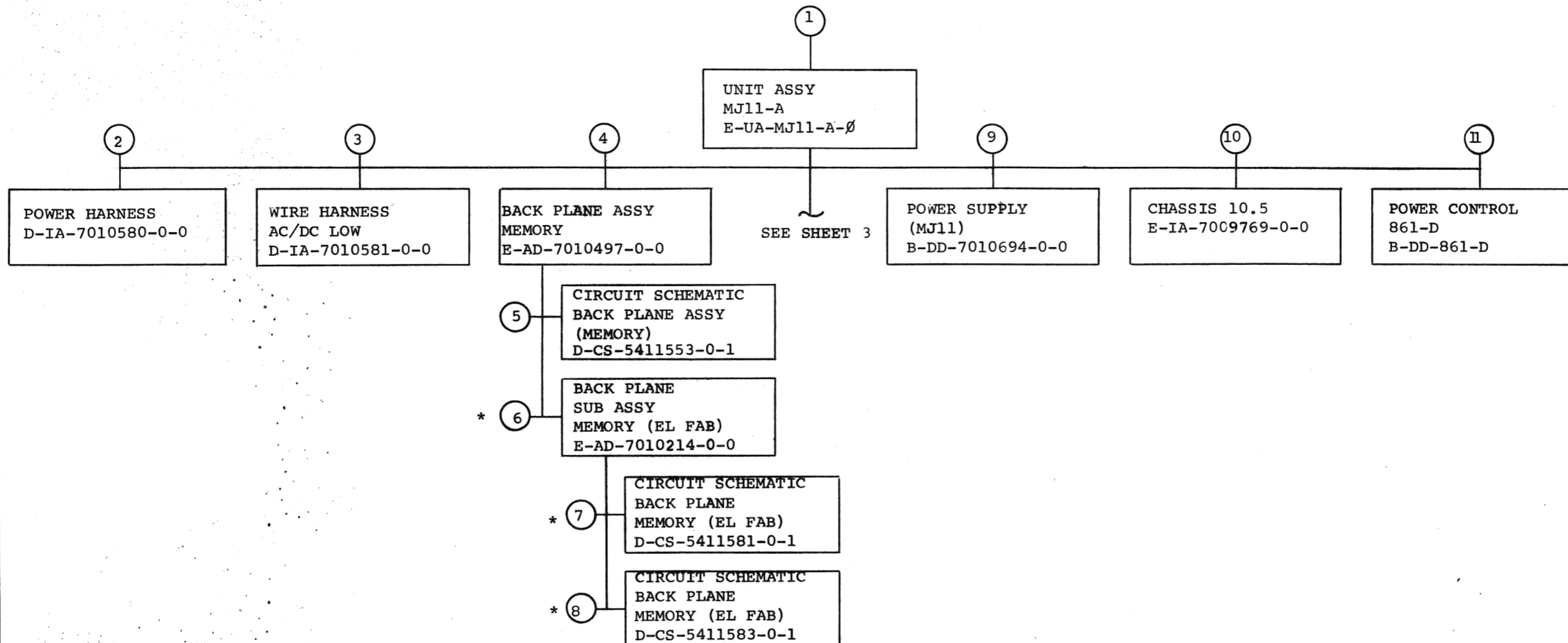
MJ1A

Engineering Drawings

Digital Equipment Corporation

The material herein is for information purposes only and is subject to change without notice. Digital Equipment Corporation assumes no responsibility for any errors which may appear herein.

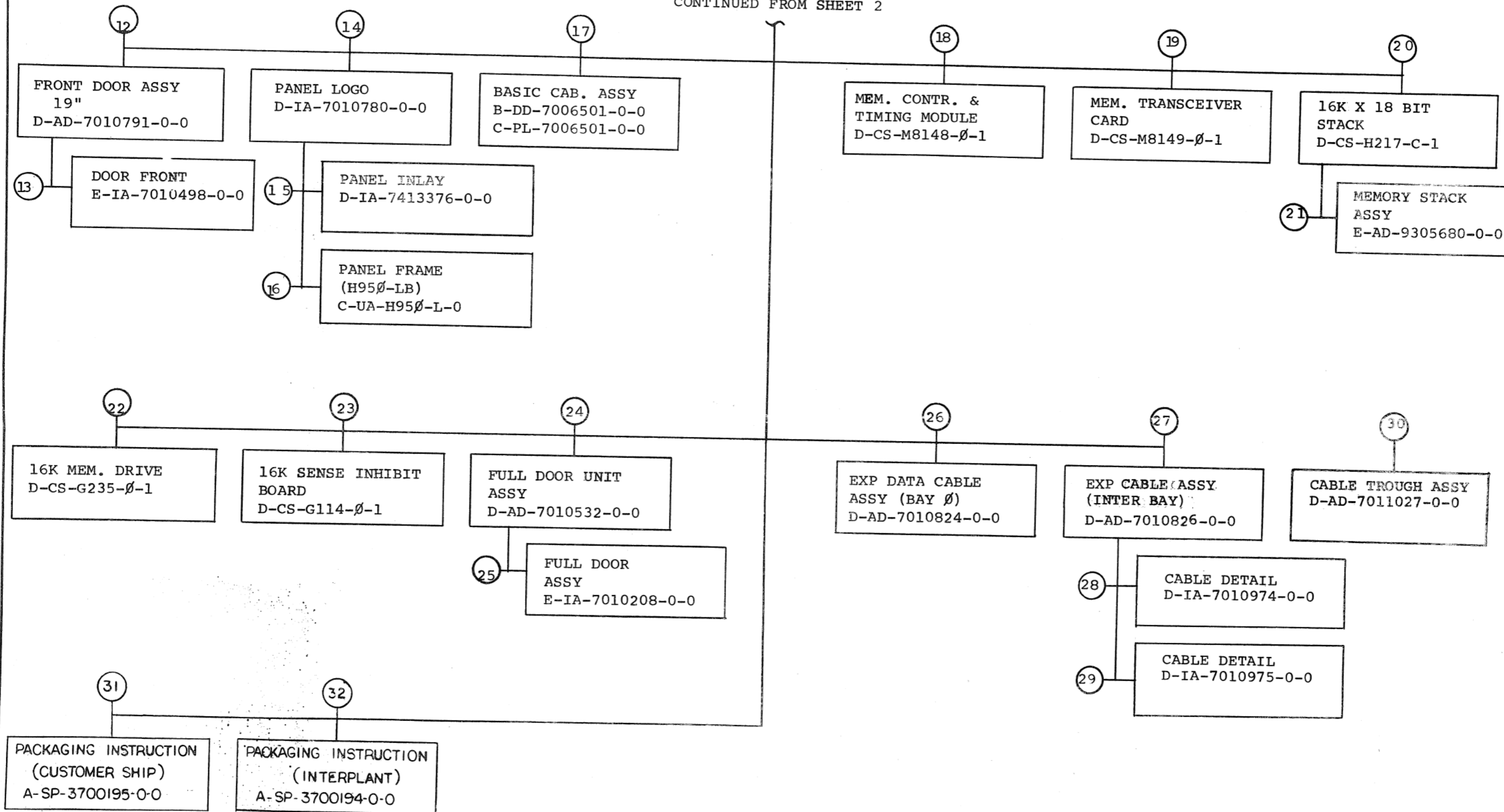
These drawings and specifications herein are the property of Digital Equipment Corporation and shall not be reproduced or copied or used in whole or in part as the basis for the manufacture or sale of items without written permission.
Copyright © 1975, Digital Equipment Corporation



* #6, #7, and #8 are optional and are to be used if item #5 is not available. This information pertains only to 7010497-1-0.

TITLE	SIZE	CODE	NUMBER	REV
DRAWING DIRECTORY (MJ11-A)	B	DD	MJ11-A	D
SHEET 2 OF 8				

CONTINUED FROM SHEET 2



TITLE	SIZE	CODE	NUMBER	REV
DRAWING DIRECTORY MJ11-A	B	DD	MJ11-A	D
SHEET 3 OF 8				

CUSTOMER PRINT SET		ELECTRICAL					CUSTOMER PRINT SET		ELECTRICAL						
1	MFG. SET	FIND NO.	DRAWING NO.	REV	NO OF SHT	DESCRIPTION	OPTION NO./FILE DATE	1	MFG. SET	FIND NO.	DRAWING NO.	REV	NO OF SHT	DESCRIPTION	OPTION NO./FILE DATE
X		1	E-UA-MJ11-A-Ø	D	4	UNIT ASSY MJ11-A		X		8	D-CS-5411583-0-1	#	2	CIRCUIT SCHEMATIC (MEM. EL-FAB)	
X			A-PL-MJ11-A-Ø	D	2	UNIT ASSY MJ11-A (PL)									
X			B-BD-MJ11-A-BD	*	2	BLOCK DIAGRAM (MJ11) (M8148)									
X			D-TD-MJ11-A-TD	*	1	TIMING DIAGRAM READ/WRITE									
			C-IA-7010695-0-0		1	861-D to 861-D HARNESS									
								C		9	B-DD-7010694-0	#	4	POWER SUPPLY (MJ11)	
											D-CS-H744-0-1		1	CIRCUIT SCHEMATIC H744	
											E-CS-H754-0-1		2	CIRCUIT SCHEMATIC H754	
											D-CS-5411086-0-1		4	CIR. SCHEM. PWR. LINE MONITOR 15V/REG	
								C		11	B-DD-861-D	#		POWER CONTROL 861-D	
								C			B-DD-861-E			POWER CONTROL-861-E	
X		2	D-IA-7010580-0-0	#	2	POWER HARNESS									
								X		18	D-CS-M8148-0-1	#	9	MEM. CONTR. & TIMING MOD.	
X		3	D-IA-7010581-0-0	#	1	WIRE HARNESS. AC/DC LOW									
								X		19	D-CS-M8149-0-1	#	5	MEMORY TRANSCEIVER CARD	
		4	E-AD-7010497-0-0		1	BACK PLANE ASSY MEMORY									
			A-WT-7010497-0-0		1	AWT REV STATUS									
			A-WT-7010497-1		1	AWT REV STATUS EL-FAB									
			K-WL-7010497-0-1		-	AWT ETCH LIST		X		20	D-CS-H217-C-1	#	3	16K X 18 BIT STACK	
X		5	D-CS-5411553-0-1	#	4	CIRCUIT SCHEMATIC (MEMORY)				21	E-AD-9305680-0-0		1	MEMORY STACK ASSY	
											D-IA-9605973-0-0		1	1 CORE PLANE WIRING ASSY	
		6	E-AD-7010214-0-0	#	1	BACK PLANE (MEMORY EL-FAB)									
			K-WL-7010214-0-1		-	AWT ETCH LIST									
X		7	D-CS-5411581-0-1	#	2	CIRCUIT SCHEMATIC (MEM. EL-FAB)									

CUSTOMER PRINT SET CODES
X = PRINT OF DOCUMENT INCLUDED IN PRINT SET
C = INCLUDES ALL PRINTS INDICATED ON DOCUMENT
S = CONFIDENTIAL AUTHORIZED SIGNATURE REQUIRED

TITLE
DRAWING DIRECTORY (MJ11-A)

SHEET 4 OF 8
SIZE CODE B DD

NUMBER
MJ11-A

REV
D

CUSTOMER PRINT SET				ELECTRICAL					CUSTOMER PRINT SET					
1	MFG. SET	FIND NO.	DRAWING NO.	REV	NO OF SHT	DESCRIPTION	OPTION NO./FILE DATE	MFG. SET	FIND NO.	DRAWING NO.	REV	NO OF SHT	DESCRIPTION	OPTION NO./FILE DATE
X		22	D-CS-G235-0-1	#	6	16K MEM. DRIVE BD.								
X		23	D-CS-G114-0-1	#	9	16K SENSE/INHIBIT BOARD								
X		26	D-AD-7010824-0-0 D-UA-BCØ6R-Ø-Ø	#		EXP DATA CABLE ASSY (BAYØ) BCØ6R I/O CABLE								
X		27	D-AD-7010826-0-0	#		EXP CABLE ASSY (INTER BAY)								
X		28	D-IA-7010974-0-0 D-UA-BCØ6R-0-0	#	1 1	CABLE DETAIL I/O CABLE BCØ6R								
X		29	D-IA-7010975-0-0 D-UA-BCØ6R-0-0	#	1 1	CABLE DETAIL I/O CABLE BCØ6R								

CUSTOMER PRINT SET CODES
X = PRINT OF DOCUMENT INCLUDED IN PRINT SET
C = INCLUDES ALL PRINTS INDICATED ON DOCUMENT
S = CONFIDENTIAL AUTHORIZED SIGNATURE REQUIRED

TITLE
DRAWING DIRECTORY MJ11-A

SHEET 5 OF 8
SIZE CODE
B DD

NUMBER
MJ11-A

REV
D

CUSTOMER PRINT SET		MECHANICAL					CUSTOMER PRINT SET		MECHANICAL							
1	MFG. SET	FIND NO.	DRAWING NO.	REV	NO OF SHT	DESCRIPTION	OPTION NO./FILE DATE	1	MFG. SET	FIND NO.	DRAWING NO.	REV	NO OF SHT	DESCRIPTION	OPTION NO./FILE DATE	
X		1	E-UA-MJ11-A-Ø	D	4	UNIT ASSY MJ11-A										
X			A-PL-MJ11-A-Ø	D	2	UNIT ASSY MJ11-A (PL)				6	E-AD-7010214-0-0		1	BACK PLANE (MEMORY EL-FAB)		
			B-MD-7413204-0-0		1	CARD GUIDE REWORK										
			D-IA-7409768-0-0		1	COVER, CHASSIS										
			B-MD-7413664-0-0		1	BRKT., LOCKING (SHIPPING)										
			C-IA-7010695-0-0		1	861-D to 861-D HARNESS										
			C-MD-7414018-0-0		1	PROTECTOR, RIGHT, METAL EDGE				7	D-CS-5411581-0-1		2	CIRCUIT SCHEMATIC (MEM. EL-FAB)		
			C-MD-7414016-0-0		1	PROTECTOR, LEFT, METAL EDGE					K-CO-5411581-0-4		-	X-Y COORD. HOLE LOCATION		
											D-AH-5411581-0-5		1	ASSY/DRILLING HOLE LAYOUT		
											B-MH-5411581-0-6		1	MODULE ECO HISTORY		
											D-IA-5011580-0-0		1	ETCHED CIRCUIT BOARD		
		2	D-IA-7010580-0-0		2	POWER HARNESS										
			A-DC-7409873-0-0		1	DECAL				8	D-CS-5411583-0-1		2	CIRCUIT SCHEMATIC (MEM. EL-FAB)		
			A-DC-7409872-0-0		1	DECAL					K-CO-5411583-0-4		-	X-Y COORD. HOLE LOCATION		
											D-AH-5411583-0-5		1	ASSY/DRILLYIN HOLE LAYOUT		
											B-MH-5411583-0-6		1	MODULE ECO HISTORY		
											D-IA-5011582-0-0		1	ETCHED CIRCUIT BAORD		
											D-SS-5011582-0-1		1	SCREEN WHT		
		3	D-IA-7010581-0-0		1	WIRE HARNESS AS/DC LOW										
			A-DC-7409873-0-0		1	DECAL										
			A-DC-7409872-0-0		1	DECAL										
		4	E-AD-7010497-0-0		1	BACK PLANE ASSY (MEM)										
			A-DC-7411881-0-0		1	DECAL ASSY REV										
			A-DC-7409873-0-0		1	DECAL (J)										
			C-MD-7412993-0-0		1	MEMORY MTG. BAR				10	E-IA-7009769-0-0		1	CHASSIS 10.5		
			D-MD-7410882-0-0		1	SUPPORT, LOGIC					E-IA-7411703-0-0		1	CHASSIS FRONT		
			C-MD-7412333-0-0		1	MEMORY MTG. BRKT.					D-MD-7411705-0-0		1	BRKT. CARD GUIDE		
			A-SP-MJ11-Ø-PSA		8	MJ11 MEM. BACKPLANE ASSY PROCESS					D-MD-7411706-0-0		1	BRKT HAT		
			A-SP-3700196-Ø-Ø		2	PACKAGING INSTRUCTION					E-IA-7411707-0-0		1	CHASSIS SIDE		
			A-SP-9905016-05		2	COMPRESSO CARTON										
		5	D-CS-5411553-0-1		4	CIRCUIT SCHEMATIC (MEMORY)										
			D-CO-5411553-0-4		-	X-Y COORD. HOLE LOCATION				11	B-DD-861-D			POWER CONT. 861-D		
			D-AH-5411553-0-5		1	ASSY/DRILLING HOLE LAYOUT					B-DD-861-E			POWER CONT. 861-E		
			B-MH-5411553-0-6		1	MODULE ECO HISTORY										
			D-IA-5011552-0-1		1	ETCHED CIRCUIT BOARD										
CUSTOMER PRINT SET CODES		X = PRINT OF DOCUMENT INCLUDED IN PRINT SET C = INCLUDES ALL PRINTS INDICATED ON DOCUMENT S = CONFIDENTIAL AUTHORIZED SIGNATURE REQUIRED					TITLE DRAWING DIRECTORY (MJ11-A)		SHEET 6 OF 8		SIZE CODE B DD		NUMBER MJ11-A		REV D	

DRB 108

DEC 16-(325)-1062-28-R972

CUSTOMER PRINT SET				MECHANICAL					CUSTOMER PRINT SET				MECHANICAL				
1	MFG. SET	FIND NO.	DRAWING NO.	REV	NO OF SHT	DESCRIPTION	OPTION NO./FILE DATE	1	MFG. SET	FIND NO.	DRAWING NO.	REV	NO OF SHT	DESCRIPTION	OPTION NO./FILE DATE		
		12	D-AD-7010791-0-0		1	FRONT DOOR ASSY 19"											
			D-MD-7406763-0-0		1	PIN, SHORT DOOR											
			B-MD-7406816-0-0		1	PIN, SHORT DOOR											
			C-MD-7406807-0-0		1	SHORT DOOR PIVOT SUPPORT				18	D-CS-M8148-Ø-1		9	MEM CONT & TIMING MODULE			
											K-CO-M8148-Ø-4		-	X-Y COORD. HOLE LOCATION			
											D-AH-M8148-Ø-5		1	ASSY/DRILL HOLE LAYOUT			
											B-MH-M8148-Ø-6		1	MODULE ECO HISTORY			
											5011289		REF	ETCHED CIRCUIT BOARD			
		13	E-IA-7010498-0-0		1	DOOR FRONT											
			D-MD-7413209-0-0		1	HAT SECTION											
			D-MD-7413210-0-0		1	SUPPORT, SIDE											
			-MD-7412947-0-0		1	SUPPORT, DOOR											
			E-IA-7412945-0-0		1	DOOR FRONT				19	D-CS-M8149-Ø-1		5	MEM TRANSCIEVER CARD			
											K-CO-M8149-Ø-4		-	X-Y COORD. HOLE LOCATION			
											D-AH-M8149-Ø-5		1	ASSY/DRILL HOLE LAYOUT			
											B-MH-M8149-Ø-6		1	MODULE ECO HISTORY			
											5011290		REF	ETCHED CIRCUIT BOARD			
		14	D-IA-7010780-0-0		1	PANEL LOGO											
		15	D-IA-7413376-0-0		1	PANEL INLAY				20	D-CS-H217-C-1		3	16K X 18 BIT STACK			
			C-SS-7413376-0-4		1	SILK SCREEN (WHT)					K-CO-H217-C-4		-	X-Y COORD. HOLE LOCATION			
			C-SS-7413376-0-3		1	SILK SCREEN (BRITE ROSE)					D-AH-H217-C-5		1	ASSY/DRILL HOLE LAYOUT			
			C-SS-7413376-0-2		1	SILK SCREEN (BRITE ROSE)					B-MH-H217-C-6		1	MODULE ECO HISTORY			
			C-SS-7413376-0-1		1	SILK SCREEN (MAGENTA)					5010023		REF	ETCHED CIRCUIT BAORD (G647)			
		16	C-UA-H95Ø-L-Ø		2	FRAME PANEL (H95Ø-L)				21	E-AD-9305680-0-0		1	MEMORY STACK ASSY			
			A-PL-H95Ø-L-Ø		1	FRAME PANEL (H95Ø-L) PL					D-IA-9605973-0-0		1	CORE PLANE WIRING ASSY			
			D-SC-1209693-0-0		1	FRAME PANEL (PLASTIC)					D-MD-5010559-0-0		1	COVER			
		17	B-DD-7006501-0		5	DRAWING DIRECTORY											
			C-PL-7006501-0-0		1	BASIC CABINET ASSY 19 INCH											

CUSTOMER PRINT SET CODES
X = PRINT OF DOCUMENT INCLUDED IN PRINT SET
C = INCLUDES ALL PRINTS INDICATED ON DOCUMENT
S = CONFIDENTIAL AUTHORIZED SIGNATURE REQUIRED

TITLE
DRAWING DIRECTORY MJ11-A

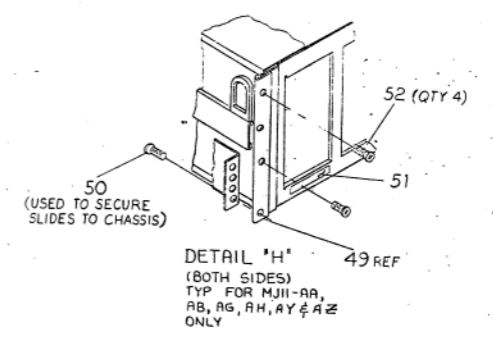
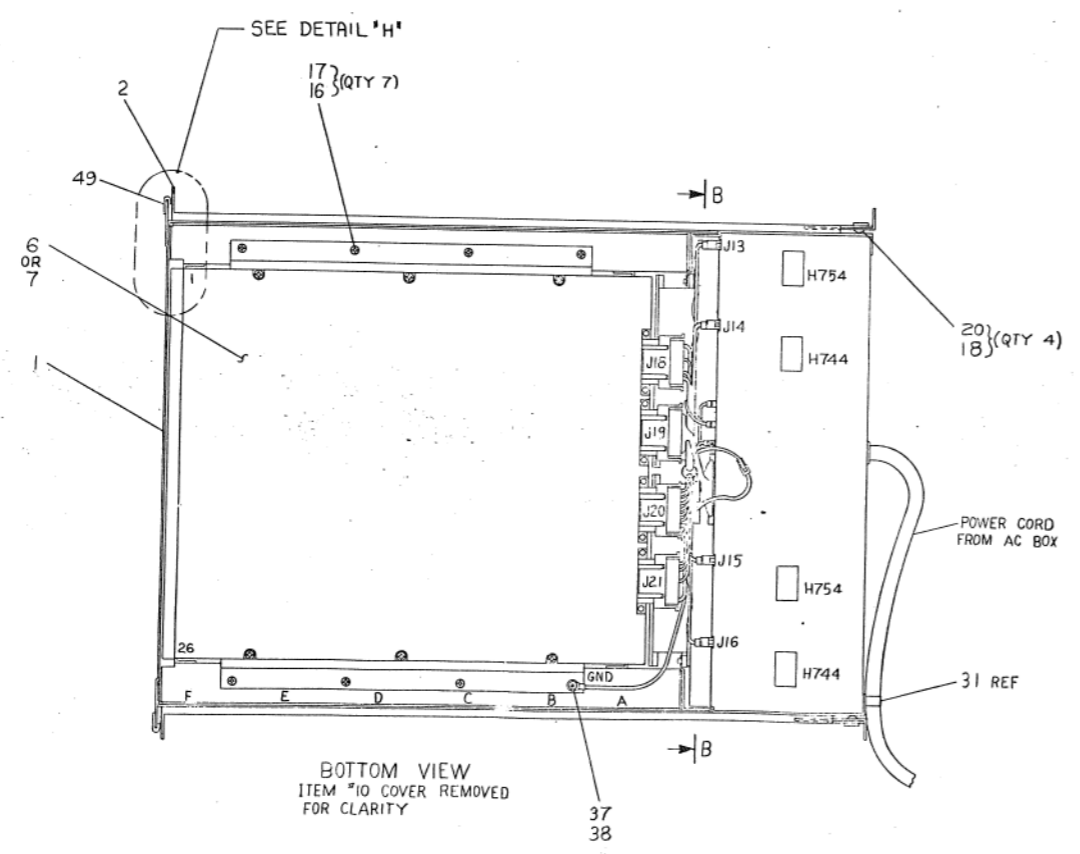
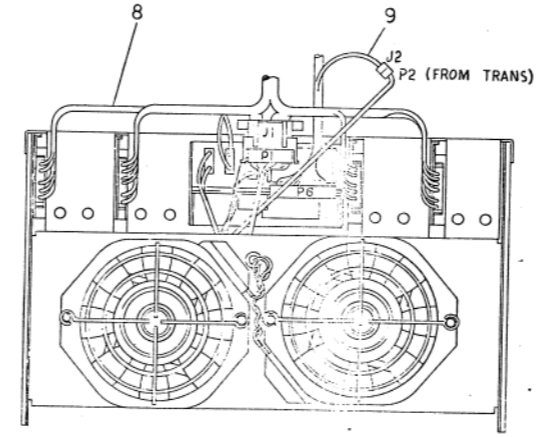
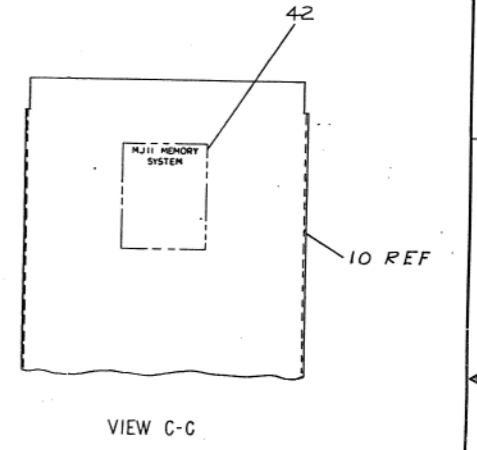
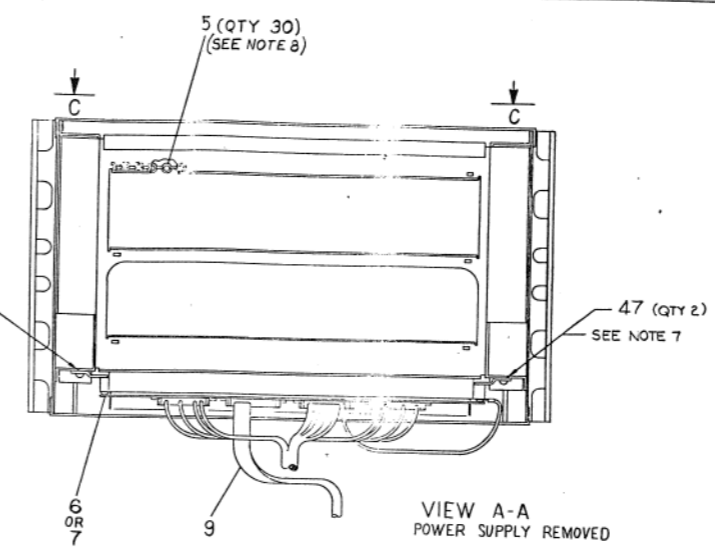
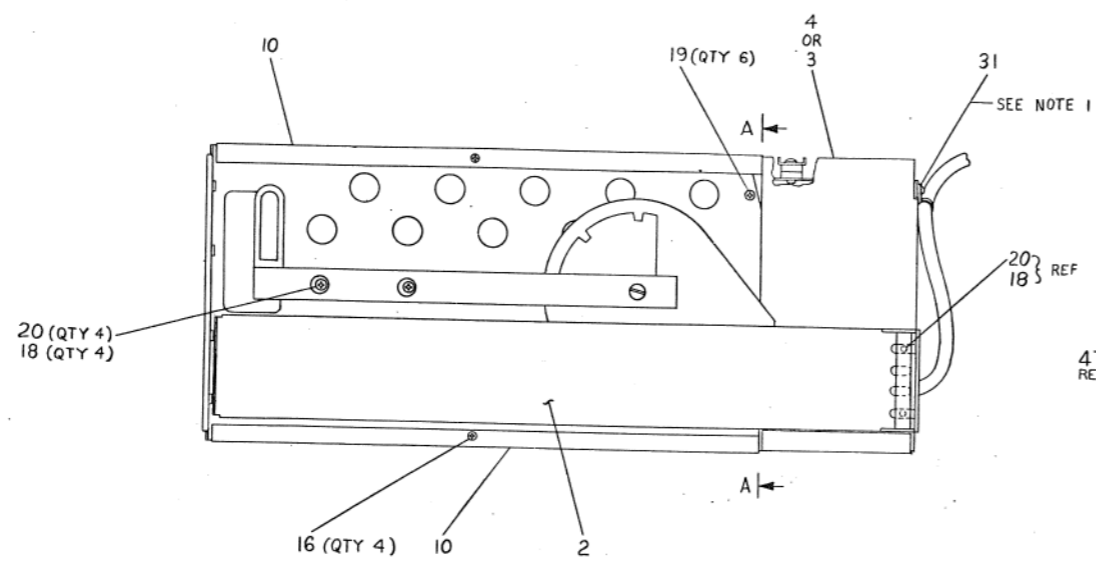
SHEET 7 OF 8
SIZE CODE B DD
NUMBER MJ11-A

REV
D

THIS DRAWING AND SPECIFICATIONS, HEREIN ARE THE PROPERTY OF DIGITAL EQUIPMENT CORPORATION AND SHALL NOT BE REPRODUCED OR COPIED OR USED IN WHOLE OR IN PART AS THE BASIS FOR THE MANUFACTURE OR SALE OF ITEMS WITHOUT WRITTEN PERMISSION. COPYRIGHT © 1970, DIGITAL EQUIPMENT CORPORATION.

LEGEND			
NUMBER	VARIATION	NUMBER	VARIATION
MJII-AA	32K 18 BIT MEM. 115 V	MJII-AG	MJII-AA f(3) MJII-AE 115V
MJII-AB	32K 18 BIT MEM. 230 V	MJII-AH	MJII-AB f(3) MJII-AE 230 V
MJII-AC	MJII-AA WITH CAB 115 V	MJII-AM	16K 18 BIT MEMORY MODULE SET
MJII-AD	MJII-AB WITH CAB 230 V	MJII-AY	MJII-AA-NO CABLES 115 V
MJII-AE	32K 18 BIT EXPANSION (2-MJII-AM)	MJII-AZ	MJII-AB-NO CABLES 230V

- NOTES:
1. USE EXISTING HARDWARE TO MOUNT ITEM # 31.
 2. FOR MJII-AA/AB/AG/AH EXPANSION UNIT INSTALLATION WITHIN 11/70 CABINET 1 USE DATA EXPANSION CABLE ASSY (7010B24-0) AND ADDRESS EXPANSION CABLE ASSY (7010B24-1) AS RECEIVED. FOR EXPANSION UNIT INSTALLATION WITHIN MJII-AC/AD REFER TO 7010B24-0-0 FOR MODIFICATION TO BE MADE TO CABLES BEFORE INSTALLATION.
 3. PIN FOR DOOR MTG TO BE REMOVED REAR OF CAB (BOTTOM).
 4. FOR 11/70 SYSTEM EXPANSION SEE E-AR-11/70-0-1.
 5. ADDITIONAL ITEM #40 WITH (4) MTS PIECES OF HARDWARE ITEM #18, 20 & 30 TO BE SUPPLIED WITH EACH MJII-AC & AD. IT IS TO BE KITTED IN PLASTIC BAG.
 6. ITEM #44 (861-D TO 861-D HARN.) TO BE SUPPLIED WITH EACH MJII-AC & AD IN PLASTIC BAG.
 7. INSTALL ITEM #47 BETWEEN ITEM #1 AND ITEM #6. DO NOT USE IF ITEM #7 (EL-FAB) BACKPLANE IS USED.
 8. CUT END CARD GUIDE, IN EACH ROW, TO SIZE.

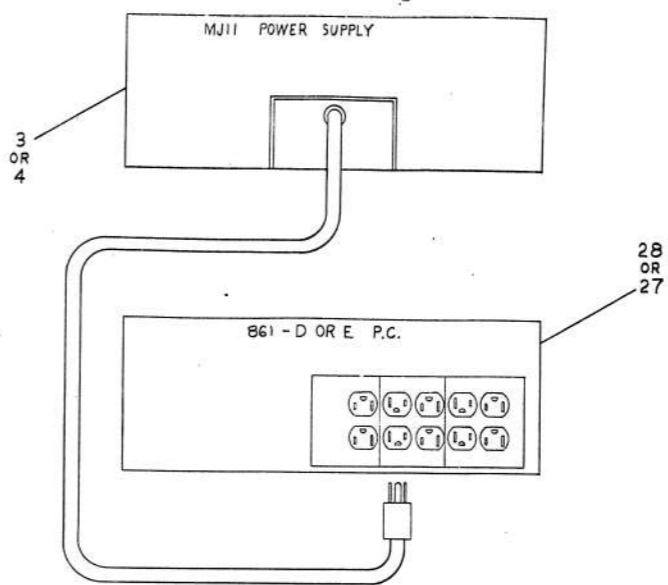


OFF SHEET PARTS LIST EXISTS SEE A-PL-MJII-A-0

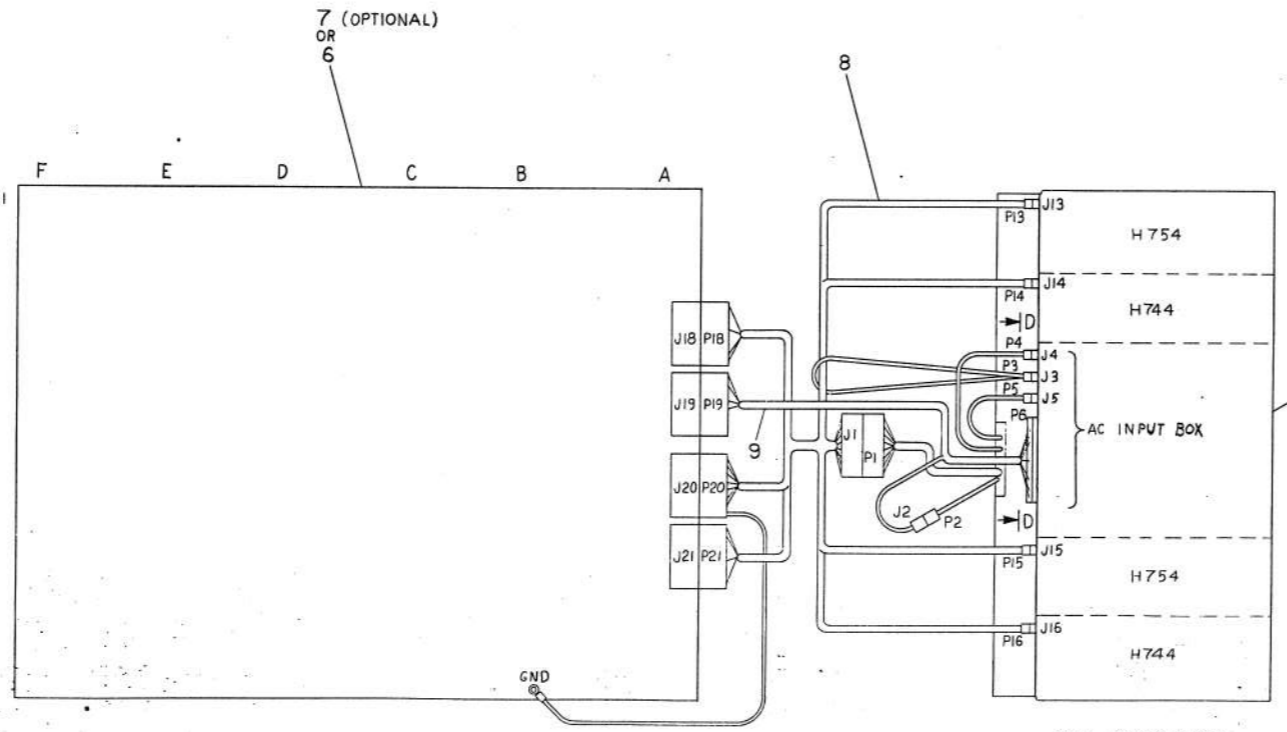
FIRST USED ON OPTION MODEL		QTY.	DESCRIPTION	PART NO.	ITEM NO.
11/70					
PARTS LIST					
DIMENSIONAL TOLERANCE					
DIMENSIONS ARE MILLIMETERS					
UNLESS OTHERWISE SPECIFIED					
MILLIMETERS	INCHES	ANGLES	DATE	DATE	TITLE
XXX ±0.10	XXX ±.005	10° ±30'	1-15-75		UNIT ASSY
XX ±0.25	XX ±.01				MJII-A
X ±.50	X ±.02				
THIRD ANGLE PROJECTION					
REMOVE BURRS AND BREAK SHARP CORNERS SURFACE QUALITY					
MATERIAL					
FINISH					
NEXT HIGHER ASSY.					
SCALE N.T.S.					
SHEET 1 OF 1					

REVISIONS AND DISPOSITIONS HEREIN ARE THE PROPERTY OF THE MANUFACTURER AND SHALL BE RETURNED TO THE MANUFACTURER OR TO THE ORIGINAL PURCHASER OF THIS EQUIPMENT. THE MANUFACTURER SHALL BE RESPONSIBLE FOR THE MAINTENANCE OF THIS EQUIPMENT. THE MANUFACTURER SHALL BE RESPONSIBLE FOR THE MAINTENANCE OF THIS EQUIPMENT. THE MANUFACTURER SHALL BE RESPONSIBLE FOR THE MAINTENANCE OF THIS EQUIPMENT.

WIRE TABLE				
FROM	TO	REMARKS		
ITEM NO.	CONN	ITEM NO.	CONN	
8	J1	3 OR 4	P.S. - P1	
	P13		P.S. - J13	
	P14		P.S. - J14	
	P15		P.S. - J15	
	P16		P.S. - J16	
	P3	3 OR 4	P.S. - J3	
	P18	6	B.P. - J18	
	P20	6	B.P. - J20	
	P21	6	B.P. - J21	
9	P6	3 OR 4	PWR BD	
9	P19	6	B.P. - J19	
9	J2	3 OR 4	P.S. - P2	
8	GND LUG	6	B.P.	
3 OR 4	INPUT BOX	27 OR 28		



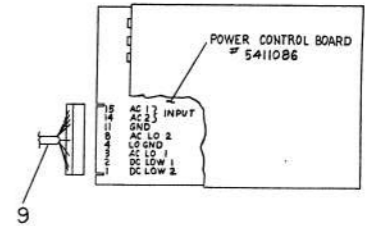
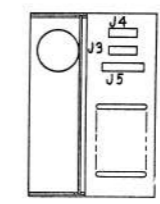
REAR VIEW
MJ11 P.S. f 861-D OR E
POWER CONTROL
REFER TO E-AR-11/70-0-1
FOR CONNECTION TO 861



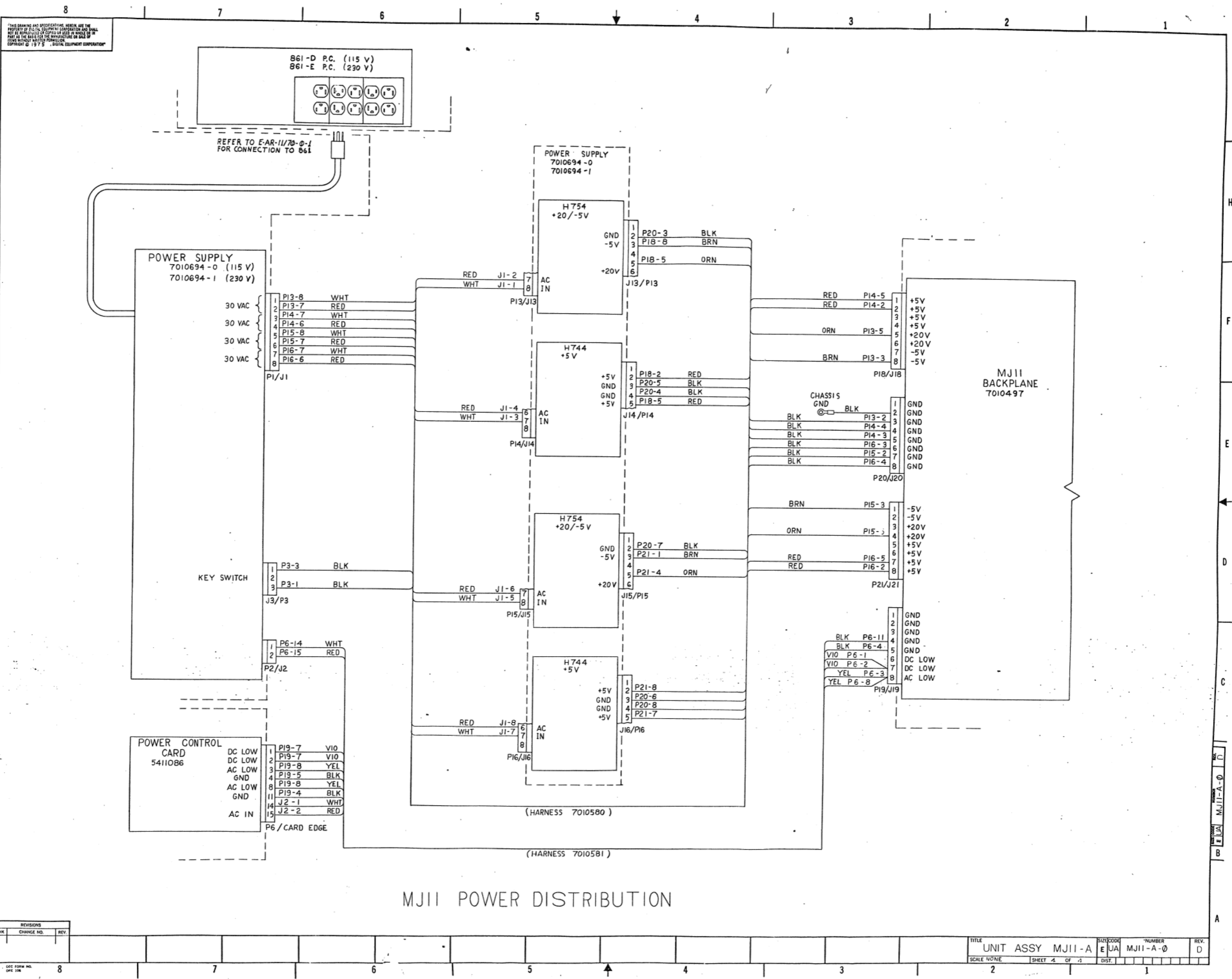
BACK PLANE (PIN SIDE)
* 7010497-0
OR 7010497-1 (OPTIONAL)

MJ11 POWER SUPPLY
* 7010694-0 (115V)
* 7010694-1 (230V)

WIRING DIAGRAM
BACK PLANE TO MJ11
POWER SUPPLY



REVISIONS		
CHK	CHANGE NO.	REV.



REVISIONS		
CHK	CHANGE NO.	REV.

TITLE	UNIT ASSY MJ11-A	SIZE/CODE	EUA	NUMBER	MJ11-A-0	REV.	D
SCALE	NONE	SHEET	4	OF	1	DIST.	