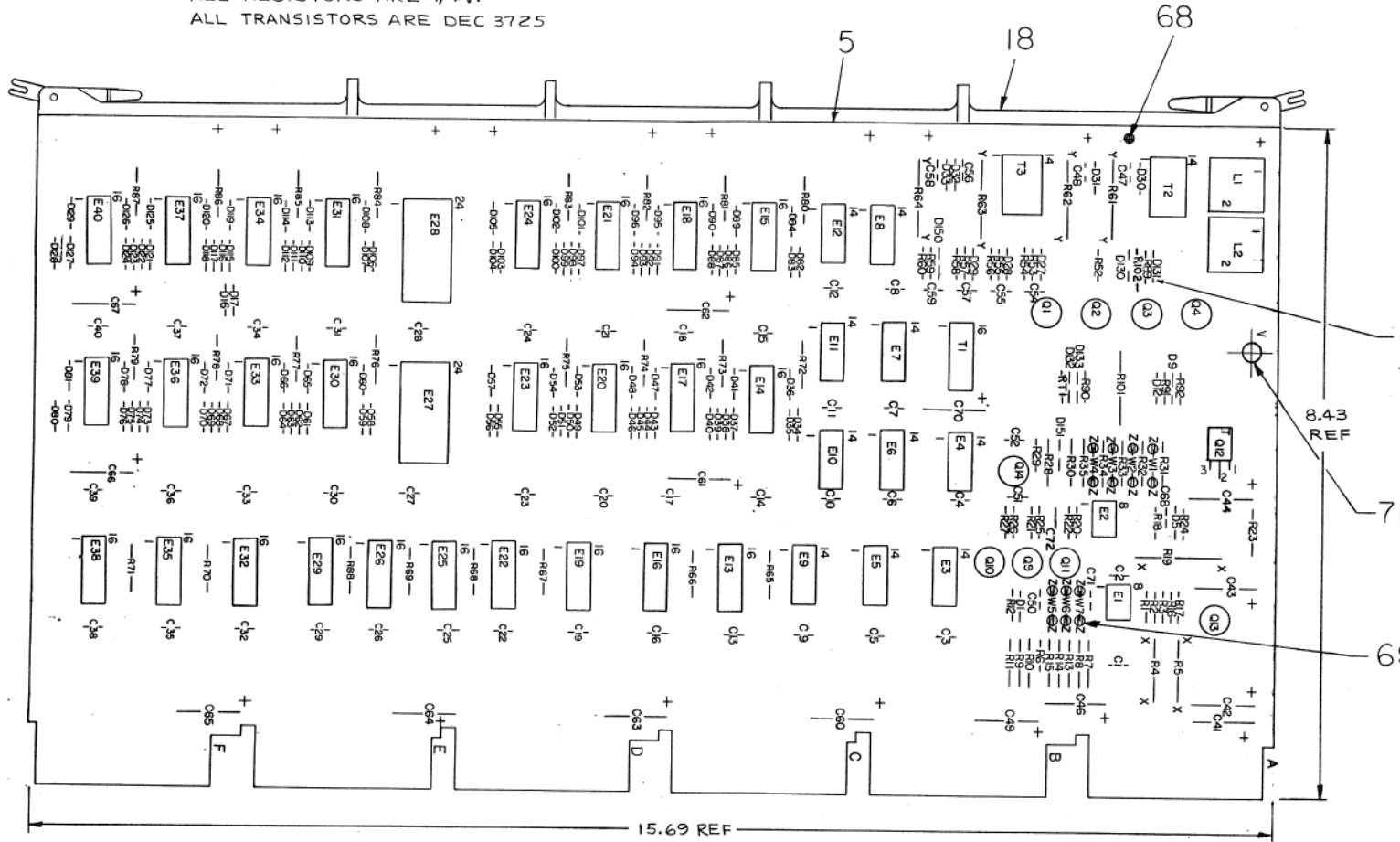




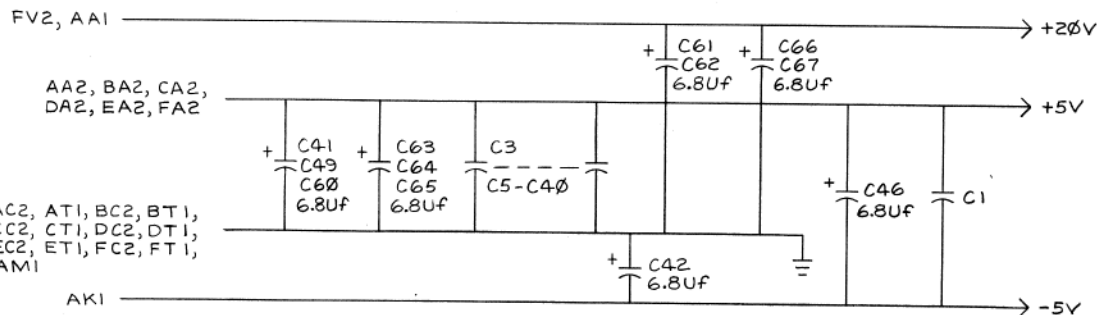
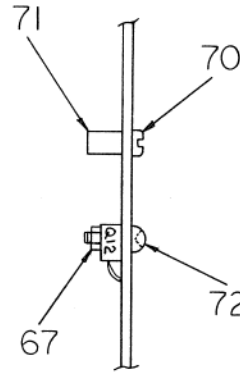
This drawing and specifications, herein, are the property of Digital Equipment Corporation and shall not be reproduced or copied or used in whole or in part as the basis for the manufacture or sale of items without written permission.

**NOTES:**

- \* INDICATES NOT USED ON MFII-U & MFII-UP (2 PLACES).
- \*\* INDICATES NOT USED ON MFII-U & MFII-UP, BUT ARE TIED TO UNUSED TERMINATORS ON THE G114 MODULE, WHICH FORCES THEM TO +3V (5 PLACES).
- 1 THERMISTOR LOCATED ON H217 STACK MODULE, 1 ON 6235
- UNLESS OTHERWISE INDICATED;  
ALL DIODES ARE D672  
ALL CAPACITORS ARE .01UF  
ALL RESISTORS ARE 1/4W  
ALL TRANSISTORS ARE DEC 3725



CATHODE END OF ALL DIODES SHALL BE TOWARD FINGERS



IC TYPE	GND	+5V	+20V
74121	7	-	-
741	-	-	-
75325	-	9	16
7442	8	16	-
74154	12	24	-

GND AND 5V ARE USUALLY PIN 7 AND 14 RESPECTIVELY. EXCEPTIONS ARE STATED ABOVE.

**IC PIN LOCATIONS**

DEC FORM NO. DRD-135A

QTY	REF DESIGNATION	DESCRIPTION	PART NO.	ITEM NO.
PARTS LIST				
FIRST USED ON OPTION MODEL: MFII-U & MFII-UP				
ETCH BOARD REV: D				
SEMICONDUCTOR CONVERSION CHART				
DEC NO.	EIA NO.	DEC NO.	EIA NO.	
SCALE: 1:1				
SHEET 2 OF 2				

DRN: <i>R. Sullivan</i>	DATE: 4-4-73	<b>digital</b> EQUIPMENT CORPORATION MAYNARD, MASSACHUSETTS <b>16K X-Y DRIVE</b>
CHK'D: <i>W. Chalmers</i>	DATE: 4-4-73	
ENG: <i>W. Chalmers</i>	DATE: 7/7/73	
PROJ. ENG: <i>W. Chalmers</i>	DATE: 7/7/73	
PROD: <i>R. Sullivan</i>	DATE: 4/17/73	
NEXT HIGHER ASSY: - - -		
SIZE CODE: DCS	NUMBER: G235-0-1	REV. J

REV J  
NUMBER DCS G235-0-1  
SIZE CODE DCS

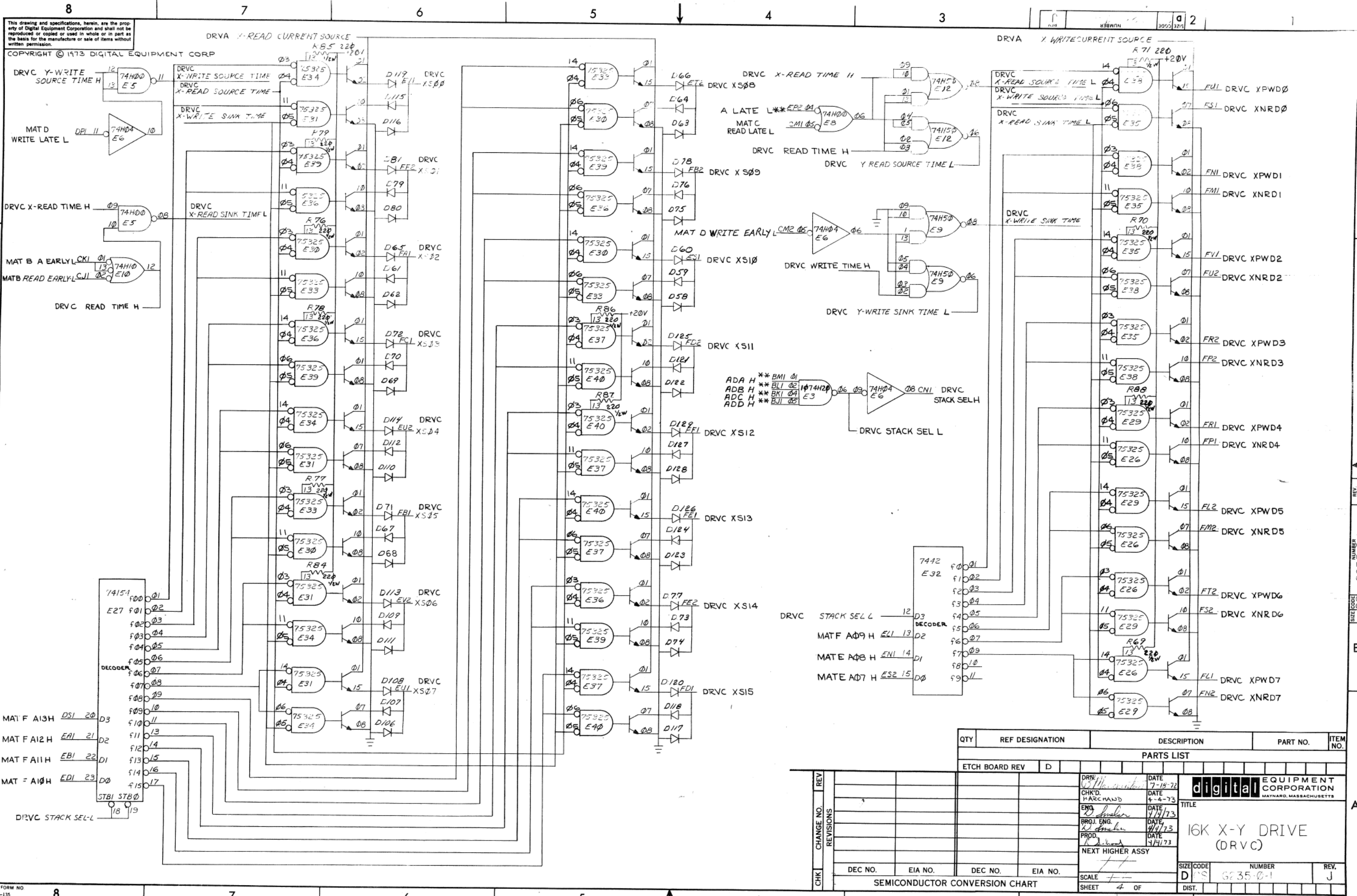
THIS DRAWING AND SPECIFICATIONS HEREIN ARE THE PROPERTY OF DIGITAL EQUIPMENT CORPORATION AND SHALL NOT BE REPRODUCED OR COPIED OR USED IN WHOLE OR IN PART AS THE BASIS FOR THE MANUFACTURE OR SALE OF ITEMS WITHOUT WRITTEN PERMISSION. COPYRIGHT © 1973, DIGITAL EQUIPMENT CORPORATION.

109829 50 D 2

QTY	REF	DESIGNATION	DESCRIPTION	PART NO.	ITEM NO.	QTY	REF	DESIGNATION	DESCRIPTION	PART NO.	ITEM NO.
1	E6	IC DEC 074H04		1910463	62						1
1	E10	IC DEC 074H10		1910464	63	REF		X-Y COORDINATE HOLE LOCATION		K-CO-G235-0-4	2
2	E7, E11	IC DEC 074H40		1910469	64	REF		ASSY-DRILLING HOLE LAYOUT		D-AH-G235-0-5	3
24	E13-E18, E20-E26, E29-E31, E33-E40	IC DEC 75325		1910960	65	REF		ECO MODULE HISTORY		B-WH-G235-0-6	4
2	E9, E12	IC DEC 074H50		1910512	66	1	C71	ETCHED CIRCUIT BD		5010145	5
1		KEPNUT 4-40		9006557	67	46	C1-C40, C48, C50, C52, C58, C68, C72	CAP 47 PF 100V 5% D.V.		1000011	6
12		EYELET HANDLE		9006732	68	4	C59, C54, C55, C57	CAP .01UF 50V 20		1001610	7
14		SPLIT LUGS		9006735	69	1	C51	CAP .005 UF 100V 20% DISC		1001765	8
1		SCREW NYLON 6-32		9008212-1	70	2	C43, C44	CAP 18 PF 100V 5% D.V.		1002608	9
1		STAND OFF 1/4 X 3/8		9008213	71	13	C41, C42, C46, C49, C60, C67, C70	CAP 47 UF 20V 10% S. TANT		1004814	10
1		SCREW (PHILLIPS PAN HEAD) 4-40 X 5/16		9006010-1	72	1	D1	CAP 6.8UF 35V 10% S. TANT		1005306	11
1	R31	RES 19.2K 1/8W 1%		1305419	73	109	D9, D12, D17, D27-D130, D132, D150	DIODE ZENER IN753A 6.2V ± 5%		1102421	12
AR	W1-W7	WIRE #22 AWG (SOLID)		9107560-1	74	1	D16	DIODE D572		1105275	13
1	R31	RES 180Ω 1/4W 5%		1301322	75	1	D5	DIODE ZENER IN5248B 18V ± 10%		1110766	14
1	D133	DIODE ZENER IN752A 5.6V ± 5%		1102808	76	1	D5	DIODE ZENER IN749A 4.3V ± 5%		1109917	15
1	R92	RES 150Ω 1/4W 5%		1300250	77	1	D131	DIODE ZENER IN754A 6.8V ± 5%		1109991	16
2	C47, C56	CAP .022UF 50V		1011683	78	1	D151	DIODE ZENER IN750A 4.7V ± 5%		1100124	17
1	RT1	THERMISTOR 300Ω 2%		1309785	79	2	R18, R24	HANDLE ASSY		1210711-2	18
1	R102	RES 330Ω 1/4W 5%		1300295	80	12	R69-R71, R76-R79, R84-R88	RES 100 1/4W 5%		1300229	19
1	Q11	TRANS. DEC 4258		1505321	81	1	R101	RES 220 1/2W 5%		1300274	20
1	E3	IC DEC 1074H20		1910466	82	12	R65-R68, R72-R75, R80-R83	RES 220 2W 10%		1300278	21
1	R7	RES. 9.09K 1/8W 1%		1304855	83	2	R21, R27	RES 270 1/2W 5%		1300285	22
						2	R21, R27	RES 470 1/4W 5%		1300316	23
						3	R3, R16, R20	RES 1K 1/4W 5%		1300365	24
						1	R23	RES 1.5K 1/2W 5%		1300394	25
						1	R2	RES 4.7K 1/4W 5%		1300447	26
						1	R17	RES 10 1/4W 5%		1301317	27
						1	R99	RES 82Ω 1/4W 5%		1301477	28
						4	R61-R64	RES 10Ω 2W 10%		1300172	29
						1	R22	RES 22K 1/4W 5%		1301808	30
						1	R12	RES 270 1/4W 5%		1301972	31
						4	R54, R56, R58, R60	RES 18 1/4W 5%		1302124	32
						4	R53, R55, R57, R59	RES 75 1/4W 5%		1302379	33
						3	R25, R26, R52	RES 2K 1/4W 5%		1302388	34
						2	R1, R6	RES 470K 1/4W 5%		1302398	35
						1	R29	RES 120K 1/4W 5%		1300539	36
						2	R32, R8	RES 10K 1/8W 1%		1302886	37
						2	R28, R30	RES 14.7K 1/8W 1%		1302941	38
						1	R9	RES 287 1/8W 1%		1305124	39
						1	R10	RES 198 1/8W 1%		1302956	40
						1	R35	RES 3.16K 1/8W 1%		1303045	41
						1	R34	RES 34.8K 1/8W 1%		1303156	42
						1	R14	RES 243K 1/8W 1%		1304843	43
						1	R11	RES 2.61K 1/8W 1%		1305308	44
						2	R15, R33	RES 68.1K 1/8W 1%		1305252	45
						1	R13	RES 121K 1/8W 1%		1305255	46
						2	R4, R5	RES .25 3W 1%		1310219	47
						1	R19	RES .08 5W 3%		1310983	48
						1	R90	RES 56Ω 1/4W 5%		1302602	49
						1	Q14	TRANS DEC 2904A		1501913	50
						1	Q13	TRANS DEC 6534B		1503409-1	51
						1	Q12	TRANS DEC 4920		1509605	52
						6	Q1-Q4, Q9, Q10	TRANS DEC 3725		1510959	53
						1	T1	PULSE TRANSFORMER (DIP)		1609651	54
						2	T2, T3	SATURATING TRANSFORMER-XY		1610962	55
						2	L1, L2	CHOKE 400 UH		1610963	56
						2	E27, E28	IC DEC 74154		1909701	57
						2	E19, E32	IC DEC 7442		1910046	58
						1	E4	IC DEC 74121		1910230	59
						2	E1, E2	IC DEC 741		1910298	60
						2	E5, E8	IC DEC 1074H00		1910462	61

REVISIONS		
CHK	CHANGE NO.	REV.

TITLE	16K X-Y DRIVE	SIZE CODE	D CS	NUMBER	G235-0-1	REV.	J
SCALE	1:1	SHEET	3	OF		DIST.	



This drawing and specifications, herein, are the property of Digital Equipment Corporation and shall not be reproduced or copied or used in whole or in part as the basis for the manufacture or sale of items without written permission.

COPYRIGHT © 1973 DIGITAL EQUIPMENT CORP

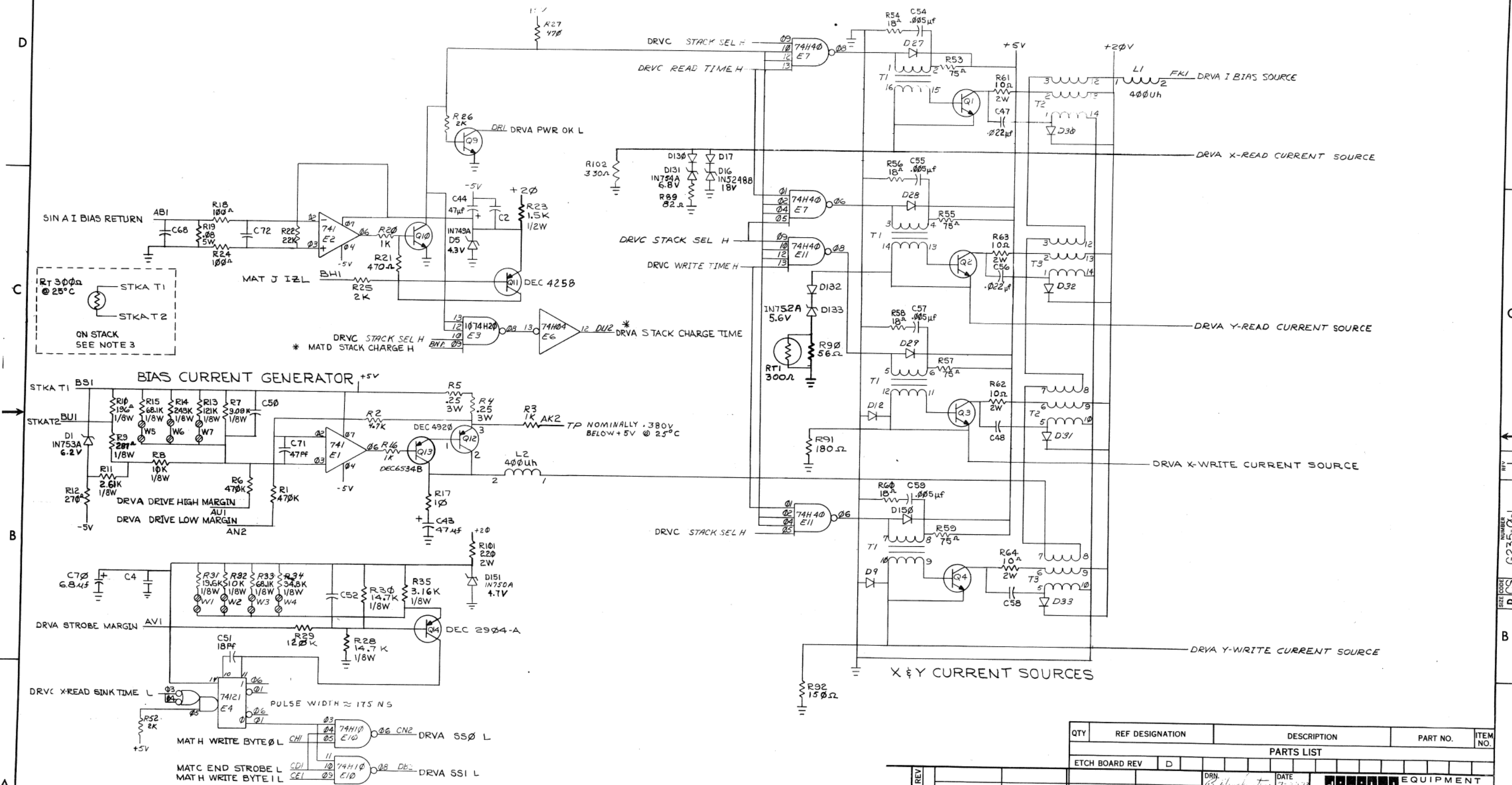
QTY	REF DESIGNATION	DESCRIPTION	PART NO.	ITEM NO.
PARTS LIST				
ETCH BOARD REV D				
DRK	DATE 7-18-72	 <b>digital</b> EQUIPMENT CORPORATION MAYNARD, MASSACHUSETTS		
CHKD.	DATE 4-4-73			
ENG	DATE 7/17/73			
PROJ. ENG.	DATE 4/1/73			
PROD.	DATE 1/4/73			
NEXT HIGHER ASSY				
DEC NO.		EIA NO.	DEC NO.	EIA NO.
SEMICONDUCTOR CONVERSION CHART		SCALE	SHEET 4 OF	
SIZE CODE D		NUMBER 6235-0-1	REV. J	





This drawing and specifications, herein, are the property of Digital Equipment Corporation and shall not be reproduced or copied or used in whole or in part as the basis for the manufacture or sale of items without written permission.

COPYRIGHT © 1973  
DIGITAL EQUIP CORP.



QTY	REF DESIGNATION	DESCRIPTION	PART NO.	ITEM NO.											
PARTS LIST															
ETCH BOARD REV D															
<table border="1"> <tr> <td>DRN. <i>AS</i></td> <td>DATE 7-21-72</td> <td rowspan="5">   <b>digital</b> EQUIPMENT CORPORATION  <small>MAYNARD, MASSACHUSETTS</small> </td> </tr> <tr> <td>CHK'D. <i>MARCHAND</i></td> <td>DATE 4-4-73</td> </tr> <tr> <td>ENG. <i>R. J. ...</i></td> <td>DATE 11/1/73</td> </tr> <tr> <td>PROL. ENG. <i>R. J. ...</i></td> <td>DATE 11/1/73</td> </tr> <tr> <td>PROD. <i>R. J. ...</i></td> <td>DATE 11/1/73</td> </tr> </table>					DRN. <i>AS</i>	DATE 7-21-72	 <b>digital</b> EQUIPMENT CORPORATION <small>MAYNARD, MASSACHUSETTS</small>	CHK'D. <i>MARCHAND</i>	DATE 4-4-73	ENG. <i>R. J. ...</i>	DATE 11/1/73	PROL. ENG. <i>R. J. ...</i>	DATE 11/1/73	PROD. <i>R. J. ...</i>	DATE 11/1/73
DRN. <i>AS</i>	DATE 7-21-72	 <b>digital</b> EQUIPMENT CORPORATION <small>MAYNARD, MASSACHUSETTS</small>													
CHK'D. <i>MARCHAND</i>	DATE 4-4-73														
ENG. <i>R. J. ...</i>	DATE 11/1/73														
PROL. ENG. <i>R. J. ...</i>	DATE 11/1/73														
PROD. <i>R. J. ...</i>	DATE 11/1/73														
TITLE			16K X-Y DRIVE (DRVA)												
NEXT HIGHER ASSY			SIZE CODE NUMBER REV. DCS G235-0-1 J												
SEMICONDUCTOR CONVERSION CHART			SCALE SHEET 6 OF DIST.												

DEC FORM NO. DRD-135

REV. J  
 NUMBER G235-0-1  
 SIZE CODE DCS  
 DIST. D