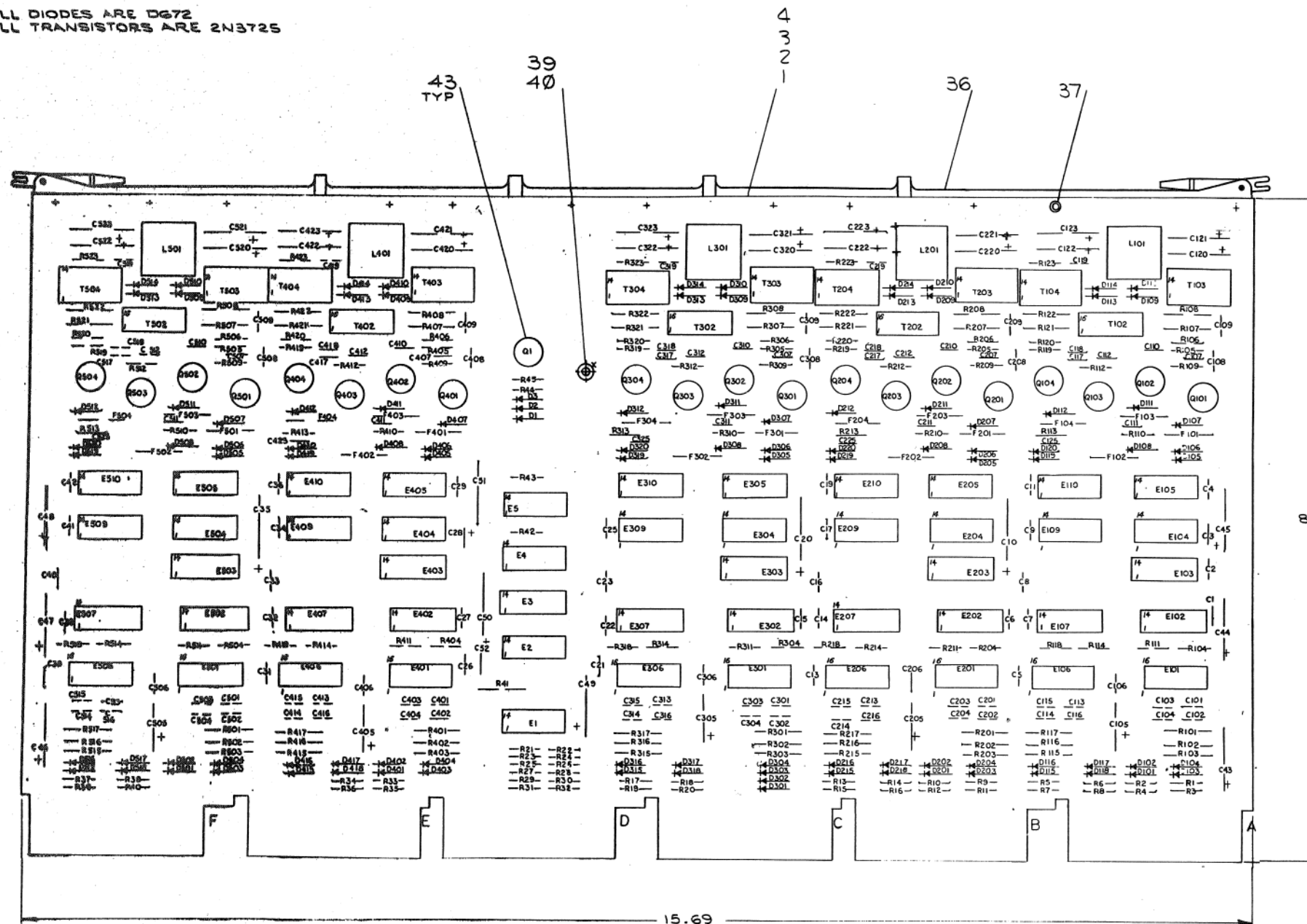


Any drawing and specification, though on the property of Digital Equipment Corporation, shall not be reproduced or used in whole or in part as the basis for any manufacture or sale of items without written permission.

COPYRIGHT © 1975 DIGITAL EQUIPMENT CORPORATION

- NOTES: UNLESS OTHERWISE SPECIFIED**
1. ALL RESISTORS ARE IN OHMS 1/4W
 2. ALL CAPACITANCE IS IN MICROFARADS
 3. DATA BITS 17 & 18 ARE NOT USED IN 18 BIT SYSTEMS
 4. DATA BIT 18 IS NOT USED IN 19 BIT SYSTEMS
 5. DATA BITS 16, 17, 18 & 19 ARE NOT USED IN 16 BIT SYSTEMS
 6. ALL DIODES ARE DG72
 7. ALL TRANSISTORS ARE 2N3725



IC TYPE	QTY	REF	DESCRIPTION
IC D.C. 7380	1	8	-
IC D.C. 380	1	8	-
IC D.C. 7628	9	10	8
IC TYPE	GND	+5V	-5V

GND AND 5V ARE USUALLY PIN 7 AND 14 RESPECTIVELY. EXCEPTIONS ARE STATED ABOVE.

IC PIN LOCATIONS

QTY	REF DESIGNATION	DESCRIPTION	PART NO.	ITEM NO.
PARTS LIST				
FIRST USED ON OPTION MODEL MF 11-U & MF 11-UP				
ETCH BOARD REV B				
DRILL	DATE 4-3-73	digital EQUIPMENT CORPORATION MAYNARD, MASSACHUSETTS		
CHK'D	DATE 4-13-73	TITLE 16 K SENSE/INHIBIT		
ENG	DATE 4/13/73	SIZE CODE NUMBER REV. DUS G114-0-1 C		
PROJ. ENG.	DATE 7/12/73	SCALE SHEET 2 OF		
PROD.	DATE 4/11/73	NEXT HIGHER ASSY		
SEMICONDUCTOR CONVERSION CHART				
DEC NO.	EIA NO.	DEC NO.	EIA NO.	DIST.

THIS DRAWING AND SPECIFICATIONS HEREIN ARE THE PROPERTY OF DIGITAL EQUIPMENT CORPORATION AND SHALL NOT BE REPRODUCED OR COPIED OR USED IN WHOLE OR IN PART AS THE BASIS FOR THE MANUFACTURE OR SALE OF ITEMS WITHOUT WRITTEN PERMISSION. COPYRIGHT © 1973 DIGITAL EQUIPMENT CORPORATION.

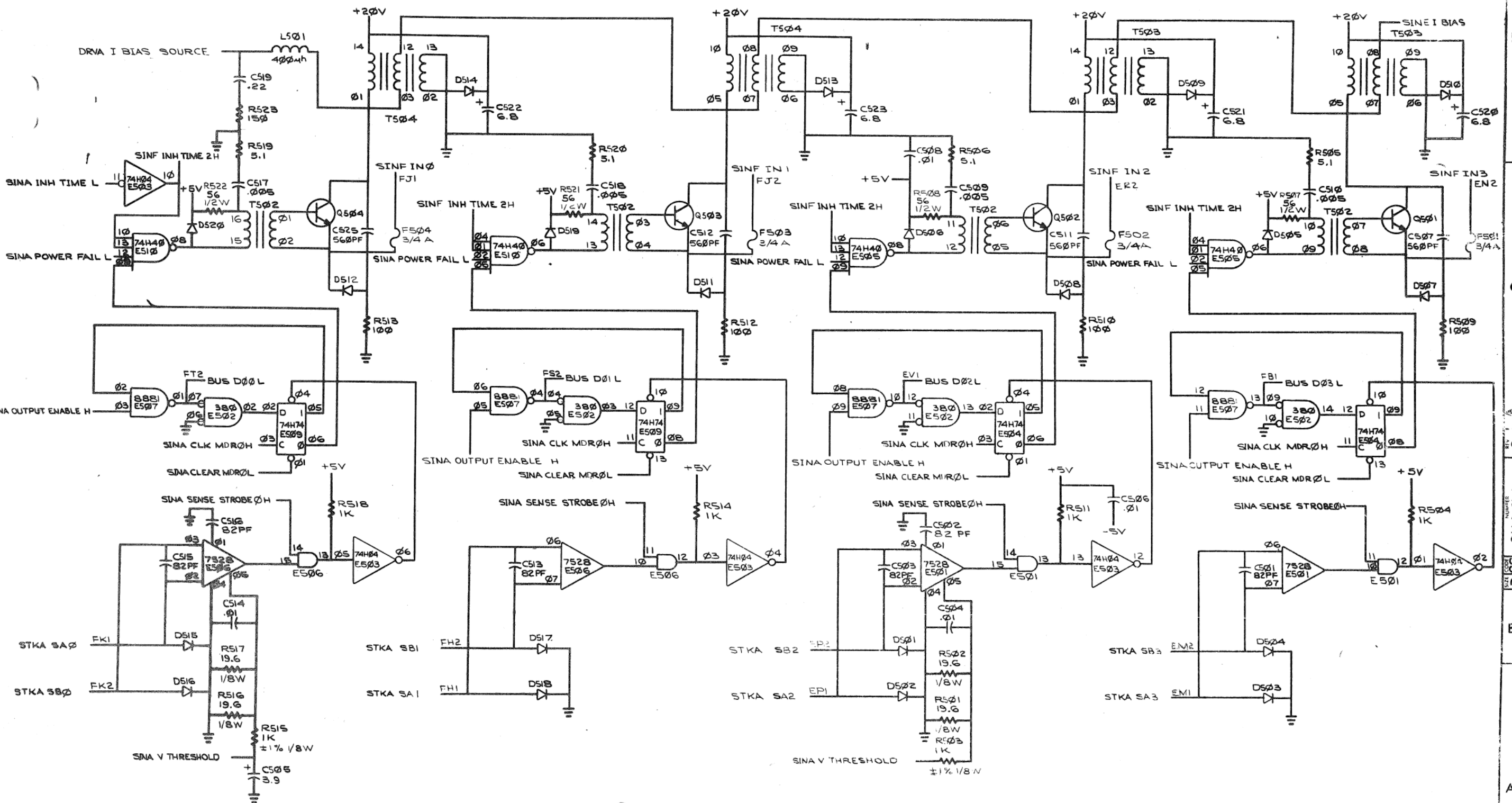
1-0-1119 [SOLD] 2

QTY	REF DESIGNATION	DESCRIPTION	PART NO.	ITEM NO.
1	E1	IC DECIC 74H00	1910462	30
14	E2 THRU E5, E105, E110, E205, E210, E305, E310, E405, E410, E505, E510	IC DEC 1074H40	1910463	31
10	E101, E106, E201, E206, E301, E306, E401, E406, E501, E506	IC DEC. 7528 SENSE AMP	1910687	32
3	E107, E207, E307, E407, E507	IC DEC 8881	1909705	33
10	E104, E109, E204, E209, E304, E309, E404, E409, E504, E509	IC DEC 1074H74	1910553	34
5	L01, L201, L301, L401, L501	CHOKE 400 UH	1610963	35
1		HANDLE ASSY	1210711-2	36
12		EYELET GS-4-7	9006732	37
20	F101 THRU F104, F201 THRU F204, F301 THRU F304, F401 THRU F404, F501 THRU F504	FUSE PICO FUSE 3/4A	1210929-3	38
1		STAND OFF 1/4 X 3/8 #6-32 THRU	9008213	39
1		SCREW, NYLON 6/32 X 1/4 LG	9009041-1	40
5	E103, E203, E303, E403, E503	I.C. DEC 10 74H04	1910463	41
4	E102, E202, E502	I.C. DEC 380	1909485	42
21		TRANSIPAD	9007200	43
1	E302	IC DEC. 7380	1910290	44
103	D1, D2, D3, D101 THRU D120, D201 THRU D220, D301 THRU D320, D401 THRU D420, D501 THRU D520	DIODE D672	1105275	13
20	R1, R3, R5, R7, R9, R11, R13, R15, R17, R19, R21, R23, R25, R27, R29, R31, R33, R35, R37, R39	RES. 180 1/4W, 5%	1301322	14
1	R41	RES. 196 1/8W, 1% MF	1302956	15
20	R2, R4, R6, R8, R10, R12, R14, R16, R18, R20, R22, R24, R26, R28, R30, R32, R34, R36, R38, R40	RES. 390 1/4W, 5%	1300309	16
2	R42, R43	RES. 330 1/4W, 5%	1300295	17
1	R44	RES. 47K, 1/4W, 5%	1300447	18
20	R101, R102, R16, R17, R201, R202, R214, R217, R301, R302, R316, R317, R401, R402, R414, R417, R501, R502, R516, R517	RES. 19.6, 1/8W, 1% MF	1303110	19
10	R103, R115, R203, R215, R303, R315, R403, R415, R503, R515	RES. 1K, 1/8W, 1% MF	1303114	20
20	R104, R111, R114, R118, R204, R211, R214, R218, R304, R311, R314, R318, R404, R411, R414, R418, R504, R511, R514, R518	RES. 1K, 1/4W, 5%	1300365	21
20	R109, R110, R112, R113, R209, R210, R212, R213, R309, R310, R312, R313, R409, R410, R412, R413, R509, R510, R512, R513	RES. 100 1/4W, 5%	1300229	22
20	R105, R106, R119, R120, R205, R206, R219, R220, R305, R306, R319, R320, R405, R406, R419, R420, R505, R506, R519, R520	RES. 5.1 1/4W, 5%	1307422	23
1	R45	RES. 470 1/4W, 5%	1300316	24
5	R123, R223, R323, R423, R523	RES. 150 1/4W, 5%	1300290	25
20	R107, R108, R121, R122, R207, R208, R221, R222, R307, R308, R321, R322, R407, R408, R421, R422, R507, R508, R521, R522	RES. 56 1/2W, 5%	1309995	26
21	Q1, Q101 THRU Q104, Q201 THRU Q204, Q301 THRU Q304, Q401 THRU Q404, Q501 THRU Q504	TRANS 2N3725 (T05)	1510959	27
10	T103, T104, T203, T204, T303, T304, T403, T404, T503, T504	TRANSFORMER SATURATING INHIBIT	1610961	28
5	T102, T202, T302, T402, T502	TRANSFORMER, PULSE (LIF)	1609996	29

REVISIONS		
CHK	CHANGE NO	REV

TITLE	SIZE CODE	NUMBER	REV.
16K SENSE/INHIBIT	DCS	G114-0-1	C
SCALE	SHEET 3 OF	DIST	

"THIS DRAWING AND SPECIFICATIONS HEREIN ARE THE PROPERTY OF DIGITAL EQUIPMENT CORPORATION AND SHALL NOT BE REPRODUCED OR COPIED OR USED IN WHOLE OR IN PART AS THE BASIS FOR THE MANUFACTURE OR SALE OF ITEMS WITHOUT WRITTEN PERMISSION. COPYRIGHT © 1973, DIGITAL EQUIPMENT CORPORATION"

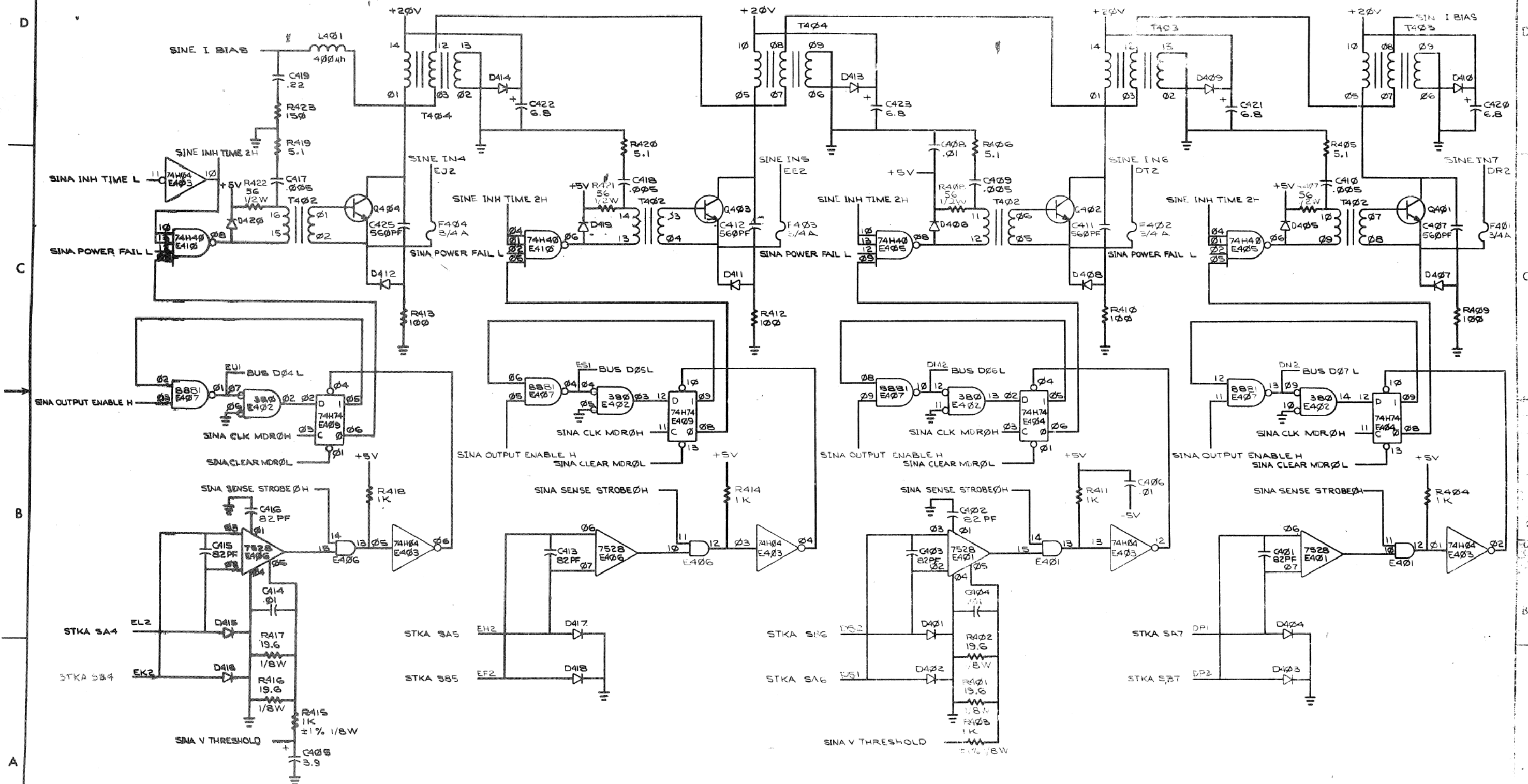


REVISIONS		
CHK	CHANGE NO.	REV.

500 SERIES SINF

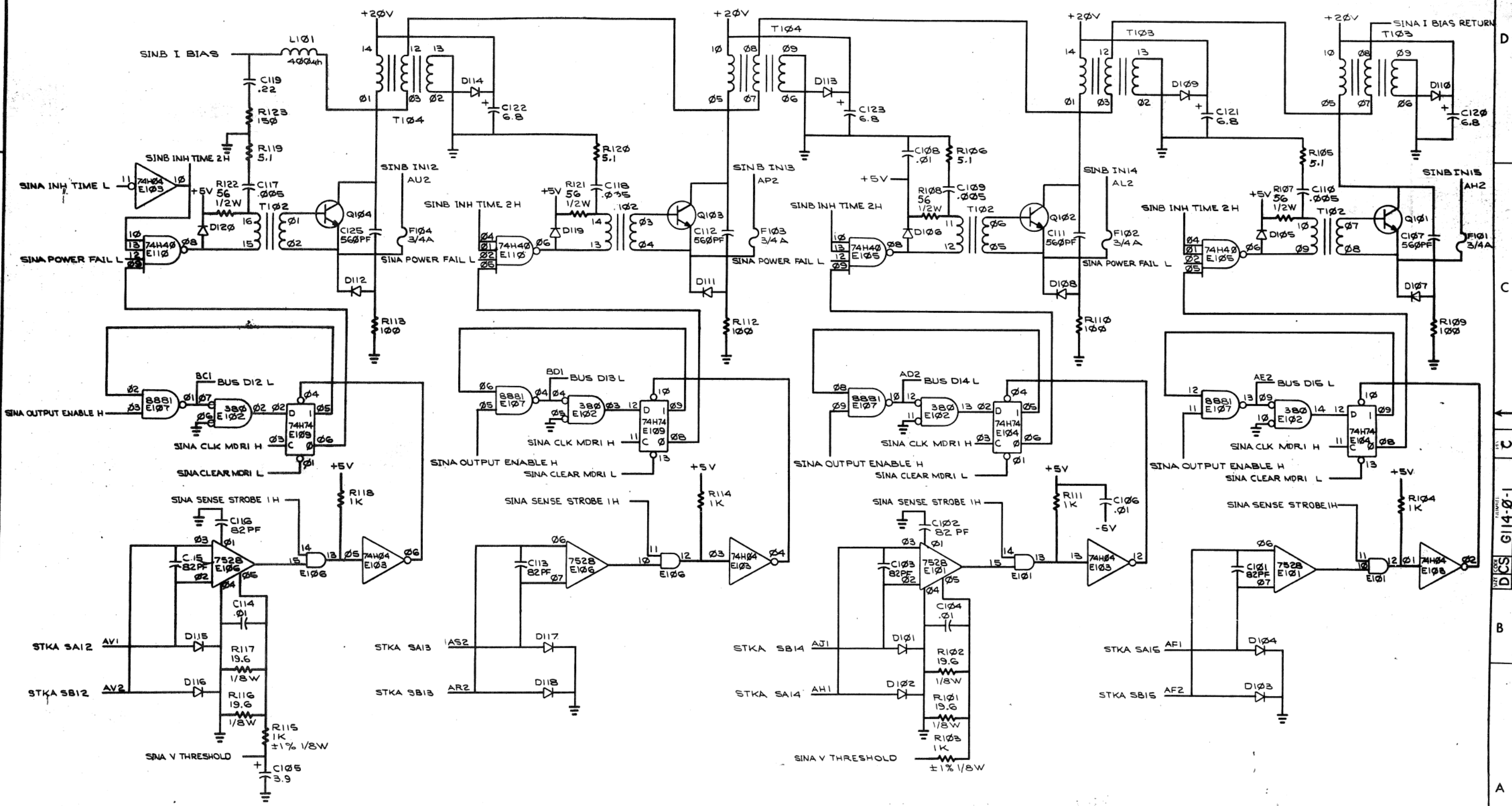
TITLE	SIZE/DATE	NUMBER	REV.
10K SENSE/INHIBIT (SINF)	DCS 614-0-1	1	C
SCALE	SHEET 3 OF 3	DIST	

"THIS DRAWING AND SPECIFICATIONS HEREIN ARE THE PROPERTY OF DIGITAL EQUIPMENT CORPORATION AND SHALL NOT BE REPRODUCED OR COPIED OR USED IN WHOLE OR IN PART AS THE BASIS FOR THE MANUFACTURE OR SALE OF ITEMS WITHOUT WRITTEN PERMISSION. COPYRIGHT © 1973, DIGITAL EQUIPMENT CORPORATION"



REVISIONS		
CHK	CHANGE NO.	REV.

THIS DRAWING AND SPECIFICATIONS, HEREIN, ARE THE PROPERTY OF DIGITAL EQUIPMENT CORPORATION AND SHALL NOT BE REPRODUCED OR COPIED OR USED IN WHOLE OR IN PART AS THE BASIS FOR THE MANUFACTURE OR SALE OF ITEMS WITHOUT WRITTEN PERMISSION.
 COPYRIGHT © 1973, DIGITAL EQUIPMENT CORPORATION

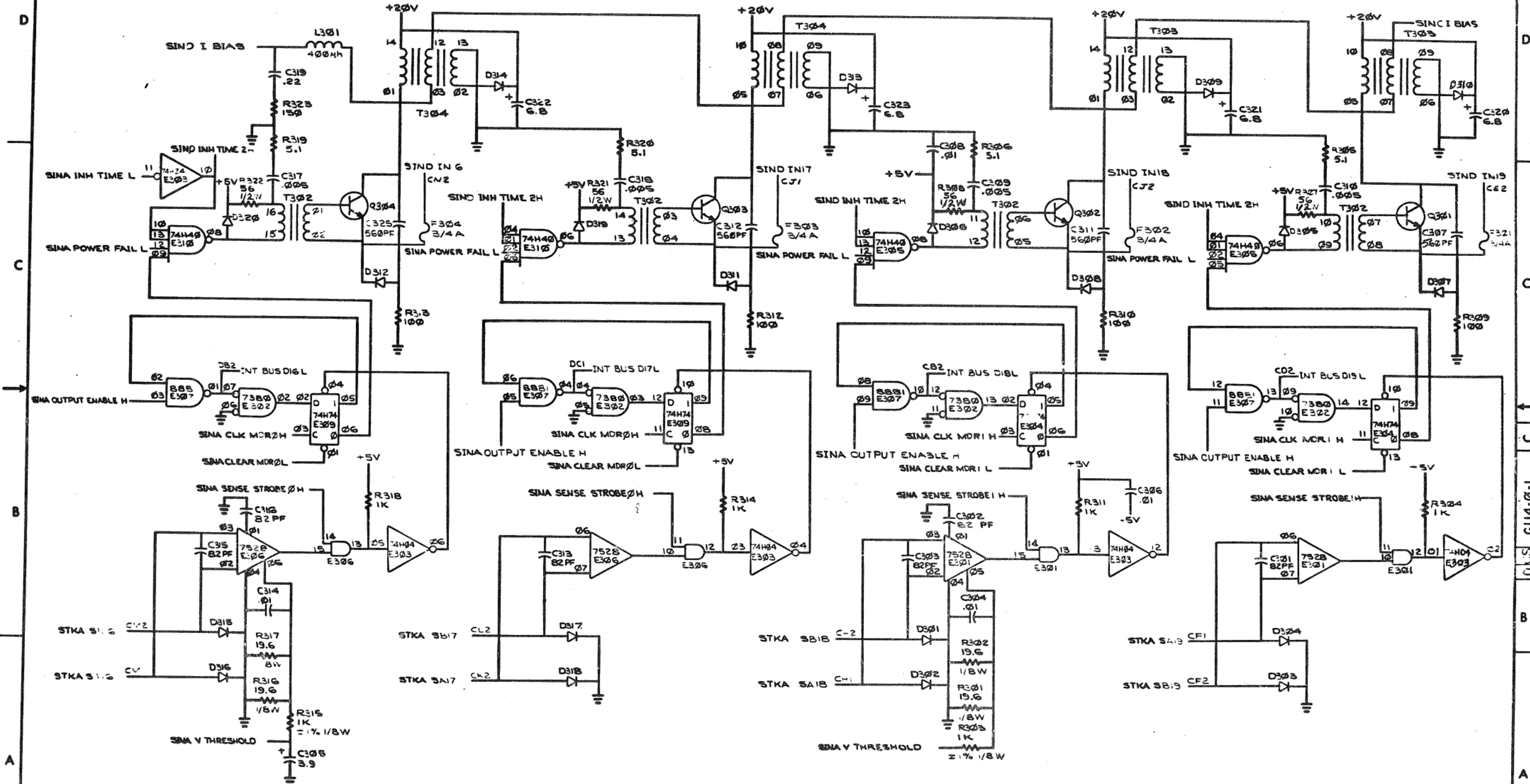


REVISIONS		
CHK	CHANGE NO.	REV.

100 SERIES SINB
 100K SENSE/INHIBIT (100) DCS G114-Q-1

THIS DRAWING AND SPECIFICATIONS, HEREIN, ARE THE PROPERTY OF DIGITAL EQUIPMENT CORPORATION AND SHALL NOT BE REPRODUCED OR COPIED OR USED IN WHOLE OR IN PART AS THE BASIS FOR THE MANUFACTURE OR SALE OF ITEMS WITHOUT WRITTEN PERMISSION. COPYRIGHT © 1973, DIGITAL EQUIPMENT CORPORATION.

DCS 6114-0-1 2



REVISIONS		
CHK	CHANGE NO	REV

300 SERIES SIND

TITLE	16K SENSE/INHIBIT	SIZE CODE	DCS	NUMBER	G114-0-1	REV.	C
SCALE		SHEET	9	OF		DIST	

DEC FORM NO 128

8 7 6 5 4 3 2 1