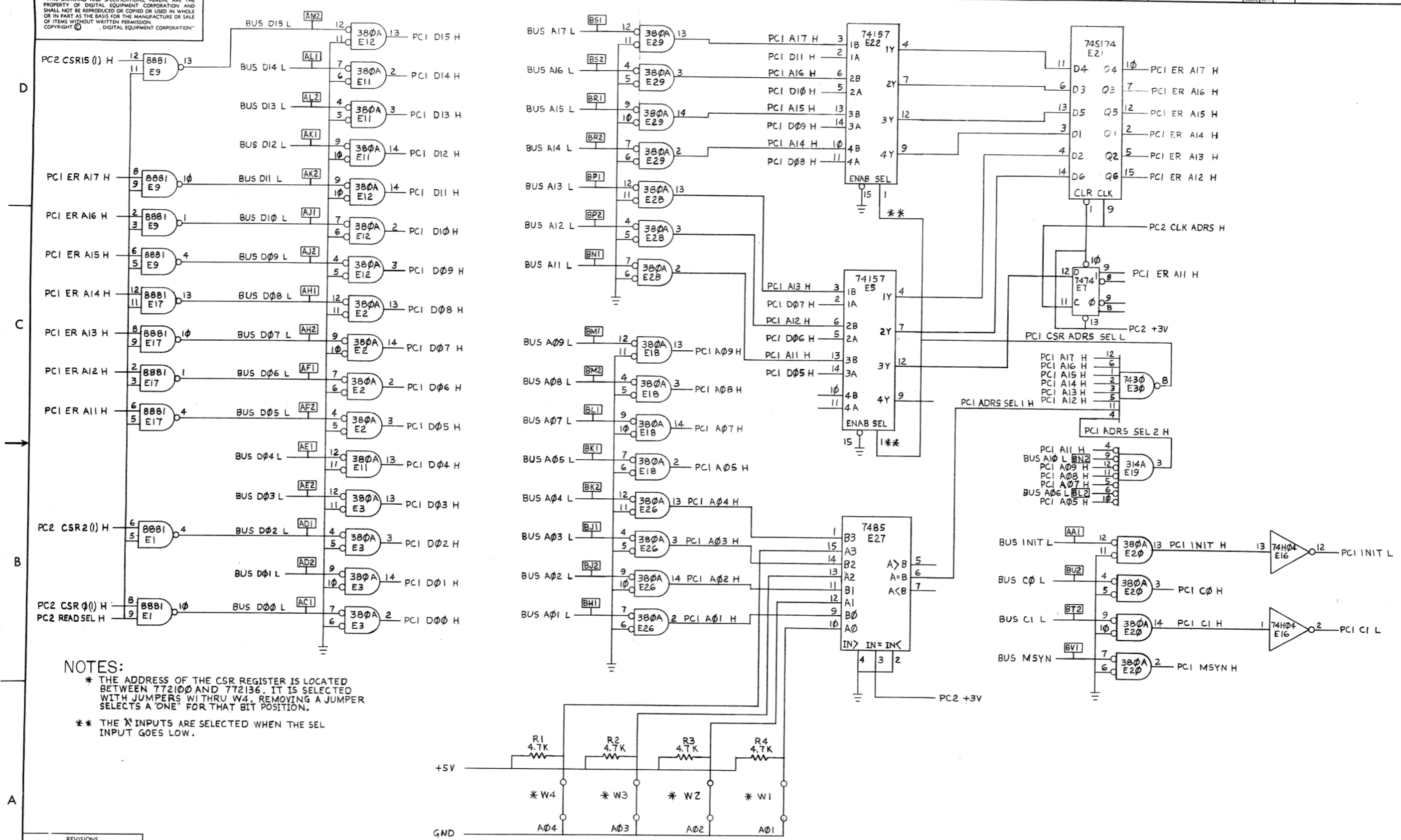


"THIS DRAWING AND SPECIFICATIONS, HEREIN, ARE THE PROPERTY OF DIGITAL EQUIPMENT CORPORATION AND SHALL NOT BE REPRODUCED OR COPIED OR USED IN WHOLE OR IN PART AS THE BASIS FOR THE MANUFACTURE OR SALE OF ITEMS WITHOUT WRITTEN PERMISSION. COPYRIGHT © DIGITAL EQUIPMENT CORPORATION"



NOTES:

- * THE ADDRESS OF THE CSR REGISTER IS LOCATED BETWEEN 772100 AND 772136. IT IS SELECTED WITH JUMPERS WITHRU W4. REMOVING A JUMPER SELECTS A 'ONE' FOR THAT BIT POSITION.
- ** THE 'N' INPUTS ARE SELECTED WHEN THE SEL INPUT GOES LOW.

REVISIONS		
CHK	CHANGE NO.	REV.

TITLE	PARITY CONTROL-MFII-LP (PCI)	SIZE CODE	D CS	NUMBER	M7259-0-1	REV.	E
SCALE	NONE	SHEET	2	OF 3			

