

8

7

6

5

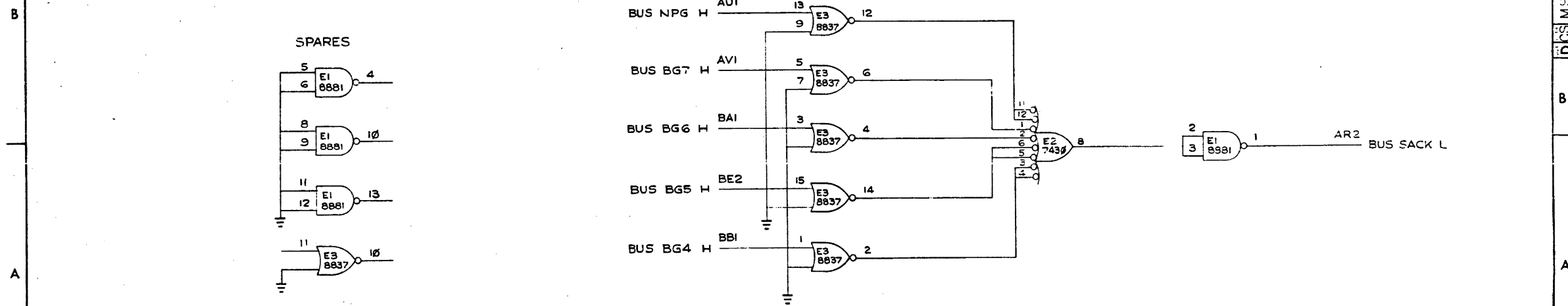
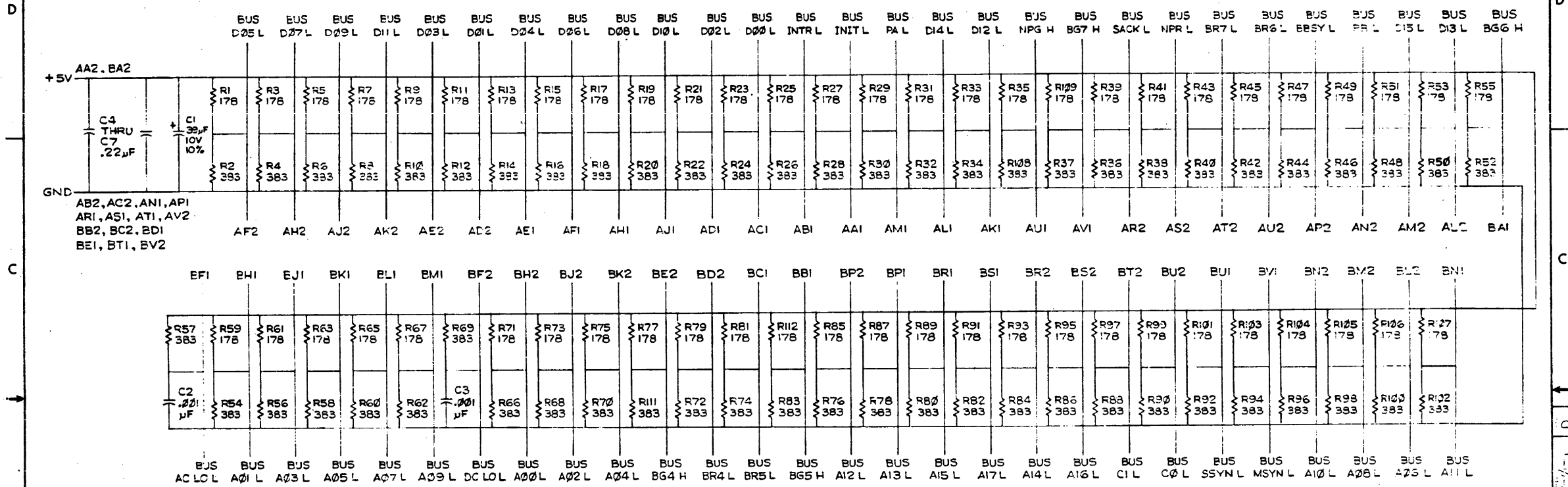
4

3

DCS M9302-0-1

1

THIS DRAWING AND SPECIFICATIONS HEREIN ARE THE PROPERTY OF DIGITAL EQUIPMENT CORPORATION AND SHALL NOT BE REPRODUCED OR COPIED IN WHOLE OR IN PART AS THE BASIS FOR THE MANUFACTURE OR SALE OF ITEMS WITHOUT WRITTEN PERMISSION. COPYRIGHT © 1972 DIGITAL EQUIPMENT CORPORATION.



REVISIONS		
CHK	CHANGE NO	REV

TITLE	SIZE CODE	NUMBER	REV.
UNIBUS TERMINATOR	DCS	M9302-0-1	D
SCALE	SHEET 2 OF 2	DIST.	